

PARTS CATALOG

imageRUNNER
ADVANCE DX
C3835i C3830i
C3826i



Canon

July 5, 2021
Rev. 0

Index

PRE	PREFACE
SNLU	Product Code No./Serial No.
A1C	ASSEMBLY LOCATION DIAGRAM
A2	OPTION PARTS CATALOG LIST
001B	ACCESSORIES
100B	EXTERNAL COVERS, PANELS, ETC.
101B	INTERNAL COMPONENTS 1
102	INTERNAL COMPONENTS 2
103	INTERNAL COMPONENTS 3
104B	INTERNAL COMPONENTS 4
105	INTERNAL COMPONENTS 5
106B	INTERNAL COMPONENTS 6 (SINGLE PASS ADF)
107C	MACHINE REAR PLATE 1 (C3835)
107D	MACHINE REAR PLATE 1 (WITHOUT C3835)
108B	MACHINE REAR PLATE 2
111	RIGHT DOOR ASSEMBLY
112	RIGHT DOOR ASSEMBLY, LOWER
130	CONTROL PANEL ASSEMBLY
140B	POWER CORD TERMINAL ASSEMBLY (120V)
140C	POWER CORD TERMINAL ASSEMBLY (230V)
191	FRONT FAN ASSEMBLY
192	FIXING EXHAUST FAN ASSEMBLY
193	DELIVERY COOLING FAN ASSEMBLY
250	MAIN DRIVE ASSEMBLY
260	REGISTRATION DRIVE ASSEMBLY
262	VERTICAL PATH DRIVE ASSEMBLY
263	DUPLEXING DRIVE ASSEMBLY
270	BOTTLE DRIVE ASSEMBLY, Y, M
271	BOTTLE DRIVE ASSEMBLY, C, K
280	FIXING DRIVE ASSEMBLY
310	PAPER PICK-UP ASSEMBLY (SMALL)
311	PAPER PICK-UP ASSEMBLY (LARGE)
320	REGISTRATION ASSEMBLY
330B	MULTI PAPER PICK-UP TRAY ASSEMBLY
331	MULTI PAPER PICK-UP ASSEMBLY
332	DUPLEXING GUIDE ASSEMBLY
350A	PAPER DELIVERY ASSEMBLY (C3835)
350B	PAPER DELIVERY ASSEMBLY (WITHOUT C3835)
351	FIRST PAPER DELIVERY ASSEMBLY
352	SECOND PAPER DELIVERY ASSEMBLY

Index

353A	PAPER DELIVERY DRIVE ASSEMBLY (C3835)
353B	PAPER DELIVERY DRIVE ASSEMBLY (WITHOUT C3835)
460A	LASER SCANNER ASSEMBLY (C3835)
460B	LASER SCANNER ASSEMBLY (WITHOUT C3835)
530	INTER. TRANSFER BELT ASSEMBLY
640	DEVELOPING ASSEMBLY
770	CONTAINER, WASTE TONER, WT-202
771	WASTE TONER FEED ASSEMBLY
772	WASTE TONER DRIVE UNIT
810B	FIXING ASSEMBLY, FX-209 (120V)
810C	FIXING ASSEMBLY, FX-209 (230V)
910A	POWER SUPPLY ASSEMBLY (100V, 120V)
910B	POWER SUPPLY ASSEMBLY (230V)
930A	MAIN CONTROLLER PCB ASSEMBLY (C3826)
930B	MAIN CONTROLLER PCB ASSEMBLY (C3830)
930C	MAIN CONTROLLER PCB ASSEMBLY (C3835)
931	DC CONTROLLER PCB ASSEMBLY
980	PRIMARY TRANSFER H. V. ASSEMBLY
981	2ND TRNSFR. HIGH VOLTAGE ASSEMBLY
B02	ADF MAINTENANCE KIT (SINGLE PASS ADF)
B11B	INTERNAL COMPONENTS 1 (SINGLE PASS ADF)
B12B	INTERNAL COMPONENTS 2 (SINGLE PASS ADF)
B13	INTERNAL COMPONENTS 3 (SINGLE PASS ADF)
B14	INTERNAL COMPONENTS 4 (SINGLE PASS ADF)
B15	DOCUMENT TRAY ASSEMBLY (SINGLE PASS ADF)
B16	OPEN/CLOSE COVER ASSEMBLY (SINGLE PASS ADF)
B17	BASE FRAME ASSEMBLY (SINGLE PASS ADF)
B40	PLATEN GUIDE ASSEMBLY (SINGLE PASS ADF)
B90	DF DRIVER PCB ASSEMBLY (SINGLE PASS ADF)
D11C	READER ASSEMBLY
H30	CASSETTE ASSEMBLY (SMALL)
H31	CASSETTE ASSEMBLY (LARGE)
ZZA	MECHANICAL STANDARD PARTS (HOW TO USE)
ZZB	MECHANICAL STANDARD PARTS (SCREWS)
ZZC	MECHANICAL STANDARD PARTS (BOLTS)
ZZD	MECHANICAL STANDARD PARTS (NUTS)
ZZE	MECHANICAL STANDARD PARTS (RETAINING RINGS)

Figure PRE (1/5) PREFACE

■How to read the parts list

PART NUMBER column:

- NPN : No Part Number (no service part number is assigned)

QTY column:

- AR : As Required (appropriate quantity, e.g. screw)
- RF : Reference (not available as a service part)

REMARKS column:

- [DP] : Durable Parts (periodically replaced parts/consumable parts)

■パーツリストの見方

PART NUMBER 欄

- NPN : サービス部番設定なし

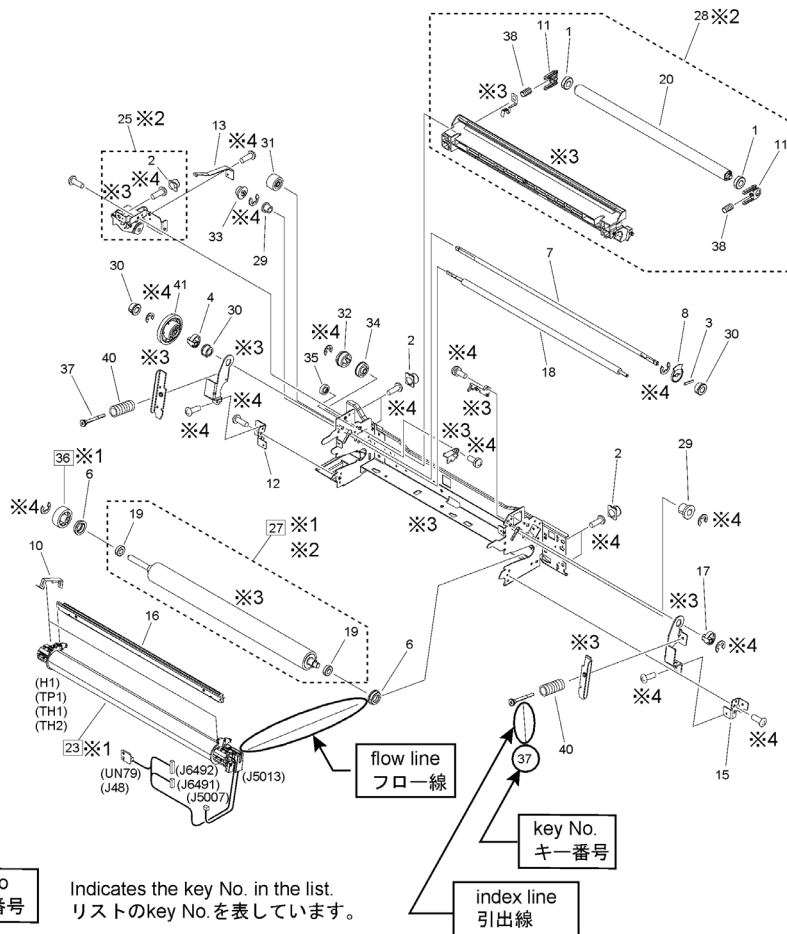
QTY 欄

- AR : As Required (必要数(ビスなど))
- RF : Reference (サービス設定なし)

REMARKS欄

- [DP] : Durable Parts (定期交換部品/消耗部品)

Figure PRE (2/5) PREFACE



key No
キー番号

Indicates the key No. in the list.
リストのkey No.を表しています。

flow line
フロー線

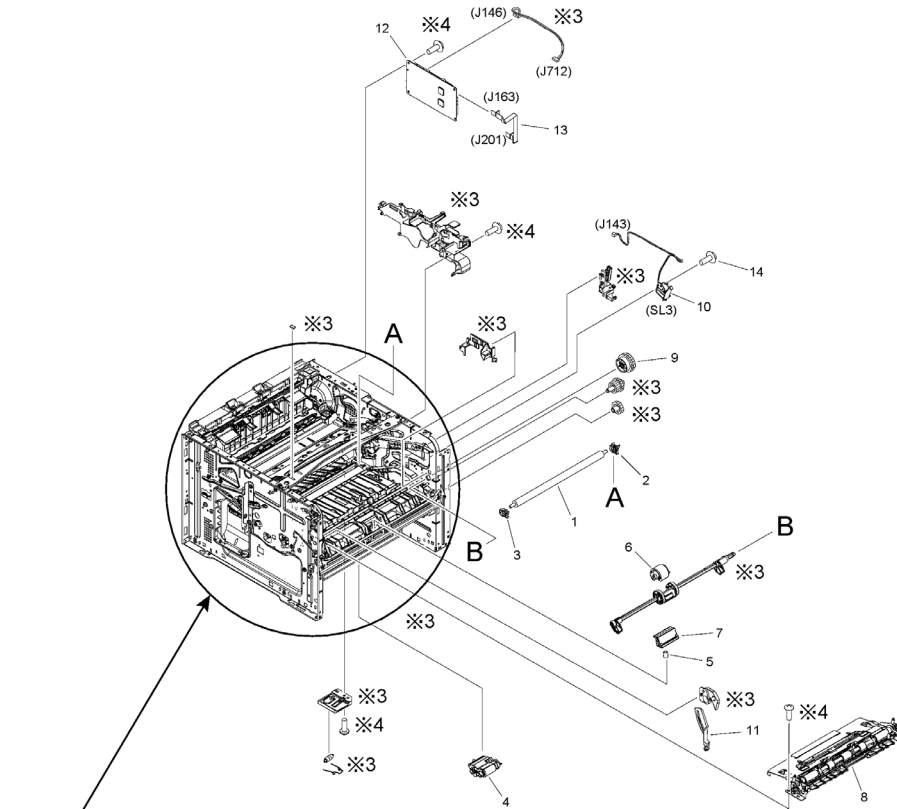
Indicates where the part is connected.
部品の接続先を表しています。

index line
引出線

Leader line of the key No.
key No.の引出線。

- ※1.The part which key No. is enclosed with the solid line represents the periodically replaced part or the consumable part [DP].
key No.が実線の枠で囲まれた部品は、定期交換部品/消耗部品[DP]を表しています。
- ※2.The parts enclosed with the dotted line are shipped as an unit.
In the case of KIT parts, the parts enclosed with the dotted line are shipped together.
点線の枠で囲まれた部品は、ユニットの状態出荷されます。
KIT部品の場合は、点線の枠で囲まれた部品が同梱状態出荷されます。
- ※3.Service part numbers are not assigned to the parts without key No.
key No.のない部品は、サービス部番が設定されていません。
- ※4.For screws/bolts/nuts/retaining rings without key No., check the part numbers in Figure ZZA to ZZE (Mechanical Standard Parts) at the end of the parts catalog.
key No.のないねじ/ボルト/ナット/止め輪については、巻末のFigure ZZA~ZZE (機械標準部品)を見て部番を調べてください。

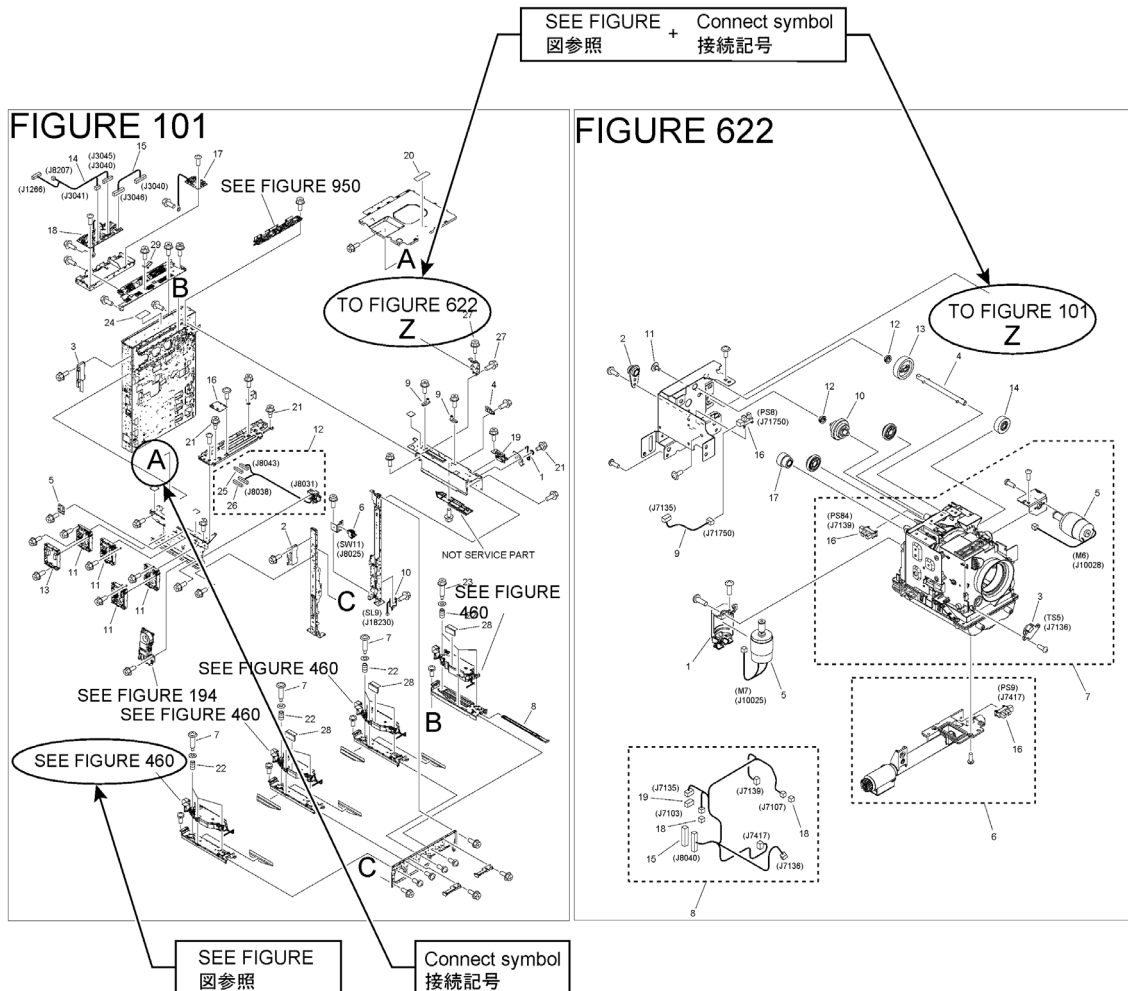
Figure PRE (3/5) PREFACE



Parts which are not disassembled in the illustration (for example, parts assembled to the main frame) cannot be supplied for reasons such as that parts replacement cannot be guaranteed.
 イラスト上で分解されていない部品(本体フレームに組付けた状態の部品など)は、部品交換を保証できない等の理由により供給できません。

- ※1. The part which key No. is enclosed with the solid line represents the periodically replaced part or the consumable part [DP].
 key No.が実線の枠で囲まれた部品は、定期交換部品/消耗部品[DP]を表しています。
- ※2. The parts enclosed with the dotted line are shipped as an unit.
 In the case of KIT parts, the parts enclosed with the dotted line are shipped together.
 点線の枠で囲まれた部品は、ユニットの状態出荷されます。
 KIT部品の場合は、点線の枠で囲まれた部品が同梱状態出荷されます。
- ※3. Service part numbers are not assigned to the parts without key No.
 key No.のない部品は、サービス部番が設定されていません。
- ※4. For screws/bolts/nuts/retaining rings without key No., check the part numbers in Figure ZZA to ZZE (Mechanical Standard Parts) at the end of the parts catalog.
 key No.のないねじ/ボルト/ナット/止め輪については、巻末のFigure ZZA~ZZE (機械標準部品)を見て部番を調べてください。

Figure PRE (4/5) PREFACE



SEE FIGURE
図参照

Figure to be referenced is shown.
参照するFigureを示しています。

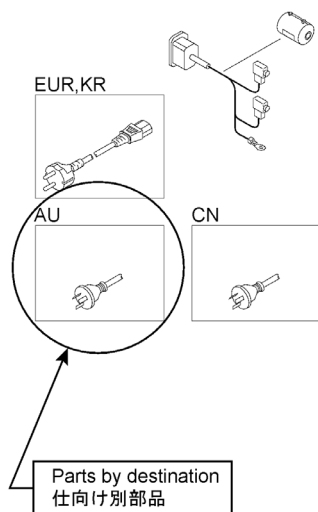
Connect symbol
接続記号

Indicates the figuer to which it is connected.
接続先のFigureを示しています。

SEE FIGURE + Connect symbol
図参照 + 接続記号

Indicates the figuer to which it is connected and where the part is connected
接続先のFigureと部品の接続先を示しています。

Figure PRE (5/5) PREFACE



Deferent parts by Country/Region/Voltage/Model/Language/Function/Type/Paper Size
国/地域/電圧/モデル/言語/機能/型式/用紙サイズで異なる部品。

Figure SNLU Product Code No./Serial No.

	Product Code No.	Model Name	Remarks	Serial No.
1	F81-0338-000	imageRUNNER ADVANCE DX C3835i	120V	3FX
2	F81-7638-000	imageRUNNER ADVANCE DX C3835i	120V	4CS
3	F81-0337-000	imageRUNNER ADVANCE DX C3835i	120V GOVERNMENT model	3GC
4	F81-0336-000	imageRUNNER ADVANCE DX C3830i	120V	3FY
5	F81-7636-000	imageRUNNER ADVANCE DX C3830i	120V	4BT
6	F81-0335-000	imageRUNNER ADVANCE DX C3830i	120V GOVERNMENT model	3GD
7	F81-0334-000	imageRUNNER ADVANCE DX C3826i	120V	3GA
8	F81-7634-000	imageRUNNER ADVANCE DX C3826i	120V	4CD
9	F81-0388-000	imageRUNNER ADVANCE DX C3835i	230V	3GG
10	F81-7688-000	imageRUNNER ADVANCE DX C3835i	230V	4CT
11	F81-0384-000	imageRUNNER ADVANCE DX C3826i	230V	3GJ
12	F81-7684-000	imageRUNNER ADVANCE DX C3826i	230V	4CE

	中オーダー	製品名	備考	シリアル No.
1	F81-0338-000	imageRUNNER ADVANCE DX C3835i	120V	3FX
2	F81-7638-000	imageRUNNER ADVANCE DX C3835i	120V	4CS
3	F81-0337-000	imageRUNNER ADVANCE DX C3835i	120V GOVERNMENT model	3GC
4	F81-0336-000	imageRUNNER ADVANCE DX C3830i	120V	3FY
5	F81-7636-000	imageRUNNER ADVANCE DX C3830i	120V	4BT
6	F81-0335-000	imageRUNNER ADVANCE DX C3830i	120V GOVERNMENT model	3GD
7	F81-0334-000	imageRUNNER ADVANCE DX C3826i	120V	3GA
8	F81-7634-000	imageRUNNER ADVANCE DX C3826i	120V	4CD
9	F81-0388-000	imageRUNNER ADVANCE DX C3835i	230V	3GG
10	F81-7688-000	imageRUNNER ADVANCE DX C3835i	230V	4CT
11	F81-0384-000	imageRUNNER ADVANCE DX C3826i	230V	3GJ
12	F81-7684-000	imageRUNNER ADVANCE DX C3826i	230V	4CE

FIGURE & KEY NO.	PART NUMBER	RANK	QTY	DESCRIPTION	SERIAL NUMBER /REMARKS
SNLU	NPN		RF	Product Code No./Serial No.	
1	F81-0338-000		1	imageRUNNER ADVANCE DX C3835i	120V 3FX
2	F81-7638-000		1	imageRUNNER ADVANCE DX C3835i	120V 4CS
3	F81-0337-000		1	imageRUNNER ADVANCE DX C3835i	120V 3GC GOVERNMENT model
4	F81-0336-000		1	imageRUNNER ADVANCE DX C3830i	120V 3FY
5	F81-7636-000		1	imageRUNNER ADVANCE DX C3830i	120V 4BT
6	F81-0335-000		1	imageRUNNER ADVANCE DX C3830i	120V 3GD GOVERNMENT model
7	F81-0334-000		1	imageRUNNER ADVANCE DX C3826i	120V 3GA
8	F81-7634-000		1	imageRUNNER ADVANCE DX C3826i	120V 4CD
9	F81-0388-000		1	imageRUNNER ADVANCE DX C3835i	230V 3GG
10	F81-7688-000		1	imageRUNNER ADVANCE DX C3835i	230V 4CT
11	F81-0384-000		1	imageRUNNER ADVANCE DX C3826i	230V 3GJ
12	F81-7684-000		1	imageRUNNER ADVANCE DX C3826i	230V 4CE

Figure A1C (1/5) ASSEMBLY LOCATION DIAGRAM

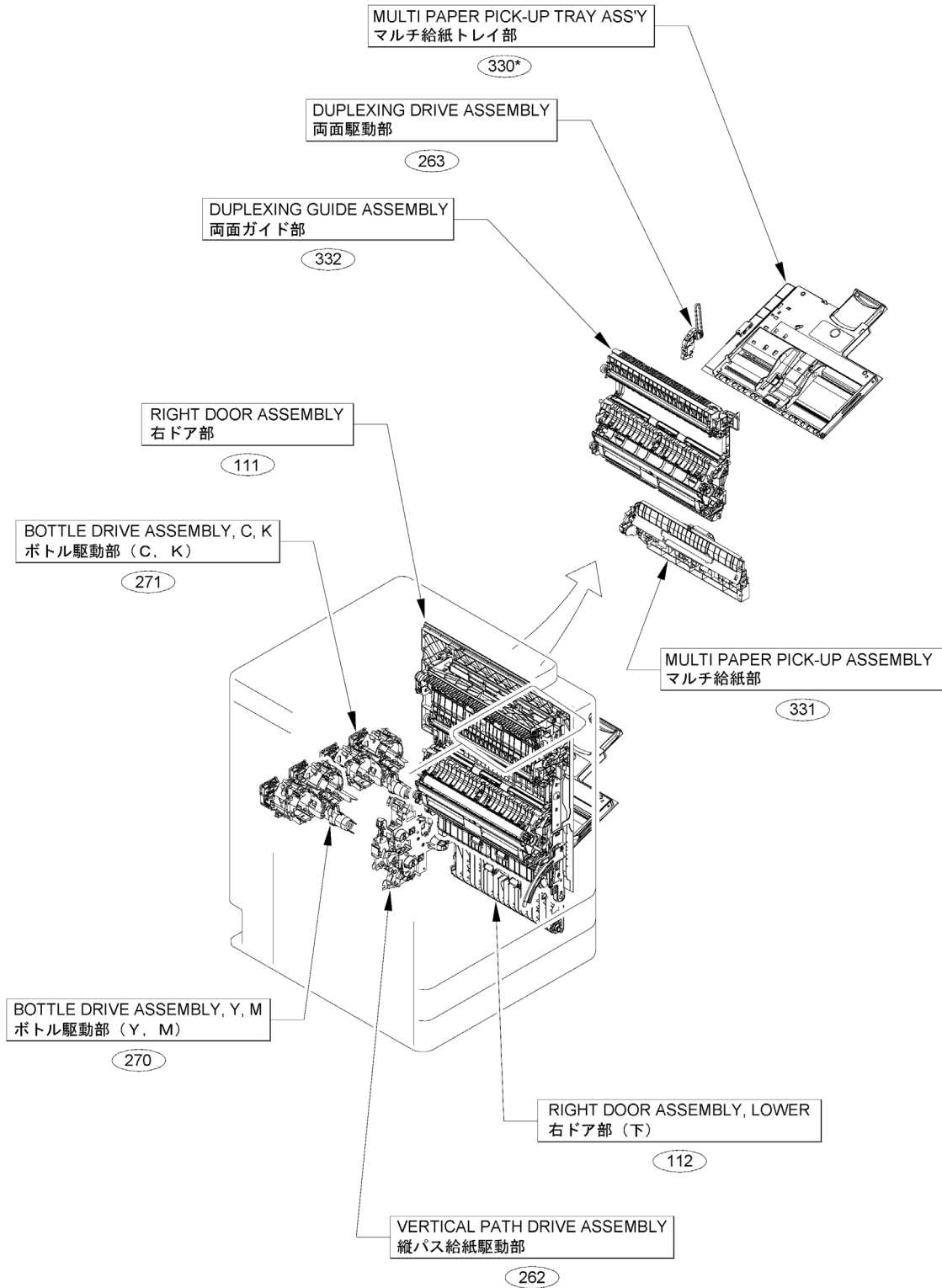


Figure A1C (2/5) ASSEMBLY LOCATION DIAGRAM

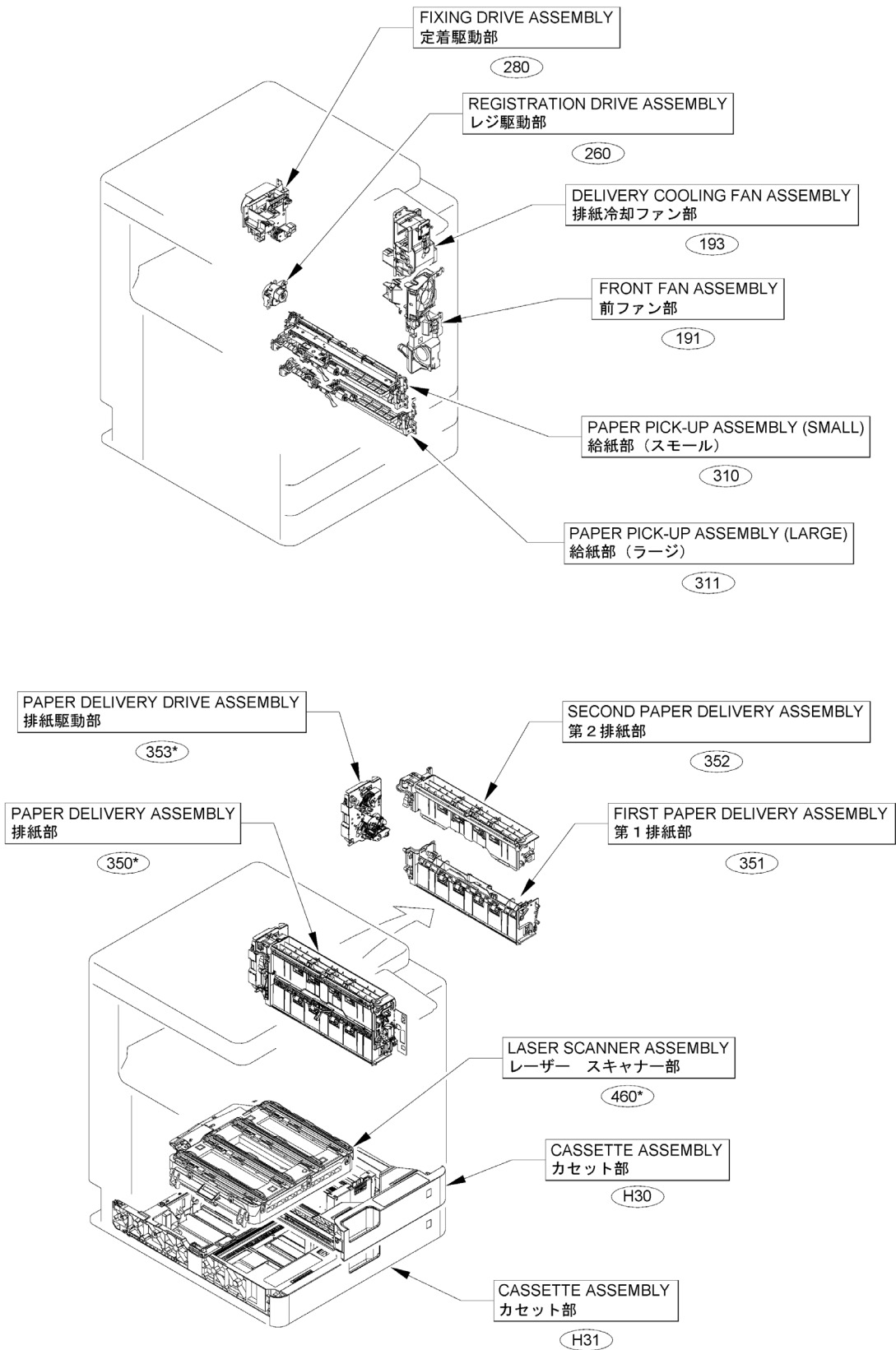


Figure A1C (3/5) ASSEMBLY LOCATION DIAGRAM

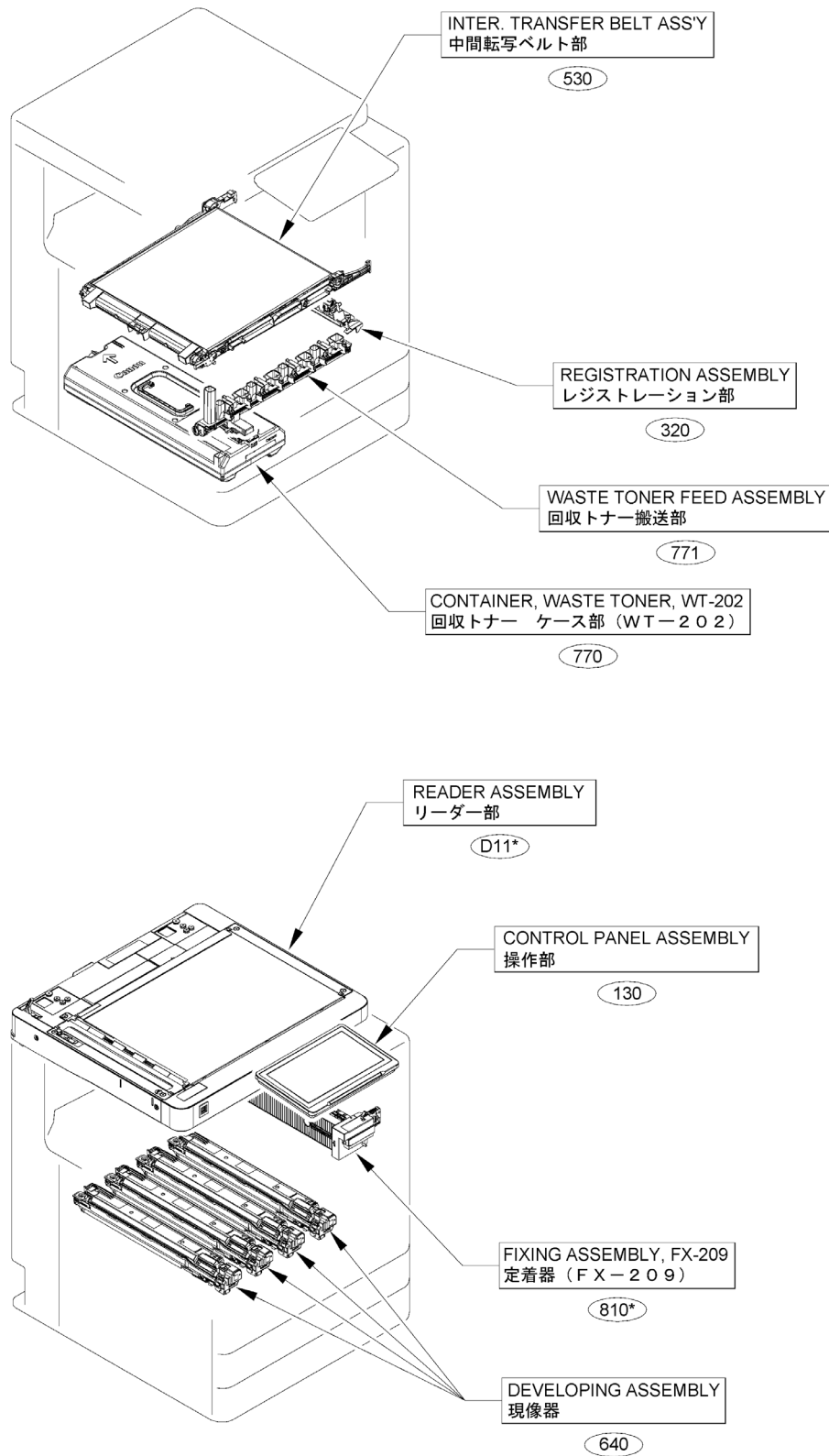


Figure A1C (4/5) ASSEMBLY LOCATION DIAGRAM

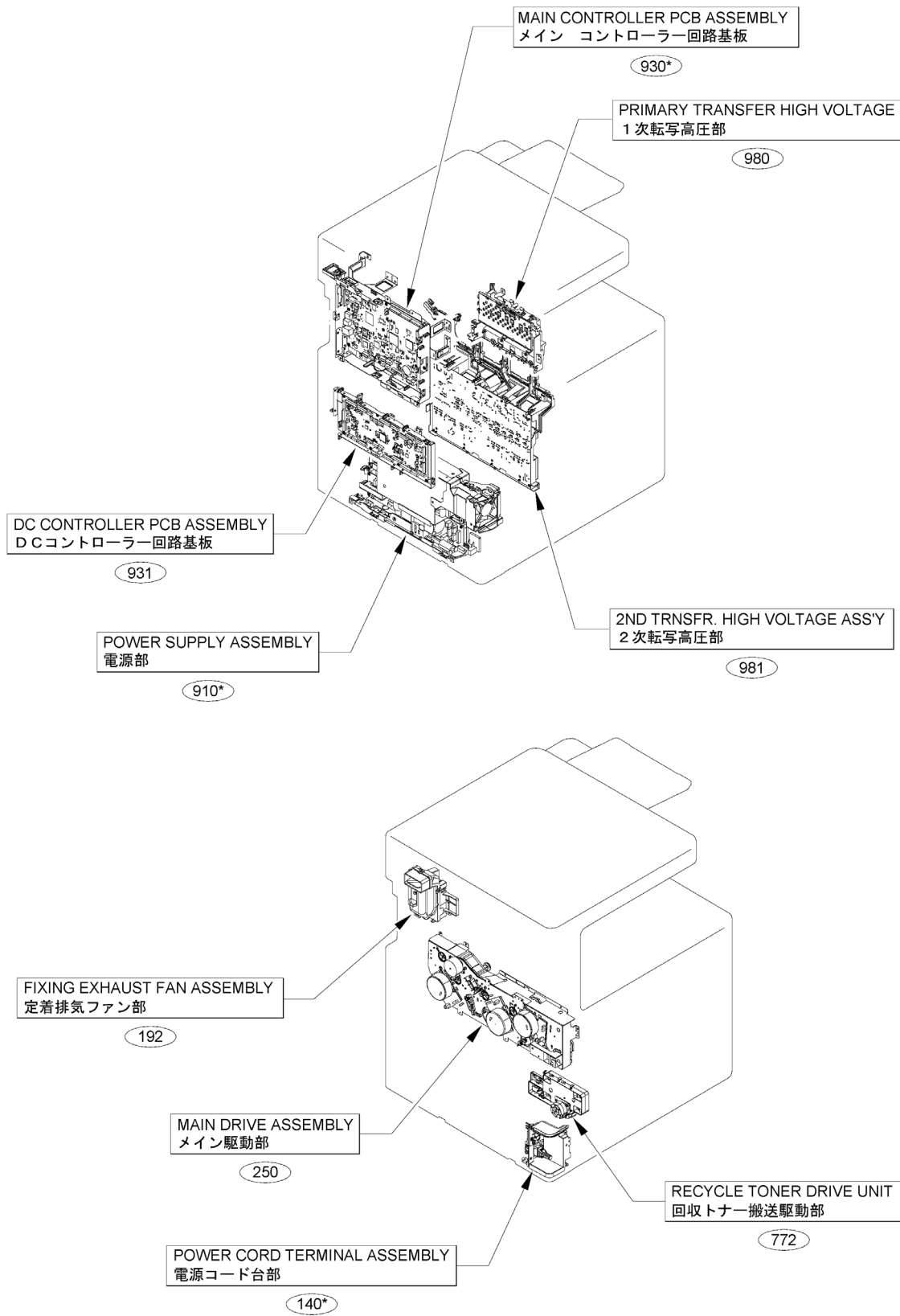


Figure A1C (5/5) ASSEMBLY LOCATION DIAGRAM

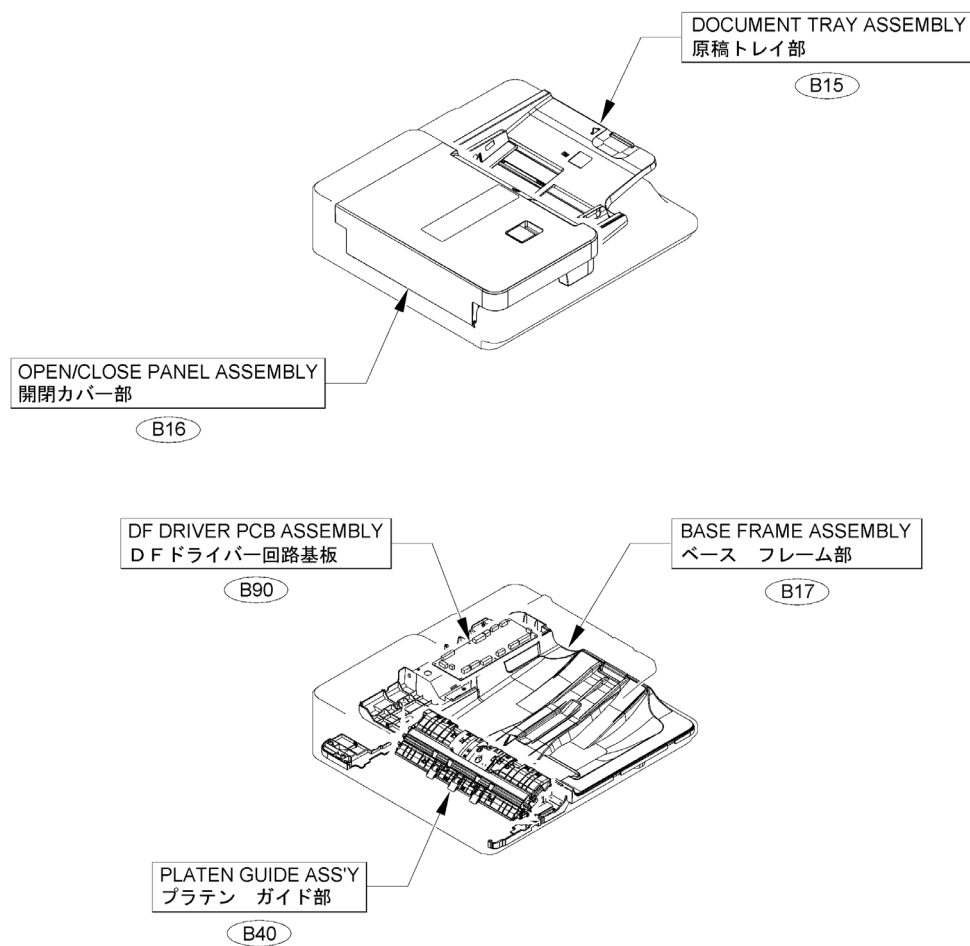


Figure A2 OPTION PARTS CATALOG LIST

This is the table of the machine's options whose parts catalog is issued.
 本機オプションで、パーツカタログが発行されている機種の一覧である。

No.	Model Name(English)	Model Name(Japanese)
1	DADF-BA1	(日本仕向なし)
2	Single Pass DADF-C1	(日本仕向なし)
3	Platen Cover-Y3	原稿台カバー・Y3
4	ADF Access Handle-A1	ADFアクセスハンドル・A1
5	NFC Kit-E2	NFCキット・E2
6	Cassette Feeding Unit-AW1	2段カセットベディスタル・AW1
7	Copy Tray-T1	コピートレイ・T1
8	Inner 2way Tray-M1	インナー2ウェイトレイ・M1
9	Staple Finisher-AE1	ステイプルフィニッシャー・AE1
10	Inner Finisher-L1	インナーフィニッシャー・L1
11	Booklet Finisher-AE1	中綴じフィニッシャー・AE1
12	2/3, 2/4, 4 Hole Puncher Unit-A1	2/4穴、2/4穴、4穴パンチャーユニット・A1
13	Inner 2/3 Hole, 2/4 Hole, 4 Hole Puncher-D1	インナー2/3穴、2/4穴、4穴パンチャー・D1
14	Staple Cartridge-Y1	ステイプル・Y1
15	Reader Heater Unit-Q1	リーダーヒーターキット・Q1
16	Cassette Heater Unit-42	(日本仕向なし)
17	Main Body Heater Unit-A2	機内ヒーター・A2
18	Utility Tray-B1	ユーティリティートレイ・B1
19	Copy Card Reader Attachment-B7	コピーカードリーダー取付けキット・B7
20	(JAPAN ONLY)	セルフコピー取付けキット・A1
21	Media Adjustment kit-A1	(日本仕向なし)
22	Numeric Keypad-A2	テンキー・A2
23	Super G3 FAX Board-BH1	(日本仕向なし)
24	Super G3 2nd Line Fax Board-BH1	G3回線増設キット(2回線)・BH1
25	(JAPAN ONLY)	ハンドセット・G2
26	Voice Guidance Kit-G1	(日本仕向なし)
27	Voice Operation Kit-D1	音声操作キット・D1
28	(JAPAN ONLY)	iR-ADV課金装置接続キット・A3
29	Serial Interface Kit-K3	シリアルインターフェースキット・K3
30	Copy Control Interface Kit-A1	コントロールインターフェースキット・A1
31	250GB SSD-A1	オプションSSD(250GB)・A1
32	1TB SSD-A1	オプションSSD(1TB)・A1
33	Memory Mirroring Kit-A1	メモリーミラーリングキット・A1
34	IC Card Reader Box for Numeric Keypad-A1	テンキー用ICカードリーダーボックス・A1
35	Copy Card Reader-F1	コピーカードリーダー・F1
36	Connection Kit-A3 for Bluetooth LE	拡張キット・A3 for Bluetooth LE
37	Option Attachment kit for Reader-A2	リーダー用オプション取付けキット・A2

Figure 001B ACCESSORIES

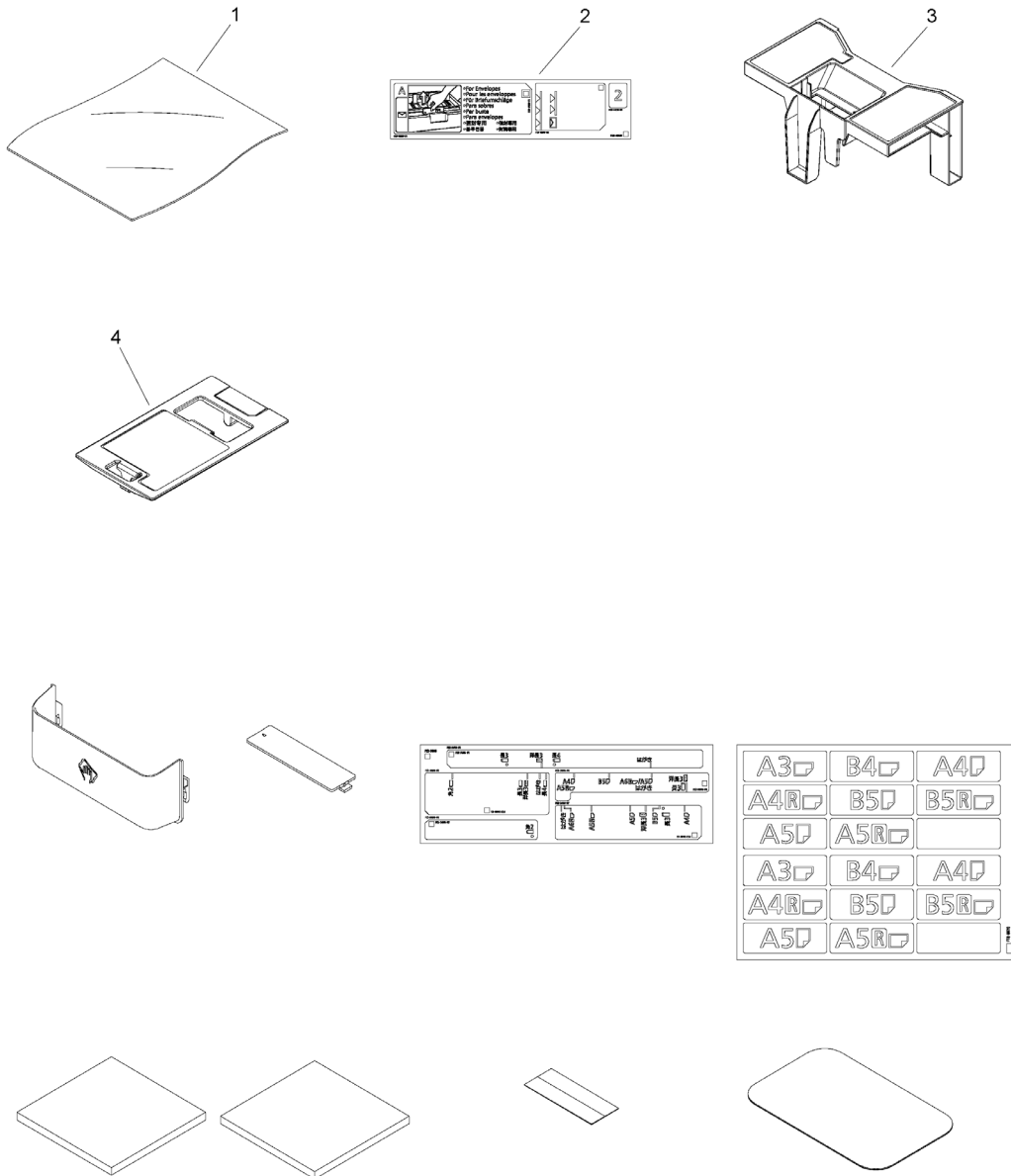


FIGURE & KEY NO.	PART NUMBER	RANK	QTY	DESCRIPTION	SERIAL NUMBER /REMARKS
001B	NPN		RF	ACCESSORIES	
1	FE2-D452-000		1	CLOTH, CLEANING	
2	FE8-4838-000		1	LABEL, CASSETTE	
3	FM1-D502-000		1	ENVELOPE HORIZONTAL FEED ASS'Y	
4	FL0-4625-000		1	ENVELOPE VERTICAL FEED ASS'Y	

Figure 100B EXTERNAL COVERS, PANELS, ETC.

NOTE : Several kinds of labels are attached on the board for the parts of Key No. 20.

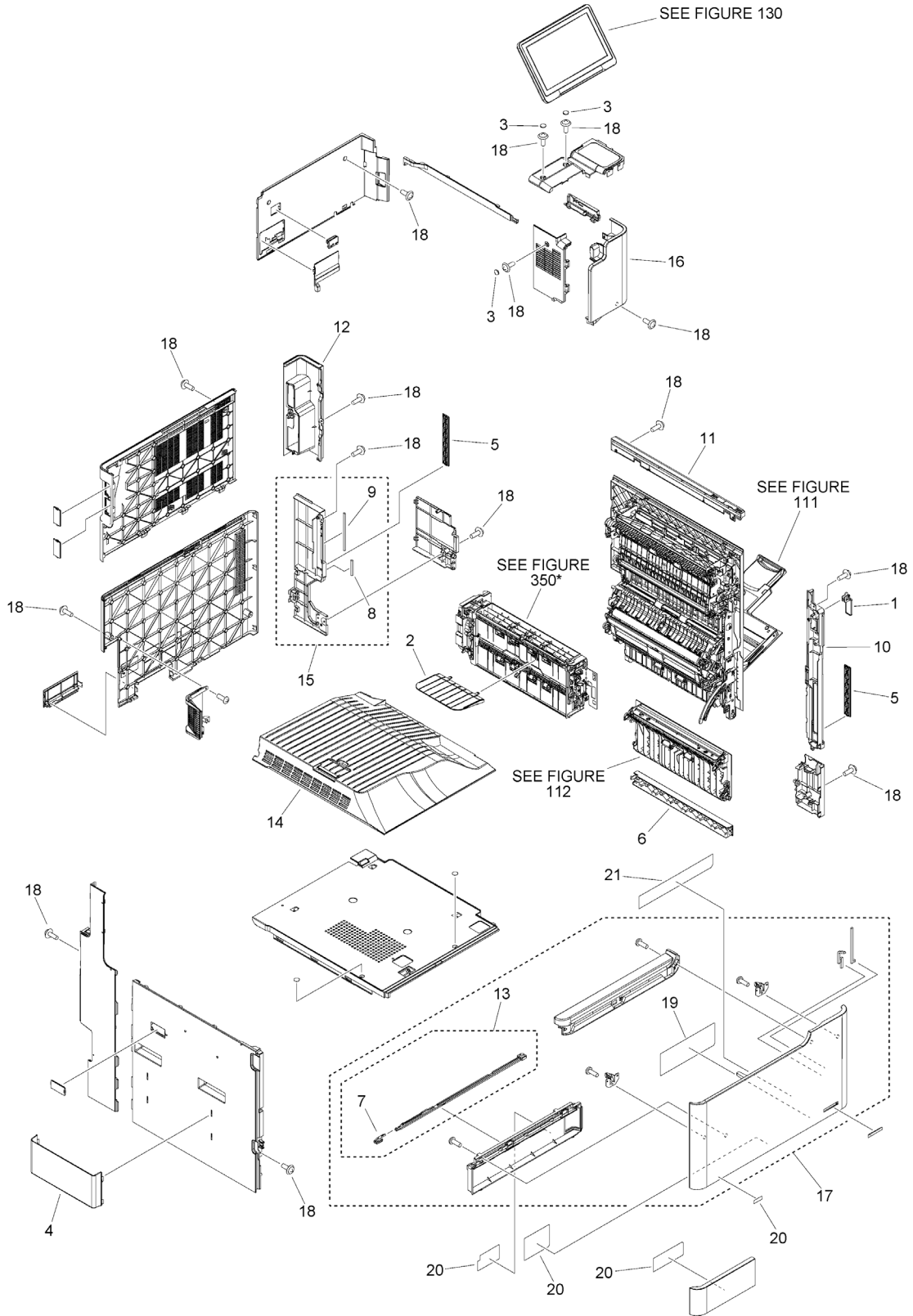


FIGURE & KEY NO.	PART NUMBER	RANK	QTY	DESCRIPTION	SERIAL NUMBER /REMARKS
100B	NPN		RF	EXTERNAL COVERS, PANELS, ETC.	
1	FE3-0902-000		1	COVER,MAIN POWER SUPPLY SWITCH	
2	FE3-9167-000		1	GUIDE, REVERSE BACK END	
3	FE3-9169-000		3	CAP	
4	FE4-2809-000		1	HOLDER, SERVICE BOOK	
5	FE8-4710-000		2	COVER, HANDLE	
6	FE8-4815-000		1	COVER, RIGHT, LOWER	
7	FL1-6298-000		1	PAD, GLASS CLEANING	
8	FL4-3590-000		1	SHEET	
9	FL4-3591-000		1	SHEET	
10	FL4-4954-000		1	RIGHT COVER ASS'Y, FRONT UPPER	
11	FL4-4955-000		1	COVER, INNER, RIGHT UPPER	
12	FL4-4956-000		1	COVER, RIGHT, REAR UPPER	
13	FM1-U651-000		1	GLASS CLEANING ROD ASSEMBLY	
14	FM1-Y547-000		1	1ST PAPER DELIVERY TRAY ASS'Y	
15	FM2-A016-000		1	COVER, RIGHT LOWER, REAR	
16	FM2-C281-000		1	COVER ASSEMBLY, FRONT UPPER	
17	FM2-C283-000		1	FRONT COVER ASSEMBLY	
18	XA9-2050-000		15	SCREW, SELF-TAPPING, M3	
19	FE2-P298-000		1	LABEL, CLN ROD OPERATION	
20	FE8-4869-000		1	LABEL, TONER	SEE NOTE
21	FL4-5793-000		1	LABEL, SERVICE	

Figure 101B INTERNAL COMPONENTS 1

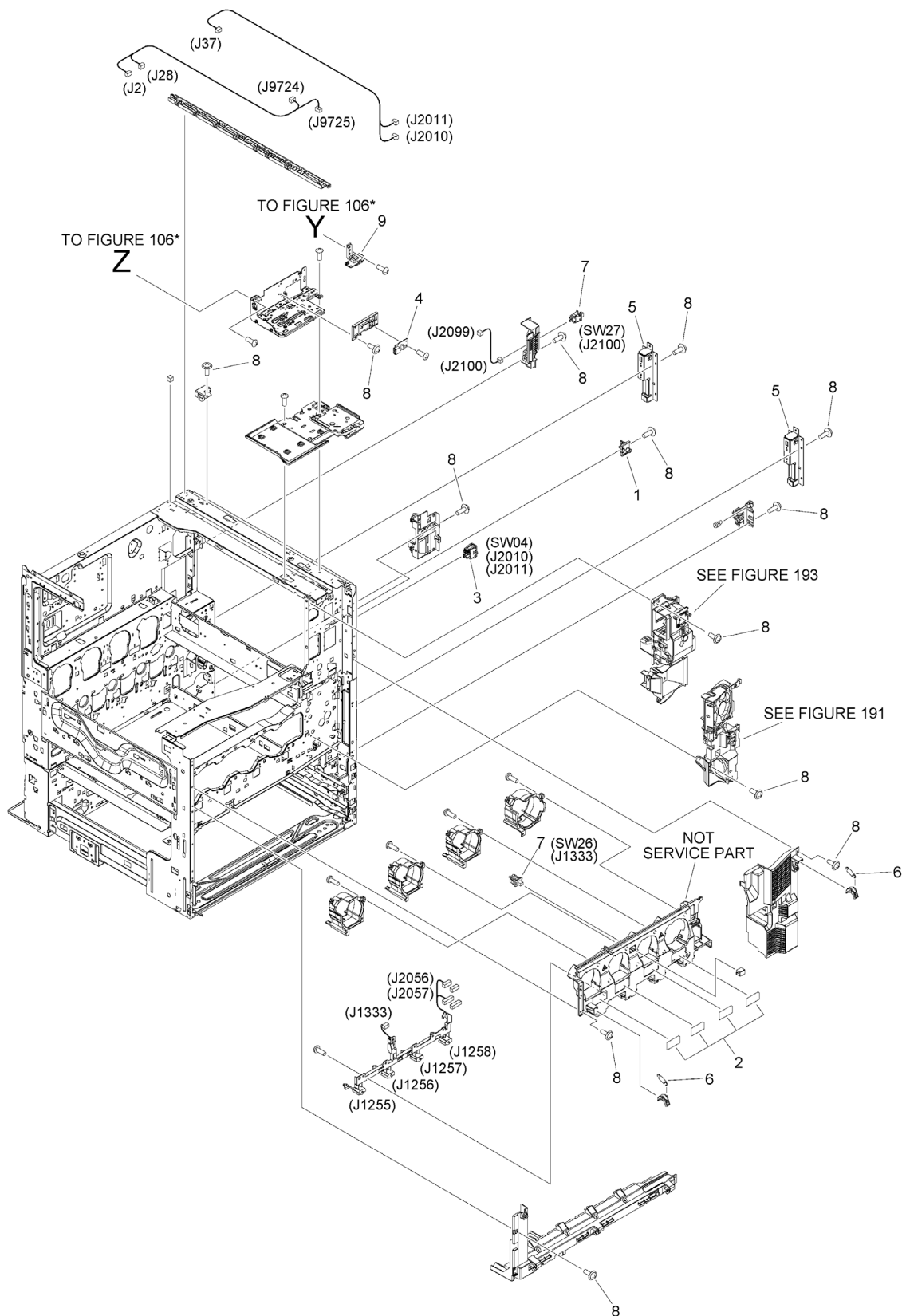


FIGURE & KEY NO.	PART NUMBER	RANK	QTY	DESCRIPTION	SERIAL NUMBER /REMARKS
101B	NPN		RF	INTERNAL COMPONENTS 1	
1	FE3-1422-000		1	HINGE, REAR	
2	FE3-9853-000		1	LABEL, TONER	
3	FK3-2835-000		1	SWITCH, MAIN POWER SUPPLY	SW04, J2010, J2011
4	FM1-Z807-000		1	USB RELAY PCB ASSEMBLY	
5	FM2-A006-000		2	HANDLE UNIT	
6	FU2-0957-000		2	SPRING, TENSION	
7	WC2-5806-000		2	SWITCH, PUSH	SW26, SW27, J1333, J2100
8	XA9-2050-000		15	SCREW, SELF-TAPPING, M3	
9	FM2-B068-000		1	USB RELAY PCB ASSEMBLY	

Figure 102 INTERNAL COMPONENTS 2

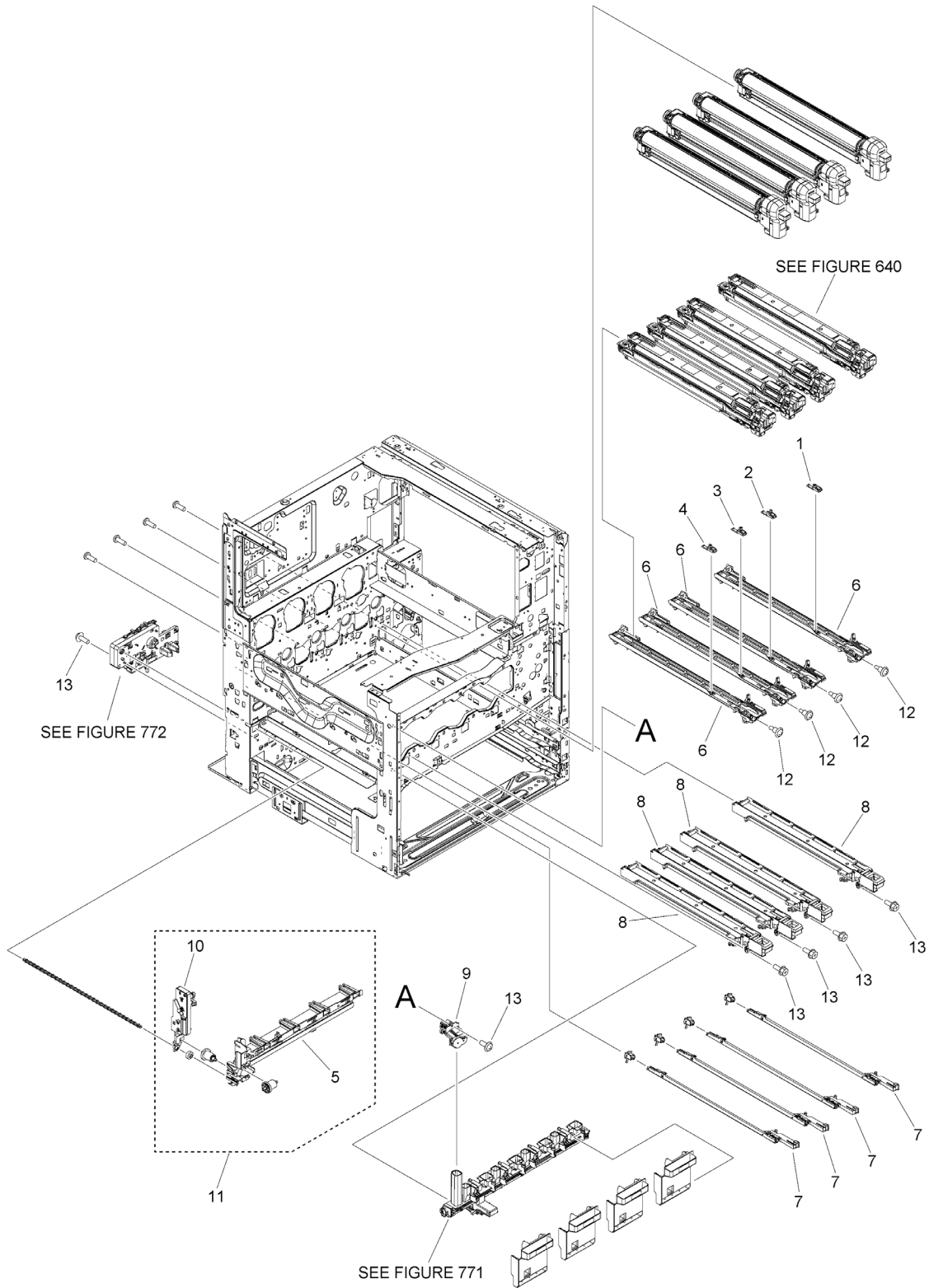


FIGURE & KEY NO.	PART NUMBER	RANK	QTY	DESCRIPTION	SERIAL NUMBER /REMARKS
102	NPN		RF	INTERNAL COMPONENTS 2	
1	FE3-6420-000		1	BLOCK, TRAY, BLACK	
2	FE3-6421-000		1	BLOCK, TRAY, CYAN	
3	FE3-6422-000		1	BLOCK, TRAY, MAGENTA	
4	FE3-6423-000		1	BLOCK, TRAY, YELLOW	
5	FE3-9148-020		1	GUIDE, LASER WIPER	
6	FL0-1718-000		4	TRAY, DEVELOPING	
7	FM1-B186-000		4	DEVELOPING CROSSMEMBER ASS'Y	
8	FM1-B187-010		4	DRUM RAIL ASSEMBLY	
9	FM1-D186-010		1	INTERMEDIATE GUIDE ASSEMBLY	
10	FM2-A046-000		1	WASTE TONER GEAR HOLDER ASS'Y	
11	FM2-A047-000		1	WASTE TONER FEED DRIVE ASS'Y	
12	FU5-9353-000		4	SCREW, STEPPED, M3	
13	XA9-2050-000		15	SCREW, SELF-TAPPING, M3	

Figure 103 INTERNAL COMPONENTS 3

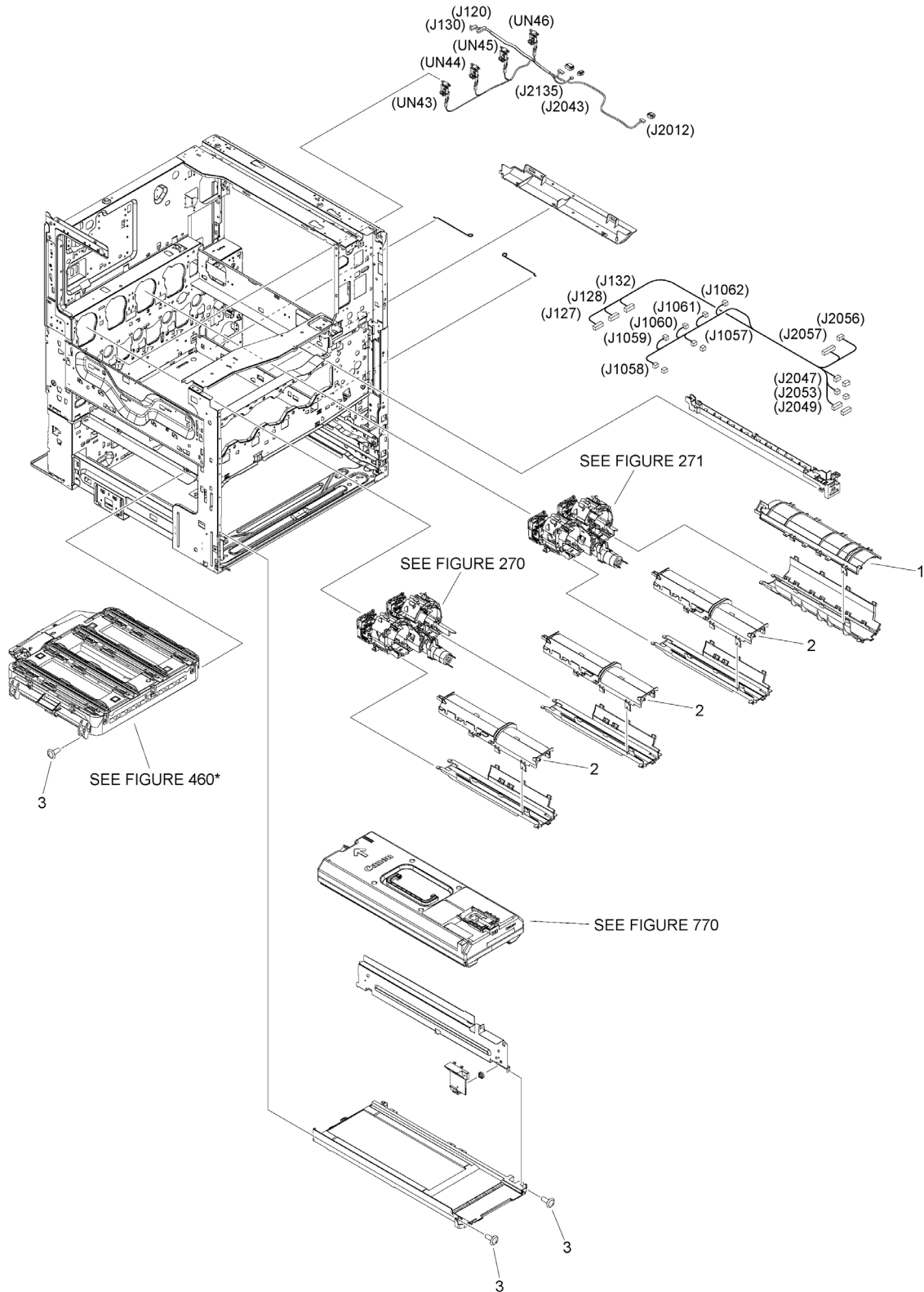


FIGURE & KEY NO.	PART NUMBER	RANK	QTY	DESCRIPTION	SERIAL NUMBER /REMARKS
103	NPN		RF	INTERNAL COMPONENTS 3	
1	FE3-0962-000		1	GUIDE, BLACK	
2	FE3-0963-010		3	GUIDE, COLLAR	
3	XA9-2050-000		4	SCREW, SELF-TAPPING, M3	

Figure 104B INTERNAL COMPONENTS 4

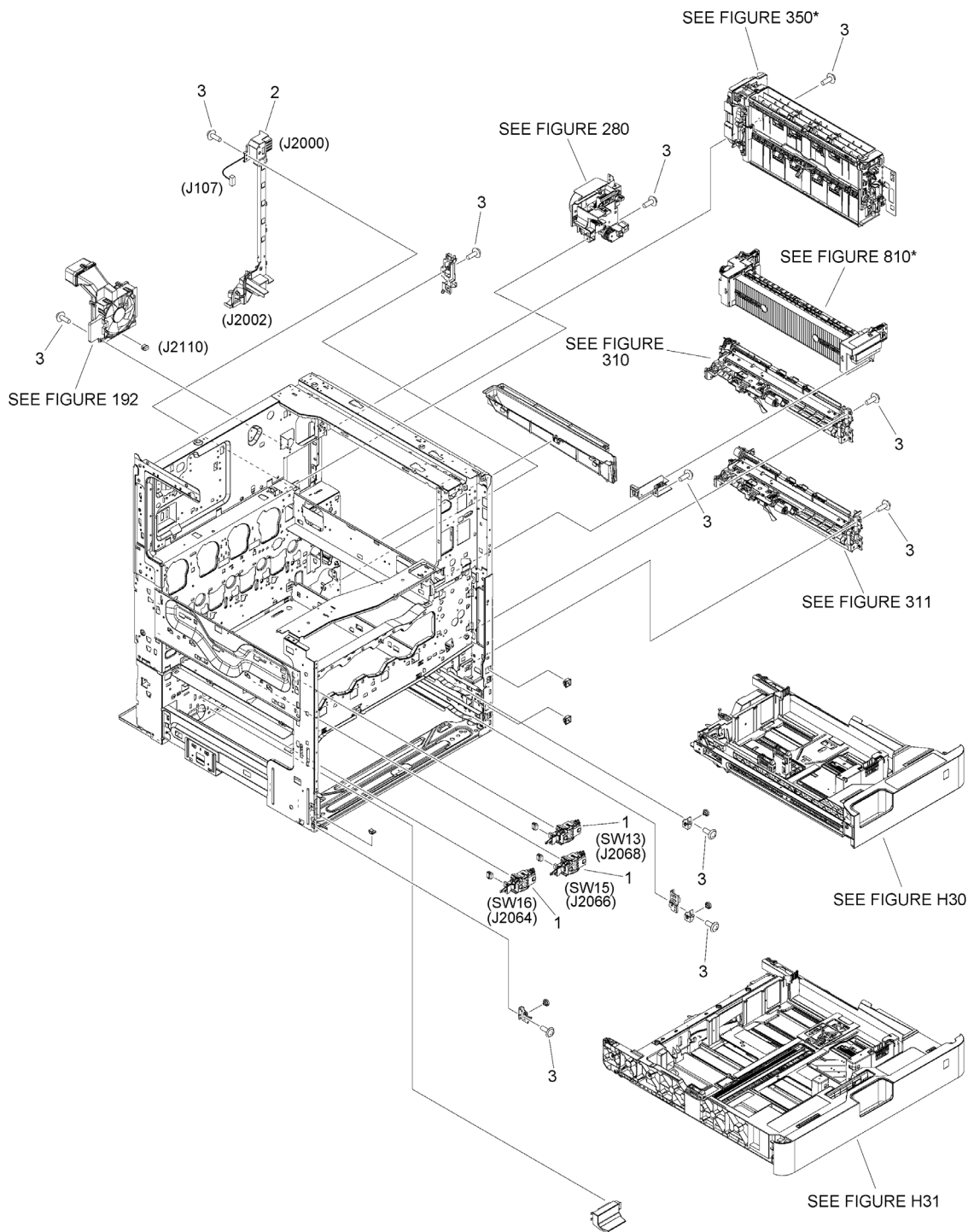


FIGURE & KEY NO.	PART NUMBER	RANK	QTY	DESCRIPTION	SERIAL NUMBER /REMARKS
104B	NPN		RF	INTERNAL COMPONENTS 4	
1	FM1-B198-010		3	CASSETTE SIZE SENSING ASS'Y	SW13, SW15, SW16, J2064, J2066, J2068
2	FM1-Z088-000		1	FIXING DRAWER ASSEMBLY	J107, J2000, J2002
3	XA9-2050-000		15	SCREW, SELF-TAPPING, M3	

Figure 105 INTERNAL COMPONENTS 5

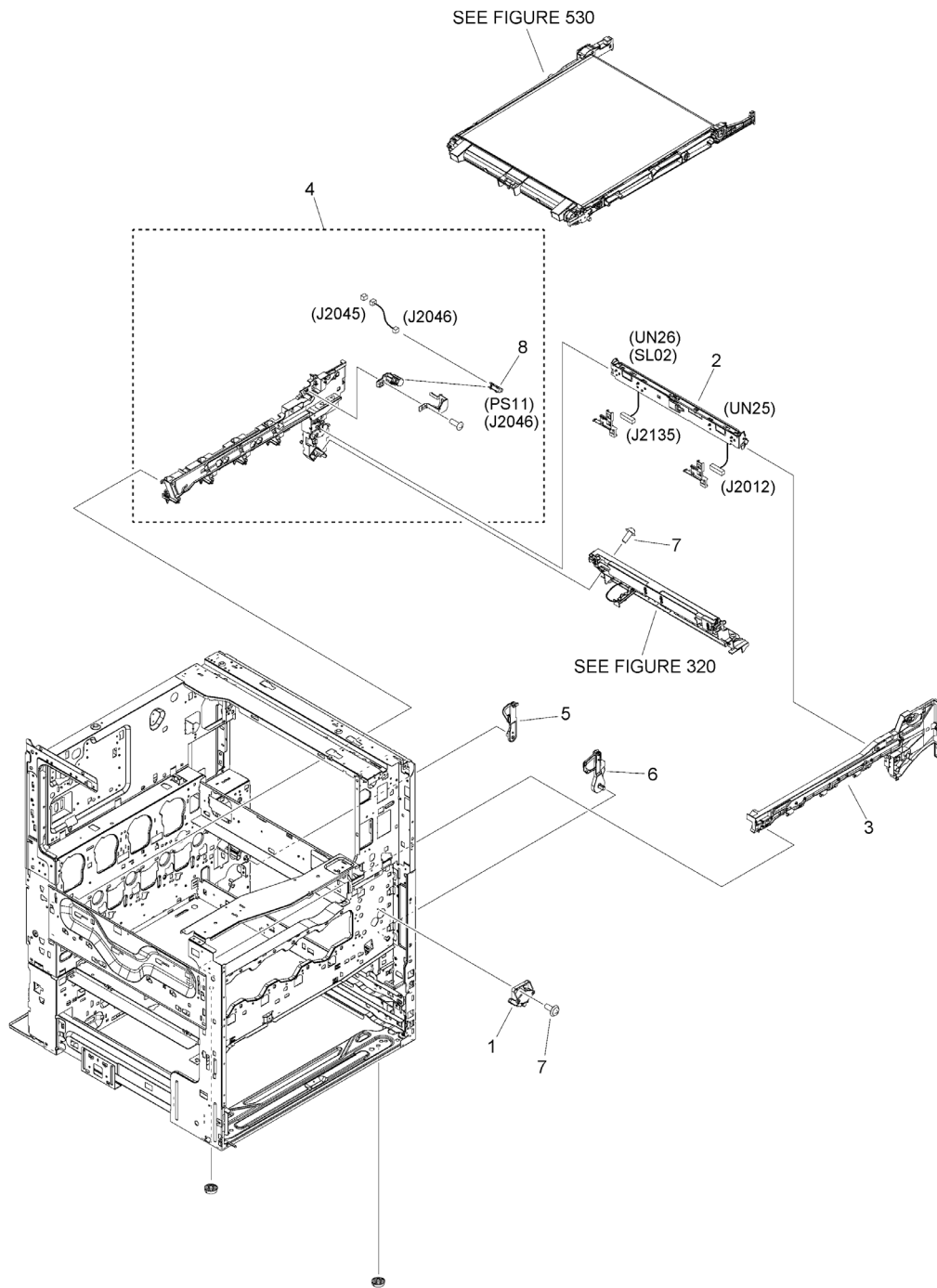


FIGURE & KEY NO.	PART NUMBER	RANK	QTY	DESCRIPTION	SERIAL NUMBER /REMARKS
105	NPN		RF	INTERNAL COMPONENTS 5	
1	FM2-A642-000		1	DAMPER ASSEMBLY	
2	FM1-P495-010		1	SENSOR UNIT, REG. PATCH, PHOTO	SL02, UN25, UN26, J2012, J2135
3	FM2-A134-000		1	I.T.B. RAIL ASSEMBLY, FRONT	
4	FM2-A135-000		1	I.T.B. RAIL ASSEMBLY, REAR	
5	FM1-Y597-000		1	LEVER ASSEMBLY, REAR	
6	FM2-C275-000		1	LEVER ASSEMBLY, FRONT	
7	XA9-2050-000		15	SCREW, SELF-TAPPING, M3	
8	WG8-5935-000		1	IC, PHOTO INTERRUPTER	PS11, J2046

Figure 106B INTERNAL COMPONENTS 6 (SINGLE PASS ADF)

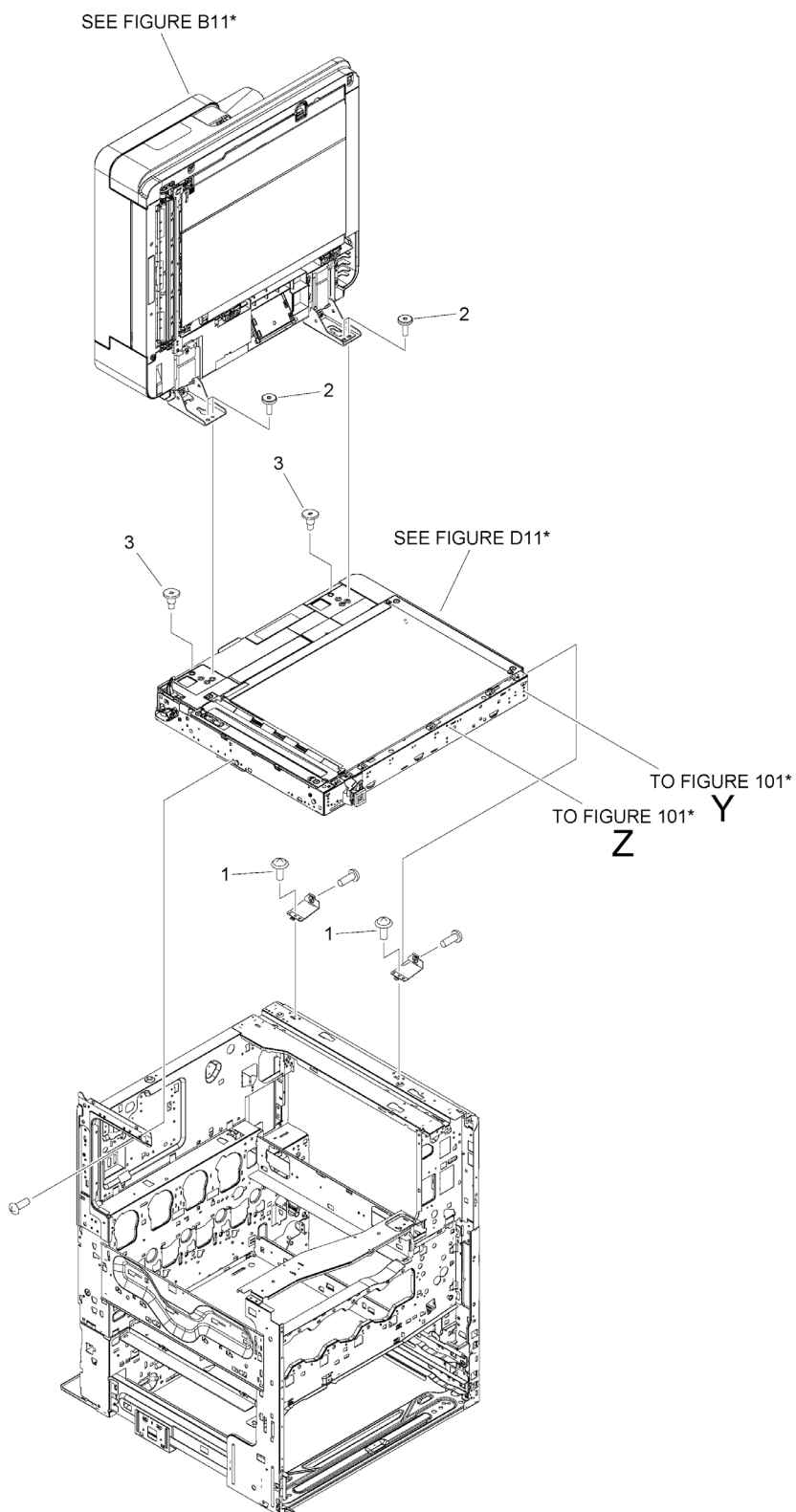


FIGURE & KEY NO.	PART NUMBER	RANK	QTY	DESCRIPTION	SERIAL NUMBER /REMARKS
106B	NPN		RF	INTERNAL COMPONENTS 6	Single pass ADF
1	XA9-2050-000		2	SCREW, SELF-TAPPING, M3	
2	FE2-F750-000		4	SCREW, FIXED, M4	
3	FE2-F749-000		2	SCREW, STEPPED, M5X6	

Figure 107C MACHINE REAR PLATE 1 (C3835)

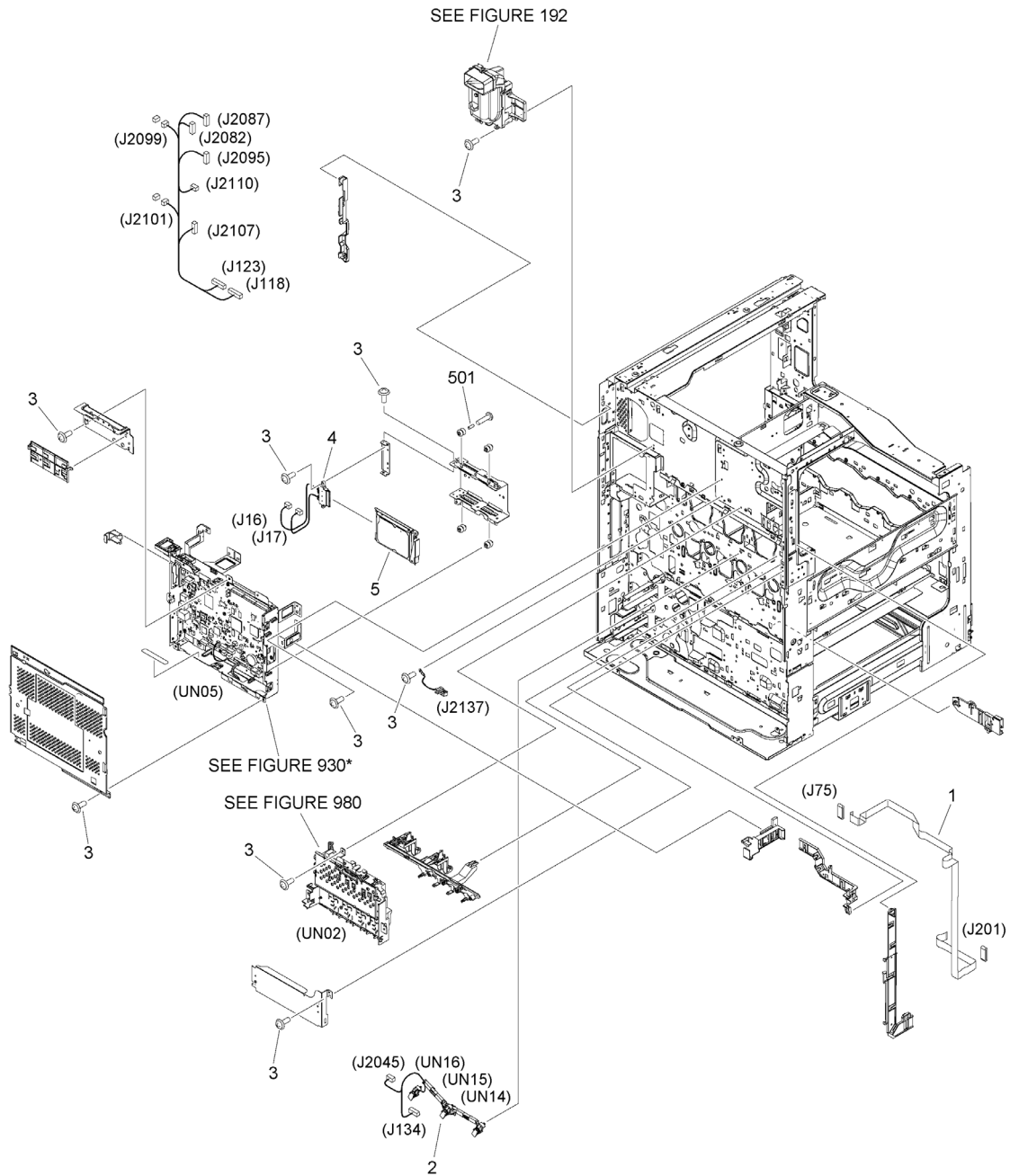


FIGURE & KEY NO.	PART NUMBER	RANK	QTY	DESCRIPTION	SERIAL NUMBER /REMARKS
107C	NPN		RF	MACHINE REAR PLATE 1	C3835
1	FK4-6961-000		1	CABLE, FLAT	J75, J201
2	FM2-C522-000		1	PRE-EXPOSURE CABLE GUIDE UNIT	UN14, UN15, UN16, J134, J2045
3	XA9-2050-000		15	SCREW, SELF-TAPPING, M3	
4	FK4-6990-000		1	CABLE, SSD	J16, J17
5	FM2-A041-000		1	SSD UNIT	
501	XZ1-1301-005		4	SPACER	

Figure 107D MACHINE REAR PLATE 1 (WITHOUT C3835)

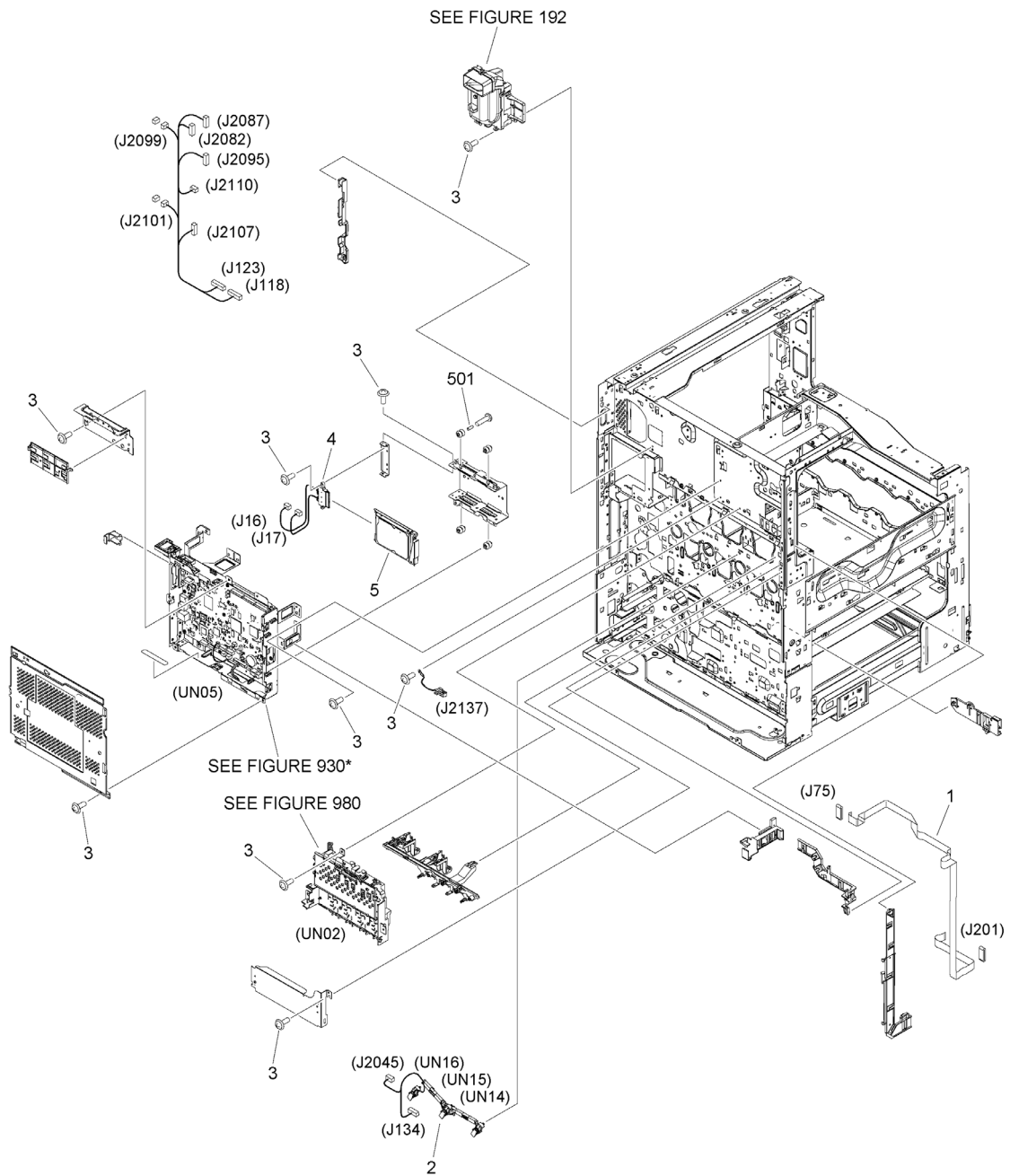


FIGURE & KEY NO.	PART NUMBER	RANK	QTY	DESCRIPTION	SERIAL NUMBER /REMARKS
107D	NPN		RF	MACHINE REAR PLATE 1	WITHOUT C3835
1	FK4-6960-000		1	CABLE, FLAT	J75, J201
2	FM2-C522-000		1	PRE-EXPOSURE CABLE GUIDE UNIT	UN14, UN15, UN16, J134, J2045
3	XA9-2050-000		15	SCREW, SELF-TAPPING, M3	
4	FK4-6990-000		1	CABLE, SSD	J16, J17
5	FM2-A041-000		1	SSD UNIT	
501	XZ1-1301-005		4	SPACER	

Figure 108B MACHINE REAR PLATE 2

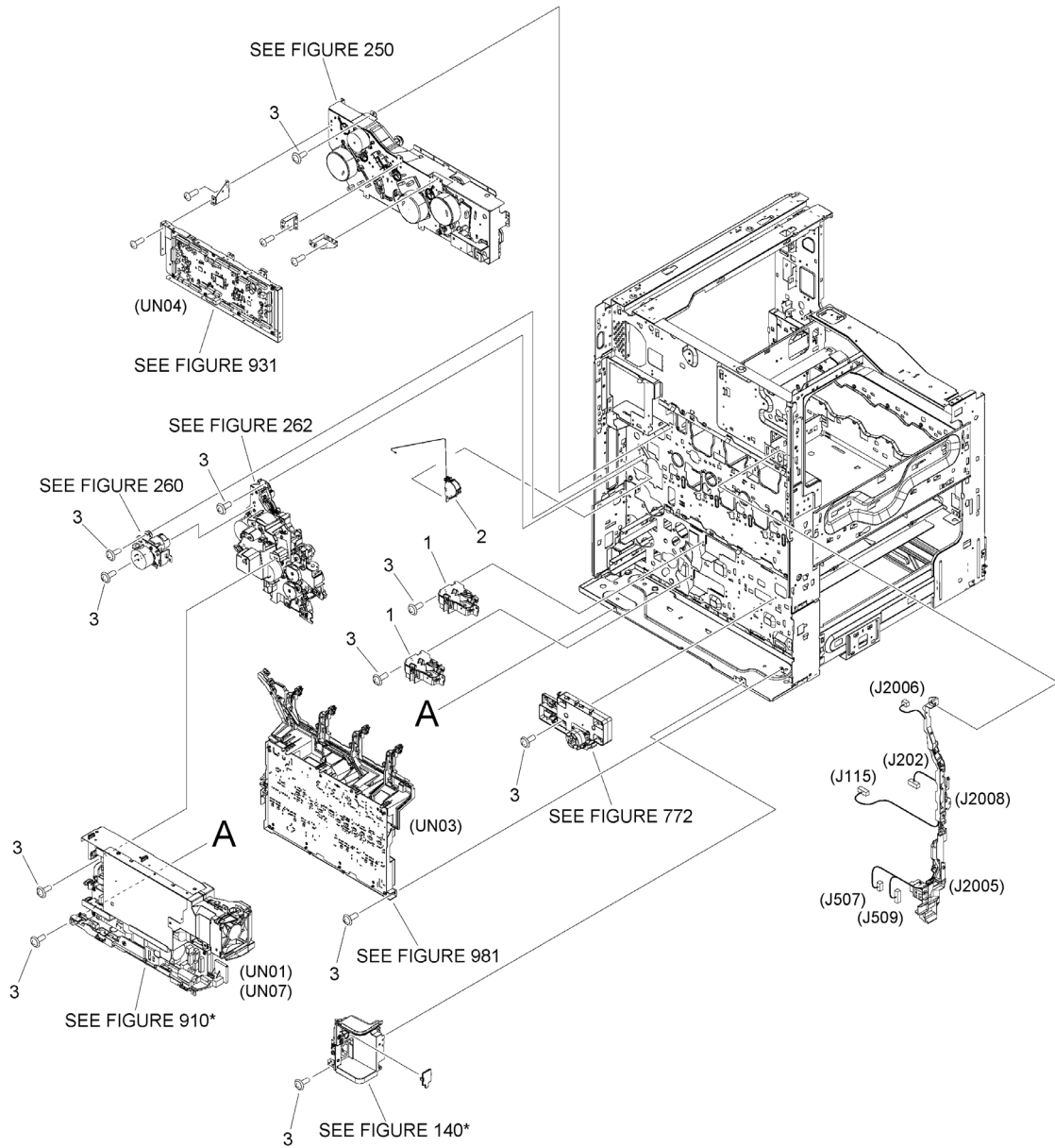


FIGURE & KEY NO.	PART NUMBER	RANK	QTY	DESCRIPTION	SERIAL NUMBER /REMARKS
108B	NPN		RF	MACHINE REAR PLATE 2	
1	FM1-B670-000		2	CASSETTE AUTO CLOSE ASSEMBLY	
2	FM1-C283-000		1	MULTI REEL ASSEMBLY	
3	XA9-2050-000		15	SCREW, SELF-TAPPING, M3	

Figure 111 RIGHT DOOR ASSEMBLY

NOTE : This assembly includes the assemblies shown in Figure 263, 330*, 331 and 332.

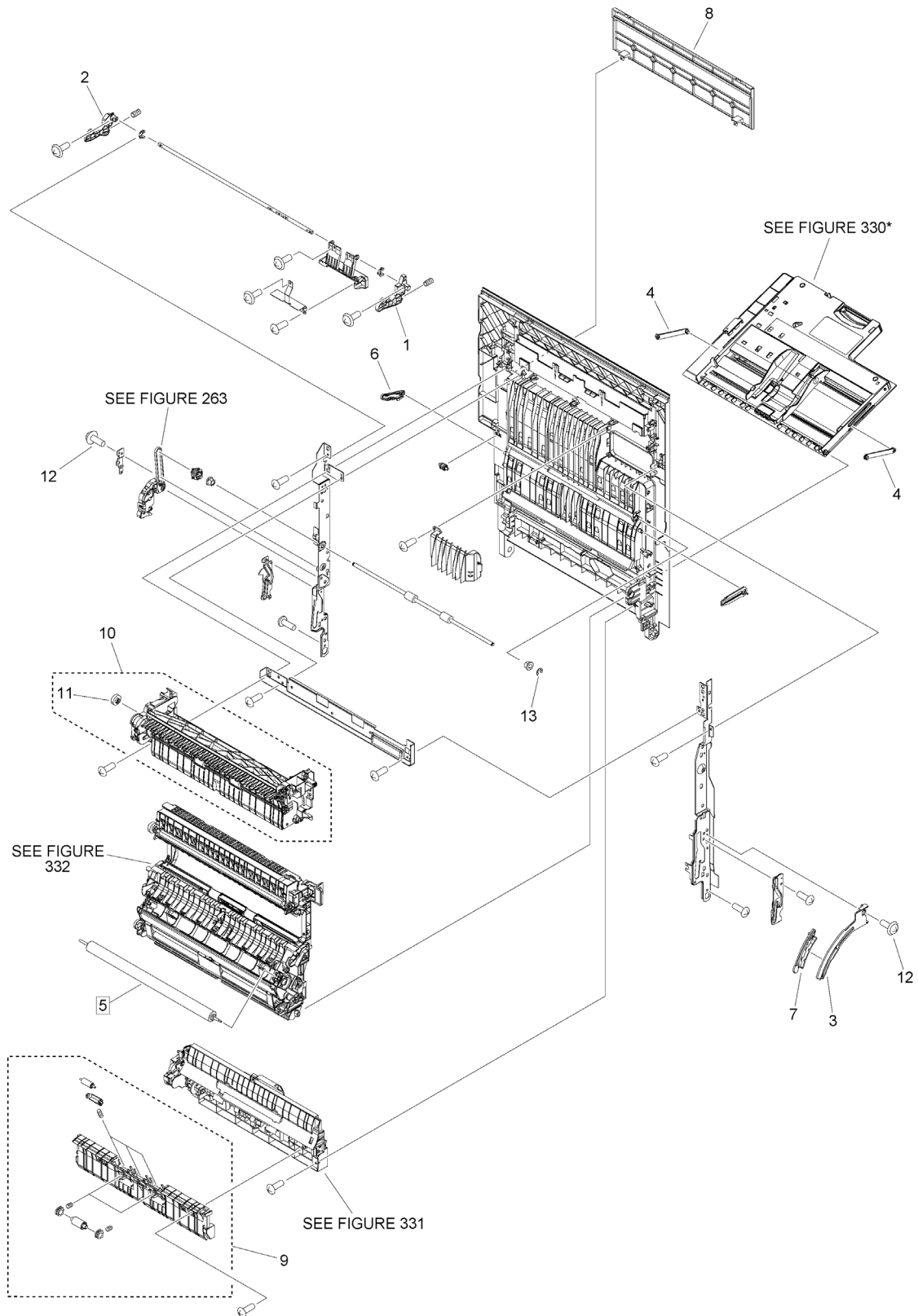


FIGURE & KEY NO.	PART NUMBER	RANK	QTY	DESCRIPTION	SERIAL NUMBER /REMARKS
111	FM2-A091-000		1	RIGHT DOOR ASSEMBLY	
1	FE2-H170-000		1	LATCH, FRONT	
2	FE2-H177-000		1	LATCH, REAR	
3	FE2-N009-000		1	RACK, DAMPER	
4	FE3-0438-000		2	LINK, MULTI PAPER PICK-UP TRAY	
5	FE3-4783-000		1	ROLLER, 2ND TRNSFR. OUTER	[DP]
6	FE4-1750-000		1	STOPPER, DUPLEXING, REAR	
7	FE4-1970-000		1	SLIDER	
8	FL4-5147-000		1	COVER, THIRD PAPER DELIVERY	
9	FM1-B669-000		1	CROSSING GUIDE ASSEMBLY	
10	FM1-Y570-000		1	REVERSE GUIDE ASSEMBLY, UPPER	
11	FU2-2397-000		1	GEAR, 21T	
12	XA9-1671-000		3	SCREW, D, M3X8	
13	XD9-0395-000		1	RETAINING RING (E-TYPE)	

Figure 112 RIGHT DOOR ASSEMBLY, LOWER

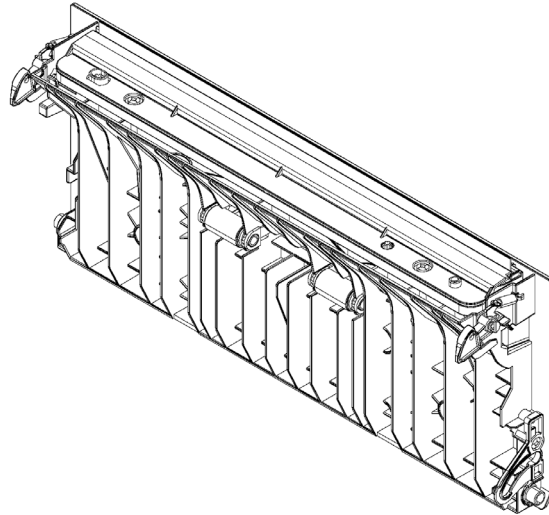


FIGURE & KEY NO.	PART NUMBER	R A N K	QTY	DESCRIPTION	SERIAL NUMBER /REMARKS
112	FM2-C241-000		1	RIGHT DOOR ASSEMBLY, LOWER	

Figure 130 CONTROL PANEL ASSEMBLY

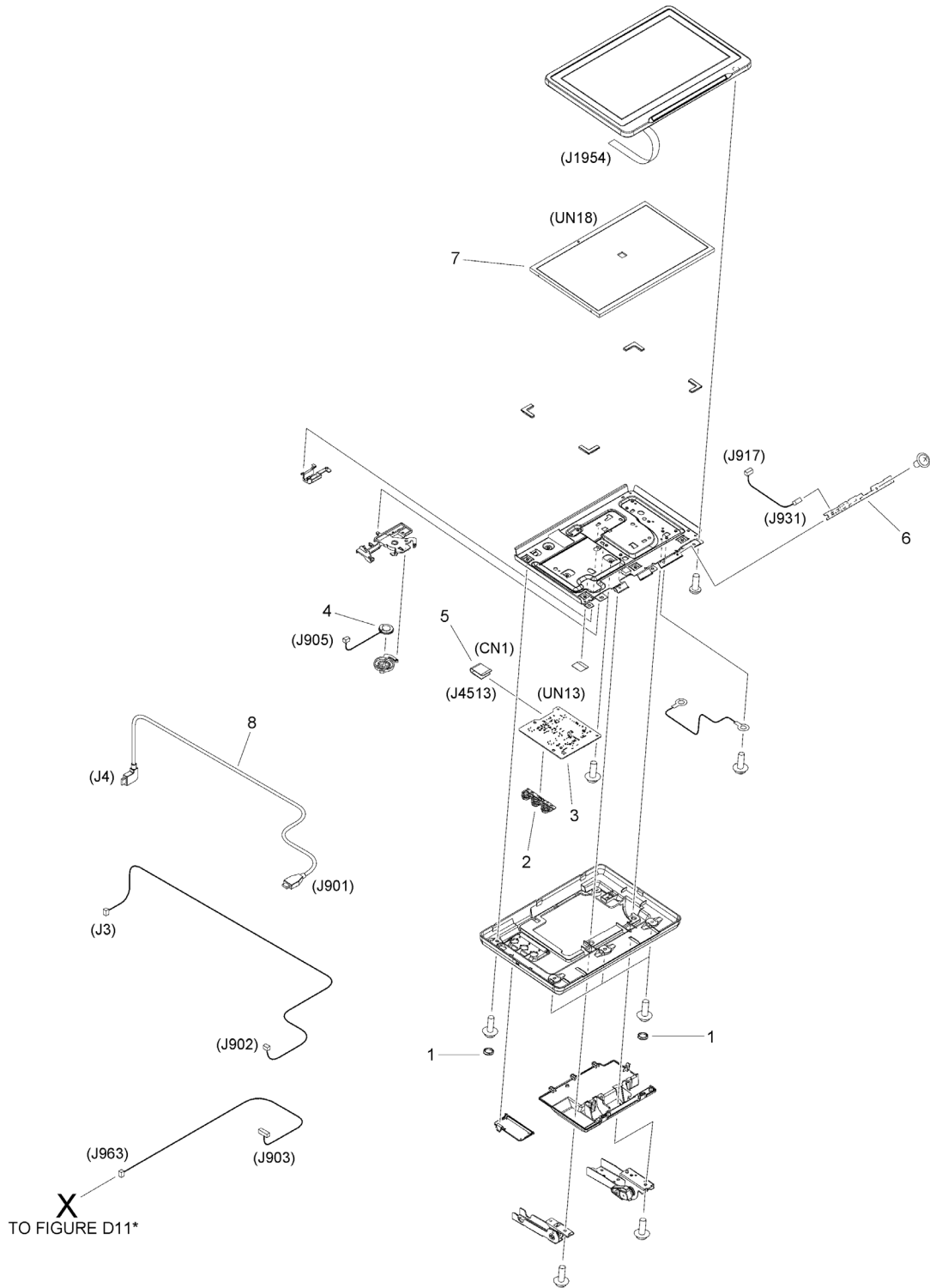


FIGURE & KEY NO.	PART NUMBER	RANK	QTY	DESCRIPTION	SERIAL NUMBER /REMARKS
130	FM2-B063-000		1	CONTROL PANEL ASSEMBLY	
1	FE3-9169-000		4	CAP	
2	FE8-7637-000		1	KEY TOP, SWITCH	
3	FM3-C906-000		1	CONTROL PANEL MAIN PCB ASS'Y	UN13
4	FK4-2377-000		1	SPEAKER	J905
5	FK4-4895-000		1	CABLE, FLAT	CN1, J4513
6	FM2-A912-000		1	CONTROL PANEL LED PCB ASSEMBLY	
7	FK4-6830-000		1	LCD UNIT	UN18
8	FK4-6206-000		1	CABLE, CONTROL PANEL SIGNAL	J4, J901

Figure 140B POWER CORD TERMINAL ASSEMBLY (120V)

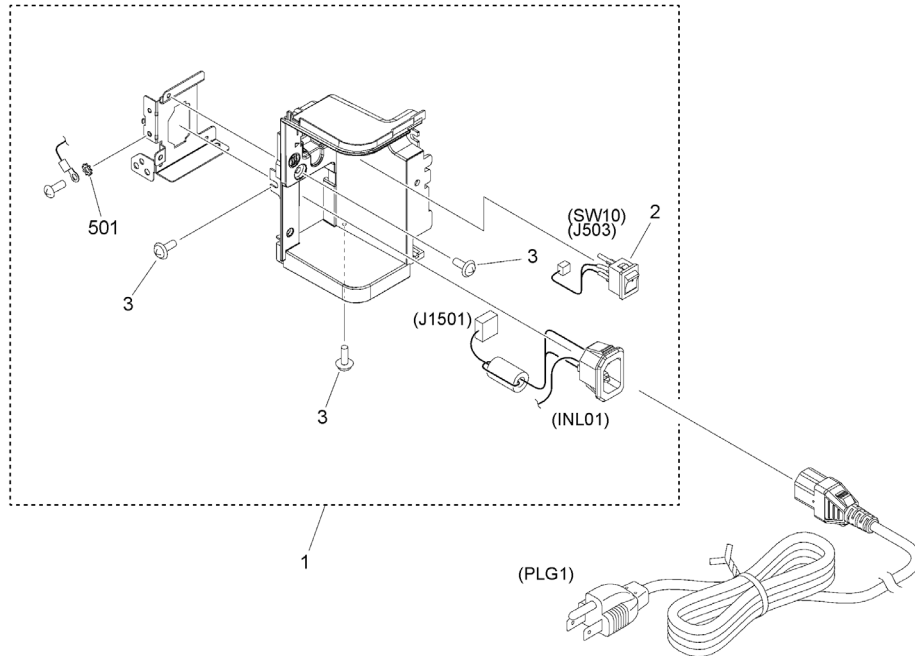


FIGURE & KEY NO.	PART NUMBER	RANK	QTY	DESCRIPTION	SERIAL NUMBER /REMARKS
140B	NPN		RF	POWER CORD TERMINAL ASSEMBLY	120V
1	FM2-A004-000		1	POWER CORD TERMINAL ASSEMBLY	
2	FM2-Q962-000		1	CABLE, ENVIRONMENT SWITCH	SW10, J503
3	XA9-2050-000		3	SCREW, SELF-TAPPING, M3	
501	XD1-4200-402		1	WASHER, TOOTHED LOCK, M4	

Figure 140C POWER CORD TERMINAL ASSEMBLY (230V)

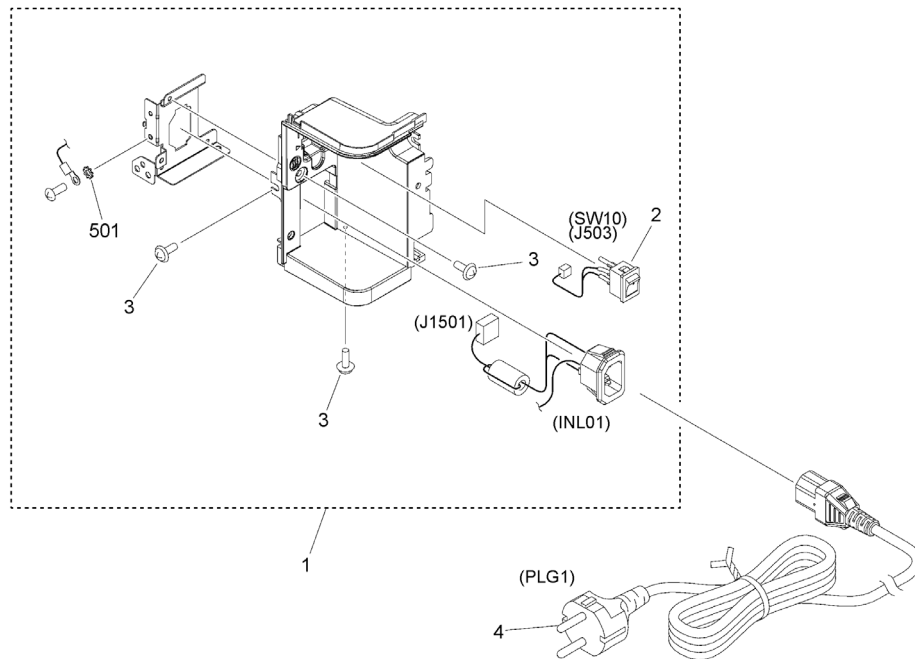


FIGURE & KEY NO.	PART NUMBER	RANK	QTY	DESCRIPTION	SERIAL NUMBER /REMARKS
140C	NPN		RF	POWER CORD TERMINAL ASSEMBLY	230V
1	FM2-A004-000		1	POWER CORD TERMINAL ASSEMBLY	
2	FM2-Q962-000		1	CABLE, ENVIRONMENT SWITCH	SW10, J503
3	XA9-2050-000		3	SCREW, SELF-TAPPING, M3	
4	FK4-1390-000		1	CORD, POWER	PLG1
501	XD1-4200-402		1	WASHER, TOOTHED LOCK, M4	

Figure 191 FRONT FAN ASSEMBLY

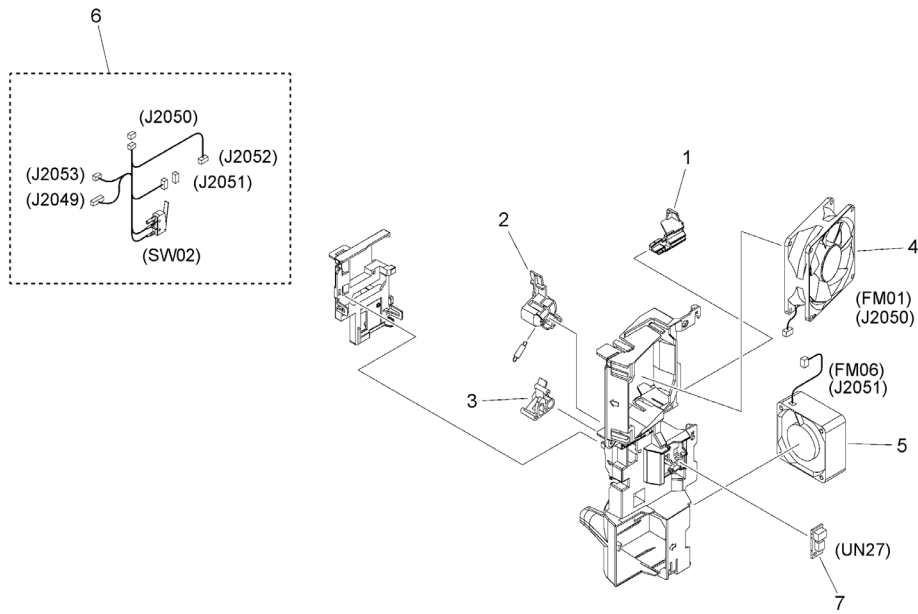


FIGURE & KEY NO.	PART NUMBER	RANK	QTY	DESCRIPTION	SERIAL NUMBER /REMARKS
191	NPN		RF	FRONT FAN ASSEMBLY	
1	FC0-6580-000		1	LEVER, LOCK	
2	FE3-0817-000		1	ARM, INTERLOCK, 1	
3	FE3-0849-000		1	ARM, INTERLOCK, 2	
4	FK4-5742-000		1	FAN	FM01, J2050
5	FK4-3647-000		1	FAN	FM06, J2051
6	FM2-Q984-000		1	CABLE, INTERLOCK SWITCH	SW02, J2049, J2050, J2051, J5052, J2053
7	WP2-5473-000		1	SENSOR, HUMIDITY, HSU-08FDB2A	UN27

Figure 192 FIXING EXHAUST FAN ASSEMBLY

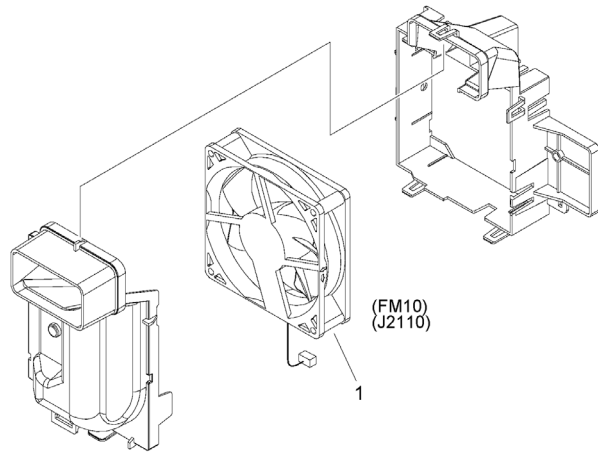


FIGURE & KEY NO.	PART NUMBER	R A N K	QTY	DESCRIPTION	SERIAL NUMBER /REMARKS
192	NPN		RF	FIXING EXHAUST FAN ASSEMBLY	
1	FK4-6113-000		1	FAN	FM10, J2110

Figure 193 DELIVERY COOLING FAN ASSEMBLY

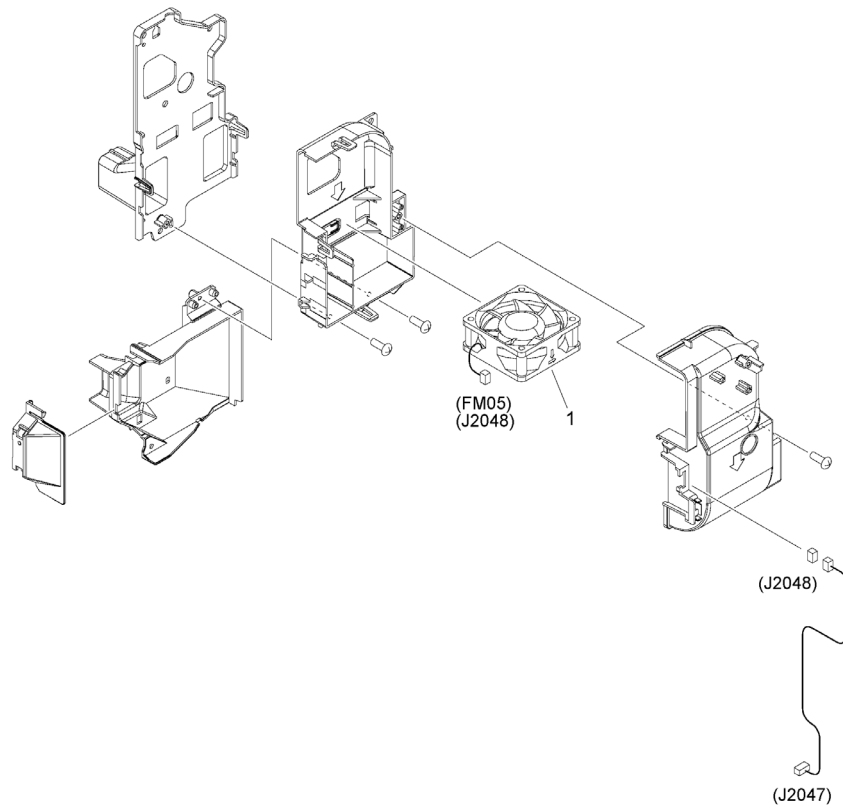


FIGURE & KEY NO.	PART NUMBER	R A N K	QTY	DESCRIPTION	SERIAL NUMBER /REMARKS
193	NPN		RF	DELIVERY COOLING FAN ASSEMBLY	
1	FK4-3647-000		1	FAN	FM05, J2048

Figure 250 MAIN DRIVE ASSEMBLY

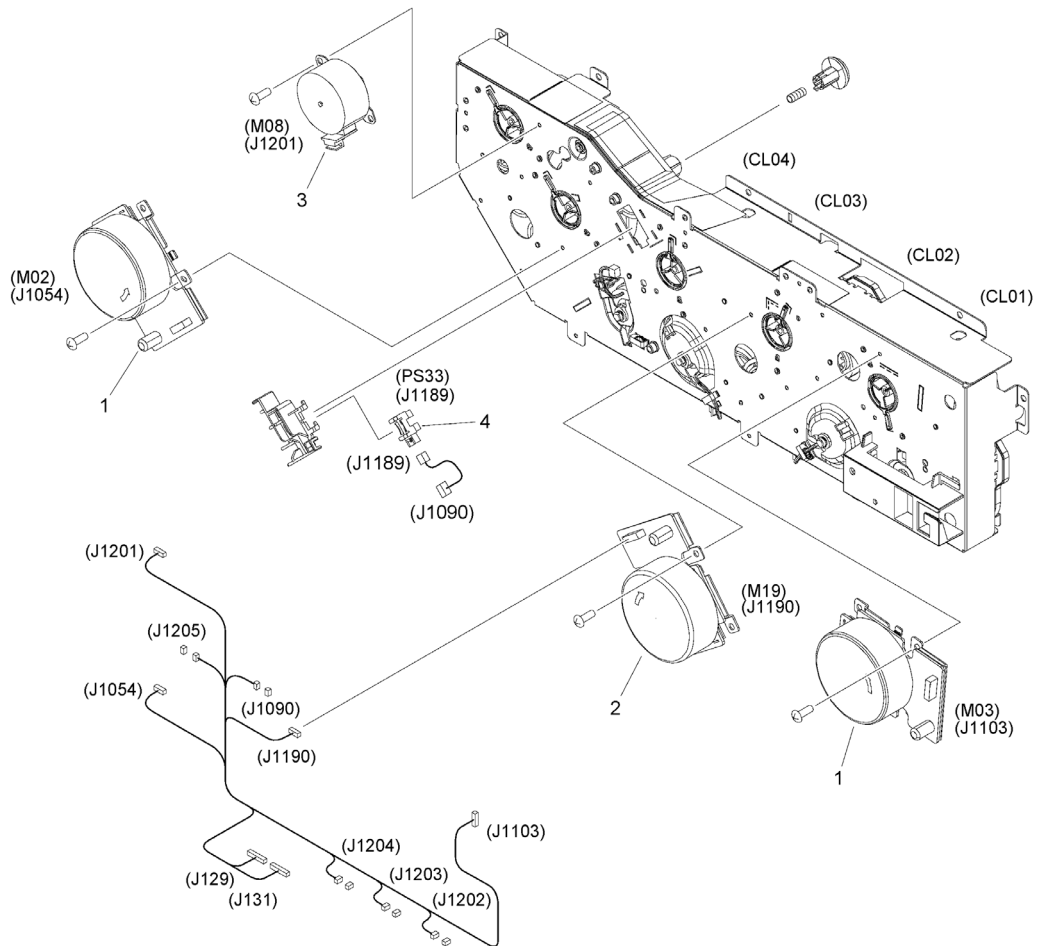


FIGURE & KEY NO.	PART NUMBER	RANK	QTY	DESCRIPTION	SERIAL NUMBER /REMARKS
250	FM1-Z418-000		1	MAIN DRIVE ASSEMBLY	CL01, CL02, CL03, CL04
1	FK4-2744-000		2	MOTOR, DC BRUSHLESS	M02, M03, J1054, J1103
2	FK4-7073-000		1	MOTOR, DC BRUSHLESS	M19, J1190
3	FM2-U944-000		1	MOTOR, STEPPING, DC	M08, J1201
4	WG8-5935-000		1	IC, PHOTO INTERRUPTER	PS33, J1189

Figure 260 REGISTRATION DRIVE ASSEMBLY

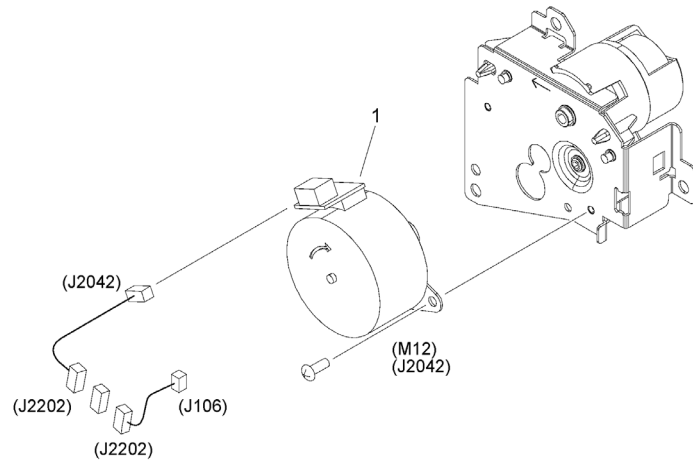


FIGURE & KEY NO.	PART NUMBER	R A N K	QTY	DESCRIPTION	SERIAL NUMBER /REMARKS
260	FM1-Y604-000		1	REGISTRATION DRIVE ASSEMBLY	
1	FM2-U944-000		1	MOTOR, STEPPING, DC	M12, J2042

Figure 262 VERTICAL PATH DRIVE ASSEMBLY

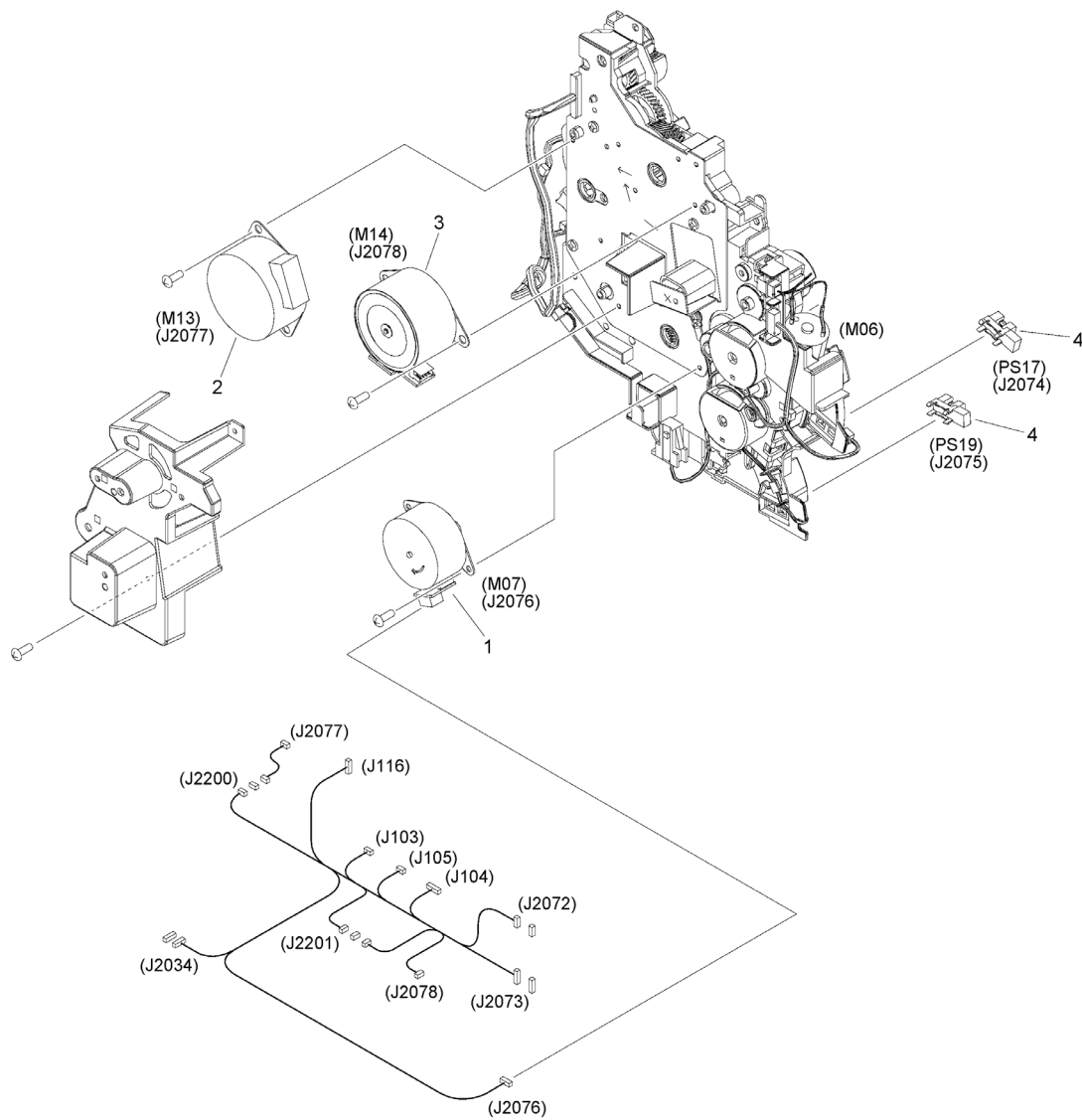


FIGURE & KEY NO.	PART NUMBER	RANK	QTY	DESCRIPTION	SERIAL NUMBER /REMARKS
262	FM2-A084-000		1	VERTICAL PATH DRIVE ASSEMBLY	M06
1	FM2-U944-000		1	MOTOR, STEPPING, DC	M07, J2076
2	FM2-U946-000		1	MOTOR, STEPPING, DC	M13, J2077
3	FM2-U945-000		1	MOTOR, STEPPING, DC	M14, J2078
4	WG8-5935-000		2	IC, PHOTO INTERRUPTER	PS17, PS19, J2074, J2075

Figure 263 DUPLEXING DRIVE ASSEMBLY

NOTE : This assembly is included in the assembly shown in Figure 111.

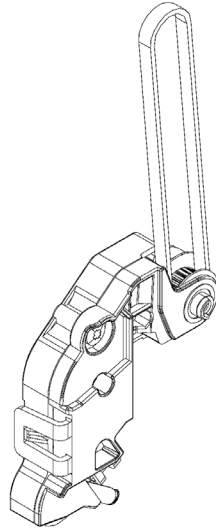


FIGURE & KEY NO.	PART NUMBER	R A N K	QTY	DESCRIPTION	SERIAL NUMBER /REMARKS
263	FM1-Z125-000		1	DUPLEXING DRIVE ASSEMBLY	SEE NOTE

Figure 270 BOTTLE DRIVE ASSEMBLY, Y, M

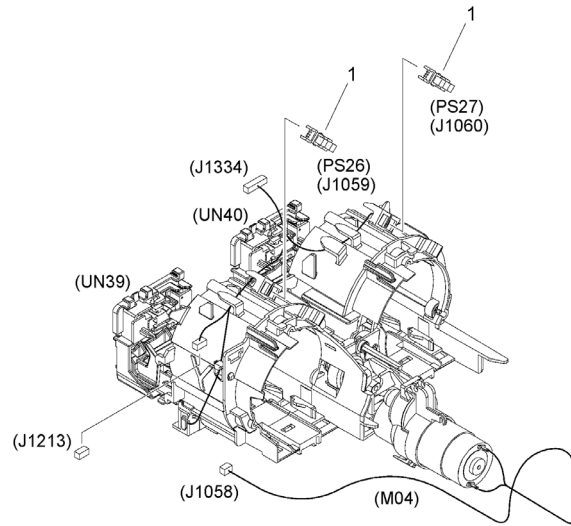


FIGURE & KEY NO.	PART NUMBER	RANK	QTY	DESCRIPTION	SERIAL NUMBER /REMARKS
270	FM1-U759-020		1	BOTTLE DRIVE ASSEMBLY, Y, M	M04, UN39, UN40, J1058, J1334
1	WG8-5935-000		2	IC, PHOTO INTERRUPTER	PS26, PS27, J1059, J1060

Figure 271 BOTTLE DRIVE ASSEMBLY, C, K

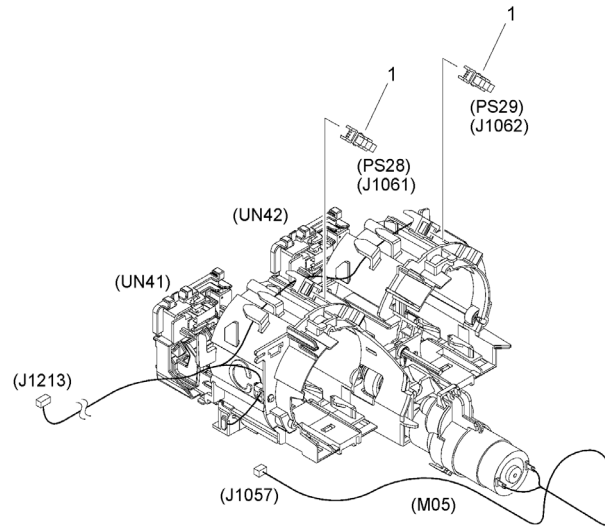


FIGURE & KEY NO.	PART NUMBER	RANK	QTY	DESCRIPTION	SERIAL NUMBER /REMARKS
271	FM1-U760-020		1	BOTTLE DRIVE ASSEMBLY, C, K	M05, UN41, UN42, J1057, J1213
1	WG8-5935-000		2	IC, PHOTO INTERRUPTER	PS28, PS29, J1061, J1062

Figure 280 FIXING DRIVE ASSEMBLY

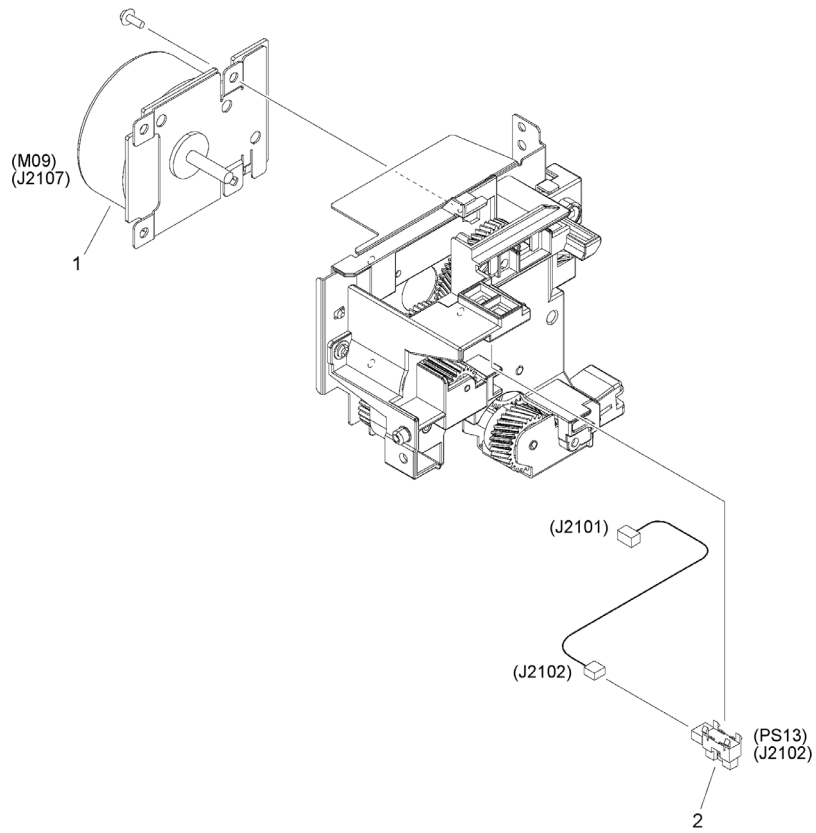


FIGURE & KEY NO.	PART NUMBER	R A N K	QTY	DESCRIPTION	SERIAL NUMBER /REMARKS
280	FM1-Y644-000		1	FIXING DRIVE ASSEMBLY	
1	FK4-4728-000		1	MOTOR, DC	M09, J2107
2	WG8-5935-000		1	IC, PHOTO INTERRUPTER	PS13, J2102

Figure 310 PAPER PICK-UP ASSEMBLY (SMALL)

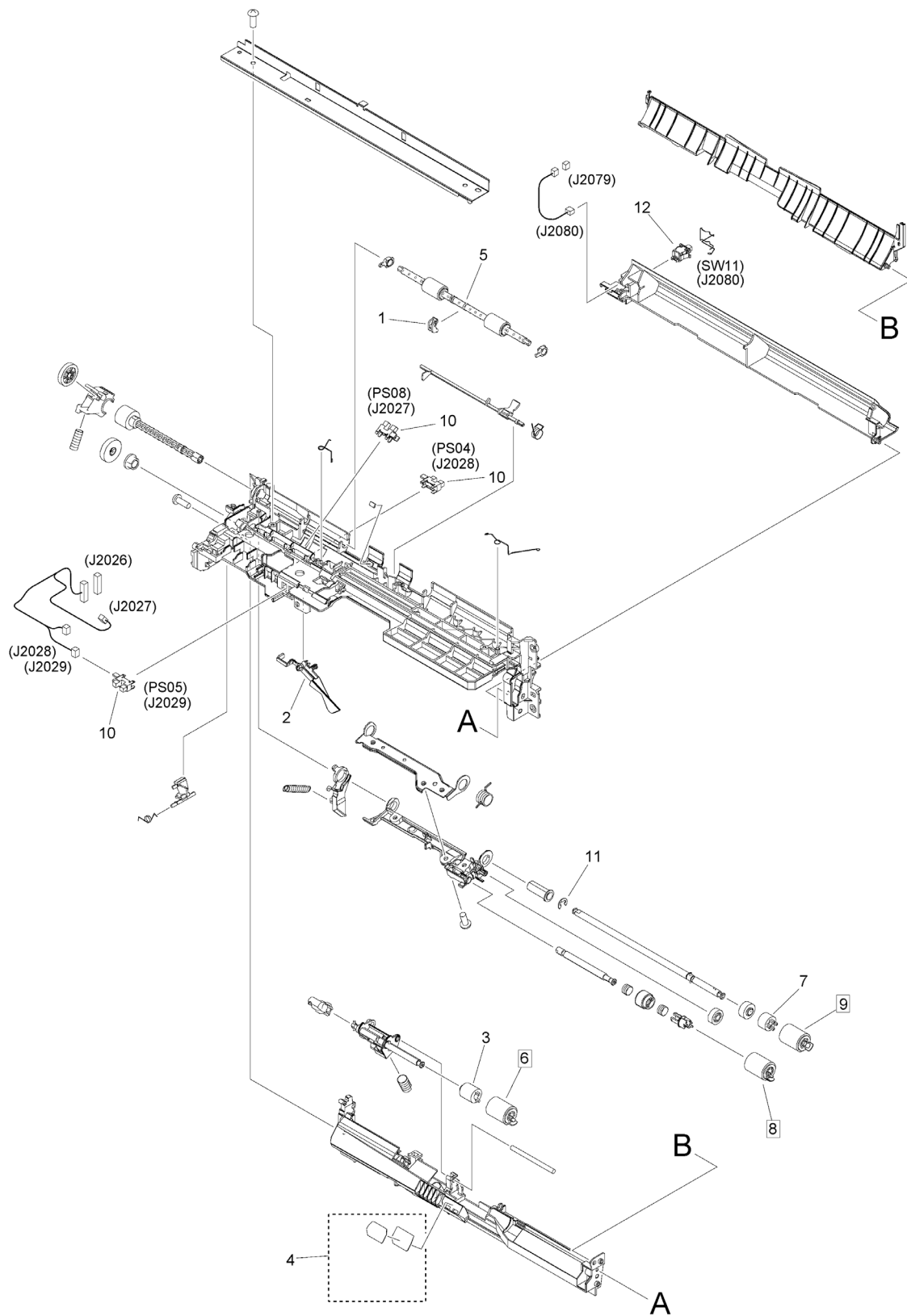


FIGURE & KEY NO.	PART NUMBER	RANK	QTY	DESCRIPTION	SERIAL NUMBER /REMARKS
310	FM2-A269-000		1	PAPER PICK-UP ASSEMBLY	SMALL
1	FC0-5888-000		1	BUSHING	
2	FE2-D339-000		1	LEVER, PAPER YES/NO DETECT	
3	FE4-9853-000		1	LIMITER, TORQUE	
4	FL0-1161-000		1	SHEET, GUIDE	
5	FL0-1834-000		1	ROLLER, EXTRACTION	
6	FL1-3762-010		1	ROLLER, SEPARATION	[DP]
7	FL1-5821-000		1	ONE-WAY CLUTCH ASSEMBLY	
8	FL4-0762-000		1	ROLLER, PAPER PICK-UP	[DP]
9	FL4-0763-000		1	ROLLER, PAPER FEED	[DP]
10	WG8-5935-000		3	IC, PHOTO INTERRUPTER	PS04, PS05, PS08, J2027, J2028, J2029
11	XD9-0395-000		1	RETAINING RING (E-TYPE)	
12	WC2-5806-000		1	SWITCH, PUSH	SW11, J2080

Figure 311 PAPER PICK-UP ASSEMBLY (LARGE)

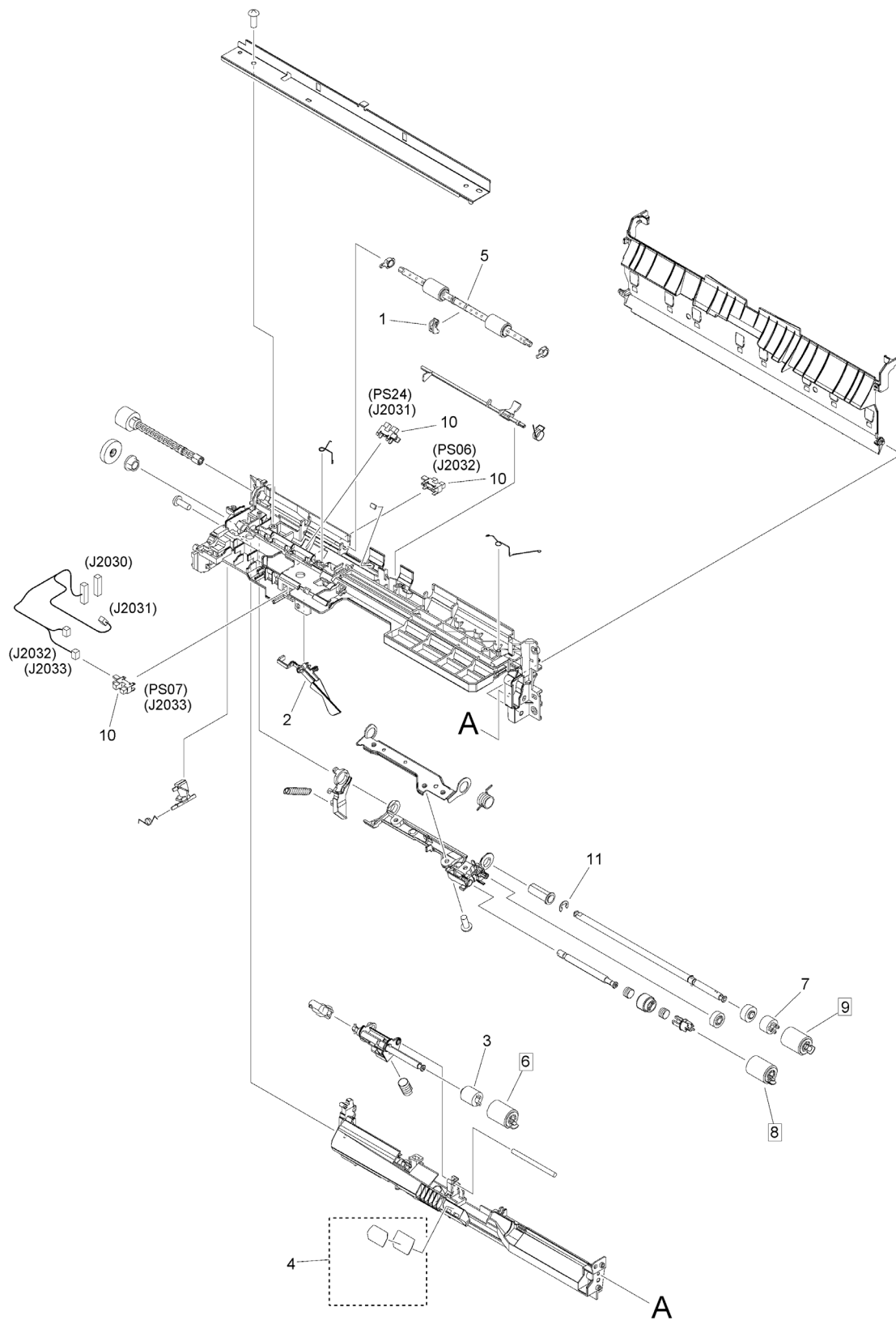


FIGURE & KEY NO.	PART NUMBER	RANK	QTY	DESCRIPTION	SERIAL NUMBER /REMARKS
311	FM2-A270-000		1	PAPER PICK-UP ASSEMBLY	LARGE
1	FC0-5888-000		1	BUSHING	
2	FE2-D339-000		1	LEVER, PAPER YES/NO DETECT	
3	FE4-9853-000		1	LIMITTER, TORQUE	
4	FL0-1161-000		1	SHEET, GUIDE	
5	FL0-1834-000		1	ROLLER, EXTRACTION	
6	FL1-3762-010		1	ROLLER, SEPARATION	[DP]
7	FL1-5821-000		1	ONE-WAY CLUTCH ASSEMBLY	
8	FL4-0762-000		1	ROLLER, PAPER PICK-UP	[DP]
9	FL4-0763-000		1	ROLLER, PAPER FEED	[DP]
10	WG8-5935-000		3	IC, PHOTO INTERRUPTER	PS06, PS07, PS24, J2031, J2032, J2033
11	XD9-0395-000		1	RETAINING RING (E-TYPE)	

Figure 320 REGISTRATION ASSEMBLY

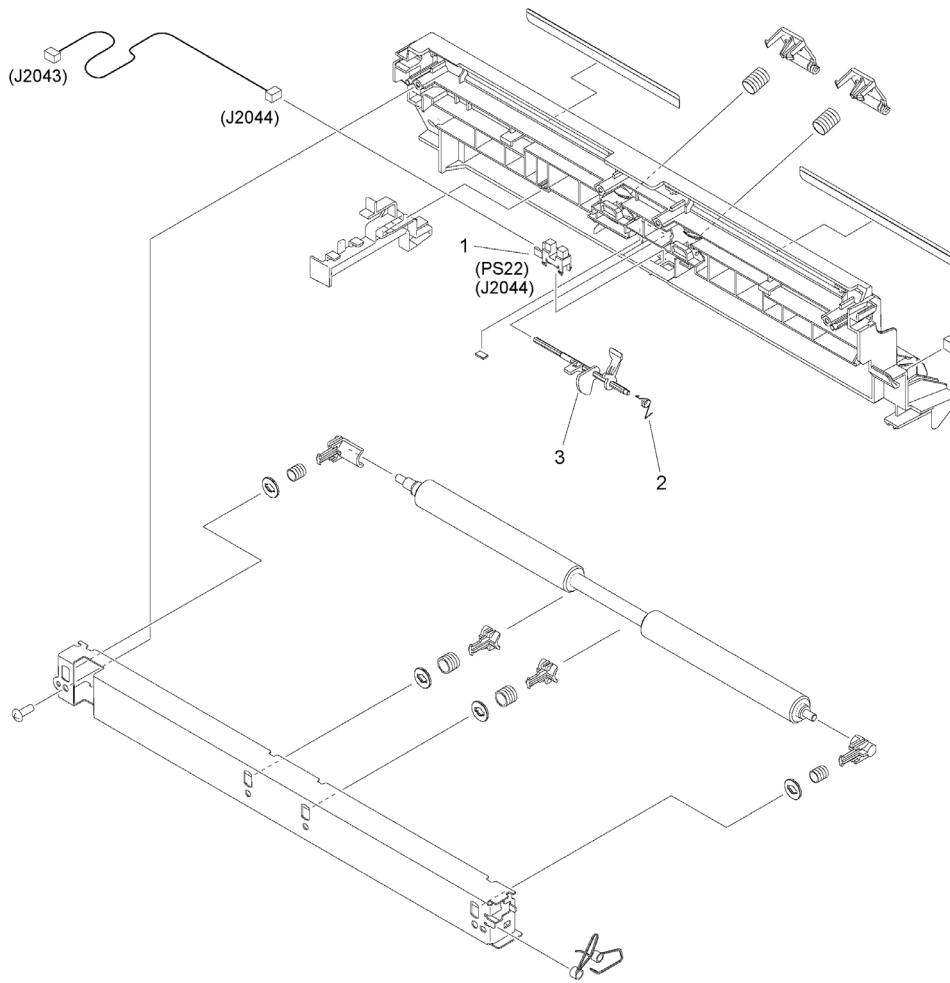


FIGURE & KEY NO.	PART NUMBER	RANK	QTY	DESCRIPTION	SERIAL NUMBER /REMARKS
320	FM1-A625-010		1	REGISTRATION ASSEMBLY	
1	WG8-5935-000		1	IC, PHOTO INTERRUPTER	PS22, J2044
2	FU2-0088-000		1	SPRING, TORSION	
3	FE4-1027-000		1	FLAG, SENSOR	

Figure 330B MULTI PAPER PICK-UP TRAY ASSEMBLY

NOTE 1 : This assembly is included in the assembly shown in Figure 111. NOTE 2 : This assembly does not include the part shown with key No. 2. Several kinds of labels are attached on the board for the parts of Key No. 2. NOTE 3 : This assembly does not include the parts shown inside the frame.

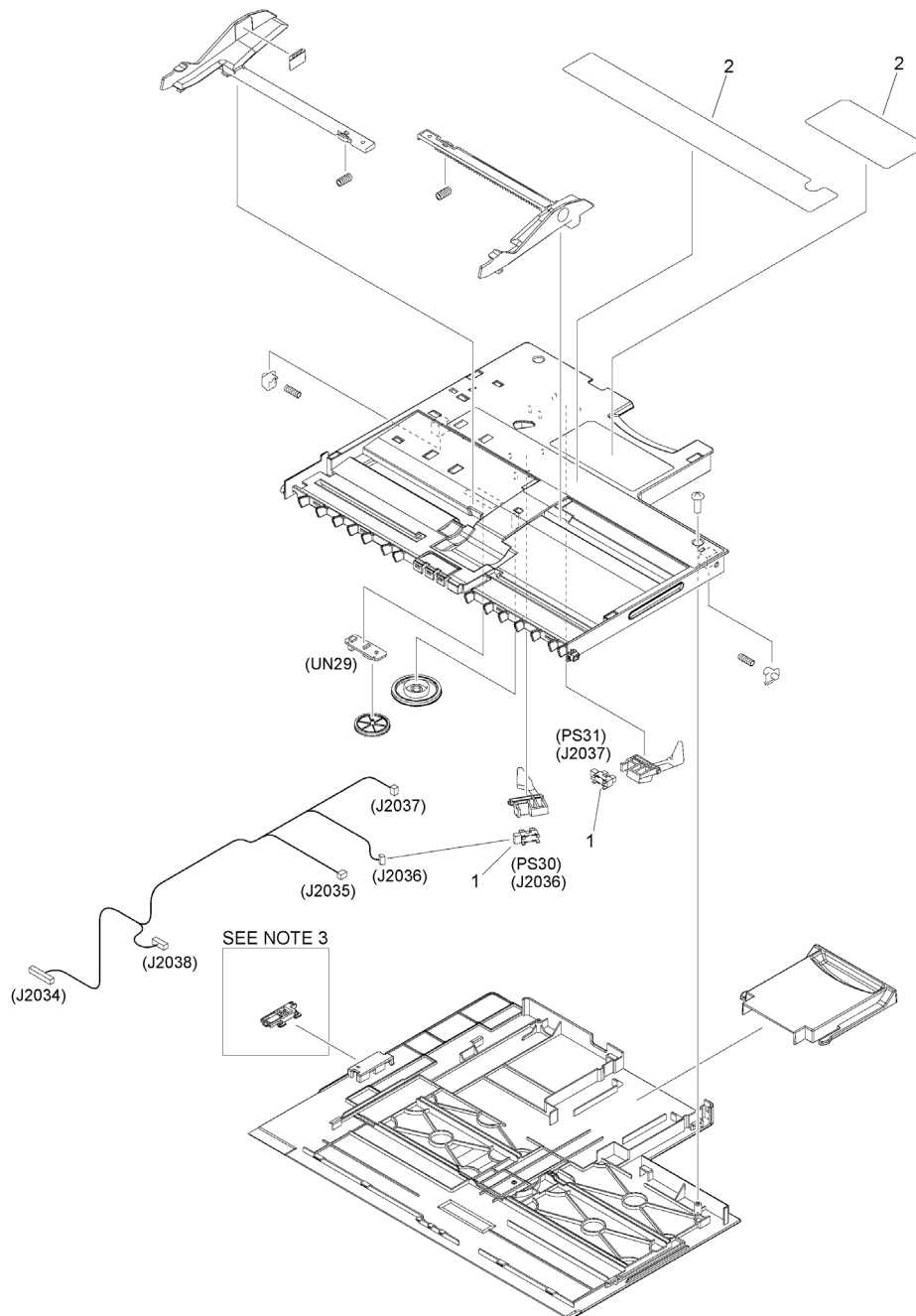


FIGURE & KEY NO.	PART NUMBER	RANK	QTY	DESCRIPTION	SERIAL NUMBER /REMARKS
330B	FM1-P612-000		1	MULTI PAPER PICK-UP TRAY ASS'Y	SEE NOTE 1 SEE NOTE 3
1	WG8-5935-000		2	IC, PHOTO INTERRUPTER	PS30, PS31, J2036, J2037
2	FE2-C283-000		1	LABEL, MULTI FEED	SEE NOTE 2

Figure 331 MULTI PAPER PICK-UP ASSEMBLY

NOTE : This assembly is included in the assembly shown in Figure 111.

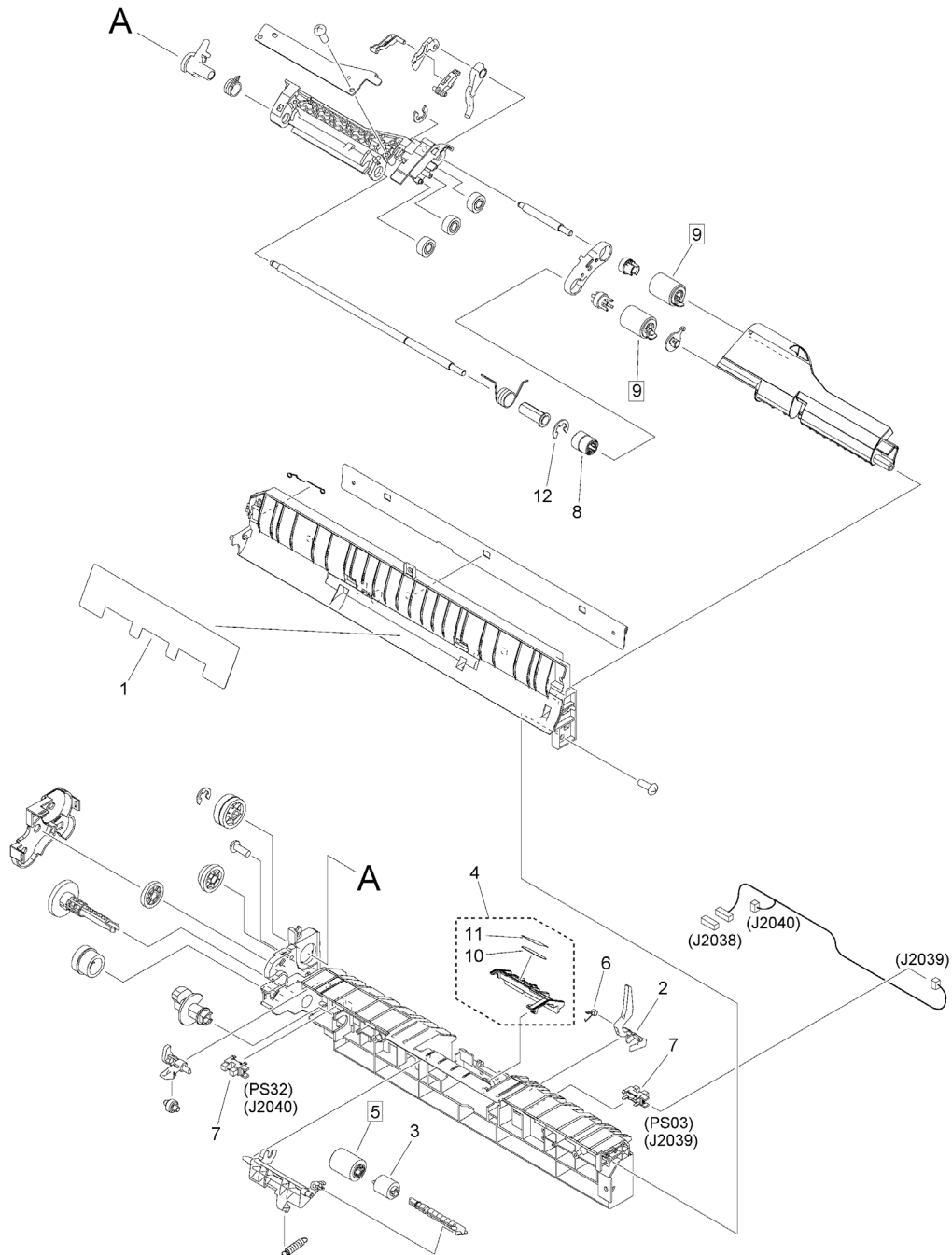


FIGURE & KEY NO.	PART NUMBER	RANK	QTY	DESCRIPTION	SERIAL NUMBER /REMARKS
331	FM2-A082-000		1	MULTI PAPER PICK-UP ASSEMBLY	SEE NOTE
1	FL0-4784-000		1	SHEET	
2	FE3-1648-000		1	LEVER, PAPER PRESENCE DETECT	
3	FE4-9853-000		1	LIMITTER, TORQUE	
4	FL0-1152-030		1	COVER, SEPARATION ROLLER	
5	FL1-3762-010		1	ROLLER, SEPARATION	[DP]
6	FU2-0264-000		1	SPRING, TORSION	
7	WG8-5935-000		2	IC, PHOTO INTERRUPTER	PS03, PS32, J2039, J2040
8	FL1-5822-000		1	CLUTCH, ONE-WAY	
9	FL4-0762-000		2	ROLLER, PAPER PICK-UP	[DP]
10	FL0-2465-000		1	SHEET, ROLLER GUIDE 1	
11	FL0-3769-000		1	SHEET, ROLLER GUIDE 2	
12	XD9-0395-000		1	RETAINING RING (E-TYPE)	

Figure 332 DUPLEXING GUIDE ASSEMBLY

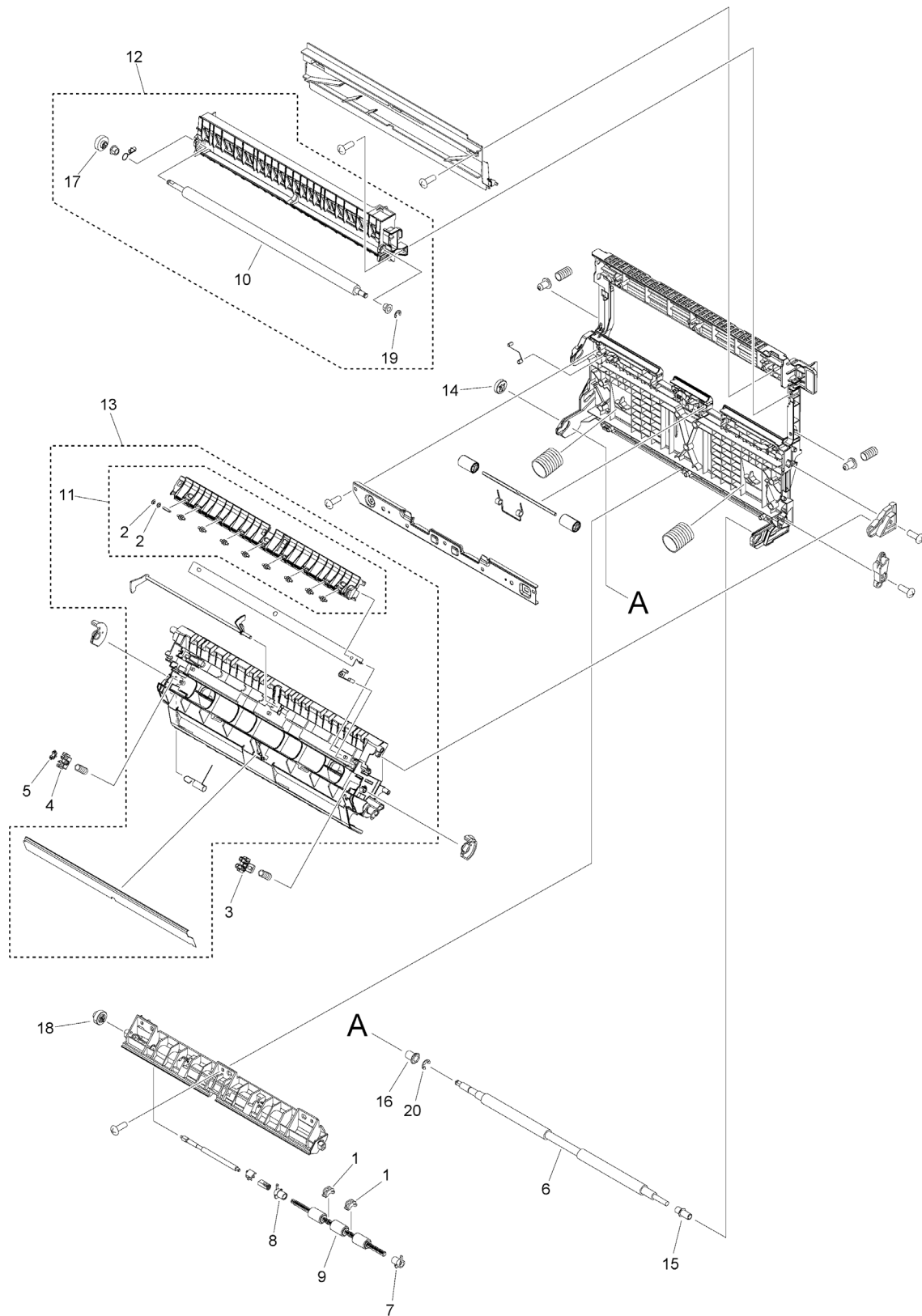


FIGURE & KEY NO.	PART NUMBER	RANK	QTY	DESCRIPTION	SERIAL NUMBER /REMARKS
332	NPN		RF	DUPLEXING GUIDE ASSEMBLY	
1	FC0-5888-000		2	BUSHING	
2	FE2-B561-000		18	ROLLER	
3	FE2-C828-000		1	BUSHING, ROLLER, FRONT	
4	FE2-C829-000		1	BUSHING, ROLLER, REAR	
5	FE2-C830-000		1	BUSHING	
6	FE3-1092-010		1	ROLLER, REGISTRATION	
7	FE3-9567-000		1	BUSHING	
8	FE3-9568-000		1	BUSHING	
9	FL0-3975-000		1	ROLLER, EXTRACTION	
10	FL1-3979-000		1	ROLLER, DELIVERY ENT. DRIVE	
11	FM1-D183-000		1	ROLLER GUIDE ASSEMBLY	
12	FM1-Y554-000		1	VERTICAL PATH GUIDE ASS'Y, LW.	
13	FM2-E010-000		1	SECONDARY TRANSFER ASSEMBLY	
14	FU2-0094-000		1	GEAR, 21T	
15	FU2-0167-010		1	BUSHING	
16	FU2-0168-000		1	BUSHING	
17	FU2-2397-000		1	GEAR, 21T	
18	FU2-3050-000		1	GEAR, 21T	
19	XD9-0395-000		1	RETAINING RING (E-TYPE)	
20	XD9-0396-000		1	RETAINING RING (E-TYPE)	

Figure 350A PAPER DELIVERY ASSEMBLY (C3835)

NOTE : This assembly includes the assemblies shown in Figure 351, 352 and 353A.

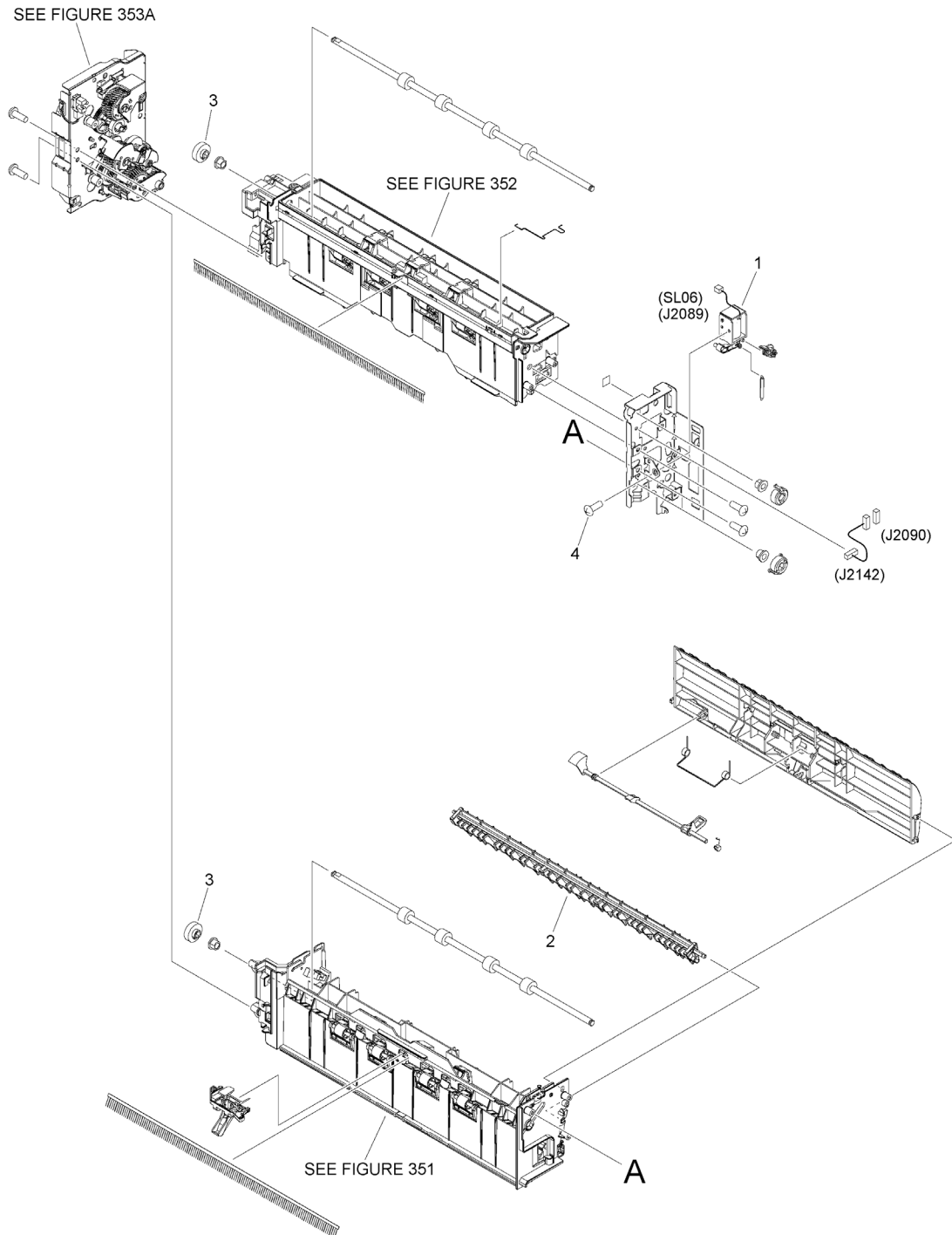


FIGURE & KEY NO.	PART NUMBER	RANK	QTY	DESCRIPTION	SERIAL NUMBER /REMARKS
350A	FM1-Y563-000		1	PAPER DELIVERY ASSEMBLY	C3835 SEE NOTE
1	FM1-T125-000		1	SOLENOID ASSEMBLY	SL06, J2089
2	FM1-Y573-000		1	PAPER DELIVERY FLAPPER ASS'Y	
3	FU2-2397-000		2	GEAR, 21T	
4	XA9-2008-000		1	SCREW,M3X4	

Figure 350B PAPER DELIVERY ASSEMBLY (WITHOUT C3835)

NOTE : This assembly includes the assemblies shown in Figure 351, 352 and 353B.

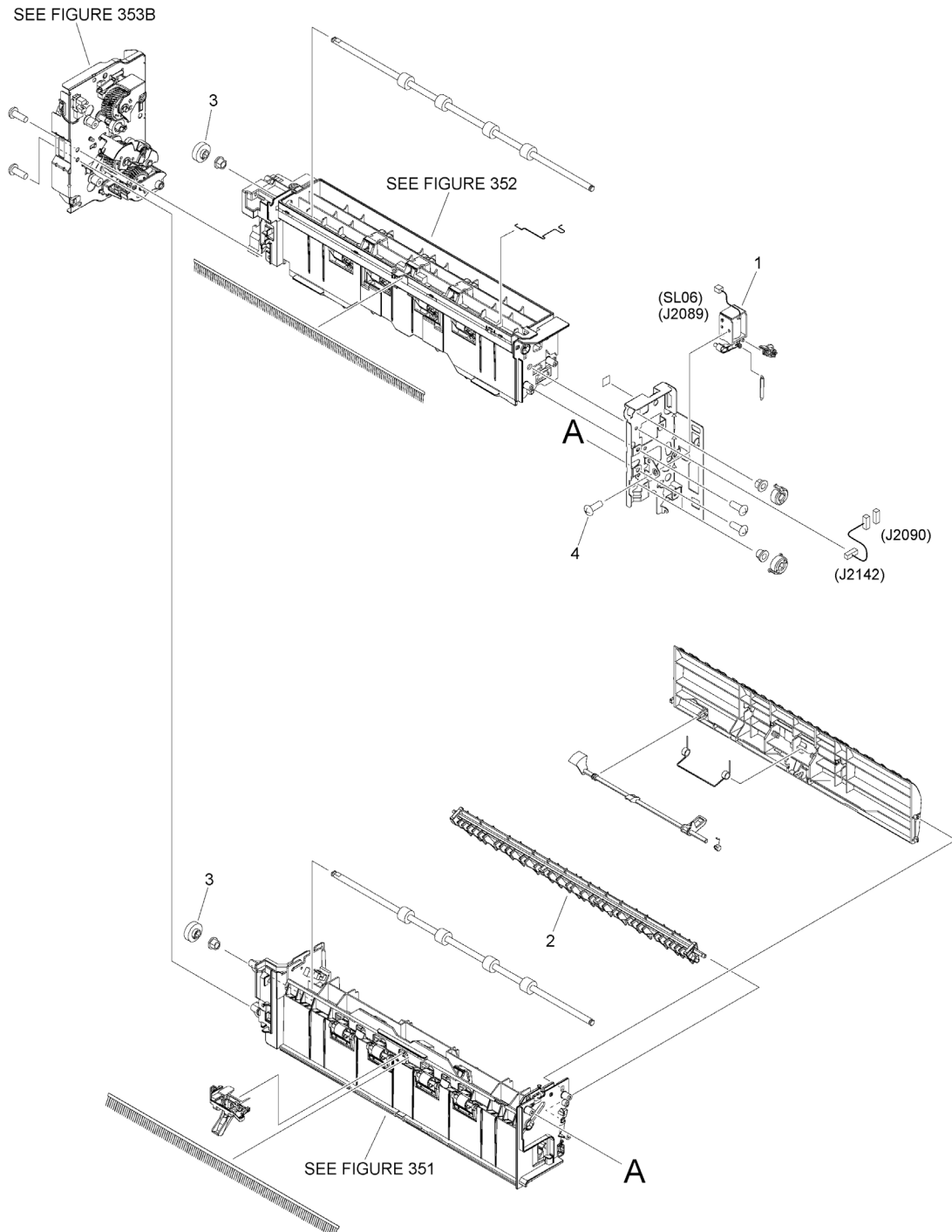


FIGURE & KEY NO.	PART NUMBER	RANK	QTY	DESCRIPTION	SERIAL NUMBER /REMARKS
350B	FM1-Y556-000		1	PAPER DELIVERY ASSEMBLY	WITHOUT C3835 SEE NOTE
1	FM1-T125-000		1	SOLENOID ASSEMBLY	SL06, J2089
2	FM1-Y573-000		1	PAPER DELIVERY FLAPPER ASS'Y	
3	FU2-2397-000		2	GEAR, 21T	
4	XA9-2008-000		1	SCREW,M3X4	

Figure 351 FIRST PAPER DELIVERY ASSEMBLY

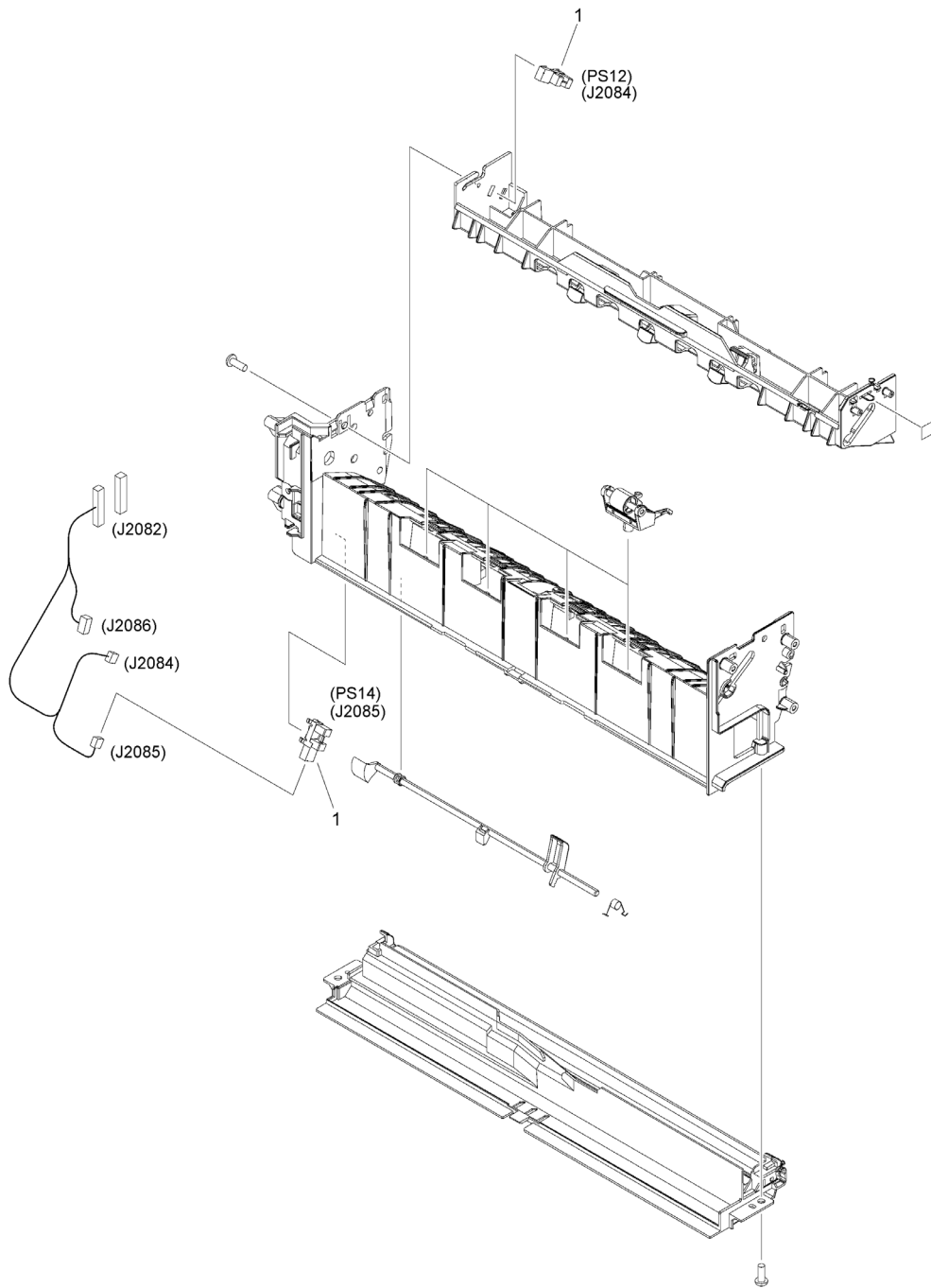


FIGURE & KEY NO.	PART NUMBER	R A N K	QTY	DESCRIPTION	SERIAL NUMBER /REMARKS
351	NPN		RF	FIRST PAPER DELIVERY ASSEMBLY	
1	WG8-5935-000		2	IC, PHOTO INTERRUPTER	PS12, PS14, J2084, J2085

Figure 352 SECOND PAPER DELIVERY ASSEMBLY

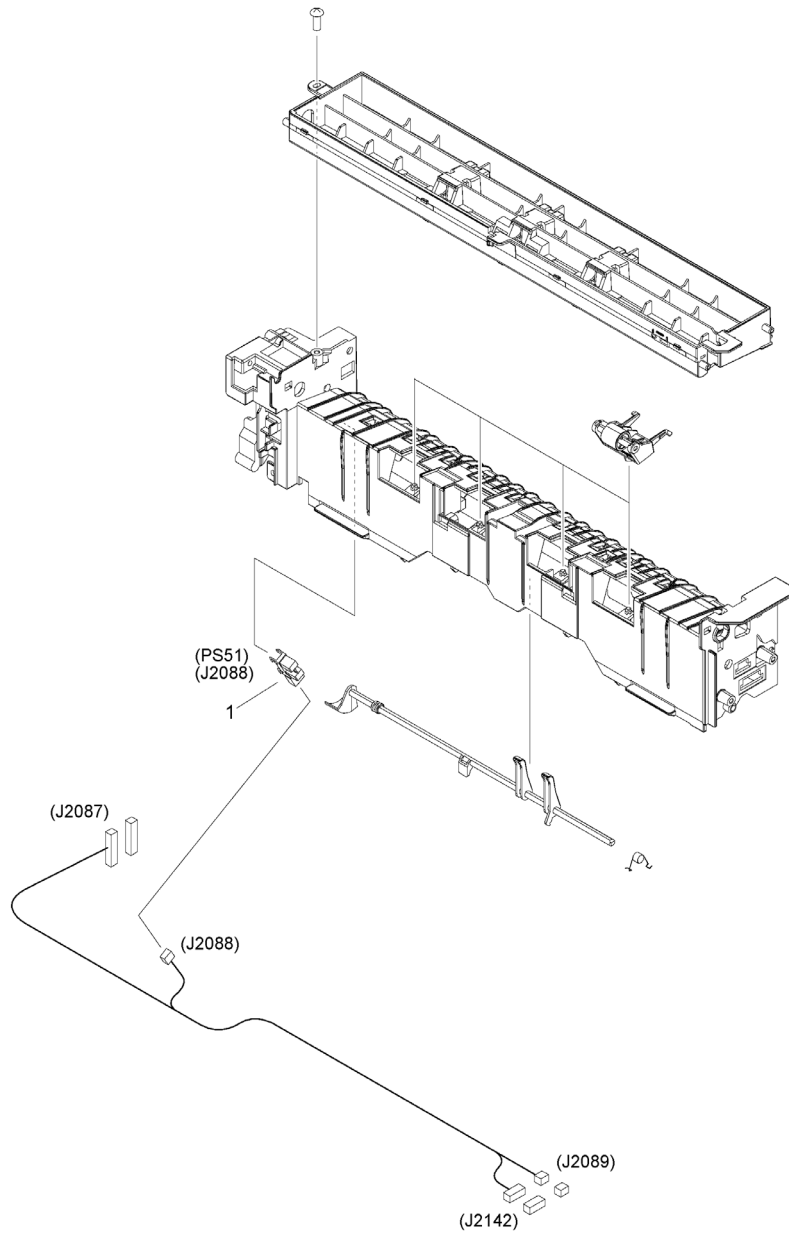


FIGURE & KEY NO.	PART NUMBER	R A N K	QTY	DESCRIPTION	SERIAL NUMBER /REMARKS
352	NPN		RF	SECOND PAPER DELIVERY ASSEMBLY	
1	WG8-5935-000		1	IC, PHOTO INTERRUPTER	PS51, J2088

Figure 353A PAPER DELIVERY DRIVE ASSEMBLY (C3835)

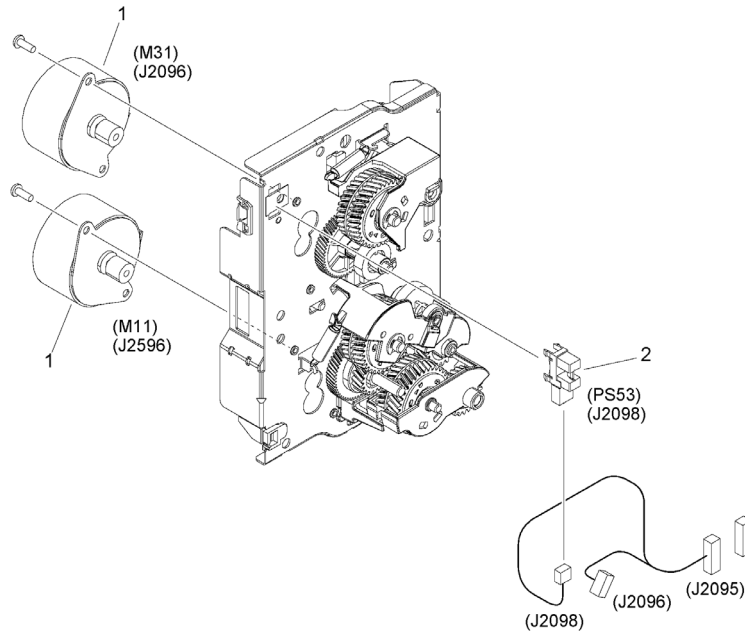


FIGURE & KEY NO.	PART NUMBER	RANK	QTY	DESCRIPTION	SERIAL NUMBER /REMARKS
353A	NPN		RF	PAPER DELIVERY DRIVE ASSEMBLY	C3835
1	FM2-U946-000		2	MOTOR, STEPPING, DC	M11, M31, J2096, J2596
2	WG8-5935-000		1	IC, PHOTO INTERRUPTER	PS53, J2098

Figure 353B PAPER DELIVERY DRIVE ASSEMBLY (WITHOUT C3835)

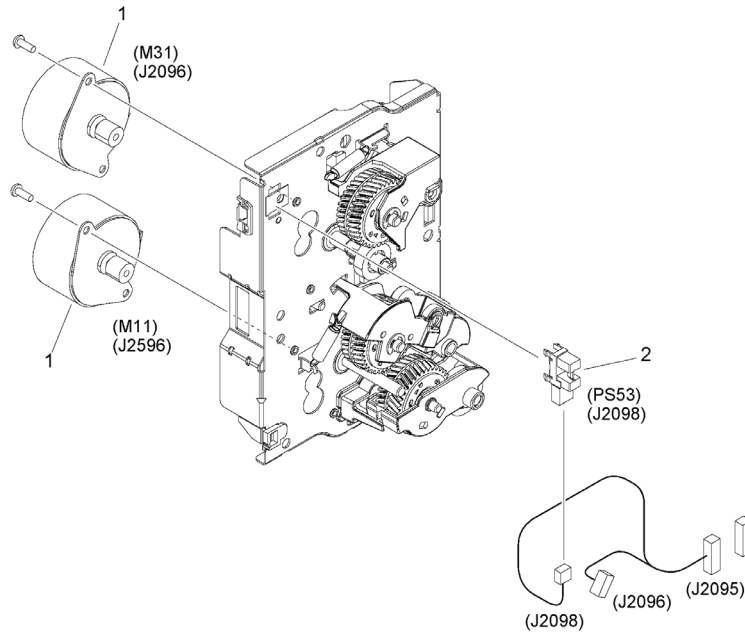


FIGURE & KEY NO.	PART NUMBER	RANK	QTY	DESCRIPTION	SERIAL NUMBER /REMARKS
353B	NPN		RF	PAPER DELIVERY DRIVE ASSEMBLY	WITHOUT C3835
1	FM2-U944-000		2	MOTOR, STEPPING, DC	M11, M31, J2096, J2596
2	WG8-5935-000		1	IC, PHOTO INTERRUPTER	PS53, J2098

Figure 460A LASER SCANNER ASSEMBLY (C3835)

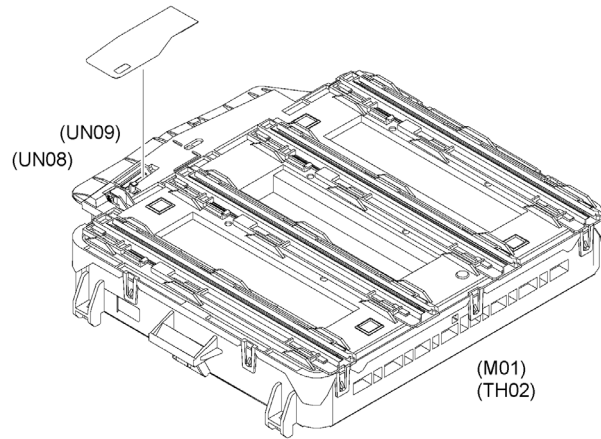


FIGURE & KEY NO.	PART NUMBER	R A N K	QTY	DESCRIPTION	SERIAL NUMBER /REMARKS
460A	FM1-Z420-000		1	LASER SCANNER ASSEMBLY	M01, TH02, UN08, UN09 C3835

Figure 460B LASER SCANNER ASSEMBLY (WITHOUT C3835)

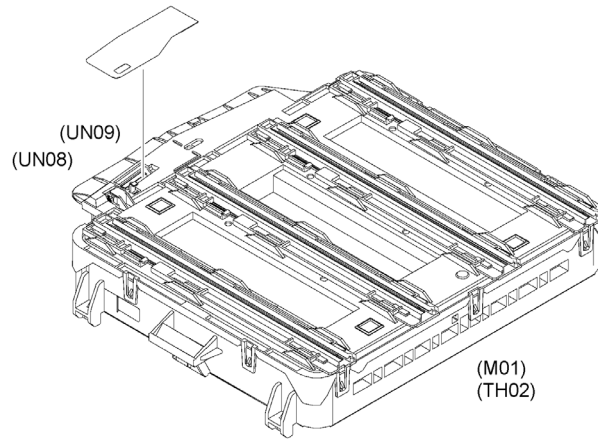


FIGURE & KEY NO.	PART NUMBER	R A N K	QTY	DESCRIPTION	SERIAL NUMBER /REMARKS
460B	FM1-D175-000		1	LASER SCANNER ASSEMBLY	M01, TH02, UN08, UN09 WITHOUT C3835

Figure 530 INTER. TRANSFER BELT ASSEMBLY

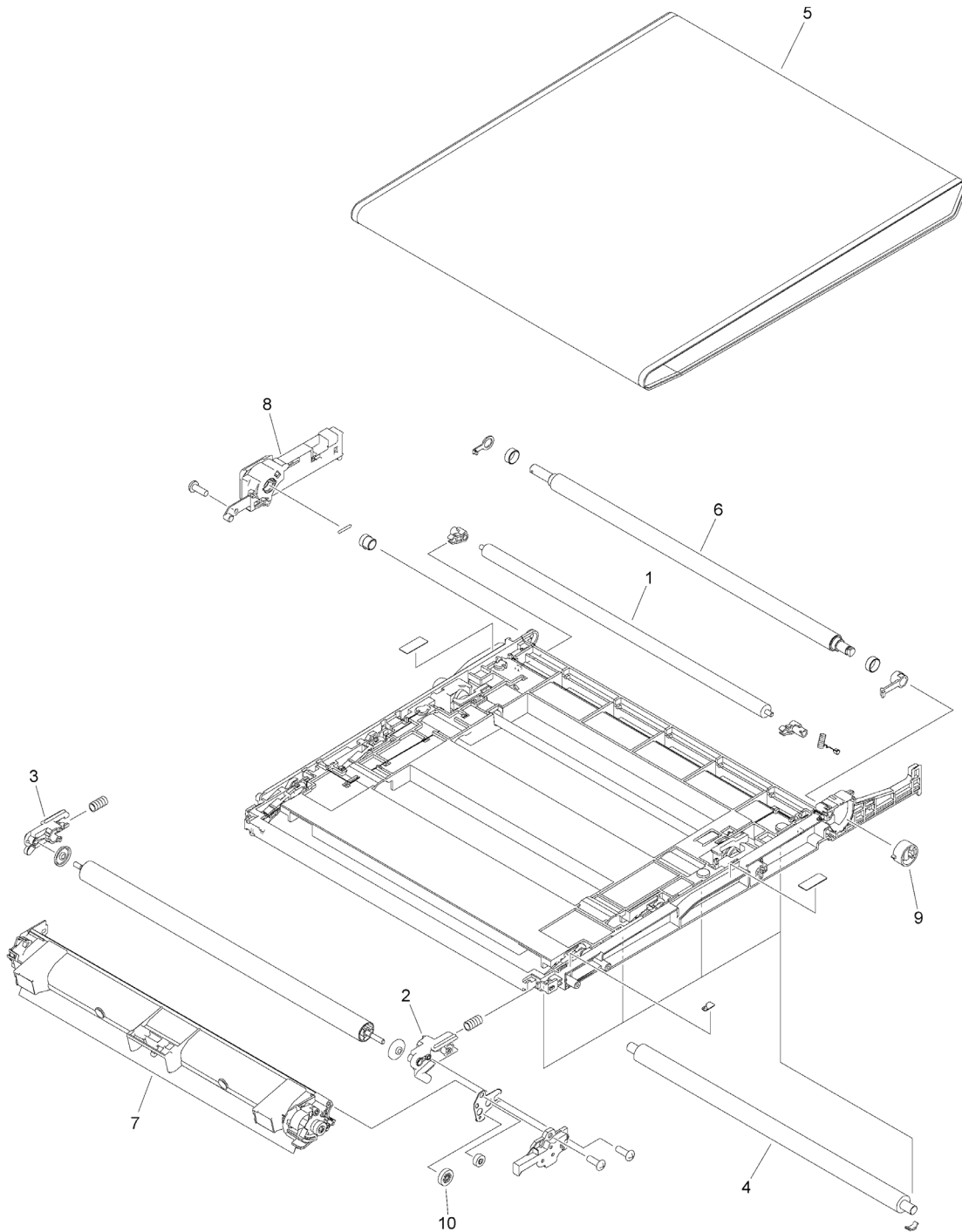


FIGURE & KEY NO.	PART NUMBER	RANK	QTY	DESCRIPTION	SERIAL NUMBER /REMARKS
530	FM1-A605-020		1	INTER. TRANSFER BELT ASS'Y	[DP]
1	FE8-7188-000		1	ROLLER, SECONDARY TRANSFER,FR.	
2	FE3-0982-000		1	BUSHING, FRONT	
3	FE3-0983-000		1	BUSHING, REAR	
4	FE3-0986-000		4	ROLLER, PRIMARY TRANSFER	
5	FL0-0222-000		1	BELT, INTERMEDIATE TRANSFER	
6	FL0-0859-000		1	ROLLER, DRIVE	
7	FM1-B271-000		1	TRANSFER CLEANER ASS'Y	
8	FM1-F558-000		1	GRIP ASSEMBLY	
9	FU2-0026-000		1	GEAR, 2T	
10	FU2-0171-000		1	GEAR, 22T	

Figure 640 DEVELOPING ASSEMBLY

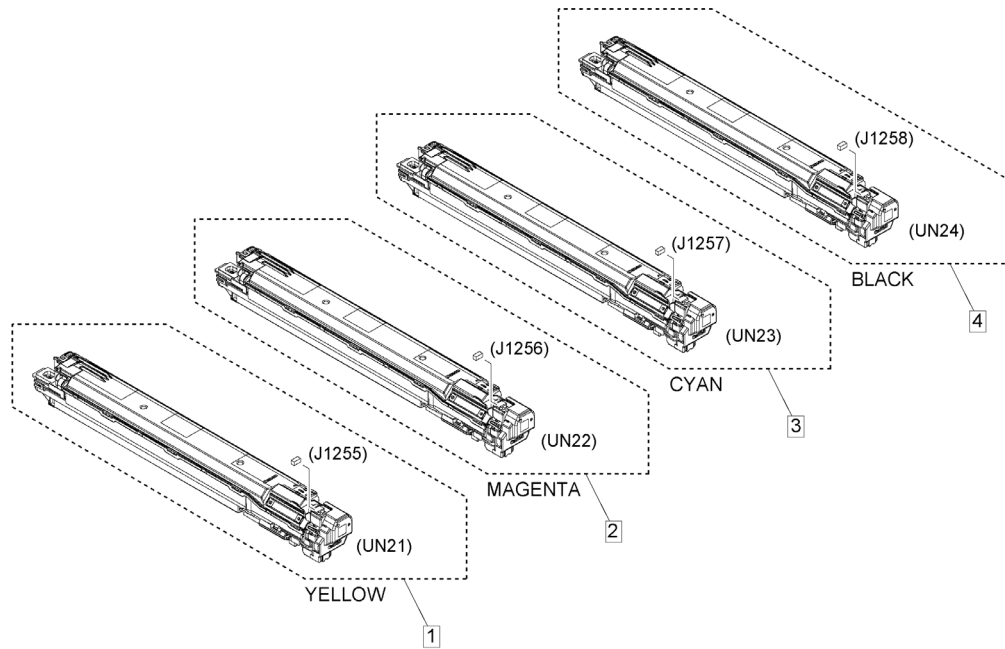


FIGURE & KEY NO.	PART NUMBER	RANK	QTY	DESCRIPTION	SERIAL NUMBER /REMARKS
640	NPN		RF	DEVELOPING ASSEMBLY	
1	FM1-B264-020		1	DEVELOPING ASSEMBLY, Y	UN21 [DP]
2	FM1-B265-020		1	DEVELOPING ASSEMBLY, M	UN22 [DP]
3	FM1-B266-020		1	DEVELOPING ASSEMBLY,C	UN23 [DP]
4	FM1-B267-020		1	DEVELOPING ASSEMBLY, BK	UN24 [DP]

Figure 770 CONTAINER, WASTE TONER, WT-202

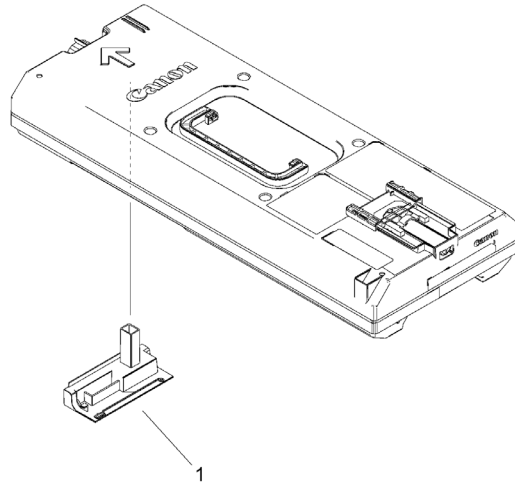


FIGURE & KEY NO.	PART NUMBER	R A N K	QTY	DESCRIPTION	SERIAL NUMBER /REMARKS
770	FM1-A606-050		1	CONTAINER, WASTE TONER, WT-202	[DP]
1	FLO-7007-000		1	WINDOW, WASTE TONER CASE	

Figure 771 WASTE TONER FEED ASSEMBLY

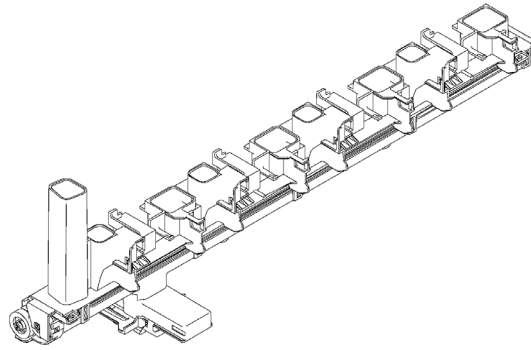


FIGURE & KEY NO.	PART NUMBER	R A N K	QTY	DESCRIPTION	SERIAL NUMBER /REMARKS
771	FM1-B247-020		1	WASTE TONER FEED ASSEMBLY	

Figure 772 WASTE TONER DRIVE UNIT

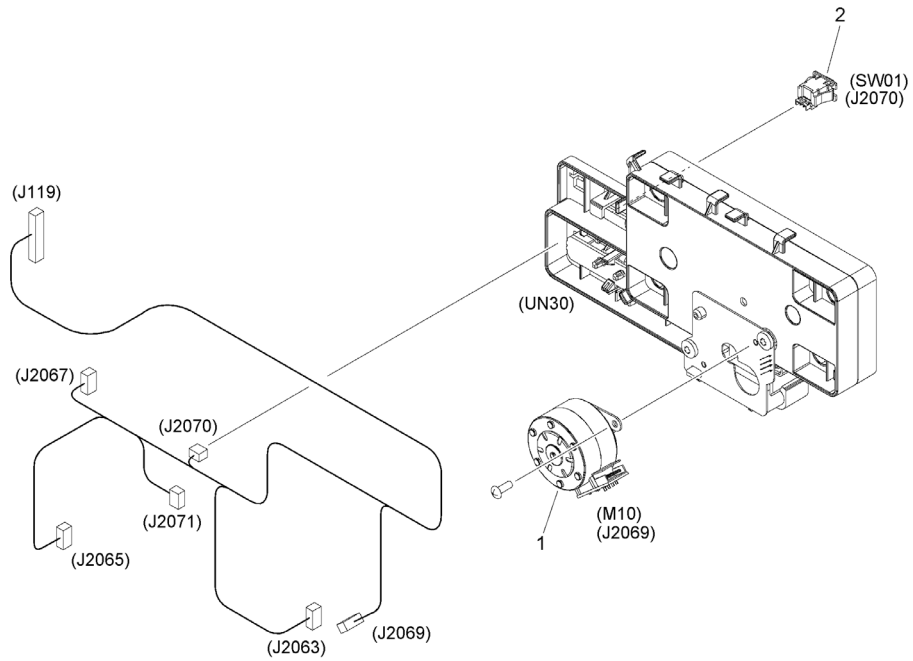


FIGURE & KEY NO.	PART NUMBER	R A N K	QTY	DESCRIPTION	SERIAL NUMBER /REMARKS
772	FM2-A087-000		1	WASTE TONER DRIVE UNIT	UN30
1	FM2-U943-000		1	MOTOR, STEPPING, DC	M10, J2069
2	WC2-5806-000		1	SWITCH, PUSH	SW01, J2070

Figure 810B FIXING ASSEMBLY, FX-209 (120V)

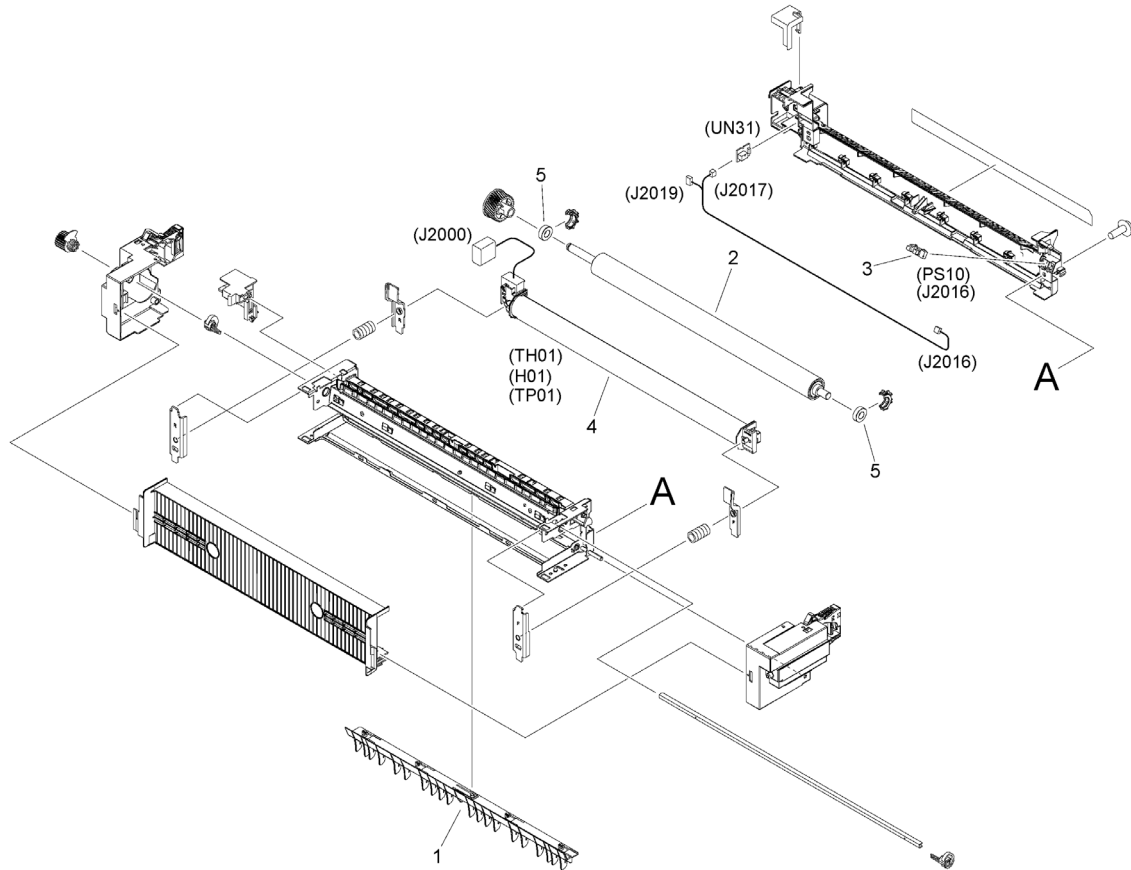


FIGURE & KEY NO.	PART NUMBER	RANK	QTY	DESCRIPTION	SERIAL NUMBER /REMARKS
810B	FM2-B739-000		1	FIXING ASSEMBLY, FX-209	120V [DP]
1	FE2-H098-000		1	GUIDE, ENTRANCE	
2	FE3-1211-000		1	ROLLER, PRESSURE	
3	WG8-5935-000		1	IC, PHOTO INTERRUPTER	PS10, J2016
4	FM2-D369-000		1	FIXING FILM ASSEMBLY	H01, TH01, TP01, J2000
5	XG9-0793-000		2	BEARING, BALL, L-1680KKRP0P25L	

Figure 810C FIXING ASSEMBLY, FX-209 (230V)

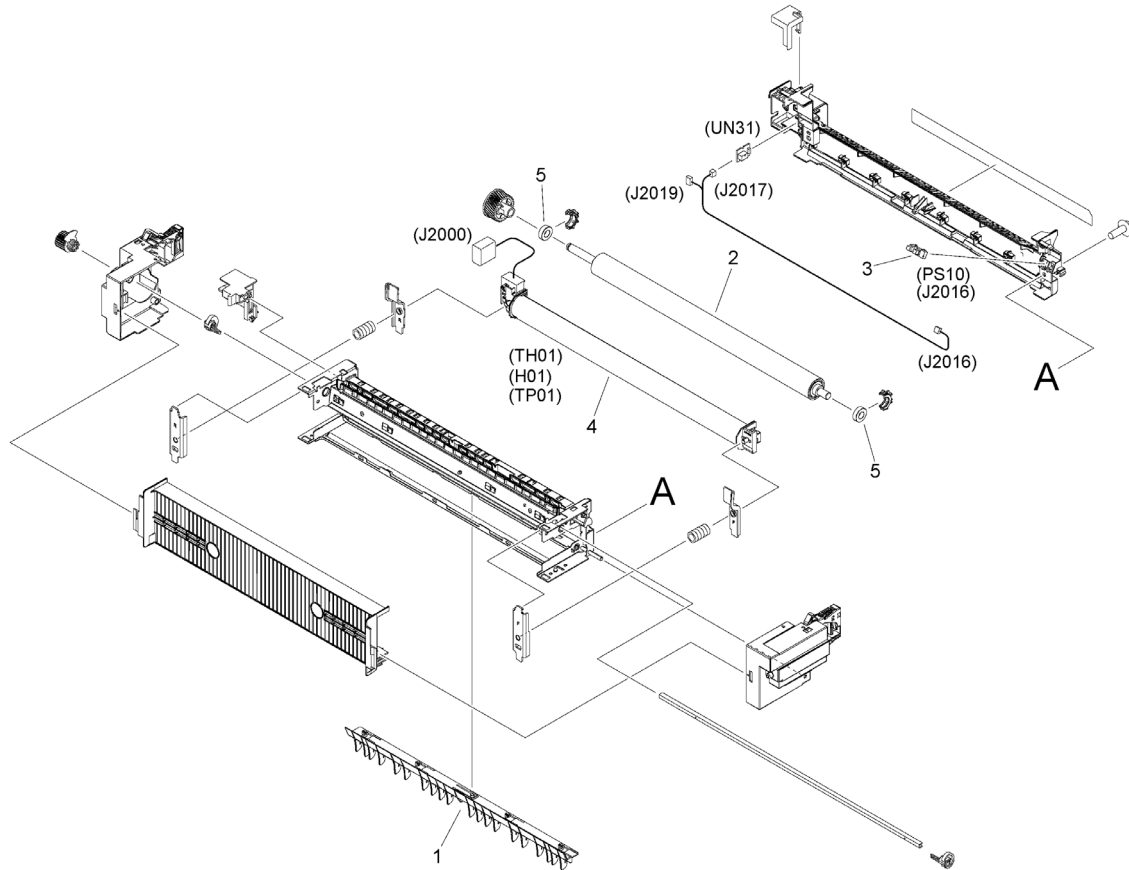


FIGURE & KEY NO.	PART NUMBER	RANK	QTY	DESCRIPTION	SERIAL NUMBER /REMARKS
810C	FM1-Y640-000		1	FIXING ASSEMBLY, FX-209	230V [DP]
1	FE2-H098-000		1	GUIDE, ENTRANCE	
2	FE3-1211-000		1	ROLLER, PRESSURE	
3	WG8-5935-000		1	IC, PHOTO INTERRUPTER	PS10, J2016
4	FM2-D370-000		1	FIXING FILM ASSEMBLY	H01, TH01, TP01, J2000
5	XG9-0793-000		2	BEARING, BALL, L-1680KKRP0P25L	

Figure 910A POWER SUPPLY ASSEMBLY (100V, 120V)

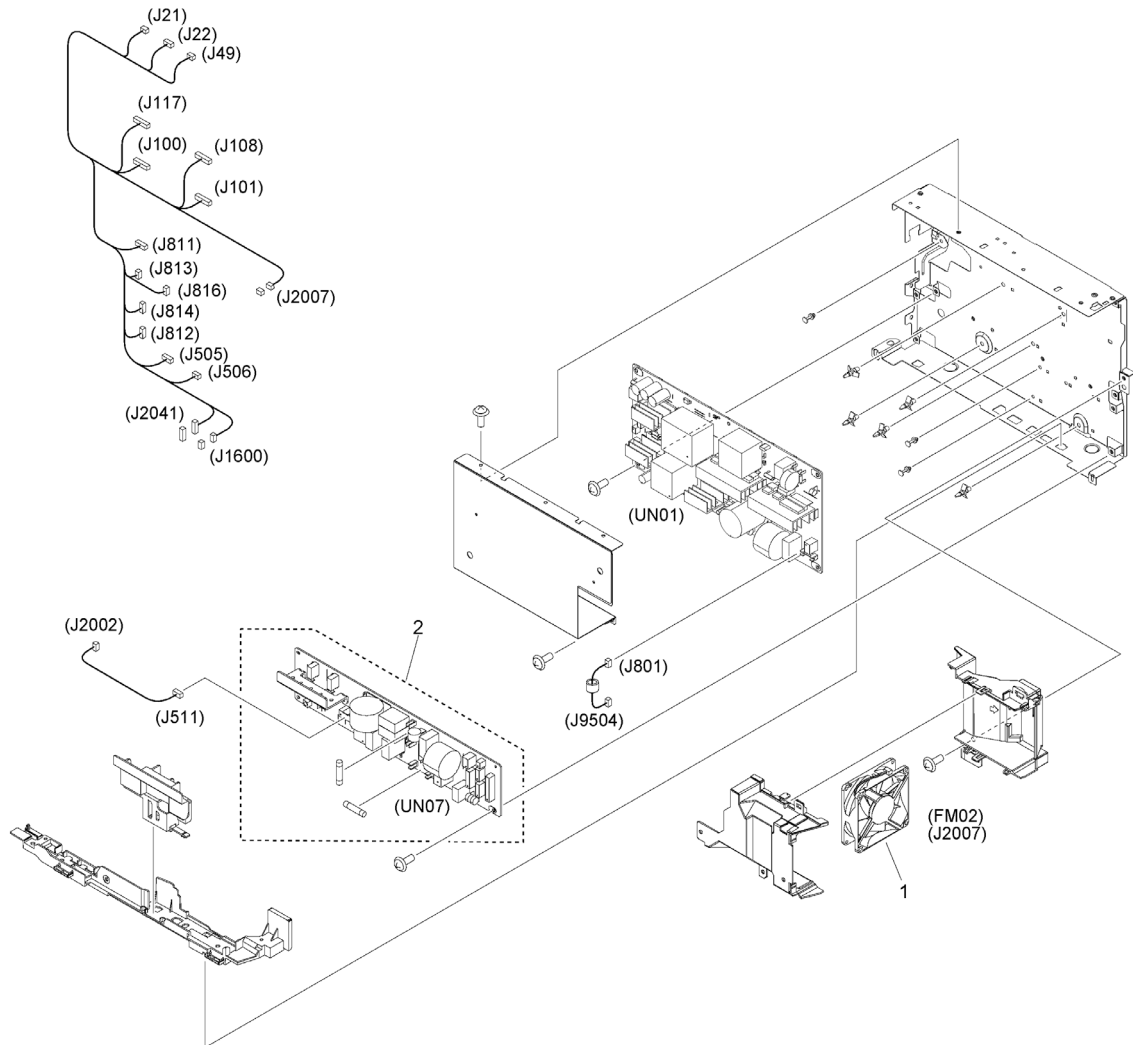


FIGURE & KEY NO.	PART NUMBER	RANK	QTY	DESCRIPTION	SERIAL NUMBER /REMARKS
910A	FM2-A579-000		1	POWER SUPPLY ASSEMBLY	100V, 120V
1	FK4-5742-000		1	FAN	FM02, J2007
2	FM2-R920-000		1	AC DRIVER PCB ASSEMBLY	UN07

Figure 910B POWER SUPPLY ASSEMBLY (230V)

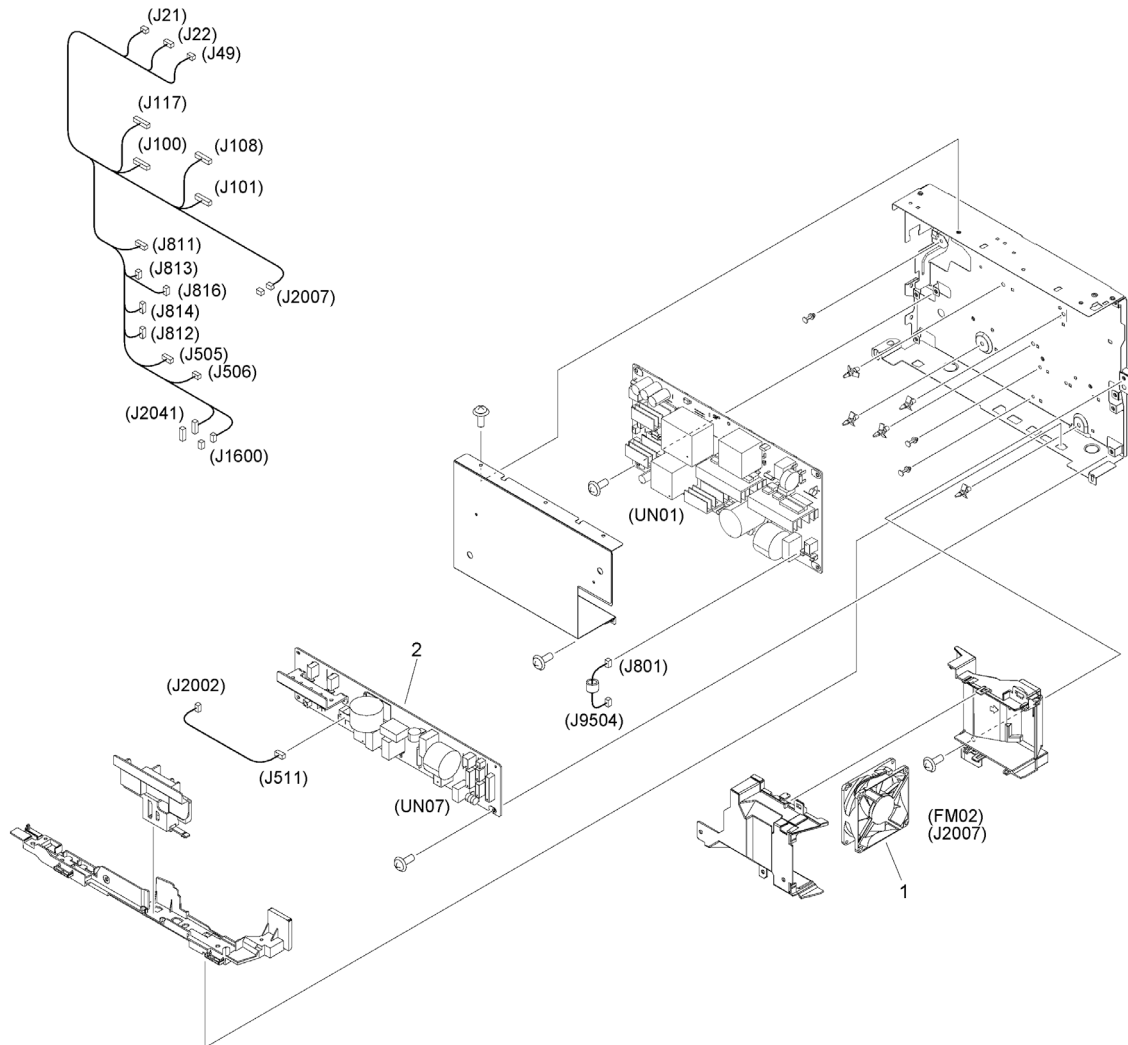


FIGURE & KEY NO.	PART NUMBER	RANK	QTY	DESCRIPTION	SERIAL NUMBER /REMARKS
910B	FM2-A580-000		1	POWER SUPPLY ASSEMBLY	230V
1	FK4-5742-000		1	FAN	FM02, J2007
2	FM2-R921-000		1	AC DRIVER PCB ASSEMBLY	UN07

Figure 930A MAIN CONTROLLER PCB ASSEMBLY (C3826)

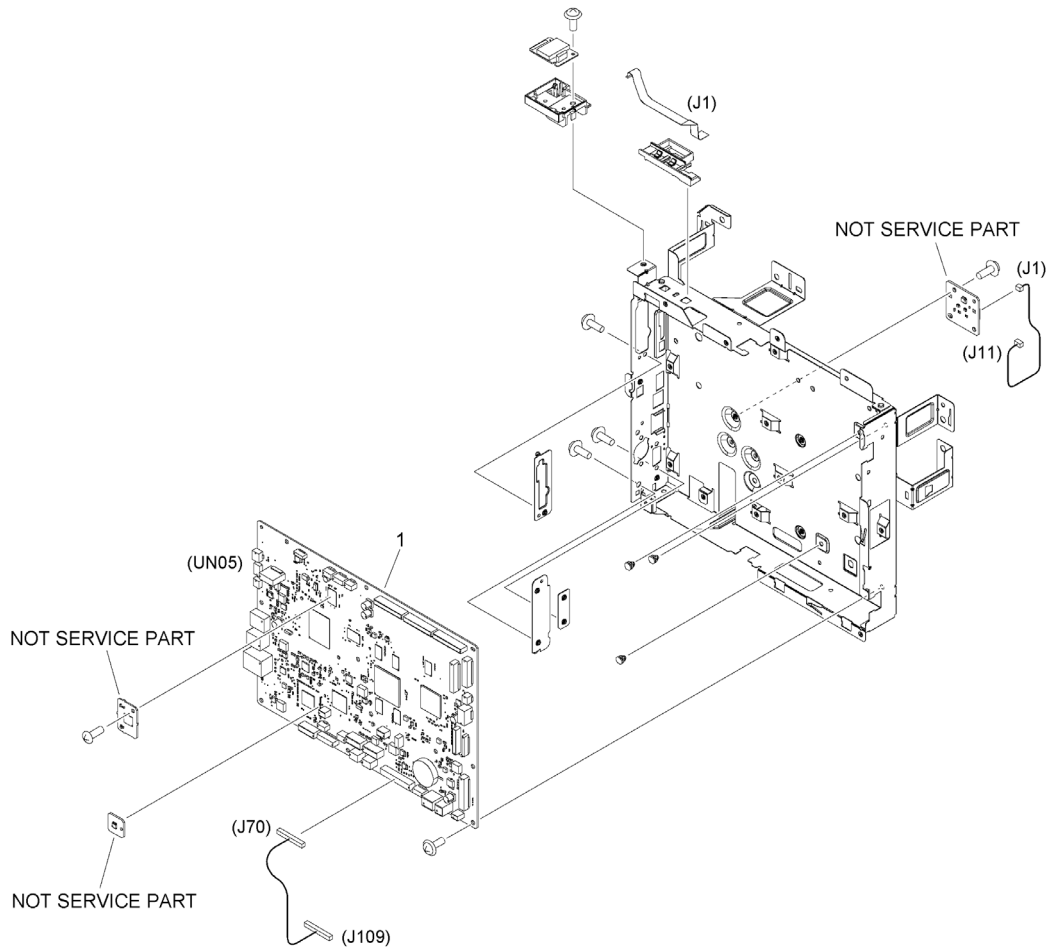


FIGURE & KEY NO.	PART NUMBER	RANK	QTY	DESCRIPTION	SERIAL NUMBER /REMARKS
930A	NPN		RF	MAIN CONTROLLER PCB ASSEMBLY	C3826
1	FM2-R902-000		1	MAIN CONTROLLER PCB ASSEMBLY	UN05

Figure 930B MAIN CONTROLLER PCB ASSEMBLY (C3830)

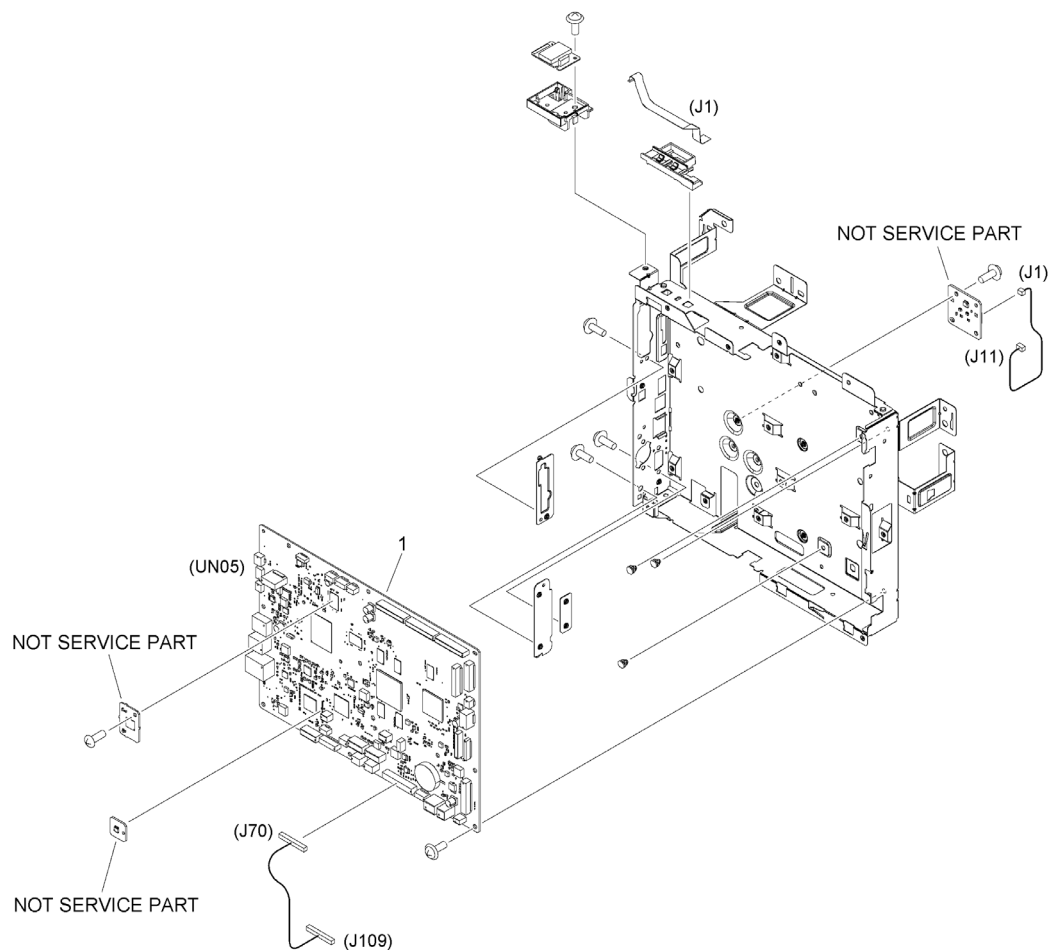


FIGURE & KEY NO.	PART NUMBER	RANK	QTY	DESCRIPTION	SERIAL NUMBER /REMARKS
930B	NPN		RF	MAIN CONTROLLER PCB ASSEMBLY	C3830
1	FM2-R901-000		1	MAIN CONTROLLER PCB ASSEMBLY	UN05

Figure 930C MAIN CONTROLLER PCB ASSEMBLY (C3835)

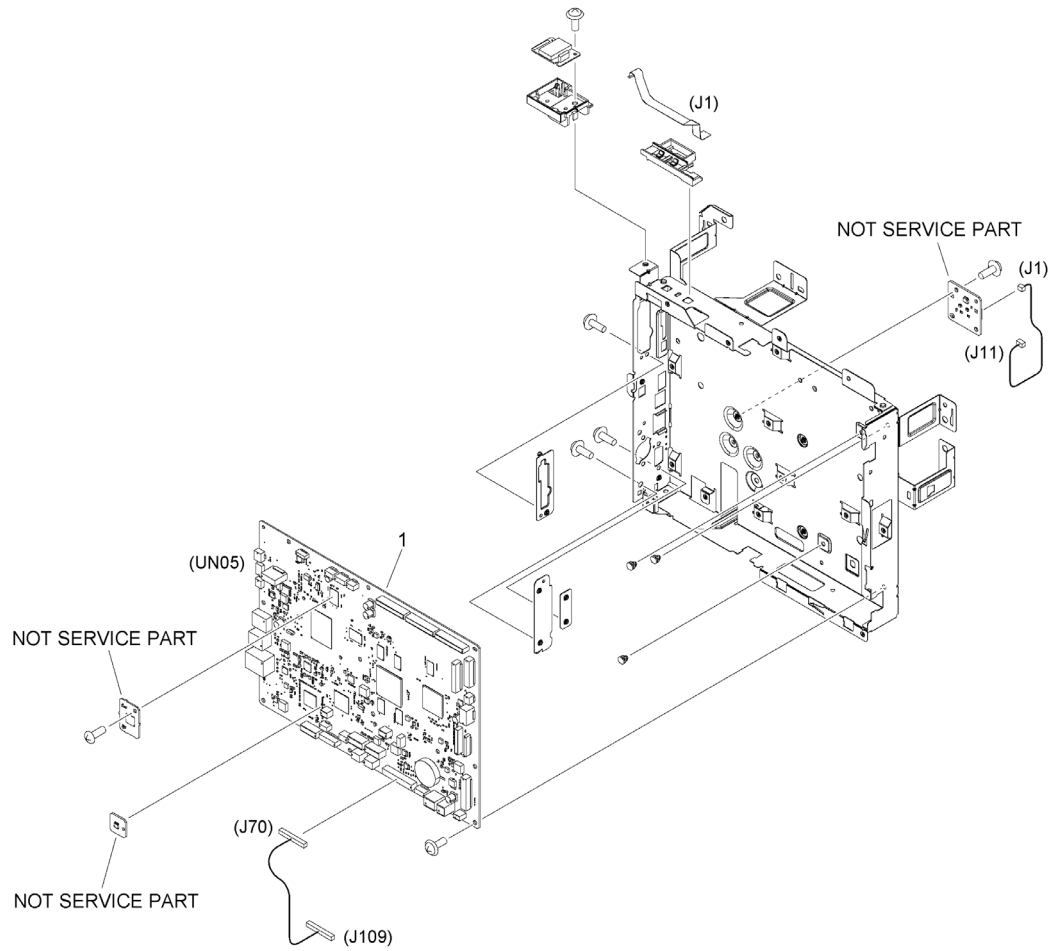


FIGURE & KEY NO.	PART NUMBER	R A N K	QTY	DESCRIPTION	SERIAL NUMBER /REMARKS
930C	NPN		RF	MAIN CONTROLLER PCB ASSEMBLY	C3835
1	FM2-R900-000		1	MAIN CONTROLLER PCB ASSEMBLY	UN05

Figure 931 DC CONTROLLER PCB ASSEMBLY

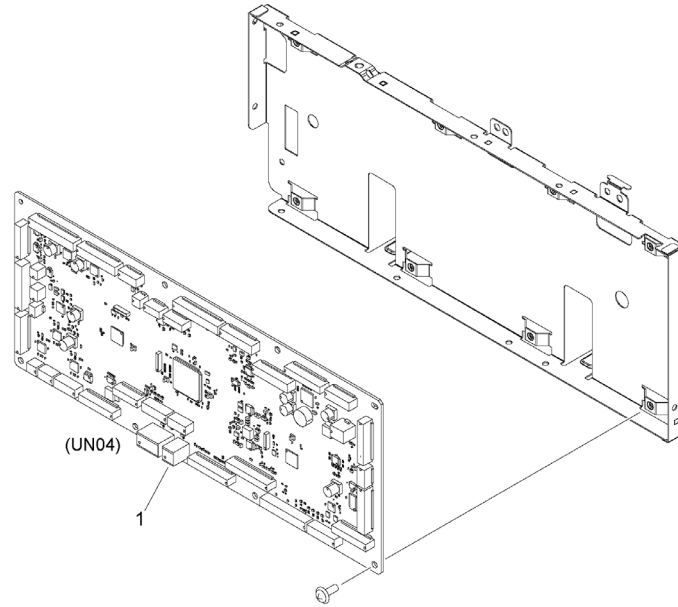


FIGURE & KEY NO.	PART NUMBER	RANK	QTY	DESCRIPTION	SERIAL NUMBER /REMARKS
931	NPN		RF	DC CONTROLLER PCB ASSEMBLY	
1	FM2-Q840-000		1	DC CONTROLLER PCB ASSEMBLY	UN04

Figure 980 PRIMARY TRANSFER H. V. ASSEMBLY

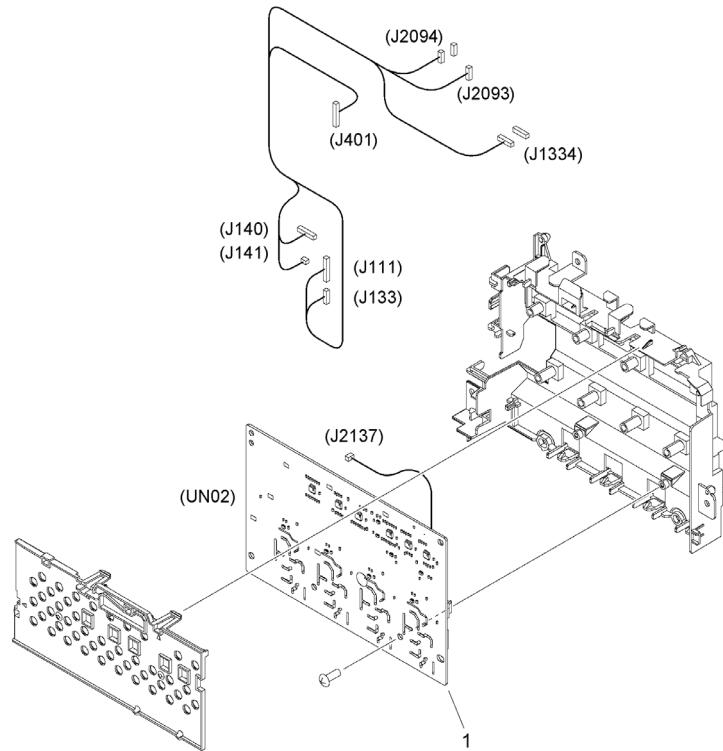


FIGURE & KEY NO.	PART NUMBER	R A N K	QTY	DESCRIPTION	SERIAL NUMBER /REMARKS
980	FM2-A573-000		1	PRIMARY TRANSFER H.V PCB ASSY	
1	FM2-Q829-000		1	1ST TRANSFER H.V. PCB ASSY	UN02, J2137

Figure 981 2ND TRNSFR. HIGH VOLTAGE ASSEMBLY

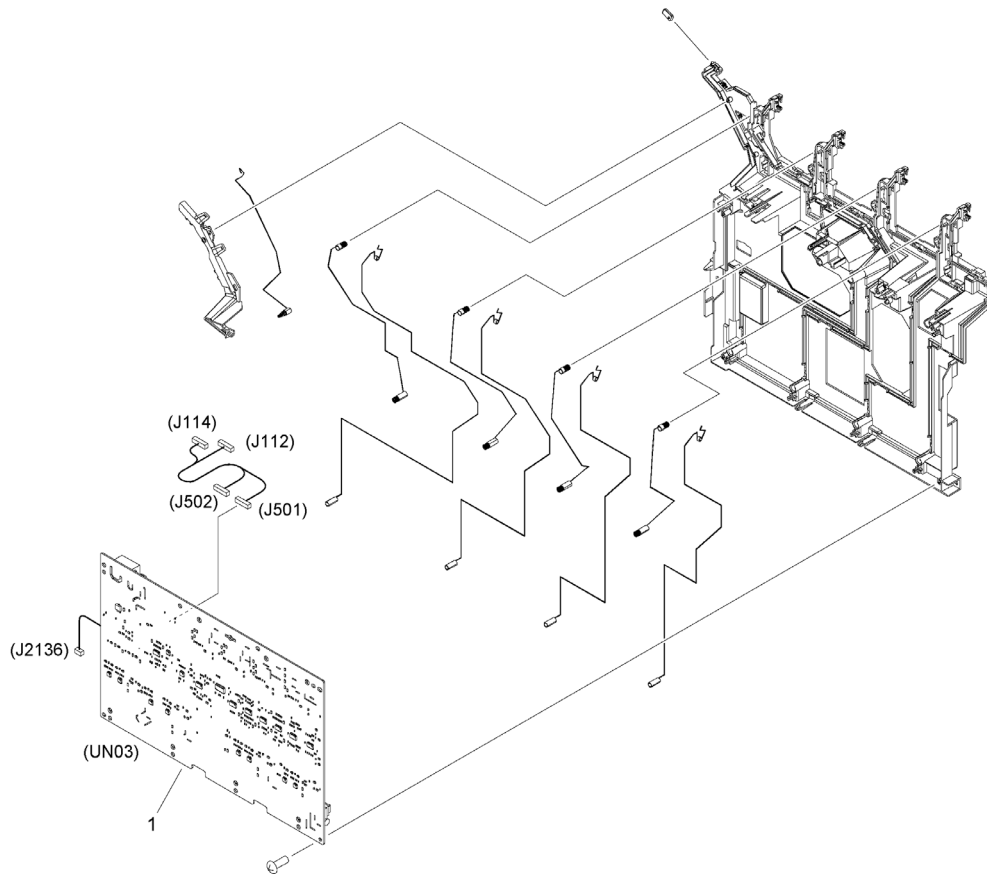


FIGURE & KEY NO.	PART NUMBER	R A N K	QTY	DESCRIPTION	SERIAL NUMBER /REMARKS
981	FM2-A008-000		1	2ND TRNSFR. HIGH VOLTAGE ASSY	
1	FM2-F956-000		1	2ND TRANSFER H.V. PCB ASSEMBLY	UN03, J2136

Figure B02 ADF MAINTENANCE KIT (SINGLE PASS ADF)

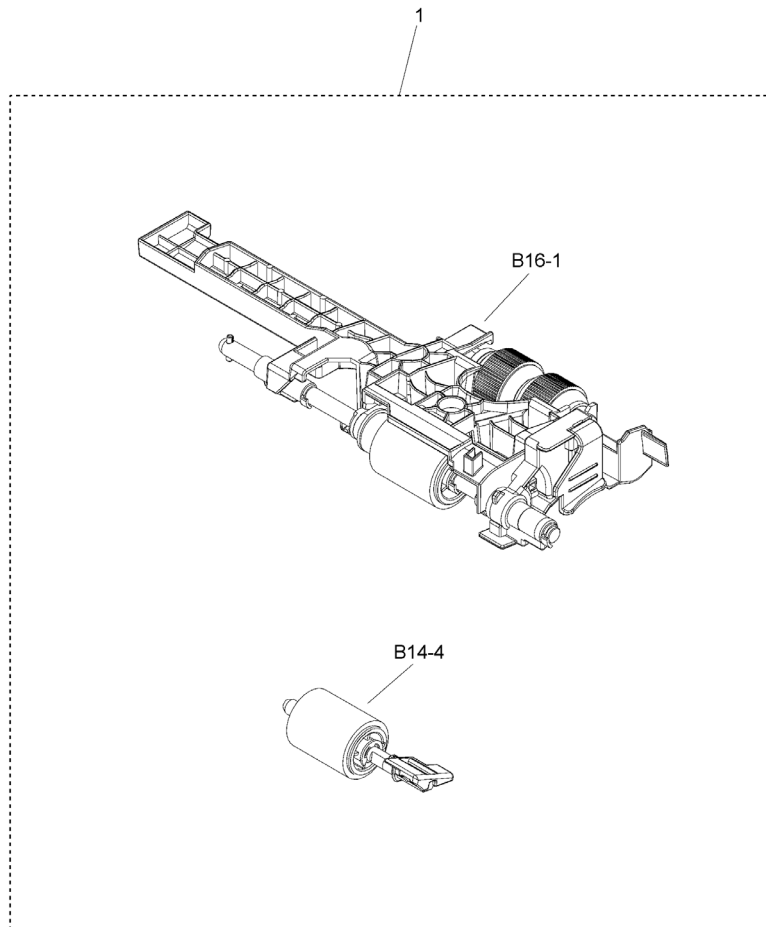


FIGURE & KEY NO.	PART NUMBER	RANK	QTY	DESCRIPTION	SERIAL NUMBER /REMARKS
B02	NPN		RF	ADF MAINTENANCE KIT	Single pass ADF
1	FM2-A273-000		1	ADF MAINTENANCE KIT, DR-205	

Figure B11B INTERNAL COMPONENTS 1 (SINGLE PASS ADF)

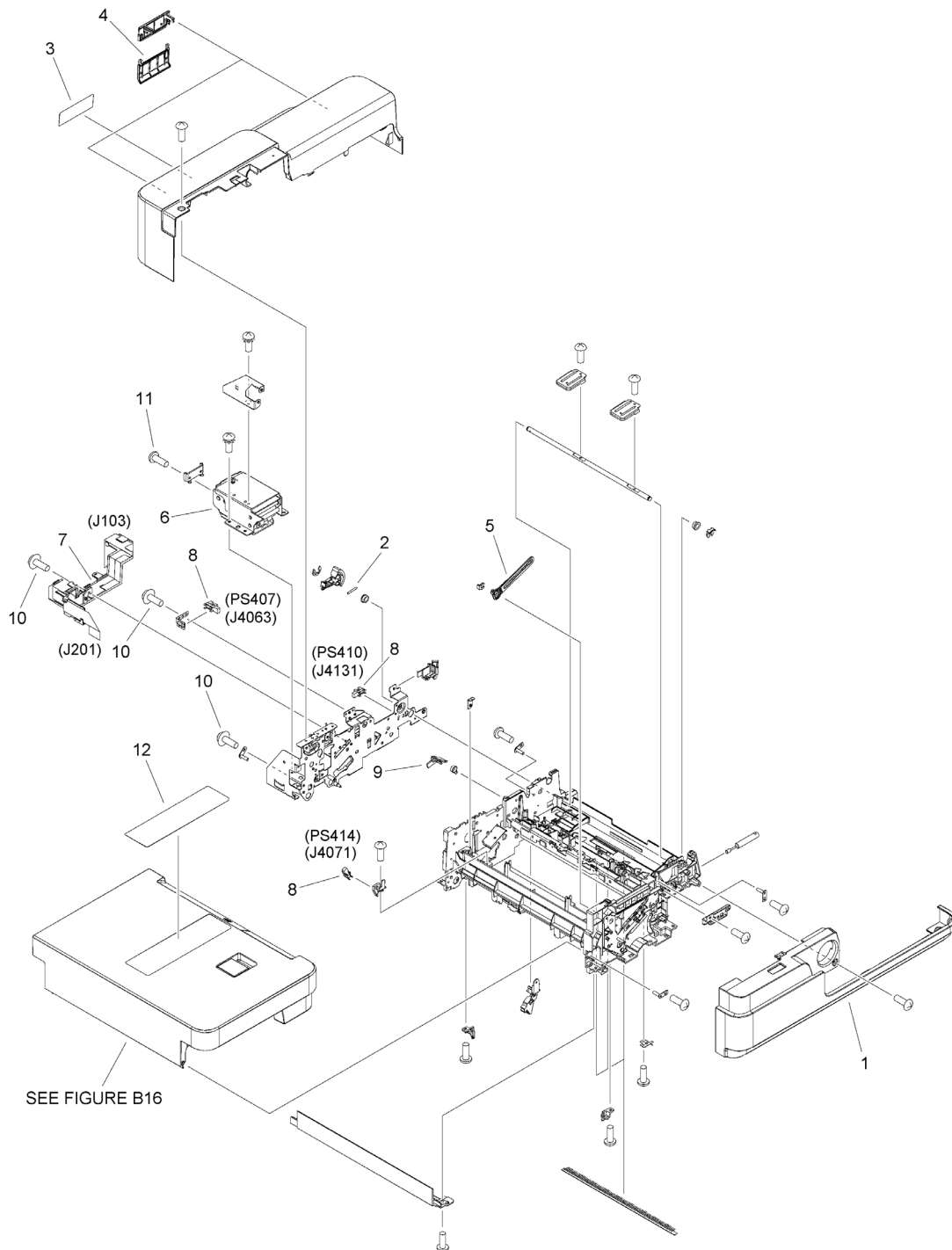


FIGURE & KEY NO.	PART NUMBER	RANK	QTY	DESCRIPTION	SERIAL NUMBER /REMARKS
B11B	NPN		RF	INTERNAL COMPONENTS 1	Single pass ADF
1	FM1-U274-000		1	FRONT COVER ASSEMBLY	
2	XD9-0359-000		1	PIN, PARALLEL	
3	FE2-C909-000		1	LABEL, CAUTION	
4	FE2-A749-000		2	COVER, HINGE 2	
5	FE8-9253-000		1	STOPPER, OPEN/CLOSE	
6	FE8-9880-000		1	HINGE, LEFT	
7	FM2-A275-000		1	FLAT CABLE UNIT	J103, J201
8	WG8-5935-000		3	IC, PHOTO INTERRUPTER	PS407, PS410, PS414, J4063, J4071, J4131
9	FE8-9257-000		1	FLAG, OPEN/CLOSE SENSOR	
10	XA9-2050-000		15	SCREW, SELF-TAPPING, M3	
11	XA9-2014-000		2	SCREW, MACH. TRUSS HEAD, M4X6	
12	FE2-C419-000		1	LABEL, PROHIBITION DOCUMENT	

Figure B12B INTERNAL COMPONENTS 2 (SINGLE PASS ADF)

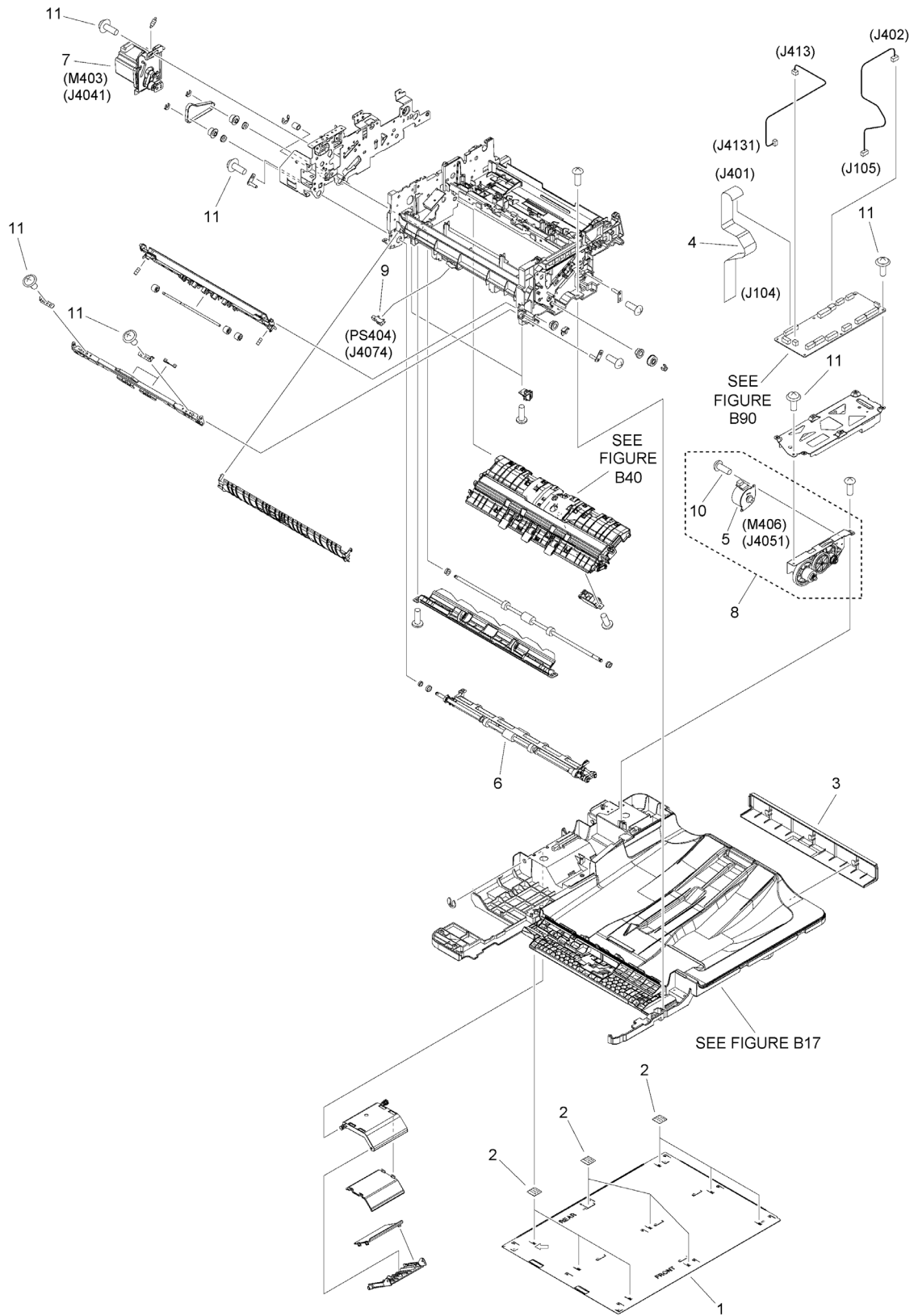


FIGURE & KEY NO.	PART NUMBER	RANK	QTY	DESCRIPTION	SERIAL NUMBER /REMARKS
B12B	NPN		RF	INTERNAL COMPONENTS 2	Single pass ADF
1	FE3-5529-010		1	PANEL, COPYBOARD	
2	FC0-9274-000		9	TAPE	
3	FE8-9900-000		1	COVER, RIGHT	
4	FK4-3333-000		1	CABLE, FLAT	J104, J401
5	FK4-3336-000		1	MOTOR, STEPPING, DC	M406, J4051
6	FM1-U342-000		1	PLATEN ROLLER ASS'Y	
7	FM1-U404-000		1	MOTOR ASS'Y	M403, J4041
8	FM1-U405-000		1	LIFTER DRIVE ASSEMBLY	
9	WG8-6233-000		1	PHOTO-INTERRUPTER	PS404, J4074
10	XA9-1833-000		2	SCREW, D, M3X6	
11	XA9-2050-000		15	SCREW, SELF-TAPPING, M3	

Figure B13 INTERNAL COMPONENTS 3 (SINGLE PASS ADF)

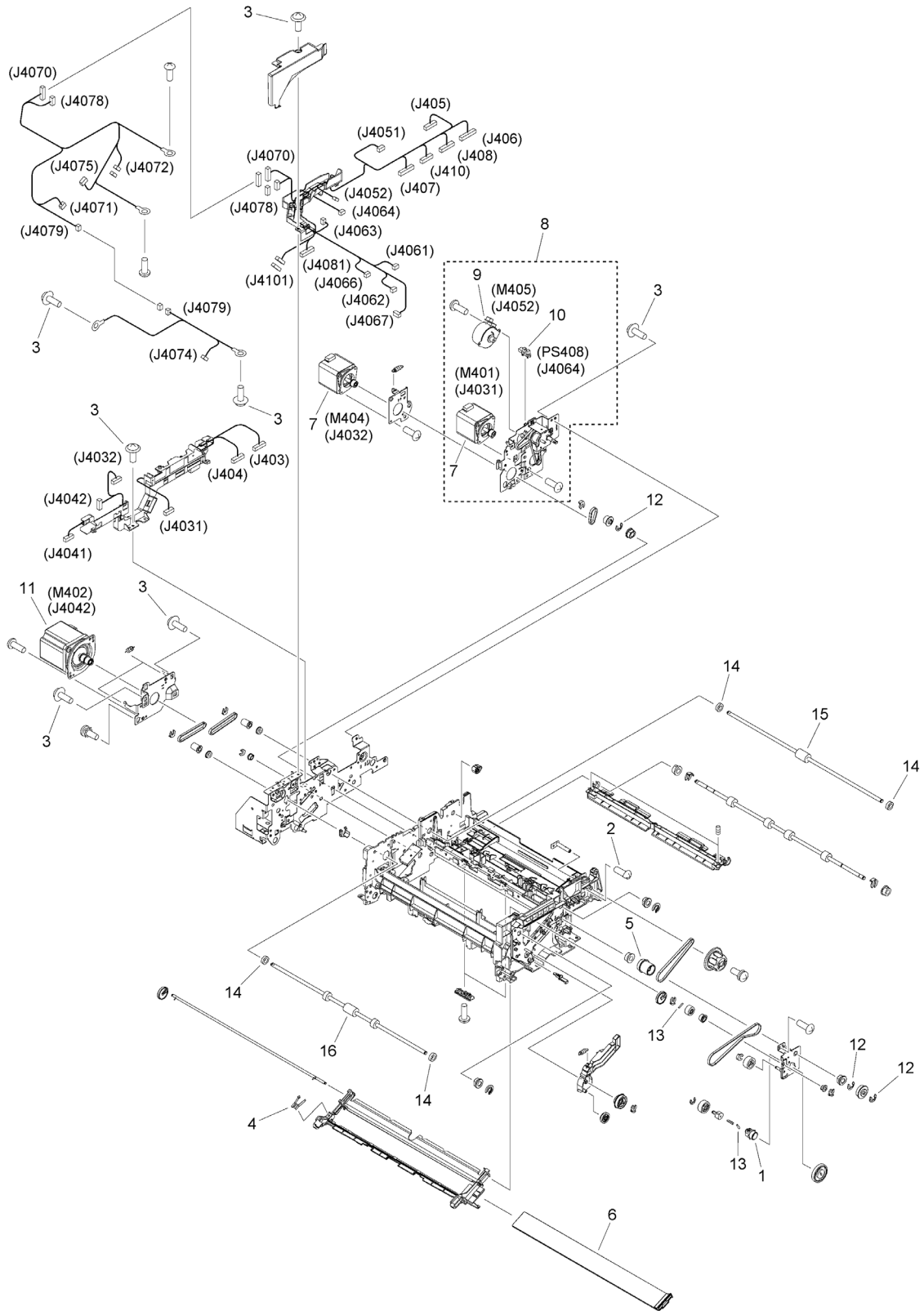


FIGURE & KEY NO.	PART NUMBER	RANK	QTY	DESCRIPTION	SERIAL NUMBER /REMARKS
B13	NPN		RF	INTERNAL COMPONENTS 3	Single pass ADF
1	FE2-A726-010		1	HOUSING, CLUTCH	
2	XA9-2014-000		1	SCREW, MACH. TRUSS HEAD, M4X6	
3	XA9-2050-000		10	SCREW, SELF-TAPPING, M3	
4	FE8-5099-000		1	SPRING, SLIDE, GROUNDING	
5	FL1-5310-000		1	PULLEY, 34T	
6	FL1-5503-000		1	GLASS, READER	
7	FM1-T962-000		2	MOTOR ASS'Y	M401, M404, J4031, J4032
8	FM1-U403-000		1	PAPER PICK-UP MOTOR ASS'Y	
9	FK4-3336-000		1	MOTOR, STEPPING, DC	M405, J4052
10	WG8-5935-000		1	IC, PHOTO INTERRUPTER	PS408, J4064
11	FM1-W515-000		1	MOTOR ASS'Y	M402, J4042
12	XD9-0395-000		3	RETAINING RING (E-TYPE)	
13	XD9-0328-000		2	PIN, PARALLEL	
14	XG9-0497-000		4	BEARING, BALL, MR106ZZ,	
15	FL1-4620-000		1	ROLLER, EXTRACTION, 1	
16	FL1-4621-000		1	ROLLER, EXTRACTION, 2	

Figure B14 INTERNAL COMPONENTS 4 (SINGLE PASS ADF)

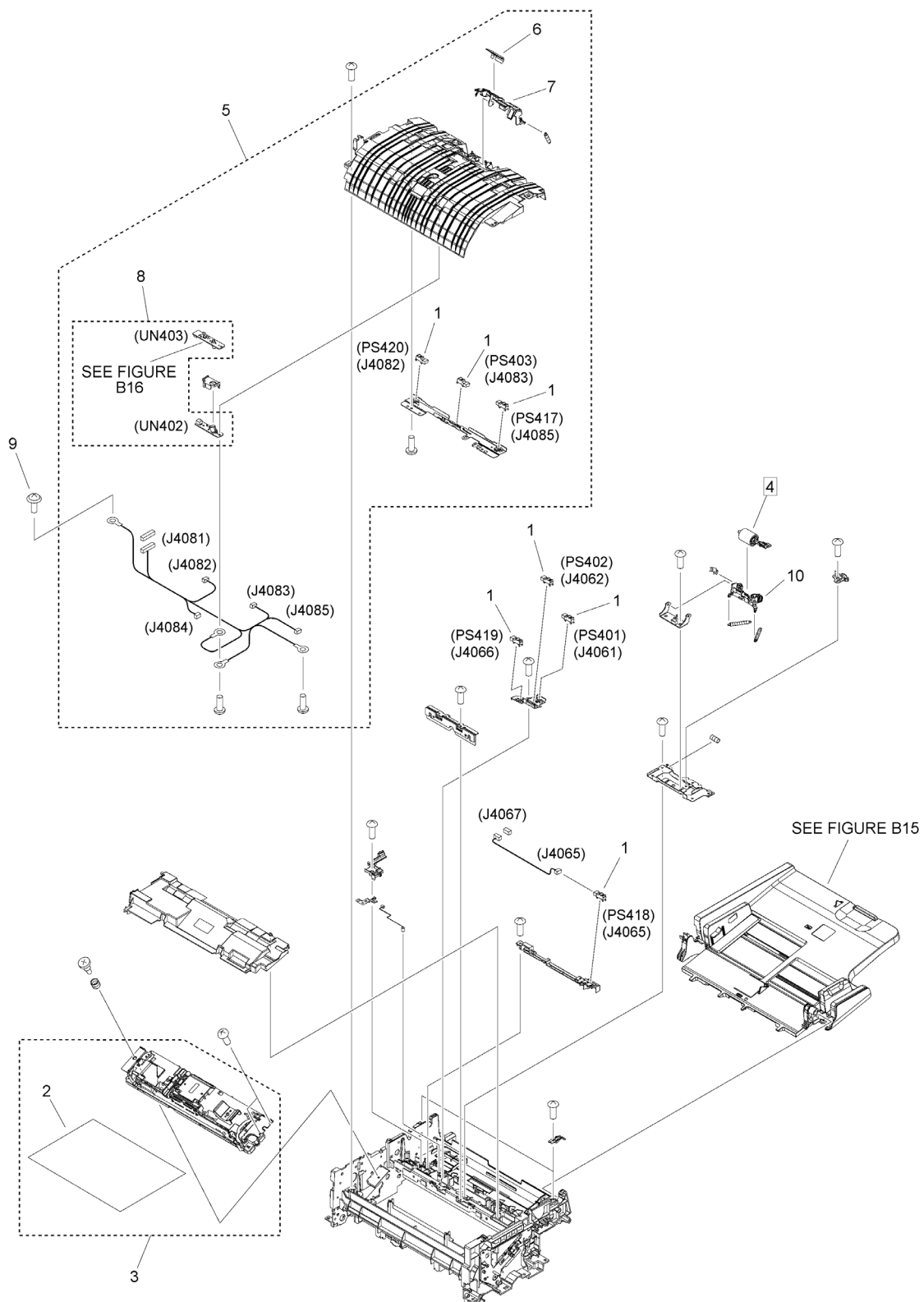
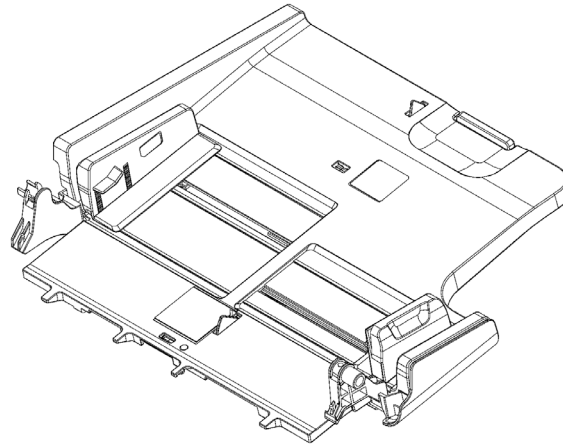


FIGURE & KEY NO.	PART NUMBER	RANK	QTY	DESCRIPTION	SERIAL NUMBER /REMARKS
B14	NPN		RF	INTERNAL COMPONENTS 4	Single pass ADF
1	WG8-6233-000		7	PHOTO-INTERRUPTER	PS401, PS402, PS403, PS417, PS418, PS419, PS420, J4061, J4062, J4065, J4066, J4082, J4083, J4085
2	FM1-T790-000		1	CHART, 2-SIDED DIFFER. ADJUST	
3	FM2-A693-000		1	SCANNER UNIT	
4	FM1-T423-000		1	SEPARATION ROLLER UNIT	[DP]
5	FM1-T424-000		1	LOWER EXTRACTION GUIDE ASS'Y	
6	FL1-4610-000		1	PAD, SEPARATION	
7	FL4-0117-000		1	GUIDE, SEPARATION	
8	FM1-K086-010		1	DOUBLE FEED DETECTION KIT	UN402, UN403
9	XA9-2050-000		1	SCREW, SELF-TAPPING, M3	
10	FE8-9278-000		1	HOLDER, SEPARATION	

Figure B15 DOCUMENT TRAY ASSEMBLY (SINGLE PASS ADF)



(LED402)(VR401)(PS409)(PS411)(PS412)(PS413)(PS415)

FIGURE & KEY NO.	PART NUMBER	R A N K	QTY	DESCRIPTION	SERIAL NUMBER /REMARKS
B15	FM1-T421-000		1	DOCUMENT TRAY ASSEMBLY	LED402, VR401, PS409, PS411, PS412, PS413, PS415 Single pass ADF

Figure B16 OPEN/CLOSE COVER ASSEMBLY (SINGLE PASS ADF)

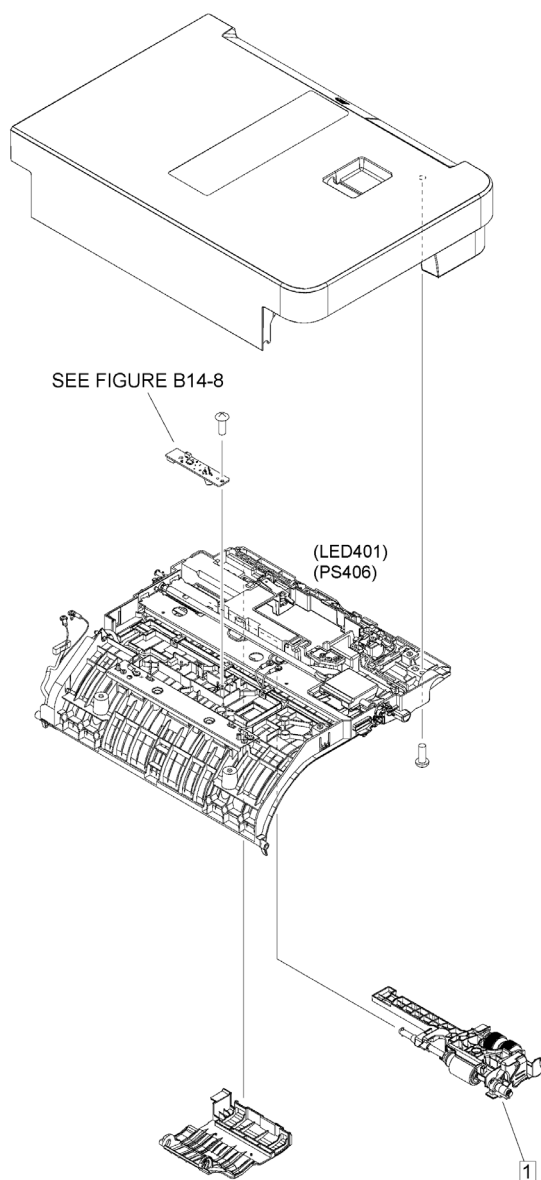


FIGURE & KEY NO.	PART NUMBER	RANK	QTY	DESCRIPTION	SERIAL NUMBER /REMARKS
B16	FM1-T420-010		1	OPEN/CLOSE COVER ASSEMBLY	LED401, PS406 Single pass ADF
1	FM1-T417-000		1	PAPER PICK-UP ROLLER ASSEMBLY	[DP]

Figure B17 BASE FRAME ASSEMBLY (SINGLE PASS ADF)

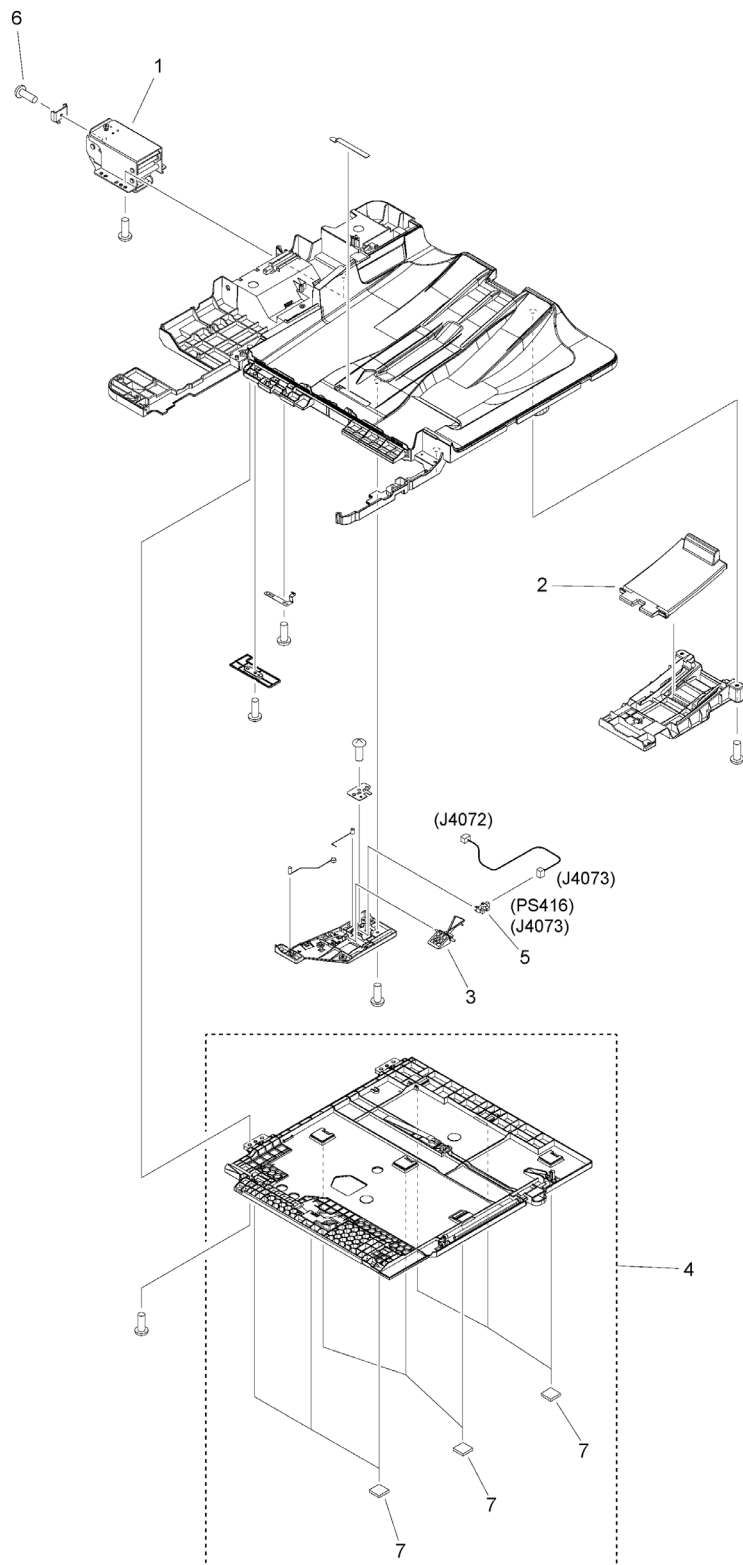


FIGURE & KEY NO.	PART NUMBER	RANK	QTY	DESCRIPTION	SERIAL NUMBER /REMARKS
B17	NPN		RF	BASE FRAME ASSEMBLY	Single pass ADF
1	FE8-9881-000		1	HINGE, RIGHT	
2	FE2-A477-000		1	TRAY, PAPER DELIVERY EXTENSION	
3	FE8-9893-000		1	FLAG, PAPER DELIVERY SENSOR	
4	FM1-U273-010		1	WHITE PLATE SUPPORT ASSEMBLY	
5	WG8-5935-000		1	IC, PHOTO INTERRUPTER	PS416, J4073
6	XA9-2014-000		1	SCREW, MACH. TRUSS HEAD, M4X6	
7	FL1-2754-010		9	CUSHION	

Figure B40 PLATEN GUIDE ASSEMBLY (SINGLE PASS ADF)

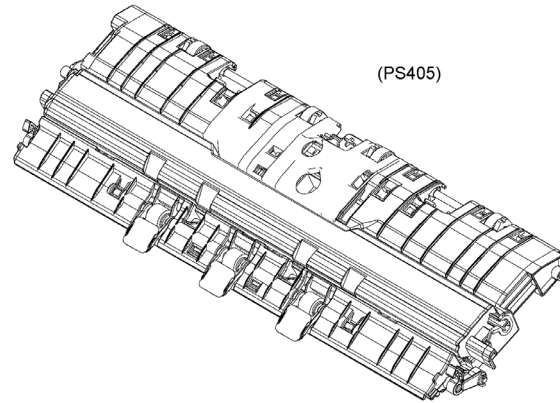


FIGURE & KEY NO.	PART NUMBER	R A N K	QTY	DESCRIPTION	SERIAL NUMBER /REMARKS
B40	FM1-U343-000		1	PLATEN GUIDE ASSY	PS405 Single pass ADF

Figure B90 DF DRIVER PCB ASSEMBLY (SINGLE PASS ADF)

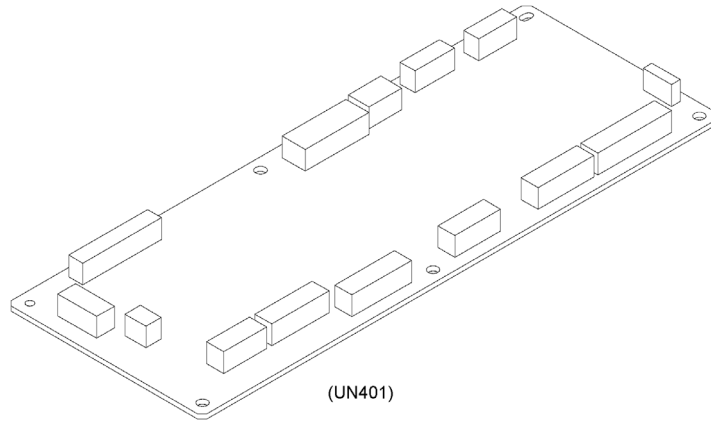


FIGURE & KEY NO.	PART NUMBER	R A N K	QTY	DESCRIPTION	SERIAL NUMBER /REMARKS
B90	FM1-T957-000		1	DF DRIVER PCB ASSEMBLY	UN401 Single pass ADF

Figure D11C READER ASSEMBLY

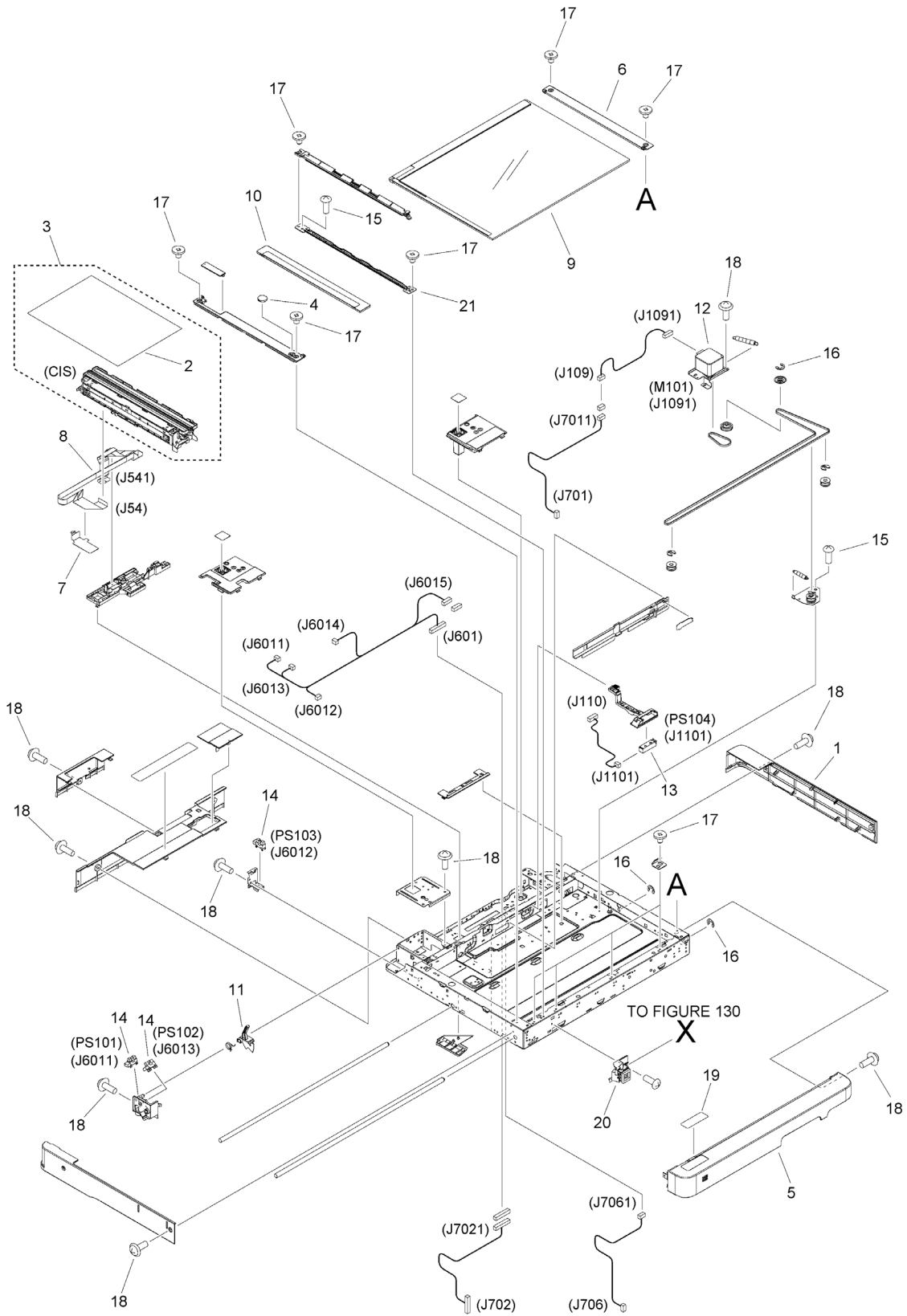


FIGURE & KEY NO.	PART NUMBER	RANK	QTY	DESCRIPTION	SERIAL NUMBER /REMARKS
D11C	NPN		RF	READER ASSEMBLY	
1	FE2-B517-000		1	COVER, READER, RIGHT	
2	FM1-T790-000		1	CHART, 2-SIDED DIFFER. ADJUST	
3	FM2-A692-000		1	SCANNER UNIT	CIS
4	FE3-9178-000		1	CAP	
5	FE2-A105-000		1	COVER, READER, FRONT	
6	FE8-5747-000		1	COVER, GLASS RETAINING	
7	FE8-9943-000		1	SHEET, FFC CLAMP	
8	FK4-3318-000		1	CABLE, FLAT	J54, J541
9	FL1-5546-000		1	GLASS, COPYBOARD	
10	FL1-5083-000		1	GLASS, READER	
11	FE8-5215-000		1	FLAG, OPEN/CLOSE SENSOR	
12	FM1-T727-000		1	MOTOR ASS'Y	M101, J1091
13	FK4-4384-000		1	IC, PHOTO SENSOR,DOCUMENT SIZE	PS104, J1101
14	WG8-5935-000		3	IC, PHOTO INTERRUPTER	PS101, PS102, PS103, J6011, J6012, J6013
15	XA9-1116-030		2	SCREW,M3X5	
16	XD9-0395-000		3	RETAINING RING (E-TYPE)	
17	XA9-2017-000		10	SCREW, PANHEAD MACHINE M4X6	
18	XA9-2050-000		10	SCREW, SELF-TAPPING, M3	
19	FE2-A147-000		1	LABEL, CLEANING POSITION	
20	FM1-U011-000		1	MOTION SENSOR UNIT	
21	FL4-1300-000		1	FRAME, JUMP GUIDE	

Figure H30 CASSETTE ASSEMBLY (SMALL)

NOTE : Several kinds of labels are attached on the board for the parts of Key No. 7.

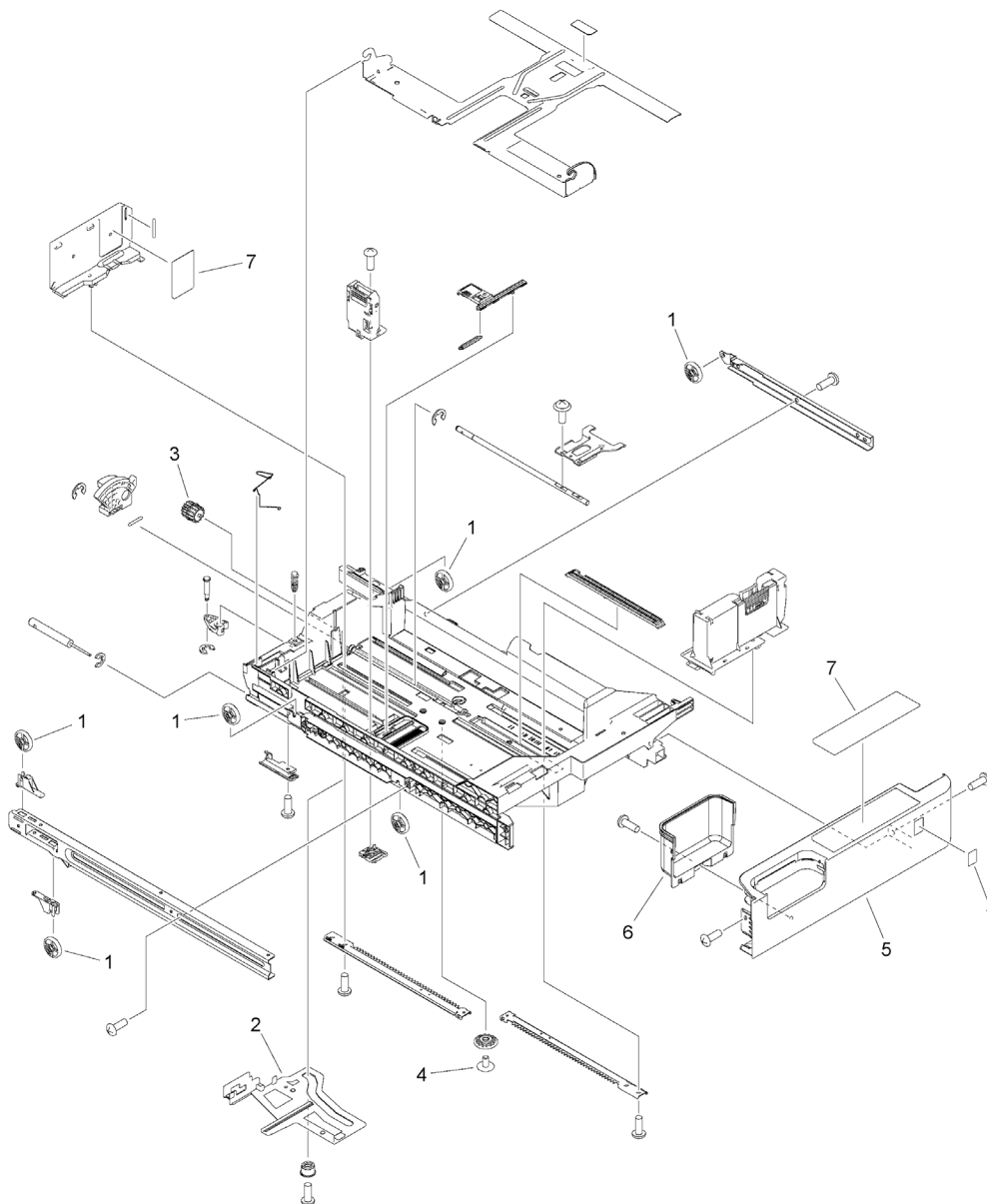


FIGURE & KEY NO.	PART NUMBER	RANK	QTY	DESCRIPTION	SERIAL NUMBER /REMARKS
H30	FM1-Y463-000		1	CASSETTE ASSEMBLY	SMALL
1	FE2-B537-000		6	ROLLER, CASSETTE	
2	FE3-1613-010		1	LINK, SIZE DETECT	
3	RC1-9396-000		1	GEAR, 14T	
4	FE8-0315-000		1	SCREW, B, M4X8	
5	FE2-G595-000		1	COVER, CASSETTE FRONT	
6	FE2-G623-000		1	HANDLE, CST. FRONT COVER	
7	FE2-E044-000		1	LABEL, CASSETTE	SEE NOTE

Figure H31 CASSETTE ASSEMBLY (LARGE)

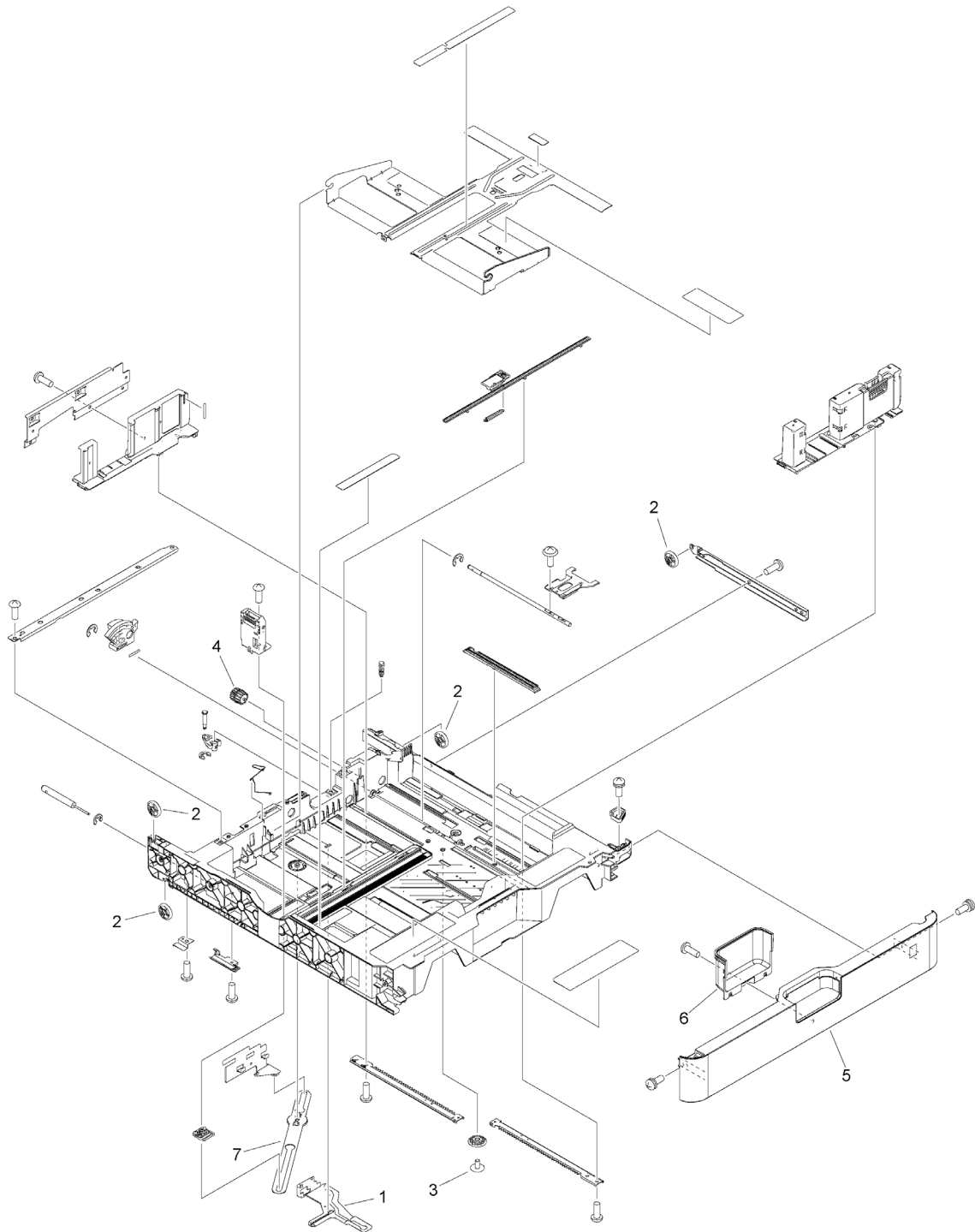


FIGURE & KEY NO.	PART NUMBER	RANK	QTY	DESCRIPTION	SERIAL NUMBER /REMARKS
H31	FM1-Y470-000		1	CASSETTE ASSEMBLY	LARGE
1	FE3-1525-020		1	LINK, SIZE DETECT	
2	FE2-B537-000		4	ROLLER, CASSETTE	
3	FE8-0315-000		1	SCREW, B, M4X8	
4	RC1-9396-000		1	GEAR, 14T	
5	FE2-G623-000		1	HANDLE, CST. FRONT COVER	
6	FE2-G625-000		1	COVER, CASSETTE FRONT	
7	FE3-1526-000		1	ARM, BACK END DETECT	

Figure ZZA MECHANICAL STANDARD PARTS (HOW TO USE)

Mechanical standard parts 機械標準部品

About a mechanical standard parts

A Mechanical standard parts is a mechanical part which not parts peculiar to a product.
They are parts which are common to a Canon product and are used, such as a screw and a washer.
The Fig No. and parts number of the mechanical standard parts are not listed in the product parts catalog.
Refer to the parts catalog of mechanical standard parts when checking the parts number for screw or washer etc. and identify them by part shape or size.

機械標準部品とは

機械標準部品とは、製品特有の部品ではなく、ねじやワッシャなどキヤノン製品共通で使用されている機械部品（メカ部品）のことです。
製品のパーツカタログには、機械標準部品のFig No.や部品番号は記載していません。
ねじや、ワッシャ等の部品番号を調べる時は、機械標準部品のパーツカタログを参照し、部品の形状や大きさから判断し、使用している部品を調べてください。

Material and surface treatment of a mechanical standard parts

Material and surface treatment of mechanical standard parts are assigned commonly for each part.
Refer to the Table 1 for the parts which material and surface treatment are assigned as numbers.

機械標準部品の材料および表面処理

機械標準部品の材料および表面処理については、各種部品共通で決められています。
材料および表面処理が番号で決められている部品については、表1を参照してください。

Table 1 Material and Surface treatment
表1 材料および表面処理

No. 番号	Material 材料	Surface treatment 表面処理	Color 色
1	Stainless steel ステンレス	Stainless steel black coloring (BC4) ステンレス黒着色(BC4)	Black 黒
2		not to be given なし	White 白
3	Brass 黄銅	Regular nickel plating (NL) 普通ニッケルメッキ(NL)	White 白
4		Black nickel plating (BN) 黒色ニッケルメッキ(BN)	Black 黒
5	Steel 鋼	White zinc trivalent chromate treating (ZC3) 白色亜鉛3価クロメート(ZC3)	White 白
6		Regular nickel chromium plating (NC) 普通ニッケルクロムメッキ(NC)	White 白
7		Regular nickel plating (NL) 普通ニッケルメッキ(NL)	White 白
8		Iron and steel phosphating (P1) 鉄鋼燐酸塩処理(P1)	Black 黒
9		Black zinc trivalent chromate treating (BZ3) 黒色亜鉛3価クロメート(BZ3)	Black 黒

Figure ZZB (1/7)MECHANICAL STANDARD PARTS (SCREWS)

1. Screws
ねじ

How to read Parts Numbers
部品番号の見方

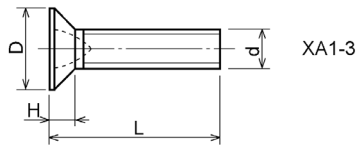
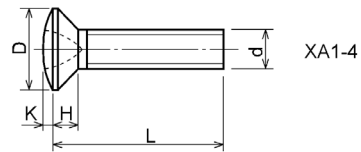
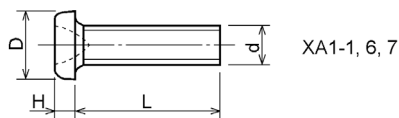
Screws
ねじ

XB1-2400-609

Type No.
類別番号
Normal designation (d)
ねじの呼び (d)
Length (L)
ねじの長さ (L)
Material and Surface treatment
材料および表面処理

XB1-2 expresses Binding head machine screw.
XB1-2は、バインドねじを表す
40 expresses M4.0.
40は、M4.0を表す
0-60 expresses a length of 6.0mm.
0-60は、6.0mmの長さを表す
9 expresses Steel (Black zinc trivalent chromate
treating) from Table 1.
9は、表1より鋼（黒色亜鉛3価クロメート）を表す

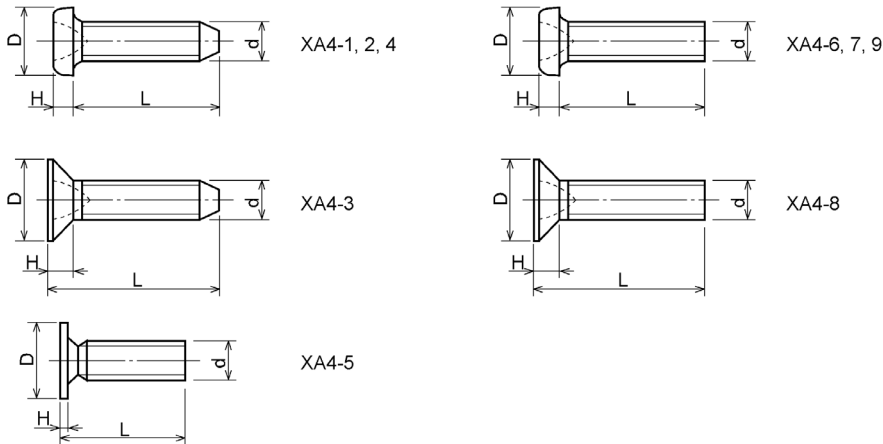
1-1. Cross Recessed Head Screws for Precision Equipments
精密機器用十字穴付き小ねじ



Type No. 類別番号	Type 類別	Head size (mm) 頭部寸法 (mm)						
		M1.4	M1.6	M1.7	M2	M2.5	M2.6	
XA1-1	Pan head Class 1 なべ1種	D	2	2.4	2.5	3	3.8	4
		H	0.5	0.55	0.5	0.6	0.9	0.8
XA1-3	Countersunk head Class 1 さら1種	D	2	2.4	2.5	3	3.8	4
		H	0.48	0.55	0.58	0.73	0.85	0.93
XA1-4	Oval countersunk head Class 1 丸さら1種	D	2	2.4	2.5	3	3.8	4
		H + K	0.68	0.8	0.88	1	1.25	1.3
XA1-6	Pan head Class 3 なべ3種	D	2.5	2.8	3	3.5	4.3	4.5
		H	0.8	0.85	0.9	1	1.3	1.2
XA1-7	Pan head Class 2 なべ2種	D	2.5	2.8	3	3.5	4.3	4.5
		H	0.5	0.55	0.5	0.6	0.9	0.8

Figure ZZB (2/7) MECHANICAL STANDARD PARTS (SCREWS)

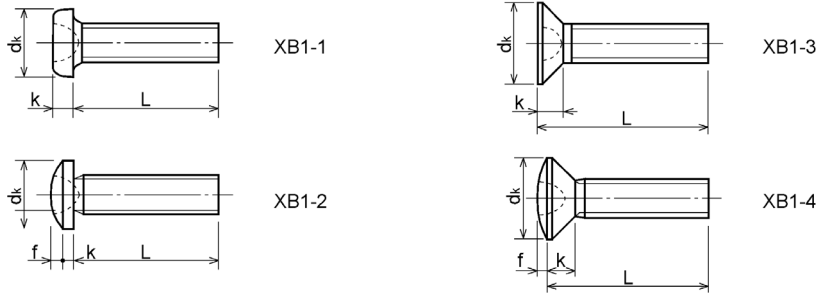
1-2. Precision Tapping Screws
精密用タッピンねじ



Type No. 類別番号	Type 類別	Head size (mm) 頭部寸法 (mm)						
		M1.4	M1.6	M1.7	M2	M2.5	M2.6	
XA4-1	With tapered end pan head Class 1 絞り-なべ1種	D XA4-1	2	2.4	2.5	3	3.8	4
		H XA4-1	0.5	0.55	0.5	0.6	0.9	0.8
XA4-2	With tapered end pan head Class 3 絞り-なべ3種	D XA4-2	2.5	2.8	3	3.5	4.3	4.5
		H XA4-2	0.8	0.85	0.9	1	1.3	1.2
XA4-3	With tapered end countersunk head 絞り-さら	D XA4-3	2	2.4	2.5	3	3.8	4
		H XA4-3	0.48	0.55	0.58	0.73	0.85	0.93
XA4-4	With tapered end pan head Class 2 絞り-なべ2種	D XA4-4	2.5	2.8	3	3.5	4.3	4.5
		H XA4-4	0.5	0.55	0.5	0.6	0.9	0.8
XA4-5	With parallel end ultra thin head ストレート-超薄頭	D XA4-5	2.5	2.8	3	-	-	-
		H XA4-5	0.2	0.2	0.2	-	-	-
XA4-6	With parallel end pan head Class 1 ストレート-なべ1種	D XA4-6	2	2.4	2.5	3	3.8	4
		H XA4-6	0.5	0.55	0.5	0.6	0.9	0.8
XA4-7	With parallel end pan head Class 3 ストレート-なべ3種	D XA4-7	2.5	2.8	3	3.5	4.3	4.5
		H XA4-7	0.8	0.85	0.9	1	1.3	1.2
XA4-8	With parallel end countersunk head ストレート-さら	D XA4-8	2	2.4	2.5	3	3.8	4
		H XA4-8	0.48	0.55	0.58	0.73	0.85	0.93
XA4-9	With parallel end pan head Class 2 ストレート-なべ2種	D XA4-9	2.5	2.8	3	3.5	4.3	4.5
		H XA4-9	0.5	0.55	0.5	0.6	0.9	0.8

Figure ZZB (3/7) MECHANICAL STANDARD PARTS (SCREWS)

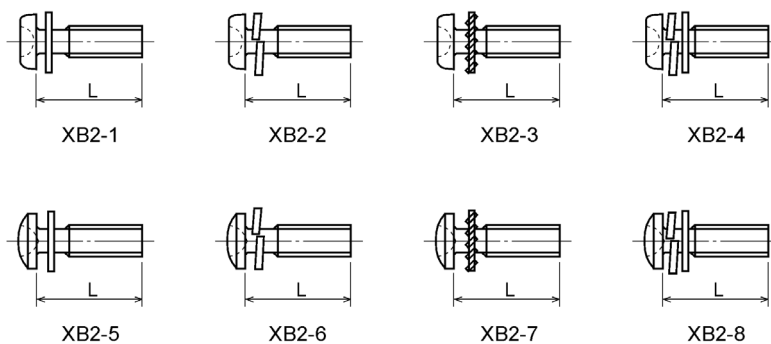
1-3. Cross Recessed Head Screws
一般用十字穴付き小ねじ



Type No. 類別番号	Type 類別	Head size (mm) 頭部寸法 (mm)					
		M2	M2.5	M2.6	M3	M4	M5
XB1-1	Pan head なべ	3.5	4.5	4.5	5.5	7	9
XB1-2	Binding head バインド	1.2	1.5	1.6	1.9	2.5	3.1
XB1-3	Countersunk head さら	4	5	-	6	8	10
XB1-4	Oval countersunk head 丸さら	1.6	2	-	2.45	3.2	4
	Screw part length ねじ部長さ b	8	12	12	12	16	20

Figure ZZB (4/7) MECHANICAL STANDARD PARTS (SCREWS)

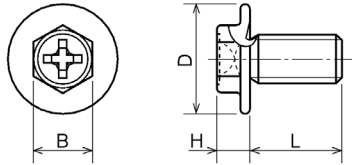
1-4. Cross Recessed Head Screws with Captive Washer
座金組込み十字穴付き小ねじ



Type No. 類別番号	Type 類別
XB2-1	Pan head + Plain washer (circular bright) なべねじ+平座金
XB2-2	Pan head + Spring washer なべねじ+ばね座金
XB2-3	Pan head + Toothed lock washer なべねじ+歯付座金
XB2-4	Pan head + Spring washer and plain washer (circular bright) なべねじ+(ばね+平)座金
XB2-5	Binding head + Plain washer (circular bright) バインドねじ+平座金
XB2-6	Binding head + Spring washer バインドねじ+ばね座金
XB2-7	Binding head + Toothed lock washer バインドねじ+歯付座金
XB2-8	Binding head + Spring washer and plain washer (circular bright) バインドねじ+(ばね+平)座金

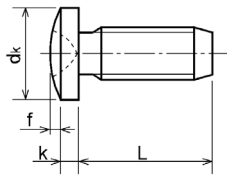
Figure ZZB (5/7) MECHANICAL STANDARD PARTS (SCREWS)

1-5. Hexagon Head Tapping Screws for Matallic Materials
 金属用六角タッピンねじ



Type No. 類別番号	Type 類別	Head size (mm) 頭部寸法 (mm)		
		M3	M4	
XB3-6	For metallic materials 金属用タッピン	D	8	10
		B	5.5	5.5
XB3-7	For metallic materials with clawed 金属用タッピン-つめ付き	H XB3-6	3.1	3.1
		H XB3-7	3.2	3.2

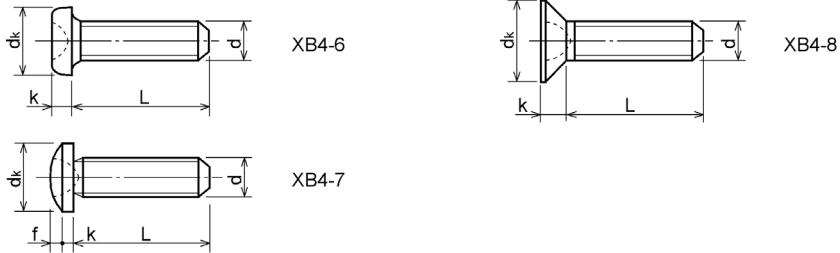
1-6. Special Tapping Screws
 特殊タッピンねじ



Type No. 類別番号	Type 類別	Head size (mm) 頭部寸法 (mm)		
		M3	M4	
XB4-5	Binding head バインド	dk	6.3	8.3
		k	1.3	1.7
		k+f	1.9	2.5

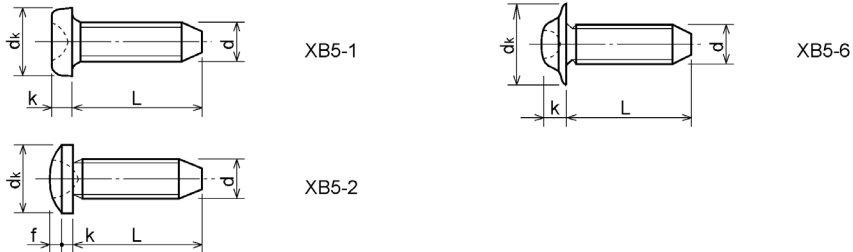
Figure ZZB (6/7) MECHANICAL STANDARD PARTS (SCREWS)

1-7. General Head Tapping Screws
一般用タッピンねじ



Type No. 類別番号	Type 類別	Head size (mm) 頭部寸法 (mm)						
		M2	M2.5	M2.6	M3	M4	M5	
XB4-6	Pan head なべ	dk XB4-6	3.5	4.5	4.5	5.5	7	9
		k XB4-6	1.3	1.7	1.7	2	2.6	3.3
XB4-7	Binding head バインド	dk XB4-7	4.3	5.3	5.5	6.3	8.3	10.3
		k+f XB4-7	1.2	1.5	1.6	1.9	2.5	3.1
XB4-8	Countersunk head さら	dk XB4-8	4	5	5.2	6	8	10
		k XB4-8	1.2	1.45	1.5	1.75	2.3	2.8

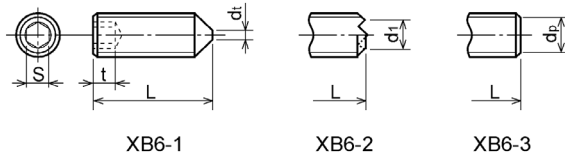
1-8. Tapping Screws for Metallic Materials
金属用タッピンねじ



Type No. 類別番号	Type 類別	Head size (mm) 頭部寸法 (mm)					
		M2.5	M2.6	M3	M4	M5	
XB5-1	Pan head なべ	dk XB5-1	4.5	4.5	5.5	7	9
		k XB5-1	1.7	1.7	2	2.6	3.3
XB5-2	Binding head バインド	dk XB5-2	5.5	5.5	6.3	8.3	10.3
		k+f XB5-2	1.6	1.6	1.9	2.5	3.1
XB5-6	Flanged pan head つば付きなべ	dk XB5-6	6.5	6.5	8	10	12
		k XB5-6	2.1	2.1	1.75	3.2	4

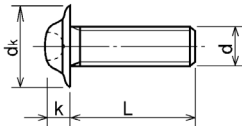
Figure ZZB (7/7) MECHANICAL STANDARD PARTS (SCREWS)

1-9. Hexagon Socket Set Screws
六角穴付き止めねじ



Type No. 類別番号	Type 類別	Head size (mm) 頭部寸法 (mm)						
		M1.6 M1.7	M2	M2.5 M2.6	M3	M5	M5	M6
	S	0.7	0.9	1.3	1.5	2	2.5	3
	t	1.5	1.7	2	2	2.5	3	3.5
	dt max XB6-1	0.4	0.5	0.65	0.75	1	1.25	1.5
	d1 max XB6-2	-	1.2	1.5	1.7	2.2	2.8	3.3
	d1 min XB6-2	-	1	1.2	1.4	1.9	2.4	2.9
	dp max XB6-3	0.8	1	1.5	2	2.5	3.5	4
	dp min XB6-3	0.55	0.75	1.25	1.75	2.25	3.2	3.7

1-10. Flanged Pan Head Machine Screws
つば付きなべ小ねじ



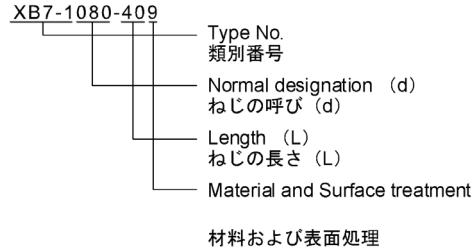
Type No. 類別番号	Type 類別	Head size (mm) 頭部寸法 (mm)				
		M2	M2.5 M2.6	M3	M5	M5
	dk	5	6.5	8	10	12
	k	1.7	2.1	2.5	3.2	4

Figure ZZC MECHANICAL STANDARD PARTS (BOLTS)

2. Bolts (Socket head cap screw)
ボルト

How to read Parts Numbers
部品番号の見方

Bolt (Socket head cap screw)
ボルト



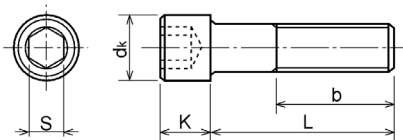
XB7-1 expresses Hexagon socket head cap screws.
XB7-1は、六角穴付きボルトを表す

080 expresses M8.0.
080は、M8.0を表す

40 expresses a length of 40mm.
40は、40mmの長さを表す

9 expresses Steel (Black zinc trivalent chromate treating) from Table 1.
9は、表1より鋼（黒色亜鉛3価クロメート）を表す

2-1. Hexagon socket head cap screws
六角穴付きボルト



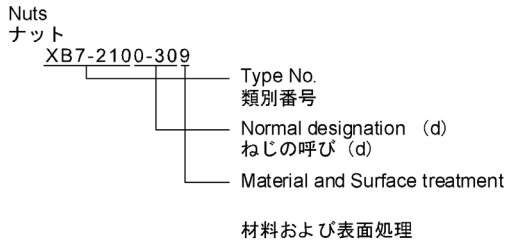
Type No. 類別番号	Type 類別
XB7-1	Hexagon socket head cap screws 六角穴付きボルト

	Head size (mm) 頭部寸法 (mm)						
	M3	M4	M5	M6	M8	M10	M12
S	2.5	3	4	5	6	8	10
dk	5.5	7	8.5	10	13	16	18
K	3	4	5	6	8	10	12
Screw part length ねじ部長さ b_{max}	18	20	22	24	28	32	36

Figure ZZD MECHANICAL STANDARD PARTS (NUTS)

3. Nuts
ナット

How to read Parts Numbers
部品番号の見方

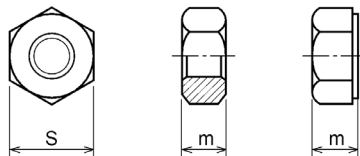


XB7-210 expresses Hexagon nut class 1.
XB7-210は、六角ナット1種を表す

0-30 expresses M3.0.
0-30は、M3.0を表す

9 expresses Steel (Black zinc trivalent chromate
treating) from Table 1.
9は、表1より鋼（黒色亜鉛3価クロメート）を表す

3-1. Hexagon Nuts and Hexagon Thin Nuts
六角ナット



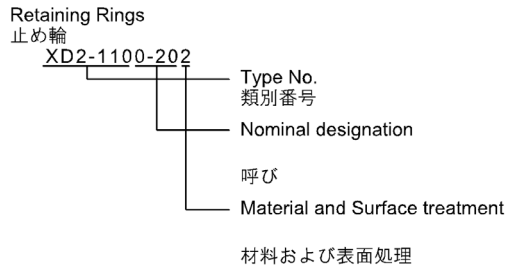
Type No. 類別番号	Type 類別
XB7-210	Hexagon nut Class 1 六角ナット-1種
XB7-220	Hexagon nut Class 3 六角ナット-3種
XB7-230	Hexagon nut Style 1 double chamfered 六角ナット-スタイル1-両面とり
XB7-231	Hexagon nut Style 1 washer faced 六角ナット-スタイル1-座付き
XB7-240	Hexagon nut Style 2 double chamfered 六角ナット-スタイル2-両面とり
XB7-241	Hexagon nut Style 2 washer faced 六角ナット-スタイル2-座付き
XB7-250	Hexagon nut 六角ナット
XB7-260	Hexagon thin nut double chamfered 六角低ナット-両面とり
XB7-270	Hexagon thin nut not chamfered 六角低ナット-面とり無し

	Head size (mm) 頭部寸法 (mm)						
	M2	M2.5	M3	M4	M5	M6	M8
S	4	5	5.5	7	8	10	13
m XB7-210	1.6	2	2.4	3.2	4	5	6.5
m XB7-220	1.2	1.6	1.8	2.4	3.2	3.6	5
m XB7-230, 231	1.6	2	2.4	3.2	4.7	5.2	6.8
m XB7-240, 241	-	-	-	-	5.1	5.7	7.5
m XB7-250	-	-	-	-	5.6	6.1	7.9
m XB7-260	1.2	1.6	1.8	2.2	2.7	3.2	4
m XB7-270	1.2	1.6	1.8	2.2	2.7	3.2	4

Figure ZZE (1/3)MECHANICAL STANDARD PARTS (RETAINING RINGS)

5. Retaining Rings
止め輪

How to read Parts Numbers
部品番号の見方

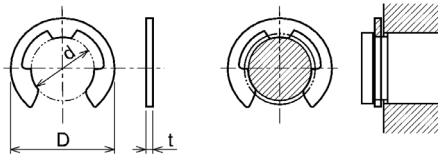


XD2-110 expresses retaining ring-E type (Type1).
XD2-110は、E形止め輪（1種）を表す

0-20 expresses a 020 of nominal designation.
(See Table 5)
0-20は、呼び020を表す（表5参照）

2 expresses Stainless steel (Surface treatment is not to be given) from Table 1.
2は、表1よりステンレス（表面処理なし）を表す

5-1. Retaining Rings - E type
E形止め輪



Type No. 類別番号	Type 類別
XD2-110	Retaining ring - E type (Type 1) E形止め輪（1種）
XD2-120	Retaining ring - E type (Type 2) E形止め輪（2種）

Table 5 表5

Type 種類	Nominal designation 呼び	d (mm)	D (mm)	t (mm)
Type 1 1種	007	0.65	2	0.2
	010	0.95	2.8	0.2
	013	1.25	3.3	0.3
	017	1.65	4.2	0.4
	020	1.95	4.6	0.5
	024	2.35	6	0.6
	028	2.74	6.5	0.6
	032	3.14	7.2	0.6
	037	3.64	8	0.7
	040	3.93	10	0.7
	042	4.13	10	0.7
	050	4.93	11	0.7
	058	5.73	12	0.7
	060	5.93	12.7	0.9
064	6.32	13.5	0.9	
074	7.31	15	0.9	
080	7.91	16.5	1	
Type 2 2種	008	0.8	2	0.2
	012	1.2	3	0.3
	015	1.5	4	0.4
	020	2	5	0.4
	025	2.5	6	0.4
	030	3	7	0.6
	040	4	9	0.6
	050	5	11	0.6
	060	6	12	0.8
	070	7	14	0.8
	080	8	16	0.8
	090	9	18	0.8
	100	10	20	1

Figure ZZE (2/3)MECHANICAL STANDARD PARTS (RETAINING RINGS)

5-2. Grip Rings
グリップ止め輪

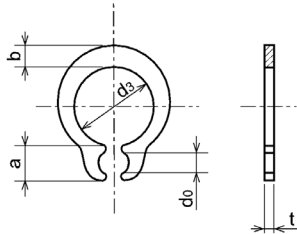


Table 5 表5

Nominal designation 呼び	d_3 (mm)	t (mm)	b (mm)	a (mm)	d_o (mm)
020	1.9	0.5	1	1.8	0.8
025	2.35	0.5	1.2	1.9	0.9
030	2.85	0.6	1.4	1.9	0.9
035	3.3	0.6	1.6	2	0.9
040	3.8	0.8	1.8	2.8	1.2
045	4.25	0.8	2	2.9	1.3
050	4.75	0.8	2.2	2.9	1.3
060	5.7	1	2.4	3.1	1.4
070	6.7	1	2.7	3.3	1.4
080	7.7	1	3	3.5	1.4
090	8.65	1.2	3.3	4.7	1.5
100	9.65	1.2	3.5	4.7	2

Type No. 類別番号	Type 類別
XD2-210	Grip ring グリップ止め輪

5-3. Toothed Retaining Rings
歯付き形止め輪

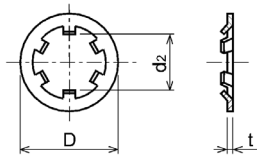


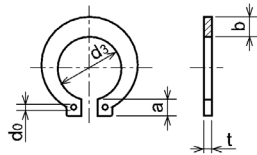
Table 5 表5

Nominal designation 呼び	d_z (mm)	D (mm)	t (mm)	No of teeth 歯数
015	1.4	5.2	0.25	3
020	1.9	6	0.25	3
024	2.3	6.4	0.25	3
030	2.8	8	0.25	4
040	3.8	9	0.25	4
050	4.8	10	0.25	5
060	5.8	11	0.25	5
080	7.8	13	0.25	5
100	9.8	15.4	0.25	6

Type No. 類別番号	Type 類別
XD2-230	Toothed retaining ring 歯付き形止め輪

Figure ZZE (3/3)MECHANICAL STANDARD PARTS (RETAINING RINGS)

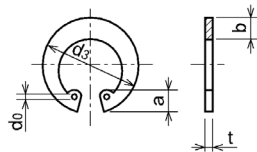
5-4. Retaining Rings - C Type
C形止め輪



Type No. 類別番号	Type 類別
XD2-310	Retaining ring - C type for shaft C形止め輪 軸用

Table 5 表5

Nominal designation 呼び	d ₃ (mm)	t (mm)	b (mm)	a (mm)	d ₀ (mm)
010	9.3	1	1.6	3	1.2
012	11.1	1	1.8	3.2	1.5
014	12.9	1	2	3.4	1.7
015	13.8	1	2.1	3.5	1.7
016	14.7	1	2.2	3.6	1.7
017	15.7	1	2.2	3.7	1.7
018	16.5	1.2	2.6	3.8	1.7
020	18.5	1.2	2.7	3.9	2
022	20.5	1.2	2.7	4.1	2
025	23.2	1.2	3.1	4.3	2
028	25.9	1.5	3.1	4.6	2
030	27.9	1.5	3.5	4.8	2
032	29.6	1.5	3.5	5	2.5
035	32.2	1.5	4	5.4	2.5



Type No. 類別番号	Type 類別
XD2-320	Retaining ring - C type for hole C形止め輪 穴用

Table 5 表5

Nominal designation 呼び	d ₃ (mm)	t (mm)	b (mm)	a (mm)	d ₀ (mm)
010	10.7	1	1.8	3.1	1.2
011	11.8	1	1.8	3.2	1.2
012	13	1	1.8	3.3	1.5
014	15.1	1	2	3.6	1.7
016	17.3	1	2	3.7	1.7
018	19.5	1	2.5	4	1.7
019	20.5	1	2.5	4	2
020	21.5	1	2.5	4	2
022	23.5	1	2.5	4.1	2
025	26.9	1.2	3	4.4	2
028	30.1	1.2	3	4.6	2
030	32.1	1.2	3	4.7	2
032	34.4	1.2	3.5	5.2	2.5
035	37.8	1.5	3.5	5.2	2.5
037	39.8	1.5	3.5	5.2	2.5
040	43.5	1.8	4	5.7	2.5
042	45.5	1.8	4	5.8	2.5
045	48.5	1.8	4.5	5.9	2.5
047	50.5	1.8	4.5	6.1	2.5
050	54.2	2	4.5	6.5	2.5
052	56.2	2	5.1	6.5	2.5
055	59.2	2	5.1	6.5	2.5
060	64.2	2	5.1	6.8	2.5
062	66.2	2	5.5	6.9	2.5
068	72.5	2.5	6	7.4	2.5
072	76.5	2.5	6.6	7.4	2.5
075	79.5	2.5	6.6	7.8	2.5
080	85.5	2.5	7	8	2.5
085	90.5	3	7	8	3
090	95.5	3	7.6	8.3	3
095	100.5	3	8	8.5	3