

imageRUNNER ADVANCE DX C357iF/C257iF

INSTALLATION MANUAL



Canon

July 2, 2021
Rev. 1

Important Notices

Application

This manual has been issued by Canon Inc. for qualified persons to learn technical theory, installation, maintenance, and repair of products.

This manual covers all localities where the products are sold. For this reason, there may be information in this manual that does not apply to your locality.

Following "Trademarks" and "Copyright" are not applicable if they are not supported by laws and regulations in the country or region that this document and products are used in.

Corrections

This manual may contain technical inaccuracies or typographical errors due to improvements or changes in products.

When changes occur in applicable products or in the contents of this manual, Canon will release technical information as the need arises. In the event of major changes in the contents of this manual over a long or short period, Canon will issue a new edition of this manual.

Trademarks

The Bluetooth word mark and logos are registered trademarks owned by Bluetooth SIG, Inc. and any use of such marks by Canon is under license.

Mopria®, the Mopria® Logo and the Mopria® Alliance logo are registered trademarks and service marks of Mopria Alliance, Inc. in the United States and other countries. Unauthorized use is strictly prohibited.

Apple, AppleTalk, Bonjour, iPad, iPhone, iPod touch, Mac, OS X and Safari are trademarks of Apple Inc.

Microsoft, Windows, Windows Vista, Windows Server, Internet Explorer, Microsoft Edge, Excel and PowerPoint are either registered trademarks or trademarks of Microsoft Corporation in the United States and/or other countries.

Google Cloud Print, Google Chrome and Android are either registered trademarks or trademarks of Google Inc.

OCR Technology by I.R.I.S., copyright 1987-2015, All Rights Reserved.

iHQC™ compression technology by I.R.I.S., copyright 2007-2015, All Rights Reserved.

PDF-iHQC™, XPS-iHQC™ technology by I.R.I.S., copyright 2007-2015, All rights Reserved.

Java is a registered trademark of Oracle and/or its affiliates.

Adobe is a registered trademark of Adobe Systems Incorporated.

Command WorkStation, EFI, Fiery, FreeForm, Spot-On, and WebTools are trademarks of Electronics For Imaging, Inc. and/or its wholly owned subsidiaries in the U.S. and/or certain other countries.

TORX® is a registered trademark of Acument Intellectual Properties, LLC in the United States.

Other product names and other names in this document are generally registered trademarks or trademarks of the companies.

Copyright

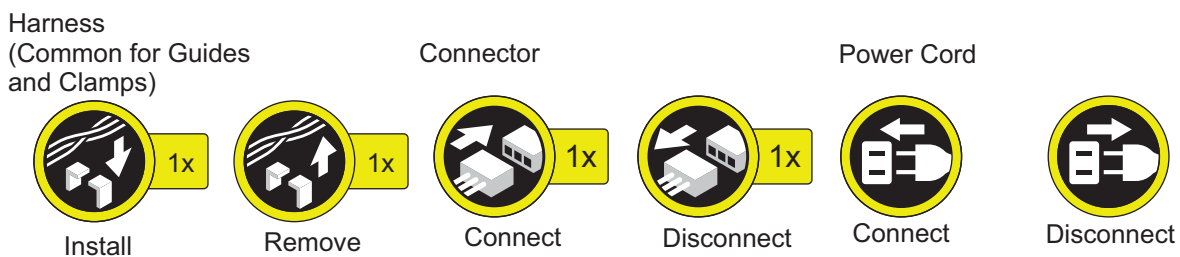
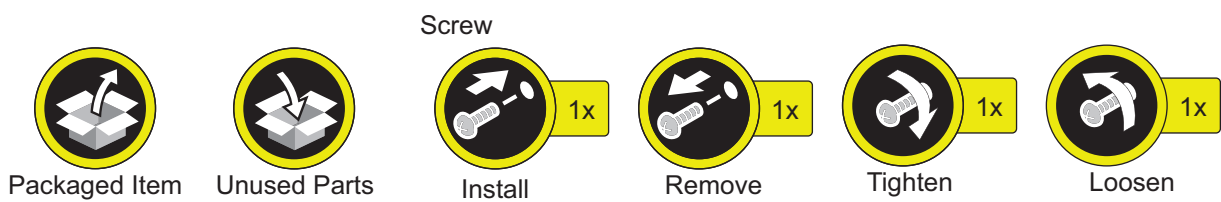
The copyright of this document belongs to Canon Inc. This document may not be copied, reproduced or translated into another language, in whole or in part, without the prior consent of Canon Inc.
 Copyright CANON INC. 2020

Caution

Use of this manual should be strictly supervised to avoid disclosure of confidential information.

Symbols

The frequently-performed operations are described with symbols in this procedure.



Contents

Safety Precautions	1
Toner Safety.....	2
About Toner.....	2
Handling Adhered Toner.....	2
Points to Note at Installation.....	2
Points to Note Before Servicing.....	2
Essential Items to Be Performed Before Installation.....	2
Points to Note when turning ON/OFF the main power.....	2
illustrations.....	3
1. Product Lineup	4
Host Machine Options.....	5
Combination Table of Accessory Installation.....	6
Paper Feed / Paper Output Options.....	7
2. Host Machine	8
How to Utilize This Installation Procedure.....	9
Symbols.....	9
Installation of the host machine	10
Setting the Dehumidification Switch.....	10
Operation when using uniFLOW Online.....	10
Installing the IC Card Reader.....	10
3. Host Machine Options	25
Serial Interface Kit-K3/Control Interface Kit-A1.....	26
Installation Outline Drawing.....	26
Checking the Contents.....	27
Installation Procedure.....	28
Copy Card Reader-F1/Copy Card Reader Attachment-B5.....	48
Points to Note at Installation.....	48
Checking the Contents.....	48
Installation Outline Drawing.....	50
Installation Procedure.....	50
Setting after Installation.....	73
NFC KIT-E1/E2.....	74
Points to Note at Installation.....	74
Installation Outline Drawing.....	74
Checking the Contents	74
Installation procedure.....	77
Setting after Installation.....	94
Connection Kit-A2/A3 for Bluetooth LE.....	95
Points to Note at Installation.....	95
Installation Outline Drawing.....	95
Checking the Contents.....	95

Removing the Covers.....	97
Installation Procedure.....	102
Installing the Covers.....	117
Affixing the Label.....	120
Setting after Installation.....	121
IC Card Reader BOX-D1.....	123
Points to Note at Installation.....	123
Installation Outline Drawing.....	123
Checking the Contents.....	124
Installation Procedure.....	125
Connecting the Power Supply.....	157
Super G3 FAX Board-AT1.....	158
Points to Note at Installation.....	158
Product Name.....	158
Installation Outline Drawin.....	158
Checking the Contents.....	159
Installation Procedure.....	160
Checking the Operation.....	172
Super G3 2nd Line Fax Board-AT1.....	174
Points to Note at Installation.....	174
Product Name.....	174
Checking the Contents.....	175
Installation Outline Drawin.....	176
Installation Procedure.....	176
Checking the Operation.....	196
Staple Finisher-Z1.....	198
Points to Note at Installation.....	198
Points to Note When Relocating the Host machine.....	198
Product Name.....	198
Installation Outline Drawing.....	199
Unpacking.....	200
Checking the Contents.....	201
Installing the Hinge Cover Sheet.....	202
Installation Procedure.....	203
Cassette Heater Unit-39.....	222
Points to Note at Installation.....	222
Product Name.....	222
Installation Outline Drawing.....	222
Checking the Contents.....	223
Installation Procedure.....	223
Revision.....	237

Safety Precautions

Toner Safety.....	2
Points to Note at Installation.....	2

Toner Safety

About Toner

Toner is a nontoxic matter composed of plastic, iron and a trace of pigments.

CAUTION:

Never throw toner in flames to avoid explosion.

Handling Adhered Toner

- Use dry tissue paper to wipe off toner adhered to skin or clothes and wash in water.
- Never use warm water for cleaning up toner to prevent toner particles from being gelated to soak into fibers permanently.
- Toner particles are reactive with vinyl polymers. Avoid contacting these materials.

Points to Note at Installation

Points to Note Before Servicing

- At servicing, be sure to turn OFF the power source according to the specified steps and disconnect the power plug.
- Be sure to disconnect the power plug on a regular basis and remove dust and dirt accumulated around the outlet with dry cloth.

CAUTION:

Leaving the power plug connected for a long time in an environment having a lot of dust, moisture, or oily smoke will cause a fire. (Because dust accumulated in the surrounding area will absorb moisture and cause an insulation failure)

- Be careful not to be injured by burrs of edges, sharp corners or protrusions.

CAUTION:

Hazardous area such as corners, edges, springs and other sharp sections may be remaining on products. Always be aware of the presence of hazardous area to avoid injury caused by contacting and/or striking those area, by not over-concentrating on service work.

Essential Items to Be Performed Before Installation

- Turn OFF the main power of the host machine, and disconnect the power plug from the outlet.

WARNING:

- If performing work without disconnecting the power plug of the host machine, it may cause electrical shock.
- If disconnecting the power plug without turning OFF the main power, it may cause damage of the machine.

- When turning OFF the main power, follow the below procedure.
 1. Turn OFF the main power switch of the host machine.
 2. The display in the Control Panel and the lamp of the main power are turned off.

Points to Note when turning ON/OFF the main power

The following message is displayed.

1. When a message prompting to turn OFF and then ON the main power appears, turn OFF and then ON the main power switch.
2. If a message prompting the user to update the version appears, press [Update] to automatically update the version of this equipment.
If [Skip] is selected, a message prompting the user to update the version will appear every time the host machine is started. In the service mode (Lv.2) shown below, it is possible to set not to display the message.
COPIER > OPTION > FNC-SW > VER-CHNG

illustrations

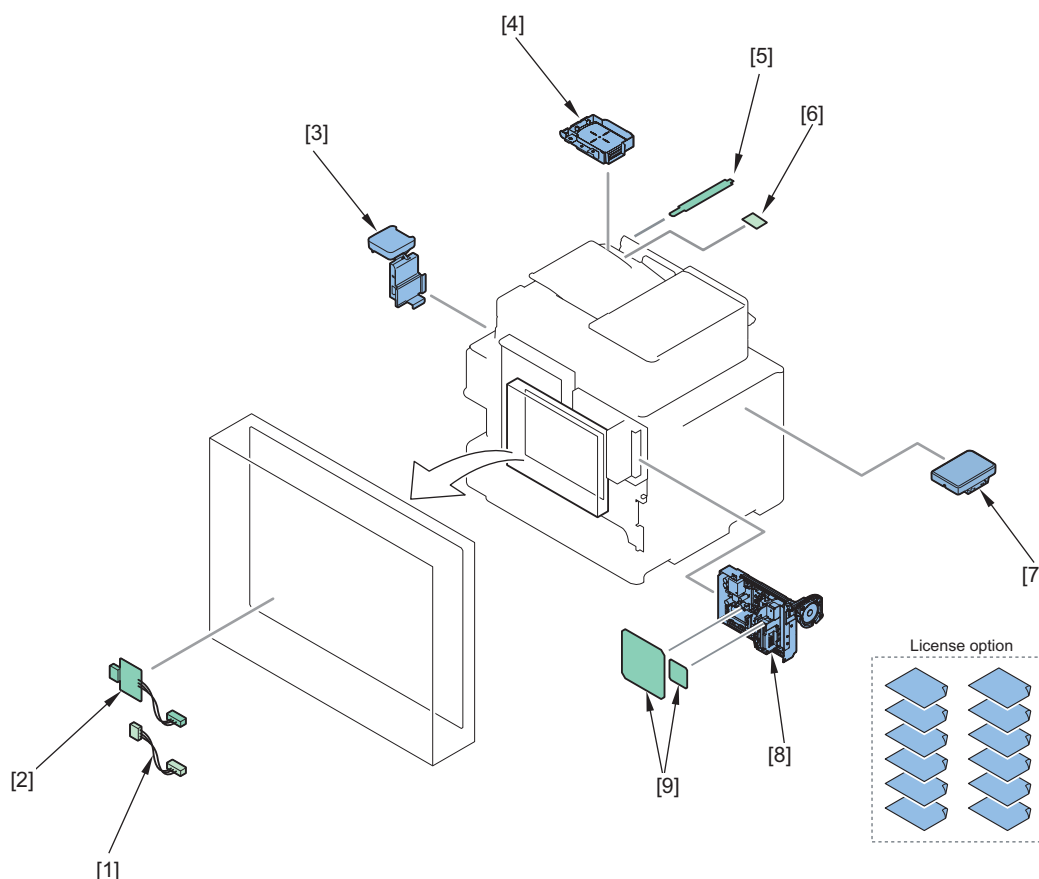
Although pictures or illustrations used for explanation may differ from the actual things, the procedure is the same.



Product Lineup

Host Machine Options.....	5
Paper Feed / Paper Output Options.....	7

Host Machine Options



No.	Product name	Condition
1	"Serial Interface Kit-K3/Control Interface Kit-A1" on page 26	
2	"Copy Card Reader-F1/Copy Card Reader Attachment-B5" on page 48	It is required when installing Copy Card Reader-F1.
3	"Copy Card Reader-F1/Copy Card Reader Attachment-B5" on page 48	Copy Card Reader Attachment-B5 is required.
4	"Installing the IC Card Reader" on page 10	Card Reader (sales company's option) is required.
5	"NFC KIT-E1/E2" on page 74	
6	"Connection Kit-A2/A3 for Bluetooth LE" on page 95	
7	"IC Card Reader BOX-D1" on page 123	Card Reader (sales company's option) is required.
8	"Super G3 FAX Board-AT1" on page 158	
9	"Super G3 2nd Line Fax Board-AT1" on page 174	Super G3 FAX Board-AT1 is required.

License Products

At the time of installation, obtain the license number according to the license certificate included. Then, enter the obtained license number from the Control Panel of the machine. The applicable functions are enabled.

There is no physically required installation.

No.	Product name	Condition
-	Remote Fax Kit-A1	
-	IP FAX Expansion Kit-B1	
-	PCL International Font Set-A1	
-	Picture Login-A1	
-	Barcode Printing Kit-D1	

Combination Table of Accessory Installation

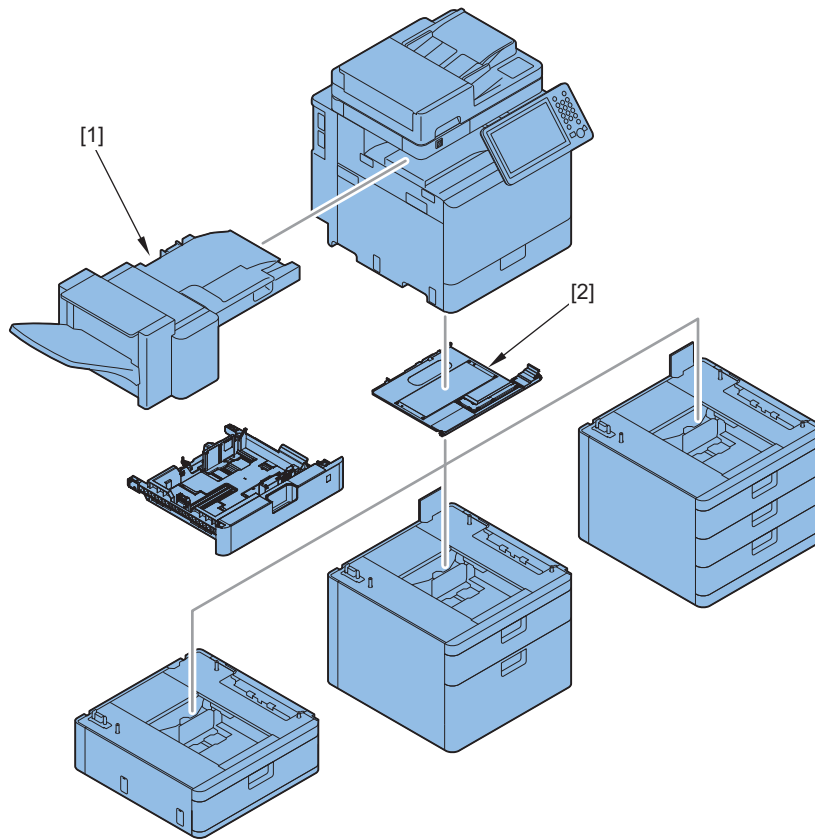
NOTE:

The following table shows the combination of options installed of the host machine. Before installing the following options, refer to the table to check the combination of options.

	Serial, Copy Control Interface Kit	Copy Card Reader/ Copy Card Reader Attachment	IC Card Reader	NFC Kit	Connection Kit for Bluetooth LE	IC Card Reader Box	Super G3 FAX Board	Staple Finisher
Serial, Copy Control Interface Kit	-	No	Yes	Yes	Yes	Yes	Yes	Yes
Copy Card Reader/ Copy Card Reader Attachment	No	-	No	Yes	Yes	No	Yes	Yes
IC Card Reader	Yes	No	-	Yes	Yes	No	Yes	Yes
NFC Kit	Yes	Yes	Yes	-	Yes	Yes	Yes	Yes
Connection Kit for Bluetooth LE	Yes	Yes	Yes	Yes	-	Yes	Yes	Yes
IC Card Reader Box	Yes	No	No	Yes	Yes	-	Yes	Yes
Super G3 FAX Board	Yes	Yes	Yes	Yes	Yes	Yes	-	Yes
Staple Finisher	Yes	Yes	Yes	Yes	Yes	Yes	Yes	-

Yes: installation is available No: installation is not available

Paper Feed / Paper Output Options



No.	Product name	Condition
1	"Staple Finisher-Z1" on page 198	
2	"Cassette Heater Unit-39" on page 222	



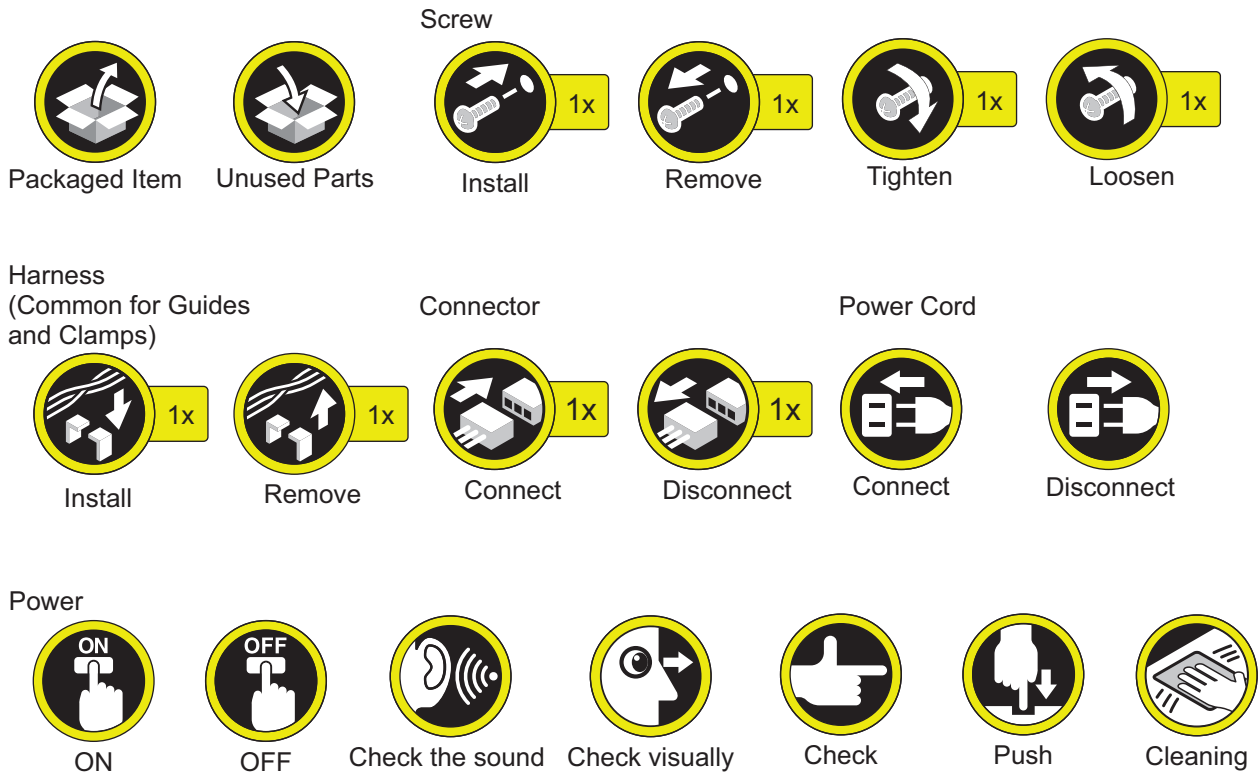
Host Machine

How to Utilize This Installation Procedure.....	9
Installation of the host machine	10

How to Utilize This Installation Procedure

Symbols

The frequently-performed operations are described with symbols in this procedure.



Installation of the host machine

Host machine can be installed by the user.
See "Getting Started" for details of the installation procedures.

Setting the Dehumidification Switch

If the installation environment is a high humidity environment, be sure to turn ON the Dehumidification Switch.

Operation when using uniFLOW Online

When using uniFLOW Online*, follow the setup procedures on the uniFLOW* Online First Steps Guide (http://www.nt-ware.com/uFO_FS).

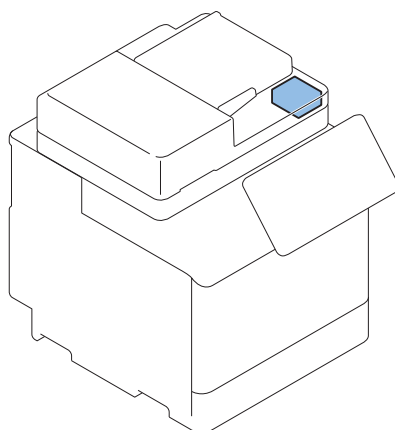
* China version of "uniFLOW" is called "mdsFLOW".

Installing the IC Card Reader

Points to Note at Installation

- When installing the IC Card Reader, the IC Card Reader (sales company's option) is required.
- The IC Card Reader and the following options cannot be used together.
 - IC Card Reader Box
 - Copy Card Reader
- When installing the Connection Kit for Bluetooth LE at the same time, install the Connection Kit for Bluetooth LE first.
- The pictures and illustrations used may differ from the actual product, but the procedures are the same.

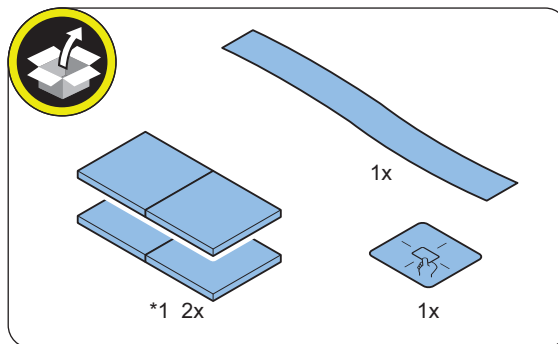
Installation Outline Drawing



Checking the Contents

NOTE:

Use the following parts included with the host machine.



*1: Use them if necessary when installing the Card Reader.

■ Essential Items to Be Performed Before Installation

- Turn OFF the main power of the host machine, and disconnect the power plug from the outlet.

⚠ WARNING:

- If performing work without disconnecting the power plug of the host machine, it may cause electrical shock.
- If disconnecting the power plug without turning OFF the main power, it may cause damage of the machine.

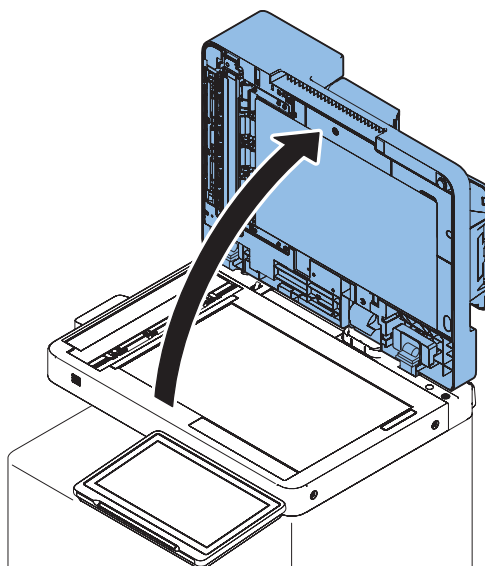
- When turning OFF the main power, follow the below procedure.
 1. Turn OFF the main power switch of the host machine.
 2. The display in the Control Panel and the lamp of the main power are turned off.

■ Installation Procedure

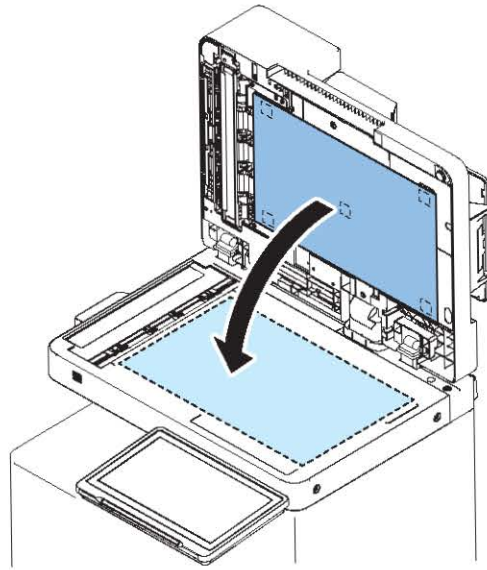
● Removing the Covers

□

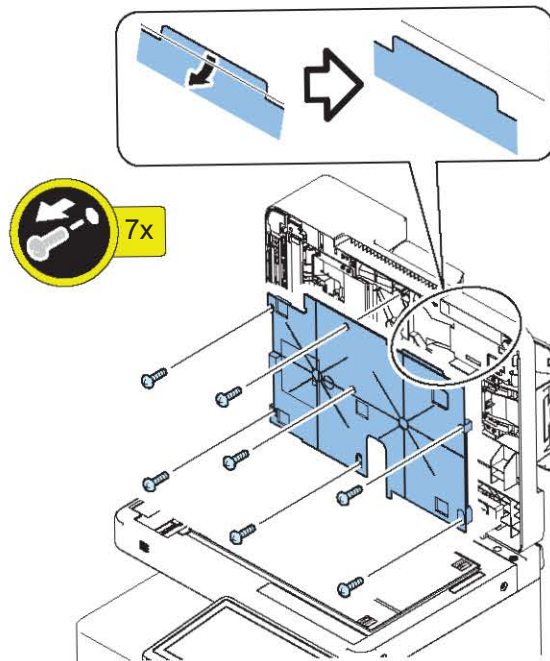
1.



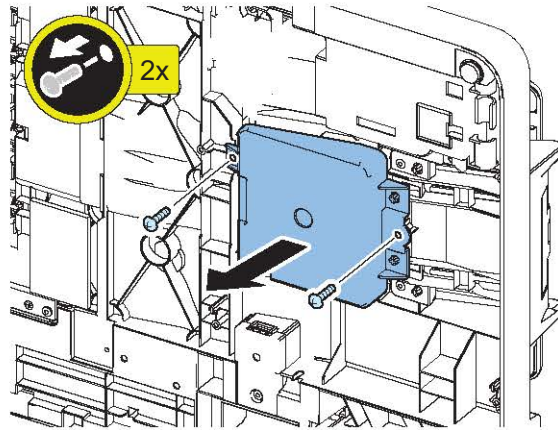
□
2.



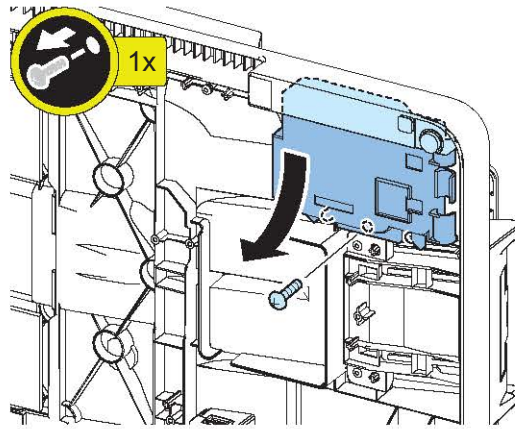
□
3.



□
4.



□
5.

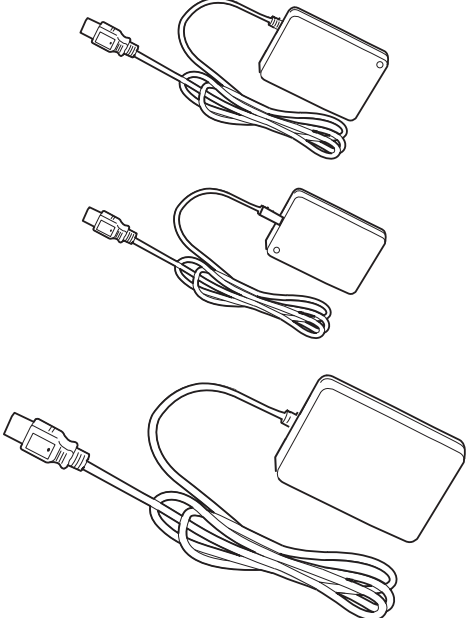
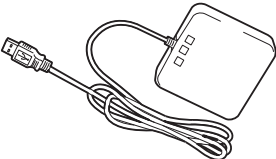


• Check the IC card reader

Refer to the table below and install according to the "Reference Procedure" for the IC card reader.

NOTE:

The installation procedure depends on the shape of the IC card reader.

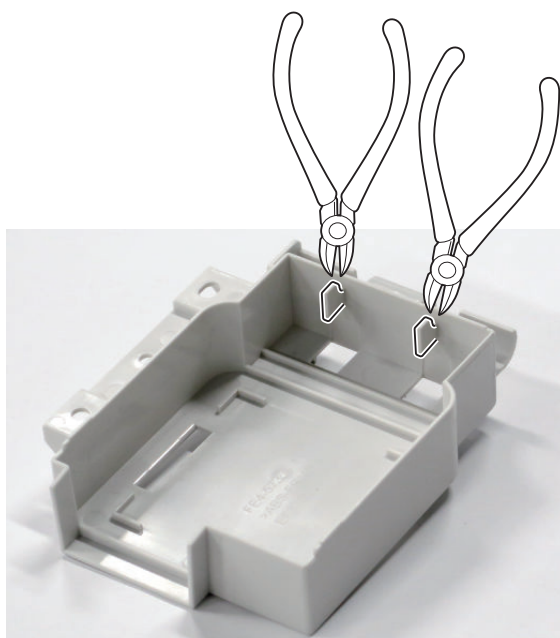
TYPE	Shape of IC card reader	Reference Procedure
1		<p>"<For TYPE 1>" on page 14</p>
2		<p>"<For TYPE 2>" on page 17</p>

• Installing the IC Card Reader

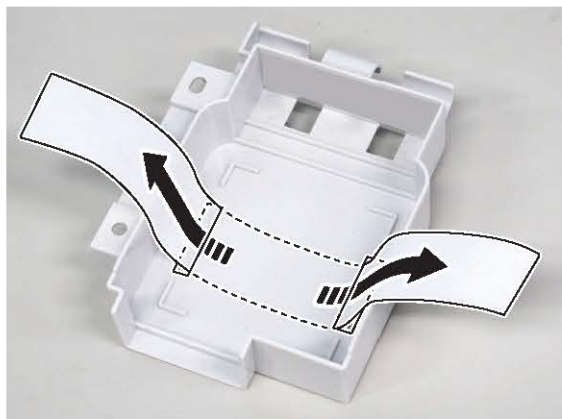
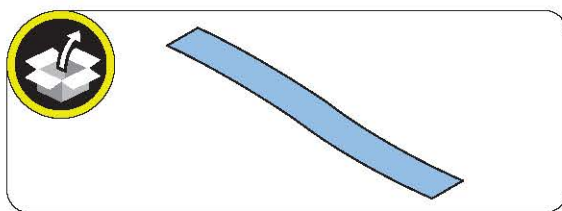
<For TYPE 1>

□

1.



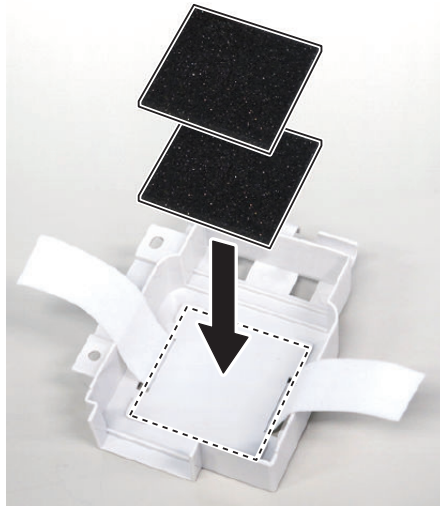
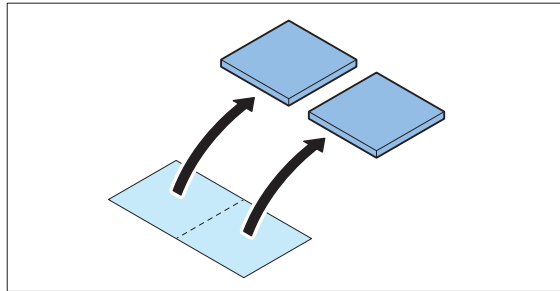
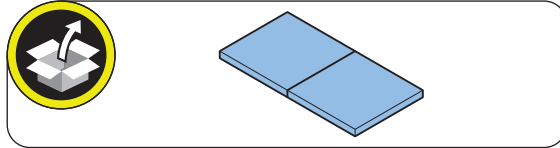
□
2.



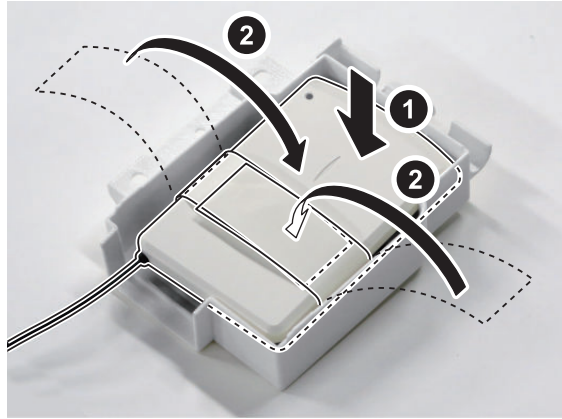
□
3.

NOTE:

Be sure to adjust the number of cushions according to the thickness of the Card Reader.



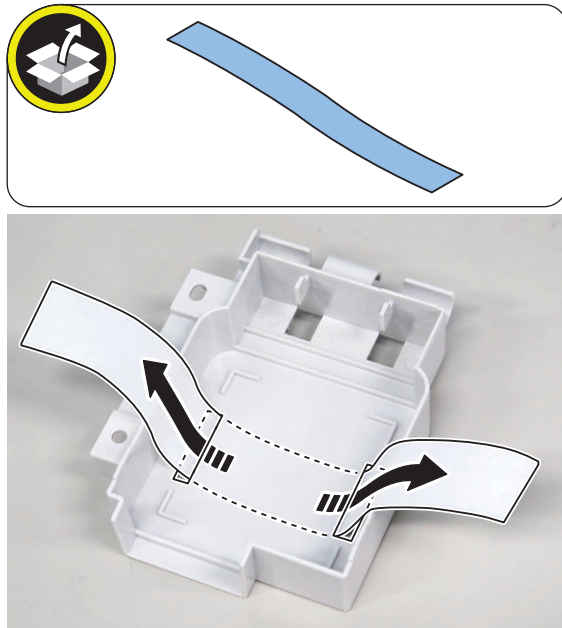
□
4.



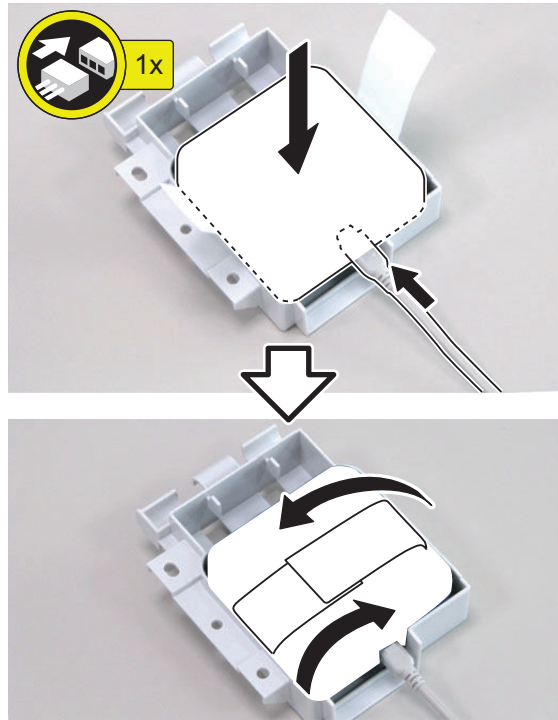
NOTE:
Go to "Subsequent Work". "Subsequent Work " on page 18

<For TYPE 2>

□
1.



□
2.

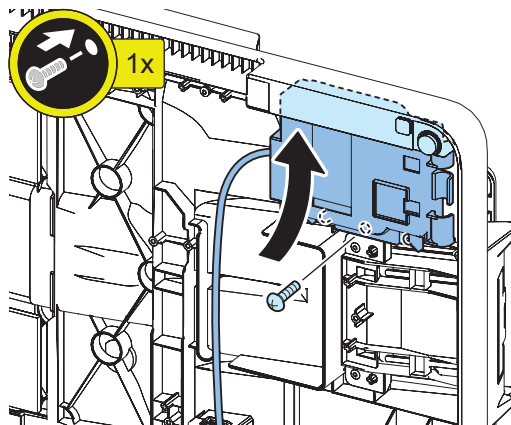


NOTE:
Go to "Subsequent Work". "Subsequent Work" on page 18

• Subsequent Work

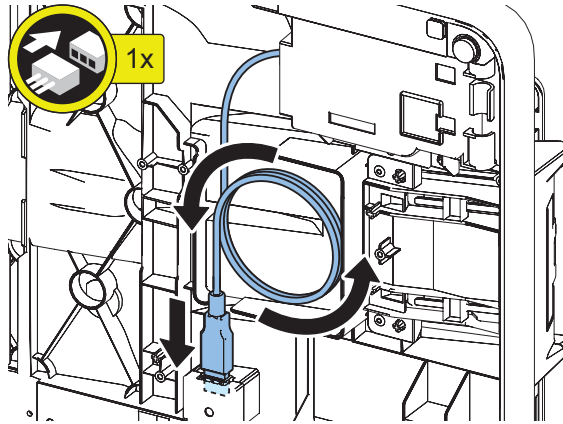
□
1.

NOTE:
Use the screws removed in "Removing the Covers".

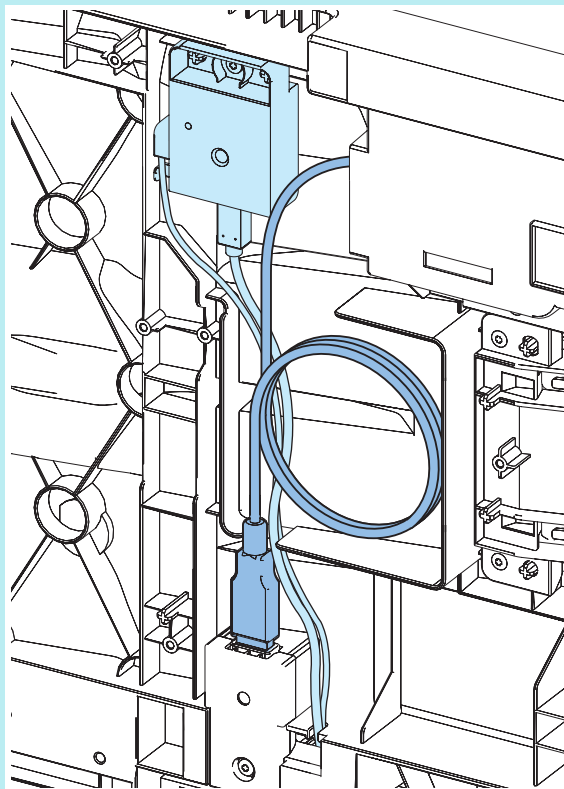


□
2.

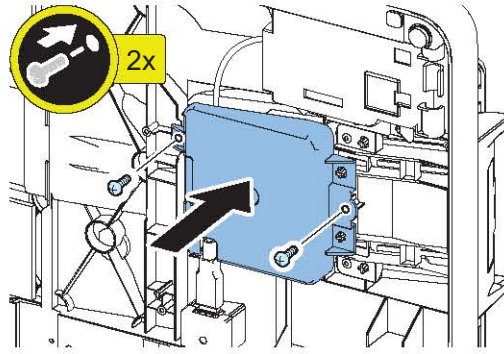
NOTE:
Wind the cable counterclockwise to store it as needed.



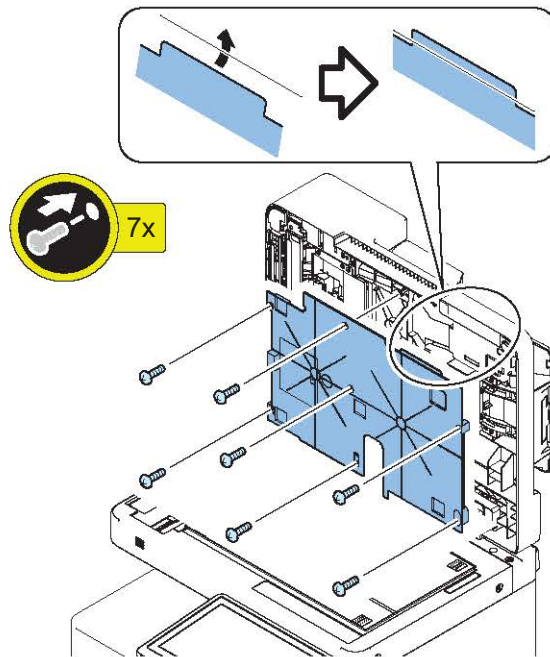
NOTE:
When installing with the Connection Kit for Bluetooth LE at the same time.



□
3.

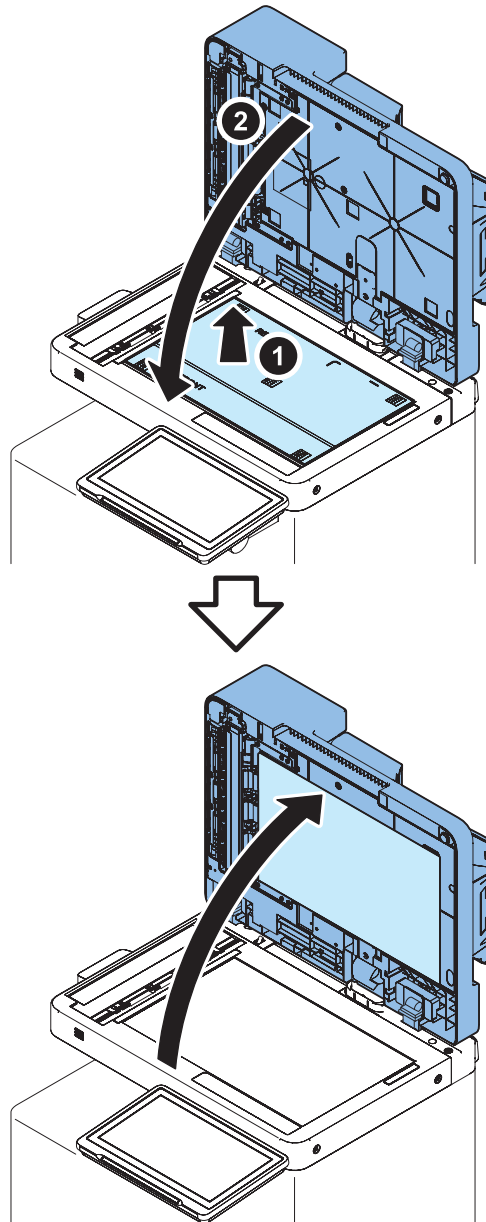
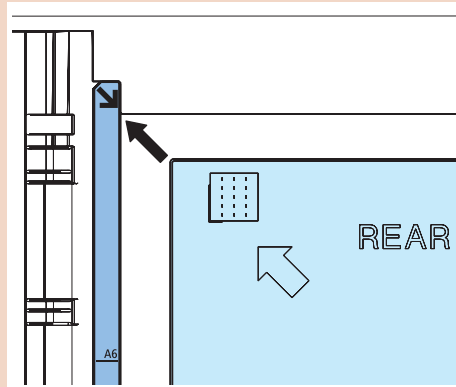


□
4.



□
5.

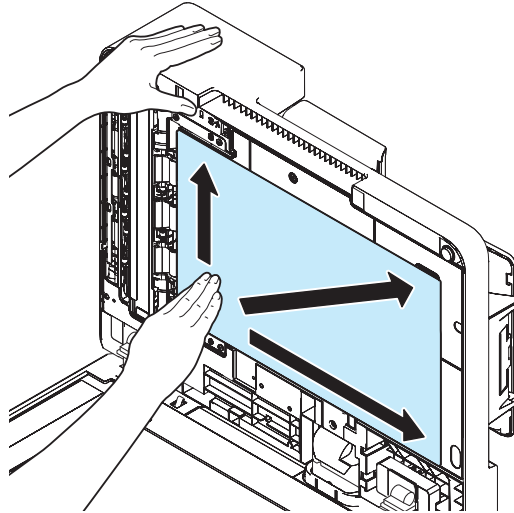
CAUTION:
Align the White Plate to the Index.



□
6.

CAUTION:

If the White Plate is pressed from top to bottom, it is placed on the Index Sheet, so be sure to press it from bottom to top.

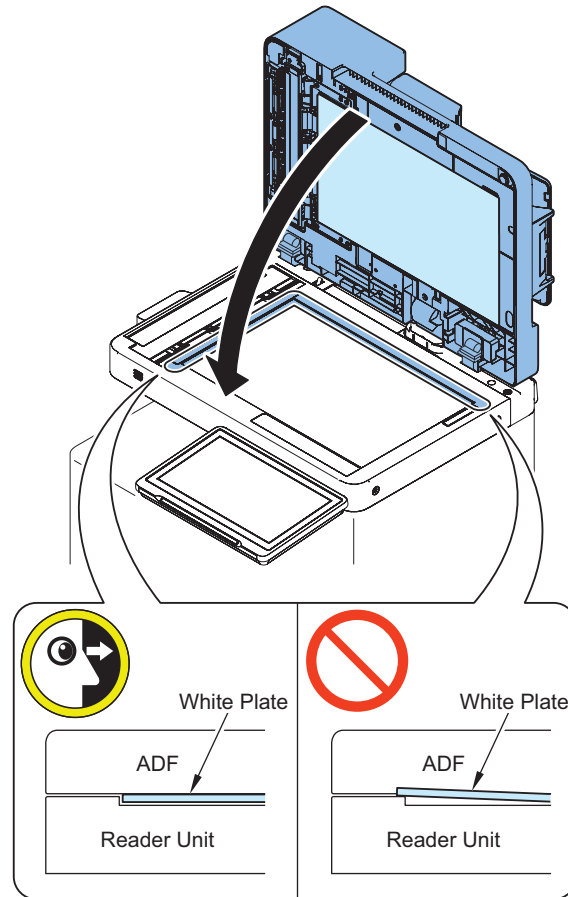


□
7.

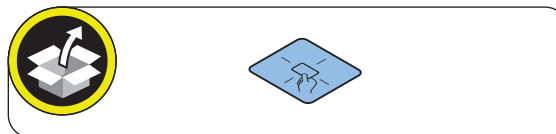
CAUTION:

Check that the White Plate is not placed on the Index Sheet with this equipment closed.

- Be sure that there is no gap between the White Plate and the Index Sheet.
- The gap between the White Plate and the Index Sheet must be 0.3 mm or less as a reference.



□
8.





9. Connect the power plug of the host machine to the outlet.



10. Turn ON the Main Power Supply Switch.

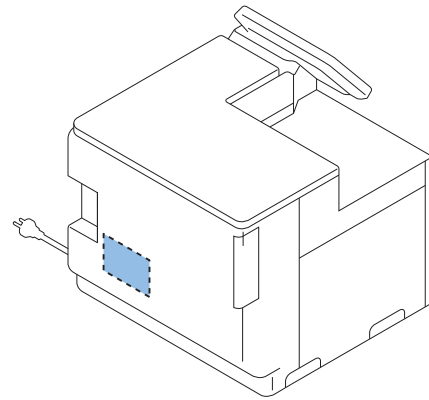
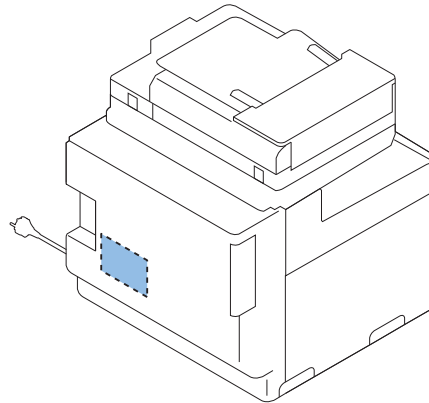


Host Machine Options

Serial Interface Kit-K3/Control Interface Kit-A1.....	26
Copy Card Reader-F1/Copy Card Reader Attachment-B5.....	48
NFC KIT-E1/E2.....	74
Connection Kit-A2/A3 for Bluetooth LE.....	95
IC Card Reader BOX-D1.....	123
Super G3 FAX Board-AT1.....	158
Super G3 2nd Line Fax Board-AT1..	174
Staple Finisher-Z1.....	198
Cassette Heater Unit-39.....	222

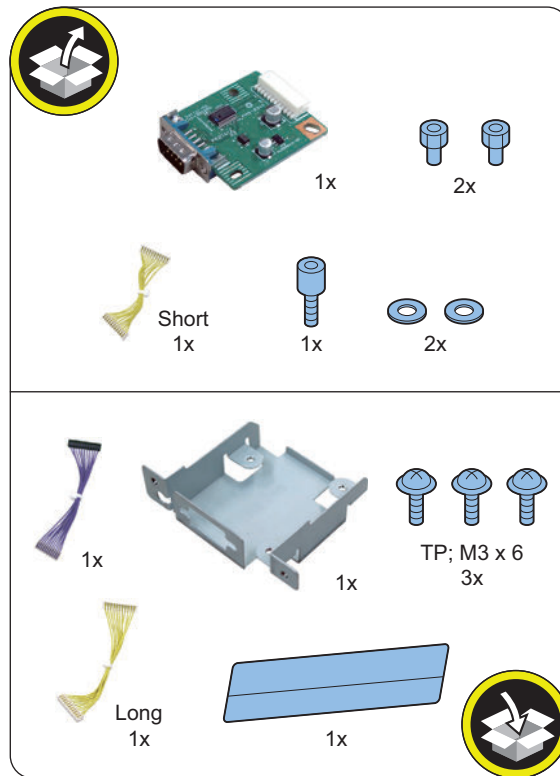
Serial Interface Kit-K3/Control Interface Kit-A1

● Installation Outline Drawing

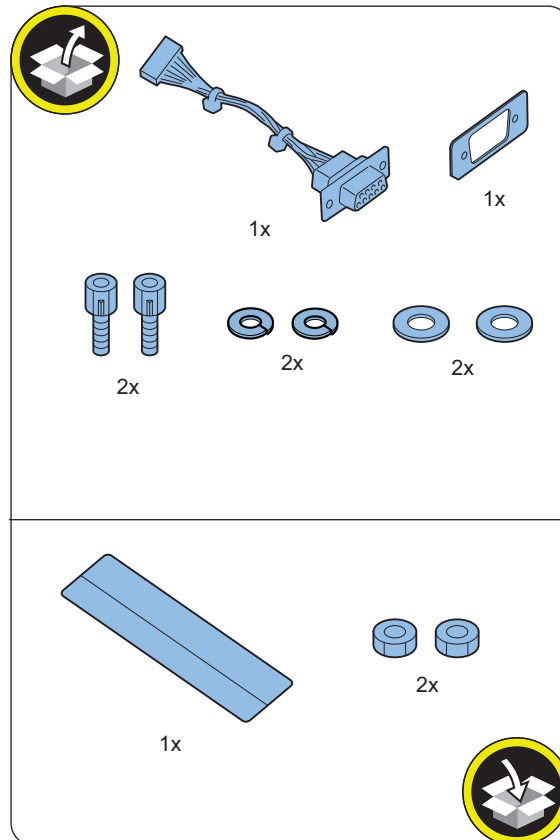


Checking the Contents

<Serial Interface Kit-K3>



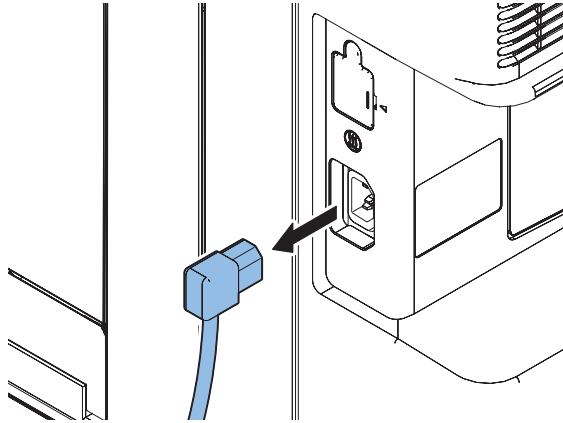
<Copy Control Interface Kit-A1>



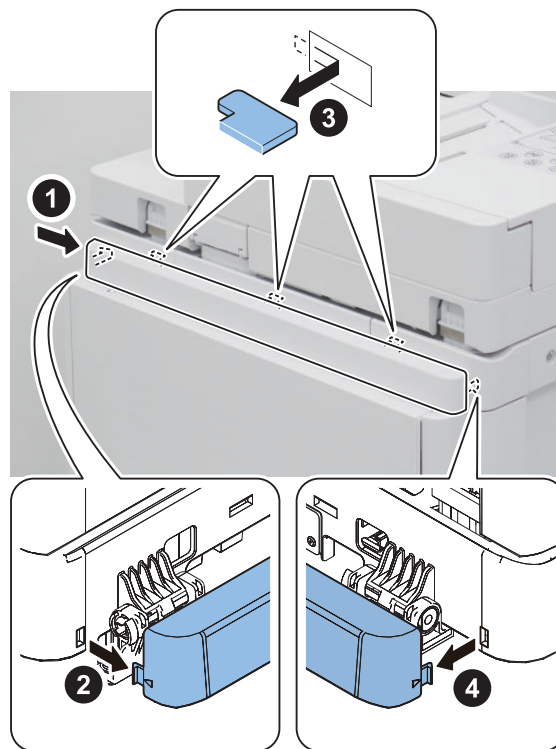
● Installation Procedure

■ Removing the Covers

□
1.

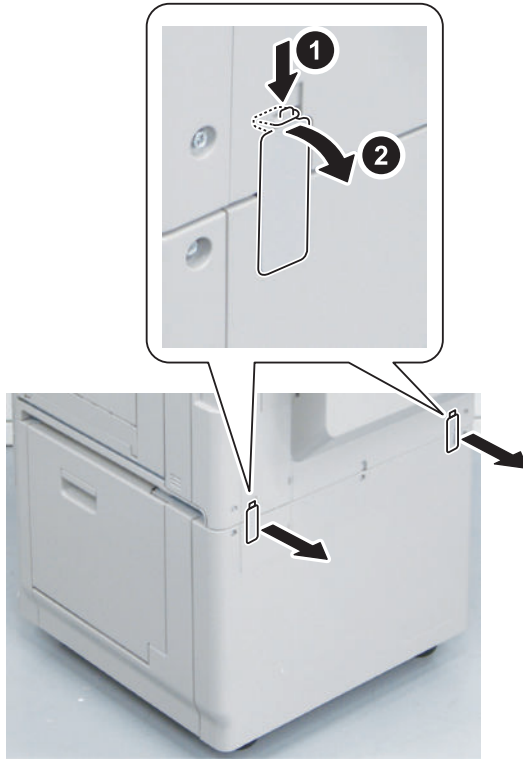


□
2.



□
3.

<For models without the Cassette Heater Unit>

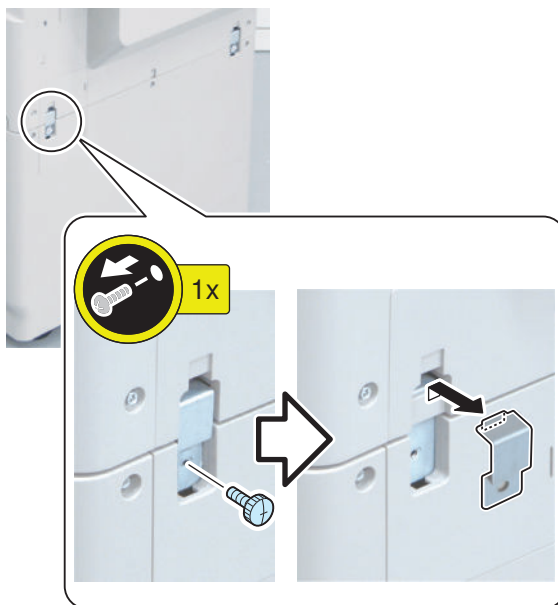


<For models with the Cassette Heater Unit>



□
4.

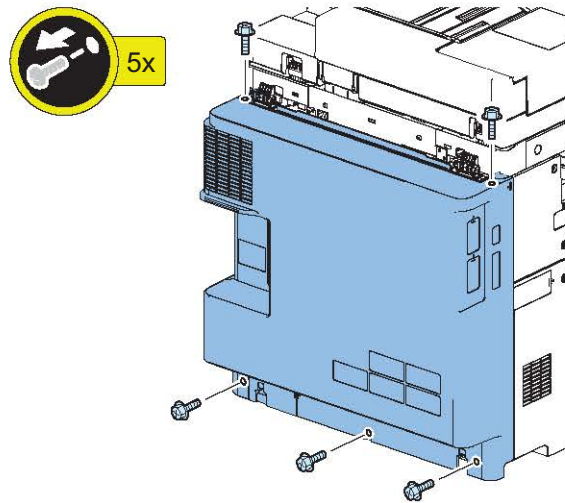
<For models without the Cassette Heater Unit>



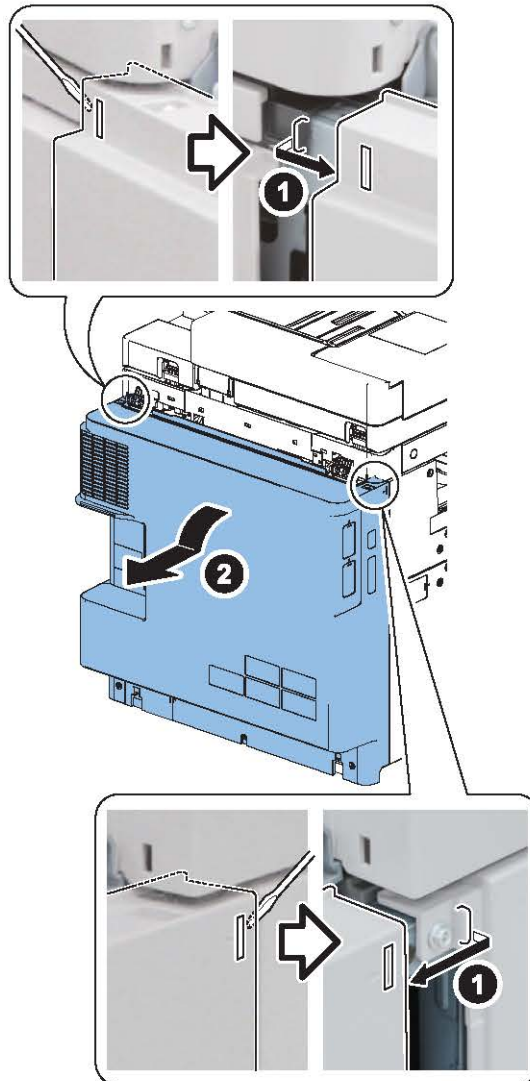
<For models with the Cassette Heater Unit>



□
5.

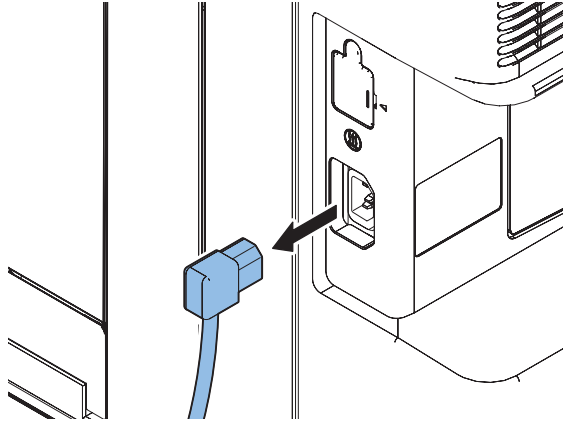


□
6.



■ In the Case of Printer Model

□
1.

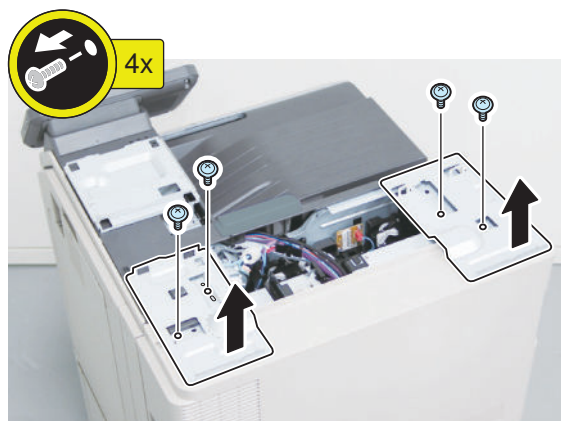


□
2.



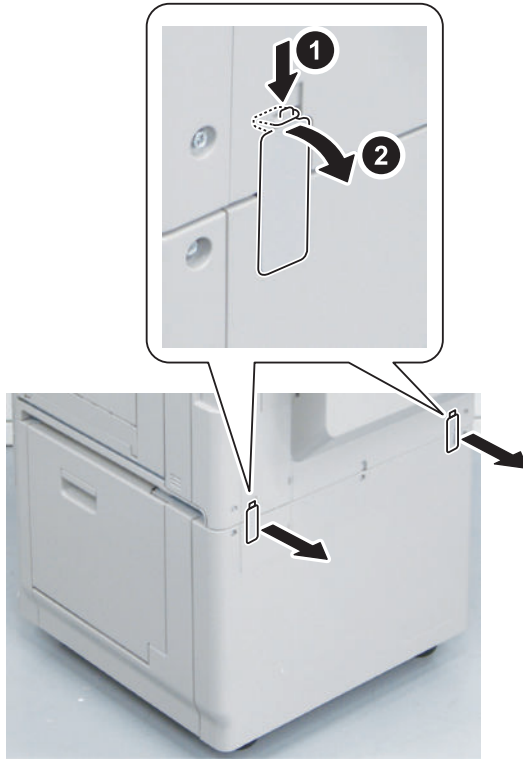
NOTE:
When the Cassette Pedestal is not installed, go to step 5.

□
3.

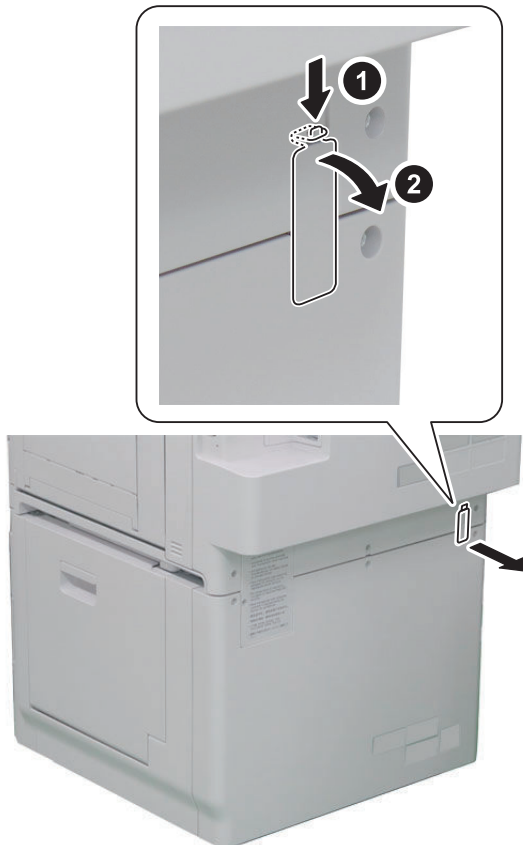


□
4.

<For models without the Cassette Heater Unit>

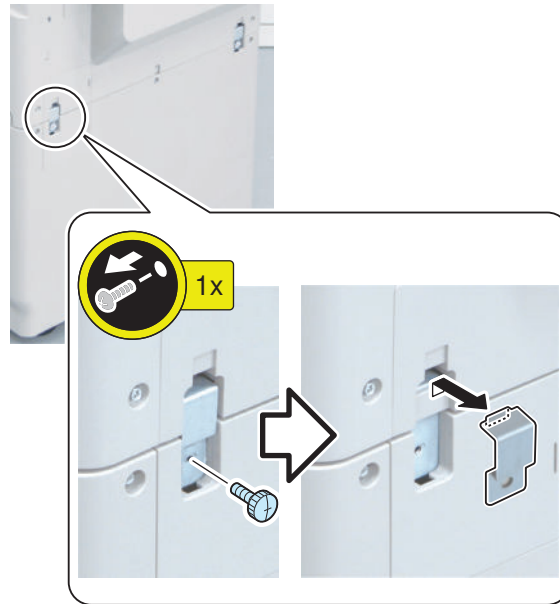


<For models with the Cassette Heater Unit>



□
5.

<For models without the Cassette Heater Unit>



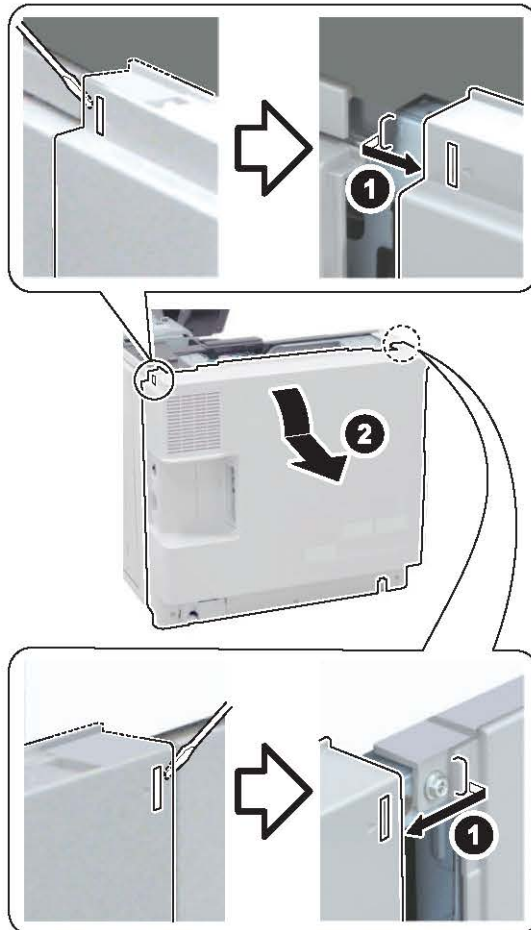
<For models with the Cassette Heater Unit>



□
6.

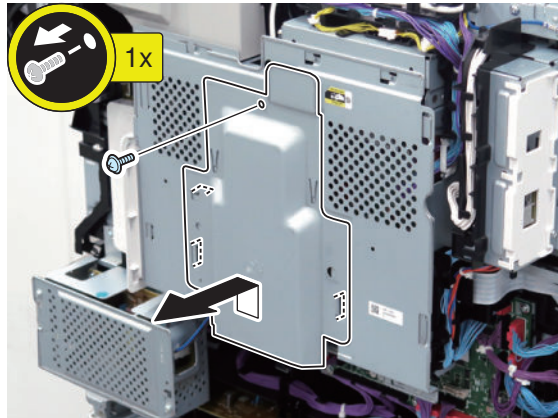


□
7.



■ Installing the Serial Interface Kit

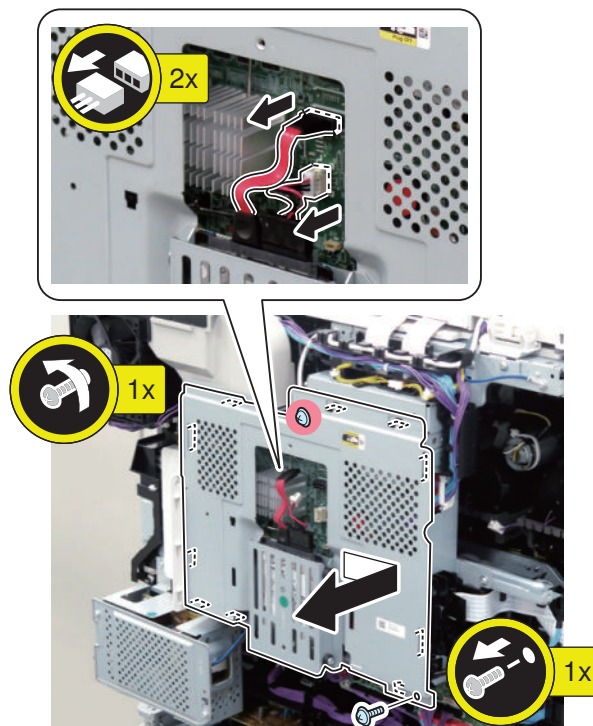
□ 1



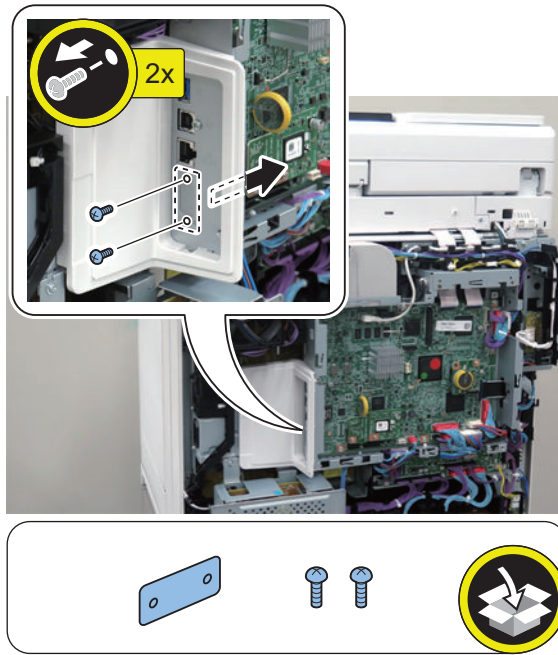
□ 2

CAUTION:

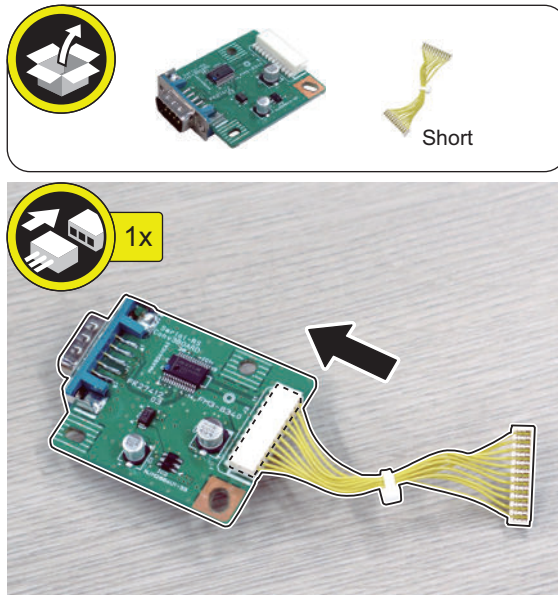
When handling the hard disc, be careful not to vibrate or drop it.



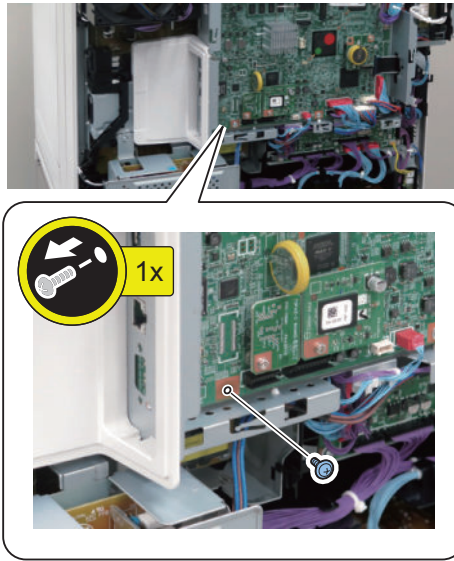
□ 3



□ 4

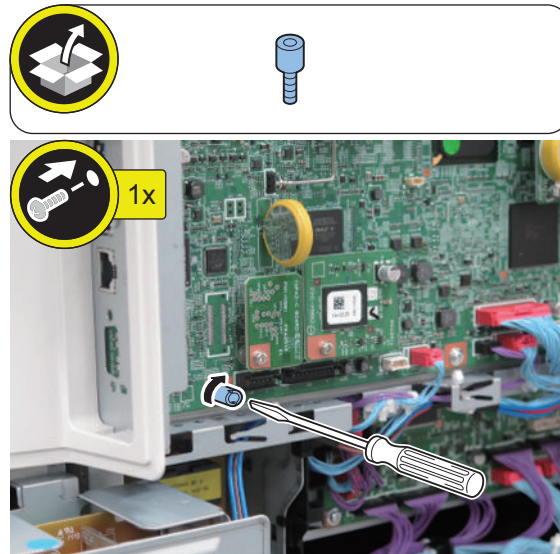


□ 5

**NOTE:**

The removed screw will be used in step 7.

□ 6



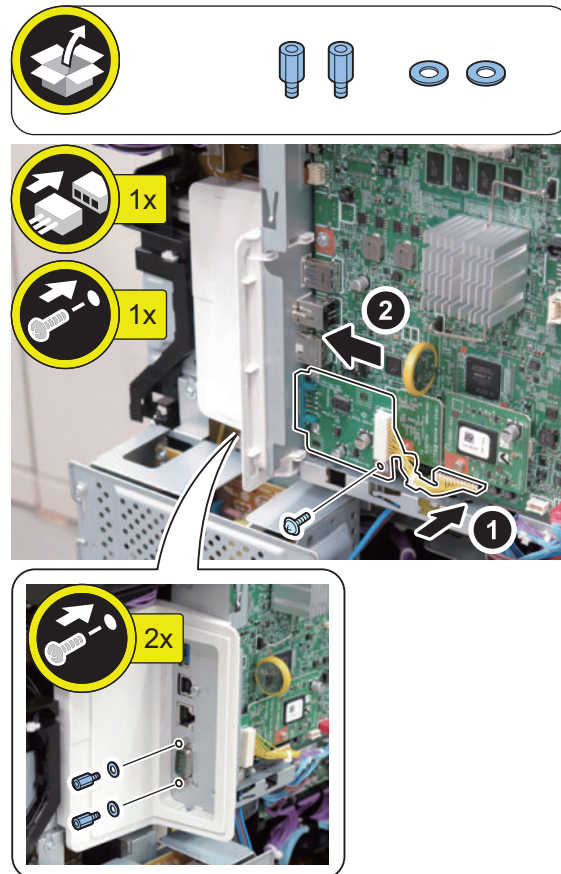
□ 7

CAUTION:

Be careful not to drop the screws and washers. Dropping a screw or washer may result in damage, so be sure to pick it up.

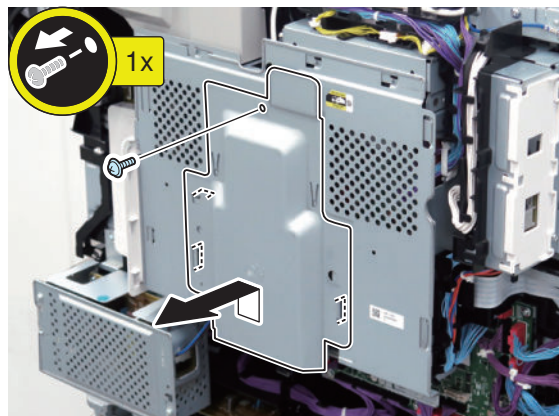
NOTE:

Use the screw removed in step 5.



■ Installing the Copy Control Interface Kit

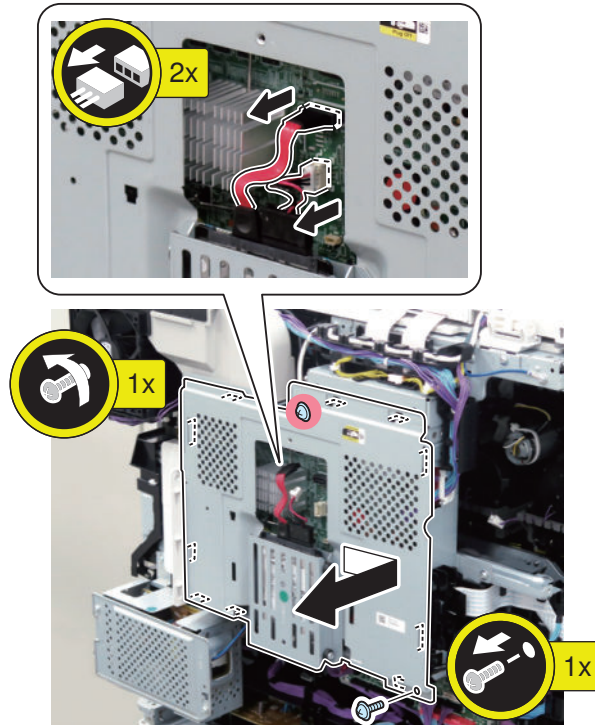
□ 1



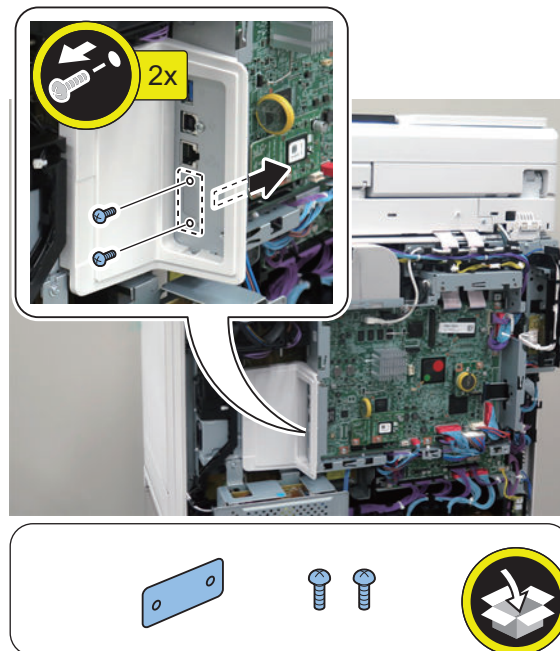
□ 2

CAUTION:

When handling the hard disc, be careful not to vibrate or drop it.



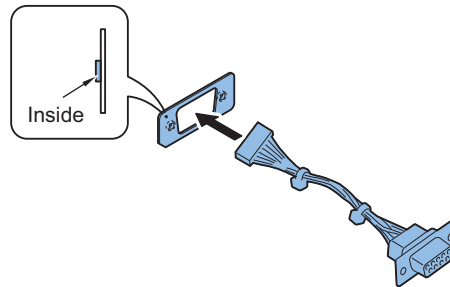
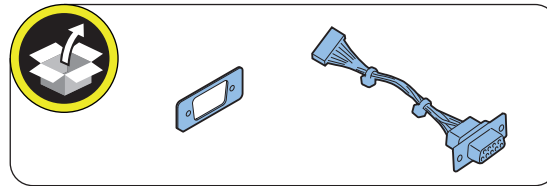
□ 3



□ 4

CAUTION:

Install the extruded side of the D-SUB Support Plate as shown in the figure.



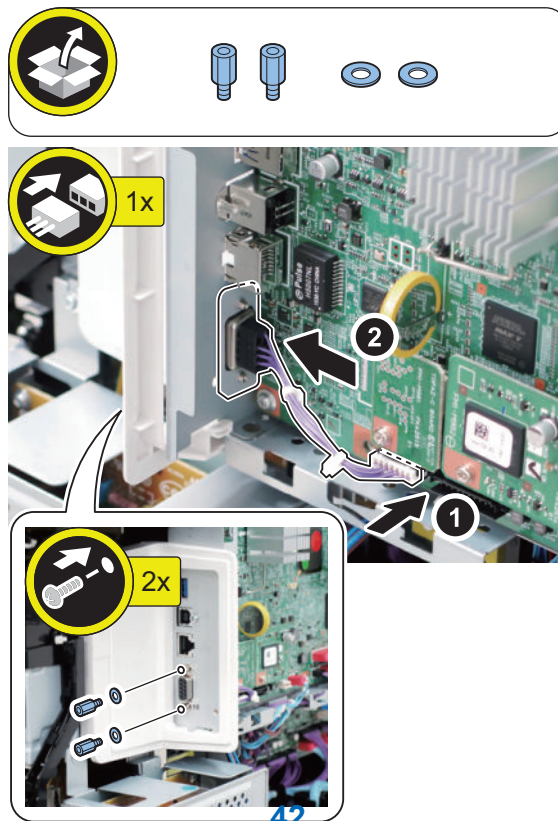
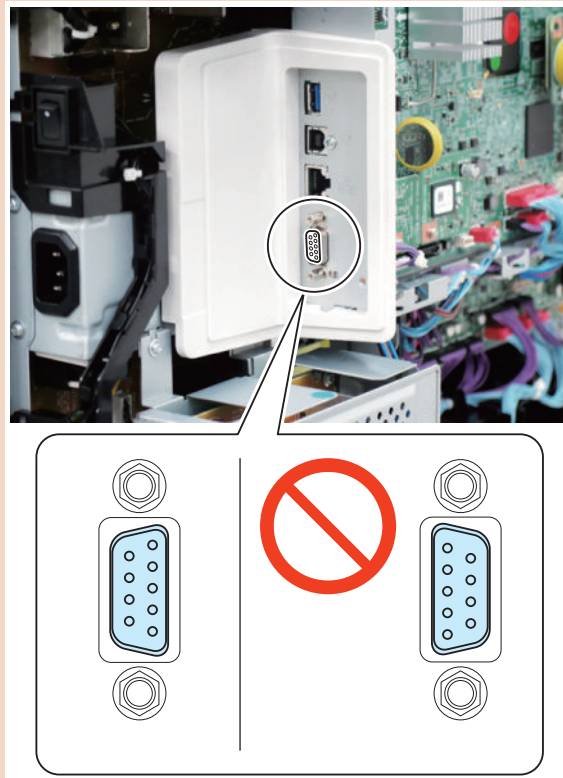
5

CAUTION:

Be careful not to drop the screws and washers. Dropping a screw or washer may result in damage, so be sure to pick it up.

CAUTION:

Install the CC-VI Cable in the direction shown in the figure.



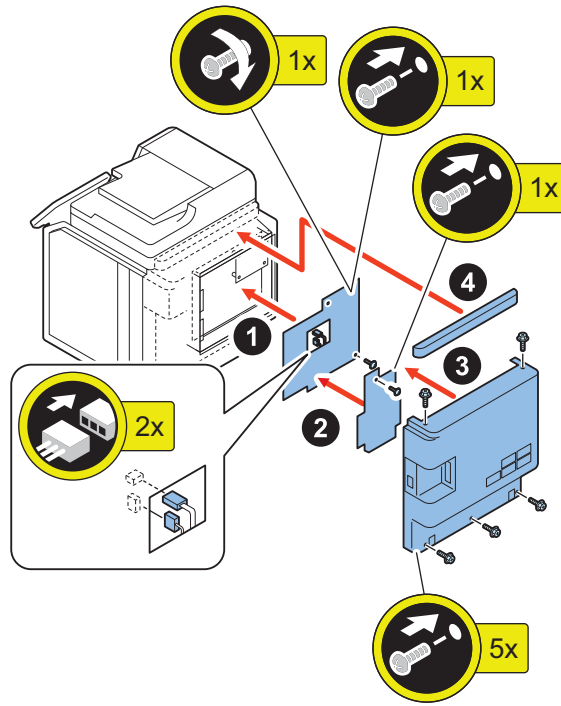
■ Installing the Host Machine Covers

● Model with Reader

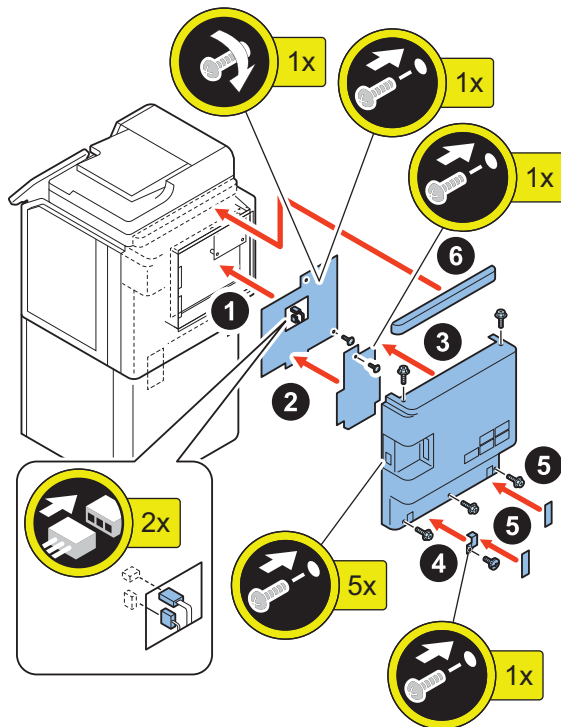


1.

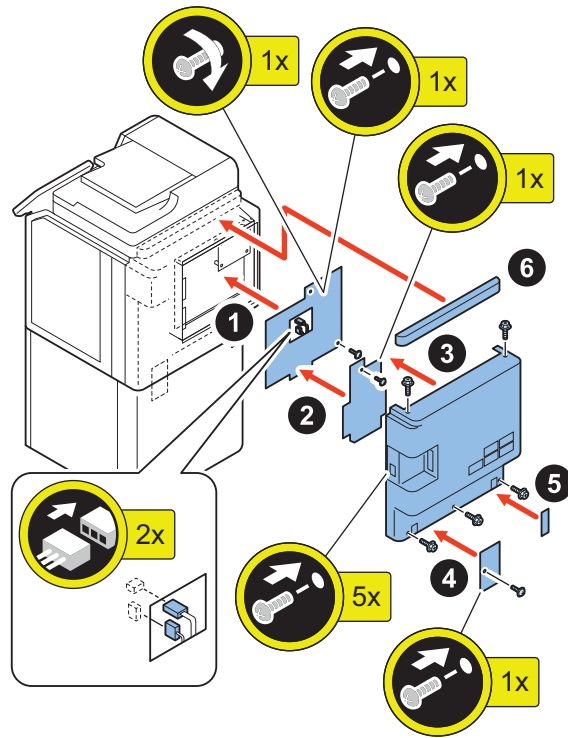
<Without Cassette Pedestal>



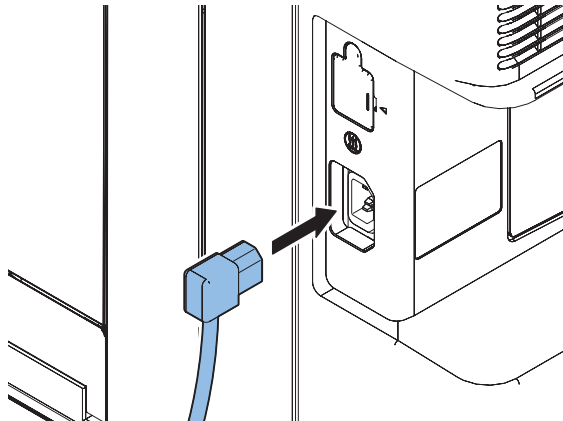
<With Cassette Pedestal, without heater>



<With Cassette Pedestal, with heater>



□
2.

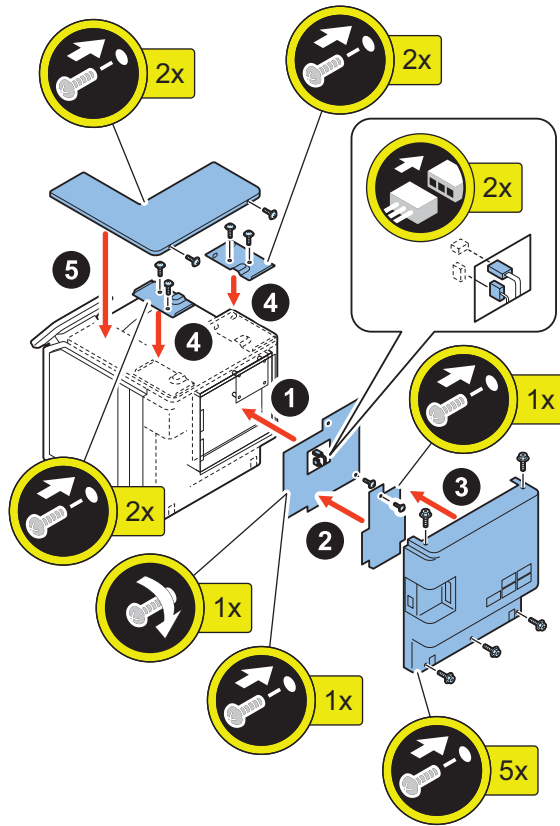


• In the case of printer model without Cassette Pedestal

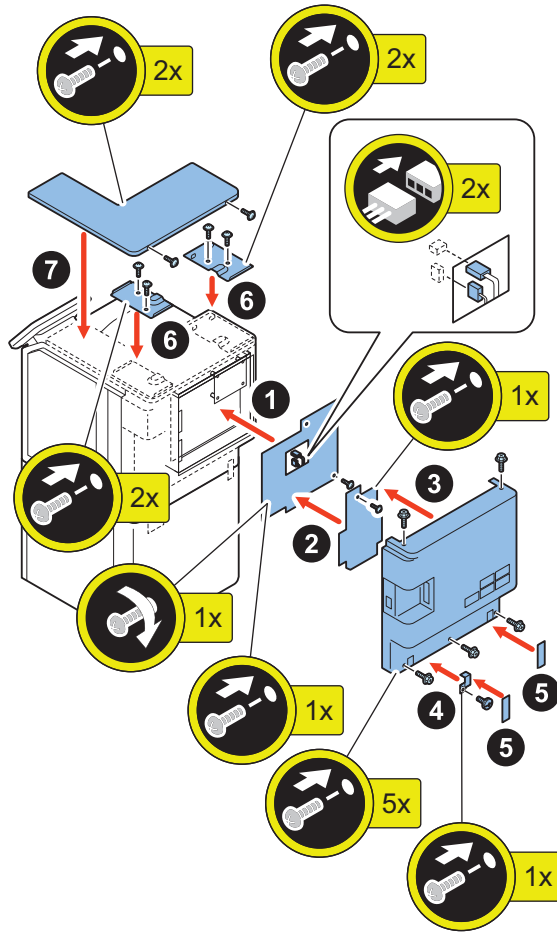
□

1.

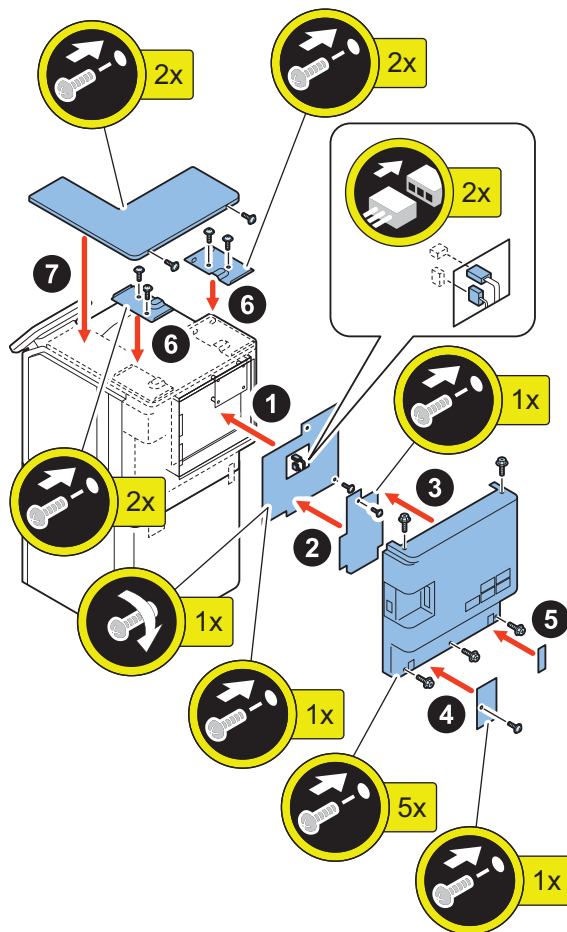
<Without Cassette Pedestal>



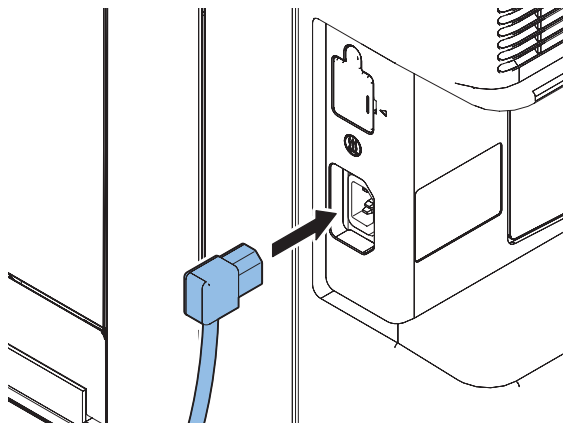
<With Cassette Pedestal, without heater>



<With Cassette Pedestal, with heater>



□
2.



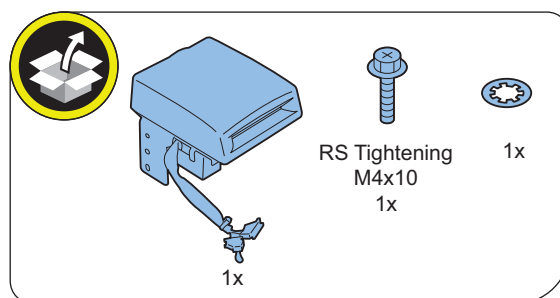
Copy Card Reader-F1/Copy Card Reader Attachment-B5

Points to Note at Installation

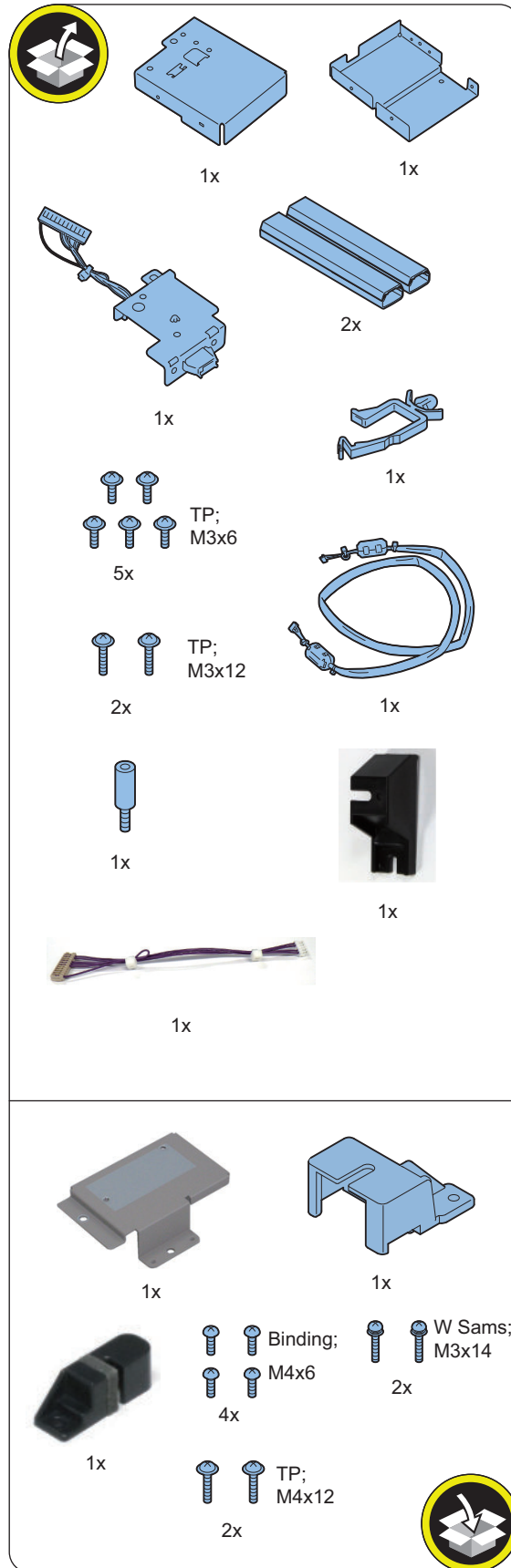
- To install this equipment, the Copy Card Reader Attachment is required.
- After installing the Card Reader, enter the card number to be used in the following service mode. Otherwise, the card will not be recognized even if inserting it.
COPIER > FUNCTION > INSTALL > CARD

Checking the Contents

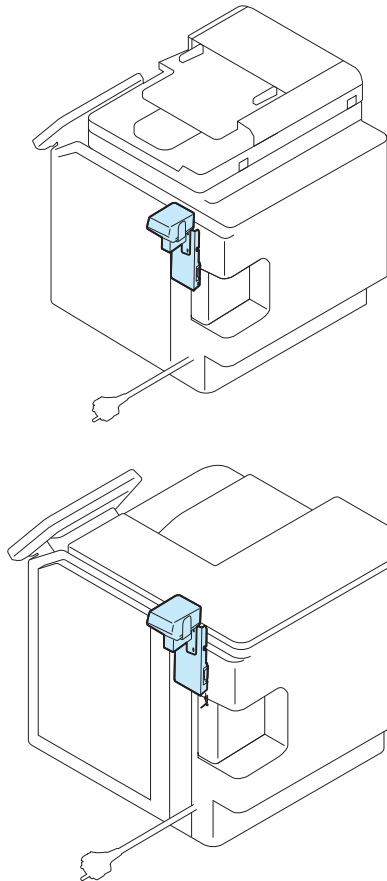
<Copy Card Reader-F1>



<Copy Card Reader Attachment-B5>



● Installation Outline Drawing

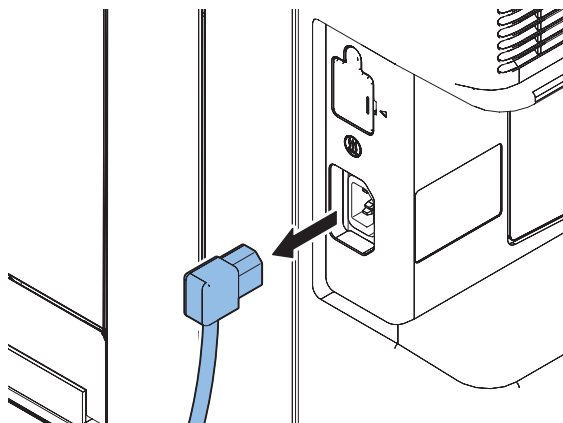


● Installation Procedure

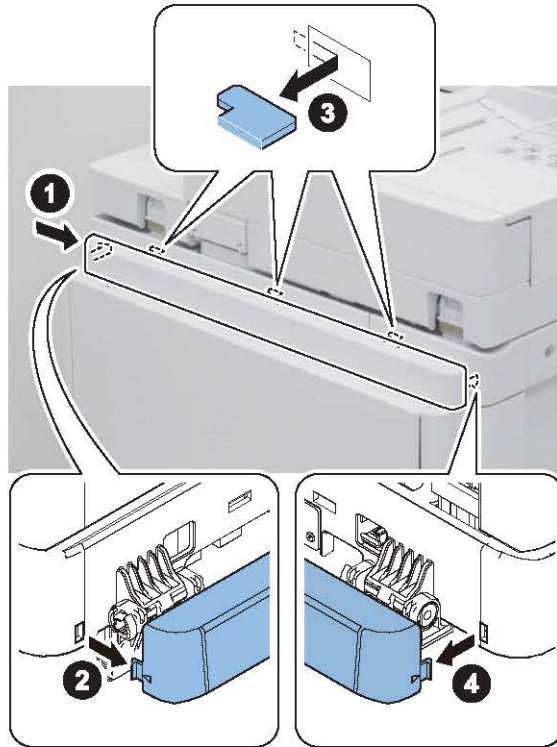
■ Removing the Covers

□

1.

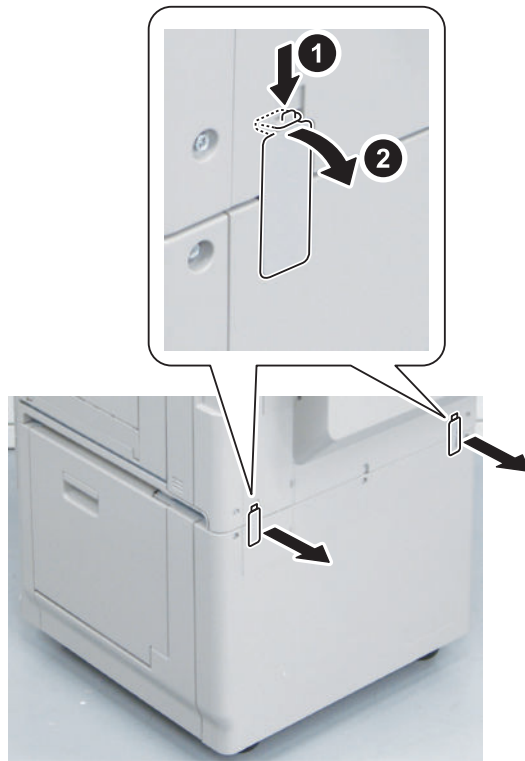


□
2.



□
3.

<For models without the Cassette Heater Unit>

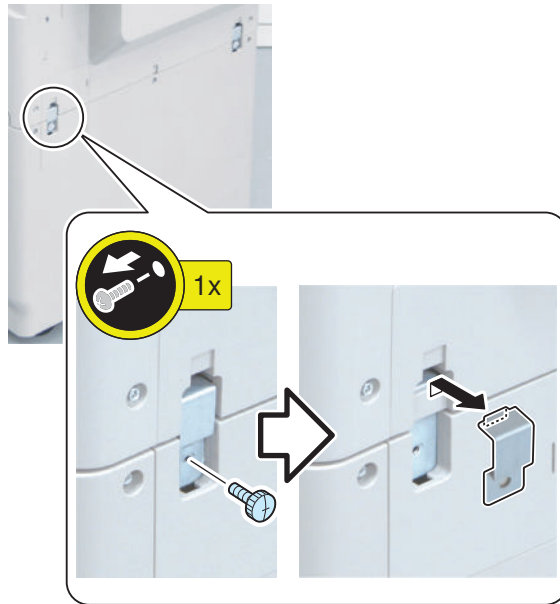


<For models with the Cassette Heater Unit>



□
4.

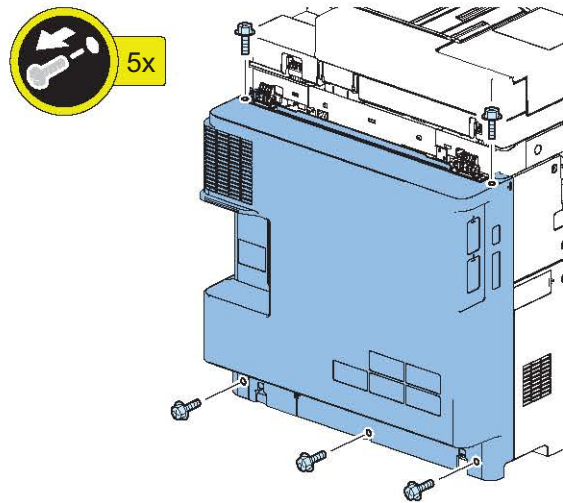
<For models without the Cassette Heater Unit>



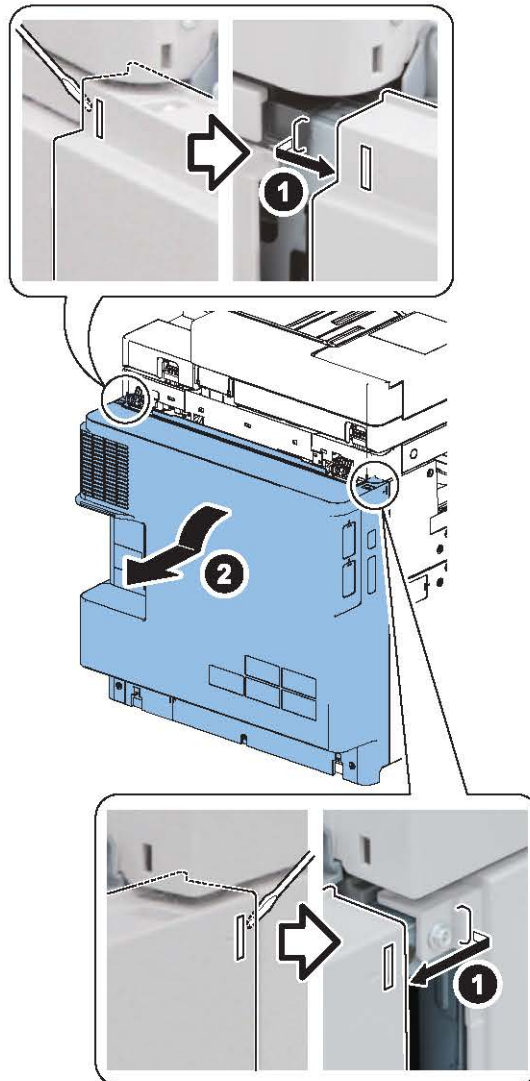
<For models with the Cassette Heater Unit>



□
5.

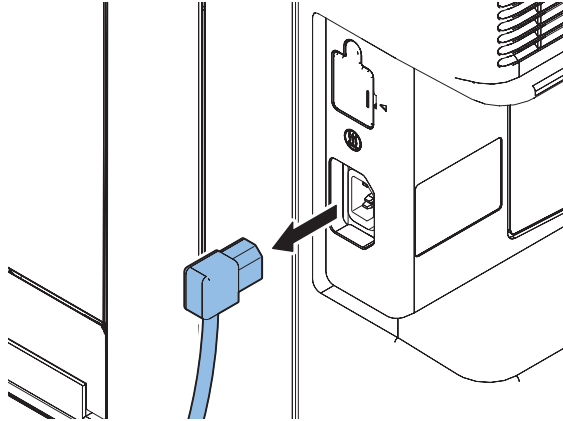


□
6.

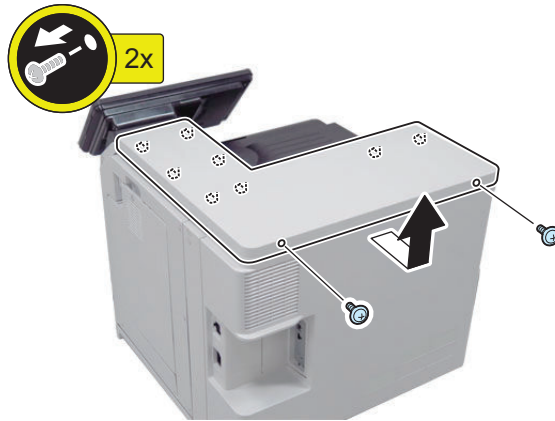


■ In the Case of Printer Model

□
1.

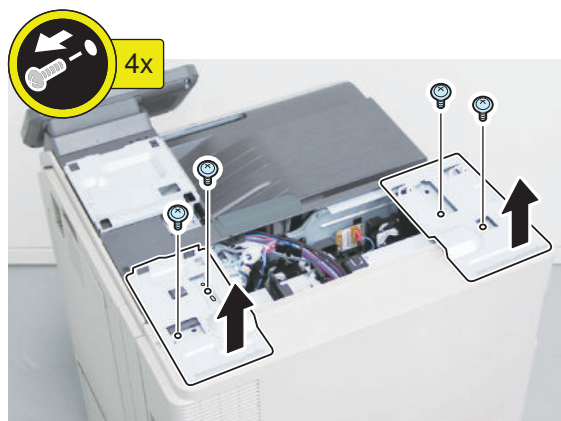


□
2.



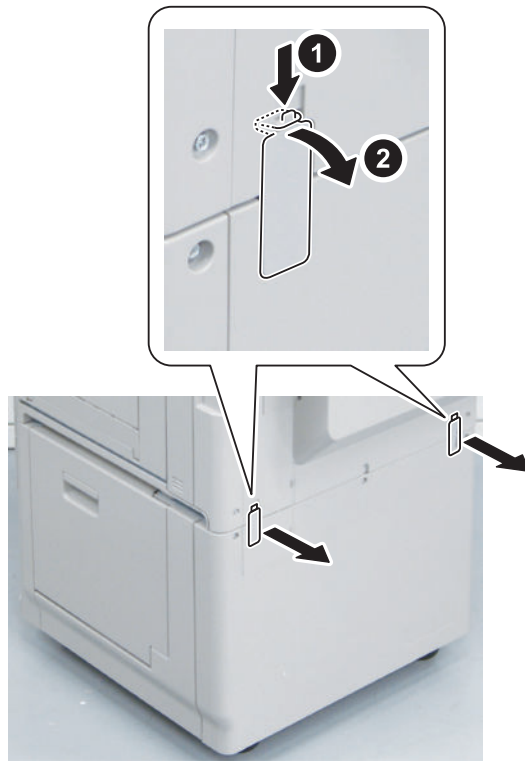
NOTE:
When the Cassette Pedestal is not installed, go to step 5.

□
3.



□
4.

<For models without the Cassette Heater Unit>

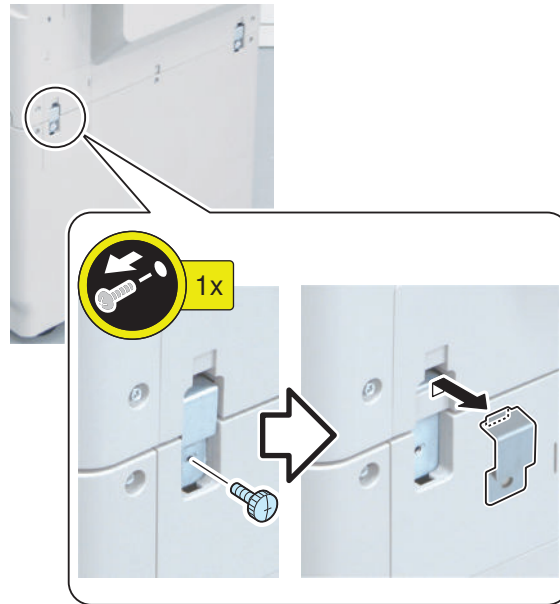


<For models with the Cassette Heater Unit>



□
5.

<For models without the Cassette Heater Unit>



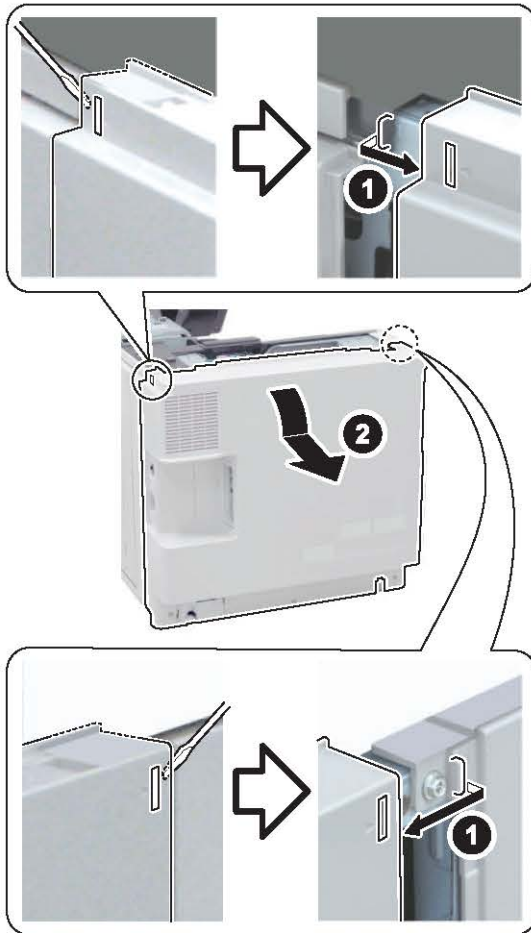
<For models with the Cassette Heater Unit>



□
6.

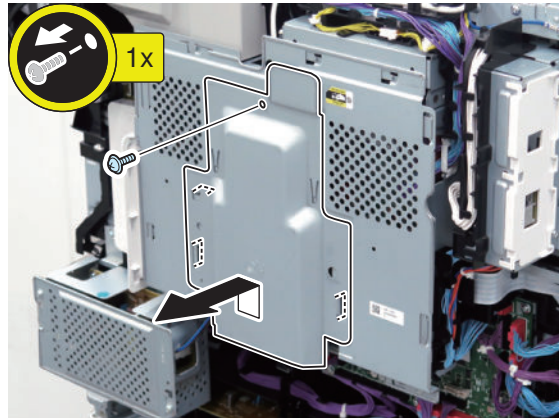


□
7.



■ Installing the Card Reader Relay Connector Unit

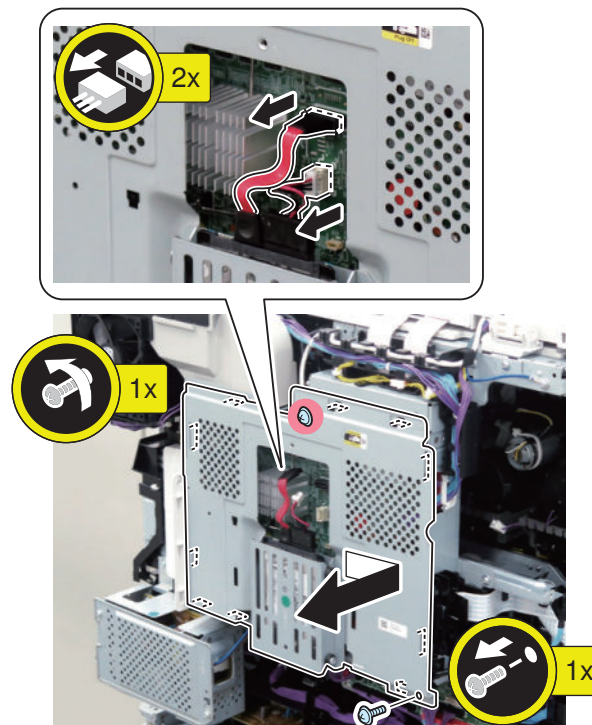
□
1.



□
2.

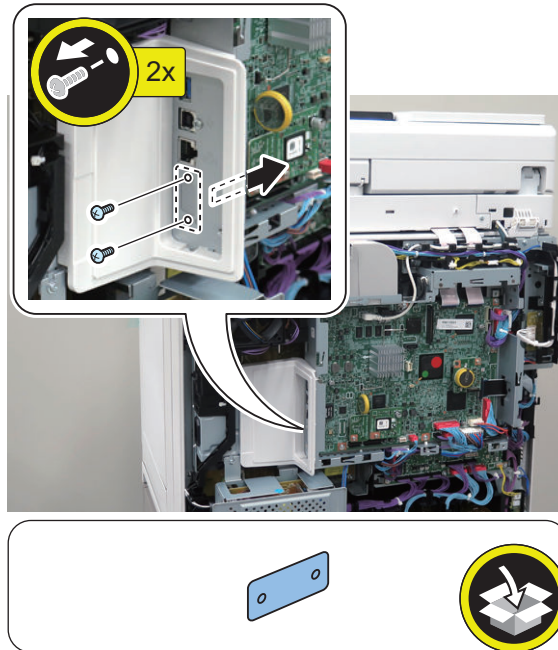
CAUTION:

When handling the hard disc, be careful not to vibrate or drop it.



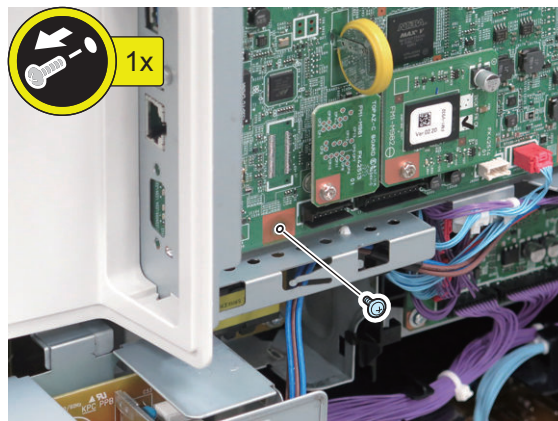
□
3.

NOTE:
The removed screw will be used in step 6.

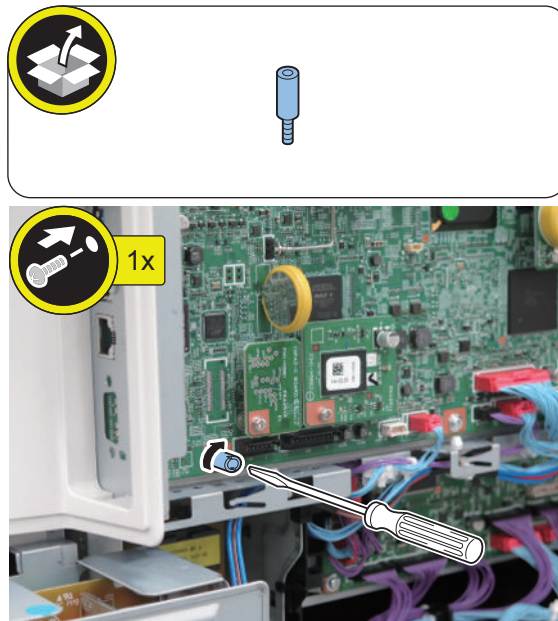


□
4.

NOTE:
The removed screw will be used in step 6.

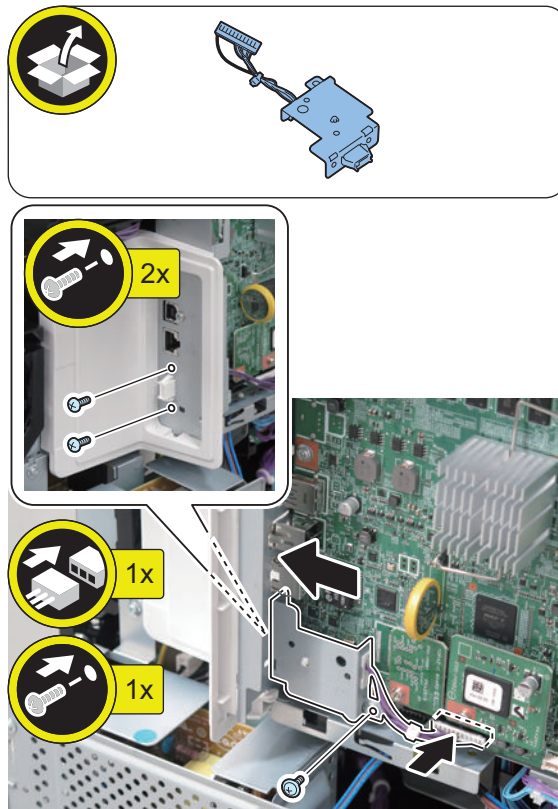


□
5.



□
6.

CAUTION:
Use the screw removed in step 4 and step 5.



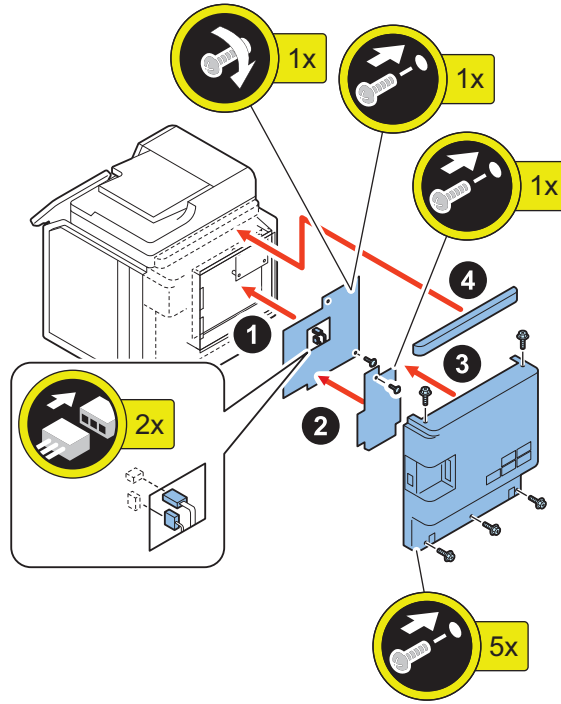
■ Installing the Host Machine Covers

● Model with Reader

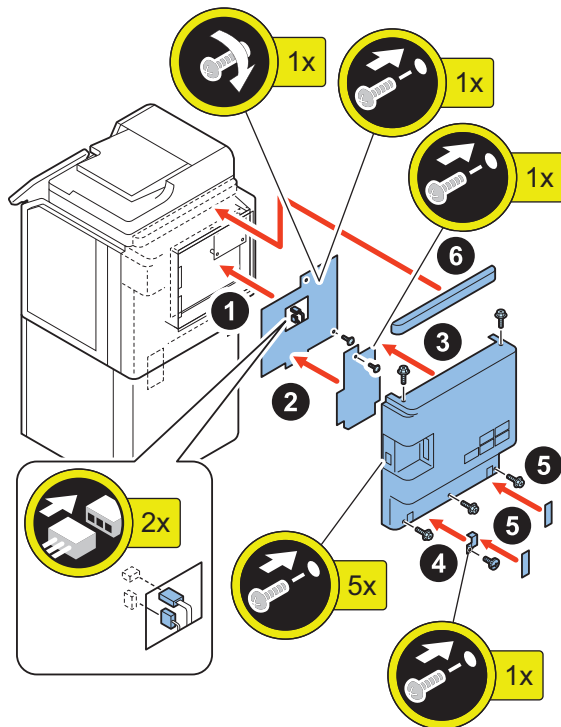


1.

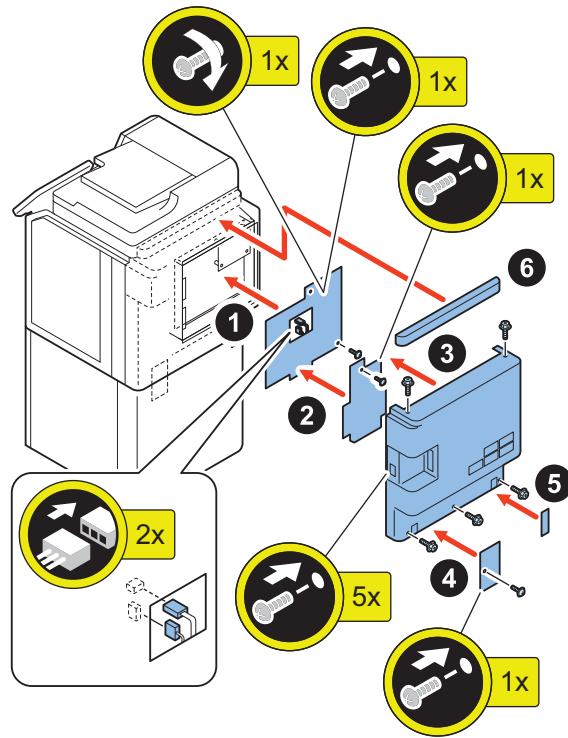
<Without Cassette Pedestal>



<With Cassette Pedestal, without heater>



<With Cassette Pedestal, with heater>

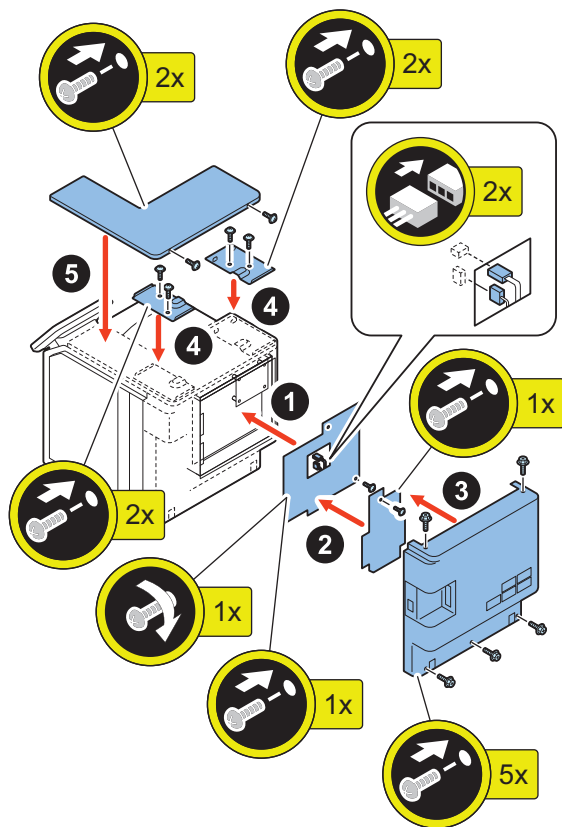


• In the case of printer model without Cassette Pedestal

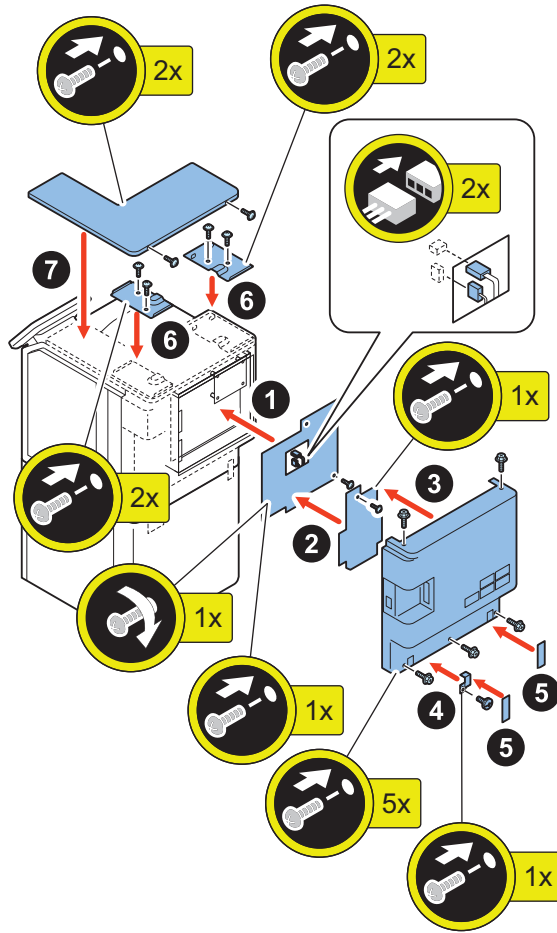
□

1.

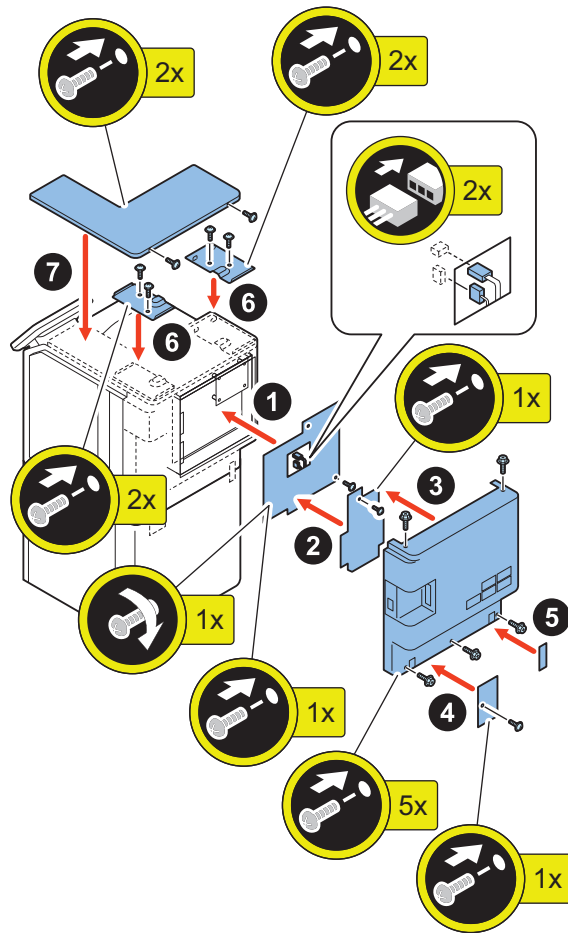
<Without Cassette Pedestal>



<With Cassette Pedestal, without heater>

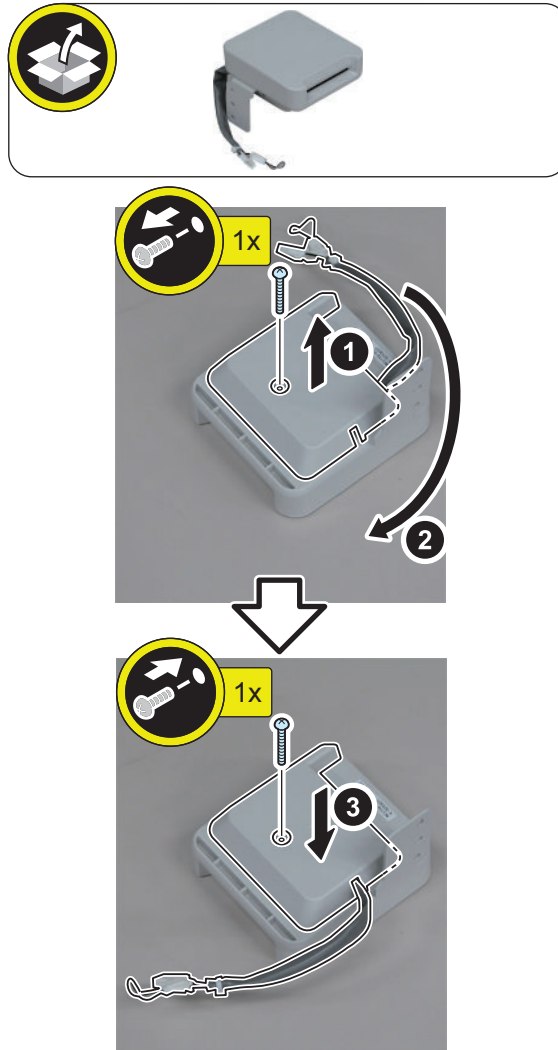


<With Cassette Pedestal, with heater>

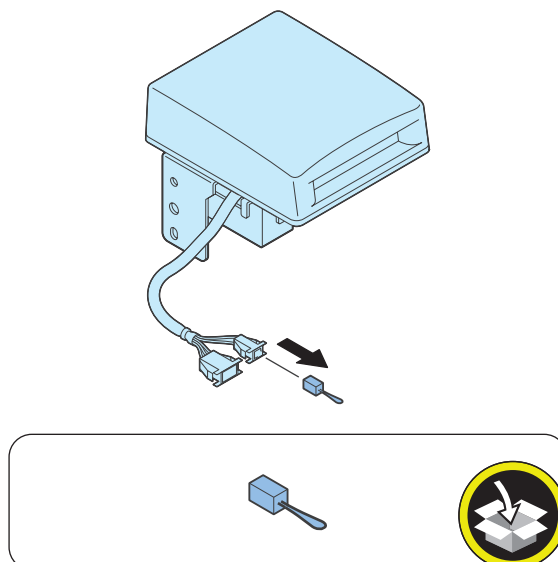


■ Installing the Copy Card Reader

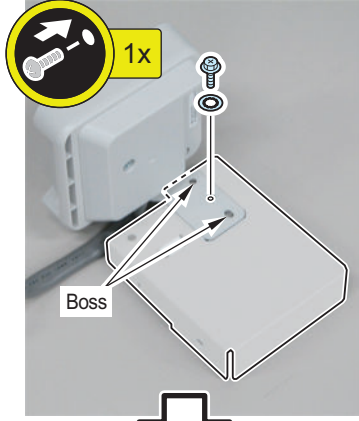
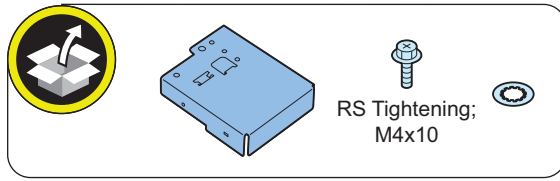
□
1.



□
2.

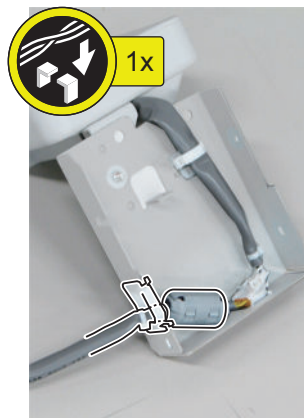
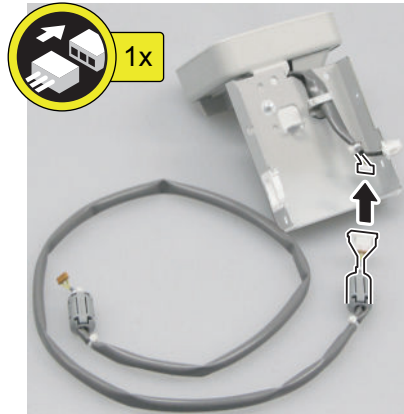
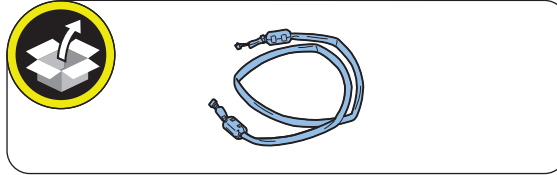


□
3.



□
4.**CAUTION:**

Be sure that the core is inside the Edge Saddle.



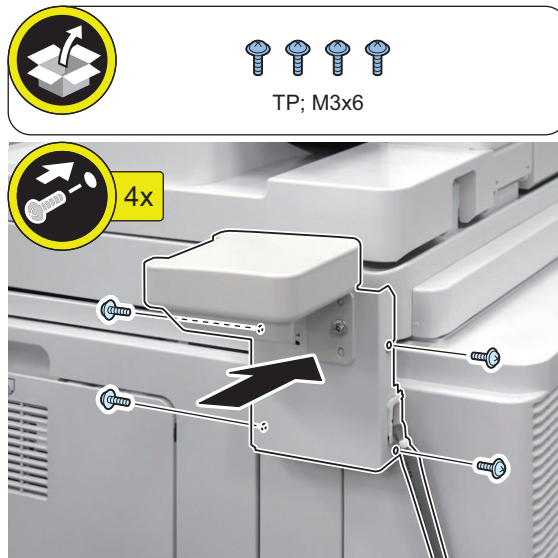
□
5.



□
6.

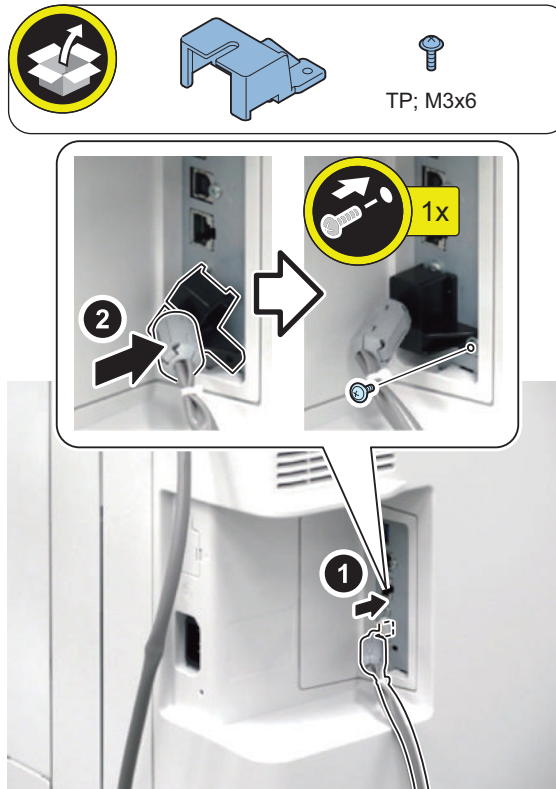
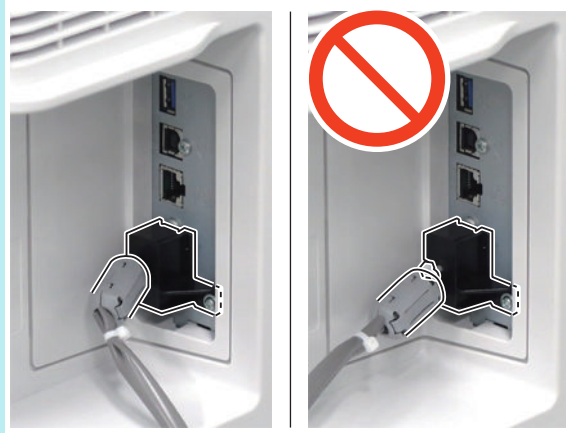


□
7.

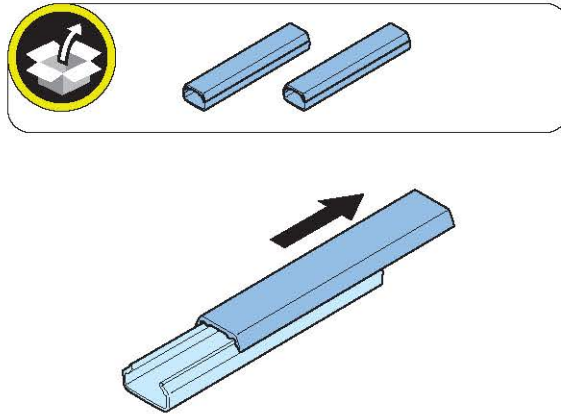


□
8.**NOTE:**

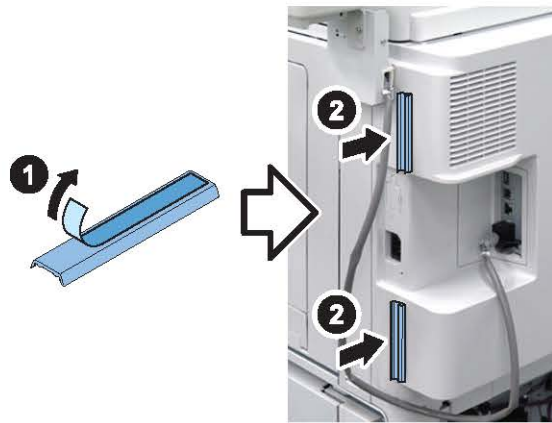
To prevent the connector from being disconnected, be sure to place the tie-wrap of the Card Reader External Relay Harness inside of the Connector Cover.



□
9.



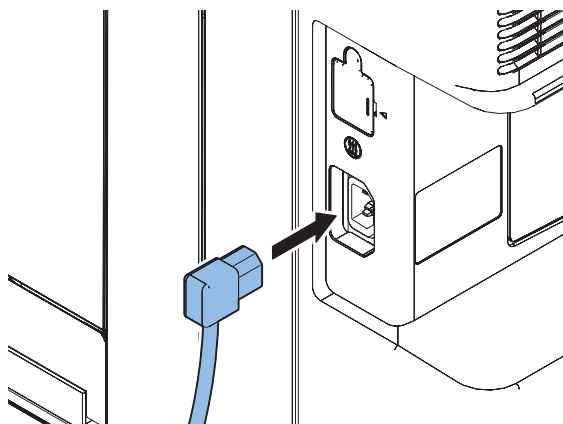
□
10.



□
11.



12.



Setting after Installation

1. Connect the power plug of the host machine to the outlet.
 2. Turn ON the main power switch.
 3. Check the model of the Card Reader in service mode (Default: 0 "Card Reader-F1") .
COPIER > OPTION > ACC > CR-TYPE
4. In service mode (Level 2), set the number of cards (the number of departments) (1 to 1000) that can be used for the Card Reader to any value.
COPIER > OPTION > FNC-SW > CARD-RNG
5. Enter the card number which is the smallest of the card numbers to be used (1 to 2001) in service mode.
COPIER > FUNCTION > INSTALL > CARD
6. Turn OFF and then ON the main power switch to enable the setting value.
 7. Insert a card with a card number that has been registered, and check that the machine operates properly.

NOTE:

Perform the following operations to change the number of cards (the number of departments) after it has been set. In that case, counter information for each department is reset.

COPIER > FUNCTION > CLEAR > CARD

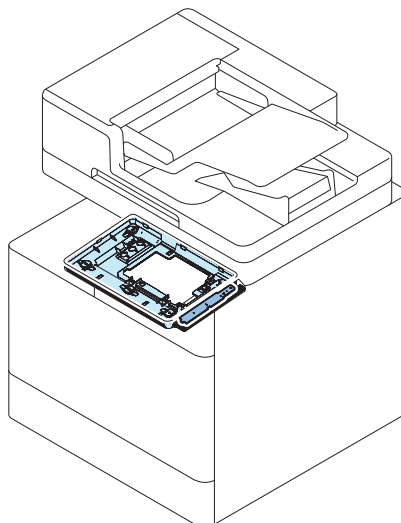
- Turn OFF and then ON the main power switch to enable the settings.
- After that, perform the setup procedure again from step 3.

NFC KIT-E1/E2

Points to Note at Installation

- Do not touch the sensor and PCB components of the Control panel.
- The parts removed in "Removing the Control Panel" will be used in "Installing the Control Panel".

Installation Outline Drawing



Checking the Contents

NOTE:

The required parts differ depending on the host machine to which this equipment is installed. Use A, B, G, H, I and J for this product.

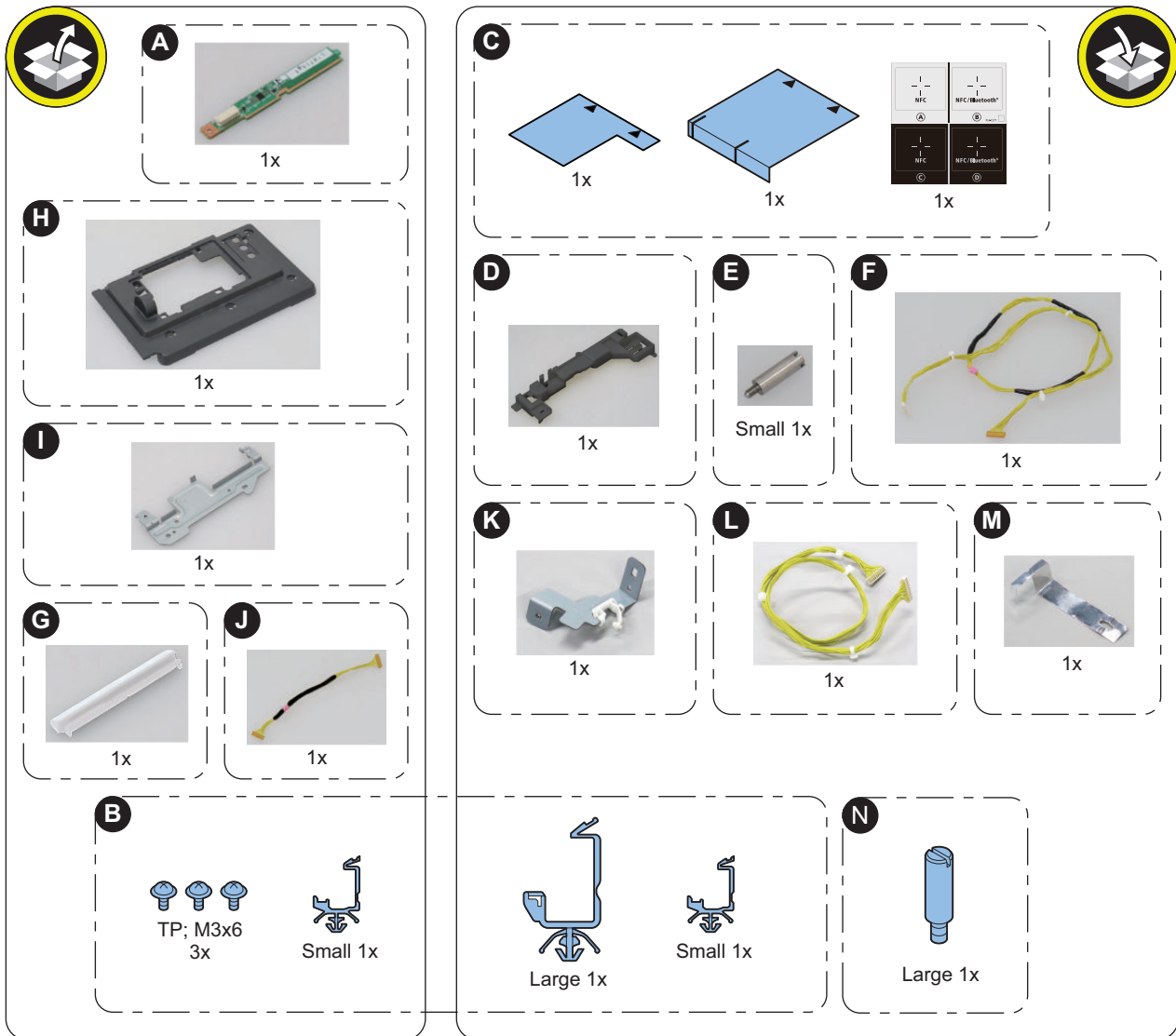
<NFC KIT-E1>

The diagram shows the components of the NFC KIT-E1 assembly, organized into two main columns. Each component is shown in a dashed-line box with a label and a quantity.

- Column 1 (Left):**
 - A:** NFC module, 1x
 - H:** Black plastic frame, 1x
 - I:** White plastic bracket, 1x
 - G:** White plastic sleeve, 1x
 - J:** Yellow and black cable, 1x
 - B:** TP; M3x6 (3x) and Small 1x (bracket)
- Column 2 (Right):**
 - C:** Blue L-shaped metal bracket (1x) and blue square metal plate (1x), plus NFC/Bluetooth labels (1x)
 - D:** Black plastic bracket, 1x
 - E:** Silver metal pin, 1x
 - F:** Yellow and black cable, 1x
 - K:** Blue metal bracket, 1x
 - L:** Yellow and black cable, 1x
 - M:** Silver metal bracket, 1x
 - Bottom:** Large 1x (blue metal bracket) and Small 1x (blue metal bracket)

Icons of a box with an arrow indicate the assembly location for parts A and C.

<NFC KIT-E2>



<Others>

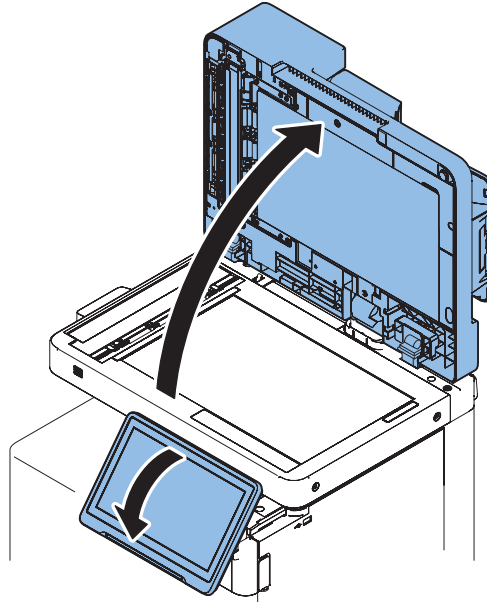
- Guides are included

● Installation procedure

■ Removing the Control Panel

□

1.

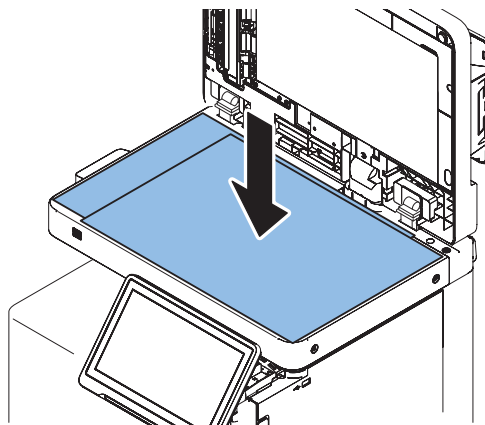


□

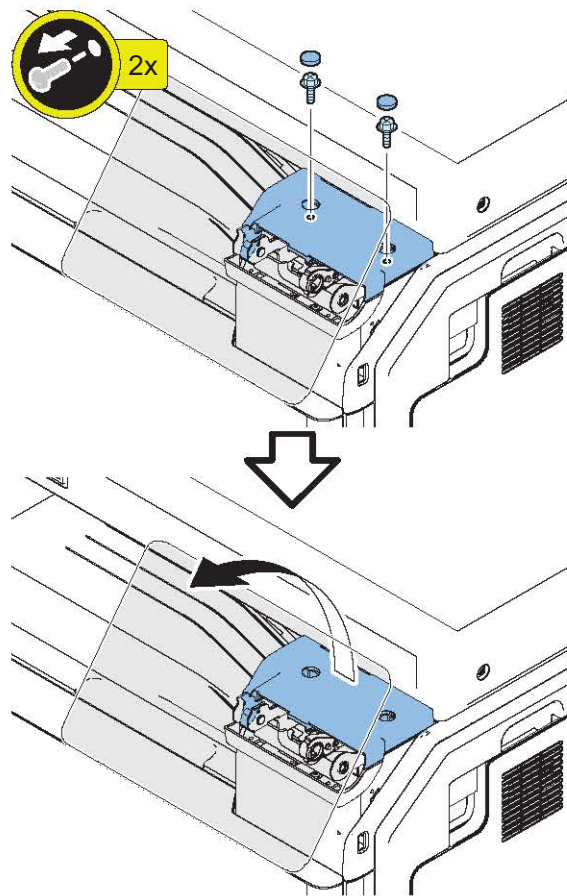
2.

CAUTION:

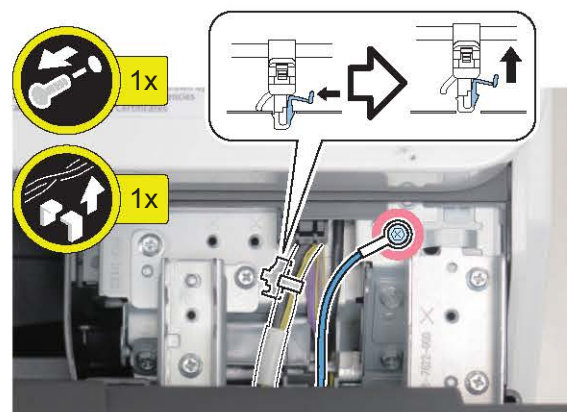
Be sure to place 5 or more sheets of paper to prevent damage.



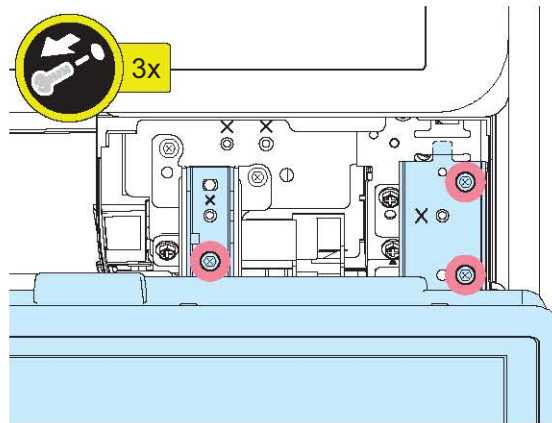
□
3.



□
4.



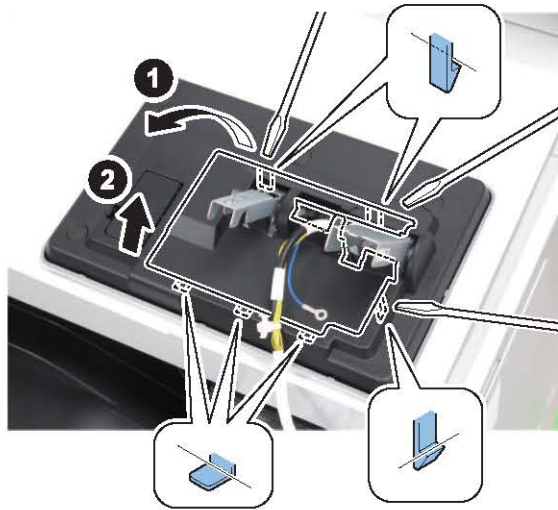
□
5.



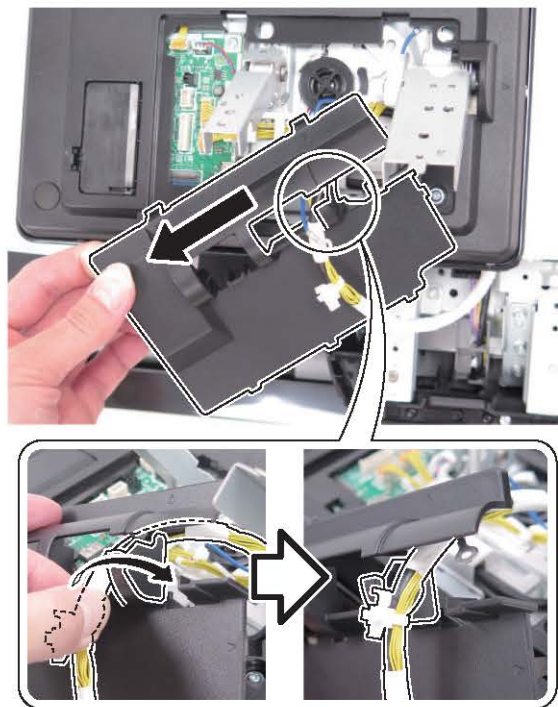
□
6.



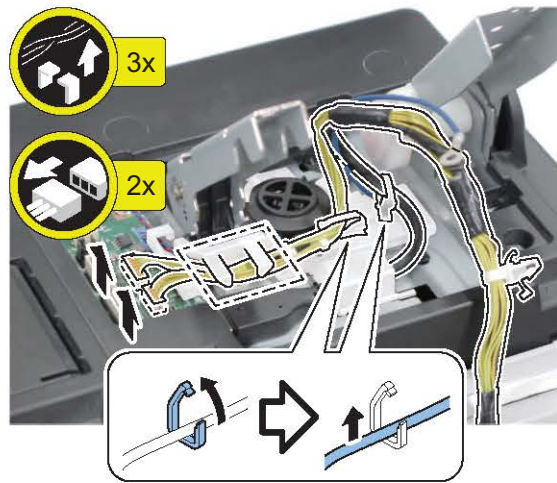
□
7.



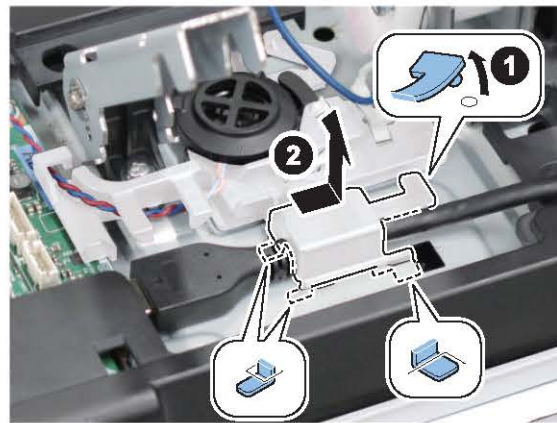
□
8.



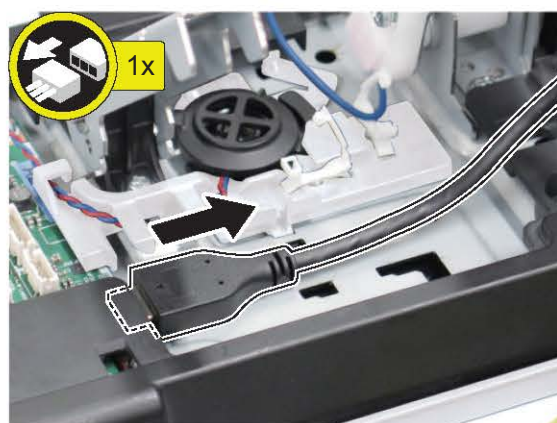
□
9.



□
10.

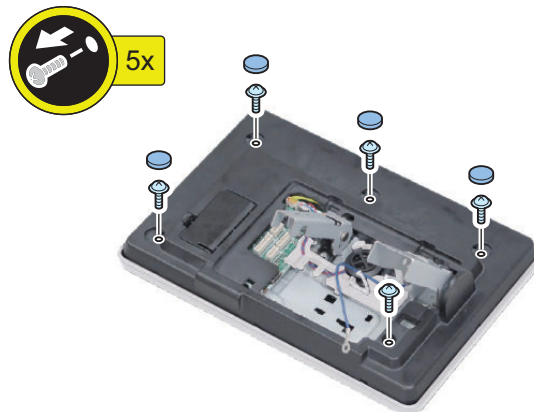


□
11.

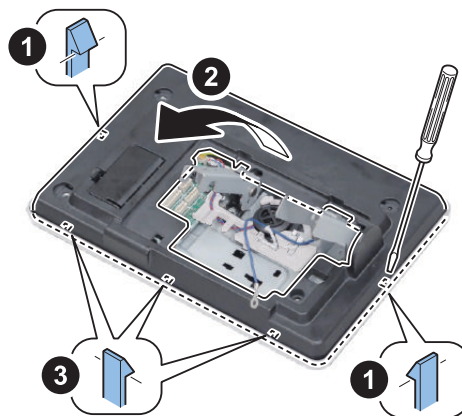


■ Installing the NFC Kit

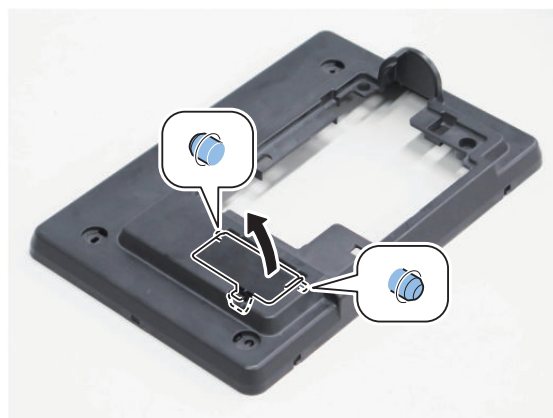
□
1.



□
2.



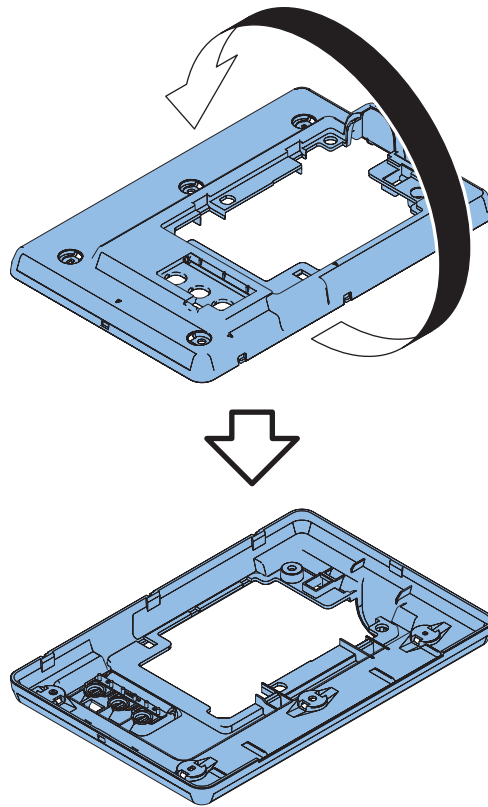
□
3.



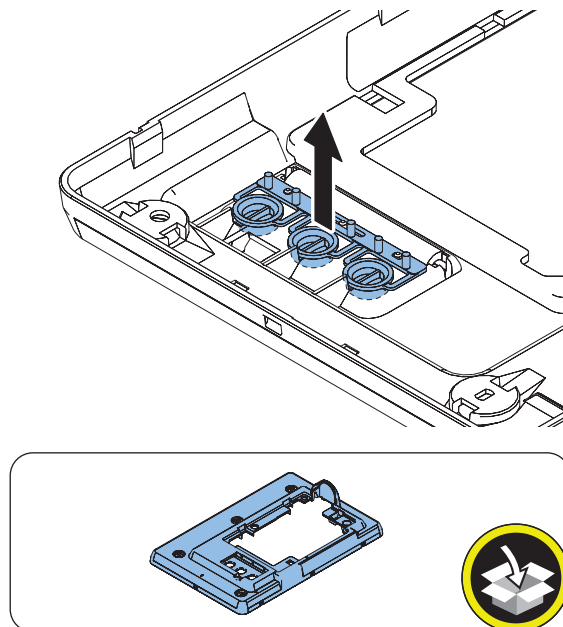
NOTE:

The removed parts will be used in step 8.

□
4.



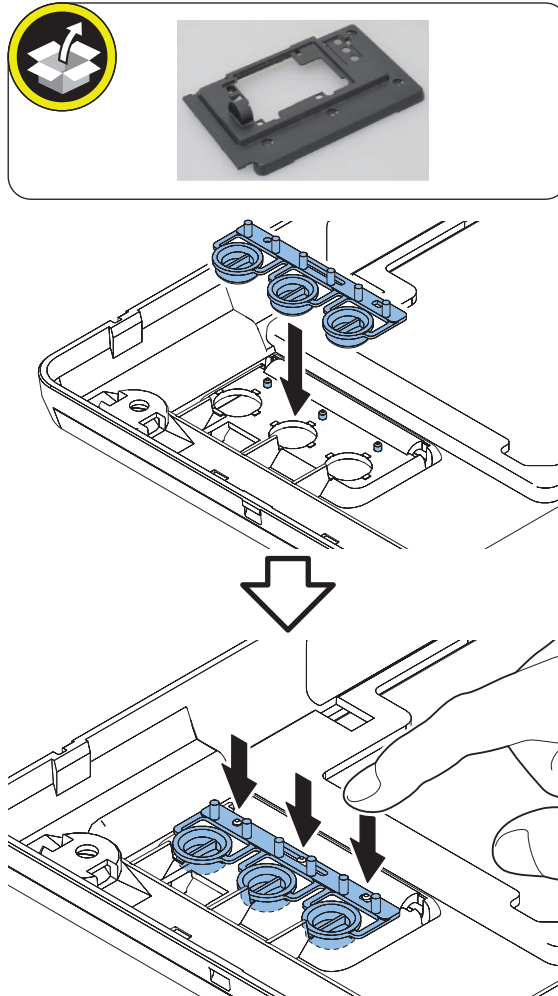
□
5.



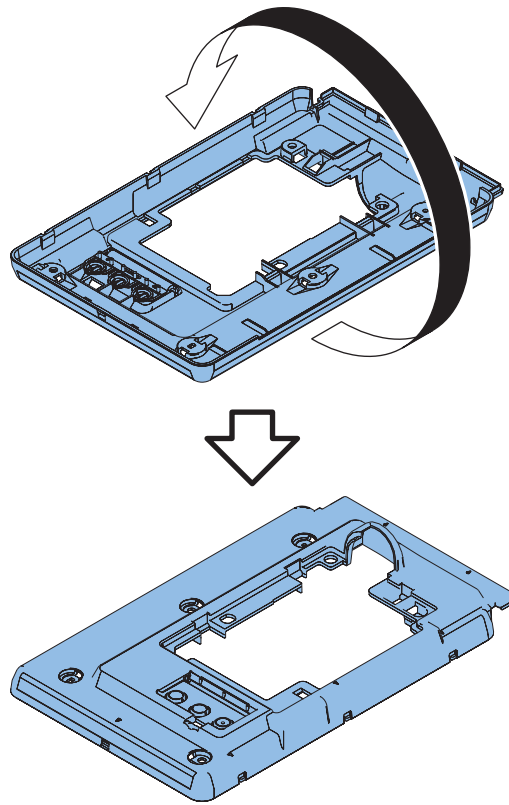
NOTE:
The removed part will be used in the next step.

□
6.

NOTE:
Use the part removed in the previous step.

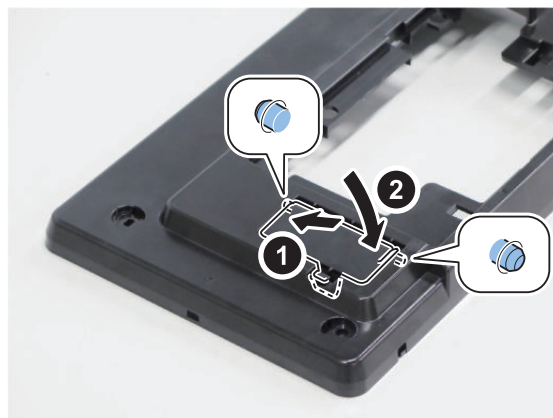


□
7.



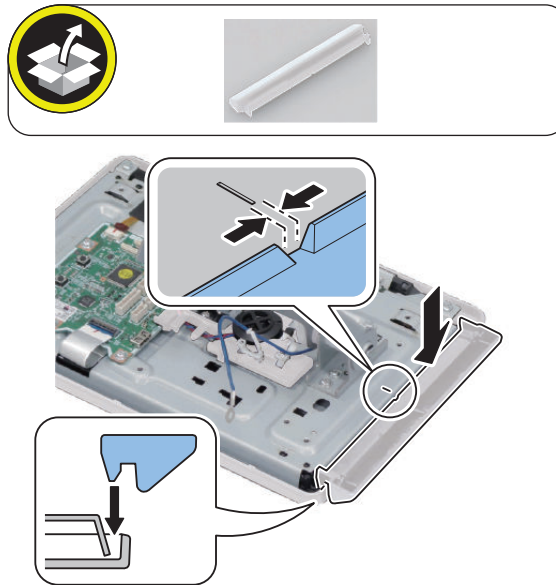
□
8.

NOTE:
Use the part removed in step 3.

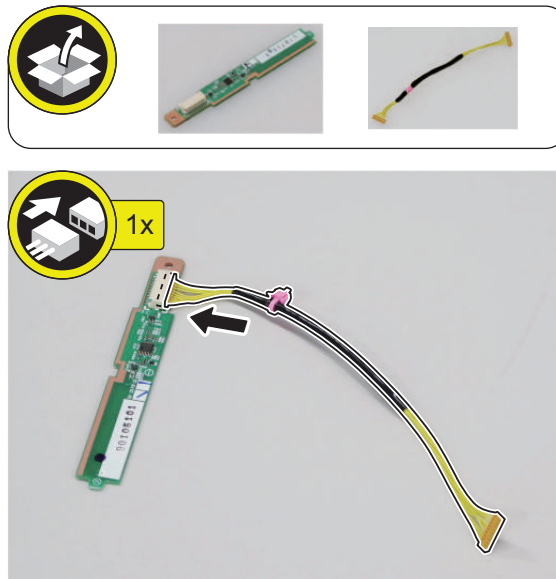


□
9.

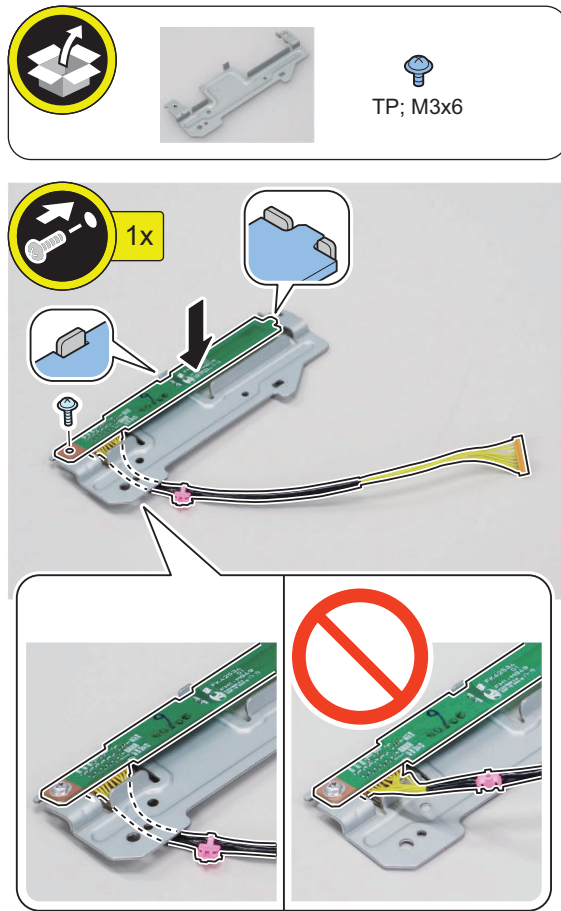
NOTE:
Position the NFC Cover by aligning it with the marking line to install.

□
10.

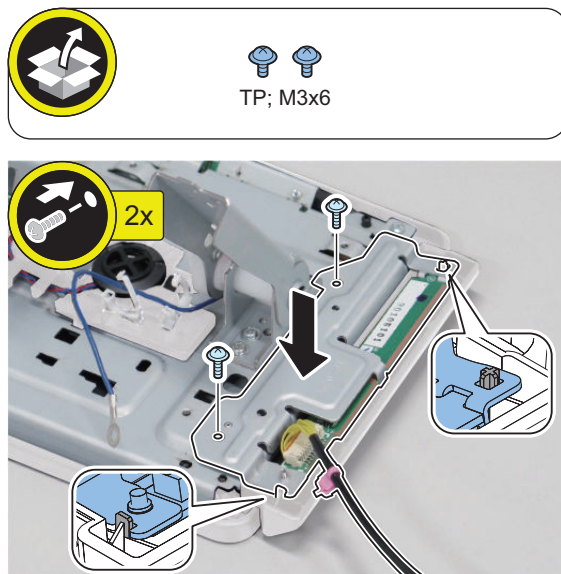
NOTE:
Install the cable to the NFC PCB as shown in the figure.



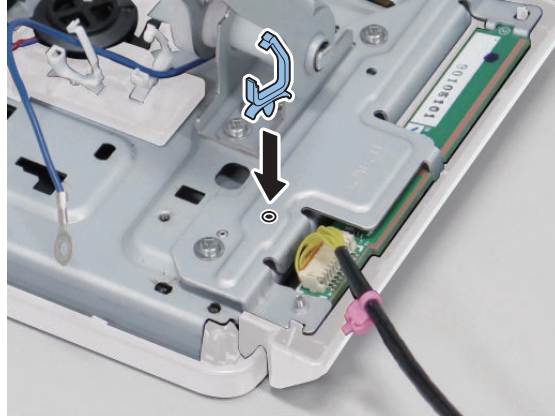
□
11.



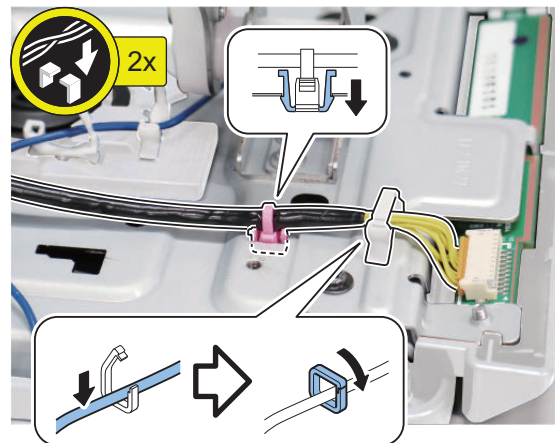
□
12.



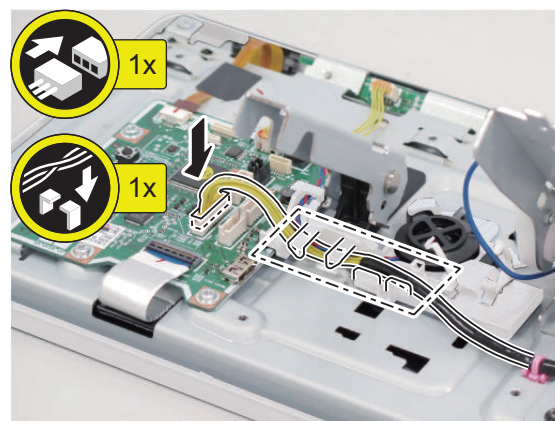
□
13.



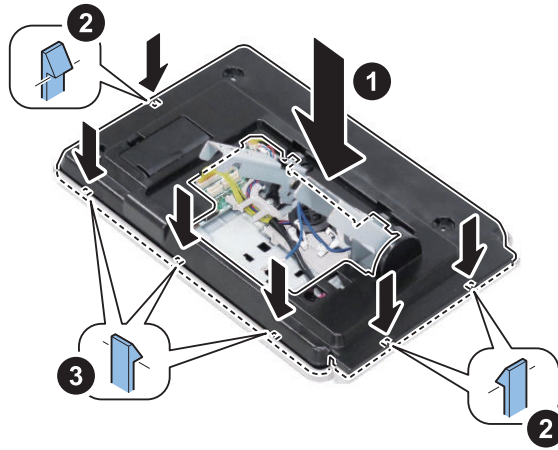
□
14.



□
15.

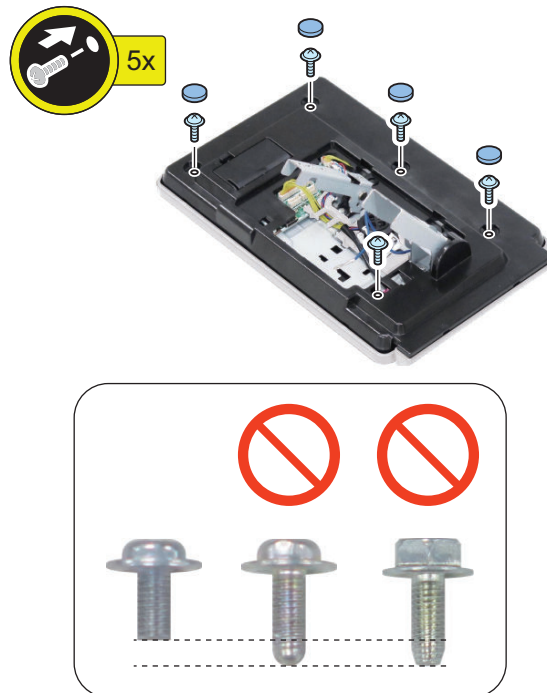


□
16.



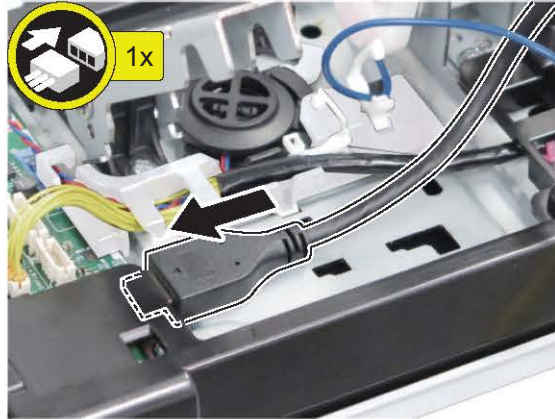
□
17.

CAUTION:
Be sure to use appropriate type of screws when installing the removed screws.

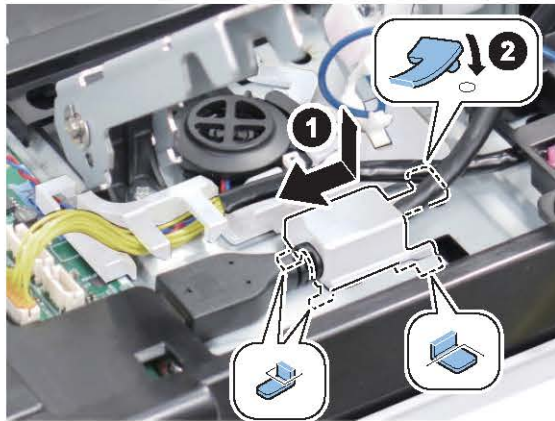


■ Installing the Control Panel

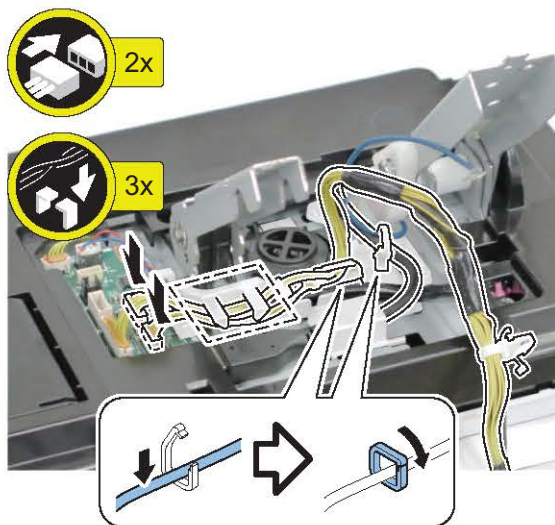
□
1.



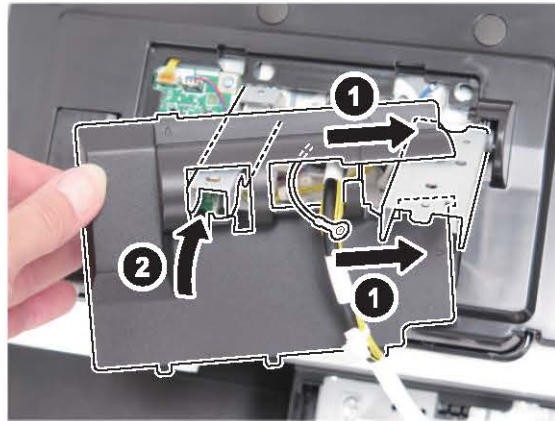
□
2.



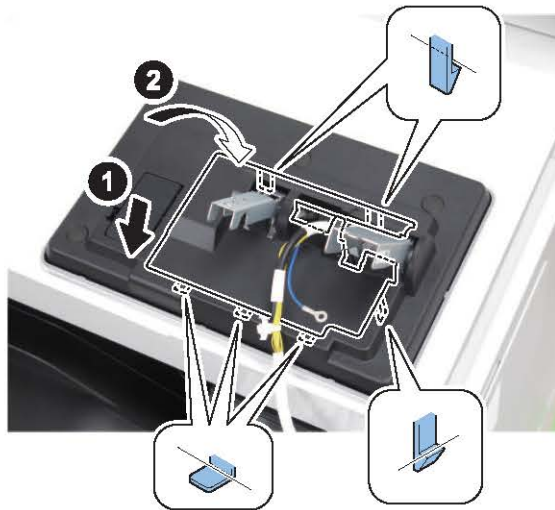
□
3.



□
4.



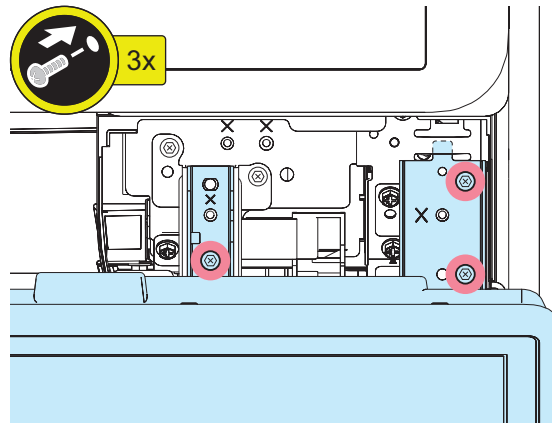
□
5.



□
6.

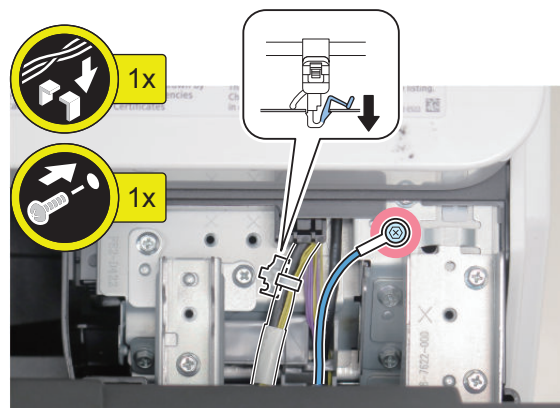
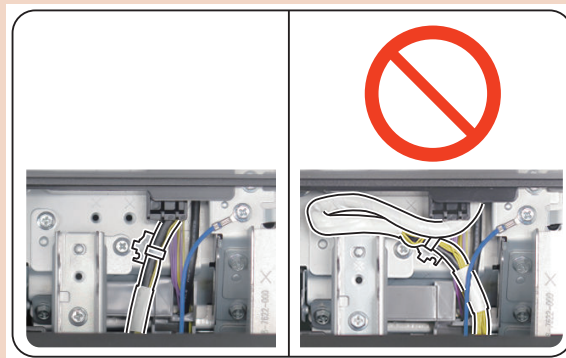


□
7.

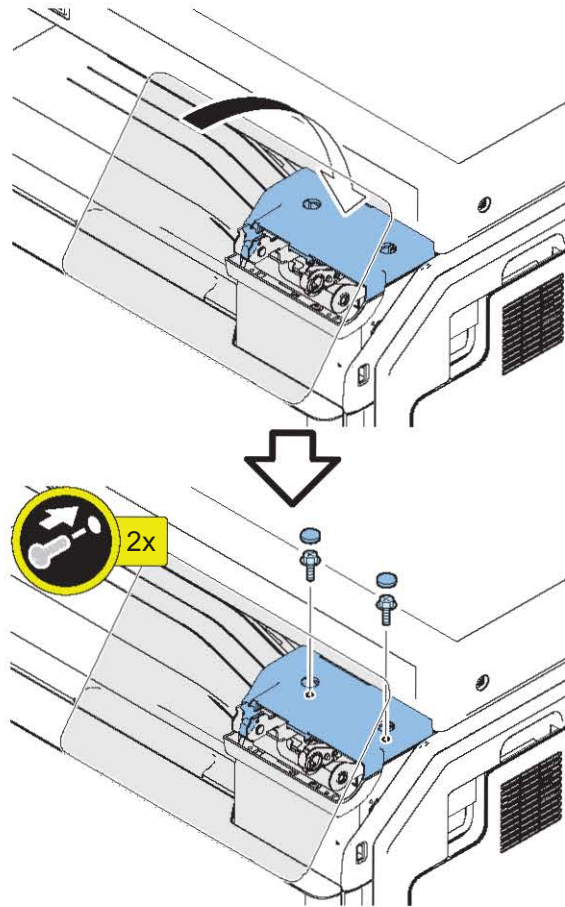


□
8.

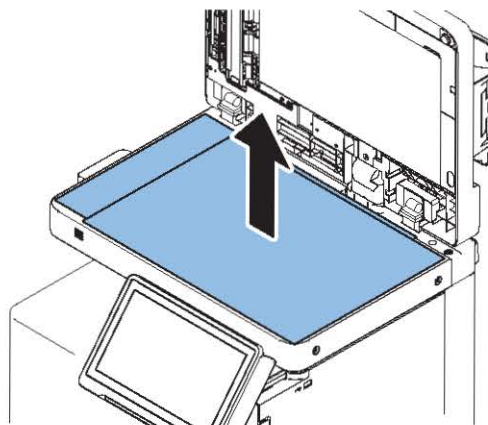
CAUTION:
Store the excess cable under the Reader.



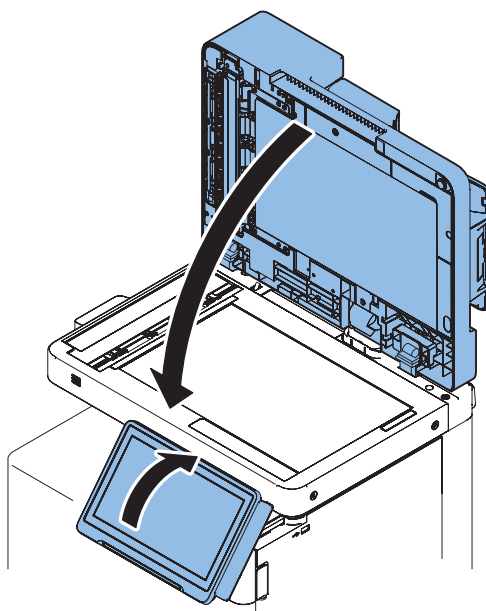
□
9.



□
10.



11.



Setting after Installation



1. Connect the power plug of the host machine to the outlet.
2. Turn ON the main power switch.
3. Enter service mode and set the value to "1".
COPIER > FUNCTION > INSTALL > NFC-USE

NOTE:

When [System Manager Information Settings] is set, it is required to log in as a system manager in accordance with instructions of the user administrator.

4. Select [Settings/Registration] > [Management Settings] > [Device Management] > [Use NFC Card Emulation], and set the item to "ON".
5. Turn OFF and then ON the main power switch.
6. When a message prompting the version update is displayed, press [Update] and automatically update the version of this equipment.

CAUTION:

It may take time to display the update screen. (Approx. 1 to 2 min.) During this time, do not operate the screen.

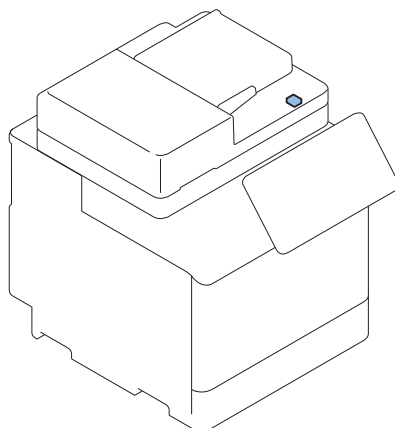
7. Check the end of the following service mode.
COPIER > DISPLAY > VERSION > PANEL
If the end is an even number (e.g. 01.26): NFC is not installed.
If the end is an odd number (e.g. 01.27): NFC is installed.

Connection Kit-A2/A3 for Bluetooth LE

Points to Note at Installation

- When installing the IC Card Reader Installation Kit at the same time, install this equipment first.

Installation Outline Drawing





Checking the Contents


NOTE:

The required parts differ depending on the host machine to which this equipment is installed.
Use A, B, C, D, G and H for this product.

<Connection Kit-A2 for Bluetooth LE>

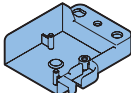



A




1x

H



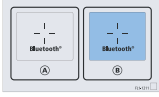
1x

E



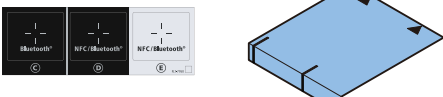
1x 1x 1x

C



1x

E



1x 1x


D

P Tightening:
M3x8
2x

W Sems:
M3x6
1x

F

TP; M3x6
1x



1x

B

本设备包含型号核准代码为:
CMIIT ID:2015DJ0208的无线电发射模块

국명 무선설비는 물론 총 현행준신 가능성이 있음

KC MSP-CRM-CR-FM1M944 FL1-0091

内含发射器模组:

CCAB15LP080070 FL1-0091

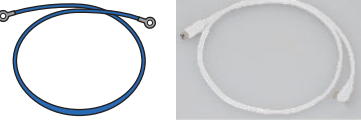
for CN, KR
1x

for TW
1x

Contains FCC ID:A2DFM1M948
IC:4882-FM1M948

for US
1x

G

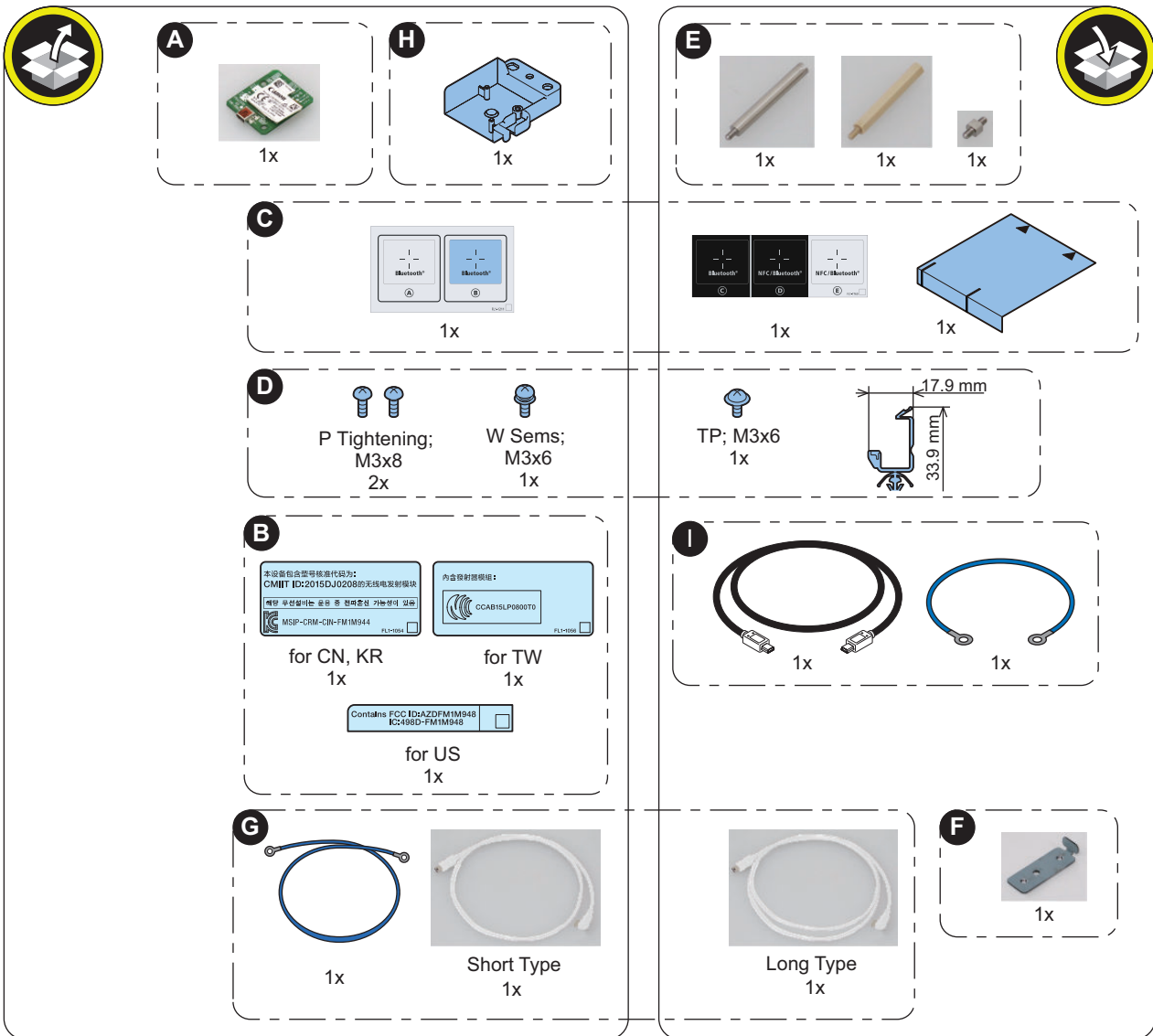


1x

Short Type
1x

Long Type
1x

<Connection Kit-A3 for Bluetooth LE>

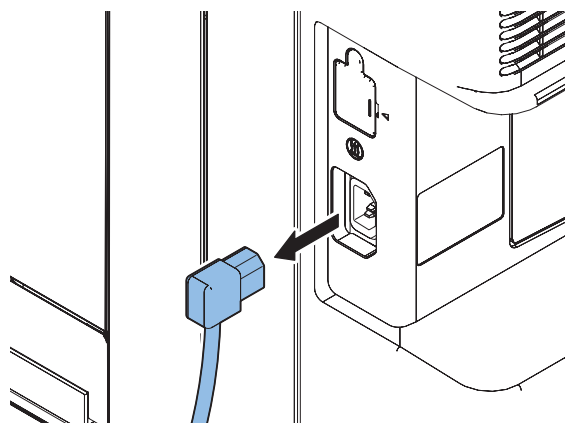


<Others>

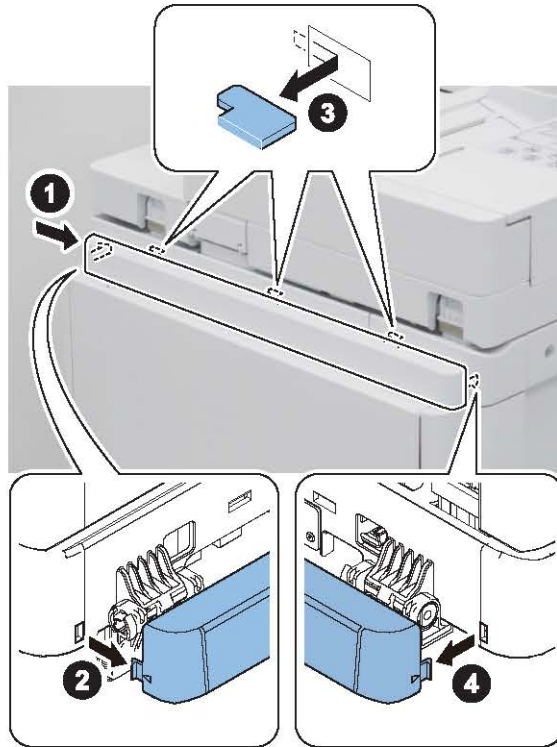
- Guides are included

● Removing the Covers

□
1.

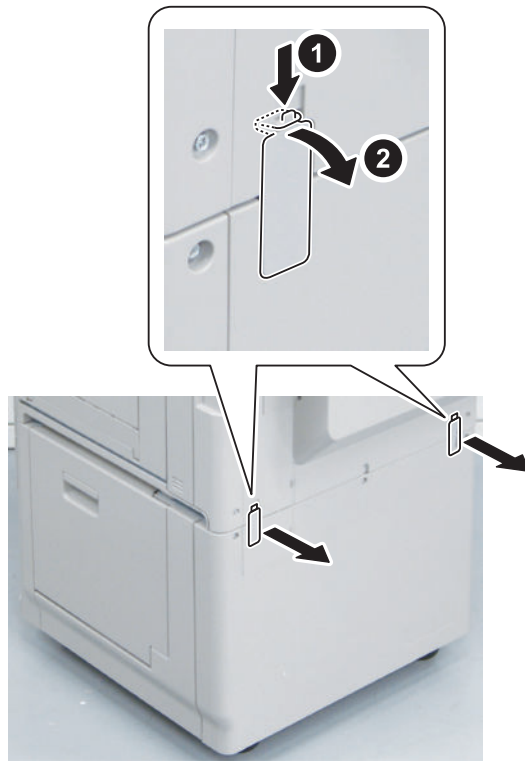


□
2.



□
3.

<For models without the Cassette Heater Unit>

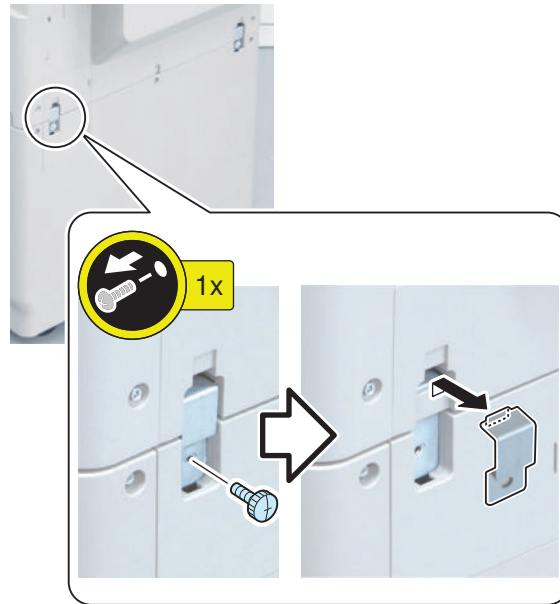


<For models with the Cassette Heater Unit>



□
4.

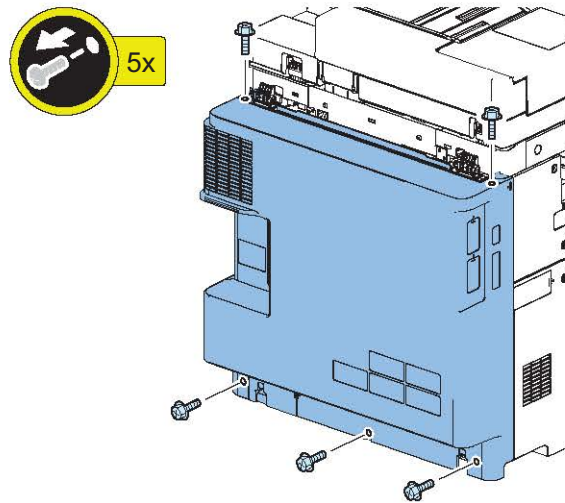
<For models without the Cassette Heater Unit>



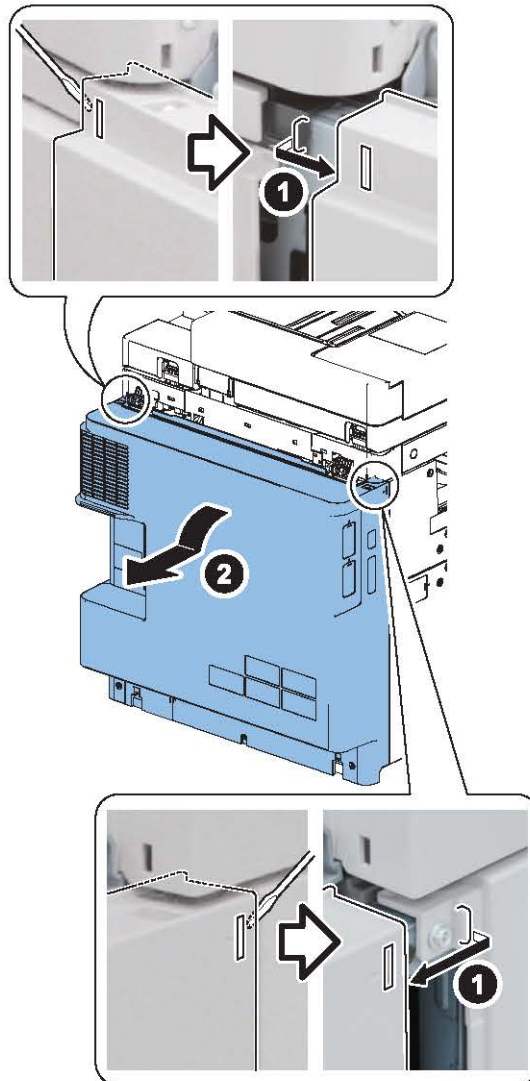
<For models with the Cassette Heater Unit>



□
5.



□
6.



Installation Procedure

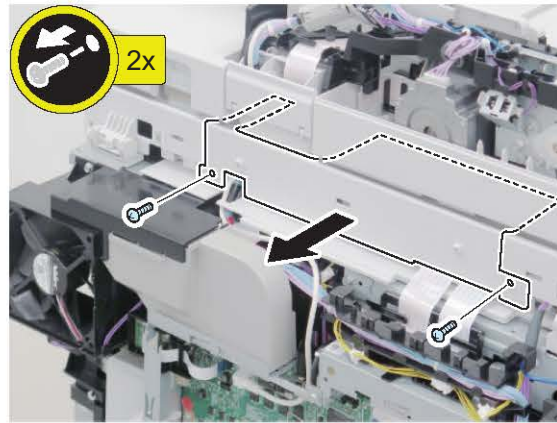
□
1.



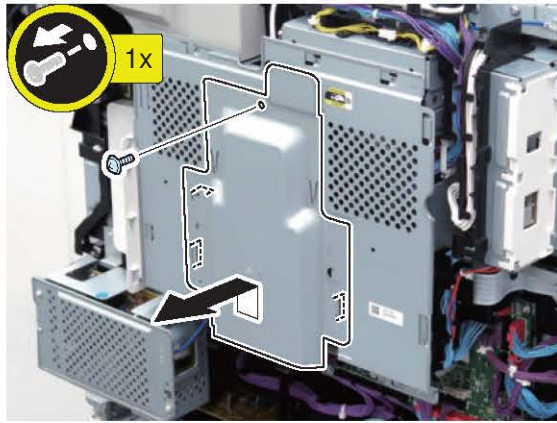
□
2.



□
3.



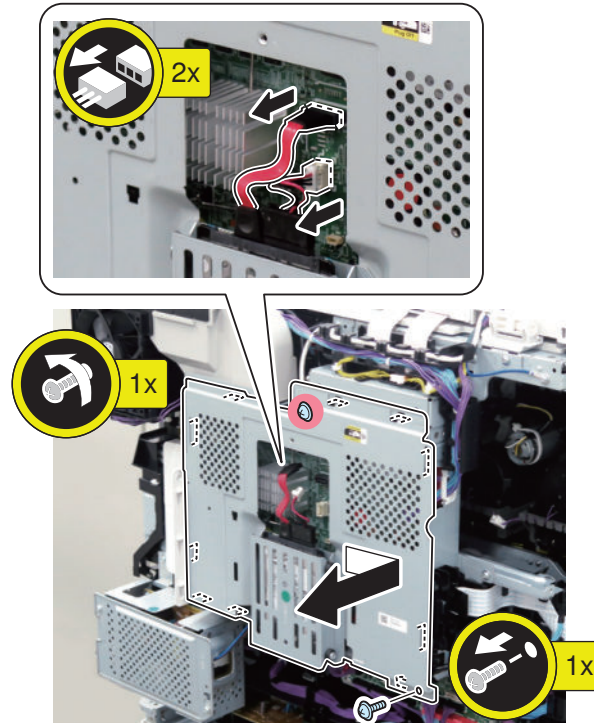
□
4.



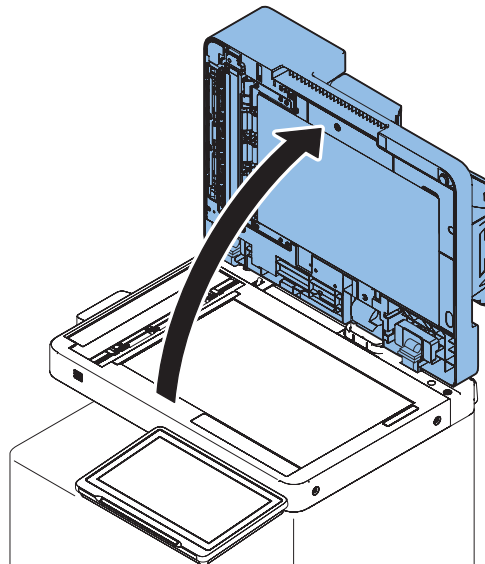
□
5.

CAUTION:

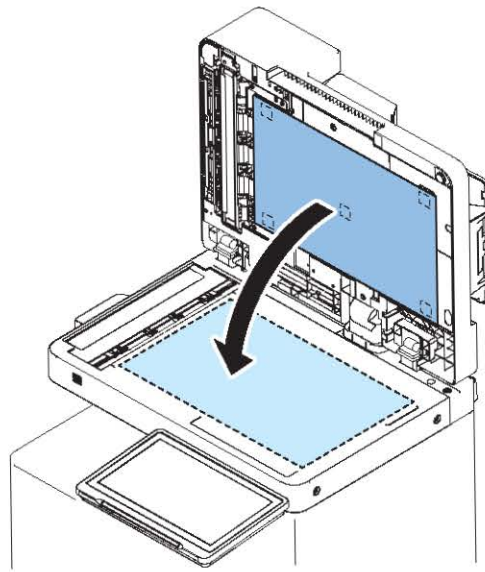
When handling the HDD, be careful not to vibrate or drop it.



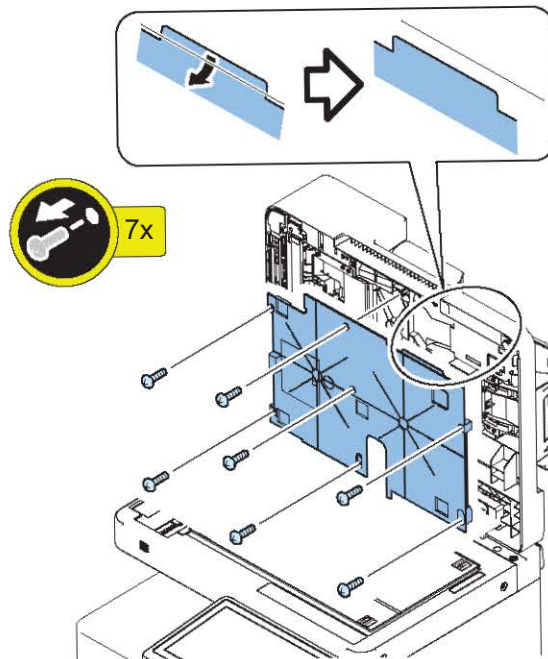
□
6.



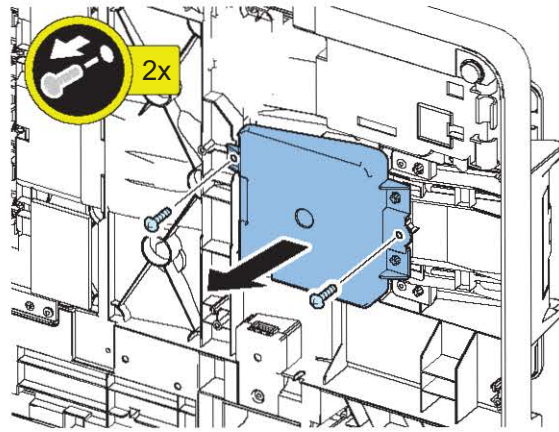
□
7.



□
8.



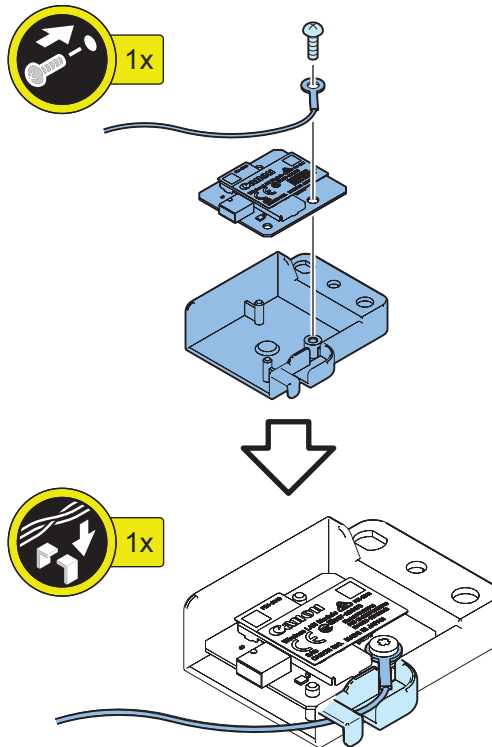
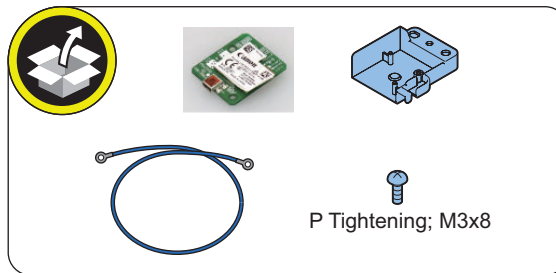
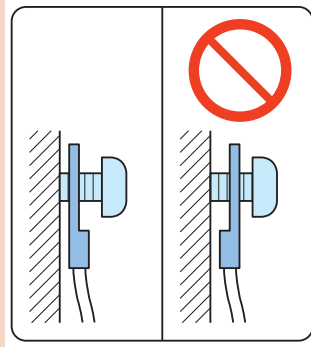
□
9.



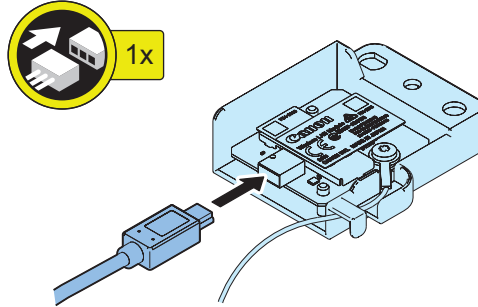
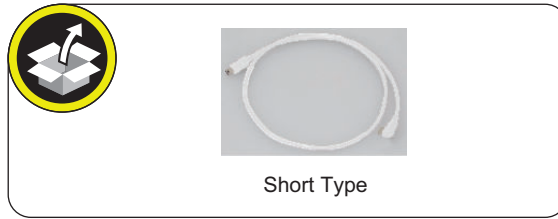
□
10.

CAUTION:

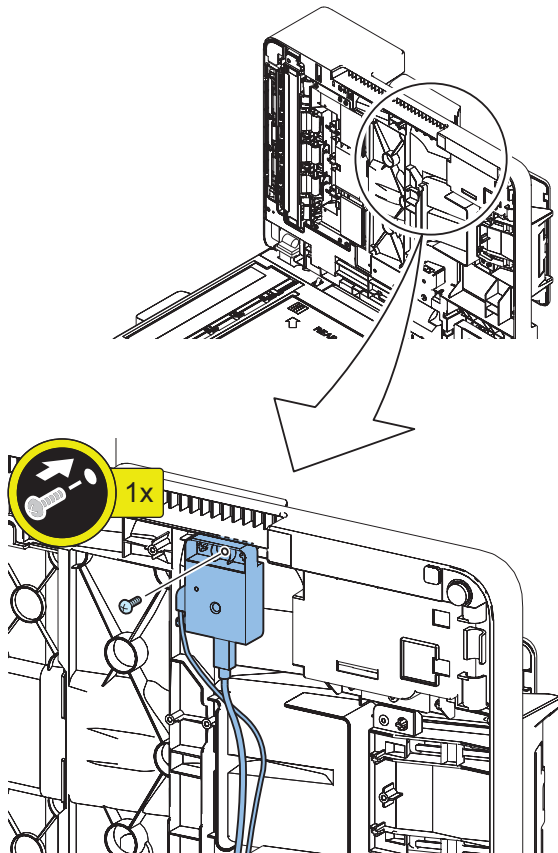
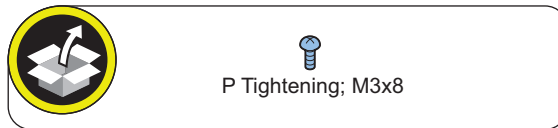
Be sure to install the Grounding Wire in the correct orientation.



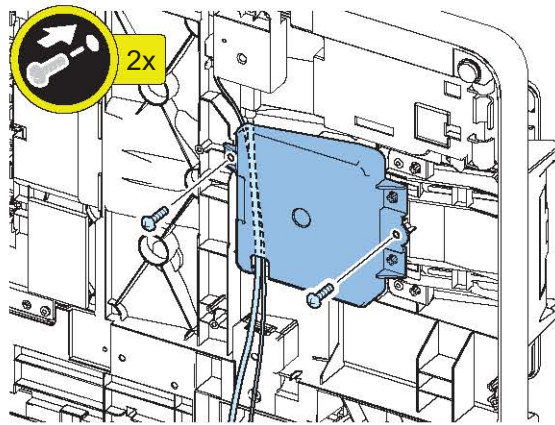
□
11.



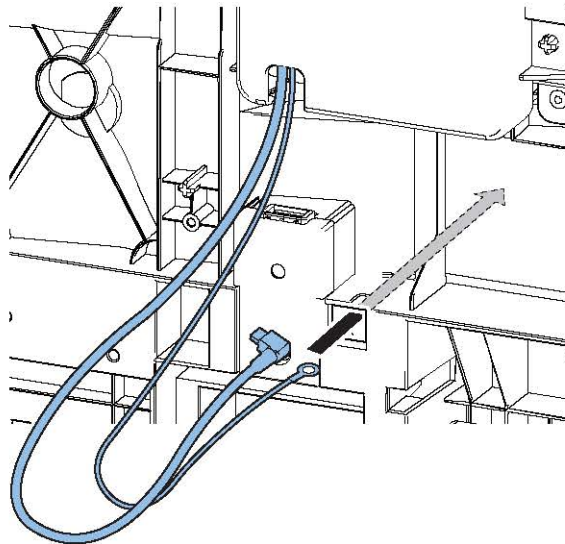
□
12.



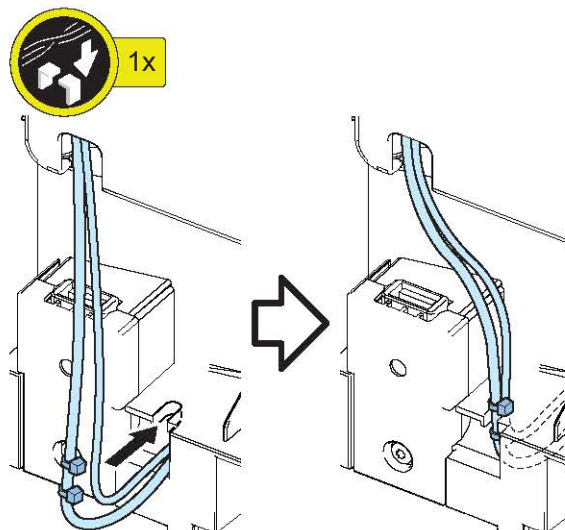
□
13.



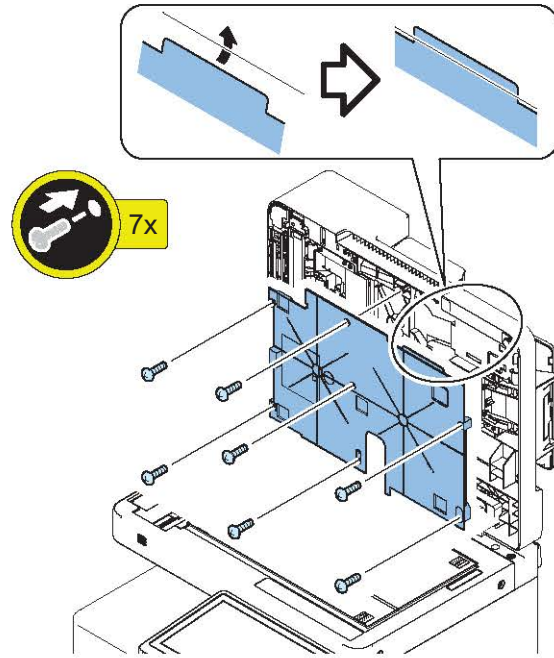
□
14.



□
15.

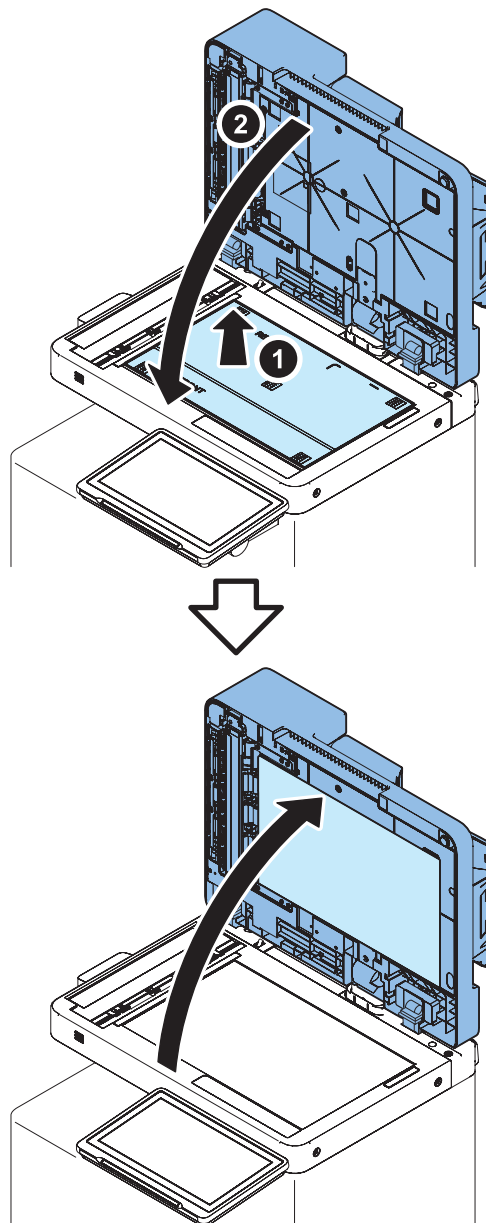
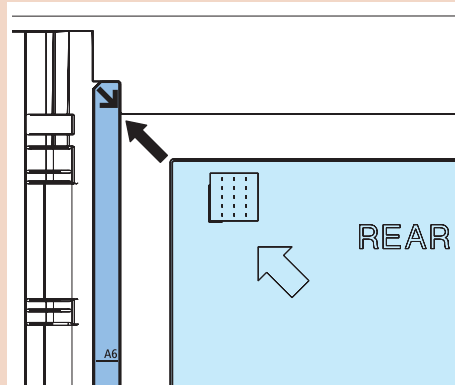


□
16.



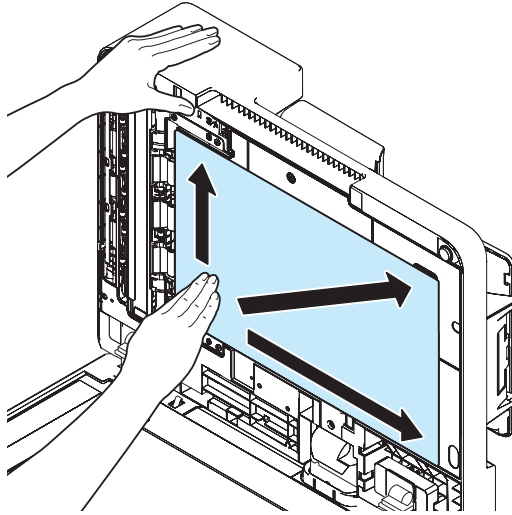
□
17.

CAUTION:
Align the White Plate to the Index.



□
18.**CAUTION:**

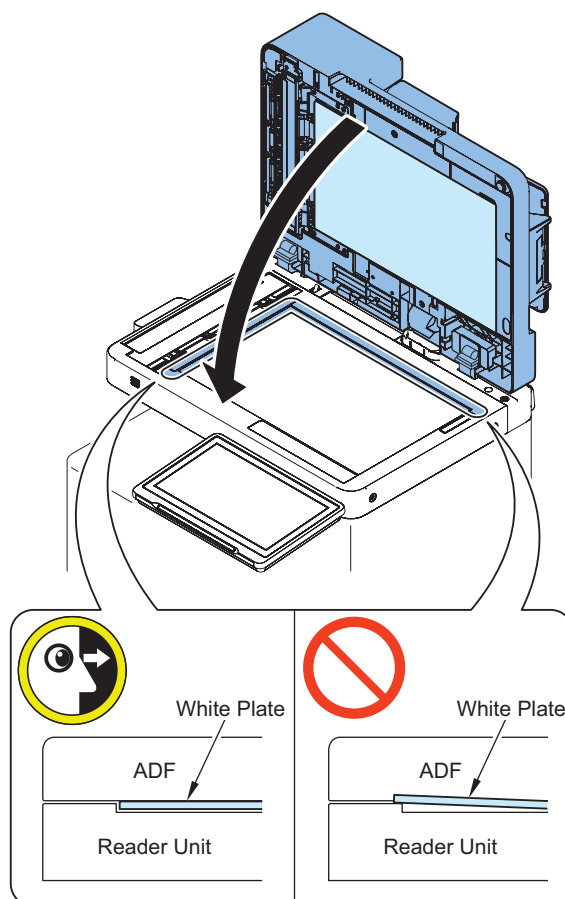
If the White Plate is pressed from top to bottom, it is placed on the Index Sheet, so be sure to press it from bottom to top.



□
19.**CAUTION:**

Check that the White Plate is not placed on the Index Sheet with this equipment closed.

- Be sure that there is no gap between the White Plate and the Index Sheet.
- The gap between the White Plate and the Index Sheet must be 0.3 mm or less as a reference.



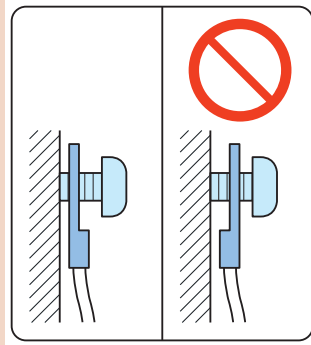
□
20.

NOTE:

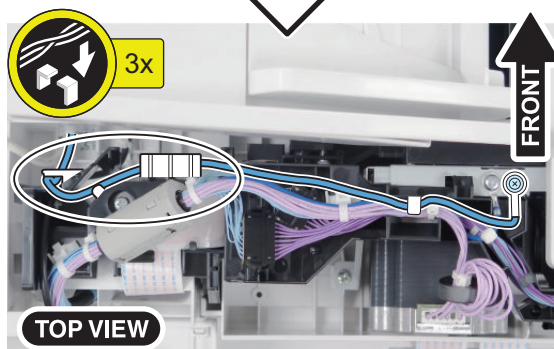
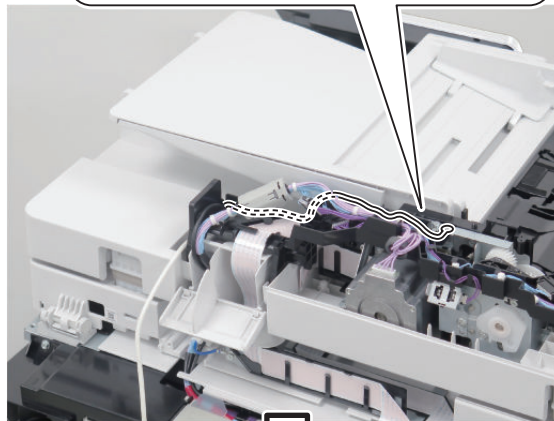
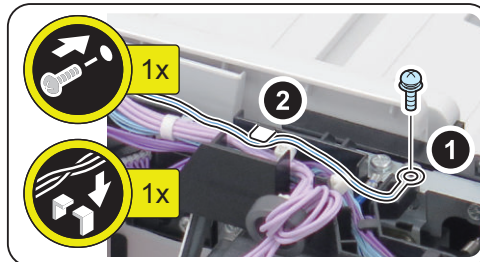
Pull out the Grounding Wire that was passed through the hole in step 14, and connect it.

CAUTION:

Be sure to install the Grounding Wire in the correct orientation.

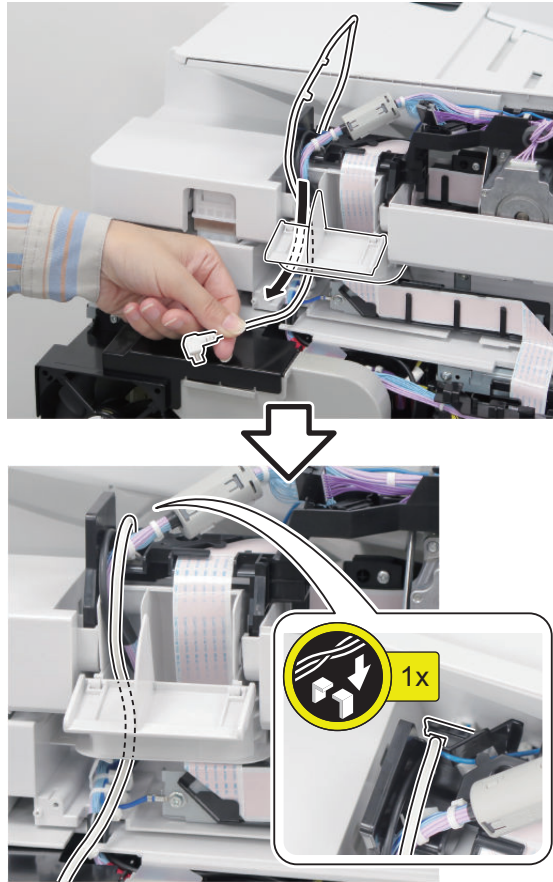


W Sems; M3x6

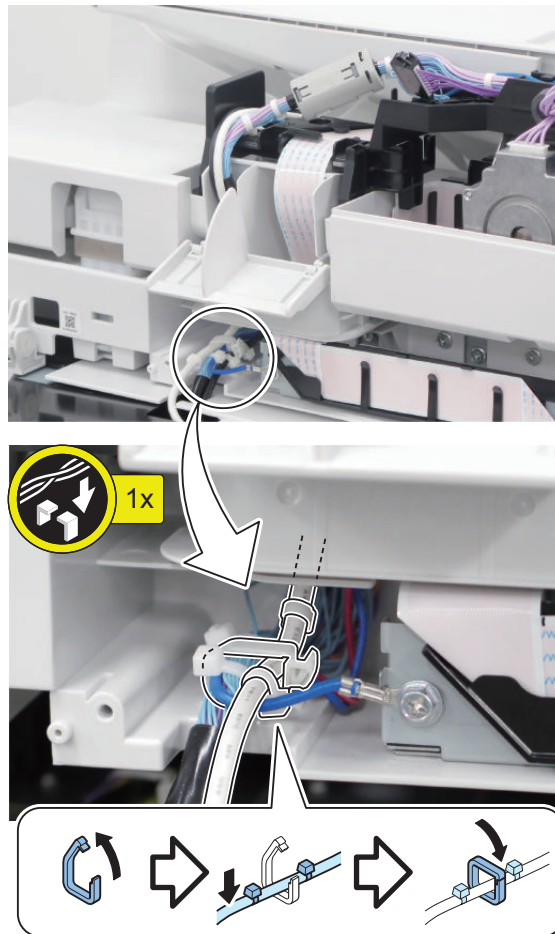


□
21.**NOTE:**

Pull out the cable that was passed through the hole in step 14.

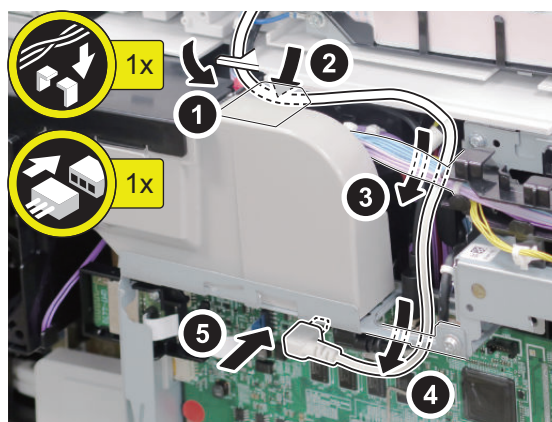


□
22.



□
23.

NOTE:
Run the cable under the plastic film.



□
24.

NOTE:

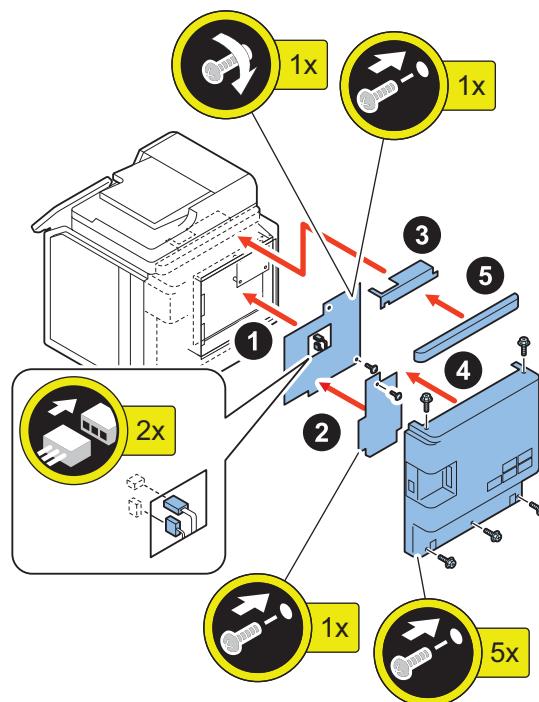
Tuck the excess cable in the [A] part.



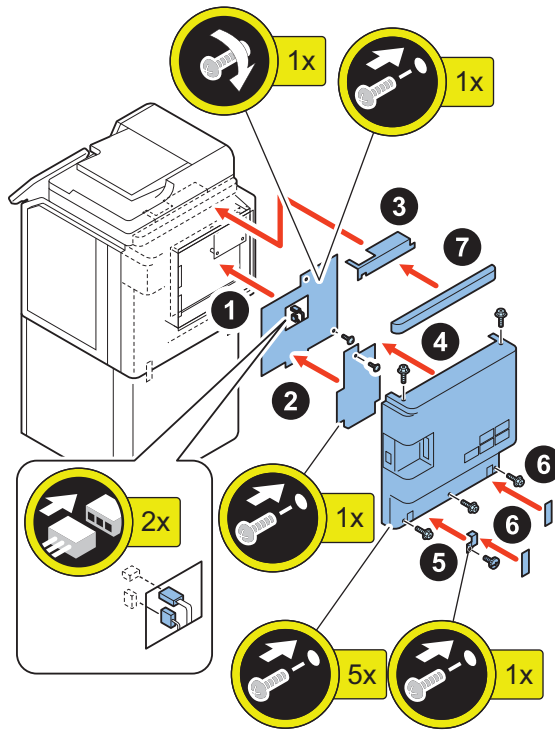
● Installing the Covers

□
1.

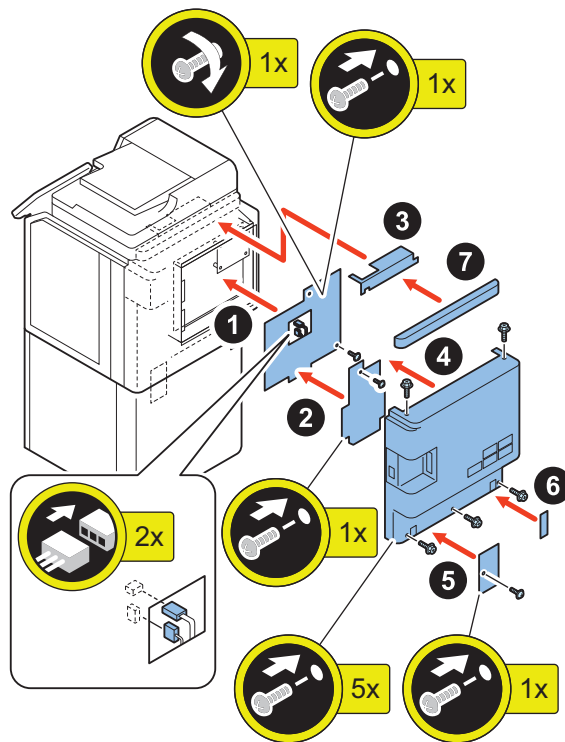
<Without the Cassette Pedestal>



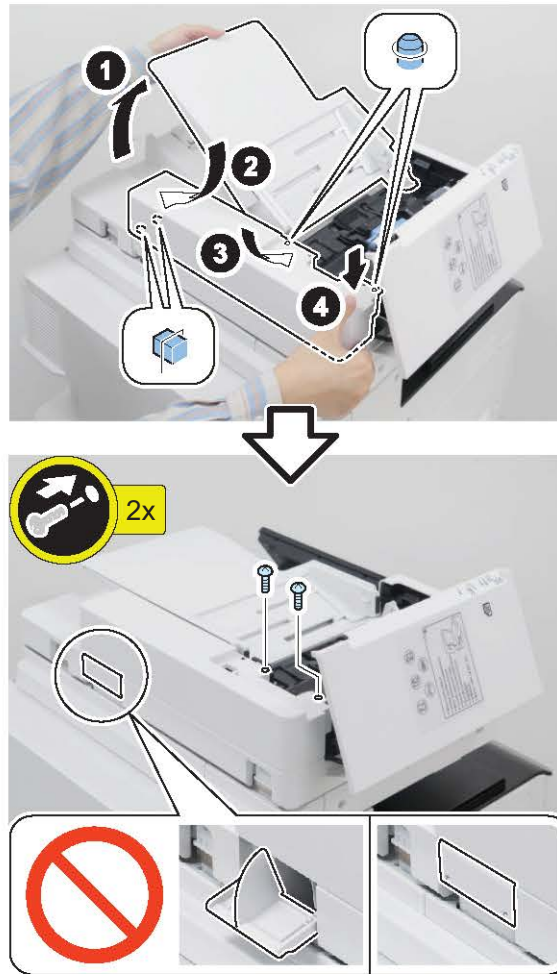
<With Cassette Pedestal, without heater>



<With Cassette Pedestal, with heater>



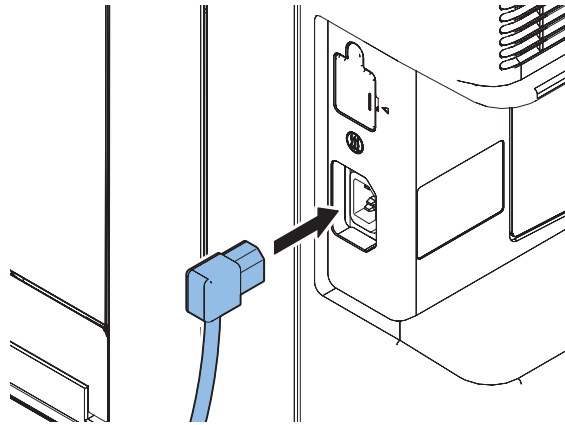
□
2.



□
3.

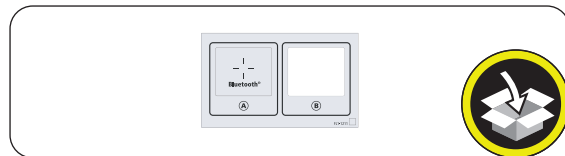
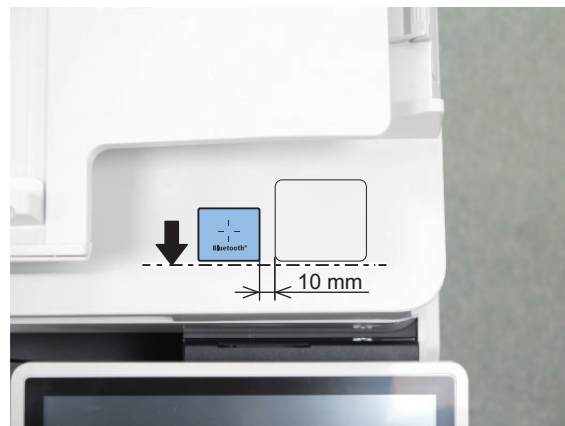
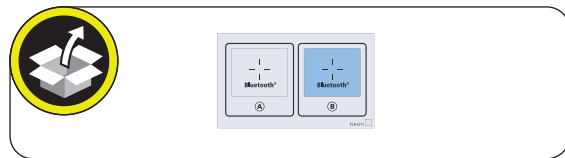


□
4.

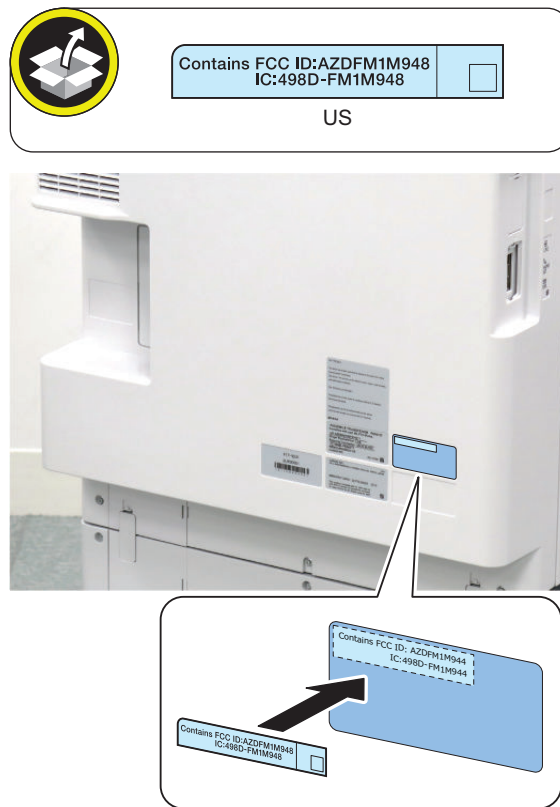


● Affixing the Label

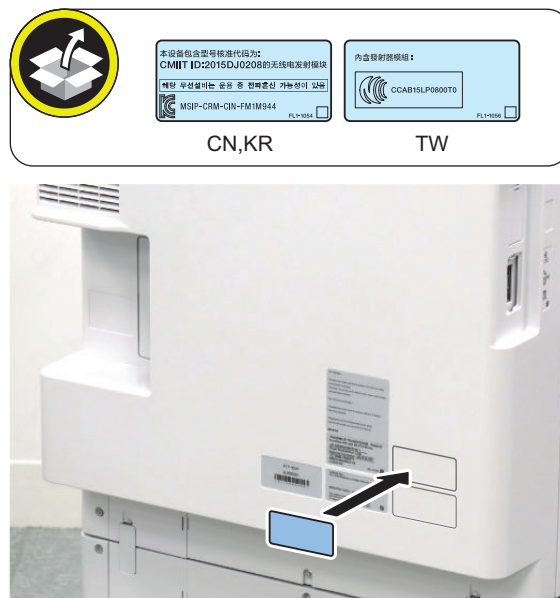
□
1.



□
2.



□
3.



Setting after Installation

-
1. Connect the power plug of the host machine to the outlet.
 2. Turn ON the main power switch.

3. Enter service mode, and set the value to "1".

COPIER >FUNCTION > INSTALL > BLE-USE

NOTE:

When [System Manager Information Settings] is set, it is required to log in as a system manager in accordance with instructions of the user administrator.

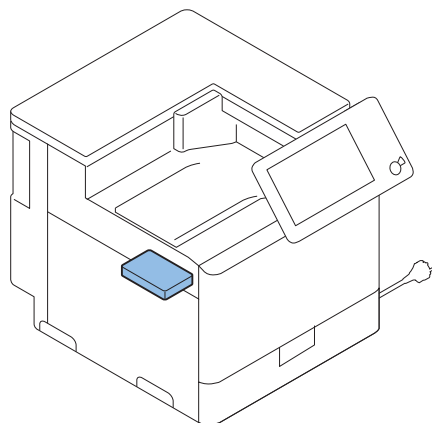
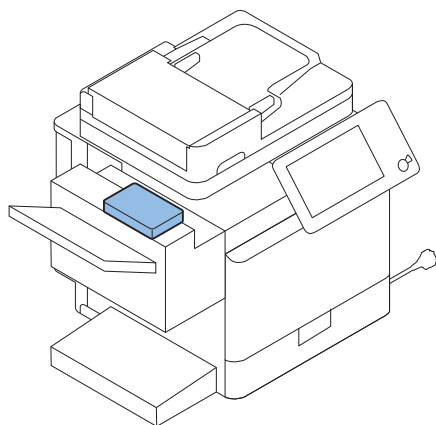
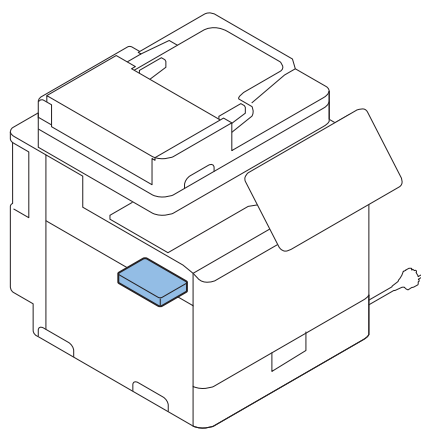
4. Select [Settings/Registration] > [Preferences] > [Network] > [Confirm Network Connection Setting Changes], and set the item [ON].
5. Select [Settings/Registration] > [Preferences] > [Network] > [Bluetooth Settings] > [Use Bluetooth] > [ON].
6. The message "Perform Apply Setting Changes from Settings/Registration" appears at the bottom of the Touch Panel Display.
7. Press [Settings/Registration] > [Apply Setting Changes] > [Yes].

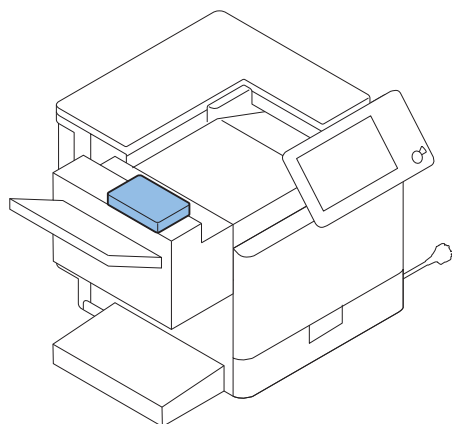
IC Card Reader BOX-D1

Points to Note at Installation

- When installing this equipment, the Card Reader (sales company's option) is required.
- This equipment cannot be used in combination with IC Card Reader and Copy Card Reader.
- When installing this equipment and the finisher at the same time, be sure to install this equipment before installing the optional Harness Cover of the finisher.
- If the finisher has already been installed, be sure to remove the optional Harness Cover. For the procedure to remove the optional Harness Cover, refer to "Removing the Equipment" in the chapter "Parts Replacement and Cleaning Procedure" in the Service Manual for Staple Finisher-S1/Z1.
- The work to be performed is the same for the printer model although the illustration of the machine is of a model with a reader.

Installation Outline Drawing



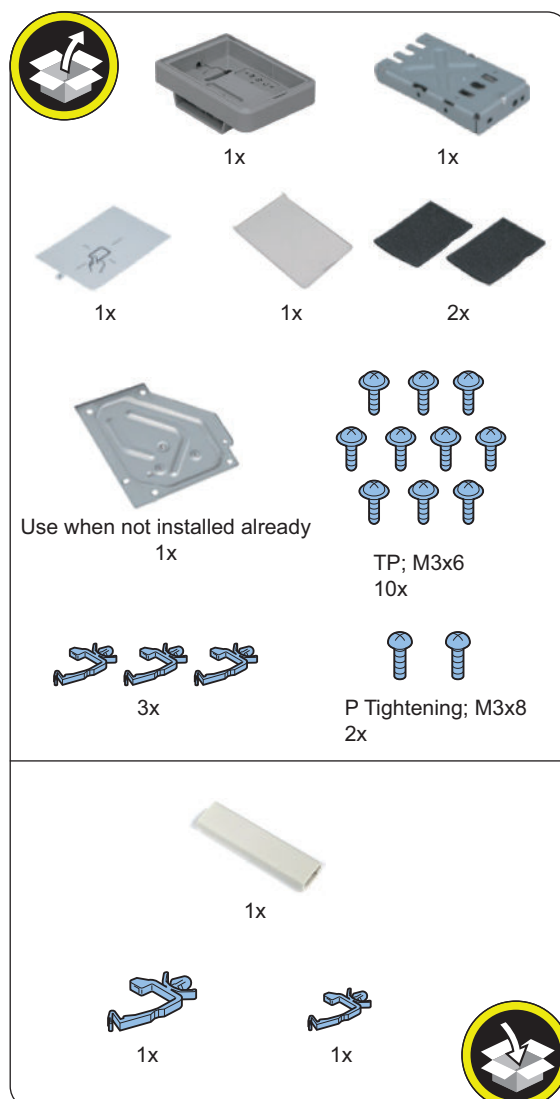


● Checking the Contents

■ IC Card Reader BOX

NOTE:

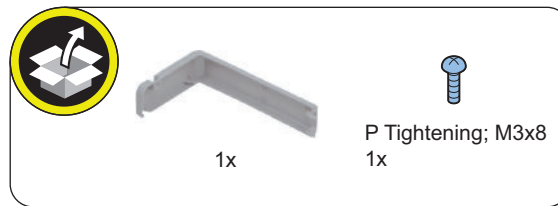
- If the Card Reader Mounting Plate is already attached, use 6 screws (TP M3x6).
- If the Card Reader Mounting Plate is not attached, use 10 screws (TP M3x6).



<Others>

- Including guides

■ Staple Finisher



● Installation Procedure

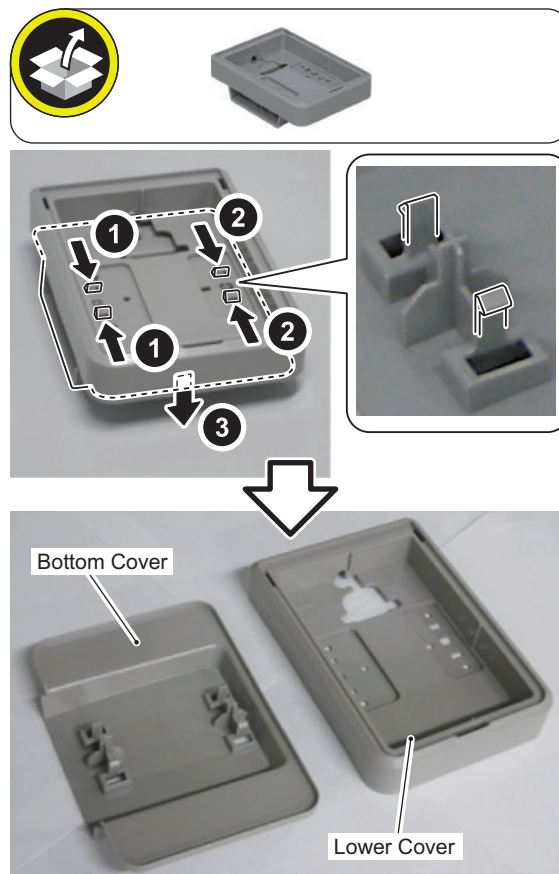
■ Preparation

● When Installing to the Host Machine

□ 1

CAUTION:

Remove the claw on Bottom Cover of the IC Card Reader Box Unit by pinching it in the direction of the arrow.



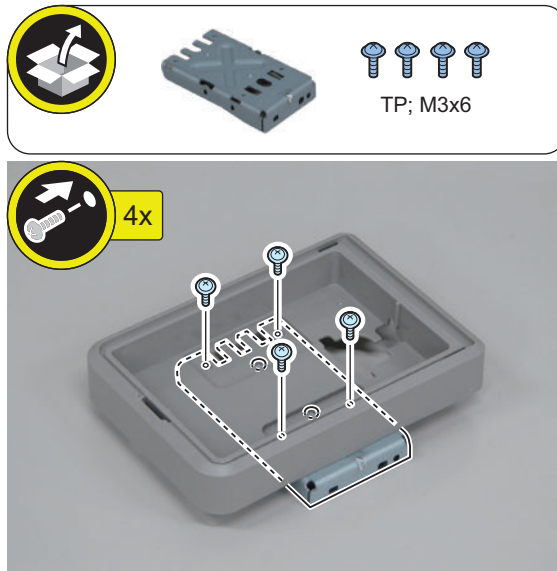
CAUTION:

The removed Base Cover of the IC Card Reader Unit will be used in step 16 of the installation procedure.

□ 2

CAUTION:

Do not install the IC Card Reader Support Plate in the opposite direction.



□ 3

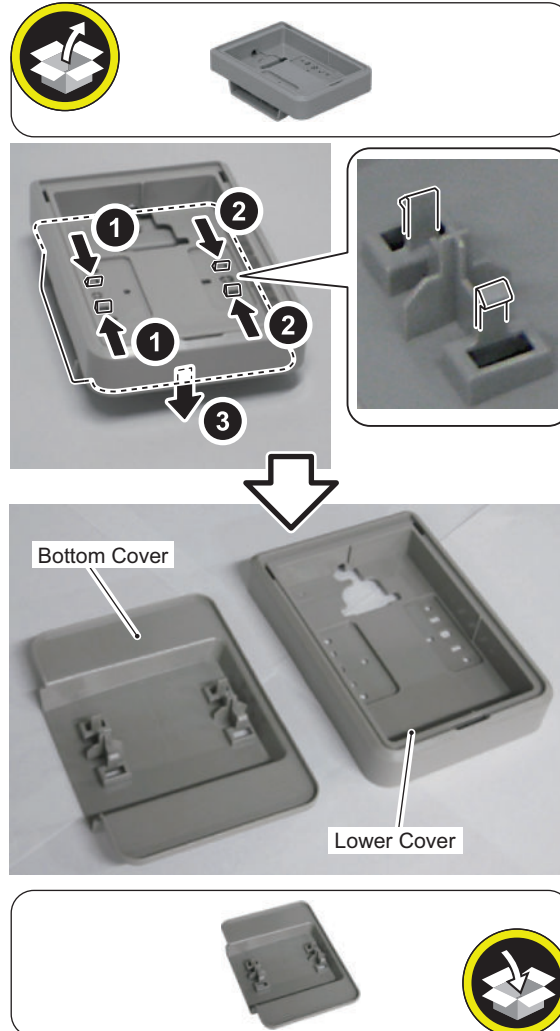


- When Installing to the Finisher

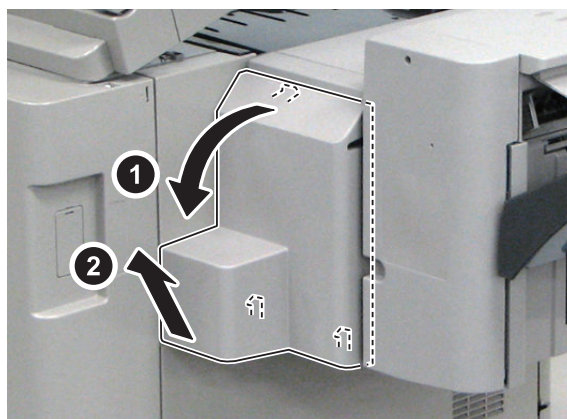
- 1

NOTE:

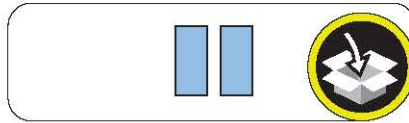
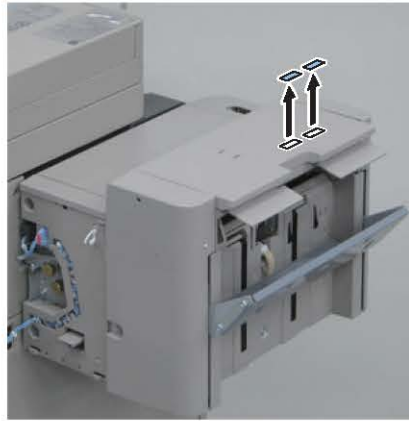
Remove the claw on Bottom Cover of the IC Card Reader Box Unit by pinching it in the direction of the arrow.



- 2



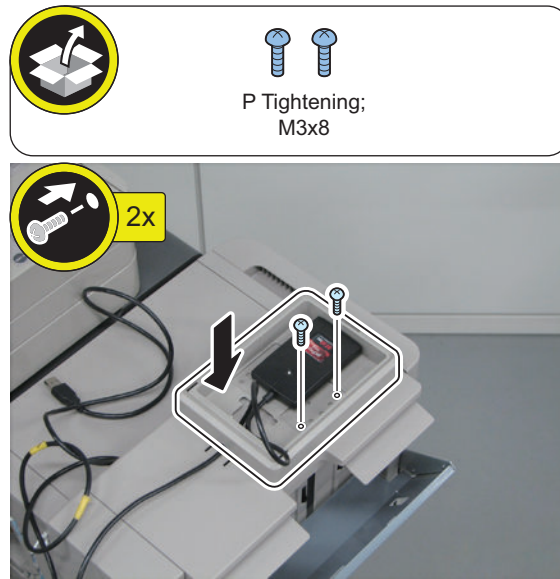
□ 3



□ 4

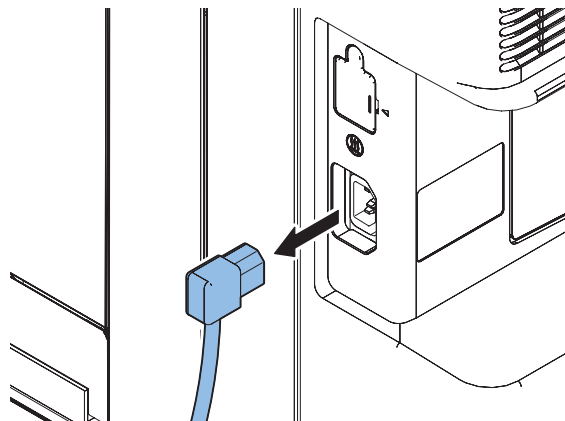


□ 5

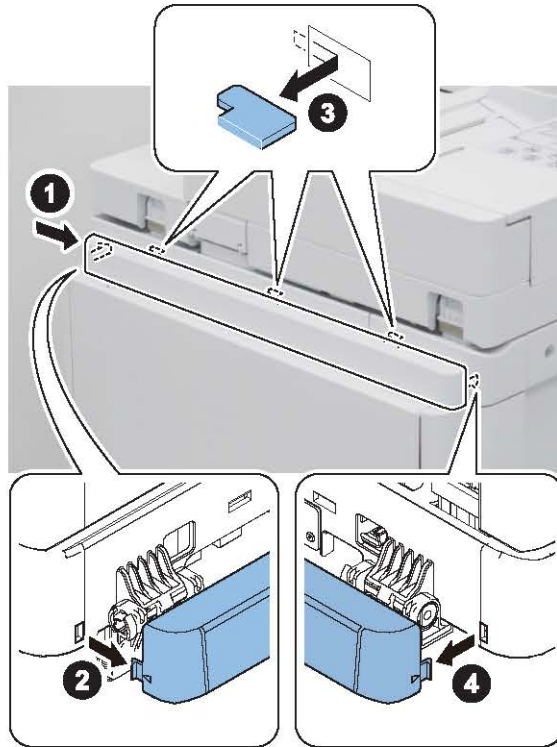


■ Removing the Covers

□
1.

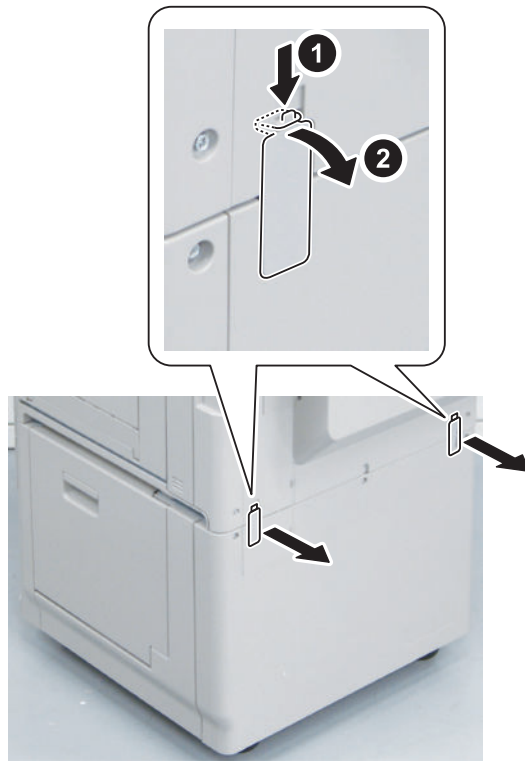


□
2.



□
3.

<For models without the Cassette Heater Unit>

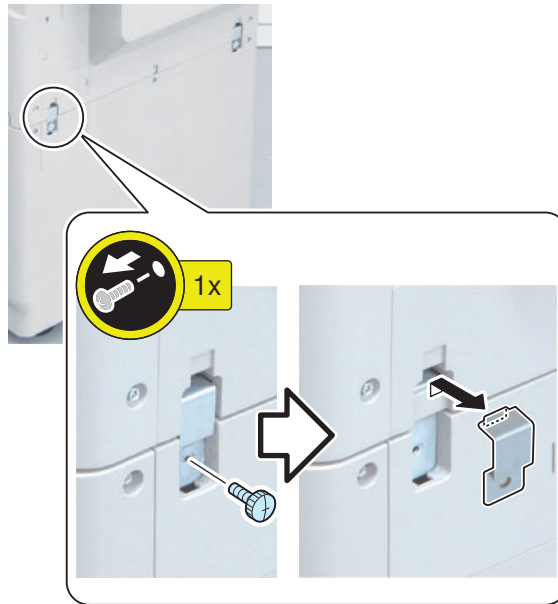


<For models with the Cassette Heater Unit>



□
4.

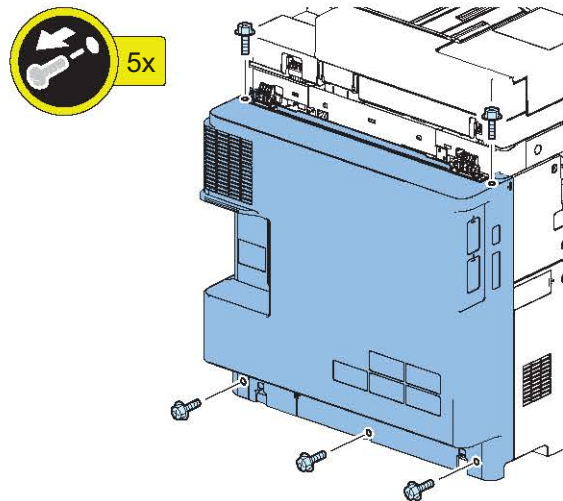
<For models without the Cassette Heater Unit>



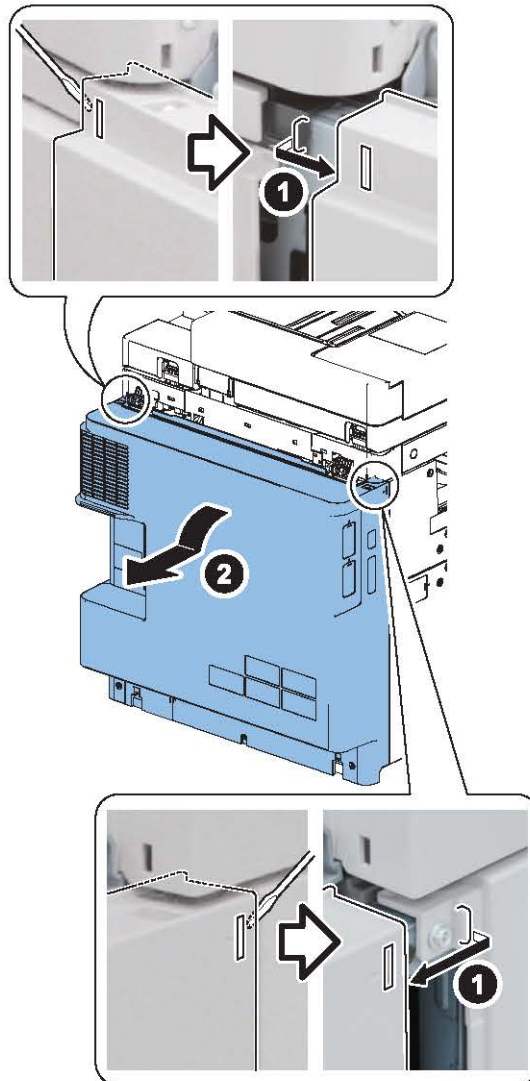
<For models with the Cassette Heater Unit>



□
5.

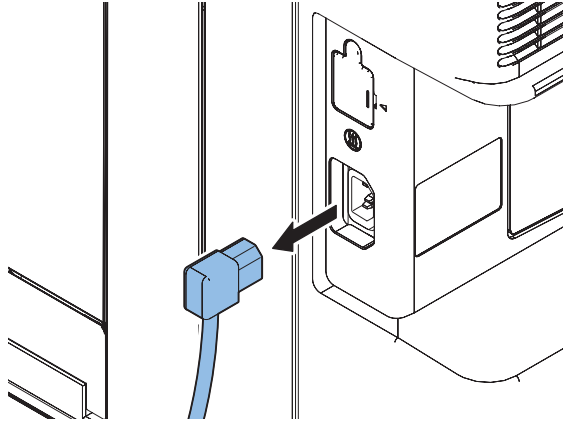


□
6.



■ In the Case of Printer Model

□
1.

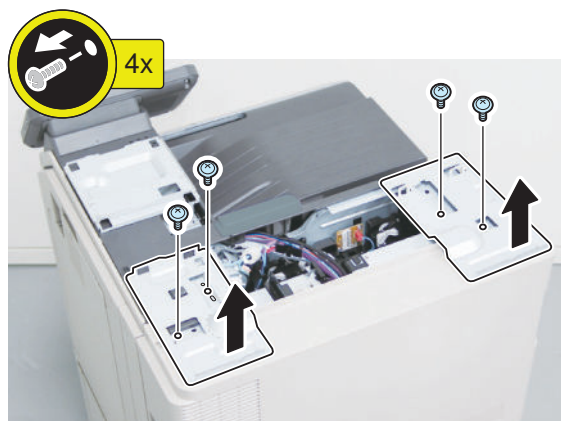


□
2.



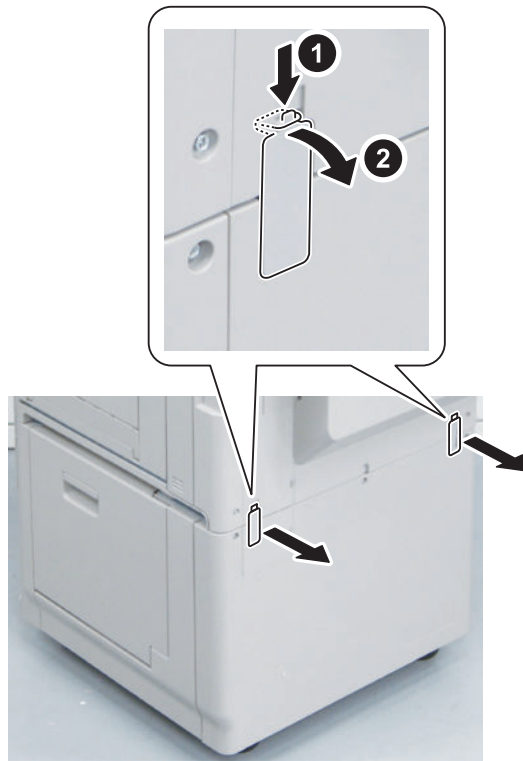
NOTE:
When the Cassette Pedestal is not installed, go to step 5.

□
3.



□
4.

<For models without the Cassette Heater Unit>

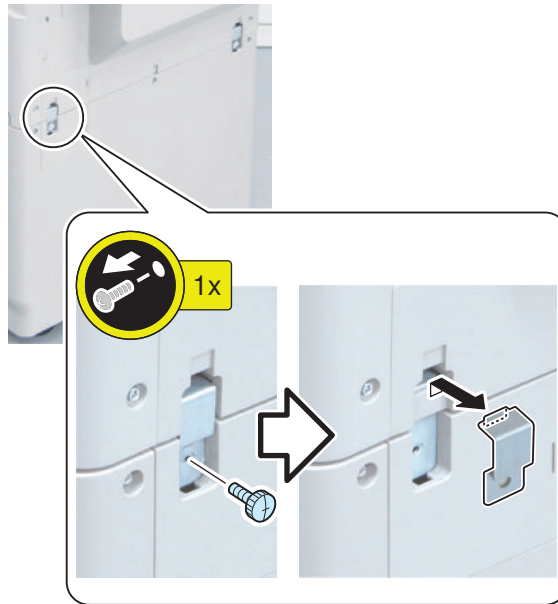


<For models with the Cassette Heater Unit>



□
5.

<For models without the Cassette Heater Unit>



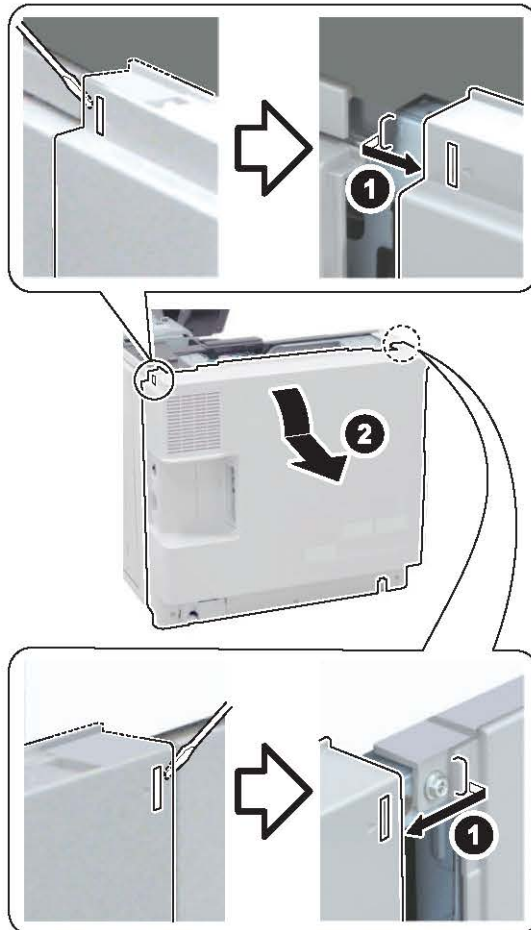
<For models with the Cassette Heater Unit>



□
6.



□
7.

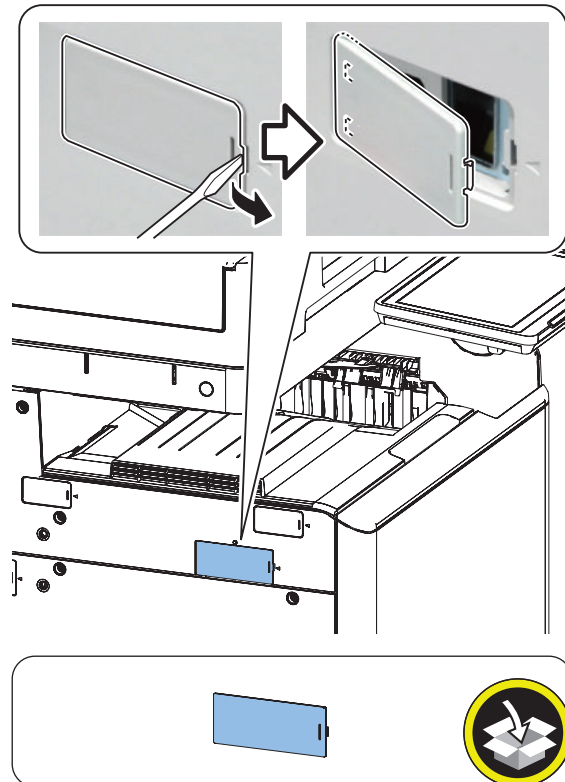
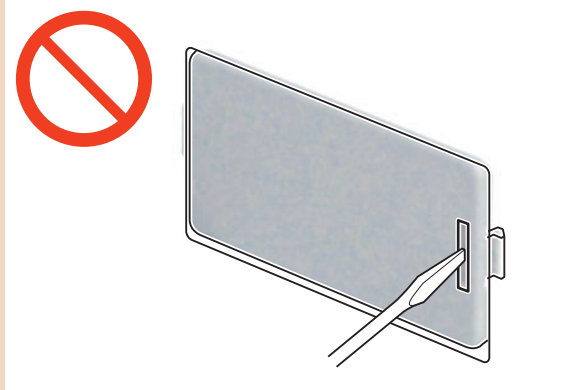


■ Installing the IC Card Reader Box

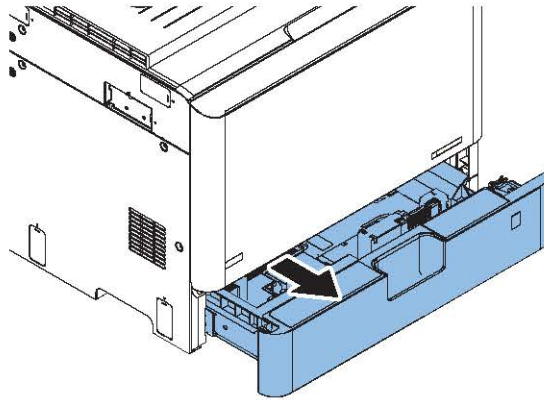
□

1.**CAUTION:**

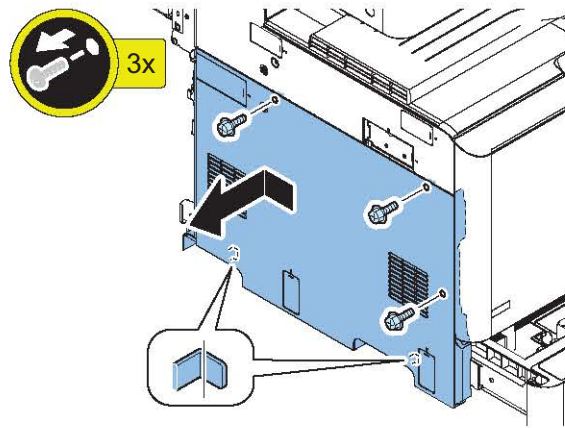
Do not insert a screwdriver into the hole when removing the Small Cover.



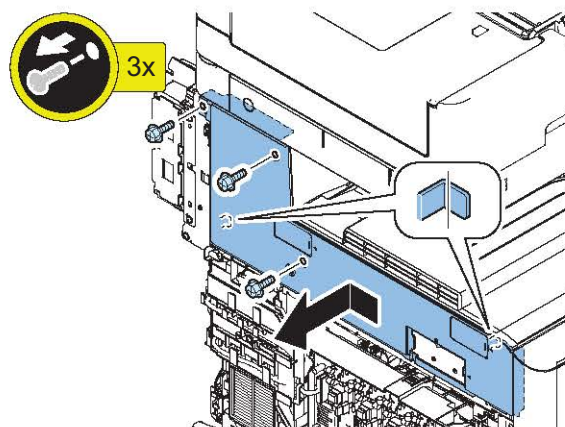
□
2.



□
3.



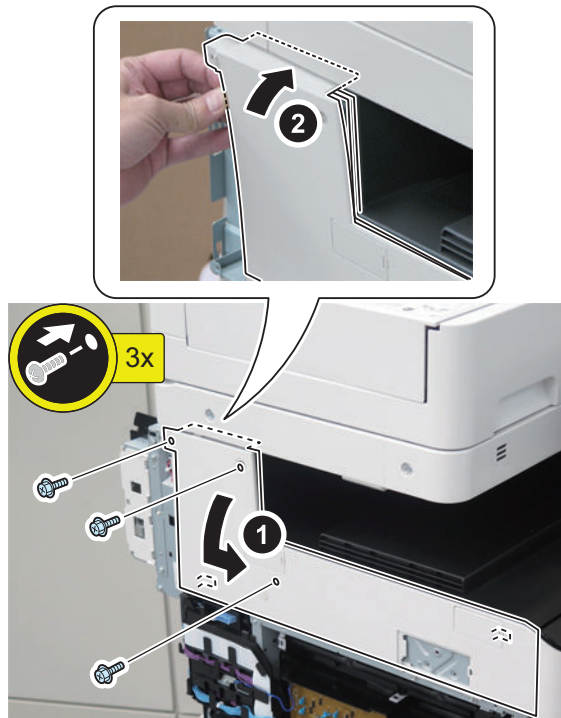
□
4.



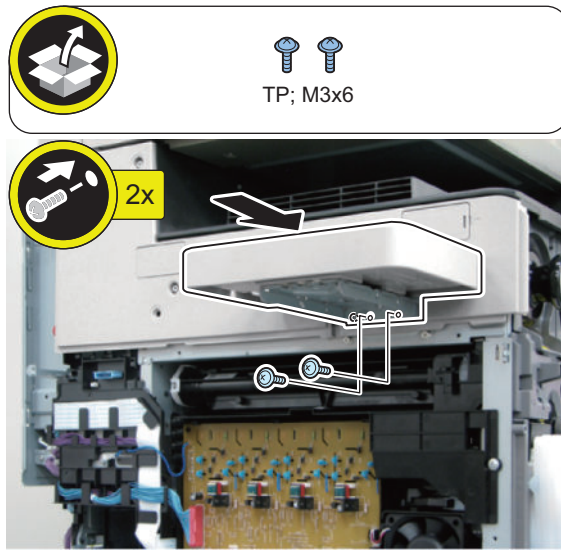
□
5.



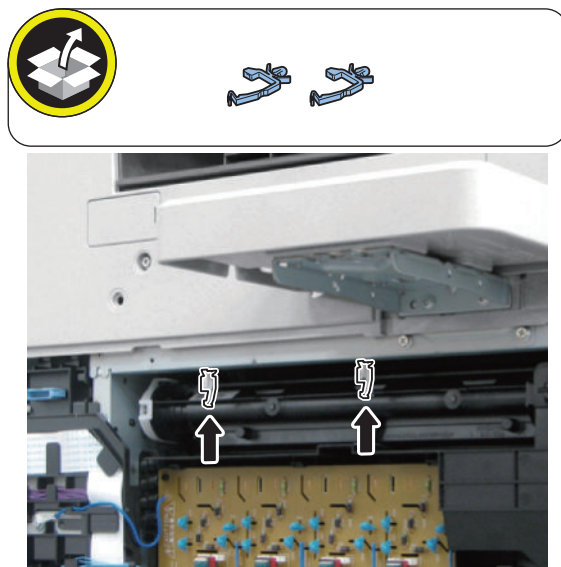
□
6.



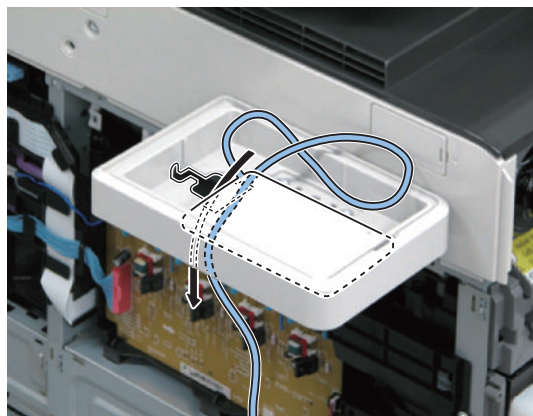
□
7.



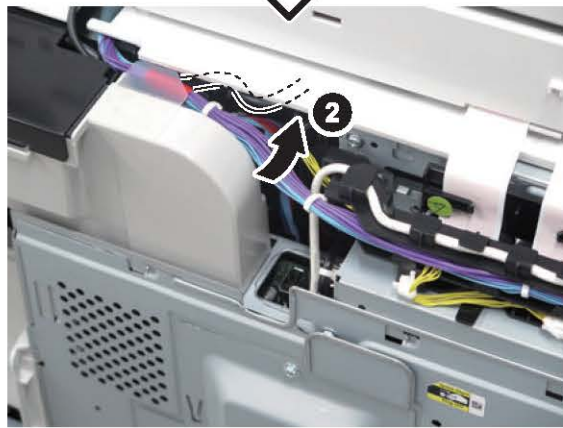
□
8.



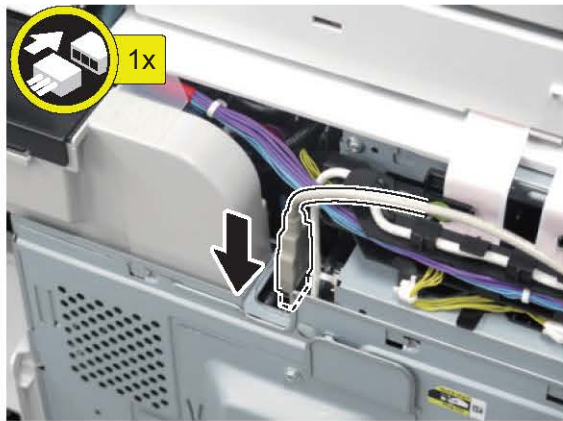
□
9.



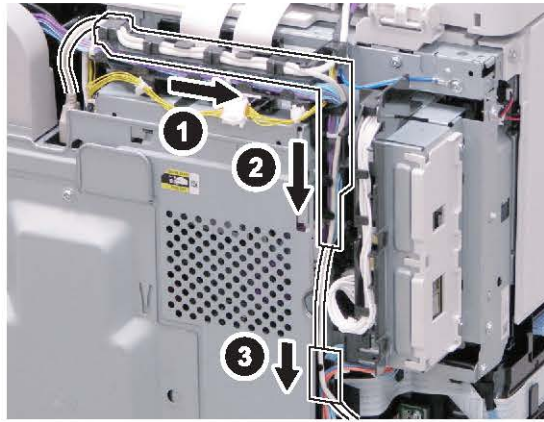
□
10.



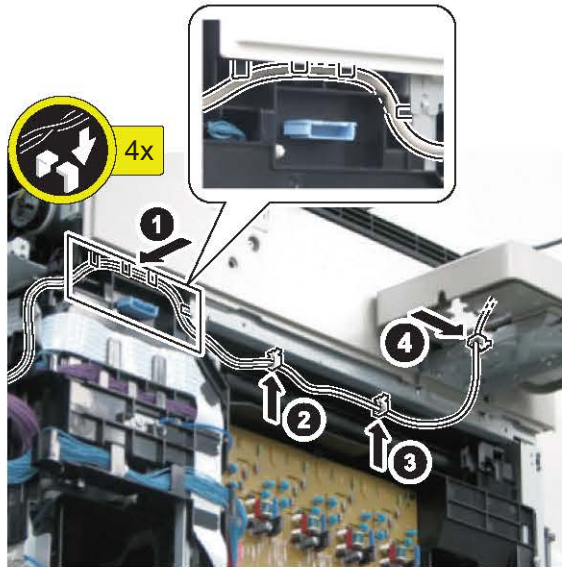
□
11.



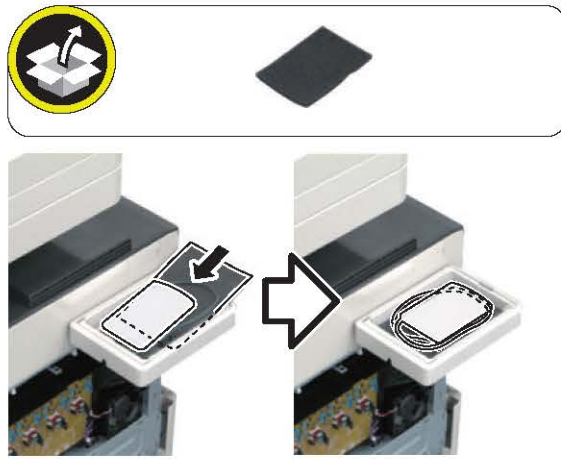
□
12.



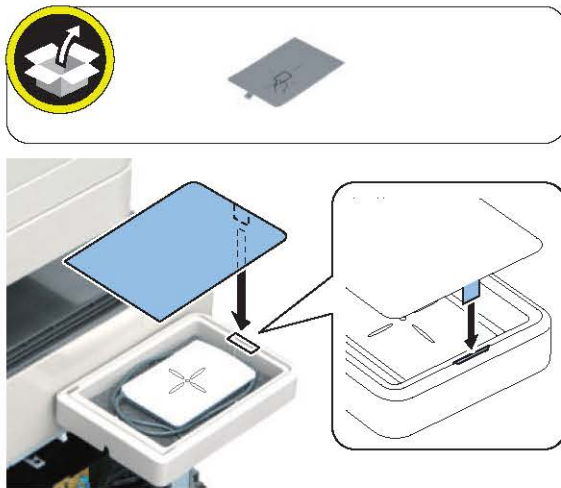
□
13.



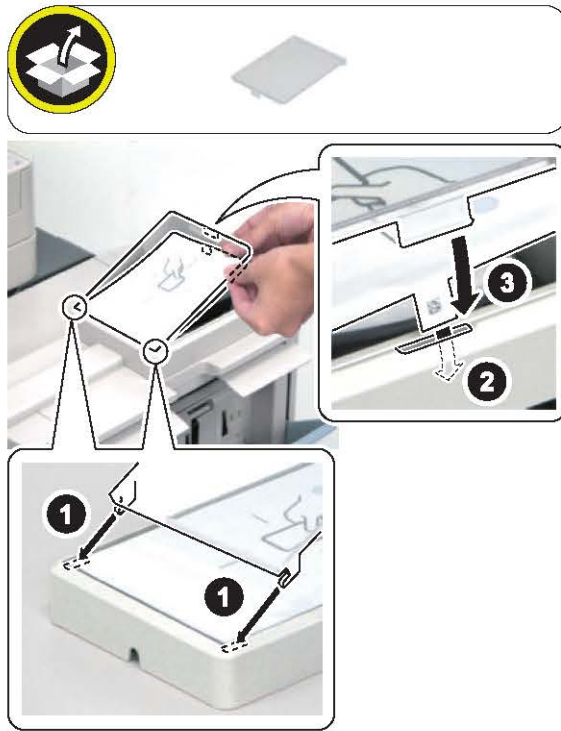
□
14.



□
15.



□
16.



□
17.



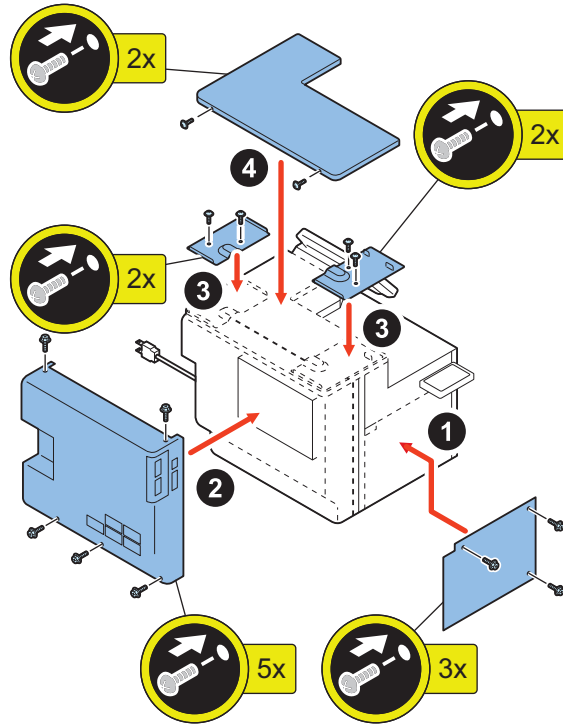
■ Installing the Host Machine Covers

● Printer Model

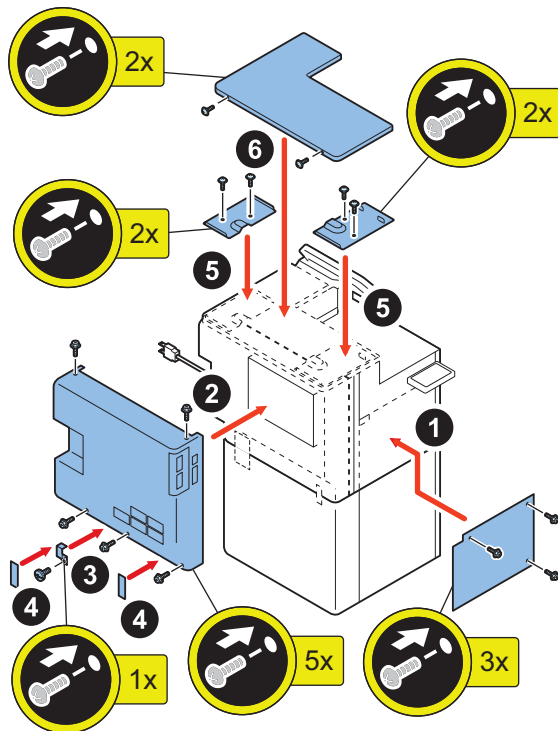


1.

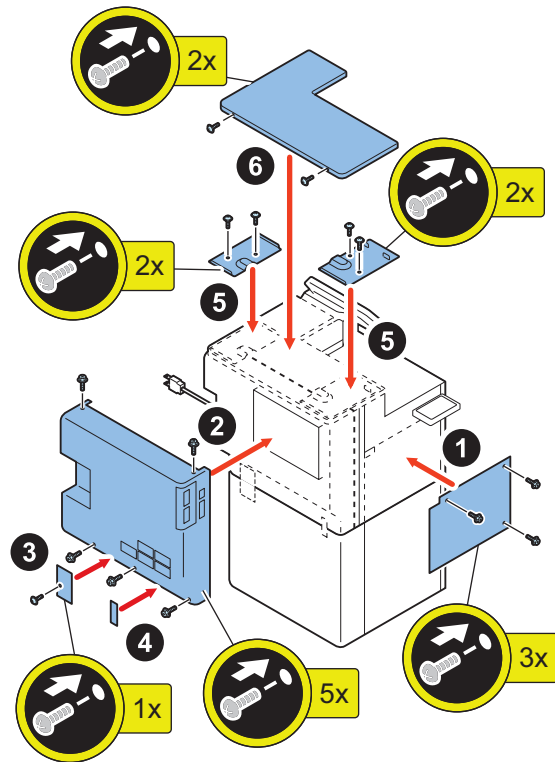
<Without the Cassette Pedestal>



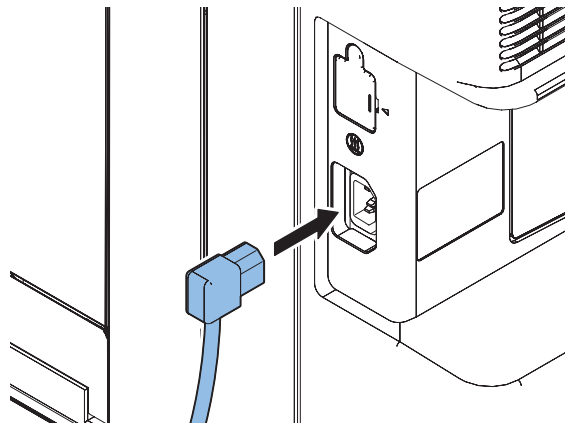
<With the Cassette Pedestal and without the Heater>



<With the Cassette Pedestal and with the Heater>



□
2.

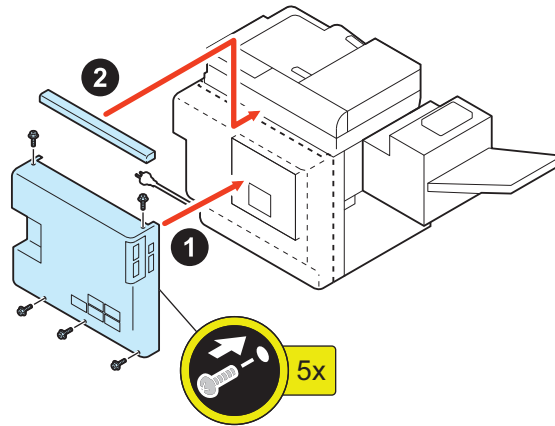


• Model with Reader

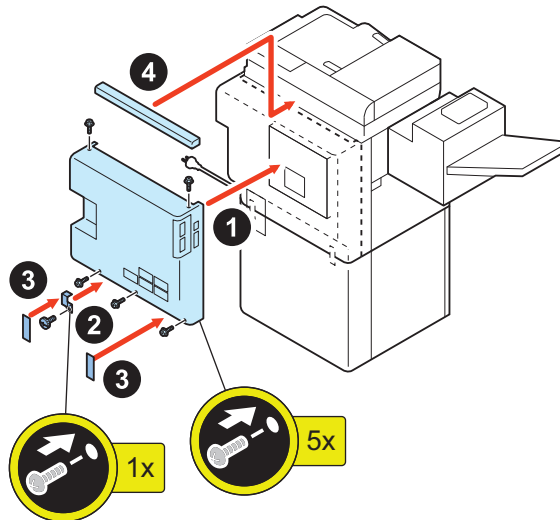


1.

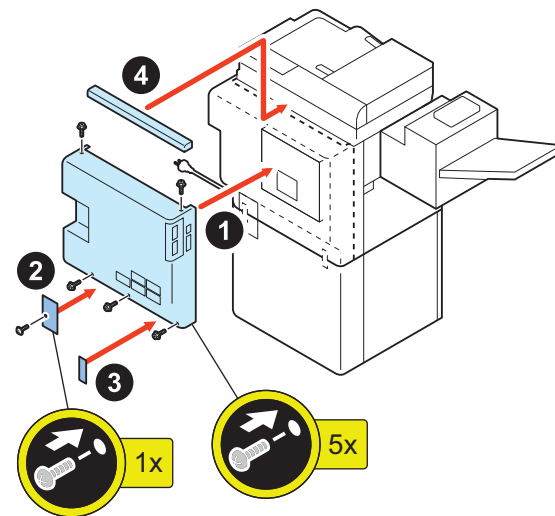
<Without the Cassette Pedestal>



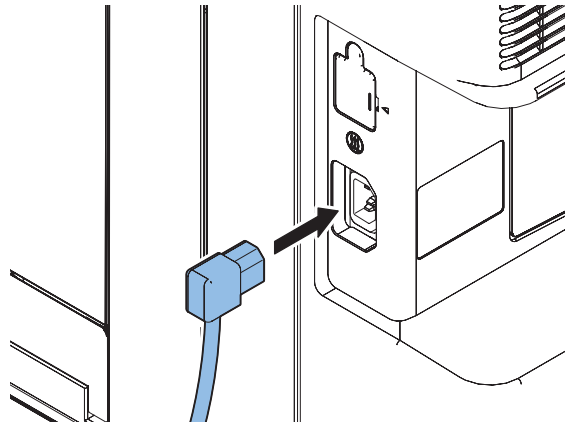
<With the Cassette Pedestal and without the Heater>



<With the Cassette Pedestal and with the Heater>

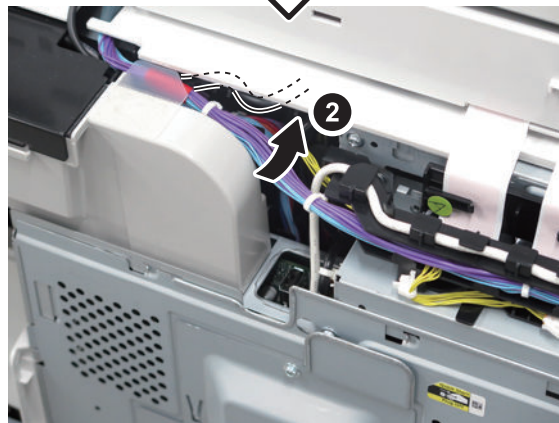
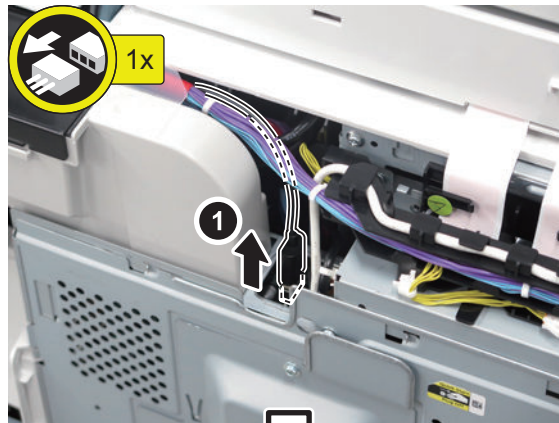


□
2.

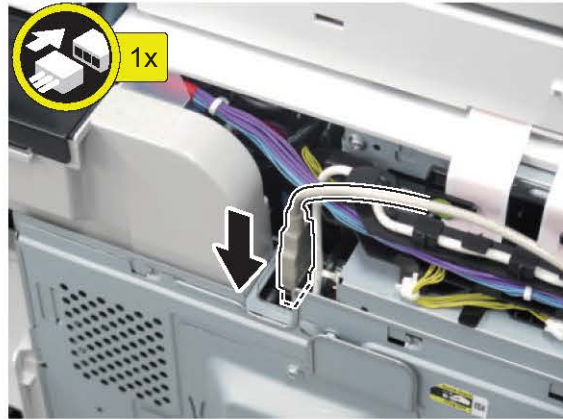


■ **When Installing to the Finisher**

□ **1**



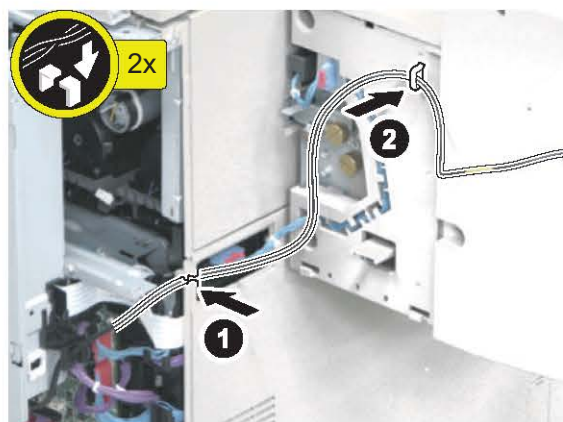
□ 2



□ 3



□ 4



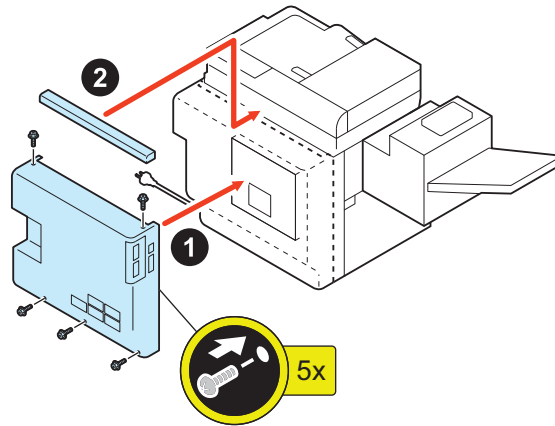
■ Installing the Host Machine Covers

● Model with Reader

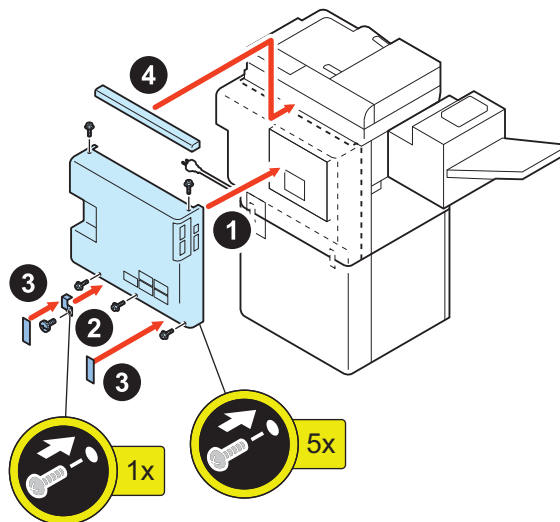
□

1.

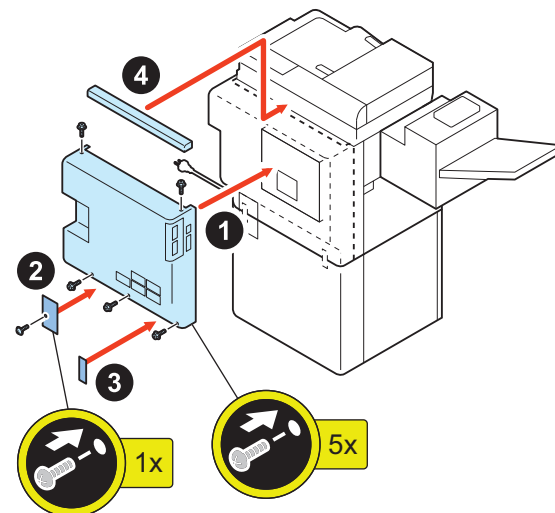
<Without the Cassette Pedestal>



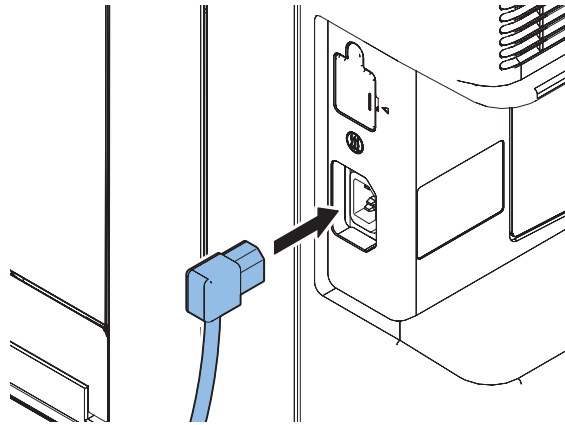
<With the Cassette Pedestal and without the Heater>



<With the Cassette Pedestal and with the Heater>



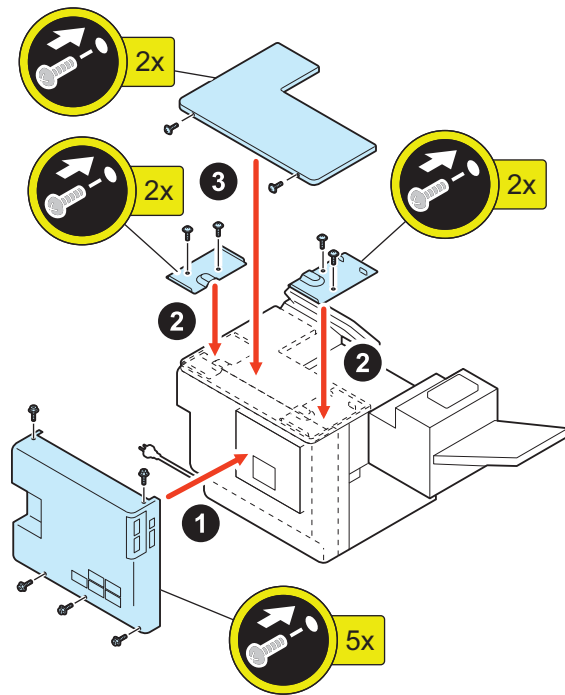
□
2.



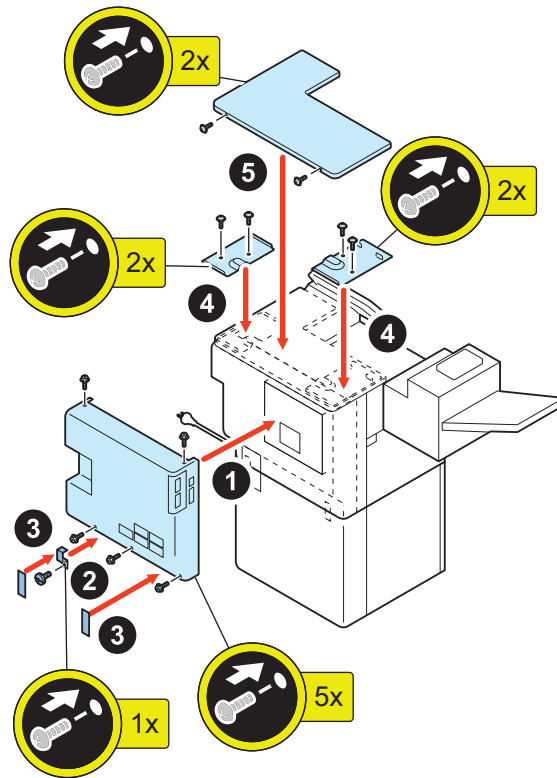
• In the Case of Printer Model

□
1.

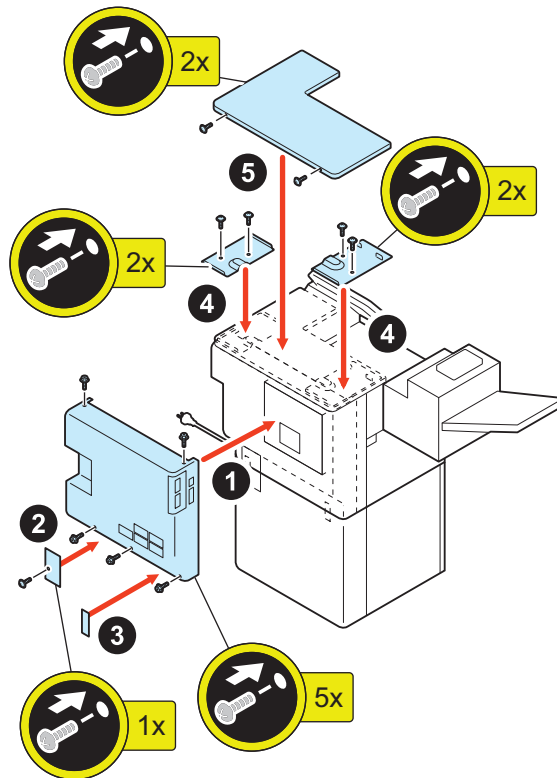
<Without the Cassette Pedestal>



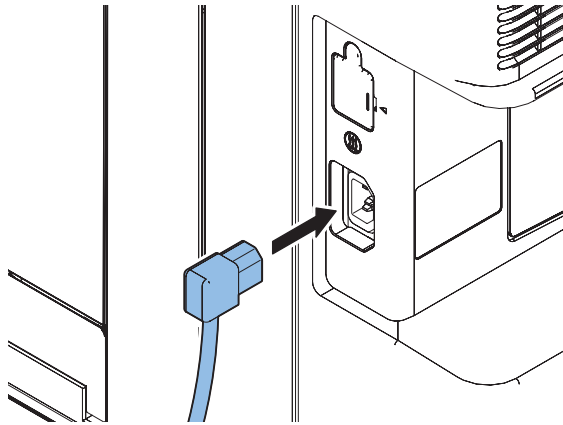
<With the Cassette Pedestal and without the Heater>



<With the Cassette Pedestal and with the Heater>



□
2.

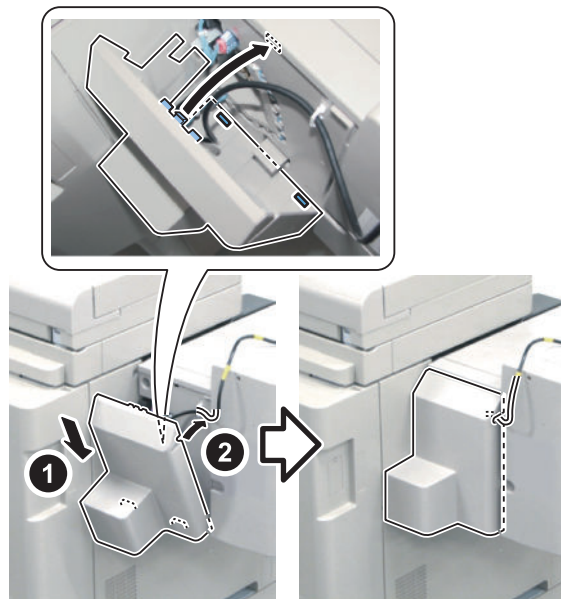


■ Installing the finisher covers

□
1.

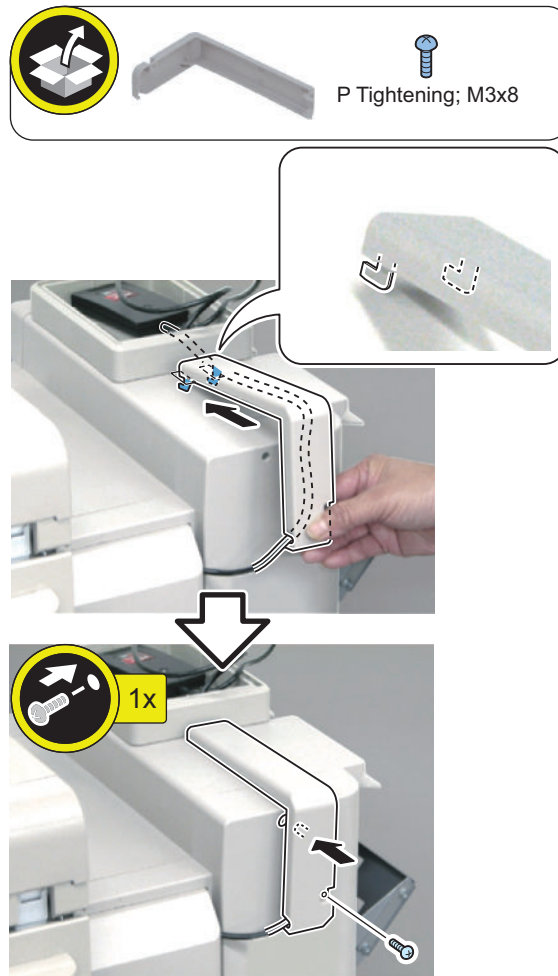
CAUTION:

Be sure that 2 hooks of Finisher are properly hooked to holes of the Optional Harness Cover.



□
2.

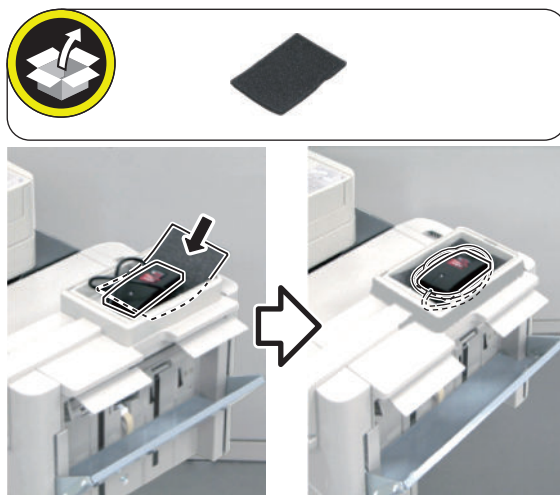
CAUTION:
Be careful not to trap cables when installing the Optional Harness Cover.



□
3.

NOTE:

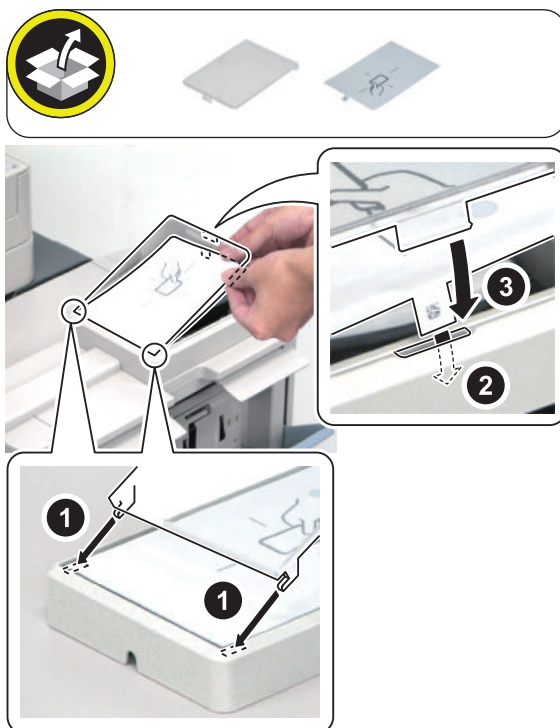
- Be sure to adjust the number of Sponge Sheets (1 or 2 sheets) according to how the cable of the Card Reader is stored.
- Loop the extra length of the USB cable around so that the Card Reader (sales company's option) is securely fitted.



□
4.

NOTE:

- Insert the DP Sheet (for Europe) to the hole of IC Card Reader Box Unit Lower Cover with the illustration side facing up and bending the bar code area.
- Be sure that the IC Card Reader Box Upper Cover is installed properly.



Connecting the Power Supply



1.

Connect the power plug to the outlet.



2.

Turn ON the main power switch.

Super G3 FAX Board-AT1

● Points to Note at Installation

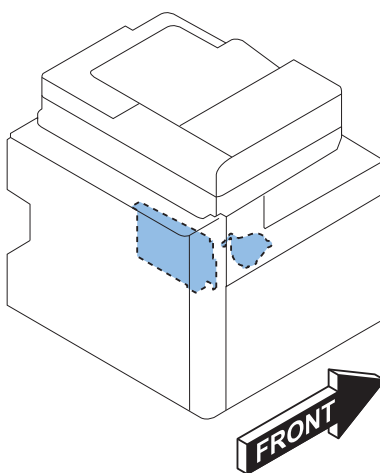
- When installing the Super G3 2nd Line Fax Board and this equipment at the same time, check the parts included in the package, and install them following the Installation Procedure for Super G3 2nd Line Fax Board.
- For "Checking the Operation", refer to this document.

● Product Name

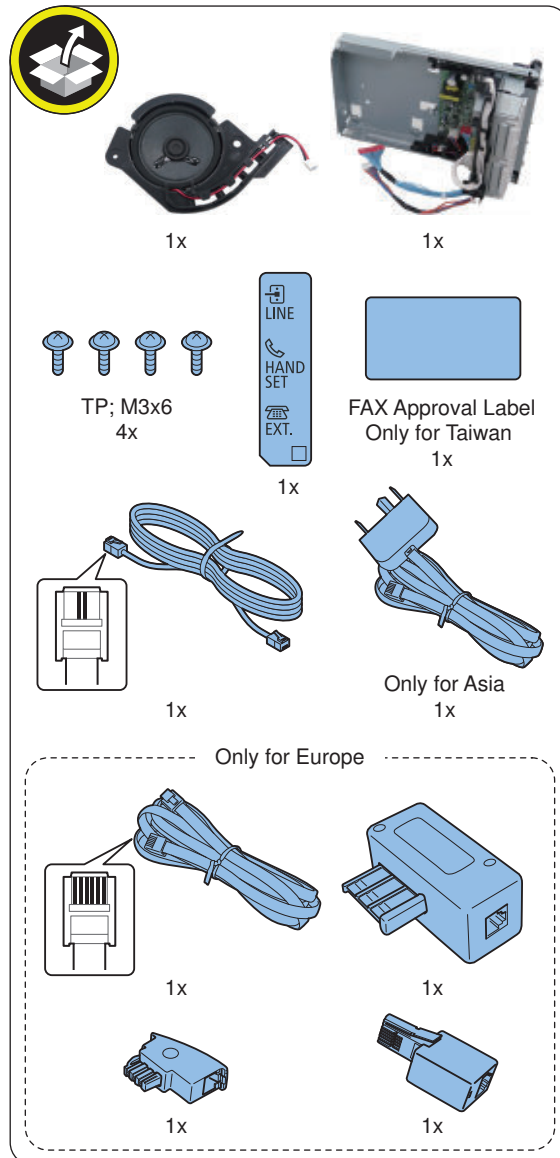
Safety regulations require the product's name to be registered. In some regions where this product is sold, the following name may be registered instead.

- F634211

● Installation Outline Drawin



● Checking the Contents



<Others>

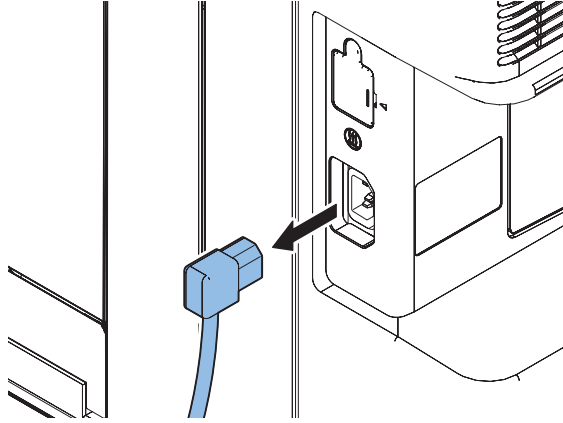
- Including guides

● Installation Procedure

■ Removing the Covers

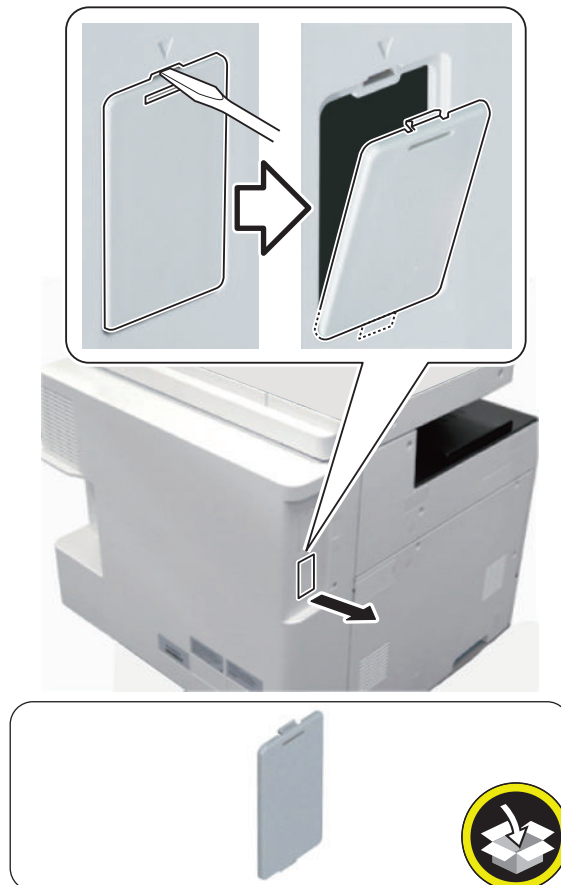
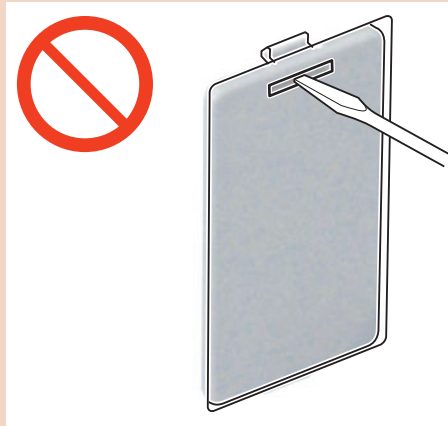
□

1.

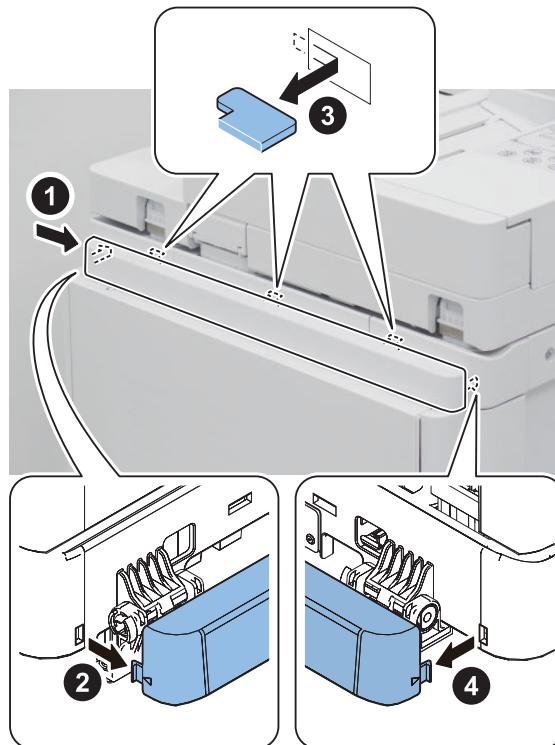


□
2.**CAUTION:**

Do not insert a screwdriver into the hole when removing the Small Cover.



□
3.



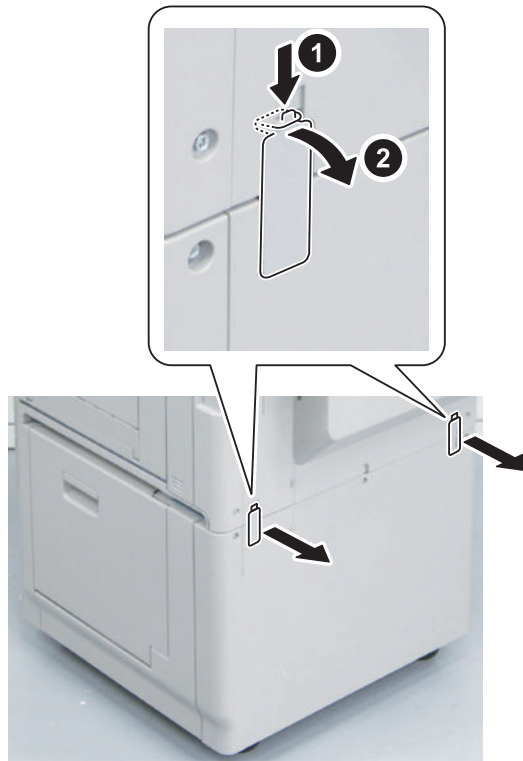
NOTE:

When the Cassette Pedestal is not installed, go to step 4.

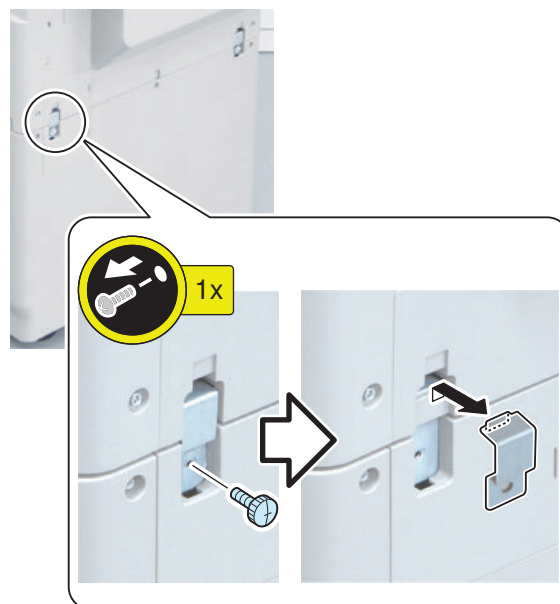
NOTE:

When the Cassette Pedestal is installed, go to step 3. When the Cassette Pedestal is not installed, perform from step 5.

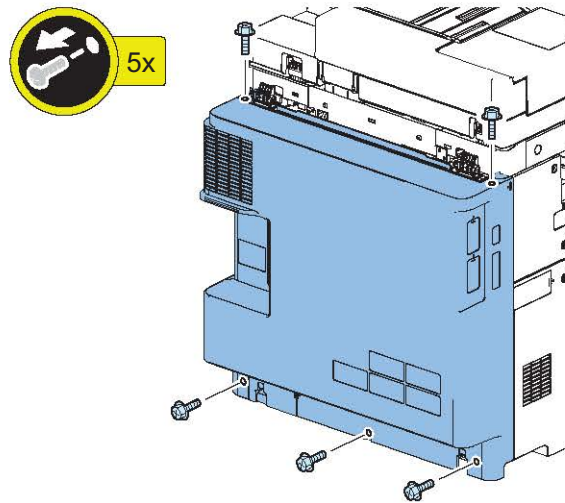
□
4.



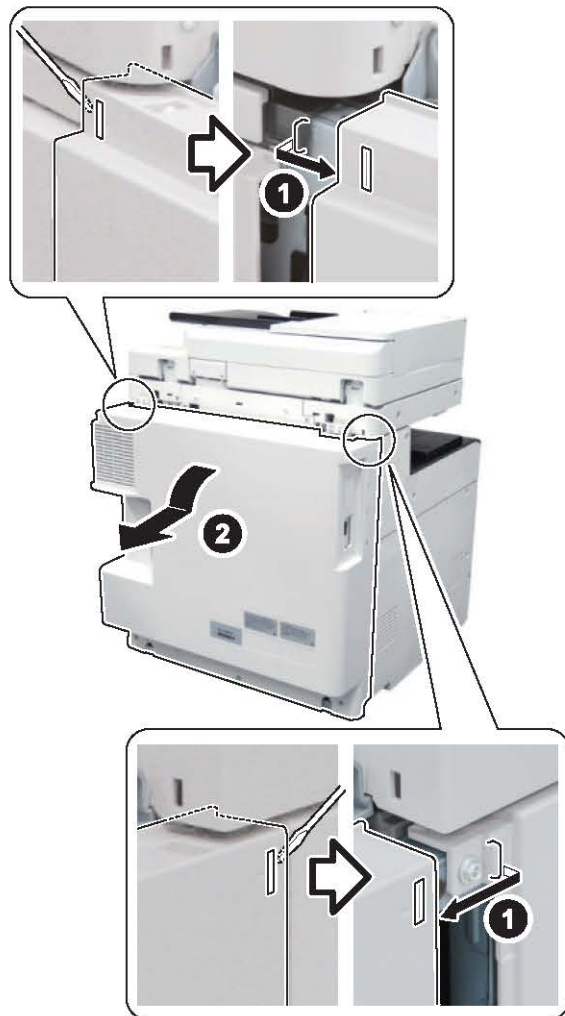
□
5.



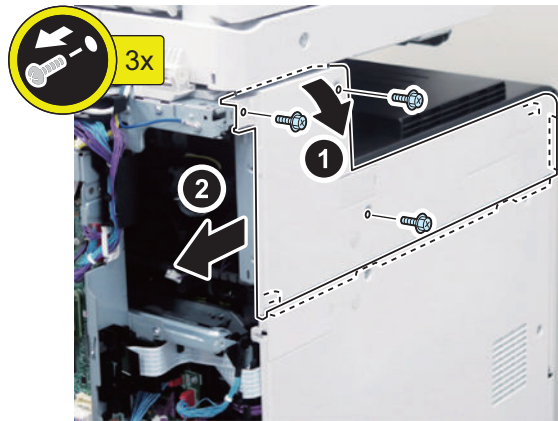
□
6.



□
7.

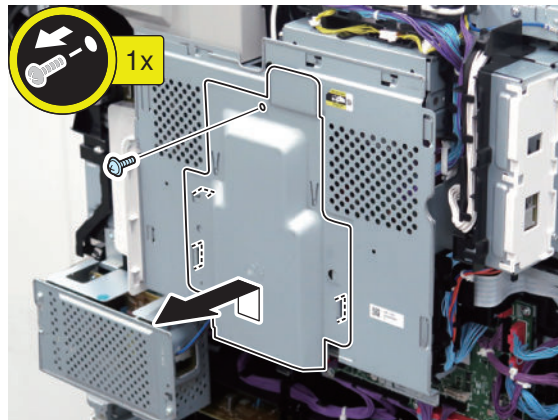


□
8.



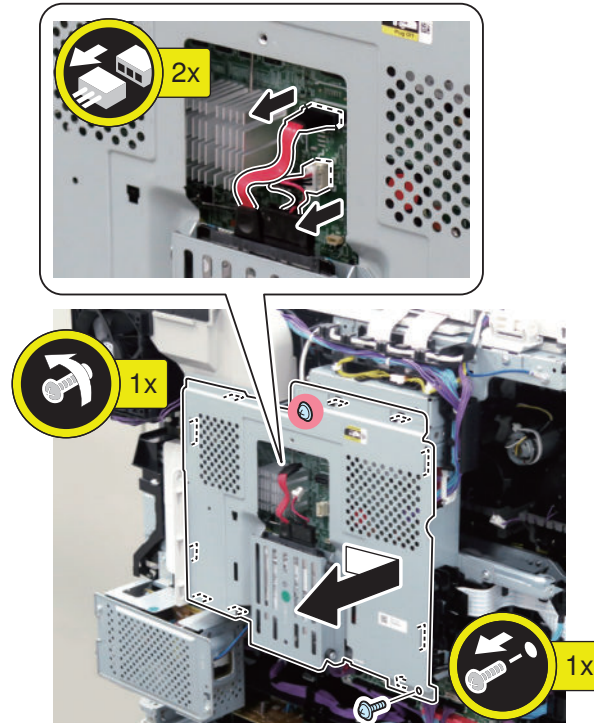
■ **Installing the FAX Unit**

□
1.

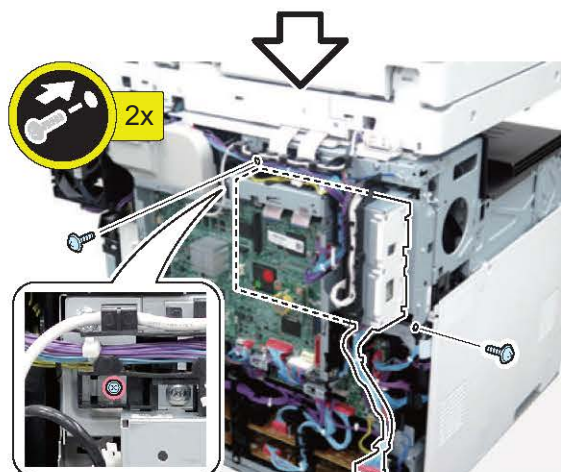
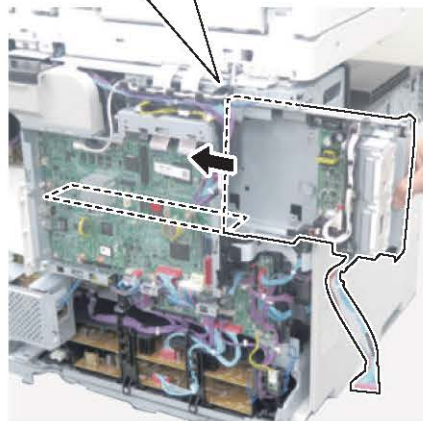
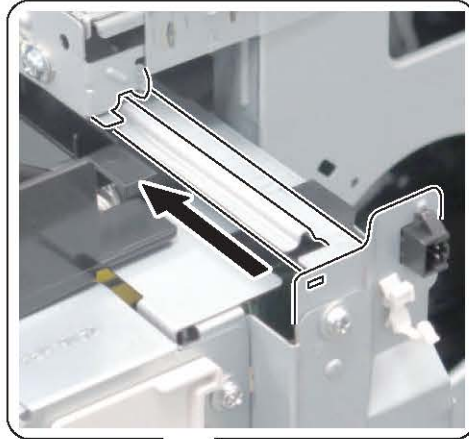


□
2.**CAUTION:**

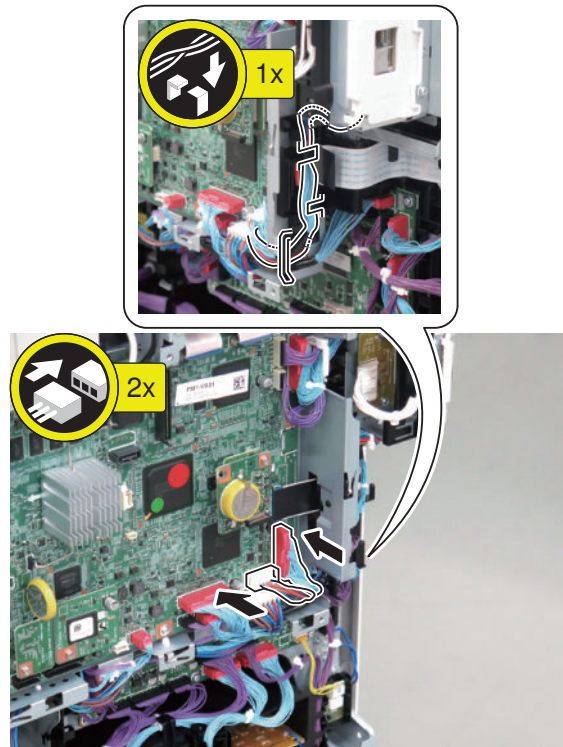
When handling the HDD, be careful not to vibrate or drop it.



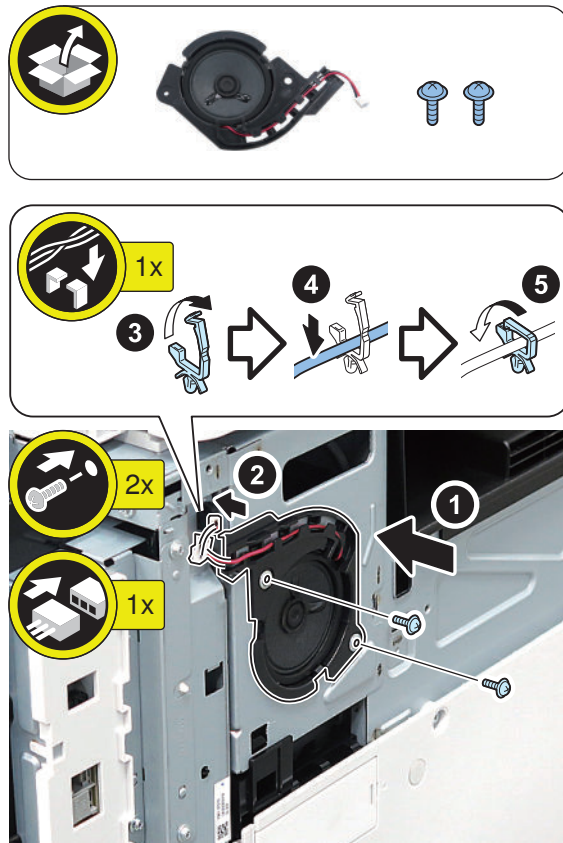
□
3.



□
4.



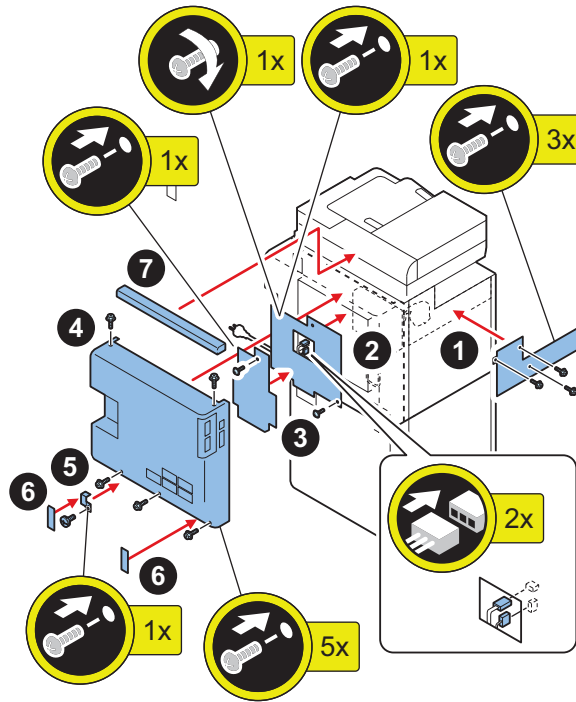
□
5.



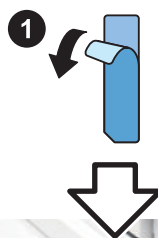
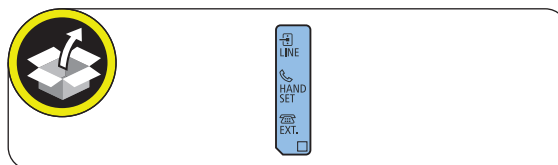
■ Subsequent Work

□
1.

NOTE:
If the Cassette Pedestal is not installed, skip the following 5 and 6.

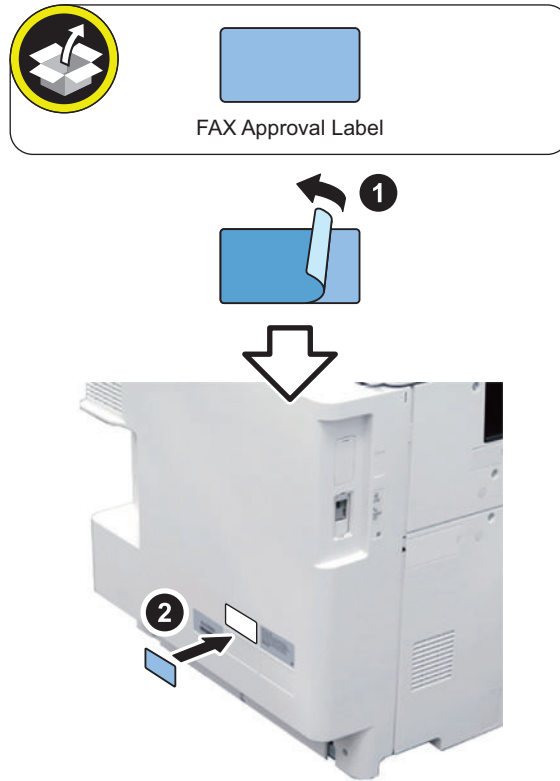


□
2.



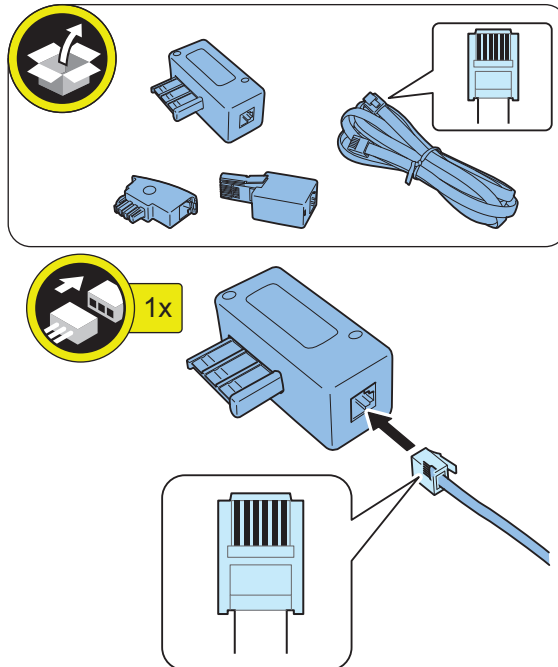
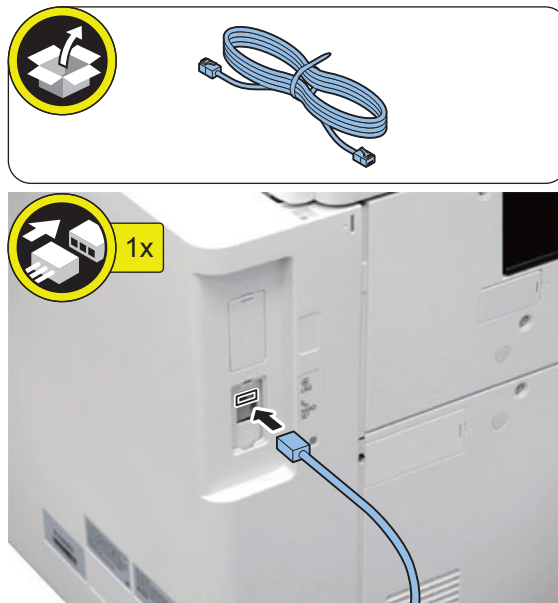
□
3.

NOTE:
This step is only for Taiwan.

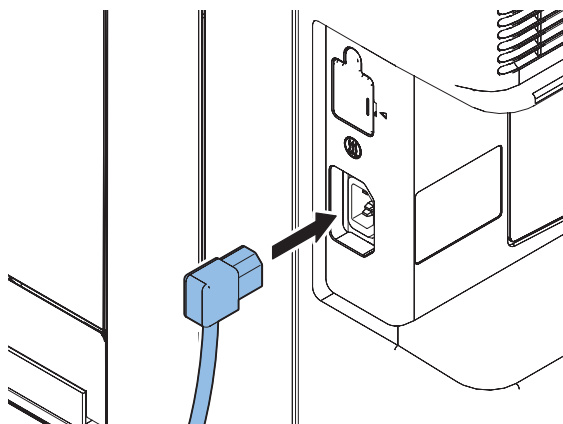


□
4.**NOTE:**

- This step is only for Europe.
- Do not connect the telephone cord (2 core) to PTT plugs.
- Connect the PTT cable (6 core) to the PTT Plug appropriate for the country/region.

□
5.

6.



7. Connect the power plug to the outlet.

8. Turn ON the Main Power Supply Switch.

Checking the Operation

■ Type Setting

Select the country/region of the FAX Board in Service Mode: FAX > Type > TYPE

This setting performs the parameter settings to match the communication specification of the country/region.

-
1. From the following service mode, set the TYPE of country/region to install this machine, and then press OK.
FAX > TYPE > TYPE
 2. Confirm that service mode parameter below is "0". In the case, parameter is "1", change to "0".
COPIER > OPTION > DSPLY-SW > SDTM-DSP

NOTE:

To change parameter to "0" makes no show below [Settings/Registration > Preferences > Time/Energy Settings > Auto Shutdown Time] and auto shut down is not available.

3. Turn OFF/ON the main power switch to enable this setting.

■ Basic Setting

NOTE:

- When "System Manager Information Settings" is set, be sure to follow the direction of user administrator in order to log in as an administrator.
- This setting can also be set from the Setup Guide ([Settings/Registration] > [Management Settings] > [License/Other] > [Start Setup Guide]).

In this section, make only minimum settings required for FAX communication.

**1. Set the user telephone number.**

[Settings/Registration] > [Function Settings] > [Send] > [Fax Settings] > [Set Line] > [Line 1] > [Register Unit Telephone Number] > Enter the fax number > [OK]

2. Set Type of telephone line.

[Settings/Registration] > [Function Settings] > [Send] > [Fax Settings] > [Set Line] > [Line 1] > [Select Line Type] > Select the line type to connect > [OK]

3. Turn OFF/ON the main power switch after setting the user telephone numbers and the type of telephone line.**■ FAX Communication Test**

Perform communication test to check if FAX function works correctly.

**1. Switch the control panel display to Send/Fax display.****2. Send the test document from this machine to another machine that can handle the communication test to check that this machine can send the data correctly.****3. Send the test document from the target to this machine to check if the machine can receive the document properly.**

Super G3 2nd Line Fax Board-AT1

Points to Note at Installation

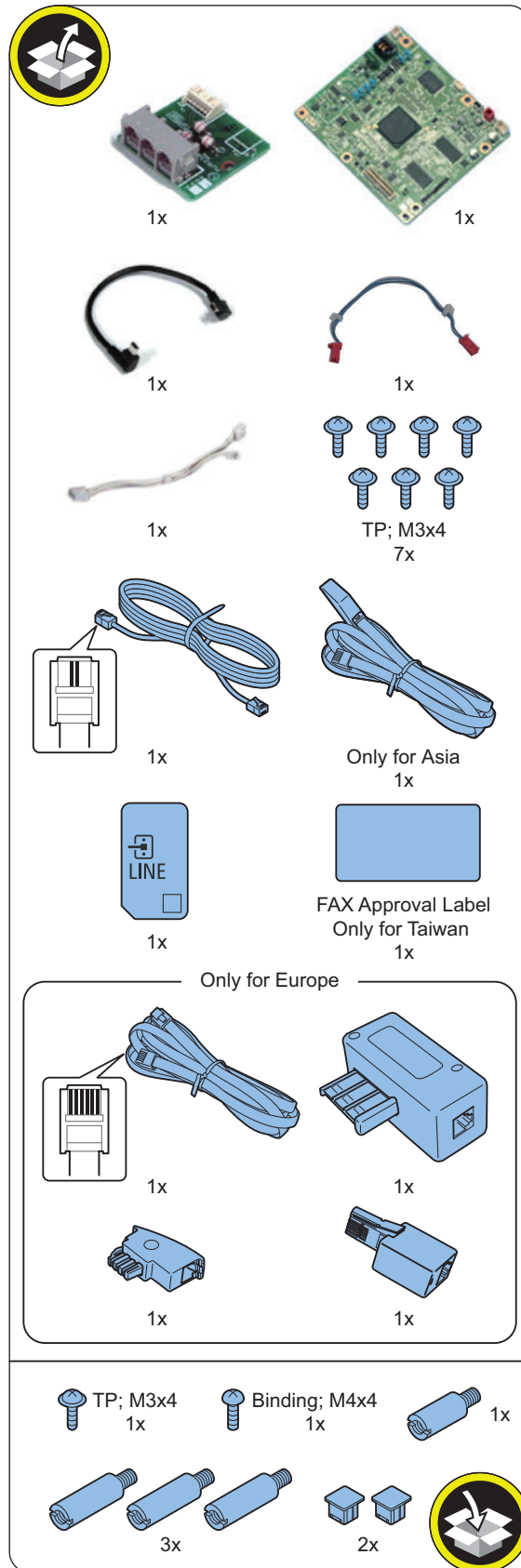
When installing the Super G3 FAX Board and this equipment at the same time, be sure to install them by referring to this document after checking "Checking the Contents" of Super G3 FAX Board.

Product Name

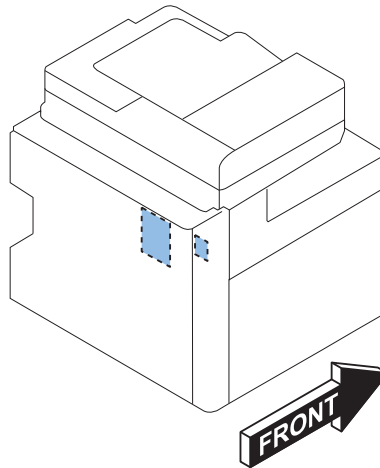
Safety regulations require the product's name to be registered. In some regions where this product is sold, the following name may be registered instead.

- F634212

Checking the Contents



Installation Outline Drawin



Installation Procedure

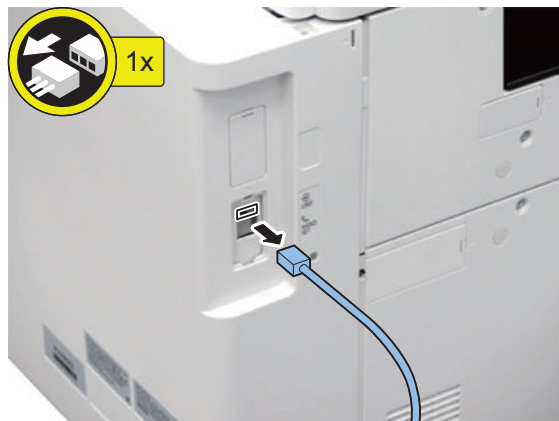
■ Removing the Covers

□

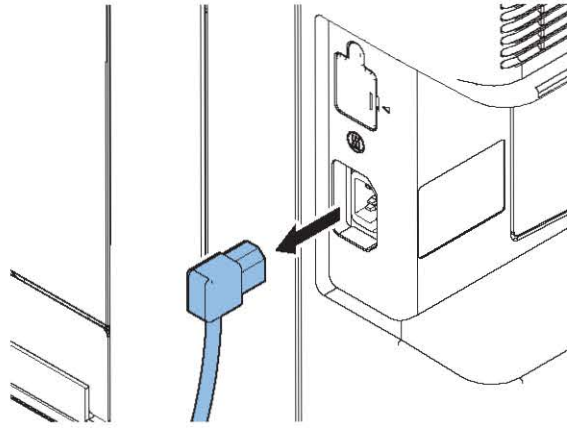
1.

NOTE:

- When the Super G3 Fax Board has been installed: Perform from step 1.
- When installing the Super G3 Fax Board at the same time: Perform from step 5, "Installing the FAX Unit".



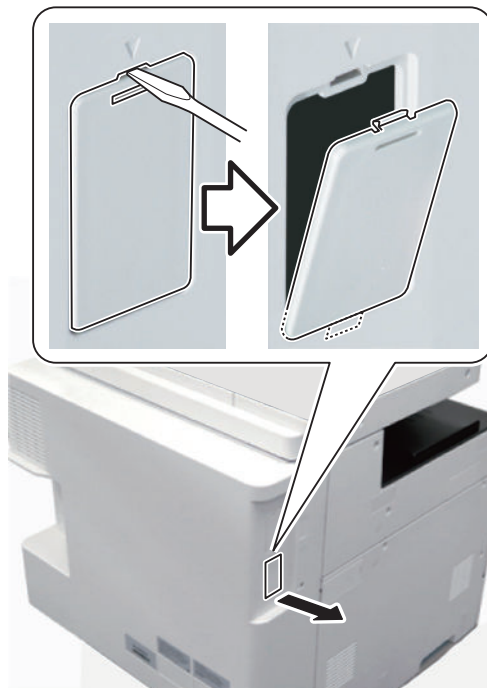
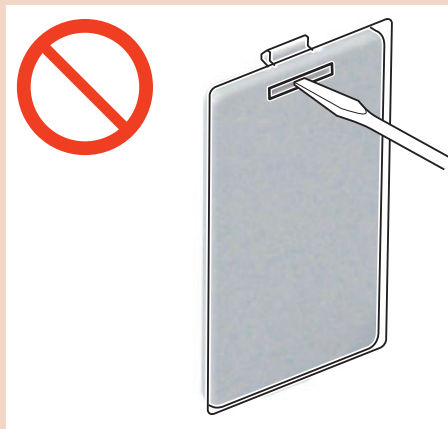
□
2.



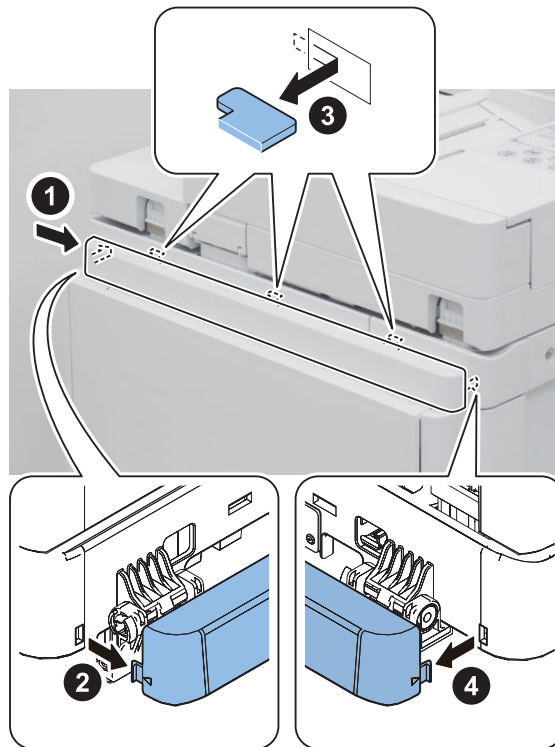
□
3.

CAUTION:

Do not insert a screwdriver into the hole when removing the Small Cover.



□
4.

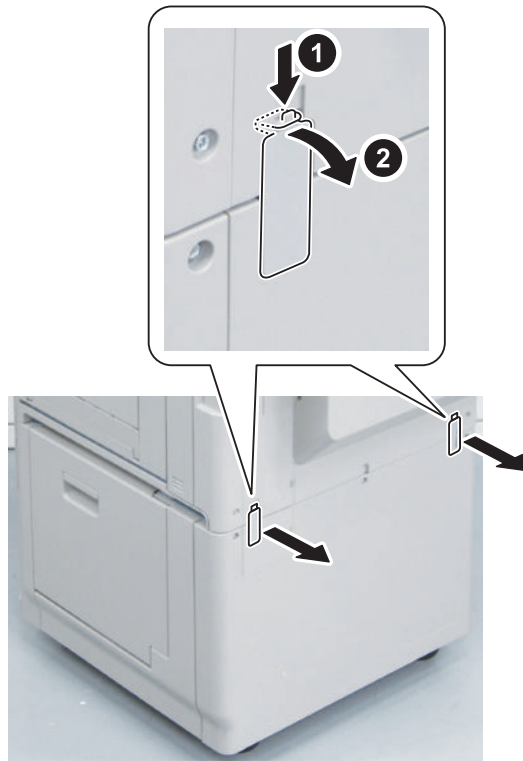
**NOTE:**

When the Cassette Pedestal is not installed, go to step 4.

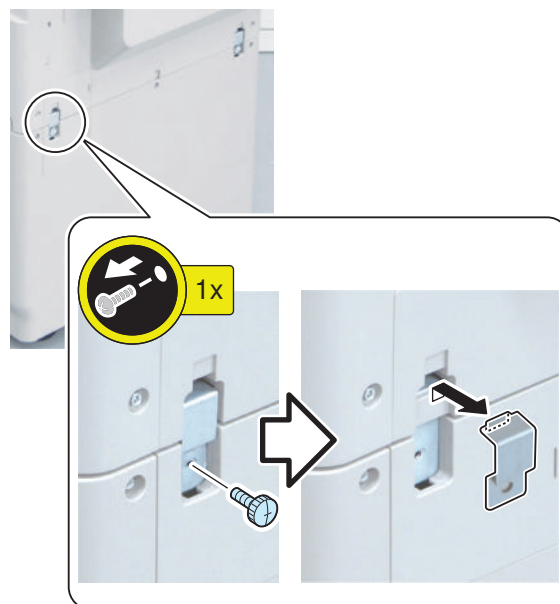
NOTE:

When the Cassette Pedestal is installed, go to step 3. When the Cassette Pedestal is not installed, perform from step 5.

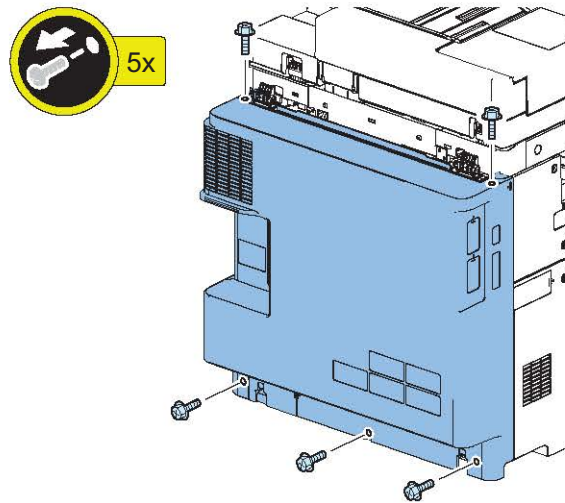
□
5.



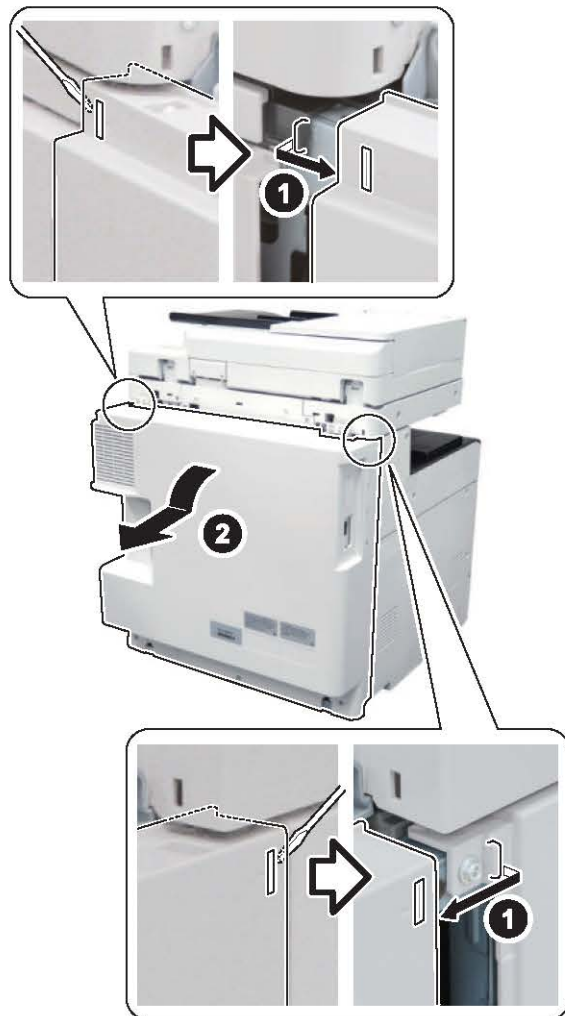
□
6.



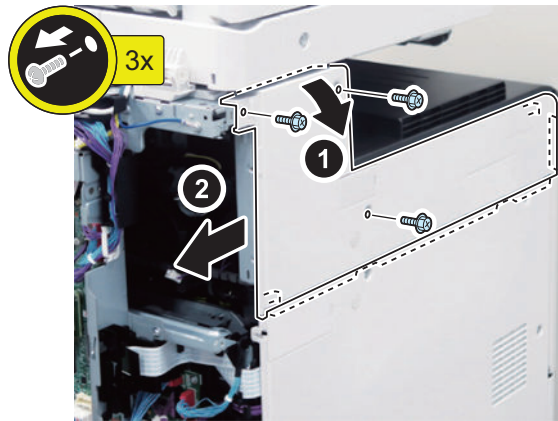
□
7.



□
8.

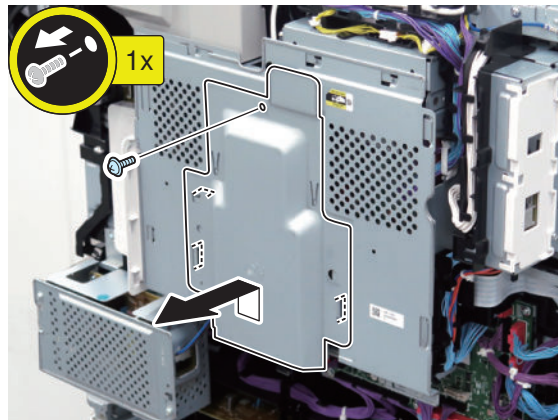


□
9.



■ **Installing the FAX Unit**

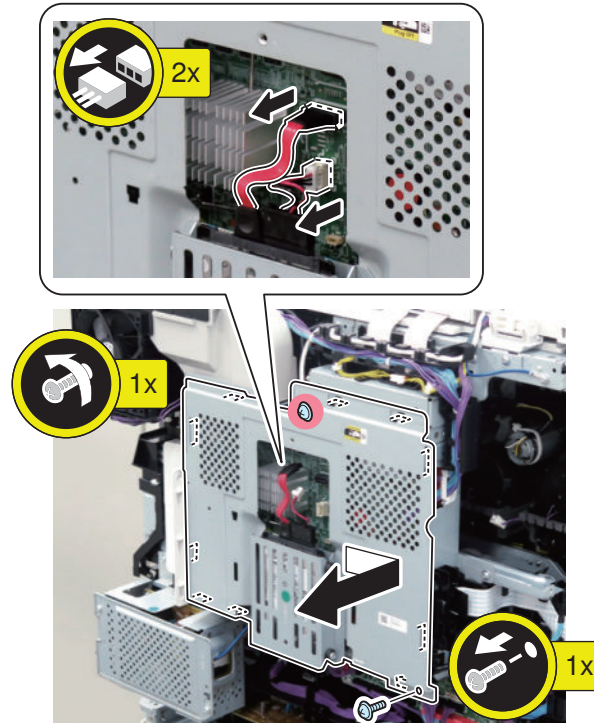
□
1.



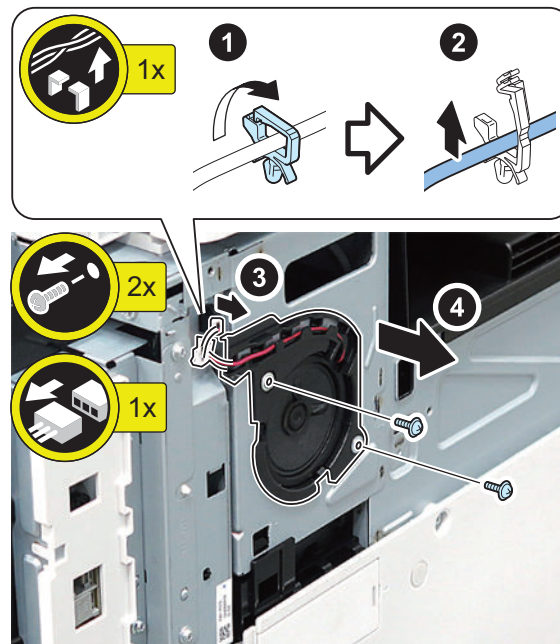
□
2.

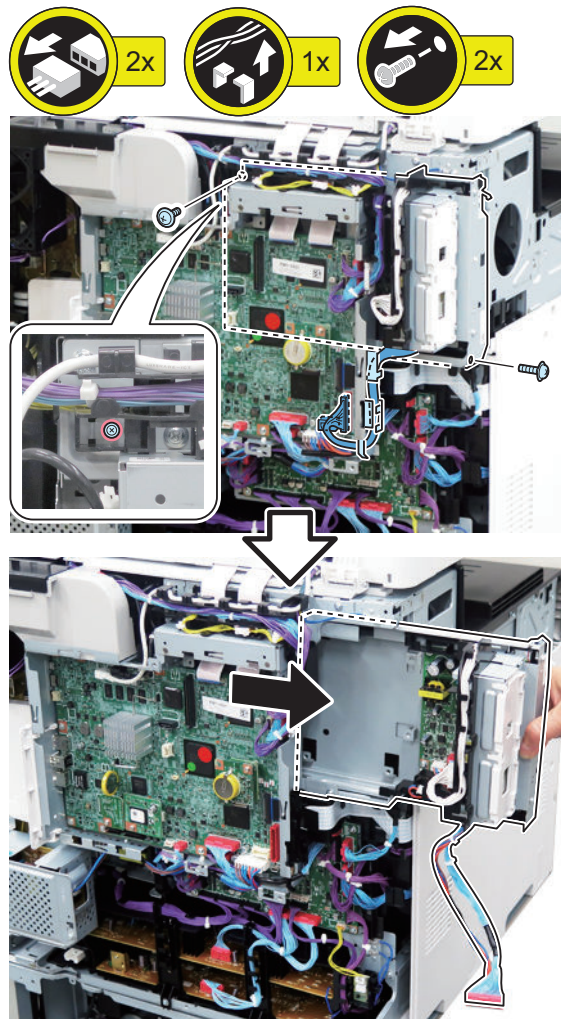
CAUTION:

When handling the HDD, be careful not to vibrate or drop it.



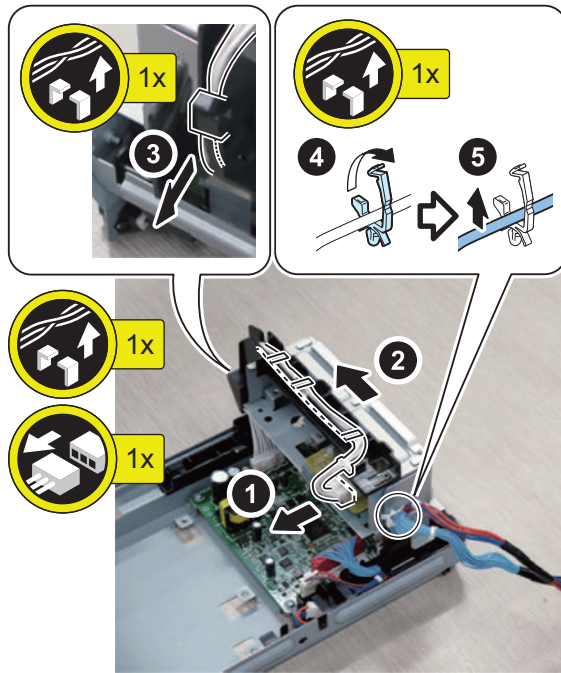
□
3.



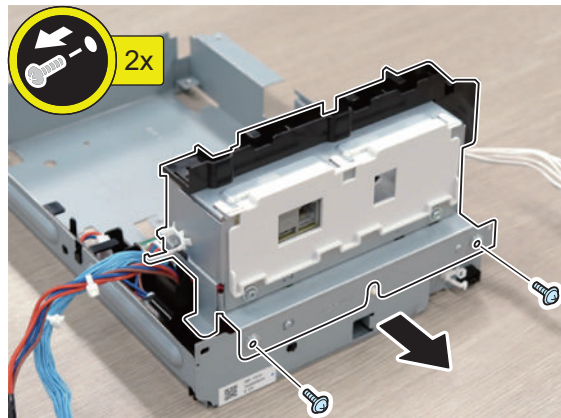
□
4.**NOTE:**

- When installing the Super G3 FAX Board at the same time, go to step 5.

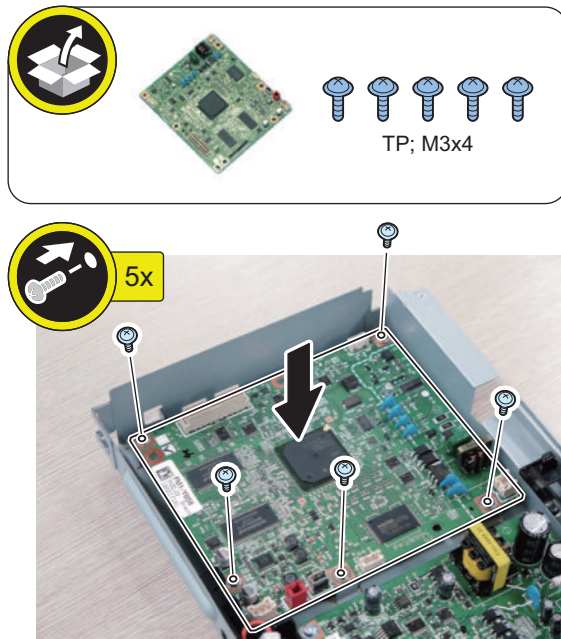
□
5.



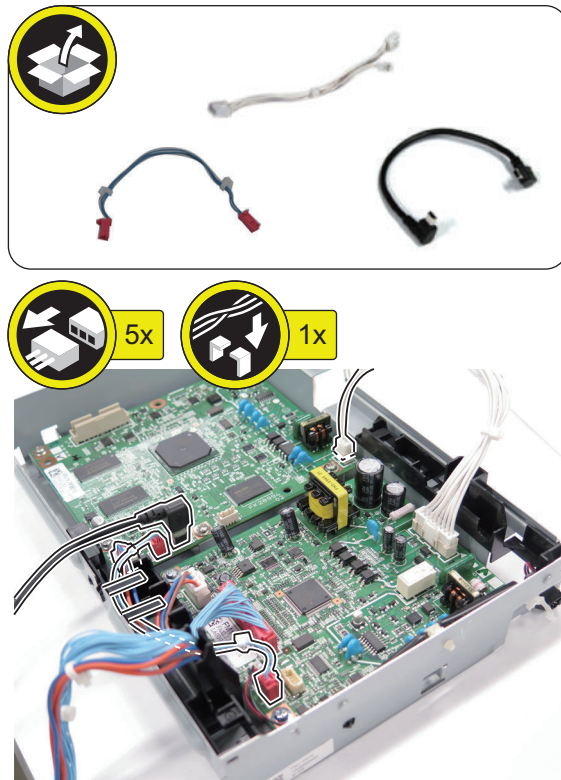
□
6.



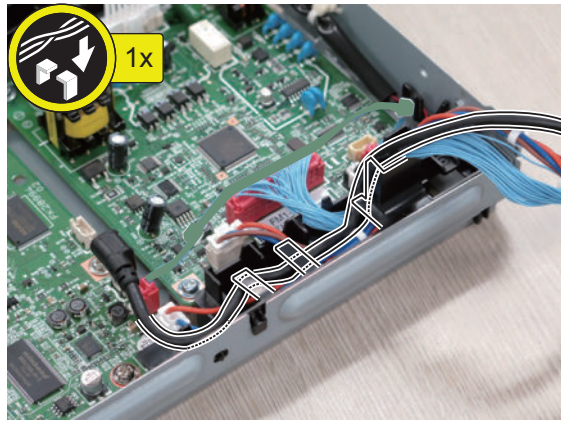
□
7.



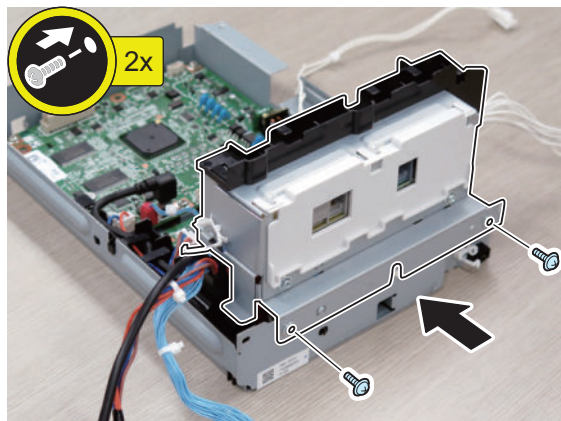
□
8.



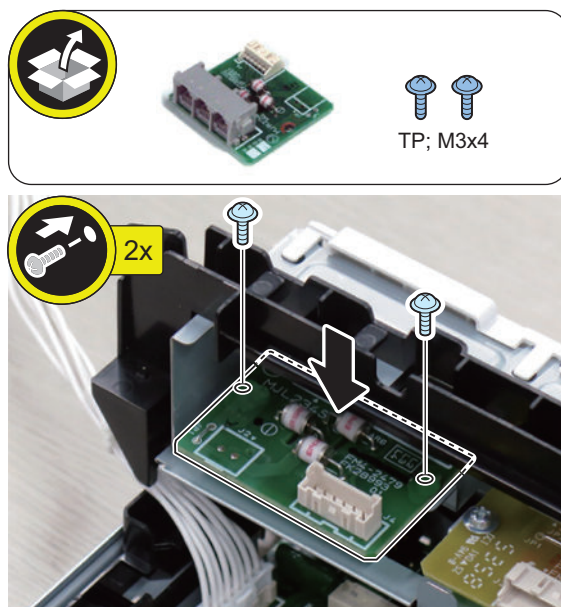
□
9.



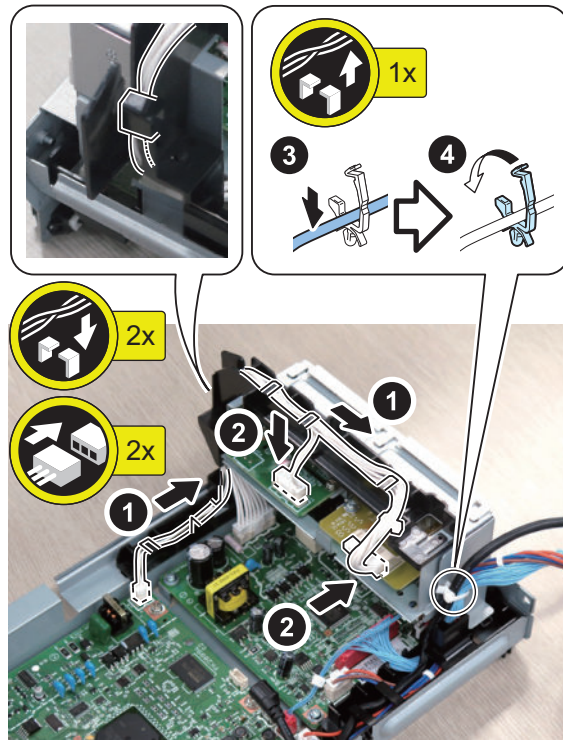
□
10.



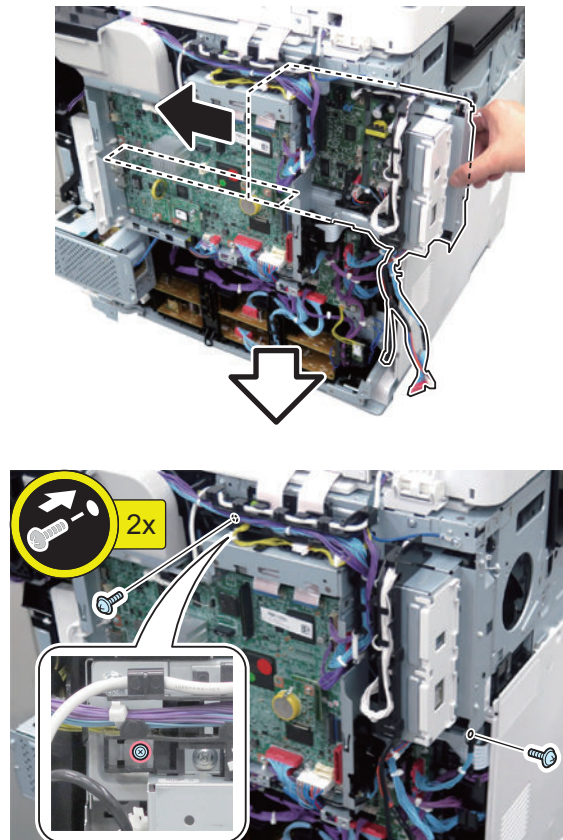
□
11.



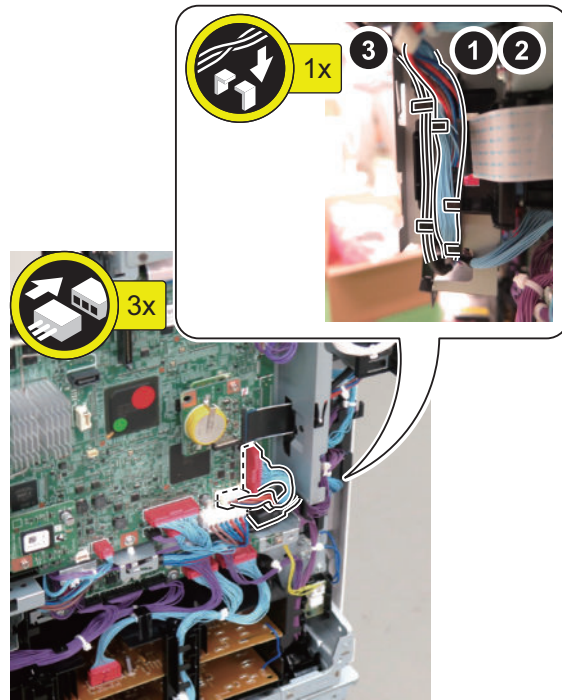
□
12.



□
13.

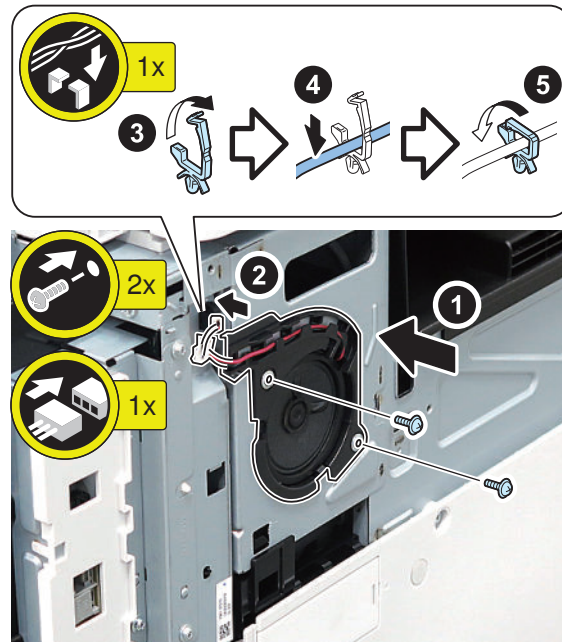


□
14.



□
15.

NOTE:
Use the removed parts or the parts included in the package of the Super G3 Fax Board.

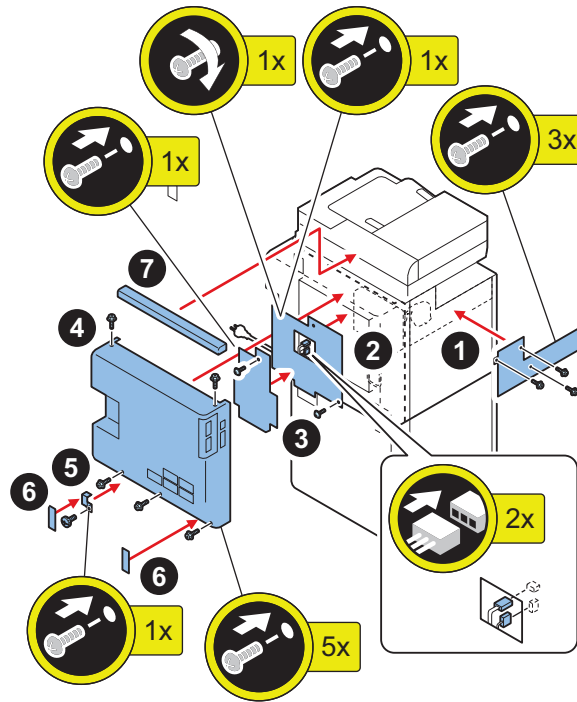


■ Subsequent Work

□ 1

NOTE:

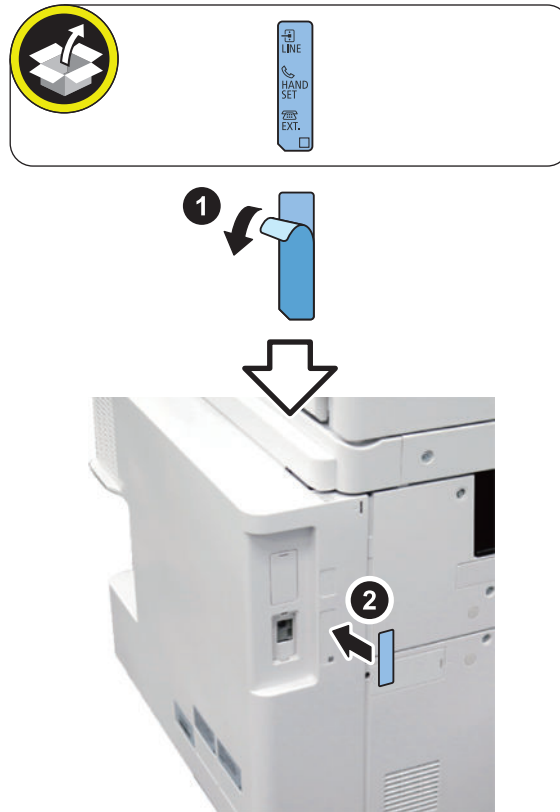
If the Cassette Pedestal is not installed, skip the following 5 and 6.



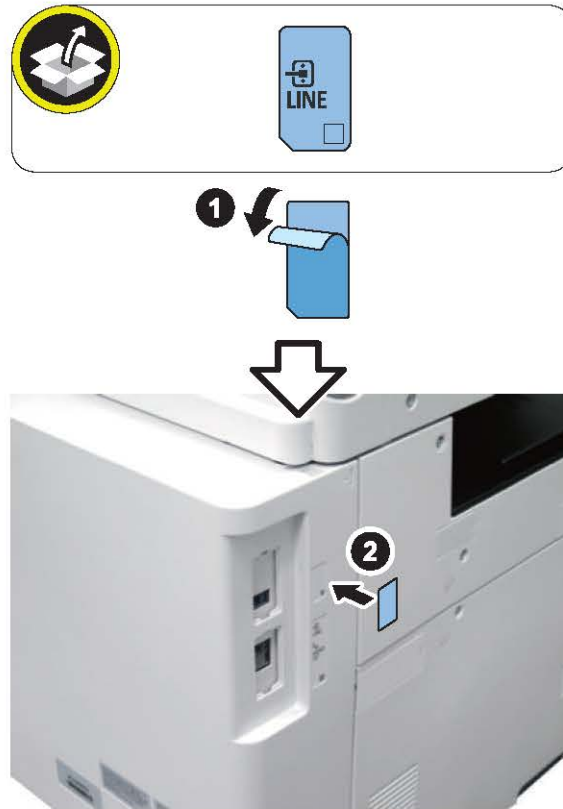
□ 2

NOTE:

When installing the Super G3 FAX Board at the same time, affix the FAX Label for 1-line.



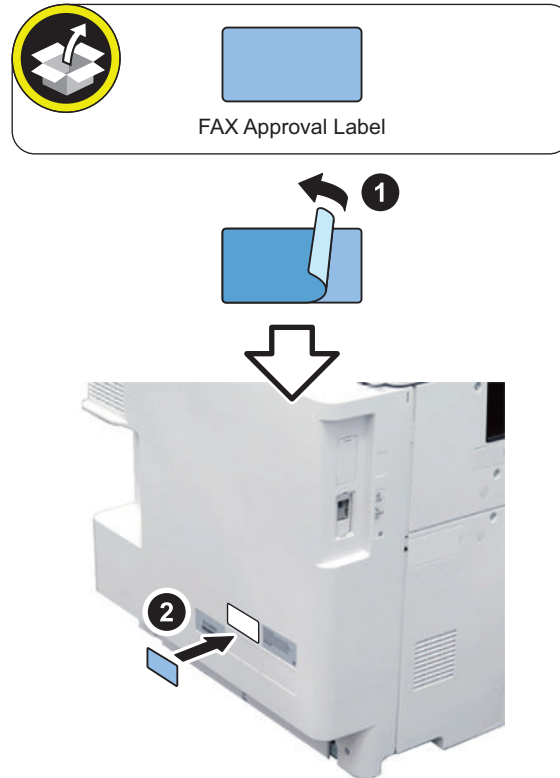
□ 3



□ 4

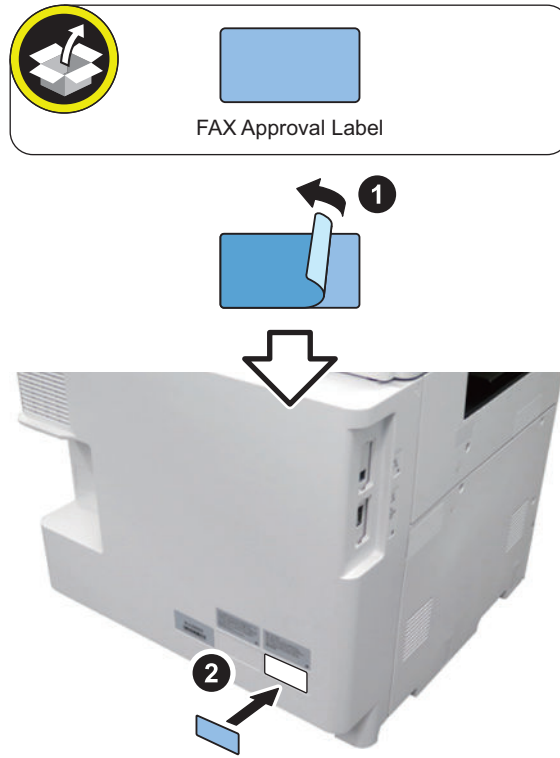
NOTE:

- When installing the Super G3 FAX Board at the same time, affix the FAX Approval Label for 1-line.
- This step is only for Taiwan and Europe. (Only when included)



□ 5

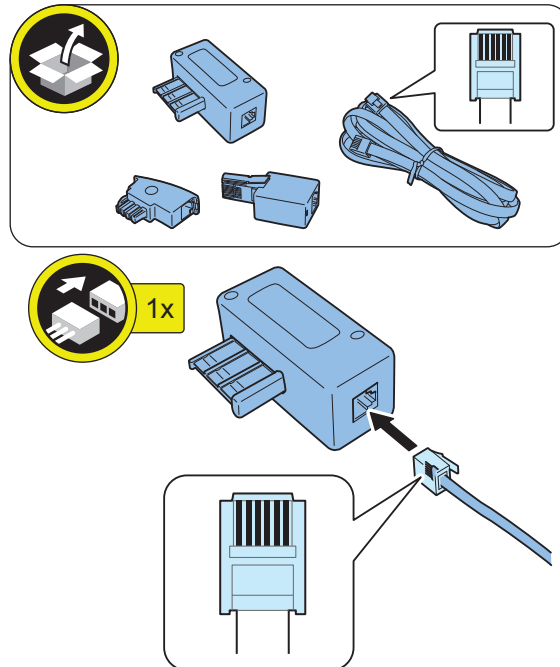
NOTE:
This step is only for Taiwan.



□ 6

NOTE:

- This step is only for Europe.
- Do not connect the Telephone Cord (2 contact type) with the PTT Plug.
- Connect the PTT Plug matched the field or area to the Telephone Cord (6 Contact type).



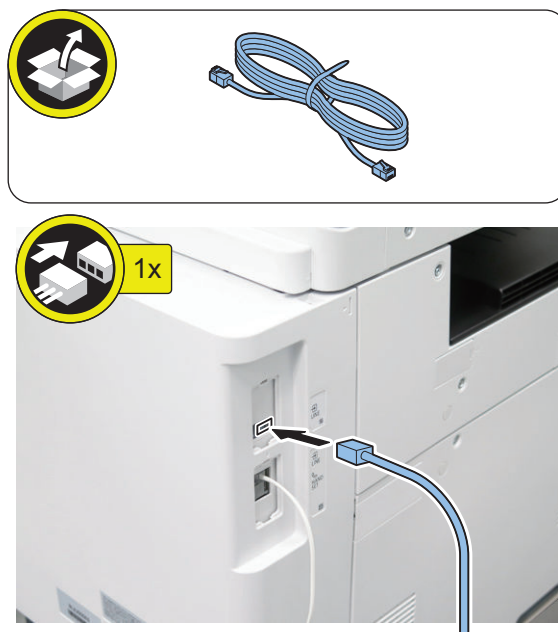
□ 7

NOTE:

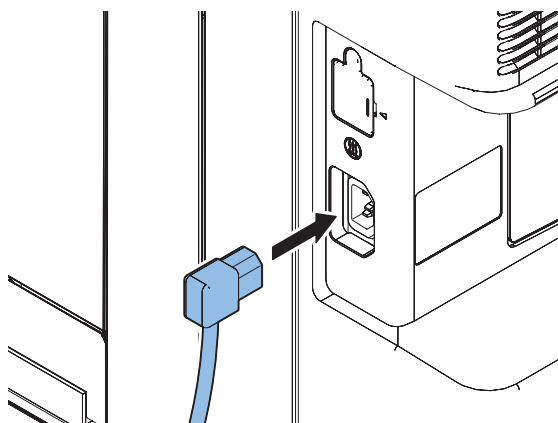
Connect the Telephone Cord for 1-line.



8



9



10

Connect the power plug to the outlet.

11

Turn ON the Main Power Supply Switch.

Checking the Operation

■ Type Settings

Select the country/region of the FAX Board in Service Mode: FAX > Type > TYPE

This setting performs the parameter settings to match the communication specification of the country/region.

1. From the following service mode, set the TYPE of country/region to install this machine, and then press OK.
FAX > TYPE > TYPE

2. Confirm that service mode parameter below is "0". In the case, parameter is "1", change to "0".

COPIER > OPTION > DSPLY-SW > SDTM-DSP

NOTE:

To change parameter to "0" makes no show below [Settings/Registration > Preferences > Time/Energy Settings > Auto Shutdown Time] and auto shut down is not available.

3. Turn OFF/ON the main power switch to enable this setting.

■ Basic Settings

NOTE:

When "System Manager Information Settings" is set, be sure to follow the direction of user administrator in order to log in as an administrator.

In this section, make only minimum settings required for FAX communication.



1. Set the user telephone number.

[Settings/Registration] > [Function Settings] > [Send] > [Fax Settings] > [Set Line] > [Line 2] > [Register Unit Telephone Number] > Enter FAX number > [OK]

2. Set the type of telephone line.

[Settings/Registration] > [Function Settings] > [Send] > [Fax Settings] > [Set Line] > [Line 2] > [Select Line Type] > Select the line type to connect > [OK]

3. Turn OFF/ON the main power switch after setting the user telephone numbers and the type of telephone line.

■ FAX Communication Test

Perform communication test to check if FAX function works correctly.



1. Switch the control panel display to Fax display.

2. Select the sending line.

Press [Fax] > [Options] > [Select Line], select the added line, then press [OK] button.

3. Send and receive a test original between the equipment and a remote unit with which a communication test can be performed and check if it can be sent and receive correctly.

1. Press [Status Monitor/Cancel] > [Send] > [Job Log] and select [Fax] from pull down menu.

2. Press [Fax Activity Report] > [OutPut Normally] > [Start Printing].

3. The number printed following colon (:) in "COMM.MODE" field on FAX ACTIVITY REPORT TX/RX shows line type used for sending/receiving.

E.g. "ECM:2" => Line 2

NOTE:

If E744-5000 error code (Fax software version mismatch error) occurred while sending or receiving fax, upgrade the firmware of 2-line Fax to the latest version.

Staple Finisher-Z1

Points to Note at Installation

- Although pictures or illustrations used for explanation may differ from the actual things, the procedure is the same.
- When installing the IC Card Reader Box, be sure to install it before installing the Connector Cover.
- Refer to the chapter on "Installation" in the Service Manual for installation of the IC Card Reader Box.
- This equipment is detected as installed by running a print job or turning on the host machine and opening and closing the Front Door of this equipment.
- While the host machine used in the procedure is a Reader + ADF model, the procedure is the same as that of the printer model.

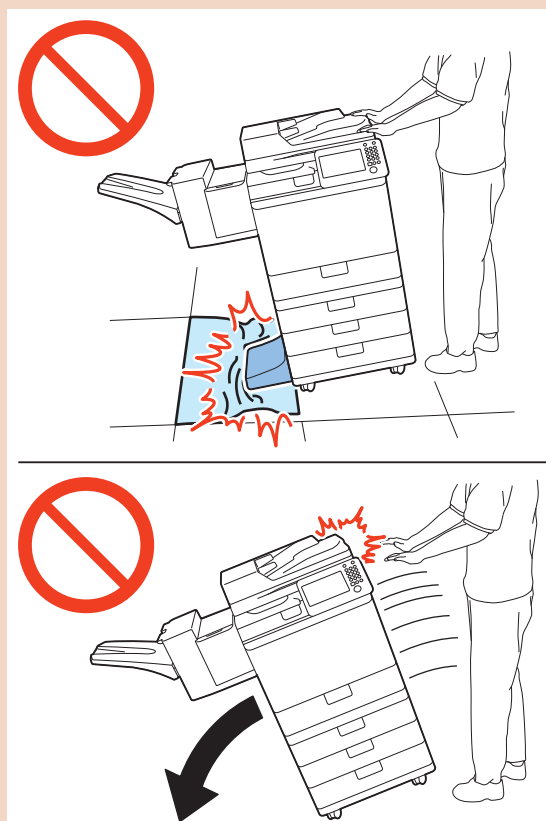
Points to Note When Relocating the Host machine

CAUTION:

If this machine with the Reinforcing Plate Cover is moved, followings may occur.

- Possibility of damaging customer's floor (carpeting, etc.)
- Possibility of overturning

Refer to the following Staple Finisher-S1/Z1 Service Manual Chapter 4 "Parts Replacement and Cleaning Procedure" > "Removing the Equipment" > "Removing the Finisher Unit from the Connected Equipment", "Removing the Reinforcing Plate Cover from the Connected Equipment" for the procedure of removal.



Product Name

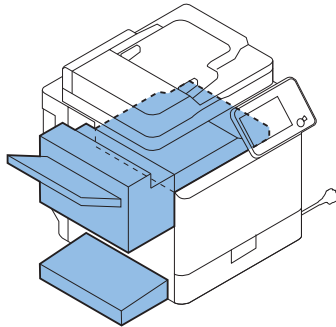
Safety regulations require the product's name to be registered. In some regions where this product is sold, the following name may be registered instead.

- F711400

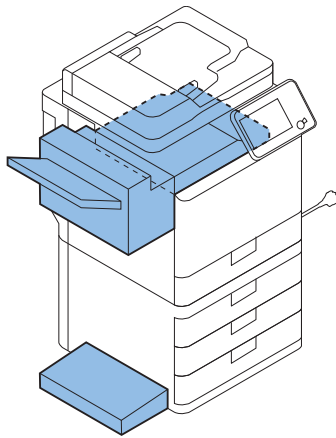
Installation Outline Drawing

■ Model with Reader

<Without Cassette Feeding Unit>

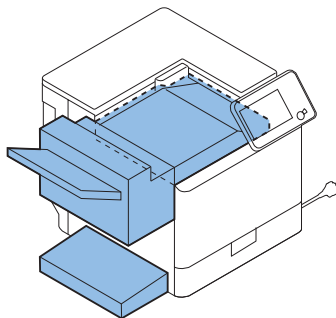


<With Cassette Feeding Unit>

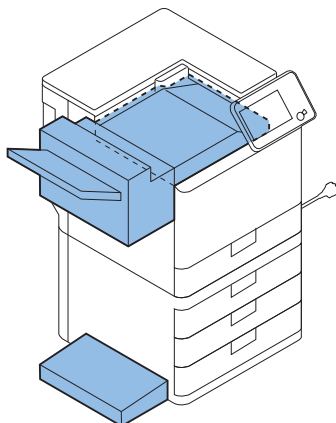


■ Printer Model

<Without Cassette Feeding Unit>

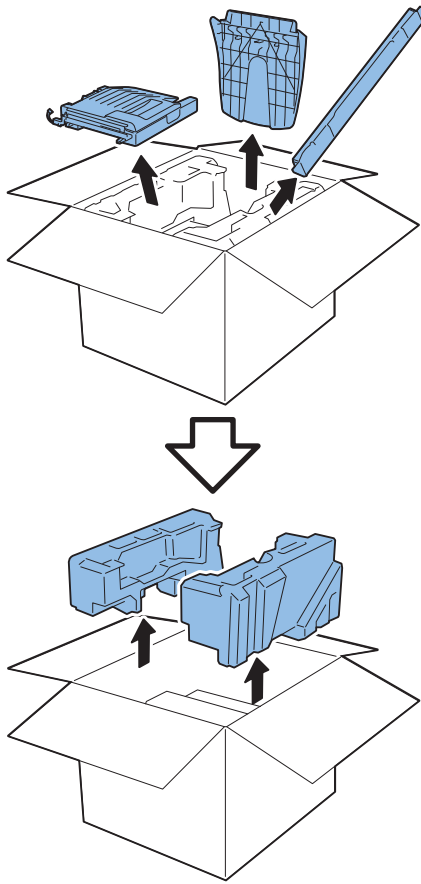


<With Cassette Feeding Unit>



Unpacking

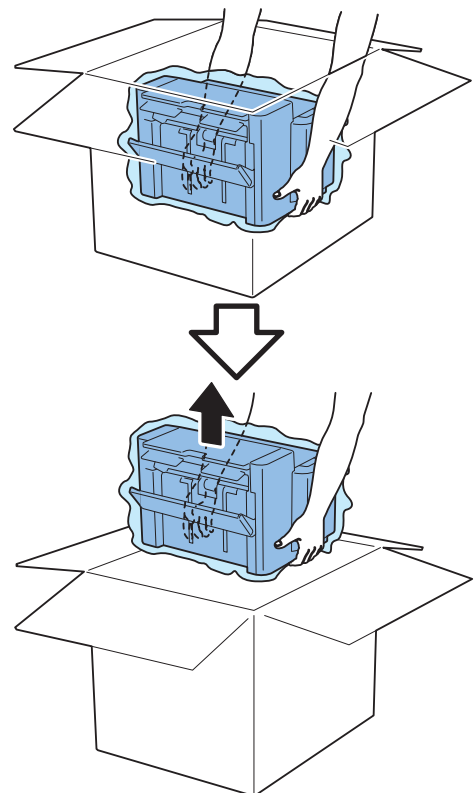
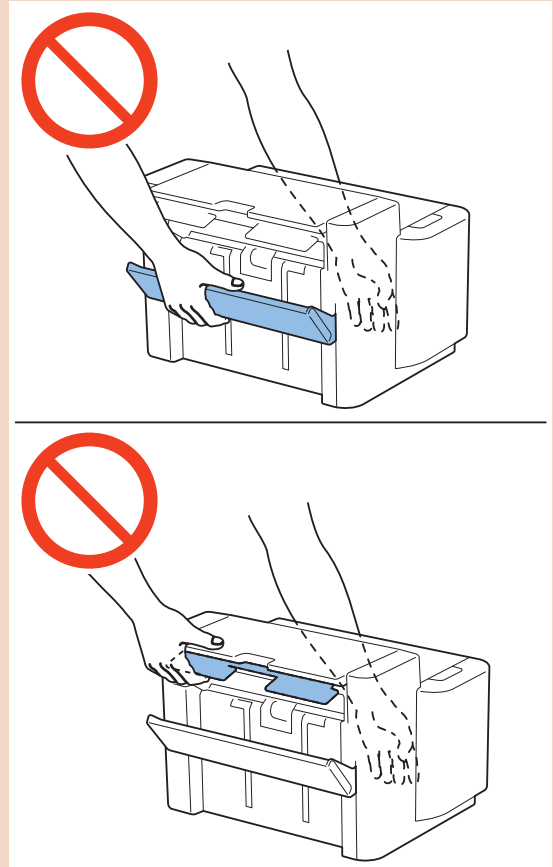
1.



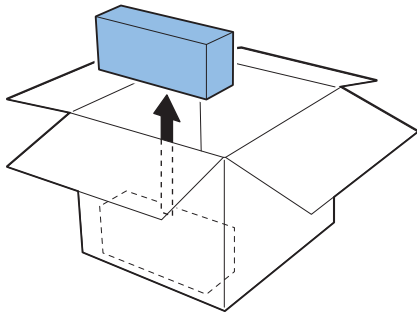
2.

CAUTION:

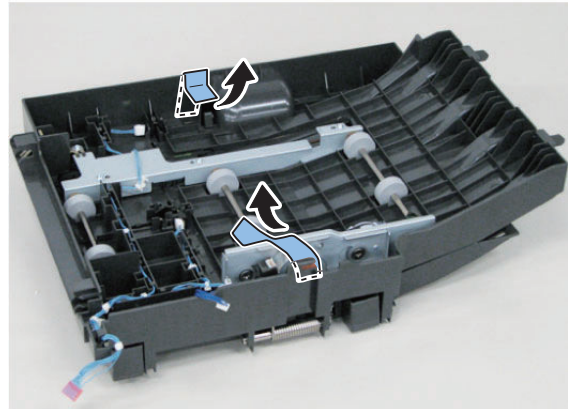
Do not hold the Stack Tray Support Plate and Delivery Flapper.



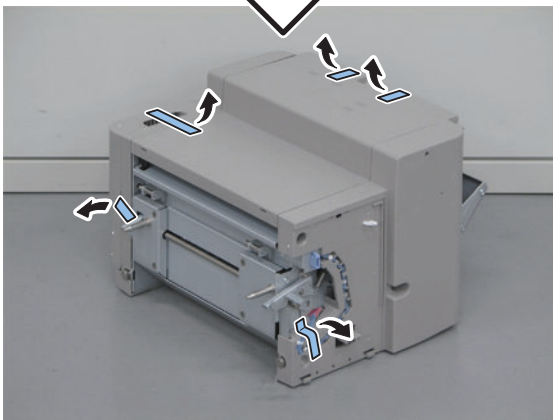
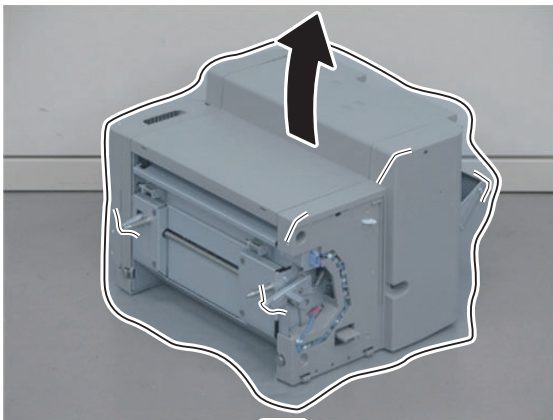
□
3.



□
5.



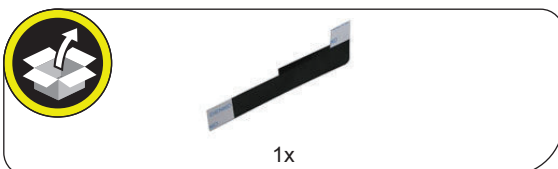
□
4.



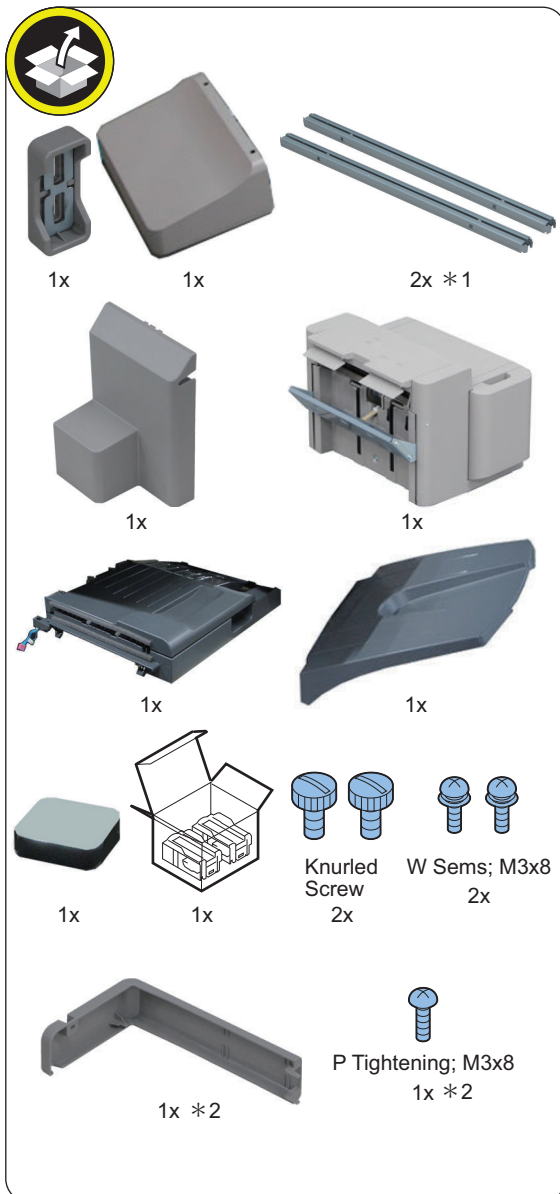
● Checking the Contents

■ Parts included with the Printer Model

Use the following part when installing this equipment to a printer model.



■ Contents



NOTE:

- *1 Use this only when the Cassette Feeding Unit is installed.
- *2 Used when installing "IC Card Reader Box".

<Others>

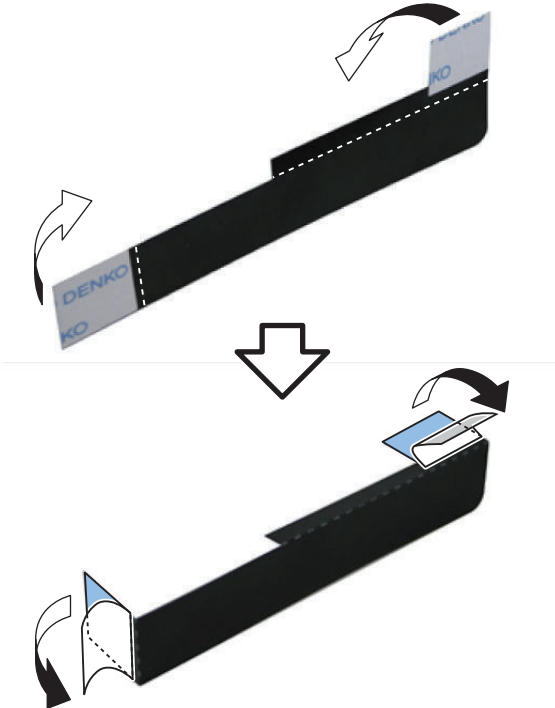
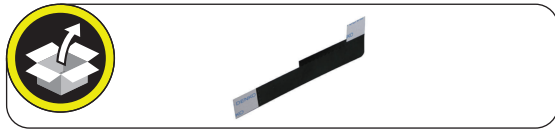
- Including guides

● Installing the Hinge Cover Sheet

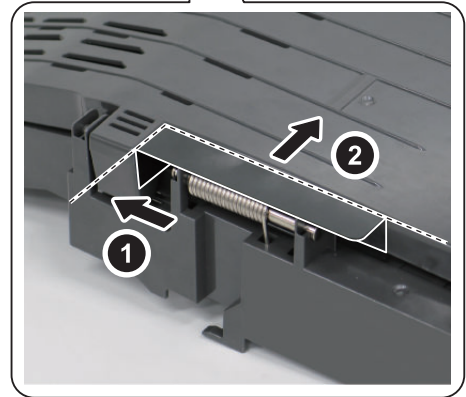
NOTE:

- Perform the following only when installing this equipment to a printer model.
- Use the Hinge Cover Sheet the packaged with the host machine.

□
1.



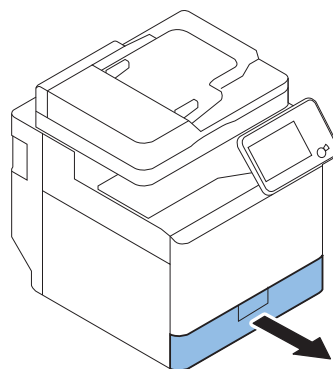
□
2.



● Installation Procedure

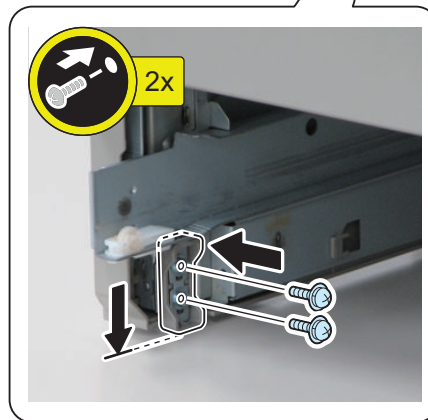
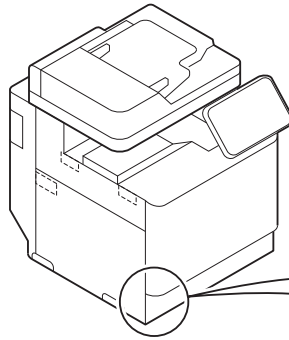
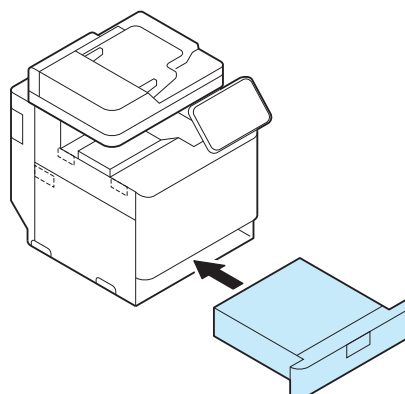
■ Without Cassette Feeding Unit

□
1.



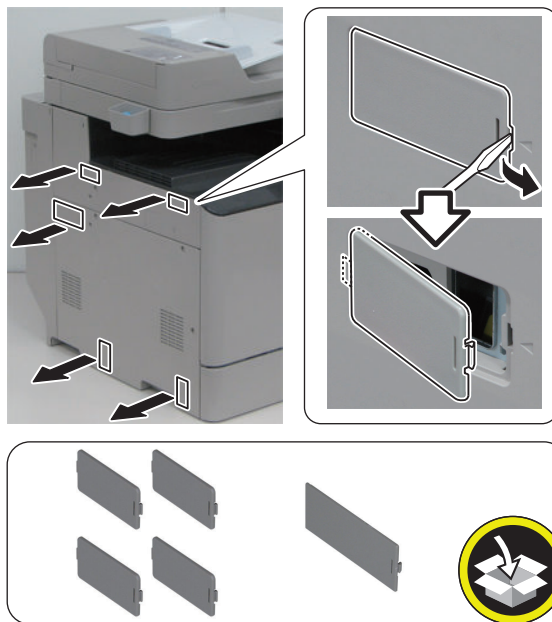
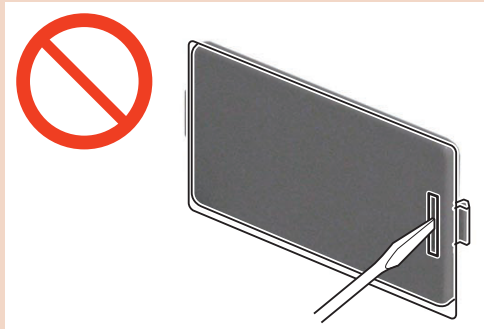
□
2.**NOTE:**

Be sure that it is in close contact with the floor of the installation location.

□
3.

□
4.**CAUTION:**

When removing the cover, do not insert a screwdriver in the oval hole.



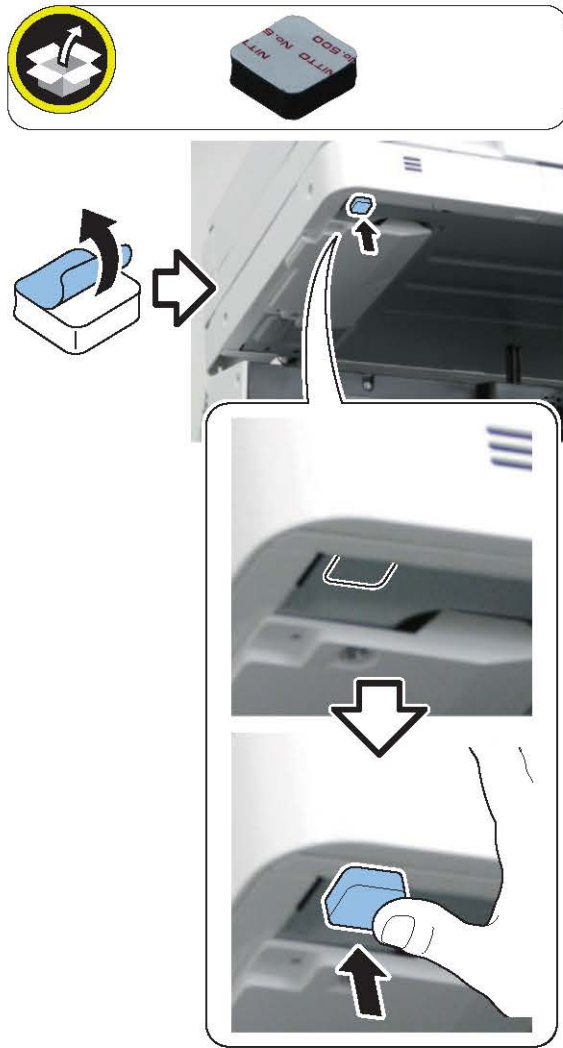
□
5.**CAUTION:**

Be sure to remove the Reverse Guide which may cause a jam.

**NOTE:**

For printer model, start from step 7.

□
6.



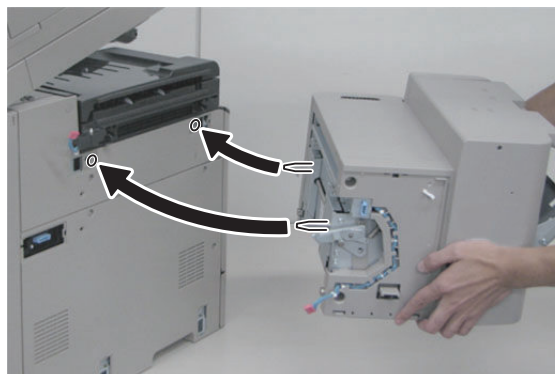
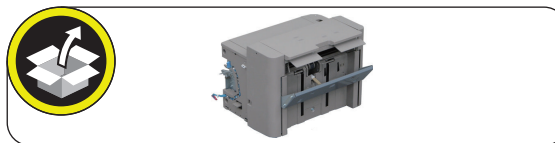
□
7.

CAUTION:

- Check that the Reverse Guide is removed.
- Be careful not to trap cables.
- In the case of a printer model, check that the Hinge Cover Sheet is affixed.



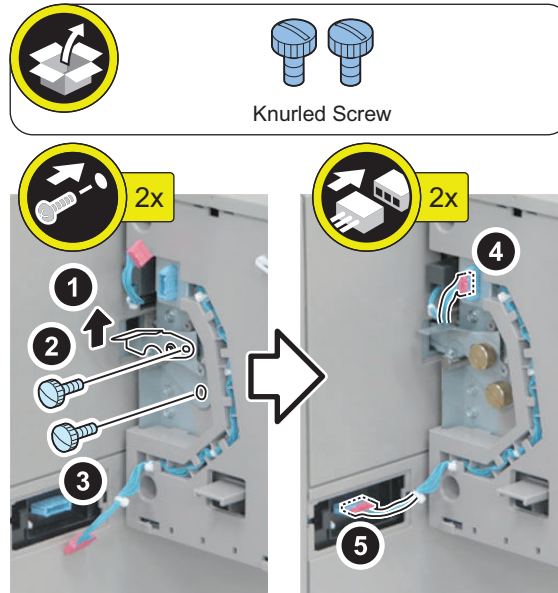
□
8.



□
9.

NOTE:

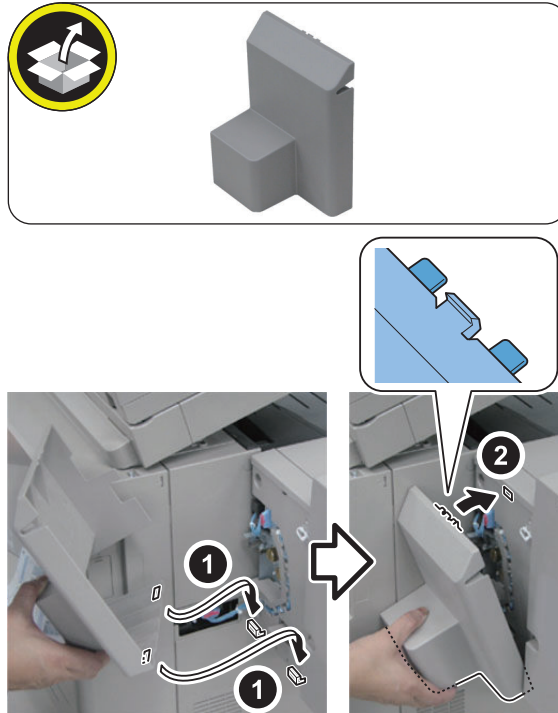
Match the screw holes while raising the latch and secure this equipment with Knurled Screws on the upper and lower sides. Connect the connector of Buffer Path Unit and the connector of Finisher Unit.

**NOTE:**

- When installing the IC Card Reader Box, be sure to install it before installing the Connector Cover.
- Refer to the chapter on "Installation" in the Service Manual for installation of the IC Card Reader Box.

□
10.**NOTE:**

Be sure that 2 hooks are properly hooked to this equipment.

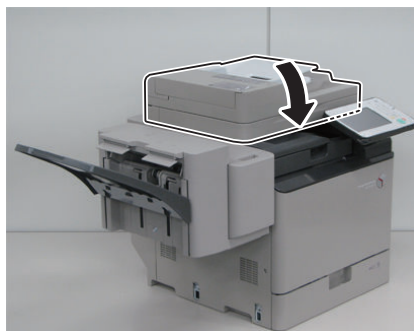


□
11.

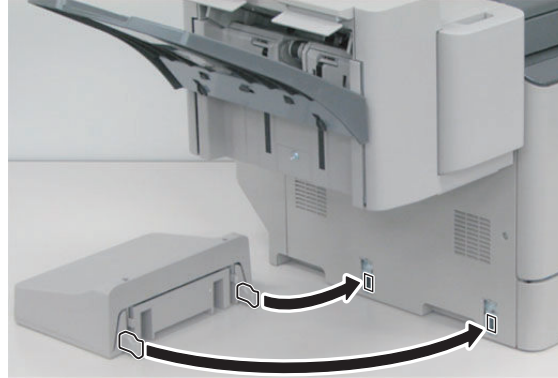
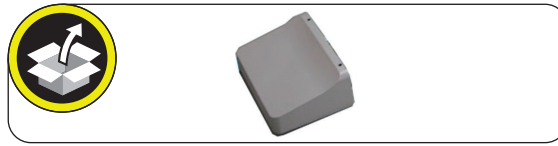
NOTE:
Make sure that a click sound occurs.



□
12.



13.

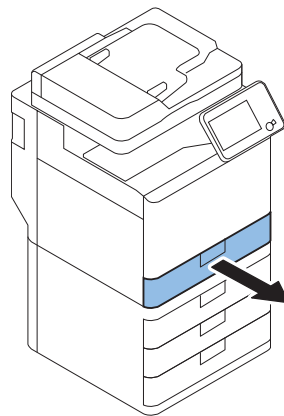


14. Connect the power plug of the host machine to the outlet.

15. Turn ON the Main Power Supply Switch.

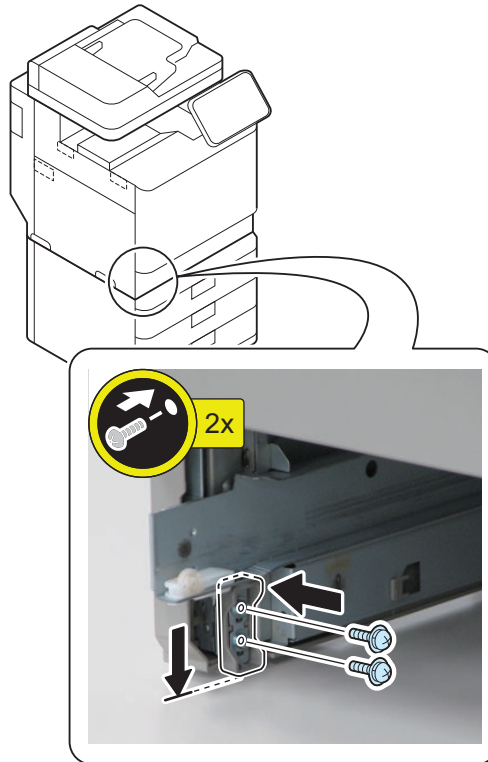
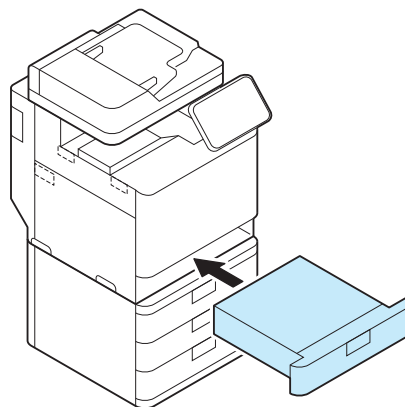
■ **With Cassette Feeding Unit**

1.



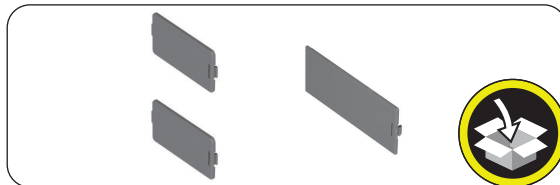
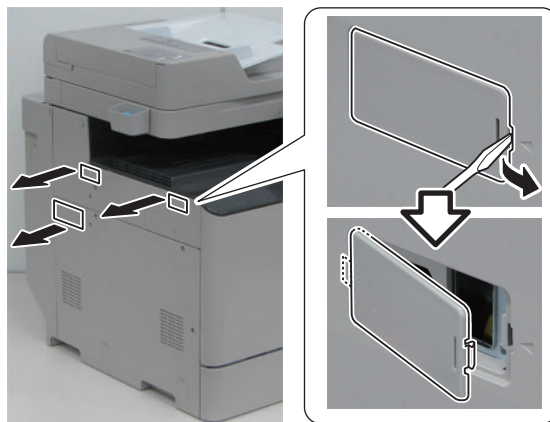
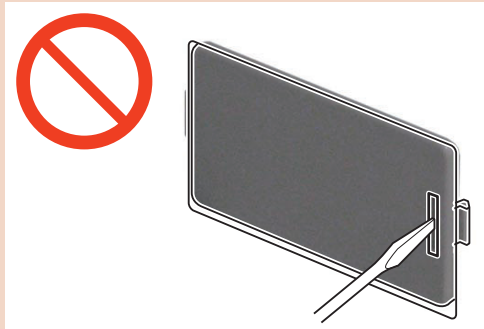
□
2.**NOTE:**

Be sure to make the Height Adjustment Plate in close contact with the top of the Cassette Feeding Unit.

□
3.

□
4.**CAUTION:**

When removing the cover, do not insert a screwdriver in the oval hole.



□
5.



□
6.



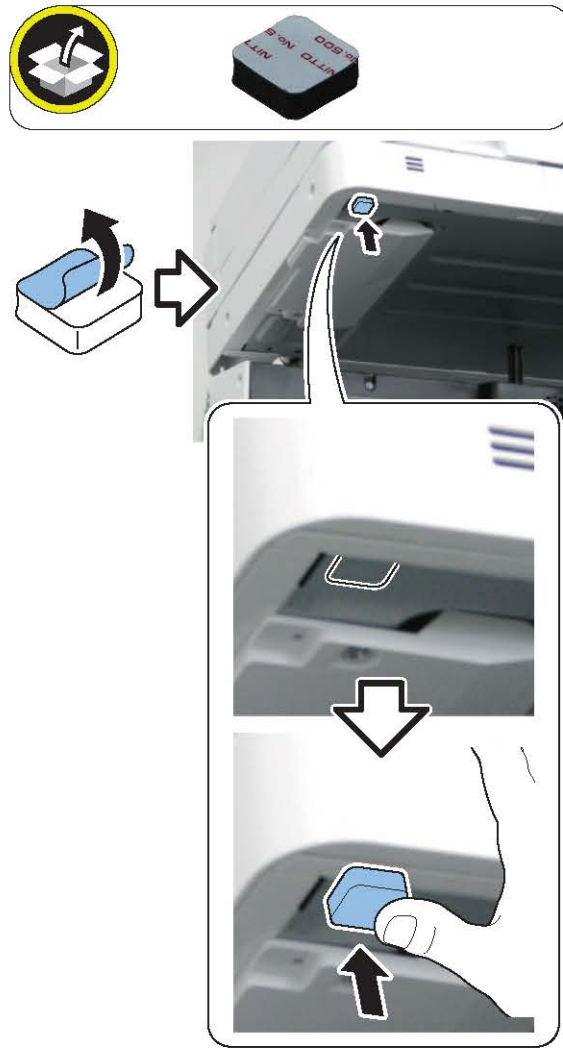
□
7.**CAUTION:**

Be sure to remove the Reverse Guide which may cause a jam.

**NOTE:**

For printer model, start from step 9.

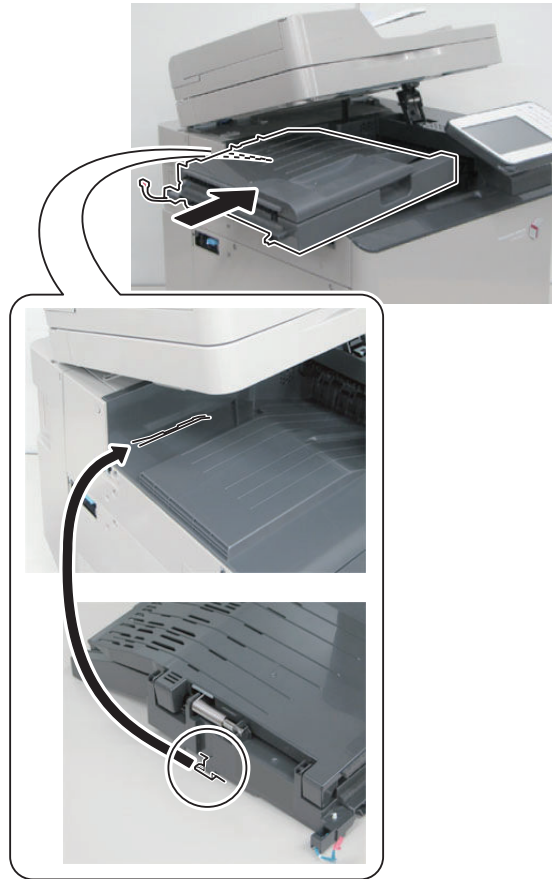
□
8.



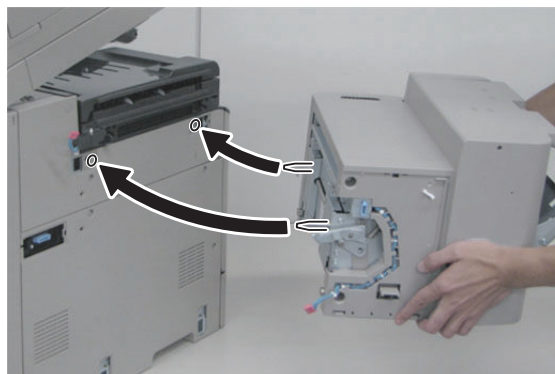
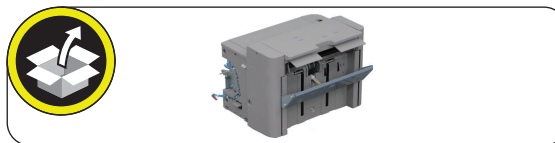
□
9.

CAUTION:

- Check that the Reverse Guide is removed.
- Be careful not to trap cables.
- In the case of a printer model, check that the Hinge Cover Sheet is affixed.



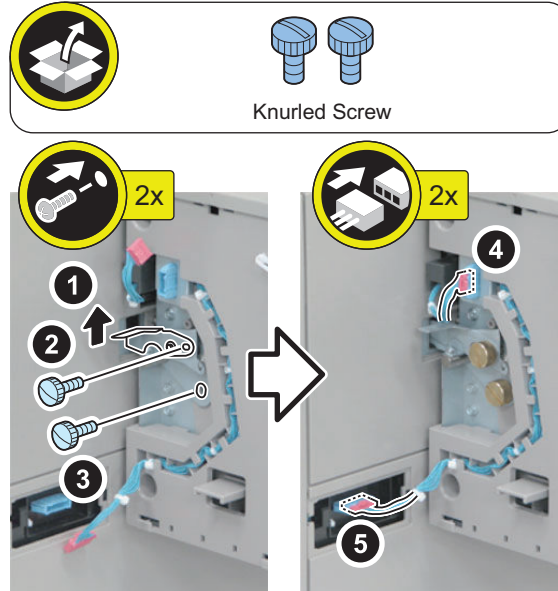
□
10.



□
11.

NOTE:

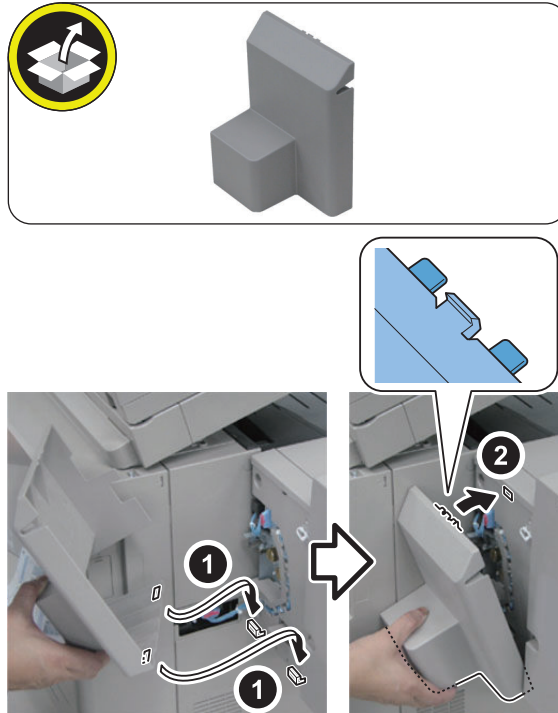
Match the screw holes while raising the latch and secure this equipment with Knurled Screws on the upper and lower sides. Connect the connector of Buffer Path Unit and the connector of Finisher Unit.

**NOTE:**

- When installing the IC Card Reader Box, be sure to install it before installing the Connector Cover.
- Refer to the chapter on "Installation" in the Service Manual for installation of the IC Card Reader Box.

□
12.**NOTE:**

Be sure that 2 hooks are properly hooked to this equipment.

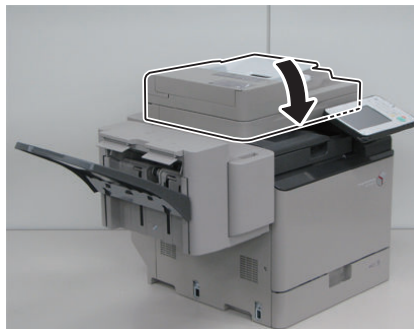


□
13.

NOTE:
Make sure that a click sound occurs.



□
14.



□
15. Connect the power plug of the host machine to the power outlet.

□
16. Turn ON the main power switch.

Cassette Heater Unit-39

Points to Note at Installation

Points to Note When the 2-cassette Pedestal is not Installed:

Since the machine will contain heat at its bottom if this equipment is installed, be sure to avoid installation at locations where heat resistance is low.

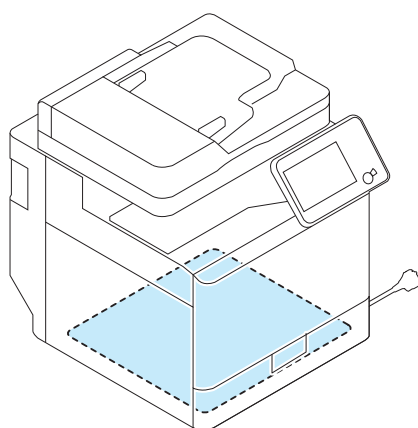
Product Name

Safety regulations require the product's name to be registered. In some regions where this product is sold, the following names may be registered instead.

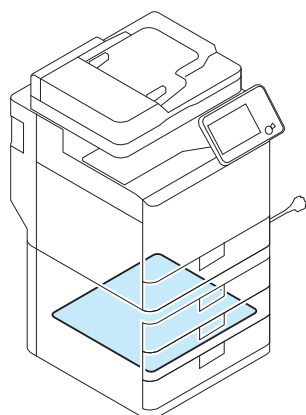
- F711500

Installation Outline Drawing

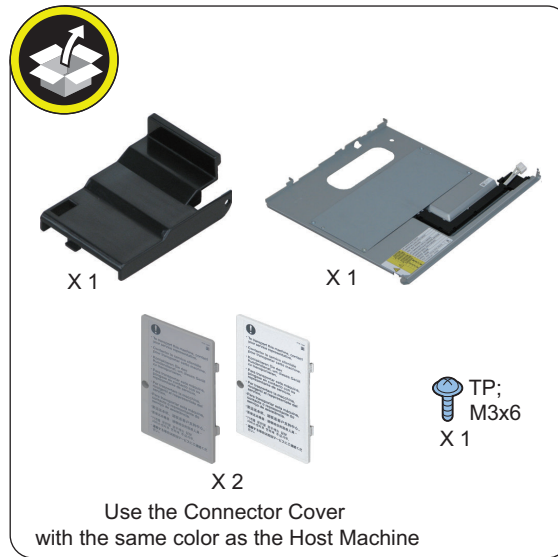
<Host Machine>



<Cassette Feeding Unit>



● Checking the Contents



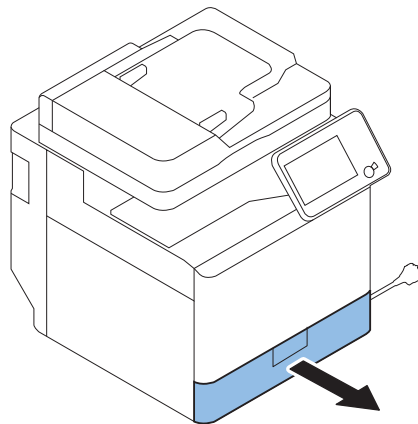
<Others>
Including guide

● Installation Procedure

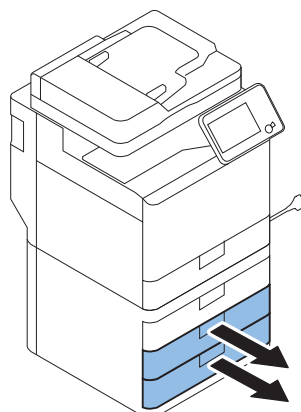


1. Remove the cassettes.

<Host Machine: Cassette 1>



<Cassette Feeding Unit: Cassettes 3 and 4>

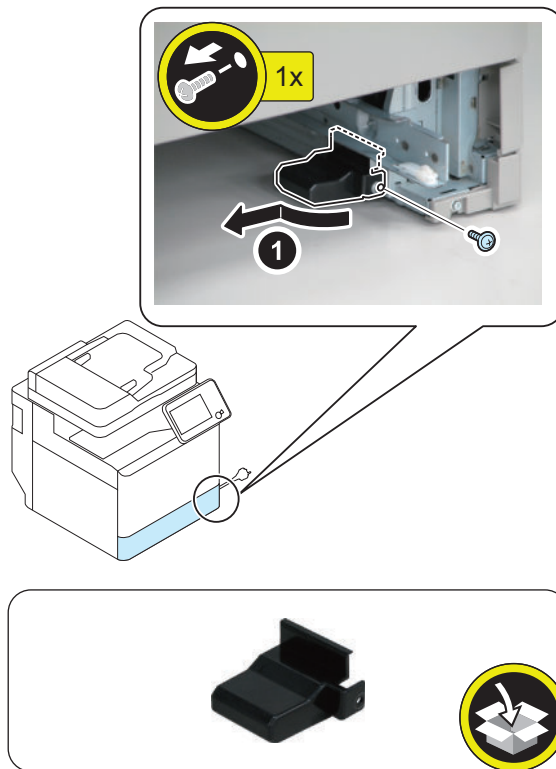




2. Remove the Heater Cap and the screw. (The removed Heater Cap will not be used.)

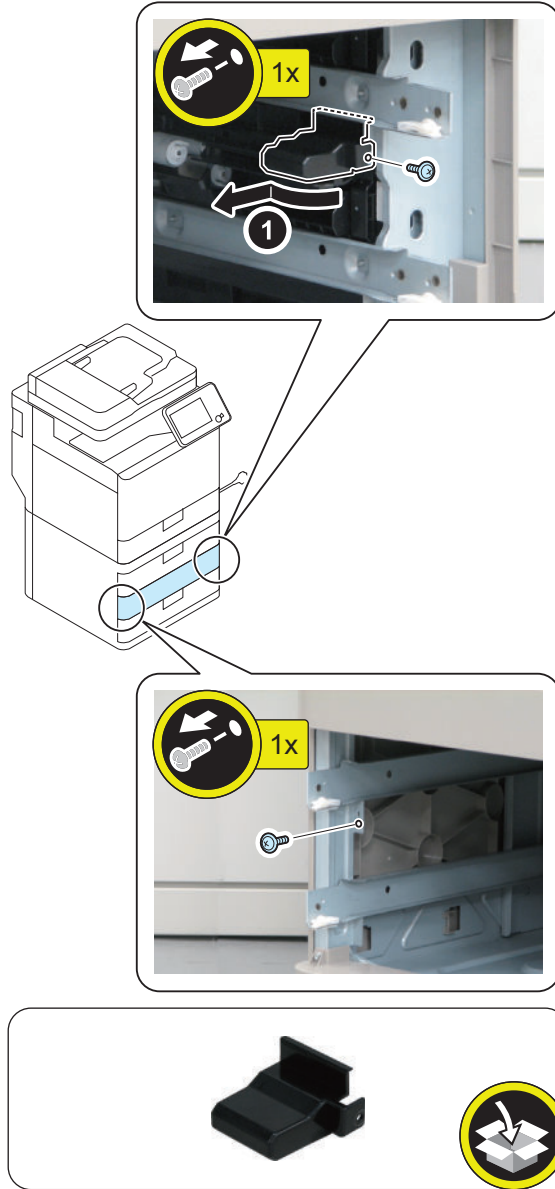
<Host Machine>

- 1 Screw (The removed screw will be used in step 5.)



<Cassette Feeding Unit>

- 2 Screws (Removed Screws will be used in step 3 and step 5.)

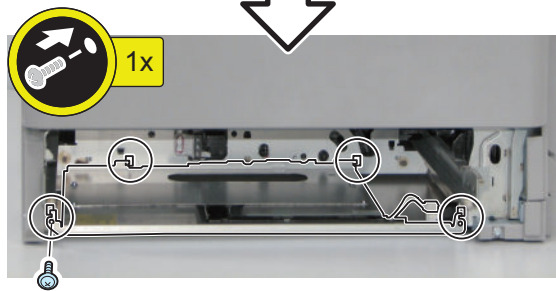
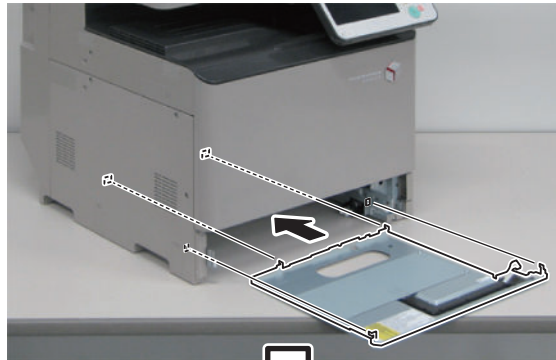
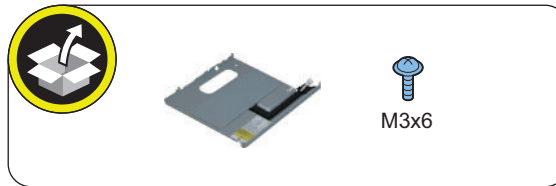




3. Install the Heater Unit.

<Host Machine>

- 2 Protrusions
- 2 Hooks
- 1 Screw (TP ; M3x6)

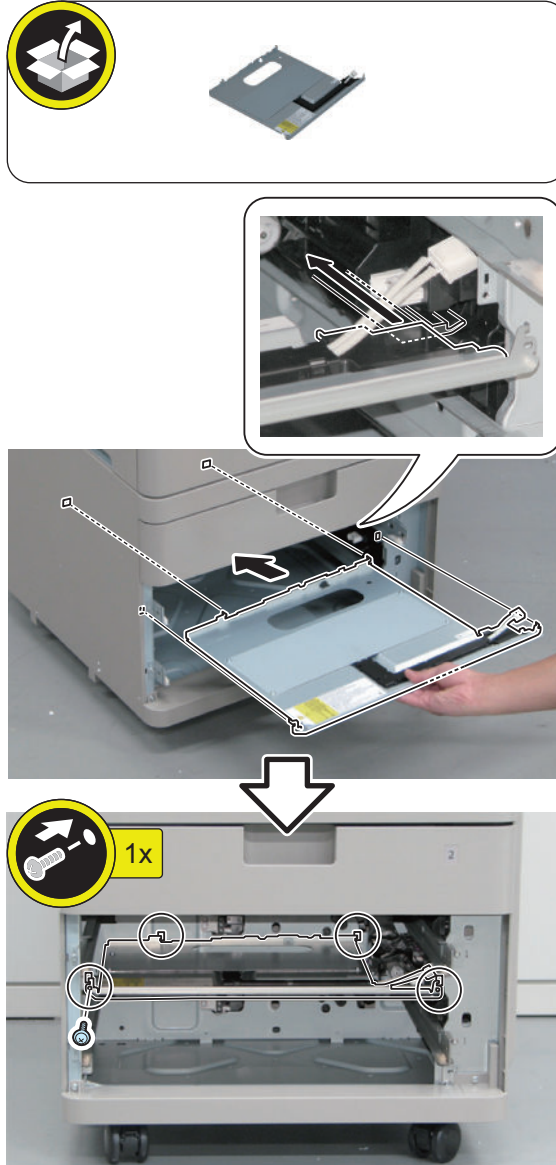


<Cassette Feeding Unit>

- 2 Protrusions
- 2 Hooks
- 1 Screw (Use the screw removed in step 2.)

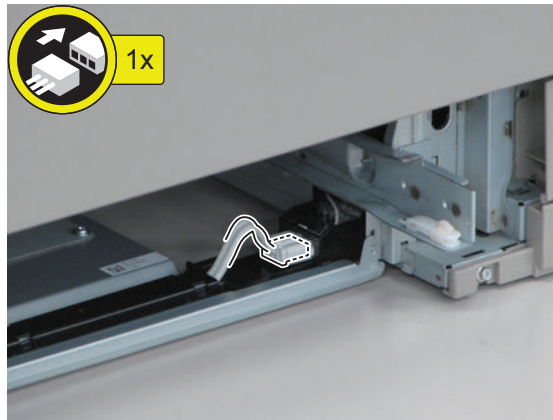
NOTE:

Make sure to install with the right side of Heater Unit to fit between the top of Pickup Guide and the connector.





4. Connect the connector.
<Host Machine>



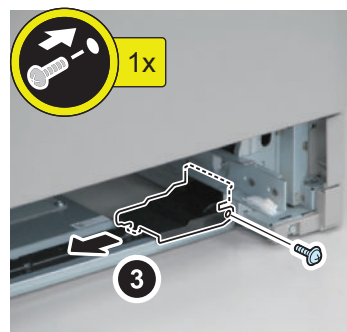
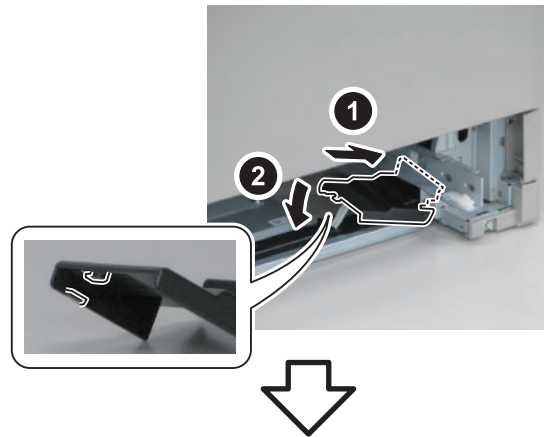
<Cassette Feeding Unit>



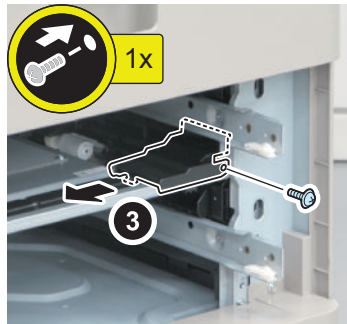
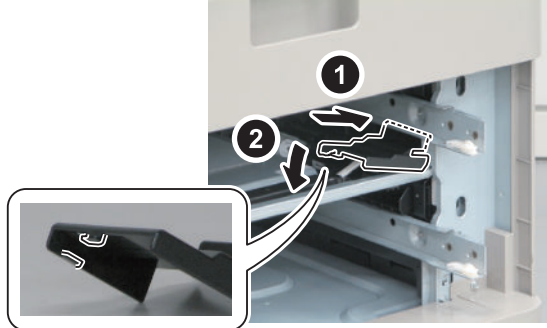


5. Install the Cassette Heater Connector Cover. (Tighten together with the Heater Unit using the screw removed in step 2.)

- 2 Hooks
- <Host Machine>



<Cassette Feeding Unit>



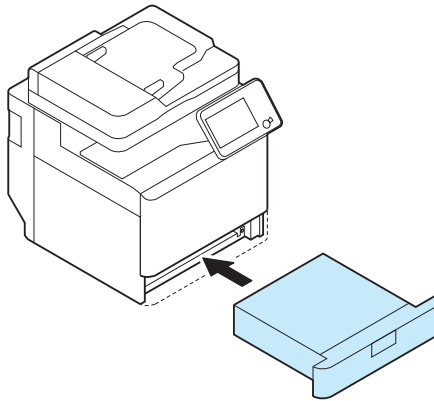


6. Return the cassettes to their original positions.

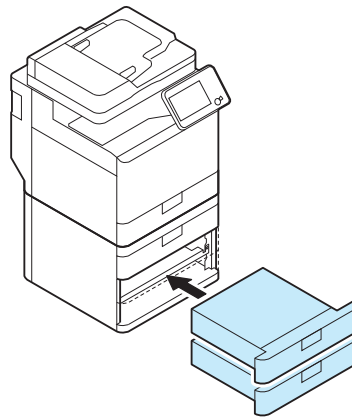
CAUTION:

- In the case of Host Machine: Proceed to steps 12.
- In the case of Cassette Feeding Unit: Refer to steps 7 and later.

<Host Machine: Cassette 1>



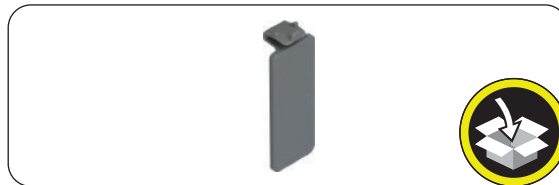
<Cassette Feeding Unit: Cassettes 3 and 4>





7. Remove the Face Cover. (Removed Face Cover will not be used.)

- 1 Claw



**8. Remove the Connecting Plate. (Removed Connecting Plate and the Knurled Screw will not be used.)**

- 1 Knurled Screw
- 1 Hook



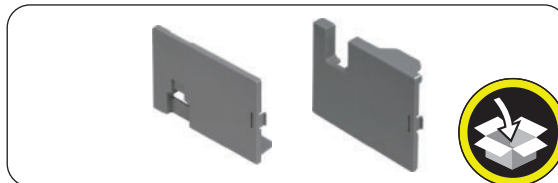
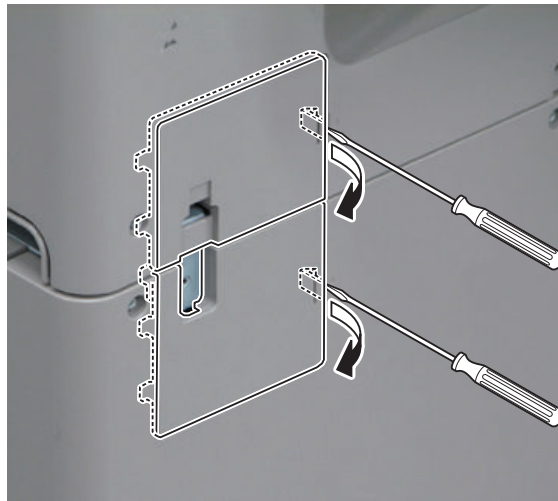
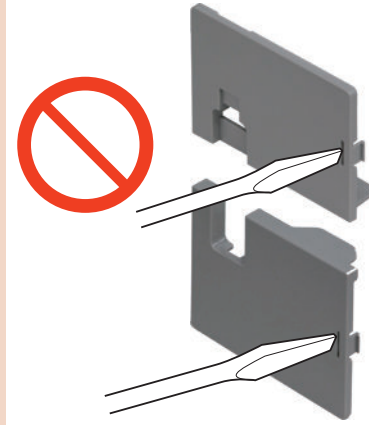


9. Remove the Environment Heater Cover and Connector Cover on the back of the Host Machine using a flat-blade screwdriver, etc. (Removed Environment Heater Cover and Connector Cover will not be used.)

- 1 Claw each

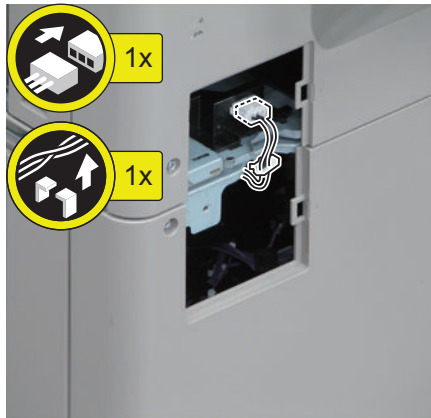
CAUTION:

When removing the cover, do not insert a screwdriver in the oval hole.



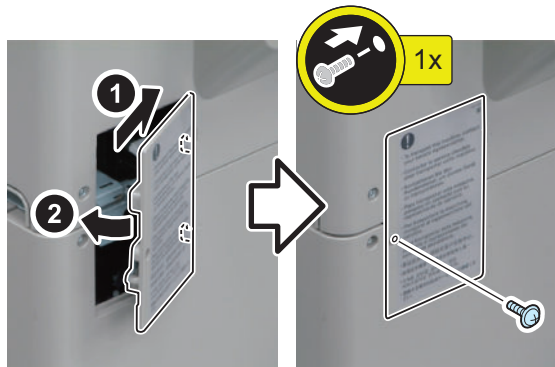


10. Pull out the connector from the top of the Cassette feeding Unit. And then connect the connector of the Cassette Feeding Unit to the host machine and secure it in place using the Wire Saddle.



11. Install the Connector Cover.

- 2 Claws
- 1 Screw (TP; M3x6)



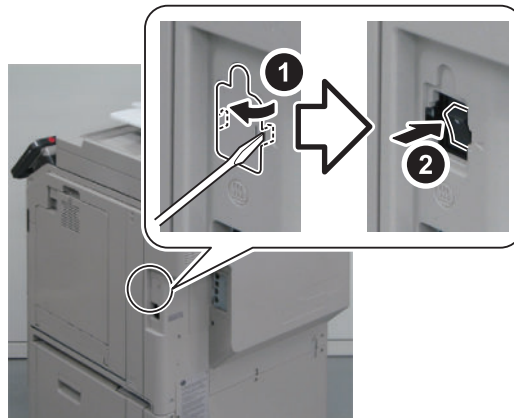
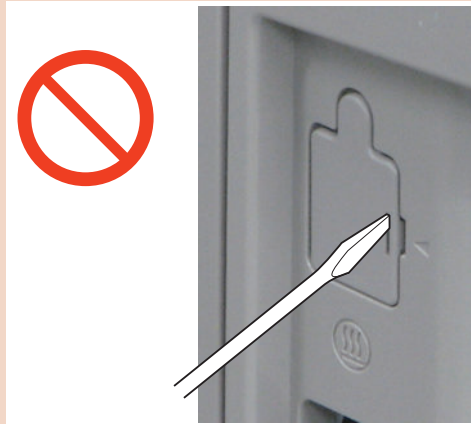


12. Remove the Dehumidification Switch Cover and turn ON the Dehumidification Switch.

- 1 Claw

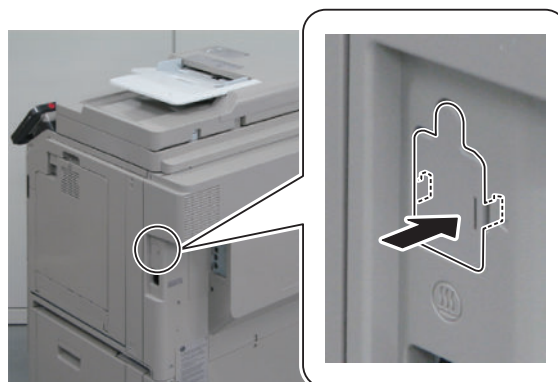
CAUTION:

When removing the cover, do not insert a screwdriver in the oval hole.



13. Return the Dehumidification Switch Cover to their original positions.

- 1 Protrusion
- 1 Claw



14. Connect the power plug of the host machine to the outlet.



15. Turn ON the main power switch.

Revision

Rev.	Product name	Reference	Category	Details	Remarks
1.0	Installation Manual	-	First Edition	-	-