

Canon

**imageRUNNER
ADVANCE DX
6780i / 6765i
6755i**



Service Guide

Published by
Canon U.S.A., Inc.
One Canon Park
Melville, NY 11747-3336
1-800-OK-CANON
E-Mail: serviceplanning@cusa.canon.com

Canon U.S.A. Homepage: <http://www.usa.canon.com>
Canon U.S.A. Internet e-Support Center Website: <http://www.support.cusa.canon.com>
Canon Partner Portal Website: <https://www.partners.usa.canon.com>

Distributed in the United States by Canon U.S.A., Inc.

IMPORTANT

THIS SERVICE GUIDE INCLUDES THE INFORMATION RELATING TO THE imageRUNNER ADVANCE DX 6780i, imageRUNNER ADVANCE DX 6765i, and imageRUNNER ADVANCE DX 6755i.

SPECIFICATIONS AND OTHER INFORMATION CONTAINED HEREIN MAY VARY SLIGHTLY FROM ACTUAL DEVICE VALUES OR THOSE FOUND IN ADVERTISING AND OTHER PRINTED MATTER.

USE OF THIS SERVICE GUIDE SHOULD BE STRICTLY SUPERVISED TO AVOID DISCLOSURE OF CONFIDENTIAL INFORMATION.

ALL PRICES LISTED ARE SUBJECT TO CHANGE WITHOUT NOTICE.

PART NUMBERS LISTED MAY BE CHANGED WITHOUT NOTICE TO REFLECT ENGINEERING REVISIONS.

REVISION HISTORY

Revision	Date	Sections	Details
	May 2020	All	imageRUNNER ADVANCE DX 6700 Service Guide
1	June 2020	I	Add the imageRUNNER ADVANCE DX 6765i and imageRUNNER ADVANCE DX 6755i
2	October 2020	I	Introduce Unified Firmware Platform V3.11 and its features
3	March 2021	I	Introduce Unified Firmware Platform V3.12 and its features

COPYRIGHTS AND TRADEMARKS

This Service Guide is the property of Canon U.S.A., Inc.

© Canon U.S.A., Inc. 2021. All rights reserved.

Canon, imageRUNNER, and Always Ask for Canon Genuine Toner, Parts & Supplies are registered trademarks of Canon Inc. imageWARE is a registered trademark of Canon U.S.A., Inc.

All other company names and product names may be trademarks or registered trademarks of their respective owners, and are hereby acknowledged.

LEGAL NOTICES

The information contained in this Service Guide constitutes confidential information of Canon U.S.A., Inc.

Pursuant to the authorized Service Agreement with Canon U.S.A., Inc., this Service Guide is solely for reference purposes and may be used only by an authorized Service Provider of Canon U.S.A., Inc. No part of this Service Guide may be reproduced or transmitted in any form by any means, electronic or mechanical, for any purpose without the prior written consent of Canon U.S.A., Inc., except as expressly permitted herein.

Pursuant to the authorized Service Agreement with Canon U.S.A., Inc., the Service Provider agrees to indemnify Canon U.S.A., Inc. and to hold it harmless from and against any and all claims arising out of Service Provider's possession, use, or misuse of this Service Guide.

As an authorized Canon dealership for the imageRUNNER ADVANCE DX 6780i / 6765i / 6755i you agree that the imageRUNNER ADVANCE DX 6780i / 6765i / 6755i and its related hardware/software accessories will not be exported from the United States except in strict accordance with the Export Administration Regulations of the U.S. Department of Commerce and other U.S. laws and regulations controlling exports from the United States.

Canon U.S.A., Inc. from time to time updates this online Service Guide and may modify the information and/or specifications contained in it at any time without notice. Additionally, all prices and availability dates listed herein are subject to change without notice. The latest version is available online at the [Canon Partner Portal](#) and [e-Support Center Websites](#) noted above. Please make certain that you are using the latest version. Specimens of Web pages included herein are for illustration purposes only.

DISCLAIMER

NEITHER CANON NOR ITS SUPPLIERS NOR ANY AUTHORIZED SERVICE PROVIDER SHALL BE LIABLE FOR PERSONAL INJURY OR PROPERTY DAMAGE (UNLESS CAUSED SOLELY AND DIRECTLY BY THE NEGLIGENCE OF CANON OR ANY AUTHORIZED SERVICE PROVIDER), LOSS OF REVENUE OR PROFIT, FAILURE TO REALIZE SAVINGS OR OTHER BENEFITS, EXPENDITURES FOR SUBSTITUTE EQUIPMENT OR SERVICES, LOSS OR CORRUPTION OF DATA, INCLUDING, WITHOUT LIMITATION, DATA STORED ON THE PRODUCT'S HARD DISK DRIVE, STORAGE CHARGES OR OTHER SPECIAL, INCIDENTAL OR CONSEQUENTIAL DAMAGES CAUSED BY THE USE, MISUSE OR INABILITY TO USE THE PRODUCT, REGARDLESS OF THE LEGAL THEORY ON WHICH THE CLAIM IS BASED AND EVEN IF CANON OR ITS SUPPLIERS OR ANY AUTHORIZED SERVICE PROVIDER HAS BEEN ADVISED OF THE POSSIBILITY OF SUCH DAMAGES. NOR SHALL RECOVERY OF ANY KIND AGAINST CANON OR ITS SUPPLIERS OR ANY AUTHORIZED SERVICE PROVIDER BE GREATER IN AMOUNT THAN THE PURCHASE PRICE OF THE PRODUCT CAUSING THE ALLEGED DAMAGE. WITHOUT LIMITING THE FOREGOING, THE PURCHASER ASSUMES ALL RISKS AND LIABILITY FOR LOSS, DAMAGE OR INJURY TO PERSONS AND THE PROPERTY OF THE PURCHASER OR OTHERS ARISING OUT OF THE POSSESSION, USE, MISUSE, OR INABILITY TO USE THE PRODUCT NOT CAUSED SOLELY AND DIRECTLY BY THE NEGLIGENCE OF CANON OR ANY AUTHORIZED SERVICE PROVIDER.

Contents

- I. Introduction 1**
 - A. Overview 1
 - B. Features 3
 - 1. Unified Firmware Platform 3
 - 2. imageRUNNER ADVANCE DX Series Platform improvements 3
 - C. Configuration 5
 - D. Optimum Performance Range and Monthly Copy/Print Volume 11
 - 1. The Optimum Performance Range 11
 - 2. Maximum Monthly Copy/Print Volume 11
- II. Hardware Accessory Options 12**
 - A. Printer Cover-H2 12
 - B. Paper Deck Unit-E1 12
 - C. POD Deck Lite-C1 12
 - D. Tab Feeding Attachment Kit-B1 12
 - E. Copy Card Reader-F1 12
 - F. Upright Control Panel-J1 12
 - G. Numeric Keypad-A1 13
 - H. Copy Tray-R2 13
 - I. Booklet Finisher-AC1 and Staple Finisher-AC1 13
 - J. 2/3 Hole Puncher Unit-A1 13
 - K. Document Insertion Unit-P1 13
 - L. Document Insertion/Folding Unit-J1 14
- III. System Features and Options 16**
 - A. Copy and Print Options 16
 - 1. imagePASS-Y3 V1.1 16
 - 2. Barcode Printing Kit-D1 16
 - 3. Secure Watermark 16
 - 4. PCL International Font Set-A1 16
 - B. Universal Send 17
 - 1. Universal Send Trace & Smooth PDF 17
 - 2. Universal Send Security Feature 17
 - 3. Universal Send Digital User Signature 17
 - C. Fax Options 17
 - 1. Super G3 FAX Board-AS2 17
 - 2. Super G3 2nd Line Fax Board-AS2 17
 - 3. Super G3 3rd/4th Line Fax Board-AS2 17
 - 4. IP FAX Expansion Kit-B1 17
 - 5. Remote Fax Kit-A1 18
 - D. Accessibility Options 18
 - 1. Voice Guidance Kit-B2 18
 - 2. Voice Operation Kit-D1 18
 - 3. ADF Access Handle-A1 18
- IV. Document Storage Capabilities 19**
 - A. Mail Box 19
 - B. Network 19
 - C. Memory Media 20
 - D. Advanced Box 20

V. Security Features and Options	21
A. Authentication and Usage Management.....	21
1. Universal Login Manager.....	21
2. Department ID Management	21
3. UA (Universal Authentication).....	21
4. Card Reader Solutions.....	22
5. Access Management System	22
6. uniFLOW Online	22
7. uniFLOW Online Express	23
B. Data Management and Security	24
1. Initialize All Data/Settings Function	24
2. TPM (Trusted Platform Module)	25
3. HDD Data Erase	26
4. HDD Data Erase Scheduler.....	26
5. HDD Data Encryption Kit.....	26
6. HDD Data Mirroring Kit-J1	26
C. Document Security.....	27
1. Adobe LiveCycle Rights Management ES Server Integration	27
2. PDF/XPS Visible Digital Signature	27
3. Encrypted Secure Print Software.....	27
4. iR-ADV Security Kit-AJ1 for IEEE 2600 Common Criteria Certification	28
D. Network Security	29
1. IPsec	29
2. Filtering by Port Number.....	29
3. IPv6.....	29
4. Wired / Wireless Security and Authentication.....	29
E. Device Security	30
1. Security Policy Settings	30
2. Restrict Service Representative Access Function.....	30
3. Verify System at Startup	31
4. SIEM (Security Information and Event Management) Integration	31
5. McAfee Embedded Control.....	31
VI. Software Solutions	32
A. Document Management and Binding.....	32
1. imageRUNNER ADVANCE Desktop	32
2. imageRUNNER ADVANCE Quick Printing Tool.....	32
3. Therefore	33
4. eCopy PDF Pro Office	33
B. Scan Management Software.....	34
1. Authorized Send	34
2. eCopy ShareScan.....	34
3. uniFLOW (Scanning)	34
4. uniFLOW Online	34
5. uniFLOW Online Express	34
C. Print/Output Management Software.....	35
1. Direct Print & Scan for Mobile.....	35
2. uniFLOW.....	35
3. uniFLOW Online	35
4. uniFLOW Online Express	35
5. AA-PRINT (Advanced Anywhere Print)	36
6. EFI PrintMe	36
7. Canon Mobile Printing.....	36

- D. Device Security and Management Software..... 37
 - 1. AA-PROX (Advanced Authentication – Proximity Card)..... 37
 - 2. uniFLOW Device Security & Management 37
 - 3. uniFLOW Serverless Secure Print..... 37
 - 4. uniFLOW Online 37
 - 5. uniFLOW Online Express 38
 - 6. imageWARE Enterprise Management Console and Plug-ins 38
 - 7. imageWARE Secure Audit Manager Express 38
 - 8. MEAP Web Connection Kit..... 38
 - 9. MDS Cloud..... 38
- E. Business Workflow Software 39
 - 1. Forms and Print Services for Salesforce 39
 - 2. Enterprise Imaging Platform 39
- VII. Dealer Sales/Service Authorization and Educational Training..... 40**
 - A. Learning Path for Existing Technicians..... 40
 - B. Learning Path for New Technicians 40
 - C. Foundational Prerequisites 41
 - D. Certification 41
 - E. Who Should Attend 41
 - F. uniFLOW Online and uniFLOW Online Express Training Courses 42
 - 1. uniFLOW Online 42
 - 2. uniFLOW Online Express 42
 - G. Data Backup Service Training Course..... 42
 - H. Training Facilities 43
 - 1. Online Courses 43
 - 2. Classroom Training Facilities..... 43
 - I. Course Equipment 43
 - J. Service Materials..... 43
- VIII. Servicing Notes 44**
 - A. Power and Plug Requirements 44
 - B. Installation Weight & Dimensions 46
 - C. Installation Space Requirements 48
 - D. Estimated Installation Times 50
 - E. Recommended System Engineer Requirements..... 52
 - F. Canon Remote Services 53
 - 1. imageWARE Remote..... 53
 - 2. Optional Integration Applications..... 54
 - 3. UGW SnapShot 54
 - 4. Device Management Tool..... 54
 - 5. Dealer Dashboard..... 54
 - 6. Content Delivery System 55
 - 7. Remote Operator’s Software Kit 56
 - G. Device Configuration Management..... 57
 - 1. Device Configuration Manager 57
 - 2. Device Migration Navigator..... 57
 - H. Data Backup Service..... 58
 - I. Firmware Upgrade 59
 - 1. Service Support Tool 59
 - 2. Content Delivery System 59
 - J. LMS (License Management System)..... 60
 - K. Content Delivery System Website 60
 - L. Hard Disk Drive Handling..... 61
 - M. Special Tools, Solvents & Oils 61
 - N. Consumables 62
 - O. Consumable Parts..... 63

P. Periodically Replaced Parts	66
Q. Periodic Maintenance.....	67
R. Soft Counter	69
S. MEAP Counter	70
T. Toner Bottle Counter.....	71
IX. Limited Warranty Support	72
A. imageRUNNER ADVANCE DX 6700 Limited Warranty Conditions.....	72
B. GPR-37/38 Drum Unit Limited Warranty.....	72
C. Warranty Programs.....	72
D. Service Parts Availability.....	73
X. Product Technical Support Offerings	74
A. Canon USA Technical Support Center	74
B. Technical Support Escalation	74
C. Internet Support	76
1. Canon USA's e-Support Center Website.....	76
2. Canon USA's Partner Portal Website.....	76
XI. Appendix	77
A. Registered Paper Types and Weight.....	77
B. Specifications	78
C. Canon imageRUNNER ADVANCE DX 6780i/6765i/6755i SERIES LIMITED WARRANTY.....	95
D. GPR-37/38 Drum Unit Limited Warranty.....	96
E. List of Tables.....	97
F. List of Figures.....	98

I. Introduction

This section contains the product overview, features, configurations, estimated performance standards, and monthly print volume.

A. Overview

The Canon imageRUNNER ADVANCE DX 6700 Series consists of the imageRUNNER ADVANCE DX 6780i, imageRUNNER ADVANCE DX 6765i, and the Canon imageRUNNER ADVANCE DX 6755i.

The imageRUNNER ADVANCE DX 6700 Series is a family of high-speed, high-performance black-and-white digital imaging devices. The imageRUNNER ADVANCE DX platform features enhancements focused on Workflow Efficiency, Device & Fleet Management Efficiency, Security, Cost Management, Sustainability, and Reliability.

The Canon imageRUNNER ADVANCE DX 6700 Series is the successor to the imageRUNNER ADVANCE 6500 III Series devices.

These models bring the following capabilities to end-users in a high volume office and Central Reproduction Department (CRD) facilities.

Note: For a detailed list of specifications and differences between the models, please refer to the [Specifications](#) section in the [Appendix](#).

- The imageRUNNER ADVANCE DX 6780i is a Segment 5 device that prints and copies B&W (Letter sized sheets) at speeds of up to 80-ppm.
- The imageRUNNER ADVANCE DX 6765i and imageRUNNER ADVANCE DX 6755i are Segment 4 devices that print and copy B&W (Black and White) (Letter sized sheets) at speeds of up to 65-ppm (pages per minute) and 55-ppm respectively.
- Standard Single-Pass Duplexing Automatic Document Feeder (ADF) and Color Image Reader with a scanning speed of up to 270 ipm (images per minute) (Color) at 300 dpi (dots per inch) and a capacity of up to 200-sheets (20 lb bond (80 g/m²)).
- A 250 GB hard disk drive (HDD) expandable to a 1 TB HDD, and 3 GB of RAM (Random Access Memory)
- Standard paper sources include two (2) paper drawers, two (2) paper cassettes and one multi-purpose tray that can hold a up to 4,360 sheets of paper (20 lb bond (75 g/m²)). Optional paper input options increase the paper capacity to up to 8,020 sheets (20 lb bond (75 g/m²)).
- Supports a maximum paper size of up to 11" x 17".
- Standard USB 3.0 high-speed connectivity is available on the rear-right side of the machine for connecting devices such as an external Hard Disk. Standard USB 2.0 high-speed connectivity is available on the front-right side of the machine for scanning to or printing from USB memory media.

- Standard Color Universal Send.
- Standard UFR II, PCL 5, PCL6, Adobe PostScript 3, and PDF/XPS/TIFF/JPEG Direct Printing.
- The main unit includes a motion sensor designed to reduce the perceived waiting time for the device to recover from sleep mode. The device is able to detect an approaching user, predict the user's intent, and recover from sleep mode accordingly. Likewise, the device can predict when the user is finished using the device and returns to sleep mode. Three (3) sensitivity settings are available and, the motion sensor can be turned off allowing the device to transition to and from sleep mode like predecessor models.
- Standard wireless LAN Support for IEEE 802.11 b,g,n.
- Standard security features available with imageRUNNER ADVANCE DX 6700 Series include:
 - SIEM Integration
 - Verify System at Startup
 - McAfee Embedded Control
 - HDD Data Encryption
 - HDD Data Erase
 - HDD Initialize
 - Forced Hold Printing
 - Encrypted Secure Print
 - Encrypted PDF
 - Digital Signature PDF (Device and User Signature)
 - IPsec
 - SMB 3.0
 - TLS 1.3
- The imageRUNNER ADVANCE DX 6700 Series includes the UFP (Unified Firmware Platform), which provides a common firmware base for the imageRUNNER ADVANCE DX devices and imageRUNNER ADVANCE.

B. Features

1. Unified Firmware Platform

The UFP (Unified Firmware Platform) provides a common firmware base for the imageRUNNER ADVANCE DX devices and imageRUNNER ADVANCE Third Generation devices. This makes it possible to unify development, and reflect the same functions in all supported devices.

The UFP has been designed for advanced functionality, high-reliability, and ease of operation. The UFP enables digital-business communications, such as imaging technology, cloud connectivity, and mobile solutions to work together.

UFP updates are performed on a regular basis, and include new specifications and enhancements. Critical bug fix firmware updates are released as needed.

The UFP offers the following features and benefits across all supported devices in your fleet:

- Consistent firmware updates (Updates are released on a regular basis)
- New features with new specifications
- Error fixes (Critical bug fix firmware updates are released as needed)

The imageRUNNER ADVANCE DX 6700 Series comes standard-equipped with UFP V3.10, and can be updated with UFP V3.12.

Note: Refer to the imageRUNNER ADVANCE V3.12 System Service Manual for details on all supported features.

2. imageRUNNER ADVANCE DX Series Platform improvements

UI (User Interface) improvements:

- The standard embedded 10.1" Color Wide Super VGA high-resolution TFT screen with flick, pinch, and drag and drop operability¹. The UI provides familiar smartphone-like functionality with an operational soft-key keypad added to the touchscreen UI. An optional Upright Control Panel is available.
- With the introduction of the imageRUNNER ADVANCE DX models, on-screen soft-key support is now standard. The Home screen is comprised of Main Menu buttons and Timeline. The Home screen consolidates the Quick Menu and Main Menu functions. The Timeline displays the settings of the previous 10 jobs performed (copy, scan and send, store, access to stored files, and fax).

¹ Flick is not available on the following screens: one touch menu, [Options] menu in Copy/Box/Send, Settings/Registration. Pinch can be used on any menu or function screen. Default is off, and can be turned on in Settings/Registration -> Preferences -> Accessibility Settings -> Enable Screen Magnification. Drag and Drop to rearrange the button layout in the Quick Menu. Toggle on-off in the bottom right corner.

The imageRUNNER ADVANCE Series UFP V3.12 design improvements include:

- **User Interface Improvements**

- The User Interface now allows a four medium/small-sized button layout on the home screen.
- Function Shortcut display is supported on the home screen. The shortcuts are pinned to the same position on the home screen and each function screen.

- **Optical Character Recognition (OCR) Improvements** – .OCR dark background scanning is now supported with more PDF file types besides Compact PDF.


- **SMTP/POP Server Name Expansion** – Maximum permissible length for the SMTP/POP Server name is expanded to 255 characters.

- **SMB 1.0 Disabled by Default** – SMB 1.0 is disabled as a default setting for both client and server. This encourages users to enable less vulnerable communication protocols.

C. Configuration

Note: All Configurations shown are for reference purposes only and are subject to change without notice. Please refer to the Dealers Price List on the Partner Portal Website (<https://www.partners.usa.canon.com>) for the most up-to-date Item Numbers.

Table 1 – Main Engine

Item	Item Number ²
<p style="text-align: center;">imageRUNNER ADVANCE DX 6780i with POD Deck Lite-C1, Document Insertion / Folding Unit-J1, and Booklet Finisher-AC1</p> 	
Print Engine	
imageRUNNER ADVANCE DX 6780i ^{3, 4}	4017C003AA
imageRUNNER ADVANCE DX 6765i ^{3, 4}	4018C003AA
imageRUNNER ADVANCE DX 6755i ^{3, 4}	4020C003AA

2 Item Numbers and Part Numbers are subject to change without notice.
 3 Ships standard with 200-sheet Single Pass Duplexing Automatic Document Feeder, Color Image Reader, 2 x 1,500-Sheet Paper Drawers, 2 x 550-sheet Paper Cassettes, Tab Feeding Attachment Kit, UFR II/PCL/PS Printing, Direct PDF/XPS Printing, Color Universal Send with PDF, High Compression, Encrypted PDF, Digital Signature PDF (Device and User Signature), Trace and Smooth PDF, Searchable PDF/XPS, OOXML (Scan to PPT and Word), Universal Login Manager (Requires Download), uniFLOW Online Express, Access Management System, HDD Data Erase, Data Encryption (FIPS-140-2), IP Sec, Encrypted Secure Print, Secure Watermark, Web Browser, Color Image Reader, Ethernet 1000Base-T/100Base-TX/10Base-T, USB 2.0/3.0 High Speed Connectivity, Wifi Connectivity, Remote Operator's Software Kit, USB Device Port, Color Network ScanGear and Drum Units.
 4 Requires Copy Tray-R2, Staple Finisher-AC1 or Booklet Finisher-AC1.

Table 2 – Hardware Accessories

Item	Item Number ²
Paper Deck Unit-E1 ⁵	0162C002AA
POD Deck Lite-C1 ⁵	0163C002AA
Copy Tray-R2 ⁶	0164C002AA
Staple Finisher-AC1 ^{6, 7}	3235C001AA
Booklet Finisher-AC1 ^{6, 7}	3236C001AA
2/3 Hole Puncher Unit-A1 ⁸	0126C001AA
Document Insertion Unit-P1	0104C001AA
Document Insertion / Folding Unit-J1	0105C002AA
Tab Feeding Attachment Kit-B1 ⁹	6793A004AA
Utility Tray-B1	0165C001AA
Upright Control Panel-J1	4024C001AA
Printer Cover-H2 ¹⁰	0097C002AA
USB Key Board (Cherry) ¹¹	1266V426
Copy Card Reader Attachment-A4	3730B004AA
Copy Card Reader-F1 ¹²	4784B001AA
Canon Card Set-A1 (1-30)	4781B001AA
Canon Card Set-A2 (31-100)	4781B002AA
Canon Card Set-A3 (101-200)	4781B003AA
Canon Card Set-A4 (201-300)	4781B004AA
Canon Card Set-A5 (301-500)	4781B005AA
Canon Card Set-A6 (501-1000)	4781B006AA
Braille Label Kit-F1	7518A004AA
ADF Access Handle-A1	1095B001AA
Copy Control Interface Kit-A1 ¹³	3726B001AA
Convenience Stapler-A1 (White)	1348V957
Universal Keyboard Stand-A1	2212V477
Card Reader Assembly for Universal Keyboard Stand	2212V478

² Item Numbers, eLAN Item Numbers and Part Numbers are subject to change without notice.

5 Paper Deck Unit-E1 and POD Deck Lite-C1 cannot be installed at the same time.
 6 Staple Finisher-AC1, Booklet Finisher-AC1 and Copy Tray-R2 cannot be installed at the same time.
 7 Inner Booklet Trimmer-A1, Booklet Trimmer-F1, Document Insertion Unit-N1, Paper Folding Unit-J1 or Multi Function Professional Puncher-B1 cannot be attached.
 8 Requires Staple Finisher-AC1 or Booklet Finisher-AC1.
 9 Additional Tab Feeding Attachment for cassettes 3 or 4.
 10 Requires removing the standard Single Pass Duplexing ADF and Reader.
 11 When installing USB Keyboard, it is recommended to install the Universal Keyboard Stand-A1 or the Utility Tray-B1
 12 Requires the Copy Card Reader Attachment Kit-A3.
 13 Cannot be installed if Card Reader-F1 is installed.

Table 3 – System Connectivity Accessories

Item	Item Number ²	eLAN Number ¹⁴
PCL International Font Set-A1	-	4821B003AA
Barcode Printing Kit-D1	-	3999B004AA
MEAP Web Connection Kit V5.6 for DX	-	4848B117AA
Super G3 FAX Board-AS2	0166C007AA	-
Super G3 2nd Line Fax Board-AS2 ¹⁵	0167C007AA	-
Super G3 3rd/4th Line Fax Board-AS2 ¹⁶	0168C004AA	-
IP FAX Expansion Kit-B1 ¹⁶		0170C004AA
Remote FAX Kit-A1 ¹⁷	-	3679B005AA
HDD Mirroring Kit-J1 ¹⁸	0180C001AA	-
HDD Data Erase Scheduler V3.1.2	-	4164BV44AC
HDD Data Erase Scheduler V3.1.2 NFR	-	
2.5inch/250GB HDD-N1 ¹⁹	0177C001BA	-
2.5inch/1TB HDD-P1	0178C001AA	-
Voice Guidance Kit-G1 ^{20, 21}	0171C001AA	-
Voice Operation Kit-D1 ^{20, 21}	0172C002AA	-
iR-ADV Security Kit-AJ1 for IEEE 2600 Common Criteria Certification ²²	Available Later	-
Connection Kit-A2 for Bluetooth LE	4041C001AA	-
NFC KIT-E1	4029C001AA	-
Numeric Keypad-A1	4036C001AA	-

² Item Numbers, eLAN Item Numbers and Part Numbers are subject to change without notice.

¹⁴ The eLAN (Electronic License Access Number) is delivered via the CNA section of the Partner Portal Website.

¹⁵ Requires Super G3 FAX Board-AS2

¹⁶ Requires Super G3 FAX Board-AS2 and Super G3 2nd Line Fax Board-AS2.

¹⁷ Cannot be installed with Super G3 FAX Board-AS2.

¹⁸ HDD Mirroring feature requires two hard drives, either one additional 2.5inch/250GB HDD-N1 with standard 250GB HDD or two 2.5 inch/1TB HDD-P1 replacing standard 250GB HDD.

¹⁹ 250 GB HDD for mirroring functionality only, cannot be used to increase storage.

²⁰ Voice Guidance Kit-G1 and Voice Operation Kit-D1 cannot be installed at the same time.

²¹ Requires the Numeric Keypad-A1.

²² Includes iR-ADV Security Kit-AJ1 for IEEE 2600 Common Criteria Certification. Specified configurations and settings need to be applied to the device in order to achieve and maintain IEEE2600.1 CC Certification. Cannot be configured with MEAP Web Connection Kit G3, Remote Fax Kit-A1, imagePASS-Y3 V1.1, IP FAX Expansion Kit-B1, Copy Card Reader-F1, NFC KIT-E1, Connection Kit-A2 for Bluetooth LE, all imageWARE options and all MEAP applications.

Table 4 – System Connectivity Accessories imagePASS

Item	Item Number ²
imagePASS-Y3 V1.1 ²³	4101C002AA
OS upgrade kit for Y3 ²⁴	5727B025AA
Fiery Compose	2351B006AA
Fiery Impose	6596A042AA
Fiery Impose and Compose	6596A043AA
Fiery imageViewer	7752A035AA
Removable Hard Disk Drive Kit-B6	0134B011AA
Integrated Interface & Stand-NX One ²⁵	3725V626

² Item Numbers, eLAN Item Numbers and Part Numbers are subject to change without notice.

²³ Ships standard with Hot Folder, Secure Erase, Paper Catalog Kit, and VDP-A1 Kit.

²⁴ Upgrade for existing imagePASS-Y3 V1.0 devices. Kit upgrades Windows 10 2016 up to Windows 10 2019 (IoT Enterprise versions). CWS 6.4 does not support 32-bit Windows Environments and Mac OS 10.10 and earlier.

²⁵ Ships with 22" LCD monitor, keyboard and mouse.

Table 5 – imageRUNNER ADVANCE Solutions

Item	Item Number ²	eLAN Number ¹⁴
imageRUNNER ADVANCE Desktop V4.3 1L with 3 years Software Maintenance	-	4140B764AA
imageRUNNER ADVANCE Desktop V4.3 5L with 3 years Software Maintenance	-	4140B765AA
imageRUNNER ADVANCE Desktop V4.3 20L with 3 years Software Maintenance	-	4140B766AA
imageRUNNER ADVANCE Desktop V4.3 10L NFR ²⁶	-	4140B767AA
imageRUNNER ADVANCE Desktop V4 1L 1 year Software Maintenance Extension ²⁷	-	4140B775AA
imageRUNNER ADVANCE Desktop V4 5L 1 year Software Maintenance Extension ²⁷	-	4140B776AA
imageRUNNER ADVANCE Desktop V4 10L 1 year Software Maintenance Extension ²⁷	-	4140B777AA
imageRUNNER ADVANCE Desktop V4 20L 1 year Software Maintenance Extension ²⁷	-	4140B778AA
imageRUNNER ADVANCE Desktop V4 50L 1 year Software Maintenance Extension ²⁷	-	4140B779AA
Authorized Send V7.1 (1 License) ²⁸	-	4224C009AB
Authorized Send V7.1 (10 Licenses) ²⁸	-	4224C010AB
Authorized Send V7.1 (100 Licenses) ²⁸	-	4224C011AB
Authorized Send V7.1 (1 License NFR) ²⁸	-	4224C012AB
Authorized Send To Fax V7.1 (1 License) e-LAN	-	4224C014AB
Authorized Send V7.1 Add-on Option (1 License) e-LAN	-	4224C015AA
Authorized Send V7.1 Worldox Add-on Option (1 License) e-LAN	-	4224C016AA
Authorized Send V7.1 Bar Code Recognition Add-on Option (1 License) e-LAN	-	4224C017AA
Authorized Send V7.1 Fax Server Add-on Option (1 License) e-LAN	-	4224C018AA
MiCard PLUS SC ²⁹	3575B504AA	-
AA-PRINT MFP V1.5 Gen3 ²⁸	-	4164BT59AA
AA-PRINT MFP V1.5 Gen3 NFR ²⁸	-	4164BT60AA
MEAP Web Connection Kit V5.6	-	4848B117AA
PaperCut Gen3+ MEAP License	-	4224C027AA
Direct Print and Scan for Mobile ³⁰ V2.3.2 1L	-	4164BM80AB
Direct Print and Scan for Mobile ³⁰ V2.3.2 NFR 1L	-	4164BM81AA
Object Generator (for AS400 printing) License with 3 year Maintenance	-	4223C001AA
Object Generator Additional 1 year Maintenance	-	4223C002AA

² Item Numbers, eLAN Item Numbers and Part Numbers are subject to change without notice.

¹⁴ The eLAN (Electronic License Access Number) is delivered via the CNA section of the Partner Portal Website.

²⁶ Expires one year after installation

²⁷ Software Maintenance Extensions can be purchased and registered up to 5 years in advance.

²⁸ The Application/Jar file can be attained through download only from <http://www.canon.com/fau/downloads/>.

²⁹ MiCard PLUS SC supports 35 different proximity cards types. Refer to the Canon Partner Portal for a complete list of supported card frequencies

³⁰ No longer available for purchase.

Table 6 – Supplies and Consumables

Supplies and Consumables	
Item	Item Number²
Staple Cartridge-X1 (for Staple Finisher-AC1 & Booklet Finisher-AC1) ³¹	0146C001AA
Staple Cartridge-Y1 (for Booklet Finisher-AC1) ³²	0148C001AA

² Item Numbers, eLAN Item Numbers and Part Numbers are subject to change without notice.

Table 7 – Toner and Drum

Toner, Starter and Drum	
Item	Item Number²
GPR-37/38 Black Drum Unit (6M impressions)	3765B003AA
GPR-38 Black Toner (70,000 impressions at 6% coverage)	3766B003AA

² Item Numbers, eLAN Item Numbers and Part Numbers are subject to change without notice.

³¹ Used for corner/double stapling only. 3 cartridges per case. 5,000 staples per cartridge.

³² Used for booklet finishing only. 2 cartridges per case. 2,000 staples per cartridge.

D. Optimum Performance Range and Monthly Copy/Print Volume

1. The Optimum Performance Range

The optimum performance range is the volume range that the equipment is intended to run on a regular basis to maintain a high level of performance and print/copy quality.

Running the equipment within this range ensures that no undue stress is placed on components, and it allows time for the proper servicing and maintenance of the equipment.

2. Maximum Monthly Copy/Print Volume

The maximum monthly copy/print volume is the maximum number of pages the machine can produce within a one-month period (based on letter size paper). However, the device should not be used to produce the maximum number of pages, or a greater volume, on a consistent monthly basis.

Sustained use of the machine at this level will significantly impact the long term performance and durability of the machine. You should expect an increase in the number of service calls and down time during periods of Maximum production use.

Table 8 – Optimum Performance Range and Monthly Copy/Print Volume

Model	Optimum Performance Range (based on LTR sized paper)	Maximum Monthly Volume (based on LTR sized paper)
imageRUNNER ADVANCE DX 6780i	Approximately 30,000 to 150,000	Up to 350,000
imageRUNNER ADVANCE DX 6765i	Approximately 25,000 to 110,000	Up to 280,000
imageRUNNER ADVANCE DX 6755i	Approximately 20,000 to 70,000	Up to 230,000

II. Hardware Accessory Options

Canon-Branded paper feed, accessories and finishers for the imageRUNNER ADVANCE DX 6700 Series.

Refer to the Appendix to see the specifications for the hardware accessory options.

A. Printer Cover-H2

- Printer Cover-H2 is installed in place of the Duplex Image Reader when this machine is used as a printer model.
- This option requires removing the standard Single Pass Duplexing Automatic Document Feeder and Color Image Reader.

B. Paper Deck Unit-E1

- Provides an additional paper capacity of approximately 3,660 sheets (20 lb bond (75 g/m²)).
- Supports LTR-sized paper only.
- Supports paper weights up to 140 lb index (256 g/m²).
- Cannot be installed with the POD Deck Lite-C1.

C. POD Deck Lite-C1

- Provides an additional paper capacity of approximately 3,660 sheets (20 lb bond (75 g/m²)).
- Supports paper sizes up to 11" x 17".
- Supports paper weights up to 140 lb Index (256 g/m²).
- Cannot be installed with the Paper Deck Unit-E1.

D. Tab Feeding Attachment Kit-B1

- Enables printing on tab paper from Paper Drawer 3 or Paper Drawer 4.
- One Tab Feeding Attachment Kit is included with the imageRUNNER ADVANCE.

E. Copy Card Reader-F1

- Enables Department ID Management using a control card. End-users are required to authenticate using a control card before starting an operation.
- Up to 1,000 Department IDs can be registered.
- Requires the optional Copy Card Reader Attachment-A4.

F. Upright Control Panel-J1

- The upright control panel features a pressure type 10.4" SVGA Full-Color touchscreen.
- The user can adjust the position and angle of the control panel to enable efficient operation.

G. Numeric Keypad-A1

- The Numeric Keypad enables the end user to use hard keys instead of the equivalent soft key buttons available on the User Interface.
- The Voice Guidance Kit and Voice Operation Kit options requires the Numeric Keypad-A1 to operate.

H. Copy Tray-R2

- Simple Tray for Basic output.
- Output capacity up to 250 sheets (1-side) (20 lb bond (80 g/m²)).
- Cannot be installed with the Staple Finisher or Booklet Finisher.

I. Booklet Finisher-AC1 and Staple Finisher-AC1

- Finisher provides stacking for up to 3,500 sheets of LTR paper (20 lb bond (80 g/m²)).
- Supports corner or double staple up to 65 sheets of LTR paper (20 lb bond (80 g/m²)).
- Supports Staple Free Binding for up to 4-sheets of paper (20 lb bond (80 g/m²)).
- Supports paper weights up to 140 lb Index (256 g/m²).
- Saddle Stitch Booklet finishing capability for up to 20-sheets (20 lb bond (80 g/m²)) or 80 imaged sides. Booklet FinisherAC1 only.
- Supports Saddle folding up to 3 sheets. Booklet FinisherAC1 only.

J. 2/3 Hole Puncher Unit-A1

- Inner puncher provides 2-hole and 3-hole punch capabilities.
- Supports paper sizes up to 11" x 17".
- Supports paper weights up to 140 lb Index (256 g/m²).
- Requires the Staple Finisher-AC1 or the Booklet Finisher-AC1.

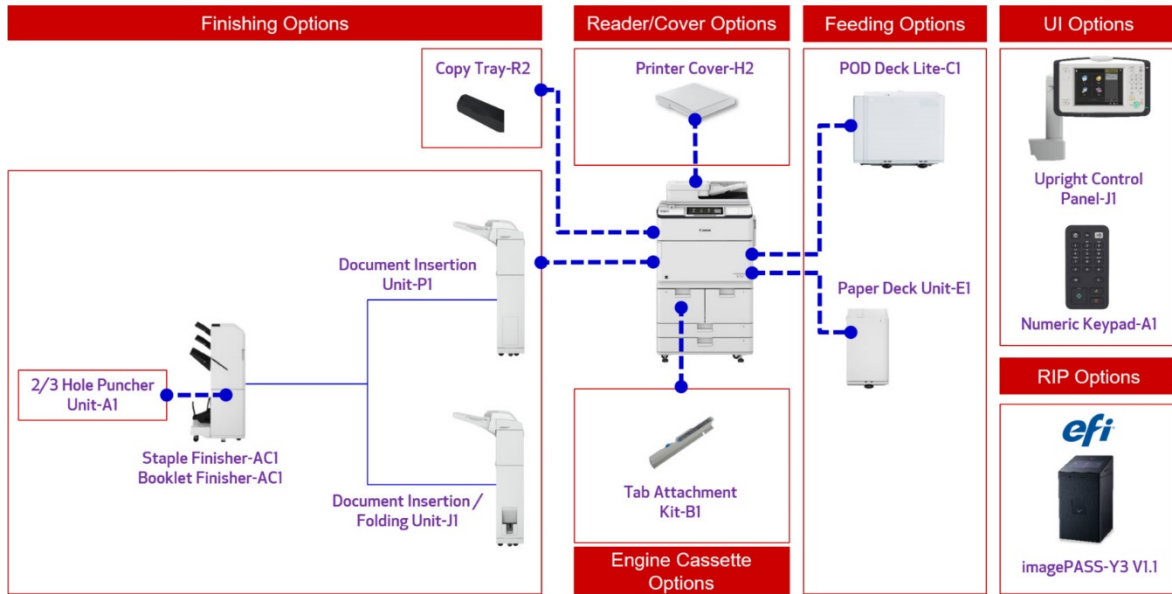
K. Document Insertion Unit-P1

- Inserts pre-printed cover sheets or insertion sheets for binding
- The paper feed tray has a capacity of up to 100 sheets (20 lb bond (80 g/m²)).
- Supports paper weights up to 110 lb cover (256 g/m²).
- Requires the Staple Finisher-AC1 and Booklet Finisher-AC1.

L. Document Insertion/Folding Unit-J1

- Inserts pre-printed cover sheets or insertion sheets up to 140 lb Index (256 g/m²) for binding.
- The paper feed tray has a capacity of up to 100 sheets each (20 lb bond (80 g/m²)).
- Provides support to Z-fold, Inner C-fold, Outer C-fold, and Half-fold documents up to 28 lb bond (105 g/m²).
- Requires the Staple Finisher-AC1 and Booklet Finisher-AC1.

Figure 1 – Hardware Configuration Chart



III. System Features and Options

The functionality of the imageRUNNER ADVANCE DX 6700 Series can be expanded by installing the following system related optional accessories and software.

A. Copy and Print Options

1. imagePASS-Y3 V1.1

An external print controller for the imageRUNNER ADVANCE DX 6700 Series machines, and supports Adobe Genuine PostScript 3 and PCL6.

Suited for office environments in which larger print volumes are frequently processed, or for users who use Adobe PostScript or other PostScript applications.

Optional software available for the imagePASS-Y3 V1.1 is Fiery Compose, Fiery Impose, and Fiery ImageViewer.

The optional removable Hard Disk Drive kit and the Integrated Interface & Stand are available.

2. Barcode Printing Kit-D1

Provides the ability to print 1D and 2D barcodes on output.

Requires license activation via the LMS.

3. Secure Watermark

This Standard Feature enables the user to embed hidden text in the background of copies. The embedded text becomes visible when copies of the document are made on a copier.

4. PCL International Font Set-A1

Provides Andalé font support for the PCL driver.

Enables the user to print in four Asian languages: Japanese, Chinese, Korean, and Taiwanese.

Requires the PCL Printer Kit-AV1.

Requires license activation via the LMS.

B. Universal Send

The Universal Send features are available as a standard with the main engine.

1. Universal Send Trace & Smooth PDF

Enables the user to make Trace & Smooth PDF, and Adobe Reader Extensions PDF files.

2. Universal Send Security Feature

Enables the user to encrypt PDF and Digital Device Signature PDF/XPS files, as well as set a password to send them safely to a file server or e-mail address.

Enables the recipient of a PDF or Digital Device Signature PDF/XPS file to verify which device scanned the file.

3. Universal Send Digital User Signature

Enables the user to add a digital user signature obtained from a certificate authority to a PDF or XPS file. This enables the recipient of a PDF or XPS file to verify which user signed it.

C. Fax Options

1. Super G3 FAX Board-AS2

Provides a single line to send and receive fax documents.

Documents that have been created in applications can also be sent directly from a computer via a network.

2. Super G3 2nd Line Fax Board-AS2

Provides two lines to send and receive fax documents.

Requires the Super G3 FAX Board-AS2.

3. Super G3 3rd/4th Line Fax Board-AS2

Provides up to four lines to send and receive fax documents.

Requires the Super G3 FAX Board-AS2, Super G3 2nd Line Fax Board-AS2.

4. IP FAX Expansion Kit-B1

- Enables faxing over VoIP lines that support the T.38 Transmission Control Protocol.
- Requires the Super G3 FAX Board-AS2.
- Cannot be installed with the Super G3 2nd Line Fax Board-AS2.
- Requires license activation via the LMS.

5. Remote Fax Kit-A1

The Remote Fax Kit-A1 enables an imageRUNNER ADVANCE DX Device without a Fax board installed (the client device) to utilize the Super G3 Fax board installed in another imageRUNNER ADVANCE DX Device (the fax server) to send and receive fax documents via the server. The client imageRUNNER ADVANCE DX Device and the fax server imageRUNNER ADVANCE DX Device must be on the same network. The Remote Fax Kit-A1 requires license activation via the LMS. The Remote Fax Kit and the Super G3 FAX Board cannot be installed together.

D. Accessibility Options

1. Voice Guidance Kit-B2

The Voice Guidance Kit provides visually-impaired users to hear voice navigation instructions when operating the machine. The Numeric Keypad-A1 is required to use this option.

2. Voice Operation Kit-D1

The Voice Operation Kit provides visually impaired users to hear voice navigation instructions when operating the machine. The Voice Operation Kit also includes a voice recognition function, which enables users to set the various functions of the machine using their voice. The Numeric Keypad-A1 is required to use this option.

3. ADF Access Handle-A1

The ADF Access Handle attaches to the Automatic Document Feeder to enable seated users to open the document feeder.

IV. Document Storage Capabilities

The imageRUNNER ADVANCE DX 6700 Series machines offer methods to store and access scanned documents and files via built-in storage and external storage.

- Mail Box
- Network
- Memory Media
- Advanced Box Client

IMPORTANT

- Canon U.S.A., Inc. (hereinafter referred to as “Canon USA”) is not responsible for any damages caused to user data that is stored on the hard disk drive of the machine. It is the customer’s responsibility to create and maintain a data backup plan. Canon USA offers several security options to enhance document handling and storage security needs. See [Security Features and Options on Page 21](#).
- It is strongly recommended to back up data stored on the hard disk drive.

A. Mail Box

The Mail Box is a data storage area that provides the ability to store files temporarily for on-demand printing or reprint purposes.

The Mail Box function enables users to store files that are scanned with this machine, or data sent from a personal computer via the printer driver. The stored files can be printed (or reprinted) anytime using the desired user settings. When combined with the Send Function the file format of the scanned documents can be converted into another file format (PDF, JPEG, and TIFF), and sent via e-mail or fax or sent to a file server or another mailbox. Up to 100 files in the mailbox at a time can be selected to send. The files in Mailbox can be edited. Files can be incorporated into other files in the mailbox, duplicated, or have pages deleted. The Mailbox privacy allows password protection for each Mailbox or labeling the Mailbox for individual users. In addition, various editing features are available, such as merging separately stored files, duplication or deleting pages from a file.

B. Network

The imageRUNNER ADVANCE DX 6700 Series machines are equipped with a collaboration function that enables them to be connected to other imageRUNNER ADVANCE and imageRUNNER ADVANCE DX machines via the SMB/WebDAV protocol. When one machine is connected to another machine, a user can select an Advanced Box in the other machine (if it is on the network) to store files or print a file that is stored in the other machine on this machine.

C. Memory Media

Scan to USB memory media support is standard on the imageRUNNER ADVANCE DX 6700 Series machines. Users can attach a USB memory stick to the USB port to scan and store documents in the PDF, JPEG, TIFF, XPS or OOXML file format. Users can also print files stored in the memory media from an imageRUNNER ADVANCE DX 6700 Series machine at any time with the desired print settings.

System Administrators can restrict scanning to and printing from memory media independently to safeguard sensitive and confidential information.

D. Advanced Box

Advanced Box is a storage area in the machine that stores scanned documents and Microsoft Office files that can be used on a computer. There are two types of storage in the Advanced Box: the Shared Space and the Personal Space. Multiple users can access shared space folders. (a team, group, or department members). A single user can access personal space folders. Up to 1,000 files/folders (main folder and subfolders) can be saved in each level.

Documents can be scanned with this machine, stored in the PDF, JPEG, TIFF (B&W), XPS and OOXML (.docx/.pptx) file format, and can also be printed on this machine at any time with the desired print settings. Additionally, the user can search for files in the Advanced Box.

The Advanced Box can be opened to the public as an SMB (Server Message Block) server or WebDAV (Distributed Authoring and Versioning) server. This enables the end-user to access the Advanced Box from a computer, and store and share files in their native format, such as MS Word, Excel, and PowerPoint. To view and print these native format files from the Advanced Box, the user must access them via a computer.

IMPORTANT

It is strongly recommended to protect the Advanced Box folders from viruses. If the user's computer system has an antivirus system in place, add the Advanced Box folders to its list of folders to scan and protect.

V. Security Features and Options

The imageRUNNER ADVANCE DX 6700 Series machines include a comprehensive set of security features, such as Device Authentication, Data Security, Document Security, and Network Security.

Options available for the imageRUNNER ADVANCE DX 6700 with the imagePASS Server attached

A. Authentication and Usage Management

1. Universal Login Manager

ULM (Universal Login Manager) is a MEAP application, developed by NT-ware, that provides log in management capabilities, such as simple user authentication, Local Authentication, and Domain Authentication for Canon imageRUNNER ADVANCE DX Devices. These user authentication methods use Picture Log In, PIN Codes, or Proximity Card Log In methods to gain access to the machine. Although, ULM is a server-less authentication solution, it can also integrate with the Access Management System for advanced security. Furthermore, ULM can be upgraded to the full uniFLOW platform, which provides mobile printing, secure printing, advanced security, and scanning workflow capabilities, along with a fully-automated statistics and reporting suite.

Note: ULM is available as a download for the imageRUNNER ADVANCE device from the [e-Support Center Website](#) or via the NT-Ware Website. To activate the ULM, the PC/Workstation used for activation must have access to the Internet.

2. Department ID Management

Register a Department ID and password for each department, and manage the machine by limiting its use to only those who enter the correct Department ID and password. Department IDs and passwords for up to 1,000 departments can be registered. Use Department ID Management to keep track of the copy, scan, and print totals for each department.

3. UA (Universal Authentication)

A user authentication system that enables the functions of the machine and MEAP applications to be used by a user after being authenticated once. UA has two compatible user authentication systems (Domain Authentication and Local Device Authentication). Domain Authentication is linked to a domain controller in a Windows Active Directory environment on a network. Local Device Authentication uses a database inside the machine to authenticate users. Administrators can use one of these two systems or both at the same time. The Access Management System is a subset of the UA system.

4. Card Reader Solutions

The imageRUNNER ADVANCE DX 6700 Series supports card authentication solutions. These solutions can be combined with Department ID management and the UA login service.

5. Access Management System

The Access Management System (AMS) enables system administrators to restrict various Copy, Print, fax, Scan, Mail Box/Advanced Box, and Send functions that each user can use. Once the AMS is activated, a Function Level Log-In can be used to authenticate users for specific device features only. SSO-H and AMS must be activated to use Function Level Log-In.

6. uniFLOW Online

uniFLOW Online is a cloud-based secure printing and cost tracking solution. It is used to help businesses manage their print environment without having to invest in a print server infrastructure, and enables them to keep control of the full printing and scanning process.

uniFLOW Online contains these features:

- Flexible authentication (for example, PIN Code or Card)
- Secure Printing
- Send Print Jobs from Anywhere (mobile printing)
- Simple document scanning (for example, Scan to My E-Mail, Google Drive, OCR PDF, and image enhancement)
- Track print, copy, scan, and fax costs
- Cloud-based infrastructure

A uniFLOW trial is available at no charge, and includes all the features of uniFLOW Online. At the conclusion of the trial, and if the full uniFLOW Online solution has not been purchased, the following features will no longer be accessible:

- Secure Printing
- Send Print Jobs from Anywhere (mobile printing)
- A part of Simple document scanning (for example, image enhancement)

IMPORTANT

uniFLOW Online only supports TLS V1.2 and earlier.

Note: To purchase a license of uniFLOW Online, training is required. Training is required to obtain support for uniFLOW Online or the uniFLOW Online trial from Canon's Technical Support Center. For more information on uniFLOW Online training, go to the Training section on the [e-Support Center Website](#).

7. uniFLOW Online Express

uniFLOW Online Express is a cloud-based authentication and cost tracking solution. It is used to help businesses manage their print environment without having to invest in a print server infrastructure, and enables them to keep control of the printing and scanning process.

uniFLOW Online Express comes with the following features:

- Flexible authentication (for example, PIN Code or Card)
- Simple document scanning (for example, Scan to My E-Mail and Google Drive)
- Track print, copy, scan, and fax costs
- Cloud-based infrastructure

IMPORTANT

uniFLOW Online Express only supports TLS V1.2 and earlier.

Note: To install uniFLOW Online Express, training is not required. However, uniFLOW Online Express training is required to receive uniFLOW Online Express support from Canon's Technical Support Center. Dealers which have taken uniFLOW Online training are automatically certified for uniFLOW Online Express. For more information on uniFLOW Online and uniFLOW Online Express training, go to the Training section on the [e-Support Center Website](#).

B. Data Management and Security

The imageRUNNER ADVANCE DX 6700 Series machines offer several ways to protect and secure data. It is strongly recommended that a backup and security system is in place, along with an antivirus protection system to make sure that no data on the hard disk drives are lost, stolen, or compromised.

There are several security methods available from Canon U.S.A., Inc. that appropriately addresses a customer's needs for securing data.

- Customer Accessible HDD Initialization Function (Initialize All Data / Settings)
- imageRUNNER ADVANCE Trusted Platform Module
- Data Encryption Kit
- Optional Security Kits (HDD Data Erase Kit and Mirroring Kit)

CAUTION

Canon U.S.A., Inc. is not liable for any damages resulting from the loss or corruption of data. (See the [DISCLAIMER](#), on page [ii](#) for further details.)

1. Initialize All Data/Settings Function

The Initialize All Data/Settings function is a standard function on all Canon devices. This setting is available in the Management Mode, to which the system administrator must authenticate. Performing this function, erases all user information on the hard disk drive of the machine (e.g., contact information, Advance Box and Mail Box data, network settings, and image data). The initialize All Data/Settings feature is enhanced to support up to nine (9) times data erase. This process may take more than 30 minutes to complete.

IMPORTANT

The Initialize All Data/Settings deletes the FAT (File Allocation Table) and overwrites the target HDD data area with "0" (zeros) one time.

2. TPM (Trusted Platform Module)

TPM is a standard security chip (tamper resistant hardware) installed in the imageRUNNER ADVANCE DX 6700 Series machines. The TPM provides a facility for the secure generation of cryptographic keys, encrypts information stored on the internal HDD, and decrypts information read from the internal HDD. The public keys to encrypt confidential information are securely controlled by the TPM chip, and they can only be decrypted if the TPM releases the associated decryption key. If the HDD is removed from the machine, it will be difficult to retrieve data off that HDD since the encryption key for that data is stored in a separate location within the TPM.

CAUTION

Once the TPM setting is activated, if the end user fails to back up the TPM key, or if the end user loses the TPM key, it may result in permanent, unrecoverable data loss, for which Canon U.S.A., Inc. is not liable. (See the [DISCLAIMER](#), on page [ii](#) for further details.)

IMPORTANT

If the TPM setting is activated and the TPM chip fails, the confidential information stored on the chip can only be recovered if Canon's service representative replaces the TPM chip and restores the original TPM key to the new chip. Immediately, back up the TPM key on a USB memory stick, after the TPM setting is activated.

Only the Administrator of the machine can back up the TPM key.

For security reasons, the TPM key can only be backed up once. Store the USB memory with the backup data in a safe place.

For the backup of the TPM key, it is recommended that a USB memory stick (supported system file: FAT32) with free space of 10 MB or more is used.

The TPM seals the hardware components associated with the data, and the data cannot be accessed unless the specific TPM key is issued by the TPM chip. Therefore, setting the TPM mode to 'On', may affect service procedures and service costs (if not handled properly). It is strongly recommended that the Administrator who has access to the TPM key be present for all service calls to prevent the loss of data and productivity of the machine.

3. HDD Data Erase

The HDD Data Erase feature is available as standard for the imageRUNNER ADVANCE Series for environments requiring additional data security measures. This feature will automatically overwrite and erase image data immediately after the job is completed; therefore, no trace of the data remains on the hard disk. It will perform an overwrite of up to three (3) times with random data for maximum-security protection depending on preferences set by the system administrator.

4. HDD Data Erase Scheduler

HDD Data Erase scheduler is an optional MEAP application available for supported imageRUNNER ADVANCE models that aids in safeguarding information and supporting security compliance. The solution enables system administrators to schedule HDD overwrite on Canon devices at a set time (daily, weekly and monthly) or Overwrite HDD data on-demand. System administrators receive a printed confirmation report upon execution of scheduled or on-demand overwriting.

5. HDD Data Encryption Kit

The HDD Data Encryption Kit is a standard feature for the imageRUNNER ADVANCE Series designed to protect all temporary data and stored documents on the internal disk drive through industry-standard encryption algorithms. The HDD Data Encryption Kit encrypts all image data and device settings before storing them on the hard drive.

6. HDD Data Mirroring Kit-J1

The HDD Data Mirroring Kit backs up the data on the hard disk drive to the optional HDD. (The engine HDD and the HDD used for mirroring must be of the same storage capacity).

The optional 2.5 inch/250 GB HDD-N1 or 2.5 inch/1 TB HDD-P1 is required for mirroring.

C. Document Security

The imageRUNNER ADVANCE DX 6700 Series machines offer several document security modes to protect printed and distributed documents.

1. Adobe LiveCycle Rights Management ES Server Integration

Adobe LiveCycle enables System Administrators to set automatic document privileges and apply security policies by creating Policy Protected PDF files on the machine, even after document creation, using the Adobe LiveCycle Rights Management ES Server. Once a Policy Protected PDF document is created on the machine with this feature enabled, the PDF extension in Adobe Reader, upon attempt by a user to open a protected PDF, contacts the Rights Management Server to check the latest authorized users, expiration, auditing, and watermarking policies set by the System Administrator. These latest policies are then enforced by that application to ensure the information in that document remains secure.

IMPORTANT

To generate a PDF linked with Adobe LiveCycle Rights Management ES Server, the Adobe LiveCycle Rights Management ES Server must be licensed, pre-configured by a System Administrator, and the machine must be connected to the Intranet or Internet.

Encrypted PDF and PDF/A-1b documents are not compatible with Adobe LiveCycle Rights Management ES Server.

2. PDF/XPS Visible Digital Signature

The PDF/XPS Visible Signatures mode enables the user to view the device signature and user signature on PDF/XPS files. Visible digital signatures and user signatures are displayed on the first page of the PDF/XPS file to account for the origin of the document. The system administrator of the machine can set the Visible Signatures mode for all PDF/XPS documents or certain PDF/XPS documents created on the machine. This mode differentiates from the Digital Signature mode in that instead of having to access digital signature information from the document properties from the File menu, this information is displayed prominently on the first page of the document in the background, and is printed along with the document data, thereby deterring improper distribution of sensitive documents.

3. Encrypted Secure Print Software

This standard function enables the user to encrypt print data sent from a computer by using the Secured Print function, and then decrypt it at the device.

4. iR-ADV Security Kit-AJ1 for IEEE 2600 Common Criteria Certification

The optional imageRUNNER ADVANCE Security Kit-AJ1 certifies that the imageRUNNER ADVANCE DX 6700 Series complies with IEEE standard 2600³³. IEEE 2600 is a standard to protect hardcopy devices in a commercial information-processing environment where a moderate level of document security, network security, and security assurance are required. The iR ADV Security Kit-AJ1 enables an administrator to configure security settings that are required to comply with the IEEE 2600 standard.

IMPORTANT

The imageRUNNER ADVANCE Security Kit-AJ1 for IEEE 2600 Common Criteria Certification ships device firmware that complies with IEEE 2600.1 certification when installed to the imageRUNNER ADVANCE DX 6700 Series machines.

Once the imageRUNNER ADVANCE Security Kit-AJ1 for IEEE 2600 Common Criteria Certification is installed, imageRUNNER ADVANCE DX 6700 Series machines can only be upgraded with firmware versions certified for the IEEE standard 2600. Upgrading to non-certified firmware invalidates the IEEE standard 2600 certification, although the machine will continue to operate properly.

Notes:

This feature is not available at the time of initial product launch.

The iR ADV Security Kit-AJ1 includes the IEEE 2600 License Certificate, Bootable CD with certified system software, IEEE 2600 User Manual CD, Installation Manual and Mirroring Kit. The HDD Data Encryption Kit and the Data Erase Kit are available as standard.

Cannot be configured with MEAP Web Connection Kit G3, Remote Fax Kit-A1, imagePASS-Y3 V1.1, IP FAX Expansion Kit-B1, Copy Card Reader-F1, NFC KIT-E1, Connection Kit-A2 for Bluetooth LE, c rer2all imageWARE options and all MEAP applications.

33 A protection profile of the evaluation assurance level "EAL3+ALC_FLR.2"

D. Network Security

The imageRUNNER ADVANCE DX 6700 Series machines secure network communications by using IP Address and MAC (Media Access Control) Address filters, encryption and authentication, and network port and application access control.

1. IPsec

IPsec (IP security) software is supported as a standard feature on the imageRUNNER ADVANCE DX 6700 Series to ensure information privacy and security for Internet Protocol (IP) communications over the network. It encrypts all inbound and outbound network traffic to protect against malicious attacks such as eavesdropping, alternation, and impersonation.

2. Filtering by Port Number

Using the Address Filter system administrators can grant or deny access to the imageRUNNER ADVANCE DX Series for specific groups or users via Port numbers (MAC Addresses). Port Number filtering permits or rejects incoming packets from IP addresses or ranges of IP addresses. In addition, IP address filters to outbound connections can be applied. For example, if functions, such as Remote Copy and Universal Send are used, system administrators can block or restrict users from sending files to specific IP addresses. This minimizes the risk of data being sent out of the company to systems that are not trusted.

3. IPv6

The imageRUNNER ADVANCE DX 6700 Series supports Internet Protocol Version 6 (IPv6), which is a network layer protocol designated as the successor to IPv4 for general use on the Internet. Support for IPv6 adds extended business value to the imageRUNNER ADVANCE DX 6700 Series.

4. Wired / Wireless Security and Authentication

The imageRUNNER ADVANCE DX machines support IEEE 802.1X, which provides port-based authentication and security for wired connections. IEEE 802.1X is also available for wireless connections.

E. Device Security

1. Security Policy Settings

The security policy function is used to collectively configure the security-related settings into one security policy. The security policy settings are managed by a system administrator who serves as a security administrator. The system administrator who serves as a security administrator accesses the security policy function is only available via the Remote User Interface.

The security policy setting function can be protected with a security policy password to distinguish between system administrators and system administrators who serve as security administrators.

A Security Administrator can reflect policy settings that comply with the security policies of his/her company in the devices under his/her charge to restrict people, other than the security administrator, from using functions that do not comply with the policies, or from changing the security policy setting values.

The information configured in the security policy can be exported or imported by using the Device Configuration Management function or the imageWARE Enterprise Management Console Device Configuration Management Plug-In, and can be copied to multiple devices.

Refer to the imageRUNNER ADVANCE DX 6700 Series Service Manual for more details

2. Restrict Service Representative Access Function

The Restrict Service Representative Access Function is available for the system administrator to prevent leakage and loss of user information by restricting operations related to user information and security due to unauthorized use of service mode. This setting can be enabled from the Local User Interface or Remote User Interface.

There are three settings available:

‘Off’ - All the items in service mode can be executed. (default setting)

‘Off (Auth. Needed)’ – The settings related to user assets in service mode can be configured/executed by performing system administrator authentication before accessing the service mode.

‘On’ - The settings related to user assets in service mode can no longer be configured/executed. The Restrict Service Representative Access setting will need to be changed for access to settings related to user assets in service mode.

Refer to the imageRUNNER ADVANCE DX 6700 Series Service Manual for more details and a list of service mode restrictions.

IMPORTANT

In the event that the system administrator password becomes unavailable, the password can be cleared by the service technician using service mode if the Restrict Service Representation Access Function is set to 'Off'.

If the Restrict Service Representation Access function is set to 'On' or 'Off (Auth. Needed)', then a license key is required to initialize the device administrator password. The service technician will need to contact the Technical Support Center to request a license key to initialize the device administrator password (the device serial number is required). Once entered, the license key will clear the administrator password from the device. A new administrator password will need to be set.

3. Verify System at Startup

Verify System at Startup uses RoT (Root of Trust) functions to protect the device from unauthorized modification of the BIOS, firmware, and applications. Verify System at Startup stops the unverified processes and produces an error code for system servicing.

Note: Verify System at Startup is disabled by default and, when activated, may increase device warm-up time by 20 to 40 seconds, depending on the model.

4. SIEM (Security Information and Event Management) Integration

Enables the device to automatically send audit logs to SIEM systems for analysis and detection of security violations. Examples of the audit logs sent via the Syslog protocol (RFC5424 and RFC5426) include those for user authentication, mailbox operation, network authentication, and print jobs. Sending audit logs via TLS encryption (RFC5425) is also supported.

5. McAfee Embedded Control

Protects the machine's firmware, programs, and operating system from potential threats and malware. All firmware and applications are checked against a whitelist that enables only trusted firmware and applications to launch. This helps to prevent malware, and mitigates zero-day attacks.

Note: This function is set to 'Off' by default, and must be set to 'On' within the device settings. In addition, Verify System at Startup must be set to 'On' within the device settings.

VI. Software Solutions

The optional software applications available for purchase to enhance the end-user experience and interaction with imageRUNNER ADVANCE DX 6700 devices.

A. Document Management and Binding

1. imageRUNNER ADVANCE Desktop

A client-based device dashboard application to operate document publishing, management, and printing from an end-user's PC. In addition, this desktop application can be used with Canon's imageWARE Document Server application in cases where customers want to share documents that are managed across workgroups or departments.

2. imageRUNNER ADVANCE Quick Printing Tool

The imageRUNNER ADVANCE Quick Printing Tool is a standard feature within imageRUNNER ADVANCE Desktop. The Quick Printing Tool enables the end-user to print, fax, convert documents to PDF files, or open PDF documents in Desktop Binder via a drag-and-drop action without needing to open imageRUNNER ADVANCE Desktop. The user can also monitor the status of inbound and outbound print and fax jobs, as well as apply print templates automatically, or preview documents before printing via the Desktop Binder option.

3. Therefore

Therefore is an information management solution that enables users to securely store electronic information. Stored documents can be quickly and easily found, and customized document workflows may be created to increase efficiency and profitability. Documents that are saved to Therefore are classified by categories (the primary means of document classification in Therefore). Index data in a category is associated with each saved document.

Therefore includes tools for keyword dictionary searching, configuration of security and permissions, and primary and backup storage. Therefore also supports document scanning with Canon multi-functional devices with its Therefore MFP Application, as well as with scanners that have ISIS/TWAIN drivers. Users may connect to Therefore by way of the Internet, or with Therefore Web Access and Mobile Access to manage documents wherever they are.

4. eCopy PDF Pro Office

ePPO (eCopy PDF Pro Office³⁰) is a network to desktop office scanning solution that enables end-users to create and share PDFs, edit PDF files, and convert PDF files into searchable, editable, and fully-formatted Microsoft Office or Corel WordPerfect files. ePPO also enables the user to tag PDF files for accessibility and Section 508 compliance.

30 No longer available for purchase.

B. Scan Management Software

1. Authorized Send

Authorized Send is a MEAP application, which enables walk-up users to distribute documents quickly and securely. Authorized Send is an adaptable solution that integrates and authenticates with a wide variety of authentication servers and enterprise systems using common protocols. Authorized Send permits only authorized users to scan and send documents to e-mail addresses, network file servers/folders, and fax servers. An end-user is able to specify scan settings, such as the paper size, resolution, brightness, and file format.

2. eCopy ShareScan

eCopy ShareScan is an enterprise-ready, office scanning software solution that enables imageRUNNER ADVANCE DX Devices to turn paper documents into digital data that can be edited, managed, and stored electronically.

3. uniFLOW (Scanning)

uniFLOW enables users to capture and compress scanned data, customize workflows for each document type or per user, and archive documents.

4. uniFLOW Online

uniFLOW Online is a cloud-based secure printing and cost tracking solution. It is used to help businesses manage their print environment without having to invest in a print server infrastructure, and enables them to keep control of the full printing and scanning process.

Refer to the Authentication and Usage Management Section on page 21 for details.

5. uniFLOW Online Express

uniFLOW Online Express is a cloud-based authentication and cost tracking solution. It is used to help businesses manage their print environment without having to invest in a print server infrastructure, and enables them to keep control of the printing and scanning process.

Refer to the Authentication and Usage Management Section on page 21 for details.

IMPORTANT

uniFLOW Online and uniFLOW Online Express only support TLS V1.2 and earlier.

C. Print/Output Management Software

1. Direct Print & Scan for Mobile

Direct Print & Scan for Mobile³⁰ is a combination of a MEAP application that runs on an imageRUNNER ADVANCE DX Device and a client mobile application that runs on certain BlackBerry smartphones, Android, and Apple iPhone and iPad devices.

The Direct Print & Scan for Mobile³⁰ application enables users to connect mobile devices to an imageRUNNER ADVANCE machine to print documents, e-mail messages, attachments, and images, as well as load scanned data from the imageRUNNER ADVANCE machine to their mobile device.

³⁰ No longer available for purchase.

2. uniFLOW

uniFLOW is a print/output management solution that can be customized to meet the needs of an organization. uniFLOW offers an organization of any size, a way to track printing and copying costs, secure sensitive documents, and enable users to print from any available printer on the network.

3. uniFLOW Online

uniFLOW Online is a cloud-based secure printing and cost tracking solution. It is used to help businesses manage their print environment without having to invest in a print server infrastructure, and enables them to keep control of the full printing and scanning process.

Refer to the Authentication and Usage Management Section on page 21 for details.

4. uniFLOW Online Express

uniFLOW Online Express is a cloud-based authentication and cost tracking solution. It is used to help businesses manage their print environment without having to invest in a print server infrastructure, and enables them to keep control of the printing and scanning process.

Refer to the Authentication and Usage Management Section on page 21 for details.

IMPORTANT

uniFLOW Online and uniFLOW Online Express only support TLS V1.2 and earlier.

5. **AA-PRINT (Advanced Anywhere Print)**

The AA-PRINT solution combines Universal Login Manager with secure anywhere printing. It is designed to provide a serverless print environment that enables end-users to print and track usage from anywhere within the network to any connected device by submitting their respective authentication credentials.

6. **EFI PrintMe**

EFI PrintMe is a cloud-based mobile print solution for the imageRUNNER ADVANCE Series that enables end-users to print electronic files from their mobile devices, such as smartphones, tablets, and laptops to a Canon imageRUNNER ADVANCE DX Device through the EFI PrintMe Cloud Service. Files uploaded to the EFI PrintMe Cloud Server are secured with 128-bit encryption. Walk-up end-users can print documents from the EFI PrintMe Cloud Service to a registered imageRUNNER ADVANCE DX Device that is connected to the Internet.

7. **Canon Mobile Printing**

The Canon Mobile Printing application provides simple mobile print functionality. The Canon Mobile Print app is available for a free download on the Apple iPhone and iPad devices, or Android smartphones and tablets, and supports a wide variety of Canon devices.

Expanded support includes Apple AirPrint and Mopria.

D. Device Security and Management Software

1. AA-PROX (Advanced Authentication – Proximity Card)

The AA-PROX³⁰ solution is a login platform that authenticates walk-up end-users to the machine via a registered proximity card or by entering a user name and password. AA-PROX³⁰ authenticates users against an Active Directory or local user database on devices, and can be combined with the AMS (Access Management System) and imageWARE ADVANCE Tracker³⁰ to track usage and enforce access control to system functions.

³⁰ No longer available for purchase.

2. uniFLOW Device Security & Management

uniFLOW, the print/output management solution, includes multiple authentication methods to enable an organization to restrict machine access and functions on a per user basis. uniFLOW end-users must authenticate themselves either by entering their user name and password, or by using a smart card, proximity or magnetic card.

3. uniFLOW Serverless Secure Print

uniFLOW Serverless Secure Print is a secure printing and follow-me printing option that utilizes the end-user's client PC to store secure print jobs until the end-user can authenticate and release the secure print jobs at an imageRUNNER ADVANCE DX Device. The imageRUNNER ADVANCE DX Device then pulls the print job from the end-user's client PC. uniFLOW Serverless Secure Print is scalable and upgradeable to the full version of uniFLOW.

4. uniFLOW Online

uniFLOW Online is a cloud-based secure printing and cost tracking solution. It is used to help businesses manage their print environment without having to invest in a print server infrastructure, and enables them to keep control of the full printing and scanning process.

Refer to the [Authentication and Usage Management](#) Section on page 21 for details.

5. uniFLOW Online Express

uniFLOW Online Express is a cloud-based authentication and cost tracking solution. It is used to help businesses manage their print environment without having to invest in a print server infrastructure, and enables them to keep control of the printing and scanning process.

Refer to the [Authentication and Usage Management](#) Section on page 21 for details.

IMPORTANT

uniFLOW Online and uniFLOW Online Express only support TLS V1.2 and earlier.

6. imageWARE Enterprise Management Console and Plug-ins

iW EMC (imageWARE Enterprise Management Console) is a Web-based network device management utility that enables IT managers to control and manage all devices installed on the network from one central location. IT managers can discover devices, view device status, manage device settings, and notify users of device errors via e-mail.

The capabilities of imageWARE Enterprise Management Console can be expanded by using optional plug-in applications. The optional plug-ins are available for IT managers and dealers through <http://www.imageware.com>, or to the dealer only through Canon U.S.A.'s [e-Support Center Website](#).

7. imageWARE Secure Audit Manager Express

imageWARE Secure Audit Manager Express captures and archives the contents and attributes of all jobs performed on the device. This enables System Administrators to continuously track and archive network activities.

8. MEAP Web Connection Kit

MEAP Web enables development partners to create customized applications, which connect imageRUNNER ADVANCE machines to business applications and business process workflows by communicating through standard Web services and HTML protocols.

9. MDS Cloud

The Canon MDS (Managed Document Services) Cloud is a PAAS (Platform as a Service) solution. It consists of an MDS Collection and Configuration Agent, which is installed at the customer's site, to discover devices and gather information from a customer's complete fleet of devices, such as meter reads, manage job logs, remotely configure devices, third party device support, and manage consumables.

E. Business Workflow Software

1. Forms and Print Services for Salesforce

Forms and Print Services for Salesforce³⁰ is a cloud service that enables users to print and store reports and graphic sales data directly to their imageRUNNER ADVANCE machine without the need for print drivers.

³⁰ No longer available for purchase.

2. Enterprise Imaging Platform

Enterprise Imaging Platform enables users to automate document and image related business processes.

VII. Dealer Sales/Service Authorization and Educational Training

To become authorized to sell, service and maintain the imageRUNNER ADVANCE DX 6700 Series a dealership must have at least two (2) technicians who have successfully completed at least one (1) of the learning paths below.

The learning path for the imageRUNNER ADVANCE DX 6700 Series Devices has been designed to build the knowledge and skills of your support professionals that will affect your customers in the most positive manner, both in the support of the product and the solutions you offer.

A. Learning Path for Existing Technicians

Prior to taking the imageRUNNER ADVANCE DX 6700 Series Update Online Training program, technicians must successfully complete the blended Learning Path for New Technicians.

Table 9 – Learning Path for Existing Technicians

Course Name	Course Code ³⁴	Required
imageRUNNER ADVANCE DX 8700/6700 series Online Update Training	19IRTDX8700O	No

B. Learning Path for New Technicians

Prior to taking the imageRUNNER ADVANCE DX 6700 Series Training program, technicians must successfully complete prerequisite training. The training includes online training, classroom and virtual classroom courses. See the Service Training Solutions site for offerings at Canon U.S.A.'s [e-Support Center Website](#).

Table 10 – Learning Path for New Technicians

Course Name	Course Code ³⁴	Required
imageRUNNER ADVANCE 8000/8200/8500 and 6000/6200/6500 Series Online Training (MUST COMPLETE FOUNDATIONAL TRAINING)	19IRT85000O	Yes
imageRUNNER ADVANCE 8000/8200/8500 and 6000/6200/6500 Series Classroom	19IRT85000C	Yes
imageRUNNER ADVANCE 8000/8200/8500 and 6000/6200/6500 Series Classroom Final	19IRT85000C_ASMT	Yes
imageRUNNER ADVANCE 6500/8500 III Series Update Online Training	9IRT85IIIUP00O	Yes
imageRUNNER ADVANCE DX 8700/6700 series Online Update Training	19IRTDX8700O	No

³⁴ Course names and course codes are subject to change without notice.

C. Foundational Prerequisites

Prior to taking the imageRUNNER ADVANCE DX 6700 Blended Training program, technicians must successfully complete Canon's Foundational Training Program which includes online and blended programs. See the Canon U.S.A.'s [e-Support Center Website](#) Service Training Solutions site for offerings.

- Canon Foundations or Equivalent Curriculum
- Systems Technology Curriculum
- imageRUNNER ADVANCE Systems Curriculum
- Universal Login Manager / eULM Curriculum

D. Certification

- imageRUNNER ADVANCE DX 8705i / 8795i / 8786i
- imageRUNNER ADVANCE 8505i III / 8595i III / 8585i III
- imageRUNNER ADVANCE 8505i II / 8595i II / 8585i II
- imageRUNNER ADVANCE 8505i / 8595i / 8585i
- imageRUNNER ADVANCE DX 6780i / 6765i / 6755i
- imageRUNNER ADVANCE 6575i III / 6565i III / 6555i III
- imageRUNNER ADVANCE 6575i II / 6565i II / 6555i II
- imageRUNNER ADVANCE 6575i / 6565i / 6555i

The successful completion of the training programs and passing of the final assessment exam are required to sell this product.

E. Who Should Attend

It is required that any technician responsible for installing, servicing, or supporting the imageRUNNER ADVANCE DX 6700 machines successfully complete the blended training course and pass the final assessment exam.

Note: Our current support policy dictates that only those technicians who have completed the training program and pass the final assessment exam are entitled to live, phone-based support through our TSC (Technical Support Center). However, self-service support (software downloads, knowledgebase articles, support forums, technical publications) is available through our [e-Support Center Website](#) for all technicians. (Refer to the Technical Support section on the e-Support Center Website for entitlement details.)

F. uniFLOW Online and uniFLOW Online Express Training Courses

1. uniFLOW Online

The uniFLOW Online eLearning course will prepare technicians with the knowledge required for setting up and configuring uniFLOW Online in the field.

Notes:

Service technicians who completed the uniFLOW Online training are entitled to live, phone-based support through the Canon USA TSC. uniFLOW Online training provides certification for uniFLOW Online and uniFLOW Online Express.

2. uniFLOW Online Express

The uniFLOW Online Express eLearning course will prepare technicians with the knowledge required for setting up and configuring uniFLOW Online Express in the field.

Notes:

Service technicians who completed the uniFLOW Online or uniFLOW Online Express Training are entitled to live, phone-based support through the Canon USA TSC. uniFLOW Online Express training does not provide certification for uniFLOW Online.

Table 11 – uniFLOW Online and uniFLOW Online Express Training

Course Name	Course Code ³⁴
uniFLOW Online Training	18SOFUFONL000
uniFLOW Online Express Training	18SOFUFONEX000

³⁴ Course Names and Course Codes are subject to change without notice.

G. Data Backup Service Training Course

The Data Backup Service eLearning course will prepare technicians with the knowledge required for setting up and configuring Data Backup Service in the field. Training is required to allow the servicing dealer to enroll in Data Backup Service. Service technicians who complete the Data Backup Service training are entitled to live, phone-based support through the Canon USA TSC.

Table 12 – Data Backup Service Training

Course Name	Course Code ³⁴
Data Backup Service Training	18SOFDBS000

³⁴ Course Names and Course Codes are subject to change without notice.

H. Training Facilities

1. Online Courses

The online courses are located in the e-Learning center on the Canon USA [e-Support Center Website](#). Certification maps on the [e-Support Center Website](#) provide easy access to the training. The online courses can be conducted at any dealer facility that is suitable for online student learning.

2. Classroom Training Facilities

Classroom training is available in each of the five Canon Regional Training Centers:

- Jamesburg, New Jersey
- Norcross, Georgia
- Irving, Texas
- Itasca, Illinois
- Irvine, California

I. Course Equipment

- Windows workstation (Windows 7 or higher)
- Microsoft Internet Explorer v11.0 or higher
- Applicable accessories (hardware and software)

J. Service Materials

The materials required for the imageRUNNER ADVANCE DX 6700 Series Training Program are listed in the table below.

Table 13 – Service Materials

Model	Item	Location
imageRUNNER ADVANCE DX 6700 Series	e-Learning Training Program	Conducted online
	Service Manual	Downloadable from within the e-Learning course and the e-Support Center Website
	Parts Catalog	



VIII. Servicing Notes

A. Power and Plug Requirements

Canon USA Inc. strongly suggests dedicated and properly grounded outlets be provided for these imageRUNNER ADVANCE DX Devices.

The imageRUNNER ADVANCE DX 6700 Main Unit requires a dedicated single phase 120V/20A NEMA 5-20R receptacle for proper operation

Table 14 – Power Receptacle

imageRUNNER ADVANCE DX 6700 Main Unit
 <p>NEMA 5-20 Receptacle</p>
POD Deck Lite-C1, Document Insertion Unit-P1, Document Insertion / Folding Unit-J1, and Controller
 <p>NEMA 5-15 Receptacle</p>

 **IMPORTANT**

- We recommend an additional standard 120 V/15 A NEMA 5-15 outlet for service tools, such as a laptop computer or vacuum that may be used when servicing or configuring the machine.
- Use only dedicated and properly grounded outlets for the main unit and imagePASS Controllers. It is also strongly suggested to use dedicated and properly grounded outlets for each optional accessory. Do not use extension cords. The ground connection serves to provide the internal electronics with a reference voltage. Faulty or poor ground sources will cause this reference voltage to fall into a range that no longer serves as a reliable reference voltage. The internal logic and programming of the imageRUNNER ADVANCE machines will not perform reliably if there is an insufficient difference between the internal operating signal voltages and the poor ground reference signal. A qualified electrician can measure and provide the ground source that the imageRUNNER ADVANCE machines or any computer controlled office equipment requires.
- Before installation, confirm that all necessary receptacles are available.
- Phase converters and step down transformers are not supported

Figure 2 – Power and Plug Requirements

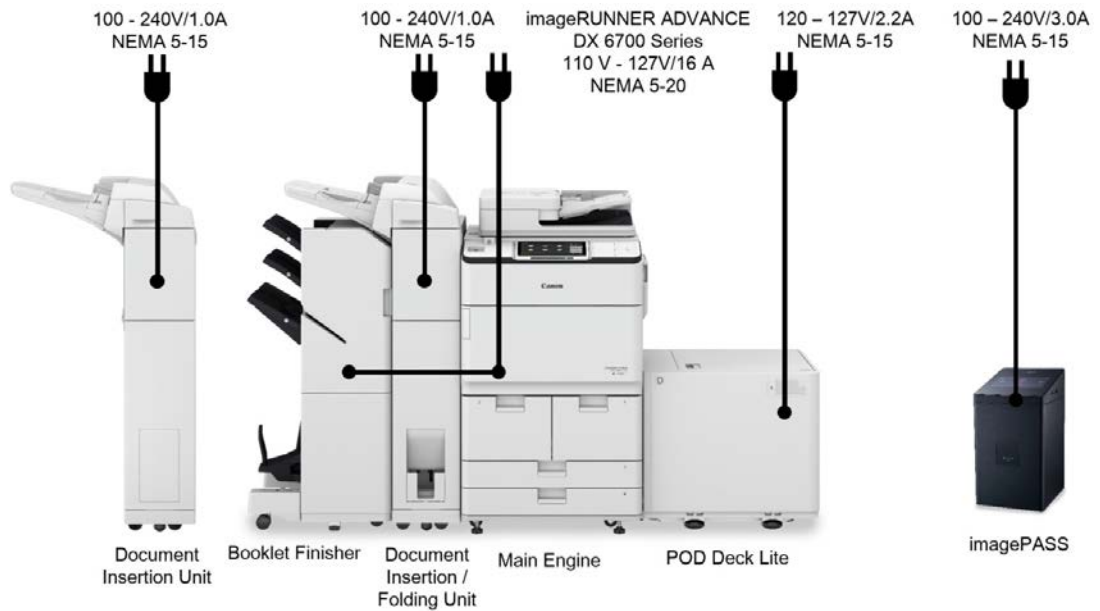


Table 15 – Power and Plug Requirements for Main Unit and Accessories

Description	Power Supply	Power Supply Specifications
imageRUNNER ADVANCE DX 6700 Series	120V / 20A outlet	NEMA 5-20
Staple Finisher-AC1	From the Main Unit	N/A
Booklet Finisher-AC1		
POD Deck Unit-E1		
2/3 Hole Puncher Unit-A1	From the Staple Finisher-AC1 or Booklet Finisher-AC1	
POD Deck Lite-C1	120V / 15A outlet	NEMA 5-15
Document Insertion /Folding Unit-J1		
Document Insertion Unit-P1		
imagePASS-Y3 V1.1 ³⁵		

³⁵ The Integrated Interface & Stand-A1 requires an additional 120V / 15A NEMA 5-15 receptacle for the monitor.

B. Installation Weight & Dimensions

The imageRUNNER ADVANCE DX 6700 Series approximate weight and dimensions differ depending on its configuration with the optional accessories. The dimensions are for reference only and should not be confused with the required space for installation.

Table 16 – Dimensions

Unit	Width		Depth		Height	
Main Unit with the Upright Control Panel	58 3/8"	1,481 mm	30 3/8"	770 mm	49 1/4"	1,252 mm
Main Unit without the Upright Control Panel	26 3/8"	670 mm	30 3/8"	770 mm	46 5/8"	1,185 mm
Paper Deck Unit-E1	14 1/4"	363 mm	24 7/8"	630 mm	22 1/2"	572 mm
POD Deck Lite-C1	25 7/8"	656 mm	27"	686 mm	22 5/8"	574 mm
Staple Finisher-AC1 ³⁶	25 7/8"	656 mm	24 1/2"	623 mm	47 1/8"	1,195 mm
Booklet Finisher-AC1 ³⁶	25 7/8"	656 mm	24 1/2"	623 mm	47 1/8"	1,195 mm
Document Insertion Unit-P1	26 1/8"	662 mm	26 3/4"	679 mm	48 7/8"	1,242 mm
Document Insertion / Folding Unit-J1	26 1/8"	662 mm	26 3/4"	679 mm	48 7/8"	1,242 mm
2/3-Hole Puncher Unit-A1	Inside of the Staple Finisher-AC1 / Booklet Finisher-AC1					
Copy Tray-R2 ³⁶	16 1/2"	420 mm	15"	382 mm	6 7/8"	175 mm
Copy Card Reader-F1 ³⁷	3 1/2"	88 mm	3 13/16"	96 mm	1 5/8"	40 mm
imagePASS-Y3 V1.1	8"	203 mm	9 3/4"	248 mm	15 1/8"	384 mm

³⁶ When the auxiliary tray and rotation tray are extended

³⁷ Excluding the attachment kit and cable.

Table 17 – Weight

Component	Approximate Weight	
Main Unit with the Upright Control Panel (Toner bottle excluded)	487 lb	221 kg
Main Unit without the Upright Control Panel (Toner bottle excluded)	478 lb	217 kg
Paper Deck Unit-E1	75 lb	34 kg
POD Deck Lite-C1	149.9 lb	68 kg
Staple Finisher-AC1	79 lb	36 kg
Booklet Finisher-AC1	132 lb	60 kg
2/3-Hole Puncher Unit-A1	6.7 lb	3 kg
Document Insertion Unit-P1	88 lb	40 kg
Document Insertion / Folding Unit-J1	168 lb	76 kg
Copy Tray-R2	2.4 lb	1.1 kg
Copy Card Reader-F1 ³⁸	7.1 oz	200 g
Puncher Unit-BF1	8.2 lb	3.7 kg
Puncher Unit-BS1	6.7 lb	3.0 kg
Inner Booklet Trimmer-A1	70.5 lb	32 kg
Booklet Trimmer-F1	392 lb	178 kg
imagePASS-Y3 V1.1	13 lb	5.9 kg

³⁸ Including the attachment kit and cable.

C. Installation Space Requirements

The imageRUNNER ADVANCE DX 6700 Series machine approximate installation space requirements may differ, depending on how the machine is configured and the optional accessories attached. Always ensure that there is enough space for servicing and operation of the main unit and configuration, including the opening of the main unit and accessory doors.

⚠ WARNING

Do not place anything around the machine or the breaker, as doing so may prevent access to the breaker in an emergency, possibly resulting in personal injury or damage to the machine.

👤 IMPORTANT

Rear Space:

- With the main unit only, provide at least 4" (100 mm) behind the machine to the wall for unrestricted operation, including the opening of the main unit doors.
- Keep the back of the machine at least 31 1/2" (800 mm) away from a wall when the Main Unit is configured with paper feed, finishers or accessories.

Front and Side Space:

- Make sure that at least 19 3/4" (500 mm) of space is available around the front, left, and right sides of the Main Unit.

Additional Space Requirements

- The machine should not be moved once it is in place.

Table 18 – Installation Space Main Unit Without Options

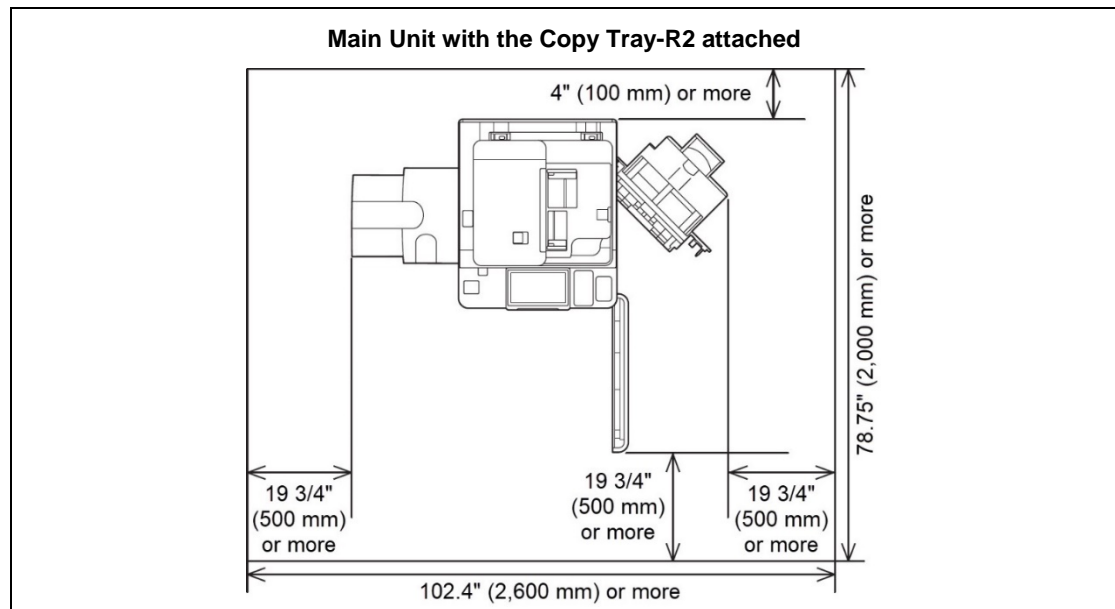
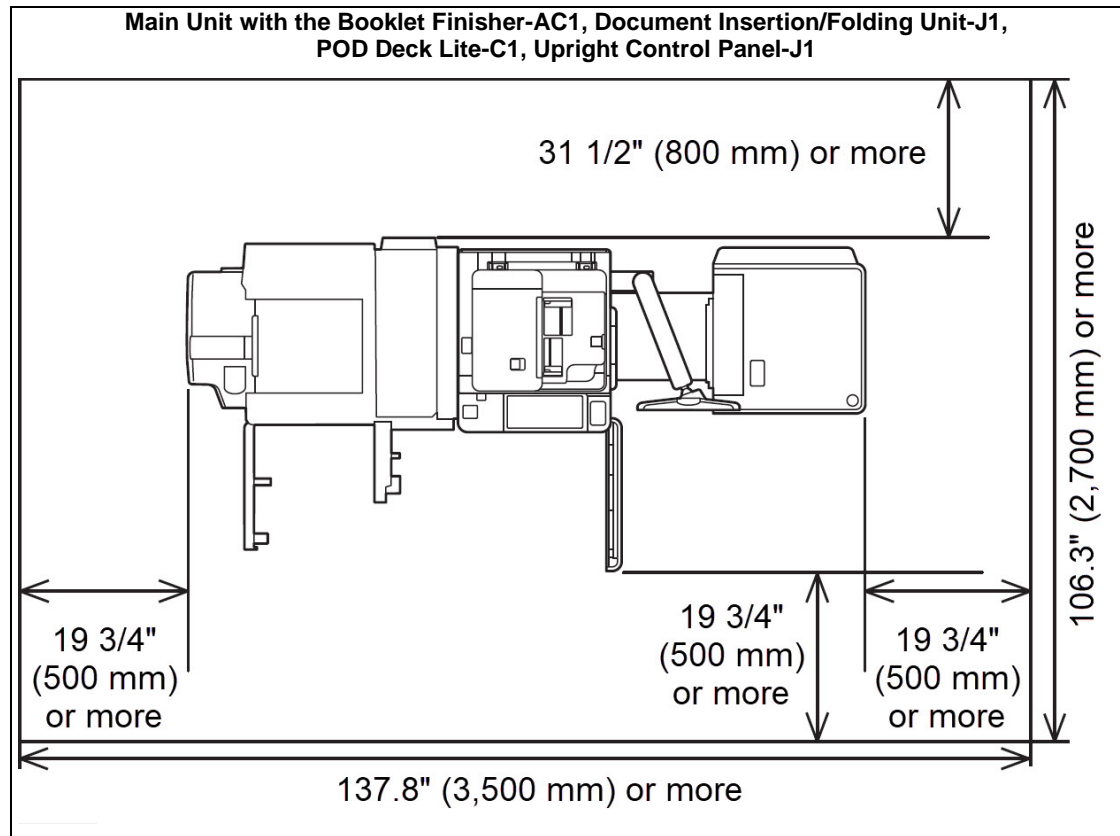


Table 19 – Installation Space – Main Unit with Finishing and Paper Feed Options



D. Estimated Installation Times

The table below indicates the estimated length of time needed to unpack and install the main unit and optional accessories, calculated from the average amount of labor hours. The estimated unpack and installation times are based on a minimum of one (1) experienced technicians unless otherwise specified.

 **IMPORTANT**

Setup time varies due to many factors, most of which the installation technician has little control over. Some obstacles may include:

- Forklift availability and its operator
- Narrow hallways or a need to remove doors to enter rooms
- Uneven or damaged floors making leveling equipment difficult and time consuming

With the above-mentioned obstacles considered, an installation of imageRUNNER ADVANCE DX 6700 Main Unit can take longer than the estimated total times below.

Table 20 – Estimated Installation Times

Estimated Installation Times		Estimated Total Time
Description		Estimated Total Time
Main Unit with the Upright Control Panel		37 minutes
Main Unit without the Upright Control Panel		34 minutes
Paper Deck Unit-E1		9 minutes
POD Deck Lite-C1		13 minutes
Staple Finisher-AC1		12 minutes
Booklet Finisher-AC1		13 minutes
2/3 Hole Puncher-A1		8 minutes
Document Insertion Unit-P1		21 minutes
Document Insertion / Folding Unit-J1		19 minutes
Paper Folding Unit-J1		22 minutes
Utility Tray-B1		5 minutes
Copy Card Reader-F1	Flat Control Panel Unit	13 minutes
	Upright Control Panel Unit	9 minutes
Copy Card Reader Attachment-A4		5 minutes
Upright Control Panel-J1		39 minutes
Numeric Keypad-A1		6 minutes
IC Card Reader Box for Numeric Keypad		3 minutes
Super G3 FAX Board- AS2		6 minutes
Super G3 2nd Line Fax Board- AS2		8 minutes
Super G3 3rd/4th Line Fax Board- AS2		7 minutes

Table 20 – Estimated Installation Times Continued

Estimated Installation Times	
Description	Estimated Total Time
Voice Guidance Kit- G1	12 minutes
Voice Operation Kit-D1	12 minutes
HDD Mirroring Kit-J1	19 minutes
Removable HDD Kit-AL1	17.5 minutes
Serial Interface Kit-K3	9 minutes
Copy Control Interface Kit-A1	8 minutes
Connection Kit-A2 for Bluetooth LE	4 minutes
2.5inch/250GB HDD-N1 2.5inch/ 1TB HDD-P1	11 minutes
imagePASS-Y3 V1.1 ³⁹	21 minutes

³⁹ Total installation time including test print and others to a copying machine and the controller. The time does not include patch file installation or System reinstallation.

E. Recommended System Engineer Requirements

An SE (System Engineer) ⁴⁰ is recommended to work with Canon's software solutions and networked devices, and should have the following basic job functions:

- Systems Integration (pre-sales, professional services and post-sales)
- Technical Education
- Advanced Troubleshooting

To perform the above tasks successfully, it is crucial that the SE have strong software solutions, IT infrastructure and working knowledge in the following areas:

1. Major computer platforms (PC and Mac based)
2. Operating systems:
 - Windows
 - Mac OS
 - Linux
3. Protocols/Services:
 - TCP/IP
 - SMTP/SMB/FTP
 - SNMP
 - TLS/IPSEC
 - Active Directory
4. Printing
 - Print Driver (PCL, PS, UFR)
 - Print processor
 - Print spooler
 - Print queue
5. Scanning

It is also important that the SE have computer skills and working knowledge in Remote Support Tools – (WebEx, TeamViewer, Windows RDC)

The Education/Training of a successful Canon dealership's SE include:

1. CompTIA A+/Network +/Security +
2. Microsoft Certified
3. Two years of experience as a Computer Technician, Network Administrator or related software support position.
4. A degree in Computer Science or Networking Technology or two years of extensive experience in the above areas.

⁴⁰ An SE (System Engineer) is a professional title often used by hardware vendors for individuals who perform systems related tasks, such as analysis, design, and programming. System Engineers are also often involved in pre-sales activities.

F. Canon Remote Services

Canon Remote Services are a suite of tools and best practices that Canon USA provides to dealers to help maximize efficiency and reduce labor costs.

Canon Remote Services provide the following benefits to customers and dealerships:

- Retrieve meter readings for billing, which reduces the need for an on-site meter read or a phone call to the customer to read the meters.
- Anticipate part requirements by monitoring the service meters. The service technician can monitor the page counter and service part counter data to anticipate when a part requires replacement and have the part available during the next scheduled service visit.
- Investigate machine issues before visiting the customer site. Service alerts and service meters can be used so that the service technician can visit the customer with the necessary information and parts to reduce revisits due to the unavailability of service parts.
- Monitoring service alert data provides the ability to resolve simple issues over the phone, which may reduce the need for an on-site service visit.

For more information about Canon Remote Services, refer to the Remote Services page on the [Canon e-Support Center Website](#).

1. imageWARE Remote

imageWARE Remote is a service that facilitates the automatic collection of page counter, service parts counter, alarm, jam, and error code data. This information is transmitted to the UGW (Universal Gateway) Server from Canon devices equipped with the eRDS (embedded Remote Diagnostic System), or with the optional RDS (Remote Diagnostic System) Plug-In for imageWARE Enterprise Management Console.

A servicing dealer has access to the UGW Web Portal, an interface to view and retrieve collected meter and service data. Additionally, the UGW Web Portal can be used to monitor and manage the use of consumables.

IMPORTANT

- To register the machine in the UGW, the main engine serial number must be used.
- imageWARE Remote only supports TLS V1.2 and earlier.

a. Embedded Remote Diagnostic System

eRDS is a function that is built into the device that allows the device to communicate meter and service information to the UGW.

eRDS must be enabled and a successful COM-TEST must be performed before a device can report to the UGW.

b. Remote Diagnostic System Plug-in

The optional RDS ⁴¹ Plug-In for the imageWARE Enterprise Management Console retrieves meter and service information from up to 1,000 Canon printers, Canon multifunction devices and third-party devices using the standard printer MIB (Management Information Base). The RDS Plug-In transmits the collected data directly to the UGW.

Note: eRDS-capable devices can also be monitored using the RDS Plug-in.

2. Optional Integration Applications

Optional integration applications are available to automatically download meter and service alert data to your dealership's back-end device management system. For more information, refer to the Remote Services page on the [Canon e-Support Center Website](#).

3. UGW SnapShot

The UGW SnapShot tool consolidates commonly used data from the UGW into a format accessible from an Internet capable device (mobile phone, tablet, or a personal computer).

Service technicians can use this tool to check device status prior to a service call.

For more information, refer to the Remote Services page on the [Canon e-Support Center Website](#).

4. Device Management Tool

The Device Management Tool is a Web application that can be used to register, manage, and unregister individual or multiple devices in the UGW.

The Device Management Tool can create customer profiles, contract information, and associate devices with a customer.

5. Dealer Dashboard

The Dealer Dashboard displays key device and user activity for the Remote Services tools. The information helps our Service Partners monitor the devices in a fleet (including total registered devices, actively reporting devices, not reporting devices, and devices without a COM TEST) and the user status (including active and inactive users, and remote services tool activity). The Dealer Dashboard includes an option to send regular reports via e-mail to specified users. For more information, refer to the Remote Services page on the Canon USA's e-Support Center Website.

⁴¹ The imageWARE Enterprise Management Console and Remote Diagnostic System Plug-in are available at no charge. For more information, refer to the Technical Publication TP10 360 available from the [Canon e-Support Center Website](#).

6. Content Delivery System




The CDS (Content Delivery System) is a system that delivers and installs firmware and MEAP (Multifunction Embedded Application Platform) applications. The advantages of the CDS include reduced service costs (labor and travel), improved first-call resolution, and provides access to the latest version of firmware.

IMPORTANT

Content Delivery System only supports TLS V1.2 and earlier.

There are three methods to deliver firmware updates:

Table 21 – CDS Firmware Delivery Methods

Method		Download Firmware	Install Firmware	Frequency	Cost Savings
	Scheduled Update (at device)	Automatic	Automatic	Recurring periodically	Fully unattended updates after initial one-time setup (less than 5 minutes)
	Update (remotely through UGW + CDS)	13 hours to 7 days in advance	Automatic	One time as scheduled	Eliminate technician visits
			Manual		Reduce duration of technician visit
	Update (at device)	Up to 7 days in advance	Automatic	One time as scheduled	Fully unattended update after configuring (less than 5 minutes), when using automatic installation.
			Manual	One time on demand	

Method A – Ensures that the device always has the latest version of firmware installed. After a one-time setup by the service technician, the machine automatically downloads and installs new firmware as it becomes available. Further visits may not be necessary for firmware updates.

Method B – Enables the dealership to schedule a firmware download to the machine via the UGW. This method also provides the option to install the firmware either automatically (without a service technician on-site), or manually by a service technician.

Method C – Provides a service technician with access to the latest firmware while at the machine. A service technician also has the option to schedule the installation at a later time. Although a site visit is required for each firmware update, the service technician does not need to bring the firmware to the site.

7. Remote Operator's Software Kit

The Remote Operator's Software Kit provides alternative access for end-users with mobility or dexterity impairments. This software emulates the device's control panel and hard keys on a computer screen, allowing end-users to operate all system functions (copy, print, fax, scan, and send) from a network-connected computer.

Service technicians and helpdesk personnel can use the Remote Operator's Software Kit for remote management, troubleshooting, and support. The Remote Operator's Software Kit can also provide access to Service Mode. Additionally, it can be used to demonstrate device features and functions to end-users.

Note: The procedure to enter Service Mode using the Remote Operator's Software Kit should not be shown to the end-user.

G. Device Configuration Management

1. Device Configuration Manager

DCM (Device Configuration Management) is a function to migrate the device settings information (Settings/Registration Basic Information and Service Mode Settings) as backup data, installation (replacement/mass installation) to the same model or installation to a different model.

The settings can be imported/exported using Remote UI, service mode, or imageWARE Enterprise Management Console DCM Plug-in.

Backup data can be stored to the PC via Remote UI and to USB memory media or the HDD via the service mode

Refer to the imageRUNNER ADVANCE DX 6700 Service Manual for details.

2. Device Migration Navigator

The Device Migration Navigator is an application that can help the service technician select the best tool (Remote UI, USB Memory Media) to migrate device settings for installation (replacement/mass installation) and/or data backup/restoration.

Notes:

Available at no charge from the [Canon e-Support Center Website](#) Download Center.

Available for the imageRUNNER ADVANCE DX 6700 with the imagePASS Server attached

This process is not to be confused with the process to back up or restore RAM Data

H. Data Backup Service

The Data Backup Service provides automatic data backup periodically to a cloud-based server hosted at Canon Business Imaging Online (CBIO). The end-user administrator can execute the Data Backup Service. The Data Backup Service backs up the imageRUNNER ADVANCE DX device user mode settings, Address Book, Registration Settings, Quick Menu Settings, Main Menu Settings, Box Settings, Universal Data Settings, Personal Settings, and Service Mode Settings. Customer data is not backed up to the Data Backup Service, the exception is the Address Book.

The service technician can restore the address book and settings listed above from the cloud based server to the existing or replaced Hard Disk Drive of the imageRUNNER ADVANCE DX Device.

Training is required to allow the servicing dealer to enroll in Data Backup Service and for the service technician to receive support from the Technical Support Center. Refer to the Training Center at Canon USA's [e-Support Center Website](#) Training Center for details.

I. Firmware Upgrade

The imageRUNNER ADVANCE DX 6700 Series devices supports firmware downloads from the SST (Service Support Tool), USB memory stick and the Content Delivery System. Refer to the imageRUNNER ADVANCE DX 6700 Series Service Manual for details.

1. Service Support Tool

The Service Support Tool ⁴² (version 4.81 or later) provides a graphical interface between the PC and the copier. Refer to the SST User Manual. The SST is available via Canon's [e-Support Center Website](#) and provides two main functions:

a. Flash Upgrade Function

The SST can upgrade the Flash Dual In-Line Memory Modules (FDIMM) firmware, BootROM, DCON and RCON. The SST is also capable of downloading to a HDD System, RUI (Remote User Interface), Key, SDICT, TTS, Browser, ASR, WebDAV, Media, Help and Language Files. Additionally, the SST can format a HDD and load software.

The SST Download Progress Monitor⁴³ is available via the Canon USA [e-Support Center Website](#). The tool will enable the service technician to monitor the download progress of firmware to device.

b. Backup / Restore RAM Data

If replacing any PCBs with FDIMMs attached or initializing RAM, the SST can be used to create a backup of the FDIMM RAM data and saved to a PC. Once the PCB has been replaced, the RAM backup file can be restored to the imageRUNNER ADVANCE DX Device and factory settings restored.

2. Content Delivery System

The CDS is Canon's next generation system for the delivery and installation of firmware to imageRUNNER ADVANCE DX Devices with the imagePASS Server attached. Refer to the [Content Delivery System](#), page 55



IMPORTANT

Content Delivery System only supports TLS V1.2 and earlier.

⁴² Check the e-Support Center Download Center for the most current version of the Service Support Tool

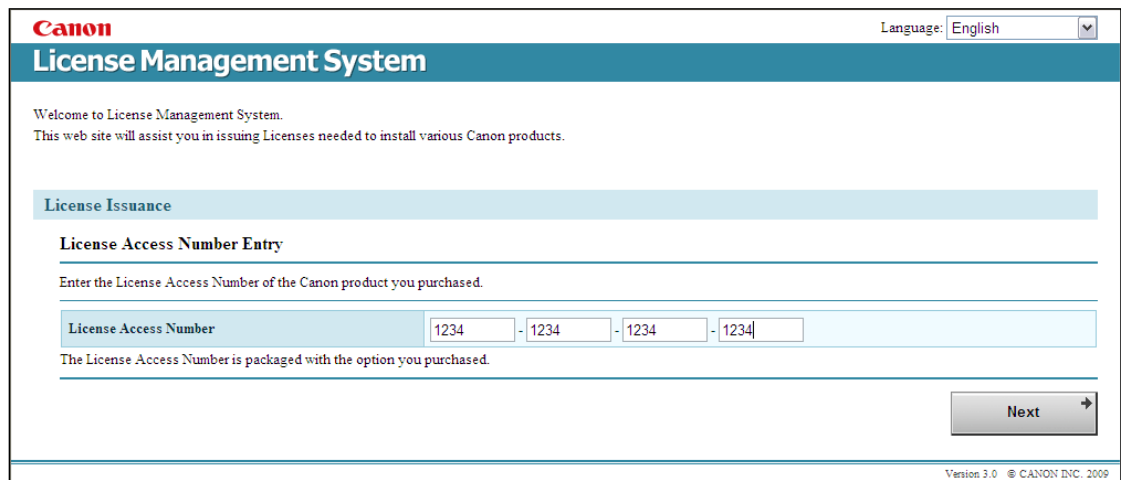
⁴³ Check the e-Support Center Download Center for the most current version of the SST Download Progress Monitor.

J. LMS (License Management System)

To activate optional software programs and features preinstalled on the imageRUNNER ADVANCE DX Device, you must obtain a license through the LMS server. This replaces the need for additional hardware or dongles to activate new software.

The LMS is a server-based software license program. All purchased software application packages contain a license access number certificate with the documentation. The dealer must enter the license access number and the imageRUNNER ADVANCE DX Device’s serial number into the LMS server to generate a license key. The URL to access the LMS server is: <http://www.canon.com/lms/ir/>.

Figure 3 – License Management System



If there are activation or installation issues, contact the Technical Support Center. Be prepared to provide the product’s serial number, license access number, and license key.

Notes:

- The license access number comes with the software. Keep the license access number in a secure location, as it cannot be replaced if it is lost.
- The machine’s serial number can be found on the Counter Check screen on the machine’s UI.
- Activated software programs are not impacted by normal service activity.

K. Content Delivery System Website

The CDS Website (<http://www.canon.com/fau/downloads>) enables end-users to download, select client applications and related manuals.

L. Hard Disk Drive Handling

The imageRUNNER ADVANCE DX 6700 Series machines use a HDD (Hard Disk Drive) for storing firmware and image data. The HDD is easily affected by shock, vibration, and static charge. Therefore, its handling requires special care. When transporting an HDD, which is available as a service part, it must be kept in its original package until it is installed in a machine.

CAUTION

Canon USA or any of its affiliates or dealers are not liable for any damages for loss of data received or stored on the hard disk, including loss arising from lost opportunity to use such data, even if Canon is informed of the possibility of such damages. Therefore, it is recommended to not permanently store data on the HDD without having secured copies or printouts of such data. (Review the terms of the product's Limited Warranty for more details.)

IMPORTANT

If a HDD must be replaced due to a fault, all MEAP application files stored on it will be lost, requiring all applications and their license files to be reinstalled, in addition to replacing the HDD. Refer to the imageRUNNER ADVANCE DX 6700 Series Service Manual for further details.

M. Special Tools, Solvents & Oils

In addition to the standard tools used to service these devices, a service technician should also carry special tools to maintain the machine. The service technician should carry specific solvents and oils for the cleaning and lubrication of key components of the machine. For more information on the special tools, solvents, and oils, see the imageRUNNER ADVANCE DX 6700 Series Service Manual.

N. Consumables

Consumables are all products and materials that are consumed with regular use and cannot be reused. Such consumables include but are not limited to paper, chemicals and toner.

A number of factors are considered when the approximate yield expectancy of a consumable is determined, including paper size and the amount of coverage per page.

Notes:

- All consumables shown in the below table are estimates for reference purposes only and are subject to change without notice. Actual usage will vary.
- These models contain logic (a default setting) to help the dealer control costs by only allowing a toner bottle to be replaced by the end-user customer when approximately 5% of its content remains. However, this can be disabled in Service Mode thereby allowing replacement of a bottle at any time by the end-user customer. Please see the Service Manual for details.

Table 22 – Main Unit Consumables List

Description	Part Number ²	Quantity	Estimated Life ⁴⁴	Remarks
GPR-37/38 Black Drum Unit	3765B003AA	1	6,000,000 pages	
GPR-38 Black Toner	3766B003AA	1	56,000 ⁴⁵ pages	The first toner bottle used on a new machine may have an estimated life of 40,000 images

² Item Numbers, eLAN Item Numbers and Part Numbers are subject to change without notice.

⁴⁴ Value is based on LTR sized paper. Estimated average values in the field, based on data from supplier. Data is subject to change depending upon many factors including, without limitation, monthly copy volume, environment, type of image printed and customer handling of the equipment.

⁴⁵ Estimated 6% toner coverage on LTR sized paper.

O. Consumable Parts

Consumable parts are parts having a limited life that will be reached during a customer’s specific machine operation, and should then be replaced as needed. Examples of consumable parts include, but are not limited to, feed rollers and cleaner blades.

An estimated consumable parts list is provided in the table below to assist in the initial parts/supplies planning. A consumable part’s life expectancy is directly related to usage factors, such as paper size, paper quality, environment, usage application, and machine maintenance. Therefore, consumable parts do not have a warranty, and Canon USA cannot guarantee a minimum life.

Note: All consumable parts shown in the table below are for reference purposes only, and are subject to change without notice.

Table 23 – Main Unit Consumable Parts

Description	Part Number ²	Quantity	Estimated Life ⁴⁴	Remarks
Primary Charging Assembly	FM3-7288-010	1	1,000,000 pages	
Pre-transfer Charging Assembly	FM3-7297-000	1	1,000,000 pages	
Developing Cylinder	FM4-5438-010	1	1,000,000 pages	Counter/Life value can be cleared only in TONER-S. High temperature / high humidity environment (30 deg C / 80%): 500,000 sheets
Developing Roller	FC0-2276-000	2	1,000,000 pages	High temperature / high humidity environment (30 deg C / 80%): 500,000 sheets
Drum Cleaning Blade	FL3-6291-000	1	600,000 pages	Blade is reversed at 300,000 sheets
Drum Separation Claw	FB4-8018-010	3	500,000 pages	High temperature/high humidity environment (30 deg C / 80%): 250,000 sheets
Drum Front Side Seal	FC9-9024-000	1	500,000 pages	
Drum Rear Side Seal		1	500,000 pages	
Scraper	FC9-9153-000	2	500,000 pages	
ETB	FC8-7160-000	1	500,000 pages	
Transfer Roller	FC8-7159-000	1	500,000 pages	
Brush Roller	FC8-7175-000	1	500,000 pages	
ETB Cleaning Blade	FC6-1647-000	1	500,000 pages	

² Item Numbers, eLAN Item Numbers and Part Numbers are subject to change without notice.

⁴⁴ Value is based on LTR sized paper. Estimated average values in the field, based on data from supplier. Data is subject to change depending upon many factors including, without limitation, monthly copy volume, environment, type of image printed and customer handling of the equipment.

Table 23 – Main Unit Consumable Parts Continued

Description	Part Number ²	Quantity	Estimated Life ⁴⁴	Remarks
Fixing Web	FE2-E540-000	1	500,000 pages	
Fixing Roller	FM0-3465-000	1	500,000 pages	
Fixing Roller Insulating Brush	FM1-C081-000	2	500,000 pages	
Fixing Roller Thrust retainer	FC6-3501-020	2	500,000 pages	Change simultaneously with fixing roller
Pressure Roller Unit	FM4-3160-000	1	500,000 pages	
Pressure Roller Static Eliminator (Rear)	FE2-4287-000	1	500,000 pages	
Upper Separation Claw	FB5-3625-000	6	500,000 pages	
Cassette 3 Pickup Roller	FC5-2524-000	1	500,000 sheets	
Cassette 4 Pickup Roller		1	500,000 sheets	
Right Deck Pickup Roller		1	500,000 sheets	
Left Deck Pickup Roller		1	500,000 sheets	
Cassette 3 Feed Roller	FC5-2526-000	1	500,000 sheets	
Cassette 4 Feed Roller		1	500,000 sheets	
Right Deck Feed Roller		1	500,000 sheets	
Left Deck Feed Roller		1	500,000 sheets	
Cassette 3 Separation Roller	FC5-2528-000	1	500,000 sheets	
Cassette 4 Separation Roller		1	500,000 sheets	
Right Deck Separation Roller		1	500,000 sheets	
Left Deck Separation Roller		1	500,000 sheets	
Multi-purpose Tray Separation Roller	FC6-6661-000	1	120,000 sheets	
Multi-purpose Tray Feed Roller	FB1-8581-000	1	120,000 sheets	
Pickup roller unit	FM1-T417-000	1	80,000 images	Duplexing Automatic Document Feeder
Separation roller	FM1-T423-000	1	80,000 images	
Stamp	FC7-5465-000	1	7,000 images	

² Item Numbers, eLAN Item Numbers and Part Numbers are subject to change without notice.

⁴⁴ Value is based on LTR sized paper. Estimated average values in the field, based on data from supplier. Data is subject to change depending upon many factors including, without limitation, monthly copy volume, environment, type of image printed and customer handling of the equipment.

Table 24 – POD Deck Lite-C1 Consumable Parts

Item	Part Number ²	Quantity	Estimated Life ⁴⁴	Remarks
Deck pickup roller	FL0-4500-000	1	1,000,000 sheets	
Deck feed roller	FC0-9450-000	1	1,000,000 sheets	
Deck separation roller	FC0-9631-000	1	1,000,000 sheets	

² Item Numbers, eLAN Item Numbers and Part Numbers are subject to change without notice.

⁴⁴ Value is based on LTR sized paper. Estimated average values in the field, based on data from supplier. Data is subject to change depending upon many factors including, without limitation, monthly copy volume, environment, type of image printed and customer handling of the equipment.

Table 25 – Paper Deck Unit-E1 Consumable Parts List

Description	Part Number ²	Quantity	Estimated Life ⁴⁴	Remarks
Deck pickup roller	FL0-4500-000	1	1,000,000 sheets	
Deck feed roller	FC0-9450-000	1	1,000,000 sheets	
Deck separation roller	FC0-9631-000	1	1,000,000 sheets	

² Item Numbers, eLAN Item Numbers and Part Numbers are subject to change without notice.

⁴⁴ Value is based on LTR sized paper. Estimated average values in the field, based on data from supplier. Data is subject to change depending upon many factors including, without limitation, monthly copy volume, environment, type of image printed and customer handling of the equipment.

Table 26 – Booklet Finisher-AC1 / Staple Finisher-AC1 Consumable Parts

Description	Part Number ²	Quantity	Estimated Life ⁴⁴	Remarks
Staple Unit	FM1-H337-000	1	500,000 times	
Staple-free Staple Unit	FM1-K422-000	1	30,000 times	
Stack Tray Torque Limiter	FE3-9778-000	2	200,000 times	
Paddle	FE3-6957-000	4	1,000,000 times	
Paper Retainer Lever	FM1-U597-000	2	3,000,000 times	
Stitcher Unit	FL0-6966-000	1	100,000 times	Booklet Finisher-AC1 only

² Item Numbers, eLAN Item Numbers and Part Numbers are subject to change without notice.

⁴⁴ Value is based on LTR sized paper. Estimated average values in the field, based on data from supplier. Data is subject to change depending upon many factors including, without limitation, monthly copy volume, environment, type of image printed and customer handling of the equipment.

Table 27 – Document Insertion Unit-P1 Consumable Parts

Description	Part Number ²	Quantity	Estimated Life ⁴⁴	Remarks
Pickup roller	4A3-3870-000	2	100,000 sheets	
Feed roller	4A3-3869-000	1	100,000 sheets	
Separation roller	4A3-3868-000	1	100,000 sheets	
Torque limiter	4A3-3888-000	1	1,000,000 times	

² Item Numbers, eLAN Item Numbers and Part Numbers are subject to change without notice.

⁴⁴ Value is based on LTR sized paper. Estimated average values in the field, based on data from supplier. Data is subject to change depending upon many factors including, without limitation, monthly copy volume, environment, type of image printed and customer handling of the equipment.

Table 28 – Document Insertion / Folding Unit-J1 Consumable Parts

Description	Part Number ²	Quantity	Estimated Life ⁴⁴	Remarks
Pickup roller	4A3-3870-000	2	100,000 sheets	
Feed roller	4A3-3869-000	1	100,000 sheets	
Separation roller	4A3-3868-000	1	100,000 sheets	
Torque limiter	4A3-3888-000	1	1,000,000 times	

² Item Numbers, eLAN Item Numbers and Part Numbers are subject to change without notice.

⁴⁴ Value is based on LTR sized paper. Estimated average values in the field, based on data from supplier. Data is subject to change depending upon many factors including, without limitation, monthly copy volume, environment, type of image printed and customer handling of the equipment.

P. Periodically Replaced Parts

Some parts of the machine must be maintained and replaced periodically to ensure a specific level of machine performance. These parts can affect the performance of the machine once they fail, even if there is no external change or damage. Whenever possible, plan to replace these parts during a scheduled service visit.

Table 29 – Main Unit Periodic Replacement Parts

Description	Part Number ²	Quantity	Estimated Life ⁴⁴	Remarks
Primary Charging Wire Unit	FL3-4558-000	2	500,000 pages	All-in-one (Charging Wire + Spring) High temperature/high humidity environment (30 deg C / 80%): 250,000 pages
Primary Charging Wire	FB4-3687-000	2	500,000 pages	High temperature/high humidity environment (30 deg C / 80%): 250,000 pages
Primary Charging Wire cleaner	FL2-7750-000	2	500,000 pages	
Pre-transfer Charging Wire cleaner holder	FL3-7560-000	2	500,000 pages	
Primary Grid Wire	FY1-0883-000	1	500,000 pages	
Pre-transfer Charging Wire Unit	FL3-4559-000	1	500,000 pages	All-in-one (Charging Wire + Spring) High temperature/high humidity environment (30 deg C / 80%): 250,000 pages
Pre-transfer Charging Wire	FB4-3687-000	1	500,000 pages	Part of Pre-transfer Charging Wire Unit: FL3-4559-000 High temperature/high humidity environment (30 deg C / 80%): 250,000 pages
Pre-transfer Charging Wire cleaner	FL2-7750-000	1	500,000 pages	
Pre-transfer Charging Wire cleaner holder	FL3-7560-000	1	500,000 pages	
Main Thermistor Unit	FK2-7683-000	1	500,000 pages	
Sub Thermistor	FK2-7693-000	2	500,000 pages	
Ozone Filter	FL3-2134-000	1	6,000,000 pages	For exhausting from the rear lower side
Dustproof Filter	FC8-9564-000	1	2,000,000 pages	For primary charging

² Item Numbers, eLAN Item Numbers and Part Numbers are subject to change without notice.

⁴⁴ Value is based on LTR sized paper. Estimated average values in the field, based on data from supplier. Data is subject to change depending upon many factors including, without limitation, monthly copy volume, environment, type of image printed and customer handling of the equipment.

Q. Periodic Maintenance

Some parts of the machine must be checked and/or replaced on a periodic basis to ensure a specific level of machine performance. These parts are likely to affect the performance once they fail even in the absence of external change or damage. Whenever possible, plan their replacement so that it will coincide with a scheduled service visit.

Note: All periodic maintenance shown in the below table is for reference purposes only and are subject to change without notice. Refer to the Service Manual for additional information.

Table 30 – Periodic Maintenance Items

Main Unit Periodic Maintenance			
Part Name	Estimated Interval ⁴⁴	Maintenance Task	Remarks
Shield Plate for each Charging Assembly	500,000 pages	Clean	High temperature/high humidity environment (30 deg C / 80%): 250,000 pages
Primary Duct Toner Blocking Sheet	500,000 pages	Clean	
Pre-transfer Charging Assembly Dust Collection Roller	500,000 pages	Clean	
Pre-transfer Charging Assembly Roller electrode area	500,000 pages	Clean	
Transfer Belt Driver Roller / Idler Roller	500,000 pages	Clean	
Dustproof Glass	500,000 pages	Clean	
Photosensitive Drum	300,000 pages	Clean	Use alcohol solution + cleaning powder (CK-0429) Clean when replacing the Cleaning Blade.
Drum Heater Sliding Assembly	1,000,000 pages	Clean / Lubricate	
Drum Cleaning Unit Plate	500,000 pages	Clean	
Separation Claw Mounting Base	500,000 pages	Clean	
Developing Roller	500,000 pages	Clean	
Transfer Separation Guide / Static Eliminator	500,000 pages	Clean	
Delivery Separation Claw	500,000 pages	Clean	
Fixing Oil Receiver	500,000 pages	Clean	

⁴⁴ Value is based on LTR sized paper. Estimated average values in the field, based on data from supplier. Data is subject to change depending upon many factors including, without limitation, monthly copy volume, environment, type of image printed and customer handling of the equipment.

Table 30 – Periodic Maintenance Items Continued

Main Unit Periodic Maintenance			
Part Name	Estimated Interval⁴⁴	Maintenance Task	Remarks
Fixing Inlet Guide / Sensors / Dowel Holder	500,000 pages	Clean	
Scanner Sensor (Pickup Assembly)	500,000 pages	Clean	Clean when replacing the Separation Roller.
Scanner Sensor (Feeding Assembly)	1,000,000 pages	Clean	
Developing Toner Blocking Sheet	500,000 pages	Clean	
Lower side of Developing Assembly	500,000 pages	Clean	
Lower side of Developing Assembly (host machine side)	When Needed	Clean	Clean when removing the Developing Assembly.
Brush Rollers / Slave Rollers / Guides for each Feeding Assembly	500,000 pages	Clean	
Registration Unit Magnet / Plastic Film	500,000 pages	Clean	
Patch Sensor	500,000 pages	Clean	
Waste Toner Container	500,000 pages	Inspect / Clean	Inspect/remove *Estimated image duty of 5%
Leakage Breaker	Once or Twice/year	Inspect	

⁴⁴ Value is based on LTR sized paper. Estimated average values in the field, based on data from supplier. Data is subject to change depending upon many factors including, without limitation, monthly copy volume, environment, type of image printed and customer handling of the equipment.

R. Soft Counter

The imageRUNNER ADVANCE DX 6700 Series uses soft counters to track its functional copy use. The control panel can display up to eight (8) counters on the counter status check screen (when the counter check key button on the control panel is pressed). By default, the imageRUNNER ADVANCE DX 6700 displays six (6) counters on the counter status check screen.

The Table below indicates the default counter configurations of the imageRUNNER ADVANCE DX 6700 Series on the counter status check screen.

Refer to the imageRUNNER ADVANCE DX 6700 Series Service Manual for complete details on the Soft Counter configurations.

Table 31 – Soft Counter

Counter	Counter Description (from Service Manual)	Default Display	Adjustability of Display
1	101: Total 1	On	May be Swapped to different Total Counter via Service Mode setting so that the counter will increment twice when large paper is used
2	103: Total (Large)	On	May be Changed via Service Mode setting to any available counter
3	201: Copy (Total 1)	On	
4	203: Copy (Large)	On	
5	Not Displayed	Off	
6	Not Displayed	Off	

⚠ CAUTION

- After performing a RAM clear, the counter will change to the default counter configurations above. As a result, the service technician must note the current soft counter settings before performing the RAM clear and return the soft counter settings after performing the RAM clear.
- If Counter 1 is changed to display the 102 counter (count two (2) clicks for large paper), Counter 2 may need to be changed to display the 109 counter (count two (2) clicks for large B&W paper) to match. However, you may need to confirm how your backend billing system and service history obtains the volume of color outputs before making this change.

S. MEAP Counter

The MEAP application counter counts the number of prints and scans made per MEAP application. You can view the MEAP counter by logging on to the MEAP SMS (Service Management Service) Application/License Information page via a Web browser. (The computer you are using must be connected to the machine and network.) You can also view the MEAP counter from the MEAP device. Press the Counter Check button on the device's control panel, and then press the MEAP Counter key on the touch panel display.

There are three types of MEAP applications:

- **Applet:** Contains a user interface on the touch panel display of the device. Up to nine applet tabs can be displayed on the touch panel display of the device.
- **Servlet:** Contains a remote, programmable user interface for the application via a Web browser.
- **Esplet:** The application does not contain a user interface.

Each MEAP application has its own counter. There are 20 counters available for MEAP applications on the imageRUNNER ADVANCE Series machines. However, one of these 20 counters is used for Universal Send.

T. Toner Bottle Counter

The imageRUNNER ADVANCE machine has Toner Bottle Counters that increment after the machine recognizes that a new toner bottle has been inserted. These counters provide support when billing customers who order and consume a lot of toner. Toner units shipped can be compared against toner bottles actually installed in the machine.

For more information, refer to the Service Manual.

Table 32 – Toner Bottle Counters

	Toner Bottle Counter⁴⁶
Counter Number	Black: 0071
Description	Counts how many toner bottles are consumed for each color throughout the life of the machine.
Service Mode	COPIER > OPTION > USER > TNRB-SW (Level 2)
Display on the Counter Check Screen	0: Not displayed 1: Toner Bottle Counter is displayed 2: Not Used
Remarks	Backed up three times

⁴⁶ The counter is not advanced under these conditions after replacing the DC Controller PCB:

- The DC Controller was replaced when the power was OFF, and a new toner bottle was installed before the power was turned ON.
- The DC Controller was replaced when the power was OFF, the power was turned back ON, and then a new toner bottle was installed (old bottle was already removed or the front door was open).

IX. Limited Warranty Support

A. imageRUNNER ADVANCE DX 6700 Limited Warranty Conditions

Ninety (90) days after delivery to the original purchaser or 200,000 prints/copies, or a combination of both, whichever comes first.

This limited warranty covers the product accessories. For detailed limited warranty information, please refer to the [Canon imageRUNNER ADVANCE DX 6780i/6765i/6755i](#), page [95](#).

Note: No warranty is given on any consumables or consumable parts, such as paper, toner, chemicals, or pick-up rollers.

B. GPR-37/38 Drum Unit Limited Warranty

Table 33 – GPR-37/38 Drum Unit Limited Warranty

Full Credit:	100,000 prints or copies (or a combination of both) or 30 days after delivery to the original purchaser, whichever comes first.
Prorated Credit:	2,000,000 prints or copies (or a combination of both) or 1 year after delivery to the original purchaser, whichever comes first.

For detailed limited warranty information, please refer to the [GPR-37/38 Drum Unit Limited Warranty](#), Page [96](#).

C. Warranty Programs

Reference the Warranty Programs section on the [e-Support Center Website](#) to review details of the following warranty programs and offerings:

- The Flat-Rate Program provides a flat-rate credit to Canon USA’s full-line dealers as compensation for warranty expenses that they may incur.
- Canon USA Authorized Parts Repair Facilities that repair circuit boards for various Canon products.
- The e-Tag, an electronic limited warranty claim form, that is completed online, printed out, and accompanied by the original defective part that is being returned to the Warranty Control Section for warranty compensation
- The Parts Support Program is designed to help reduce your service costs for controllers. By participating in the Parts Support Program your dealership will not be required to stock expensive parts.

D. Service Parts Availability

Service parts ordering will be available 24 hours a day, 7 days a week, 365 days a year to provide the quickest possible response should the need arise for such parts. Canon USA will provide service parts for the key units, assemblies and consumables to cover the entire machine function, and this is designed to avoid potential machine downtime for the customer. Various shipment options⁴⁷ currently offered include:

- Next Flight Out (NFO)
- UPS (Ground, Next Day, Early AM)
- Pickup (Rush, Spot)

Table 34 – Parts Order Center Days and Hours of Operation

Days of Operation	Hours of Operation	Parts Order Center	Telephone Number
Monday – Friday	9:00 AM – 7:00 PM Eastern Standard Time	Canon Parts Order Center	866-481-2569
Monday – Friday ⁴⁸	7:00 PM – 9:00 AM Eastern Standard Time	24 / 7 Call Center	800-263-9271
Saturday – Sunday ⁴⁸ All National Holidays	24 Hours		

⁴⁷ Shipment options are subject to change

⁴⁸ Only authorized dealer personnel with a unique PIN access code will be allowed to utilize this service. Contact the Canon Parts Order Center (canonparts@cusa.canon.com) for more information.

X. Product Technical Support Offerings

Note: Please refer to the Technical Support Center on the [e-Support Center Website](#) for the most current policies and procedures.

A. Canon USA Technical Support Center

The Technical Support Center (TSC) is the single point of entry for all technical support issues on BICG products. To ensure that every dealer receives the highest level of support and help to resolve the end user's problems quickly and accurately, we recommend each service technician become familiar with the Dealer Support requirements and Canon USA support offerings.

Refer to the Tech Support tab of the [e-Support Center Website](#) and review the Technical Support Center Policies and Procedures as well as Contacts & Tickets.

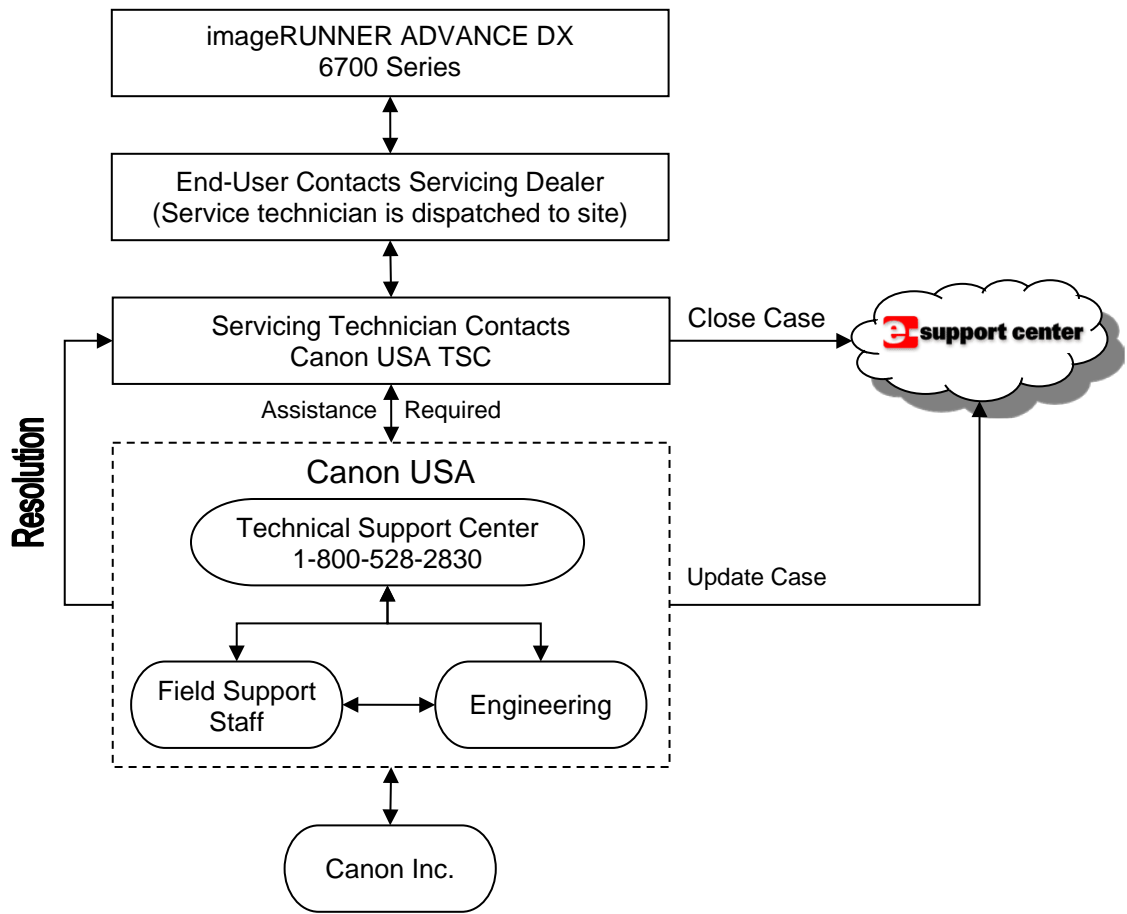
B. Technical Support Escalation

The TSC may, at its discretion, escalate a case to the Regional Field Support Staff or Engineering group after all reasonable troubleshooting options have been exhausted. For hardware-related issues a Designated Escalation Specialist for the imageRUNNER ADVANCE Series is required for an escalation to Field Support Staff. The DES must have worked on the problem directly before a TSC can escalate to Field Support Staff. See the Canon USA Support Escalation Flow Chart in [Figure 4 – Canon USA Support Escalation Flow Chart](#).

Note: For support escalation to the Field Support Staff, a Designated Escalation Specialist ⁴⁹ must contact the TSC and visit the site at least once.

⁴⁹ The Designated Escalation Specialist is a service technician assigned by the dealership in the model category of the imageRUNNER ADVANCE via the Management Center of the e-Support Website. The Designated Escalation Specialist must complete the training program and pass the final assessment exam for the imageRUNNER ADVANCE Series. See the Technical Support Center on the e-Support Center Website for more details.

Figure 4 – Canon USA Support Escalation Flow Chart



C. Internet Support

Canon USA's Engineering Services and Solutions Division provides high-quality e-Support via the Internet, and is only available for Canon USA's Authorized Servicing Dealers.

1. Canon USA's e-Support Center Website

To access e-Support, go to the Canon USA's [e-Support Center Website](#).

Canon USA's e-Support is designed to provide Systems Engineers and Technicians access to technical support information via the World Wide Web.

The following functions and information can be accessed:

- Proactive notification of new releases, patches, Technical Publications, and other information via e-mail message
- Search for technical solutions with the Integrated Knowledge Management System through a natural language query
- Read or download on-line documentation
- Download patches and their Readme files
- Download firmware and software drivers
- Track or close logged cases
- Review all open cases

2. Canon USA's Partner Portal Website

Canon USA's [Partner Portal](#) provides links to BICG Marketing and Service, Canon Network Access and the Learning Zone.

The Service and Support link provides access to view and download Service Guides, Customer Expectation Documents and Service Revenue/Profit Calculators.

Access is limited to an Authorized Dealer's Management staff. Please contact your Dealer Administrator to request access to the Partner Portal.

XI. Appendix

A. Registered Paper Types and Weight

Table 35 – Registered Paper Types and Weight

Paper Type	Paper Weight
Thin 2	14 to 15 lb bond (52 to 59 g/m ²)
Thin 1	16 lb bond (60 to 63 g/m ²)
Plain 1	17 to 20 lb bond (64 to 75 g/m ²)
Plain 2	21 to 24 lb bond (76 to 90 g/m ²)
Plain 3	25 to 28 lb bond (91 to 105 g/m ²)
Heavy 1	29 to 34 lb bond (106 to 128 g/m ²)
Heavy 2	35 to 40 lb bond (129 to 150 g/m ²)
Heavy 3	56 to 60 lb cover (151 to 163 g/m ²)
Heavy 4	61 to 66 lb cover (164 to 180 g/m ²)
Heavy 5	67 to 80 lb cover (181 to 220 g/m ²)
Heavy 6	82 lb cover to 140 lb index (221 to 256 g/m ²)
Color	17 to 24 lb bond (64 to 90 g/m ²)
Recycled ⁵⁰	17 to 24 lb bond (64 to 90 g/m ²)
Pre-Punched	17 to 24 lb bond (64 to 90 g/m ²)
Transparency ⁵¹	56 to 66 lb cover (151 to 180 g/m ²)
Tracing ⁵²	17 to 20 lb bond (64 to 80 g/m ²)
Labels	31.4 lb bond to 68.4 lb cover (118 to 185 g/m ²)
Tab	25 lb bond to 80 lb cover (91 to 220 g/m ²)
Bond	24 lb bond (90 g/m ²)
Letterhead	56 to 66 lb cover (151 to 180 g/m ²)
1-Sided Coated 1	29 lb bond to 66 lb cover (106 to 180 g/m ²)
1-Sided Coated 2	67 to 80 lb cover (181 to 220 g/m ²)
1-Sided Coated 3	82 lb cover to 140 lb index (221 to 256 g/m ²)
2-Sided Coated 1	29 lb bond to 66 lb cover (106 to 180 g/m ²)
2-Sided Coated 2	67 to 80 lb cover (181 to 220 g/m ²)
2-Sided Coated 3	82 lb cover to 140 lb index (221 to 256 g/m ²)
Postcard	70 lb cover (190 g/m ²)

Note: Clear Film can be displayed as a paper type via a Service Mode Setting. See the imageRUNNER ADVANCE DX 6700 Series Service Manual.

 **IMPORTANT**

Clear Film image quality is not guaranteed.

⁵⁰ You can use 100% recycled paper.

⁵¹ Use only LTR or LTRR transparencies made especially for this machine.

⁵² Some types of tracing paper cannot be used.

B. Specifications

Note: All specifications are for reference purposes only and are subject to change without notice.

Table 36 – imageRUNNER ADVANCE DX 6700 Specifications

Item	Specification		
	imageRUNNER ADVANCE DX		
	6780i	6765i	6755i
Type	Console type		
Resolution for Reading	600 dpi x 600 dpi 600 dpi x 300 dpi 300 dpi x 300 dpi		
Resolution for Writing	1,200 x 1,200 dpi		
Number of Tones	256		
Acceptable Originals	Sizes of Original ⁵³ Up to 11 3/4" x 17" (297.0 mm x 431.8 mm)		
	Types of Original Sheet, book, and three dimensional objects		
	Automatically Detectable Sizes of Original ⁵⁴ 11" x 17", LTR, LGL, LTRR, STMT and STMTR		
Paper Size	Paper Sizes	Paper Deck: LTR Paper Drawer: 11" x 17", LGL, LTR, LTRR, STMTR, EXE Multi-Purpose Tray: Maximum: 11.7" x 19.2" (297 mm x 487.7 mm) ⁵⁵ Minimum: 4" x 5.8" (100 mm x 148 mm)	
	Margin	Top: 1/8" (2.5 mm) Left and Right: 1/8" (2.5 mm) Bottom: 1/8" (2.5 mm)	
	Paper Weight	Paper Deck: 14 lb bond to 80 lb cover (52 to 220 g/m ²) Paper Drawer: 14 lb bond to 80 lb cover (52 to 220 g/m ²) Multi-Purpose Tray: 14 lb bond to 140 lb index (52 to 256 g/m ²)	
	Paper Types ⁵⁶	Thin, Plain, Heavy, Recycled, Color, Pre-Punched, Transparency, Tracing, 1-Sided Coated, 2-Sided Coated, Labels, Bond, Tab, Letterhead	
Warm-Up Time ⁵⁷	After Powering ON: 38 seconds or less		
	Returning from the Sleep mode: 30 seconds or less		
First Copy Time	3.1 seconds or less	3.3 seconds or less	

53 When using the <Fax>, <Scan and Send>, or <Scan and Store> function, you can scan the originals up to 11 7/8" x 16 3/4" (301 mm x 424 mm) (A3+) or 11 1/8" x 17 1/8" (283.4 mm x 435.8 mm) (11x17+).

54 When the <LTRR/STMT Original Selection> setting is used, the scanner is able to detect whether the original is LTRR or STMT.

55 Long Sheets up to 13" x 24 3/4" (330.2 x 630 mm) is available from the multipurpose tray via a service mode setting. Note: running long sheets may have a significant impact on running cost.

56 Reference [Registered Paper Types and Weight](#) for the available paper weights.

57 If <Quick Startup Settings for Main Power> is set to "On", it takes 4 seconds until the key operation on the touch panel display is available after turning on the main power of the machine. Depending on the situations, the machine does not startup quickly.

Table 36 – imageRUNNER ADVANCE DX 6700 Specifications Continued

Item	Specification		
	imageRUNNER ADVANCE DX		
	6780i	6765i	6755i
Paper Feeding System/Capacity	<p>Paper decks:1, 2 (Left/Right) 1,500 sheets (20 lb bond (80 g/m²)) x 2 1,560 sheets (20 lb bond (75 g/m²)) x 2 1,700 sheets (17 lb bond (64 g/m²)) x 2</p> <p>Paper Drawer 1, 2 550 sheets (20 lb bond (80 g/m²)) x 2 570 sheets (20 lb bond (75 g/m²)) x 2 680 sheets (17 lb bond (64 g/m²)) x 2</p> <p>Multi-Purpose Tray 100 sheets (20 lb bond (80 g/m²)) 100 sheets (20 lb bond (75 g/m²)) 100 sheets (17 lb bond (64 g/m²)) 1 sheet: Tracing 3/8" (10.0 mm) in height or less: Paper other than above</p>		
Multiple Copies	9,999 sheets		
Magnification	<p>Regular paper size Same Ratio Direct Reduction 1:0.78 (LGL→LTR) 1:0.73 (11" x 17"→LGL, 11" x 15"→LTR) 1:0.64 (11" x 17"→LTR) 1:0.50 (11" x 17"→STMT) 1:0.25</p> <p>Enlargement 1:1.21 (LGL→11" x 17") 1:1.29 (LTR→11" x 17") 1:2.00 (STMT→11" x 17") 1:4.00</p> <p>Copy Ratio: 25 to 400% (in 1% increment)</p>		
Memory Capacity	Main CPU: 2 GB Image processing CPU: 1 GB		
Hard Disk Capacity	Standard: 250 GB Maximum: 1 TB (optional)		
Power Source	110 - 127 V AC, 60 Hz, 16 A		
Power Consumption (Depending on the system and conditions of use, these values may differ.)	<p>Maximum Power Consumption 2,032 W or less</p> <p>When the machine is in the Sleep mode 0.9 W or less</p> <p>When the main power switch is turned OFF When <Quick Startup Settings for Main Power> is set to <Off>: 0.5 W When <Quick Startup Settings for Main Power> is set to <On>: 0.5 W</p>		

Table 36 – imageRUNNER ADVANCE DX 6700 Specifications Continued

Item	Specification		
	imageRUNNER ADVANCE DX		
	6780i	6765i	6755i
Dimensions (W x L x H)	Without the upright control panel 26 3/8" x 30 3/8" x 46 5/8" (670 mm x 770 mm x 1,185 mm)		
	With the upright control panel 58 3/8" x 30 3/8" x 49 1/4" (1,481 mm x 770 mm x 1,252 mm)		
Weight	Without the upright control panel Approximately 478 lb (217 kg)		
	With the upright control panel Approximately 487 lb (221 kg)		
Installation Space (W x L) (When the Booklet Finisher-AC1 is attached, and the multi-purpose tray and the auxiliary tray is extended)	Without the upright control panel 54 5/8" x 30 3/8" (1,387 mm x 770 mm)		
	With the upright control panel 75 7/8" x 30 3/8" (1,926 mm x 770 mm)		
	(When the Copy Tray-R2 is attached, and the auxiliary trays of the output tray and multi-purpose tray are extended)		

Table 37 – imageRUNNER ADVANCE DX 6700 Print/Copy Speeds

Item	Specification			
	imageRUNNER ADVANCE DX			
	6780i	6765i	6755i	
Copy / Print Speed ⁵⁸	LTR	80	65	55
	STMTR	35	35	35
	LTRR	61	50	43
	LGL	48	39	39
	11" x 17"	40	32	32
Notes:				
<ul style="list-style-type: none"> • For detailed Print Speed Tables See the imageRUNNER ADVANCE DX 6700 Series Service Manual or Customer Expectations Document. • The copy/print speeds above may not be achieved if the user copies/prints in the conditions below: <ul style="list-style-type: none"> ○ If different paper types are used at the same time ○ If different paper sizes are used at the same time ○ If copying/printing as one- and two-sided documents at the same time. For example, the main document is copied/printed as one-sided, and the cover and sheet insertions are copied/printed as two-sided while bookbinding. 				

58 Except when paper is fed from the Multi-Purpose Tray. Printing performance may not be optimal, depending on the original content and combination of settings. To give priority to the copy speed, select [Text] for [Original Type].

Table 38 – Feeder Specifications

Item	Specifications
Original Feeding Mechanism	Automatic Document Feeder
Size and Weight of Originals	<p>Size Maximum: 12" x 17" (304.8 x 431.8 mm) * Minimum: 2 3/4" x 5 1/2" (70.0 mm x 139.7 mm) Long Original: 17" to 39" (431.8 mm to 990 mm)</p> <p>Weight 13 lb bond to 80 lb cover (50 g/m² to 220 g/m²)</p> <p>Automatically Detectable Sizes of Original 11" x 17", LTR, LGL, LTRR, STMT, STMTR</p> <p>Combinations of document sizes 11" x 17" and LTR, LTRR and LGL, LTRR and STMT, LGL and STMT (Copying/scanning with a combination other than described may cause damage to the documents or paper jams)</p>
Original Tray Capacity	250 sheets (17 lb bond (64 g/m ²)) 200 sheets (20 lb bond (80 g/m ²) / 19.9 lb bond (75 g/m ²))
Original Scanning Speed (LTR)	<p>1-sided scanning Scanning (300 dpi x 300 dpi)* <ul style="list-style-type: none"> • Full Color: 135 pages/minute • Black-and-White: 135 pages/minute Copying (600 dpi x 600 dpi) <ul style="list-style-type: none"> • Full Color: 80 pages/minute • Black-and-White: 80 pages/minute** </p> <p>2-sided scanning Scanning (300 dpi x 300 dpi)* <ul style="list-style-type: none"> • Full Color: 270 pages/minute • Black-and-White: 270 pages/minute Copying (600 dpi x 600 dpi) <ul style="list-style-type: none"> • Full Color: 90 pages/minute • Black-and-White: 160 pages/minute** </p> <p>* The scanning speed may vary, depending on the scanning mode and original type. ** When <Speed/Image Quality Priority for B&W Scan> is set to <Speed Priority>.</p>

Table 39 – POD Deck Lite-C1 Specifications

Item	Specification
Paper Sizes	13" x 19", 12 5/8" x 17 11/16", 12"x18", 11"x17", LGL, LTR, LTRR, STMR, EXEC, and Custom size (5 1/2" x 5 7/8" to 13" x 19 1/4" (139.7 mm x 148 mm to 330.2 mm x 487.7 mm))
Paper Types ⁵⁶	Thin, Plain, Heavy, Recycled, Color, Pre-Punched, Transparency, Tracing, 1-Sided Coated, 2-Sided Coated, Matte Coated, Textured, Labels, Bond, Tab, Letterhead, and Postcard
Paper Deck Capacity	3,500 sheets (20 lb bond (80 g/m ²)), 15 1/8" (385 mm) in height or less 3,660 sheets (19.9 lb bond (75 g/m ²)), 15 1/8" (385 mm) in height or less 4,000 sheets (17 lb bond (64 g/m ²)), 15 1/8" (385 mm) in height or less
Power Source / Maximum Power Consumption	120 V - 127 V, 60 Hz, 2.2 A/480 W or less
Dimensions (W x D x H)	Approximately 25 7/8" x 27" x 22 1/2" (656 mm x 686 mm x 570 mm)
Weight	Approximately 149 lb (68 kg)
Installation Space Including the Main Unit	93 3/4" x 36 7/8" (2,381 mm x 937 mm) (When the Booklet Finisher-AC1 and the Document Insertion / Folding Unit-K1 are attached, and the auxiliary tray and rotation tray are extended)

⁵⁶ Reference [Registered Paper Types and Weight](#) for the available paper weights.

Table 40 – Paper Deck Unit-E1 Specifications

Item	Specifications
Paper Sizes	LTR
Paper Types ⁵⁶	Thin, Plain, Heavy 1, Heavy 2, Heavy 3, Heavy 4, Heavy 5, Heavy 6, Recycled, Pre-Punched, Color, Letterhead, Bond,
Paper Deck Capacity	3,500 sheets (20 lb bond (80 g/m ²)), 15 1/8" (385 mm) in height or less 3,660 sheets (19.9 lb bond (75 g/m ²)), 15 1/8" (385 mm) in height or less 4,000 sheets (17 lb bond (64 g/m ²)), 15 1/8" (385 mm) in height or less
Power Source	From the main unit
Dimensions (W x D x H)	Approximately 14 1/4" x 24 7/8" x 22 1/2" (363 mm x 630 mm x 572 mm)
Weight	Approximately 75.0 lb (34 kg)
Installation Space Including the Main Unit (W x D)	58 1/2" x 37 1/8" (1,487 mm x 941 mm) (When the Copy Tray-R2 is attached, and the auxiliary trays of the output tray and multi-purpose tray are extended)

⁵⁶ Reference [Registered Paper Types and Weight](#) for the available paper weights.

Table 41 – Copy Tray-R2 Specifications

Item	Specifications
Paper Sizes	Maximum: 12" x 18" (304.8 x 457.2 mm) Minimum: 5 1/2" x 7 1/8" (139.7 x 182 mm)
Paper Weight	14 lb bond to 80 lb cover (52 to 220 g/m ²)
Paper Types ⁵⁶	Thin, Plain, Recycled, Color, Pre-Punched, Bond, Heavy 1 to 5, tab, and letterhead
Capacity	1-side: 250 sheets (21 lb bond (80 g/m ²)) 2-side: 100 sheets (21 lb bond (80 g/m ²))
Dimensions (W x D x H)	9 5/8" (16 1/2"*) x 15" x 6 7/8" (244 mm (420 mm*) x 382 mm x 175 mm) * When the auxiliary tray is extended
Weight	Approximately 2.4 lb (1.1 kg)
Installation Space Including the Main Unit (W x D)	58 1/2" x 37 1/8" (1,487 mm* x 941 mm) (When the auxiliary tray is extended)

⁵⁶ Reference [Registered Paper Types and Weight](#) for the available paper weights.

Table 42 – Document Insertion / Folding Unit-J1 Specifications

Item	Specifications
Paper Size/Weight/Type	<p>Size</p> <ul style="list-style-type: none"> • Z-Fold: 11" x 17", LGL, and LTRR • C-Fold: LTRR • Insertion Unit: 11" x 17", LGL, LTR, LTRR, and EXEC <p>Weight</p> <ul style="list-style-type: none"> • Z-Fold: 16 to 28 lb bond (60 to 105 g/m²) • C-Fold: 16 to 28 lb bond (60 to 105 g/m²) • Insertion Unit: 16 lb bond to 140 lb index (60 to 256 g/m²) <p>Paper Type*</p> <ul style="list-style-type: none"> • Z-Fold/C-Fold: Thin paper, Plain paper, Color paper, and Recycled • Insertion Unit: Thin 1, Plain, Heavy, Color, Recycled, Tab, Bond, Letterhead, and Coated
Capacity of the exit slot of the paper folding unit	<p>Z-Fold Depends on the specifications of an output finisher</p> <p>C-Fold Approximately 40 sheets or (2 3/8" (60 mm) in height) (20 lb bond (80 g/m²))</p>
Document insertion unit capacity	Approximately 100 sheets or (1/2" (12 mm) height or less) (20 lb bond (80 g/m ²) / 20 lb bond (75 g/m ²) / 17 lb bond (64 g/m ²))
Power Source/Maximum Power Consumption	100 V - 240 V, 50/60 Hz, 1.0 A / Approximately 130 W
Dimensions (W x L x H)	26 1/8" x 26 3/4" x 48 7/8" (662 x 679 x 1,242 mm)
Weight	Approximately 168 lb (76 kg)
Installation Space Including the Main Unit (W x L)	86 1/2" x 30 3/8" (2,196 mm x 770 mm) When the Booklet Finisher-AC1 and POD Deck Lite-C1 are attached, and the auxiliary tray and rotation tray are extended

Table 43 – Document Insertion Unit-P1 Specifications

Item	Specifications
Paper Size/Weight/Type	<p>Size: 11" x 17", LGL, LTR, LTRR, and EXEC</p> <p>Weight: 16 lb bond to 140 lb index (60 to 256 g/m²)</p> <p>Type: Insertion Unit: Thin 1, Plain, Heavy, Color, Recycled, Tab, Bond, Letterhead, and Coated</p>
Paper Capacity	100 sheets (21lb bond (80 g/m ²))
Power Source/Maximum Power Consumption	100 - 240 V AC, 50/60 Hz, 1.0 A / Approximately 130 W
Dimensions (W x L x H)	26 1/8" x 26 3/4" x 48 7/8" (662 x 679 x 1,242 mm)
Weight	Approximately 88.2 lb (40 kg)
Installation Space Including the Main Unit (W x L)	86 1/2" x 30 3/8" (2,196 mm x 770 mm) When the Booklet Finisher-AC1 and POD Deck Lite-C1 are attached, and the auxiliary tray and rotation tray are extended

Table 44 – Booklet Finisher-AC1 and Staple Finisher-AC1 Specifications

Item	Specifications
Paper Size/Weight/Type ⁵⁶	<p>Size 13" x 19", 12 5/8" x 17 11/16", 12"x18", 11"x17", LGL, LTR, LTRR, STMTR, EXEC, and Custom size (5 1/2" x 5 7/8" to 13" x 19 1/4" (139.7 mm x 148 mm to 330.2 mm x 487.7 mm))</p> <p>Weight 13.8 lb Bond to 140 lb Index (52 g/m² to 256 g/m²)</p> <p>Type Thin, Plain, Heavy, Recycled, Color, Pre-Punched, Transparency, Tracing, 1-Sided Coated, 2-Sided Coated, Matte Coated, Textured, Labels, Bond, Tab, Letterhead</p> <p>Excluding duplexing thin paper 14 lb bond to 15 lb bond (52 to 59 g/m²).</p>
Capacity Per Tray (Tray A)	<p>No Collating/Collate/Group</p> <ul style="list-style-type: none"> • LTR, STMTR, EXEC: 250 sheets (or 1 7/8" (47 mm) in height) • 13" x 19", 12 5/8" x 17 11/16", 12" x 18", 11" x 17", LGL and LTRR: 125 sheets (or 1" (24 mm) in height) <p>No Collating/Collate/Group mode with different paper sizes</p> <ul style="list-style-type: none"> • LTR: 250 sheets (or 1 7/8" (47 mm) in height) • All other combinations: 125 sheets (or 1" (24 mm) in height) • 13" x 19", 12 5/8" x 17 11/16", and 12" x 18": 30 sheets <p>Offset mode (Collate/Group)</p> <ul style="list-style-type: none"> • LTR and EXEC: 250 sheets (or 1 7/8" (47 mm) in height) • 11" x 17": 125 sheets (or 1" (24 mm) in height)
Capacity Per Tray (Tray B)	<p>No Collating/Collate/Group</p> <ul style="list-style-type: none"> • LTR, STMTR, EXEC: 250 sheets (or 1 7/8" (47 mm) in height) • 13" x 19", 12 5/8" x 17 11/16", 12" x 18", 11" x 17", LGL and LTRR: 125 sheets (or 1" (24 mm) in height) <p>No Collating/Collate/Group mode with different paper sizes</p> <ul style="list-style-type: none"> • LTR: 250 sheets (or 1 7/8" (47 mm) in height) • All other combinations: 125 sheets (or 1" (24 mm) in height) • 13" x 19", 12 5/8" x 17 11/16", and 12" x 18": 30 sheets <p>Offset mode (Collate/Group)</p> <ul style="list-style-type: none"> • LTR and EXEC: 250 sheets (or 1 7/8" (47 mm) in height) • 11" x 17": 125 sheets (or 1" (24 mm) in height)
Capacity Per Tray (Tray C)	<p>No Collating/Collate/Group *</p> <ul style="list-style-type: none"> • LTR, STMTR and EXEC: 3,000 sheets (or 16 5/8" (423 mm) in height)** • 13" x 19", 12 5/8" x 17 11/16", 12" x 18", 11" x 17", LGL and LTRR: 1,500 sheets (or 8 1/2" (216 mm) in height) <p>No Collating/Collate/Group mode with different paper sizes *</p> <ul style="list-style-type: none"> • Combination of LTR, A4, and B5: 3,000 sheets (or 16 5/8" (423 mm) in height) • All other combinations: 1,500 sheets (or 8 1/2" (216 mm) in height) <p>Offset mode (Collate/Group) *</p> <ul style="list-style-type: none"> • LTR and EXEC: 3,000 sheets (or 16 5/8" (423 mm) in height) ** • 11" x 17", LGL, and LTRR: 1,500 sheets (or 8 1/2" (216 mm) in height) <p>* For coated paper, the tray capacity is half the stated value. ** Thin : 1,500 sheets (or 8 1/2" (216 mm) in height)</p>

⁵⁶ Reference [Registered Paper Types and Weight](#) for the available paper weights.

Table 44 – Booklet Finisher-AC1 and Staple Finisher-AC1 Specifications Continued

Item	Specifications
<p>Capacity Per Tray (Tray C)</p>	<p>Z-Fold mode (when the Document Insertion / Folding Unit-K1 is attached)</p> <ul style="list-style-type: none"> • 11" x 17": 30 sheets • LGL and LTRR: 10 sheets <p>Corner Stapling and Double Stapling</p> <ul style="list-style-type: none"> • LTR and EXEC: 200 sets (or 16 5/8" (423 mm) in height), or total 3,000 sheets • 11" x 17", LGL, and LTRR: 100 sets (or 8 1/2" (216 mm) in height), or total 1,500 sheets <p>Staple-Free (Eco)</p> <ul style="list-style-type: none"> • LTR: 200 sets • 11" x 17": 100 sets
<p>Maximum Stapling Capacity/Available Staple Size*</p>	<p>Corner Stapling and Double Stapling *</p> <ul style="list-style-type: none"> • LTR and EXEC: <ul style="list-style-type: none"> 65 sheets (14 lb bond to 24 lb bond (52 g/m² to 90 g/m²)) 50 sheets (24.2 lb bond to 28 lb bond (91 g/m² to 105 g/m²)) 2 sheets (29 lb bond to 140 lb index (106 g/m² to 256 g/m²)) • 11" x 17", LGL and LTRR: <ul style="list-style-type: none"> 40 sheets (14 lb bond to 24 lb bond (52 g/m² to 90 g/m²)) 30 sheets (24.2 lb bond to 28 lb bond (91 g/m² to 105 g/m²)) 2 sheets (29 lb bond to 140 lb index (106 g/m² to 256 g/m²)) <p>Staple-Free (Eco) 11" x 17" and LTR:</p> <ul style="list-style-type: none"> 5 sheets (14 to 17 lb bond (52 to 64 g/m²)) 4 sheets (17.3 to 21.7 lb bond (65 to 81.4 g/m²)) 3 sheets (21.7 to 28 lb bond (81.5 to 105 g/m²)) <p>Manual Staple</p> <ul style="list-style-type: none"> 65 sheets (14 lb bond to 24 lb bond (52 g/m² to 90 g/m²)) 50 sheets (24.2 lb bond to 28 lb bond (91 g/m² to 105 g/m²)) 2 sheets (29 lb bond to 140 lb index (106 g/m² to 256 g/m²)) <p>* Staple up to two sheets for the coated paper, regardless of the paper weight or size.</p>
<p>2/3 Hole Puncher Unit-A1 (When the puncher unit is attached)</p>	<p>Paper Sizes:</p> <ul style="list-style-type: none"> • 2 Holes: 11" x 17", LGL, LTRR, LTR, and EXEC • 3 Holes: 11" x 17", LTR, and EXEC <p>Paper Weight: 14 lb bond to 140 lb index (52 g/m² to 256 g/m²)</p> <p>Punch Holes: 2/3 Holes</p>

**Table 44 – Booklet Finisher-AC1 and Staple Finisher-AC1 Specifications
Continued**

Item	Specifications	
Saddle Stitch/Fold (Booklet Finisher-AC1 Only)	<p>Size 12" x 18" (305 mm x 457 mm), 11" x 17", LGL, LTRR, A3, B4, A4R, and Custom Size (7 3/4" x 10 5/8" to 12" x 18" (195.0 mm x 270.0 mm to 304.8 mm x 457.2 mm))</p> <p>Paper Weight</p> <ul style="list-style-type: none"> • Text Weight: 14 lb bond to 80 lb cover (52 g/m² to 220 g/m²) • Cover Weight: 14 lb bond to 140 lb index (52 g/m² to 256 g/m²)*7 <p>Maximum Saddle Stitching Capacity (excluding coated paper) 20 sheets (14 lb bond to 21.7 lb bond (52 g/m² to 81.4 g/m²)) 10 sheets (21.8 lb bond to 28 lb bond (82 g/m² to 105 g/m²)) 5 sheets (29 lb bond to 55.5 lb cover (106 g/m² to 150 g/m²)) 4 sheets (55.8 lb cover to 77.3 lb cover (151 g/m² to 209 g/m²)) 3 sheets (77.7 lb cover to 80 lb cover (210 g/m² to 220 g/m²))</p> <p>Maximum Saddle Stitching Capacity (Coated paper) 5 sheets (22.6 lb bond to 55.5 lb cover (85 g/m² to 150 g/m²)) 4 sheets (55.8 lb cover to 77.3 lb cover (151 g/m² to 209 g/m²)) 3 sheets (77.7 lb cover to 80 lb cover (210 g/m² to 220 g/m²))</p> <p>Maximum Saddle Folding Capacity 3 sheets (14 lb bond to 28 lb bond (52 g/m² to 105 g/m²)) 1 sheets (29 lb bond to 140 lb index (106 g/m² to 256 g/m²))</p>	
Power Source/Maximum Power Consumption	From the main unit	
Dimensions (W x L x H)	Approximately 20 3/4" x 24 1/2" x 43 1/4" (527 mm x 623 mm x 1,099 mm) When the auxiliary tray and rotation tray are extended Approximately 25 7/8" x 24 1/2" x 47 1/8" (656 mm x 623 mm x 1,195 mm)	
Weight	Staple Finisher-AC1	Approximately 79 lb (36 kg)
	Booklet Finisher-AC1	Approximately 132 lb (60 kg)
Installation Space Including the Main Unit (W x L)	Approximately 86 1/2" x 30 3/8" (2,196 mm x 770 mm) (When the POD Deck Lite-C1 and Document Insertion / Folding Unit-J1 are attached, and the auxiliary tray and rotation tray are extended)	

Table 45 – Copy Card Reader-F1 Specifications

Item	Specifications
Available Cards	Magnetic
Card Readout Method	Magnetic readout
Magnetic Card Reading Direction	Face up
Store/Replay	Replay
Power Source	From the main unit
Dimensions (W x L x H)	3 1/2" x 3 13/16" x 1 5/8" (88 x 96 x 40 mm) (excluding the attachment kit and cable)
Weight	Approximately 7.1 oz (200 g) (including the attachment kit and cable)

Table 46 – Super G3 Fax Board-AS2 Specifications

NOTE: Specifications remain the same even when the Super G3 2nd Line Fax Board-AS2 or Super G3 3rd/4th Line Fax Board-AS2 is installed.

Item	Specifications
Telephone Line Used	Public Switched Telephone Network (When using an IP telephone service, facsimile communication may not be performed normally via an IP telephone line. It is recommended to use facsimile communication via a general telephone (Public Switched Telephone Network) line.)
Scan Line Density (Scan Transmission)	Normal: 8 pels (Picture elements (pixels).)/mm x 3.85 line/mm Fine: 8 pels/mm x 7.7 line/mm Super-Fine: 8 pels/mm x 15.4 line/mm Ultra-Fine: 16 pels/mm x 15.4 line/mm
Transmission Speed	Super G3: 33.6 kbps G3: 14.4 kbps
Compression Method	MH, MR, MMR, and JBIG
Transmission Type	Super G3 and G3
Sending Original Sizes	11" x 17", LGL, LTR, LTRR and STMTR
Receiving Paper Sizes	LGL, LTR, LTRR, STMTR and 11" x 17"
Number of Memory RX Jobs	Up to 320 jobs
Transmission Times	JBIG: Approximately 2.6 seconds (When sending LTR original paper, Normal 8 pels x 3.85 line/mm ECM (JBIG))

Table 47 – System Environment

Item	Specifications
WSD Scan	Windows 8.1 Windows 10
System requirements for the Remote UI	Windows <ul style="list-style-type: none"> • Internet Explorer 11 • Microsoft Edge • Google Chrome Mac OS <ul style="list-style-type: none"> • Safari 11 • Google Chrome
Compatible mail forwarding server software	Microsoft Exchange Server 2010 Microsoft Exchange Server 2013 Microsoft Exchange Server 2016 Microsoft Exchange Server 2019 Postfix v2.10.1 Dovecot v2.2.10
Compatible mail receiving server software	Microsoft Exchange Server 2010 Microsoft Exchange Server 2013 Microsoft Exchange Server 2016 Microsoft Exchange Server 2019 Postfix v2.10.1 Dovecot v2.2.10
File servers available as destinations for file transmission	FTP <ul style="list-style-type: none"> • Windows 7/Server 2008 SP2/Server 2008 R2 SP1: Internet Information Services 7.5 • Windows 8/Server 2012: Internet Information Services 8.0 • Windows 8.1/Server 2012 R2: Internet Information Services 8.5 • Windows 10/Server 2016: Internet Information Services 10 • Windows Server 2019 • Mac OS X 10.12 • Cent OS 7 Windows (SMB) <ul style="list-style-type: none"> • Windows 7 • Windows 8.1 • Windows 10 • Windows Server 2008 • Windows Server 2008 R2 SP1 • Windows Server 2012 • Windows Server 2012 R2 • Windows Server 2016 • Windows Server 2019 • Mac OS X 10.12 and later • Cent OS 7 WebDAV <ul style="list-style-type: none"> • Windows 7/Server 2008 SP1/Server 2008 R2 SP1: Internet Information Services 7.5 • Windows 8/Server 2012: Internet Information Services 8.0 • Windows 8.1/Server 2012 R2: Internet Information Services 8.5 • Windows 10/Server 2016: Internet Information Services 10 • Windows Server 2019 • Mac OS X 10.12 and later • Cent OS 7

Table 47 – System Environment Continued

Item	Specifications
Windows servers allowed for accessing	<p>SMB server</p> <ul style="list-style-type: none"> • Windows Server 2012 • Windows Server 2016 • Windows Server 2019 <p>WebDAV server</p> <ul style="list-style-type: none"> • Windows Server 2012: Internet Information Services 8.0 • Windows Server 2016: Internet Information Services 10.0 • Windows Server 2019
Client computers allowed for accessing the Advanced Box	<p>Windows 8.1 Windows 10</p>
Types of LDAP servers	<p>Windows Server 2008 SP2 with Active Directory Windows Server 2012 with Active Directory Windows Server 2012 R2 with Active Directory Windows Server 2016 with Active Directory Windows Server 2019 with Active Directory</p>
System requirements for the User's Guide	<p>Windows</p> <ul style="list-style-type: none"> • Internet Explorer 9 and later • Microsoft Edge • Firefox • Firefox ESR • Google Chrome (Online browsing only) <p>Linux</p> <ul style="list-style-type: none"> • Firefox <p>Mac OS</p> <ul style="list-style-type: none"> • Safari • Firefox • Chrome (Online browsing only) <p>iOS</p> <ul style="list-style-type: none"> • Safari (Online browsing only) <p>Android</p> <ul style="list-style-type: none"> • Google Chrome (Online browsing only)

Table 48 – Send Function (Push Scan)

Item	Specifications
Type	Color Scanner
Maximum Original Scanning Size	Depends on copy specifications
Resolution for Scan	100x100 dpi, 150x150 dpi, 200x100 dpi (Normal), 200x200 dpi (Fine), 200x400 dpi (Superfine), 300x300 dpi, 400x400 dpi (Ultrafine), 600x600 dpi
Scanning Speed	See the feeder specifications.
Interface	1000 Base-T/100 Base-TX/10 Base-T (IEEE 802.3 compliant)
Protocol Supported	File: FTP (TCP/IP), SMB (TCP/IP), WebDAV E-mail/I-Fax: SMTP (send), POP3 (receive)
Output Format	Single-Page TIFF (MMR), JPEG*, PDF (Compact, OCR (Text Searchable), Optimize PDF for Web, Format to PDF/A, Trace & Smooth, Encrypt), XPS (Compact), PDF/XPS (Device Signature, User Signature), Office Open XML (PowerPoint, Word) * Single-Page Only

Table 49 – Send Function (Pull Scan)

Item	Specifications
Maximum Original Scanning Size	Depends on copy specifications
Color Mode	Color/Black-and-White Auto Switch, Color, Black-and-White, Grayscale
Resolution for Scan	75 dpi x 75 dpi to 600 dpi x 600 dpi (in 1 dpi increments)
Compatible OS	Windows 7/Windows 8.1/Windows 10/Windows Server 2008 /Windows Server 2008 R2/Windows Server 2012/Windows Server 2012 R2/Windows Server 2016
Interface	USB2.0High Speed, 1000Base-T/100Base-TX/10Base-T (IEEE 802.3 compliant)
Protocol Supported	TCP/IP
Driver	TWAIN compliant, WIA Compliant (Color Network ScanGear 2. For both TWAIN and WIA)

Table 50 – Send Function (Internet/Intranet Fax)

Item	Specifications
Communication Protocol	<p>Internet FAX SMTP (send*)/POP3 (receive**)</p> <p>Intranet FAX SMTP (send/receive*)</p> <p>* Supports SMTP authentication and encrypted communication (TLS) during SMTP send/receive ** Supports APOP/POP before SMTP and encrypted communication (TLS) during POP RX</p>
Communication Mode	Simple mode, Full mode (ITU-T T.37 and W-NET FAX compliant, color supported)
Resolution	<p>Black-and-White 200 x 100 dpi, 200 x 200 dpi, 200 x 400 dpi*, 300 x 300 dpi*, 400 x 400 dpi*, 600 x 600 dpi*</p> <p>* Available depending on settings of the other party (capability setting of the receiving machine).</p>

Table 51 – Network Environment Wired LAN Specifications

Item	Specifications
Network Interface	10Base-T/100Base-TX/1000Base-T (RJ-45)
Protocol Supported	<p>TCP/IP</p> <ul style="list-style-type: none"> • Frame type: Ethernet II • Print applications: LPD/Raw/IPP/IPPS/FTP/WSD/Mopria/AirPrint/Windows 10 Mobile Print <p>AppleTalk</p> <ul style="list-style-type: none"> • Frame type: Ethernet SNAP • Print application: PAP (Printer Access Protocol)

Table 52 – Network Environment Wireless LAN Specifications

Item	Specifications
Standard	IEEE 802.11g, IEEE 802.11b, IEEE 802.11n
Transmission Scheme	IEEE 802.11b (Modulation system: DS-SS) IEEE 802.11g (Modulation system: OFDM method) IEEE 802.11n (Modulation system: OFDM method)
Frequency Range	2.412 to 2.462 GHz
Maximum Radio-Frequency Power Transmitted	18.21 dBm
Security	<p>Infrastructure Mode 128 (104)/64 (40) bit WEP WPA-PSK (TKIP/AES-CCMP) WPA2-PSK (TKIP/AES-CCMP) WPA-EAP (AES-CCMP) WPA2-EAP (AES-CCMP)</p> <p>Access Point Mode / Wi-Fi Direct Mode WPA2-PSK (AES-CCMP)</p>
Connection Method	WPS (Wi-Fi Protected Setup), Manual setup

Table 53 – Printer Settings

Item	Specifications
Type	Internal
Print Size	Depends on copy specifications
Print Speed	Depends on copy specifications
Data Processing Resolution	UFR II: 600 dpi x 600 dpi, 1200 dpi x 1200 dpi PCL 5: 600 dpi x 600 dpi PCL 6: 600 dpi x 600 dpi, 1200 dpi x 1200 dpi PS: 600 dpi x 600 dpi, 1200 dpi x 1200 dpi
Page Description Language (PDL)	UFR II, PCL5, PCL6, Adobe PostScript 3
Protocol Supported	TCP/IP (LPD/Port9100/IPP/IPPS/FTP/WSD)
Compatible OS	<p>UFR II</p> <ul style="list-style-type: none"> • Windows 7/8.1/10/Server 2008/Server 2008 R2/Server 2012/Server 2012 R2/Server 2016/Server 2019 • Mac OS X (10.10 or later) <p>PCL5, PCL6 Windows 7/8.1/10/Server 2008/Server 2008 R2/Server 2012/Server 2012 R2/Server 2016/Server 2019</p> <p>PS (Adobe PostScript 3) Driver</p> <ul style="list-style-type: none"> • Windows 7/8.1/10/Server 2008/Server 2008 R2/Server 2012/Server 2012 R2/Server 2016/Server 2019 • Mac OS X (10.10 or later) <p>PPD</p> <ul style="list-style-type: none"> • Windows 7/8.1/10 • Mac OS X (10.9 or later)
Resident Fonts	<p>UFR II None</p> <p>PCL5, PCL6 93 Roman, 10 Bitmap fonts, 2 OCR fonts, Andalé Mono WT J/K/S/T * (Japanese, Korean, Simplified Chinese, and Traditional Chinese), Barcode fonts **</p> <p>* Requires the optional PCL International Font Set ** Requires the optional Barcode Printer Kit</p> <p>PS (Adobe PostScript 3) 136 Roman</p>
Interface	USB 2.0 High Speed, 1000Base-T/100Base-TX/10Base-T (IEEE 802.3 compliant)

Table 54 – Advanced Box Functions

Item	Specifications
Storage Capacity	Standard: 16 GB Maximum: 480 GB (optional)
Maximum Path Length	256 characters
Maximum Number of Files a Single Directory Can Hold	1,000 (including folders)
Maximum Number of Files the Advanced Space Can Hold	100,000 (including folders)
Maximum Capacity per File	2 GB
Number of Clients Allowed for Accessing	SMB: 64 WebDAV: 3

Table 55 – Mail Box Functions

Item	Specifications
Number of Boxes	100 boxes
File Format for Storing	Proprietary format
Resolution for Storing	<p>Copy: (Black and White/Color) 600 dpi x 600 dpi</p> <p>Scan and Store: (Black and White/Color) 600 dpi x 600 dpi</p> <p>Scan and Send: (Black and White/Color) 100 dpi x 100 dpi, 150 dpi x 150 dpi, 200 dpi x 100 dpi, 200 dpi x 200 dpi, 200 dpi x 400 dpi, 300 dpi x 300 dpi, 400 dpi x 400 dpi, 600 dpi x 600 dpi</p> <p>Printer Driver: (Black and White/Color) 600 dpi x 600 dpi, 1200 dpi x 1200 dpi</p>
Disk Capacity	Standard: approximately 65 GB Maximum: 98 GB (optional)
Storage Capacity	2,000 files (30,000 pages)*1
Data Storage Period	3 days (can be changed from the Settings/Registration screen)

Table 56 – ImagePASS-Y3 V1.1

Item	Specifications
Platform	NX One
Code Base (System)	FS350 Pro
OS	Windows 10 IoT Enterprise 2019 LTSC
CPU	Intel Pentium G4400, 3.3GHz
Standard Memory	8 GB (4 GB x 2) DDR4-2133MHz
Hard Disk Drive	500 GB SATA, 2.5 inch
Video IF	PCIe
Ethernet port to LAN	10Base-T/100Base-TX/1000Base-T
Ethernet port to engine	1000Base-T
Token Ring	Not supported
Network Protocol	TCP/IP (FTP, SMTP, POP, HTTP, SNMP, LDAP, SLP, SMB, LPD, IPP, WS-Discovery, Bonjour, Direct Mobile Printing, Port9100, SNTP, 802.1X, DHCP, DNS, NTP)
PDL	PS3 CPSI 3020
APPE	4.4
Fonts	PS: 138 fonts PCL: 113 Fonts
Supported Engine	imageRUNNER ADVANCE DX 8700 imageRUNNER ADVANCE DX 6700
GUI (FACI-Kit)	Option
Interface	2 x Ethernet (1000Base-T/100Base-TX/10Base-T) USB3.0, 2 rear ports, 3 front on Fiery QuickTouch™ USB2.0, 4 rear ports
Actual Power consumption while printing	53W or less 100-240V, 50/60Hz, 3.0-1.5A
Size (W x D x H)	Approximately 8" x 9 3/4" x 15 1/8" (203 mm x 248 mm x 384 mm)
Weight	Approximately 13 lb (5.9 kg)

C. Canon imageRUNNER ADVANCE DX 6780i/6765i/6755i SERIES LIMITED WARRANTY

Canon U.S.A., Inc. or Canon Canada Inc. (as applicable, "Canon") warrants the imageRUNNER ADVANCE DX 6780i/6765i/6755i Series product and Canon brand options designed for use with the imageRUNNER product (collectively the "Product") to be free from defects in workmanship and materials under normal use and service for a period of 90 days after delivery to the original purchaser ("Purchaser") or 200,000 prints or copies (or a combination of both), whichever comes first. During such warranty period, Canon shall replace, without charge, any defective part with a new or comparable rebuilt part. This warranty shall not extend to consumables such as paper, chemicals, and toner as to which there shall be no warranty or replacement. Warranty replacement shall not extend the original warranty period of the Product.

This limited warranty shall only apply if the Product is used in conjunction with compatible computers, peripheral equipment and software. Canon shall have no responsibility for such items except for compatible Canon brand peripheral equipment covered by a separate warranty ("Separate Warranty"). Repairs of such Canon brand peripheral equipment shall be governed by the terms of the Separate Warranty. Non-Canon brand equipment that may be distributed with the Product is sold "AS IS" and without warranty of any kind by Canon, including any implied warranty regarding merchantability or fitness for a particular purpose, and all such warranties are disclaimed. The sole warranty, if any, with respect to such non-Canon brand items is given by the supplier or producer thereof. For further information on software, see below.

This warranty shall be void and of no force and effect if the Product is damaged as a result of (a) abuse, neglect, mishandling, alteration, electric current fluctuation or accident, (b) improper use, including failure to follow operating or maintenance instructions or environmental conditions prescribed in Canon's operator's manual or other documentation, (c) installation or repair by other than authorized service representatives qualified by Canon who are acting in accordance with Canon's service bulletins, (d) use of supplies or parts (other than those distributed by Canon) which damage the Product or cause abnormally frequent service calls or service problems, or (e) use of the Product with non-compatible computers, peripheral equipment or software, including the use of the Product in any system configuration not recommended in any manual distributed with the Product. Nor does this warranty extend to any Product on which the original identification marks or serial numbers have been defaced, removed, or altered.

ANY SOFTWARE THAT IS DISTRIBUTED WITH THE PRODUCT AND HAS AN ASSOCIATED END USER AGREEMENT IS LICENSED, WARRANTED AND PROVIDED ACCORDING TO THE TERMS OF THAT AGREEMENT, INCLUDING ANY LIMITATIONS AND DISCLAIMERS THEREIN. SUCH SOFTWARE IS SOLD WITHOUT WARRANTY OF ANY KIND BY CANON. PLEASE CONTACT CANON IMMEDIATELY IF YOU HAVE NOT RECEIVED A COPY OF THE SOFTWARE SUPPLIER'S END USER AGREEMENT. CANON RECOMMENDS THAT DATA STORED ON THE PRODUCT'S HARD DISK DRIVE BE DUPLICATED OR BACKED UP TO PREVENT ITS LOSS IN THE EVENT OF FAILURE OR OTHER MALFUNCTION OF THE HARD DISK DRIVE.

THE ABOVE WARRANTIES ARE IN LIEU OF ALL OTHER WARRANTIES AND CONDITIONS, EXPRESS OR IMPLIED, INCLUDING ANY IMPLIED WARRANTIES AND CONDITIONS REGARDING MERCHANTABILITY OR FITNESS FOR A PARTICULAR PURPOSE, RELATING TO THE USE OR PERFORMANCE OF A PRODUCT OR ANY ASSOCIATED COMPONENT, AND ALL SUCH OTHER WARRANTIES AND CONDITIONS ARE DISCLAIMED. NO OTHER EXPRESS WARRANTY, CONDITION OR GUARANTY, EXCEPT AS MENTIONED ABOVE, GIVEN BY ANY PERSON, FIRM OR CORPORATION WITH RESPECT TO THE PRODUCT SHALL BIND CANON ANY SUPPLIER OR ANY AUTHORIZED SERVICE PROVIDER. NO WARRANTY IS GIVEN ON ANY USED PRODUCT.

NEITHER CANON OR ITS SUPPLIERS NOR ANY AUTHORIZED SERVICE PROVIDER SHALL BE LIABLE FOR PERSONAL INJURY OR PROPERTY DAMAGE (UNLESS CAUSED SOLELY AND DIRECTLY BY THE NEGLIGENCE OF CANON OR ANY AUTHORIZED SERVICE PROVIDER), LOSS OF REVENUE OR PROFIT, FAILURE TO REALIZE SAVINGS OR OTHER BENEFITS, EXPENDITURES FOR SUBSTITUTE EQUIPMENT OR SERVICES, LOSS OR CORRUPTION OF DATA, INCLUDING, WITHOUT LIMITATION, DATA STORED ON THE PRODUCT'S HARD DISK DRIVE, STORAGE CHARGES OR OTHER SPECIAL, INCIDENTAL OR CONSEQUENTIAL DAMAGES CAUSED BY THE USE, MISUSE OR INABILITY TO USE THE PRODUCT, REGARDLESS OF THE LEGAL THEORY ON WHICH THE CLAIM IS BASED AND EVEN IF CANON OR ITS SUPPLIERS OR ANY AUTHORIZED SERVICE PROVIDER HAS BEEN ADVISED OF THE POSSIBILITY OF SUCH DAMAGES. NOR SHALL RECOVERY OF ANY KIND AGAINST CANON OR ITS SUPPLIERS OR ANY AUTHORIZED SERVICE PROVIDER BE GREATER IN AMOUNT THAN THE PURCHASE PRICE OF THE PRODUCT CAUSING THE ALLEGED DAMAGE. WITHOUT LIMITING THE FOREGOING, THE PURCHASER ASSUMES ALL RISKS AND LIABILITY FOR LOSS, DAMAGE OR INJURY TO PERSONS AND PROPERTY OF THE PURCHASER OR OTHERS ARISING OUT OF THE POSSESSION, USE, MISUSE, OR INABILITY TO USE THE PRODUCT NOT CAUSED SOLELY AND DIRECTLY BY THE NEGLIGENCE OF CANON OR ANY AUTHORIZED SERVICE PROVIDER. THIS WARRANTY SHALL NOT EXTEND TO ANYONE OTHER THAN THE ORIGINAL PURCHASER OF THE PRODUCT AND STATES SUCH PURCHASER'S EXCLUSIVE REMEDY.

CONDITIONS OF WARRANTY

Defective parts must be returned to Canon or an Authorized Service Provider with all necessary documentation and will become the property of Canon.

THIS WARRANTY APPLIES TO PRODUCTS SOLD AND USED IN THE U.S.A. AND CANADA ONLY

D. GPR-37/38 Drum Unit Limited Warranty

Canon U.S.A., Inc. and Canon Canada, Inc. (collectively "Canon") warrant the GPR-37/38 Drum incorporated into the imageRUNNER ADVANCE product (the "Product") packaged with this Limited Warranty (the "Drum") to be free from defects in workmanship and materials under normal use and service, other than exterior defects, such as nicks, scratches, or dents, for 30 days after delivery to the original purchaser of the Drum or use of it to make 100,000 prints or copies, whichever comes first (the "Warranty Period"). If the Drum proves to be defective within this Warranty Period, Canon shall, at its sole option, replace it without charge.

Following the expiration of the 30-day Warranty Period and continuing for a period of one-year after delivery to the original purchaser of the Drum or use of it to make a maximum of 2,000,000 prints or copies, (or a combination of both) whichever comes first, Canon shall provide a credit ("Credit") to the original purchaser toward the purchase of a replacement Drum if the Drum fails to operate under normal use and service by reason of any defect in workmanship and materials, other than exterior defects, such as nicks, scratches, or dents. The Credit shall be a percentage of Canon's then current dealer price for the replacement Drum determined as set forth in the example below.

THIS WARRANTY IS IN LIEU OF ALL OTHER WARRANTIES AND CONDITIONS, EXPRESS OR IMPLIED, INCLUDING ANY IMPLIED WARRANTIES AND CONDITIONS REGARDING MERCHANTABILITY OR FITNESS FOR A PARTICULAR PURPOSE, RELATING TO THE USE OR PERFORMANCE OF THE DRUM. NO OTHER EXPRESS WARRANTY, CONDITION OR GUARANTY, EXCEPT AS MENTIONED ABOVE, GIVEN BY ANY PERSON, FIRM OR CORPORATION WITH RESPECT TO THE DRUM SHALL BIND CANON OR ANY AUTHORIZED SERVICE DEALER. NO WARRANTY IS GIVEN ON ANY USED DRUM.

THIS WARRANTY SHALL BE VOID AND OF NO FORCE AND EFFECT IF THE DRUM IS DAMAGED AS A RESULT OF (A) ABUSE, NEGLIGENCE, MISHANDLING, OR ALTERATION OF THE DRUM, A PRODUCT ACCESSORY OR A PRODUCT IN WHICH THE DRUM IS INCORPORATED, ELECTRIC CURRENT FLUCTUATION, EXPOSURE TO LIGHT, OR ACCIDENT, (B) IMPROPER USE, INCLUDING FAILURE TO FOLLOW OPERATING OR MAINTENANCE INSTRUCTIONS IN, OR ENVIRONMENTAL CONDITIONS PRESCRIBED IN, CANON'S OPERATOR'S MANUAL OR OTHER DOCUMENTATION, (C) INSTALLATION OR REPAIR BY OTHER THAN SERVICE REPRESENTATIVES QUALIFIED BY CANON WHO ARE ACTING IN ACCORDANCE WITH CANON'S SERVICE BULLETINS, OR (D) USE OF SUPPLIES OR PARTS (OTHER THAN THOSE DISTRIBUTED BY CANON) WHICH DAMAGE THE DRUM OR CAUSE ABNORMALLY FREQUENT SERVICE CALLS OR SERVICE PROBLEMS. NOR DOES THIS WARRANTY EXTEND TO ANY DRUM ON WHICH THE ORIGINAL IDENTIFICATION MARKS OR SERIAL NUMBERS HAVE BEEN DEFACED, REMOVED, OR ALTERED.

NEITHER CANON NOR ANY CANON AUTHORIZED SERVICE DEALER SHALL BE LIABLE FOR PERSONAL INJURY OR PROPERTY DAMAGE (UNLESS CAUSED SOLELY AND DIRECTLY BY THE NEGLIGENCE OF CANON OR ANY CANON AUTHORIZED SERVICE DEALER), LOSS OF REVENUE OR PROFIT, FAILURE TO REALIZE SAVINGS OR OTHER BENEFITS, EXPENDITURES FOR SUBSTITUTE EQUIPMENT OR SERVICES, LOSS OR CORRUPTION OF DATA, STORAGE CHARGES OR OTHER SPECIAL, INCIDENTAL OR CONSEQUENTIAL DAMAGES CAUSED BY THE USE, MISUSE OR INABILITY TO USE THE DRUM, REGARDLESS OF THE LEGAL THEORY ON WHICH THE CLAIM IS BASED AND EVEN IF CANON OR ANY AUTHORIZED SERVICE DEALER HAS BEEN ADVISED OF THE POSSIBILITY OF SUCH DAMAGES. NOR SHALL RECOVERY OF ANY KIND AGAINST CANON OR ANY CANON AUTHORIZED SERVICE DEALER BE GREATER IN AMOUNT THAN THE PURCHASE PRICE OF THE DRUM CAUSING THE ALLEGED DAMAGE. WITHOUT LIMITING THE FOREGOING, THE PURCHASER ASSUMES ALL RISKS AND LIABILITY FOR LOSS, DAMAGE OR INJURY TO PERSONS AND PROPERTY OF THE PURCHASER OR OTHERS ARISING OUT OF THE POSSESSION, USE, MISUSE, OR INABILITY TO USE ANY DRUM NOT CAUSED SOLELY AND DIRECTLY BY THE NEGLIGENCE OF CANON OR ANY CANON AUTHORIZED SERVICE DEALER. THIS WARRANTY SHALL NOT EXTEND TO ANYONE OTHER THAN THE ORIGINAL PURCHASER OF THE DRUM AND STATES SUCH PURCHASER'S EXCLUSIVE REMEDY.

CONDITIONS OF WARRANTY

The defective Drum must be returned to your Canon Authorized Service Dealer, with all necessary documentation (machine log, a sample copy or other documents as required from time to time) to receive the Credit or replacement Drum. Credits will be based on the then current dealer price of the replacement Drum, and will be pro-rated based on the prints or copies made, or a combination of both, as described in the Example of Credit below.

EXAMPLE OF CREDIT

Drum inoperative after: 1,000,000 prints/copies in one-year or less after delivery to original purchaser.

Calculation of the Credit may be illustrated by the following example:

$$\text{Calculation: } \frac{2,000,000 - 1,000,000}{2,000,000} = \frac{1,000,000}{2,000,000} = 50\% \text{ of the dealer price of the replacement Drum}$$

THIS WARRANTY APPLIES TO DRUMS SOLD AND USED IN THE U.S.A. AND CANADA ONLY.

E. List of Tables

Table 1 – Main Engine..... 5

Table 2 – Hardware Accessories 6

Table 3 – System Connectivity Accessories 7

Table 4 – System Connectivity Accessories imagePASS..... 8

Table 5 – imageRUNNER ADVANCE Solutions..... 9

Table 6 – Supplies and Consumables..... 10

Table 7 – Toner and Drum 10

Table 8 – Optimum Performance Range and Monthly Copy/Print Volume..... 11

Table 9 – Learning Path for Existing Technicians 40

Table 10 – Learning Path for New Technicians 40

Table 11 – uniFLOW Online and uniFLOW Online Express Training 42

Table 12 – Data Backup Service Training..... 42

Table 13 – Service Materials 43

Table 14 – Power Receptacle 44

Table 15 – Power and Plug Requirements for Main Unit and Accessories 45

Table 16 – Dimensions..... 46

Table 17 – Weight 47

Table 18 – Installation Space Main Unit Without Options 48

Table 19 – Installation Space – Main Unit with Finishing and Paper Feed Options 49

Table 20 – Estimated Installation Times 50

Table 21 – CDS Firmware Delivery Methods 55

Table 22 – Main Unit Consumables List..... 62

Table 23 – Main Unit Consumable Parts..... 63

Table 24 – POD Deck Lite-C1 Consumable Parts 64

Table 25 – Paper Deck Unit-E1 Consumable Parts List 65

Table 26 – Booklet Finisher-AC1 / Staple Finisher-AC1 Consumable Parts 65

Table 27 – Document Insertion Unit-P1 Consumable Parts 65

Table 28 – Document Insertion / Folding Unit-J1 Consumable Parts 65

Table 29 – Main Unit Periodic Replacement Parts..... 66

Table 30 – Periodic Maintenance Items 67

Table 31 – Soft Counter 69

Table 32 – Toner Bottle Counters 71

Table 33 – GPR-37/38 Drum Unit Limited Warranty 72

Table 34 – Parts Order Center Days and Hours of Operation 73

Table 35 – Registered Paper Types and Weight 77

Table 36 – imageRUNNER ADVANCE DX 6700 Specifications 78

Table 37 – imageRUNNER ADVANCE DX 6700 Print/Copy Speeds 80

Table 38 – Feeder Specifications..... 81

Table 39 – POD Deck Lite-C1 Specifications..... 82

Table 40 – Paper Deck Unit-E1 Specifications 82

Table 41 – Copy Tray-R2 Specifications..... 82

Table 42 – Document Insertion / Folding Unit-J1 Specifications..... 83

Table 43 – Document Insertion Unit-P1 Specifications..... 83

Table 44 – Booklet Finisher-AC1 and Staple Finisher-AC1 Specifications..... 84

Table 45 – Copy Card Reader-F1 Specifications..... 87

Table 46 – Super G3 Fax Board-AS2 Specifications 87

Table 47 – System Environment 88

Table 48 – Send Function (Push Scan) 90

Table 49 – Send Function (Pull Scan)..... 90

Table 50 – Send Function (Internet/Intranet Fax) 91

Table 51 – Network Environment Wired LAN Specifications 91

Table 52 – Network Environment Wireless LAN Specifications 91

Table 53 – Printer Settings 92

Table 54 – Advanced Box Functions 93

Table 55 – Mail Box Functions.....	93
Table 56 – ImagePASS-Y3 V1.1.....	94

F. List of Figures

Figure 1 – Hardware Configuration Chart	15
Figure 2 – Power and Plug Requirements	45
Figure 3 – License Management System.....	60
Figure 4 – Canon USA Support Escalation Flow Chart	75