

# imageRUNNER ADVANCE DX 6780i/6765i/6755i

## PARTS CATALOG



# Canon

October 16, 2020  
Rev. 1

## Index

SNL	Product Code No. /Serial No.
A1E	ASSEMBLY LOCATION DIAGRAM (ADF model)
A2B	OPTION PARTS CATALOG LIST
001C	ACCESSORIES (A/INCH SIZE)
001J	ACCESSORIES (A/B/K/INCH SIZE)
100J	EXTERNAL COVERS, PANELS, ETC. (120V)
100K	EXTERNAL COVERS, PANELS, ETC. (230V)
101	INTERNAL COMPONENTS 1
102A	INTERNAL COMPONENTS 2
103	INTERNAL COMPONENTS 3
104D	INTERNAL COMPONENTS 4 (6765i, 6755i)
104H	INTERNAL COMPONENTS 4 (6780i)
105B	INTERNAL COMPONENTS 5
106B	INTERNAL COMPONENTS 6
107D	INTERNAL COMPONENTS 7
108	MACHINE BOTTOM PLATE
109B	MACHINE REAR PLATE 1
110	MACHINE REAR PLATE 2
111C	MACHINE REAR PLATE 3 (6780i)
111D	MACHINE REAR PLATE 3 (6765i, 6755i)
112	FRONT COVER ASS'Y, LOWER
113	RIGHT DOOR ASSEMBLY
114	VERTICAL PATH ASSEMBLY
130	FLAT CONTROL PANEL ASSEMBLY
132	CONTROL LEFT COVER ASS'Y
140G	POWER SUPPLY ASSEMBLY (120V)
140M	POWER SUPPLY ASSEMBLY (230V)
250	MAIN DRIVE ASS'Y
260	PAPER PICK-UP DRIVE ASSEMBLY
261	LEFT DECK PICK-UP DRIVE ASS'Y
270B	DRUM DRIVE ASS'Y
271B	DEVELOPING DRIVE ASS'Y
280	DELIVERY REVERSE DRIVE ASS'Y
300	CASSETTE ASSEMBLY
301	CST. SIZE/REMNANT DETECT ASS'Y
302	DECK REMNANT DETECT ASS'Y
303	CASSETTE SIZE DETECT ASS'Y
304	PAPER STOCK ASS'Y, RIGHT
305	PAPER STOCK ASS'Y, LEFT
310B	PAPER PICK-UP ASS'Y, RIGHT

## Index

311B	PAPER PICK-UP ASS'Y, LEFT
312F	MULTI TRAY ASSEMBLY
313	MULTI PAPER PICK-UP ASS'Y
315	PRE-REGISTRATION GUIDE ASS'Y
330	FIXING/FEEDER DUPLEXING ASS'Y
331	FIXING/FEEDER FRAME ASS'Y
332	REGISTRATION ASS'Y
333	PHOTO SENSOR ASS'Y
334	E. T. B. CLEANING ASSEMBLY
335	E. T. BELT ASSEMBLY
336	REVERSE CROSSMEMBER ASS'Y, LF.
350B	OUTER PAPER DELIVERY ASS'Y
351C	REVERSE PAPER DELIVERY ASS'Y (6780 Series)
351E	REVERSE PAPER DELIVERY ASS'Y (6765, 6755 Series)
352	INNER PAPER DELIVERY ASS'Y
460B	LASER SCANNER UNIT
510B	PHOTO-SENSITIVE DRUM ASSEMBLY (120V)
510C	PHOTO-SENSITIVE DRUM ASSEMBLY (230V)
550	1ST CORONA ASS'Y
570B	PRE-TRANSFER CORONA ASS'Y
620B	HOPPER ASS'Y
621	HOPPER ASS'Y
625	BUFFER ASS'Y
640B	DEVELOPING ASS'Y
650	DEVELOPING RELEASE ASS'Y
710B	HOLDER UNIT, DRUM UNIT
711B	DRUM CLEANING ASS'Y
720	SEPARATION CLAW DRIVE ASSEMBLY
770	WASTE TONER FEED ASSEMBLY
810F	FIXING ASS'Y (120V)
810G	FIXING ASS'Y (230V)
811F	FIXING ASS'Y, UPPER
812B	FIXING DRIVE ASS'Y
813B	FIXING ENTRANCE GUIDE ASS'Y
814B	FIXING EXIT GUIDE ASS'Y
815	SHAFT FIXED PLATE ASS'Y, FRONT
816	SHAFT FIXED PLATE ASS'Y, REAR
900C	CONTROLLER BOX ASSEMBLY
910C	IH POWER SUPPLY PCB ASS'Y (120V)
910E	IH POWER SUPPLY PCB ASS'Y (230V)

## Index

930B	DC CONTROLLER PCB ASS'Y
931B	MAIN CONTROLLER PCB ASS'Y, 1 (6780 Series)
931C	MAIN CONTROLLER PCB ASS'Y, 1 (6765 Series)
931D	MAIN CONTROLLER PCB ASS'Y, 1 (6755 Series)
932	MAIN CONTROLLER PCB ASS'Y, 2
960	MAIN DRIVE DRIVER PCB ASS'Y
961B	AC DRIVER PCB ASS'Y (120V)
961D	AC DRIVER PCB ASS'Y (230V)
963	DUPLEXING DRIVER PCB ASSEMBLY
964	FEED DRIVER PCB ASSEMBLY
980	H. V. POWER SUPPLY ASS'Y
B01	MOUNTING HARDWARE (ADF model)
B11B	INTERNAL COMPONENTS 1 (ADF model)
B12B	INTERNAL COMPONENTS 2 (ADF model)
B13	INTERNAL COMPONENTS 3 (ADF model)
B14	INTERNAL COMPONENTS 4 (ADF model)
B15	DOCUMENT TRAY ASSEMBLY (ADF model)
B16	OPEN/CLOSE COVER ASSEMBLY (ADF model)
B17	BASE FRAME ASSEMBLY (ADF model)
B40	PLATEN GUIDE ASS'Y (ADF model)
B90	DF DRIVER PCB ASSEMBLY (ADF model)
D11B	READER ASSEMBLY (A/INCH SIZE)
D11D	READER ASSEMBLY (A/B/K/INCH SIZE)
D90B	READER CONTROLLER PCB ASSEMBLY
ZZA	MECHANICAL STANDARD PARTS (HOW TO USE)
ZZB	MECHANICAL STANDARD PARTS (SCREWS)
ZZC	MECHANICAL STANDARD PARTS (BOLTS)
ZZD	MECHANICAL STANDARD PARTS (NUTS)
ZZE	MECHANICAL STANDARD PARTS (RETAINING RINGS)

Figure SNL (1/2) Product Code No. /Serial No.

	Product Code No.	Model Name	Remarks	Serial No.
1	F17-9841-000	imageRUNNER ADVANCE DX 6780i	230V LTN A/B/K/INCH SIZE ADF model	22A
2	F17-9831-000	imageRUNNER ADVANCE DX 6780i	120V US, CA, LTN A/INCH SIZE ADF model	27N
3	F17-9830-000	imageRUNNER ADVANCE DX 6780i	120V US A/INCH SIZE GOVERNMENT model	27P
4	F17-9842-000	imageRUNNER ADVANCE DX 6765i	230V LTN A/B/K/INCH SIZE ADF model	27G
5	F17-9832-000	imageRUNNER ADVANCE DX 6765i	120V US, CA, LTN A/INCH SIZE ADF model	27D
6	F17-9840-000	imageRUNNER ADVANCE DX 6765i	120V US A/INCH SIZE GOVERNMENT model	27E
7	F17-9843-000	imageRUNNER ADVANCE DX 6755i	230V LTN A/B/K/INCH SIZE ADF model	26V
8	F17-9833-000	imageRUNNER ADVANCE DX 6755i	120V US, CA, LTN A/INCH SIZE ADF model	26T
9	F17-9850-000	imageRUNNER ADVANCE DX 6755i	120V US A/INCH SIZE GOVERNMENT model	26S

Figure SNL (2/2) Product Code No. /Serial No.

	中オーダー	製品名	備考	シリアル No.
1	F17-9841-000	imageRUNNER ADVANCE DX 6780i	230V LTN A/B/K/INCH SIZE ADF model	22A
2	F17-9831-000	imageRUNNER ADVANCE DX 6780i	120V US, CA, LTN A/INCH SIZE ADF model	27N
3	F17-9830-000	imageRUNNER ADVANCE DX 6780i	120V US A/INCH SIZE GOVERNMENT model	27P
4	F17-9842-000	imageRUNNER ADVANCE DX 6765i	230V LTN A/B/K/INCH SIZE ADF model	27G
5	F17-9832-000	imageRUNNER ADVANCE DX 6765i	120V US, CA, LTN A/INCH SIZE ADF model	27D
6	F17-9840-000	imageRUNNER ADVANCE DX 6765i	120V US A/INCH SIZE GOVERNMENT model	27E
7	F17-9843-000	imageRUNNER ADVANCE DX 6755i	230V LTN A/B/K/INCH SIZE ADF model	26V
8	F17-9833-000	imageRUNNER ADVANCE DX 6755i	120V US, CA, LTN A/INCH SIZE ADF model	26T
9	F17-9850-000	imageRUNNER ADVANCE DX 6755i	120V US A/INCH SIZE GOVERNMENT model	26S

FIGURE & KEY NO.	PART NUMBER	RANK	QTY	DESCRIPTION	SERIAL NUMBER /REMARKS
SNL	NPN		RF	Product Code No./Serial No.	
1	F17-9841-000		1	imageRUNNER ADVANCE DX 6780i	22A 230V LTN A/ B/ K/ INCH SIZE ADF model
2	F17-9831-000		1	imageRUNNER ADVANCE DX 6780i	27N 120V US, CA, LTN A/ INCH SIZE ADF model
3	F17-9830-000		1	imageRUNNER ADVANCE DX 6780i	27P 120V US A/ INCH SIZE GOVERNMENT model
4	F17-9842-000		1	imageRUNNER ADVANCE DX 6765i	27G 230V LTN A/ B/ K/ INCH SIZE ADF model
5	F17-9832-000		1	imageRUNNER ADVANCE DX 6765i	27D 120V US, CA, LTN A/ INCH SIZE ADF model
6	F17-9840-000		1	imageRUNNER ADVANCE DX 6765i	27E 120V US A/ INCH SIZE GOVERNMENT model
7	F17-9843-000		1	imageRUNNER ADVANCE DX 6755i	26V 230V LTN A/ B/ K/ INCH SIZE ADF model
8	F17-9833-000		1	imageRUNNER ADVANCE DX 6755i	26T 120V US, CA, LTN A/ INCH SIZE ADF model
9	F17-9850-000		1	imageRUNNER ADVANCE DX 6755i	26S 120V US A/ INCH SIZE GOVERNMENT model

Figure A1E (1/8) ASSEMBLY LOCATION DIAGRAM (ADF model)

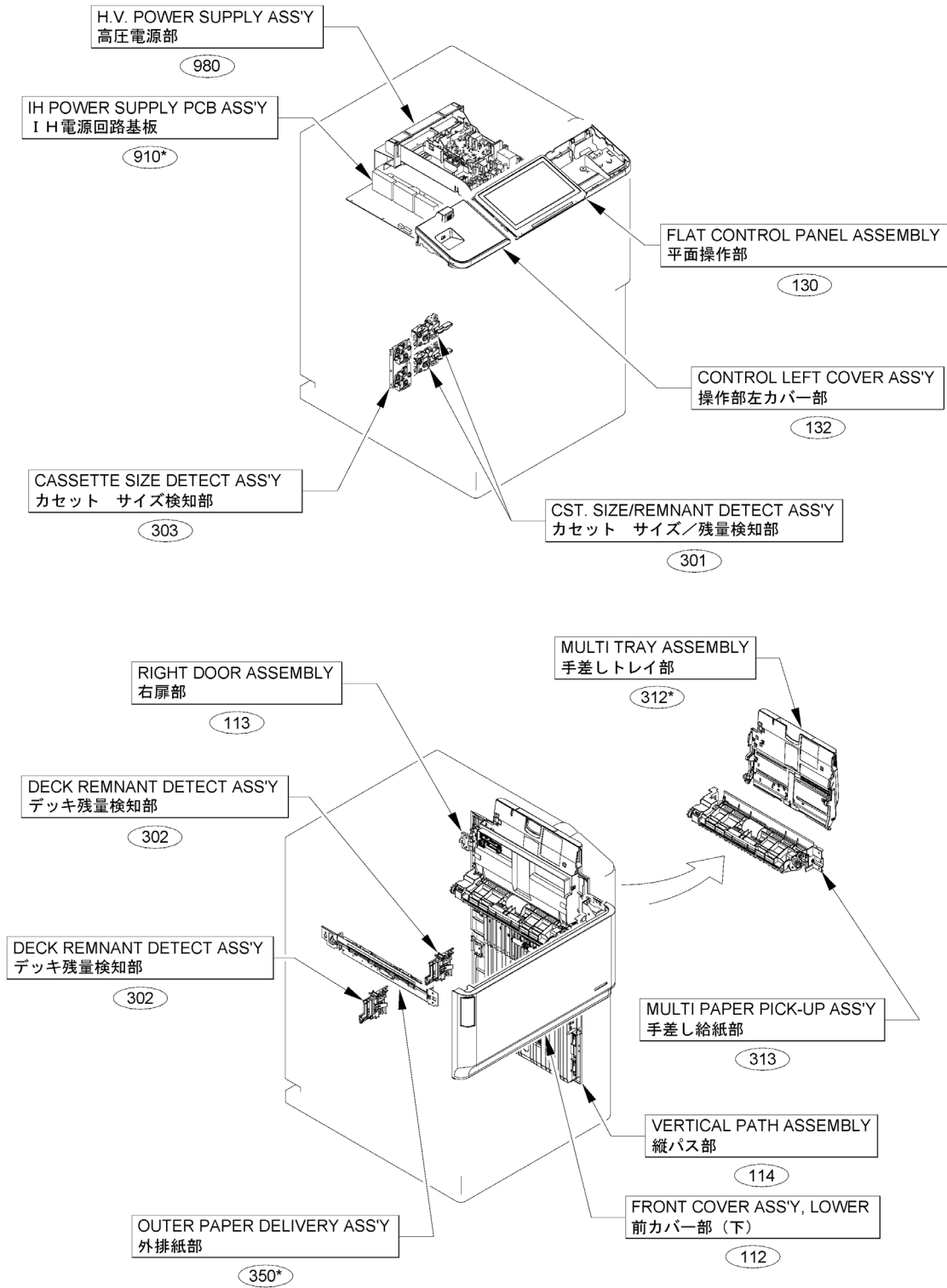




Figure A1E (2/8) ASSEMBLY LOCATION DIAGRAM (ADF model)

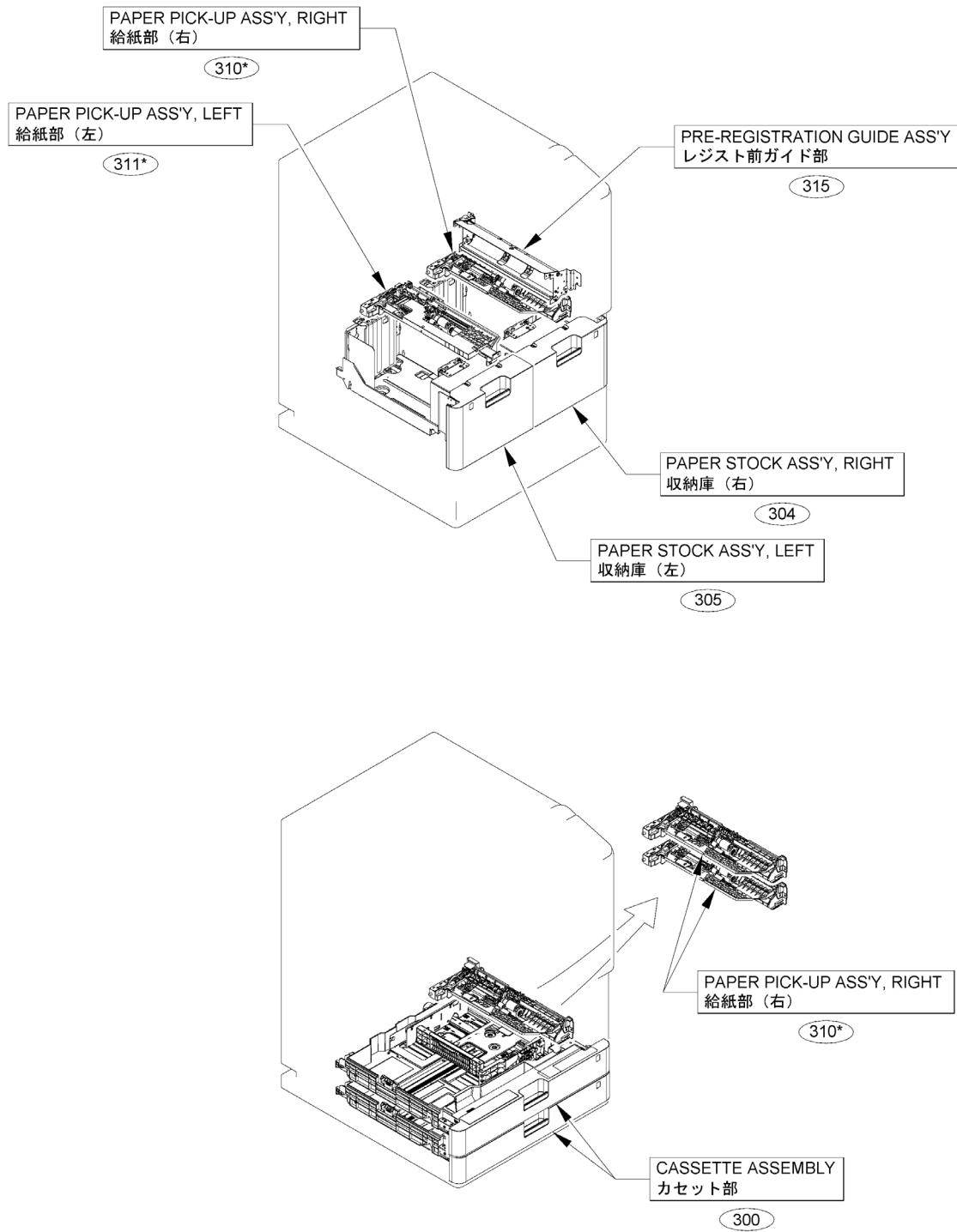


Figure A1E (3/8) ASSEMBLY LOCATION DIAGRAM (ADF model)

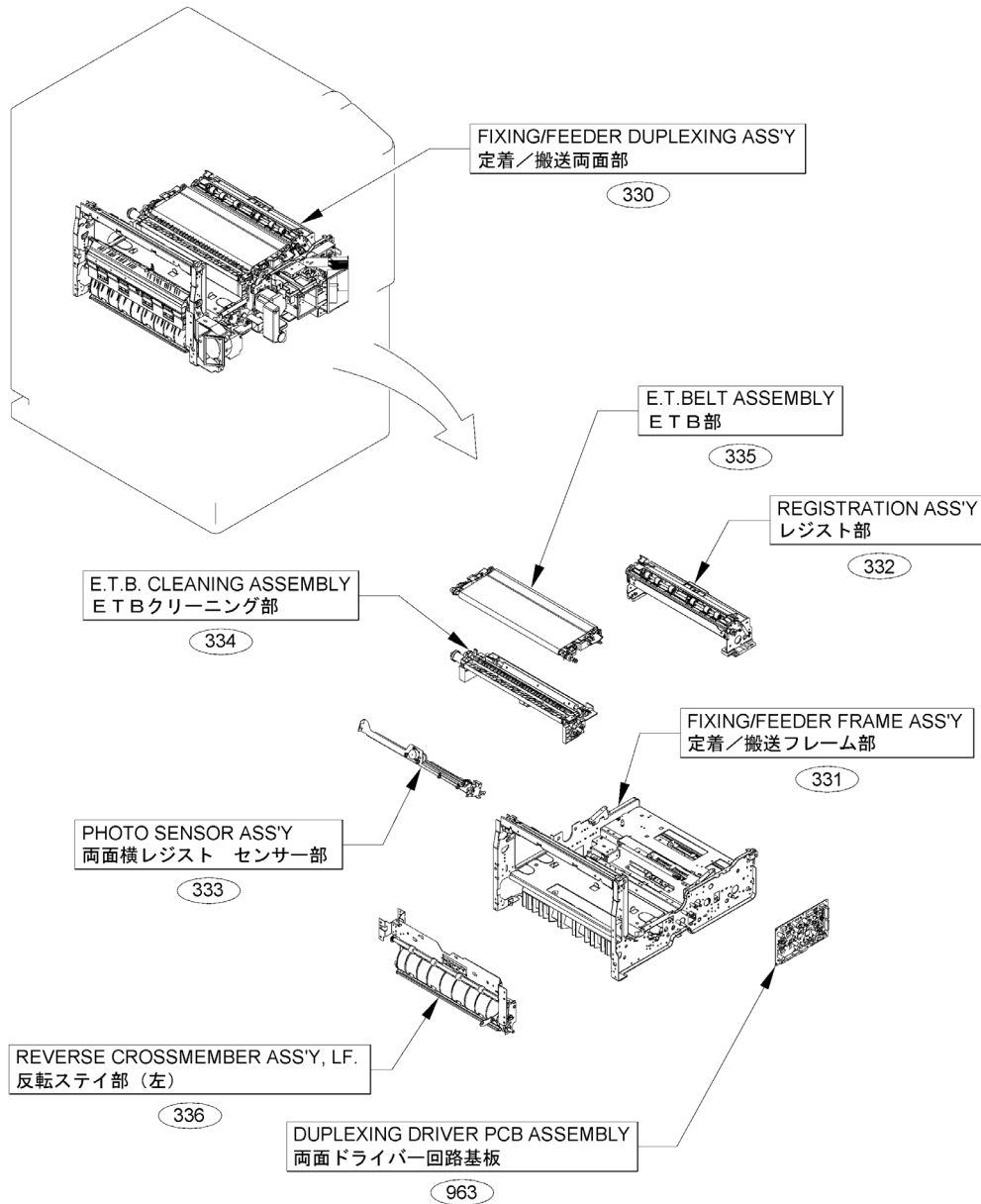


Figure A1E (4/8) ASSEMBLY LOCATION DIAGRAM (ADF model)

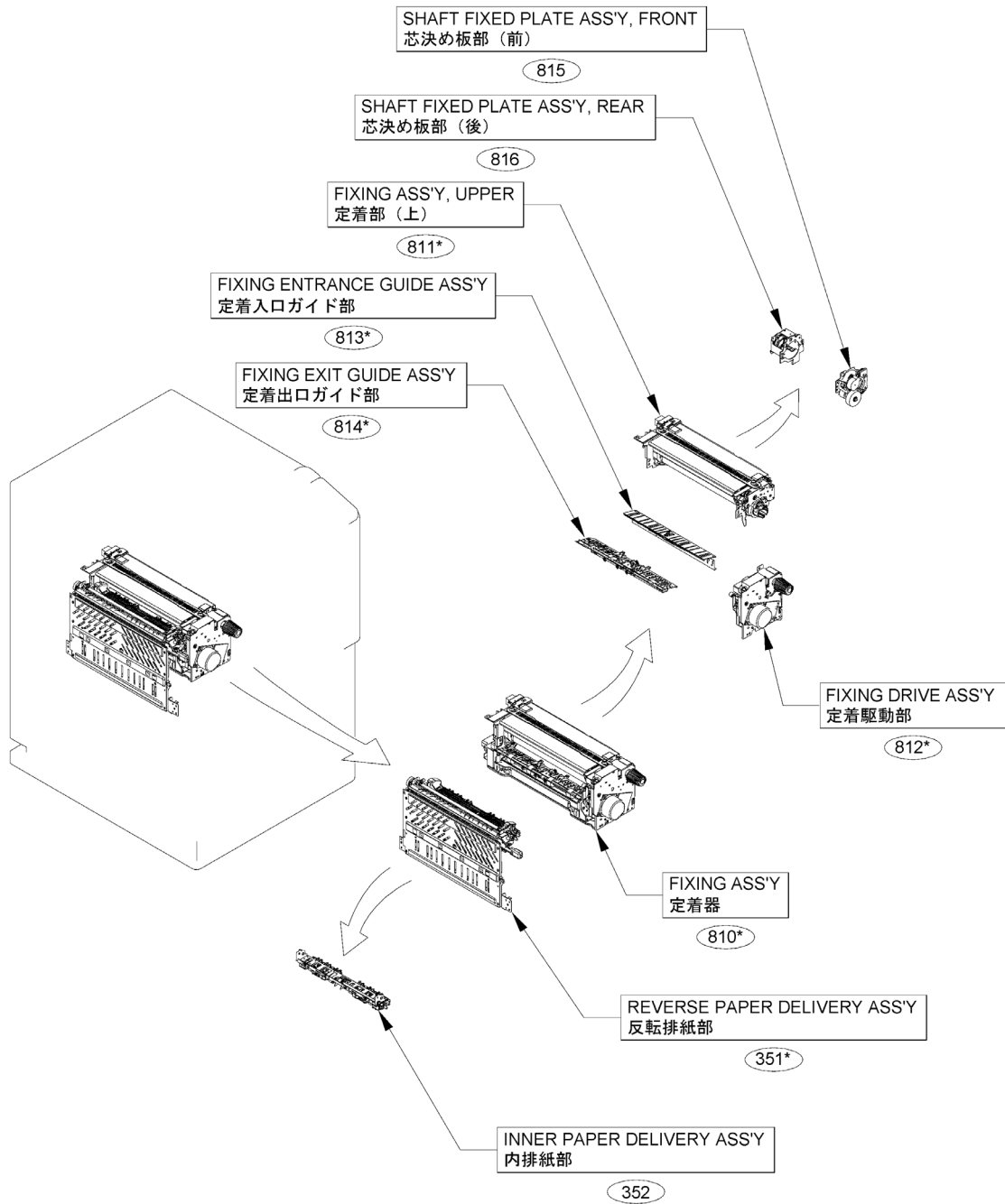


Figure A1E (5/8) ASSEMBLY LOCATION DIAGRAM (ADF model)

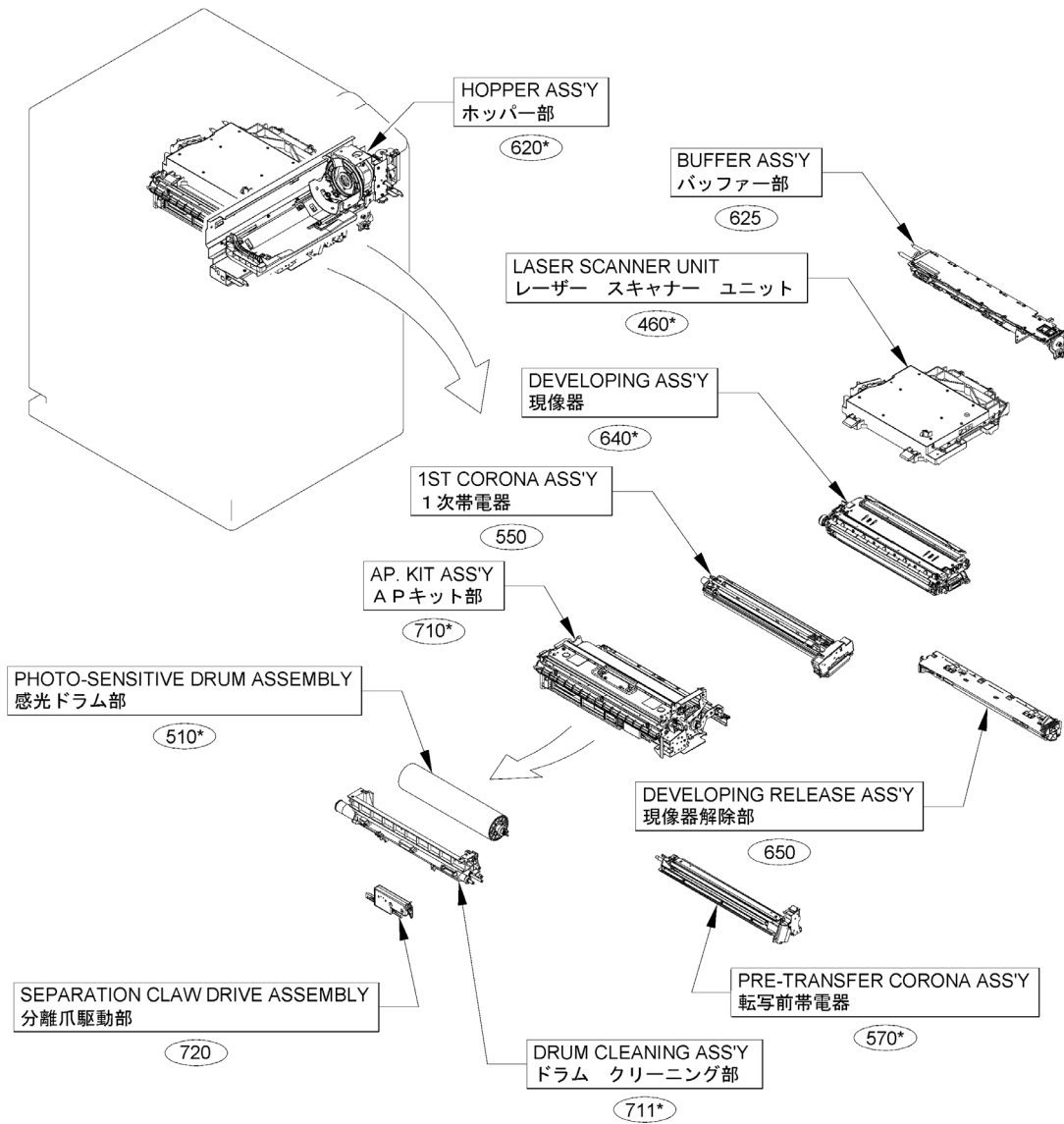


Figure A1E (6/8) ASSEMBLY LOCATION DIAGRAM (ADF model)

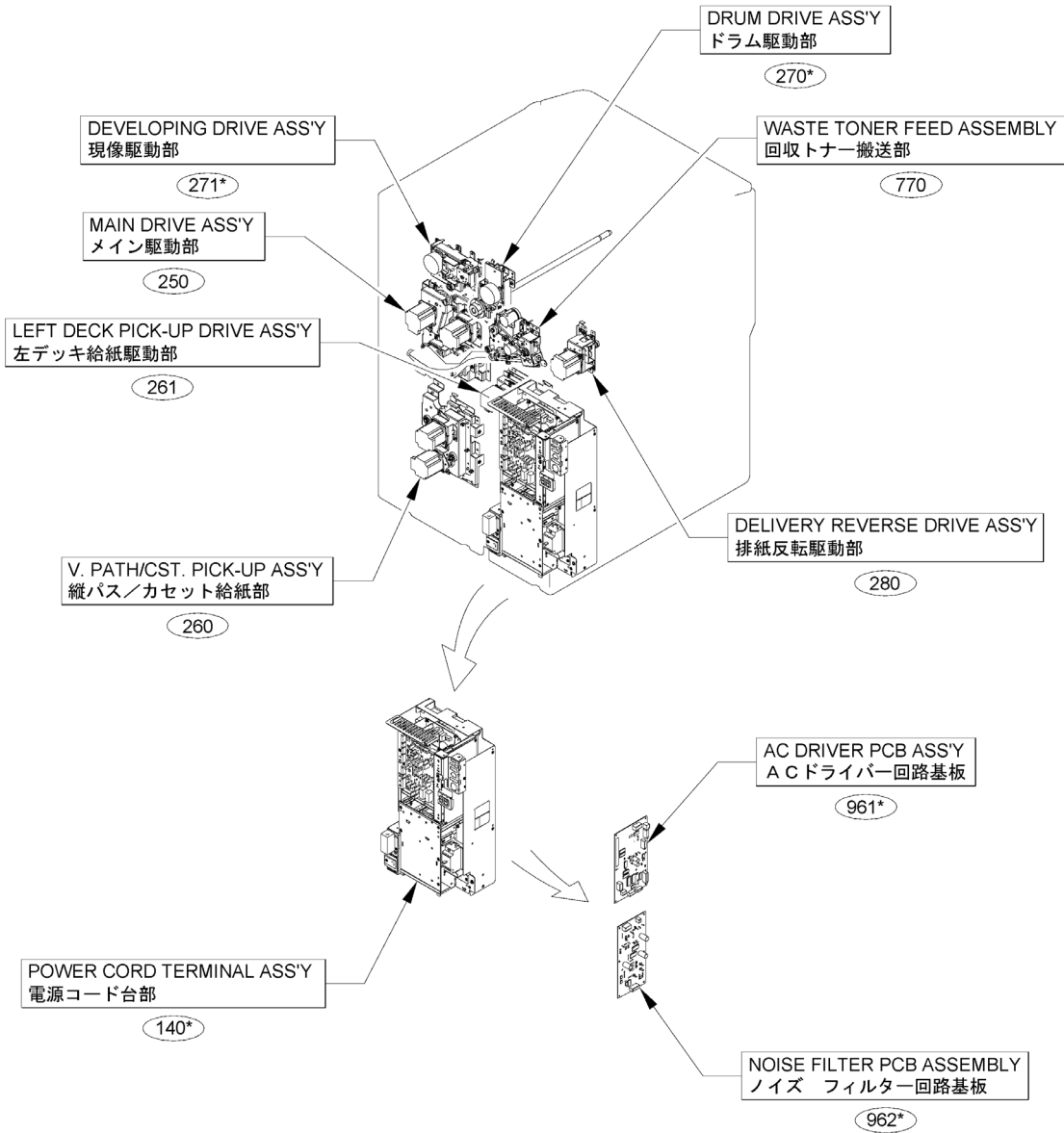


Figure A1E (7/8) ASSEMBLY LOCATION DIAGRAM (ADF model)

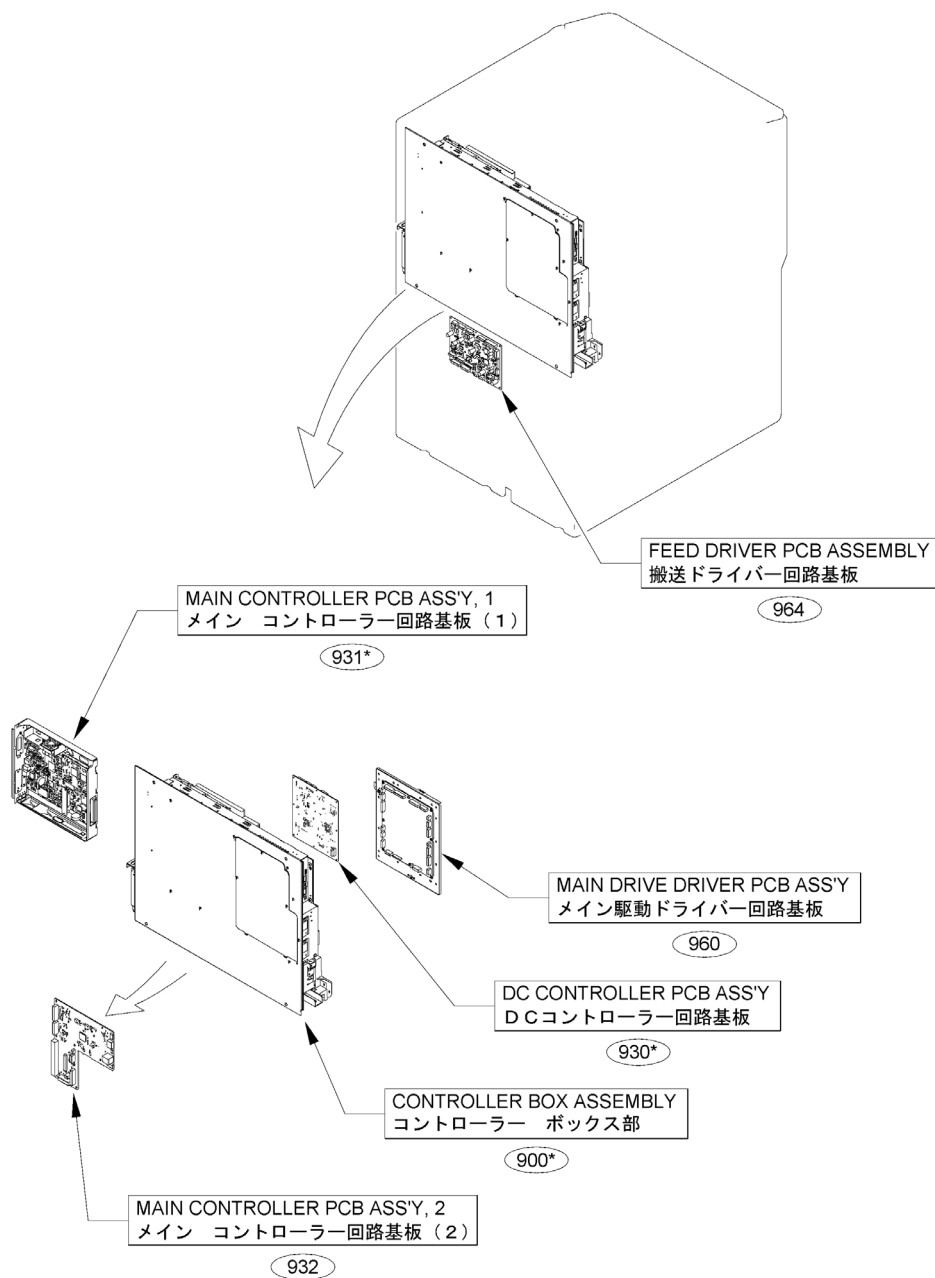


Figure A1E (8/8) ASSEMBLY LOCATION DIAGRAM (ADF model)

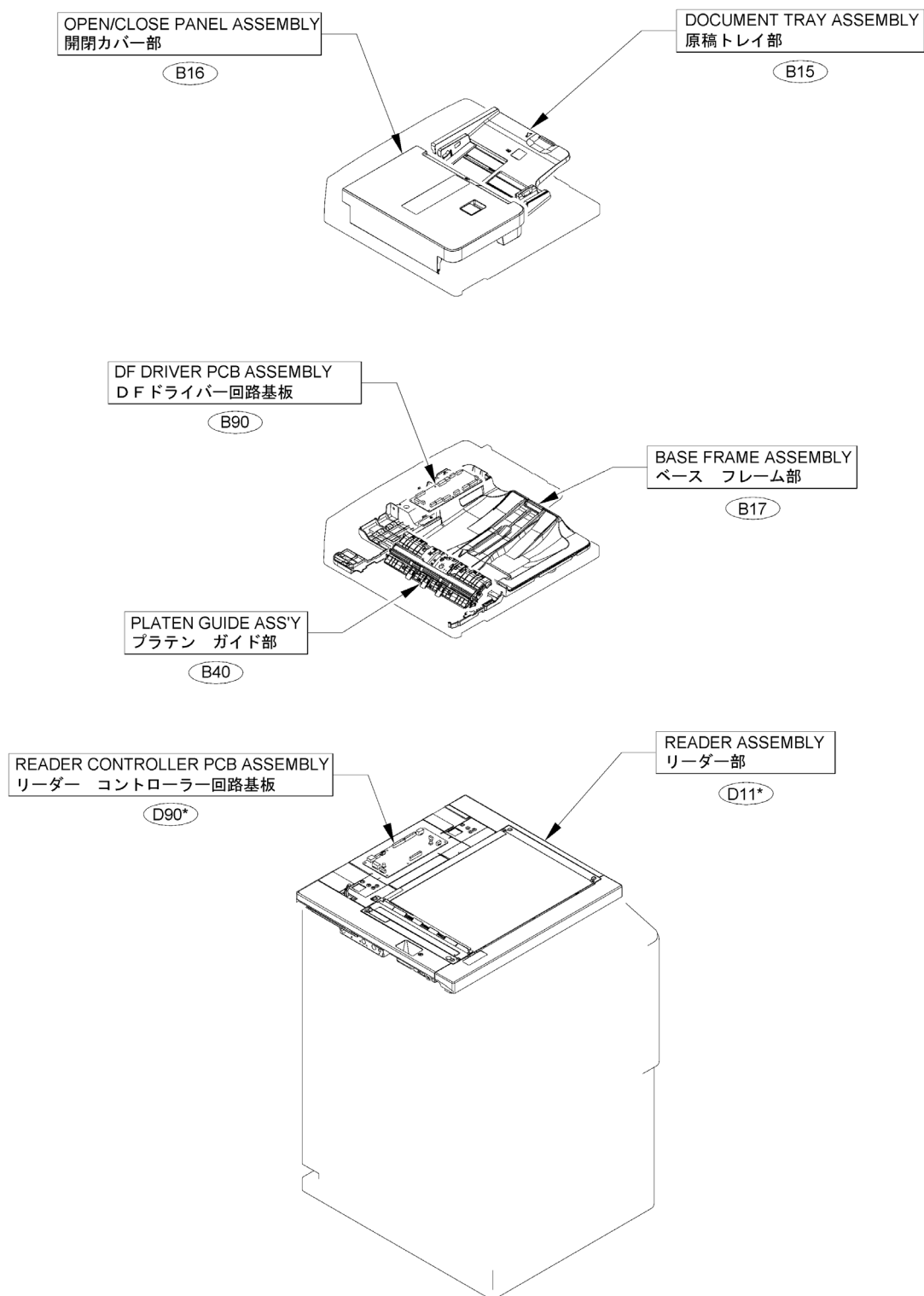


Figure A2B OPTION PARTS CATALOG LIST

This is the table of the machine's options whose parts catalog is issued.  
 本機のオプションで、パーツカタログが発行されている機種の一覧である。

No.	Model Name(English)	Model Name(Japanese)
1	Platen Cover Type Y2	原稿台カバー・Y2
2	ADF Access Handle-A1	ADF アクセスハンドル・A1
3	Printer Cover-H2	プリンタカバー・H2
4	Upright Control Panel-J1	立面操作部・J1
5	NFC Kit-E1	NFCキット・E1
6	Paper Deck Unit-E1	ペーパーデッキユニット・E1
7	POD Deck Lite-C1	POD デッキライト・C1
8	Copy Tray-R1/R2	コピートレイ・R1/R2
9	Shift Tray-F1	シフトトレイ・F1
10	Staple Finisher-AC1/Booklet Finisher-AC1	ステイプルフィニッシャー・AC1 / 中綴じフィニッシャー・AC1
11	Document Insertion Unit-P1	(日本仕向けなし)
12	2/3 Hole, 2/4 Hole, 4 Hole Puncher Unit-A1	2/3穴、2/4穴、 4穴パンチャーユニット・A1
13	Document Insertion / Folding Unit-J1	ペーパーフォールディング インサーターユニット・J1
14	Finisher Jogger Kit-A1	ジョガーキット・A1
15	Reader Heater-P1	リーダーヒーターキット・P1
16	Cassette Heater Unit-38	(日本仕向けなし)
17	Paper Deck Heater Unit-A1	ペーパーデッキヒーターユニット・A1
18	Utility Tray-B1	ユーティリティートレイ・B1
19	Copy Card Reader Attachment-A4	コピーカードリーダー取付けキット・A4
20	Numeric Keypad-A1	テンキー・A1
21	Super G3 FAX Board-AS1	(日本仕向けなし)
22	Super G3 FAX Board-AS2	(日本仕向けなし)
23	(JAPAN ONLY)	スーパーG3 FAXボード・BA1
24	Super G3 2nd Line Fax Board-AS1	(日本仕向けなし)
25	Super G3 3rd/4th Line Fax Board-AS1	G3回線増設キット(3・4回線)・AS1
26	(JAPAN ONLY)	ハンドセット・G2
27	Voice Guidance Kit-G1	(日本仕向けなし)
28	Voice Operation Kit-D1	音声操作キット・D1
29	(JAPAN ONLY)	iR-ADV課金装置接続キット・A3
30	Serial Interface Kit-K3	シリアルインターフェースキット・K3
31	Copy Control Interface Kit-A1	コントロールインターフェースキット・A1
32	2.5inch/1TB HDD-P1/250GB HDD-N1	オプションHDD (2.5inch/1TB)・P1 / (2.5inch/250GB)・N1
33	HDD Mirroring Kit-J1	HDDミラーリングキット・J1
34	Copy Card Reader-F1	コピーカードリーダー・F1
35	Connection Kit-A2 for Bluetooth LE	拡張キット・A2 for Bluetooth LE



Figure 001C ACCESSORIES (A/INCH SIZE)

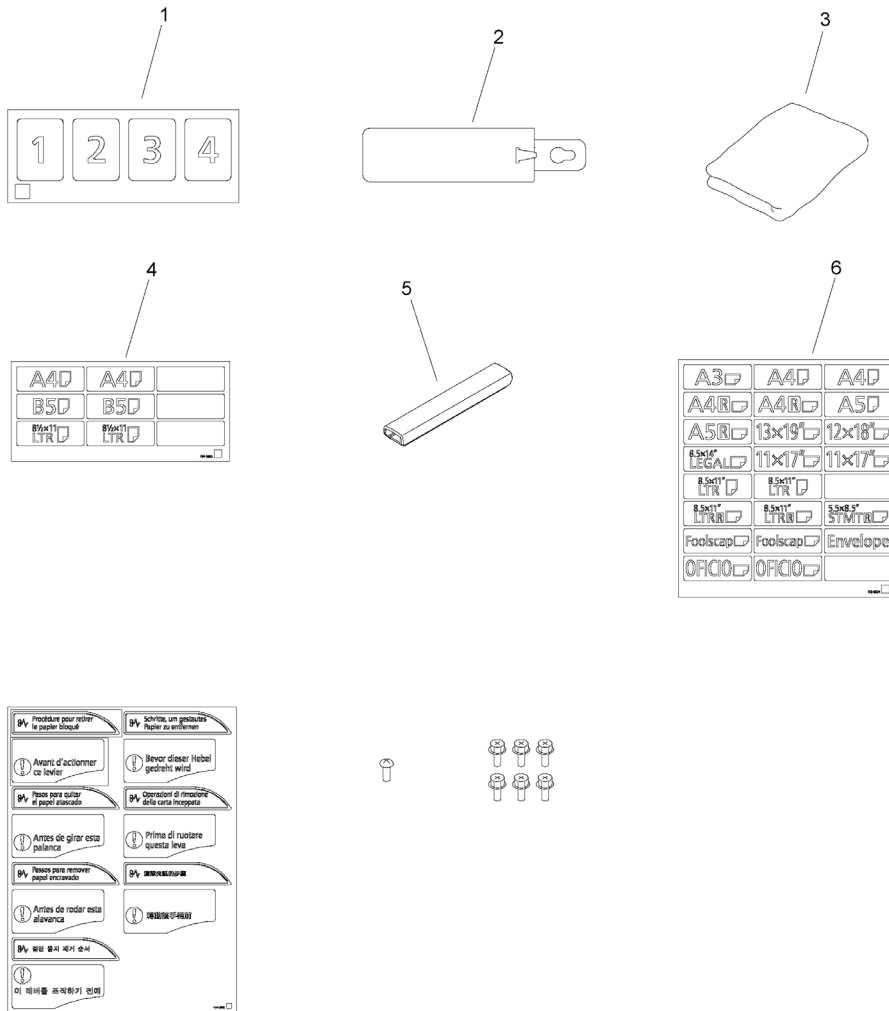


FIGURE & KEY NO.	PART NUMBER	RANK	QTY	DESCRIPTION	SERIAL NUMBER /REMARKS
001C	NPN		RF	ACCESSORIES	A/ INCH SIZE
1	FL0-6118-000		1	LABEL, CASSETTE NUMBER	
2	FM4-5435-000		1	CLEANING SHEET UNIT	
3	FE2-A001-000		1	CLOTH, CLEANING	
4	FE4-5895-000		1	LABEL, PAPER SIZE	
5	FM1-K089-000		1	COVER, CABLE	
6	FE8-8834-000		1	LABEL, PAPER SIZE	

Figure 001J ACCESSORIES (A/B/K/INCH SIZE)

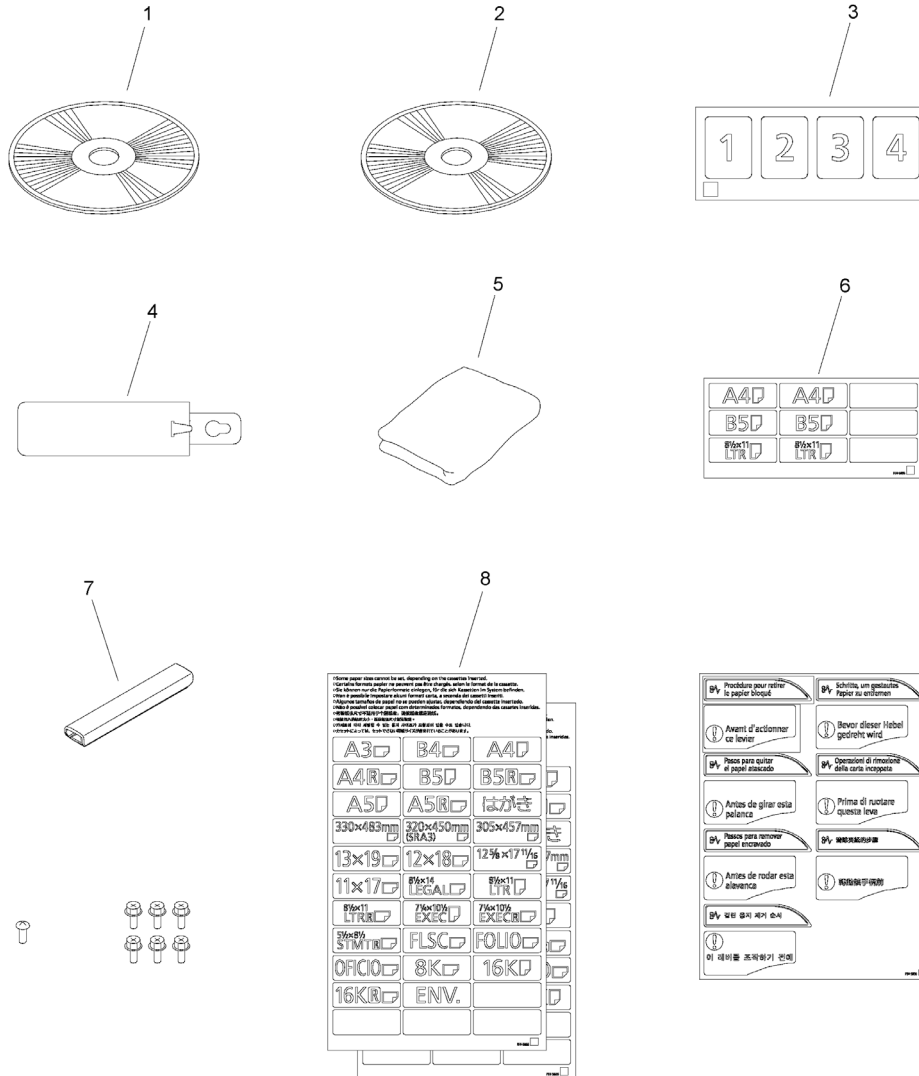


FIGURE & KEY NO.	PART NUMBER	RANK	QTY	DESCRIPTION	SERIAL NUMBER /REMARKS
001J	NPN		RF	ACCESSORIES	A/ B/ K/ INCH SIZE
1	FK4-6861-000		1	CD-ROM, SOFTWARE FOR UFR II	
2	FK4-6862-000		1	CD-ROM, SOFTWARE FOR PCL	
3	FL0-6118-000		1	LABEL, CASSETTE NUMBER	
4	FM4-5435-000		1	CLEANING SHEET UNIT	
5	FE2-A001-000		1	CLOTH, CLEANING	
6	FE4-5895-000		1	LABEL, PAPER SIZE	
7	FM1-K089-000		1	COVER, CABLE	
8	FE4-5866-000		2	LABEL, PAPER SIZE	

Figure 100J EXTERNAL COVERS, PANELS, ETC. (120V)

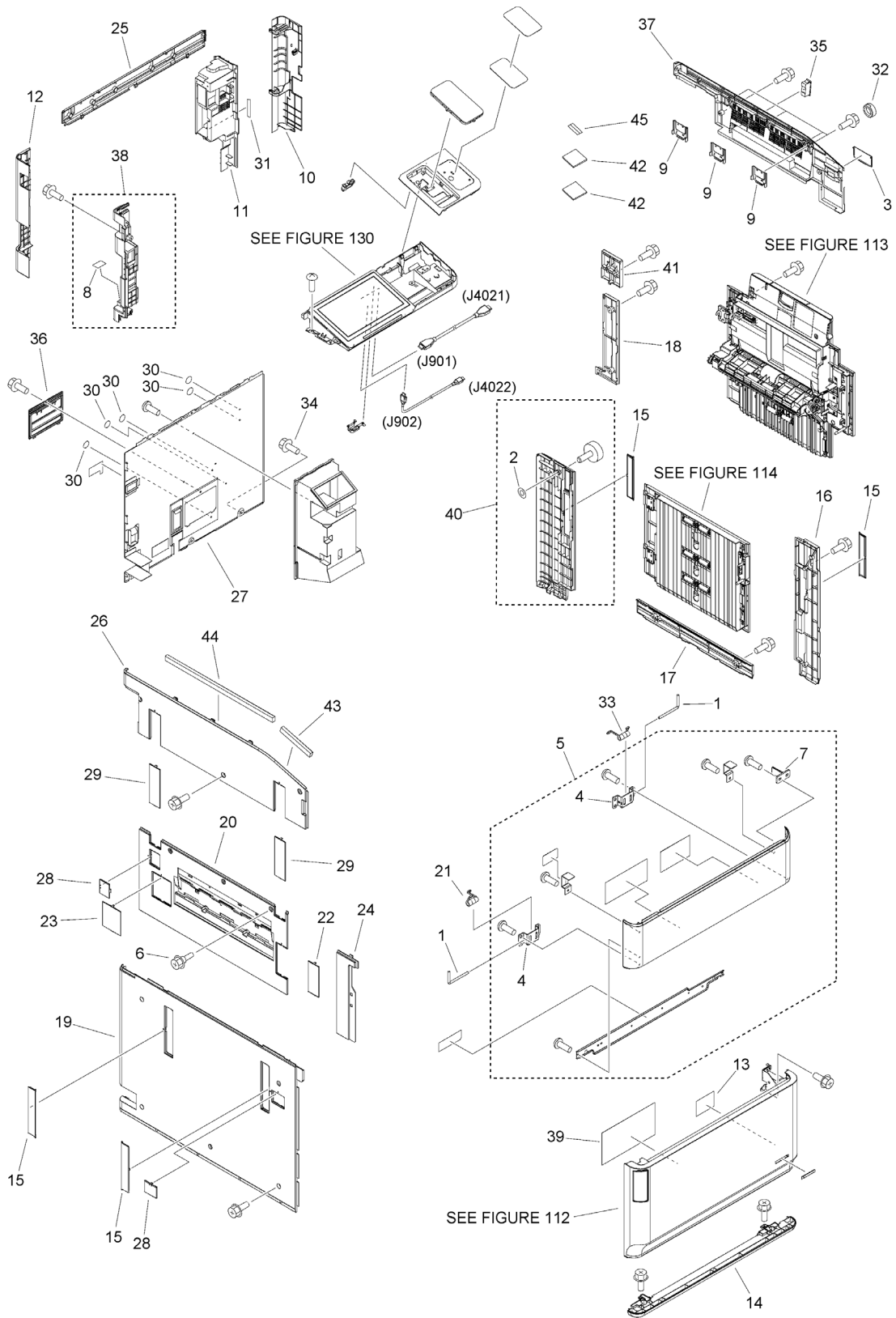


FIGURE & KEY NO.	PART NUMBER	RANK	QTY	DESCRIPTION	SERIAL NUMBER /REMARKS
100J	NPN		RF	EXTERNAL COVERS, PANELS, ETC.	120V
1	FB6-6644-000		2	PIN	
2	FE2-1027-000		1	WASHER	
3	FC8-1844-000		1	COVER, MAIN SWITCH	
4	FC9-7047-000		2	HINGE, DOOR	
5	FM1-H208-000		1	FRONT COVER ASSEMBLY, UPPER	
6	FS5-9217-010		5	SCREW, STEPPED, M4	
7	FC9-8073-000		1	FLAG, BOTTLE DOOR SENSOR	
8	FU5-9905-000		1	LABEL, CONNECTION CAUTION	
9	FE4-1280-000		3	PLATE, COVER AUXILIARY, RIGHT	
10	FE4-1312-000		1	COVER, RIGHT REAR, 1	
11	FE4-1331-000		1	COVER, SIDE	
12	FE4-1639-000		1	COVER, LEFT REAR	
13	FU7-8495-000		1	LABEL, WIRE HEIGHT	
14	FE4-5159-000		1	COVER, CASSETTE, LOWER	
15	FE4-5160-000		4	COVER, KNOB	
16	FE4-5161-000		1	COVER, RIGHT FRONT	
17	FE4-5162-000		1	COVER, RIGHT LOWER	
18	FE4-5163-000		1	COVER, RIGHT REAR, 2	
19	FE4-5164-000		1	COVER, LEFT, LOWER	
20	FE4-5165-000		1	COVER, PAPER DELIVERY	
21	FU8-2348-000		1	SPRING, TORSION	
22	FE4-5167-000		1	COVER, BLANKING, 1	
23	FE4-5168-000		1	COVER, BLANKING, 2	
24	FE4-5169-000		1	COVER, LEFT FRONT	
25	FE4-5171-000		1	COVER, UPPER REAR	
26	FE4-5172-010		1	COVER, LEFT UPPER	
27	FE4-5175-000		1	COVER, REAR LOWER	
28	FE4-5188-000		2	COVER, BLANKING, 3	
29	FE4-5189-000		2	COVER, BLANKING	
30	FE4-5428-000		5	SEAL	
31	FE4-5882-000		1	LABEL, USB LAN INDICATION	
32	FE4-7426-000		4	CAP	
33	FU8-2349-000		1	SPRING, TORSION	
34	XA9-0899-000		7	SCREW,RS,M4X10	
35	XZ9-0603-000		1	CATCH, MAGNET	
36	FL0-5100-000		1	COVER, FILTER CASE	
37	FL0-6121-000		1	COVER, RIGHT UPPER	
38	FL0-6130-000		1	COVER, BOX, LEFT	
39	FL3-3872-010		1	LABEL, SERVICE	
40	FM1-H203-000		1	WASTE TONER BOTTLE BOX COVER	
41	FE4-5166-000		1	COVER, CONTROL PANEL ASS'Y	
42	FE4-7896-000		2	CUSHION	
43	FC9-8049-000		1	SEAL, FRONT	

<b>FIGURE &amp; KEY NO.</b>	<b>PART NUMBER</b>	<b>R A N K</b>	<b>QTY</b>	<b>DESCRIPTION</b>	<b>SERIAL NUMBER /REMARKS</b>
44	FC9-8050-000		1	SEAL, REAR	
45	FE4-7895-000		1	TAPE, DUPLEXING	

Figure 100K EXTERNAL COVERS, PANELS, ETC. (230V)

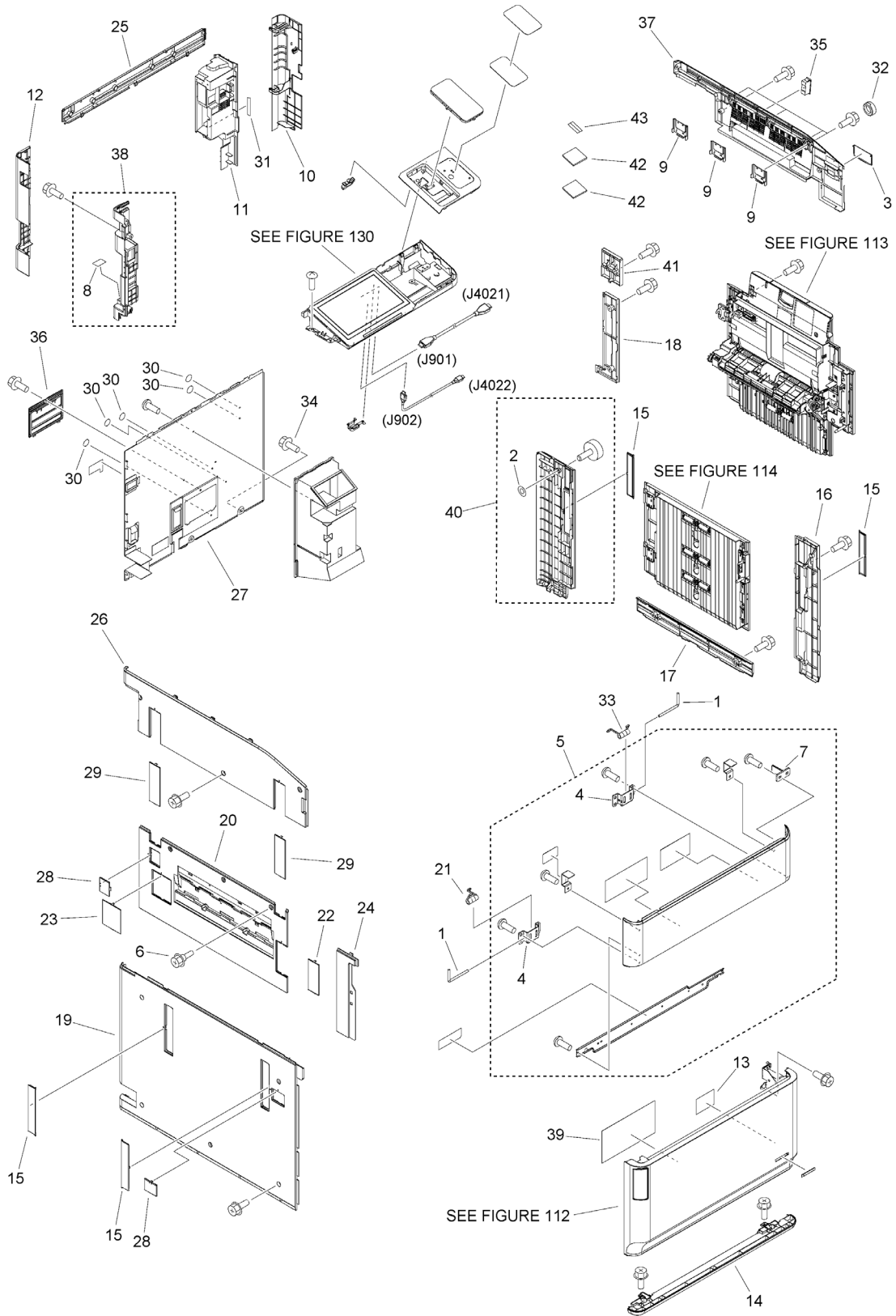




FIGURE & KEY NO.	PART NUMBER	RANK	QTY	DESCRIPTION	SERIAL NUMBER /REMARKS
100K	NPN		RF	EXTERNAL COVERS, PANELS, ETC.	230V
1	FB6-6644-000		2	PIN	
2	FE2-1027-000		1	WASHER	
3	FC8-1844-000		1	COVER, MAIN SWITCH	
4	FC9-7047-000		2	HINGE, DOOR	
5	FM1-H208-000		1	FRONT COVER ASSEMBLY, UPPER	
6	FS5-9217-010		5	SCREW, STEPPED, M4	
7	FC9-8073-000		1	FLAG, BOTTLE DOOR SENSOR	
8	FU5-9905-000		1	LABEL, CONNECTION CAUTION	
9	FE4-1280-000		3	PLATE, COVER AUXILIARY, RIGHT	
10	FE4-1312-000		1	COVER, RIGHT REAR, 1	
11	FE4-1331-000		1	COVER, SIDE	
12	FE4-1639-000		1	COVER, LEFT REAR	
13	FU7-8495-000		1	LABEL, WIRE HEIGHT	
14	FE4-5159-000		1	COVER, CASSETTE, LOWER	
15	FE4-5160-000		4	COVER, KNOB	
16	FE4-5161-000		1	COVER, RIGHT FRONT	
17	FE4-5162-000		1	COVER, RIGHT LOWER	
18	FE4-5163-000		1	COVER, RIGHT REAR, 2	
19	FE4-5164-000		1	COVER, LEFT, LOWER	
20	FE4-5165-000		1	COVER, PAPER DELIVERY	
21	FU8-2348-000		1	SPRING, TORSION	
22	FE4-5167-000		1	COVER, BLANKING, 1	
23	FE4-5168-000		1	COVER, BLANKING, 2	
24	FE4-5169-000		1	COVER, LEFT FRONT	
25	FE4-5171-000		1	COVER, UPPER REAR	
26	FE4-5172-010		1	COVER, LEFT UPPER	
27	FE4-5175-000		1	COVER, REAR LOWER	
28	FE4-5188-000		2	COVER, BLANKING, 3	
29	FE4-5189-000		2	COVER, BLANKING	
30	FE4-5428-000		5	SEAL	
31	FE4-5882-000		1	LABEL, USB LAN INDICATION	
32	FE4-7426-000		4	CAP	
33	FU8-2349-000		1	SPRING, TORSION	
34	XA9-0899-000		7	SCREW,RS,M4X10	
35	XZ9-0603-000		1	CATCH, MAGNET	
36	FL0-5100-000		1	COVER, FILTER CASE	
37	FL0-6121-000		1	COVER, RIGHT UPPER	
38	FL0-6130-000		1	COVER, BOX, LEFT	
39	FL3-3872-010		1	LABEL, SERVICE	
40	FM1-H203-000		1	WASTE TONER BOTTLE BOX COVER	
41	FE4-5166-000		1	COVER, CONTROL PANEL ASS'Y	
42	FE4-7896-000		2	CUSHION	
43	FE4-7895-000		1	TAPE, DUPLEXING	

Figure 101 INTERNAL COMPONENTS 1

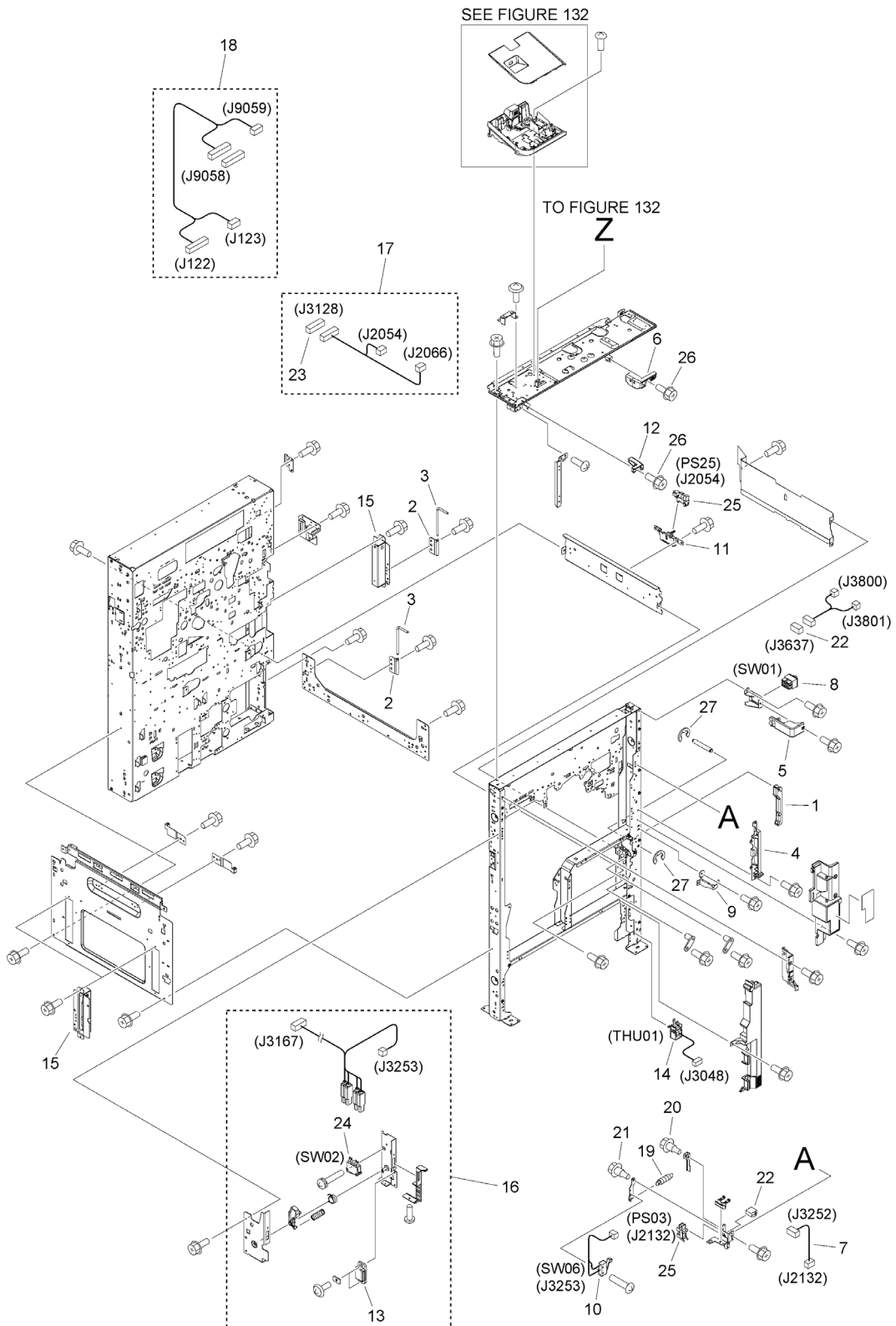


FIGURE & KEY NO.	PART NUMBER	RANK	QTY	DESCRIPTION	SERIAL NUMBER /REMARKS
101	NPN		RF	INTERNAL COMPONENTS 1	
1	FB2-8094-020		1	KNOB, 1	
2	FC8-7352-000		2	PLATE, HINGE	
3	FC8-9488-000		2	SHAFT, HINGE	
4	FC8-9490-000		1	HOOK, DOOR, RIGHT	
5	FC9-4356-000		1	COVER, MAIN POWER PROTECTION	
6	FE2-0555-000		1	RAIL, BOTTLE LIMIT, RIGHT	
7	FG2-7383-000		1	CABLE, DOOR CONNECTING	
8	FK3-3266-000		1	SWITCH, POWER SUPPLY	SW01
9	FL3-1240-000		1	HINGE, LOWER	
10	FL3-1271-000		1	CABLE, MULTI DOOR SWITCH	SW06
11	FL3-2813-010		1	SENSOR FLAG UNIT	
12	FL3-7918-010		1	RAIL, BOTTLE LIMIT, LEFT	
13	XZ9-0581-000		1	CATCH,MAGNET	
14	FM3-7307-000		1	ENVIRONMENT SENSOR ASS'Y	THU01
15	FM3-7327-000		3	KNOB ASSEMBLY	
16	FM4-0967-000		1	DOOR SWITCH ASS'Y	
17	FM4-1041-010		1	CABLE, VERTICAL PATH SENSOR	
18	FM4-1072-000		1	CABLE, SHIFT TRAY	
19	FS5-2958-000		1	SPRING, TENSION	
20	FS5-9166-020		1	SCREW, STEPPED, M4	
21	FS5-9216-020		1	SCREW, STEPPED, M4X6	
22	VS1-7177-004		2	CONNECTOR, SNAP TIGHT, BK	
23	VS1-8412-007		1	CONNECTOR, SNAP TIGHT, BL	
24	WC4-5125-000		1	SWITCH,SENSITIVE	SW02
25	WG8-5848-000		2	IC, PHOTO-INTERRUPTER	PS03, PS25
26	XA9-0732-010		6	SCREW,RS,M4X8	
27	XD9-0396-000		2	RING, E	

Figure 102A INTERNAL COMPONENTS 2

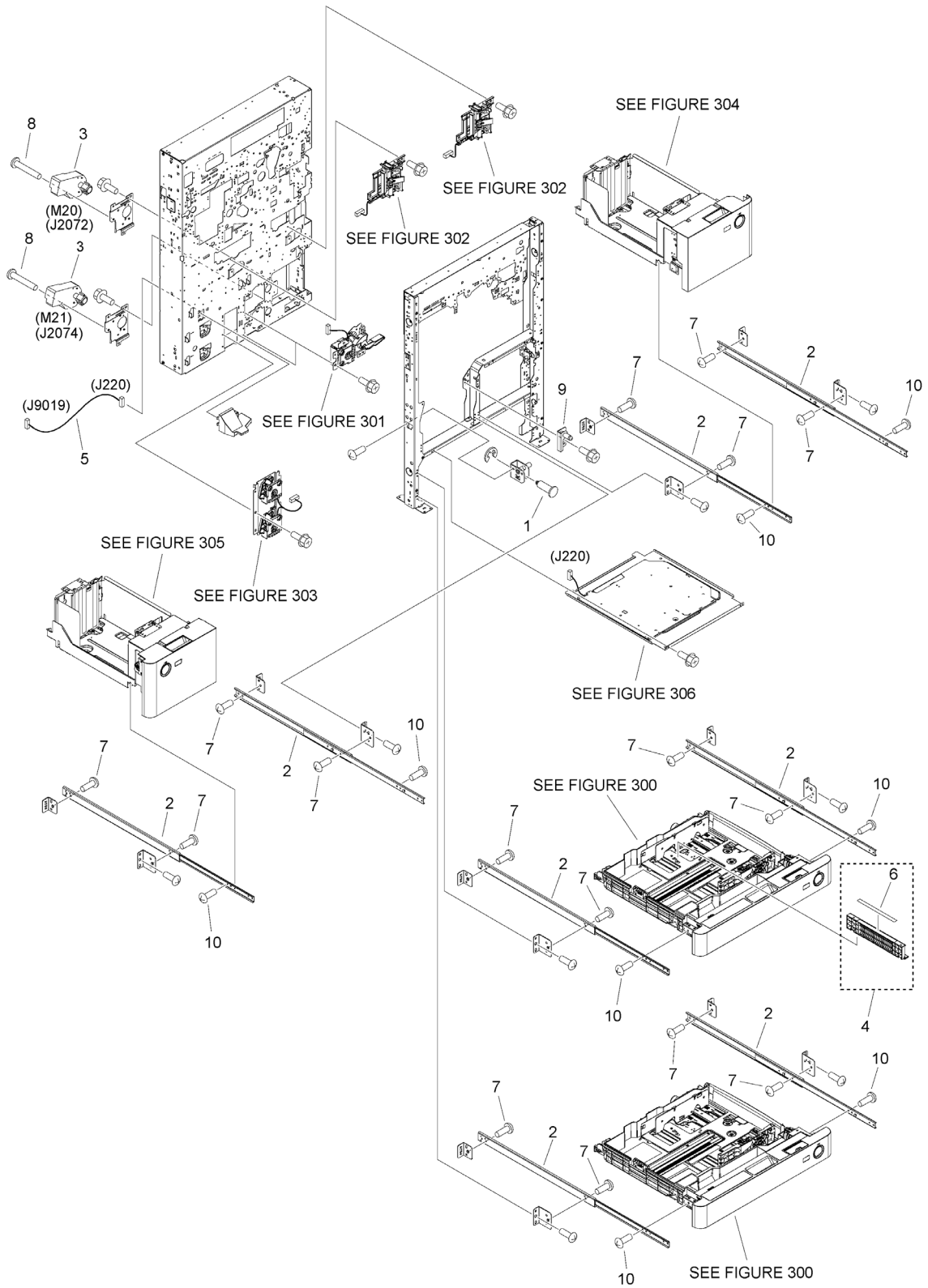


FIGURE & KEY NO.	PART NUMBER	RANK	QTY	DESCRIPTION	SERIAL NUMBER /REMARKS
102A	NPN		RF	INTERNAL COMPONENTS 2	
1	FC5-2544-000		1	SCREW, ADJUSTMENT, M6X16	
2	FC9-3904-000		8	RAIL, SLIDE	
3	FM4-9814-000		2	MOTOR, DC	M20,M21
4	FL2-8948-000		1	PLATE, BACK END LIMIT	
5	FM4-4317-000		1	CABLE, CASSETTE HEATER	
6	FU6-8537-010		1	LABEL, INDEX PAPER GUIDE	
7	XA9-1035-000		16	SCREW,M4X4	
8	XA9-1491-000		6	SCREW,W/WASHER PAN HEAD, M3X30	
9	FL3-0244-000		1	PLATE, DECK POSITIONING, LEFT	
10	XA9-1934-000		16	SCREW, M4X4	

Figure 103 INTERNAL COMPONENTS 3

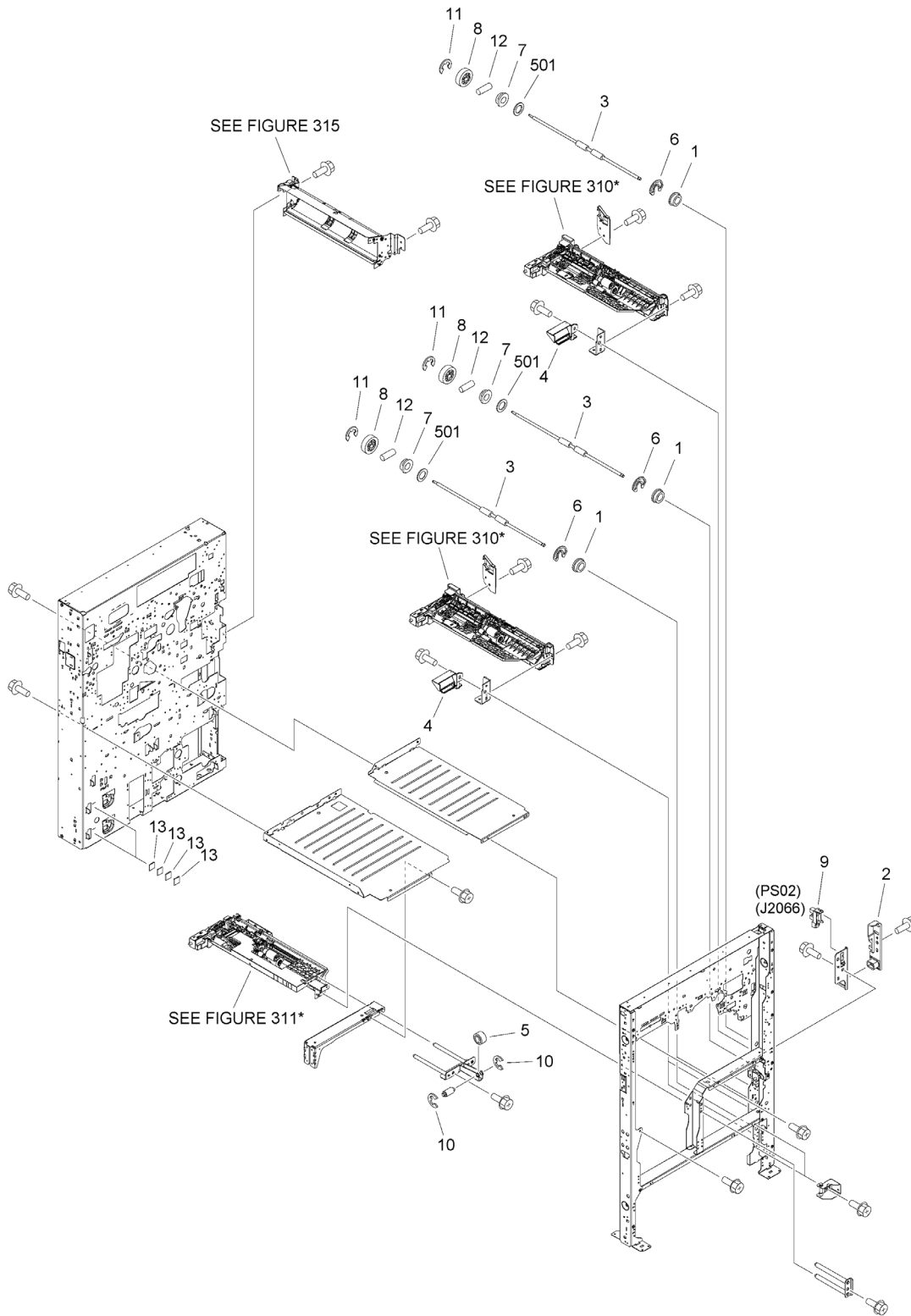


FIGURE & KEY NO.	PART NUMBER	RANK	QTY	DESCRIPTION	SERIAL NUMBER /REMARKS
103	NPN		RF	INTERNAL COMPONENTS 3	
1	XG9-0849-000		4	BEARING,BALL,MF128ZZWB4.7X3D41	
2	FC8-2700-010		1	MOUNT, HOOK	
3	FC8-9486-000		4	ROLLER, PAPER FEED	
4	FC9-4084-000		3	GUIDE, PAPER EXHAUST, RIGHT	
5	FC9-9145-000		1	SPACER, INNER PAPER DELIVERY	
6	FC5-2715-000		4	RING, RETAINING	
7	XG9-0778-000		4	BEARING, BALL, MF106ZZ-1	
8	FU8-0333-000		4	GEAR, 24T	
9	WG8-5848-000		1	IC, PHOTO-INTERRUPTER	PS02
10	XD9-0134-000		2	RING, E	
11	XD9-0395-000		4	RING, E	
12	XD9-0289-000		4	PIN, PARALLEL	
13	FC8-1205-000		8	PAD, PAPER PICK-UP HOLDER	
501	XD1-1106-225		4	WASHER,COP	

Figure 104D INTERNAL COMPONENTS 4 (6765i, 6755i)

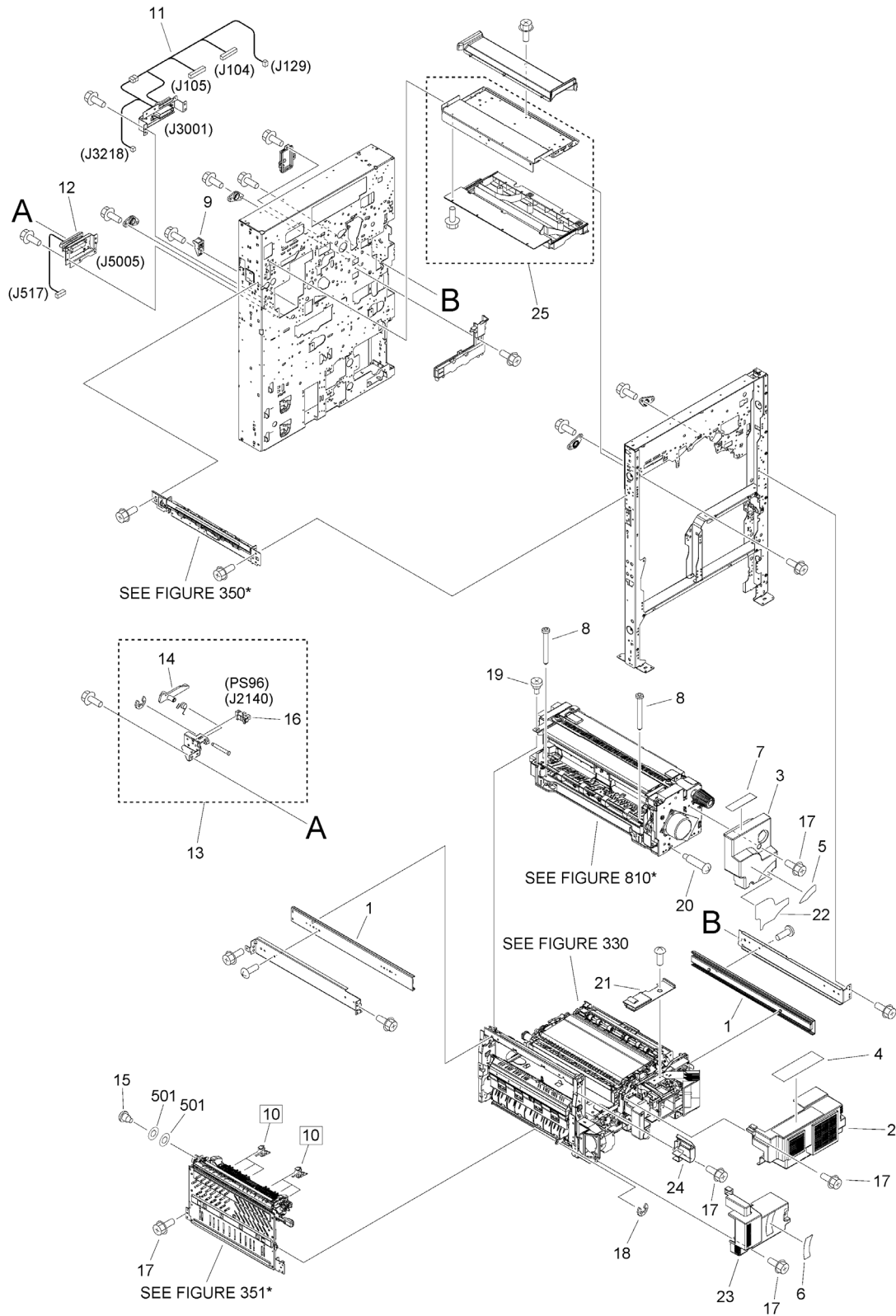




FIGURE & KEY NO.	PART NUMBER	RANK	QTY	DESCRIPTION	SERIAL NUMBER /REMARKS
104D	NPN		RF	INTERNAL COMPONENTS 4	IR-ADV DX 6765i, 6755i
1	FC9-5089-010		2	RAIL, SLIDE	
2	FC8-9678-000		1	COVER, FIXING/FEEDER, RIGHT	
3	FC8-7237-000		1	COVER, FIXING	
4	FC9-9032-000		1	LABEL, FINGER NIP CAUTION	
5	FC9-9033-000		1	LABEL, OPERATION, UPPER	
6	FC9-9034-000		1	LABEL, OPERATION, LOWER	
7	FC9-9066-000		1	LABEL, JAM CLEARING	
8	FC9-9100-000		2	SCREW, S, M4X50	
9	FC9-9137-000		1	LATCH	
10	FB5-3625-000		6	CLAW, SEPARATING	[DP]
11	FM3-7351-040		1	CABLE, FIXING DRAWER	
12	FM1-G113-000		1	CABLE, FIXING/FEEDER DRAWER	
13	FM4-0908-000		1	HANDLE SENSOR MOUNT ASS'Y	
14	FC8-9569-000		1	FLAG, HANDLE SENSOR	
15	FU5-9035-000		1	SCREW, STEPPED, M3X3	
16	WG8-5848-000		1	IC, PHOTO-INTERRUPTER	PS96
17	XA9-0732-010		5	SCREW,RS,M4X8	
18	XD9-0395-000		1	RING, E	
19	FU5-9305-000		1	SCREW, STEPPED, M4	
20	FU5-9370-000		1	SCREW,STEPPED,M4	
21	FC9-7050-010		1	COVER, FIXING/FEEDER, RIGHT	
22	FE4-5901-000		1	LABEL, JAM CLEARING CAUTION	
23	FC8-9677-000		1	COVER, FIXING/FEEDER, LEFT	
24	FC9-7058-000		1	COVER, RAIL	
25	FM3-7313-000		1	FIXING CROSSMEMBER UNIT, UPPER	
501	XD1-1106-216		2	SHIM	



FIGURE & KEY NO.	PART NUMBER	RANK	QTY	DESCRIPTION	SERIAL NUMBER /REMARKS
104H	NPN		RF	INTERNAL COMPONENTS 4	IR-ADV DX 6780i
1	FC9-5089-010		2	RAIL, SLIDE	
2	FC8-9678-000		1	COVER, FIXING/FEEDER, RIGHT	
3	FC8-7237-000		1	COVER, FIXING	
4	FC9-9032-000		1	LABEL, FINGER NIP CAUTION	
5	FC9-9033-000		1	LABEL, OPERATION, UPPER	
6	FC9-9034-000		1	LABEL, OPERATION, LOWER	
7	FC9-9066-000		1	LABEL, JAM CLEARING	
8	FC9-9100-000		2	SCREW, S, M4X50	
9	FC9-9137-000		1	LATCH	
10	FB5-3625-000		6	CLAW, SEPARATING	[DP]
11	FM3-7351-040		1	CABLE, FIXING DRAWER	
12	FM1-G113-000		1	CABLE, FIXING/FEEDER DRAWER	
13	FM4-0908-000		1	HANDLE SENSOR MOUNT ASS'Y	
14	FC8-9569-000		1	FLAG, HANDLE SENSOR	
15	FU5-9035-000		1	SCREW, STEPPED, M3X3	
16	WG8-5848-000		1	IC, PHOTO-INTERRUPTER	PS96
17	XA9-0732-010		8	SCREW,RS,M4X8	
18	XD9-0395-000		1	RING, E	
19	FU5-9305-000		1	SCREW, STEPPED, M4	
20	FU5-9370-000		1	SCREW,STEPPED,M4	
21	FM4-5152-000		1	ESTRANGEMENT SOLENOID ASS'Y	SL12
22	VS1-7177-002		1	CONNECTOR, SNAP TIGHT, BK	
23	FC8-9677-000		1	COVER, FIXING/FEEDER, LEFT	
24	FC9-7058-000		1	COVER, RAIL	
25	FC9-7050-010		1	COVER, FIXING/FEEDER, RIGHT	
26	FE4-5901-000		1	LABEL, JAM CLEARING CAUTION	
27	FM3-7313-000		1	FIXING CROSSMEMBER UNIT, UPPER	
501	XD1-1106-216		2	SHIM	

Figure 105B INTERNAL COMPONENTS 5

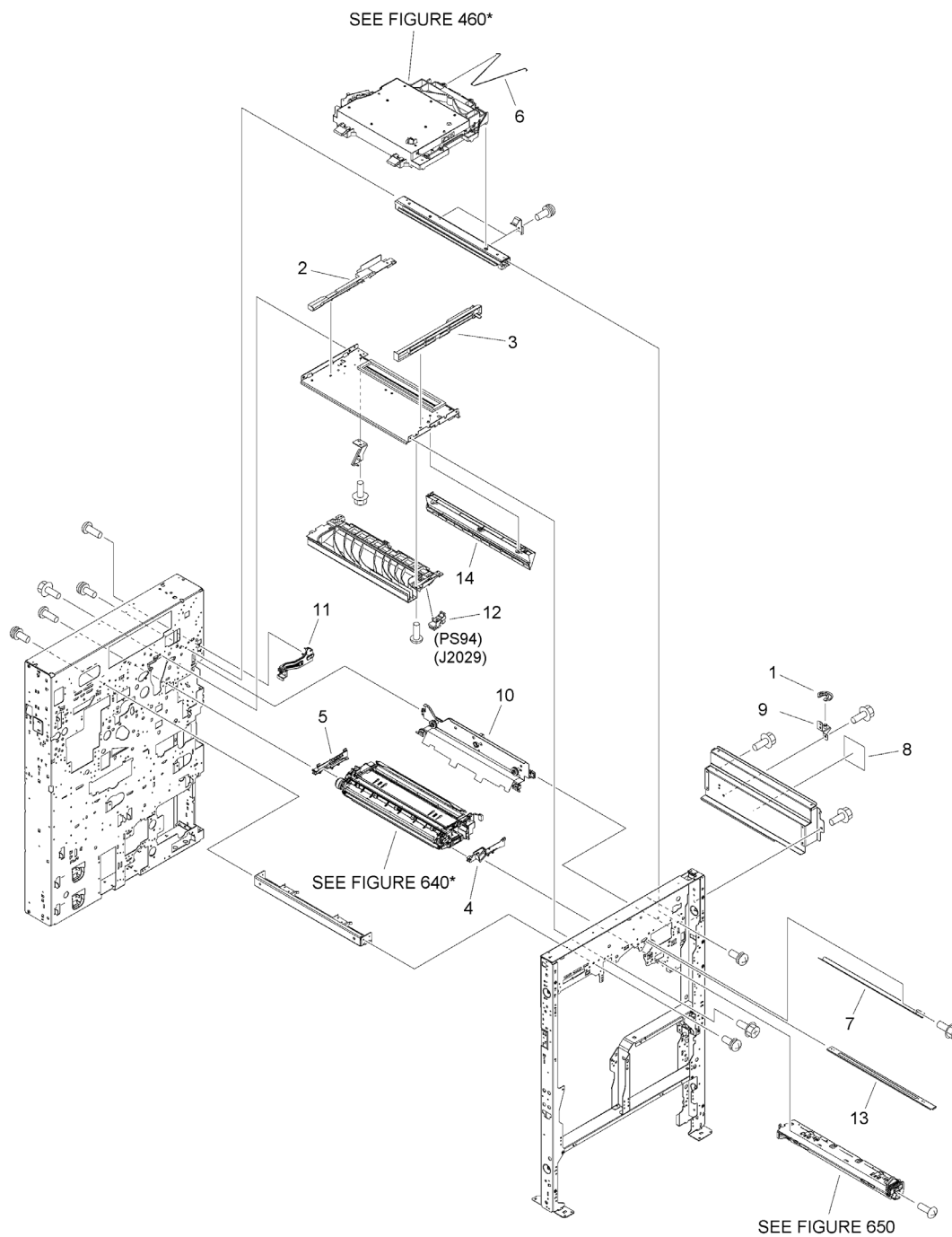


FIGURE & KEY NO.	PART NUMBER	RANK	QTY	DESCRIPTION	SERIAL NUMBER /REMARKS
105B	NPN		RF	INTERNAL COMPONENTS 5	
1	FC5-2715-000		1	RING, RETAINING	
2	FC8-7038-000		1	RAIL, SCANNER, REAR	
3	FC8-7039-000		1	RAIL, SCANNER, FRONT	
4	FC8-9454-000		1	RAIL, DEVELOPING, FRONT	
5	FC8-9453-000		1	RAIL, DEVELOPING, REAR	
6	FC9-5579-000		1	WIRE, SUPPORT	
7	FC9-7439-000		1	RAIL, POTENTIAL SENSOR	
8	FC9-8684-000		1	LABEL, LASER CAUTION, LOWER	
9	FL3-3871-000		1	MOUNT, HINGE	
10	FM3-7383-000		1	DEVELOPING PRESSURE ASS'Y	
11	FM4-0951-010		1	DEV. HIGH VOLTAGE CONTACT UNIT	
12	WG8-5848-000		1	IC, PHOTO-INTERRUPTER	PS94
13	FL3-2141-000		1	GLASS, DUST-PROOF	
14	FM4-0919-000		1	EXHAUST DUCT ASSEMBLY	

Figure 106B INTERNAL COMPONENTS 6

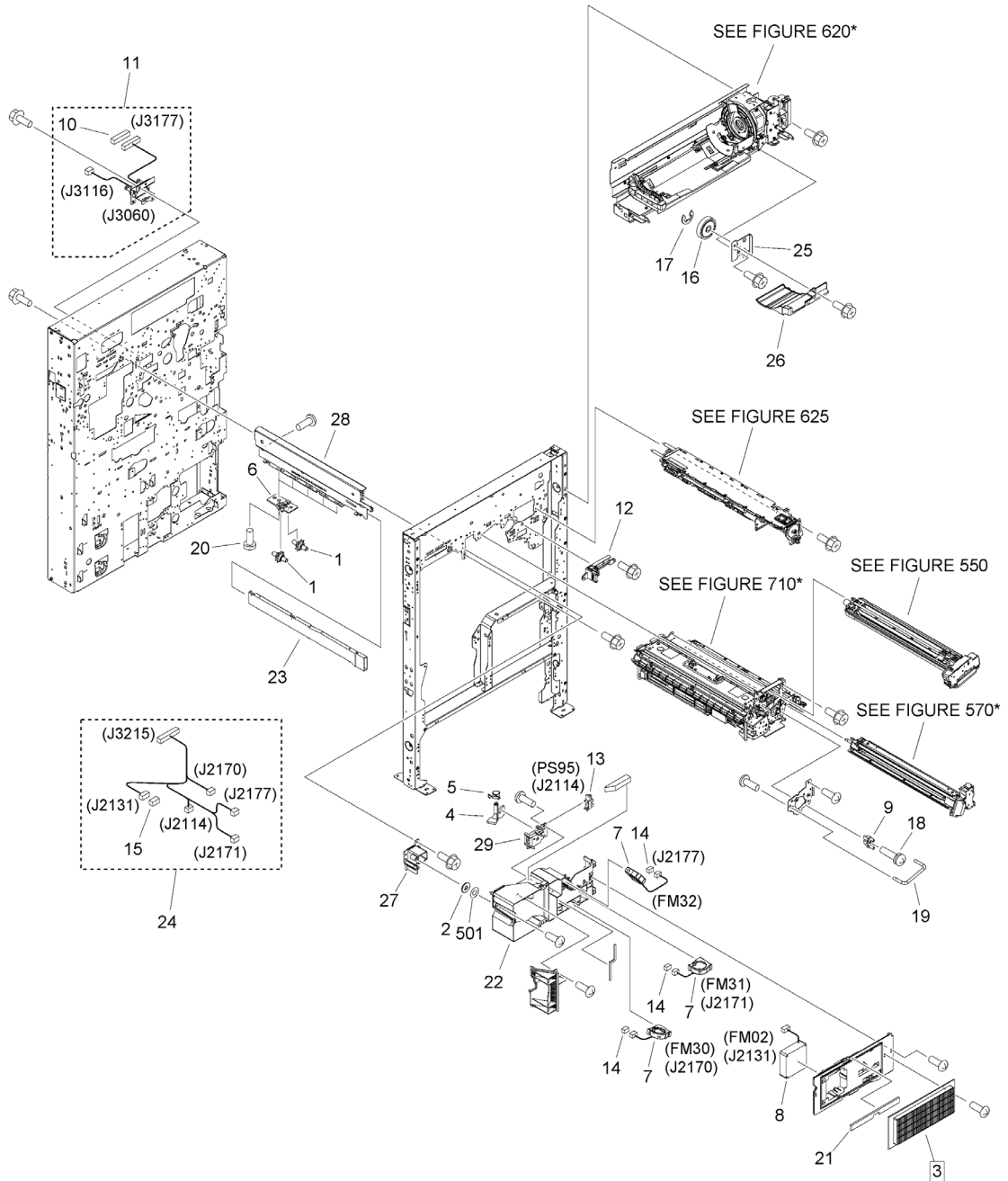


FIGURE & KEY NO.	PART NUMBER	RANK	QTY	DESCRIPTION	SERIAL NUMBER /REMARKS
106B	NPN		RF	INTERNAL COMPONENTS 6	
1	FB1-8776-000		10	ROWEL	
2	FE2-1027-000		1	WASHER	
3	FC8-9564-000		1	FILTER, DUST	[DP]
4	FC9-6163-000		1	FLAG, SENSOR	
5	FC9-6164-000		1	SPRING, TORSION	
6	FC9-8981-010		5	MOUNT, ROWEL	
7	FK2-3149-000		3	FAN	FM30, FM31, FM32
8	FK2-7678-000		1	FAN	FM02
9	FL1-2600-000		1	HOLDER, DRUM FIXED	
10	VS1-7177-012		1	CONNECTOR, SNAP TIGHT, BK	
11	FM3-7302-010		1	CABLE, AP. KIT DRAWER	
12	FM4-0973-000		1	MOUNT, PRE-TRANS. CORONA CONTACT	
13	WG8-5848-000		1	IC, PHOTO-INTERRUPTER	PS95
14	VS1-7177-003		3	CONNECTOR, SNAP TIGHT, BK	
15	VS1-7177-004		1	CONNECTOR, SNAP TIGHT, BK	
16	FU9-0040-000		1	GEAR, 33T	
17	XD9-0395-000		1	RING, E	
18	XA9-1090-000		1	SCREW, W/WASHER, M5X25	
19	FC9-4868-000		1	HANDLE, FRONT	
20	XA9-0903-000		10	SCREW, M3X5	
21	FL0-1825-000		1	SEAL, FAN DUCT	
22	FL3-2128-000		1	DUCT, PRIMARY FAN, 2	
23	FC8-6989-000		1	DUCT	
24	FM4-1027-010		1	CABLE, FAN	
25	FL3-2172-000		1	PLATE	
26	FC9-4881-000		1	TRAY, TONER CATCH	
27	FL3-2136-000		1	DUCT, PRIMARY AIR INTAKE, 2	
28	FC8-6976-000		1	CROSSMEMBER, LEFT	
29	FC9-5709-000		1	BASE, SENSOR	
501	XD1-1104-135		1	WASHER, COP	

Figure 107D INTERNAL COMPONENTS 7

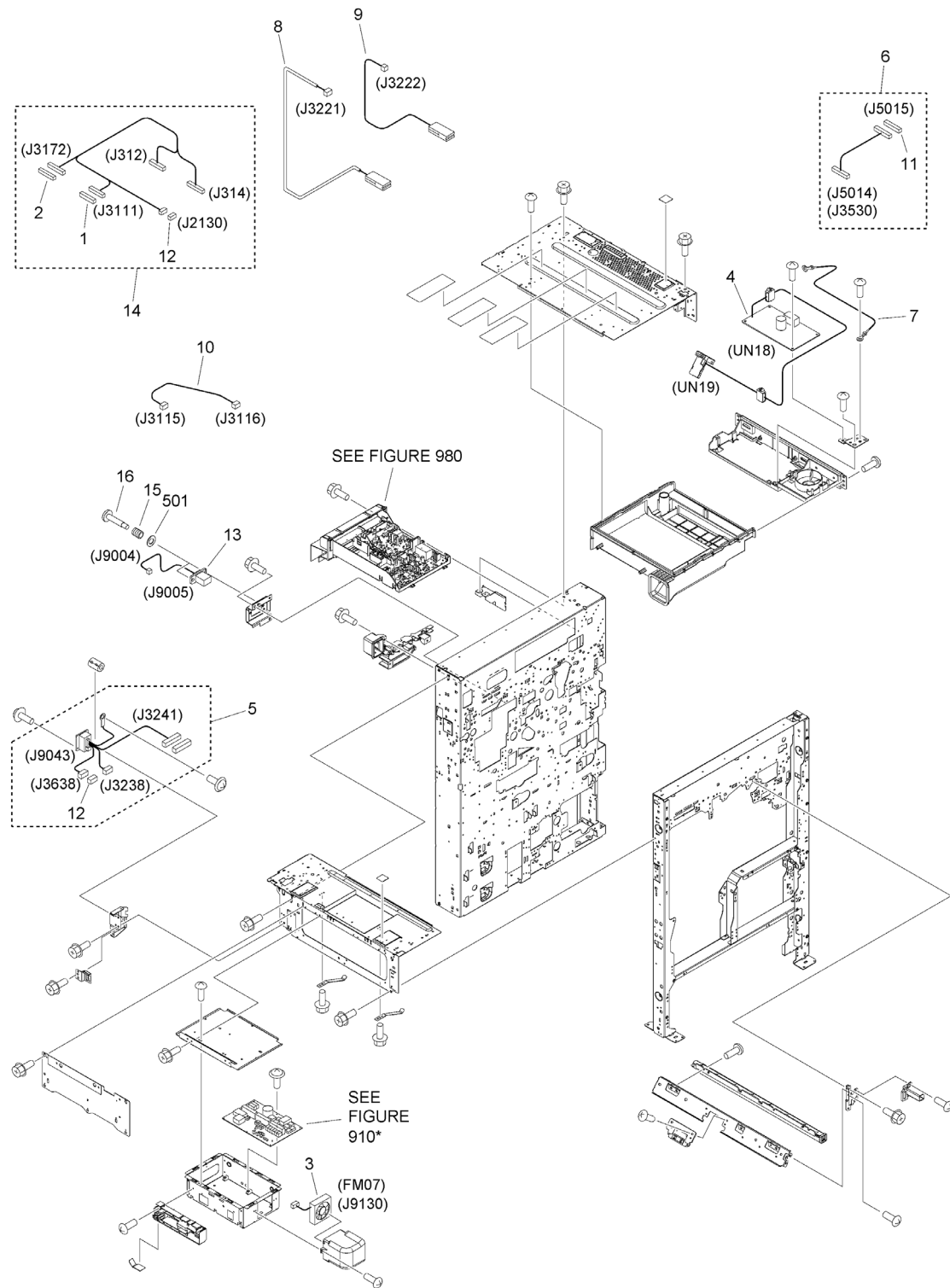




FIGURE & KEY NO.	PART NUMBER	RANK	QTY	DESCRIPTION	SERIAL NUMBER /REMARKS
107D	NPN		RF	INTERNAL COMPONENTS 7	
1	VS1-8412-013		1	CONNECTOR, SNAP TIGHT, BL	
2	VS1-8412-019		1	CONNECTOR, SNAP TIGHT, BL	
3	FK2-7678-000		1	FAN	FM07
4	FM1-H197-010		1	POTENTIAL MEASURING PCB ASS'Y	UN18, UN19
5	FM1-K914-000		1	CABLE, FINISHER CONNECTOR	
6	FM1-K920-000		1	CABLE, POTENTIAL SENSOR	
7	FM3-9128-000		1	CABLE, GROUNDING	
8	FM4-1004-000		1	CABLE, DEVELOPING HIGH VOLTAGE	
9	FM4-1005-000		1	CABLE, SEPARATION HIGH VOLTAGE	
10	FM4-1031-000		1	CABLE, AC DRUM HEATER	
11	VS1-7177-007		1	CONNECTOR, 7P, FEMALE, BK	
12	VS1-7177-004		2	CONNECTOR, SNAP TIGHT, BK	
13	FM4-1032-010		1	CABLE, IH DRAWER	
14	FM3-9126-000		1	CABLE, IH SIGNAL	
15	FS5-2964-000		2	SPRING, COMPRESSION	
16	FS5-9758-020		2	SCREW, STEPPED, M3	
501	XD1-1104-133		2	WASHER,COP	

Figure 108 MACHINE BOTTOM PLATE

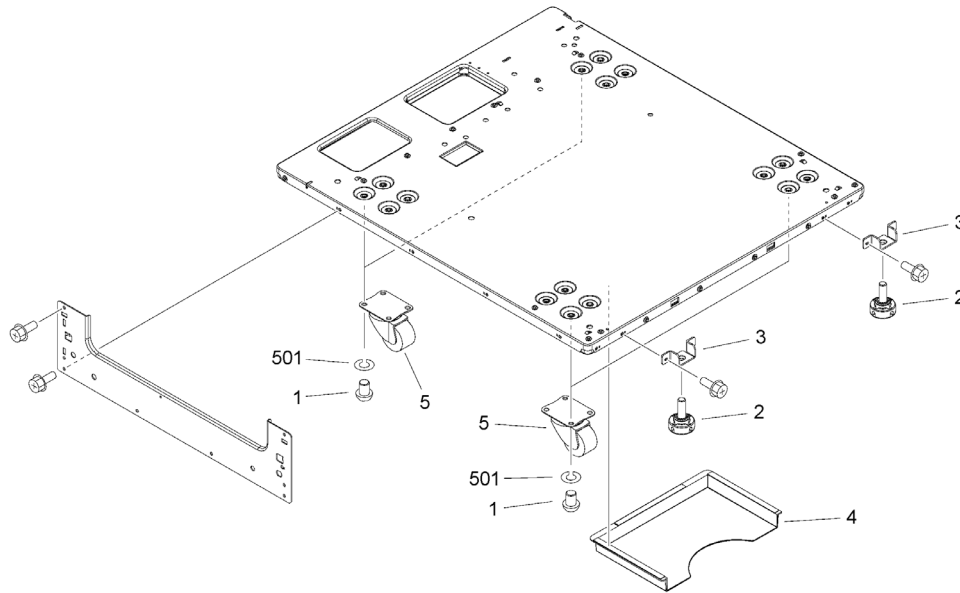


FIGURE & KEY NO.	PART NUMBER	RANK	QTY	DESCRIPTION	SERIAL NUMBER /REMARKS
108	NPN		RF	MACHINE BOTTOM PLATE	
1	FB4-1340-000		16	SCREW,ALLEN HEAD,M8X10	
2	FC8-6639-000		2	ADJUSTER	
3	FC9-5467-000		2	PLATE,ADJUSTING	
4	FE4-3758-000		1	HOLDER, SERVICE BOOK	
5	XZ9-0409-020		4	CASTER	
501	XD1-3100-805		16	WASHER,SPRING	

Figure 109B MACHINE REAR PLATE 1

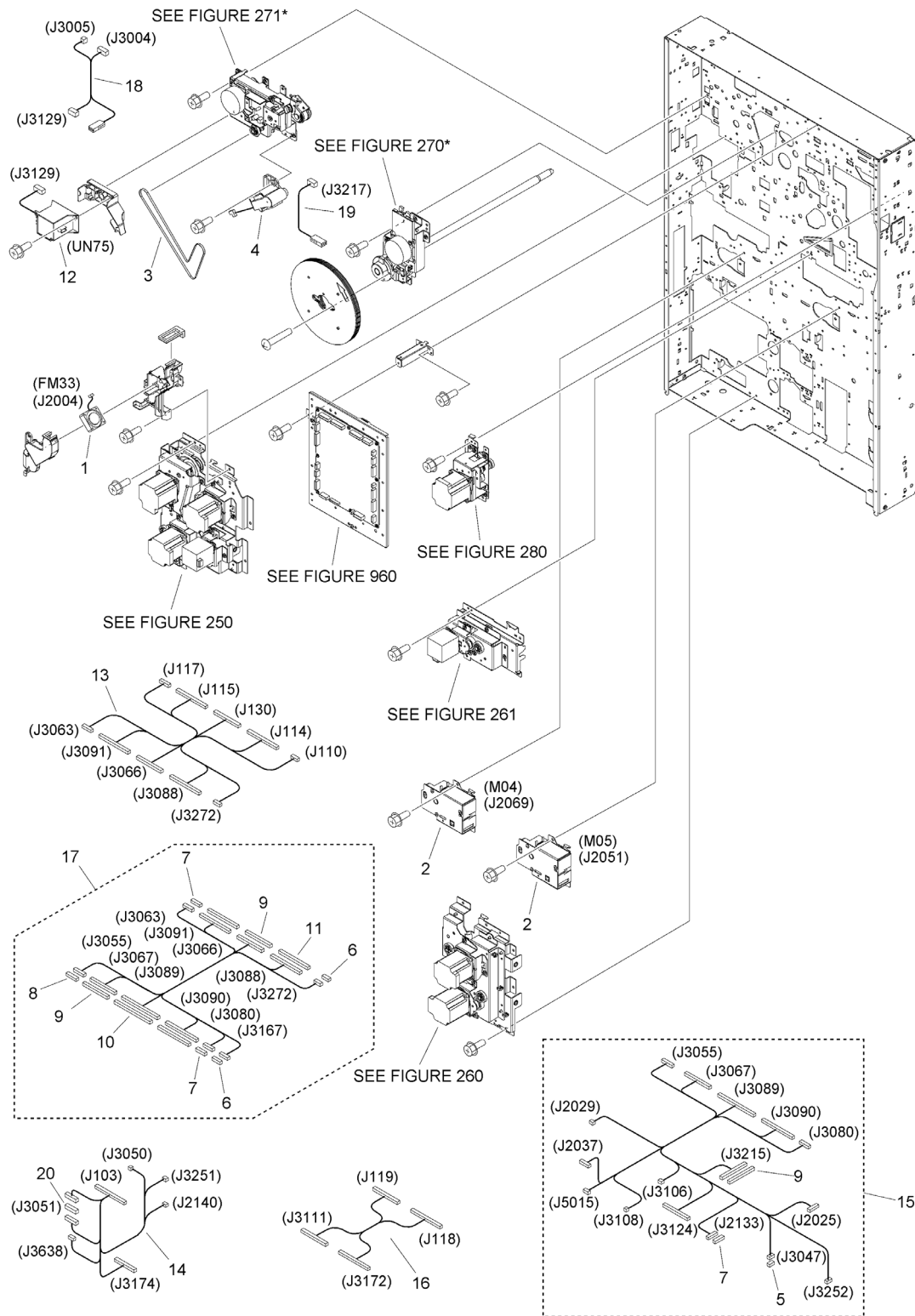


FIGURE & KEY NO.	PART NUMBER	RANK	QTY	DESCRIPTION	SERIAL NUMBER /REMARKS
109B	NPN		RF	MACHINE REAR PLATE 1 DUMMY	
1	FK2-6461-000		1	FAN	FM33
2	FM2-4663-000		2	MOTOR, DC	M4, M5
3	XF2-4128-940		1	BELT, TIMING, CR, 578MM	
4	FM4-0969-000		1	CABLE, PRE-TRANS. CORONA H.V.	
5	VS1-7177-004		1	CONNECTOR, SNAP TIGHT, BK	
6	VS1-7177-005		2	CONNECTOR, SNAP TIGHT, BK	
7	VS1-7177-006		3	CONNECTOR, SNAP TIGHT, BK	
8	VS1-7177-007		1	CONNECTOR, 7P, FEMALE, BK	
9	VS1-8412-017		3	CONNECTOR, SNAP TIGHT, BL	
10	VS1-8412-025		1	CONNECTOR, SNAP TIGHT, BL	
11	VS1-8412-031		1	CONNECTOR, SNAP TIGHT, 31P, BL	
12	FK2-7718-000		1	TRANSFORMER, H.V.	UN75
13	FM4-1015-010		1	CABLE, MAIN DRIVER, REAR UPPER	
14	FM1-K909-000		1	CABLE, MAIN DRIVER RELAY	
15	FM1-K919-010		1	CABLE, MAIN DRIVER, FRONT	
16	FM4-1016-010		1	CABLE, MAIN DRIVER IH	
17	FM4-1023-000		1	CABLE, RELAY, FRONT	
18	FM4-1080-000		1	CABLE, POST CORONA H.V.	
19	FM4-1003-000		1	CABLE, BIAS HIGH VOLTAGE	
20	VS1-7177-009		1	CONNECTOR, SNAP TIGHT, BL	

Figure 110 MACHINE REAR PLATE 2

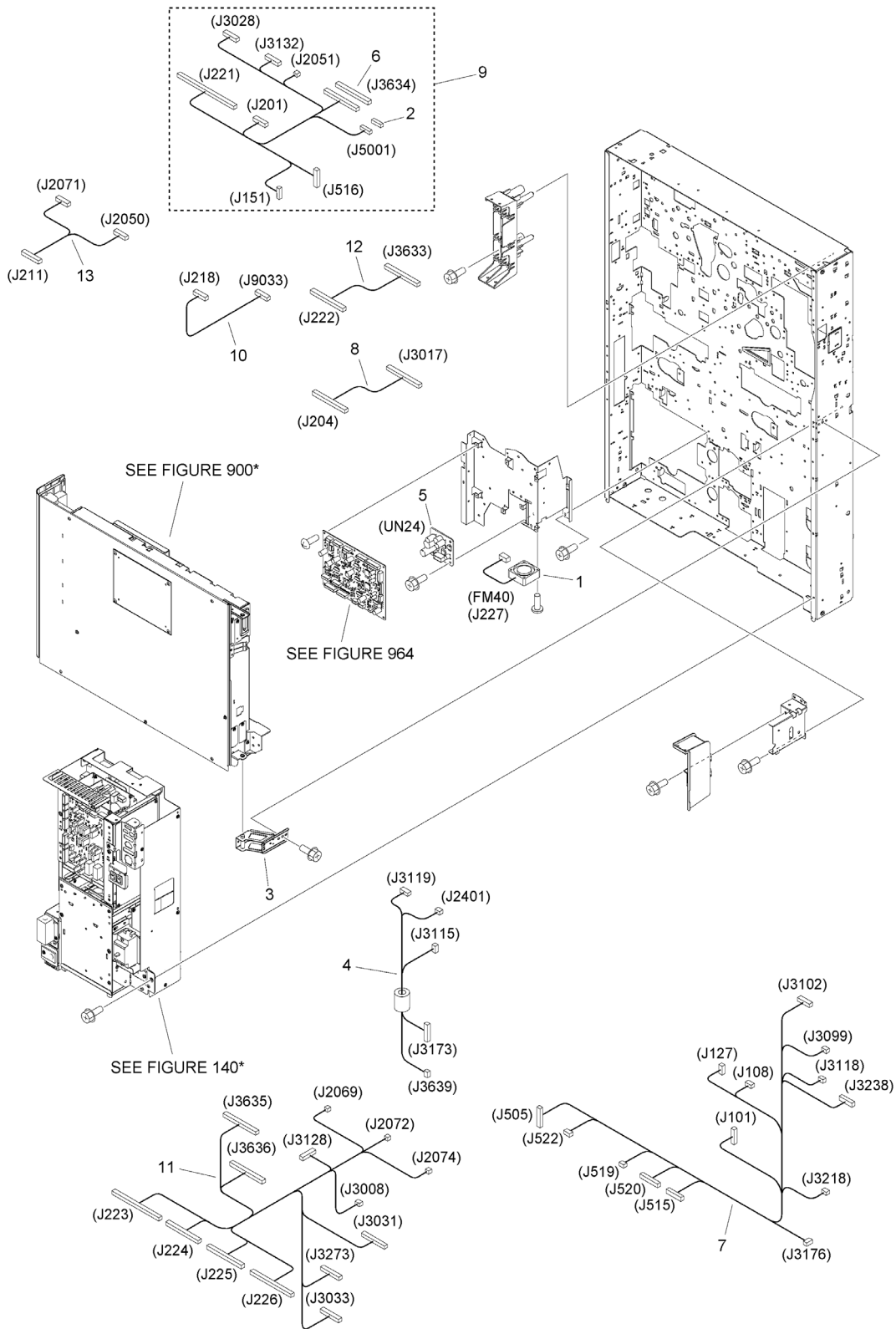


FIGURE & KEY NO.	PART NUMBER	RANK	QTY	DESCRIPTION	SERIAL NUMBER /REMARKS
110	NPN		RF	MACHINE REAR PLATE 2	
1	FK2-6461-000		1	FAN	FM40
2	VS1-8412-007		1	CONNECTOR, SNAP TIGHT, BL	
3	FL3-5780-000		1	HINGE, CONTROLLER BOX, LOWER	
4	FM2-T826-000		1	CABLE, AC MAIN BODY	
5	FM4-1089-000		1	DC-DC CONVERT PCB ASS'Y	UN24
6	VS1-8412-017		1	CONNECTOR, SNAP TIGHT, BL	
7	FM1-M866-010		1	CABLE, SIGNAL	
8	FM1-M872-010		1	CABLE, SERIAL	
9	FM1-K929-000		1	CABLE, DECK, LEFT	
10	FM4-1040-000		1	CABLE, DC	
11	FM4-1034-010		1	CABLE, CASSETTE, 3 , 4	
12	FM4-1035-000		1	CABLE, DECK, RIGHT	
13	FM4-1037-000		1	CABLE, DECK MOTOR	

Figure 111C MACHINE REAR PLATE 3 (6780i)

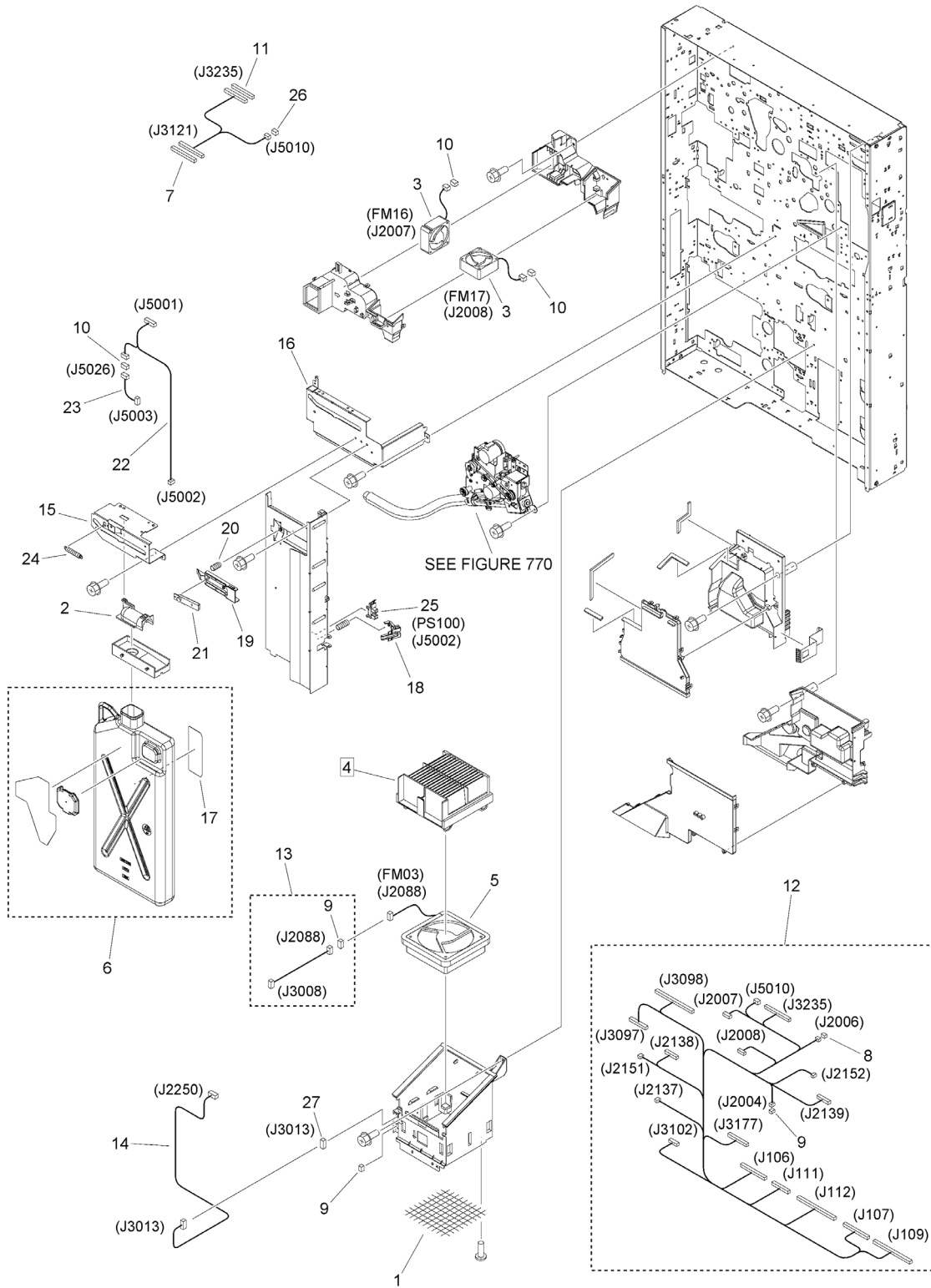




FIGURE & KEY NO.	PART NUMBER	RANK	QTY	DESCRIPTION	SERIAL NUMBER /REMARKS
111C	NPN		RF	MACHINE REAR PLATE 3	IR-ADV DX 6780i
1	FA9-3847-000		1	SHEET, MESH	
2	FC8-7409-010		1	CAP, PIPE	
3	FK2-3100-000		2	FAN	FM16, FM17
4	FL3-2134-000		1	AIR FILTER, EXHAUST	[DP]
5	FL3-3866-000		1	FAN UNIT	FM03
6	FM1-G392-020		1	CONTAINER, WASTE TONER, WT-103	
7	VS1-8412-017		1	CONNECTOR, SNAP TIGHT, BL	
8	VS1-7177-002		1	CONNECTOR, SNAP TIGHT, BK	
9	VS1-7177-003		3	CONNECTOR, SNAP TIGHT, BK	
10	VS1-7177-004		3	CONNECTOR, SNAP TIGHT, BK	
11	VS1-8412-015		1	CONNECTOR, SNAP TIGHT, BL	
12	FM1-K922-010		1	CABLE, MAIN, REAR UPPER	
13	FM4-1079-000		1	CABLE, FAN	
14	FM0-2969-000		1	CABLE, SUB FAN	
15	FC8-7406-010		1	SIDE PLATE, SHIELD PLATE, REAR	
16	FC8-7407-000		1	PLATE, SHIELD, FRONT UPPER	
17	FE4-5881-010		1	LABEL, WASTE TONER	
18	FE4-1267-000		1	FLAG, BOTTLE SENSING	
19	FE4-1270-000		1	CASE, SENSOR	
20	FE4-1271-000		1	SPRING, COMPRESSION	
21	FK2-0591-000		1	SENSOR, TONER	
22	FM1-K930-010		1	CABLE, WASTE TONER RELAY, 2	
23	FM1-K931-000		1	CABLE, WASTE TONER RELAY, 3	
24	FU9-2276-000		1	SPRING, TENSION	
25	WG8-5783-000		1	IC,PHOTO-INTERRUPTER,LG248NL1A	PS100
26	VS1-8412-003		1	CONNECTOR, SNAP TIGHT, BL	
27	VS1-8412-005		1	CONNECTOR, SNAP TIGHT, BL	

Figure 111D MACHINE REAR PLATE 3 (6765i, 6755i)

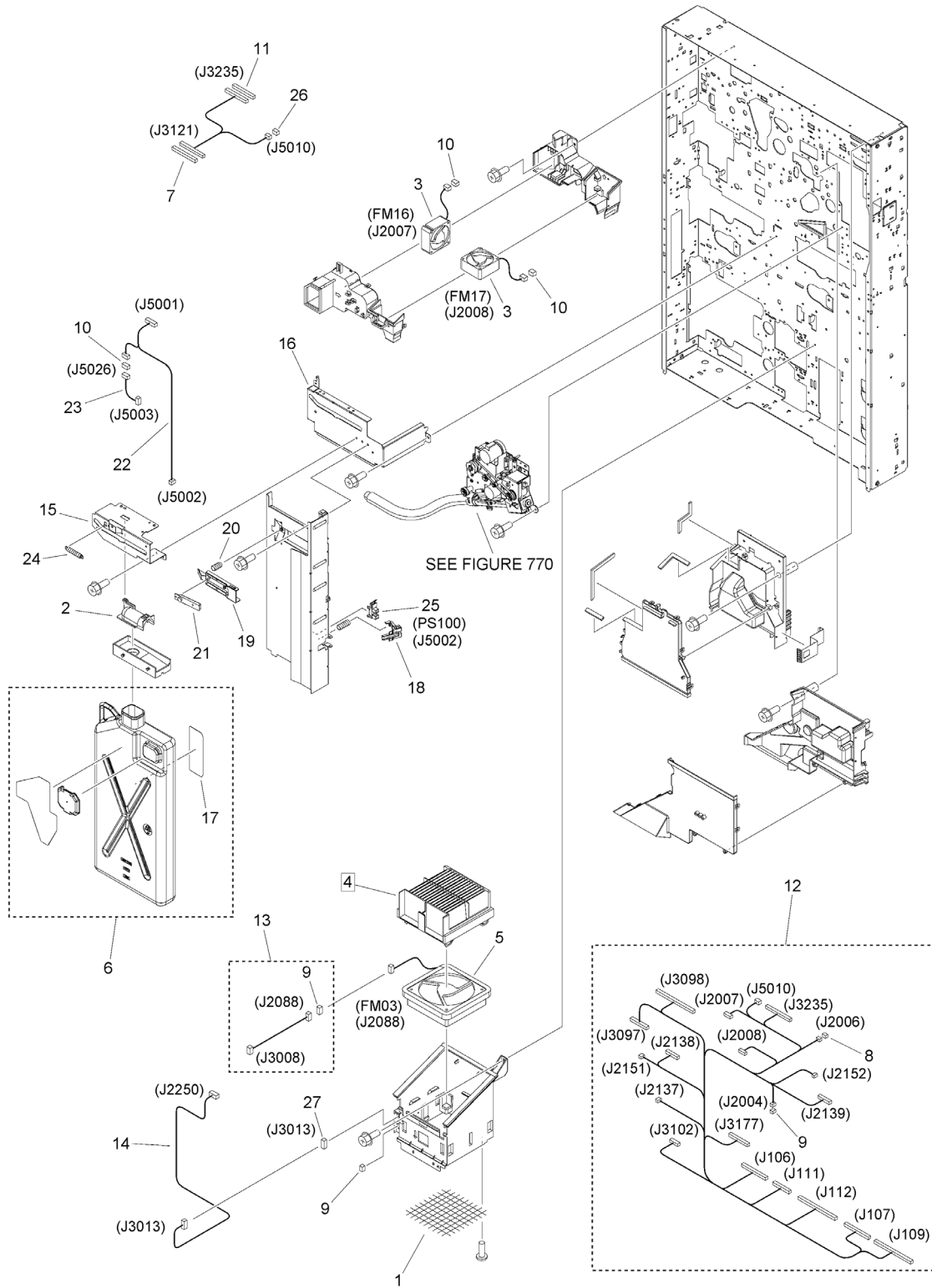
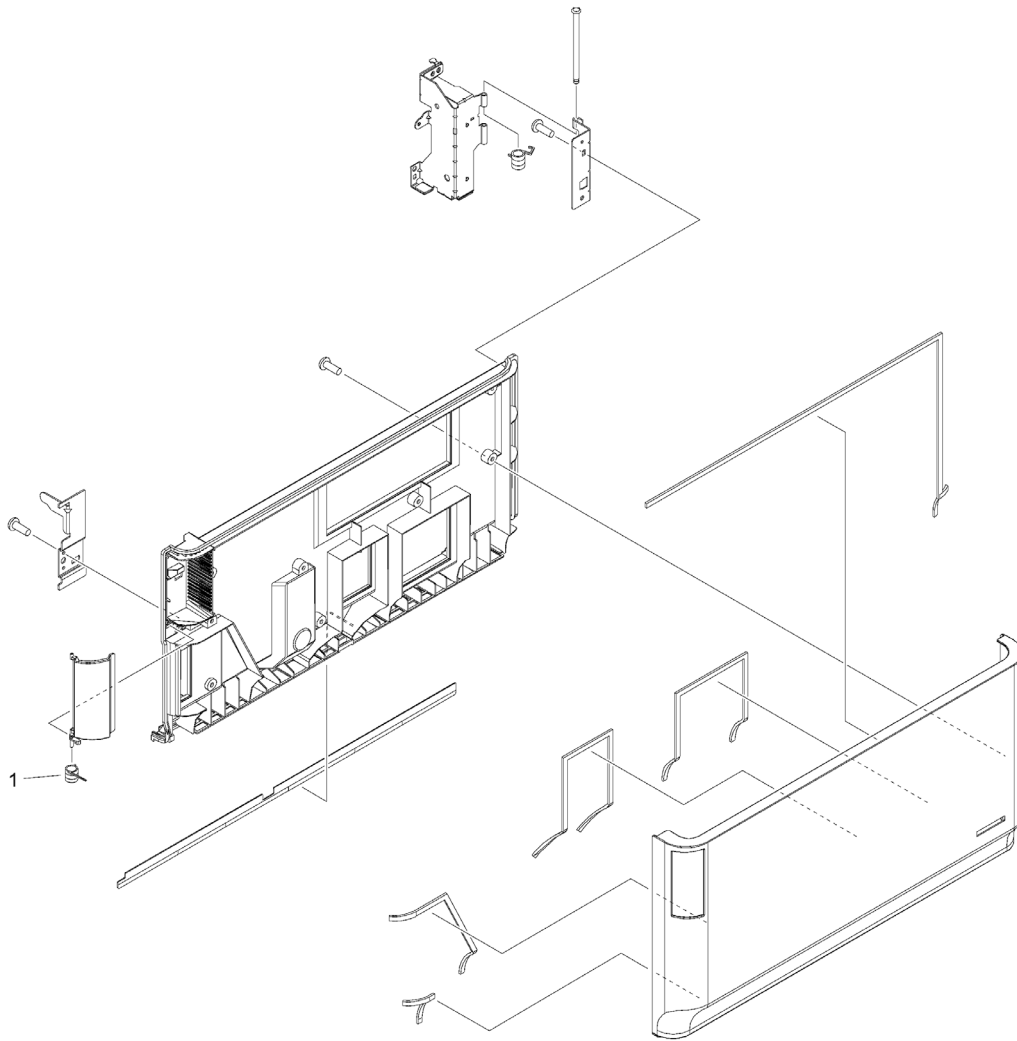


FIGURE & KEY NO.	PART NUMBER	RANK	QTY	DESCRIPTION	SERIAL NUMBER /REMARKS
111D	NPN		RF	MACHINE REAR PLATE 3	IR-ADV DX 6765i, 6755i
1	FA9-3847-000		1	SHEET, MESH	
2	FC8-7409-010		1	CAP, PIPE	
3	FK2-3100-000		2	FAN	FM16, FM17
4	FL3-2134-000		1	AIR FILTER, EXHAUST	[DP]
5	FL3-3866-000		1	FAN UNIT	FM03
6	FM1-G392-020		1	CONTAINER, WASTE TONER, WT-103	
7	VS1-8412-017		1	CONNECTOR, SNAP TIGHT, BL	
8	VS1-7177-002		1	CONNECTOR, SNAP TIGHT, BK	
9	VS1-7177-003		3	CONNECTOR, SNAP TIGHT, BK	
10	VS1-7177-004		3	CONNECTOR, SNAP TIGHT, BK	
11	VS1-8412-015		1	CONNECTOR, SNAP TIGHT, BL	
12	FM1-K922-010		1	CABLE, MAIN, REAR UPPER	
13	FM4-1079-000		1	CABLE, FAN	
14	FM0-2969-000		1	CABLE, SUB FAN	
15	FC8-7406-010		1	SIDE PLATE, SHIELD PLATE, REAR	
16	FC8-7407-000		1	PLATE, SHIELD, FRONT UPPER	
17	FE4-5881-010		1	LABEL, WASTE TONER	
18	FE4-1267-000		1	FLAG, BOTTLE SENSING	
19	FE4-1270-000		1	CASE, SENSOR	
20	FE4-1271-000		1	SPRING, COMPRESSION	
21	FK2-0591-000		1	SENSOR, TONER	
22	FM1-K930-010		1	CABLE, WASTE TONER RELAY, 2	
23	FM1-K931-000		1	CABLE, WASTE TONER RELAY, 3	
24	FU9-2276-000		1	SPRING, TENSION	
25	WG8-5783-000		1	IC,PHOTO-INTERRUPTER,LG248NL1A	PS100
26	VS1-8412-003		1	CONNECTOR, SNAP TIGHT, BL	
27	VS1-8412-005		1	CONNECTOR, SNAP TIGHT, BL	

Figure 112 FRONT COVER ASS'Y, LOWER



<b>FIGURE &amp; KEY NO.</b>	<b>PART NUMBER</b>	<b>R A N K</b>	<b>QTY</b>	<b>DESCRIPTION</b>	<b>SERIAL NUMBER /REMARKS</b>
112	FM1-Z355-000		1	FRONT COVER ASSY, LOWER	
1	FU7-2709-000		1	SPRING, TORSION	

Figure 113 RIGHT DOOR ASSEMBLY

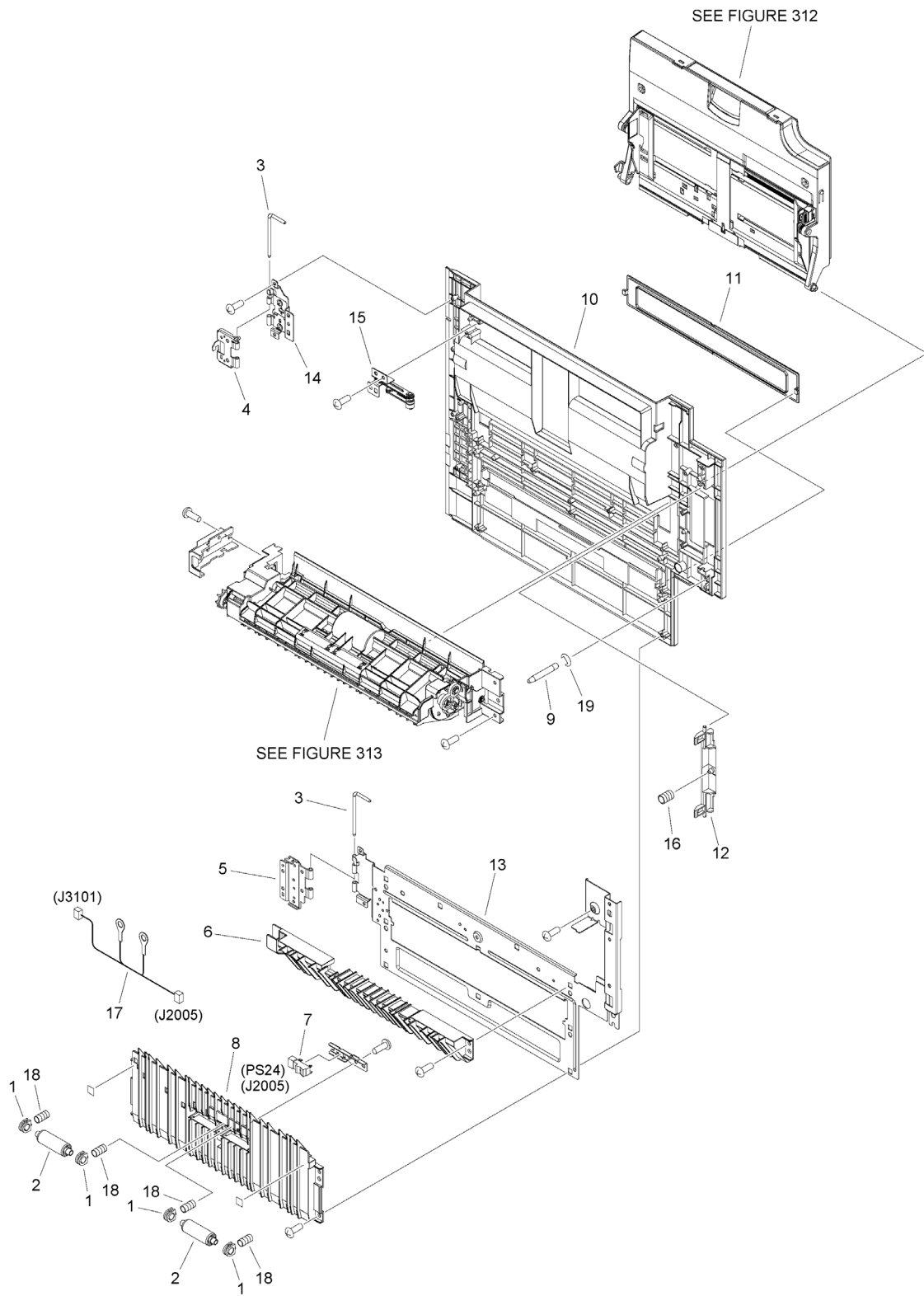
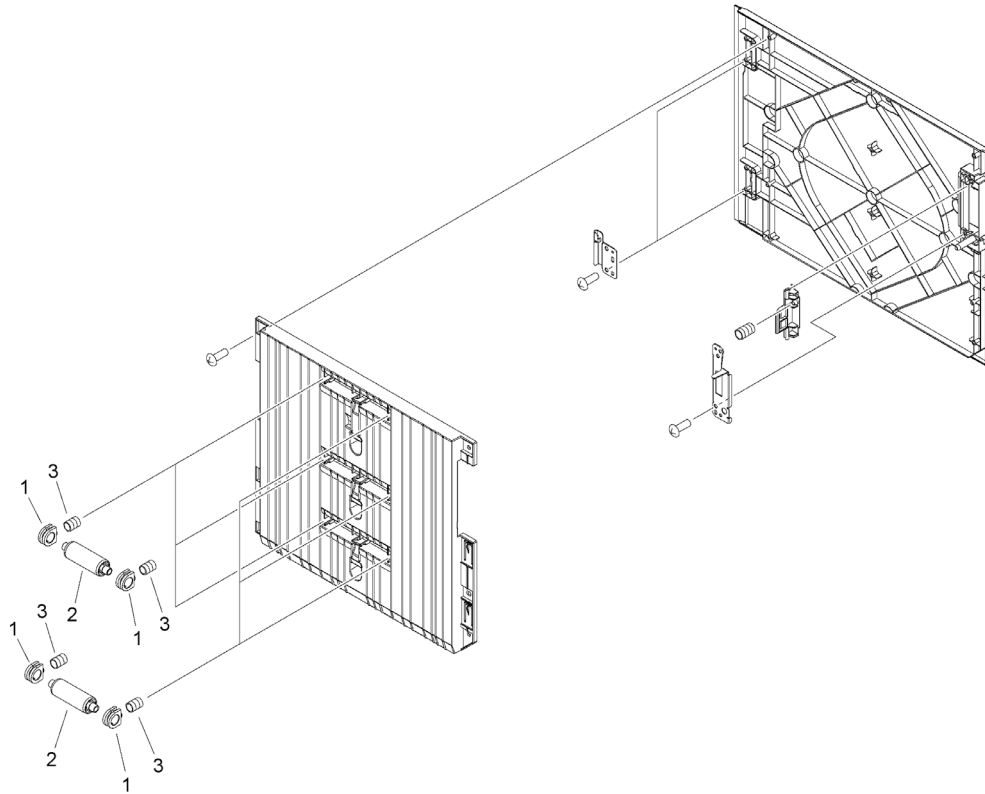


FIGURE & KEY NO.	PART NUMBER	RANK	QTY	DESCRIPTION	SERIAL NUMBER /REMARKS
113	NPN		RF	RIGHT DOOR ASSEMBLY	
1	FC7-7209-000		4	BUSHING, VERTICAL ROLLER	
2	FC8-3782-000		2	ROLLER, PAPER FEED	
3	FC8-9488-000		2	SHAFT, HINGE	
4	FC8-9492-000		1	HINGE, UPPER	
5	FC8-9679-000		1	HINGE, RIGHT DOOR, LOWER	
6	FE4-5419-000		1	GUIDE, UPPER	
7	FK2-6470-000		1	PHOTO-SENSOR, KUA0055C	PS24
8	FL0-6141-000		1	GUIDE, RIGHT DOOR, LOWER	
9	FC9-8806-000		1	PIN, DOOR, RIGHT	
10	FE4-5173-000		1	COVER, RIGHT	
11	FE4-5174-000		1	COVER, BLANKING	
12	FE4-5208-000		1	LEVER, DOOR, RIGHT	
13	FL3-5779-000		1	PLATE, REINFORCEMENT	
14	FM1-B154-000		1	HINGE, DOOR, RIGHT	
15	FM1-H395-000		1	LINK UNIT	
16	FU7-2696-000		1	SPRING, COMPRESSION	
17	FM4-1001-000		1	CABLE, SENSOR	
18	FU8-2317-000		4	SPRING, COMPRESSION	
19	XD9-0396-000		1	RING, E	

Figure 114 VERTICAL PATH ASSEMBLY





<b>FIGURE &amp; KEY NO.</b>	<b>PART NUMBER</b>	<b>R A N K</b>	<b>QTY</b>	<b>DESCRIPTION</b>	<b>SERIAL NUMBER /REMARKS</b>
114	FM1-H382-000		1	VERTICAL PATH ASSEMBLY	
1	FC7-7209-000		12	BUSHING, VERTICAL ROLLER	
2	FC8-3782-000		6	ROLLER, PAPER FEED	
3	FS7-2788-000		12	SPRING, COMPRESSION	

Figure 130 FLAT CONTROL PANEL ASSEMBLY

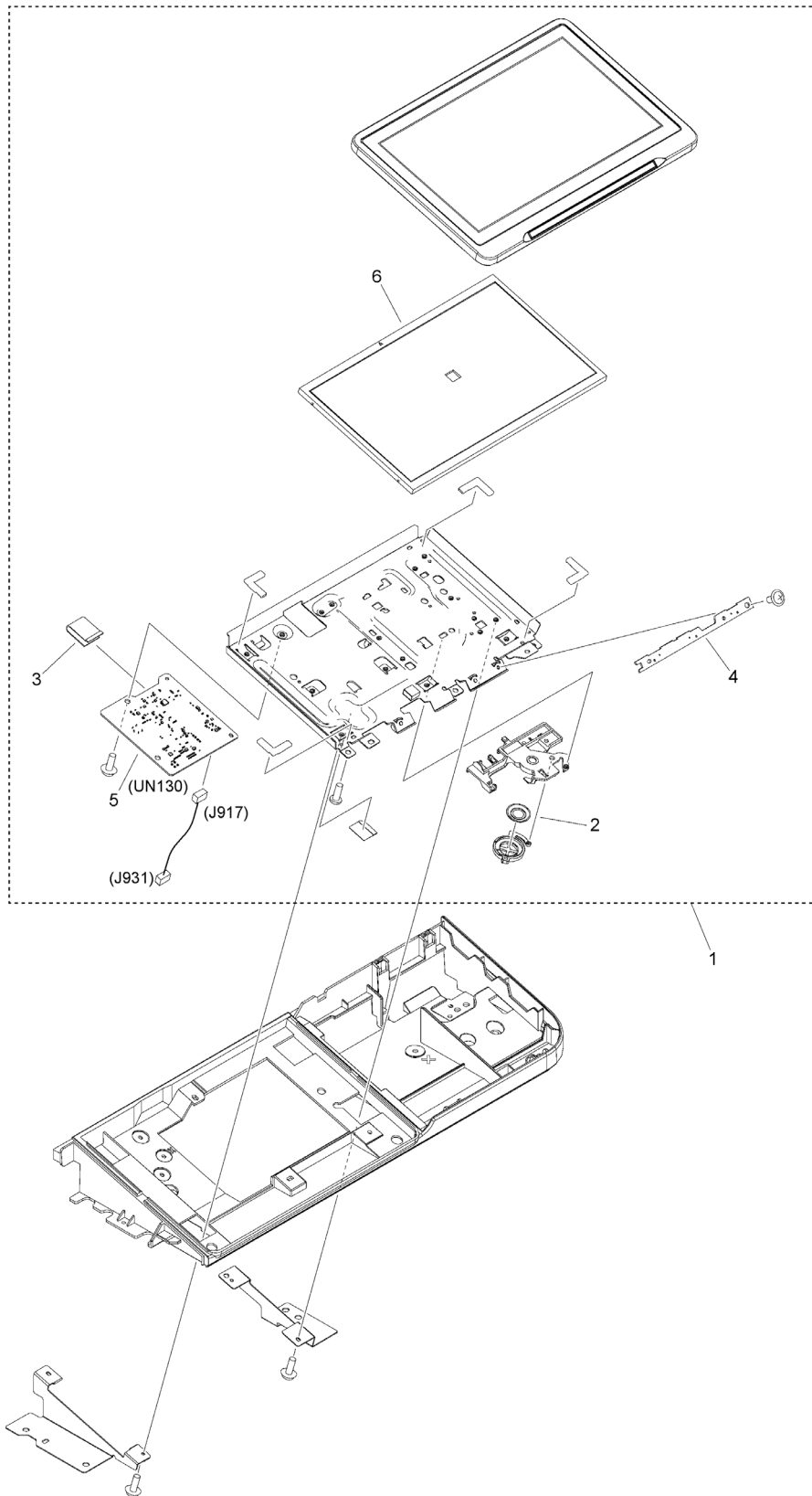


FIGURE & KEY NO.	PART NUMBER	RANK	QTY	DESCRIPTION	SERIAL NUMBER /REMARKS
130	NPN		RF	CONTROL PANEL ASSEMBLY	
1	FM1-X153-000		1	CONTROL PANEL ASSEMBLY	
2	FK4-2377-000		1	SPEAKER	
3	FK4-4895-000		1	CABLE, FLAT	
4	FM2-A912-000		1	CONTROL PANEL LED PCB ASSEMBLY	
5	FM2-K897-000		1	CONTROL PANEL MAIN PCB ASS'Y	UN130
6	FK4-2375-000		1	LCD UNIT	

Figure 132 CONTROL LEFT COVER ASS'Y

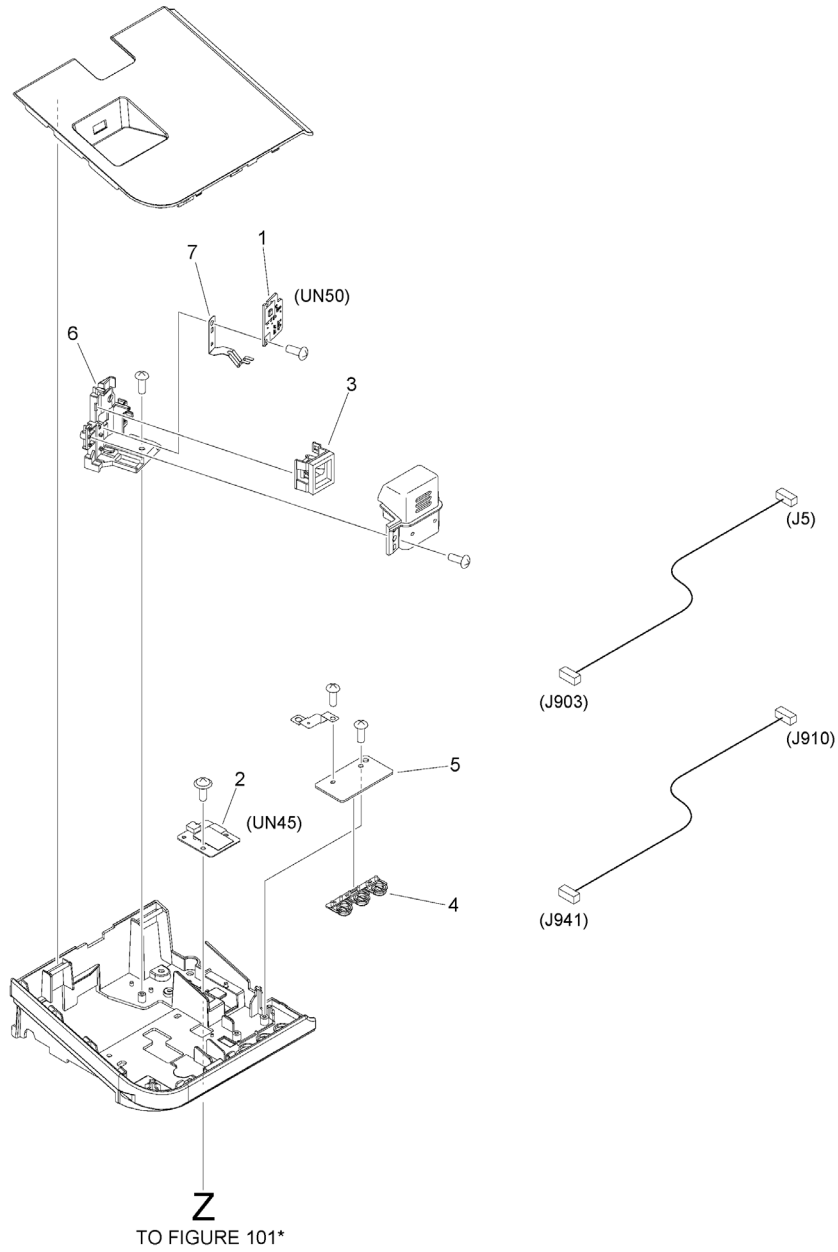


FIGURE & KEY NO.	PART NUMBER	RANK	QTY	DESCRIPTION	SERIAL NUMBER /REMARKS
132	NPN		RF	CONTROL LEFT COVER ASS'Y	
1	FM1-W896-000		1	INTERFACE SENSOR PCB ASSEMBLY	UN50
2	FM1-N784-000		1	WIRELESS NETWORK PCB ASSEMBLY	UN45
3	FL1-5184-000		1	APERTURE, SENSOR	
4	FE2-E393-000		1	KEY TOP, SWITCH	
5	FM2-M874-000		1	SWITCH PCB ASSEMBLY	
6	FE2-A468-000		1	MOTION SENSOR HOLDER	
7	FE2-A471-000		1	SPRING, GROUNDING	

Figure 140G (1/2) POWER SUPPLY ASSEMBLY (120V)

NOTE : This assembly includes the assemblies shown in Figure 961.

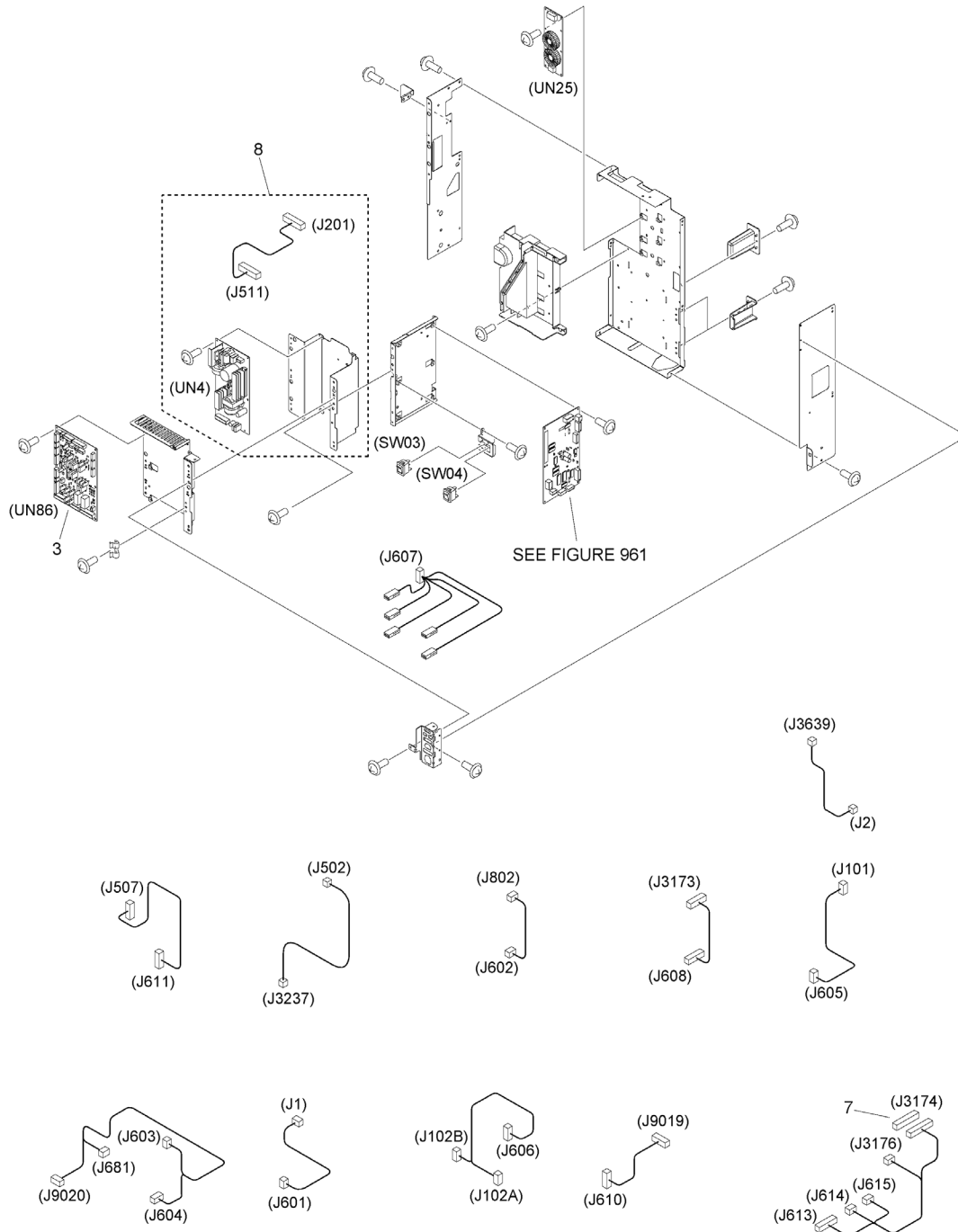


Figure 140G (2/2) POWER SUPPLY ASSEMBLY (120V)

NOTE : This assembly includes the assemblies shown in Figure 961.

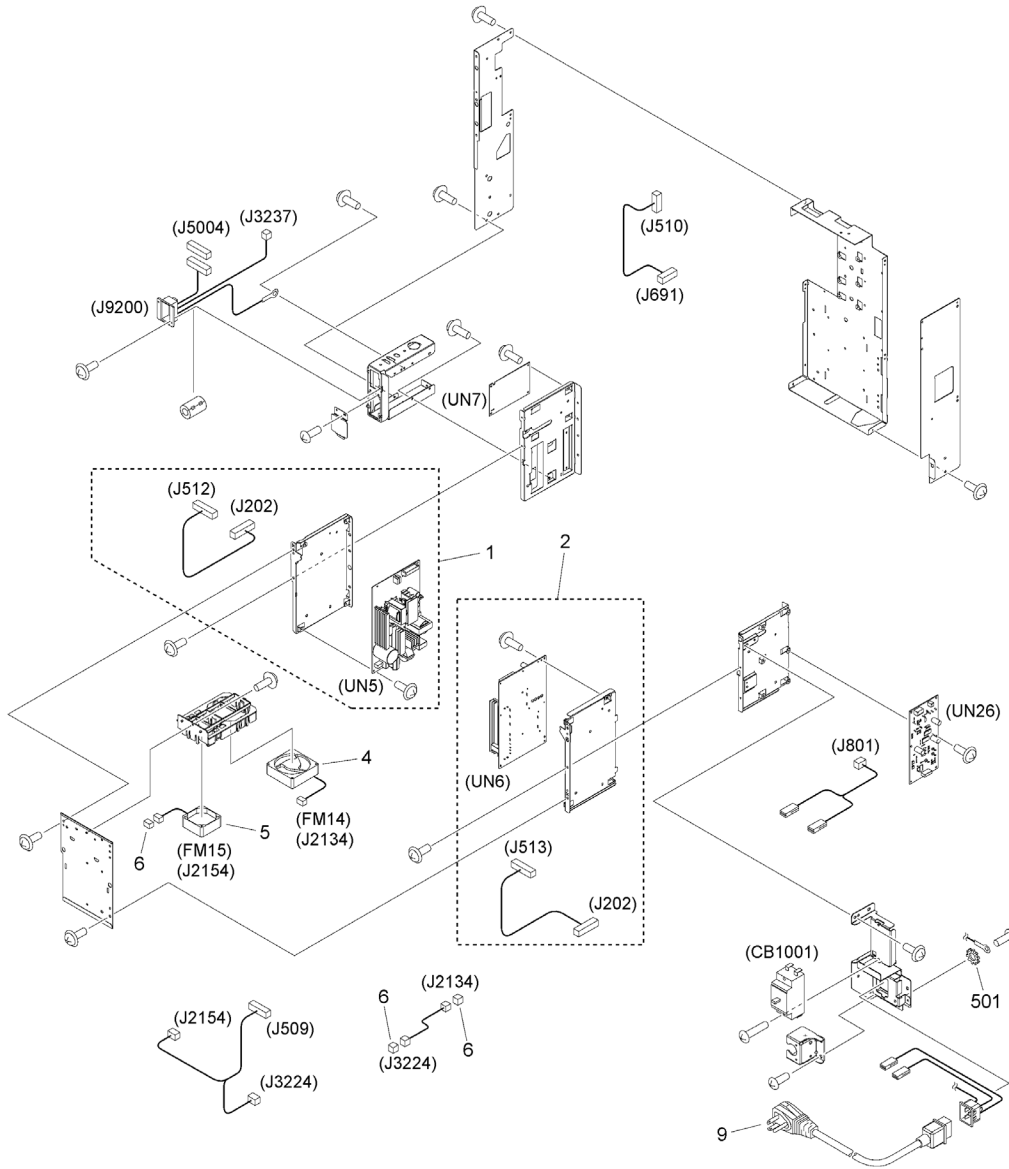


FIGURE & KEY NO.	PART NUMBER	RANK	QTY	DESCRIPTION	SERIAL NUMBER /REMARKS
140G	FM1-X524-000		1	POWER SUPPLY ASSEMBLY	120V SEE NOTE
1	FM0-4152-010		1	24V POWER SUPPLY ASS'Y, LEFT	UN5
2	FM0-4153-010		1	24V POWER SUPPLY ASS'Y, RIGHT	UN6
3	FM2-Q877-000		1	RELAY PCB ASSEMBLY	UN86
4	FK2-0360-000		1	FAN	FM14
5	FK2-2064-000		1	FAN	FM15
6	VS1-7177-003		3	CONNECTOR, SNAP TIGHT, BK	
7	VS1-8412-013		1	CONNECTOR, SNAP TIGHT, BL	
8	FM1-K068-010		1	12V POWER SUPPLY PCB ASS'Y	UN4
9	FK3-2053-000		1	CORD, POWER SUPPLY, 120V	
501	XD1-4200-502		1	LOCK WASHER (SUS)	



Figure 140M (1/2) POWER SUPPLY ASSEMBLY (230V)

NOTE1 : This assembly does not include the part shown with key No. 10. NOTE2 : This assembly includes the assemblies shown in Figure 961.

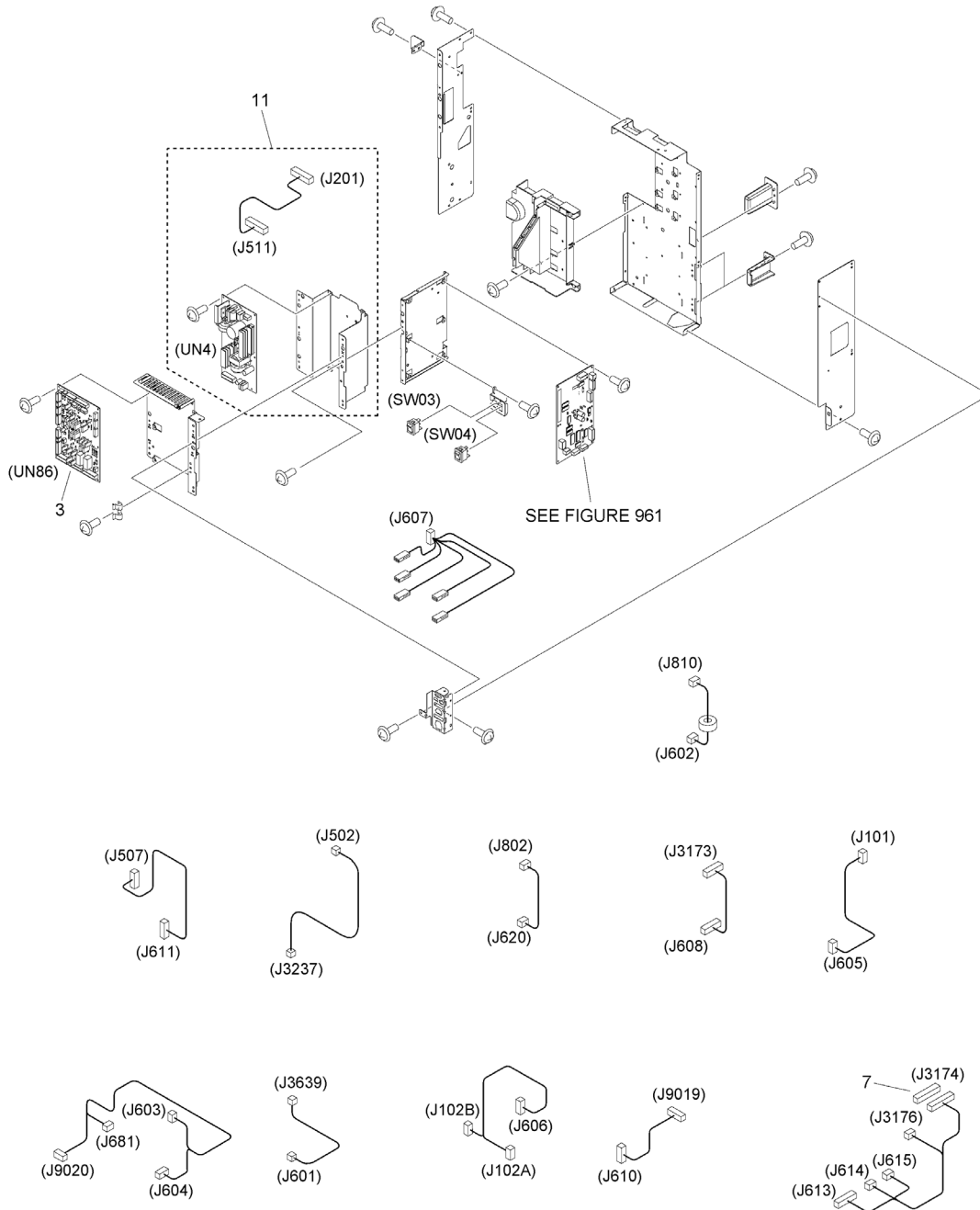


Figure 140M (2/2) POWER SUPPLY ASSEMBLY (230V)

NOTE1 : This assembly does not include the part shown with key No. 10. NOTE2 : This assembly includes the assemblies shown in Figure 961.

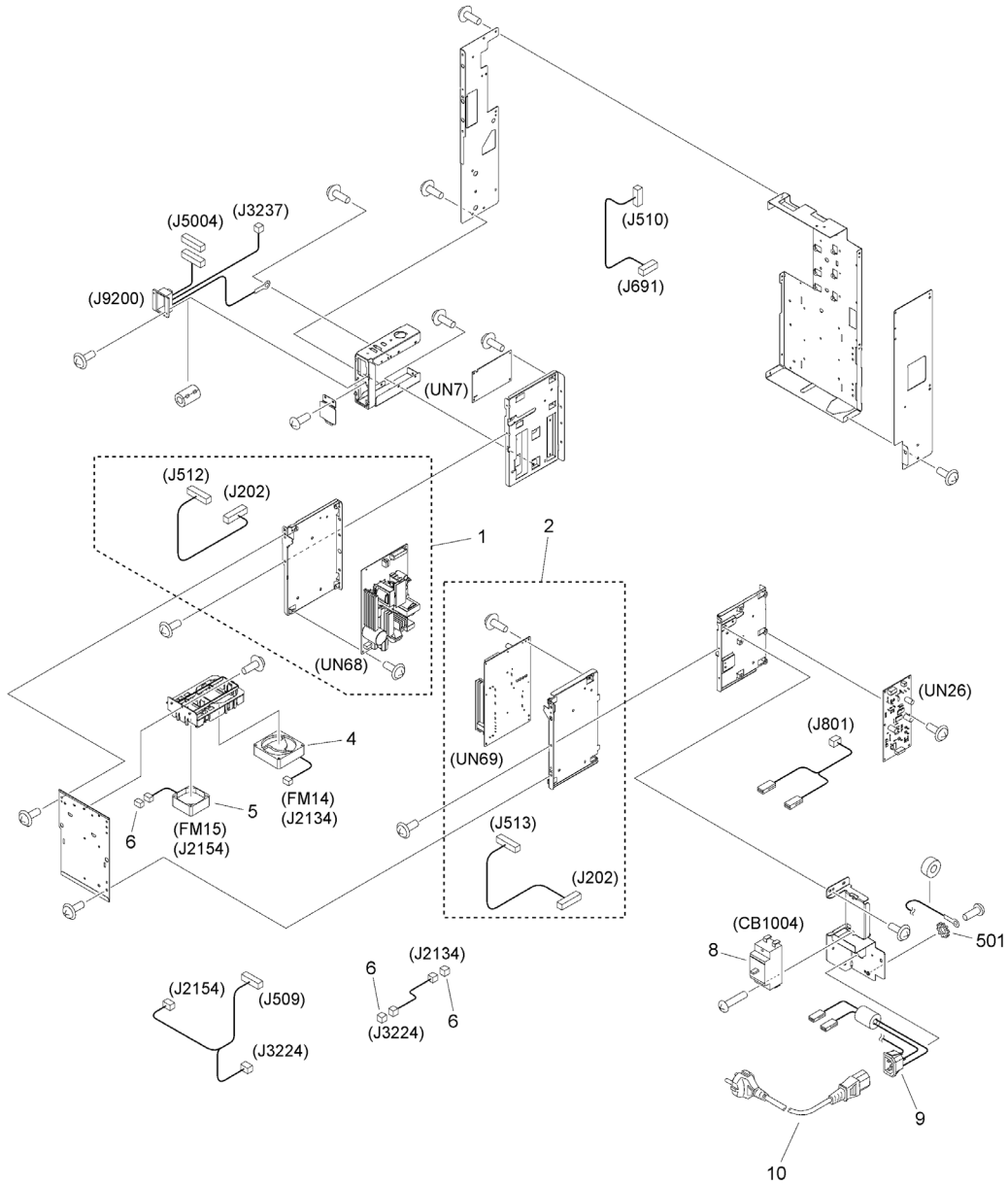


FIGURE & KEY NO.	PART NUMBER	RANK	QTY	DESCRIPTION	SERIAL NUMBER /REMARKS
140M	FM1-X528-000		1	POWER SUPPLY ASSEMBLY	230V SEE NOTE 2
1	FM0-4152-010		1	24V POWER SUPPLY ASS'Y, LEFT	UN68
2	FM0-4153-010		1	24V POWER SUPPLY ASS'Y, RIGHT	UN69
3	FM2-Q877-000		1	RELAY PCB ASSEMBLY	UN86
4	FK2-0360-000		1	FAN	FM14
5	FK2-2064-000		1	FAN	FM15
6	VS1-7177-003		3	CONNECTOR, SNAP TIGHT, BK	
7	VS1-8412-013		1	CONNECTOR, SNAP TIGHT, BL	
8	FH7-7625-030		1	BREAKER, ELECTRIC LEAKAGE	
9	FM2-M817-010		1	CABLE, INLET	
10	FK4-1390-000		1	CORD, POWER	SEE NOTE 1
11	FM1-K068-010		1	12V POWER SUPPLY PCB ASS'Y	UN4
501	XD1-4200-502		1	LOCK WASHER (SUS)	

Figure 250 MAIN DRIVE ASS'Y

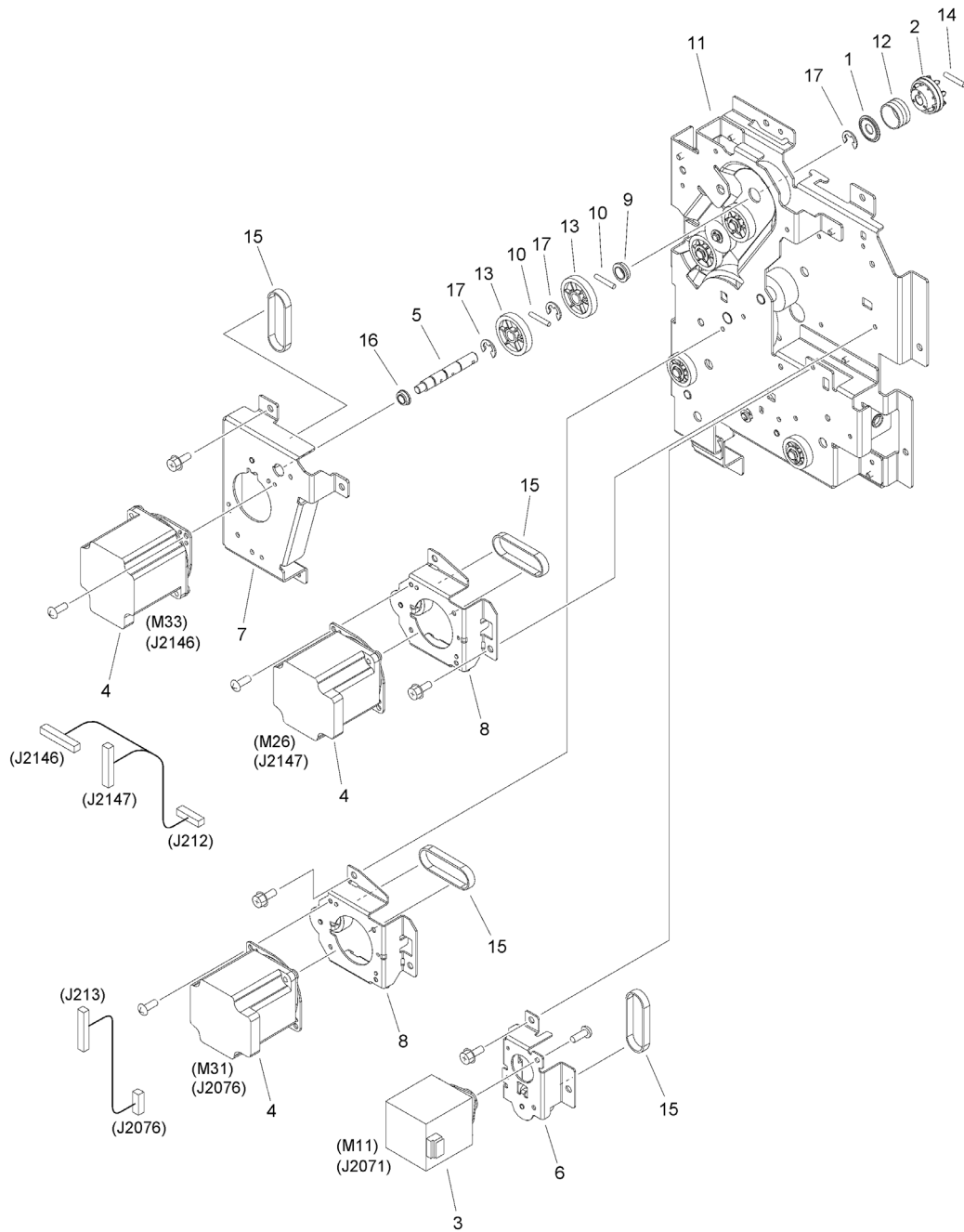


FIGURE & KEY NO.	PART NUMBER	RANK	QTY	DESCRIPTION	SERIAL NUMBER /REMARKS
250	NPN		RF	MAIN DRIVE ASS'Y	
1	FC9-5263-000		1	HOLDER, SPRING	
2	FC9-9156-000		1	COUPLING	
3	FK2-7674-010		1	MOTOR, STEPPING, DC	M11
4	FM2-M967-000		3	MOTOR, STEPPING, DC	M26, M31, M33
5	FC8-9366-000		1	SHAFT, DRIVE	
6	FL3-0247-000		1	COVER, DRIVE ASS'Y	
7	FL3-0248-000		1	COVER, MULTI PRE-REG. DRIVE	
8	FL3-0255-000		2	COVER, DRIVE ASS'Y	
9	XG9-0709-000		1	BEARING, BALL, MF128ZZ-3	
10	XD9-0290-000		2	PIN, PARALLEL	
11	FM4-5154-000		1	MAIN DRIVE UNIT	
12	FS5-2925-000		1	SPRING, TORSION	
13	FU8-0334-000		2	GEAR, 36T	
14	XD9-0300-000		1	PIN, PARALLEL	
15	XF2-1606-260		4	BELT, TIMING, COGGED	
16	XG9-0778-000		1	BEARING, BALL, MF106ZZ-1	
17	XD9-0396-000		3	RING, E	

Figure 260 PAPER PICK-UP DRIVE ASSEMBLY

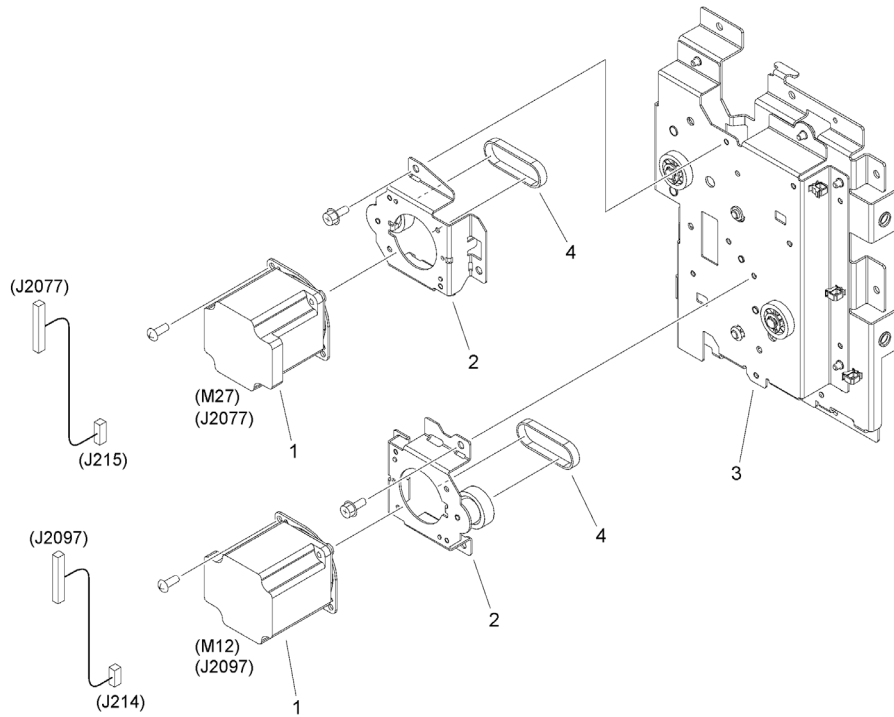


FIGURE & KEY NO.	PART NUMBER	RANK	QTY	DESCRIPTION	SERIAL NUMBER /REMARKS
260	FM1-X513-000		1	PAPER PICK-UP DRIVE ASSEMBLY	
1	FM2-M967-000		2	MOTOR, STEPPING, DC	M12, M27
2	FL3-0255-000		2	COVER, DRIVE ASS'Y	
3	FM4-5155-010		1	V.PATH/CST.PICK-UP DRIVE UNIT	
4	XF2-1606-260		2	BELT, TIMING, COGGED	

Figure 261 LEFT DECK PICK-UP DRIVE ASS'Y

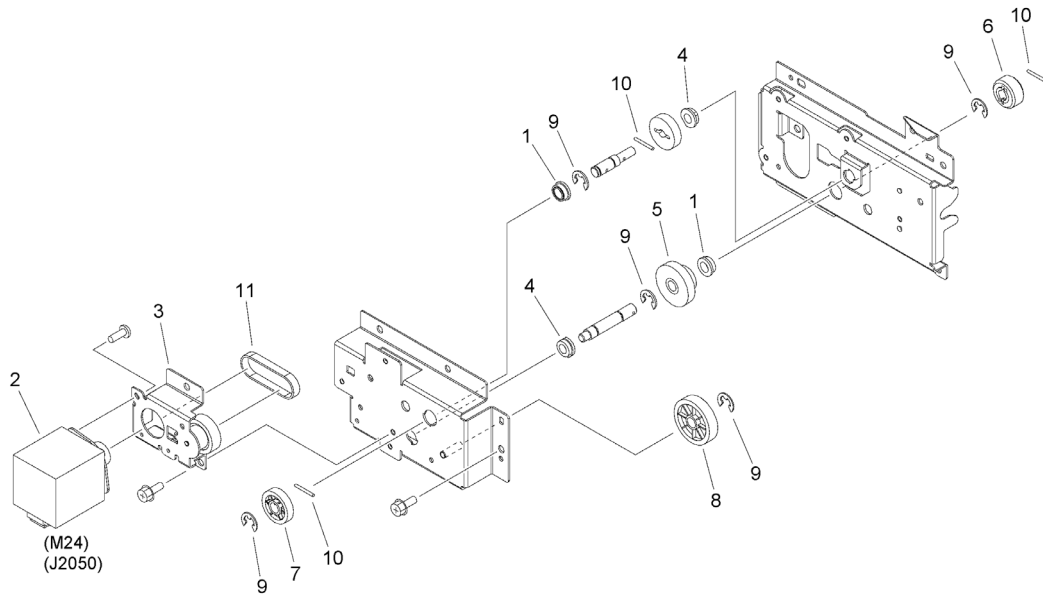
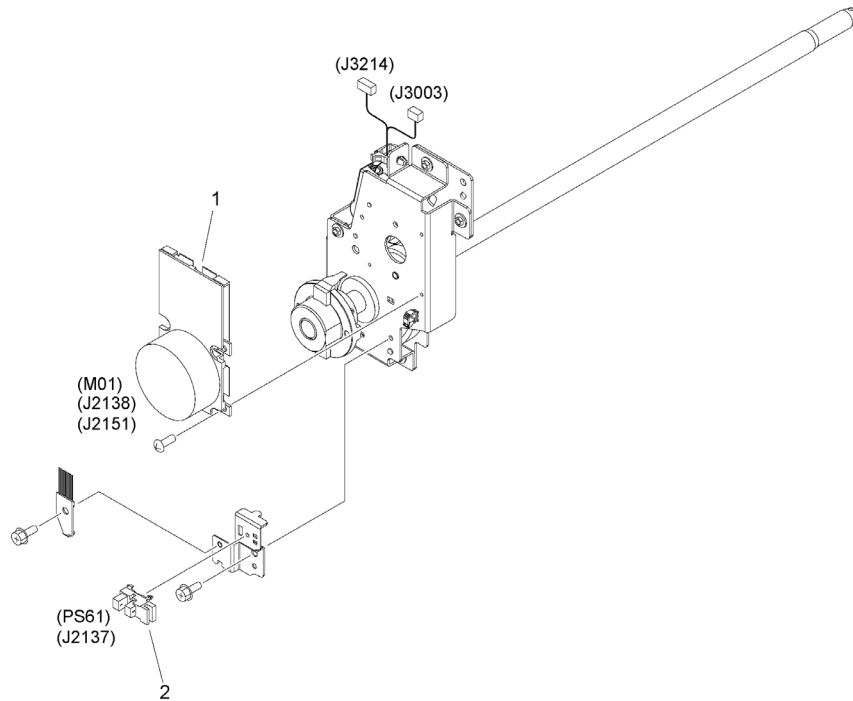




FIGURE & KEY NO.	PART NUMBER	RANK	QTY	DESCRIPTION	SERIAL NUMBER /REMARKS
261	FM4-0947-010		1	LEFT DECK PICK-UP DRIVE ASS'Y	
1	XG9-0737-000		2	BUSHING	
2	FK2-7674-010		1	MOTOR, STEPPING, DC	M24
3	FL3-0247-000		1	COVER, DRIVE ASS'Y	
4	FS1-1508-000		2	BUSHING	
5	FU5-0204-000		1	GEAR, 30T	
6	FU5-0266-000		1	GEAR, 20T	
7	FU8-0335-000		1	GEAR, 28T	
8	FU8-0908-000		1	GEAR, 33T	
9	XD9-0396-000		5	RING, E	
10	XD9-0290-000		3	PIN, PARALLEL	
11	XF2-1606-260		1	BELT, TIMING, COGGED	

Figure 270B DRUM DRIVE ASS'Y



<b>FIGURE &amp; KEY NO.</b>	<b>PART NUMBER</b>	<b>R A N K</b>	<b>QTY</b>	<b>DESCRIPTION</b>	<b>SERIAL NUMBER /REMARKS</b>
270B	FM4-0904-010		1	DRUM DRIVE ASS'Y	
1	FK2-7671-000		1	MOTOR, DC	M01
2	WG8-5848-000		1	IC, PHOTO-INTERRUPTER	PS61

Figure 271B DEVELOPING DRIVE ASS'Y

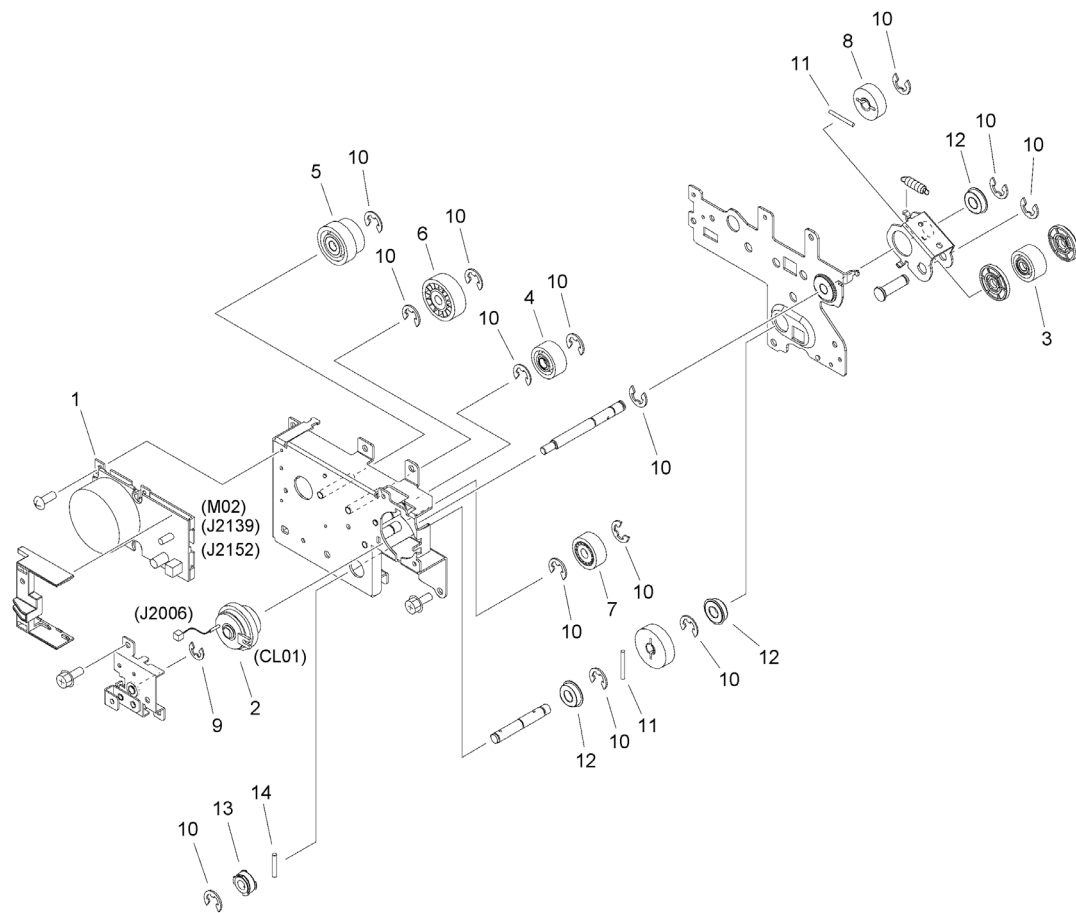


FIGURE & KEY NO.	PART NUMBER	RANK	QTY	DESCRIPTION	SERIAL NUMBER /REMARKS
271B	FM1-Y132-000		1	DEVELOPING DRIVE ASS'Y	
1	FK2-7667-000		1	MOTOR, DC	M02
2	FK4-6585-000		1	CLUTCH, ELECTROMAGNETIC	CL01
3	FL3-2169-000		1	GEAR, 29T	
4	FL3-3869-000		1	GEAR, 30T	
5	FL3-4560-000		1	GEAR, 50T/32T	
6	FL3-4575-000		1	GEAR, 40T	
7	FU6-0562-000		1	GEAR, 30T	
8	FU6-0603-000		1	GEAR, 30T	
9	XD9-0395-000		1	RING, E	
10	XD9-0396-000		15	RING, E	
11	XD9-0292-000		2	PIN, PARALLEL	
12	XG9-0794-000		3	BEARING, BALL, LNR-1680KKR	
13	FU9-0157-000		1	PULLEY, 28T	
14	XD9-0289-000		1	PIN, PARALLEL	

Figure 280 DELIVERY REVERSE DRIVE ASS'Y

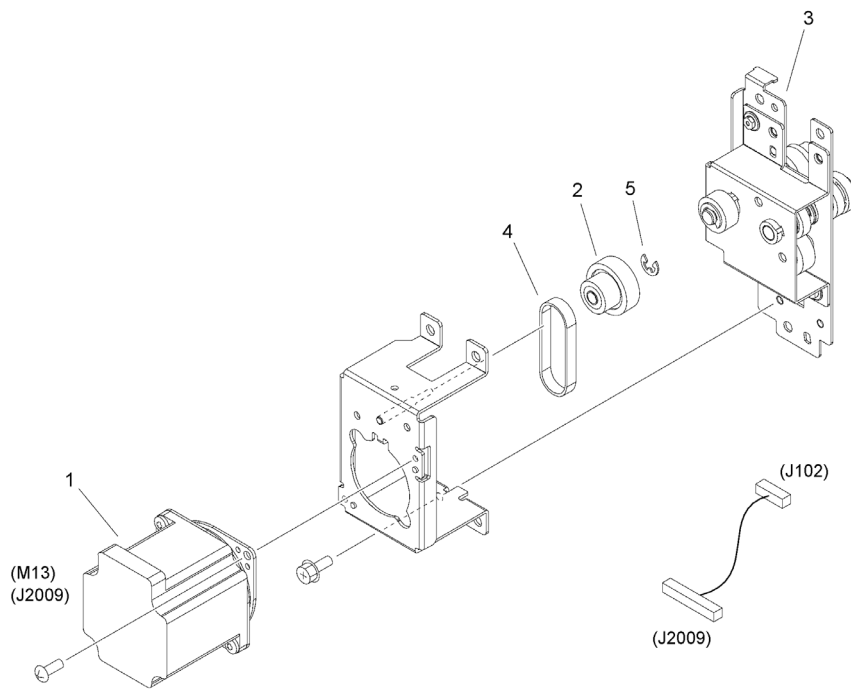


FIGURE & KEY NO.	PART NUMBER	RANK	QTY	DESCRIPTION	SERIAL NUMBER /REMARKS
280	NPN		RF	DELIVERY REVERSE DRIVE ASS'Y	
1	FM2-M967-000		1	MOTOR, STEPPING, DC	M13
2	FL3-2819-000		1	GEAR, 30T/PULLEY, 28T	
3	FM4-5138-010		1	DELIVERY REVERSE DRIVE UNIT	
4	XF2-1606-260		1	BELT, TIMING, COGGED	
5	XD9-0394-000		1	RING, E	

Figure 300 CASSETTE ASSEMBLY

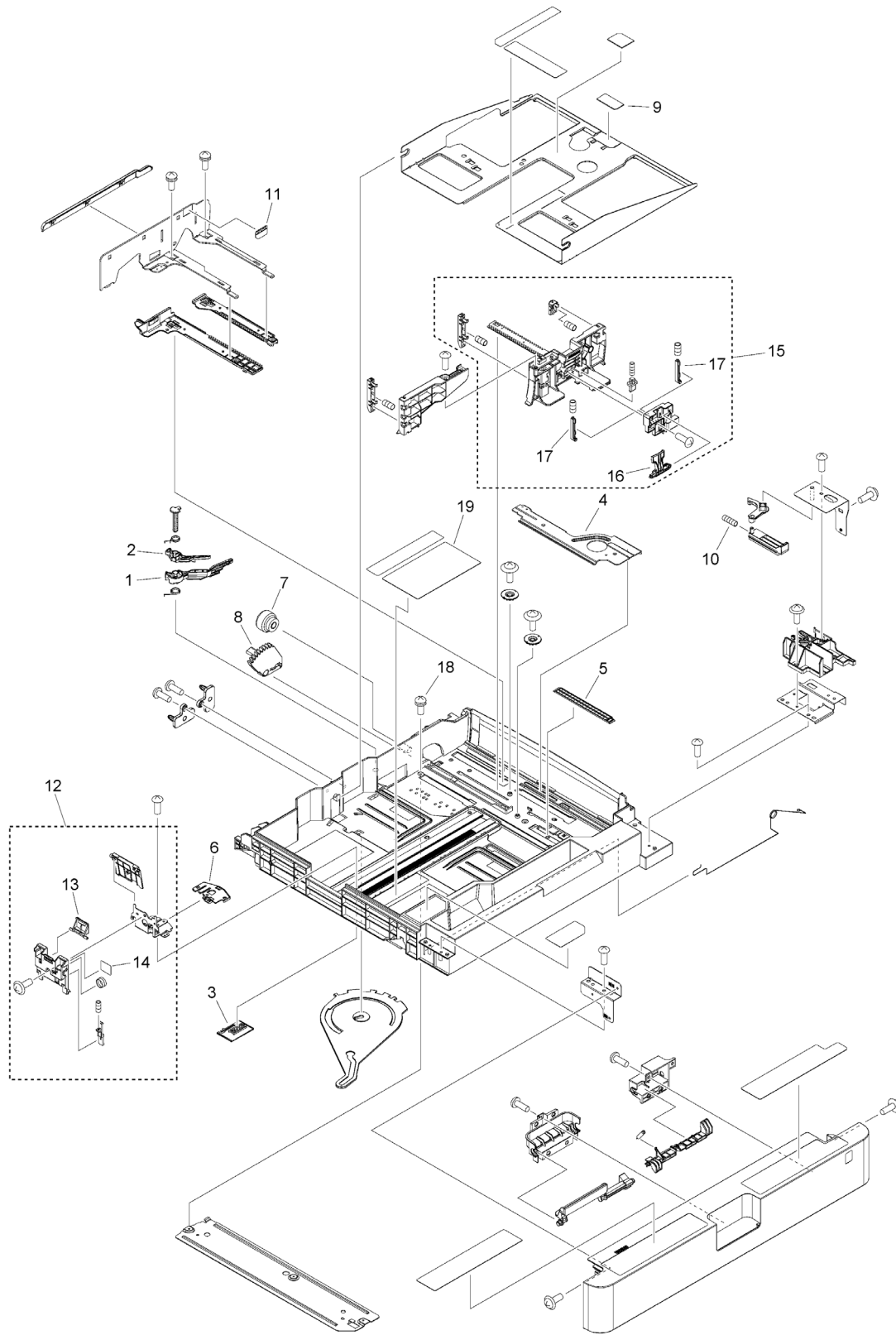




FIGURE & KEY NO.	PART NUMBER	RANK	QTY	DESCRIPTION	SERIAL NUMBER /REMARKS
300	FM1-G103-010		1	CASSETTE ASSEMBLY	
1	FC8-2469-000		1	DIAL, DETECT, SMALL	
2	FC8-2470-000		1	DIAL, DETECT, LARGE	
3	FC8-2475-000		1	PLATE, JOINT	
4	FC8-2482-000		1	PLATE, LIFTER	
5	FC8-2670-000		1	PLATE, FREE STOP	
6	FC8-4996-000		1	COVER, TOP	
7	FC9-3785-000		1	COUPLING	
8	FC9-3962-000		1	GEAR, 50T	
9	FB6-3499-000		1	SHEET, SEPARATION	
10	FU7-2518-000		1	SPRING, COMPRESSION	
11	FC8-4964-010		1	LABEL, HEIGHT LIMIT, S	
12	FM3-8907-000		1	BACK END LIMIT PLATE ASSEMBLY	
13	FC8-2466-000		1	LEVER	
14	FC8-4965-000		1	LABEL, HEIGHT LIMIT, R	
15	FM4-5709-010		1	SIDE END PLATE ASSEMBLY, FRONT	
16	FC8-2462-000		1	KNOB, PAPER SIDE END	
17	FC8-2463-000		2	STOPPER	
18	XA9-1016-000		2	SCREW W/WASHER, M3X6	
19	FU6-8536-020		1	LABEL, TAB PAPER SET, 2	

Figure 301 CST. SIZE/REMNANT DETECT ASS'Y

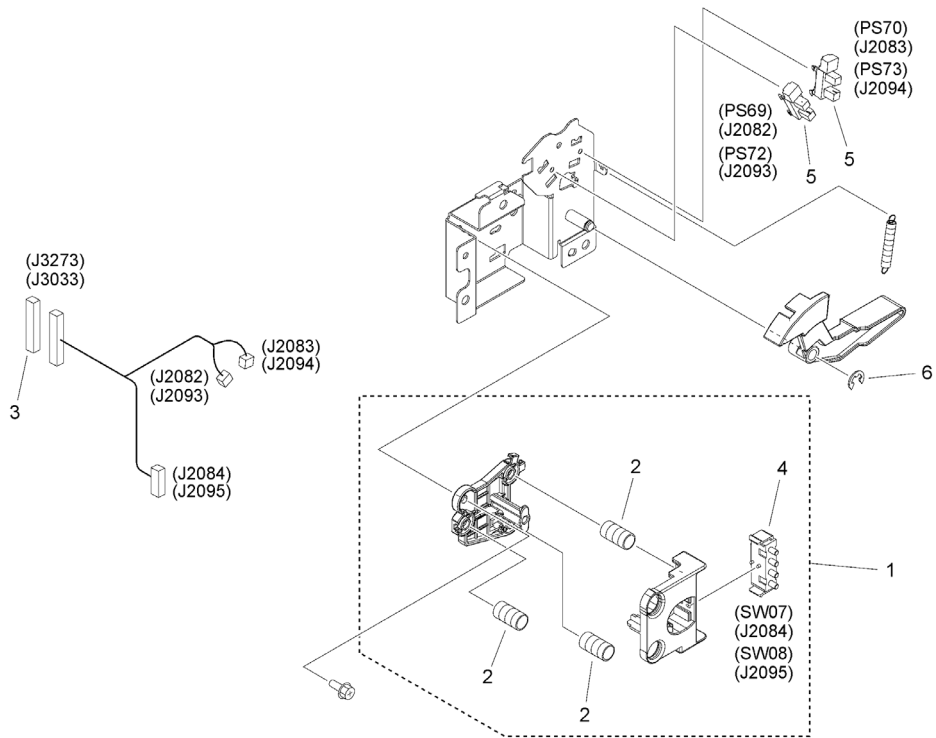


FIGURE & KEY NO.	PART NUMBER	RANK	QTY	DESCRIPTION	SERIAL NUMBER /REMARKS
301	FM4-0929-000		1	CST. SIZE/REMNANT DETECT ASS'Y	
1	FM3-4932-000		1	SWITCH HOLDER UNIT	
2	FU7-2332-000		3	SPRING, COMPRESSION	
3	VS1-8412-011		1	CONNECTOR, SNAP TIGHT, BL	
4	WC2-5680-000		1	SWITCH, DETECT PUSH	SW07, SW08
5	WG8-5848-000		2	IC, PHOTO-INTERRUPTER	PS69, PS70, PS72, PS73
6	XD9-0395-000		1	RING, E	

Figure 302 DECK REMNANT DETECT ASS'Y

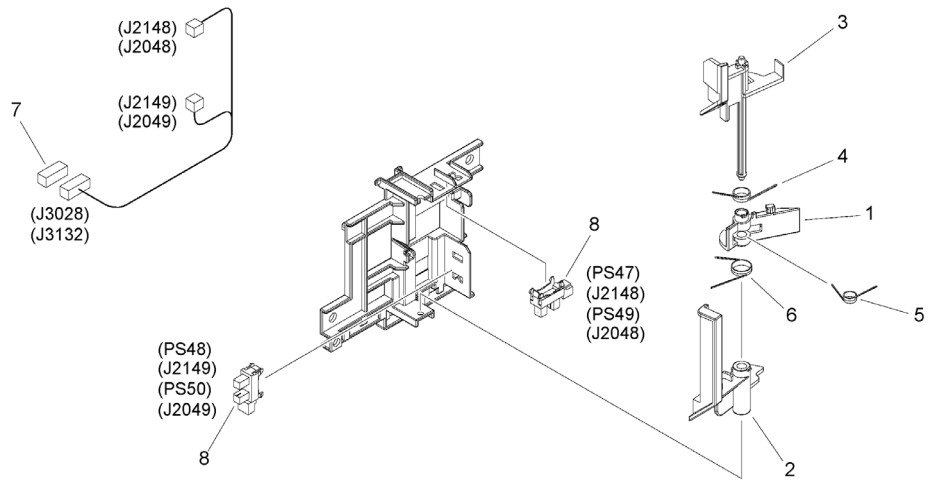


FIGURE & KEY NO.	PART NUMBER	RANK	QTY	DESCRIPTION	SERIAL NUMBER /REMARKS
302	FM4-0931-000		1	DECK REMNANT DETECT ASS'Y	
1	FC9-3963-000		1	FLAG, PRESENCE	
2	FC9-3964-000		1	FLAG, REMNANT DETECT, 1	
3	FC9-3965-000		1	FLAG, REMNANT DETECT, 2	
4	FC9-3966-000		1	SPRING, TORSION	
5	FC9-3967-000		1	SPRING, TORSION	
6	FC9-3968-000		1	SPRING, TORSION	
7	VS1-8412-007		1	CONNECTOR, SNAP TIGHT, BL	
8	WG8-5848-000		2	IC, PHOTO-INTERRUPTER	PS47, PS48, PS49, PS50

Figure 303 CASSETTE SIZE DETECT ASS'Y

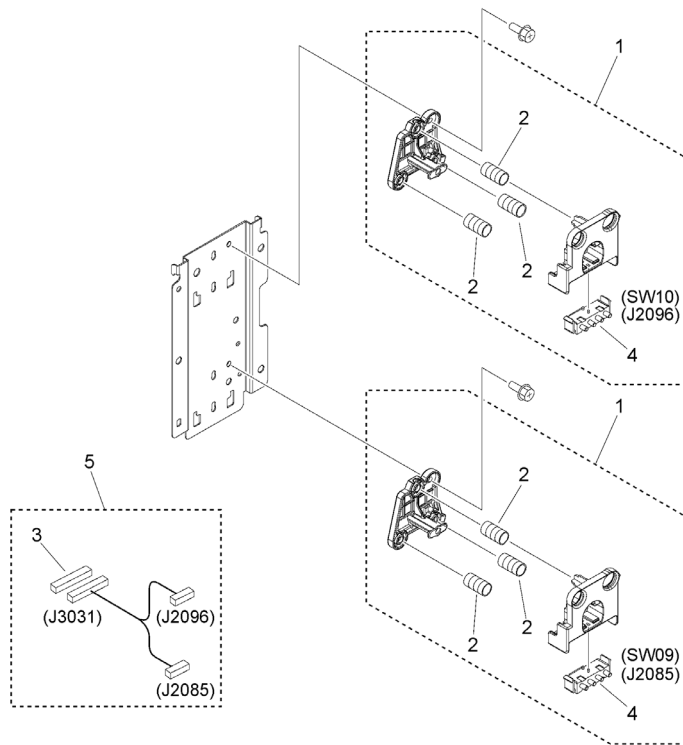


FIGURE & KEY NO.	PART NUMBER	RANK	QTY	DESCRIPTION	SERIAL NUMBER /REMARKS
303	NPN		RF	CASSETTE SIZE DETECT ASSY	
1	FM3-4932-000		2	SWITCH HOLDER UNIT	
2	FU7-2332-000		6	SPRING, COMPRESSION	
3	VS1-8412-013		1	CONNECTOR, SNAP TIGHT, BL	
4	WC2-5680-000		2	SWITCH, DETECT PUSH	SW09,SW10
5	FM4-1044-000		1	CABLE, CASSETTE LENGTH SENSING	

Figure 304 PAPER STOCK ASS'Y, RIGHT

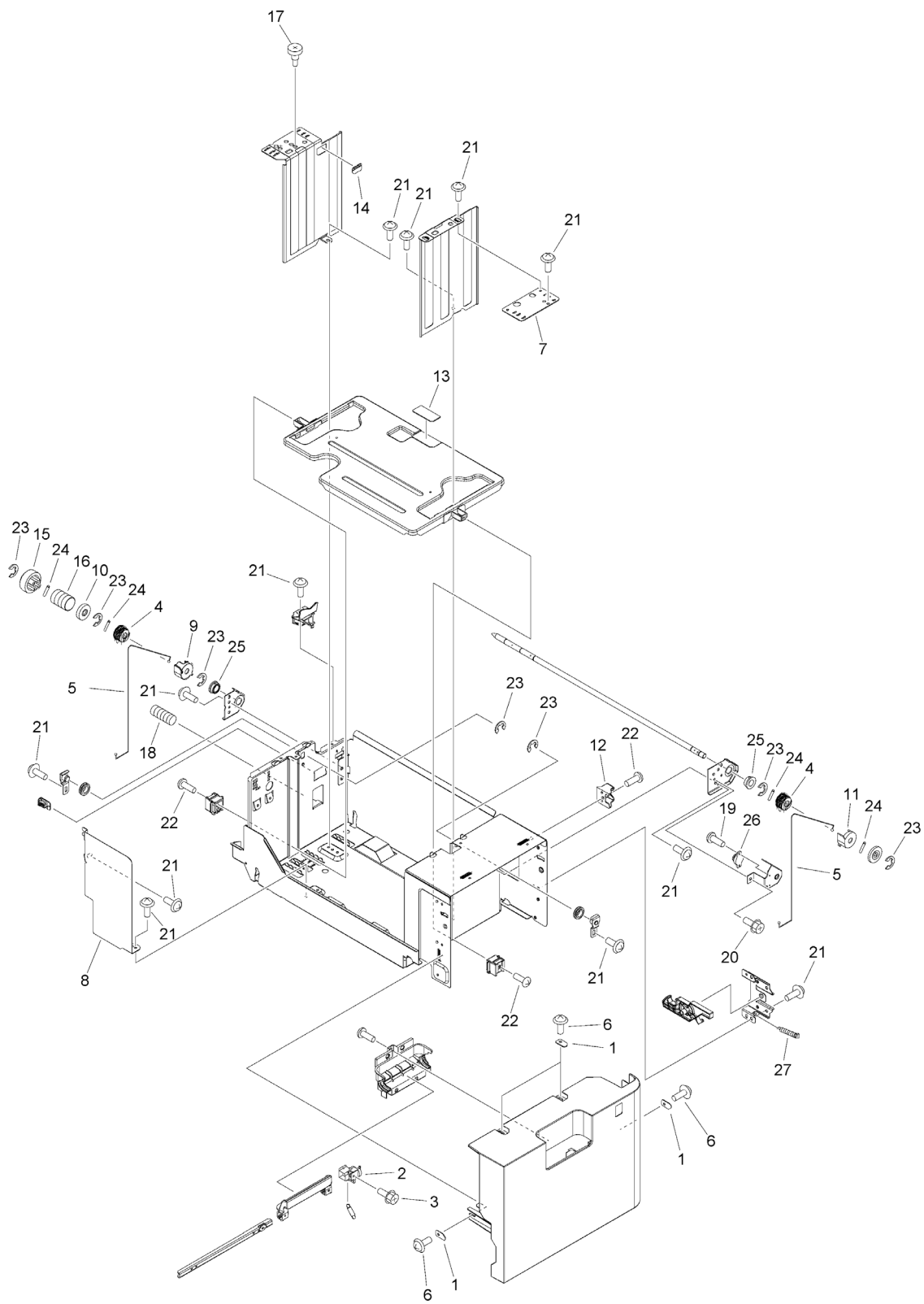




FIGURE & KEY NO.	PART NUMBER	RANK	QTY	DESCRIPTION	SERIAL NUMBER /REMARKS
304	FM1-G120-010		1	PAPER STOCK ASS'Y, RIGHT	
1	FE3-8153-000		4	WASHER	
2	FE4-1289-010		1	LEVER, DECK	
3	XA9-1386-000		1	SCREW,RS,M3X8	
4	FB2-8465-000		2	PULLEY, LIFTING	
5	FC0-2206-000		2	WIRE	
6	XA9-1249-010		4	SCREW,TP M4X8	
7	FC8-2533-010		1	PLATE, PAPER SIDE END ADJUST	
8	FC8-7358-010		1	PLATE, BACK END LIMIT	
9	FC9-3989-000		1	FLANGE, LIFT	
10	FC9-4119-000		1	STOPPER, COUPLING	
11	FC9-8565-000		1	FLANGE, LIFT	
12	FC9-9359-010		1	BLOCK, POSITIONING	
13	FB6-3499-000		1	SHEET, SEPARATION	
14	FC8-4964-010		1	LABEL, HEIGHT LIMIT, S	
15	FS4-0160-000		1	GEAR, 28T	
16	FS4-2136-000		1	SPRING, COMPRESSION	
17	FS5-9360-020		1	SCREW,STEPPED,M4	
18	FU8-2361-000		1	SPRING, COMPRESSION	
19	XA1-1200-405		2	SCREW PH2X4 (S)	
20	XA9-0732-010		1	SCREW,RS,M4X8	
21	XA9-1450-000		15	SCREW, TP, M4X6	
22	XA9-1934-000		3	SCREW, M4X4	
23	XD9-0396-000		7	RING, E	
24	XD9-0289-000		4	PIN, PARALLEL	
25	XG9-0737-000		2	BUSHING	
26	XH9-0148-000		1	DAMPER, OIL	
27	FU7-2368-000		1	SPRING, TENSION	

Figure 305 PAPER STOCK ASS'Y, LEFT

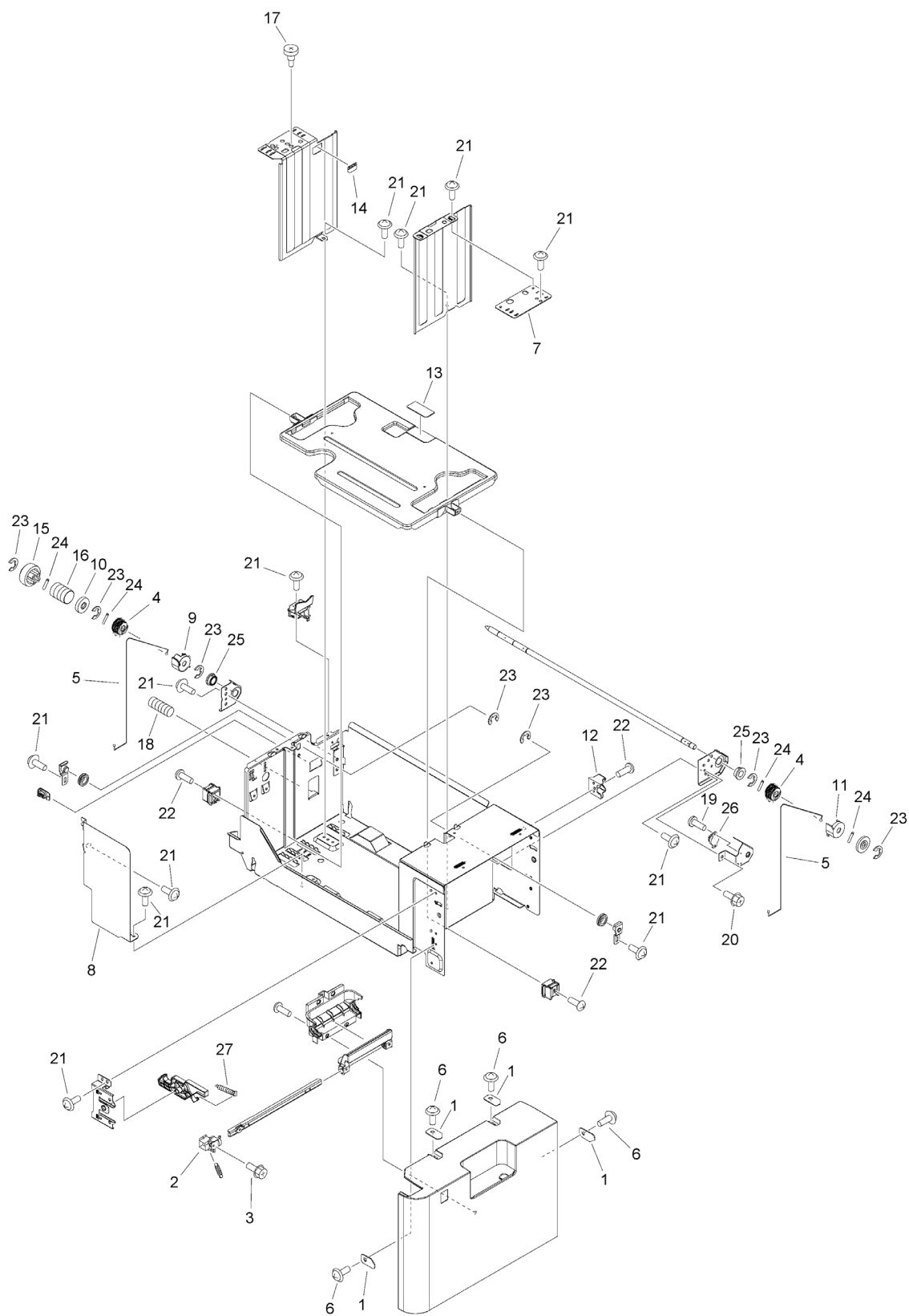


FIGURE & KEY NO.	PART NUMBER	RANK	QTY	DESCRIPTION	SERIAL NUMBER /REMARKS
305	FM1-G117-010		1	PAPER STOCK ASS'Y, LEFT	
1	FE3-8153-000		4	WASHER	
2	FE4-1289-010		1	LEVER, DECK	
3	XA9-1386-000		1	SCREW,RS,M3X8	
4	FB2-8465-000		2	PULLEY, LIFTING	
5	FC0-2206-000		2	WIRE	
6	XA9-1249-010		4	SCREW,TP M4X8	
7	FC8-2533-010		1	PLATE, PAPER SIDE END ADJUST	
8	FC8-7358-010		1	PLATE, BACK END LIMIT	
9	FC9-3989-000		1	FLANGE, LIFT	
10	FC9-4119-000		1	STOPPER, COUPLING	
11	FC9-8565-000		1	FLANGE, LIFT	
12	FC9-9359-010		1	BLOCK, POSITIONING	
13	FB6-3499-000		1	SHEET, SEPARATION	
14	FC8-4964-010		1	LABEL, HEIGHT LIMIT, S	
15	FS4-0160-000		1	GEAR, 28T	
16	FS4-2136-000		1	SPRING, COMPRESSION	
17	FS5-9360-020		1	SCREW,STEPPED,M4	
18	FU8-2361-000		1	SPRING, COMPRESSION	
19	XA1-1200-405		2	SCREW PH2X4 (S)	
20	XA9-0732-010		1	SCREW,RS,M4X8	
21	XA9-1450-000		15	SCREW, TP, M4X6	
22	XA9-1934-000		3	SCREW, M4X4	
23	XD9-0396-000		7	RING, E	
24	XD9-0289-000		4	PIN, PARALLEL	
25	XG9-0737-000		2	BUSHING	
26	XH9-0148-000		1	DAMPER, OIL	
27	FU7-2368-000		1	SPRING, TENSION	

Figure 310B PAPER PICK-UP ASS'Y, RIGHT

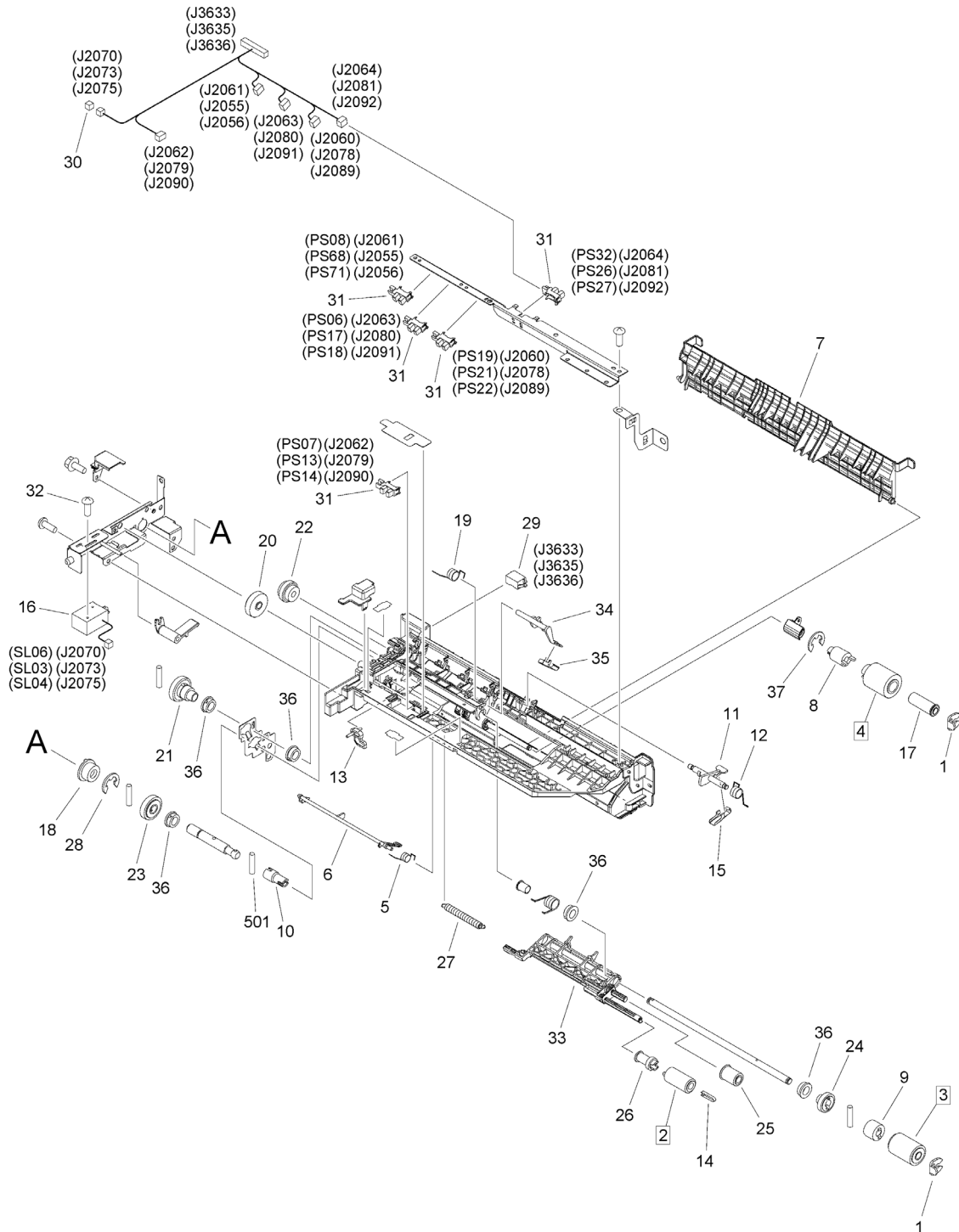


FIGURE & KEY NO.	PART NUMBER	RANK	QTY	DESCRIPTION	SERIAL NUMBER /REMARKS
310B	FM0-3209-030		1	PAPER PICK-UP ASS'Y, RIGHT	
1	FB4-2007-000		2	RING, RETAINING	
2	FC5-2524-000		1	ROLLER, PAPER PICK-UP	[DP]
3	FC5-2526-000		1	ROLLER, PAPER FEEDER	[DP]
4	FC5-2528-000		1	ROLLER, SEPARATION	[DP]
5	FC9-8060-000		1	SPRING, TORSION	
6	FC5-2537-030		1	LEVER, PAPER SENSOR	
7	FC5-2538-000		1	GUIDE, SWING	
8	FC0-8737-000		1	LIMITER, TORQUE	
9	FC6-3863-000		1	CLUTCH, ONE-WAY	
10	FC6-4358-000		1	JOINT, RETARD	
11	FC8-7812-000		1	FLAG, VERTICAL PATH SENSOR	
12	FC8-7813-000		1	SPRING, TORSION	
13	FC8-9045-000		1	ARM, RELEASE, PAPER PICK-UP	
14	FC7-5845-000		1	STOPPER, ROLLER	
15	FC9-3970-000		1	PLATE, V. PATH SENSOR FLAG	
16	FL3-4906-000		1	SOLENOID	SL03, SL04, SL06
17	FL3-7179-000		1	HOLDER, BEARING	
18	FL3-2254-000		1	CLUTCH, ONE-WAY	
19	FC5-2542-000		1	SPRING, TORSION	
20	FU5-0183-000		1	GEAR, 30T	
21	FU5-0184-010		1	GEAR, 16T/25T	
22	FU5-0185-000		1	GEAR, 18T/32T	
23	FU5-0186-000		1	GEAR, 24T	
24	FU5-0187-000		1	GEAR, 50T	
25	FU5-0188-000		1	GEAR, 34T	
26	FU5-0263-000		1	GEAR, 32T	
27	FU5-2162-000		1	SPRING, TENSION	
28	XD9-0396-000		1	RING, E	
29	VS1-8412-017		1	CONNECTOR, SNAP TIGHT, BL	
30	VS1-7177-002		1	CONNECTOR, SNAP TIGHT, BK	
31	WG8-5783-000		5	IC,PHOTO-INTERRUPTER,LG248NL1A	PS06, PS07, PS08, PS13, PS14, PS17, PS18, PS19, PS21, PS22, PS26, PS27, PS32, PS68, PS71
32	XA9-2008-000		2	SCREW,M3X4	
33	FC8-7809-000		1	HOLDER, ROLLER SUPPORT	
34	FC5-2535-000		1	FLAG, PAPER PICK-UP SENSOR	
35	FC9-3969-000		1	PLATE, PICK-UP SENSOR FLAG	
36	XG9-0737-000		5	BUSHING	
37	XD9-0396-000		1	RING, E	
501	XD3-1250-142		1	PIN, SPRING	

Figure 311B PAPER PICK-UP ASS'Y, LEFT

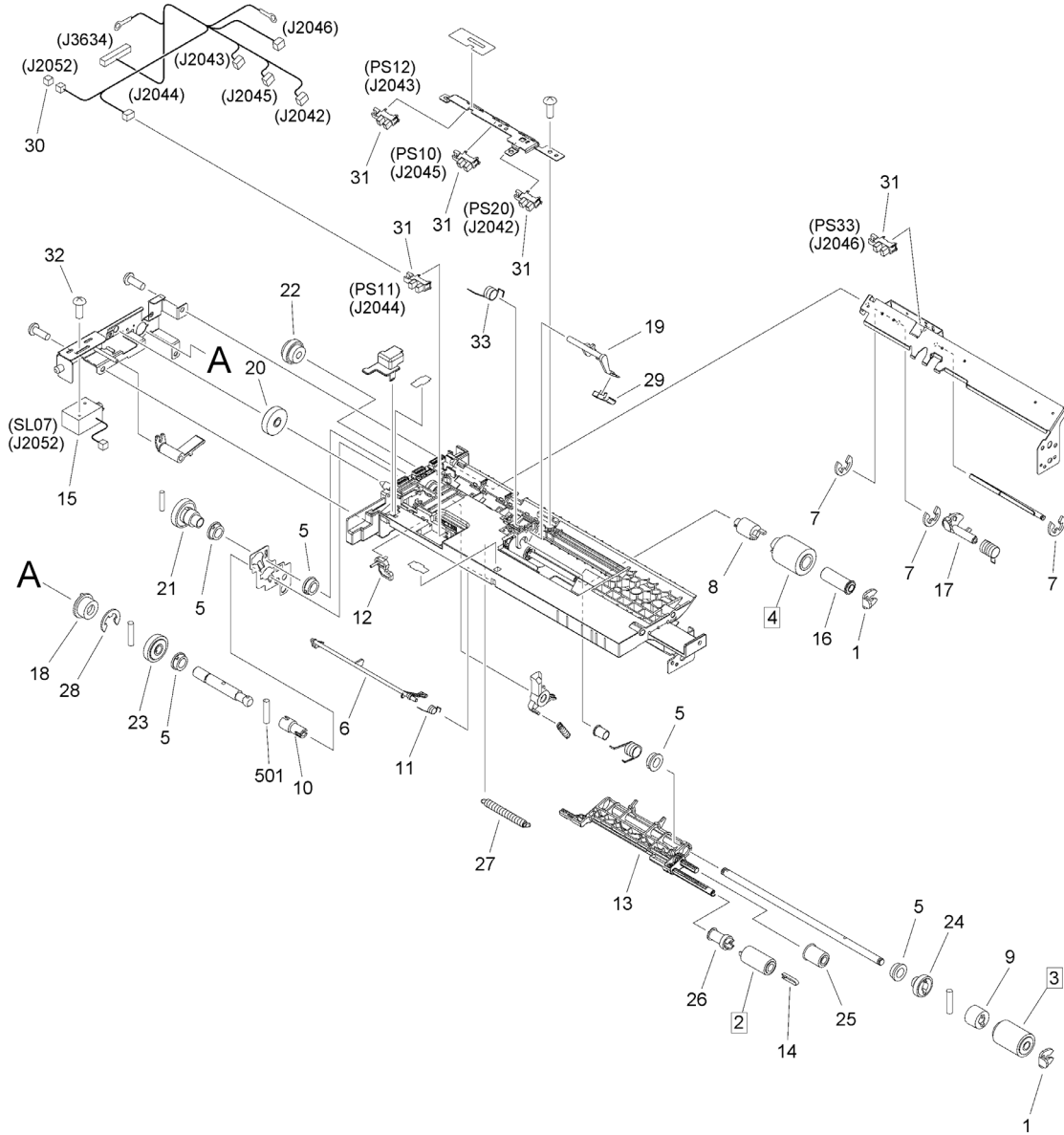


FIGURE & KEY NO.	PART NUMBER	RANK	QTY	DESCRIPTION	SERIAL NUMBER /REMARKS
311B	FM0-3210-040		1	PAPER PICK-UP ASS'Y, LEFT	
1	FB4-2007-000		2	RING, RETAINING	
2	FC5-2524-000		1	ROLLER, PAPER PICK-UP	[DP]
3	FC5-2526-000		1	ROLLER, PAPER FEEDER	[DP]
4	FC5-2528-000		1	ROLLER, SEPARATION	[DP]
5	XG9-0737-000		5	BUSHING	
6	FC5-2537-030		1	LEVER, PAPER SENSOR	
7	XD9-0133-000		3	RING, E	
8	FC0-8737-000		1	LIMITER, TORQUE	
9	FC6-3863-000		1	CLUTCH, ONE-WAY	
10	FC6-4358-000		1	JOINT, RETARD	
11	FC9-8060-000		1	SPRING, TORSION	
12	FC8-9045-000		1	ARM, RELEASE, PAPER PICK-UP	
13	FC8-7809-000		1	HOLDER, ROLLER SUPPORT	
14	FC7-5845-000		1	STOPPER, ROLLER	
15	FL3-4906-000		1	SOLENOID	SL07
16	FL3-7179-000		1	HOLDER, BEARING	
17	FL2-8916-000		1	FLAG, DECK PATH SENSOR, LEFT	
18	FL3-2254-000		1	CLUTCH, ONE-WAY	
19	FC5-2535-000		1	FLAG, PAPER PICK-UP SENSOR	
20	FU5-0183-000		1	GEAR, 30T	
21	FU5-0184-010		1	GEAR, 16T/25T	
22	FU5-0185-000		1	GEAR, 18T/32T	
23	FU5-0186-000		1	GEAR, 24T	
24	FU5-0187-000		1	GEAR, 50T	
25	FU5-0188-000		1	GEAR, 34T	
26	FU5-0263-000		1	GEAR, 32T	
27	FU5-2162-000		1	SPRING, TENSION	
28	XD9-0396-000		1	RING, E	
29	FC9-3969-000		1	PLATE, PICK-UP SENSOR FLAG	
30	VS1-7177-002		1	CONNECTOR, SNAP TIGHT, BK	
31	WG8-5783-000		5	IC,PHOTO-INTERRUPTER,LG248NL1A	PS10, PS11, PS12, PS20, PS33
32	XA9-2008-000		2	SCREW,M3X4	
33	FC5-2542-000		1	SPRING, TORSION	
501	XD3-1250-142		1	PIN, SPRING	

# Figure 312F MULTI TRAY ASSEMBLY

NOTE : This assembly does not include the part shown with key No. 4 and 5.

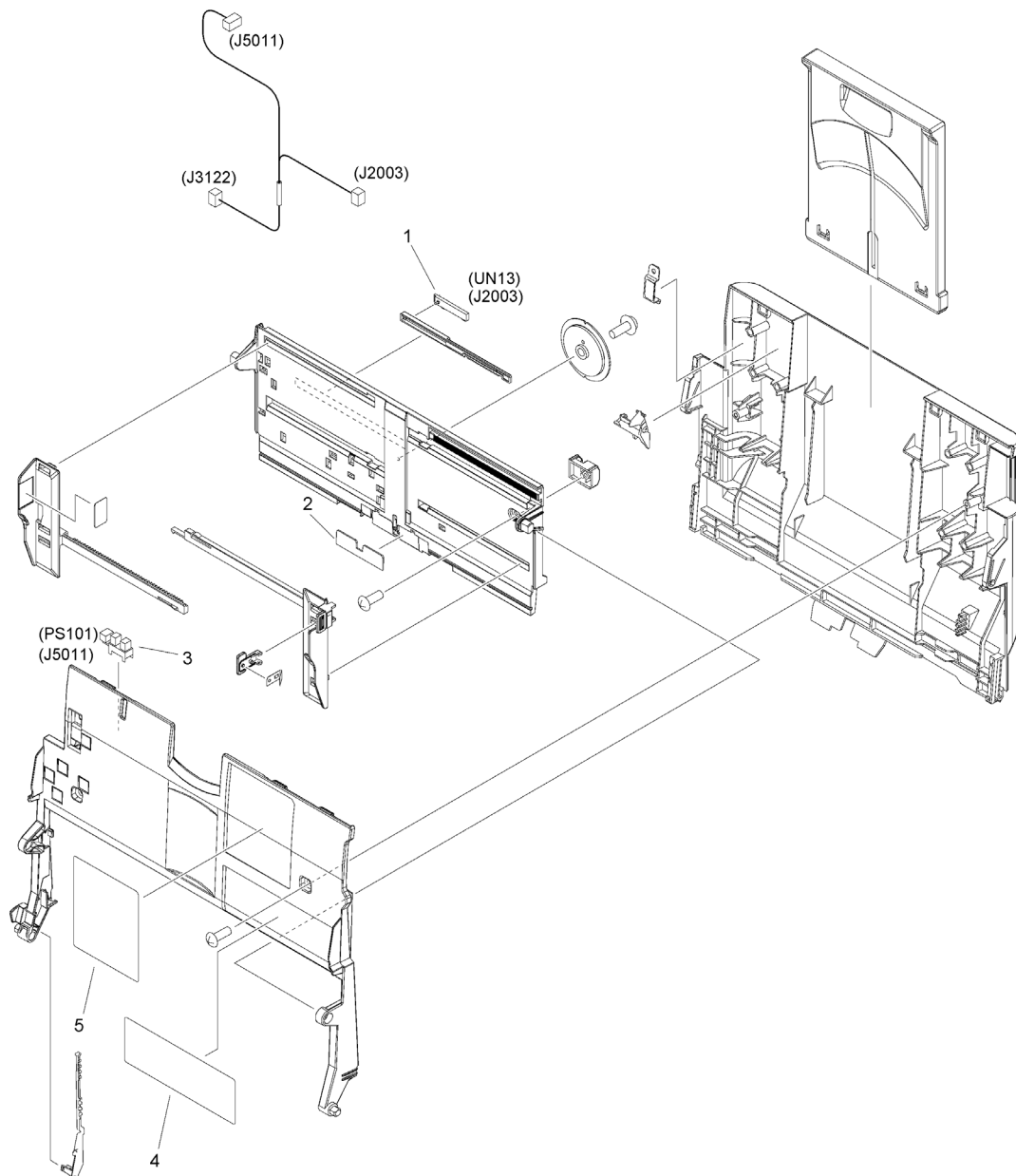




FIGURE & KEY NO.	PART NUMBER	RANK	QTY	DESCRIPTION	SERIAL NUMBER /REMARKS
312F	FM1-G112-010		1	MULTI TRAY ASSEMBLY	
1	FH7-7600-010		1	SLIDE VOLUME SENSOR UNIT	UN13
2	FB6-4937-000		1	SHEET, SEPARATION	
3	WG8-5783-000		1	IC,PHOTO-INTERRUPTER,LG248NL1A	PS101
4	FE2-C655-000		1	LABEL, MULTI SIZE	A/ INCH SIZE SEE NOTE
4	FU2-2705-000		1	LABEL, MULTI SIZE	A/ B/ K/ INCH SIZE SEE NOTE
5	FE4-5878-000		1	LABEL, PAPER SET INSTRUCTION	A/ INCH SIZE SEE NOTE
5	FE4-5880-000		1	LABEL, PAPER SET INSTRUCTION	A/ B/ K/ INCH SIZE SEE NOTE

Figure 313 MULTI PAPER PICK-UP ASS'Y

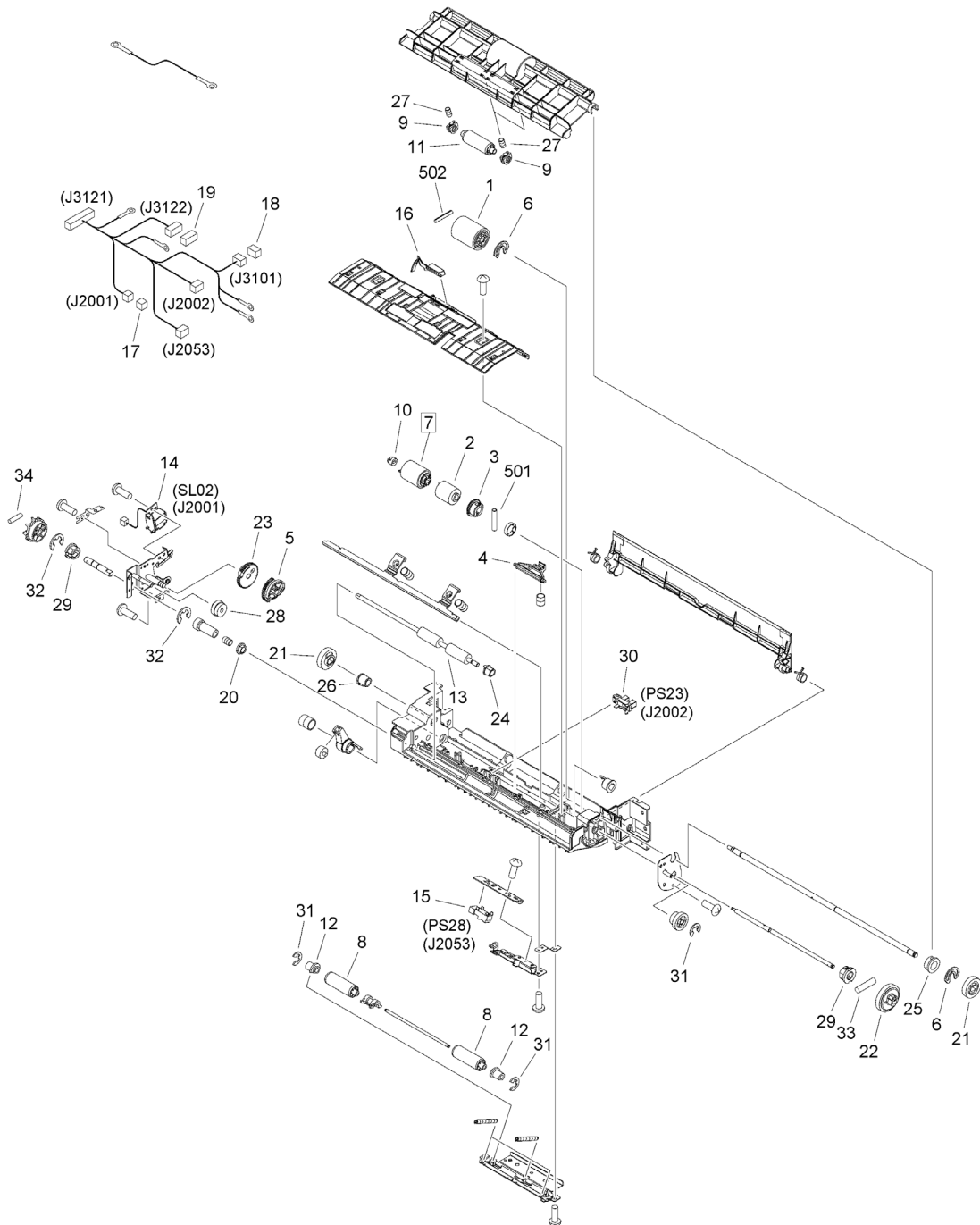


FIGURE & KEY NO.	PART NUMBER	RANK	QTY	DESCRIPTION	SERIAL NUMBER /REMARKS
313	FM1-G379-000		1	MULTI PAPER PICK-UP ASS'Y	
1	FB1-8581-000		1	ROLLER	[DP]
2	FB6-3410-000		1	LIMITER, TORQUE	
3	FB6-3463-000		1	CLUTCH	
4	FB6-3464-000		1	HOLDER, SEPARATION ROLLER	
5	FB6-3467-000		1	GEAR, 27T	
6	FC5-2715-000		2	RING, RETAINING	
7	FC6-6661-000		1	ROLLER, SEPARATION	[DP]
8	FC7-7208-000		2	ROLLER, DRIVEN	
9	FC7-7209-000		4	BUSHING, VERTICAL ROLLER	
10	FC8-0785-000		1	HEAD, ROLLER SHAFT	
11	FC8-3782-000		2	ROLLER, PAPER FEED	
12	FC8-7273-000		2	BUSHING	
13	FC9-8082-000		1	ROLLER, MULTI EXTRACTION	
14	FK2-0115-000		1	SOLENOID	SL02
15	FK2-6470-000		1	PHOTO-SENSOR, KUA0055C	PS28
16	FL2-2925-000		1	FLAG, PAPER SENSOR	
17	VS1-7177-002		1	CONNECTOR, SNAP TIGHT, BK	
18	VS1-7177-003		1	CONNECTOR, SNAP TIGHT, BK	
19	VS1-7177-006		1	CONNECTOR, SNAP TIGHT, BK	
20	FS1-1569-000		1	BUSHING	
21	FU3-0296-000		2	GEAR, 24T	
22	FU3-0297-000		1	GEAR, 36T	
23	FU5-0256-000		1	GEAR, 48T	
24	FU5-1036-000		1	BUSHING	
25	FU6-1184-000		1	BUSHING	
26	FU6-1185-000		1	BUSHING	
27	FU8-2317-000		4	SPRING, COMPRESSION	
28	FU9-0152-000		1	GEAR, 27T/24T	
29	RS5-1567-000		2	BUSHING	
30	WG8-5783-000		1	IC,PHOTO-INTERRUPTER,LG248NL1A	PS23
31	XD9-0134-000		3	RING, E	
32	XD9-0395-000		2	RING, E	
33	XD9-0290-000		1	PIN, PARALLEL	
34	XD9-0300-000		1	PIN, PARALLEL	
501	XD3-1200-102		1	SPRING PIN	
502	XD3-1200-142		1	SPRING PIN	

Figure 315 PRE-REGISTRATION GUIDE ASS'Y

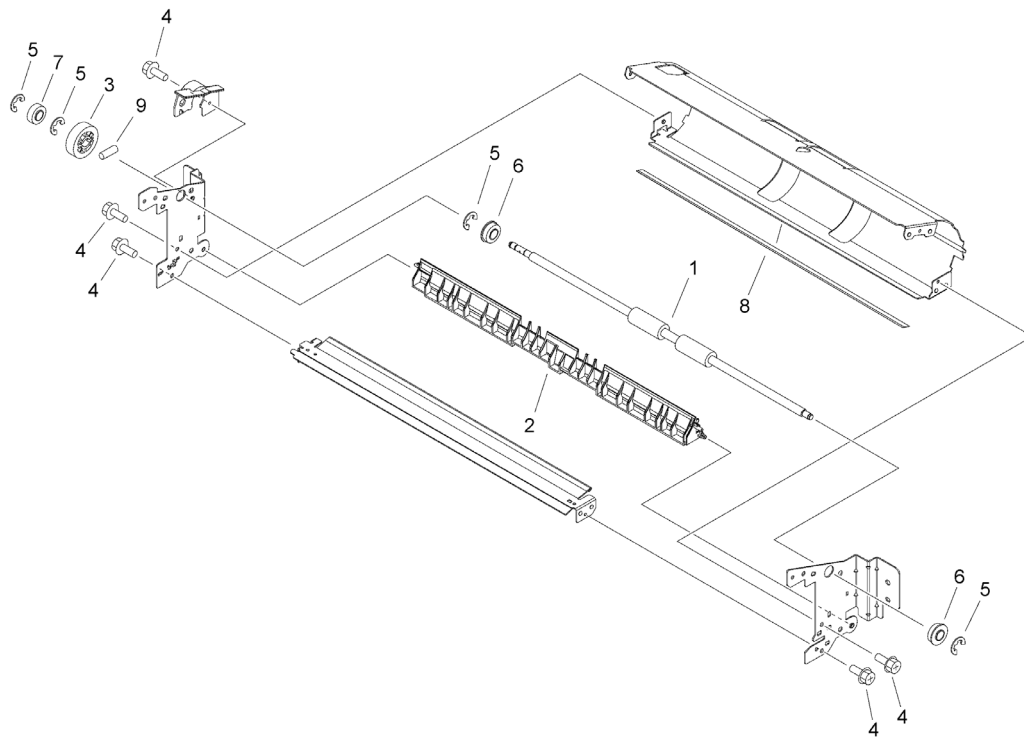


FIGURE & KEY NO.	PART NUMBER	RANK	QTY	DESCRIPTION	SERIAL NUMBER /REMARKS
315	FM3-7375-010		1	PRE-REGISTRATION GUIDE ASS'Y	
1	FC8-9354-000		1	ROLLER, PRE-REGISTRATION	
2	FL3-0277-000		1	GUIDE, MOVABLE	
3	FU8-0333-000		1	GEAR, 24T	
4	XA9-1386-000		15	SCREW,RS,M3X8	
5	XD9-0395-000		4	RING, E	
6	XG9-0707-000		2	BEARING, BALL, MF126ZZ-1	
7	XG9-0706-000		1	BEARING, BALL, MR126ZZ-1	
8	FE2-0547-000		1	SHEET, PRE-REGISTRATION GUIDE	
9	XD9-0289-000		1	PIN, PARALLEL	

Figure 330 (1/3)FIXING/FEEDER DUPLEXING ASS'Y

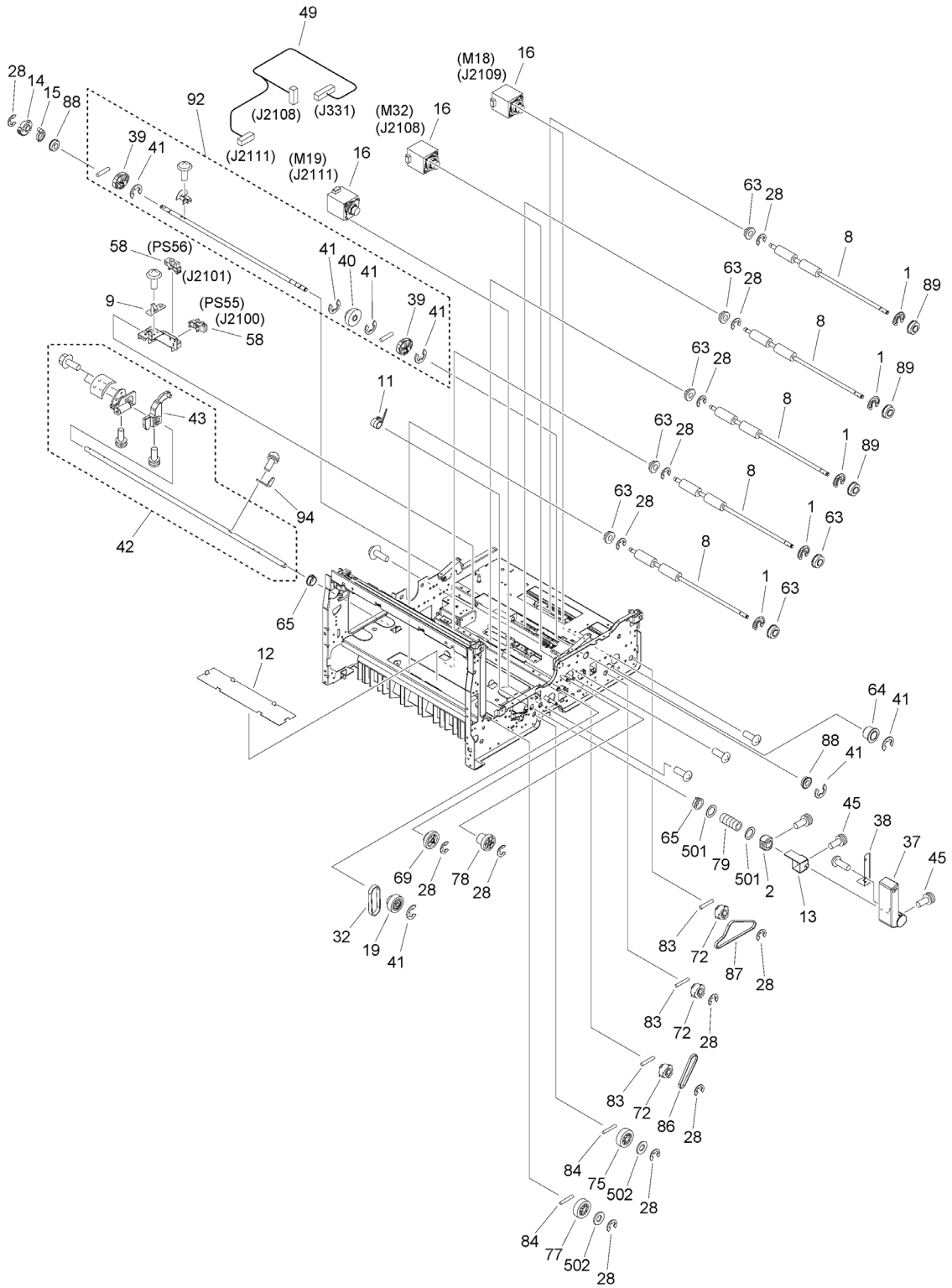


Figure 330 (2/3)FIXING/FEEDER DUPLEXING ASS' Y

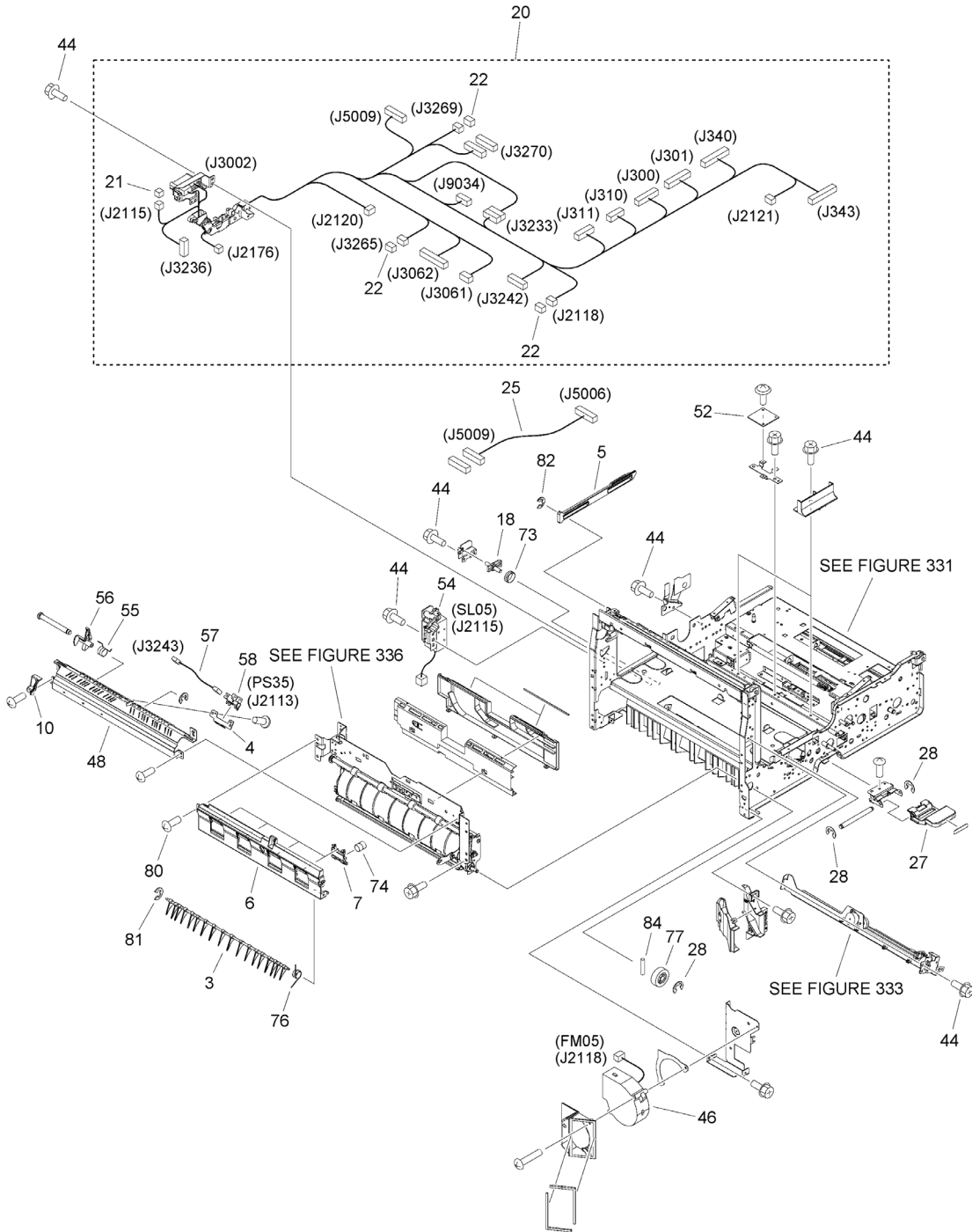


Figure 330 (3/3)FIXING/FEEDER DUPLEXING ASS'Y

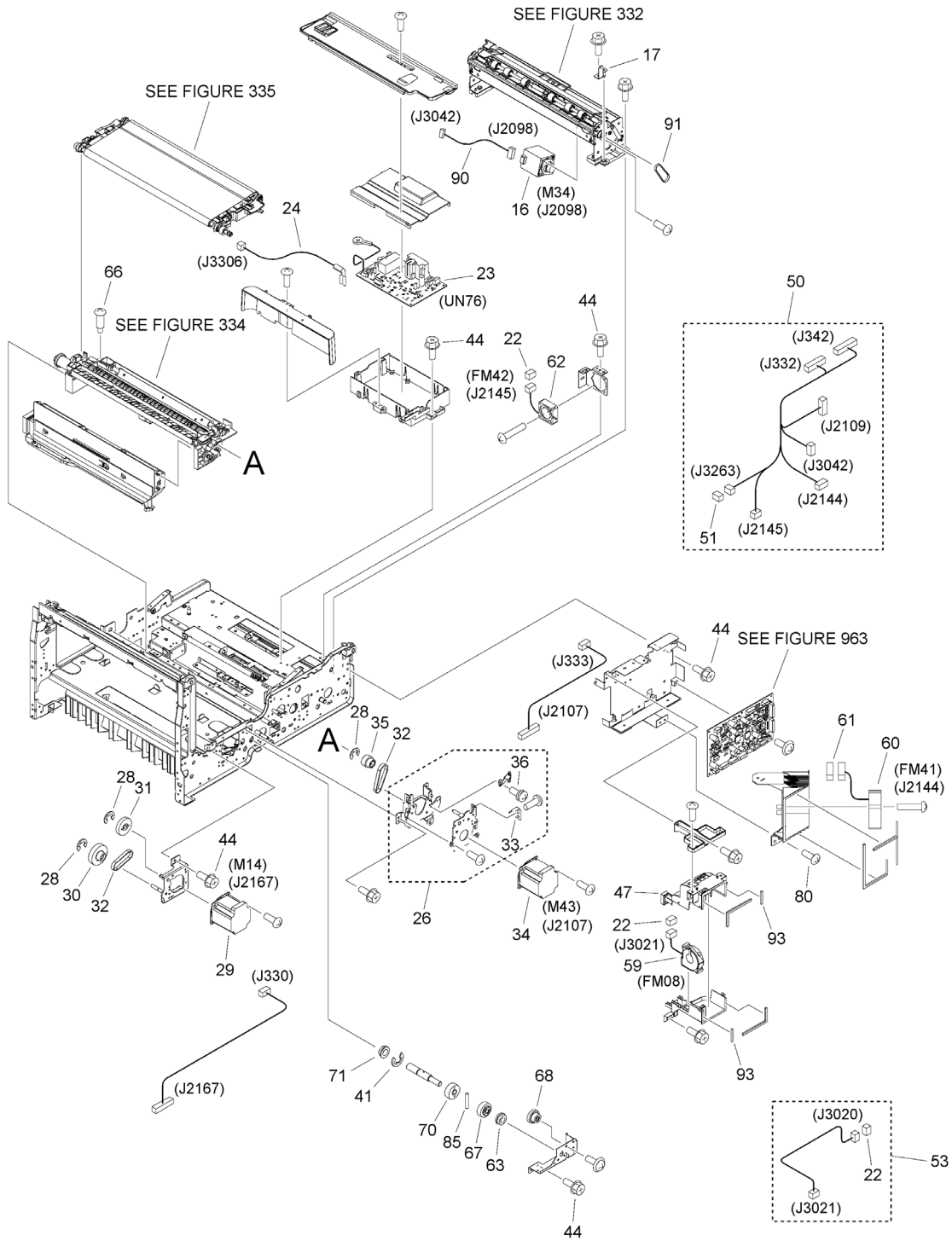




FIGURE & KEY NO.	PART NUMBER	RANK	QTY	DESCRIPTION	SERIAL NUMBER /REMARKS
330	NPN		RF	FIXING/FEEDER DUPLEXING ASSY	
1	FB6-6088-000		5	RING, RETAINING	
2	FC5-2108-000		1	CAM, PRESSURE	
3	FC6-1968-000		1	FLAPPER, DUPLEXING REVERSE	
4	FC8-9449-000		1	SUPPORT, SENSOR	
5	FC8-7192-010		1	RACK, RELEASE ARM	
6	FC8-7327-000		1	GUIDE, REVERSE, LEFT	
7	FC8-7328-000		4	GUIDE, REVERSE SWING	
8	FC9-5463-000		5	ROLLER, DUPLEXING PAPER FEED	
9	FC9-5700-000		1	PLATE, CLEANER GROUNDING	
10	FC9-6182-000		1	COVER, SENSOR	
11	FC9-7845-000		1	SPRING, TORSION	
12	FC9-8828-000		1	SHEET, FIXING CROSSMEMBER	
13	FC9-9067-000		1	STOPPER, HANDLE	
14	FE2-3468-000		1	GEAR, 26T	
15	FE2-3469-000		1	STOPPER, RELEASE GEAR	
16	FK2-7674-010		4	MOTOR, STEPPING, DC	M18, M19, M32, M34
17	FL3-0293-000		1	PLATE, POSITIONING	
18	FL3-1306-010		1	LOCK, HANDLE	
19	FL3-2814-000		1	GEAR, 30T/PULLEY, 28T	
20	FM1-G118-000		1	CABLE, FIXING/FEEDER DRAWER	
21	VS1-7177-002		1	CONNECTOR, SNAP TIGHT, BK	
22	VS1-7177-003		6	CONNECTOR, SNAP TIGHT, BK	
23	FM1-K905-000		1	HIGH VOLTAGE PCB ASS'Y	UN76
24	FM4-1051-000		1	CABLE, TRANSFER HIGH VOLTAGE	
25	FM1-P892-000		1	CABLE, SIGNAL CONNECTING	
26	FM0-3211-000		1	TRANSFER DRIVE SUPPORT UNIT	
27	FC9-9102-000		1	HANDLE, OPEN/CLOSE	
28	XD9-0395-000		22	RING, E	
29	FM2-M967-000		1	MOTOR, STEPPING, DC	M14
30	FL3-3018-000		1	GEAR, 39T/PULLEY, 28T	
31	FS5-0395-000		1	GEAR, 25T	
32	XF2-1606-260		3	BELT, TIMING, COGGED	
33	FC8-9664-000		1	SPRING, GROUNDING	
34	FM2-M968-000		1	MOTOR, STEPPING, DC	M43
35	FL3-2171-000		1	GEAR, 26T/PULLEY, 30T	
36	XA9-2003-000		1	SCREW, W/WASHER, M3X6	
37	FC5-2386-000		1	HANDLE, TRANSFER FRAME, LOWER	
38	FC5-5170-000		1	PLATE, GROUNDING	
39	FC8-7200-000		2	CAM, BELT PRESSURE	
40	FU9-0314-000		1	GEAR, 30T	
41	XD9-0396-000		9	RING, E	
42	FM4-0912-010		1	FIXING/FEEDER LOCK HANDLE UNIT	
43	FL3-7921-000		1	LEVER, RELEASE	

FIGURE & KEY NO.	PART NUMBER	RANK	QTY	DESCRIPTION	SERIAL NUMBER /REMARKS
44	XA9-0732-010		15	SCREW,RS,M4X8	
45	XA9-0961-000		3	SCREW, W/WASHER, M4X10	
46	FH6-1548-040		1	FAN, COOLING	FM05
47	FL3-3795-000		1	DUCT, TRANSFER, UPPER	
48	FC8-9446-000		1	GUIDE, REVERSE INTRODUCTION	
49	FM4-1054-000		1	CABLE, MOTOR	
50	FM4-1056-000		1	CABLE, DUPLEXING FEED ASS'Y	
51	VS1-8412-003		1	CONNECTOR, SNAP TIGHT, BL	
52	FM4-1089-000		1	DC-DC CONVERT PCB ASS'Y	
53	FM4-4327-000		1	CABLE, DUPLEXING FEED FAN	
54	FM4-5141-000		1	REVERSE SOLENOID ASS'Y	SL05
55	FC8-9450-010		1	SPRING, TORSION	
56	FL3-3868-000		1	LEVER, REVERSE SENSOR	
57	FM4-1061-000		1	CABLE, SENSOR CONNECTING	
58	WG8-5848-000		3	IC, PHOTO-INTERRUPTER	PS35, PS55, PS56
59	FK2-3149-000		1	FAN	FM08
60	FK2-3100-000		1	FAN	FM41
61	VS1-7177-004		1	CONNECTOR, SNAP TIGHT, BK	
62	FK2-6461-000		1	FAN	FM42
63	FS1-1508-000		8	BUSHING	
64	FS2-6458-000		1	ROLLER	
65	FS5-1474-000		2	BUSHING COP	
66	FS5-9227-020		1	SCREW, STEPPED, M4	
67	FU3-0339-000		1	GEAR, 20T	
68	FU6-0137-000		1	GEAR, 27T/18T	
69	FU6-0138-000		1	GEAR, 32T/19T	
70	FU6-0603-000		1	GEAR, 30T	
71	FU6-1199-000		1	BUSHING	
72	FU6-3053-000		3	PULLEY, 22T	
73	FU7-2699-000		1	SPRING, COMPRESSION	
74	FU7-2702-000		4	SPRING, COMPRESSION	
75	FU8-0333-000		1	GEAR, 24T	
76	FU8-2343-000		1	SPRING, TORSION	
77	FU9-0048-000		2	GEAR, 19T	
78	FU9-0083-000		1	GEAR, 33T/20T	
79	FU9-2460-000		1	SPRING, COMPRESSION	
80	XA9-2056-000		7	SCREW, MACH. TRUSS HEAD, M4X6	
81	XD9-0134-000		1	RING, E	
82	XD9-0394-000		1	RING, E	
83	XD9-0288-000		3	PIN, DOWEL	
84	XD9-0289-000		4	PIN, PARALLEL	
85	XD9-0292-000		1	PIN, PARALLEL	
86	XF2-1607-440		1	BELT, TIMING	
87	XF2-1610-440		1	BELT, TIMING, CR	

FIGURE & KEY NO.	PART NUMBER	RANK	QTY	DESCRIPTION	SERIAL NUMBER /REMARKS
88	XG9-0365-000		2	BEARING,BALL, LNR-1680HHR	
89	XG9-0707-000		3	BEARING, BALL, MF126ZZ-1	
90	FM4-4320-000		1	CABLE, MOTOR	
91	XF2-1607-040		1	BELT, TIMING	
92	FM4-0911-000		1	BELT PRESSURE SHAFT UNIT	
93	FC9-9061-000		2	SHEET, INNER COVER, 2	
94	FC9-7843-000		1	STAY, SPRING	
501	XD1-1100-225		2	WASHER, COP	
502	XD1-1106-239		2	WASHER,COP	

Figure 331 (1/2)FIXING/FEEDER FRAME ASS'Y

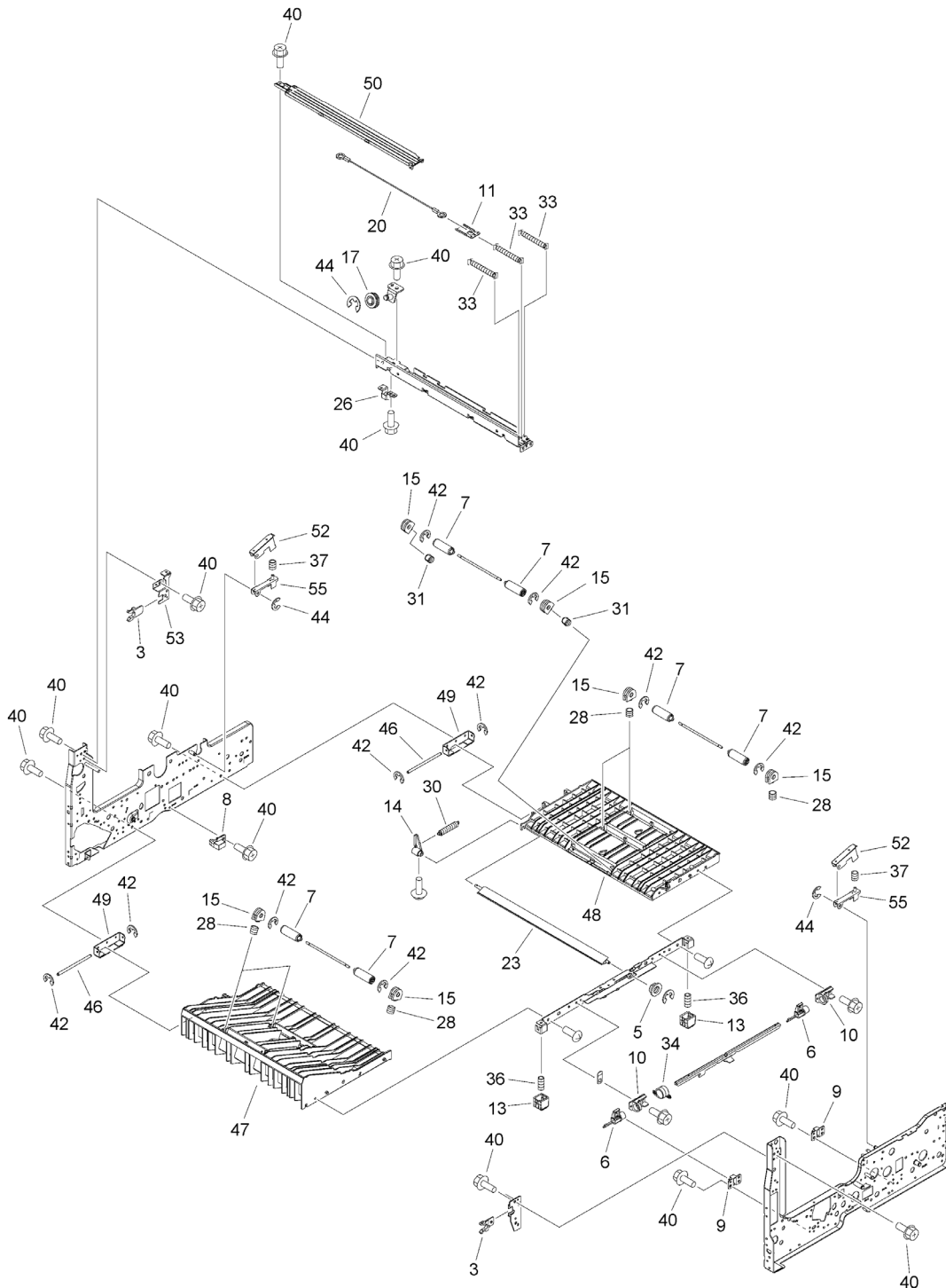


Figure 331 (2/2)FIXING/FEEDER FRAME ASS'Y

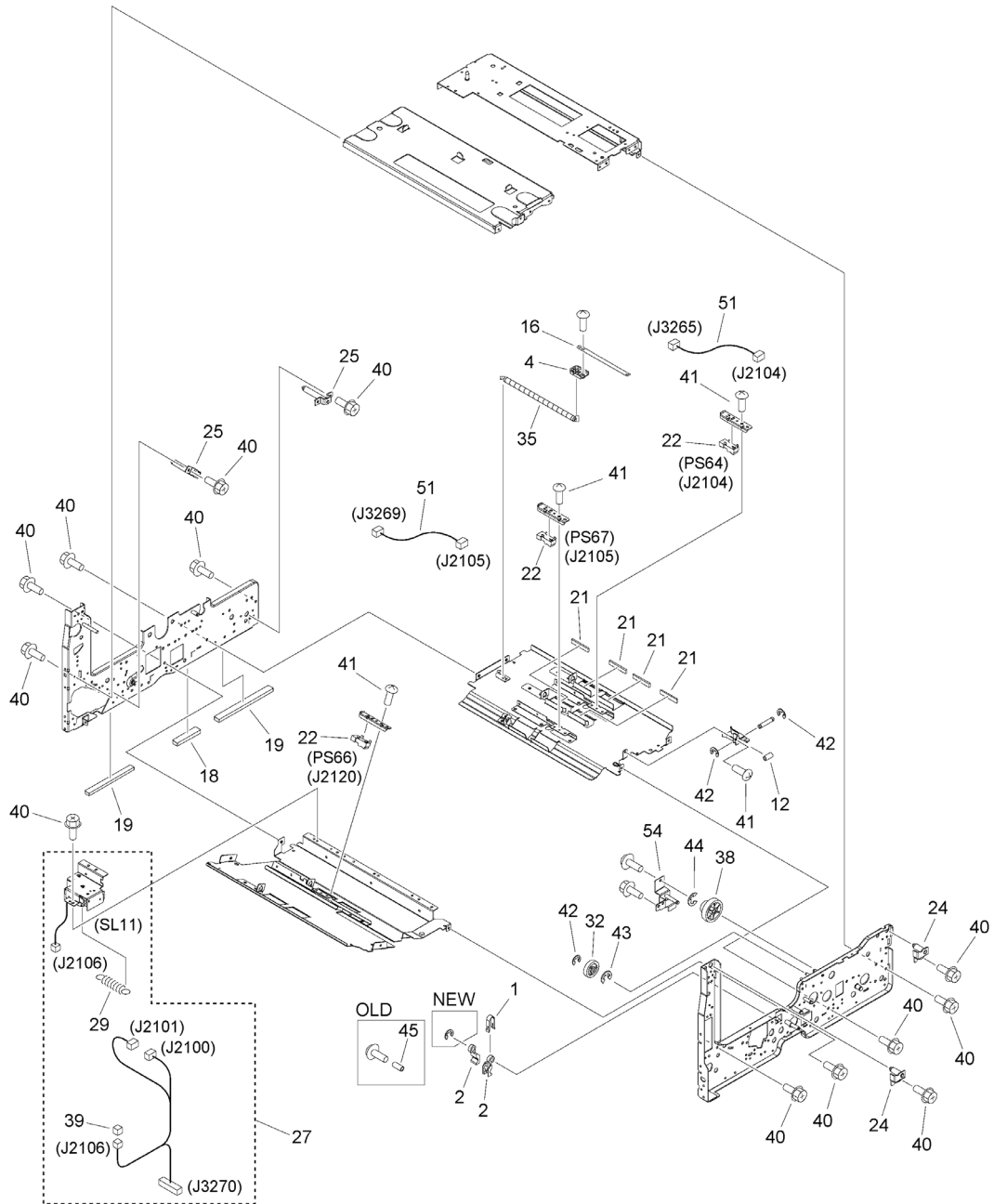


FIGURE & KEY NO.	PART NUMBER	RANK	QTY	DESCRIPTION	SERIAL NUMBER /REMARKS
331	NPN		RF	FIXING/FEEDER FRAME ASS'Y	
1	FC1-3975-020		1	SPRING, LEAF	
2	FC1-3976-000		2	PAD, BRAKE, PA	
3	FC5-2271-000		2	BUSHING	
4	FC5-5167-000		1	MOUNT, TAPE	
5	FC5-6287-000		1	BUSHING	
6	FC7-6972-000		2	HOOK, RIGHT DOOR, LOWER	
7	FC7-7208-000		10	ROLLER, DRIVEN	
8	FC8-7297-000		1	BLOCK, ROLLER PRESSURE RELEASE	
9	FC8-7309-000		2	CATCH, GUIDE	
10	FC8-7324-000		2	BUSHING	
11	FC8-7334-000		1	HOOK	
12	FC8-7343-000		1	ROLLER, BELT	
13	FC8-8802-000		2	BLOCK, PUSHING	
14	FC9-5580-000		1	BUSHING	
15	FC9-7993-000		10	BUSHING	
16	FC9-8817-000		1	BAND, GUIDE	
17	FC9-8821-000		1	PULLEY, WIRE	
18	FC9-9104-000		1	SHEET, EXHAUST	
19	FC9-9105-000		2	SHEET, EXHAUST	
20	FC9-9152-000		1	WIRE, LIFT	
21	FC9-9162-000		4	BRUSH	
22	FK2-6470-000		3	PHOTO-SENSOR, KUA0055C	PS64, PS66, PS67
23	FL1-5828-000		1	FLAPPER	
24	FL3-0272-000		2	PIN, POSITIONING, FRONT	
25	FL3-0273-000		2	PIN, POSITIONING, REAR	
26	FL3-0297-000		1	ROLLER UNIT	
27	FM4-0889-010		1	SOLENOID ASSEMBLY	SL11
28	FU8-2526-000		8	SPRING, COMPRESSION	
29	FU5-2151-000		1	SPRING, TENSION	
30	FU5-2152-000		1	SPRING, TENSION	
31	FU5-2177-000		2	SPRING, COMPRESSION	
32	FU6-0139-000		1	GEAR, 26T	
33	FU7-2701-000		3	SPRING, TENSION	
34	FU7-2703-000		1	SPRING, TORSION	
35	FU7-2704-000		1	SPRING, TENSION	
36	FU7-2838-000		2	SPRING, TORSION	
37	FU8-2344-000		2	SPRING, COMPRESSION	
38	FU9-0082-000		1	GEAR, 36T/18T	
39	VS1-7177-002		1	CONNECTOR, SNAP TIGHT, BK	
40	XA9-0732-010		15	SCREW,RS,M4X8	
41	XA9-0893-000		4	SCREW, M4X8	
42	XD9-0134-000		18	RING, E	
43	XD9-0394-000		1	RING, E	

FIGURE & KEY NO.	PART NUMBER	RANK	QTY	DESCRIPTION	SERIAL NUMBER /REMARKS
44	XD9-0395-000		4	RING, E	
45	XZ1-1401-205		1	SPACER	OLD
46	FC5-2051-000		2	SHAFT, GUIDE SUPPORT	
47	FC8-7321-000		1	GUIDE, DUPLEXING LOWER, 1	
48	FC8-7322-000		1	GUIDE, DUPLEXING LOWER, 2	
49	FE3-4463-000		2	PLATE, HINGE FIXED	
50	FC8-7333-000		1	COVER, DAMPER	
51	FM4-1055-000		2	CABLE, SENSOR	
52	FC9-5576-000		2	PLATE, PRESSURE	
53	FC8-9445-000		1	SUPPORT, HOOK SHAFT, REAR	
54	FL3-2810-000		1	SUPPORT, CONNECTING	
55	FL3-2820-000		2	PLATE, TRANSFER PRESSURE	

Figure 332 REGISTRATION ASS'Y

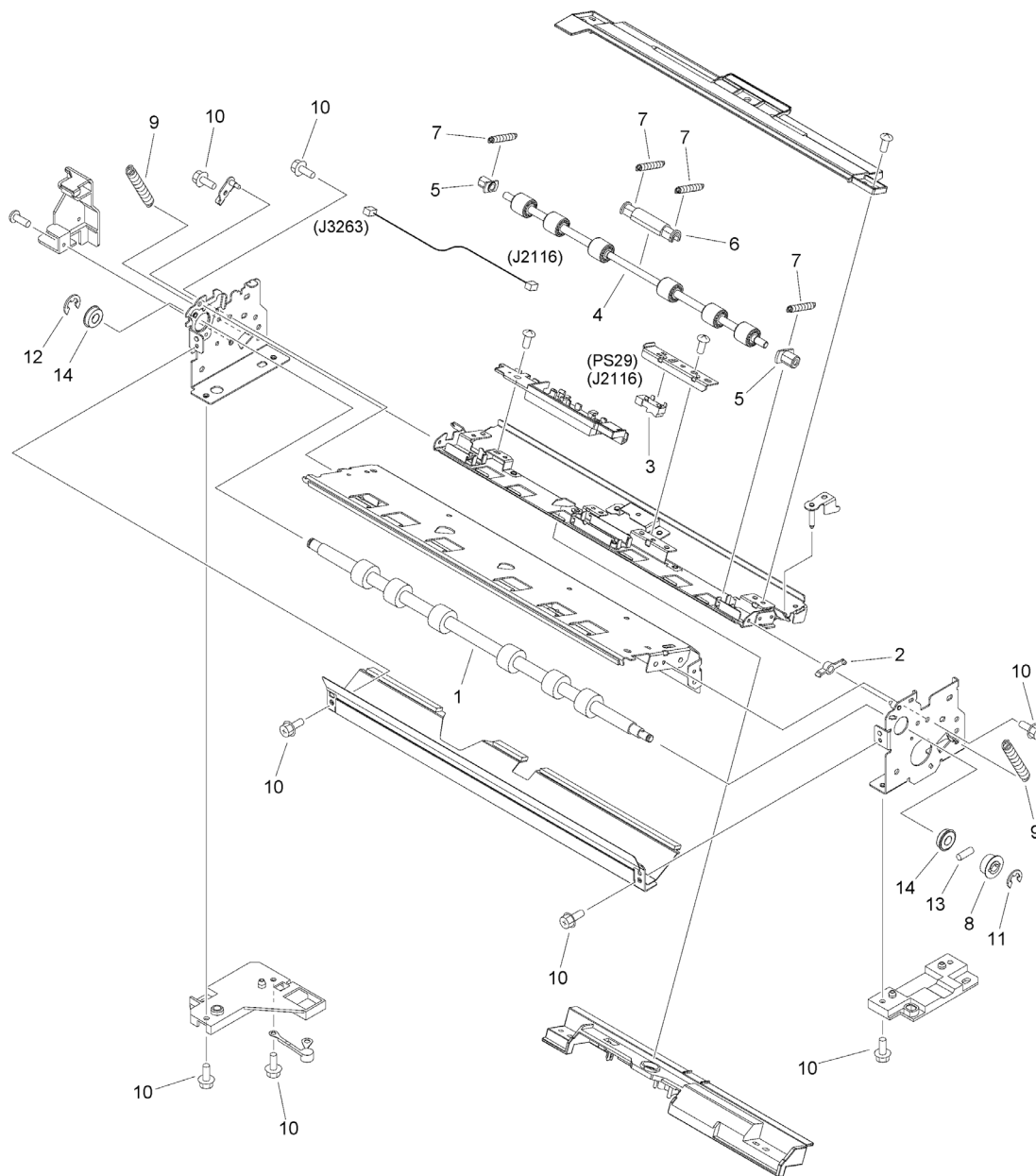




FIGURE & KEY NO.	PART NUMBER	RANK	QTY	DESCRIPTION	SERIAL NUMBER /REMARKS
332	FM1-G391-020		1	REGISTRATION ASS'Y	
1	FC8-7276-000		1	ROLLER, REGISTRATION DRIVE	
2	FC9-8811-000		1	GUIDE, LIMIT	
3	FK2-6470-000		1	PHOTO-SENSOR, KUA0055C	PS29
4	FC8-7277-000		1	ROLLER, REGISTRATION DRIVEN	
5	FC8-7283-000		2	BUSHING	
6	FC8-7284-000		1	BUSHING	
7	FU7-2687-000		4	SPRING, TENSION	
8	FU6-3047-000		1	PULLEY, 24T	
9	FU7-2688-000		2	SPRING, TENSION	
10	XA9-1386-000		12	SCREW,RS,M3X8	
11	XD9-0395-000		1	RING, E	
12	XD9-0396-000		1	RING, E	
13	XD9-0288-000		1	PIN, DOWEL	
14	XG9-0779-000		2	BEARING, BALL, 688ZZNR D41	

Figure 333 PHOTO SENSOR ASS'Y

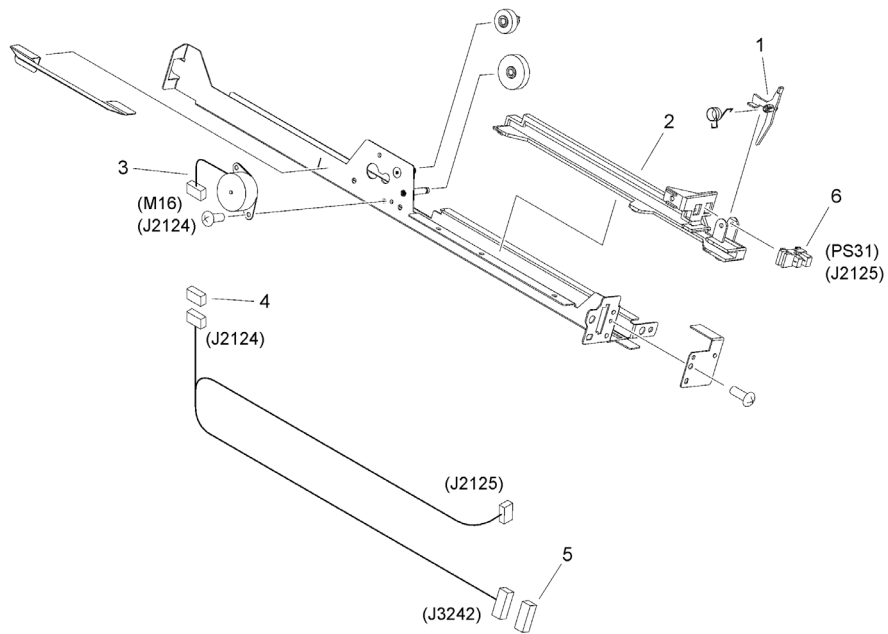


FIGURE & KEY NO.	PART NUMBER	RANK	QTY	DESCRIPTION	SERIAL NUMBER /REMARKS
333	FM4-0897-020		1	PHOTO SENSOR ASSY	
1	FC8-7295-000		1	FLAG, SIDE REGISTRATION DETECT	
2	FC9-5450-010		1	SLIDER, SIDE REGISTRATION	
3	FK2-2069-000		1	MOTOR, STEPPING, DC	M16
4	VS1-7177-004		1	CONNECTOR, SNAP TIGHT, BK	
5	VS1-7177-007		1	CONNECTOR, 7P, FEMALE, BK	
6	WG8-5848-000		1	IC, PHOTO-INTERRUPTER	PS31

Figure 334 E. T. B. CLEANING ASSEMBLY

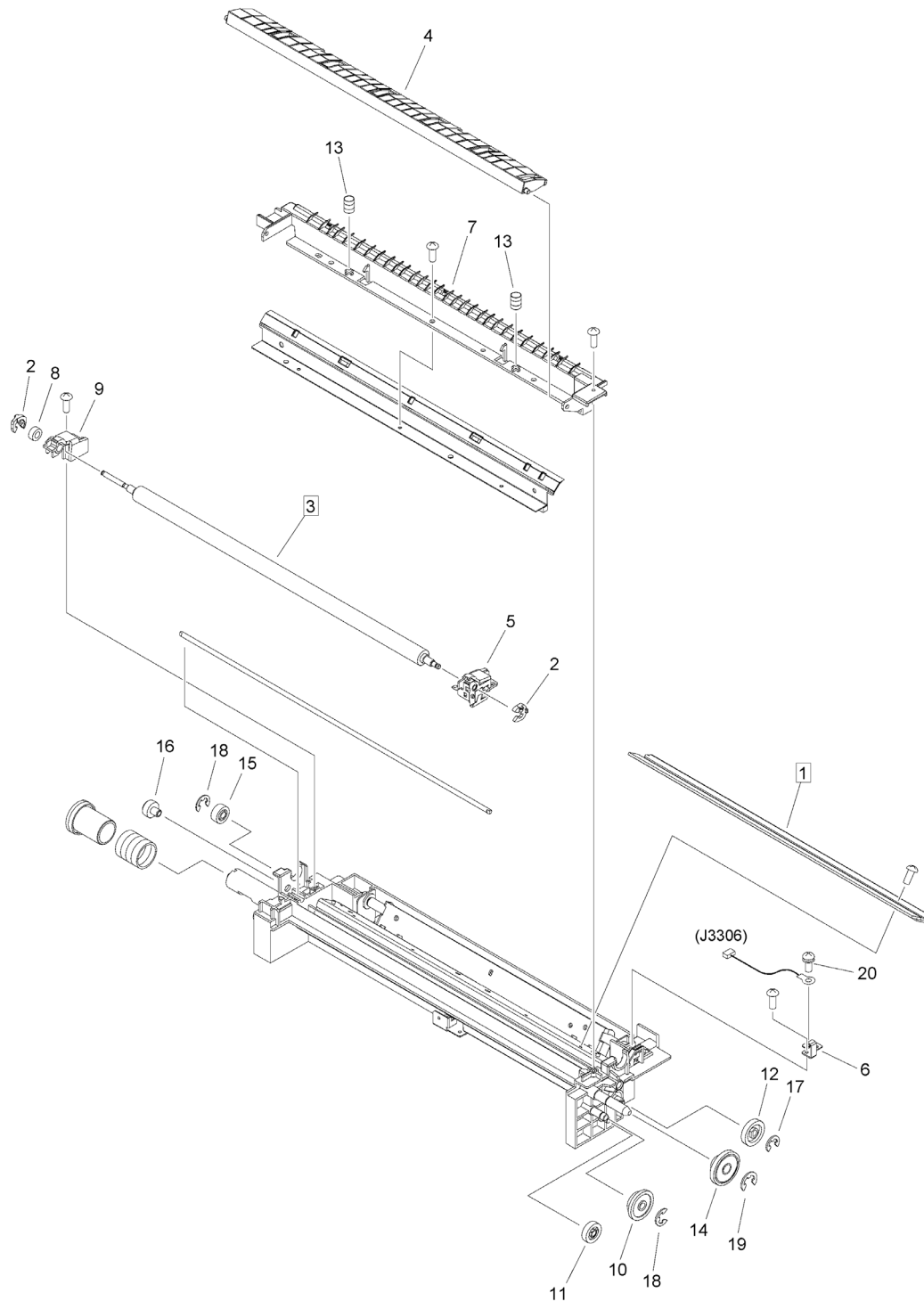


FIGURE & KEY NO.	PART NUMBER	RANK	QTY	DESCRIPTION	SERIAL NUMBER /REMARKS
334	FM4-0913-010		1	E.T.B. CLEANING ASSEMBLY	
1	FC6-1647-000		1	BLADE, CLEANING	[DP]
2	FC7-4155-000		2	RING, E	
3	FC8-7175-000		1	ROLLER, BRUSH	[DP]
4	FC8-7196-000		1	GUIDE, TRANSFER, REAR	
5	FM4-5398-000		1	MOUNT, FRONT	
6	FC9-5698-000		1	PLATE, CONTACT	
7	FL3-2815-000		1	GUIDE, SEPARATION	
8	XG9-0774-000		1	BEARING, BALL, MR84-2RS-SH41M	
9	FL3-3799-000		1	MOUNT, REAR	
10	FU5-0016-000		1	GEAR, 33T/22T	
11	FU6-0092-000		1	GEAR, 21T	
12	FU6-0119-000		1	GEAR, 27T	
13	FU7-2697-000		2	SPRING, COMPRESSION	
14	FU9-0037-000		1	GEAR, 34T/16T	
15	FU9-0074-000		1	GEAR, 24T	
16	FU9-0075-000		1	GEAR, 22T	
17	XD9-0134-000		1	RING, E	
18	XD9-0395-000		2	RING, E	
19	XD9-0396-000		1	RING, E	
20	FE4-0431-000		1	SCREW, W/WASHER, M3X6	

Figure 335 E. T. BELT ASSEMBLY

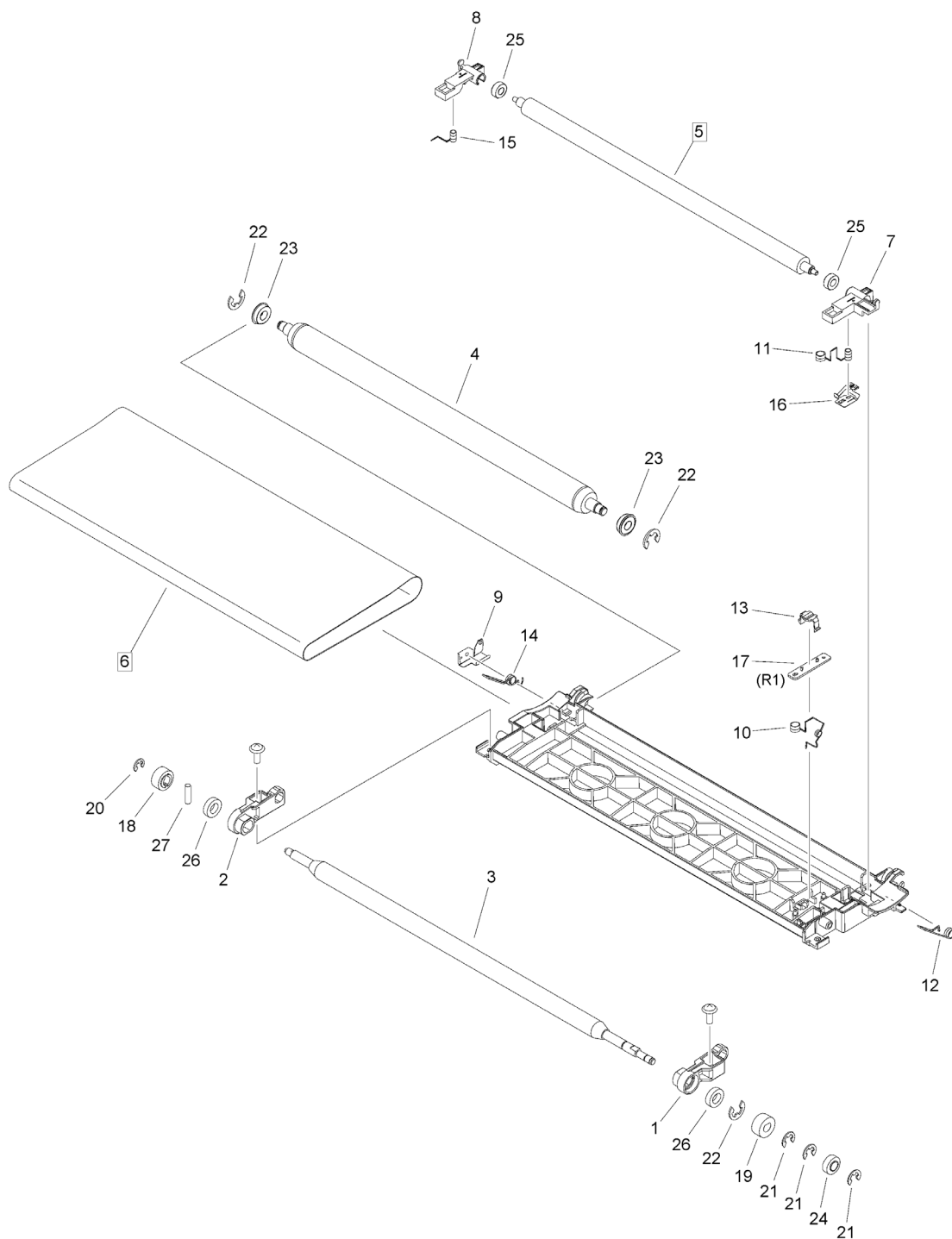


FIGURE & KEY NO.	PART NUMBER	RANK	QTY	DESCRIPTION	SERIAL NUMBER /REMARKS
335	FM1-Z351-000		1	E.T.BELT ASSEMBLY	
1	FE4-4115-000		1	HOLDER, DRIVE ROLLER, FRONT	
2	FE4-4116-000		1	HOLDER, DRIVE ROLLER, REAR	
3	FC8-7157-000		1	ROLLER, DRIVE	
4	FC8-7158-000		1	ROLLER, IDLER	
5	FC8-7159-000		1	ROLLER, TRANSFER	[DP]
6	FC8-7160-000		1	BELT, ELECTROSTATIC TRANSFER	[DP]
7	FC8-7161-000		1	HOLDER, TRANSFER ROLLER, FRONT	
8	FC8-7162-000		1	HOLDER, TRANSFER ROLLER, REAR	
9	FC8-7166-000		1	SPRING, CONTACT	
10	FC9-5586-000		1	SPRING, COMPRESSION	
11	FC9-5587-000		1	SPRING, COMPRESSION	
12	FE2-F766-000		1	SPRING, TORSION	
13	FC9-7853-000		1	STOPPER	
14	FE2-F767-000		1	SPRING, TORSION	
15	FC9-8815-000		1	SPRING, COMPRESSION	
16	FC9-9193-000		1	SPRING, HIGH VOLTAGE CONTACT	
17	FM2-7196-000		1	HVR PCB ASSEMBLY	R1
18	FU6-0414-000		1	GEAR, 20T	
19	FU9-0032-000		1	GEAR, 18T	
20	XD9-0134-000		1	RING, E	
21	XD9-0395-000		3	RING, E	
22	XD9-0396-000		3	RING, E	
23	XG9-0794-000		2	BEARING, BALL, LNR-1680KKR	
24	XG9-0706-000		1	BEARING, BALL, MR126ZZ-1	
25	XG9-0774-000		2	BEARING, BALL, MR84-2RS-SH41M	
26	XG9-0758-000		2	BEARING, BALL, MR148ZZ-2	
27	XD9-0287-000		1	PIN, DOWEL	

Figure 336 REVERSE CROSSMEMBER ASS'Y, LF.

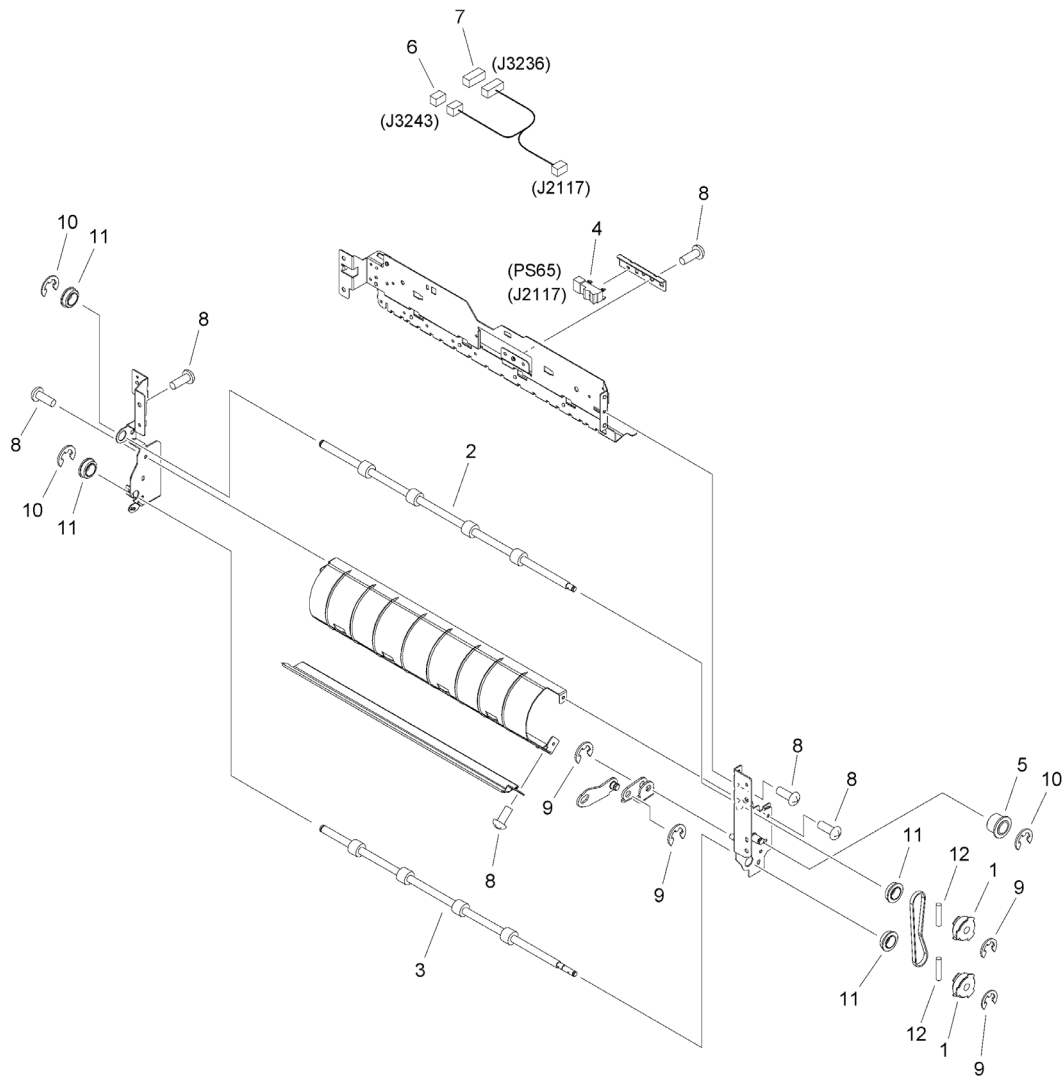




FIGURE & KEY NO.	PART NUMBER	RANK	QTY	DESCRIPTION	SERIAL NUMBER /REMARKS
336	FM4-0893-000		1	REVERSE CROSSMEMBER ASS'Y, LF.	
1	FC5-2261-000		2	PULLEY, 29T	
2	FC8-7332-000		1	ROLLER, REVERSE V.P.	
3	FC9-5457-000		1	ROLLER, REVERSE V.P., LOWER	
4	FK2-6470-000		1	PHOTO-SENSOR, KUA0055C	PS65
5	FS2-6458-000		1	ROLLER	
6	VS1-7177-003		1	CONNECTOR, SNAP TIGHT, BK	
7	VS1-7177-006		1	CONNECTOR, SNAP TIGHT, BK	
8	XA9-2056-000		15	SCREW, M4X8	
9	XD9-0395-000		4	RING, E	
10	XD9-0396-000		3	RING, E	
11	XG9-0709-000		4	BEARING, BALL, MF128ZZ-3	
12	XD9-0289-000		2	PIN, PARALLEL	

Figure 350B OUTER PAPER DELIVERY ASS'Y

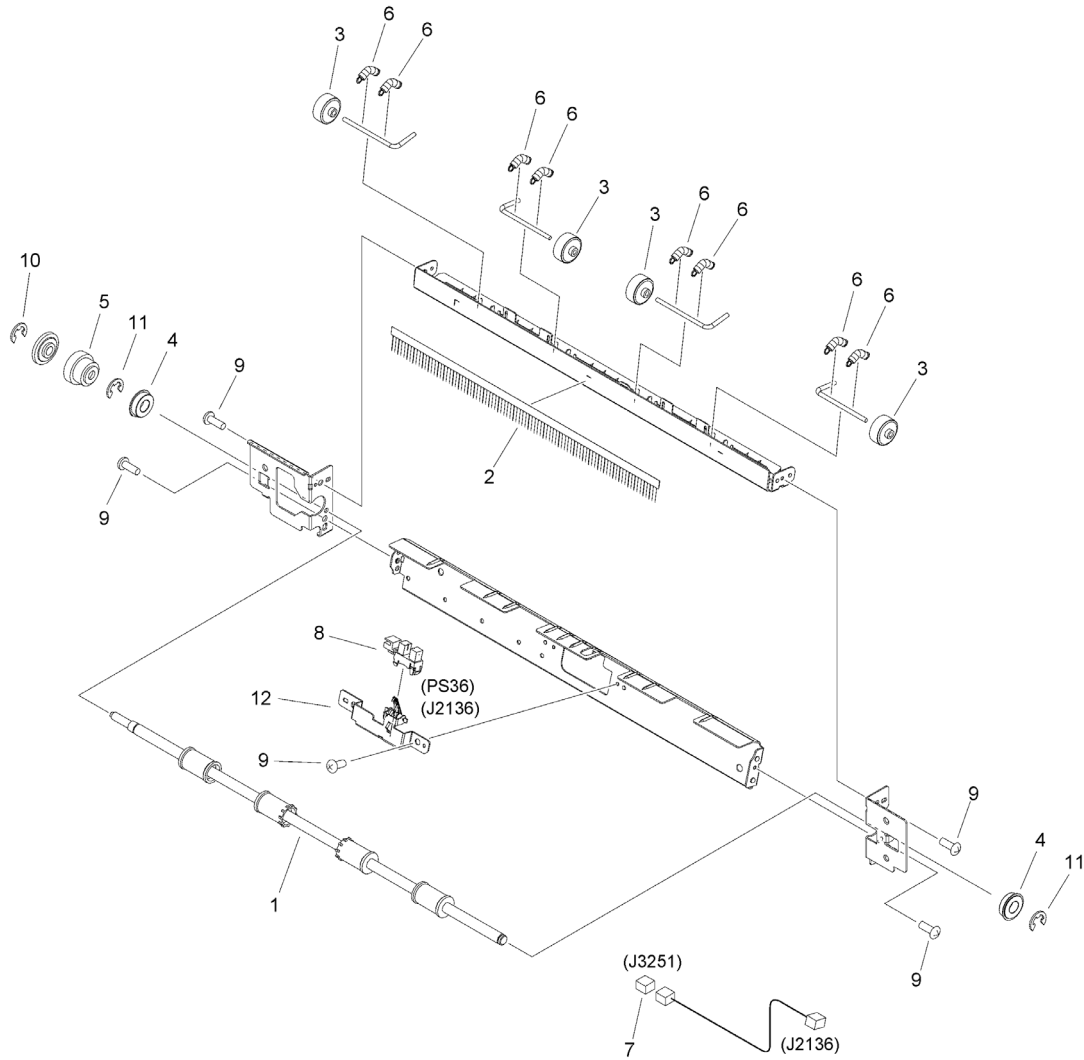
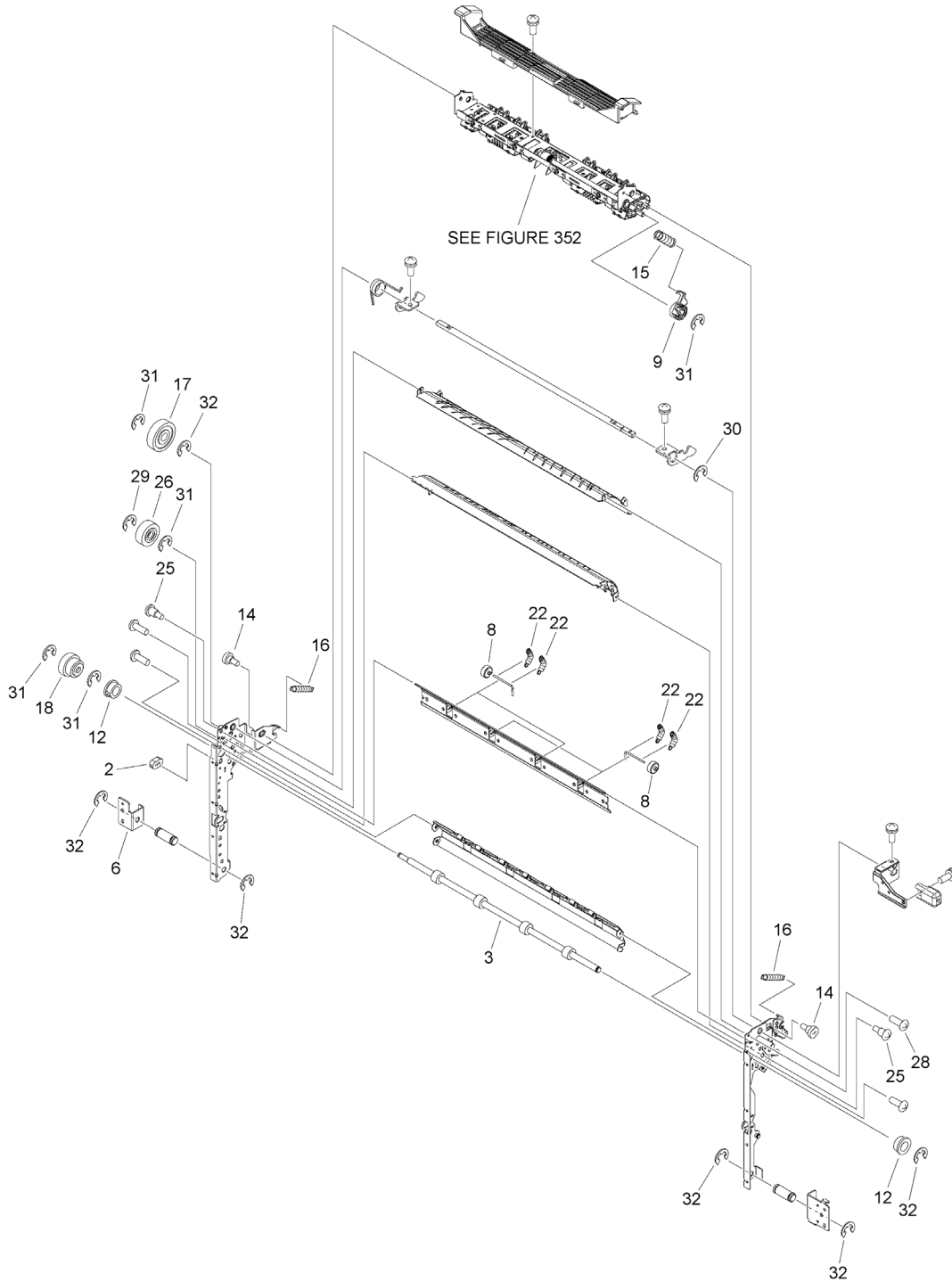


FIGURE & KEY NO.	PART NUMBER	RANK	QTY	DESCRIPTION	SERIAL NUMBER /REMARKS
350B	FM3-7379-000		1	OUTER PAPER DELIVERY ASS'Y	
1	FC8-7378-000		1	ROLLER, OUTER PAPER DELIVERY	
2	FC0-2131-000		1	ELIMINATOR, STATIC CHARGE	
3	FC9-8283-000		4	ROLLER, PAPER DELIVERY	
4	XG9-0794-000		2	BEARING, BALL, LNR-1680KKR	
5	FU5-0207-000		1	GEAR, 19T	
6	FU5-2141-000		8	SPRING, TENSION	
7	VS1-7177-003		1	CONNECTOR, SNAP TIGHT, BK	
8	WG8-5848-000		1	IC, PHOTO-INTERRUPTER	PS36
9	XA9-2008-000		6	SCREW,M3X4	
10	XD9-0134-000		1	RING, E	
11	XD9-0396-000		2	RING, E	
12	FL3-3867-000		1	SENSOR FLAG UNIT	

# Figure 351C (1/2) REVERSE PAPER DELIVERY ASS'Y (6780 Series)

NOTE : This assembly includes the assemblies shown in Figure 352.



# Figure 351C (2/2) REVERSE PAPER DELIVERY ASS'Y (6780 Series)

NOTE : This assembly includes the assemblies shown in Figure 352.

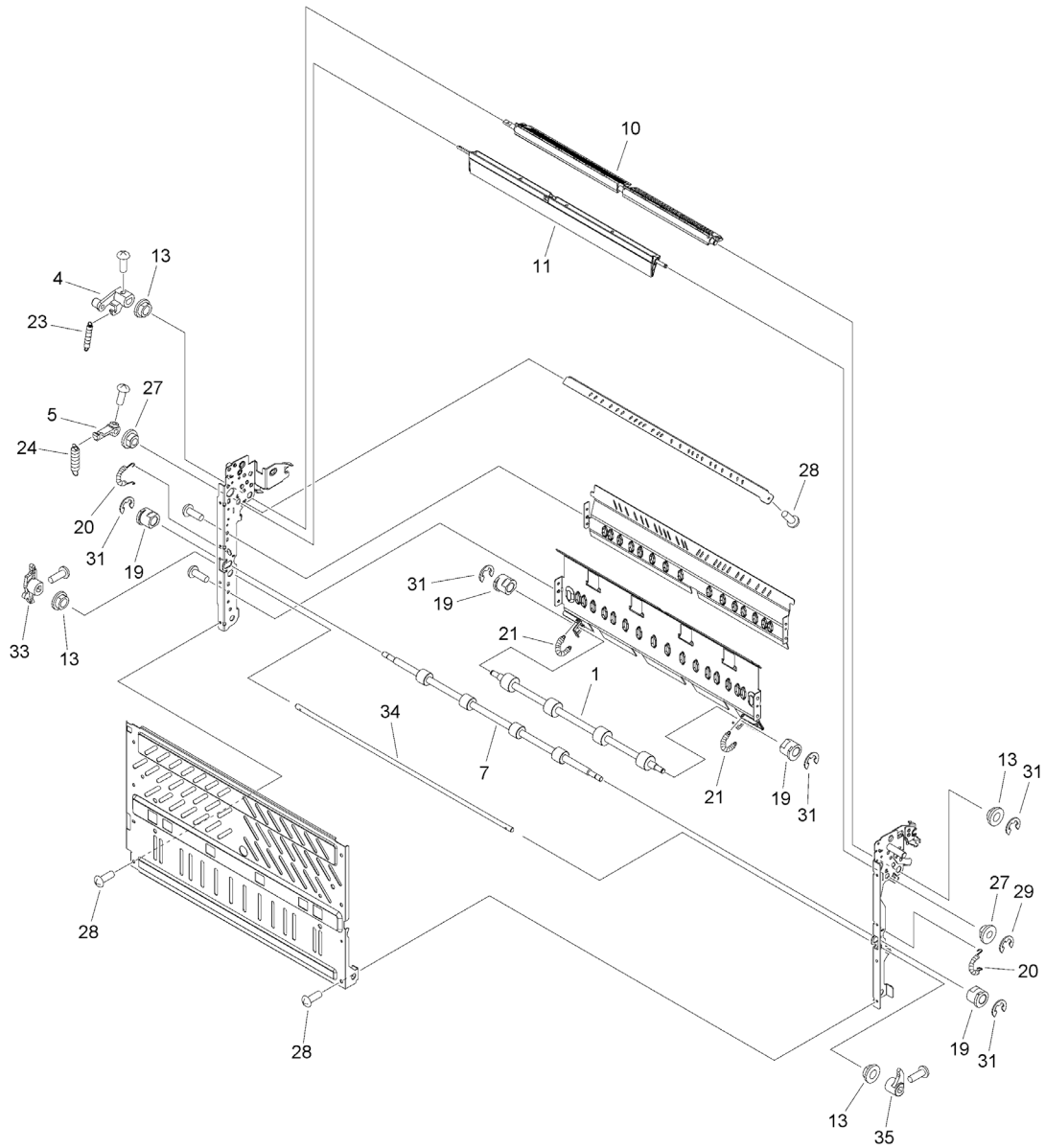
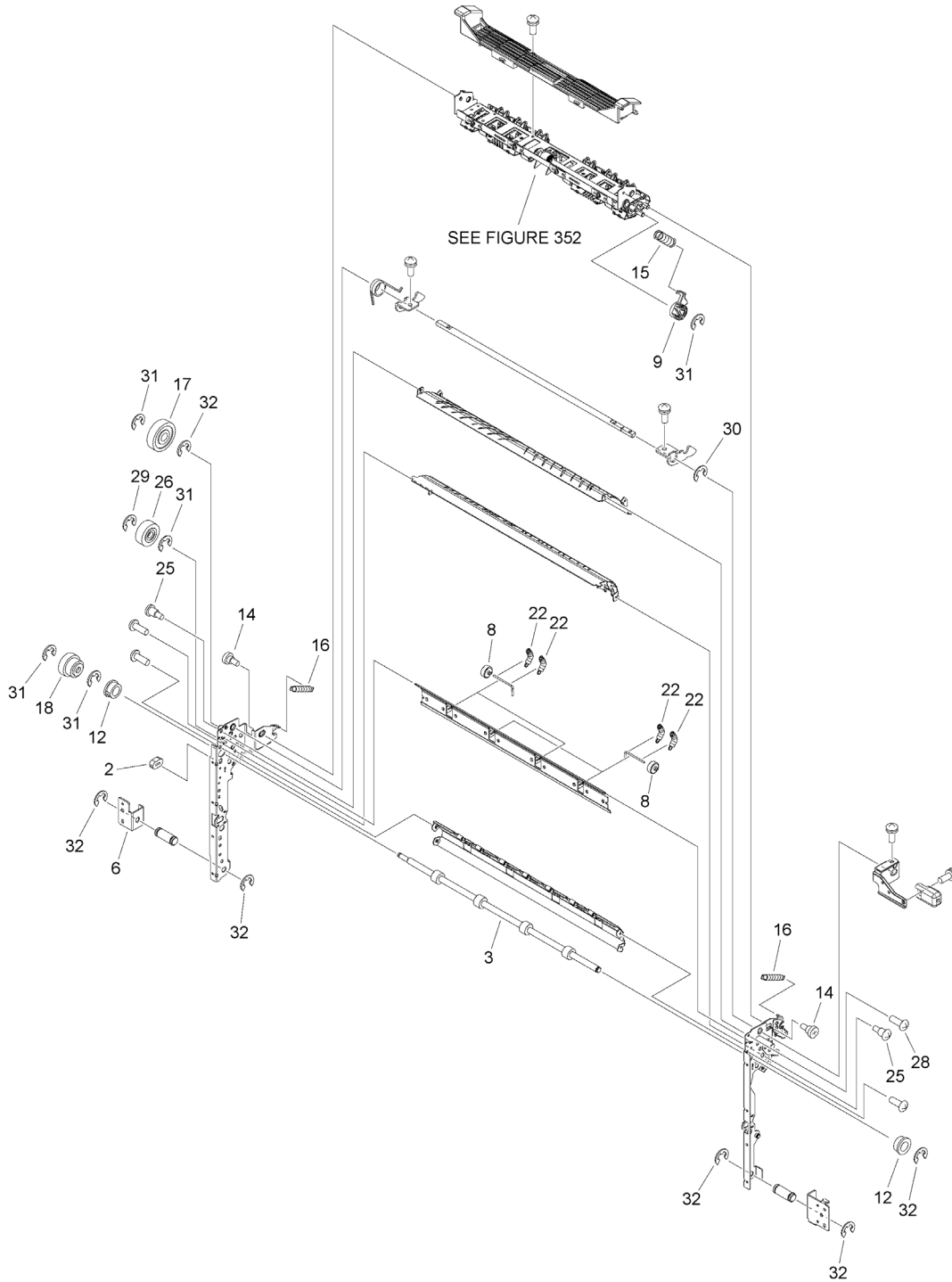


FIGURE & KEY NO.	PART NUMBER	RANK	QTY	DESCRIPTION	SERIAL NUMBER /REMARKS
351C	FM4-5313-000		1	REVERSE PAPER DELIVERY ASS'Y	IR-ADV DX 6780 Series SEE NOTE
1	FC6-9782-000		1	ROLLER, REVERSE DRIVEN, LOWER	
2	FC8-7236-000		1	DAMPER	
3	FC8-7387-000		1	ROLLER, REVERSE FEED	
4	FC8-7389-000		1	ARM, FLAPPER	
5	FC8-7390-000		1	ARM, CROSSING FLAPPER	
6	FC8-9348-000		1	PLATE, HINGE, REAR	
7	FC9-5458-000		1	ROLLER, REVERSE V.P. DRIVEN	
8	FC9-8283-000		4	ROLLER, PAPER DELIVERY	
9	FL3-0275-000		1	LEVER, ONE-WAY	
10	FL3-3784-010		1	FLAPPER,REVERSE PAPER DELIVERY	
11	FM4-5153-000		1	FLAPPER UNIT	
12	XG9-0709-000		2	BEARING, BALL, MF128ZZ-3	
13	FS1-1569-000		4	BUSHING	
14	FU5-9305-000		2	SCREW, STEPPED, M4	
15	FS5-2946-000		1	SPRING, TENSION	
16	FS5-2947-000		2	SPRING, TENSION	
17	FS6-0042-000		1	GEAR, 26T	
18	FU5-0207-000		1	GEAR, 19T	
19	FE8-7174-000		4	BUSHING	
20	FU5-2139-040		2	SPRING, TENSION	
21	FU5-2140-000		2	SPRING, TENSION	
22	FU5-2141-000		8	SPRING, TENSION	
23	FU5-2147-000		1	SPRING, TENSION	
24	FU5-2160-000		1	SPRING, TENSION	
25	FU5-9035-000		6	SCREW, STEPPED, M3X3	
26	FL1-1833-000		1	GEAR, 20T	
27	FU6-1196-000		2	BUSHING	
28	XA9-1116-030		15	SCREW,M3X5	
29	XD9-0134-000		2	RING, E	
30	XD9-0394-000		1	RING, E	
31	XD9-0395-000		11	RING, E	
32	XD9-0396-000		6	RING, E	
33	FC9-5461-000		1	ARM, ROLLER ESTRANGEMENT, REAR	
34	FC9-5462-000		1	SHAFT, ESTRANGEMENT ARM	
35	FC9-7846-000		1	ARM, ROLLER ESTRANGEMENT,FRONT	

# Figure 351E (1/2) REVERSE PAPER DELIVERY ASS'Y (6765, 6755 Series)

NOTE : This assembly includes the assemblies shown in Figure 352.



# Figure 351E (2/2) REVERSE PAPER DELIVERY ASS'Y (6765, 6755 Series)

NOTE : This assembly includes the assemblies shown in Figure 352.

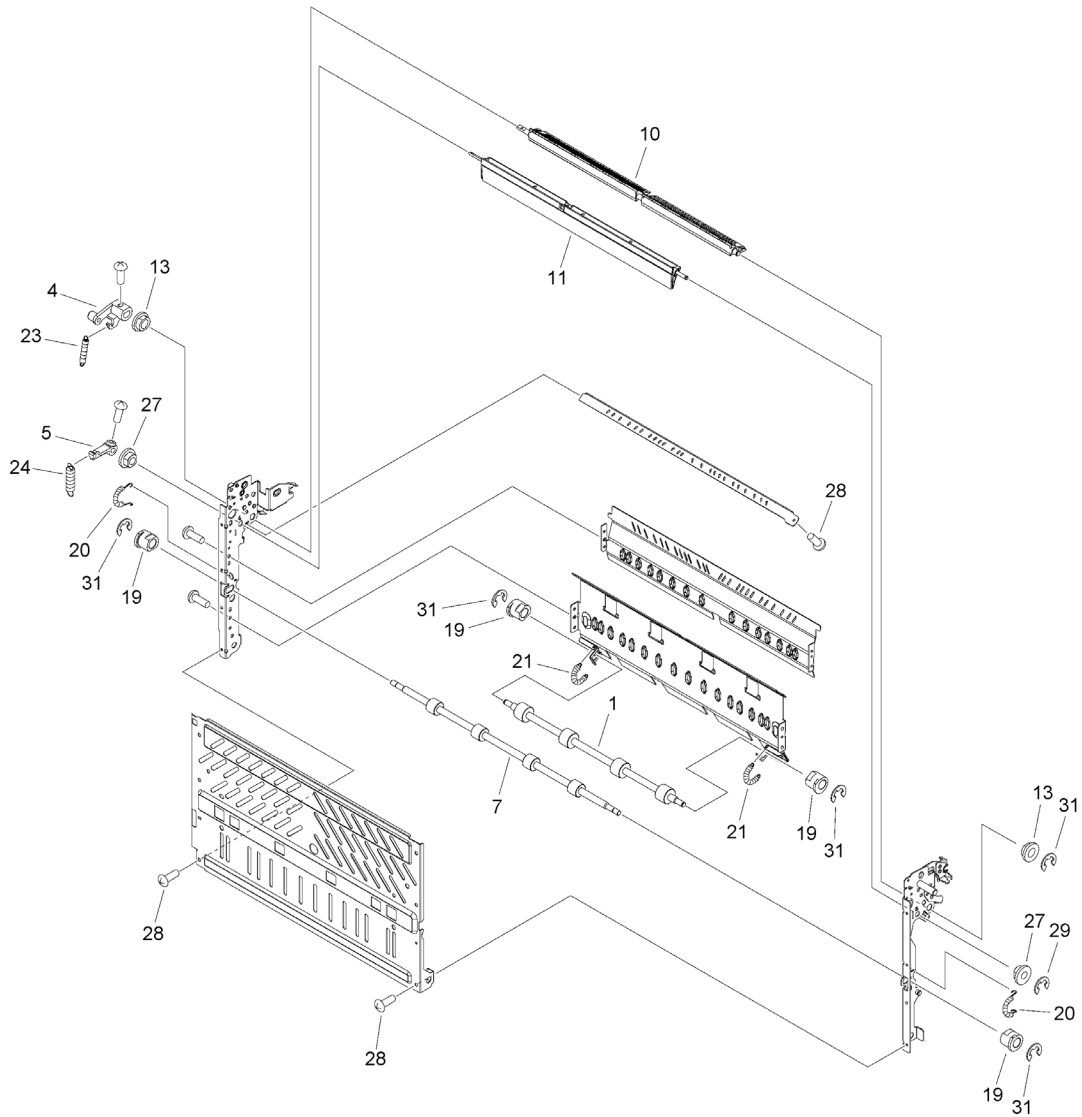




FIGURE & KEY NO.	PART NUMBER	RANK	QTY	DESCRIPTION	SERIAL NUMBER /REMARKS
351E	FM4-5316-010		1	REVERSE PAPER DELIVERY ASS'Y	IR-ADV DX 6765, 6755 Series SEE NOTE
1	FC6-9782-000		1	ROLLER, REVERSE DRIVEN, LOWER	
2	FC8-7236-000		1	DAMPER	
3	FC8-7387-000		1	ROLLER, REVERSE FEED	
4	FC8-7389-000		1	ARM, FLAPPER	
5	FC8-7390-000		1	ARM, CROSSING FLAPPER	
6	FC8-9348-000		1	PLATE, HINGE, REAR	
7	FC9-5458-000		1	ROLLER, REVERSE V.P. DRIVEN	
8	FC9-8283-000		4	ROLLER, PAPER DELIVERY	
9	FL3-0275-000		1	LEVER, ONE-WAY	
10	FL3-3784-010		1	FLAPPER, REVERSE PAPER DELIVERY	
11	FM4-5153-000		1	FLAPPER UNIT	
12	XG9-0709-000		2	BEARING, BALL, MF128ZZ-3	
13	FS1-1569-000		2	BUSHING	
14	FU5-9305-000		2	SCREW, STEPPED, M4	
15	FS5-2946-000		1	SPRING, TENSION	
16	FS5-2947-000		2	SPRING, TENSION	
17	FS6-0042-000		1	GEAR, 26T	
18	FU5-0207-000		1	GEAR, 19T	
19	FE8-7174-000		4	BUSHING	
20	FU5-2139-040		2	SPRING, TENSION	
21	FU5-2140-000		2	SPRING, TENSION	
22	FU5-2141-000		8	SPRING, TENSION	
23	FU5-2147-000		1	SPRING, TENSION	
24	FU5-2160-000		1	SPRING, TENSION	
25	FU5-9035-000		6	SCREW, STEPPED, M3X3	
26	FL1-1833-000		1	GEAR, 20T	
27	FU6-1196-000		2	BUSHING	
28	XA9-1116-030		15	SCREW, M3X5	
29	XD9-0134-000		2	RING, E	
30	XD9-0394-000		1	RING, E	
31	XD9-0395-000		11	RING, E	
32	XD9-0396-000		6	RING, E	

### Figure 352 INNER PAPER DELIVERY ASS'Y

NOTE : This assembly is included in the assembly shown in Figure 351.

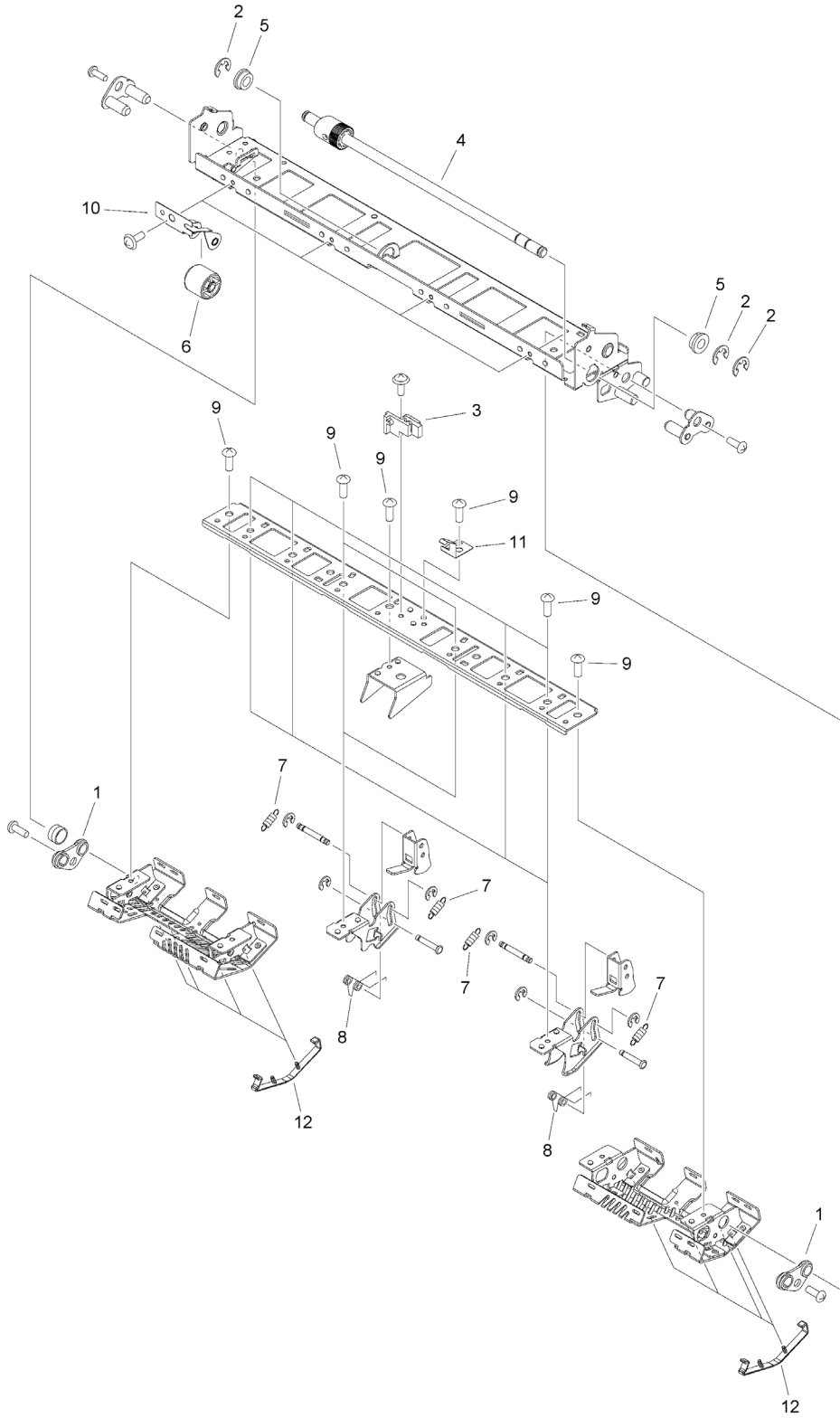
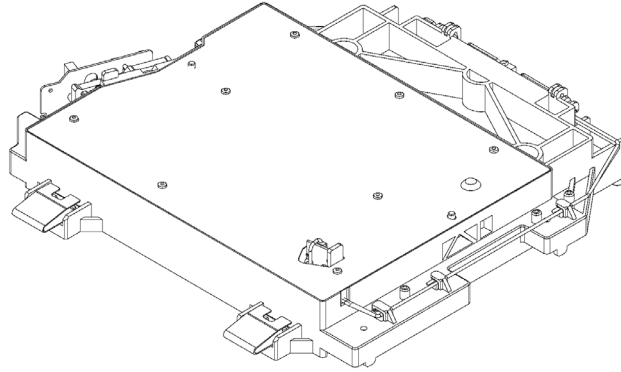


FIGURE & KEY NO.	PART NUMBER	RANK	QTY	DESCRIPTION	SERIAL NUMBER /REMARKS
352	FM3-7381-000		1	INNER PAPER DELIVERY ASSY	SEE NOTE
1	FB2-7163-000		2	BUSHING	
2	XD9-0395-000		3	RING, E	
3	FC9-9071-000		1	MOUNT, PIN	
4	FL3-3019-000		1	SHAFT, RECIPROCATING	
5	FS5-1372-000		2	BUSHING	
6	FC9-9187-000		4	ROLLER, FEED	
7	FS7-2319-000		12	SPRING,TENSION	
8	FE2-1022-000		6	SPRING, TORSION	
9	XA9-2008-000		12	SCREW,M3X4	
10	FC8-9343-000		4	HOLDER, FEED ROLLER	
11	FC9-5130-000		1	PLATE, RATCHET CLAW	
12	FC9-6947-000		8	GUIDE, PAPER	

Figure 460B LASER SCANNER UNIT



<b>FIGURE &amp; KEY NO.</b>	<b>PART NUMBER</b>	<b>R A N K</b>	<b>QTY</b>	<b>DESCRIPTION</b>	<b>SERIAL NUMBER /REMARKS</b>
460B	FM3-7526-010		1	LASER SCANNER UNIT	

Figure 510B PHOTO-SENSITIVE DRUM ASSEMBLY (120V)

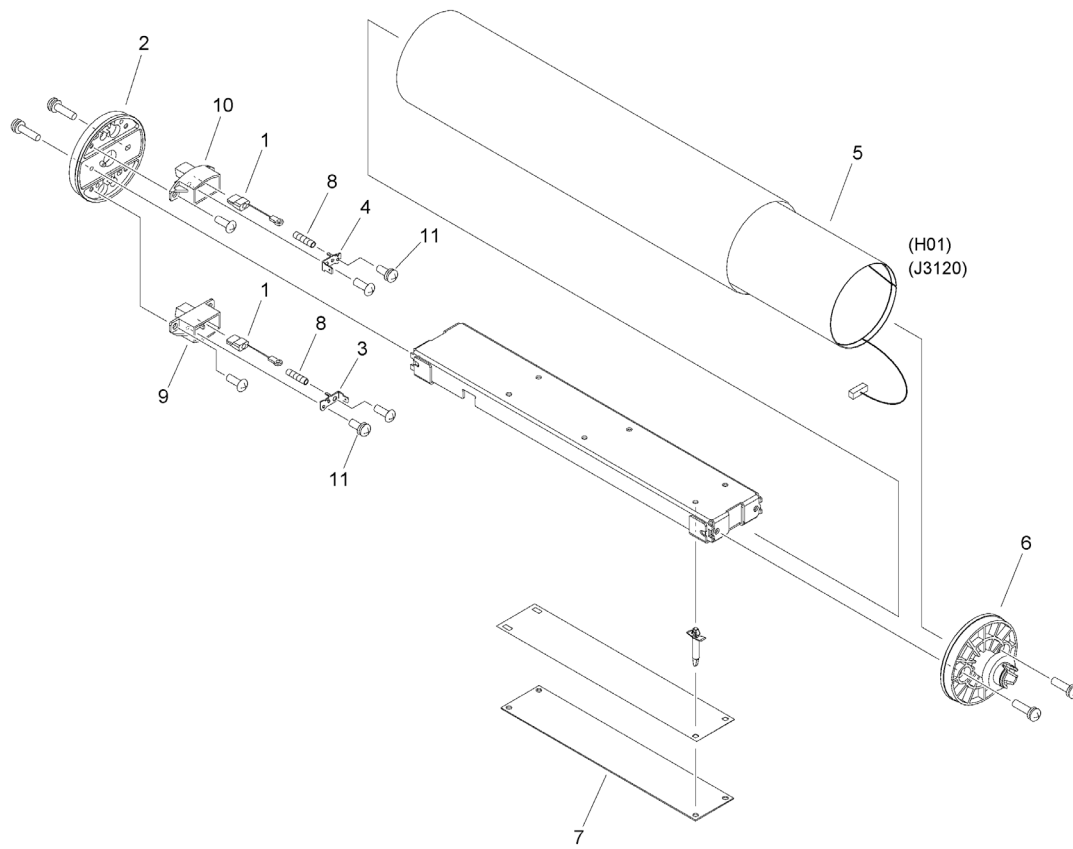


FIGURE & KEY NO.	PART NUMBER	RANK	QTY	DESCRIPTION	SERIAL NUMBER /REMARKS
510B	NPN		RF	PHOTO-SENSITIVE DRUM ASSEMBLY	120V
1	FC5-1766-000		2	ELIMINATOR, STATIC CHARGE	
2	FC0-5520-000		1	FLANGE, DRUM, REAR	
3	FC9-9133-000		1	TERMINAL, POWER DISPATCHING, 1	
4	FC9-9134-000		1	TERMINAL, POWER DISPATCHING, 2	
5	FK2-7724-000		1	HEATER, DRUM	H01
6	FL3-7931-000		1	FLANGE, DRUM, FRONT	
7	FM4-1108-010		1	DRUM HEATER DRIVER PCB ASS'Y	
8	FS2-2036-020		2	SPRING, COMPRESSION	
9	FC9-9139-000		1	MOUNT, TERMINAL, 1	
10	FC9-9140-000		1	MOUNT, TERMINAL, 2	
11	FE4-0431-000		2	SCREW, W/WASHER, M3X6	

Figure 510C PHOTO-SENSITIVE DRUM ASSEMBLY (230V)

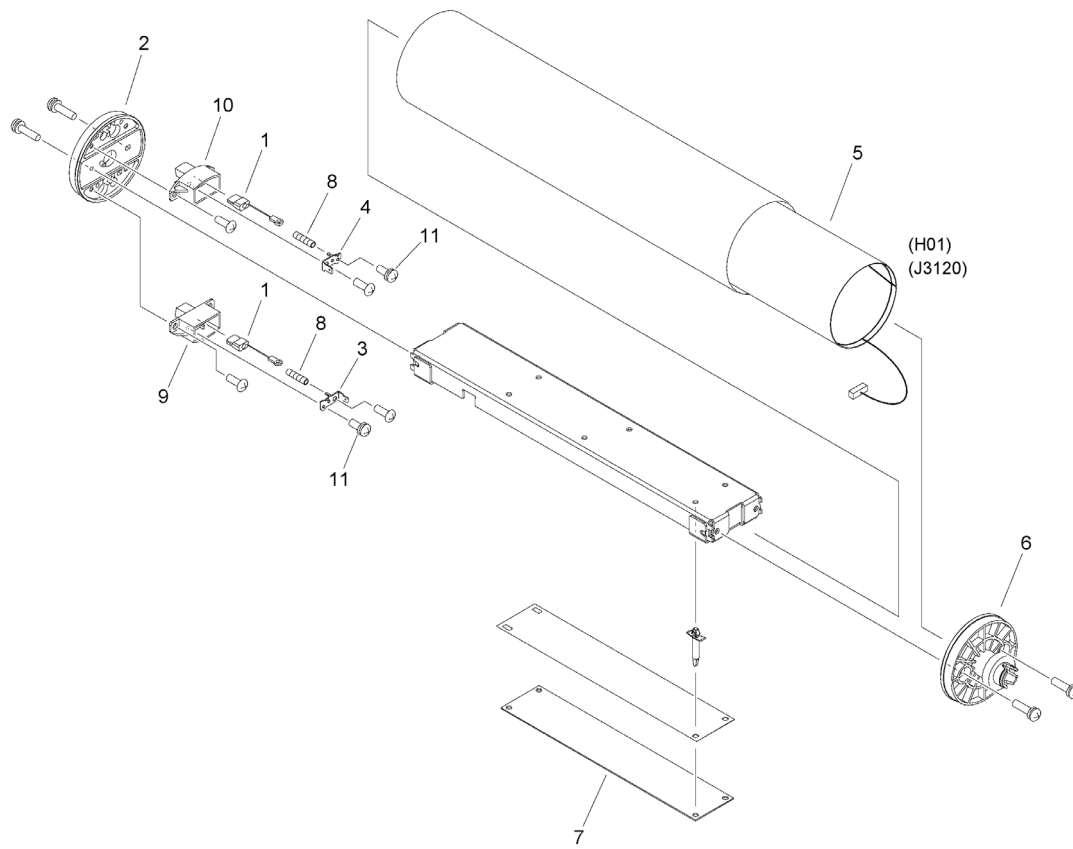




FIGURE & KEY NO.	PART NUMBER	RANK	QTY	DESCRIPTION	SERIAL NUMBER /REMARKS
510C	NPN		RF	PHOTO-SENSITIVE DRUM ASSEMBLY	230V
1	FC5-1766-000		2	ELIMINATOR, STATIC CHARGE	
2	FC0-5520-000		1	FLANGE, DRUM, REAR	
3	FC9-9133-000		1	TERMINAL, POWER DISPATCHING, 1	
4	FC9-9134-000		1	TERMINAL, POWER DISPATCHING, 2	
5	FK2-7725-000		1	HEATER, DRUM	H01
6	FL3-7931-000		1	FLANGE, DRUM, FRONT	
7	FM4-1107-010		1	DRUM HEATER DRIVER PCB ASS'Y	
8	FS2-2036-020		2	SPRING, COMPRESSION	
9	FC9-9139-000		1	MOUNT, TERMINAL, 1	
10	FC9-9140-000		1	MOUNT, TERMINAL, 2	
11	FE4-0431-000		2	SCREW, W/WASHER, M3X6	

Figure 550 1ST CORONA ASS'Y

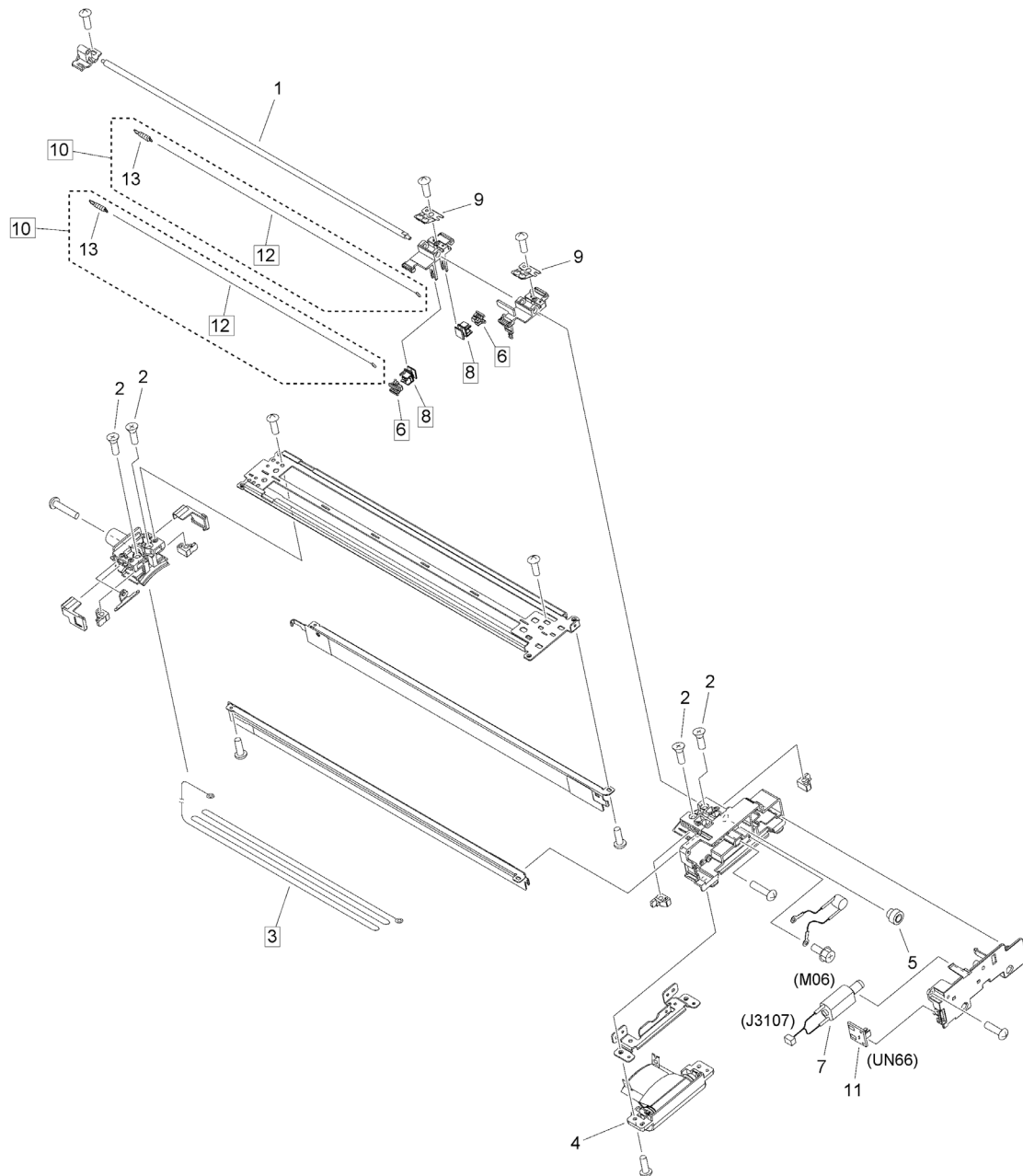


FIGURE & KEY NO.	PART NUMBER	RANK	QTY	DESCRIPTION	SERIAL NUMBER /REMARKS
550	FM3-7288-030		1	1ST CORONA ASS'Y	[DP]
1	FC5-1810-000		1	SCREW, LEAD	
2	XA9-0228-000		4	SCREW, INSUL., C.S.HEAD	
3	FY1-0883-000		1	CORONA WIRE ROLL (100M)	[DP]
4	FM4-5432-010		1	SHUTTER UNIT	
5	FU5-0268-000		1	GEAR, 18T	
6	FL2-7750-010		2	SLIDER, PAD	[DP]
7	FL2-0991-000		1	DC MOTOR UNIT	M06
8	FL3-7560-000		2	HOLDER, WIRE CLEANING PAD	[DP]
9	FL3-8789-000		2	PIN, SLIDER	
10	FL3-4558-000		2	WIRE, 1ST CORONA	[DP]
11	FM4-1102-000		1	CONTACT PCB ASS'Y	UN66
12	FB4-3687-000		2	WIRE, CORONA, 0.06MM (20M)	[DP]
13	FU8-2522-000		2	SPRING, TENSION	

Figure 570B PRE-TRANSFER CORONA ASS'Y

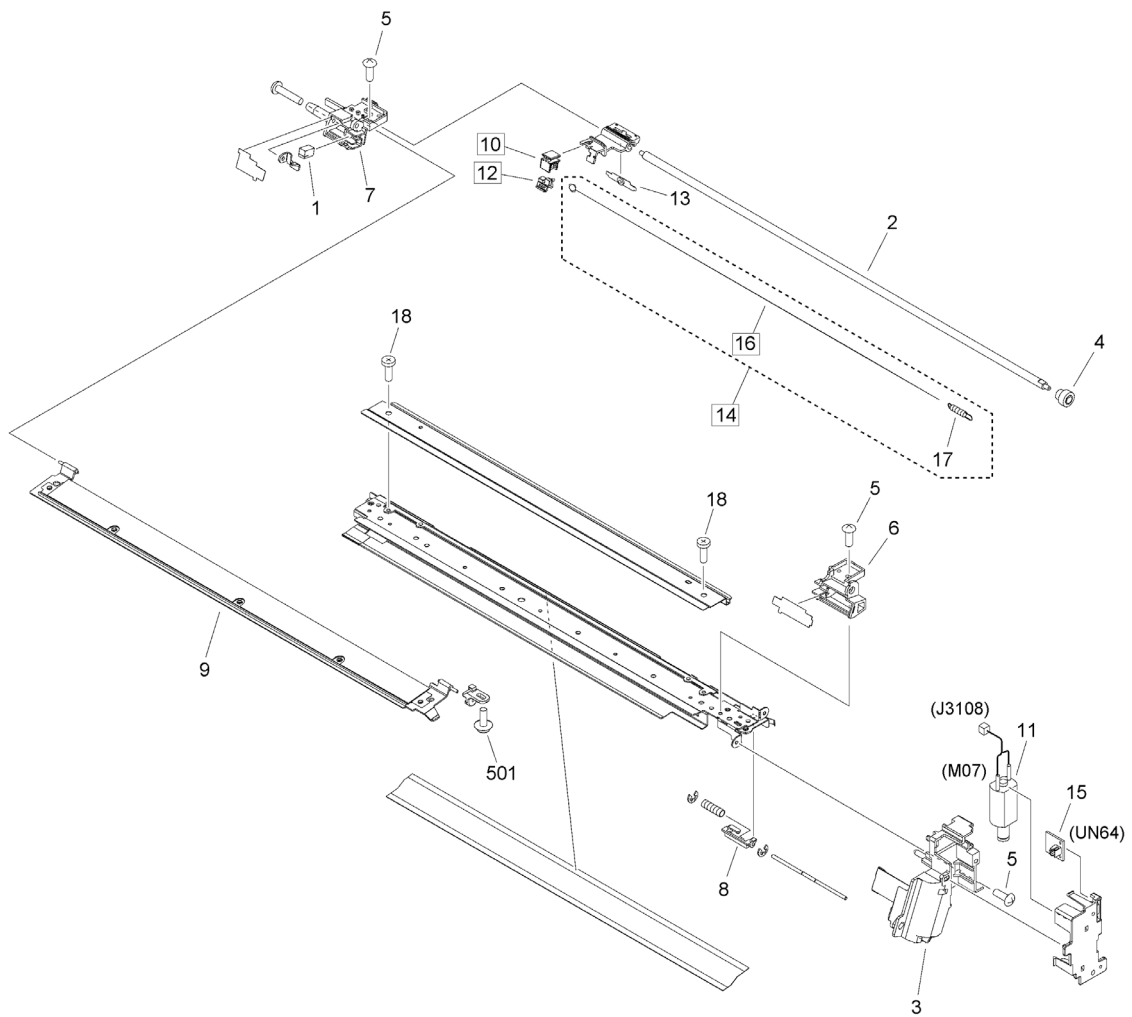


FIGURE & KEY NO.	PART NUMBER	RANK	QTY	DESCRIPTION	SERIAL NUMBER /REMARKS
570B	FM3-7297-020		1	PRE-TRANSFER CORONA ASS'Y	[DP]
1	FA4-1864-000		1	DAMPER	
2	FC5-1810-000		1	SCREW, LEAD	
3	FM4-5433-010		1	SHUTTER UNIT	
4	FU5-0268-000		1	GEAR, 18T	
5	XA9-2008-000		5	SCREW,M3X4	
6	FC9-0071-000		1	BLOCK, PRE-TRANSFER CORONA, FR	
7	FC9-0074-000		1	BLOCK, PRE-TRANSFER CORONA, RR	
8	FC9-6166-000		1	HOLDER, SLIDE PIN	
9	FL3-3802-010		1	GUIDE, PRE-TRANSFER	
10	FL2-7750-010		1	SLIDER, PAD	[DP]
11	FL2-0991-000		1	DC MOTOR UNIT	M07
12	FL3-7560-000		1	HOLDER, WIRE CLEANING PAD	[DP]
13	FL3-8790-000		1	SPRING, PRESSURE	
14	FL3-4559-000		1	WIRE, PRE-TRANSFER CORONA	[DP]
15	FM4-1102-000		1	CONTACT PCB ASS'Y	UN64
16	FB4-3687-000		1	WIRE, CORONA, 0.06MM (20M)	[DP]
17	FU8-2522-000		1	SPRING, TENSION	
18	XA9-0624-000		2	SCREW,M3X4	
501	XB6-7300-405		1	SCREW, TP, M3X4	

# Figure 620B HOPPER ASS'Y

NOTE : This part is included in the part shown with key No.9 included in Figure 621.

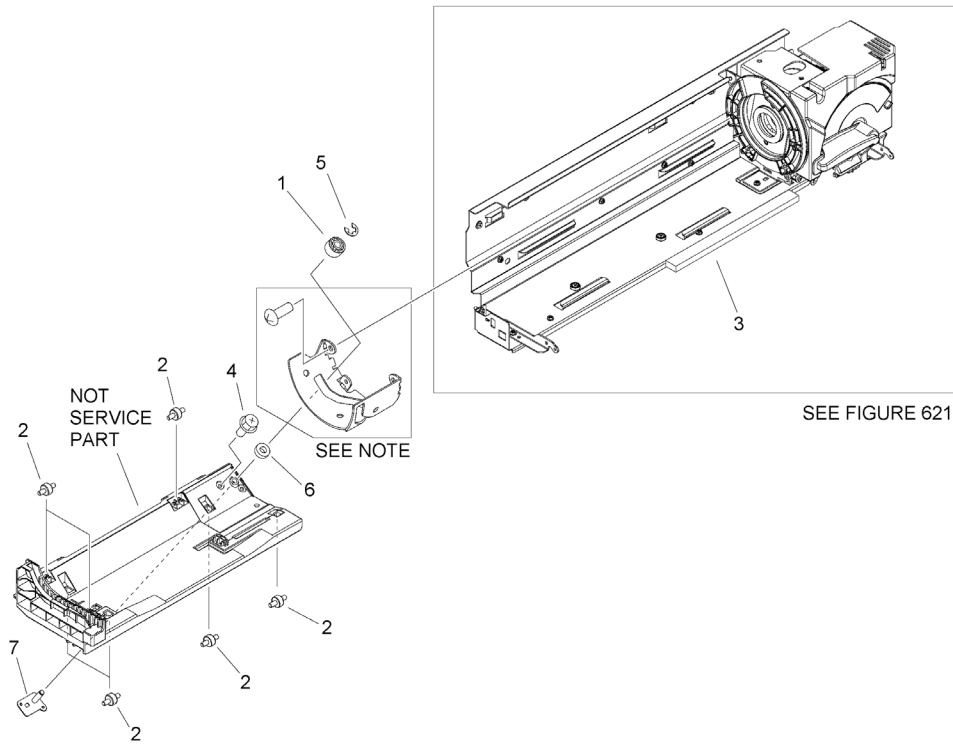


FIGURE & KEY NO.	PART NUMBER	RANK	QTY	DESCRIPTION	SERIAL NUMBER /REMARKS
620B	NPN		RF	HOPPER ASSY	
1	FC5-1950-000		1	ROLLER, BOTTLE STOP	
2	FC5-5092-000		7	ROLLER	
3	FM4-9813-010		1	HOPPER UNIT(L)	
4	XA9-1386-000		2	SCREW,RS,M3X8	
5	XD9-0395-000		1	RING, E	
6	XG9-0521-000		1	BEARING, BALL, MR126ZZ	
7	FL3-2174-000		1	PLATE, SUPPORT	

Figure 621 HOPPER ASS' Y

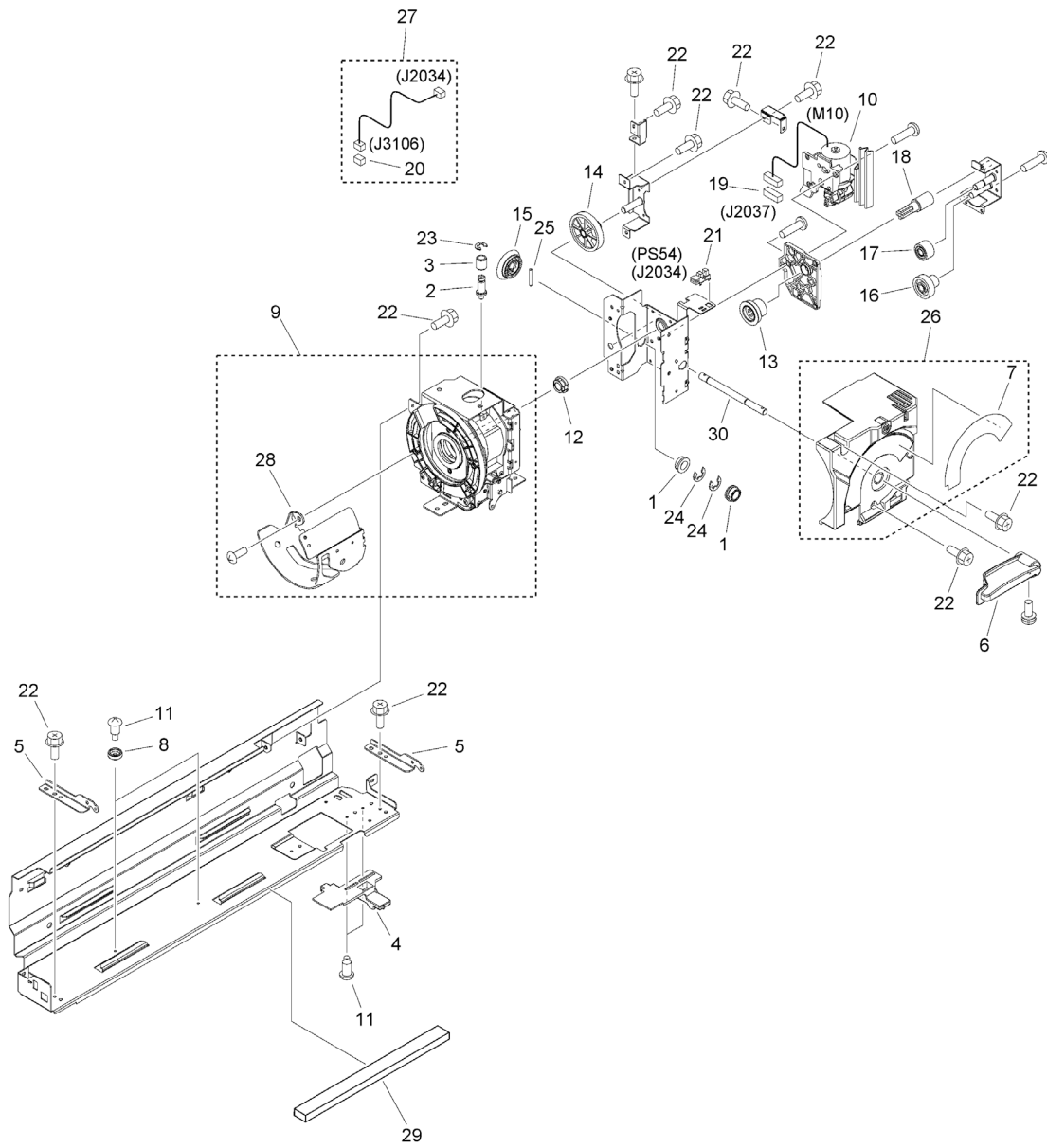




FIGURE & KEY NO.	PART NUMBER	RANK	QTY	DESCRIPTION	SERIAL NUMBER /REMARKS
621	NPN		RF	HOPPER ASSY	
1	XG9-0737-000		2	BUSHING	
2	FC6-2327-000		1	SHAFT, RING	
3	FC6-3230-000		1	STOPPER, FRONT	
4	FC8-7139-000		1	SHUTTER, TONER CASE	
5	FC9-0160-000		2	SUPPORT, HINGE	
6	FC9-6942-000		1	LEVER, OPERATOR	
7	FC9-9054-000		1	LABEL, LEVER POSITION	
8	FC9-9196-000		2	ROLLER, BOTTLE BOX LIMIT	
9	FM4-0880-010		1	CAM UNIT	
10	FM4-5309-000		1	BOTTLE DRIVE UNIT	M10
11	FS5-9438-030		4	SCREW, STEPPED	
12	FU6-1197-000		1	BUSHING	
13	FU7-0841-000		1	GEAR, 28T	
14	FU0-0055-000		1	GEAR, BEVEL, 13T/48T	
15	FU0-0054-000		1	GEAR, BEVEL, 16T	
16	FU9-0078-000		1	GEAR, 17T/47T	
17	FU9-0079-000		1	GEAR, 25T	
18	FU9-0080-000		1	GEAR, 18T	
19	VS1-7177-006		1	CONNECTOR, SNAP TIGHT, BK	
20	VS1-8412-003		1	CONNECTOR, SNAP TIGHT, BL	
21	WG8-5848-000		1	IC, PHOTO-INTERRUPTER	PS54
22	XA9-1386-000		18	SCREW, RS, M3X8	
23	XD9-0134-000		1	RING, E	
24	XD9-0396-000		2	RING, E	
25	XD9-0293-000		1	PIN, PARALLEL	
26	FL3-7917-000		1	COVER, SET ON, RIGHT	
27	FM4-0998-000		1	CABLE, HOPPER UNIT	
28	FL3-7929-000		1	CAM, BOTTLE	
29	FL0-1826-000		1	SEAL, HOPPER	
30	FU6-4982-000		1	SHAFT, LEVER	

Figure 625 BUFFER ASS' Y

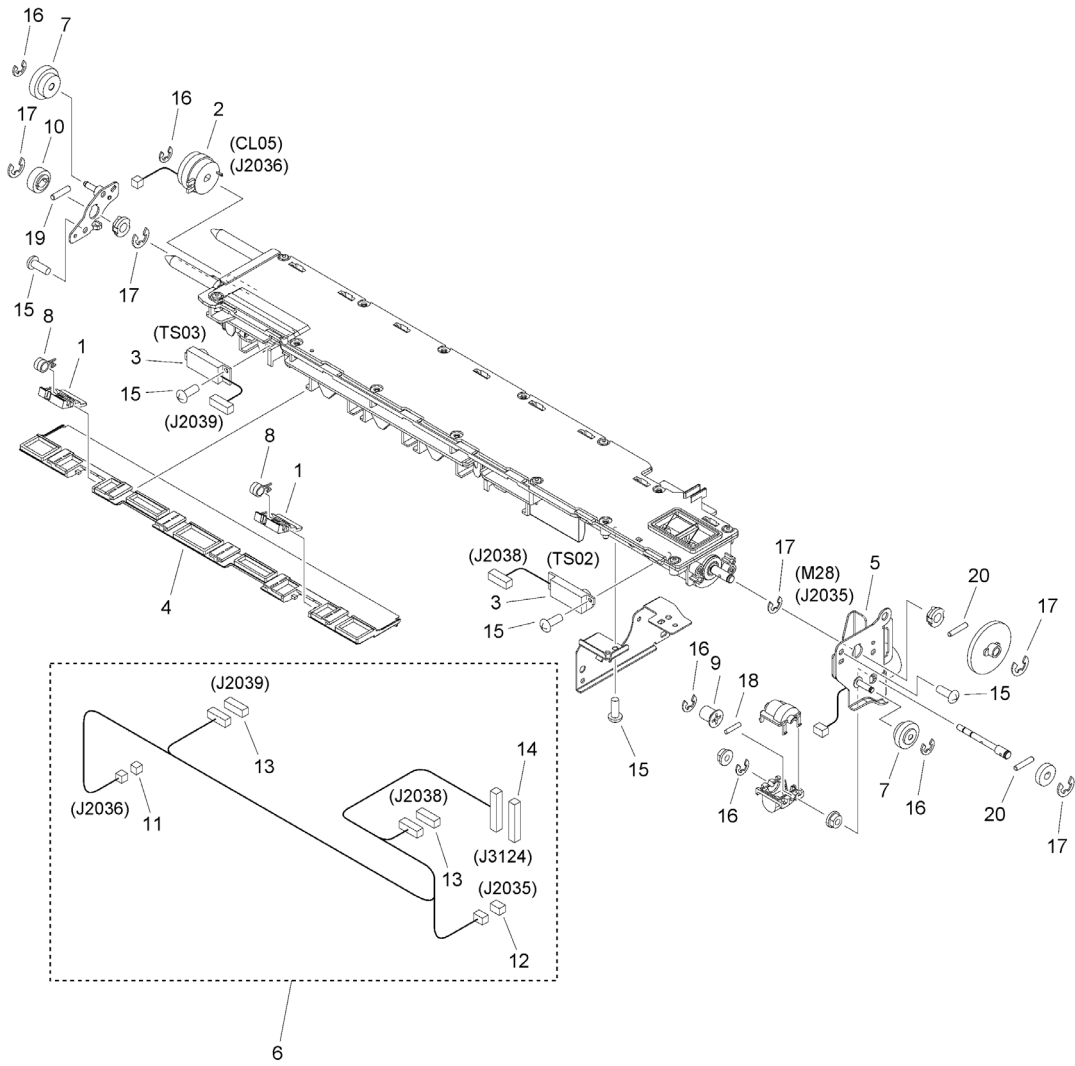


FIGURE & KEY NO.	PART NUMBER	RANK	QTY	DESCRIPTION	SERIAL NUMBER /REMARKS
625	FM4-0953-000		1	BUFFER ASS'Y	
1	FC9-5091-000		2	ARM, SHUTTER	
2	FK2-7728-000		1	CLUTCH, ELECTROMAGNETIC	CL05
3	FK2-7713-000		2	SENSOR UNIT, TONER	TS02, TS03
4	FL3-3782-000		1	SHUTTER, BUFFER	
5	FM4-0956-000		1	MOTOR, STEPPING, DC	M28
6	FM4-0999-000		1	CABLE, BUFFER	
7	FS6-0028-000		2	GEAR, 23T/16T	
8	FU7-2715-000		2	SPRING, TORSION	
9	FU9-0031-000		1	GEAR, 14T	
10	FU9-0155-000		1	GEAR, 16T	
11	VS1-7177-002		1	CONNECTOR, SNAP TIGHT, BK	
12	VS1-7177-003		1	CONNECTOR, SNAP TIGHT, BK	
13	VS1-7177-006		2	CONNECTOR, SNAP TIGHT, BK	
14	VS1-8412-017		1	CONNECTOR, SNAP TIGHT, BL	
15	XA9-2008-000		11	SCREW,M3X4	
16	XD9-0134-000		5	RING, E	
17	XD9-0395-000		5	RING, E	
18	XD9-0328-000		1	PIN, DOWEL	
19	XD9-0287-000		1	PIN, DOWEL	
20	XD9-0288-000		2	PIN, DOWEL	

Figure 640B DEVELOPING ASS'Y

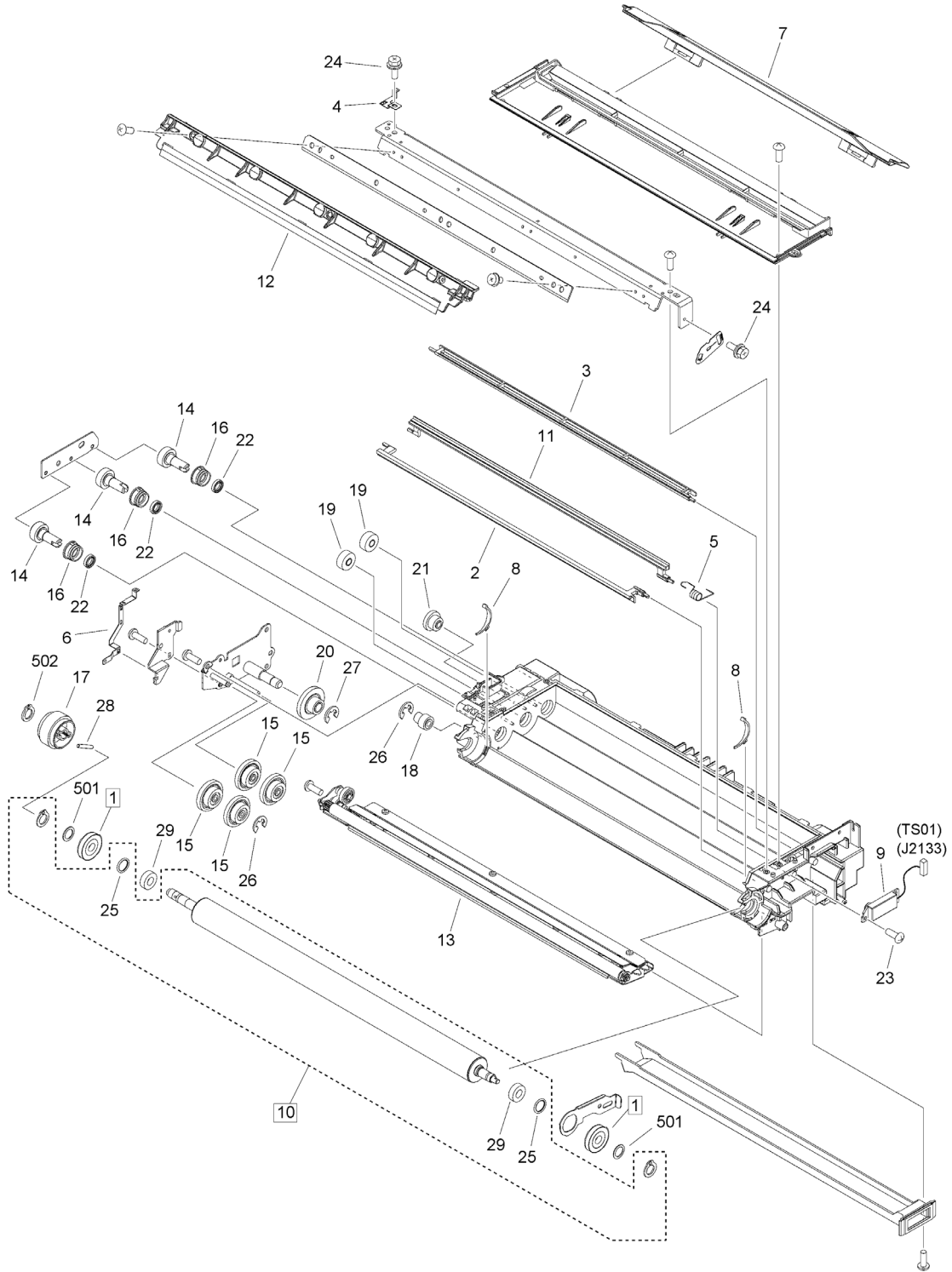
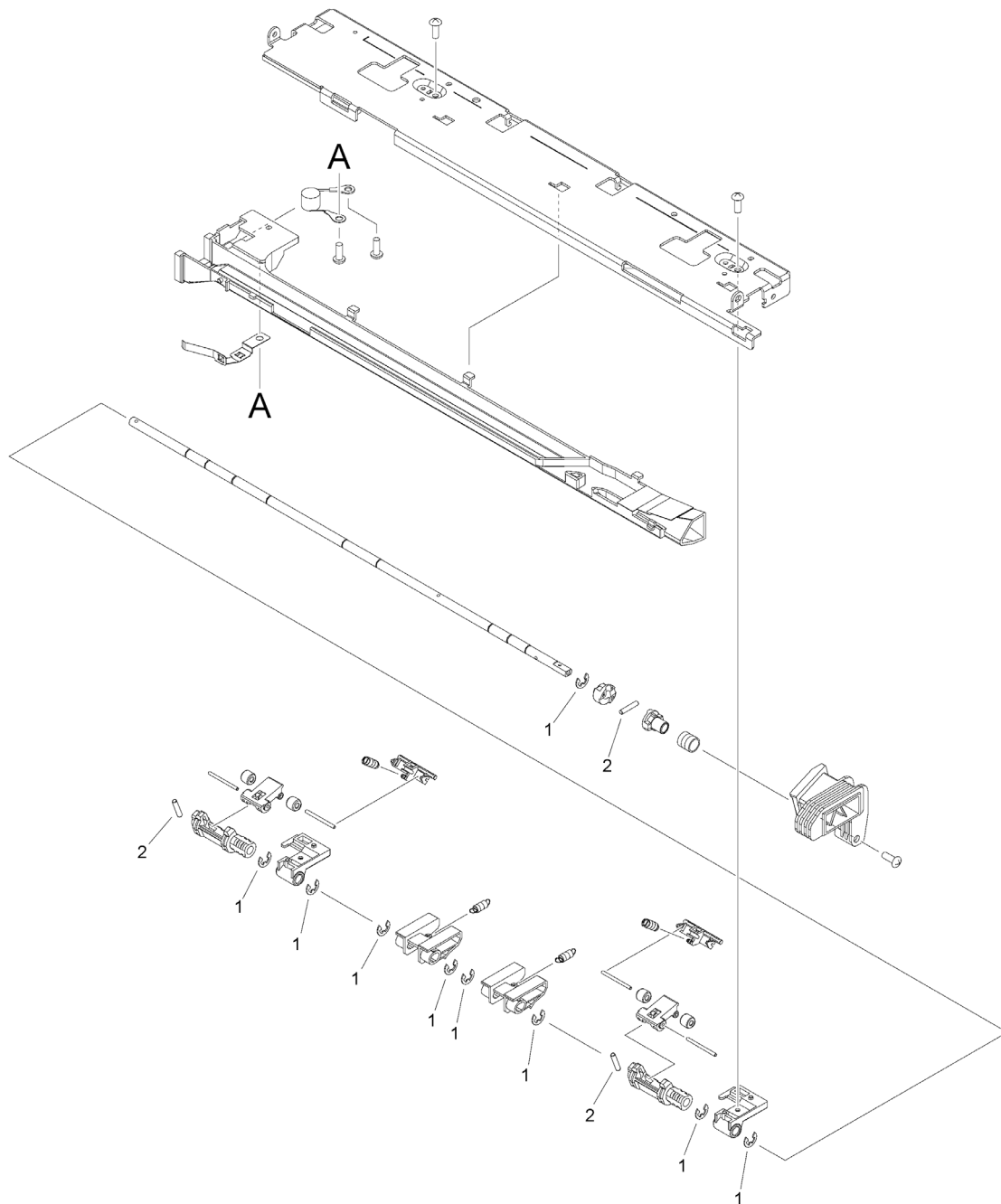


FIGURE & KEY NO.	PART NUMBER	RANK	QTY	DESCRIPTION	SERIAL NUMBER /REMARKS
640B	FM3-7384-020		1	DEVELOPING ASS'Y	
1	FC0-2276-000		2	ROLLER, SPACER	[DP]
2	FC8-9468-010		1	ROD, STIRRING	
3	FC8-9469-010		1	ROD, STIRRING	
4	FC8-9472-010		1	PLATE, SLEEVE BIAS, REAR	
5	FC8-9474-000		1	SPRING, COMPRESSION	
6	FC8-9503-010		1	PLATE, ROLLER BIAS	
7	FC8-9582-000		1	COVER, DEVELOPING ENTRANCE	
8	FC9-5449-000		2	SEAL, SIDE END MAGNET	
9	FK2-7713-000		1	SENSOR UNIT, TONER	TS01
10	FM4-5438-010		1	CYLINDER, DEVELOPING	[DP]
11	FL3-2163-010		1	ROD, STIRRING	
12	FL3-3613-000		1	COVER, SLEEVE	
13	FM3-7385-000		1	WASTE ASS'Y	
14	FS6-0857-000		3	GEAR, 20T	
15	FU5-0166-000		4	GEAR, 32T/20T	
16	FL3-5186-000		3	BUSHING	
17	FU8-0492-000		1	GEAR, 35T	
18	FU8-0903-000		1	GEAR, 14T/16T	
19	FU9-0036-000		2	GEAR, 19T	
20	FU9-0037-000		1	GEAR, 34T/16T	
21	FU9-0039-000		1	GEAR, 14T/21T	
22	X71-9310-000		3	SEAL, OIL	
23	XA9-2008-000		2	SCREW,M3X4	
24	FE4-0431-000		2	SCREW, W/WASHER, M3X6	
25	FC0-2281-000		2	RING, O	
26	XD9-0134-000		2	RING, E	
27	XD9-0395-000		1	RING, E	
28	XD9-0290-000		1	PIN, PARALLEL	
29	XG9-0814-000		2	BALL BEARING,L1680DDLY13,NMB,	
501	XD1-1108-216		2	WASHER	
502	XD2-2100-602		1	GRIP RING (D=6)	

Figure 650 DEVELOPING RELEASE ASS'Y



<b>FIGURE &amp; KEY NO.</b>	<b>PART NUMBER</b>	<b>R A N K</b>	<b>QTY</b>	<b>DESCRIPTION</b>	<b>SERIAL NUMBER /REMARKS</b>
650	FM4-0950-000		1	DEVELOPING RELEASE ASS'Y	
1	XD9-0395-000		9	RING, E	
2	XD9-0288-000		3	PIN, DOWEL	

Figure 710B (1/2) HOLDER UNIT, DRUM UNIT

NOTE1 : This assembly does not included the assembly shown in Figure 510. NOTE2 : This assembly includes the assemblies shown in Figure 711 and 720.

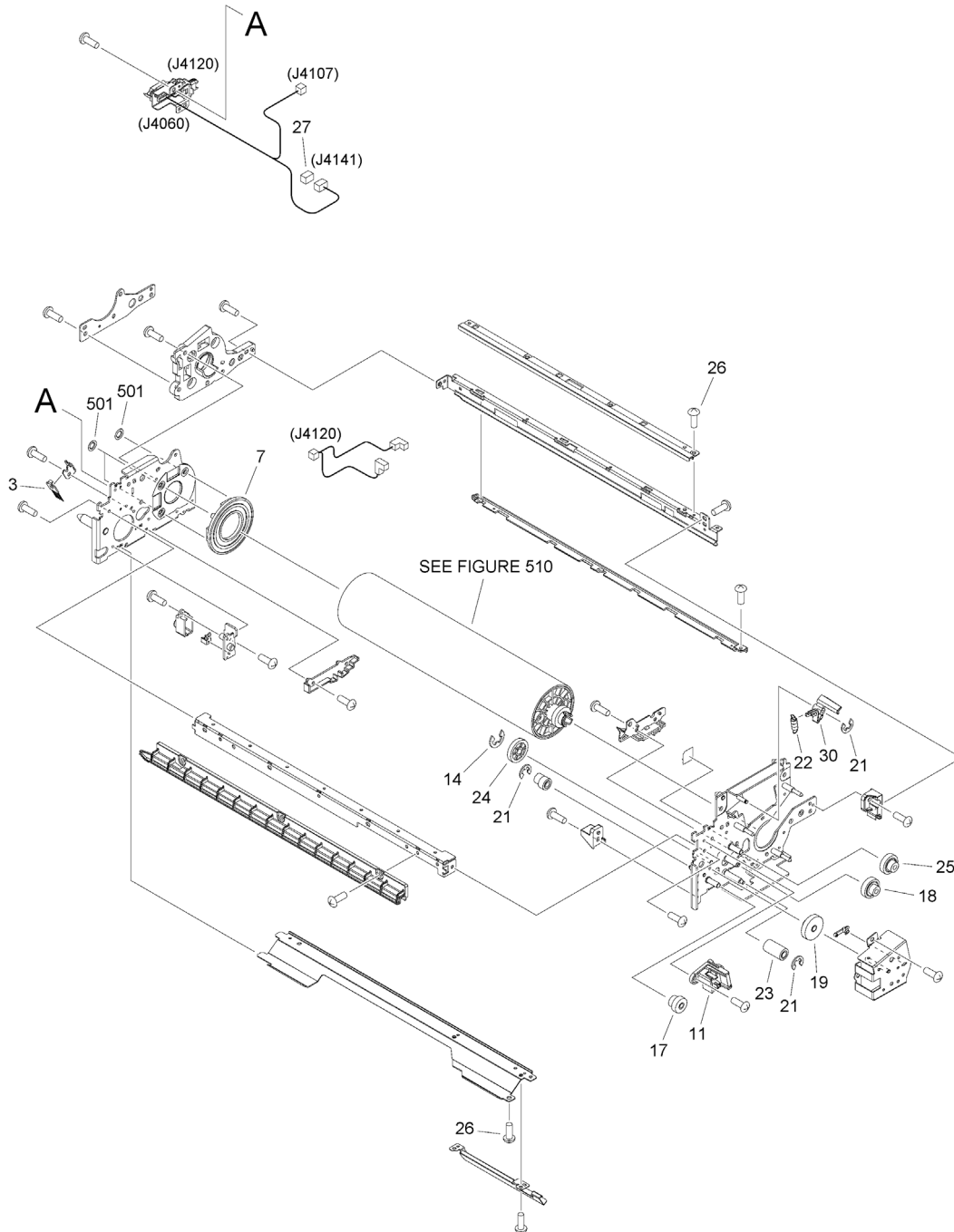




Figure 710B (2/2) HOLDER UNIT, DRUM UNIT

NOTE1 : This assembly does not include the assembly shown in Figure 510. NOTE2 : This assembly includes the assemblies shown in Figure 711 and 720.

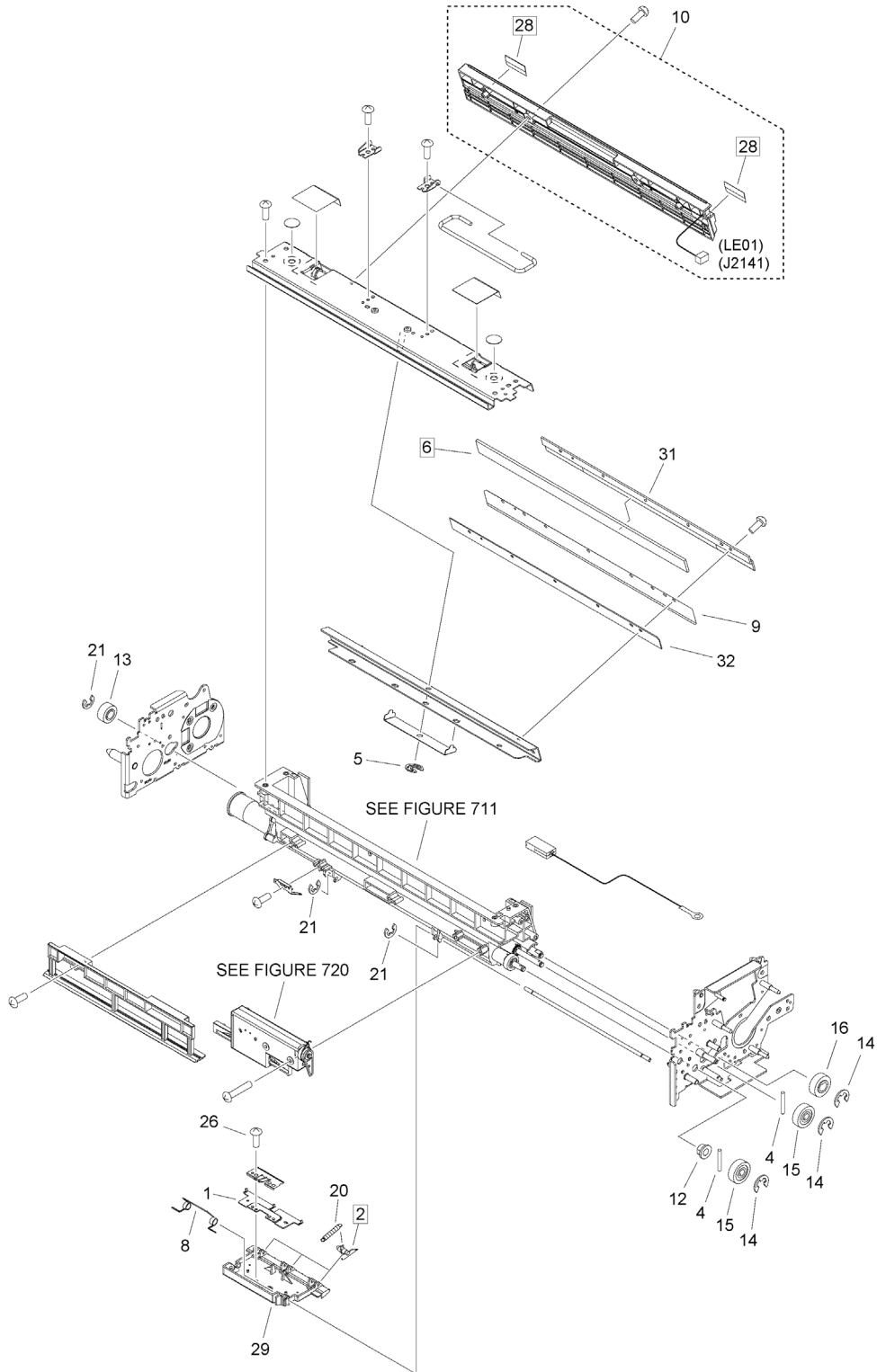


FIGURE & KEY NO.	PART NUMBER	RANK	QTY	DESCRIPTION	SERIAL NUMBER /REMARKS
710B	FM4-5397-010		1	HOLDER UNIT, DRUM UNIT	SEE NOTE1, SEE NOTE2
1	FB4-8012-020		1	PLATE, SEPARATION CLAW	
2	FB4-8018-010		3	CLAW, SEPARATION	[DP]
3	FB5-9104-010		1	ELIMINATOR, STATIC CHARGE	
4	XD9-0290-000		2	PIN, PARALLEL	
5	FB6-6088-000		1	RING, RETAINING	
6	FL3-6291-000		1	BLADE, DRUM CLEANING	[DP]
7	FC8-7093-000		1	RING, SLIP	
8	FC9-4863-000		1	SPRING, TORSION	
9	FL3-5193-000		1	PLATE, BLADE BACKKING	
10	FM3-7292-000		1	PRE-EXPOSURE ASS'Y	LE01
11	FM4-5148-000		1	MOUNT, CONTACT	
12	FS1-1205-000		1	BUSHING	
13	FU2-2684-000		1	GEAR, 14T	
14	XD9-0395-000		4	RING, E	
15	FU3-0303-000		2	GEAR, 30T	
16	FU6-0619-000		1	GEAR, 20T	
17	FU6-0620-000		1	GEAR, 21T/30T	
18	FU7-0363-000		1	GEAR, 18T/36T	
19	FU7-0364-000		1	GEAR, 18T/48T	
20	FU7-2711-000		3	SPRING, TENSION	
21	XD9-0134-000		6	RING, E	
22	FU7-2713-000		1	SPRING, TENSION	
23	FU8-0899-000		1	GEAR, 18T	
24	FU9-0051-000		1	GEAR, 38T	
25	FU9-0159-000		1	GEAR, 18T/26T	
26	XA9-2008-000		7	SCREW,M3X4	
27	VS1-7177-003		1	CONNECTOR, SNAP TIGHT, BK	
28	FC9-9153-000		2	SHEET, SCRAPER	[DP]
29	FC9-4860-010		1	HOLDER, SEPARATION CLAW	
30	FC9-4871-000		1	STOPPER, CORONA	
31	FL3-5194-020		1	RETAINER, BLADE	
32	FC8-7083-000		1	PLATE, BLADE AUXILIARY	
501	XD2-2300-602		3	GRIP RING	

# Figure 711B DRUM CLEANING ASS'Y

NOTE : This assembly is included in the assembly shown in Figure 710.

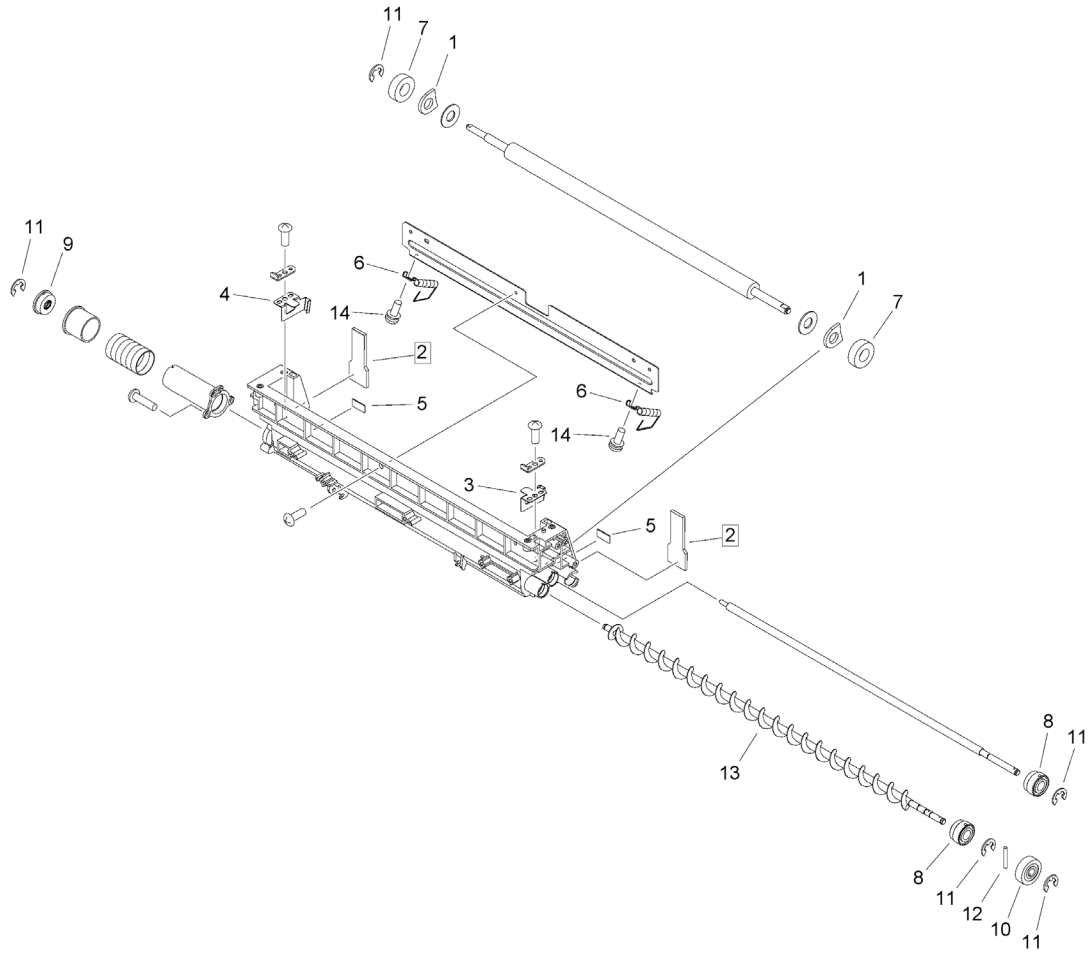
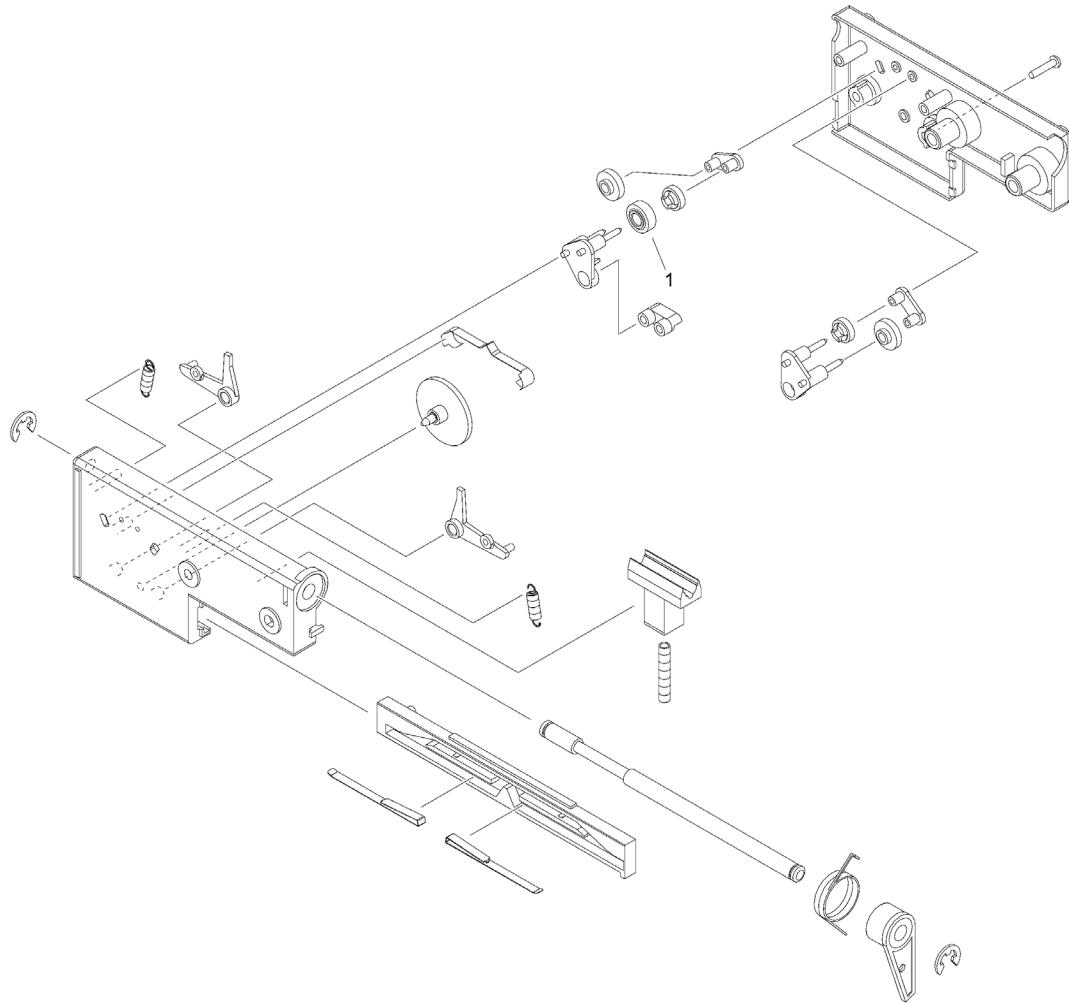


FIGURE & KEY NO.	PART NUMBER	RANK	QTY	DESCRIPTION	SERIAL NUMBER /REMARKS
711B	FM4-5396-000		1	DRUM CLEANING ASS'Y	SEE NOTE
1	FB2-6872-000		2	SEAL, FELT	
2	FC9-9024-000		2	SCRAPER, SIDE END	[DP]
3	FC9-9154-000		1	SCRAPER, SIDE, FRONT	
4	FC9-9155-000		1	SCRAPER, SIDE, REAR	
5	FC9-9159-000		2	SHEET, POSITIONING	
6	FC9-9173-000		2	SPRING, TORSION	
7	XG9-0727-000		2	BEARING, BALL, 688-2RS,	
8	FL3-3700-000		2	BUSHING	
9	FL3-4551-000		1	BUSHING	
10	FU3-0303-000		1	GEAR, 30T	
11	XD9-0395-000		5	RING, E	
12	XD9-0290-000		1	PIN, PARALLEL	
13	FC8-7078-000		1	FEEDSCREW, CLEANER	
14	FE4-0431-000		2	SCREW, W/WASHER, M3X6	

# Figure 720 SEPARATION CLAW DRIVE ASSEMBLY

NOTE : This assembly is included in the assembly shown in Figure 710.



<b>FIGURE &amp; KEY NO.</b>	<b>PART NUMBER</b>	<b>R A N K</b>	<b>QTY</b>	<b>DESCRIPTION</b>	<b>SERIAL NUMBER /REMARKS</b>
720	FG5-5789-000		1	SEPARATION CLAW DRIVE ASSEMBLY	SEE NOTE
1	FS2-0088-000		1	GEAR, 20T	

Figure 770 WASTE TONER FEED ASSEMBLY

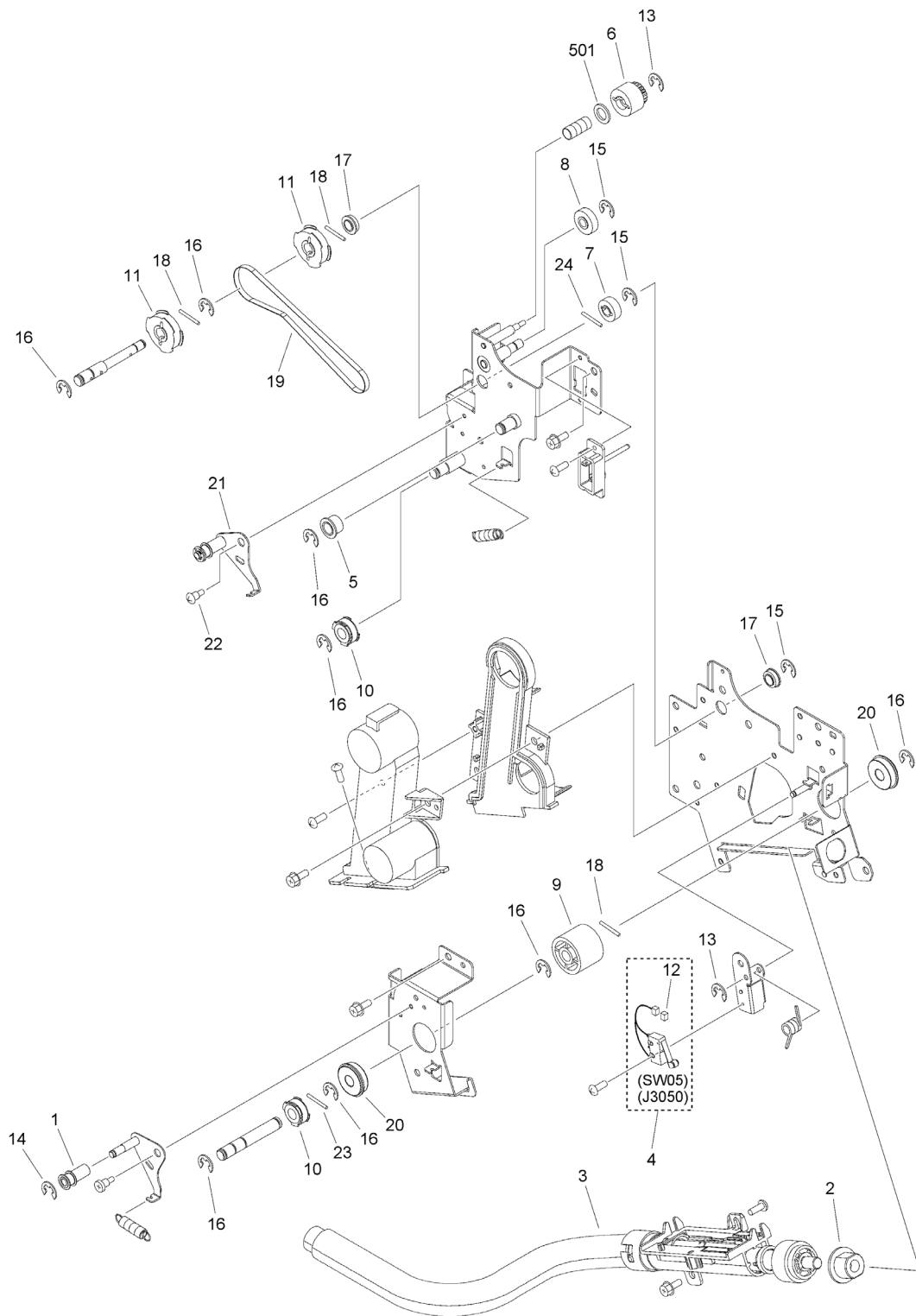


FIGURE & KEY NO.	PART NUMBER	RANK	QTY	DESCRIPTION	SERIAL NUMBER /REMARKS
770	FM4-0899-030		1	WASTE TONER FEED ASSEMBLY	
1	FC9-5134-000		1	ROLLER, TENSIONER	
2	FL3-3875-000		1	BUSHING	
3	FM4-0903-000		1	WASTE TONER SCREW DRIVE ASS'Y	
4	FM4-1029-000		1	CABLE, LOCK DETECT SWITCH	SW05
5	FS2-6458-000		1	ROLLER	
6	FU9-0315-000		1	GEAR, 18T	
7	FU6-0446-000		1	GEAR, 18T	
8	FU8-0079-000		1	GEAR, 20T	
9	FU8-0082-000		1	GEAR, 26T	
10	FU9-0157-000		2	PULLEY, 28T	
11	FU9-0158-000		2	PULLEY, 40T	
12	VS1-7177-002		1	CONNECTOR, SNAP TIGHT, BK	
13	XD9-0134-000		2	RING, E	
14	XD9-0394-000		1	RING, E	
15	XD9-0395-000		3	RING, E	
16	XD9-0396-000		8	RING, E	
17	XG9-0705-000		2	BEARING, BALL, MF106ZZS	
18	XD9-0292-000		3	PIN, PARALLEL	
19	XF2-4114-240		1	BELT, TIMING, CR	
20	XG9-0492-000		2	BEARING, BALL, 608ZZ	
21	FM4-9816-000		1	TENSIONER ASSEMBLY	
22	FS1-9010-020		1	SCREW, STEPPED, M3	
23	XD9-0289-000		1	PIN, PARALLEL	
24	XD9-0288-000		1	PIN, DOWEL	
501	XD1-1106-229		1	WASHER,COP	



Figure 810F FIXING ASS'Y (120V)

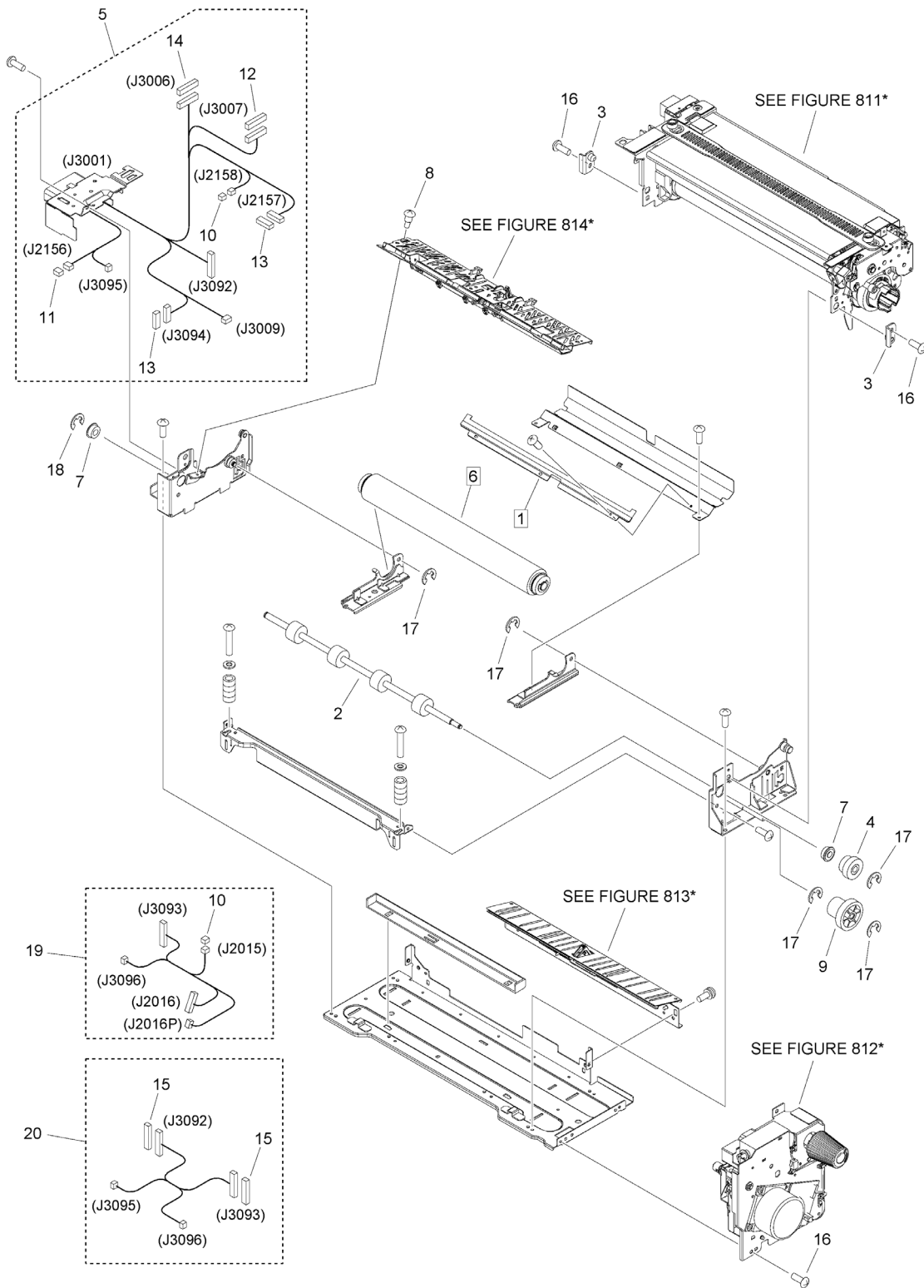


FIGURE & KEY NO.	PART NUMBER	RANK	QTY	DESCRIPTION	SERIAL NUMBER /REMARKS
810F	NPN		1	FIXING ASSY	120V
1	FC7-4287-000		1	ELIMINATOR, STATIC CHARGE	[DP]
2	FC8-7232-000		1	ROLLER, INNER PAPER DELIVERY	
3	FL3-0219-010		2	SUPPORT, FIXING	
4	FL3-3731-000		1	GEAR, 19T	
5	FM3-7356-010		1	CABLE, FIXING DC DRAWER	
6	FM1-Z224-000		1	ROLLER, PRESSURE	[DP]
7	XG9-0365-000		2	BEARING,BALL, LNR-1680HHR	
8	FS5-9162-020		1	SCREW, STEPPED	
9	FU9-0083-000		1	GEAR, 33T/20T	
10	VS1-7177-002		2	CONNECTOR, SNAP TIGHT, BK	
11	VS1-7177-003		1	CONNECTOR, SNAP TIGHT, BK	
12	VS1-7177-004		1	CONNECTOR, SNAP TIGHT, BK	
13	VS1-7177-006		2	CONNECTOR, SNAP TIGHT, BK	
14	VS1-7177-007		1	CONNECTOR, 7P, FEMALE, BK	
15	VS1-7177-009		2	CONNECTOR, 9P	
16	XA9-2056-000		5	SCREW, MACH. TRUSS HEAD, M4X6	
17	XD9-0395-000		5	RING, E	
18	XD9-0396-000		1	RING, E	
19	FM3-9165-010		1	CABLE, FIXING MOTOR, 1	
20	FM4-0987-010		1	CABLE, FIXING MOTOR, 2	

Figure 810G FIXING ASS'Y (230V)

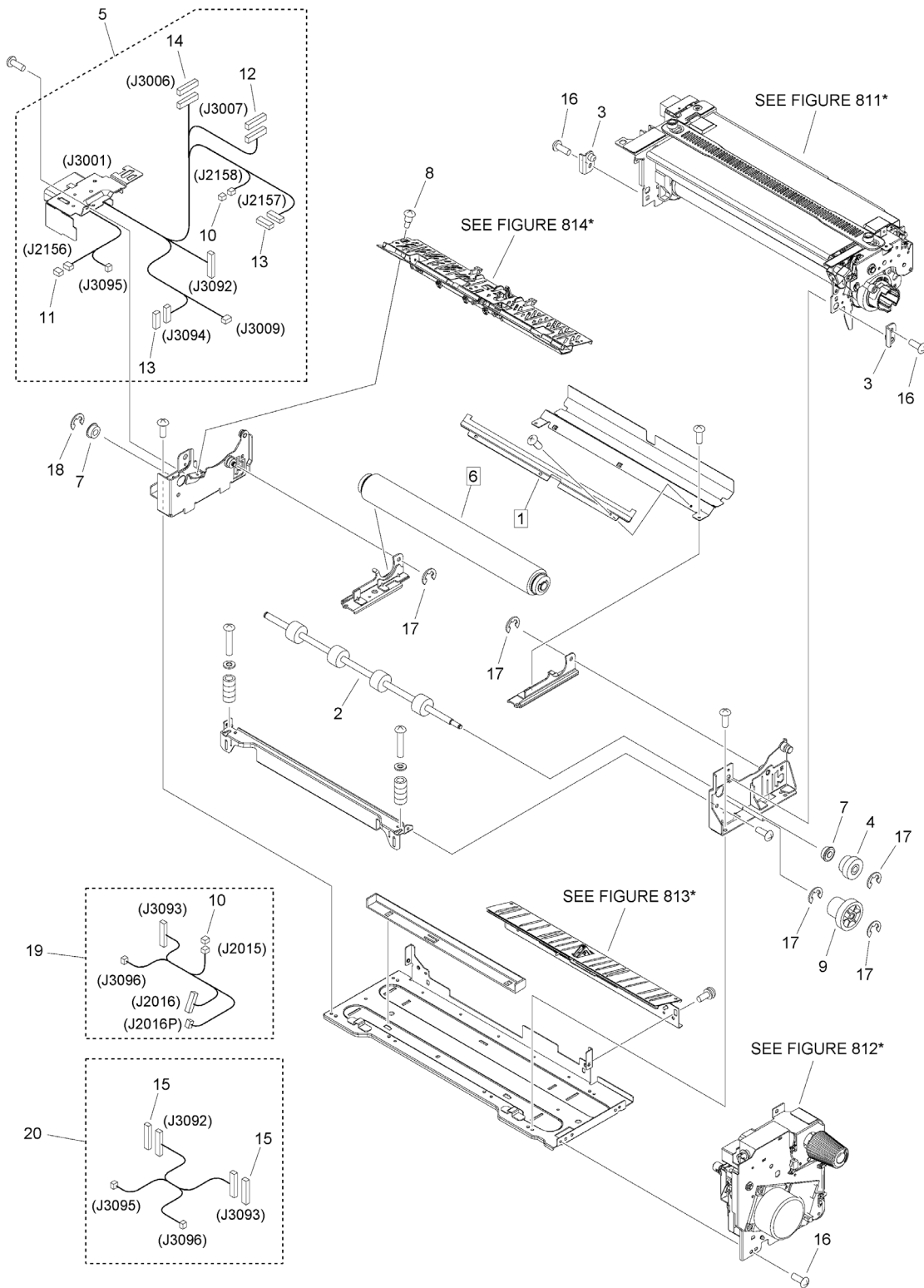
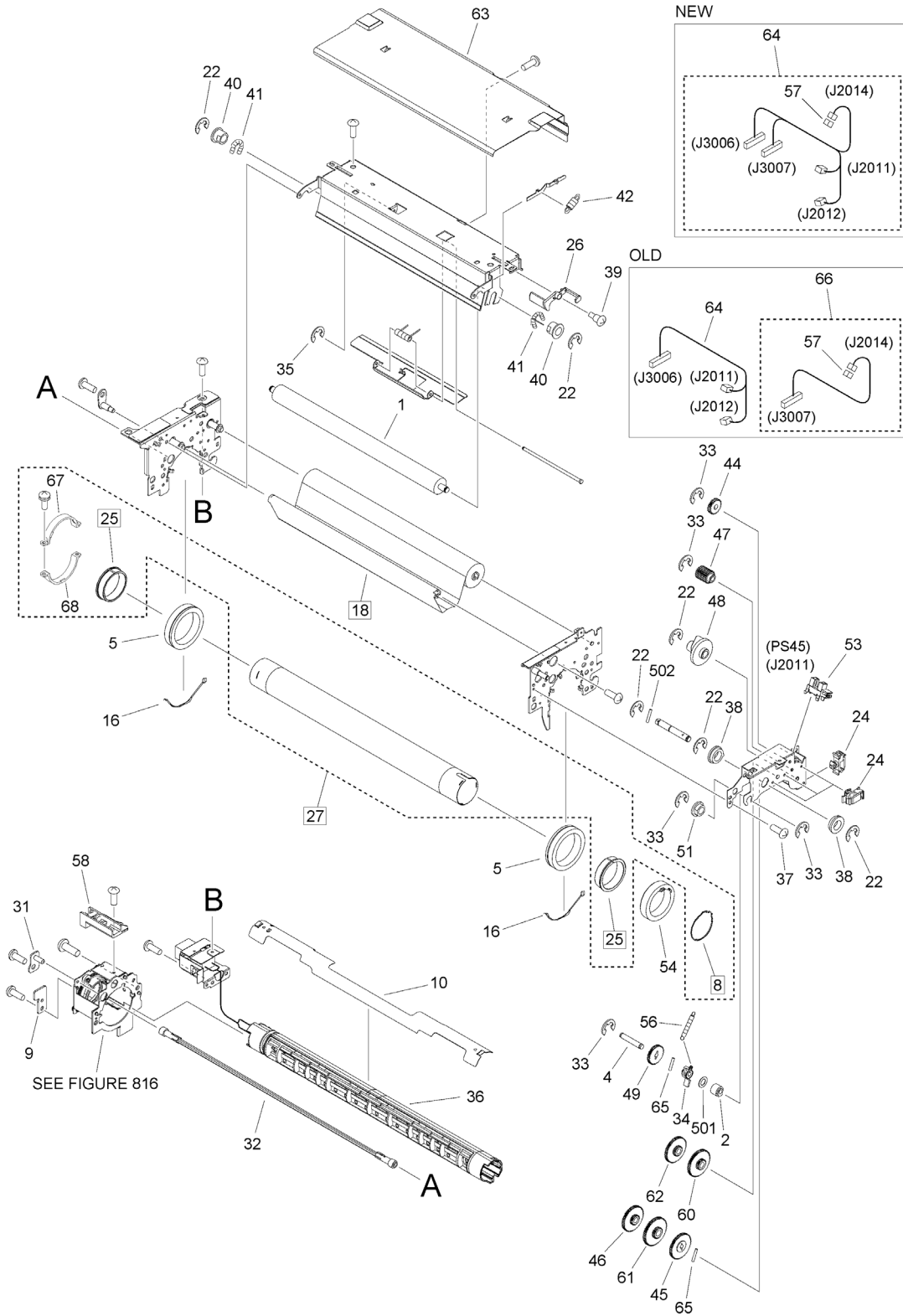


FIGURE & KEY NO.	PART NUMBER	RANK	QTY	DESCRIPTION	SERIAL NUMBER /REMARKS
810G	NPN		1	FIXING ASSY	230V
1	FC7-4287-000		1	ELIMINATOR, STATIC CHARGE	[DP]
2	FC8-7232-000		1	ROLLER, INNER PAPER DELIVERY	
3	FL3-0219-010		2	SUPPORT, FIXING	
4	FL3-3731-000		1	GEAR, 19T	
5	FM3-7356-010		1	CABLE, FIXING DC DRAWER	
6	FM4-3160-010		1	ROLLER, PRESSURE	[DP]
7	XG9-0365-000		2	BEARING,BALL, LNR-1680HHR	
8	FS5-9162-020		1	SCREW, STEPPED	
9	FU9-0083-000		1	GEAR, 33T/20T	
10	VS1-7177-002		2	CONNECTOR, SNAP TIGHT, BK	
11	VS1-7177-003		1	CONNECTOR, SNAP TIGHT, BK	
12	VS1-7177-004		1	CONNECTOR, SNAP TIGHT, BK	
13	VS1-7177-006		2	CONNECTOR, SNAP TIGHT, BK	
14	VS1-7177-007		1	CONNECTOR, 7P, FEMALE, BK	
15	VS1-7177-009		2	CONNECTOR, 9P	
16	XA9-2056-000		5	SCREW, MACH. TRUSS HEAD, M4X6	
17	XD9-0395-000		5	RING, E	
18	XD9-0396-000		1	RING, E	
19	FM3-9165-010		1	CABLE, FIXING MOTOR, 1	
20	FM4-0987-010		1	CABLE, FIXING MOTOR, 2	

Figure 811F (1/2)FIXING ASS'Y, UPPER

NOTE : This assembly includes the assemblies shown in Figure 815 and 816.



# Figure 811F (2/2)FIXING ASS'Y, UPPER

NOTE : This assembly includes the assemblies shown in Figure 815 and 816.

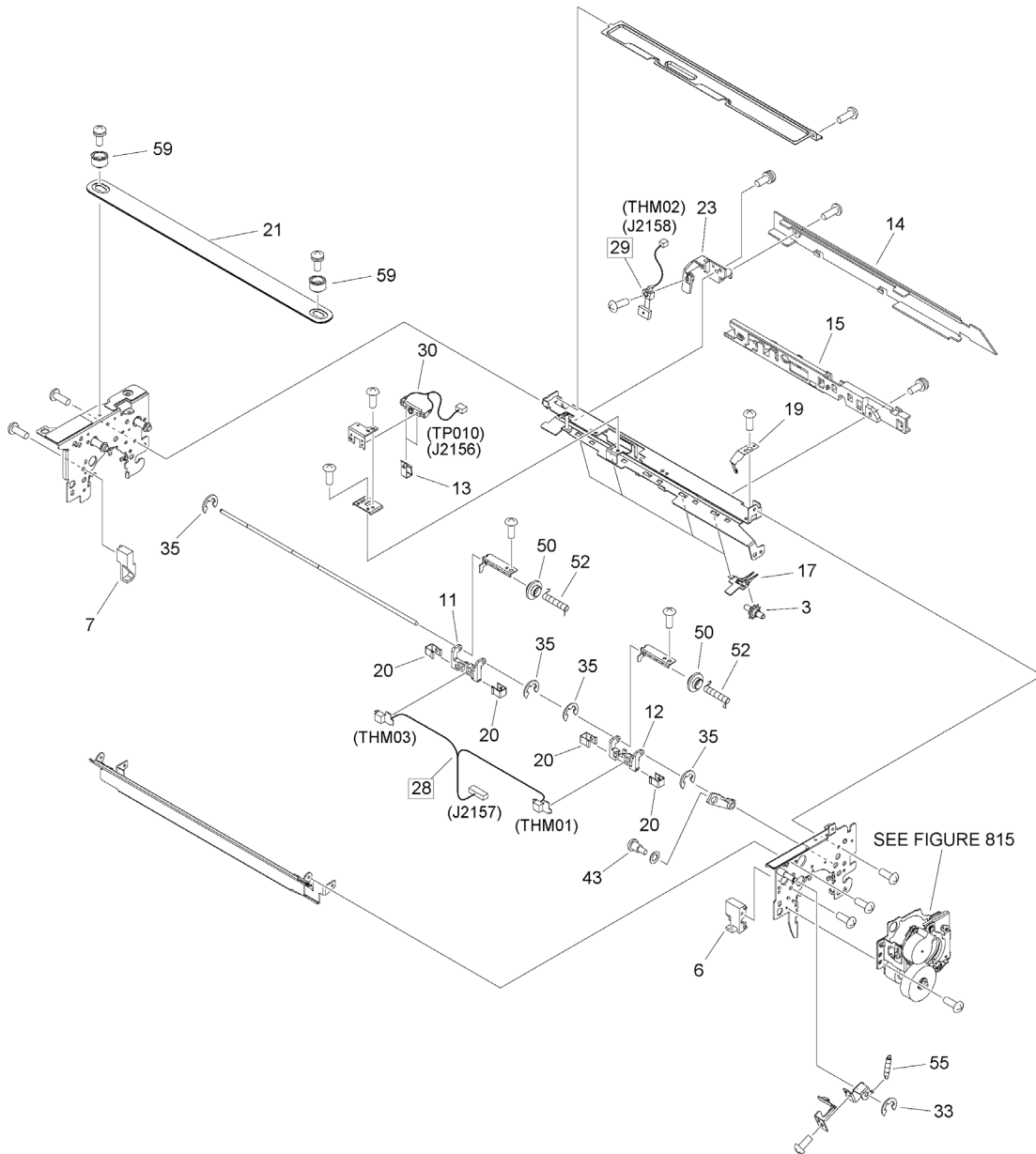


FIGURE & KEY NO.	PART NUMBER	RANK	QTY	DESCRIPTION	SERIAL NUMBER /REMARKS
811F	FM1-X600-000		1	FIXING ASSY, UPPER	SEE NOTE
1	FA9-3860-000		1	ROLLER, CLEANING	
2	FB1-6833-000		1	BUSHING	
3	FB1-8776-000		4	ROWEL	
4	FB2-7230-000		1	SHAFT, ONE-WAY	
5	XG9-0563-000		2	BEARING,BALL,6809ZZN S1C4	
6	FC6-3499-000		1	STOPPER,CLAW,FRONT	
7	FC6-3500-000		1	STOPPER,CLAW,REAR	
8	FC6-3501-020		1	RETAINER,FIXING ROLLER,THRUST	[DP]
9	FC6-3524-000		1	STOPPER,HOPPER,RIGHT	
10	FC6-3525-000		1	SHUTTER	
11	FC6-3588-000		1	HOLDER,THERMISTOR INNER,RIGHT	
12	FC6-3592-000		1	HOLDER,MAIN THERMISTOR	
13	FC6-3596-000		2	SPRING, LEAF	
14	FC6-3628-000		1	COVER, CROSSMEMBER, RIGHT	
15	FC6-3669-000		1	GUIDE,CORD,RIGHT	
16	FC6-3673-000		2	RETAINER,BEARING	
17	FC6-3808-000		4	HOLDER, ROLLER	
18	FE2-E540-000		1	CLEANER SUPPLY ROLL	[DP]
19	FC7-7717-000		1	TERMINAL, ROLLER GROUNDING	
20	FC7-7800-000		4	SPRING	
21	FL0-5207-000		1	BELT, HANDLE	
22	XD9-0396-000		6	RING, E	
23	FC8-9512-000		1	HOLDER, SUB THERMISTOR, RIGHT	
24	WT2-6237-000		4	CLAMP,WIRE	
25	FM1-C081-010		2	BUSHING	[DP]
26	FC9-8282-000		1	LEVER, CLEANER REMNANT SENSING	
27	FM0-3465-030		1	FIXING ROLLER SET	[DP]
28	FK2-7683-000		1	THERMISTOR UNIT, MAIN	THM01, THM03 [DP]
29	FK2-7693-000		1	THERMISTOR UNIT, SUB	THM02 [DP]
30	FK2-7698-000		1	THERMOSWITCH	TP010
31	FL2-3049-000		1	SUPPORT,SHAFT	
32	FL2-3058-010		1	SHAFT, DRIVE	
33	XD9-0395-000		6	RING, E	
34	FL3-2159-000		1	ARM, ONE-WAY	
35	XD9-0134-000		5	RING, E	
36	FM3-7359-010		1	FIXING HEATER UNIT	
37	XA9-2056-000		2	SCREW, MACH. TRUSS HEAD, M4X6	
38	FS1-1449-000		2	BUSHING, PL	
39	FS1-9009-020		1	TWO-STEP SCREW, M3	
40	FS2-1256-000		2	BUSHING	
41	FU8-2523-000		2	SPRING, TENSION	
42	FS5-2940-000		1	SPRING, TENSION	

FIGURE & KEY NO.	PART NUMBER	RANK	QTY	DESCRIPTION	SERIAL NUMBER /REMARKS
43	FS5-9162-020		1	SCREW, STEPPED	
44	FS6-0103-000		1	GEAR, 28T	
45	FS7-0891-000		1	GEAR, 60T	
46	FS6-0105-000		1	GEAR, 22T/60T	
47	FS6-0106-000		1	GEAR, 23T	
48	FS6-0107-000		1	GEAR, 50T	
49	FS6-0134-000		1	GEAR	
50	FU5-1468-000		2	BUSHING	
51	FU6-1193-000		1	BUSHING	
52	FU6-2107-000		2	SPRING	
53	WG8-5783-000		1	IC,PHOTO-INTERRUPTER,LG248NL1A	PS45
54	FU8-0505-000		1	GEAR, 52T	
55	FU8-2315-000		1	SPRING, TENSION	
56	FU8-2316-000		1	SPRING, TENSION	
57	VS1-7177-004		1	CONNECTOR, SNAP TIGHT, BK	
58	FC6-3447-000		1	GUIDE,COIL CORD	
59	FC8-7213-000		2	SPACER	
60	FS7-0893-000		1	GEAR, 22T/63T	
61	FS7-0894-000		1	GEAR, 19T/63T	
62	FS7-0895-000		1	GEAR, 19T/60T	
63	FC9-7840-000		1	COVER, FIXING, UPPER	
64	FM2-T814-000		1	CABLE, CLEANER/MOTOR	NEW 22A00519 and later 26S01342 and later 26T00548 and later 26V00546 and later 27D00516 and later 27E00965 and later 27G00510 and later 27N00531 and later 27P01368 and later
64	FM4-0990-000		1	CABLE, FIXING CLEANER	OLD 22A00518 and earlier 26S01341 and earlier 26T00547 and earlier 26V00545 and earlier 27D00515 and earlier 27E00964 and earlier 27G00509 and earlier 27N00530 and earlier 27P01367 and earlier
65	XD9-0289-000		2	PIN, PARALLEL	



FIGURE & KEY NO.	PART NUMBER	RANK	QTY	DESCRIPTION	SERIAL NUMBER /REMARKS
66	FM4-0991-000		1	CABLE, MOTOR	OLD 22A00518 and earlier 26S01341 and earlier 26T00547 and earlier 26V00545 and earlier 27D00515 and earlier 27E00964 and earlier 27G00509 and earlier 27N00530 and earlier 27P01367 and earlier
67	FE4-5931-000		1	STOPPER, FIXING ROLLER, UPPER	
68	FE4-5932-000		1	STOPPER, FIXING ROLLER, LOWER	
501	XD1-1106-235		1	WASHER,COP	
502	XD3-1300-122		1	PIN,SPRING	

Figure 812B FIXING DRIVE ASS'Y

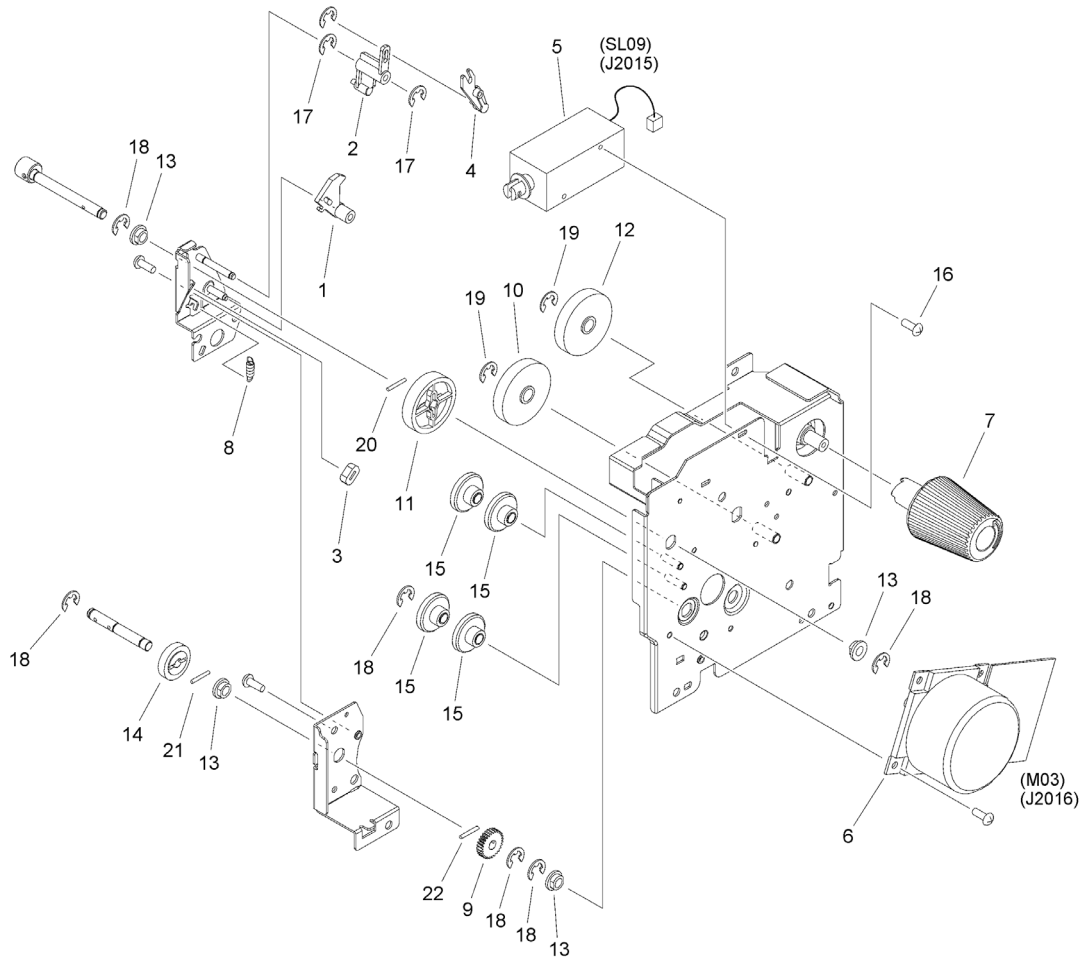


FIGURE & KEY NO.	PART NUMBER	RANK	QTY	DESCRIPTION	SERIAL NUMBER /REMARKS
812B	FM3-7357-000		1	FIXING DRIVE ASS'Y	
1	FB2-7243-000		1	ARM, SOLENOID, 2	
2	FC8-7235-000		1	LINK, SOLENOID	
3	FC8-7236-000		1	DAMPER	
4	FC8-7244-000		1	ARM, SOLENOID	
5	FK2-0839-000		1	SOLENOID	SL09
6	FK2-7669-000		1	MOTOR, DC	M03
7	FM2-4169-000		1	FIXING KNOB UNIT	
8	FS5-2967-000		1	SPRING, TENSION	
9	FS6-0103-000		1	GEAR, 28T	
10	FS7-0665-000		1	GEAR, 60T	
11	FU3-0302-000		1	GEAR, 58T	
12	FU6-0738-000		1	GEAR,60T	
13	FU6-1193-000		4	BUSHING	
14	FU9-0045-000		1	GEAR, 20T	
15	FU9-0156-000		4	GEAR, 16T/38T	
16	XA9-2008-000		2	SCREW,M3X4	
17	XD9-0134-000		2	RING, E	
18	XD9-0395-000		6	RING, E	
19	XD9-0396-000		2	RING, E	
20	XD9-0290-000		1	PIN, PARALLEL	
21	XD9-0289-000		1	PIN, PARALLEL	
22	XD9-0288-000		1	PIN, DOWEL	

Figure 813B FIXING ENTRANCE GUIDE ASS'Y

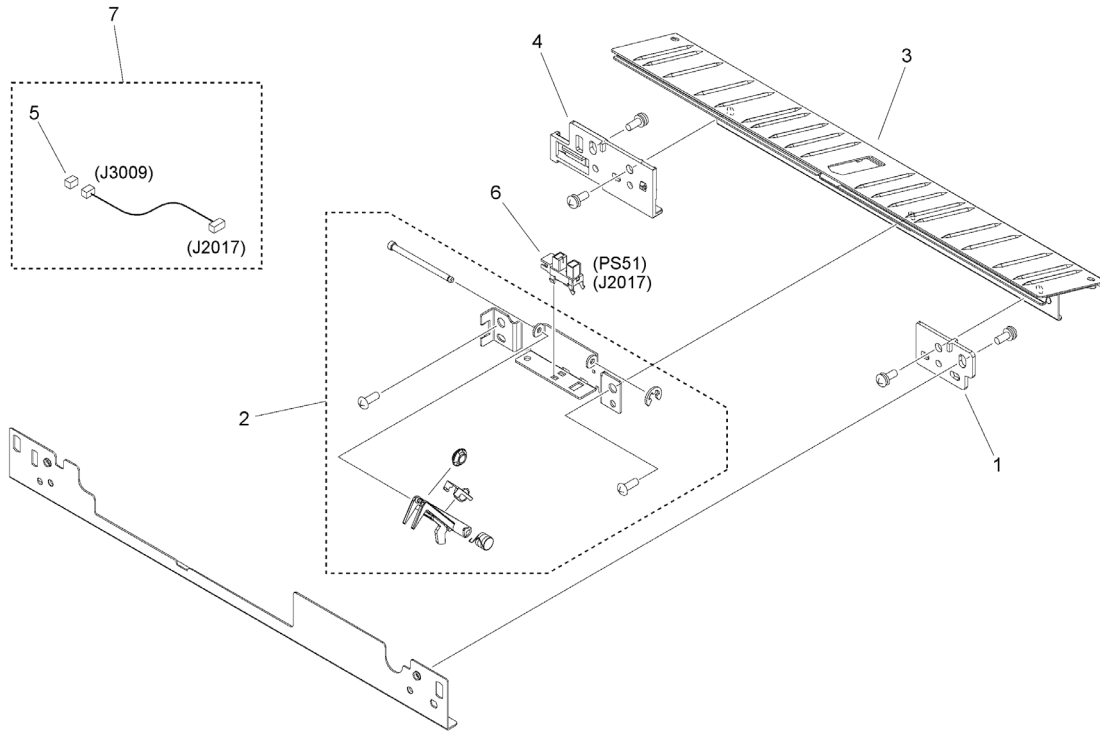


FIGURE & KEY NO.	PART NUMBER	RANK	QTY	DESCRIPTION	SERIAL NUMBER /REMARKS
813B	NPN		RF	FIXING ENTRANCE GUIDE ASS'Y	
1	FB5-6948-000		1	PLATE, HEIGHT ADJUSTING	
2	FM1-C082-010		1	FIXING INLET SENSOR FLAG ASS'Y	
3	FC8-7225-000		1	GUIDE, ENTRANCE	
4	FC9-5026-000		1	MOUNT, HEIGHT	
5	VS1-7177-003		1	CONNECTOR, SNAP TIGHT, BK	
6	WG8-5848-000		1	IC, PHOTO-INTERRUPTER	PS51
7	FM4-0982-000		1	CABLE, FIXING ENTRANCE SENSOR	

Figure 814B FIXING EXIT GUIDE ASS'Y

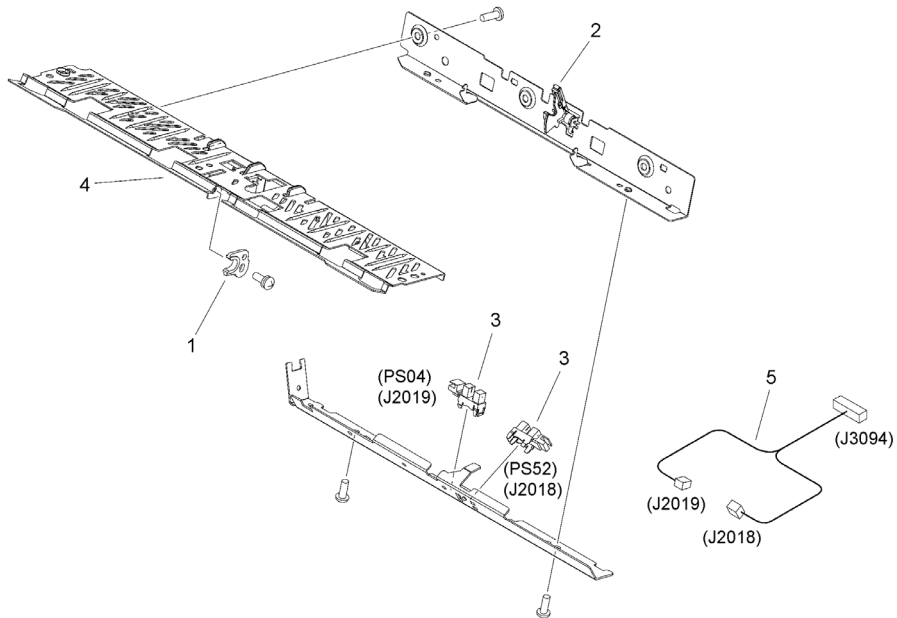


FIGURE & KEY NO.	PART NUMBER	RANK	QTY	DESCRIPTION	SERIAL NUMBER /REMARKS
814B	NPN		RF	FIXING EXIT GUIDE ASS'Y	
1	FE4-4682-000		1	HOLDER, SHAFT	
2	FL3-3619-000		1	CLAMP UNIT, SEPARATION CLAW	
3	WG8-5848-000		2	IC, PHOTO-INTERRUPTER	PS04, PS52
4	FL3-3620-000		1	GUIDE, INNER PAPER DELIVERY	
5	FM4-0983-000		1	CABLE, FIXING JAM SENSOR	

### Figure 815 SHAFT FIXED PLATE ASS'Y, FRONT

NOTE : This assembly is included in the assembly shown in Figure 811.

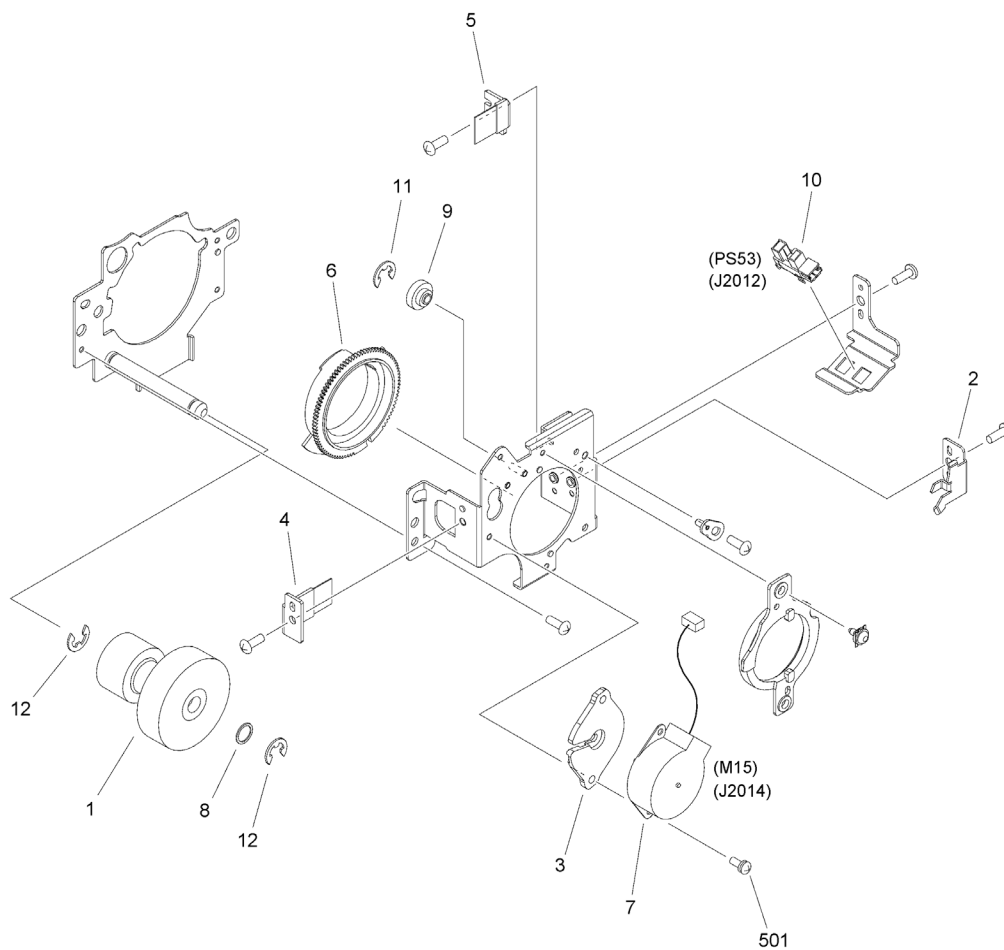




FIGURE & KEY NO.	PART NUMBER	RANK	QTY	DESCRIPTION	SERIAL NUMBER /REMARKS
815	FM4-5147-000		1	SHAFT FIXED PLATE ASS'Y, FRONT	SEE NOTE
1	FC6-3494-000		1	GEAR,71T/26T	
2	FC6-3527-000		1	STOPPER, SHUTTER GEAR, FRONT	
3	FC6-3584-000		1	PLATE,MOTOR DAMPER	
4	FC0-2305-000		1	ELIMINATOR,STATIC CHARGE	
5	FC0-2306-000		1	ELIMINATOR,STATIC CHARGE	
6	FC7-4235-000		1	GEAR, 90T	
7	FK2-7677-000		1	MOTOR, STEPPING, DC	M15
8	FS5-6487-000		1	WASHER	
9	FU6-0734-000		1	GEAR,12T/21T	
10	WG8-5848-000		1	IC, PHOTO-INTERRUPTER	PS53
11	XD9-0134-000		1	RING, E	
12	XD9-0396-000		2	RING, E	
501	XB2-8301-009		2	SCREW, W/WASHER, M3X10	

# Figure 816      SHAFT FIXED PLATE ASS'Y, REAR

NOTE : This assembly is included in the assembly shown in Figure 811.

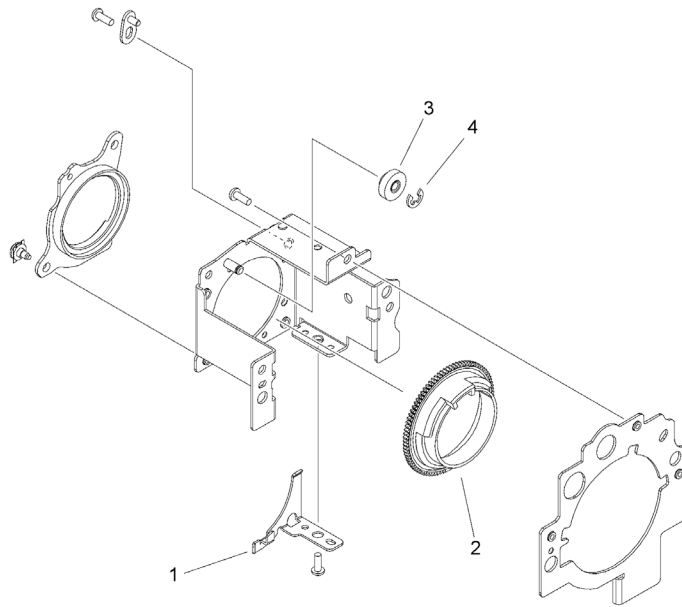


FIGURE & KEY NO.	PART NUMBER	RANK	QTY	DESCRIPTION	SERIAL NUMBER /REMARKS
816	FM3-7360-000		1	SHAFT FIXED PLATE ASS'Y, REAR	SEE NOTE
1	FC6-3528-000		1	STOPPER,SHUTTER GEAR,REAR	
2	FC6-3857-000		1	GEAR,90T	
3	FU6-0734-000		1	GEAR,12T/21T	
4	XD9-0134-000		1	RING, E	

Figure 900C CONTROLLER BOX ASSEMBLY

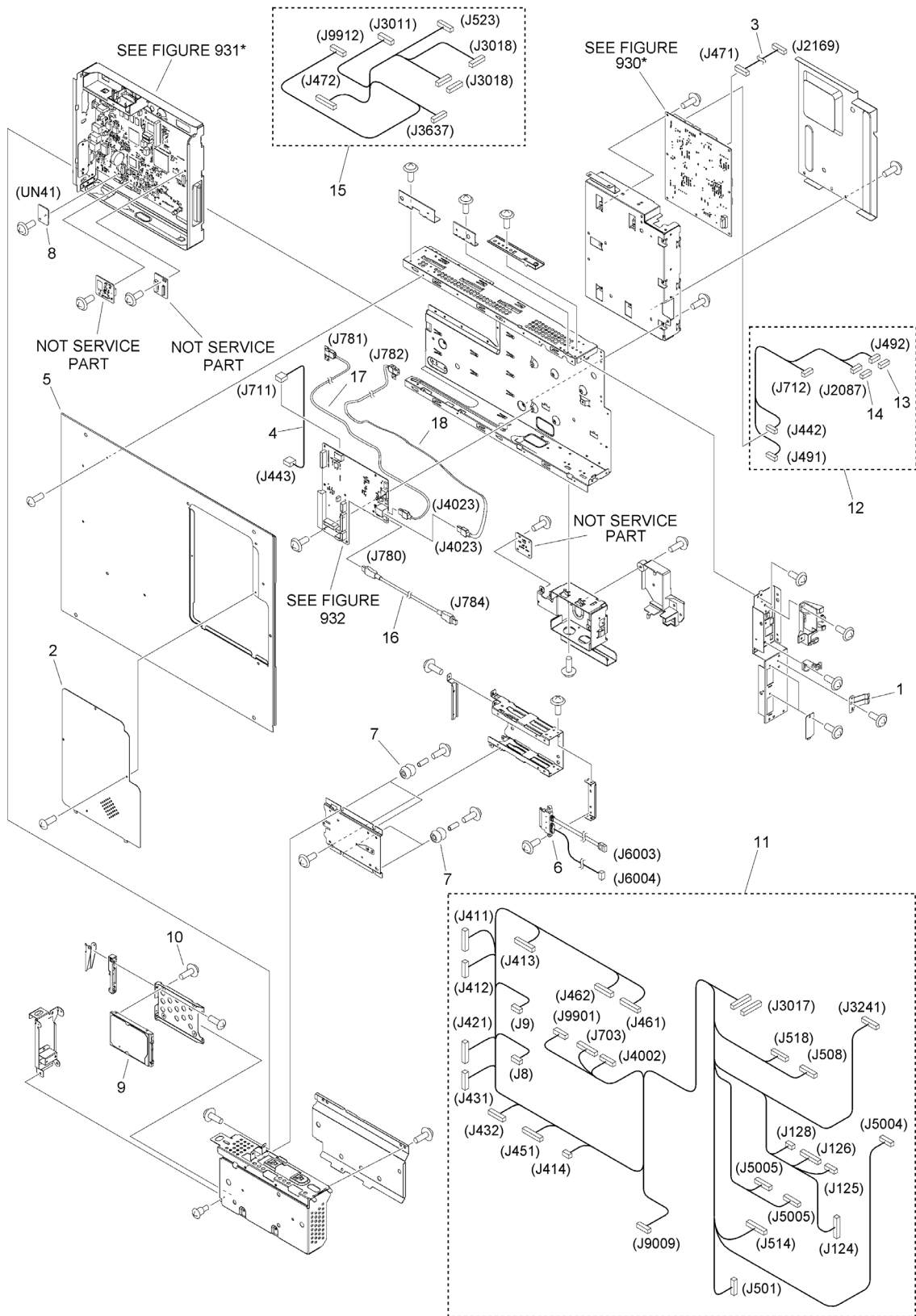


FIGURE & KEY NO.	PART NUMBER	RANK	QTY	DESCRIPTION	SERIAL NUMBER /REMARKS
900C	NPN		RF	CONTROLLER BOX ASSEMBLY	
1	FC9-8812-000		1	PLATE, GROUNDING	
2	FE4-1637-010		1	COVER, REAR, SMALL	
3	FK4-2739-000		1	CABLE, COAXIAL	
4	FK4-2507-000		1	CABLE, COMMUNICATION	
5	FL0-4120-000		1	COVER, REAR UPPER	
6	FK4-2497-000		1	CABLE, HARD DISK DRIVE, 1	
7	XH9-0149-000		4	DAMPER, CUSHION	
8	FM1-M981-000		1	TPM PCB ASSEMBLY	UN41
9	FK4-1550-010		1	HARD DISK DRIVE, MQ01ABF032	
10	XA9-1979-000		4	SCREW, MACH. PAN HEAD, M3X4	
11	FM1-K913-000		1	CABLE, SIGNAL	
12	FM1-M869-010		1	CABLE, SIGNAL	
13	VS1-7177-004		1	CONNECTOR, SNAP TIGHT, BK	
14	VS1-7177-005		1	CONNECTOR, SNAP TIGHT, BK	
15	FM1-M870-020		1	CABLE, LASER	
16	FK4-2379-000		1	CABLE, USB	
17	FK4-2530-000		1	CABLE, USB	
18	FK4-2531-000		1	CABLE, USB	

Figure 910C IH POWER SUPPLY PCB ASS'Y (120V)

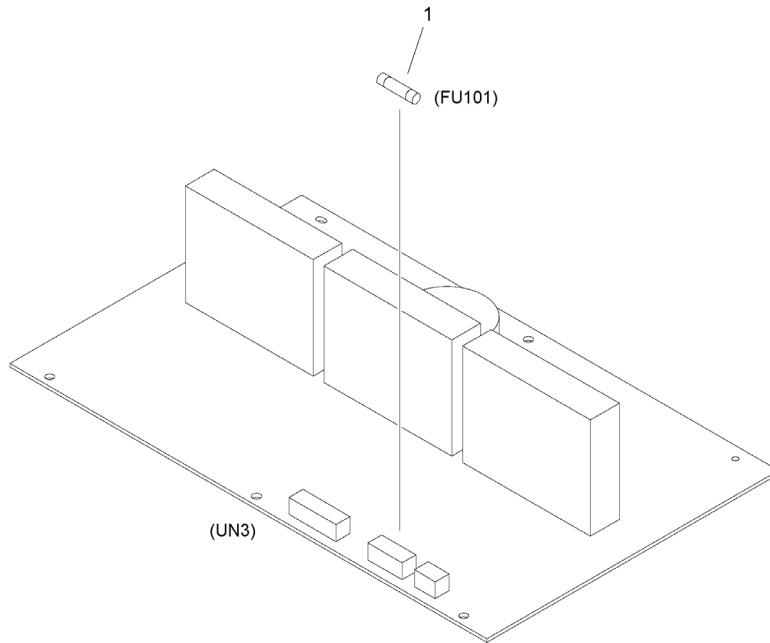
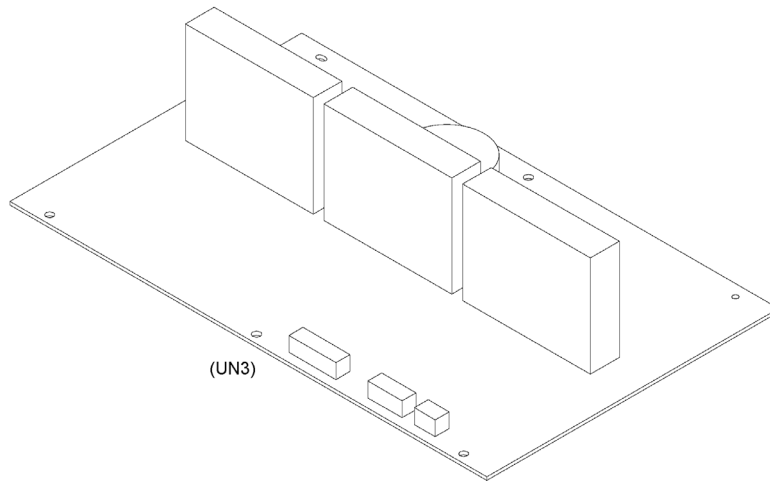


FIGURE & KEY NO.	PART NUMBER	RANK	QTY	DESCRIPTION	SERIAL NUMBER /REMARKS
910C	FM1-M919-010		1	IH POWER SUPPLY PCB ASS'Y	UN3 120V
1	VD7-0271-502		1	FUSE, SLOW-BLOW 15A 125V	FU101

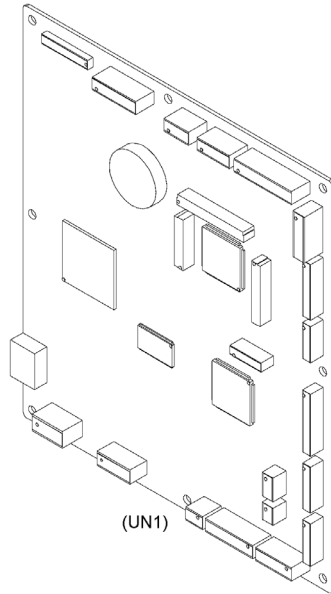
Figure 910E IH POWER SUPPLY PCB ASS'Y (230V)





<b>FIGURE &amp; KEY NO.</b>	<b>PART NUMBER</b>	<b>R A N K</b>	<b>QTY</b>	<b>DESCRIPTION</b>	<b>SERIAL NUMBER /REMARKS</b>
910E	FM1-M920-010		1	IH POWER SUPPLY PCB ASS'Y	UN3 230V

Figure 930B DC CONTROLLER PCB ASS'Y



<b>FIGURE &amp; KEY NO.</b>	<b>PART NUMBER</b>	<b>R A N K</b>	<b>QTY</b>	<b>DESCRIPTION</b>	<b>SERIAL NUMBER /REMARKS</b>
930B	FM2-M988-000		1	DC CONTROLLER PCB ASS'Y	UN1

Figure 931B MAIN CONTROLLER PCB ASS'Y, 1 (6780 Series)

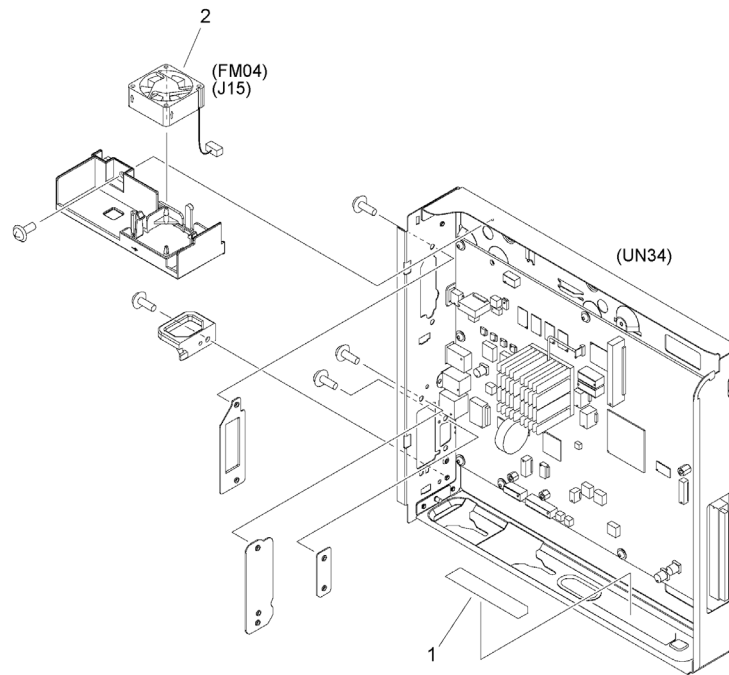


FIGURE & KEY NO.	PART NUMBER	RANK	QTY	DESCRIPTION	SERIAL NUMBER /REMARKS
931B	FM1-Z055-000		1	MAIN CONTROLLER PCB ASS'Y, 1	UN34 IR-ADV DX 6780 Series
1	FC0-5049-000		1	LABEL, MEMORY CAUTION	
2	FK4-2852-000		1	FAN	FM04

Figure 931C MAIN CONTROLLER PCB ASS'Y, 1 (6765 Series)

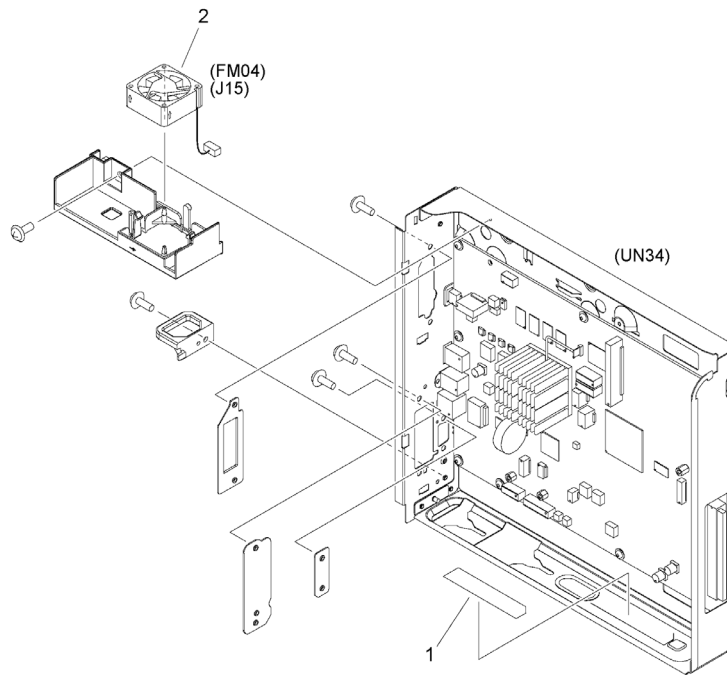


FIGURE & KEY NO.	PART NUMBER	RANK	QTY	DESCRIPTION	SERIAL NUMBER /REMARKS
931C	FM1-Z056-000		1	MAIN CONTROLLER PCB ASSY, 1	UN34 IR-ADV DX 6765 Series
1	FC0-5049-000		1	LABEL, MEMORY CAUTION	
2	FK4-2852-000		1	FAN	FM04

Figure 931D MAIN CONTROLLER PCB ASS'Y, 1 (6755 Series)

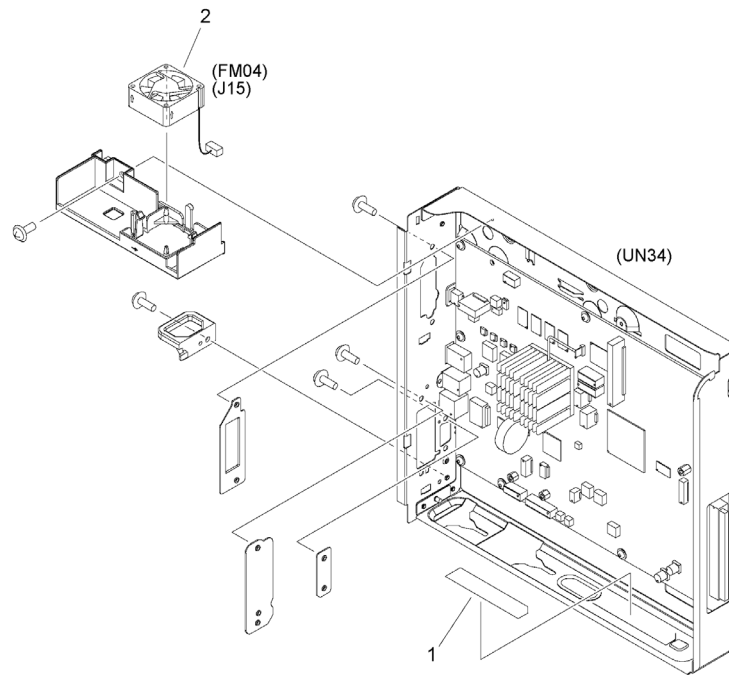
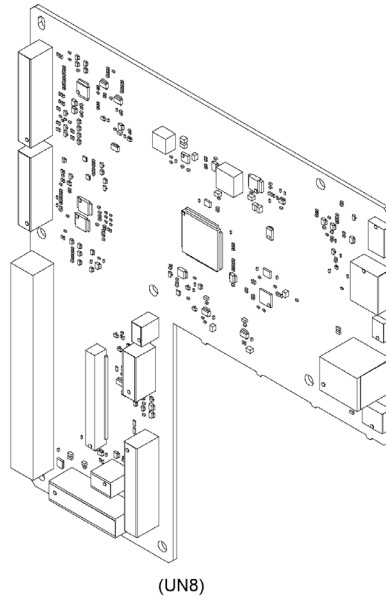




FIGURE & KEY NO.	PART NUMBER	RANK	QTY	DESCRIPTION	SERIAL NUMBER /REMARKS
931D	FM1-Z057-000		1	MAIN CONTROLLER PCB ASSY, 1	UN34 IR-ADV DX 6755 Series
1	FC0-5049-000		1	LABEL, MEMORY CAUTION	
2	FK4-2852-000		1	FAN	FM04

Figure 932 MAIN CONTROLLER PCB ASS'Y, 2



<b>FIGURE &amp; KEY NO.</b>	<b>PART NUMBER</b>	<b>R A N K</b>	<b>QTY</b>	<b>DESCRIPTION</b>	<b>SERIAL NUMBER /REMARKS</b>
932	FM1-M962-000		1	MAIN CONTROLLER PCB ASSY, 2	UN8

Figure 960 MAIN DRIVE DRIVER PCB ASS'Y

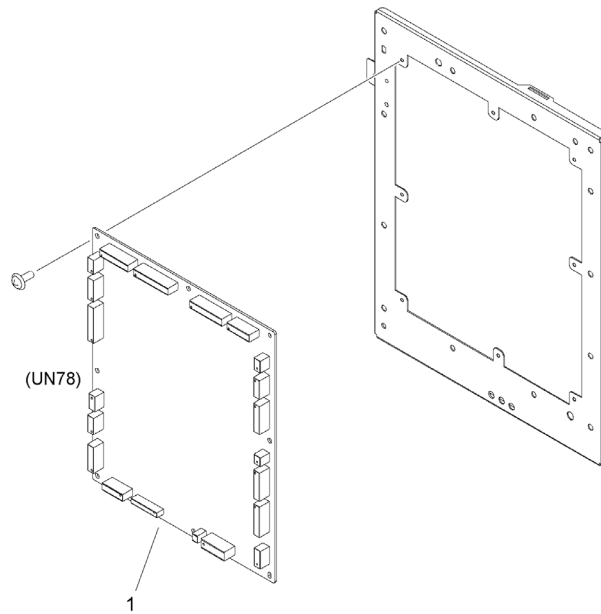
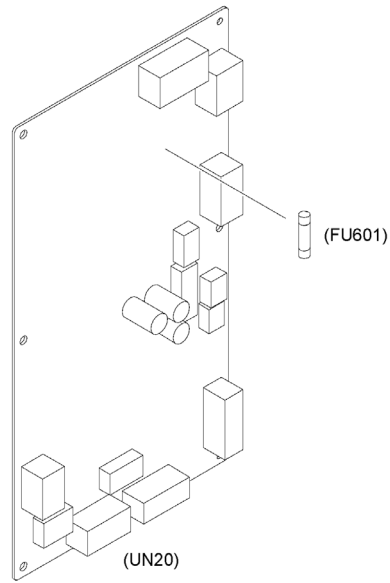


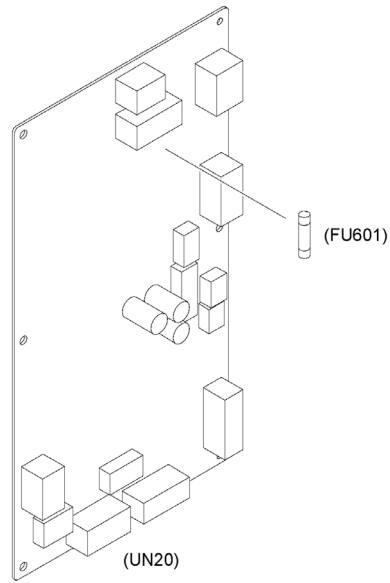
FIGURE & KEY NO.	PART NUMBER	R A N K	QTY	DESCRIPTION	SERIAL NUMBER /REMARKS
960	NPN		RF	MAIN DRIVE DRIVER PCB ASS'Y	
1	FM1-M996-000		1	MAIN DRIVE DRIVER PCB ASS'Y	UN78

Figure 961B AC DRIVER PCB ASS'Y (120V)



<b>FIGURE &amp; KEY NO.</b>	<b>PART NUMBER</b>	<b>R A N K</b>	<b>QTY</b>	<b>DESCRIPTION</b>	<b>SERIAL NUMBER /REMARKS</b>
961B	FM2-Q878-000		1	AC DRIVER PCB ASS'Y	UN20 120V

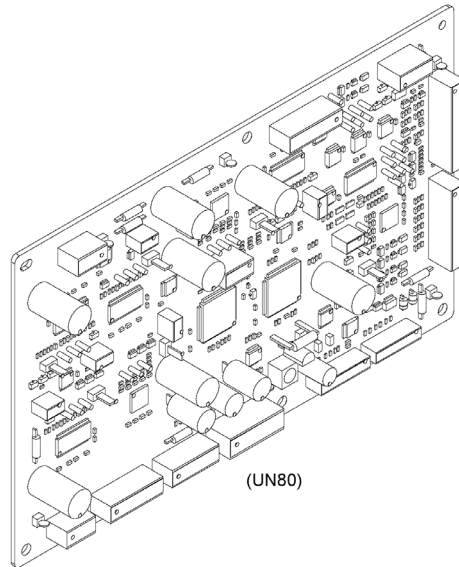
Figure 961D AC DRIVER PCB ASS'Y (230V)





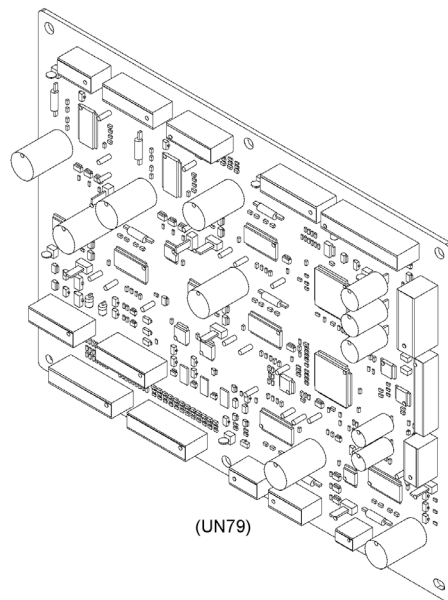
<b>FIGURE &amp; KEY NO.</b>	<b>PART NUMBER</b>	<b>R A N K</b>	<b>QTY</b>	<b>DESCRIPTION</b>	<b>SERIAL NUMBER /REMARKS</b>
961D	FM2-Q879-000		1	AC DRIVER PCB ASS'Y	UN20 230V

Figure 963 DUPLEXING DRIVER PCB ASSEMBLY



<b>FIGURE &amp; KEY NO.</b>	<b>PART NUMBER</b>	<b>R A N K</b>	<b>QTY</b>	<b>DESCRIPTION</b>	<b>SERIAL NUMBER /REMARKS</b>
963	FM4-1085-000		1	DUPLEXING DRIVER PCB ASSEMBLY	UN80

Figure 964 FEED DRIVER PCB ASSEMBLY



<b>FIGURE &amp; KEY NO.</b>	<b>PART NUMBER</b>	<b>R A N K</b>	<b>QTY</b>	<b>DESCRIPTION</b>	<b>SERIAL NUMBER /REMARKS</b>
964	FM4-1084-010		1	FEED DRIVER PCB ASSEMBLY	UN79

Figure 980 H. V. POWER SUPPLY ASS'Y

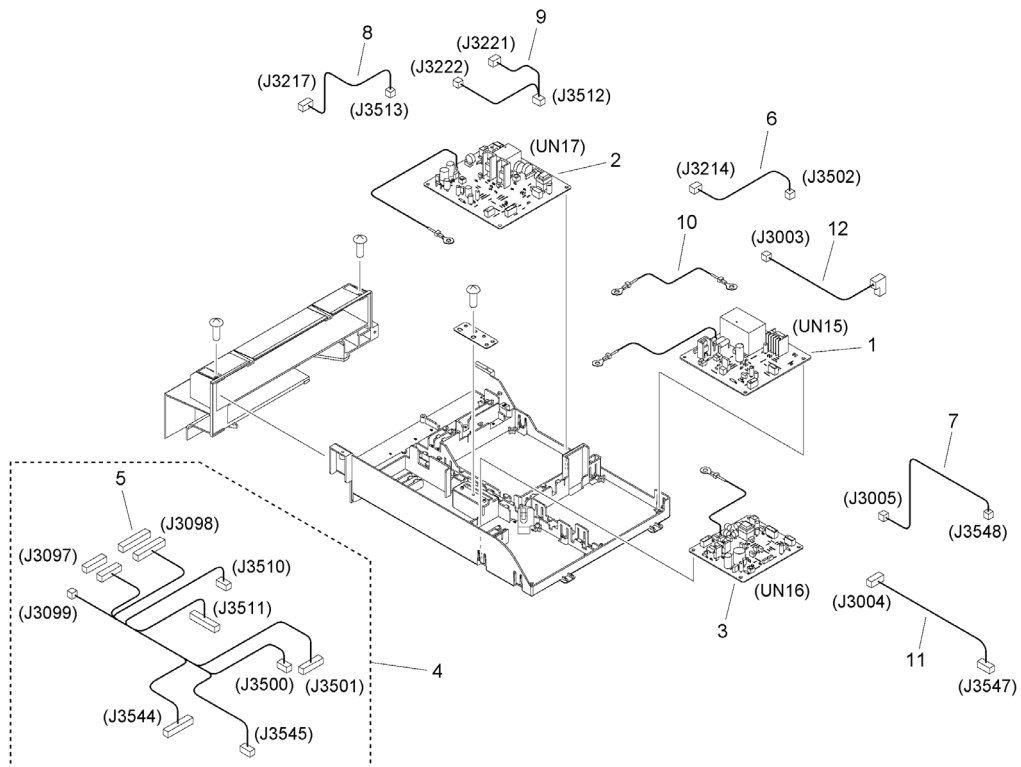


FIGURE & KEY NO.	PART NUMBER	RANK	QTY	DESCRIPTION	SERIAL NUMBER /REMARKS
980	NPN		RF	H.V. POWER SUPPLY ASS'Y	
1	FM1-K903-000		1	HIGH VOLTAGE PCB ASS'Y	UN15
2	FM1-K904-000		1	HIGH VOLTAGE PCB ASS'Y	UN17
3	FM1-K906-000		1	PRE-TRANSFER CHARGE PCB ASS'Y	UN16
4	FM3-9117-010		1	CABLE, HIGH VOLTAGE SIGNAL	
5	VS1-8412-025		1	CONNECTOR, SNAP TIGHT, BL	
6	FM3-9118-000		1	CABLE, HIGH VOLTAGE GRID	
7	FM3-9120-000		1	CABLE, H.V. POST CORONA	
8	FM3-9121-000		1	CABLE, H.V. DEVELOPING	
9	FM3-9122-000		1	CABLE, HIGH VOLTAGE SEP. CLAW	
10	FM3-9123-000		1	CABLE, HIGH VOLTAGE GROUNDING	
11	FM4-1081-000		1	CABLE, SIGNAL	
12	FM4-4314-000		1	CABLE, H.V. MAIN 1ST CORONA	

Figure B01 MOUNTING HARDWARE (ADF model)





FIGURE & KEY NO.	PART NUMBER	R A N K	QTY	DESCRIPTION	SERIAL NUMBER /REMARKS
B01	NPN		RF	MOUNTING HARDWARE	ADF model
1	FE2-F749-000		2	SCREW, STEPPED, M5X6	
2	FE2-F750-000		4	SCREW, FIXED, M4	

Figure B11B INTERNAL COMPONENTS 1 (ADF model)

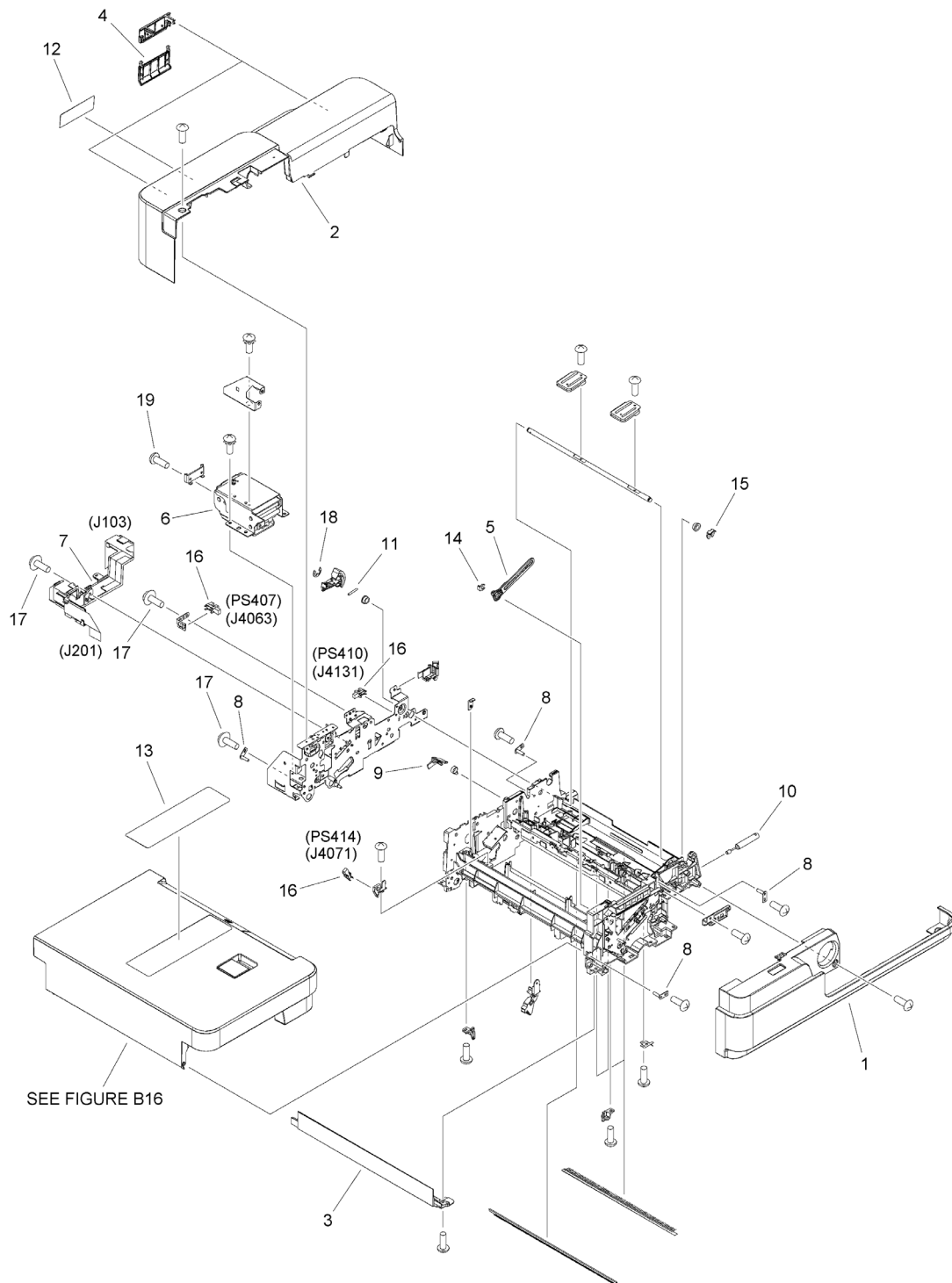


FIGURE & KEY NO.	PART NUMBER	RANK	QTY	DESCRIPTION	SERIAL NUMBER /REMARKS
B11B	NPN		RF	INTERNAL COMPONENTS 1	ADF model
1	FM1-U274-000		1	FRONT COVER ASSEMBLY	
2	FM1-U272-000		1	REAR COVER ASSEMBLY	
3	FE8-9895-000		1	COVER, LEFT, LOWER	
4	FE2-A749-000		2	COVER, HINGE 2	
5	FE8-9253-000		1	STOPPER, OPEN/CLOSE	
6	FE8-9880-000		1	HINGE, LEFT	
7	FM2-A274-000		1	FLAT CABLE UNIT	
8	FL1-2829-000		4	SHAFT, OPEN/CLOSE	
9	FE8-9257-000		1	FLAG, OPEN/CLOSE SENSOR	
10	FE2-D485-000		1	DAMPER UNIT, OIL	
11	XD9-0359-000		1	PIN, PARALLEL	
12	FE2-A717-000		1	LABEL, CAUTION	
13	FE2-H797-000		1	LABEL, PROHIBITION DOCUMENT	
14	FE8-5515-000		1	CLIP	
15	FC5-4425-000		1	CLIP	
16	WG8-5935-000		3	IC, PHOTO INTERRUPTER	PS407, PS410, PS414
17	XA9-1671-000		15	SCREW, D, M3X8	
18	XD9-0395-000		1	RETAINING RING (E-TYPE)	
19	XA9-2014-000		2	SCREW, MACH. TRUSS HEAD, M4X6	



FIGURE & KEY NO.	PART NUMBER	RANK	QTY	DESCRIPTION	SERIAL NUMBER /REMARKS
B12B	NPN		RF	INTERNAL COMPONENTS 2	ADF model
1	FC0-1296-000		3	ROLLER	
2	FC5-4425-000		1	CLIP	
3	FE8-5515-000		3	CLIP	
4	FL1-2829-000		3	SHAFT, OPEN/CLOSE	
5	FE8-5380-000		1	ROLLER, DESORPTION SLIDE	
6	FE3-5529-010		1	PANEL, COPYBOARD	
7	WG8-6233-000		1	PHOTO-INTERRUPTER	PS404
8	FE8-5725-000		9	SPONGE, SHEET, WHITE	
9	XG9-0805-000		2	BEARING, BALL, LF-1260ZZR	
10	FM1-U342-000		1	PLATEN ROLLER ASS'Y	
11	FK4-3337-000		1	CABLE, FLAT	
12	FE8-9900-000		1	COVER, RIGHT	
13	FM1-U405-000		1	LIFTER DRIVE ASSEMBLY	
14	FK4-3336-000		1	MOTOR, STEPPING, DC	M406
15	FM1-U404-000		1	MOTOR ASS'Y	M403
16	FE8-5516-000		1	RING, RETAINING	
17	XA9-1671-000		15	SCREW, D, M3X8	
18	XD9-0395-000		1	RETAINING RING (E-TYPE)	

Figure B13 INTERNAL COMPONENTS 3 (ADF model)

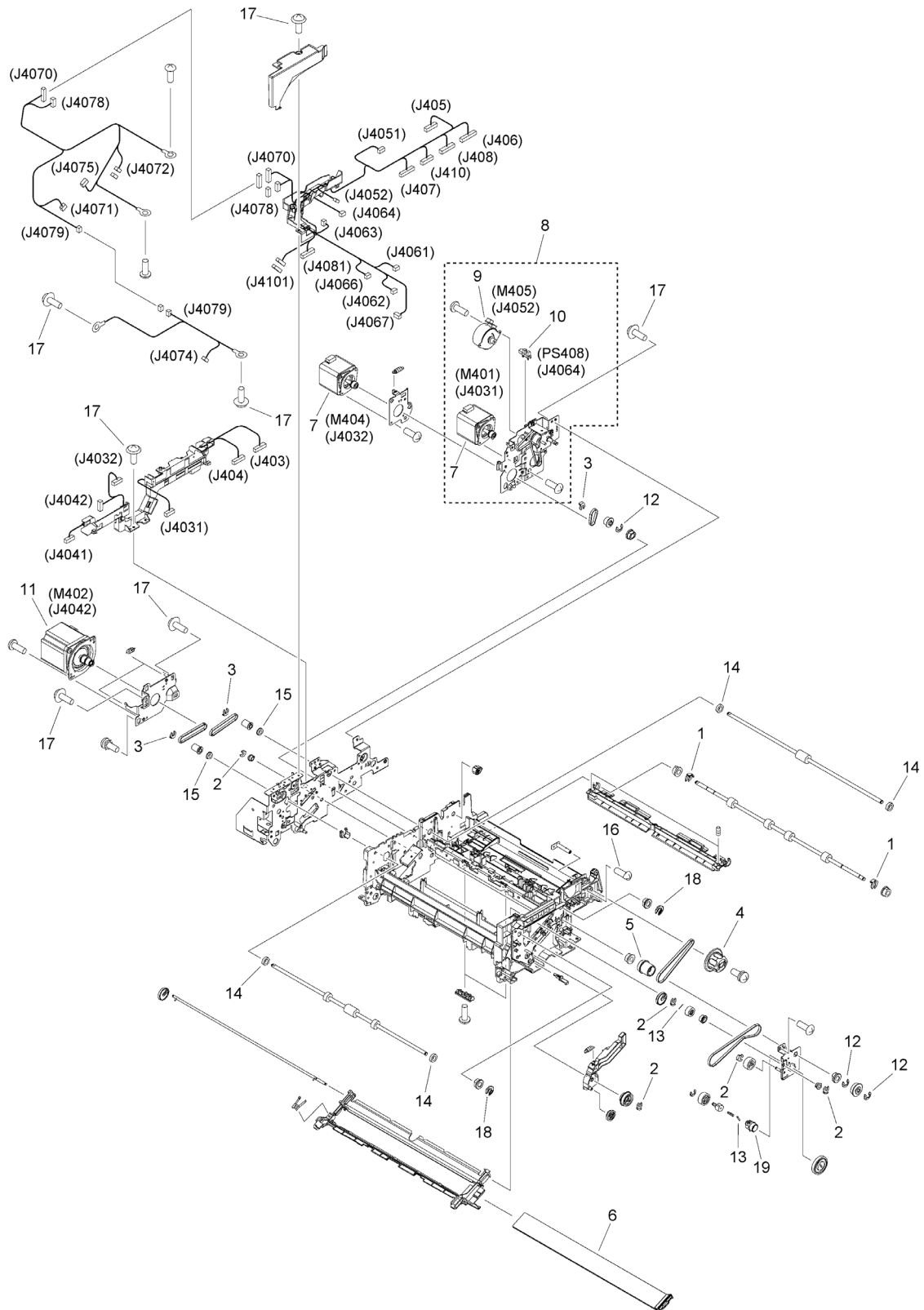


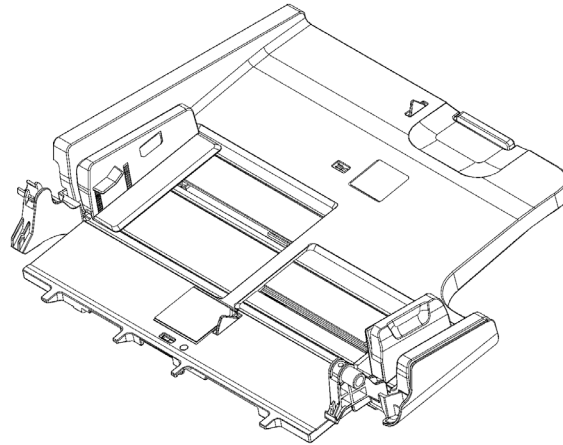
FIGURE & KEY NO.	PART NUMBER	RANK	QTY	DESCRIPTION	SERIAL NUMBER /REMARKS
B13	NPN		RF	INTERNAL COMPONENTS 3	ADF model
1	FC5-4425-000		2	CLIP	
2	FE8-5162-000		5	CLIP	
3	FE8-5515-000		3	CLIP	
4	FE8-5156-000		1	DIAL, JAM CLEARING	
5	FL1-5310-000		1	PULLEY, 34T	
6	FL1-5503-000		1	GLASS, READER	
7	FM1-T962-000		2	MOTOR ASS'Y	M401, M404
8	FM1-U403-000		1	PAPER PICK-UP MOTOR ASS'Y	
9	FK4-3336-000		1	MOTOR, STEPPING, DC	M405
10	WG8-5935-000		1	IC, PHOTO INTERRUPTER	PS408
11	FM1-W515-000		1	MOTOR ASS'Y	M402
12	XD9-0395-000		3	RETAINING RING (E-TYPE)	
13	XD9-0328-000		2	PIN, PARALLEL	
14	XG9-0497-000		2	BEARING, BALL, MR106ZZ,	
15	XG9-0805-000		2	BEARING, BALL, LF-1260ZZR	
16	XA9-2014-000		1	SCREW, MACH. TRUSS HEAD, M4X6	
17	XA9-1671-000		15	SCREW, D, M3X8	
18	FE2-E187-000		2	CLIP	
19	FE2-A726-000		1	HOUSING, CLUTCH	





FIGURE & KEY NO.	PART NUMBER	RANK	QTY	DESCRIPTION	SERIAL NUMBER /REMARKS
B14	NPN		RF	INTERNAL COMPONENTS 4	ADF model
1	WG8-6233-000		7	PHOTO-INTERRUPTER	PS401, PS402, PS403, PS417, PS418, PS419, PS420
2	FS5-9284-020		1	SCREW, STEPPED	
3	FM2-A693-000		1	SCANNER UNIT	
4	FM1-T423-000		1	SEPARATION ROLLER UNIT	[DP]
5	FM1-T424-000		1	LOWER EXTRACTION GUIDE ASS'Y	
6	FL1-4610-000		1	PAD, SEPARATION	
7	FL4-0117-000		1	GUIDE, SEPARATION	
8	FM1-K086-010		1	DOUBLE FEED DETECTION KIT	UN402, UN403
9	XA9-1671-000		1	SCREW, D, M3X8	
10	FM1-T790-000		1	CHART, 2-SIDED DIFFER. ADJUST	

Figure B15 DOCUMENT TRAY ASSEMBLY (ADF model)



(LED402)(VR401)(PS409)(PS411)(PS412)(PS413)(PS415)

FIGURE & KEY NO.	PART NUMBER	R A N K	QTY	DESCRIPTION	SERIAL NUMBER /REMARKS
B15	FM1-T421-000		1	DOCUMENT TRAY ASSEMBLY	LED402, VR401, PS409, PS411, PS412, PS413, PS415 ADF model

Figure B16 OPEN/CLOSE COVER ASSEMBLY (ADF model)

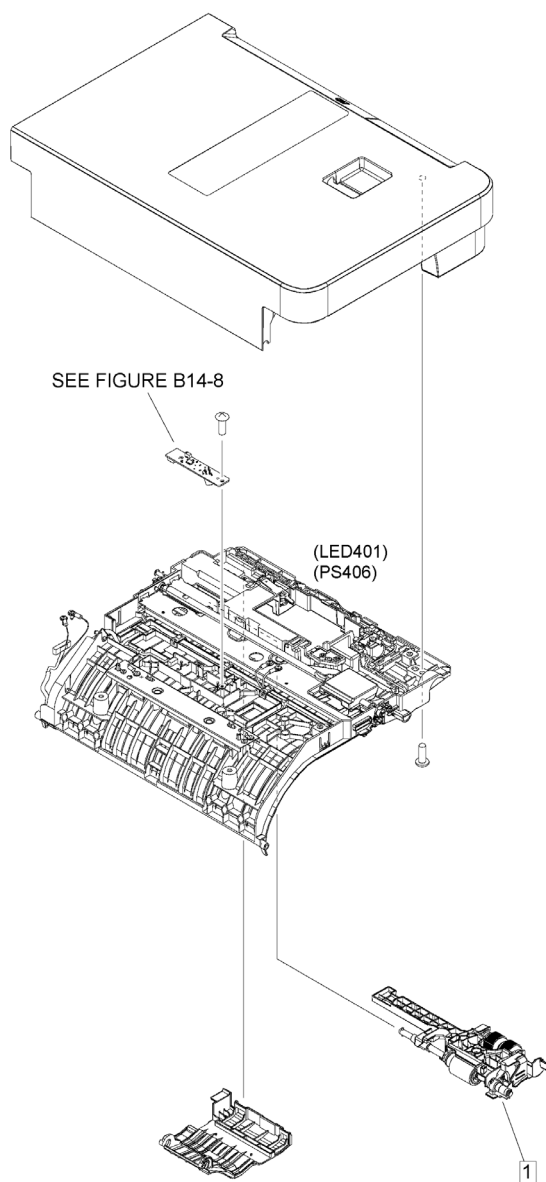


FIGURE & KEY NO.	PART NUMBER	RANK	QTY	DESCRIPTION	SERIAL NUMBER /REMARKS
B16	FM1-T420-000		1	OPEN/CLOSE COVER ASSEMBLY	LED401, PS406 ADF model
1	FM1-T417-000		1	PAPER PICK-UP ROLLER ASSEMBLY	[DP]

Figure B17 BASE FRAME ASSEMBLY (ADF mode I)

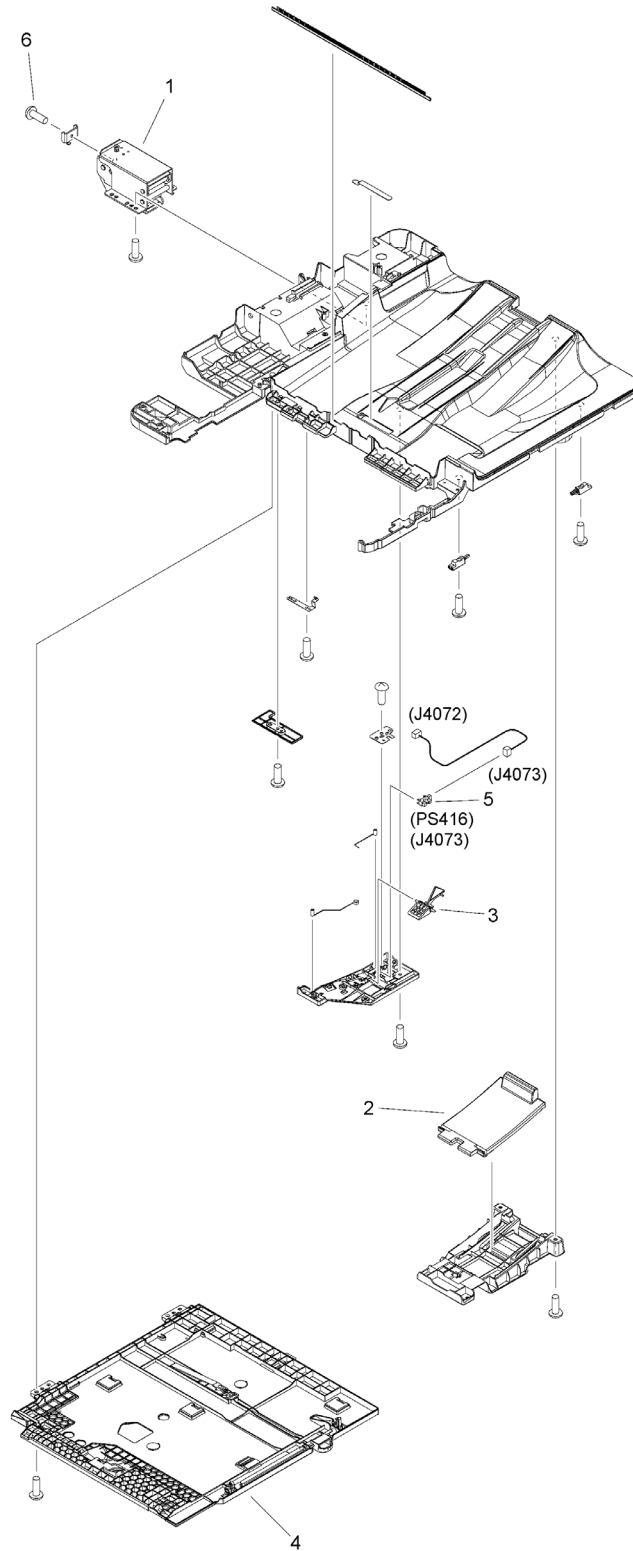
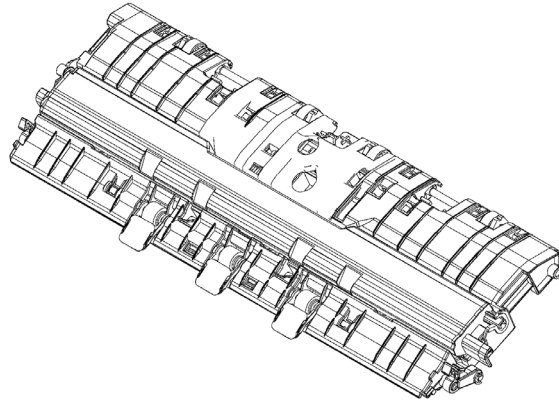


FIGURE & KEY NO.	PART NUMBER	RANK	QTY	DESCRIPTION	SERIAL NUMBER /REMARKS
B17	NPN		RF	BASE FRAME ASSEMBLY	ADF model
1	FE8-9881-000		1	HINGE, RIGHT	
2	FE2-A477-000		1	TRAY, PAPER DELIVERY EXTENSION	
3	FE8-9893-000		1	FLAG, PAPER DELIVERY SENSOR	
4	FM1-U273-000		1	WHITE PLATE SUPPORT ASSEMBLY	
5	WG8-5935-000		1	IC, PHOTO INTERRUPTER	PS416
6	XA9-2014-000		1	SCREW, MACH. TRUSS HEAD, M4X6	

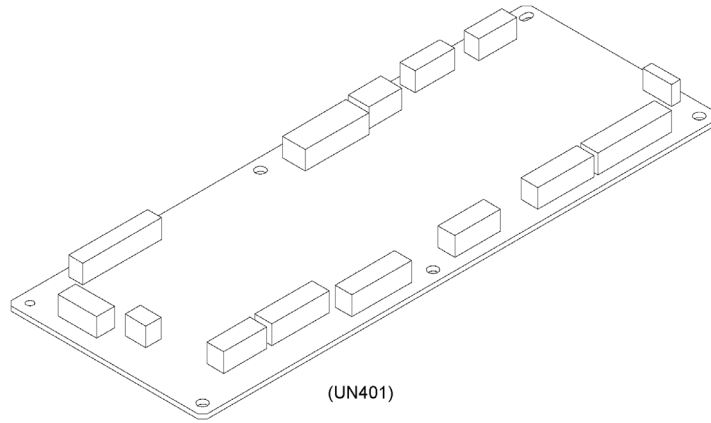
Figure B40 PLATEN GUIDE ASS'Y (ADF model)





<b>FIGURE &amp; KEY NO.</b>	<b>PART NUMBER</b>	<b>R A N K</b>	<b>QTY</b>	<b>DESCRIPTION</b>	<b>SERIAL NUMBER /REMARKS</b>
B40	FM1-U343-000		1	PLATEN GUIDE ASSY	ADF model

Figure B90 DF DRIVER PCB ASSEMBLY (ADF model)



<b>FIGURE &amp; KEY NO.</b>	<b>PART NUMBER</b>	<b>R A N K</b>	<b>QTY</b>	<b>DESCRIPTION</b>	<b>SERIAL NUMBER /REMARKS</b>
B90	FM1-T957-000		1	DF DRIVER PCB ASSEMBLY	UN401 ADF model

Figure D11B READER ASSEMBLY (A/INCH SIZE)

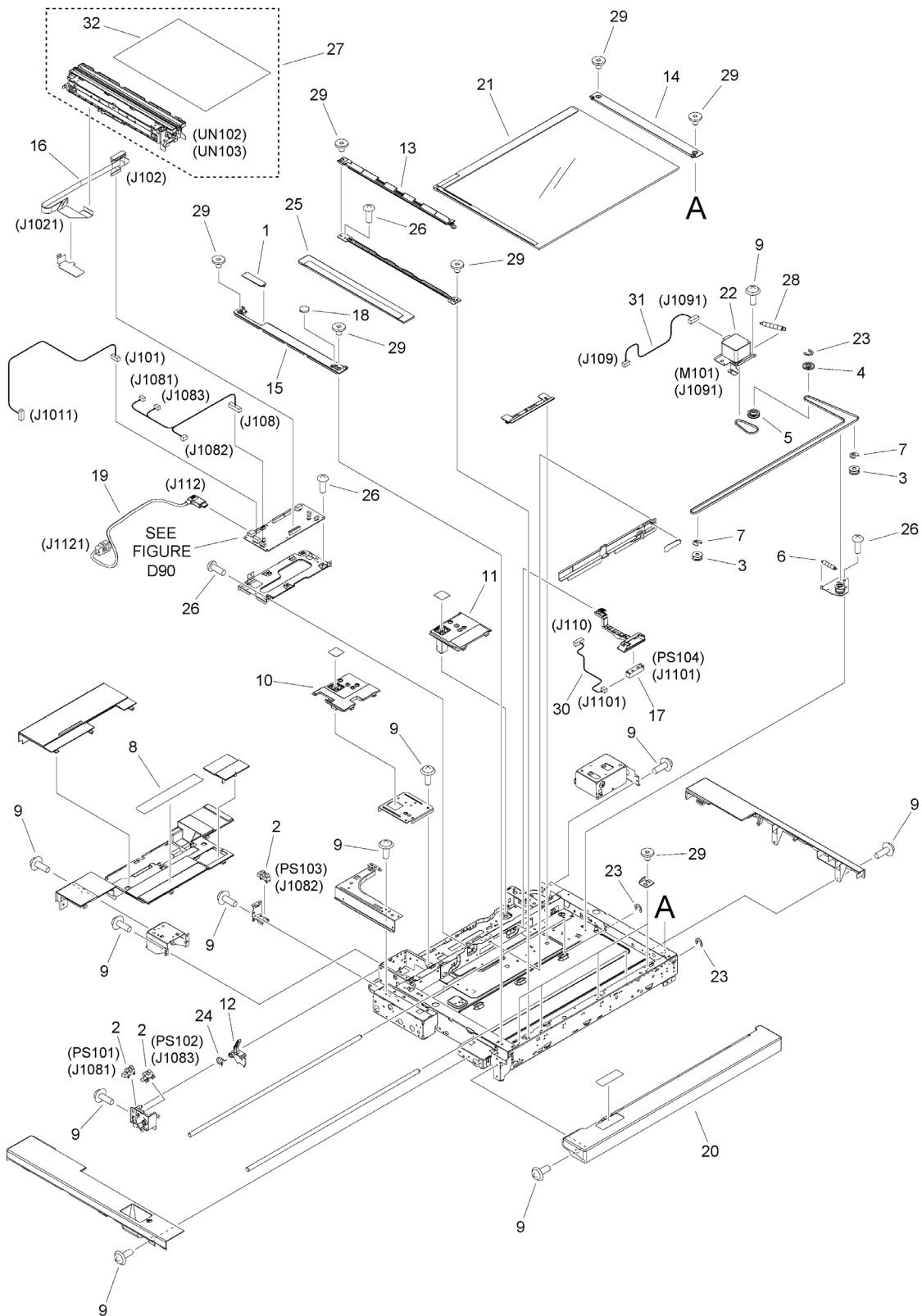


FIGURE & KEY NO.	PART NUMBER	RANK	QTY	DESCRIPTION	SERIAL NUMBER /REMARKS
D11B	NPN		RF	READER ASSEMBLY	A/ INCH SIZE
1	FE2-H715-000		1	COVER, READER, LEFT UPPER	
2	WG8-5935-000		3	IC, PHOTO INTERRUPTER	PS101, PS102, PS103
3	FE8-5627-000		2	PULLEY	
4	FE8-5626-000		1	PULLEY	
5	FL0-0825-000		1	PULLEY, 24T/41T	
6	FU2-2214-000		1	SPRING, TENSION	
7	FE8-5516-000		2	RING, RETAINING	
8	FE8-6152-000		1	LABEL, COPY PROHIBITION	US English
8	FE8-6153-000		1	LABEL, COPY PROHIBITION	Canadian French, Portuguese, Spanish
9	XA9-2050-000		15	SCREW, SELF-TAPPING, M3	
10	FE2-A113-000		1	COVER, HINGE LOWER, LEFT	
11	FE2-A114-000		1	COVER, HINGE LOWER, RIGHT	
12	FE8-5215-000		1	FLAG, OPEN/CLOSE SENSOR	
13	FE8-9350-000		1	COVER, GLASS SUPPORT	
14	FE8-5747-000		1	COVER, GLASS RETAINING	
15	FE2-A110-000		1	COVER, GLASS RETAINING, LEFT	
16	FK4-3319-000		1	CABLE, FLAT	
17	FK4-4384-000		1	IC, PHOTO SENSOR,DOCUMENT SIZE	PS104
18	FE3-9178-000		1	CAP	
19	FK4-2202-000		1	CABLE, INTERFACE	
20	FE2-A150-000		1	COVER, READER, FRONT	
21	FL1-5546-000		1	GLASS, COPYBOARD	
22	FM1-T727-000		1	MOTOR ASS'Y	M101
23	XD9-0395-000		3	RETAINING RING (E-TYPE)	
24	FU2-2215-000		1	SPRING, TORSION	
25	FL1-5083-000		1	GLASS, READER	
26	XA9-1116-030		13	SCREW,M3X5	
27	FM2-A692-000		1	SCANNER UNIT	UN102, UN103
28	FU2-2200-000		1	SPRING, TENSION	
29	XA9-1415-000		10	SCREW, FLAT HEAD, M4	
30	FM1-T947-000		1	CABLE, SIZE SENSING	
31	FM1-T941-000		1	CABLE, OPTICAL MOTOR	
32	FM1-T790-000		1	CHART, 2-SIDED DIFFER. ADJUST	

Figure D11D READER ASSEMBLY (A/B/K/INCH SIZE)

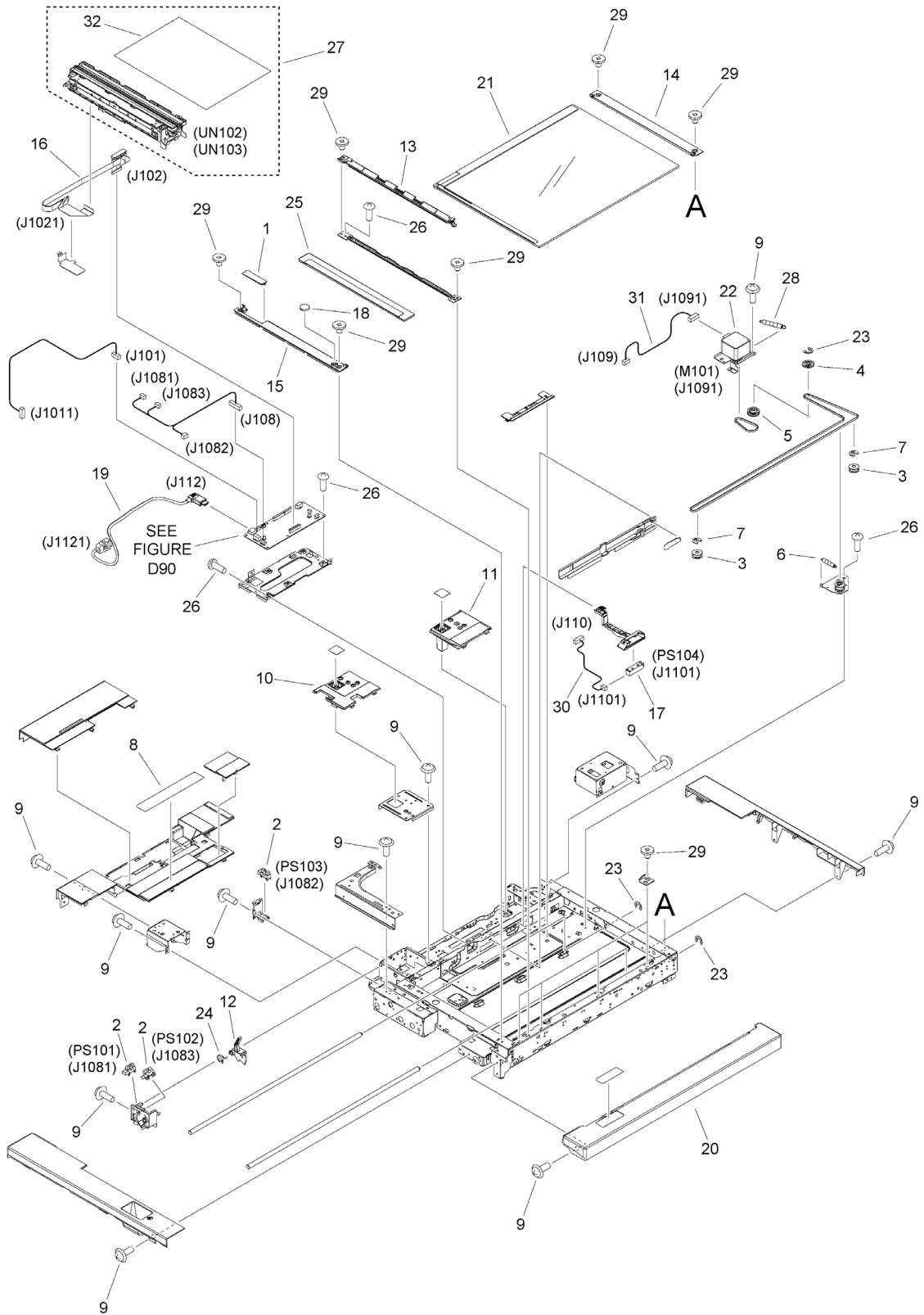
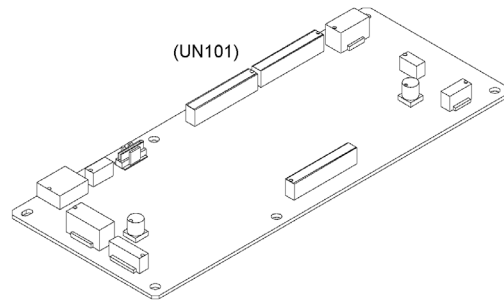


FIGURE & KEY NO.	PART NUMBER	RANK	QTY	DESCRIPTION	SERIAL NUMBER /REMARKS
D11D	NPN		RF	READER ASSEMBLY	A/ B/ K/ INCH SIZE
1	FE2-H715-000		1	COVER, READER, LEFT UPPER	
2	WG8-5935-000		3	IC, PHOTO INTERRUPTER	PS101, PS102, PS103
3	FE8-5627-000		2	PULLEY	
4	FE8-5626-000		1	PULLEY	
5	FL0-0825-000		1	PULLEY, 24T/41T	
6	FU2-2214-000		1	SPRING, TENSION	
7	FE8-5516-000		2	RING, RETAINING	
8	FE8-6152-000		1	LABEL, COPY PROHIBITION	
9	XA9-2050-000		15	SCREW, SELF-TAPPING, M3	
10	FE2-A113-000		1	COVER, HINGE LOWER, LEFT	
11	FE2-A114-000		1	COVER, HINGE LOWER, RIGHT	
12	FE8-5215-000		1	FLAG, OPEN/CLOSE SENSOR	
13	FE8-9350-000		1	COVER, GLASS SUPPORT	
14	FE8-5747-000		1	COVER, GLASS RETAINING	
15	FE2-A110-000		1	COVER, GLASS RETAINING, LEFT	
16	FK4-3319-000		1	CABLE, FLAT	
17	FK4-4384-000		1	IC, PHOTO SENSOR,DOCUMENT SIZE	PS104
18	FE3-9178-000		1	CAP	
19	FK4-2202-000		1	CABLE, INTERFACE	
20	FE2-A150-000		1	COVER, READER, FRONT	
21	FL1-5546-000		1	GLASS, COPYBOARD	
22	FM1-T727-000		1	MOTOR ASS'Y	M101
23	XD9-0395-000		3	RETAINING RING (E-TYPE)	
24	FU2-2215-000		1	SPRING, TORSION	
25	FL1-5083-000		1	GLASS, READER	
26	XA9-1116-030		13	SCREW,M3X5	
27	FM2-A692-000		1	SCANNER UNIT	UN102, UN103
28	FU2-2200-000		1	SPRING, TENSION	
29	XA9-1415-000		10	SCREW, FLAT HEAD, M4	
30	FM1-T947-000		1	CABLE, SIZE SENSING	
31	FM1-T941-000		1	CABLE, OPTICAL MOTOR	
32	FM1-T790-000		1	CHART, 2-SIDED DIFFER. ADJUST	

Figure D90B READER CONTROLLER PCB ASSEMBLY





<b>FIGURE &amp; KEY NO.</b>	<b>PART NUMBER</b>	<b>R A N K</b>	<b>QTY</b>	<b>DESCRIPTION</b>	<b>SERIAL NUMBER /REMARKS</b>
D90B	FM1-T937-000		1	READER CONTROLLER PCB ASSEMBLY	UN101

## Figure ZZA MECHANICAL STANDARD PARTS (HOW TO USE)

### Mechanical standard parts 機械標準部品

#### About a mechanical standard parts

A Mechanical standard parts is a mechanical part which not parts peculiar to a product.  
They are parts which are common to a Canon product and are used, such as a screw and a washer.  
The Fig No. and parts number of the mechanical standard parts are not listed in the product parts catalog.  
Refer to the parts catalog of mechanical standard parts when checking the parts number for screw or washer etc. and identify them by part shape or size.

#### 機械標準部品とは

機械標準部品とは、製品特有の部品ではなく、ねじやワッシャなどキヤノン製品共通で使用されている機械部品（メカ部品）のことです。  
製品のパーツカタログには、機械標準部品のFig No.や部品番号は記載していません。  
ねじや、ワッシャ等の部品番号を調べる時は、機械標準部品のパーツカタログを参照し、部品の形状や大きさから判断し、使用している部品を調べてください。

#### Material and surface treatment of a mechanical standard parts

Material and surface treatment of mechanical standard parts are assigned commonly for each part.  
Refer to the Table 1 for the parts which material and surface treatment are assigned as numbers.

#### 機械標準部品の材料および表面処理

機械標準部品の材料および表面処理については、各種部品共通で決められています。  
材料および表面処理が番号で決められている部品については、表1を参照してください。

Table 1 Material and Surface treatment  
表1 材料および表面処理

No. 番号	Material 材料	Surface treatment 表面処理	Color 色
1	Stainless steel ステンレス	Stainless steel black coloring (BC4) ステンレス黒着色(BC4)	Black 黒
2		not to be given なし	White 白
3	Brass 黄銅	Regular nickel plating (NL) 普通ニッケルメッキ(NL)	White 白
4		Black nickel plating (BN) 黒色ニッケルメッキ(BN)	Black 黒
5	Steel 鋼	White zinc trivalent chromate treating (ZC3) 白色亜鉛3価クロメート(ZC3)	White 白
6		Regular nickel chromium plating (NC) 普通ニッケルクロムメッキ(NC)	White 白
7		Regular nickel plating (NL) 普通ニッケルメッキ(NL)	White 白
8		Iron and steel phosphating (P1) 鉄鋼燐酸塩処理(P1)	Black 黒
9		Black zinc trivalent chromate treating (BZ3) 黒色亜鉛3価クロメート(BZ3)	Black 黒

Figure ZZB (1/7)MECHANICAL STANDARD PARTS (SCREWS)

1. Screws  
ねじ

How to read Parts Numbers  
部品番号の見方

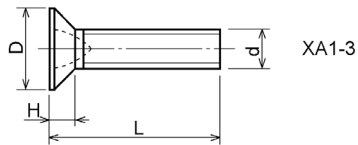
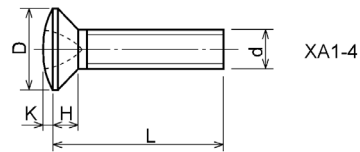
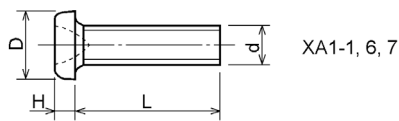
Screws  
ねじ

XB1-2400-609

Type No.  
類別番号  
Normal designation (d)  
ねじの呼び (d)  
Length (L)  
ねじの長さ (L)  
Material and Surface treatment  
材料および表面処理

XB1-2 expresses Binding head machine screw.  
XB1-2は、バインドねじを表す  
40 expresses M4.0.  
40は、M4.0を表す  
0-60 expresses a length of 6.0mm.  
0-60は、6.0mmの長さを表す  
9 expresses Steel (Black zinc trivalent chromate  
treating) from Table 1.  
9は、表1より鋼 (黒色亜鉛3価クロメート) を表す

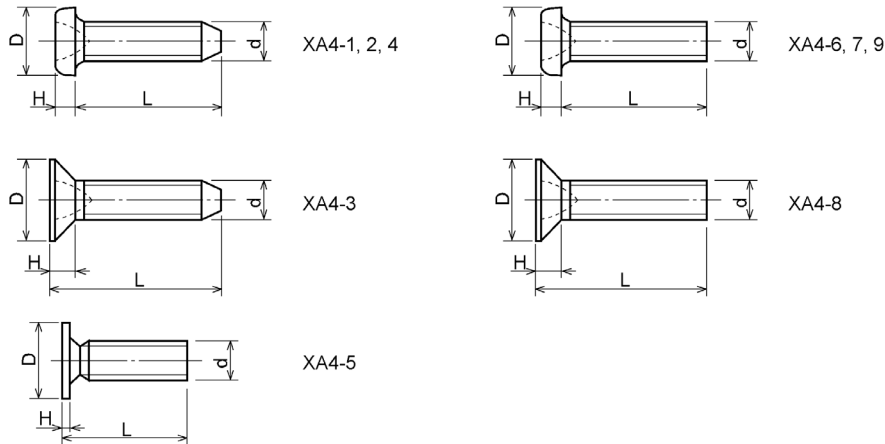
1-1. Cross Recessed Head Screws for Precision Equipments  
精密機器用十字穴付き小ねじ



Type No. 類別番号	Type 類別	Head size (mm) 頭部寸法 (mm)						
		M1.4	M1.6	M1.7	M2	M2.5	M2.6	
XA1-1	Pan head Class 1 なべ1種	D	2	2.4	2.5	3	3.8	4
		H	0.5	0.55	0.5	0.6	0.9	0.8
XA1-3	Countersunk head Class 1 さら1種	D	2	2.4	2.5	3	3.8	4
		H	0.48	0.55	0.58	0.73	0.85	0.93
XA1-4	Oval countersunk head Class 1 丸さら1種	D	2	2.4	2.5	3	3.8	4
		H + K	0.68	0.8	0.88	1	1.25	1.3
XA1-6	Pan head Class 3 なべ3種	D	2.5	2.8	3	3.5	4.3	4.5
		H	0.8	0.85	0.9	1	1.3	1.2
XA1-7	Pan head Class 2 なべ2種	D	2.5	2.8	3	3.5	4.3	4.5
		H	0.5	0.55	0.5	0.6	0.9	0.8

Figure ZZB (2/7) MECHANICAL STANDARD PARTS (SCREWS)

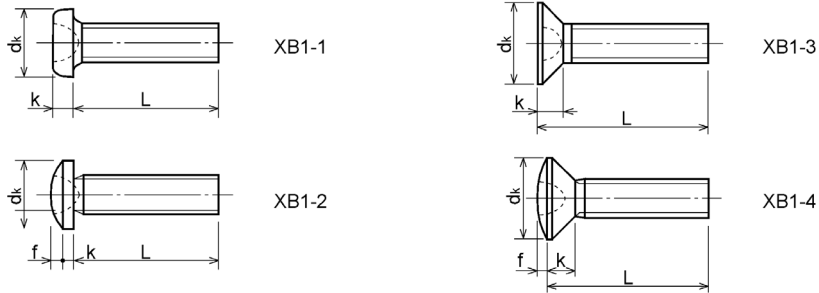
1-2. Precision Tapping Screws  
精密用タッピンねじ



Type No. 類別番号	Type 類別	Head size (mm) 頭部寸法 (mm)						
		M1.4	M1.6	M1.7	M2	M2.5	M2.6	
XA4-1	With tapered end pan head Class 1 絞り-なべ1種	D XA4-1	2	2.4	2.5	3	3.8	4
		H XA4-1	0.5	0.55	0.5	0.6	0.9	0.8
XA4-2	With tapered end pan head Class 3 絞り-なべ3種	D XA4-2	2.5	2.8	3	3.5	4.3	4.5
		H XA4-2	0.8	0.85	0.9	1	1.3	1.2
XA4-3	With tapered end countersunk head 絞り-さら	D XA4-3	2	2.4	2.5	3	3.8	4
		H XA4-3	0.48	0.55	0.58	0.73	0.85	0.93
XA4-4	With tapered end pan head Class 2 絞り-なべ2種	D XA4-4	2.5	2.8	3	3.5	4.3	4.5
		H XA4-4	0.5	0.55	0.5	0.6	0.9	0.8
XA4-5	With parallel end ultra thin head ストレート-超薄頭	D XA4-5	2.5	2.8	3	-	-	-
		H XA4-5	0.2	0.2	0.2	-	-	-
XA4-6	With parallel end pan head Class 1 ストレート-なべ1種	D XA4-6	2	2.4	2.5	3	3.8	4
		H XA4-6	0.5	0.55	0.5	0.6	0.9	0.8
XA4-7	With parallel end pan head Class 3 ストレート-なべ3種	D XA4-7	2.5	2.8	3	3.5	4.3	4.5
		H XA4-7	0.8	0.85	0.9	1	1.3	1.2
XA4-8	With parallel end countersunk head ストレート-さら	D XA4-8	2	2.4	2.5	3	3.8	4
		H XA4-8	0.48	0.55	0.58	0.73	0.85	0.93
XA4-9	With parallel end pan head Class 2 ストレート-なべ2種	D XA4-9	2.5	2.8	3	3.5	4.3	4.5
		H XA4-9	0.5	0.55	0.5	0.6	0.9	0.8

Figure ZZB (3/7) MECHANICAL STANDARD PARTS (SCREWS)

1-3. Cross Recessed Head Screws  
一般用十字穴付き小ねじ

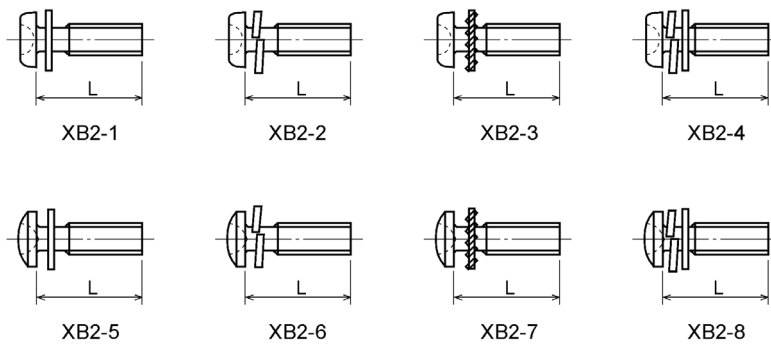


Type No. 類別番号	Type 類別
XB1-1	Pan head なべ
XB1-2	Binding head バインド
XB1-3	Countersunk head さら
XB1-4	Oval countersunk head 丸さら

		Head size (mm) 頭部寸法 (mm)					
		M2	M2.5	M2.6	M3	M4	M5
$d_k$	XB1-1	3.5	4.5	4.5	5.5	7	9
$k$	XB1-1	1.3	1.7	1.7	2	2.6	3.3
$d_k$	XB1-2	4.3	5.3	5.5	6.3	8.3	10.3
$k+f$	XB1-2	1.2	1.5	1.6	1.9	2.5	3.1
$d_k$	XB1-3	4	5	-	6	8	10
$k$	XB1-3	1.2	1.45	-	1.75	2.3	2.8
$d_k$	XB1-4	4	5	-	6	8	10
$k+f$	XB1-4	1.6	2	-	2.45	3.2	4
Screw part length ねじ部長さ $b$		8	12	12	12	16	20

Figure ZZB (4/7) MECHANICAL STANDARD PARTS (SCREWS)

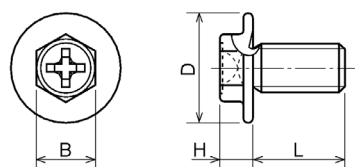
1-4. Cross Recessed Head Screws with Captive Washer  
座金組込み十字穴付き小ねじ



Type No. 類別番号	Type 類別
XB2-1	Pan head + Plain washer (circular bright) なべねじ+平座金
XB2-2	Pan head + Spring washer なべねじ+ばね座金
XB2-3	Pan head + Toothed lock washer なべねじ+歯付座金
XB2-4	Pan head + Spring washer and plain washer (circular bright) なべねじ+(ばね+平)座金
XB2-5	Binding head + Plain washer (circular bright) バインドねじ+平座金
XB2-6	Binding head + Spring washer バインドねじ+ばね座金
XB2-7	Binding head + Toothed lock washer バインドねじ+歯付座金
XB2-8	Binding head + Spring washer and plain washer (circular bright) バインドねじ+(ばね+平)座金

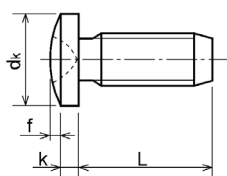
Figure ZZB (5/7) MECHANICAL STANDARD PARTS (SCREWS)

1-5. Hexagon Head Tapping Screws for Matallic Materials  
 金属用六角タッピンねじ



Type No. 類別番号	Type 類別	Head size (mm) 頭部寸法 (mm)		
		M3	M4	
XB3-6	For metallic materials 金属用タッピン	D	8	10
		B	5.5	5.5
XB3-7	For metallic materials with clawed 金属用タッピン-つめ付き	H XB3-6	3.1	3.1
		H XB3-7	3.2	3.2

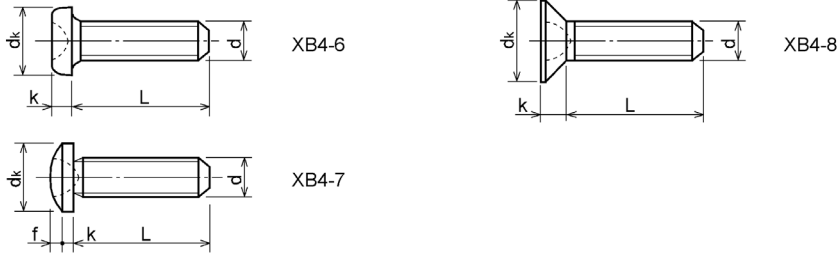
1-6. Special Tapping Screws  
 特殊タッピンねじ



Type No. 類別番号	Type 類別	Head size (mm) 頭部寸法 (mm)		
		M3	M4	
XB4-5	Binding head バインド	dk	6.3	8.3
		k	1.3	1.7
		k+f	1.9	2.5

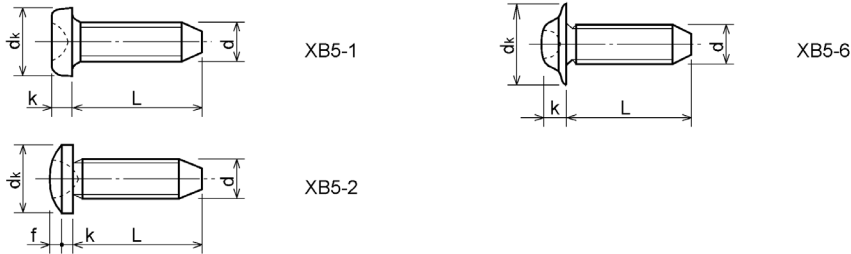
Figure ZZB (6/7) MECHANICAL STANDARD PARTS (SCREWS)

1-7. General Head Tapping Screws  
一般用タッピンねじ



Type No. 類別番号	Type 類別	Head size (mm) 頭部寸法 (mm)						
		M2	M2.5	M2.6	M3	M4	M5	
XB4-6	Pan head なべ	dk XB4-6	3.5	4.5	4.5	5.5	7	9
		k XB4-6	1.3	1.7	1.7	2	2.6	3.3
XB4-7	Binding head バインド	dk XB4-7	4.3	5.3	5.5	6.3	8.3	10.3
		k+f XB4-7	1.2	1.5	1.6	1.9	2.5	3.1
XB4-8	Countersunk head さら	dk XB4-8	4	5	5.2	6	8	10
		k XB4-8	1.2	1.45	1.5	1.75	2.3	2.8

1-8. Tapping Screws for Metallic Materials  
金属用タッピンねじ

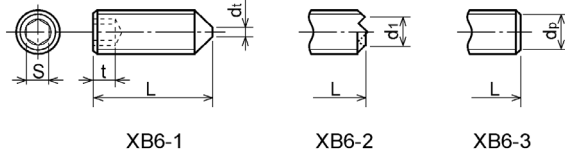


Type No. 類別番号	Type 類別	Head size (mm) 頭部寸法 (mm)					
		M2.5	M2.6	M3	M4	M5	
XB5-1	Pan head なべ	dk XB5-1	4.5	4.5	5.5	7	9
		k XB5-1	1.7	1.7	2	2.6	3.3
XB5-2	Binding head バインド	dk XB5-2	5.5	5.5	6.3	8.3	10.3
		k+f XB5-2	1.6	1.6	1.9	2.5	3.1
XB5-6	Flanged pan head つば付きなべ	dk XB5-6	6.5	6.5	8	10	12
		k XB5-6	2.1	2.1	1.75	3.2	4



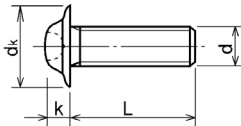
Figure ZZB (7/7) MECHANICAL STANDARD PARTS (SCREWS)

1-9. Hexagon Socket Set Screws  
六角穴付き止めねじ



Type No. 類別番号	Type 類別	Head size (mm) 頭部寸法 (mm)						
		M1.6 M1.7	M2	M2.5 M2.6	M3	M5	M5	M6
	S	0.7	0.9	1.3	1.5	2	2.5	3
	t	1.5	1.7	2	2	2.5	3	3.5
	dt max XB6-1	0.4	0.5	0.65	0.75	1	1.25	1.5
	d1 max XB6-2	-	1.2	1.5	1.7	2.2	2.8	3.3
	d1 min XB6-2	-	1	1.2	1.4	1.9	2.4	2.9
	dp max XB6-3	0.8	1	1.5	2	2.5	3.5	4
	dp min XB6-3	0.55	0.75	1.25	1.75	2.25	3.2	3.7

1-10. Flanged Pan Head Machine Screws  
つば付きなべ小ねじ



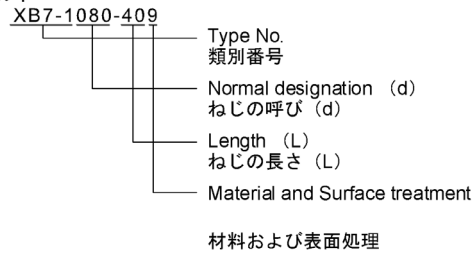
Type No. 類別番号	Type 類別	Head size (mm) 頭部寸法 (mm)				
		M2	M2.5 M2.6	M3	M5	M5
	dk	5	6.5	8	10	12
	k	1.7	2.1	2.5	3.2	4

Figure ZZC MECHANICAL STANDARD PARTS (BOLTS)

2. Bolts (Socket head cap screw)  
ボルト

How to read Parts Numbers  
部品番号の見方

Bolt (Socket head cap screw)  
ボルト



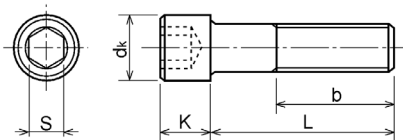
XB7-1 expresses Hexagon socket head cap screws.  
XB7-1は、六角穴付きボルトを表す

080 expresses M8.0.  
080は、M8.0を表す

40 expresses a length of 40mm.  
40は、40mmの長さを表す

9 expresses Steel (Black zinc trivalent chromate treating) from Table 1.  
9は、表1より鋼（黒色亜鉛3価クロメート）を表す

2-1. Hexagon socket head cap screws  
六角穴付きボルト



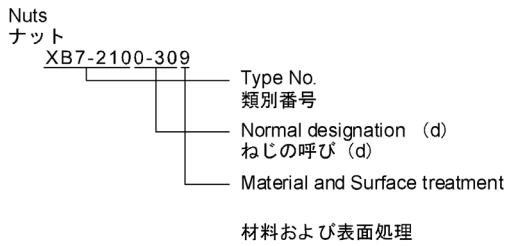
Type No. 類別番号	Type 類別
XB7-1	Hexagon socket head cap screws 六角穴付きボルト

	Head size (mm) 頭部寸法 (mm)						
	M3	M4	M5	M6	M8	M10	M12
S	2.5	3	4	5	6	8	10
dk	5.5	7	8.5	10	13	16	18
K	3	4	5	6	8	10	12
Screw part length ねじ部長さ $b_{max}$	18	20	22	24	28	32	36

Figure ZZD MECHANICAL STANDARD PARTS (NUTS)

3. Nuts  
ナット

How to read Parts Numbers  
部品番号の見方

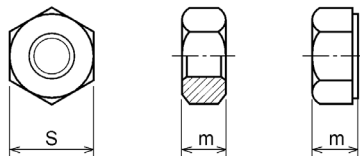


XB7-210 expresses Hexagon nut class 1.  
XB7-210は、六角ナット1種を表す

0-30 expresses M3.0.  
0-30は、M3.0を表す

9 expresses Steel (Black zinc trivalent chromate  
treating) from Table 1.  
9は、表1より鋼（黒色亜鉛3価クロメート）を表す

3-1. Hexagon Nuts and Hexagon Thin Nuts  
六角ナット



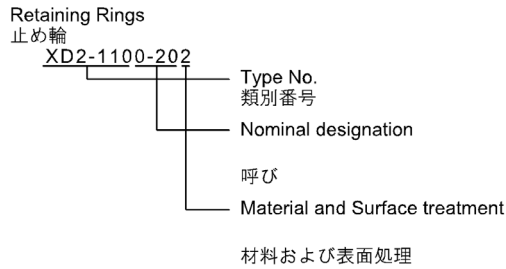
Type No. 類別番号	Type 類別
XB7-210	Hexagon nut Class 1 六角ナット-1種
XB7-220	Hexagon nut Class 3 六角ナット-3種
XB7-230	Hexagon nut Style 1 double chamfered 六角ナット-スタイル1-両面とり
XB7-231	Hexagon nut Style 1 washer faced 六角ナット-スタイル1-座付き
XB7-240	Hexagon nut Style 2 double chamfered 六角ナット-スタイル2-両面とり
XB7-241	Hexagon nut Style 2 washer faced 六角ナット-スタイル2-座付き
XB7-250	Hexagon nut 六角ナット
XB7-260	Hexagon thin nut double chamfered 六角低ナット-両面とり
XB7-270	Hexagon thin nut not chamfered 六角低ナット-面とり無し

	Head size (mm) 頭部寸法 (mm)						
	M2	M2.5	M3	M4	M5	M6	M8
S	4	5	5.5	7	8	10	13
m XB7-210	1.6	2	2.4	3.2	4	5	6.5
m XB7-220	1.2	1.6	1.8	2.4	3.2	3.6	5
m XB7-230, 231	1.6	2	2.4	3.2	4.7	5.2	6.8
m XB7-240, 241	-	-	-	-	5.1	5.7	7.5
m XB7-250	-	-	-	-	5.6	6.1	7.9
m XB7-260	1.2	1.6	1.8	2.2	2.7	3.2	4
m XB7-270	1.2	1.6	1.8	2.2	2.7	3.2	4

Figure ZZE (1/3)MECHANICAL STANDARD PARTS (RETAINING RINGS)

5. Retaining Rings  
止め輪

How to read Parts Numbers  
部品番号の見方

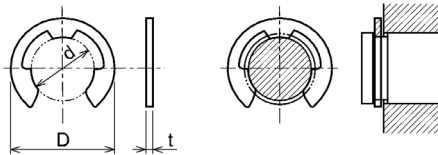


XD2-110 expresses retaining ring-E type (Type1).  
XD2-110は、E形止め輪（1種）を表す

0-20 expresses a 020 of nominal designation.  
(See Table 5)  
0-20は、呼び020を表す（表5参照）

2 expresses Stainless steel (Surface treatment is not to be given) from Table 1.  
2は、表1よりステンレス（表面処理なし）を表す

5-1. Retaining Rings - E type  
E形止め輪



Type No. 類別番号	Type 類別
XD2-110	Retaining ring - E type (Type 1) E形止め輪（1種）
XD2-120	Retaining ring - E type (Type 2) E形止め輪（2種）

Table 5 表5

Type 種類	Nominal designation 呼び	d (mm)	D (mm)	t (mm)
Type 1 1種	007	0.65	2	0.2
	010	0.95	2.8	0.2
	013	1.25	3.3	0.3
	017	1.65	4.2	0.4
	020	1.95	4.6	0.5
	024	2.35	6	0.6
	028	2.74	6.5	0.6
	032	3.14	7.2	0.6
	037	3.64	8	0.7
	040	3.93	10	0.7
	042	4.13	10	0.7
	050	4.93	11	0.7
	058	5.73	12	0.7
	060	5.93	12.7	0.9
064	6.32	13.5	0.9	
074	7.31	15	0.9	
080	7.91	16.5	1	
Type 2 2種	008	0.8	2	0.2
	012	1.2	3	0.3
	015	1.5	4	0.4
	020	2	5	0.4
	025	2.5	6	0.4
	030	3	7	0.6
	040	4	9	0.6
	050	5	11	0.6
	060	6	12	0.8
	070	7	14	0.8
	080	8	16	0.8
	090	9	18	0.8
	100	10	20	1

Figure ZZE (2/3)MECHANICAL STANDARD PARTS (RETAINING RINGS)

5-2. Grip Rings  
グリップ止め輪

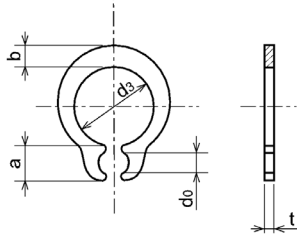


Table 5 表5

Nominal designation 呼び	$d_3$ (mm)	$t$ (mm)	$b$ (mm)	$a$ (mm)	$d_o$ (mm)
020	1.9	0.5	1	1.8	0.8
025	2.35	0.5	1.2	1.9	0.9
030	2.85	0.6	1.4	1.9	0.9
035	3.3	0.6	1.6	2	0.9
040	3.8	0.8	1.8	2.8	1.2
045	4.25	0.8	2	2.9	1.3
050	4.75	0.8	2.2	2.9	1.3
060	5.7	1	2.4	3.1	1.4
070	6.7	1	2.7	3.3	1.4
080	7.7	1	3	3.5	1.4
090	8.65	1.2	3.3	4.7	1.5
100	9.65	1.2	3.5	4.7	2

Type No. 類別番号	Type 類別
XD2-210	Grip ring グリップ止め輪

5-3. Toothed Retaining Rings  
歯付き形止め輪

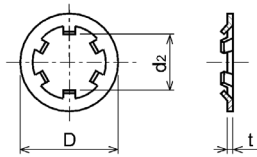


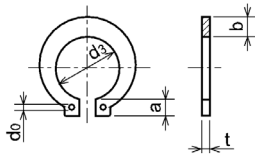
Table 5 表5

Nominal designation 呼び	$d_z$ (mm)	$D$ (mm)	$t$ (mm)	No of teeth 歯数
015	1.4	5.2	0.25	3
020	1.9	6	0.25	3
024	2.3	6.4	0.25	3
030	2.8	8	0.25	4
040	3.8	9	0.25	4
050	4.8	10	0.25	5
060	5.8	11	0.25	5
080	7.8	13	0.25	5
100	9.8	15.4	0.25	6

Type No. 類別番号	Type 類別
XD2-230	Toothed retaining ring 歯付き形止め輪

Figure ZZE (3/3)MECHANICAL STANDARD PARTS (RETAINING RINGS)

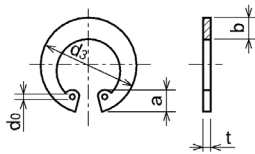
5-4. Retaining Rings - C Type  
C形止め輪



Type No. 類別番号	Type 類別
XD2-310	Retaining ring - C type for shaft C形止め輪 軸用

Table 5 表5

Nominal designation 呼び	d <sub>3</sub> (mm)	t (mm)	b (mm)	a (mm)	d <sub>0</sub> (mm)
010	9.3	1	1.6	3	1.2
012	11.1	1	1.8	3.2	1.5
014	12.9	1	2	3.4	1.7
015	13.8	1	2.1	3.5	1.7
016	14.7	1	2.2	3.6	1.7
017	15.7	1	2.2	3.7	1.7
018	16.5	1.2	2.6	3.8	1.7
020	18.5	1.2	2.7	3.9	2
022	20.5	1.2	2.7	4.1	2
025	23.2	1.2	3.1	4.3	2
028	25.9	1.5	3.1	4.6	2
030	27.9	1.5	3.5	4.8	2
032	29.6	1.5	3.5	5	2.5
035	32.2	1.5	4	5.4	2.5



Type No. 類別番号	Type 類別
XD2-320	Retaining ring - C type for hole C形止め輪 穴用

Table 5 表5

Nominal designation 呼び	d <sub>3</sub> (mm)	t (mm)	b (mm)	a (mm)	d <sub>0</sub> (mm)
010	10.7	1	1.8	3.1	1.2
011	11.8	1	1.8	3.2	1.2
012	13	1	1.8	3.3	1.5
014	15.1	1	2	3.6	1.7
016	17.3	1	2	3.7	1.7
018	19.5	1	2.5	4	1.7
019	20.5	1	2.5	4	2
020	21.5	1	2.5	4	2
022	23.5	1	2.5	4.1	2
025	26.9	1.2	3	4.4	2
028	30.1	1.2	3	4.6	2
030	32.1	1.2	3	4.7	2
032	34.4	1.2	3.5	5.2	2.5
035	37.8	1.5	3.5	5.2	2.5
037	39.8	1.5	3.5	5.2	2.5
040	43.5	1.8	4	5.7	2.5
042	45.5	1.8	4	5.8	2.5
045	48.5	1.8	4.5	5.9	2.5
047	50.5	1.8	4.5	6.1	2.5
050	54.2	2	4.5	6.5	2.5
052	56.2	2	5.1	6.5	2.5
055	59.2	2	5.1	6.5	2.5
060	64.2	2	5.1	6.8	2.5
062	66.2	2	5.5	6.9	2.5
068	72.5	2.5	6	7.4	2.5
072	76.5	2.5	6.6	7.4	2.5
075	79.5	2.5	6.6	7.8	2.5
080	85.5	2.5	7	8	2.5
085	90.5	3	7	8	3
090	95.5	3	7.6	8.3	3
095	100.5	3	8	8.5	3