

PARTS CATALOG

imageRUNNER ADVANCE C47 5 III series (CEL)

<PREFACE>

This Parts Catalog contains listings of parts used. Diagrams are provided with the listings to aid the service technician in identifying clearly, the item to be ordered.

Whenever ordering parts, consult this Parts Catalog for all of the information pertaining to each item. Be sure to include, in the Parts Request, the full item description, the item part number, and the quantity.

The Canon logo is displayed in a bold, black, sans-serif font. The letter 'C' is significantly larger than the other letters, and the 'o' contains a vertical bar through its center.

Index

SNL	Product Code No./Serial No.
A1C	ASSEMBLY LOCATION DIAGRAM (FINISHER model)
A1D	ASSEMBLY LOCATION DIAGRAM (MODEL WITHOUT FINISHER)
A2	OPTION PARTS CATALOG LIST
001B	ACCESSORIES
100C	EXTERNAL COVERS, PANELS, ETC. (FINISHER model)
100D	EXTERNAL COVERS, PANELS, ETC. (MODEL WITHOUT FINISHER)
101	INTERNAL COMPONENTS 1
102A	INTERNAL COMPONENTS 2 (FINISHER model)
102B	INTERNAL COMPONENTS 2 (MODEL WITHOUT FINISHER)
103	INTERNAL COMPONENTS 3
104B	INTERNAL COMPONENTS 4
105	INTERNAL COMPONENTS 5
106C	INTERNAL COMPONENTS 6 (FINISHER model)
106D	INTERNAL COMPONENTS 6 (MODEL WITHOUT FINISHER)
107A	INTERNAL COMPONENTS 7 (FINISHER model)
107B	INTERNAL COMPONENTS 7 (MODEL WITHOUT FINISHER)
130B	FLAT CONTROL PANEL ASSEMBLY
350	FINISHER ASSEMBLY (FINISHER model)
351	STAPLE ASSEMBLY (FINISHER model)
900	CONTROLLER BOX ASSEMBLY
B01	ADF MAINTENANCE KIT
B10B	READER/ADF ASSEMBLY
B11	AUTO DOCUMENT FEEDER ASS'Y SET
B12	PAPER PICK-UP COVER ASS'Y
D10B	READER ASSEMBLY
ZZA	MECHANICAL STANDARD PARTS (HOW TO USE)
ZZB	MECHANICAL STANDARD PARTS (SCREWS)
ZZC	MECHANICAL STANDARD PARTS (BOLTS)
ZZD	MECHANICAL STANDARD PARTS (NUTS)
ZZE	MECHANICAL STANDARD PARTS (RETAINING RINGS)

Figure SNL Product Code No./Serial No.

	Product Code No.	Model Name	Remarks	Serial No.
1	F17-4291-000	imageRUNNER ADVANCE C475iZ III	FINISHER model	2HE
2	F17-4295-000	imageRUNNER ADVANCE C475i III	MODEL WITHOUT FINISHER	2HD

	中オーダー	製品名	備考	シリアル No.
1	F17-4291-000	imageRUNNER ADVANCE C475iZ III	FINISHER model	2HE
2	F17-4295-000	imageRUNNER ADVANCE C475i III	MODEL WITHOUT FINISHER	2HD

FIGURE & KEY NO.	PART NUMBER	RANK	QTY	DESCRIPTION	SERIAL NUMBER /REMARKS
SNL	NPN		RF	Product Code No./Serial No.	
1	F17-4291-000		1	imageRUNNER ADVANCE C475iZ III	2HE FINISHER model
2	F17-4295-000		1	imageRUNNER ADVANCE C475i III	2HD MODEL WITHOUT FINISHER

Figure A1C ASSEMBLY LOCATION DIAGRAM (FINISHER model)

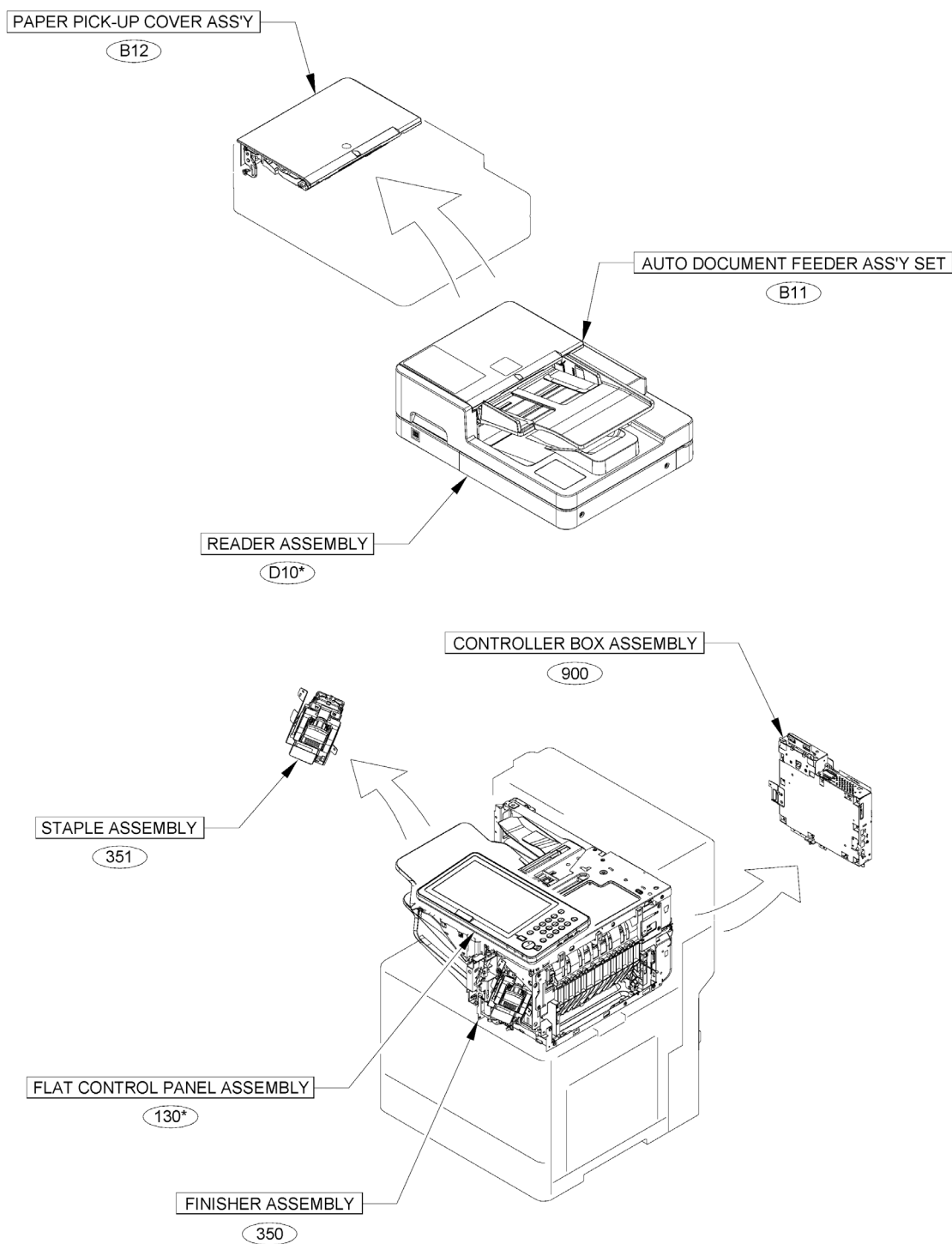


Figure A1D ASSEMBLY LOCATION DIAGRAM (MODEL WITHOUT FINISHER)

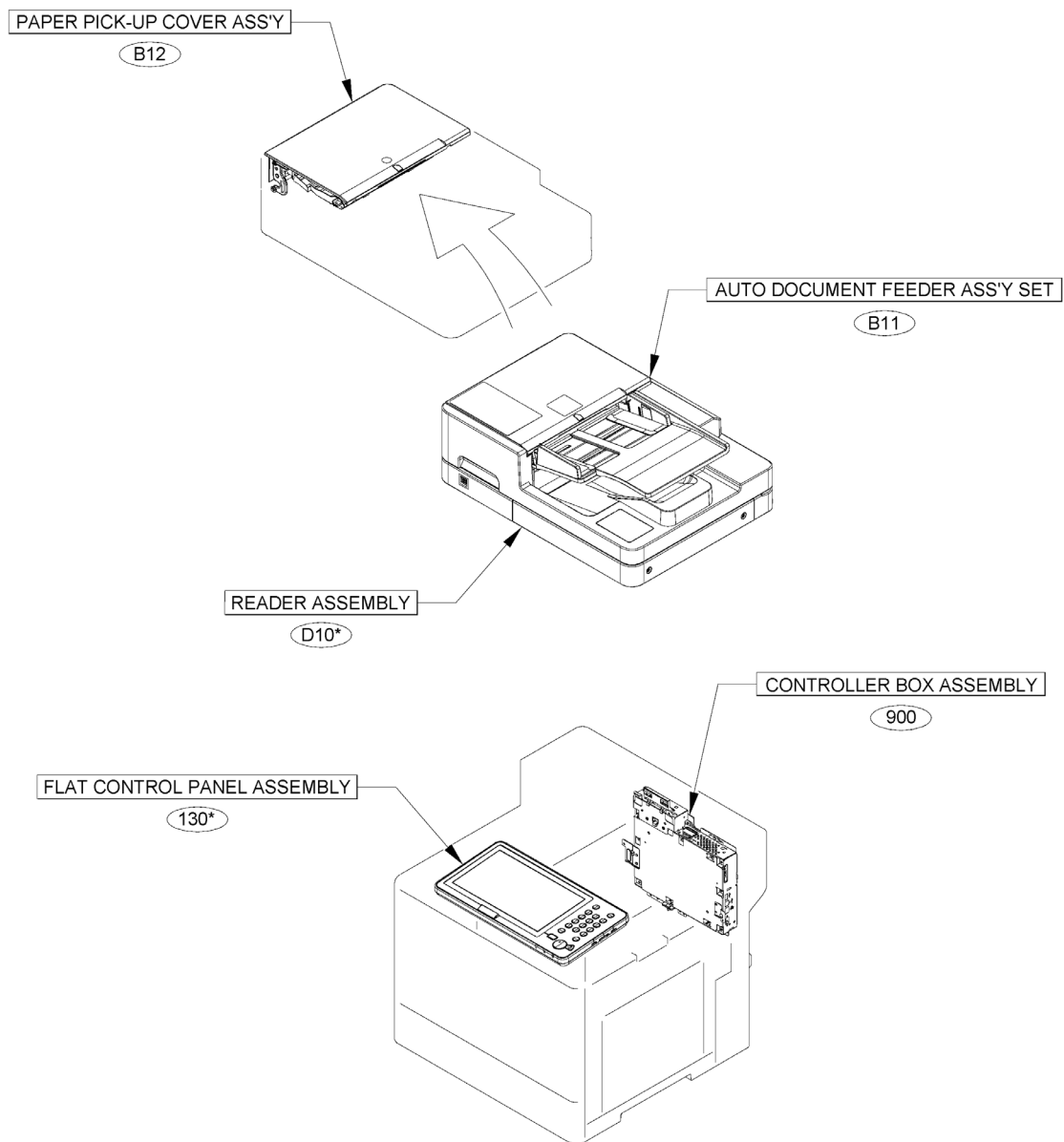


Figure A2 OPTION PARTS CATALOG LIST

This is the table of the machine's options whose parts catalog is issued.
 本機のオプションで、パーツカタログが発行されている機種の一覧である。

No.	Model Name(English)	Model Name(Japanese)
1	ADF Access Handle-A1	(日本仕向けなし)
2	NFC Kit-C1	(日本仕向けなし)
3	Cassette Feeding Unit-AS1/AT1	(日本仕向けなし)
4	Cassette Module-AJ1	(日本仕向けなし)
5	Copy Card Reader Attachment-B5	(日本仕向けなし)
6	Super G3 FAX Board-AT1	(日本仕向けなし)
7	Copy Control Interface Kit-A1	(日本仕向けなし)
8	IC Card Reader Box-D1	(日本仕向けなし)
9	IC Card Reader Attachment-A1	(日本仕向けなし)
10	Copy Card Reader-F1	(日本仕向けなし)
11	Connection Kit-A1 for Bluetooth LE	(日本仕向けなし)

Figure 001B ACCESSORIES

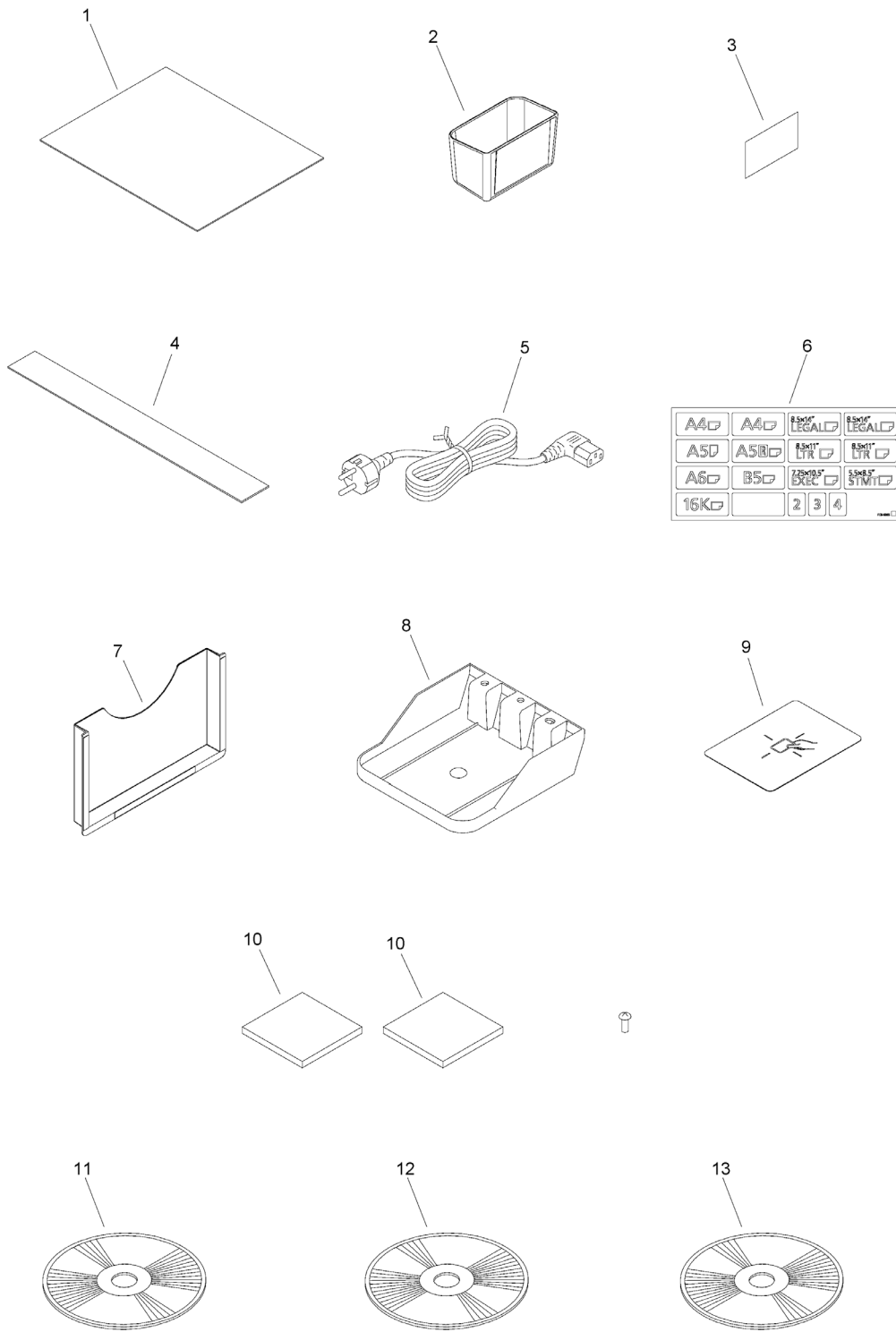


FIGURE & KEY NO.	PART NUMBER	RANK	QTY	DESCRIPTION	SERIAL NUMBER /REMARKS
001B	NPN		RF	ACCESSORIES	
1	FE2-A001-000		1	CLOTH, CLEANING	
2	FE3-9210-000		1	BOX, CLEANING CLOTH STOCK	
3	FE3-4465-000		1	TAPE, DUPLEXING	
4	FE8-2357-000		1	BELT, FIXED	
5	FK4-3860-000		1	CORD, POWER	
6	FE8-6065-000		1	LABEL, CASSETTE	
7	FE4-3758-000		1	HOLDER, SERVICE BOOK	
8	FE4-5785-000		1	COVER, CARD READER	
9	FE8-2343-000		1	LABEL, CARD READER	
10	FL0-5398-000		2	CUSHION	
11	FK4-6104-000		1	CD-ROM, SOFTWARE FOR UFR II	
12	FK4-6105-000		1	CD-ROM, USER SOFTWARE, PCL	
13	FK4-6106-000		1	CD-ROM, USER SOFTWARE, PS	

Figure 100C EXTERNAL COVERS, PANELS, ETC. (FINISHER model)

NOTE 1 : Several kinds of labels are attached on the board for the parts of Key No. 33.

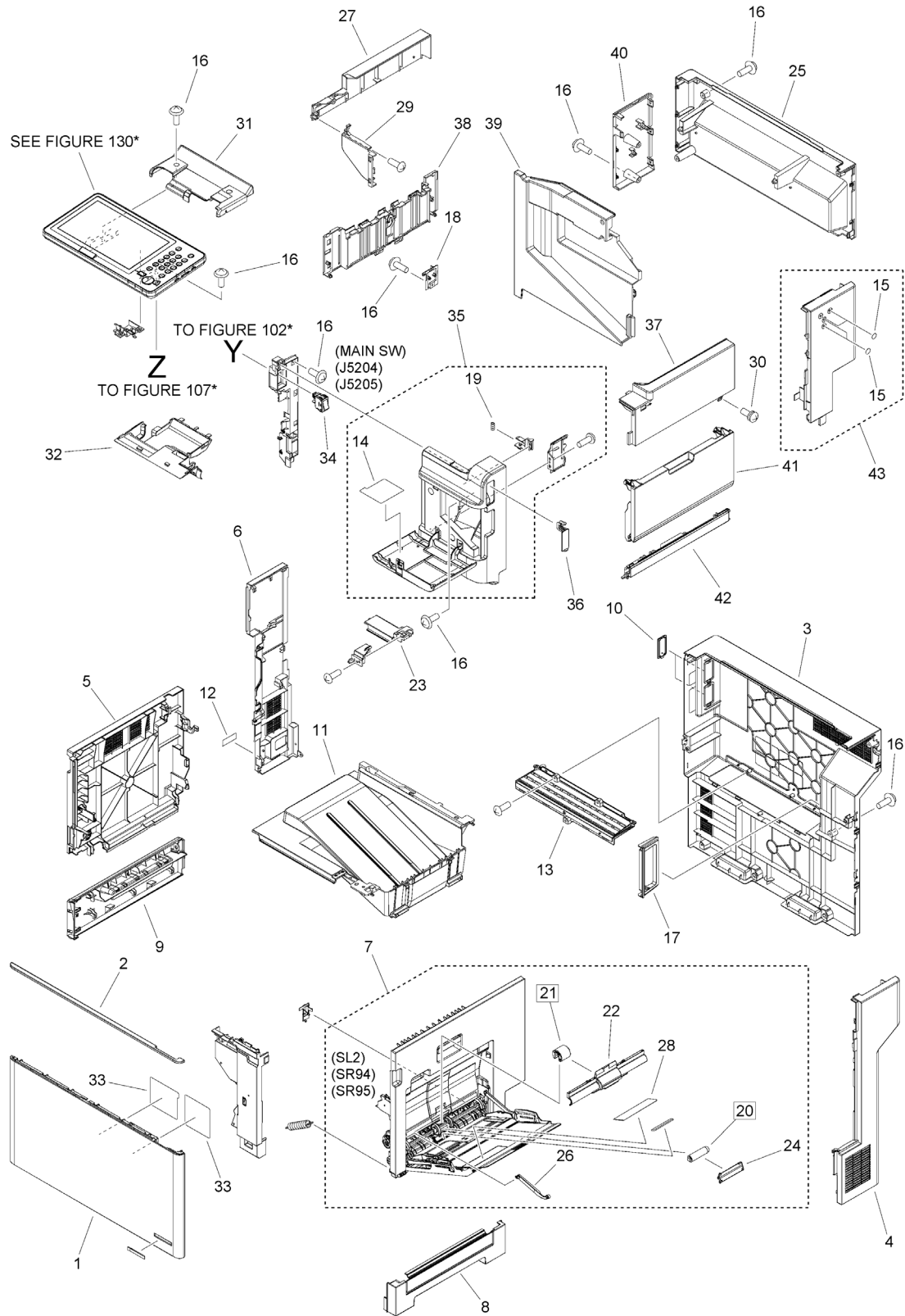


FIGURE & KEY NO.	PART NUMBER	RANK	QTY	DESCRIPTION	SERIAL NUMBER /REMARKS
100C	NPN		RF	EXTERNAL COVERS, PANELS, ETC.	FINISHER model
1	FM1-U436-000		1	FRONT DOOR ASS'Y	
2	FE2-A627-000		1	DOOR, FRONT, UPPER	
3	FL1-6533-000		1	COVER, REAR	
4	FE2-A640-000		1	COVER, RIGHT REAR	
5	FL1-5586-000		1	DOOR, LEFT	
6	FE2-A634-000		1	COVER, LEFT REAR	
7	FM1-U440-000		1	RIGHT DOOR ASS'Y	SL2, SR94, SR95
8	FM1-U437-000		1	RIGHT HANDLE ASS'Y	
9	FM1-U435-000		1	LEFT HANDLE ASS'Y	
10	FE3-9088-000		2	COVER, FAX CONNECTOR	
11	FM1-U434-000		1	FACE-DOWN TRAY ASS'Y	
12	FE4-1828-020		1	LABEL, GROUNDING CAUTION	
13	FM1-V752-000		1	COVER, LOUVER, REAR	
14	FE3-7418-000		1	LABEL, CONTROL	
15	FC6-4513-000		4	SEAL	
16	XA9-1671-000		15	SCREW, D, M3X8	
17	FE8-6098-000		1	PANEL, INTERFACE, REAR	
18	FE8-6129-000		1	COVER, 2 BIN, REAR	
19	FE8-6054-000		1	SPRING, COMPRESSION	
20	RL2-0079-000		1	ROLLER, MULTI-PURPOSE SEP.	[DP]
21	RL2-0034-000		1	ROLLER, MULTI-PURPOSE	[DP]
22	RC4-7318-000		1	MP ROLLER COVER	
23	FE2-A649-000		1	COVER, FACE-DOWN TRAY	
24	RC4-0548-000		1	GUIDE, NIP	
25	FE2-A680-000		1	COVER, REAR	
26	RC4-7316-000		1	MULTI-PURPOSE ARM, LEFT	
27	FE2-A692-000		1	COVER, JOG, LEFT	
28	FE2-C050-000		1	LABEL, MULTI PAPER PICK-UP	
29	FE2-A693-000		1	COVER, JOG, FRONT	
30	XA9-1451-000		1	SCREW,W/WASHER,M3X10,ZC3	
31	FE8-6090-000		1	COVER, CONTROL PANEL, UPPER	
32	FE4-2813-000		1	COVER, CONNECTOR	
33	FL1-5593-000		1	LABEL, SERVICE	SEE NOTE
34	FK3-2835-000		1	SWITCH, MAIN POWER SUPPLY	
35	FM1-V273-000		1	STAPLE COVER ASS'Y	
36	FC0-7172-000		1	COVER, MAIN SWITCH	
37	FE2-A685-000		1	COVER, RIGHT, UPPER	
38	RM2-1057-000		1	STACKING WALL ASS'Y	
39	FE2-A679-000		1	COVER, INNER, REAR	
40	FE2-A681-000		1	COVER, LEFT	
41	FM1-U456-000		1	RIGHT DOOR ASS'Y	
42	FE8-6122-000		1	COVER, FINISHER, RIGHT LOWER	
43	FL1-6372-000		1	COVER, RIGHT, REAR	

Figure 100D EXTERNAL COVERS, PANELS, ETC. (MODEL WITHOUT FINISHER)

NOTE 1 : Several kinds of labels are attached on the board for the parts of Key No. 32.

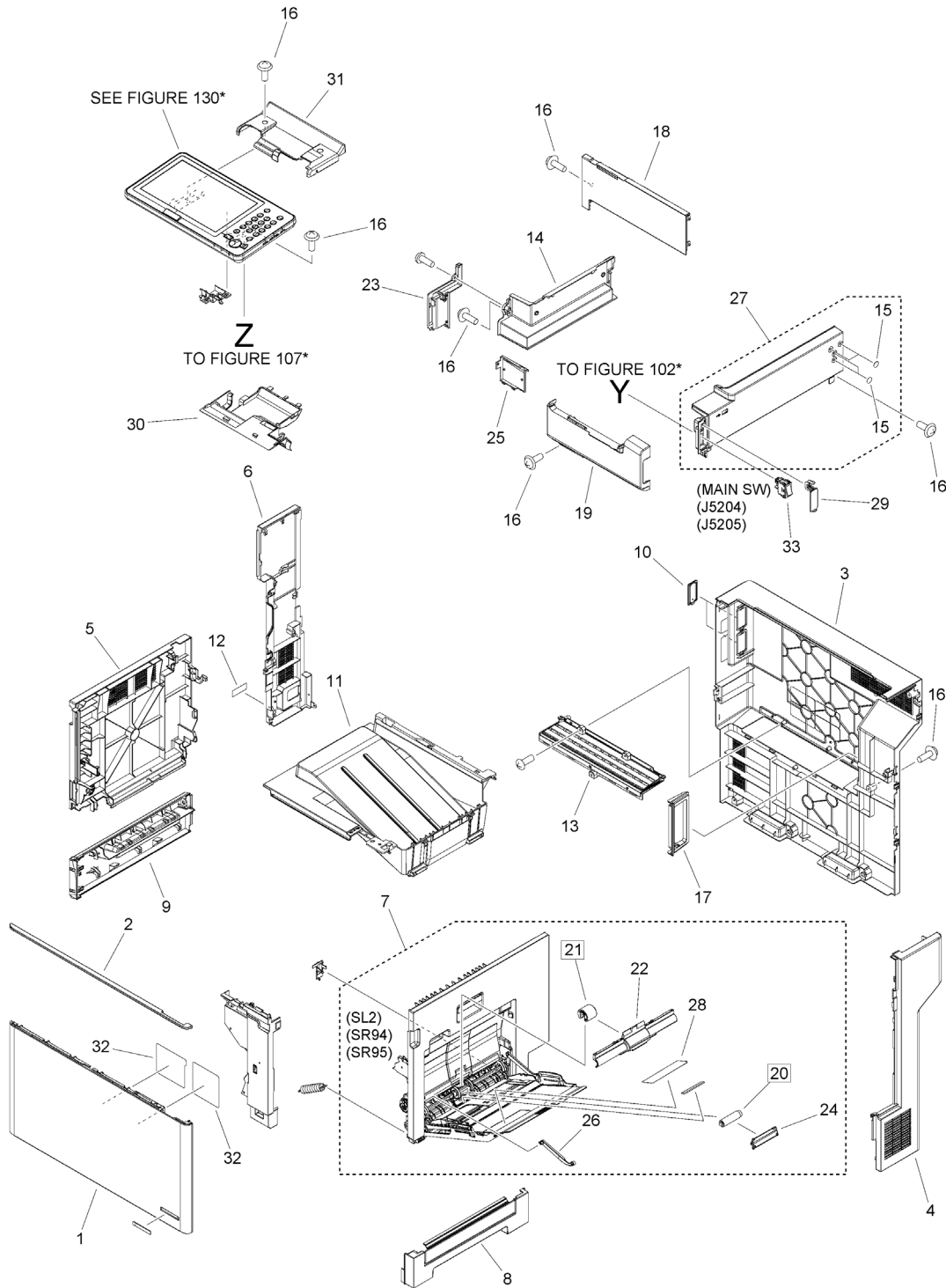


FIGURE & KEY NO.	PART NUMBER	RANK	QTY	DESCRIPTION	SERIAL NUMBER /REMARKS
100D	NPN		RF	EXTERNAL COVERS, PANELS, ETC.	MODEL WITHOUT FINISHER
1	FM1-U436-000		1	FRONT DOOR ASS'Y	
2	FE2-A627-000		1	DOOR, FRONT, UPPER	
3	FL1-6533-000		1	COVER, REAR	
4	FE2-A640-000		1	COVER, RIGHT REAR	
5	FL1-5586-000		1	DOOR, LEFT	
6	FE2-A634-000		1	COVER, LEFT REAR	
7	FM1-U440-000		1	RIGHT DOOR ASS'Y	SL2, SR94, SR95
8	FM1-U437-000		1	RIGHT HANDLE ASS'Y	
9	FM1-U435-000		1	LEFT HANDLE ASS'Y	
10	FE3-9088-000		2	COVER, FAX CONNECTOR	
11	FM1-U434-000		1	FACE-DOWN TRAY ASS'Y	
12	FE4-1828-020		1	LABEL, GROUNDING CAUTION	
13	FM1-V752-000		1	COVER, LOUVER, REAR	
14	FE2-A644-000		1	COVER, FACE-DOWN INNER	
15	FC6-4513-000		4	SEAL	
16	XA9-1671-000		15	SCREW, D, M3X8	
17	FE8-6098-000		1	PANEL, INTERFACE, REAR	
18	FE2-A645-000		1	COVER, FACE-DOWN INNER, REAR	
19	FE2-A647-000		1	COVER, FRONT, UPPER	
20	RL2-0079-000		1	ROLLER, MULTI-PURPOSE SEP.	[DP]
21	RL2-0034-000		1	ROLLER, MULTI-PURPOSE	[DP]
22	RC4-7318-000		1	MP ROLLER COVER	
23	FE2-A648-000		1	COVER, FRONT, LEFT	
24	RC4-0548-000		1	GUIDE, NIP	
25	FE2-B029-000		1	COVER, FACE-DOWN INNER SUB	
26	RC4-7316-000		1	MULTI-PURPOSE ARM, LEFT	
27	FL1-6534-000		1	COVER, RIGHT, UPPER	
28	FE2-C050-000		1	LABEL, MULTI PAPER PICK-UP	
29	FC0-7172-000		1	COVER, MAIN SWITCH	
30	FE8-6090-000		1	COVER, CONTROL PANEL, UPPER	
31	FE4-2813-000		1	COVER, CONNECTOR	
32	FL1-5593-000		1	LABEL, SERVICE	SEE NOTE
33	FK3-2835-000		1	SWITCH, MAIN POWER SUPPLY	MAIN SW

Figure 101 INTERNAL COMPONENTS 1

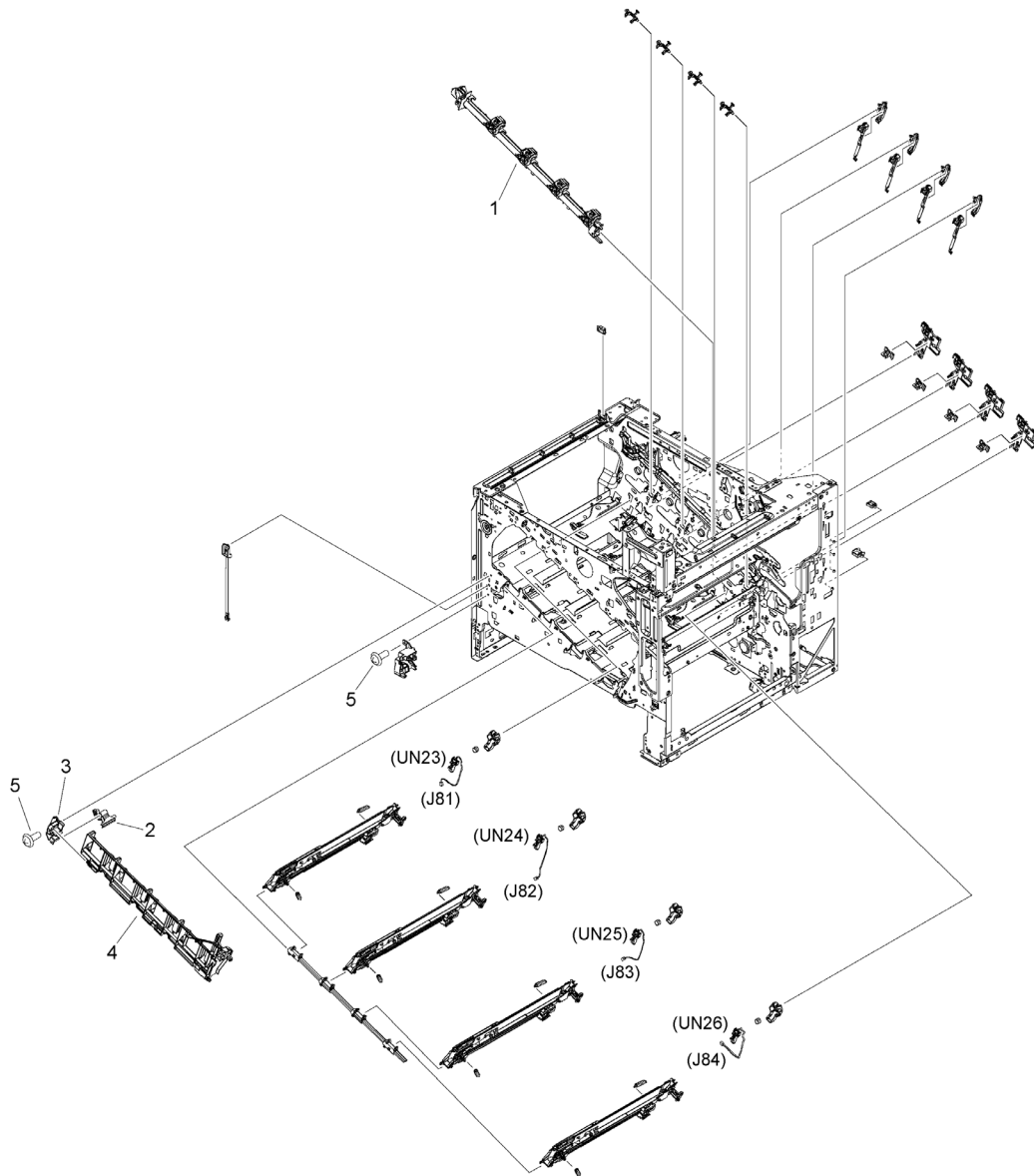


FIGURE & KEY NO.	PART NUMBER	RANK	QTY	DESCRIPTION	SERIAL NUMBER /REMARKS
101	NPN		RF	INTERNAL COMPONENTS 1	
1	RM2-6620-000		1	TONER CARRY ASS'Y	
2	RC4-6519-000		1	LEVER, DETECT	
3	RC4-6540-000		1	HINGE, INNER DOOR	
4	FL1-5587-000		1	DOOR, INNER	
5	XA9-1671-000		15	SCREW, D, M3X8	

FIGURE & KEY NO.	PART NUMBER	RANK	QTY	DESCRIPTION	SERIAL NUMBER /REMARKS
102A	NPN		RF	INTERNAL COMPONENTS 2	FINISHER model
1	RK2-0535-000		2	MICROSWITCH	SW3, SW6
2	RC4-6492-000		1	HOLDER, SWITCH	
3	RM3-7046-000		3	PRE-EXPOSURE PCB ASS'Y	UN12, UN13, UN14
4	RM3-7047-000		1	PRE-EXPOSURE PCB ASS'Y	UN15
5	RC4-9411-000		1	STRAP, DOOR, FRONT	
6	RC4-9422-000		1	STRAP, DOOR, FRONT	
7	RC4-6533-000		1	HOLDER, DOOR LINK	
8	RM2-6648-000		1	DOOR LINK LEVER ASS'Y	
9	FM2-F922-000		1	CABLE, TOP R	
10	VS1-7440-003		2	CONNECTOR, SNAP TIGHT	
11	WT2-6493-000		5	CLAMP, CABLE	
12	XA9-1671-000		15	SCREW, D, M3X8	
13	FM2-F927-000		1	CABLE, MAIN SWITCH	
14	VS1-7440-002		1	CONNECTOR, SNAP TIGHT	

Figure 102B INTERNAL COMPONENTS 2 (MODEL WITHOUT FINISHER)

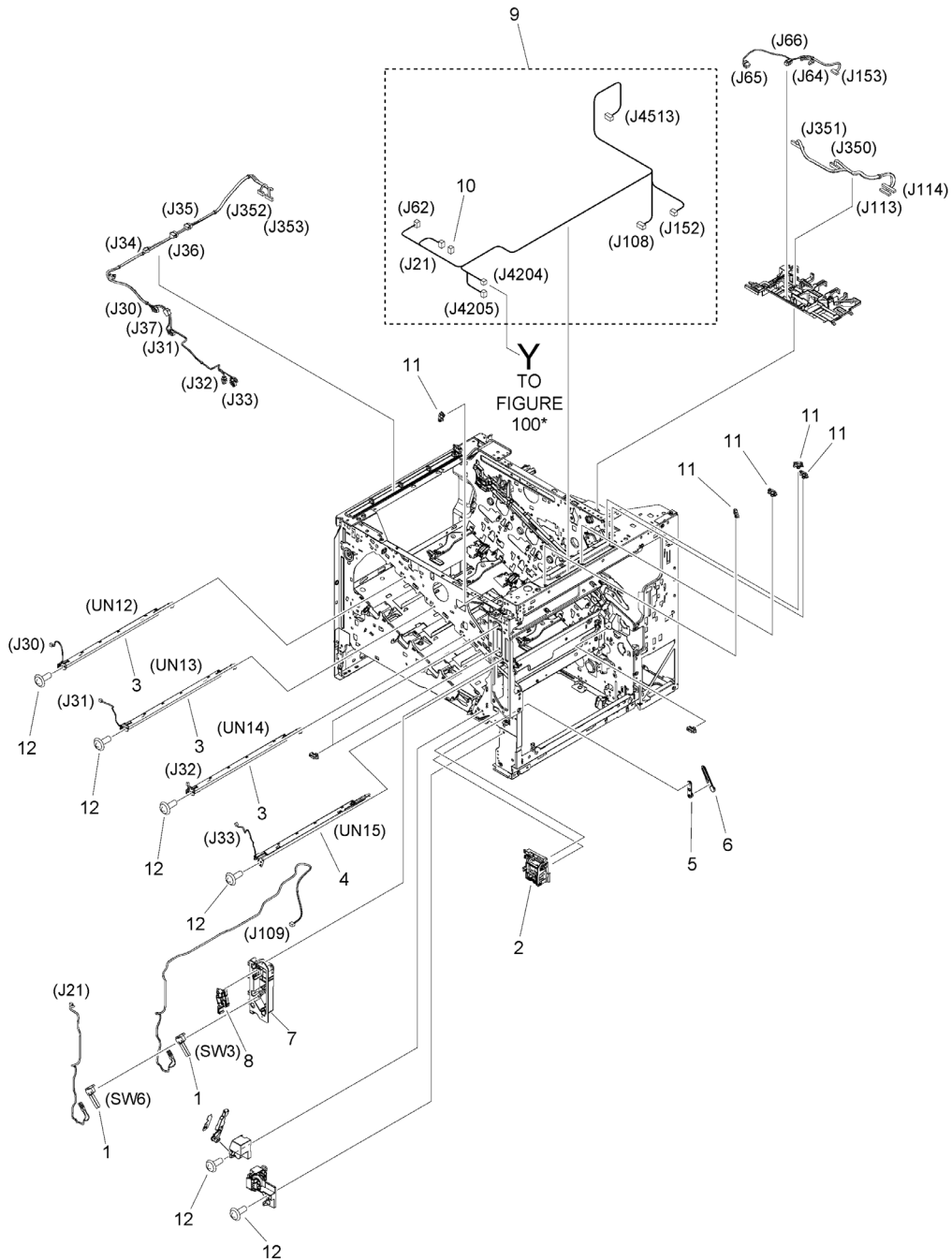


FIGURE & KEY NO.	PART NUMBER	RANK	QTY	DESCRIPTION	SERIAL NUMBER /REMARKS
102B	NPN		RF	INTERNAL COMPONENTS 2	MODEL WITHOUT FINISHER
1	RK2-0535-000		2	MICROSWITCH	SW3, SW6
2	RC4-6492-000		1	HOLDER, SWITCH	
3	RM3-7046-000		3	PRE-EXPOSURE PCB ASS'Y	UN12, UN13, UN14
4	RM3-7047-000		1	PRE-EXPOSURE PCB ASS'Y	UN15
5	RC4-9411-000		1	STRAP, DOOR, FRONT	
6	RC4-9422-000		1	STRAP, DOOR, FRONT	
7	RC4-6533-000		1	HOLDER, DOOR LINK	
8	RM2-6648-000		1	DOOR LINK LEVER ASS'Y	
9	FM2-F922-000		1	CABLE, TOP R	
10	VS1-7440-003		1	CONNECTOR, SNAP TIGHT	
11	WT2-6493-000		5	CLAMP, CABLE	
12	XA9-1671-000		15	SCREW, D, M3X8	

Figure 103 INTERNAL COMPONENTS 3

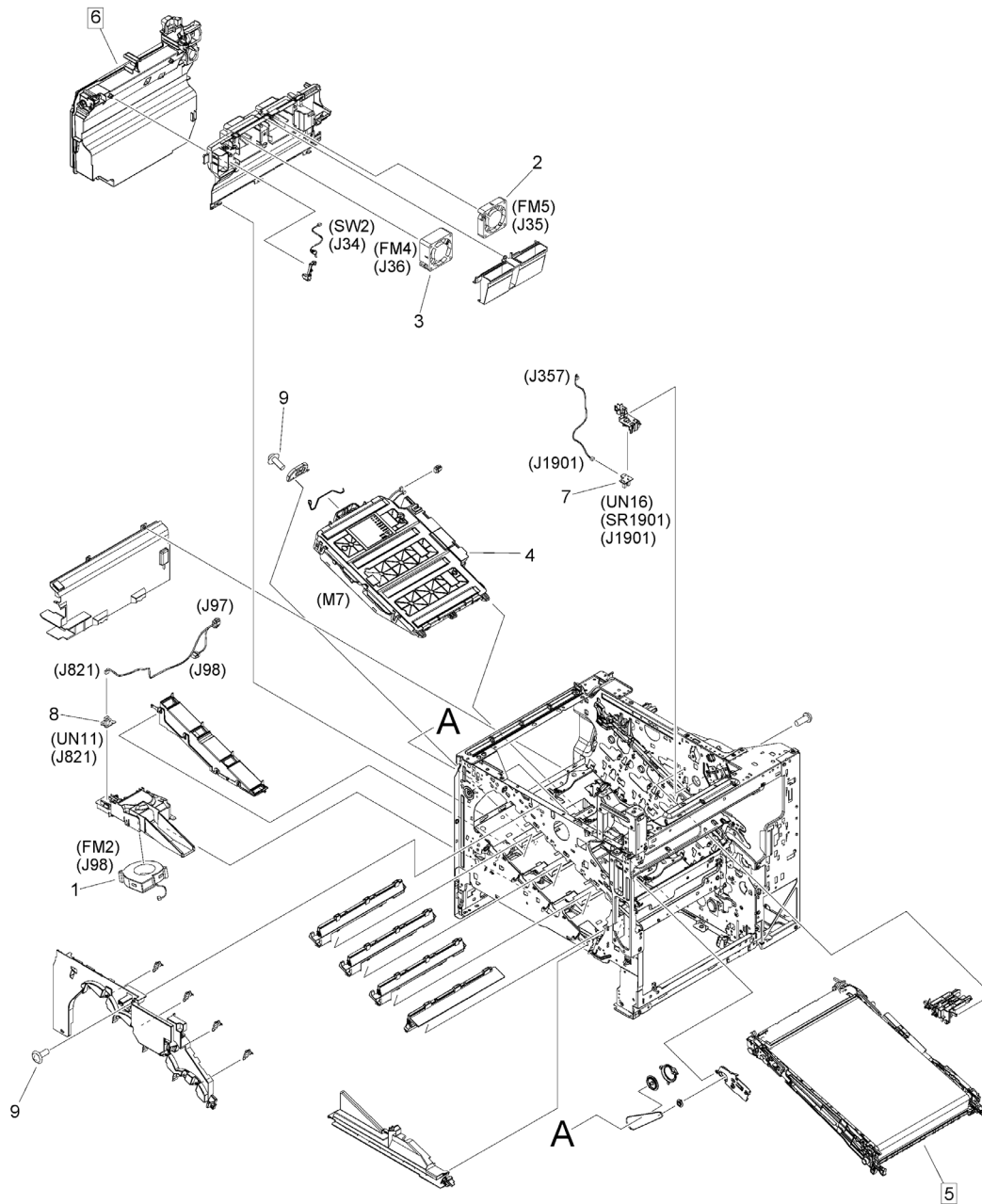


FIGURE & KEY NO.	PART NUMBER	RANK	QTY	DESCRIPTION	SERIAL NUMBER /REMARKS
103	NPN		RF	INTERNAL COMPONENTS 3	
1	RK2-6124-000		1	FAN	FM2
2	RK2-7949-000		1	FAN	FM5
3	RK2-7951-000		1	FAN	FM4
4	RM2-1237-000		1	SCANNER ASS'Y	M7
5	FM1-W273-000		1	I.T. BELT UNIT, TB-206	[DP]
6	FM1-W271-000		1	WASTE TONER BOX ASS'Y, WT-206	[DP]
7	RM2-7157-000		1	ESTRANGEMENT DETECT PCB ASS'Y	UN16, SR1901
8	RM2-8440-000		1	ENVIRONMENT SENSOR PCB ASS'Y	UN11
9	XA9-1671-000		15	SCREW, D, M3X8	

Figure 104B INTERNAL COMPONENTS 4

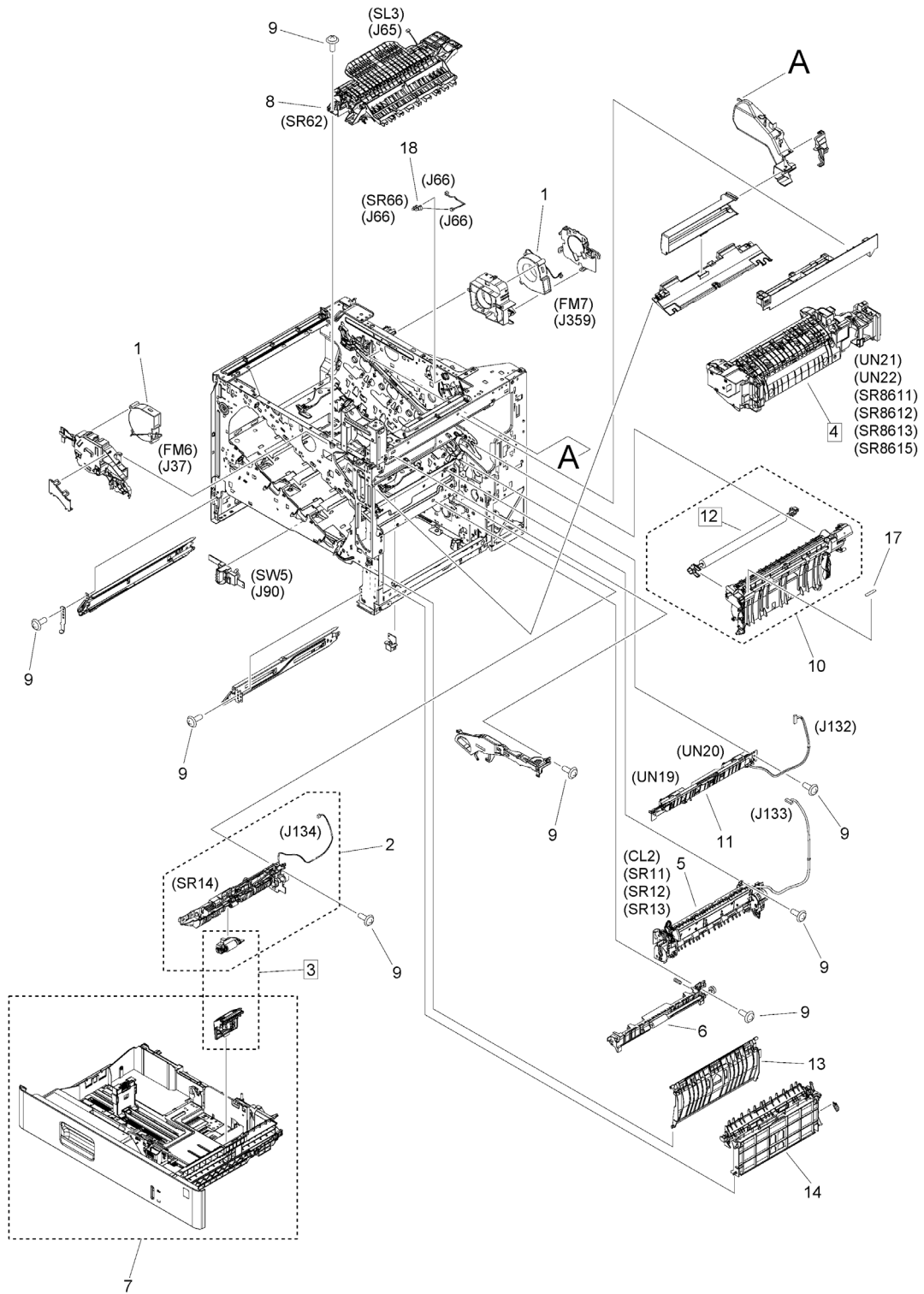


FIGURE & KEY NO.	PART NUMBER	RANK	QTY	DESCRIPTION	SERIAL NUMBER /REMARKS
104B	NPN		RF	INTERNAL COMPONENTS 4	
1	RK2-6124-000		2	FAN	FM6, FM7
2	RM2-6556-000		1	PAPER PICK-UP ASS'Y	SR14
3	FM1-W269-000		1	ROLLER KIT, CR-206	[DP]
4	FM1-W275-000		1	FIXING ASS'Y, FX-206	UN21, UN22, SR8611, SR8612, SR8613, SR8615 [DP]
5	FM1-U429-000		1	REGISTRATION ASS'Y	CL2, SR11, SR12, SR13
6	RM2-6684-000		1	FEED ROLLER ASS'Y	
7	FM1-U438-000		1	CASSETTE ASS'Y	
8	RM2-6621-000		1	PAPER DELIVERY ASS'Y	SL3, SR62
9	XA9-1671-000		15	SCREW, D, M3X8	
10	RM2-6682-000		1	SECONDARY TRANSFER ASS'Y	
11	RM2-7160-000		1	DENSITY DETECT ASS'Y	UN19, UN20
12	FM1-W270-000		1	2ND TRANSFR. ROLLER, TR-206	[DP]
13	RM2-6650-000		1	GUIDE ASS'Y	
14	RM2-6651-000		1	UPPER GUIDE ASS'Y	
15	RM2-0048-000		1	CASSETTE RAIL ASS'Y, RIGHT	
16	RM2-5151-000		1	CASSETTE RAIL ASS'Y, LEFT	
17	FE2-C460-000		1	LABEL, SECONDARY TRANSFER	
18	WG8-5935-000		1	IC, PHOTO INTERRUPTER	SR66

Figure 105 INTERNAL COMPONENTS 5

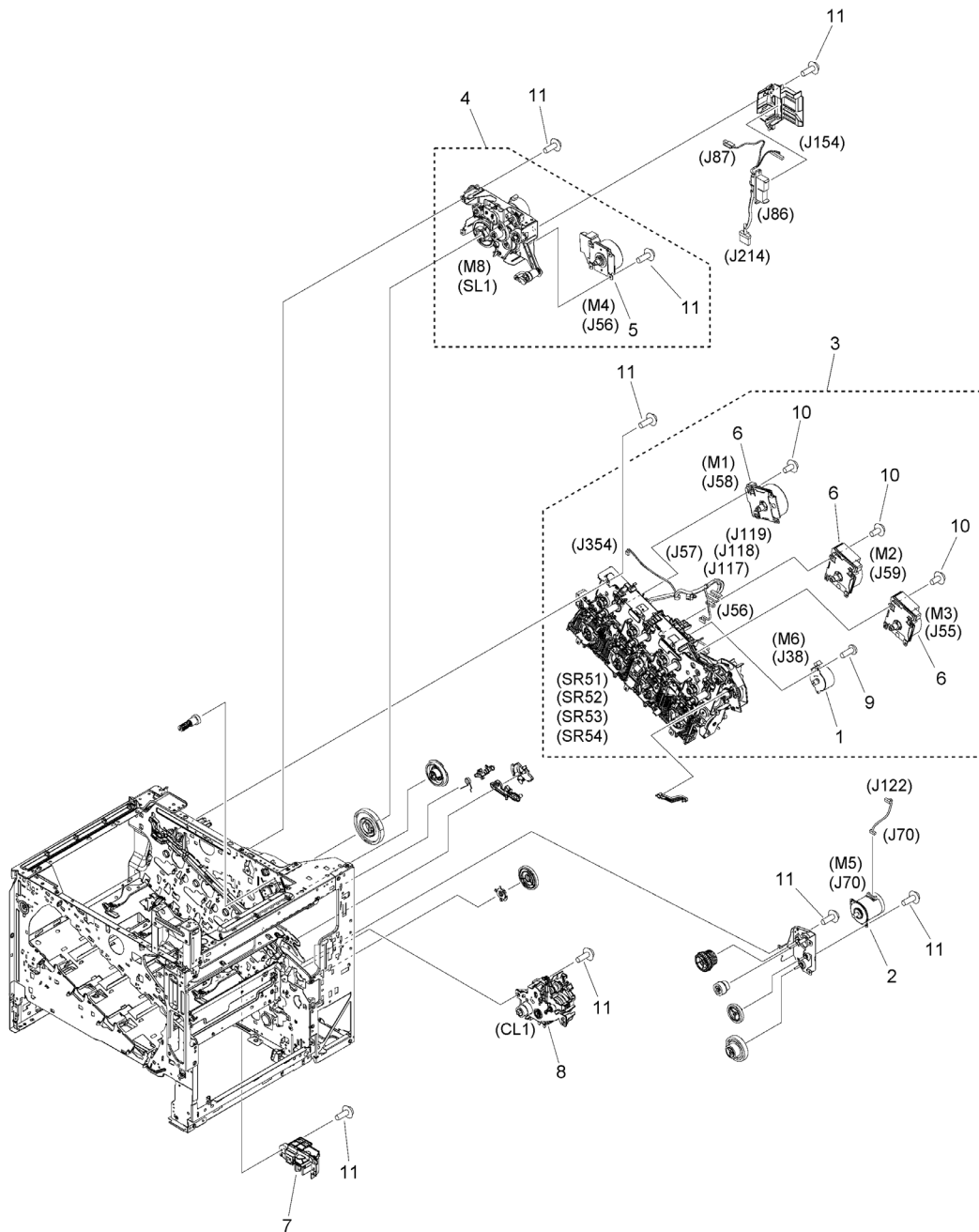


FIGURE & KEY NO.	PART NUMBER	RANK	QTY	DESCRIPTION	SERIAL NUMBER /REMARKS
105	NPN		RF	INTERNAL COMPONENTS 5	
1	RK2-6027-000		1	MOTOR, STEPPING	M6
2	RK2-7757-000		1	MOTOR, STEPPING	M5
3	RM2-1927-000		1	MAIN DRIVE ASS'Y	SR51, SR52, SR53, SR54
4	RM2-1934-000		1	FIXING DRIVE ASS'Y	M8, SL1
5	RM2-1955-000		1	FIXING MOTOR ASS'Y	M4
6	RM2-1956-000		3	DRUM MOTOR ASS'Y	M1, M2, M3
7	RM2-5147-000		1	AUTO CLOSE ASS'Y	
8	RM2-6669-000		1	LIFTER DRIVE ASS'Y	CL1
9	XA9-1833-000		2	SCREW, D, M3X6	
10	XA9-1670-000		12	SCREW, D, M3X6	
11	XA9-1671-000		15	SCREW, D, M3X8	

FIGURE & KEY NO.	PART NUMBER	RANK	QTY	DESCRIPTION	SERIAL NUMBER /REMARKS
106C	NPN		RF	INTERNAL COMPONENTS 6	FINISHER model
1	RK2-7768-000		1	CABLE, FLEXIBLE FLAT	
2	RK2-2416-000		1	FAN	FM1
3	FM2-F928-000		1	CABLE, SIGNAL	
4	FM1-U444-000		1	POWER SUPPLY PCB ASS'Y	UN8
5	RM2-8424-000		1	UP.H.V. POWER SUPPLY PCB ASS'Y	UN17
6	RM3-7006-000		1	LW.H.V. POWER SUPPLY PCB ASS'Y	UN18
7	FM2-J844-000		1	DC CONTROLLER PCB ASS'Y	UN11
8	VS1-7258-012		1	CONNECTOR	
9	RC4-6497-000		1	HOLDER, DRAWER CONNECTOR	
10	XA9-1435-000		1	SCREW, ROUND, M3X6	
11	XA9-1420-000		1	SCREW, W/WASHER, M3X8	
12	XA9-1671-000		15	SCREW, D, M3X8	
13	FK4-5505-000		1	CABLE, FLAT	
14	FM2-F925-000		1	CABLE, CONT DCC IF	
15	XA9-1831-000		3	SCREW, W/WASHER D, M3X8	
16	FK4-5837-000		1	CABLE, USB	
17	FM2-F923-000		1	CABLE, POUT OP	
18	FK4-5838-000		1	CABLE, USB	
19	FM2-F890-000		1	CABLE, READER	
20	VS1-7177-004		1	CONNECTOR, SNAP TIGHT, BK	
21	VS1-7504-006		1	CONNECTOR, SNAP TIGHT	
22	VS1-7504-010		1	CONNECTOR, SNAP TIGHT	
23	VS1-8412-029		1	CONNECTOR, SNAP TIGHT, BL	

Figure 106D INTERNAL COMPONENTS 6 (MODEL WITHOUT FINISHER)

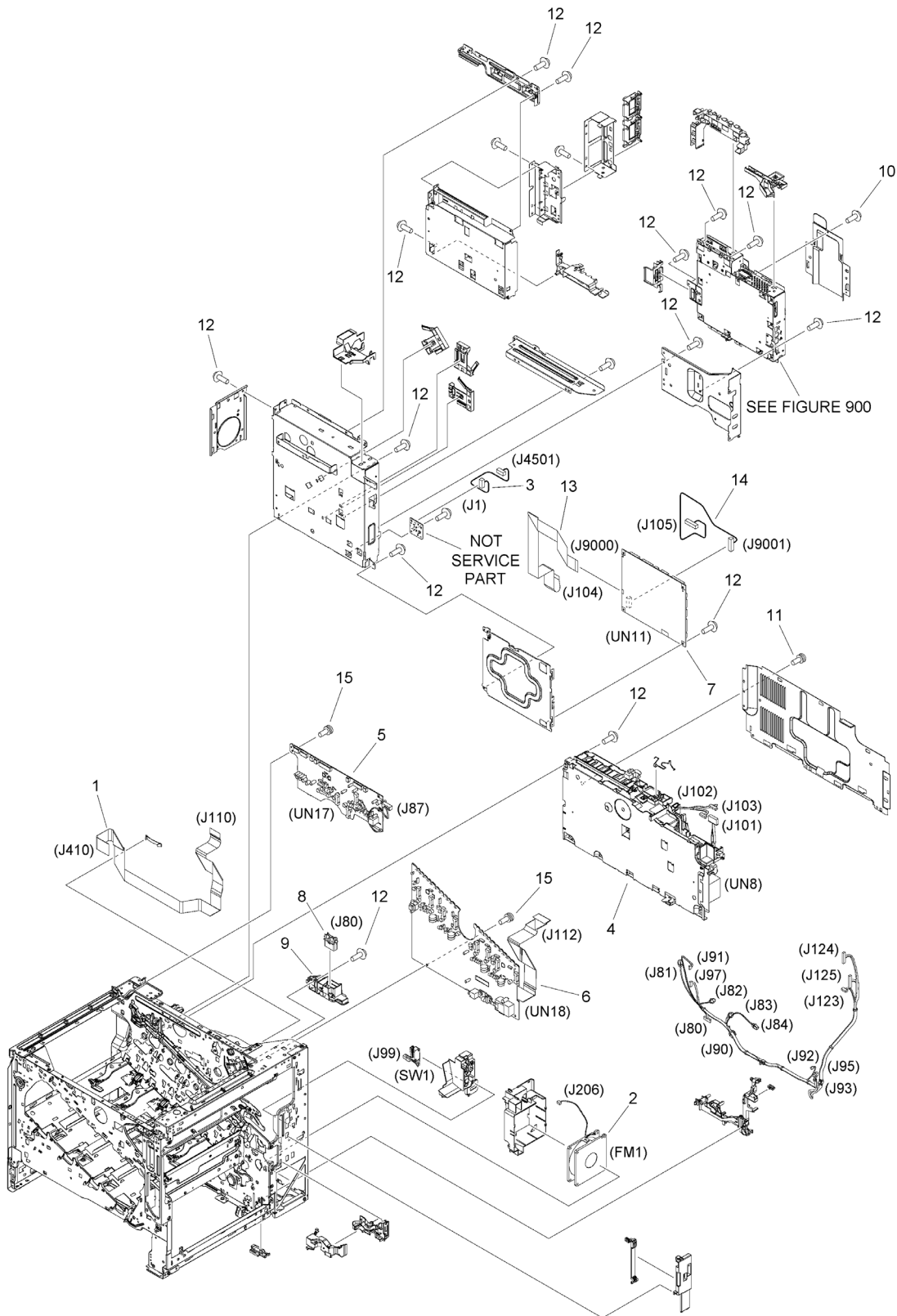


FIGURE & KEY NO.	PART NUMBER	RANK	QTY	DESCRIPTION	SERIAL NUMBER /REMARKS
106D	NPN		RF	INTERNAL COMPONENTS 6	MODEL WITHOUT FINISHER
1	RK2-7768-000		1	CABLE, FLEXIBLE FLAT	
2	RK2-2416-000		1	FAN	FM1
3	FM2-F928-000		1	CABLE, SIGNAL	
4	FM1-U444-000		1	POWER SUPPLY PCB ASS'Y	UN8
5	RM2-8424-000		1	UP.H.V. POWER SUPPLY PCB ASS'Y	UN17
6	RM3-7006-000		1	LW.H.V. POWER SUPPLY PCB ASS'Y	UN18
7	FM2-J844-000		1	DC CONTROLLER PCB ASS'Y	UN11
8	VS1-7258-012		1	CONNECTOR	
9	RC4-6497-000		1	HOLDER, DRAWER CONNECTOR	
10	XA9-1435-000		1	SCREW, ROUND, M3X6	
11	XA9-1420-000		1	SCREW, W/WASHER, M3X8	
12	XA9-1671-000		15	SCREW, D, M3X8	
13	FK4-5505-000		1	CABLE, FLAT	
14	FM2-F925-000		1	CABLE, CONT DCC IF	
15	XA9-1831-000		3	SCREW, W/WASHER D, M3X8	

FIGURE & KEY NO.	PART NUMBER	RANK	QTY	DESCRIPTION	SERIAL NUMBER /REMARKS
107A	NPN		RF	INTERNAL COMPONENTS 7	FINISHER model
1	FE8-2109-010		1	COVER, READER REAR, 2	
2	FM2-G939-000		1	UI CABLE UNIT, FINISHER	
3	FE8-2110-000		2	HINGE, READER	
4	FE8-2405-000		2	SHAFT, READER HINGE	
5	XA9-1671-000		15	SCREW, D, M3X8	
6	FK4-5726-000		2	CABLE, FLAT	
7	FM2-F883-000		1	READER RELAY PCB ASS'Y	UN41

Figure 107B INTERNAL COMPONENTS 7 (MODEL WITHOUT FINISHER)

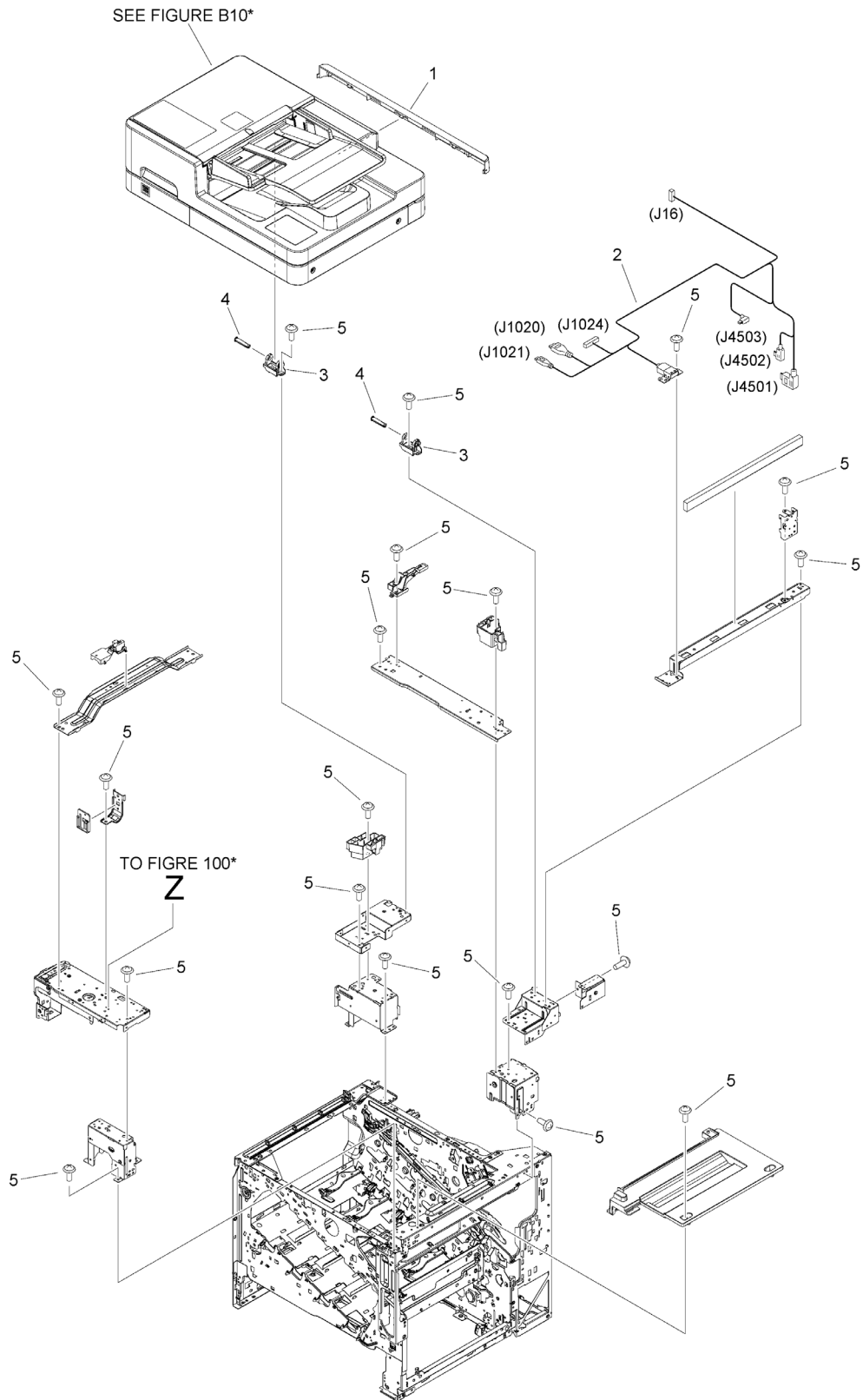


FIGURE & KEY NO.	PART NUMBER	RANK	QTY	DESCRIPTION	SERIAL NUMBER /REMARKS
107B	NPN		RF	INTERNAL COMPONENTS 7	MODEL WITHOUT FINISHER
1	FE8-2109-010		1	COVER, READER REAR, 2	
2	FM2-G940-000		1	UI CABLE UNIT	
3	FE8-2110-000		2	HINGE, READER	
4	FE8-2405-000		2	SHAFT, READER HINGE	
5	XA9-1671-000		15	SCREW, D, M3X8	

Figure 130B FLAT CONTROL PANEL ASSEMBLY

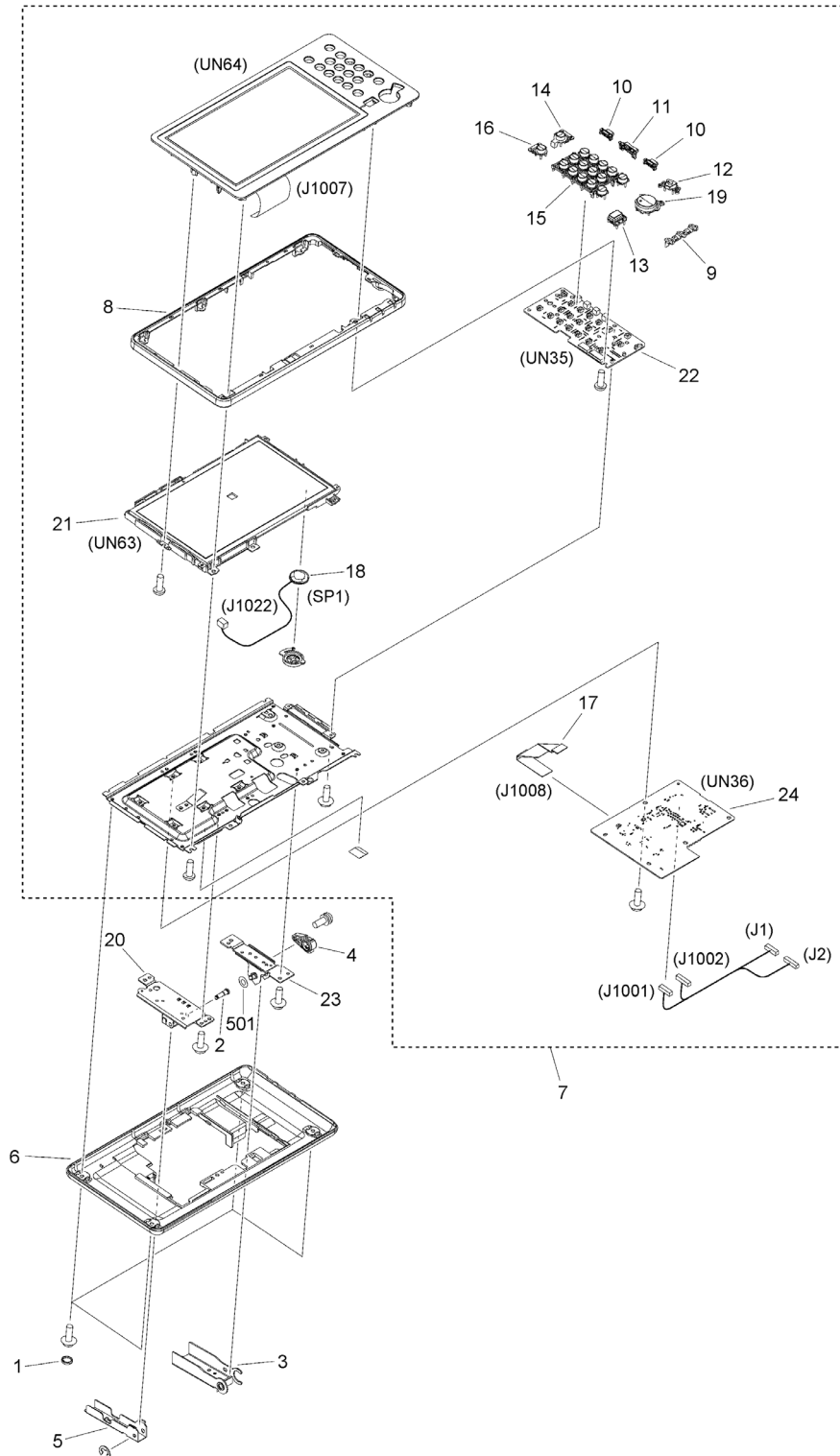


FIGURE & KEY NO.	PART NUMBER	RANK	QTY	DESCRIPTION	SERIAL NUMBER /REMARKS
130B	NPN		RF	FLAT CONTROL PANEL ASSEMBLY	
1	FE3-9169-000		4	CAP	
2	FE4-2501-000		1	HINGE, SHAFT	
3	FL1-6358-000		1	HINGE, RIGHT	
4	FE4-2503-000		1	SUPPORT, HINGE	
5	FL0-4439-000		1	HINGE, LEFT	
6	FE4-2812-000		1	COVER, LOWER	
7	FM1-N430-000		1	FLAT CONTROL PANEL ASSEMBLY	
8	FE4-1774-020		1	COVER, FRAME	
9	FE4-1787-000		1	GUIDE, LAMP LED	
10	FE4-1788-000		2	KEY TOP, SIDE	
11	FE4-1789-000		1	KEY TOP, VOLUME	
12	FE4-5109-000		1	KEY TOP, STOP	
13	FE4-5110-000		1	KEY TOP, RESET	
14	FE4-5111-000		1	KEY TOP, SLEEP	
15	FL1-2178-000		1	KEY TOP, NUMBERS	
16	FE4-5556-000		1	KEY TOP, SETTINGS/REGISTRATION	
17	FK4-2360-000		1	CABLE, FLEXIBLE FLAT	
18	FK4-2365-000		1	SPEAKER	SP1
19	FL0-5116-000		1	KEY TOP, START	
20	FM1-M730-010		1	HINGE BASE ASSEMBLY, LEFT	
21	FM1-N440-000		1	LCD HOLDER UNIT	UN63
22	FM1-M929-000		1	KEY TOP PCB ASSEMBLY	UN35
23	FM1-M731-010		1	HINGE BASE ASSEMBLY, RIGHT	
24	FM1-X811-000		1	CPU PCB ASSEMBLY	UN36
501	XD1-1108-233		1	WASHER	

Figure 350 FINISHER ASSEMBLY (FINISHER model)

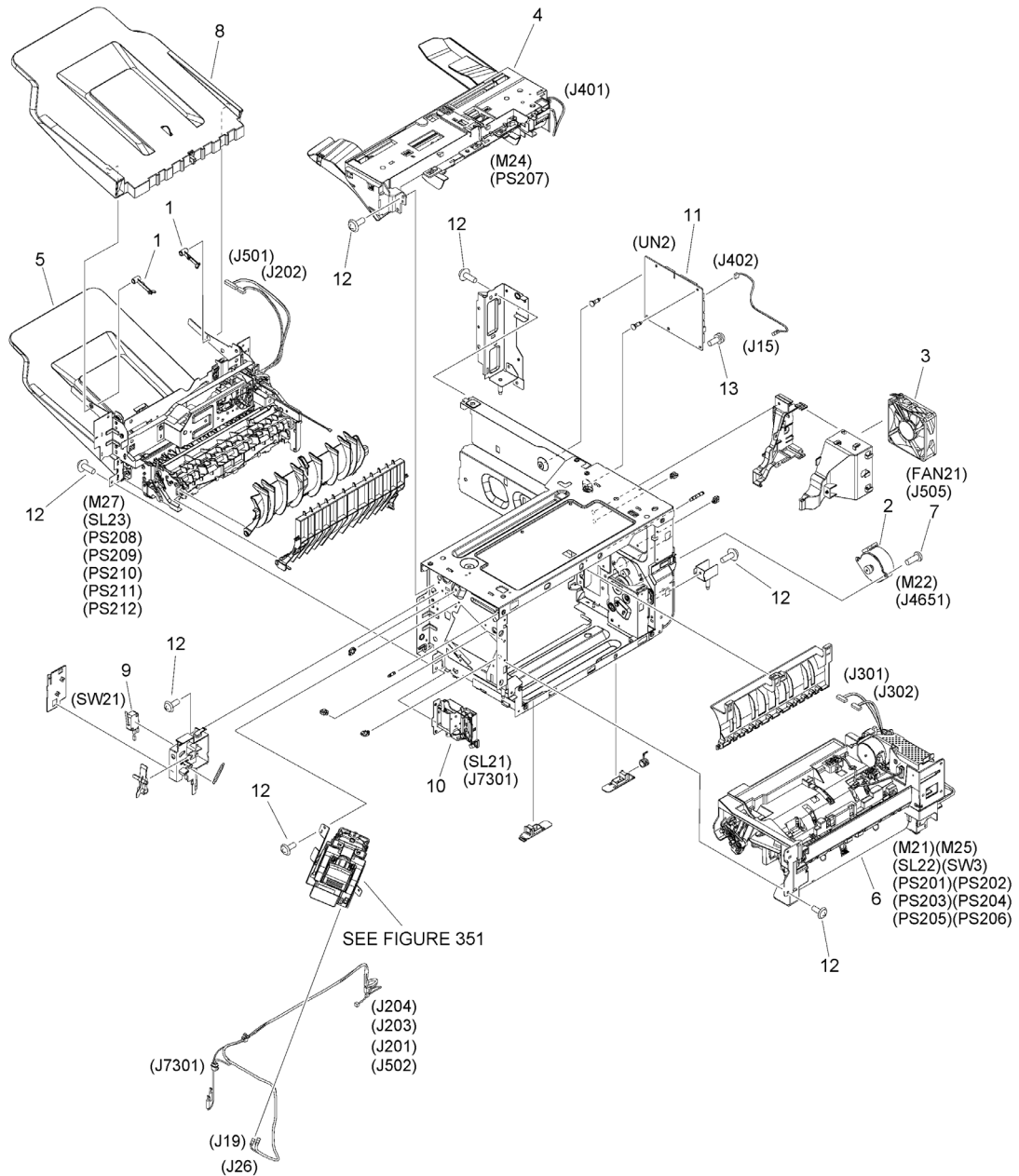


FIGURE & KEY NO.	PART NUMBER	RANK	QTY	DESCRIPTION	SERIAL NUMBER /REMARKS
350	NPN		RF	FINISHER ASSEMBLY	FINISHER model
1	RC5-0353-000		2	PIN, TRAY FIXED	
2	RK2-8149-000		1	MOTOR, STEPPING, DC	M22
3	RK2-8153-000		1	FAN	FAN21
4	RM2-1066-000		1	JOG ASS'Y	M24, PS207
5	FM1-W268-000		1	LOWER PAPER FEED ASS'Y	M27, SL23, PS208, PS209, PS210, PS211, PS212
6	RM2-6810-000		1	UPPER PAPER FEED ASS'Y	M21, M25, SL22, SW3, PS201, PS202, PS203, PS204, PS205, PS206
7	XA9-1833-000		2	SCREW, D, M3X6	
8	FM1-R145-000		1	TRAY ASS'Y	
9	WC4-5171-000		1	MICROSWITCH	SW21
10	RM2-1040-010		1	SOLENOID ASS'Y	SL21
11	FM2-F842-000		1	FINISHER CONTROLLER PCB ASS'Y	UN2
12	XA9-1671-000		15	SCREW, D, M3X8	
13	XA9-1503-000		2	SCREW, TAP, M3X6	

Figure 351 STAPLE ASSEMBLY (FINISHER model)

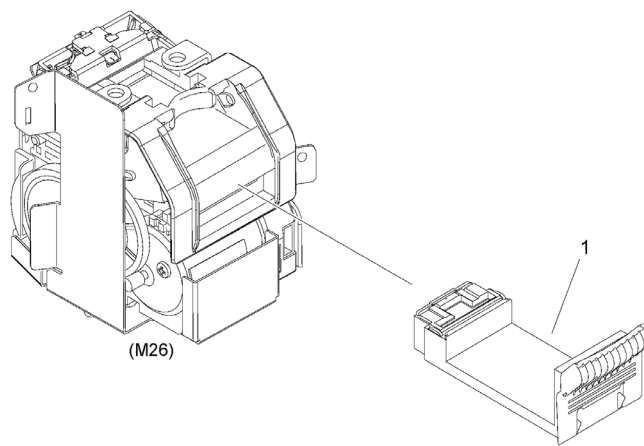


FIGURE & KEY NO.	PART NUMBER	R A N K	QTY	DESCRIPTION	SERIAL NUMBER /REMARKS
351	FM1-U026-000		1	STAPLE ASSEMBLY	M26 FINISHER model
1	FE8-1031-000		1	CASE, STAPLE CARTRIDGE	

Figure 900 CONTROLLER BOX ASSEMBLY

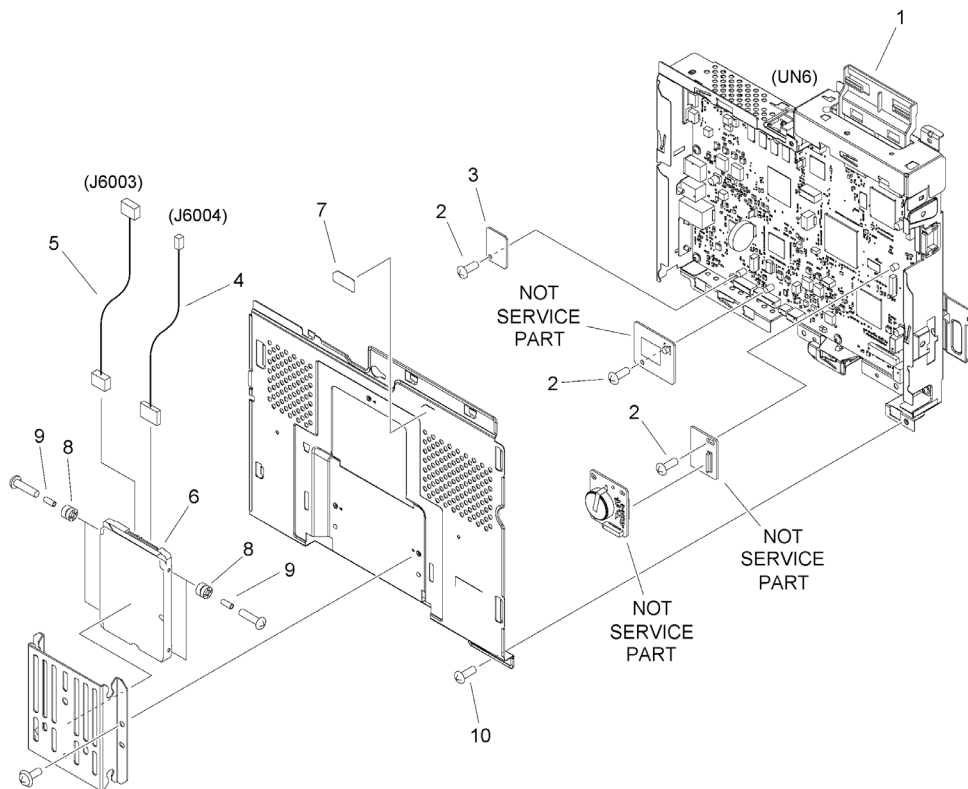


FIGURE & KEY NO.	PART NUMBER	RANK	QTY	DESCRIPTION	SERIAL NUMBER /REMARKS
900	NPN		RF	CONTROLLER BOX ASSEMBLY	
1	FM1-W212-000		1	MAIN CONTROLLER PCB ASSEMBLY	UN6
2	XA9-1979-000		3	SCREW, MACH. PAN HEAD, M3X4	
3	FM1-M981-000		1	TPM PCB ASSEMBLY	
4	FK4-3811-000		1	CABLE, SATA POWER	
5	FK4-3810-000		1	CABLE, SATA SIGNAL	
6	FK4-1550-010		1	HARD DISK DRIVE, MQ01ABF032	
7	FU8-8257-000		1	LABEL, CAUTION	
8	XH9-0149-000		4	DAMPER, CUSHION	
9	XZ1-1301-005		4	SPACER	

Figure B01 ADF MAINTENANCE KIT

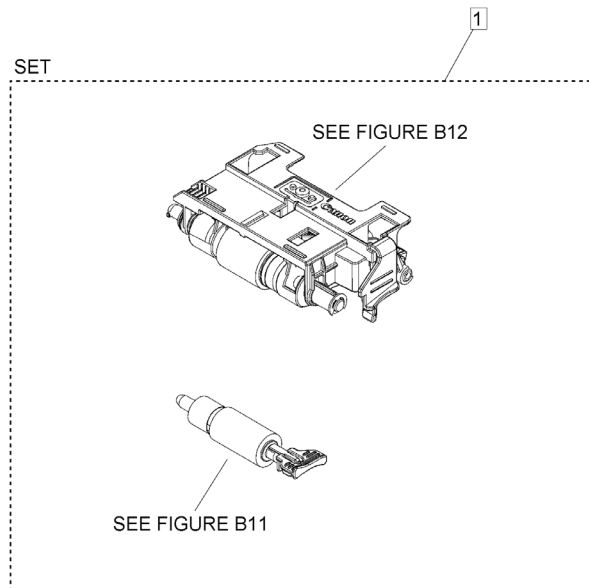


FIGURE & KEY NO.	PART NUMBER	R A N K	QTY	DESCRIPTION	SERIAL NUMBER /REMARKS
B01	NPN		RF	ADF MAINTENANCE KIT	
1	FM1-P720-010		1	ADF MAINTENANCE KIT, DR-203	[DP]

Figure B10B READER/ADF ASSEMBLY

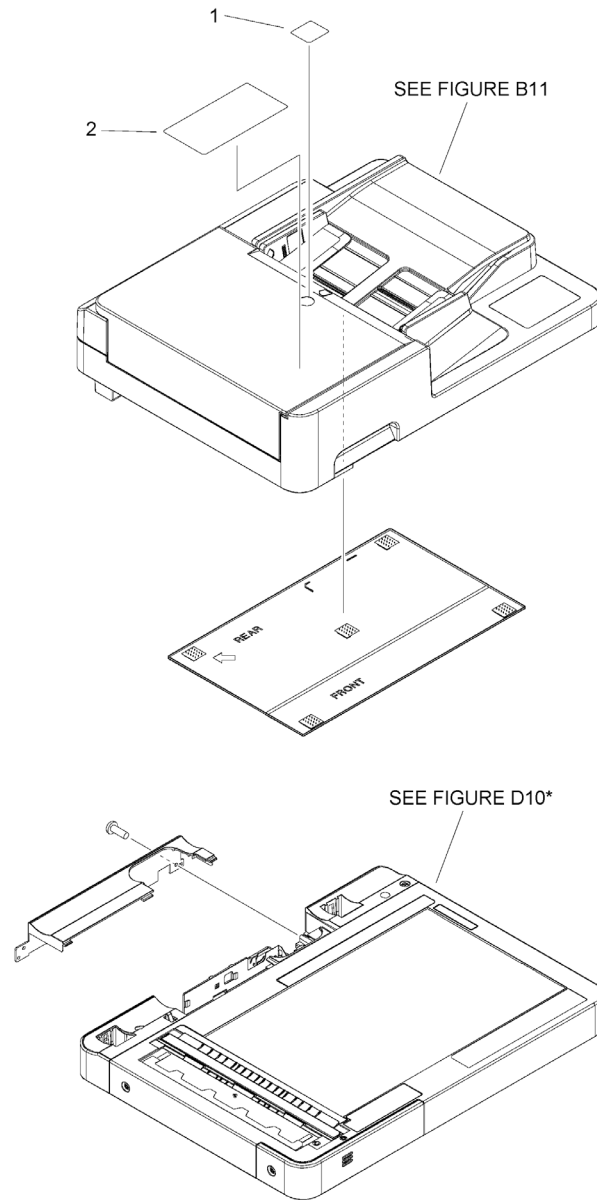


FIGURE & KEY NO.	PART NUMBER	R A N K	QTY	DESCRIPTION	SERIAL NUMBER /REMARKS
B10B	NPN		RF	READER/ADF ASSEMBLY	
1	FE8-4576-000		1	LABEL, DOCUMENT DIRECTION	
2	FE8-4579-000		1	LABEL,CLEANING/PROHIBITION	

Figure B11 (1/3)AUTO DOCUMENT FEEDER ASS'Y SET

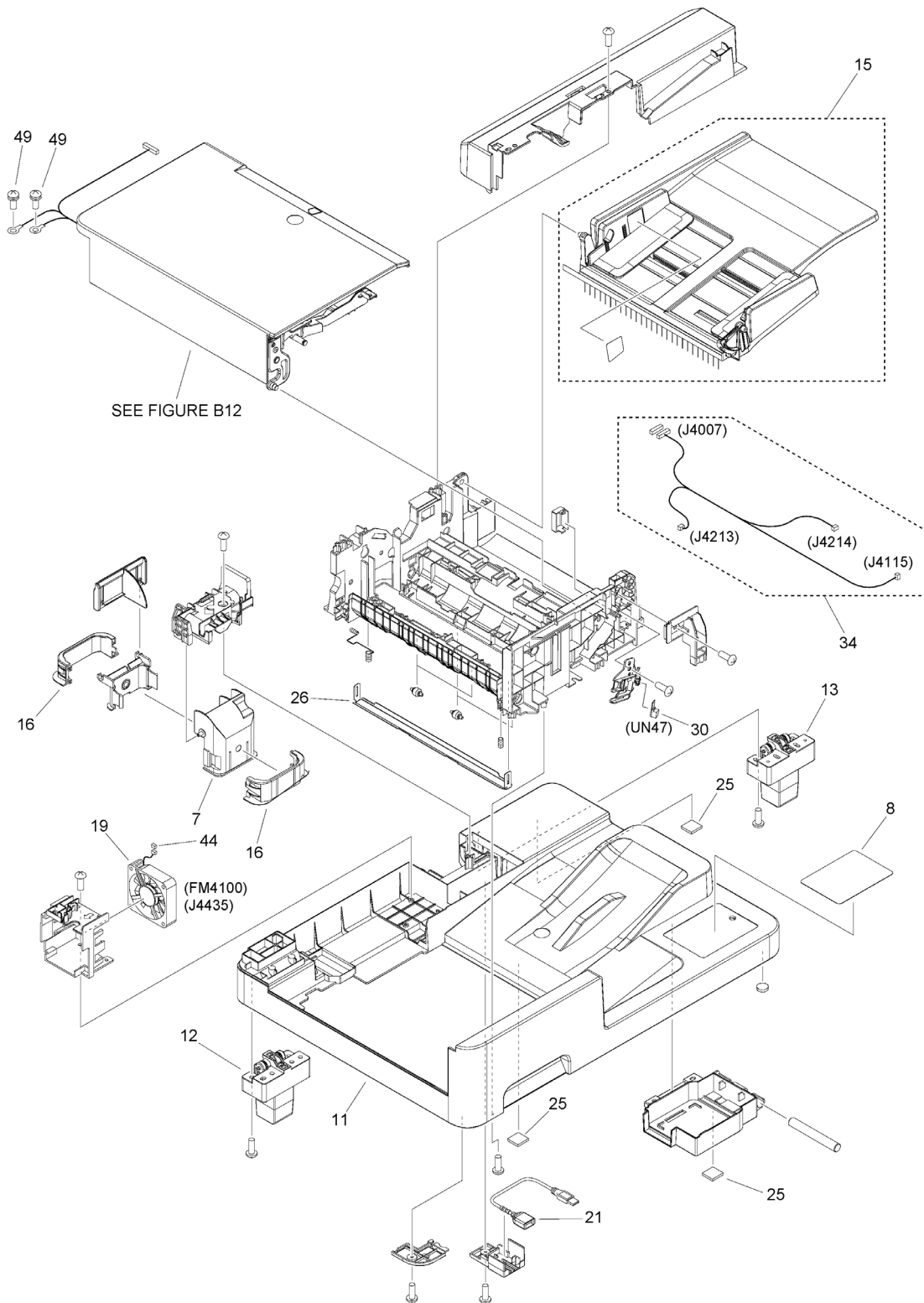


Figure B11 (2/3) AUTO DOCUMENT FEEDER ASS'Y SET

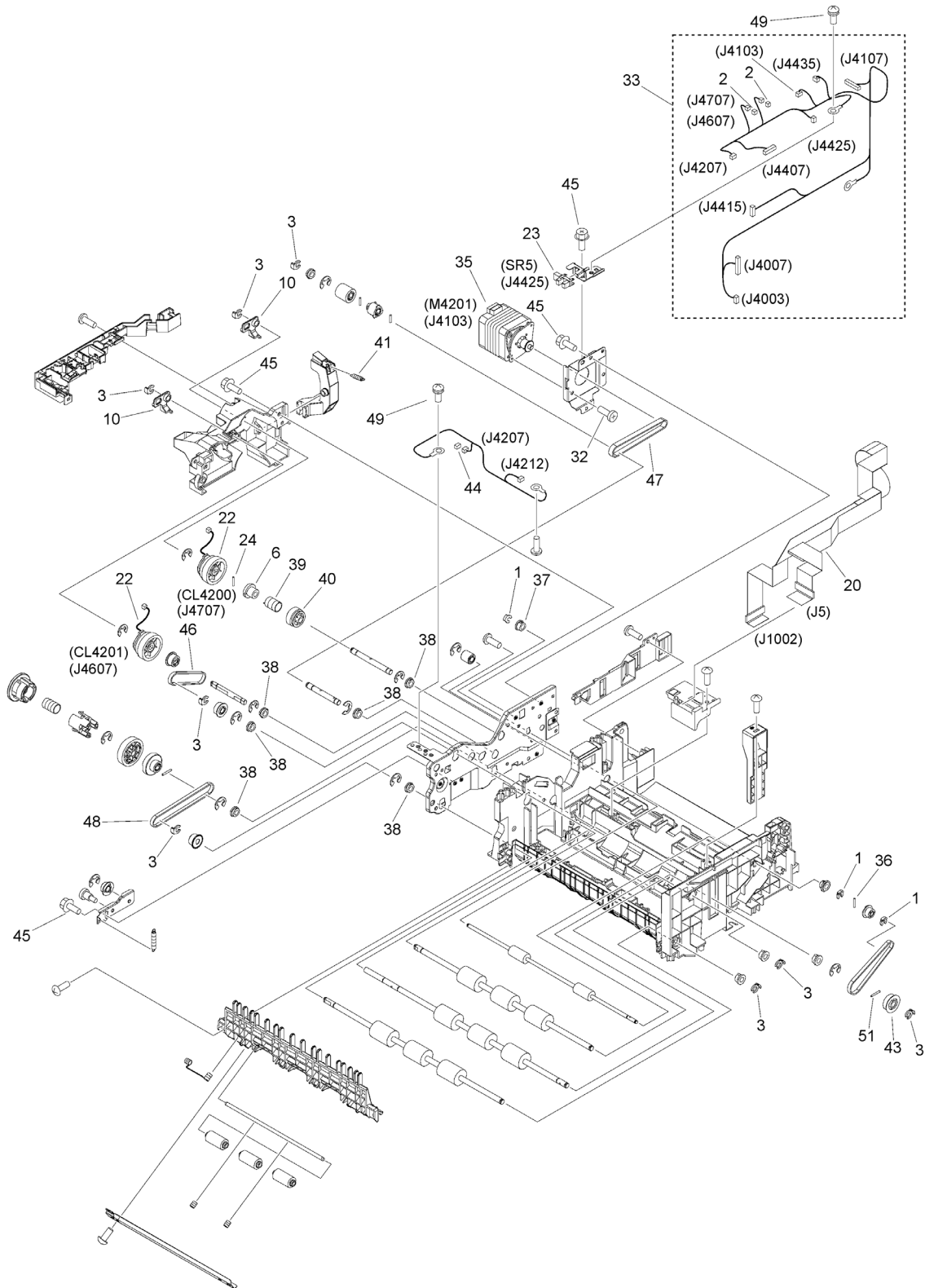


Figure B11 (3/3) AUTO DOCUMENT FEEDER ASS'Y SET

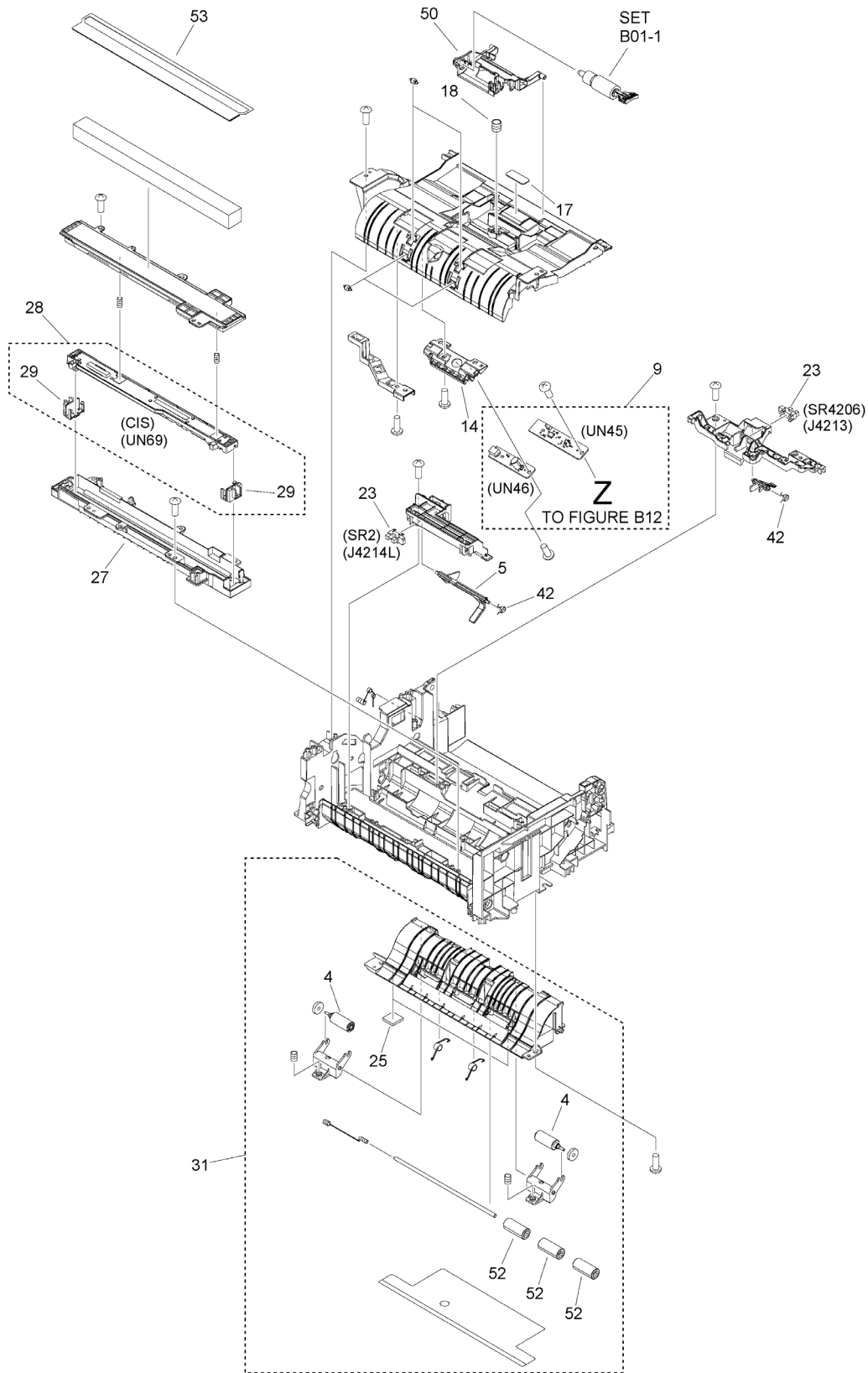


FIGURE & KEY NO.	PART NUMBER	RANK	QTY	DESCRIPTION	SERIAL NUMBER /REMARKS
B11	FM1-W734-000		1	AUTO DOCUMENT FEEDER ASS'Y SET	
1	FC0-1271-000		3	CLIP	
2	VS1-7177-002		2	CONNECTOR, SNAP TIGHT, BK	
3	FC5-4424-000		8	CLIP	
4	FC8-6316-010		2	ROLLER, DELIVERY	
5	FC8-6371-000		1	LEVER, READ SENSOR	
6	FC8-6383-000		1	JOINT, PICK-UP	
7	FE4-5746-000		1	GUIDE, CABLE, FRONT	
8	FE4-5779-000		1	LABEL	
9	FM1-K086-010		1	DOUBLE FEED DETECTION KIT	UN45, UN46
10	FE4-5788-000		2	STOPPER, CLUTCH ROTATION	
11	FE4-5790-000		1	FRAME, BASE	
12	FE8-2341-000		1	HINGE, ADF, LEFT	
13	FE8-2342-000		1	HINGE, ADF, RIGHT	
14	FE8-1865-000		1	HOLDER, DOUBLE FEED DETECTION	
15	FM1-L783-000		1	DOCUMENT TRAY ASSEMBLY	
16	FE8-2334-000		2	GUIDE, CABLE, LOWER	
17	FE8-3713-000		1	PAD, PICK-UP	
18	FE8-3716-000		1	SPRING, COMPRESSION	
19	FK2-0472-010		1	FAN	FM4100
20	FK4-3805-000		1	CABLE, FLAT	
21	FK4-3808-000		1	CABLE, USB	
22	FK4-3995-000		2	CLUTCH, ELECTROMAGNETIC	CL4200, CL4201
23	WG8-5935-000		3	IC, PHOTO INTERRUPTER	SR2, SR5, SR4206
24	XD9-0289-000		1	PIN, PARALLEL	
25	FL0-5178-000		5	CUSHION	
26	FL1-0441-000		1	GUIDE, PLATEN	
27	FL1-1512-000		1	HOLDER, CONTACT IMAGE SENSOR	
28	FM1-W732-000		1	CONTACT IMAGE SENSOR ASS'Y SET	CIS, UN69
29	FL1-2057-000		2	SPACER, CONTACT IMAGE SENSOR	RANKB
29	FL1-2174-000		2	SPACER, CONTACT IMAGE SENSOR	RANKC
29	FL1-2175-000		2	SPACER, CONTACT IMAGE SENSOR	RANKA
30	FM0-0294-000		1	EJECT LIGHT LED PCB ASS'Y	UN47
31	FM1-L786-010		1	LEAD 2 OUTER GUIDE ASSEMBLY	
32	XA9-0624-000		2	SCREW,M3X4	
33	FM1-W888-000		1	CABLE, ADF MAIN	
34	FM1-W892-000		1	CABLE, ADF PASS SENSOR	
35	FM1-W895-010		1	MOTOR ASS'Y	M4201
36	XD9-0352-000		1	PIN	
37	FS1-1528-000		1	BUSHING, PL	
38	FS5-1805-000		6	BUSHING	
39	FU2-1747-000		1	SPRING, CLUTCH	
40	FU2-1756-000		1	GEAR, 23T	
41	FU2-1758-000		1	SPRING, TENSION	

FIGURE & KEY NO.	PART NUMBER	RANK	QTY	DESCRIPTION	SERIAL NUMBER /REMARKS
42	FU7-2658-000		2	SPRING, TORSION	
43	FU8-0240-000		1	PULLEY	
44	VS1-7177-003		2	CONNECTOR, SNAP TIGHT, BK	
45	XA9-1386-000		15	SCREW,RS,M3X8	
46	XF2-1606-940		1	BELT, TIMING	
47	XF2-1609-560		1	BELT, TIMING	
48	XF2-1610-640		1	BELT, TIMING	
49	XA9-2003-000		4	SCREW, W/WASHER, M3X6	
50	FE8-2385-000		1	HOLDER, ROLLER	
51	XD9-0290-000		1	PIN, PARALLEL	
52	FC5-4286-000		3	ROLLER, PAPER FEED, 1	
53	FL0-5407-000		1	SHEET, WHITE	

Figure B12 PAPER PICK-UP COVER ASS'Y

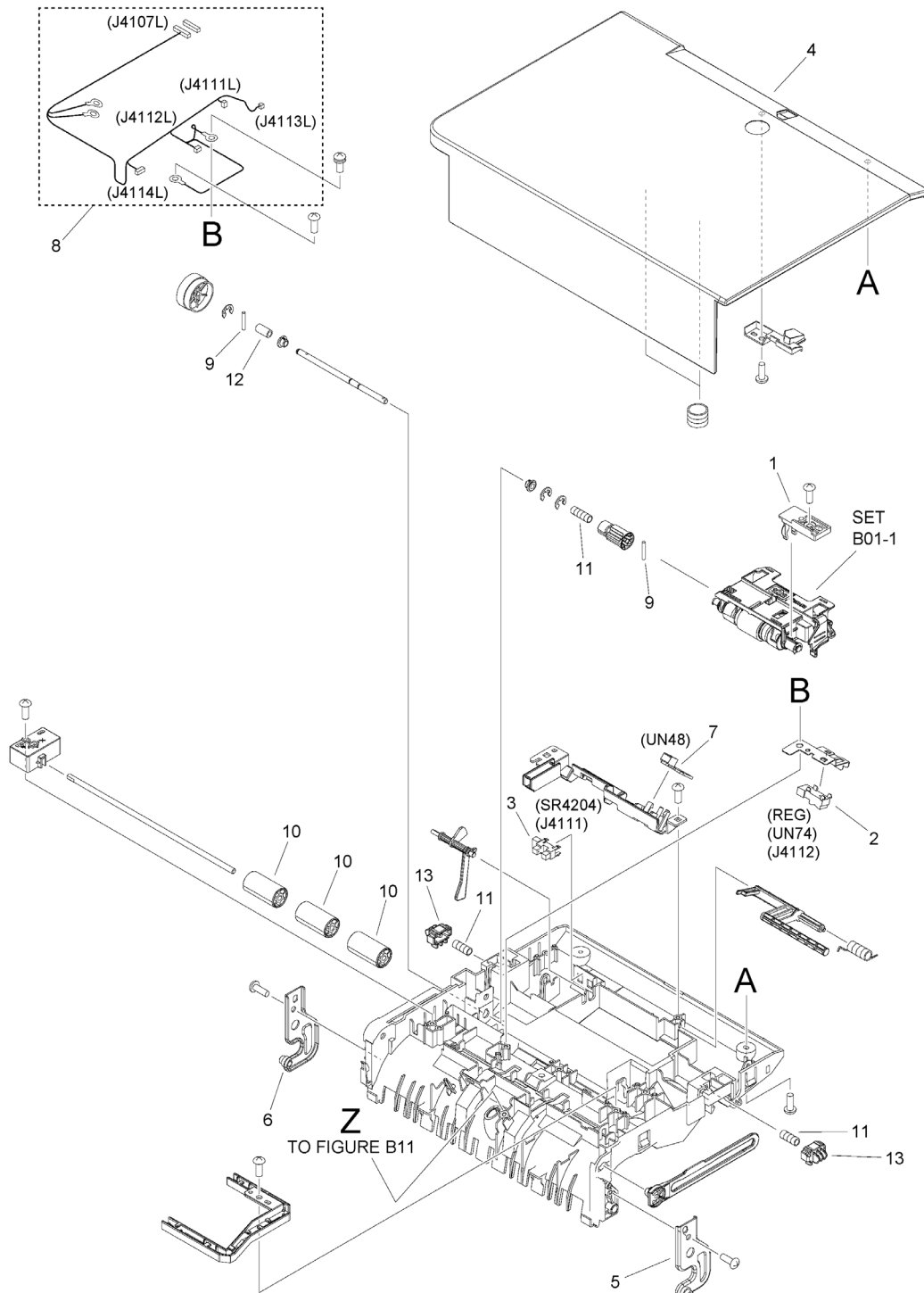


FIGURE & KEY NO.	PART NUMBER	RANK	QTY	DESCRIPTION	SERIAL NUMBER /REMARKS
B12	NPN		RF	PAPER PICK-UP COVER ASS'Y	
1	FE8-2386-000		1	HOLDER, PICK	
2	FK2-6470-000		1	PHOTO-SENSOR, KUA0055C	REG, UN74
3	WG8-5935-000		1	IC, PHOTO INTERRUPTER	SR4204
4	FL1-0427-000		1	COVER, PAPER PICK-UP	
5	FL1-0526-000		1	ARM, OPEN/CLOSE COVER, FRONT	
6	FL1-0527-000		1	ARM, OPEN/CLOSE COVER, REAR	
7	FM1-K827-000		1	LED PCB ASSEMBLY	UN48
8	FM1-W890-000		1	CABLE, COVER	
9	XD9-0352-000		2	PIN	
10	FC5-4324-000		3	ROLLER, REGISTRATION, 2	
11	FU2-1808-000		3	SPRING, COMPRESSION	
12	FC8-7343-000		1	ROLLER, BELT	
13	FE8-1870-000		2	LATCH	

Figure D10B READER ASSEMBLY

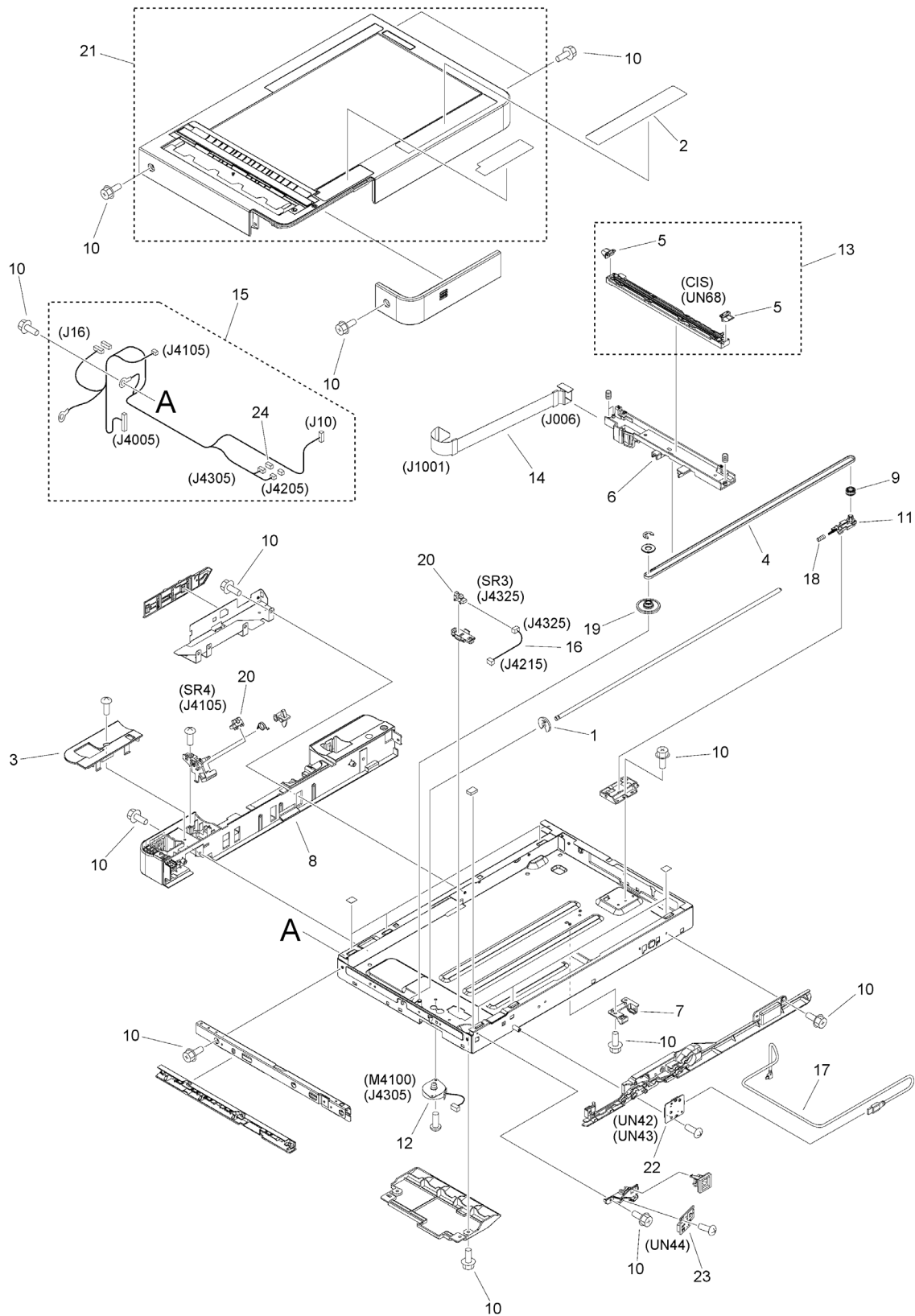


FIGURE & KEY NO.	PART NUMBER	RANK	QTY	DESCRIPTION	SERIAL NUMBER /REMARKS
D10B	NPN		RF	READER ASSEMBLY	
1	FE3-7699-000		1	RING, C,EXTERNAL	
2	FE8-6152-000		1	LABEL, COPY INHIBITED	US English
2	FE8-6153-000		1	LABEL, COPY PROHIBITION	Canadian French, Portuguese, Spanish
2	FE8-6154-000		1	LABEL, COPY PROHIBITION	UK English, French, German, Italian
3	FE8-2093-000		1	COVER, READER REAR, UP.	
4	FE8-2361-000		1	BELT, TIMING, COGGED	
5	FE8-2003-000		2	SPACER, CONTACT IMAGE SENSOR	RANK B
5	FE8-4730-000		2	SPACER, CONTACT IMAGE SENSOR	RANK C
5	FE8-4731-000		2	SPACER, CONTACT IMAGE SENSOR	RANK A
6	FL1-1521-000		1	HOLDER, CONTACT IMAGE SENSOR	
7	FC0-5557-000		1	BUSHING	
8	FE8-2098-000		1	COVER, READER REAR, 1	
9	FC0-5650-000		1	PULLEY, IDLER	
10	XA9-1386-000		15	SCREW,RS,M3X8	
11	FC0-5552-000		1	HOLDER, PULLEY, IDLER	
12	FK3-3035-000		1	MOTOR, STEPPING	M4100
13	FM1-W731-000		1	CONTACT IMAGE SENSOR ASSEMBLY	CIS, UN68
14	FK4-3804-000		1	CABLE, FLAT	
15	FM1-W894-000		1	CABLE, READER	
16	FM1-C987-000		1	CABLE, HOME POSITION SENSOR	
17	FK4-3807-000		1	CABLE, USB	
18	FU6-2873-000		1	SPRING, COMPRESSION	
19	FU9-0581-000		1	GEAR, 85T/20T	
20	WG8-5935-000		2	IC, PHOTO INTERRUPTER	SR3, SR4
21	FM1-M039-000		1	READER COVER UNIT, TOP	
22	FM1-N784-000		1	WIRELESS NETWORK PCB ASSEMBLY	UN42, UN43
23	FM1-W896-000		1	INTERFACE SENSOR PCB ASSEMBLY	UN44
24	VS1-7177-004		1	CONNECTOR, SNAP TIGHT, BK	

Figure ZZA MECHANICAL STANDARD PARTS (HOW TO USE)

Mechanical standard parts 機械標準部品

About a mechanical standard parts

A Mechanical standard parts is a mechanical part which not parts peculiar to a product.
They are parts which are common to a Canon product and are used, such as a screw and a washer.
The Fig No. and parts number of the mechanical standard parts are not listed in the product parts catalog.
Refer to the parts catalog of mechanical standard parts when checking the parts number for screw or washer etc. and identify them by part shape or size.

機械標準部品とは

機械標準部品とは、製品特有の部品ではなく、ねじやワッシャなどキヤノン製品共通で使用されている機械部品（メカ部品）のことです。
製品のパーツカタログには、機械標準部品のFig No.や部品番号は記載していません。
ねじや、ワッシャ等の部品番号を調べるときは、機械標準部品のパーツカタログを参照し、部品の形状や大きさから判断し、使用している部品を調べてください。

Material and surface treatment of a mechanical standard parts

Material and surface treatment of mechanical standard parts are assigned commonly for each part.
Refer to the Table 1 for the parts which material and surface treatment are assigned as numbers.

機械標準部品の材料および表面処理

機械標準部品の材料および表面処理については、各種部品共通で決められています。
材料および表面処理が番号で決められている部品については、表1を参照してください。

Table 1 Material and Surface treatment
表1 材料および表面処理

No. 番号	Material 材料	Surface treatment 表面処理	Color 色
1	Stainless steel ステンレス	Stainless steel black coloring (BC4) ステンレス黒着色(BC4)	Black 黒
2		not to be given なし	White 白
3	Brass 黄銅	Regular nickel plating (NL) 普通ニッケルメッキ(NL)	White 白
4		Black nickel plating (BN) 黒色ニッケルメッキ(BN)	Black 黒
5	Steel 鋼	White zinc trivalent chromate treating (ZC3) 白色亜鉛3価クロメート(ZC3)	White 白
6		Regular nickel chromium plating (NC) 普通ニッケルクロムメッキ(NC)	White 白
7		Regular nickel plating (NL) 普通ニッケルメッキ(NL)	White 白
8		Iron and steel phosphating (P1) 鉄鋼燐酸塩処理(P1)	Black 黒
9		Black zinc trivalent chromate treating (BZ3) 黒色亜鉛3価クロメート(BZ3)	Black 黒

Figure ZZB (1/7)MECHANICAL STANDARD PARTS (SCREWS)

1. Screws
ねじ

How to read Parts Numbers
部品番号の見方

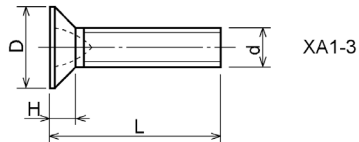
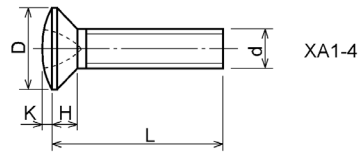
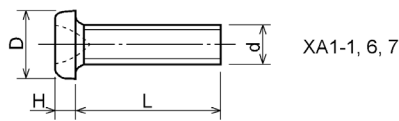
Screws
ねじ

XB1-2400-609

Type No.
類別番号
Normal designation (d)
ねじの呼び (d)
Length (L)
ねじの長さ (L)
Material and Surface treatment
材料および表面処理

XB1-2 expresses Binding head machine screw.
XB1-2は、バインドねじを表す
40 expresses M4.0.
40は、M4.0を表す
0-60 expresses a length of 6.0mm.
0-60は、6.0mmの長さを表す
9 expresses Steel (Black zinc trivalent chromate
treating) from Table 1.
9は、表1より鋼（黒色亜鉛3価クロメート）を表す

1-1. Cross Recessed Head Screws for Precision Equipments
精密機器用十字穴付き小ねじ

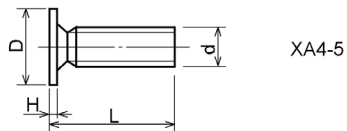
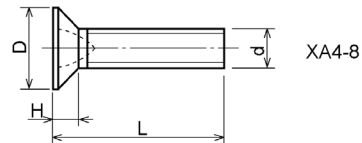
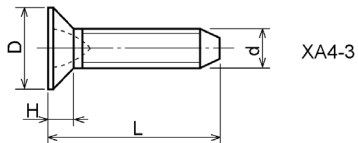
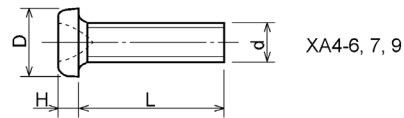
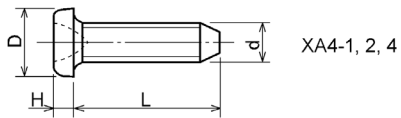


Type No. 類別番号	Type 類別
XA1-1	Pan head Class 1 なべ1種
XA1-3	Countersunk head Class 1 さら1種
XA1-4	Oval countersunk head Class 1 丸さら1種
XA1-6	Pan head Class 3 なべ3種
XA1-7	Pan head Class 2 なべ2種

		Head size (mm) 頭部寸法 (mm)					
		M1.4	M1.6	M1.7	M2	M2.5	M2.6
D	XA1-1	2	2.4	2.5	3	3.8	4
H	XA1-1	0.5	0.55	0.5	0.6	0.9	0.8
D	XA1-3	2	2.4	2.5	3	3.8	4
H	XA1-3	0.48	0.55	0.58	0.73	0.85	0.93
D	XA1-4	2	2.4	2.5	3	3.8	4
H + K	XA1-4	0.68	0.8	0.88	1	1.25	1.3
D	XA1-6	2.5	2.8	3	3.5	4.3	4.5
H	XA1-6	0.8	0.85	0.9	1	1.3	1.2
D	XA1-7	2.5	2.8	3	3.5	4.3	4.5
H	XA1-7	0.5	0.55	0.5	0.6	0.9	0.8

Figure ZZB (2/7) MECHANICAL STANDARD PARTS (SCREWS)

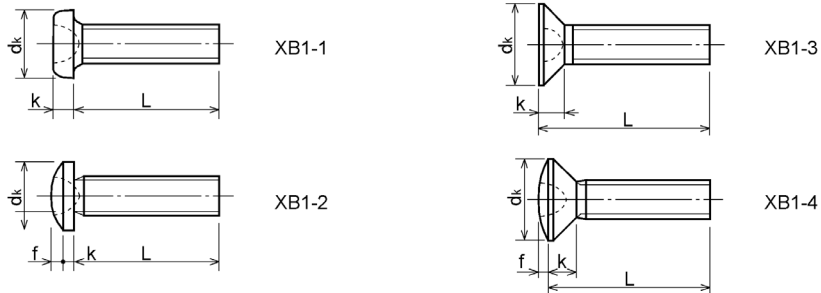
1-2. Precision Tapping Screws
精密用タッピンねじ



Type No. 類別番号	Type 類別	Head size (mm) 頭部寸法 (mm)						
		M1.4	M1.6	M1.7	M2	M2.5	M2.6	
XA4-1	With tapered end pan head Class 1 絞り-なべ1種	D XA4-1	2	2.4	2.5	3	3.8	4
		H XA4-1	0.5	0.55	0.5	0.6	0.9	0.8
XA4-2	With tapered end pan head Class 3 絞り-なべ3種	D XA4-2	2.5	2.8	3	3.5	4.3	4.5
		H XA4-2	0.8	0.85	0.9	1	1.3	1.2
XA4-3	With tapered end countersunk head 絞り-さら	D XA4-3	2	2.4	2.5	3	3.8	4
		H XA4-3	0.48	0.55	0.58	0.73	0.85	0.93
XA4-4	With tapered end pan head Class 2 絞り-なべ2種	D XA4-4	2.5	2.8	3	3.5	4.3	4.5
		H XA4-4	0.5	0.55	0.5	0.6	0.9	0.8
XA4-5	With parallel end ultra thin head ストレート-超薄頭	D XA4-5	2.5	2.8	3	-	-	-
		H XA4-5	0.2	0.2	0.2	-	-	-
XA4-6	With parallel end pan head Class 1 ストレート-なべ1種	D XA4-6	2	2.4	2.5	3	3.8	4
		H XA4-6	0.5	0.55	0.5	0.6	0.9	0.8
XA4-7	With parallel end pan head Class 3 ストレート-なべ3種	D XA4-7	2.5	2.8	3	3.5	4.3	4.5
		H XA4-7	0.8	0.85	0.9	1	1.3	1.2
XA4-8	With parallel end countersunk head ストレート-さら	D XA4-8	2	2.4	2.5	3	3.8	4
		H XA4-8	0.48	0.55	0.58	0.73	0.85	0.93
XA4-9	With parallel end pan head Class 2 ストレート-なべ2種	D XA4-9	2.5	2.8	3	3.5	4.3	4.5
		H XA4-9	0.5	0.55	0.5	0.6	0.9	0.8

Figure ZZB (3/7) MECHANICAL STANDARD PARTS (SCREWS)

1-3. Cross Recessed Head Screws
一般用十字穴付き小ねじ

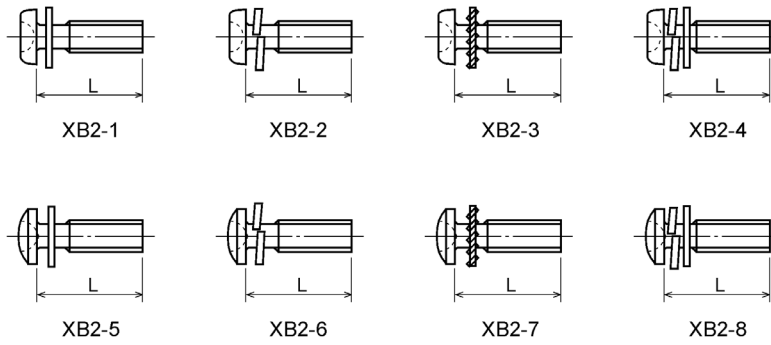


Type No. 類別番号	Type 類別
XB1-1	Pan head なべ
XB1-2	Binding head バインド
XB1-3	Countersunk head さら
XB1-4	Oval countersunk head 丸さら

		Head size (mm) 頭部寸法 (mm)					
		M2	M2.5	M2.6	M3	M4	M5
dk	XB1-1	3.5	4.5	4.5	5.5	7	9
k	XB1-1	1.3	1.7	1.7	2	2.6	3.3
dk	XB1-2	4.3	5.3	5.5	6.3	8.3	10.3
k+f	XB1-2	1.2	1.5	1.6	1.9	2.5	3.1
dk	XB1-3	4	5	-	6	8	10
k	XB1-3	1.2	1.45	-	1.75	2.3	2.8
dk	XB1-4	4	5	-	6	8	10
k+f	XB1-4	1.6	2	-	2.45	3.2	4
Screw part length ねじ部長さ b		8	12	12	12	16	20

Figure ZZB (4/7) MECHANICAL STANDARD PARTS (SCREWS)

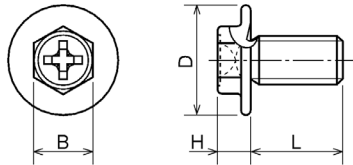
1-4. Cross Recessed Head Screws with Captive Washer
座金組み込み十字穴付き小ねじ



Type No. 類別番号	Type 類別
XB2-1	Pan head + Plain washer (circular bright) なべねじ+平座金
XB2-2	Pan head + Spring washer なべねじ+ばね座金
XB2-3	Pan head + Toothed lock washer なべねじ+歯付座金
XB2-4	Pan head + Spring washer and plain washer (circular bright) なべねじ+(ばね+平)座金
XB2-5	Binding head + Plain washer (circular bright) バインドねじ+平座金
XB2-6	Binding head + Spring washer バインドねじ+ばね座金
XB2-7	Binding head + Toothed lock washer バインドねじ+歯付座金
XB2-8	Binding head + Spring washer and plain washer (circular bright) バインドねじ+(ばね+平)座金

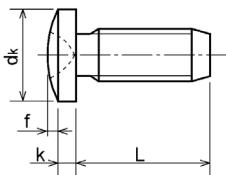
Figure ZZB (5/7) MECHANICAL STANDARD PARTS (SCREWS)

1-5. Hexagon Head Tapping Screws for Matallic Materials
 金属用六角タッピンねじ



Type No. 類別番号	Type 類別	Head size (mm) 頭部寸法 (mm)		
		M3	M4	
XB3-6	For metallic materials 金属用タッピン	D	8	10
		B	5.5	5.5
XB3-7	For metallic materials with clawed 金属用タッピン-つめ付き	H XB3-6	3.1	3.1
		H XB3-7	3.2	3.2

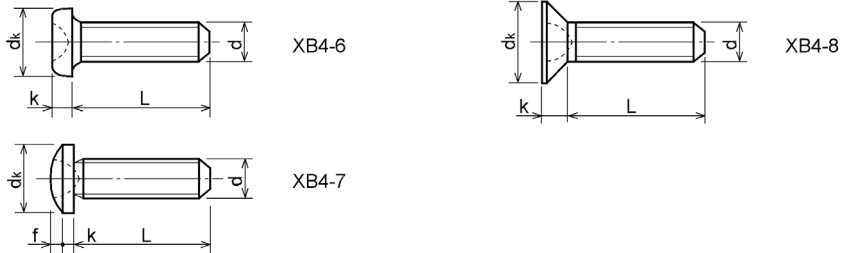
1-6. Special Tapping Screws
 特殊タッピンねじ



Type No. 類別番号	Type 類別	Head size (mm) 頭部寸法 (mm)		
		M3	M4	
XB4-5	Binding head バインド	dk	6.3	8.3
		k	1.3	1.7
		k+f	1.9	2.5

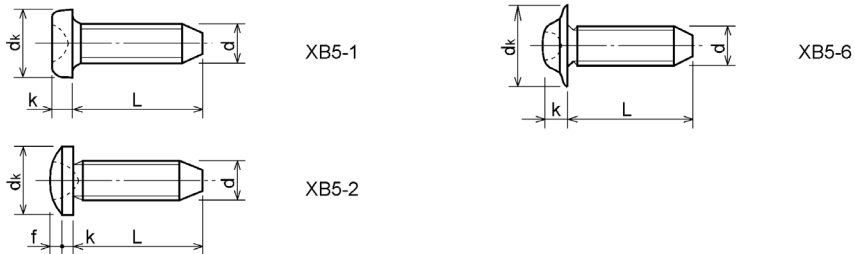
Figure ZZB (6/7) MECHANICAL STANDARD PARTS (SCREWS)

1-7. General Head Tapping Screws
一般用タッピンねじ



Type No. 類別番号	Type 類別	Head size (mm) 頭部寸法 (mm)						
		M2	M2.5	M2.6	M3	M4	M5	
XB4-6	Pan head なべ	dk	3.5	4.5	4.5	5.5	7	9
		k	1.3	1.7	1.7	2	2.6	3.3
XB4-7	Binding head バインド	dk	4.3	5.3	5.5	6.3	8.3	10.3
		k+f	1.2	1.5	1.6	1.9	2.5	3.1
XB4-8	Countersunk head さら	dk	4	5	5.2	6	8	10
		k	1.2	1.45	1.5	1.75	2.3	2.8

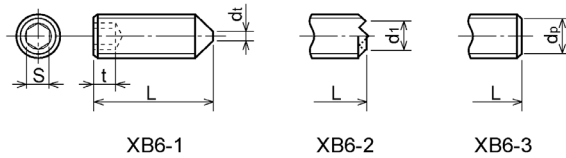
1-8. Tapping Screws for Metallic Materials
金属用タッピンねじ



Type No. 類別番号	Type 類別	Head size (mm) 頭部寸法 (mm)					
		M2.5	M2.6	M3	M4	M5	
XB5-1	Pan head なべ	dk	4.5	4.5	5.5	7	9
		k	1.7	1.7	2	2.6	3.3
XB5-2	Binding head バインド	dk	5.5	5.5	6.3	8.3	10.3
		k+f	1.6	1.6	1.9	2.5	3.1
XB5-6	Flanged pan head つば付きなべ	dk	6.5	6.5	8	10	12
		k	2.1	2.1	1.75	3.2	4

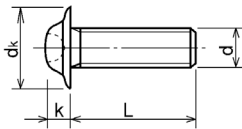
Figure ZZB (7/7) MECHANICAL STANDARD PARTS (SCREWS)

1-9. Hexagon Socket Set Screws
六角穴付き止めねじ



Type No. 類別番号	Type 類別	Head size (mm) 頭部寸法 (mm)						
		M1.6 M1.7	M2	M2.5 M2.6	M3	M5	M5	M6
S		0.7	0.9	1.3	1.5	2	2.5	3
t		1.5	1.7	2	2	2.5	3	3.5
dt max XB6-1		0.4	0.5	0.65	0.75	1	1.25	1.5
d1 max XB6-2		-	1.2	1.5	1.7	2.2	2.8	3.3
d1 min XB6-2		-	1	1.2	1.4	1.9	2.4	2.9
dp max XB6-3		0.8	1	1.5	2	2.5	3.5	4
dp min XB6-3		0.55	0.75	1.25	1.75	2.25	3.2	3.7

1-10. Flanged Pan Head Machine Screws
つば付きなべ小ねじ



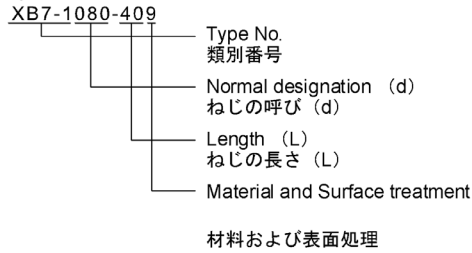
Type No. 類別番号	Type 類別	Head size (mm) 頭部寸法 (mm)				
		M2	M2.5 M2.6	M3	M5	M5
dk		5	6.5	8	10	12
k		1.7	2.1	2.5	3.2	4

Figure ZZC MECHANICAL STANDARD PARTS (BOLTS)

2. Bolts (Socket head cap screw)
ボルト

How to read Parts Numbers
部品番号の見方

Bolt (Socket head cap screw)
ボルト



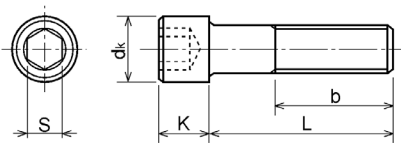
XB7-1 expresses Hexagon socket head cap screws.
XB7-1は、六角穴付きボルトを表す

080 expresses M8.0.
080は、M8.0を表す

40 expresses a length of 40mm.
40は、40mmの長さを表す

9 expresses Steel (Black zinc trivalent chromate treating) from Table 1.
9は、表1より鋼（黒色亜鉛3価クロメート）を表す

2-1. Hexagon socket head cap screws
六角穴付きボルト

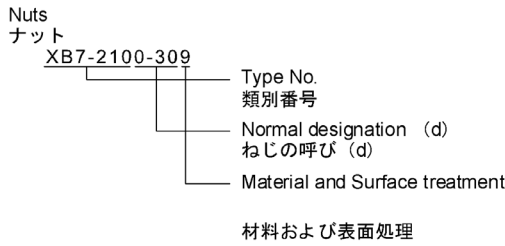


Type No. 類別番号	Type 類別	Head size (mm) 頭部寸法 (mm)						
		M3	M4	M5	M6	M8	M10	M12
S		2.5	3	4	5	6	8	10
dk		5.5	7	8.5	10	13	16	18
K		3	4	5	6	8	10	12
Screw part length ねじ部長さ b_{max}		18	20	22	24	28	32	36

Figure ZZD MECHANICAL STANDARD PARTS (NUTS)

3. Nuts
ナット

How to read Parts Numbers
部品番号の見方

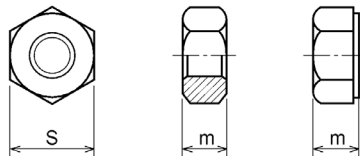


XB7-210 expresses Hexagon nut class 1.
XB7-210は、六角ナット1種を表す

0-30 expresses M3.0.
0-30は、M3.0を表す

9 expresses Steel (Black zinc trivalent chromate
treating) from Table 1.
9は、表1より鋼（黒色亜鉛3価クロメート）を表す

3-1. Hexagon Nuts and Hexagon Thin Nuts
六角ナット



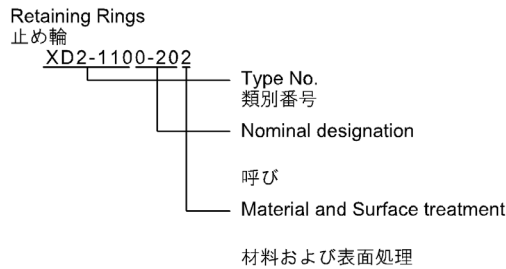
Type No. 類別番号	Type 類別
XB7-210	Hexagon nut Class 1 六角ナット-1種
XB7-220	Hexagon nut Class 3 六角ナット-3種
XB7-230	Hexagon nut Style 1 double chamfered 六角ナット-スタイル1-両面とり
XB7-231	Hexagon nut Style 1 washer faced 六角ナット-スタイル1-座付き
XB7-240	Hexagon nut Style 2 double chamfered 六角ナット-スタイル2-両面とり
XB7-241	Hexagon nut Style 2 washer faced 六角ナット-スタイル2-座付き
XB7-250	Hexagon nut 六角ナット
XB7-260	Hexagon thin nut double chamfered 六角低ナット-両面とり
XB7-270	Hexagon thin nut not chamfered 六角低ナット-面とり無し

	Head size (mm) 頭部寸法 (mm)						
	M2	M2.5	M3	M4	M5	M6	M8
S	4	5	5.5	7	8	10	13
m XB7-210	1.6	2	2.4	3.2	4	5	6.5
m XB7-220	1.2	1.6	1.8	2.4	3.2	3.6	5
m XB7-230, 231	1.6	2	2.4	3.2	4.7	5.2	6.8
m XB7-240, 241	-	-	-	-	5.1	5.7	7.5
m XB7-250	-	-	-	-	5.6	6.1	7.9
m XB7-260	1.2	1.6	1.8	2.2	2.7	3.2	4
m XB7-270	1.2	1.6	1.8	2.2	2.7	3.2	4

Figure ZZE (1/3)MECHANICAL STANDARD PARTS (RETAINING RINGS)

5. Retaining Rings
止め輪

How to read Parts Numbers
部品番号の見方

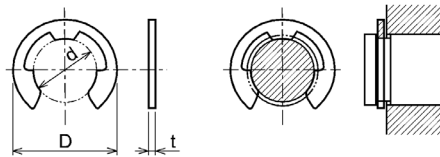


XD2-110 expresses retaining ring-E type (Type1).
XD2-110は、E形止め輪（1種）を表す

0-20 expresses a 020 of nominal designation.
(See Table 5)
0-20は、呼び020を表す（表5参照）

2 expresses Stainless steel (Surface treatment is not to be given) from Table 1.
2は、表1よりステンレス（表面処理なし）を表す

5-1. Retaining Rings - E type
E形止め輪



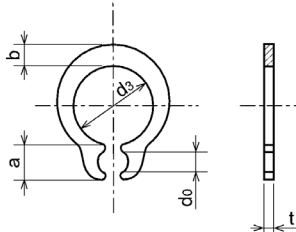
Type No. 類別番号	Type 類別
XD2-110	Retaining ring - E type (Type 1) E形止め輪（1種）
XD2-120	Retaining ring - E type (Type 2) E形止め輪（2種）

Table 5 表5

Type 種類	Nominal designation 呼び	d (mm)	D (mm)	t (mm)
Type 1 1種	007	0.65	2	0.2
	010	0.95	2.8	0.2
	013	1.25	3.3	0.3
	017	1.65	4.2	0.4
	020	1.95	4.6	0.5
	024	2.35	6	0.6
	028	2.74	6.5	0.6
	032	3.14	7.2	0.6
	037	3.64	8	0.7
	040	3.93	10	0.7
	042	4.13	10	0.7
	050	4.93	11	0.7
	058	5.73	12	0.7
	060	5.93	12.7	0.9
064	6.32	13.5	0.9	
074	7.31	15	0.9	
080	7.91	16.5	1	
Type 2 2種	008	0.8	2	0.2
	012	1.2	3	0.3
	015	1.5	4	0.4
	020	2	5	0.4
	025	2.5	6	0.4
	030	3	7	0.6
	040	4	9	0.6
	050	5	11	0.6
	060	6	12	0.8
	070	7	14	0.8
	080	8	16	0.8
	090	9	18	0.8
100	10	20	1	

Figure ZZE (2/3)MECHANICAL STANDARD PARTS (RETAINING RINGS)

5-2. Grip Rings
グリップ止め輪

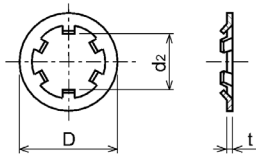


Type No. 類別番号	Type 類別
XD2-210	Grip ring グリップ止め輪

Table 5 表5

Nominal designation 呼び	d ₃ (mm)	t (mm)	b (mm)	a (mm)	d ₀ (mm)
020	1.9	0.5	1	1.8	0.8
025	2.35	0.5	1.2	1.9	0.9
030	2.85	0.6	1.4	1.9	0.9
035	3.3	0.6	1.6	2	0.9
040	3.8	0.8	1.8	2.8	1.2
045	4.25	0.8	2	2.9	1.3
050	4.75	0.8	2.2	2.9	1.3
060	5.7	1	2.4	3.1	1.4
070	6.7	1	2.7	3.3	1.4
080	7.7	1	3	3.5	1.4
090	8.65	1.2	3.3	4.7	1.5
100	9.65	1.2	3.5	4.7	2

5-3. Toothed Retaining Rings
歯付き形止め輪



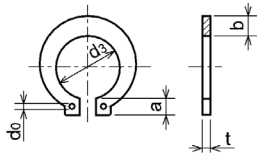
Type No. 類別番号	Type 類別
XD2-230	Toothed retaining ring 歯付き形止め輪

Table 5 表5

Nominal designation 呼び	d ₂ (mm)	D (mm)	t (mm)	No of teeth 歯数
015	1.4	5.2	0.25	3
020	1.9	6	0.25	3
024	2.3	6.4	0.25	3
030	2.8	8	0.25	4
040	3.8	9	0.25	4
050	4.8	10	0.25	5
060	5.8	11	0.25	5
080	7.8	13	0.25	5
100	9.8	15.4	0.25	6

Figure ZZE (3/3)MECHANICAL STANDARD PARTS (RETAINING RINGS)

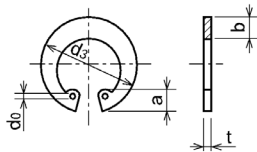
5-4. Retaining Rings - C Type
C形止め輪



Type No. 類別番号	Type 類別
XD2-310	Retaining ring - C type for shaft C形止め輪 軸用

Table 5 表5

Nominal designation 呼び	ds (mm)	t (mm)	b (mm)	a (mm)	do (mm)
010	9.3	1	1.6	3	1.2
012	11.1	1	1.8	3.2	1.5
014	12.9	1	2	3.4	1.7
015	13.8	1	2.1	3.5	1.7
016	14.7	1	2.2	3.6	1.7
017	15.7	1	2.2	3.7	1.7
018	16.5	1.2	2.6	3.8	1.7
020	18.5	1.2	2.7	3.9	2
022	20.5	1.2	2.7	4.1	2
025	23.2	1.2	3.1	4.3	2
028	25.9	1.5	3.1	4.6	2
030	27.9	1.5	3.5	4.8	2
032	29.6	1.5	3.5	5	2.5
035	32.2	1.5	4	5.4	2.5



Type No. 類別番号	Type 類別
XD2-320	Retaining ring - C type for hole C形止め輪 穴用

Table 5 表5

Nominal designation 呼び	ds (mm)	t (mm)	b (mm)	a (mm)	do (mm)
010	10.7	1	1.8	3.1	1.2
011	11.8	1	1.8	3.2	1.2
012	13	1	1.8	3.3	1.5
014	15.1	1	2	3.6	1.7
016	17.3	1	2	3.7	1.7
018	19.5	1	2.5	4	1.7
019	20.5	1	2.5	4	2
020	21.5	1	2.5	4	2
022	23.5	1	2.5	4.1	2
025	26.9	1.2	3	4.4	2
028	30.1	1.2	3	4.6	2
030	32.1	1.2	3	4.7	2
032	34.4	1.2	3.5	5.2	2.5
035	37.8	1.5	3.5	5.2	2.5
037	39.8	1.5	3.5	5.2	2.5
040	43.5	1.8	4	5.7	2.5
042	45.5	1.8	4	5.8	2.5
045	48.5	1.8	4.5	5.9	2.5
047	50.5	1.8	4.5	6.1	2.5
050	54.2	2	4.5	6.5	2.5
052	56.2	2	5.1	6.5	2.5
055	59.2	2	5.1	6.5	2.5
060	64.2	2	5.1	6.8	2.5
062	66.2	2	5.5	6.9	2.5
068	72.5	2.5	6	7.4	2.5
072	76.5	2.5	6.6	7.4	2.5
075	79.5	2.5	6.6	7.8	2.5
080	85.5	2.5	7	8	2.5
085	90.5	3	7	8	3
090	95.5	3	7.6	8.3	3
095	100.5	3	8	8.5	3