

# PARTS CATALOG

## iR-ADV C3530/C3525/C3520 III Series (CEL)

### <PREFACE>

This Parts Catalog contains listings of parts used. Diagrams are provided with the listings to aid the service technician in identifying clearly the item to be ordered.

Whenever ordering parts, consult this Parts Catalog for all of the information pertaining to each item. Be sure to include, in the Parts Request, the full item description, the item part number, and the quantity.

The Canon logo is displayed in a bold, black, sans-serif font. The letter 'C' is significantly larger than the other letters, and the 'o' contains a vertical bar through its center.

## Index

SNL	Product Code No. /Serial No.
A1C	ASSEMBLY LOCATION DIAGRAM
A2	OPTION PARTS CATALOG LIST
001C	ACCESSORIES
100E	EXTERNAL COVERS, PANELS, ETC. (C3520i)
100F	EXTERNAL COVERS, PANELS, ETC. (C3525i)
100G	EXTERNAL COVERS, PANELS, ETC. (C3530i)
101C	INTERNAL COMPONENTS 1
102C	INTERNAL COMPONENTS 2
103	INTERNAL COMPONENTS 3
104B	INTERNAL COMPONENTS 4
105	INTERNAL COMPONENTS 5
106C	INTERNAL COMPONENTS 6
107B	MACHINE REAR PLATE 1
108	MACHINE REAR PLATE 2
111	RIGHT DOOR ASSEMBLY
112	RIGHT DOOR ASSEMBLY, LOWER
130C	CONTROL PANEL ASSEMBLY
140C	POWER CORD TERMINAL ASSEMBLY (230V)
190	POWER SUPPLY FAN ASSEMBLY
191	FRONT FAN ASSEMBLY
192	REAR FAN ASSEMBLY
250	MAIN DRIVE ASSEMBLY
260	REGISTRATION DRIVE ASSEMBLY
261	PAPER PICK-UP DRIVE ASSEMBLY
262	VERTICAL PATH DRIVE ASSEMBLY
263	REVERSE DUPLEXING DRIVE ASS'Y
270	BOTTLE DRIVE ASSEMBLY, Y, M
271	BOTTLE DRIVE ASSEMBLY, C, K
280	FIXING DRIVE ASSEMBLY
290	LIFTER DRIVE ASSEMBLY
310	PAPER PICK-UP ASSEMBLY (SMALL)
311	PAPER PICK-UP ASSEMBLY (LARGE)
320	REGISTRATION ASSEMBLY
330B	MULTI PAPER PICK-UP TRAY ASS'Y
331	MULTI PAPER PICK-UP ASSEMBLY
332	DUPLEXING GUIDE ASSEMBLY
350B	FIRST PAPER DELIVERY ASSEMBLY
460	LASER SCANNER ASSEMBLY
530	INTER. TRANSFER BELT ASS'Y

## Index

640	DEVELOPING ASSEMBLY
770	CONTAINER, WASTE TONER, WT-202
771	WASTE TONER FEED ASSEMBLY
772	WASTE TONER FEED DRIVE ASS'Y
810C	FIXING ASSEMBLY, FX-202 (230V)
910B	POWER SUPPLY ASSEMBLY (230V)
930A	MAIN CONTROLLER PCB ASSEMBLY (C3520F/C3520i)
930B	MAIN CONTROLLER PCB ASSEMBLY (C3525i)
930C	MAIN CONTROLLER PCB ASSEMBLY (C3530F/C3530i)
931	DC CONTROLLER PCB ASSEMBLY
980	PRIMARY TRANSFER H. V. ASSEMBLY
981	2ND TRANSFER H. V. PCB ASSEMBLY
D11C	READER ASSEMBLY
E10	IC CARD READER BOX
H30	CASSETTE ASSEMBLY (SMALL)
H31	CASSETTE ASSEMBLY (LARGE)
M30	SECOND PAPER DELIVERY ASSEMBLY
M31	THIRD PAPER DELIVERY ASSEMBLY
ZZA	MECHANICAL STANDARD PARTS (HOW TO USE)
ZZB	MECHANICAL STANDARD PARTS (SCREWS)
ZZC	MECHANICAL STANDARD PARTS (BOLTS)
ZZD	MECHANICAL STANDARD PARTS (NUTS)
ZZE	MECHANICAL STANDARD PARTS (RETAINING RINGS)

## Figure SNL Product Code No./Serial No.

	Product Code No.	Model Name	Remarks	Serial No.
1	F17-7596-000	imageRUNNER ADVANCE C3530i III	-	2GR
2	F17-7594-000	imageRUNNER ADVANCE C3525i III	-	2GE
3	F17-7592-000	imageRUNNER ADVANCE C3520i III	-	2FW

	中オーダー	製品名	備考	シリアル No.
1	F17-7596-000	imageRUNNER ADVANCE C3530i III	-	2GR
2	F17-7594-000	imageRUNNER ADVANCE C3525i III	-	2GE
3	F17-7592-000	imageRUNNER ADVANCE C3520i III	-	2FW



FIGURE & KEY NO.	PART NUMBER	R A N K	QTY	DESCRIPTION	SERIAL NUMBER /REMARKS
SNL	NPN		RF	Product Code No./Serial No.	
1	F17-7596-000		1	imageRUNNER ADVANCE C3530i III	2GR
2	F17-7594-000		1	imageRUNNER ADVANCE C3525i III	2GE
3	F17-7592-000		1	imageRUNNER ADVANCE C3520i III	2FW

Figure A1C (1/5) ASSEMBLY LOCATION DIAGRAM

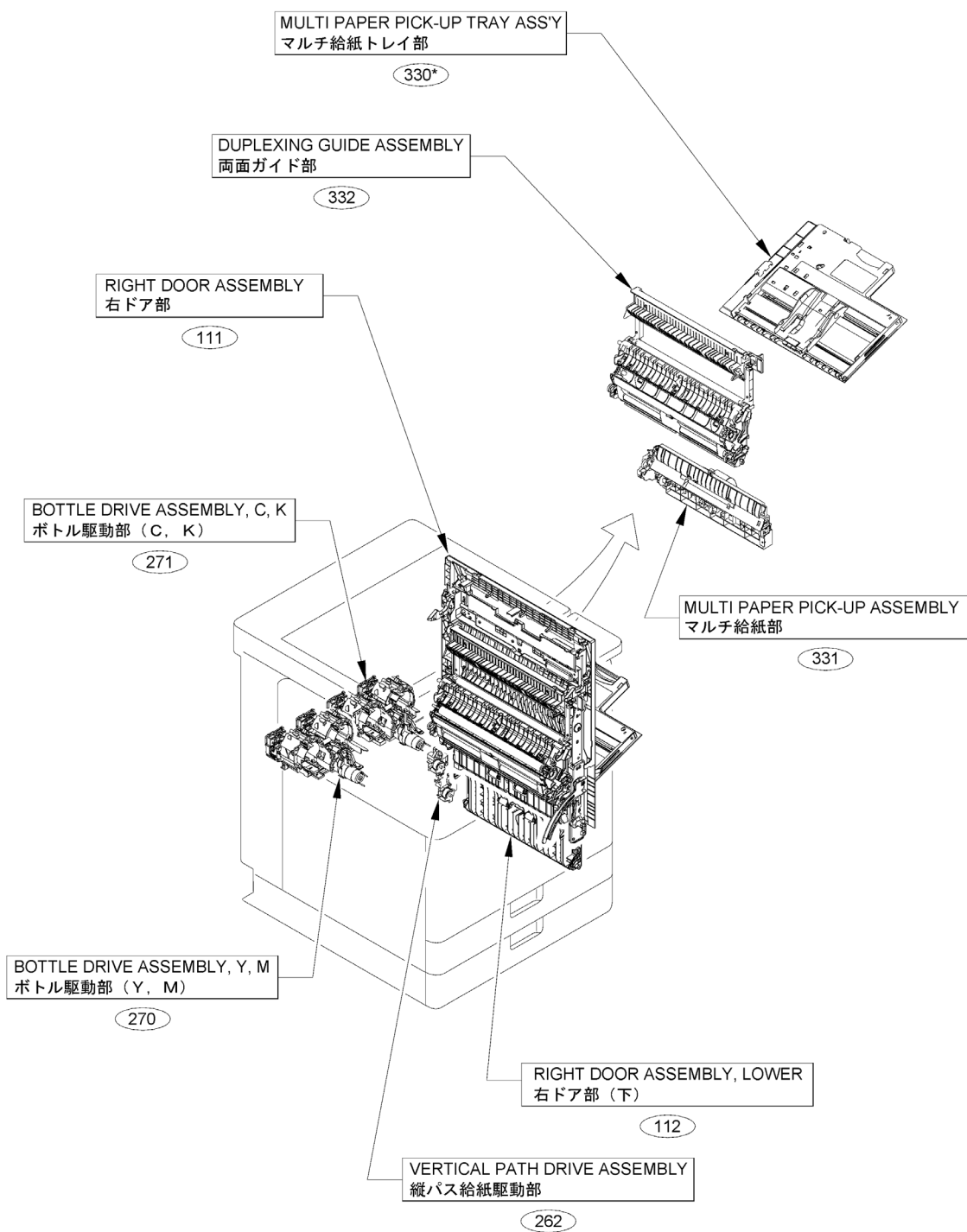


Figure A1C (2/5) ASSEMBLY LOCATION DIAGRAM

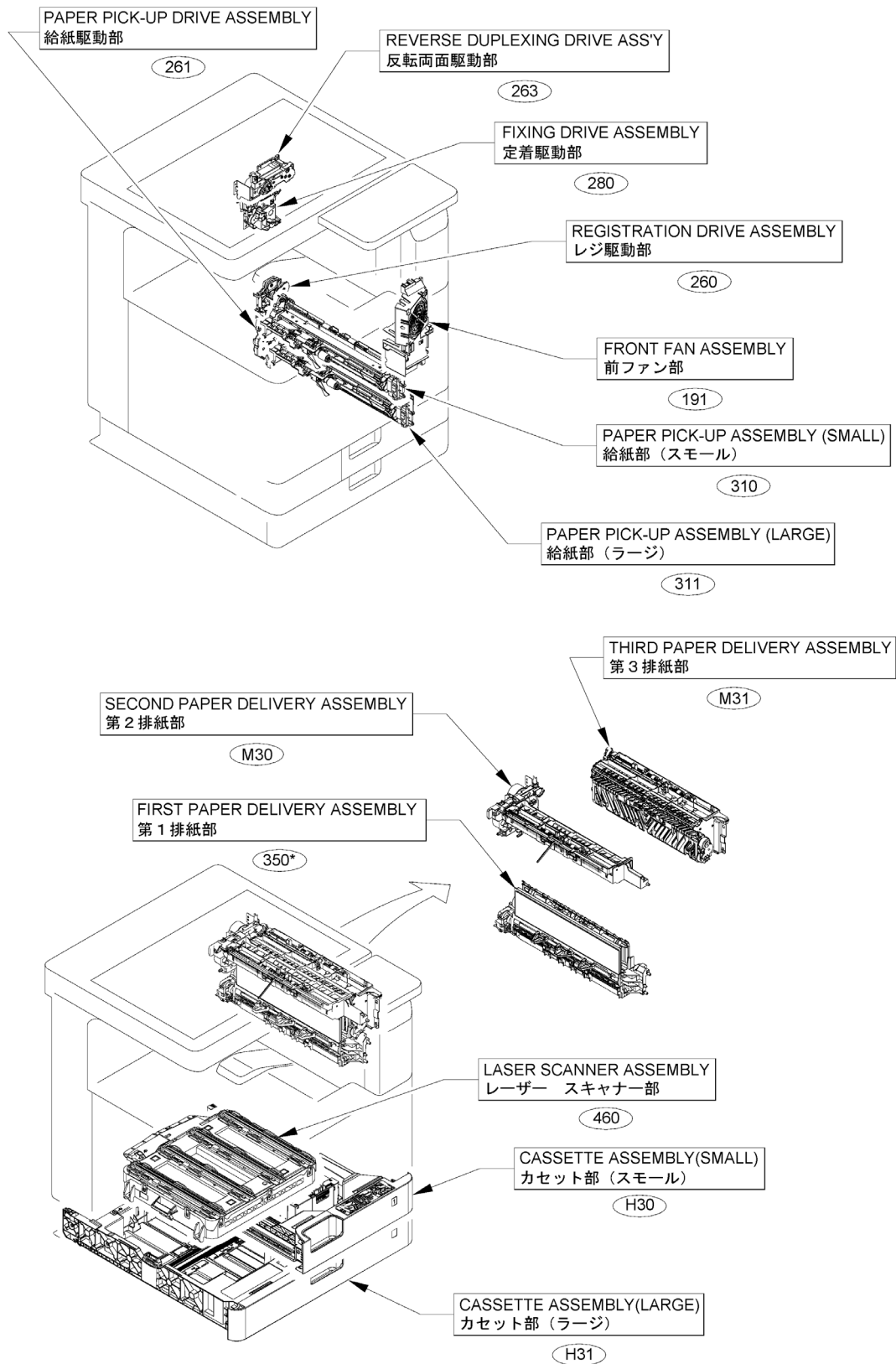


Figure A1C (3/5) ASSEMBLY LOCATION DIAGRAM

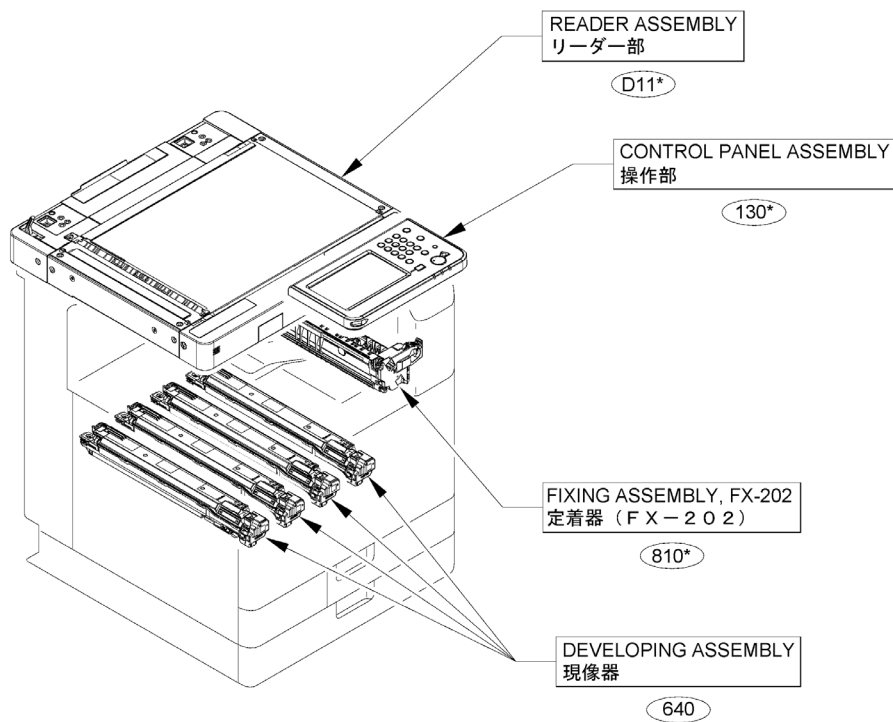
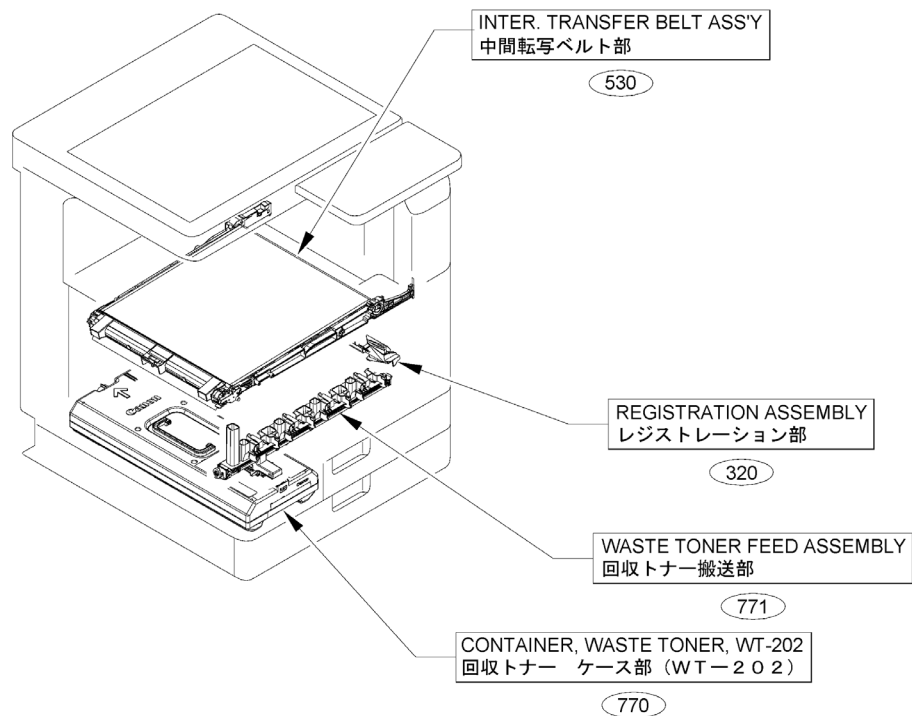


Figure A1C (4/5) ASSEMBLY LOCATION DIAGRAM

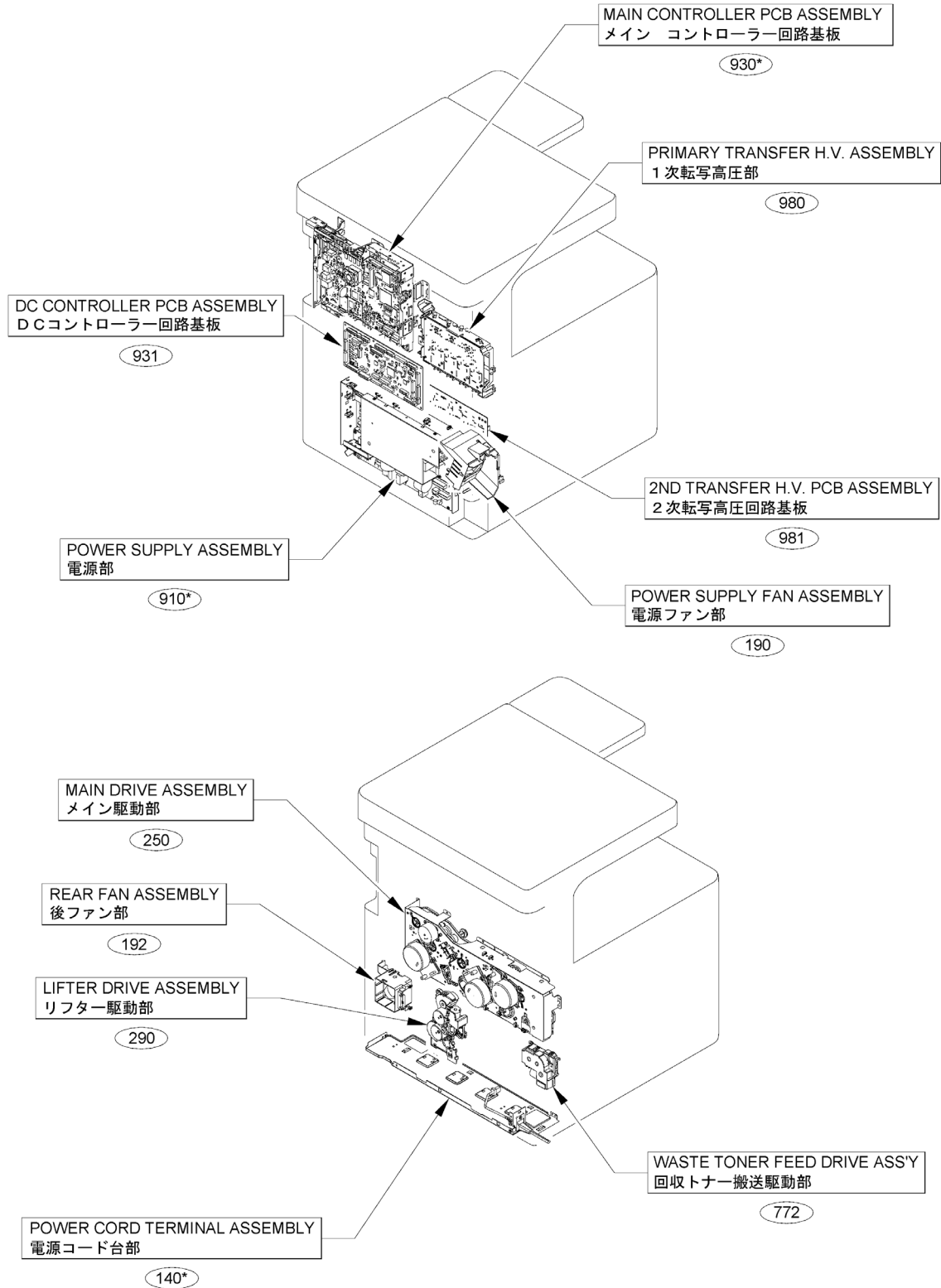


Figure A1C (5/5) ASSEMBLY LOCATION DIAGRAM

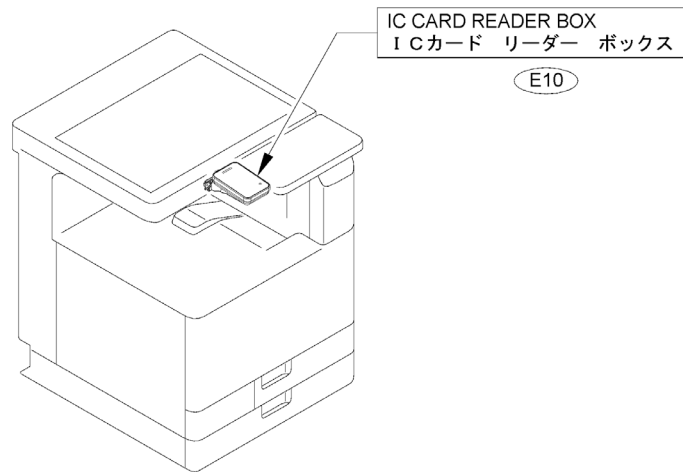


Figure A2 OPTION PARTS CATALOG LIST

This is the table of the machine's options whose parts catalog is issued.  
 本機オプションで、パーツカタログが発行されている機種の一覧である。

No.	Model Name(English)	Model Name(Japanese)
1	DADF-AV1	D A D F - A V 1
2	Single Pass DADF-B1	1パス両面ADF・B1
3	Platen Cover Type W	原稿台カバー タイプW
4	Stamp Unit-B1	スタンプユニット・B1
5	ADF Access Handle-A1	ADFアクセスハンドル・A1
6	NFC Kit-C1	NFCキット・C1
7	Cassette Feeding Unit-AP1	2段カセットペディスタル・AP1
8	FL Cassette-BE1	FLカセット・BE1
9	FL Cassette-BF1	FLカセット・BF1
10	Copy Tray-J2	コピートレイ・J2
11	Inner 2way Tray-J1	インナー2ウェイトレイ・J1
12	Staple Finisher-AA1/Booklet Finisher-AA1	ステイブルフィニッシャー・AA1 / 中綴じフィニッシャー・AA1
13	Inner Finisher-K1	インナーフィニッシャー・K1
14	2/3, 2/4, 4 Hole Puncher Unit-A1	2/3穴、2/4穴、 4穴パンチャーユニット・A1
15	3 Way Unit-D1	拡張排紙キット・D1
16	Reader Heater Unit-L2	リーダーヒーターキット・L2
17	Cassette Heater Unit-41	(日本仕向けなし)
18	Main Body Heater Unit-A1	機内ヒーター・A1
19	Utility Tray-B1	ユーティリティートレイ・B1
20	Copy Card Reader Attachment-B5	コピーカードリーダー取付けキット・B5
21	(JAPAN ONLY)	セルフコピー取付けキット・A1
22	Media Adjustment kit-A1	(日本仕向けなし)
23	Super G3 Fax Board-AZ1	スーパーG3FAXボード・AZ1
24	Super G3 2nd Line Fax Board-AU1	G3回線増設キット(2回線)・AU1
25	(JAPAN ONLY)	ハンドセット・G2
26	Voice Guidance Kit-G1	(日本仕向けなし)
27	Voice Operation Kit-D1	音声操作キット・D1
28	Image Data Analyzer Board-B2	イメージ解析ボード・B2
29	(JAPAN ONLY)	iR-ADV課金装置接続キット・A3
30	Serial Interface Kit-K3	シリアルインターフェースキット・K3
31	Copy Control Interface Kit-A1	コントロールインターフェースキット・A1
32	2.5inch/1TB HDD-P1/250GB HDD-N1	オプションHDD(2.5inch/1TB) ・P1/(2.5inch/250GB)・N1
33	Removable HDD Kit-AK2	リムーバブルHDDキット・AK2
34	IC Card Reader Box-C1	ICカードリーダーボックス・C1
35	Copy Card Reader-F1	コピーカードリーダー・F1
36	Connection Kit-A1 for Bluetooth LE	拡張キット・A1 for Bluetooth LE

Figure 001C ACCESSORIES

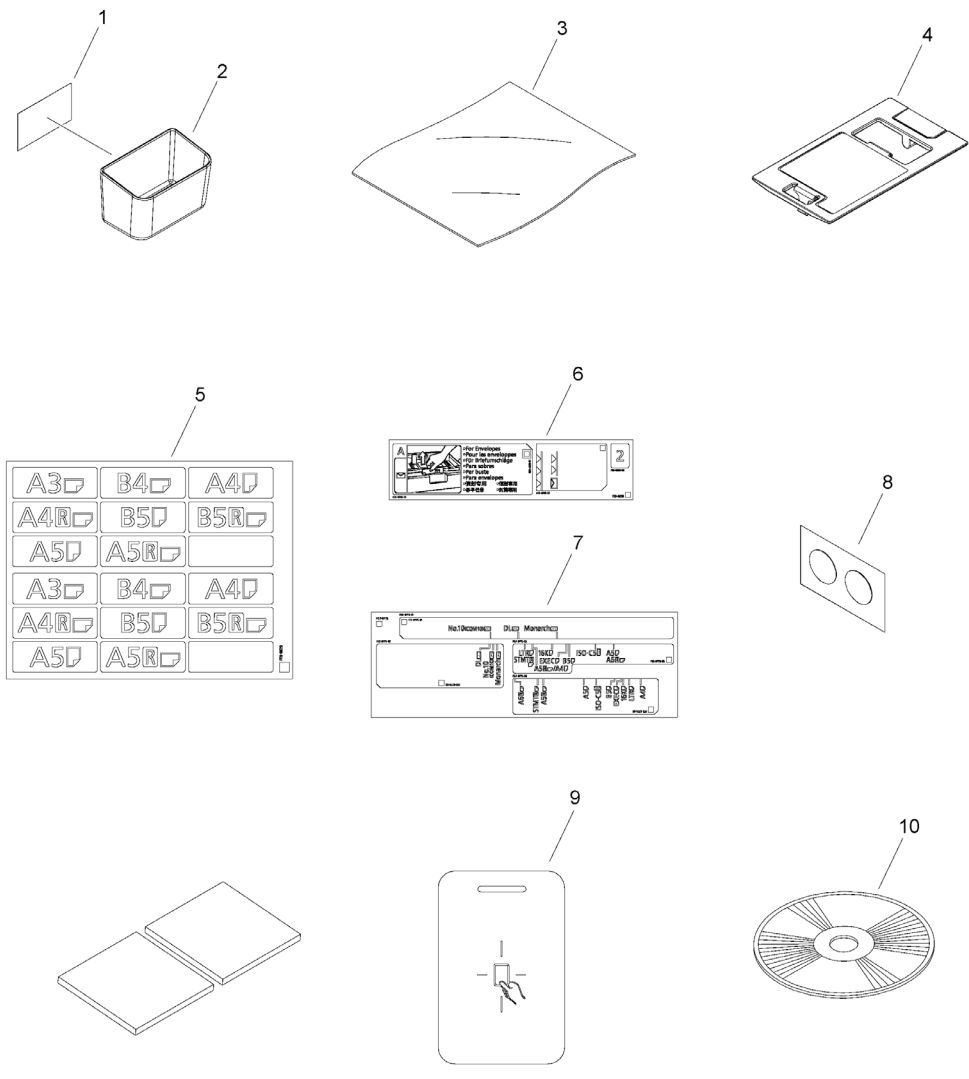




FIGURE & KEY NO.	PART NUMBER	RANK	QTY	DESCRIPTION	SERIAL NUMBER /REMARKS
001C	NPN		RF	ACCESSORIES	
1	FE4-0152-010		1	TAPE, DUPLEXING	
2	FE3-9210-000		1	BOX, CLEANING CLOTH STOCK	
3	FE2-D452-000		1	CLOTH, CLEANING	
4	FL0-4625-000		1	ENVELOPE VERTICAL FEED ASS'Y	
5	FE8-8820-000		1	LABEL, CASSETTE SIZE	
6	FE8-4838-000		1	LABEL, CASSETTE	
7	FE2-B775-000		1	LABEL, ENVELOPE	
8	FL1-2558-000		1	SEAL, BLANKING	
9	FL1-2374-000		1	SHEET	
10	FK4-6142-000		1	CD-ROM, SOFTWARE FOR UFR II	
10	FK4-6143-000		1	CD-ROM, USER SOFTWARE, PCL	
10	FK4-6144-000		1	CD-ROM, USER SOFTWARE, PS	

Figure 100E (1/2)EXTERNAL COVERS, PANELS, ETC. (C3520i)

NOTE 1 : Several kinds of labels are attached on the board for the parts of Key No. 35 and 40. NOTE 2 : The part shown with key No. 40 is same as Fig-Key No. 102-6.

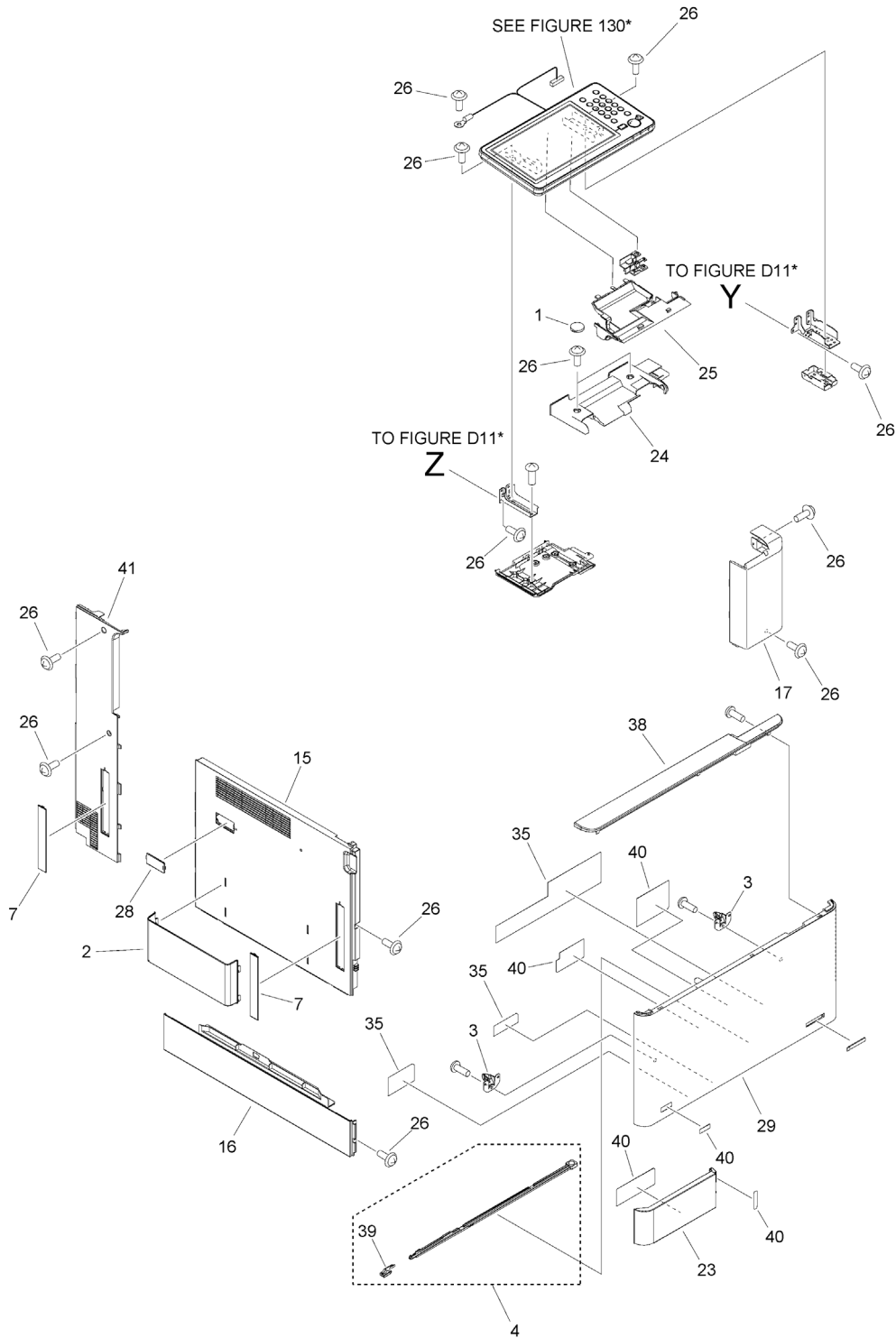


Figure 100E (2/2) EXTERNAL COVERS, PANELS, ETC. (C3520i)

NOTE 1 : Several kinds of labels are attached on the board for the parts of Key No. 35 and 40. NOTE 2 : The part shown with key No. 40 is same as Fig-Key No. 102-6.

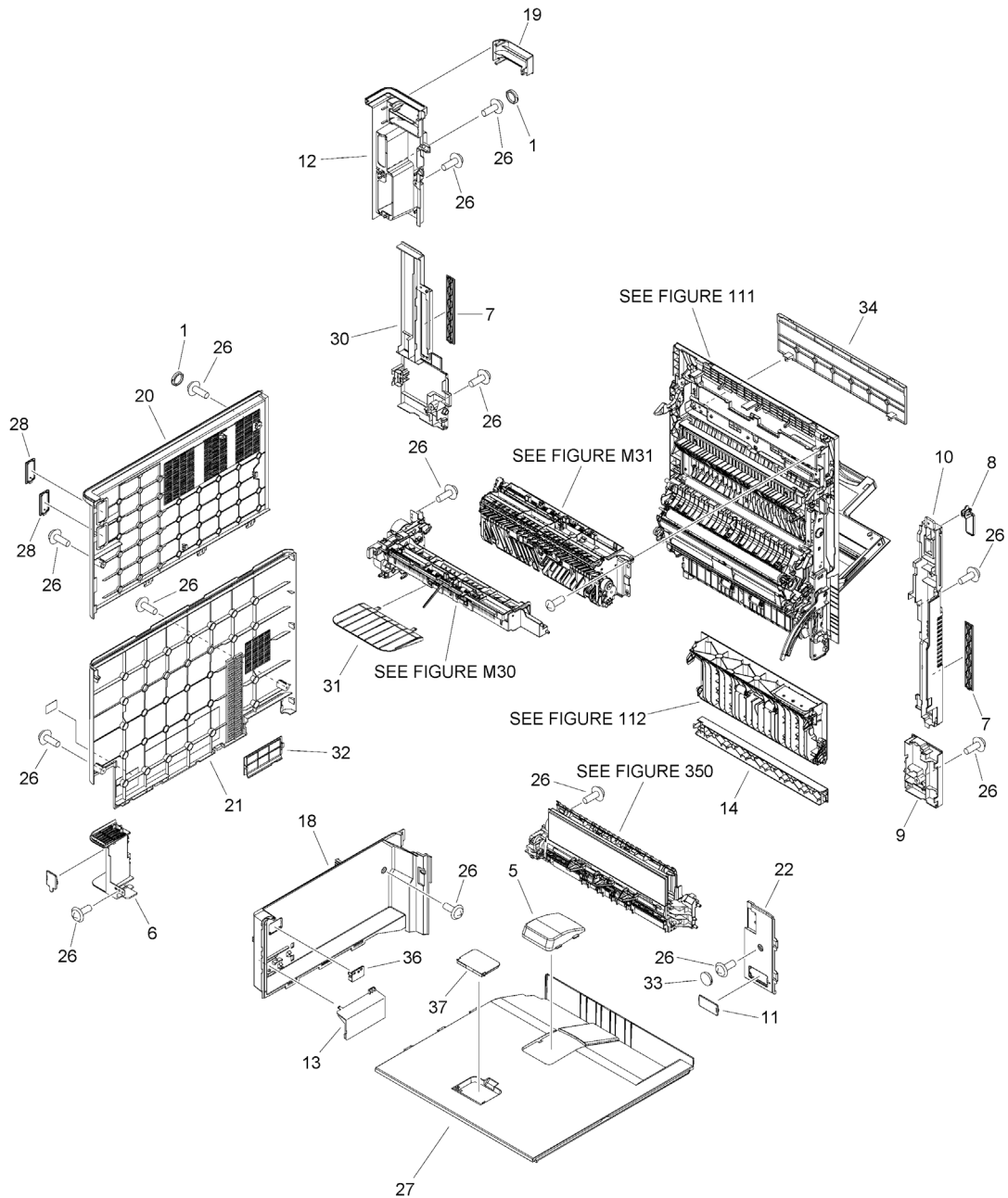


FIGURE & KEY NO.	PART NUMBER	RANK	QTY	DESCRIPTION	SERIAL NUMBER /REMARKS
100E	NPN		RF	EXTERNAL COVERS, PANELS, ETC.	C3520i
1	FE3-9178-000		4	CAP	
2	FE4-2809-000		1	HOLDER, SERVICE BOOK	
3	FE2-B541-000		2	HOOK, COVER, FRONT	
4	FM3-5968-030		1	GLASS CLEANING ROD ASSEMBLY	
5	FE3-0424-000		1	GUIDE, TRAY	
6	FE8-4709-000		1	COVER, POWER SUPPLY CORD	
7	FE8-4710-000		4	COVER, HANDLE	
8	FE3-0902-000		1	COVER,MAIN POWER SUPPLY SWITCH	
9	FE8-4711-000		1	COVER, RIGHT, FRONT LOWER	
10	FE8-4712-000		1	COVER, RIGHT, FRONT UPPER	
11	FE8-8807-000		1	COVER, FAX CONNECTOR	
12	FE8-3865-000		1	COVER, RIGHT, REAR UPPER	
13	FE3-0909-010		1	COVER, INNER CONNECTOR	
14	FE8-4815-000		1	COVER, RIGHT, LOWER	
15	FE8-4715-000		1	COVER, LEFT, UPPER	
16	FE8-4716-000		1	COVER, LEFT, LOWER	
17	FE8-3848-000		1	COVER, RIGHT FRONT UP.	
18	FE3-0917-000		1	COVER, INNER, DELV. REAR	
19	FE8-4717-000		1	COVER, HARD DISK DRIVE	
20	FE8-4718-000		1	COVER, REAR, UPPER	
21	FE8-4719-010		1	COVER, REAR, LOWER	
22	FE3-0921-000		1	COVER, INNER, RIGHT	
23	FE8-4720-000		1	COVER, WASTE TONER ASSEMBLY	
24	FE8-3851-000		1	COVER, ARM, UPPER	
25	FE8-4657-000		1	COVER, CONNECTOR	
26	XA9-1671-000		39	SCREW, D, M3X8	
27	FE3-1395-010		1	TRAY, FIRST PAPER DELIVERY	
28	FE2-A740-000		3	COVER, FAX CONNECTOR	
29	FL1-1879-010		1	COVER, FRONT	
30	FM1-P528-010		1	RIGHT COVER ASSEMBLY, RR. LW.	
31	FE3-9167-000		1	GUIDE, REVERSE BACK END	
32	FE8-4724-000		1	COVER, CONNECTOR	
33	FE3-9169-000		1	CAP	
34	FE8-4725-000		1	COVER, THIRD PAPER DELIVERY	
35	FE3-9829-000		1	LABEL, FRONT COVER	SEE NOTE 1
36	FE4-7425-000		1	SUPPORT, PAPER DELIVERY TRAY	
37	FE4-5318-000		1	STOPPER, PUSHING	
38	FL0-4915-010		1	COVER, FRONT UPPER	
39	FL2-9476-010		1	PAD, GLASS CLEANING	
40	FE8-4868-000		1	LABEL, TONER	SEE NOTE 1, SEE NOTE 2
41	FM1-P529-000		1	LEFT COVER ASSEMBLY, REAR	

Figure 100F (1/2)EXTERNAL COVERS, PANELS, ETC. (C3525i)

NOTE 1 : Several kinds of labels are attached on the board for the parts of Key No. 35 and 40. NOTE 2 : The part shown with key No. 40 is same as Fig-Key No. 102-6.

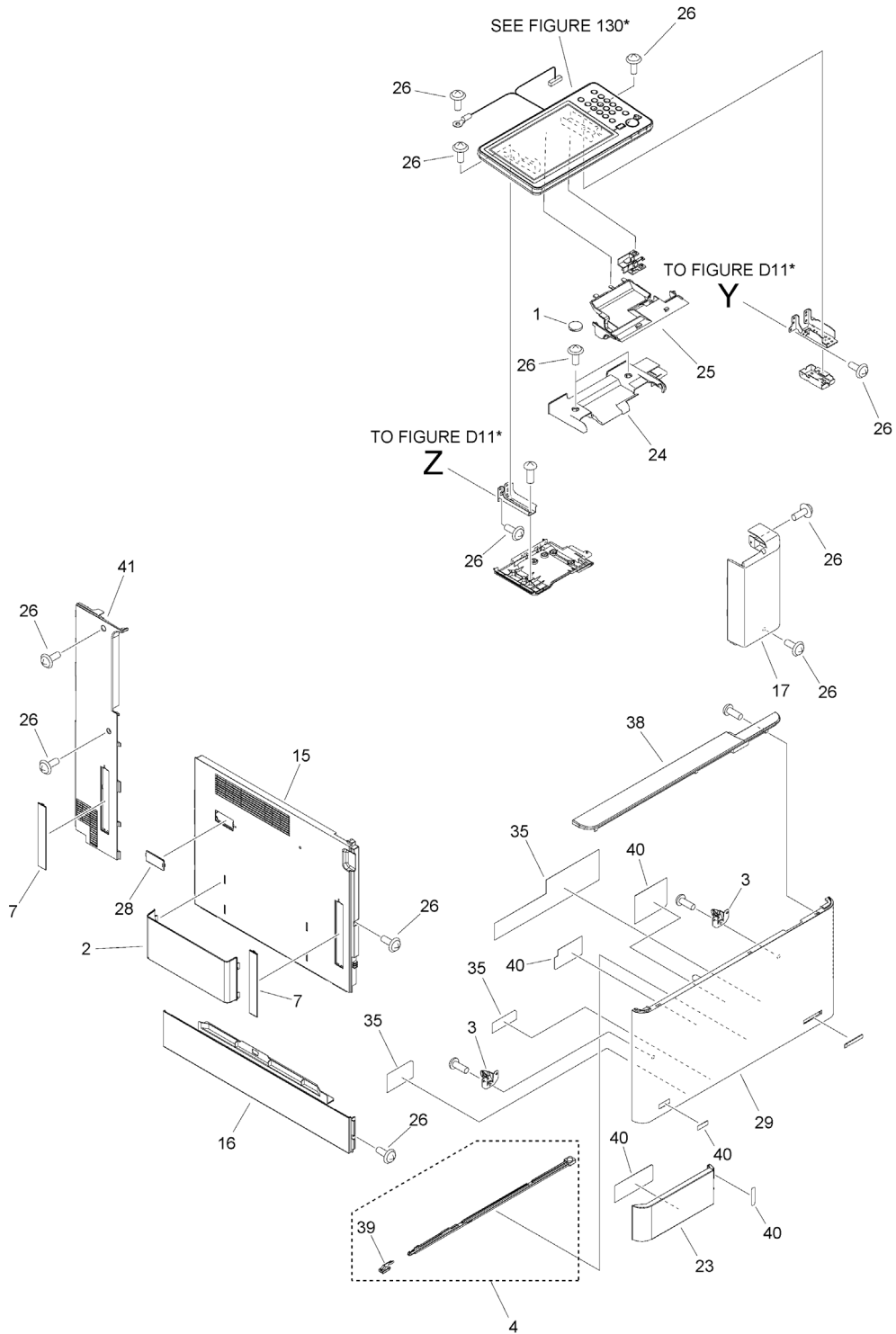


Figure 100F (2/2) EXTERNAL COVERS, PANELS, ETC. (C3525i)

NOTE 1 : Several kinds of labels are attached on the board for the parts of Key No. 35 and 40. NOTE 2 : The part shown with key No. 40 is same as Fig-Key No. 102-6.

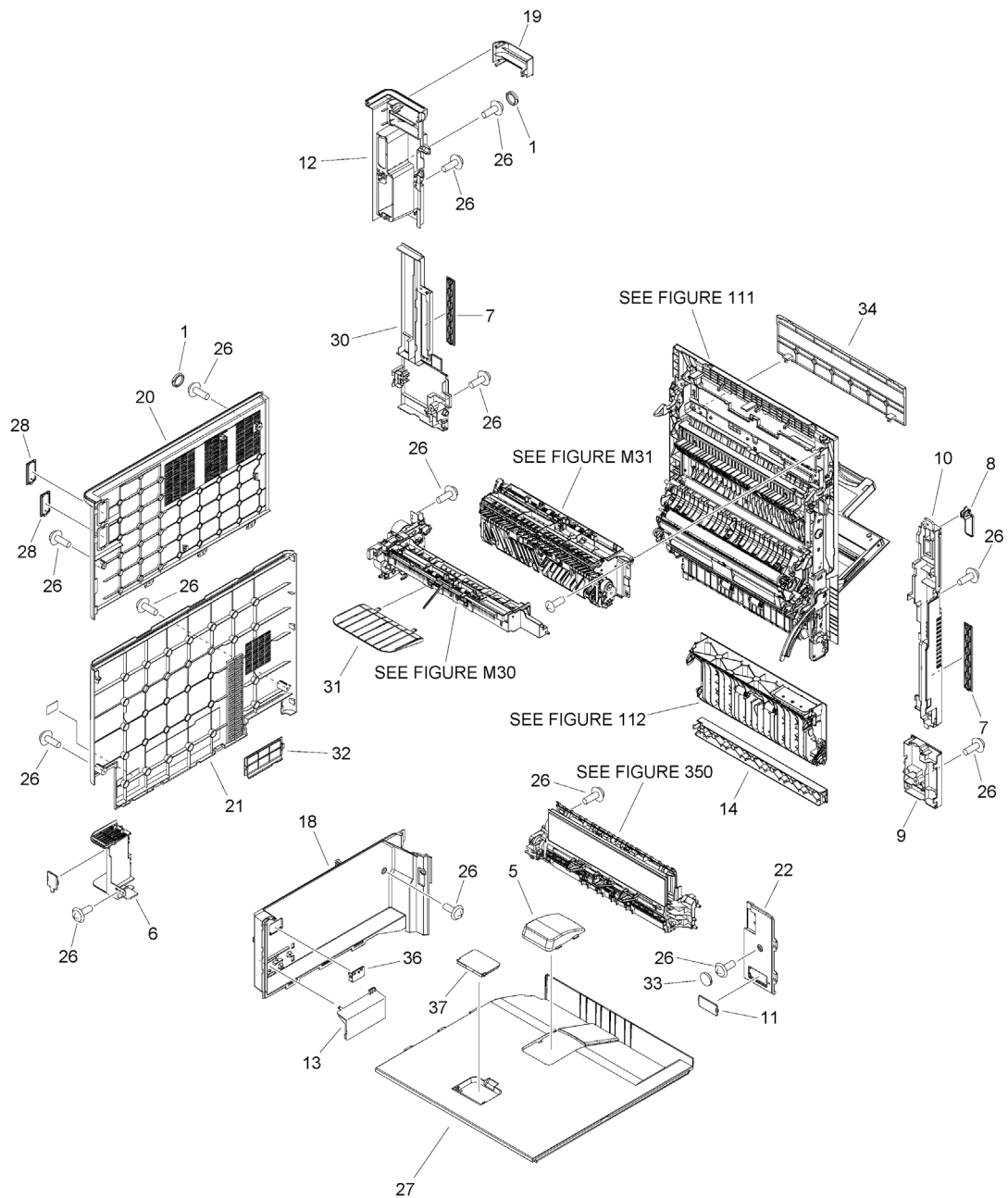


FIGURE & KEY NO.	PART NUMBER	RANK	QTY	DESCRIPTION	SERIAL NUMBER /REMARKS
100F	NPN		RF	EXTERNAL COVERS, PANELS, ETC.	C3525i
1	FE3-9178-000		4	CAP	
2	FE4-2809-000		1	HOLDER, SERVICE BOOK	
3	FE2-B541-000		2	HOOK, COVER, FRONT	
4	FM3-5968-030		1	GLASS CLEANING ROD ASSEMBLY	
5	FE3-0424-000		1	GUIDE, TRAY	
6	FE8-4709-000		1	COVER, POWER SUPPLY CORD	
7	FE8-4710-000		4	COVER, HANDLE	
8	FE3-0902-000		1	COVER,MAIN POWER SUPPLY SWITCH	
9	FE8-4711-000		1	COVER, RIGHT, FRONT LOWER	
10	FE8-4712-000		1	COVER, RIGHT, FRONT UPPER	
11	FE8-8807-000		1	COVER, FAX CONNECTOR	
12	FE8-3865-000		1	COVER, RIGHT, REAR UPPER	
13	FE3-0909-010		1	COVER, INNER CONNECTOR	
14	FE8-4815-000		1	COVER, RIGHT, LOWER	
15	FE8-4715-000		1	COVER, LEFT, UPPER	
16	FE8-4716-000		1	COVER, LEFT, LOWER	
17	FE8-3848-000		1	COVER, RIGHT FRONT UP.	
18	FE3-0917-000		1	COVER, INNER, DELV. REAR	
19	FE8-4717-000		1	COVER, HARD DISK DRIVE	
20	FE8-4718-000		1	COVER, REAR, UPPER	
21	FE8-4719-010		1	COVER, REAR, LOWER	
22	FE3-0921-000		1	COVER, INNER, RIGHT	
23	FE8-4720-000		1	COVER, WASTE TONER ASSEMBLY	
24	FE8-3851-000		1	COVER, ARM, UPPER	
25	FE8-4657-000		1	COVER, CONNECTOR	
26	XA9-1671-000		39	SCREW, D, M3X8	
27	FE3-1395-010		1	TRAY, FIRST PAPER DELIVERY	
28	FE2-A740-000		3	COVER, FAX CONNECTOR	
29	FL1-1879-010		1	COVER, FRONT	
30	FM1-P528-010		1	RIGHT COVER ASSEMBLY, RR. LW.	
31	FE3-9167-000		1	GUIDE, REVERSE BACK END	
32	FE8-4724-000		1	COVER, CONNECTOR	
33	FE3-9169-000		1	CAP	
34	FE8-4725-000		1	COVER, THIRD PAPER DELIVERY	
35	FE3-9829-000		1	LABEL, FRONT COVER	SEE NOTE 1
36	FE4-7425-000		1	SUPPORT, PAPER DELIVERY TRAY	
37	FE4-5318-000		1	STOPPER, PUSHING	
38	FL0-4915-010		1	COVER, FRONT UPPER	
39	FL2-9476-010		1	PAD, GLASS CLEANING	
40	FE8-4868-000		1	LABEL, TONER	SEE NOTE 1, SEE NOTE 2
41	FM1-P529-000		1	LEFT COVER ASSEMBLY, REAR	

Figure 100G (1/2)EXTERNAL COVERS, PANELS, ETC. (C3530i)

NOTE 1 : Several kinds of labels are attached on the board for the parts of Key No. 35 and 40. NOTE 2 : The part shown with key No. 40 is same as Fig-Key No. 102-6.

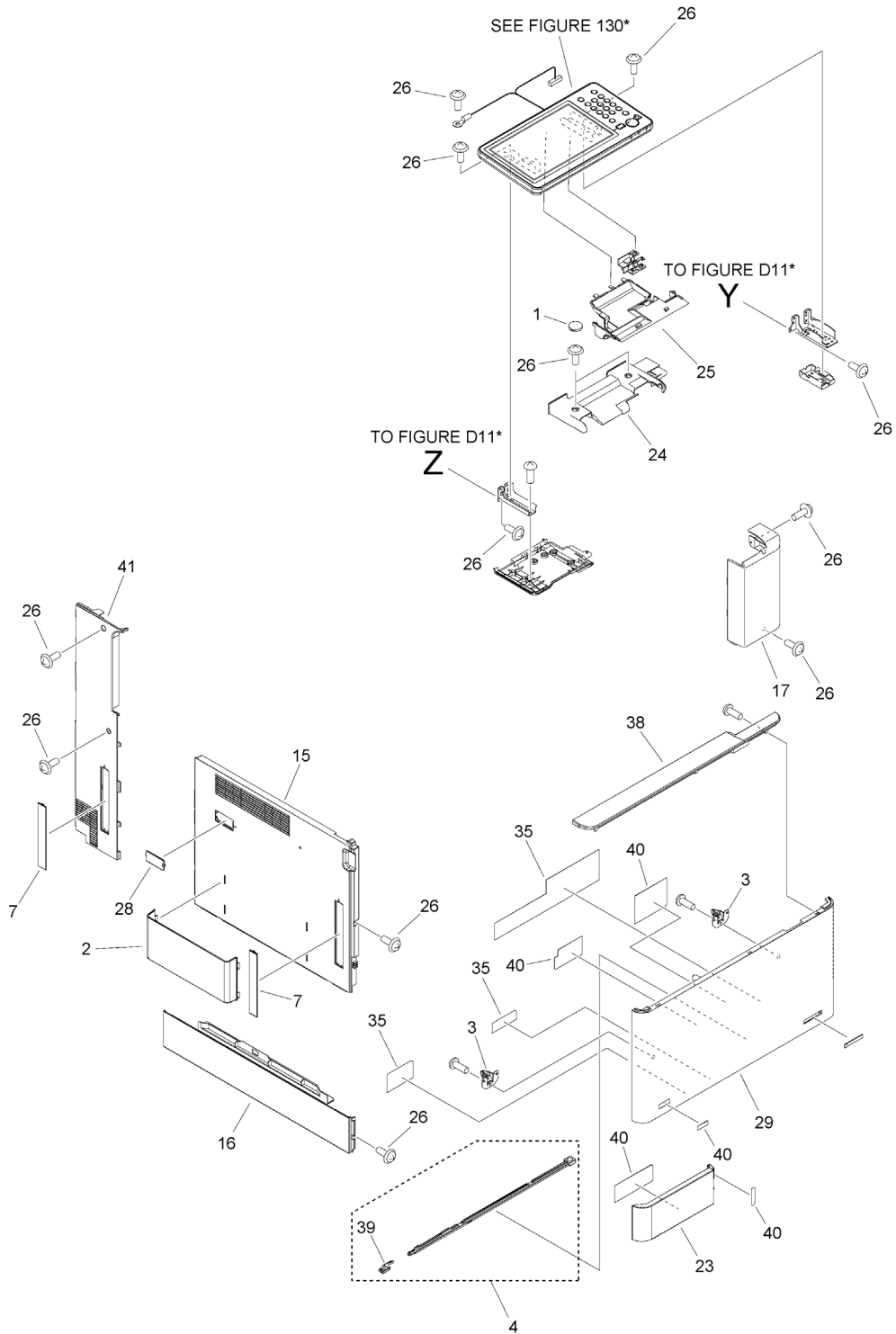




Figure 100G (2/2) EXTERNAL COVERS, PANELS, ETC. (C3530i)

NOTE 1 : Several kinds of labels are attached on the board for the parts of Key No. 35 and 40. NOTE 2 : The part shown with key No. 40 is same as Fig-Key No. 102-6.

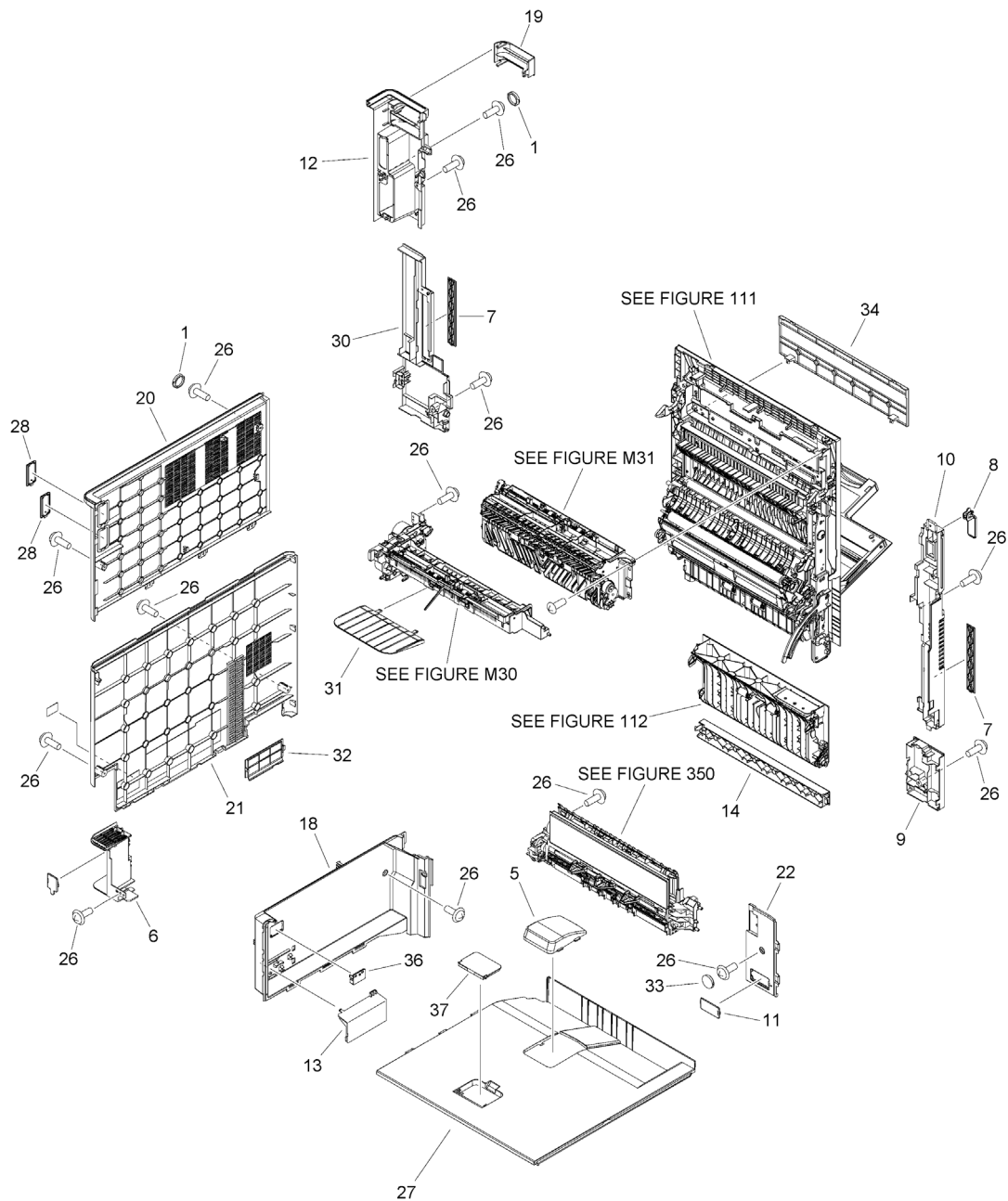


FIGURE & KEY NO.	PART NUMBER	RANK	QTY	DESCRIPTION	SERIAL NUMBER /REMARKS
100G	NPN		RF	EXTERNAL COVERS, PANELS, ETC.	C3530i
1	FE3-9178-000		4	CAP	
2	FE4-2809-000		1	HOLDER, SERVICE BOOK	
3	FE2-B541-000		2	HOOK, COVER, FRONT	
4	FM3-5968-030		1	GLASS CLEANING ROD ASSEMBLY	
5	FE3-0424-000		1	GUIDE, TRAY	
6	FE8-4709-000		1	COVER, POWER SUPPLY CORD	
7	FE8-4710-000		4	COVER, HANDLE	
8	FE3-0902-000		1	COVER,MAIN POWER SUPPLY SWITCH	
9	FE8-4711-000		1	COVER, RIGHT, FRONT LOWER	
10	FE8-4712-000		1	COVER, RIGHT, FRONT UPPER	
11	FE8-8807-000		1	COVER, FAX CONNECTOR	
12	FE8-3865-000		1	COVER, RIGHT, REAR UPPER	
13	FE3-0909-010		1	COVER, INNER CONNECTOR	
14	FE8-4815-000		1	COVER, RIGHT, LOWER	
15	FE8-4715-000		1	COVER, LEFT, UPPER	
16	FE8-4716-000		1	COVER, LEFT, LOWER	
17	FE8-3848-000		1	COVER, RIGHT FRONT UP.	
18	FE3-0917-000		1	COVER, INNER, DELV. REAR	
19	FE8-4717-000		1	COVER, HARD DISK DRIVE	
20	FE8-4718-000		1	COVER, REAR, UPPER	
21	FE8-4719-010		1	COVER, REAR, LOWER	
22	FE3-0921-000		1	COVER, INNER, RIGHT	
23	FE8-4720-000		1	COVER, WASTE TONER ASSEMBLY	
24	FE8-3851-000		1	COVER, ARM, UPPER	
25	FE8-4657-000		1	COVER, CONNECTOR	
26	XA9-1671-000		39	SCREW, D, M3X8	
27	FE3-1395-010		1	TRAY, FIRST PAPER DELIVERY	
28	FE2-A740-000		3	COVER, FAX CONNECTOR	
29	FL1-1879-010		1	COVER, FRONT	
30	FM1-P528-010		1	RIGHT COVER ASSEMBLY, RR. LW.	
31	FE3-9167-000		1	GUIDE, REVERSE BACK END	
32	FE8-4724-000		1	COVER, CONNECTOR	
33	FE3-9169-000		1	CAP	
34	FE8-4725-000		1	COVER, THIRD PAPER DELIVERY	
35	FE3-9829-000		1	LABEL, FRONT COVER	SEE NOTE 1
36	FE4-7425-000		1	SUPPORT, PAPER DELIVERY TRAY	
37	FE4-5318-000		1	STOPPER, PUSHING	
38	FL0-4915-010		1	COVER, FRONT UPPER	
39	FL2-9476-010		1	PAD, GLASS CLEANING	
40	FE8-4868-000		1	LABEL, TONER	SEE NOTE 1, SEE NOTE 2
41	FM1-P529-000		1	LEFT COVER ASSEMBLY, REAR	

Figure 101C INTERNAL COMPONENTS 1

NOTE : Several kinds of labels are attached on the board for the parts of Key No. 11.

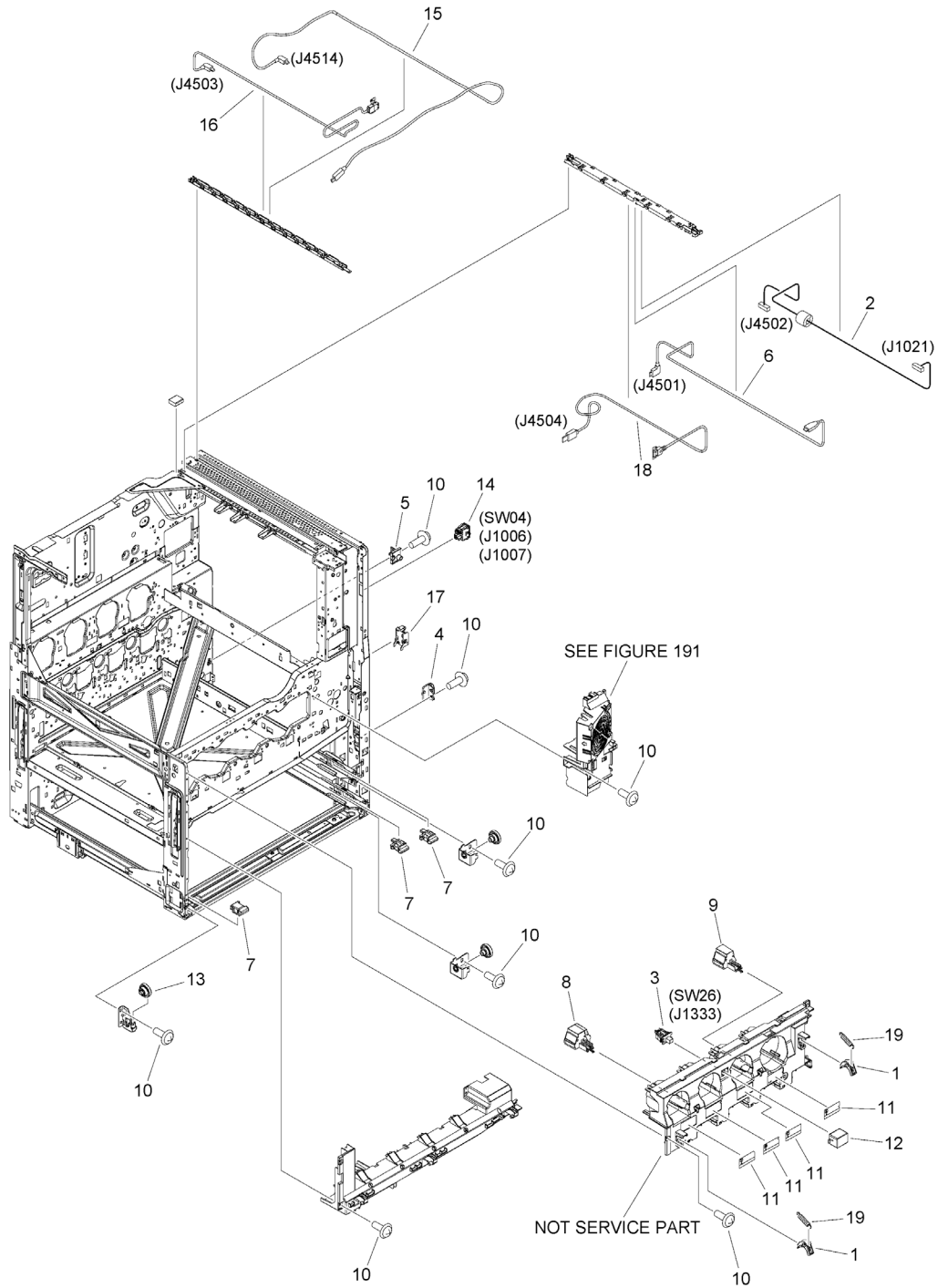


FIGURE & KEY NO.	PART NUMBER	RANK	QTY	DESCRIPTION	SERIAL NUMBER /REMARKS
101C	NPN		RF	INTERNAL COMPONENTS 1	
1	FE2-2086-000		2	LEVER, TOGGLE	
2	FM2-F977-000		1	CABLE, UI POWER	
3	WC2-5806-000		1	SWITCH, PUSH	SW26
4	FE3-1421-000		1	HINGE, FRONT	
5	FE3-1422-000		1	HINGE, REAR	
6	FK4-4077-000		1	CABLE, SIGNAL	
7	FE3-8415-000		3	STOPPER	
8	FE3-9457-000		1	STOPPER, SLIDE, LEFT	
9	FE3-9458-000		1	STOPPER, SLIDE, RIGHT	
10	XA9-1671-000		13	SCREW, D, M3X8	
11	FE3-9852-000		1	LABEL, TONER	SEE NOTE
12	FE4-1476-000		1	SPACER, SWITCH	
13	FE4-8808-000		1	ROLLER, RAIL	
14	FK3-2835-000		1	SWITCH, MAIN POWER SUPPLY	SW04
15	FK4-4082-000		1	CABLE, USB	
16	FK4-4083-000		1	CABLE, USB	
17	FM1-P045-000		1	ENVIRONMENT SENSOR ASSEMBLY	
18	FK4-4084-000		1	CABLE, USB	
19	FU2-0957-000		2	SPRING, TENSION	

# Figure 102C INTERNAL COMPONENTS 2

NOTE 1 : Several kinds of labels are attached on the board for the parts of Key No. 6. NOTE 2 : The part shown with key No. 6 is same as Fig-Key No. 100-40.

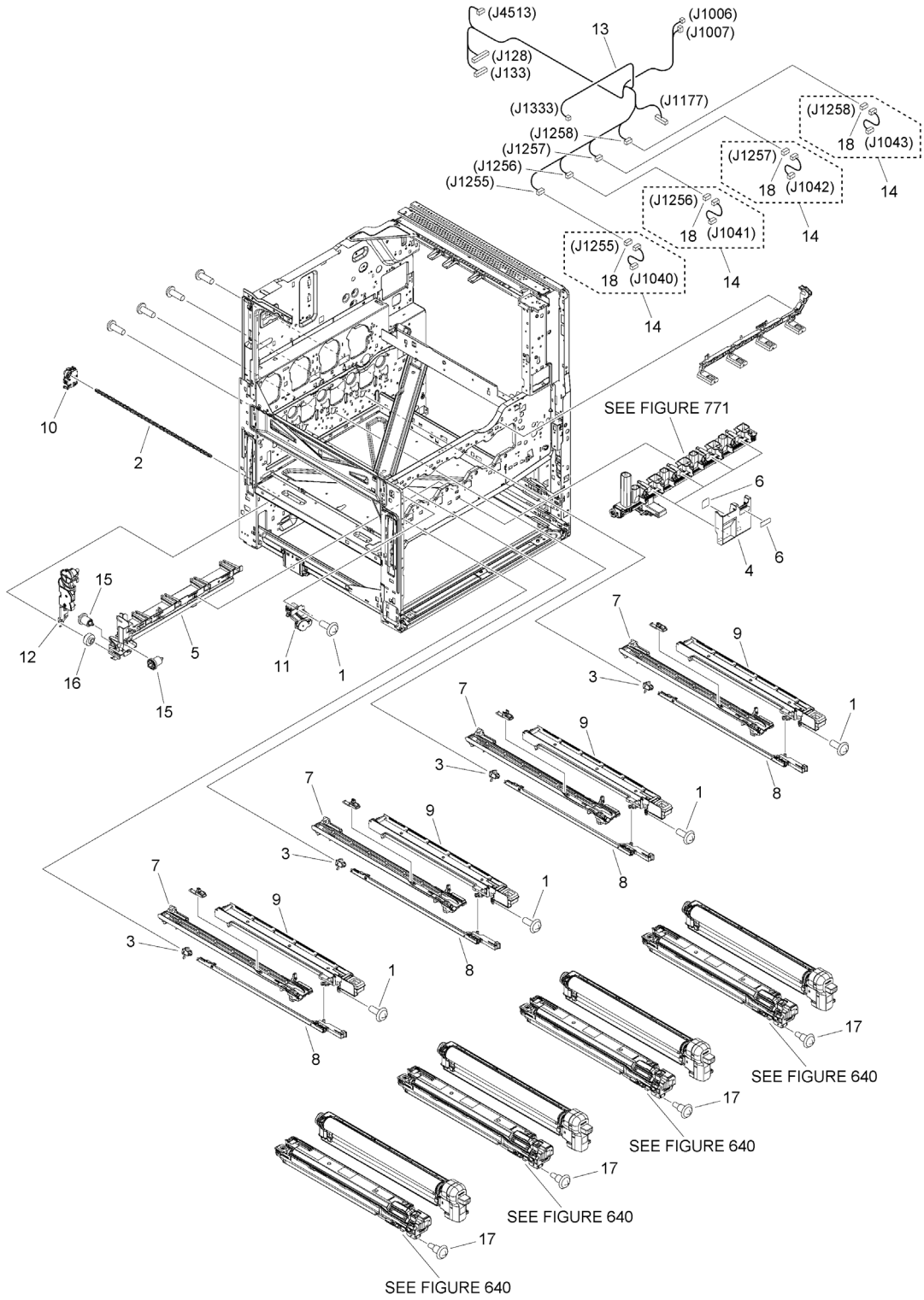


FIGURE & KEY NO.	PART NUMBER	RANK	QTY	DESCRIPTION	SERIAL NUMBER /REMARKS
102C	NPN		RF	INTERNAL COMPONENTS 2	
1	XA9-1671-000		5	SCREW, D, M3X8	
2	FE3-1057-000		1	SHAFT, TRANSMISSION	
3	FE3-1444-000		4	BUSHING	
4	FE3-1446-000		4	COVER, DRUM UNIT RETAINING	
5	FE3-9148-010		1	GUIDE, LASER WIPER	
6	FE8-4868-000		1	LABEL, TONER	SEE NOTE 1 SEE NOTE 2
7	FL0-1718-000		4	TRAY, DEVELOPING	
8	FM1-B186-000		4	DEVELOPING CROSSMEMBER ASS'Y	
9	FM1-B187-010		4	DRUM RAIL ASSEMBLY	
10	FM1-D184-000		1	WASTE TONER GEAR ASSEMBLY	
11	FM1-D186-010		1	INTERMEDIATE GUIDE ASSEMBLY	
12	FM1-D187-010		1	WASTE TONER GEAR HOLDER ASS'Y	
13	FM2-F947-000		1	CABLE, FRONT	
14	FM1-D852-000		4	CABLE, RELAY	
15	FU2-0046-000		2	GEAR, 31T/15T	
16	FU2-0052-000		1	GEAR, 19T	
17	FU5-9353-000		4	SCREW, STEPPED, M3	
18	VS1-7177-004		4	CONNECTOR, SNAP TIGHT, BK	

Figure 103 INTERNAL COMPONENTS 3

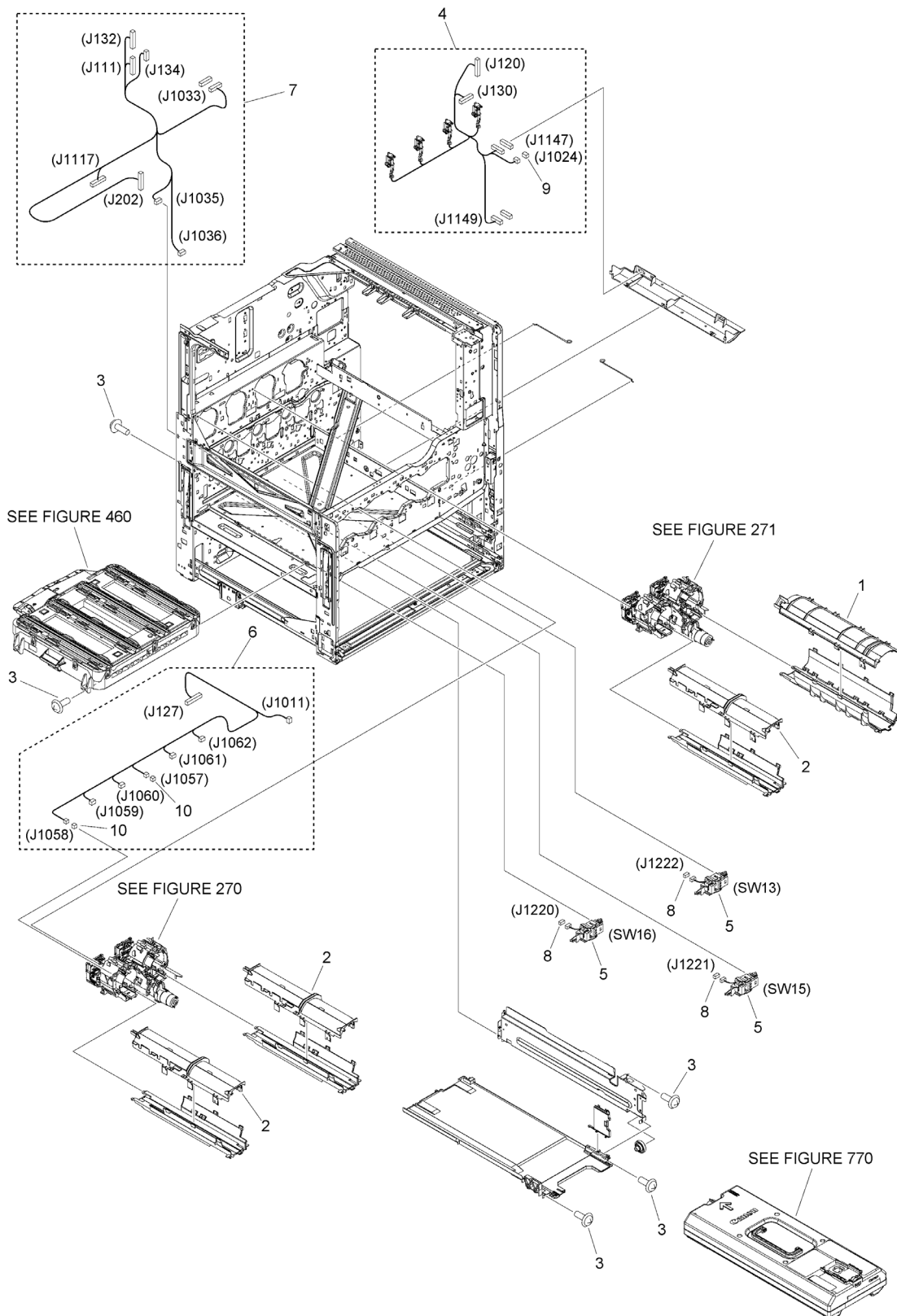


FIGURE & KEY NO.	PART NUMBER	RANK	QTY	DESCRIPTION	SERIAL NUMBER /REMARKS
103	NPN		RF	INTERNAL COMPONENTS 3	
1	FE3-0962-000		1	GUIDE, BLACK	
2	FE3-0963-000		3	GUIDE, COLLAR	
3	XA9-1671-000		7	SCREW, D, M3X8	
4	FM1-P504-000		1	NEW OLD SENSING HOLDER ASS'Y	
5	FM1-B198-010		3	CASSETTE SIZE SENSING ASS'Y	SW13, SW15, SW16
6	FM1-D830-020		1	CABLE, TONER BOTTLE	
7	FM2-F940-000		1	CABLE, CASSETTE SIZE	
8	VS1-7177-004		3	CONNECTOR, SNAP TIGHT, BK	
9	VS1-7504-003		1	CONNECTOR, SNAP TIGHT, 3P	
10	VS1-7440-002		2	CONNECTOR, SNAP TIGHT	



Figure 104B INTERNAL COMPONENTS 4

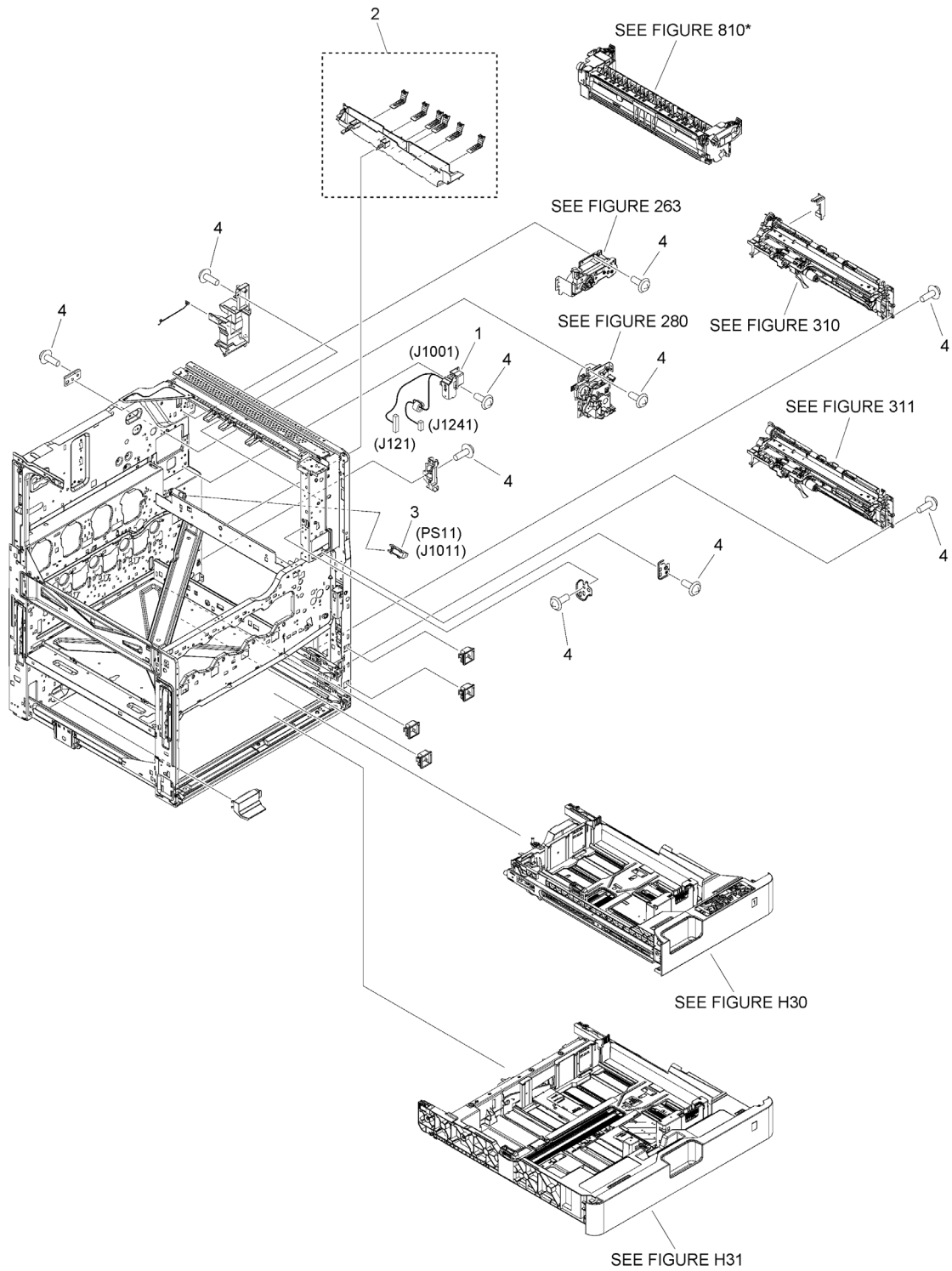


FIGURE & KEY NO.	PART NUMBER	RANK	QTY	DESCRIPTION	SERIAL NUMBER /REMARKS
104B	NPN		RF	INTERNAL COMPONENTS 4	
1	FM1-U764-000		1	FIXING DRAWER ASSEMBLY	
2	FM1-G730-000		1	TRAY DUCT ASSEMBLY, LOWER	
3	WG8-5935-000		1	IC, PHOTO INTERRUPTER	PS11
4	XA9-1671-000		23	SCREW, D, M3X8	

Figure 105 INTERNAL COMPONENTS 5

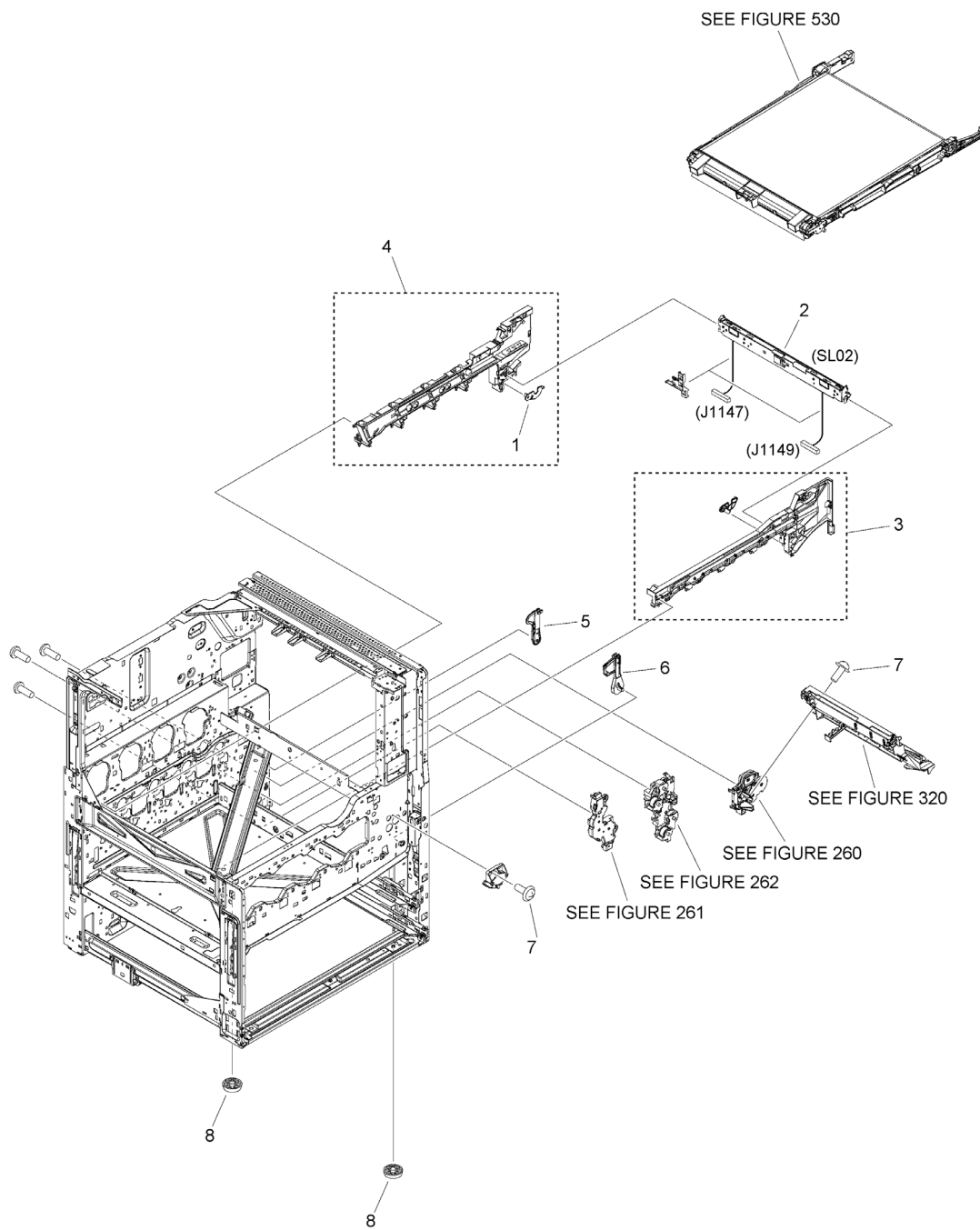


FIGURE & KEY NO.	PART NUMBER	RANK	QTY	DESCRIPTION	SERIAL NUMBER /REMARKS
105	NPN		RF	INTERNAL COMPONENTS 5	
1	FE3-1370-000		1	LEVER, REGISTRATION LOCK, REAR	
2	FM1-P495-000		1	SENSOR UNIT, REG. PATCH, PHOTO	SL02
3	FM1-B258-010		1	I.T.B. RAIL ASSEMBLY, FRONT	
4	FM1-B259-000		1	I.T.B. RAIL ASSEMBLY, REAR	
5	FM1-K302-010		1	LEVER ASSEMBLY, REAR	
6	FM1-K303-000		1	LEVER ASSEMBLY, FRONT	
7	XA9-1671-000		2	SCREW, D, M3X8	
8	XH9-0136-000		2	FOOT, RUBBER	

Figure 106C INTERNAL COMPONENTS 6

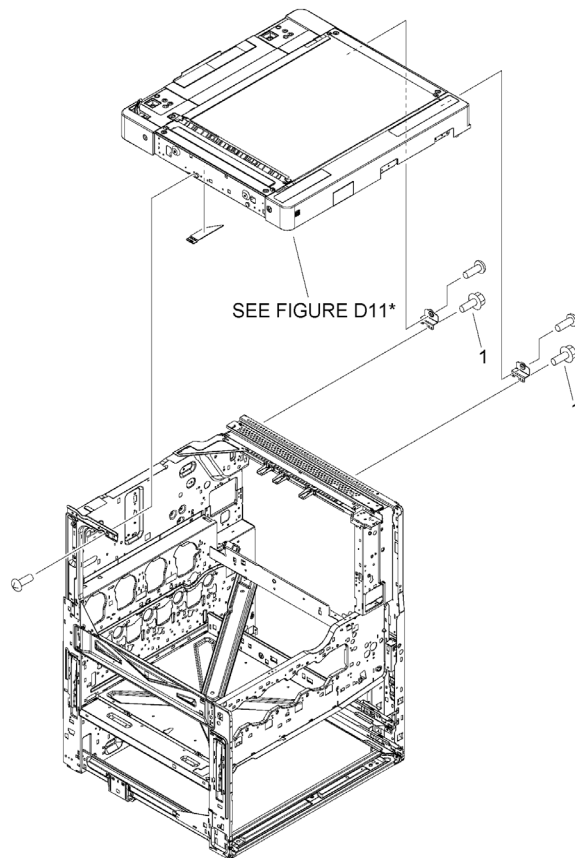


FIGURE & KEY NO.	PART NUMBER	R A N K	QTY	DESCRIPTION	SERIAL NUMBER /REMARKS
106C	NPN		RF	INTERNAL COMPONENTS 6	
1	XA9-1386-000		2	SCREW,RS,M3X8	

Figure 107B MACHINE REAR PLATE 1

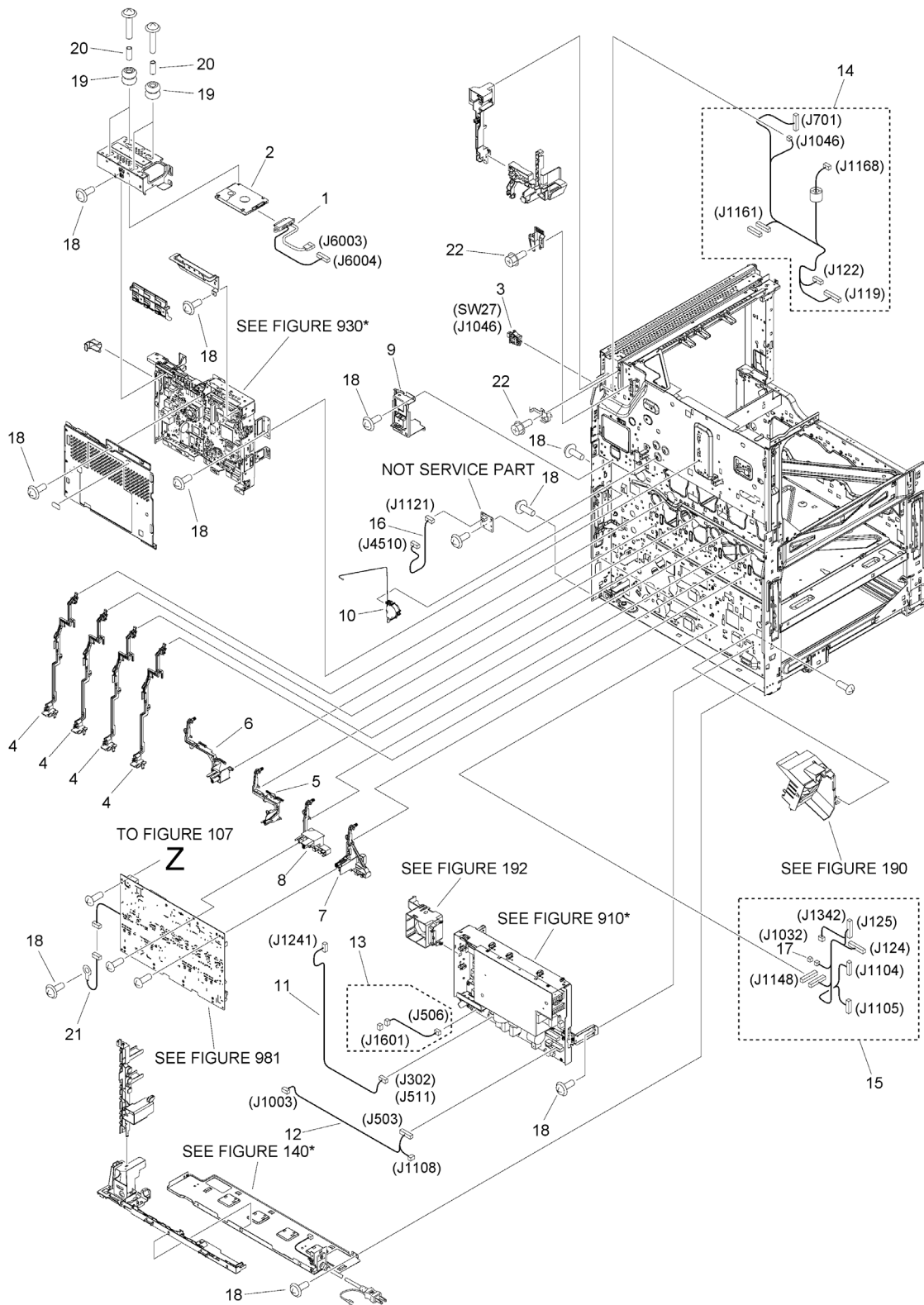


FIGURE & KEY NO.	PART NUMBER	RANK	QTY	DESCRIPTION	SERIAL NUMBER /REMARKS
107B	NPN		RF	MACHINE REAR PLATE 1	
1	FK4-4075-000		1	CABLE, SATA SIGNAL	
2	FK4-1550-000		1	HARD DISK DRIVE, MQ01ABF032	
3	WC2-5806-000		1	SWITCH, PUSH	SW27
4	FM1-B217-000		4	DEVELOPING H.V. GUIDE ASSEMBLY	
5	FM1-B218-010		1	CORONA H.V. GUIDE ASSEMBLY, C	
6	FM1-B219-010		1	CORONA H.V. GUIDE ASSEMBLY, BK	
7	FM1-B220-020		1	CORONA H.V. GUIDE ASSEMBLY, Y	
8	FM1-B221-020		1	CORONA H.V. GUIDE ASSEMBLY, M	
9	FM1-U767-000		1	INTERLOCK SWITCH ASSEMBLY	
10	FM1-C283-000		1	MULTI REEL ASSEMBLY	
11	FM2-F959-000		1	CABLE, FUSER DRAWER	
12	FM2-F974-000		1	CABLE, HEATER	
13	FM2-H810-000		1	CABLE, AC DRIVER CONNECTING	
14	FM2-F946-000		1	CABLE, FEED	
15	FM2-F935-000		1	CABLE, PICK-UP	
16	FM2-F950-000		1	CABLE, ECO-ID	
17	VS1-7177-002		1	CONNECTOR, SNAP TIGHT, BK	
18	XA9-1671-000		18	SCREW, D, M3X8	
19	XH9-0149-000		4	DAMPER, CUSHION	
20	XZ1-1301-005		4	SPACER	
21	FM2-F966-000		1	CABLE, GROUNDING	
22	XA9-1386-000		2	SCREW,RS,M3X8	



Figure 108 MACHINE REAR PLATE 2

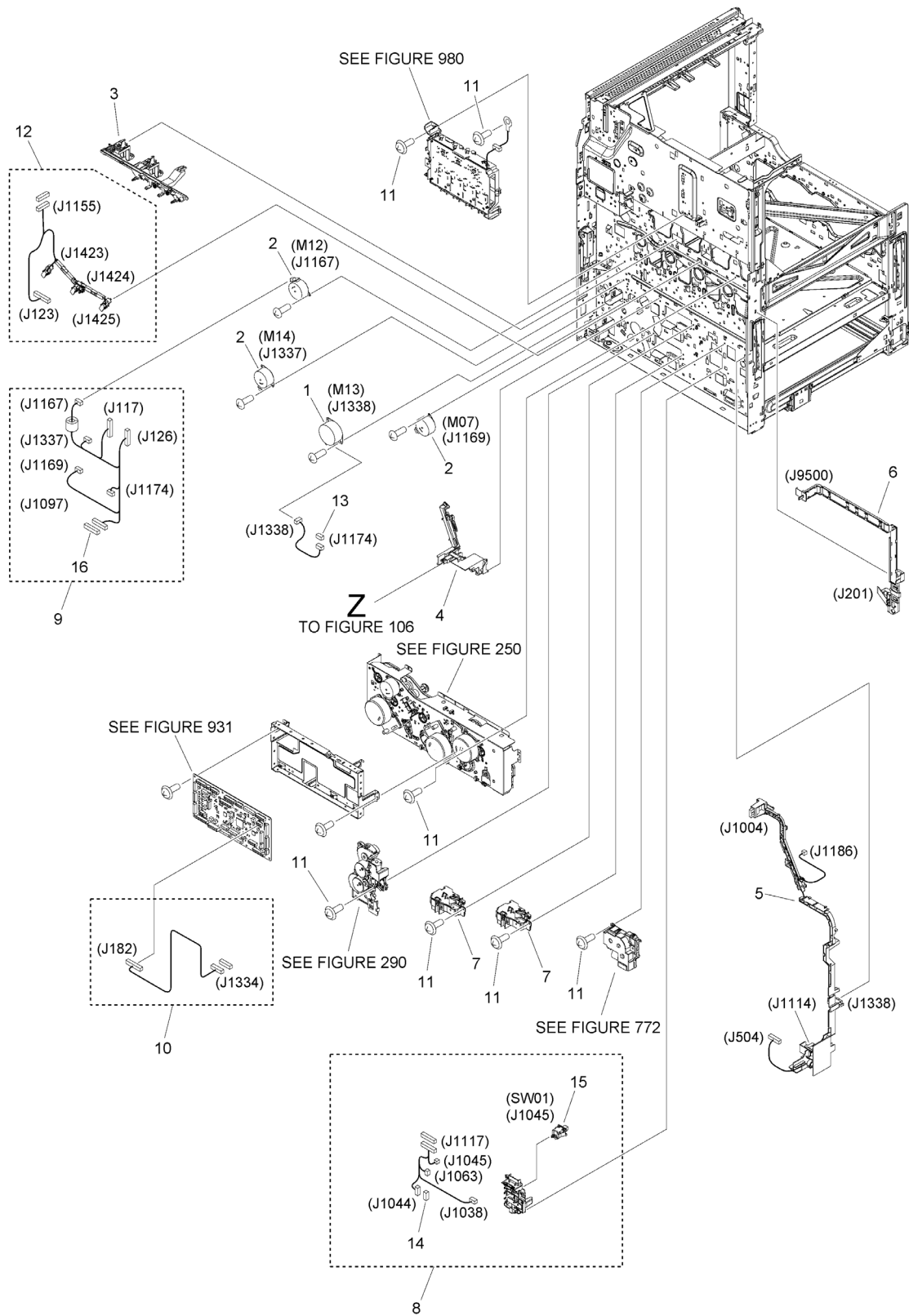


FIGURE & KEY NO.	PART NUMBER	RANK	QTY	DESCRIPTION	SERIAL NUMBER /REMARKS
108	NPN		RF	MACHINE REAR PLATE 2	
1	FK4-0640-000		1	MOTOR, STEPPING	M13
2	FK4-0641-000		3	MOTOR, STEPPING	M07, M12, M14
3	FM1-B216-000		1	H.V. CONTACT GUIDE ASSEMBLY	
4	FM1-B222-010		1	SECONDARY H.V. GUIDE ASSEMBLY	
5	FM1-V047-000		1	CABLE, HEATER	
6	FM1-P505-000		1	FLEXIBLE FLAT CABLE ASSEMBLY	
7	FM1-B670-000		2	CASSETTE AUTO CLOSE ASSEMBLY	
8	FM1-D185-010		1	WASTE TONER FULL DETECT ASS'Y	
9	FM2-F949-000		1	CABLE, FEED MOTOR	
10	FM2-F944-000		1	CABLE, BOTTLE CONNECTOR	
11	XA9-1671-000		15	SCREW, D, M3X8	
12	FM1-V191-000		1	PRE-EXPOSURE CABLE GUIDE UNIT	
13	VS1-7177-004		1	CONNECTOR, SNAP TIGHT, BK	
14	VS1-7177-005		1	CONNECTOR, SNAP TIGHT, BK	
15	WC2-5806-000		1	SWITCH, PUSH	SW01
16	VS1-8412-013		1	CONNECTOR, SNAP TIGHT, BL	

# Figure 111 RIGHT DOOR ASSEMBLY

NOTE: This assembly includes the assemblies shown in Figure 330.

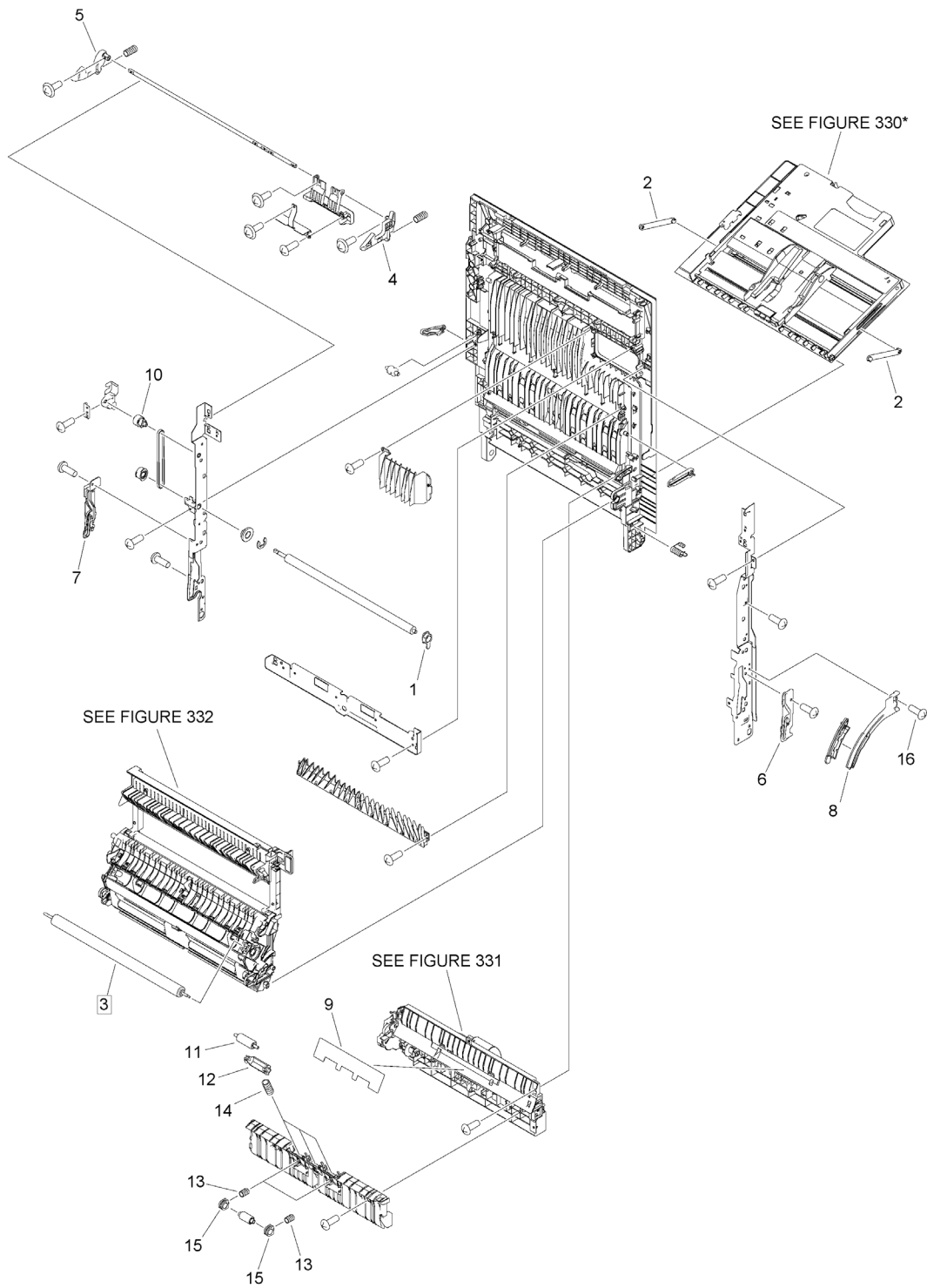


FIGURE & KEY NO.	PART NUMBER	RANK	QTY	DESCRIPTION	SERIAL NUMBER /REMARKS
111	FM1-P492-010		1	RIGHT DOOR ASSEMBLY	SEE NOTE
1	FC0-5876-000		1	BUSHING	
2	FE3-0438-000		2	LINK, MULTI PAPER PICK-UP TRAY	
3	FE3-4783-000		1	ROLLER, 2ND TRNSFR. OUTER	[DP]
4	FE3-5602-010		1	LATCH, FRONT	
5	FE3-5603-000		1	LATCH, REAR	
6	FE3-9572-010		1	RAIL, STOPPER, FRONT	
7	FE3-9573-010		1	RAIL, STOPPER, REAR	
8	FE4-1755-000		1	RACK, DAMPER	
9	FL0-4784-000		1	SHEET	
10	FM1-B207-000		1	DUPLEXING REVERSE GEAR ASS'Y	
11	FE3-1417-000		3	ROLLER, PAPER FEED	
12	FE3-6162-000		3	HOLDER, ROLLER	
13	FE3-9579-000		4	SPRING, COMPRESSION	
14	FU2-0218-000		3	SPRING, COMPRESSION	
15	FU2-1030-010		4	BUSHING	
16	XA9-1671-000		1	SCREW, D, M3X8	

Figure 112 RIGHT DOOR ASSEMBLY, LOWER

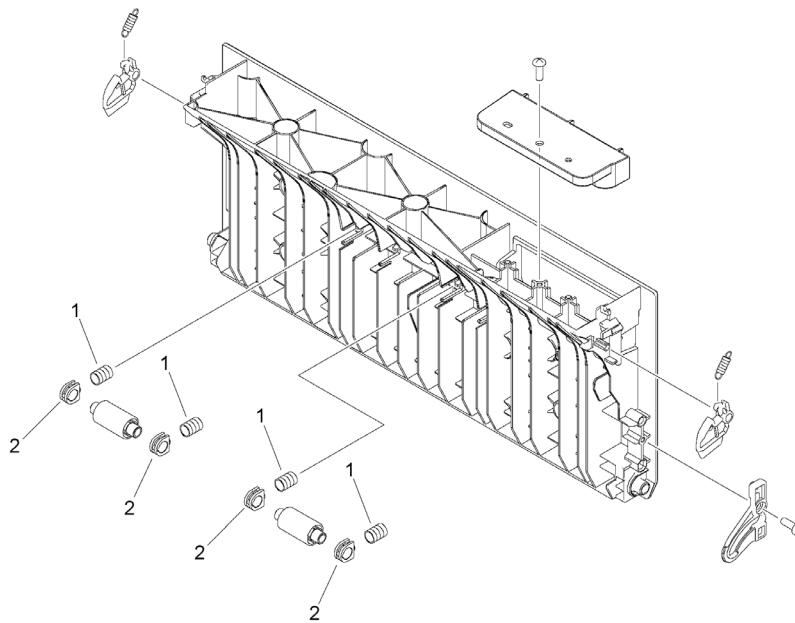


FIGURE & KEY NO.	PART NUMBER	R A N K	QTY	DESCRIPTION	SERIAL NUMBER /REMARKS
112	FM1-P532-000		1	RIGHT DOOR ASSEMBLY, LOWER	
1	FE3-9579-000		4	SPRING, COMPRESSION	
2	FU2-1030-010		4	BUSHING	

Figure 130C CONTROL PANEL ASSEMBLY

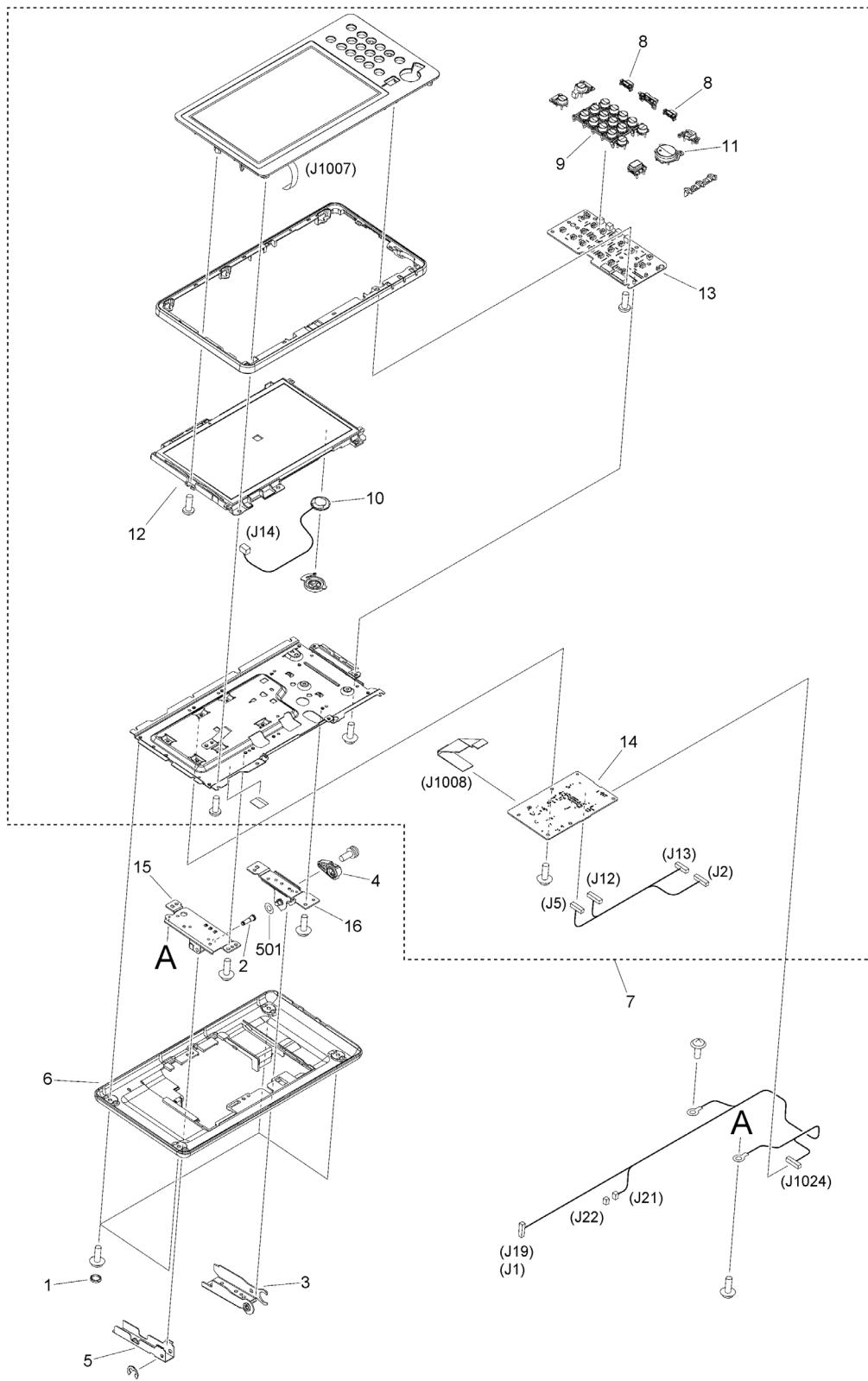


FIGURE & KEY NO.	PART NUMBER	RANK	QTY	DESCRIPTION	SERIAL NUMBER /REMARKS
130C	NPN		RF	CONTROL PANEL ASSEMBLY	
1	FE3-9169-000		4	CAP	
2	FE8-4737-000		1	SHAFT, HINGE	
3	FL1-2378-000		1	HINGE, RIGHT	
4	FE8-4662-000		1	SUPPORT, HINGE	
5	FE8-4659-000		1	HINGE, LEFT	
6	FE8-4656-000		1	COVER, LOWER	
7	FM1-V017-000		1	CONTROL PANEL ASSEMBLY	
8	FE4-1788-000		2	KEY TOP, SIDE	
9	FL1-2178-000		1	KEY TOP, NUMBERS	
10	FK4-2365-000		1	SPEAKER	
11	FL0-1151-000		1	KEY TOP, START	
12	FM1-R334-000		1	LCD UNIT	
13	FM1-X863-000		1	KEY TOP PCB ASSEMBLY	
14	FM2-F958-000		1	CPU PCB ASSEMBLY	
15	FM1-P029-000		1	HINGE BASE ASSEMBLY, LEFT	
16	FM1-P030-000		1	HINGE BASE ASSEMBLY, RIGHT	
501	XD1-1108-233		1	WASHER,COP	



Figure 140C POWER CORD TERMINAL ASSEMBLY (230V)

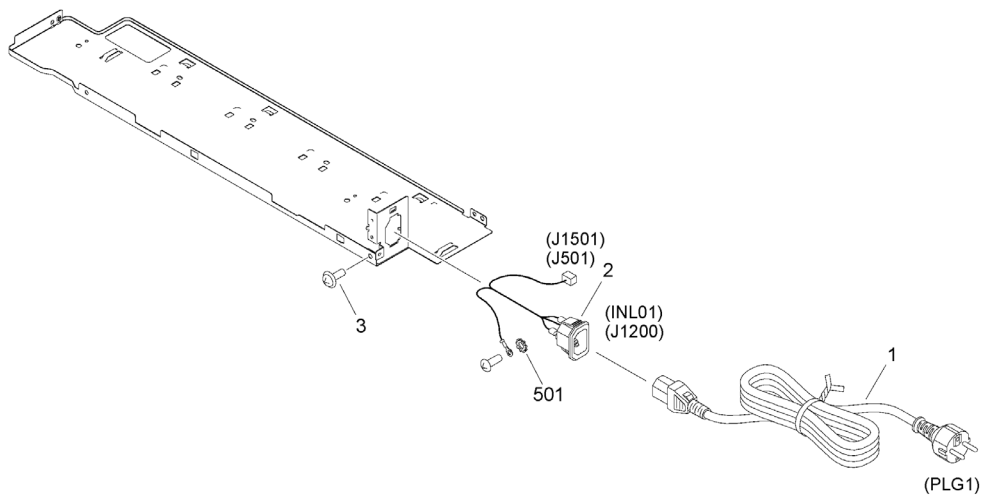


FIGURE & KEY NO.	PART NUMBER	RANK	QTY	DESCRIPTION	SERIAL NUMBER /REMARKS
140C	NPN		RF	POWER CORD TERMINAL ASSEMBLY	230V
1	FH2-7080-000		1	CORD, POWER, 230V	PLG1
2	FM2-F972-000		1	CABLE, INLET	INL01
3	XA9-1671-000		1	SCREW, D, M3X8	
501	XD1-4200-402		1	WASHER, TOOTHED LOCK, M4	

Figure 190 POWER SUPPLY FAN ASSEMBLY

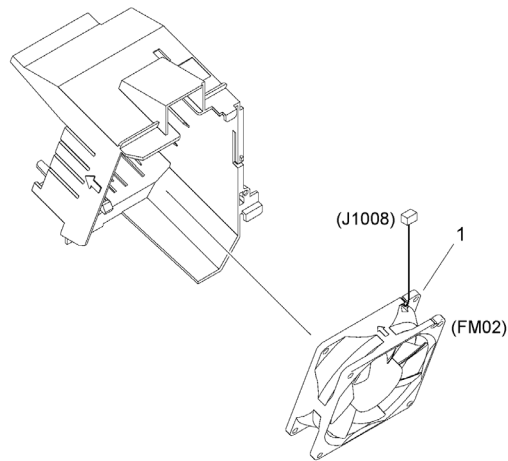


FIGURE & KEY NO.	PART NUMBER	R A N K	QTY	DESCRIPTION	SERIAL NUMBER /REMARKS
190	NPN		RF	POWER SUPPLY FAN ASSEMBLY	
1	FK2-0360-000		1	FAN	FM02

Figure 191 FRONT FAN ASSEMBLY

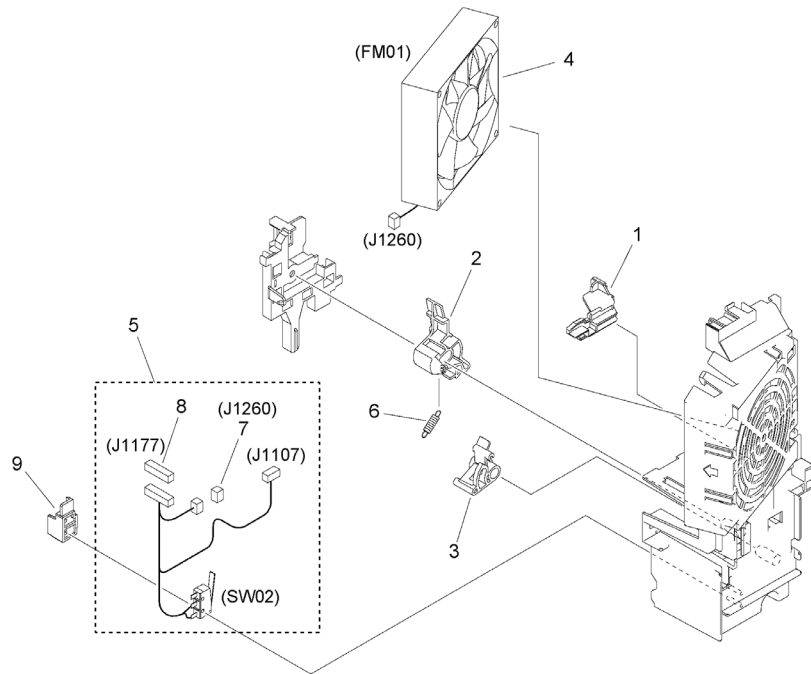


FIGURE & KEY NO.	PART NUMBER	RANK	QTY	DESCRIPTION	SERIAL NUMBER /REMARKS
191	NPN		RF	FRONT FAN ASSEMBLY	
1	FC0-6580-000		1	LEVER, LOCK	
2	FE3-0817-000		1	ARM, INTERLOCK, 1	
3	FE3-0849-000		1	ARM, INTERLOCK, 2	
4	FK4-0815-000		1	FAN	FM01
5	FM2-H809-000		1	CABLE, INTERLOCK SWITCH	SW02
6	FU2-1068-000		1	SPRING, TENSION	
7	VS1-7177-003		1	CONNECTOR, SNAP TIGHT, BK	
8	VS1-7440-009		1	CONNECTOR, SNAP TIGHT	
9	FE2-B807-000		1	SPACER, SWITCH	

Figure 192 REAR FAN ASSEMBLY

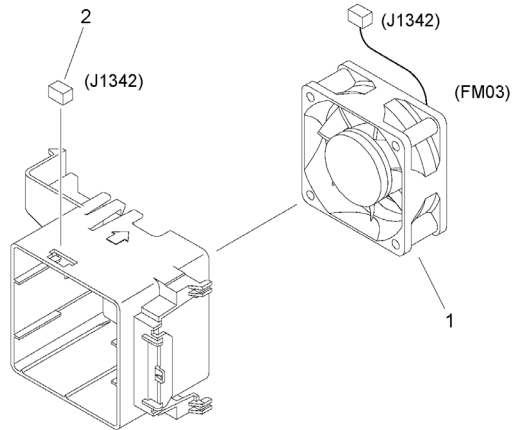


FIGURE & KEY NO.	PART NUMBER	R A N K	QTY	DESCRIPTION	SERIAL NUMBER /REMARKS
192	NPN		RF	REAR FAN ASSEMBLY	
1	FK2-2064-000		1	FAN	FM03
2	VS1-7177-003		1	CONNECTOR, SNAP TIGHT, BK	



Figure 250 MAIN DRIVE ASSEMBLY

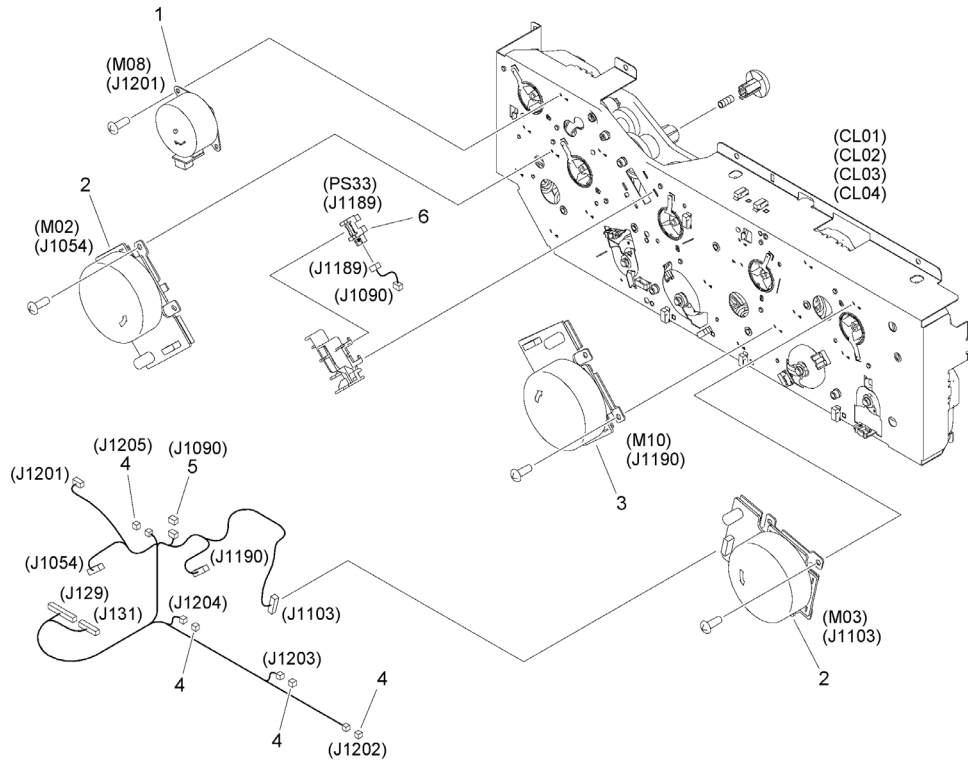
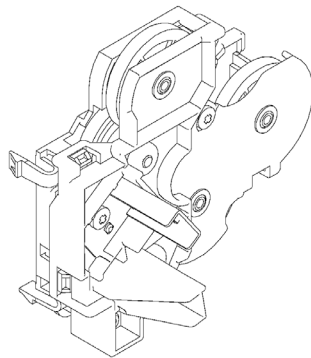


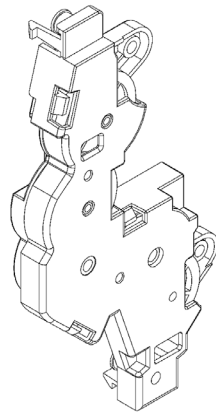
FIGURE & KEY NO.	PART NUMBER	RANK	QTY	DESCRIPTION	SERIAL NUMBER /REMARKS
250	FM1-V041-000		1	MAIN DRIVE ASSEMBLY	CL01, CL02, CL03, CL04
1	FK4-0641-000		1	MOTOR, STEPPING	M08
2	FK4-0800-000		2	MOTOR, DC BRUSHLESS	M02, M03
3	FK4-0809-000		1	MOTOR, DC BRUSHLESS	M10
4	VS1-7177-002		4	CONNECTOR, SNAP TIGHT, BK	
5	VS1-7177-003		1	CONNECTOR, SNAP TIGHT, BK	
6	WG8-5935-000		1	IC, PHOTO INTERRUPTER	PS33

Figure 260 REGISTRATION DRIVE ASSEMBLY



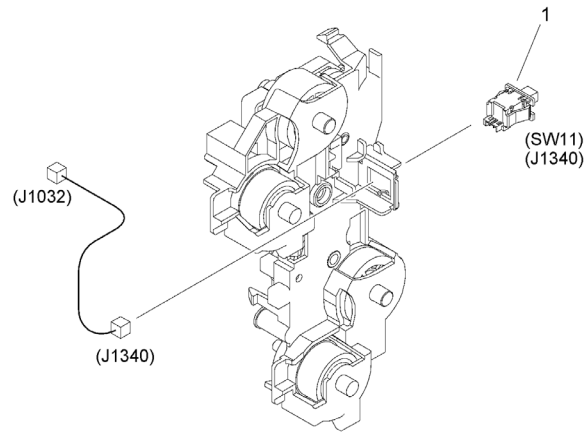
<b>FIGURE &amp; KEY NO.</b>	<b>PART NUMBER</b>	<b>R A N K</b>	<b>QTY</b>	<b>DESCRIPTION</b>	<b>SERIAL NUMBER /REMARKS</b>
260	FM1-B200-000		1	REGISTRATION DRIVE ASSEMBLY	

Figure 261 PAPER PICK-UP DRIVE ASSEMBLY



<b>FIGURE &amp; KEY NO.</b>	<b>PART NUMBER</b>	<b>R A N K</b>	<b>QTY</b>	<b>DESCRIPTION</b>	<b>SERIAL NUMBER /REMARKS</b>
261	FM1-B201-000		1	PAPER PICK-UP DRIVE ASSEMBLY	

Figure 262 VERTICAL PATH DRIVE ASSEMBLY



<b>FIGURE &amp; KEY NO.</b>	<b>PART NUMBER</b>	<b>R A N K</b>	<b>QTY</b>	<b>DESCRIPTION</b>	<b>SERIAL NUMBER /REMARKS</b>
262	FM1-B203-000		1	VERTICAL PATH DRIVE ASSEMBLY	
1	WC2-5806-000		1	SWITCH, PUSH	SW11



Figure 263 REVERSE DUPLEXING DRIVE ASS'Y

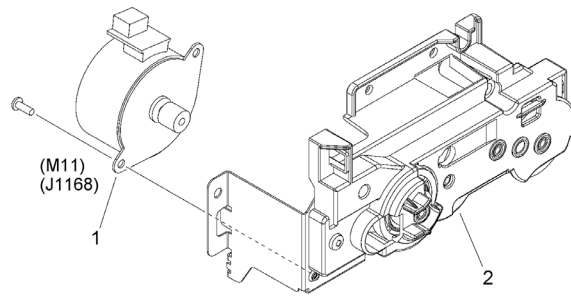


FIGURE & KEY NO.	PART NUMBER	R A N K	QTY	DESCRIPTION	SERIAL NUMBER /REMARKS
263	NPN		RF	REVERSE DUPLEXING DRIVE ASS'Y	
1	FK4-0641-000		1	MOTOR, STEPPING	M11
2	FM1-B230-010		1	REVERSE DUPLEXING DRIVE ASS'Y	

Figure 270 BOTTLE DRIVE ASSEMBLY, Y, M

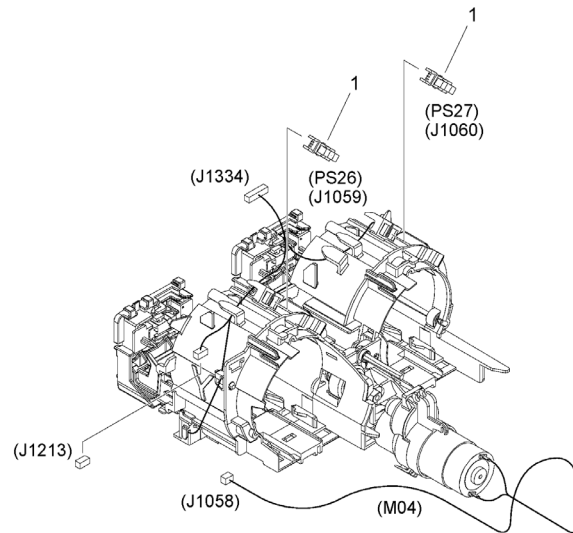


FIGURE & KEY NO.	PART NUMBER	R A N K	QTY	DESCRIPTION	SERIAL NUMBER /REMARKS
270	FM1-U759-000		1	BOTTLE DRIVE ASSEMBLY, Y, M	M04
1	WG8-5935-000		2	IC, PHOTO INTERRUPTER	PS26, PS27

Figure 271 BOTTLE DRIVE ASSEMBLY, C, K

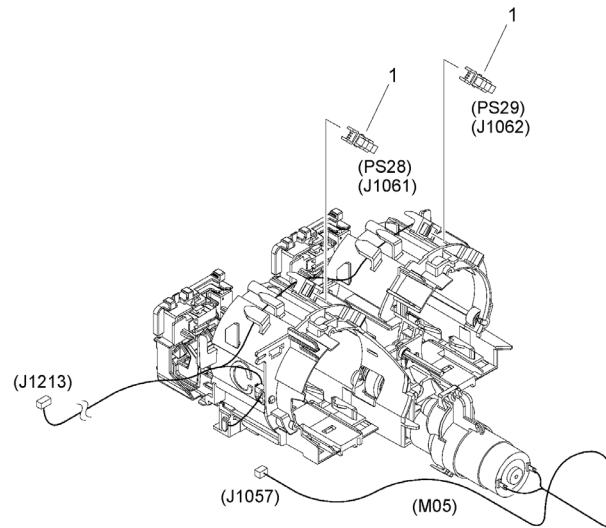
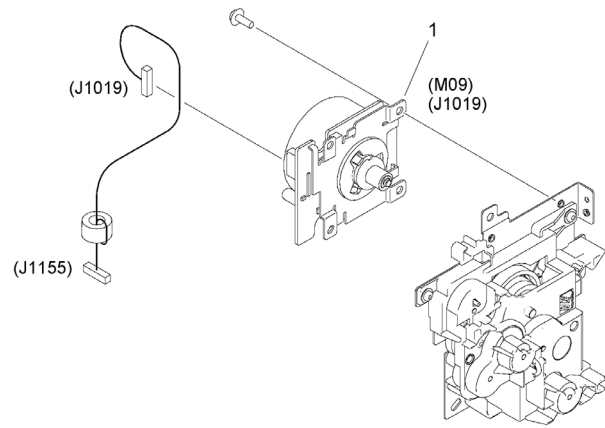


FIGURE & KEY NO.	PART NUMBER	RANK	QTY	DESCRIPTION	SERIAL NUMBER /REMARKS
271	FM1-U760-000		1	BOTTLE DRIVE ASSEMBLY, C, K	M05
1	WG8-5935-000		2	IC, PHOTO INTERRUPTER	PS28, PS29

Figure 280      FIXING DRIVE ASSEMBLY



<b>FIGURE &amp; KEY NO.</b>	<b>PART NUMBER</b>	<b>R A N K</b>	<b>QTY</b>	<b>DESCRIPTION</b>	<b>SERIAL NUMBER /REMARKS</b>
280	FM1-B261-000		1	FIXING DRIVE ASSEMBLY	
1	FM1-B263-000		1	FIXING DRIVE MOTOR ASSEMBLY	M09



Figure 290 LIFTER DRIVE ASSEMBLY

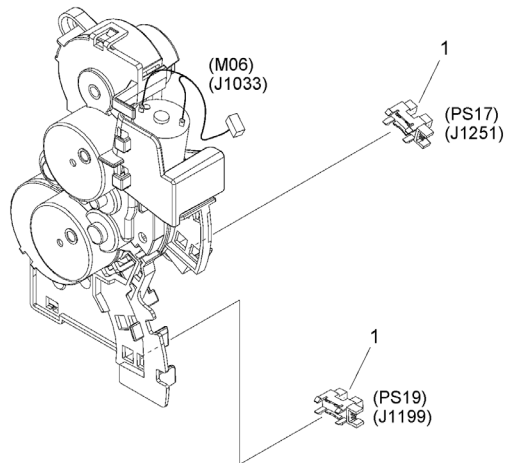


FIGURE & KEY NO.	PART NUMBER	R A N K	QTY	DESCRIPTION	SERIAL NUMBER /REMARKS
290	FM1-V601-000		1	LIFTER DRIVE ASSEMBLY	M06
1	WG8-5935-000		2	IC, PHOTO INTERRUPTER	PS17, PS19



FIGURE & KEY NO.	PART NUMBER	RANK	QTY	DESCRIPTION	SERIAL NUMBER /REMARKS
310	FM1-B500-010		1	PAPER PICK-UP ASSEMBLY	SMALL
1	FC0-5876-000		2	BUSHING	
2	FC0-5888-000		1	BUSHING	
3	FC0-7670-000		1	LEVER, PAPER DETECT	
4	FE3-1595-000		1	FLAG, SENSOR	
5	FE4-9853-000		1	LIMITTER, TORQUE	
6	FE4-8286-010		1	HOLDER, PAPER PICK-UP ROLLER	
7	FL0-1161-000		1	SHEET, GUIDE	
8	FL0-1515-000		1	ONE-WAY CLUTCH ASSEMBLY	
9	FL0-1516-000		1	DAMPER	
10	FL0-1674-000		1	ROLLER, SEPARATION	
11	FL0-1834-000		1	ROLLER, EXTRACTION	
12	FL0-2885-000		1	ROLLER, PAPER PICK-UP	
13	FL0-4002-000		1	ROLLER, PAPER PICK-UP	
14	FM1-B236-000		1	SEPARATION ROLLER ASSEMBLY	
15	FS1-1205-000		1	BUSHING	
16	VS1-7177-009		1	CONNECTOR, WIRE TO WIRE, 9P	
17	WG8-5935-000		3	IC, PHOTO INTERRUPTER	PS04, PS05, PS08

Figure 311 PAPER PICK-UP ASSEMBLY (LARGE)

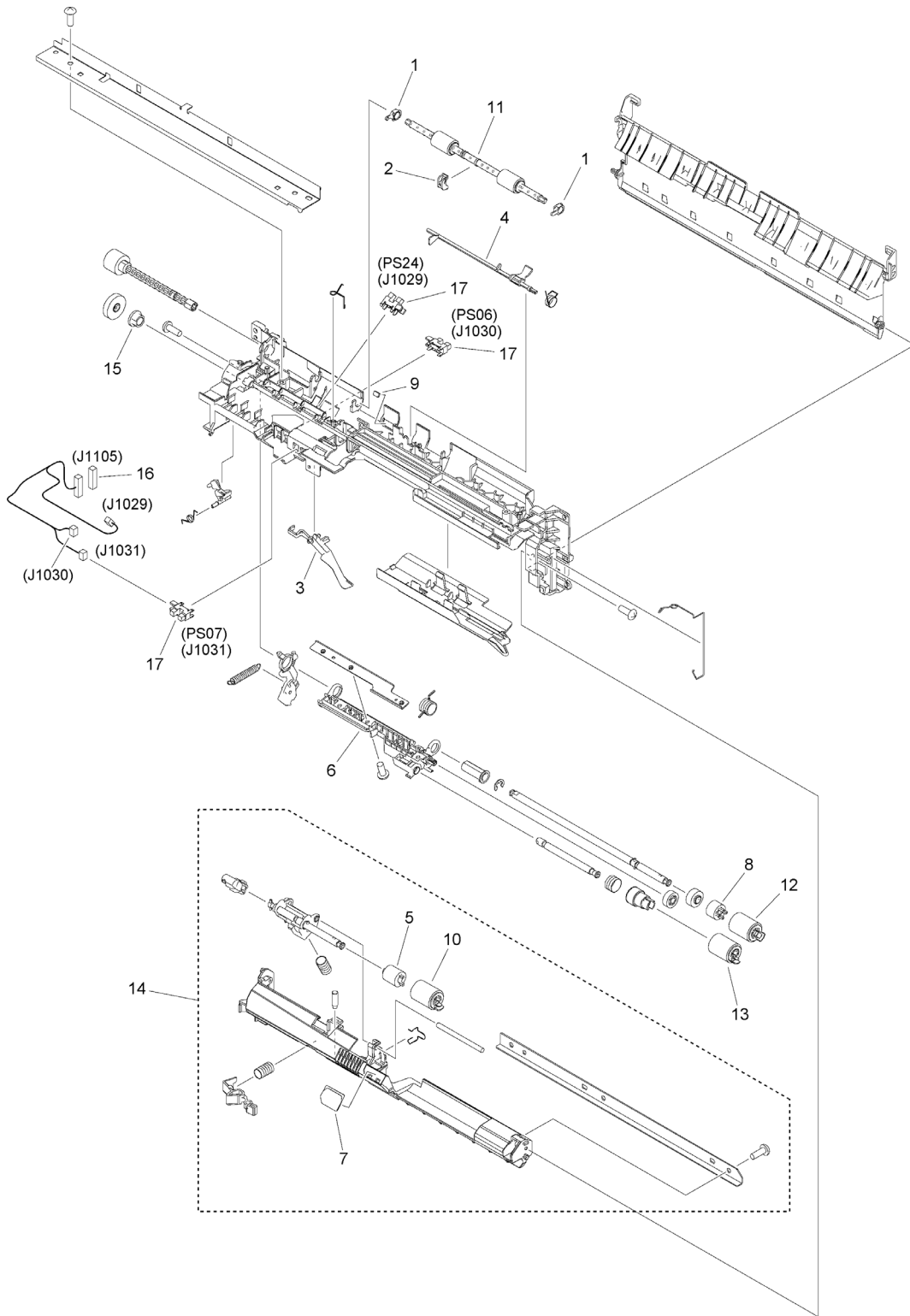


FIGURE & KEY NO.	PART NUMBER	RANK	QTY	DESCRIPTION	SERIAL NUMBER /REMARKS
311	FM1-B501-010		1	PAPER PICK-UP ASSEMBLY	LARGE
1	FC0-5876-000		2	BUSHING	
2	FC0-5888-000		1	BUSHING	
3	FC0-7670-000		1	LEVER, PAPER DETECT	
4	FE3-1595-000		1	FLAG, SENSOR	
5	FE4-9853-000		1	LIMITTER, TORQUE	
6	FE4-8286-010		1	HOLDER, PAPER PICK-UP ROLLER	
7	FL0-1161-000		1	SHEET, GUIDE	
8	FL0-1515-000		1	ONE-WAY CLUTCH ASSEMBLY	
9	FL0-1516-000		1	DAMPER	
10	FL0-1674-000		1	ROLLER, SEPARATION	
11	FL0-1834-000		1	ROLLER, EXTRACTION	
12	FL0-2885-000		1	ROLLER, PAPER PICK-UP	
13	FL0-4002-000		1	ROLLER, PAPER PICK-UP	
14	FM1-B236-000		1	SEPARATION ROLLER ASSEMBLY	
15	FS1-1205-000		1	BUSHING	
16	VS1-7177-009		1	CONNECTOR, WIRE TO WIRE, 9P	
17	WG8-5935-000		3	IC, PHOTO INTERRUPTER	PS06, PS07, PS24

Figure 320 REGISTRATION ASSEMBLY

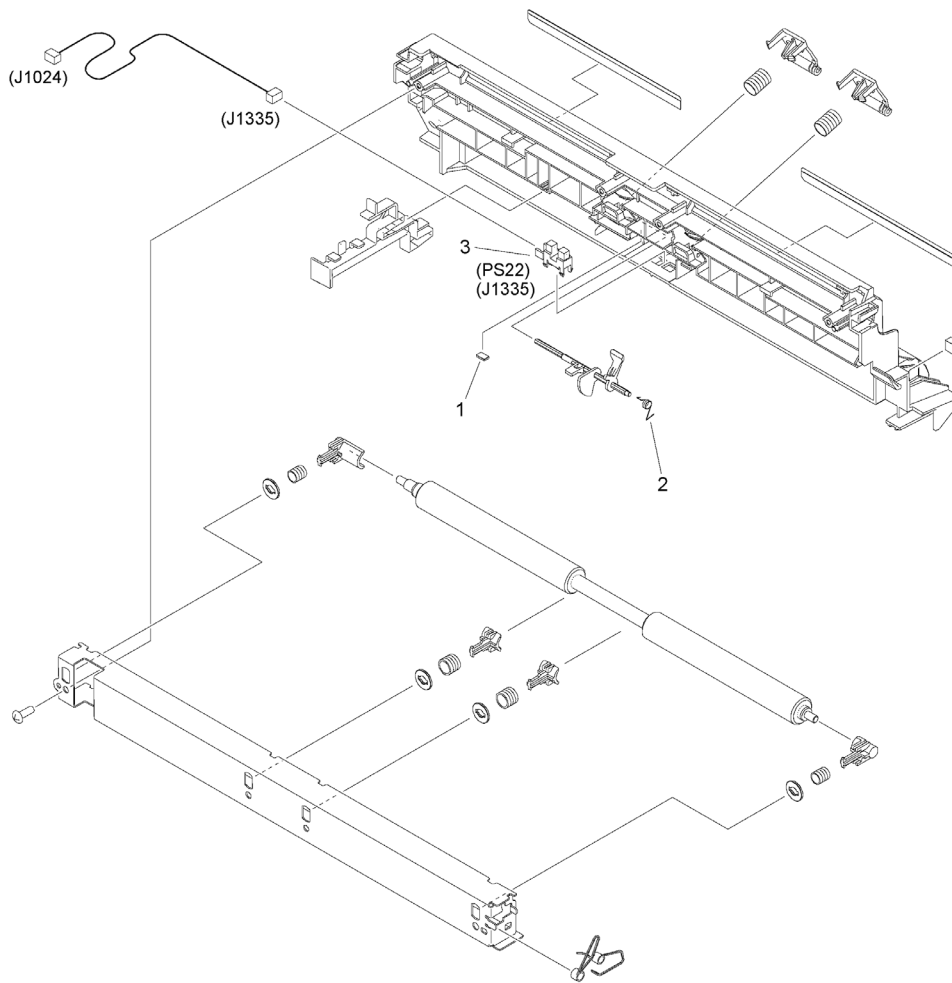


FIGURE & KEY NO.	PART NUMBER	RANK	QTY	DESCRIPTION	SERIAL NUMBER /REMARKS
320	FM1-A625-010		1	REGISTRATION ASSEMBLY	
1	FL0-1516-000		1	DAMPER	
2	FU2-0088-000		1	SPRING, TORSION	
3	WG8-5935-000		1	IC, PHOTO INTERRUPTER	PS22



### Figure 330B MULTI PAPER PICK-UP TRAY ASS'Y

NOTE 1 : This assembly is included in the assembly shown in Figure 111. NOTE 2 : This assembly does not include the parts shown with key No. 2 and 3. NOTE 3 : Several kinds of labels are attached on the board for the parts of Key No. 2.

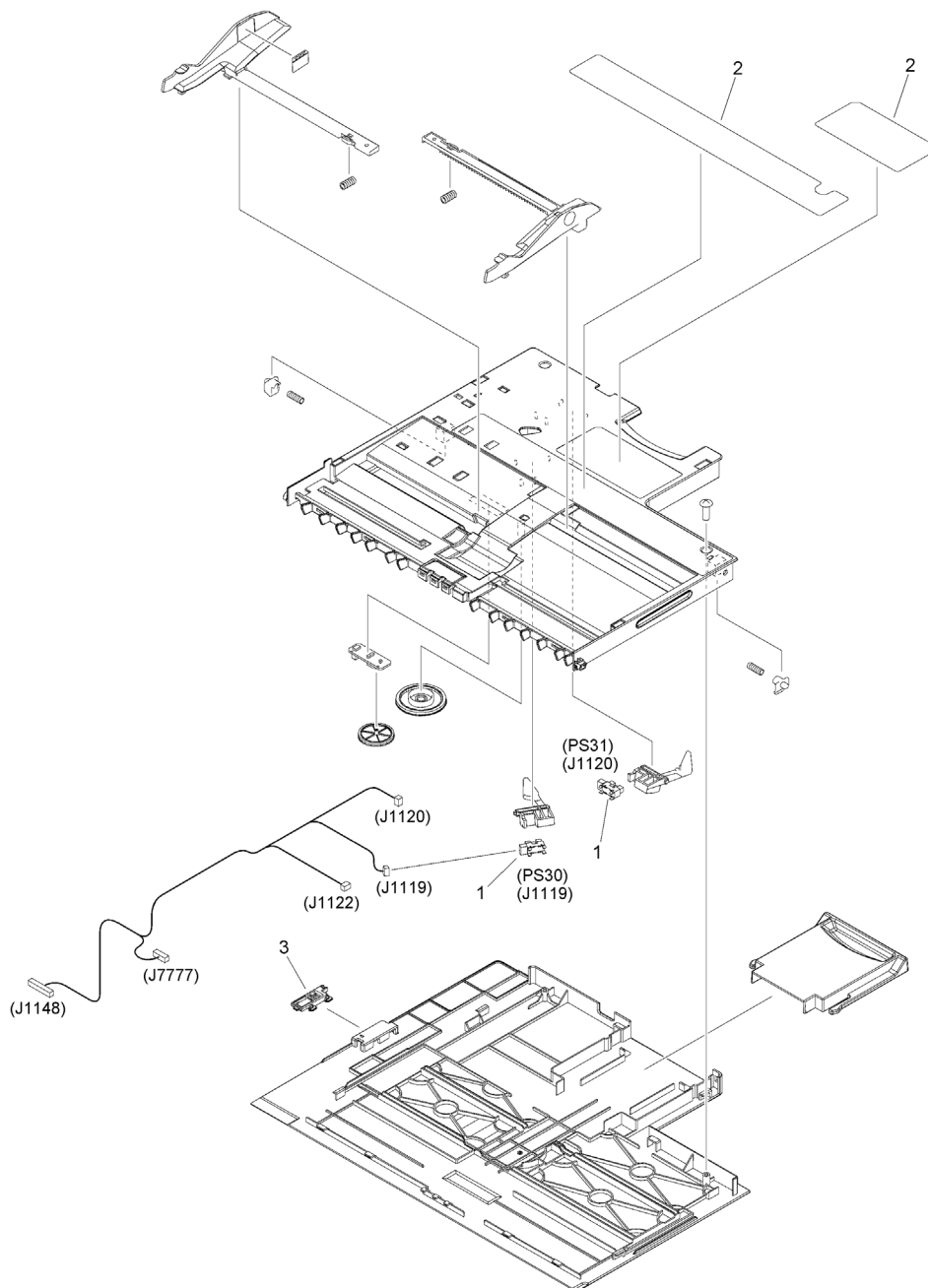


FIGURE & KEY NO.	PART NUMBER	RANK	QTY	DESCRIPTION	SERIAL NUMBER /REMARKS
330B	FM1-P612-000		1	MULTI PAPER PICK-UP TRAY ASS'Y	SEE NOTE 1
1	WG8-5935-000		2	IC, PHOTO INTERRUPTER	PS30, PS31
2	FE2-C283-000		1	LABEL, MULTI FEED	SEE NOTE 2, SEE NOTE 3
3	FE8-4829-000		1	STOPPER	SEE NOTE 2

# Figure 331 MULTI PAPER PICK-UP ASSEMBLY

NOTE: When replacing the Key No.1, be sure to replace Figure No. 111-Key No. 9 at the same time.

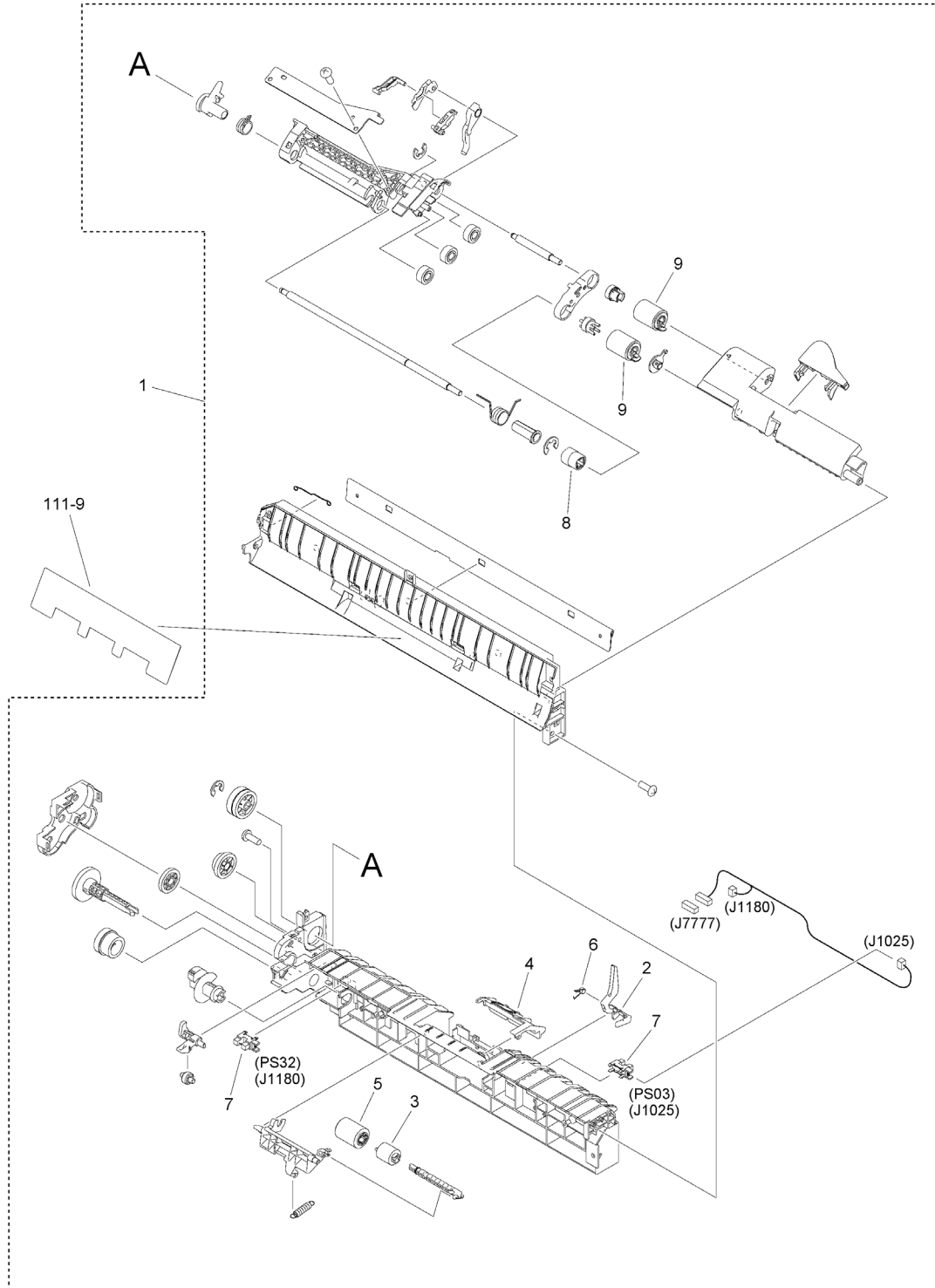


FIGURE & KEY NO.	PART NUMBER	RANK	QTY	DESCRIPTION	SERIAL NUMBER /REMARKS
331	NPN		RF	MULTI PAPER PICK-UP ASSEMBLY	
1	FM1-B666-000		1	MULTI PAPER PICK-UP ASSEMBLY	SEE NOTE
2	FE3-1648-000		1	LEVER, PAPER PRESENCE DETECT	
3	FE4-9853-000		1	LIMITTER, TORQUE	
4	FL0-1152-020		1	COVER, SEPARATION ROLLER	
5	FL0-1674-000		1	ROLLER, SEPARATION	
6	FU2-0264-000		1	SPRING, TORSION	
7	WG8-5935-000		2	IC, PHOTO INTERRUPTER	PS03, PS32
8	FL0-1361-000		1	CLUTCH, ONE-WAY	
9	FL0-4002-000		2	ROLLER, PAPER PICK-UP	

Figure 332 DUPLEXING GUIDE ASSEMBLY

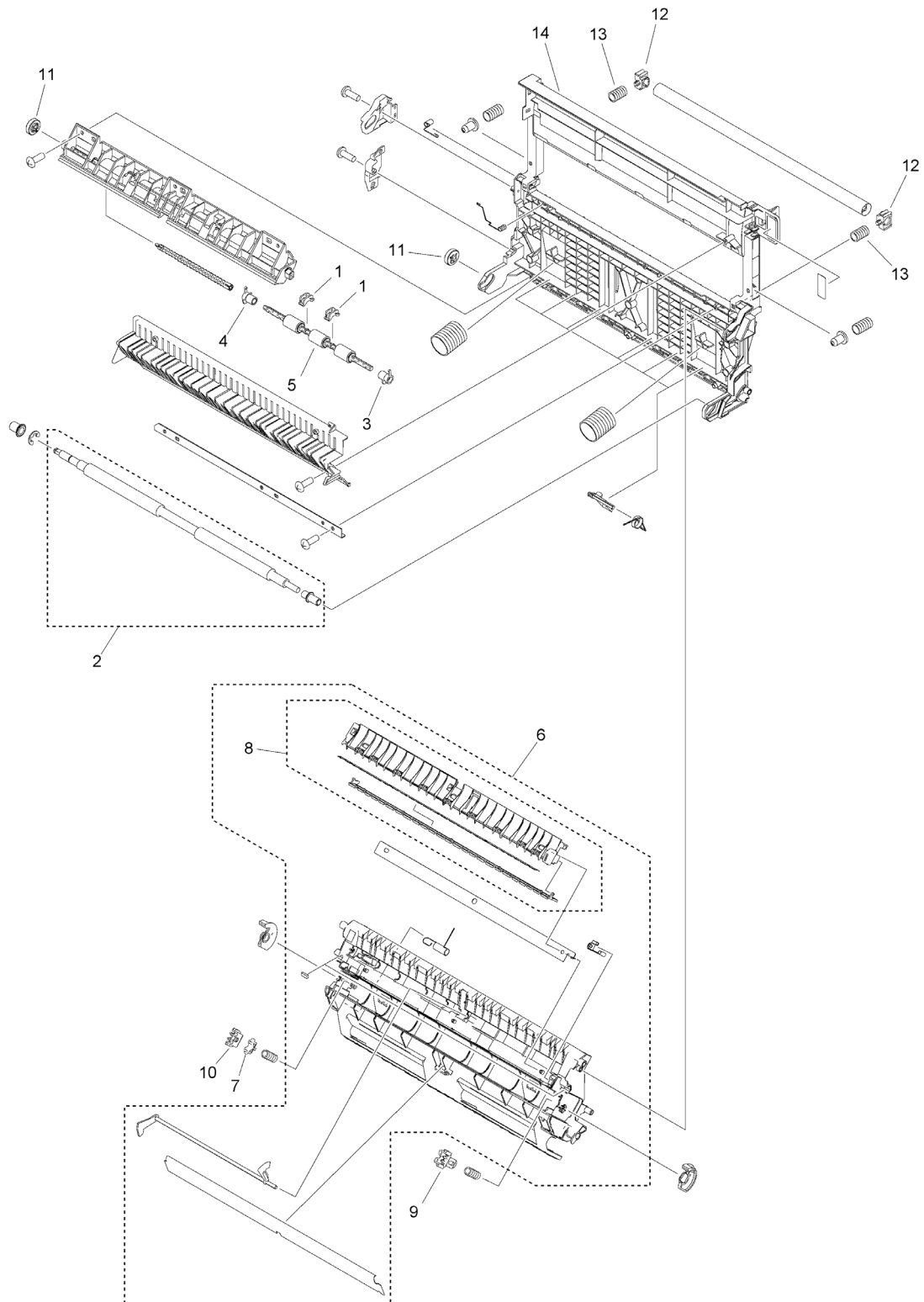


FIGURE & KEY NO.	PART NUMBER	RANK	QTY	DESCRIPTION	SERIAL NUMBER /REMARKS
332	NPN		RF	DUPLEXING GUIDE ASSEMBLY	
1	FC0-5888-000		2	BUSHING	
2	FM1-T768-000		1	REGISTRATION ROLLER SET	
3	FE3-9567-000		1	BUSHING	
4	FE3-9568-000		1	BUSHING	
5	FL0-3975-000		1	ROLLER, EXTRACTION	
6	FM1-W028-000		1	SECONDARY TRANSFER ASSEMBLY	
7	FE2-2117-000		1	GUIDE, CONDUCTIVE	
8	FM1-D183-000		1	ROLLER GUIDE ASSEMBLY	
9	FU6-1110-000		1	BUSHING	
10	FU6-1578-000		1	BUSHING	
11	FU2-0094-000		2	GEAR, 21T	
12	FU2-1060-000		2	BUSHING	
13	FU2-1061-000		2	SPRING, COMPRESSION	
14	FE3-1411-000		1	GUIDE, DUPLEXING	

Figure 350B FIRST PAPER DELIVERY ASSEMBLY

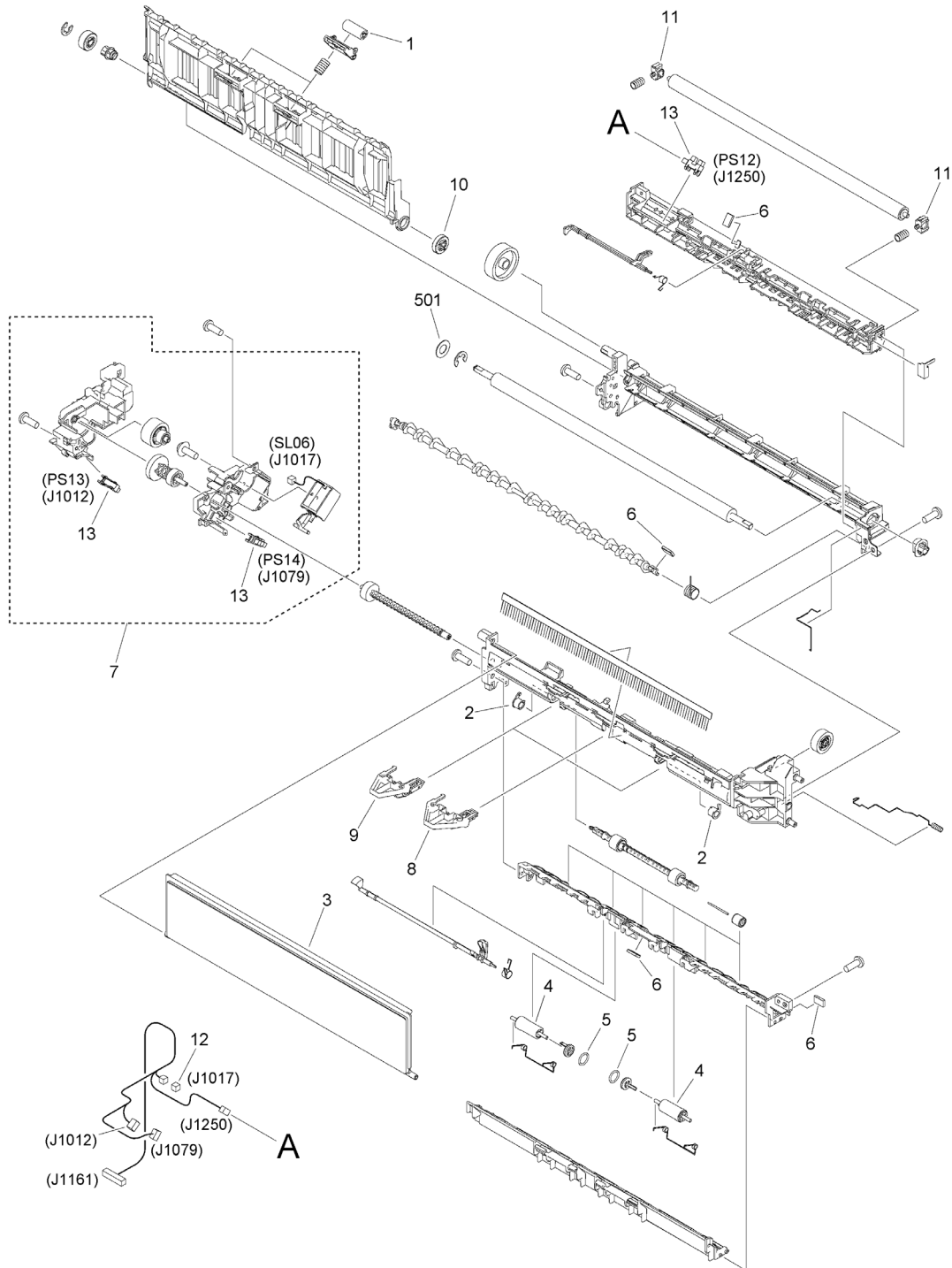
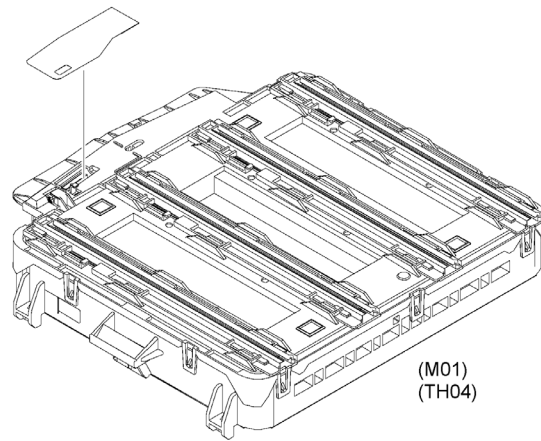


FIGURE & KEY NO.	PART NUMBER	RANK	QTY	DESCRIPTION	SERIAL NUMBER /REMARKS
350B	FM1-D275-020		1	FIRST PAPER DELIVERY ASSEMBLY	
1	FE2-2111-000		2	ROLLER, PAPER FEED	
2	FE3-9443-000		2	BUSHING	
3	FE3-1109-010		1	COVER, REVERSE GUIDE	
4	FE3-1392-000		2	ROLLER, PAPER DELIVERY	
5	FE4-0668-000		2	RING, O	
6	FL0-1516-000		4	DAMPER	
7	FM1-B233-000		1	PAPER DELIVERY DRIVE ASSEMBLY	
8	FM1-D193-010		1	PAPER DELIVERY LEVER ASS'Y, 1	
9	FM1-G210-010		2	PAPER DELIVERY LEVER ASS'Y, 2	
10	FU2-0094-000		1	GEAR, 21T	
11	FU2-1060-000		2	BUSHING	
12	VS1-7177-002		1	CONNECTOR, SNAP TIGHT, BK	
13	WG8-5935-000		3	IC, PHOTO INTERRUPTER	PS12, PS13, PS14
501	XD1-1106-234		1	WASHER,COP	



Figure 460 LASER SCANNER ASSEMBLY



<b>FIGURE &amp; KEY NO.</b>	<b>PART NUMBER</b>	<b>R A N K</b>	<b>QTY</b>	<b>DESCRIPTION</b>	<b>SERIAL NUMBER /REMARKS</b>
460	FM1-D175-000		1	LASER SCANNER ASSEMBLY	M01, TH04

Figure 530 INTER. TRANSFER BELT ASS'Y

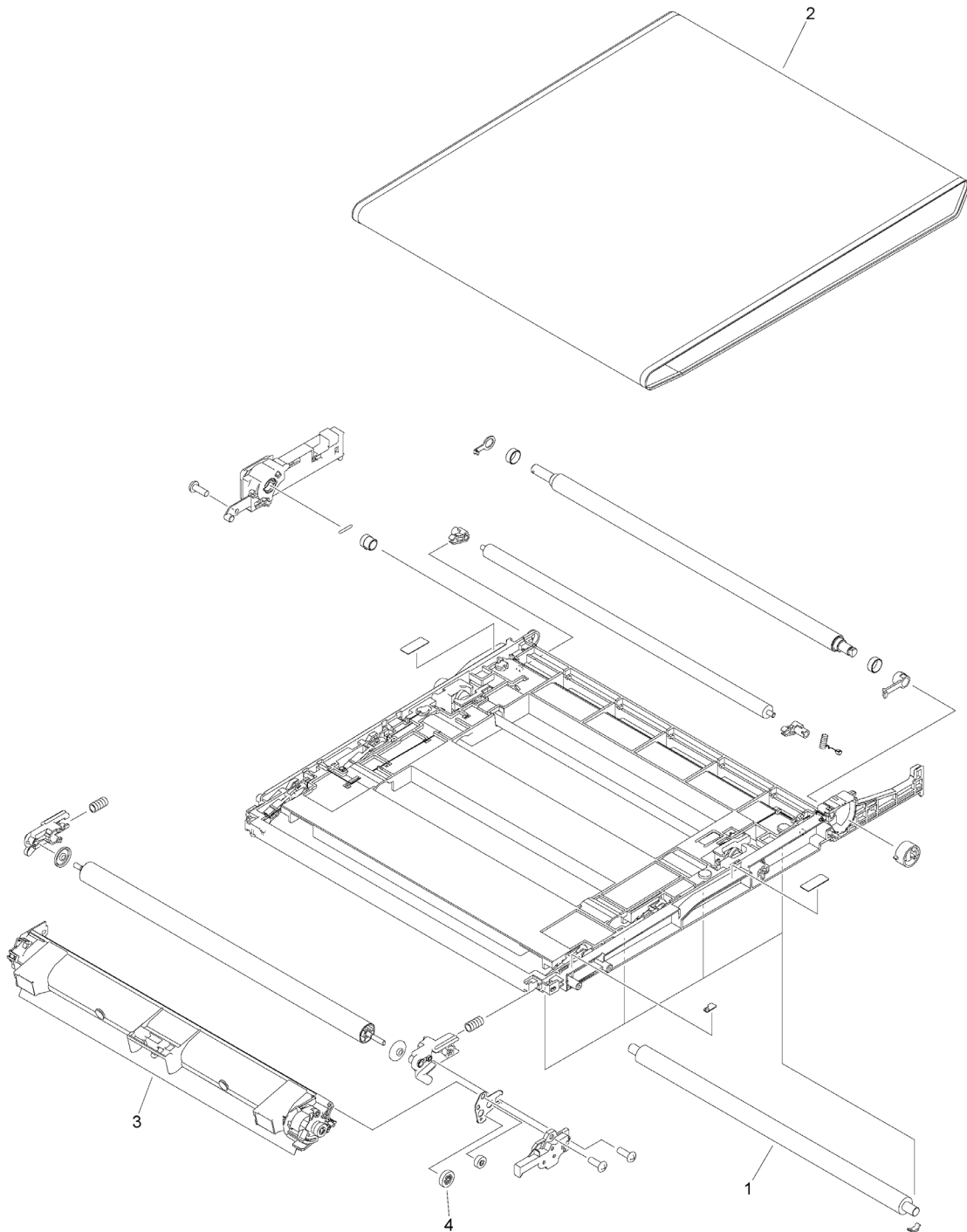


FIGURE & KEY NO.	PART NUMBER	RANK	QTY	DESCRIPTION	SERIAL NUMBER /REMARKS
530	FM1-A605-000		1	INTER. TRANSFER BELT ASS'Y	[DP]
1	FE3-0986-000		4	ROLLER, PRIMARY TRANSFER	
2	FL0-0222-000		1	BELT, INTERMEDIATE TRANSFER	
3	FM1-B271-000		1	TRANSFER CLEANER ASS'Y	
4	FU2-0171-000		1	GEAR, 22T	

Figure 640 DEVELOPING ASSEMBLY

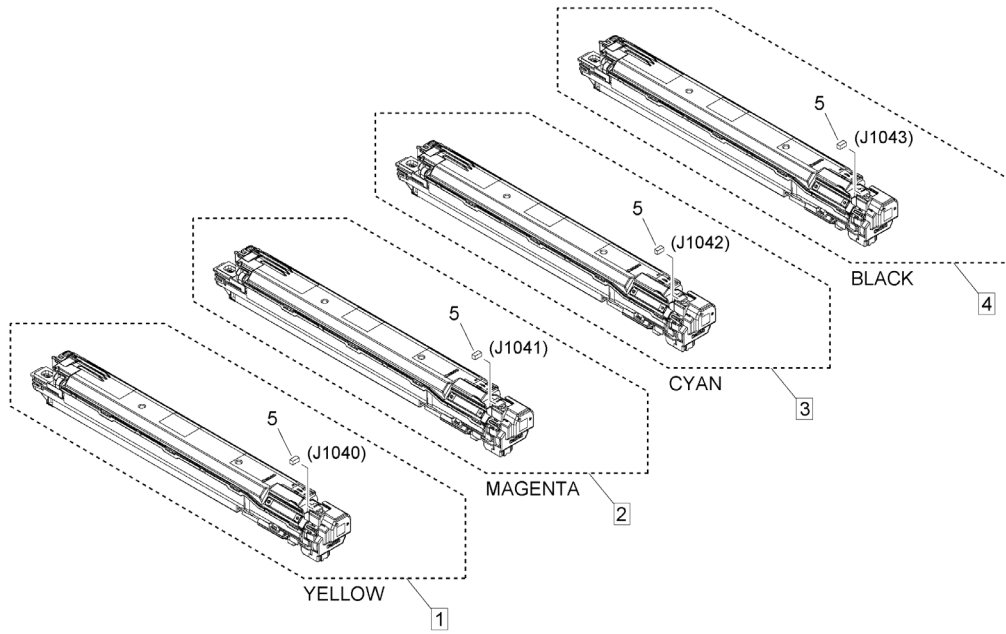
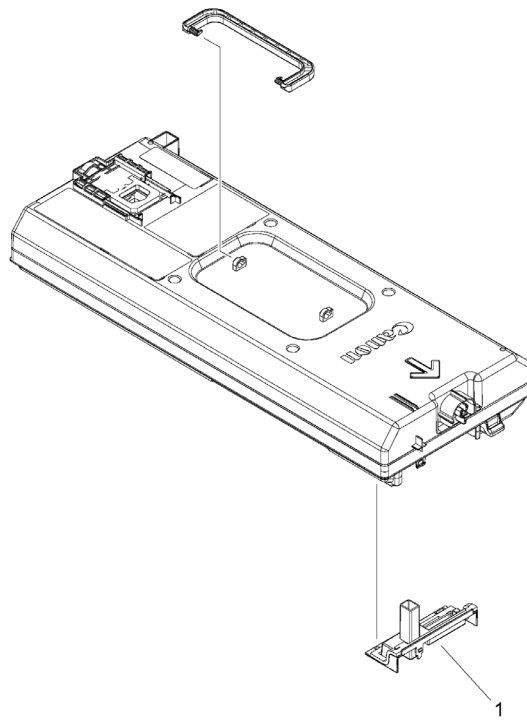


FIGURE & KEY NO.	PART NUMBER	RANK	QTY	DESCRIPTION	SERIAL NUMBER /REMARKS
640	NPN		RF	DEVELOPING ASSEMBLY	
1	FM1-B264-020		1	DEVELOPING ASSEMBLY, Y	[DP]
2	FM1-B265-020		1	DEVELOPING ASSEMBLY, M	[DP]
3	FM1-B266-010		1	DEVELOPING ASSEMBLY,C	[DP]
4	FM1-B267-010		1	DEVELOPING ASSEMBLY, BK	[DP]
5	VS1-7177-004		4	CONNECTOR, SNAP TIGHT, BK	

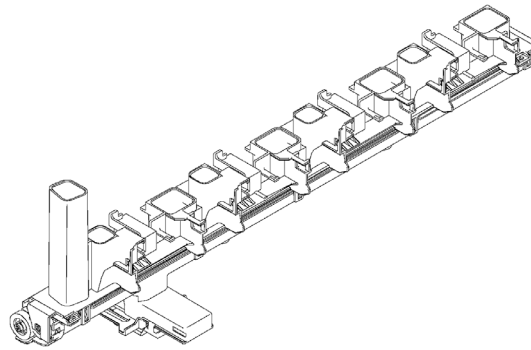
Figure 770 CONTAINER, WASTE TONER, WT-202



<b>FIGURE &amp; KEY NO.</b>	<b>PART NUMBER</b>	<b>R A N K</b>	<b>QTY</b>	<b>DESCRIPTION</b>	<b>SERIAL NUMBER /REMARKS</b>
770	FM1-A606-040		1	CONTAINER, WASTE TONER, WT-202	[DP]
1	FLO-7007-000		1	WINDOW, WASTE TONER CASE	

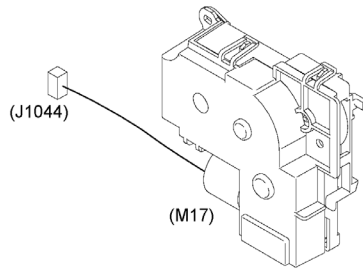


Figure 771 WASTE TONER FEED ASSEMBLY



<b>FIGURE &amp; KEY NO.</b>	<b>PART NUMBER</b>	<b>R A N K</b>	<b>QTY</b>	<b>DESCRIPTION</b>	<b>SERIAL NUMBER /REMARKS</b>
771	FM1-B247-020		1	WASTE TONER FEED ASSEMBLY	

Figure 772 WASTE TONER FEED DRIVE ASS'Y



<b>FIGURE &amp; KEY NO.</b>	<b>PART NUMBER</b>	<b>R A N K</b>	<b>QTY</b>	<b>DESCRIPTION</b>	<b>SERIAL NUMBER /REMARKS</b>
772	FM1-B245-000		1	WASTE TONER FEED DRIVE ASSY	M17

Figure 810C FIXING ASSEMBLY, FX-202 (230V)

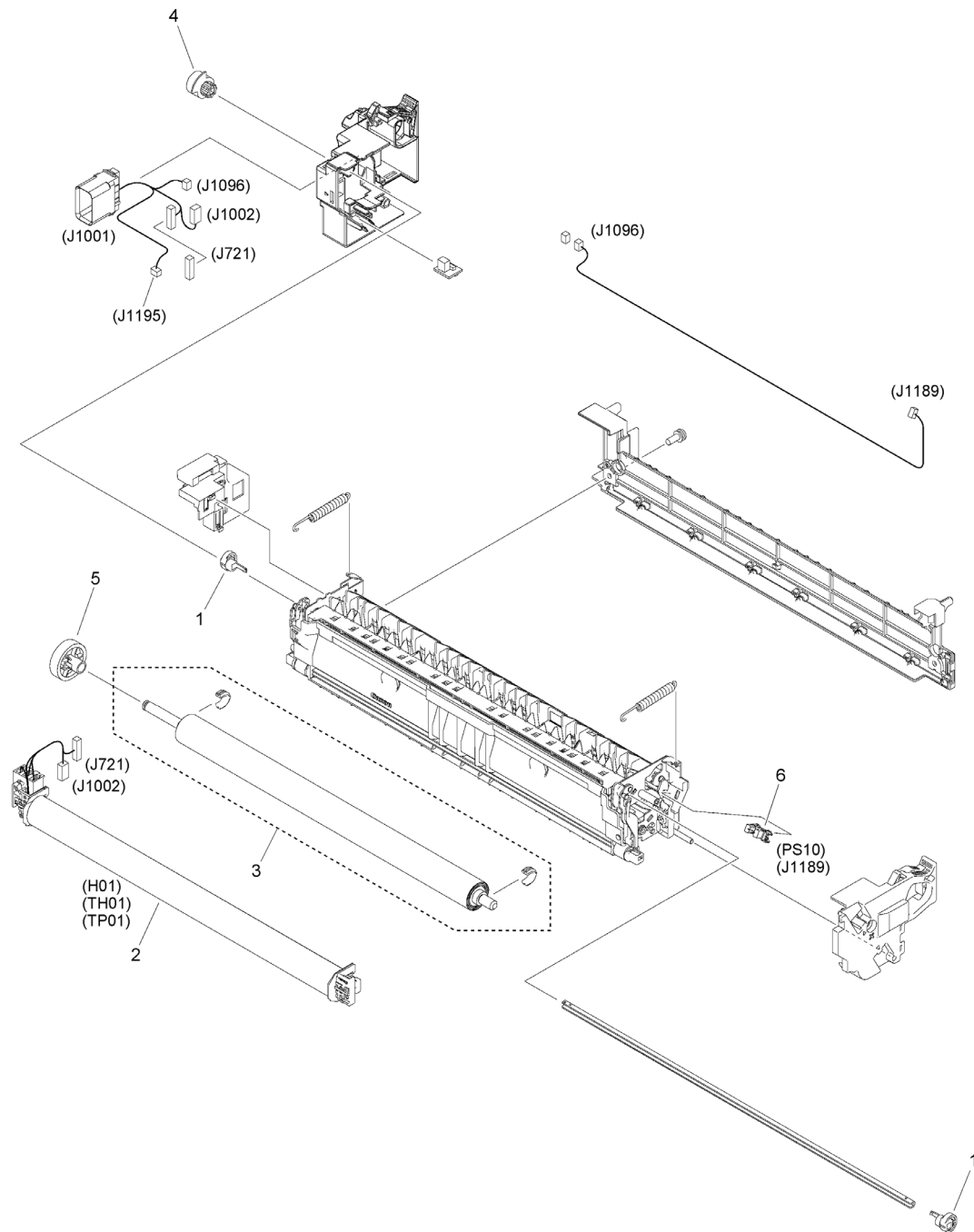
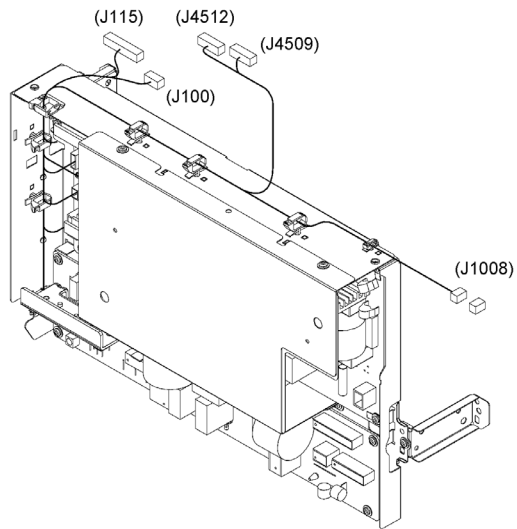


FIGURE & KEY NO.	PART NUMBER	RANK	QTY	DESCRIPTION	SERIAL NUMBER /REMARKS
810C	FM1-D277-020		1	FIXING ASSEMBLY, FX-202	230V [DP]
1	FE3-1220-000		2	CAM, PRESSURE RELEASE	
2	FM1-D281-010		1	FIXING FILM ASSEMBLY	H01, TH01, TP01
3	FM1-K441-000		1	PRESSURE ROLLER KIT	
4	FU2-0133-000		1	CAM/GEAR, 21T	
5	FU2-1372-000		1	GEAR, 36T	
6	WG8-5935-000		1	IC, PHOTO INTERRUPTER	PS10

Figure 910B POWER SUPPLY ASSEMBLY (230V)



<b>FIGURE &amp; KEY NO.</b>	<b>PART NUMBER</b>	<b>R A N K</b>	<b>QTY</b>	<b>DESCRIPTION</b>	<b>SERIAL NUMBER /REMARKS</b>
910B	FM1-U777-000		1	POWER SUPPLY ASSEMBLY	



Figure 930A MAIN CONTROLLER PCB ASSEMBLY (C3520F/C3520i)

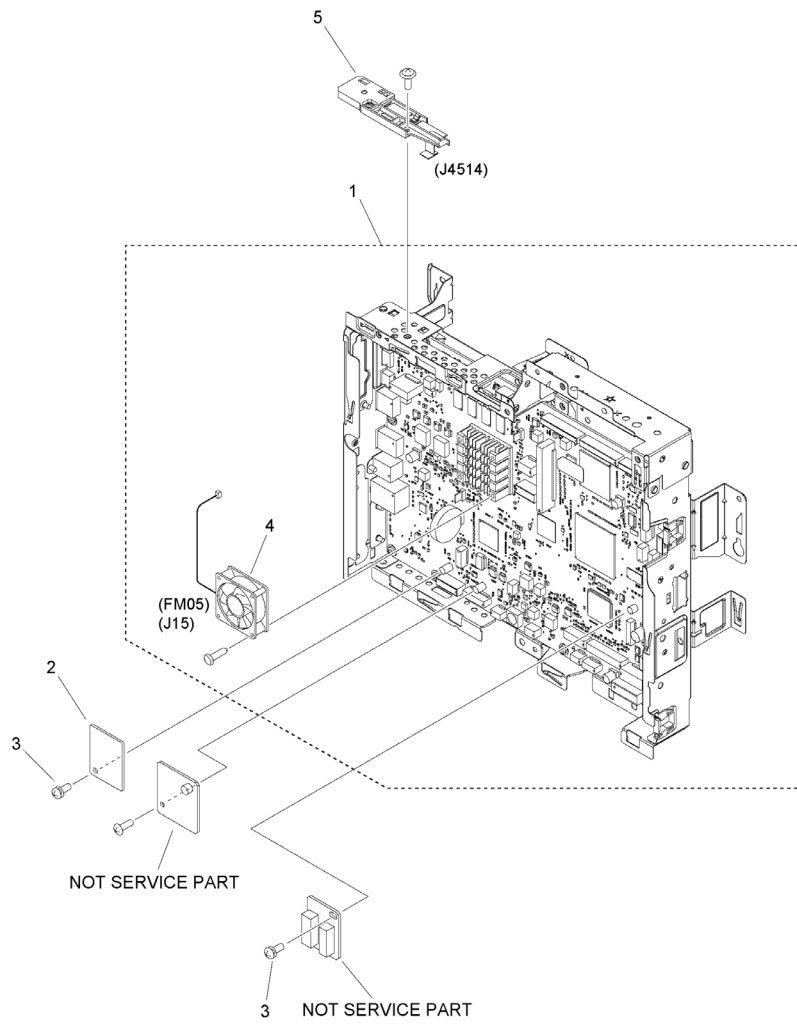


FIGURE & KEY NO.	PART NUMBER	RANK	QTY	DESCRIPTION	SERIAL NUMBER /REMARKS
930A	NPN		RF	MAIN CONTROLLER PCB ASSEMBLY	C3520F/ C3520i
1	FM1-U793-000		1	MAIN CONTROLLER PCB ASSEMBLY	
2	FM1-M981-000		1	TPM PCB ASSEMBLY	
3	XA9-1979-000		2	SCREW, MACH. PAN HEAD, M3X4	
4	FM2-C979-000		1	FAN	FM05
5	FM1-U766-000		1	WIRELESS NETWORK PCB ASSEMBLY	

Figure 930B MAIN CONTROLLER PCB ASSEMBLY (C3525i)

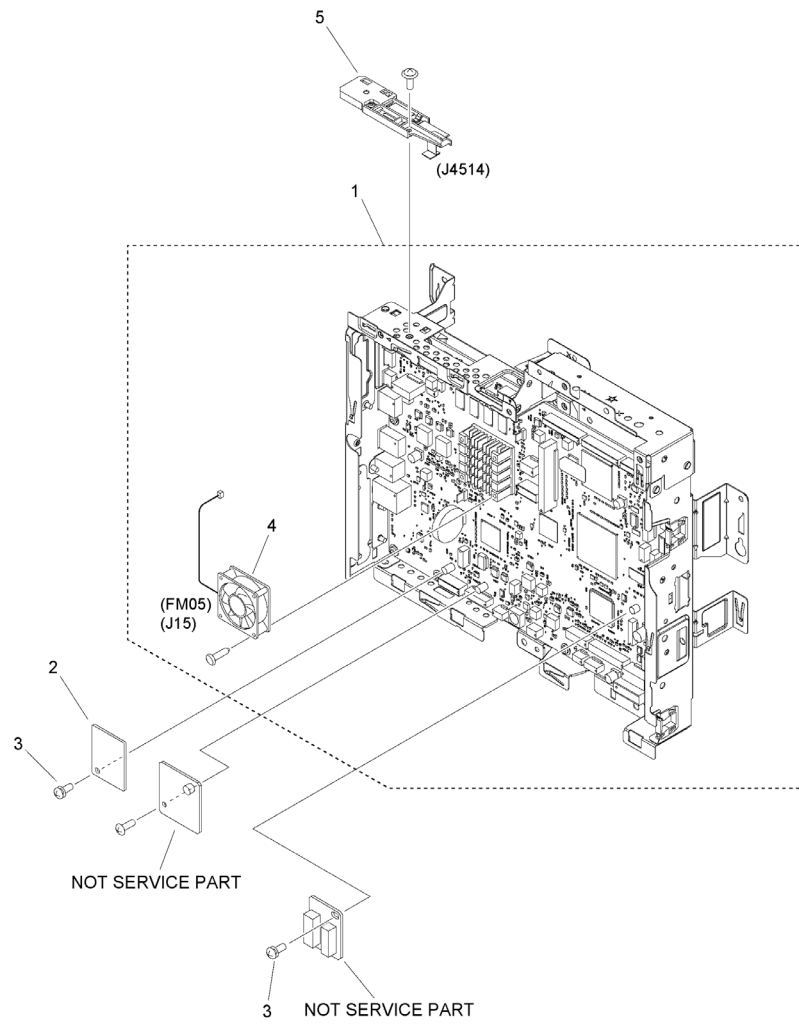


FIGURE & KEY NO.	PART NUMBER	RANK	QTY	DESCRIPTION	SERIAL NUMBER /REMARKS
930B	NPN		RF	MAIN CONTROLLER PCB ASSEMBLY	C3525i
1	FM1-U794-000		1	MAIN CONTROLLER PCB ASSEMBLY	
2	FM1-M981-000		1	TPM PCB ASSEMBLY	
3	XA9-1979-000		2	SCREW, MACH. PAN HEAD, M3X4	
4	FM2-C979-000		1	FAN	FM05
5	FM1-U766-000		1	WIRELESS NETWORK PCB ASSEMBLY	

Figure 930C MAIN CONTROLLER PCB ASSEMBLY (C3530F/C3530i)

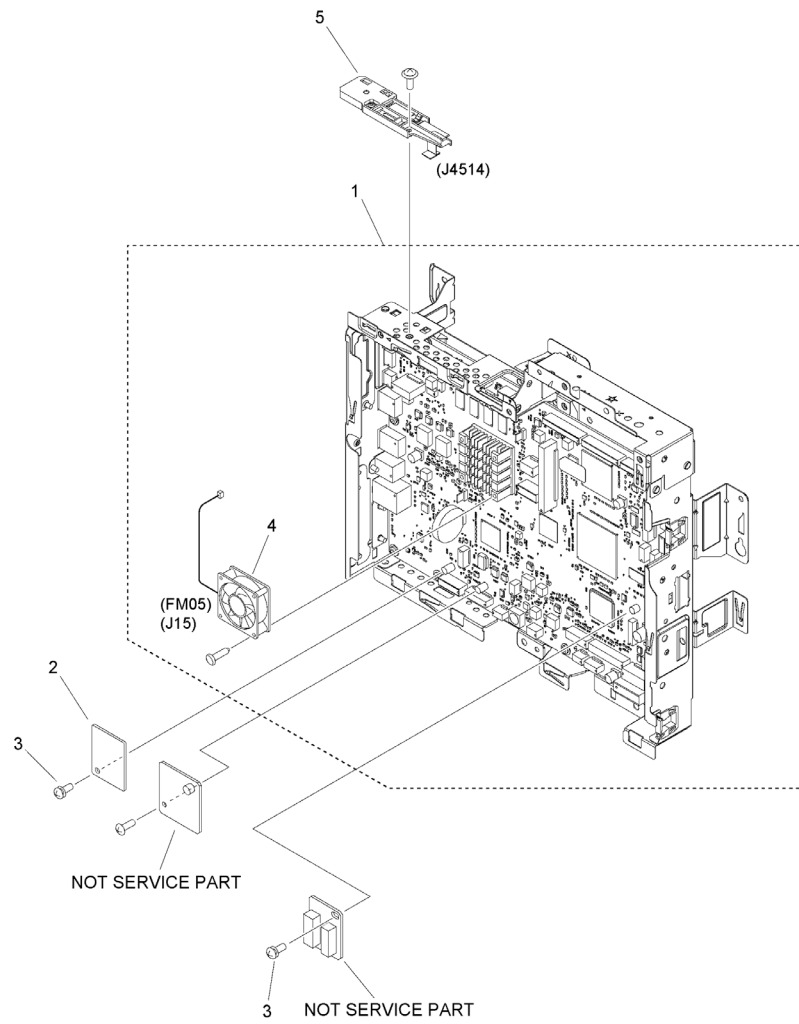
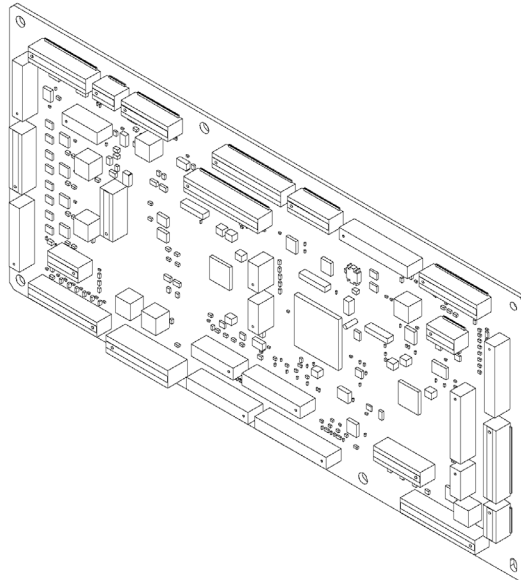


FIGURE & KEY NO.	PART NUMBER	RANK	QTY	DESCRIPTION	SERIAL NUMBER /REMARKS
930C	NPN		RF	MAIN CONTROLLER PCB ASSEMBLY	C3530F/ C3530i
1	FM1-U795-000		1	MAIN CONTROLLER PCB ASSEMBLY	
2	FM1-M981-000		1	TPM PCB ASSEMBLY	
3	XA9-1979-000		2	SCREW, MACH. PAN HEAD, M3X4	
4	FM2-C979-000		1	FAN	FM05
5	FM1-U766-000		1	WIRELESS NETWORK PCB ASSEMBLY	

Figure 931 DC CONTROLLER PCB ASSEMBLY



<b>FIGURE &amp; KEY NO.</b>	<b>PART NUMBER</b>	<b>R A N K</b>	<b>QTY</b>	<b>DESCRIPTION</b>	<b>SERIAL NUMBER /REMARKS</b>
931	FM2-F951-000		1	DC CONTROLLER PCB ASSEMBLY	



Figure 980 PRIMARY TRANSFER H. V. ASSEMBLY

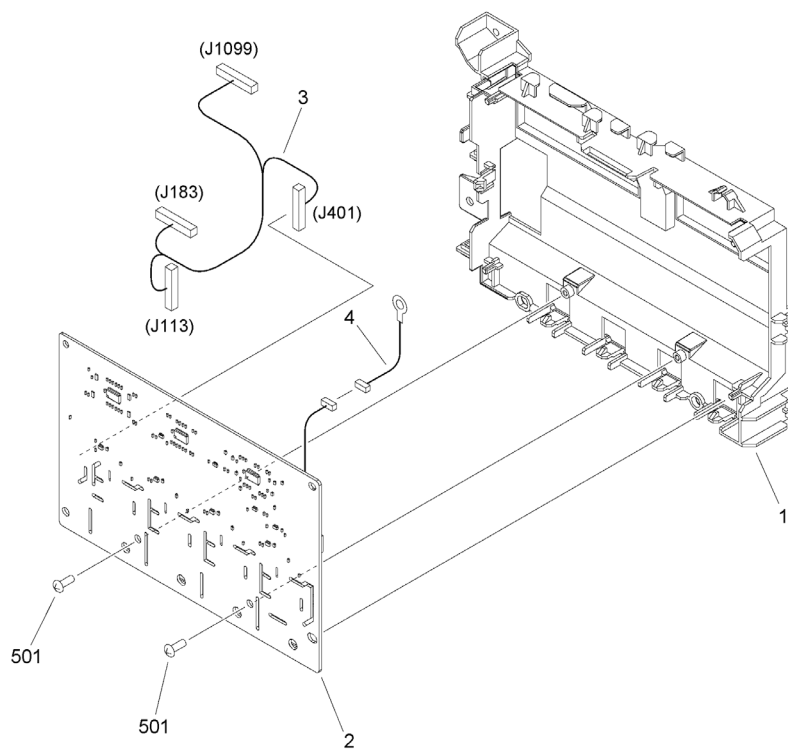
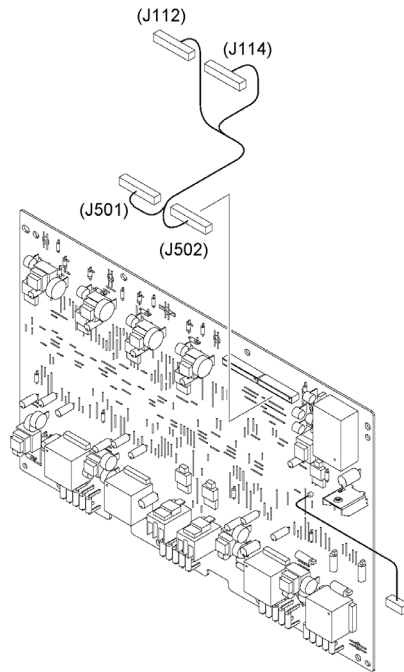


FIGURE & KEY NO.	PART NUMBER	RANK	QTY	DESCRIPTION	SERIAL NUMBER /REMARKS
980	NPN		RF	PRIMARY TRANSFER H.V. ASSEMBLY	
1	FE2-B577-000		1	CASE, PRIMARY TRANSFER H.V.	
2	FM2-F955-000		1	1ST TRANSFER H.V. PCB ASSY	
3	FM2-F941-000		1	CABLE, PRIMARY TRANSFER H.V.	
4	FM2-F966-000		1	CABLE, GROUNDING	
501	XB4-5300-805		2	SCREW,P,M3X8	

Figure 981 2ND TRANSFER H. V. PCB ASSEMBLY



<b>FIGURE &amp; KEY NO.</b>	<b>PART NUMBER</b>	<b>R A N K</b>	<b>QTY</b>	<b>DESCRIPTION</b>	<b>SERIAL NUMBER /REMARKS</b>
981	FM2-F961-000		1	2ND TRANSFER H.V. PCB ASSEMBLY	

Figure D11C READER ASSEMBLY

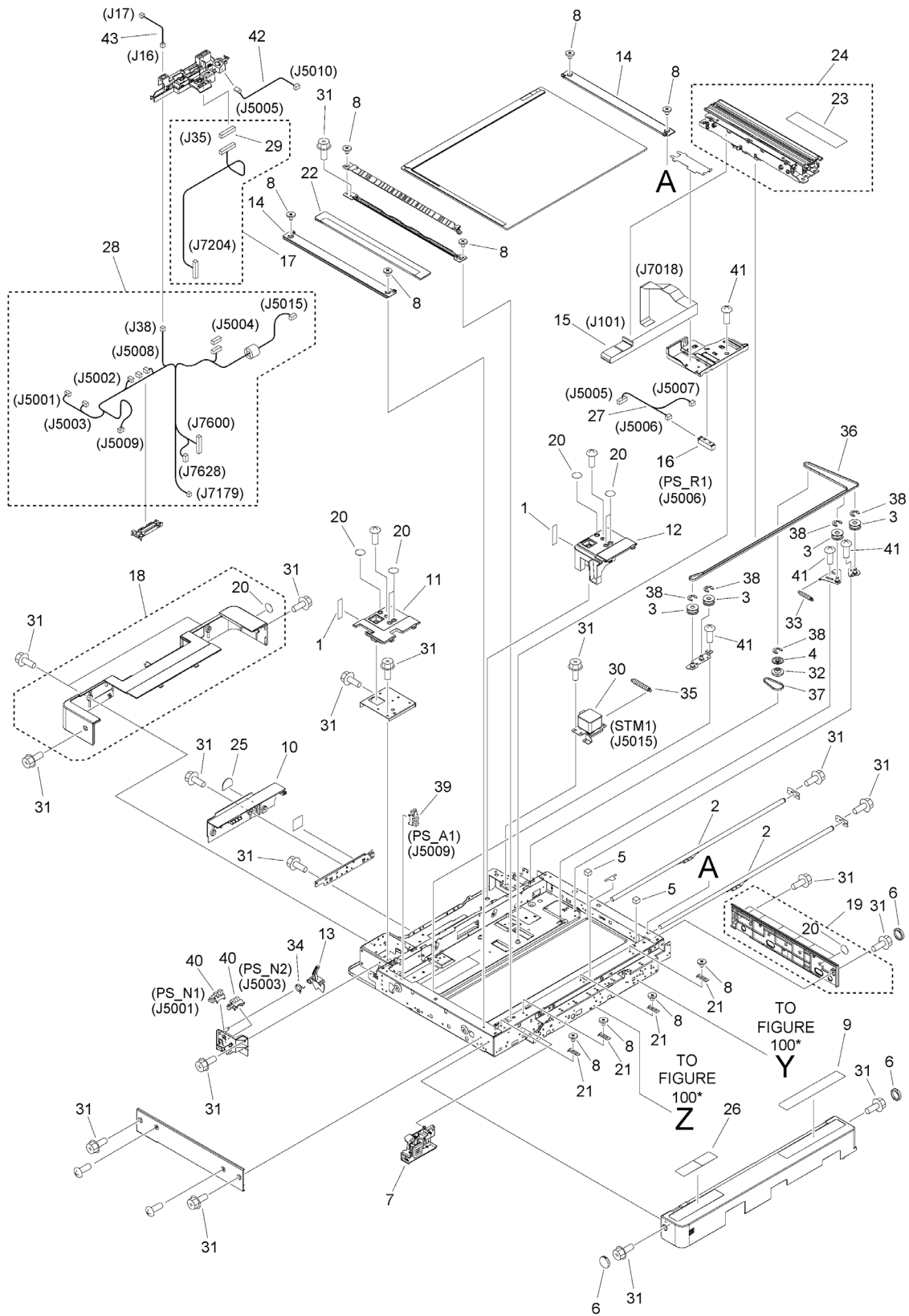


FIGURE & KEY NO.	PART NUMBER	RANK	QTY	DESCRIPTION	SERIAL NUMBER /REMARKS
D11C	NPN		RF	READER ASSEMBLY	
1	FE8-5713-000		2	SHEET, HINGE COVER	
2	FM1-R003-000		2	GUIDE SHAFT ASS'Y	
3	FE8-5627-000		4	PULLEY	
4	FE8-5626-000		1	PULLEY	
5	FL1-3735-000		2	SPACER, SHAFT CUSHION	
6	FE3-9178-000		3	CAP	
7	FM1-R385-000		1	MOTION SENSOR PCB ASSEMBLY	
8	XA9-1415-000		10	SCREW, FLAT HEAD, M4	
9	FE8-6159-000		1	LABEL, COPY INHIBITED	
10	FE2-B102-000		1	COVER, MAINTENANCE	
11	FE8-5212-000		1	COVER, HINGE LOWER, LEFT	
12	FE8-5213-000		1	COVER, HINGE LOWER, RIGHT	
13	FE8-5215-000		1	FLAG, OPEN/CLOSE SENSOR	
14	FE8-5747-000		2	COVER, GLASS RETAINING	
15	FK4-5902-000		1	CABLE, FLAT	
16	FK4-4384-000		1	IC, PHOTO SENSOR,DOCUMENT SIZE	PS_R1
17	FM2-H836-000		1	CABLE, ADF I/F	
18	FL1-6123-000		1	COVER, READER, REAR	
19	FL1-2756-000		1	COVER, SIDE, RIGHT	
20	FL1-2557-000		13	SEAL	
21	FL1-2779-000		4	COVER, GLASS RETAINING	
22	FL3-3206-000		1	GLASS, READER	
23	FL3-8297-000		1	LABEL, SERVICE, SCANNER UNIT	
24	FM0-2744-000		1	SCANNER UNIT	
25	FL1-2761-000		1	SEAL, CABLE BLANKING	
26	FE8-6664-000		1	LABEL, CLEANING POSITION	
27	FM0-4619-000		1	CABLE, SIZE DETECT	
28	FM2-H834-000		1	CABLE, READER	
29	VS1-8412-019		1	CONNECTOR, SNAP TIGHT, BL	
30	FM1-R025-000		1	MOTOR ASS'Y	STM1
31	XA9-1386-000		12	SCREW,RS,M3X8	
32	FL0-0825-000		1	PULLEY	
33	FU2-2214-000		1	SPRING, TENSION	
34	FU2-2215-000		1	SPRING, TORSION	
35	FU2-2200-000		1	SPRING, TENSION	
36	XF2-4668-040		1	BELT, TIMING	
37	XF2-4606-835		1	BELT, TIMING	
38	XD9-0136-000		5	RING, E	
39	WG8-5783-000		1	IC,PHOTO-INTERRUPTER,LG248NL1A	PS_A1
40	WG8-5935-000		2	IC, PHOTO INTERRUPTER	PS_N1, PS_N2
41	XA9-1116-030		5	SCREW,M3X5	
42	FM1-E825-000		1	CABLE, HEATER RELAY	
43	FM2-H835-000		1	CABLE, POWER SUPPLY	

Figure E10 IC CARD READER BOX

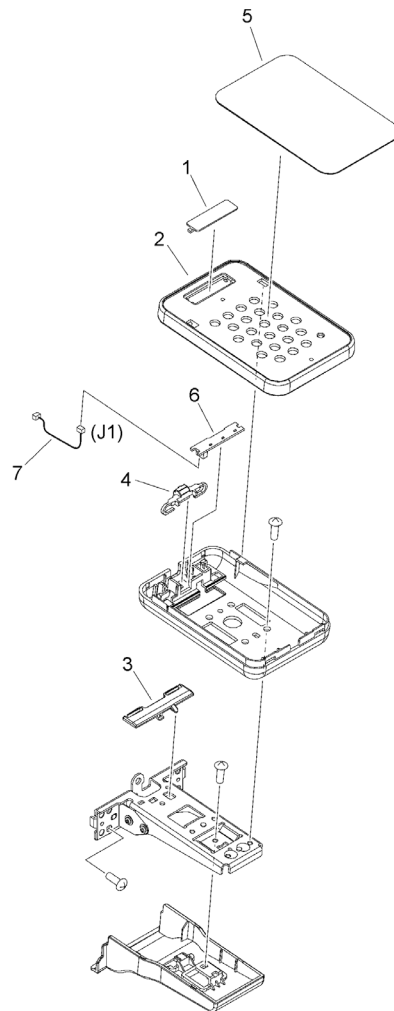


FIGURE & KEY NO.	PART NUMBER	RANK	QTY	DESCRIPTION	SERIAL NUMBER /REMARKS
E10	NPN		RF	IC CARD READER BOX	
1	FE8-5467-000		1	GUIDE, LAMP LED	
2	FE8-5463-000		1	COVER, UPPER	
3	FE8-5474-000		1	COVER, SMALL	
4	FE8-5465-000		1	STOPPER	
5	FL1-2376-000		1	SHEET	
6	FM1-Y993-000		1	LED PCB ASSEMBLY	
7	FM1-T856-000		1	CABLE, CARD READER	



Figure H30 CASSETTE ASSEMBLY (SMALL)

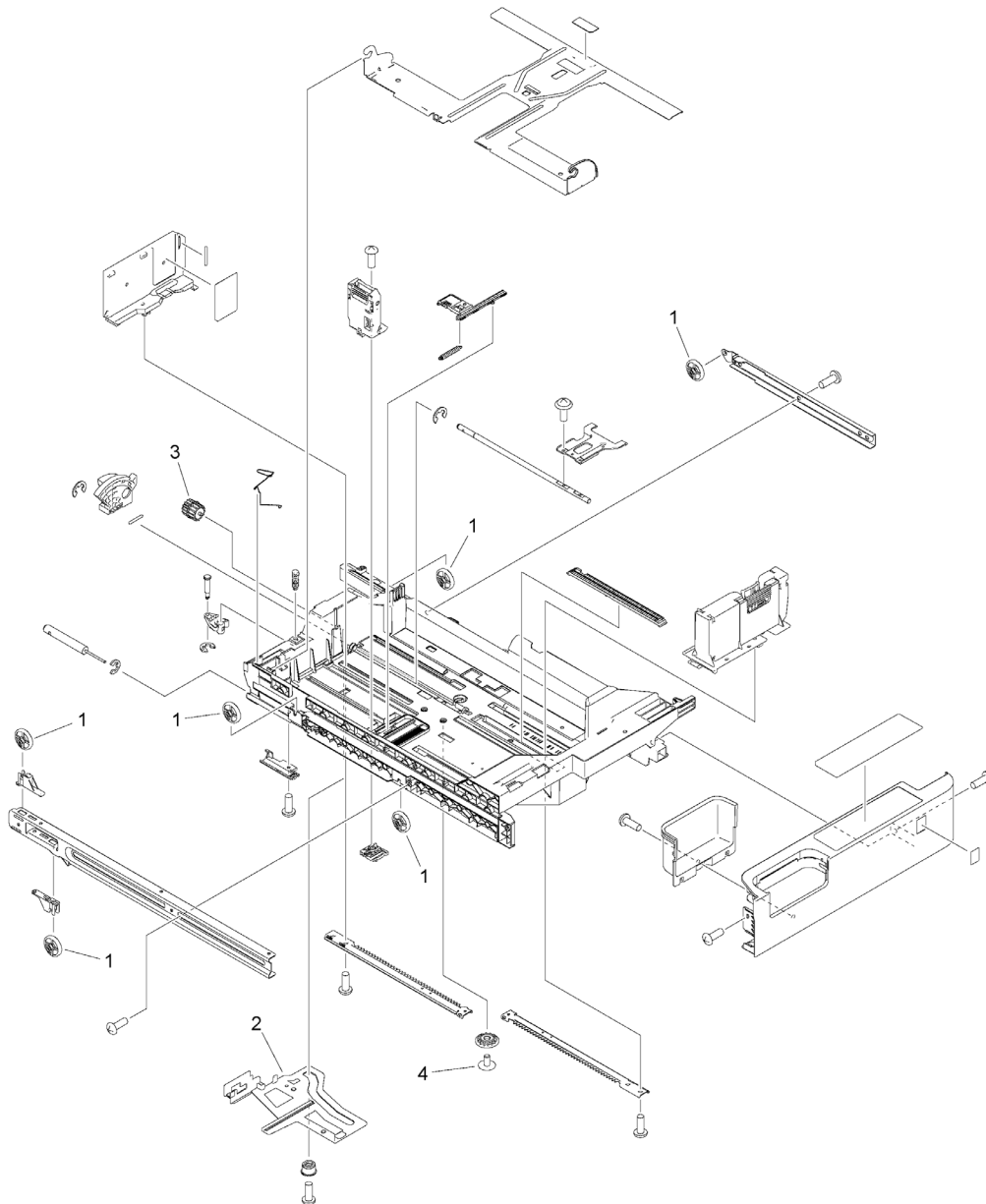


FIGURE & KEY NO.	PART NUMBER	RANK	QTY	DESCRIPTION	SERIAL NUMBER /REMARKS
H30	FM1-P496-010		1	CASSETTE ASSEMBLY	SMALL
1	FE3-1528-010		6	ROLLER, CASSETTE	
2	FE3-1613-010		1	LINK, SIZE DETECT	
3	RC1-9396-000		1	GEAR, 14T	
4	XA9-1523-000		1	SCREW, B, M4X8	

Figure H31 CASSETTE ASSEMBLY (LARGE)

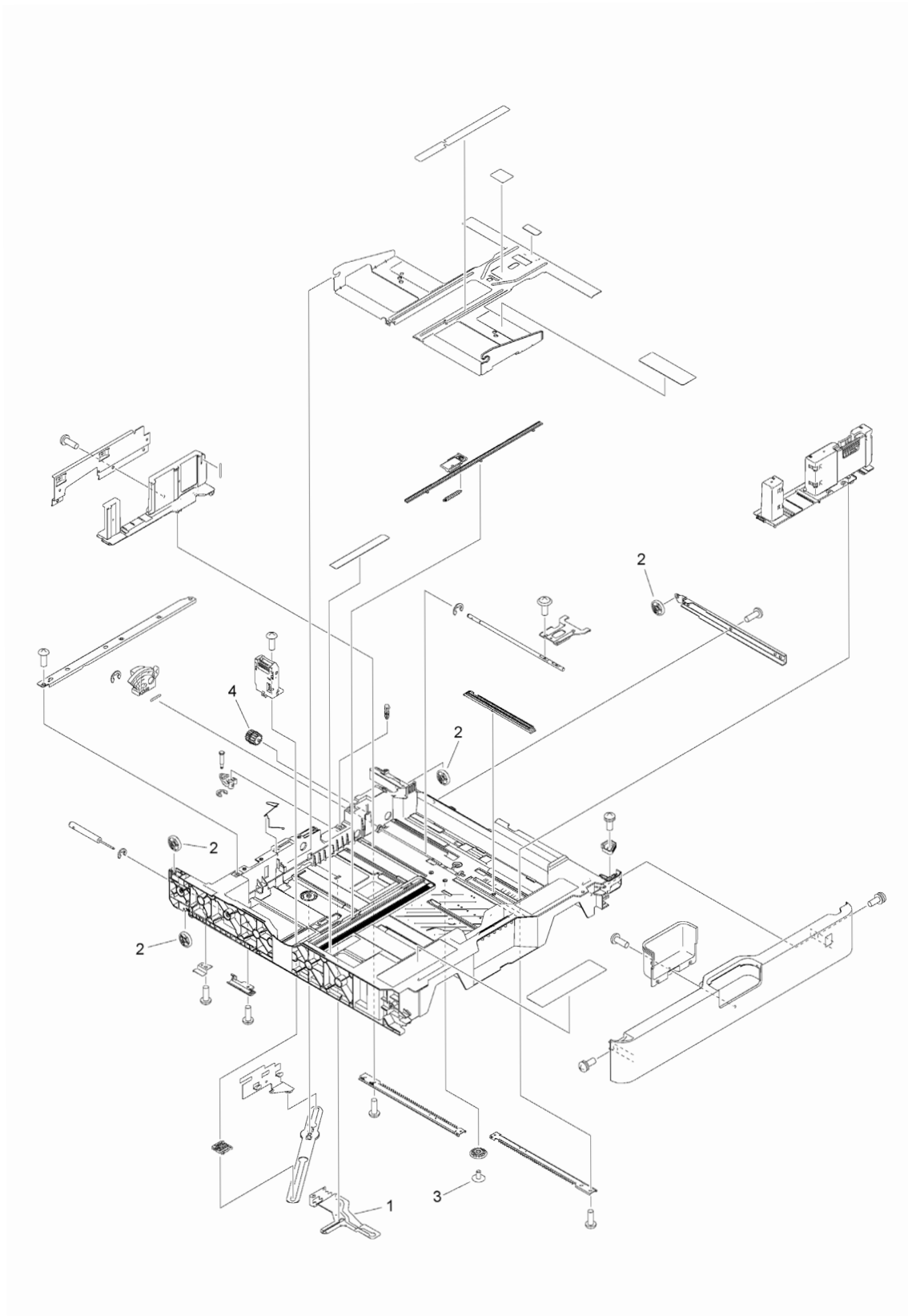


FIGURE & KEY NO.	PART NUMBER	RANK	QTY	DESCRIPTION	SERIAL NUMBER /REMARKS
H31	FM1-V001-000		1	CASSETTE ASSEMBLY	LARGE
1	FE3-1525-020		1	LINK, SIZE DETECT	
2	FE3-1528-010		4	ROLLER, CASSETTE	
3	XA9-1523-000		1	SCREW, B, M4X8	
4	RC1-9396-000		1	GEAR, 14T	

Figure M30 SECOND PAPER DELIVERY ASSEMBLY

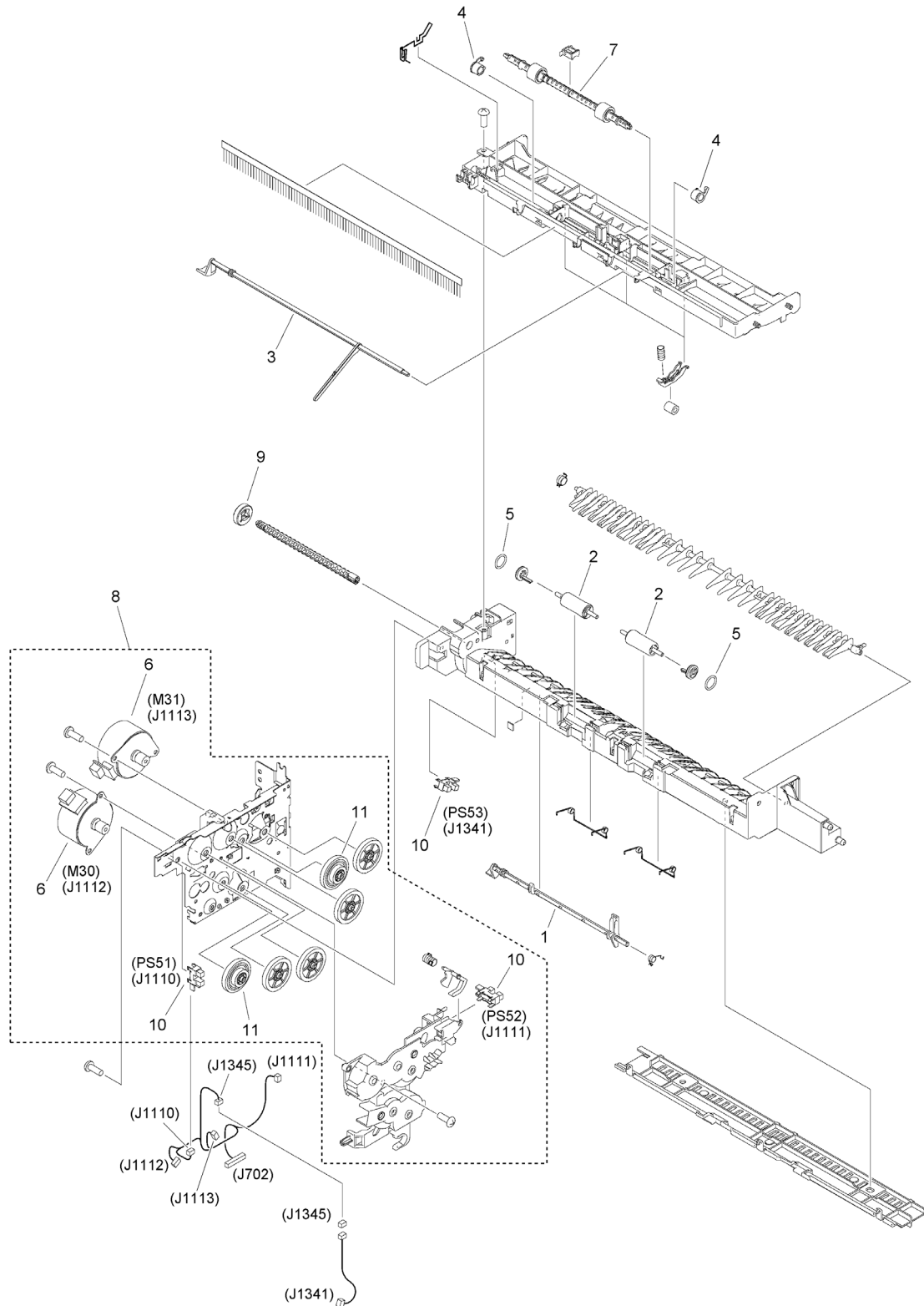


FIGURE & KEY NO.	PART NUMBER	RANK	QTY	DESCRIPTION	SERIAL NUMBER /REMARKS
M30	FM1-B273-010		1	SECOND PAPER DELIVERY ASSEMBLY	
1	FE3-1124-000		1	FLAG, SENSOR	
2	FE3-1392-000		2	ROLLER, PAPER DELIVERY	
3	FE3-9441-000		1	FLAG, FULL DETECT	
4	FE3-9443-000		2	BUSHING	
5	FE4-0668-000		2	RING, O	
6	FK4-0641-000		2	MOTOR, STEPPING	M30, M31
7	FL0-0139-000		1	ROLLER, PAPER DELIVERY	
8	FM1-B274-010		1	2ND/3RD DELIVERY DRIVE ASSY	
9	FU2-0094-000		1	GEAR, 21T	
10	WG8-5935-000		3	IC, PHOTO INTERRUPTER	PS51, PS52, PS53
11	FU2-0093-000		2	GEAR, 54T/18T	

Figure M31 THIRD PAPER DELIVERY ASSEMBLY

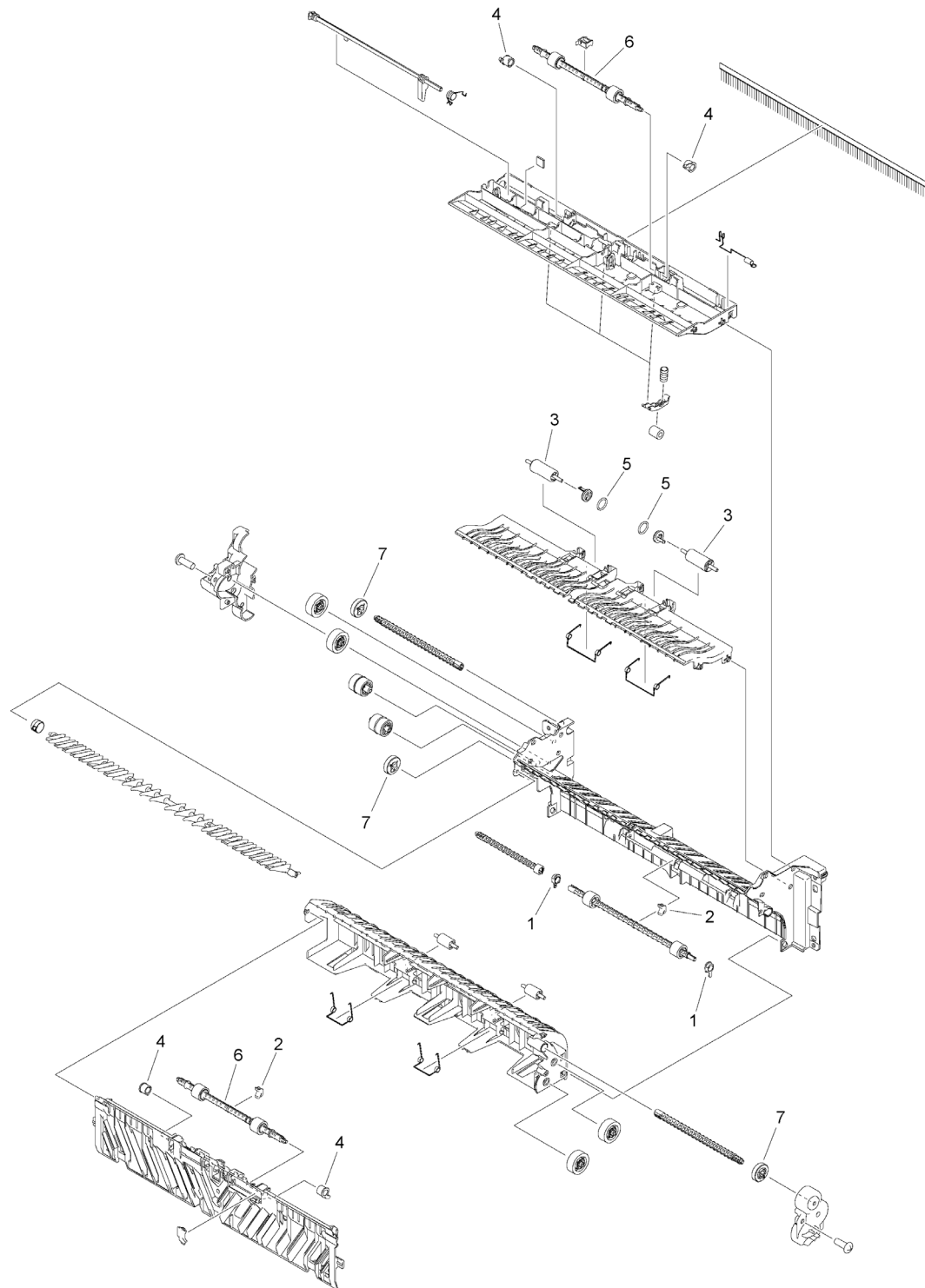


FIGURE & KEY NO.	PART NUMBER	RANK	QTY	DESCRIPTION	SERIAL NUMBER /REMARKS
M31	FM1-B275-000		1	THIRD PAPER DELIVERY ASSEMBLY	
1	FC0-5876-000		2	BUSHING	
2	FC0-5888-000		2	BUSHING	
3	FE3-1392-000		2	ROLLER, PAPER DELIVERY	
4	FE3-9443-000		4	BUSHING	
5	FE4-0668-000		2	RING, O	
6	FL0-0139-000		2	ROLLER, PAPER DELIVERY	
7	FU2-0094-000		3	GEAR, 21T	



## Figure ZZA MECHANICAL STANDARD PARTS (HOW TO USE)

### Mechanical standard parts 機械標準部品

#### About a mechanical standard parts

A Mechanical standard parts is a mechanical part which not parts peculiar to a product.  
They are parts which are common to a Canon product and are used, such as a screw and a washer.  
The Fig No. and parts number of the mechanical standard parts are not listed in the product parts catalog.  
Refer to the parts catalog of mechanical standard parts when checking the parts number for screw or washer etc. and identify them by part shape or size.

#### 機械標準部品とは

機械標準部品とは、製品特有の部品ではなく、ねじやワッシャなどキヤノン製品共通で使用されている機械部品（メカ部品）のことです。  
製品のパーツカタログには、機械標準部品のFig No.や部品番号は記載していません。  
ねじや、ワッシャ等の部品番号を調べるときは、機械標準部品のパーツカタログを参照し、部品の形状や大きさから判断し、使用している部品を調べてください。

#### Material and surface treatment of a mechanical standard parts

Material and surface treatment of mechanical standard parts are assigned commonly for each part.  
Refer to the Table 1 for the parts which material and surface treatment are assigned as numbers.

#### 機械標準部品の材料および表面処理

機械標準部品の材料および表面処理については、各種部品共通で決められています。  
材料および表面処理が番号で決められている部品については、表1を参照してください。

Table 1 Material and Surface treatment  
表1 材料および表面処理

No. 番号	Material 材料	Surface treatment 表面処理	Color 色
1	Stainless steel ステンレス	Stainless steel black coloring (BC4) ステンレス黒着色(BC4)	Black 黒
2		not to be given なし	White 白
3	Brass 黄銅	Regular nickel plating (NL) 普通ニッケルメッキ(NL)	White 白
4		Black nickel plating (BN) 黒色ニッケルメッキ(BN)	Black 黒
5	Steel 鋼	White zinc trivalent chromate treating (ZC3) 白色亜鉛3価クロメート(ZC3)	White 白
6		Regular nickel chromium plating (NC) 普通ニッケルクロムメッキ(NC)	White 白
7		Regular nickel plating (NL) 普通ニッケルメッキ(NL)	White 白
8		Iron and steel phosphating (P1) 鉄鋼燐酸塩処理(P1)	Black 黒
9		Black zinc trivalent chromate treating (BZ3) 黒色亜鉛3価クロメート(BZ3)	Black 黒

Figure ZZB (1/7)MECHANICAL STANDARD PARTS (SCREWS)

1. Screws  
ねじ

How to read Parts Numbers  
部品番号の見方

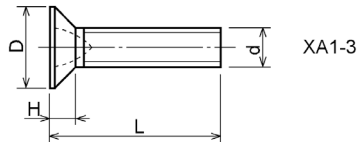
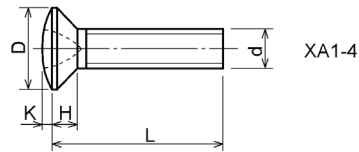
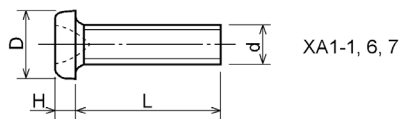
Screws  
ねじ

XB1-2400-609

Type No.  
類別番号  
Normal designation (d)  
ねじの呼び (d)  
Length (L)  
ねじの長さ (L)  
Material and Surface treatment  
材料および表面処理

XB1-2 expresses Binding head machine screw.  
XB1-2は、バインドねじを表す  
40 expresses M4.0.  
40は、M4.0を表す  
0-60 expresses a length of 6.0mm.  
0-60は、6.0mmの長さを表す  
9 expresses Steel (Black zinc trivalent chromate  
treating) from Table 1.  
9は、表1より鋼 (黒色亜鉛3価クロメート) を表す

1-1. Cross Recessed Head Screws for Precision Equipments  
精密機器用十字穴付き小ねじ

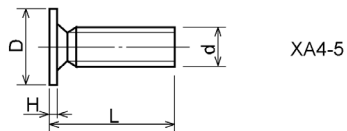
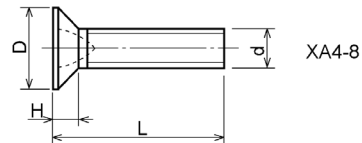
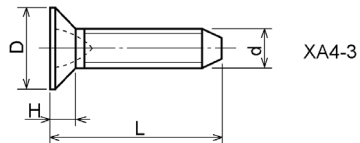
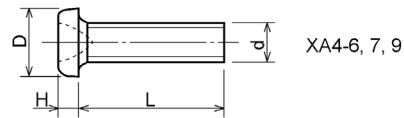
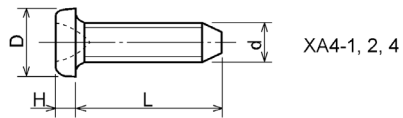


Type No. 類別番号	Type 類別
XA1-1	Pan head Class 1 なべ1種
XA1-3	Countersunk head Class 1 さら1種
XA1-4	Oval countersunk head Class 1 丸さら1種
XA1-6	Pan head Class 3 なべ3種
XA1-7	Pan head Class 2 なべ2種

		Head size (mm) 頭部寸法 (mm)					
		M1.4	M1.6	M1.7	M2	M2.5	M2.6
D	XA1-1	2	2.4	2.5	3	3.8	4
H	XA1-1	0.5	0.55	0.5	0.6	0.9	0.8
D	XA1-3	2	2.4	2.5	3	3.8	4
H	XA1-3	0.48	0.55	0.58	0.73	0.85	0.93
D	XA1-4	2	2.4	2.5	3	3.8	4
H + K	XA1-4	0.68	0.8	0.88	1	1.25	1.3
D	XA1-6	2.5	2.8	3	3.5	4.3	4.5
H	XA1-6	0.8	0.85	0.9	1	1.3	1.2
D	XA1-7	2.5	2.8	3	3.5	4.3	4.5
H	XA1-7	0.5	0.55	0.5	0.6	0.9	0.8

Figure ZZB (2/7) MECHANICAL STANDARD PARTS (SCREWS)

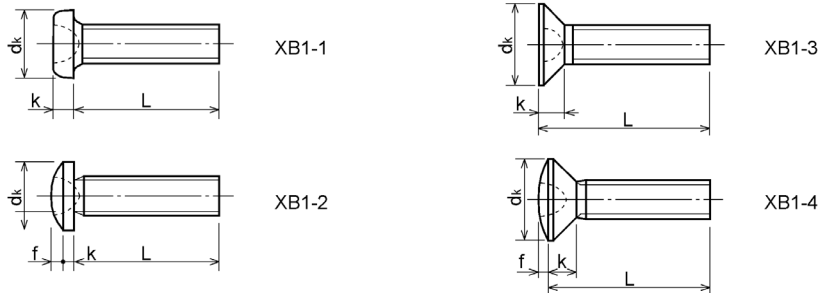
1-2. Precision Tapping Screws  
精密用タッピンねじ



Type No. 類別番号	Type 類別	Head size (mm) 頭部寸法 (mm)						
		M1.4	M1.6	M1.7	M2	M2.5	M2.6	
XA4-1	With tapered end pan head Class 1 絞り-なべ1種	D XA4-1	2	2.4	2.5	3	3.8	4
		H XA4-1	0.5	0.55	0.5	0.6	0.9	0.8
XA4-2	With tapered end pan head Class 3 絞り-なべ3種	D XA4-2	2.5	2.8	3	3.5	4.3	4.5
		H XA4-2	0.8	0.85	0.9	1	1.3	1.2
XA4-3	With tapered end countersunk head 絞り-さら	D XA4-3	2	2.4	2.5	3	3.8	4
		H XA4-3	0.48	0.55	0.58	0.73	0.85	0.93
XA4-4	With tapered end pan head Class 2 絞り-なべ2種	D XA4-4	2.5	2.8	3	3.5	4.3	4.5
		H XA4-4	0.5	0.55	0.5	0.6	0.9	0.8
XA4-5	With parallel end ultra thin head ストレート-超薄頭	D XA4-5	2.5	2.8	3	-	-	-
		H XA4-5	0.2	0.2	0.2	-	-	-
XA4-6	With parallel end pan head Class 1 ストレート-なべ1種	D XA4-6	2	2.4	2.5	3	3.8	4
		H XA4-6	0.5	0.55	0.5	0.6	0.9	0.8
XA4-7	With parallel end pan head Class 3 ストレート-なべ3種	D XA4-7	2.5	2.8	3	3.5	4.3	4.5
		H XA4-7	0.8	0.85	0.9	1	1.3	1.2
XA4-8	With parallel end countersunk head ストレート-さら	D XA4-8	2	2.4	2.5	3	3.8	4
		H XA4-8	0.48	0.55	0.58	0.73	0.85	0.93
XA4-9	With parallel end pan head Class 2 ストレート-なべ2種	D XA4-9	2.5	2.8	3	3.5	4.3	4.5
		H XA4-9	0.5	0.55	0.5	0.6	0.9	0.8

Figure ZZB (3/7) MECHANICAL STANDARD PARTS (SCREWS)

1-3. Cross Recessed Head Screws  
一般用十字穴付き小ねじ

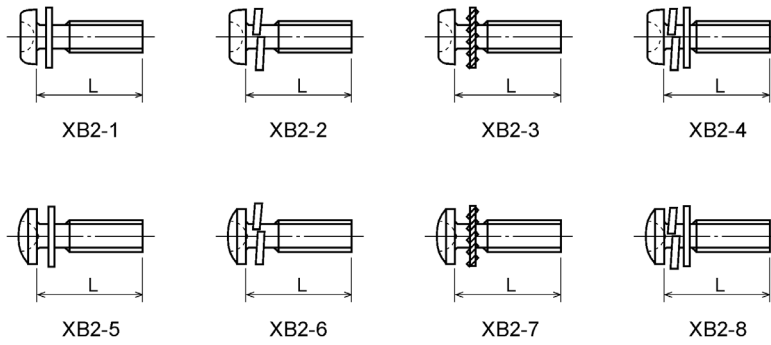


Type No. 類別番号	Type 類別
XB1-1	Pan head なべ
XB1-2	Binding head バインド
XB1-3	Countersunk head さら
XB1-4	Oval countersunk head 丸さら

		Head size (mm) 頭部寸法 (mm)					
		M2	M2.5	M2.6	M3	M4	M5
dk	XB1-1	3.5	4.5	4.5	5.5	7	9
k	XB1-1	1.3	1.7	1.7	2	2.6	3.3
dk	XB1-2	4.3	5.3	5.5	6.3	8.3	10.3
k+f	XB1-2	1.2	1.5	1.6	1.9	2.5	3.1
dk	XB1-3	4	5	-	6	8	10
k	XB1-3	1.2	1.45	-	1.75	2.3	2.8
dk	XB1-4	4	5	-	6	8	10
k+f	XB1-4	1.6	2	-	2.45	3.2	4
Screw part length ねじ部長さ b		8	12	12	12	16	20

Figure ZZB (4/7) MECHANICAL STANDARD PARTS (SCREWS)

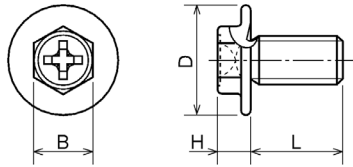
1-4. Cross Recessed Head Screws with Captive Washer  
座金組み込み十字穴付き小ねじ



Type No. 類別番号	Type 類別
XB2-1	Pan head + Plain washer (circular bright) なべねじ+平座金
XB2-2	Pan head + Spring washer なべねじ+ばね座金
XB2-3	Pan head + Toothed lock washer なべねじ+歯付座金
XB2-4	Pan head + Spring washer and plain washer (circular bright) なべねじ+(ばね+平)座金
XB2-5	Binding head + Plain washer (circular bright) バインドねじ+平座金
XB2-6	Binding head + Spring washer バインドねじ+ばね座金
XB2-7	Binding head + Toothed lock washer バインドねじ+歯付座金
XB2-8	Binding head + Spring washer and plain washer (circular bright) バインドねじ+(ばね+平)座金

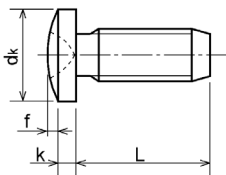
Figure ZZB (5/7) MECHANICAL STANDARD PARTS (SCREWS)

1-5. Hexagon Head Tapping Screws for Matallic Materials  
 金属用六角タッピンねじ



Type No. 類別番号	Type 類別	Head size (mm) 頭部寸法 (mm)		
		M3	M4	
XB3-6	For metallic materials 金属用タッピン	D	8	10
		B	5.5	5.5
XB3-7	For metallic materials with clawed 金属用タッピン-つめ付き	H XB3-6	3.1	3.1
		H XB3-7	3.2	3.2

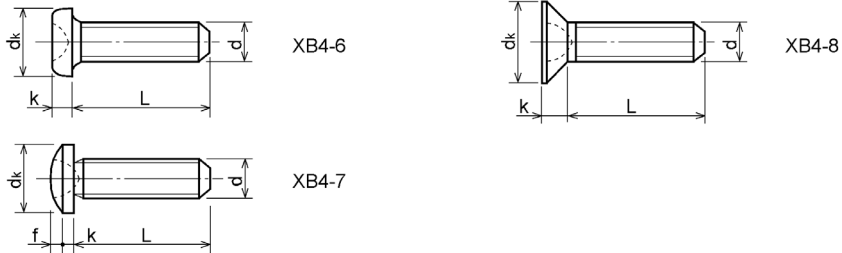
1-6. Special Tapping Screws  
 特殊タッピンねじ



Type No. 類別番号	Type 類別	Head size (mm) 頭部寸法 (mm)		
		M3	M4	
XB4-5	Binding head バインド	dk	6.3	8.3
		k	1.3	1.7
		k+f	1.9	2.5

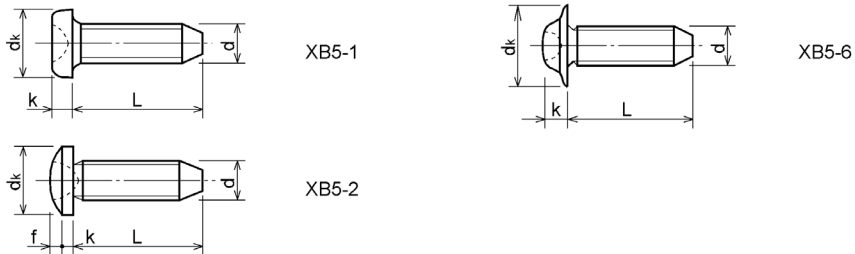
Figure ZZB (6/7) MECHANICAL STANDARD PARTS (SCREWS)

1-7. General Head Tapping Screws  
一般用タッピンねじ



Type No. 類別番号	Type 類別	Head size (mm) 頭部寸法 (mm)						
		M2	M2.5	M2.6	M3	M4	M5	
XB4-6	Pan head なべ	dk	3.5	4.5	4.5	5.5	7	9
		k	1.3	1.7	1.7	2	2.6	3.3
XB4-7	Binding head バインド	dk	4.3	5.3	5.5	6.3	8.3	10.3
		k+f	1.2	1.5	1.6	1.9	2.5	3.1
XB4-8	Countersunk head さら	dk	4	5	5.2	6	8	10
		k	1.2	1.45	1.5	1.75	2.3	2.8

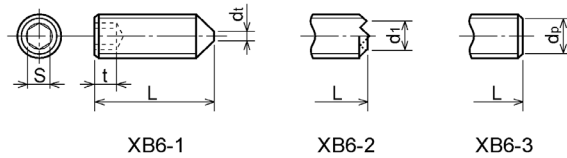
1-8. Tapping Screws for Metallic Materials  
金属用タッピンねじ



Type No. 類別番号	Type 類別	Head size (mm) 頭部寸法 (mm)					
		M2.5	M2.6	M3	M4	M5	
XB5-1	Pan head なべ	dk	4.5	4.5	5.5	7	9
		k	1.7	1.7	2	2.6	3.3
XB5-2	Binding head バインド	dk	5.5	5.5	6.3	8.3	10.3
		k+f	1.6	1.6	1.9	2.5	3.1
XB5-6	Flanged pan head つば付きなべ	dk	6.5	6.5	8	10	12
		k	2.1	2.1	1.75	3.2	4

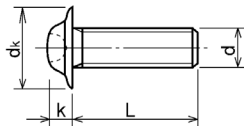
Figure ZZB (7/7) MECHANICAL STANDARD PARTS (SCREWS)

1-9. Hexagon Socket Set Screws  
六角穴付き止めねじ



Type No. 類別番号	Type 類別	Head size (mm) 頭部寸法 (mm)						
		M1.6 M1.7	M2	M2.5 M2.6	M3	M5	M5	M6
S		0.7	0.9	1.3	1.5	2	2.5	3
t		1.5	1.7	2	2	2.5	3	3.5
dt max XB6-1		0.4	0.5	0.65	0.75	1	1.25	1.5
d1 max XB6-2		-	1.2	1.5	1.7	2.2	2.8	3.3
d1 min XB6-2		-	1	1.2	1.4	1.9	2.4	2.9
dp max XB6-3		0.8	1	1.5	2	2.5	3.5	4
dp min XB6-3		0.55	0.75	1.25	1.75	2.25	3.2	3.7

1-10. Flanged Pan Head Machine Screws  
つば付きなべ小ねじ



Type No. 類別番号	Type 類別	Head size (mm) 頭部寸法 (mm)				
		M2	M2.5 M2.6	M3	M5	M5
dk		5	6.5	8	10	12
k		1.7	2.1	2.5	3.2	4

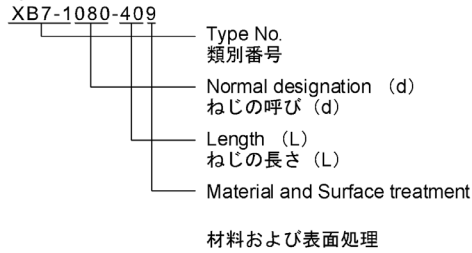


Figure ZZC MECHANICAL STANDARD PARTS (BOLTS)

2. Bolts (Socket head cap screw)  
ボルト

How to read Parts Numbers  
部品番号の見方

Bolt (Socket head cap screw)  
ボルト



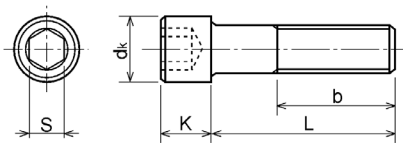
XB7-1 expresses Hexagon socket head cap screws.  
XB7-1は、六角穴付きボルトを表す

080 expresses M8.0.  
080は、M8.0を表す

40 expresses a length of 40mm.  
40は、40mmの長さを表す

9 expresses Steel (Black zinc trivalent chromate treating) from Table 1.  
9は、表1より鋼（黒色亜鉛3価クロメート）を表す

2-1. Hexagon socket head cap screws  
六角穴付きボルト

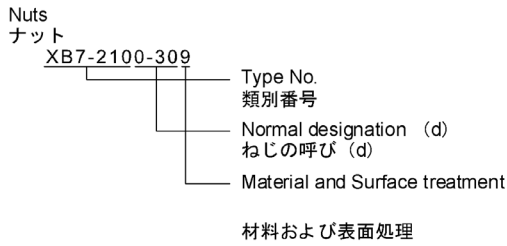


Type No. 類別番号	Type 類別	Head size (mm) 頭部寸法 (mm)						
		M3	M4	M5	M6	M8	M10	M12
S		2.5	3	4	5	6	8	10
dk		5.5	7	8.5	10	13	16	18
K		3	4	5	6	8	10	12
Screw part length ねじ部長さ $b_{max}$		18	20	22	24	28	32	36

Figure ZZD MECHANICAL STANDARD PARTS (NUTS)

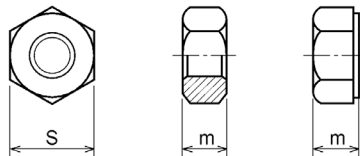
3. Nuts  
ナット

How to read Parts Numbers  
部品番号の見方



XB7-210 expresses Hexagon nut class 1.  
XB7-210は、六角ナット1種を表す  
0-30 expresses M3.0.  
0-30は、M3.0を表す  
9 expresses Steel (Black zinc trivalent chromate  
treating) from Table 1.  
9は、表1より鋼（黒色亜鉛3価クロメート）を表す

3-1. Hexagon Nuts and Hexagon Thin Nuts  
六角ナット



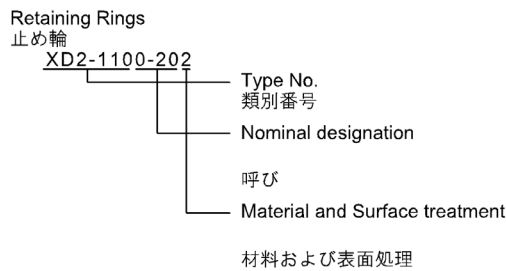
Type No. 類別番号	Type 類別
XB7-210	Hexagon nut Class 1 六角ナット-1種
XB7-220	Hexagon nut Class 3 六角ナット-3種
XB7-230	Hexagon nut Style 1 double chamfered 六角ナット-スタイル1-両面とり
XB7-231	Hexagon nut Style 1 washer faced 六角ナット-スタイル1-座付き
XB7-240	Hexagon nut Style 2 double chamfered 六角ナット-スタイル2-両面とり
XB7-241	Hexagon nut Style 2 washer faced 六角ナット-スタイル2-座付き
XB7-250	Hexagon nut 六角ナット
XB7-260	Hexagon thin nut double chamfered 六角低ナット-両面とり
XB7-270	Hexagon thin nut not chamfered 六角低ナット-面とり無し

	Head size (mm) 頭部寸法 (mm)						
	M2	M2.5	M3	M4	M5	M6	M8
S	4	5	5.5	7	8	10	13
m XB7-210	1.6	2	2.4	3.2	4	5	6.5
m XB7-220	1.2	1.6	1.8	2.4	3.2	3.6	5
m XB7-230, 231	1.6	2	2.4	3.2	4.7	5.2	6.8
m XB7-240, 241	-	-	-	-	5.1	5.7	7.5
m XB7-250	-	-	-	-	5.6	6.1	7.9
m XB7-260	1.2	1.6	1.8	2.2	2.7	3.2	4
m XB7-270	1.2	1.6	1.8	2.2	2.7	3.2	4

Figure ZZE (1/3)MECHANICAL STANDARD PARTS (RETAINING RINGS)

5. Retaining Rings  
止め輪

How to read Parts Numbers  
部品番号の見方

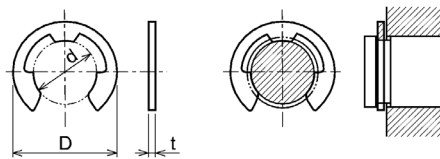


XD2-110 expresses retaining ring-E type (Type1).  
XD2-110は、E形止め輪（1種）を表す

0-20 expresses a 020 of nominal designation.  
(See Table 5)  
0-20は、呼び020を表す（表5参照）

2 expresses Stainless steel (Surface treatment is not to be given) from Table 1.  
2は、表1よりステンレス（表面処理なし）を表す

5-1. Retaining Rings - E type  
E形止め輪



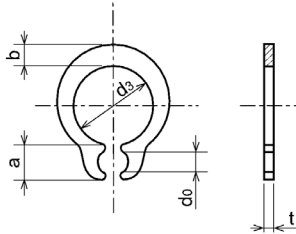
Type No. 類別番号	Type 類別
XD2-110	Retaining ring - E type (Type 1) E形止め輪（1種）
XD2-120	Retaining ring - E type (Type 2) E形止め輪（2種）

Table 5 表5

Type 種類	Nominal designation 呼び	d (mm)	D (mm)	t (mm)
Type 1 1種	007	0.65	2	0.2
	010	0.95	2.8	0.2
	013	1.25	3.3	0.3
	017	1.65	4.2	0.4
	020	1.95	4.6	0.5
	024	2.35	6	0.6
	028	2.74	6.5	0.6
	032	3.14	7.2	0.6
	037	3.64	8	0.7
	040	3.93	10	0.7
	042	4.13	10	0.7
	050	4.93	11	0.7
	058	5.73	12	0.7
	060	5.93	12.7	0.9
064	6.32	13.5	0.9	
074	7.31	15	0.9	
080	7.91	16.5	1	
Type 2 2種	008	0.8	2	0.2
	012	1.2	3	0.3
	015	1.5	4	0.4
	020	2	5	0.4
	025	2.5	6	0.4
	030	3	7	0.6
	040	4	9	0.6
	050	5	11	0.6
	060	6	12	0.8
	070	7	14	0.8
	080	8	16	0.8
	090	9	18	0.8
100	10	20	1	

Figure ZZE (2/3)MECHANICAL STANDARD PARTS (RETAINING RINGS)

5-2. Grip Rings  
グリップ止め輪

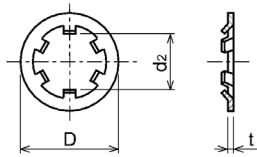


Type No. 類別番号	Type 類別
XD2-210	Grip ring グリップ止め輪

Table 5 表5

Nominal designation 呼び	d <sub>3</sub> (mm)	t (mm)	b (mm)	a (mm)	d <sub>0</sub> (mm)
020	1.9	0.5	1	1.8	0.8
025	2.35	0.5	1.2	1.9	0.9
030	2.85	0.6	1.4	1.9	0.9
035	3.3	0.6	1.6	2	0.9
040	3.8	0.8	1.8	2.8	1.2
045	4.25	0.8	2	2.9	1.3
050	4.75	0.8	2.2	2.9	1.3
060	5.7	1	2.4	3.1	1.4
070	6.7	1	2.7	3.3	1.4
080	7.7	1	3	3.5	1.4
090	8.65	1.2	3.3	4.7	1.5
100	9.65	1.2	3.5	4.7	2

5-3. Toothed Retaining Rings  
歯付き形止め輪



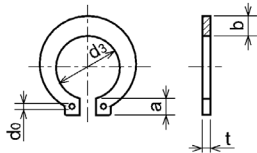
Type No. 類別番号	Type 類別
XD2-230	Toothed retaining ring 歯付き形止め輪

Table 5 表5

Nominal designation 呼び	d <sub>2</sub> (mm)	D (mm)	t (mm)	No of teeth 歯数
015	1.4	5.2	0.25	3
020	1.9	6	0.25	3
024	2.3	6.4	0.25	3
030	2.8	8	0.25	4
040	3.8	9	0.25	4
050	4.8	10	0.25	5
060	5.8	11	0.25	5
080	7.8	13	0.25	5
100	9.8	15.4	0.25	6

Figure ZZE (3/3)MECHANICAL STANDARD PARTS (RETAINING RINGS)

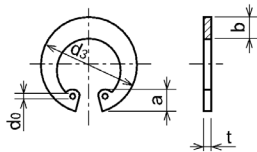
5-4. Retaining Rings - C Type  
C形止め輪



Type No. 類別番号	Type 類別
XD2-310	Retaining ring - C type for shaft C形止め輪 軸用

Table 5 表5

Nominal designation 呼び	ds (mm)	t (mm)	b (mm)	a (mm)	do (mm)
010	9.3	1	1.6	3	1.2
012	11.1	1	1.8	3.2	1.5
014	12.9	1	2	3.4	1.7
015	13.8	1	2.1	3.5	1.7
016	14.7	1	2.2	3.6	1.7
017	15.7	1	2.2	3.7	1.7
018	16.5	1.2	2.6	3.8	1.7
020	18.5	1.2	2.7	3.9	2
022	20.5	1.2	2.7	4.1	2
025	23.2	1.2	3.1	4.3	2
028	25.9	1.5	3.1	4.6	2
030	27.9	1.5	3.5	4.8	2
032	29.6	1.5	3.5	5	2.5
035	32.2	1.5	4	5.4	2.5



Type No. 類別番号	Type 類別
XD2-320	Retaining ring - C type for hole C形止め輪 穴用

Table 5 表5

Nominal designation 呼び	ds (mm)	t (mm)	b (mm)	a (mm)	do (mm)
010	10.7	1	1.8	3.1	1.2
011	11.8	1	1.8	3.2	1.2
012	13	1	1.8	3.3	1.5
014	15.1	1	2	3.6	1.7
016	17.3	1	2	3.7	1.7
018	19.5	1	2.5	4	1.7
019	20.5	1	2.5	4	2
020	21.5	1	2.5	4	2
022	23.5	1	2.5	4.1	2
025	26.9	1.2	3	4.4	2
028	30.1	1.2	3	4.6	2
030	32.1	1.2	3	4.7	2
032	34.4	1.2	3.5	5.2	2.5
035	37.8	1.5	3.5	5.2	2.5
037	39.8	1.5	3.5	5.2	2.5
040	43.5	1.8	4	5.7	2.5
042	45.5	1.8	4	5.8	2.5
045	48.5	1.8	4.5	5.9	2.5
047	50.5	1.8	4.5	6.1	2.5
050	54.2	2	4.5	6.5	2.5
052	56.2	2	5.1	6.5	2.5
055	59.2	2	5.1	6.5	2.5
060	64.2	2	5.1	6.8	2.5
062	66.2	2	5.5	6.9	2.5
068	72.5	2.5	6	7.4	2.5
072	76.5	2.5	6.6	7.4	2.5
075	79.5	2.5	6.6	7.8	2.5
080	85.5	2.5	7	8	2.5
085	90.5	3	7	8	3
090	95.5	3	7.6	8.3	3
095	100.5	3	8	8.5	3