

imageRUNNER
ADVANCE
C356iF III
C256iF III

PARTS
CATALOG



Canon

July 10, 2019
Rev. 1

Index

SNL	Product Code No./Serial No.
A1A	ASSEMBLY LOCATION DIAGRAM (Single pass ADF+FAX)
A2	OPTION PARTS CATALOG LIST
001B	ACCESSORIES (120V)
001C	ACCESSORIES (230V)
100B	EXTERNAL COVERS, PANELS, ETC. (C356iF)
100C	EXTERNAL COVERS, PANELS, ETC. (C256iF)
101B	DOOR ASSEMBLY, FRONT
102	DOOR ASSEMBLY, RIGHT
103B	INTERNAL COMPONENTS 1
104	INTERNAL COMPONENTS 2
105A	INTERNAL COMPONENTS 3 (Single pass ADF)
106	INTERNAL COMPONENTS 4
107B	INTERNAL COMPONENTS 5 (120V)
107C	INTERNAL COMPONENTS 5 (230V)
108B	MACHINE REAR PLATE 1 (120V)
108C	MACHINE REAR PLATE 1 (230V)
109B	MACHINE REAR PLATE 2 (Single pass ADF)
130B	CONTROL PANEL ASSEMBLY (US, CA, LTN, AU, SG, HK, IN)
190	CARTRIDGE AIR INTAKE FAN ASS'Y
191	DELIVERY COOLING FAN ASSEMBLY
192	POWER SUPPLY FAN ASSEMBLY
250	MAIN DRIVE ASSEMBLY
260	PAPER PICK-UP DRIVE ASSEMBLY
270	BOTTLE DRIVE ASSEMBLY
280	FIXING DRIVE ASSEMBLY
290	PICK-UP LIFTER DRIVE ASS'Y
300B	CASSETTE
310	RESIST/PAPER PICK-UP ASS'Y
330B	MULTI FEED TRAY ASSEMBLY
331	MULTI FEED PAPER PICK-UP ASS'Y
332	DUPLEXING GUIDE ASSEMBLY
350	PAPER DELIVERY/REVERSE ASS'Y
460	LASER SCANNER ASSEMBLY
530	INTER. TRANSFER BELT ASS'Y
621	BOTTLE MOUNT ASSEMBLY
622	HOPPER ASSEMBLY
771	INTERNAL COVER ASSEMBLY
772	CONTAINER, WASTE TONER, WT-201
810B	FIXING ASSEMBLY, FX-201 (120V)

Index

810C	FIXING ASSEMBLY, FX-201 (230V)
900A	CONTROLLER BOX ASSEMBLY (C356i, C356F, C356iF)
900C	CONTROLLER BOX ASSEMBLY (C256, C256i, C256iF)
910A	POWER SUPPLY ASSEMBLY (100V, 120V)
910B	POWER SUPPLY ASSEMBLY (230V)
930	DC CONTROLLER PCB ASSEMBLY
B01	ADF MAINTENANCE KIT (Single pass ADF)
B10B	READER/ADF ASSEMBLY (Single pass ADF)
B11	AUTO DOCUMENT FEEDER ASS'Y SET (Single pass ADF)
B12	PAPER PICK-UP COVER ASS'Y (Single pass ADF)
D10B	READER ASSEMBLY (Single pass ADF)
T20B	FAX ASSEMBLY (FAX model)
T21	SPEAKER (FAX model)
ZZA	MECHANICAL STANDARD PARTS (HOW TO USE)
ZZB	MECHANICAL STANDARD PARTS (SCREWS)
ZZC	MECHANICAL STANDARD PARTS (BOLTS)
ZZD	MECHANICAL STANDARD PARTS (NUTS)
ZZE	MECHANICAL STANDARD PARTS (RETAINING RINGS)

Figure SNL (1/2) Product Code No. /Serial No.

	Product Code No.	Model Name	Remarks	Serial No.
1	F17-7631-000	imageRUNNER ADVANCE C356iF III	120V US, CA, LTN Single pass ADF, READER, FAX	2QC
2	F17-7633-000	imageRUNNER ADVANCE C356iF III	120V US, LTN GOVERNMENT, Single pass ADF, READER, FAX	2NH
3	F17-7681-000	imageRUNNER ADVANCE C356iF III	230V LTN Single pass ADF, READER, FAX	2QE
4	F17-7634-000	imageRUNNER ADVANCE C256iF III	120V US, CA, LTN Single pass ADF, READER, FAX	2MV
5	F17-7636-000	imageRUNNER ADVANCE C256iF III	120V US, LTN Single pass ADF, READER, FAX	28X
6	F17-7684-000	imageRUNNER ADVANCE C256iF III	230V LTN Single pass ADF, READER, FAX	2MW

Figure SNL (2/2) Product Code No. /Serial No.

	中オーダー	製品名	備考	シリアル No.
1	F17-7631-000	imageRUNNER ADVANCE C356iF III	120V US, CA, LTN ワンパス A D F、 リーダー、F A X	2QC
2	F17-7633-000	imageRUNNER ADVANCE C356iF III	120V US, LTN GOVERNMENT、 ワンパス A D F、 リーダー、F A X	2NH
3	F17-7681-000	imageRUNNER ADVANCE C356iF III	230V LTN ワンパス A D F、 リーダー、F A X	2QE
4	F17-7634-000	imageRUNNER ADVANCE C256iF III	120V US, CA, LTN ワンパス A D F、 リーダー、F A X	2MV
5	F17-7636-000	imageRUNNER ADVANCE C256iF III	120V US, LTN ワンパス A D F、 リーダー、F A X	28X
6	F17-7684-000	imageRUNNER ADVANCE C256iF III	230V LTN ワンパス A D F、 リーダー、F A X	2MW

FIGURE & KEY NO.	PART NUMBER	RANK	QTY	DESCRIPTION	SERIAL NUMBER /REMARKS
SNL	NPN		RF	Product Code No./Serial No.	
1	F17-7631-000		1	imageRUNNER ADVANCE C356iF III	2QC 120V US, CA, LTN Single pass ADF, READER, FAX
2	F17-7633-000		1	imageRUNNER ADVANCE C356iF III	2NH 120V US, LTN GOVERNMENT, Single pass ADF, READER, FAX
3	F17-7681-000		1	imageRUNNER ADVANCE C356iF III	2QE 230V LTN Single pass ADF, READER, FAX
4	F17-7634-000		1	imageRUNNER ADVANCE C256iF III	2MV 120V US, CA, LTN Single pass ADF, READER, FAX
5	F17-7636-000		1	imageRUNNER ADVANCE C256iF III	28X 120V US, LTN Single pass ADF, READER, FAX
6	F17-7684-000		1	imageRUNNER ADVANCE C256iF III	2MW 230V LTN Single pass ADF, READER, FAX

Figure A1A (1/5) ASSEMBLY LOCATION DIAGRAM (Single pass ADF+FAX)

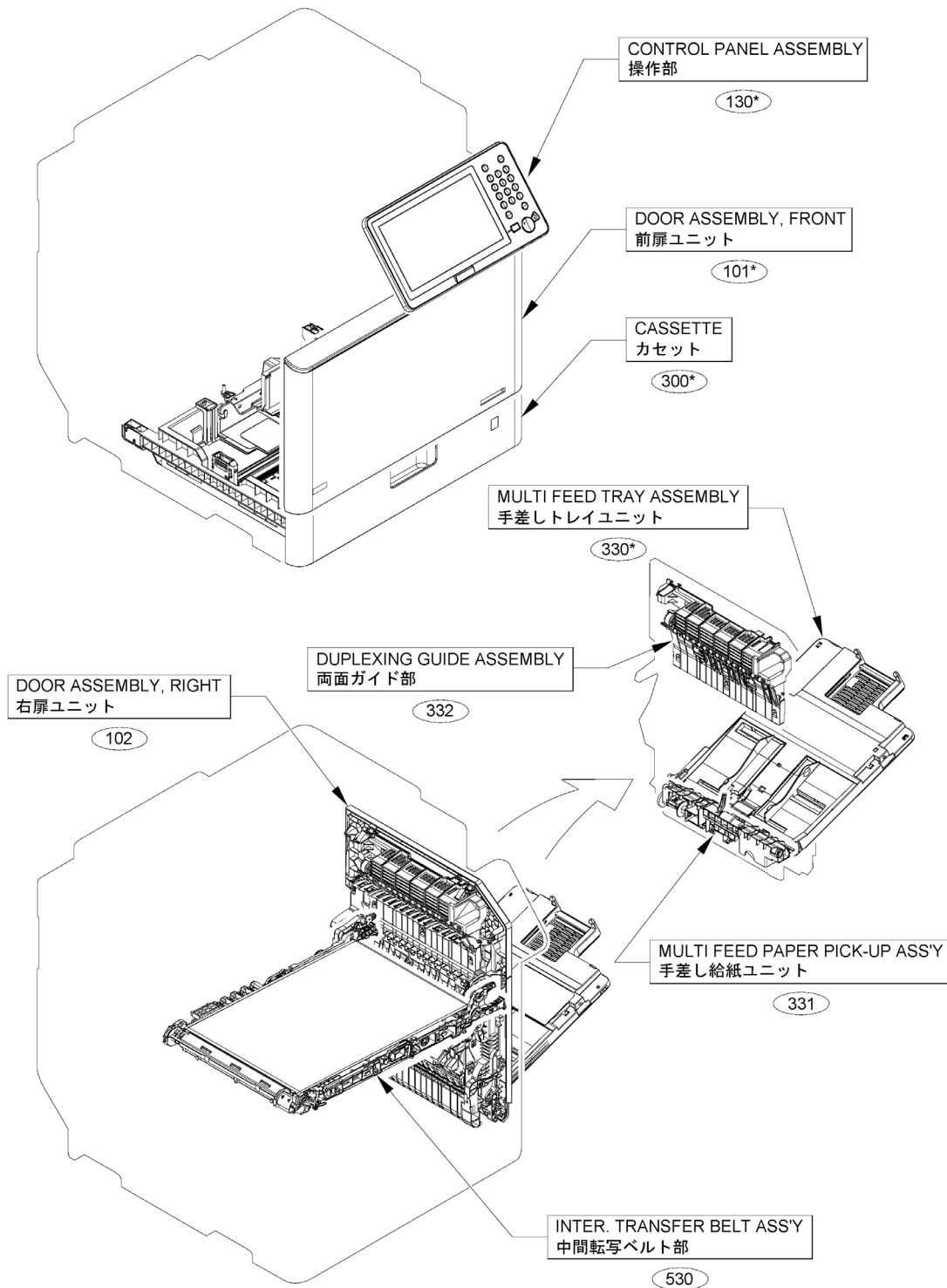


Figure A1A (2/5) ASSEMBLY LOCATION DIAGRAM (Single pass ADF+FAX)

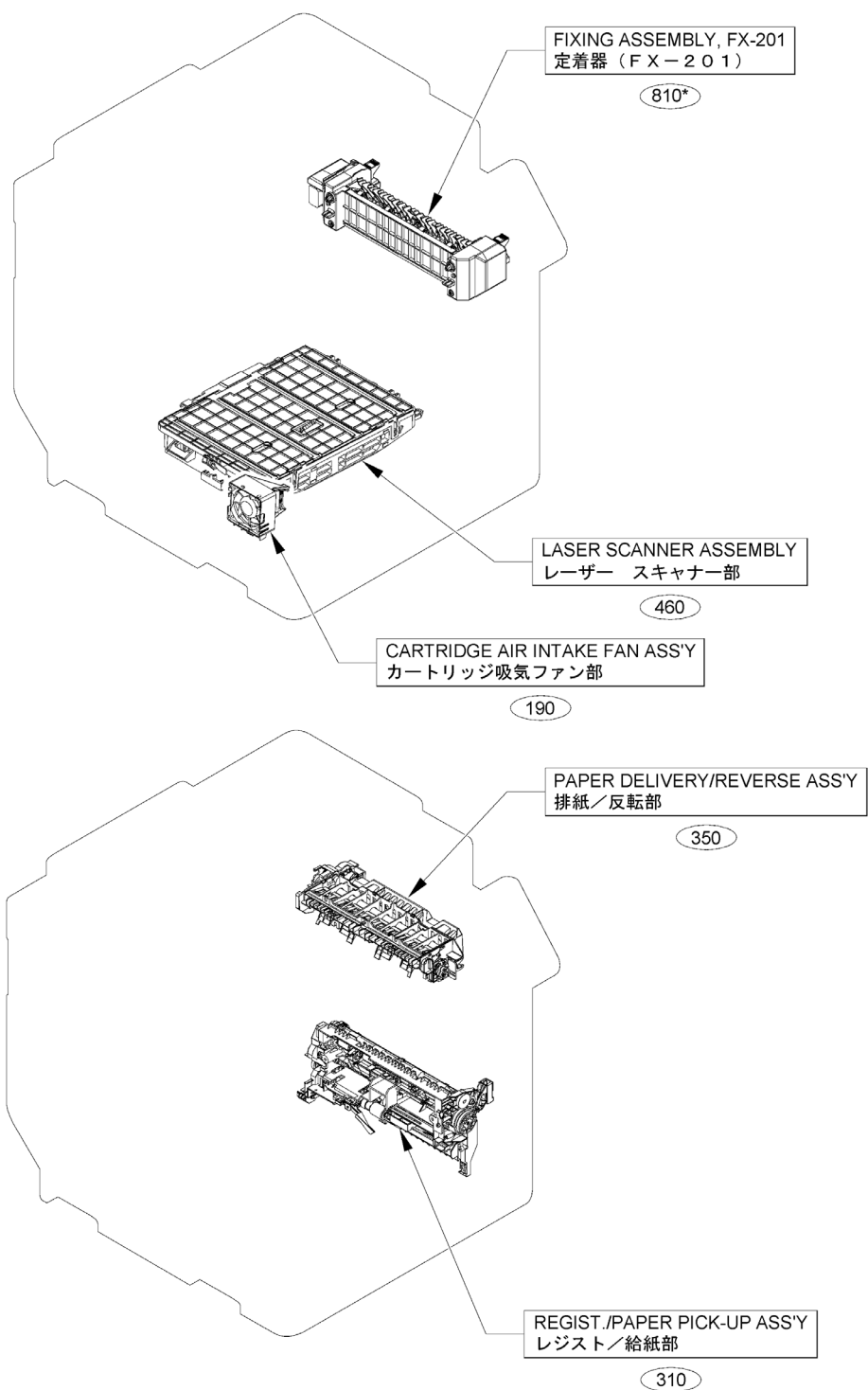


Figure A1A (3/5) ASSEMBLY LOCATION DIAGRAM (Single pass ADF+FAX)

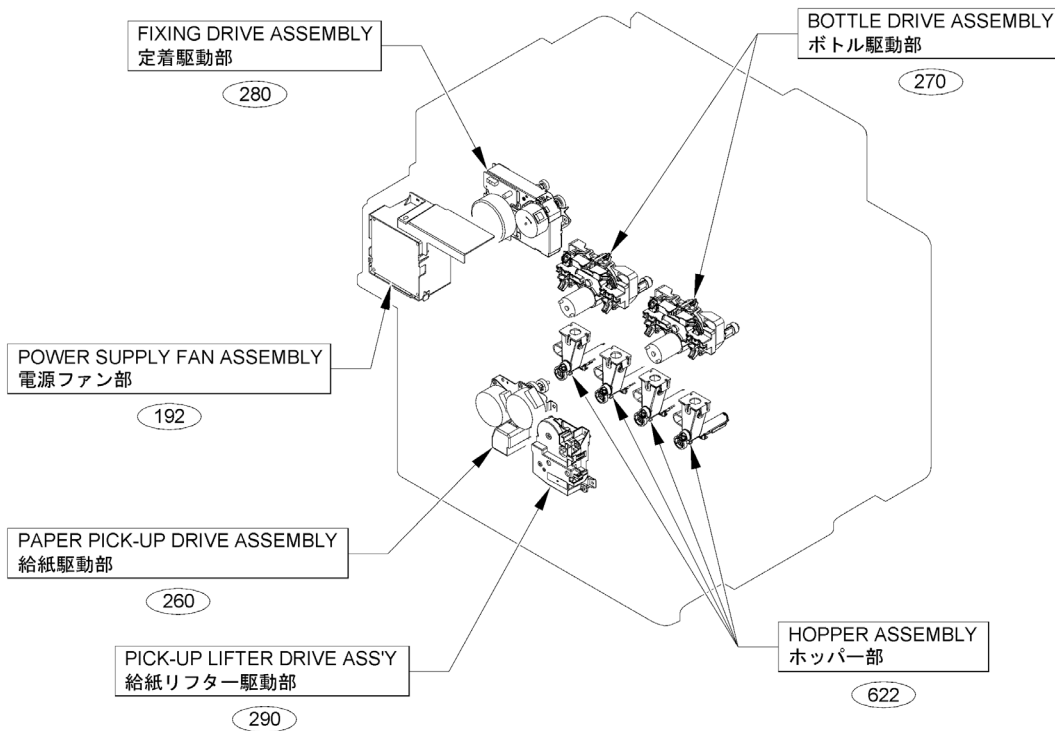
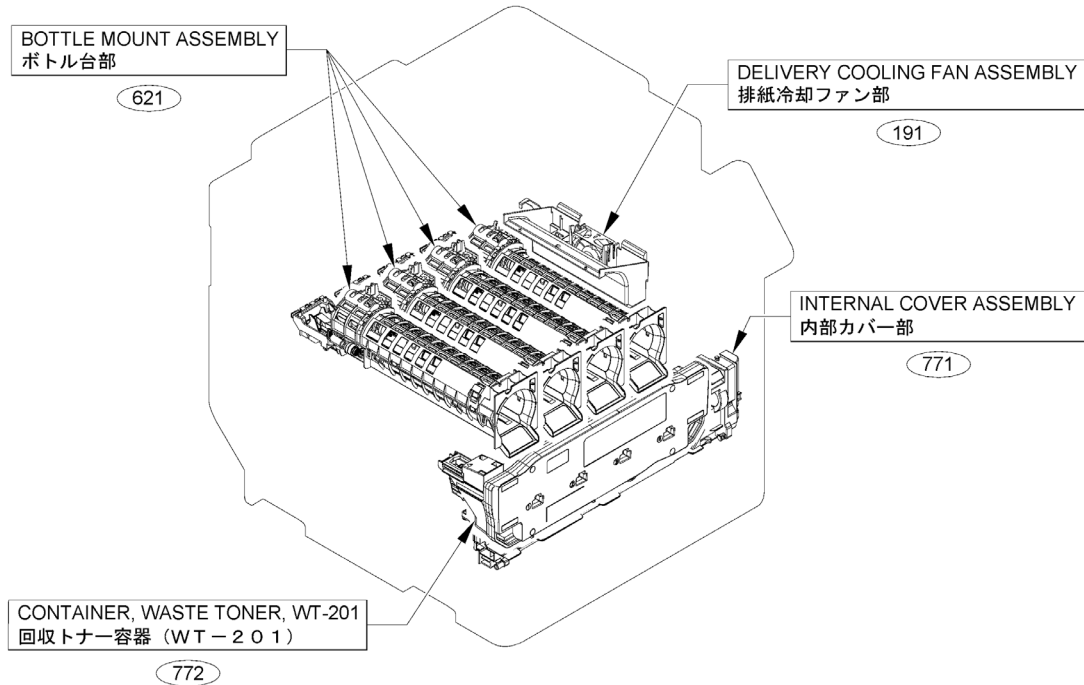


Figure A1A (4/5) ASSEMBLY LOCATION DIAGRAM (Single pass ADF+FAX)

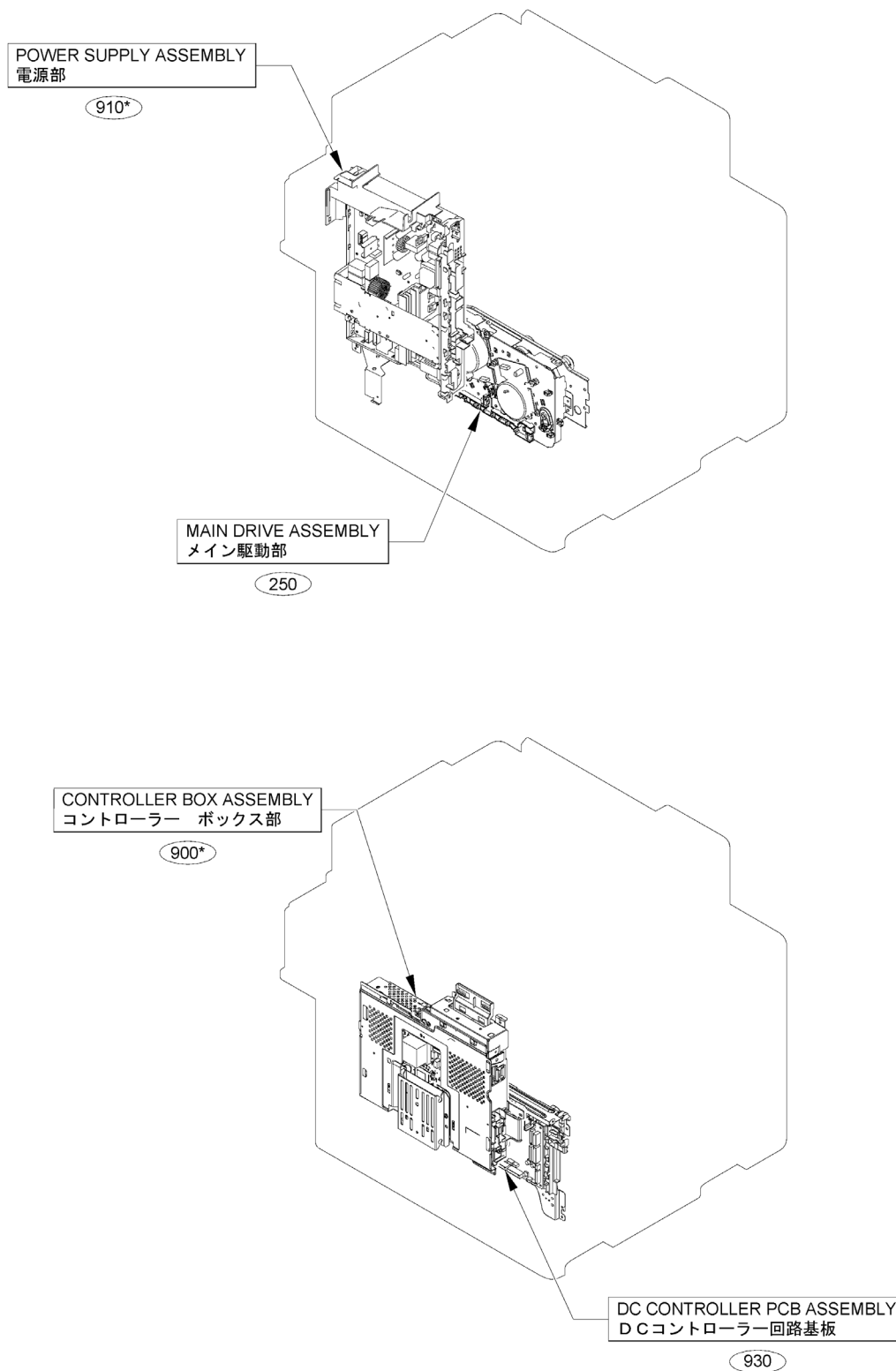


Figure A1A (5/5) ASSEMBLY LOCATION DIAGRAM (Single pass ADF+FAX)

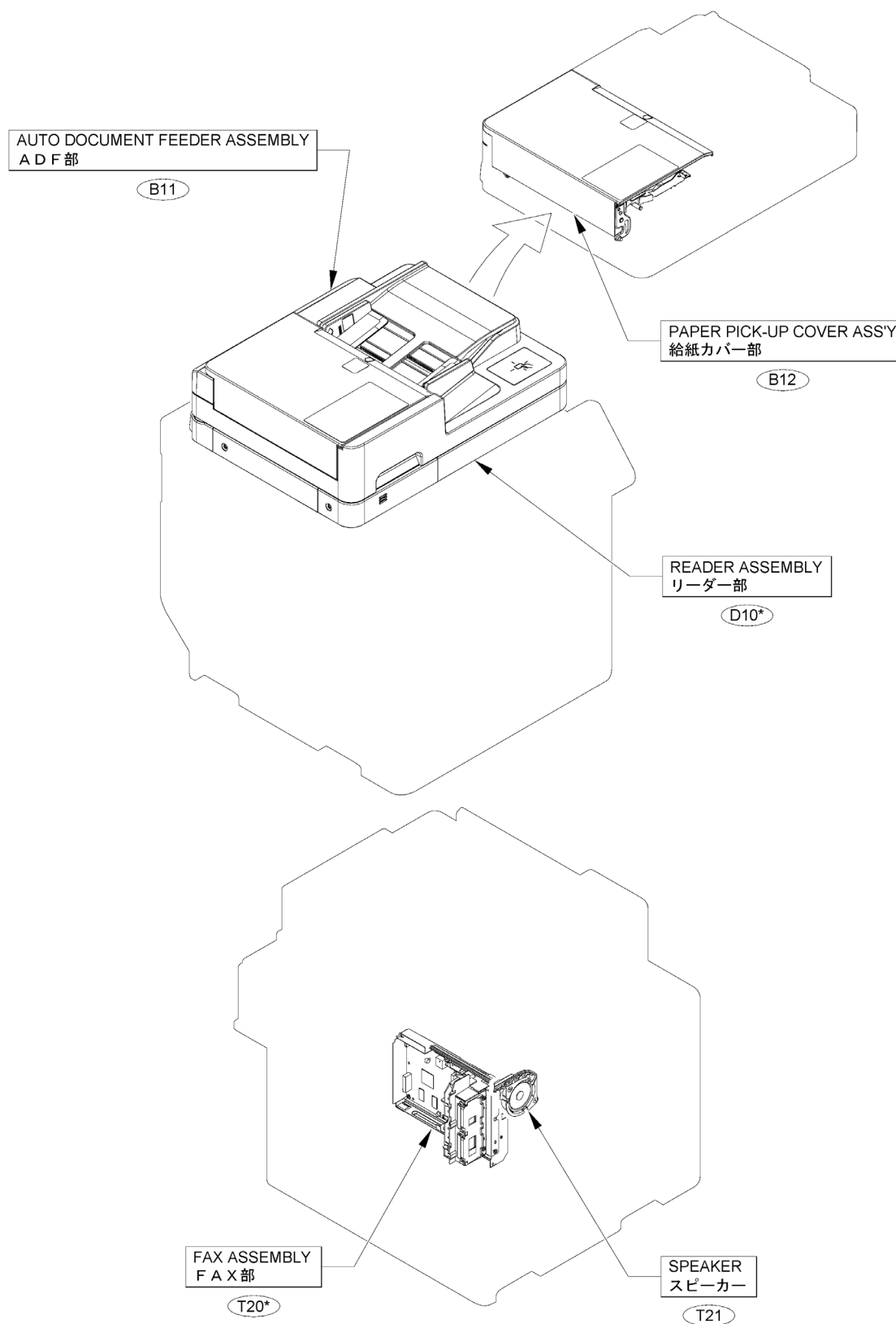


Figure A2 OPTION PARTS CATALOG LIST

This is the table of the machine's options whose parts catalog is issued.
 本機のオプションで、パーツカタログが発行されている機種の一覧である。

No.	Model Name(English)	Model Name(Japanese)
1	ADF Access Handle-A1	A D F アクセスハンドル・ A 1
2	NFC Kit-C1	N F C キット・ C 1
3	Cassette Module-AE1	1 段カセットユニット・ A E 1
4	Cassette Feeding Unit-AJ1/ Cassette Feeding Unit-AK1	1 段カセットペディスタル・ A J 1 / 3 段カセットペディスタル・ A K 1
5	FL Cassette-AV1	(日本仕向けなし)
6	Staple Finisher-Z1	(日本仕向けなし)
7	Cassette Heater Unit-39	(日本仕向けなし)
8	Copy Card Reader Attachment-B5	コピーカードリーダー取付けキット・ B 5
9	Super G3 FAX Board-AT1	(日本仕向けなし)
10	Super G3 2nd Line Fax Board-AT1	G 3 回線増設キット (2 回線) ・ A T 1
11	(JAPAN ONLY)	ハンドセット・ J 1
12	Serial Interface Kit-K3	シリアルインターフェースキット・ K 3
13	Copy Control Interface Kit-A1	コントロールインターフェースキット・ A 1
14	IC Card Reader Box-D1	I C カードリーダーボックス・ D 1
15	IC Card Reader Attachment-A1	I C カードリーダー取付けキット・ A 1
16	Copy Card Reader-F1	コピーカードリーダー・ F 1
17	Connection Kit-A1 for Bluetooth LE	拡張キット・ A 1 f o r B l u e t o o t h L E
18	(JAPAN ONLY)	イメージ解析ボード・ B 2

Figure 001B ACCESSORIES (120V)

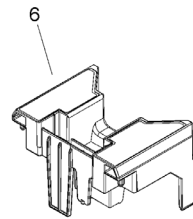
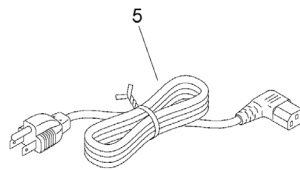
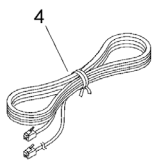
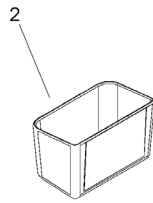
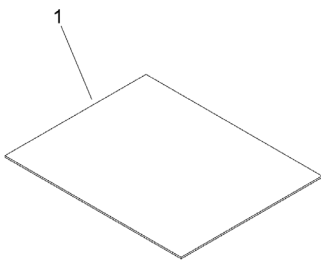


FIGURE & KEY NO.	PART NUMBER	RANK	QTY	DESCRIPTION	SERIAL NUMBER /REMARKS
001B	NPN		RF	ACCESSORIES	120V
1	FE2-A001-000		1	CLOTH, CLEANING	
2	FE3-9210-000		1	BOX, CLEANING CLOTH STOCK	
3	FE3-4465-000		1	TAPE, DUPLEXING	
4	FK2-5275-000		1	CORD, MODULAR	
5	FK4-5598-000		1	CORD, POWER	
6	FL1-6978-000		1	GUIDE, ENVELOPE FEED	

Figure 001C ACCESSORIES (230V)

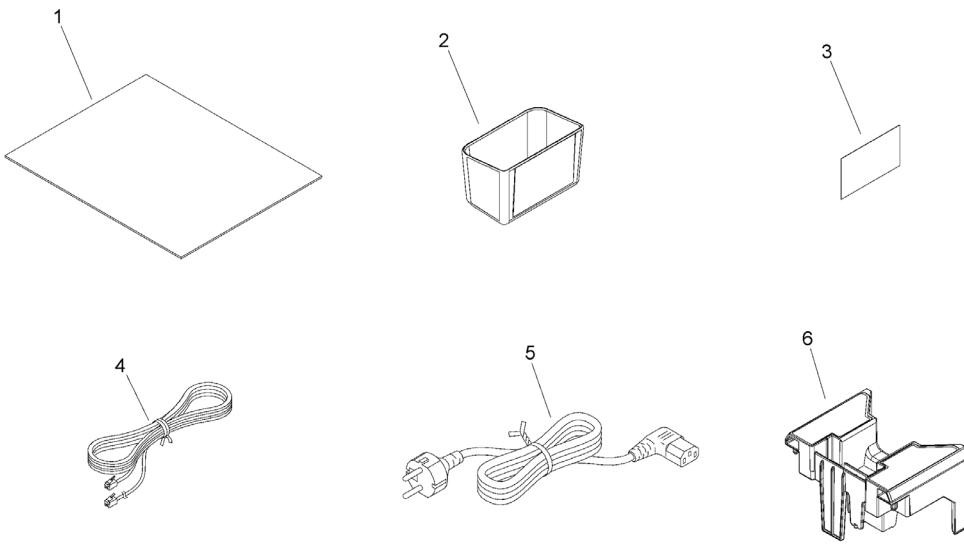


FIGURE & KEY NO.	PART NUMBER	RANK	QTY	DESCRIPTION	SERIAL NUMBER /REMARKS
001C	NPN		RF	ACCESSORIES	230V
1	FE2-A001-000		1	CLOTH, CLEANING	
2	FE3-9210-000		1	BOX, CLEANING CLOTH STOCK	
3	FE3-4465-000		1	TAPE, DUPLEXING	
4	FK2-5275-000		1	CORD, MODULAR	
5	FK4-3860-000		1	CORD, POWER	
6	FL1-6978-000		1	GUIDE, ENVELOPE FEED	

Figure 100B EXTERNAL COVERS, PANELS, ETC. (C356iF)

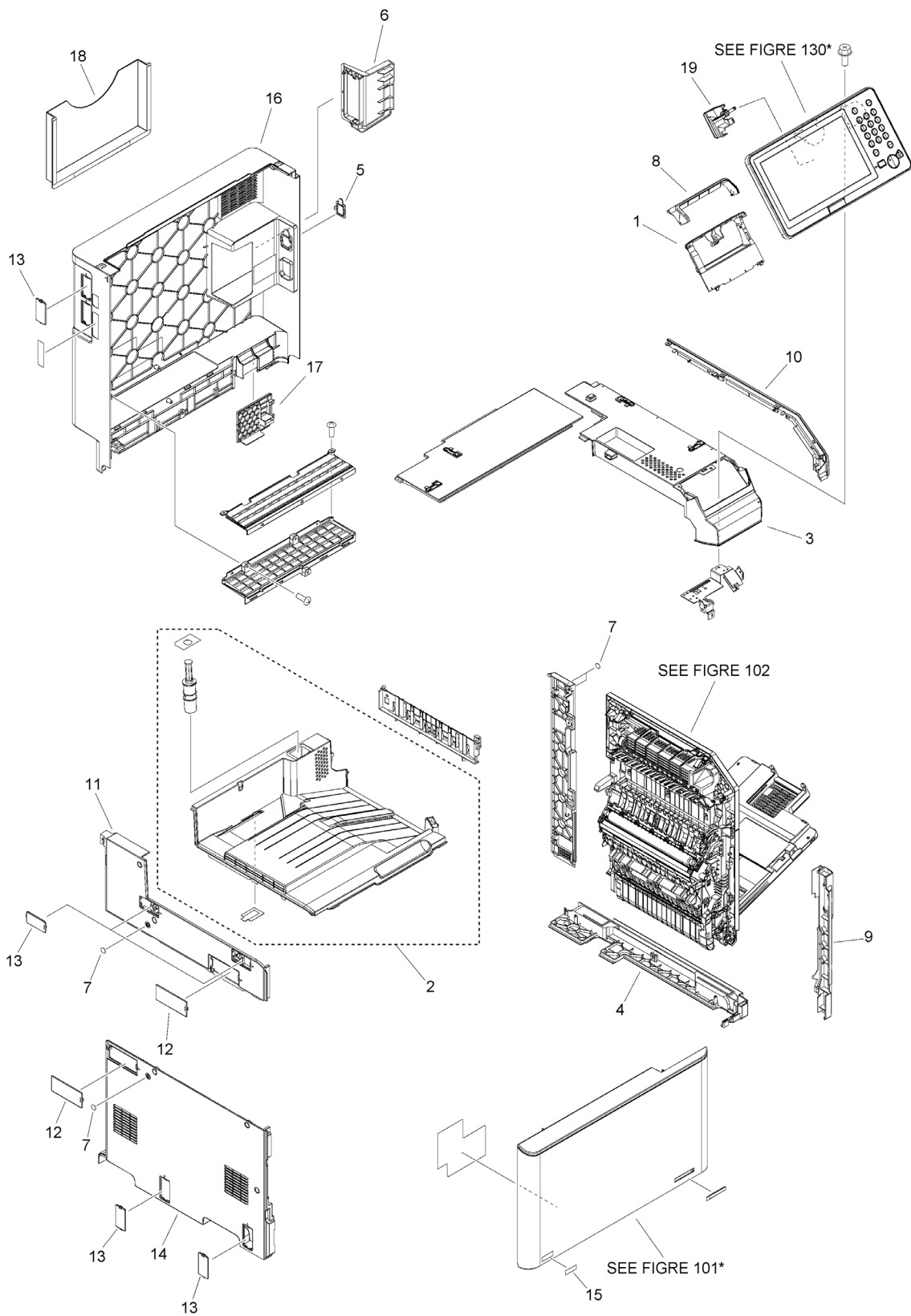


FIGURE & KEY NO.	PART NUMBER	RANK	QTY	DESCRIPTION	SERIAL NUMBER /REMARKS
100B	NPN		RF	EXTERNAL COVERS, PANELS, ETC.	C356iF
1	FM1-L540-000		1	COVER, CONTROL PANEL ASSEMBLY	
2	FM1-L554-000		1	TRAY, PAPER DELIVERY	
3	FM1-L544-000		1	COVER, UPPER	
4	FE3-9079-000		1	COVER, RIGHT LOWER	
5	FE3-9087-000		1	COVER, ENV. HEATER SWITCH	
6	FE4-9082-000		1	COVER, REAR, 2	
7	FC6-4513-000		4	SEAL	
8	FE8-4215-000		1	COVER, CONTROL HINGE, REAR	
9	FL0-2604-000		1	COVER, RIGHT FRONT	
10	FL0-2605-000		1	COVER, RIGHT UPPER	
11	FE8-4211-000		1	COVER, LEFT UPPER	
12	FE3-9082-000		2	COVER, DEVICE PORT	
13	FE3-9088-000		5	COVER, FAX CONNECTOR	
14	FL0-5332-000		1	COVER, LEFT LOWER	
15	FE4-1818-000		1	LABEL, TONER	
16	FE4-9078-000		1	COVER, REAR, 1	
17	FE3-9089-010		1	COVER, HEATER, ENVIRONMENT	
18	FE4-3758-000		1	HOLDER, SERVICE BOOK	
19	FE4-9431-000		1	COVER, CONTROL PANEL CABLE	

Figure 100C EXTERNAL COVERS, PANELS, ETC. (C256iF)

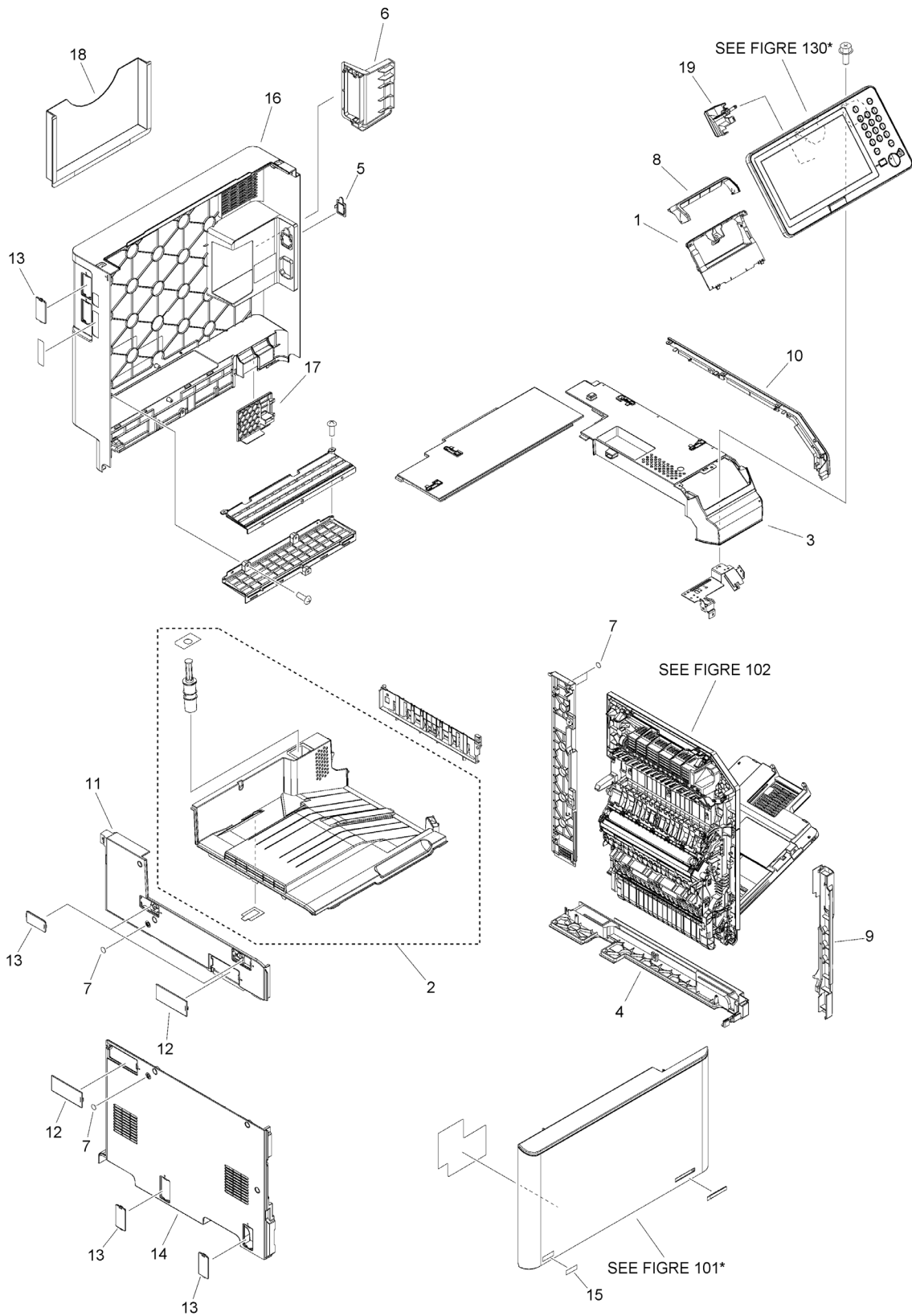


FIGURE & KEY NO.	PART NUMBER	RANK	QTY	DESCRIPTION	SERIAL NUMBER /REMARKS
100C	NPN		RF	EXTERNAL COVERS, PANELS, ETC.	C256iF
1	FM1-L540-000		1	COVER, CONTROL PANEL ASSEMBLY	
2	FM1-L554-000		1	TRAY, PAPER DELIVERY	
3	FM1-L544-000		1	COVER, UPPER	
4	FE3-9079-000		1	COVER, RIGHT LOWER	
5	FE3-9087-000		1	COVER, ENV. HEATER SWITCH	
6	FE4-9082-000		1	COVER, REAR, 2	
7	FC6-4513-000		4	SEAL	
8	FE8-4215-000		1	COVER, CONTROL HINGE, REAR	
9	FL0-2604-000		1	COVER, RIGHT FRONT	
10	FL0-2605-000		1	COVER, RIGHT UPPER	
11	FE8-4211-000		1	COVER, LEFT UPPER	
12	FE3-9082-000		2	COVER, DEVICE PORT	
13	FE3-9088-000		5	COVER, FAX CONNECTOR	
14	FL0-5332-000		1	COVER, LEFT LOWER	
15	FE4-1818-000		1	LABEL, TONER	
16	FE4-9078-000		1	COVER, REAR, 1	
17	FE3-9089-010		1	COVER, HEATER, ENVIRONMENT	
18	FE4-3758-000		1	HOLDER, SERVICE BOOK	
19	FE4-9431-000		1	COVER, CONTROL PANEL CABLE	

Figure 101B DOOR ASSEMBLY, FRONT

NOTE 1 : This assembly does not include the parts shown with key No. 1, 2, 4, 5 and 6. NOTE 2 : Several kinds of labels are attached on the board for the parts of Key No. 6. The same parts as Fig-Key No. 103-23.

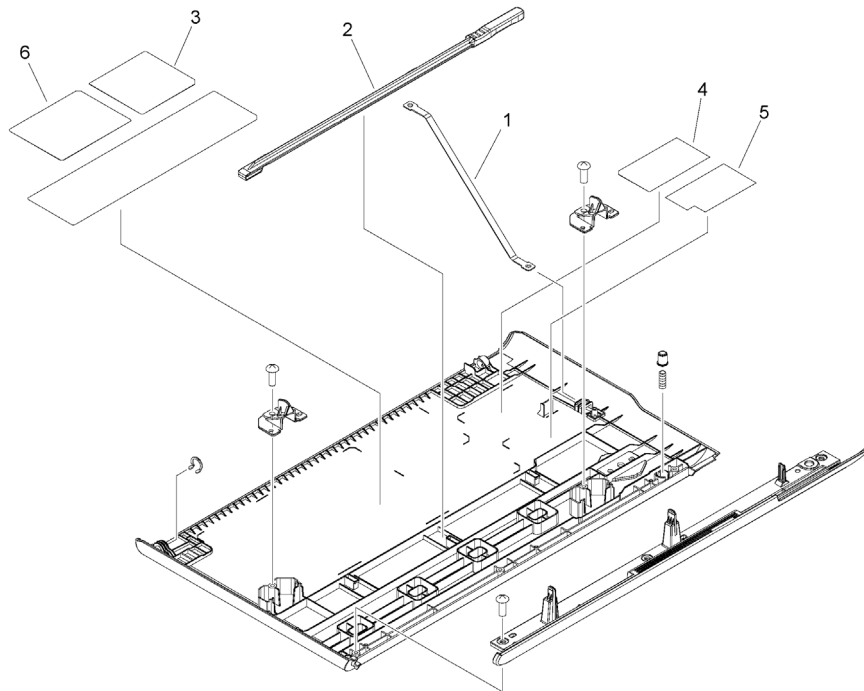


FIGURE & KEY NO.	PART NUMBER	RANK	QTY	DESCRIPTION	SERIAL NUMBER /REMARKS
101B	FM1-L549-000		1	DOOR ASSEMBLY, FRONT	
1	FC0-7572-000		1	BAND, FRONT COVER, RIGHT	SEE NOTE 1
2	FL0-0237-000		1	ROD, GLASS CLEANING	SEE NOTE 1
3	FU6-8646-000		1	LABEL, LASER CAUTION	
4	FL3-6545-000		1	LABEL, SERVICE	SEE NOTE 1
5	FC0-7807-000		1	LABEL,EXCHANGE OPERATOR,BOTTLE	SEE NOTE 1
6	FE8-8494-000		1	LABEL, TONER TYPE	SEE NOTE 1 SEE NOTE 2

Figure 102 (1/2) DOOR ASSEMBLY, RIGHT

NOTE : This assembly includes the assemblies shown in Figure 330 and 331.

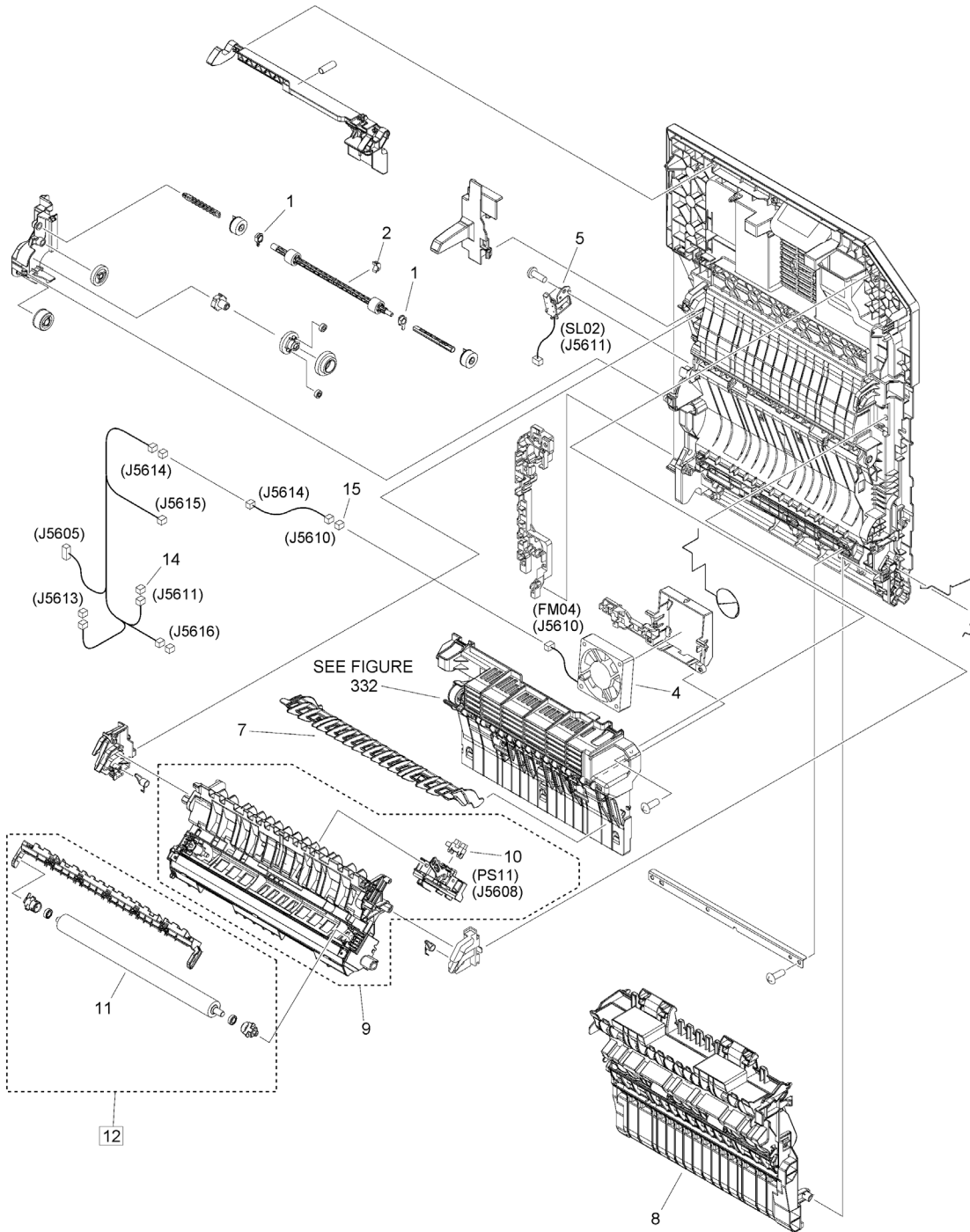


Figure 102 (2/2) DOOR ASSEMBLY, RIGHT

NOTE : This assembly includes the assemblies shown in Figure 330 and 331.

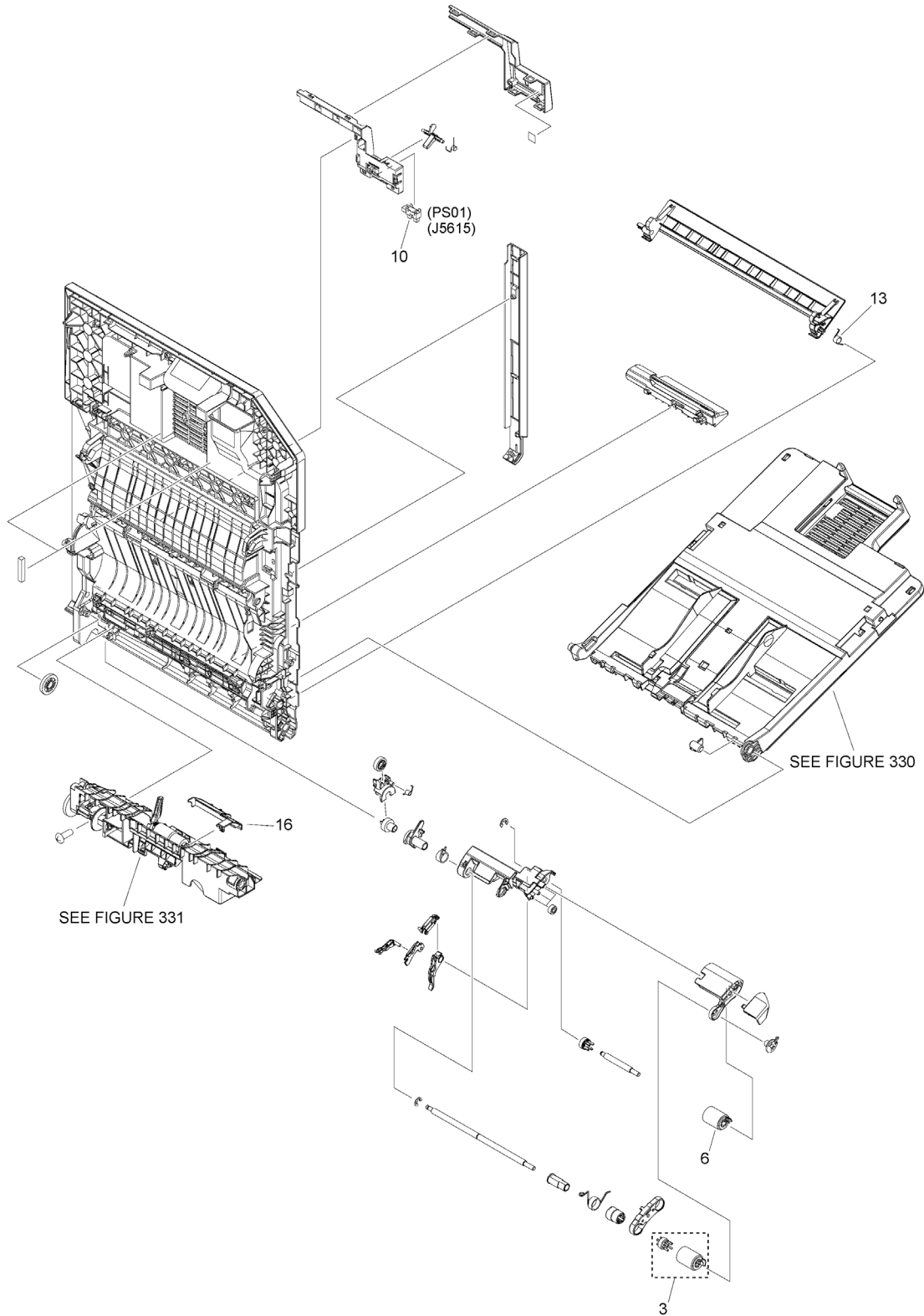


FIGURE & KEY NO.	PART NUMBER	RANK	QTY	DESCRIPTION	SERIAL NUMBER /REMARKS
102	FM1-U038-000		1	DOOR ASSEMBLY, RIGHT	SEE NOTE
1	FC0-5876-000		2	BUSHING	
2	FC0-5888-000		1	BUSHING	
3	FM1-P088-000		1	PAPER PICK-UP ROLLER SET	
4	FK2-0472-010		1	FAN	FM04
5	FK4-0725-000		1	SOLENOID	SL02
6	FL0-4002-000		1	ROLLER, PAPER PICK-UP	
7	FM1-B552-000		1	DUPLEXING INNER GUIDE ASSEMBLY	
8	FM1-B553-000		1	RIGHT INNER DOOR ASSEMBLY	
9	FM1-B554-010		1	2ND TRNSFR. OUTER GUIDE ASS'Y	
10	WG8-5935-000		2	IC, PHOTO INTERRUPTER	PS01, PS11
11	FE2-A308-000		1	ROLLER, 2ND TRNSFR. OUTER	
12	FM1-U036-000		1	2ND TRNSFR. OUTER ROLLER ASS'Y	[DP]
13	FU9-2112-010		1	SPRING, TORSION	
14	VS1-7177-002		1	CONNECTOR, SNAP TIGHT, BK	
15	VS1-7177-003		1	CONNECTOR, SNAP TIGHT, BK	
16	FL0-7724-000		1	COVER, PAPER FEED ROLLER	

Figure 103B INTERNAL COMPONENTS 1

NOTE 1 : Several kinds of labels are attached on the board for the parts of Key No. 23. The same parts as Fig-Key No. 101-6. NOTE 2 : Several kinds of labels are attached on the board for the parts of Key No. 14.

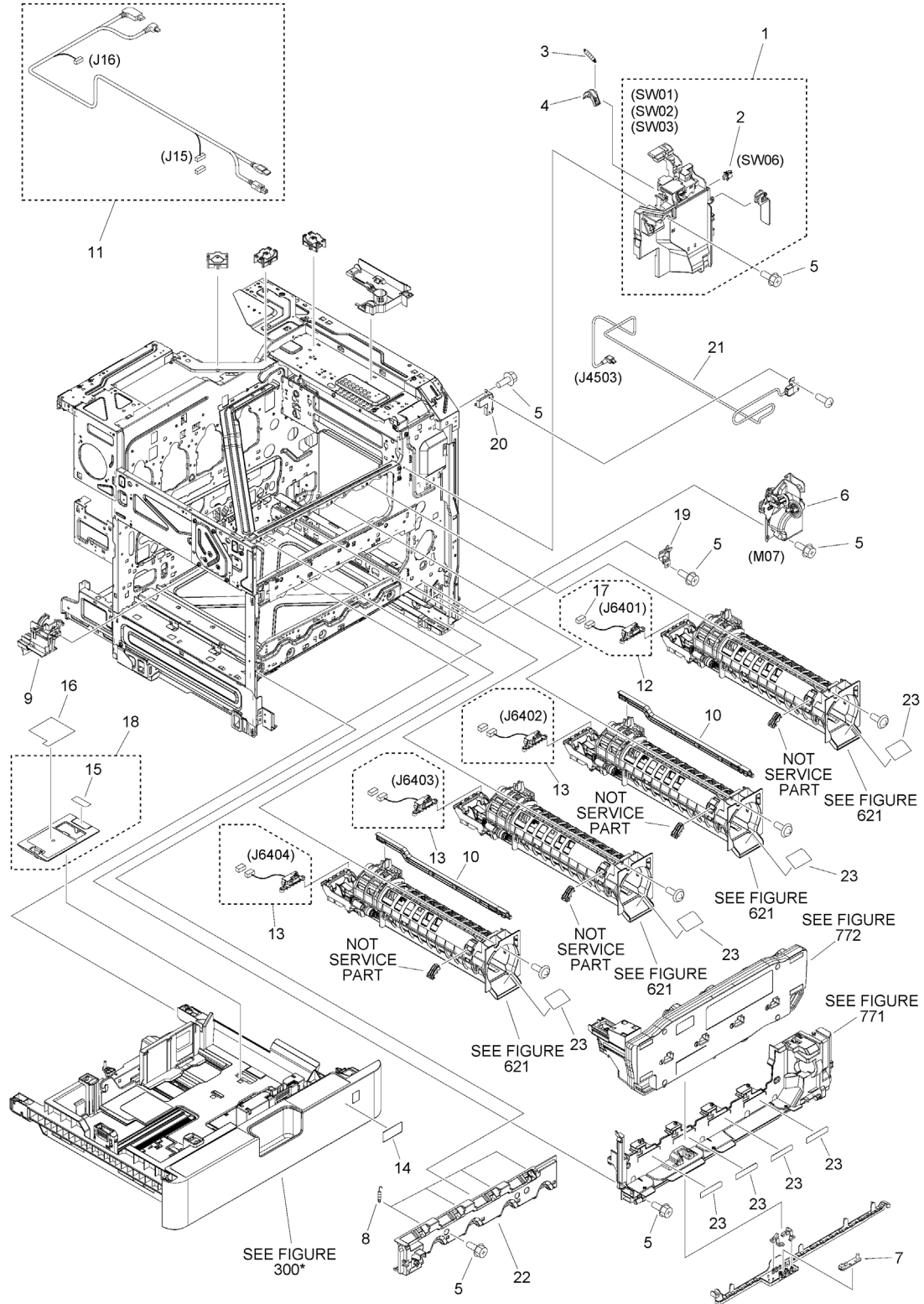


FIGURE & KEY NO.	PART NUMBER	RANK	QTY	DESCRIPTION	SERIAL NUMBER /REMARKS
103B	NPN		RF	INTERNAL COMPONENTS 1	
1	FM1-L556-000		1	COVER, INNER, FRONT, RIGHT	SW01, SW02, SW03, SW06
2	WC2-5803-000		1	SWITCH	SW06
3	FU7-2778-000		1	SPRING, TENSION	
4	FE2-2086-000		1	LEVER, TOGGLE	
5	XA9-1386-000		15	SCREW,RS,M3X8	
6	FM1-A225-010		1	REGISTRATION DRIVE ASS'Y	M07
7	FM1-C981-000		1	WASTE TONER SENSOR PCB ASS'Y	
8	FU2-0577-000		4	SPRING, GROUNDING	
9	FM0-0037-000		1	TONER INTER. EJECT ASS'Y	
10	FC0-5801-000		2	ARM, BOTTLE LOCK	
11	FM1-Y912-000		1	CABLE, UI	
12	FM0-0065-000		1	CONNECTOR, NEW BOTTLE DET., BK	
13	FM0-0075-000		3	CONNECTOR, NEW BOTTLE DET., CL	
14	FE2-C775-000		1	LABEL, PAPER SIZE	SEE NOTE 2
15	FL3-6526-000		1	SHEET, SEPARATION	
16	FE3-9943-000		1	LABEL, MOUNTING INSTRUCTION	
17	VS1-7177-003		1	CONNECTOR, SNAP TIGHT, BK	
18	FL0-3261-000		1	PLATE, LIFTING	
19	FE4-1123-000		1	BUSHING	
20	FC0-7486-000		1	PLATE, USB	
21	FK4-3820-000		1	CABLE, USB	
22	FC0-7020-000		1	COVER, FRONT INNER, UPPER	
23	FE8-8494-000		1	LABEL, TONER TYPE	SEE NOTE 1

Figure 104 INTERNAL COMPONENTS 2

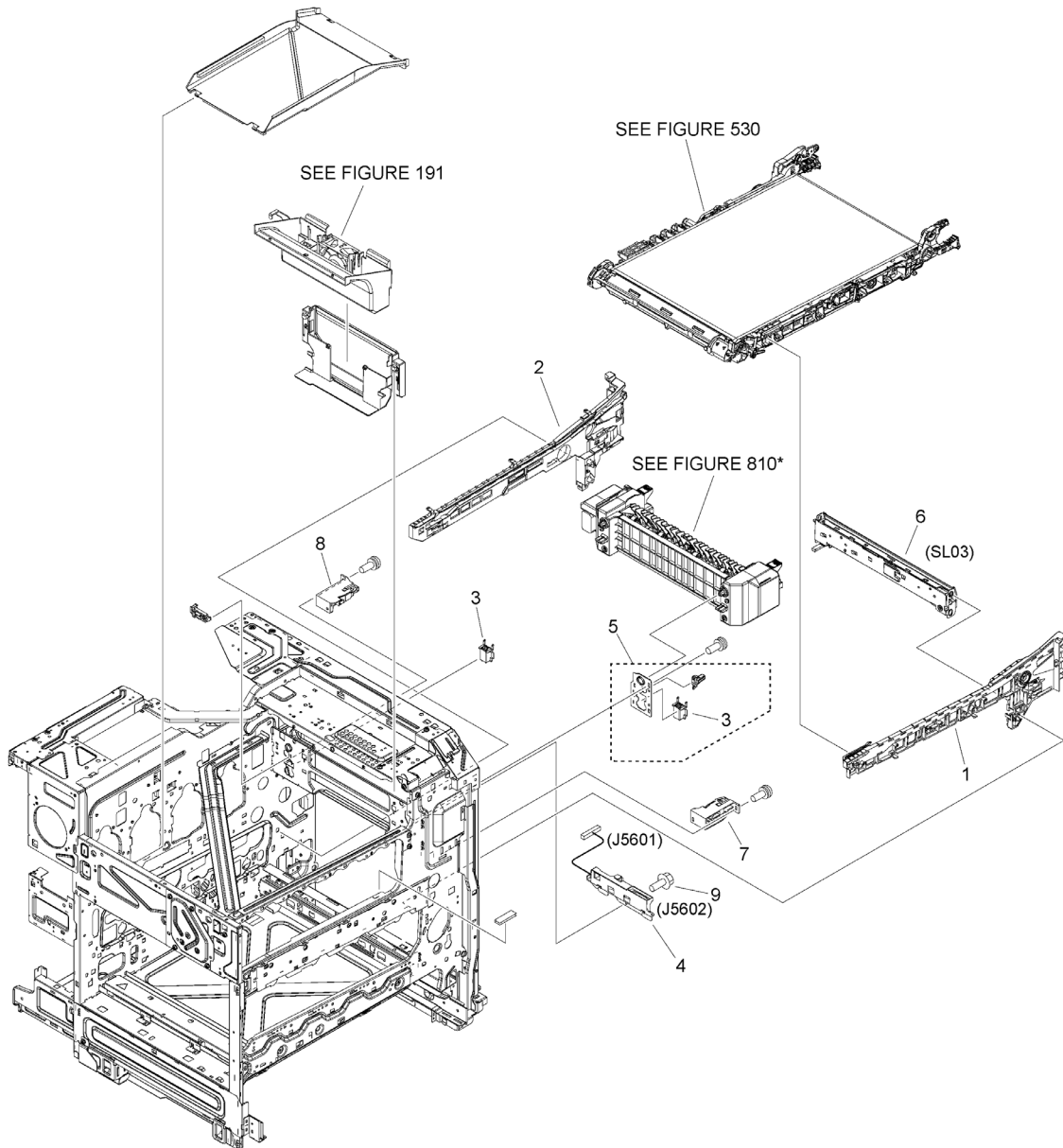


FIGURE & KEY NO.	PART NUMBER	RANK	QTY	DESCRIPTION	SERIAL NUMBER /REMARKS
104	NPN		RF	INTERNAL COMPONENTS 2	
1	FM0-0035-000		1	RAIL, I.T.B., FRONT	
2	FM0-0036-010		1	RAIL, I.T.B., REAR	
3	FM0-0074-000		2	HOLDER, FIXING LOCK	
4	FM1-C324-000		1	CONNECTING CABLE ASSEMBLY	
5	FM1-C347-000		1	PLATE ASSEMBLY	
6	FM1-F727-000		1	REGISTRATION SENSOR ASSEMBLY	
7	FM4-9910-000		1	HOLDER, FIXING, FRONT	
8	FM4-9911-000		1	HOLDER, FIXING, REAR	
9	XA9-1386-000		1	SCREW,RS,M3X8	

Figure 105A INTERNAL COMPONENTS 3 (Single pass ADF)

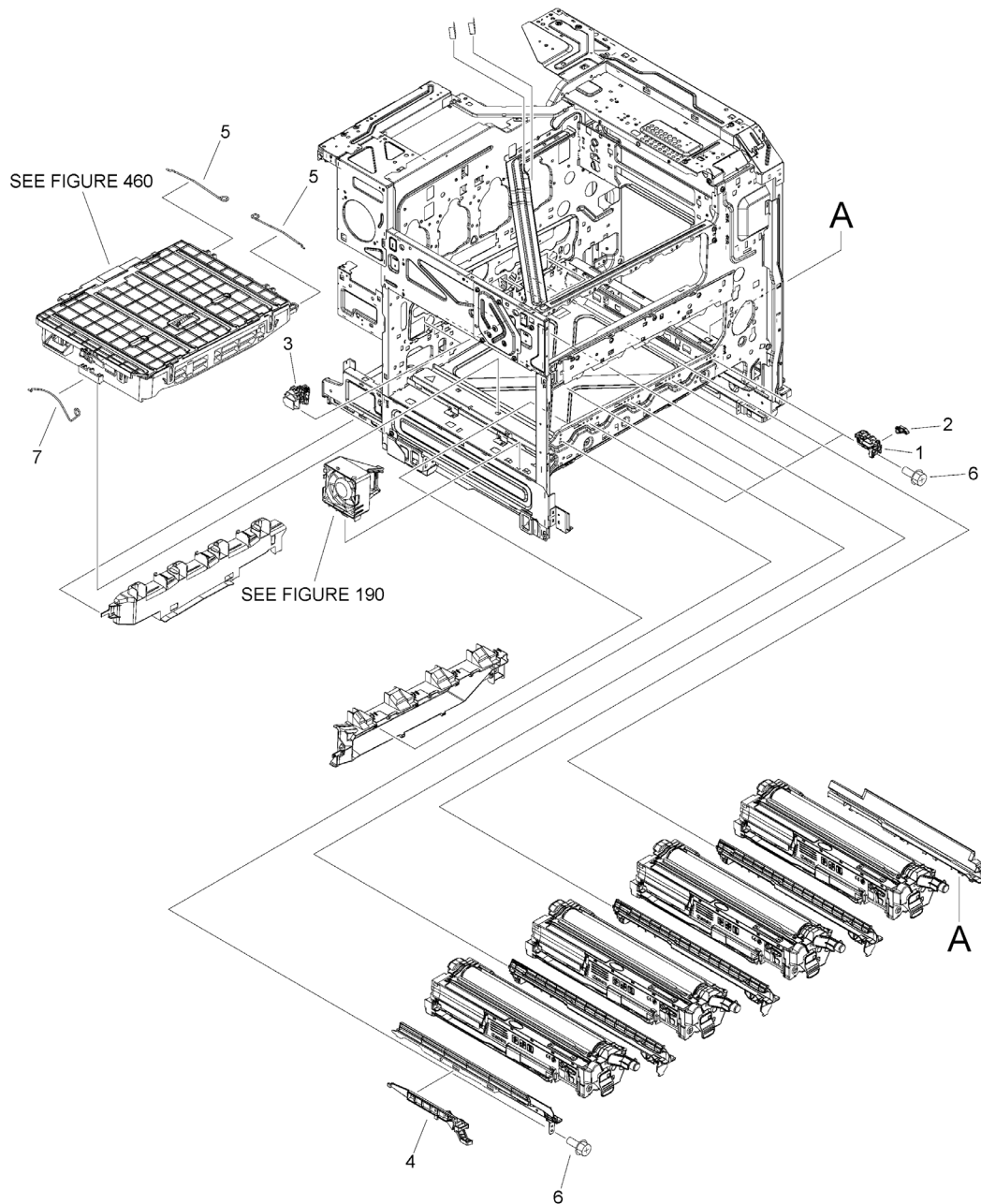


FIGURE & KEY NO.	PART NUMBER	RANK	QTY	DESCRIPTION	SERIAL NUMBER /REMARKS
105A	NPN		RF	INTERNAL COMPONENTS 3	Single pass ADF
1	FM4-9906-000		4	BLOCK, PROCESS PRESSURE, FRONT	
2	FC0-7728-000		4	STOPPER, PROCESS UNIT, FRONT	
3	FM4-9905-000		4	LEVER, PROCESS KIT, REAR	
4	FM0-0032-000		1	SHUTTER LINK ASSEMBLY	
5	FC9-8607-000		2	SPRING	
6	XA9-1386-000		5	SCREW,RS,M3X8	
7	FC0-7068-000		1	SPRING	

Figure 106 INTERNAL COMPONENTS 4

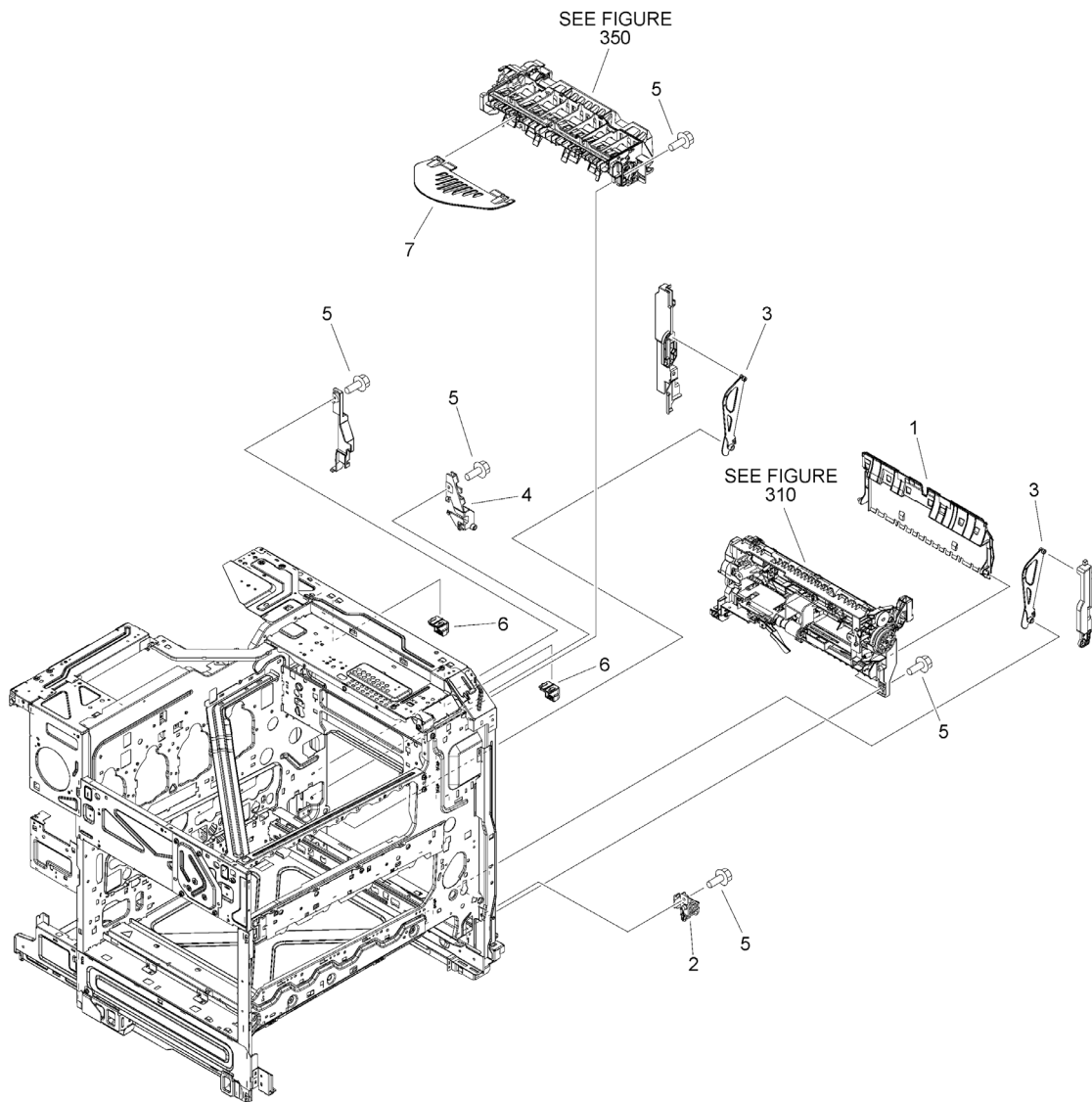


FIGURE & KEY NO.	PART NUMBER	RANK	QTY	DESCRIPTION	SERIAL NUMBER /REMARKS
106	NPN		RF	INTERNAL COMPONENTS 4	
1	FC0-7048-000		1	GUIDE, SWING	
2	FM1-C348-000		1	HINGE, EXTERNAL, FRONT	
3	FC0-5912-000		2	LEVER, STOPPER, RIGHT	
4	FC0-5929-000		1	HINGE, OUTER COVER, REAR	
5	XA9-1386-000		15	SCREW,RS,M3X8	
6	FC0-5918-000		2	BASE, HOOK, RIGHT	
7	FE3-8409-000		1	TRAY, REVERSE	

Figure 107B INTERNAL COMPONENTS 5 (120V)

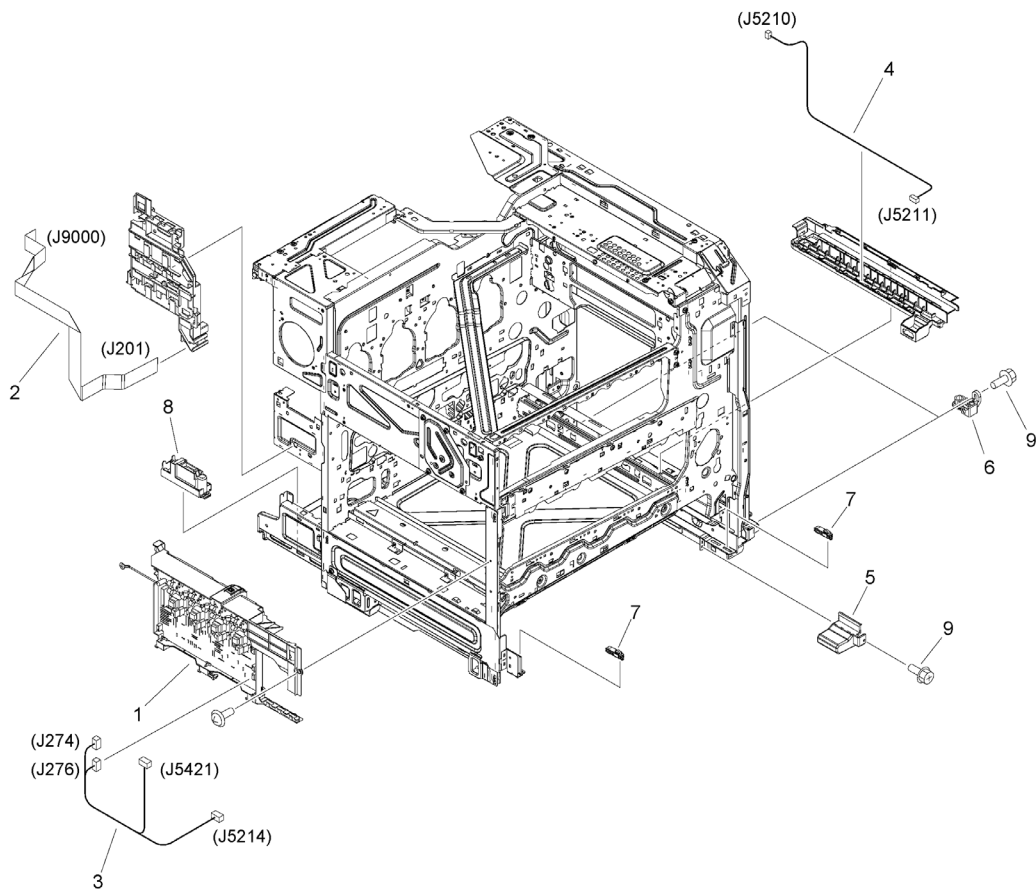


FIGURE & KEY NO.	PART NUMBER	RANK	QTY	DESCRIPTION	SERIAL NUMBER /REMARKS
107B	NPN		RF	INTERNAL COMPONENTS 5	120V
1	FM0-0050-000		1	1ST TRANSFER H.V. PCB ASSEMBLY	
2	FK4-3643-010		1	CABLE, FLAT	
3	FM1-A836-000		1	CABLE, REG. MOTOR WASTE TONER	
4	FM1-A811-000		1	CABLE, CASSETTE HEATER	
5	FE3-4477-000		1	CAP, CONNECTOR	
6	FM1-B574-000		2	FOOT, RUBBER	
7	FM1-B298-000		2	CASSETTE STOPPER ASSEMBLY	
8	FM1-C323-000		1	OPTION CST. DRAWER ASSEMBLY	
9	XA9-1386-000		4	SCREW,RS,M3X8	

Figure 107C INTERNAL COMPONENTS 5 (230V)

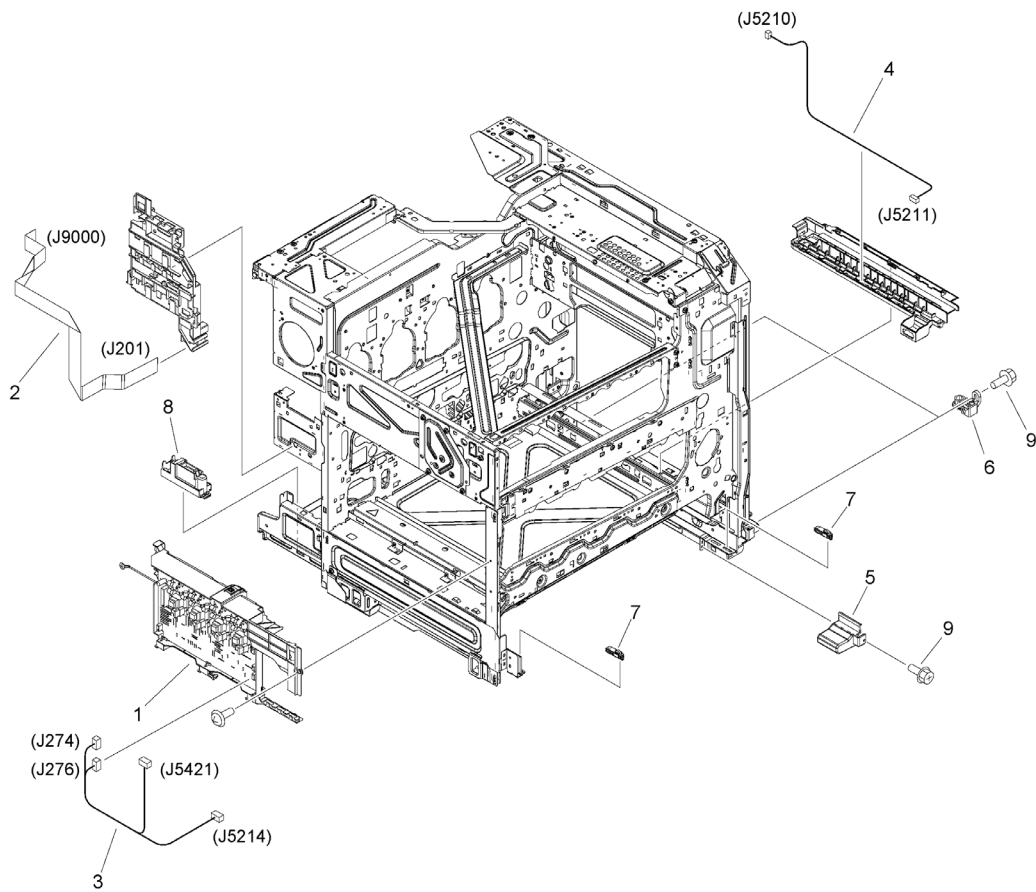


FIGURE & KEY NO.	PART NUMBER	RANK	QTY	DESCRIPTION	SERIAL NUMBER /REMARKS
107C	NPN		RF	INTERNAL COMPONENTS 5	230V
1	FM0-0050-000		1	1ST TRANSFER H.V. PCB ASSEMBLY	
2	FK4-3643-010		1	CABLE, FLAT	
3	FM1-A836-000		1	CABLE, REG. MOTOR WASTE TONER	
4	FM1-A812-000		1	CABLE, CASSETTE HEATER	
5	FE3-4477-000		1	CAP, CONNECTOR	
6	FM1-B574-000		2	FOOT, RUBBER	
7	FM1-B298-000		2	CASSETTE STOPPER ASSEMBLY	
8	FM1-C323-000		1	OPTION CST. DRAWER ASSEMBLY	
9	XA9-1386-000		4	SCREW,RS,M3X8	

Figure 108B MACHINE REAR PLATE 1 (120V)

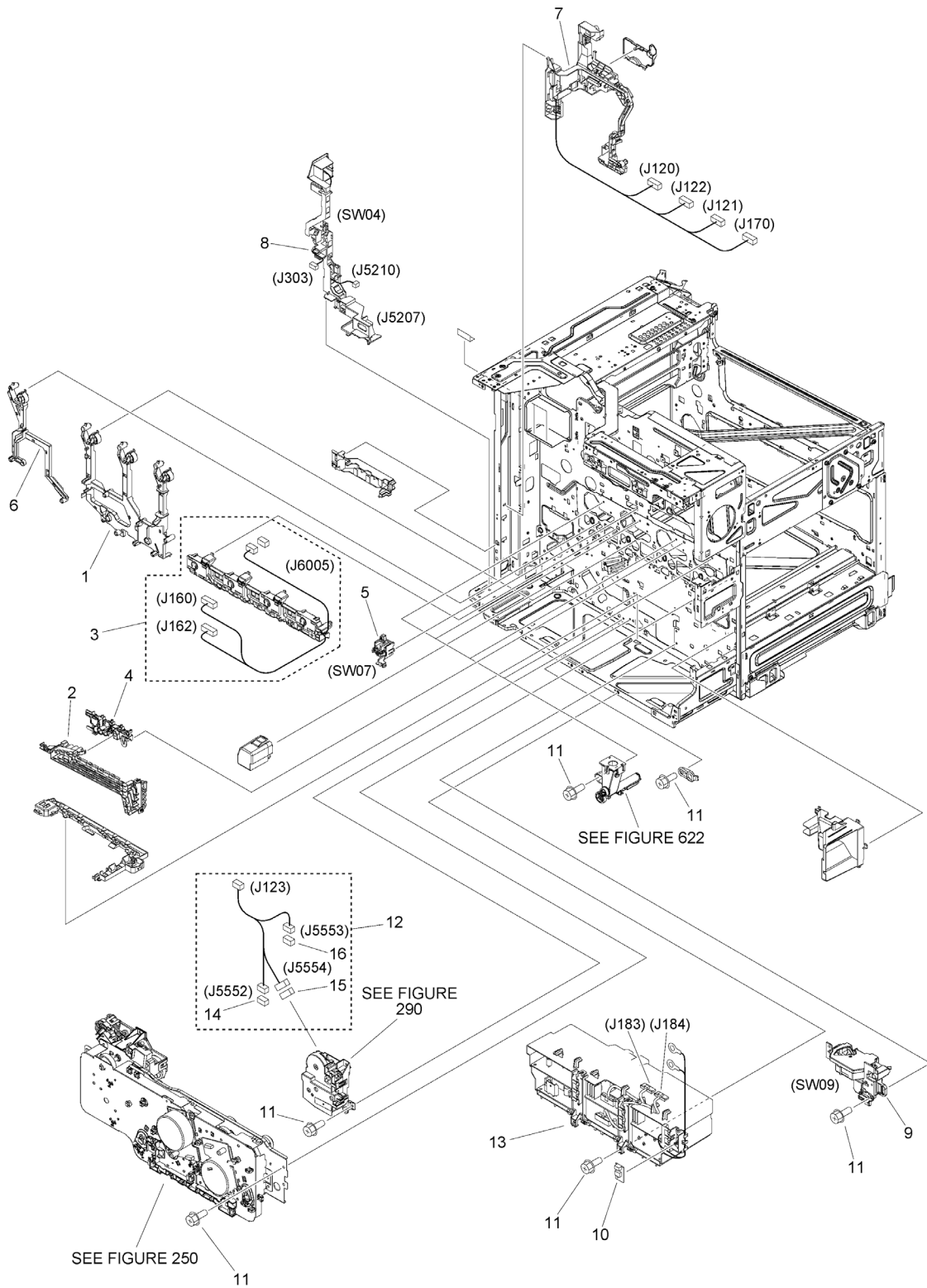


FIGURE & KEY NO.	PART NUMBER	RANK	QTY	DESCRIPTION	SERIAL NUMBER /REMARKS
108B	NPN		RF	MACHINE REAR PLATE 1	120V
1	FM0-0043-000		1	H.V. CONTACT ASSEMBLY, COLOR	
2	FM4-9961-000		1	1ST TRANS. H.V. CONTACT ASS'Y	
3	FM4-9908-010		1	PROCESS CONTROL PCB ASS'Y	
4	FM0-0038-000		1	CONTACT, 1ST TRANSFER H.V., 1	
5	FM0-0039-010		1	I.T.B. RELEASE SWITCH ASSEMBLY	SW07
6	FM0-0042-010		1	H.V. CONTACT ASSEMBLY, BLACK	
7	FM0-0079-000		1	2ND TRANS. H.V. CONTACT ASS'Y	
8	FM0-0083-000		1	HEATER SWITCH ASSEMBLY	SW04
9	FM0-0017-020		1	CASSETTE AUTO CLOSE ASSEMBLY	SW09
10	WP2-5410-000		1	SENSOR, HUMIDITY	
11	XA9-1386-000		15	SCREW,RS,M3X8	
12	FM1-A843-000		1	CABLE, CASSETTE ASS'Y	
13	FM1-R266-000		1	2ND TRANSFER H.V. PCB ASSEMBLY	
14	VS1-7177-002		1	CONNECTOR, SNAP TIGHT, BK	
15	VS1-7177-003		1	CONNECTOR, SNAP TIGHT, BK	
16	VS1-7177-004		1	CONNECTOR, SNAP TIGHT, BK	

FIGURE & KEY NO.	PART NUMBER	RANK	QTY	DESCRIPTION	SERIAL NUMBER /REMARKS
108C	NPN		RF	MACHINE REAR PLATE 1	230V
1	FM0-0043-000		1	H.V. CONTACT ASSEMBLY, COLOR	
2	FM4-9961-000		1	1ST TRANS. H.V. CONTACT ASS'Y	
3	FM4-9908-010		1	PROCESS CONTROL PCB ASS'Y	
4	FM0-0038-000		1	CONTACT, 1ST TRANSFER H.V., 1	
5	FM0-0039-010		1	I.T.B. RELEASE SWITCH ASSEMBLY	SW07
6	FM0-0042-010		1	H.V. CONTACT ASSEMBLY, BLACK	
7	FM0-0079-000		1	2ND TRANS. H.V. CONTACT ASS'Y	
8	FM0-0084-000		1	HEATER SWITCH ASSEMBLY	SW04
9	FM0-0017-020		1	CASSETTE AUTO CLOSE ASSEMBLY	SW09
10	WP2-5410-000		1	SENSOR, HUMIDITY	
11	XA9-1386-000		15	SCREW,RS,M3X8	
12	FM1-A843-000		1	CABLE, CASSETTE ASS'Y	
13	FM1-R266-000		1	2ND TRANSFER H.V. PCB ASSEMBLY	
14	VS1-7177-002		1	CONNECTOR, SNAP TIGHT, BK	
15	VS1-7177-003		1	CONNECTOR, SNAP TIGHT, BK	
16	VS1-7177-004		1	CONNECTOR, SNAP TIGHT, BK	

Figure 109B MACHINE REAR PLATE 2 (Single pass ADF)

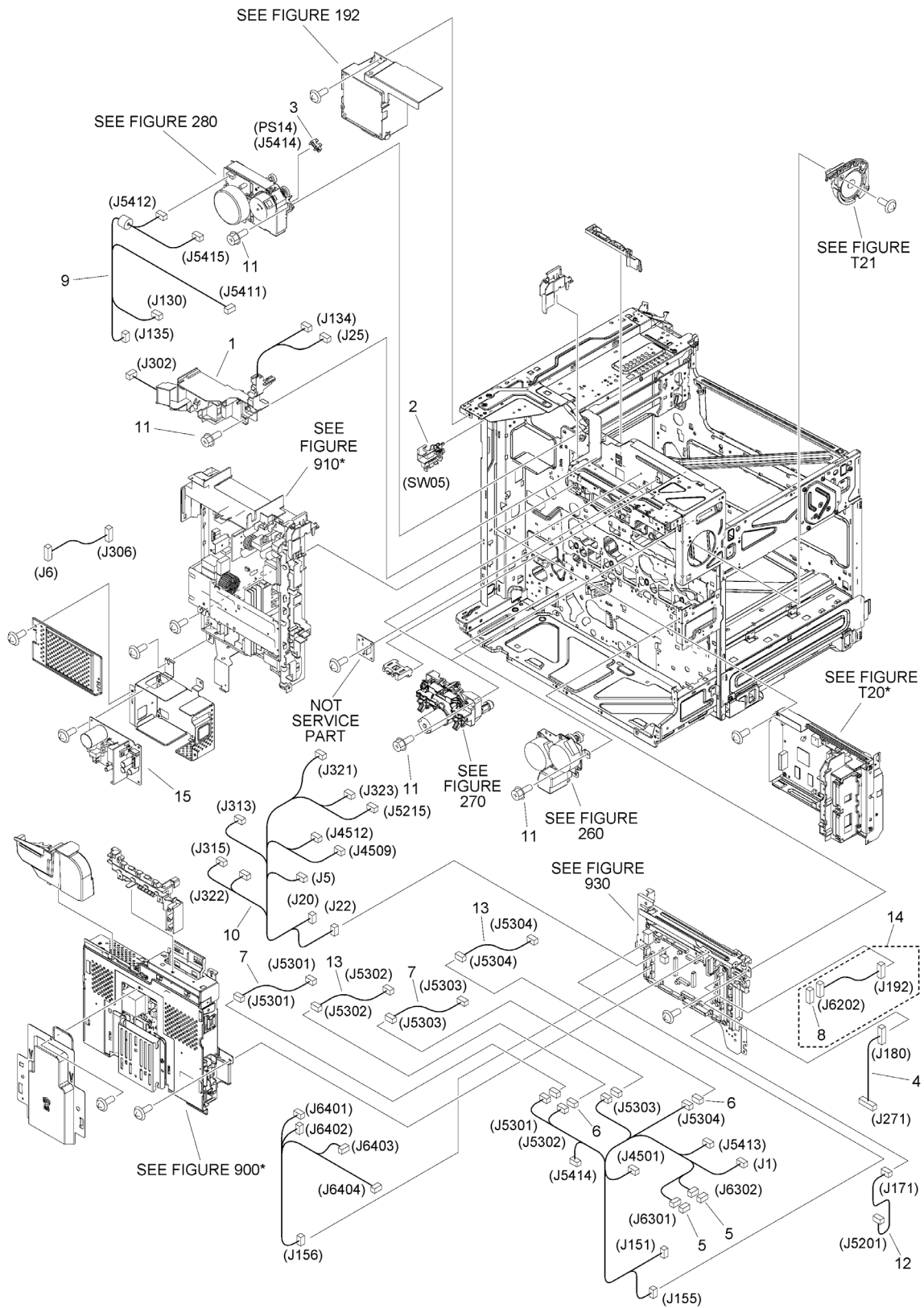


FIGURE & KEY NO.	PART NUMBER	RANK	QTY	DESCRIPTION	SERIAL NUMBER /REMARKS
109B	NPN		RF	MACHINE REAR PLATE 2	Single pass ADF
1	FM0-0044-000		1	INTERLOCK ASSEMBLY	
2	FM0-0046-000		1	SWITCH ASSEMBLY, RIGHT	SW05
3	WG8-5935-000		1	IC, PHOTO INTERRUPTER	PS14
4	FM1-A832-000		1	CABLE, PRIMARY TRANSFER H.V.	
5	VS1-7177-002		2	CONNECTOR, SNAP TIGHT, BK	
6	VS1-7177-003		2	CONNECTOR, SNAP TIGHT, BK	
7	FM1-A855-000		2	CABLE, BOTTLE SENSOR, Y/C	
8	VS1-8412-017		1	CONNECTOR, SNAP TIGHT, BL	
9	FM1-A853-000		1	CABLE, FIXING DRIVE	
10	FM1-V954-000		1	CABLE, POWER SUPPLY	
11	XA9-1386-000		15	SCREW,RS,M3X8	
12	FM1-A820-000		1	CABLE, ENVIRONMENT SENSOR	
13	FM1-A854-000		2	CABLE, BOTTLE SENSOR, M/K	
14	FM1-A821-000		1	CABLE, FINISHER	
15	FK4-2679-000		1	ALL NIGHT POWER PCB ASSEMBLY	

Figure 130B CONTROL PANEL ASSEMBLY (US, CA, LTN, AU, SG, HK, IN)

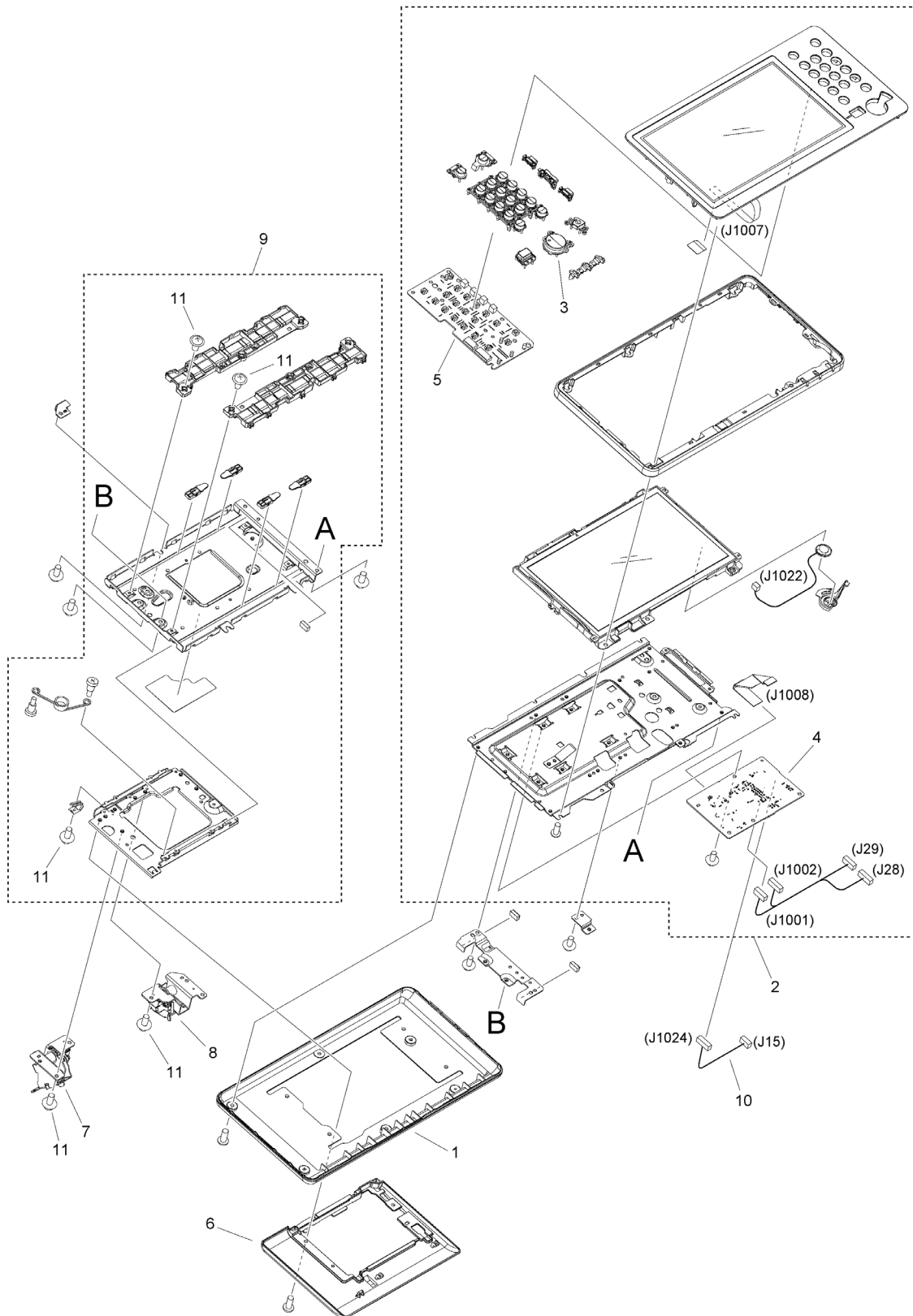


FIGURE & KEY NO.	PART NUMBER	RANK	QTY	DESCRIPTION	SERIAL NUMBER /REMARKS
130B	NPN		RF	CONTROL PANEL ASSEMBLY	US, CA, LTN, AU, SG, HK, IN
1	FE4-9433-000		1	COVER, REAR	
2	FM1-N429-000		1	FLAT CONTROL PANEL ASSEMBLY	
3	FL0-5116-000		1	KEY TOP, START	
4	FM1-X811-000		1	CPU PCB ASSEMBLY	
5	FM1-M929-000		1	KEY TOP PCB ASSEMBLY	
6	FE4-9100-000		1	COVER, SLIDE	
7	FM1-L557-000		1	HINGE, CONTROL ASSEMBLY, LEFT	
8	FM1-N366-000		1	HINGE, CONTROL ASSEMBLY, RIGHT	
9	FM1-P215-010		1	CONTROL PANEL SLIDE UNIT	
10	FM1-W897-000		1	CABLE, SCULD USS	
11	XA9-1386-000		13	SCREW,RS,M3X8	

Figure 190 CARTRIDGE AIR INTAKE FAN ASS'Y

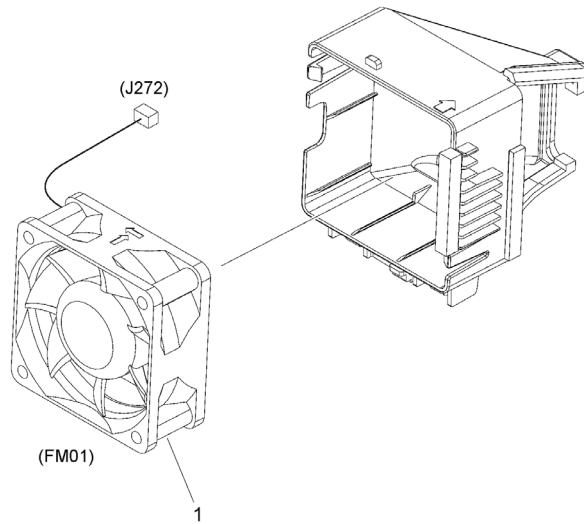


FIGURE & KEY NO.	PART NUMBER	R A N K	QTY	DESCRIPTION	SERIAL NUMBER /REMARKS
190	NPN		RF	CARTRIDGE AIR INTAKE FAN ASS'Y	
1	FK2-3679-000		1	FAN	FM01

Figure 191 DELIVERY COOLING FAN ASSEMBLY

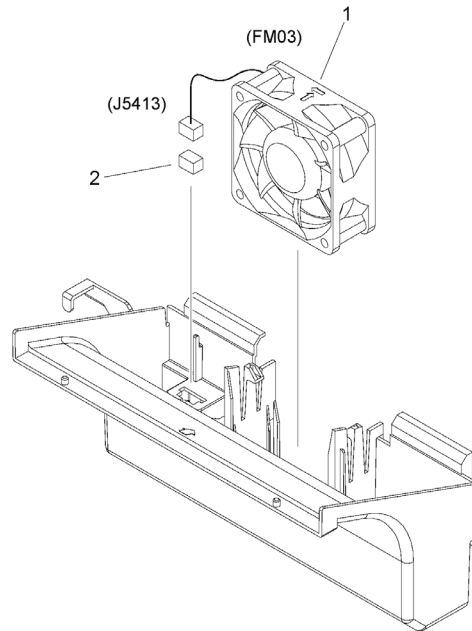


FIGURE & KEY NO.	PART NUMBER	R A N K	QTY	DESCRIPTION	SERIAL NUMBER /REMARKS
191	NPN		RF	DELIVERY COOLING FAN ASSEMBLY	
1	FK2-3679-000		1	FAN	FM03
2	VS1-7440-003		1	CONNECTOR, SNAP TIGHT	

Figure 192 POWER SUPPLY FAN ASSEMBLY

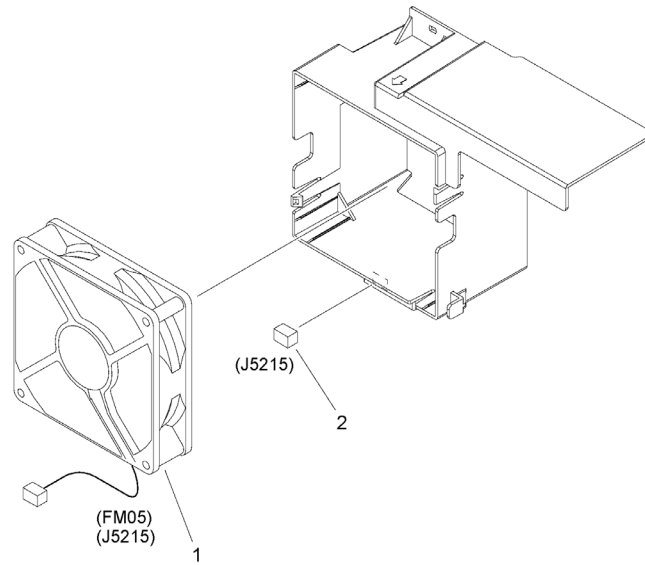


FIGURE & KEY NO.	PART NUMBER	RANK	QTY	DESCRIPTION	SERIAL NUMBER /REMARKS
192	NPN		RF	POWER SUPPLY FAN ASSEMBLY	
1	FK4-0815-000		1	FAN	FM05
2	VS1-7177-003		1	CONNECTOR, SNAP TIGHT, BK	

Figure 250 MAIN DRIVE ASSEMBLY

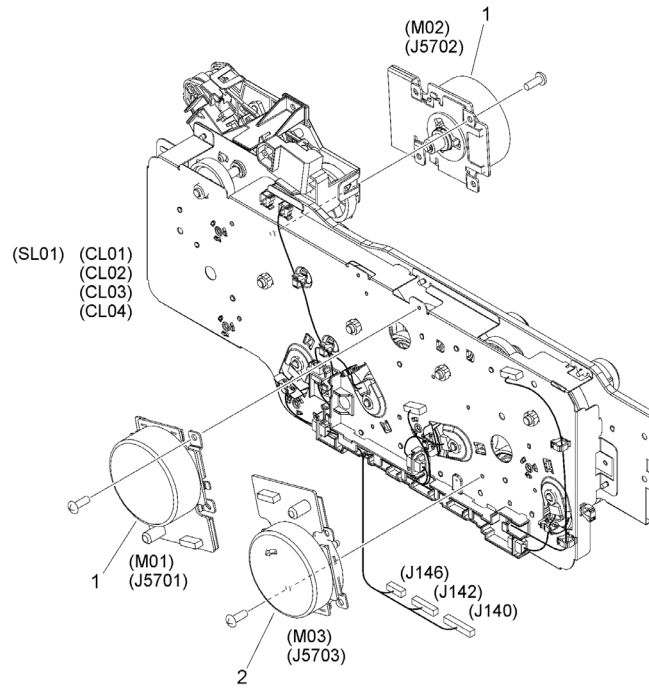


FIGURE & KEY NO.	PART NUMBER	RANK	QTY	DESCRIPTION	SERIAL NUMBER /REMARKS
250	FM0-0040-020		1	MAIN DRIVE ASSEMBLY	CL01, CL02, CL03, CL04, SL01
1	FL0-1543-000		2	MOTOR, DC	M01, M02
2	FL0-1544-000		1	MOTOR, DC	M03

Figure 260 PAPER PICK-UP DRIVE ASSEMBLY

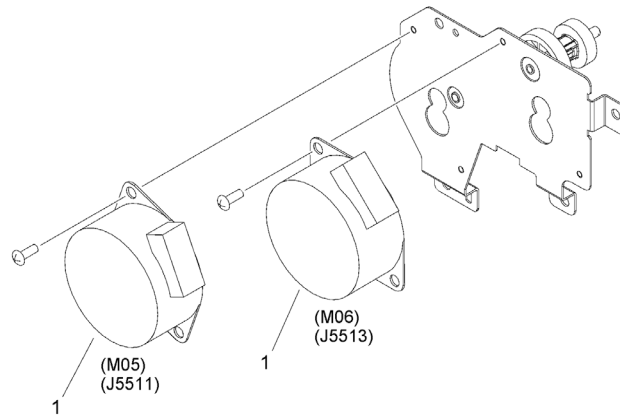


FIGURE & KEY NO.	PART NUMBER	R A N K	QTY	DESCRIPTION	SERIAL NUMBER /REMARKS
260	FM1-A226-000		1	PAPER PICK-UP DRIVE ASSEMBLY	
1	FK4-0640-000		2	MOTOR, STEPPING	M05,M06

Figure 270 BOTTLE DRIVE ASSEMBLY

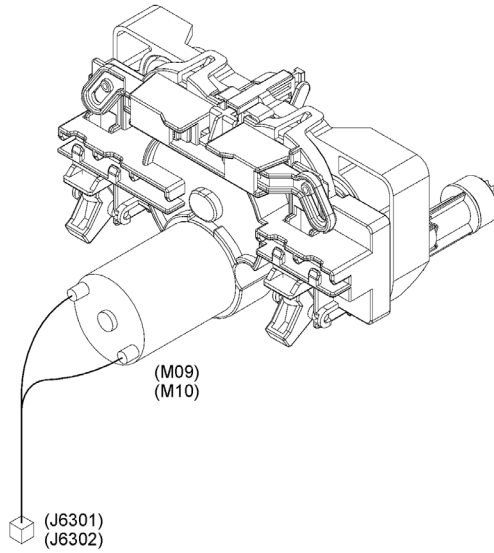


FIGURE & KEY NO.	PART NUMBER	R A N K	QTY	DESCRIPTION	SERIAL NUMBER /REMARKS
270	FM0-0007-000		1	BOTTLE DRIVE ASSEMBLY	M09,M10

Figure 280 FIXING DRIVE ASSEMBLY

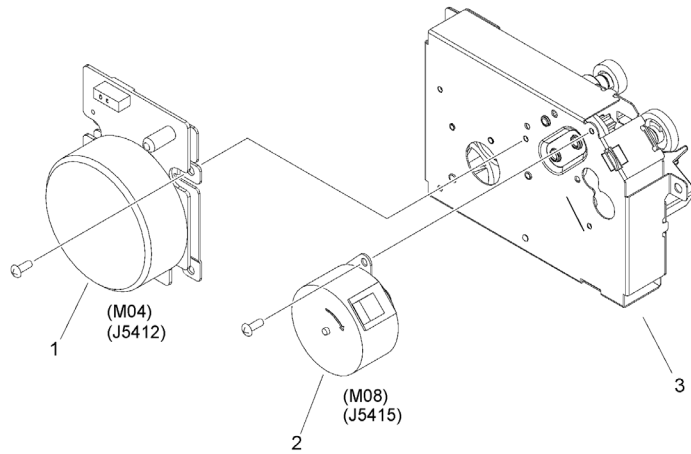


FIGURE & KEY NO.	PART NUMBER	RANK	QTY	DESCRIPTION	SERIAL NUMBER /REMARKS
280	NPN		RF	FIXING DRIVE ASSEMBLY	
1	FK4-0638-000		1	MOTOR, DC	M04
2	FK4-0641-000		1	MOTOR, STEPPING	M08
3	FM0-0071-000		1	FIXING DRIVE ASSEMBLY	

Figure 290 PICK-UP LIFTER DRIVE ASS'Y

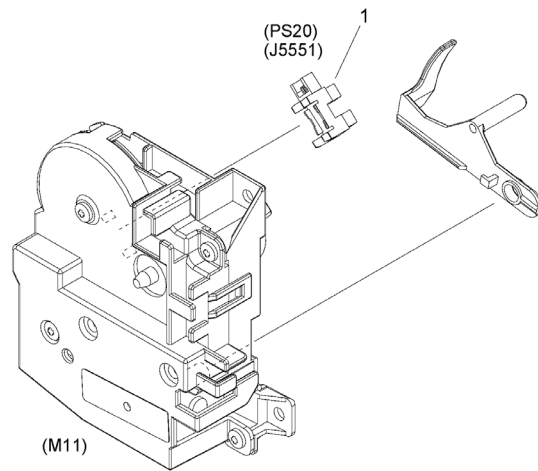


FIGURE & KEY NO.	PART NUMBER	R A N K	QTY	DESCRIPTION	SERIAL NUMBER /REMARKS
290	FM0-0018-000		1	PICK-UP LIFTER DRIVE ASS'Y	M11
1	WG8-5935-000		1	IC, PHOTO INTERRUPTER	PS20

Figure 300B CASSETTE

NOTE 1 : This assembly does not include the parts shown with key No. 3 and 4. NOTE 2 : Several kinds of labels are attached on the board for the parts of Key No. 3 and 4.

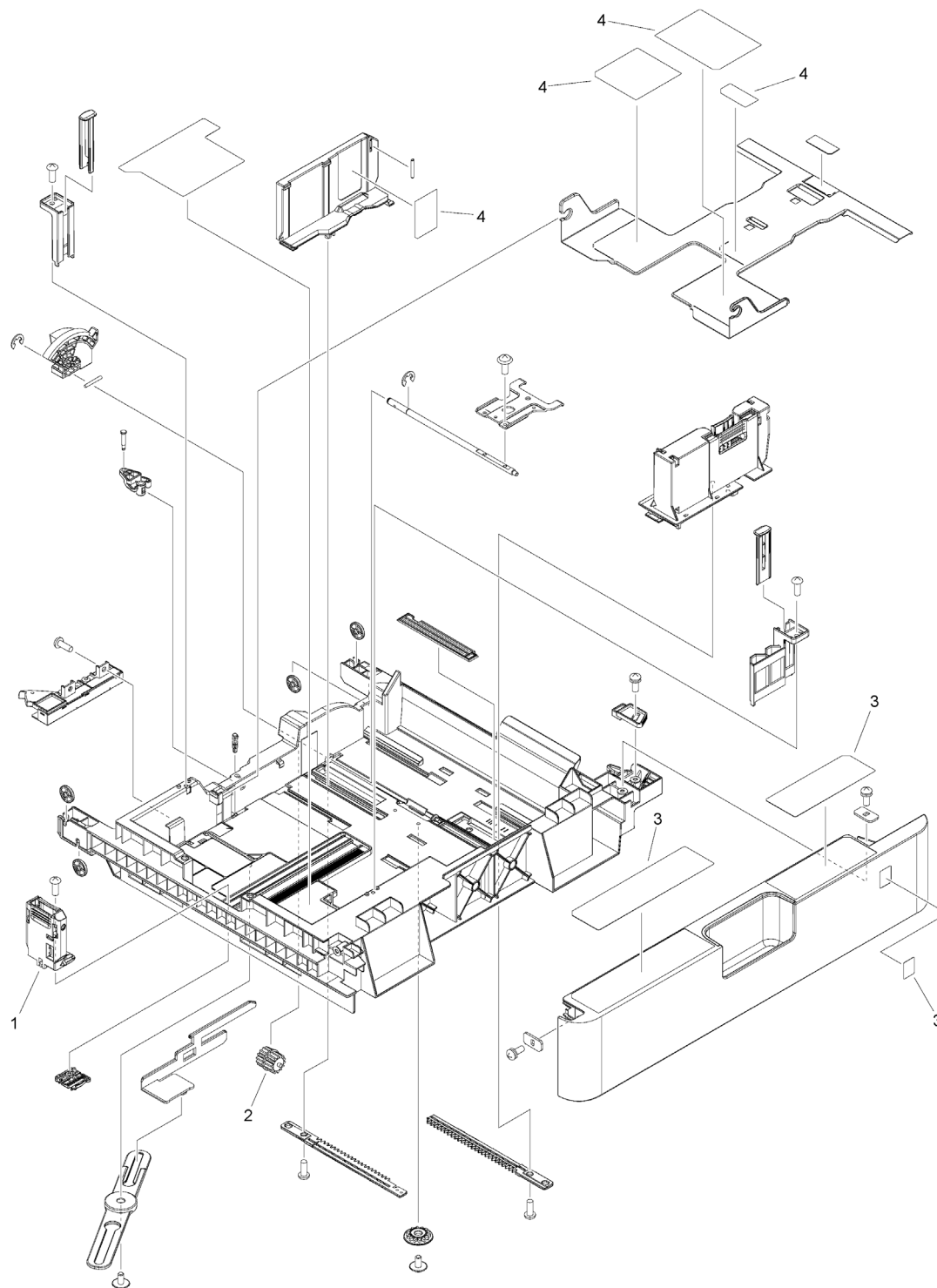


FIGURE & KEY NO.	PART NUMBER	RANK	QTY	DESCRIPTION	SERIAL NUMBER /REMARKS
300B	FM1-D694-020		1	CASSETTE	
1	FM1-B547-010		1	PLATE, BACK END LIMIT	
2	RC1-9396-000		1	GEAR, 14T	
3	FE4-1819-010		1	LABEL, CASSETTE	SEE NOTE 1 SEE NOTE 2
4	FE2-C815-000		1	LABEL, CASSETTE SIZE	SEE NOTE 1 SEE NOTE 2

Figure 310 RESIST/PAPER PICK-UP ASS'Y

NOTE : This assembly does not include the part shown with key No. 6.

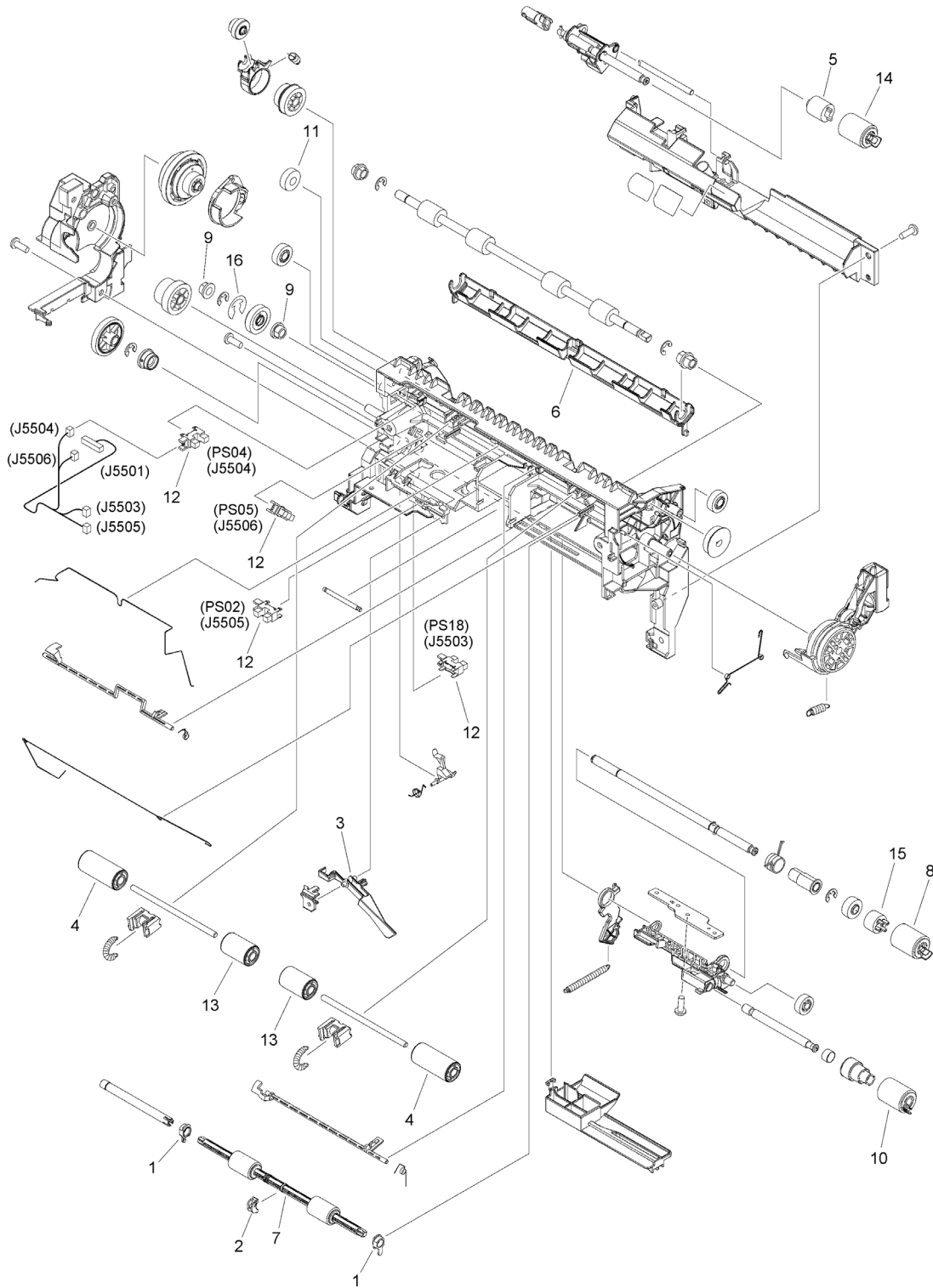


FIGURE & KEY NO.	PART NUMBER	RANK	QTY	DESCRIPTION	SERIAL NUMBER /REMARKS
310	FM0-0029-000		1	RESIST/PAPER PICK-UP ASS'Y	
1	FC0-5876-000		2	BUSHING	
2	FC0-5888-000		1	BUSHING	
3	FC0-7670-000		1	LEVER, PAPER DETECT	
4	FE3-9592-000		2	ROLLER, REGISTRATION DRIVEN	
5	FE3-4860-000		1	LIMITER, TORQUE	
6	FE3-6112-000		1	GUIDE, PRE-REGISTRATION	SEE NOTE
7	FL1-1869-000		1	ROLLER, EXTRACTION	
8	FL0-2885-000		1	ROLLER, PAPER PICK-UP	
9	FS1-1205-000		2	BUSHING	
10	FL0-4002-000		1	ROLLER, PAPER PICK-UP	
11	FU8-0085-000		1	GEAR, 18T	
12	WG8-5935-000		4	IC, PHOTO INTERRUPTER	PS02, PS04, PS05, PS18
13	FE3-9593-000		2	ROLLER, REGISTRATION DRIVEN	
14	FL0-1674-000		1	ROLLER, SEPARATION	
15	FL0-1515-000		1	ONE-WAY CLUTCH ASSEMBLY	
16	FC6-3002-000		1	RING, RESIN, RETAINING	

Figure 330B MULTI FEED TRAY ASSEMBLY

NOTE 1 : This assembly is included in the assembly shown in Figure 102. NOTE 2 : This assembly does not include the part shown with key No. 2.

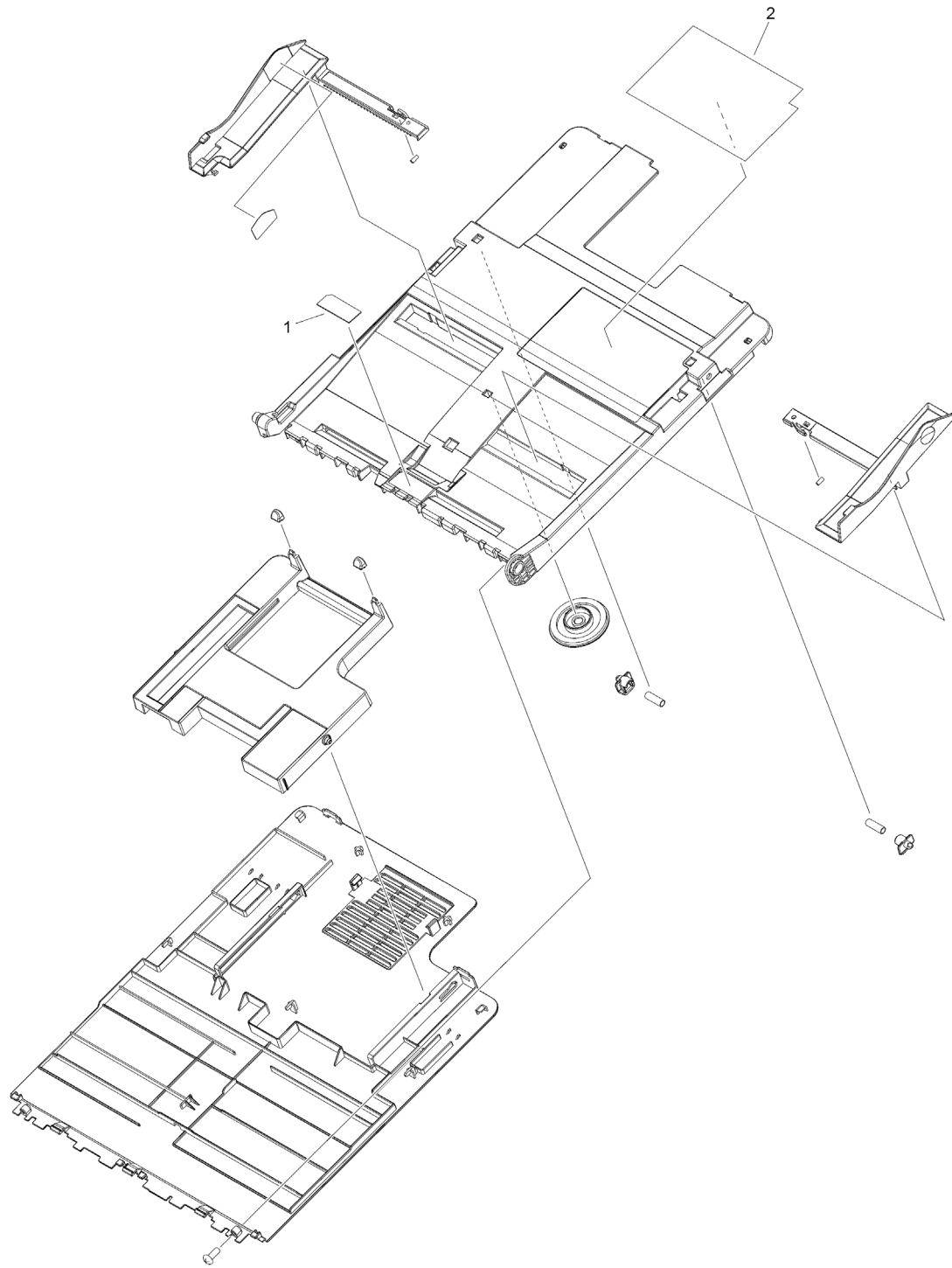


FIGURE & KEY NO.	PART NUMBER	RANK	QTY	DESCRIPTION	SERIAL NUMBER /REMARKS
330B	FM1-D706-000		1	MULTI FEED TRAY ASSEMBLY	SEE NOTE 1
1	FL3-6526-000		1	SHEET, SEPARATION	
2	FE2-C774-000		1	LABEL, MULTI FEED SIZE	SEE NOTE 2

Figure 331 MULTI FEED PAPER PICK-UP ASS'Y

NOTE 1 : This assembly is included in the assembly shown in Figure 102. NOTE 2 : This assembly does not include the parts shown with key No. 2 and 3.

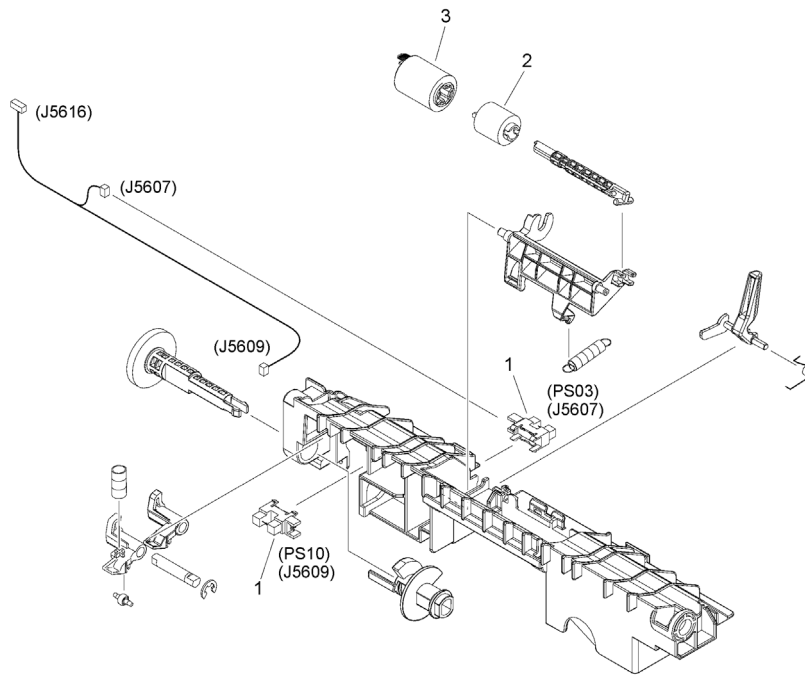


FIGURE & KEY NO.	PART NUMBER	RANK	QTY	DESCRIPTION	SERIAL NUMBER /REMARKS
331	FM1-B308-010		1	MULTI FEED PAPER PICK-UP ASS'Y	SEE NOTE 1
1	WG8-5935-000		2	IC, PHOTO INTERRUPTER	PS03, PS10
2	FE3-4860-000		1	LIMITER, TORQUE	SEE NOTE 2
3	FL0-1674-000		1	ROLLER, SEPARATION	SEE NOTE 2

Figure 332 DUPLEXING GUIDE ASSEMBLY

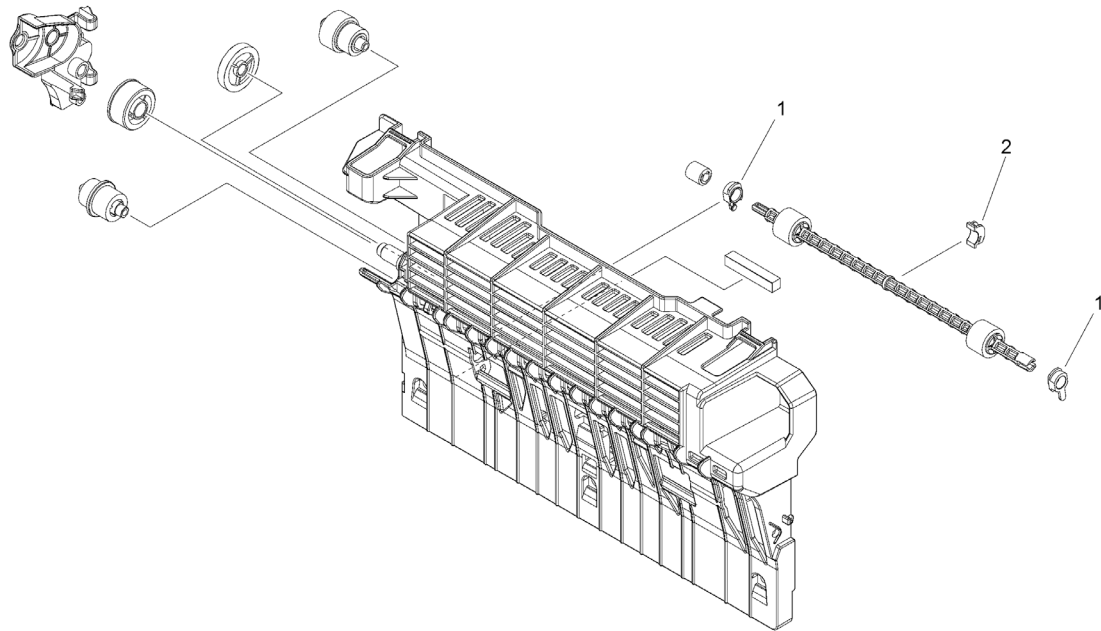


FIGURE & KEY NO.	PART NUMBER	R A N K	QTY	DESCRIPTION	SERIAL NUMBER /REMARKS
332	NPN		RF	DUPLEXING GUIDE ASSEMBLY	
1	FC0-5876-000		2	BUSHING	
2	FC0-5888-000		1	BUSHING	

Figure 350 PAPER DELIVERY/REVERSE ASS'Y

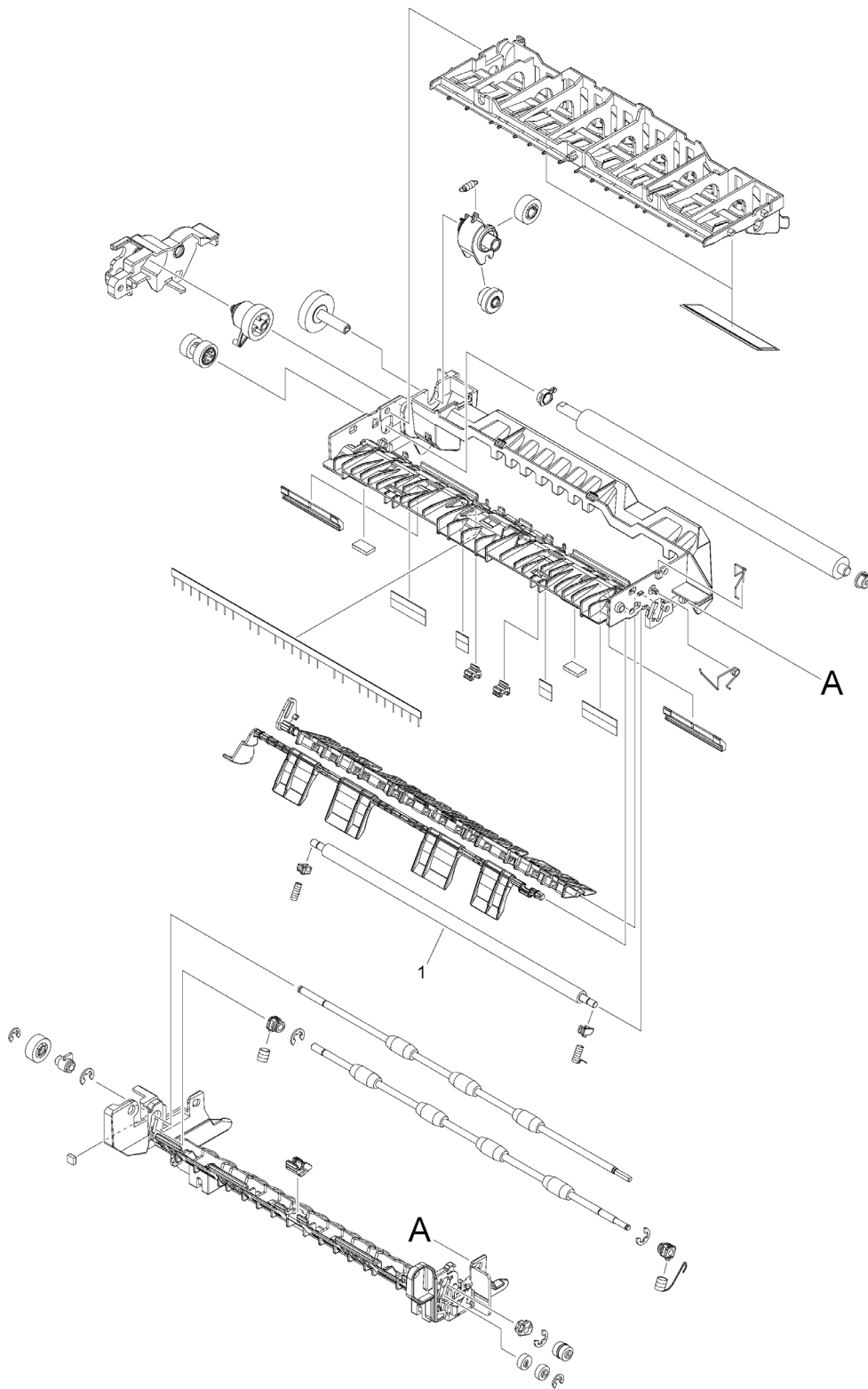


FIGURE & KEY NO.	PART NUMBER	R A N K	QTY	DESCRIPTION	SERIAL NUMBER /REMARKS
350	FM0-0021-000		1	PAPER DELIVERY/REVERSE ASSY	
1	FC7-6108-000		1	ROLLER, H DRIVEN	

Figure 460 LASER SCANNER ASSEMBLY

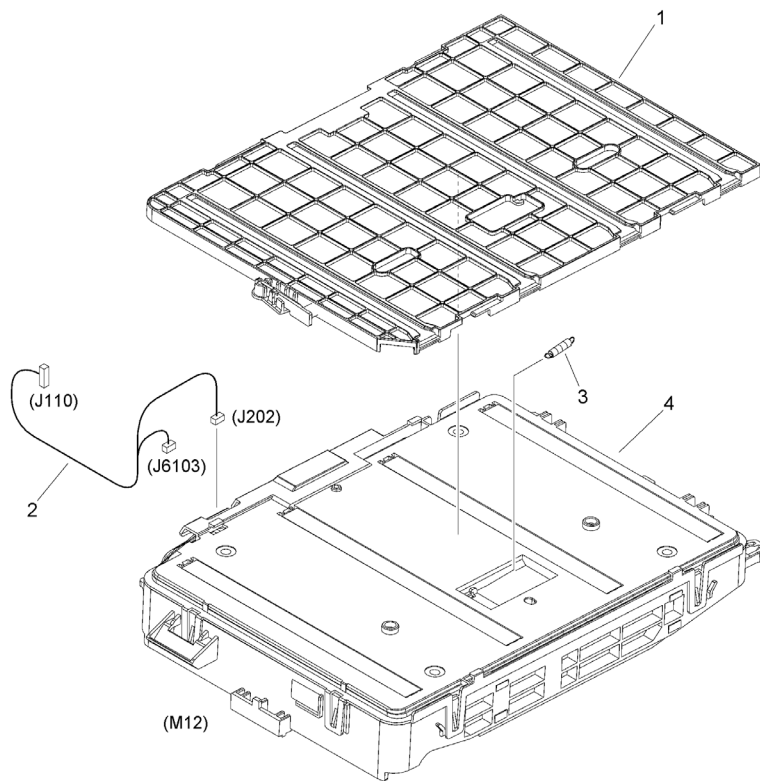


FIGURE & KEY NO.	PART NUMBER	RANK	QTY	DESCRIPTION	SERIAL NUMBER /REMARKS
460	NPN		RF	LASER SCANNER ASSEMBLY	
1	FM0-0031-000		1	DUST-PROOF SHUTTER ASSEMBLY	
2	FM1-A823-000		1	CABLE, LASER SCANNER	
3	FU9-2181-000		1	SPRING, TENSION	
4	FM0-0144-000		1	LASER SCANNER ASSEMBLY	M12

Figure 530 INTER. TRANSFER BELT ASS'Y

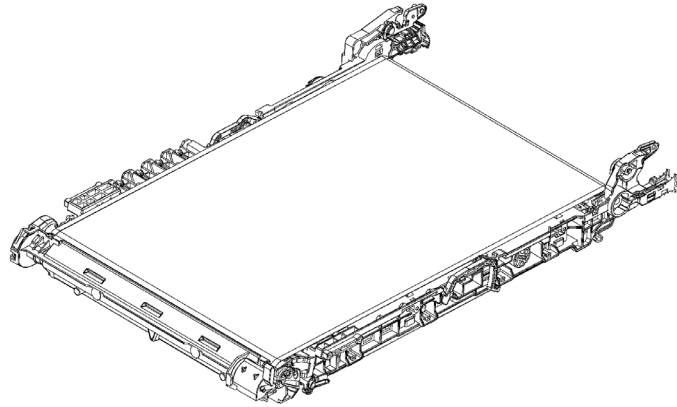


FIGURE & KEY NO.	PART NUMBER	R A N K	QTY	DESCRIPTION	SERIAL NUMBER /REMARKS
530	FM1-A153-020		1	INTER. TRANSFER BELT ASS'Y	[DP]

Figure 621 BOTTLE MOUNT ASSEMBLY

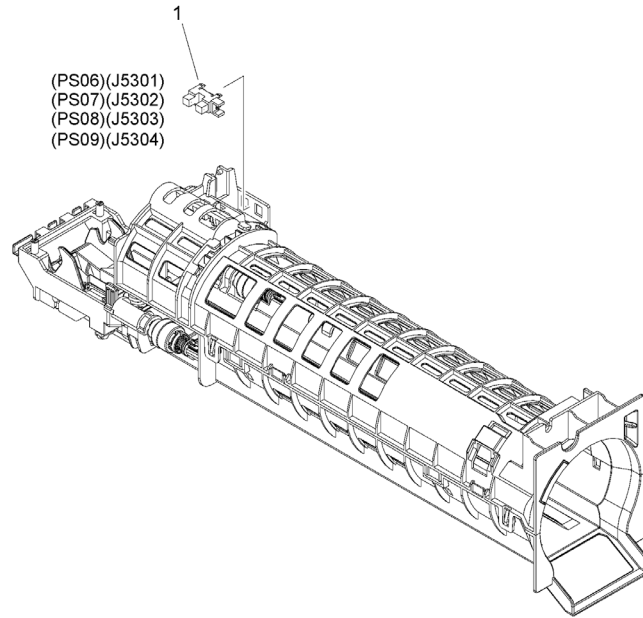


FIGURE & KEY NO.	PART NUMBER	R A N K	QTY	DESCRIPTION	SERIAL NUMBER /REMARKS
621	FM0-0002-010		1	BOTTLE MOUNT ASSEMBLY	
1	WG8-5935-000		1	IC, PHOTO INTERRUPTER	PS06, PS07, PS08, PS09

Figure 622 HOPPER ASSEMBLY

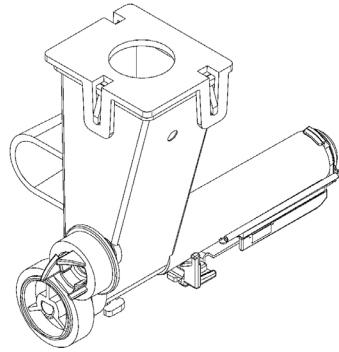


FIGURE & KEY NO.	PART NUMBER	R A N K	QTY	DESCRIPTION	SERIAL NUMBER /REMARKS
622	FM0-0006-010		1	HOPPER ASSEMBLY	

Figure 771 INTERNAL COVER ASSEMBLY

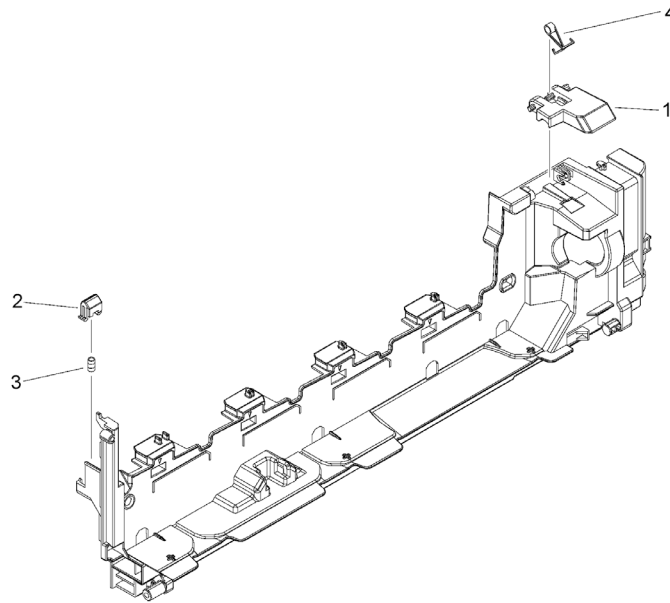


FIGURE & KEY NO.	PART NUMBER	RANK	QTY	DESCRIPTION	SERIAL NUMBER /REMARKS
771	NPN		RF	INTERNAL COVER ASSEMBLY	
1	FC0-5972-000		1	ARM, SENSOR	
2	FC0-7589-000		1	BLOCK, WASTE TONER	
3	FU2-0574-000		1	SPRING, COMPRESSION	
4	FU9-2027-000		1	SPRING, TORSION	

Figure 772 CONTAINER, WASTE TONER, WT-201

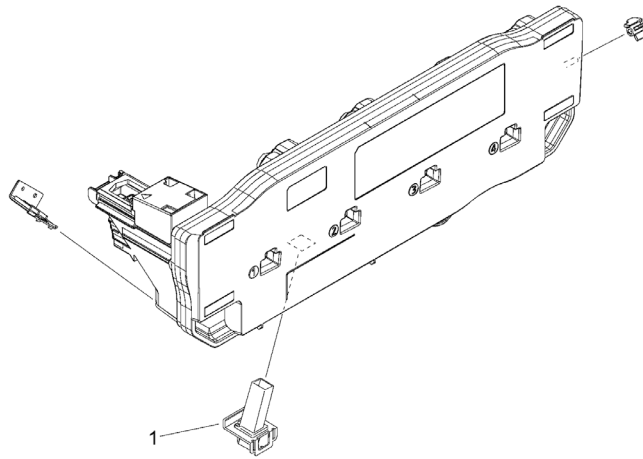


FIGURE & KEY NO.	PART NUMBER	R A N K	QTY	DESCRIPTION	SERIAL NUMBER /REMARKS
772	FM0-0015-010		1	CONTAINER, WASTE TONER, WT-201	[DP]
1	FC0-6985-010		1	WASTE TONER FULL DETECT ASS'Y	

Figure 810B FIXING ASSEMBLY, FX-201 (120V)

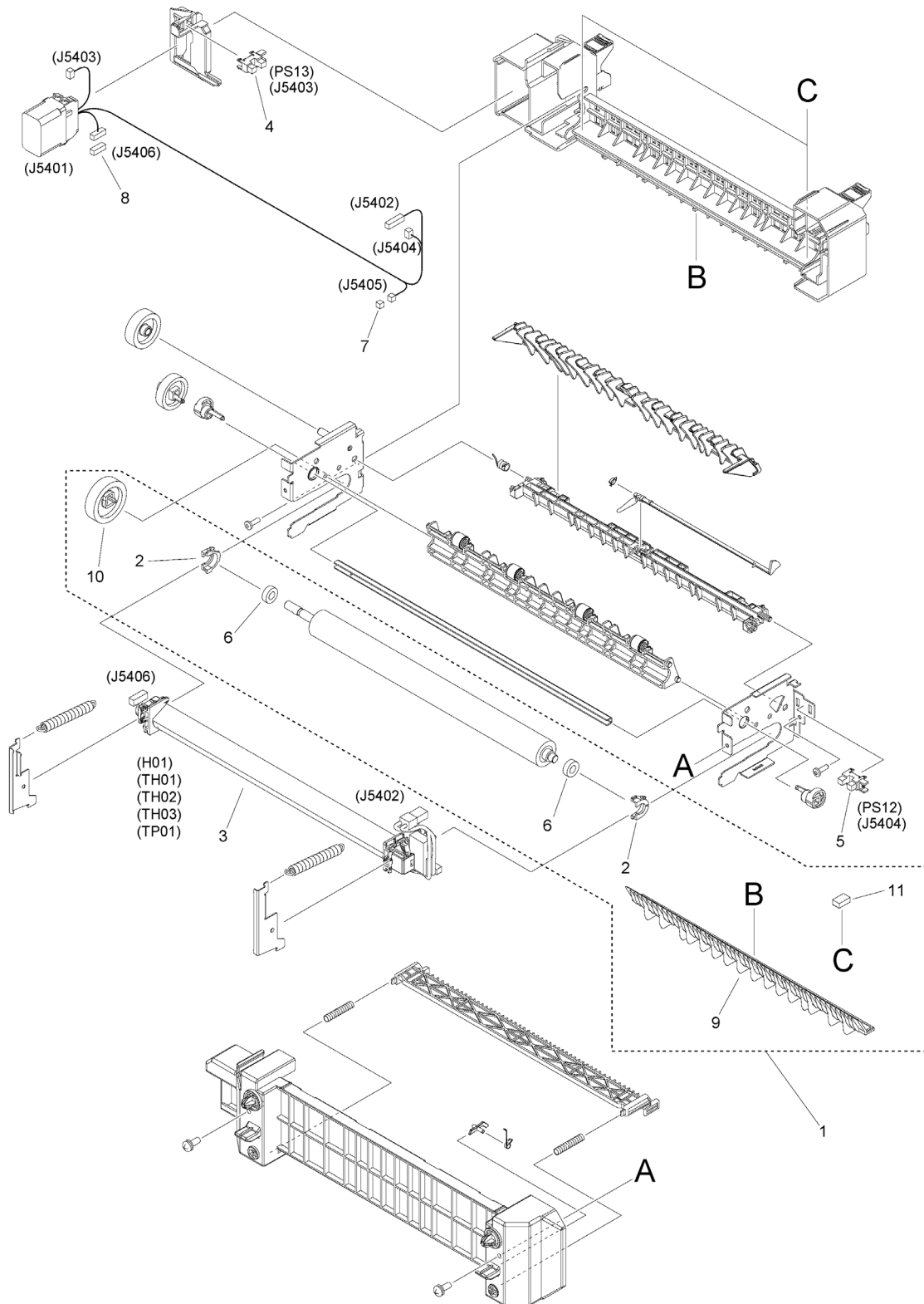


FIGURE & KEY NO.	PART NUMBER	RANK	QTY	DESCRIPTION	SERIAL NUMBER /REMARKS
810B	FM1-R726-020		1	FIXING ASSEMBLY, FX-201	120V [DP]
1	FM1-K198-010		1	PRESSURE ROLLER KIT	
2	FC0-6079-000		2	HOLDER, BEARING	
3	FM1-R729-010		1	FIXING FILM ASSEMBLY	H01, TH01, TH02, TH03, TP01
4	WG8-5935-000		1	IC, PHOTO INTERRUPTER	PS13
5	WG8-5783-000		1	IC,PHOTO-INTERRUPTER,LG248NL1A	PS12
6	XG9-0865-000		2	BEARING, BALL, L-1260ZZRP0P58L	
7	VS1-7177-002		1	CONNECTOR, SNAP TIGHT, BK	
8	VS1-7177-006		1	CONNECTOR, SNAP TIGHT, BK	
9	FC0-6089-010		1	GUIDE, FIXING ENTRANCE	
10	FU9-0610-000		1	GEAR, 29T	
11	FL0-6873-000		2	DAMPER	

Figure 810C FIXING ASSEMBLY, FX-201 (230V)

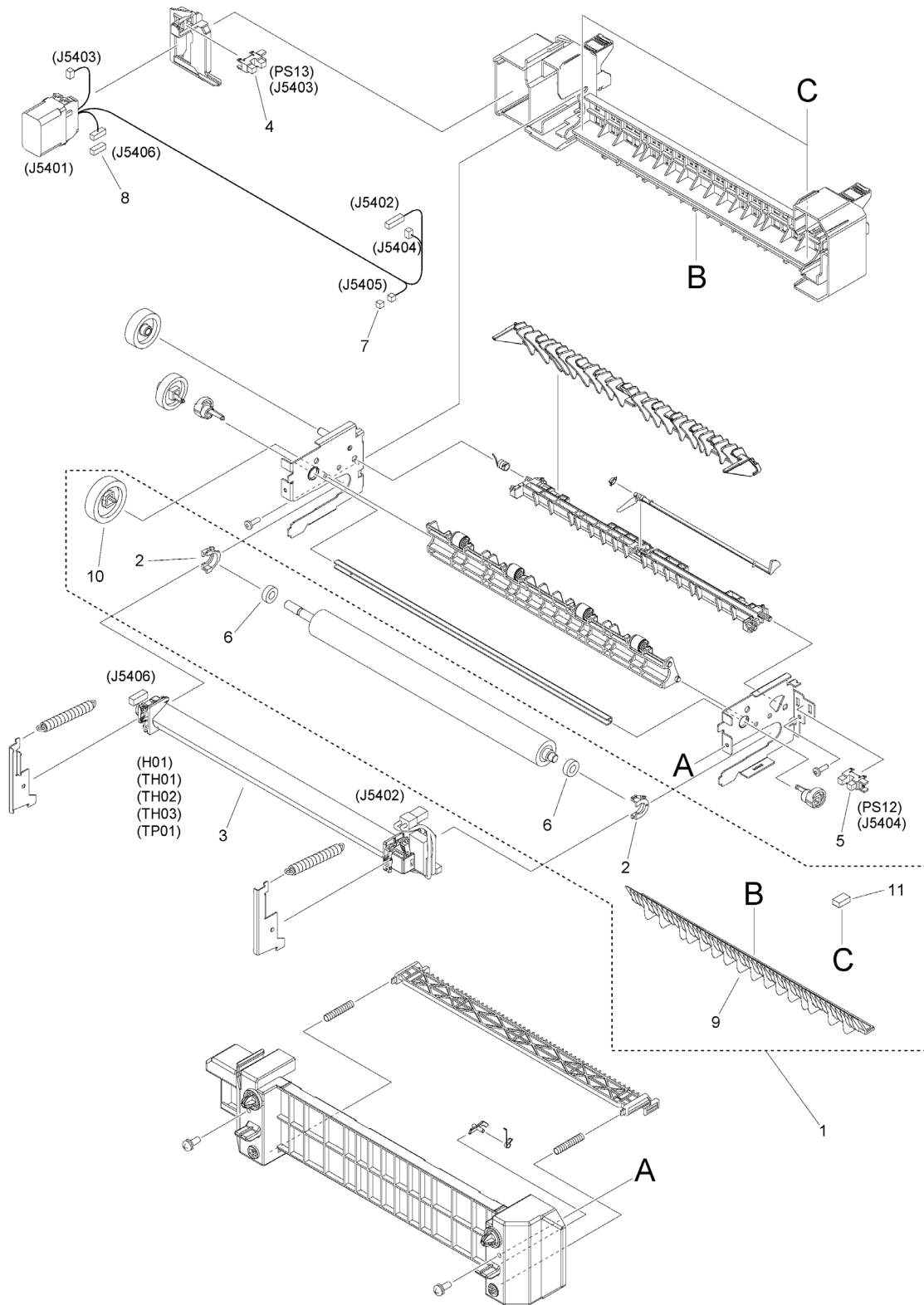


FIGURE & KEY NO.	PART NUMBER	RANK	QTY	DESCRIPTION	SERIAL NUMBER /REMARKS
810C	FM1-R727-020		1	FIXING ASSEMBLY, FX-201	230V [DP]
1	FM1-K198-010		1	PRESSURE ROLLER KIT	
2	FC0-6079-000		2	HOLDER, BEARING	
3	FM1-R730-010		1	FIXING FILM ASSEMBLY	H01, TH01, TH02, TH03, TP01
4	WG8-5935-000		1	IC, PHOTO INTERRUPTER	PS13
5	WG8-5783-000		1	IC,PHOTO-INTERRUPTER,LG248NL1A	PS12
6	XG9-0865-000		2	BEARING, BALL, L-1260ZZRP0P58L	
7	VS1-7177-002		1	CONNECTOR, SNAP TIGHT, BK	
8	VS1-7177-006		1	CONNECTOR, SNAP TIGHT, BK	
9	FC0-6089-010		1	GUIDE, FIXING ENTRANCE	
10	FU9-0610-000		1	GEAR, 29T	
11	FL0-6873-000		2	DAMPER	

Figure 900A CONTROLLER BOX ASSEMBLY (C356i, C356F, C356iF)

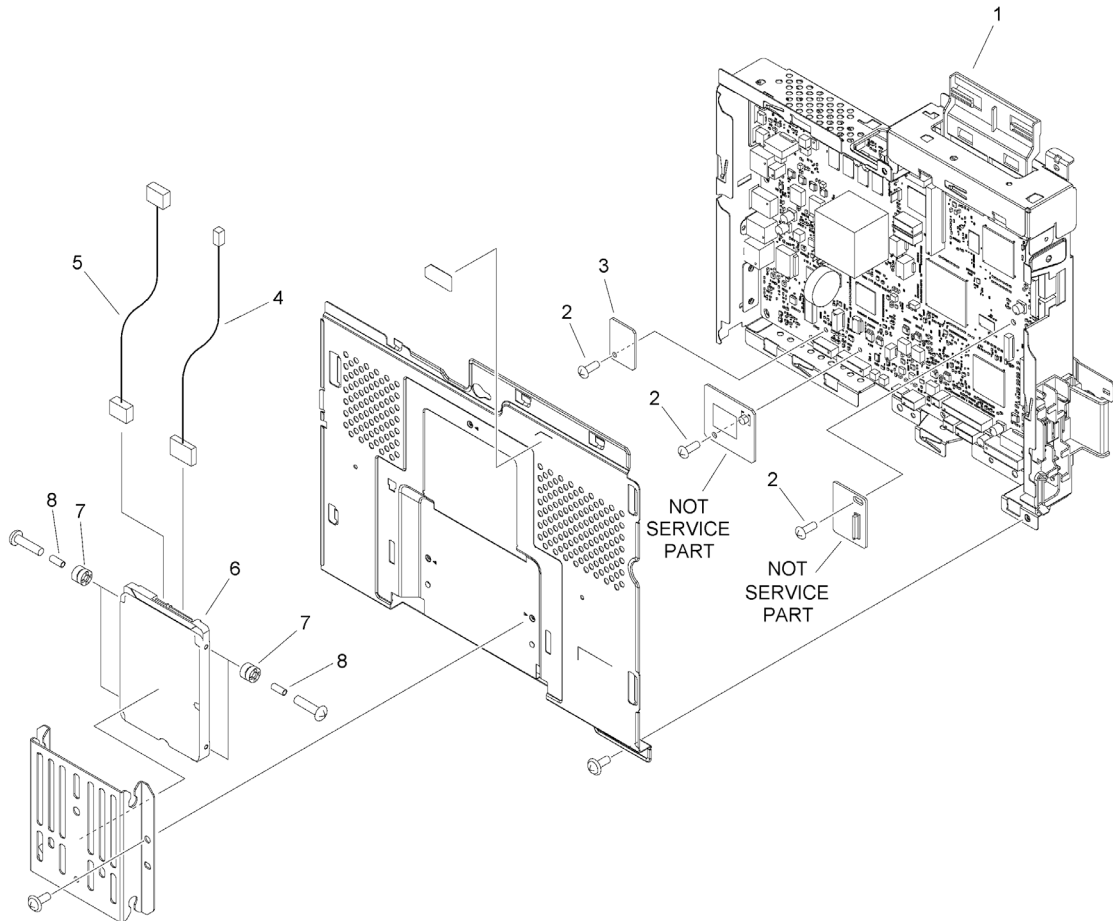


FIGURE & KEY NO.	PART NUMBER	RANK	QTY	DESCRIPTION	SERIAL NUMBER /REMARKS
900A	NPN		RF	CONTROLLER BOX ASSEMBLY	C356i, C356F, C356iF
1	FM1-V649-000		1	MAIN CONTROLLER PCB ASSEMBLY	
2	XA9-1979-000		3	SCREW, MACH. PAN HEAD, M3X4	
3	FM1-M981-000		1	TPM PCB ASSEMBLY	
4	FK4-3811-000		1	CABLE, SATA POWER	
5	FK4-3810-000		1	CABLE, SATA SIGNAL	
6	FK4-1550-000		1	HARD DISK DRIVE, MQ01ABF032	
7	XH9-0149-000		4	DAMPER, CUSHION	
8	XZ1-1301-005		4	SPACER	

Figure 900C CONTROLLER BOX ASSEMBLY (C256, C256i, C256iF)

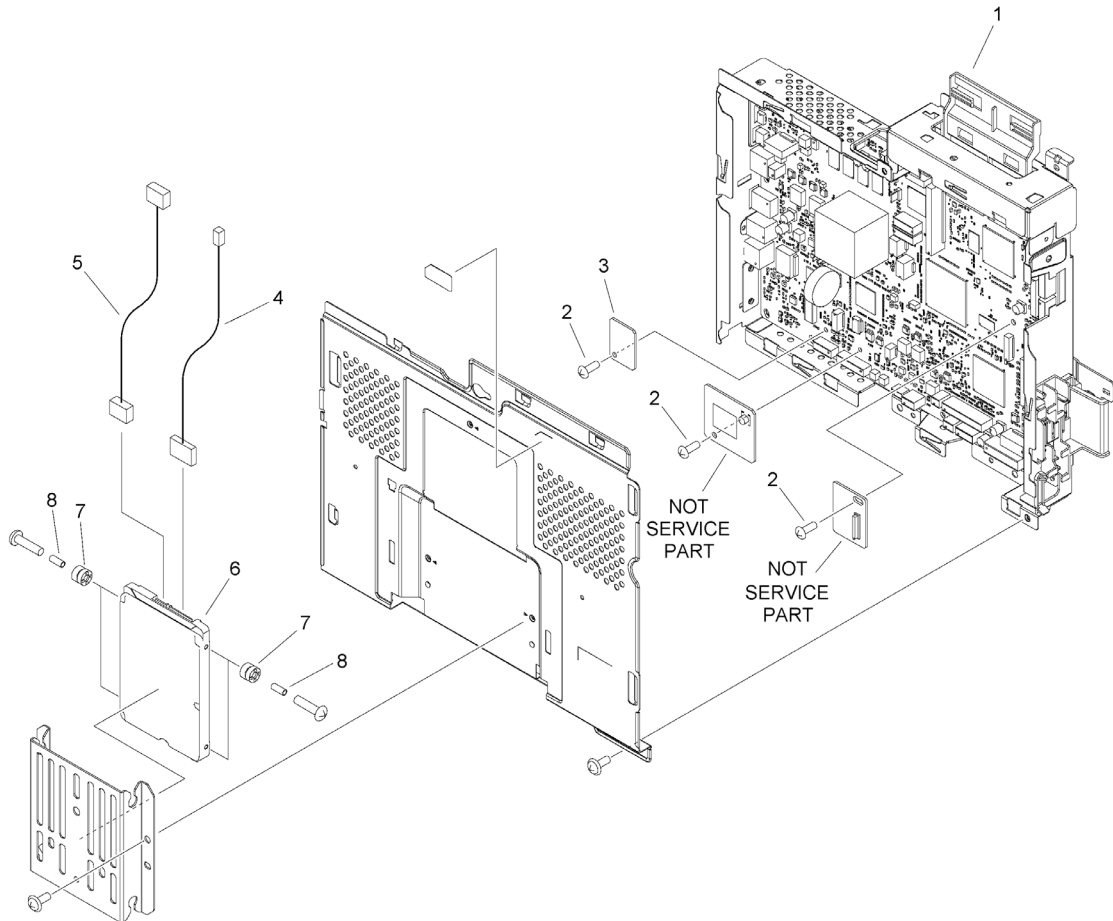


FIGURE & KEY NO.	PART NUMBER	RANK	QTY	DESCRIPTION	SERIAL NUMBER /REMARKS
900C	NPN		RF	CONTROLLER BOX ASSEMBLY	C256, C256i, C256iF
1	FM1-V648-000		1	MAIN CONTROLLER PCB ASSEMBLY	
2	XA9-1979-000		3	SCREW, MACH. PAN HEAD, M3X4	
3	FM1-M981-000		1	TPM PCB ASSEMBLY	
4	FK4-3811-000		1	CABLE, SATA POWER	
5	FK4-3810-000		1	CABLE, SATA SIGNAL	
6	FK4-1550-000		1	HARD DISK DRIVE, MQ01ABF032	
7	XH9-0149-000		4	DAMPER, CUSHION	
8	XZ1-1301-005		4	SPACER	

Figure 910A POWER SUPPLY ASSEMBLY (100V, 120V)

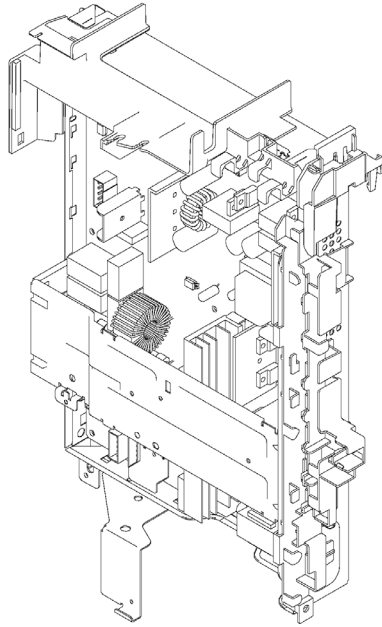


FIGURE & KEY NO.	PART NUMBER	R A N K	QTY	DESCRIPTION	SERIAL NUMBER /REMARKS
910A	FM1-L543-000		1	POWER SUPPLY ASSEMBLY	100V, 120V

Figure 910B POWER SUPPLY ASSEMBLY (230V)

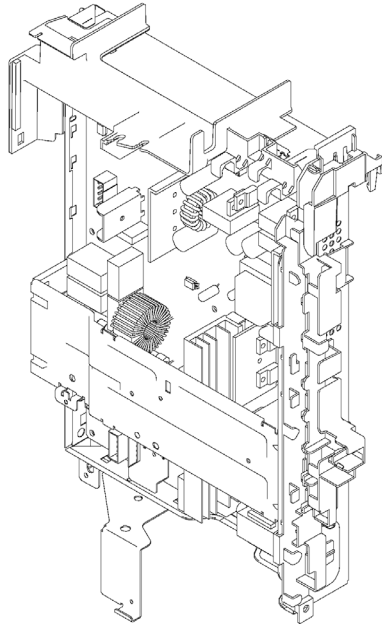


FIGURE & KEY NO.	PART NUMBER	R A N K	QTY	DESCRIPTION	SERIAL NUMBER /REMARKS
910B	FM1-P022-000		1	POWER SUPPLY ASSEMBLY	230V

Figure 930 DC CONTROLLER PCB ASSEMBLY

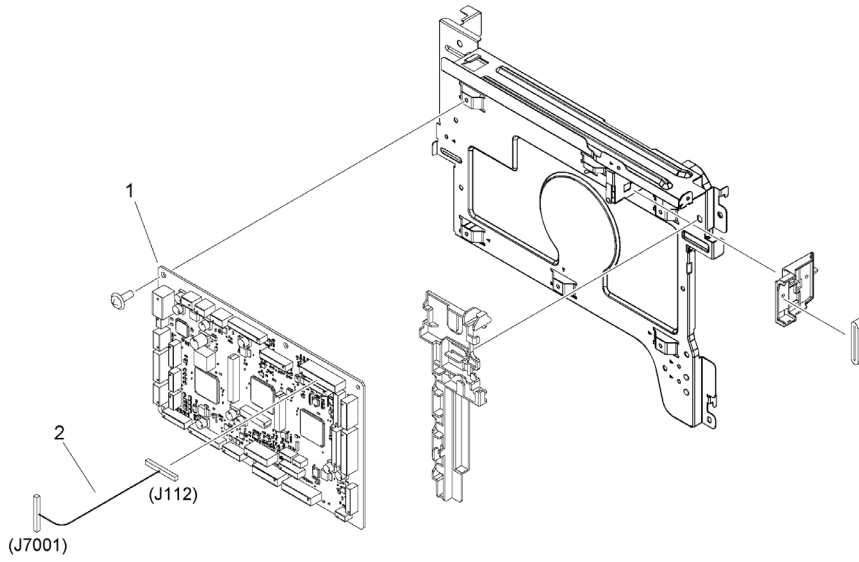


FIGURE & KEY NO.	PART NUMBER	RANK	QTY	DESCRIPTION	SERIAL NUMBER /REMARKS
930	NPN		RF	DC CONTROLLER PCB ASSEMBLY	
1	FM2-J907-000		1	DC CONTROLLER PCB ASSEMBLY	
2	FM1-V958-000		1	CABLE, DDIP	

Figure B01 ADF MAINTENANCE KIT (Single pass ADF)

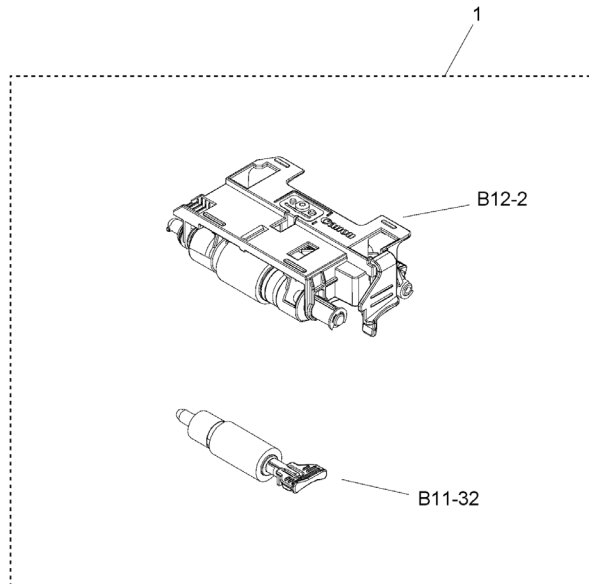


FIGURE & KEY NO.	PART NUMBER	R A N K	QTY	DESCRIPTION	SERIAL NUMBER /REMARKS
B01	NPN		RF	ADF MAINTENANCE KIT	Single pass ADF
1	FM1-P720-010		1	ADF MAINTENANCE KIT, DR-203	

Figure B10B READER/ADF ASSEMBLY (Single pass ADF)

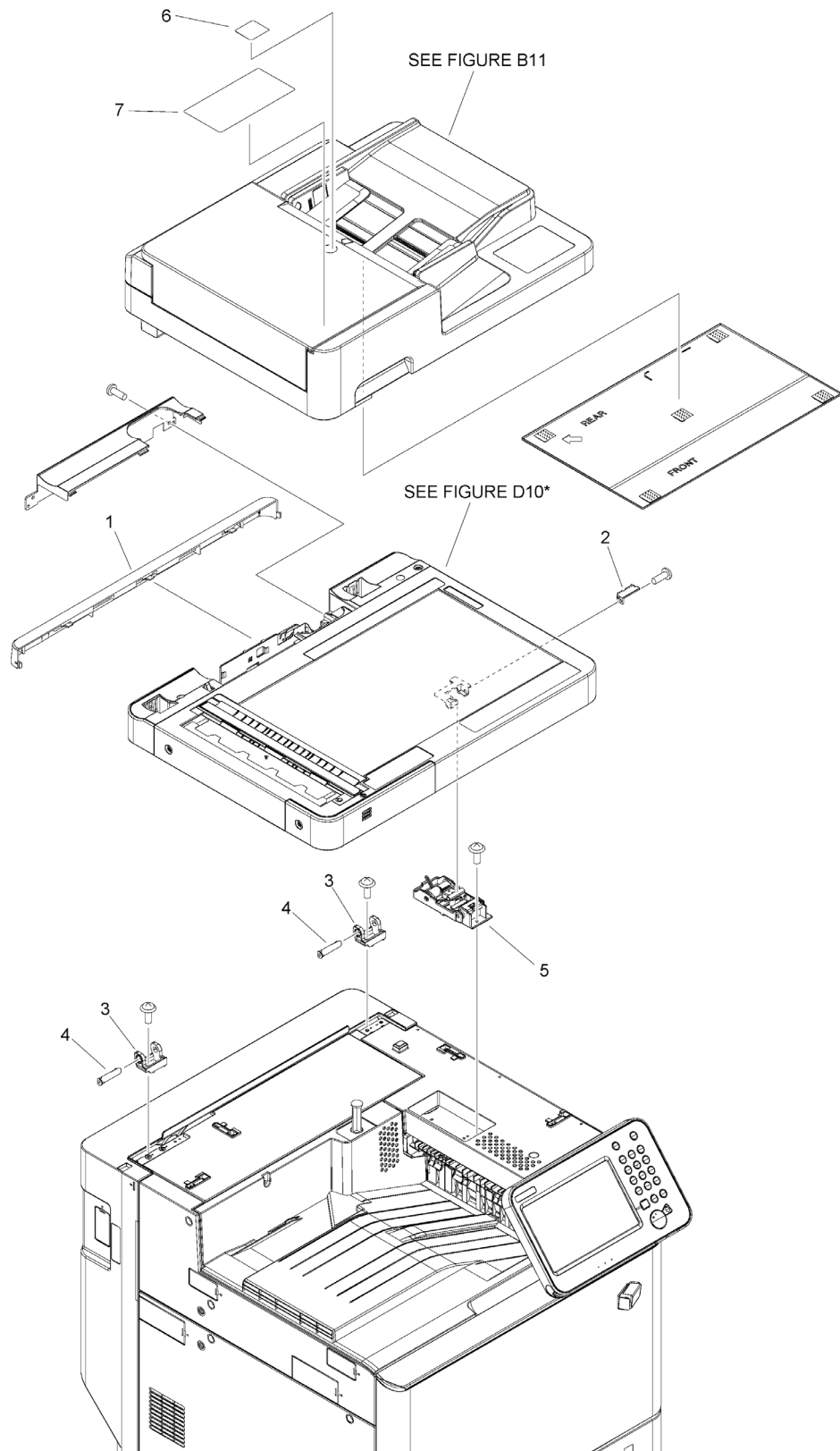


FIGURE & KEY NO.	PART NUMBER	RANK	QTY	DESCRIPTION	SERIAL NUMBER /REMARKS
B10B	NPN		RF	READER/ADF ASSEMBLY	Single pass ADF
1	FE8-2109-010		1	COVER, READER REAR, 2	
2	FE3-8375-000		1	CLAMP, READER SHAFT, RIGHT	
3	FE8-2110-000		2	HINGE, READER	
4	FE8-2405-000		2	SHAFT, READER HINGE	
5	FM4-9850-000		1	READER LINK ASSEMBLY	
6	FE8-4575-000		1	LABEL, DOCUMENT DIRECTION	
7	FE8-4578-000		1	LABEL,CLEANING/PROHIBITION	

Figure B11 (1/3)AUTO DOCUMENT FEEDER ASS'Y SET (Single pass ADF)

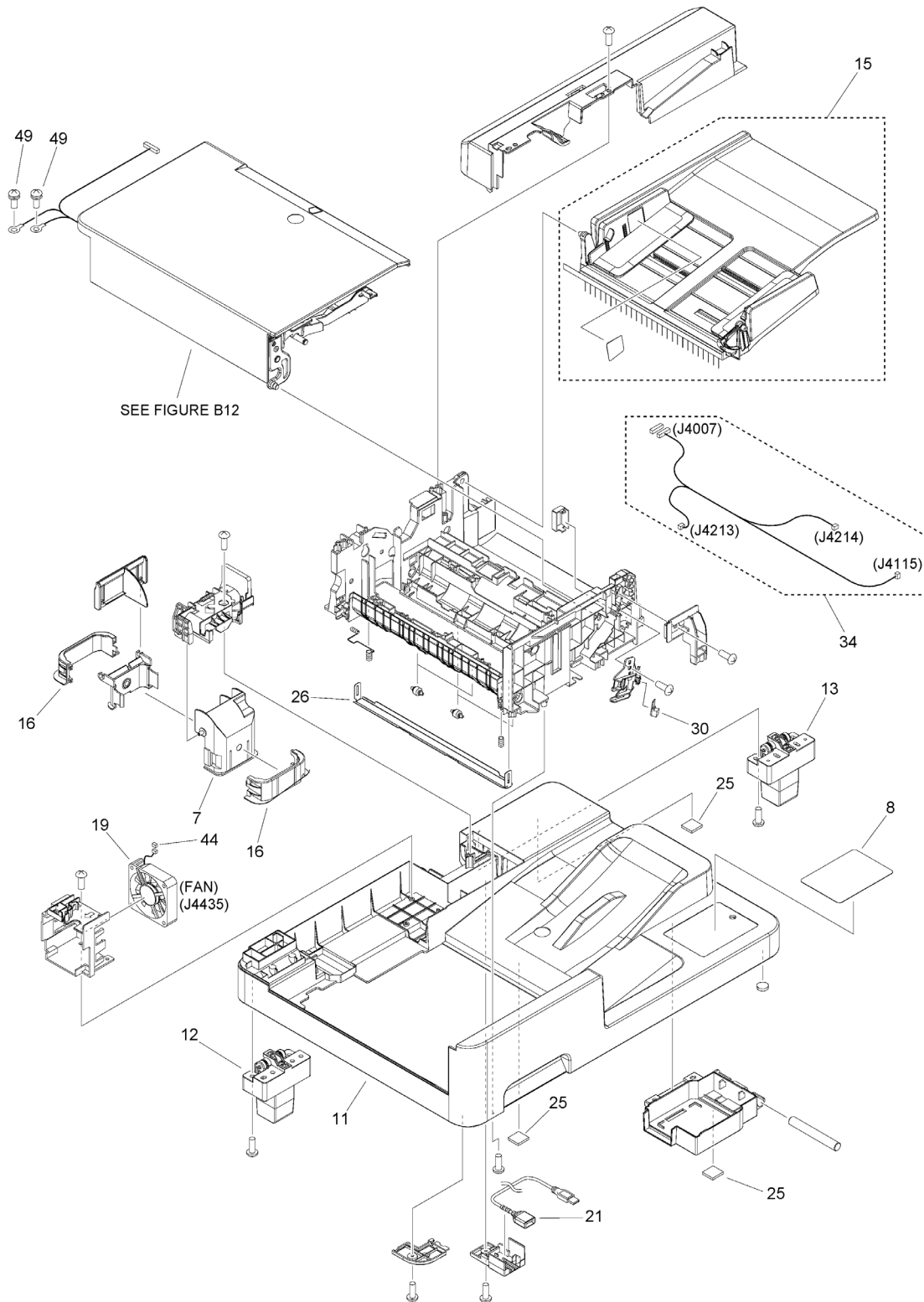


Figure B11 (3/3)AUTO DOCUMENT FEEDER ASS'Y SET (Single pass ADF)

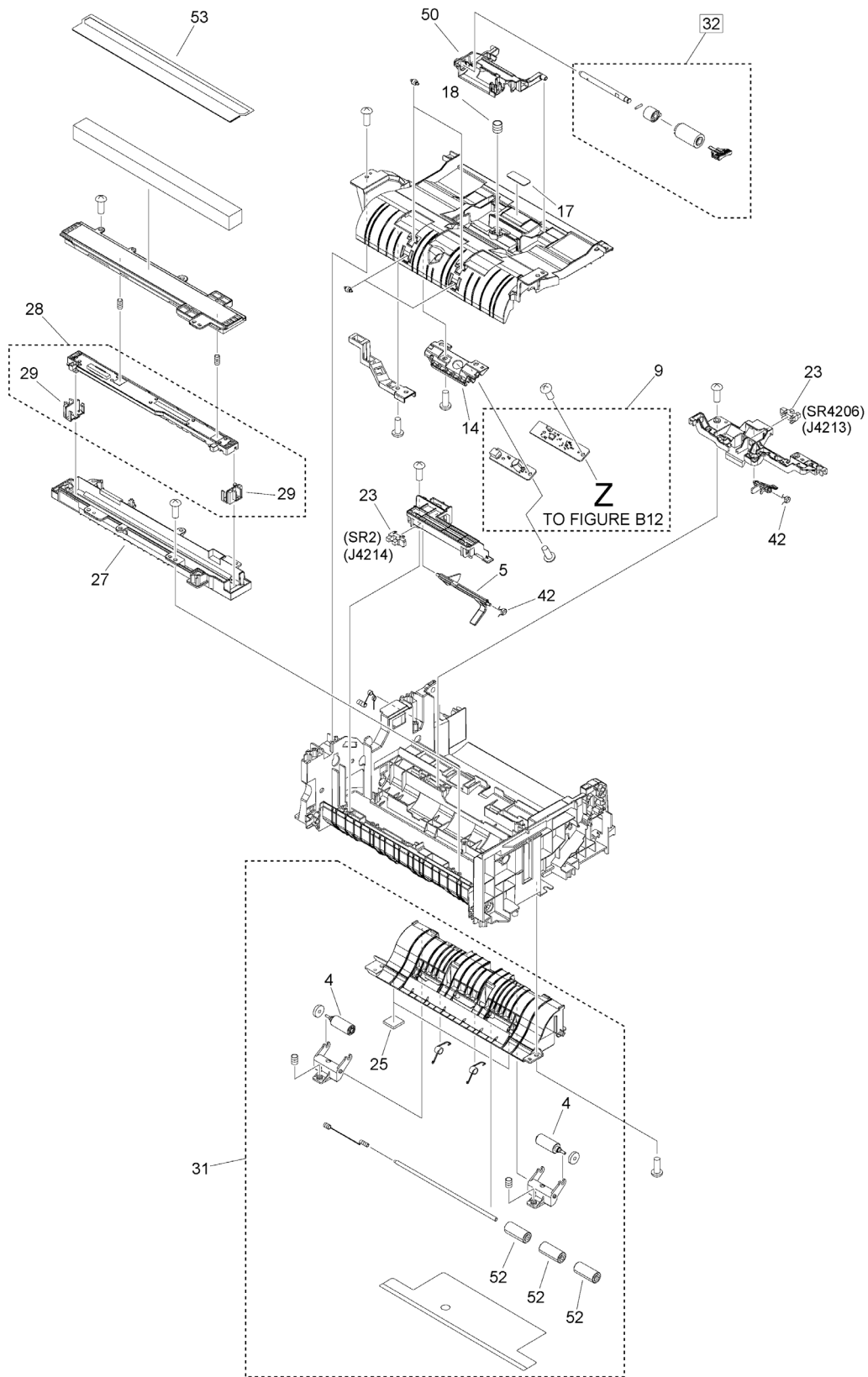


FIGURE & KEY NO.	PART NUMBER	RANK	QTY	DESCRIPTION	SERIAL NUMBER /REMARKS
B11	FM1-W734-000		1	AUTO DOCUMENT FEEDER ASS'Y SET	Single pass ADF
1	FC0-1271-000		3	CLIP	
2	VS1-7177-002		2	CONNECTOR, SNAP TIGHT, BK	
3	FC5-4424-000		8	CLIP	
4	FC8-6316-010		2	ROLLER, DELIVERY	
5	FC8-6371-000		1	LEVER, READ SENSOR	
6	FC8-6383-000		1	JOINT, PICK-UP	
7	FE4-5746-000		1	GUIDE, CABLE, FRONT	
8	FE4-5779-000		1	LABEL	
9	FM1-K086-010		1	DOUBLE FEED DETECTION KIT	
10	FE4-5788-000		2	STOPPER, CLUTCH ROTATION	
11	FE4-5790-000		1	FRAME, BASE	
12	FE8-2341-000		1	HINGE, ADF, LEFT	
13	FE8-2342-000		1	HINGE, ADF, RIGHT	
14	FE8-1865-000		1	HOLDER, DOUBLE FEED DETECTION	
15	FM1-L783-000		1	DOCUMENT TRAY ASSEMBLY	
16	FE8-2334-000		2	GUIDE, CABLE, LOWER	
17	FE8-3713-000		1	PAD, PICK-UP	
18	FE8-3716-000		1	SPRING, COMPRESSION	
19	FK2-0472-010		1	FAN	FAN
20	FK4-3805-000		1	CABLE, FLAT	
21	FK4-3808-000		1	CABLE, USB	
22	FK4-3995-000		2	CLUTCH, ELECTROMAGNETIC	CL4200, CL4201
23	WG8-5935-000		3	IC, PHOTO INTERRUPTER	SR2, SR5, SR4206
24	XD9-0289-000		1	PIN, PARALLEL	
25	FL0-5178-000		5	CUSHION	
26	FL1-0441-000		1	GUIDE, PLATEN	
27	FL1-1512-000		1	HOLDER, CONTACT IMAGE SENSOR	
28	FM1-W732-000		1	CONTACT IMAGE SENSOR ASS'Y SET	
29	FL1-2057-000		2	SPACER, CONTACT IMAGE SENSOR	RANK B
29	FL1-2174-000		2	SPACER, CONTACT IMAGE SENSOR	RANK C
29	FL1-2175-000		2	SPACER, CONTACT IMAGE SENSOR	RANK A
30	FM0-0294-000		1	EJECT LIGHT LED PCB ASS'Y	
31	FM1-L786-010		1	LEAD 2 OUTER GUIDE ASSEMBLY	
32	FM1-N521-010		1	SEPARATION ROLLER ASSEMBLY	[DP]
33	FM1-W888-000		1	CABLE, ADF MAIN	
34	FM1-W892-000		1	CABLE, ADF PASS SENSOR	
35	FM1-W895-010		1	MOTOR ASS'Y	M4201
36	XD9-0352-000		1	PIN	
37	FS1-1528-000		1	BUSHING, PL	
38	FS5-1805-000		6	BUSHING	
39	FU2-1747-000		1	SPRING, CLUTCH	
40	FU2-1756-000		1	GEAR, 23T	
41	FU2-1758-000		1	SPRING, TENSION	

FIGURE & KEY NO.	PART NUMBER	RANK	QTY	DESCRIPTION	SERIAL NUMBER /REMARKS
42	FU7-2658-000		2	SPRING, TORSION	
43	FU8-0240-000		1	PULLEY	
44	VS1-7177-003		2	CONNECTOR, SNAP TIGHT, BK	
45	XA9-1386-000		7	SCREW,RS,M3X8	
46	XF2-1606-940		1	BELT, TIMING	
47	XF2-1609-560		1	BELT, TIMING	
48	XF2-1610-640		1	BELT, TIMING	
49	XA9-2003-000		4	SCREW, W/WASHER, M3X6	
50	FE8-2385-000		1	HOLDER, ROLLER	
51	XD9-0290-000		1	PIN, PARALLEL	
52	FC5-4286-000		3	ROLLER, PAPER FEED, 1	
53	FL0-5407-000		1	SHEET, WHITE	
54	XA9-0624-000		2	SCREW,M3X4	

Figure B12 PAPER PICK-UP COVER ASS'Y (Single pass ADF)

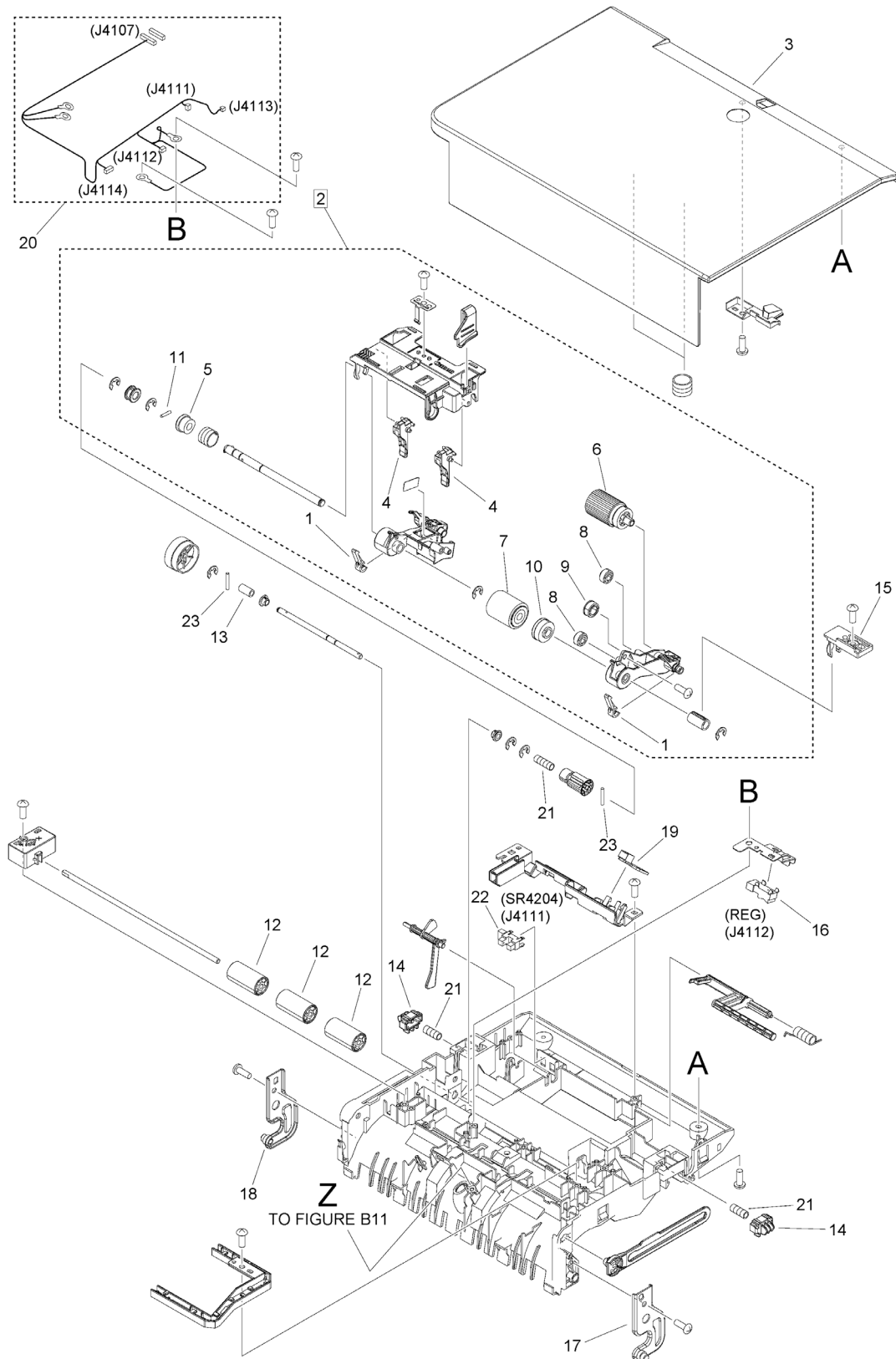


FIGURE & KEY NO.	PART NUMBER	RANK	QTY	DESCRIPTION	SERIAL NUMBER /REMARKS
B12	NPN		RF	PAPER PICK-UP COVER ASS'Y	Single pass ADF
1	FC6-8971-010		2	LEVER, STOP	
2	FM1-L782-010		1	ADF PAPER PICK-UP ASSEMBLY	[DP]
3	FL1-0427-000		1	COVER, PAPER PICK-UP	
4	FL2-9948-000		2	SHUTTER	
5	FC8-6353-000		1	JOINT	
6	FC8-6355-000		1	ROLLER, PICK-UP	
7	FL1-3414-000		1	ROLLER, PAPER FEED	
8	FU8-0299-000		2	GEAR, 20T	
9	FU8-0300-000		1	GEAR, 22T	
10	FU8-0301-000		1	GEAR, 33T	
11	XD9-0333-000		1	PIN, PARALLEL	
12	FC5-4324-000		3	ROLLER, REGISTRATION, 2	
13	FC8-7343-000		1	ROLLER, BELT	
14	FE8-1870-000		2	LATCH	
15	FE8-2386-000		1	HOLDER, PICK	
16	FK2-6470-000		1	PHOTO-SENSOR, KUA0055C	REG
17	FL1-0526-000		1	ARM, OPEN/CLOSE COVER, FRONT	
18	FL1-0527-000		1	ARM, OPEN/CLOSE COVER, REAR	
19	FM1-K827-000		1	LED PCB ASSEMBLY	
20	FM1-W890-000		1	CABLE, COVER	
21	FU2-1808-000		3	SPRING, COMPRESSION	
22	WG8-5935-000		1	IC, PHOTO INTERRUPTER	SR4204
23	XD9-0352-000		2	PIN	

Figure D10B READER ASSEMBLY (Single pass ADF)

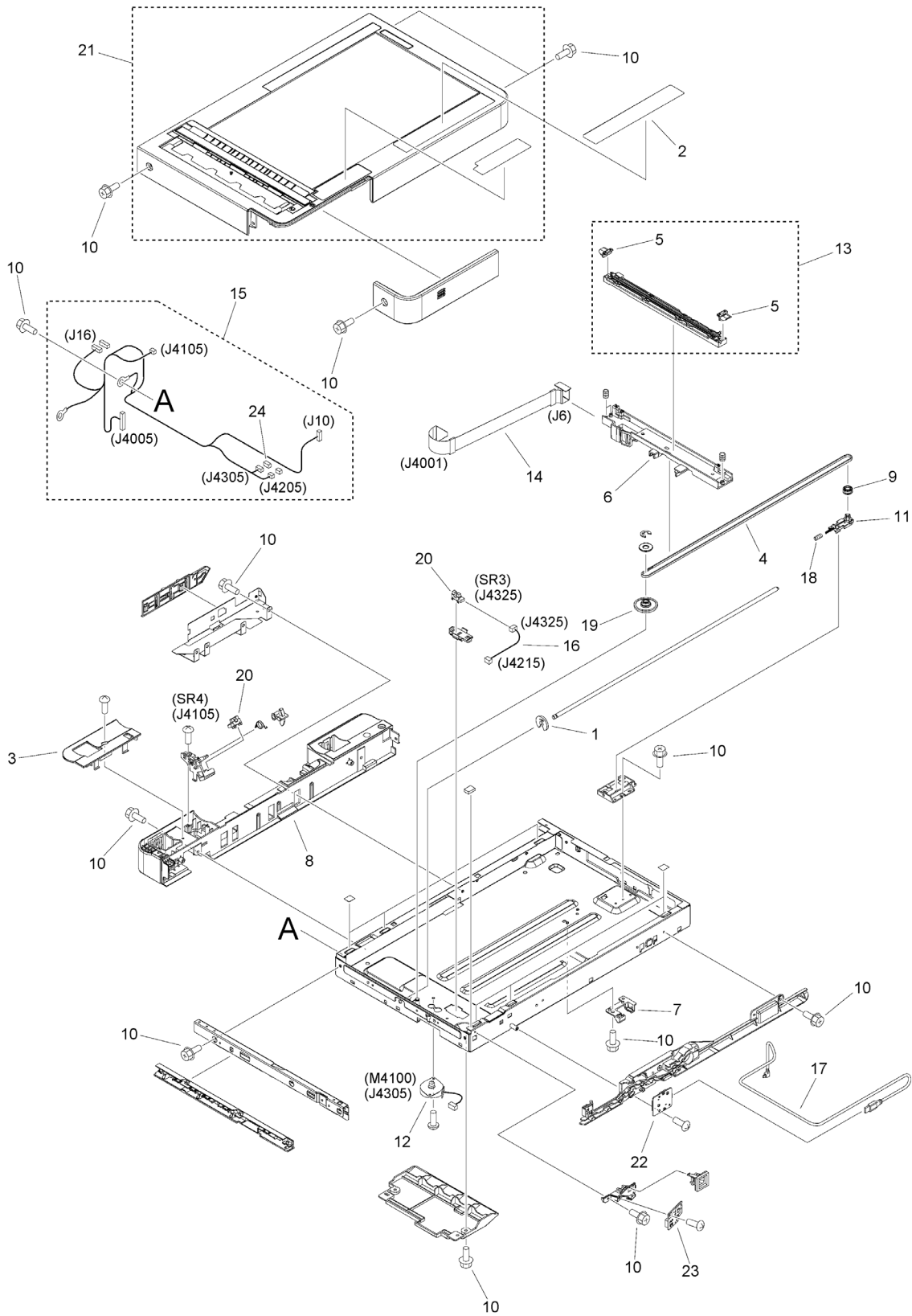


FIGURE & KEY NO.	PART NUMBER	RANK	QTY	DESCRIPTION	SERIAL NUMBER /REMARKS
D10B	NPN		RF	READER ASSEMBLY	Single pass ADF
1	FE3-7699-000		1	RING, C,EXTERNAL	
2	FE8-6152-000		1	LABEL, COPY INHIBITED	US English
2	FE8-6153-000		1	LABEL, COPY PROHIBITION	Canadian French, Portuguese, Spanish
3	FE8-2093-000		1	COVER, READER REAR, UP.	
4	FE8-2361-000		1	BELT, TIMING, COGGED	
5	FE8-2003-000		2	SPACER, CONTACT IMAGE SENSOR	RANK B
5	FE8-4730-000		2	SPACER, CONTACT IMAGE SENSOR	RANK C
5	FE8-4731-000		2	SPACER, CONTACT IMAGE SENSOR	RANK A
6	FL1-1521-000		1	HOLDER, CONTACT IMAGE SENSOR	
7	FC0-5557-000		1	BUSHING	
8	FE8-2098-000		1	COVER, READER REAR, 1	
9	FC0-5650-000		1	PULLEY, IDLER	
10	XA9-1386-000		15	SCREW,RS,M3X8	
11	FC0-5552-000		1	HOLDER, PULLEY, IDLER	
12	FK3-3035-000		1	MOTOR, STEPPING	M4100
13	FM1-W731-000		1	CONTACT IMAGE SENSOR ASSEMBLY	
14	FK4-3804-000		1	CABLE, FLAT	
15	FM1-W894-000		1	CABLE, READER	
16	FM1-C987-000		1	CABLE, HOME POSITION SENSOR	
17	FK4-3807-000		1	CABLE, USB	
18	FU6-2873-000		1	SPRING, COMPRESSION	
19	FU9-0581-000		1	GEAR, 85T/20T	
20	WG8-5935-000		2	IC, PHOTO INTERRUPTER	SR3, SR4
21	FM1-M039-000		1	READER COVER UNIT, TOP	
22	FM1-N784-000		1	WIRELESS NETWORK PCB ASSEMBLY	
23	FM1-W896-000		1	INTERFACE SENSOR PCB ASSEMBLY	
24	VS1-7177-004		1	CONNECTOR, SNAP TIGHT, BK	

Figure T20B FAX ASSEMBLY (FAX model)

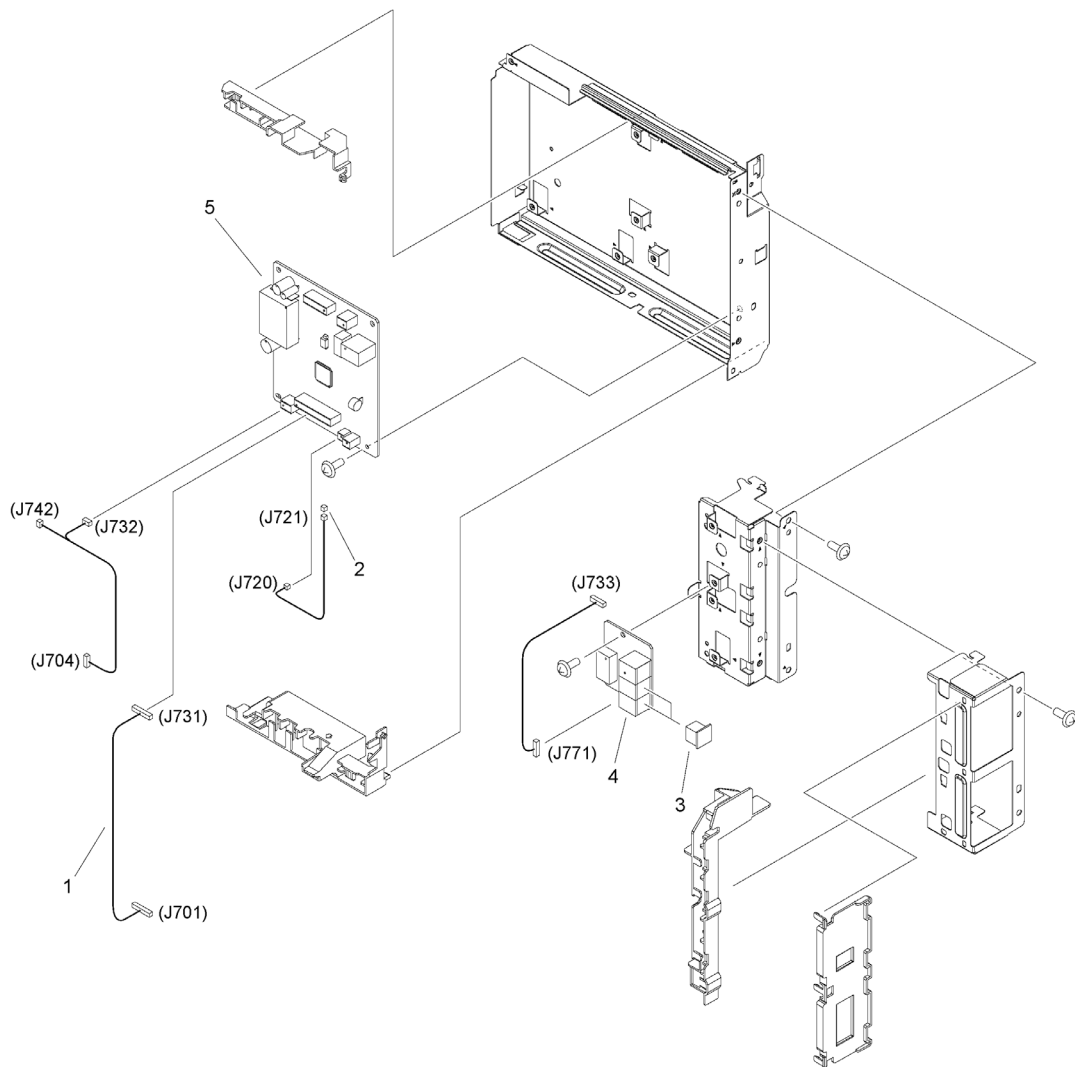


FIGURE & KEY NO.	PART NUMBER	RANK	QTY	DESCRIPTION	SERIAL NUMBER /REMARKS
T20B	NPN		RF	FAX ASSEMBLY	FAX model
1	FM1-W903-000		1	CABLE, FAX SIGNAL	
2	VS1-7177-002		1	CONNECTOR, SNAP TIGHT, BK	
3	WT8-5076-000		2	SPACER,MODULAR	
4	FM4-2476-000		1	MODULAR PCB ASSEMBLY	
5	FM1-W902-000		1	1 LINE PCB ASSEMBLY	

Figure T21 SPEAKER (FAX model)

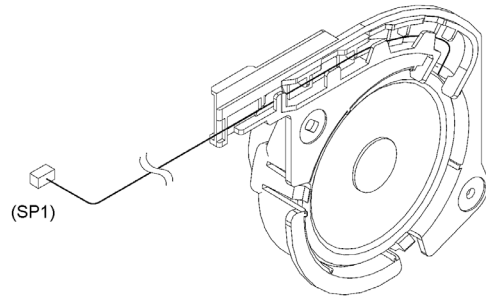


FIGURE & KEY NO.	PART NUMBER	R A N K	QTY	DESCRIPTION	SERIAL NUMBER /REMARKS
T21	FM0-0059-010		1	SPEAKER	SP1 FAX model

Figure ZZA MECHANICAL STANDARD PARTS (HOW TO USE)

Mechanical standard parts 機械標準部品

About a mechanical standard parts

A Mechanical standard parts is a mechanical part which not parts peculiar to a product.
They are parts which are common to a Canon product and are used, such as a screw and a washer.
The Fig No. and parts number of the mechanical standard parts are not listed in the product parts catalog.
Refer to the parts catalog of mechanical standard parts when checking the parts number for screw or washer etc. and identify them by part shape or size.

機械標準部品とは

機械標準部品とは、製品特有の部品ではなく、ねじやワッシャなどキヤノン製品共通で使用されている機械部品（メカ部品）のことです。
製品のパーツカタログには、機械標準部品のFig No.や部品番号は記載しておりません。
ねじや、ワッシャ等の部品番号を調べるときは、機械標準部品のパーツカタログを参照し、部品の形状や大きさから判断し、使用している部品を調べてください。

Material and surface treatment of a mechanical standard parts

Material and surface treatment of mechanical standard parts are assigned commonly for each part.
Refer to the Table 1 for the parts which material and surface treatment are assigned as numbers.

機械標準部品の材料および表面処理

機械標準部品の材料および表面処理については、各種部品共通で決められています。
材料および表面処理が番号で決められている部品については、表1を参照してください。

Table 1 Material and Surface treatment
表1 材料および表面処理

No. 番号	Material 材料	Surface treatment 表面処理	Color 色
1	Stainless steel ステンレス	Stainless steel black coloring (BC4) ステンレス黒着色(BC4)	Black 黒
2		not to be given なし	White 白
3	Brass 黄銅	Regular nickel plating (NL) 普通ニッケルメッキ(NL)	White 白
4		Black nickel plating (BN) 黒色ニッケルメッキ(BN)	Black 黒
5	Steel 鋼	White zinc trivalent chromate treating (ZC3) 白色亜鉛3価クロメート(ZC3)	White 白
6		Regular nickel chromium plating (NC) 普通ニッケルクロムメッキ(NC)	White 白
7		Regular nickel plating (NL) 普通ニッケルメッキ(NL)	White 白
8		Iron and steel phosphating (P1) 鉄鋼燐酸塩処理(P1)	Black 黒
9		Black zinc trivalent chromate treating (BZ3) 黒色亜鉛3価クロメート(BZ3)	Black 黒

Figure ZZB (1/7)MECHANICAL STANDARD PARTS (SCREWS)

1. Screws
ねじ

How to read Parts Numbers
部品番号の見方

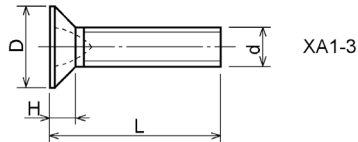
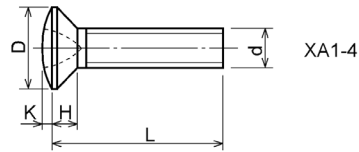
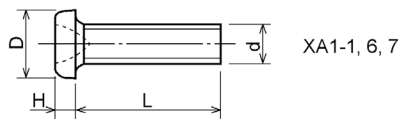
Screws
ねじ

XB1-2400-609

Type No.
類別番号
Normal designation (d)
ねじの呼び (d)
Length (L)
ねじの長さ (L)
Material and Surface treatment
材料および表面処理

XB1-2 expresses Binding head machine screw.
XB1-2は、バインドねじを表す
40 expresses M4.0.
40は、M4.0を表す
0-60 expresses a length of 6.0mm.
0-60は、6.0mmの長さを表す
9 expresses Steel (Black zinc trivalent chromate
treating) from Table 1.
9は、表1より鋼 (黒色亜鉛3価クロメート) を表す

1-1. Cross Recessed Head Screws for Precision Equipments
精密機器用十字穴付き小ねじ

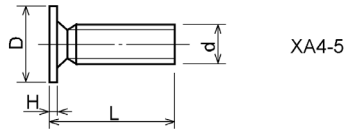
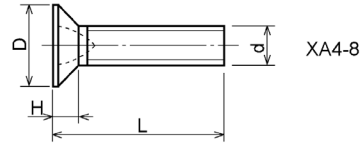
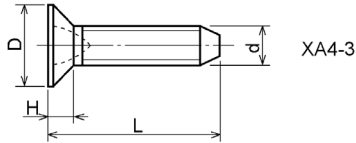
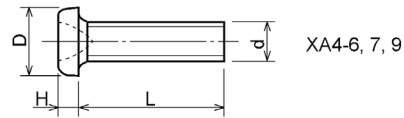
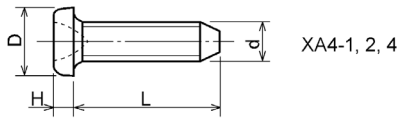


Type No. 類別番号	Type 類別
XA1-1	Pan head Class 1 なべ1種
XA1-3	Countersunk head Class 1 さら1種
XA1-4	Oval countersunk head Class 1 丸さら1種
XA1-6	Pan head Class 3 なべ3種
XA1-7	Pan head Class 2 なべ2種

		Head size (mm) 頭部寸法 (mm)					
		M1.4	M1.6	M1.7	M2	M2.5	M2.6
D	XA1-1	2	2.4	2.5	3	3.8	4
H	XA1-1	0.5	0.55	0.5	0.6	0.9	0.8
D	XA1-3	2	2.4	2.5	3	3.8	4
H	XA1-3	0.48	0.55	0.58	0.73	0.85	0.93
D	XA1-4	2	2.4	2.5	3	3.8	4
H + K	XA1-4	0.68	0.8	0.88	1	1.25	1.3
D	XA1-6	2.5	2.8	3	3.5	4.3	4.5
H	XA1-6	0.8	0.85	0.9	1	1.3	1.2
D	XA1-7	2.5	2.8	3	3.5	4.3	4.5
H	XA1-7	0.5	0.55	0.5	0.6	0.9	0.8

Figure ZZB (2/7) MECHANICAL STANDARD PARTS (SCREWS)

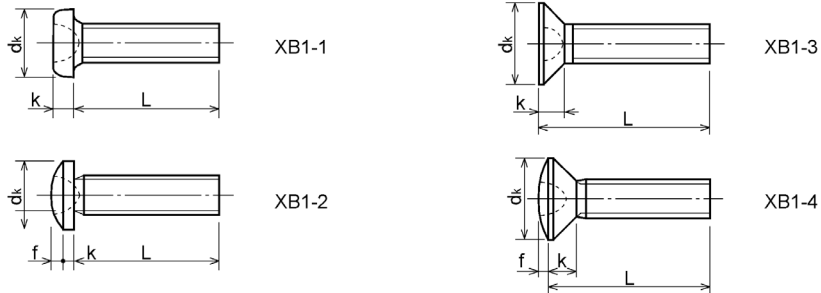
1-2. Precision Tapping Screws
精密用タッピンねじ



Type No. 類別番号	Type 類別	Head size (mm) 頭部寸法 (mm)						
		M1.4	M1.6	M1.7	M2	M2.5	M2.6	
XA4-1	With tapered end pan head Class 1 絞り-なべ1種	D XA4-1	2	2.4	2.5	3	3.8	4
		H XA4-1	0.5	0.55	0.5	0.6	0.9	0.8
XA4-2	With tapered end pan head Class 3 絞り-なべ3種	D XA4-2	2.5	2.8	3	3.5	4.3	4.5
		H XA4-2	0.8	0.85	0.9	1	1.3	1.2
XA4-3	With tapered end countersunk head 絞り-さら	D XA4-3	2	2.4	2.5	3	3.8	4
		H XA4-3	0.48	0.55	0.58	0.73	0.85	0.93
XA4-4	With tapered end pan head Class 2 絞り-なべ2種	D XA4-4	2.5	2.8	3	3.5	4.3	4.5
		H XA4-4	0.5	0.55	0.5	0.6	0.9	0.8
XA4-5	With parallel end ultra thin head ストレート-超薄頭	D XA4-5	2.5	2.8	3	-	-	-
		H XA4-5	0.2	0.2	0.2	-	-	-
XA4-6	With parallel end pan head Class 1 ストレート-なべ1種	D XA4-6	2	2.4	2.5	3	3.8	4
		H XA4-6	0.5	0.55	0.5	0.6	0.9	0.8
XA4-7	With parallel end pan head Class 3 ストレート-なべ3種	D XA4-7	2.5	2.8	3	3.5	4.3	4.5
		H XA4-7	0.8	0.85	0.9	1	1.3	1.2
XA4-8	With parallel end countersunk head ストレート-さら	D XA4-8	2	2.4	2.5	3	3.8	4
		H XA4-8	0.48	0.55	0.58	0.73	0.85	0.93
XA4-9	With parallel end pan head Class 2 ストレート-なべ2種	D XA4-9	2.5	2.8	3	3.5	4.3	4.5
		H XA4-9	0.5	0.55	0.5	0.6	0.9	0.8

Figure ZZB (3/7)MECHANICAL STANDARD PARTS (SCREWS)

1-3. Cross Recessed Head Screws
一般用十字穴付き小ねじ

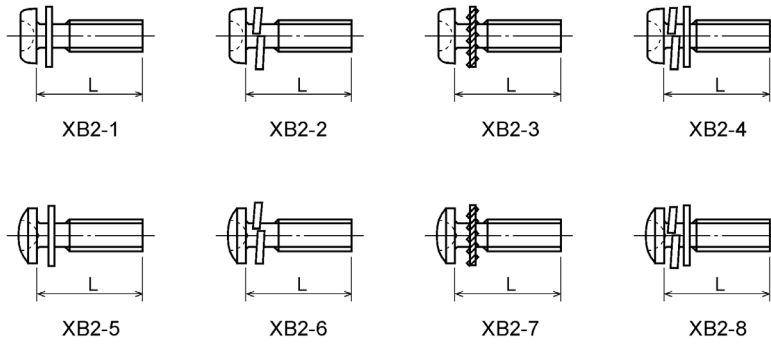


Type No. 類別番号	Type 類別
XB1-1	Pan head なべ
XB1-2	Binding head バインド
XB1-3	Countersunk head さら
XB1-4	Oval countersunk head 丸さら

		Head size (mm) 頭部寸法 (mm)					
		M2	M2.5	M2.6	M3	M4	M5
dk	XB1-1	3.5	4.5	4.5	5.5	7	9
k	XB1-1	1.3	1.7	1.7	2	2.6	3.3
dk	XB1-2	4.3	5.3	5.5	6.3	8.3	10.3
k+f	XB1-2	1.2	1.5	1.6	1.9	2.5	3.1
dk	XB1-3	4	5	-	6	8	10
k	XB1-3	1.2	1.45	-	1.75	2.3	2.8
dk	XB1-4	4	5	-	6	8	10
k+f	XB1-4	1.6	2	-	2.45	3.2	4
Screw part length ねじ部長さ b		8	12	12	12	16	20

Figure ZZB (4/7) MECHANICAL STANDARD PARTS (SCREWS)

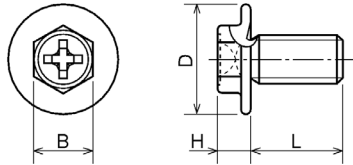
1-4. Cross Recessed Head Screws with Captive Washer
座金組込み十字穴付き小ねじ



Type No. 類別番号	Type 類別
XB2-1	Pan head + Plain washer (circular bright) なべねじ+平座金
XB2-2	Pan head + Spring washer なべねじ+ばね座金
XB2-3	Pan head + Toothed lock washer なべねじ+歯付座金
XB2-4	Pan head + Spring washer and plain washer (circular bright) なべねじ+(ばね+平)座金
XB2-5	Binding head + Plain washer (circular bright) バインドねじ+平座金
XB2-6	Binding head + Spring washer バインドねじ+ばね座金
XB2-7	Binding head + Toothed lock washer バインドねじ+歯付座金
XB2-8	Binding head + Spring washer and plain washer (circular bright) バインドねじ+(ばね+平)座金

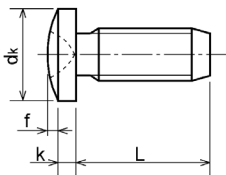
Figure ZZB (5/7) MECHANICAL STANDARD PARTS (SCREWS)

1-5. Hexagon Head Tapping Screws for Matallic Materials
 金属用六角タッピンねじ



Type No. 類別番号	Type 類別	Head size (mm) 頭部寸法 (mm)		
		M3	M4	
XB3-6	For metallic materials 金属用タッピン	D	8	10
		B	5.5	5.5
XB3-7	For metallic materials with clawed 金属用タッピン-つめ付き	H XB3-6	3.1	3.1
		H XB3-7	3.2	3.2

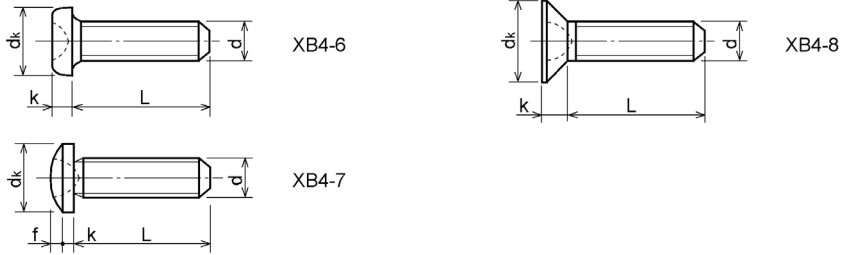
1-6. Special Tapping Screws
 特殊タッピンねじ



Type No. 類別番号	Type 類別	Head size (mm) 頭部寸法 (mm)		
		M3	M4	
XB4-5	Binding head バインド	dk	6.3	8.3
		k	1.3	1.7
		k+f	1.9	2.5

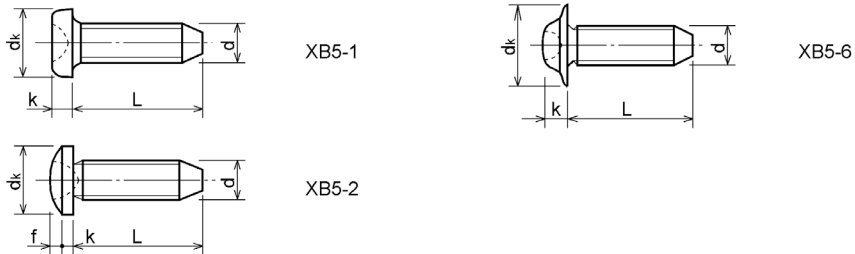
Figure ZZB (6/7) MECHANICAL STANDARD PARTS (SCREWS)

1-7. General Head Tapping Screws
一般用タッピンねじ



Type No. 類別番号	Type 類別	Head size (mm) 頭部寸法 (mm)							
		M2	M2.5	M2.6	M3	M4	M5		
XB4-6	Pan head なべ	dk	XB4-6	3.5	4.5	4.5	5.5	7	9
		k	XB4-6	1.3	1.7	1.7	2	2.6	3.3
XB4-7	Binding head バインド	dk	XB4-7	4.3	5.3	5.5	6.3	8.3	10.3
		k+f	XB4-7	1.2	1.5	1.6	1.9	2.5	3.1
XB4-8	Countersunk head さら	dk	XB4-8	4	5	5.2	6	8	10
		k	XB4-8	1.2	1.45	1.5	1.75	2.3	2.8

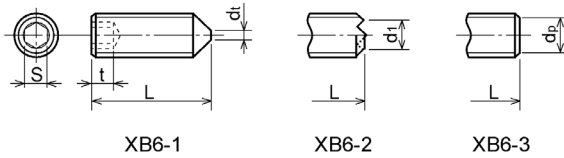
1-8. Tapping Screws for Metallic Materials
金属用タッピンねじ



Type No. 類別番号	Type 類別	Head size (mm) 頭部寸法 (mm)						
		M2.5	M2.6	M3	M4	M5		
XB5-1	Pan head なべ	dk	XB5-1	4.5	4.5	5.5	7	9
		k	XB5-1	1.7	1.7	2	2.6	3.3
XB5-2	Binding head バインド	dk	XB5-2	5.5	5.5	6.3	8.3	10.3
		k+f	XB5-2	1.6	1.6	1.9	2.5	3.1
XB5-6	Flanged pan head つば付きなべ	dk	XB5-6	6.5	6.5	8	10	12
		k	XB5-6	2.1	2.1	1.75	3.2	4

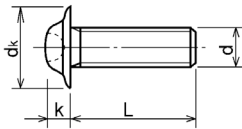
Figure ZZB (7/7) MECHANICAL STANDARD PARTS (SCREWS)

1-9. Hexagon Socket Set Screws
六角穴付き止めねじ



Type No. 類別番号	Type 類別	Head size (mm) 頭部寸法 (mm)						
		M1.6 M1.7	M2	M2.5 M2.6	M3	M5	M5	M6
	S	0.7	0.9	1.3	1.5	2	2.5	3
	t	1.5	1.7	2	2	2.5	3	3.5
	dt max XB6-1	0.4	0.5	0.65	0.75	1	1.25	1.5
	d1 max XB6-2	-	1.2	1.5	1.7	2.2	2.8	3.3
	d1 min XB6-2	-	1	1.2	1.4	1.9	2.4	2.9
	dp max XB6-3	0.8	1	1.5	2	2.5	3.5	4
	dp min XB6-3	0.55	0.75	1.25	1.75	2.25	3.2	3.7

1-10. Flanged Pan Head Machine Screws
つば付きなべ小ねじ



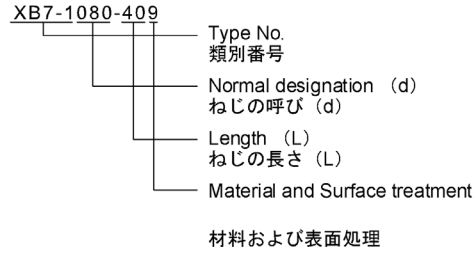
Type No. 類別番号	Type 類別	Head size (mm) 頭部寸法 (mm)				
		M2	M2.5 M2.6	M3	M5	M5
	dk	5	6.5	8	10	12
	k	1.7	2.1	2.5	3.2	4

Figure ZZC MECHANICAL STANDARD PARTS (BOLTS)

2. Bolts (Socket head cap screw)
ボルト

How to read Parts Numbers
部品番号の見方

Bolt (Socket head cap screw)
ボルト



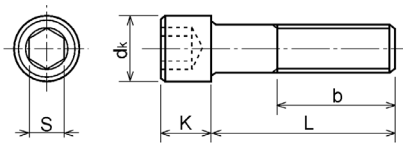
XB7-1 expresses Hexagon socket head cap screws.
XB7-1は、六角穴付きボルトを表す

080 expresses M8.0.
080は、M8.0を表す

40 expresses a length of 40mm.
40は、40mmの長さを表す

9 expresses Steel (Black zinc trivalent chromate treating) from Table 1.
9は、表1より鋼（黒色亜鉛3価クロメート）を表す

2-1. Hexagon socket head cap screws
六角穴付きボルト

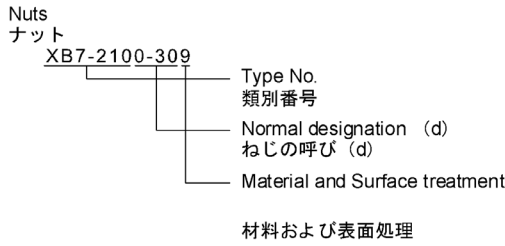


Type No. 類別番号	Type 類別	Head size (mm) 頭部寸法 (mm)						
		M3	M4	M5	M6	M8	M10	M12
S		2.5	3	4	5	6	8	10
dk		5.5	7	8.5	10	13	16	18
K		3	4	5	6	8	10	12
Screw part length ねじ部長さ b_{max}		18	20	22	24	28	32	36

Figure ZZD MECHANICAL STANDARD PARTS (NUTS)

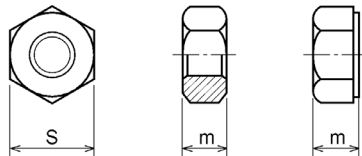
3. Nuts
ナット

How to read Parts Numbers
部品番号の見方



XB7-210 expresses Hexagon nut class 1.
XB7-210は、六角ナット1種を表す
0-30 expresses M3.0.
0-30は、M3.0を表す
9 expresses Steel (Black zinc trivalent chromate
treating) from Table 1.
9は、表1より鋼（黒色亜鉛3価クロメート）を表す

3-1. Hexagon Nuts and Hexagon Thin Nuts
六角ナット



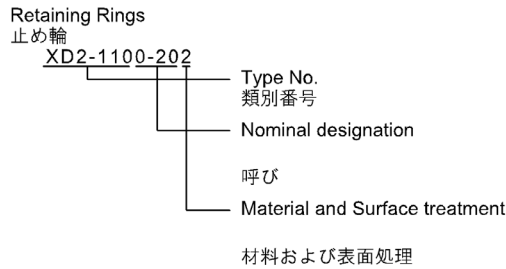
Type No. 類別番号	Type 類別
XB7-210	Hexagon nut Class 1 六角ナット-1種
XB7-220	Hexagon nut Class 3 六角ナット-3種
XB7-230	Hexagon nut Style 1 double chamfered 六角ナット-スタイル1-両面とり
XB7-231	Hexagon nut Style 1 washer faced 六角ナット-スタイル1-座付き
XB7-240	Hexagon nut Style 2 double chamfered 六角ナット-スタイル2-両面とり
XB7-241	Hexagon nut Style 2 washer faced 六角ナット-スタイル2-座付き
XB7-250	Hexagon nut 六角ナット
XB7-260	Hexagon thin nut double chamfered 六角低ナット-両面とり
XB7-270	Hexagon thin nut not chamfered 六角低ナット-面とり無し

	Head size (mm) 頭部寸法 (mm)						
	M2	M2.5	M3	M4	M5	M6	M8
S	4	5	5.5	7	8	10	13
m XB7-210	1.6	2	2.4	3.2	4	5	6.5
m XB7-220	1.2	1.6	1.8	2.4	3.2	3.6	5
m XB7-230, 231	1.6	2	2.4	3.2	4.7	5.2	6.8
m XB7-240, 241	-	-	-	-	5.1	5.7	7.5
m XB7-250	-	-	-	-	5.6	6.1	7.9
m XB7-260	1.2	1.6	1.8	2.2	2.7	3.2	4
m XB7-270	1.2	1.6	1.8	2.2	2.7	3.2	4

Figure ZZE (1/3)MECHANICAL STANDARD PARTS (RETAINING RINGS)

5. Retaining Rings
止め輪

How to read Parts Numbers
部品番号の見方

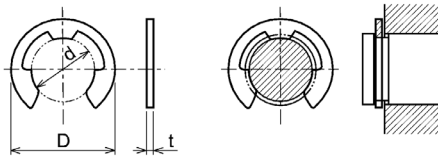


XD2-110 expresses retaining ring-E type (Type1).
XD2-110は、E形止め輪（1種）を表す

0-20 expresses a 020 of nominal designation.
(See Table 5)
0-20は、呼び020を表す（表5参照）

2 expresses Stainless steel (Surface treatment is not to be given) from Table 1.
2は、表1よりステンレス（表面処理なし）を表す

5-1. Retaining Rings - E type
E形止め輪



Type No. 類別番号	Type 類別
XD2-110	Retaining ring - E type (Type 1) E形止め輪（1種）
XD2-120	Retaining ring - E type (Type 2) E形止め輪（2種）

Table 5 表5

Type 種類	Nominal designation 呼び	d (mm)	D (mm)	t (mm)
Type 1 1種	007	0.65	2	0.2
	010	0.95	2.8	0.2
	013	1.25	3.3	0.3
	017	1.65	4.2	0.4
	020	1.95	4.6	0.5
	024	2.35	6	0.6
	028	2.74	6.5	0.6
	032	3.14	7.2	0.6
	037	3.64	8	0.7
	040	3.93	10	0.7
	042	4.13	10	0.7
	050	4.93	11	0.7
	058	5.73	12	0.7
	060	5.93	12.7	0.9
064	6.32	13.5	0.9	
074	7.31	15	0.9	
080	7.91	16.5	1	
Type 2 2種	008	0.8	2	0.2
	012	1.2	3	0.3
	015	1.5	4	0.4
	020	2	5	0.4
	025	2.5	6	0.4
	030	3	7	0.6
	040	4	9	0.6
	050	5	11	0.6
	060	6	12	0.8
	070	7	14	0.8
	080	8	16	0.8
	090	9	18	0.8
	100	10	20	1

Figure ZZE (2/3)MECHANICAL STANDARD PARTS (RETAINING RINGS)

5-2. Grip Rings
グリップ止め輪

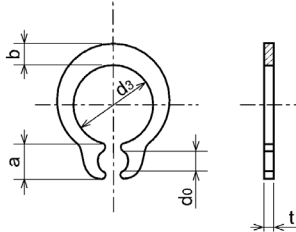


Table 5 表5

Nominal designation 呼び	d_3 (mm)	t (mm)	b (mm)	a (mm)	d_0 (mm)
020	1.9	0.5	1	1.8	0.8
025	2.35	0.5	1.2	1.9	0.9
030	2.85	0.6	1.4	1.9	0.9
035	3.3	0.6	1.6	2	0.9
040	3.8	0.8	1.8	2.8	1.2
045	4.25	0.8	2	2.9	1.3
050	4.75	0.8	2.2	2.9	1.3
060	5.7	1	2.4	3.1	1.4
070	6.7	1	2.7	3.3	1.4
080	7.7	1	3	3.5	1.4
090	8.65	1.2	3.3	4.7	1.5
100	9.65	1.2	3.5	4.7	2

Type No. 類別番号	Type 類別
XD2-210	Grip ring グリップ止め輪

5-3. Toothed Retaining Rings
歯付き形止め輪

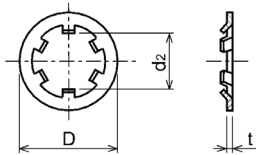


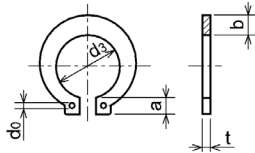
Table 5 表5

Nominal designation 呼び	d_2 (mm)	D (mm)	t (mm)	No of teeth 歯数
015	1.4	5.2	0.25	3
020	1.9	6	0.25	3
024	2.3	6.4	0.25	3
030	2.8	8	0.25	4
040	3.8	9	0.25	4
050	4.8	10	0.25	5
060	5.8	11	0.25	5
080	7.8	13	0.25	5
100	9.8	15.4	0.25	6

Type No. 類別番号	Type 類別
XD2-230	Toothed retaining ring 歯付き形止め輪

Figure ZZE (3/3)MECHANICAL STANDARD PARTS (RETAINING RINGS)

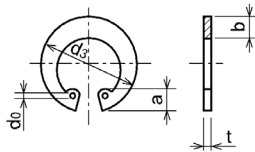
5-4. Retaining Rings - C Type
C形止め輪



Type No. 類別番号	Type 類別
XD2-310	Retaining ring - C type for shaft C形止め輪 軸用

Table 5 表5

Nominal designation 呼び	ds (mm)	t (mm)	b (mm)	a (mm)	do (mm)
010	9.3	1	1.6	3	1.2
012	11.1	1	1.8	3.2	1.5
014	12.9	1	2	3.4	1.7
015	13.8	1	2.1	3.5	1.7
016	14.7	1	2.2	3.6	1.7
017	15.7	1	2.2	3.7	1.7
018	16.5	1.2	2.6	3.8	1.7
020	18.5	1.2	2.7	3.9	2
022	20.5	1.2	2.7	4.1	2
025	23.2	1.2	3.1	4.3	2
028	25.9	1.5	3.1	4.6	2
030	27.9	1.5	3.5	4.8	2
032	29.6	1.5	3.5	5	2.5
035	32.2	1.5	4	5.4	2.5



Type No. 類別番号	Type 類別
XD2-320	Retaining ring - C type for hole C形止め輪 穴用

Table 5 表5

Nominal designation 呼び	ds (mm)	t (mm)	b (mm)	a (mm)	do (mm)
010	10.7	1	1.8	3.1	1.2
011	11.8	1	1.8	3.2	1.2
012	13	1	1.8	3.3	1.5
014	15.1	1	2	3.6	1.7
016	17.3	1	2	3.7	1.7
018	19.5	1	2.5	4	1.7
019	20.5	1	2.5	4	2
020	21.5	1	2.5	4	2
022	23.5	1	2.5	4.1	2
025	26.9	1.2	3	4.4	2
028	30.1	1.2	3	4.6	2
030	32.1	1.2	3	4.7	2
032	34.4	1.2	3.5	5.2	2.5
035	37.8	1.5	3.5	5.2	2.5
037	39.8	1.5	3.5	5.2	2.5
040	43.5	1.8	4	5.7	2.5
042	45.5	1.8	4	5.8	2.5
045	48.5	1.8	4.5	5.9	2.5
047	50.5	1.8	4.5	6.1	2.5
050	54.2	2	4.5	6.5	2.5
052	56.2	2	5.1	6.5	2.5
055	59.2	2	5.1	6.5	2.5
060	64.2	2	5.1	6.8	2.5
062	66.2	2	5.5	6.9	2.5
068	72.5	2.5	6	7.4	2.5
072	76.5	2.5	6.6	7.4	2.5
075	79.5	2.5	6.6	7.8	2.5
080	85.5	2.5	7	8	2.5
085	90.5	3	7	8	3
090	95.5	3	7.6	8.3	3
095	100.5	3	8	8.5	3