

PARTS CATALOG

imageRUNNER ADVANCE C35 6/C256 Series (CEL)

<PREFACE>

This Parts Catalog contains listings of parts used. Diagrams are provided with the listings to aid the service technician in identifying clearly, the item to be ordered.

Whenever ordering parts, consult this Parts Catalog for all of the information pertaining to each item. Be sure to include, in the Parts Request, the full item description, the item part number, and the quantity.

The Canon logo is displayed in a bold, black, sans-serif font. The letter 'C' is significantly larger than the other letters, and the 'o' is stylized with a vertical line through its center.

Index

SNL	Product Code No./Serial No.
A1B	ASSEMBLY LOCATION DIAGRAM (Single pass ADF)
A1C	ASSEMBLY LOCATION DIAGRAM (Printer)
A2	OPTION PARTS CATALOG LIST
001E	ACCESSORIES (Single pass ADF)
001F	ACCESSORIES (Printer)
100F	EXTERNAL COVERS, PANELS, ETC. (C356i)
100G	EXTERNAL COVERS, PANELS, ETC. (C356P)
100H	EXTERNAL COVERS, PANELS, ETC. (C256i)
101C	DOOR ASSEMBLY, FRONT (Single pass ADF)
101D	DOOR ASSEMBLY, FRONT (Printer)
102	DOOR ASSEMBLY, RIGHT
103D	INTERNAL COMPONENTS 1
104	INTERNAL COMPONENTS 2
105A	INTERNAL COMPONENTS 3 (Single pass ADF)
105B	INTERNAL COMPONENTS 3 (Printer)
106	INTERNAL COMPONENTS 4
107C	INTERNAL COMPONENTS 5 (230V)
108C	MACHINE REAR PLATE 1 (230V)
109B	MACHINE REAR PLATE 2 (Single pass ADF)
109C	MACHINE REAR PLATE 2 (Printer)
130C	CONTROL PANEL ASSEMBLY
190	CARTRIDGE AIR INTAKE FAN ASS'Y
191	DELIVERY COOLING FAN ASSEMBLY
192	POWER SUPPLY FAN ASSEMBLY
250	MAIN DRIVE ASSEMBLY
260	PAPER PICK-UP DRIVE ASSEMBLY
270	BOTTLE DRIVE ASSEMBLY
280	FIXING DRIVE ASSEMBLY
290	PICK-UP LIFTER DRIVE ASS'Y
300B	CASSETTE
310	RESIST/PAPER PICK-UP ASS'Y
330D	MULTI FEED TRAY ASSEMBLY
331	MULTI FEED PAPER PICK-UP ASS'Y
332	DUPLEXING GUIDE ASSEMBLY
350	PAPER DELIVERY/REVERSE ASS'Y
460	LASER SCANNER ASSEMBLY
530	INTER. TRANSFER BELT ASS'Y
621	BOTTLE MOUNT ASSEMBLY
622	HOPPER ASSEMBLY

Index

771	INTERNAL COVER ASSEMBLY
772	CONTAINER, WASTE TONER, WT-201
810C	FIXING ASSEMBLY, FX-201 (230V)
900A	CONTROLLER BOX ASSEMBLY (C356i, C356F, C356iF)
900B	CONTROLLER BOX ASSEMBLY (C356, C356P)
900C	CONTROLLER BOX ASSEMBLY (C256, C256i, C256iF)
910B	POWER SUPPLY ASSEMBLY (230V)
930	DC CONTROLLER PCB ASSEMBLY
B01	ADF MAINTENANCE KIT (Single pass ADF)
B10C	READER/ADF ASSEMBLY (Single pass ADF)
B11	AUTO DOCUMENT FEEDER ASS'Y SET (Single pass ADF)
B12	PAPER PICK-UP COVER ASS'Y (Single pass ADF)
D10D	READER ASSEMBLY (Single pass ADF)
ZZA	MECHANICAL STANDARD PARTS (HOW TO USE)
ZZB	MECHANICAL STANDARD PARTS (SCREWS)
ZZC	MECHANICAL STANDARD PARTS (BOLTS)
ZZD	MECHANICAL STANDARD PARTS (NUTS)
ZZE	MECHANICAL STANDARD PARTS (RETAINING RINGS)

Figure SNL Product Code No./Serial No.

	Product Code No.	Model Name	Remarks	Serial No.
1	F17-2791-000	imageRUNNER ADVANCE C356i	Single pass ADF, READER	2AG, 2FN
2	F17-2792-000	imageRUNNER ADVANCE C356P	Printer	2AH, 2FM
3	F17-2794-000	imageRUNNER ADVANCE C256i	Single pass ADF, READER	2AJ, 2FL

	中オーダー	製品名	備考	シリアル No.
1	F17-2791-000	imageRUNNER ADVANCE C356i	ワンパス A D F、リーダ	2AG, 2FN
2	F17-2792-000	imageRUNNER ADVANCE C356P	プリンター	2AH, 2FM
3	F17-2794-000	imageRUNNER ADVANCE C256i	ワンパス A D F、リーダ	2AJ, 2FL

FIGURE & KEY NO.	PART NUMBER	RANK	QTY	DESCRIPTION	SERIAL NUMBER /REMARKS
SNL	NPN		RF	Product Code No./Serial No.	
1	F17-2791-000		1	imageRUNNER ADVANCE C356i	2AG, 2FN Single pass ADF, READER
2	F17-2792-000		1	imageRUNNER ADVANCE C356P	2AH, 2FM Printer
3	F17-2794-000		1	imageRUNNER ADVANCE C256i	2AJ, 2FL Single pass ADF, READER

Figure A1B (1/5) ASSEMBLY LOCATION DIAGRAM (Single pass ADF)

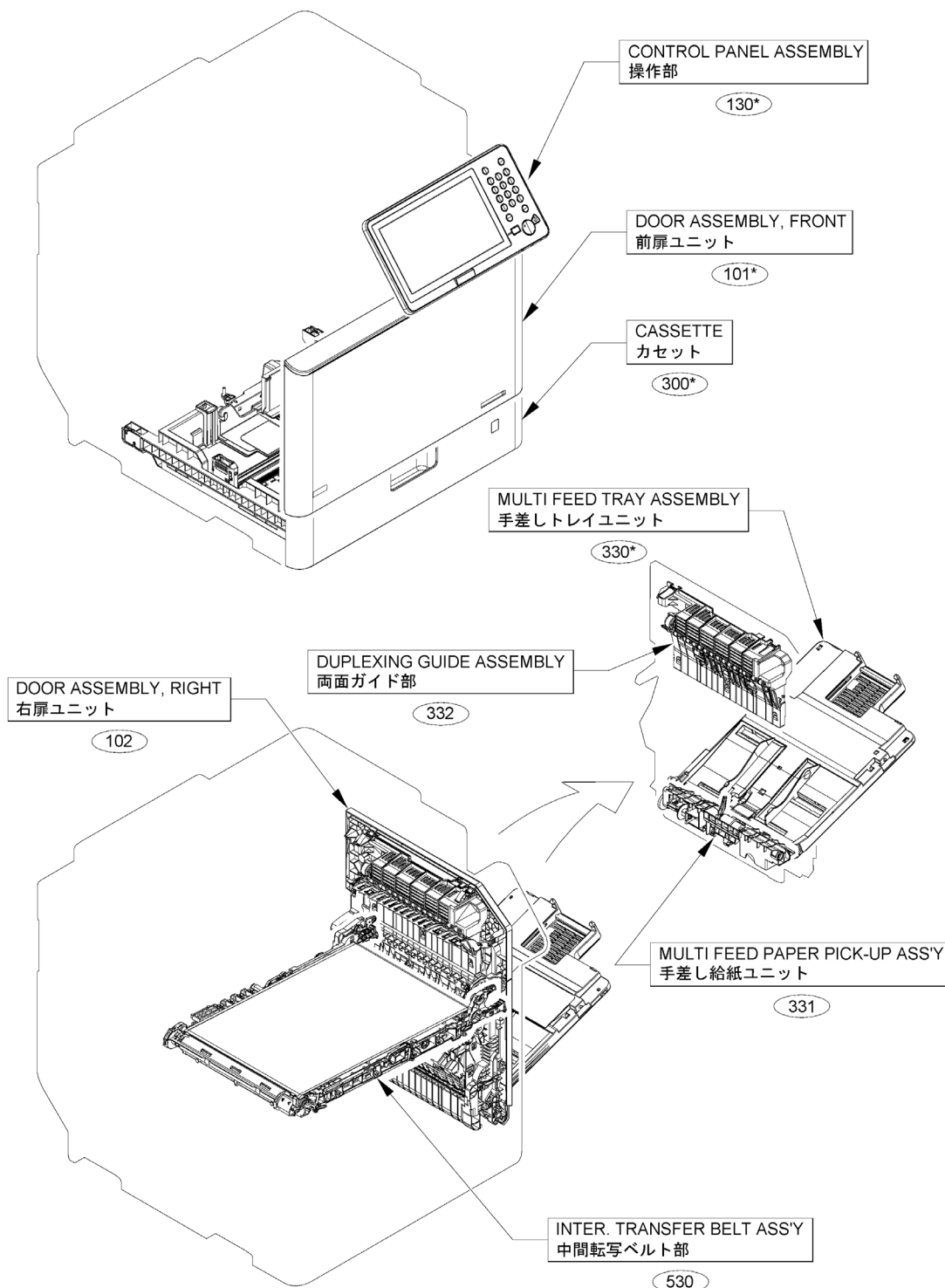


Figure A1B (2/5) ASSEMBLY LOCATION DIAGRAM (Single pass ADF)

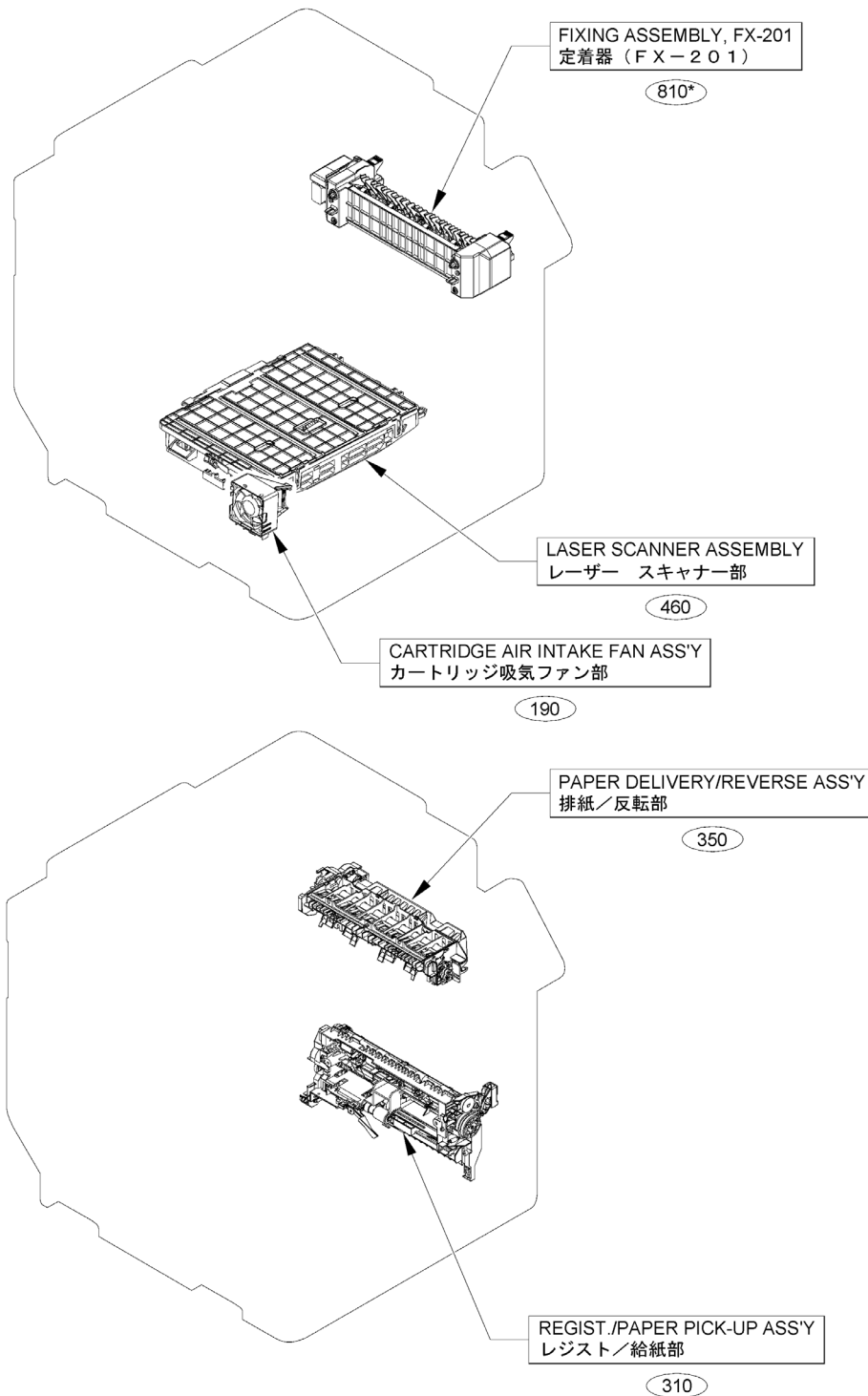


Figure A1B (3/5) ASSEMBLY LOCATION DIAGRAM (Single pass ADF)

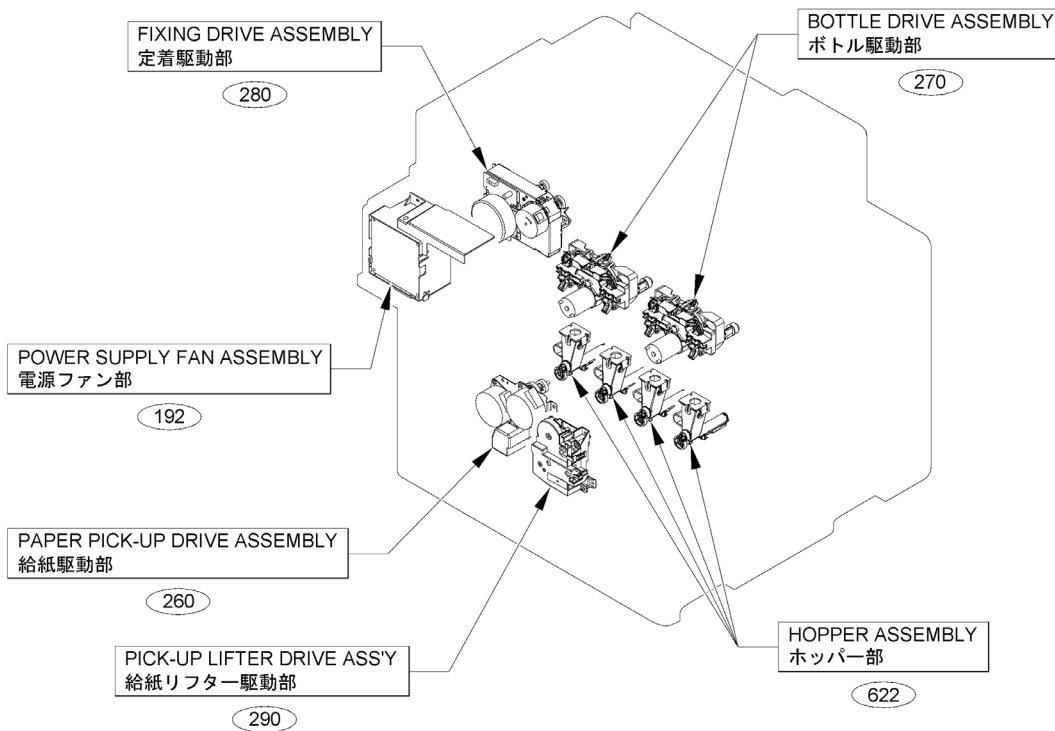
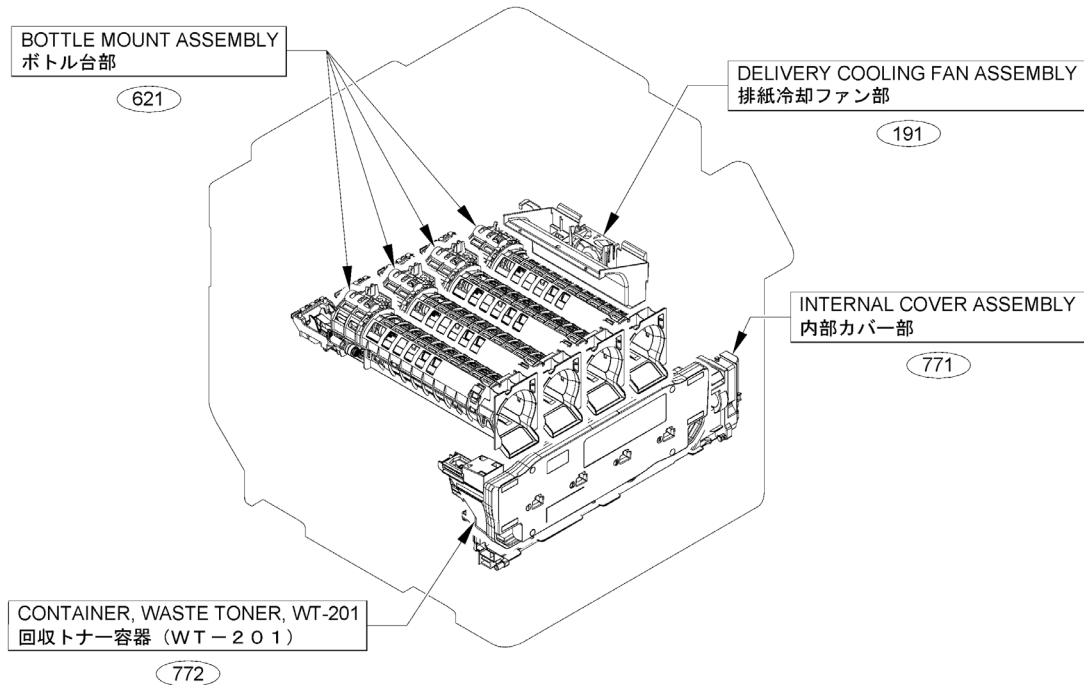


Figure A1B (4/5) ASSEMBLY LOCATION DIAGRAM (Single pass ADF)

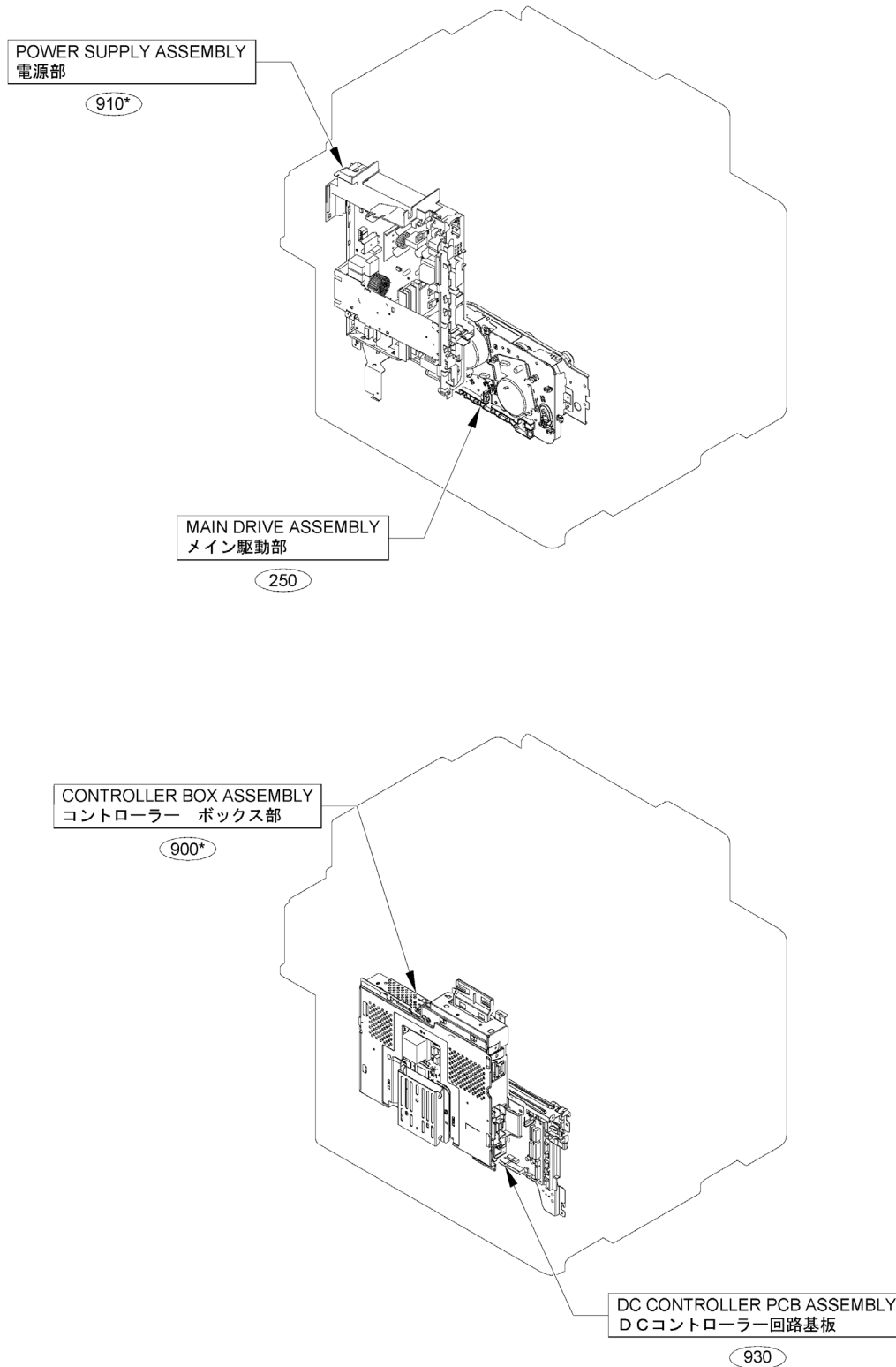


Figure A1B (5/5) ASSEMBLY LOCATION DIAGRAM (Single pass ADF)

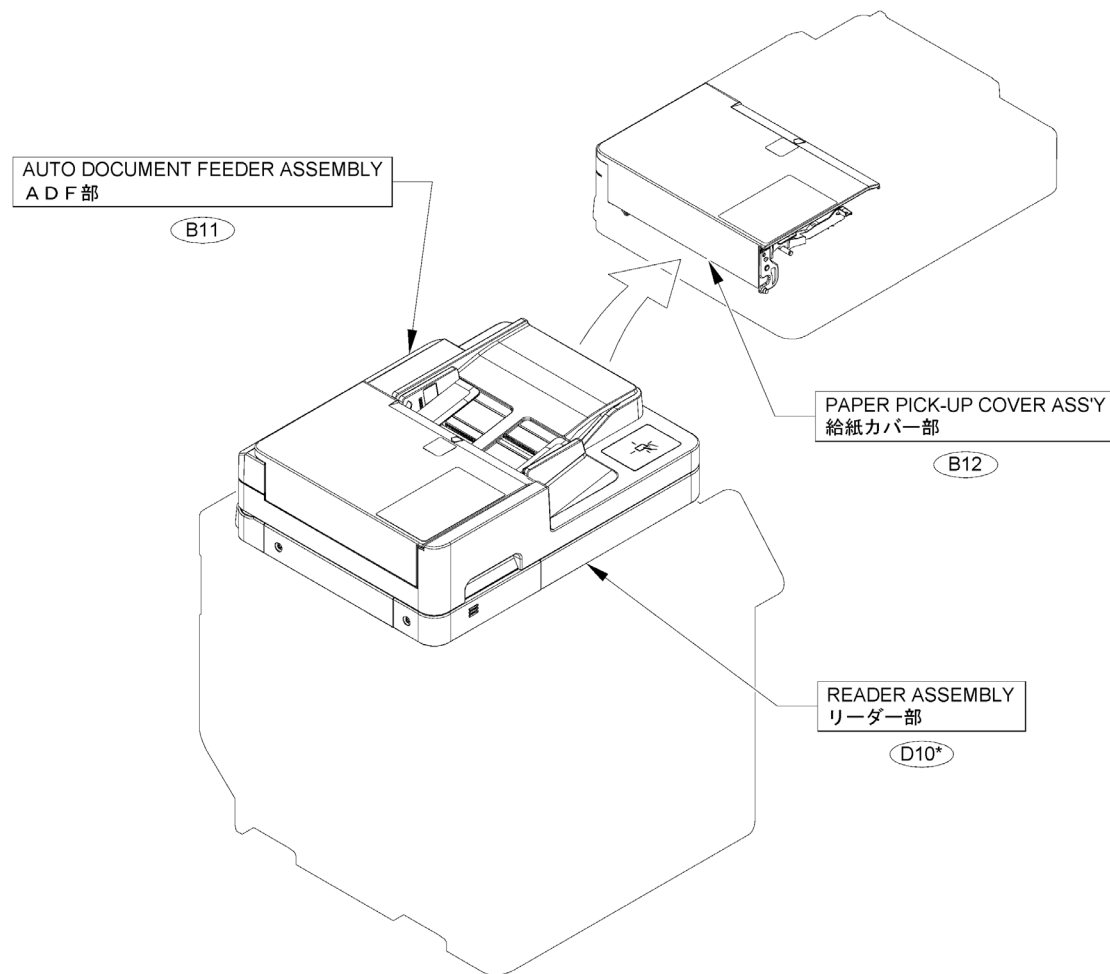


Figure A1C (1/4) ASSEMBLY LOCATION DIAGRAM (Printer)

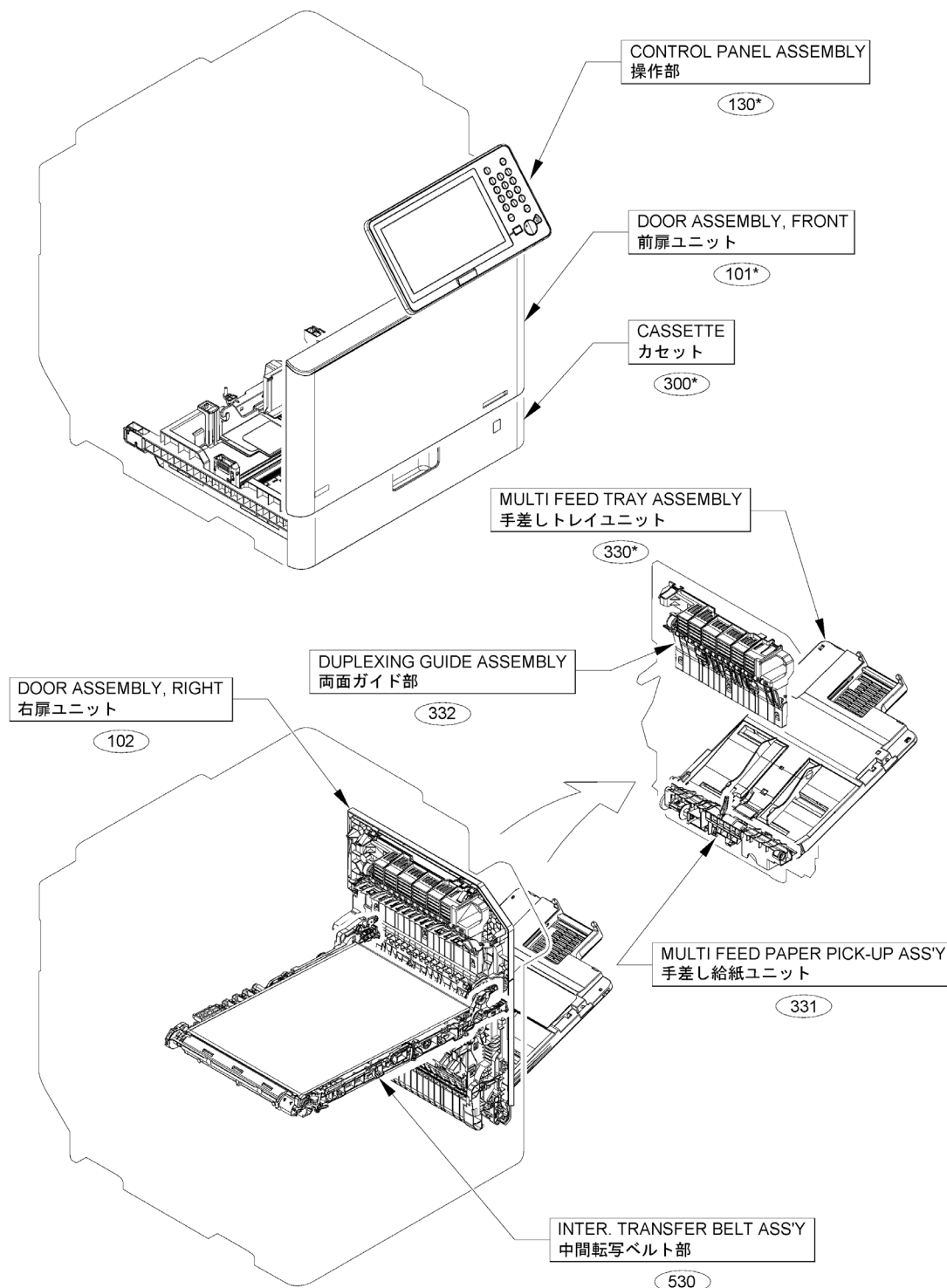


Figure A1C (2/4) ASSEMBLY LOCATION DIAGRAM (Printer)

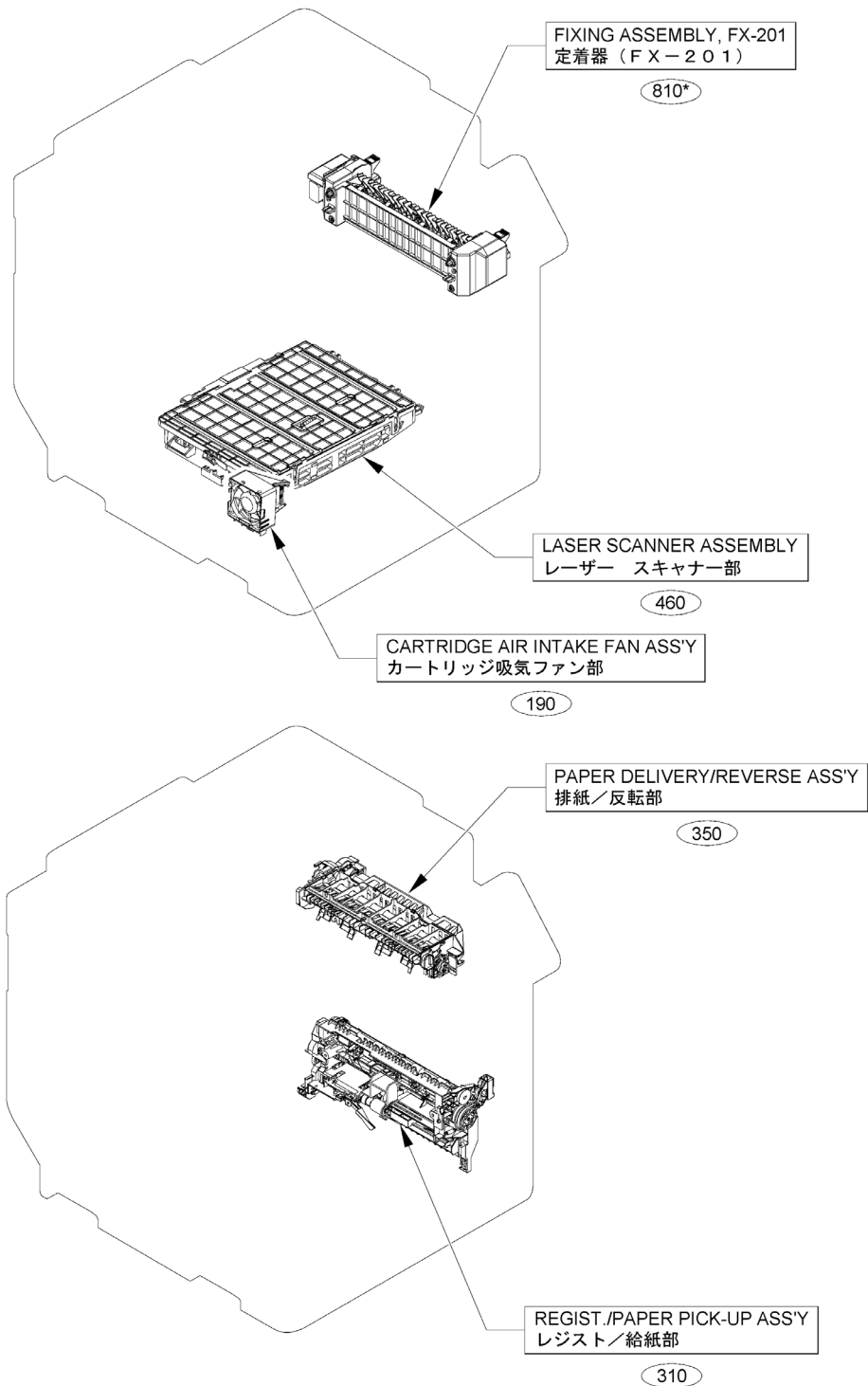


Figure A1C (3/4) ASSEMBLY LOCATION DIAGRAM (Printer)

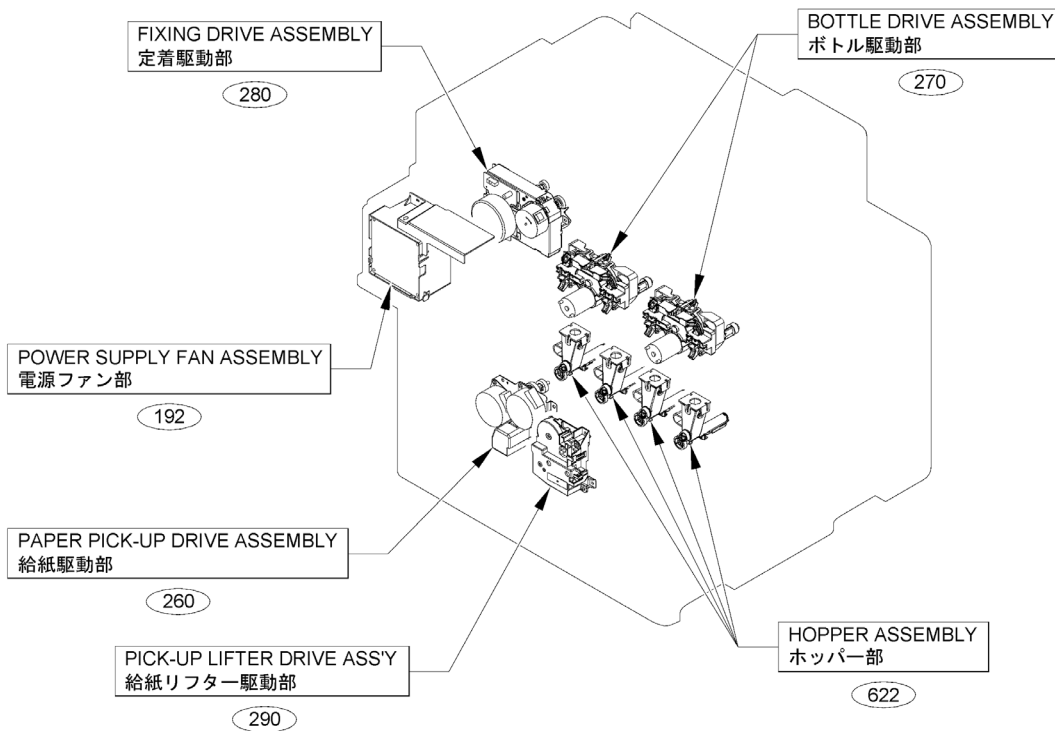
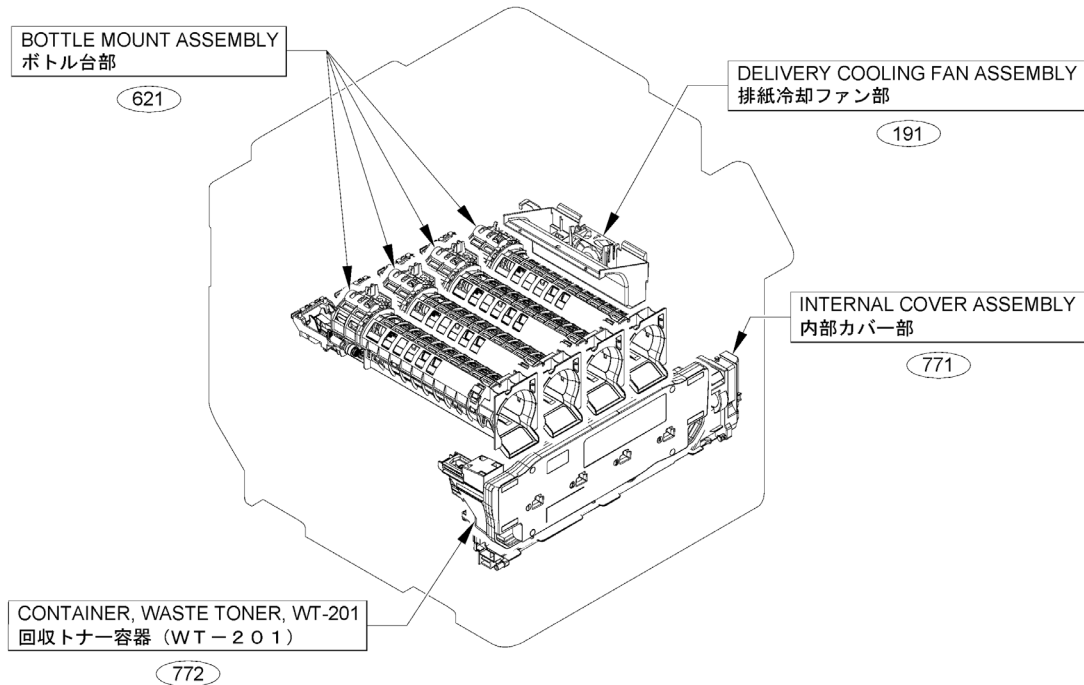


Figure A1C (4/4) ASSEMBLY LOCATION DIAGRAM (Printer)

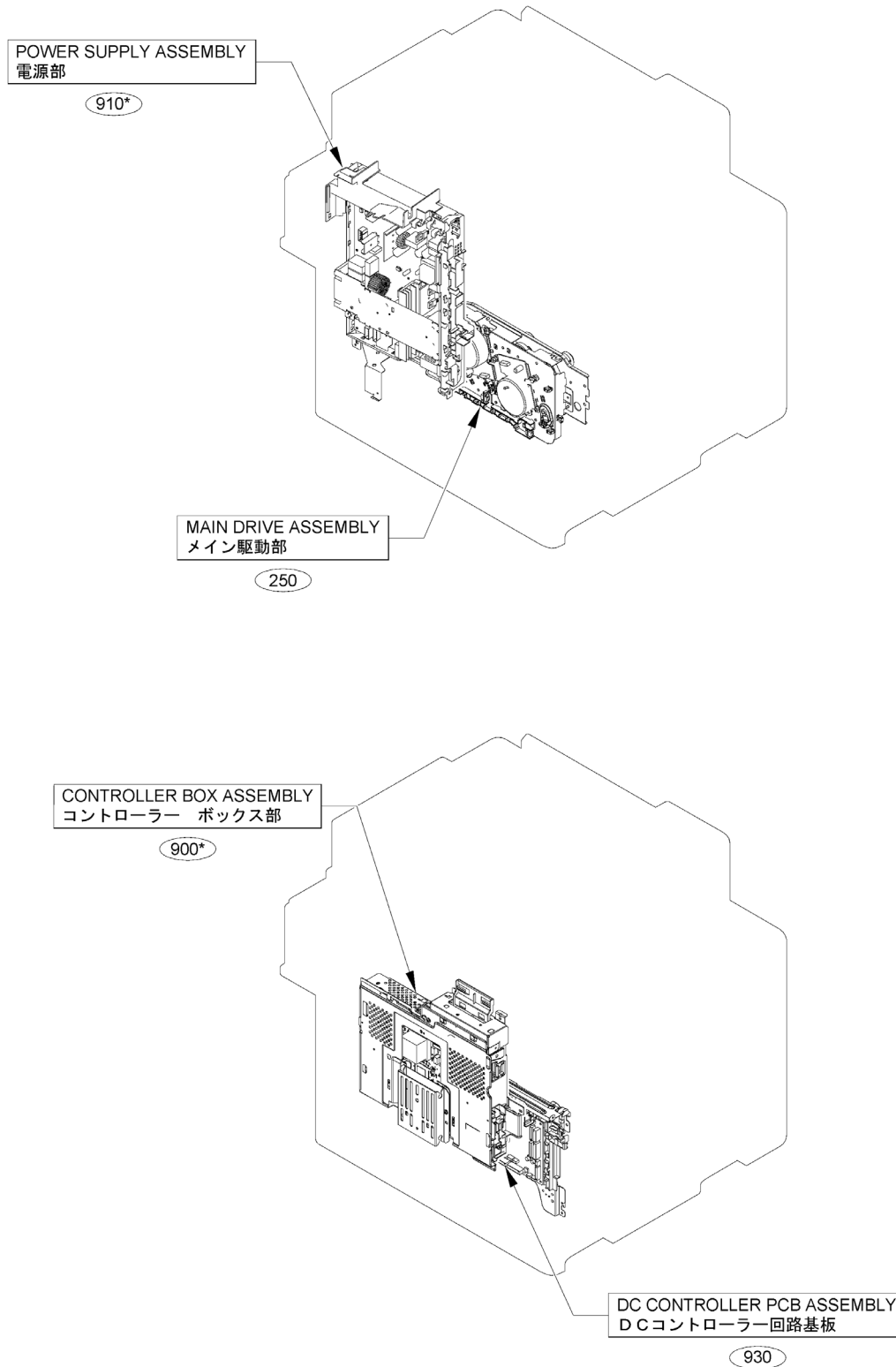


Figure A2 OPTION PARTS CATALOG LIST

This is the table of the machine's options whose parts catalog is issued.
 本機のオプションで、パーツカタログが発行されている機種の一覧である。

No.	Model Name(English)	Model Name(Japanese)
1	ADF Access Handle-A1	A D F アクセスハンドル・A 1
2	NFC Kit-C1	N F C キット・C 1
3	Cassette Module-AE1	1 段カセットユニット・A E 1
4	Cassette Feeding Unit-AJ1/ Cassette Feeding Unit-AK1	1 段カセットペディスタル・A J 1 / 3 段カセットペディスタル・A K 1
5	FL Cassette-AV1	(日本仕向けなし)
6	Staple Finisher-Z1	(日本仕向けなし)
7	Cassette Heater Unit-39	(日本仕向けなし)
8	Copy Card Reader Attachment-B5	コピーカードリーダー取付けキット・B 5
9	Super G3 FAX Board-AT1	(日本仕向けなし)
10	Super G3 2nd Line Fax Board-AT1	G 3 回線増設キット (2 回線) ・A T 1
11	(JAPAN ONLY)	ハンドセット・J 1
12	Document Scan Lock Kit-B1	イメージ解析ボード・B 1
13	Serial Interface Kit-K3	シリアルインターフェースキット・K 3
14	Copy Control Interface Kit-A1	コントロールインターフェースキット・A 1
15	IC Card Reader Box-D1	I C カードリーダーボックス・D 1
16	IC Card Reader Attachment-A1	I C カードリーダー取付けキット・A 1
17	Copy Card Reader-F1	コピーカードリーダー・F 1
18	Connection Kit-A1 for Bluetooth LE	拡張キット・A 1 f o r B l u e t o o t h L E

Figure 001E ACCESSORIES (Single pass ADF)

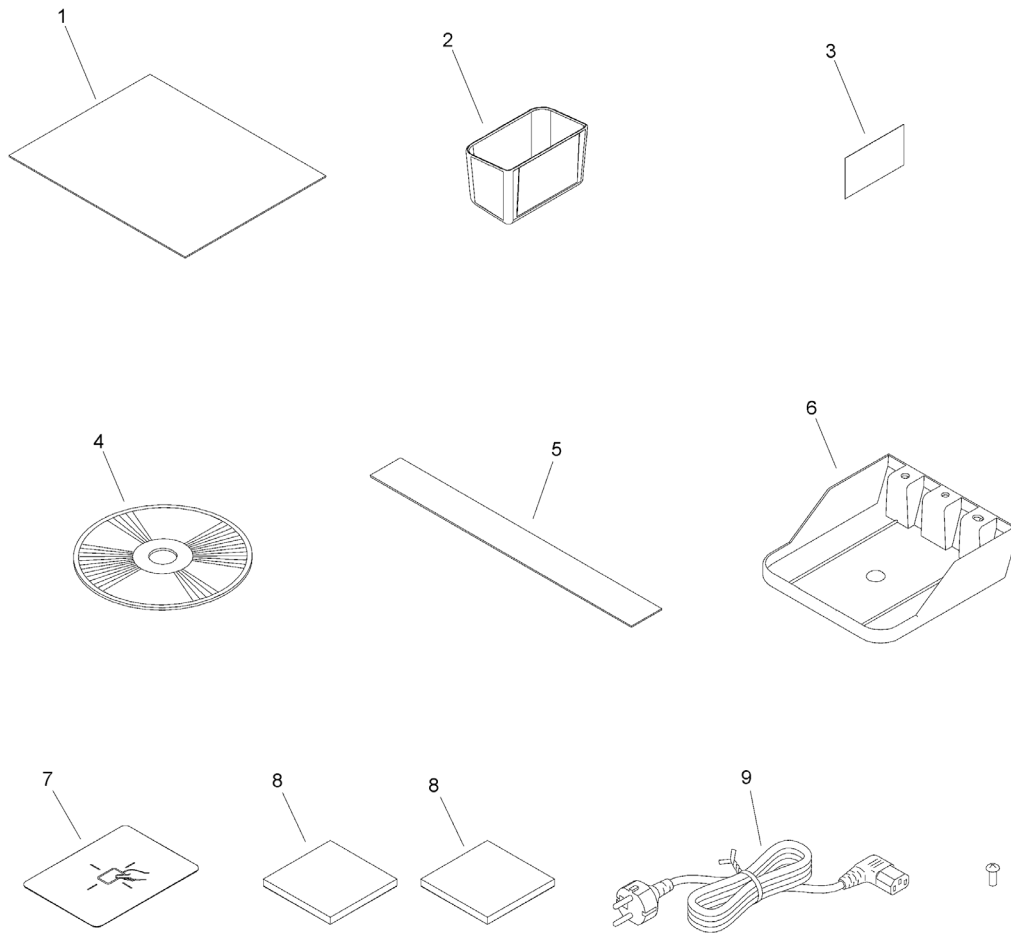


FIGURE & KEY NO.	PART NUMBER	RANK	QTY	DESCRIPTION	SERIAL NUMBER /REMARKS
001E	NPN		RF	ACCESSORIES	Single pass ADF
1	FE2-A001-000		1	CLOTH, CLEANING	
2	FE3-9210-000		1	BOX, CLEANING CLOTH STOCK	
3	FE3-4465-000		1	TAPE, DUPLEXING	
4	FK4-5448-000		1	CD-ROM, SOFTWARE FOR UFR II	
4	FK4-5451-000		1	CD-ROM, SOFTWARE FOR PCL	
4	FK4-5454-000		1	CD-ROM, SOFTWARE FOR PS	
5	FE8-2357-000		1	BELT, FIXED	
6	FE4-5785-000		1	COVER, USB CABLE	
7	FE8-2343-000		1	LABEL, CARD READER	
8	FL0-5398-000		2	DAMPER	
9	FK2-9571-000		1	CORD, POWER	

Figure 001F ACCESSORIES (Printer)

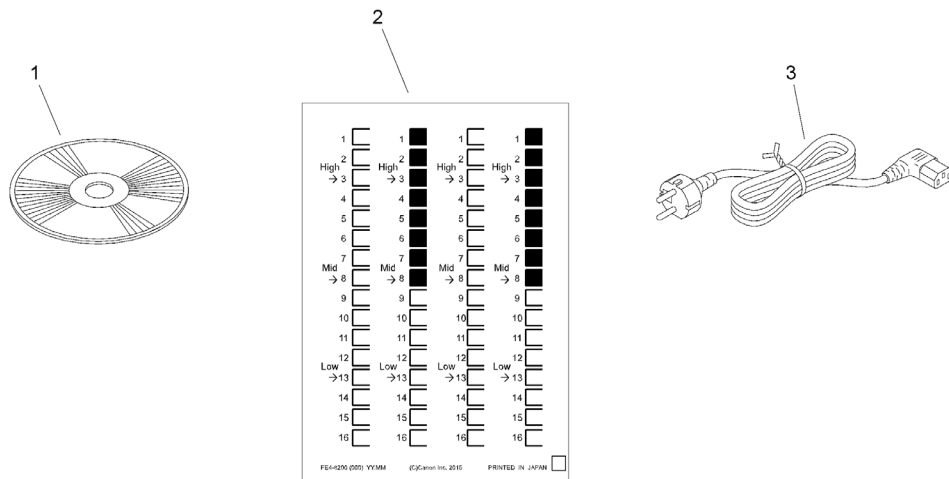


FIGURE & KEY NO.	PART NUMBER	RANK	QTY	DESCRIPTION	SERIAL NUMBER /REMARKS
001F	NPN		RF	ACCESSORIES	Printer
1	FK4-5448-000		1	CD-ROM, SOFTWARE FOR UFR II	
1	FK4-5451-000		1	CD-ROM, SOFTWARE FOR PCL	
1	FK4-5454-000		1	CD-ROM, SOFTWARE FOR PS	
2	FE4-8200-000		1	CHART, GRADATION SAMPLE	
3	FK2-9571-000		1	CORD, POWER	

Figure 100F EXTERNAL COVERS, PANELS, ETC. (C356i)

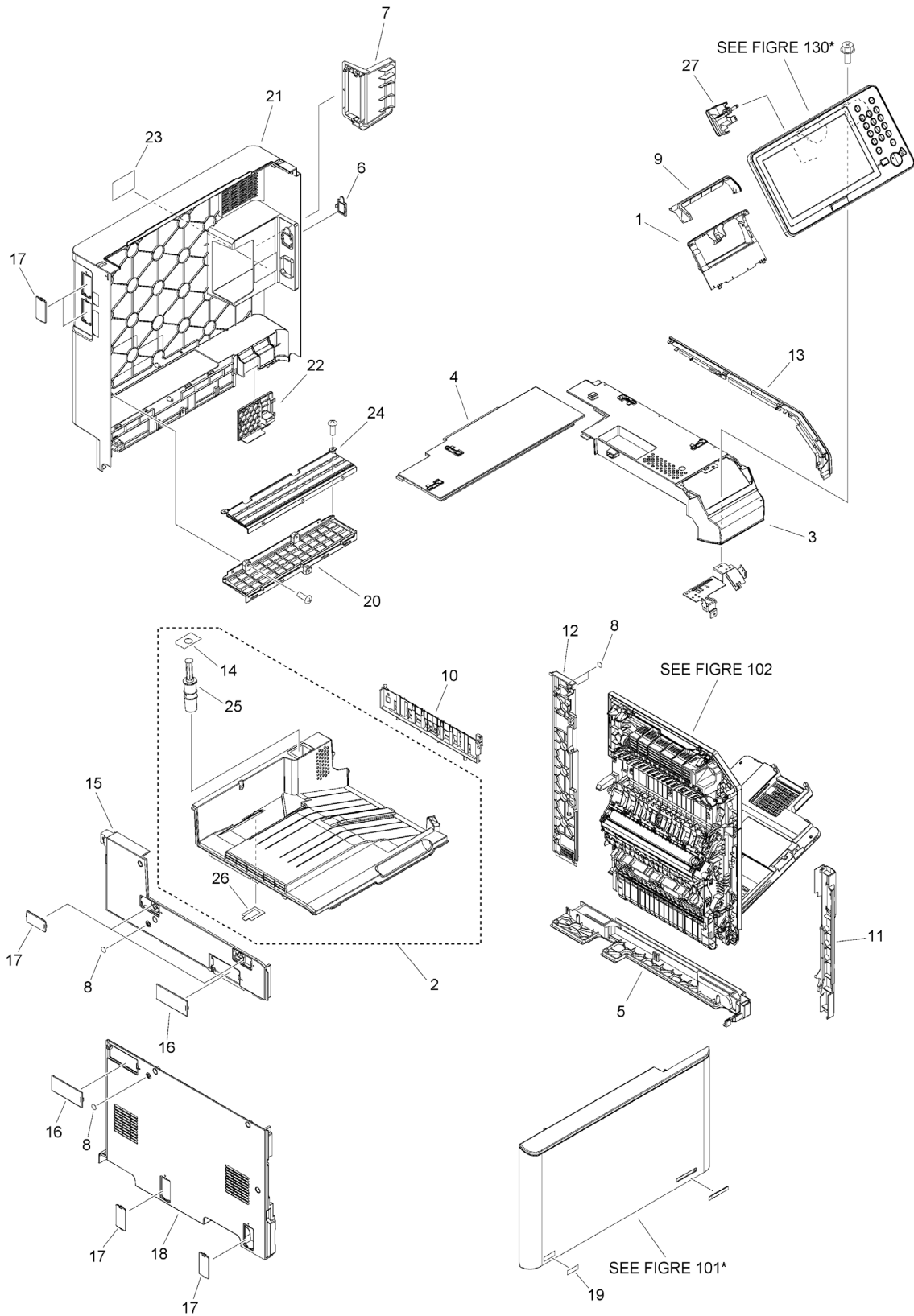


FIGURE & KEY NO.	PART NUMBER	RANK	QTY	DESCRIPTION	SERIAL NUMBER /REMARKS
100F	NPN		RF	EXTERNAL COVERS, PANELS, ETC.	C356i
1	FM1-L540-000		1	COVER, CONTROL PANEL ASSEMBLY	
2	FM1-L554-000		1	TRAY, PAPER DELIVERY	
3	FM1-L544-000		1	COVER, UPPER	
4	FM1-D699-010		1	COVER, REAR UPPER	
5	FE3-9079-000		1	COVER, RIGHT LOWER	
6	FE3-9087-000		1	COVER, ENV. HEATER SWITCH	
7	FE4-9082-000		1	COVER, REAR, 2	
8	FC6-4513-000		4	SEAL	
9	FE8-4215-000		1	COVER, CONTROL HINGE, REAR	
10	FE8-4216-000		1	COVER, PAPER DELIVERY	
11	FL0-2604-000		1	COVER, RIGHT FRONT	
12	FL0-2606-000		1	COVER, RIGHT REAR	
13	FL0-2605-000		1	COVER, RIGHT UPPER	
14	FL0-1008-000		1	SHEET, PAPER DELIVERY TRAY, 2	
15	FE8-4211-000		1	COVER, LEFT UPPER	
16	FE3-9082-000		2	COVER, DEVICE PORT	
17	FE3-9088-000		6	COVER, FAX CONNECTOR	
18	FL0-5332-000		1	COVER, LEFT LOWER	
19	FE4-1817-000		1	LABEL, TONER	
20	FE4-9079-000		1	COVER, LOUVER	
21	FE4-9078-000		1	COVER, REAR, 1	
22	FE3-9089-000		1	COVER, HEATER, ENVIRONMENT	
23	FE4-1828-020		1	LABEL, GROUNDING CAUTION	
24	FE4-9095-000		1	COVER, LOUVER, 1	
25	FC7-6142-000		1	DAMPER UNIT, AIR	
26	FL0-1007-000		1	SHEET, PAPER DELIVERY TRAY	
27	FE4-9431-000		1	COVER, CONTROL PANEL CABLE	

Figure 100G EXTERNAL COVERS, PANELS, ETC. (C356P)

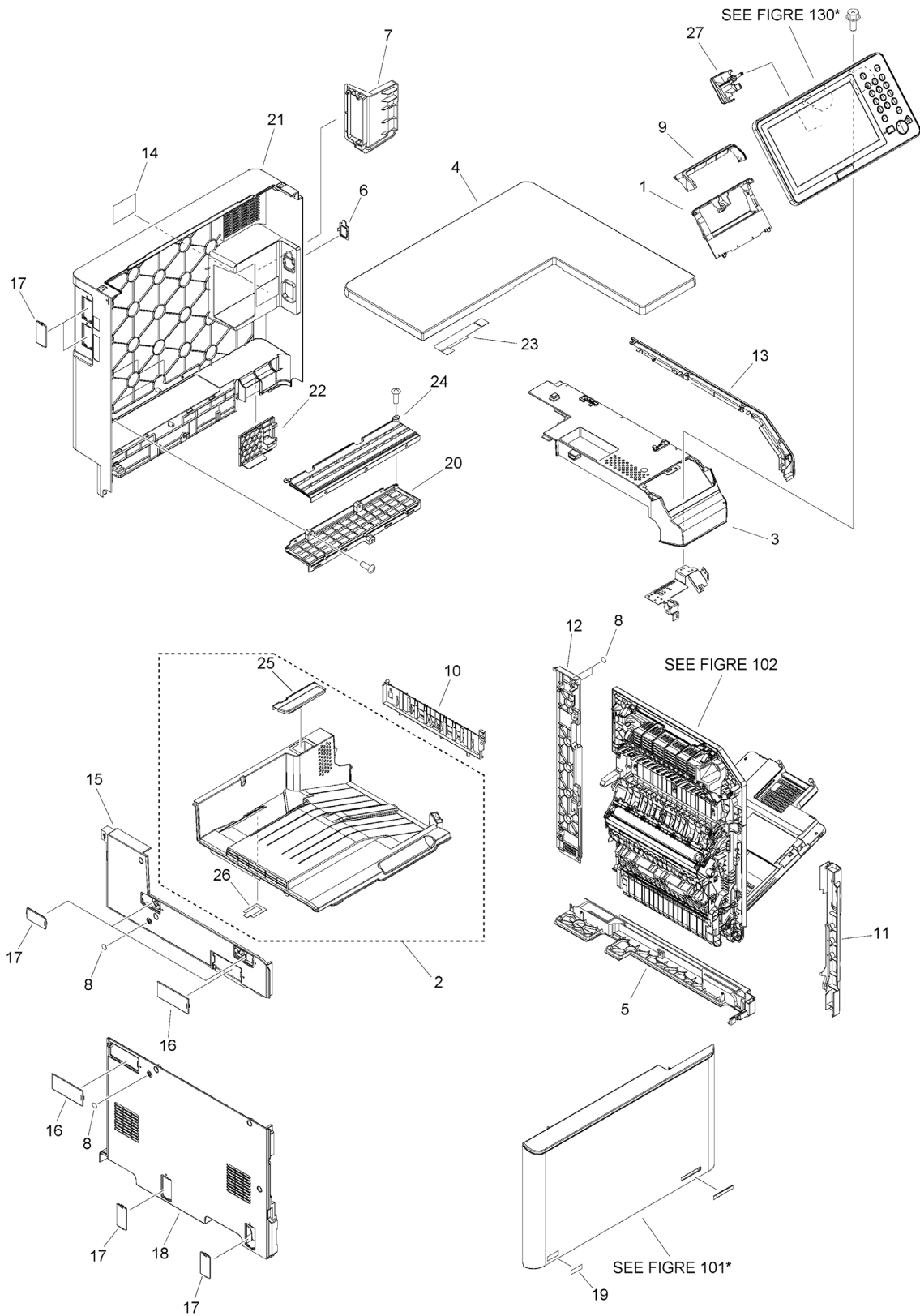


FIGURE & KEY NO.	PART NUMBER	RANK	QTY	DESCRIPTION	SERIAL NUMBER /REMARKS
100G	NPN		RF	EXTERNAL COVERS, PANELS, ETC.	C356P
1	FM1-L540-000		1	COVER, CONTROL PANEL ASSEMBLY	
2	FM1-P457-000		1	TRAY, PAPER DELIVERY	
3	FM1-L544-000		1	COVER, UPPER	
4	FE8-5401-000		1	COVER, TOP	
5	FE3-9079-000		1	COVER, RIGHT LOWER	
6	FE3-9087-000		1	COVER, ENV. HEATER SWITCH	
7	FE4-9082-000		1	COVER, REAR, 2	
8	FC6-4513-000		4	SEAL	
9	FE8-4215-000		1	COVER, CONTROL HINGE, REAR	
10	FE8-4216-000		1	COVER, PAPER DELIVERY	
11	FL0-2604-000		1	COVER, RIGHT FRONT	
12	FL0-2606-000		1	COVER, RIGHT REAR	
13	FL0-2605-000		1	COVER, RIGHT UPPER	
14	FE4-1828-020		1	LABEL, GROUNDING CAUTION	
15	FE8-4211-000		1	COVER, LEFT UPPER	
16	FE3-9082-000		2	COVER, DEVICE PORT	
17	FE3-9088-000		6	COVER, FAX CONNECTOR	
18	FL0-5332-000		1	COVER, LEFT LOWER	
19	FE4-1817-000		1	LABEL, TONER	
20	FE4-9079-000		1	COVER, LOUVER	
21	FE4-9078-000		1	COVER, REAR, 1	
22	FE3-9089-000		1	COVER, HEATER, ENVIRONMENT	
23	FL0-7118-000		1	SHEET, HINGE COVER	
24	FE4-9095-000		1	COVER, LOUVER, 1	
25	FL1-2500-000		1	COVER, PAPER DELIVERY TRAY,UP.	
26	FL0-1007-000		1	SHEET, PAPER DELIVERY TRAY	
27	FE4-9431-000		1	COVER, CONTROL PANEL CABLE	

Figure 100H EXTERNAL COVERS, PANELS, ETC. (C256i)

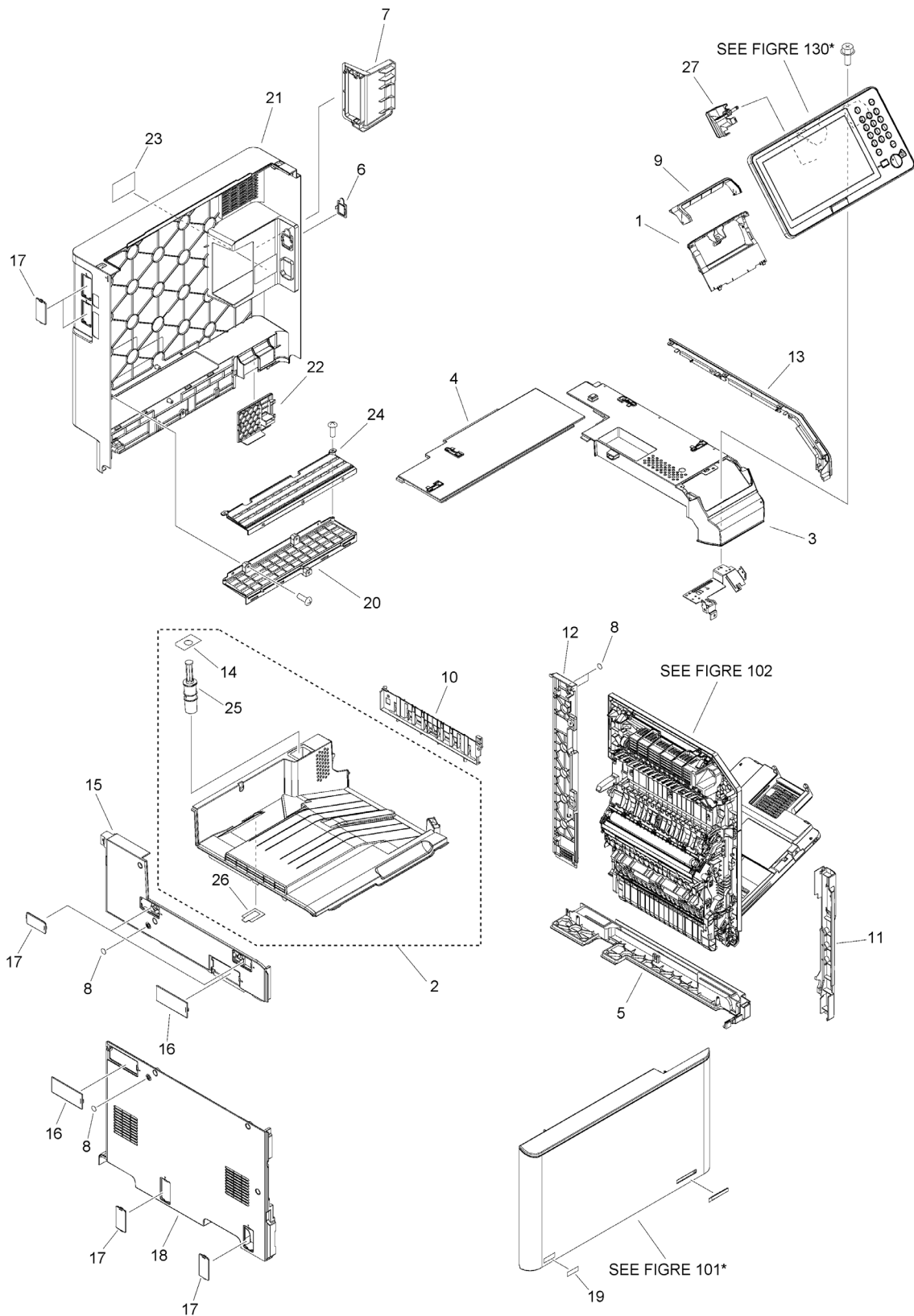


FIGURE & KEY NO.	PART NUMBER	RANK	QTY	DESCRIPTION	SERIAL NUMBER /REMARKS
100H	NPN		RF	EXTERNAL COVERS, PANELS, ETC.	C256i
1	FM1-L540-000		1	COVER, CONTROL PANEL ASSEMBLY	
2	FM1-L554-000		1	TRAY, PAPER DELIVERY	
3	FM1-L544-000		1	COVER, UPPER	
4	FM1-D699-010		1	COVER, REAR UPPER	
5	FE3-9079-000		1	COVER, RIGHT LOWER	
6	FE3-9087-000		1	COVER, ENV. HEATER SWITCH	
7	FE4-9082-000		1	COVER, REAR, 2	
8	FC6-4513-000		4	SEAL	
9	FE8-4215-000		1	COVER, CONTROL HINGE, REAR	
10	FE8-4216-000		1	COVER, PAPER DELIVERY	
11	FL0-2604-000		1	COVER, RIGHT FRONT	
12	FL0-2606-000		1	COVER, RIGHT REAR	
13	FL0-2605-000		1	COVER, RIGHT UPPER	
14	FL0-1008-000		1	SHEET, PAPER DELIVERY TRAY, 2	
15	FE8-4211-000		1	COVER, LEFT UPPER	
16	FE3-9082-000		2	COVER, DEVICE PORT	
17	FE3-9088-000		6	COVER, FAX CONNECTOR	
18	FL0-5332-000		1	COVER, LEFT LOWER	
19	FE4-1817-000		1	LABEL, TONER	
20	FE4-9079-000		1	COVER, LOUVER	
21	FE4-9078-000		1	COVER, REAR, 1	
22	FE3-9089-000		1	COVER, HEATER, ENVIRONMENT	
23	FE4-1828-020		1	LABEL, GROUNDING CAUTION	
24	FE4-9095-000		1	COVER, LOUVER, 1	
25	FC7-6142-000		1	DAMPER UNIT, AIR	
26	FL0-1007-000		1	SHEET, PAPER DELIVERY TRAY	
27	FE4-9431-000		1	COVER, CONTROL PANEL CABLE	

Figure 101C DOOR ASSEMBLY, FRONT (Single pass ADF)

NOTE 1 : This assembly does not include the parts shown with key No. 2, 5, 9, 10, 11 and 12. NOTE 2 : Several kinds of labels are attached on the board for the parts of Key No. 11. The same parts as Fig-Key No. 103-6.

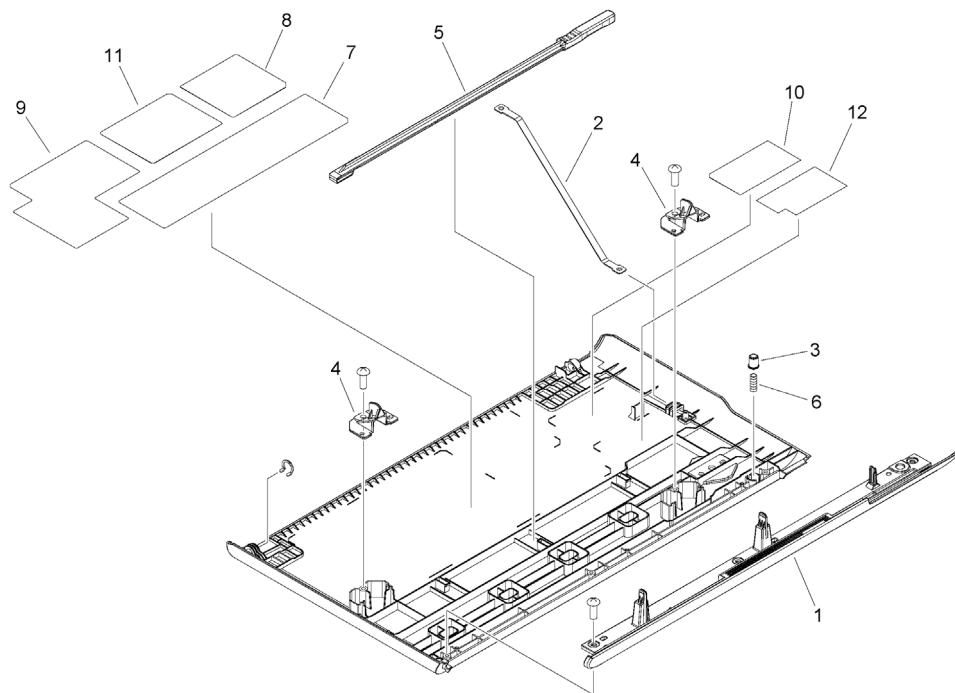


FIGURE & KEY NO.	PART NUMBER	RANK	QTY	DESCRIPTION	SERIAL NUMBER /REMARKS
101C	FM1-L549-000		1	DOOR ASSEMBLY, FRONT	Single pass ADF
1	FL1-0149-000		1	COVER, FRONT, UPPER	
2	FC0-7572-000		1	BAND, FRONT COVER, RIGHT	SEE NOTE 1
3	FC0-7734-000		1	PIN, FRONT	
4	FE3-9086-000		2	HOOK, COVER, FRONT	
5	FL0-0237-000		1	ROD, GLASS CLEANING	SEE NOTE 1
6	FU9-2007-000		1	SPRING, COMPRESSION	
7	FC0-5846-010		1	LABEL, CLN ROD OPERATION	
8	FU6-8646-000		1	LABEL, LASER CAUTION	
9	FL0-5404-000		1	LABEL, SERVICE	SEE NOTE 1
10	FL3-6545-000		1	LABEL, SERVICE	SEE NOTE 1
11	FE8-8493-000		1	LABEL, TONER TYPE	SEE NOTE 1 SEE NOTE 2
12	FC0-7807-000		1	LABEL, EXCHANGE OPERATOR, BOTTLE	SEE NOTE 1

Figure 101D DOOR ASSEMBLY, FRONT (Printer)

NOTE 1 : This assembly does not include the parts shown with key No. 2, 5, 9, 10 and 11. NOTE 2 : Several kinds of labels are attached on the board for the parts of Key No. 11. The same parts as Fig-Key No. 103-6.

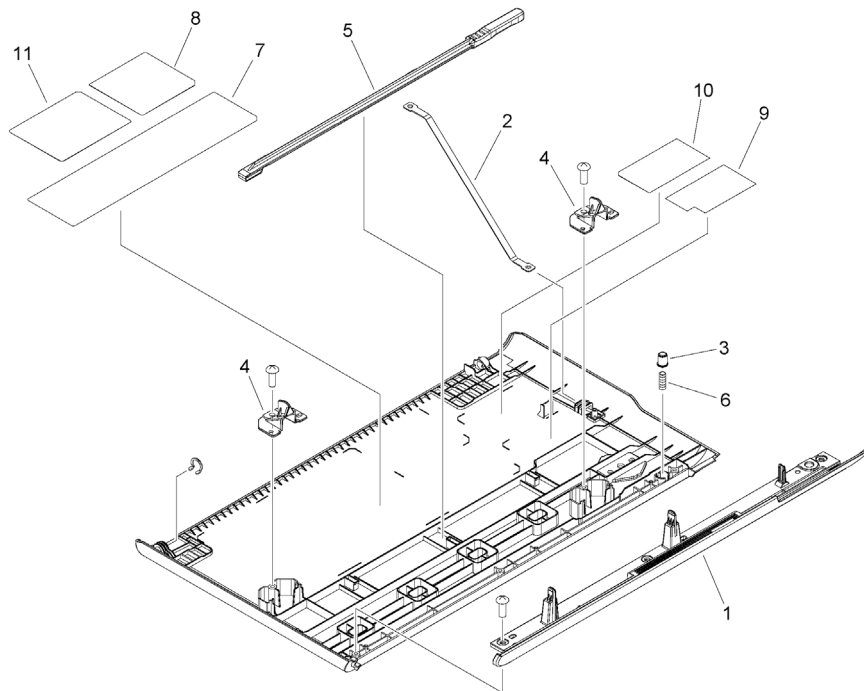


FIGURE & KEY NO.	PART NUMBER	RANK	QTY	DESCRIPTION	SERIAL NUMBER /REMARKS
101D	FM1-L549-000		1	DOOR ASSEMBLY, FRONT	Printer
1	FL1-0149-000		1	COVER, FRONT, UPPER	
2	FC0-7572-000		1	BAND, FRONT COVER, RIGHT	SEE NOTE 1
3	FC0-7734-000		1	PIN, FRONT	
4	FE3-9086-000		2	HOOK, COVER, FRONT	
5	FL0-0237-000		1	ROD, GLASS CLEANING	SEE NOTE 1
6	FU9-2007-000		1	SPRING, COMPRESSION	
7	FC0-5846-010		1	LABEL, CLN ROD OPERATION	
8	FU6-8646-000		1	LABEL, LASER CAUTION	
9	FC0-7807-000		1	LABEL, EXCHANGE OPERATOR, BOTTLE	SEE NOTE 1
10	FL3-6545-000		1	LABEL, SERVICE	SEE NOTE 1
11	FE8-8493-000		1	LABEL, TONER TYPE	SEE NOTE 1 SEE NOTE 2

Figure 102 (1/2) DOOR ASSEMBLY, RIGHT

NOTE : This assembly includes the assemblies shown in Figure 330 and 331.

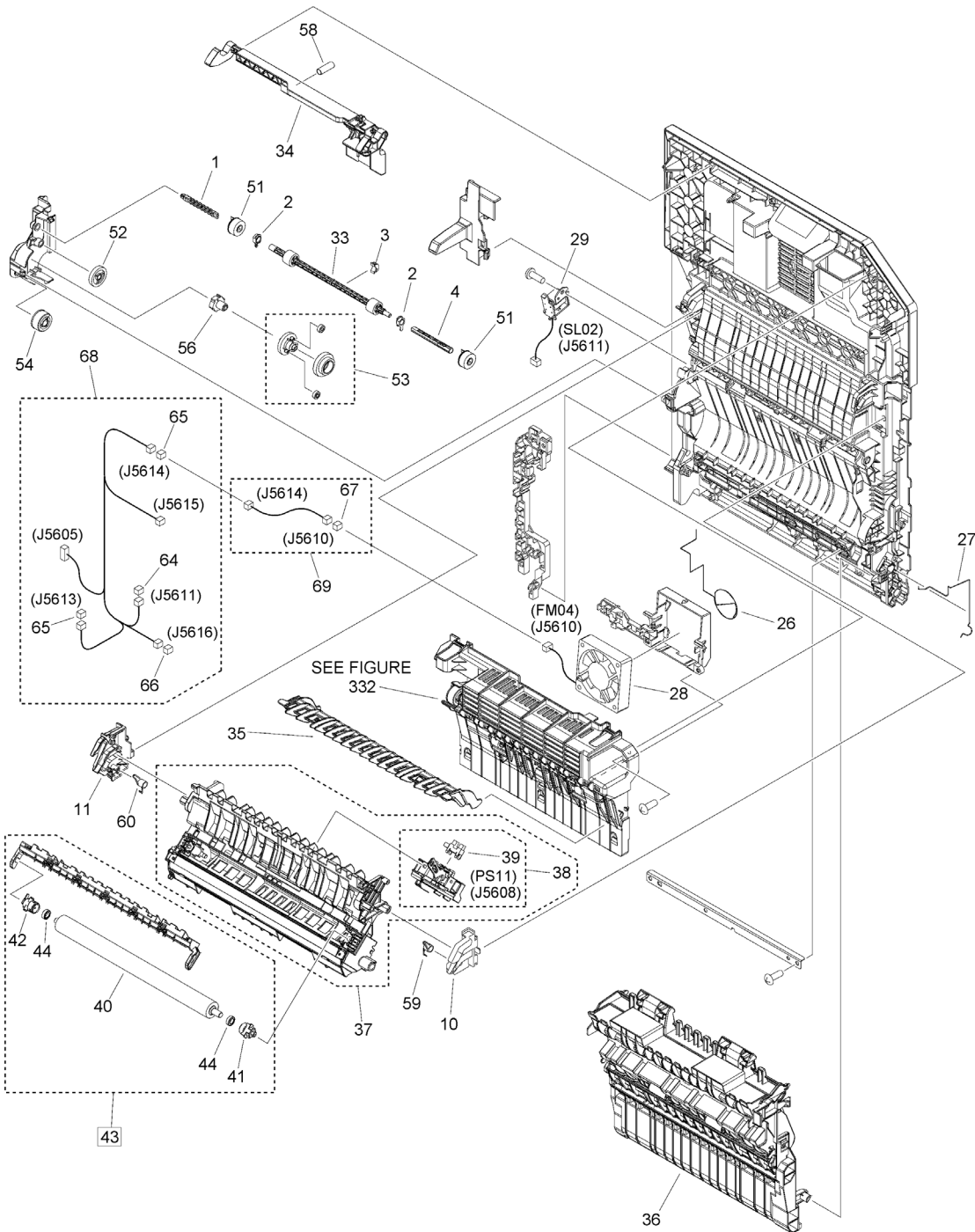


Figure 102 (2/2) DOOR ASSEMBLY, RIGHT

NOTE : This assembly includes the assemblies shown in Figure 330 and 331.

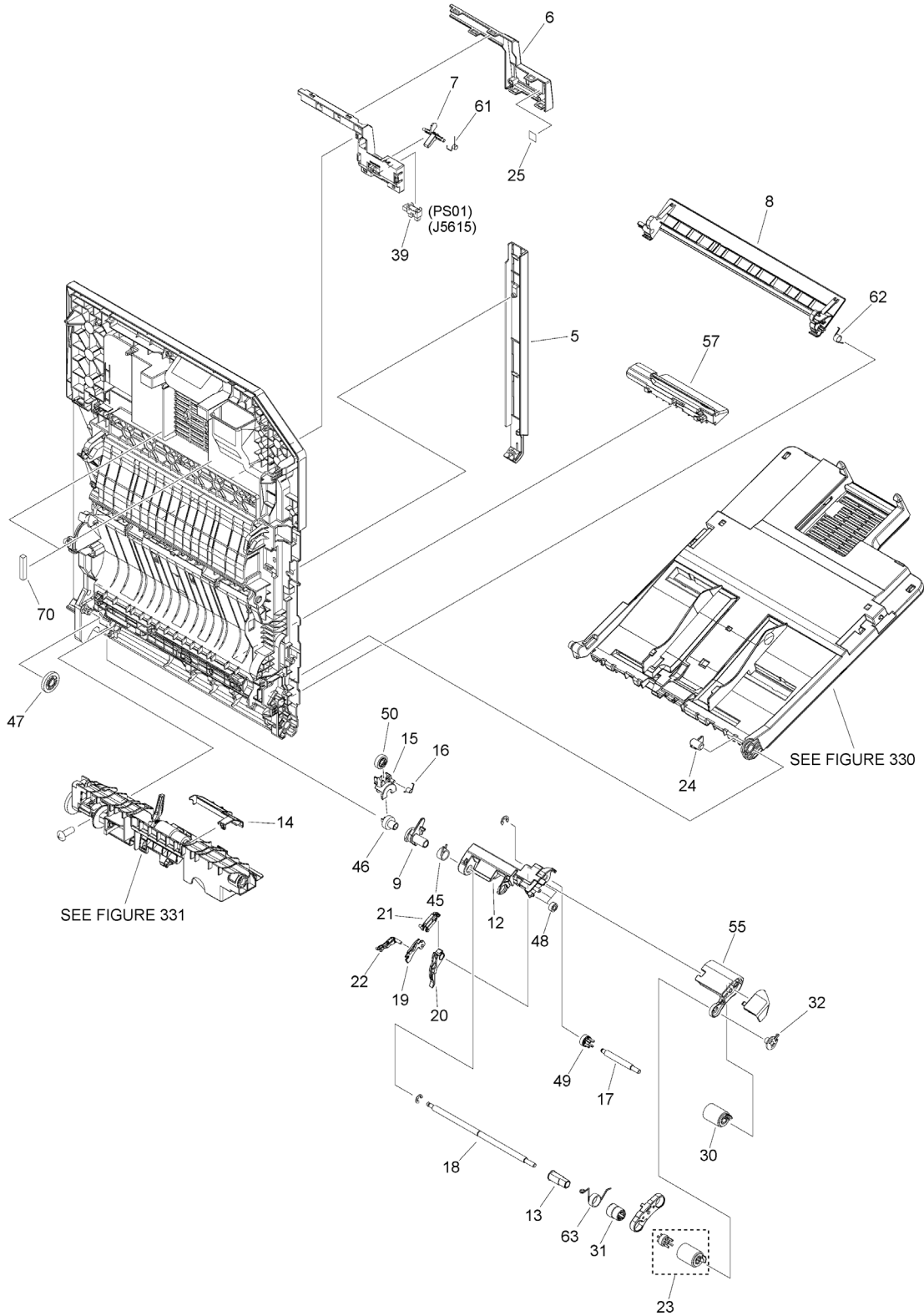


FIGURE & KEY NO.	PART NUMBER	RANK	QTY	DESCRIPTION	SERIAL NUMBER /REMARKS
102	FM1-U038-000		1	DOOR ASSEMBLY, RIGHT	SEE NOTE
1	FC0-5875-000		1	SHAFT	
2	FC0-5876-000		2	BUSHING	
3	FC0-5888-000		1	BUSHING	
4	FC0-5935-000		1	SHAFT	
5	FE3-9093-000		1	PANEL, RIGHT DOOR, FRONT	
6	FE3-9094-000		1	PANEL, CABLE	
7	FC0-5943-000		1	FLAG, DUPLEXING SENSOR	
8	FE3-9097-000		1	COVER, BLANKING	
9	FC0-7446-000		1	LINK, RELEASE	
10	FC0-7535-010		1	GUIDE, LOCK, FRONT	
11	FC0-7536-000		1	GUIDE, LOCK, REAR	
12	FE3-1547-010		1	SUPPORT, ROLLER	
13	FE3-1617-000		1	BUSHING	
14	FL0-7724-000		1	COVER, PAPER FEED ROLLER	
15	FE3-1760-000		1	HOLDER, MULTI FEED SWING	
16	FE3-2409-000		1	SPRING, TORSION	
17	FE3-3585-000		1	SHAFT	
18	FE3-3594-000		1	SHAFT	
19	FE3-4759-000		1	GUIDE, SHUTTER LINK	
20	FE3-4760-000		1	SHUTTER, PAPER PICK-UP	
21	FE3-4761-000		1	LOCK, SHUTTER	
22	FE3-4762-000		1	LEVER, SHUTTER LINK	
23	FM1-P088-000		1	PAPER PICK-UP ROLLER SET	
24	FE3-4765-000		1	BOSS, TRAY	
25	FL0-1010-000		1	SHEET, FLAG SILENCER	
26	FE3-6116-000		1	CABLE, FAN GROUNDING, RIGHT	
27	FE3-6117-000		1	CABLE, GROUNDING, RIGHT	
28	FK2-0472-010		1	FAN	FM04
29	FK4-0725-000		1	SOLENOID	SL02
30	FL0-4002-000		1	ROLLER, PAPER PICK-UP	
31	FL0-1361-000		1	CLUTCH, ONE-WAY	
32	FE3-5654-000		1	BUSHING	
33	FL3-6443-000		1	ROLLER, DUPLEXING FEED	
34	FM1-D707-000		1	DOOR HOOK ASSEMBLY, RIGHT	
35	FM1-B552-000		1	DUPLEXING INNER GUIDE ASSEMBLY	
36	FM1-B553-000		1	RIGHT INNER DOOR ASSEMBLY	
37	FM1-B554-010		1	2ND TRNSFR. OUTER GUIDE ASS'Y	
38	FM1-B555-000		1	SENSOR UNIT, LOOP	
39	WG8-5935-000		2	IC, PHOTO INTERRUPTER	PS01, PS11
40	FE2-A308-000		1	ROLLER, 2ND TRNSFR. OUTER	
41	FC0-5861-010		1	HOLDER, BUSHING, FRONT	
42	FC0-5862-000		1	HOLDER, BUSHING, REAR	
43	FM1-U036-000		1	2ND TRNSFR. OUTER ROLLER ASS'Y	[DP]

FIGURE & KEY NO.	PART NUMBER	RANK	QTY	DESCRIPTION	SERIAL NUMBER /REMARKS
44	XG9-0783-000		2	BEARING, BALL, L-1060ZZ	
45	FU2-0192-000		1	SPRING, TORSION	
46	FU2-0197-000		1	GEAR, 16T	
47	FU2-0198-000		1	GEAR, 27T	
48	FU2-0257-000		3	GEAR, 14T	
49	FU2-0259-000		1	GEAR, 18T	
50	FU2-0358-000		1	GEAR, 17T	
51	FU9-0662-000		2	GEAR, 19T	
52	FU9-0663-000		1	GEAR, 25T	
53	FM1-K539-000		1	PLANETARY GEAR ASSEMBLY	
54	FU9-0666-000		1	GEAR, 23T	
55	FE3-0389-000		1	COVER, ROLLER	
56	FU9-0668-000		1	GEAR, 14T	
57	FC0-6614-000		1	COVER, ROLLER	
58	FU9-2068-000		1	SPRING, COMPRESSION	
59	FU9-2069-000		1	SPRING, TORSION	
60	FU9-2070-000		1	SPRING, TORSION	
61	FU9-2071-000		1	SPRING, TORSION	
62	FU9-2112-010		1	SPRING, TORSION	
63	FU9-2224-000		1	SPRING, TORSION	
64	VS1-7177-002		1	CONNECTOR, SNAP TIGHT, BK	
65	VS1-7207-003		2	CONNECTOR, SNAP TIGHT, BK	
66	VS1-7207-006		1	CONNECTOR, SNAP TIGHT	
67	VS1-7177-003		1	CONNECTOR, SNAP TIGHT, BK	
68	FM1-A825-000		1	CABLE, DOOR, RIGHT	
69	FM1-A827-000		1	CABLE, DOOR FAN, RIGHT	
70	FL1-4036-000		2	SHEET, DAMPER	

Figure 103D INTERNAL COMPONENTS 1

NOTE 1 : Several kinds of labels are attached on the board for the parts of Key No. 6. The same parts as Fig-Key No. 101-11. NOTE 2 : Several kinds of labels are attached on the board for the parts of Key No. 17.

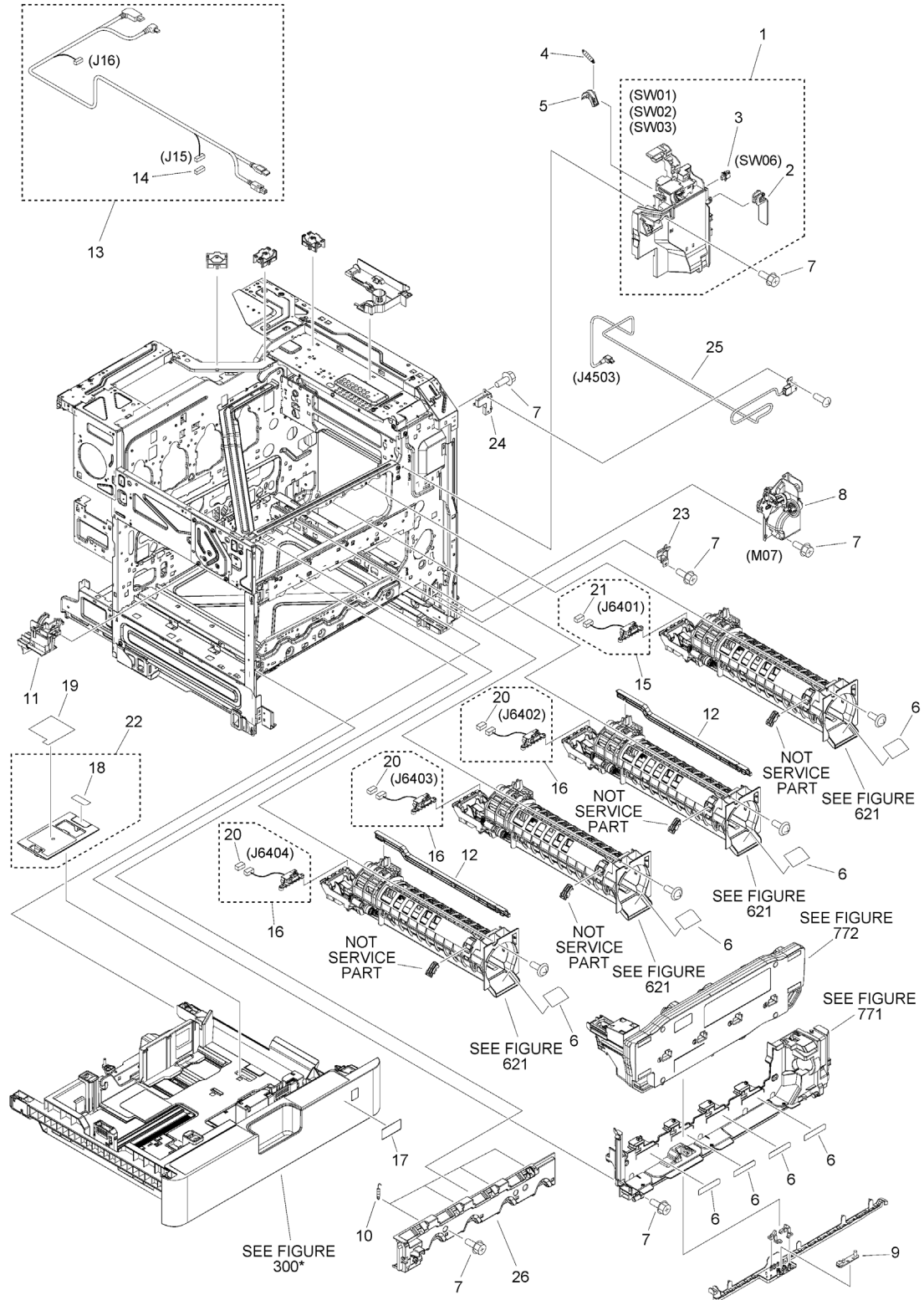


FIGURE & KEY NO.	PART NUMBER	RANK	QTY	DESCRIPTION	SERIAL NUMBER /REMARKS
103D	NPN		RF	INTERNAL COMPONENTS 1	
1	FM1-L556-000		1	COVER, INNER, FRONT, RIGHT	SW01, SW02, SW03, SW06
2	FC0-7172-000		1	COVER, MAIN SWITCH	
3	WC2-5803-000		1	SWITCH	SW06
4	FU7-2778-000		1	SPRING, TENSION	
5	FE2-2086-000		1	LEVER, TOGGLE	
6	FE8-8493-000		1	LABEL, TONER TYPE	SEE NOTE 1
7	XA9-1386-000		15	SCREW,RS,M3X8	
8	FM1-A225-010		1	REGISTRATION DRIVE ASS'Y	M07
9	FM1-C981-000		1	WASTE TONER SENSOR PCB ASS'Y	
10	FU2-0577-000		4	SPRING, GROUNDING	
11	FM0-0037-000		1	TONER INTER. EJECT ASS'Y	
12	FC0-5801-000		2	ARM, BOTTLE LOCK	
13	FM1-Y912-000		1	CABLE, UI	
14	VS1-8959-006		1	CONNECTOR, SNAP TIGHT, 6P, W	
15	FM0-0065-000		1	CONNECTOR, NEW BOTTLE DET., BK	
16	FM0-0075-000		3	CONNECTOR, NEW BOTTLE DET., CL	
17	FE8-2569-000		1	LABEL, PAPER SIZE	SEE NOTE 2
18	FL3-6526-000		1	SHEET, SEPARATION	
19	FE3-9943-000		1	LABEL, MOUNTING INSTRUCTION	
20	VS1-7440-002		3	CONNECTOR, SNAP TIGHT	
21	VS1-7177-003		1	CONNECTOR, SNAP TIGHT, BK	
22	FL0-3261-000		1	PLATE, LIFTING	
23	FE4-1123-000		1	BUSHING	
24	FC0-7486-000		1	PLATE, USB	
25	FK4-3820-000		1	CABLE, USB	
26	FC0-7020-000		1	COVER, FRONT INNER, UPPER	

Figure 104 INTERNAL COMPONENTS 2

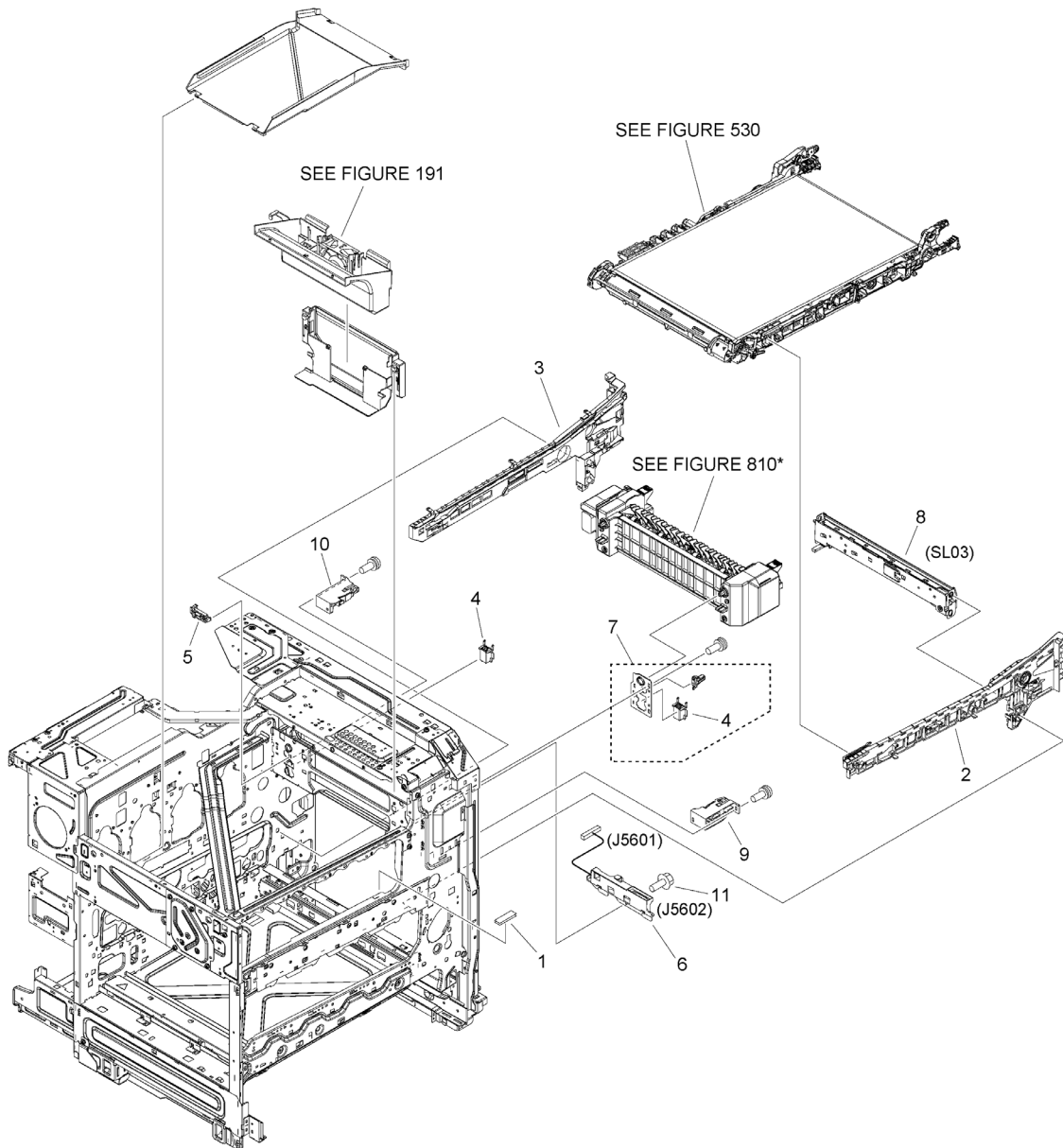


FIGURE & KEY NO.	PART NUMBER	RANK	QTY	DESCRIPTION	SERIAL NUMBER /REMARKS
104	NPN		RF	INTERNAL COMPONENTS 2	
1	FL0-3763-000		1	SHEET, PROTECTION	
2	FM0-0035-000		1	RAIL, I.T.B., FRONT	
3	FM0-0036-010		1	RAIL, I.T.B., REAR	
4	FM0-0074-000		2	HOLDER, FIXING LOCK	
5	FM1-B572-000		1	FIXING GROUNDING ASSEMBLY	
6	FM1-C324-000		1	CONNECTING CABLE ASSEMBLY	
7	FM1-C347-000		1	PLATE ASSEMBLY	
8	FM1-F727-000		1	REGISTRATION SENSOR ASSEMBLY	
9	FM4-9910-000		1	HOLDER, FIXING, FRONT	
10	FM4-9911-000		1	HOLDER, FIXING, REAR	
11	XA9-1386-000		1	SCREW,RS,M3X8	

Figure 105A INTERNAL COMPONENTS 3 (Single pass ADF)

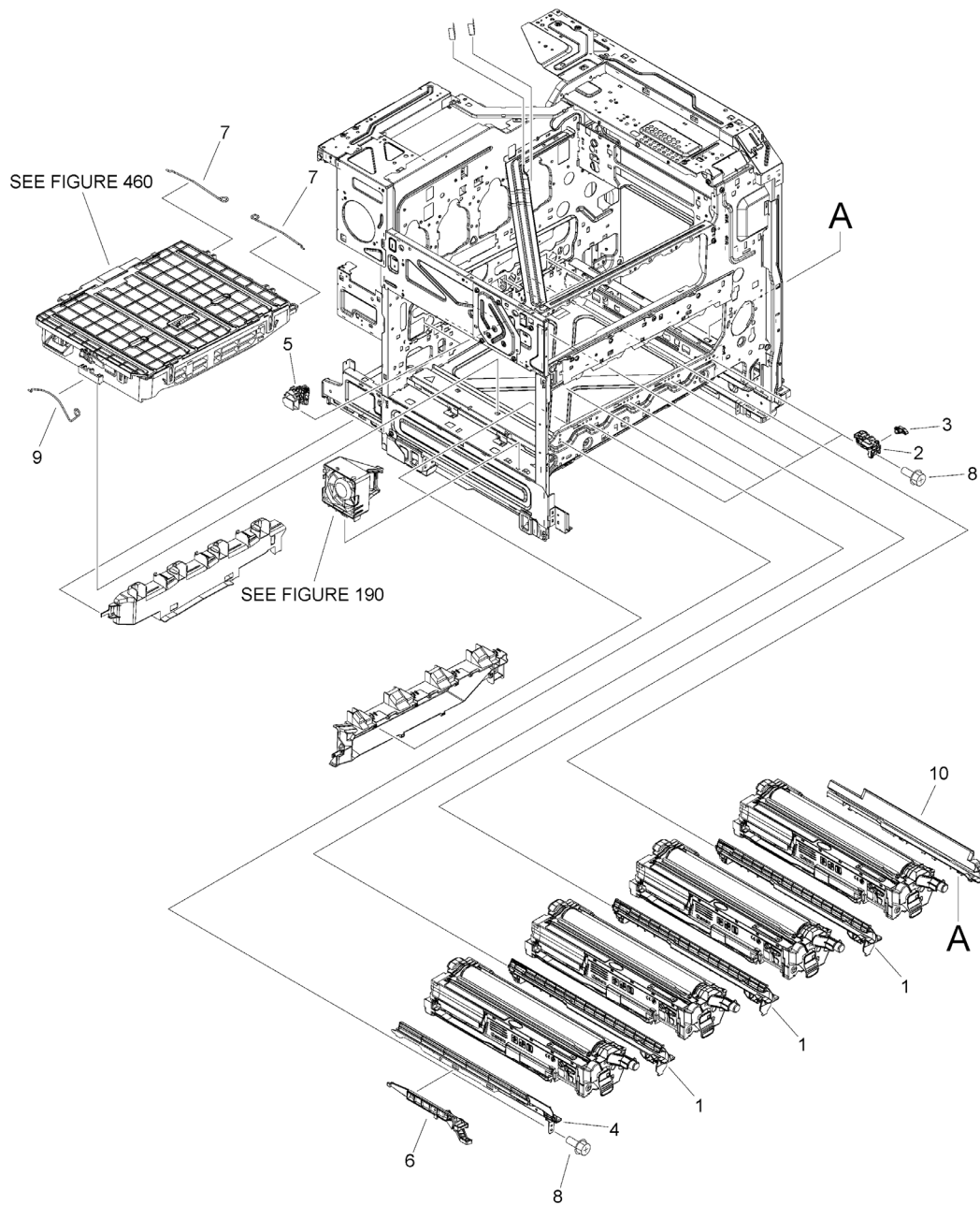


FIGURE & KEY NO.	PART NUMBER	RANK	QTY	DESCRIPTION	SERIAL NUMBER /REMARKS
105A	NPN		RF	INTERNAL COMPONENTS 3	Single pass ADF
1	FC0-7188-000		3	RAIL, PAPER PICK-UP, MIDDLE	
2	FM4-9906-000		4	BLOCK, PROCESS PRESSURE, FRONT	
3	FC0-7728-000		4	STOPPER, PROCESS UNIT, FRONT	
4	FM4-9907-000		1	RAIL ASSEMBLY, LEFT	
5	FM4-9905-000		4	LEVER, PROCESS KIT, REAR	
6	FM0-0032-000		1	SHUTTER LINK ASSEMBLY	
7	FC9-8607-000		2	SPRING	
8	XA9-1386-000		5	SCREW,RS,M3X8	
9	FC0-7068-000		1	SPRING	
10	FC0-6502-000		1	RAIL, PROCESS CARTRIDGE, RIGHT	

Figure 105B INTERNAL COMPONENTS 3 (Printer)

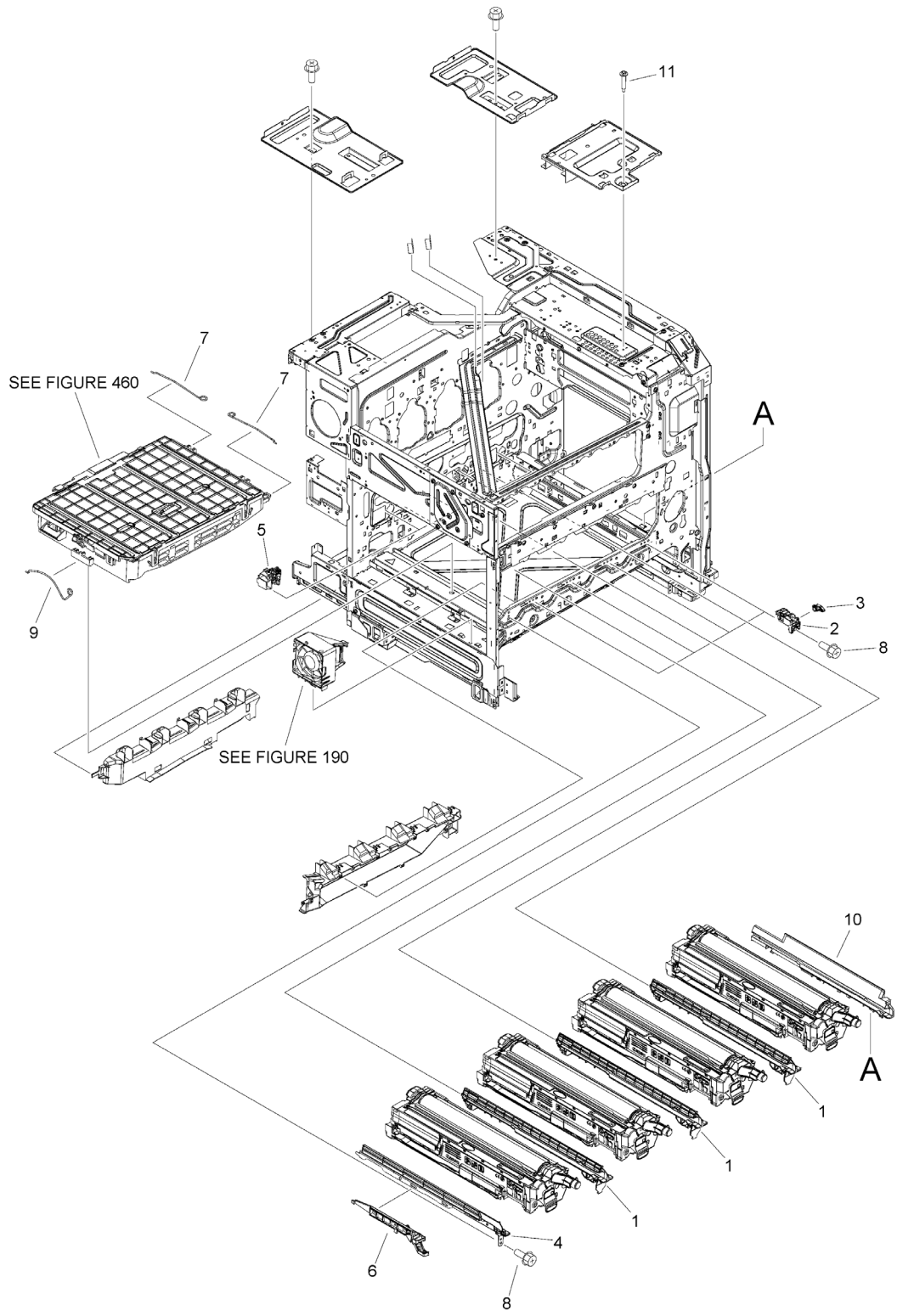


FIGURE & KEY NO.	PART NUMBER	RANK	QTY	DESCRIPTION	SERIAL NUMBER /REMARKS
105B	NPN		RF	INTERNAL COMPONENTS 3	Printer
1	FC0-7188-000		3	RAIL, PAPER PICK-UP, MIDDLE	
2	FM4-9906-000		4	BLOCK, PROCESS PRESSURE, FRONT	
3	FC0-7728-000		4	STOPPER, PROCESS UNIT, FRONT	
4	FM4-9907-000		1	RAIL ASSEMBLY, LEFT	
5	FM4-9905-000		4	LEVER, PROCESS KIT, REAR	
6	FM0-0032-000		1	SHUTTER LINK ASSEMBLY	
7	FC9-8607-000		2	SPRING	
8	XA9-1386-000		5	SCREW,RS,M3X8	
9	FC0-7068-000		1	SPRING	
10	FC0-6502-000		1	RAIL, PROCESS CARTRIDGE, RIGHT	
11	FU5-9596-000		1	SCREW,STEPPED,RS,M3	

Figure 106 INTERNAL COMPONENTS 4

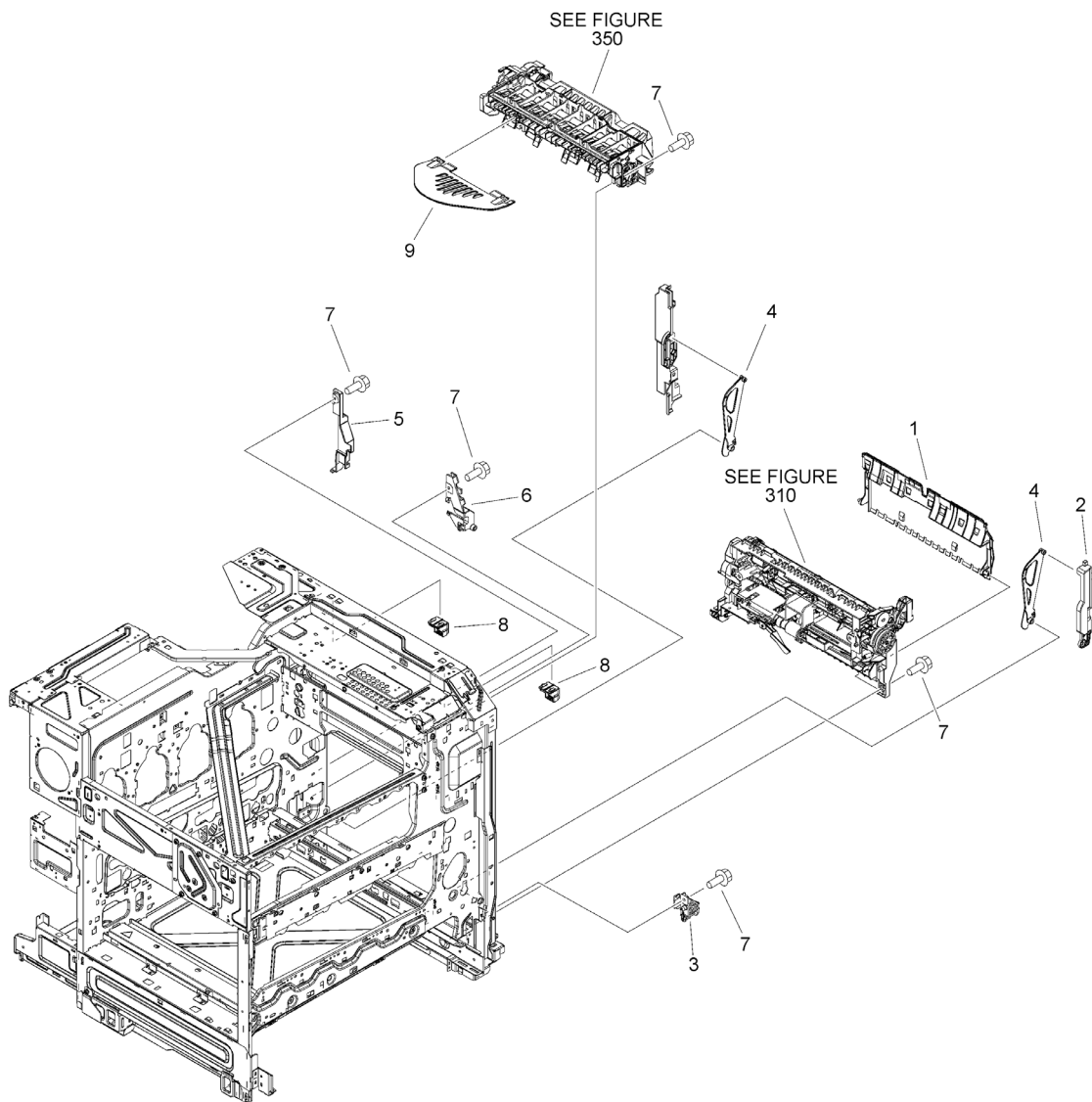


FIGURE & KEY NO.	PART NUMBER	RANK	QTY	DESCRIPTION	SERIAL NUMBER /REMARKS
106	NPN		RF	INTERNAL COMPONENTS 4	
1	FC0-7048-000		1	GUIDE, SWING	
2	FC0-5942-000		1	GUIDE, STOPPER, RIGHT DOOR	
3	FM1-C348-000		1	HINGE, EXTERNAL, FRONT	
4	FC0-5912-000		2	LEVER, STOPPER, RIGHT	
5	FE3-9076-000		1	COVER, DOOR CONNECTOR, RIGHT	
6	FC0-5929-000		1	HINGE, OUTER COVER, REAR	
7	XA9-1386-000		15	SCREW,RS,M3X8	
8	FC0-5918-000		2	BASE, HOOK, RIGHT	
9	FE3-8409-000		1	TRAY, REVERSE	

Figure 107C INTERNAL COMPONENTS 5 (230V)

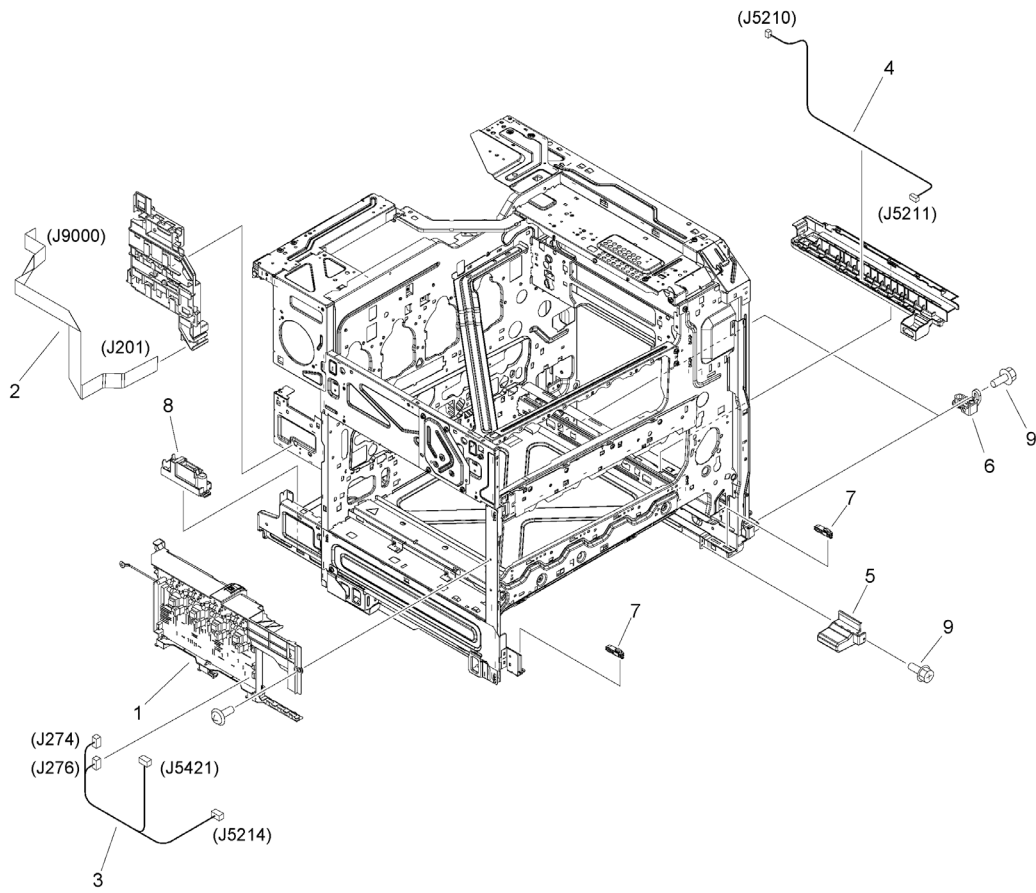


FIGURE & KEY NO.	PART NUMBER	RANK	QTY	DESCRIPTION	SERIAL NUMBER /REMARKS
107C	NPN		RF	INTERNAL COMPONENTS 5	230V
1	FM0-0050-000		1	1ST TRANSFER H.V. PCB ASSEMBLY	
2	FK4-3643-010		1	CABLE, FLAT	
3	FM1-A836-000		1	CABLE, REG. MOTOR WASTE TONER	
4	FM1-A812-000		1	CABLE, CASSETTE HEATER	
5	FE3-4477-000		1	CAP, CONNECTOR	
6	FM1-B574-000		2	FOOT, RUBBER	
7	FM1-B298-000		2	CASSETTE STOPPER ASSEMBLY	
8	FM1-C323-000		1	OPTION CST. DRAWER ASSEMBLY	
9	XA9-1386-000		4	SCREW,RS,M3X8	

Figure 108C MACHINE REAR PLATE 1 (230V)

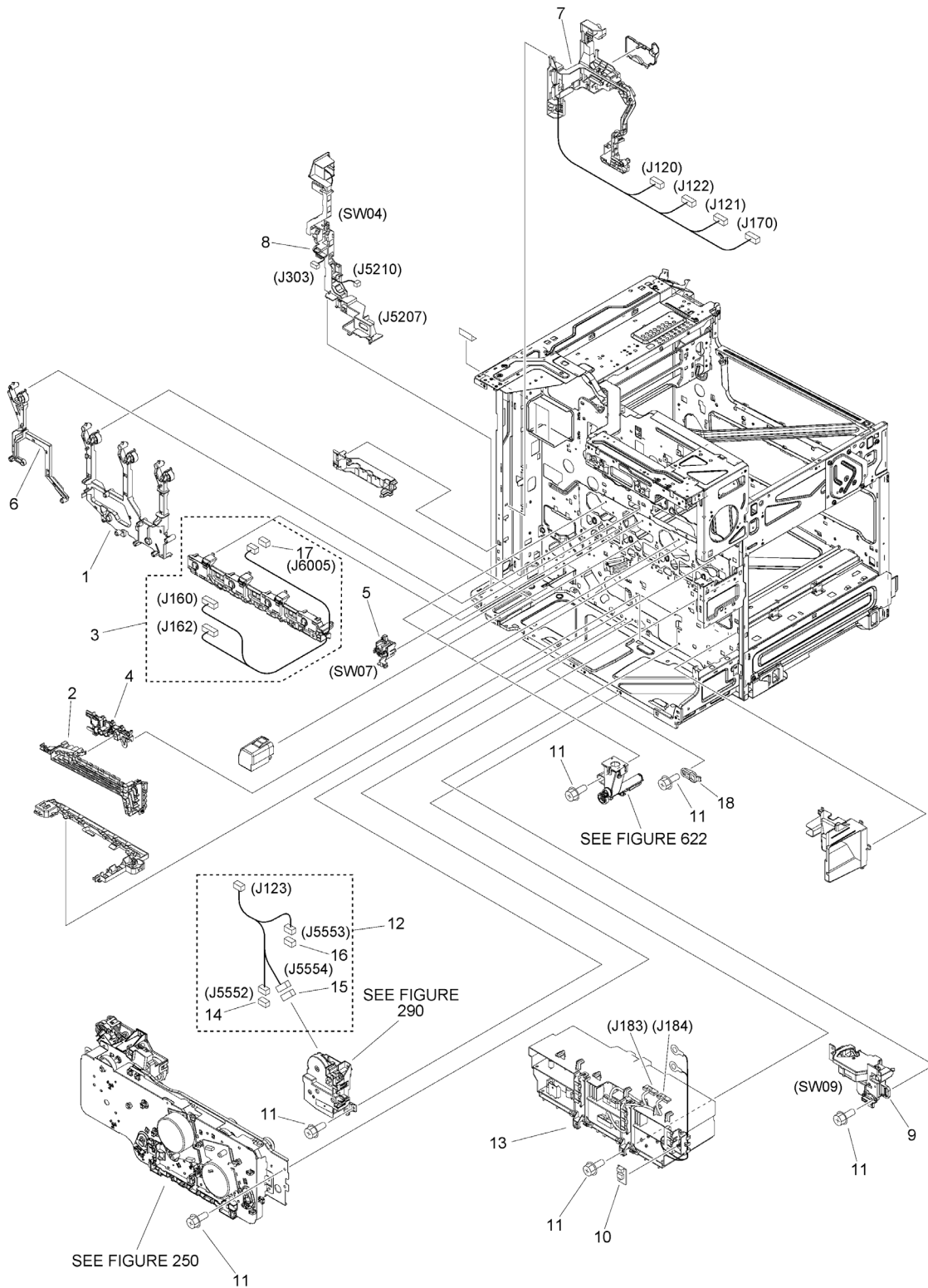


FIGURE & KEY NO.	PART NUMBER	RANK	QTY	DESCRIPTION	SERIAL NUMBER /REMARKS
108C	NPN		RF	MACHINE REAR PLATE 1	230V
1	FM0-0043-000		1	H.V. CONTACT ASSEMBLY, COLOR	
2	FM4-9961-000		1	1ST TRANS. H.V. CONTACT ASS'Y	
3	FM4-9908-010		1	PROCESS CONTROL PCB ASS'Y	
4	FM0-0038-000		1	CONTACT, 1ST TRANSFER H.V., 1	
5	FM0-0039-010		1	I.T.B. RELEASE SWITCH ASSEMBLY	SW07
6	FM0-0042-010		1	H.V. CONTACT ASSEMBLY, BLACK	
7	FM0-0079-000		1	2ND TRANS. H.V. CONTACT ASS'Y	
8	FM0-0084-000		1	HEATER SWITCH ASSEMBLY	SW04
9	FM0-0017-020		1	CASSETTE AUTO CLOSE ASSEMBLY	SW09
10	WP2-5410-000		1	SENSOR, HUMIDITY	
11	XA9-1386-000		15	SCREW,RS,M3X8	
12	FM1-A843-000		1	CABLE, CASSETTE ASS'Y	
13	FM1-R266-000		1	2ND TRANSFER H.V. PCB ASSEMBLY	
14	VS1-7177-002		1	CONNECTOR, SNAP TIGHT, BK	
15	VS1-7177-003		1	CONNECTOR, SNAP TIGHT, BK	
16	VS1-7177-004		1	CONNECTOR, SNAP TIGHT, BK	
17	VS1-7440-002		1	CONNECTOR, SNAP TIGHT	
18	FE4-8559-000		1	HOLDER, REAR CASSETTE BOSS	

Figure 109B MACHINE REAR PLATE 2 (Single pass ADF)

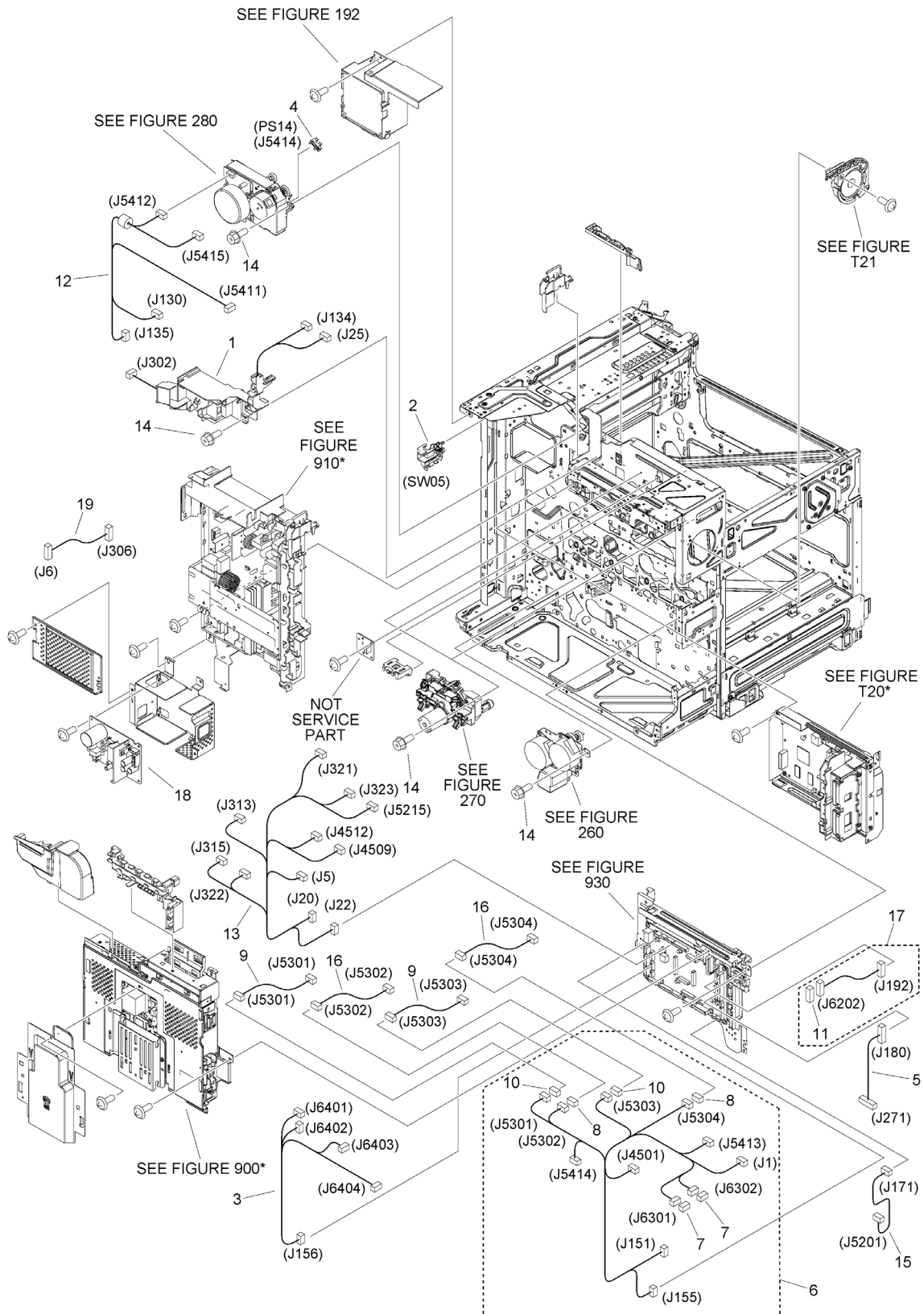


FIGURE & KEY NO.	PART NUMBER	RANK	QTY	DESCRIPTION	SERIAL NUMBER /REMARKS
109B	NPN		RF	MACHINE REAR PLATE 2	Single pass ADF
1	FM0-0044-000		1	INTERLOCK ASSEMBLY	
2	FM0-0046-000		1	SWITCH ASSEMBLY, RIGHT	SW05
3	FM1-C857-000		1	CABLE, BOTTLE	
4	WG8-5935-000		1	IC, PHOTO INTERRUPTER	PS14
5	FM1-A832-000		1	CABLE, PRIMARY TRANSFER H.V.	
6	FM1-V956-000		1	CABLE, MAIN	
7	VS1-7177-002		2	CONNECTOR, SNAP TIGHT, BK	
8	VS1-7177-003		2	CONNECTOR, SNAP TIGHT, BK	
9	FM1-A855-000		2	CABLE, BOTTLE SENSOR, Y/C	
10	VS1-7207-003		2	CONNECTOR, SNAP TIGHT, BK	
11	VS1-8412-017		1	CONNECTOR, SNAP TIGHT, BL	
12	FM1-A853-000		1	CABLE, FIXING DRIVE	
13	FM1-V954-000		1	CABLE, POWER SUPPLY	
14	XA9-1386-000		15	SCREW,RS,M3X8	
15	FM1-A820-000		1	CABLE, ENVIRONMENT SENSOR	
16	FM1-A854-000		2	CABLE, BOTTLE SENSOR, M/K	
17	FM1-A821-000		1	CABLE, FINISHER	
18	FK3-3274-000		1	ALL NIGHT POWER PCB ASSEMBLY	
19	FM1-V957-000		1	CABLE, POWER SUPPLY, AC	

Figure 109C MACHINE REAR PLATE 2 (Printer)

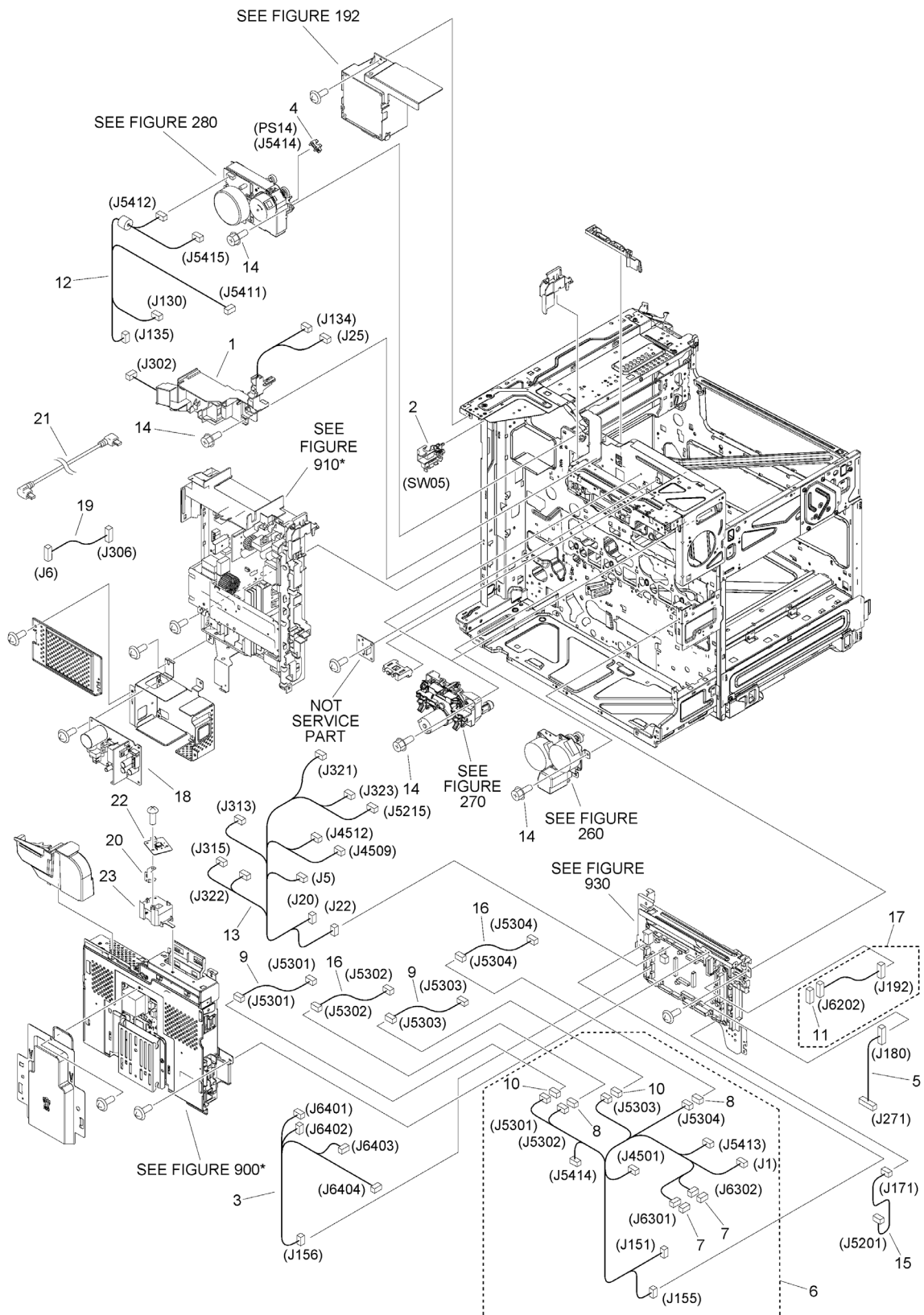


FIGURE & KEY NO.	PART NUMBER	RANK	QTY	DESCRIPTION	SERIAL NUMBER /REMARKS
109C	NPN		RF	MACHINE REAR PLATE 2	Printer
1	FM0-0044-000		1	INTERLOCK ASSEMBLY	
2	FM0-0046-000		1	SWITCH ASSEMBLY, RIGHT	SW05
3	FM1-C857-000		1	CABLE, BOTTLE	
4	WG8-5935-000		1	IC, PHOTO INTERRUPTER	PS14
5	FM1-A832-000		1	CABLE, PRIMARY TRANSFER H.V.	
6	FM1-V956-000		1	CABLE, MAIN	
7	VS1-7177-002		2	CONNECTOR, SNAP TIGHT, BK	
8	VS1-7177-003		2	CONNECTOR, SNAP TIGHT, BK	
9	FM1-A855-000		2	CABLE, BOTTLE SENSOR, Y/C	
10	VS1-7207-003		2	CONNECTOR, SNAP TIGHT, BK	
11	VS1-8412-017		1	CONNECTOR, SNAP TIGHT, BL	
12	FM1-A853-000		1	CABLE, FIXING DRIVE	
13	FM1-V954-000		1	CABLE, POWER SUPPLY	
14	XA9-1386-000		15	SCREW,RS,M3X8	
15	FM1-A820-000		1	CABLE, ENVIRONMENT SENSOR	
16	FM1-A854-000		2	CABLE, BOTTLE SENSOR, M/K	
17	FM1-A821-000		1	CABLE, FINISHER	
18	FK3-3274-000		1	ALL NIGHT POWER PCB ASSEMBLY	
19	FM1-V957-000		1	CABLE, POWER SUPPLY, AC	
20	FE8-4856-000		1	PLATE, GROUNDING	
21	FK4-3821-000		1	CABLE, USB	
22	FM1-N784-000		1	WIRELESS NETWORK PCB ASSEMBLY	
23	FE8-4855-000		1	HOLDER	

Figure 130C CONTROL PANEL ASSEMBLY

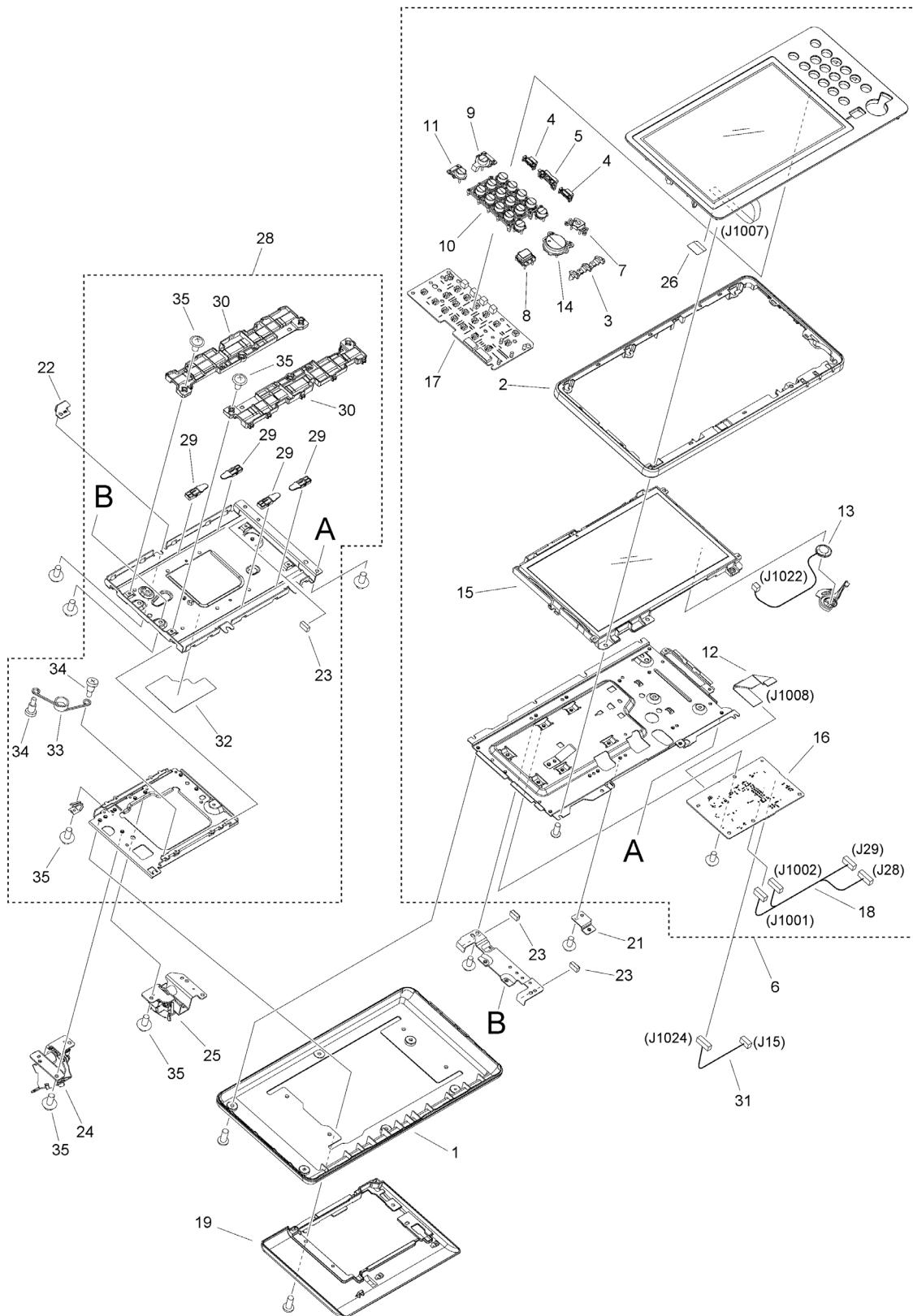


FIGURE & KEY NO.	PART NUMBER	RANK	QTY	DESCRIPTION	SERIAL NUMBER /REMARKS
130C	NPN		RF	CONTROL PANEL ASSEMBLY	
1	FE4-9433-000		1	COVER, REAR	
2	FE4-1774-010		1	COVER, FRAME	
3	FE4-1787-000		1	GUIDE, LAMP LED	
4	FE4-1788-000		2	KEY TOP, SIDE	
5	FE4-1789-000		1	KEY TOP, VOLUME	
6	FM1-N430-000		1	FLAT CONTROL PANEL ASSEMBLY	
7	FE4-5109-000		1	KEY TOP, STOP	
8	FE4-5110-000		1	KEY TOP, RESET	
9	FE4-5111-000		1	KEY TOP, SLEEP	
10	FL1-2178-000		1	KEY TOP, NUMBERS	
11	FE4-5556-000		1	KEY TOP, SETTINGS/REGISTRATION	
12	FK4-2360-000		1	CABLE, FLEXIBLE FLAT	
13	FK4-2365-000		1	SPEAKER	
14	FL0-5116-000		1	KEY TOP, START	
15	FM1-N440-000		1	LCD HOLDER UNIT	
16	FM1-X811-000		1	CPU PCB ASSEMBLY	
17	FM1-M929-000		1	KEY TOP PCB ASSEMBLY	
18	FM1-X899-010		1	CABLE, 10 KEY	
19	FE4-9100-000		1	COVER, SLIDE	
21	FE8-3528-000		1	PLATE, JOINT, LOWER	
22	FE8-3529-000		1	PLATE, JOINT, UPPER	
23	FL0-7203-000		4	SHEET	
24	FM1-L557-000		1	HINGE, CONTROL ASSEMBLY, LEFT	
25	FM1-N366-000		1	HINGE, CONTROL ASSEMBLY, RIGHT	
26	FL1-1429-000		1	SHEET	
28	FM1-P215-010		1	CONTROL PANEL SLIDE UNIT	
29	FE8-2023-000		4	SPACER, SLIDE	
30	FE8-3522-000		2	RAIL, CONTROL PANEL	
31	FM1-W897-000		1	CABLE, SCULD USS	
32	FL1-3484-000		1	SHEET, PROTECTION	
33	FU2-1632-000		1	SPRING, TORSION	
34	FU2-1943-000		2	SCREW, STEPPED, M4	
35	XA9-1386-000		13	SCREW,RS,M3X8	

Figure 190 CARTRIDGE AIR INTAKE FAN ASS'Y

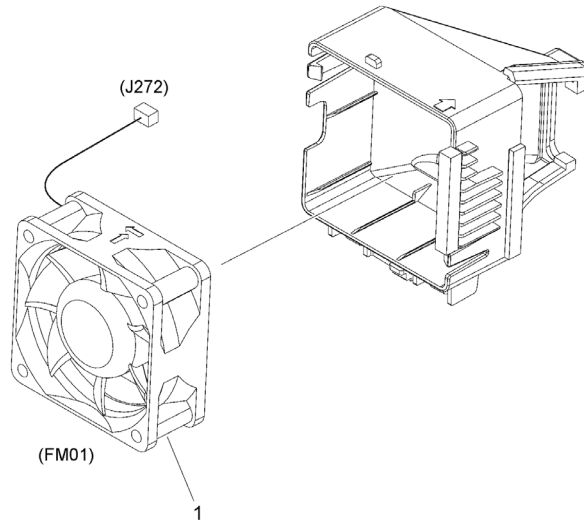


FIGURE & KEY NO.	PART NUMBER	R A N K	QTY	DESCRIPTION	SERIAL NUMBER /REMARKS
190	NPN		RF	CARTRIDGE AIR INTAKE FAN ASS'Y	
1	FK2-3679-000		1	FAN	FM01

Figure 191 DELIVERY COOLING FAN ASSEMBLY

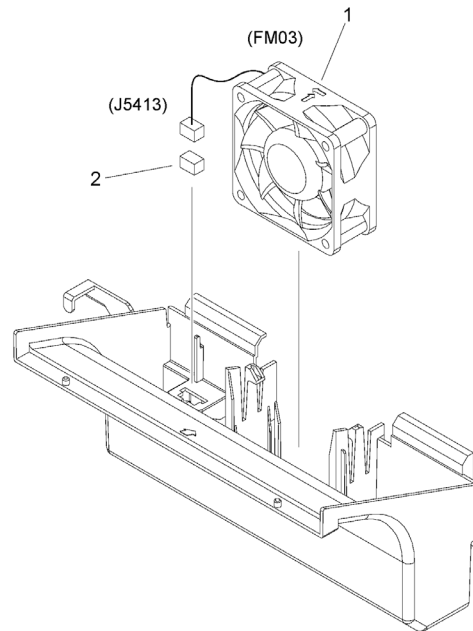


FIGURE & KEY NO.	PART NUMBER	RANK	QTY	DESCRIPTION	SERIAL NUMBER /REMARKS
191	NPN		RF	DELIVERY COOLING FAN ASSEMBLY	
1	FK2-3679-000		1	FAN	FM03
2	VS1-7440-003		1	CONNECTOR, SNAP TIGHT	

Figure 192 POWER SUPPLY FAN ASSEMBLY

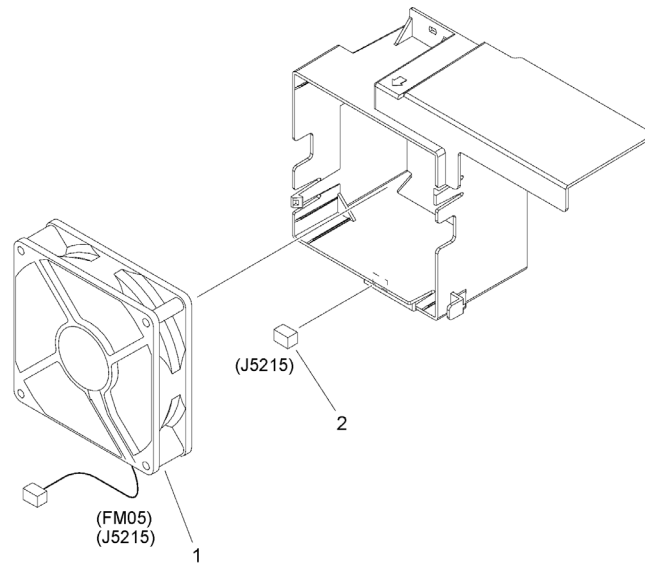


FIGURE & KEY NO.	PART NUMBER	RANK	QTY	DESCRIPTION	SERIAL NUMBER /REMARKS
192	NPN		RF	POWER SUPPLY FAN ASSEMBLY	
1	FK4-0636-000		1	FAN	FM05
2	VS1-7177-003		1	CONNECTOR, SNAP TIGHT, BK	

Figure 250 MAIN DRIVE ASSEMBLY

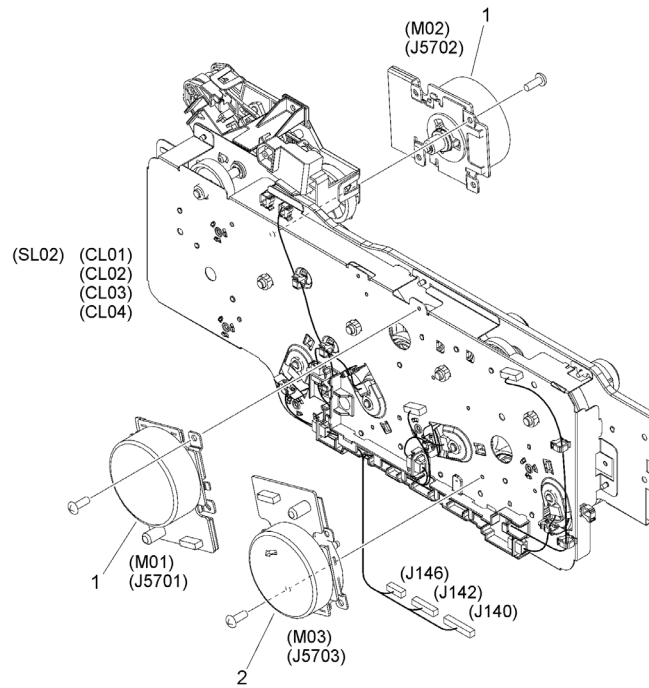


FIGURE & KEY NO.	PART NUMBER	R A N K	QTY	DESCRIPTION	SERIAL NUMBER /REMARKS
250	FM0-0040-020		1	MAIN DRIVE ASSEMBLY	CL01, CL02, CL03, CL04, SL02
1	FL0-1543-000		2	MOTOR, DC	M01, M02
2	FL0-1544-000		1	MOTOR, DC	M03

Figure 260 PAPER PICK-UP DRIVE ASSEMBLY

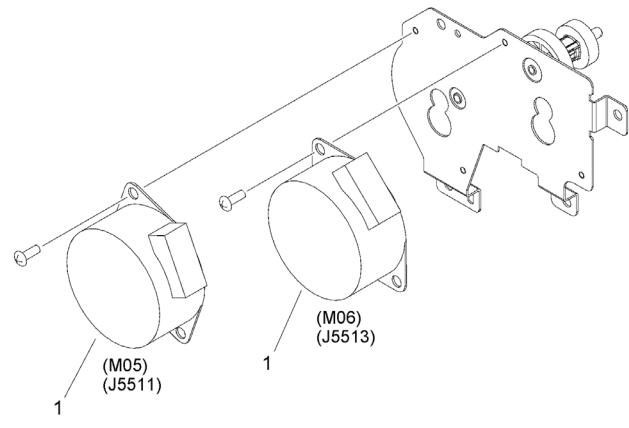


FIGURE & KEY NO.	PART NUMBER	R A N K	QTY	DESCRIPTION	SERIAL NUMBER /REMARKS
260	FM1-A226-000		1	PAPER PICK-UP DRIVE ASSEMBLY	
1	FK4-0640-000		2	MOTOR, STEPPING	M05,M06

Figure 270 BOTTLE DRIVE ASSEMBLY

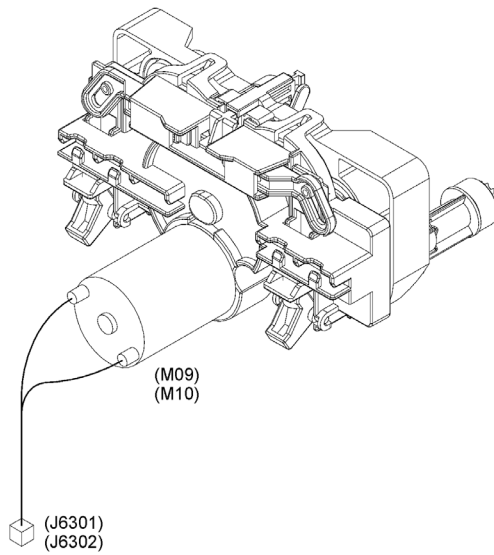


FIGURE & KEY NO.	PART NUMBER	R A N K	QTY	DESCRIPTION	SERIAL NUMBER /REMARKS
270	FM0-0007-000		1	BOTTLE DRIVE ASSEMBLY	M09,M10

Figure 280 FIXING DRIVE ASSEMBLY

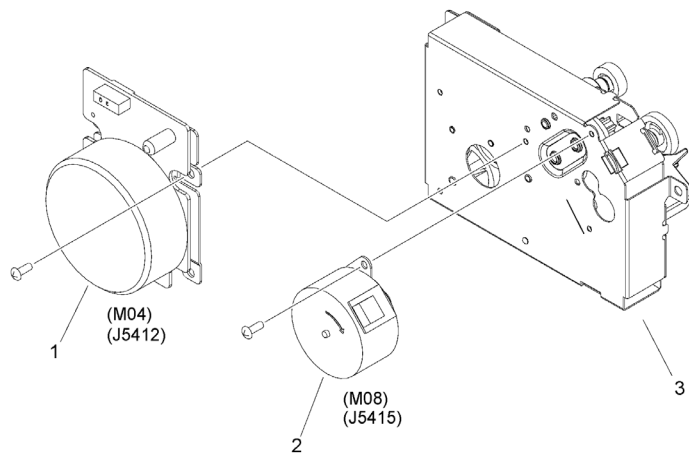


FIGURE & KEY NO.	PART NUMBER	RANK	QTY	DESCRIPTION	SERIAL NUMBER /REMARKS
280	NPN		RF	FIXING DRIVE ASSEMBLY	
1	FK4-0638-000		1	MOTOR, DC	M04
2	FK4-0641-000		1	MOTOR, STEPPING	M08
3	FM0-0071-000		1	FIXING DRIVE ASSEMBLY	

Figure 290 PICK-UP LIFTER DRIVE ASS'Y

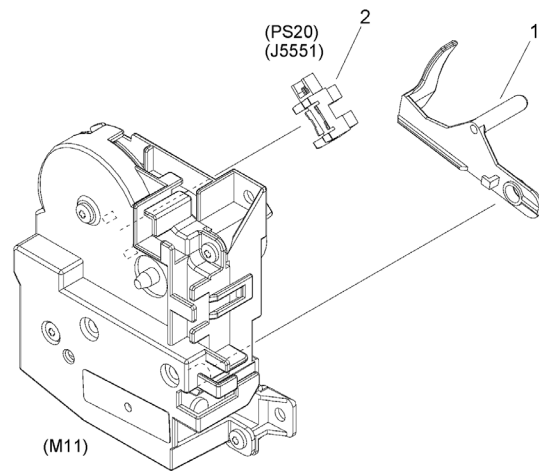


FIGURE & KEY NO.	PART NUMBER	R A N K	QTY	DESCRIPTION	SERIAL NUMBER /REMARKS
290	FM0-0018-000		1	PICK-UP LIFTER DRIVE ASS'Y	M11
1	FE3-4041-000		1	LEVER, REMNANT DETECT	
2	WG8-5935-000		1	IC, PHOTO INTERRUPTER	PS20

Figure 300B CASSETTE

NOTE 1 : This assembly does not include the parts shown with key No. 19 and 30. NOTE 2 : Several kinds of labels are attached on the board for the parts of Key No. 19 and 30.

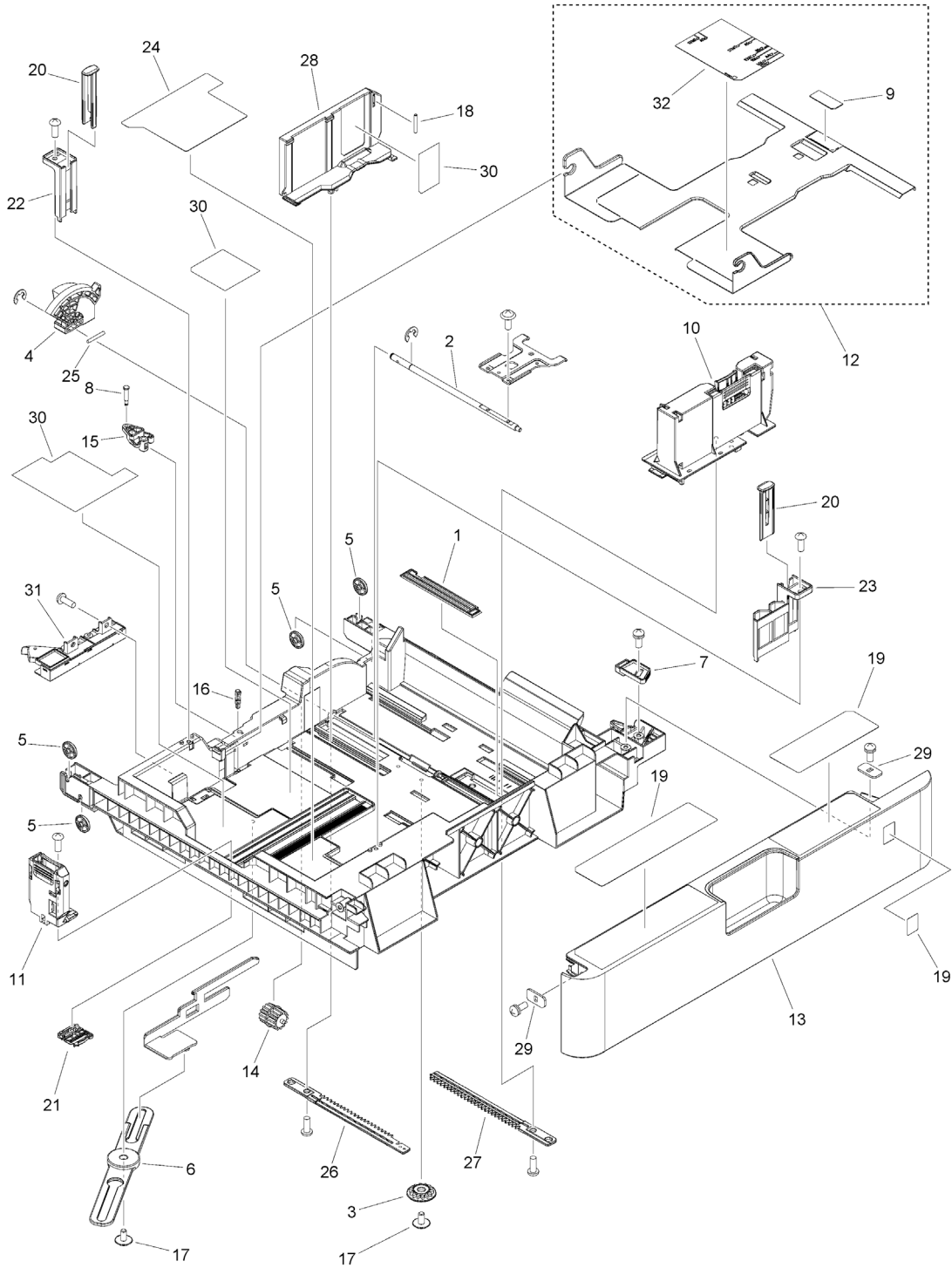


FIGURE & KEY NO.	PART NUMBER	RANK	QTY	DESCRIPTION	SERIAL NUMBER /REMARKS
300B	FM1-D694-010		1	CASSETTE	
1	FC0-7661-000		1	STOPPER, FREE	
2	FC0-7662-000		1	SHAFT, LIFTER	
3	FC8-4990-000		1	GEAR, 14T	
4	FE3-1527-010		1	GEAR, 68T/37T	
5	FE3-1528-010		4	ROLLER, CASSETTE	
6	FE3-3950-000		1	ARM, SIZE SENSOR LINK	
7	FE3-4476-000		1	SPACER	
8	FE3-6143-000		1	PIN, GUIDE	
9	FL0-5121-000		1	SHEET, SEPARATION	
10	FM1-B545-000		1	PLATE, PAPER SIDE END, FRONT	
11	FM1-B547-010		1	PLATE, BACK END LIMIT	
12	FM1-B548-000		1	PLATE, MIDDLE	
13	FM1-D705-000		1	CASSETTE COVER ASSEMBLY, FRONT	
14	RC1-9396-000		1	GEAR, 14T	
15	FC0-7832-000		1	ARM, GUIDE	
16	FC0-7830-000		1	PIN, ARM	
17	XA9-1523-000		2	SCREW, B, M4X8	
18	XD9-0290-000		1	PIN, PARALLEL	
19	FE4-1819-010		1	LABEL, CASSETTE	SEE NOTE 1 SEE NOTE 2
20	FE3-9437-000		2	BLOCK, PAPER SIDE END	
21	FE3-6357-000		1	PLATE, LINK	
22	FE3-9436-000		1	BLOCK, PAPER SIDE END, REAR	
23	FE3-9501-000		1	BLOCK, PAPER SIDE END, FRONT	
24	FE3-9591-000		1	LABEL, SIZE BACK END OPERATION	
25	XD9-0359-000		1	PIN, PARALLEL	
26	FE4-0306-000		1	RACK, PAPER SIDE END	
27	FC0-7660-000		1	RACK, SIDE	
28	FE3-0481-000		1	PLATE, PAPER SIDE END, REAR	
29	FE8-6576-000		2	WASHER	
30	FE3-7412-000		1	LABEL, ENVELOPE OPERATION	SEE NOTE 1 SEE NOTE 2
31	FM1-M249-000		1	CASSETTE DAMPER UNIT	
32	FE3-6479-000		1	LABEL, CASSETTE SIZE	

Figure 310 RESIST/PAPER PICK-UP ASS'Y

NOTE : This assembly does not include the part shown with key No. 20.

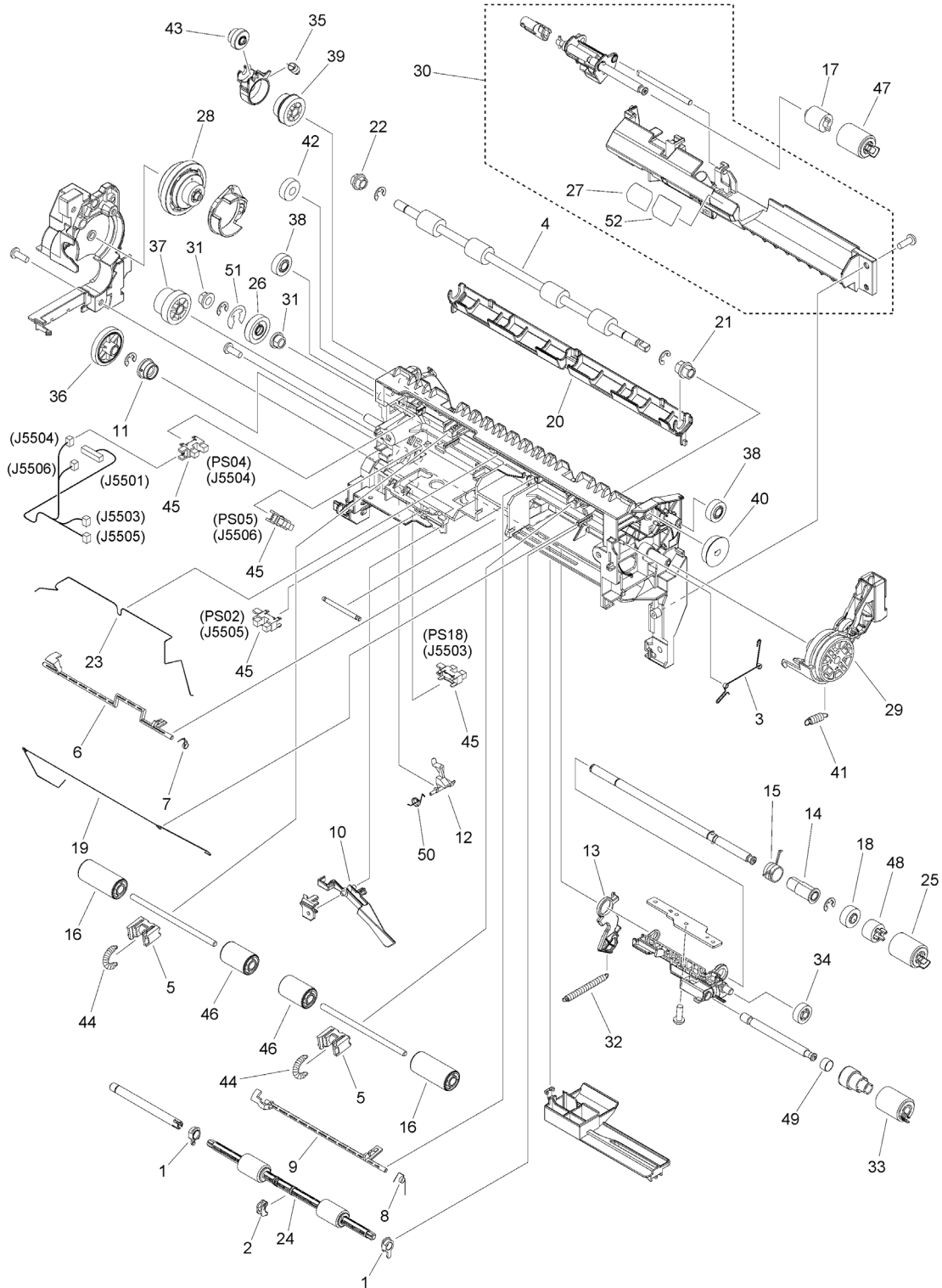


FIGURE & KEY NO.	PART NUMBER	RANK	QTY	DESCRIPTION	SERIAL NUMBER /REMARKS
310	FM0-0029-000		1	RESIST/PAPER PICK-UP ASS'Y	
1	FC0-5876-000		2	BUSHING	
2	FC0-5888-000		1	BUSHING	
3	FC0-6968-000		1	CABLE, REG. GROUNDING	
4	FC0-6979-000		1	ROLLER, REGISTRATION	
5	FC0-7174-000		2	BLOCK, REGIST. PRESSURE	
6	FC0-7204-000		1	LEVER, PAPER PICK-UP SENSOR	
7	FC0-7205-000		1	SPRING, TORSION	
8	FC0-7211-000		1	SPRING, TORSION	
9	FC0-7218-000		1	FLAG, REGISTRATION SENSOR	
10	FC0-7670-000		1	LEVER, PAPER DETECT	
11	FC6-1353-000		1	BUSHING	
12	FE8-9951-000		1	LEVER, PAPER PICK-UP LATCH	
13	FE3-1602-000		1	ARM, PAPER PICK-UP	
14	FE3-1617-000		1	BUSHING	
15	FE3-1618-000		1	SPRING, TORSION	
16	FE3-9592-000		2	ROLLER, REGISTRATION DRIVEN	
17	FE3-4860-000		1	LIMITER, TORQUE	
18	FE3-4861-000		1	GEAR, 23T	
19	FE3-5614-000		1	SPRING, GROUNDING	
20	FE3-6112-000		1	GUIDE, PRE-REGISTRATION	SEE NOTE
21	FE3-6113-000		1	BUSHING	
22	FE3-6114-000		1	BUSHING	
23	FE3-6119-000		1	SPRING, GROUNDING	
24	FL1-1869-000		1	ROLLER, EXTRACTION	
25	FL0-2885-000		1	ROLLER, PAPER PICK-UP	
26	FL0-1570-000		1	ONE-WAY GEAR ASSEMBLY	
27	FL0-2588-000		1	SHEET, SEPARATION ROLLER GUIDE	
28	FM0-0030-000		1	ONE-WAY GEAR ASSEMBLY	
29	FM1-B297-000		1	REG. SWING HOLDER ASSEMBLY	
30	FM1-B557-000		1	SEPARATION FRAME ASSEMBLY	
31	FS1-1205-000		2	BUSHING	
32	FU2-0234-000		1	SPRING, TENSION	
33	FL0-4002-000		1	ROLLER, PAPER PICK-UP	
34	FU2-0248-000		1	GEAR, 22T	
35	FU2-0284-000		1	SPRING, TORSION	
36	FU2-0287-000		1	GEAR, 32T	
37	FU2-0294-000		1	GEAR, 27T/21T	
38	FU2-0295-010		2	GEAR, 17T	
39	FU2-0297-000		1	GEAR, 24T/20T	
40	FU2-0298-000		1	GEAR, 23T	
41	FU2-0578-000		1	SPRING, TENSION	
42	FU8-0085-000		1	GEAR, 18T	
43	FU9-0675-000		1	GEAR, 17T	

FIGURE & KEY NO.	PART NUMBER	RANK	QTY	DESCRIPTION	SERIAL NUMBER /REMARKS
44	FU9-2094-000		2	SPRING, TORSION	
45	WG8-5935-000		4	IC, PHOTO INTERRUPTER	PS02, PS04, PS05, PS18
46	FE3-9593-000		2	ROLLER, REGISTRATION DRIVEN	
47	FL0-1674-000		1	ROLLER, SEPARATION	
48	FL0-1515-000		1	ONE-WAY CLUTCH ASSEMBLY	
49	FU2-0236-000		1	SPRING, TENSION	
50	FE3-3935-000		1	SPRING, TORSION	
51	FC6-3002-000		1	RING, RESIN, RETAINING	
52	FL0-5214-000		1	SHEET, GAP	

Figure 330D MULTI FEED TRAY ASSEMBLY

NOTE 1 : This assembly is included in the assembly shown in Figure 102. NOTE 2 : This assembly does not include the part shown with key No. 10.

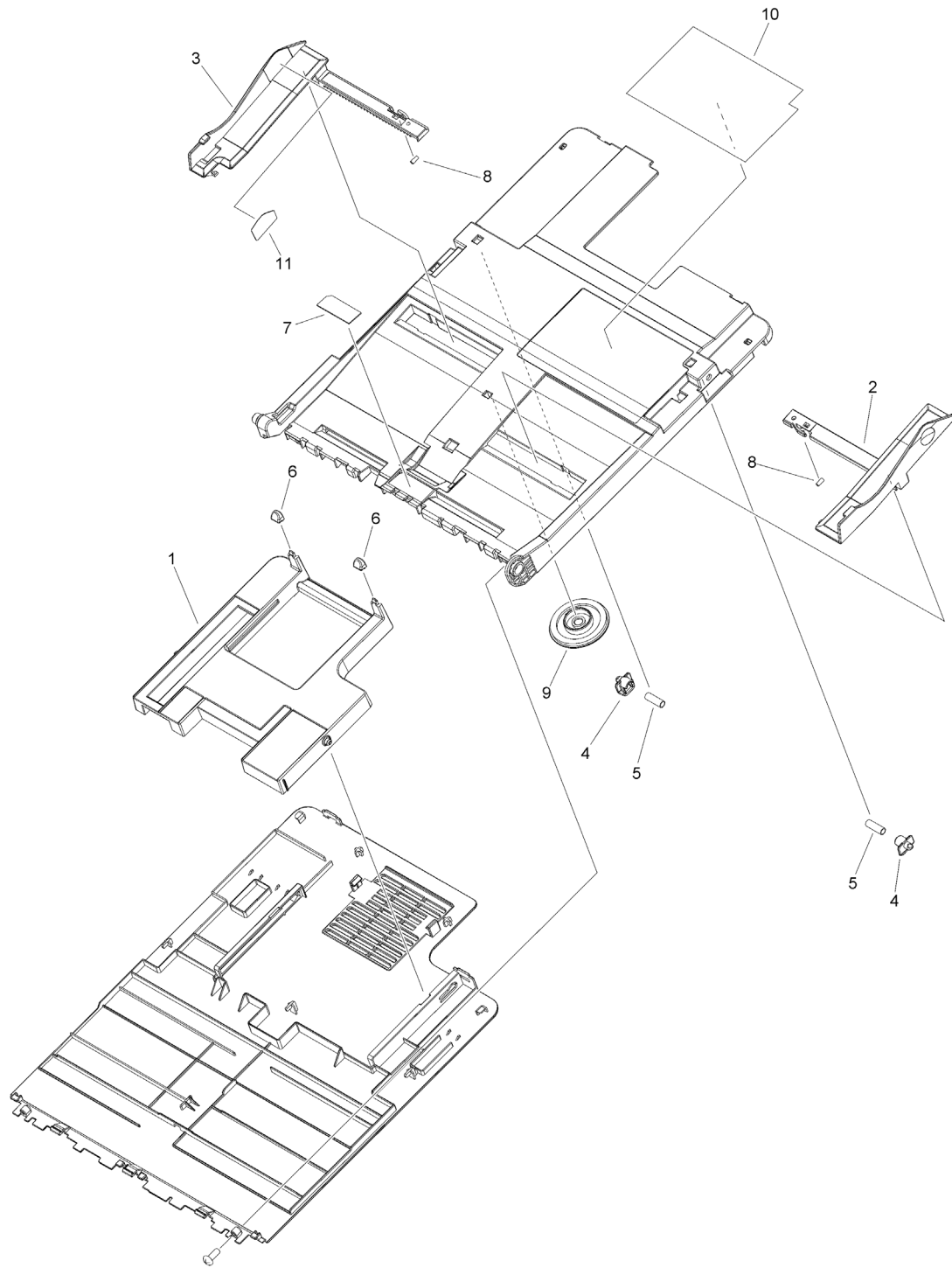


FIGURE & KEY NO.	PART NUMBER	RANK	QTY	DESCRIPTION	SERIAL NUMBER /REMARKS
330D	FM1-D706-000		1	MULTI FEED TRAY ASSEMBLY	SEE NOTE 1
1	FE3-9099-000		1	TRAY, MULTI FEED EXTENSION	
2	FE3-9101-000		1	PLATE, PAPER SIDE END, FRONT	
3	FE3-9100-000		1	PLATE, PAPER SIDE END, REAR	
4	FE3-5650-000		2	HOOK, MULTI FEED TRAY	
5	FE3-5651-000		2	SPRING, COMPRESSION	
6	FE4-5352-000		2	CAP, MULTI FEED EXTENSION TRAY	
7	FL3-6526-000		1	SHEET, SEPARATION	
8	FU2-0582-000		2	SPRING, COMPRESSION	
9	FU9-0692-000		1	PINION, SIDE END	
10	FE4-1825-000		1	LABEL, MULTI FEED SIZE	SEE NOTE 2
11	FE4-1823-010		1	LABEL, MULTI PICK-UP FULL	

Figure 331 MULTI FEED PAPER PICK-UP ASS'Y

NOTE 1 : This assembly is included in the assembly shown in Figure 102. NOTE 2 : This assembly does not include the parts shown with key No. 10 and 11.

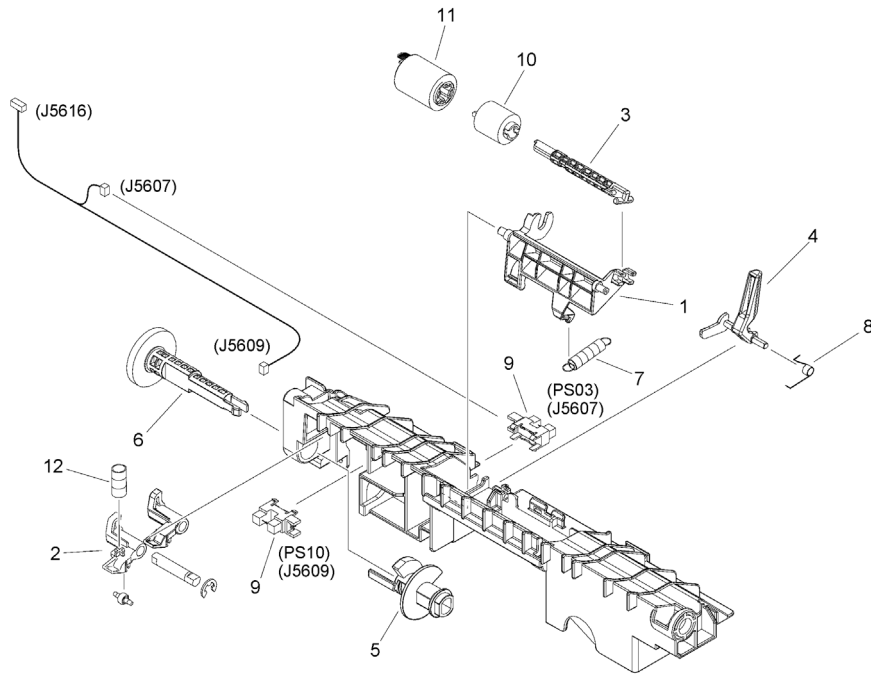


FIGURE & KEY NO.	PART NUMBER	RANK	QTY	DESCRIPTION	SERIAL NUMBER /REMARKS
331	FM1-B308-010		1	MULTI FEED PAPER PICK-UP ASS'Y	SEE NOTE 1
1	FC0-6637-000		1	HOLDER, PAPER FEED ROLLER	
2	FE8-2635-000		1	LINK, RELEASE	
3	FE3-0387-000		1	SHAFT, ROLLER	
4	FE3-1642-000		1	LEVER, PAPER YES/NO SENSING	
5	FE3-3589-010		1	CAM, ROLLER ESTRANGEMENT	
6	FU6-1304-000		1	GEAR, 33T	
7	FU9-2088-000		1	SPRING, TENSION	
8	FU9-2091-000		1	SPRING, TORSION	
9	WG8-5935-000		2	IC, PHOTO INTERRUPTER	PS03, PS10
10	FE3-4860-000		1	LIMITER, TORQUE	SEE NOTE 2
11	FL0-1674-000		1	ROLLER, SEPARATION	SEE NOTE 2
12	FU2-1600-000		1	SPRING, COMPRESSION	

Figure 332 DUPLEXING GUIDE ASSEMBLY

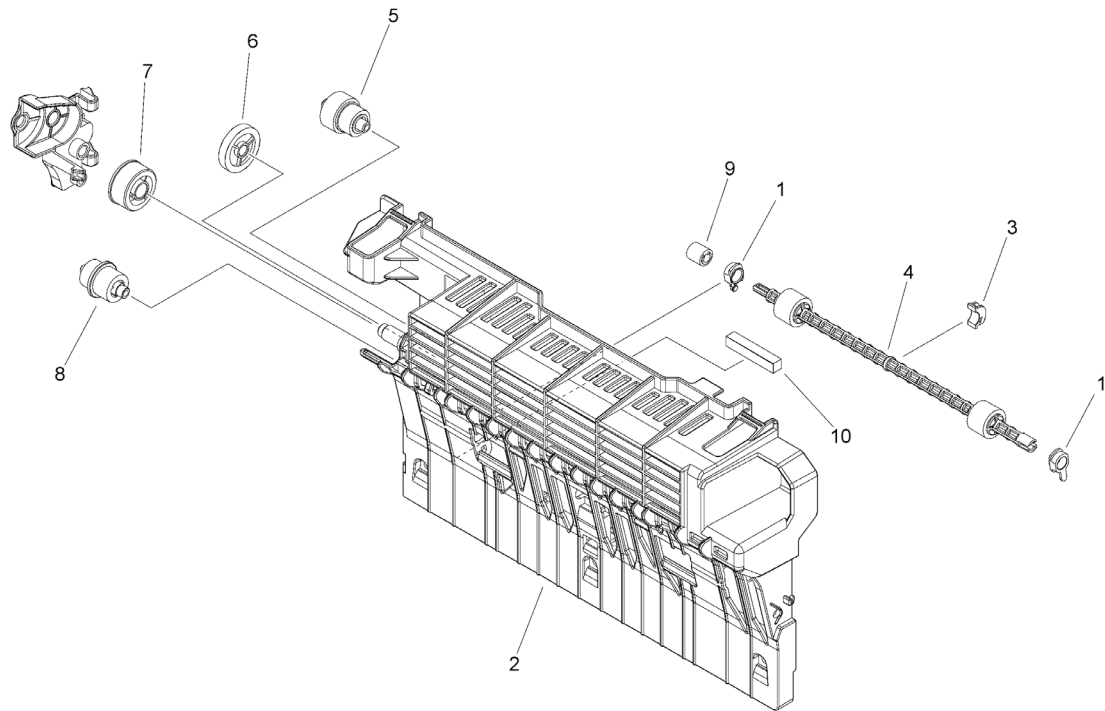


FIGURE & KEY NO.	PART NUMBER	RANK	QTY	DESCRIPTION	SERIAL NUMBER /REMARKS
332	NPN		RF	DUPLEXING GUIDE ASSEMBLY	
1	FC0-5876-000		2	BUSHING	
2	FC0-5886-000		1	GUIDE, DUPLEXING	
3	FC0-5888-000		1	BUSHING	
4	FL3-6443-000		1	ROLLER, DUPLEXING FEED	
5	FM1-B551-000		1	PLANETARY ONE-WAY GEAR ASS'Y	
6	FU9-0663-000		1	GEAR, 25T	
7	FU9-0666-000		1	GEAR, 23T	
8	FU9-0672-000		1	GEAR, 25T/14T	
9	FU9-0720-000		1	GEAR, 16T	
10	FL1-4036-000		1	SHEET, DAMPER	

Figure 350 PAPER DELIVERY/REVERSE ASS'Y

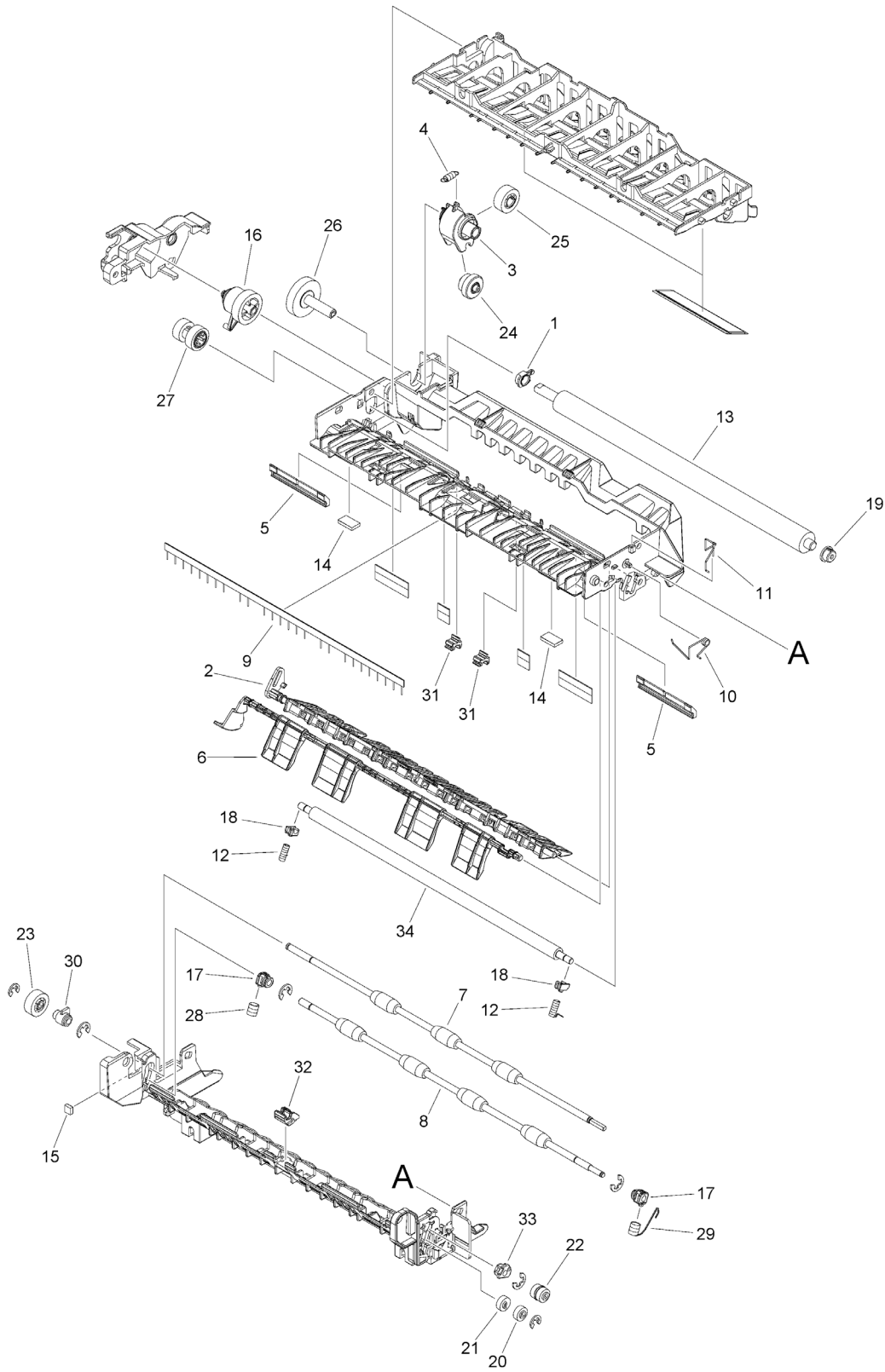


FIGURE & KEY NO.	PART NUMBER	RANK	QTY	DESCRIPTION	SERIAL NUMBER /REMARKS
350	FM0-0021-000		1	PAPER DELIVERY/REVERSE ASSY	
1	FC0-5876-000		1	BUSHING	
2	FC0-5880-000		1	FLAPPER, REVERSE	
3	FC0-5891-000		1	HOLDER, DUPLEXING SWING GEAR	
4	FC0-5892-000		1	SPRING, TENSION	
5	FE3-9461-000		2	GUIDE, ENTRANCE	
6	FC0-6102-000		1	FLAG, FULL DETECT	
7	FC0-7698-000		1	ROLLER, PAPER DELIVERY, UPPER	
8	FC0-7699-000		1	ROLLER, PAPER DELIVERY, LOWER	
9	FE3-3744-000		1	ELIMINATOR, STATIC CHARGE	
10	FE3-3745-000		1	SPRING, GROUNDING	
11	FE3-5739-000		1	SPRING, GROUNDING	
12	FE3-5740-000		2	SPRING, COMPRESSION	
13	FE3-6111-000		1	ROLLER, FIXING PAPER DELIVERY	
14	FL0-1009-000		2	SHEET, FLAG, SILENCER	
15	FL0-1010-000		1	SHEET, FLAG SILENCER	
16	FL0-1833-000		1	GEAR, 24T	
17	FU2-0718-000		2	BUSHING	
18	FU2-0719-000		2	BUSHING	
19	FU2-0720-000		1	BUSHING	
20	FU2-0810-000		1	GEAR, 9T	
21	FU2-0811-000		1	GEAR, 9T	
22	FU2-0812-000		1	GEAR, 9T/9T	
23	FU9-0613-000		1	GEAR, 18T	
24	FU9-0675-000		1	GEAR, 17T	
25	FU9-0676-000		1	GEAR, 18T	
26	FU9-0677-000		1	GEAR, 29T	
27	FU9-0680-000		1	GEAR, 17T/15T	
28	FU9-2108-000		1	SPRING, COMPRESSION	
29	FU9-2191-000		1	SPRING, TORSION	
30	FE3-8410-000		1	BUSHING	
31	FC0-7828-000		2	CLIP, SHAFT, UPPER	
32	FC0-7827-000		1	CLIP, SHAFT, LOWER	
33	FE3-8411-000		1	BUSHING	
34	FC7-6108-000		1	ROLLER, H DRIVEN	

Figure 460 LASER SCANNER ASSEMBLY

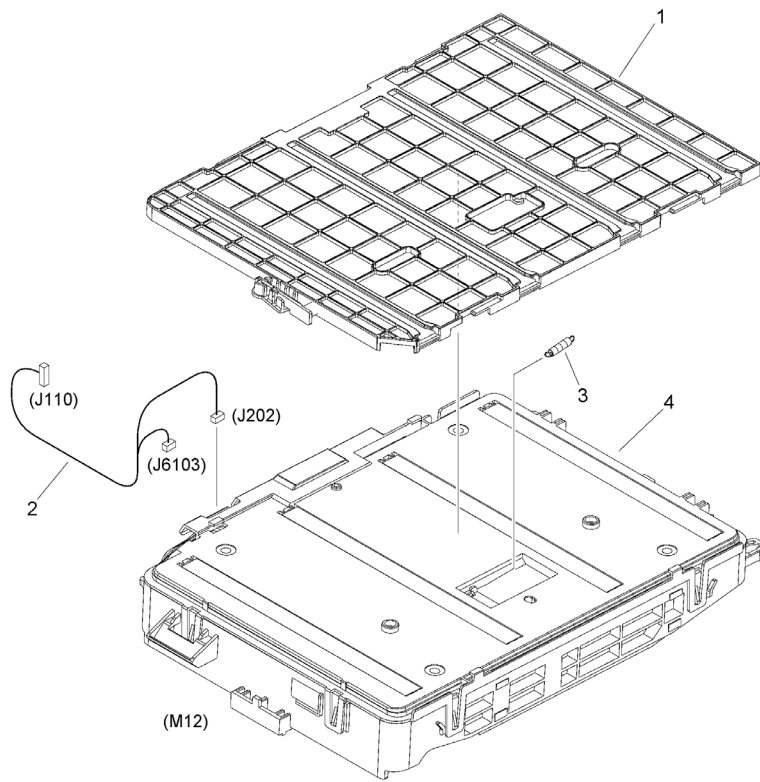


FIGURE & KEY NO.	PART NUMBER	RANK	QTY	DESCRIPTION	SERIAL NUMBER /REMARKS
460	NPN		RF	LASER SCANNER ASSEMBLY	
1	FM0-0031-000		1	DUST-PROOF SHUTTER ASSEMBLY	
2	FM1-A823-000		1	CABLE, LASER SCANNER	
3	FU9-2181-000		1	SPRING, TENSION	
4	FM0-0144-000		1	LASER SCANNER ASSEMBLY	M12

Figure 530 INTER. TRANSFER BELT ASS'Y

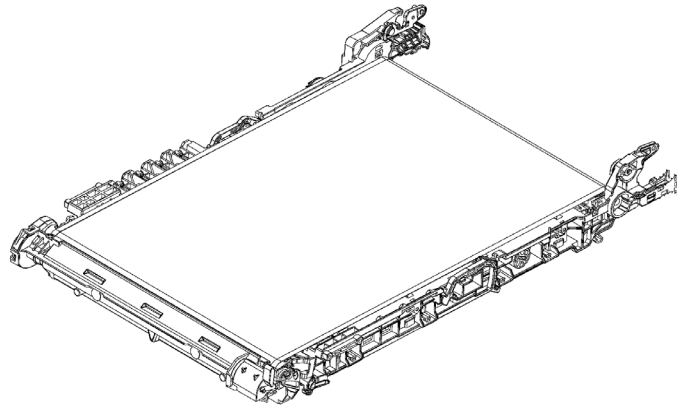


FIGURE & KEY NO.	PART NUMBER	R A N K	QTY	DESCRIPTION	SERIAL NUMBER /REMARKS
530	FM1-A153-020		1	INTER. TRANSFER BELT ASS'Y	[DP]

Figure 621 BOTTLE MOUNT ASSEMBLY

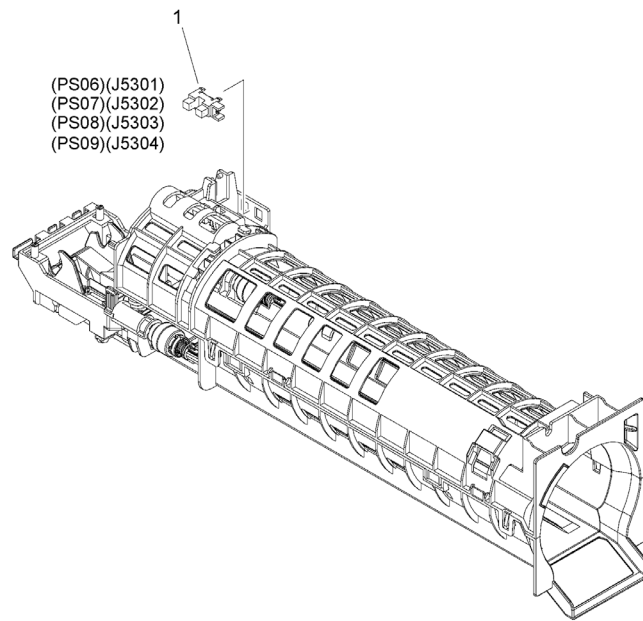


FIGURE & KEY NO.	PART NUMBER	R A N K	QTY	DESCRIPTION	SERIAL NUMBER /REMARKS
621	FM0-0002-010		1	BOTTLE MOUNT ASSEMBLY	
1	WG8-5935-000		1	IC, PHOTO INTERRUPTER	PS06, PS07, PS08, PS09

Figure 622 HOPPER ASSEMBLY

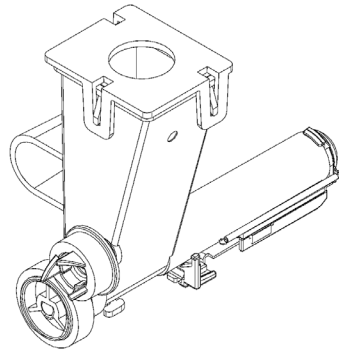


FIGURE & KEY NO.	PART NUMBER	R A N K	QTY	DESCRIPTION	SERIAL NUMBER /REMARKS
622	FM0-0006-010		1	HOPPER ASSEMBLY	

Figure 771 INTERNAL COVER ASSEMBLY

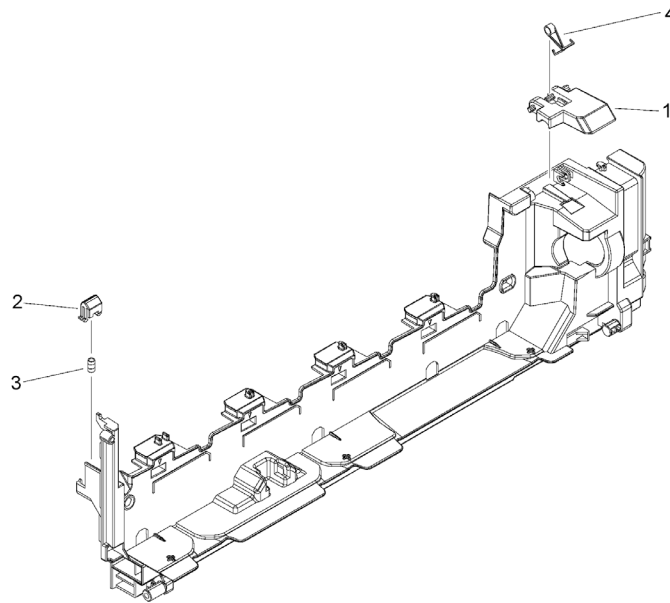


FIGURE & KEY NO.	PART NUMBER	RANK	QTY	DESCRIPTION	SERIAL NUMBER /REMARKS
771	NPN		RF	INTERNAL COVER ASSEMBLY	
1	FC0-5972-000		1	ARM, SENSOR	
2	FC0-7589-000		1	BLOCK, WASTE TONER	
3	FU2-0574-000		1	SPRING, COMPRESSION	
4	FU9-2027-000		1	SPRING, TORSION	

Figure 772 CONTAINER, WASTE TONER, WT-201

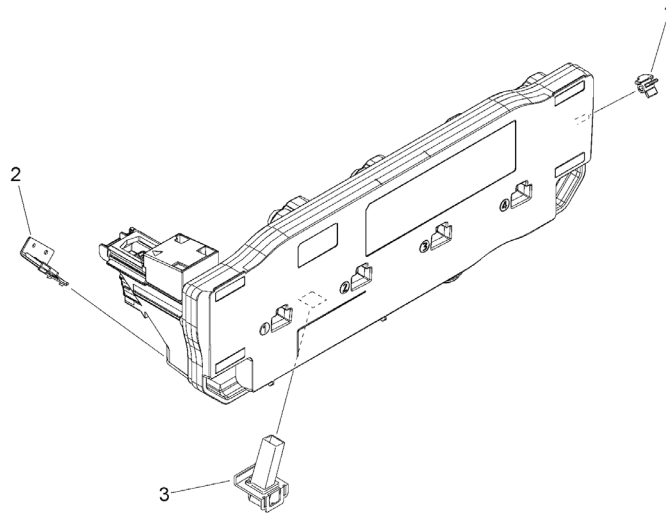


FIGURE & KEY NO.	PART NUMBER	R A N K	QTY	DESCRIPTION	SERIAL NUMBER /REMARKS
772	FM0-0015-010		1	CONTAINER, WASTE TONER, WT-201	FOR NON- TECHNICAL PERSON [DP]
1	FC0-5969-000		1	FLAG, WASTE TONER SCREW	
2	FC0-5971-000		1	CAP, WASTE TONER CONTAINER	
3	FC0-6985-010		1	WASTE TONER FULL DETECT ASS'Y	

Figure 810C FIXING ASSEMBLY, FX-201 (230V)

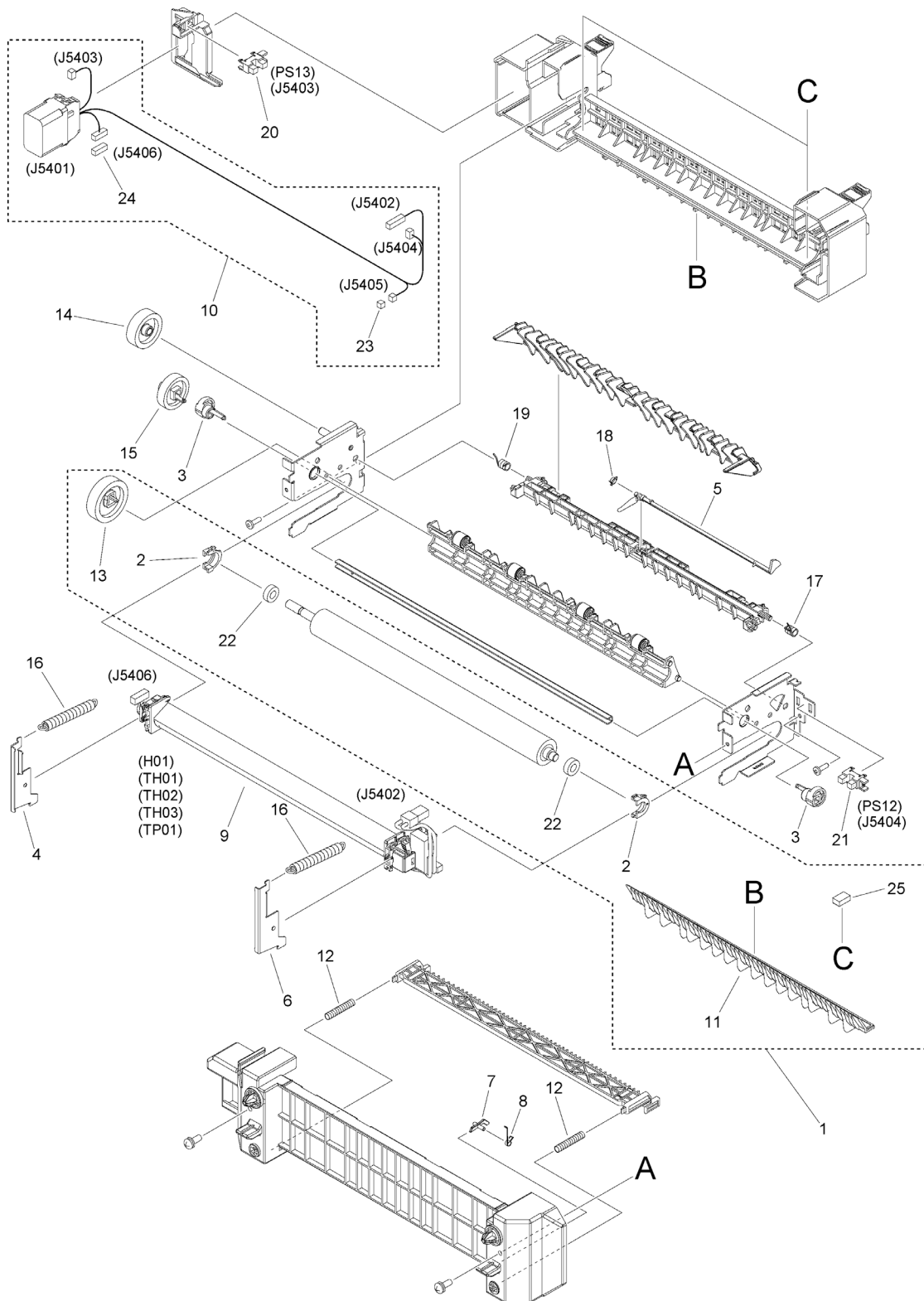


FIGURE & KEY NO.	PART NUMBER	RANK	QTY	DESCRIPTION	SERIAL NUMBER /REMARKS
810C	FM1-R727-010		1	FIXING ASSEMBLY, FX-201	230V FOR NON-TECHNICAL PERSON [DP]
1	FM1-K198-010		1	PRESSURE ROLLER KIT	
2	FC0-6079-000		2	HOLDER, BEARING	
3	FC0-6086-000		2	CAM, PRESSURE RELEASE	
4	FC0-6088-000		1	PLATE, PRESSURE, REAR	
5	FC0-6092-010		1	FLAG, PAPER DELIVERY SENSOR	
6	FC0-6131-000		1	PLATE, PRESSURE, LEFT	
7	FC0-6156-000		1	LOCK, SHUTTER, FRONT	
8	FC0-6157-000		1	SPRING, TORSION	
9	FM1-R730-000		1	FIXING FILM ASSEMBLY	H01, TH01, TH02, TH03, TP01
10	FM1-A802-000		1	CABLE, FIXING ASSEMBLY	
11	FC0-6089-010		1	GUIDE, FIXING ENTRANCE	
12	FU2-0230-000		2	SPRING, COMPRESSION	
13	FU9-0610-000		1	GEAR, 29T	
14	FU9-0611-000		1	GEAR, 24T	
15	FU9-0612-000		1	GEAR, 30T	
16	FU9-2104-000		2	SPRING, TENSION	
17	FU9-2105-000		1	SPRING, TORSION	
18	FU9-2106-000		1	SPRING, TORSION	
19	FU9-2111-000		1	SPRING, TORSION	
20	WG8-5935-000		1	IC, PHOTO INTERRUPTER	PS13
21	WG8-5783-000		1	IC,PHOTO-INTERRUPTER,LG248NL1A	PS12
22	XG9-0865-000		2	BEARING, BALL, L-1260ZZR	
23	VS1-7177-002		1	CONNECTOR, SNAP TIGHT, BK	
24	VS1-7177-006		1	CONNECTOR, SNAP TIGHT, BK	
25	FL0-6873-000		2	DAMPER	

Figure 900A CONTROLLER BOX ASSEMBLY (C356i, C356F, C356iF)

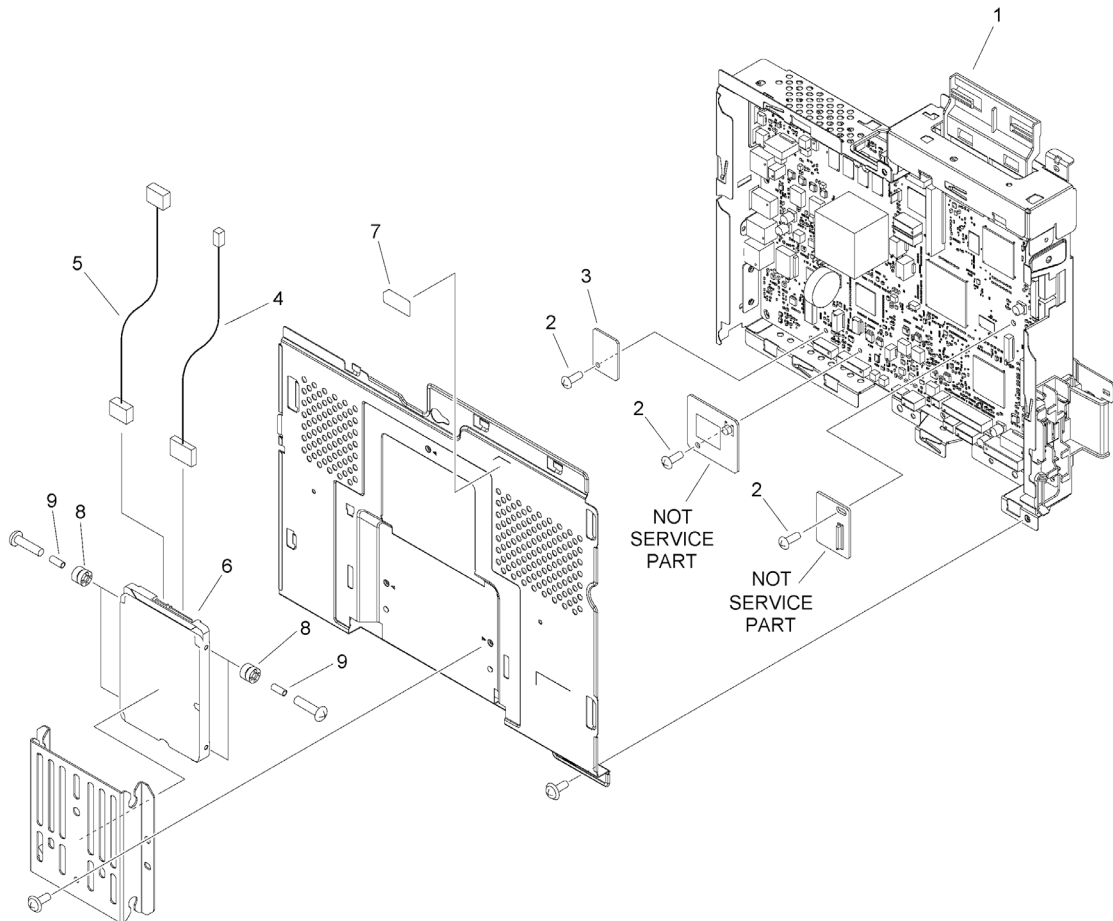


FIGURE & KEY NO.	PART NUMBER	RANK	QTY	DESCRIPTION	SERIAL NUMBER /REMARKS
900A	NPN		RF	CONTROLLER BOX ASSEMBLY	C356i, C356F, C356iF
1	FM1-R758-000		1	MAIN CONTROLLER PCB ASSEMBLY	
2	XA9-1979-000		3	SCREW, MACH. PAN HEAD, M3X4	
3	FM1-M981-000		1	TPM PCB ASSEMBLY	
4	FK4-3811-000		1	CABLE, SATA POWER	
5	FK4-3810-000		1	CABLE, SATA SIGNAL	
6	FK4-1550-000		1	HARD DISK DRIVE, MQ01ABF032	
7	FU8-8257-000		1	LABEL, CAUTION	
8	XH9-0149-000		4	DAMPER, CUSHION	
9	XZ1-1301-005		4	SPACER	
IC	FK3-3872-000		1	IC, STANDARD SELL, MB8AA4600PB	IC4014
IC	FK4-1861-000		1	IC, 88E8075-B0-NNC2C000-W553,	IC4
IC	FK4-2216-000		1	IC, R9A06G011GBG, MPU	IC6000
IC	FK4-1649-000		1	IC, MB8AL1070MP-GE1, ASIC	IC9000

Figure 900B CONTROLLER BOX ASSEMBLY (C356, C356P)

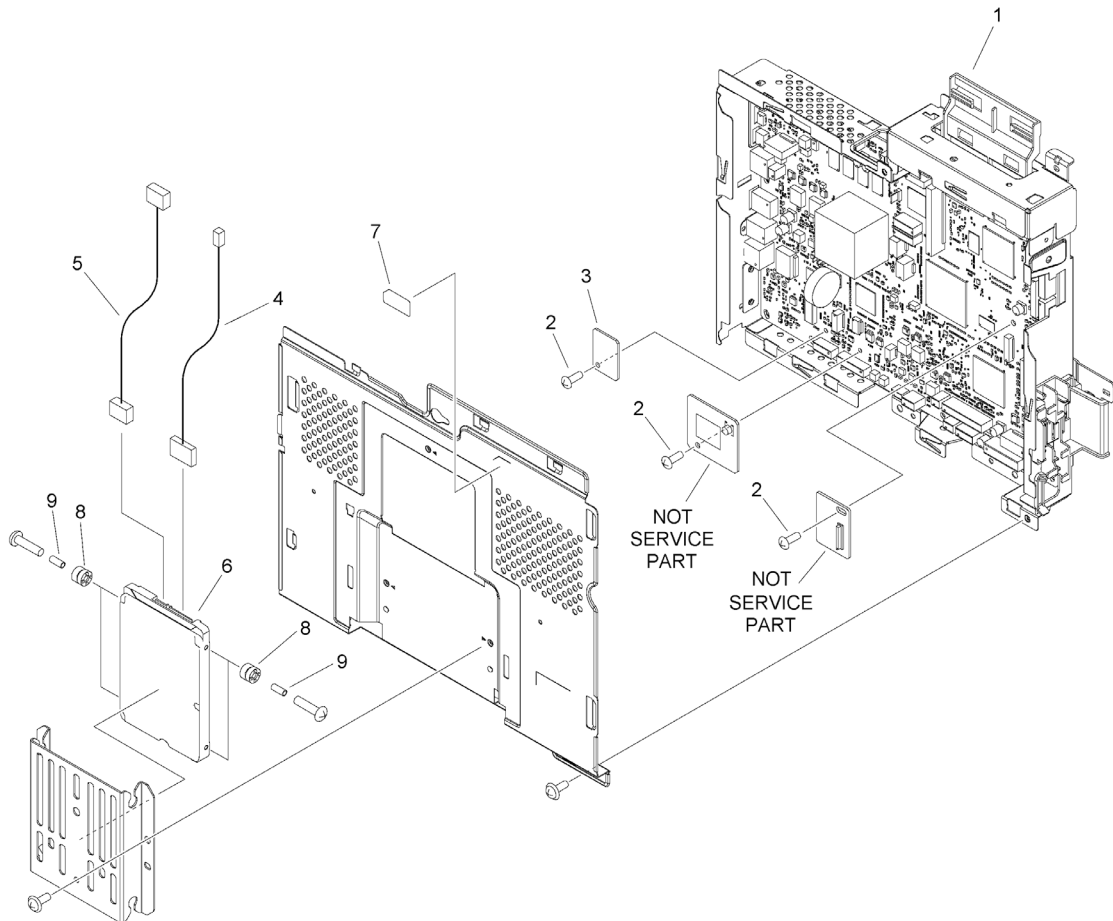


FIGURE & KEY NO.	PART NUMBER	RANK	QTY	DESCRIPTION	SERIAL NUMBER /REMARKS
900B	NPN		RF	CONTROLLER BOX ASSEMBLY	C356, C356P
1	FM1-R758-000		1	MAIN CONTROLLER PCB ASSEMBLY	
2	XA9-1979-000		3	SCREW, MACH. PAN HEAD, M3X4	
3	FM1-M981-000		1	TPM PCB ASSEMBLY	
4	FK4-3811-000		1	CABLE, SATA POWER	
5	FK4-3810-000		1	CABLE, SATA SIGNAL	
6	FK4-1550-000		1	HARD DISK DRIVE, MQ01ABF032	
7	FU8-8257-000		1	LABEL, CAUTION	
8	XH9-0149-000		4	DAMPER, CUSHION	
9	XZ1-1301-005		4	SPACER	
IC	FK3-3872-000		1	IC, STANDARD SELL, MB8AA4600PB	IC4014
IC	FK4-1861-000		1	IC, 88E8075-B0-NNC2C000-W553,	IC4
IC	FK4-2216-000		1	IC, R9A06G011GBG, MPU	IC6000
IC	FK4-1649-000		1	IC, MB8AL1070MP-GE1, ASIC	IC9000

Figure 900C CONTROLLER BOX ASSEMBLY (C256, C256i, C256iF)

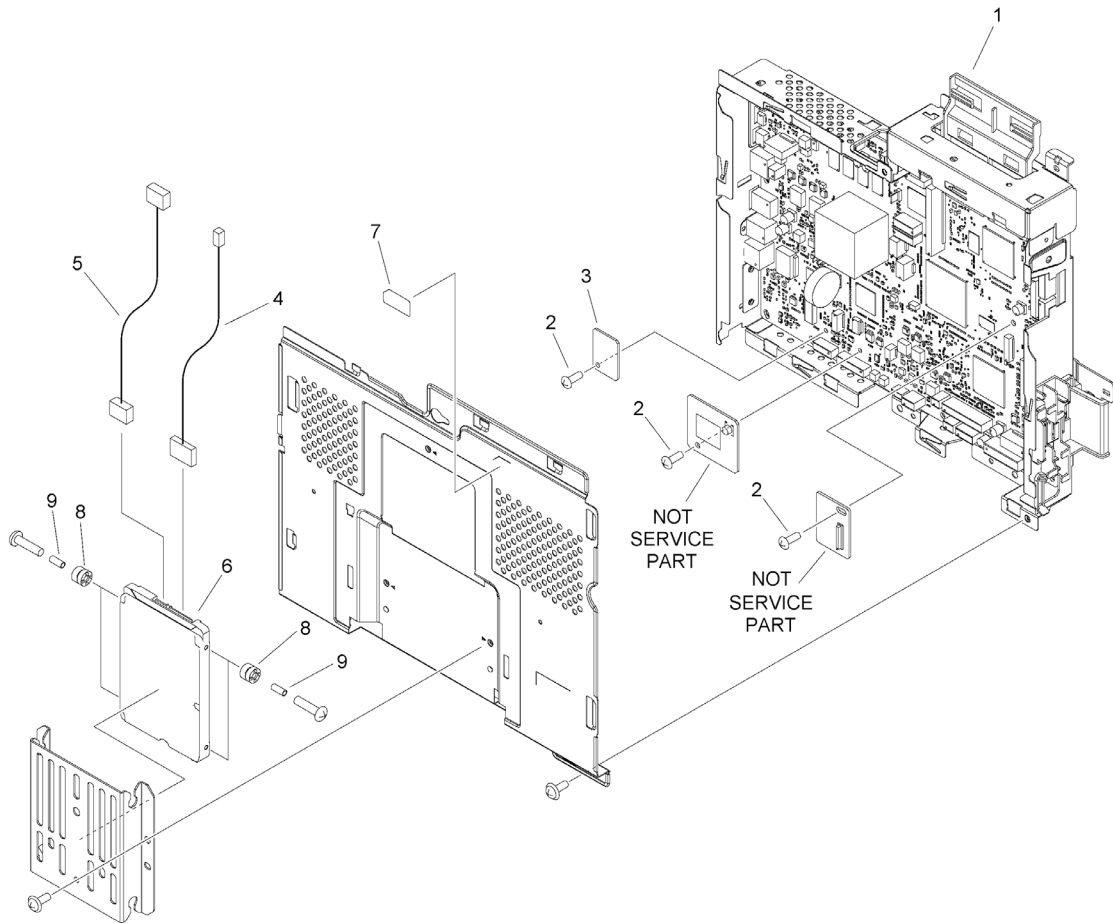


FIGURE & KEY NO.	PART NUMBER	RANK	QTY	DESCRIPTION	SERIAL NUMBER /REMARKS
900C	NPN		RF	CONTROLLER BOX ASSEMBLY	C256, C256i, C256iF
1	FM1-R757-000		1	MAIN CONTROLLER PCB ASSEMBLY	
2	XA9-1979-000		3	SCREW, MACH. PAN HEAD, M3X4	
3	FM1-M981-000		1	TPM PCB ASSEMBLY	
4	FK4-3811-000		1	CABLE, SATA POWER	
5	FK4-3810-000		1	CABLE, SATA SIGNAL	
6	FK4-1550-000		1	HARD DISK DRIVE, MQ01ABF032	
7	FU8-8257-000		1	LABEL, CAUTION	
8	XH9-0149-000		4	DAMPER, CUSHION	
9	XZ1-1301-005		4	SPACER	
IC	FK3-3872-000		1	IC, STANDARD SELL, MB8AA4600PB	IC4014
IC	FK4-1861-000		1	IC, 88E8075-B0-NNC2C000-W553,	IC4
IC	FK4-2216-000		1	IC, R9A06G011GBG, MPU	IC6000
IC	FK4-1649-000		1	IC, MB8AL1070MP-GE1, ASIC	IC9000

Figure 910B POWER SUPPLY ASSEMBLY (230V)

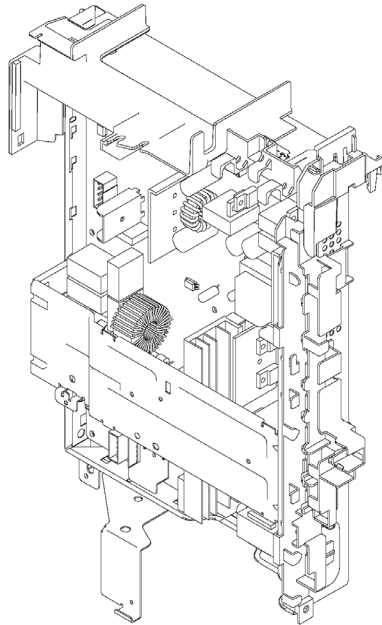


FIGURE & KEY NO.	PART NUMBER	R A N K	QTY	DESCRIPTION	SERIAL NUMBER /REMARKS
910B	FM1-P022-000		1	POWER SUPPLY ASSEMBLY	230V

Figure 930 DC CONTROLLER PCB ASSEMBLY

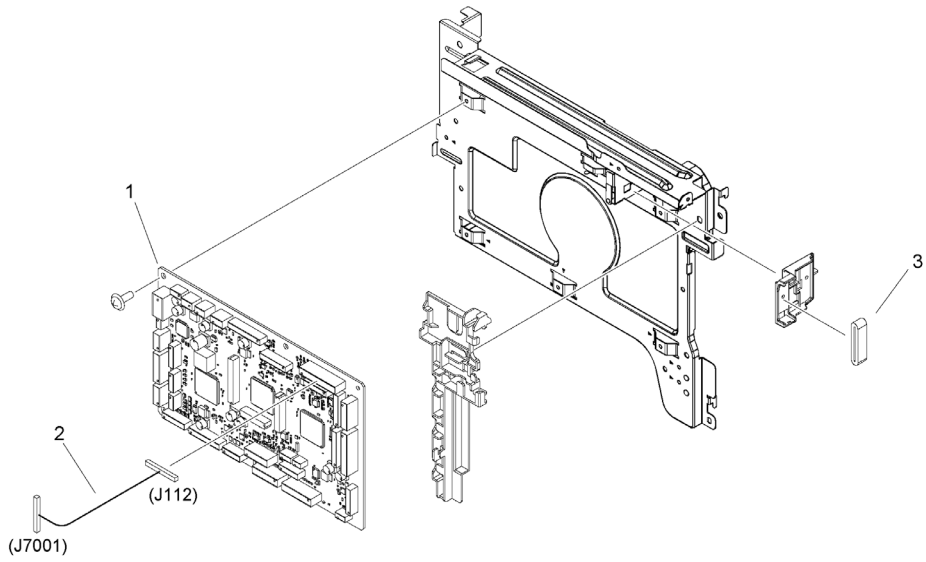


FIGURE & KEY NO.	PART NUMBER	RANK	QTY	DESCRIPTION	SERIAL NUMBER /REMARKS
930	NPN		RF	DC CONTROLLER PCB ASSEMBLY	
1	FM2-A889-000		1	DC CONTROLLER PCB ASSEMBLY	
2	FM1-V958-000		1	CABLE, DDIP	
3	WE8-6933-000		1	CORE, FERRITE	
IC	FK3-2323-000		2	IC, ASIC, T6VN7EFG-0002	IC16, IC22

Figure B01 ADF MAINTENANCE KIT (Single pass ADF)

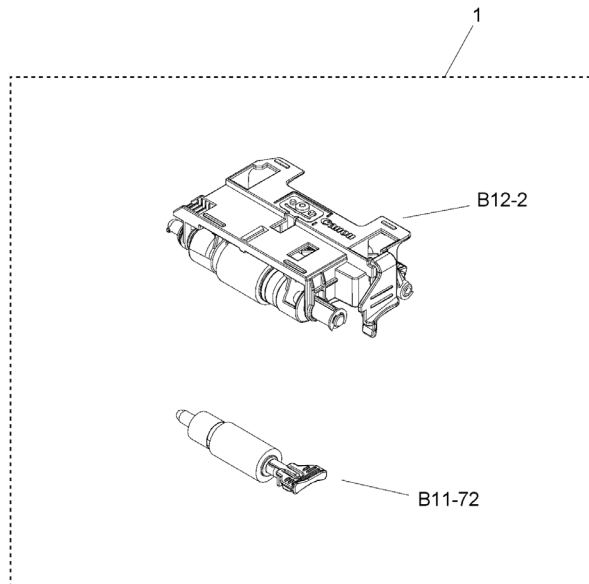


FIGURE & KEY NO.	PART NUMBER	RANK	QTY	DESCRIPTION	SERIAL NUMBER /REMARKS
B01	NPN		RF	ADF MAINTENANCE KIT	Single pass ADF
1	FM1-P720-000		1	ADF MAINTENANCE KIT, DR-203	FOR NON-TECHNICAL PERSON

Figure B10C READER/ADF ASSEMBLY (Single pass ADF)

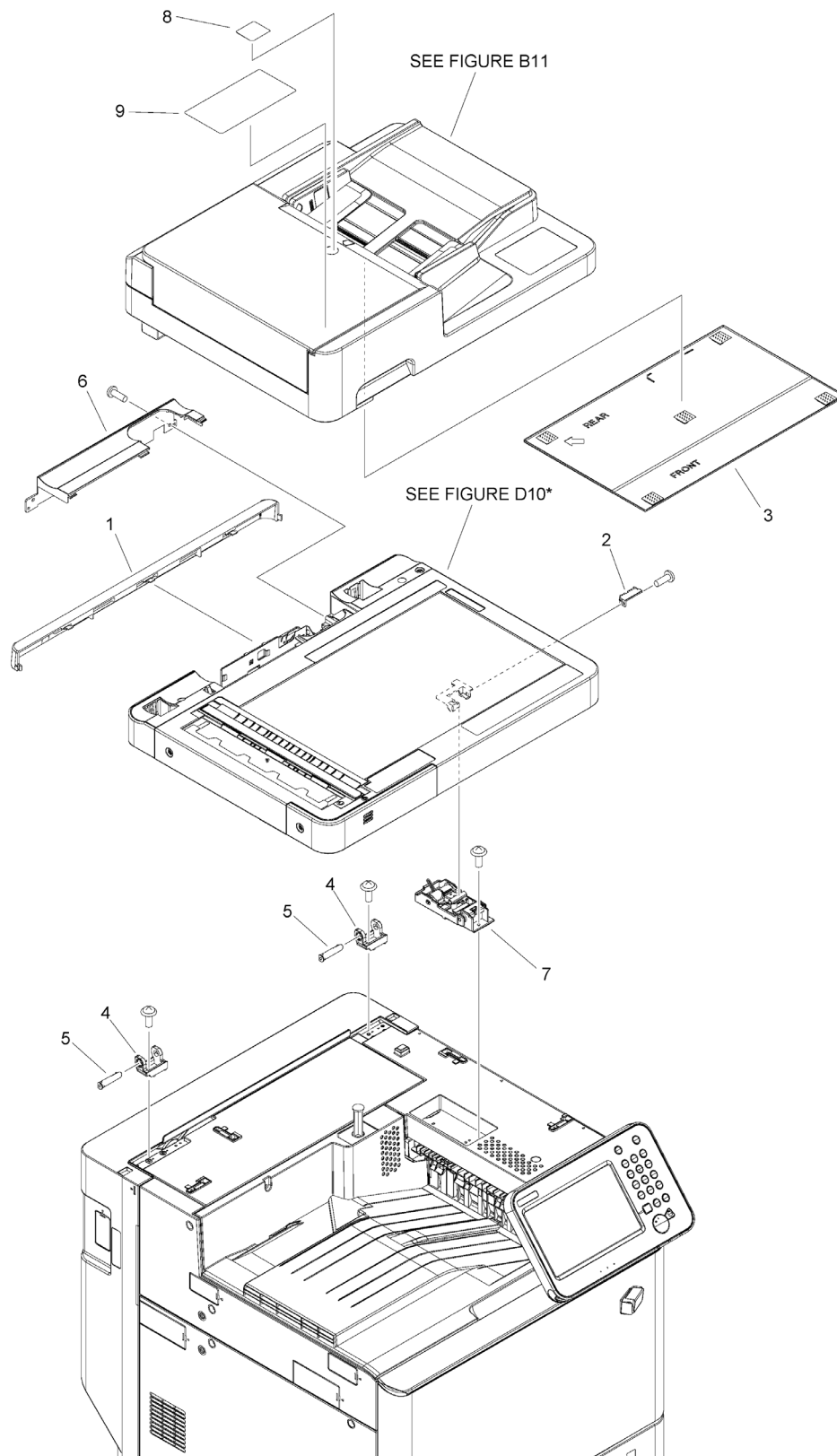


FIGURE & KEY NO.	PART NUMBER	RANK	QTY	DESCRIPTION	SERIAL NUMBER /REMARKS
B10C	NPN		RF	READER/ADF ASSEMBLY	Single pass ADF
1	FE8-2109-000		1	COVER, READER REAR, 2	
2	FE3-8375-000		1	CLAMP, READER SHAFT, RIGHT	
3	FL1-0407-000		1	COVER, COPYBOARD	
4	FE8-2110-000		2	HINGE, READER	
5	FE8-2405-000		2	SHAFT, READER HINGE	
6	FE8-2099-010		1	COVER, CABLE	
7	FM4-9850-000		1	READER LINK ASSEMBLY	
8	FE8-4576-000		1	LABEL, DOCUMENT DIRECTION	
9	FE8-4579-000		1	LABEL, CLEANING/PROHIBITION	

Figure B11 (1/3) AUTO DOCUMENT FEEDER ASS'Y SET (Single pass ADF)

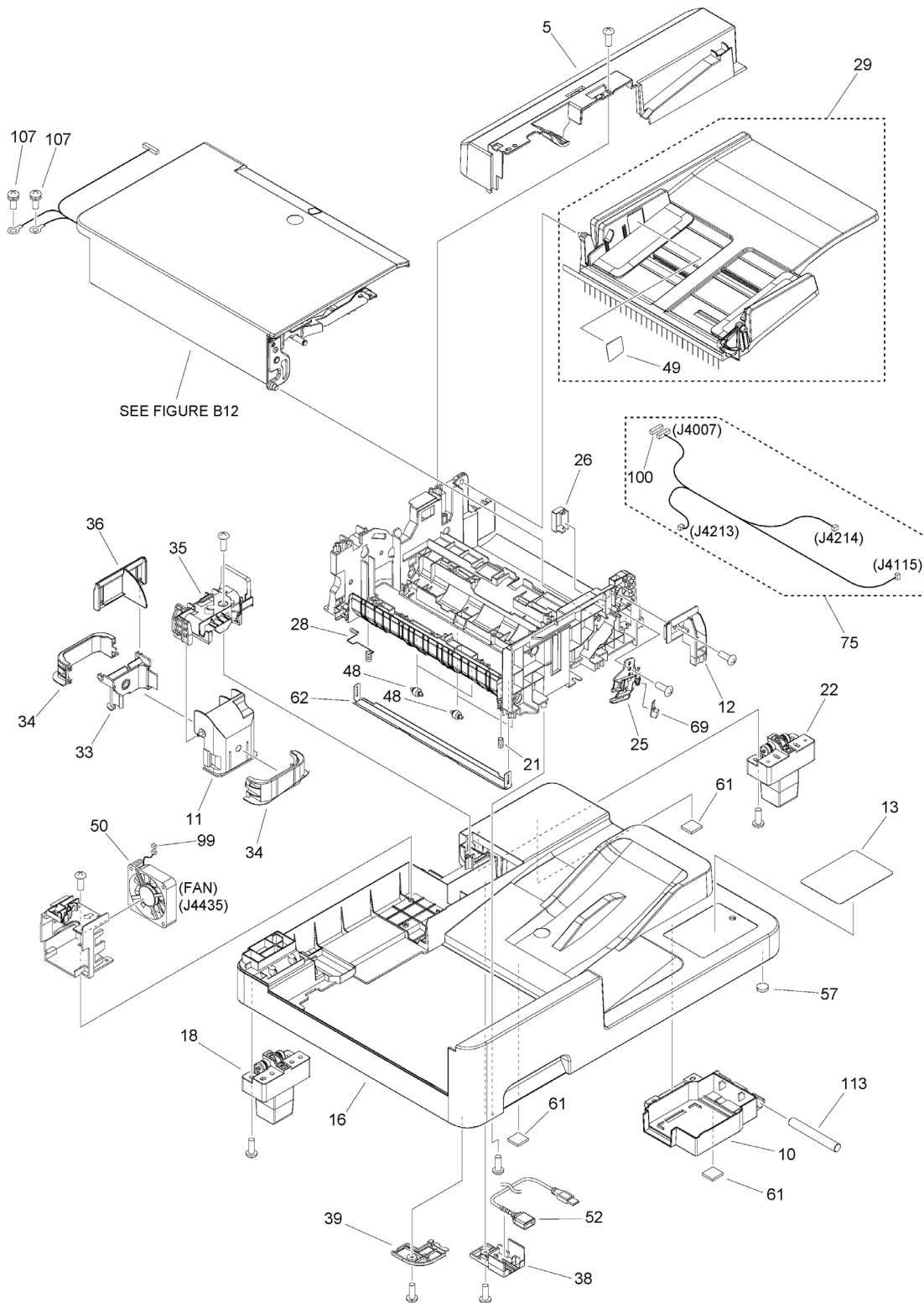


Figure B11 (2/3) AUTO DOCUMENT FEEDER ASS'Y SET (Single pass ADF)

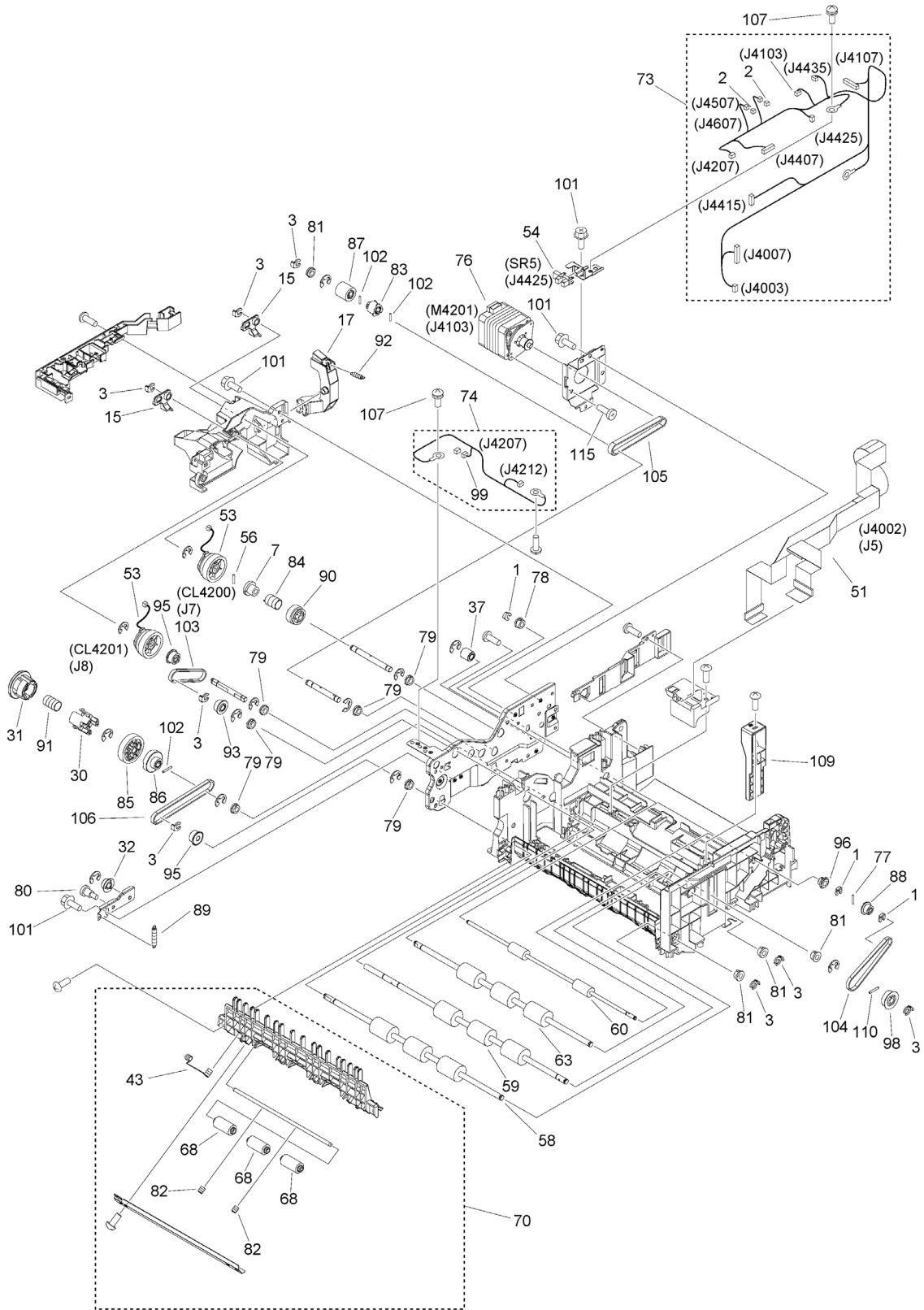


Figure B11 (3/3) AUTO DOCUMENT FEEDER ASS'Y SET (Single pass ADF)

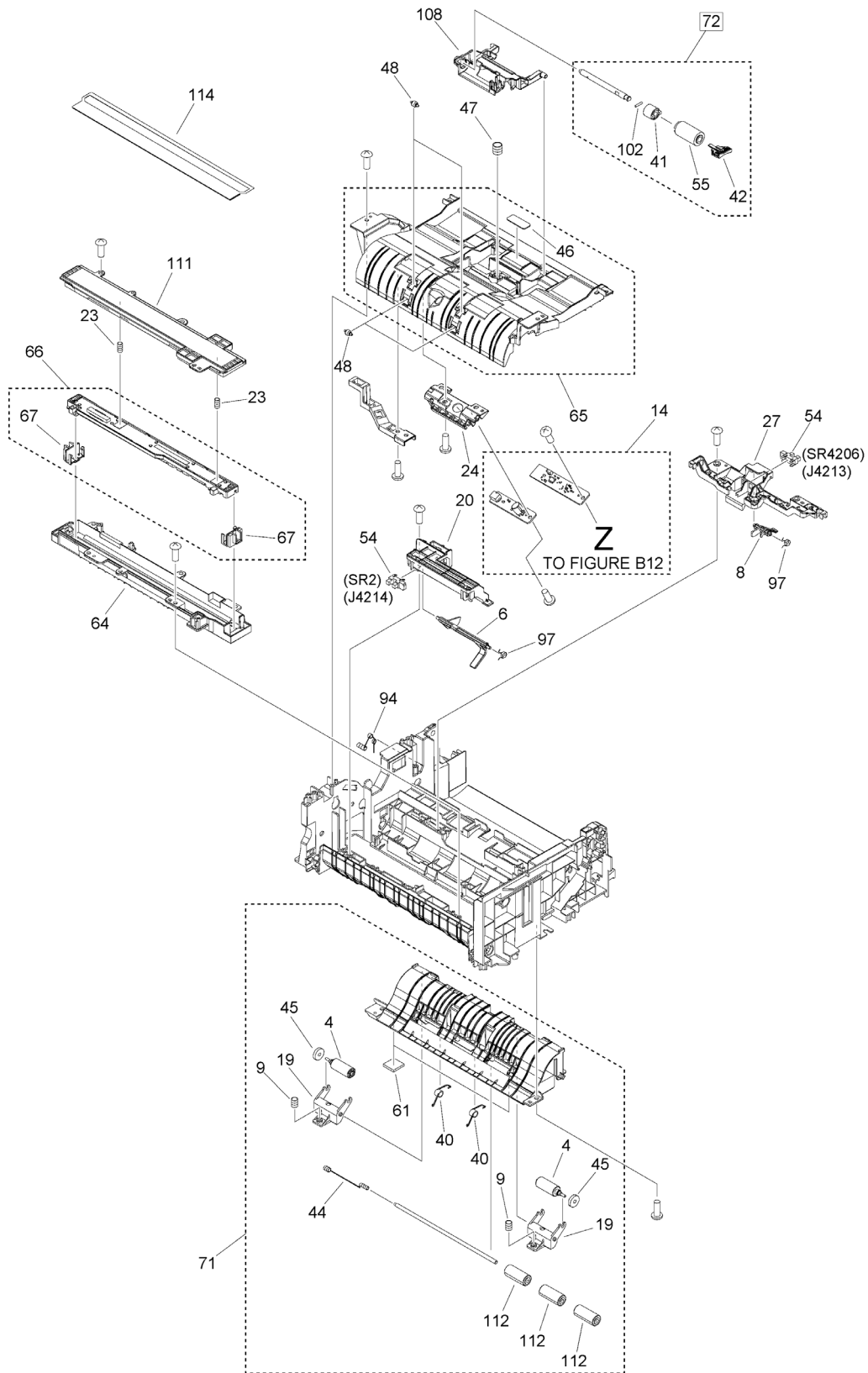


FIGURE & KEY NO.	PART NUMBER	RANK	QTY	DESCRIPTION	SERIAL NUMBER /REMARKS
B11	FM1-L778-010		1	AUTO DOCUMENT FEEDER ASS'Y SET	Single pass ADF
1	FC0-1271-000		3	CLIP	
2	VS1-7177-002		2	CONNECTOR, SNAP TIGHT, BK	
3	FC5-4424-000		8	CLIP	
4	FC8-6316-010		2	ROLLER, DELIVERY	
5	FE4-5751-000		1	COVER, REAR	
6	FC8-6371-000		1	LEVER, READ SENSOR	
7	FC8-6383-000		1	JOINT, PICK-UP	
8	FE4-5701-000		1	LEVER, PAPER DELIVERY SENSOR	
9	FE4-5712-000		2	SPRING, COMPRESSION	
10	FE4-5735-000		1	COVER, CARD READER	
11	FE4-5746-000		1	GUIDE, CABLE, FRONT	
12	FE4-5761-000		1	ARM, JOINT	
13	FE4-5779-000		1	LABEL	
14	FM1-K086-010		1	DOUBLE FEED DETECTION KIT	
15	FE4-5788-000		2	STOPPER, CLUTCH ROTATION	
16	FE4-5790-000		1	FRAME, BASE	
17	FE4-5796-000		1	LEVER, DRIVE RELEASE	
18	FE8-2341-000		1	HINGE, ADF, LEFT	
19	FE8-1580-000		2	HOLDER, ROLLER	
20	FE8-1582-000		1	HOLDER, SENSOR	
21	FE8-1586-000		1	SPRING, COMPRESSION	
22	FE8-2342-000		1	HINGE, ADF, RIGHT	
23	FE8-1590-000		2	SPRING, COMPRESSION	
24	FE8-1865-000		1	HOLDER, DOUBLE FEED DETECTION	
25	FE8-1882-000		1	HOLDER, LED	
26	FE8-1883-000		1	COVER, LED	
27	FE8-1884-000		1	HOLDER, PAPER DELIVERY SENSOR	
28	FE8-1890-000		1	SPRING, COMPRESSION	
29	FM1-L783-000		1	DOCUMENT TRAY ASSEMBLY	
30	FE8-2329-000		1	COUPLING	
31	FE8-2330-000		1	COUPLING	
32	FE8-2332-000		1	ROLLER, TENSIONER	
33	FE8-2333-000		1	GUIDE, CABLE, REAR	
34	FE8-2334-000		2	GUIDE, CABLE, LOWER	
35	FE8-2335-000		1	GUIDE, CABLE	
36	FE8-2338-000		1	COVER, CABLE	
37	FE8-2339-000		1	ROLLER, TENSIONER	
38	FE8-2355-000		1	COVER, USB	
39	FE8-2356-000		1	COVER, BOTTOM	
40	FE8-2419-000		2	SPRING, TORSION	
41	FE8-2426-000		1	LIMITER, TORQUE	
42	FE8-2443-000		1	LEVER	
43	FE8-2623-000		1	SPRING, COMPRESSION	

FIGURE & KEY NO.	PART NUMBER	RANK	QTY	DESCRIPTION	SERIAL NUMBER /REMARKS
44	FE8-2624-000		1	SPRING, COMPRESSION	
45	FE8-3710-000		2	DAMPER	
46	FE8-3713-000		1	PAD, PICK-UP	
47	FE8-3716-000		1	SPRING, COMPRESSION	
48	FE8-3973-000		8	ROLLER, PLATEN	
49	FE8-6364-000		1	LABEL, DOCUMENT MAXIMUM LOAD	
50	FK2-0472-010		1	FAN	FAN
51	FK4-3805-000		1	CABLE, FLAT	
52	FK4-3808-000		1	CABLE, USB	
53	FK4-3995-000		2	CLUTCH, ELECTROMAGNETIC	CL4200, CL4201
54	WG8-5935-000		3	IC, PHOTO INTERRUPTER	SR2, SR5, SR4206
55	FL0-1428-000		1	ROLLER, SEPARATION	
56	XD9-0289-000		1	PIN, DOWEL	
57	FL0-5405-000		1	DAMPER	
58	FL1-0267-000		1	ROLLER, READ, 1	
59	FL1-0268-000		1	ROLLER, READ, 2	
60	FL1-0269-000		1	ROLLER, DELIVERY	
61	FL0-5178-000		5	CUSHION	
62	FL1-0441-000		1	GUIDE, PLATEN	
63	FL1-0740-000		1	ROLLER, REGISTRATION	
64	FL1-1512-000		1	HOLDER, CONTACT IMAGE SENSOR	
65	FL1-1513-000		1	GUIDE, SEPARATION	
66	FM1-L777-010		1	CONTACT IMAGE SENSOR ASS'Y SET	
67	FL1-2057-000		2	SPACER, CONTACT IMAGE SENSOR	RANK B
67	FL1-2174-000		2	SPACER, CONTACT IMAGE SENSOR	RANK C
67	FL1-2175-000		2	SPACER, CONTACT IMAGE SENSOR	RANK A
68	FL1-3412-000		3	ROLLER, READ	
69	FM0-0294-000		1	EJECT LIGHT LED PCB ASS'Y	
70	FM1-L785-010		1	LEAD 1 OUTER GUIDE ASSEMBLY	
71	FM1-L786-000		1	LEAD 2 OUTER GUIDE ASSEMBLY	
72	FM1-N521-000		1	SEPARATION ROLLER ASSEMBLY	[DP]
73	FM1-W888-000		1	CABLE, ADF MAIN	
74	FM1-W889-000		1	CABLE, DOUBLE FEED DETECTION	
75	FM1-W892-000		1	CABLE, ADF PASS SENSOR	
76	FM1-W895-000		1	MOTOR ASS'Y	M4201
77	XD9-0352-000		1	PIN, SUS	
78	FS1-1528-000		1	BUSHING, PL	
79	FS5-1805-000		6	BUSHING	
80	FS5-9391-000		1	SCREW, STEPPED, M3	
81	FU2-0595-000		4	BUSHING	
82	FU2-1417-000		2	SPRING, COMPRESSION	
83	FU2-1446-000		1	PULLEY, 22T	
84	FU2-1747-000		1	SPRING, CLUTCH	
85	FU2-1749-000		1	GEAR, 38T	

FIGURE & KEY NO.	PART NUMBER	RANK	QTY	DESCRIPTION	SERIAL NUMBER /REMARKS
86	FU2-1750-000		1	PULLEY, 22T	
87	FU2-1751-000		1	GEAR, 18T	
88	FU2-1752-000		1	PULLEY, 18T	
89	FU2-1754-000		1	SPRING, TENSION	
90	FU2-1756-000		1	GEAR, 23T	
91	FU2-1757-000		1	SPRING, COMPRESSION	
92	FU2-1758-000		1	SPRING, TENSION	
93	FU2-1759-000		1	PULLEY, 23T	
94	FU2-1831-000		1	SPRING, TORSION	
95	FU5-3643-000		2	PULLEY, 22T	
96	FU6-1572-000		1	BUSHING	
97	FU7-2658-000		2	SPRING, TORSION	
98	FU8-0240-000		1	PULLEY	
99	VS1-7177-003		2	CONNECTOR, SNAP TIGHT, BK	
100	VS1-7177-008		1	CONNECTOR, SNAP TIGHT, BK	
101	XA9-1386-000		7	SCREW,RS,M3X8	
102	XD9-0333-000		4	PIN, PARALLEL	
103	XF2-1606-940		1	BELT, TIMING	
104	XF2-1608-640		1	BELT, TIMING	
105	XF2-1609-560		1	BELT, TIMING	
106	XF2-1610-640		1	BELT, TIMING	
107	XA9-2003-000		4	SCREW, W/WASHER, M3X6	
108	FE8-2385-000		1	HOLDER, ROLLER	
109	FE8-3531-000		1	HOLDER, CONTACT IMAGE SENSOR	
110	XD9-0290-000		1	PIN, PARALLEL	
111	FL1-2056-000		1	COVER, CONTACT IMAGE SENSOR	
112	FC5-4286-000		3	ROLLER, PAPER FEED, 1	
113	FE4-5786-000		1	WEIGHT	
114	FL0-5407-000		1	SHEET, WHITE	
115	XA9-0624-000		2	SCREW,M3X4	

Figure B12 PAPER PICK-UP COVER ASS'Y (Single pass ADF)

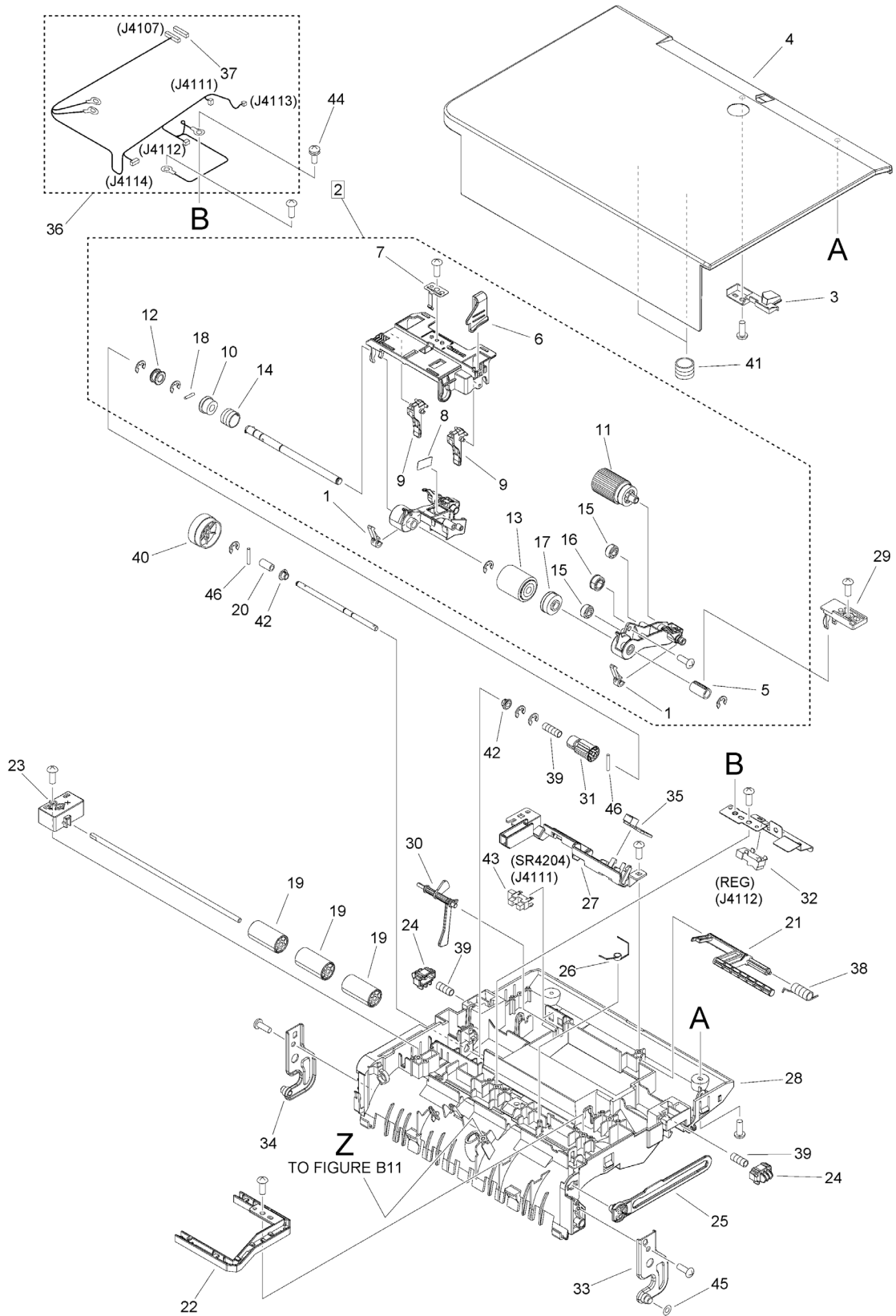


FIGURE & KEY NO.	PART NUMBER	RANK	QTY	DESCRIPTION	SERIAL NUMBER /REMARKS
B12	NPN		RF	PAPER PICK-UP COVER ASS'Y	Single pass ADF
1	FC6-8971-010		2	LEVER, STOP	
2	FM1-L782-000		1	ADF PAPER PICK-UP ASSEMBLY	[DP]
3	FL1-0424-000		1	COVER, LED	
4	FL1-0427-000		1	COVER, PAPER PICK-UP	
5	FE8-3706-000		1	BUSHING	
6	FE8-3708-000		1	LEVER	
7	FE8-3709-000		1	SPRING, LEAF	
8	FE8-3717-000		1	LABEL, BLUE	
9	FL2-9948-000		2	SHUTTER	
10	FC8-6353-000		1	JOINT	
11	FC8-6355-000		1	ROLLER, PICK-UP	
12	FE8-3707-000		1	BUSHING	
13	FL0-1431-000		1	ROLLER, PAPER FEED	
14	FU2-1834-000		1	SPRING	
15	FU8-0299-000		2	GEAR, 20T	
16	FU8-0300-000		1	GEAR, 22T	
17	FU8-0301-000		1	GEAR, 33T	
18	XD9-0333-000		1	PIN, PARALLEL	
19	FC5-4324-000		3	ROLLER, REGISTRATION, 2	
20	FC8-7343-000		1	ROLLER, BELT	
21	FE8-1867-000		1	LEVER, PICK RELEASE	
22	FE8-1868-000		1	GUIDE, GROUNDING	
23	FE8-1869-000		1	HOLDER, REGISTRATION ROLLER	
24	FE8-1870-000		2	LATCH	
25	FE8-1874-000		1	LINK, OPEN/CLOSE	
26	FE8-2118-000		1	SPRING, TORSION	
27	FE8-2120-000		1	GUIDE, LED	
28	FE8-2130-000		1	GUIDE, PAPER PICK-UP, LOWER	
29	FE8-2386-000		1	HOLDER, PICK	
30	FE8-2387-000		1	FLAG, SENSOR	
31	FE8-2455-000		1	COUPLING	
32	FK2-6470-000		1	PHOTO-SENSOR, KUA0055C	REG
33	FL1-0526-000		1	ARM, OPEN/CLOSE COVER, FRONT	
34	FL1-0527-000		1	ARM, OPEN/CLOSE COVER, REAR	
35	FM1-K827-000		1	LED PCB ASSEMBLY	
36	FM1-W890-000		1	CABLE, COVER	
37	VS1-7177-013		1	CONNECTOR, SNAP TIGHT	
38	FU2-1806-000		1	SPRING, TORSION	
39	FU2-1808-000		3	SPRING, COMPRESSION	
40	FU2-1833-000		1	GEAR, 29T	
41	FU2-1807-000		2	SPRING, COMPRESSION	
42	FU6-1572-000		2	BUSHING	
43	WG8-5935-000		1	IC, PHOTO INTERRUPTER	SR4204

FIGURE & KEY NO.	PART NUMBER	R A N K	QTY	DESCRIPTION	SERIAL NUMBER /REMARKS
44	XA9-2003-000		1	SCREW, W/WASHER, M3X6	
45	FC8-5908-000		1	SHEET	
46	XD9-0352-000		2	PIN SUS	

Figure D10D READER ASSEMBLY (Single pass ADF)

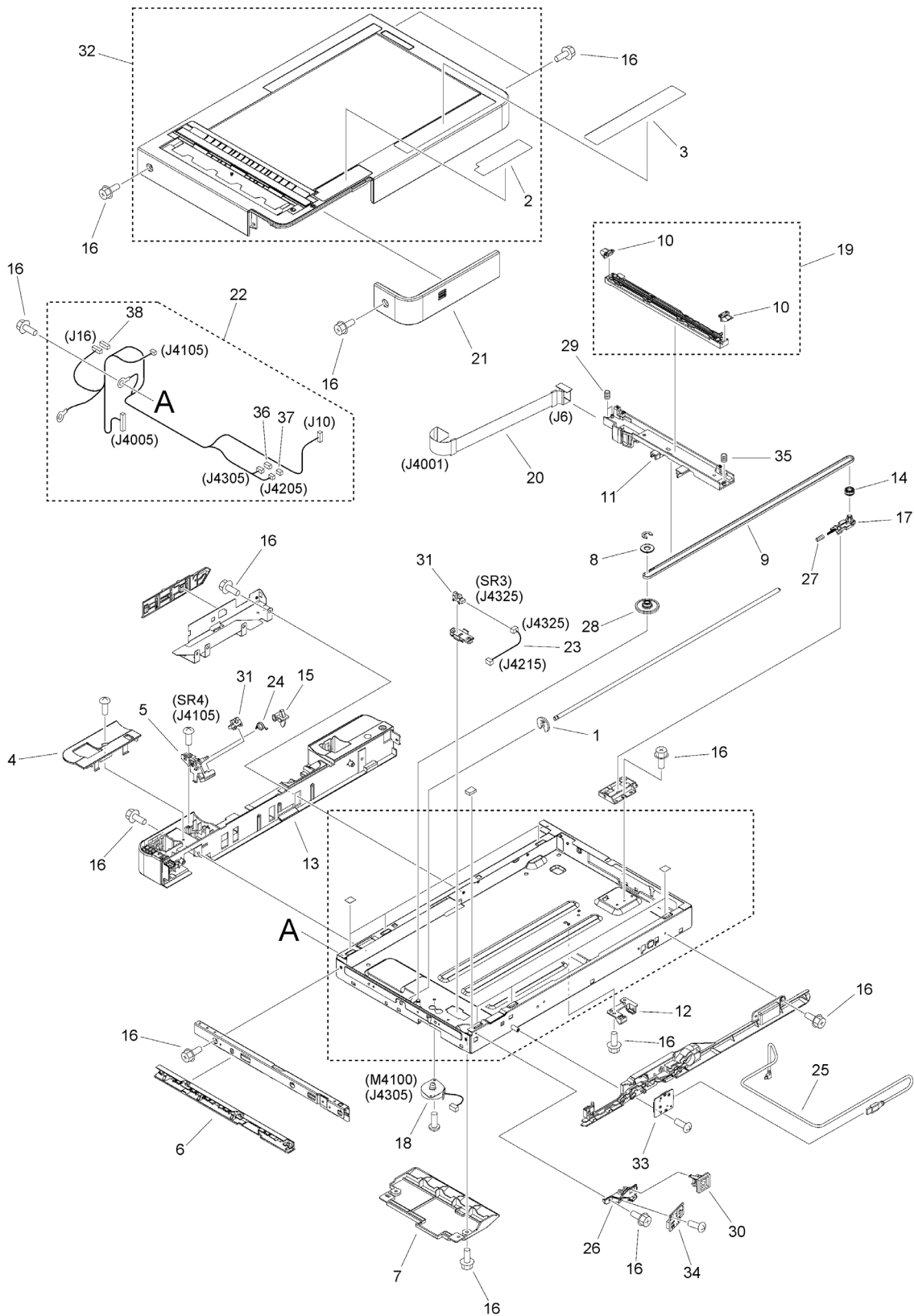


FIGURE & KEY NO.	PART NUMBER	RANK	QTY	DESCRIPTION	SERIAL NUMBER /REMARKS
D10D	NPN		RF	READER ASSEMBLY	Single pass ADF
1	FE3-7699-000		1	RING, C,EXTERNAL	
2	FE8-4582-000		1	LABEL, BLACK LINE, CLEANING	
3	FE8-6152-000		1	LABEL, COPY PROHIBITION	US English
3	FE8-6154-000		1	LABEL, COPY PROHIBITION	UK English, French, German, Italian
4	FE8-2093-000		1	COVER, READER REAR, UP.	
5	FE8-2094-000		1	HOLDER, OPEN/CLOSE SENSOR	
6	FE8-2011-000		1	GUIDE, CABLE	
7	FE8-2009-000		1	COVER, MOTOR	
8	FC0-5550-000		1	STOPPER, BELT	
9	FE8-2361-000		1	BELT, TIMING, COGGED	
10	FE8-2003-000		2	SPACER, CONTACT IMAGE SENSOR	RANK B
10	FE8-4730-000		2	SPACER, CONTACT IMAGE SENSOR	RANK C
10	FE8-4731-000		2	SPACER, CONTACT IMAGE SENSOR	RANK A
11	FL1-1521-000		1	HOLDER, CONTACT IMAGE SENSOR	
12	FC0-5557-000		1	BUSHING	
13	FE8-2098-000		1	COVER, READER REAR, 1	
14	FC0-5650-000		1	PULLEY, IDLER	
15	FE8-2095-000		1	FLAG, SENSOR	
16	XA9-1386-000		15	SCREW,RS,M3X8	
17	FC0-5552-000		1	HOLDER, PULLEY, IDLER	
18	FK3-3035-000		1	MOTOR, STEPPING	M4100
19	FM1-L776-010		1	CONTACT IMAGE SENSOR ASSEMBLY	
20	FK4-3804-000		1	CABLE, FLAT	
21	FE8-2097-000		1	COVER	
22	FM1-W894-000		1	CABLE, READER	
23	FM1-C987-000		1	CABLE, HOME POSITION SENSOR	
24	FE8-2096-000		1	SPRING, TORSION	
25	FK4-3807-000		1	CABLE, USB	
26	FL1-0411-000		1	HOLDER, SENSOR	
27	FU6-2873-000		1	SPRING, COMPRESSION	
28	FU9-0581-000		1	GEAR, 85T/20T	
29	FU2-1817-000		2	SPRING, COMPRESSION	
30	FL1-0415-000		1	MOUNT, SENSOR	
31	WG8-5935-000		2	IC, PHOTO INTERRUPTER	SR3, SR4
32	FM1-M039-000		1	READER COVER UNIT, TOP	
33	FM1-N784-000		1	WIRELESS NETWORK PCB ASSEMBLY	
34	FM1-W896-000		1	INTERFACE SENSOR PCB ASSEMBLY	
35	FU2-1818-000		1	SPRING, COMPRESSION	
36	VS1-7177-004		1	CONNECTOR, SNAP TIGHT, BK	
37	VS1-7207-003		1	CONNECTOR, SNAP TIGHT, BK	
38	VS1-8959-006		1	CONNECTOR, SNAP TIGHT, 6P, W	

Figure ZZA MECHANICAL STANDARD PARTS (HOW TO USE)

Mechanical standard parts 機械標準部品

About a mechanical standard parts

A Mechanical standard parts is a mechanical part which not parts peculiar to a product.
They are parts which are common to a Canon product and are used, such as a screw and a washer.
The Fig No. and parts number of the mechanical standard parts are not listed in the product parts catalog.
Refer to the parts catalog of mechanical standard parts when checking the parts number for screw or washer etc. and identify them by part shape or size.

機械標準部品とは

機械標準部品とは、製品特有の部品ではなく、ねじやワッシャなどキヤノン製品共通で使用されている機械部品（メカ部品）のことです。
製品のパーツカタログには、機械標準部品のFig No.や部品番号は記載していません。
ねじや、ワッシャ等の部品番号を調べるときは、機械標準部品のパーツカタログを参照し、部品の形状や大きさから判断し、使用している部品を調べてください。

Material and surface treatment of a mechanical standard parts

Material and surface treatment of mechanical standard parts are assigned commonly for each part.
Refer to the Table 1 for the parts which material and surface treatment are assigned as numbers.

機械標準部品の材料および表面処理

機械標準部品の材料および表面処理については、各種部品共通で決められています。
材料および表面処理が番号で決められている部品については、表1を参照してください。

Table 1 Material and Surface treatment
表1 材料および表面処理

No. 番号	Material 材料	Surface treatment 表面処理	Color 色
1	Stainless steel ステンレス	Stainless steel black coloring (BC4) ステンレス黒着色(BC4)	Black 黒
2		not to be given なし	White 白
3	Brass 黄銅	Regular nickel plating (NL) 普通ニッケルメッキ(NL)	White 白
4		Black nickel plating (BN) 黒色ニッケルメッキ(BN)	Black 黒
5	Steel 鋼	White zinc trivalent chromate treating (ZC3) 白色亜鉛3価クロメート(ZC3)	White 白
6		Regular nickel chromium plating (NC) 普通ニッケルクロムメッキ(NC)	White 白
7		Regular nickel plating (NL) 普通ニッケルメッキ(NL)	White 白
8		Iron and steel phosphating (P1) 鉄鋼燐酸塩処理(P1)	Black 黒
9		Black zinc trivalent chromate treating (BZ3) 黒色亜鉛3価クロメート(BZ3)	Black 黒

Figure ZZB (1/7)MECHANICAL STANDARD PARTS (SCREWS)

1. Screws
ねじ

How to read Parts Numbers
部品番号の見方

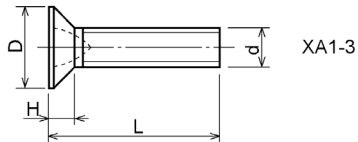
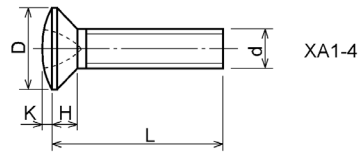
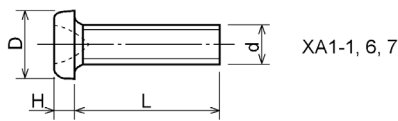
Screws
ねじ

XB1-2400-609

Type No.
類別番号
Normal designation (d)
ねじの呼び (d)
Length (L)
ねじの長さ (L)
Material and Surface treatment
材料および表面処理

XB1-2 expresses Binding head machine screw.
XB1-2は、バインドねじを表す
40 expresses M4.0.
40は、M4.0を表す
0-60 expresses a length of 6.0mm.
0-60は、6.0mmの長さを表す
9 expresses Steel (Black zinc trivalent chromate
treating) from Table 1.
9は、表1より鋼 (黒色亜鉛3価クロメート) を表す

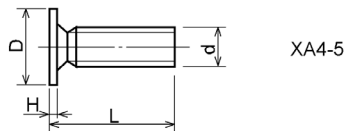
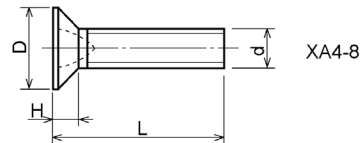
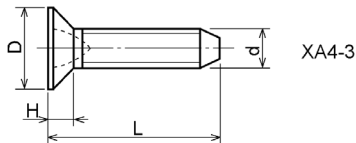
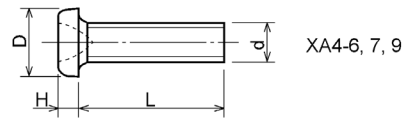
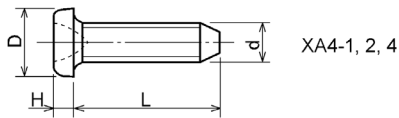
1-1. Cross Recessed Head Screws for Precision Equipments
精密機器用十字穴付き小ねじ



Type No. 類別番号	Type 類別	Head size (mm) 頭部寸法 (mm)						
		M1.4	M1.6	M1.7	M2	M2.5	M2.6	
XA1-1	Pan head Class 1 なべ1種	D	2	2.4	2.5	3	3.8	4
		H	0.5	0.55	0.5	0.6	0.9	0.8
XA1-3	Countersunk head Class 1 さら1種	D	2	2.4	2.5	3	3.8	4
		H	0.48	0.55	0.58	0.73	0.85	0.93
XA1-4	Oval countersunk head Class 1 丸さら1種	D	2	2.4	2.5	3	3.8	4
		H + K	0.68	0.8	0.88	1	1.25	1.3
XA1-6	Pan head Class 3 なべ3種	D	2.5	2.8	3	3.5	4.3	4.5
		H	0.8	0.85	0.9	1	1.3	1.2
XA1-7	Pan head Class 2 なべ2種	D	2.5	2.8	3	3.5	4.3	4.5
		H	0.5	0.55	0.5	0.6	0.9	0.8

Figure ZZB (2/7) MECHANICAL STANDARD PARTS (SCREWS)

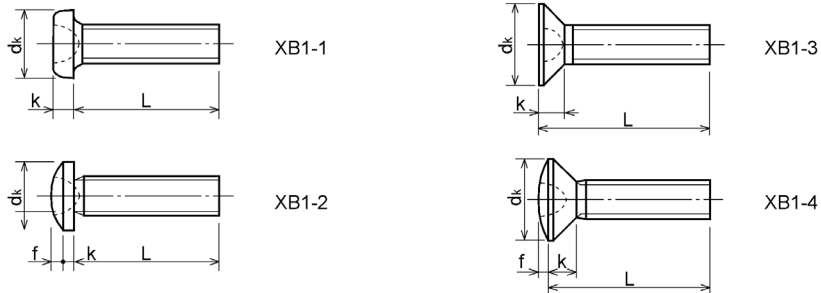
1-2. Precision Tapping Screws
精密用タッピンねじ



Type No. 類別番号	Type 類別	Head size (mm) 頭部寸法 (mm)						
		M1.4	M1.6	M1.7	M2	M2.5	M2.6	
XA4-1	With tapered end pan head Class 1 絞り-なべ1種	D XA4-1	2	2.4	2.5	3	3.8	4
		H XA4-1	0.5	0.55	0.5	0.6	0.9	0.8
XA4-2	With tapered end pan head Class 3 絞り-なべ3種	D XA4-2	2.5	2.8	3	3.5	4.3	4.5
		H XA4-2	0.8	0.85	0.9	1	1.3	1.2
XA4-3	With tapered end countersunk head 絞り-さら	D XA4-3	2	2.4	2.5	3	3.8	4
		H XA4-3	0.48	0.55	0.58	0.73	0.85	0.93
XA4-4	With tapered end pan head Class 2 絞り-なべ2種	D XA4-4	2.5	2.8	3	3.5	4.3	4.5
		H XA4-4	0.5	0.55	0.5	0.6	0.9	0.8
XA4-5	With parallel end ultra thin head ストレート-超薄頭	D XA4-5	2.5	2.8	3	-	-	-
		H XA4-5	0.2	0.2	0.2	-	-	-
XA4-6	With parallel end pan head Class 1 ストレート-なべ1種	D XA4-6	2	2.4	2.5	3	3.8	4
		H XA4-6	0.5	0.55	0.5	0.6	0.9	0.8
XA4-7	With parallel end pan head Class 3 ストレート-なべ3種	D XA4-7	2.5	2.8	3	3.5	4.3	4.5
		H XA4-7	0.8	0.85	0.9	1	1.3	1.2
XA4-8	With parallel end countersunk head ストレート-さら	D XA4-8	2	2.4	2.5	3	3.8	4
		H XA4-8	0.48	0.55	0.58	0.73	0.85	0.93
XA4-9	With parallel end pan head Class 2 ストレート-なべ2種	D XA4-9	2.5	2.8	3	3.5	4.3	4.5
		H XA4-9	0.5	0.55	0.5	0.6	0.9	0.8

Figure ZZB (3/7) MECHANICAL STANDARD PARTS (SCREWS)

1-3. Cross Recessed Head Screws
一般用十字穴付き小ねじ

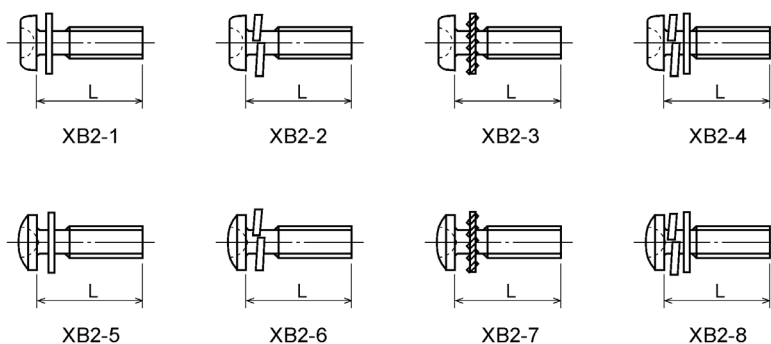


Type No. 類別番号	Type 類別
XB1-1	Pan head なべ
XB1-2	Binding head バインド
XB1-3	Countersunk head さら
XB1-4	Oval countersunk head 丸さら

		Head size (mm) 頭部寸法 (mm)					
		M2	M2.5	M2.6	M3	M4	M5
dk	XB1-1	3.5	4.5	4.5	5.5	7	9
k	XB1-1	1.3	1.7	1.7	2	2.6	3.3
dk	XB1-2	4.3	5.3	5.5	6.3	8.3	10.3
k+f	XB1-2	1.2	1.5	1.6	1.9	2.5	3.1
dk	XB1-3	4	5	-	6	8	10
k	XB1-3	1.2	1.45	-	1.75	2.3	2.8
dk	XB1-4	4	5	-	6	8	10
k+f	XB1-4	1.6	2	-	2.45	3.2	4
Screw part length ねじ部長さ b		8	12	12	12	16	20

Figure ZZB (4/7) MECHANICAL STANDARD PARTS (SCREWS)

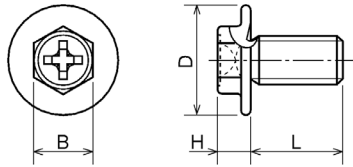
1-4. Cross Recessed Head Screws with Captive Washer
座金組み込み十字穴付き小ねじ



Type No. 類別番号	Type 類別
XB2-1	Pan head + Plain washer (circular bright) なべねじ+平座金
XB2-2	Pan head + Spring washer なべねじ+ばね座金
XB2-3	Pan head + Toothed lock washer なべねじ+歯付座金
XB2-4	Pan head + Spring washer and plain washer (circular bright) なべねじ+(ばね+平)座金
XB2-5	Binding head + Plain washer (circular bright) バインドねじ+平座金
XB2-6	Binding head + Spring washer バインドねじ+ばね座金
XB2-7	Binding head + Toothed lock washer バインドねじ+歯付座金
XB2-8	Binding head + Spring washer and plain washer (circular bright) バインドねじ+(ばね+平)座金

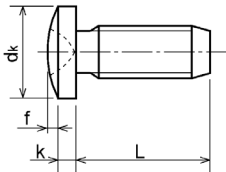
Figure ZZB (5/7) MECHANICAL STANDARD PARTS (SCREWS)

1-5. Hexagon Head Tapping Screws for Matallic Materials
 金属用六角タッピンねじ



Type No. 類別番号	Type 類別	Head size (mm) 頭部寸法 (mm)		
		M3	M4	
XB3-6	For metallic materials 金属用タッピン	D	8	10
		B	5.5	5.5
XB3-7	For metallic materials with clawed 金属用タッピン-つめ付き	H XB3-6	3.1	3.1
		H XB3-7	3.2	3.2

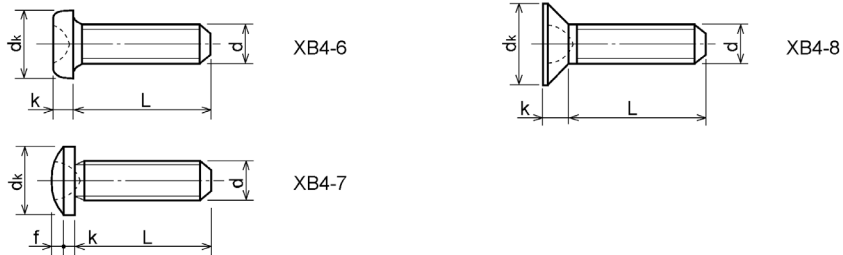
1-6. Special Tapping Screws
 特殊タッピンねじ



Type No. 類別番号	Type 類別	Head size (mm) 頭部寸法 (mm)		
		M3	M4	
XB4-5	Binding head バインド	dk	6.3	8.3
		k	1.3	1.7
		k+f	1.9	2.5

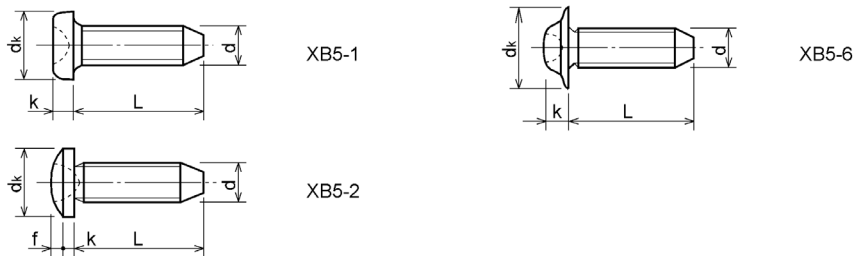
Figure ZZB (6/7) MECHANICAL STANDARD PARTS (SCREWS)

1-7. General Head Tapping Screws
一般用タッピンねじ



Type No. 類別番号	Type 類別	Head size (mm) 頭部寸法 (mm)						
		M2	M2.5	M2.6	M3	M4	M5	
XB4-6	Pan head なべ	dk	3.5	4.5	4.5	5.5	7	9
		k	1.3	1.7	1.7	2	2.6	3.3
XB4-7	Binding head バインド	dk	4.3	5.3	5.5	6.3	8.3	10.3
		k+f	1.2	1.5	1.6	1.9	2.5	3.1
XB4-8	Countersunk head さら	dk	4	5	5.2	6	8	10
		k	1.2	1.45	1.5	1.75	2.3	2.8

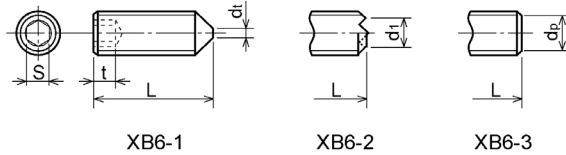
1-8. Tapping Screws for Metallic Materials
金属用タッピンねじ



Type No. 類別番号	Type 類別	Head size (mm) 頭部寸法 (mm)					
		M2.5	M2.6	M3	M4	M5	
XB5-1	Pan head なべ	dk	4.5	4.5	5.5	7	9
		k	1.7	1.7	2	2.6	3.3
XB5-2	Binding head バインド	dk	5.5	5.5	6.3	8.3	10.3
		k+f	1.6	1.6	1.9	2.5	3.1
XB5-6	Flanged pan head つば付きなべ	dk	6.5	6.5	8	10	12
		k	2.1	2.1	1.75	3.2	4

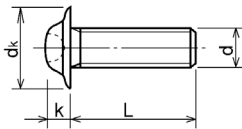
Figure ZZB (7/7) MECHANICAL STANDARD PARTS (SCREWS)

1-9. Hexagon Socket Set Screws
六角穴付き止めねじ



Type No. 類別番号	Type 類別	Head size (mm) 頭部寸法 (mm)						
		M1.6 M1.7	M2	M2.5 M2.6	M3	M5	M5	M6
S		0.7	0.9	1.3	1.5	2	2.5	3
t		1.5	1.7	2	2	2.5	3	3.5
dt max XB6-1		0.4	0.5	0.65	0.75	1	1.25	1.5
d1 max XB6-2		-	1.2	1.5	1.7	2.2	2.8	3.3
d1 min XB6-2		-	1	1.2	1.4	1.9	2.4	2.9
dp max XB6-3		0.8	1	1.5	2	2.5	3.5	4
dp min XB6-3		0.55	0.75	1.25	1.75	2.25	3.2	3.7

1-10. Flanged Pan Head Machine Screws
つば付きなべ小ねじ



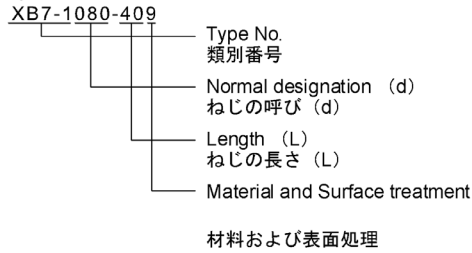
Type No. 類別番号	Type 類別	Head size (mm) 頭部寸法 (mm)				
		M2	M2.5 M2.6	M3	M5	M5
dk		5	6.5	8	10	12
k		1.7	2.1	2.5	3.2	4

Figure ZZC MECHANICAL STANDARD PARTS (BOLTS)

2. Bolts (Socket head cap screw)
ボルト

How to read Parts Numbers
部品番号の見方

Bolt (Socket head cap screw)
ボルト



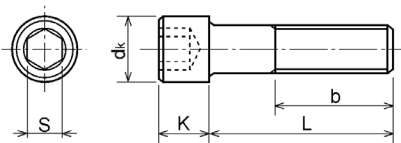
XB7-1 expresses Hexagon socket head cap screws.
XB7-1は、六角穴付きボルトを表す

080 expresses M8.0.
080は、M8.0を表す

40 expresses a length of 40mm.
40は、40mmの長さを表す

9 expresses Steel (Black zinc trivalent chromate treating) from Table 1.
9は、表1より鋼（黒色亜鉛3価クロメート）を表す

2-1. Hexagon socket head cap screws
六角穴付きボルト

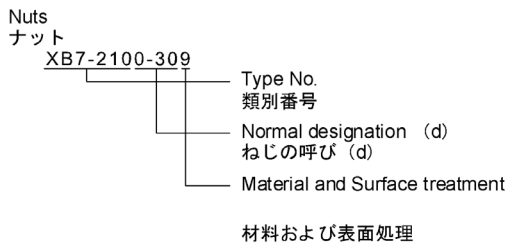


Type No. 類別番号	Type 類別	Head size (mm) 頭部寸法 (mm)						
		M3	M4	M5	M6	M8	M10	M12
S		2.5	3	4	5	6	8	10
dk		5.5	7	8.5	10	13	16	18
K		3	4	5	6	8	10	12
Screw part length ねじ部長さ b_{max}		18	20	22	24	28	32	36

Figure ZZD MECHANICAL STANDARD PARTS (NUTS)

3. Nuts
ナット

How to read Parts Numbers
部品番号の見方

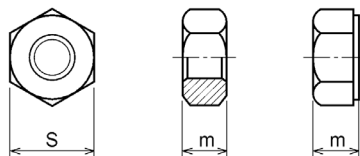


XB7-210 expresses Hexagon nut class 1.
XB7-210は、六角ナット1種を表す

0-30 expresses M3.0.
0-30は、M3.0を表す

9 expresses Steel (Black zinc trivalent chromate
treating) from Table 1.
9は、表1より鋼（黒色亜鉛3価クロメート）を表す

3-1. Hexagon Nuts and Hexagon Thin Nuts
六角ナット

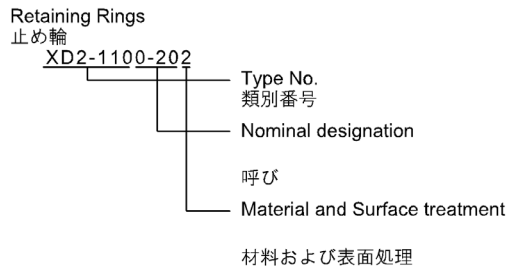


Type No. 類別番号	Type 類別	Head size (mm) 頭部寸法 (mm)						
		M2	M2.5	M3	M4	M5	M6	M8
S		4	5	5.5	7	8	10	13
m XB7-210	Hexagon nut Class 1 六角ナット-1種	1.6	2	2.4	3.2	4	5	6.5
m XB7-220	Hexagon nut Class 3 六角ナット-3種	1.2	1.6	1.8	2.4	3.2	3.6	5
m XB7-230, 231	Hexagon nut Style 1 double chamfered 六角ナット-スタイル1-両面とり	1.6	2	2.4	3.2	4.7	5.2	6.8
m XB7-240, 241	Hexagon nut Style 2 double chamfered 六角ナット-スタイル2-両面とり	-	-	-	-	5.1	5.7	7.5
m XB7-250	Hexagon nut 六角ナット	-	-	-	-	5.6	6.1	7.9
m XB7-260	Hexagon thin nut double chamfered 六角低ナット-両面とり	1.2	1.6	1.8	2.2	2.7	3.2	4
m XB7-270	Hexagon thin nut not chamfered 六角低ナット-面とり無し	1.2	1.6	1.8	2.2	2.7	3.2	4

Figure ZZE (1/3)MECHANICAL STANDARD PARTS (RETAINING RINGS)

5. Retaining Rings
止め輪

How to read Parts Numbers
部品番号の見方

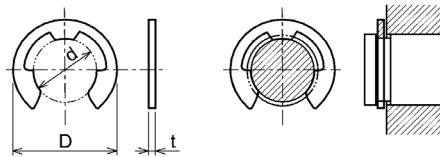


XD2-110 expresses retaining ring-E type (Type1).
XD2-110は、E形止め輪（1種）を表す

0-20 expresses a 020 of nominal designation.
(See Table 5)
0-20は、呼び020を表す（表5参照）

2 expresses Stainless steel (Surface treatment is not to be given) from Table 1.
2は、表1よりステンレス（表面処理なし）を表す

5-1. Retaining Rings - E type
E形止め輪



Type No. 類別番号	Type 類別
XD2-110	Retaining ring - E type (Type 1) E形止め輪（1種）
XD2-120	Retaining ring - E type (Type 2) E形止め輪（2種）

Table 5 表5

Type 種類	Nominal designation 呼び	d (mm)	D (mm)	t (mm)
Type 1 1種	007	0.65	2	0.2
	010	0.95	2.8	0.2
	013	1.25	3.3	0.3
	017	1.65	4.2	0.4
	020	1.95	4.6	0.5
	024	2.35	6	0.6
	028	2.74	6.5	0.6
	032	3.14	7.2	0.6
	037	3.64	8	0.7
	040	3.93	10	0.7
	042	4.13	10	0.7
	050	4.93	11	0.7
	058	5.73	12	0.7
	060	5.93	12.7	0.9
Type 2 2種	064	6.32	13.5	0.9
	074	7.31	15	0.9
	080	7.91	16.5	1
	008	0.8	2	0.2
	012	1.2	3	0.3
	015	1.5	4	0.4
	020	2	5	0.4
	025	2.5	6	0.4
	030	3	7	0.6
	040	4	9	0.6
	050	5	11	0.6
	060	6	12	0.8
	070	7	14	0.8
	080	8	16	0.8
090	9	18	0.8	
100	10	20	1	

Figure ZZE (2/3)MECHANICAL STANDARD PARTS (RETAINING RINGS)

5-2. Grip Rings
グリップ止め輪

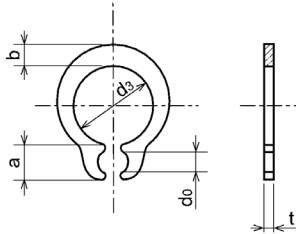


Table 5 表5

Nominal designation 呼び	d ₃ (mm)	t (mm)	b (mm)	a (mm)	d ₀ (mm)
020	1.9	0.5	1	1.8	0.8
025	2.35	0.5	1.2	1.9	0.9
030	2.85	0.6	1.4	1.9	0.9
035	3.3	0.6	1.6	2	0.9
040	3.8	0.8	1.8	2.8	1.2
045	4.25	0.8	2	2.9	1.3
050	4.75	0.8	2.2	2.9	1.3
060	5.7	1	2.4	3.1	1.4
070	6.7	1	2.7	3.3	1.4
080	7.7	1	3	3.5	1.4
090	8.65	1.2	3.3	4.7	1.5
100	9.65	1.2	3.5	4.7	2

Type No. 類別番号	Type 類別
XD2-210	Grip ring グリップ止め輪

5-3. Toothed Retaining Rings
歯付き形止め輪

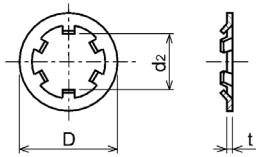


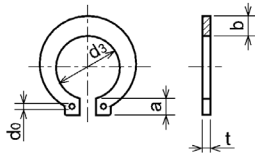
Table 5 表5

Nominal designation 呼び	d ₂ (mm)	D (mm)	t (mm)	No of teeth 歯数
015	1.4	5.2	0.25	3
020	1.9	6	0.25	3
024	2.3	6.4	0.25	3
030	2.8	8	0.25	4
040	3.8	9	0.25	4
050	4.8	10	0.25	5
060	5.8	11	0.25	5
080	7.8	13	0.25	5
100	9.8	15.4	0.25	6

Type No. 類別番号	Type 類別
XD2-230	Toothed retaining ring 歯付き形止め輪

Figure ZZE (3/3)MECHANICAL STANDARD PARTS (RETAINING RINGS)

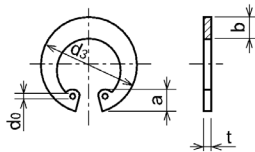
5-4. Retaining Rings - C Type
C形止め輪



Type No. 類別番号	Type 類別
XD2-310	Retaining ring - C type for shaft C形止め輪 軸用

Table 5 表5

Nominal designation 呼び	ds (mm)	t (mm)	b (mm)	a (mm)	do (mm)
010	9.3	1	1.6	3	1.2
012	11.1	1	1.8	3.2	1.5
014	12.9	1	2	3.4	1.7
015	13.8	1	2.1	3.5	1.7
016	14.7	1	2.2	3.6	1.7
017	15.7	1	2.2	3.7	1.7
018	16.5	1.2	2.6	3.8	1.7
020	18.5	1.2	2.7	3.9	2
022	20.5	1.2	2.7	4.1	2
025	23.2	1.2	3.1	4.3	2
028	25.9	1.5	3.1	4.6	2
030	27.9	1.5	3.5	4.8	2
032	29.6	1.5	3.5	5	2.5
035	32.2	1.5	4	5.4	2.5



Type No. 類別番号	Type 類別
XD2-320	Retaining ring - C type for hole C形止め輪 穴用

Table 5 表5

Nominal designation 呼び	ds (mm)	t (mm)	b (mm)	a (mm)	do (mm)
010	10.7	1	1.8	3.1	1.2
011	11.8	1	1.8	3.2	1.2
012	13	1	1.8	3.3	1.5
014	15.1	1	2	3.6	1.7
016	17.3	1	2	3.7	1.7
018	19.5	1	2.5	4	1.7
019	20.5	1	2.5	4	2
020	21.5	1	2.5	4	2
022	23.5	1	2.5	4.1	2
025	26.9	1.2	3	4.4	2
028	30.1	1.2	3	4.6	2
030	32.1	1.2	3	4.7	2
032	34.4	1.2	3.5	5.2	2.5
035	37.8	1.5	3.5	5.2	2.5
037	39.8	1.5	3.5	5.2	2.5
040	43.5	1.8	4	5.7	2.5
042	45.5	1.8	4	5.8	2.5
045	48.5	1.8	4.5	5.9	2.5
047	50.5	1.8	4.5	6.1	2.5
050	54.2	2	4.5	6.5	2.5
052	56.2	2	5.1	6.5	2.5
055	59.2	2	5.1	6.5	2.5
060	64.2	2	5.1	6.8	2.5
062	66.2	2	5.5	6.9	2.5
068	72.5	2.5	6	7.4	2.5
072	76.5	2.5	6.6	7.4	2.5
075	79.5	2.5	6.6	7.8	2.5
080	85.5	2.5	7	8	2.5
085	90.5	3	7	8	3
090	95.5	3	7.6	8.3	3
095	100.5	3	8	8.5	3