

# PARTS CATALOG

## imageRUNNER ADVANCE 850 0 III Series (CEL)

### <PREFACE>

This Parts Catalog contains listings of parts used. Diagrams are provided with the listings to aid the service technician in identifying clearly, the item to be ordered.

Whenever ordering parts, consult this Parts Catalog for all of the information pertaining to each item. Be sure to include, in the Parts Request, the full item description, the item part number, and the quantity.

The Canon logo is displayed in a bold, black, sans-serif font. The letter 'C' is significantly larger than the other letters, and the 'o' is stylized with a vertical line through its center.

## Index

SNL	Product Code No. /Serial No.
A1A	ASSEMBLY LOCATION DIAGRAM (ADF)
A1E	ASSEMBLY LOCATION DIAGRAM (WITHOUT ADF)
A2A	OPTION PARTS CATALOG LIST
001E	ACCESSORIES (WITHOUT ADF)
001F	ACCESSORIES (ADF)
100AD	EXTERNAL COVERS, PANELS, ETC.
101D	INTERNAL COMPONENTS 1 (120V, 230V EUR)
102B	INTERNAL COMPONENTS 2
103	INTERNAL COMPONENTS 3
104C	INTERNAL COMPONENTS 4
105A	INTERNAL COMPONENTS 5
106A	INTERNAL COMPONENTS 6
107A	INTERNAL COMPONENTS 7
108	MACHINE BOTTOM PLATE
109A	MACHINE REAR PLATE 1
110	MACHINE REAR PLATE 2
111A	MACHINE REAR PLATE 3
112	FRONT COVER ASS'Y, LOWER
113	RIGHT DOOR ASSEMBLY
114	VERTICAL PATH ASSEMBLY
130C	FLAT CONTROL PANEL ASSEMBLY
132	CONTROL LEFT COVER ASS'Y
140G	POWER SUPPLY ASSEMBLY (230V)
250	MAIN DRIVE ASS'Y
260	V. PATH/CST. PICK-UP ASS'Y
261	LEFT DECK PICK-UP DRIVE ASS'Y
270A	DRUM DRIVE ASS'Y
271A	DEVELOPING DRIVE ASS'Y
280	DELIVERY REVERSE DRIVE ASS'Y
300	CASSETTE ASSEMBLY
301	CST. SIZE/REMNANT DETECT ASS'Y
302	DECK REMNANT DETECT ASS'Y
303	CASSETTE SIZE DETECT ASS'Y
304	PAPER STOCK ASS'Y, RIGHT
305	PAPER STOCK ASS'Y, LEFT
310A	PAPER PICK-UP ASS'Y, RIGHT
311A	PAPER PICK-UP ASS'Y, LEFT
312C	MULTI TRAY ASSEMBLY
313	MULTI PAPER PICK-UP ASS'Y

## Index

315	PRE-REGISTRATION GUIDE ASS' Y
330	FIXING/FEEDER DUPLEXING ASS' Y
331	FIXING/FEEDER FRAME ASS' Y
332	REGISTRATION ASS' Y
333	PHOTO SENSOR ASS' Y
334	E. T. B. CLEANING ASSEMBLY
335	E. T. BELT ASSEMBLY
336	REVERSE CROSSMEMBER ASS' Y, LF.
350A	OUTER PAPER DELIVERY ASS' Y
351	REVERSE PAPER DELIVERY ASS' Y
352	INNER PAPER DELIVERY ASS' Y
460A	LASER SCANNER UNIT
510C	PHOTO-SENSITIVE DRUM ASSEMBLY (230V)
550	1ST CORONA ASS' Y
570A	PRE-TRANSFER CORONA ASS' Y
620A	HOPPER ASS' Y
621	HOPPER ASS' Y
625	BUFFER ASS' Y
640A	DEVELOPING ASS' Y
650	DEVELOPING RELEASE ASS' Y
710A	AP. KIT ASS' Y
711A	DRUM CLEANING ASS' Y
720	SEPARATION CLAW DRIVE ASSEMBLY
770	WASTE TONER FEED ASSEMBLY
810A	FIXING ASS' Y
811A	FIXING ASS' Y, UPPER
812A	FIXING DRIVE ASS' Y
813A	FIXING ENTRANCE GUIDE ASS' Y
814A	FIXING EXIT GUIDE ASS' Y
900A	CONTROLLER BOX ASSEMBLY
910A	IH POWER SUPPLY PCB ASS' Y
930A	DC CONTROLLER PCB ASS' Y
931A	MAIN CONTROLLER PCB ASS' Y, 1
932	MAIN CONTROLLER PCB ASS' Y, 2
960	MAIN DRIVE DRIVER PCB ASS' Y
961B	AC DRIVER PCB ASS' Y (230V)
963	DUPLEXING DRIVER PCB ASSEMBLY
964	FEED DRIVER PCB ASSEMBLY
980	H. V. POWER SUPPLY ASS' Y
B10C	INTERNAL COMPONENTS 1 (ADF)

## Index

B11C	INTERNAL COMPONENTS 2 (ADF)
B12	INTERNAL COMPONENTS 3 (ADF)
B13	INTERNAL COMPONENTS 4 (ADF)
B14	INTERNAL COMPONENTS 5 (ADF)
B15	INTERNAL COMPONENTS 6 (ADF)
B16	DOCUMENT TRAY ASSEMBLY (ADF)
B17	OPEN/CLOSE PANEL ASSEMBLY (ADF)
B18	BASE FRAME ASSEMBLY (ADF)
B19	WHITE PLATE ASSEMBLY (ADF)
B30	PAPER PICK-UP ASSEMBLY (ADF)
B31	PAPER DELIVERY ASSEMBLY (ADF)
B32	OPEN/CLOSE GUIDE ASSEMBLY (ADF)
B40	PLATEN ROLLER ASSEMBLY, 1 (ADF)
B41	PLATEN ROLLER ASSEMBLY, 2 (ADF)
B42	PAPER FEED GUIDE ASSEMBLY, 1 (ADF)
B43	PAPER FEED GUIDE ASSEMBLY, 2 (ADF)
B90	DF DRIVER PCB ASSEMBLY (ADF)
D10C	EXTERNAL COVERS, PANELS, ETC. (READER)
D11	INTERNAL COMPONENTS 1 (READER)
D12	INTERNAL COMPONENTS 2 (READER)
D90	READER CONTROLLER PCB ASSEMBLY (READER)
ZZA	MECHANICAL STANDARD PARTS (HOW TO USE)
ZZB	MECHANICAL STANDARD PARTS (SCREWS)
ZZC	MECHANICAL STANDARD PARTS (BOLTS)
ZZD	MECHANICAL STANDARD PARTS (NUTS)
ZZE	MECHANICAL STANDARD PARTS (RETAINING RINGS)



Figure SNL Product Code No./Serial No.

	Product Code No.	Model Name	Remarks	Serial No.
1	F17-7892-000	imageRUNNER ADVANCE 8505 series III	-	YCM
2	F17-7891-000	imageRUNNER ADVANCE 8505 series III	ADF	YCR

	中オーダー	製品名	備考	シリアル No.
1	F17-7892-000	imageRUNNER ADVANCE 8505 series III	-	YCM
2	F17-7891-000	imageRUNNER ADVANCE 8505 series III	A D F	YCR

FIGURE & KEY NO.	PART NUMBER	RANK	QTY	DESCRIPTION	SERIAL NUMBER /REMARKS
SNL	NPN		RF	Product Code No./Serial No.	
1	F17-7892-000		1	imageRUNNER ADVANCE 8505 series III	YCM
2	F17-7891-000		1	imageRUNNER ADVANCE 8505 series III	YCR ADF

Figure A1A (1/9) ASSEMBLY LOCATION DIAGRAM (ADF)

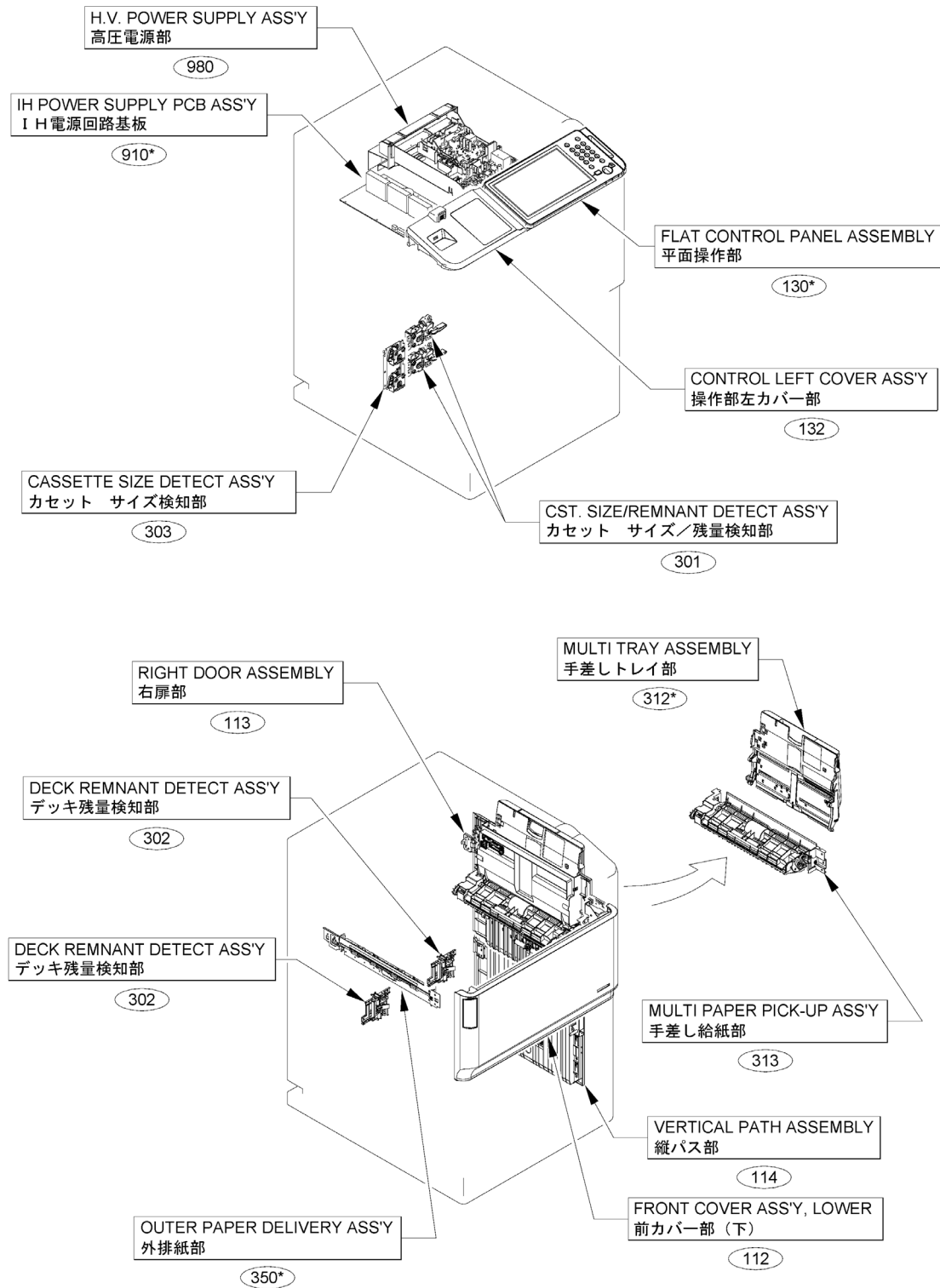


Figure A1A (2/9) ASSEMBLY LOCATION DIAGRAM (ADF)

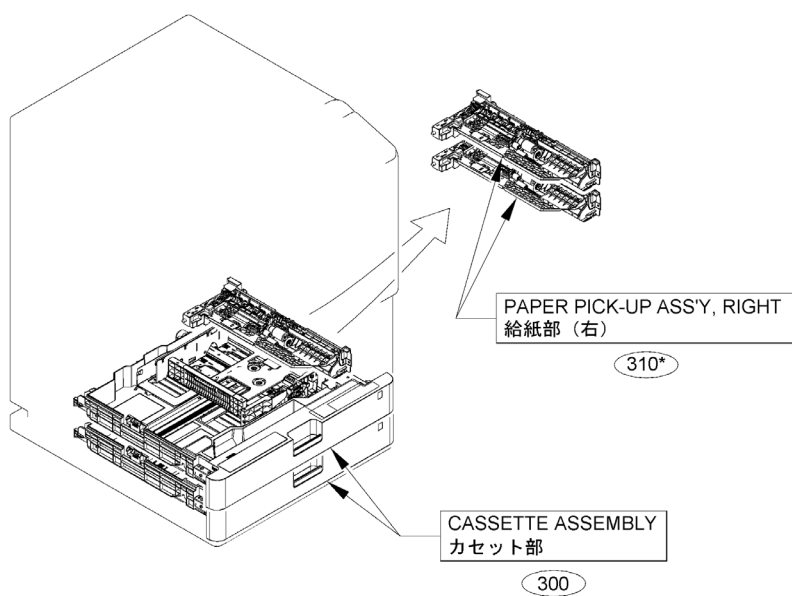
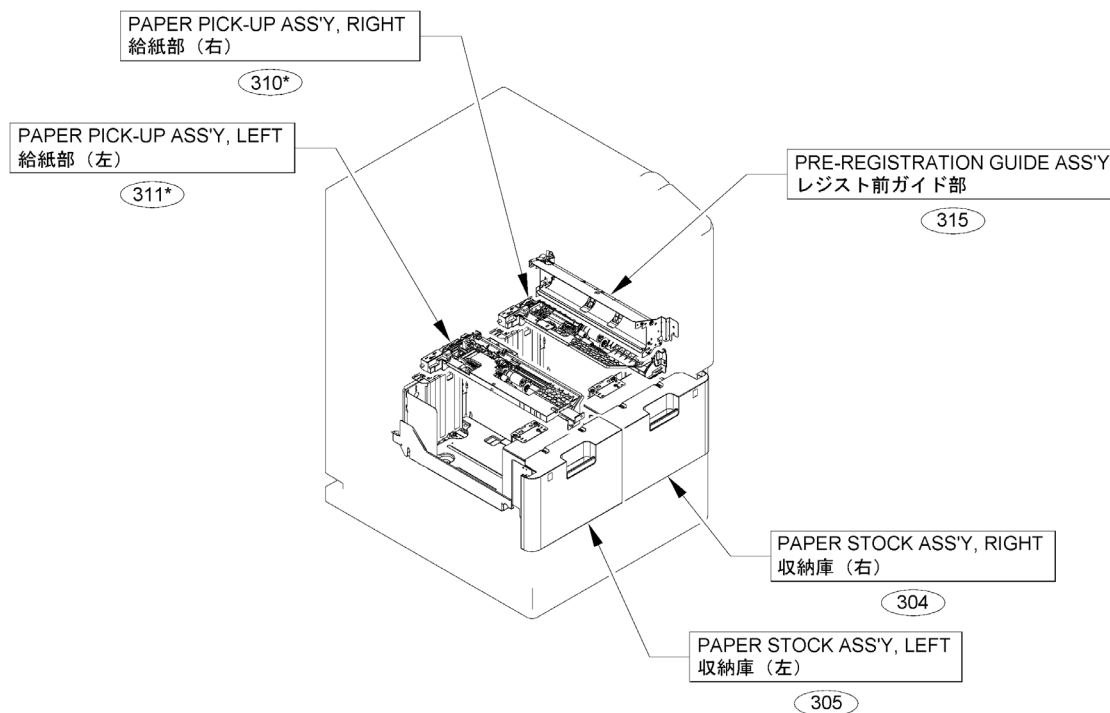


Figure A1A (3/9) ASSEMBLY LOCATION DIAGRAM (ADF)

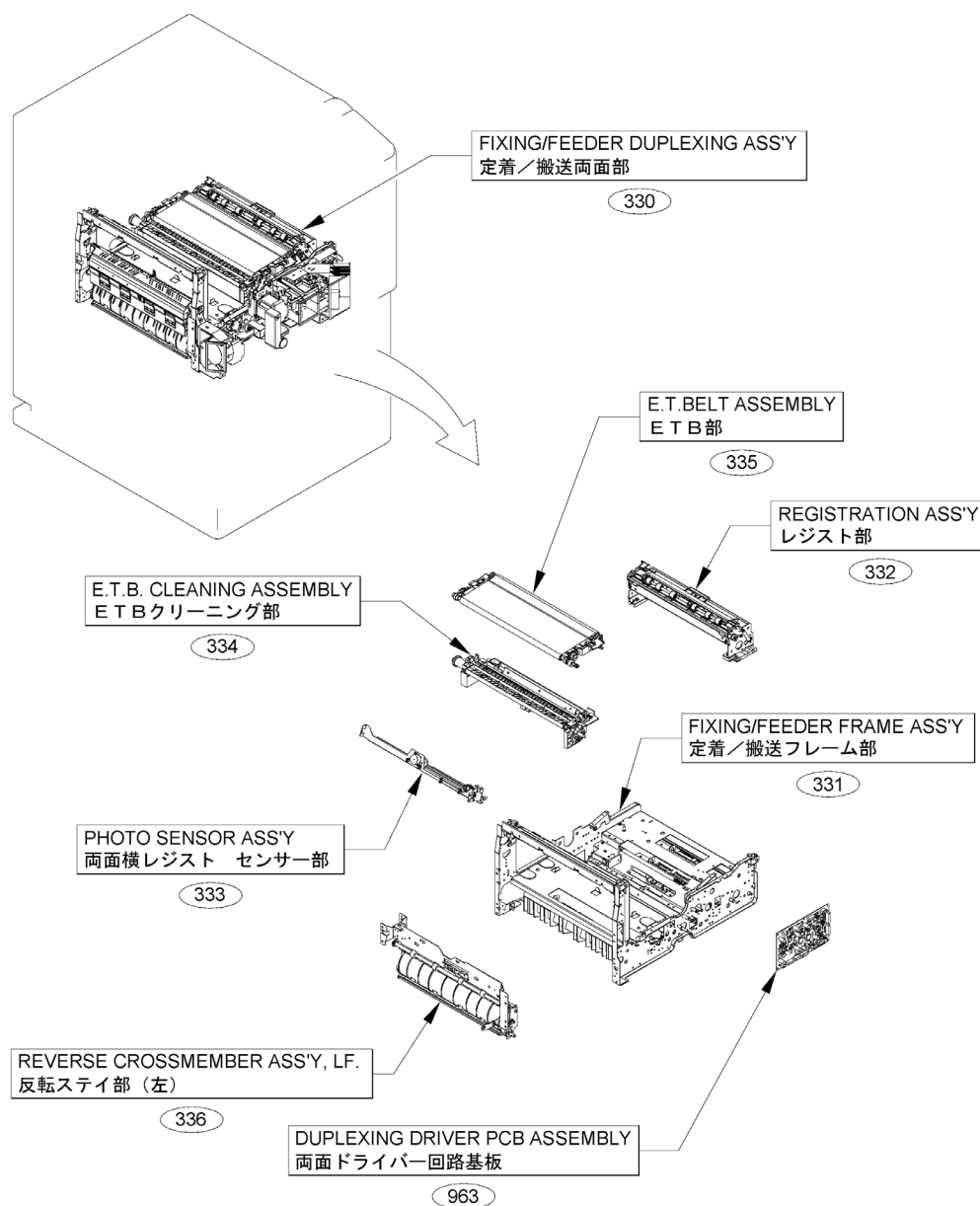


Figure A1A (4/9) ASSEMBLY LOCATION DIAGRAM (ADF)

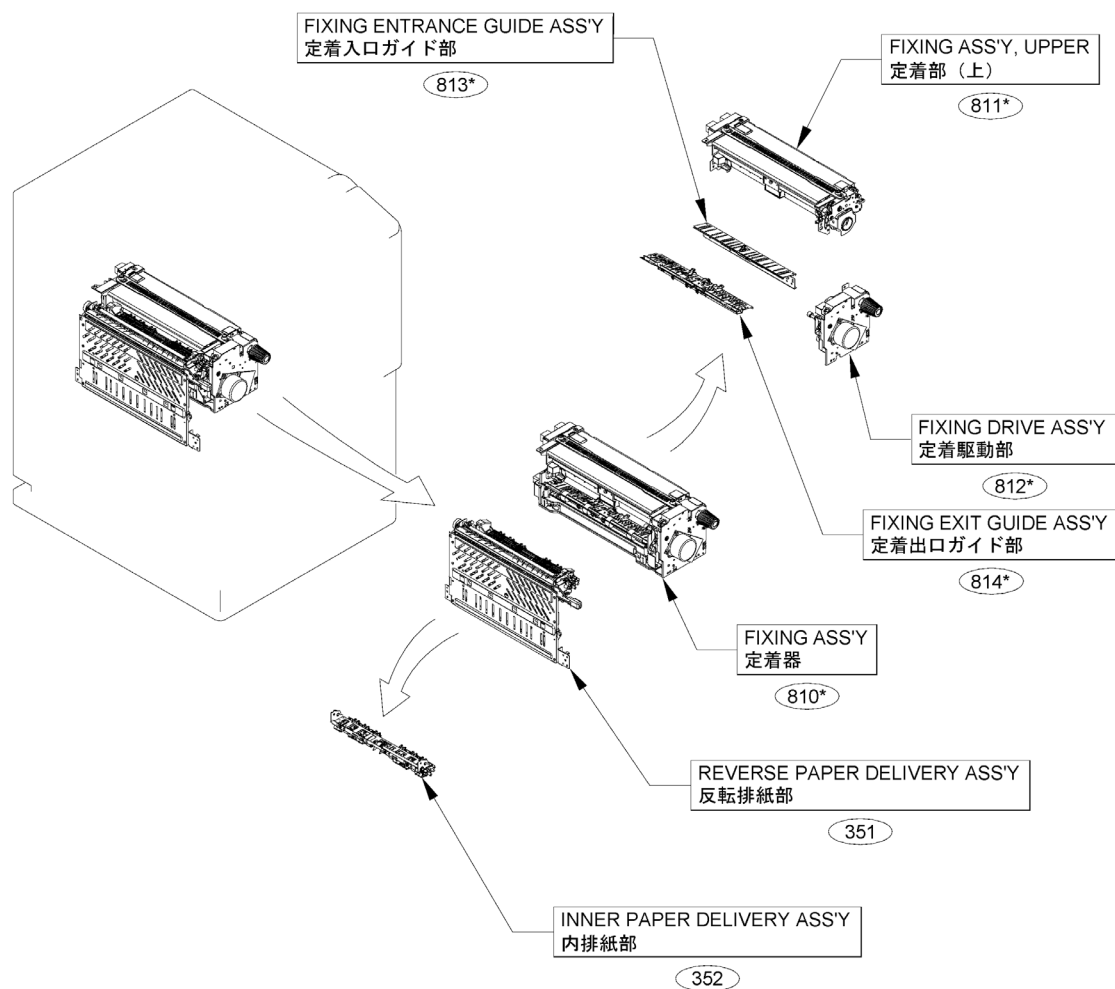


Figure A1A (5/9) ASSEMBLY LOCATION DIAGRAM (ADF)

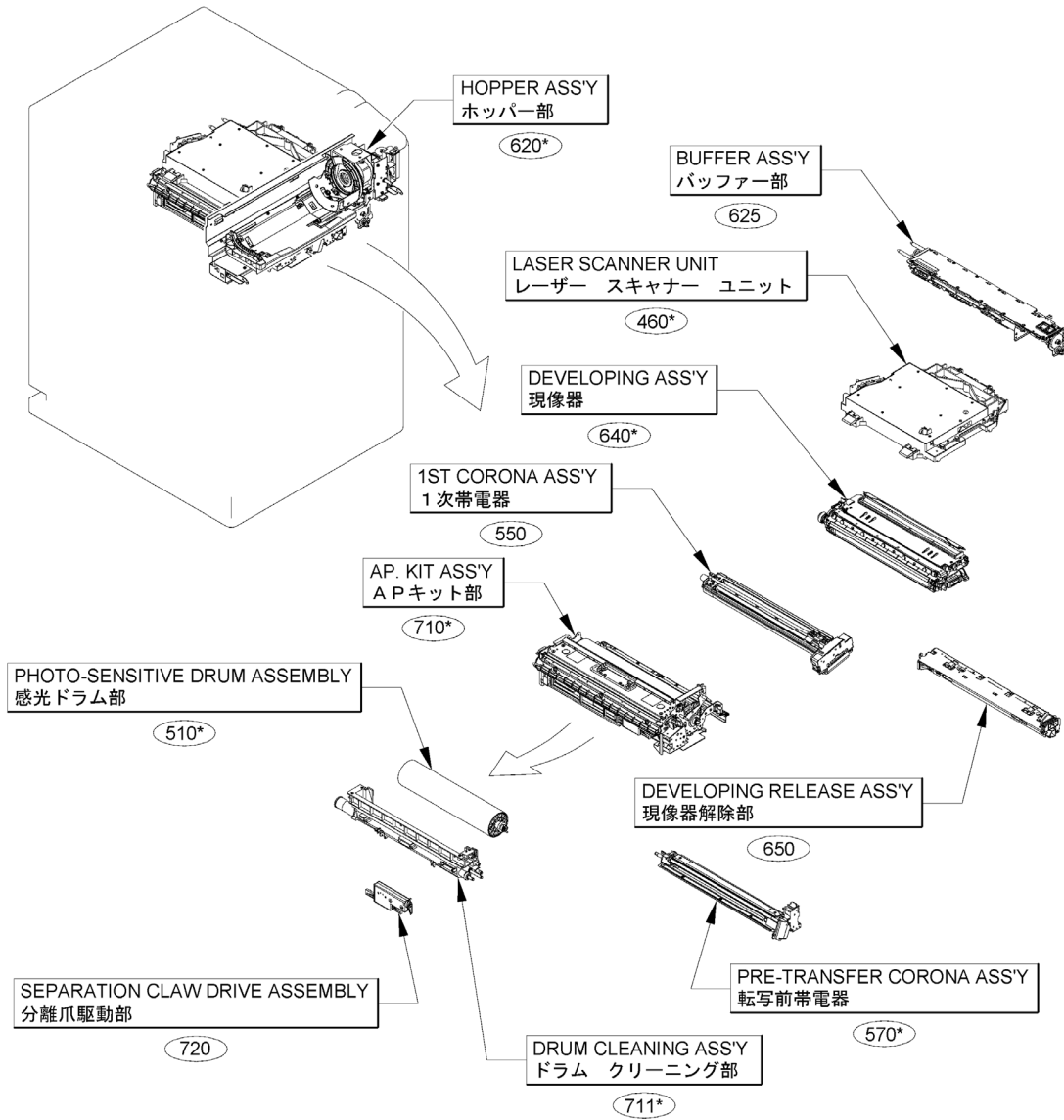


Figure A1A (6/9) ASSEMBLY LOCATION DIAGRAM (ADF)

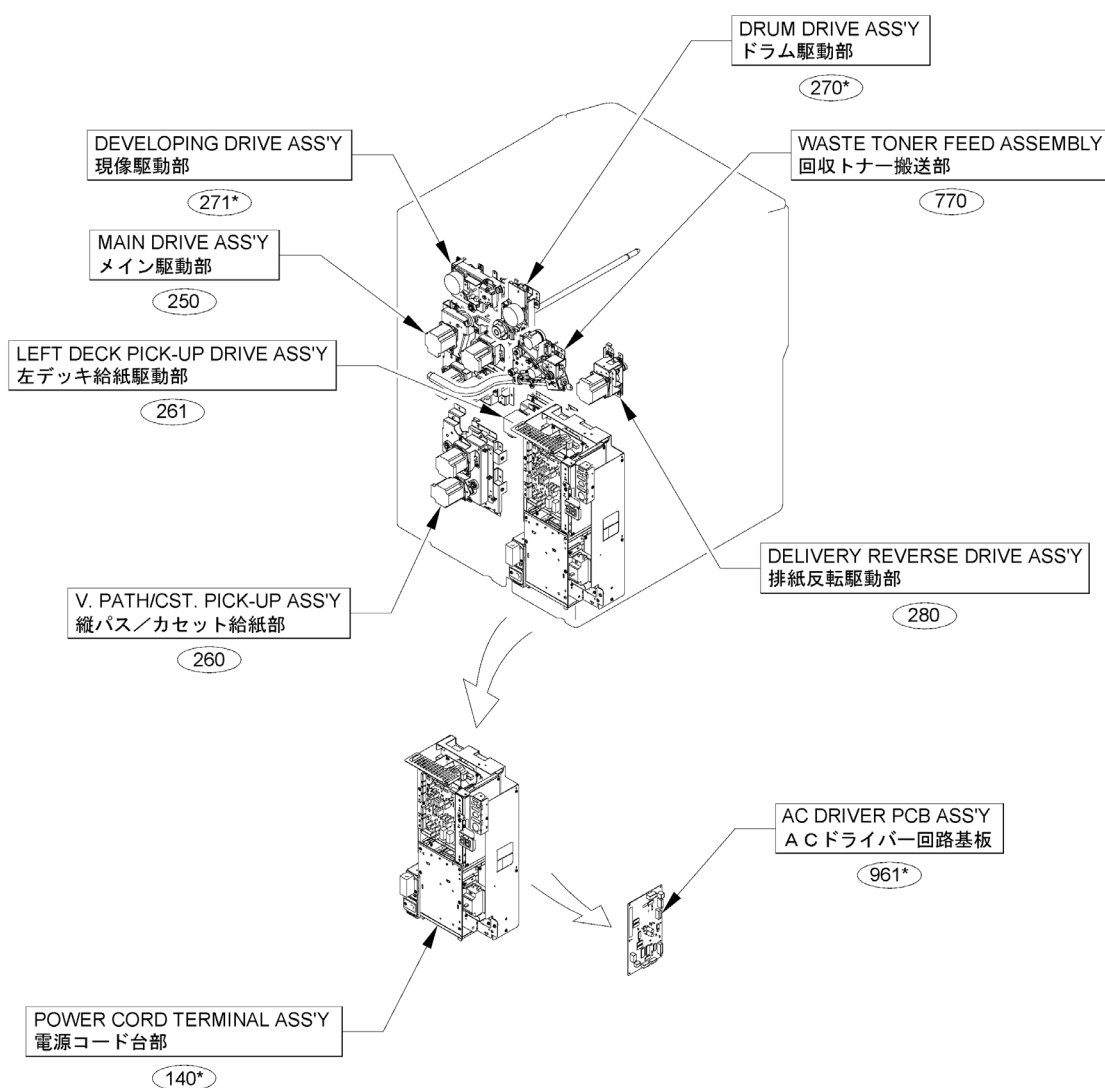




Figure A1A (7/9) ASSEMBLY LOCATION DIAGRAM (ADF)

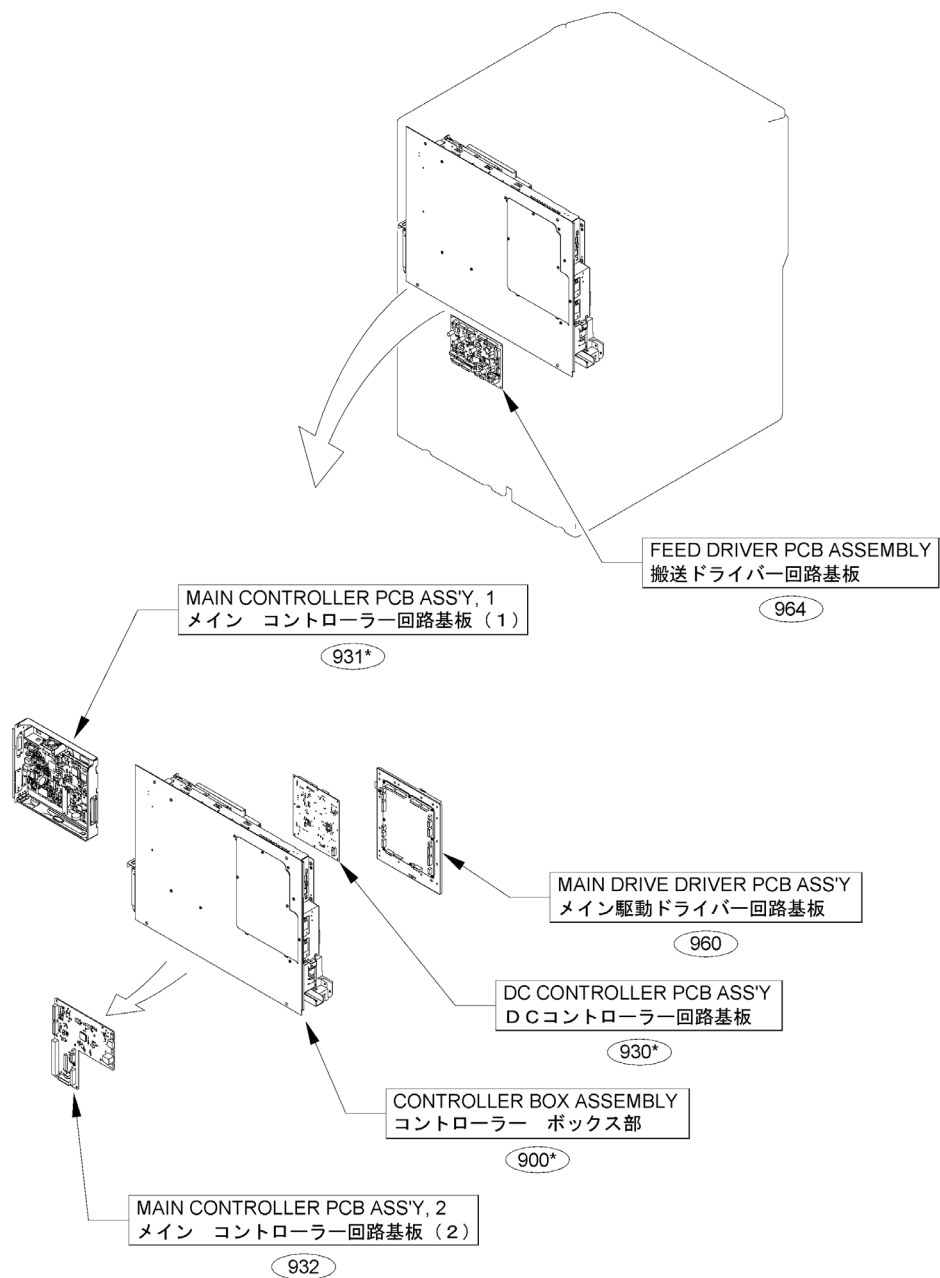


Figure A1A (8/9) ASSEMBLY LOCATION DIAGRAM (ADF)

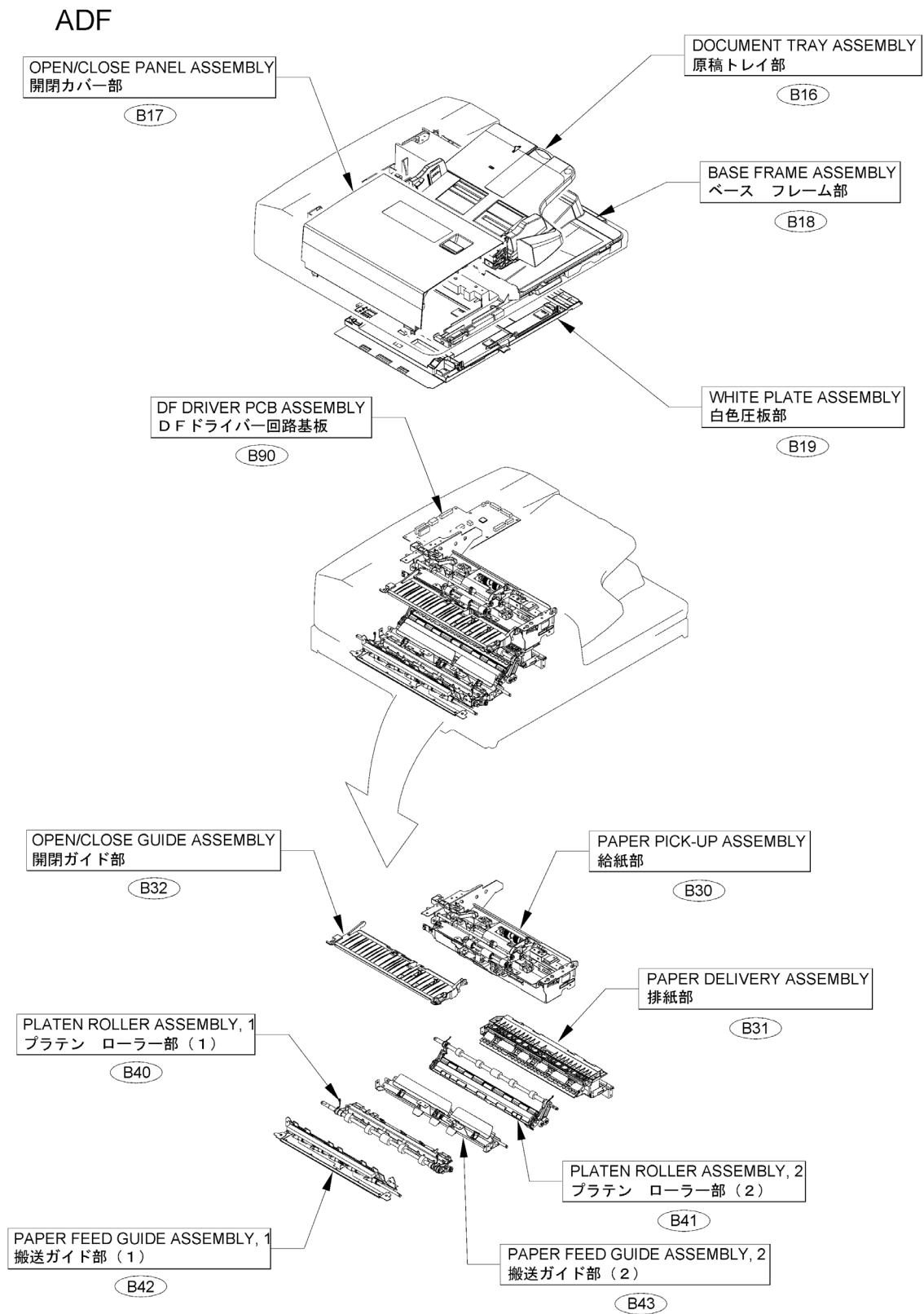


Figure A1A (9/9) ASSEMBLY LOCATION DIAGRAM (ADF)

READER

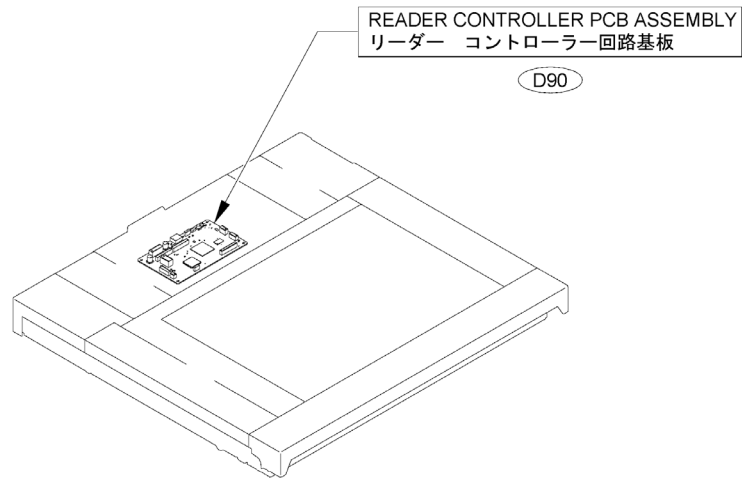


Figure A1E (1/7) ASSEMBLY LOCATION DIAGRAM (WITHOUT ADF)

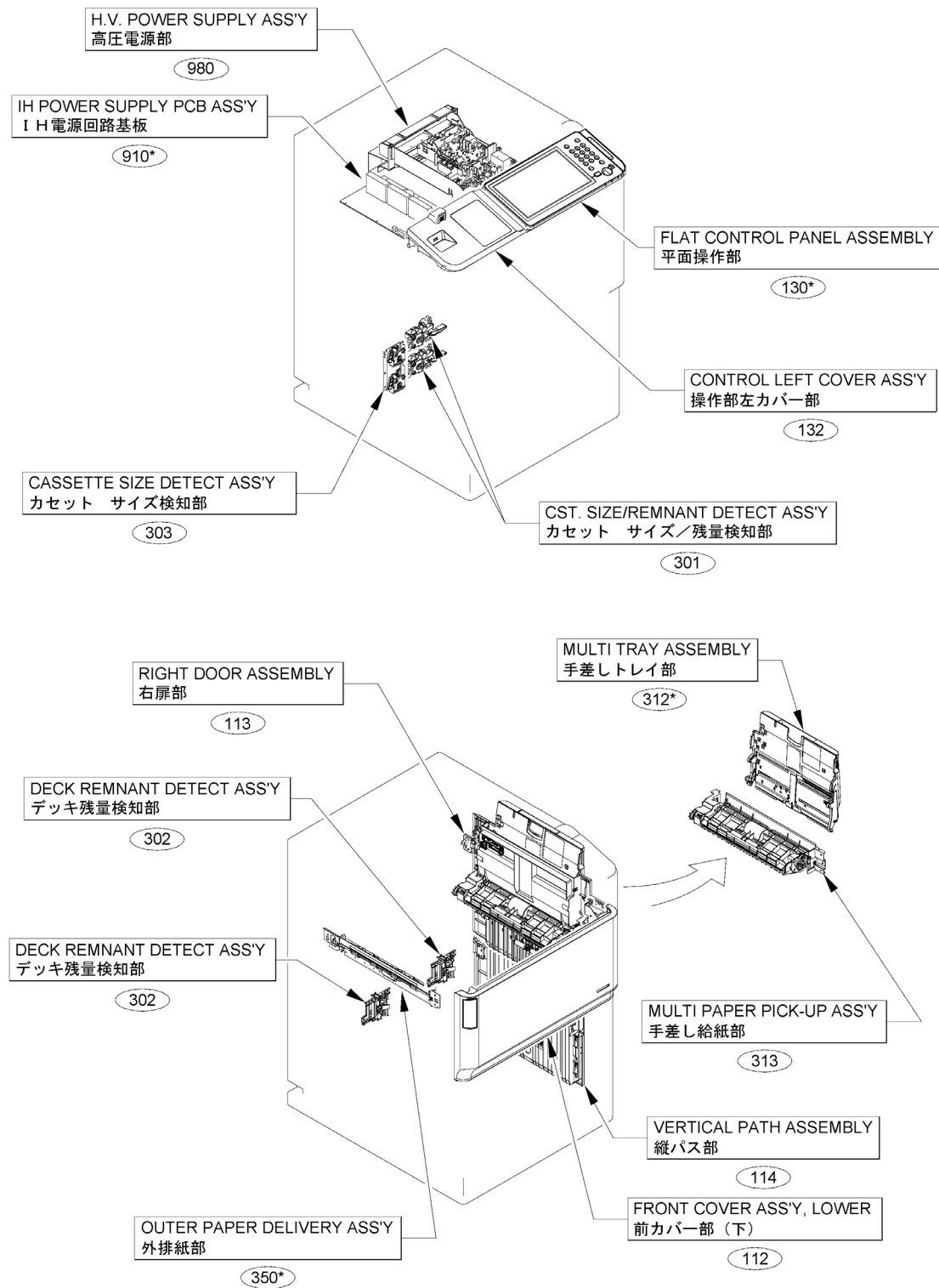


Figure A1E (2/7) ASSEMBLY LOCATION DIAGRAM (WITHOUT ADF)

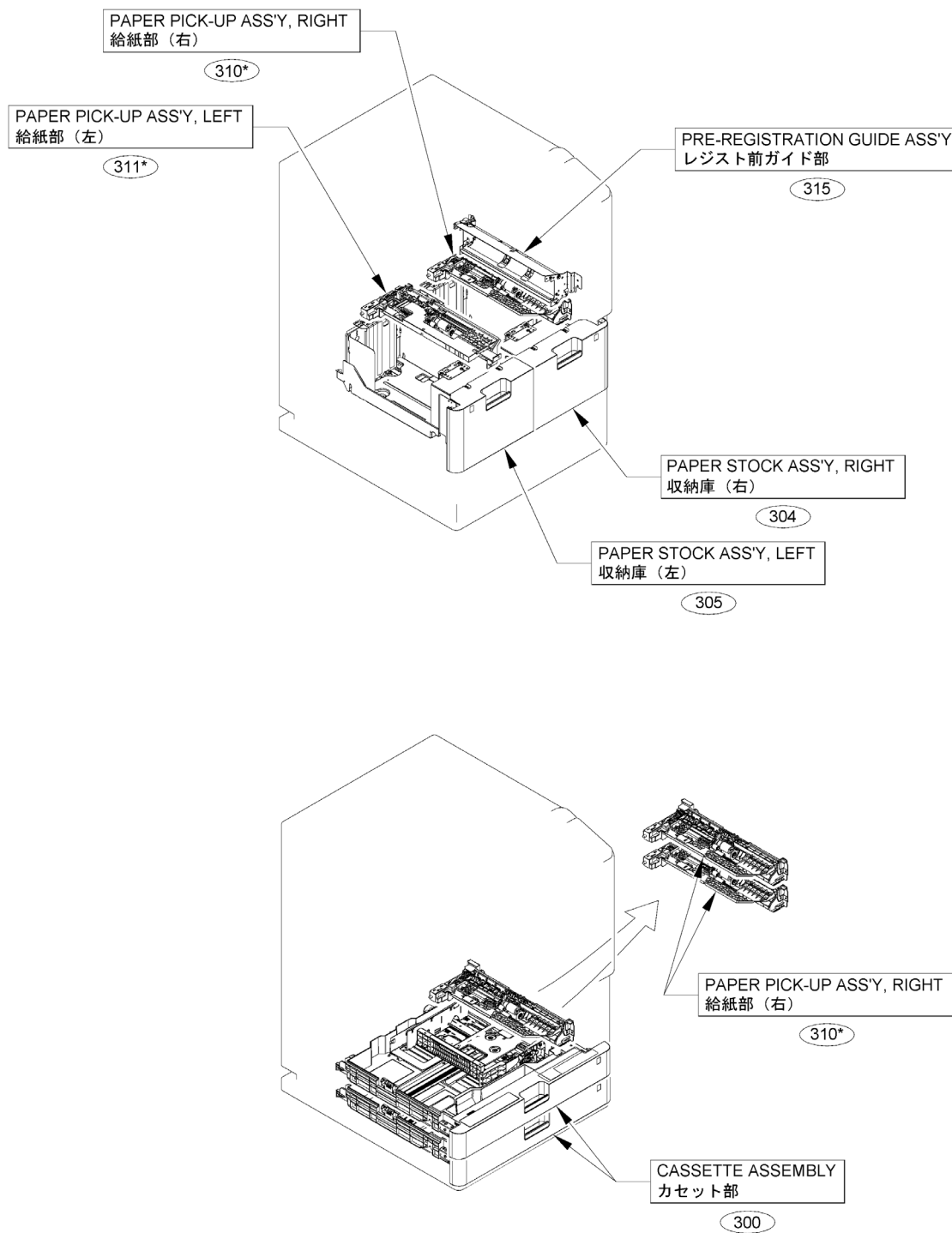


Figure A1E (3/7) ASSEMBLY LOCATION DIAGRAM (WITHOUT ADF)

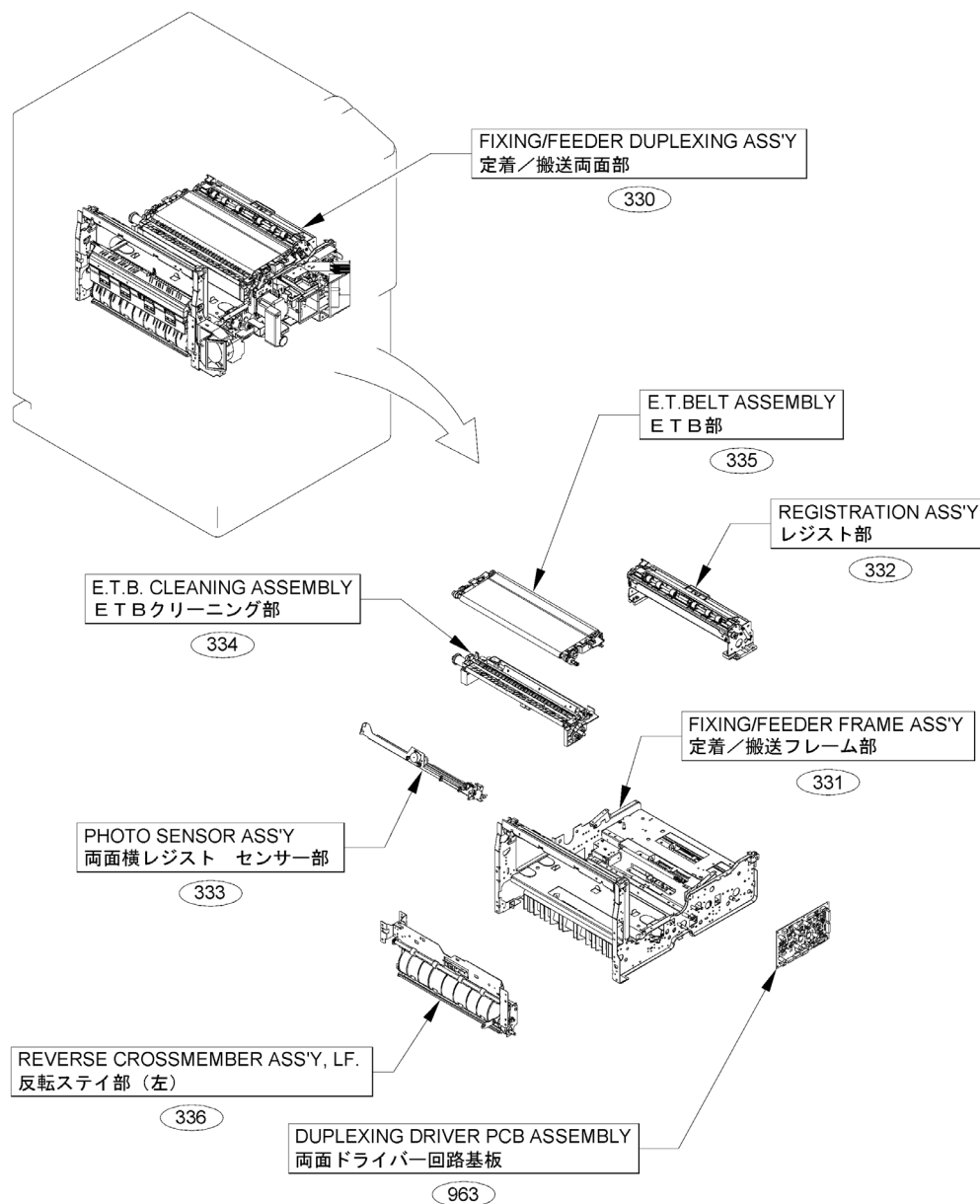


Figure A1E (4/7) ASSEMBLY LOCATION DIAGRAM (WITHOUT ADF)

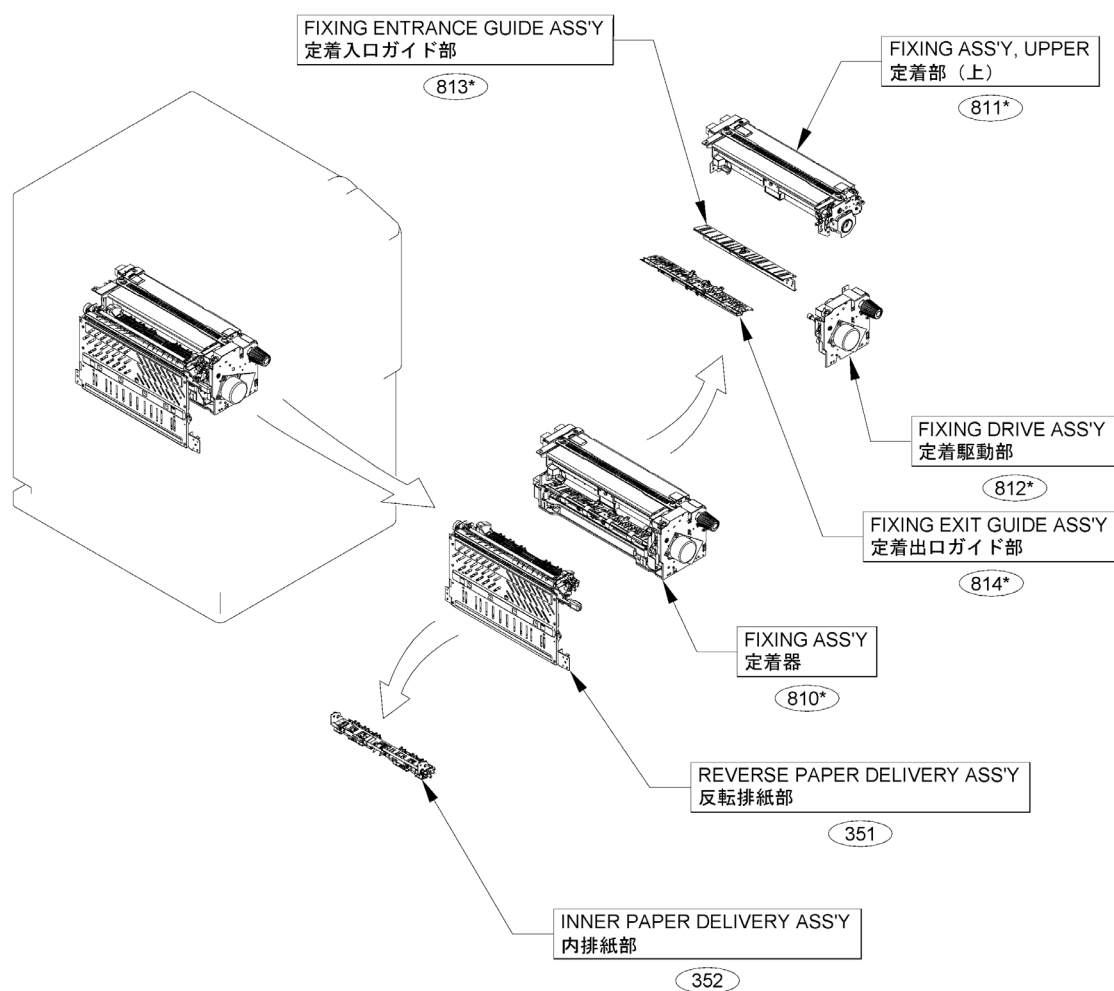


Figure A1E (5/7) ASSEMBLY LOCATION DIAGRAM (WITHOUT ADF)

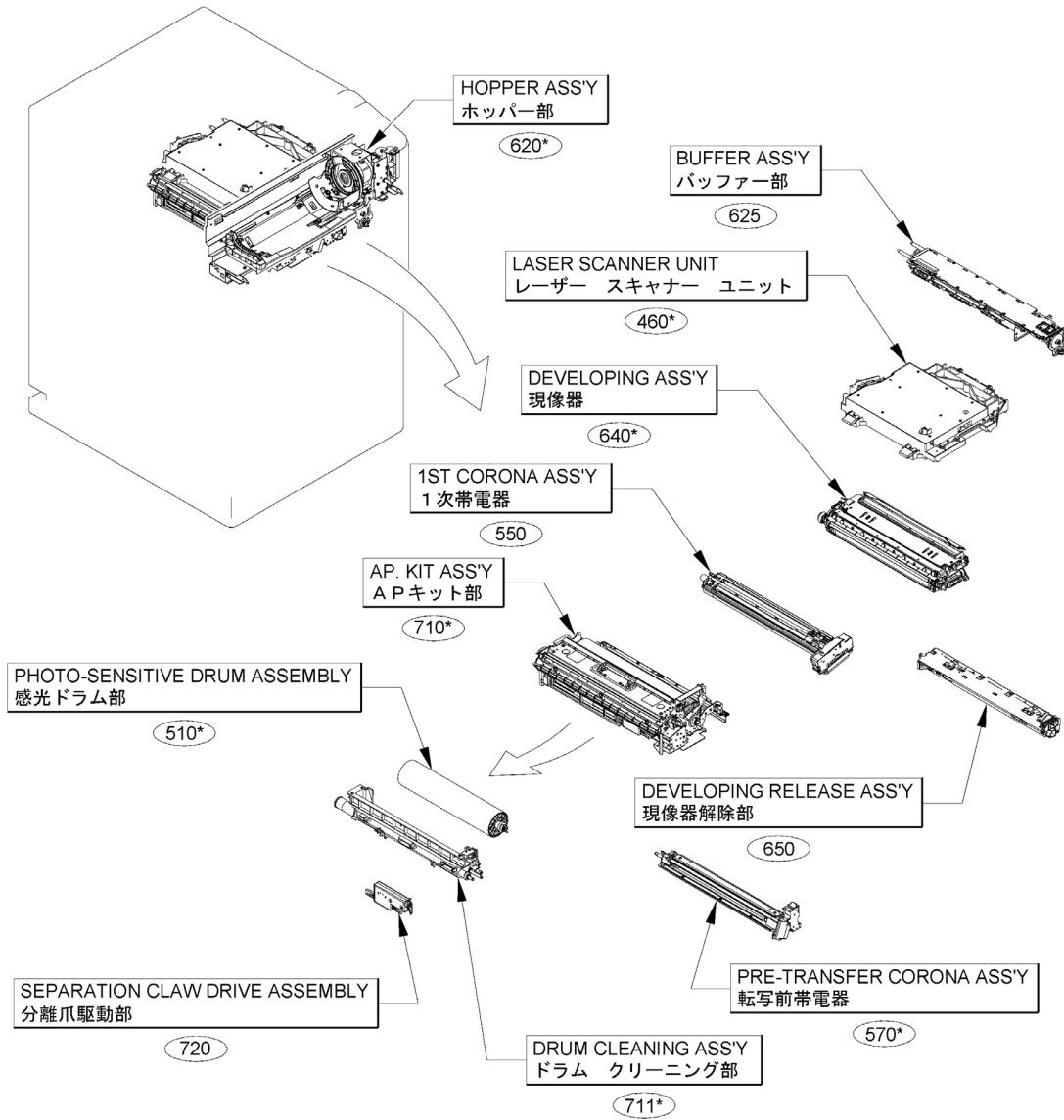




Figure A1E (6/7) ASSEMBLY LOCATION DIAGRAM (WITHOUT ADF)

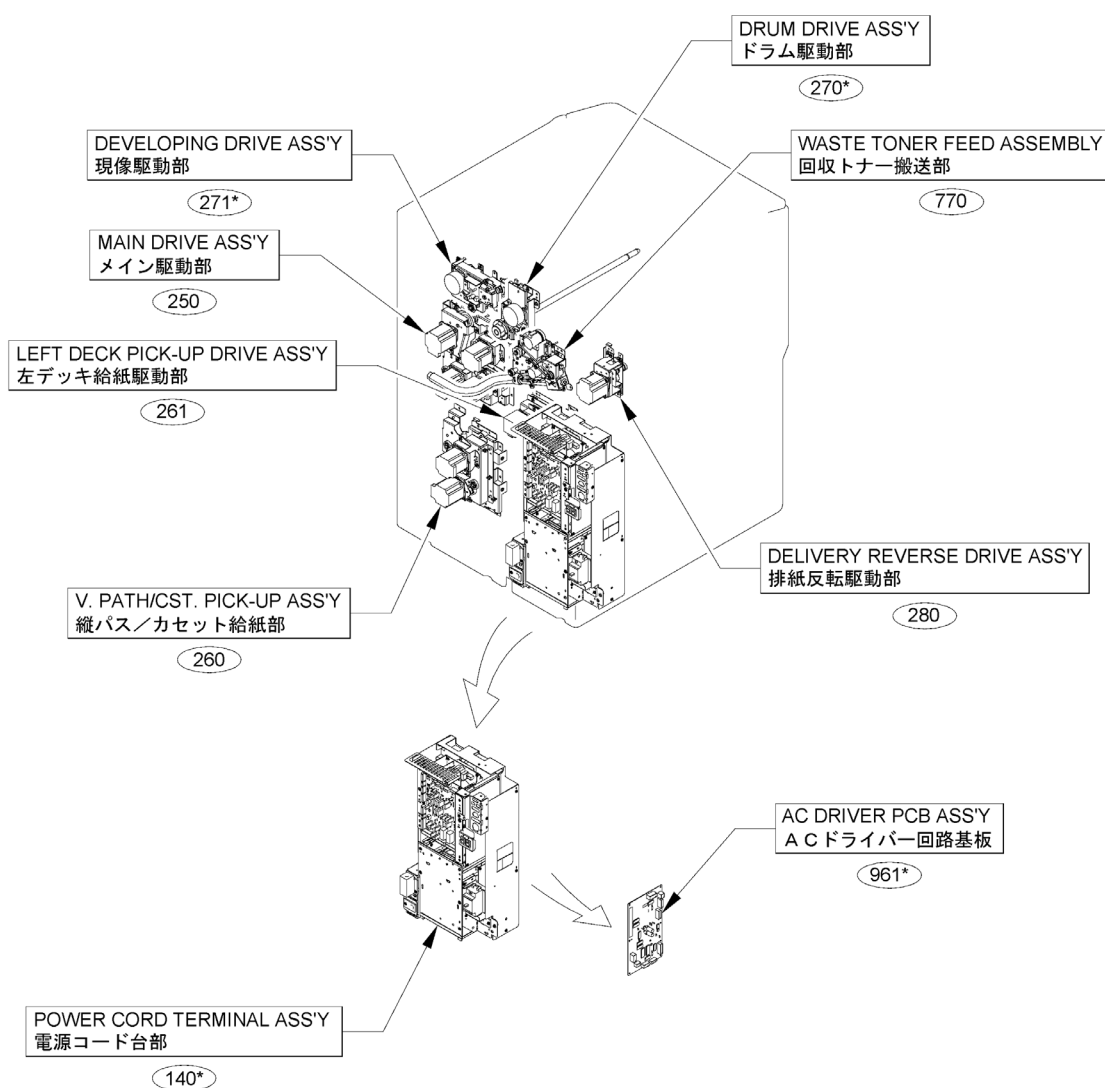


Figure A1E (7/7) ASSEMBLY LOCATION DIAGRAM (WITHOUT ADF)

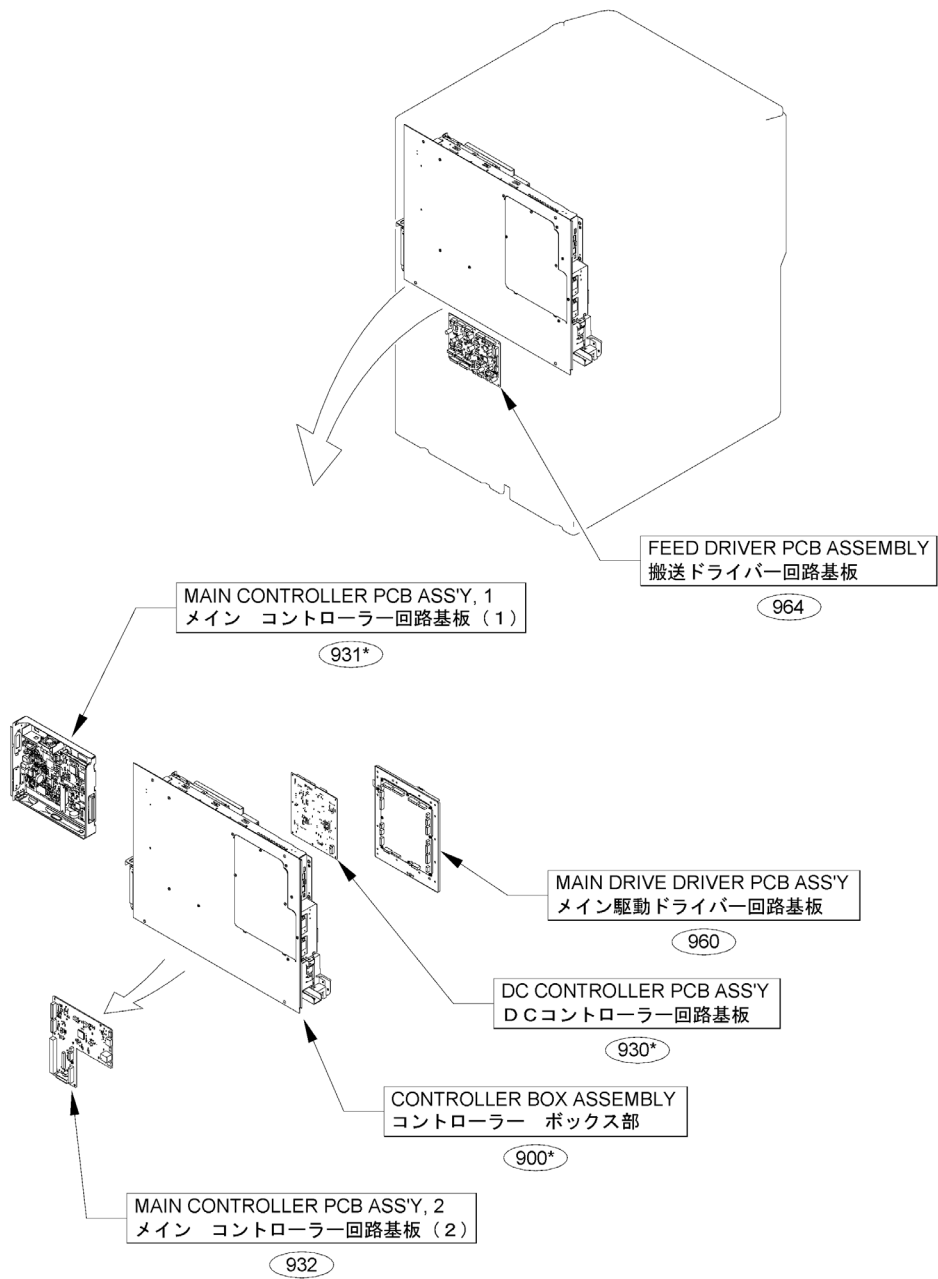


Figure A2A (1/2)OPTION PARTS CATALOG LIST

This is the table of the machine's options whose parts catalog is issued.  
 本機のオプションで、パーツカタログが発行されている機種の一覧である。

No.	Model Name(English)	Model Name(Japanese)
1	Stamp Unit-B1	(日本仕向けなし)
2	ADF Access Handle-A1	ADFアクセスハンドル・A1
3	Printer Cover-H1	プリンタカバー・H1
4	NFC Kit-A1 (for Upright Control Panel)	NFCキット・A1 (立面操作部用)
5	NFC Kit-C1	NFCキット・C1
6	Upright Control Panel-H1	立面操作部・H1
7	Paper Deck Unit-E1	ペーパーデッキユニット・E1
8	POD Deck Lite-C1	PODデッキライト・C1
9	Double Feeding Detection Kit-B1	重送検知キット・B1
10	Copy Tray-R1/R2	コピートレイ・R1/R2
11	Staple Finisher-X1/Booklet Finisher-X1	ステイブルフィニッシャー・X1/ 中綴じフィニッシャー・X1
12	Booklet Finisher-W1 PRO/Staple Finisher-W1 PRO	ステイブルフィニッシャー・W1/ 中綴じフィニッシャー・W1
13	Staple Finisher-V1/V2/Booklet Finisher-V1/V2	ステイブルフィニッシャー・V1/V2/ 中綴じフィニッシャー・V1/V2
14	Document Insertion Unit-N1	インサーター・N1
15	Insertion Option controller Kit-A1	インサーター オプション コントローラキット・A1
16	2/3 Hole, 2/4 Hole, 4 Hole Puncher Unit-A1	2/3穴、2/4穴、 4穴パンチャーユニット・A1
17	Puncher Unit-BE1/BF1/BG1/BH1	パンチャーユニット・BE1/BF1/ BG1/BH1
18	Puncher Unit-BS1/BT1/BU1	パンチャーユニット・BS1/BT1/BU1
19	Multi Function Professional Puncher-B1	(日本仕向けなし)
20	Multi Function Professional Puncher-A1	(日本仕向けなし)
21	MF Professional Puncher Attachment Kit-A1	(日本仕向けなし)
22	Paper Folding Unit-J1	ペーパーフォールディングユニット・J1
23	Inner Booklet Trimmer-A1	インナートリマー・A1
24	Booklet Trimmer-F1	小口トリマー・F1
25	Booklet Trimmer-D1	トリマー・D1
26	Reader Heater Unit-G1	リーダーヒーターキット・G1
27	Cassette Heater Unit-38	(日本仕向けなし)
28	Paper Deck Heater Unit-A1	ペーパーデッキヒーターユニット・A1
29	Utility Tray-B1	ユーティリティートレイ・B1
30	Copy Card Reader Attachment-A4	コピーカードリーダー取付けキット・A4
31	Super G3 FAX Board-AS1	(日本仕向けなし)
32	Super G3 FAX Board-AS2	(日本仕向けなし)
33	(JAPAN ONLY)	スーパーG3FAXボード・BA1
34	Super G3 2nd Line Fax Board-AS1	(日本仕向けなし)
35	Super G3 2nd Line Fax Board-AS2	(日本仕向けなし)
36	Super G3 3rd/4th Line Fax Board-AS1	G3回線増設キット(3・4回線)・AS1
37	Super G3 3rd/4th Line Fax Board-AS2	(日本仕向けなし)
38	(JAPAN ONLY)	G3回線増設キット(2回線)・BA1
39	(JAPAN ONLY)	ハンドセット・G2
40	Voice Guidance Kit-G1	(日本仕向けなし)
41	Voice Operation Kit-D1	音声操作キット・D1

Figure A2A (2/2) OPTION PARTS CATALOG LIST

This is the table of the machine's options whose parts catalog is issued.  
 本機のオプションで、パーツカタログが発行されている機種の一覧である。

No.	Model Name(English)	Model Name(Japanese)
42	Document Scan Lock Kit-B2	イメージ解析ボード・B2
43	(JAPAN ONLY)	i R - A D V 課金装置接続キット・A3
44	Serial Interface Kit-K3	シリアルインターフェースキット・K3
45	Copy Control Interface Kit-A1	コントロールインターフェースキット・A1
46	2.5inch/1TB HDD-P1/250GB HDD-N1	オプションHDD (2.5inch/1TB)・P1/ (2.5inch/250GB)・N1
47	HDD Mirroring Kit-J1	HDDミラーリングキット・J1
48	Removable HDD Kit-AL1	リムーバブルHDDキット・AL1
49	IC Card Reader Box-B1	ICカードリーダーボックス・B1
50	Copy Card Reader-F1	コピーカードリーダー・F1
51	Connection Kit-A1 for Bluetooth LE	拡張キット・A1 for Bluetooth LE

Figure 001E ACCESSORIES (WITHOUT ADF)

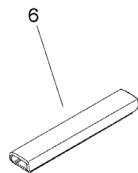
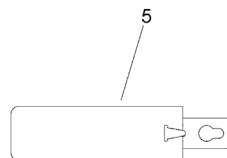
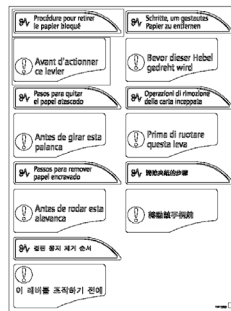
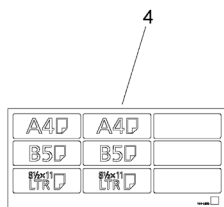
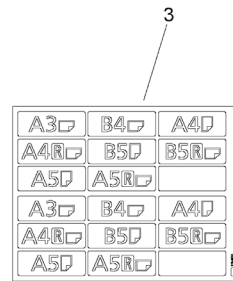
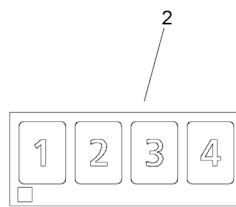
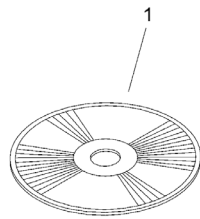


FIGURE & KEY NO.	PART NUMBER	RANK	QTY	DESCRIPTION	SERIAL NUMBER /REMARKS
001E	NPN		RF	ACCESSORIES	WITHOUT ADF
1	FK4-6108-000		1	CD-ROM, SOFTWARE FOR UFR II	
2	FL0-6118-000		1	LABEL, CASSETTE NUMBER	
3	FE8-8833-000		1	LABEL, PAPER SIZE	
4	FE4-5895-000		1	LABEL, PAPER SIZE	
5	FM4-5435-000		1	CLEANING SHEET UNIT	
6	FM1-K089-000		1	COVER, CABLE	

Figure 001F ACCESSORIES (ADF)

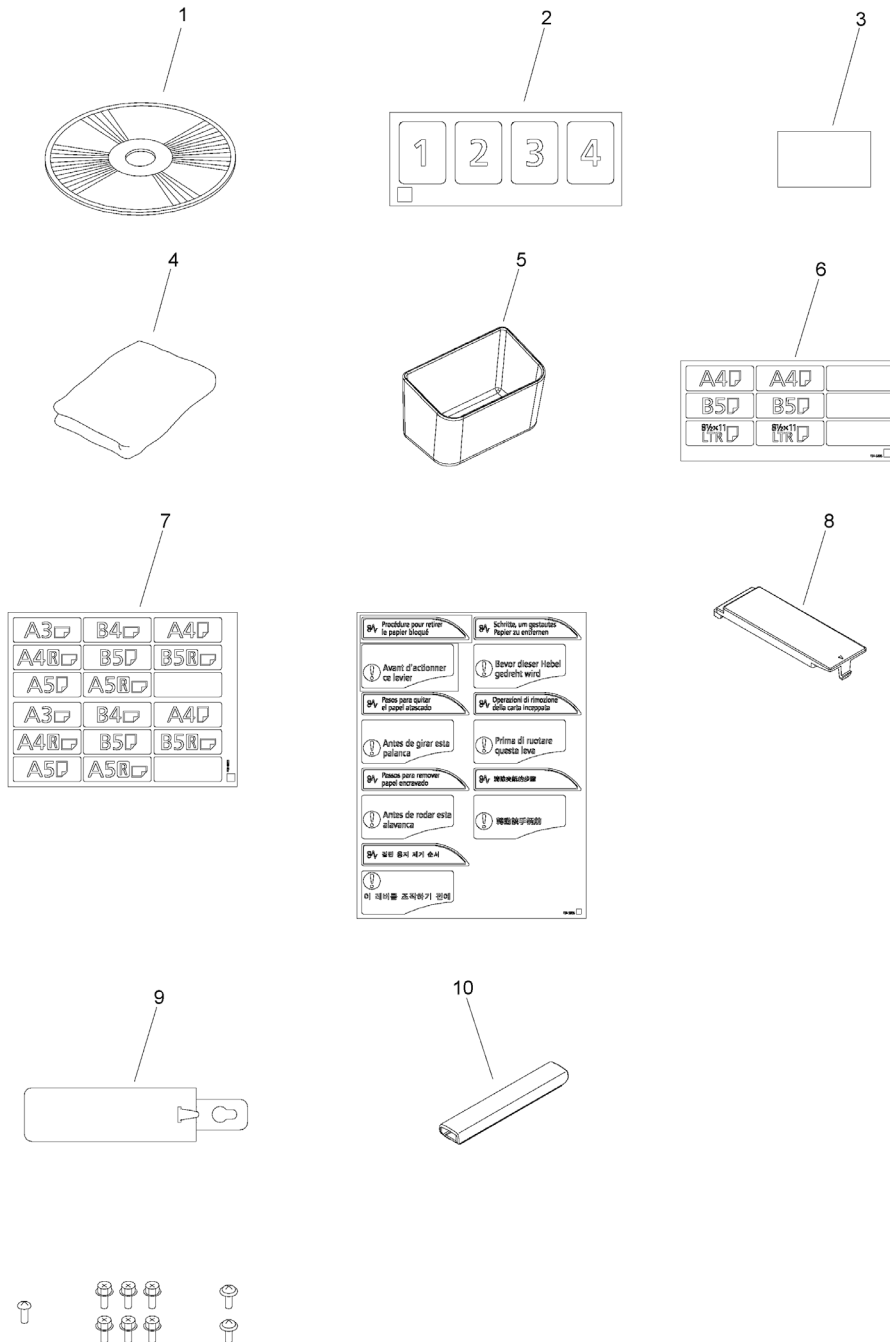


FIGURE & KEY NO.	PART NUMBER	RANK	QTY	DESCRIPTION	SERIAL NUMBER /REMARKS
001F	NPN		RF	ACCESSORIES	ADF
1	FK4-6108-000		1	CD-ROM, SOFTWARE FOR UFR II	
2	FL0-6118-000		1	LABEL, CASSETTE NUMBER	
3	FE3-4465-000		1	TAPE, DUPLEXING	
4	FE2-A001-000		1	CLOTH, CLEANING	
5	FE3-9210-000		1	BOX, CLEANING CLOTH STOCK	
6	FE4-5895-000		1	LABEL, PAPER SIZE	
7	FE8-8833-000		1	LABEL, PAPER SIZE	
8	FE4-6211-000		1	COVER, LEFT UPPER, SMALL	
9	FM4-5435-000		1	CLEANING SHEET UNIT	
10	FM1-K089-000		1	COVER, CABLE	



Figure 100AD EXTERNAL COVERS, PANELS, ETC.

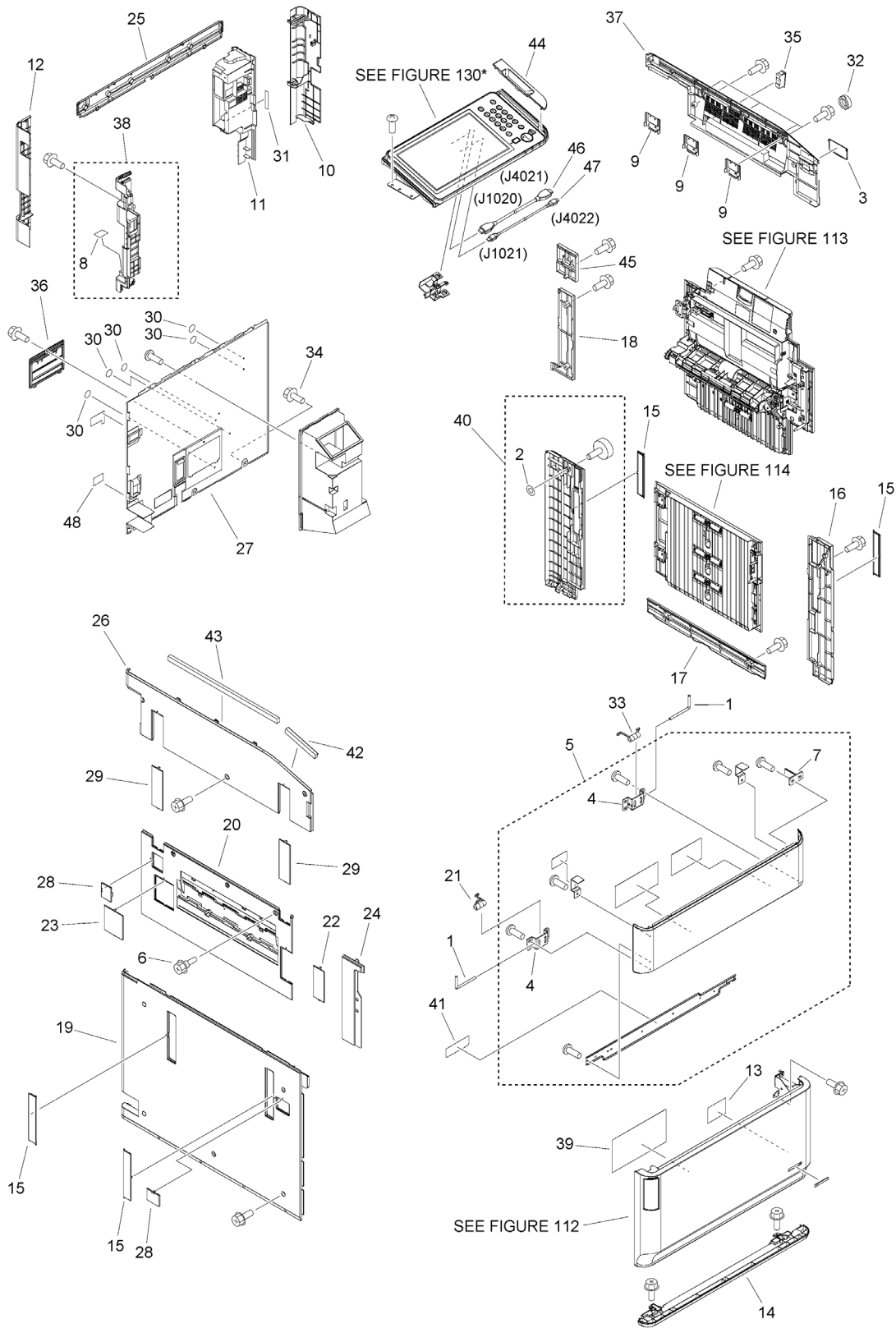


FIGURE & KEY NO.	PART NUMBER	RANK	QTY	DESCRIPTION	SERIAL NUMBER /REMARKS
100AD	NPN		RF	EXTERNAL COVERS, PANELS, ETC.	
1	FB6-6644-000		2	PIN	
2	FE2-1027-000		1	WASHER	
3	FC8-1844-000		1	COVER, MAIN SWITCH	
4	FC9-7047-000		2	HINGE, DOOR	
5	FM1-H208-000		1	FRONT COVER ASSEMBLY, UPPER	
6	FS5-9217-010		5	SCREW, STEPPED, M4	
7	FC9-8073-000		1	FLAG, BOTTLE DOOR SENSOR	
8	FU5-9905-000		1	LABEL, CONNECTION CAUTION	
9	FE4-1280-000		3	PLATE, COVER AUXILIARY, RIGHT	
10	FE4-1312-000		1	COVER, RIGHT REAR, 1	
11	FE4-1331-000		1	COVER, SIDE	
12	FE4-1639-000		1	COVER, LEFT REAR	
13	FU7-8495-000		1	LABEL, WIRE HEIGHT	
14	FE4-5159-000		1	COVER, CASSETTE, LOWER	
15	FE4-5160-000		4	COVER, KNOB	
16	FE4-5161-000		1	COVER, RIGHT FRONT	
17	FE4-5162-000		1	COVER, RIGHT LOWER	
18	FE4-5163-000		1	COVER, RIGHT REAR, 2	
19	FE4-5164-000		1	COVER, LEFT, LOWER	
20	FE4-5165-000		1	COVER, PAPER DELIVERY	
21	FU8-2348-000		1	SPRING, TORSION	
22	FE4-5167-000		1	COVER, BLANKING, 1	
23	FE4-5168-000		1	COVER, BLANKING, 2	
24	FE4-5169-000		1	COVER, LEFT FRONT	
25	FE4-5171-000		1	COVER, UPPER REAR	
26	FE4-5172-000		1	COVER, LEFT UPPER	
27	FE4-5175-000		1	COVER, REAR LOWER	
28	FE4-5188-000		2	COVER, BLANKING, 3	
29	FE4-5189-000		2	COVER, BLANKING	
30	FE4-5428-000		5	SEAL	
31	FE4-5882-000		1	LABEL, USB LAN INDICATION	
32	FE4-7426-000		4	CAP	
33	FU8-2349-000		1	SPRING, TORSION	
34	XA9-0899-000		7	SCREW,RS,M4X10	
35	XZ9-0603-000		1	CATCH, MAGNET	
36	FL0-5100-000		1	COVER, FILTER CASE	
37	FL0-6121-000		1	COVER, RIGHT UPPER	
38	FL0-6130-000		1	COVER, BOX, LEFT	
39	FL3-3872-000		1	LABEL, SERVICE	
40	FM1-H203-000		1	WASTE TONER BOTTLE BOX COVER	
41	FE3-4771-000		1	LABEL, TONER BOTTLE CAUTION	
42	FC9-8049-000		1	SEAL, FRONT	
43	FC9-8050-000		1	SEAL, REAR	

FIGURE & KEY NO.	PART NUMBER	RANK	QTY	DESCRIPTION	SERIAL NUMBER /REMARKS
44	FE4-1801-000		1	COVER, CONTROL PANEL, RIGHT	
45	FE4-5166-000		1	COVER, CONTROL PANEL ASS'Y	
46	FK4-4019-000		1	CABLE, USER INTERFACE	
47	FK4-2499-000		1	CABLE, USB	
48	FE4-5899-000		1	LABEL, GROUNDING CAUTION	

Figure 101D INTERNAL COMPONENTS 1 (120V, 230V EUR)

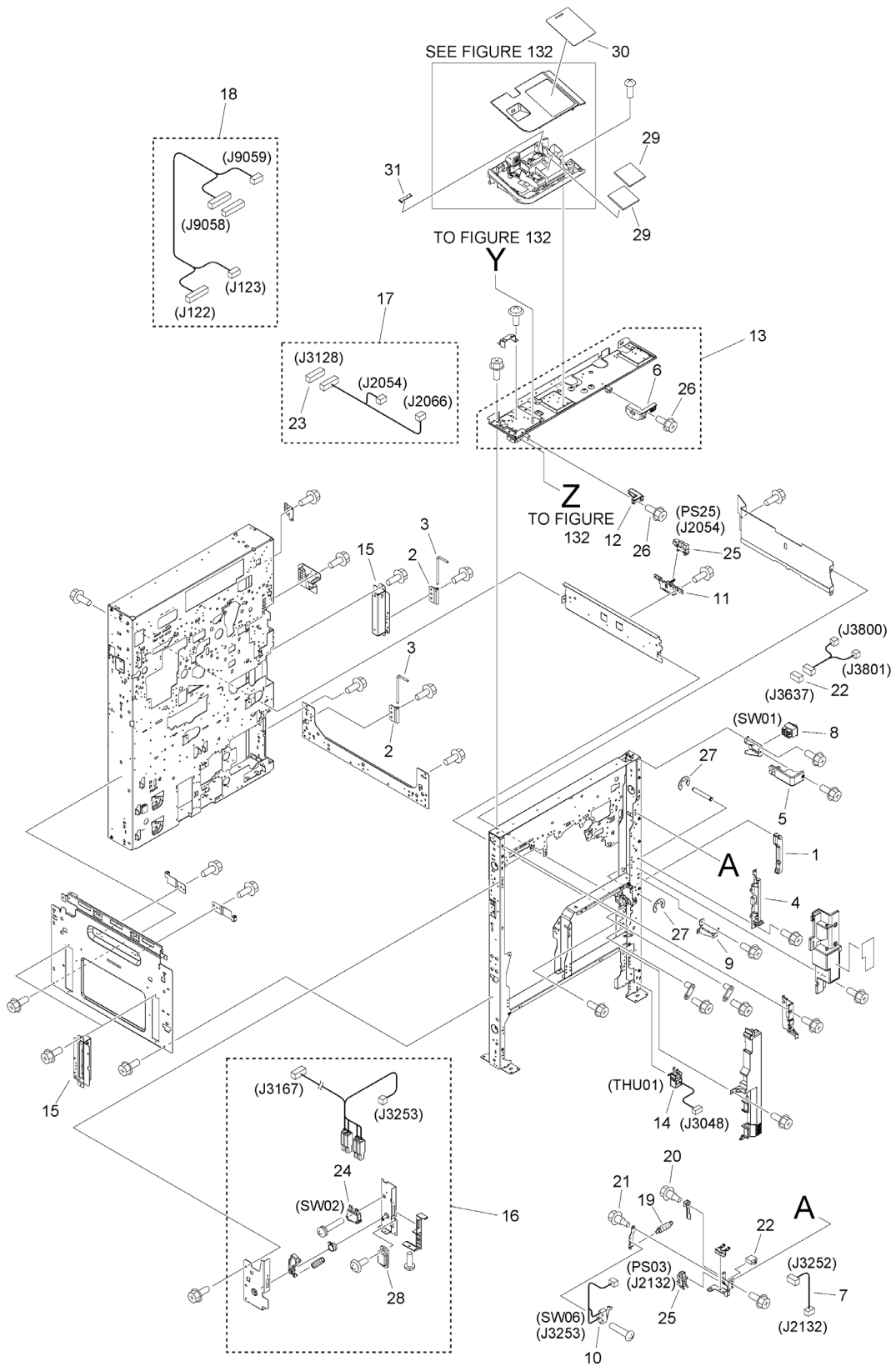


FIGURE & KEY NO.	PART NUMBER	RANK	QTY	DESCRIPTION	SERIAL NUMBER /REMARKS
101D	NPN		RF	INTERNAL COMPONENTS 1	120V, 230V EUR
1	FB2-8094-020		1	KNOB, 1	
2	FC8-7352-000		2	PLATE, HINGE	
3	FC8-9488-000		2	SHAFT, HINGE	
4	FC8-9490-000		1	HOOK, DOOR, RIGHT	
5	FC9-4356-000		1	COVER, MAIN POWER PROTECTION	
6	FE2-0555-000		1	RAIL, BOTTLE LIMIT, RIGHT	
7	FG2-7383-000		1	CABLE, DOOR CONNECTING	
8	FK3-3266-000		1	SWITCH, POWER SUPPLY	SW01
9	FL3-1240-000		1	HINGE, LOWER	
10	FL3-1271-000		1	CABLE, MULTI DOOR SWITCH	SW06
11	FL3-2813-010		1	SENSOR FLAG UNIT	
12	FL3-7918-000		1	RAIL, BOTTLE LIMIT, LEFT	
13	FM1-H194-000		1	CONTROL PANEL SUPPORT ASSEMBLY	
14	FM3-7307-000		1	ENVIRONMENT SENSOR ASS'Y	THU01
15	FM3-7327-000		3	KNOB ASSEMBLY	
16	FM4-0967-000		1	DOOR SWITCH ASS'Y	
17	FM4-1041-000		1	CABLE, VERTICAL PATH SENSOR	
18	FM4-1072-000		1	CABLE, SHIFT TRAY	
19	FS5-2958-000		1	SPRING, TENSION	
20	FS5-9166-020		1	SCREW, STEPPED, M4	
21	FS5-9216-020		1	SCREW, STEPPED, M4X6	
22	VS1-7177-004		2	CONNECTOR, SNAP TIGHT, BK	
23	VS1-8412-007		1	CONNECTOR, SNAP TIGHT, BL	
24	WC4-5125-000		1	SWITCH,SENSITIVE	SW02
25	WG8-5848-000		2	IC, PHOTO-INTERRUPTER	PS03, PS25
26	XA9-0732-010		6	SCREW,RS,M4X8	
27	XD9-0137-010		2	RING, E	
28	XZ9-0581-000		1	CATCH,MAGNET	
29	FE4-7896-000		2	CUSHION	
30	FL0-4116-000		1	SHEET, DEVICE PORT	
31	FM1-M945-000		1	LED PCB ASSEMBLY	

Figure 102B INTERNAL COMPONENTS 2

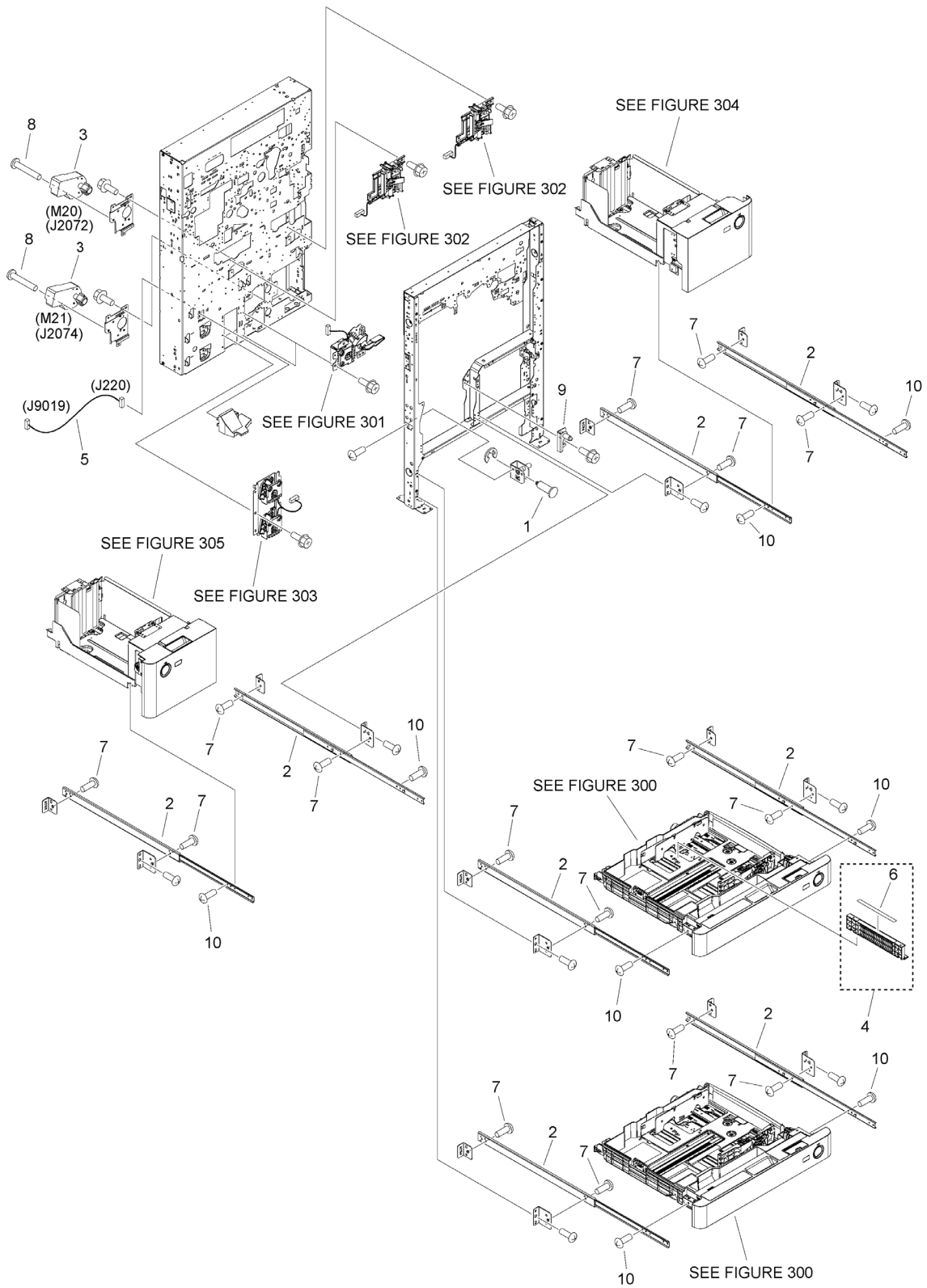


FIGURE & KEY NO.	PART NUMBER	RANK	QTY	DESCRIPTION	SERIAL NUMBER /REMARKS
102B	NPN		RF	INTERNAL COMPONENTS 2	
1	FC5-2544-000		1	SCREW, ADJUSTMENT, M6X16	
2	FC9-3904-000		8	RAIL, SLIDE	
3	FM4-9814-000		2	MOTOR, DC	M20,M21
4	FL2-8948-000		1	PLATE, BACK END LIMIT	
5	FM4-4317-000		1	CABLE, CASSETTE HEATER	
6	FU6-8537-010		1	LABEL, INDEX PAPER GUIDE	
7	XA9-1035-000		16	SCREW,M4X4	
8	XA9-1491-000		6	SCREW,W/WASHER PAN HEAD, M3X30	
9	FL3-0244-000		1	PLATE, DECK POSITIONING, LEFT	
10	XA9-1934-000		16	SCREW, M4X4	

Figure 103 INTERNAL COMPONENTS 3

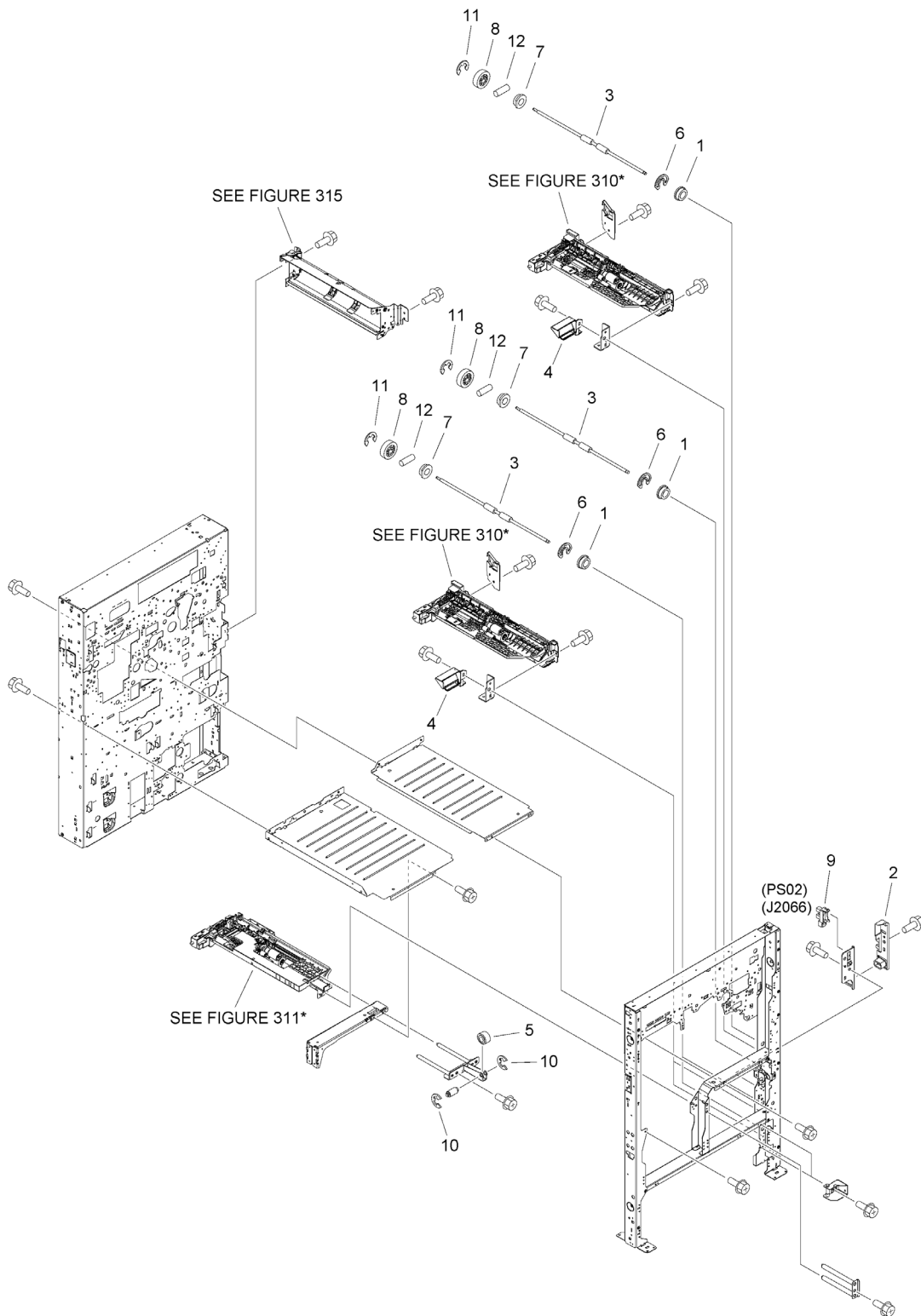




FIGURE & KEY NO.	PART NUMBER	RANK	QTY	DESCRIPTION	SERIAL NUMBER /REMARKS
103	NPN		RF	INTERNAL COMPONENTS 3	
1	XG9-0849-000		4	BEARING,BALL,MF128ZZWB4.7X3D41	
2	FC8-2700-010		1	MOUNT, HOOK	
3	FC8-9486-000		4	ROLLER, PAPER FEED	
4	FC9-4084-000		3	GUIDE, PAPER EXHAUST, RIGHT	
5	FC9-9145-000		1	SPACER, INNER PAPER DELIVERY	
6	FC5-2715-000		4	RING, RETAINING	
7	XG9-0778-000		4	BEARING, BALL, MF106ZZ-1	
8	FU8-0333-000		4	GEAR, 24T	
9	WG8-5848-000		1	IC, PHOTO-INTERRUPTER	PS02
10	XD9-0134-000		2	RING, E	
11	XD9-0136-000		4	RING, E	
12	XD9-0289-000		4	PIN, PARALLEL	

Figure 104C INTERNAL COMPONENTS 4

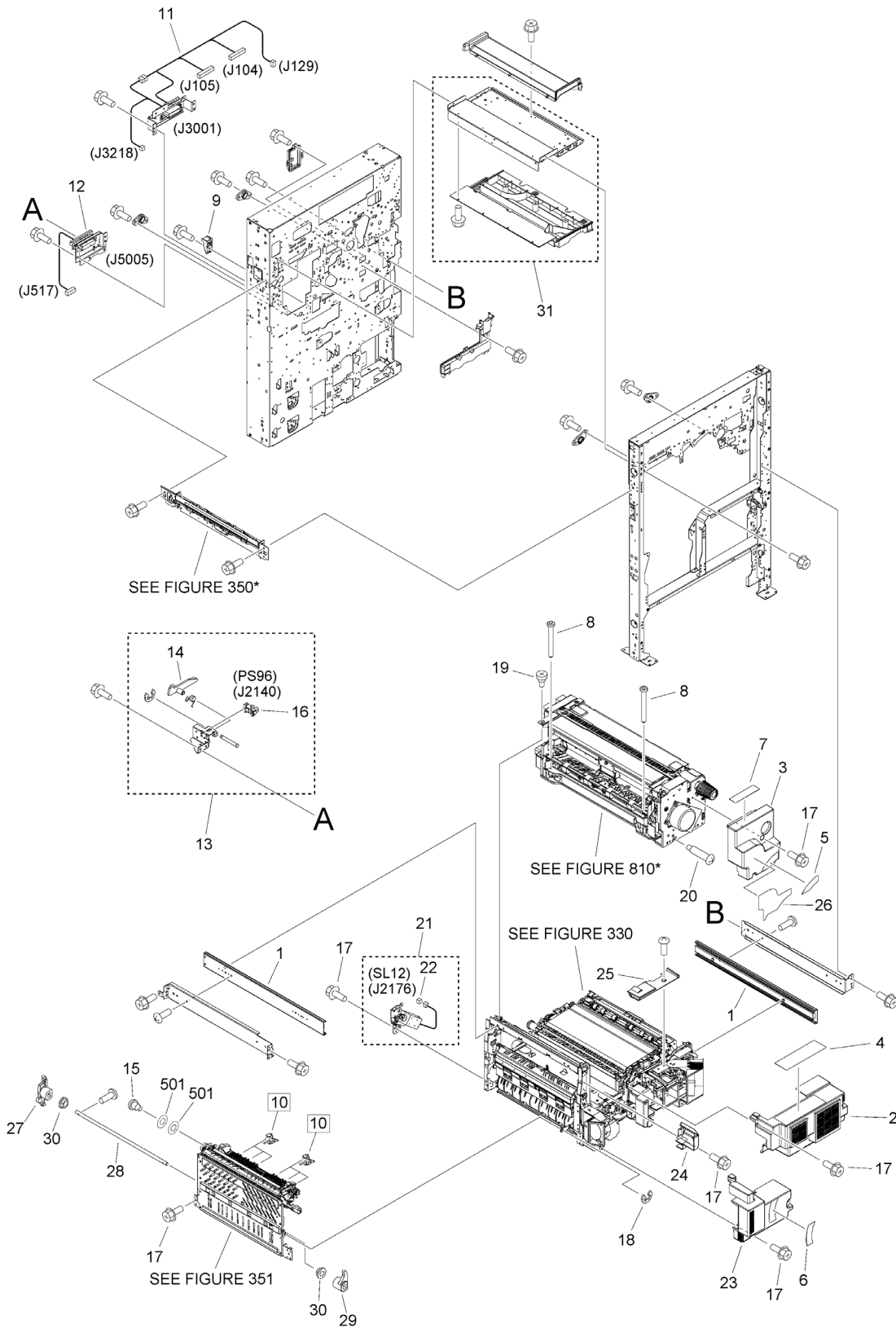


FIGURE & KEY NO.	PART NUMBER	RANK	QTY	DESCRIPTION	SERIAL NUMBER /REMARKS
104C	NPN		RF	INTERNAL COMPONENTS 4	
1	FC9-5089-000		2	RAIL, SLIDE	
2	FC8-9678-000		1	COVER, FIXING/FEEDER, RIGHT	
3	FC8-7237-000		1	COVER, FIXING	
4	FC9-9032-000		1	LABEL, FINGER NIP CAUTION	
5	FC9-9033-000		1	LABEL, OPERATION, UPPER	
6	FC9-9034-000		1	LABEL, OPERATION, LOWER	
7	FC9-9066-000		1	LABEL, JAM CLEARING	
8	FC9-9100-000		2	SCREW, S, M4X50	
9	FC9-9137-000		1	LATCH	
10	FB5-3625-000		6	CLAW, SEPARATING	[DP]
11	FM3-7351-040		1	CABLE, FIXING DRAWER	
12	FM1-G113-000		1	CABLE, FIXING/FEEDER DRAWER	
13	FM4-0908-000		1	HANDLE SENSOR MOUNT ASS'Y	
14	FC8-9569-000		1	FLAG, HANDLE SENSOR	
15	FU5-9035-000		1	SCREW, STEPPED, M3X3	
16	WG8-5848-000		1	IC, PHOTO-INTERRUPTER	PS96
17	XA9-0732-010		8	SCREW,RS,M4X8	
18	XD9-0136-000		1	RING, E	
19	FU5-9305-000		1	SCREW, STEPPED, M4	
20	FU5-9370-000		1	SCREW,STEPPED,M4	
21	FM4-5152-000		1	ESTRANGEMENT SOLENOID ASS'Y	SL12
22	VS1-7177-002		1	CONNECTOR, SNAP TIGHT, BK	
23	FC8-9677-000		1	COVER, FIXING/FEEDER, LEFT	
24	FC9-7058-000		1	COVER, RAIL	
25	FC9-7050-010		1	COVER, FIXING/FEEDER, RIGHT	
26	FE4-5901-000		1	LABEL, JAM CLEARING CAUTION	
27	FC9-5461-000		1	ARM, ROLLER ESTRANGEMENT, REAR	
28	FC9-5462-000		1	SHAFT, ESTRANGEMENT ARM	
29	FC9-7846-000		1	ARM, ROLLER ESTRANGEMENT,FRONT	
30	FS1-1569-005		2	BUSHING	
31	FM3-7313-000		1	FIXING CROSSMEMBER UNIT, UPPER	
501	XD1-1106-216		2	SHIM	

Figure 105A INTERNAL COMPONENTS 5

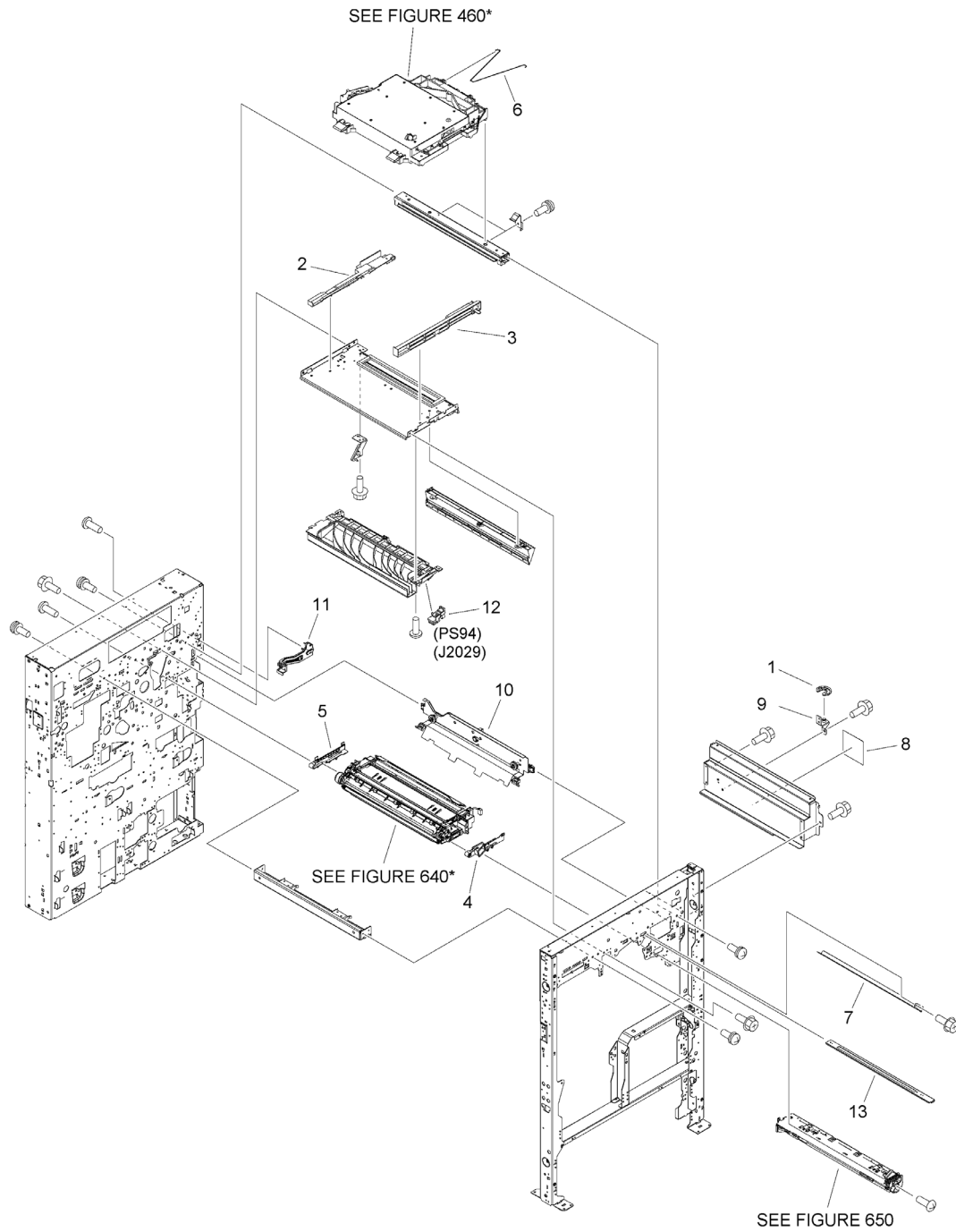


FIGURE & KEY NO.	PART NUMBER	RANK	QTY	DESCRIPTION	SERIAL NUMBER /REMARKS
105A	NPN		RF	INTERNAL COMPONENTS 5	
1	FC5-2715-000		1	RING, RETAINING	
2	FC8-7038-000		1	RAIL, SCANNER, REAR	
3	FC8-7039-000		1	RAIL, SCANNER, FRONT	
4	FC8-9577-000		1	RAIL, DEVELOPING, FRONT	
5	FC8-9576-000		1	RAIL, DEVELOPING, REAR	
6	FC9-5579-000		1	WIRE, SUPPORT	
7	FC9-7439-000		1	RAIL, POTENTIAL SENSOR	
8	FC9-8684-000		1	LABEL, LASER CAUTION, LOWER	
9	FL3-3871-000		1	MOUNT, HINGE	
10	FM4-0957-000		1	DEVELOPING PRESSURE ASS'Y	
11	FM4-0977-010		1	DEV. HIGH VOLTAGE CONTACT UNIT	
12	WG8-5848-000		1	IC, PHOTO-INTERRUPTER	PS94
13	FL3-2141-000		1	GLASS, DUST-PROOF	

Figure 106A INTERNAL COMPONENTS 6

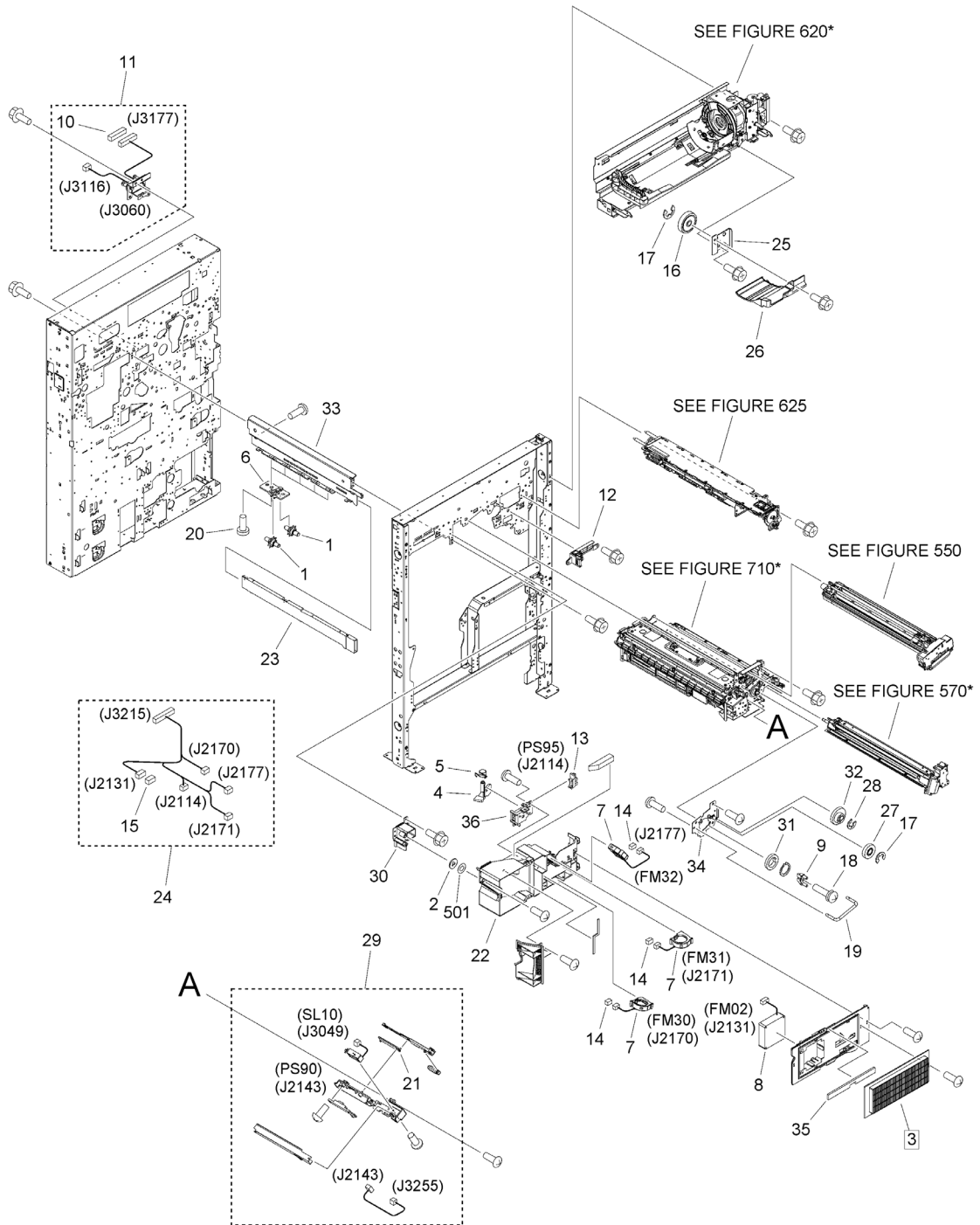


FIGURE & KEY NO.	PART NUMBER	RANK	QTY	DESCRIPTION	SERIAL NUMBER /REMARKS
106A	NPN		RF	INTERNAL COMPONENTS 6	
1	FB1-8776-000		10	ROWEL	
2	FC2-2121-000		1	WASHER	
3	FC8-9564-000		1	FILTER, DUST	[DP]
4	FC9-6163-000		1	FLAG, SENSOR	
5	FC9-6164-000		1	SPRING, TORSION	
6	FC9-8981-010		5	MOUNT, ROWEL	
7	FK2-3149-000		3	FAN	FM30, FM31, FM32
8	FK2-7678-000		1	FAN	FM02
9	FL1-2600-000		1	HOLDER, DRUM FIXED	
10	VS1-7177-012		1	CONNECTOR, SNAP TIGHT, BK	
11	FM3-7302-000		1	CABLE, AP. KIT DRAWER	
12	FM4-0973-000		1	MOUNT,PRE-TRANS.CORONA CONTACT	
13	WG8-5848-000		1	IC, PHOTO-INTERRUPTER	PS95
14	VS1-7177-003		3	CONNECTOR, SNAP TIGHT, BK	
15	VS1-7177-004		1	CONNECTOR, SNAP TIGHT, BK	
16	FU9-0040-000		1	GEAR, 33T	
17	XD9-0136-000		2	RING, E	
18	XA9-1090-000		1	SCREW,W/WASHER,M5X25	
19	FC9-4868-000		1	HANDLE, FRONT	
20	XA9-0903-000		10	SCREW, M3X5	
21	FC8-9669-010		1	SHUTTER	
22	FL3-2128-000		1	DUCT, PRIMARY FAN, 2	
23	FC8-6989-000		1	DUCT	
24	FM4-1027-000		1	CABLE, FAN	
25	FL3-2172-000		1	PLATE	
26	FC9-4881-000		1	TRAY, TONER CATCH	
27	FU9-0033-000		1	GEAR, 16T	
28	XD9-0134-000		1	RING, E	
29	FM3-7298-010		1	PATCH SENSOR ASS'Y	
30	FL3-2136-000		1	DUCT, PRIMARY AIR INTAKE, 2	
31	FC7-4302-000		1	GEAR, 27T	
32	FU7-0526-000		1	GEAR, 20T	
33	FC8-6976-000		1	CROSSMEMBER, LEFT	
34	FL3-1253-000		1	CLAMP, BEARING	
35	FL0-1825-000		1	SEAL, FAN DUCT	
36	FC9-5709-000		1	BASE, SENSOR	
501	XD1-1104-135		1	WASHER,COP	

Figure 107A INTERNAL COMPONENTS 7

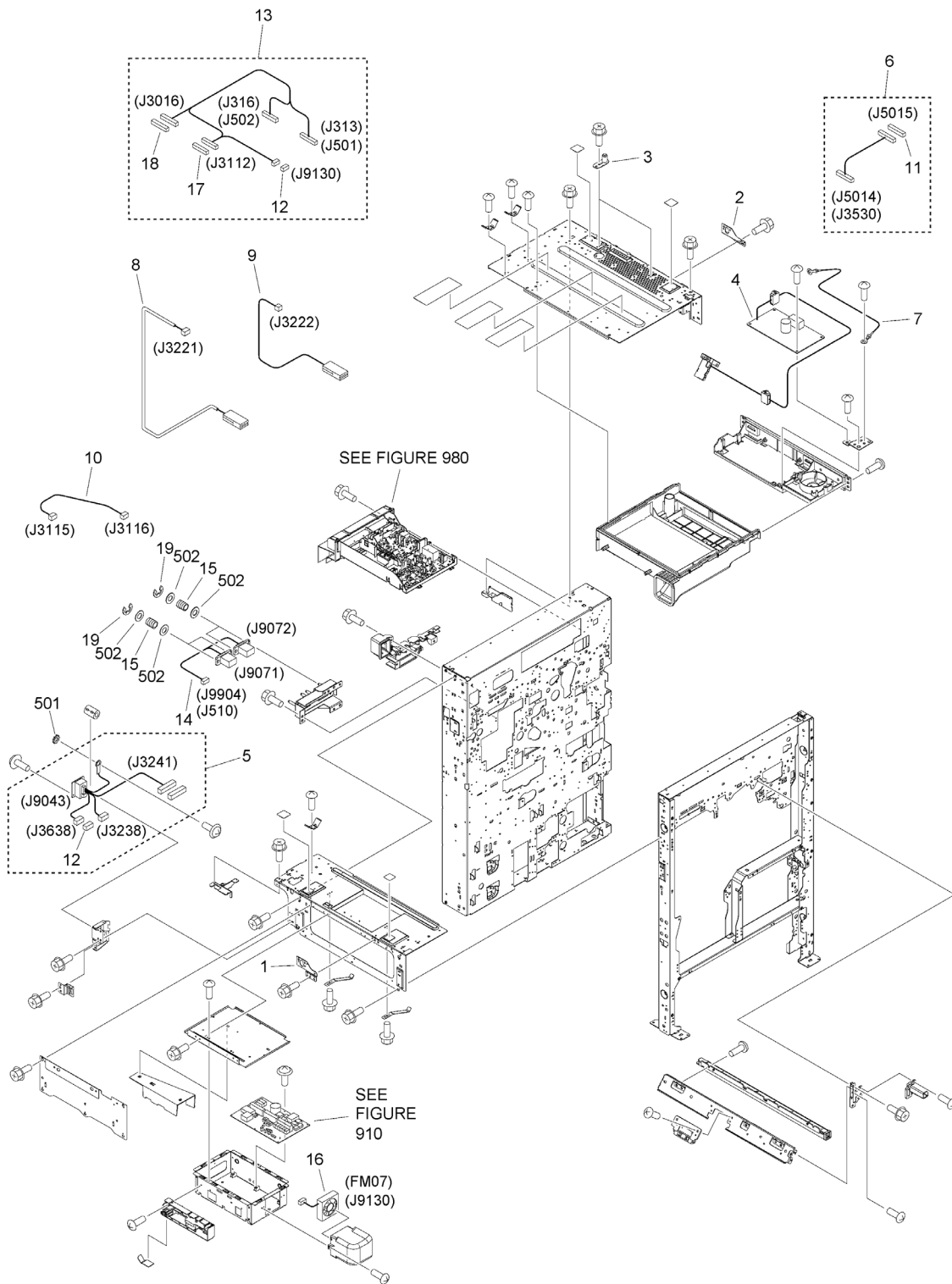




FIGURE & KEY NO.	PART NUMBER	RANK	QTY	DESCRIPTION	SERIAL NUMBER /REMARKS
107A	NPN		RF	INTERNAL COMPONENTS 7	
1	FC8-7026-000		1	PLATE, READER FIXED, LEFT	
2	FC8-7027-000		1	PLATE, READER FIXED, RIGHT	
3	FL2-8926-000		2	PIN, READER POSITIONING	
4	FM1-H197-000		1	POTENTIAL MEASURING PCB ASS'Y	
5	FM1-K914-000		1	CABLE, FINISHER CONNECTOR	
6	FM1-K920-000		1	CABLE, POTENTIAL SENSOR	
7	FM3-9128-000		1	CABLE, GROUNDING	
8	FM4-1004-000		1	CABLE, DEVELOPING HIGH VOLTAGE	
9	FM4-1005-000		1	CABLE, SEPARATION HIGH VOLTAGE	
10	FM4-1031-000		1	CABLE, AC DRUM HEATER	
11	VS1-7177-007		1	CONNECTOR, 7P, FEMALE, BK	
12	VS1-7177-004		2	CONNECTOR, SNAP TIGHT, BK	
13	FM3-9127-000		1	CABLE, IH SIGNAL	
14	FM4-1033-000		1	CABLE, IH DRAWER	
15	FU8-2511-010		4	SPRING, COMPRESSION	
16	FK2-7678-000		1	FAN	FM07
17	VS1-8412-013		1	CONNECTOR, SNAP TIGHT, BL	
18	VS1-8412-019		1	CONNECTOR, SNAP TIGHT, BL	
19	XD9-0134-000		4	RING, E	
501	XD1-4200-402		1	WASHER, TOOTHED LOCK, M4	
502	XD1-1105-733		8	WASHER, PLAIN	

Figure 108 MACHINE BOTTOM PLATE

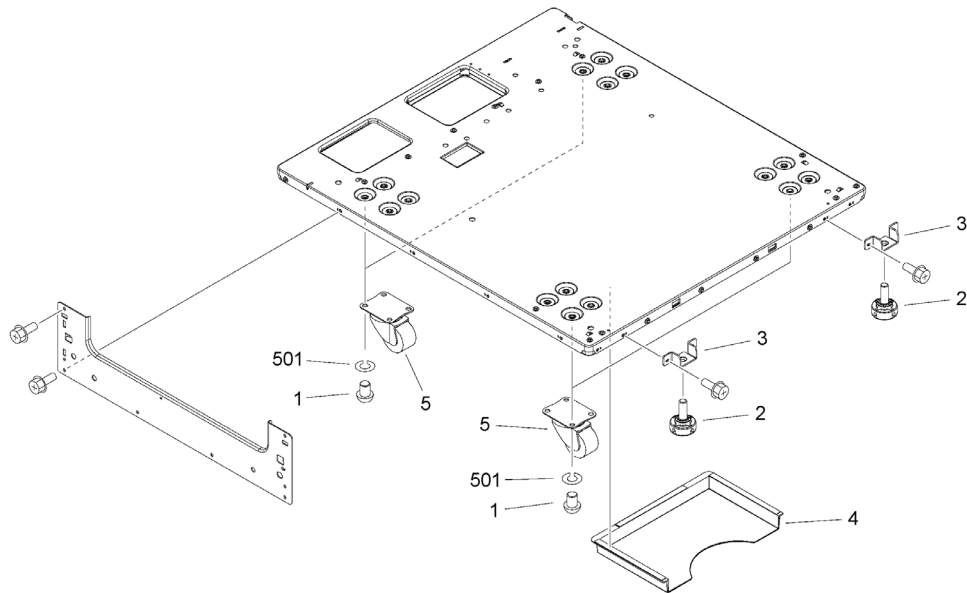


FIGURE & KEY NO.	PART NUMBER	RANK	QTY	DESCRIPTION	SERIAL NUMBER /REMARKS
108	NPN		RF	MACHINE BOTTOM PLATE	
1	FB4-1340-000		16	SCREW,ALLEN HEAD,M8X10	
2	FC8-6639-000		2	ADJUSTER	
3	FC9-5467-000		2	PLATE,ADJUSTING	
4	FE4-3758-000		1	HOLDER, SERVICE BOOK	
5	XZ9-0409-020		4	CASTER	
501	XD1-3100-805		16	WASHER,SPRING	

Figure 109A MACHINE REAR PLATE 1

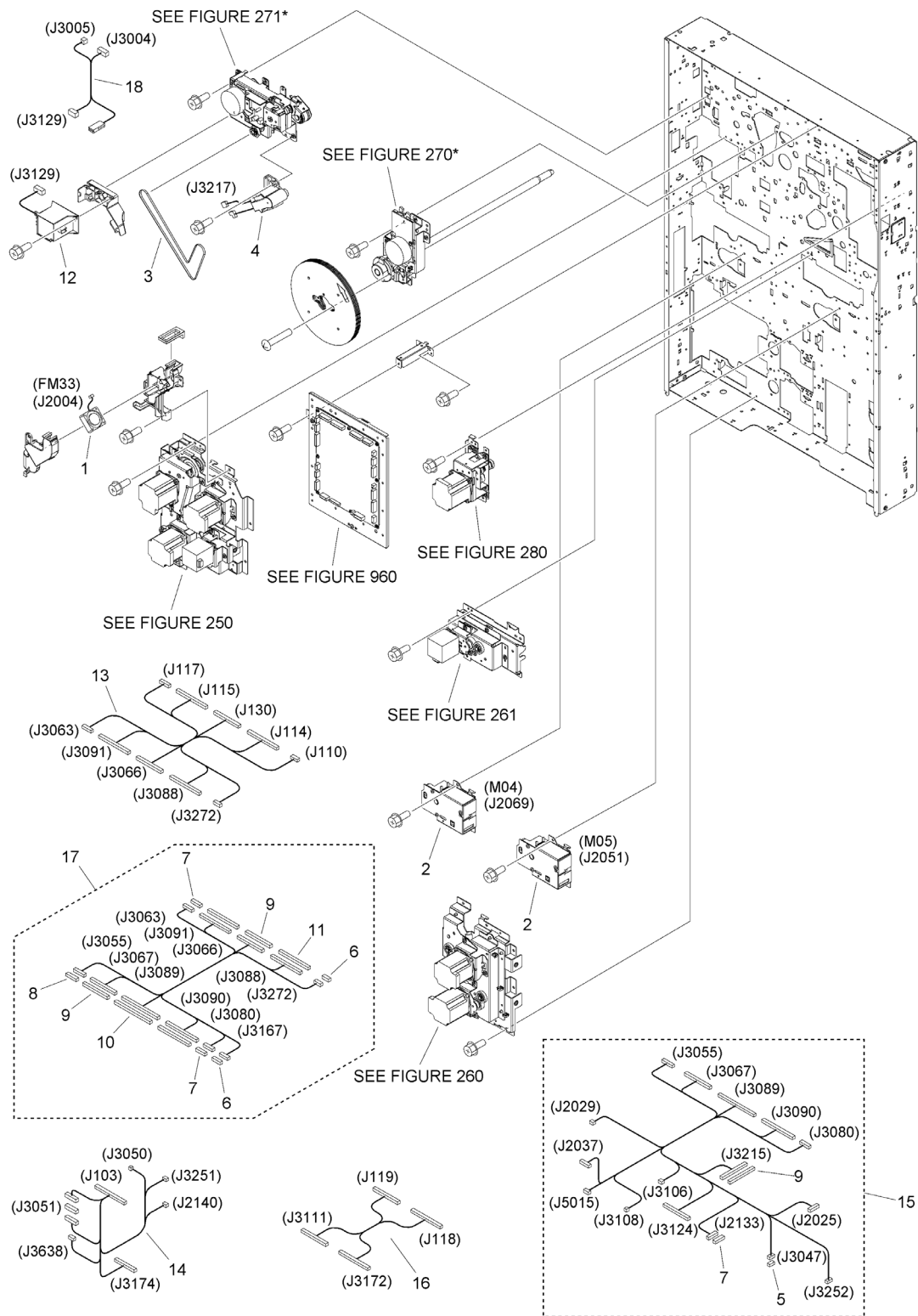


FIGURE & KEY NO.	PART NUMBER	RANK	QTY	DESCRIPTION	SERIAL NUMBER /REMARKS
109A	NPN		RF	MACHINE REAR PLATE 1	
1	FK2-6461-000		1	FAN	FM33
2	FM2-4663-000		2	MOTOR, DC	M04, M05
3	XF2-4129-340		1	BELT, TIMING, CR, 586MM	
4	FM4-0974-000		1	CABLE, PRE-TRANS. CORONA H.V.	
5	VS1-7177-004		1	CONNECTOR, SNAP TIGHT, BK	
6	VS1-7177-005		2	CONNECTOR, SNAP TIGHT, BK	
7	VS1-7177-006		3	CONNECTOR, SNAP TIGHT, BK	
8	VS1-7177-007		1	CONNECTOR, 7P, FEMALE, BK	
9	VS1-8412-017		3	CONNECTOR, SNAP TIGHT, BL	
10	VS1-8412-025		1	CONNECTOR, SNAP TIGHT, BL	
11	VS1-8412-031		1	CONNECTOR, SNAP TIGHT, 31P, BL	
12	FK2-7718-000		1	TRANSFORMER, H.V.	
13	FM4-1015-000		1	CABLE, MAIN DRIVER, REAR UPPER	
14	FM1-K909-000		1	CABLE, MAIN DRIVER RELAY	
15	FM1-K919-000		1	CABLE, MAIN DRIVER, FRONT	
16	FM4-1016-000		1	CABLE, MAIN DRIVER IH	
17	FM4-1023-000		1	CABLE, RELAY, FRONT	
18	FM4-1080-000		1	CABLE, POST CORONA H.V.	

Figure 110 MACHINE REAR PLATE 2

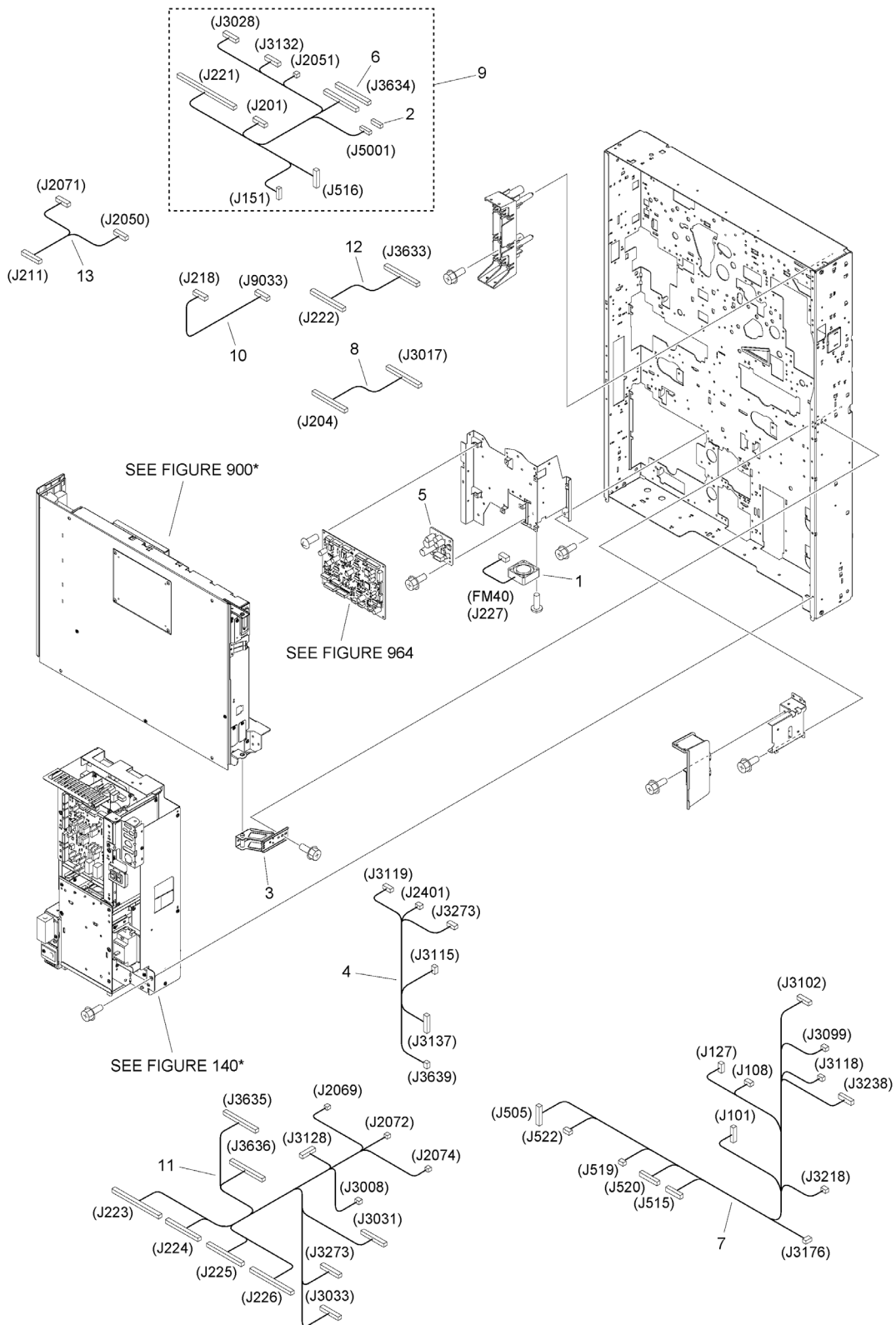


FIGURE & KEY NO.	PART NUMBER	RANK	QTY	DESCRIPTION	SERIAL NUMBER /REMARKS
110	NPN		RF	MACHINE REAR PLATE 2	
1	FK2-6461-000		1	FAN	FM40
2	VS1-8412-007		1	CONNECTOR, SNAP TIGHT, BL	
3	FL3-5780-000		1	HINGE, CONTROLLER BOX, LOWER	
4	FM0-2974-000		1	CABLE, AC MAIN BODY	
5	FM4-1089-000		1	DC-DC CONVERT PCB ASS'Y	
6	VS1-8412-017		1	CONNECTOR, SNAP TIGHT, BL	
7	FM1-M866-000		1	CABLE, SIGNAL	
8	FM1-M872-000		1	CABLE, SERIAL	
9	FM1-K929-000		1	CABLE, DECK, LEFT	
10	FM4-1040-000		1	CABLE, DC	
11	FM4-1034-000		1	CABLE, CASSETTE, 3 , 4	
12	FM4-1035-000		1	CABLE, DECK, RIGHT	
13	FM4-1037-000		1	CABLE, DECK MOTOR	

Figure 111A MACHINE REAR PLATE 3

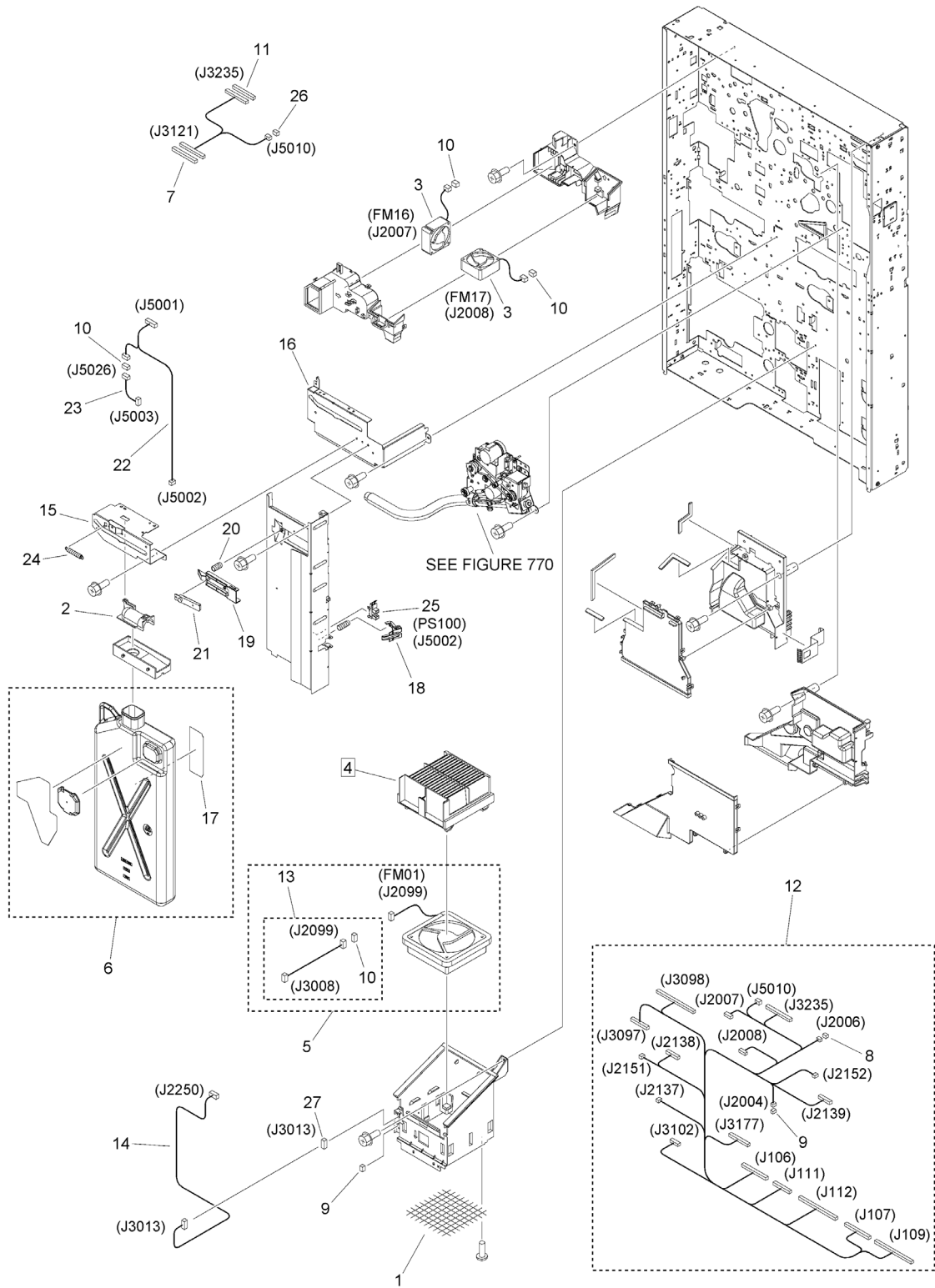
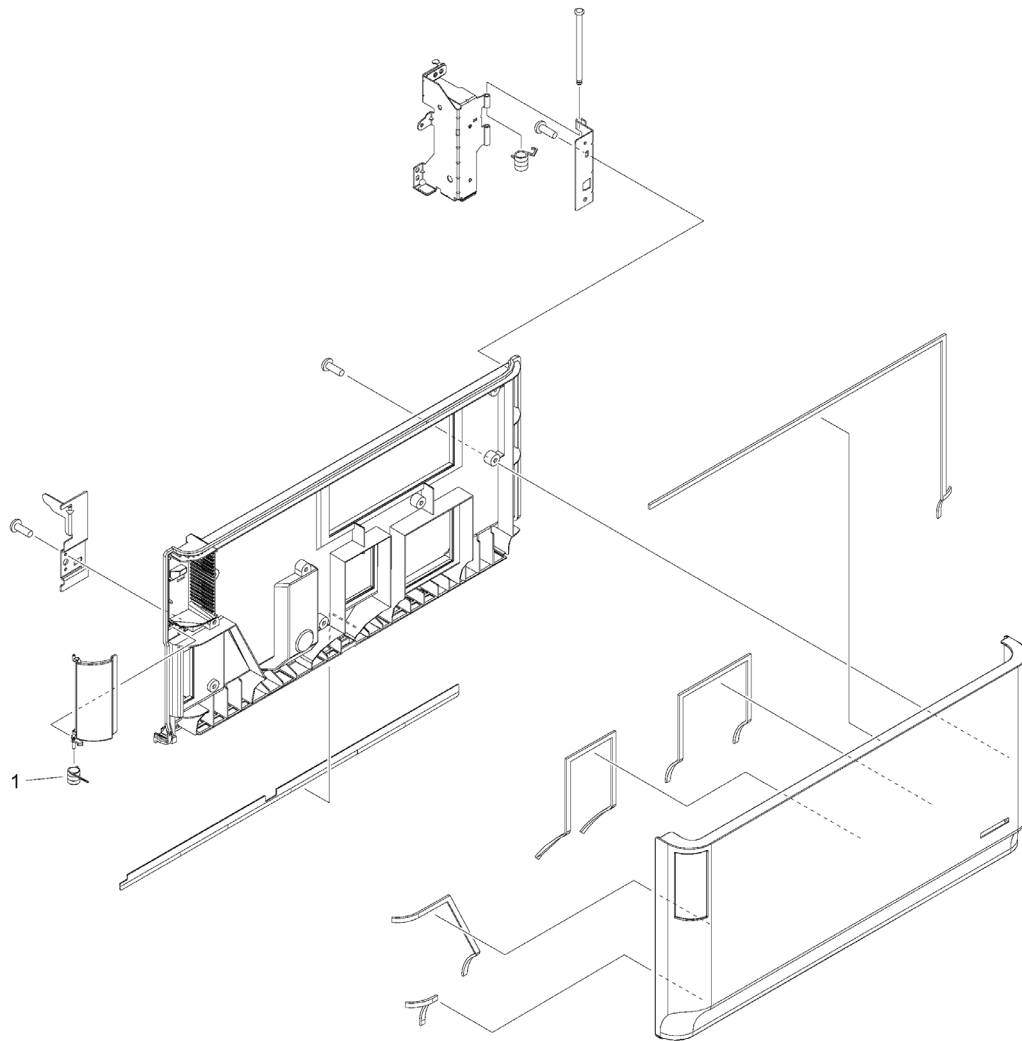




FIGURE & KEY NO.	PART NUMBER	RANK	QTY	DESCRIPTION	SERIAL NUMBER /REMARKS
111A	NPN		RF	MACHINE REAR PLATE 3	
1	FA9-3847-000		1	SHEET, MESH	
2	FC8-7409-010		1	CAP, PIPE	
3	FK2-3100-000		2	FAN	FM16, FM17
4	FL3-2134-000		1	AIR FILTER, EXHAUST	[DP]
5	FM1-N787-000		1	FAN ASSEMBLY	FM01
6	FM1-G392-010		1	CONTAINER, WASTE TONER, WT-103	
7	VS1-8412-017		1	CONNECTOR, SNAP TIGHT, BL	
8	VS1-7177-002		1	CONNECTOR, SNAP TIGHT, BK	
9	VS1-7177-003		2	CONNECTOR, SNAP TIGHT, BK	
10	VS1-7177-004		4	CONNECTOR, SNAP TIGHT, BK	
11	VS1-8412-015		1	CONNECTOR, SNAP TIGHT, BL	
12	FM1-K922-000		1	CABLE, MAIN, REAR UPPER	
13	FM0-2979-000		1	CABLE, FAN	
14	FM0-2969-000		1	CABLE, SUB FAN	
15	FC8-7406-010		1	SIDE PLATE, SHIELD PLATE, REAR	
16	FC8-7407-000		1	PLATE, SHIELD, FRONT UPPER	
17	FE4-5881-010		1	LABEL, WASTE TONER	
18	FE4-1267-000		1	FLAG, BOTTLE SENSING	
19	FE4-1270-000		1	CASE, SENSOR	
20	FE4-1271-000		1	SPRING, COMPRESSION	
21	FK2-0591-000		1	SENSOR, TONER	
22	FM1-K930-000		1	CABLE, WASTE TONER RELAY, 2	
23	FM1-K931-000		1	CABLE, WASTE TONER RELAY, 3	
24	FU9-2276-000		1	SPRING, TENSION	
25	WG8-5783-000		1	IC,PHOTO-INTERRUPTER,LG248NL1A	PS100
26	VS1-8412-003		1	CONNECTOR, SNAP TIGHT, BL	
27	VS1-8412-005		1	CONNECTOR, SNAP TIGHT, BL	

Figure 112 FRONT COVER ASS'Y, LOWER



<b>FIGURE &amp; KEY NO.</b>	<b>PART NUMBER</b>	<b>R A N K</b>	<b>QTY</b>	<b>DESCRIPTION</b>	<b>SERIAL NUMBER /REMARKS</b>
112	FM1-H381-000		1	FRONT COVER ASSY, LOWER	
1	FU7-2709-000		1	SPRING, TORSION	

Figure 113 RIGHT DOOR ASSEMBLY

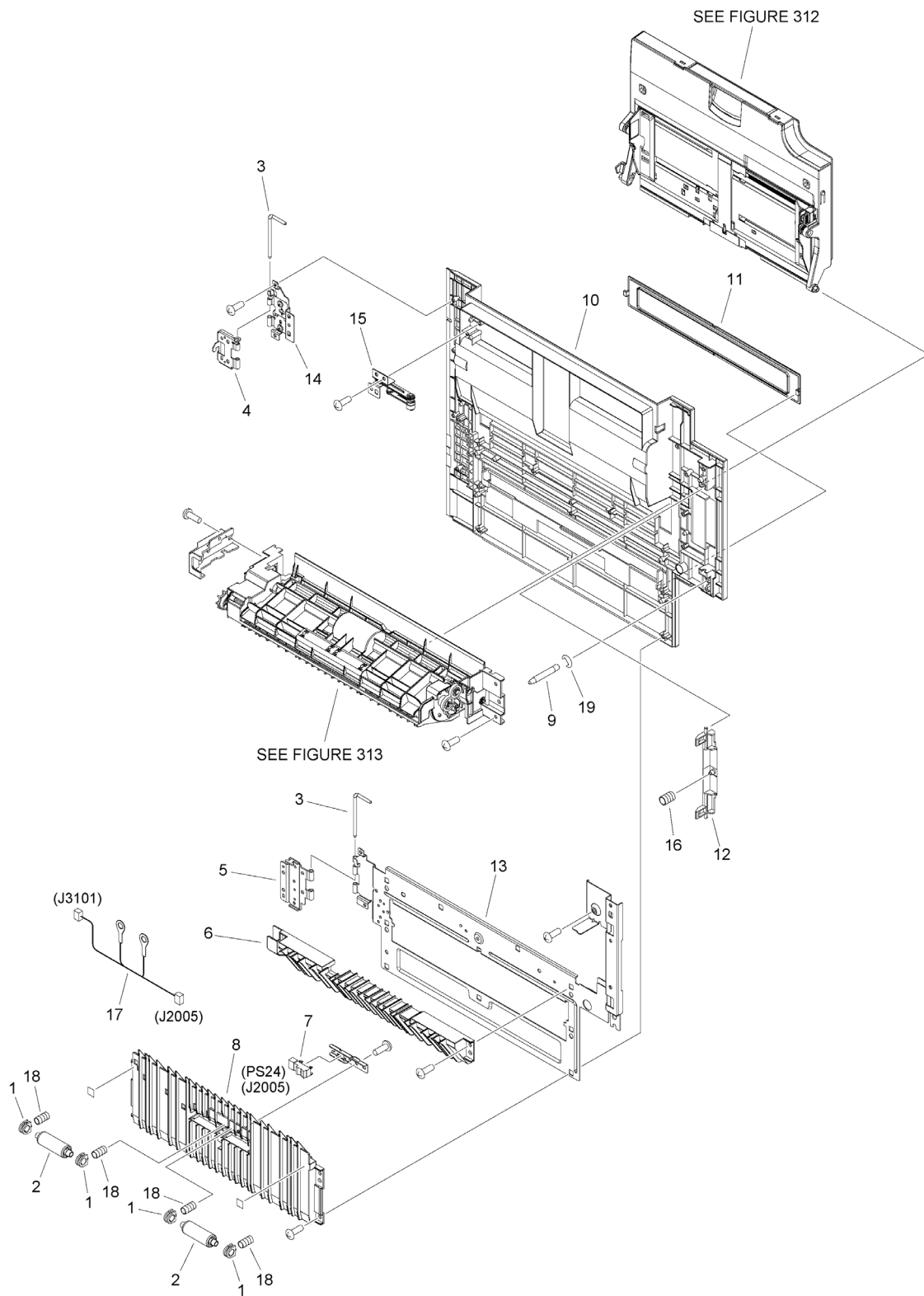


FIGURE & KEY NO.	PART NUMBER	RANK	QTY	DESCRIPTION	SERIAL NUMBER /REMARKS
113	NPN		RF	RIGHT DOOR ASSEMBLY	
1	FC7-7209-000		4	BUSHING, VERTICAL ROLLER	
2	FC8-3782-000		2	ROLLER, PAPER FEED	
3	FC8-9488-000		2	SHAFT, HINGE	
4	FC8-9492-000		1	HINGE, UPPER	
5	FC8-9679-000		1	HINGE, RIGHT DOOR, LOWER	
6	FE4-5419-000		1	GUIDE, UPPER	
7	FK2-6470-000		1	PHOTO-SENSOR, KUA0055C	PS24
8	FL0-6141-000		1	GUIDE, RIGHT DOOR, LOWER	
9	FC9-8806-000		1	PIN, DOOR, RIGHT	
10	FE4-5173-000		1	COVER, RIGHT	
11	FE4-5174-000		1	COVER, BLANKING	
12	FE4-5208-000		1	LEVER, DOOR, RIGHT	
13	FL3-5779-000		1	PLATE, REINFORCEMENT	
14	FM1-B154-000		1	HINGE, DOOR, RIGHT	
15	FM1-H395-000		1	LINK UNIT	
16	FU7-2696-000		1	SPRING, COMPRESSION	
17	FM4-1001-000		1	CABLE, SENSOR	
18	FU8-2317-000		4	SPRING, COMPRESSION	
19	XD9-0137-010		1	RING, E	

Figure 114 VERTICAL PATH ASSEMBLY

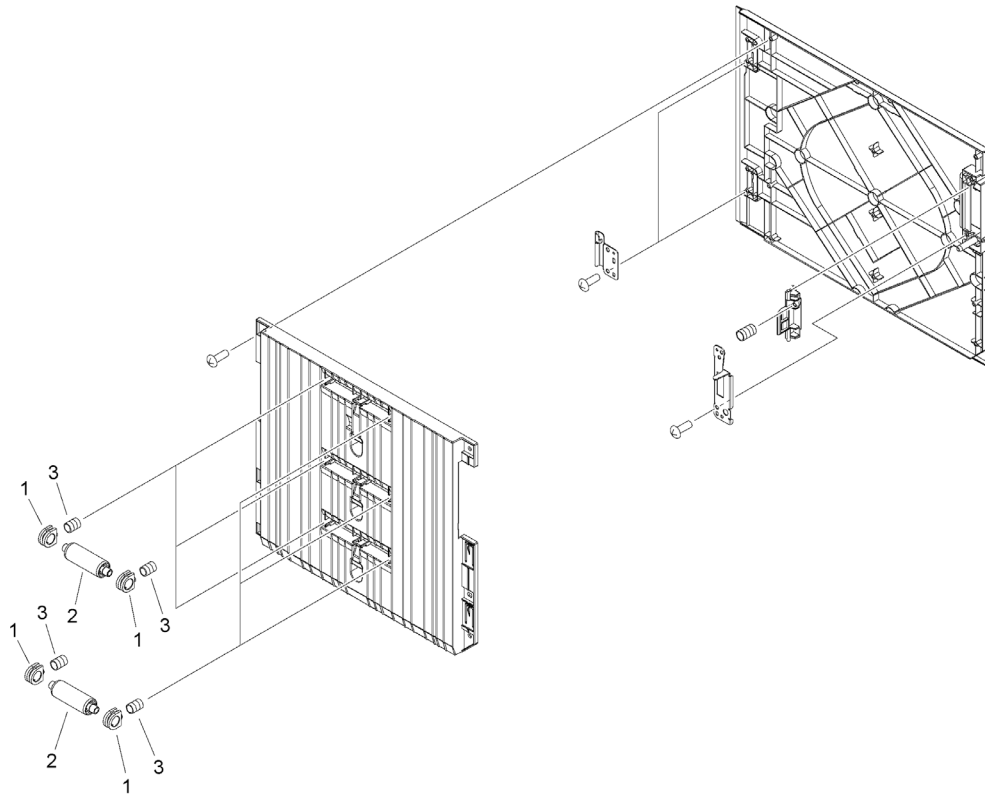


FIGURE & KEY NO.	PART NUMBER	R A N K	QTY	DESCRIPTION	SERIAL NUMBER /REMARKS
114	FM1-H382-000		1	VERTICAL PATH ASSEMBLY	
1	FC7-7209-000		12	BUSHING, VERTICAL ROLLER	
2	FC8-3782-000		6	ROLLER, PAPER FEED	
3	FS7-2788-000		12	SPRING, COMPRESSION	

Figure 130C FLAT CONTROL PANEL ASSEMBLY

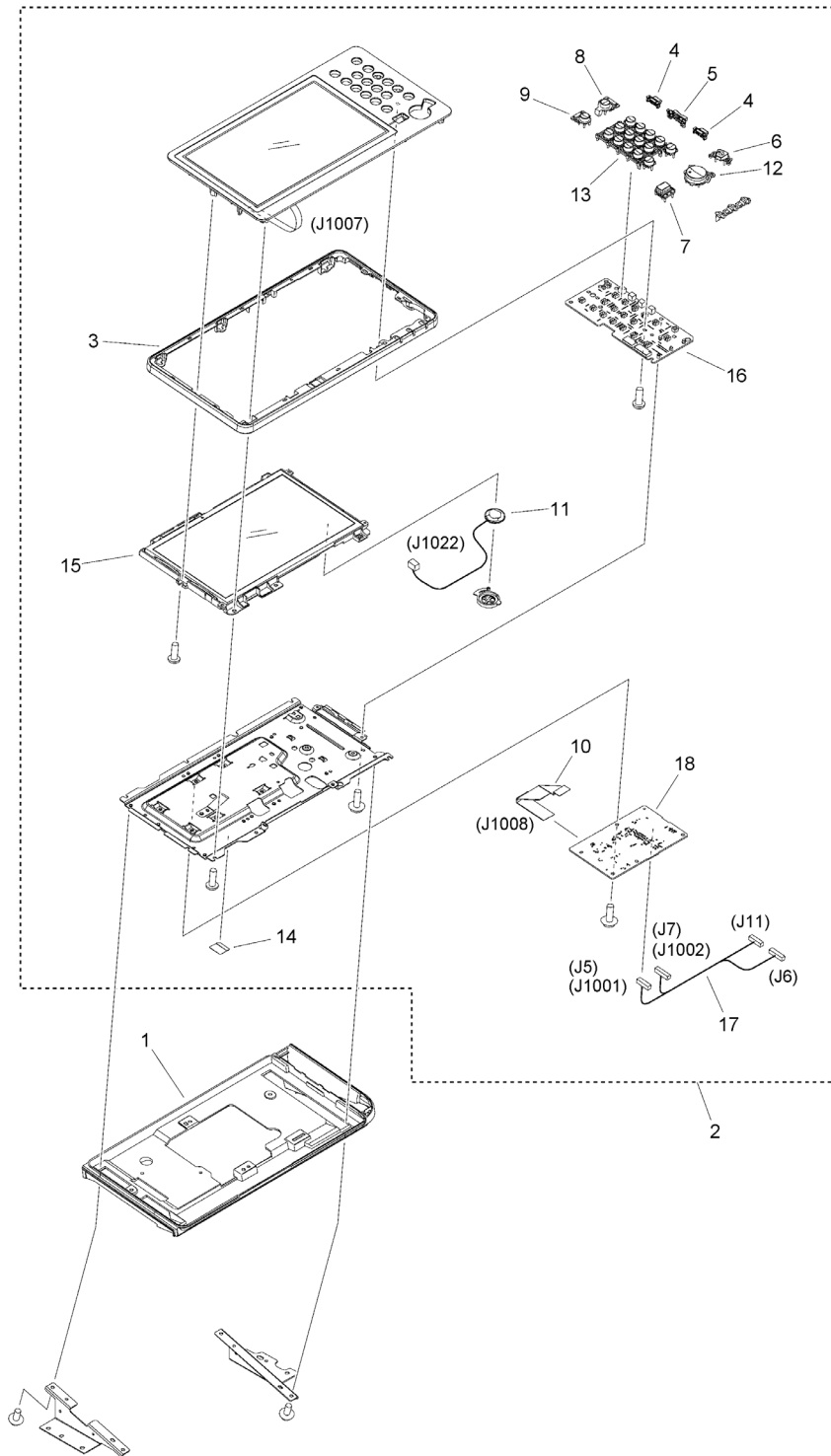




FIGURE & KEY NO.	PART NUMBER	RANK	QTY	DESCRIPTION	SERIAL NUMBER /REMARKS
130C	NPN		RF	FLAT CONTROL PANEL ASSEMBLY	
1	FL0-6131-020		1	COVER, LOWER	
2	FM1-N430-000		1	FLAT CONTROL PANEL ASSEMBLY	
3	FE4-1774-020		1	COVER, FRAME	
4	FE4-1788-000		2	KEY TOP, SIDE	
5	FE4-1789-000		1	KEY TOP, VOLUME	
6	FE4-5109-000		1	KEY TOP, STOP	
7	FE4-5110-000		1	KEY TOP, RESET	
8	FE4-5111-000		1	KEY TOP, SLEEP	
9	FE4-5556-000		1	KEY TOP, SETTINGS/REGISTRATION	
10	FK4-2360-000		1	CABLE, FLEXIBLE FLAT	
11	FK4-2365-000		1	SPEAKER	
12	FL0-5116-000		1	KEY TOP, START	
13	FL1-2178-000		1	KEY TOP, NUMBERS	
14	FL1-1429-000		1	SHEET	
15	FM1-N440-000		1	LCD HOLDER UNIT	
16	FM1-M929-000		1	KEY TOP PCB ASSEMBLY	
17	FM1-X899-010		1	CABLE, 10 KEY	
18	FM1-X811-000		1	CPU PCB ASSEMBLY	

Figure 132 CONTROL LEFT COVER ASS'Y

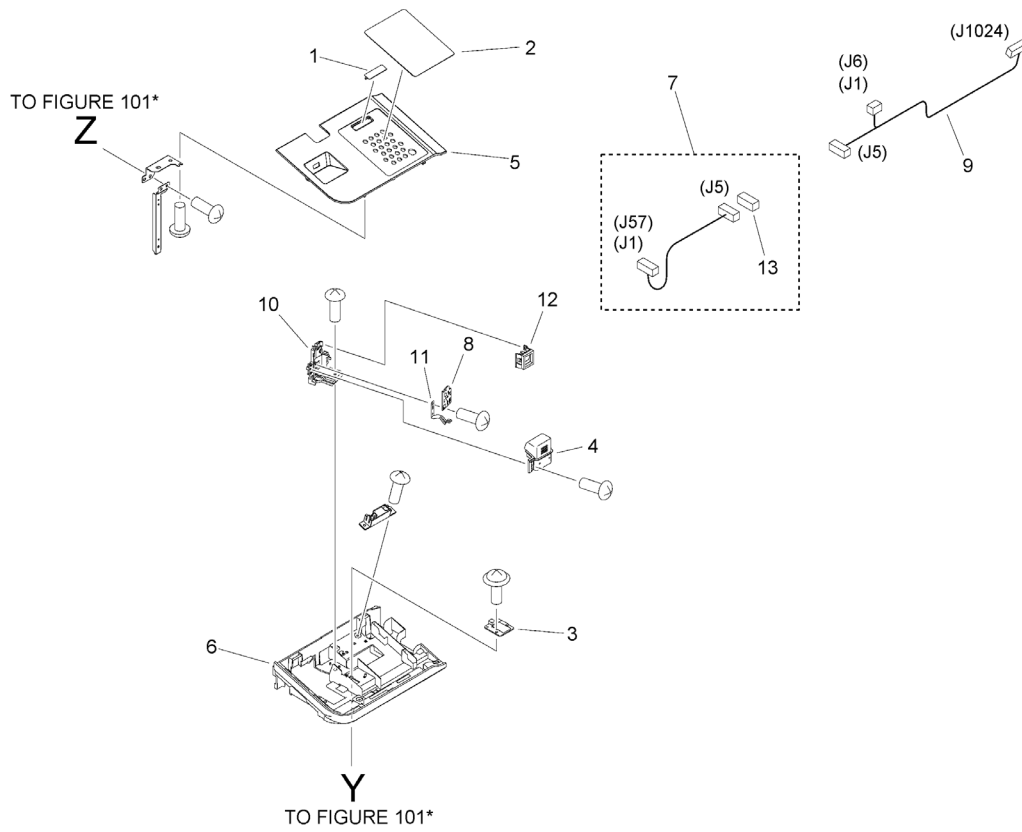


FIGURE & KEY NO.	PART NUMBER	RANK	QTY	DESCRIPTION	SERIAL NUMBER /REMARKS
132	NPN		RF	CONTROL LEFT COVER ASS'Y	
1	FE4-2089-000		1	GUIDE, LAMP LED	
2	FL0-4117-000		1	SHEET	
3	FM1-N784-000		1	WIRELESS NETWORK PCB ASSEMBLY	
4	FE2-A470-000		1	MOTION SENSOR COVER	
5	FL1-5186-000		1	COVER, UPPER LEFT	
6	FL1-5185-000		1	COVER, CONTROL PANEL, LEFT	
7	FM2-F891-000		1	CABLE, SIGNAL	
8	FM1-W896-000		1	INTERFACE SENSOR PCB ASSEMBLY	
9	FM2-F864-000		1	CABLE, SIGNAL	
10	FE2-A468-000		1	MOTION SENSOR HOLDER	
11	FE2-A471-000		1	SPRING, GROUNDING	
12	FL1-5184-000		1	APERTURE, SENSOR	
13	VS1-8959-006		1	CONNECTOR, SNAP TIGHT, 6P, W	

Figure 140G (1/2) POWER SUPPLY ASSEMBLY (230V)

NOTE1 : This assembly does not include the part shown with key No. 10. NOTE2 : This assembly includes the assemblies shown in Figure 961 and 962.

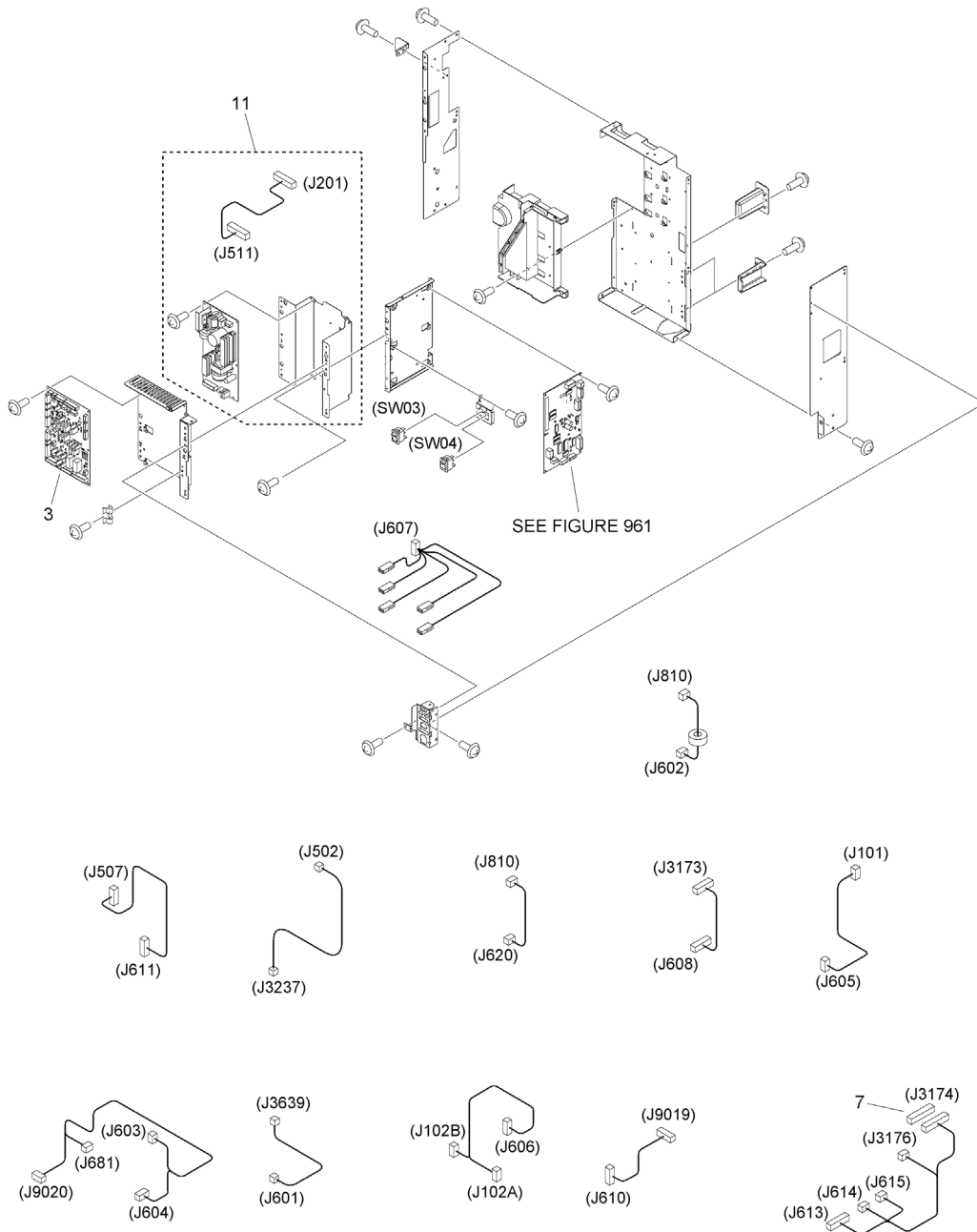




FIGURE & KEY NO.	PART NUMBER	RANK	QTY	DESCRIPTION	SERIAL NUMBER /REMARKS
140G	FM2-M814-000		1	POWER SUPPLY ASSEMBLY	SEE NOTE 2 230V
1	FM0-4152-000		1	24V POWER SUPPLY ASS'Y, LEFT	
2	FM0-4153-000		1	24V POWER SUPPLY ASS'Y, RIGHT	
3	FM1-M871-000		1	RELAY PCB ASSEMBLY	
4	FK2-0360-000		1	FAN	FM14
5	FK2-2064-000		1	FAN	FM15
6	VS1-7177-003		3	CONNECTOR, SNAP TIGHT, BK	
7	VS1-8412-013		1	CONNECTOR, SNAP TIGHT, BL	
8	FH7-7625-030		1	BREAKER, ELECTRIC LEAKAGE	
9	FM2-M817-000		1	CABLE, INLET	
10	FK2-0146-000		1	CORD, POWER SUPPLY	SEE NOTE 1
11	FM1-K068-010		1	12V POWER SUPPLY PCB ASS'Y	
501	XD1-4200-502		1	LOCK WASHER (SUS)	

Figure 250 MAIN DRIVE ASS'Y

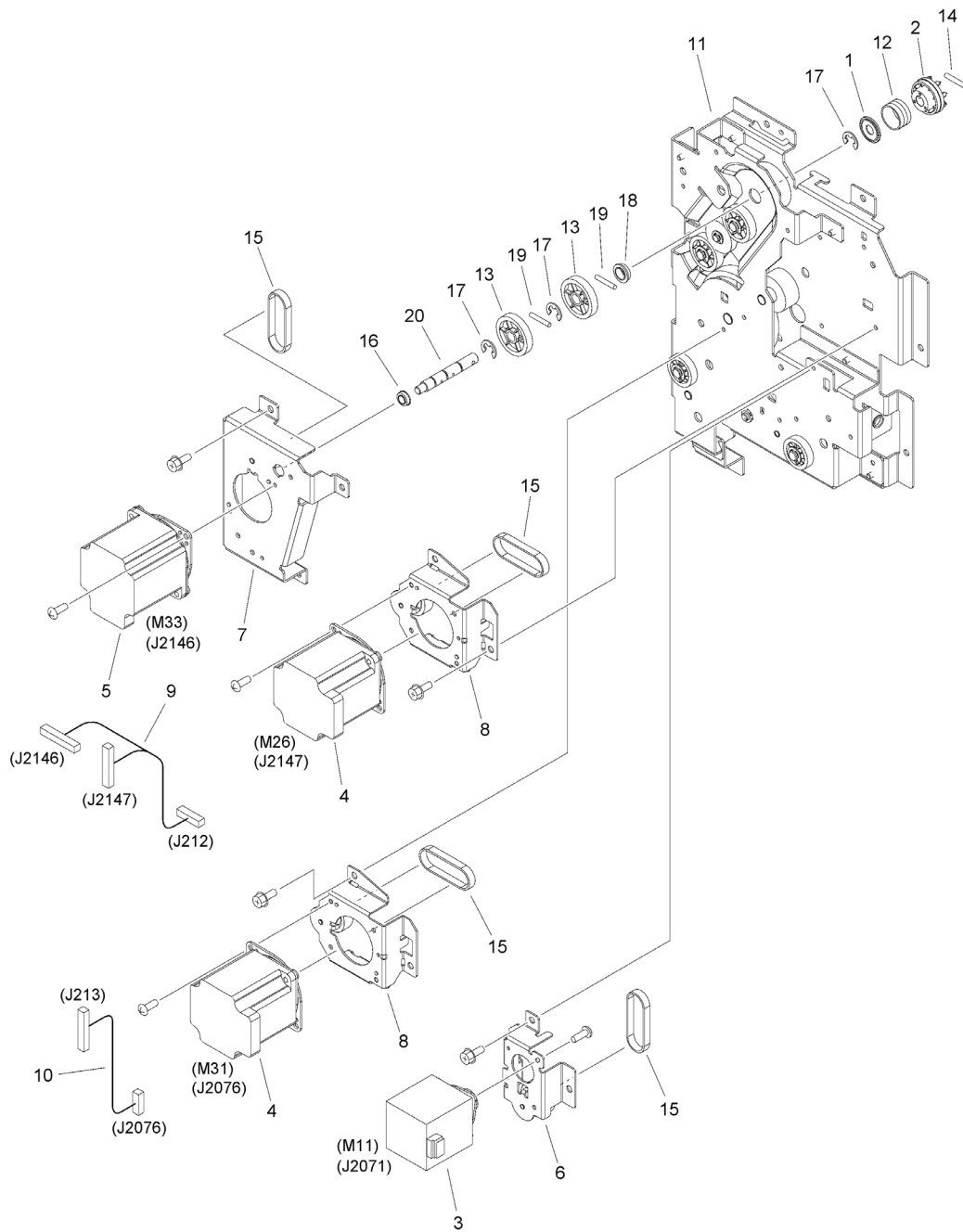


FIGURE & KEY NO.	PART NUMBER	RANK	QTY	DESCRIPTION	SERIAL NUMBER /REMARKS
250	NPN		RF	MAIN DRIVE ASS'Y	
1	FC9-5263-000		1	HOLDER, SPRING	
2	FC9-9156-000		1	COUPLING	
3	FK2-7674-000		1	MOTOR, STEPPING, DC	M11
4	FK2-7675-000		2	MOTOR, STEPPING, DC	M26, M31
5	FK3-3275-000		1	MOTOR, STEPPING, DC	M33
6	FL3-0247-000		1	COVER, DRIVE ASS'Y	
7	FL3-0248-000		1	COVER, MULTI PRE-REG. DRIVE	
8	FL3-0255-000		2	COVER, DRIVE ASS'Y	
9	FM4-1038-000		1	CABLE, REG. MOTOR	
10	FM4-4319-000		1	CABLE, MOTOR	
11	FM4-5154-000		1	MAIN DRIVE UNIT	
12	FS5-2925-000		1	SPRING, TORSION	
13	FU8-0334-000		2	GEAR, 36T	
14	XD9-0300-000		1	PIN, PARALLEL	
15	XF2-1606-260		4	BELT, TIMING, COGGED	
16	XG9-0778-000		1	BEARING, BALL, MF106ZZ-1	
17	XD9-0137-000		3	RING, E	
18	XG9-0709-000		1	BEARING, BALL, MF128ZZ-3	
19	XD9-0290-000		2	PIN, PARALLEL	
20	FC8-9366-000		1	SHAFT, DRIVE	



Figure 260 V. PATH/CST. PICK-UP ASS'Y

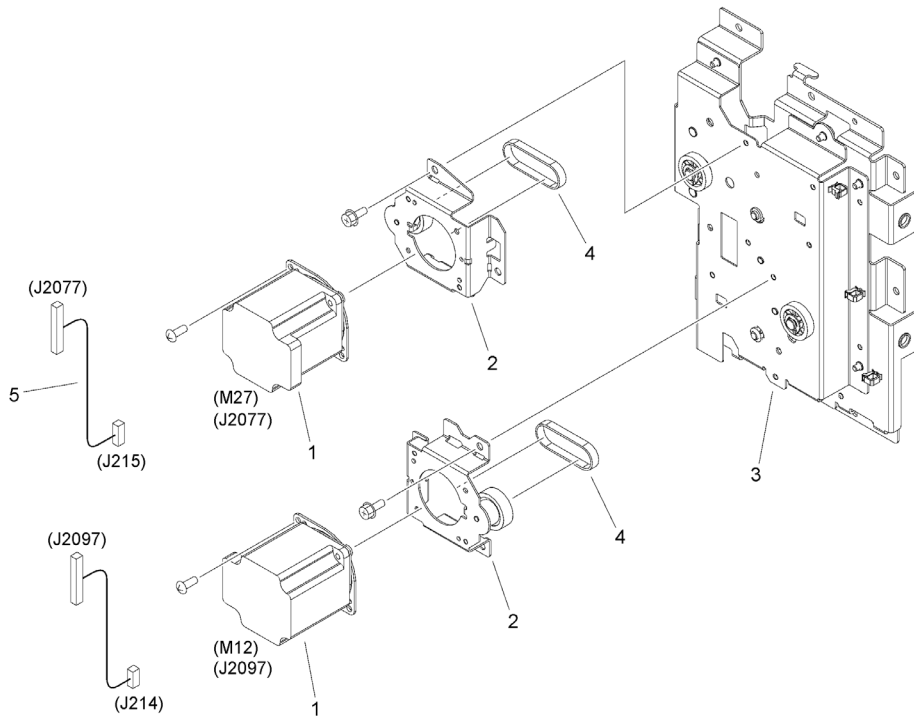


FIGURE & KEY NO.	PART NUMBER	RANK	QTY	DESCRIPTION	SERIAL NUMBER /REMARKS
260	FM3-7374-010		1	PAPER PICK-UP DRIVE ASSEMBLY	
1	FK2-7675-000		2	MOTOR, STEPPING, DC	M12,M27
2	FL3-0255-000		2	COVER, DRIVE ASS'Y	
3	FM4-5155-010		1	V.PATH/CST.PICK-UP DRIVE UNIT	
4	XF2-1606-260		2	BELT, TIMING, COGGED	
5	FM4-4319-000		1	CABLE, MOTOR	

Figure 261 LEFT DECK PICK-UP DRIVE ASS'Y

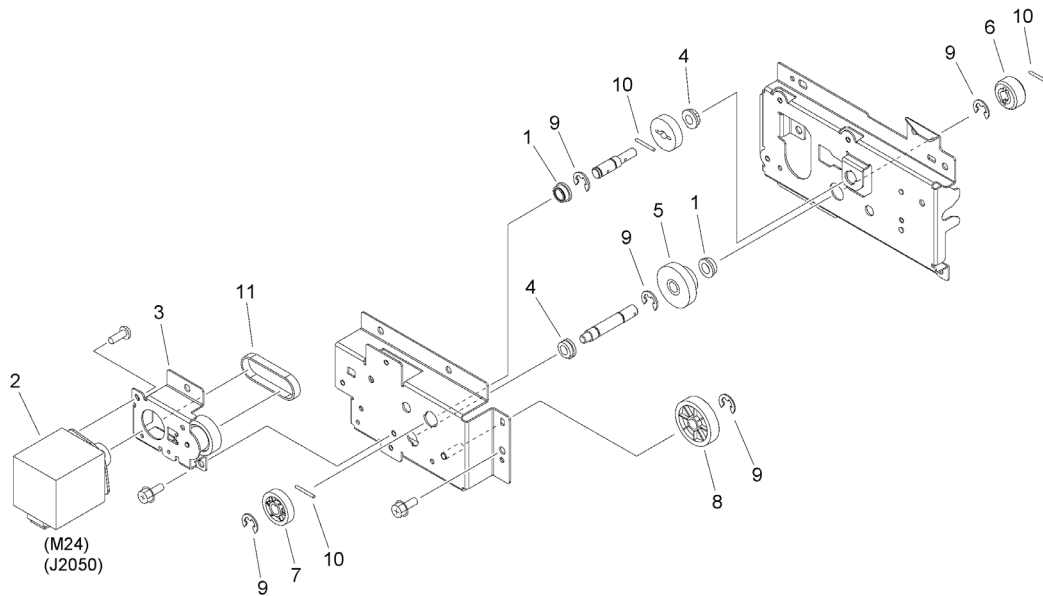
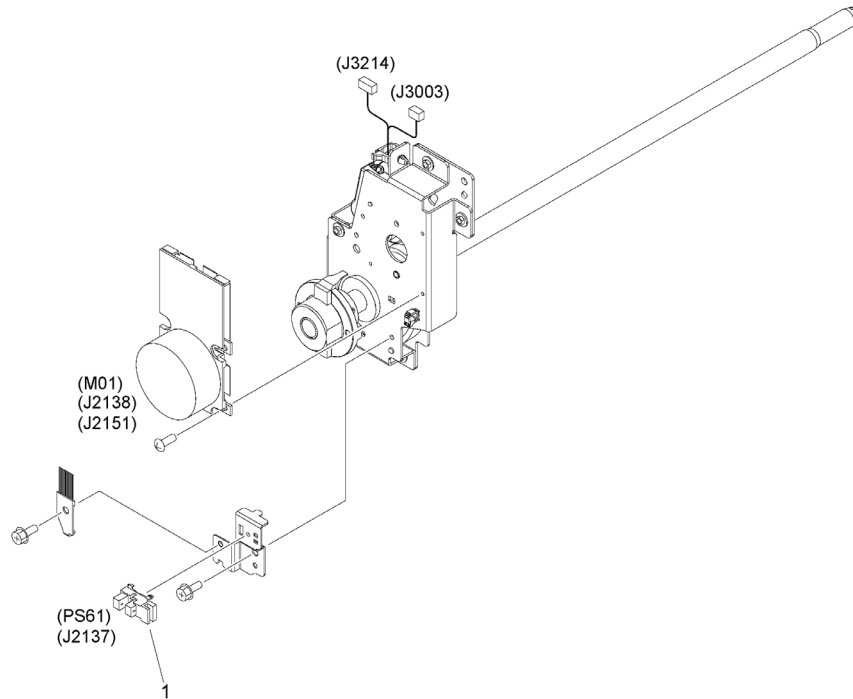


FIGURE & KEY NO.	PART NUMBER	RANK	QTY	DESCRIPTION	SERIAL NUMBER /REMARKS
261	FM4-0947-010		1	LEFT DECK PICK-UP DRIVE ASS'Y	
1	XG9-0737-000		2	BUSHING	
2	FK2-7674-000		1	MOTOR, STEPPING, DC	M24
3	FL3-0247-000		1	COVER, DRIVE ASS'Y	
4	FS1-1508-000		2	BUSHING	
5	FU5-0204-000		1	GEAR, 30T	
6	FU5-0266-000		1	GEAR, 20T	
7	FU8-0335-000		1	GEAR, 28T	
8	FU8-0908-000		1	GEAR, 33T	
9	XD9-0137-010		5	RING, E	
10	XD9-0290-000		3	PIN, PARALLEL	
11	XF2-1606-260		1	BELT, TIMING, COGGED	

Figure 270A DRUM DRIVE ASS'Y



<b>FIGURE &amp; KEY NO.</b>	<b>PART NUMBER</b>	<b>R A N K</b>	<b>QTY</b>	<b>DESCRIPTION</b>	<b>SERIAL NUMBER /REMARKS</b>
270A	FM4-0975-010		1	DRUM DRIVE ASS'Y	
1	WG8-5848-000		1	IC, PHOTO-INTERRUPTER	PS61

Figure 271A DEVELOPING DRIVE ASS'Y

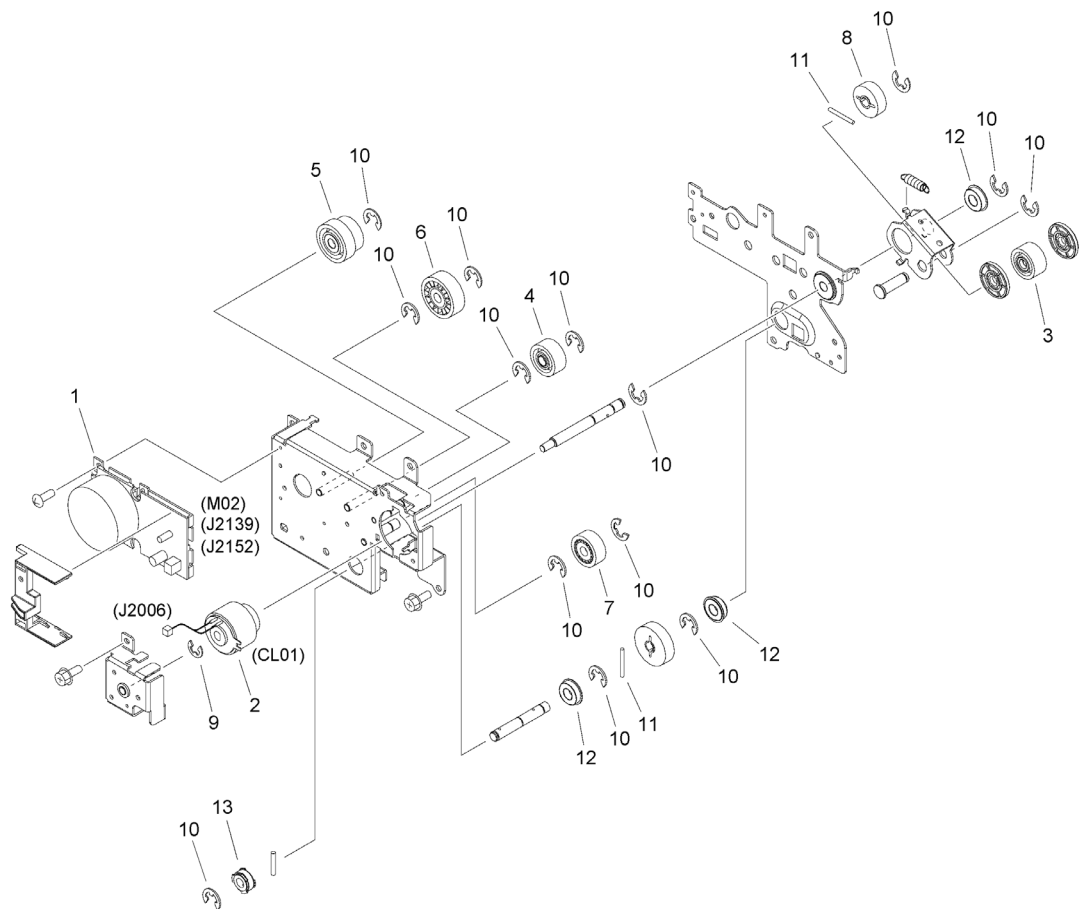


FIGURE & KEY NO.	PART NUMBER	RANK	QTY	DESCRIPTION	SERIAL NUMBER /REMARKS
271A	FM4-0958-000		1	DEVELOPING DRIVE ASS'Y	
1	FK2-7668-000		1	MOTOR, DC	M02
2	FK2-7684-000		1	CLUTCH, ELECTROMAGNETIC	CL01
3	FL3-2170-000		1	GEAR, 32T	
4	FL3-3869-000		1	GEAR, 30T	
5	FL3-4560-000		1	GEAR, 50T/32T	
6	FL3-4575-000		1	GEAR, 40T	
7	FU6-0562-000		1	GEAR, 30T	
8	FU6-0603-000		1	GEAR, 30T	
9	XD9-0136-000		1	RING, E	
10	XD9-0137-010		14	RING, E	
11	XD9-0292-000		3	PIN, PARALLEL	
12	XG9-0794-000		3	BEARING, BALL, LNR-1680KKR	
13	FU5-3977-000		1	PULLEY, 38T	



Figure 280 DELIVERY REVERSE DRIVE ASS'Y

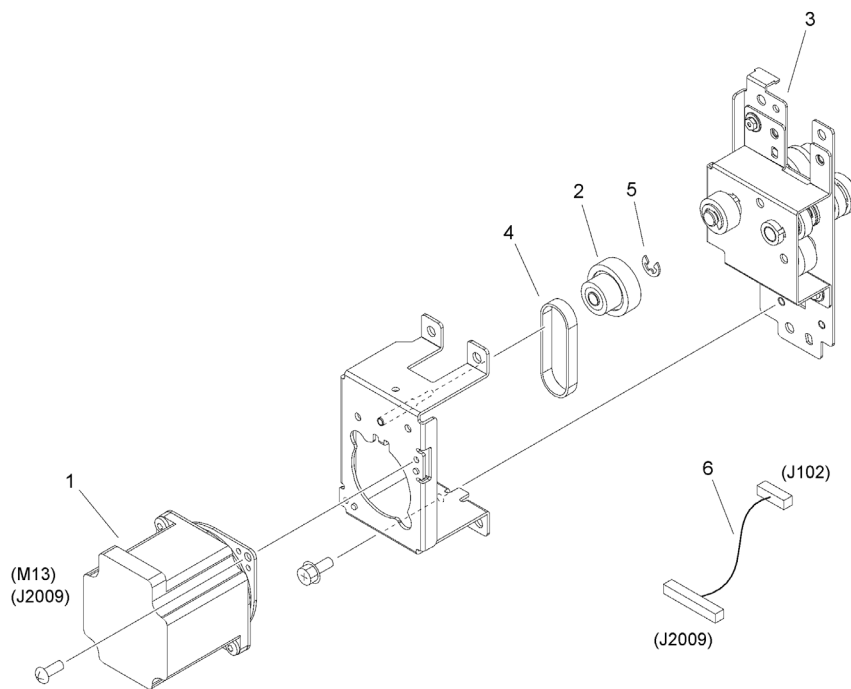


FIGURE & KEY NO.	PART NUMBER	RANK	QTY	DESCRIPTION	SERIAL NUMBER /REMARKS
280	NPN		RF	DELIVERY REVERSE DRIVE ASS'Y	
1	FK2-7675-000		1	MOTOR, STEPPING, DC	M13
2	FL3-2819-000		1	GEAR, 30T/PULLEY, 28T	
3	FM4-5138-010		1	DELIVERY REVERSE DRIVE UNIT	
4	XF2-1606-260		1	BELT, TIMING, COGGED	
5	XD9-0135-000		1	RING, E	
6	FM4-4319-000		1	CABLE, MOTOR	

Figure 300 CASSETTE ASSEMBLY

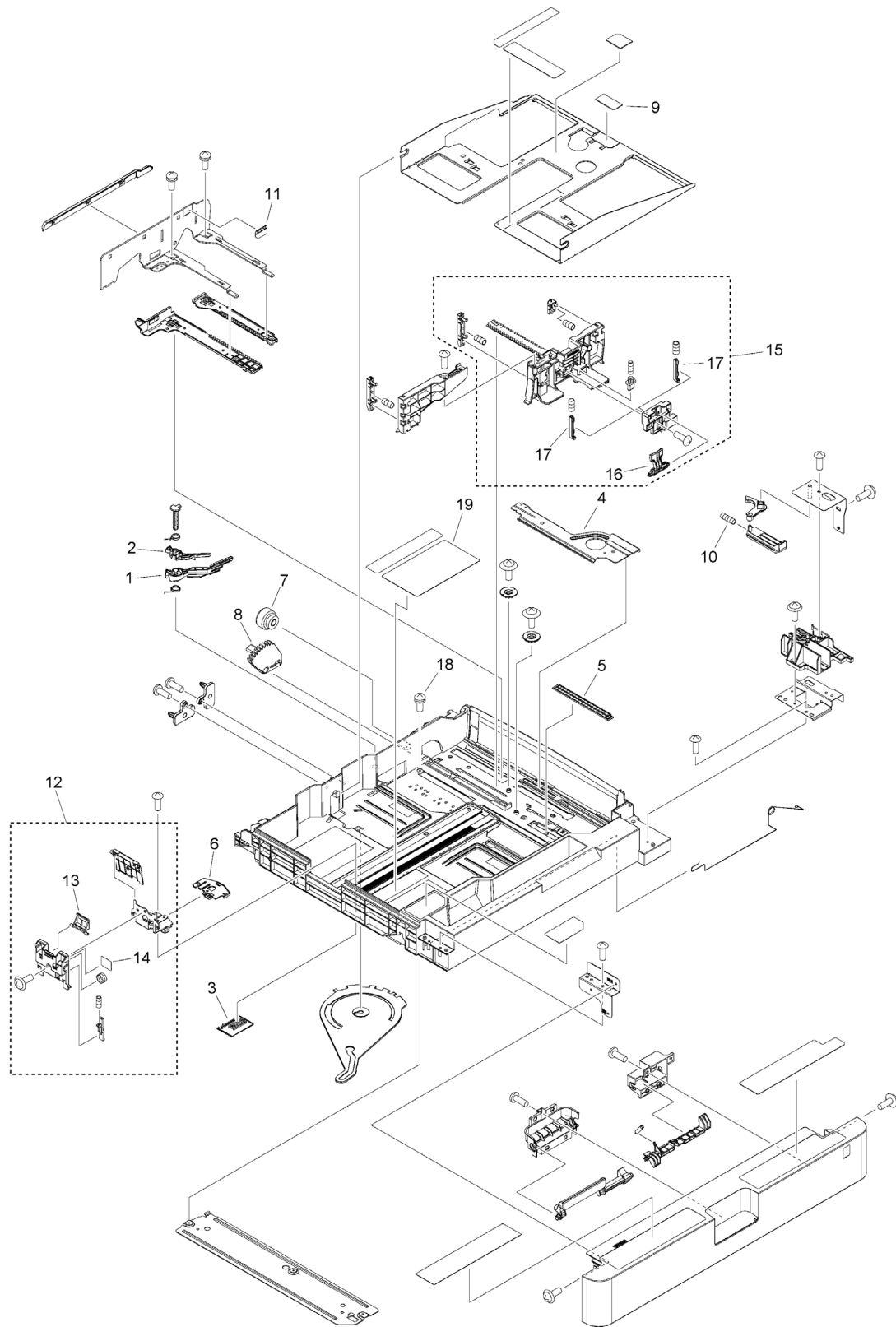


FIGURE & KEY NO.	PART NUMBER	RANK	QTY	DESCRIPTION	SERIAL NUMBER /REMARKS
300	FM1-G103-000		1	CASSETTE ASSEMBLY	
1	FC8-2469-000		1	DIAL, DETECT, SMALL	
2	FC8-2470-000		1	DIAL, DETECT, LARGE	
3	FC8-2475-000		1	PLATE, JOINT	
4	FC8-2482-000		1	PLATE, LIFTER	
5	FC8-2670-000		1	PLATE, FREE STOP	
6	FC8-4996-000		1	COVER, TOP	
7	FC9-3785-000		1	COUPLING	
8	FC9-3962-000		1	GEAR, 50T	
9	FB6-3499-000		1	SHEET, SEPARATION	
10	FU7-2518-000		1	SPRING, COMPRESSION	
11	FC8-4964-010		1	LABEL, HEIGHT LIMIT, S	
12	FM3-8907-000		1	BACK END LIMIT PLATE ASSEMBLY	
13	FC8-2466-000		1	LEVER	
14	FC8-4965-000		1	LABEL, HEIGHT LIMIT, R	
15	FM4-5709-010		1	SIDE END PLATE ASSEMBLY, FRONT	
16	FC8-2462-000		1	KNOB, PAPER SIDE END	
17	FC8-2463-000		2	STOPPER	
18	XA9-1016-000		2	SCREW W/WASHER, M3X6	
19	FU6-8536-020		1	LABEL, TAB PAPER SET, 2	

Figure 301 CST. SIZE/REMNANT DETECT ASS'Y

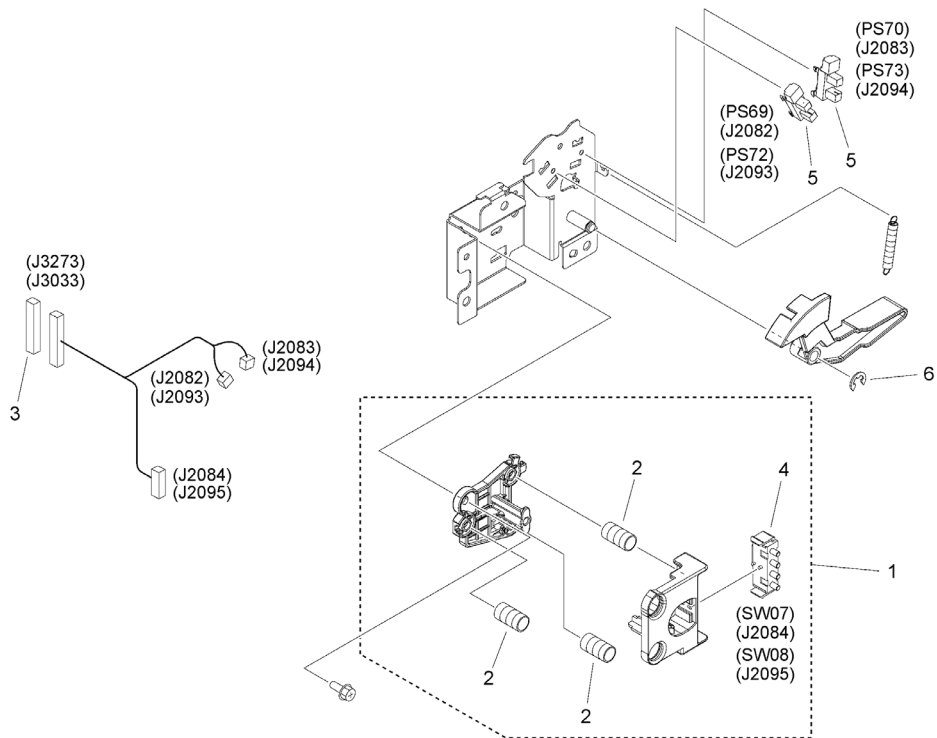


FIGURE & KEY NO.	PART NUMBER	RANK	QTY	DESCRIPTION	SERIAL NUMBER /REMARKS
301	FM4-0929-000		1	CST. SIZE/REMNANT DETECT ASS'Y	
1	FM3-4932-000		1	SWITCH HOLDER UNIT	
2	FU7-2332-000		3	SPRING, COMPRESSION	
3	VS1-8412-011		1	CONNECTOR, SNAP TIGHT, BL	
4	WC2-5680-000		1	SWITCH, DETECT PUSH	SW07, SW08
5	WG8-5848-000		2	IC, PHOTO-INTERRUPTER	PS69, PS70, PS72, PS73
6	XD9-0136-000		1	RING, E	

Figure 302 DECK REMNANT DETECT ASS'Y

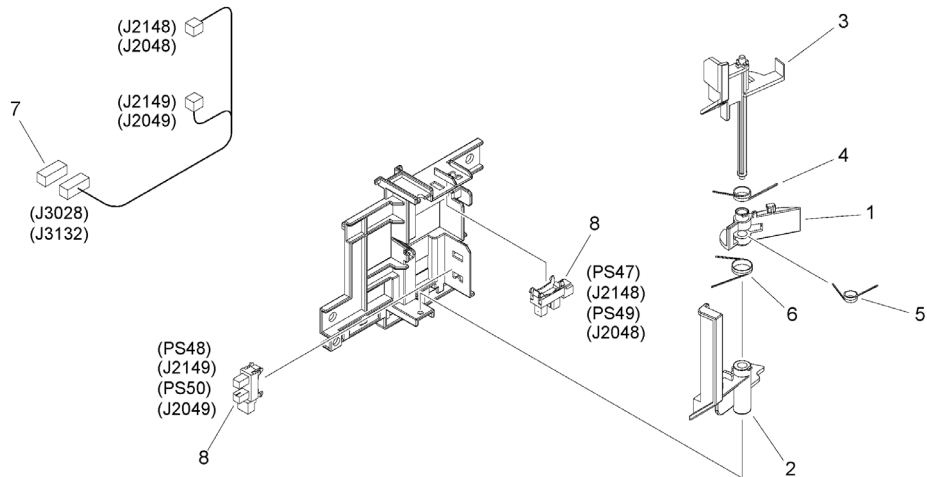


FIGURE & KEY NO.	PART NUMBER	RANK	QTY	DESCRIPTION	SERIAL NUMBER /REMARKS
302	FM4-0931-000		1	DECK REMNANT DETECT ASS'Y	
1	FC9-3963-000		1	FLAG, PRESENCE	
2	FC9-3964-000		1	FLAG, REMNANT DETECT, 1	
3	FC9-3965-000		1	FLAG, REMNANT DETECT, 2	
4	FC9-3966-000		1	SPRING, TORSION	
5	FC9-3967-000		1	SPRING, TORSION	
6	FC9-3968-000		1	SPRING, TORSION	
7	VS1-8412-007		1	CONNECTOR, SNAP TIGHT, BL	
8	WG8-5848-000		2	IC, PHOTO-INTERRUPTER	PS47, PS48, PS49, PS50



Figure 303 CASSETTE SIZE DETECT ASS'Y

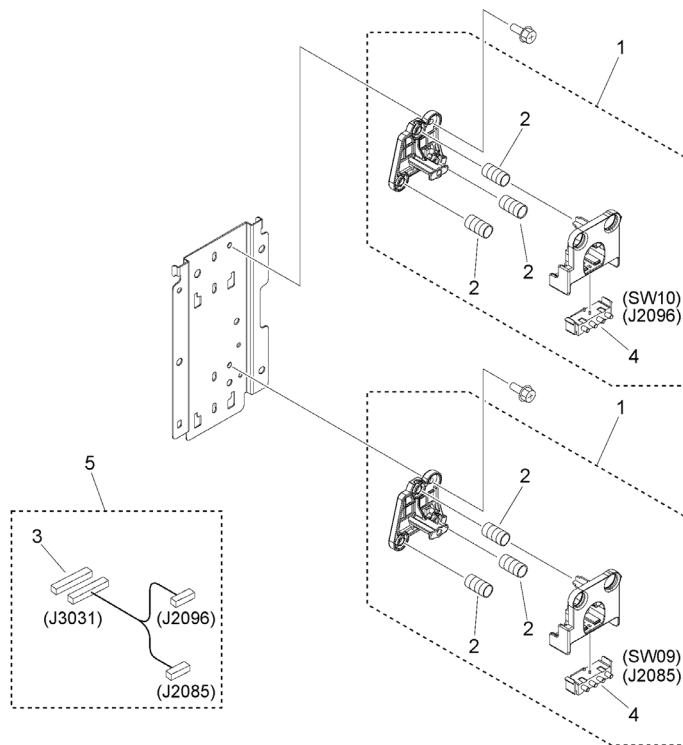


FIGURE & KEY NO.	PART NUMBER	RANK	QTY	DESCRIPTION	SERIAL NUMBER /REMARKS
303	NPN		RF	CASSETTE SIZE DETECT ASSY	
1	FM3-4932-000		2	SWITCH HOLDER UNIT	
2	FU7-2332-000		6	SPRING, COMPRESSION	
3	VS1-8412-013		1	CONNECTOR, SNAP TIGHT, BL	
4	WC2-5680-000		2	SWITCH, DETECT PUSH	SW09,SW10
5	FM4-1044-000		1	CABLE, CASSETTE LENGTH SENSING	



FIGURE & KEY NO.	PART NUMBER	RANK	QTY	DESCRIPTION	SERIAL NUMBER /REMARKS
304	FM1-G120-000		1	PAPER STOCK ASS'Y, RIGHT	
1	FE3-8153-000		4	WASHER	
2	FE4-1289-000		1	LEVER, DECK	
3	XA9-1386-000		1	SCREW,RS,M3X8	
4	FB2-8465-000		2	PULLEY, LIFTING	
5	FC0-2206-000		2	WIRE	
6	FC6-3763-010		1	SUPPORT,SHAFT,REAR	
7	FC8-2533-000		1	PLATE, PAPER SIDE END ADJUST	
8	FC8-7358-000		1	PLATE, BACK END LIMIT	
9	FC9-3989-000		1	FLANGE, LIFT	
10	FC9-4119-000		1	STOPPER, COUPLING	
11	FC9-8565-000		1	FLANGE, LIFT	
12	FC9-9359-010		1	BLOCK, POSITIONING	
13	FB6-3499-000		1	SHEET, SEPARATION	
14	FC8-4964-010		1	LABEL, HEIGHT LIMIT, S	
15	FS4-0160-000		1	GEAR, 28T	
16	FS4-2136-000		1	SPRING, COMPRESSION	
17	FS5-9360-020		1	SCREW,STEPPED,M4	
18	FU8-2361-000		1	SPRING, COMPRESSION	
19	XA1-1200-405		2	SCREW PH2X4 (S)	
20	XA9-0732-010		1	SCREW,RS,M4X8	
21	XA9-1450-000		15	SCREW, TP, M4X6	
22	XA9-1934-000		3	SCREW, M4X4	
23	XD9-0137-010		7	RING, E	
24	XD9-0289-000		4	PIN, PARALLEL	
25	XG9-0737-000		2	BUSHING	
26	XH9-0148-000		1	DAMPER, OIL	
27	FU7-2368-000		1	SPRING, TENSION	
28	XA9-1249-010		4	SCREW,TP M4X8	



FIGURE & KEY NO.	PART NUMBER	RANK	QTY	DESCRIPTION	SERIAL NUMBER /REMARKS
305	FM1-G117-000		1	PAPER STOCK ASS'Y, LEFT	
1	FE3-8153-000		4	WASHER	
2	FE4-1289-000		1	LEVER, DECK	
3	XA9-1386-000		1	SCREW,RS,M3X8	
4	FB2-8465-000		2	PULLEY, LIFTING	
5	FC0-2206-000		2	WIRE	
6	FC6-3763-010		1	SUPPORT,SHAFT,REAR	
7	FC8-2533-000		1	PLATE, PAPER SIDE END ADJUST	
8	FC8-7358-000		1	PLATE, BACK END LIMIT	
9	FC9-3989-000		1	FLANGE, LIFT	
10	FC9-4119-000		1	STOPPER, COUPLING	
11	FC9-8565-000		1	FLANGE, LIFT	
12	FC9-9359-010		1	BLOCK, POSITIONING	
13	FB6-3499-000		1	SHEET, SEPARATION	
14	FC8-4964-010		1	LABEL, HEIGHT LIMIT, S	
15	FS4-0160-000		1	GEAR, 28T	
16	FS4-2136-000		1	SPRING, COMPRESSION	
17	FS5-9360-020		1	SCREW,STEPPED,M4	
18	FU8-2361-000		1	SPRING, COMPRESSION	
19	XA1-1200-405		2	SCREW PH2X4 (S)	
20	XA9-0732-010		1	SCREW,RS,M4X8	
21	XA9-1450-000		15	SCREW, TP, M4X6	
22	XA9-1934-000		3	SCREW, M4X4	
23	XD9-0137-010		7	RING, E	
24	XD9-0289-000		4	PIN, PARALLEL	
25	XG9-0737-000		2	BUSHING	
26	XH9-0148-000		1	DAMPER, OIL	
27	FU7-2368-000		1	SPRING, TENSION	
28	XA9-1249-010		4	SCREW,TP M4X8	

Figure 310A PAPER PICK-UP ASS'Y, RIGHT

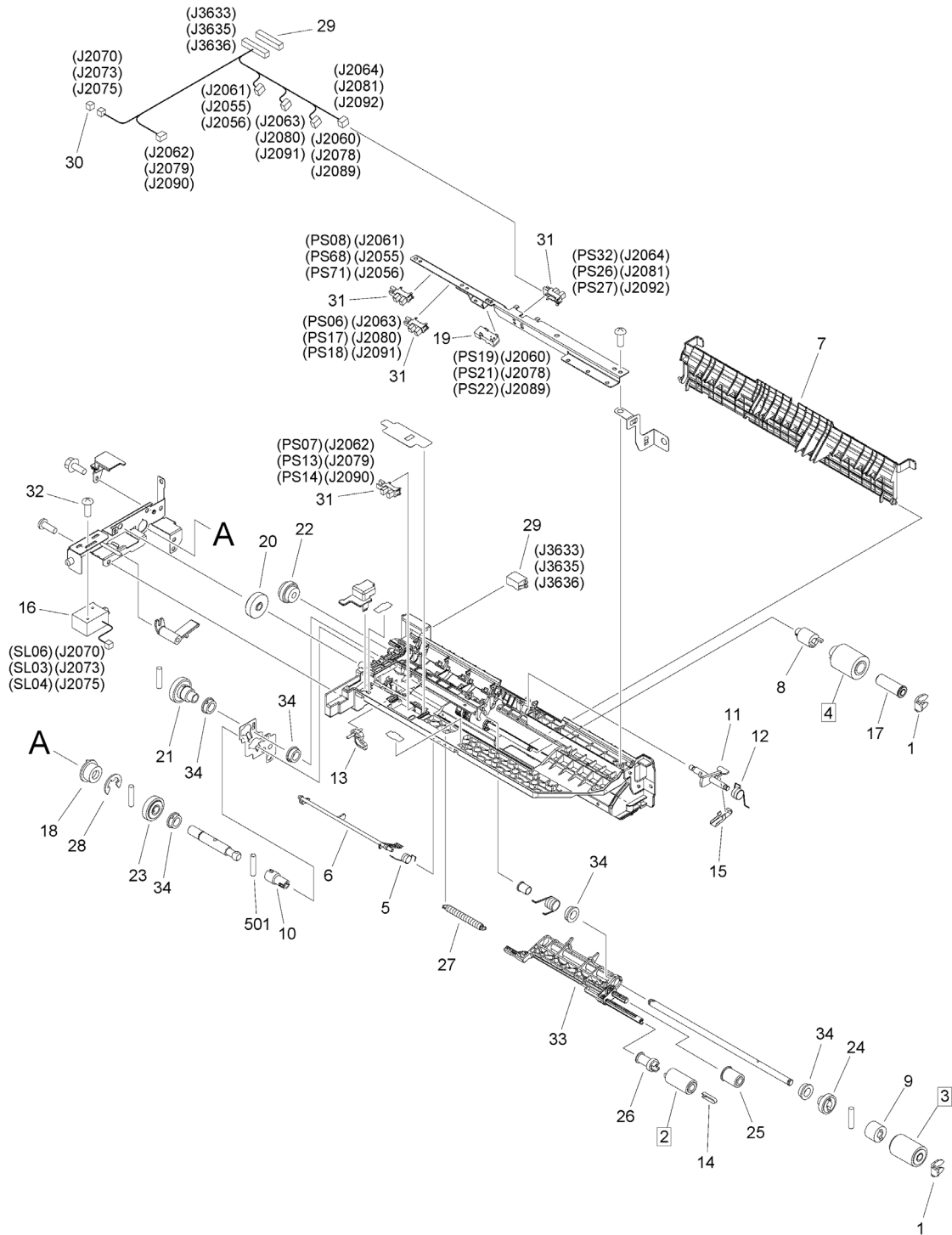


FIGURE & KEY NO.	PART NUMBER	RANK	QTY	DESCRIPTION	SERIAL NUMBER /REMARKS
310A	FM0-3207-010		1	PAPER PICK-UP ASS'Y, RIGHT	
1	FB4-2007-000		2	RING, RETAINING	
2	FC5-2524-000		1	ROLLER, PAPER PICK-UP	[DP]
3	FC5-2526-000		1	ROLLER, PAPER FEEDER	[DP]
4	FC5-2528-000		1	ROLLER, SEPARATION	[DP]
5	FC9-8060-000		1	SPRING, TORSION	
6	FC5-2537-010		1	LEVER, PAPER SENSOR	
7	FC5-2538-000		1	GUIDE, SWING	
8	FC0-8737-000		1	LIMITER, TORQUE	
9	FC6-3863-000		1	CLUTCH, ONE-WAY	
10	FC6-4358-000		1	JOINT, RETARD	
11	FC8-7812-000		1	FLAG, VERTICAL PATH SENSOR	
12	FC8-7813-000		1	SPRING, TORSION	
13	FC8-9045-000		1	ARM, RELEASE, PAPER PICK-UP	
14	FC7-5845-000		1	STOPPER, ROLLER	
15	FC9-3970-000		1	PLATE, V. PATH SENSOR FLAG	
16	FL3-4906-000		1	SOLENOID	SL03, SL04, SL06
17	FL3-7179-000		1	HOLDER, BEARING	
18	FL3-2254-000		1	CLUTCH, ONE-WAY	
19	FK2-6470-000		1	PHOTO-SENSOR, KUA0055C	PS19, PS21, PS22
20	FU5-0183-000		1	GEAR, 30T	
21	FU5-0184-000		1	GEAR, 16T/25T	
22	FU5-0185-000		1	GEAR, 18T/32T	
23	FU5-0186-000		1	GEAR, 24T	
24	FU5-0187-000		1	GEAR, 50T	
25	FU5-0188-000		1	GEAR, 34T	
26	FU5-0263-000		1	GEAR, 32T	
27	FU5-2162-000		1	SPRING, TENSION	
28	XD9-0137-010		1	RING, E	
29	VS1-8412-017		2	CONNECTOR, SNAP TIGHT, BL	
30	VS1-7177-002		1	CONNECTOR, SNAP TIGHT, BK	
31	WG8-5783-000		4	IC,PHOTO-INTERRUPTER,LG248NL1A	PS06, PS07, PS08, PS13, PS14, PS17, PS18, PS26, PS27, PS32, PS68, PS71
32	XA9-2008-000		2	SCREW,M3X4	
33	FC8-7809-000		1	HOLDER, ROLLER SUPPORT	
34	XG9-0737-000		5	BUSHING	
501	XD3-1250-142		1	PIN, SPRING	





FIGURE & KEY NO.	PART NUMBER	RANK	QTY	DESCRIPTION	SERIAL NUMBER /REMARKS
311A	FM0-3208-020		1	PAPER PICK-UP ASS'Y, LEFT	
1	FB4-2007-000		2	RING, RETAINING	
2	FC5-2524-000		1	ROLLER, PAPER PICK-UP	[DP]
3	FC5-2526-000		1	ROLLER, PAPER FEEDER	[DP]
4	FC5-2528-000		1	ROLLER, SEPARATION	[DP]
5	XG9-0737-000		5	BUSHING	
6	FC5-2537-010		1	LEVER, PAPER SENSOR	
7	FC5-2635-000		1	LEVER, FIXING/FEEDER RELEASE	
8	FC0-8737-000		1	LIMITER, TORQUE	
9	FC6-3863-000		1	CLUTCH, ONE-WAY	
10	FC6-4358-000		1	JOINT, RETARD	
11	FC9-8060-000		1	SPRING, TORSION	
12	FC8-9045-000		1	ARM, RELEASE, PAPER PICK-UP	
13	FC8-7809-000		1	HOLDER, ROLLER SUPPORT	
14	FC7-5845-000		1	STOPPER, ROLLER	
15	FL3-4906-000		1	SOLENOID	SL07
16	FL3-7179-000		1	HOLDER, BEARING	
17	FL2-8916-000		1	FLAG, DECK PATH SENSOR, LEFT	
18	FL3-2254-000		1	CLUTCH, ONE-WAY	
19	FK2-6470-000		1	PHOTO-SENSOR, KUA0055C	PS20
20	FU5-0183-000		1	GEAR, 30T	
21	FU5-0184-000		1	GEAR, 16T/25T	
22	FU5-0185-000		1	GEAR, 18T/32T	
23	FU5-0186-000		1	GEAR, 24T	
24	FU5-0187-000		1	GEAR, 50T	
25	FU5-0188-000		1	GEAR, 34T	
26	FU5-0263-000		1	GEAR, 32T	
27	FU5-2162-000		1	SPRING, TENSION	
28	XD9-0137-010		1	RING, E	
29	XA9-2008-000		2	SCREW,M3X4	
30	VS1-7177-002		1	CONNECTOR, SNAP TIGHT, BK	
31	WG8-5783-000		4	IC,PHOTO-INTERRUPTER,LG248NL1A	PS10, PS11, PS12, PS33
32	XD9-0133-000		3	RING, E	
501	XD3-1250-142		1	PIN, SPRING	

# Figure 312C MULTI TRAY ASSEMBLY

NOTE : This assembly does not include the parts shown with key No. 4

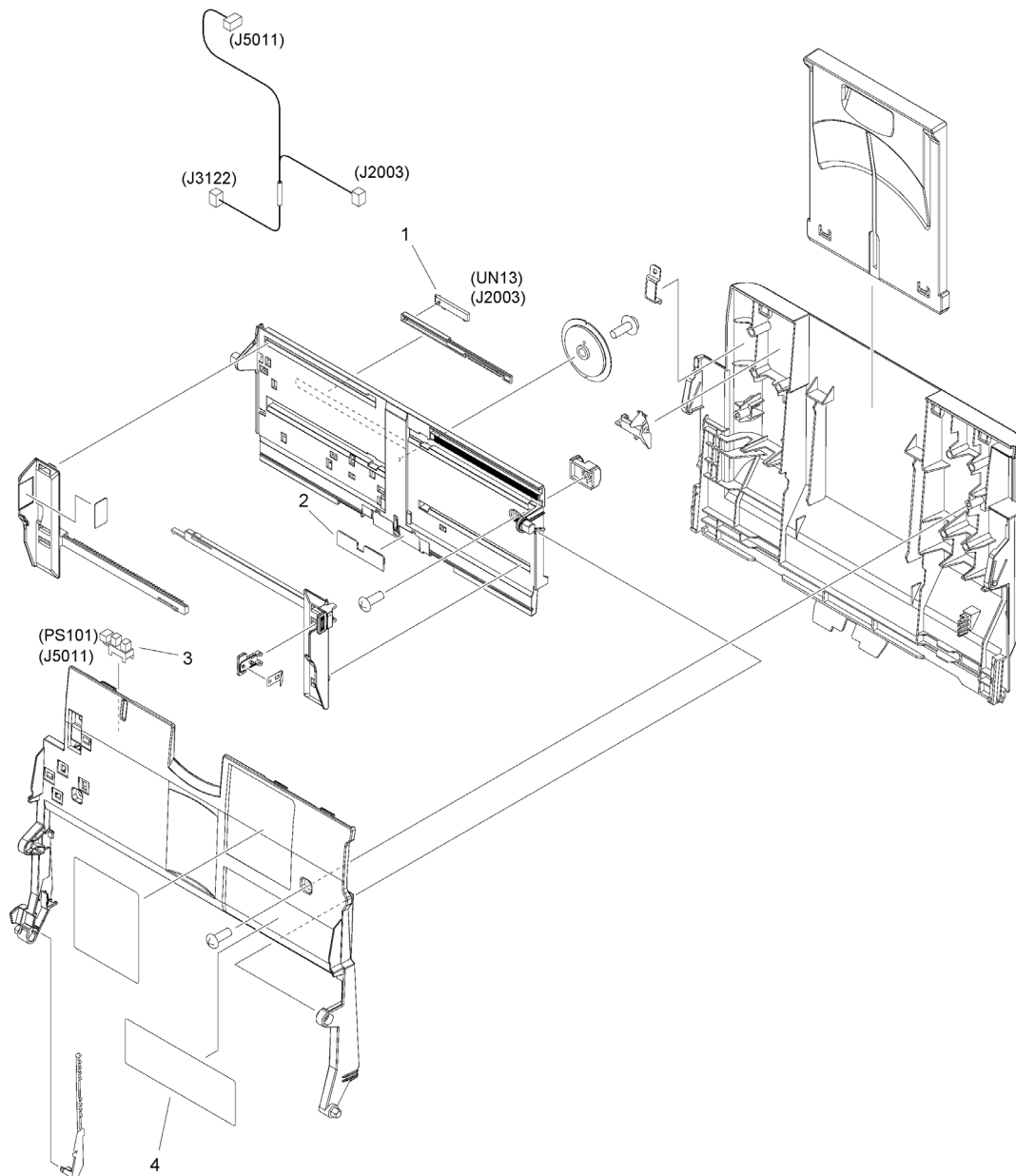


FIGURE & KEY NO.	PART NUMBER	RANK	QTY	DESCRIPTION	SERIAL NUMBER /REMARKS
312C	FM1-G112-000		1	MULTI TRAY ASSEMBLY	
1	FH7-7600-010		1	SLIDE VOLUME SENSOR UNIT	UN13
2	FB6-4937-000		1	SHEET, SEPARATION	
3	WG8-5783-000		1	IC,PHOTO-INTERRUPTER,LG248NL1A	PS101
4	FE4-5873-000		1	LABEL, MULTI SIZE	SEE NOTE

Figure 313 MULTI PAPER PICK-UP ASS'Y

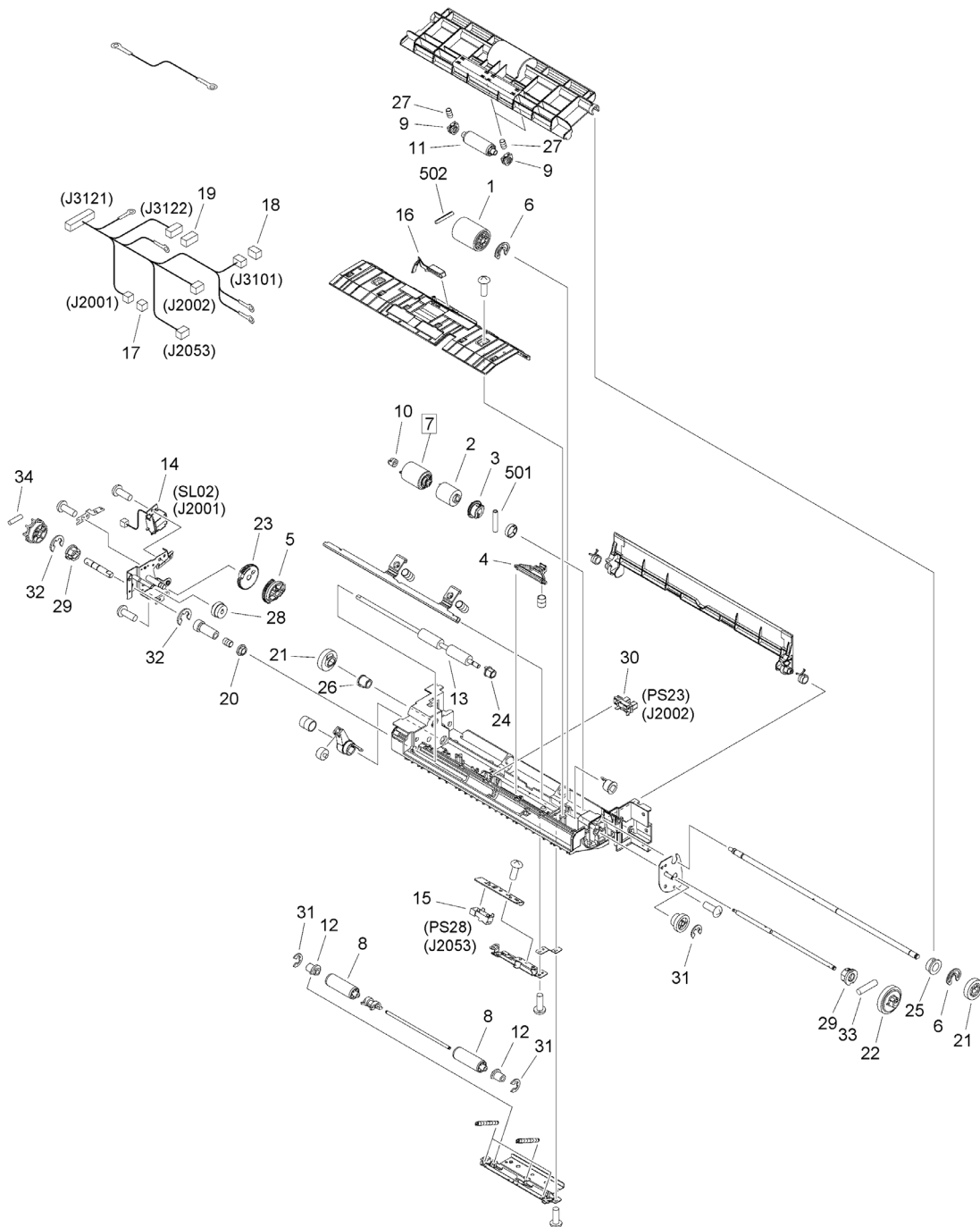


FIGURE & KEY NO.	PART NUMBER	RANK	QTY	DESCRIPTION	SERIAL NUMBER /REMARKS
313	FM1-G379-000		1	MULTI PAPER PICK-UP ASS'Y	
1	FB1-8581-000		1	ROLLER	[DP]
2	FB6-3410-000		1	LIMITER, TORQUE	
3	FB6-3463-000		1	CLUTCH	
4	FB6-3464-000		1	HOLDER, SEPARATION ROLLER	
5	FB6-3467-000		1	GEAR, 27T	
6	FC5-2715-000		2	RING, RETAINING	
7	FC6-6661-000		1	ROLLER, SEPARATION	[DP]
8	FC7-7208-000		2	ROLLER, DRIVEN	
9	FC7-7209-000		4	BUSHING, VERTICAL ROLLER	
10	FC8-0785-000		1	HEAD, ROLLER SHAFT	
11	FC8-3782-000		2	ROLLER, PAPER FEED	
12	FC8-7273-000		2	BUSHING	
13	FC9-8082-000		1	ROLLER, MULTI EXTRACTION	
14	FK2-0115-000		1	SOLENOID	SL02
15	FK2-6470-000		1	PHOTO-SENSOR, KUA0055C	PS28
16	FL2-2925-000		1	FLAG, PAPER SENSOR	
17	VS1-7177-002		1	CONNECTOR, SNAP TIGHT, BK	
18	VS1-7177-003		1	CONNECTOR, SNAP TIGHT, BK	
19	VS1-7177-006		1	CONNECTOR, SNAP TIGHT, BK	
20	FS1-1569-000		1	BUSHING	
21	FU3-0296-000		2	GEAR, 24T	
22	FU3-0297-000		1	GEAR, 36T	
23	FU5-0256-000		1	GEAR, 48T	
24	FU5-1036-000		1	BUSHING	
25	FU6-1184-000		1	BUSHING	
26	FU6-1185-000		1	BUSHING	
27	FU8-2317-000		4	SPRING, COMPRESSION	
28	FU9-0152-000		1	GEAR, 27T/24T	
29	RS5-1567-000		2	BUSHING	
30	WG8-5783-000		1	IC,PHOTO-INTERRUPTER,LG248NL1A	PS23
31	XD9-0134-000		3	RING, E	
32	XD9-0136-000		2	RING, E	
33	XD9-0290-000		1	PIN, PARALLEL	
34	XD9-0300-000		1	PIN, PARALLEL	
501	XD3-1200-102		1	SPRING PIN	
502	XD3-1200-142		1	SPRING PIN	

Figure 315 PRE-REGISTRATION GUIDE ASS'Y

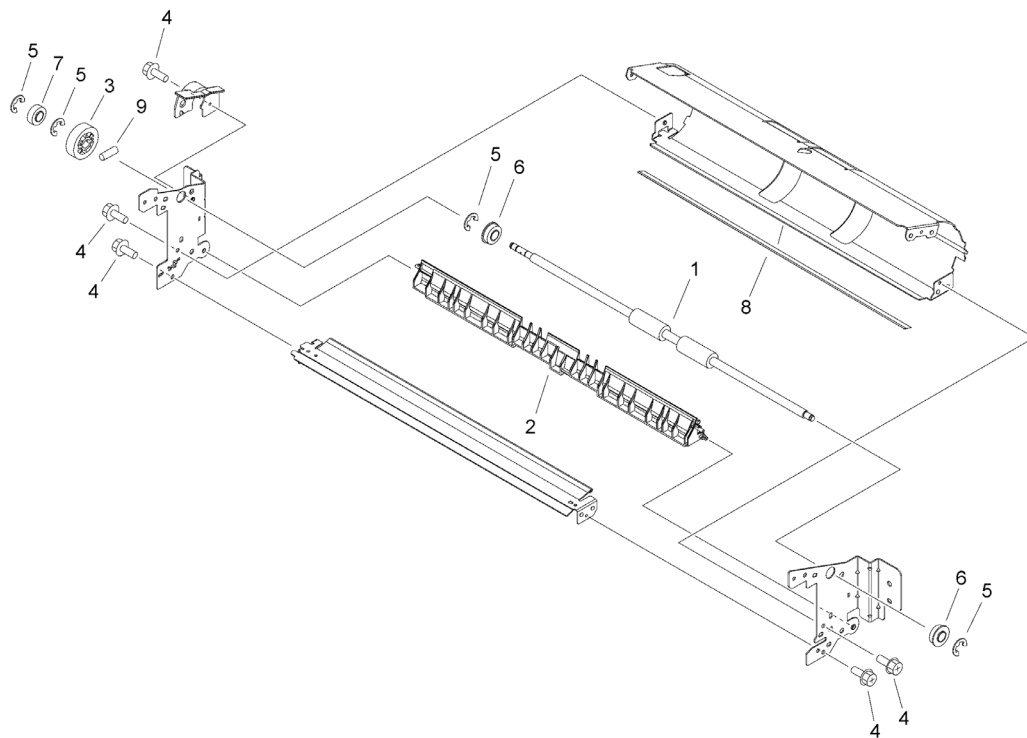


FIGURE & KEY NO.	PART NUMBER	RANK	QTY	DESCRIPTION	SERIAL NUMBER /REMARKS
315	FM3-7375-010		1	PRE-REGISTRATION GUIDE ASS'Y	
1	FC8-9354-000		1	ROLLER, PRE-REGISTRATION	
2	FL3-0277-000		1	GUIDE, MOVABLE	
3	FU8-0333-000		1	GEAR, 24T	
4	XA9-1386-000		15	SCREW,RS,M3X8	
5	XD9-0136-000		4	RING, E	
6	XG9-0707-000		2	BEARING, BALL, MF126ZZ-1	
7	XG9-0706-000		1	BEARING, BALL, MR126ZZ-1	
8	FE2-0547-000		1	SHEET, PRE-REGISTRATION GUIDE	
9	XD9-0289-000		1	PIN, PARALLEL	



Figure 330 (1/3)FIXING/FEEDER DUPLEXING ASS'Y

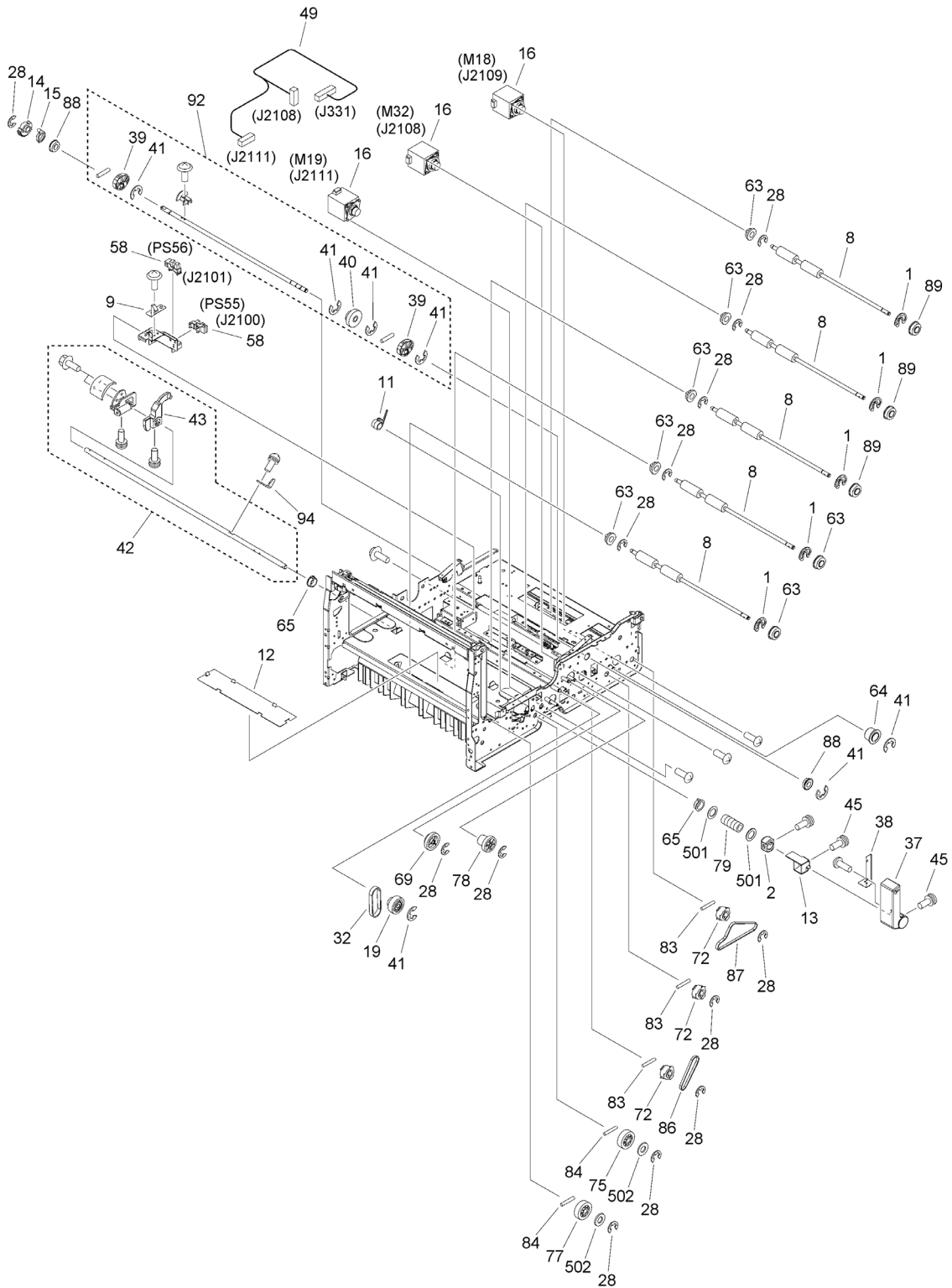


Figure 330 (2/3)FIXING/FEEDER DUPLEXING ASS' Y

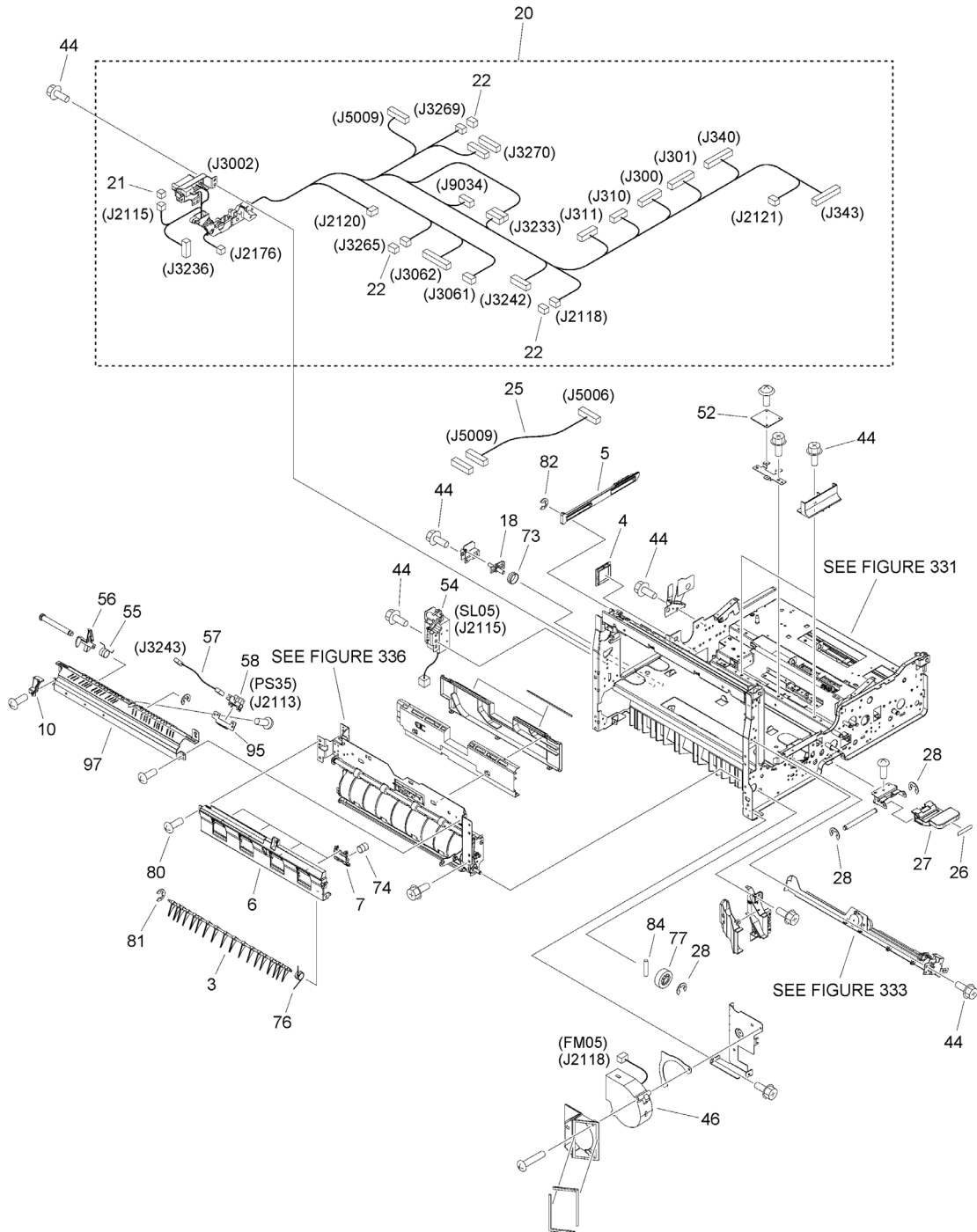


Figure 330 (3/3)FIXING/FEEDER DUPLEXING ASS' Y

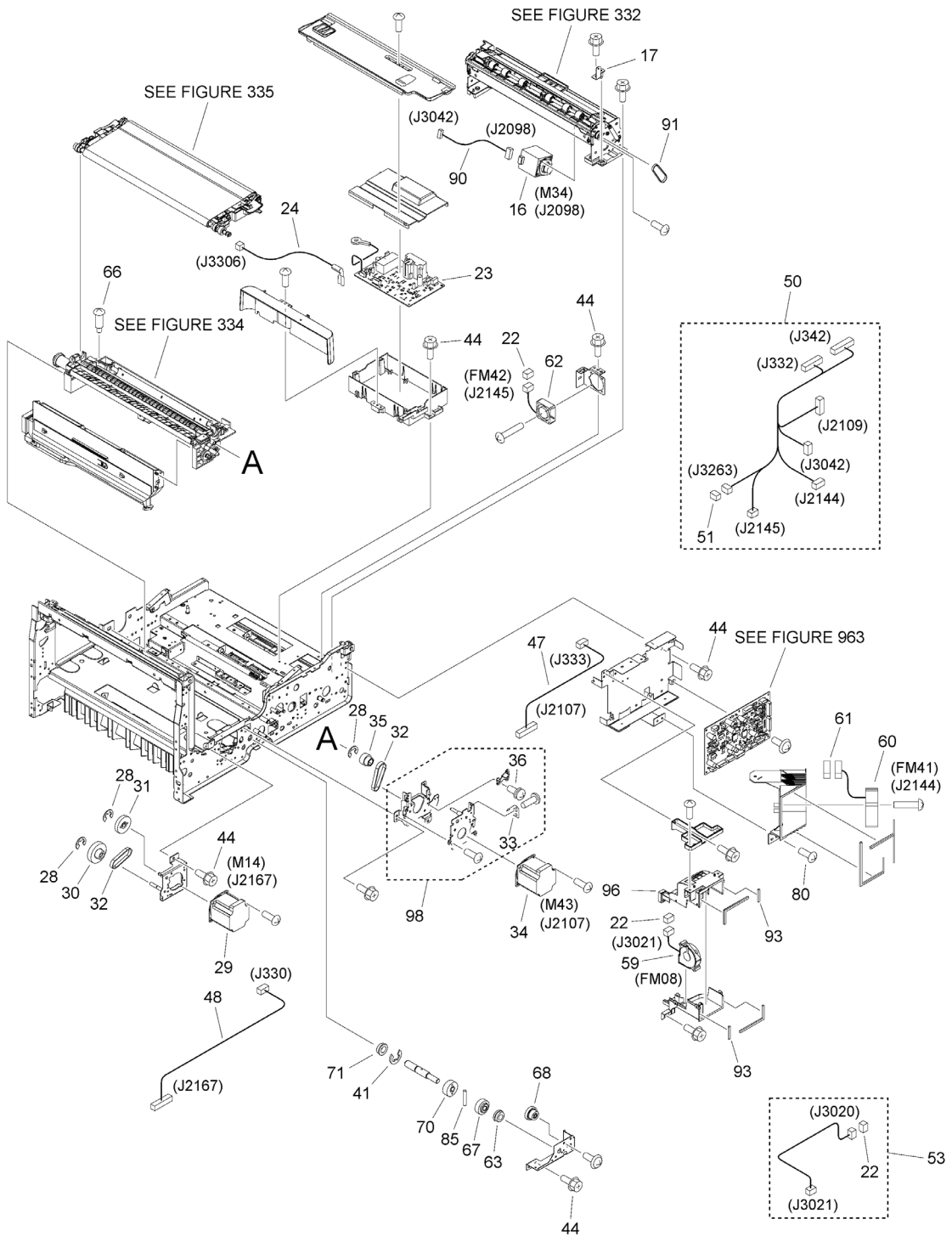


FIGURE & KEY NO.	PART NUMBER	RANK	QTY	DESCRIPTION	SERIAL NUMBER /REMARKS
330	NPN		RF	FIXING/FEEDER DUPLEXING ASSY	
1	FB6-6088-000		5	RING, RETAINING	
2	FC5-2108-000		1	CAM, PRESSURE	
3	FC6-1968-000		1	FLAPPER, DUPLEXING REVERSE	
4	FC6-9542-000		1	BUSHING	
5	FC8-7192-010		1	RACK, RELEASE ARM	
6	FC8-7327-000		1	GUIDE, REVERSE, LEFT	
7	FC8-7328-000		4	GUIDE, REVERSE SWING	
8	FC9-5463-000		5	ROLLER, DUPLEXING PAPER FEED	
9	FC9-5700-000		1	PLATE, CLEANER GROUNDING	
10	FC9-6182-000		1	COVER, SENSOR	
11	FC9-7845-000		1	SPRING, TORSION	
12	FC9-8828-000		1	SHEET, FIXING CROSSMEMBER	
13	FC9-9067-000		1	STOPPER, HANDLE	
14	FE2-3468-000		1	GEAR, 26T	
15	FE2-3469-000		1	STOPPER, RELEASE GEAR	
16	FK2-7674-000		4	MOTOR, STEPPING, DC	M18, M19, M32, M34
17	FL3-0293-000		1	PLATE, POSITIONING	
18	FL3-1306-010		1	LOCK, HANDLE	
19	FL3-2814-000		1	GEAR, 30T/PULLEY, 28T	
20	FM1-G118-000		1	CABLE, FIXING/FEEDER DRAWER	
21	VS1-7177-002		1	CONNECTOR, SNAP TIGHT, BK	
22	VS1-7177-003		6	CONNECTOR, SNAP TIGHT, BK	
23	FM1-K905-000		1	HIGH VOLTAGE PCB ASS'Y	
24	FM4-1051-000		1	CABLE, TRANSFER HIGH VOLTAGE	
25	FM1-P892-000		1	CABLE, SIGNAL CONNECTING	
26	FC9-9015-000		1	LABEL, OPEN/CLOSE	
27	FC9-9102-000		1	HANDLE, OPEN/CLOSE	
28	XD9-0136-000		22	RING, E	
29	FK2-7675-000		1	MOTOR, STEPPING, DC	M14
30	FL3-3018-000		1	GEAR, 39T/PULLEY, 28T	
31	FS5-0395-000		1	GEAR, 25T	
32	XF2-1606-260		3	BELT, TIMING, COGGED	
33	FC8-9664-000		1	SPRING, GROUNDING	
34	FK2-7719-000		1	MOTOR, STEPPING, DC	M43
35	FL3-2171-000		1	GEAR, 26T/PULLEY, 30T	
36	XA9-2003-000		1	SCREW, W/WASHER, M3X6	
37	FC5-2386-000		1	HANDLE, TRANSFER FRAME, LOWER	
38	FC5-5170-000		1	PLATE, GROUNDING	
39	FC8-7200-000		2	CAM, BELT PRESSURE	
40	FU9-0314-000		1	GEAR, 30T	
41	XD9-0137-010		9	RING, E	
42	FM4-0912-010		1	FIXING/FEEDER LOCK HANDLE UNIT	
43	FL3-7921-000		1	LEVER, RELEASE	

FIGURE & KEY NO.	PART NUMBER	RANK	QTY	DESCRIPTION	SERIAL NUMBER /REMARKS
44	XA9-0732-010		15	SCREW,RS,M4X8	
45	XA9-0961-000		3	SCREW, W/WASHER, M4X10	
46	FH6-1548-040		1	FAN, COOLING	FM05
47	FM4-1052-000		1	CABLE, MOTOR	
48	FM4-1053-000		1	CABLE, MOTOR	
49	FM4-1054-000		1	CABLE, MOTOR	
50	FM4-1056-000		1	CABLE, DUPLEXING FEED ASS'Y	
51	VS1-8412-003		1	CONNECTOR, SNAP TIGHT, BL	
52	FM4-1089-000		1	DC-DC CONVERT PCB ASS'Y	
53	FM4-4327-000		1	CABLE, DUPLEXING FEED FAN	
54	FM4-5141-000		1	REVERSE SOLENOID ASS'Y	SL05
55	FC8-9450-010		1	SPRING, TORSION	
56	FL3-3868-000		1	LEVER, REVERSE SENSOR	
57	FM4-1061-000		1	CABLE, SENSOR CONNECTING	
58	WG8-5848-000		3	IC, PHOTO-INTERRUPTER	PS35, PS55, PS56
59	FK2-3149-000		1	FAN	FM08
60	FK2-3100-000		1	FAN	FM41
61	VS1-7177-004		1	CONNECTOR, SNAP TIGHT, BK	
62	FK2-6461-000		1	FAN	FM42
63	FS1-1508-000		8	BUSHING	
64	FS2-6458-000		1	ROLLER	
65	FS5-1474-000		2	BUSHING COP	
66	FS5-9227-020		1	SCREW, STEPPED, M4	
67	FU3-0339-000		1	GEAR, 20T	
68	FU6-0137-000		1	GEAR, 27T/18T	
69	FU6-0138-000		1	GEAR, 32T/19T	
70	FU6-0603-000		1	GEAR, 30T	
71	FU6-1199-000		1	BUSHING	
72	FU6-3053-000		3	PULLEY, 22T	
73	FU7-2699-000		1	SPRING, COMPRESSION	
74	FU7-2702-000		4	SPRING, COMPRESSION	
75	FU8-0333-000		1	GEAR, 24T	
76	FU8-2343-000		1	SPRING, TORSION	
77	FU9-0048-000		2	GEAR, 19T	
78	FU9-0083-000		1	GEAR, 33T/20T	
79	FU9-2460-000		1	SPRING, COMPRESSION	
80	XA9-1031-000		7	SCREW, MACH. TRUSS HEAD, M4X6	
81	XD9-0134-000		1	RING, E	
82	XD9-0135-000		1	RING, E	
83	XD9-0288-000		3	PIN, DOWEL	
84	XD9-0289-000		4	PIN, PARALLEL	
85	XD9-0292-000		1	PIN, PARALLEL	
86	XF2-1607-440		1	BELT, TIMING	
87	XF2-1610-440		1	BELT, TIMING, CR	

FIGURE & KEY NO.	PART NUMBER	RANK	QTY	DESCRIPTION	SERIAL NUMBER /REMARKS
88	XG9-0365-000		2	BEARING,BALL, LNR-1680HHR	
89	XG9-0707-000		3	BEARING, BALL, MF126ZZ-1	
90	FM4-4320-000		1	CABLE, MOTOR	
91	XF2-1607-040		1	BELT, TIMING	
92	FM4-0911-000		1	BELT PRESSURE SHAFT UNIT	
93	FC9-9061-000		2	SHEET, INNER COVER, 2	
94	FC9-7843-000		1	STAY, SPRING	
95	FC8-9449-000		1	SUPPORT, SENSOR	
96	FL3-3795-000		1	DUCT, TRANSFER, UPPER	
97	FC8-9446-000		1	GUIDE, REVERSE INTRODUCTION	
98	FM0-3211-000		1	TRANSFER DRIVE SUPPORT UNIT	
501	XD1-1100-225		2	WASHER, COP	
502	XD1-1106-239		2	WASHER,COP	

Figure 331 (1/2)FIXING/FEEDER FRAME ASS'Y

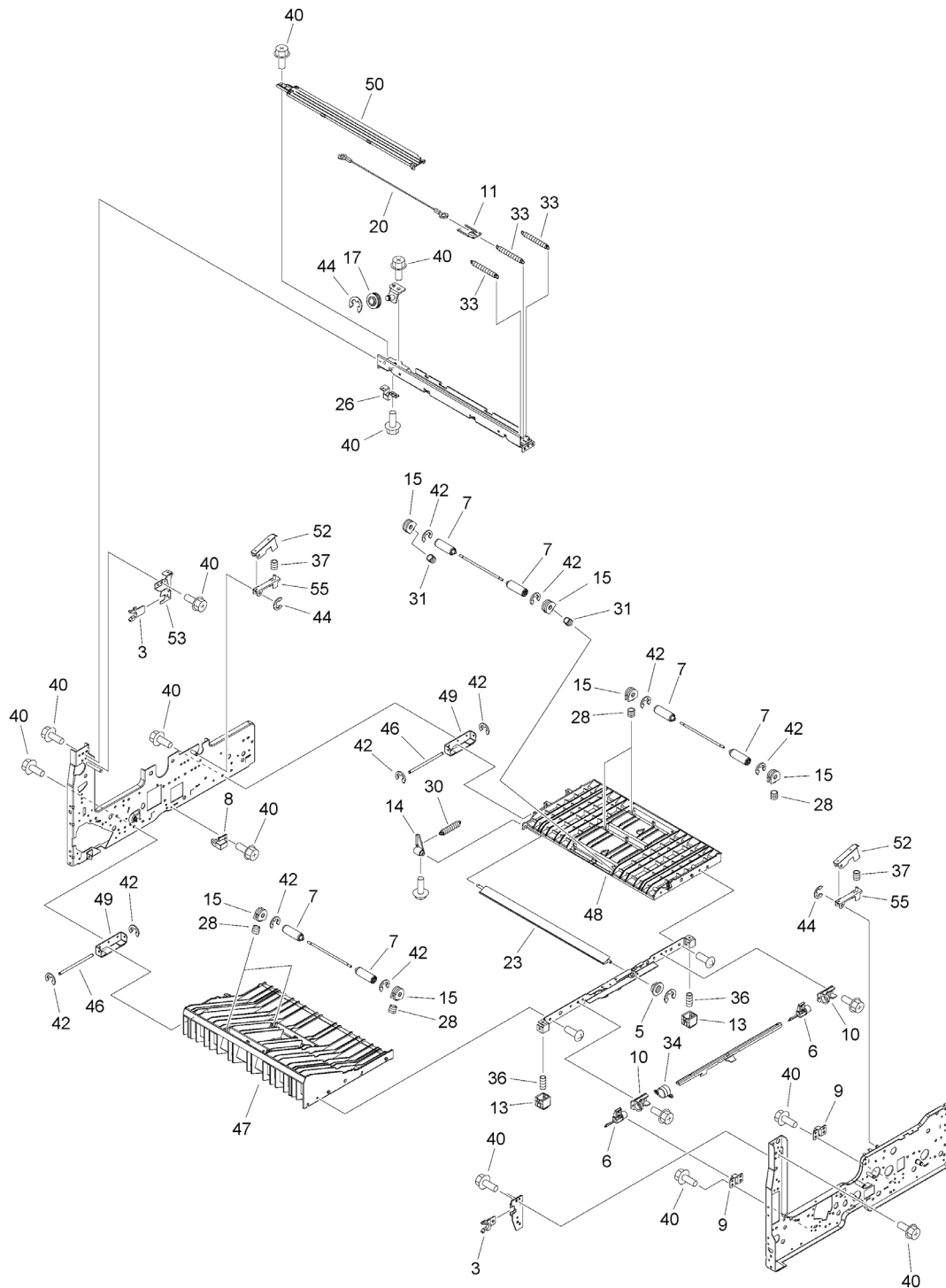


Figure 331 (2/2) FIXING/FEEDER FRAME ASS'Y

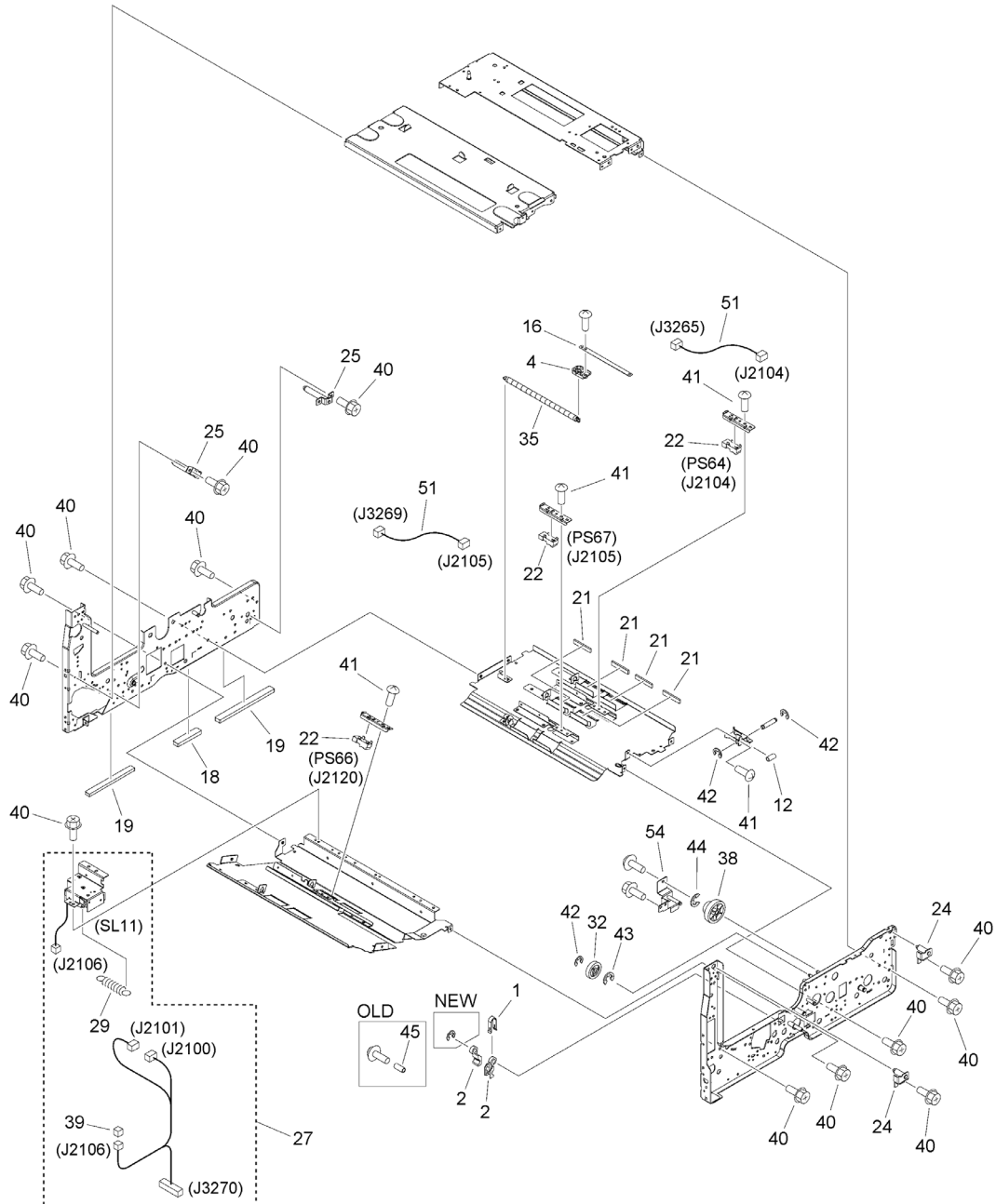




FIGURE & KEY NO.	PART NUMBER	RANK	QTY	DESCRIPTION	SERIAL NUMBER /REMARKS
331	NPN		RF	FIXING/FEEDER FRAME ASS'Y	
1	FC1-3975-020		1	SPRING, LEAF	
2	FC1-3976-000		2	PAD, BRAKE, PA	
3	FC5-2271-000		2	BUSHING	
4	FC5-5167-000		1	MOUNT, TAPE	
5	FC5-6287-000		1	BUSHING	
6	FC7-6972-000		2	HOOK, RIGHT DOOR, LOWER	
7	FC7-7208-000		10	ROLLER, DRIVEN	
8	FC8-7297-000		1	BLOCK, ROLLER PRESSURE RELEASE	
9	FC8-7309-000		2	CATCH, GUIDE	
10	FC8-7324-000		2	BUSHING	
11	FC8-7334-000		1	HOOK	
12	FC8-7343-000		1	ROLLER, BELT	
13	FC8-8802-000		2	BLOCK, PUSHING	
14	FC9-5580-000		1	BUSHING	
15	FC9-7993-000		10	BUSHING	
16	FC9-8817-000		1	BAND, GUIDE	
17	FC9-8821-000		1	PULLEY, WIRE	
18	FC9-9104-000		1	SHEET, EXHAUST	
19	FC9-9105-000		2	SHEET, EXHAUST	
20	FC9-9152-000		1	WIRE, LIFT	
21	FC9-9162-000		4	BRUSH	
22	FK2-6470-000		3	PHOTO-SENSOR, KUA0055C	PS64, PS66, PS67
23	FL3-8109-000		1	FLAPPER	
24	FL3-0272-000		2	PIN, POSITIONING, FRONT	
25	FL3-0273-000		2	PIN, POSITIONING, REAR	
26	FL3-0297-000		1	ROLLER UNIT	
27	FM4-0889-010		1	SOLENOID ASSEMBLY	SL11
28	FU8-2526-000		8	SPRING, COMPRESSION	
29	FU5-2151-000		1	SPRING, TENSION	
30	FU5-2152-000		1	SPRING, TENSION	
31	FU5-2177-000		2	SPRING, COMPRESSION	
32	FU6-0139-000		1	GEAR, 26T	
33	FU7-2701-000		3	SPRING, TENSION	
34	FU7-2703-000		1	SPRING, TORSION	
35	FU7-2704-000		1	SPRING, TENSION	
36	FU7-2838-000		2	SPRING, TORSION	
37	FU8-2344-000		2	SPRING, COMPRESSION	
38	FU9-0082-000		1	GEAR, 36T/18T	
39	VS1-7177-002		1	CONNECTOR, SNAP TIGHT, BK	
40	XA9-0732-010		15	SCREW,RS,M4X8	
41	XA9-0893-000		4	SCREW, M4X8	
42	XD9-0134-000		18	RING, E	
43	XD9-0135-000		1	RING, E	

FIGURE & KEY NO.	PART NUMBER	RANK	QTY	DESCRIPTION	SERIAL NUMBER /REMARKS
44	XD9-0136-000		4	RING, E	
45	XZ1-1401-205		1	SPACER	OLD
46	FC5-2051-000		2	SHAFT, GUIDE SUPPORT	
47	FC8-7321-000		1	GUIDE, DUPLEXING LOWER, 1	
48	FC8-7322-000		1	GUIDE, DUPLEXING LOWER, 2	
49	FE3-4463-000		2	PLATE, HINGE FIXED	
50	FC8-7333-000		1	COVER, DAMPER	
51	FM4-1055-000		2	CABLE, SENSOR	
52	FC9-5576-000		2	PLATE, PRESSURE	
53	FC8-9445-000		1	SUPPORT, HOOK SHAFT, REAR	
54	FL3-2810-000		1	SUPPORT, CONNECTING	
55	FL3-2820-000		2	PLATE, TRANSFER PRESSURE	

Figure 332 REGISTRATION ASS'Y

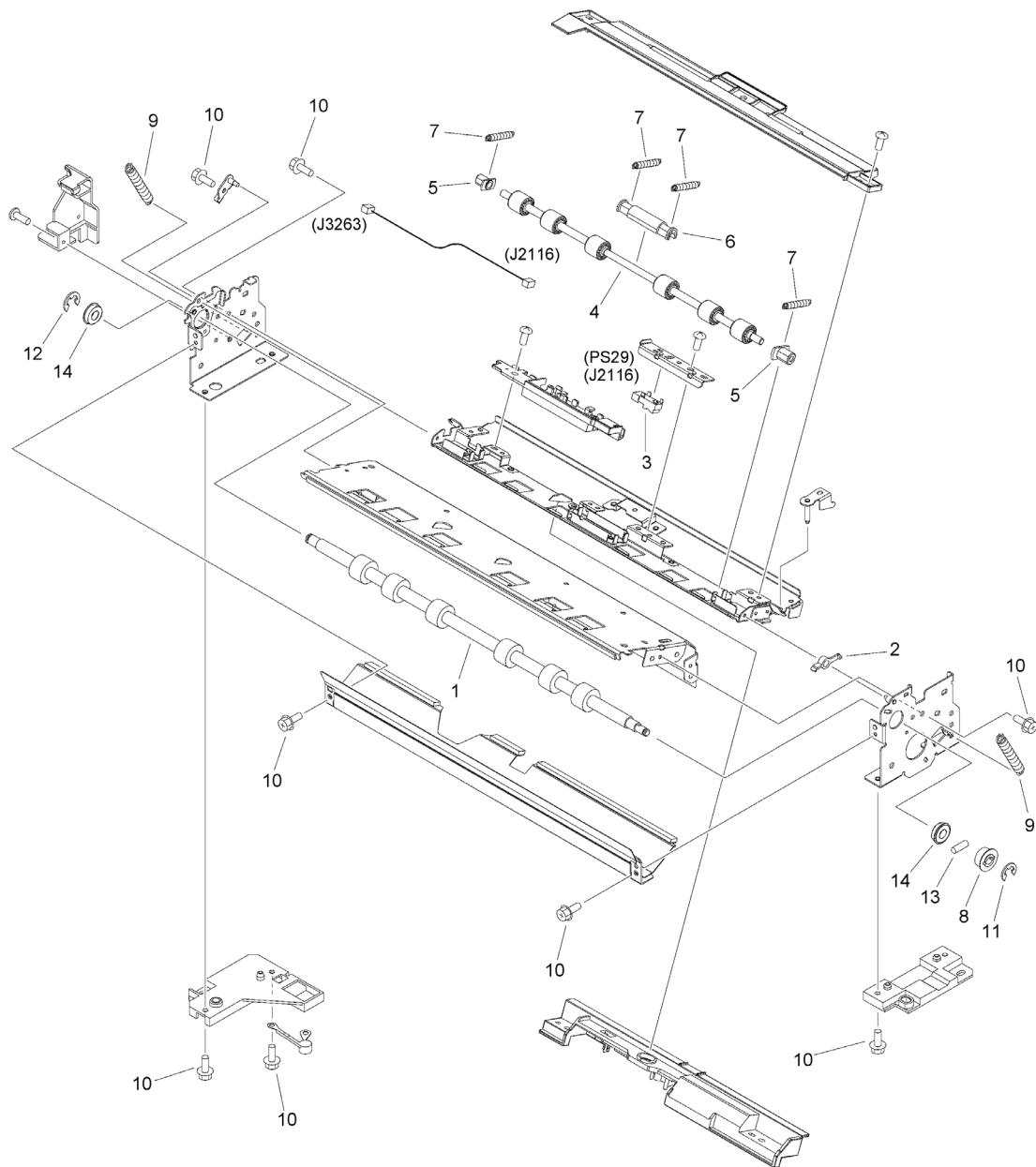


FIGURE & KEY NO.	PART NUMBER	RANK	QTY	DESCRIPTION	SERIAL NUMBER /REMARKS
332	FM1-G391-000		1	REGISTRATION ASS'Y	
1	FC8-7276-000		1	ROLLER, REGISTRATION DRIVE	
2	FC9-8811-000		1	GUIDE, LIMIT	
3	FK2-6470-000		1	PHOTO-SENSOR, KUA0055C	PS29
4	FC8-7277-000		1	ROLLER, REGISTRATION DRIVEN	
5	FC8-7283-000		2	BUSHING	
6	FC8-7284-000		1	BUSHING	
7	FU7-2687-000		4	SPRING, TENSION	
8	FU6-3047-000		1	PULLEY, 24T	
9	FU7-2688-000		2	SPRING, TENSION	
10	XA9-1386-000		12	SCREW,RS,M3X8	
11	XD9-0136-000		1	RING, E	
12	XD9-0137-010		1	RING, E	
13	XD9-0288-000		1	PIN, DOWEL	
14	XG9-0779-000		2	BEARING, BALL, 688ZZNR D41	

Figure 333 PHOTO SENSOR ASS'Y

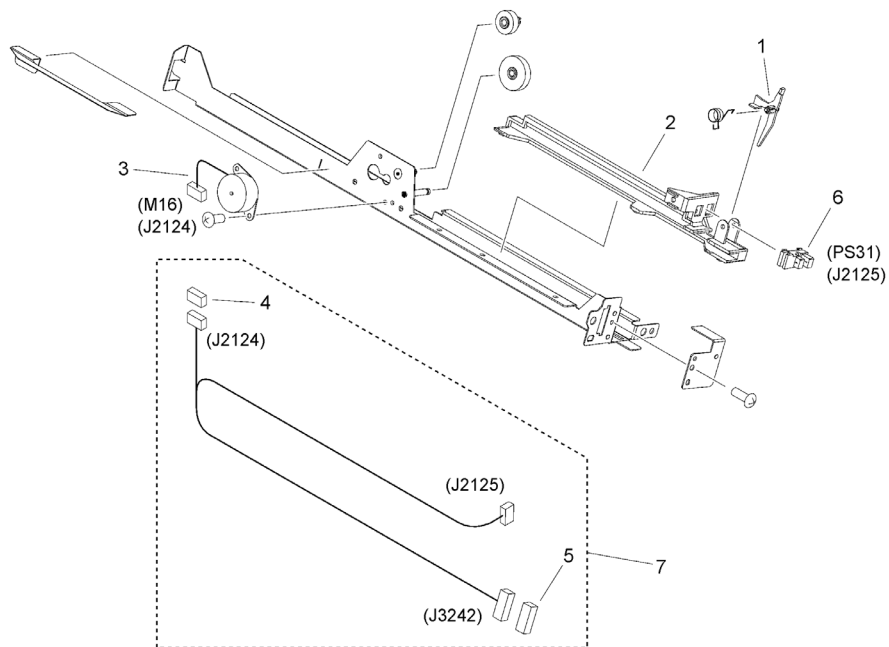


FIGURE & KEY NO.	PART NUMBER	RANK	QTY	DESCRIPTION	SERIAL NUMBER /REMARKS
333	FM4-0897-010		1	PHOTO SENSOR ASSY	
1	FC8-7295-000		1	FLAG, SIDE REGISTRATION DETECT	
2	FC9-5450-010		1	SLIDER, SIDE REGISTRATION	
3	FK2-2069-000		1	MOTOR, STEPPING, DC	M16
4	VS1-7177-004		1	CONNECTOR, SNAP TIGHT, BK	
5	VS1-7177-007		1	CONNECTOR, 7P, FEMALE, BK	
6	WG8-5848-000		1	IC, PHOTO-INTERRUPTER	PS31
7	FM4-1059-000		1	CABLE, SIDE REGISTRATION	

Figure 334 E. T. B. CLEANING ASSEMBLY

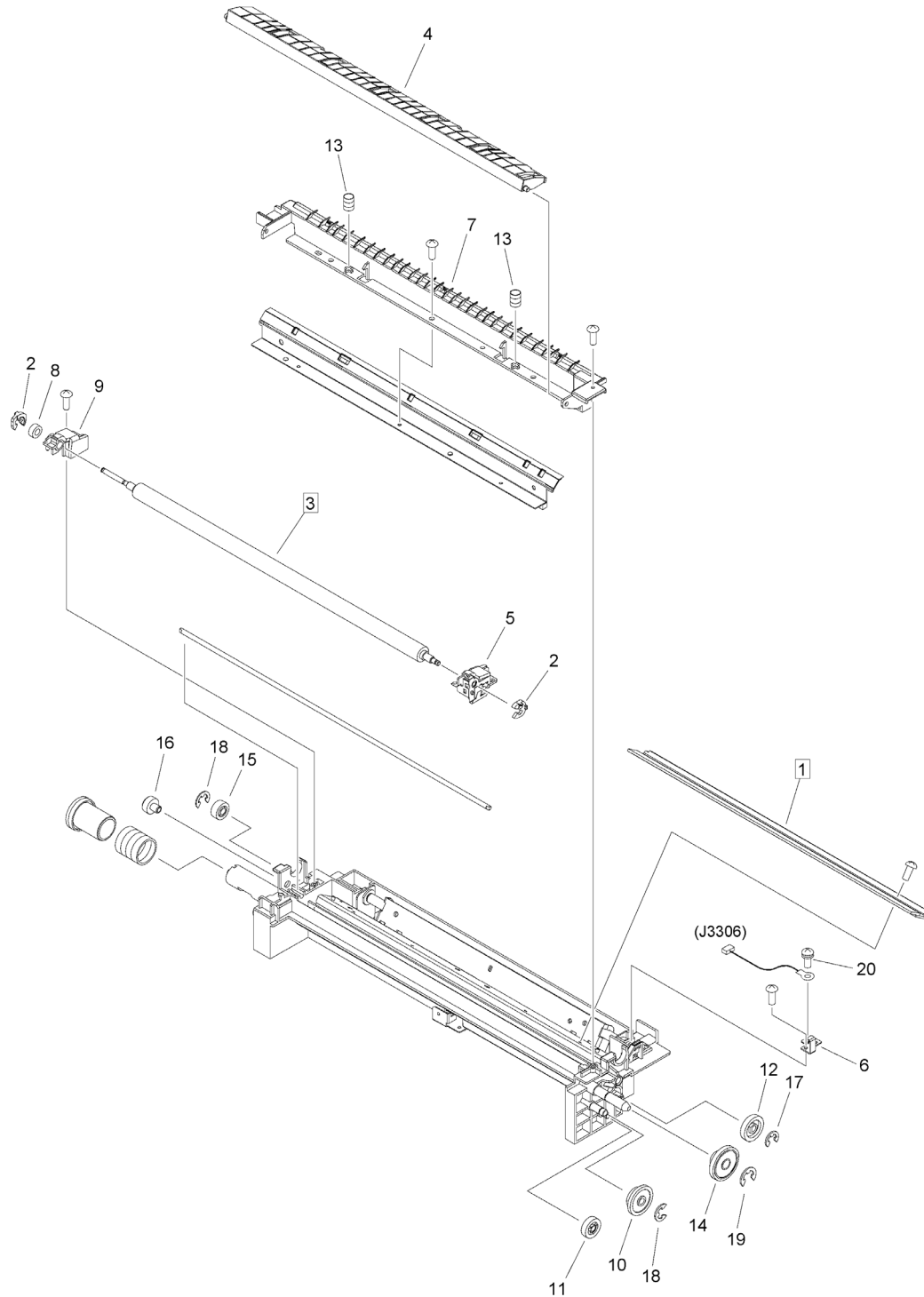


FIGURE & KEY NO.	PART NUMBER	RANK	QTY	DESCRIPTION	SERIAL NUMBER /REMARKS
334	FM4-0913-010		1	E.T.B. CLEANING ASSEMBLY	
1	FC6-1647-000		1	BLADE, CLEANING	[DP]
2	FC7-4155-000		2	RING, E	
3	FC8-7175-000		1	ROLLER, BRUSH	[DP]
4	FC8-7196-000		1	GUIDE, TRANSFER, REAR	
5	FM4-5398-000		1	MOUNT, FRONT	
6	FC9-5698-000		1	PLATE, CONTACT	
7	FL3-2815-000		1	GUIDE, SEPARATION	
8	XG9-0774-000		1	BEARING, BALL, MR84-2RS-SH41M	
9	FL3-3799-000		1	MOUNT, REAR	
10	FU5-0016-000		1	GEAR, 33T/22T	
11	FU6-0092-000		1	GEAR, 21T	
12	FU6-0119-000		1	GEAR, 27T	
13	FU7-2697-000		2	SPRING, COMPRESSION	
14	FU9-0037-000		1	GEAR, 34T/16T	
15	FU9-0074-000		1	GEAR, 24T	
16	FU9-0075-000		1	GEAR, 22T	
17	XD9-0134-000		1	RING, E	
18	XD9-0136-000		2	RING, E	
19	XD9-0137-010		1	RING, E	
20	FE4-0431-000		1	SCREW, W/WASHER, M3X6	



Figure 335 E. T. BELT ASSEMBLY

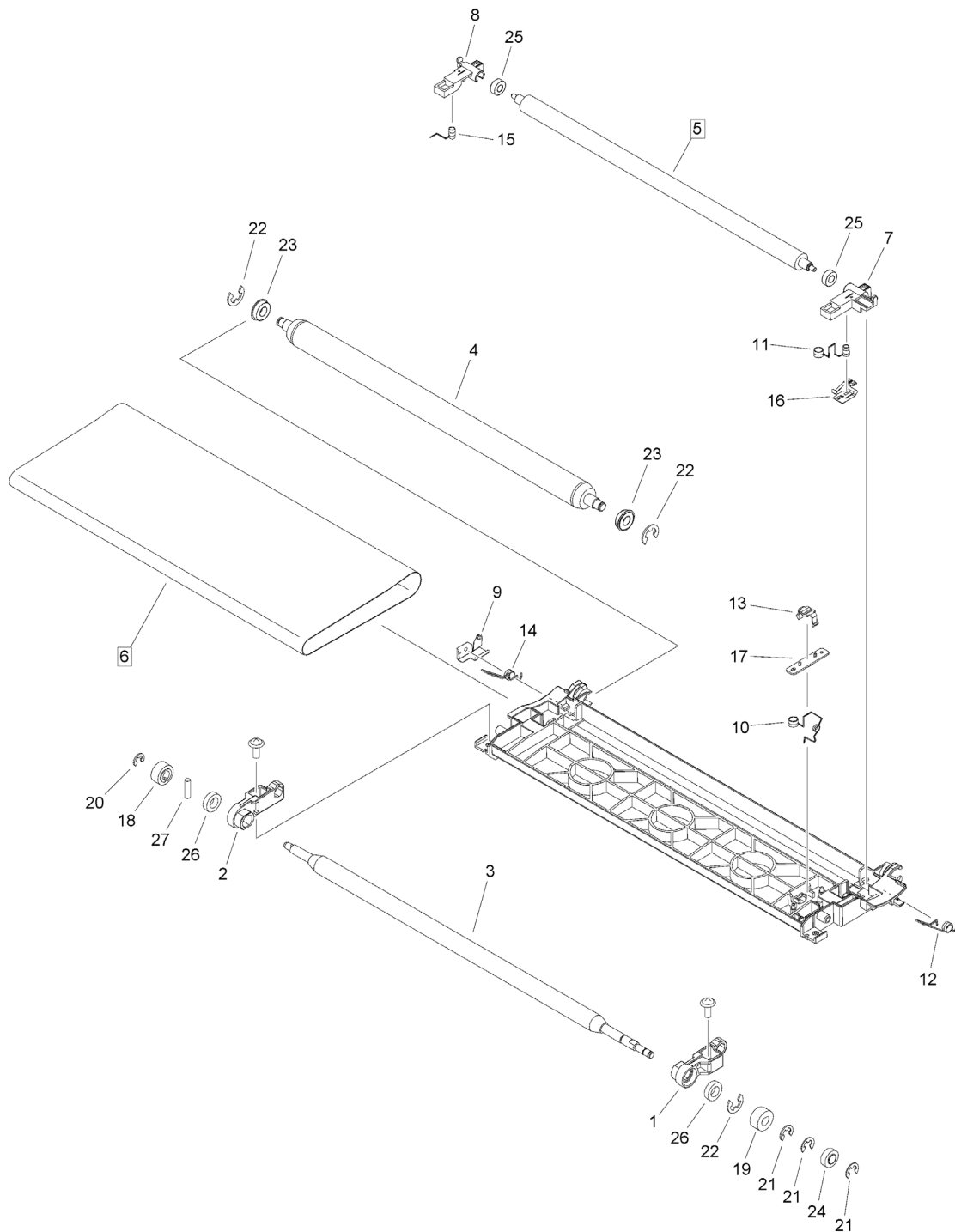


FIGURE & KEY NO.	PART NUMBER	RANK	QTY	DESCRIPTION	SERIAL NUMBER /REMARKS
335	FM4-0916-010		1	E.T.BELT ASSEMBLY	
1	FE4-4115-000		1	HOLDER, DRIVE ROLLER, FRONT	
2	FE4-4116-000		1	HOLDER, DRIVE ROLLER, REAR	
3	FC8-7157-000		1	ROLLER, DRIVE	
4	FC8-7158-000		1	ROLLER, IDLER	
5	FC8-7159-000		1	ROLLER, TRANSFER	[DP]
6	FC8-7160-000		1	BELT, ELECTROSTATIC TRANSFER	[DP]
7	FC8-7161-000		1	HOLDER, TRANSFER ROLLER, FRONT	
8	FC8-7162-000		1	HOLDER, TRANSFER ROLLER, REAR	
9	FC8-7166-000		1	SPRING, CONTACT	
10	FC9-5586-000		1	SPRING, COMPRESSION	
11	FC9-5587-000		1	SPRING, COMPRESSION	
12	FC9-6167-000		1	SPRING, TORSION	
13	FC9-7853-000		1	STOPPER	
14	FC9-7854-000		1	SPRING, TORSION	
15	FC9-8815-000		1	SPRING, COMPRESSION	
16	FC9-9193-000		1	SPRING, HIGH VOLTAGE CONTACT	
17	FM2-7196-000		1	HVR PCB ASSEMBLY	
18	FU6-0414-000		1	GEAR, 20T	
19	FU9-0032-000		1	GEAR, 18T	
20	XD9-0134-000		1	RING, E	
21	XD9-0136-000		3	RING, E	
22	XD9-0137-010		3	RING, E	
23	XG9-0794-000		2	BEARING, BALL, LNR-1680KKR	
24	XG9-0706-000		1	BEARING, BALL, MR126ZZ-1	
25	XG9-0774-000		2	BEARING, BALL, MR84-2RS-SH41M	
26	XG9-0758-000		2	BEARING, BALL, MR148ZZ-2	
27	XD9-0287-000		1	PIN, DOWEL	

Figure 336 REVERSE CROSSMEMBER ASS'Y, LF.

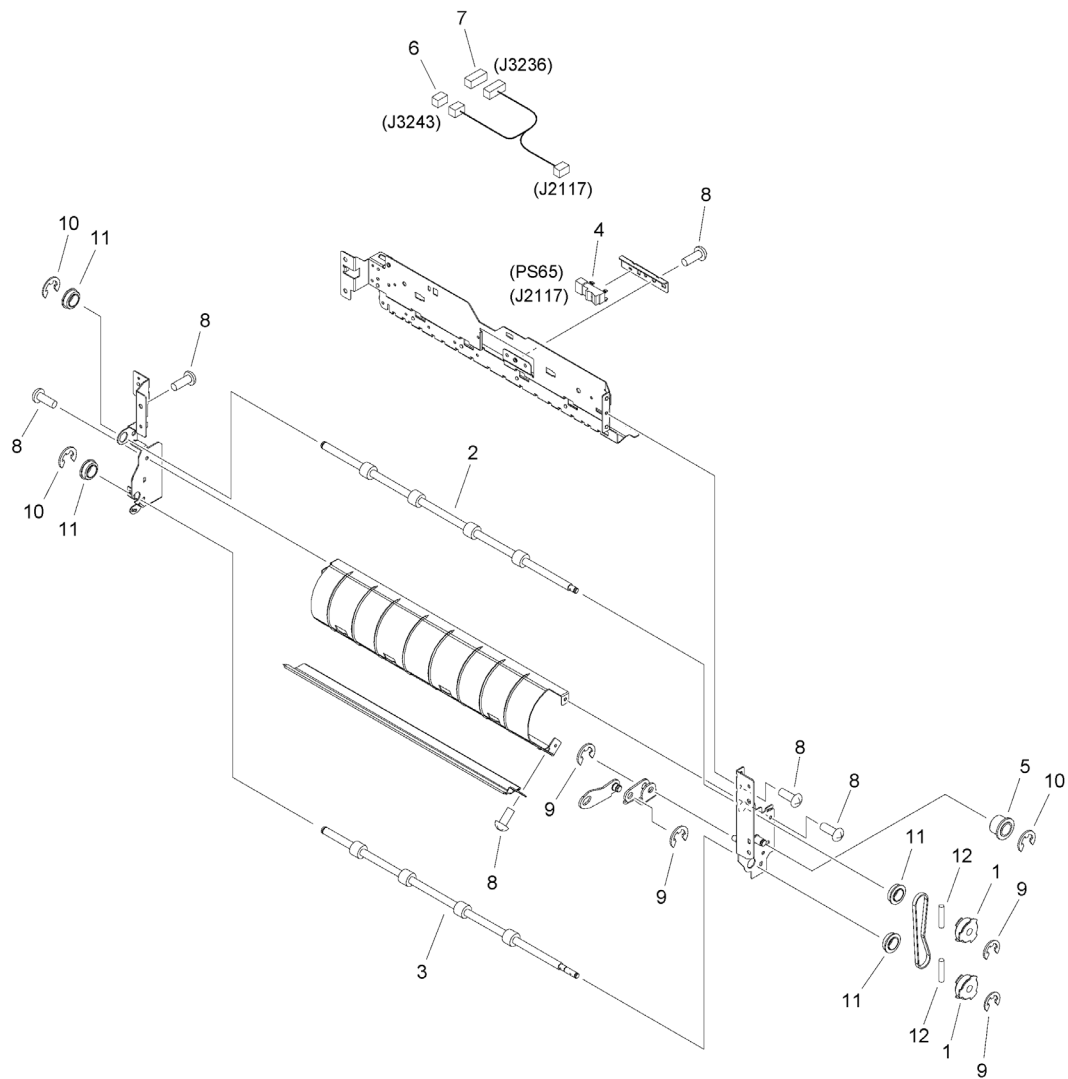


FIGURE & KEY NO.	PART NUMBER	RANK	QTY	DESCRIPTION	SERIAL NUMBER /REMARKS
336	FM4-0893-000		1	REVERSE CROSSMEMBER ASS'Y, LF.	
1	FC5-2261-000		2	PULLEY, 29T	
2	FC8-7332-000		1	ROLLER, REVERSE V.P.	
3	FC9-5457-000		1	ROLLER, REVERSE V.P., LOWER	
4	FK2-6470-000		1	PHOTO-SENSOR, KUA0055C	PS65
5	FS2-6458-000		1	ROLLER	
6	VS1-7177-003		1	CONNECTOR, SNAP TIGHT, BK	
7	VS1-7177-006		1	CONNECTOR, SNAP TIGHT, BK	
8	XA9-1031-000		15	SCREW, MACH. TRUSS HEAD, M4X6	
9	XD9-0136-000		4	RING, E	
10	XD9-0137-010		3	RING, E	
11	XG9-0709-000		4	BEARING, BALL, MF128ZZ-3	
12	XD9-0289-000		2	PIN, PARALLEL	

Figure 350A OUTER PAPER DELIVERY ASS'Y

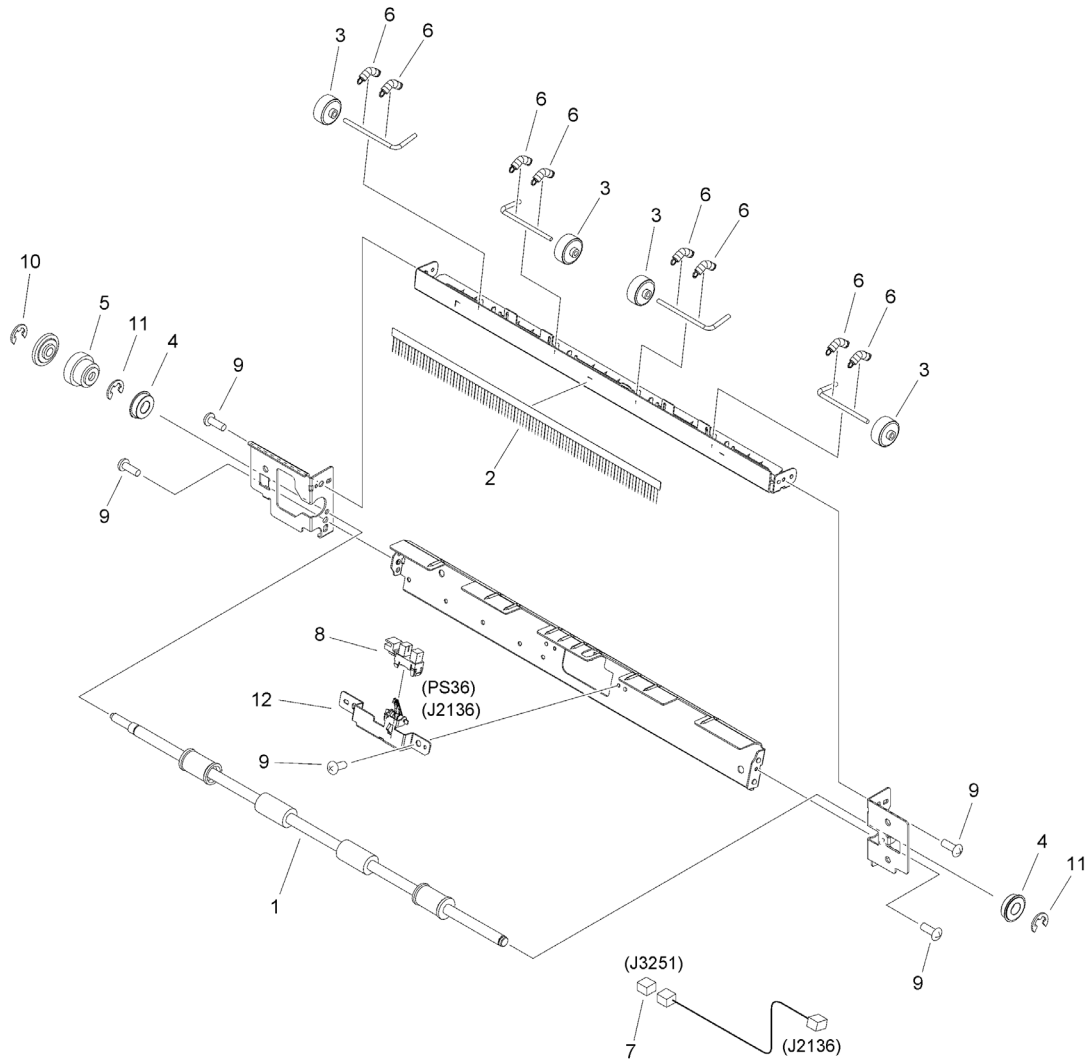


FIGURE & KEY NO.	PART NUMBER	RANK	QTY	DESCRIPTION	SERIAL NUMBER /REMARKS
350A	FM1-G175-000		1	OUTER PAPER DELIVERY ASS'Y	
1	FE4-5936-000		1	ROLLER, OUTER PAPER DELIVERY	
2	FC0-2131-000		1	ELIMINATOR, STATIC CHARGE	
3	FC9-8283-000		4	ROLLER, PAPER DELIVERY	
4	XG9-0794-000		2	BEARING, BALL, LNR-1680KKR	
5	FU5-0207-000		1	GEAR, 19T	
6	FU5-2141-000		8	SPRING, TENSION	
7	VS1-7177-003		1	CONNECTOR, SNAP TIGHT, BK	
8	WG8-5848-000		1	IC, PHOTO-INTERRUPTER	PS36
9	XA9-2008-000		6	SCREW,M3X4	
10	XD9-0134-000		1	RING, E	
11	XD9-0137-010		2	RING, E	
12	FL3-3867-000		1	SENSOR FLAG UNIT	

# Figure 351 (1/2) REVERSE PAPER DELIVERY ASS'Y

NOTE : This assembly includes the assembly shown in Figure 352.

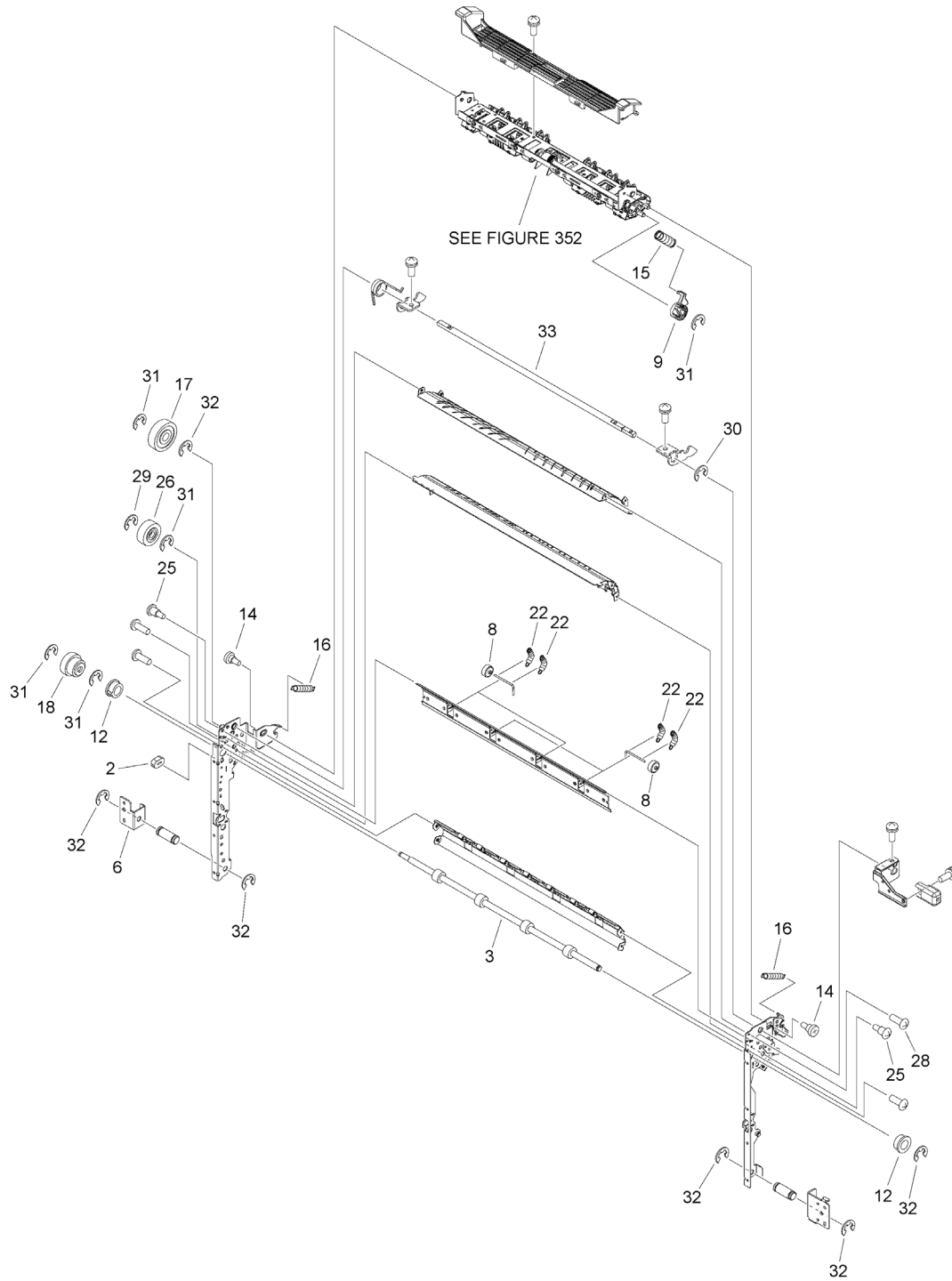


Figure 351 (2/2) REVERSE PAPER DELIVERY ASS'Y

NOTE : This assembly includes the assembly shown in Figure 352.

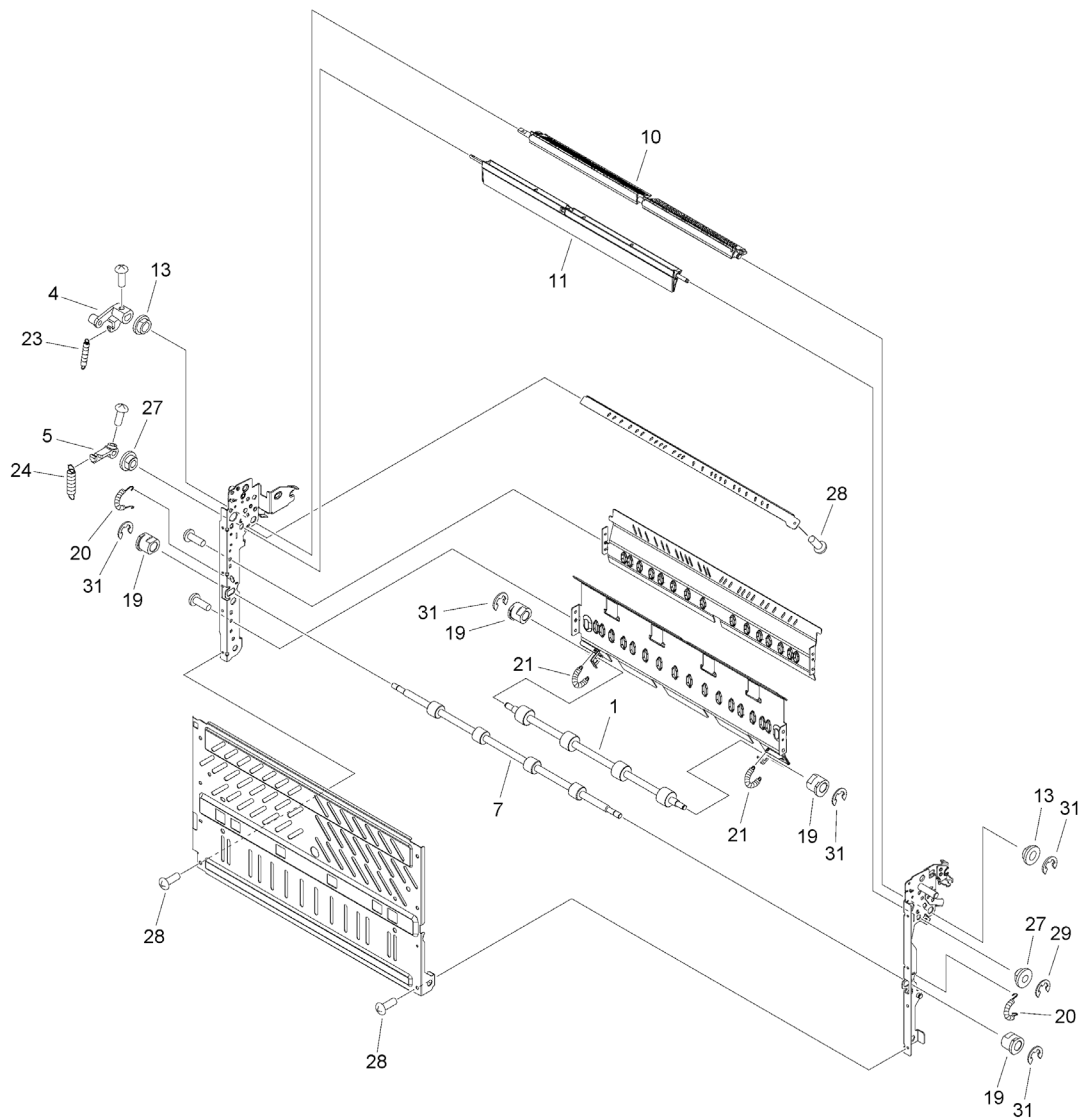




FIGURE & KEY NO.	PART NUMBER	RANK	QTY	DESCRIPTION	SERIAL NUMBER /REMARKS
351	FM4-5316-010		1	REVERSE PAPER DELIVERY ASSY	SEE NOTE
1	FC6-9782-000		1	ROLLER, REVERSE DRIVEN, LOWER	
2	FC8-7236-000		1	DAMPER	
3	FC8-7387-000		1	ROLLER, REVERSE FEED	
4	FC8-7389-000		1	ARM, FLAPPER	
5	FC8-7390-000		1	ARM, CROSSING FLAPPER	
6	FC8-9348-000		1	PLATE, HINGE, REAR	
7	FC9-5458-000		1	ROLLER, REVERSE V.P. DRIVEN	
8	FC9-8283-000		4	ROLLER, PAPER DELIVERY	
9	FL3-0275-000		1	LEVER, ONE-WAY	
10	FL3-3784-010		1	FLAPPER,REVERSE PAPER DELIVERY	
11	FM4-5153-000		1	FLAPPER UNIT	
12	XG9-0709-000		2	BEARING, BALL, MF128ZZ-3	
13	FS1-1569-000		2	BUSHING	
14	FU5-9305-000		2	SCREW, STEPPED, M4	
15	FS5-2946-000		1	SPRING, TENSION	
16	FS5-2947-000		2	SPRING, TENSION	
17	FS6-0042-000		1	GEAR, 26T	
18	FU5-0207-000		1	GEAR, 19T	
19	FE8-7174-000		4	BUSHING	
20	FU5-2139-040		2	SPRING, TENSION	
21	FU5-2140-000		2	SPRING, TENSION	
22	FU5-2141-000		8	SPRING, TENSION	
23	FU5-2147-000		1	SPRING, TENSION	
24	FU5-2160-000		1	SPRING, TENSION	
25	FU5-9035-000		6	SCREW, STEPPED, M3X3	
26	FL1-1833-000		1	GEAR, 20T	
27	FU6-1196-000		2	BUSHING	
28	XA9-1116-030		15	SCREW,M3X5	
29	XD9-0134-000		2	RING, E	
30	XD9-0135-000		1	RING, E	
31	XD9-0136-000		11	RING, E	
32	XD9-0137-010		6	RING, E	
33	FC9-6949-000		1	SHAFT, HOOK	

### Figure 352 INNER PAPER DELIVERY ASS'Y

NOTE : This assembly is included in the assembly shown in Figure 351.

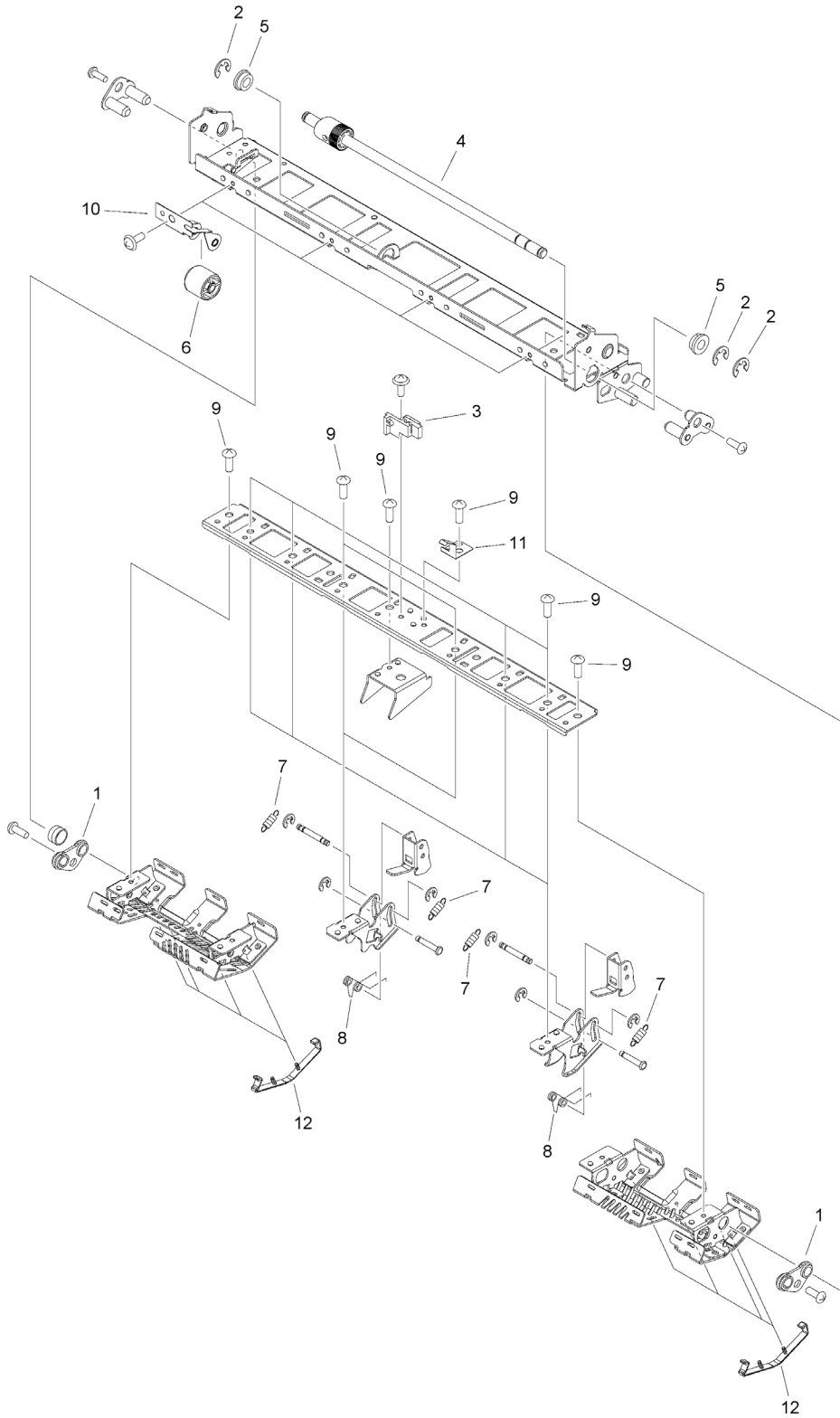
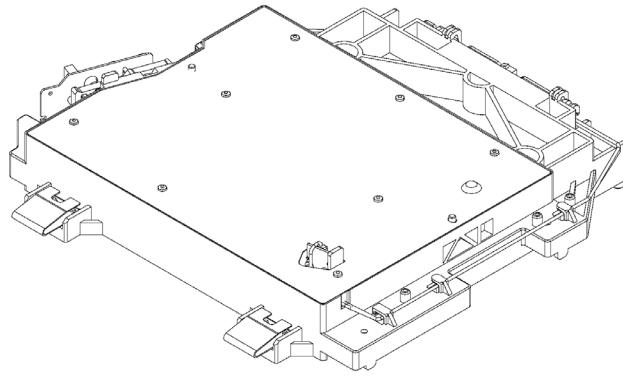


FIGURE & KEY NO.	PART NUMBER	RANK	QTY	DESCRIPTION	SERIAL NUMBER /REMARKS
352	FM3-7381-000		1	INNER PAPER DELIVERY ASSY	SEE NOTE
1	FB2-7163-000		2	BUSHING	
2	XD9-0136-000		3	RING, E	
3	FC9-9071-000		1	MOUNT, PIN	
4	FL3-3019-000		1	SHAFT, RECIPROCATING	
5	FS5-1372-000		2	BUSHING	
6	FC9-9187-000		4	ROLLER, FEED	
7	FS7-2319-000		12	SPRING,TENSION	
8	FE2-1022-000		6	SPRING, TORSION	
9	XA9-2008-000		12	SCREW,M3X4	
10	FC8-9343-000		4	HOLDER, FEED ROLLER	
11	FC9-5130-000		1	PLATE, RATCHET CLAW	
12	FC9-6947-000		8	GUIDE, PAPER	

Figure 460A LASER SCANNER UNIT



<b>FIGURE &amp; KEY NO.</b>	<b>PART NUMBER</b>	<b>R A N K</b>	<b>QTY</b>	<b>DESCRIPTION</b>	<b>SERIAL NUMBER /REMARKS</b>
460A	FM3-7531-010		1	LASER SCANNER UNIT	

Figure 510C PHOTO-SENSITIVE DRUM ASSEMBLY (230V)

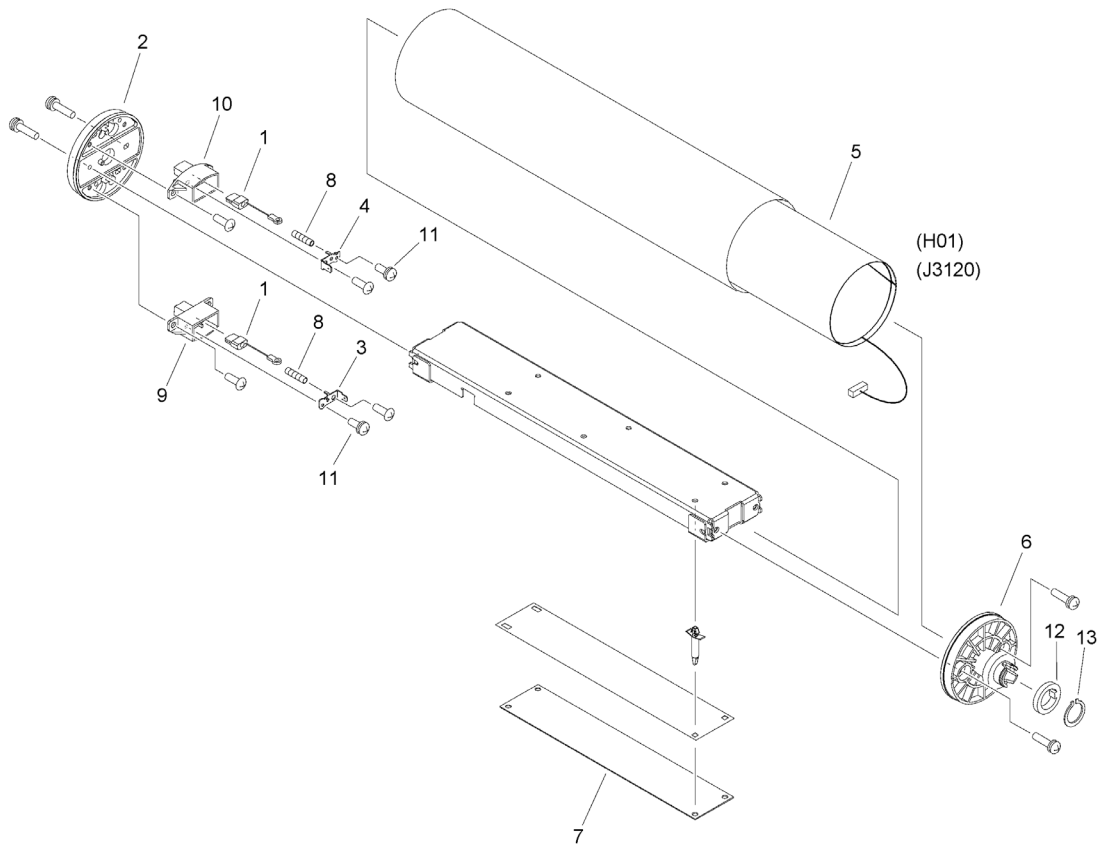


FIGURE & KEY NO.	PART NUMBER	RANK	QTY	DESCRIPTION	SERIAL NUMBER /REMARKS
510C	NPN		RF	PHOTO-SENSITIVE DRUM ASSEMBLY	230V
1	FC5-1766-000		2	ELIMINATOR, STATIC CHARGE	
2	FC0-5520-000		1	FLANGE, DRUM, REAR	
3	FC9-9133-000		1	TERMINAL, POWER DISPATCHING, 1	
4	FC9-9134-000		1	TERMINAL, POWER DISPATCHING, 2	
5	FK2-7725-000		1	HEATER, DRUM	H01
6	FL3-1250-000		1	FLANGE, DRUM, FRONT	
7	FM4-1107-010		1	DRUM HEATER DRIVER PCB ASS'Y	
8	FS2-2036-020		2	SPRING, COMPRESSION	
9	FC9-9139-000		1	MOUNT, TERMINAL, 1	
10	FC9-9140-000		1	MOUNT, TERMINAL, 2	
11	FE4-0431-000		2	SCREW, W/WASHER, M3X6	
12	FC7-4302-000		1	GEAR, 27T	
13	XD2-3100-202		1	C RING	

Figure 550 1ST CORONA ASS'Y

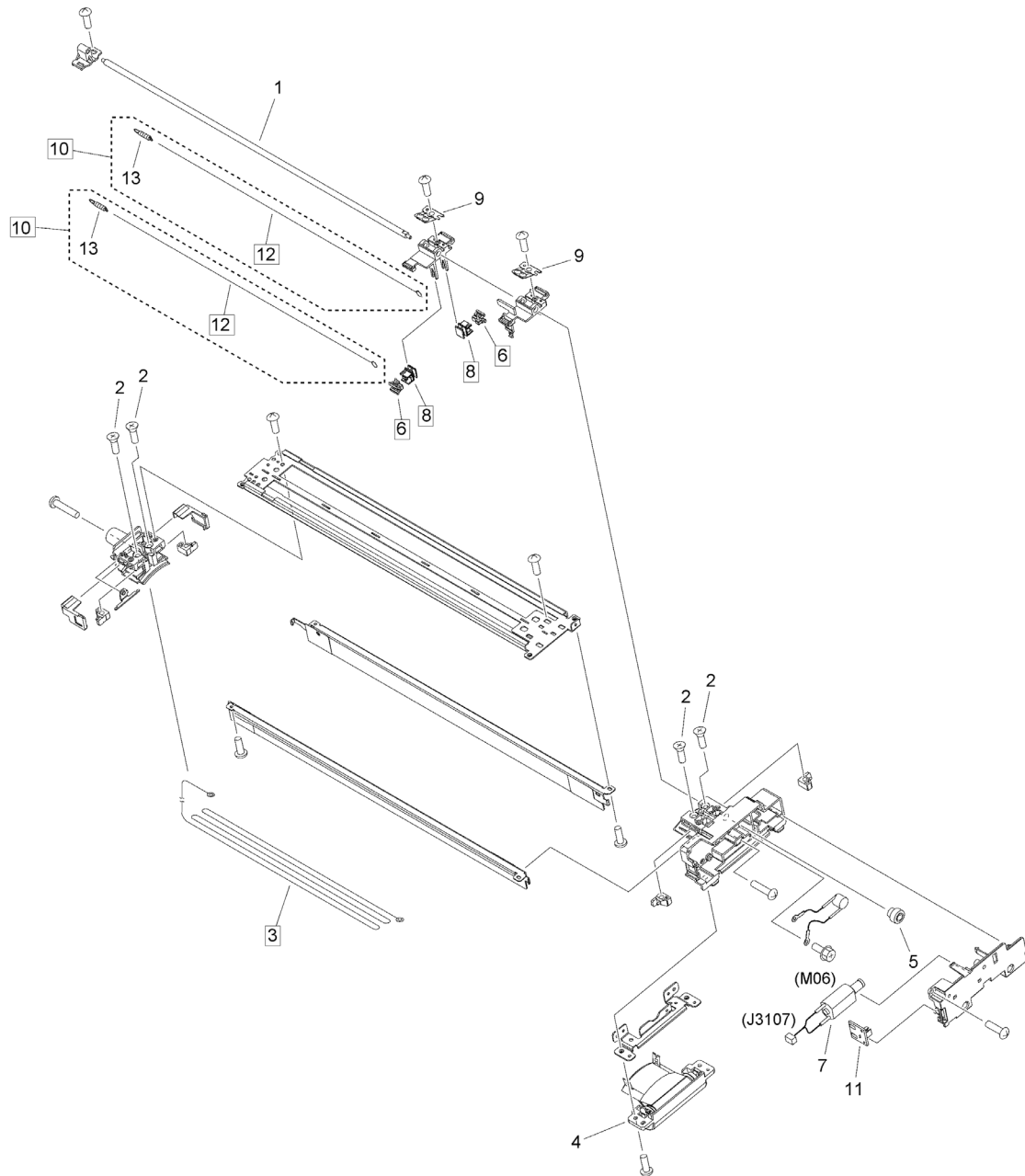




FIGURE & KEY NO.	PART NUMBER	RANK	QTY	DESCRIPTION	SERIAL NUMBER /REMARKS
550	FM3-7288-020		1	1ST CORONA ASSY	[DP]
1	FC5-1810-000		1	SCREW, LEAD	
2	XA9-0228-000		4	SCREW, INSUL., C.S.HEAD	
3	FY1-0883-000		1	CORONA WIRE ROLL (100M)	[DP]
4	FM4-5432-010		1	SHUTTER UNIT	
5	FU5-0268-000		1	GEAR, 18T	
6	FL2-7750-010		2	SLIDER, PAD	[DP]
7	FL2-0991-000		1	DC MOTOR UNIT	M06
8	FL3-7560-000		2	HOLDER, WIRE CLEANING PAD	[DP]
9	FL3-8789-000		2	PIN, SLIDER	
10	FL3-4558-000		2	WIRE, 1ST CORONA	[DP]
11	FM4-1102-000		1	CONTACT PCB ASS'Y	
12	FB4-3687-000		2	WIRE, CORONA, 0.06MM (20M)	[DP]
13	FU8-2522-000		2	SPRING, TENSION	

Figure 570A PRE-TRANSFER CORONA ASS'Y

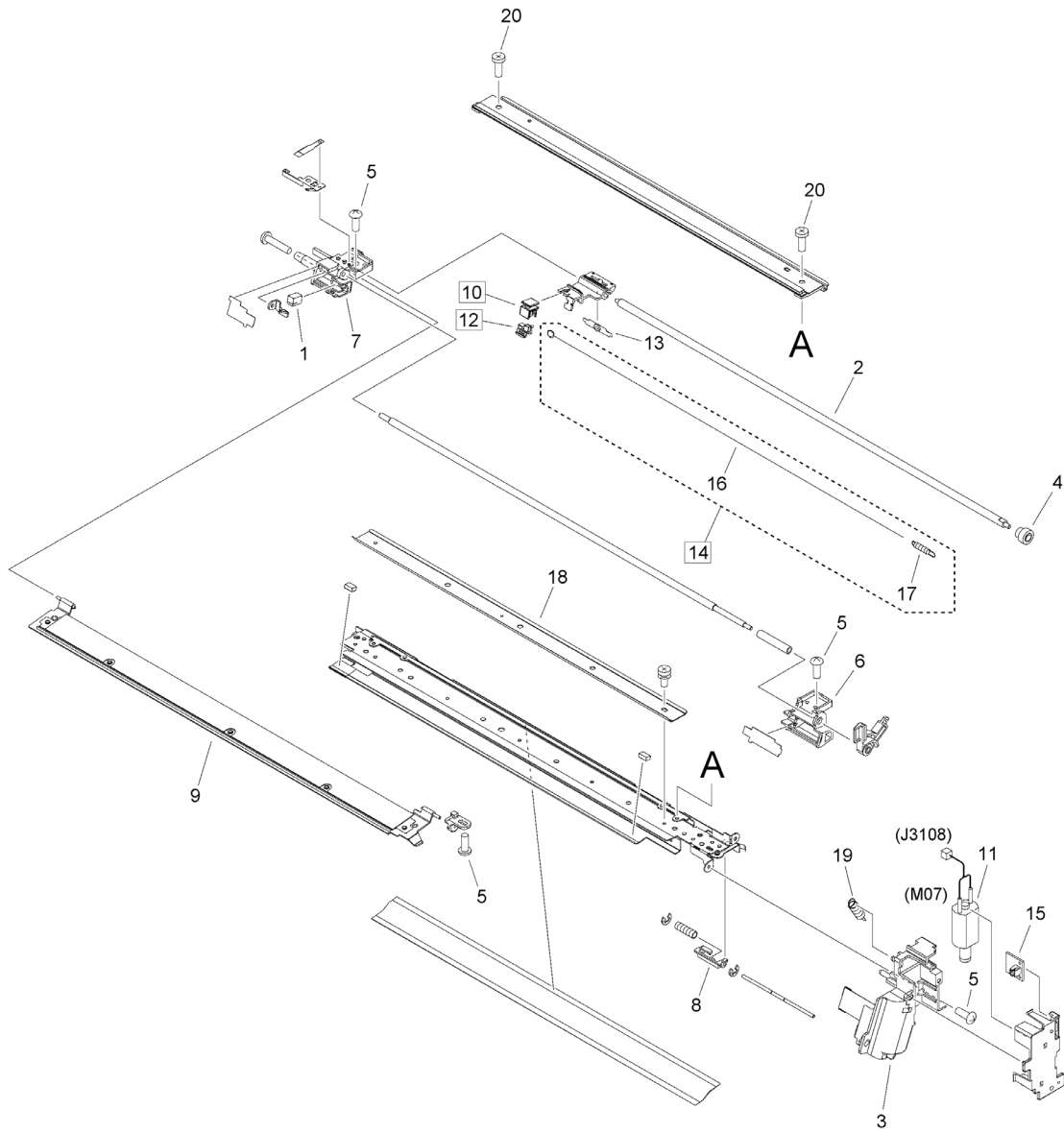


FIGURE & KEY NO.	PART NUMBER	RANK	QTY	DESCRIPTION	SERIAL NUMBER /REMARKS
570A	FM4-3149-020		1	PRE-TRANSFER CORONA ASS'Y	[DP]
1	FA4-1864-000		1	DAMPER	
2	FC5-1810-000		1	SCREW, LEAD	
3	FM4-5433-010		1	SHUTTER UNIT	
4	FU5-0268-000		1	GEAR, 18T	
5	XA9-2008-000		6	SCREW,M3X4	
6	FC9-0071-000		1	BLOCK, PRE-TRANSFER CORONA, FR	
7	FC9-0074-000		1	BLOCK, PRE-TRANSFER CORONA, RR	
8	FC9-6166-000		1	HOLDER, SLIDE PIN	
9	FL3-3802-010		1	GUIDE, PRE-TRANSFER	
10	FL2-7750-010		1	SLIDER, PAD	[DP]
11	FL2-0991-000		1	DC MOTOR UNIT	M07
12	FL3-7560-000		1	HOLDER, WIRE CLEANING PAD	[DP]
13	FL3-8790-000		1	SPRING, LEAF	
14	FL3-4559-000		1	WIRE, PRE-TRANSFER CORONA	[DP]
15	FM4-1102-000		1	CONTACT PCB ASS'Y	
16	FB4-3687-000		1	WIRE, CORONA, 0.06MM (20M)	
17	FU8-2522-000		1	SPRING, TENSION	
18	FL3-3783-000		1	SCRAPER	
19	FU7-2708-000		1	SPRING, TENSION	
20	XA9-0624-000		2	SCREW,M3X4	

### Figure 620A HOPPER ASS'Y

NOTE : This part is included in the part shown with key No. 9 included in Figure 621.

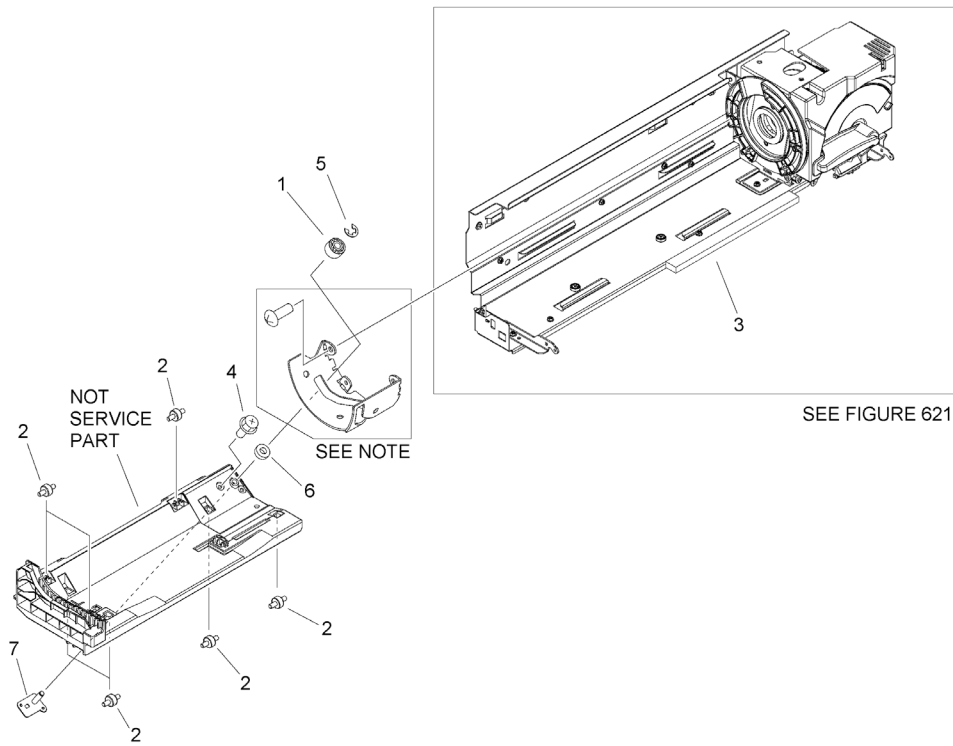


FIGURE & KEY NO.	PART NUMBER	RANK	QTY	DESCRIPTION	SERIAL NUMBER /REMARKS
620A	NPN		RF	HOPPER ASS'Y	
1	FC5-1950-000		1	ROLLER, BOTTLE STOP	
2	FC5-5092-000		7	ROLLER	
3	FM4-9813-010		1	HOPPER UNIT(L)	
4	XA9-1386-000		2	SCREW,RS,M3X8	
5	XD9-0136-000		1	RING, E	
6	XG9-0521-000		1	BEARING, BALL, MR126ZZ	
7	FL3-2174-000		1	PLATE, SUPPORT	

Figure 621 HOPPER ASS' Y

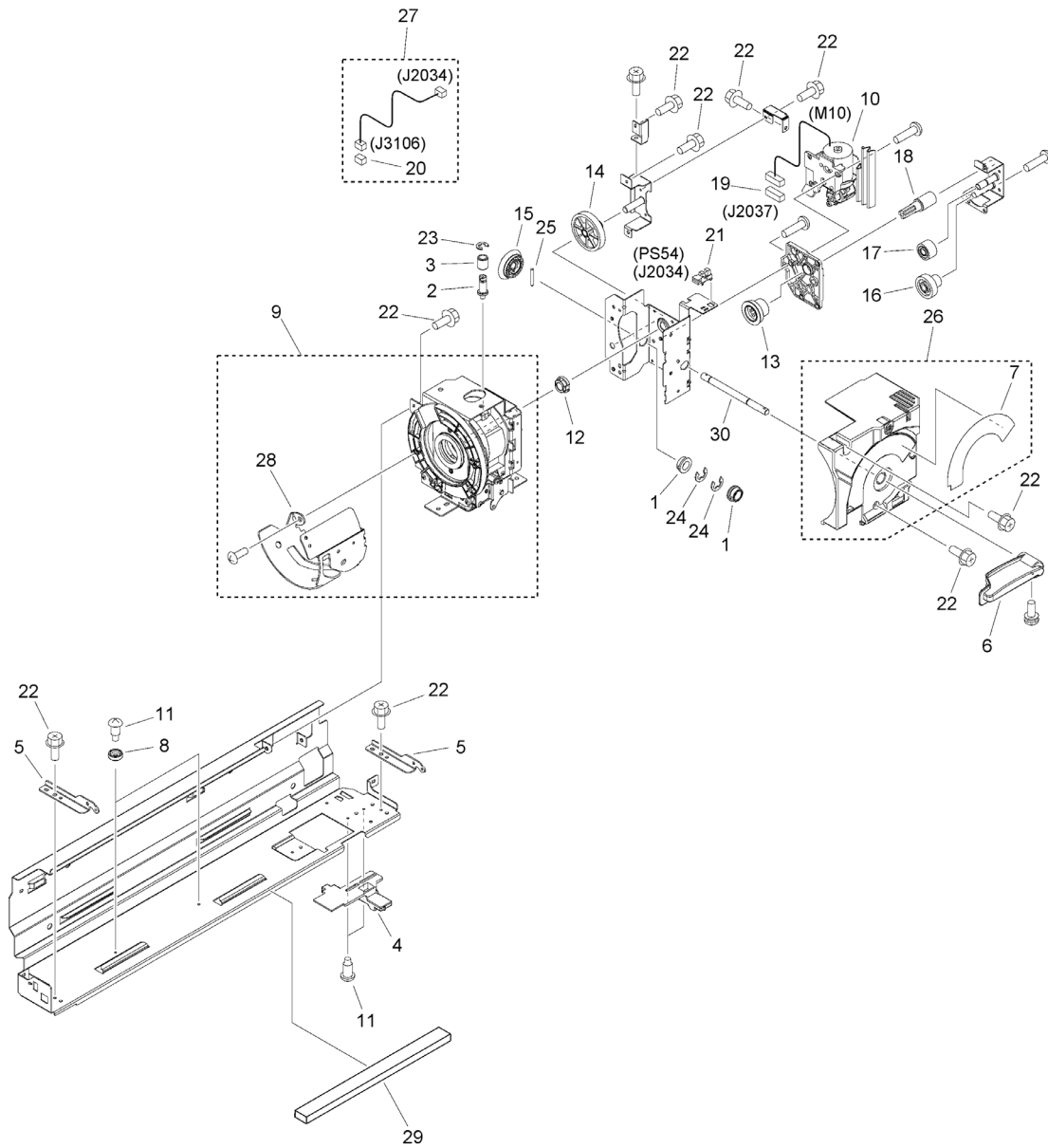


FIGURE & KEY NO.	PART NUMBER	RANK	QTY	DESCRIPTION	SERIAL NUMBER /REMARKS
621	NPN		RF	HOPPER ASS'Y	
1	XG9-0737-000		2	BUSHING	
2	FC6-2327-000		1	SHAFT, RING	
3	FC6-3230-000		1	STOPPER, FRONT	
4	FC8-7139-000		1	SHUTTER, TONER CASE	
5	FC9-0160-000		2	SUPPORT, HINGE	
6	FC9-6942-000		1	LEVER, OPERATOR	
7	FC9-9054-000		1	LABEL, LEVER POSITION	
8	FC9-9196-000		2	ROLLER, BOTTLE BOX LIMIT	
9	FM4-0880-010		1	CAM UNIT	
10	FM4-5309-000		1	BOTTLE DRIVE UNIT	M10
11	FS5-9438-030		4	SCREW, STEPPED	
12	FU6-1197-000		1	BUSHING	
13	FU7-0841-000		1	GEAR, 28T	
14	FU0-0055-000		1	GEAR, BEVEL, 13T/48T	
15	FU0-0054-000		1	GEAR, BEVEL, 16T	
16	FU9-0078-000		1	GEAR, 17T/47T	
17	FU9-0079-000		1	GEAR, 25T	
18	FU9-0080-000		1	GEAR, 18T	
19	VS1-7177-006		1	CONNECTOR, SNAP TIGHT, BK	
20	VS1-8412-003		1	CONNECTOR, SNAP TIGHT, BL	
21	WG8-5848-000		1	IC, PHOTO-INTERRUPTER	PS54
22	XA9-1386-000		18	SCREW, RS, M3X8	
23	XD9-0134-000		1	RING, E	
24	XD9-0137-010		2	RING, E	
25	XD9-0293-000		1	PIN, PARALLEL	
26	FL3-7917-000		1	COVER, SET ON, RIGHT	
27	FM4-0998-000		1	CABLE, HOPPER UNIT	
28	FL3-7929-000		1	CAM, BOTTLE	
29	FL0-1826-000		1	SEAL, HOPPER	
30	FU6-4982-000		1	SHAFT, LEVER	

Figure 625 BUFFER ASS' Y

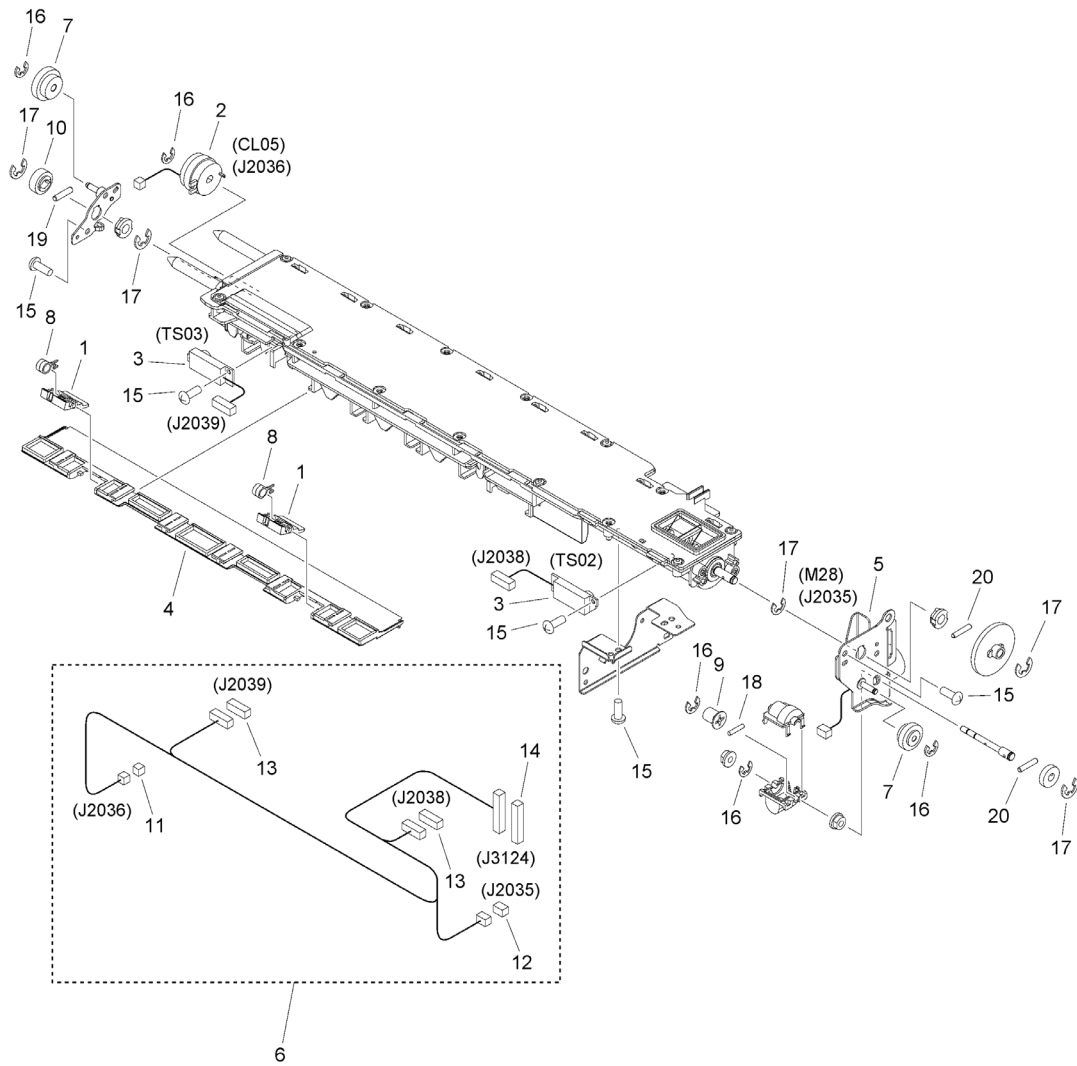




FIGURE & KEY NO.	PART NUMBER	RANK	QTY	DESCRIPTION	SERIAL NUMBER /REMARKS
625	FM4-0953-000		1	BUFFER ASS'Y	
1	FC9-5091-000		2	ARM, SHUTTER	
2	FK2-7728-000		1	CLUTCH, ELECTROMAGNETIC	CL05
3	FK2-7713-000		2	SENSOR UNIT, TONER	TS02, TS03
4	FL3-3782-000		1	SHUTTER, BUFFER	
5	FM4-0956-000		1	MOTOR, STEPPING, DC	M28
6	FM4-0999-000		1	CABLE, BUFFER	
7	FS6-0028-000		2	GEAR, 23T/16T	
8	FU7-2715-000		2	SPRING, TORSION	
9	FU9-0031-000		1	GEAR, 14T	
10	FU9-0155-000		1	GEAR, 16T	
11	VS1-7177-002		1	CONNECTOR, SNAP TIGHT, BK	
12	VS1-7177-003		1	CONNECTOR, SNAP TIGHT, BK	
13	VS1-7177-006		2	CONNECTOR, SNAP TIGHT, BK	
14	VS1-8412-017		1	CONNECTOR, SNAP TIGHT, BL	
15	XA9-2008-000		11	SCREW,M3X4	
16	XD9-0134-000		5	RING, E	
17	XD9-0136-000		5	RING, E	
18	XD9-0285-000		1	PIN, DOWEL	
19	XD9-0287-000		1	PIN, DOWEL	
20	XD9-0288-000		2	PIN, DOWEL	

Figure 640A DEVELOPING ASS'Y

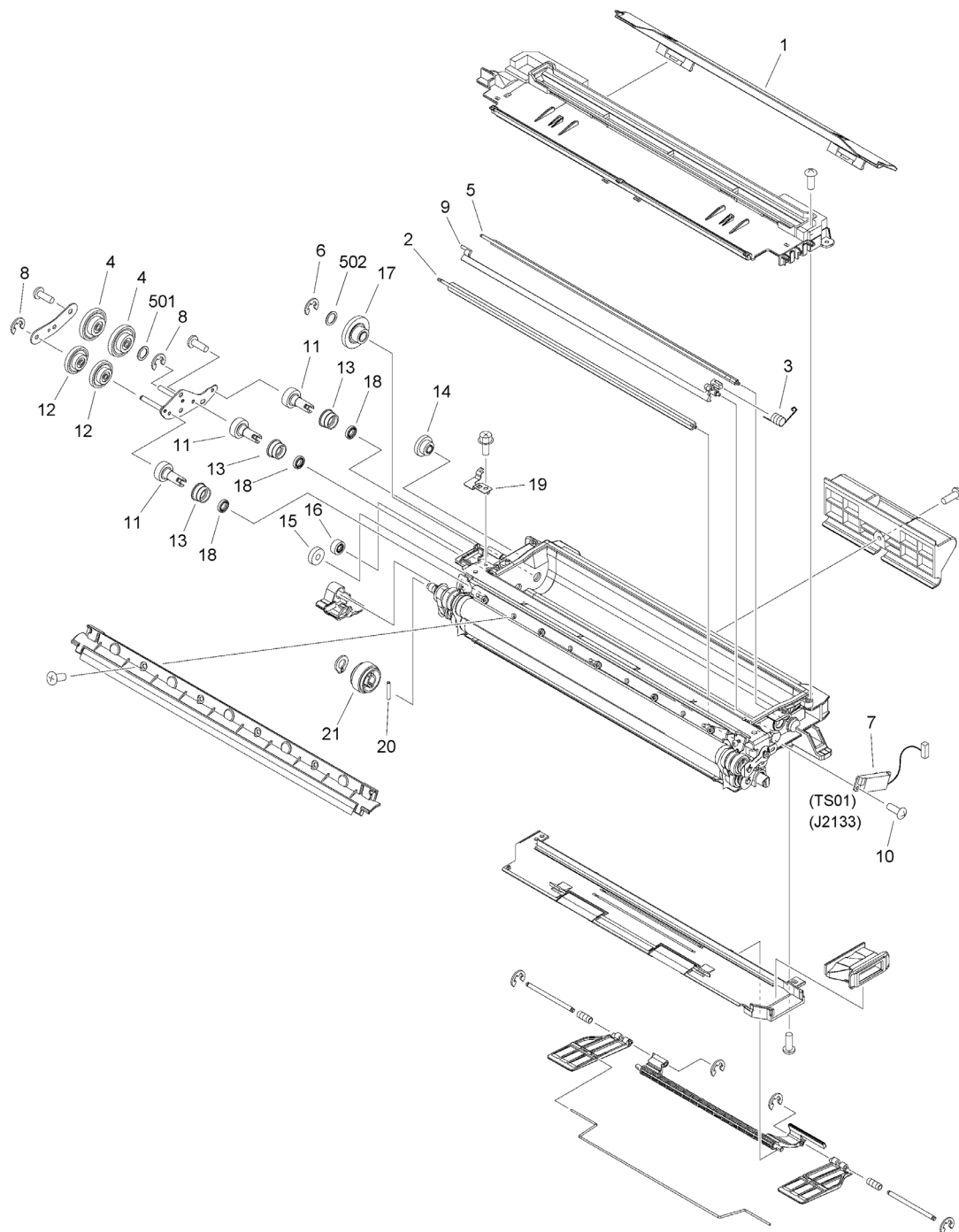


FIGURE & KEY NO.	PART NUMBER	RANK	QTY	DESCRIPTION	SERIAL NUMBER /REMARKS
640A	FM4-5429-020		1	DEVELOPING ASSY	[DP]
1	FC8-9582-000		1	COVER, DEVELOPING ENTRANCE	
2	FC8-9586-010		1	ROD, STIRRING	
3	FC8-9595-000		1	SPRING, COMPRESSION	
4	FU9-0313-000		2	GEAR, 20T/36T	
5	FL3-2157-010		1	ROD, STIRRING	
6	XD9-0137-010		1	RING, E	
7	FK2-7713-000		1	SENSOR UNIT, TONER	TS01
8	XD9-0134-000		2	RING, E	
9	FC8-9585-010		1	ROD, STIRRING	
10	XA9-2008-000		2	SCREW,M3X4	
11	FS6-0857-000		3	GEAR, 20T	
12	FU9-0312-000		2	GEAR, 16T/32T	
13	FL3-5186-000		3	BUSHING	
14	FU7-0265-000		1	GEAR, 14T/22T	
15	FU8-0085-000		1	GEAR, 18T	
16	FU9-0029-000		1	GEAR, 14T	
17	FU9-0037-000		1	GEAR, 34T/16T	
18	X71-9310-000		3	SEAL, OIL	
19	FC8-9588-000		1	PLATE, CONTACT	
20	XD9-0289-000		1	PIN, PARALLEL	
21	FU8-0491-000		1	GEAR, 30T	
501	XD1-1104-113		1	WASHER,COP	
502	XD1-1108-218		1	SHIM	

Figure 650 DEVELOPING RELEASE ASS'Y

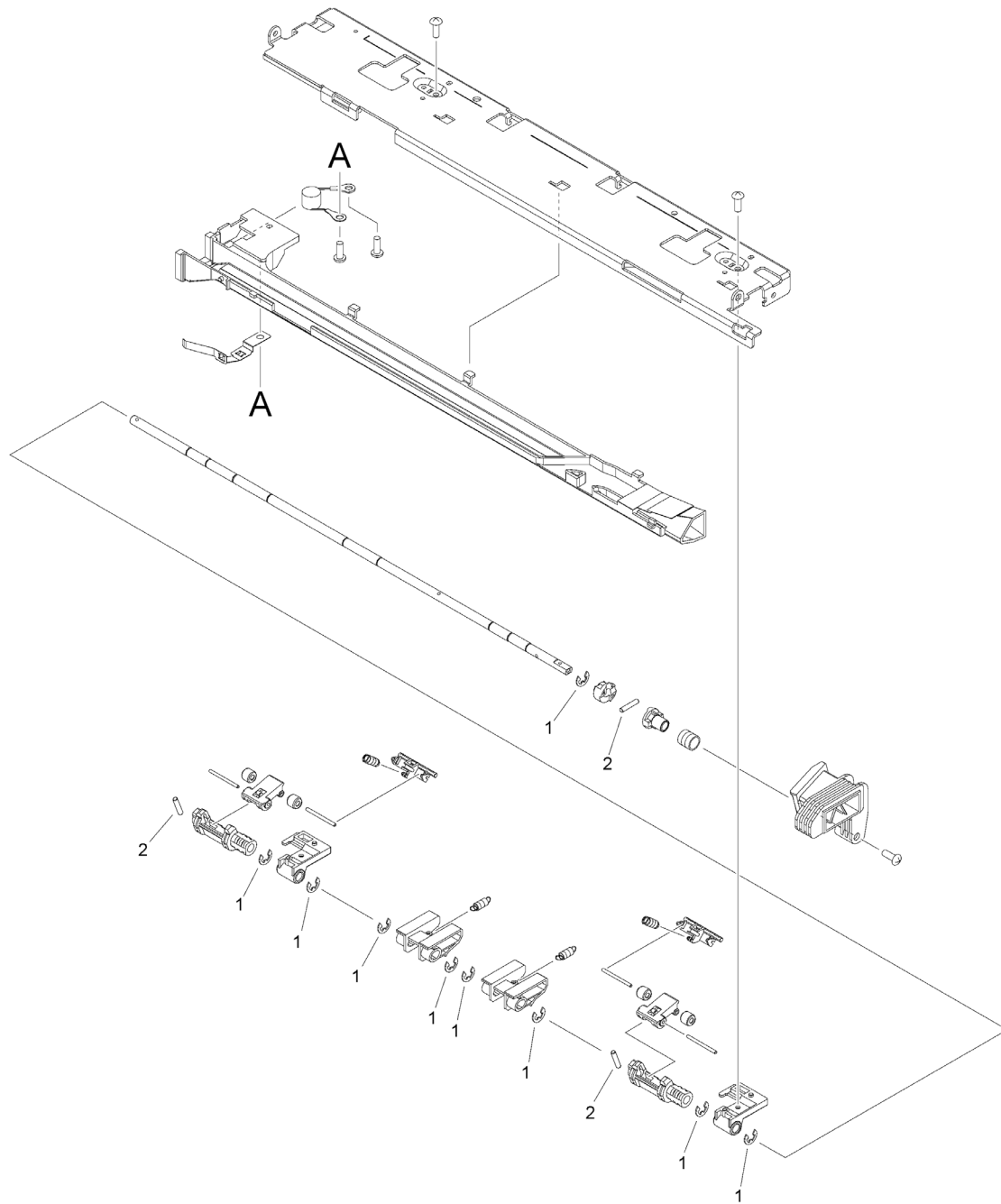


FIGURE & KEY NO.	PART NUMBER	RANK	QTY	DESCRIPTION	SERIAL NUMBER /REMARKS
650	FM4-0950-000		1	DEVELOPING RELEASE ASS'Y	
1	XD9-0136-000		9	RING, E	
2	XD9-0288-000		3	PIN, DOWEL	

Figure 710A (1/2)AP. KIT ASS'Y

NOTE1 : This assembly does not included the assembly shown in Figure 510. NOTE2 : This assembly includes the assemblies shown in Figure 711 and 720.

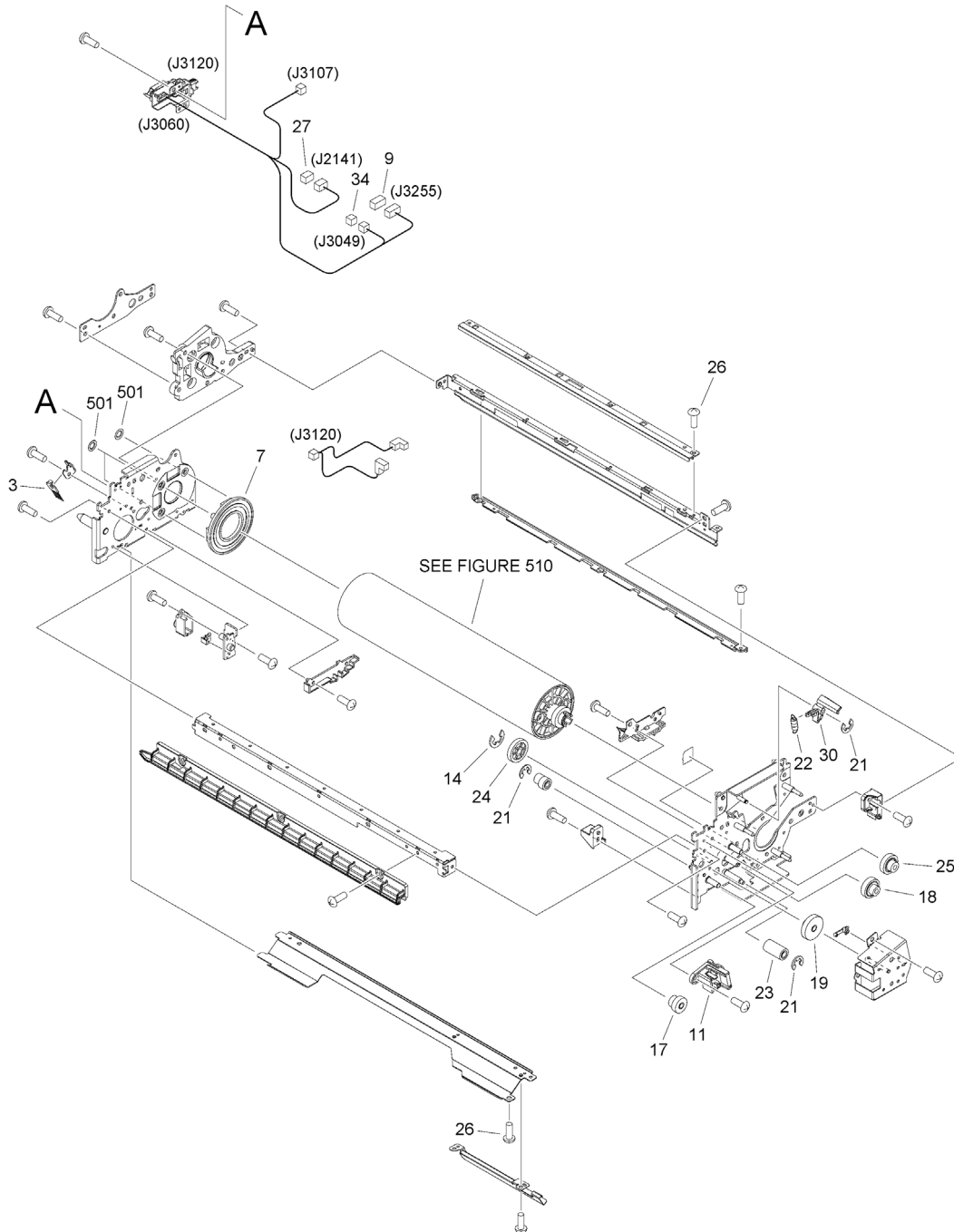


Figure 710A (2/2)AP. KIT ASS'Y

NOTE1 : This assembly does not included the assembly shown in Figure 510. NOTE2 : This assembly includes the assemblies shown in Figure 711 and 720.

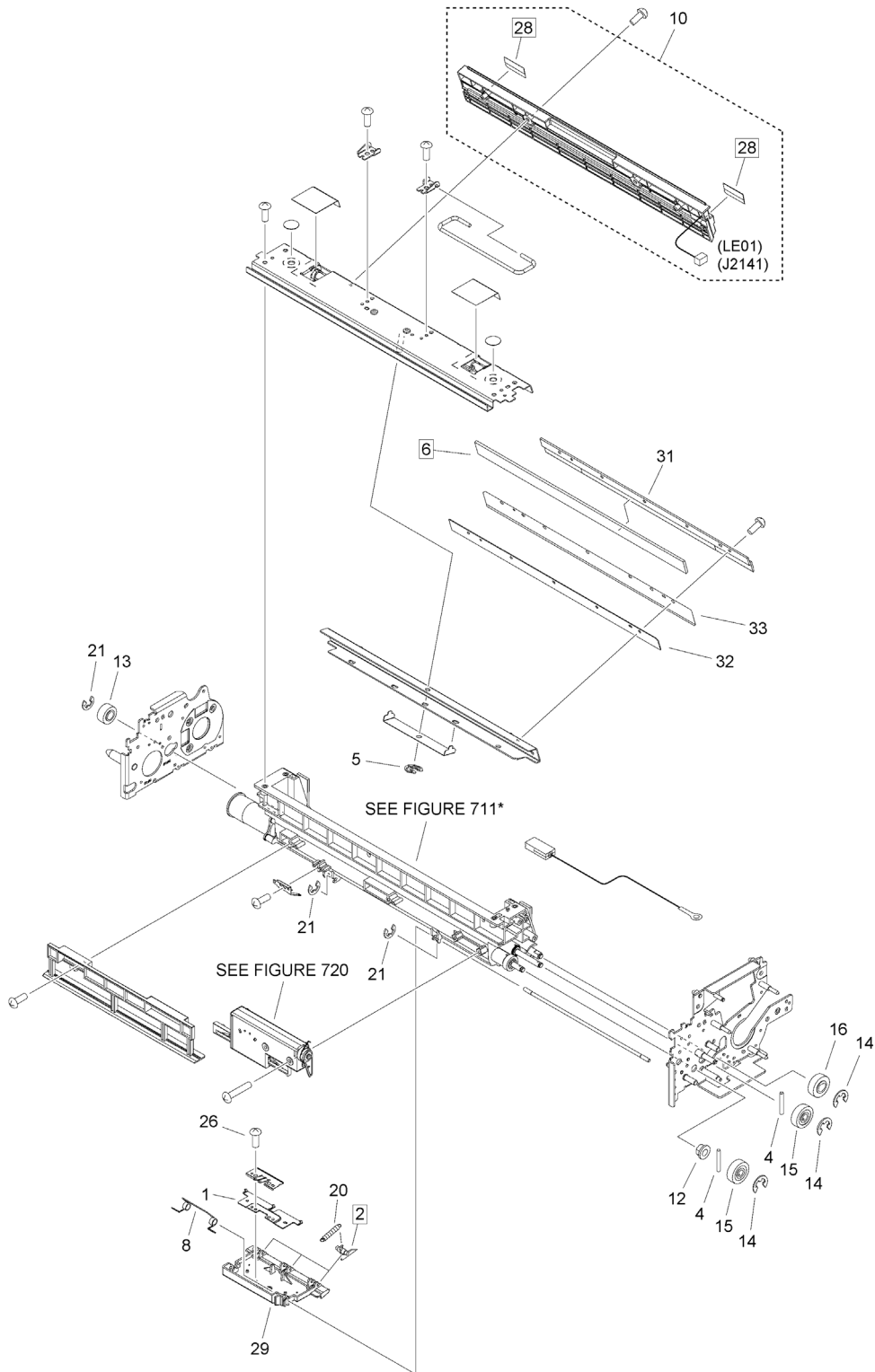


FIGURE & KEY NO.	PART NUMBER	RANK	QTY	DESCRIPTION	SERIAL NUMBER /REMARKS
710A	FM3-7291-010		1	AP. KIT ASS'Y	SEE NOTE1, SEE NOTE2
1	FB4-8012-020		1	PLATE, SEPARATION CLAW	
2	FB4-8018-010		3	CLAW, SEPARATION	[DP]
3	FB5-9104-010		1	ELIMINATOR, STATIC CHARGE	
4	XD9-0290-000		2	PIN, PARALLEL	
5	FB6-6088-000		1	RING, RETAINING	
6	FL3-6291-000		1	BLADE, DRUM CLEANING	[DP]
7	FC8-7093-000		1	RING, SLIP	
8	FC9-4863-000		1	SPRING, TORSION	
9	VS1-7177-004		1	CONNECTOR, SNAP TIGHT, BK	
10	FM3-7292-000		1	PRE-EXPOSURE ASS'Y	LE01
11	FM4-5148-000		1	MOUNT, CONTACT	
12	FS1-1205-000		1	BUSHING	
13	FU0-0074-000		1	GEAR, 14T	
14	XD9-0136-000		4	RING, E	
15	FU3-0303-000		2	GEAR, 30T	
16	FU6-0619-000		1	GEAR, 20T	
17	FU6-0620-000		1	GEAR, 21T/30T	
18	FU7-0363-000		1	GEAR, 18T/36T	
19	FU7-0364-000		1	GEAR, 18T/48T	
20	FU7-2711-000		3	SPRING, TENSION	
21	XD9-0134-000		6	RING, E	
22	FU7-2713-000		1	SPRING, TENSION	
23	FU8-0899-000		1	GEAR, 18T	
24	FU9-0051-000		1	GEAR, 38T	
25	FU9-0159-000		1	GEAR, 18T/26T	
26	XA9-2008-000		7	SCREW,M3X4	
27	VS1-7177-003		1	CONNECTOR, SNAP TIGHT, BK	
28	FC9-9153-000		2	SHEET, SCRAPER	[DP]
29	FC9-4860-010		1	HOLDER, SEPARATION CLAW	
30	FC9-4871-000		1	STOPPER, CORONA	
31	FL3-5194-020		1	RETAINER, BLADE	
32	FC8-7083-000		1	PLATE, BLADE AUXILIARY	
33	FL3-5193-000		1	PLATE, BLADE BACKKING	
34	VS1-7177-002		1	CONNECTOR, SNAP TIGHT, BK	
501	XD2-2300-602		3	GRIP RING	



# Figure 711A DRUM CLEANING ASS'Y

NOTE : This assembly is included in the assembly shown in Figure 710.

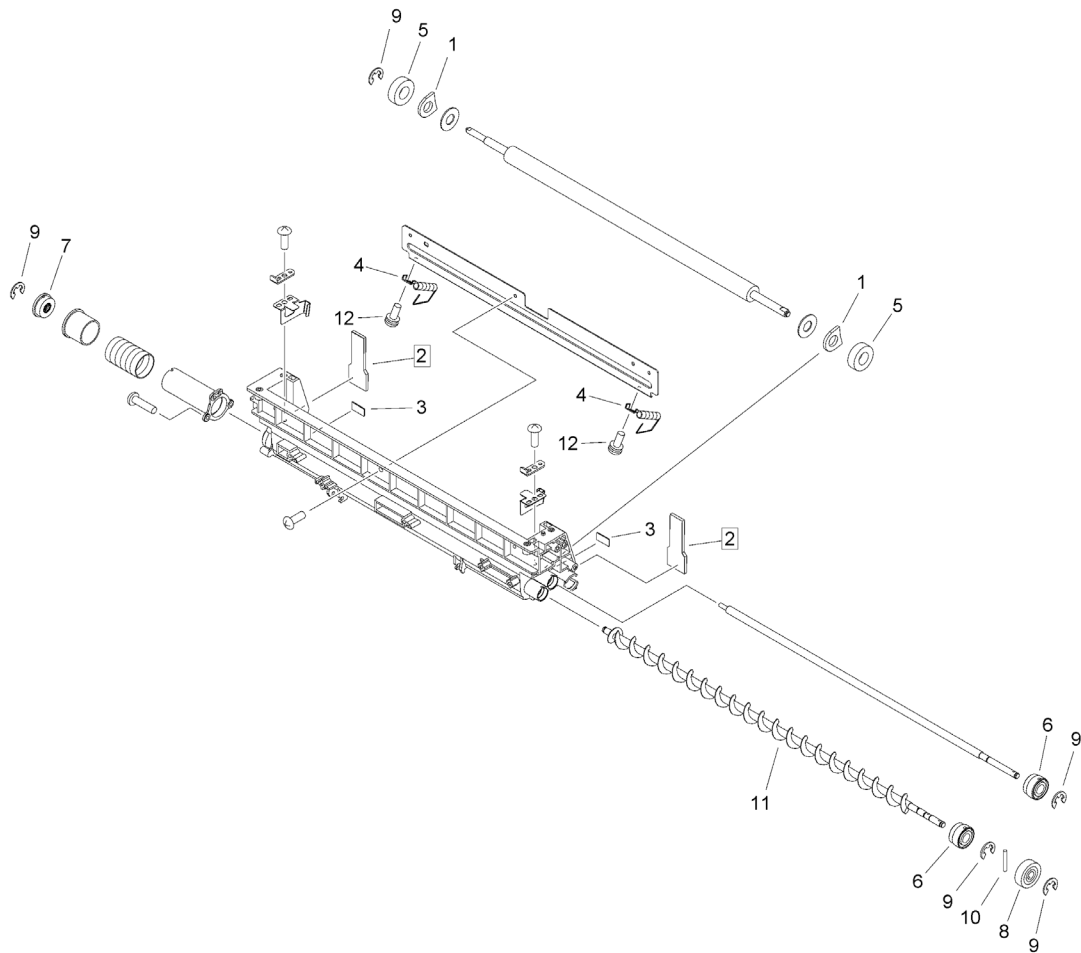
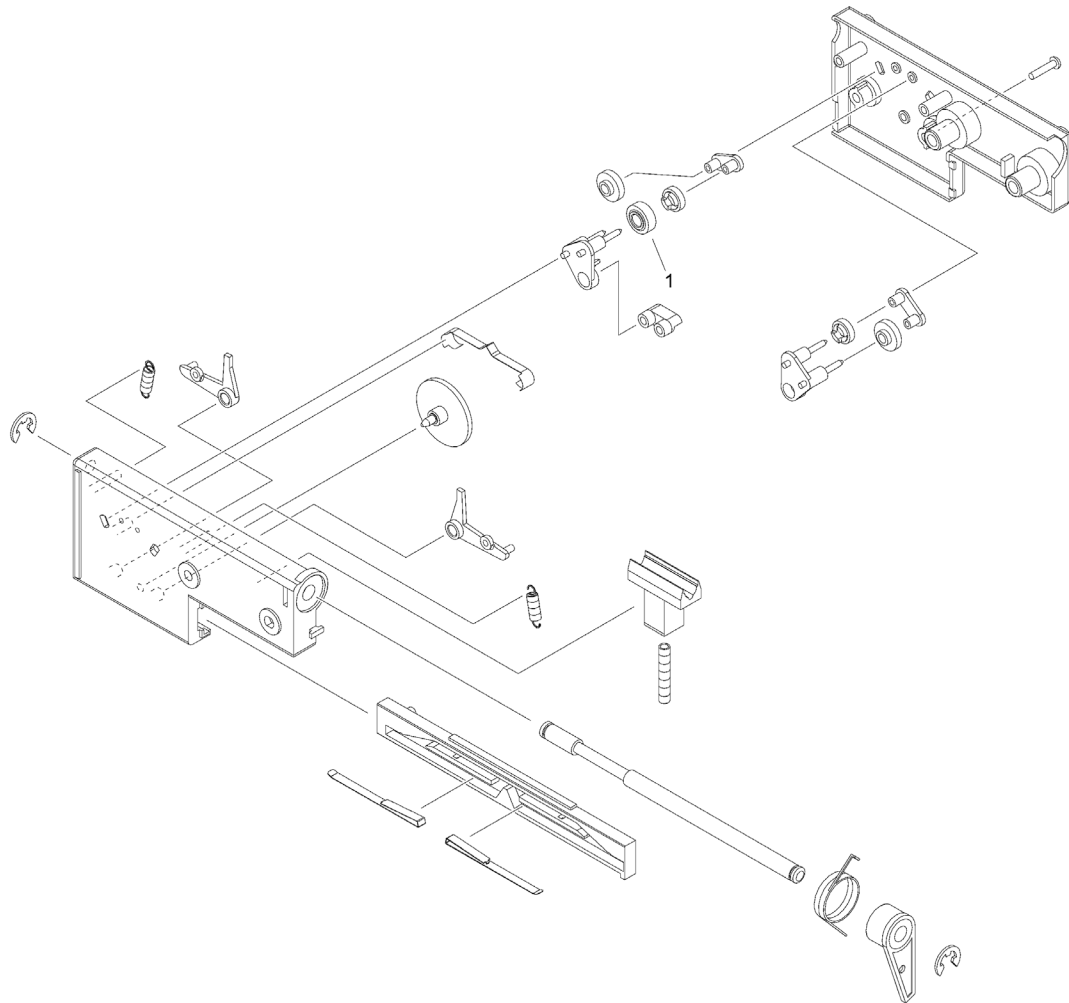


FIGURE & KEY NO.	PART NUMBER	RANK	QTY	DESCRIPTION	SERIAL NUMBER /REMARKS
711A	FM3-7294-000		1	DRUM CLEANING ASS'Y	SEE NOTE
1	FB2-6872-000		2	SEAL, FELT	
2	FC9-9024-000		2	SCRAPER, SIDE END	[DP]
3	FC9-9159-000		2	SHEET, POSITIONING	
4	FC9-9173-000		2	SPRING, TORSION	
5	XG9-0727-000		2	BEARING, BALL, 688-2RS,	
6	FL3-3700-000		2	BUSHING	
7	FL3-4551-000		1	BUSHING	
8	FU3-0303-000		1	GEAR, 30T	
9	XD9-0136-000		5	RING, E	
10	XD9-0290-000		1	PIN, PARALLEL	
11	FC8-7078-000		1	FEEDSCREW, CLEANER	
12	FE4-0431-000		2	SCREW, W/WASHER, M3X6	

# Figure 720 SEPARATION CLAW DRIVE ASSEMBLY

NOTE : This assembly is included in the assembly shown in Figure 710.



<b>FIGURE &amp; KEY NO.</b>	<b>PART NUMBER</b>	<b>R A N K</b>	<b>QTY</b>	<b>DESCRIPTION</b>	<b>SERIAL NUMBER /REMARKS</b>
720	FG5-5789-000		1	SEPARATION CLAW DRIVE ASSEMBLY	SEE NOTE
1	FS2-0088-000		1	GEAR, 20T	

Figure 770 WASTE TONER FEED ASSEMBLY

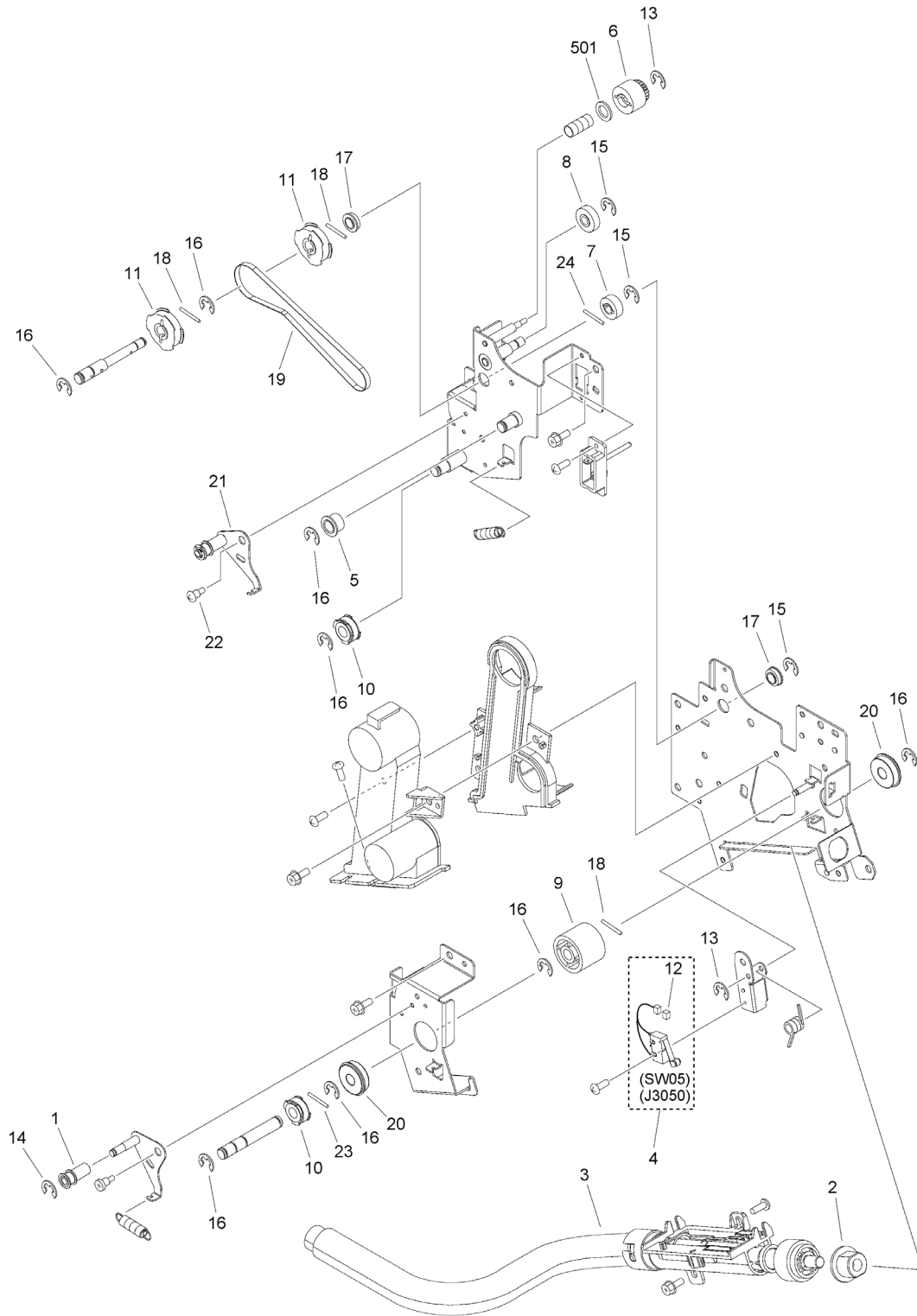


FIGURE & KEY NO.	PART NUMBER	RANK	QTY	DESCRIPTION	SERIAL NUMBER /REMARKS
770	FM4-0899-020		1	WASTE TONER FEED ASSEMBLY	
1	FC9-5134-000		1	ROLLER, TENSIONER	
2	FL3-3875-000		1	BUSHING	
3	FM4-0903-000		1	WASTE TONER SCREW DRIVE ASS'Y	
4	FM4-1029-000		1	CABLE, LOCK DETECT SWITCH	SW05
5	FS2-6458-000		1	ROLLER	
6	FU9-0315-000		1	GEAR, 18T	
7	FU6-0446-000		1	GEAR, 18T	
8	FU8-0079-000		1	GEAR, 20T	
9	FU8-0082-000		1	GEAR, 26T	
10	FU9-0157-000		2	PULLEY, 28T	
11	FU9-0158-000		2	PULLEY, 40T	
12	VS1-7177-002		1	CONNECTOR, SNAP TIGHT, BK	
13	XD9-0134-000		2	RING, E	
14	XD9-0135-000		1	RING, E	
15	XD9-0136-000		3	RING, E	
16	XD9-0137-010		8	RING, E	
17	XG9-0705-000		2	BEARING, BALL, MF106ZZS	
18	XD9-0292-000		3	PIN, PARALLEL	
19	XF2-4114-240		1	BELT, TIMING, CR	
20	XG9-0492-000		2	BEARING, BALL, 608ZZ	
21	FM4-9816-000		1	TENSIONER ASSEMBLY	
22	FS1-9010-020		1	SCREW, STEPPED, M3	
23	XD9-0289-000		1	PIN, PARALLEL	
24	XD9-0288-000		1	PIN, DOWEL	
501	XD1-1106-229		1	WASHER, COP	

Figure 810A FIXING ASS'Y

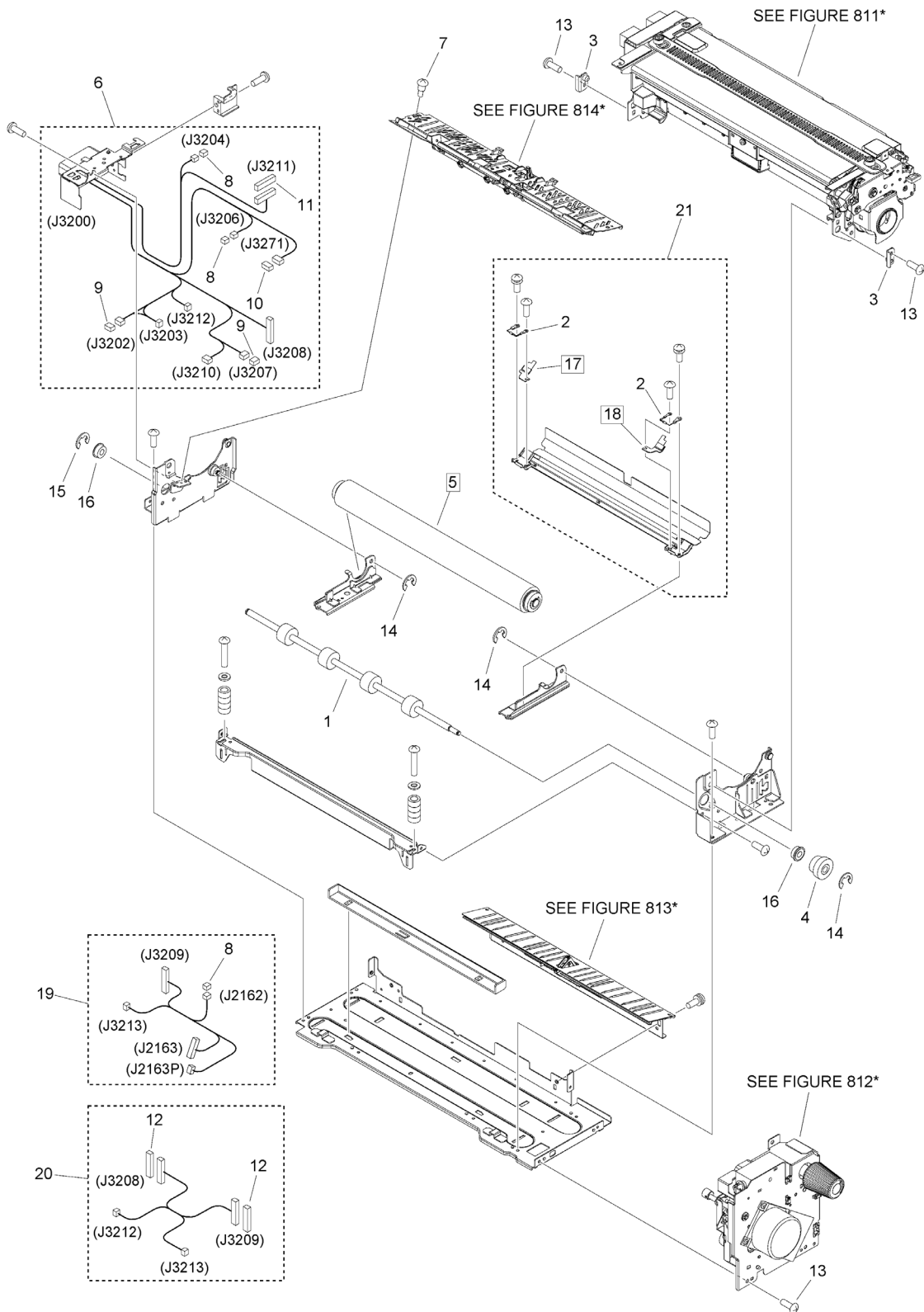


FIGURE & KEY NO.	PART NUMBER	RANK	QTY	DESCRIPTION	SERIAL NUMBER /REMARKS
810A	NPN		RF	FIXING ASSY	
1	FC8-9520-000		1	ROLLER, INNER PAPER DELIVERY	
2	FL3-8339-000		2	DIODE, 2CL703	
3	FL3-0219-010		2	SUPPORT, FIXING	
4	FL3-3731-000		1	GEAR, 19T	
5	FM4-3158-000		1	ROLLER, PRESSURE	[DP]
6	FM4-5158-010		1	CABLE, FIXING DC DRAWER	
7	FS5-9162-020		1	SCREW, STEPPED	
8	VS1-7177-002		3	CONNECTOR, SNAP TIGHT, BK	
9	VS1-7177-003		2	CONNECTOR, SNAP TIGHT, BK	
10	VS1-7177-004		1	CONNECTOR, SNAP TIGHT, BK	
11	VS1-7177-006		1	CONNECTOR, SNAP TIGHT, BK	
12	VS1-7177-009		2	CONNECTOR, 9P	
13	XA9-1031-000		15	SCREW, MACH. TRUSS HEAD, M4X6	
14	XD9-0136-000		3	RING, E	
15	XD9-0137-010		1	RING, E	
16	XG9-0365-000		2	BEARING,BALL, LNR-1680HHR	
17	FE2-3453-000		1	ELIMINATOR, STATIC CHARGE, R	[DP]
18	FE2-3452-000		1	ELIMINATOR, STATIC CHARGE, F	[DP]
19	FM3-9165-000		1	CABLE, FIXING MOTOR, 1	
20	FM3-9166-000		1	CABLE, FIXING MOTOR	
21	FM1-B151-000		1	STATIC CHARGE ELIMINATOR ASS'Y	



Figure 811A (1/2)FIXING ASS'Y, UPPER

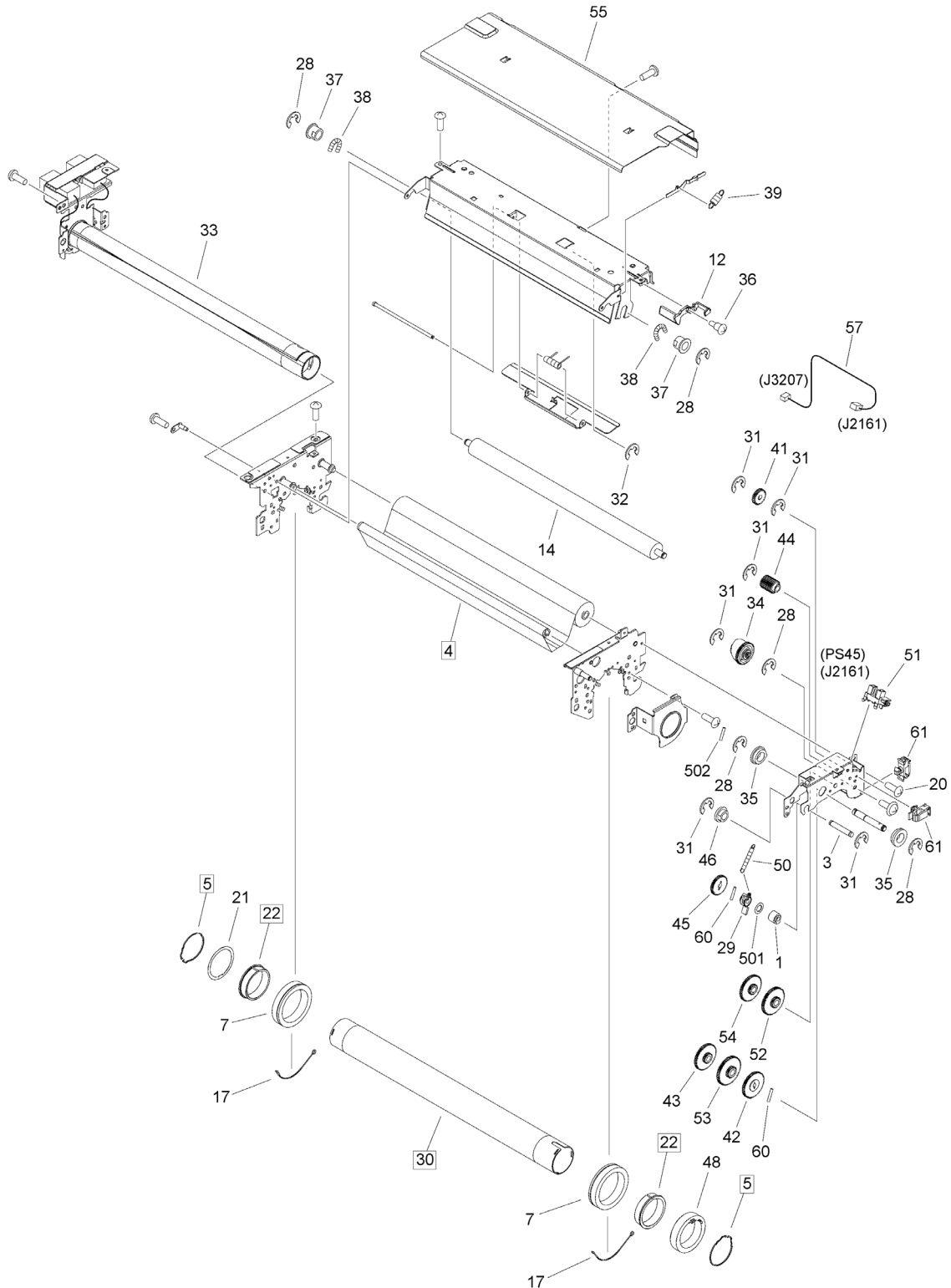


Figure 811A (2/2)FIXING ASS'Y, UPPER

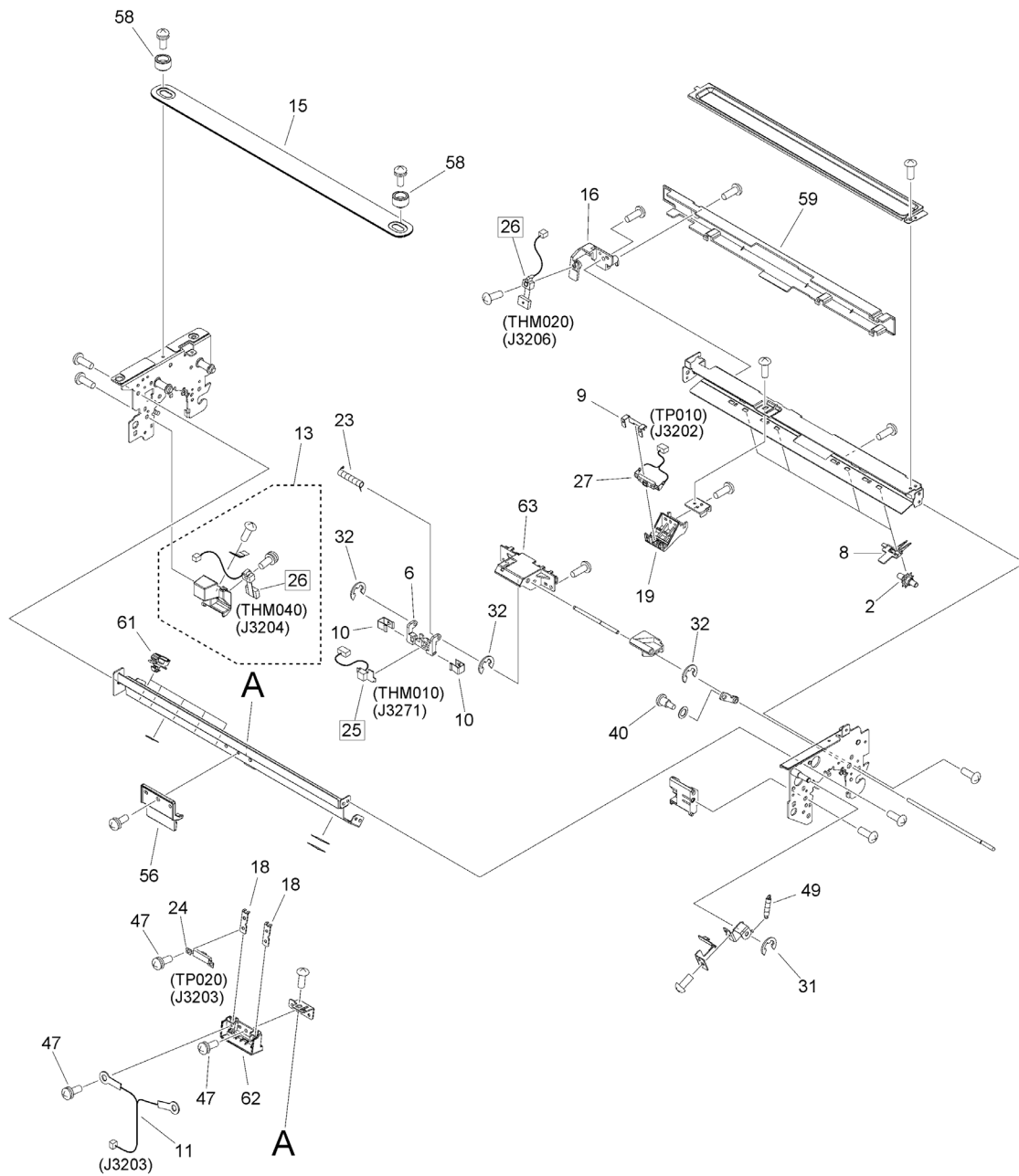


FIGURE & KEY NO.	PART NUMBER	RANK	QTY	DESCRIPTION	SERIAL NUMBER /REMARKS
811A	FM3-7340-060		1	FIXING ASSY, UPPER	
1	FB1-6833-000		1	BUSHING	
2	FB1-8776-000		4	ROWEL	
3	FB2-7230-000		1	SHAFT, ONE-WAY	
4	FC5-2286-000		1	CLEANER SUPPLY ROLL	[DP]
5	FC6-3501-020		2	RETAINER, FIXING ROLLER, THRUST	[DP]
6	FC6-3592-000		1	HOLDER, MAIN THERMISTOR	
7	XG9-0563-000		2	BEARING, BALL, 6809ZZN S1C4	
8	FC6-3808-000		4	HOLDER, ROLLER	
9	FC7-0658-000		1	SPRING, LEAF, SWITCH RETAINING	
10	FC7-7800-000		2	SPRING	
11	FM1-U981-000		1	CABLE, THERMOSWITCH	
12	FC8-7247-000		1	LEVER, CLEANER REMNANT SENSING	
13	FM3-7350-000		1	CLAW STOPPER UNIT, REAR	
14	FC8-7257-000		1	ROLLER, CLEANING	
15	FL0-5209-000		1	BELT, HANDLE	
16	FC8-9512-000		1	HOLDER, SUB THERMISTOR, RIGHT	
17	FC6-3673-000		2	RETAINER, BEARING	
18	FC8-9530-000		2	PLATE, THERMOSWITCH ELECTRODE	
19	FC9-5123-000		1	HOLDER, THERMO SWITCH, RIGHT	
20	XA9-1031-000		2	SCREW, MACH. TRUSS HEAD, M4X6	
21	FE2-0550-000		1	SPACER, BUSHING	
22	FM1-C081-010		2	BUSHING	[DP]
23	FC9-8085-000		1	SPRING, COMPRESSION	
24	FK2-7679-000		1	THERMOSWITCH	TP020
25	FK2-7692-000		1	THERMISTOR UNIT, MAIN	THM010 [DP]
26	FK2-7693-000		2	THERMISTOR UNIT, SUB	THM020, THM040 [DP]
27	FK2-7698-000		1	THERMOSWITCH	TP010
28	XD9-0137-010		5	RING, E	
29	FL3-2159-000		1	ARM, ONE-WAY	
30	FL3-3602-000		1	ROLLER, FIXING	[DP]
31	XD9-0136-000		7	RING, E	
32	XD9-0134-000		3	RING, E	
33	FM4-5160-000		1	FIXING HEATER UNIT	
34	FM4-5308-000		1	RECIPROCATING GEAR CAM UNIT	
35	FS1-1449-000		2	BUSHING, PL	
36	FS1-9009-020		1	TWO-STEP SCREW, M3	
37	FS2-1256-000		2	BUSHING	
38	FU8-2523-000		2	SPRING, TENSION	
39	FS5-2940-000		1	SPRING, TENSION	
40	FS5-9162-020		1	SCREW, STEPPED	
41	FS6-0103-000		1	GEAR, 28T	
42	FS7-0891-000		1	GEAR, 60T	

FIGURE & KEY NO.	PART NUMBER	RANK	QTY	DESCRIPTION	SERIAL NUMBER /REMARKS
43	FS6-0105-000		1	GEAR, 22T/60T	
44	FS6-0106-000		1	GEAR, 23T	
45	FS6-0134-000		1	GEAR	
46	FU6-1193-000		1	BUSHING	
47	FE4-0431-000		15	SCREW, W/WASHER, M3X6	
48	FU8-0505-000		1	GEAR, 52T	
49	FU8-2315-000		1	SPRING, TENSION	
50	FU8-2316-000		1	SPRING, TENSION	
51	WG8-5783-000		1	IC,PHOTO-INTERRUPTER,LG248NL1A	PS45
52	FS7-0893-000		1	GEAR, 22T/63T	
53	FS7-0894-000		1	GEAR, 19T/63T	
54	FS7-0895-000		1	GEAR, 19T/60T	
55	FC8-9527-000		1	COVER, FIXING, UPPER	
56	FC8-9529-000		1	COVER, THERMO SWITCH	
57	FM4-0984-000		1	CABLE, FIXING CLEANER	
58	FC8-7213-000		2	SPACER	
59	FC8-9510-000		1	COVER, CROSSMEMBER, RIGHT	
60	XD9-0289-000		2	PIN, PARALLEL	
61	WT2-6237-000		7	CLAMP,WIRE	
62	FC8-9505-000		1	HOLDER, THERMOSWITCH	
63	FC8-9531-000		1	MOUNT, THERMISTOR	
501	XD1-1106-235		1	WASHER,COP	
502	XD3-1300-122		1	PIN,SPRING	

Figure 812A FIXING DRIVE ASS'Y

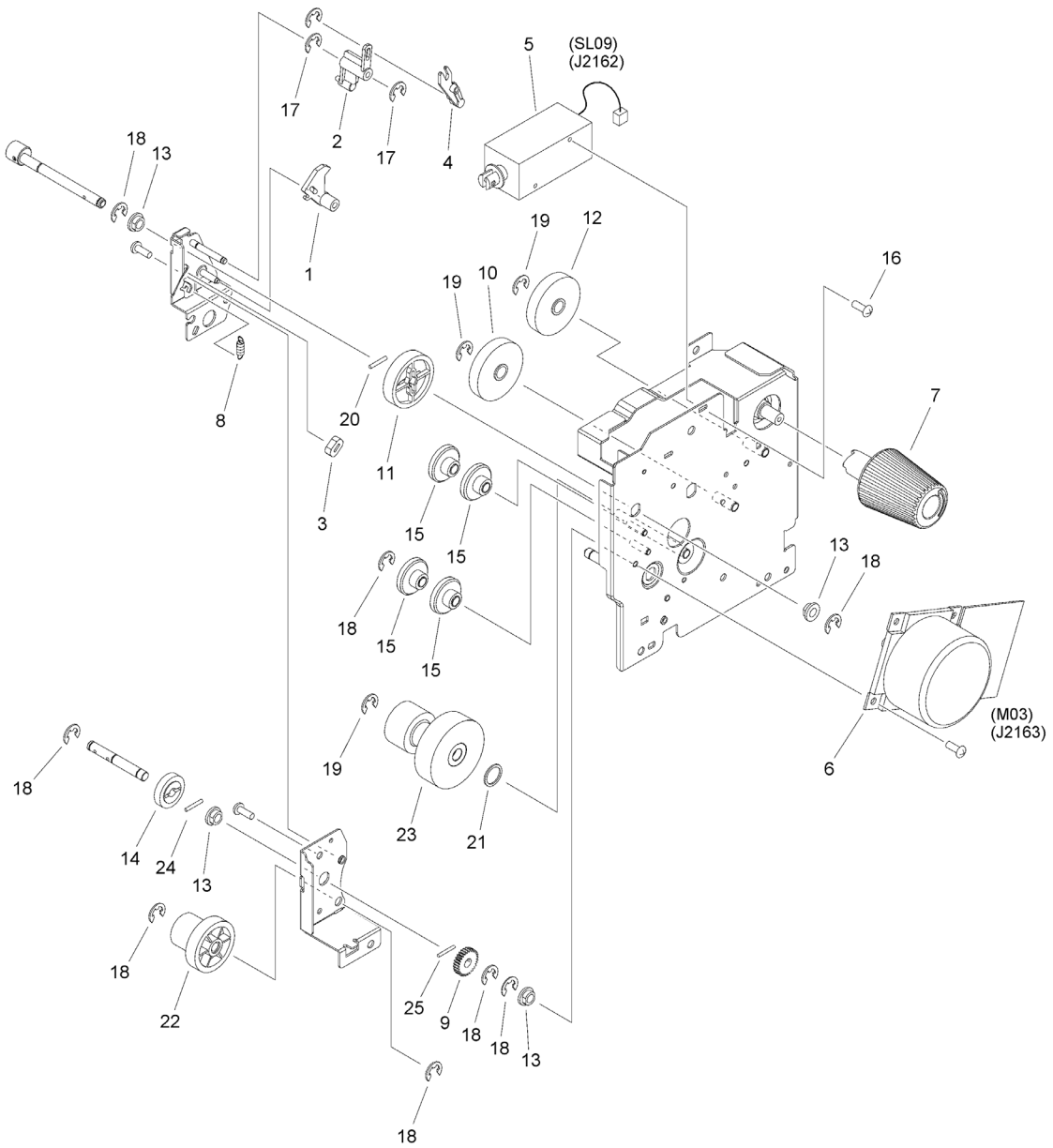


FIGURE & KEY NO.	PART NUMBER	RANK	QTY	DESCRIPTION	SERIAL NUMBER /REMARKS
812A	FM3-7339-000		1	FIXING DRIVE ASS'Y	
1	FB2-7243-000		1	ARM, SOLENOID, 2	
2	FC8-7235-000		1	LINK, SOLENOID	
3	FC8-7236-000		1	DAMPER	
4	FC8-7244-000		1	ARM, SOLENOID	
5	FK2-0839-000		1	SOLENOID	SL09
6	FK2-7670-000		1	MOTOR, DC	M03
7	FM2-4169-000		1	FIXING KNOB UNIT	
8	FS5-2967-000		1	SPRING, TENSION	
9	FS6-0103-000		1	GEAR, 28T	
10	FS7-0665-000		1	GEAR, 60T	
11	FU3-0302-000		1	GEAR, 58T	
12	FU6-0738-000		1	GEAR,60T	
13	FU6-1193-000		4	BUSHING	
14	FU9-0045-000		1	GEAR, 20T	
15	FU9-0156-000		4	GEAR, 16T/38T	
16	XA9-2008-000		2	SCREW,M3X4	
17	XD9-0134-000		2	RING, E	
18	XD9-0136-000		8	RING, E	
19	XD9-0137-010		3	RING, E	
20	XD9-0290-000		1	PIN, PARALLEL	
21	FS5-6487-000		1	WASHER	
22	FU9-0083-000		1	GEAR, 33T/20T	
23	FC6-3494-000		1	GEAR,71T/26T	
24	XD9-0289-000		1	PIN, PARALLEL	
25	XD9-0288-000		1	PIN, DOWEL	

Figure 813A      FIXING ENTRANCE GUIDE ASS'Y

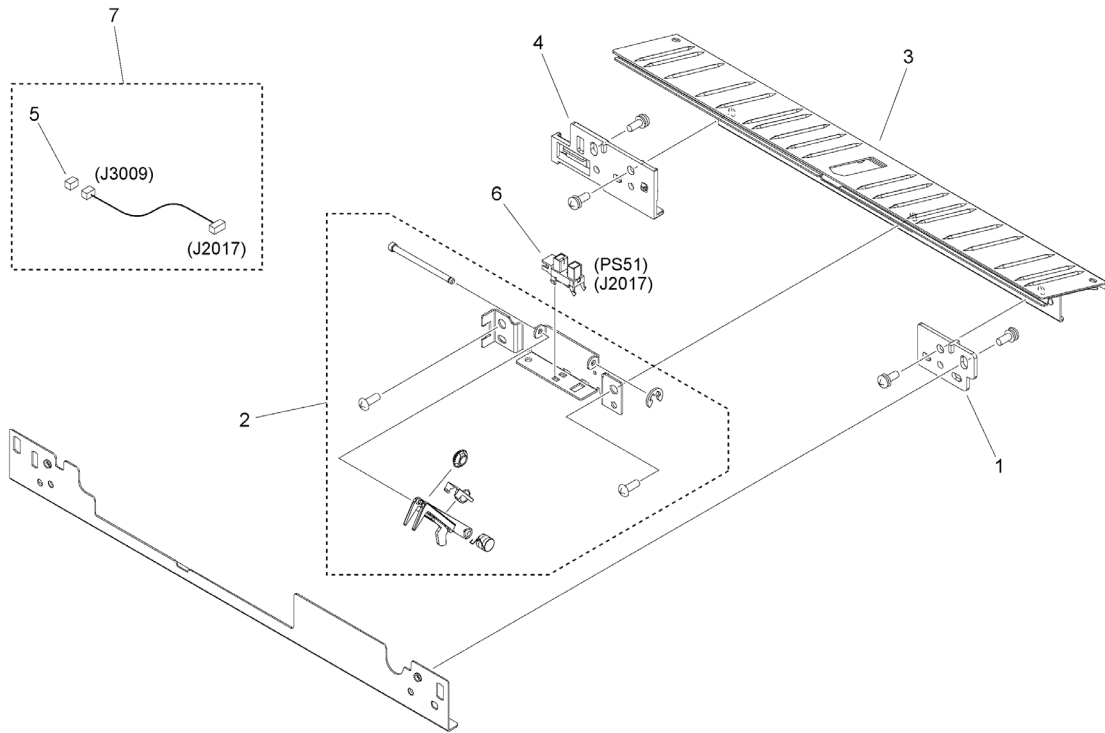


FIGURE & KEY NO.	PART NUMBER	RANK	QTY	DESCRIPTION	SERIAL NUMBER /REMARKS
813A	NPN		RF	FIXING ENTRANCE GUIDE ASS'Y	
1	FB5-6948-000		1	PLATE, HEIGHT ADJUSTING	
2	FM1-C082-010		1	FIXING INLET SENSOR FLAG ASS'Y	
3	FC8-9517-000		1	GUIDE, ENTRANCE	
4	FC9-5026-000		1	MOUNT, HEIGHT	
5	VS1-7177-003		1	CONNECTOR, SNAP TIGHT, BK	
6	WG8-5848-000		1	IC, PHOTO-INTERRUPTER	PS51
7	FM4-0982-000		1	CABLE, FIXING ENTRANCE SENSOR	



Figure 814A      FIXING EXIT GUIDE ASS'Y

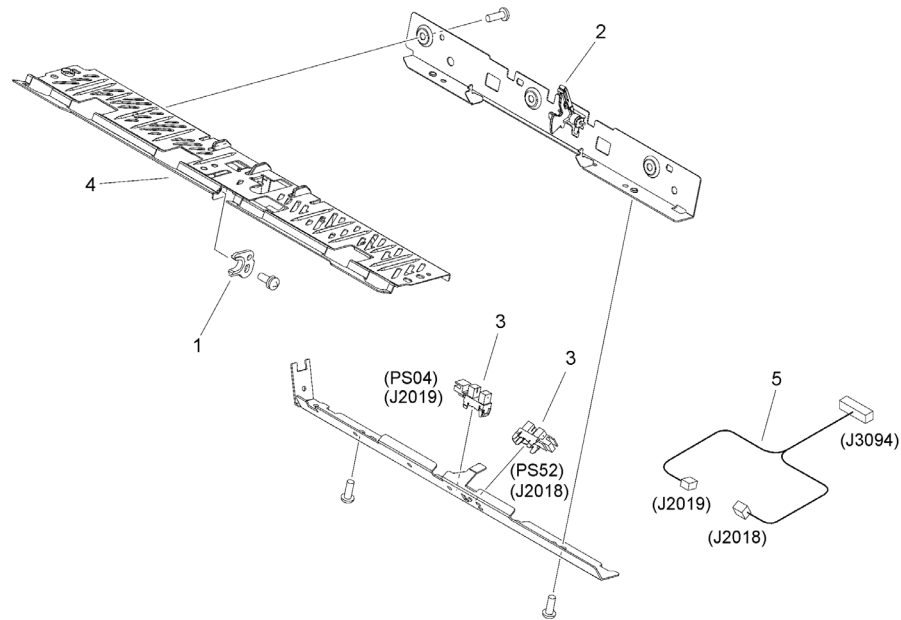


FIGURE & KEY NO.	PART NUMBER	RANK	QTY	DESCRIPTION	SERIAL NUMBER /REMARKS
814A	NPN		RF	FIXING EXIT GUIDE ASS'Y	
1	FE4-4682-000		1	HOLDER, SHAFT	
2	FL3-3619-000		1	CLAMP UNIT, SEPARATION CLAW	
3	WG8-5848-000		2	IC, PHOTO-INTERRUPTER	PS04, PS52
4	FL3-3736-000		1	GUIDE, INNER PAPER DELIVERY	
5	FM4-0983-000		1	CABLE, FIXING JAM SENSOR	

Figure 900A CONTROLLER BOX ASSEMBLY

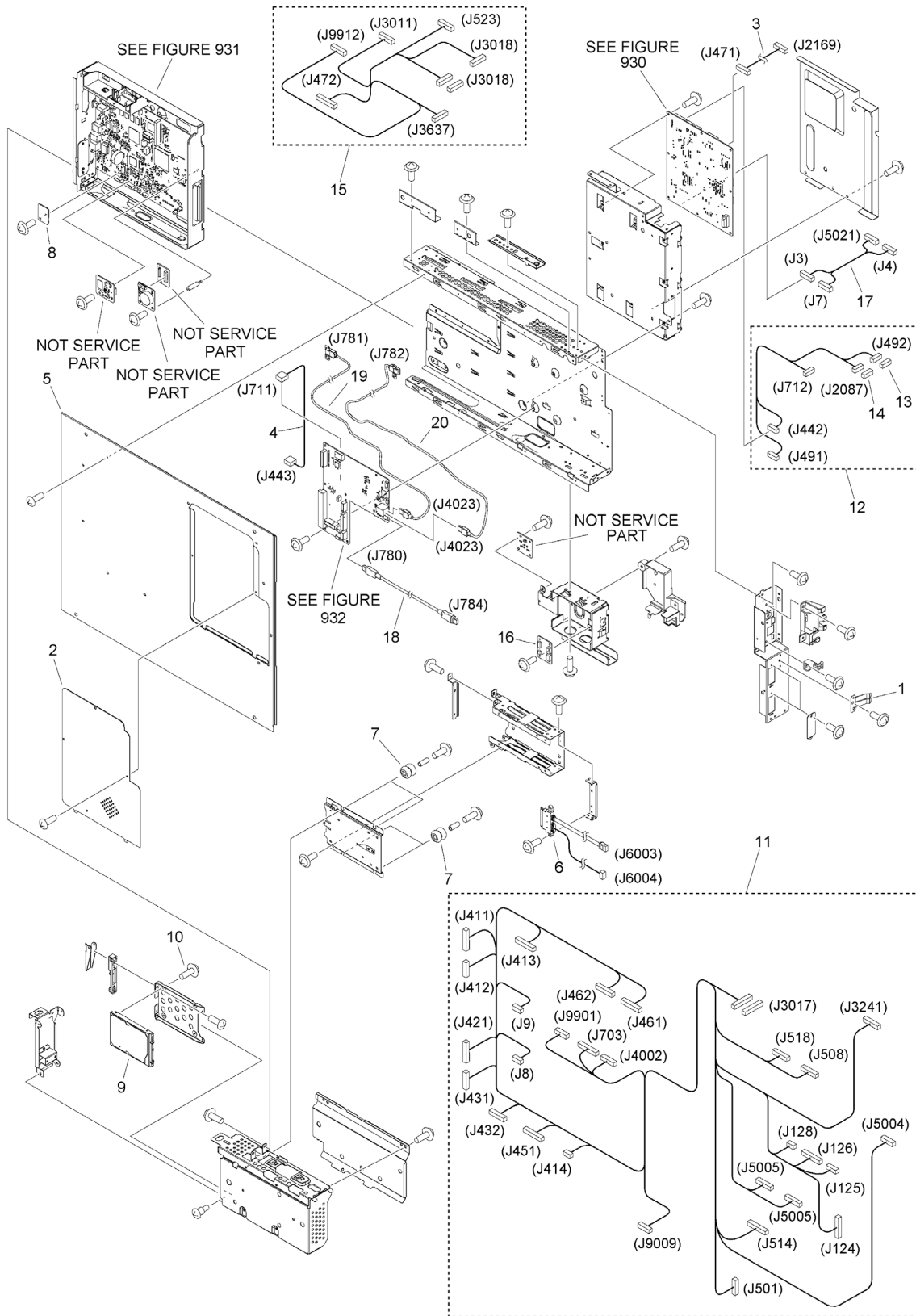
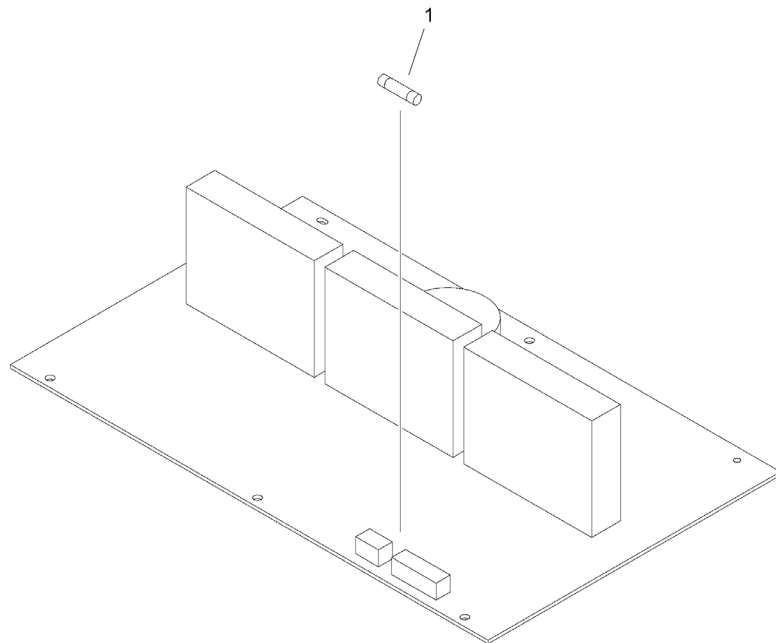


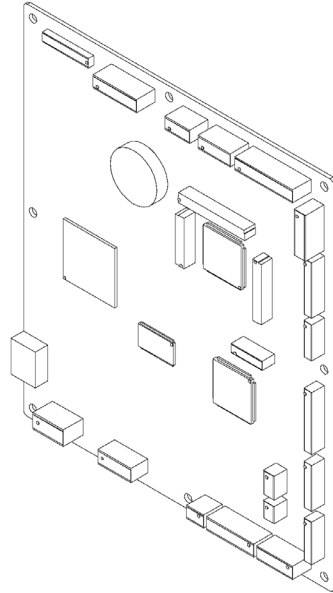
FIGURE & KEY NO.	PART NUMBER	RANK	QTY	DESCRIPTION	SERIAL NUMBER /REMARKS
900A	NPN		RF	CONTROLLER BOX ASSEMBLY	
1	FC9-8812-000		1	PLATE, GROUNDING	
2	FE4-1637-010		1	COVER, REAR, SMALL	
3	FK2-7714-000		1	CABLE, COAXIAL	
4	FK4-2507-000		1	CABLE, COMMUNICATION	
5	FL0-4120-000		1	COVER, REAR UPPER	
6	FK4-2497-000		1	CABLE, HARD DISK DRIVE, 1	
7	XH9-0149-000		4	DAMPER, CUSHION	
8	FM1-M981-000		1	TPM PCB ASSEMBLY	
9	FK4-1550-000		1	HARD DISK DRIVE, MQ01ABF032	
10	XA9-1979-000		4	SCREW, MACH. PAN HEAD, M3X4	
11	FM1-K913-000		1	CABLE, SIGNAL	
12	FM1-M869-000		1	CABLE, SIGNAL	
13	VS1-7177-004		1	CONNECTOR, SNAP TIGHT, BK	
14	VS1-7177-005		1	CONNECTOR, SNAP TIGHT, BK	
15	FM1-M870-000		1	CABLE, LASER	
16	FM0-4695-000		1	TRANSCIVER PCB ASSEMBLY, CAN	
17	FM1-K928-000		1	CABLE, INTERFACE, CAN	
18	FK4-2379-000		1	CABLE, USB	
19	FK4-2530-000		1	CABLE, USB	
20	FK4-2531-000		1	CABLE, USB	

Figure 910A IH POWER SUPPLY PCB ASS'Y



<b>FIGURE &amp; KEY NO.</b>	<b>PART NUMBER</b>	<b>R A N K</b>	<b>QTY</b>	<b>DESCRIPTION</b>	<b>SERIAL NUMBER /REMARKS</b>
910A	FM1-M921-010		1	IH POWER SUPPLY PCB ASS'Y	
1	VD7-3422-002		1	FUSE	FU101

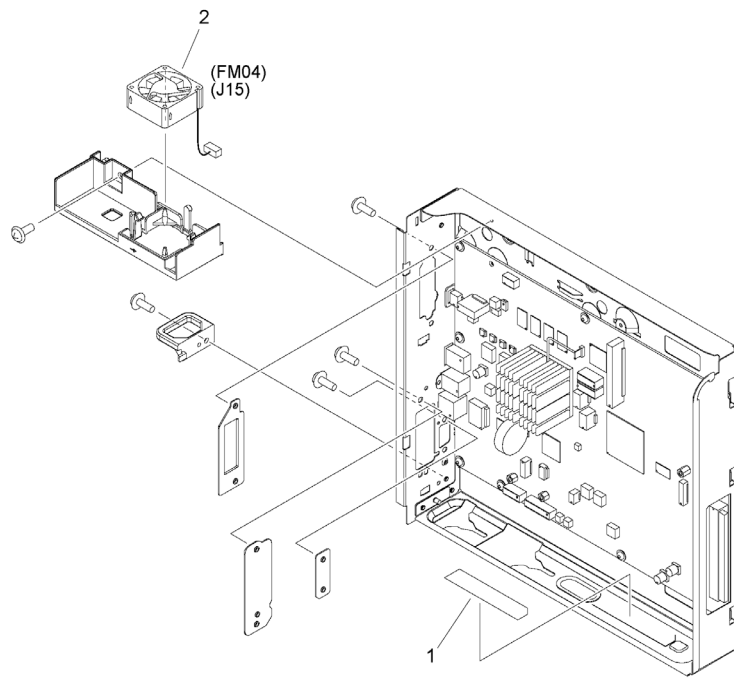
Figure 930A DC CONTROLLER PCB ASS'Y



<b>FIGURE &amp; KEY NO.</b>	<b>PART NUMBER</b>	<b>R A N K</b>	<b>QTY</b>	<b>DESCRIPTION</b>	<b>SERIAL NUMBER /REMARKS</b>
930A	FM1-W170-000		1	DC CONTROLLER PCB ASS'Y	

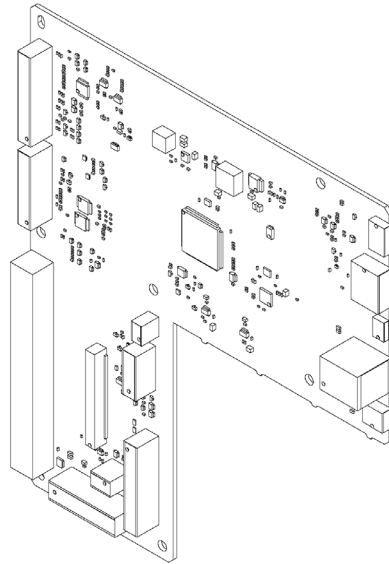


Figure 931A MAIN CONTROLLER PCB ASS'Y, 1



<b>FIGURE &amp; KEY NO.</b>	<b>PART NUMBER</b>	<b>R A N K</b>	<b>QTY</b>	<b>DESCRIPTION</b>	<b>SERIAL NUMBER /REMARKS</b>
931A	FM1-W577-000		1	MAIN CONTROLLER PCB ASS'Y, 1	
1	FC0-5049-000		1	LABEL, MEMORY CAUTION	
2	FK4-2852-000		1	FAN	FM04

Figure 932 MAIN CONTROLLER PCB ASS'Y, 2



<b>FIGURE &amp; KEY NO.</b>	<b>PART NUMBER</b>	<b>R A N K</b>	<b>QTY</b>	<b>DESCRIPTION</b>	<b>SERIAL NUMBER /REMARKS</b>
932	FM1-M962-000		1	MAIN CONTROLLER PCB ASS'Y, 2	

Figure 960 MAIN DRIVE DRIVER PCB ASS'Y

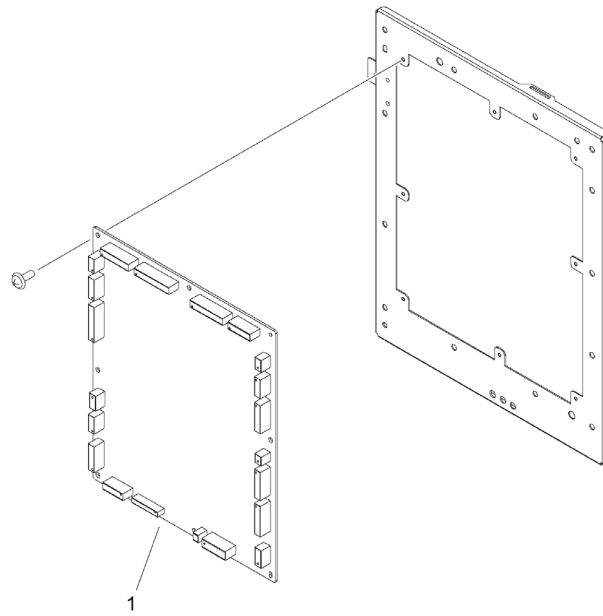
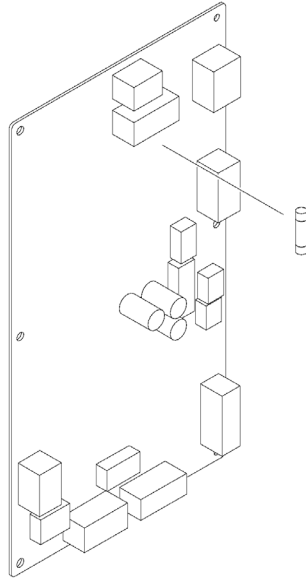


FIGURE & KEY NO.	PART NUMBER	RANK	QTY	DESCRIPTION	SERIAL NUMBER /REMARKS
960	NPN		RF	MAIN DRIVE DRIVER PCB ASS'Y	
1	FM1-M996-000		1	MAIN DRIVE DRIVER PCB ASS'Y	
IC	FK2-1773-000		3	IC,TC200GO2EFG-1031,GATE ARRAY	

Figure 961B AC DRIVER PCB ASS'Y (230V)



<b>FIGURE &amp; KEY NO.</b>	<b>PART NUMBER</b>	<b>R A N K</b>	<b>QTY</b>	<b>DESCRIPTION</b>	<b>SERIAL NUMBER /REMARKS</b>
961B	FM1-M999-010		1	AC DRIVER PCB ASS'Y	230V



Figure 963 DUPLEXING DRIVER PCB ASSEMBLY

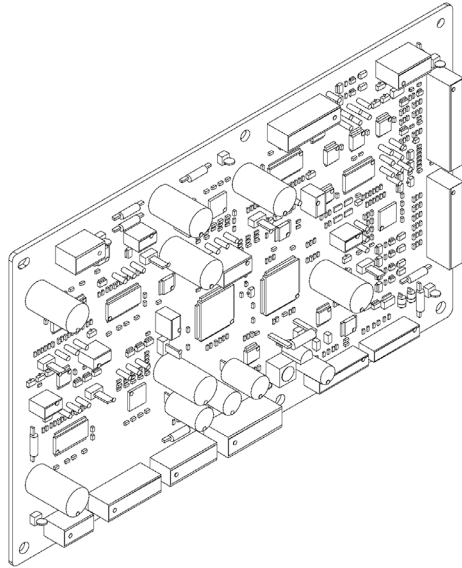


FIGURE & KEY NO.	PART NUMBER	R A N K	QTY	DESCRIPTION	SERIAL NUMBER /REMARKS
963	FM4-1085-000		1	DUPLEXING DRIVER PCB ASSEMBLY	
IC	FK2-1773-000		2	IC,TC200GO2EFG-1031,GATE ARRAY	IC319,IC320

Figure 964 FEED DRIVER PCB ASSEMBLY

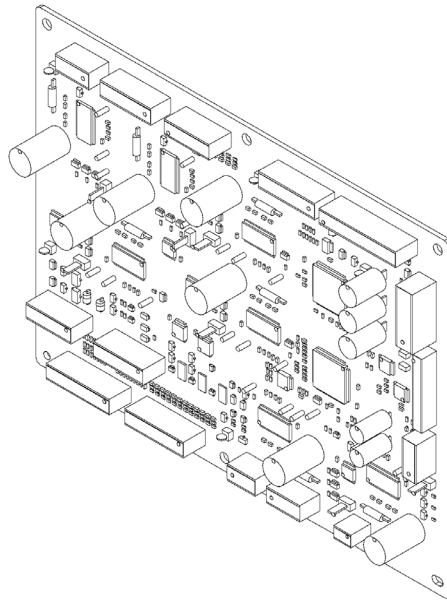


FIGURE & KEY NO.	PART NUMBER	R A N K	QTY	DESCRIPTION	SERIAL NUMBER /REMARKS
964	FM4-1084-010		1	FEED DRIVER PCB ASSEMBLY	
IC	FK2-1773-000		2	IC,TC200GO2EFG-1031,GATE ARRAY	IC17,IC18

Figure 980 H. V. POWER SUPPLY ASS'Y

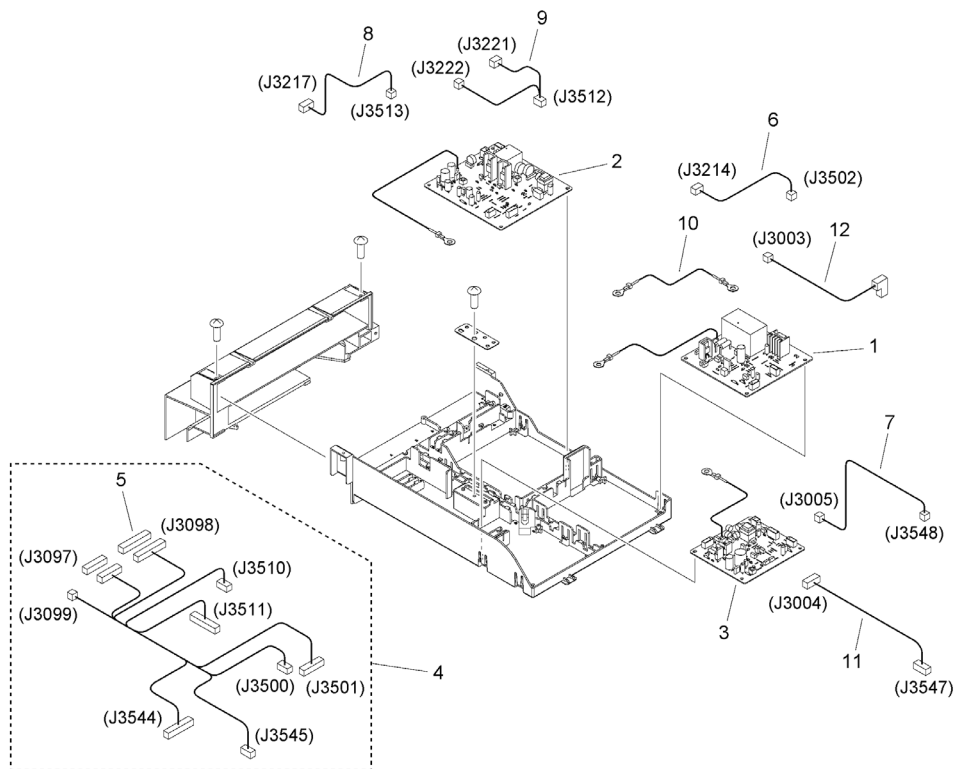


FIGURE & KEY NO.	PART NUMBER	RANK	QTY	DESCRIPTION	SERIAL NUMBER /REMARKS
980	NPN		RF	H.V. POWER SUPPLY ASS'Y	
1	FM1-K903-000		1	HIGH VOLTAGE PCB ASS'Y	
2	FM1-K904-000		1	HIGH VOLTAGE PCB ASS'Y	
3	FM1-K906-000		1	PRE-TRANSFER CHARGE PCB ASS'Y	
4	FM3-9117-000		1	CABLE, HIGH VOLTAGE SIGNAL	
5	VS1-8412-025		1	CONNECTOR, SNAP TIGHT, BL	
6	FM3-9118-000		1	CABLE, HIGH VOLTAGE GRID	
7	FM3-9120-000		1	CABLE, H.V. POST CORONA	
8	FM3-9121-000		1	CABLE, H.V. DEVELOPING	
9	FM3-9122-000		1	CABLE, HIGH VOLTAGE SEP. CLAW	
10	FM3-9123-000		1	CABLE, HIGH VOLTAGE GROUNDING	
11	FM4-1081-000		1	CABLE, SIGNAL	
12	FM4-4314-000		1	CABLE, H.V. MAIN 1ST CORONA	

Figure B10C INTERNAL COMPONENTS 1 (ADF)

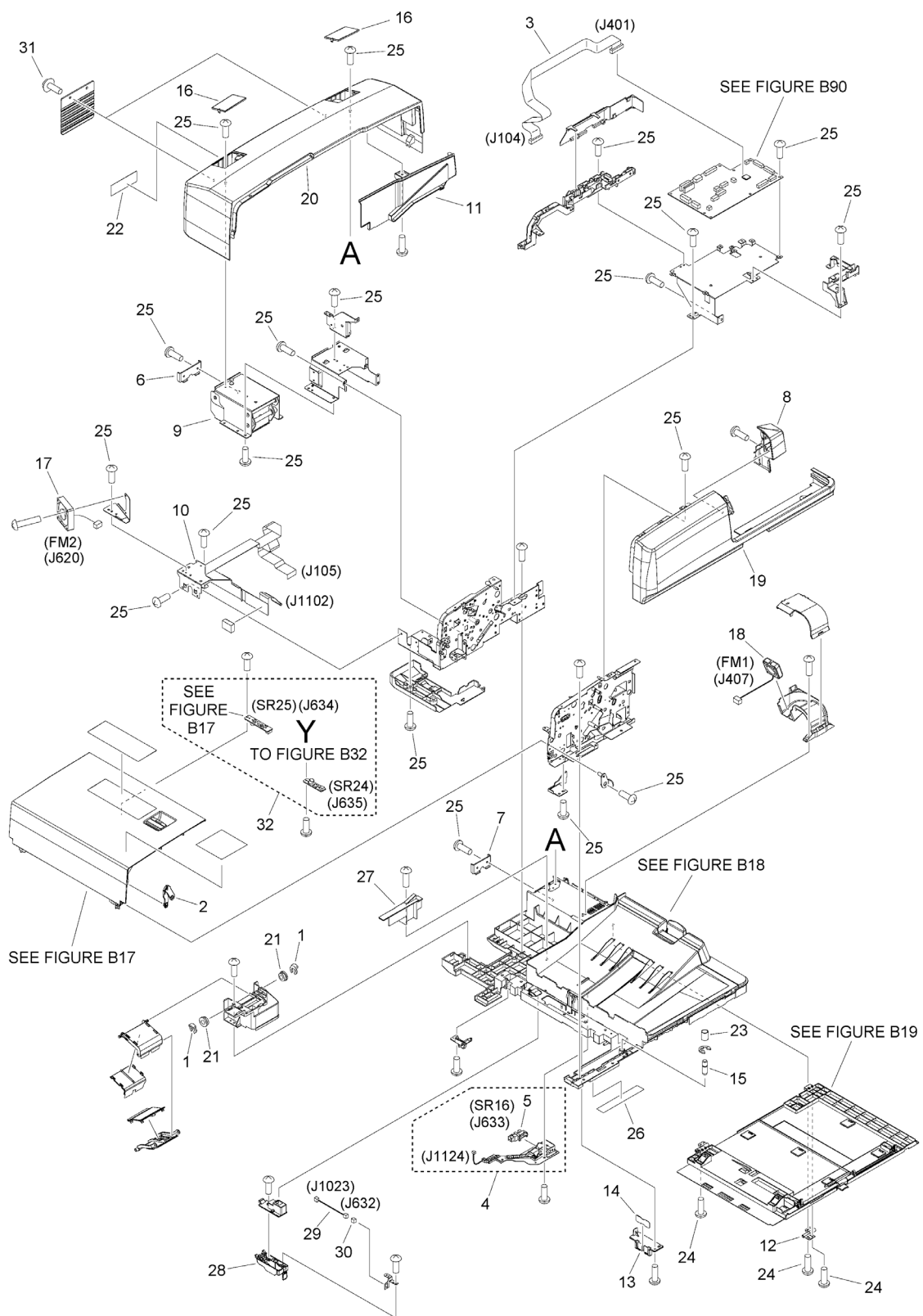


FIGURE & KEY NO.	PART NUMBER	RANK	QTY	DESCRIPTION	SERIAL NUMBER /REMARKS
B10C	NPN		RF	INTERNAL COMPONENTS 1	ADF
1	FC5-4424-000		2	CLIP	
2	FM1-G460-000		1	OPEN/CLOSE COVER STOPPER SET	
3	FK4-2204-000		1	CABLE, FLEXIBLE FLAT	
4	FM1-L581-000		1	PHOTO SENSOR UNIT	
5	WG8-5783-000		1	IC,PHOTO-INTERRUPTER,LG248NL1A	SR16
6	FC8-5831-000		1	STOPPER, HINGE, LEFT	
7	FC8-5832-000		1	STOPPER, HINGE, RIGHT	
8	FE4-6232-000		1	COVER, FRONT, B	
9	FE3-5583-000		1	HINGE, LEFT	
10	FM0-0509-000		1	FLEXIBLE FLAT CABLE UNIT	
11	FE4-6237-000		1	COVER, REAR, B	
12	FC8-5811-000		1	HINGE, PLATE	
13	FC8-5833-000		1	COVER, PAPER DEL. SENSOR, A	
14	FC8-5834-000		1	COVER, PAPER DEL. SENSOR, B	
15	FC8-5837-000		1	PIN	
16	FE4-6249-000		2	COVER, HINGE ADJUSTING	
17	FK2-6471-000		1	FAN	FM2
18	FL2-9591-000		1	FAN	FM1
19	FL0-1456-000		1	COVER, FRONT, A	
20	FL0-4601-000		1	COVER, REAR, S	
21	FS5-1372-000		2	BUSHING	
22	FE4-6287-000		1	LABEL, FINGER NIP CAUTION	
23	FU7-2560-000		1	SPRING, COMPRESSION	
24	XA9-2016-000		6	SCREW, W/WASHER, M3X12	
25	XA9-2014-000		15	SCREW, MACH. TRUSS HEAD, M4X6	
26	FE4-6278-000		1	LABEL, CLEANING PROCESS	US English
26	FE8-1635-000		1	LABEL, CLEANING PROCESS	French, Italian, German, Spanish
27	FE4-6238-000		1	COVER, BASE FRAME, C	
28	FL2-9701-000		1	COVER, STAMP	
29	FM3-9168-000		1	CABLE, SOLENOID CONNECTING, 1	
30	VS1-7177-002		1	CONNECTOR, SNAP TIGHT, BK	
31	XA9-2019-000		4	SCREW, W/WASHER P, M3X8	
32	FM1-K086-010		1	DOUBLE FEED DETECTION KIT	



Figure B11C INTERNAL COMPONENTS 2 (ADF)

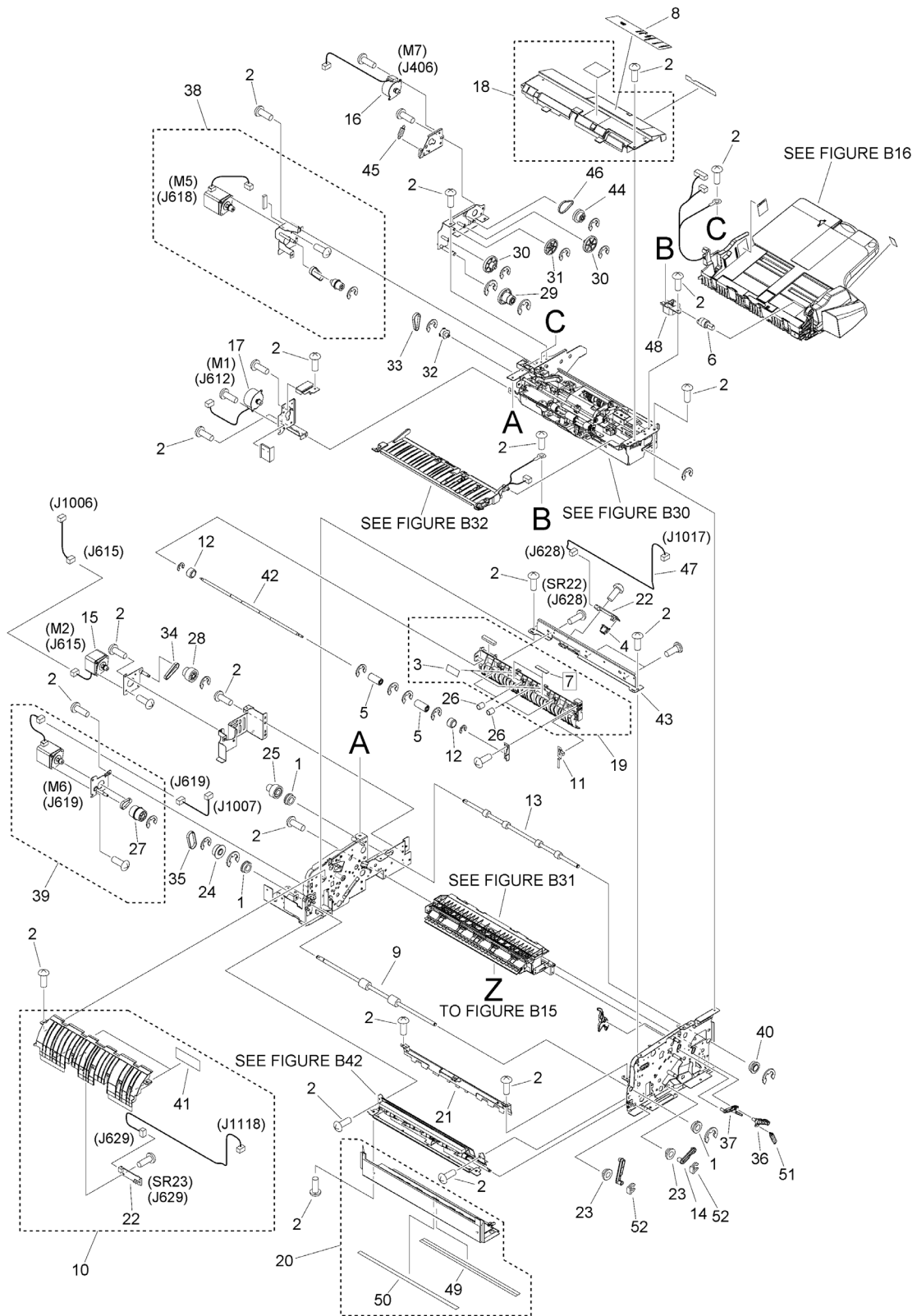


FIGURE & KEY NO.	PART NUMBER	RANK	QTY	DESCRIPTION	SERIAL NUMBER /REMARKS
B11C	NPN		RF	INTERNAL COMPONENTS 2	ADF
1	FA9-2112-000		3	BUSHING, PL	
2	XA9-2014-000		15	SCREW, MACH. TRUSS HEAD, M4X6	
3	FC5-2954-000		2	SCRAPER	
4	FC5-3131-000		1	HOLDER, SEPARATION SENSOR	
5	FC8-5636-000		2	ROLLER, REGISTRATION	
6	FL3-7438-000		1	DAMPER, DOCUMENT TRAY	
7	FC8-5633-000		2	SHEET, CLEANER DUST	[DP]
8	FE4-6266-000		1	LABEL, DOCUMENT SIZE	
9	FC8-5680-000		1	ROLLER, REGISTRATION	
10	FM3-6194-010		1	PRE-REG. INNER GUIDE ASSEMBLY	
11	FC8-5739-000		1	SPRING, LEAF	
12	FC8-5776-000		2	ROLLER, PRESSURE	
13	FE4-1936-000		1	ROLLER, DELIVERY	
14	FE3-3580-000		1	ARM, PRESSURE, 1	
15	FM0-3144-010		1	MOTOR, STEPPING, DC	M2
16	FK3-2270-000		1	MOTOR, STEPPING, DC	M7
17	FK2-7177-000		1	MOTOR, STEPPING, DC	M1
18	FL0-4609-000		1	COVER, PAPER PICK-UP, UPPER	
19	FL2-9663-000		1	GUIDE, REG. INNER, LOWER	
20	FL0-4600-000		1	COVER, SIDE, LEFT	
21	FM1-L794-000		1	GUIDE, REGISTRATION	
22	FM2-1022-000		2	SENSOR PCB UNIT	SR22, SR23
23	FS1-1569-000		2	BUSHING	
24	FU5-0338-000		1	PULLEY, 30T	
25	FL0-1463-000		1	GEAR, 24T	
26	FU5-2234-000		4	SPRING, COMPRESSION	
27	FU5-3534-000		1	PULLEY, 30T/30T(REG)	
28	FU7-0515-000		1	PULLEY, 24T/GEAR, 24T	
29	FU8-0228-000		1	GEAR, 20T/48T	
30	FU8-0229-000		2	GEAR, 16T/50T	
31	FU8-0230-000		1	GEAR, 25T/48T	
32	FU9-0921-000		1	PULLEY, 32T	
33	XF2-1605-640		1	BELT, TIMING	
34	XF2-1605-660		1	BELT, TIMING	
35	XF2-1606-260		1	BELT, TIMING, COGGED	
36	FE4-1950-000		1	LEVER, ESTRANGEMENT, 1	
37	FE4-1951-000		1	LEVER, ESTRANGEMENT, 2	
38	FM1-G794-010		1	PAPER PICK-UP DRIVE ASSEMBLY	
39	FM1-G792-010		1	REGISTRATION DRIVE ASSEMBLY	
40	XG9-0709-000		1	BEARING, BALL, MF128ZZ-3	
41	FC8-5765-000		2	SHEET	
42	FC8-5637-000		1	SHAFT, REGISTRATION IDLER	
43	FC8-5735-000		1	SUPPORT, INNER GUIDE, REAR	

FIGURE & KEY NO.	PART NUMBER	RANK	QTY	DESCRIPTION	SERIAL NUMBER /REMARKS
44	FU9-0920-000		1	GEAR/PULLEY, 48T/25T	
45	FU7-2580-000		1	SPRING, TENSION	
46	XF2-1606-040		1	BELT, TIMING	
47	FM3-7565-000		1	CABLE, READER SENSOR	
48	FC8-5622-000		1	HOLDER, DOCUMENT TRAY DAMPER	
49	FC8-5732-000		1	SHEET, SIDE COVER	
50	FC8-5733-000		1	SHEET, SIDE COVER BLANKING	
51	FU7-2588-000		1	SPRING, TENSION	
52	FC5-4424-000		2	CLIP	

Figure B12 INTERNAL COMPONENTS 3 (ADF)

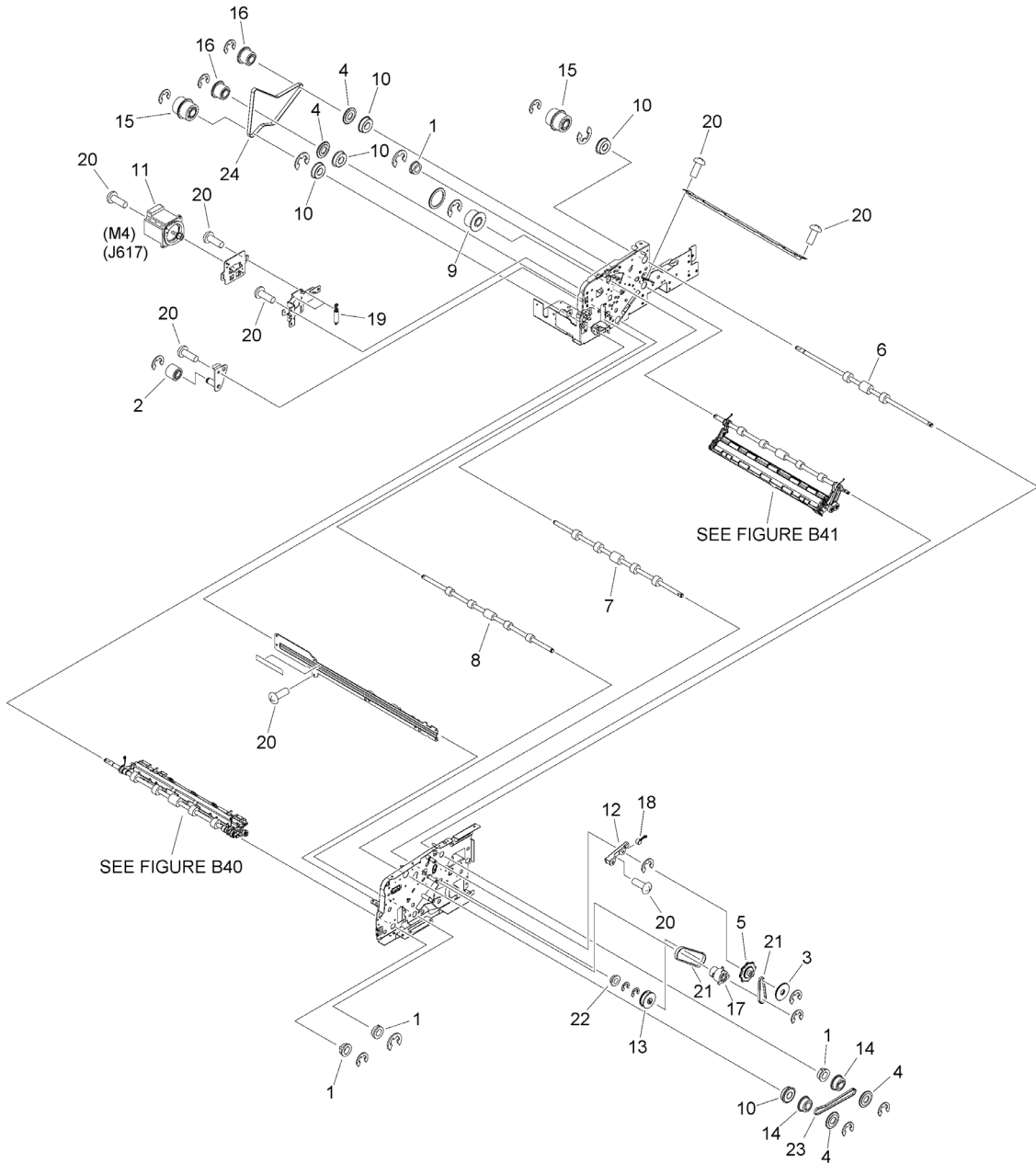


FIGURE & KEY NO.	PART NUMBER	RANK	QTY	DESCRIPTION	SERIAL NUMBER /REMARKS
B12	NPN		RF	INTERNAL COMPONENTS 3	ADF
1	FA9-2112-000		4	BUSHING, PL	
2	FC7-0285-000		1	PULLEY, TENSION	
3	FC7-4185-000		1	STOPPER	
4	FC8-5484-000		4	FLANGE, PULLEY	
5	FC8-5530-000		1	DIAL, JAM CLEARING	
6	FC8-5580-000		1	ROLLER, EXTRACTION	
7	FC8-5679-000		1	ROLLER, FEED	
8	FC8-5682-000		1	ROLLER, READ, 2	
9	FC8-5725-000		1	PULLEY, IDLER	
10	XG9-0508-000		5	BEARING, BALL, F688ZZ	
11	FK2-7173-000		1	MOTOR, STEPPING, DC	M4
12	FL2-9573-000		1	TENSIONER ASSEMBLY, FRONT	
13	FS5-3989-000		1	PULLEY, 32T	
14	FU5-0339-000		2	PULLEY, 23T	
15	FU5-3530-000		2	PULLEY, 30T	
16	FU5-3531-000		2	PULLEY, 24T	
17	FU7-2585-000		1	GEAR/PULLEY, T30T/T24T	
18	FU7-2552-000		1	SPRING, TORSION	
19	FU7-2554-000		2	SPRING, TENSION	
20	XA9-2014-000		15	SCREW, MACH. TRUSS HEAD, M4X6	
21	XF2-1607-640		2	BELT, TIMING	
22	FS1-1569-000		1	BUSHING	
23	XF2-1613-040		1	BELT, TIMING	
24	XF2-1623-080		1	BELT, TIMING	

Figure B13 INTERNAL COMPONENTS 4 (ADF)

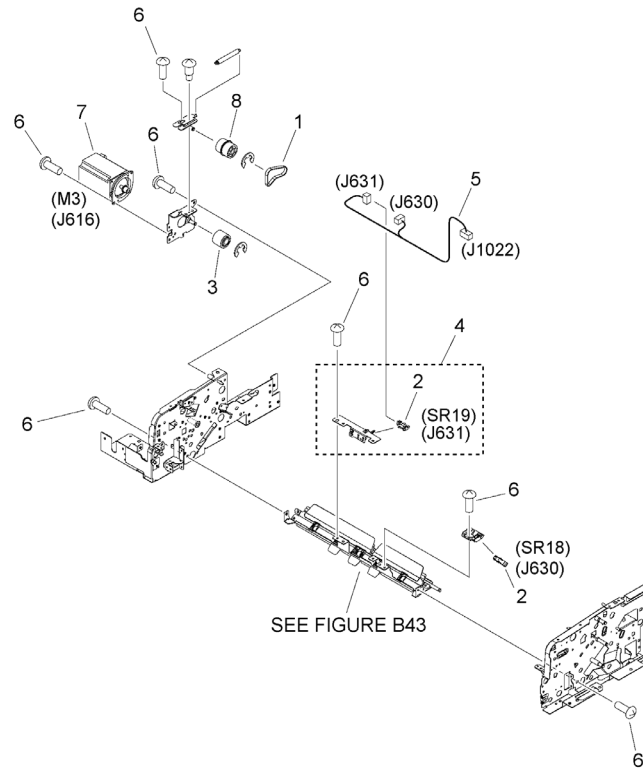


FIGURE & KEY NO.	PART NUMBER	RANK	QTY	DESCRIPTION	SERIAL NUMBER /REMARKS
B13	NPN		RF	INTERNAL COMPONENTS 4	ADF
1	XF2-1607-660		1	BELT, TIMING	
2	WG8-5783-000		2	IC,PHOTO-INTERRUPTER,LG248NL1A	SR18, SR19
3	FC7-0285-000		1	PULLEY, TENSION	
4	FM3-6184-000		1	PHOTO SENSOR ASSEMBLY	
5	FM3-7572-000		1	CABLE, READ 2 SENSOR	
6	XA9-2014-000		8	SCREW, MACH. TRUSS HEAD, M4X6	
7	FK2-7175-000		1	MOTOR, STEPPING, DC	M3
8	FU5-3534-000		1	PULLEY, 30T/30T(REG)	

Figure B14 INTERNAL COMPONENTS 5 (ADF)

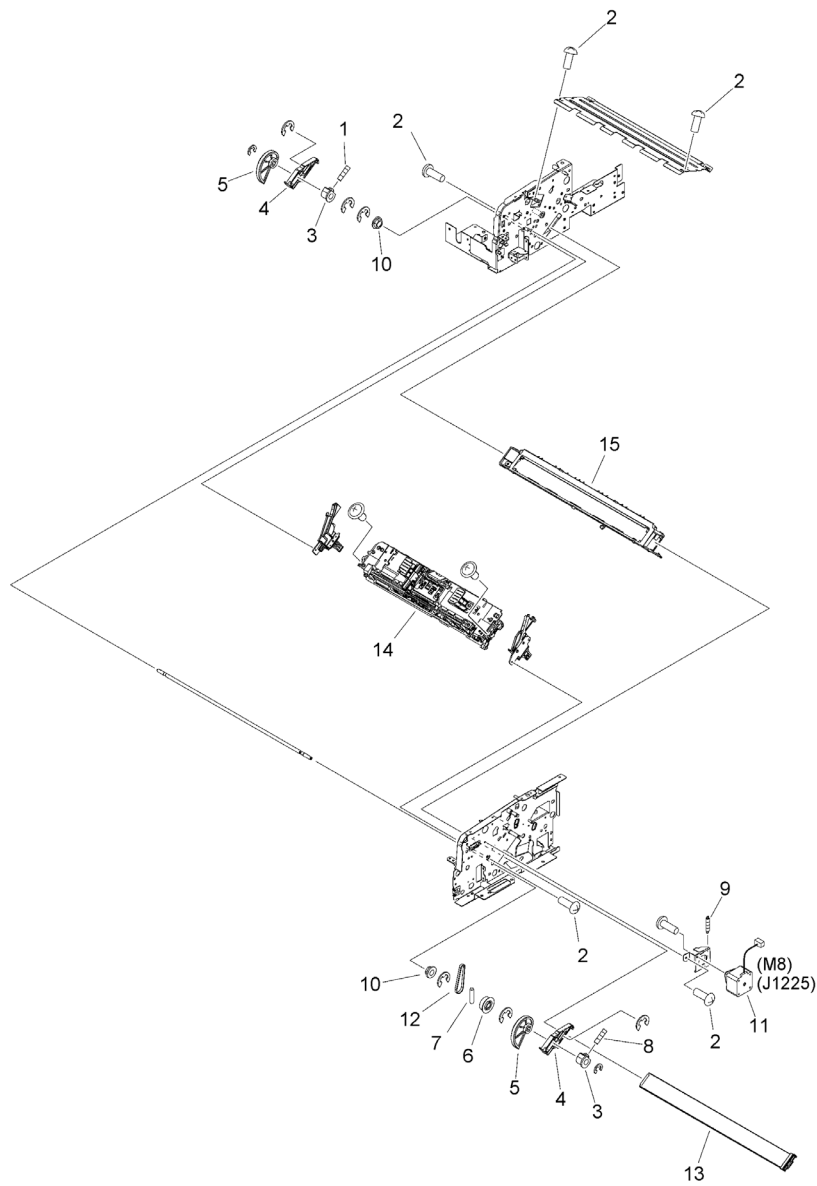




FIGURE & KEY NO.	PART NUMBER	RANK	QTY	DESCRIPTION	SERIAL NUMBER /REMARKS
B14	NPN		RF	INTERNAL COMPONENTS 5	ADF
1	FU7-2572-000		1	SPRING, COMPRESSION	
2	XA9-2014-000		8	SCREW, MACH. TRUSS HEAD, M4X6	
3	FC8-5513-000		2	BUSHING	
4	FC8-5514-000		2	SLIDER	
5	FC8-5516-000		2	CAM, GLASS SHIFT	
6	FU8-0240-000		1	PULLEY	
7	XD9-0289-000		1	PIN, PARALLEL	
8	FU7-2551-010		1	SPRING, COMPRESSION	
9	FU7-2550-000		1	SPRING, TENSION	
10	FS1-1569-000		2	BUSHING	
11	FK2-7178-000		1	MOTOR, STEPPING, DC	M8
12	XF2-1607-240		1	BELT, TIMING	
13	FL3-8423-000		1	GLASS, READER	
14	FM1-B002-000		1	SCANNER UNIT, ADF	
15	FM0-3131-000		1	GLASS HOLDER ASSEMBLY	

Figure B15 INTERNAL COMPONENTS 6 (ADF)

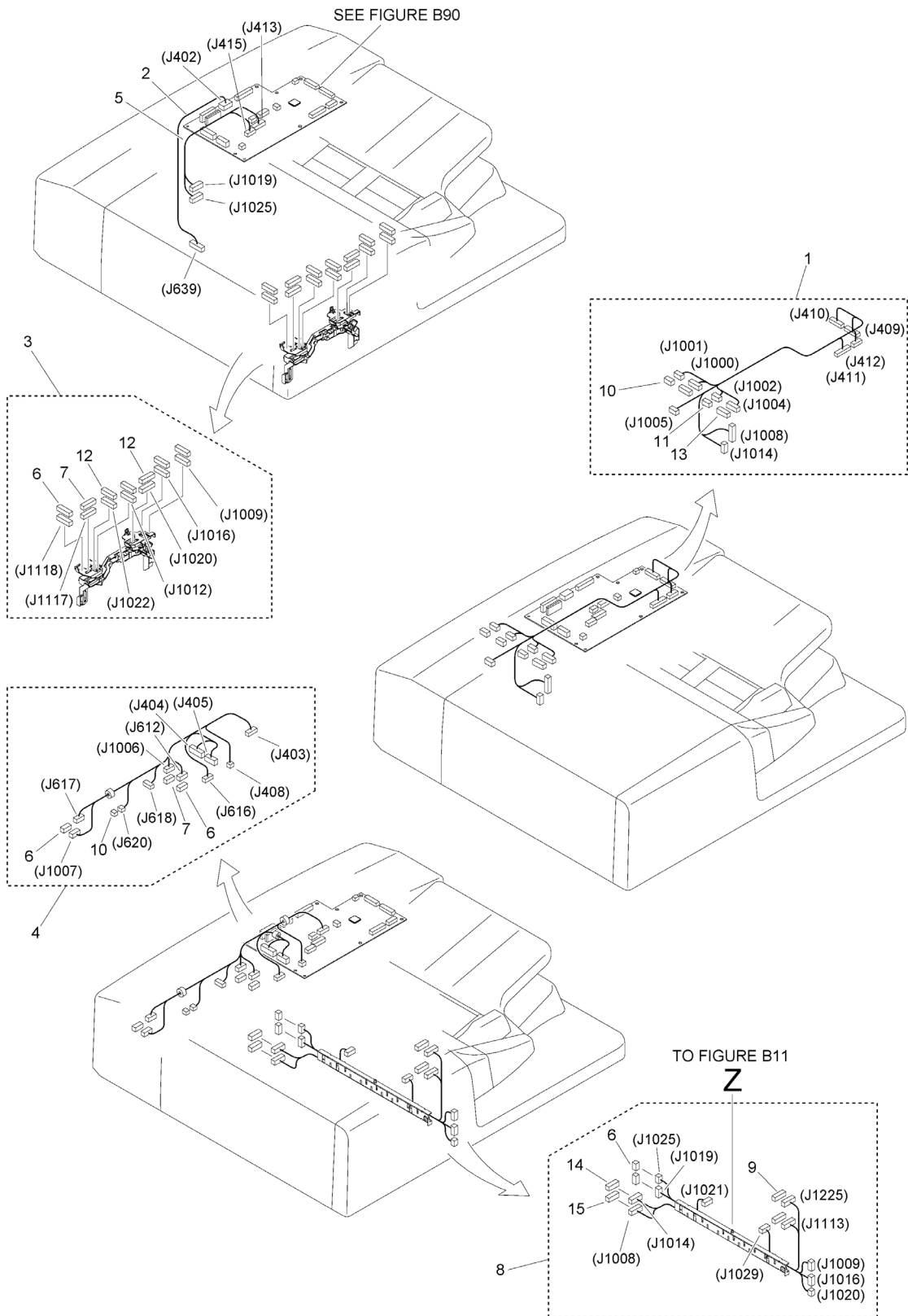


FIGURE & KEY NO.	PART NUMBER	RANK	QTY	DESCRIPTION	SERIAL NUMBER /REMARKS
B15	NPN		RF	INTERNAL COMPONENTS 6	ADF
1	FM1-K813-000		1	CABLE, MAIN SENSOR	
2	FM3-8316-000		1	CABLE, ADF POWER SUPPLY	
3	FM1-G783-000		1	CABLE, SENSOR, FRONT	
4	FM1-K820-000		1	CABLE, REAR MOTOR, 2	
5	FM1-K814-000		1	CABLE, MOTOR	
6	VS1-7177-004		4	CONNECTOR, SNAP TIGHT, BK	
7	VS1-7177-005		2	CONNECTOR, SNAP TIGHT, BK	
8	FM0-3138-010		1	CABLE GUIDE UNIT	
9	VS1-7177-009		1	CONNECTOR, 9P	
10	VS1-7177-003		2	CONNECTOR, SNAP TIGHT, BK	
11	VS1-7177-002		1	CONNECTOR, SNAP TIGHT, BK	
12	VS1-7177-006		2	CONNECTOR, SNAP TIGHT, BK	
13	VS1-8412-007		1	CONNECTOR, SNAP TIGHT, BL	
14	VS1-8412-013		1	CONNECTOR, SNAP TIGHT, BL	
15	VS1-8412-027		1	CONNECTOR, SNAP TIGHT, BL	

Figure B16 DOCUMENT TRAY ASSEMBLY (ADF)

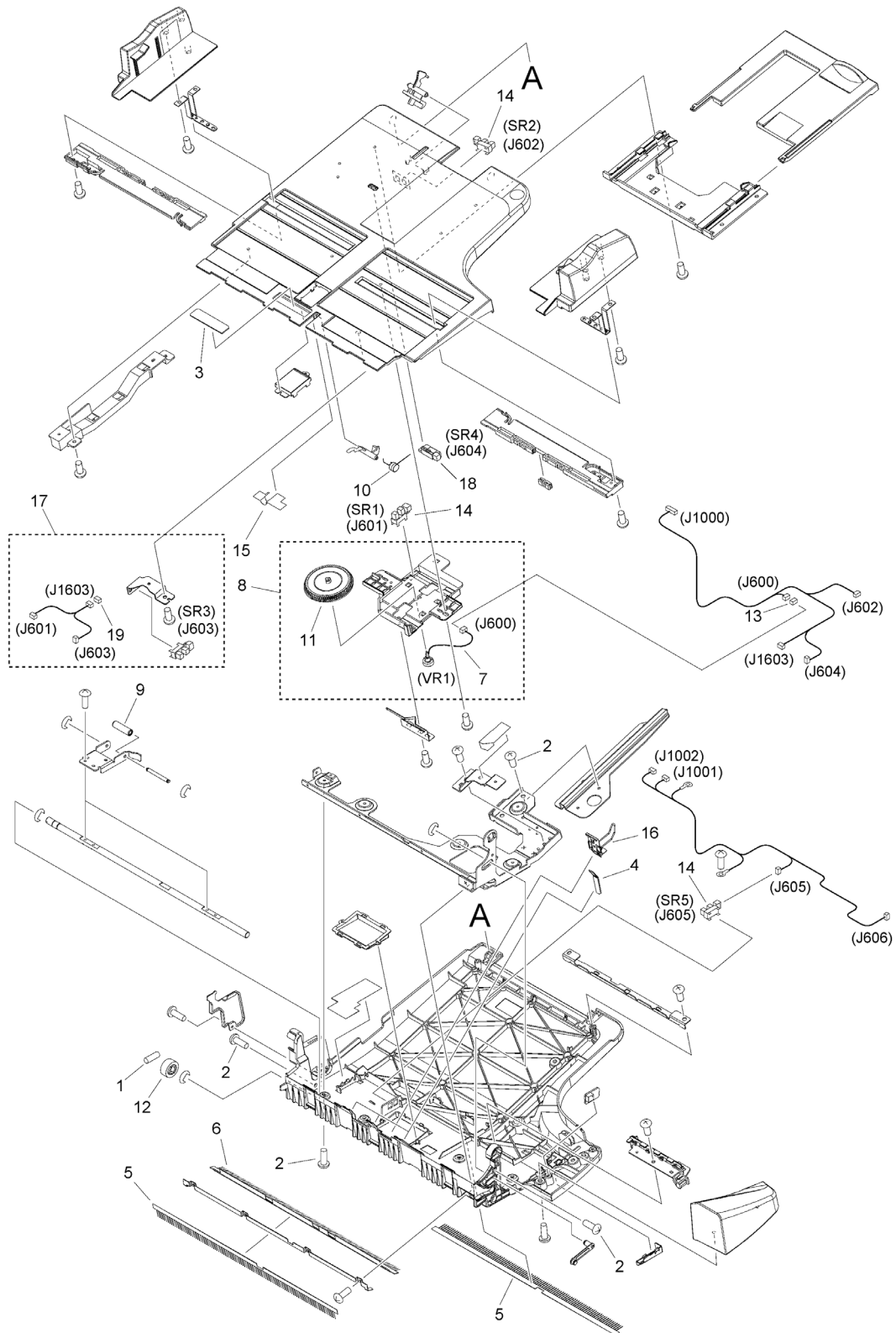


FIGURE & KEY NO.	PART NUMBER	RANK	QTY	DESCRIPTION	SERIAL NUMBER /REMARKS
B16	FM0-3125-000		1	DOCUMENT TRAY ASSEMBLY	ADF
1	XD9-0289-000		1	PIN, PARALLEL	
2	XA9-2014-000		13	SCREW, MACH. TRUSS HEAD, M4X6	
3	FC8-5625-000		1	SHEET, SEPARATION	
4	FC8-5627-000		3	PLATE, SEPARATION	
5	FC8-5841-000		2	ELIMINATOR, STATIC CHARGE	
6	FC8-5842-000		1	ELIMINATOR, STATIC CHARGE	
7	FM2-1024-000		1	VARIABLE RESISTOR UNIT	VR1
8	FM3-6211-000		1	HOLDER, VOLUME	
9	FU5-6078-000		2	ROLLER, PLATEN	
10	FU7-2541-000		1	SPRING, TORSION	
11	FU8-0237-000		1	GEAR, 70T	
12	FU8-0238-000		1	GEAR, 20T	
13	VS1-7177-003		1	CONNECTOR, SNAP TIGHT, BK	
14	WG8-5783-000		3	IC,PHOTO-INTERRUPTER,LG248NL1A	SR1, SR2, SR5
15	FC8-5773-000		1	SHEET	
16	FM3-6234-000		1	DOCUMENT GUIDE ASSEMBLY	
17	FM1-L795-000		1	TRAY UPPER CABLE ASS'Y, 2	SR3
18	WP2-5428-000		1	PHOTOSENSOR	SR4
19	VS1-7177-006		1	CONNECTOR, SNAP TIGHT, BK	

Figure B17 OPEN/CLOSE PANEL ASSEMBLY (ADF)

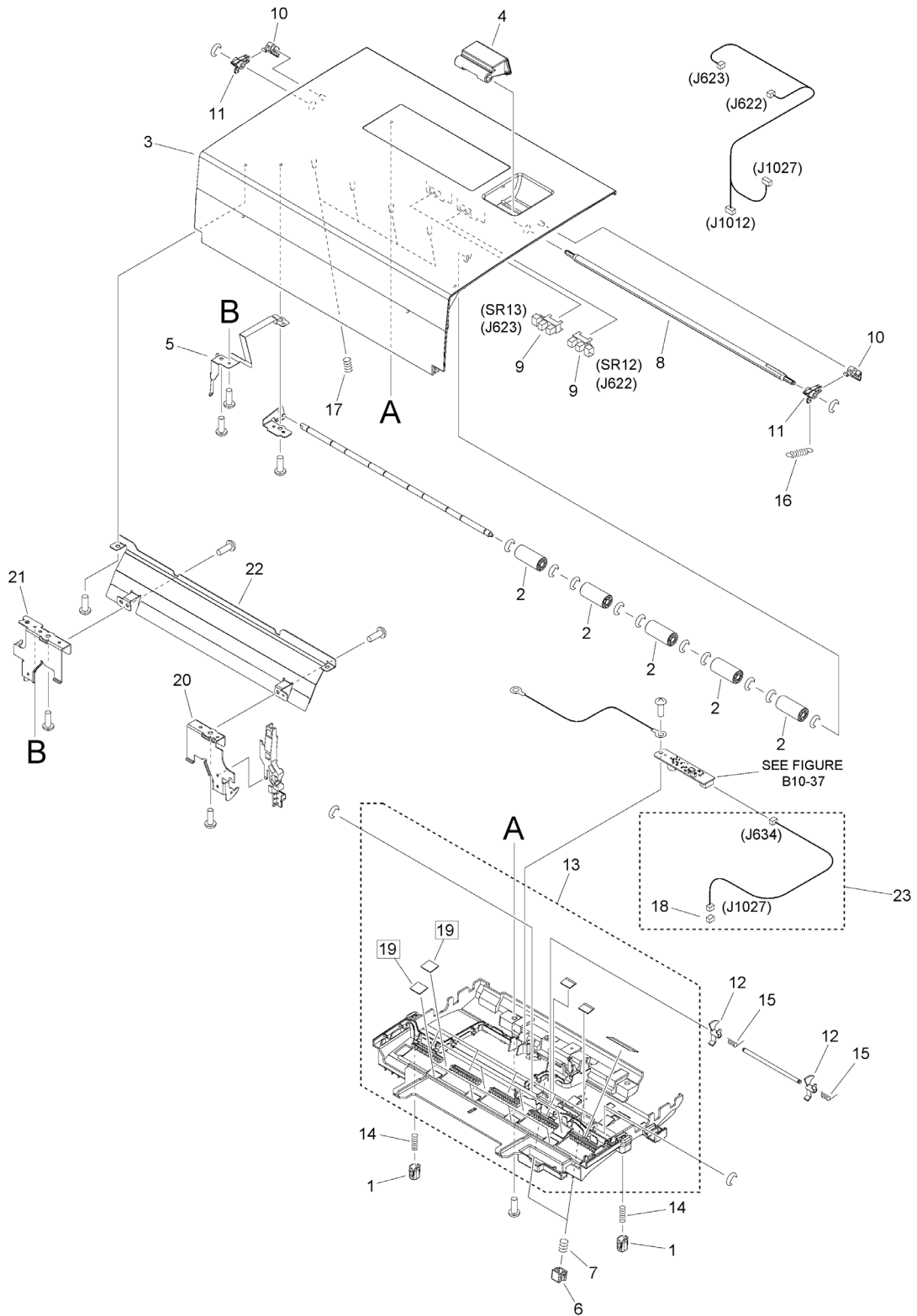


FIGURE & KEY NO.	PART NUMBER	RANK	QTY	DESCRIPTION	SERIAL NUMBER /REMARKS
B17	NPN		RF	OPEN/CLOSE PANEL ASSEMBLY	ADF
1	FC5-2963-000		2	RETAINER, OPEN/CLOSE GUIDE	
2	FC7-4188-000		5	ROLLER, REGISTRATION	
3	FL0-4602-000		1	COVER, OPEN/CLOSE	
4	FE4-6248-000		1	LEVER, OPEN/CLOSE	
5	FC8-5706-000		1	SPRING, LEAF	
6	FC8-5713-000		2	RETAINER, ROLLER	
7	FU7-2566-000		2	SPRING, COMPRESSION	
8	FC8-5699-000		1	SHAFT, OPEN/CLOSE COVER LEVER	
9	WG8-5783-000		2	IC,PHOTO-INTERRUPTER,LG248NL1A	SR12,SR13
10	FC8-5743-000		2	RATCHET, OPEN/CLOSE COVER	
11	FC8-5744-000		2	ARM, OPEN/CLOSE COVER	
12	FC8-5751-000		2	FLAG, WIDTH SENSING, UPPER	
13	FL0-1457-000		1	GUIDE, OPEN/CLOSE COVER	
14	FU7-2568-000		2	SPRING, COMPRESSION	
15	FU7-2567-000		2	SPRING, TORSION	
16	FU6-2900-000		1	SPRING, TENSION	
17	FU7-2555-000		4	SPRING, COMPRESSION	
18	VS1-7177-006		1	CONNECTOR, SNAP TIGHT, BK	
19	FC8-5727-000		8	SHEET, CLEANER DUST	[DP]
20	FC8-5740-000		1	SUPPORT, ROLLER RELEASE, FRONT	
21	FC8-5741-000		1	SUPPORT, ROLLER RELEASE, REAR	
22	FL2-9657-000		1	GUIDE, LOOP	
23	FM1-K819-000		1	CABLE, RECEIVE	

Figure B18 BASE FRAME ASSEMBLY (ADF)

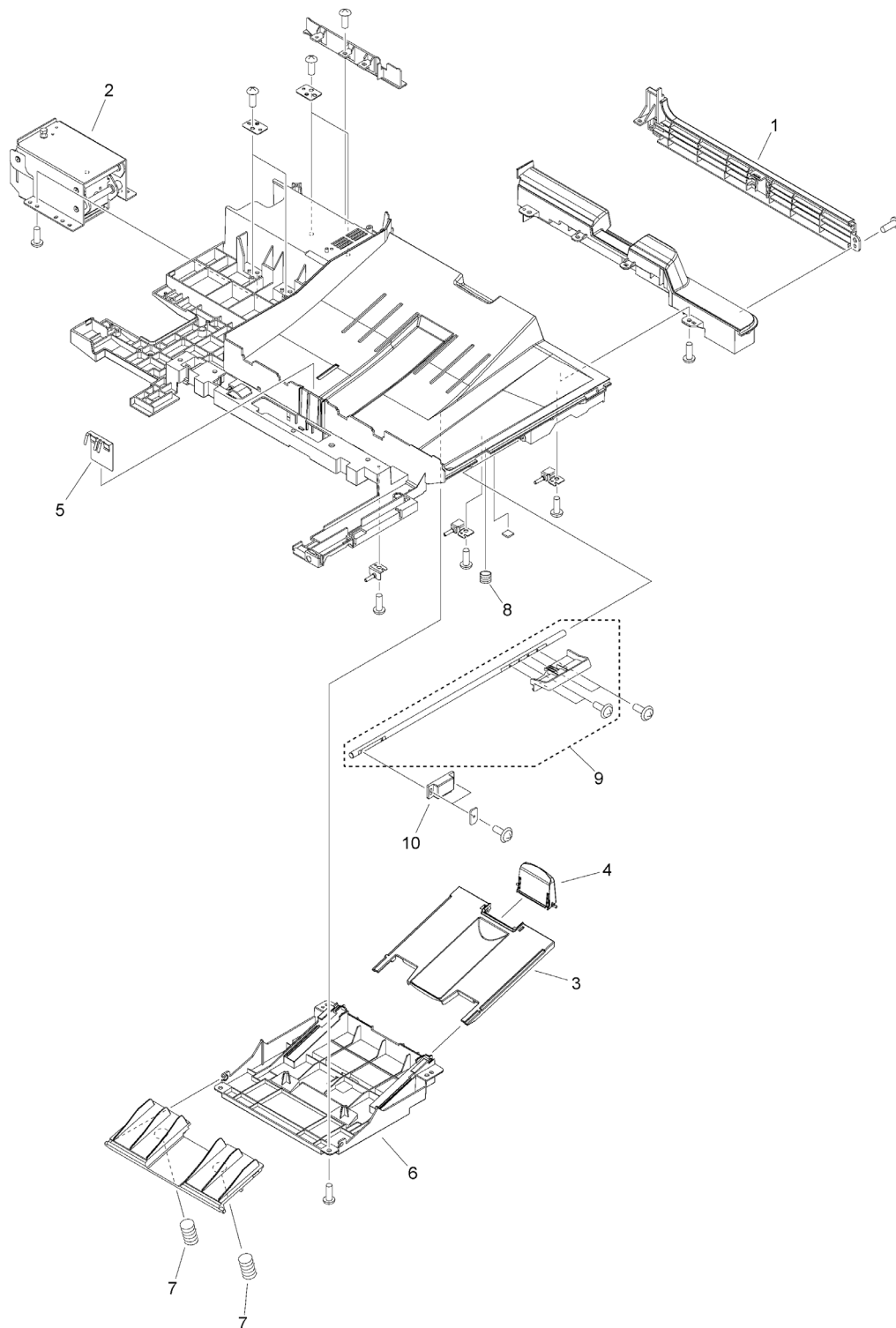




FIGURE & KEY NO.	PART NUMBER	RANK	QTY	DESCRIPTION	SERIAL NUMBER /REMARKS
B18	NPN		RF	BASE FRAME ASSEMBLY	ADF
1	FE4-6245-000		1	COVER, SIDE, RIGHT	
2	FE3-5584-000		1	HINGE, RIGHT	
3	FE4-6240-000		1	TRAY, PAPER DELIVERY AUXILIARY	
4	FE4-6242-000		1	TRAY, PAPER DELIVERY AUXILIARY	
5	FC8-5898-000		1	PLATE, DELIVERY GROUND	
6	FL2-9698-000		1	COVER, FRAME BASE, B	
7	FU7-2545-000		2	SPRING, COMPRESSION	
8	FU7-2584-000		1	SPRING, COMPRESSION	
9	FM1-V005-000		1	ADF HANDLE SET	
10	FE4-1953-000		1	CATCH, MAGNET	

# Figure B19 WHITE PLATE ASSEMBLY (ADF)

NOTE : This assembly does not include the parts shown with key No. 2 and 3.

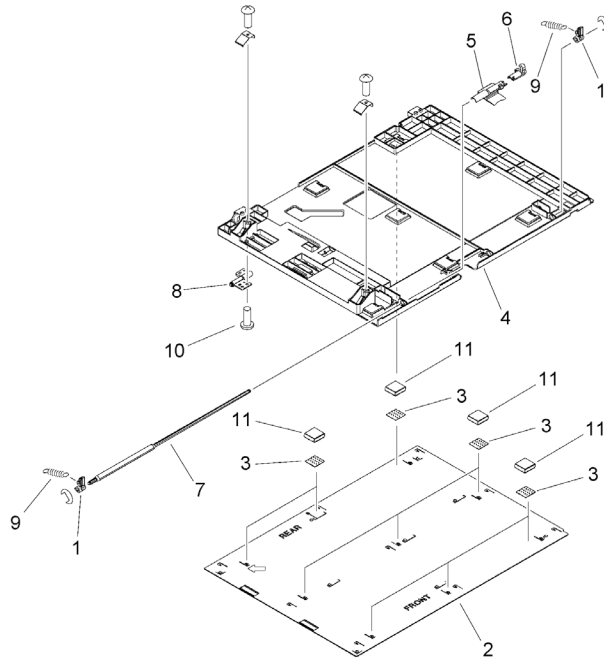


FIGURE & KEY NO.	PART NUMBER	RANK	QTY	DESCRIPTION	SERIAL NUMBER /REMARKS
B19	FM1-L580-000		1	WHITE PLATE ASSEMBLY	ADF
1	FC5-2957-000		2	LEVER, LATCH	
2	FC0-1304-000		1	PANEL, COPYBOARD	SEE NOTE
3	FE4-4680-000		9	SPONGE, SHEET, WHITE	SEE NOTE
4	FE4-6258-000		1	SUPPORT, SHEET, WHITE	
5	FC8-5921-000		1	RATCHET, SHEET, WHITE A	
6	FC8-5920-000		1	RATCHET, SHEET, WHITE B	
7	FC8-5810-000		1	SHAFT, RATCHET ROTATION	
8	FC8-5811-000		1	HINGE, PLATE	
9	FU5-2235-020		2	SPRING, TENSION	
10	XA9-2016-000		2	SCREW, W/WASHER, M3X12	
11	FL0-5178-000		9	CUSHION	

Figure B30 PAPER PICK-UP ASSEMBLY (ADF)

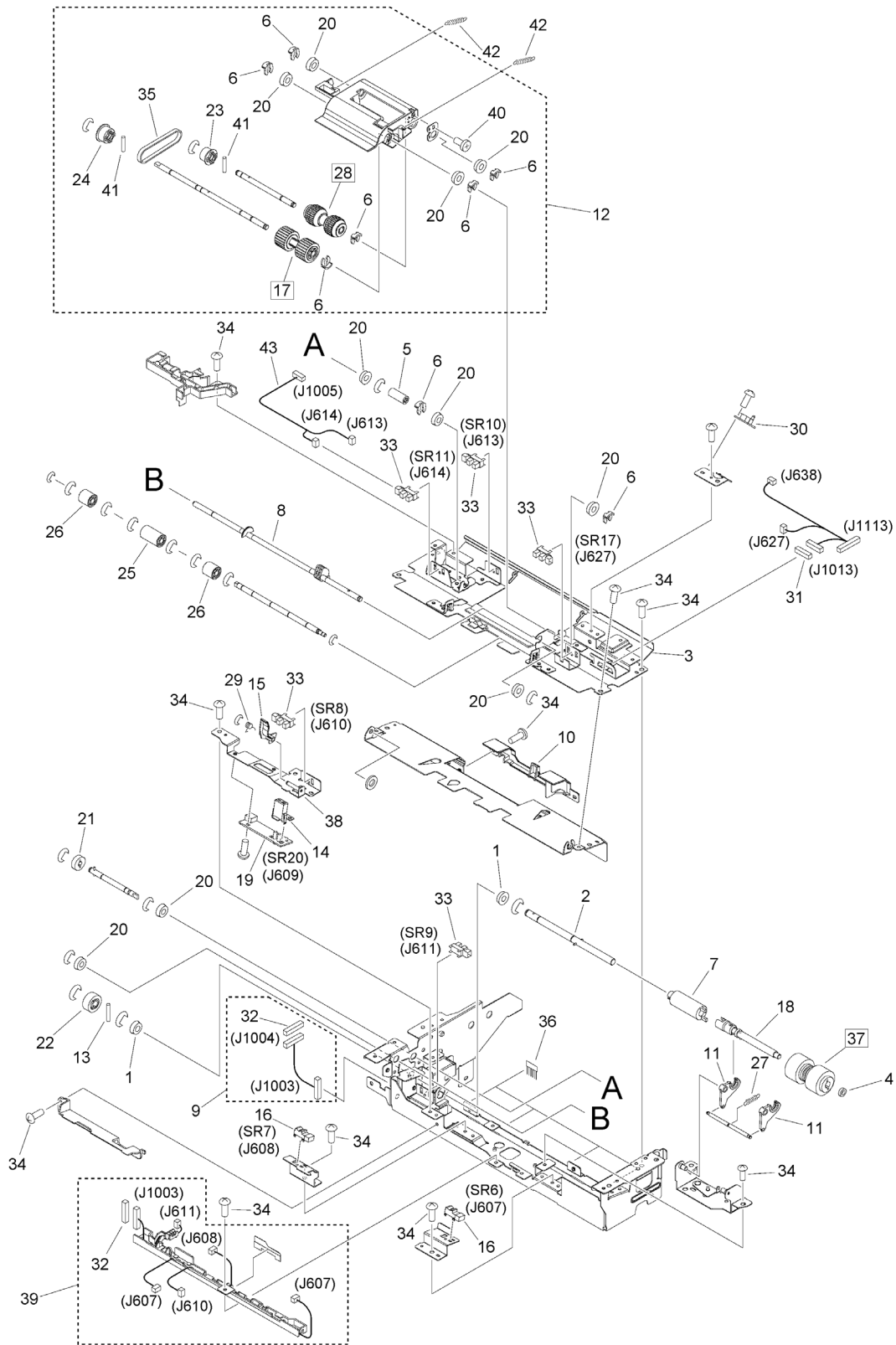


FIGURE & KEY NO.	PART NUMBER	RANK	QTY	DESCRIPTION	SERIAL NUMBER /REMARKS
B30	NPN		RF	PAPER PICK-UP ASSEMBLY	ADF
1	FA9-2112-000		2	BUSHING, PL	
2	FL2-9615-000		1	SHAFT, TRANSMISSION	
3	FL2-9616-000		1	GUIDE, PAPER PICK-UP, UPPER	
4	XG9-0497-000		1	BEARING, BALL, MR106ZZ,	
5	FC5-3163-000		1	JOINT	
6	FC6-5046-000		8	RING, RETAINING	
7	FC8-5907-010		1	LIMITER, TORQUE	
8	FL0-1462-000		1	SHAFT,ROLLER ARM DRIVE	
9	FM1-K829-000		1	CABLE, SENSOR JOINT	
10	FC8-5586-000		1	GUIDE, PAPER PICK-UP LW., FEED	
11	FC8-5594-000		2	ROLLER, LEVER	
12	FM0-3122-000		1	ARM ASSEMBLY	
13	XD9-0289-000		1	PIN, PARALLEL	
14	FC8-5673-000		1	COVER, SENSOR	
15	FC8-5760-000		1	FLAG, DELAY SENSOR	
16	FK2-6470-000		2	PHOTO-SENSOR, KUA0055C	SR6, SR7
17	FL2-9608-000		1	ROLLER, PAPER FEED	[DP]
18	FL2-9623-000		1	SHAFT, ROLLER C DRIVE	
19	FM2-1022-000		1	SENSOR PCB UNIT	SR20
20	FS1-1569-000		10	BUSHING	
21	FU3-0277-000		1	GEAR, 16T	
22	FU3-0313-000		1	GEAR, 20T	
23	FU5-3695-000		1	PULLEY, 22T	
24	FU5-3696-000		1	PULLEY, 25T	
25	FU5-6871-000		1	ROLLER	
26	FU5-6872-000		2	ROLLER	
27	FU7-2542-000		1	SPRING, TENSION	
28	FL3-7266-000		1	ROLLER, PAPER PICK-UP	[DP]
29	FU7-2563-000		1	SPRING, TORSION	
30	FM1-K827-000		1	LED PCB ASSEMBLY	
31	VS1-7177-009		1	CONNECTOR, 9P	
32	VS1-8412-017		2	CONNECTOR, SNAP TIGHT, BL	
33	WG8-5783-000		5	IC,PHOTO-INTERRUPTER,LG248NL1A	SR8, SR9, SR10, SR11, SR17
34	XA9-2014-000		19	SCREW, MACH. TRUSS HEAD, M4X6	
35	XF2-1606-640		1	TIMING, BELT	
36	FC8-5899-000		4	ELIMINATOR, STATIC CHARGE	
37	FB2-7777-020		1	ROLLER, SPONGE	[DP]
38	FL2-9617-000		1	SUPPORT, SEPARATION SENSOR	
39	FM3-6231-010		1	CABLE, PICK-UP, REAR LOWER	
40	XA9-1522-000		1	SCREW, M3X6	
41	XD9-0288-000		2	PIN, DOWEL	
42	FU7-2583-000		2	SPRING, TENSION	

<b>FIGURE &amp; KEY NO.</b>	<b>PART NUMBER</b>	<b>R A N K</b>	<b>QTY</b>	<b>DESCRIPTION</b>	<b>SERIAL NUMBER /REMARKS</b>
43	FM3-7570-000		1	CABLE, PAPER PICK-UP REAR, UP.	

Figure B31 PAPER DELIVERY ASSEMBLY (ADF)

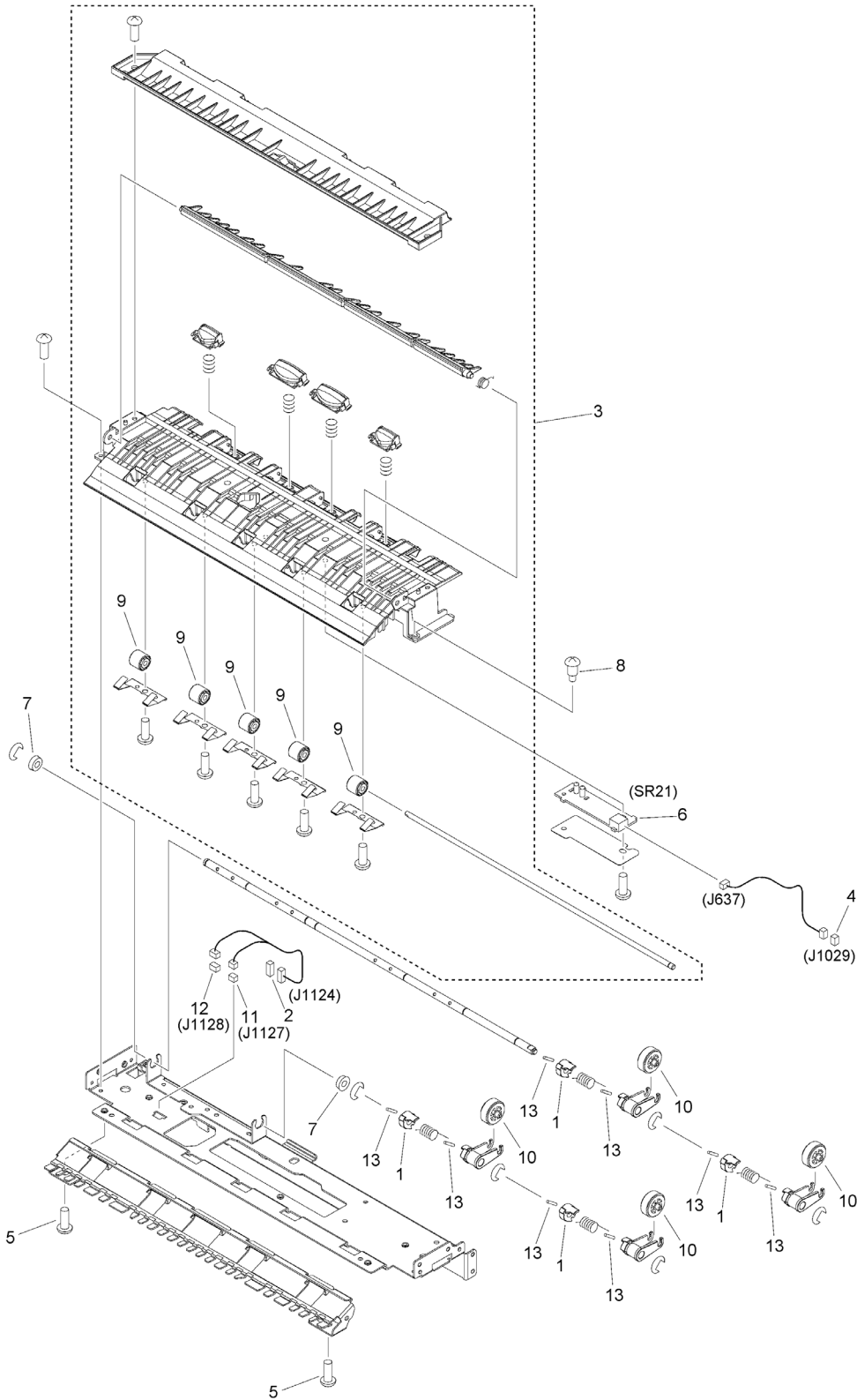


FIGURE & KEY NO.	PART NUMBER	RANK	QTY	DESCRIPTION	SERIAL NUMBER /REMARKS
B31	FM0-0501-000		1	PAPER DELIVERY ASSEMBLY	ADF
1	FC5-2988-000		4	RETAINER, ROLLER	
2	VS1-7177-005		1	CONNECTOR, SNAP TIGHT, BK	
3	FM3-6182-000		1	PAPER DELIVERY LW. GUIDE ASS'Y	
4	VS1-7177-004		1	CONNECTOR, SNAP TIGHT, BK	
5	XA9-2014-000		2	SCREW, MACH. TRUSS HEAD, M4X6	
6	FM2-1022-000		1	SENSOR PCB UNIT	SR21
7	FS1-1569-000		2	BUSHING	
8	FS1-9009-020		1	TWO-STEP SCREW, M3	
9	FU5-6073-000		5	ROLLER, FEED	
10	FU5-6077-000		4	ROLLER, PAPER DELIVERY	
11	VS1-7177-002		1	CONNECTOR, SNAP TIGHT, BK	
12	VS1-7177-003		1	CONNECTOR, SNAP TIGHT, BK	
13	XD9-0289-000		8	PIN, PARALLEL	



Figure B32 OPEN/CLOSE GUIDE ASSEMBLY (ADF)

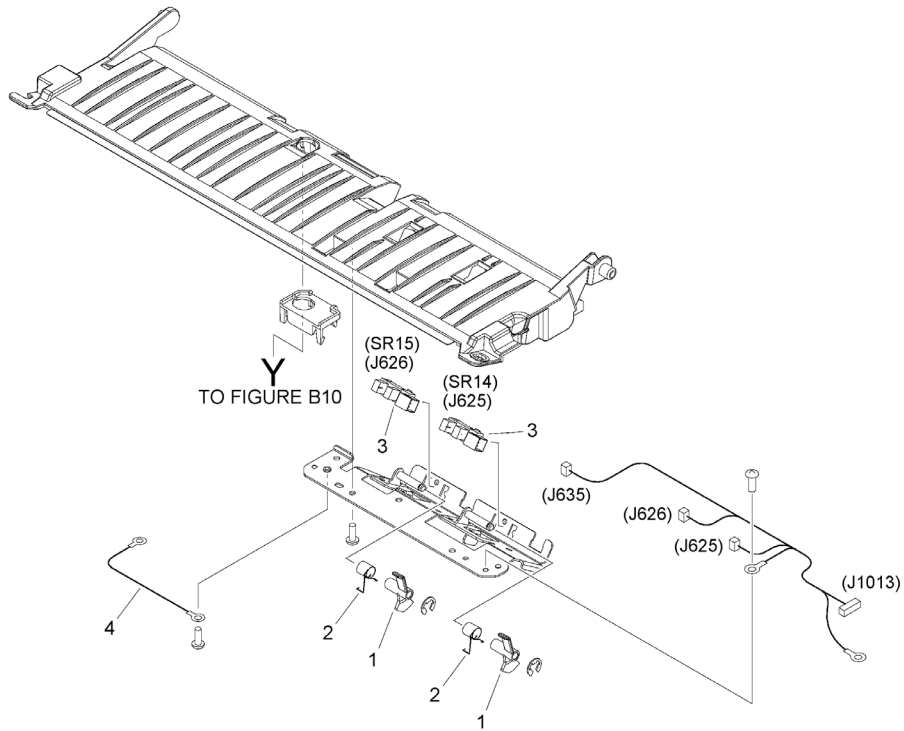


FIGURE & KEY NO.	PART NUMBER	RANK	QTY	DESCRIPTION	SERIAL NUMBER /REMARKS
B32	NPN		RF	OPEN/CLOSE GUIDE ASSEMBLY	ADF
1	FC8-5761-000		2	FLAG, WIDTH SENSOR, LOWER	
2	FU7-2556-000		2	SPRING, TORSION	
3	WG8-5783-000		2	IC,PHOTO-INTERRUPTER,LG248NL1A	SR14,SR15
4	FM1-K828-000		1	CABLE, GROUNDING	

Figure B40 PLATEN ROLLER ASSEMBLY, 1 (ADF)

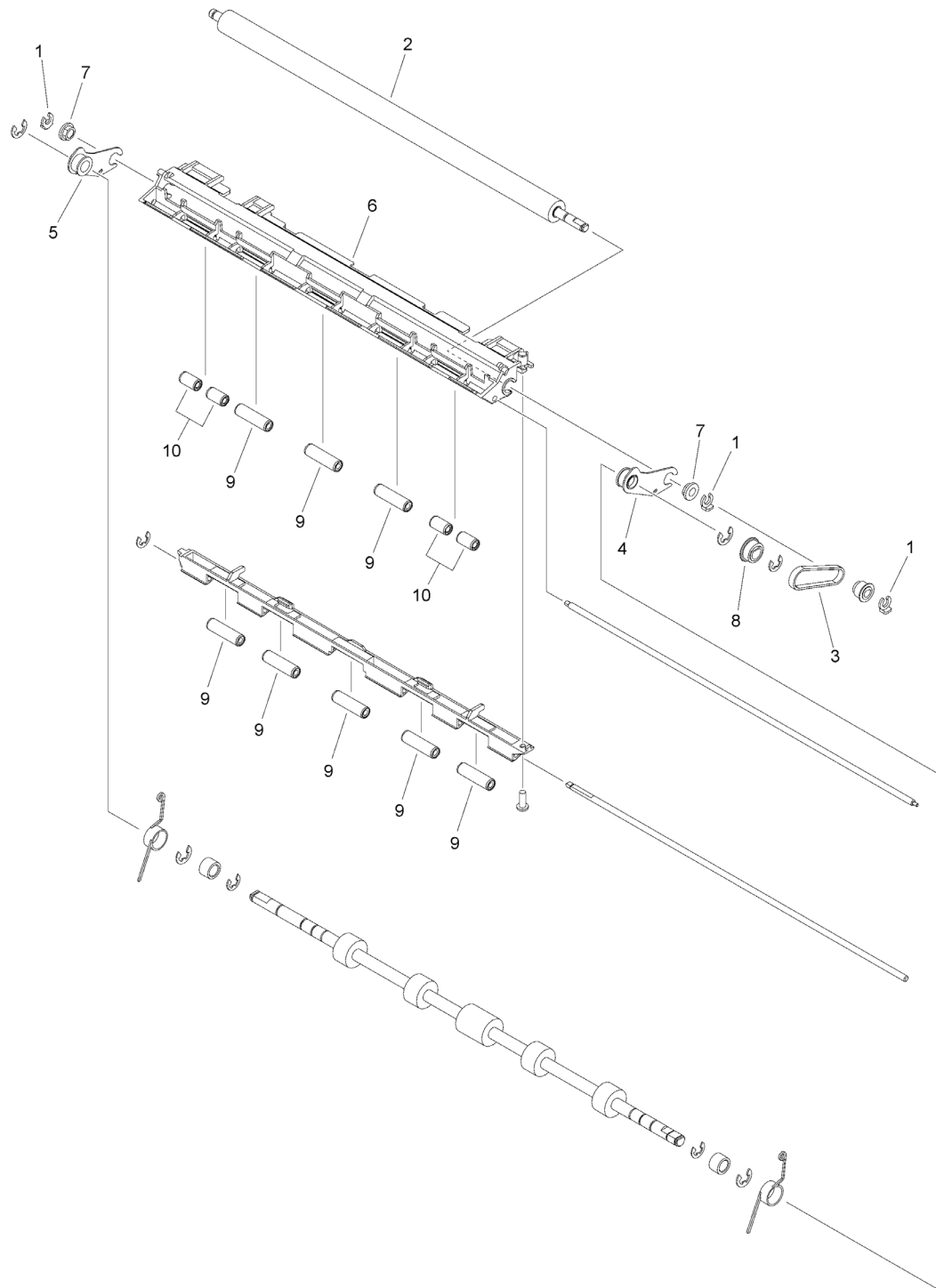


FIGURE & KEY NO.	PART NUMBER	RANK	QTY	DESCRIPTION	SERIAL NUMBER /REMARKS
B40	FM3-6176-000		1	PLATEN ROLLER ASSEMBLY, 1	ADF
1	FC5-4424-000		3	CLIP	
2	FC8-5487-000		1	ROLLER, PLATEN, 1	
3	XF2-1605-740		1	BELT, TIMING	
4	FL2-9568-000		1	SUPPORT, PLATEN ROLLER, FRONT	
5	FL2-9569-000		1	SUPPORT, PLATEN ROLLER, REAR	
6	FL2-9571-000		1	GUIDE, PLATEN, 1	
7	FS1-1569-000		2	BUSHING	
8	FU5-0339-000		1	PULLEY, 23T	
9	FU5-6078-000		8	ROLLER, PLATEN	
10	FU5-6080-000		4	ROLLER	

Figure B41 PLATEN ROLLER ASSEMBLY, 2 (ADF)

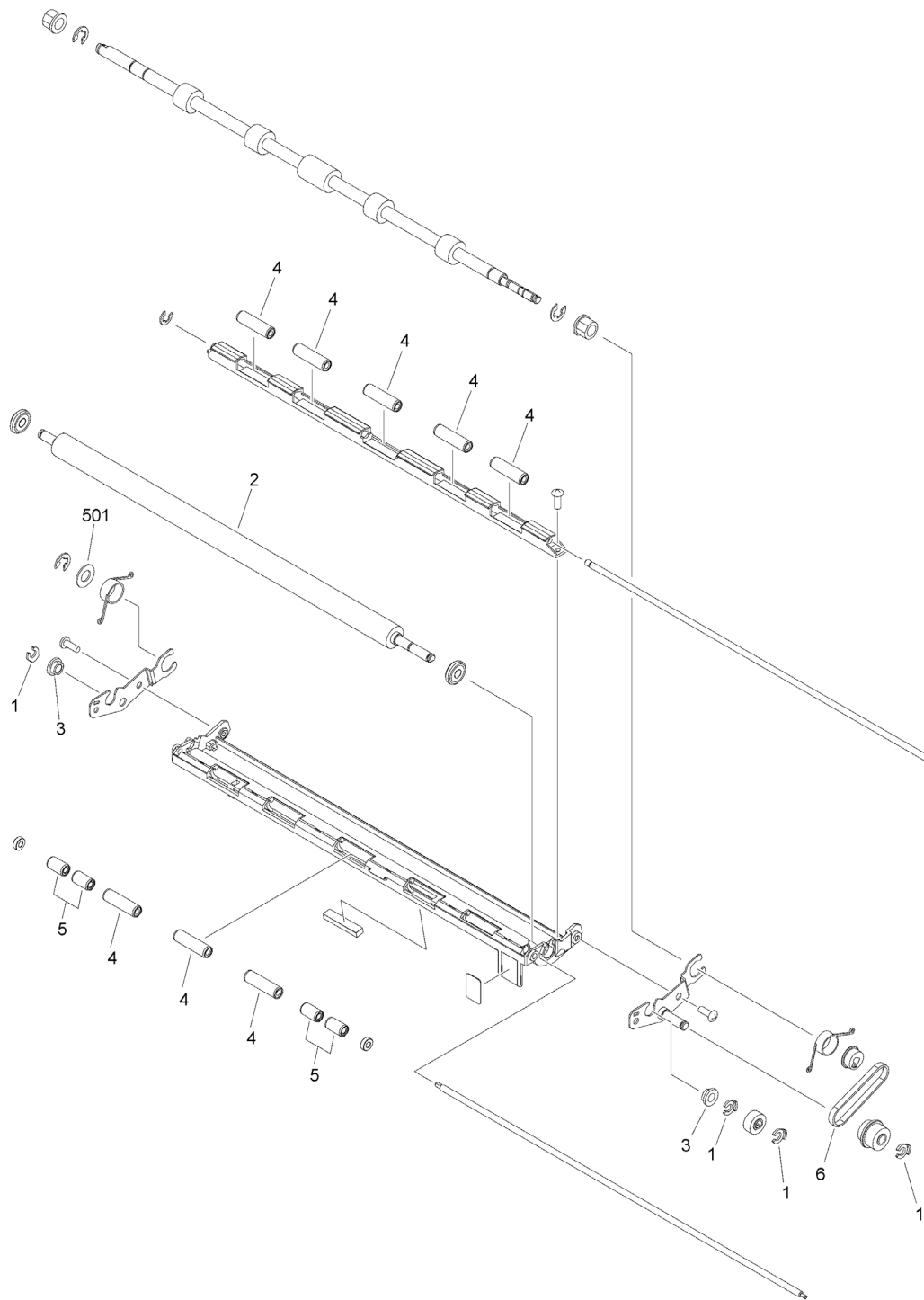


FIGURE & KEY NO.	PART NUMBER	RANK	QTY	DESCRIPTION	SERIAL NUMBER /REMARKS
B41	FM0-3134-000		1	PLATEN ROLLER ASSEMBLY, 2	ADF
1	FC5-4424-000		4	CLIP	
2	FC8-5488-000		1	ROLLER, PLATEN, 2	
3	FS1-1569-000		2	BUSHING	
4	FU5-6078-000		8	ROLLER, PLATEN	
5	FU5-6080-000		4	ROLLER	
6	XF2-1606-140		1	BELT, TIMING	
501	XD1-1108-239		1	WASHER,COP	

Figure B42 PAPER FEED GUIDE ASSEMBLY, 1 (ADF)

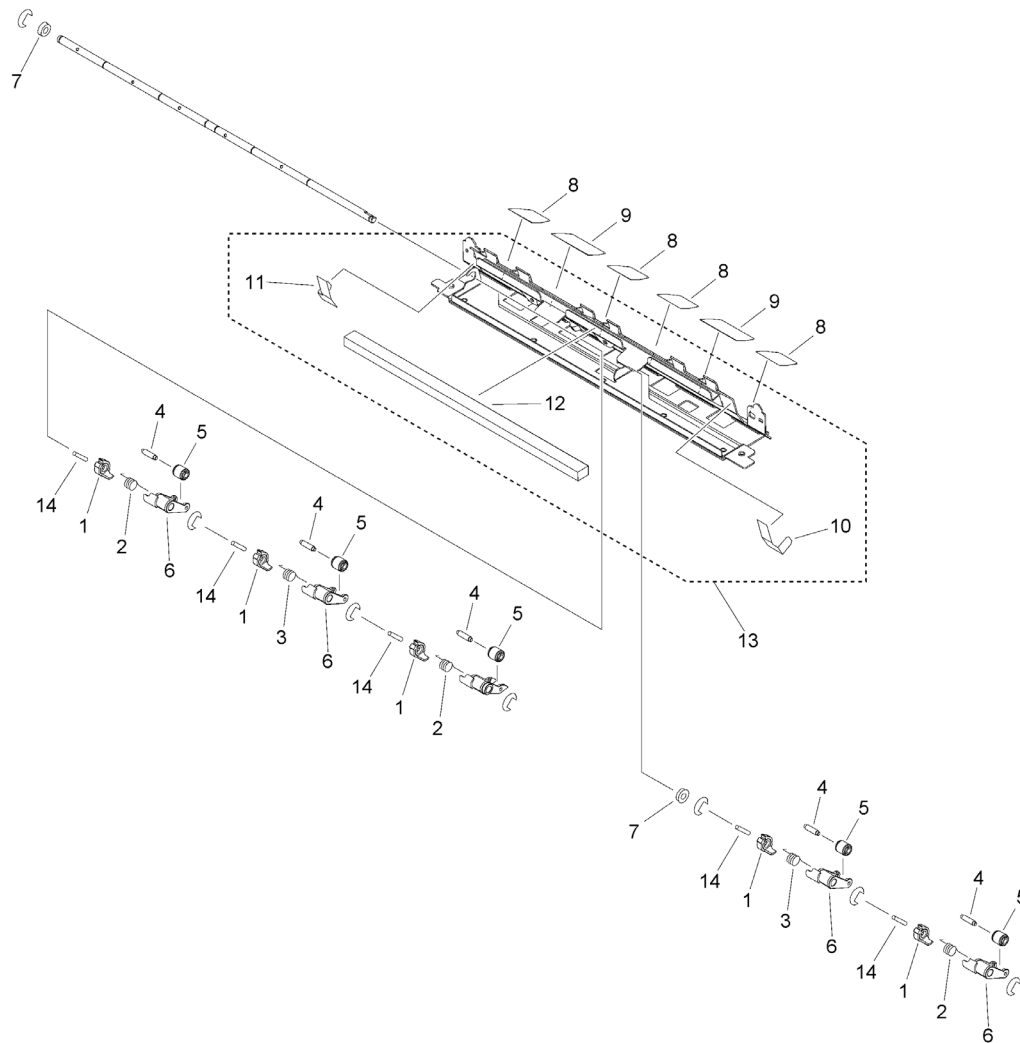


FIGURE & KEY NO.	PART NUMBER	RANK	QTY	DESCRIPTION	SERIAL NUMBER /REMARKS
B42	NPN		RF	PAPER FEED GUIDE ASSEMBLY, 1	ADF
1	FC5-2988-000		5	RETAINER, ROLLER	
2	FC5-3021-000		3	SPRING, TORSION	
3	FC5-3026-000		2	SPRING, TORSION	
4	FC8-5520-000		5	SHAFT, READ 1 ROLLER	
5	FC8-5654-000		5	ROLLER, IDLER READ	
6	FL2-0741-000		4	HOLDER, PAPER FEEDER ROLLER	
7	FS1-1569-000		2	BUSHING	
8	FL0-4461-000		4	LABEL, FINGER NIP CAUTION	
9	FL0-4460-000		2	LABEL, FINGER NIP CAUTION	
10	FC8-5767-000		1	SHEET, GUIDE SIDE END FRONT	
11	FC8-5768-000		1	SHEET, GUIDE SIDE END REAR	
12	FC8-5860-000		1	SHEET, NOISE-PROOF	
13	FL2-9669-000		1	GUIDE, PAPER FEED	
14	XD9-0289-000		5	PIN, PARALLEL	



Figure B43 PAPER FEED GUIDE ASSEMBLY, 2 (ADF)

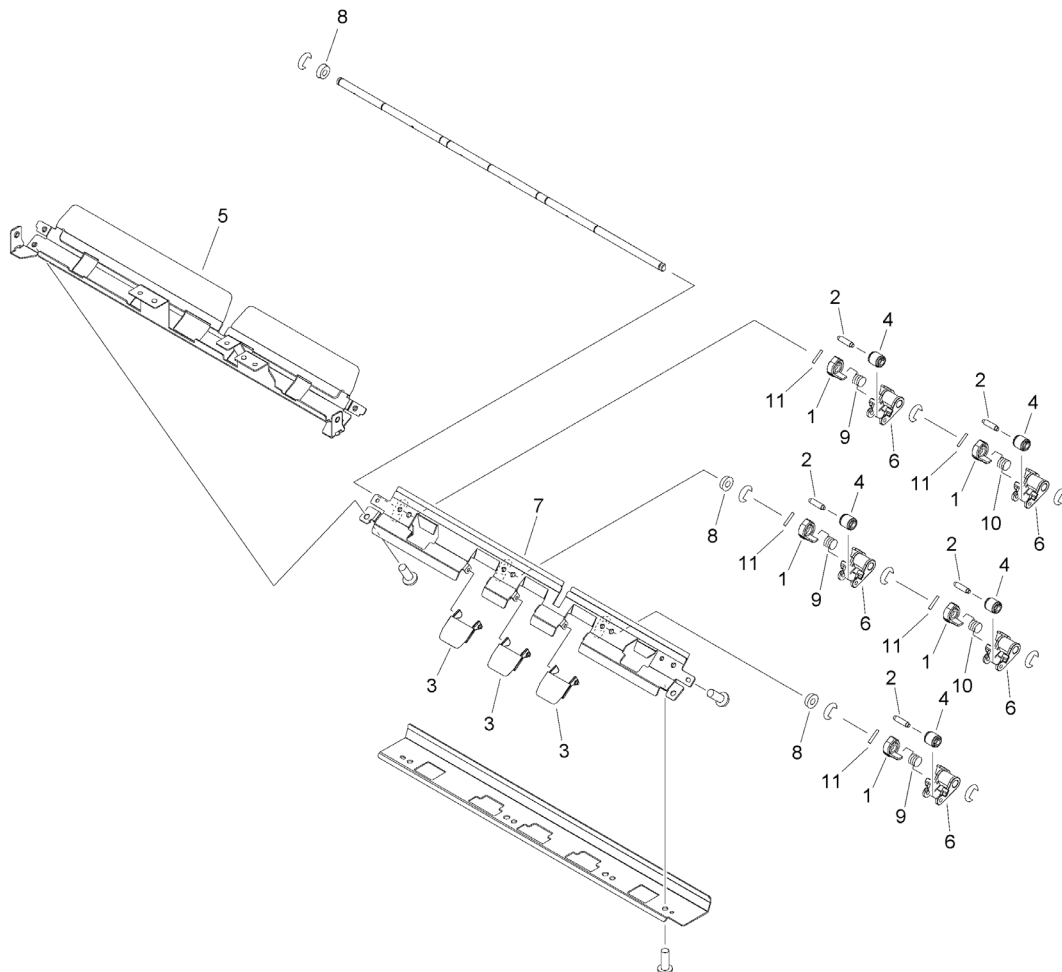
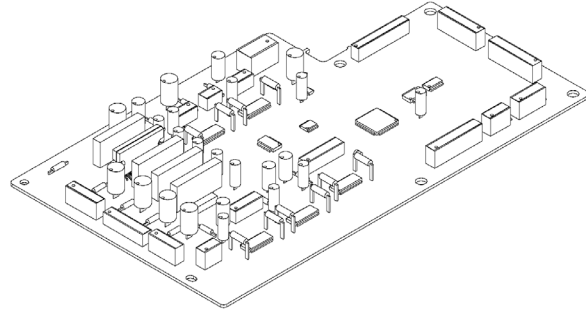


FIGURE & KEY NO.	PART NUMBER	RANK	QTY	DESCRIPTION	SERIAL NUMBER /REMARKS
B43	NPN		RF	PAPER FEED GUIDE ASSEMBLY, 2	ADF
1	FC8-5505-000		5	STOPPER, ROLLER	
2	FC8-5520-000		5	SHAFT, READ 1 ROLLER	
3	FL2-9667-000		3	GUIDE, READ 2 FEED SWING, LW.	
4	FC8-5654-000		5	ROLLER, IDLER READ	
5	FL3-8428-000		1	GUIDE, READ 2 FEED, UPPER	
6	FL2-9575-000		5	HOLDER, READ 2 ROLLER	
7	FL2-9586-000		1	GUIDE, READ 2 FEED, LOWER	
8	FS1-1569-000		3	BUSHING	
9	FU7-2557-000		3	SPRING, TORSION	
10	FU7-2558-000		2	SPRING, TORSION	
11	XD9-0289-000		5	PIN, PARALLEL	

Figure B90 DF DRIVER PCB ASSEMBLY (ADF)



<b>FIGURE &amp; KEY NO.</b>	<b>PART NUMBER</b>	<b>R A N K</b>	<b>QTY</b>	<b>DESCRIPTION</b>	<b>SERIAL NUMBER /REMARKS</b>
B90	FM1-K812-000		1	DF DRIVER PCB ASSEMBLY	ADF
IC	FK2-1773-000		1	IC,TC200GO2EFG-1031,GATE ARRAY	

Figure D10C EXTERNAL COVERS, PANELS, ETC. (READER)

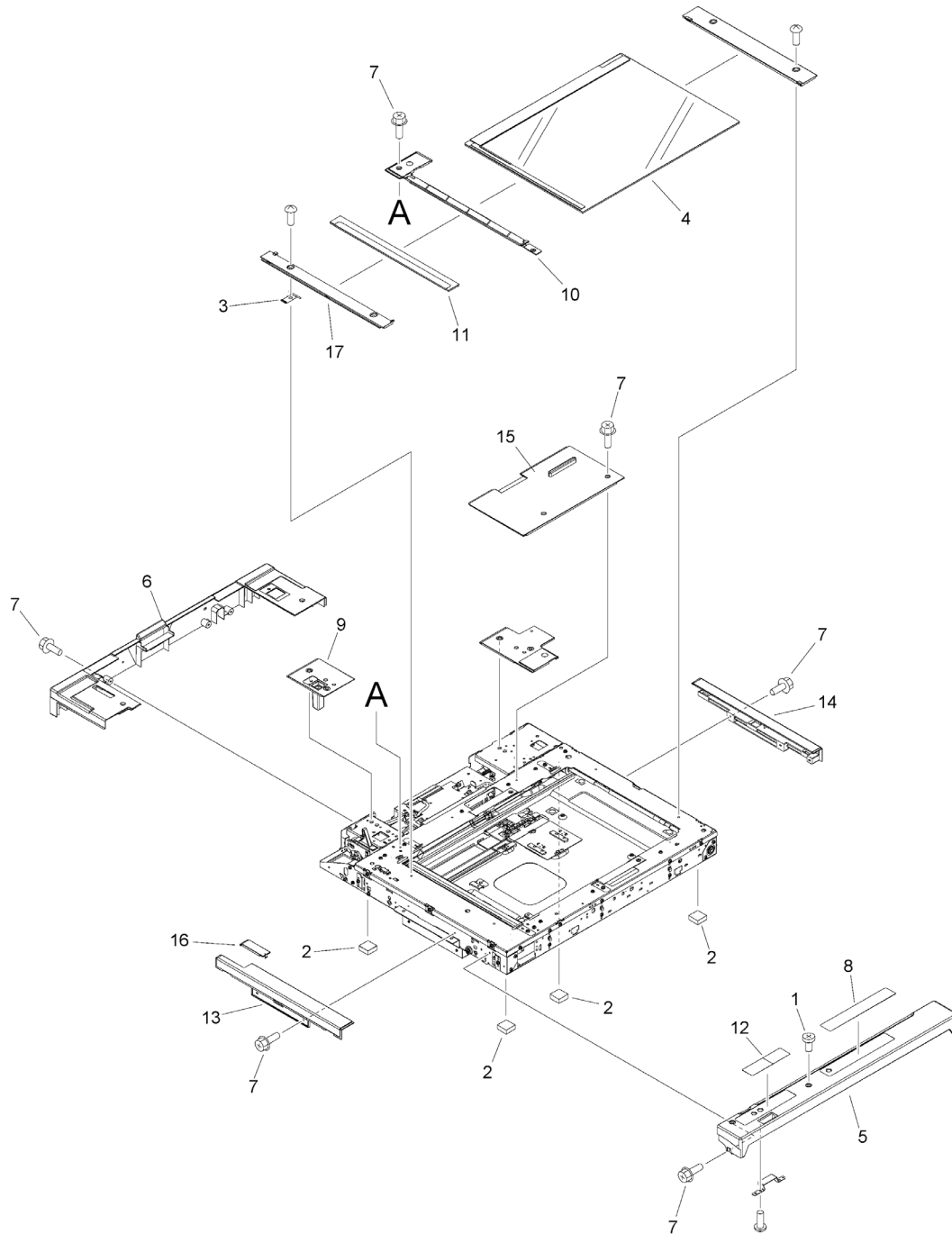


FIGURE & KEY NO.	PART NUMBER	RANK	QTY	DESCRIPTION	SERIAL NUMBER /REMARKS
D10C	NPN		RF	EXTERNAL COVERS, PANELS, ETC.	READER
1	XA9-2017-000		1	SCREW, PANHEAD MACHINE M4X6	
2	FC6-5156-000		4	DAMPER	
3	FC7-1333-000		1	SPRING, GROUNDING	
4	FL1-5543-000		1	GLASS, COPYBOARD	
5	FE4-1734-000		1	COVER, FRONT	
6	FE4-1735-000		1	COVER, REAR UPPER	
7	FS5-9562-020		12	SCREW, STEPPED, M3X1.4	
8	FE4-6293-000		1	LABEL, COPY INHIBITED	US English
8	FE4-6305-000		1	LABEL, COPY INHIBITED	UK English
8	FE4-6306-000		1	LABEL, COPY INHIBITED	French
8	FE4-6307-000		1	LABEL, COPY INHIBITED	German
8	FE4-6308-000		1	LABEL, COPY INHIBITED	Italian
9	FE4-6252-000		1	COVER, DF MOUNT, LEFT	
10	FE4-6256-000		1	MOUNT, JUMP	
11	FL1-2144-000		1	GLASS, READER	
12	FE4-6301-000		1	LABEL, CLEANING POSITION	
13	FE4-6260-000		1	COVER, LEFT	
14	FE4-6257-000		1	COVER, RIGHT	
15	FL0-4597-000		1	COVER, CABLE	
16	FE4-6211-000		1	COVER, LEFT UPPER, SMALL	
17	FE4-6254-000		1	COVER, LEFT UPPER	

Figure D11 INTERNAL COMPONENTS 1 (READER)

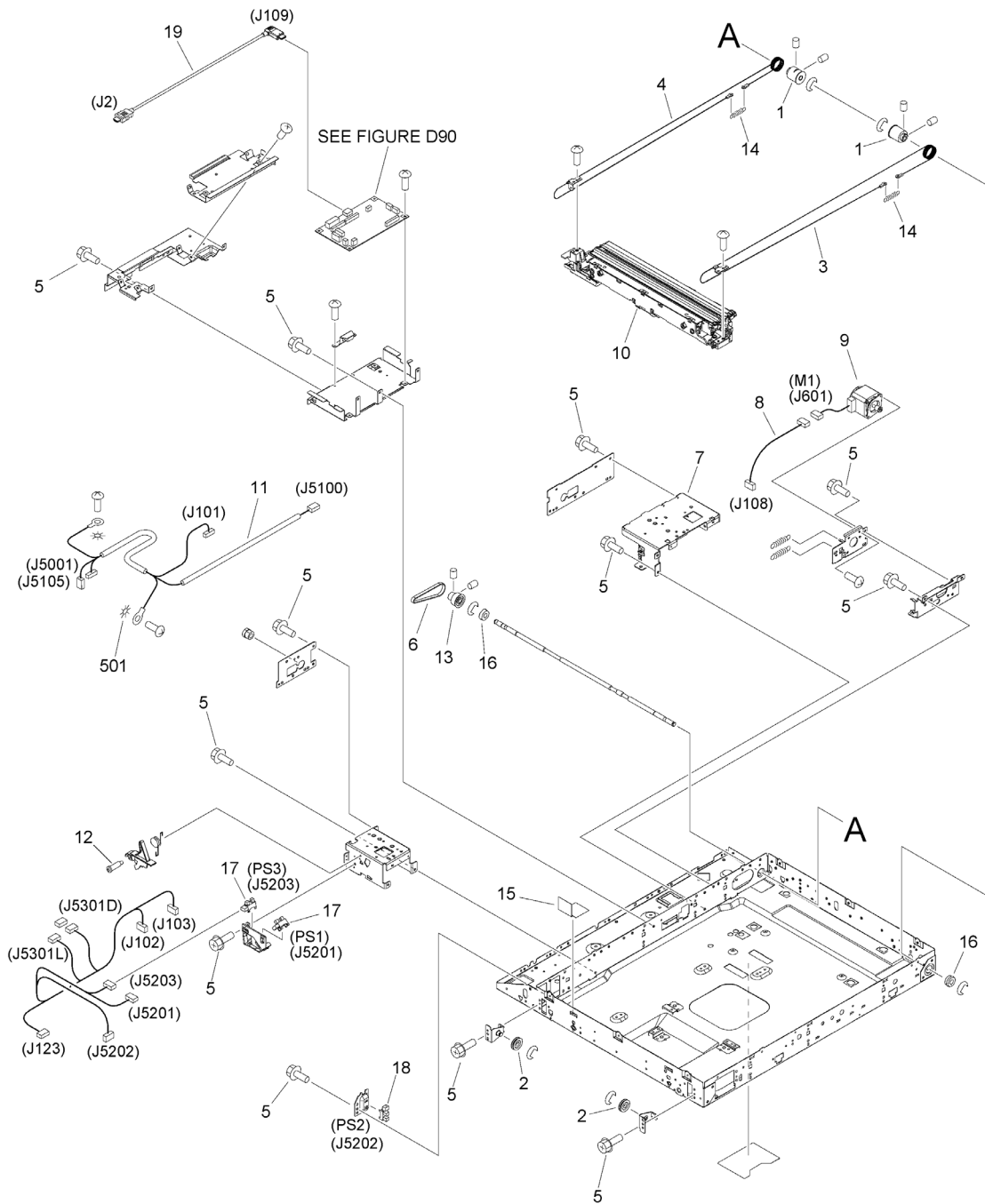


FIGURE & KEY NO.	PART NUMBER	RANK	QTY	DESCRIPTION	SERIAL NUMBER /REMARKS
D11	NPN		RF	INTERNAL COMPONENTS 1	READER
1	FB5-3087-000		2	PULLEY	
2	FC7-1312-000		2	PULLEY	
3	FC0-8333-000		1	WIRE, FRONT	
4	FC8-6035-000		1	WIRE, REAR	
5	XA9-1386-000		15	SCREW,RS,M3X8	
6	XF9-0774-000		1	BELT, TIMING	
7	FC8-6014-000		1	MOUNT, DF, R	
8	FM3-8274-000		1	CABLE, MOTOR	
9	FM1-H106-010		1	MOTOR, STEPPING, DC	M1
10	FM1-B001-000		1	SCANNER UNIT, READER	
11	FM1-K804-000		1	CABLE, READER POWER SUPPLY	
12	FS5-9227-020		1	SCREW, STEPPED, M4	
13	FU5-3705-000		1	PULLEY, 52T	
14	FU7-2591-000		2	SPRING, TENSION	
15	FC8-3555-000		1	SHEET, FLEXIBLE FLAT CABLE	
16	XG9-0508-000		2	BEARING, BALL, F688ZZ	
17	WG8-5935-000		2	IC, PHOTO INTERRUPTER	PS1, PS3
18	WG8-5783-000		1	IC,PHOTO-INTERRUPTER,LG248NL1A	PS2
19	FK4-2202-000		1	CABLE, INTERFACE	
501	XD1-4200-402		1	WASHER, TOOTHED LOCK, M4	



Figure D12 INTERNAL COMPONENTS 2 (READER)

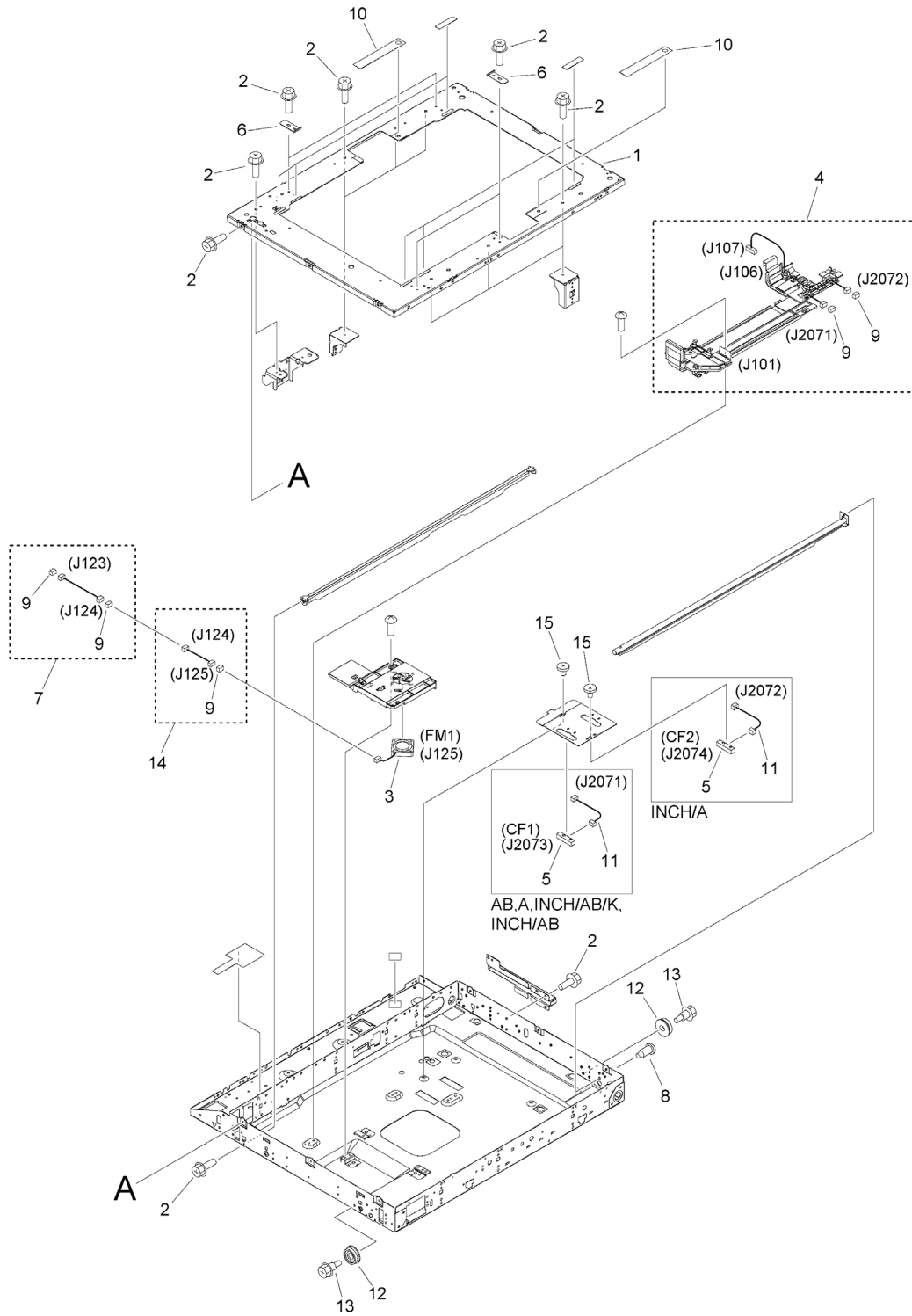
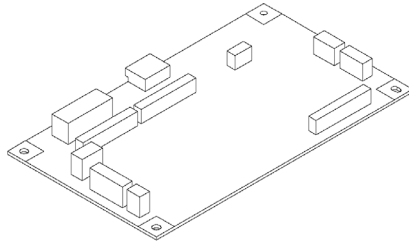


FIGURE & KEY NO.	PART NUMBER	RANK	QTY	DESCRIPTION	SERIAL NUMBER /REMARKS
D12	NPN		RF	INTERNAL COMPONENTS 2	READER
1	FL2-9793-010		1	FRAME, UPPER	
2	XA9-1386-000		15	SCREW,RS,M3X8	
3	FK2-6459-000		1	FAN	FM1
4	FM0-0482-000		1	FLAT CABLE UNIT	
5	FK4-4520-000		1	IC,PHOTO SENSOR, DOCUMENT SIZE	CF1, CF2
6	FL2-4856-000		4	PLATE,GLASS SUPPORT	
7	FM3-8282-000		1	CABLE, FAN CONNECTING, 2	
8	FS1-9120-020		1	SCREW, STEPPED, M3	
9	VS1-7177-003		5	CONNECTOR, SNAP TIGHT, BK	
10	FC8-6056-000		2	SHEET, GLASS GAP	
11	FM3-7552-000		1	CABLE, SIZE DETECT	
12	FC8-6017-000		2	BUSH, RUBBER	
13	FS5-9343-000		2	SCREW, STEPPED, M4	
14	FM1-K806-000		1	CABLE, FAN	
15	XA9-2017-000		2	SCREW, PANHEAD MACHINE M4X6	

Figure D90 READER CONTROLLER PCB ASSEMBLY (READER)



<b>FIGURE &amp; KEY NO.</b>	<b>PART NUMBER</b>	<b>R A N K</b>	<b>QTY</b>	<b>DESCRIPTION</b>	<b>SERIAL NUMBER /REMARKS</b>
D90	FM1-K808-010		1	READER CONTROLLER PCB ASSEMBLY	READER

## Figure ZZA MECHANICAL STANDARD PARTS (HOW TO USE)

### Mechanical standard parts

#### 機械標準部品

##### About a mechanical standard parts

A Mechanical standard parts is a mechanical part which not parts peculiar to a product.  
 They are parts which are common to a Canon product and are used, such as a screw and a washer.  
 The Fig No. and parts number of the mechanical standard parts are not listed in the product parts catalog.  
 Refer to the parts catalog of mechanical standard parts when checking the parts number for screw or washer etc. and identify them by part shape or size.

##### 機械標準部品とは

機械標準部品とは、製品特有の部品ではなく、ねじやワッシャなどキヤノン製品共通で使用されている機械部品（メカ部品）のことです。  
 製品のパーツカタログには、機械標準部品のFig No.や部品番号は記載していません。  
 ねじや、ワッシャ等の部品番号を調べるときは、機械標準部品のパーツカタログを参照し、部品の形状や大きさから判断し、使用している部品を調べてください。

##### Material and surface treatment of a mechanical standard parts

Material and surface treatment of mechanical standard parts are assigned commonly for each part.  
 Refer to the Table 1 for the parts which material and surface treatment are assigned as numbers.

##### 機械標準部品の材料および表面処理

機械標準部品の材料および表面処理については、各種部品共通で決められています。  
 材料および表面処理が番号で決められている部品については、表1を参照してください。

Table 1 Material and Surface treatment  
 表1 材料および表面処理

No. 番号	Material 材料	Surface treatment 表面処理	Color 色
1	Stainless steel ステンレス	Stainless steel black coloring (BC4) ステンレス黒着色(BC4)	Black 黒
2		not to be given なし	White 白
3	Brass 黄銅	Regular nickel plating (NL) 普通ニッケルメッキ(NL)	White 白
4		Black nickel plating (BN) 黒色ニッケルメッキ(BN)	Black 黒
5	Steel 鋼	White zinc trivalent chromate treating (ZC3) 白色亜鉛3価クロメート(ZC3)	White 白
6		Regular nickel chromium plating (NC) 普通ニッケルクロムメッキ(NC)	White 白
7		Regular nickel plating (NL) 普通ニッケルメッキ(NL)	White 白
8		Iron and steel phosphating (P1) 鉄鋼燐酸塩処理(P1)	Black 黒
9		Black zinc trivalent chromate treating (BZ3) 黒色亜鉛3価クロメート(BZ3)	Black 黒

Figure ZZB (1/7)MECHANICAL STANDARD PARTS (SCREWS)

1. Screws  
ねじ

How to read Parts Numbers  
部品番号の見方

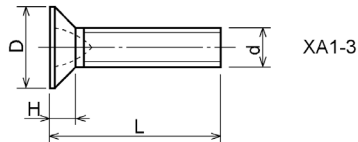
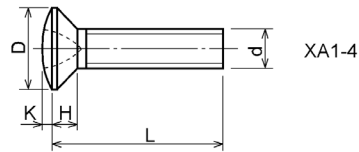
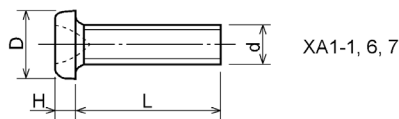
Screws  
ねじ

XB1-2400-609

Type No.  
類別番号  
Normal designation (d)  
ねじの呼び (d)  
Length (L)  
ねじの長さ (L)  
Material and Surface treatment  
材料および表面処理

XB1-2 expresses Binding head machine screw.  
XB1-2は、バインドねじを表す  
40 expresses M4.0.  
40は、M4.0を表す  
0-60 expresses a length of 6.0mm.  
0-60は、6.0mmの長さを表す  
9 expresses Steel (Black zinc trivalent chromate  
treating) from Table 1.  
9は、表1より鋼 (黒色亜鉛3価クロメート) を表す

1-1. Cross Recessed Head Screws for Precision Equipments  
精密機器用十字穴付き小ねじ

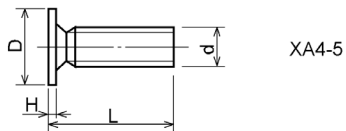
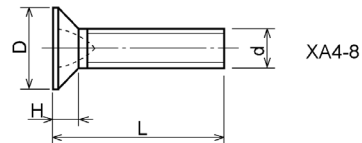
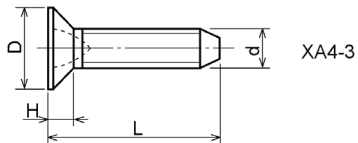
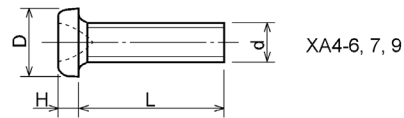
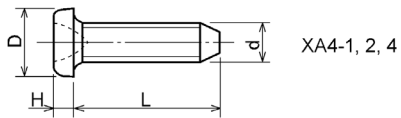


Type No. 類別番号	Type 類別
XA1-1	Pan head Class 1 なべ1種
XA1-3	Countersunk head Class 1 さら1種
XA1-4	Oval countersunk head Class 1 丸さら1種
XA1-6	Pan head Class 3 なべ3種
XA1-7	Pan head Class 2 なべ2種

		Head size (mm) 頭部寸法 (mm)					
		M1.4	M1.6	M1.7	M2	M2.5	M2.6
D	XA1-1	2	2.4	2.5	3	3.8	4
H	XA1-1	0.5	0.55	0.5	0.6	0.9	0.8
D	XA1-3	2	2.4	2.5	3	3.8	4
H	XA1-3	0.48	0.55	0.58	0.73	0.85	0.93
D	XA1-4	2	2.4	2.5	3	3.8	4
H + K	XA1-4	0.68	0.8	0.88	1	1.25	1.3
D	XA1-6	2.5	2.8	3	3.5	4.3	4.5
H	XA1-6	0.8	0.85	0.9	1	1.3	1.2
D	XA1-7	2.5	2.8	3	3.5	4.3	4.5
H	XA1-7	0.5	0.55	0.5	0.6	0.9	0.8

Figure ZZB (2/7) MECHANICAL STANDARD PARTS (SCREWS)

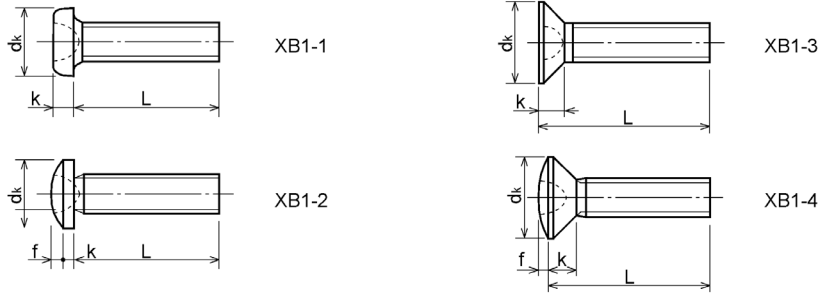
1-2. Precision Tapping Screws  
精密用タッピンねじ



Type No. 類別番号	Type 類別	Head size (mm) 頭部寸法 (mm)						
		M1.4	M1.6	M1.7	M2	M2.5	M2.6	
XA4-1	With tapered end pan head Class 1 絞り-なべ1種	D XA4-1	2	2.4	2.5	3	3.8	4
		H XA4-1	0.5	0.55	0.5	0.6	0.9	0.8
XA4-2	With tapered end pan head Class 3 絞り-なべ3種	D XA4-2	2.5	2.8	3	3.5	4.3	4.5
		H XA4-2	0.8	0.85	0.9	1	1.3	1.2
XA4-3	With tapered end countersunk head 絞り-さら	D XA4-3	2	2.4	2.5	3	3.8	4
		H XA4-3	0.48	0.55	0.58	0.73	0.85	0.93
XA4-4	With tapered end pan head Class 2 絞り-なべ2種	D XA4-4	2.5	2.8	3	3.5	4.3	4.5
		H XA4-4	0.5	0.55	0.5	0.6	0.9	0.8
XA4-5	With parallel end ultra thin head ストレート-超薄頭	D XA4-5	2.5	2.8	3	-	-	-
		H XA4-5	0.2	0.2	0.2	-	-	-
XA4-6	With parallel end pan head Class 1 ストレート-なべ1種	D XA4-6	2	2.4	2.5	3	3.8	4
		H XA4-6	0.5	0.55	0.5	0.6	0.9	0.8
XA4-7	With parallel end pan head Class 3 ストレート-なべ3種	D XA4-7	2.5	2.8	3	3.5	4.3	4.5
		H XA4-7	0.8	0.85	0.9	1	1.3	1.2
XA4-8	With parallel end countersunk head ストレート-さら	D XA4-8	2	2.4	2.5	3	3.8	4
		H XA4-8	0.48	0.55	0.58	0.73	0.85	0.93
XA4-9	With parallel end pan head Class 2 ストレート-なべ2種	D XA4-9	2.5	2.8	3	3.5	4.3	4.5
		H XA4-9	0.5	0.55	0.5	0.6	0.9	0.8

Figure ZZB (3/7) MECHANICAL STANDARD PARTS (SCREWS)

1-3. Cross Recessed Head Screws  
一般用十字穴付き小ねじ



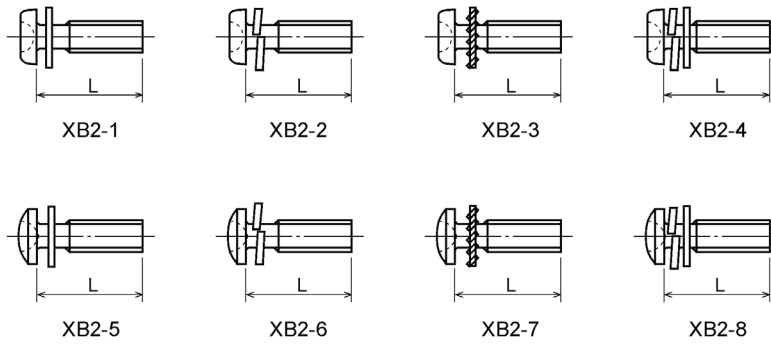
Type No. 類別番号	Type 類別
XB1-1	Pan head なべ
XB1-2	Binding head バインド
XB1-3	Countersunk head さら
XB1-4	Oval countersunk head 丸さら

		Head size (mm) 頭部寸法 (mm)					
		M2	M2.5	M2.6	M3	M4	M5
dk	XB1-1	3.5	4.5	4.5	5.5	7	9
k	XB1-1	1.3	1.7	1.7	2	2.6	3.3
dk	XB1-2	4.3	5.3	5.5	6.3	8.3	10.3
k+f	XB1-2	1.2	1.5	1.6	1.9	2.5	3.1
dk	XB1-3	4	5	-	6	8	10
k	XB1-3	1.2	1.45	-	1.75	2.3	2.8
dk	XB1-4	4	5	-	6	8	10
k+f	XB1-4	1.6	2	-	2.45	3.2	4
Screw part length ねじ部長さ b		8	12	12	12	16	20



Figure ZZB (4/7) MECHANICAL STANDARD PARTS (SCREWS)

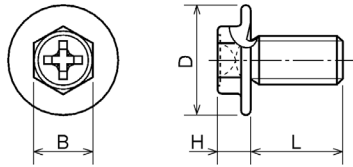
1-4. Cross Recessed Head Screws with Captive Washer  
座金組み込み十字穴付き小ねじ



Type No. 類別番号	Type 類別
XB2-1	Pan head + Plain washer (circular bright) なべねじ+平座金
XB2-2	Pan head + Spring washer なべねじ+ばね座金
XB2-3	Pan head + Toothed lock washer なべねじ+歯付座金
XB2-4	Pan head + Spring washer and plain washer (circular bright) なべねじ+(ばね+平)座金
XB2-5	Binding head + Plain washer (circular bright) バインドねじ+平座金
XB2-6	Binding head + Spring washer バインドねじ+ばね座金
XB2-7	Binding head + Toothed lock washer バインドねじ+歯付座金
XB2-8	Binding head + Spring washer and plain washer (circular bright) バインドねじ+(ばね+平)座金

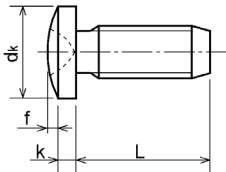
Figure ZZB (5/7) MECHANICAL STANDARD PARTS (SCREWS)

1-5. Hexagon Head Tapping Screws for Matallic Materials  
 金属用六角タッピンねじ



Type No. 類別番号	Type 類別	Head size (mm) 頭部寸法 (mm)		
		M3	M4	
XB3-6	For metallic materials 金属用タッピン	D	8	10
		B	5.5	5.5
XB3-7	For metallic materials with clawed 金属用タッピン-つめ付き	H XB3-6	3.1	3.1
		H XB3-7	3.2	3.2

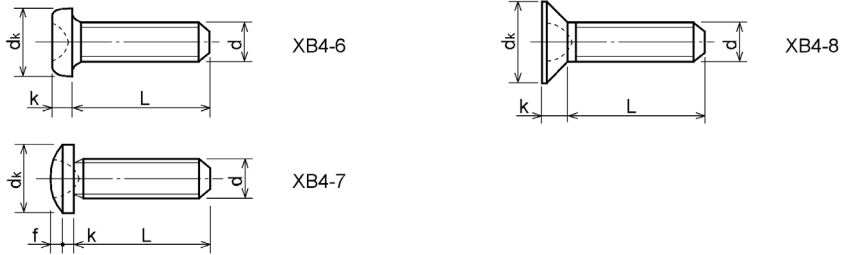
1-6. Special Tapping Screws  
 特殊タッピンねじ



Type No. 類別番号	Type 類別	Head size (mm) 頭部寸法 (mm)		
		M3	M4	
XB4-5	Binding head バインド	dk	6.3	8.3
		k	1.3	1.7
		k+f	1.9	2.5

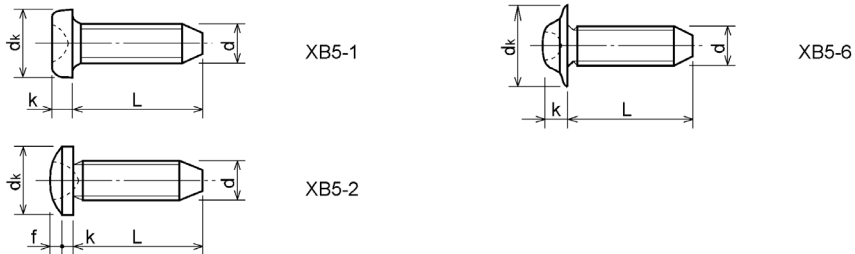
Figure ZZB (6/7) MECHANICAL STANDARD PARTS (SCREWS)

1-7. General Head Tapping Screws  
一般用タッピンねじ



Type No. 類別番号	Type 類別	Head size (mm) 頭部寸法 (mm)						
		M2	M2.5	M2.6	M3	M4	M5	
XB4-6	Pan head なべ	dk	3.5	4.5	4.5	5.5	7	9
		k	1.3	1.7	1.7	2	2.6	3.3
XB4-7	Binding head バインド	dk	4.3	5.3	5.5	6.3	8.3	10.3
		k+f	1.2	1.5	1.6	1.9	2.5	3.1
XB4-8	Countersunk head さら	dk	4	5	5.2	6	8	10
		k	1.2	1.45	1.5	1.75	2.3	2.8

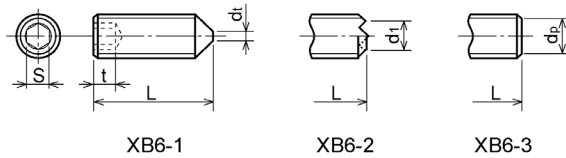
1-8. Tapping Screws for Metallic Materials  
金属用タッピンねじ



Type No. 類別番号	Type 類別	Head size (mm) 頭部寸法 (mm)					
		M2.5	M2.6	M3	M4	M5	
XB5-1	Pan head なべ	dk	4.5	4.5	5.5	7	9
		k	1.7	1.7	2	2.6	3.3
XB5-2	Binding head バインド	dk	5.5	5.5	6.3	8.3	10.3
		k+f	1.6	1.6	1.9	2.5	3.1
XB5-6	Flanged pan head つば付きなべ	dk	6.5	6.5	8	10	12
		k	2.1	2.1	1.75	3.2	4

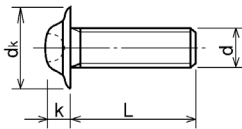
Figure ZZB (7/7) MECHANICAL STANDARD PARTS (SCREWS)

1-9. Hexagon Socket Set Screws  
六角穴付き止めねじ



Type No. 類別番号	Type 類別	Head size (mm) 頭部寸法 (mm)						
		M1.6 M1.7	M2	M2.5 M2.6	M3	M5	M5	M6
S		0.7	0.9	1.3	1.5	2	2.5	3
t		1.5	1.7	2	2	2.5	3	3.5
dt max XB6-1		0.4	0.5	0.65	0.75	1	1.25	1.5
d1 max XB6-2		-	1.2	1.5	1.7	2.2	2.8	3.3
d1 min XB6-2		-	1	1.2	1.4	1.9	2.4	2.9
dp max XB6-3		0.8	1	1.5	2	2.5	3.5	4
dp min XB6-3		0.55	0.75	1.25	1.75	2.25	3.2	3.7

1-10. Flanged Pan Head Machine Screws  
つば付きなべ小ねじ



Type No. 類別番号	Type 類別	Head size (mm) 頭部寸法 (mm)				
		M2	M2.5 M2.6	M3	M5	M5
dk		5	6.5	8	10	12
k		1.7	2.1	2.5	3.2	4

Figure ZZC MECHANICAL STANDARD PARTS (BOLTS)

2. Bolts (Socket head cap screw)  
ボルト

How to read Parts Numbers  
部品番号の見方

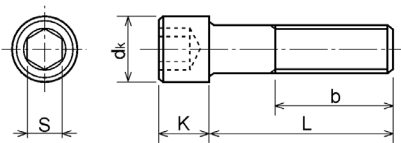
Bolt (Socket head cap screw)  
ボルト

XB7-1080-409

Type No.  
類別番号  
Normal designation (d)  
ねじの呼び (d)  
Length (L)  
ねじの長さ (L)  
Material and Surface treatment  
材料および表面処理

XB7-1 expresses Hexagon socket head cap screws.  
XB7-1は、六角穴付きボルトを表す  
080 expresses M8.0.  
080は、M8.0を表す  
40 expresses a length of 40mm.  
40は、40mmの長さを表す  
9 expresses Steel (Black zinc trivalent chromate  
treating) from Table 1.  
9は、表1より鋼（黒色亜鉛3価クロメート）を表す

2-1. Hexagon socket head cap screws  
六角穴付きボルト



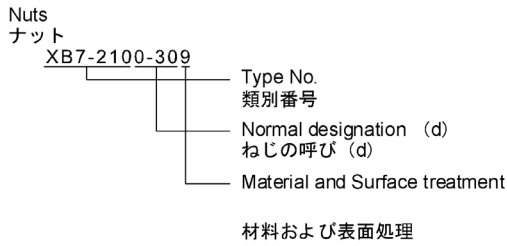
Type No. 類別番号	Type 類別
XB7-1	Hexagon socket head cap screws 六角穴付きボルト

	Head size (mm) 頭部寸法 (mm)						
	M3	M4	M5	M6	M8	M10	M12
S	2.5	3	4	5	6	8	10
dk	5.5	7	8.5	10	13	16	18
K	3	4	5	6	8	10	12
Screw part length ねじ部長さ $b_{max}$	18	20	22	24	28	32	36

Figure ZZD MECHANICAL STANDARD PARTS (NUTS)

3. Nuts  
ナット

How to read Parts Numbers  
部品番号の見方

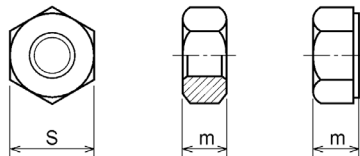


XB7-210 expresses Hexagon nut class 1.  
XB7-210は、六角ナット1種を表す

0-30 expresses M3.0.  
0-30は、M3.0を表す

9 expresses Steel (Black zinc trivalent chromate  
treating) from Table 1.  
9は、表1より鋼（黒色亜鉛3価クロメート）を表す

3-1. Hexagon Nuts and Hexagon Thin Nuts  
六角ナット



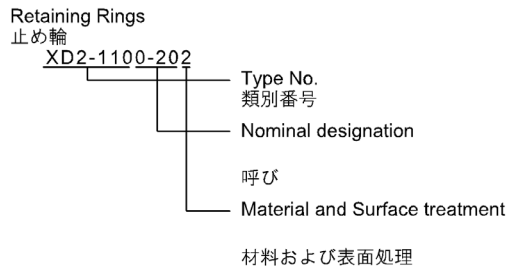
Type No. 類別番号	Type 類別
XB7-210	Hexagon nut Class 1 六角ナット-1種
XB7-220	Hexagon nut Class 3 六角ナット-3種
XB7-230	Hexagon nut Style 1 double chamfered 六角ナット-スタイル1-両面とり
XB7-231	Hexagon nut Style 1 washer faced 六角ナット-スタイル1-座付き
XB7-240	Hexagon nut Style 2 double chamfered 六角ナット-スタイル2-両面とり
XB7-241	Hexagon nut Style 2 washer faced 六角ナット-スタイル2-座付き
XB7-250	Hexagon nut 六角ナット
XB7-260	Hexagon thin nut double chamfered 六角低ナット-両面とり
XB7-270	Hexagon thin nut not chamfered 六角低ナット-面とり無し

	Head size (mm) 頭部寸法 (mm)						
	M2	M2.5	M3	M4	M5	M6	M8
S	4	5	5.5	7	8	10	13
m XB7-210	1.6	2	2.4	3.2	4	5	6.5
m XB7-220	1.2	1.6	1.8	2.4	3.2	3.6	5
m XB7-230, 231	1.6	2	2.4	3.2	4.7	5.2	6.8
m XB7-240, 241	-	-	-	-	5.1	5.7	7.5
m XB7-250	-	-	-	-	5.6	6.1	7.9
m XB7-260	1.2	1.6	1.8	2.2	2.7	3.2	4
m XB7-270	1.2	1.6	1.8	2.2	2.7	3.2	4

Figure ZZE (1/3)MECHANICAL STANDARD PARTS (RETAINING RINGS)

5. Retaining Rings  
止め輪

How to read Parts Numbers  
部品番号の見方

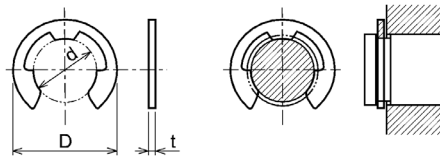


XD2-110 expresses retaining ring-E type (Type1).  
XD2-110は、E形止め輪（1種）を表す

0-20 expresses a 020 of nominal designation.  
(See Table 5)  
0-20は、呼び020を表す（表5参照）

2 expresses Stainless steel (Surface treatment is not to be given) from Table 1.  
2は、表1よりステンレス（表面処理なし）を表す

5-1. Retaining Rings - E type  
E形止め輪



Type No. 類別番号	Type 類別
XD2-110	Retaining ring - E type (Type 1) E形止め輪（1種）
XD2-120	Retaining ring - E type (Type 2) E形止め輪（2種）

Table 5 表5

Type 種類	Nominal designation 呼び	d (mm)	D (mm)	t (mm)
Type 1 1種	007	0.65	2	0.2
	010	0.95	2.8	0.2
	013	1.25	3.3	0.3
	017	1.65	4.2	0.4
	020	1.95	4.6	0.5
	024	2.35	6	0.6
	028	2.74	6.5	0.6
	032	3.14	7.2	0.6
	037	3.64	8	0.7
	040	3.93	10	0.7
	042	4.13	10	0.7
	050	4.93	11	0.7
	058	5.73	12	0.7
	060	5.93	12.7	0.9
064	6.32	13.5	0.9	
074	7.31	15	0.9	
080	7.91	16.5	1	
Type 2 2種	008	0.8	2	0.2
	012	1.2	3	0.3
	015	1.5	4	0.4
	020	2	5	0.4
	025	2.5	6	0.4
	030	3	7	0.6
	040	4	9	0.6
	050	5	11	0.6
	060	6	12	0.8
	070	7	14	0.8
	080	8	16	0.8
	090	9	18	0.8
100	10	20	1	

Figure ZZE (2/3)MECHANICAL STANDARD PARTS (RETAINING RINGS)

5-2. Grip Rings  
グリップ止め輪

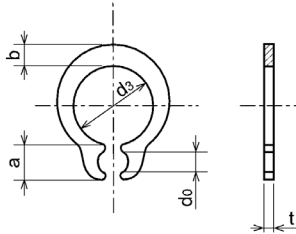


Table 5 表5

Nominal designation 呼び	d <sub>3</sub> (mm)	t (mm)	b (mm)	a (mm)	d <sub>0</sub> (mm)
020	1.9	0.5	1	1.8	0.8
025	2.35	0.5	1.2	1.9	0.9
030	2.85	0.6	1.4	1.9	0.9
035	3.3	0.6	1.6	2	0.9
040	3.8	0.8	1.8	2.8	1.2
045	4.25	0.8	2	2.9	1.3
050	4.75	0.8	2.2	2.9	1.3
060	5.7	1	2.4	3.1	1.4
070	6.7	1	2.7	3.3	1.4
080	7.7	1	3	3.5	1.4
090	8.65	1.2	3.3	4.7	1.5
100	9.65	1.2	3.5	4.7	2

Type No. 類別番号	Type 類別
XD2-210	Grip ring グリップ止め輪

5-3. Toothed Retaining Rings  
歯付き形止め輪

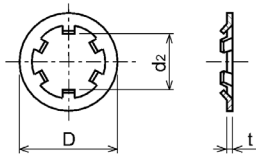


Table 5 表5

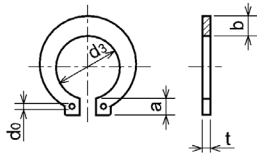
Nominal designation 呼び	d <sub>2</sub> (mm)	D (mm)	t (mm)	No of teeth 歯数
015	1.4	5.2	0.25	3
020	1.9	6	0.25	3
024	2.3	6.4	0.25	3
030	2.8	8	0.25	4
040	3.8	9	0.25	4
050	4.8	10	0.25	5
060	5.8	11	0.25	5
080	7.8	13	0.25	5
100	9.8	15.4	0.25	6

Type No. 類別番号	Type 類別
XD2-230	Toothed retaining ring 歯付き形止め輪



Figure ZZE (3/3)MECHANICAL STANDARD PARTS (RETAINING RINGS)

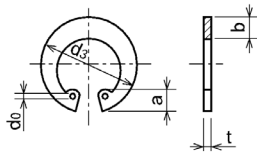
5-4. Retaining Rings - C Type  
C形止め輪



Type No. 類別番号	Type 類別
XD2-310	Retaining ring - C type for shaft C形止め輪 軸用

Table 5 表5

Nominal designation 呼び	ds (mm)	t (mm)	b (mm)	a (mm)	do (mm)
010	9.3	1	1.6	3	1.2
012	11.1	1	1.8	3.2	1.5
014	12.9	1	2	3.4	1.7
015	13.8	1	2.1	3.5	1.7
016	14.7	1	2.2	3.6	1.7
017	15.7	1	2.2	3.7	1.7
018	16.5	1.2	2.6	3.8	1.7
020	18.5	1.2	2.7	3.9	2
022	20.5	1.2	2.7	4.1	2
025	23.2	1.2	3.1	4.3	2
028	25.9	1.5	3.1	4.6	2
030	27.9	1.5	3.5	4.8	2
032	29.6	1.5	3.5	5	2.5
035	32.2	1.5	4	5.4	2.5



Type No. 類別番号	Type 類別
XD2-320	Retaining ring - C type for hole C形止め輪 穴用

Table 5 表5

Nominal designation 呼び	ds (mm)	t (mm)	b (mm)	a (mm)	do (mm)
010	10.7	1	1.8	3.1	1.2
011	11.8	1	1.8	3.2	1.2
012	13	1	1.8	3.3	1.5
014	15.1	1	2	3.6	1.7
016	17.3	1	2	3.7	1.7
018	19.5	1	2.5	4	1.7
019	20.5	1	2.5	4	2
020	21.5	1	2.5	4	2
022	23.5	1	2.5	4.1	2
025	26.9	1.2	3	4.4	2
028	30.1	1.2	3	4.6	2
030	32.1	1.2	3	4.7	2
032	34.4	1.2	3.5	5.2	2.5
035	37.8	1.5	3.5	5.2	2.5
037	39.8	1.5	3.5	5.2	2.5
040	43.5	1.8	4	5.7	2.5
042	45.5	1.8	4	5.8	2.5
045	48.5	1.8	4.5	5.9	2.5
047	50.5	1.8	4.5	6.1	2.5
050	54.2	2	4.5	6.5	2.5
052	56.2	2	5.1	6.5	2.5
055	59.2	2	5.1	6.5	2.5
060	64.2	2	5.1	6.8	2.5
062	66.2	2	5.5	6.9	2.5
068	72.5	2.5	6	7.4	2.5
072	76.5	2.5	6.6	7.4	2.5
075	79.5	2.5	6.6	7.8	2.5
080	85.5	2.5	7	8	2.5
085	90.5	3	7	8	3
090	95.5	3	7.6	8.3	3
095	100.5	3	8	8.5	3