

# PARTS CATALOG

## imageRUNNER ADVANCE 450 0 III Series (CEL)

### <PREFACE>

This Parts Catalog contains listings of parts used. Diagrams are provided with the listings to aid the service technician in identifying clearly, the item to be ordered.

Whenever ordering parts, consult this Parts Catalog for all of the information pertaining to each item. Be sure to include, in the Parts Request, the full item description, the item part number, and the quantity.

The Canon logo is displayed in a bold, black, sans-serif font. The letter 'C' is significantly larger than the other letters, and the 'o' is stylized with a vertical line through its center.

## Index

|      |   |
|------|---|
| SNL  | Product Code No. /Serial No.  |
| A1F  | ASSEMBLY LOCATION DIAGRAM (WITHOUT ADF+IC CARD READER BOX)            |
| A2   | OPTION PARTS CATALOG LIST   |
| 001D | ACCESSORIES   |
| 100H | EXTERNAL COVERS, PANELS, ETC. (IR-ADV 4551i)                          |
| 100J | EXTERNAL COVERS, PANELS, ETC. (IR-ADV 4545i)                          |
| 100K | EXTERNAL COVERS, PANELS, ETC. (IR-ADV 4535i)                          |
| 100L | EXTERNAL COVERS, PANELS, ETC. (IR-ADV 4525i)                          |
| 102  | RIGHT DOOR ASSEMBLY   |
| 103B | MACHINE FRONT PLATE   |
| 104  | INTERNAL COMPONENTS 1   |
| 105A | INTERNAL COMPONENTS 2 (IR-ADV 4551, 4545, 4535)                       |
| 105B | INTERNAL COMPONENTS 2 (IR-ADV 4525)                                   |
| 106C | INTERNAL COMPONENTS 3 (W/O HEATER 4551)                               |
| 106D | INTERNAL COMPONENTS 3 (W/O HEATER EXCEPT 4551)                        |
| 107  | INTERNAL COMPONENTS 4   |
| 108C | INTERNAL COMPONENTS 5 (WITHOUT ADF)                                   |
| 109C | MACHINE REAR PLATE 1  |
| 110  | MACHINE REAR PLATE 2  |
| 130C | CONTROL PANEL ASSEMBLY  |
| 140C | POWER CORD TERMINAL ASS'Y (230V EXCEPT IN)                            |
| 250  | MAIN DRIVE ASSEMBLY   |
| 260  | PAPER PICK-UP DRIVE ASSEMBLY (UPPER) (EXCEPT 4551, 4251, 4051 SERIES) |
| 261  | PAPER PICK-UP DRIVE ASSEMBLY (LOWER) (EXCEPT 4551, 4251, 4051 SERIES) |
| 262  | PAPER PICK-UP DRIVE ASSEMBLY (IR-ADV 4551, 4251, 4051 SERIES)         |
| 263  | DUPLEXING DRIVE ASSEMBLY  |
| 270  | CARTRIDGE LEFT RAIL ASSEMBLY  |
| 271  | CARTRIDGE RIGHT RAIL ASSEMBLY   |
| 272  | BOTTLE DRIVE ASSEMBLY   |
| 280  | FIRST DELIVERY DRIVE ASSEMBLY   |
| 310A | PAPER PICK-UP ASSEMBLY (UPPER) (EXCEPT CN)                            |
| 311A | PAPER PICK-UP ASSEMBLY (LOWER) (EXCEPT CN)                            |
| 312B | MULTI PAPER PICK-UP ASSEMBLY  |
| 313  | DUPLEXING FEED GUIDE ASSEMBLY   |
| 316  | PRE-REGISTRATION GUIDE ASS'Y  |
| 320  | TRANSFER PAPER FEED ASSEMBLY  |
| 330  | DOOR ASSEMBLY, RIGHT LOWER  |
| 333  | RIGHT LOWER INNER DOOR ASS'Y  |
| 350  | FIRST PAPER DELIVERY ASSEMBLY   |
| 351  | SECOND PAPER DELIVERY ASSEMBLY  |

## Index

|      |   |
|------|---|
| 352  | SECOND DELIVERY FRAME ASSEMBLY                    |
| 460A | LASER SCANNER ASSEMBLY (IR-ADV 4525)              |
| 460B | LASER SCANNER ASSEMBLY (IR-ADV 4551, 4545, 4535)  |
| 620  | HOPPER ASSEMBLY                                   |
| 640  | DEVELOPING ASSEMBLY                               |
| 770  | WASTE TONER BOX ASSEMBLY                          |
| 810B | FIXING ASSEMBLY (230V IR-ADV 4551)                |
| 810E | FIXING ASSEMBLY (230V EXCEPT IR-ADV 4551)         |
| 815  | DELIVERY LOWER GUIDE ASSEMBLY                     |
| 816  | DELIVERY UPPER GUIDE ASSEMBLY                     |
| 900A | CONTROLLER BOX ASSEMBLY (MODEL WITHOUT FAX)       |
| 910A | MAIN CONTROLLER PCB ASSEMBLY (iR-ADV 4551 SERIES) |
| 910B | MAIN CONTROLLER PCB ASSEMBLY (iR-ADV 4545 SERIES) |
| 910C | MAIN CONTROLLER PCB ASSEMBLY (iR-ADV 4535 SERIES) |
| 910D | MAIN CONTROLLER PCB ASSEMBLY (iR-ADV 4525 SERIES) |
| 920A | RISER PCB ASSEMBLY (IR-ADV 4551, 4545, 4535)      |
| 920B | RISER PCB ASSEMBLY (IR-ADV 4525)                  |
| 930  | ENGINE CONTROLLER PCB ASSEMBLY                    |
| 980  | HIGH VOLTAGE PCB ASSEMBLY                         |
| D11F | READER ASSEMBLY                                   |
| D90  | READER CONTROLLER PCB ASSEMBLY                    |
| E10  | IC CARD READER BOX                                |
| H30  | CASSETTE ASSEMBLY (UPPER)                         |
| H31  | CASSETTE ASSEMBLY (LOWER)                         |
| ZZA  | MECHANICAL STANDARD PARTS (HOW TO USE)            |
| ZZB  | MECHANICAL STANDARD PARTS (SCREWS)                |
| ZZC  | MECHANICAL STANDARD PARTS (BOLTS)                 |
| ZZD  | MECHANICAL STANDARD PARTS (NUTS)                  |
| ZZE  | MECHANICAL STANDARD PARTS (RETAINING RINGS)       |

Figure SNL Product Code No./Serial No.

|   | Product Code No. | Model Name                    | Remarks     | Serial No. |
|---|------------------|-------------------------------|-------------|------------|
| 1 | F17-8297-000     | imageRUNNER ADVANCE 4551i III | WITHOUT ADF | 2NA        |
| 2 | F17-8295-000     | imageRUNNER ADVANCE 4545i III | WITHOUT ADF | 2PN        |
| 3 | F17-8293-000     | imageRUNNER ADVANCE 4535i III | WITHOUT ADF | 2RF        |
| 4 | F17-8291-000     | imageRUNNER ADVANCE 4525i III | WITHOUT ADF | 2RT        |

|   | 中オーダー        | 製品名                           | 備考    | シリアル No. |
|---|--------------|-------------------------------|-------|----------|
| 1 | F17-8297-000 | imageRUNNER ADVANCE 4551i III | ADFなし | 2NA      |
| 2 | F17-8295-000 | imageRUNNER ADVANCE 4545i III | ADFなし | 2PN      |
| 3 | F17-8293-000 | imageRUNNER ADVANCE 4535i III | ADFなし | 2RF      |
| 4 | F17-8291-000 | imageRUNNER ADVANCE 4525i III | ADFなし | 2RT      |

| FIGURE & KEY NO. | PART NUMBER  | RANK | QTY | DESCRIPTION                   | SERIAL NUMBER /REMARKS |
|------------------|--------------|------|-----|-------------------------------|------------------------|
| SNL              | NPN          |      | RF  | Product Code No./Serial No.   |                        |
| 1                | F17-8297-000 |      | 1   | imageRUNNER ADVANCE 4551i III | 2NA<br>WITHOUT ADF     |
| 2                | F17-8295-000 |      | 1   | imageRUNNER ADVANCE 4545i III | 2PN<br>WITHOUT ADF     |
| 3                | F17-8293-000 |      | 1   | imageRUNNER ADVANCE 4535i III | 2RF<br>WITHOUT ADF     |
| 4                | F17-8291-000 |      | 1   | imageRUNNER ADVANCE 4525i III | 2RT<br>WITHOUT ADF     |

Figure A1F (1/6) ASSEMBLY LOCATION DIAGRAM (WITHOUT ADF+IC CARD READER BOX)

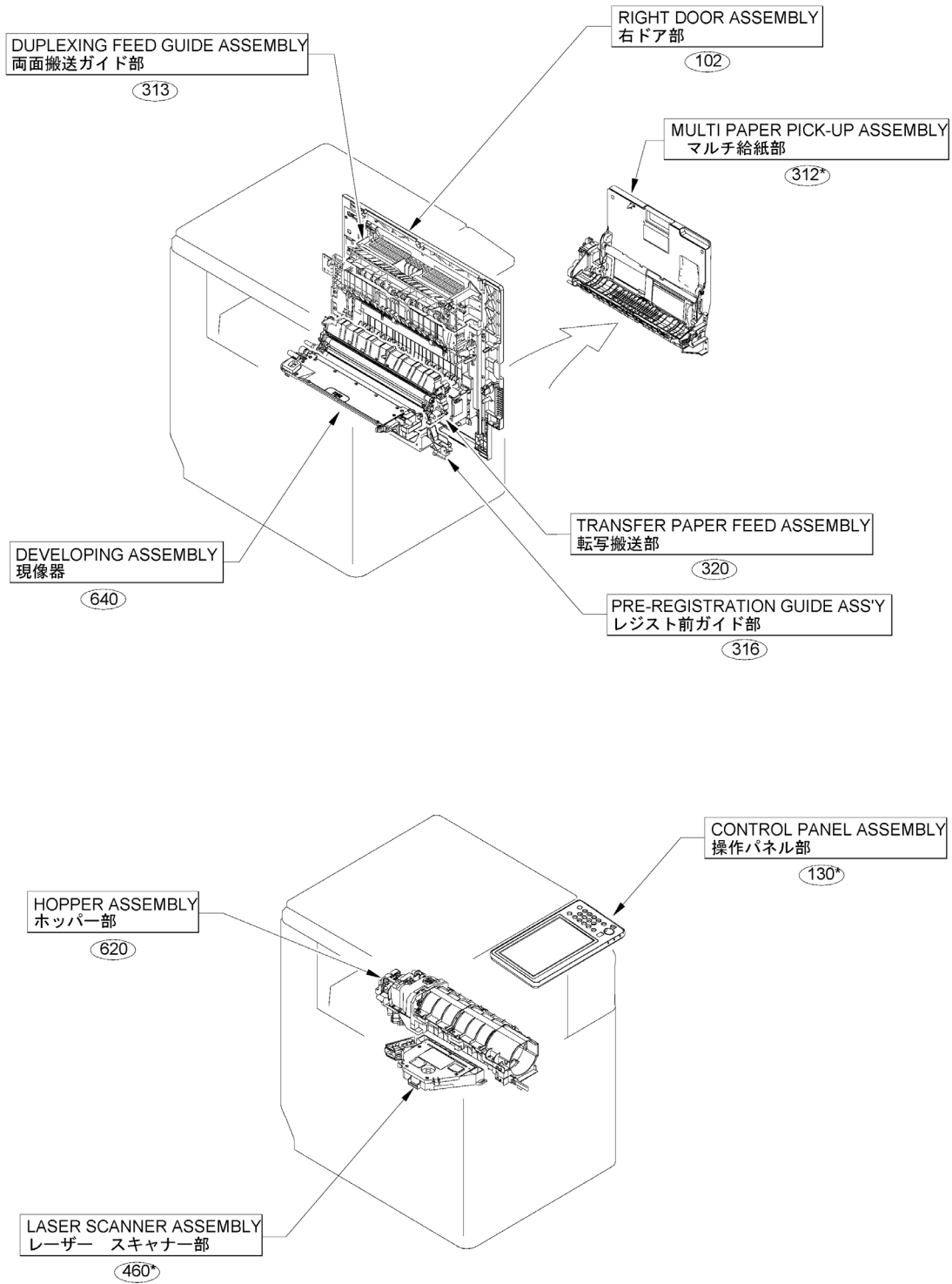


Figure A1F (2/6) ASSEMBLY LOCATION DIAGRAM (WITHOUT ADF+IC CARD READER BOX)

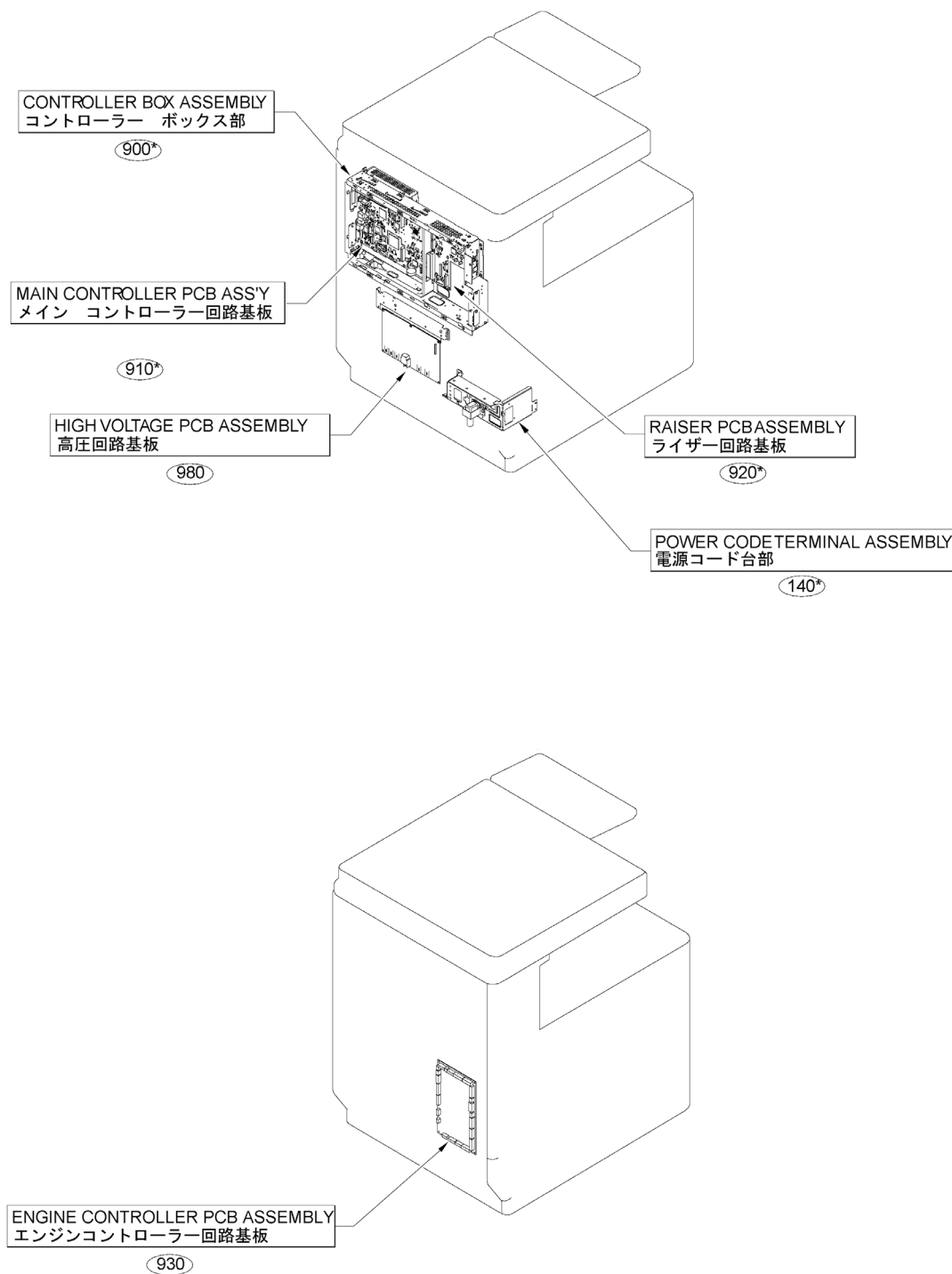


Figure A1F (3/6) ASSEMBLY LOCATION DIAGRAM (WITHOUT ADF+IC CARD READER BOX)

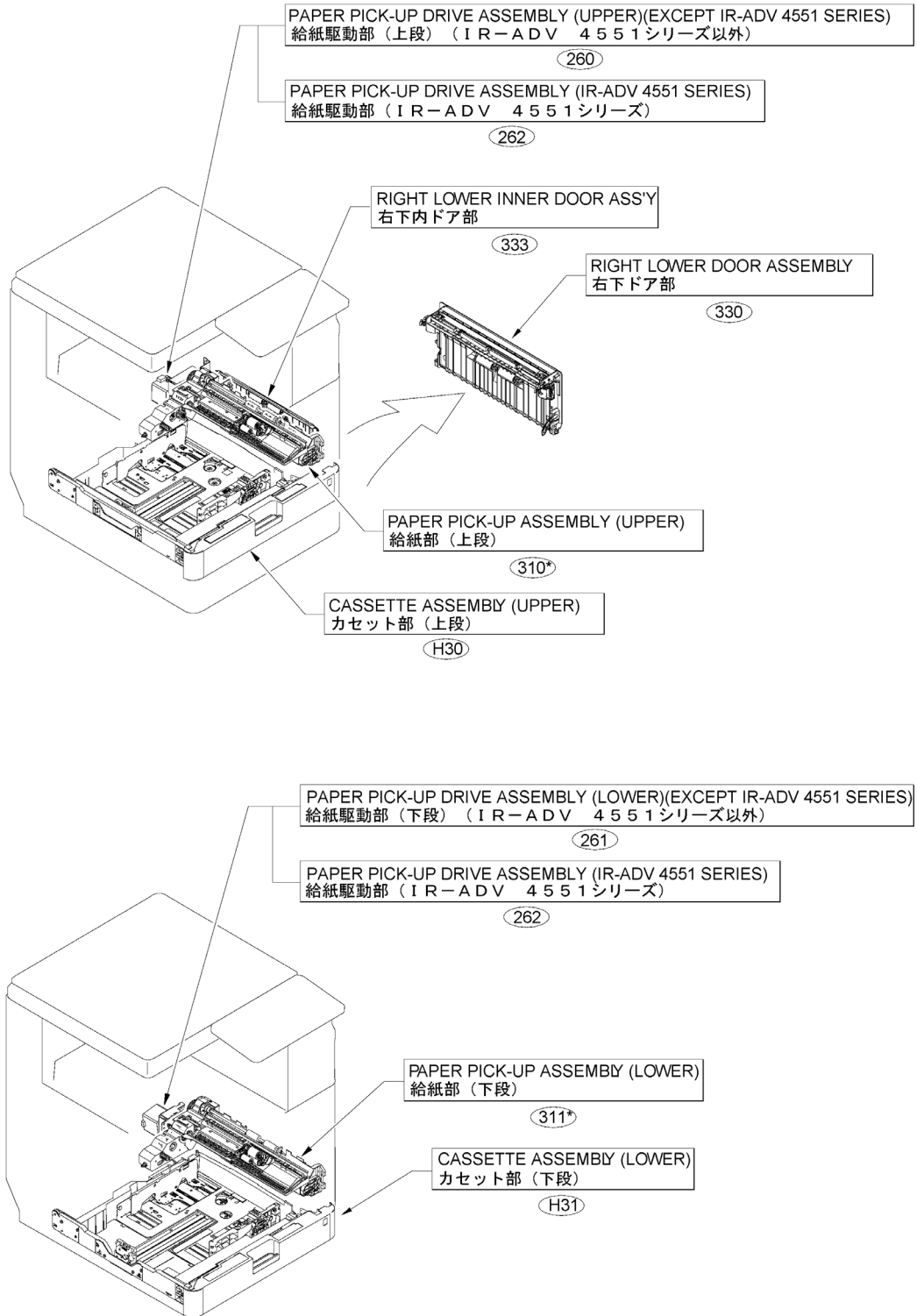




Figure A1F (4/6) ASSEMBLY LOCATION DIAGRAM (WITHOUT ADF+IC CARD READER BOX)

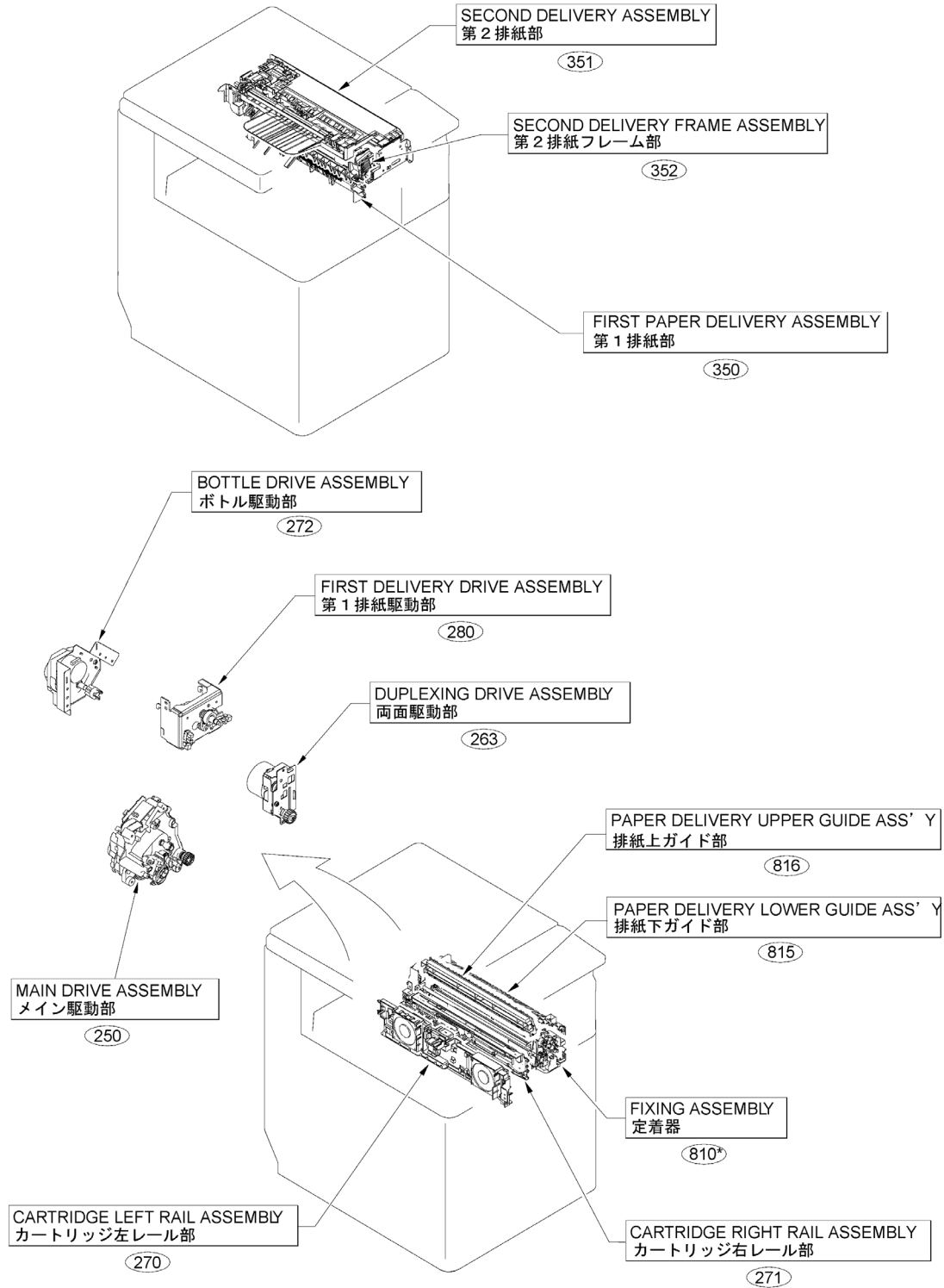


Figure A1F (5/6) ASSEMBLY LOCATION DIAGRAM (WITHOUT ADF+IC CARD READER BOX)

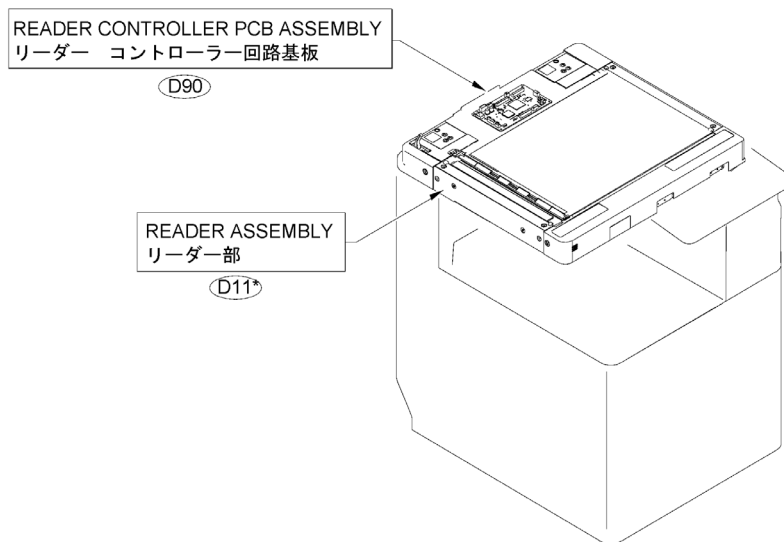


Figure A1F (6/6) ASSEMBLY LOCATION DIAGRAM (WITHOUT ADF+IC CARD READER BOX)

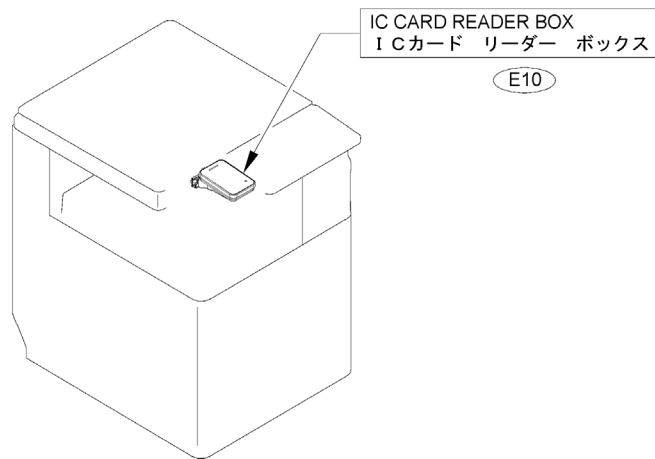


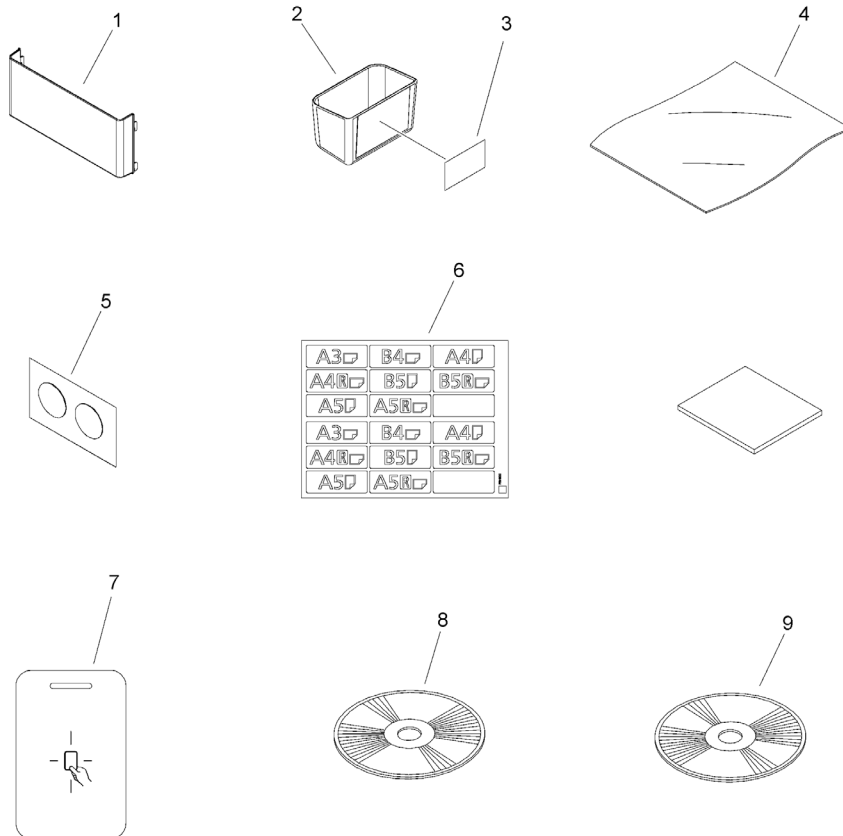
Figure A2 (1/2)OPTION PARTS CATALOG LIST

This is the table of the machine's options whose parts catalog is issued.  
 本機のオプションで、パーツカタログが発行されている機種の一覧である。

| No. | Model Name(English)                    | Model Name(Japanese)                             |
|-----|--|--|
| 1   | ADF Access Handle-A1                   | A D F アクセスハンドル・ A 1                              |
| 2   | Booklet Finisher-Y1                    | 中綴じフィニッシャー・ Y 1                                  |
| 3   | Buffer Pass Unit-N1                    | バッファパスユニット・ N 1                                  |
| 4   | Cassette Feeding Unit-AN1              | 2 段カセットペディスタル・ A N 1                             |
| 5   | Cassette Heater Unit-37                | カセットヒーターユニット 3 7                                 |
| 6   | Cassette Heater Unit-41                | (日本仕向けなし)  |
| 7   | Connection Kit-A1 for Bluetooth LE     | 拡張キット・ A 1 f o r B l u e t o o t h L E           |
| 8   | Copy Card Reader Attachment-B5         | コピーカードリーダー取付けキット・ B 5                            |
| 9   | Copy Card Reader-F1                    | コピーカードリーダー・ F 1                                  |
| 10  | Copy Control Interface Kit-A1          | コントロールインターフェースキット・ A 1                           |
| 11  | DADF-AV1                               | (日本仕向けなし)  |
| 12  | Document Scan Lock Kit-B1              | イメージ解析ボード・ B 1                                   |
| 13  | Document Scan Lock Kit-B1              | ジョブロック拡張キット・ B 1                                 |
| 14  | Envelope Feeder Attachment-D1          | (日本仕向けなし)  |
| 15  | FL Cassette-BC1                        | (日本仕向けなし)  |
| 16  | FL Cassette-BD1                        | (日本仕向けなし)  |
| 17  | HDD Mirroring Kit-J1                   | HDD ミラーリングキット・ J 1                               |
| 18  | Heater Kit-N1                          | ヒーター基板・ N 1                                      |
| 19  | High Capacity Cassette Feeding Unit-B1 | 大容量カセットペディスタル・ B 1                               |
| 20  | IC Card Reader Box-C1                  | I C カードリーダーボックス・ C 1                             |
| 21  | Inner 2/3 Hole Puncher-C1              | (日本仕向けなし)  |
| 22  | Inner 2/F4 Hole Puncher-C1             | (日本仕向けなし)  |
| 23  | Inner 2Way Tray-L1                     | インナー 2 ウェイトレイ・ L 1                               |
| 24  | Inner Finisher-J1                      | インナーフィニッシャー・ J 1                                 |
| 25  | Inner S4 Hole Puncher-C1               | (日本仕向けなし)  |
| 26  | NFC Kit-C1                             | N F C キット・ C 1                                   |
| 27  | Paper Deck Heater Unit-C1              | ペーパーデッキヒーターユニット・ C 1                             |
| 28  | Paper Deck Unit-F1                     | ペーパーデッキユニット・ F 1                                 |
| 29  | Platen Cover Type W                    | 原稿台カバー タイプ W                                     |
| 30  | Reader Heater Unit-J2                  | リーダーヒーターキット・ J 2                                 |
| 31  | Removable HDD Kit-AL1                  | リムーバブル HDD キット・ A L 1                            |
| 32  | Serial Interface Kit-K3                | シリアルインターフェースキット・ K 3                             |
| 33  | Single Pass DADF-A1                    | (日本仕向けなし)  |
| 34  | Stamp Unit-B1                          | スタンプユニット・ B 1                                    |
| 35  | Staple Finisher-Y1                     | ステイプルフィニッシャー・ Y 1                                |
| 36  | Super G3 2nd Line Fax Board-AS1        | G 3 回線増設キット ( 2 回線 ) ・ A S 1                     |
| 37  | Super G3 2nd Line Fax Board-AS2        | (日本仕向けなし)  |
| 38  | Super G3 3rd/4th Line Fax Board-AS1    | G 3 回線増設キット ( 3 ・ 4 回線 ) ・ A S 1                 |
| 39  | Super G3 3rd/4th Line Fax Board-AS2    | (日本仕向けなし)  |
| 40  | Super G3 FAX Board-AS1                 | スーパー G 3 F A X ボード・ A S 1                        |
| 41  | Super G3 FAX Board-AS2                 | (日本仕向けなし)  |
| 42  | Utility Tray-B1                        | ユーティリティートレイ・ B 1                                 |
| 43  | Voice Guidance Kit-G1                  | (日本仕向けなし)  |
| 44  | Voice Operation Kit-D1                 | 音声操作キット・ D 1                                     |
| 45  | 2.5inch/1TB HDD-P1                     | オプション HDD<br>( 2 . 5 i n c h / 1 T B ) ・ P 1     |
| 46  | 2.5inch/250GB HDD-N1                   | オプション HDD<br>( 2 . 5 i n c h / 2 5 0 G B ) ・ N 1 |

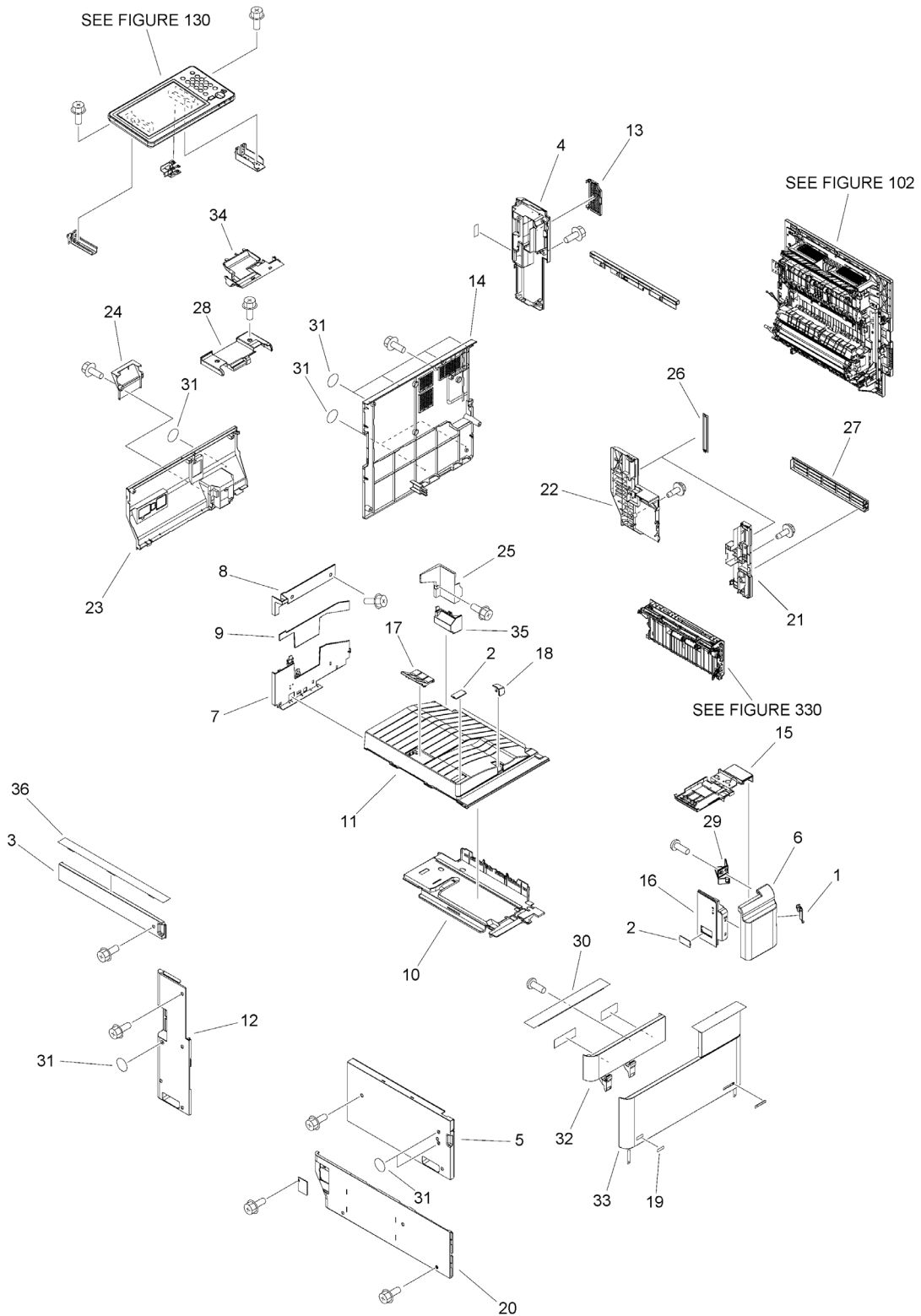


Figure 001D ACCESSORIES



| FIGURE & KEY NO. | PART NUMBER  | RANK | QTY | DESCRIPTION                 | SERIAL NUMBER /REMARKS |
|------------------|--------------|------|-----|-----------------------------|------------------------|
| 001D             | NPN          |      | RF  | ACCESSORIES                 |                        |
| 1                | FE4-2809-000 |      | 1   | HOLDER, SERVICE BOOK        |                        |
| 2                | FE3-9210-000 |      | 1   | BOX, CLEANING CLOTH STOCK   |                        |
| 3                | FE4-0152-010 |      | 1   | TAPE, DUPLEXING             |                        |
| 4                | FE2-D452-000 |      | 1   | CLOTH, CLEANING             |                        |
| 5                | FL1-2558-000 |      | 1   | SEAL, BLANKING              |                        |
| 6                | FE8-8820-000 |      | 1   | LABEL, PAPER SIZE           |                        |
| 7                | FL1-2374-000 |      | 1   | SHEET, CARD READER          |                        |
| 8                | FK4-6142-000 |      | 1   | CD-ROM, SOFTWARE FOR UFR II |                        |
| 9                | FK4-6143-000 |      | 1   | CD-ROM, USER SOFTWARE, PCL  |                        |

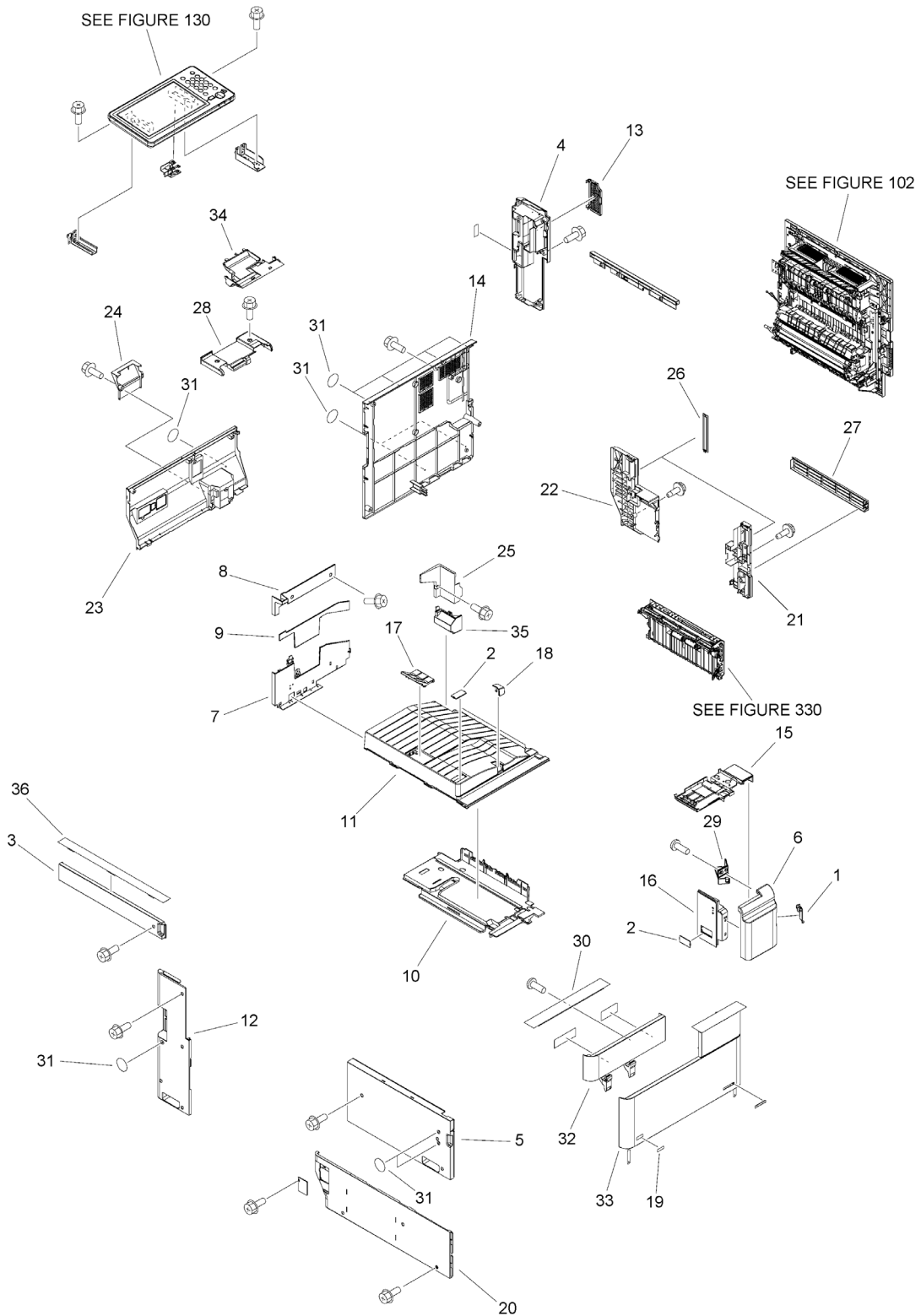
Figure 100H EXTERNAL COVERS, PANELS, ETC. (IR-ADV 4551i)





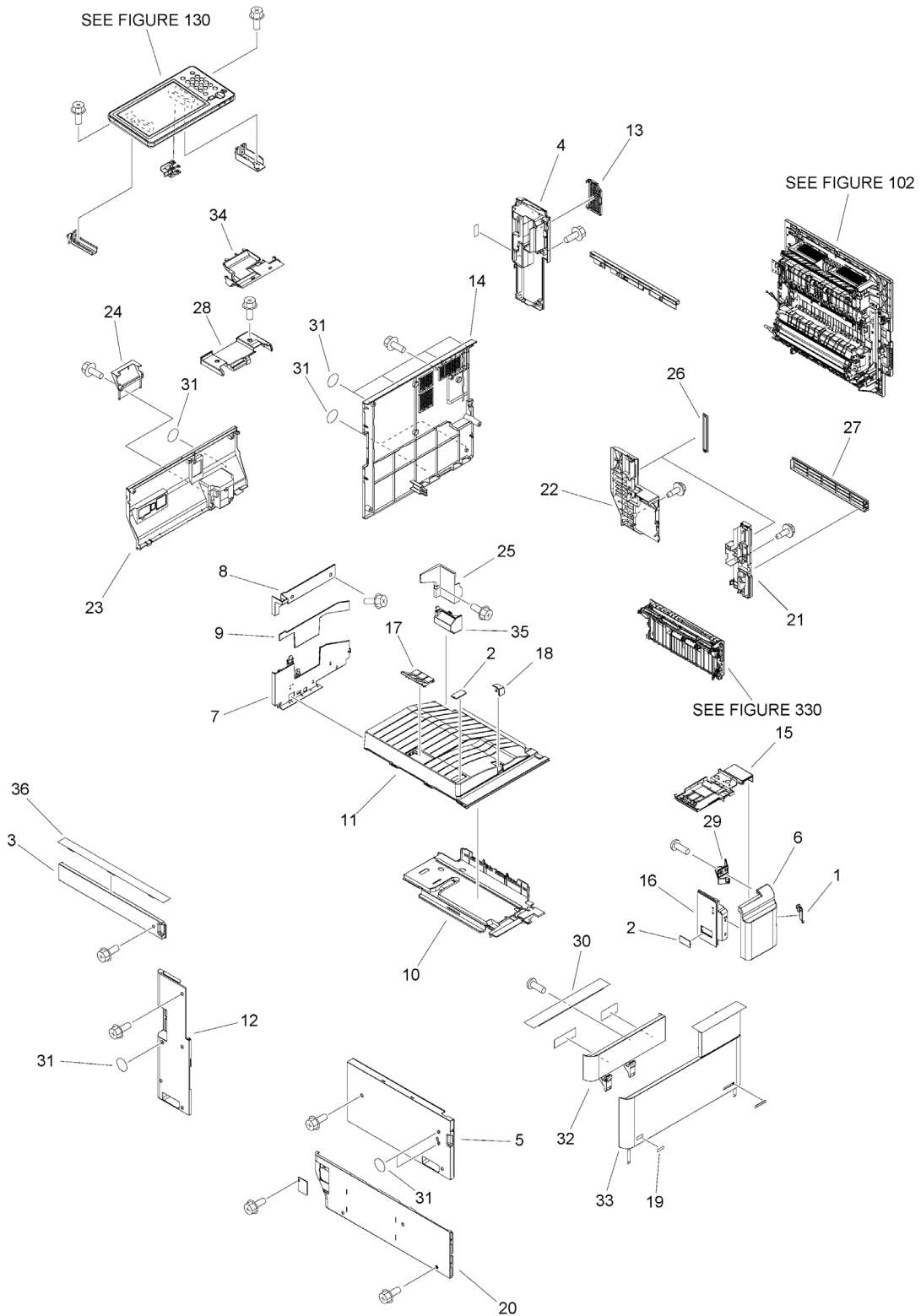
| FIGURE & KEY NO. | PART NUMBER  | RANK | QTY | DESCRIPTION                    | SERIAL NUMBER /REMARKS |
|------------------|--------------|------|-----|--------------------------------|------------------------|
| 100H             | NPN          |      | RF  | EXTERNAL COVERS, PANELS, ETC.  | IR-ADV 4551i           |
| 1                | FC8-4000-000 |      | 1   | COVER, MAIN SWITCH             |                        |
| 2                | FE8-8807-000 |      | 2   | COVER, FAX CONNECTOR           |                        |
| 3                | FE4-6552-000 |      | 1   | COVER, LEFT UPPER              |                        |
| 4                | FE4-6559-000 |      | 1   | COVER, REAR, RIGHT             |                        |
| 5                | FE4-6560-000 |      | 1   | COVER, LEFT                    |                        |
| 6                | FE4-6565-010 |      | 1   | COVER, FRONT, UPPER            |                        |
| 7                | FE4-6570-000 |      | 1   | COVER, DEPTH, DELIVERY, BOTTOM |                        |
| 8                | FE4-6571-000 |      | 1   | COVER, DEPTH, DELIVERY ,UPPER  |                        |
| 9                | FE4-6572-000 |      | 1   | COVER, DEPTH, DELIVERY, CENTER |                        |
| 10               | FE4-6573-000 |      | 1   | TRAY, BASE, RIGHT              |                        |
| 11               | FE4-6575-000 |      | 1   | TRAY, PAPER DELIVERY           |                        |
| 12               | FE4-6577-000 |      | 1   | COVER, REAR, LEFT              |                        |
| 13               | FE4-6578-000 |      | 1   | COVER, HDD DOOR                |                        |
| 14               | FE4-6579-000 |      | 1   | COVER, REAR                    |                        |
| 15               | FM1-W166-000 |      | 1   | COVER, CONTROL PANEL, BOTTOM   |                        |
| 16               | FE4-6585-000 |      | 1   | COVER, RIGHT, UPPER, BEHIND    |                        |
| 17               | FE4-6586-000 |      | 1   | GUIDE, PAPER BACK END          |                        |
| 18               | FE4-6587-000 |      | 1   | COVER, DELIVERY TRAY, ACC      |                        |
| 19               | FE4-7199-000 |      | 1   | LABEL, TONER                   |                        |
| 20               | FE4-7204-000 |      | 1   | PANEL, LEFT LOWER              |                        |
| 21               | FE4-7205-000 |      | 1   | PANEL, RIGHT LOWER, FRONT      |                        |
| 22               | FE4-7206-000 |      | 1   | PANEL, RIGHT LOWER, REAR       |                        |
| 23               | FE4-7208-000 |      | 1   | PANEL, REAR LOWER              |                        |
| 24               | FE4-7209-000 |      | 1   | PANEL, PROTECTIVE              |                        |
| 25               | FE4-7210-000 |      | 1   | COVER, PAPER DELIVERY, REAR    |                        |
| 26               | FE4-7226-000 |      | 2   | PANEL, HANDLE                  |                        |
| 27               | FE4-7237-000 |      | 1   | PANEL, RIGHT CENTER            |                        |
| 28               | FE2-B597-000 |      | 1   | COVER, ARM, UPPER              |                        |
| 29               | FC0-2538-000 |      | 1   | MOUNT, SWITCH COVER            |                        |
| 30               | FL0-5736-000 |      | 1   | COVER, TONER BOTTLE, TOP       |                        |
| 31               | FL0-5737-000 |      | 10  | SEAL, BLANKING                 |                        |
| 32               | FL0-5744-000 |      | 1   | COVER, TONER BOTTLE            |                        |
| 33               | FM1-J167-000 |      | 1   | FRONT DOOR UNIT                |                        |
| 34               | FE8-4657-000 |      | 1   | COVER, CONNECTOR               |                        |
| 35               | FM1-J192-000 |      | 1   | COVER, PAPER DELIVERY, REAR    |                        |
| 36               | FL0-5735-000 |      | 1   | PLATE, COVER, LEFT             |                        |

Figure 100J EXTERNAL COVERS, PANELS, ETC. (IR-ADV 4545i)



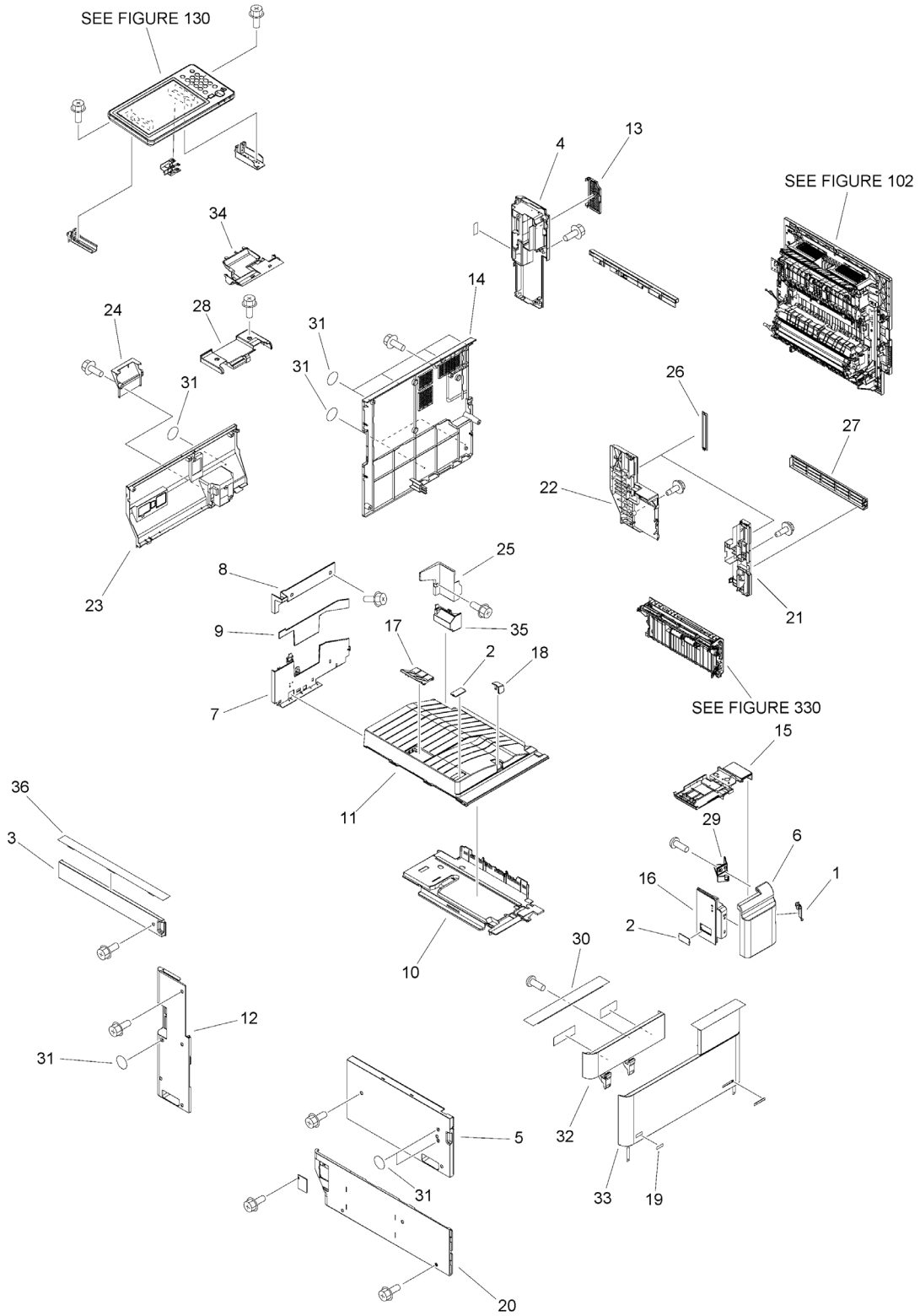
| FIGURE & KEY NO. | PART NUMBER  | RANK | QTY | DESCRIPTION                    | SERIAL NUMBER /REMARKS |
|------------------|--------------|------|-----|--------------------------------|------------------------|
| 100J             | NPN          |      | RF  | EXTERNAL COVERS, PANELS, ETC.  | IR-ADV 4545i           |
| 1                | FC8-4000-000 |      | 1   | COVER, MAIN SWITCH             |                        |
| 2                | FE8-8807-000 |      | 2   | COVER, FAX CONNECTOR           |                        |
| 3                | FE4-6552-000 |      | 1   | COVER, LEFT UPPER              |                        |
| 4                | FE4-6559-000 |      | 1   | COVER, REAR, RIGHT             |                        |
| 5                | FE4-6560-000 |      | 1   | COVER, LEFT                    |                        |
| 6                | FE4-6565-010 |      | 1   | COVER, FRONT, UPPER            |                        |
| 7                | FE4-6570-000 |      | 1   | COVER, DEPTH, DELIVERY, BOTTOM |                        |
| 8                | FE4-6571-000 |      | 1   | COVER, DEPTH, DELIVERY ,UPPER  |                        |
| 9                | FE4-6572-000 |      | 1   | COVER, DEPTH, DELIVERY, CENTER |                        |
| 10               | FE4-6573-000 |      | 1   | TRAY, BASE, RIGHT              |                        |
| 11               | FE4-6575-000 |      | 1   | TRAY, PAPER DELIVERY           |                        |
| 12               | FE4-6577-000 |      | 1   | COVER, REAR, LEFT              |                        |
| 13               | FE4-6578-000 |      | 1   | COVER, HDD DOOR                |                        |
| 14               | FE4-6579-000 |      | 1   | COVER, REAR                    |                        |
| 15               | FM1-W166-000 |      | 1   | COVER, CONTROL PANEL, BOTTOM   |                        |
| 16               | FE4-6585-000 |      | 1   | COVER, RIGHT, UPPER, BEHIND    |                        |
| 17               | FE4-6586-000 |      | 1   | GUIDE, PAPER BACK END          |                        |
| 18               | FE4-6587-000 |      | 1   | COVER, DELIVERY TRAY, ACC      |                        |
| 19               | FE4-7199-000 |      | 1   | LABEL, TONER                   |                        |
| 20               | FE4-7204-000 |      | 1   | PANEL, LEFT LOWER              |                        |
| 21               | FE4-7205-000 |      | 1   | PANEL, RIGHT LOWER, FRONT      |                        |
| 22               | FE4-7206-000 |      | 1   | PANEL, RIGHT LOWER, REAR       |                        |
| 23               | FE4-7208-000 |      | 1   | PANEL, REAR LOWER              |                        |
| 24               | FE4-7209-000 |      | 1   | PANEL, PROTECTIVE              |                        |
| 25               | FE4-7210-000 |      | 1   | COVER, PAPER DELIVERY, REAR    |                        |
| 26               | FE4-7226-000 |      | 2   | PANEL, HANDLE                  |                        |
| 27               | FE4-7237-000 |      | 1   | PANEL, RIGHT CENTER            |                        |
| 28               | FE2-B597-000 |      | 1   | COVER, ARM, UPPER              |                        |
| 29               | FC0-2538-000 |      | 1   | MOUNT, SWITCH COVER            |                        |
| 30               | FL0-5736-000 |      | 1   | COVER, TONER BOTTLE, TOP       |                        |
| 31               | FL0-5737-000 |      | 10  | SEAL, BLANKING                 |                        |
| 32               | FL0-5744-000 |      | 1   | COVER, TONER BOTTLE            |                        |
| 33               | FM1-J167-000 |      | 1   | FRONT DOOR UNIT                |                        |
| 34               | FE8-4657-000 |      | 1   | COVER, CONNECTOR               |                        |
| 35               | FM1-J192-000 |      | 1   | COVER, PAPER DELIVERY, REAR    |                        |
| 36               | FL0-5735-000 |      | 1   | PLATE, COVER, LEFT             |                        |

Figure 100K EXTERNAL COVERS, PANELS, ETC. (IR-ADV 4535i)



| FIGURE & KEY NO. | PART NUMBER  | RANK | QTY | DESCRIPTION                    | SERIAL NUMBER /REMARKS |
|------------------|--------------|------|-----|--------------------------------|------------------------|
| 100K             | NPN          |      | RF  | EXTERNAL COVERS, PANELS, ETC.  | IR-ADV 4535i           |
| 1                | FC8-4000-000 |      | 1   | COVER, MAIN SWITCH             |                        |
| 2                | FE8-8807-000 |      | 2   | COVER, FAX CONNECTOR           |                        |
| 3                | FE4-6552-000 |      | 1   | COVER, LEFT UPPER              |                        |
| 4                | FE4-6559-000 |      | 1   | COVER, REAR, RIGHT             |                        |
| 5                | FE4-6560-000 |      | 1   | COVER, LEFT                    |                        |
| 6                | FE4-6565-010 |      | 1   | COVER, FRONT, UPPER            |                        |
| 7                | FE4-6570-000 |      | 1   | COVER, DEPTH, DELIVERY, BOTTOM |                        |
| 8                | FE4-6571-000 |      | 1   | COVER, DEPTH, DELIVERY ,UPPER  |                        |
| 9                | FE4-6572-000 |      | 1   | COVER, DEPTH, DELIVERY, CENTER |                        |
| 10               | FE4-6573-000 |      | 1   | TRAY, BASE, RIGHT              |                        |
| 11               | FE4-6575-000 |      | 1   | TRAY, PAPER DELIVERY           |                        |
| 12               | FE4-6577-000 |      | 1   | COVER, REAR, LEFT              |                        |
| 13               | FE4-6578-000 |      | 1   | COVER, HDD DOOR                |                        |
| 14               | FE4-6579-000 |      | 1   | COVER, REAR                    |                        |
| 15               | FM1-W166-000 |      | 1   | COVER, CONTROL PANEL, BOTTOM   |                        |
| 16               | FE4-6585-000 |      | 1   | COVER, RIGHT, UPPER, BEHIND    |                        |
| 17               | FE4-6586-000 |      | 1   | GUIDE, PAPER BACK END          |                        |
| 18               | FE4-6587-000 |      | 1   | COVER, DELIVERY TRAY, ACC      |                        |
| 19               | FE4-7199-000 |      | 1   | LABEL, TONER                   |                        |
| 20               | FE4-7204-000 |      | 1   | PANEL, LEFT LOWER              |                        |
| 21               | FE4-7205-000 |      | 1   | PANEL, RIGHT LOWER, FRONT      |                        |
| 22               | FE4-7206-000 |      | 1   | PANEL, RIGHT LOWER, REAR       |                        |
| 23               | FE4-7208-000 |      | 1   | PANEL, REAR LOWER              |                        |
| 24               | FE4-7209-000 |      | 1   | PANEL, PROTECTIVE              |                        |
| 25               | FE4-7210-000 |      | 1   | COVER, PAPER DELIVERY, REAR    |                        |
| 26               | FE4-7226-000 |      | 2   | PANEL, HANDLE                  |                        |
| 27               | FE4-7237-000 |      | 1   | PANEL, RIGHT CENTER            |                        |
| 28               | FE2-B597-000 |      | 1   | COVER, ARM, UPPER              |                        |
| 29               | FC0-2538-000 |      | 1   | MOUNT, SWITCH COVER            |                        |
| 30               | FL0-5736-000 |      | 1   | COVER, TONER BOTTLE, TOP       |                        |
| 31               | FL0-5737-000 |      | 10  | SEAL, BLANKING                 |                        |
| 32               | FL0-5744-000 |      | 1   | COVER, TONER BOTTLE            |                        |
| 33               | FM1-J167-000 |      | 1   | FRONT DOOR UNIT                |                        |
| 34               | FE8-4657-000 |      | 1   | COVER, CONNECTOR               |                        |
| 35               | FM1-J192-000 |      | 1   | COVER, PAPER DELIVERY, REAR    |                        |
| 36               | FL0-5735-000 |      | 1   | PLATE, COVER, LEFT             |                        |

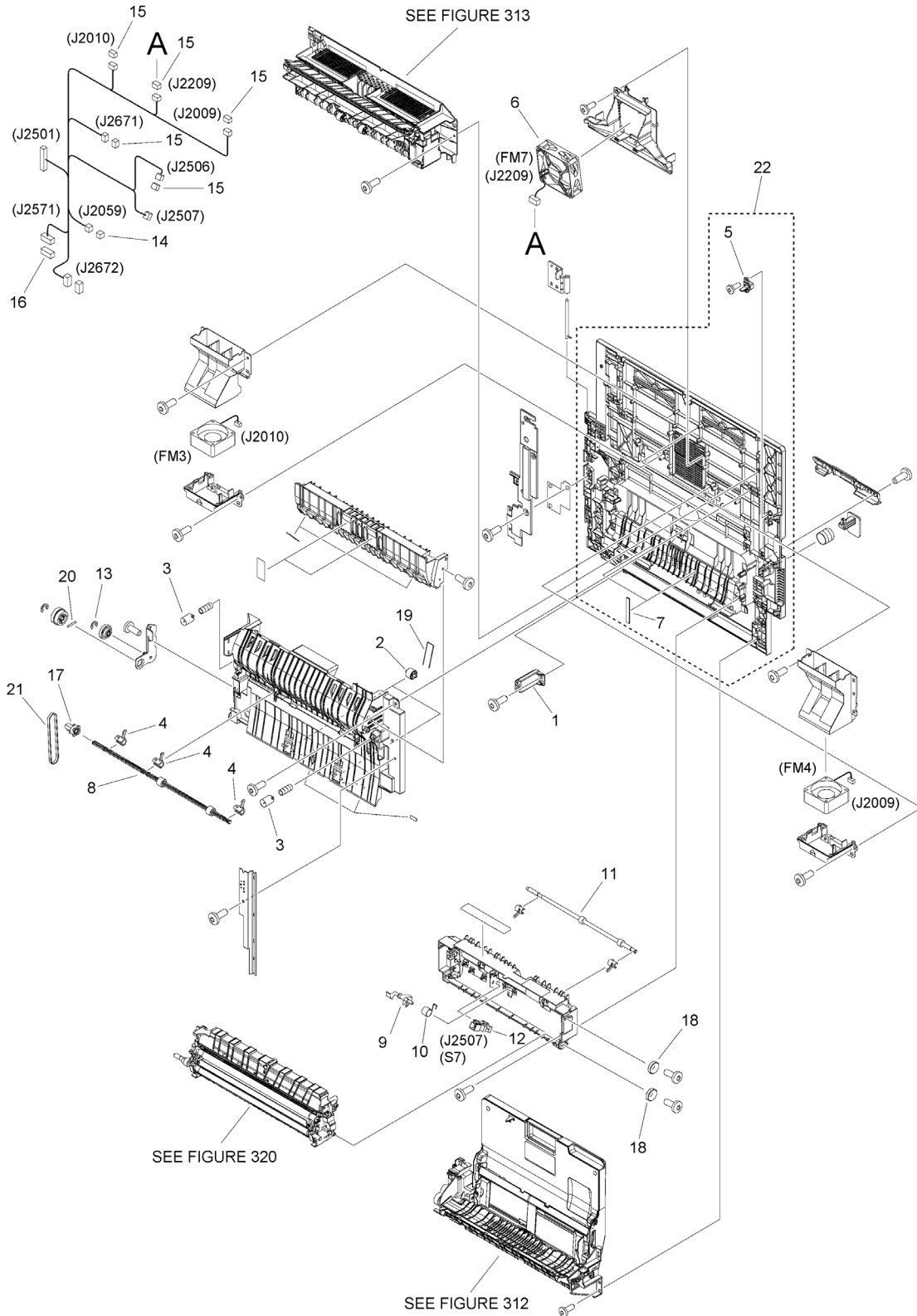
Figure 100L EXTERNAL COVERS, PANELS, ETC. (IR-ADV 4525i)



| FIGURE & KEY NO. | PART NUMBER  | RANK | QTY | DESCRIPTION                    | SERIAL NUMBER /REMARKS |
|------------------|--------------|------|-----|--------------------------------|------------------------|
| 100L             | NPN          |      | RF  | EXTERNAL COVERS, PANELS, ETC.  | IR-ADV 4525i           |
| 1                | FC8-4000-000 |      | 1   | COVER, MAIN SWITCH             |                        |
| 2                | FE8-8807-000 |      | 2   | COVER, FAX CONNECTOR           |                        |
| 3                | FE4-6552-000 |      | 1   | COVER, LEFT UPPER              |                        |
| 4                | FE4-6559-000 |      | 1   | COVER, REAR, RIGHT             |                        |
| 5                | FE4-6560-000 |      | 1   | COVER, LEFT                    |                        |
| 6                | FE4-6565-010 |      | 1   | COVER, FRONT, UPPER            |                        |
| 7                | FE4-6570-000 |      | 1   | COVER, DEPTH, DELIVERY, BOTTOM |                        |
| 8                | FE4-6571-000 |      | 1   | COVER, DEPTH, DELIVERY ,UPPER  |                        |
| 9                | FE4-6572-000 |      | 1   | COVER, DEPTH, DELIVERY, CENTER |                        |
| 10               | FE4-6573-000 |      | 1   | TRAY, BASE, RIGHT              |                        |
| 11               | FE4-6575-000 |      | 1   | TRAY, PAPER DELIVERY           |                        |
| 12               | FE4-6577-000 |      | 1   | COVER, REAR, LEFT              |                        |
| 13               | FE4-6578-000 |      | 1   | COVER, HDD DOOR                |                        |
| 14               | FE4-6579-000 |      | 1   | COVER, REAR                    |                        |
| 15               | FM1-W166-000 |      | 1   | COVER, CONTROL PANEL, BOTTOM   |                        |
| 16               | FE4-6585-000 |      | 1   | COVER, RIGHT, UPPER, BEHIND    |                        |
| 17               | FE4-6586-000 |      | 1   | GUIDE, PAPER BACK END          |                        |
| 18               | FE4-6587-000 |      | 1   | COVER, DELIVERY TRAY, ACC      |                        |
| 19               | FE4-7199-000 |      | 1   | LABEL, TONER                   |                        |
| 20               | FE4-7204-000 |      | 1   | PANEL, LEFT LOWER              |                        |
| 21               | FE4-7205-000 |      | 1   | PANEL, RIGHT LOWER, FRONT      |                        |
| 22               | FE4-7206-000 |      | 1   | PANEL, RIGHT LOWER, REAR       |                        |
| 23               | FE4-7208-000 |      | 1   | PANEL, REAR LOWER              |                        |
| 24               | FE4-7209-000 |      | 1   | PANEL, PROTECTIVE              |                        |
| 25               | FE4-7210-000 |      | 1   | COVER, PAPER DELIVERY, REAR    |                        |
| 26               | FE4-7226-000 |      | 2   | PANEL, HANDLE                  |                        |
| 27               | FE4-7237-000 |      | 1   | PANEL, RIGHT CENTER            |                        |
| 28               | FE2-B597-000 |      | 1   | COVER, ARM, UPPER              |                        |
| 29               | FC0-2538-000 |      | 1   | MOUNT, SWITCH COVER            |                        |
| 30               | FL0-5736-000 |      | 1   | COVER, TONER BOTTLE, TOP       |                        |
| 31               | FL0-5737-000 |      | 10  | SEAL, BLANKING                 |                        |
| 32               | FL0-5744-000 |      | 1   | COVER, TONER BOTTLE            |                        |
| 33               | FM1-J167-000 |      | 1   | FRONT DOOR UNIT                |                        |
| 34               | FE8-4657-000 |      | 1   | COVER, CONNECTOR               |                        |
| 35               | FM1-J192-000 |      | 1   | COVER, PAPER DELIVERY, REAR    |                        |
| 36               | FL0-5735-000 |      | 1   | PLATE, COVER, LEFT             |                        |

# Figure 102 RIGHT DOOR ASSEMBLY

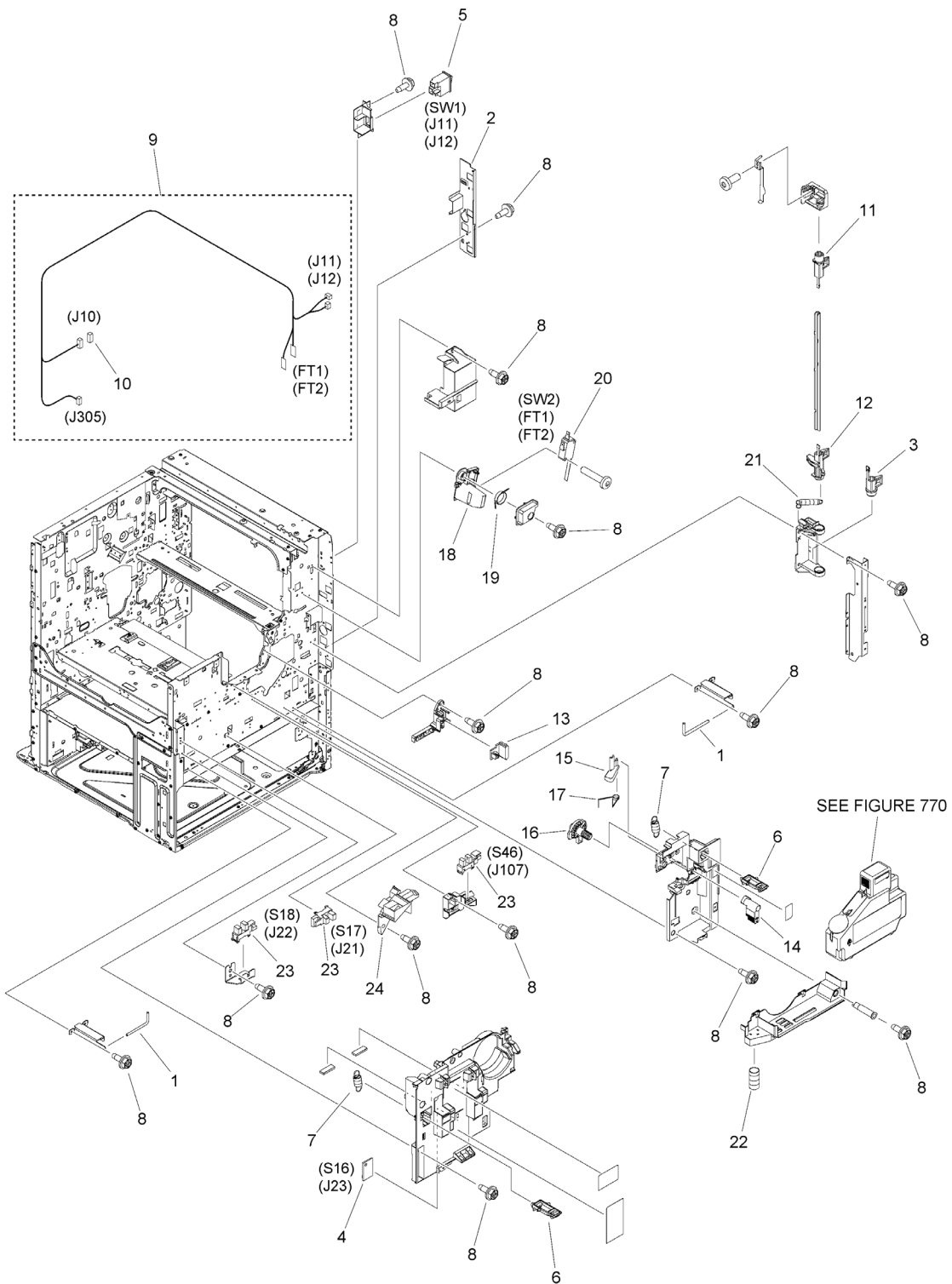
NOTE : This assembly includes the assemblies shown in Figure 312, 313 and 320.





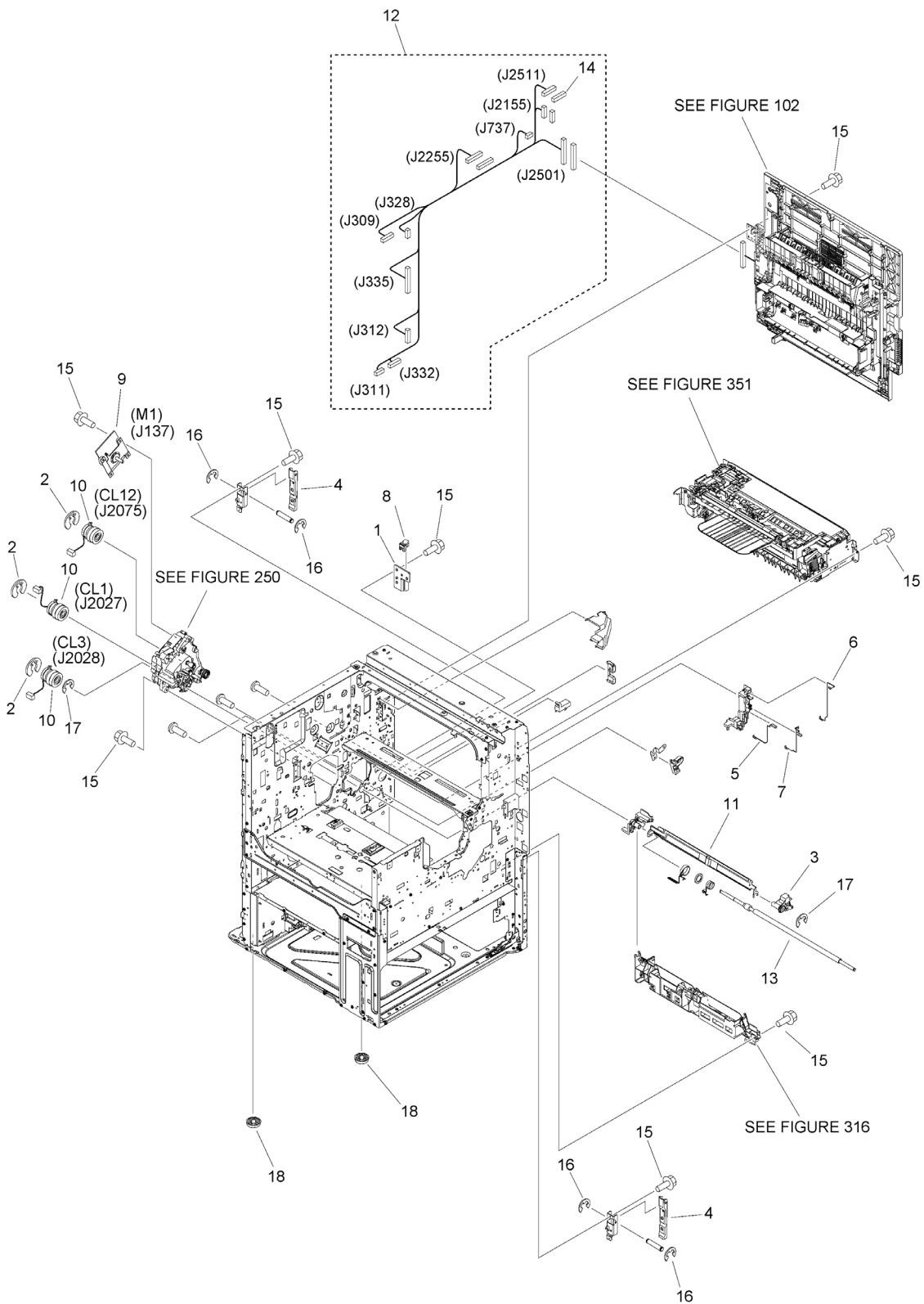
| FIGURE & KEY NO. | PART NUMBER  | RANK | QTY | DESCRIPTION                  | SERIAL NUMBER /REMARKS |
|------------------|--------------|------|-----|------------------------------|------------------------|
| 102              | FM1-J052-010 |      | 1   | RIGHT DOOR ASSEMBLY          | SEE NOTE               |
| 1                | FC0-2458-010 |      | 1   | GUIDE, AUXILIARY             |                        |
| 2                | FC5-1358-000 |      | 2   | COLLAR, FIXING DELIVERY      |                        |
| 3                | FC5-6014-000 |      | 2   | CAP, SPRING                  |                        |
| 4                | FC9-0717-000 |      | 3   | BUSHING                      |                        |
| 5                | FE4-0096-000 |      | 1   | FLAG, MICROSWITCH            |                        |
| 6                | FK2-0360-000 |      | 1   | FAN                          | FM7                    |
| 7                | FL1-6367-000 |      | 2   | SHEET, STATIC CHARGE         |                        |
| 8                | FL3-1448-000 |      | 1   | ROLLER, DUPLEXING PAPER FEED |                        |
| 9                | FC9-8965-010 |      | 1   | FLAG, REVERSE DETECT         |                        |
| 10               | FC9-8966-000 |      | 1   | SPRING, TORSION              |                        |
| 11               | FL3-6203-000 |      | 1   | ROLLER, DUPLEXING PAPER FEED |                        |
| 12               | WG8-5836-000 |      | 1   | IC PHOTOINTERRUPTER, HYBRID  | S7                     |
| 13               | XD9-0136-000 |      | 1   | RETAINING RING (E-TYPE)      |                        |
| 14               | VS1-7177-002 |      | 1   | CONNECTOR, SNAP TIGHT, BK    |                        |
| 15               | VS1-7177-003 |      | 5   | CONNECTOR, SNAP TIGHT, BK    |                        |
| 16               | VS1-7177-005 |      | 1   | CONNECTOR, SNAP TIGHT, BK    |                        |
| 17               | FU5-3796-000 |      | 1   | PULLEY                       |                        |
| 18               | FU5-6014-000 |      | 2   | COLLAR                       |                        |
| 19               | FU8-2883-000 |      | 2   | SPRING, RETAINING            |                        |
| 20               | XD9-0289-000 |      | 1   | PIN, PARALLEL                |                        |
| 21               | XF2-1611-840 |      | 1   | BELT, TIMING                 |                        |
| 22               | 4Y8-3118-010 |      | 1   | DOOR, RIGHT                  |                        |

Figure 103B MACHINE FRONT PLATE



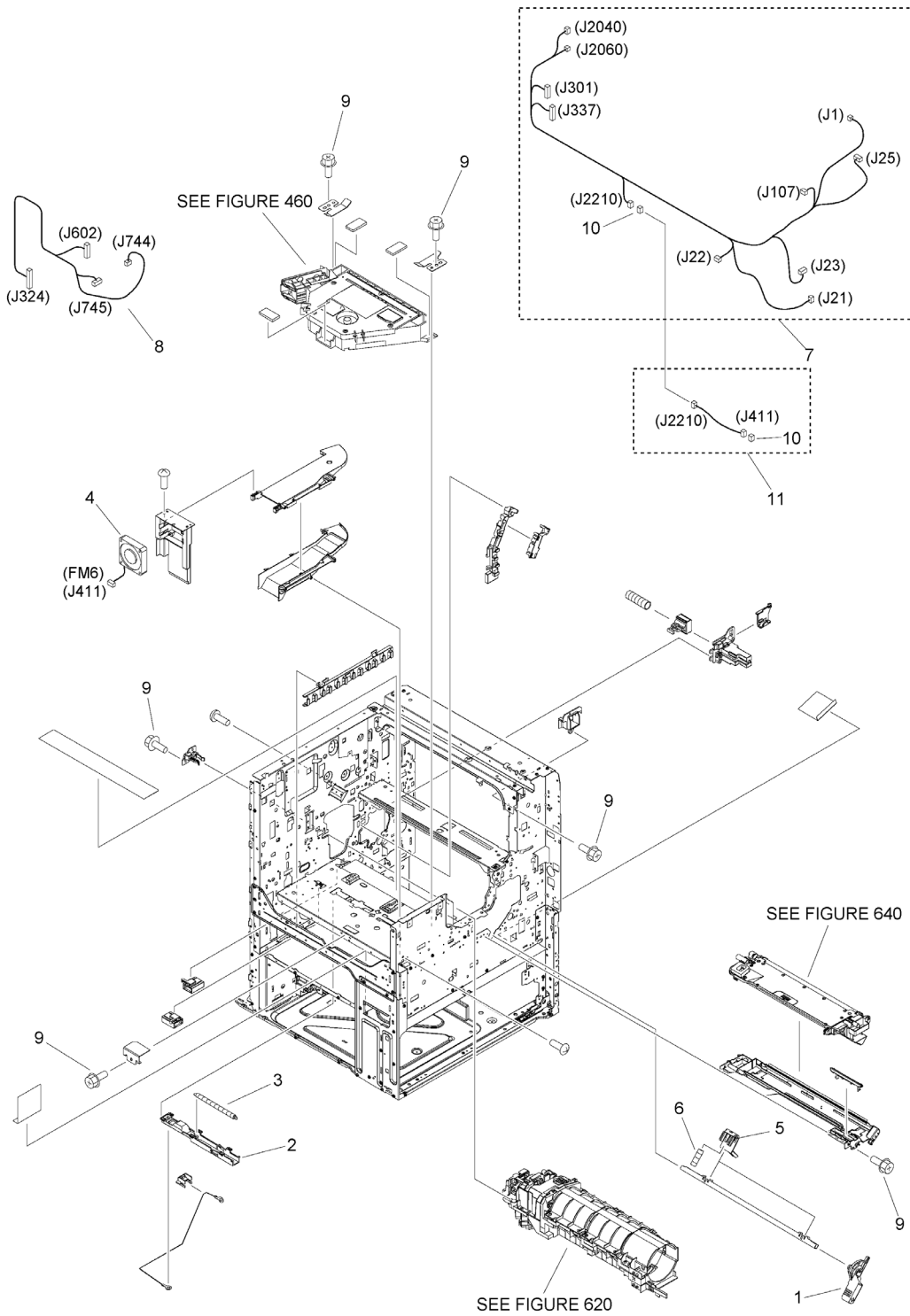
| FIGURE & KEY NO. | PART NUMBER  | RANK | QTY | DESCRIPTION                 | SERIAL NUMBER /REMARKS |
|------------------|--------------|------|-----|-----------------------------|------------------------|
| 103B             | NPN          |      | RF  | MACHINE FRONT PLATE         |                        |
| 1                | FA8-2446-000 |      | 1   | PIN, HINGE                  |                        |
| 2                | FC9-0574-000 |      | 1   | COVER, INNER, RIGHT         |                        |
| 3                | FC9-0900-000 |      | 1   | HOOK, RIGHT DOOR, LOWER     |                        |
| 4                | WP2-5410-000 |      | 1   | SENSOR, HUMIDITY            | S16                    |
| 5                | FK3-2835-000 |      | 1   | SWITCH, MAIN POWER SUPPLY   | SW1                    |
| 6                | FC9-1698-000 |      | 1   | HOOK, FRONT DOOR            |                        |
| 7                | FU7-2996-000 |      | 1   | SPRING, TENSION             |                        |
| 8                | XA9-1386-000 |      | 1   | SCREW,RS,M3X8               |                        |
| 9                | FM1-N914-000 |      | 1   | CABLE, INTERLOCK SWITCH     |                        |
| 10               | VS1-7177-004 |      | 1   | CONNECTOR, SNAP TIGHT, BK   |                        |
| 11               | FC9-0898-000 |      | 1   | HOOK, RIGHT DOOR, UPPER     |                        |
| 12               | FC9-0899-000 |      | 1   | HOOK, RIGHT DOOR, CENTER    |                        |
| 13               | FM4-1101-000 |      | 1   | CONTACT PCB ASSEMBLY        |                        |
| 14               | FE8-8403-000 |      | 1   | LEVER, BOTTLE EXCHANGE      |                        |
| 15               | FC9-0503-000 |      | 1   | LEVER, HANDLE LOCK          |                        |
| 16               | FC9-7708-000 |      | 1   | GEAR, 7T                    |                        |
| 17               | FU7-2912-000 |      | 1   | SPRING, TORSION             |                        |
| 18               | FC9-1701-000 |      | 1   | HOLDER, INTERLOCK           |                        |
| 19               | FU7-2997-000 |      | 1   | SPRING, TORSION             |                        |
| 20               | WC4-5242-000 |      | 1   | SWITCH, MICRO               | SW2                    |
| 21               | FU6-2194-000 |      | 1   | SPRING, TENSION             |                        |
| 22               | FU7-2911-000 |      | 1   | SPRING, COMPRESSION         |                        |
| 23               | WG8-5836-000 |      | 1   | IC PHOTOINTERRUPTER, HYBRID | S17, S18, S46          |
| 24               | FE4-6878-000 |      | 1   | COVER, DEVELOPING           |                        |

Figure 104 INTERNAL COMPONENTS 1



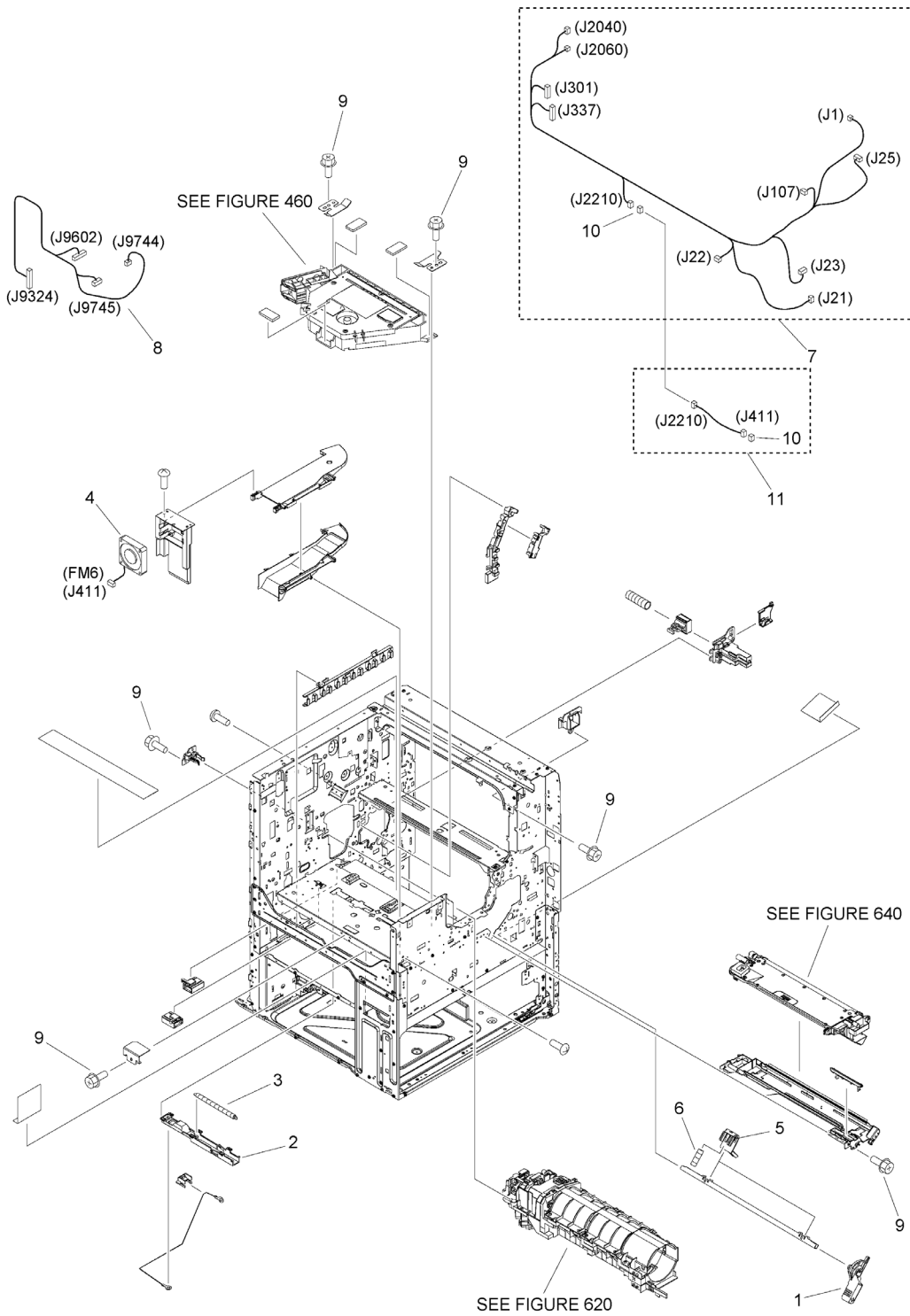
| FIGURE & KEY NO. | PART NUMBER  | RANK | QTY | DESCRIPTION                | SERIAL NUMBER /REMARKS |
|------------------|--------------|------|-----|----------------------------|------------------------|
| 104              | NPN          |      | RF  | INTERNAL COMPONENTS 1      |                        |
| 1                | FC0-2513-000 |      | 1   | HINGE, RIGHT DOOR, LOWER   |                        |
| 2                | FC8-6380-000 |      | 3   | CLIP                       |                        |
| 3                | FL1-4039-000 |      | 1   | BUSHING                    |                        |
| 4                | FC9-0562-010 |      | 2   | LEVER, RIGHT               |                        |
| 5                | FC9-0989-000 |      | 1   | SPRING, CONTACT            |                        |
| 6                | FC9-0990-000 |      | 1   | SPRING, CONTACT            |                        |
| 7                | FC9-0991-000 |      | 1   | SPRING, CONTACT            |                        |
| 8                | FE4-6484-000 |      | 1   | CAM, HINGE, RIGHT DOOR     |                        |
| 9                | FK2-9142-000 |      | 1   | MOTOR, DC                  | M1                     |
| 10               | FK2-9153-000 |      | 3   | CLUTCH                     | CL1, CL3, CL12         |
| 11               | FM1-J189-000 |      | 1   | GUIDE, PRE-TRANSFER, UPPER |                        |
| 12               | FM1-N911-000 |      | 1   | CABLE, DOOR, RIGHT         |                        |
| 13               | FM3-9250-000 |      | 1   | ROLLER, REG. PRESSURE      |                        |
| 14               | VS1-8412-015 |      | 1   | CONNECTOR, SNAP TIGHT, BL  |                        |
| 15               | XA9-1386-000 |      | 15  | SCREW,RS,M3X8              |                        |
| 16               | XD9-0136-000 |      | 4   | RETAINING RING (E-TYPE)    |                        |
| 17               | XD9-0137-010 |      | 2   | RING, E                    |                        |
| 18               | XH9-0136-000 |      | 2   | FOOT, RUBBER               |                        |

Figure 105A INTERNAL COMPONENTS 2 (IR-ADV 4551, 4545, 4535)



| FIGURE & KEY NO. | PART NUMBER  | RANK | QTY | DESCRIPTION                   | SERIAL NUMBER /REMARKS         |
|------------------|--------------|------|-----|-------------------------------|--------------------------------|
| 105A             | NPN          |      | RF  | MACHINE INTERNAL COMPONENTS 2 | IR-ADV 4551, 4545, 4535 SERIES |
| 1                | FE8-8404-000 |      | 1   | HANDLE, PRESSURE              |                                |
| 2                | FC9-1623-010 |      | 1   | LINK, LASER SHUTTER           |                                |
| 3                | FU7-2972-000 |      | 1   | SPRING, TENSION               |                                |
| 4                | FK2-0472-010 |      | 1   | FAN                           | FM6                            |
| 5                | FC9-0609-000 |      | 2   | CAM, DEVELOPING PRESSURE      |                                |
| 6                | FU8-2801-000 |      | 2   | SPRING, COMPRESSION           |                                |
| 7                | FM1-N913-000 |      | 1   | CABLE, DC CONTROLLER, FRONT   |                                |
| 8                | FM1-N874-000 |      | 1   | CABLE, LASER                  |                                |
| 9                | XA9-1386-000 |      | 15  | SCREW,RS,M3X8                 |                                |
| 10               | VS1-7177-003 |      | 2   | CONNECTOR, SNAP TIGHT, BK     |                                |
| 11               | FM1-C863-000 |      | 1   | CABLE, COOLING FAN            |                                |

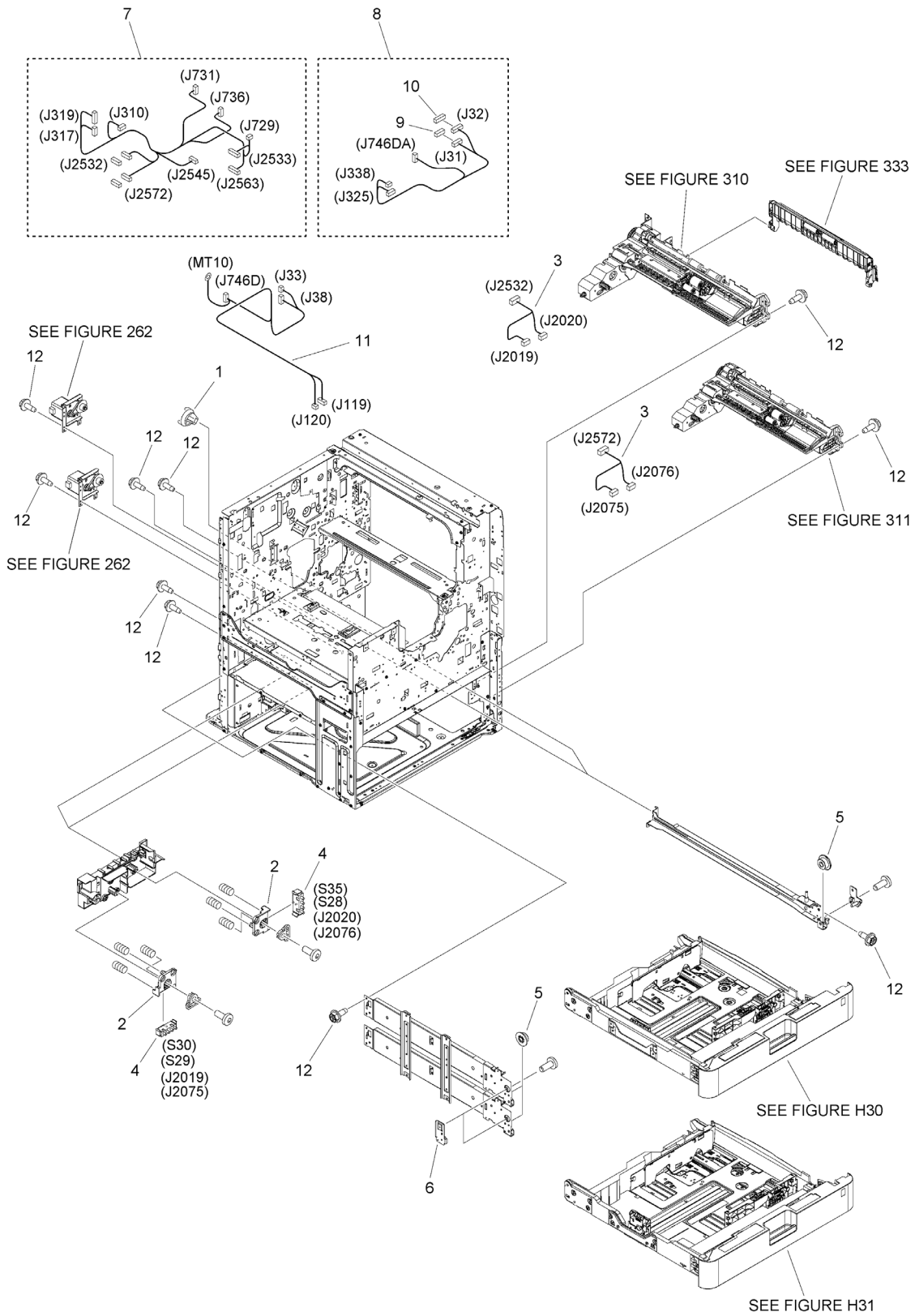
Figure 105B INTERNAL COMPONENTS 2 (IR-ADV 4525)





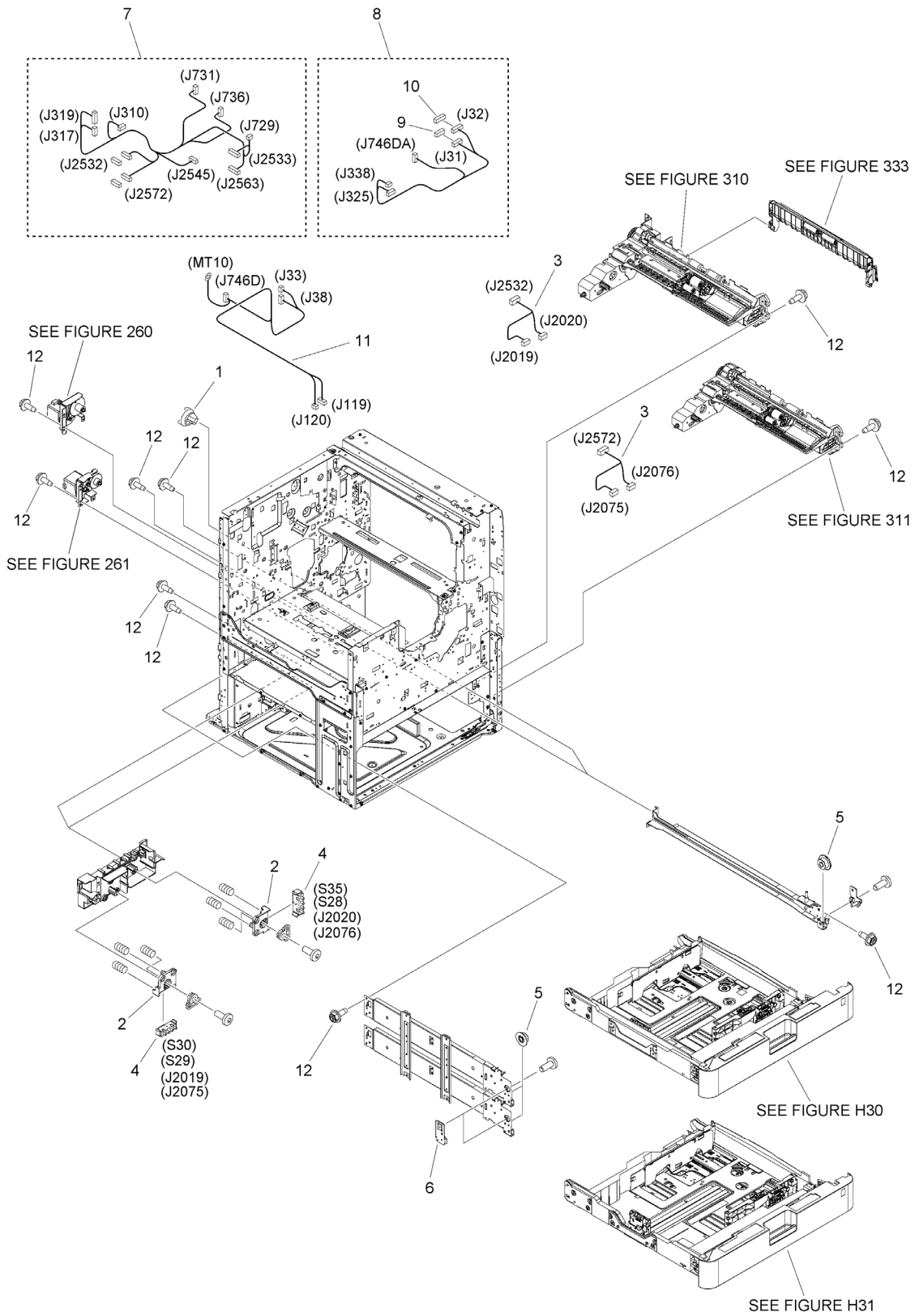
| FIGURE & KEY NO. | PART NUMBER  | RANK | QTY | DESCRIPTION                   | SERIAL NUMBER /REMARKS |
|------------------|--------------|------|-----|-------------------------------|------------------------|
| 105B             | NPN          |      | RF  | MACHINE INTERNAL COMPONENTS 2 | IR-ADV 4525 SERIES     |
| 1                | FE8-8404-000 |      | 1   | HANDLE, PRESSURE              |                        |
| 2                | FC9-1623-010 |      | 1   | LINK, LASER SHUTTER           |                        |
| 3                | FU7-2972-000 |      | 1   | SPRING, TENSION               |                        |
| 4                | FK2-0472-010 |      | 1   | FAN                           | FM6                    |
| 5                | FC9-0609-000 |      | 2   | CAM, DEVELOPING PRESSURE      |                        |
| 6                | FU8-2801-000 |      | 2   | SPRING, COMPRESSION           |                        |
| 7                | FM1-N913-000 |      | 1   | CABLE, DC CONTROLLER, FRONT   |                        |
| 8                | FM1-N898-000 |      | 1   | CABLE, LASER                  |                        |
| 9                | XA9-1386-000 |      | 15  | SCREW,RS,M3X8                 |                        |
| 10               | VS1-7177-003 |      | 2   | CONNECTOR, SNAP TIGHT, BK     |                        |
| 11               | FM1-C863-000 |      | 1   | CABLE, COOLING FAN            |                        |

Figure 106C INTERNAL COMPONENTS 3 (W/O HEATER 4551)



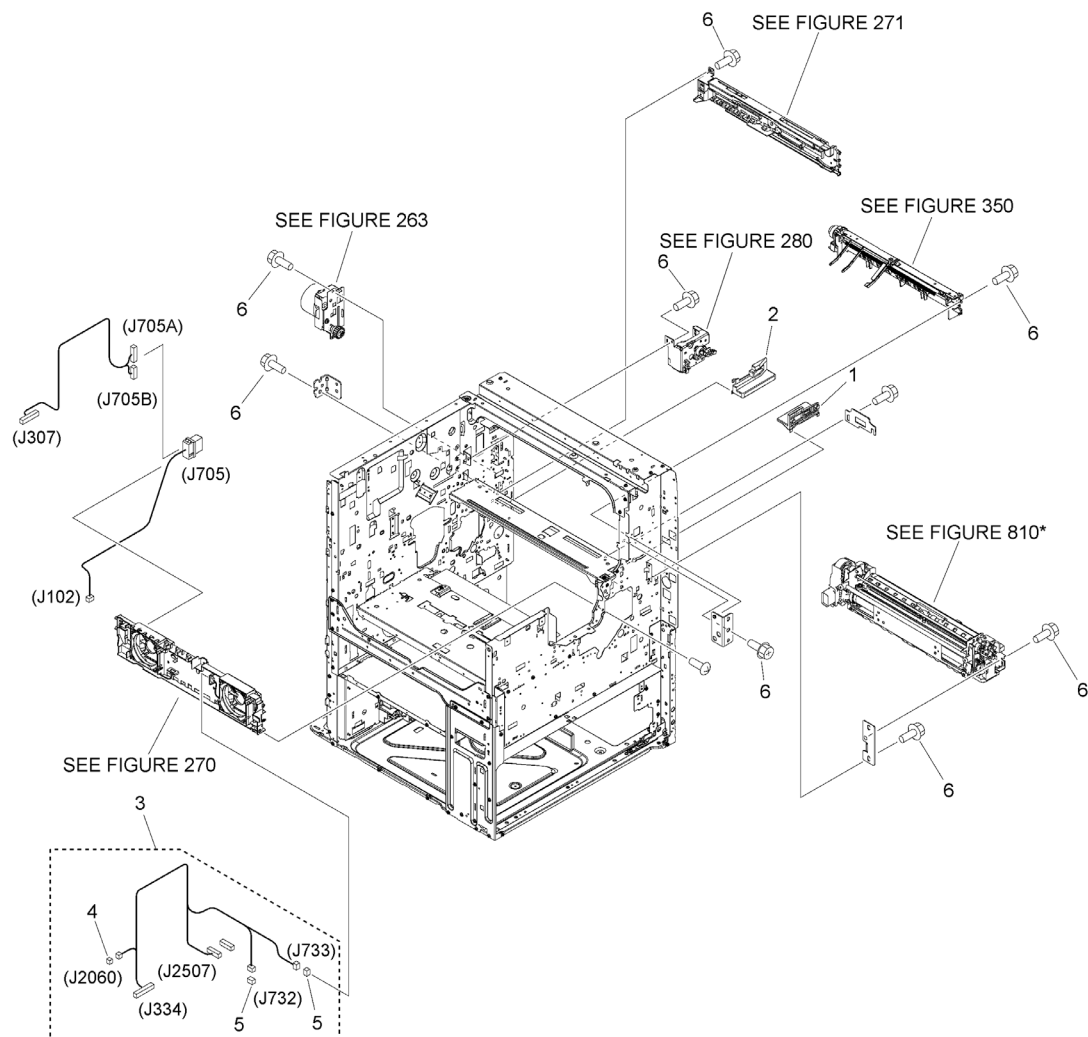
| FIGURE & KEY NO. | PART NUMBER  | RANK | QTY | DESCRIPTION                    | SERIAL NUMBER /REMARKS |
|------------------|--------------|------|-----|--------------------------------|------------------------|
| 106C             | NPN          |      | RF  | INTERNAL COMPONENTS 3          | W/ O HEATER 4551       |
| 1                | FU5-1030-000 |      | 1   | BUSHING                        |                        |
| 2                | FC8-2478-000 |      | 4   | HOLDER, SWITCH                 |                        |
| 3                | FM4-2903-000 |      | 2   | CABLE, SIZE DETECT             |                        |
| 4                | WC2-5761-000 |      | 4   | SWITCH, DETECT PUSH            | S28, S29, S30, S35     |
| 5                | FC8-4999-000 |      | 4   | ROLLER, RAIL                   |                        |
| 6                | FL3-1456-000 |      | 2   | RAIL, ROLLER SHAFT PLATE, LEFT |                        |
| 7                | FM1-N912-000 |      | 1   | CABLE, CASSETTE                |                        |
| 8                | FM1-N918-000 |      | 1   | CABLE, OPTION CASSETTE         |                        |
| 9                | VS1-8412-011 |      | 1   | CONNECTOR, SNAP TIGHT, BL      |                        |
| 10               | VS1-8412-015 |      | 1   | CONNECTOR, SNAP TIGHT, BL      |                        |
| 11               | FM1-N919-000 |      | 1   | CABLE, AC DRIVER               |                        |
| 12               | XA9-1386-000 |      | 15  | SCREW,RS,M3X8                  |                        |

Figure 106D INTERNAL COMPONENTS 3 (W/O HEATER EXCEPT 4551)



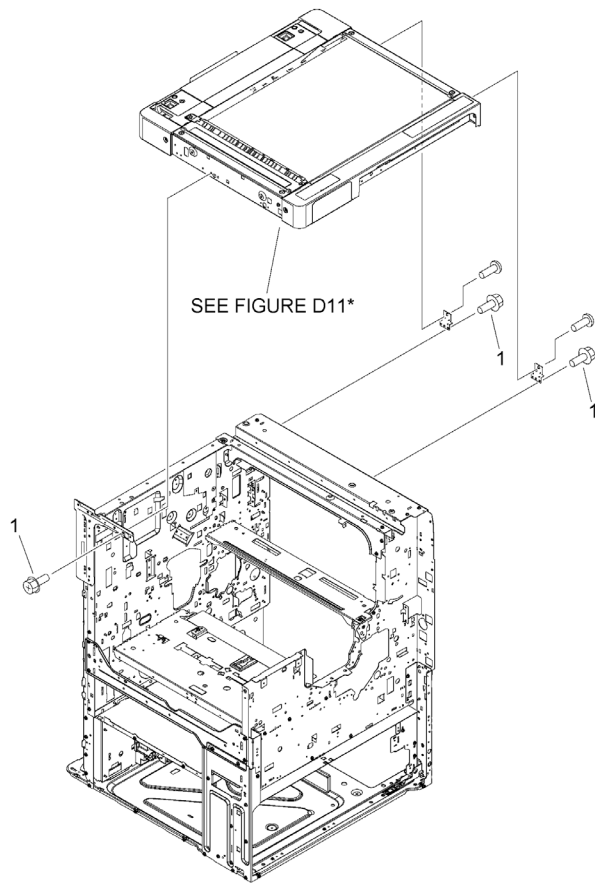
| FIGURE & KEY NO. | PART NUMBER  | RANK | QTY | DESCRIPTION                    | SERIAL NUMBER /REMARKS  |
|------------------|--------------|------|-----|--------------------------------|-------------------------|
| 106D             | NPN          |      | RF  | INTERNAL COMPONENTS 3          | W/ O HEATER EXCEPT 4551 |
| 1                | FU5-1030-000 |      | 1   | BUSHING                        |                         |
| 2                | FC8-2478-000 |      | 4   | HOLDER, SWITCH                 |                         |
| 3                | FM4-2903-000 |      | 2   | CABLE, SIZE DETECT             |                         |
| 4                | WC2-5761-000 |      | 4   | SWITCH, DETECT PUSH            | S28, S29, S30, S35      |
| 5                | FC8-4999-000 |      | 4   | ROLLER, RAIL                   |                         |
| 6                | FL3-1456-000 |      | 2   | RAIL, ROLLER SHAFT PLATE, LEFT |                         |
| 7                | FM1-N912-000 |      | 1   | CABLE, CASSETTE                |                         |
| 8                | FM1-N918-000 |      | 1   | CABLE, OPTION CASSETTE         |                         |
| 9                | VS1-8412-011 |      | 1   | CONNECTOR, SNAP TIGHT, BL      |                         |
| 10               | VS1-8412-015 |      | 1   | CONNECTOR, SNAP TIGHT, BL      |                         |
| 11               | FM1-N919-000 |      | 1   | CABLE, AC DRIVER               |                         |
| 12               | XA9-1386-000 |      | 15  | SCREW,RS,M3X8                  |                         |

Figure 107 INTERNAL COMPONENTS 4



| FIGURE & KEY NO. | PART NUMBER  | RANK | QTY | DESCRIPTION               | SERIAL NUMBER /REMARKS |
|------------------|--------------|------|-----|---------------------------|------------------------|
| 107              | NPN          |      | RF  | INTERNAL COMPONENTS 4     |                        |
| 1                | FC9-0535-000 |      | 1   | RAIL, FIXING, FRONT       |                        |
| 2                | FC9-0536-000 |      | 1   | RAIL, FIXING, REAR        |                        |
| 3                | FM1-N872-000 |      | 1   | CABLE, COOLING FAN        |                        |
| 4                | VS1-7177-002 |      | 1   | CONNECTOR, SNAP TIGHT, BK |                        |
| 5                | VS1-7177-003 |      | 2   | CONNECTOR, SNAP TIGHT, BK |                        |
| 6                | XA9-1386-000 |      | 15  | SCREW,RS,M3X8             |                        |

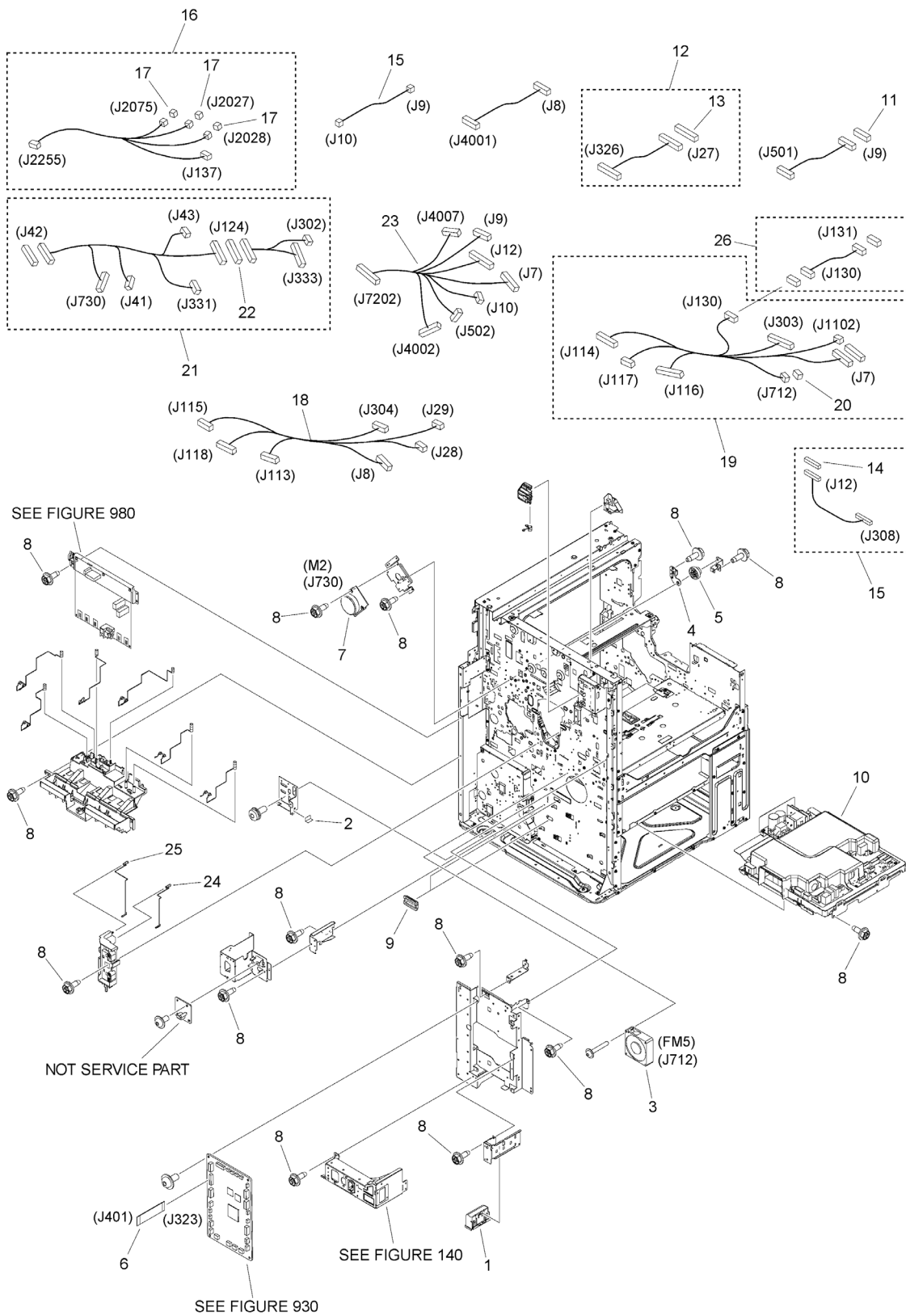
Figure 108C INTERNAL COMPONENTS 5 (WITHOUT ADF)





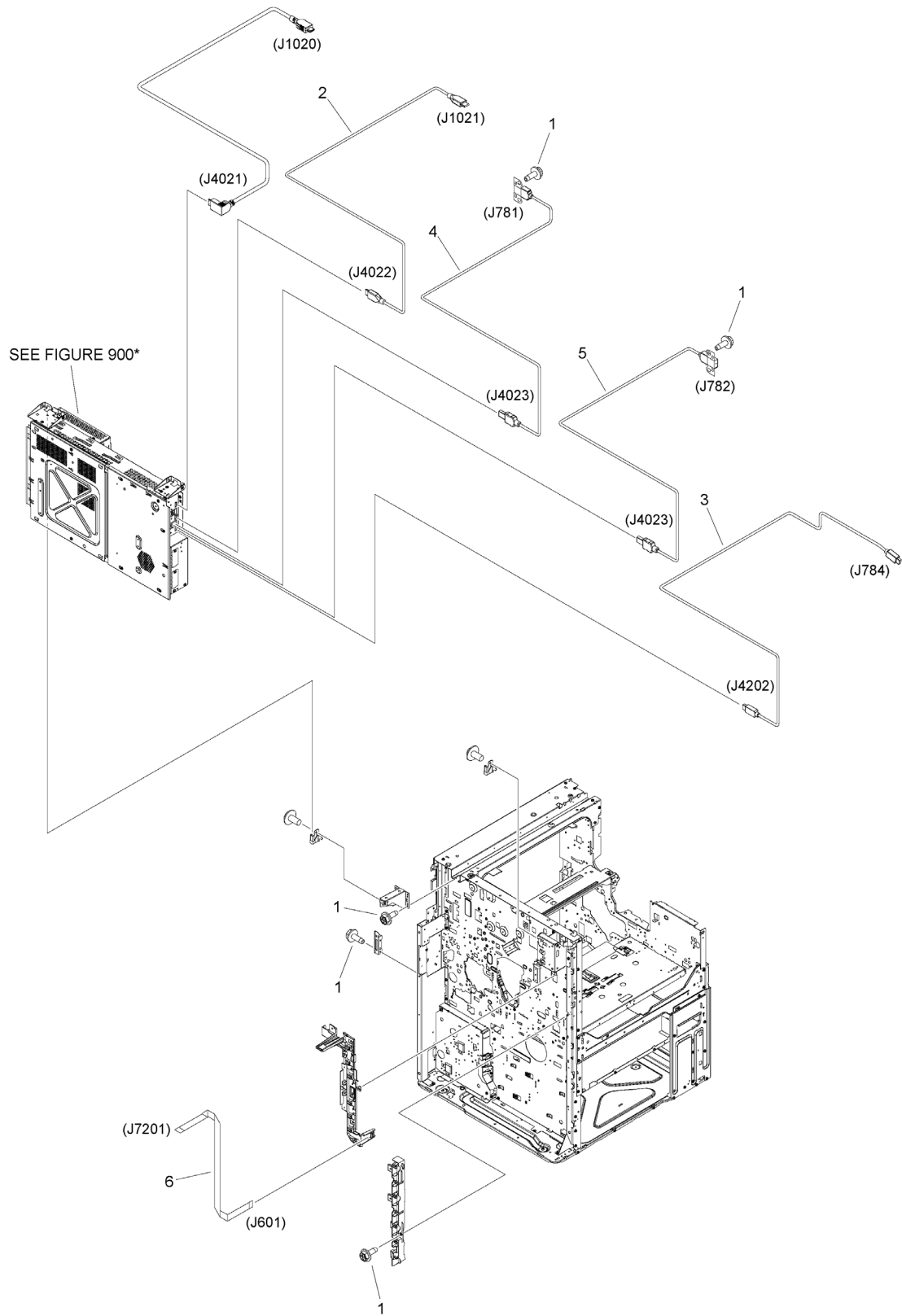
| <b>FIGURE<br/>&amp; KEY<br/>NO.</b> | <b>PART NUMBER</b> | <b>R<br/>A<br/>N<br/>K</b> | <b>QTY</b> | <b>DESCRIPTION</b>    | <b>SERIAL NUMBER<br/>/REMARKS</b> |
|-------------------------------------|--------------------|----------------------------|------------|-----------------------|-----------------------------------|
| 108C                                | NPN                |                            | RF         | INTERNAL COMPONENTS 5 | WITHOUT ADF                       |
| 1                                   | XA9-1386-000       |                            | 6          | SCREW,RS,M3X8         |                                   |

Figure 109C MACHINE REAR PLATE 1



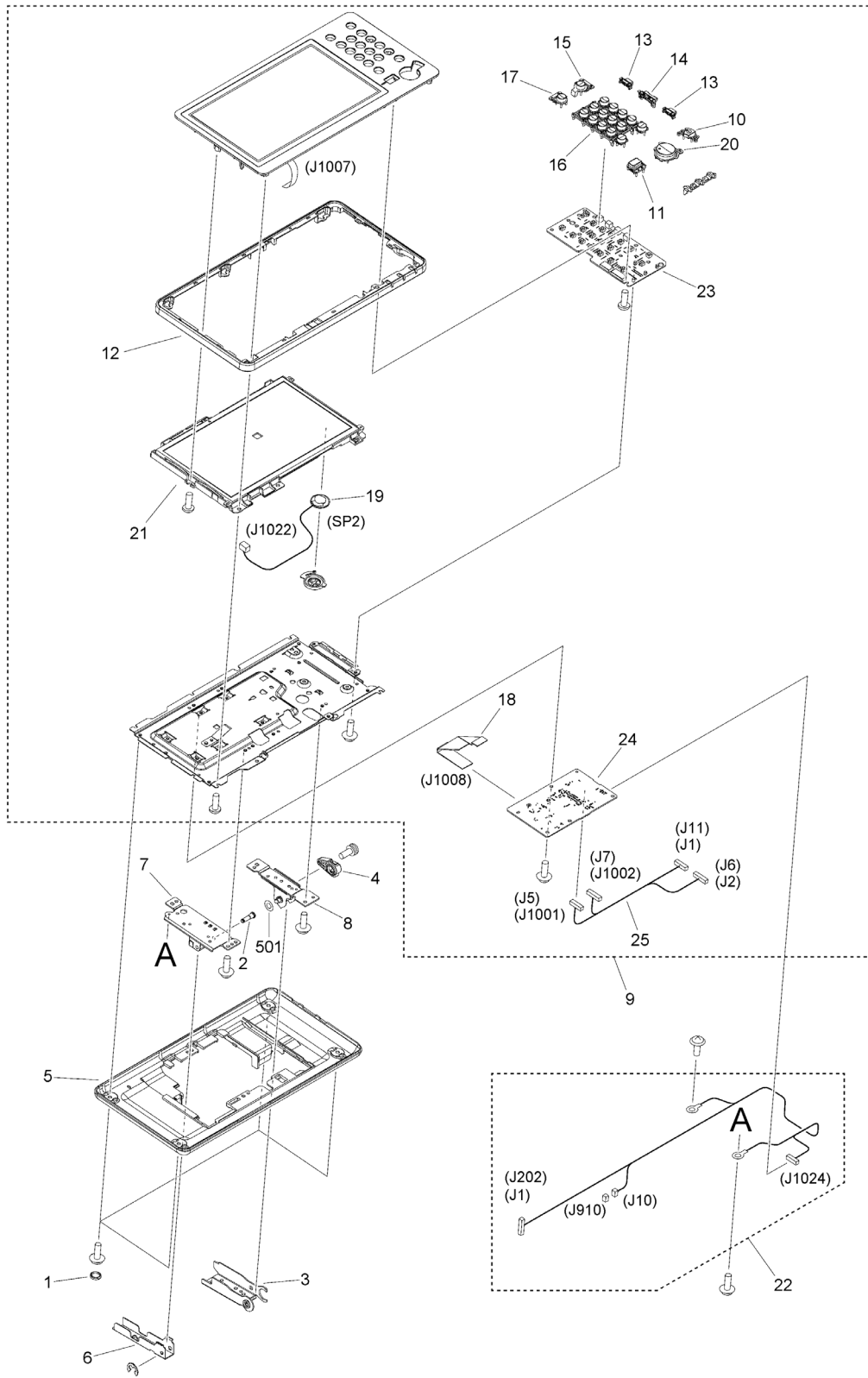
| FIGURE & KEY NO. | PART NUMBER  | RANK | QTY | DESCRIPTION               | SERIAL NUMBER /REMARKS |
|------------------|--------------|------|-----|---------------------------|------------------------|
| 109C             | NPN          |      | RF  | MACHINE REAR PLATE 1      |                        |
| 1                | FC6-4689-000 |      | 1   | HANDLE                    |                        |
| 2                | FC9-8976-000 |      | 1   | SHEET, CONNECTING PLATE   |                        |
| 3                | FK2-0360-000 |      | 1   | FAN                       | FM5                    |
| 4                | FE4-6884-000 |      | 1   | RAIL, PRS RELEASE         |                        |
| 5                | FE4-7123-000 |      | 1   | GEAR, 63T/19T             |                        |
| 6                | FK4-2670-000 |      | 1   | CABLE, FFC, HVT           |                        |
| 7                | FK4-2681-000 |      | 1   | MOTOR, DC                 | M2                     |
| 8                | XA9-1386-000 |      | 15  | SCREW,RS,M3X8             |                        |
| 9                | FC7-2409-000 |      | 2   | BUSHING                   |                        |
| 10               | FM1-V497-000 |      | 1   | POWER SUPPLY ASSEMBLY     |                        |
| 11               | VS1-7177-007 |      | 1   | CONNECTOR, 7P, FEMALE, BK |                        |
| 12               | FM1-N878-000 |      | 1   | CABLE, FINISHER           |                        |
| 13               | VS1-8412-013 |      | 1   | CONNECTOR, SNAP TIGHT, BL |                        |
| 14               | VS1-8412-027 |      | 1   | CONNECTOR, SNAP TIGHT, BL |                        |
| 15               | FM1-N875-000 |      | 1   | CABLE, RISER              |                        |
| 16               | FM1-N900-000 |      | 1   | CABLE, MAIN FEED          |                        |
| 17               | VS1-7177-002 |      | 3   | CONNECTOR, SNAP TIGHT, BK |                        |
| 18               | FM1-N915-000 |      | 1   | CABLE, AC                 |                        |
| 19               | FM2-J851-000 |      | 1   | CABLE, SIGNAL             |                        |
| 20               | VS1-7177-003 |      | 1   | CONNECTOR, SNAP TIGHT, BK |                        |
| 21               | FM1-N917-000 |      | 1   | CABLE, HOPPER CONNECTING  |                        |
| 22               | VS1-8412-023 |      | 1   | CONNECTOR, SNAP TIGHT, BL |                        |
| 23               | FM1-N920-000 |      | 1   | CABLE, RISER SIGNAL       |                        |
| 24               | FC9-0993-000 |      | 1   | SPRING, CONTACT           |                        |
| 25               | FC9-0992-000 |      | 1   | SPRING, CONTACT           |                        |
| 26               | FM2-J850-000 |      | 1   | CABLE, CONNECTING         |                        |

Figure 110 MACHINE REAR PLATE 2



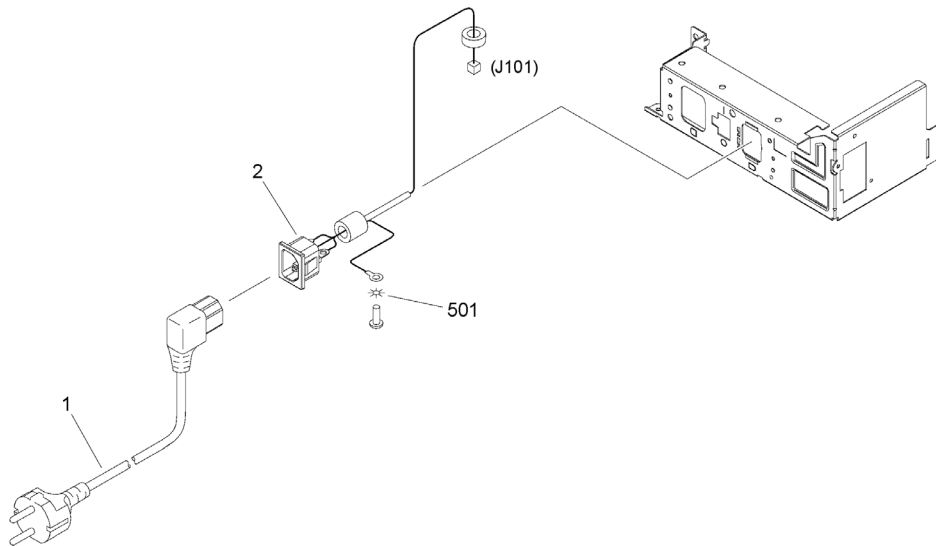
| FIGURE & KEY NO. | PART NUMBER  | RANK | QTY | DESCRIPTION             | SERIAL NUMBER /REMARKS |
|------------------|--------------|------|-----|-------------------------|------------------------|
| 110              | NPN          |      | RF  | MACHINE REAR PLATE 2    |                        |
| 1                | XA9-1386-000 |      | 15  | SCREW,RS,M3X8           |                        |
| 2                | FK4-3961-000 |      | 1   | CABLE, POWER, MICRO USB |                        |
| 3                | FK4-3963-000 |      | 1   | CABLE, MINI USB         |                        |
| 4                | FK4-3964-000 |      | 1   | CABLE, USB              |                        |
| 5                | FK4-3965-000 |      | 1   | CABLE, USB DEVICE PORT  |                        |
| 6                | FK4-2671-000 |      | 1   | CABLE, FFC, LASER       |                        |

Figure 130C CONTROL PANEL ASSEMBLY



| FIGURE & KEY NO. | PART NUMBER  | RANK | QTY | DESCRIPTION                    | SERIAL NUMBER /REMARKS |
|------------------|--------------|------|-----|--------------------------------|------------------------|
| 130C             | NPN          |      | RF  | CONTROL PANEL ASSEMBLY         |                        |
| 1                | FE3-9169-000 |      | 4   | CAP                            |                        |
| 2                | FE8-4737-000 |      | 1   | SHAFT, HINGE                   |                        |
| 3                | FL1-2378-000 |      | 1   | HINGE, RIGHT                   |                        |
| 4                | FE8-4662-000 |      | 1   | SUPPORT, HINGE                 |                        |
| 5                | FE8-4656-000 |      | 1   | COVER, LOWER                   |                        |
| 6                | FE8-4659-000 |      | 1   | HINGE, LEFT                    |                        |
| 7                | FM1-P029-000 |      | 1   | HINGE BASE ASSEMBLY, LEFT      |                        |
| 8                | FM1-P030-000 |      | 1   | HINGE BASE ASSEMBLY, RIGHT     |                        |
| 9                | FM1-R329-000 |      | 1   | CONTROL PANEL ASSEMBLY         |                        |
| 10               | FE3-1334-000 |      | 1   | KEY, STOP                      |                        |
| 11               | FE3-9931-000 |      | 1   | KEY TOP, RESET                 |                        |
| 12               | FE4-1774-020 |      | 1   | COVER, FRAME                   |                        |
| 13               | FE4-1788-000 |      | 2   | KEY TOP, SIDE                  |                        |
| 14               | FE4-1789-000 |      | 1   | KEY TOP, VOLUME                |                        |
| 15               | FE4-5111-000 |      | 1   | KEY TOP, SLEEP                 |                        |
| 16               | FL1-2178-000 |      | 1   | KEY TOP, NUMBERS               |                        |
| 17               | FE4-5556-000 |      | 1   | KEY TOP, SETTINGS/REGISTRATION |                        |
| 18               | FK4-2360-000 |      | 1   | CABLE, FLEXIBLE FLAT           |                        |
| 19               | FK4-2365-000 |      | 1   | SPEAKER                        | SP2                    |
| 20               | FL0-1151-000 |      | 1   | KEY TOP, START                 |                        |
| 21               | FM1-R334-000 |      | 1   | LCD UNIT                       |                        |
| 22               | FM1-X829-000 |      | 1   | CABLE, UI                      |                        |
| 23               | FM1-X863-000 |      | 1   | KEY TOP PCB ASSEMBLY           |                        |
| 24               | FM1-X896-000 |      | 1   | CPU PCB ASSEMBLY               |                        |
| 25               | FM2-B801-000 |      | 1   | CABLE, 10 KEY                  |                        |
| 501              | XD1-1108-233 |      | 1   | WASHER,COP                     |                        |

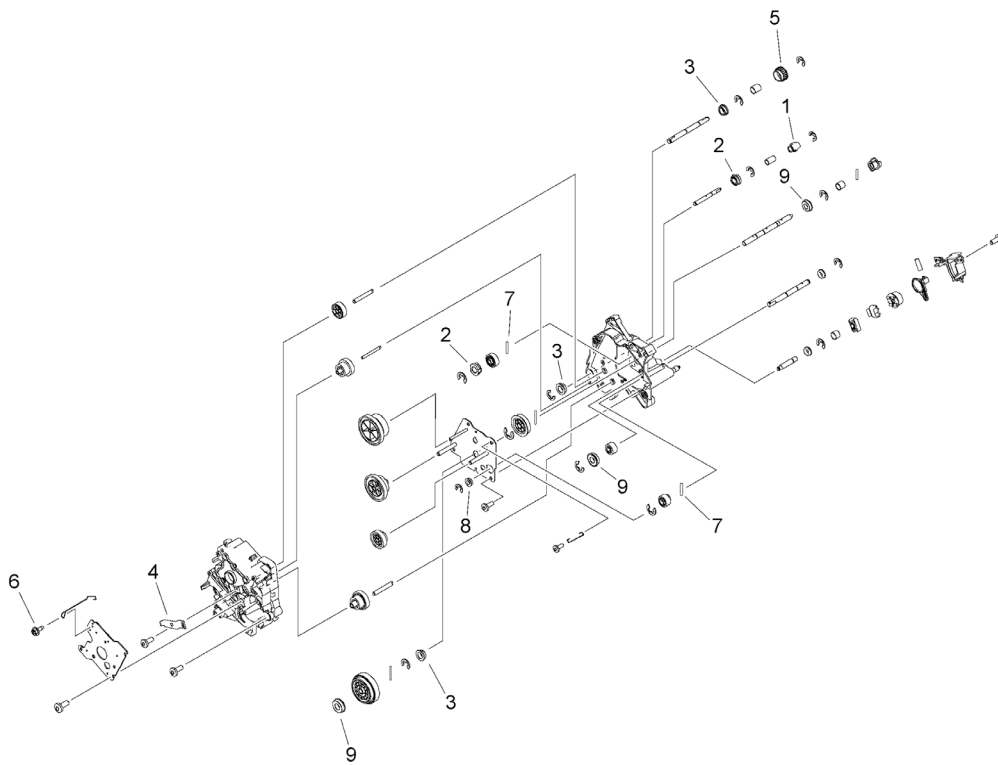
Figure 140C POWER CORD TERMINAL ASS'Y (230V EXCEPT IN)





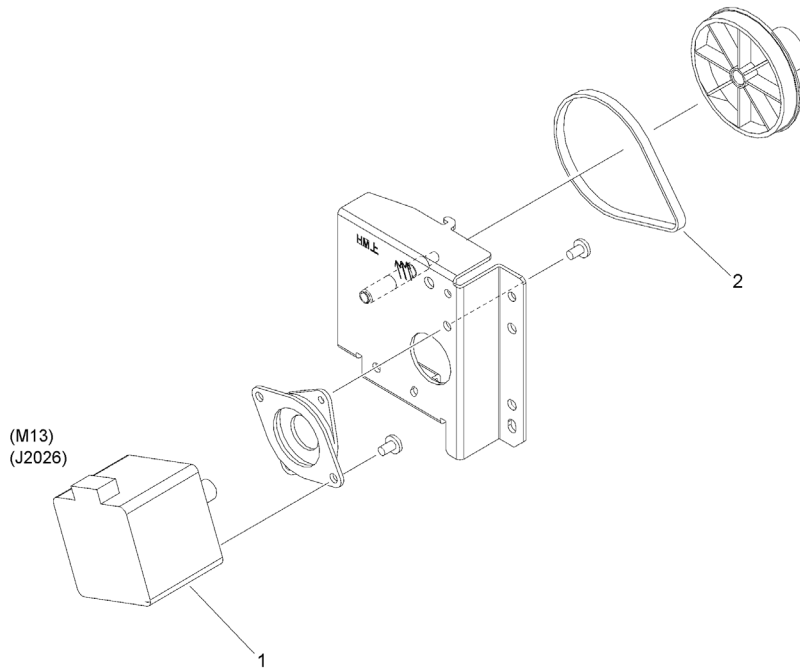
| FIGURE & KEY NO. | PART NUMBER  | RANK | QTY | DESCRIPTION               | SERIAL NUMBER /REMARKS |
|------------------|--------------|------|-----|---------------------------|------------------------|
| 140C             | NPN          |      | RF  | POWER CORD TERMINAL ASS'Y | 230V EXCEPT IN         |
| 1                | FM2-4786-000 |      | 1   | POWER CORD                |                        |
| 2                | FM4-7621-000 |      | 1   | CABLE, AC INLET           |                        |
| 501              | XD1-4200-402 |      | 1   | WASHER, TOOTHED LOCK, M4  |                        |

Figure 250 MAIN DRIVE ASSEMBLY



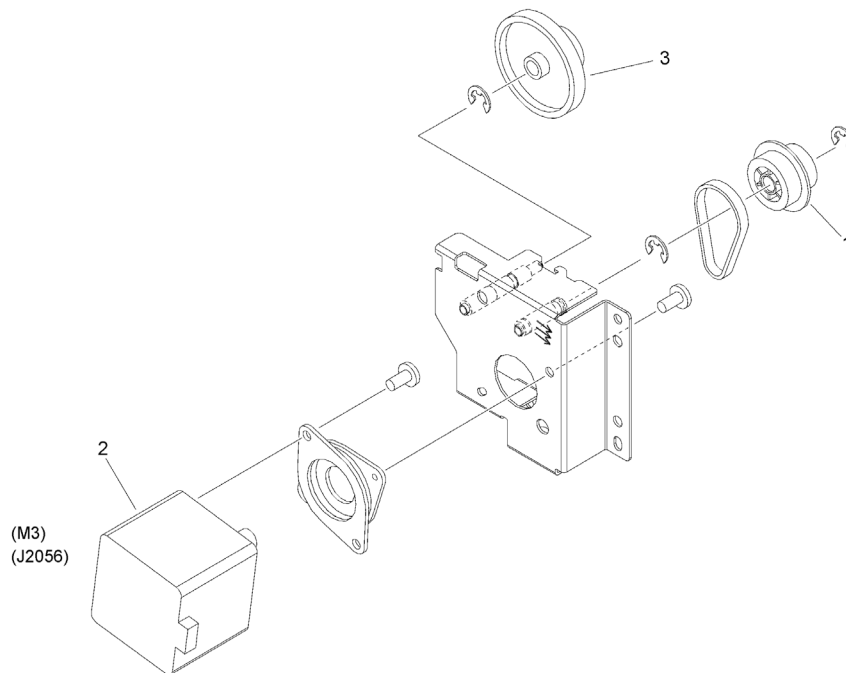
| FIGURE & KEY NO. | PART NUMBER  | RANK | QTY | DESCRIPTION                    | SERIAL NUMBER /REMARKS |
|------------------|--------------|------|-----|--------------------------------|------------------------|
| 250              | FM1-J142-000 |      | 1   | MAIN DRIVE ASSEMBLY            |                        |
| 1                | FC9-0922-000 |      | 1   | COUPLING                       |                        |
| 2                | FC9-0923-000 |      | 2   | BUSHING                        |                        |
| 3                | FC9-1593-000 |      | 3   | BUSHING                        |                        |
| 4                | FE2-0459-000 |      | 1   | PLATE, GROUNDING               |                        |
| 5                | FU8-0547-000 |      | 1   | GEAR, 22T                      |                        |
| 6                | XA9-1386-000 |      | 1   | SCREW,RS,M3X8                  |                        |
| 7                | XD9-0289-000 |      | 2   | PIN, PARALLEL                  |                        |
| 8                | XG9-0787-000 |      | 1   | BEARING, BALL, LF1060ZZHP0P25L |                        |
| 9                | XG9-0794-000 |      | 3   | BEARING, BALL, LNR-1680KKR     |                        |

Figure 260 PAPER PICK-UP DRIVE ASSEMBLY (UPPER) (EXCEPT 4551, 4251, 4051 SERIES)



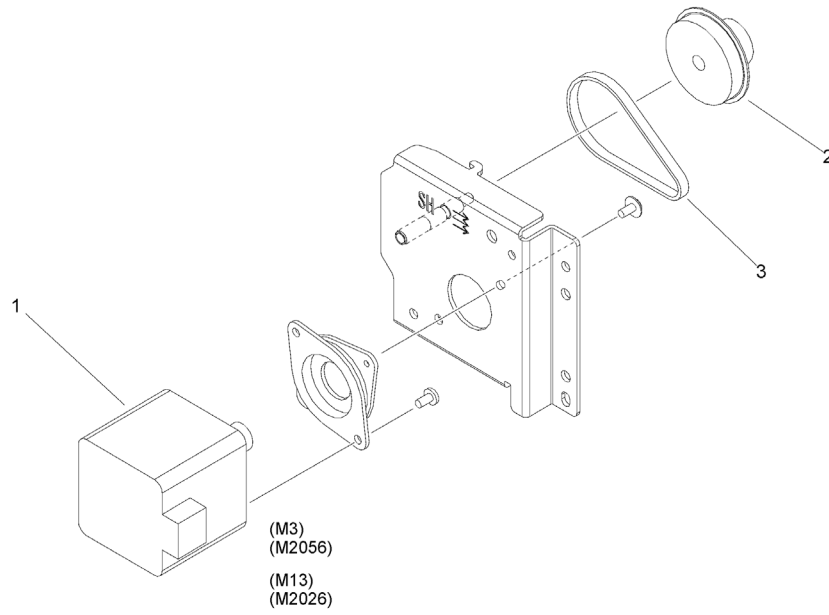
| FIGURE & KEY NO. | PART NUMBER  | RANK | QTY | DESCRIPTION               | SERIAL NUMBER /REMARKS                       |
|------------------|--------------|------|-----|---------------------------|--|
| 260              | FM4-7923-000 |      | 1   | PAPER PICK-UP DRIVE ASS'Y | UPPER, EXCEPT IR-ADV 4551, 4251, 4051 SERIES |
| 1                | FK2-7327-000 |      | 1   | MOTOR, STEPPING           | M13  |
| 2                | XF2-1609-040 |      | 1   | BELT, TIMING              |  |

Figure 261 PAPER PICK-UP DRIVE ASSEMBLY (LOWER) (EXCEPT 4551, 4251, 4051 SERIES)



| FIGURE<br>& KEY<br>NO. | PART NUMBER  | R<br>A<br>N<br>K | QTY | DESCRIPTION               | SERIAL NUMBER<br>/REMARKS                    |
|------------------------|--------------|------------------|-----|---------------------------|--|
| 261                    | FM4-7902-000 |                  | 1   | PAPER PICK-UP DRIVE ASS'Y | LOWER, EXCEPT IR-ADV 4551, 4251, 4051 SERIES |
| 1                      | FC6-5022-000 |                  | 1   | PULLEY, 34T               |  |
| 2                      | FK2-7327-000 |                  | 1   | MOTOR, STEPPING           | M3   |
| 3                      | FU3-0285-000 |                  | 1   | GEAR, 80T/16T             |  |

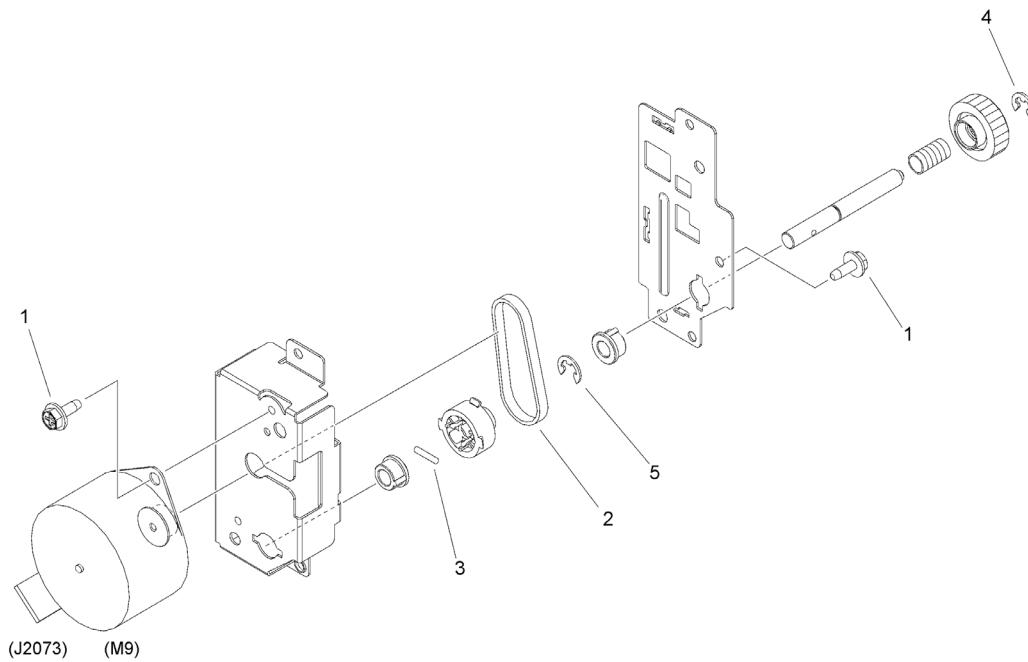
Figure 262 PAPER PICK-UP DRIVE ASSEMBLY (IR-ADV 4551, 4251, 4051 SERIES)





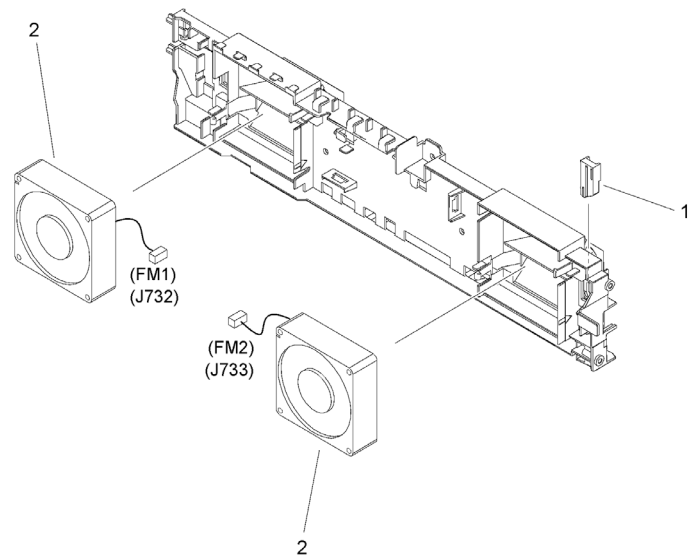
| FIGURE<br>& KEY<br>NO. | PART NUMBER  | R<br>A<br>N<br>K | QTY | DESCRIPTION               | SERIAL NUMBER<br>/REMARKS         |
|------------------------|--------------|------------------|-----|---------------------------|-----------------------------------|
| 262                    | FM4-7922-010 |                  | 1   | PAPER PICK-UP DRIVE ASS'Y | IR-ADV 4551, 4251,<br>4051 SERIES |
| 1                      | FK2-7326-000 |                  | 2   | MOTOR, DC                 | M3, M13                           |
| 2                      | FU7-0353-000 |                  | 1   | PULLEY, 53T/GEAR, 16T     |                                   |
| 3                      | XF2-1607-340 |                  | 1   | BELT, TIMING              |                                   |

Figure 263 DUPLEXING DRIVE ASSEMBLY



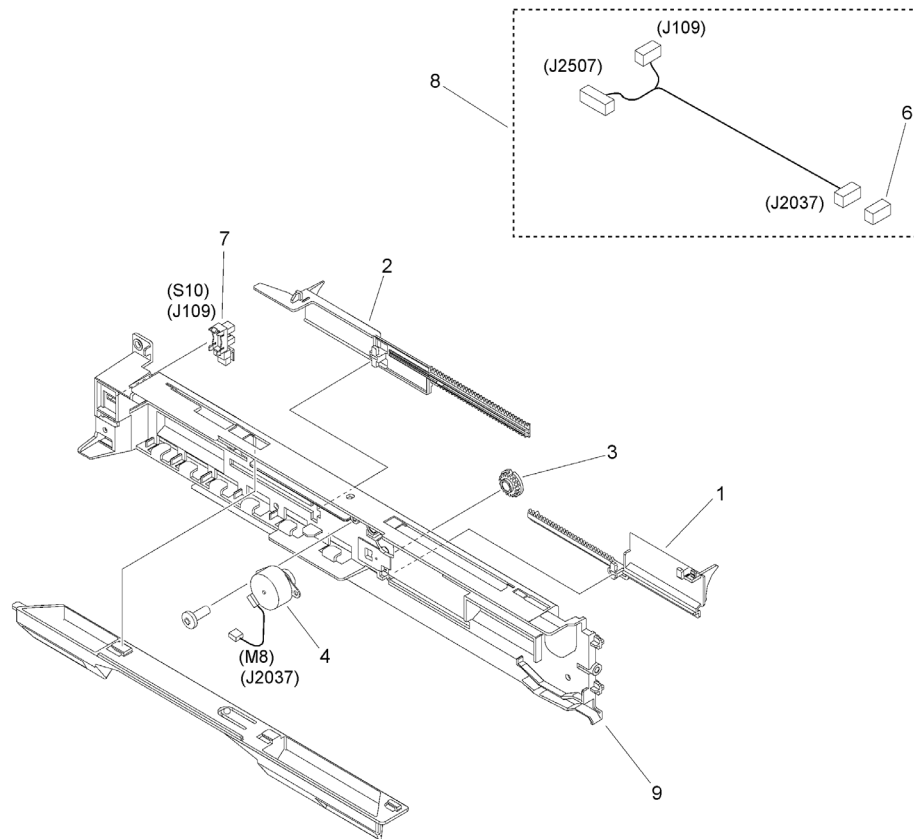
| FIGURE & KEY NO. | PART NUMBER  | RANK | QTY | DESCRIPTION              | SERIAL NUMBER /REMARKS |
|------------------|--------------|------|-----|--------------------------|------------------------|
| 263              | FM1-J057-000 |      | 1   | DUPLEXING DRIVE ASSEMBLY |                        |
| 1                | XA9-1386-000 |      | 4   | SCREW, RS, M3X8          |                        |
| 2                | XF2-1606-040 |      | 1   | BELT, TIMING             |                        |
| 3                | XD9-0333-000 |      | 1   | PIN, DOWEL               |                        |
| 4                | XD9-0134-000 |      | 1   | RING, E                  |                        |
| 5                | XD9-0136-000 |      | 1   | RING, E                  |                        |

Figure 270 CARTRIDGE LEFT RAIL ASSEMBLY



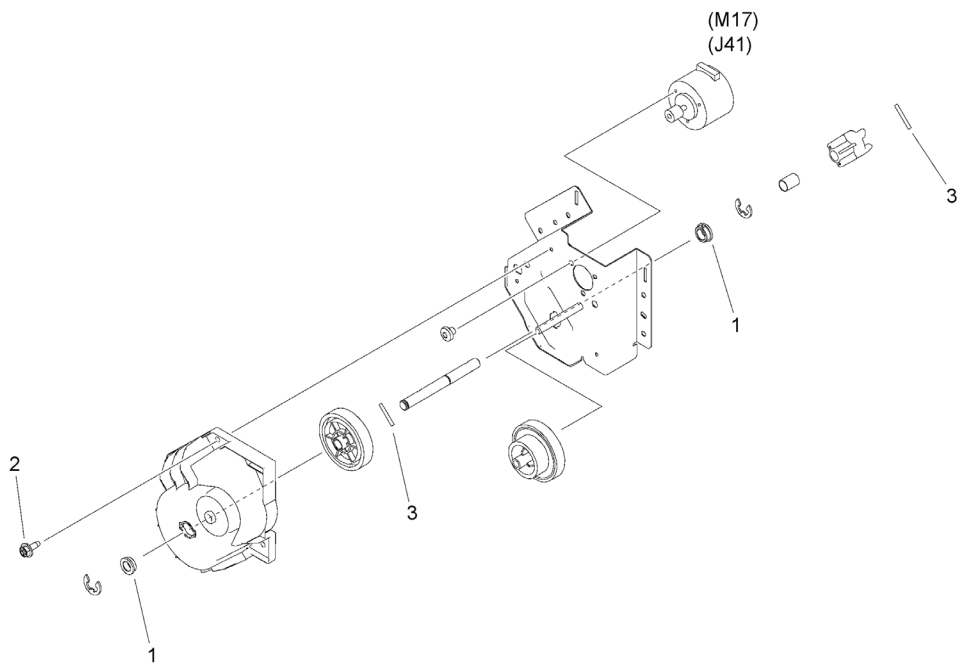
| FIGURE<br>& KEY<br>NO. | PART NUMBER  | R<br>A<br>N<br>K | QTY | DESCRIPTION                  | SERIAL NUMBER<br>/REMARKS |
|------------------------|--------------|------------------|-----|------------------------------|---------------------------|
| 270                    | NPN          |                  | RF  | CARTRIDGE LEFT RAIL ASSEMBLY |                           |
| 1                      | FC9-1618-000 |                  | 1   | STOPPER, DRUM                |                           |
| 2                      | FK2-0360-000 |                  | 1   | FAN                          | FM1, FM2                  |

Figure 271 CARTRIDGE RIGHT RAIL ASSEMBLY



| FIGURE & KEY NO. | PART NUMBER  | RANK | QTY | DESCRIPTION                   | SERIAL NUMBER /REMARKS |
|------------------|--------------|------|-----|-------------------------------|------------------------|
| 271              | NPN          |      | RF  | CARTRIDGE RIGHT RAIL ASSEMBLY |                        |
| 1                | FE8-8414-000 |      | 1   | SHUTTER, FRONT                |                        |
| 2                | FE4-6546-000 |      | 1   | SHUTTER, REAR                 |                        |
| 3                | FC9-1683-000 |      | 1   | PINION, 18T                   |                        |
| 4                | FK2-9148-000 |      | 1   | MOTOR, STEPPING               | M8                     |
| 6                | VS1-7177-004 |      | 1   | CONNECTOR, SNAP TIGHT, BK     |                        |
| 7                | WG8-5836-000 |      | 1   | IC PHOTOINTERRUPTER, HYBRID   | S10                    |
| 8                | FM1-N922-000 |      | 1   | CABLE, SIDE END SHUTTER       |                        |
| 9                | FE4-6544-000 |      | 1   | RAIL, CARTRIDGE, RIGHT        |                        |

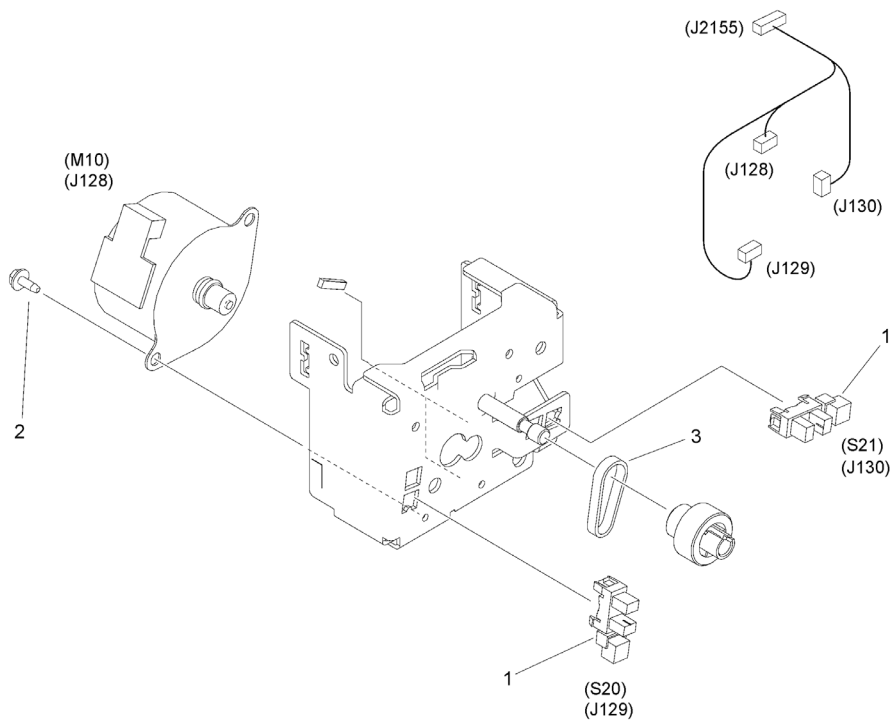
Figure 272 BOTTLE DRIVE ASSEMBLY





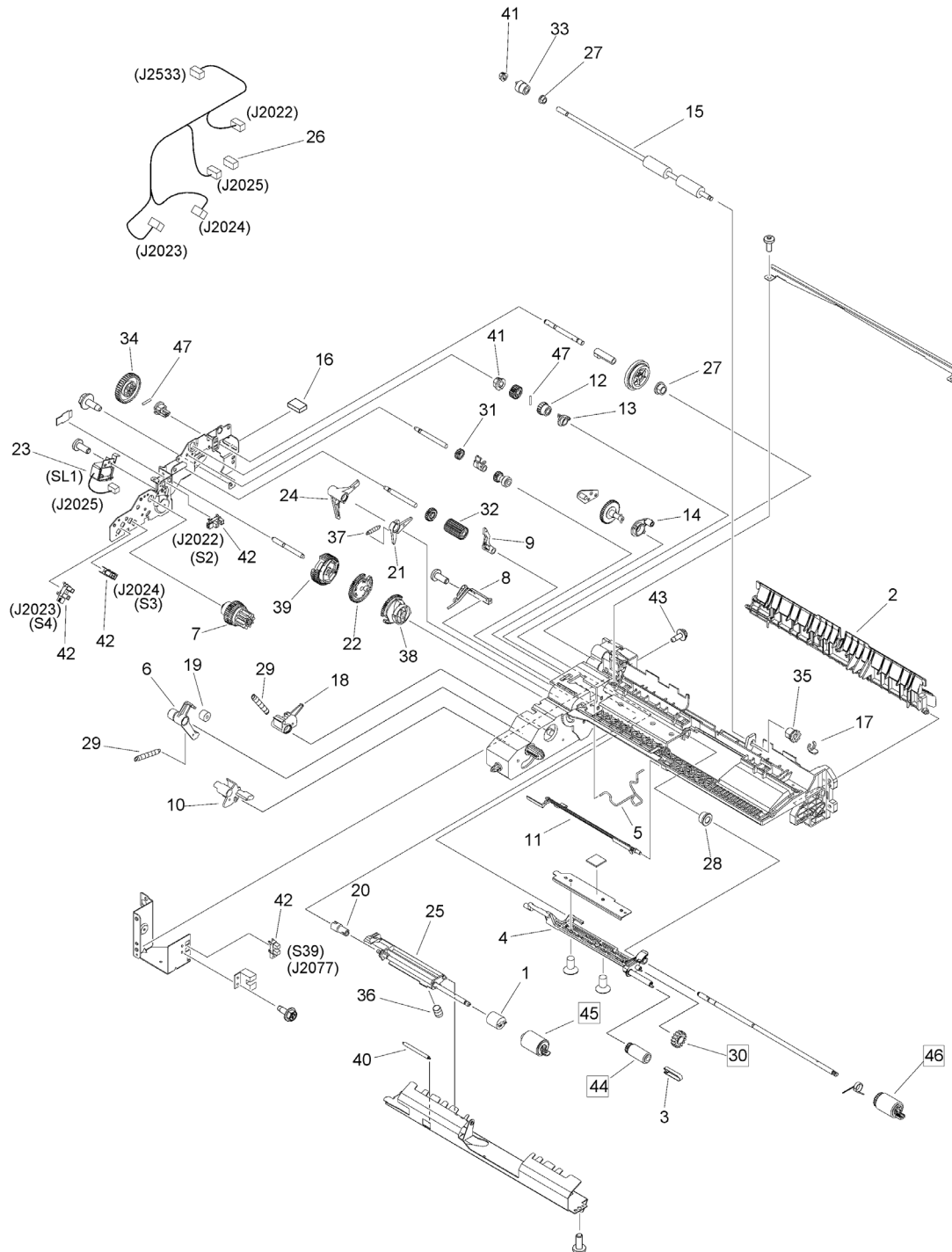
| FIGURE & KEY NO. | PART NUMBER  | RANK | QTY | DESCRIPTION           | SERIAL NUMBER /REMARKS |
|------------------|--------------|------|-----|-----------------------|------------------------|
| 272              | FM1-J135-000 |      | 1   | BOTTLE DRIVE ASSEMBLY |                        |
| 1                | FC9-1593-000 |      | 2   | BUSHING               |                        |
| 2                | XA9-1386-000 |      | 3   | SCREW,RS,M3X8         |                        |
| 3                | XD9-0291-000 |      | 2   | PIN, PARALLEL         |                        |

Figure 280 FIRST DELIVERY DRIVE ASSEMBLY



| FIGURE & KEY NO. | PART NUMBER  | RANK | QTY | DESCRIPTION                   | SERIAL NUMBER /REMARKS |
|------------------|--------------|------|-----|-------------------------------|------------------------|
| 280              | FM1-J126-000 |      | 1   | FIRST DELIVERY DRIVE ASSEMBLY |                        |
| 1                | WG8-5836-000 |      | 2   | IC PHOTOINTERRUPTER, HYBRID   | S20, S21               |
| 2                | XA9-1386-000 |      | 2   | SCREW, RS, M3X8               |                        |
| 3                | XF2-1603-640 |      | 1   | BELT, TIMING                  |                        |

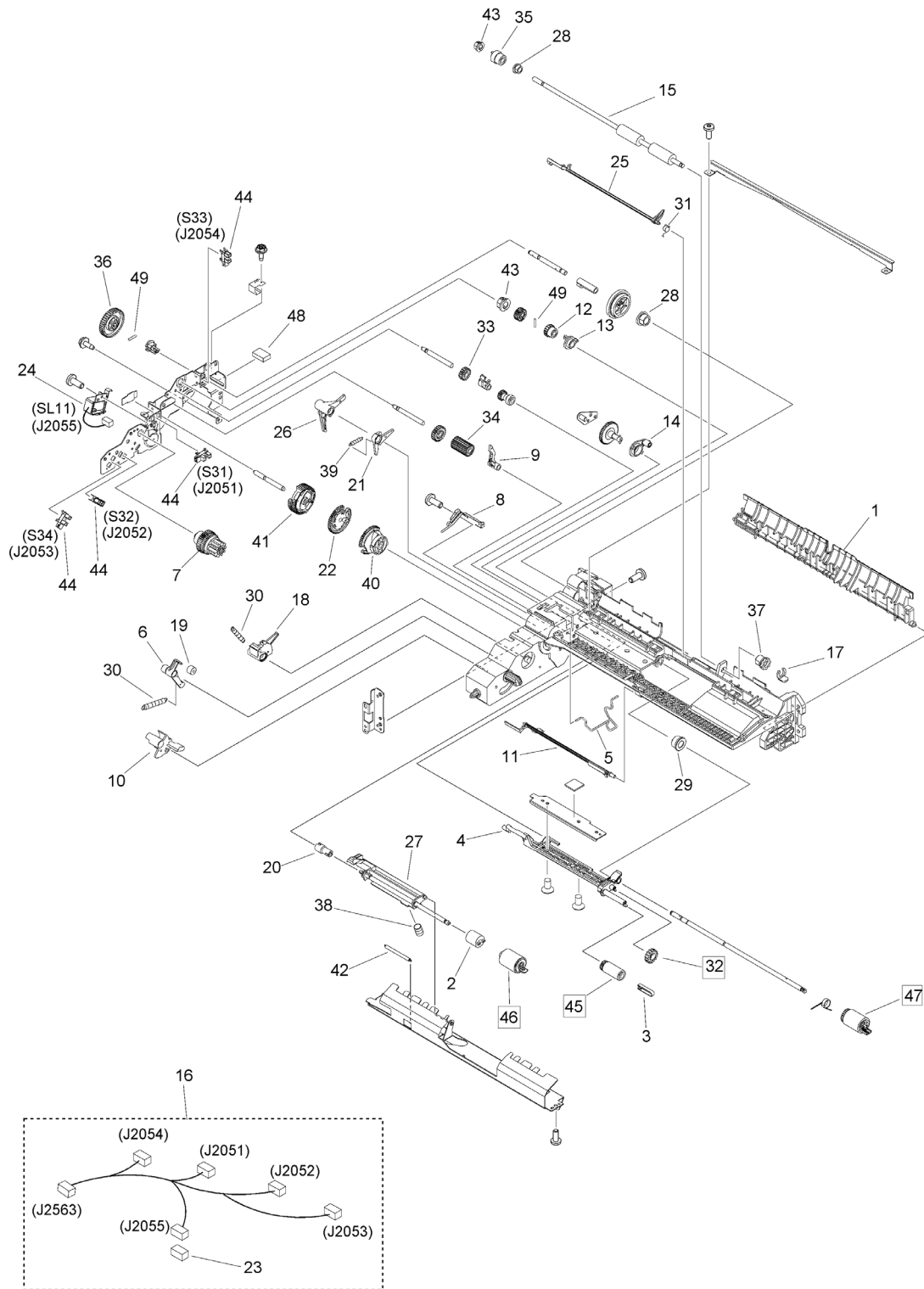
Figure 310A PAPER PICK-UP ASSEMBLY (UPPER) (EXCEPT CN)



| FIGURE & KEY NO. | PART NUMBER  | RANK | QTY | DESCRIPTION                    | SERIAL NUMBER /REMARKS |
|------------------|--------------|------|-----|--------------------------------|------------------------|
| 310A             | FM4-9175-010 |      | 1   | PAPER PICK-UP ASSEMBLY         | UPPER                  |
| 1                | FB6-3410-000 |      | 1   | LIMITER, TORQUE                |                        |
| 2                | FC5-0595-010 |      | 1   | GUIDE, VERTICAL PATH           |                        |
| 3                | FC7-5845-000 |      | 1   | STOPPER, ROLLER                |                        |
| 4                | FC0-6755-000 |      | 1   | HOLDER, PAPER PICK-UP ROLLER   |                        |
| 5                | FB6-3388-000 |      | 1   | ROD, SEPARATION ROLLER RELEASE |                        |
| 6                | FB6-3389-000 |      | 1   | CLAW, PICK-UP                  |                        |
| 7                | FB6-3391-000 |      | 1   | GEAR, RATCHET                  |                        |
| 8                | FB6-3392-020 |      | 1   | SPRING, LEAF                   |                        |
| 9                | FB6-3396-010 |      | 1   | LOCK, PICK-UP                  |                        |
| 10               | FB6-3397-000 |      | 1   | FLAG, PAPER SENSOR             |                        |
| 11               | FB6-3398-000 |      | 1   | FLAG, PAPER DETECT SENSOR      |                        |
| 12               | FB6-3402-000 |      | 1   | GEAR, RATCHET                  |                        |
| 13               | FB6-3403-000 |      | 1   | COUPLING, FEED SHAFT STOP      |                        |
| 14               | FB6-3404-000 |      | 1   | COUPLING, SEPARATION SHAFT     |                        |
| 15               | FB6-4852-000 |      | 1   | ROLLER, VERTICAL PATH          |                        |
| 16               | VS1-7173-014 |      | 1   | CONNECTOR, SNAP TIGHT, 14P, W  |                        |
| 17               | FC6-9867-000 |      | 1   | RING, RETAINING                |                        |
| 18               | FC8-1178-000 |      | 1   | CLAW, PAPER PICK-UP            |                        |
| 19               | FC8-1202-000 |      | 1   | DAMPER                         |                        |
| 20               | FC9-4290-010 |      | 1   | JOINT, RETARD                  |                        |
| 21               | FC9-7253-000 |      | 1   | ARM, LIFTING                   |                        |
| 22               | FL1-4729-000 |      | 1   | GEAR ASS'Y                     |                        |
| 23               | FK2-0408-010 |      | 1   | SOLENOID                       | SL1                    |
| 24               | FM3-4146-010 |      | 1   | PICK-UP ARM UNIT               |                        |
| 25               | FM4-2525-000 |      | 1   | HOLDER, SEPARATION ROLLER      |                        |
| 26               | VS1-7177-002 |      | 1   | CONNECTOR, SNAP TIGHT, BK      |                        |
| 27               | FS1-1205-000 |      | 2   | BUSHING                        |                        |
| 28               | FS5-1943-000 |      | 1   | BUSHING                        |                        |
| 29               | FS7-2800-000 |      | 2   | SPRING, TENSION                |                        |
| 30               | FU0-0043-000 |      | 1   | GEAR, 15T                      | [DP]                   |
| 31               | FU3-0284-000 |      | 1   | GEAR, 16T                      |                        |
| 32               | FU3-0288-000 |      | 1   | GEAR, 21T                      |                        |
| 33               | FU3-0289-000 |      | 1   | GEAR, 14T                      |                        |
| 34               | FU3-0347-000 |      | 1   | GEAR, 41T                      |                        |
| 35               | FU5-1763-000 |      | 1   | BUSHING                        |                        |
| 36               | FU6-2684-000 |      | 1   | SPRING, COMPRESSION            |                        |
| 37               | FU6-2784-000 |      | 1   | SPRING, TENSION                |                        |
| 38               | FU7-0445-000 |      | 1   | GEAR, 42T                      |                        |
| 39               | FU8-0214-000 |      | 1   | GEAR, 51T                      |                        |
| 40               | FU7-5378-000 |      | 1   | SPRING, TENSION                |                        |
| 41               | RS5-1567-000 |      | 2   | BUSHING                        |                        |
| 42               | WG8-5836-000 |      | 4   | IC PHOTOINTERRUPTER, HYBRID    | S2, S3, S4, S39        |
| 43               | XA9-1386-000 |      | 1   | SCREW, RS, M3X8                |                        |

| FIGURE<br>& KEY<br>NO. | PART NUMBER  | R<br>A<br>N<br>K | QTY | DESCRIPTION             | SERIAL NUMBER<br>/REMARKS |
|------------------------|--------------|------------------|-----|-------------------------|---------------------------|
| 44                     | FB6-3405-000 |                  | 1   | ROLLER, PAPER PICK-UP   | [DP]                      |
| 45                     | FC6-6661-000 |                  | 1   | ROLLER, SEPARATION      | [DP]                      |
| 46                     | FC0-5080-000 |                  | 1   | ROLLER, FEED/SEPARATION | [DP]                      |
| 47                     | XD9-0289-000 |                  | 3   | PIN, DOWEL              |                           |

Figure 311A PAPER PICK-UP ASSEMBLY (LOWER) (EXCEPT CN)

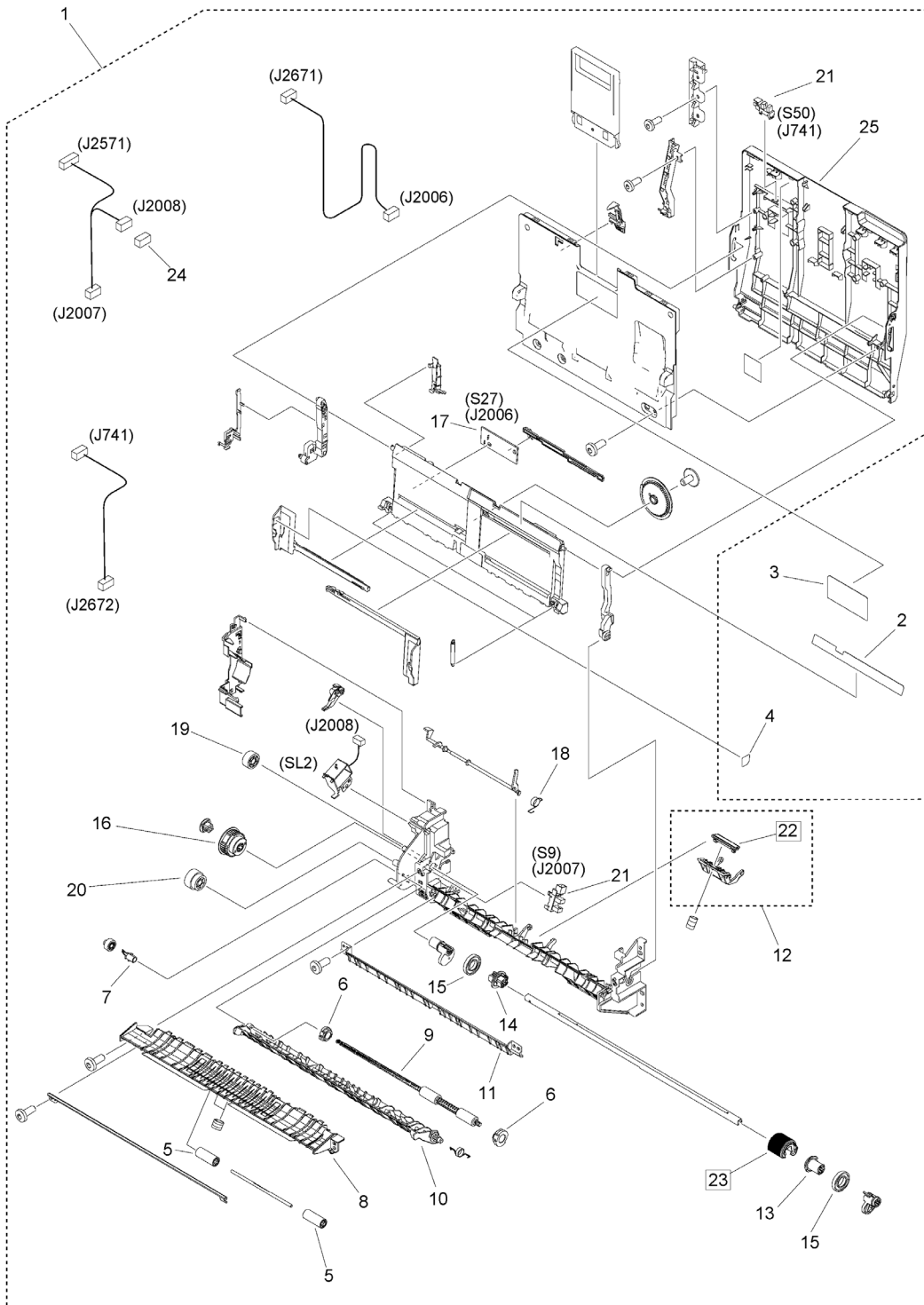


| FIGURE & KEY NO. | PART NUMBER  | RANK | QTY | DESCRIPTION                    | SERIAL NUMBER /REMARKS |
|------------------|--------------|------|-----|--------------------------------|------------------------|
| 311A             | FM4-9177-010 |      | 1   | PAPER PICK-UP ASSEMBLY         | LOWER                  |
| 1                | FB6-3387-000 |      | 1   | GUIDE, VERTICAL PATH           |                        |
| 2                | FB6-3410-000 |      | 1   | LIMITER, TORQUE                |                        |
| 3                | FC7-5845-000 |      | 1   | STOPPER, ROLLER                |                        |
| 4                | FC0-6755-000 |      | 1   | HOLDER, PAPER PICK-UP ROLLER   |                        |
| 5                | FB6-3388-000 |      | 1   | ROD, SEPARATION ROLLER RELEASE |                        |
| 6                | FB6-3389-000 |      | 1   | CLAW, PICK-UP                  |                        |
| 7                | FB6-3391-000 |      | 1   | GEAR, RATCHET                  |                        |
| 8                | FB6-3392-020 |      | 1   | SPRING, LEAF                   |                        |
| 9                | FB6-3396-010 |      | 1   | LOCK, PICK-UP                  |                        |
| 10               | FB6-3397-000 |      | 1   | FLAG, PAPER SENSOR             |                        |
| 11               | FB6-3398-000 |      | 1   | FLAG, PAPER DETECT SENSOR      |                        |
| 12               | FB6-3402-000 |      | 1   | GEAR, RATCHET                  |                        |
| 13               | FB6-3403-000 |      | 1   | COUPLING, FEED SHAFT STOP      |                        |
| 14               | FB6-3404-000 |      | 1   | COUPLING, SEPARATION SHAFT     |                        |
| 15               | FB6-4852-000 |      | 1   | ROLLER, VERTICAL PATH          |                        |
| 16               | FG3-2302-020 |      | 1   | CABLE, PAPER PICK-UP UNIT      |                        |
| 17               | FC6-9867-000 |      | 1   | RING, RETAINING                |                        |
| 18               | FC8-1178-000 |      | 1   | CLAW, PAPER PICK-UP            |                        |
| 19               | FC8-1202-000 |      | 1   | DAMPER                         |                        |
| 20               | FC9-4290-010 |      | 1   | JOINT, RETARD                  |                        |
| 21               | FC9-7253-000 |      | 1   | ARM, LIFTING                   |                        |
| 22               | FL1-4729-000 |      | 1   | GEAR ASS'Y                     |                        |
| 23               | VS1-7177-002 |      | 1   | CONNECTOR, SNAP TIGHT, BK      |                        |
| 24               | FK2-0408-010 |      | 1   | SOLENOID                       | SL11                   |
| 25               | FL3-8032-000 |      | 1   | FLAG, REGISTRATION SENSOR      |                        |
| 26               | FM3-4146-010 |      | 1   | PICK-UP ARM UNIT               |                        |
| 27               | FM4-2525-000 |      | 1   | HOLDER, SEPARATION ROLLER      |                        |
| 28               | FS1-1205-000 |      | 2   | BUSHING                        |                        |
| 29               | FS5-1943-000 |      | 1   | BUSHING                        |                        |
| 30               | FS7-2800-000 |      | 2   | SPRING, TENSION                |                        |
| 31               | FS7-2803-000 |      | 1   | SPRING, TORSION                |                        |
| 32               | FU0-0043-000 |      | 1   | GEAR, 15T                      | [DP]                   |
| 33               | FU3-0284-000 |      | 1   | GEAR, 16T                      |                        |
| 34               | FU3-0288-000 |      | 1   | GEAR, 21T                      |                        |
| 35               | FU3-0289-000 |      | 1   | GEAR, 14T                      |                        |
| 36               | FU3-0347-000 |      | 1   | GEAR, 41T                      |                        |
| 37               | FU5-1763-000 |      | 1   | BUSHING                        |                        |
| 38               | FU6-2684-000 |      | 1   | SPRING, COMPRESSION            |                        |
| 39               | FU6-2784-000 |      | 1   | SPRING, TENSION                |                        |
| 40               | FU7-0445-000 |      | 1   | GEAR, 42T                      |                        |
| 41               | FU8-0214-000 |      | 1   | GEAR, 51T                      |                        |
| 42               | FU7-5378-000 |      | 1   | SPRING, TENSION                |                        |
| 43               | RS5-1567-000 |      | 2   | BUSHING                        |                        |



| FIGURE & KEY NO. | PART NUMBER  | RANK | QTY | DESCRIPTION                   | SERIAL NUMBER /REMARKS |
|------------------|--------------|------|-----|-------------------------------|------------------------|
| 44               | WG8-5836-000 |      | 4   | IC PHOTOINTERRUPTER, HYBRID   | S31, S32, S33, S34     |
| 45               | FB6-3405-000 |      | 1   | ROLLER, PAPER PICK-UP         | [DP]                   |
| 46               | FC6-6661-000 |      | 1   | ROLLER, SEPARATION            | [DP]                   |
| 47               | FC0-5080-000 |      | 1   | ROLLER, FEED/SEPARATION       | [DP]                   |
| 48               | VS1-7173-014 |      | 1   | CONNECTOR, SNAP TIGHT, 14P, W |                        |
| 49               | XD9-0289-000 |      | 3   | PIN, DOWEL                    |                        |

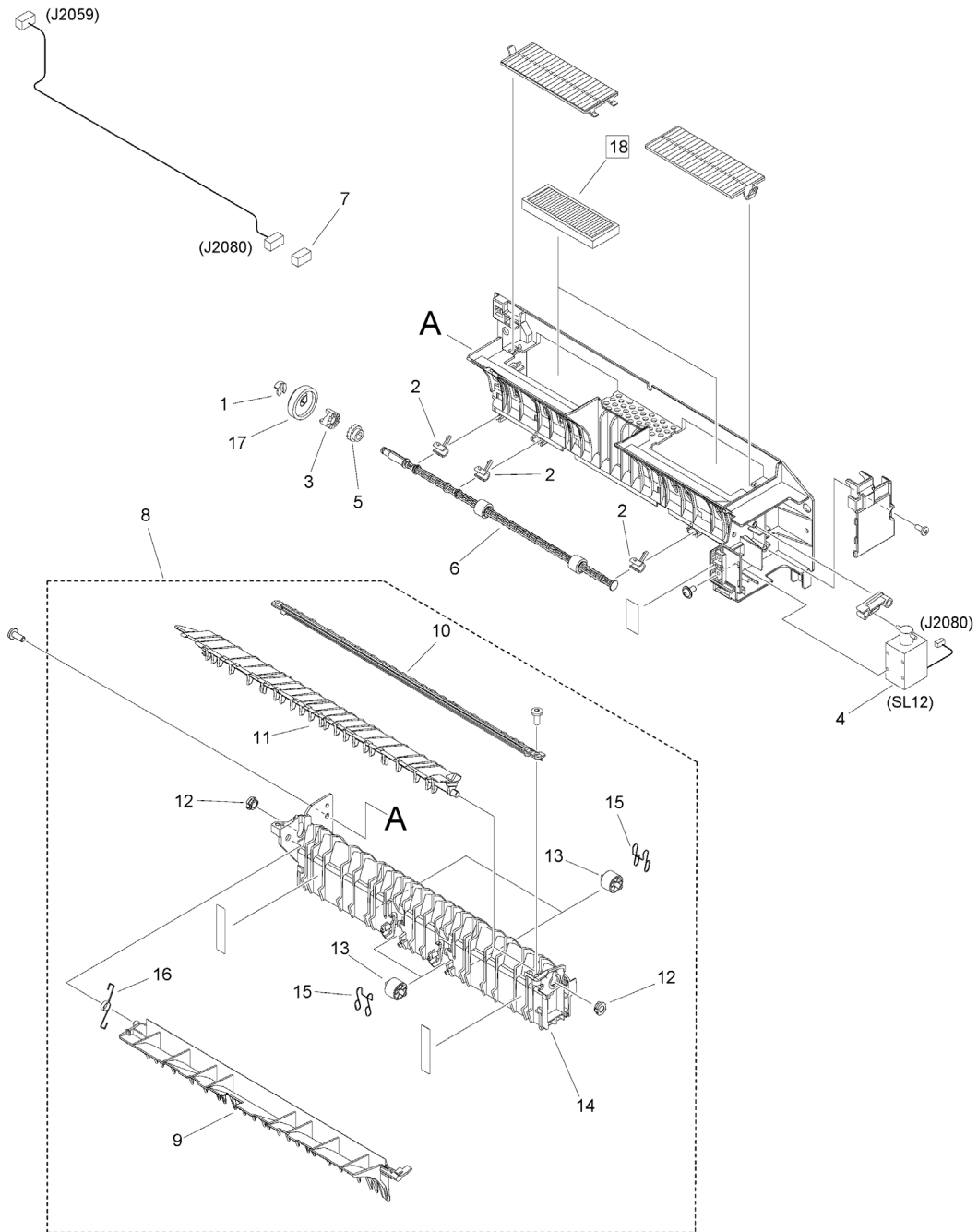
Figure 312B MULTI PAPER PICK-UP ASSEMBLY



| FIGURE & KEY NO. | PART NUMBER  | RANK | QTY | DESCRIPTION                    | SERIAL NUMBER /REMARKS |
|------------------|--------------|------|-----|--------------------------------|------------------------|
| 312B             | NPN          |      | RF  | MULTI PAPER PICK-UP ASSEMBLY   |                        |
| 1                | FM1-J119-000 |      | 1   | MULTI PAPER PICK-UP ASSEMBLY   |                        |
| 2                | FE2-C422-000 |      | 1   | LABEL, DOCUMENT SIZE           |                        |
| 3                | FE2-C733-000 |      | 1   | LABEL, PAPER SET INSTRUCTION   |                        |
| 4                | FE4-7250-000 |      | 1   | LABEL, DOCUMENT MAXIMUM        |                        |
| 5                | FC9-0670-000 |      | 2   | ROLLER, EXTRACTION             |                        |
| 6                | FC9-0923-000 |      | 2   | BUSHING                        |                        |
| 7                | FC9-1026-000 |      | 1   | BUSHING                        |                        |
| 8                | FL3-1348-010 |      | 1   | GUIDE, MULTI, UPPER            |                        |
| 9                | FL3-1349-000 |      | 1   | ROLLER, MULTI EXTRACTION DRIVE |                        |
| 10               | FL0-2517-010 |      | 1   | GUIDE, MULTI LOWER             |                        |
| 11               | FL3-5605-000 |      | 1   | GUIDE, VERTICAL PATH           |                        |
| 12               | FM3-9287-010 |      | 1   | MULTI SEPARATION PAD ASSEMBLY  |                        |
| 13               | FC9-0684-000 |      | 1   | BUSHING                        |                        |
| 14               | FC9-0685-000 |      | 1   | BUSHING                        |                        |
| 15               | FC9-0687-000 |      | 2   | ROLLER, MULTI                  |                        |
| 16               | FM3-9293-010 |      | 1   | MULTI PAPER PICK-UP GEAR ASS'Y |                        |
| 17               | FM2-2768-000 |      | 1   | MULTI FEED SIZE PCB ASSEMBLY   | S27                    |
| 18               | FU7-2925-000 |      | 1   | SPRING, TORSION                |                        |
| 19               | FU8-0525-000 |      | 1   | GEAR, 21T                      |                        |
| 20               | FU8-0526-000 |      | 1   | GEAR 27T/25T                   |                        |
| 21               | WG8-5836-000 |      | 1   | IC PHOTOINTERRUPTER, HYBRID    | S9                     |
| 22               | FL3-3469-000 |      | 1   | PAD, SEPARATION                | [DP]                   |
| 23               | FL3-1352-000 |      | 1   | ROLLER, PAPER PICK-UP          | [DP]                   |
| 24               | VS1-7177-002 |      | 1   | CONNECTOR, SNAP TIGHT, BK      |                        |
| 25               | FL0-5743-010 |      | 1   | COVER, MULTI                   |                        |

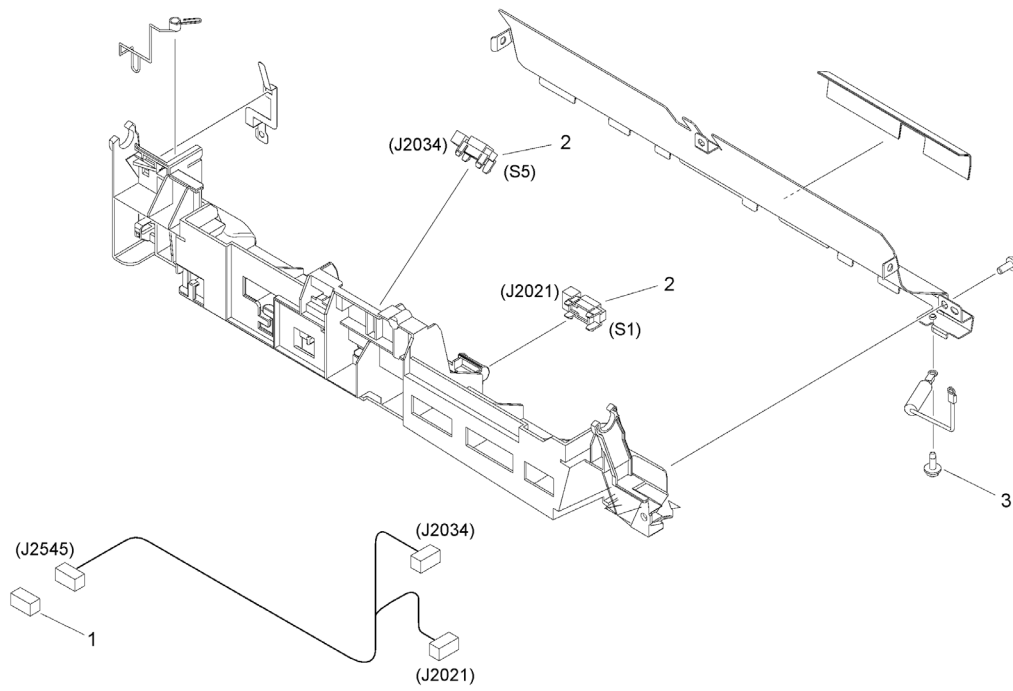
Figure 313 DUPLEXING FEED GUIDE ASSEMBLY

NOTE: This assembly is included in the assembly shown in Figure 102. NOTE: This assembly does not include the parts shown with Key No. 18.



| FIGURE & KEY NO. | PART NUMBER  | RANK | QTY | DESCRIPTION                    | SERIAL NUMBER /REMARKS |
|------------------|--------------|------|-----|--------------------------------|------------------------|
| 313              | FM4-9157-000 |      | 1   | DUPLEXING FEED GUIDE ASSEMBLY  | SEE NOTE               |
| 1                | FC5-4425-000 |      | 1   | CLIP                           |                        |
| 2                | FC9-0717-000 |      | 3   | BUSHING                        |                        |
| 3                | FC9-0826-000 |      | 1   | RATCHET, INTERMEDIATE          |                        |
| 4                | FH6-5095-000 |      | 1   | SOLENOID                       | SL12                   |
| 5                | FC9-0852-000 |      | 1   | RATCHET, FEED                  |                        |
| 6                | FL3-1451-000 |      | 1   | ROLLER, ENTRANCE               |                        |
| 7                | VS1-7177-003 |      | 1   | CONNECTOR, SNAP TIGHT, BK      |                        |
| 8                | FM4-9740-000 |      | 1   | DUPLEXING ENTRANCE GUIDE ASS'Y |                        |
| 9                | FC9-0841-000 |      | 1   | FLAPPER, SECOND DELIVERY       |                        |
| 10               | FC9-0843-000 |      | 1   | GUIDE, REVERSE ENTRANCE        |                        |
| 11               | FC9-0846-000 |      | 1   | FLAPPER, REVERSE               |                        |
| 12               | FC9-0923-000 |      | 2   | BUSHING                        |                        |
| 13               | FC9-7720-000 |      | 4   | COLLAR, FIXING DELIVERY        |                        |
| 14               | FL3-1443-000 |      | 1   | GUIDE, ENTRANCE                |                        |
| 15               | FU7-2947-000 |      | 1   | SPRING, RETAINING              |                        |
| 16               | FU8-2805-000 |      | 1   | SPRING, TORSION                |                        |
| 17               | FU8-0607-000 |      | 1   | GEAR, 35T                      |                        |
| 18               | FC0-3078-000 |      | 1   | FILTER, AIR                    | [DP] SEE NOTE          |

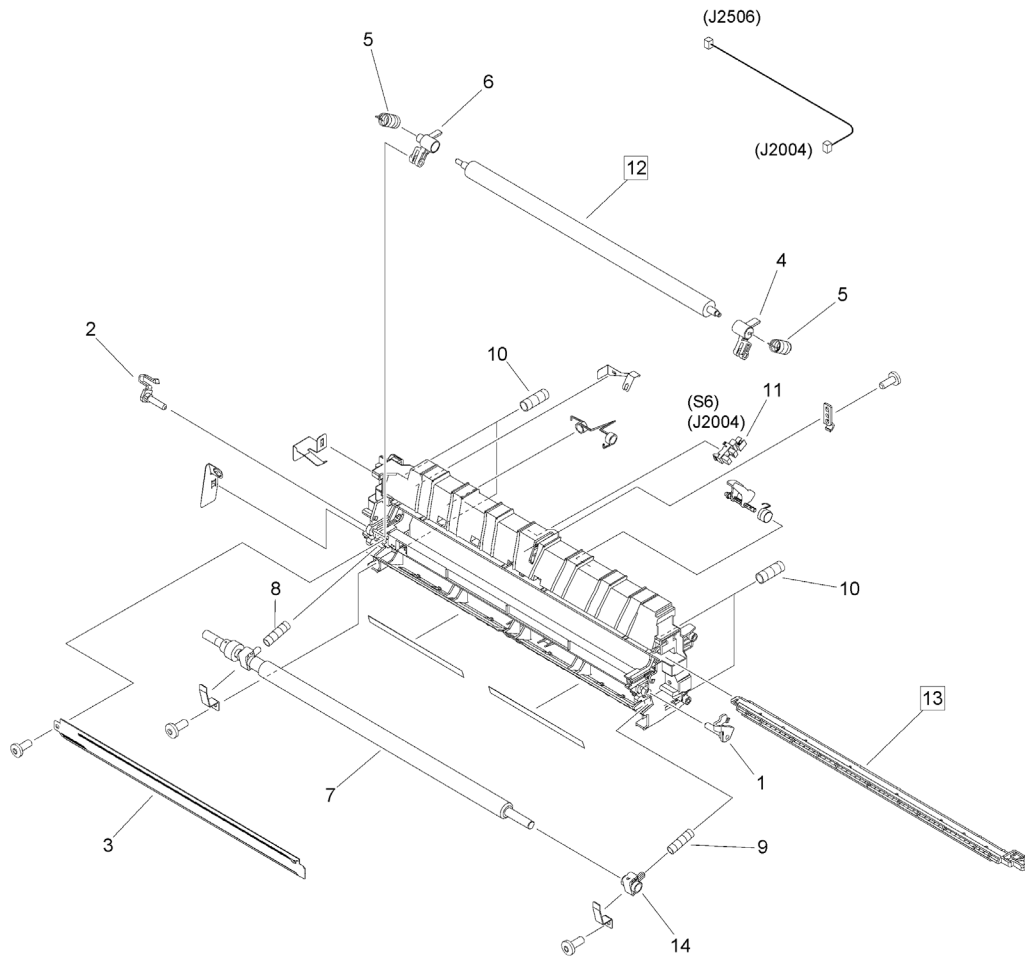
Figure 316 PRE-REGISTRATION GUIDE ASS'Y



| FIGURE & KEY NO. | PART NUMBER  | RANK | QTY | DESCRIPTION                  | SERIAL NUMBER /REMARKS |
|------------------|--------------|------|-----|------------------------------|------------------------|
| 316              | FM4-7921-000 |      | 1   | PRE-REGISTRATION GUIDE ASS'Y |                        |
| 1                | VS1-7177-006 |      | 1   | CONNECTOR, SNAP TIGHT, 6P, W |                        |
| 2                | WG8-5927-000 |      | 2   | PHOTOINTERRUPTER, PS122TL1-A | S1, S5                 |
| 3                | XA9-1386-000 |      | 1   | SCREW, RS, M3X8.5            |                        |

# Figure 320 TRANSFER PAPER FEED ASSEMBLY

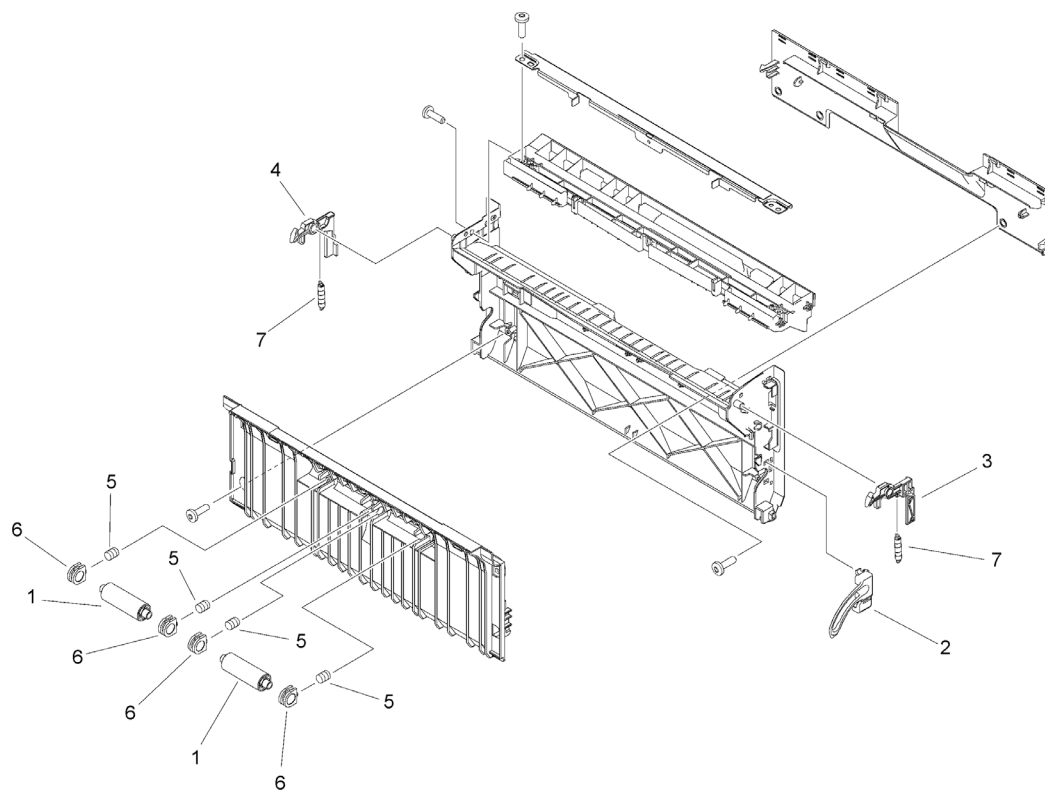
NOTE : This assembly is included in the assembly shown in Figure 102.





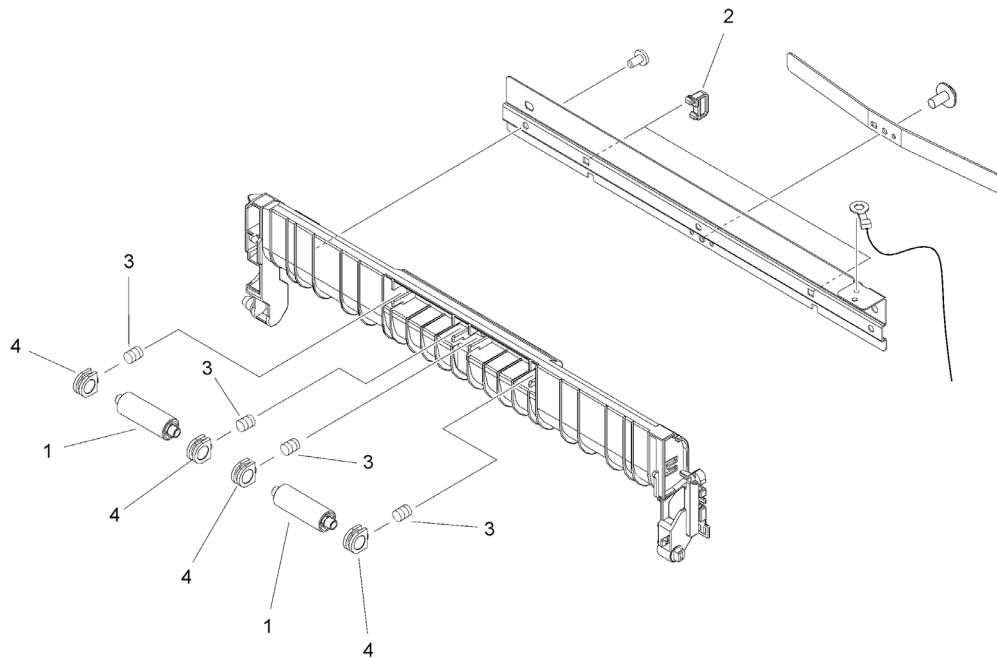
| FIGURE & KEY NO. | PART NUMBER  | RANK | QTY | DESCRIPTION                  | SERIAL NUMBER /REMARKS |
|------------------|--------------|------|-----|------------------------------|------------------------|
| 320              | FM1-J125-000 |      | 1   | TRANSFER PAPER FEED ASSEMBLY | SEE NOTE               |
| 1                | FC0-4340-000 |      | 1   | PIN, TRANSFER HINGE          |                        |
| 2                | FC5-1536-000 |      | 1   | PIN, TRANSFER HINGE          |                        |
| 3                | FC9-0702-000 |      | 1   | GUIDE, ELIMINATOR            |                        |
| 4                | FL1-1803-000 |      | 1   | ARM, TRANSFER, FRONT         |                        |
| 5                | FU7-2928-000 |      | 2   | SPRING, COMPRESSION          |                        |
| 6                | FL1-1804-000 |      | 1   | ARM, TRANSFER, REAR          |                        |
| 7                | FM3-9299-000 |      | 1   | ROLLER, REGISTRATION         |                        |
| 8                | FU7-2930-000 |      | 1   | SPRING, COMPRESSION          |                        |
| 9                | FU7-2931-000 |      | 1   | SPRING, COMPRESSION          |                        |
| 10               | FU7-2933-000 |      | 4   | SPRING, COMPRESSION          |                        |
| 11               | WG8-5836-000 |      | 1   | IC PHOTOINTERRUPTER, HYBRID  | S6                     |
| 12               | FE8-2935-000 |      | 1   | ROLLER, TRANSFER             | [DP]                   |
| 13               | FM3-9296-010 |      | 1   | ELIMINATOR HOLDER ASSEMBLY   | [DP]                   |
| 14               | FU5-1009-000 |      | 2   | BUSHING                      |                        |

Figure 330 DOOR ASSEMBLY, RIGHT LOWER



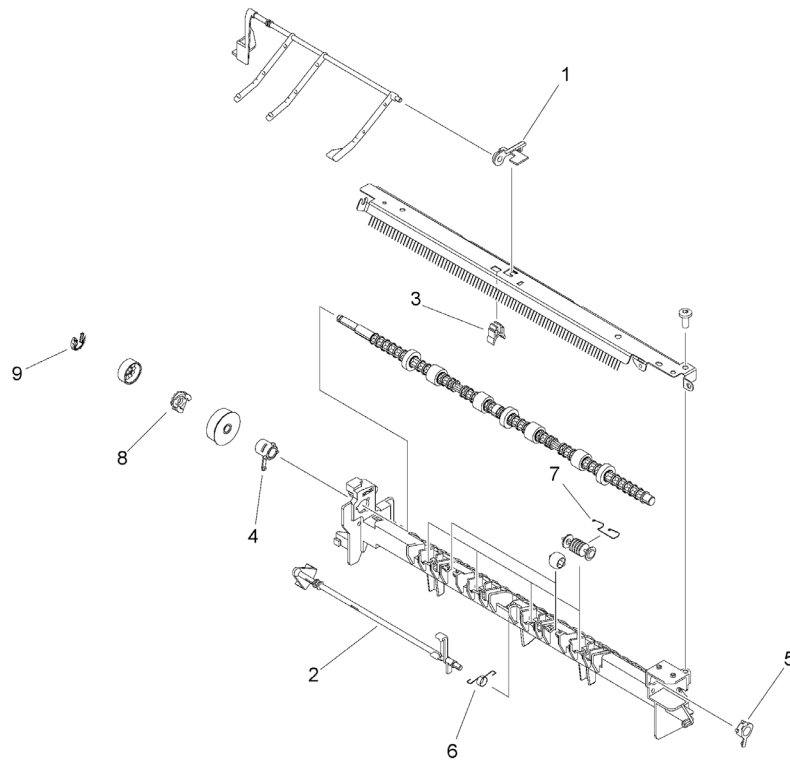
| FIGURE & KEY NO. | PART NUMBER  | RANK | QTY | DESCRIPTION                   | SERIAL NUMBER /REMARKS |
|------------------|--------------|------|-----|-------------------------------|------------------------|
| 330              | FM1-J122-000 |      | 1   | RIGHT LOWER DOOR ASSEMBLY     |                        |
| 1                | FB6-3313-000 |      | 2   | ROLLER, PAPER FEED            |                        |
| 2                | FC0-2520-000 |      | 1   | STOPPER, DOOR, RIGHT LOWER    |                        |
| 3                | FC0-2521-000 |      | 1   | HOOK, RIGHT LOWER DOOR, FRONT |                        |
| 4                | FC0-2522-000 |      | 1   | HOOK, RIGHT LOWER DOOR, REAR  |                        |
| 5                | FS7-2788-000 |      | 4   | SPRING, COMPRESSION           |                        |
| 6                | FU5-1035-000 |      | 4   | BUSHING                       |                        |
| 7                | FE4-7148-000 |      | 2   | SPRING, TENSION               |                        |

Figure 333 RIGHT LOWER INNER DOOR ASS'Y



| FIGURE & KEY NO. | PART NUMBER  | RANK | QTY | DESCRIPTION                 | SERIAL NUMBER /REMARKS |
|------------------|--------------|------|-----|-----------------------------|------------------------|
| 333              | FM3-1297-000 |      | 1   | RIGHT LOWER INNER DOOR ASSY |                        |
| 1                | FB6-3313-000 |      | 2   | ROLLER, PAPER FEED          |                        |
| 2                | FC7-5907-000 |      | 2   | SPRING, GROUNDING           |                        |
| 3                | FS7-2788-000 |      | 4   | SPRING, COMPRESSION         |                        |
| 4                | FU5-1035-000 |      | 4   | BUSHING                     |                        |

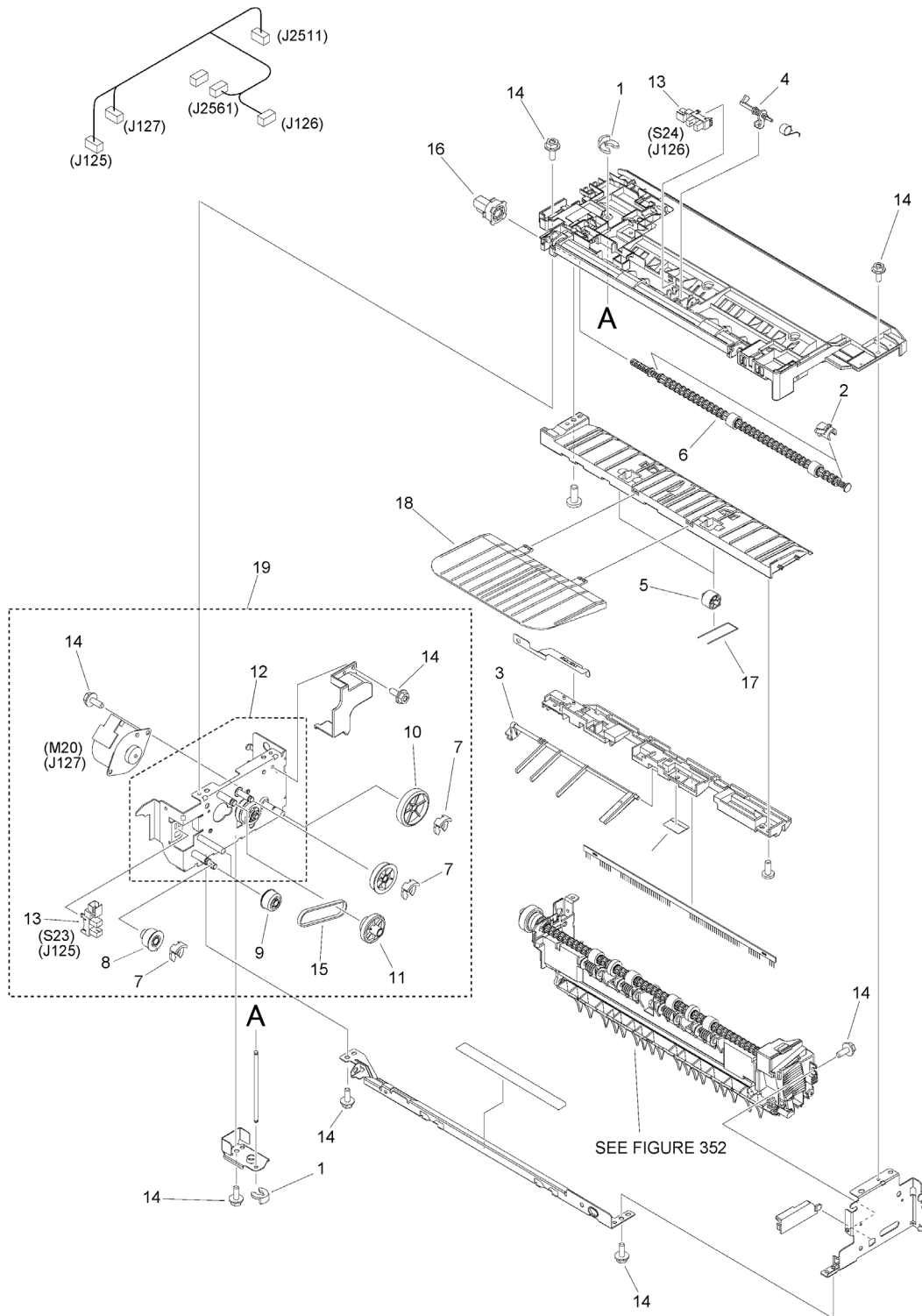
Figure 350 FIRST PAPER DELIVERY ASSEMBLY



| FIGURE & KEY NO. | PART NUMBER  | RANK | QTY | DESCRIPTION                   | SERIAL NUMBER /REMARKS |
|------------------|--------------|------|-----|-------------------------------|------------------------|
| 350              | FM1-J123-000 |      | 1   | FIRST PAPER DELIVERY ASSEMBLY |                        |
| 1                | FC0-3073-000 |      | 1   | BUSHING                       |                        |
| 2                | FC9-0802-000 |      | 1   | LEVER, DELIVERY SENSOR        |                        |
| 3                | FC9-0805-000 |      | 1   | BUSHING                       |                        |
| 4                | FC9-8959-000 |      | 1   | BUSHING                       |                        |
| 5                | FU5-1522-000 |      | 1   | BUSHING, DELIVERY ROLLER      |                        |
| 6                | FU7-2925-000 |      | 1   | SPRING, TORSION               |                        |
| 7                | FU7-2968-000 |      | 1   | SPRING, TORSION               |                        |
| 8                | FE4-6931-000 |      | 1   | CAM, TRANSMISSION             |                        |
| 9                | FC6-5046-000 |      | 1   | RING, RETAINING               |                        |

Figure 351 SECOND PAPER DELIVERY ASSEMBLY

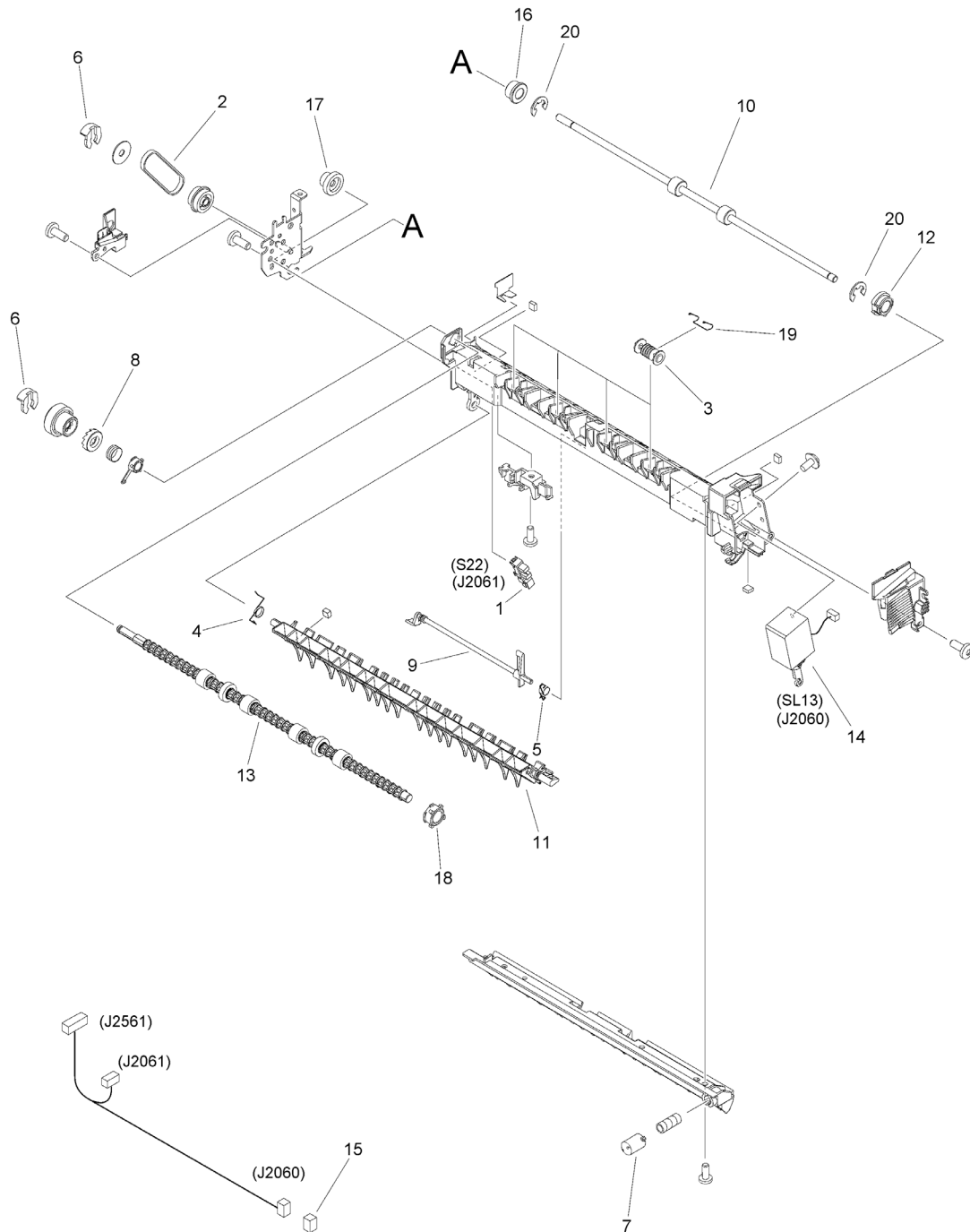
NOTE : This assembly does not include the part shown with key No. 18.





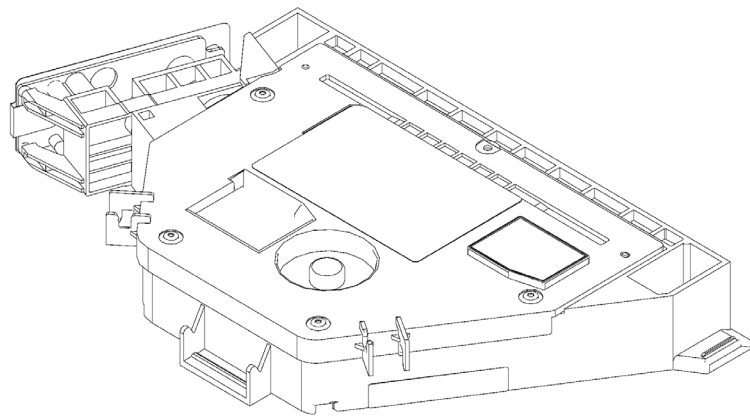
| FIGURE & KEY NO. | PART NUMBER  | RANK | QTY | DESCRIPTION                    | SERIAL NUMBER /REMARKS |
|------------------|--------------|------|-----|--------------------------------|------------------------|
| 351              | FM1-J171-000 |      | 1   | SECOND PAPER DELIVERY ASSEMBLY |                        |
| 1                | FC5-4697-000 |      | 2   | RING, RETAINING                |                        |
| 2                | FC9-0717-000 |      | 2   | BUSHING                        |                        |
| 3                | FC9-0816-010 |      | 1   | FLAG, FULL SENSOR              |                        |
| 4                | FC9-0822-000 |      | 1   | LEVER, REVERSE SENSOR          |                        |
| 5                | FC9-7720-000 |      | 2   | COLLAR, FIXING DELIVERY        |                        |
| 6                | FL3-1450-000 |      | 1   | ROLLER, REVERSE                |                        |
| 7                | FC5-4425-000 |      | 3   | CLIP                           |                        |
| 8                | FU8-0602-000 |      | 1   | GEAR, 18T                      |                        |
| 9                | FU8-0603-000 |      | 2   | GEAR, 18T                      |                        |
| 10               | FU8-0606-000 |      | 1   | GEAR, 46T                      |                        |
| 11               | FU8-0610-000 |      | 1   | GEAR, 35T                      |                        |
| 12               | FM1-B597-000 |      | 1   | SIDE PLATE, 2ND PAPER DELIVERY |                        |
| 13               | WG8-5836-000 |      | 2   | IC PHOTOINTERRUPTER, HYBRID    | S23, S24               |
| 14               | XA9-1386-000 |      | 11  | SCREW, RS, M3X8                |                        |
| 15               | XF2-1608-040 |      | 1   | BELT, TIMING                   |                        |
| 16               | FU5-3796-000 |      | 1   | PULLEY                         |                        |
| 17               | FU7-2934-000 |      | 2   | SPRING, RETAINING              |                        |
| 18               | FE4-7217-000 |      | 1   | GUIDE, REVERSE BACK END        | SEE NOTE               |
| 19               | FM4-7916-000 |      | 1   | 2ND PAPER DELIVERY DRIVE UNIT  |                        |

Figure 352 SECOND DELIVERY FRAME ASSEMBLY



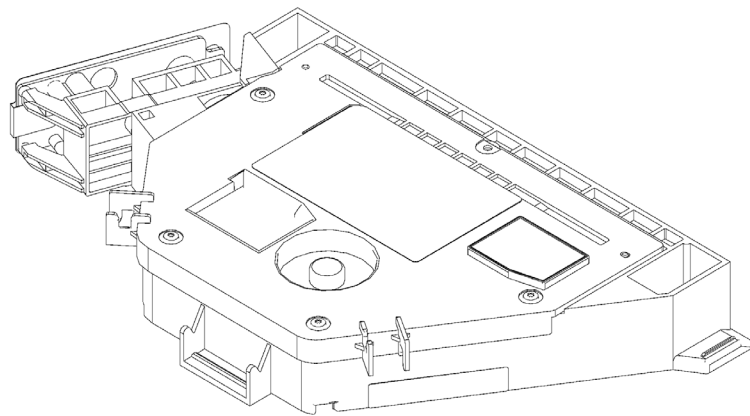
| FIGURE & KEY NO. | PART NUMBER  | RANK | QTY | DESCRIPTION                    | SERIAL NUMBER /REMARKS |
|------------------|--------------|------|-----|--------------------------------|------------------------|
| 352              | FM1-J172-000 |      | 1   | SECOND DELIVERY FRAME ASSEMBLY |                        |
| 1                | WG8-5836-000 |      | 1   | IC PHOTOINTERRUPTER, HYBRID    | S22                    |
| 2                | XF2-1608-040 |      | 1   | BELT, TIMING                   |                        |
| 3                | FC0-5231-000 |      | 4   | ROLLER, FD                     |                        |
| 4                | FC5-0974-000 |      | 1   | SPRING, TORSION                |                        |
| 5                | FC5-0997-000 |      | 1   | SPRING, TORSION                |                        |
| 6                | FC5-4425-000 |      | 2   | CLIP                           |                        |
| 7                | FC5-6014-000 |      | 1   | CAP, SPRING                    |                        |
| 8                | FC9-0854-000 |      | 1   | RATCHET, FEED                  |                        |
| 9                | FC9-0856-000 |      | 1   | FLAG, SENSOR                   |                        |
| 10               | FC9-0857-000 |      | 1   | ROLLER, VERTICAL PASS          |                        |
| 11               | FC9-0870-010 |      | 1   | FLAPPER                        |                        |
| 12               | FC9-0923-000 |      | 1   | BUSHING                        |                        |
| 13               | FL3-1454-000 |      | 1   | ROLLER, SECOND DELIVERY        |                        |
| 14               | FL3-3151-000 |      | 1   | SOLENOID                       | SL13                   |
| 15               | VS1-7177-002 |      | 1   | CONNECTOR, SNAP TIGHT, BK      |                        |
| 16               | FS5-1943-000 |      | 1   | BUSHING                        |                        |
| 17               | FU5-0076-000 |      | 1   | GEAR, 24T                      |                        |
| 18               | FU5-1522-000 |      | 1   | BUSHING, DELIVERY ROLLER       |                        |
| 19               | FU6-2189-000 |      | 4   | SPRING, TORSION                |                        |
| 20               | XD9-0136-000 |      | 2   | RETAINING RING (E-TYPE)        |                        |

Figure 460A LASER SCANNER ASSEMBLY (IR-ADV 4525)



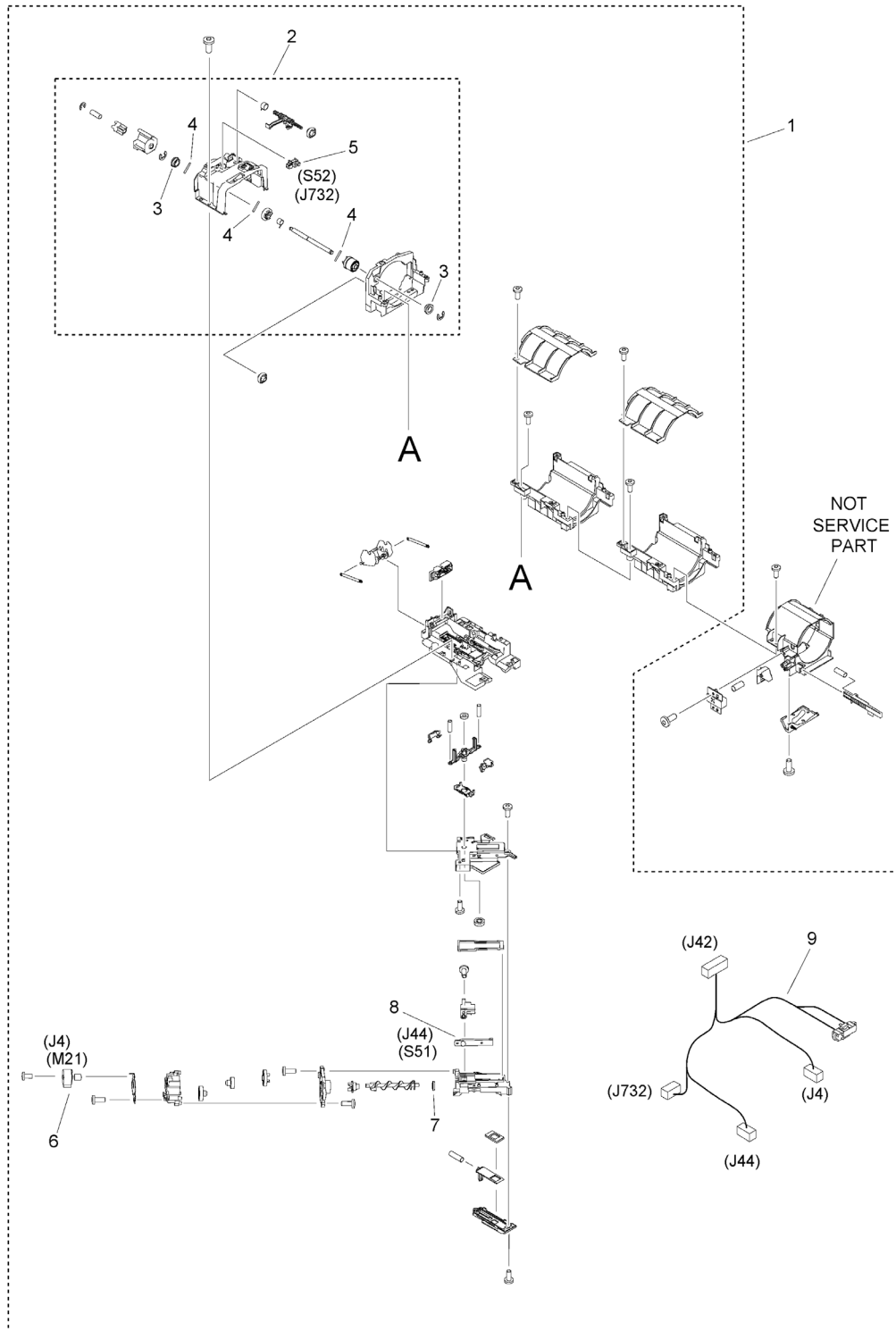
| <b>FIGURE<br/>&amp; KEY<br/>NO.</b> | <b>PART NUMBER</b> | <b>R<br/>A<br/>N<br/>K</b> | <b>QTY</b> | <b>DESCRIPTION</b>     | <b>SERIAL NUMBER<br/>/REMARKS</b> |
|-------------------------------------|--------------------|----------------------------|------------|------------------------|-----------------------------------|
| 460A                                | FM1-M052-000       |                            | 1          | LASER SCANNER ASSEMBLY | IR-ADV 4525 SERIES                |

Figure 460B LASER SCANNER ASSEMBLY (IR-ADV 4551, 4545, 4535)



| <b>FIGURE<br/>&amp; KEY<br/>NO.</b> | <b>PART NUMBER</b> | <b>R<br/>A<br/>N<br/>K</b> | <b>QTY</b> | <b>DESCRIPTION</b>     | <b>SERIAL NUMBER<br/>/REMARKS</b>  |
|-------------------------------------|--------------------|----------------------------|------------|------------------------|------------------------------------|
| 460B                                | FM1-M053-000       |                            | 1          | LASER SCANNER ASSEMBLY | IR-ADV<br>4551,4545,4535<br>SERIES |

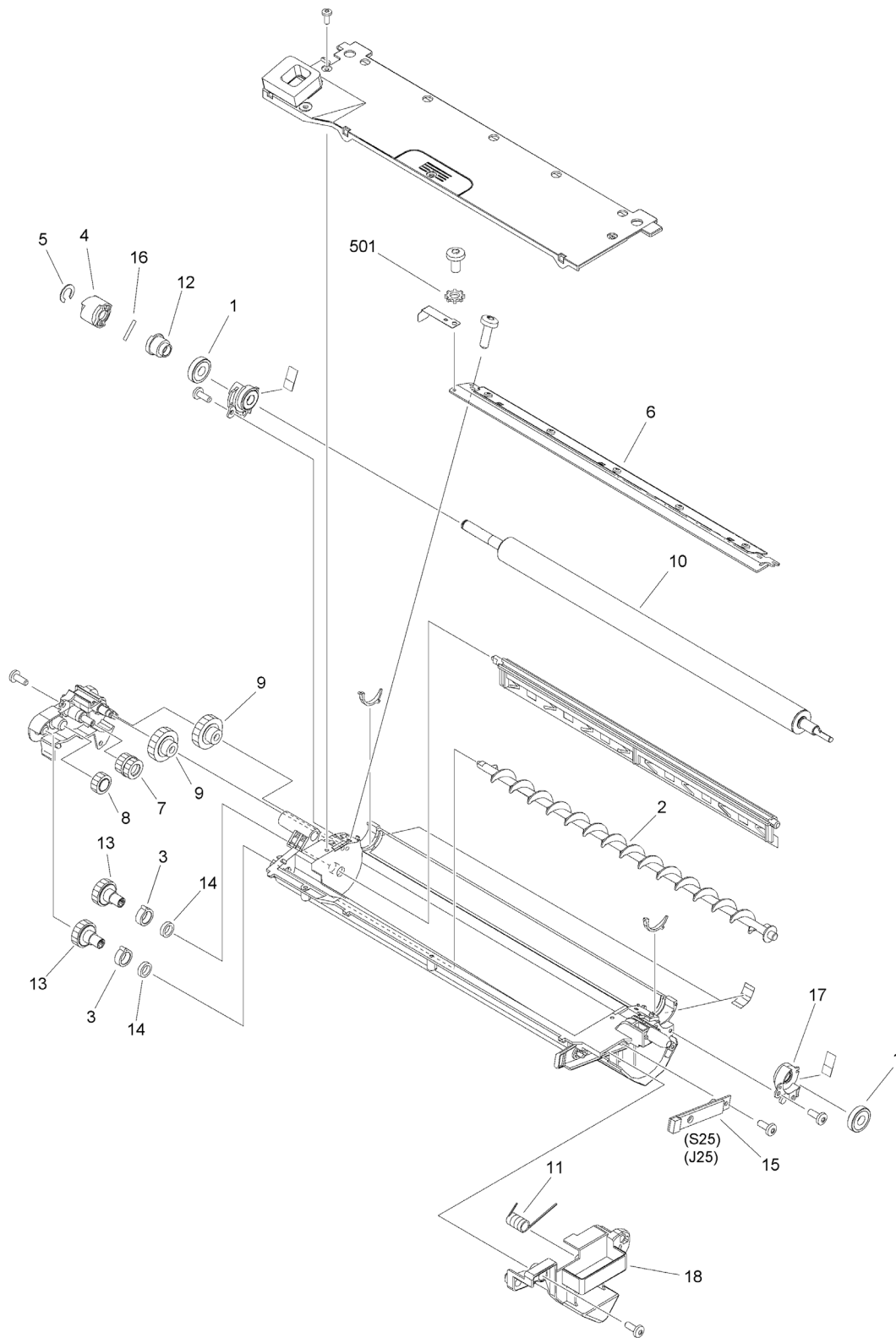
Figure 620 HOPPER ASSEMBLY





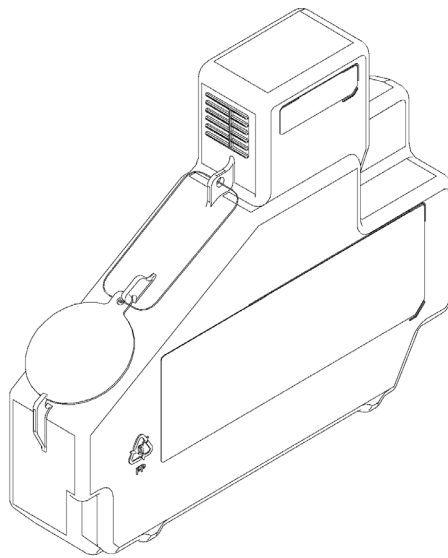
| FIGURE & KEY NO. | PART NUMBER  | RANK | QTY | DESCRIPTION                 | SERIAL NUMBER /REMARKS |
|------------------|--------------|------|-----|-----------------------------|------------------------|
| 620              | NPN          |      | RF  | HOPPER ASSEMBLY             |                        |
| 1                | 4Y8-3112-000 |      | 1   | HOPPER ASSEMBLY             |                        |
| 2                | FM1-J133-000 |      | 1   | UPPER PUMP HOLDER ASSEMBLY  |                        |
| 3                | FC9-1593-000 |      | 2   | BUSHING                     |                        |
| 4                | XD9-0291-000 |      | 3   | PIN, PARALLEL               |                        |
| 5                | WG8-5836-000 |      | 1   | IC PHOTOINTERRUPTER, HYBRID | S52                    |
| 6                | FK4-2683-000 |      | 1   | MOTOR, STEPPING, DC         | M21                    |
| 7                | MB4-8201-000 |      | 1   | SEAL, OIL                   |                        |
| 8                | WP2-5282-000 |      | 1   | SENSOR, ELECTROMAGNETIC     | S51                    |
| 9                | FM1-N873-000 |      | 1   | CABLE, HOPPER               |                        |

Figure 640 DEVELOPING ASSEMBLY



| FIGURE & KEY NO. | PART NUMBER  | RANK | QTY | DESCRIPTION                  | SERIAL NUMBER /REMARKS |
|------------------|--------------|------|-----|------------------------------|------------------------|
| 640              | FM1-J148-000 |      | 1   | DEVELOPING ASSEMBLY          | [DP]                   |
| 1                | FC0-5122-000 |      | 2   | ROLLER                       |                        |
| 2                | FC9-1610-000 |      | 1   | FEEDSCREW, TONER             |                        |
| 3                | FC9-1613-000 |      | 2   | BUSHING                      |                        |
| 4                | FE4-6689-010 |      | 1   | COUPLING, DEVELOPING         |                        |
| 5                | FE4-8138-000 |      | 1   | RING, C                      |                        |
| 6                | FM3-9265-000 |      | 1   | BLADE ASSEMBLY               |                        |
| 7                | FU8-0509-000 |      | 1   | GEAR, 18T/18T                |                        |
| 8                | FU8-0510-000 |      | 1   | GEAR, 18T                    |                        |
| 9                | FU8-0512-000 |      | 2   | GEAR, 31T/13T                |                        |
| 10               | FM4-9170-000 |      | 1   | DEVELOPING CYLINDER ASSEMBLY |                        |
| 11               | FU7-2916-000 |      | 1   | SPRING, TORSION              |                        |
| 12               | FU8-0511-000 |      | 1   | GEAR, 16T                    |                        |
| 13               | FU8-0553-000 |      | 2   | GEAR, 24T                    |                        |
| 14               | MB4-8201-000 |      | 2   | SEAL, OIL                    |                        |
| 15               | WP2-5282-000 |      | 1   | SENSOR, ELECTROMAGNETIC      | S25                    |
| 16               | XD9-0290-000 |      | 1   | PIN, PARALLEL                |                        |
| 17               | FL1-5255-000 |      | 1   | HOLDER, CYLINDER, FRONT      |                        |
| 18               | FC9-0592-010 |      | 1   | HOLDER, DEVELOPING FRONT     |                        |
| 501              | XD1-4200-302 |      | 1   | WASHER, TOOTHED LOCK, M3     |                        |

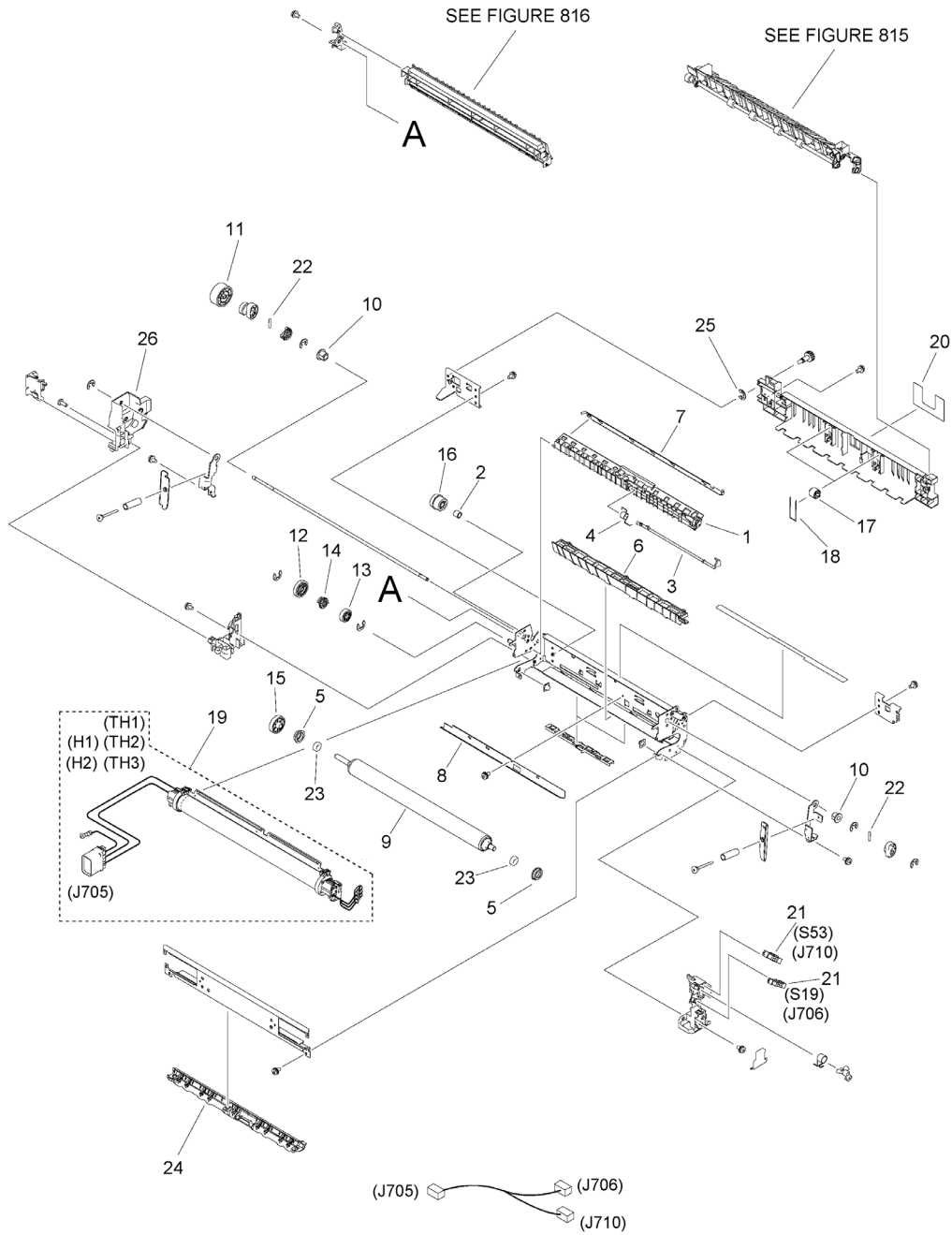
Figure 770 WASTE TONER BOX ASSEMBLY



| <b>FIGURE<br/>&amp; KEY<br/>NO.</b> | <b>PART NUMBER</b> | <b>R<br/>A<br/>N<br/>K</b> | <b>QTY</b> | <b>DESCRIPTION</b>       | <b>SERIAL NUMBER<br/>/REMARKS</b> |
|-------------------------------------|--------------------|----------------------------|------------|--------------------------|-----------------------------------|
| 770                                 | FM3-9276-030       |                            | 1          | WASTE TONER BOX ASSEMBLY | [DP]                              |

Figure 810B FIXING ASSEMBLY (230V IR-ADV 4551)

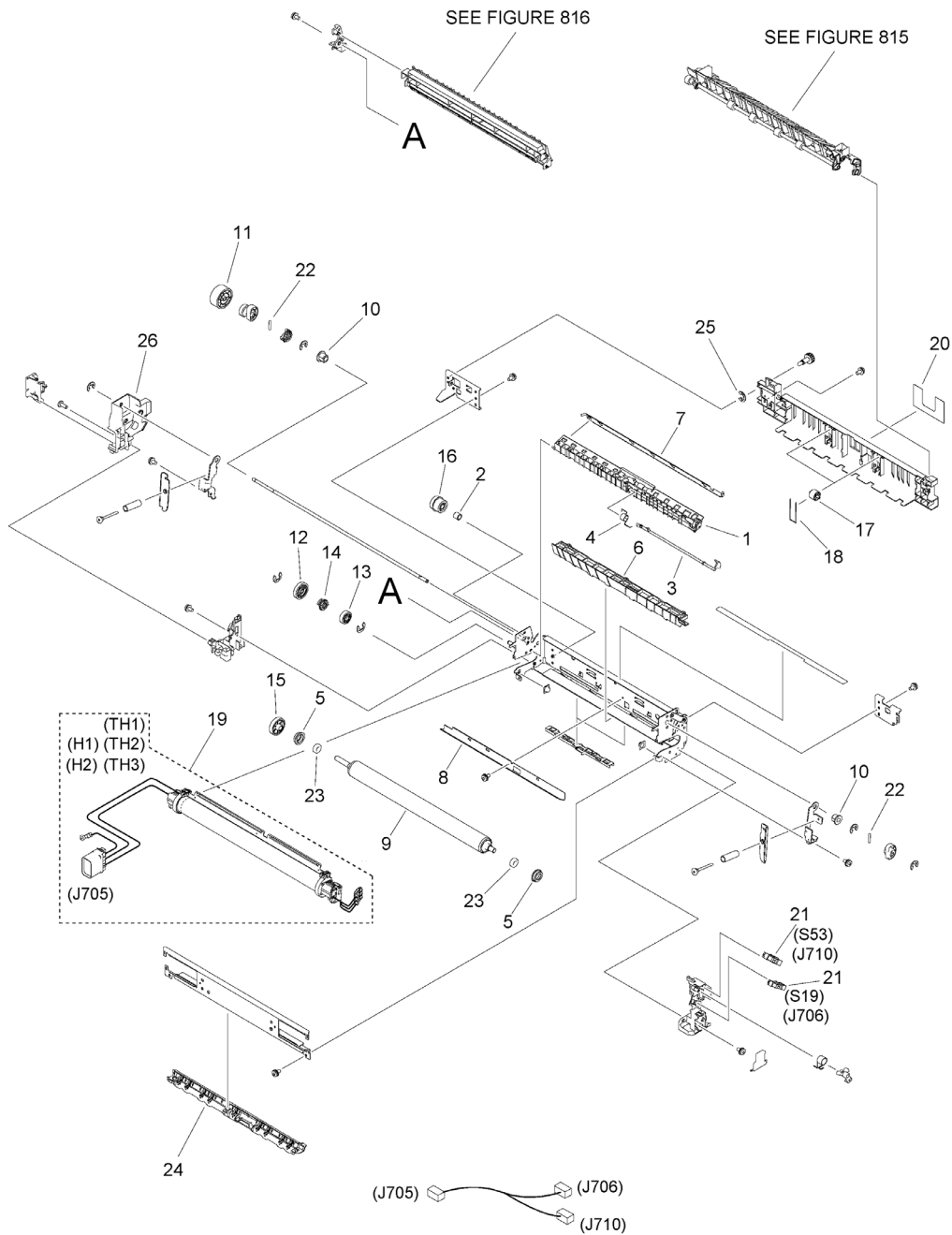
NOTE : This assembly includes the assemblies shown in Figure 815, 816.



| FIGURE & KEY NO. | PART NUMBER  | RANK | QTY | DESCRIPTION                    | SERIAL NUMBER /REMARKS           |
|------------------|--------------|------|-----|--------------------------------|----------------------------------|
| 810B             | FM1-J021-010 |      | 1   | FIXING ASSEMBLY                | SEE NOTE, 230V IR-ADV 4551, [DP] |
| 1                | FC0-2394-000 |      | 1   | GUIDE, DELIVERY LOWER          |                                  |
| 2                | FC0-2406-000 |      | 1   | COLLAR, FIXING DELIVERY        |                                  |
| 3                | FC0-2413-000 |      | 1   | FLAG, SENSOR                   |                                  |
| 4                | FC5-1367-000 |      | 1   | SPRING,SENSOR LEVER            |                                  |
| 5                | FC5-7182-000 |      | 2   | HOUSING,BEARING                |                                  |
| 6                | FC9-0781-010 |      | 1   | GUIDE, FIXING ENTRANCE, 1      |                                  |
| 7                | FC9-0782-000 |      | 1   | ELIMINATOR, STATIC CHARGE      |                                  |
| 8                | FC9-8968-000 |      | 1   | ELIMINATOR, STATIC CHARGE      |                                  |
| 9                | FC9-8974-000 |      | 1   | ROLLER, PRESSURE               |                                  |
| 10               | FE3-3212-000 |      | 2   | BUSHING                        |                                  |
| 11               | FE4-6927-000 |      | 1   | GEAR, 35T                      |                                  |
| 12               | FE4-6929-000 |      | 1   | GEAR, 27T                      |                                  |
| 13               | FE4-6930-000 |      | 1   | GEAR, 25T                      |                                  |
| 14               | FE4-6931-000 |      | 1   | CAM, TRANSMISSION              |                                  |
| 15               | FE4-6932-010 |      | 1   | GEAR, 36T                      |                                  |
| 16               | FE4-6933-000 |      | 1   | GEAR, 26T                      |                                  |
| 17               | FC9-7720-000 |      | 2   | COLLAR, FIXING DELIVERY        |                                  |
| 18               | FU7-2934-000 |      | 2   | SPRING, RETAINING              |                                  |
| 19               | FM1-J036-000 |      | 1   | FIXING FILM ASSEMBLY           |                                  |
| 20               | FU6-8898-000 |      | 1   | LABEL,HIGH TEMPERATURE CAUTION |                                  |
| 21               | WG8-5836-000 |      | 2   | IC PHOTOINTERRUPTER, HYBRID    | S53, S19                         |
| 22               | XD9-0288-000 |      | 2   | PIN, DOWEL                     |                                  |
| 23               | XG9-0875-000 |      | 2   | BEARING, BALL, NS P0 16MM      |                                  |
| 24               | 4Y8-3117-000 |      | 1   | GUIDE, FIXING ENTRANCE         |                                  |
| 25               | XD9-0134-000 |      | 1   | RING, E                        |                                  |
| 26               | FE4-6935-000 |      | 1   | COVER, FIXING GEAR             |                                  |

Figure 810E FIXING ASSEMBLY (230V EXCEPT IR-ADV 4551)

NOTE : This assembly includes the assemblies shown in Figure 815, 816.

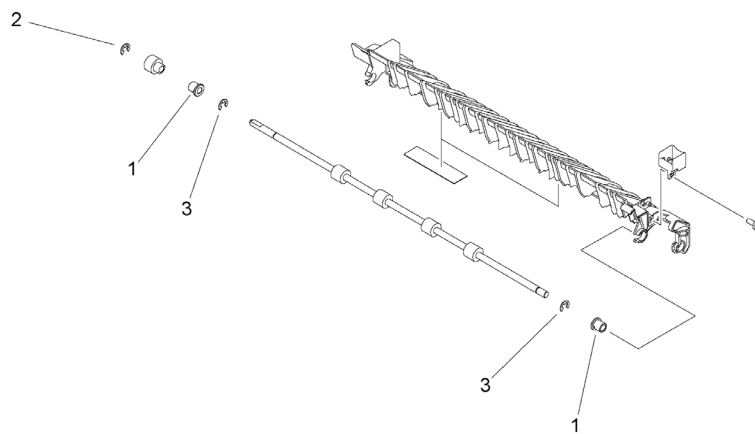




| FIGURE & KEY NO. | PART NUMBER  | RANK | QTY | DESCRIPTION                    | SERIAL NUMBER /REMARKS                  |
|------------------|--------------|------|-----|--------------------------------|---|
| 810E             | FM1-J024-010 |      | 1   | FIXING ASSEMBLY                | SEE NOTE, 230V EXCEPT IR-ADV 4551, [DP] |
| 1                | FC0-2394-000 |      | 1   | GUIDE, DELIVERY LOWER          |   |
| 2                | FC0-2406-000 |      | 1   | COLLAR, FIXING DELIVERY        |   |
| 3                | FC0-2413-000 |      | 1   | FLAG, SENSOR                   |   |
| 4                | FC5-1367-000 |      | 1   | SPRING,SENSOR LEVER            |   |
| 5                | FC5-7182-000 |      | 2   | HOUSING,BEARING                |   |
| 6                | FC9-0781-010 |      | 1   | GUIDE, FIXING ENTRANCE, 1      |   |
| 7                | FC9-0782-000 |      | 1   | ELIMINATOR, STATIC CHARGE      |   |
| 8                | FC9-8968-000 |      | 1   | ELIMINATOR, STATIC CHARGE      |   |
| 9                | FC9-8974-000 |      | 1   | ROLLER, PRESSURE               |   |
| 10               | FE3-3212-000 |      | 2   | BUSHING                        |   |
| 11               | FE4-6927-000 |      | 1   | GEAR, 35T                      |   |
| 12               | FE4-6929-000 |      | 1   | GEAR, 27T                      |   |
| 13               | FE4-6930-000 |      | 1   | GEAR, 25T                      |   |
| 14               | FE4-6931-000 |      | 1   | CAM, TRANSMISSION              |   |
| 15               | FE4-6932-010 |      | 1   | GEAR, 36T                      |   |
| 16               | FE4-6933-000 |      | 1   | GEAR, 26T                      |   |
| 17               | FC9-7720-000 |      | 2   | COLLAR, FIXING DELIVERY        |   |
| 18               | FU7-2934-000 |      | 2   | SPRING, RETAINING              |   |
| 19               | FM1-J039-000 |      | 1   | FIXING FILM ASSEMBLY           |   |
| 20               | FU6-8898-000 |      | 1   | LABEL,HIGH TEMPERATURE CAUTION |   |
| 21               | WG8-5836-000 |      | 2   | IC PHOTOINTERRUPTER, HYBRID    | S53, S19                                |
| 22               | XD9-0288-000 |      | 2   | PIN, DOWEL                     |   |
| 23               | XG9-0875-000 |      | 2   | BEARING, BALL, NS P0 16MM      |   |
| 24               | 4Y8-3117-000 |      | 1   | GUIDE, FIXING ENTRANCE         |   |
| 25               | XD9-0134-000 |      | 1   | RING, E                        |   |
| 26               | FE4-6935-000 |      | 1   | COVER, FIXING GEAR             |   |

# Figure 815 DELIVERY LOWER GUIDE ASSEMBLY

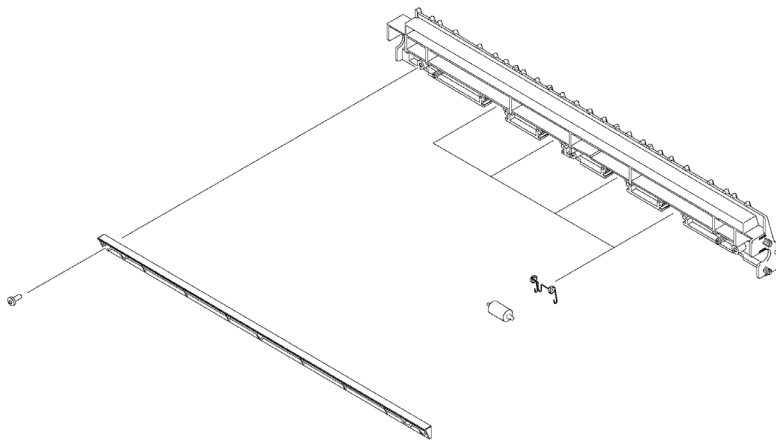
NOTE : This assembly is included in the assembly shown in Figure 810.



| FIGURE & KEY NO. | PART NUMBER  | RANK | QTY | DESCRIPTION                   | SERIAL NUMBER /REMARKS |
|------------------|--------------|------|-----|-------------------------------|------------------------|
| 815              | FM1-J002-000 |      | 1   | DELIVERY LOWER GUIDE ASSEMBLY | SEE NOTE               |
| 1                | FA9-4041-005 |      | 2   | BUSHING                       |                        |
| 2                | XD9-0134-000 |      | 1   | RING, E                       |                        |
| 3                | XD9-0136-000 |      | 2   | RING, E                       |                        |

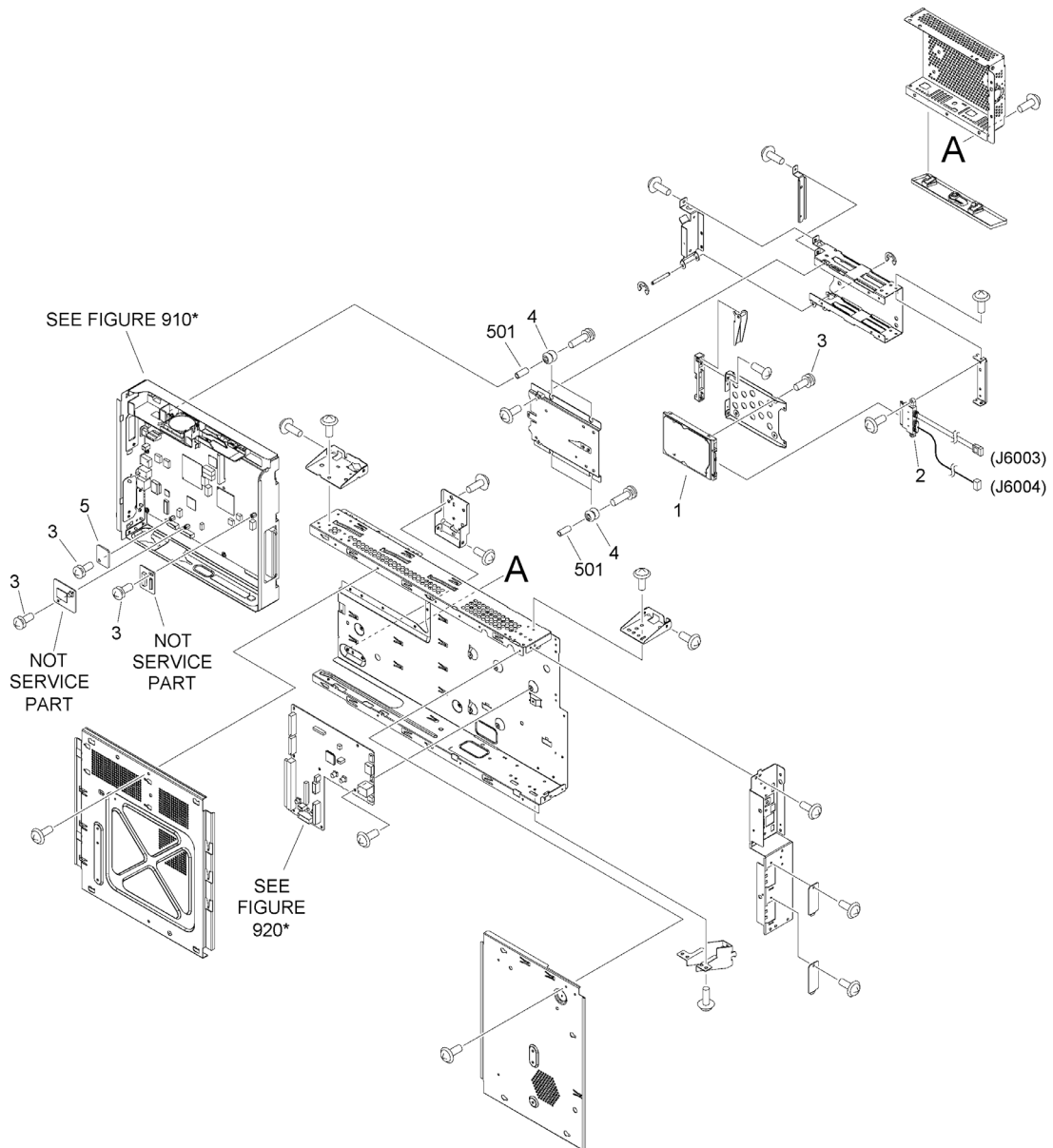
# Figure 816 DELIVERY UPPER GUIDE ASSEMBLY

NOTE : This assembly is included in the assembly shown in Figure 810.



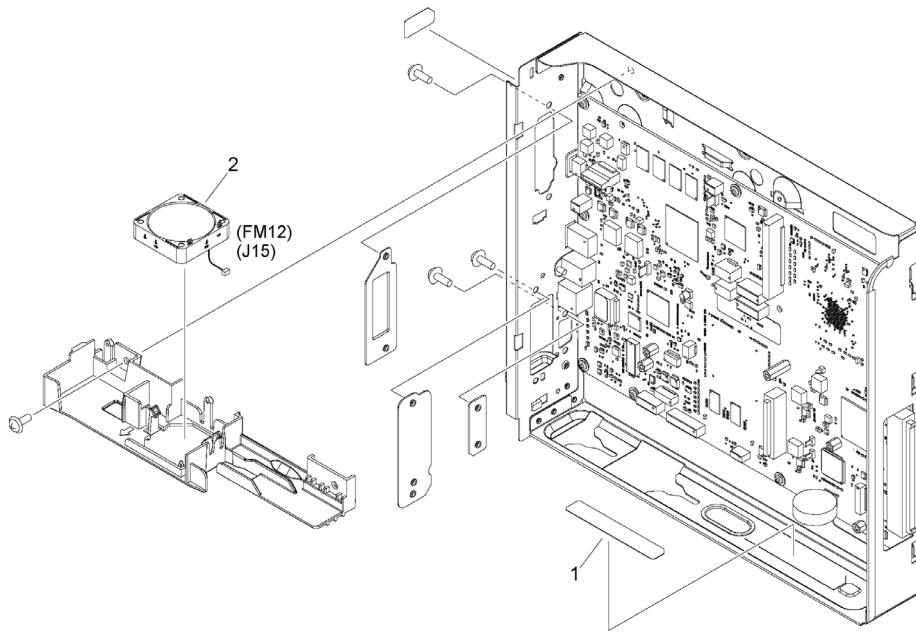
| <b>FIGURE<br/>&amp; KEY<br/>NO.</b> | <b>PART NUMBER</b> | <b>R<br/>A<br/>N<br/>K</b> | <b>QTY</b> | <b>DESCRIPTION</b>            | <b>SERIAL NUMBER<br/>/REMARKS</b> |
|-------------------------------------|--------------------|----------------------------|------------|-------------------------------|-----------------------------------|
| 816                                 | FM1-H799-000       |                            | 1          | DELIVERY UPPER GUIDE ASSEMBLY | SEE NOTE                          |

Figure 900A CONTROLLER BOX ASSEMBLY (MODEL WITHOUT FAX)



| FIGURE & KEY NO. | PART NUMBER  | RANK | QTY | DESCRIPTION                 | SERIAL NUMBER /REMARKS |
|------------------|--------------|------|-----|-----------------------------|------------------------|
| 900A             | NPN          |      | RF  | CONTROLLER BOX ASSEMBLY     | MODEL WITHOUT FAX      |
| 1                | FK4-1550-000 |      | 1   | HARD DISK DRIVE, MQ01ABF032 |                        |
| 2                | FK4-2497-000 |      | 1   | CABLE, HARD DISK DRIVE, 1   |                        |
| 3                | XA9-1979-000 |      | 7   | SCREW, MACH. PAN HEAD, M3X4 |                        |
| 4                | XH9-0149-000 |      | 4   | DAMPER, CUSHION             |                        |
| 5                | FM1-M981-000 |      | 1   | TPM PCB ASSEMBLY            |                        |
| 501              | XZ1-1301-005 |      | 4   | SPACER                      |                        |

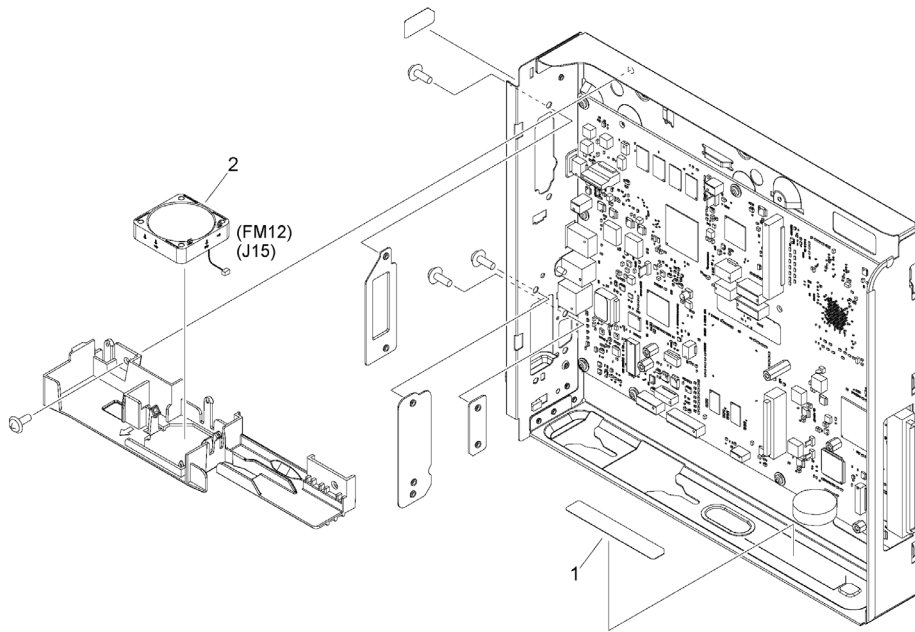
Figure 910A MAIN CONTROLLER PCB ASSEMBLY (iR-ADV 4551 SERIES)





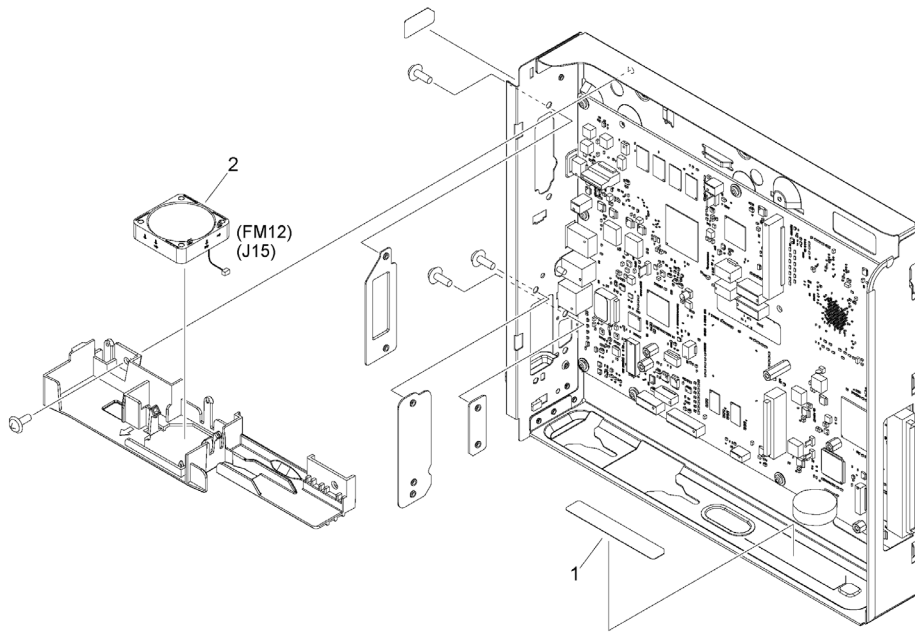
| FIGURE<br>& KEY<br>NO. | PART NUMBER  | R<br>A<br>N<br>K | QTY | DESCRIPTION                  | SERIAL NUMBER<br>/REMARKS |
|------------------------|--------------|------------------|-----|------------------------------|---------------------------|
| 910A                   | FM1-V548-000 |                  | 1   | MAIN CONTROLLER PCB ASSEMBLY | iR-ADV 4551 SERIES        |
| 1                      | FC0-5049-000 |                  | 1   | LABEL, MEMORY CAUTION        |                           |
| 2                      | FK4-2852-000 |                  | 1   | FAN                          | FM12                      |

Figure 910B MAIN CONTROLLER PCB ASSEMBLY (iR-ADV 4545 SERIES)



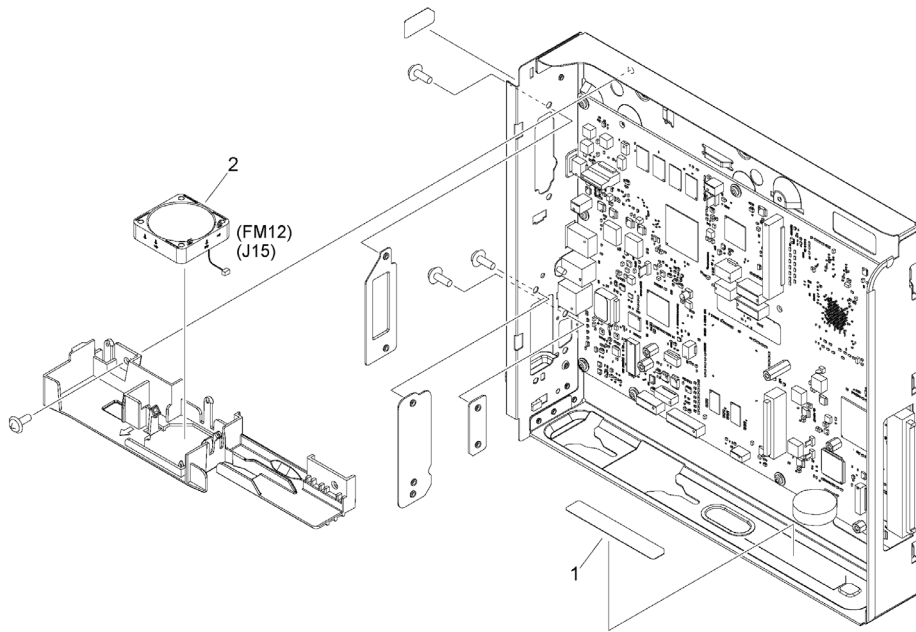
| FIGURE<br>& KEY<br>NO. | PART NUMBER  | R<br>A<br>N<br>K | QTY | DESCRIPTION                  | SERIAL NUMBER<br>/REMARKS |
|------------------------|--------------|------------------|-----|------------------------------|---------------------------|
| 910B                   | FM1-V549-000 |                  | 1   | MAIN CONTROLLER PCB ASSEMBLY | iR-ADV 4545 SERIES        |
| 1                      | FC0-5049-000 |                  | 1   | LABEL, MEMORY CAUTION        |                           |
| 2                      | FK4-2852-000 |                  | 1   | FAN                          | FM12                      |

Figure 910C MAIN CONTROLLER PCB ASSEMBLY (iR-ADV 4535 SERIES)



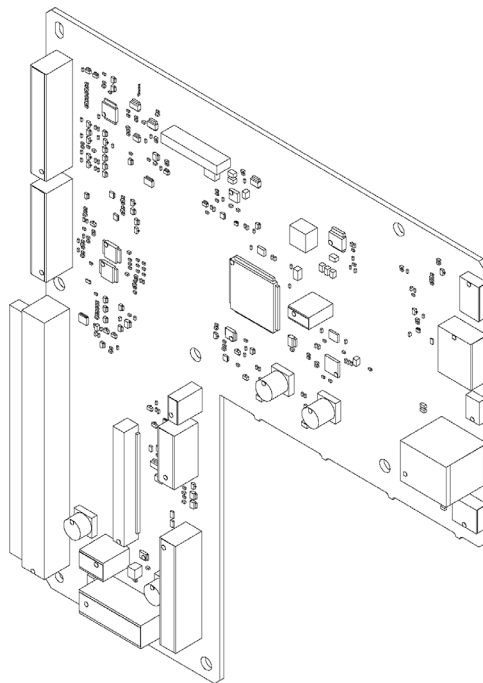
| FIGURE<br>& KEY<br>NO. | PART NUMBER  | R<br>A<br>N<br>K | QTY | DESCRIPTION                  | SERIAL NUMBER<br>/REMARKS |
|------------------------|--------------|------------------|-----|------------------------------|---------------------------|
| 910C                   | FM1-V550-000 |                  | 1   | MAIN CONTROLLER PCB ASSEMBLY | iR-ADV 4535 SERIES        |
| 1                      | FC0-5049-000 |                  | 1   | LABEL, MEMORY CAUTION        |                           |
| 2                      | FK4-2852-000 |                  | 1   | FAN                          | FM12                      |

Figure 910D MAIN CONTROLLER PCB ASSEMBLY (iR-ADV 4525 SERIES)



| FIGURE<br>& KEY<br>NO. | PART NUMBER  | R<br>A<br>N<br>K | QTY | DESCRIPTION                  | SERIAL NUMBER<br>/REMARKS |
|------------------------|--------------|------------------|-----|------------------------------|---------------------------|
| 910D                   | FM1-V551-000 |                  | 1   | MAIN CONTROLLER PCB ASSEMBLY | iR-ADV 4525 SERIES        |
| 1                      | FC0-5049-000 |                  | 1   | LABEL, MEMORY CAUTION        |                           |
| 2                      | FK4-2852-000 |                  | 1   | FAN                          | FM12                      |

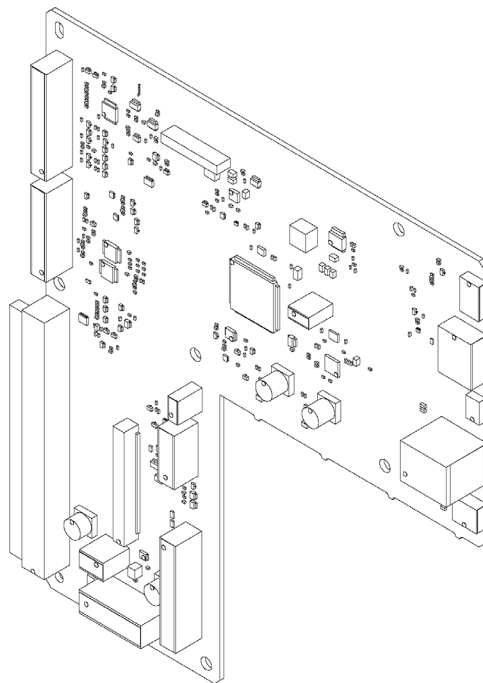
Figure 920A RISER PCB ASSEMBLY (IR-ADV 4551, 4545, 4535)





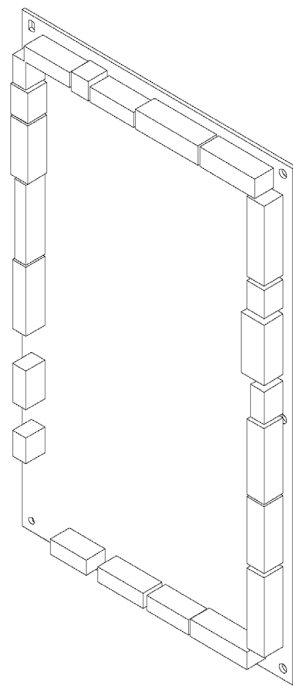
| <b>FIGURE<br/>&amp; KEY<br/>NO.</b> | <b>PART NUMBER</b> | <b>R<br/>A<br/>N<br/>K</b> | <b>QTY</b> | <b>DESCRIPTION</b> | <b>SERIAL NUMBER<br/>/REMARKS</b> |
|-------------------------------------|--------------------|----------------------------|------------|--------------------|-----------------------------------|
| 920A                                | FM1-X821-000       |                            | 1          | RISER PCB ASSEMBLY | IR-ADV 4551, 4545,<br>4535 SERIES |

Figure 920B RISER PCB ASSEMBLY (IR-ADV 4525)



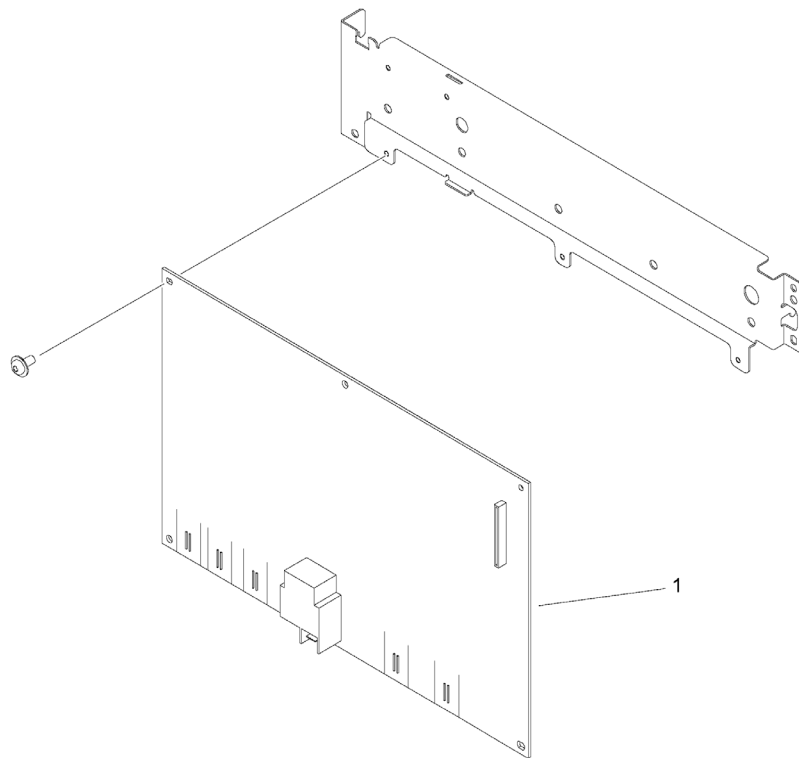
| <b>FIGURE<br/>&amp; KEY<br/>NO.</b> | <b>PART NUMBER</b> | <b>R<br/>A<br/>N<br/>K</b> | <b>QTY</b> | <b>DESCRIPTION</b> | <b>SERIAL NUMBER<br/>/REMARKS</b> |
|-------------------------------------|--------------------|----------------------------|------------|--------------------|-----------------------------------|
| 920B                                | FM1-X822-000       |                            | 1          | RISER PCB ASSEMBLY | IR-ADV 4525 SERIES                |

Figure 930 ENGINE CONTROLLER PCB ASSEMBLY



| <b>FIGURE<br/>&amp; KEY<br/>NO.</b> | <b>PART NUMBER</b> | <b>R<br/>A<br/>N<br/>K</b> | <b>QTY</b> | <b>DESCRIPTION</b>             | <b>SERIAL NUMBER<br/>/REMARKS</b> |
|-------------------------------------|--------------------|----------------------------|------------|--------------------------------|-----------------------------------|
| 930                                 | FM2-J877-000       |                            | 1          | ENGINE CONTROLLER PCB ASSEMBLY |                                   |

Figure 980 HIGH VOLTAGE PCB ASSEMBLY



| <b>FIGURE<br/>&amp; KEY<br/>NO.</b> | <b>PART NUMBER</b> | <b>R<br/>A<br/>N<br/>K</b> | <b>QTY</b> | <b>DESCRIPTION</b>         | <b>SERIAL NUMBER<br/>/REMARKS</b> |
|-------------------------------------|--------------------|----------------------------|------------|----------------------------|-----------------------------------|
| 980                                 | NPN                |                            | RF         | HIGH VOLTAGE PCB ASSEMBLY  |                                   |
| 1                                   | FM1-N845-000       |                            | 1          | H.V. TRANSFER PCB ASSEMBLY |                                   |

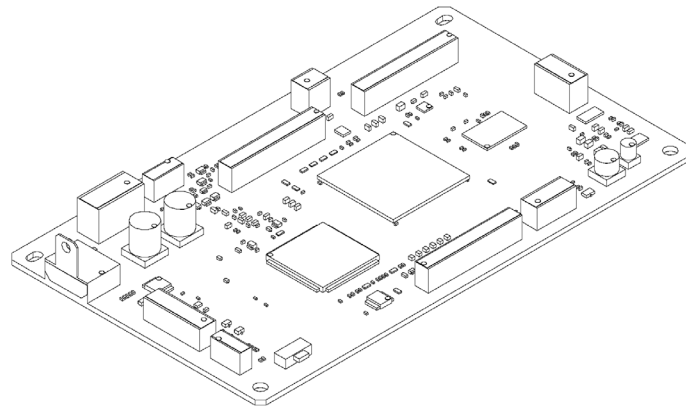




| FIGURE & KEY NO. | PART NUMBER  | RANK | QTY | DESCRIPTION                    | SERIAL NUMBER /REMARKS |
|------------------|--------------|------|-----|--------------------------------|------------------------|
| D11F             | NPN          |      | RF  | READER ASSEMBLY                |                        |
| 1                | FE8-5713-000 |      | 2   | SHEET, HINGE COVER             |                        |
| 2                | FM1-T689-000 |      | 1   | FLAT CABLE SET                 |                        |
| 3                | FE8-5627-000 |      | 4   | PULLEY                         |                        |
| 4                | FE8-5626-000 |      | 1   | PULLEY                         |                        |
| 5                | FL1-3735-000 |      | 2   | SPACER, SHAFT CUSHION          |                        |
| 6                | FE3-9178-000 |      | 7   | CAP                            |                        |
| 7                | WG8-5935-000 |      | 2   | IC, PHOTO INTERRUPTER          | PS_N1, PS_N2           |
| 8                | FE8-6664-000 |      | 1   | LABEL, CLEANING POSITION       |                        |
| 9                | FE8-4672-000 |      | 1   | LABEL, COPY INHIBITED          | English                |
| 9                | FE8-6159-000 |      | 1   | LABEL, COPY INHIBITED          | UK English             |
| 10               | FE8-5212-000 |      | 1   | COVER, HINGE LOWER, LEFT       |                        |
| 11               | FE8-5213-000 |      | 1   | COVER, HINGE LOWER, RIGHT      |                        |
| 12               | FE8-5215-000 |      | 1   | FLAG, OPEN/CLOSE SENSOR        |                        |
| 13               | FE8-5246-000 |      | 1   | COVER, GLASS SUPPORT           |                        |
| 14               | FE8-5247-000 |      | 1   | COVER, READER, LEFT            |                        |
| 15               | FE8-5747-000 |      | 2   | COVER, GLASS RETAINING         |                        |
| 16               | FK4-4240-000 |      | 1   | CABLE, FLAT                    |                        |
| 17               | FK4-4384-000 |      | 1   | IC, PHOTO SENSOR,DOCUMENT SIZE | PS_R1, PS_R2           |
| 18               | FK4-2334-000 |      | 1   | CABLE, INTERFACE               |                        |
| 19               | FL1-2756-000 |      | 1   | COVER, SIDE, RIGHT             |                        |
| 20               | FL1-1972-000 |      | 1   | COVER, READER, FRONT           |                        |
| 21               | FL1-5546-000 |      | 1   | GLASS, COPYBOARD               |                        |
| 22               | FL1-2557-000 |      | 7   | SEAL                           |                        |
| 23               | FL0-3213-000 |      | 1   | GUIDE, FRAME, LOWER            |                        |
| 24               | FL1-2779-000 |      | 4   | COVER, GLASS RETAINING         |                        |
| 25               | FL3-3206-000 |      | 1   | GLASS, READER                  |                        |
| 26               | FL3-8297-000 |      | 1   | LABEL, SERVICE, SCANNER UNIT   |                        |
| 27               | FM0-2744-000 |      | 1   | SCANNER UNIT                   |                        |
| 28               | FM1-R020-000 |      | 1   | CABLE, POWER                   |                        |
| 29               | FL1-4605-000 |      | 1   | SHEET, SLIP                    |                        |
| 30               | FM1-M875-000 |      | 1   | CABLE, SIZE SENSING            |                        |
| 31               | FM1-M876-000 |      | 1   | CABLE, SIZE SENSOR             |                        |
| 32               | FM1-P046-000 |      | 1   | WIRELESS NETWORK PCB ASSEMBLY  |                        |
| 33               | FM1-R025-000 |      | 1   | MOTOR ASS'Y                    | STM1                   |
| 34               | FM1-Y982-000 |      | 1   | CABLE, OPTICAL MOTOR           |                        |
| 35               | FL0-0825-000 |      | 1   | PULLEY, 24T/41T                |                        |
| 36               | FU2-2214-000 |      | 1   | SPRING, TENSION                |                        |
| 37               | FU2-2215-000 |      | 1   | SPRING, TORSION                |                        |
| 38               | FU2-2200-000 |      | 1   | SPRING, TENSION                |                        |
| 39               | XA9-1415-000 |      | 10  | SCREW, FLAT HEAD, M4           |                        |
| 40               | XD9-0136-000 |      | 5   | RETAINING RING (E-TYPE)        |                        |
| 41               | XF2-4606-835 |      | 1   | BELT, TIMING                   |                        |
| 42               | WG8-5783-000 |      | 1   | IC,PHOTO-INTERRUPTER,LG248NL1A | PS_A1                  |

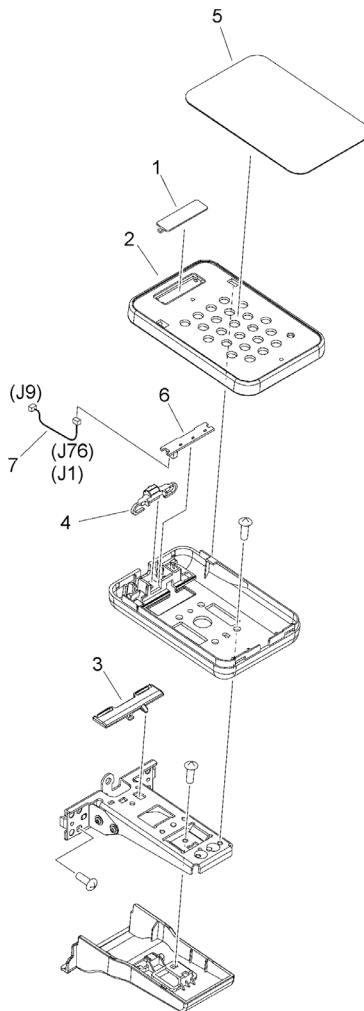
| FIGURE<br>& KEY<br>NO. | PART NUMBER  | R<br>A<br>N<br>K | QTY | DESCRIPTION          | SERIAL NUMBER<br>/REMARKS |
|------------------------|--------------|------------------|-----|----------------------|---------------------------|
| 43                     | XF2-4668-040 |                  | 1   | BELT, TIMING         |                           |
| 44                     | XA9-1116-030 |                  | 5   | SCREW,M3X5           |                           |
| 45                     | XA9-1386-000 |                  | 15  | SCREW,RS,M3X8        |                           |
| 46                     | FM1-R385-000 |                  | 1   | MOTION SENSOR UNIT   |                           |
| 47                     | FM1-R003-000 |                  | 2   | GUIDE SHAFT UNIT     |                           |
| 48                     | FL1-2761-000 |                  | 1   | SEAL, CABLE BLANKING |                           |

Figure D90 READER CONTROLLER PCB ASSEMBLY



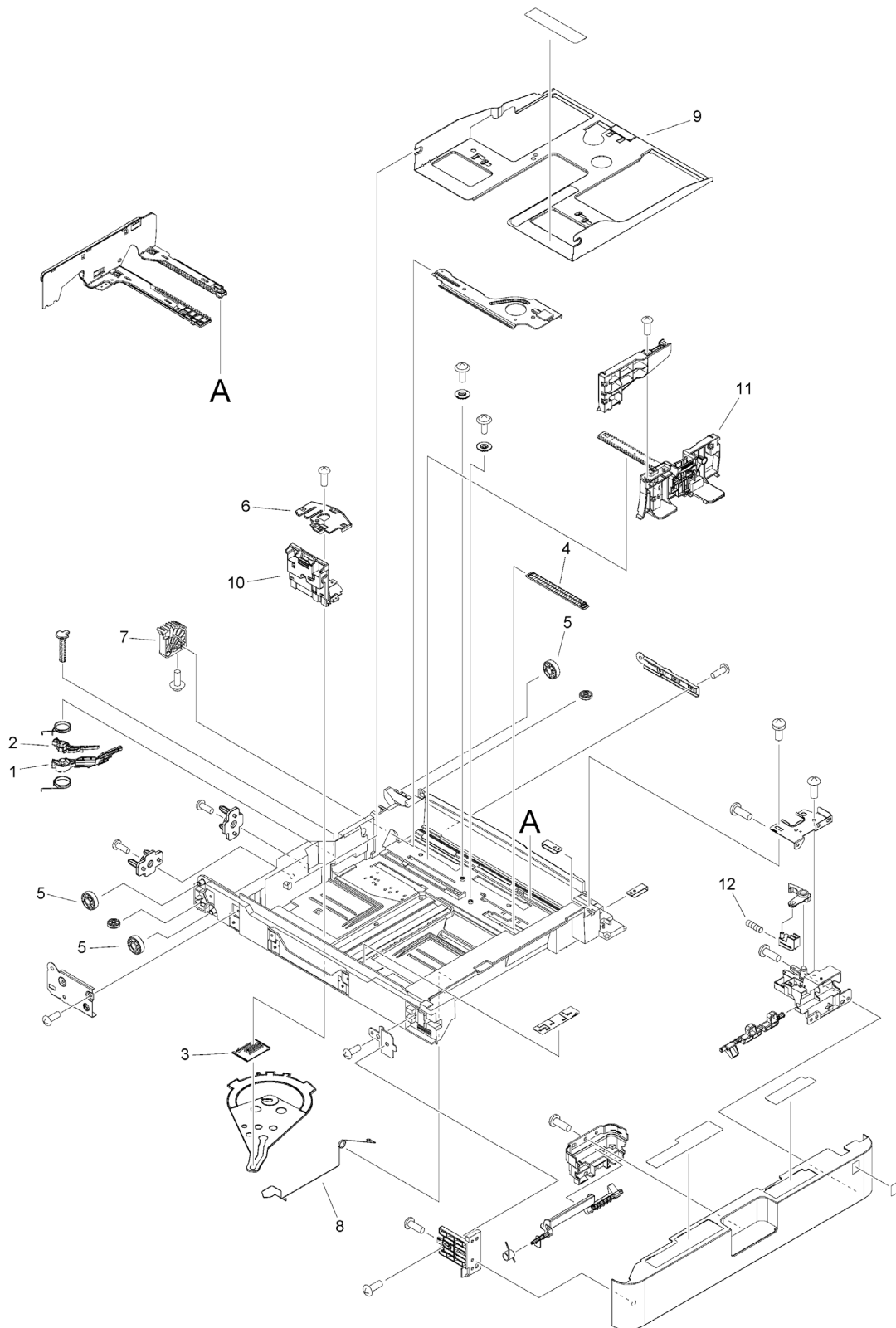
| <b>FIGURE<br/>&amp; KEY<br/>NO.</b> | <b>PART NUMBER</b> | <b>R<br/>A<br/>N<br/>K</b> | <b>QTY</b> | <b>DESCRIPTION</b>             | <b>SERIAL NUMBER<br/>/REMARKS</b> |
|-------------------------------------|--------------------|----------------------------|------------|--------------------------------|-----------------------------------|
| D90                                 | FM1-Y985-000       |                            | 1          | READER CONTROLLER PCB ASSEMBLY |                                   |

Figure E10 IC CARD READER BOX



| FIGURE & KEY NO. | PART NUMBER  | RANK | QTY | DESCRIPTION        | SERIAL NUMBER /REMARKS |
|------------------|--------------|------|-----|--------------------|------------------------|
| E10              | NPN          |      | RF  | IC CARD READER BOX |                        |
| 1                | FE8-5467-000 |      | 1   | GUIDE, LAMP LED    |                        |
| 2                | FE8-5463-000 |      | 1   | COVER, UPPER       |                        |
| 3                | FE8-5474-000 |      | 1   | COVER, SMALL       |                        |
| 4                | FE8-5465-000 |      | 1   | STOPPER            |                        |
| 5                | FL1-2376-000 |      | 1   | SHEET              |                        |
| 6                | FM1-Y993-000 |      | 1   | LED PCB ASSEMBLY   |                        |
| 7                | FM1-T856-000 |      | 1   | CABLE, CARD READER |                        |

Figure H30 CASSETTE ASSEMBLY (UPPER)

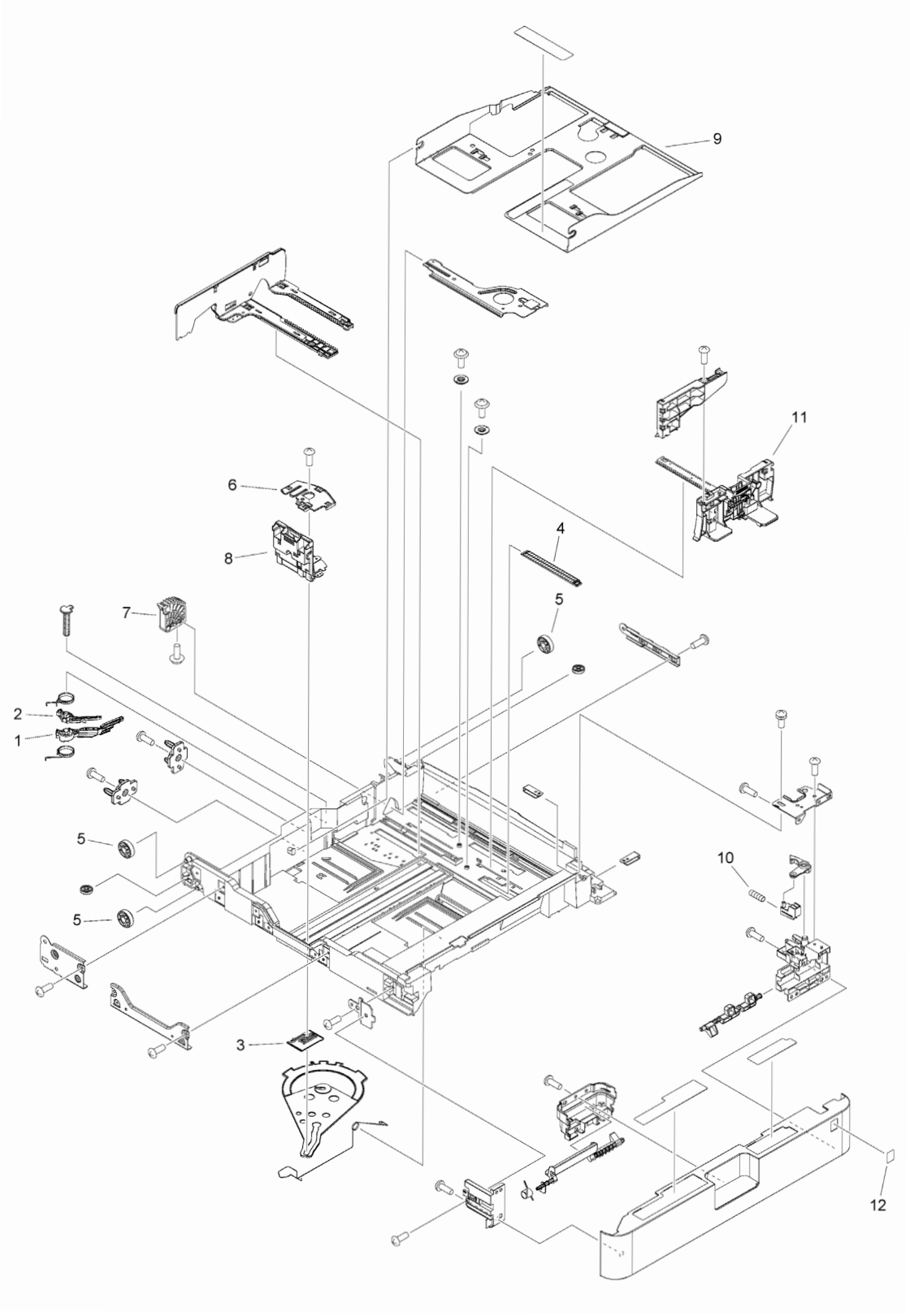


| FIGURE & KEY NO. | PART NUMBER  | RANK | QTY | DESCRIPTION                    | SERIAL NUMBER /REMARKS |
|------------------|--------------|------|-----|--------------------------------|------------------------|
| H30              | FM1-J113-000 |      | 1   | CASSETTE ASSEMBLY              | UPPER                  |
| 1                | FC8-2469-000 |      | 1   | DIAL, DETECT, SMALL            |                        |
| 2                | FC8-2470-000 |      | 1   | DIAL, DETECT, LARGE            |                        |
| 3                | FC8-2475-000 |      | 1   | PLATE, JOINT                   |                        |
| 4                | FC8-2670-000 |      | 1   | PLATE, FREE STOP               |                        |
| 5                | FC8-4970-000 |      | 3   | ROLLER, CASSETTE SWING         |                        |
| 6                | FC8-4996-000 |      | 1   | COVER, TOP                     |                        |
| 7                | FC9-0129-000 |      | 1   | GEAR, 9T                       |                        |
| 8                | FC9-0140-000 |      | 1   | SPRING, GROUNDING              |                        |
| 9                | FL2-9472-000 |      | 1   | PLATE, CENTER                  |                        |
| 10               | FM3-8907-000 |      | 1   | BACK END LIMIT PLATE ASSEMBLY  |                        |
| 11               | FM3-8905-010 |      | 1   | SIDE END PLATE ASSEMBLY, FRONT |                        |
| 12               | FU7-2518-000 |      | 1   | SPRING, COMPRESSION            |                        |



Figure H31 CASSETTE ASSEMBLY (LOWER)

NOTE : This assembly does not include the part shown with key No. 12.



| FIGURE & KEY NO. | PART NUMBER  | RANK | QTY | DESCRIPTION                    | SERIAL NUMBER /REMARKS |
|------------------|--------------|------|-----|--------------------------------|------------------------|
| H31              | FM1-J208-000 |      | 1   | CASSETTE ASSEMBLY              | LOWER                  |
| 1                | FC8-2469-000 |      | 1   | DIAL, DETECT, SMALL            |                        |
| 2                | FC8-2470-000 |      | 1   | DIAL, DETECT, LARGE            |                        |
| 3                | FC8-2475-000 |      | 1   | PLATE, JOINT                   |                        |
| 4                | FC8-2670-000 |      | 1   | PLATE, FREE STOP               |                        |
| 5                | FC8-4970-000 |      | 3   | ROLLER, CASSETTE SWING         |                        |
| 6                | FC8-4996-000 |      | 1   | COVER, TOP                     |                        |
| 7                | FC9-0129-000 |      | 1   | GEAR, 9T                       |                        |
| 8                | FM3-8907-000 |      | 1   | BACK END LIMIT PLATE ASSEMBLY  |                        |
| 9                | FL2-9472-000 |      | 1   | PLATE, CENTER                  |                        |
| 10               | FU7-2518-000 |      | 1   | SPRING, COMPRESSION            |                        |
| 11               | FM3-8905-010 |      | 1   | SIDE END PLATE ASSEMBLY, FRONT |                        |
| 12               | FE4-7285-000 |      | 1   | LABEL, CASSETTE NUMBER 2       | SEE NOTE               |

## Figure ZZA MECHANICAL STANDARD PARTS (HOW TO USE)

### Mechanical standard parts 機械標準部品

#### About a mechanical standard parts

A Mechanical standard parts is a mechanical part which not parts peculiar to a product.  
They are parts which are common to a Canon product and are used, such as a screw and a washer.  
The Fig No. and parts number of the mechanical standard parts are not listed in the product parts catalog.  
Refer to the parts catalog of mechanical standard parts when checking the parts number for screw or washer etc. and identify them by part shape or size.

#### 機械標準部品とは

機械標準部品とは、製品特有の部品ではなく、ねじやワッシャなどキヤノン製品共通で使用されている機械部品（メカ部品）のことです。  
製品のパーツカタログには、機械標準部品のFig No.や部品番号は記載していません。  
ねじや、ワッシャ等の部品番号を調べるときは、機械標準部品のパーツカタログを参照し、部品の形状や大きさから判断し、使用している部品を調べてください。

#### Material and surface treatment of a mechanical standard parts

Material and surface treatment of mechanical standard parts are assigned commonly for each part.  
Refer to the Table 1 for the parts which material and surface treatment are assigned as numbers.

#### 機械標準部品の材料および表面処理

機械標準部品の材料および表面処理については、各種部品共通で決められています。  
材料および表面処理が番号で決められている部品については、表1を参照してください。

Table 1 Material and Surface treatment  
表1 材料および表面処理

| No.<br>番号 | Material<br>材料           | Surface treatment<br>表面処理  | Color<br>色 |
|-----------|--------------------------|--|------------|
| 1         | Stainless steel<br>ステンレス | Stainless steel black coloring (BC4)<br>ステンレス黒着色(BC4)            | Black<br>黒 |
| 2         |                          | not to be given<br>なし  | White<br>白 |
| 3         | Brass<br>黄銅              | Regular nickel plating (NL)<br>普通ニッケルメッキ(NL)                     | White<br>白 |
| 4         |                          | Black nickel plating (BN)<br>黒色ニッケルメッキ(BN)                       | Black<br>黒 |
| 5         | Steel<br>鋼               | White zinc trivalent chromate treating (ZC3)<br>白色亜鉛3価クロメート(ZC3) | White<br>白 |
| 6         |                          | Regular nickel chromium plating (NC)<br>普通ニッケルクロムメッキ(NC)         | White<br>白 |
| 7         |                          | Regular nickel plating (NL)<br>普通ニッケルメッキ(NL)                     | White<br>白 |
| 8         |                          | Iron and steel phosphating (P1)<br>鉄鋼燐酸塩処理(P1)                   | Black<br>黒 |
| 9         |                          | Black zinc trivalent chromate treating (BZ3)<br>黒色亜鉛3価クロメート(BZ3) | Black<br>黒 |

Figure ZZB (1/7)MECHANICAL STANDARD PARTS (SCREWS)

1. Screws  
ねじ

How to read Parts Numbers  
部品番号の見方

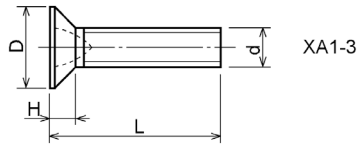
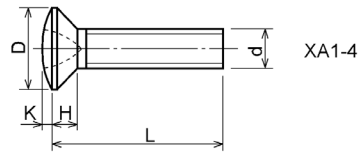
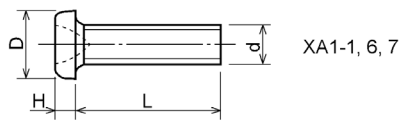
Screws  
ねじ

XB1-2400-609

Type No.  
類別番号  
Normal designation (d)  
ねじの呼び (d)  
Length (L)  
ねじの長さ (L)  
Material and Surface treatment  
材料および表面処理

XB1-2 expresses Binding head machine screw.  
XB1-2は、バインドねじを表す  
40 expresses M4.0.  
40は、M4.0を表す  
0-60 expresses a length of 6.0mm.  
0-60は、6.0mmの長さを表す  
9 expresses Steel (Black zinc trivalent chromate  
treating) from Table 1.  
9は、表1より鋼（黒色亜鉛3価クロメート）を表す

1-1. Cross Recessed Head Screws for Precision Equipments  
精密機器用十字穴付き小ねじ

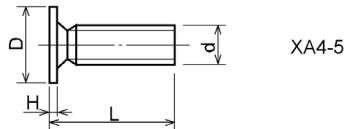
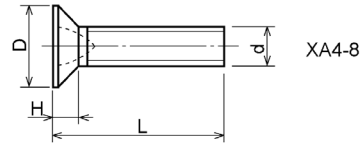
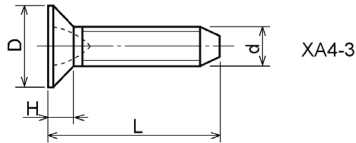
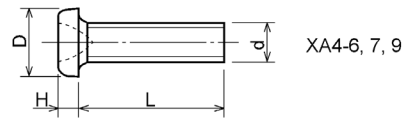
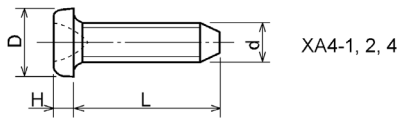


| Type No.<br>類別番号 | Type<br>類別                             |
|------------------|--|
| XA1-1            | Pan head Class 1<br>なべ1種               |
| XA1-3            | Countersunk head Class 1<br>さら1種       |
| XA1-4            | Oval countersunk head Class 1<br>丸さら1種 |
| XA1-6            | Pan head Class 3<br>なべ3種               |
| XA1-7            | Pan head Class 2<br>なべ2種               |

|       |       | Head size (mm)<br>頭部寸法 (mm) |      |      |      |      |      |
|-------|-------|-----------------------------|------|------|------|------|------|
|       |       | M1.4                        | M1.6 | M1.7 | M2   | M2.5 | M2.6 |
| D     | XA1-1 | 2                           | 2.4  | 2.5  | 3    | 3.8  | 4    |
| H     | XA1-1 | 0.5                         | 0.55 | 0.5  | 0.6  | 0.9  | 0.8  |
| D     | XA1-3 | 2                           | 2.4  | 2.5  | 3    | 3.8  | 4    |
| H     | XA1-3 | 0.48                        | 0.55 | 0.58 | 0.73 | 0.85 | 0.93 |
| D     | XA1-4 | 2                           | 2.4  | 2.5  | 3    | 3.8  | 4    |
| H + K | XA1-4 | 0.68                        | 0.8  | 0.88 | 1    | 1.25 | 1.3  |
| D     | XA1-6 | 2.5                         | 2.8  | 3    | 3.5  | 4.3  | 4.5  |
| H     | XA1-6 | 0.8                         | 0.85 | 0.9  | 1    | 1.3  | 1.2  |
| D     | XA1-7 | 2.5                         | 2.8  | 3    | 3.5  | 4.3  | 4.5  |
| H     | XA1-7 | 0.5                         | 0.55 | 0.5  | 0.6  | 0.9  | 0.8  |

Figure ZZB (2/7) MECHANICAL STANDARD PARTS (SCREWS)

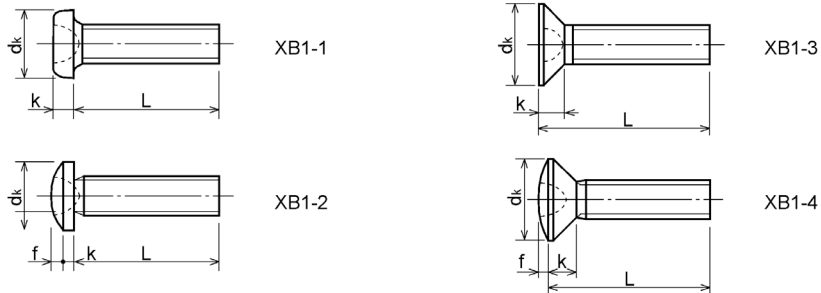
1-2. Precision Tapping Screws  
精密用タッピンねじ



| Type No.<br>類別番号 | Type<br>類別                                       | Head size (mm)<br>頭部寸法 (mm) |      |      |      |      |      |      |
|------------------|--|-----------------------------|------|------|------|------|------|------|
|                  |  | M1.4                        | M1.6 | M1.7 | M2   | M2.5 | M2.6 |      |
| XA4-1            | With tapered end pan head Class 1<br>絞り-なべ1種     | D XA4-1                     | 2    | 2.4  | 2.5  | 3    | 3.8  | 4    |
|                  |  | H XA4-1                     | 0.5  | 0.55 | 0.5  | 0.6  | 0.9  | 0.8  |
| XA4-2            | With tapered end pan head Class 3<br>絞り-なべ3種     | D XA4-2                     | 2.5  | 2.8  | 3    | 3.5  | 4.3  | 4.5  |
|                  |  | H XA4-2                     | 0.8  | 0.85 | 0.9  | 1    | 1.3  | 1.2  |
| XA4-3            | With tapered end countersunk head<br>絞り-さら       | D XA4-3                     | 2    | 2.4  | 2.5  | 3    | 3.8  | 4    |
|                  |  | H XA4-3                     | 0.48 | 0.55 | 0.58 | 0.73 | 0.85 | 0.93 |
| XA4-4            | With tapered end pan head Class 2<br>絞り-なべ2種     | D XA4-4                     | 2.5  | 2.8  | 3    | 3.5  | 4.3  | 4.5  |
|                  |  | H XA4-4                     | 0.5  | 0.55 | 0.5  | 0.6  | 0.9  | 0.8  |
| XA4-5            | With parallel end ultra thin head<br>ストレート-超薄頭   | D XA4-5                     | 2.5  | 2.8  | 3    | -    | -    | -    |
|                  |  | H XA4-5                     | 0.2  | 0.2  | 0.2  | -    | -    | -    |
| XA4-6            | With parallel end pan head Class 1<br>ストレート-なべ1種 | D XA4-6                     | 2    | 2.4  | 2.5  | 3    | 3.8  | 4    |
|                  |  | H XA4-6                     | 0.5  | 0.55 | 0.5  | 0.6  | 0.9  | 0.8  |
| XA4-7            | With parallel end pan head Class 3<br>ストレート-なべ3種 | D XA4-7                     | 2.5  | 2.8  | 3    | 3.5  | 4.3  | 4.5  |
|                  |  | H XA4-7                     | 0.8  | 0.85 | 0.9  | 1    | 1.3  | 1.2  |
| XA4-8            | With parallel end countersunk head<br>ストレート-さら   | D XA4-8                     | 2    | 2.4  | 2.5  | 3    | 3.8  | 4    |
|                  |  | H XA4-8                     | 0.48 | 0.55 | 0.58 | 0.73 | 0.85 | 0.93 |
| XA4-9            | With parallel end pan head Class 2<br>ストレート-なべ2種 | D XA4-9                     | 2.5  | 2.8  | 3    | 3.5  | 4.3  | 4.5  |
|                  |  | H XA4-9                     | 0.5  | 0.55 | 0.5  | 0.6  | 0.9  | 0.8  |

Figure ZZB (3/7)MECHANICAL STANDARD PARTS (SCREWS)

1-3. Cross Recessed Head Screws  
一般用十字穴付き小ねじ

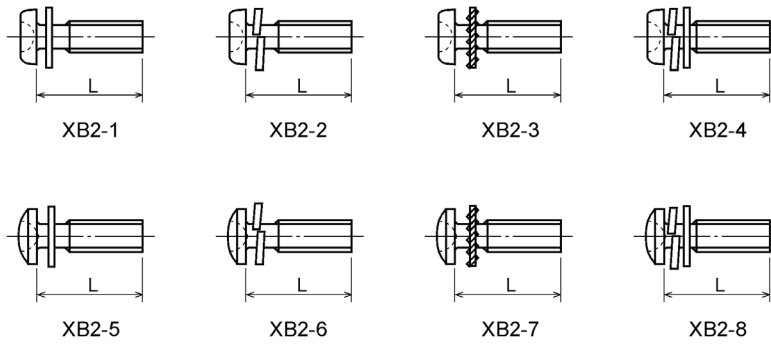


| Type No.<br>類別番号 | Type<br>類別                   |
|------------------|------------------------------|
| XB1-1            | Pan head<br>なべ               |
| XB1-2            | Binding head<br>バインド         |
| XB1-3            | Countersunk head<br>さら       |
| XB1-4            | Oval countersunk head<br>丸さら |

|                              |       | Head size (mm)<br>頭部寸法 (mm) |      |      |      |     |      |
|------------------------------|-------|-----------------------------|------|------|------|-----|------|
|                              |       | M2                          | M2.5 | M2.6 | M3   | M4  | M5   |
| dk                           | XB1-1 | 3.5                         | 4.5  | 4.5  | 5.5  | 7   | 9    |
| k                            | XB1-1 | 1.3                         | 1.7  | 1.7  | 2    | 2.6 | 3.3  |
| dk                           | XB1-2 | 4.3                         | 5.3  | 5.5  | 6.3  | 8.3 | 10.3 |
| k+f                          | XB1-2 | 1.2                         | 1.5  | 1.6  | 1.9  | 2.5 | 3.1  |
| dk                           | XB1-3 | 4                           | 5    | -    | 6    | 8   | 10   |
| k                            | XB1-3 | 1.2                         | 1.45 | -    | 1.75 | 2.3 | 2.8  |
| dk                           | XB1-4 | 4                           | 5    | -    | 6    | 8   | 10   |
| k+f                          | XB1-4 | 1.6                         | 2    | -    | 2.45 | 3.2 | 4    |
| Screw part length<br>ねじ部長さ b |       | 8                           | 12   | 12   | 12   | 16  | 20   |

Figure ZZB (4/7) MECHANICAL STANDARD PARTS (SCREWS)

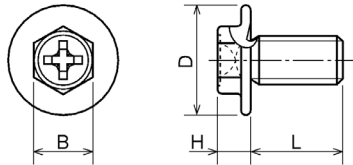
1-4. Cross Recessed Head Screws with Captive Washer  
座金組み込み十字穴付き小ねじ



| Type No.<br>類別番号 | Type<br>類別   |
|------------------|--|
| XB2-1            | Pan head + Plain washer (circular bright)<br>なべねじ+平座金                              |
| XB2-2            | Pan head + Spring washer<br>なべねじ+ばね座金  |
| XB2-3            | Pan head + Toothed lock washer<br>なべねじ+歯付座金  |
| XB2-4            | Pan head + Spring washer and plain washer (circular bright)<br>なべねじ+(ばね+平)座金       |
| XB2-5            | Binding head + Plain washer (circular bright)<br>バインドねじ+平座金                        |
| XB2-6            | Binding head + Spring washer<br>バインドねじ+ばね座金  |
| XB2-7            | Binding head + Toothed lock washer<br>バインドねじ+歯付座金                                  |
| XB2-8            | Binding head + Spring washer and plain washer (circular bright)<br>バインドねじ+(ばね+平)座金 |

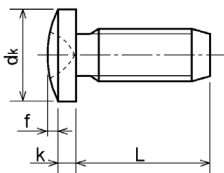
Figure ZZB (5/7) MECHANICAL STANDARD PARTS (SCREWS)

1-5. Hexagon Head Tapping Screws for Matallic Materials  
 金属用六角タッピンねじ



| Type No.<br>類別番号 | Type<br>類別   | Head size (mm)<br>頭部寸法 (mm) |     |     |
|------------------|--|-----------------------------|-----|-----|
|                  |  | M3                          | M4  |     |
| XB3-6            | For metallic materials<br>金属用タッピン                  | D                           | 8   | 10  |
|                  |  | B                           | 5.5 | 5.5 |
| XB3-7            | For metallic materials with clawed<br>金属用タッピン-つめ付き | H XB3-6                     | 3.1 | 3.1 |
|                  |  | H XB3-7                     | 3.2 | 3.2 |

1-6. Special Tapping Screws  
 特殊タッピンねじ

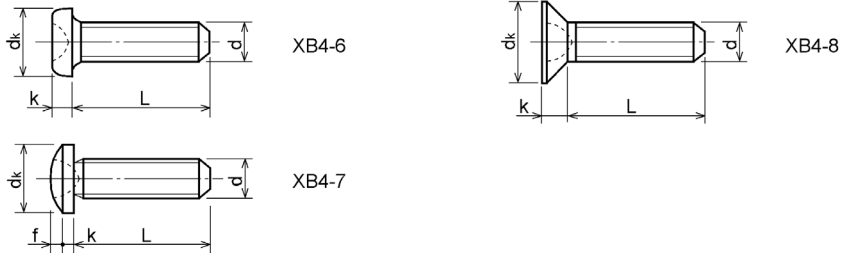


| Type No.<br>類別番号 | Type<br>類別           | Head size (mm)<br>頭部寸法 (mm) |     |     |
|------------------|----------------------|-----------------------------|-----|-----|
|                  |                      | M3                          | M4  |     |
| XB4-5            | Binding head<br>バインド | dk                          | 6.3 | 8.3 |
|                  |                      | k                           | 1.3 | 1.7 |
|                  |                      | k+f                         | 1.9 | 2.5 |



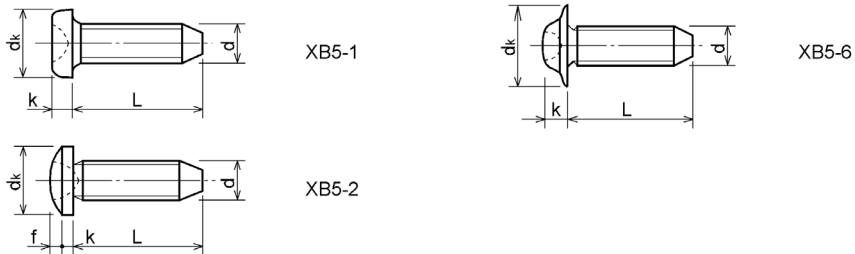
Figure ZZB (6/7) MECHANICAL STANDARD PARTS (SCREWS)

1-7. General Head Tapping Screws  
一般用タッピンねじ



| Type No.<br>類別番号 | Type<br>類別             | Head size (mm)<br>頭部寸法 (mm) |      |      |     |      |     |      |
|------------------|------------------------|-----------------------------|------|------|-----|------|-----|------|
|                  |                        | M2                          | M2.5 | M2.6 | M3  | M4   | M5  |      |
| XB4-6            | Pan head<br>なべ         | dk                          | 3.5  | 4.5  | 4.5 | 5.5  | 7   | 9    |
|                  |                        | k                           | 1.3  | 1.7  | 1.7 | 2    | 2.6 | 3.3  |
| XB4-7            | Binding head<br>バインド   | dk                          | 4.3  | 5.3  | 5.5 | 6.3  | 8.3 | 10.3 |
|                  |                        | k+f                         | 1.2  | 1.5  | 1.6 | 1.9  | 2.5 | 3.1  |
| XB4-8            | Countersunk head<br>さら | dk                          | 4    | 5    | 5.2 | 6    | 8   | 10   |
|                  |                        | k                           | 1.2  | 1.45 | 1.5 | 1.75 | 2.3 | 2.8  |

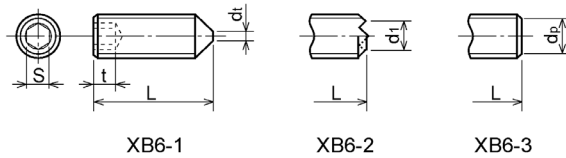
1-8. Tapping Screws for Metallic Materials  
金属用タッピンねじ



| Type No.<br>類別番号 | Type<br>類別                 | Head size (mm)<br>頭部寸法 (mm) |      |     |      |     |      |
|------------------|----------------------------|-----------------------------|------|-----|------|-----|------|
|                  |                            | M2.5                        | M2.6 | M3  | M4   | M5  |      |
| XB5-1            | Pan head<br>なべ             | dk                          | 4.5  | 4.5 | 5.5  | 7   | 9    |
|                  |                            | k                           | 1.7  | 1.7 | 2    | 2.6 | 3.3  |
| XB5-2            | Binding head<br>バインド       | dk                          | 5.5  | 5.5 | 6.3  | 8.3 | 10.3 |
|                  |                            | k+f                         | 1.6  | 1.6 | 1.9  | 2.5 | 3.1  |
| XB5-6            | Flanged pan head<br>つば付きなべ | dk                          | 6.5  | 6.5 | 8    | 10  | 12   |
|                  |                            | k                           | 2.1  | 2.1 | 1.75 | 3.2 | 4    |

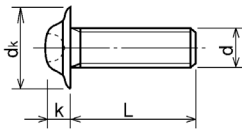
Figure ZZB (7/7) MECHANICAL STANDARD PARTS (SCREWS)

1-9. Hexagon Socket Set Screws  
六角穴付き止めねじ



| Type No.<br>類別番号 | Type<br>類別 | Head size (mm)<br>頭部寸法 (mm) |      |              |      |      |      |     |
|------------------|------------|-----------------------------|------|--------------|------|------|------|-----|
|                  |            | M1.6<br>M1.7                | M2   | M2.5<br>M2.6 | M3   | M5   | M5   | M6  |
| S                |            | 0.7                         | 0.9  | 1.3          | 1.5  | 2    | 2.5  | 3   |
| t                |            | 1.5                         | 1.7  | 2            | 2    | 2.5  | 3    | 3.5 |
| dt max XB6-1     |            | 0.4                         | 0.5  | 0.65         | 0.75 | 1    | 1.25 | 1.5 |
| d1 max XB6-2     |            | -                           | 1.2  | 1.5          | 1.7  | 2.2  | 2.8  | 3.3 |
| d1 min XB6-2     |            | -                           | 1    | 1.2          | 1.4  | 1.9  | 2.4  | 2.9 |
| dp max XB6-3     |            | 0.8                         | 1    | 1.5          | 2    | 2.5  | 3.5  | 4   |
| dp min XB6-3     |            | 0.55                        | 0.75 | 1.25         | 1.75 | 2.25 | 3.2  | 3.7 |

1-10. Flanged Pan Head Machine Screws  
つば付きなべ小ねじ



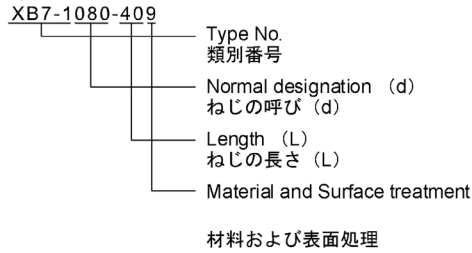
| Type No.<br>類別番号 | Type<br>類別 | Head size (mm)<br>頭部寸法 (mm) |              |     |     |    |
|------------------|------------|-----------------------------|--------------|-----|-----|----|
|                  |            | M2                          | M2.5<br>M2.6 | M3  | M5  | M5 |
| dk               |            | 5                           | 6.5          | 8   | 10  | 12 |
| k                |            | 1.7                         | 2.1          | 2.5 | 3.2 | 4  |

Figure ZZC MECHANICAL STANDARD PARTS (BOLTS)

2. Bolts (Socket head cap screw)  
ボルト

How to read Parts Numbers  
部品番号の見方

Bolt (Socket head cap screw)  
ボルト



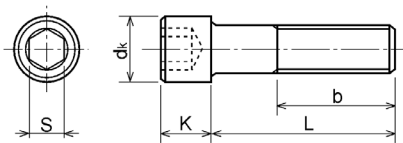
XB7-1 expresses Hexagon socket head cap screws.  
XB7-1は、六角穴付きボルトを表す

080 expresses M8.0.  
080は、M8.0を表す

40 expresses a length of 40mm.  
40は、40mmの長さを表す

9 expresses Steel (Black zinc trivalent chromate treating) from Table 1.  
9は、表1より鋼（黒色亜鉛3価クロメート）を表す

2-1. Hexagon socket head cap screws  
六角穴付きボルト

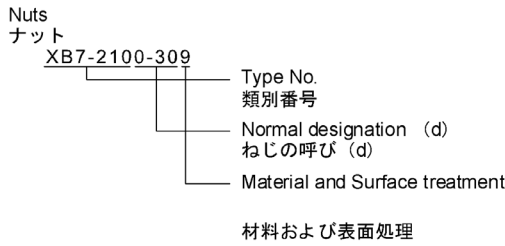


| Type No.<br>類別番号                     | Type<br>類別 | Head size (mm)<br>頭部寸法 (mm) |    |     |    |    |     |     |
|--------------------------------------|------------|-----------------------------|----|-----|----|----|-----|-----|
|                                      |            | M3                          | M4 | M5  | M6 | M8 | M10 | M12 |
| S                                    |            | 2.5                         | 3  | 4   | 5  | 6  | 8   | 10  |
| dk                                   |            | 5.5                         | 7  | 8.5 | 10 | 13 | 16  | 18  |
| K                                    |            | 3                           | 4  | 5   | 6  | 8  | 10  | 12  |
| Screw part length<br>ねじ部長さ $b_{max}$ |            | 18                          | 20 | 22  | 24 | 28 | 32  | 36  |

Figure ZZD MECHANICAL STANDARD PARTS (NUTS)

3. Nuts  
ナット

How to read Parts Numbers  
部品番号の見方

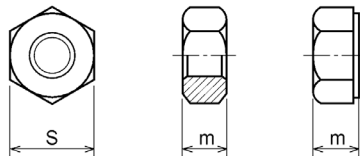


XB7-210 expresses Hexagon nut class 1.  
XB7-210は、六角ナット1種を表す

0-30 expresses M3.0.  
0-30は、M3.0を表す

9 expresses Steel (Black zinc trivalent chromate treating) from Table 1.  
9は、表1より鋼（黒色亜鉛3価クロメート）を表す

3-1. Hexagon Nuts and Hexagon Thin Nuts  
六角ナット



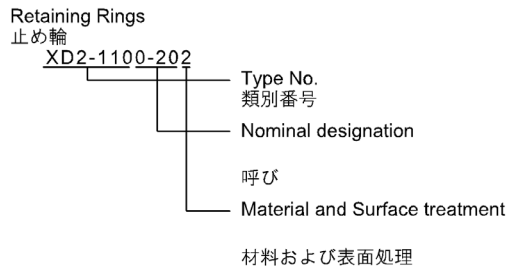
| Type No.<br>類別番号 | Type<br>類別   |
|------------------|--|
| XB7-210          | Hexagon nut Class 1<br>六角ナット-1種                          |
| XB7-220          | Hexagon nut Class 3<br>六角ナット-3種                          |
| XB7-230          | Hexagon nut Style 1 double chamfered<br>六角ナット-スタイル1-両面とり |
| XB7-231          | Hexagon nut Style 1 washer faced<br>六角ナット-スタイル1-座付き      |
| XB7-240          | Hexagon nut Style 2 double chamfered<br>六角ナット-スタイル2-両面とり |
| XB7-241          | Hexagon nut Style 2 washer faced<br>六角ナット-スタイル2-座付き      |
| XB7-250          | Hexagon nut<br>六角ナット                                     |
| XB7-260          | Hexagon thin nut double chamfered<br>六角低ナット-両面とり         |
| XB7-270          | Hexagon thin nut not chamfered<br>六角低ナット-面とり無し           |

|                | Head size (mm)<br>頭部寸法 (mm) |      |     |     |     |     |     |
|----------------|-----------------------------|------|-----|-----|-----|-----|-----|
|                | M2                          | M2.5 | M3  | M4  | M5  | M6  | M8  |
| S              | 4                           | 5    | 5.5 | 7   | 8   | 10  | 13  |
| m XB7-210      | 1.6                         | 2    | 2.4 | 3.2 | 4   | 5   | 6.5 |
| m XB7-220      | 1.2                         | 1.6  | 1.8 | 2.4 | 3.2 | 3.6 | 5   |
| m XB7-230, 231 | 1.6                         | 2    | 2.4 | 3.2 | 4.7 | 5.2 | 6.8 |
| m XB7-240, 241 | -                           | -    | -   | -   | 5.1 | 5.7 | 7.5 |
| m XB7-250      | -                           | -    | -   | -   | 5.6 | 6.1 | 7.9 |
| m XB7-260      | 1.2                         | 1.6  | 1.8 | 2.2 | 2.7 | 3.2 | 4   |
| m XB7-270      | 1.2                         | 1.6  | 1.8 | 2.2 | 2.7 | 3.2 | 4   |

Figure ZZE (1/3)MECHANICAL STANDARD PARTS (RETAINING RINGS)

5. Retaining Rings  
止め輪

How to read Parts Numbers  
部品番号の見方

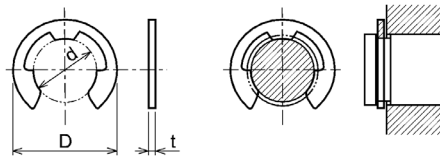


XD2-110 expresses retaining ring-E type (Type1).  
XD2-110は、E形止め輪（1種）を表す

0-20 expresses a 020 of nominal designation.  
(See Table 5)  
0-20は、呼び020を表す（表5参照）

2 expresses Stainless steel (Surface treatment is not to be given) from Table 1.  
2は、表1よりステンレス（表面処理なし）を表す

5-1. Retaining Rings - E type  
E形止め輪



| Type No.<br>類別番号 | Type<br>類別                                    |
|------------------|---|
| XD2-110          | Retaining ring - E type (Type 1)<br>E形止め輪（1種） |
| XD2-120          | Retaining ring - E type (Type 2)<br>E形止め輪（2種） |

Table 5 表5

| Type<br>種類   | Nominal<br>designation<br>呼び | d (mm) | D (mm) | t (mm) |
|--------------|------------------------------|--------|--------|--------|
| Type 1<br>1種 | 007                          | 0.65   | 2      | 0.2    |
|              | 010                          | 0.95   | 2.8    | 0.2    |
|              | 013                          | 1.25   | 3.3    | 0.3    |
|              | 017                          | 1.65   | 4.2    | 0.4    |
|              | 020                          | 1.95   | 4.6    | 0.5    |
|              | 024                          | 2.35   | 6      | 0.6    |
|              | 028                          | 2.74   | 6.5    | 0.6    |
|              | 032                          | 3.14   | 7.2    | 0.6    |
|              | 037                          | 3.64   | 8      | 0.7    |
|              | 040                          | 3.93   | 10     | 0.7    |
|              | 042                          | 4.13   | 10     | 0.7    |
|              | 050                          | 4.93   | 11     | 0.7    |
|              | 058                          | 5.73   | 12     | 0.7    |
|              | 060                          | 5.93   | 12.7   | 0.9    |
| 064          | 6.32                         | 13.5   | 0.9    |        |
| 074          | 7.31                         | 15     | 0.9    |        |
| 080          | 7.91                         | 16.5   | 1      |        |
| Type 2<br>2種 | 008                          | 0.8    | 2      | 0.2    |
|              | 012                          | 1.2    | 3      | 0.3    |
|              | 015                          | 1.5    | 4      | 0.4    |
|              | 020                          | 2      | 5      | 0.4    |
|              | 025                          | 2.5    | 6      | 0.4    |
|              | 030                          | 3      | 7      | 0.6    |
|              | 040                          | 4      | 9      | 0.6    |
|              | 050                          | 5      | 11     | 0.6    |
|              | 060                          | 6      | 12     | 0.8    |
|              | 070                          | 7      | 14     | 0.8    |
|              | 080                          | 8      | 16     | 0.8    |
|              | 090                          | 9      | 18     | 0.8    |
| 100          | 10                           | 20     | 1      |        |

Figure ZZE (2/3)MECHANICAL STANDARD PARTS (RETAINING RINGS)

5-2. Grip Rings  
グリップ止め輪

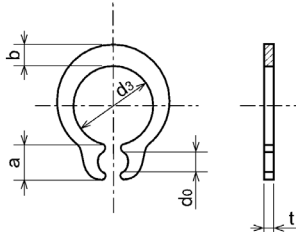


Table 5 表5

| Nominal designation<br>呼び | d <sub>3</sub> (mm) | t (mm) | b (mm) | a (mm) | d <sub>0</sub> (mm) |
|---------------------------|---------------------|--------|--------|--------|---------------------|
| 020                       | 1.9                 | 0.5    | 1      | 1.8    | 0.8                 |
| 025                       | 2.35                | 0.5    | 1.2    | 1.9    | 0.9                 |
| 030                       | 2.85                | 0.6    | 1.4    | 1.9    | 0.9                 |
| 035                       | 3.3                 | 0.6    | 1.6    | 2      | 0.9                 |
| 040                       | 3.8                 | 0.8    | 1.8    | 2.8    | 1.2                 |
| 045                       | 4.25                | 0.8    | 2      | 2.9    | 1.3                 |
| 050                       | 4.75                | 0.8    | 2.2    | 2.9    | 1.3                 |
| 060                       | 5.7                 | 1      | 2.4    | 3.1    | 1.4                 |
| 070                       | 6.7                 | 1      | 2.7    | 3.3    | 1.4                 |
| 080                       | 7.7                 | 1      | 3      | 3.5    | 1.4                 |
| 090                       | 8.65                | 1.2    | 3.3    | 4.7    | 1.5                 |
| 100                       | 9.65                | 1.2    | 3.5    | 4.7    | 2                   |

| Type No.<br>類別番号 | Type<br>類別           |
|------------------|----------------------|
| XD2-210          | Grip ring<br>グリップ止め輪 |

5-3. Toothed Retaining Rings  
歯付き形止め輪

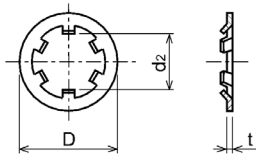


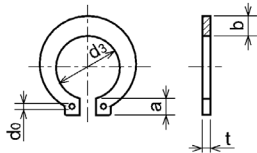
Table 5 表5

| Nominal designation<br>呼び | d <sub>2</sub> (mm) | D (mm) | t (mm) | No of teeth<br>歯数 |
|---------------------------|---------------------|--------|--------|-------------------|
| 015                       | 1.4                 | 5.2    | 0.25   | 3                 |
| 020                       | 1.9                 | 6      | 0.25   | 3                 |
| 024                       | 2.3                 | 6.4    | 0.25   | 3                 |
| 030                       | 2.8                 | 8      | 0.25   | 4                 |
| 040                       | 3.8                 | 9      | 0.25   | 4                 |
| 050                       | 4.8                 | 10     | 0.25   | 5                 |
| 060                       | 5.8                 | 11     | 0.25   | 5                 |
| 080                       | 7.8                 | 13     | 0.25   | 5                 |
| 100                       | 9.8                 | 15.4   | 0.25   | 6                 |

| Type No.<br>類別番号 | Type<br>類別                        |
|------------------|-----------------------------------|
| XD2-230          | Toothed retaining ring<br>歯付き形止め輪 |

Figure ZZE (3/3) MECHANICAL STANDARD PARTS (RETAINING RINGS)

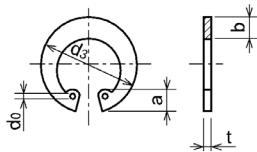
5-4. Retaining Rings - C Type  
C形止め輪



| Type No.<br>類別番号 | Type<br>類別                                    |
|------------------|---|
| XD2-310          | Retaining ring - C type for shaft<br>C形止め輪 軸用 |

Table 5 表5

| Nominal designation<br>呼び | ds (mm) | t (mm) | b (mm) | a (mm) | do (mm) |
|---------------------------|---------|--------|--------|--------|---------|
| 010                       | 9.3     | 1      | 1.6    | 3      | 1.2     |
| 012                       | 11.1    | 1      | 1.8    | 3.2    | 1.5     |
| 014                       | 12.9    | 1      | 2      | 3.4    | 1.7     |
| 015                       | 13.8    | 1      | 2.1    | 3.5    | 1.7     |
| 016                       | 14.7    | 1      | 2.2    | 3.6    | 1.7     |
| 017                       | 15.7    | 1      | 2.2    | 3.7    | 1.7     |
| 018                       | 16.5    | 1.2    | 2.6    | 3.8    | 1.7     |
| 020                       | 18.5    | 1.2    | 2.7    | 3.9    | 2       |
| 022                       | 20.5    | 1.2    | 2.7    | 4.1    | 2       |
| 025                       | 23.2    | 1.2    | 3.1    | 4.3    | 2       |
| 028                       | 25.9    | 1.5    | 3.1    | 4.6    | 2       |
| 030                       | 27.9    | 1.5    | 3.5    | 4.8    | 2       |
| 032                       | 29.6    | 1.5    | 3.5    | 5      | 2.5     |
| 035                       | 32.2    | 1.5    | 4      | 5.4    | 2.5     |



| Type No.<br>類別番号 | Type<br>類別                                   |
|------------------|--|
| XD2-320          | Retaining ring - C type for hole<br>C形止め輪 穴用 |

Table 5 表5

| Nominal designation<br>呼び | ds (mm) | t (mm) | b (mm) | a (mm) | do (mm) |
|---------------------------|---------|--------|--------|--------|---------|
| 010                       | 10.7    | 1      | 1.8    | 3.1    | 1.2     |
| 011                       | 11.8    | 1      | 1.8    | 3.2    | 1.2     |
| 012                       | 13      | 1      | 1.8    | 3.3    | 1.5     |
| 014                       | 15.1    | 1      | 2      | 3.6    | 1.7     |
| 016                       | 17.3    | 1      | 2      | 3.7    | 1.7     |
| 018                       | 19.5    | 1      | 2.5    | 4      | 1.7     |
| 019                       | 20.5    | 1      | 2.5    | 4      | 2       |
| 020                       | 21.5    | 1      | 2.5    | 4      | 2       |
| 022                       | 23.5    | 1      | 2.5    | 4.1    | 2       |
| 025                       | 26.9    | 1.2    | 3      | 4.4    | 2       |
| 028                       | 30.1    | 1.2    | 3      | 4.6    | 2       |
| 030                       | 32.1    | 1.2    | 3      | 4.7    | 2       |
| 032                       | 34.4    | 1.2    | 3.5    | 5.2    | 2.5     |
| 035                       | 37.8    | 1.5    | 3.5    | 5.2    | 2.5     |
| 037                       | 39.8    | 1.5    | 3.5    | 5.2    | 2.5     |
| 040                       | 43.5    | 1.8    | 4      | 5.7    | 2.5     |
| 042                       | 45.5    | 1.8    | 4      | 5.8    | 2.5     |
| 045                       | 48.5    | 1.8    | 4.5    | 5.9    | 2.5     |
| 047                       | 50.5    | 1.8    | 4.5    | 6.1    | 2.5     |
| 050                       | 54.2    | 2      | 4.5    | 6.5    | 2.5     |
| 052                       | 56.2    | 2      | 5.1    | 6.5    | 2.5     |
| 055                       | 59.2    | 2      | 5.1    | 6.5    | 2.5     |
| 060                       | 64.2    | 2      | 5.1    | 6.8    | 2.5     |
| 062                       | 66.2    | 2      | 5.5    | 6.9    | 2.5     |
| 068                       | 72.5    | 2.5    | 6      | 7.4    | 2.5     |
| 072                       | 76.5    | 2.5    | 6.6    | 7.4    | 2.5     |
| 075                       | 79.5    | 2.5    | 6.6    | 7.8    | 2.5     |
| 080                       | 85.5    | 2.5    | 7      | 8      | 2.5     |
| 085                       | 90.5    | 3      | 7      | 8      | 3       |
| 090                       | 95.5    | 3      | 7.6    | 8.3    | 3       |
| 095                       | 100.5   | 3      | 8      | 8.5    | 3       |