

# PARTS CATALOG

**CiRC3480/3480i/  
3380/3080/3080i/  
2880/2550/2550i/**



# Canon

**DU7-3171-010**

APRIL 2008  
REV. 1



## **PREFACE**

This Parts Catalog contains listings of parts used

Diagrams are provided with the listings to aid the service technician in identifying clearly, the item to be ordered.

Whenever ordering parts, consult this Parts Catalog for all of the information pertaining to each item. Be sure to include, in the Parts Request, the full item description, the item part number, and the quantity.

***COPYRIGHT (C) 1999 CANON INC.***

Use of this manual should be strictly supervised to avoid disclosure of confidential information.





# Contents

## NUMERICAL INDEX

iR C3580/3580i/3480/3480i/3080/3080i/2550/2550i/2380i(Numerical Index)  
1-1

iR C3580/3580i/3480/3480i/3080/3080i/2550/2550i/2380i(Parts Catalog)

A1	ASSEMBLY LOCATION DIAGRAM .....	2-1
A2	OPTION PARTS CATALOG LIST .....	2-8
001	ACCESSORIES .....	2-9
100	EXTERNAL COVERS, PANELS, ETC. ....	2-11
101	MACHINE FRONT PLATE .....	2-14
102	INTERNAL COMPONENTS 1 .....	2-17
103	INTERNAL COMPONENTS 2 .....	2-20
104	INTERNAL COMPONENTS 3 .....	2-22
105	MACHINE REAR PLATE 1 .....	2-25
106	MACHINE REAR PLATE 2 .....	2-27
107	MACHINE REAR PLATE 3 .....	2-30
108	MACHINE REAR PLATE 4 .....	2-32
115	RIGHT DOOR ASSEMBLY .....	2-34
116	PAPER FEEDER FRAME ASSEMBLY .....	2-39
117	RIGHT LOWER DOOR ASSEMBLY .....	2-42
130	CONTROL PANEL ASSEMBLY .....	2-44
140	POWER CORD TERMINAL ASSEMBLY .....	2-46
190	FIXING COOLING FAN ASSEMBLY .....	2-48
251	DRUM DRIVE ASSEMBLY .....	2-49
260	MULTI FEEDER DRIVE ASSEMBLY .....	2-52
261	DUPLEXING DRIVE ASSEMBLY .....	2-55
270	DEVELOPING DRIVE ASSEMBLY .....	2-57
280	FIXING DRIVE ASSEMBLY .....	2-59
281	DELIVERY DRIVE ASSEMBLY .....	2-61
290	SHUTTER DRIVE ASSEMBLY .....	2-63
308	CASSETTE (1) .....	2-65
309	CASSETTE (2) .....	2-68
310	PAPER PICK-UP ASSEMBLY (1) .....	2-71
311	PAPER PICK-UP ASSEMBLY (2) .....	2-75
315	MULTI FEED TRAY ASSEMBLY .....	2-79
350	PAPER DELIVERY ASSEMBLY .....	2-81
351	2ND 3RD DELIVERY ASSEMBLY .....	2-83
352	2ND UPPER DELIVERY ASSEMBLY .....	2-85
353	2ND DELIVERY FRAME ASSEMBLY .....	2-88

# Contents

354	3RD DELIVERY FRAME ASSEMBLY .....	2-91
400	READER ASSEMBLY .....	2-94
460	LASER SCANNER ASSEMBLY .....	2-99
512	PROCESS ASSEMBLY .....	2-101
513	PROCESS FRAME ASSEMBLY .....	2-103
535	INTERMEDIATE TRANSFER BELT ASSEMBLY .....	2-109
620	HOPPER ASSEMBLY .....	2-110
621	BUFFER ASSEMBLY .....	2-113
772	WASTE TONER BOX ASSEMBLY .....	2-115
810	FIXING ASSEMBLY .....	2-116
900	CONTROLLER BOX ASSEMBLY .....	2-120
911	MAIN CONT. POWER SUPPLY ASS'Y .....	2-122
930	DC CONTROLLER PCB ASSEMBLY .....	2-124
931	DC DRIVER PCB ASSEMBLY .....	2-126
932	MAIN CONTROLLER PCB ASSEMBLY .....	2-127
933	MAIN CONTROLLER PCB ASS'Y,R-A .....	2-128
934	PDRM-EF-A PCB ASS'Y(S) .....	2-129
935	MAIN CONTROLLER PCB ASS'Y,SJ-A .....	2-130
936	LANBAR-C-BC PCB ASSEMBLY .....	2-131
937	RB-A2 PCB ASSEMBLY .....	2-132
938	READER CONTROLLER PCB ASSEMBLY .....	2-133
939	OPEN INTERFACE BOARD PCB ASS'Y .....	2-134
985	BIAS HIGH VOLTAGE PCB ASSEMBLY .....	2-135
986	TRANSFER H.V. PCB (HV2) .....	2-136
994	RELAY DELIVERY CONTROLLER PCB ASSEMBLY .....	2-139
A01	DADF MOUNTING HARDWARE(DADF model) .....	2-140
A11	DADF ASSEMBLY(DADF model) .....	2-142
A12	DOCUMENT TRAY ASSEMBLY(DADF model) .....	2-147
A13	OPEN/CLOSE PANEL ASSEMBLY(DADF model) .....	2-149
A40	PAPER FEEDER ASSEMBLY(DADF model) .....	2-151
A90	ADF CONTROLLER PCB ASSEMBLY(DADF model) .....	2-156
T20	FAX ASSEMBLY (iR C3580F/3080F/2550F) .....	2-157
T21	FAX PCB ASSEMBLY (iR C3580F/3080F/2550F) .....	2-159
T25	SPEAKER ASSEMBLY (iR C3580F/3080F/2550F) .....	2-161
T90	MODEM PCB ASSEMBLY (iR C3580F/3080F/2550F) .....	2-163

# NUMERICAL INDEX

iR C3580/3580i/3480/3480i/3080/3080i/2550/2550i/2380i(Numerical Index)

PARTS NUMBER	FIGURE & KEY NO.	PARTS NUMBER	FIGURE & KEY NO.	PARTS NUMBER	FIGURE & KEY NO.
FA9-2112-000	260 - 26	FB6-3397-000	311 - 13	FC5-0479-030	315 - 5
FA9-2112-000	261 - 7	FB6-3398-000	310 - 14	FC5-0481-000	315 - 7
FA9-4041-005	810 - 42	FB6-3398-000	311 - 14	FC5-0489-000	115 - 14
FB1-8581-000	115 - 16	FB6-3402-000	310 - 18	FC5-0490-000	115 - 15
FB3-2411-000	400 - 36	FB6-3402-000	311 - 18	FC5-0491-000	115 - 43
FB5-4754-000	352 - 7	FB6-3403-000	310 - 19	FC5-0496-000	115 - 52
FB5-4754-000	353 - 1	FB6-3403-000	311 - 19	FC5-0503-020	308 - 32
FB5-9383-000	A11 - 48	FB6-3404-000	310 - 20	FC5-0503-020	309 - 32
FB5-9401-000	A11 - 23	FB6-3404-000	311 - 20	FC5-0516-000	104 - 11
FB5-9410-000	A11 - 50	FB6-3405-000	310 - 21	FC5-0529-000	115 - 7
FB5-9414-000	A12 - 22	FB6-3405-000	311 - 21	FC5-0540-000	104 - 12
FB5-9417-000	A12 - 16	FB6-3408-000	310 - 23	FC5-0542-000	115 - 9
FB5-9427-000	A12 - 5	FB6-3408-000	311 - 23	FC5-0543-000	115 - 8
FB5-9434-000	A13 - 1	FB6-3410-000	310 - 17	FC5-0544-000	315 - 13
FB5-9438-000	A13 - 4	FB6-3410-000	311 - 17	FC5-0545-010	315 - 14
FB5-9440-000	A13 - 6	FB6-3413-000	310 - 29	FC5-0546-000	315 - 11
FB5-9446-000	A13 - 17	FB6-3413-000	311 - 29	FC5-0547-000	104 - 13
FB5-9460-000	A40 - 28	FB6-3478-000	308 - 1	FC5-0548-000	116 - 12
FB5-9466-000	A40 - 10	FB6-3478-000	309 - 1	FC5-0549-000	116 - 20
FB5-9471-000	A40 - 15	FB6-3479-000	308 - 2	FC5-0550-000	116 - 21
FB5-9477-000	A40 - 20	FB6-3479-000	309 - 2	FC5-0563-020	308 - 33
FB5-9504-000	A01 - 4	FB6-3480-000	308 - 3	FC5-0563-020	309 - 33
FB5-9505-000	A01 - 5	FB6-3480-000	309 - 3	FC5-0567-010	102 - 48
FB6-0577-000	106 - 2	FB6-3481-000	308 - 4	FC5-0583-000	308 - 11
FB6-1321-000	400 - 1	FB6-3481-000	309 - 4	FC5-0583-000	309 - 11
FB6-1336-000	400 - 6	FB6-3482-000	308 - 5	FC5-0584-000	309 - 13
FB6-1337-000	400 - 7	FB6-3482-000	309 - 5	FC5-0585-000	308 - 12
FB6-1339-000	400 - 47	FB6-3483-000	308 - 6	FC5-0588-010	117 - 2
FB6-2705-000	A40 - 22	FB6-3483-000	309 - 6	FC5-0590-000	117 - 4
FB6-3150-000	116 - 14	FB6-3484-000	308 - 7	FC5-0591-000	308 - 13
FB6-3313-000	104 - 24	FB6-3484-000	309 - 7	FC5-0592-000	117 - 5
FB6-3313-000	117 - 1	FB6-3486-000	308 - 8	FC5-0593-000	117 - 6
FB6-3380-020	310 - 1	FB6-3486-000	309 - 8	FC5-0594-000	117 - 7
FB6-3380-020	311 - 1	FB6-3490-000	308 - 9	FC5-0595-010	310 - 3
FB6-3386-010	310 - 2	FB6-3490-000	309 - 9	FC5-0598-000	308 - 14
FB6-3386-010	311 - 2	FB6-3499-000	308 - 30	FC5-0598-000	309 - 14
FB6-3387-000	311 - 3	FB6-3499-000	309 - 30	FC5-0605-000	309 - 16
FB6-3388-000	310 - 4	FB6-3506-000	308 - 10	FC5-0622-000	308 - 15
FB6-3388-000	311 - 4	FB6-3506-000	309 - 10	FC5-0624-000	309 - 15
FB6-3389-000	310 - 5	FB6-3507-000	102 - 1	FC5-0635-000	308 - 16
FB6-3389-000	311 - 5	FB6-3524-000	309 - 12	FC5-0636-000	308 - 17
FB6-3391-000	310 - 7	FB6-3771-000	100 - 33	FC5-0637-000	309 - 17
FB6-3391-000	311 - 7	FB6-3860-000	772 - 1	FC5-0641-010	102 - 21
FB6-3392-020	310 - 8	FB6-3882-000	772 - 2	FC5-0657-000	115 - 53
FB6-3392-020	311 - 8	FB6-3950-000	100 - 34	FC5-0658-000	115 - 54
FB6-3394-000	310 - 10	FB6-4852-000	310 - 16	FC5-0659-000	115 - 33
FB6-3394-000	311 - 10	FB6-4852-000	311 - 16	FC5-0674-000	115 - 71
FB6-3395-000	310 - 11	FB6-6215-000	309 - 12	FC5-0679-000	115 - 38
FB6-3395-000	311 - 11	FB6-7002-000	810 - 45	FC5-0682-000	115 - 26
FB6-3396-010	310 - 12	FB6-7078-000	310 - 24	FC5-0686-010	102 - 10
FB6-3396-010	311 - 12	FB6-7078-000	311 - 24	FC5-0690-000	115 - 27
FB6-3397-000	310 - 13	FC5-0459-000	100 - 12	FC5-0691-000	115 - 55

# NUMERICAL INDEX

iR C3580/3580i/3480/3480i/3080/3080i/2550/2550i/2380i(Numerical Index)

PARTS NUMBER	FIGURE & KEY NO.	PARTS NUMBER	FIGURE & KEY NO.	PARTS NUMBER	FIGURE & KEY NO
FC5-0792-000	400 - 5	FC5-1053-000	353 - 9	FC5-4302-000	A12 - 15
FC5-0799-000	350 - 2	FC5-1059-000	130 - 14	FC5-4305-020	A12 - 2
FC5-0800-000	350 - 3	FC5-1061-000	130 - 16	FC5-4306-000	A12 - 3
FC5-0805-000	350 - 4	FC5-1064-000	130 - 17	FC5-4307-000	A12 - 4
FC5-0805-000	353 - 17	FC5-1065-000	130 - 3	FC5-4308-000	A12 - 6
FC5-0806-000	350 - 5	FC5-1066-000	130 - 8	FC5-4309-000	A12 - 20
FC5-0812-000	100 - 11	FC5-1067-000	130 - 1	FC5-4323-000	A13 - 2
FC5-0859-000	351 - 1	FC5-1111-000	100 - 9	FC5-4324-000	A13 - 3
FC5-0860-020	100 - 1	FC5-1117-000	100 - 7	FC5-4326-000	A13 - 5
FC5-0862-000	354 - 9	FC5-1146-000	102 - 26	FC5-4327-000	A13 - 7
FC5-0863-000	351 - 14	FC5-1354-000	115 - 30	FC5-4329-000	A13 - 8
FC5-0864-000	351 - 15	FC5-1420-000	102 - 19	FC5-4331-000	A13 - 16
FC5-0870-000	352 - 8	FC5-1422-020	308 - 18	FC5-4336-000	A13 - 9
FC5-0871-000	353 - 19	FC5-1422-020	309 - 18	FC5-4338-000	A13 - 26
FC5-0872-000	354 - 2	FC5-1423-000	308 - 19	FC5-4341-000	A13 - 24
FC5-0873-000	353 - 20	FC5-1423-000	309 - 19	FC5-4353-000	A40 - 7
FC5-0876-020	351 - 16	FC5-1424-020	308 - 20	FC5-4354-000	A40 - 8
FC5-0889-000	100 - 5	FC5-1424-020	309 - 20	FC5-4356-000	A40 - 9
FC5-0954-000	100 - 6	FC5-1425-000	308 - 21	FC5-4358-000	A40 - 17
FC5-0957-000	100 - 8	FC5-1425-000	309 - 21	FC5-4359-000	A40 - 18
FC5-0958-000	104 - 1	FC5-1426-000	400 - 8	FC5-4362-000	A40 - 32
FC5-0959-000	103 - 12	FC5-1439-000	400 - 10	FC5-4363-000	A40 - 23
FC5-0972-000	115 - 29	FC5-1440-000	400 - 11	FC5-4365-000	A40 - 65
FC5-0974-000	353 - 5	FC5-1441-000	400 - 12	FC5-4367-000	A40 - 59
FC5-0976-000	354 - 14	FC5-1442-000	400 - 54	FC5-4368-000	A40 - 48
FC5-0977-000	354 - 10	FC5-1443-000	400 - 3	FC5-4372-020	A40 - 64
FC5-0978-020	351 - 3	FC5-1446-000	400 - 13	FC5-4373-000	A40 - 61
FC5-0987-000	352 - 1	FC5-1447-000	400 - 14	FC5-4374-000	A40 - 62
FC5-0988-000	352 - 2	FC5-1473-000	400 - 15	FC5-4376-000	A40 - 56
FC5-0989-020	352 - 3	FC5-1479-000	400 - 39	FC5-4380-000	A40 - 14
FC5-0991-000	352 - 21	FC5-1492-000	400 - 51	FC5-4381-000	A40 - 42
FC5-0996-000	353 - 6	FC5-1506-000	130 - 15	FC5-4382-000	A40 - 19
FC5-0997-000	353 - 7	FC5-1516-000	107 - 5	FC5-4391-000	A11 - 29
FC5-0998-000	353 - 18	FC5-1517-000	107 - 8	FC5-4392-020	A11 - 29
FC5-0999-030	353 - 16	FC5-1543-000	400 - 55	FC5-4394-000	A11 - 29
FC5-1003-040	354 - 15	FC5-4264-000	A11 - 8	FC5-4395-000	A11 - 27
FC5-1005-000	354 - 16	FC5-4273-020	A11 - 41	FC5-4396-000	A11 - 1
FC5-1006-000	354 - 17	FC5-4274-000	A11 - 42	FC5-4397-000	A11 - 1
FC5-1009-000	354 - 11	FC5-4275-000	A11 - 38	FC5-4400-000	A11 - 3
FC5-1010-000	354 - 30	FC5-4276-000	A11 - 39	FC5-4402-000	A11 - 27
FC5-1011-000	354 - 31	FC5-4278-000	A11 - 34	FC5-4406-000	A12 - 21
FC5-1012-000	354 - 3	FC5-4279-000	A11 - 4	FC5-4408-000	A11 - 28
FC5-1013-000	352 - 22	FC5-4280-000	A11 - 18	FC5-4410-000	A01 - 6
FC5-1013-000	354 - 18	FC5-4281-000	A11 - 19	FC5-4412-000	A01 - 6
FC5-1014-000	354 - 19	FC5-4285-030	A11 - 47	FC5-4421-000	A12 - 8
FC5-1017-000	353 - 8	FC5-4286-000	A11 - 21	FC5-4422-000	A12 - 7
FC5-1019-020	351 - 5	FC5-4287-000	A11 - 22	FC5-4424-000	A13 - 10
FC5-1020-020	354 - 4	FC5-4289-000	A11 - 24	FC5-4424-000	A40 - 25
FC5-1023-000	354 - 5	FC5-4291-000	A11 - 25	FC5-4425-000	A13 - 11
FC5-1024-000	354 - 35	FC5-4292-000	A11 - 43	FC5-4425-000	A40 - 26
FC5-1025-000	352 - 4	FC5-4293-010	A11 - 44	FC5-4458-000	130 - 2
FC5-1038-000	352 - 5	FC5-4295-010	A11 - 46	FC5-6003-000	352 - 24

# NUMERICAL INDEX

iR C3580/3580i/3480/3480i/3080/3080i/2550/2550i/2380i(Numerical Index)

PARTS NUMBER	FIGURE & KEY NO.	PARTS NUMBER	FIGURE & KEY NO.	PARTS NUMBER	FIGURE & KEY NO
FC5-6003-000	354 - 12	FC6-5062-000	104 - 14	FC6-9267-000	810 - 1
FC5-6004-000	351 - 19	FC6-5064-000	310 - 54	FC6-9268-000	810 - 19
FC5-6006-000	354 - 6	FC6-5064-000	311 - 54	FC6-9270-000	810 - 15
FC5-6007-000	351 - 17	FC6-5381-000	101 - 21	FC6-9271-000	810 - 4
FC5-6008-020	354 - 20	FC6-6661-000	310 - 63	FC6-9272-000	810 - 6
FC5-6010-000	352 - 9	FC6-6661-000	311 - 63	FC6-9274-000	810 - 2
FC5-6011-000	351 - 6	FC6-7083-000	310 - 22	FC6-9275-000	810 - 9
FC5-6012-010	354 - 32	FC6-7083-000	311 - 22	FC6-9278-000	810 - 68
FC5-6014-000	353 - 21	FC6-9132-000	270 - 3	FC6-9279-000	810 - 10
FC5-6019-000	354 - 21	FC6-9133-000	270 - 17	FC6-9280-000	810 - 14
FC5-6540-000	100 - 10	FC6-9135-000	270 - 9	FC6-9282-000	810 - 12
FC5-6899-000	102 - 43	FC6-9142-000	251 - 19	FC6-9283-000	810 - 57
FC5-7171-000	261 - 8	FC6-9144-000	251 - 24	FC6-9292-000	810 - 29
FC5-7182-000	810 - 60	FC6-9145-000	251 - 17	FC6-9293-000	810 - 28
FC5-7195-000	102 - 27	FC6-9147-000	270 - 4	FC6-9294-000	810 - 27
FC5-7654-000	535 - 1	FC6-9148-000	251 - 22	FC6-9295-000	810 - 26
FC5-7655-000	535 - 2	FC6-9149-000	251 - 18	FC6-9303-000	810 - 33
FC5-7676-010	513 - 4	FC6-9150-000	251 - 5	FC6-9305-000	810 - 50
FC5-7732-000	513 - 5	FC6-9162-000	116 - 4	FC6-9309-000	810 - 41
FC5-7755-000	270 - 11	FC6-9163-000	116 - 25	FC6-9318-000	280 - 2
FC5-7805-000	116 - 26	FC6-9164-000	116 - 24	FC6-9325-000	116 - 10
FC5-7867-000	116 - 17	FC6-9165-000	116 - 8	FC6-9326-000	116 - 11
FC5-8003-000	621 - 5	FC6-9166-000	116 - 3	FC6-9327-000	115 - 23
FC5-8030-010	986 - 27	FC6-9167-000	116 - 5	FC6-9329-000	620 - 11
FC6-0882-000	512 - 15	FC6-9168-000	116 - 9	FC6-9331-000	620 - 27
FC6-0894-000	535 - 3	FC6-9170-000	986 - 4	FC6-9332-000	620 - 51
FC6-2778-000	A11 - 20	FC6-9172-000	986 - 5	FC6-9333-000	620 - 6
FC6-2803-000	A11 - 17	FC6-9173-000	986 - 8	FC6-9336-000	620 - 1
FC6-2804-000	A40 - 21	FC6-9174-000	986 - 22	FC6-9344-000	620 - 13
FC6-2805-000	A40 - 11	FC6-9176-000	986 - 17	FC6-9346-000	620 - 21
FC6-2806-000	A40 - 12	FC6-9178-000	986 - 15	FC6-9347-000	621 - 12
FC6-2807-000	A40 - 13	FC6-9182-000	986 - 18	FC6-9349-000	512 - 1
FC6-2848-000	308 - 12	FC6-9183-000	986 - 6	FC6-9358-000	621 - 13
FC6-2849-000	308 - 14	FC6-9208-000	986 - 3	FC6-9366-000	621 - 14
FC6-2849-000	309 - 14	FC6-9209-000	986 - 24	FC6-9368-000	620 - 30
FC6-2915-000	350 - 12	FC6-9210-000	986 - 14	FC6-9369-000	620 - 26
FC6-2915-000	353 - 2	FC6-9214-000	986 - 7	FC6-9370-000	621 - 8
FC6-2915-000	354 - 27	FC6-9227-000	513 - 33	FC6-9371-000	621 - 9
FC6-2993-000	260 - 31	FC6-9228-000	513 - 32	FC6-9372-000	621 - 10
FC6-4015-000	115 - 56	FC6-9229-000	513 - 37	FC6-9373-000	621 - 11
FC6-4016-000	260 - 25	FC6-9230-000	513 - 34	FC6-9380-000	620 - 33
FC6-4019-000	115 - 34	FC6-9231-000	513 - 35	FC6-9382-000	100 - 24
FC6-4023-000	106 - 4	FC6-9232-000	513 - 36	FC6-9393-000	513 - 65
FC6-5046-000	115 - 42	FC6-9233-000	103 - 11	FC6-9397-000	513 - 29
FC6-5051-000	104 - 17	FC6-9234-000	270 - 12	FC6-9398-000	100 - 13
FC6-5052-000	101 - 30	FC6-9240-000	101 - 5	FC6-9402-000	513 - 23
FC6-5053-000	102 - 29	FC6-9241-010	102 - 8	FC6-9403-000	513 - 24
FC6-5055-000	115 - 57	FC6-9253-000	251 - 27	FC6-9405-000	513 - 83
FC6-5055-000	810 - 53	FC6-9257-000	103 - 9	FC6-9406-000	513 - 80
FC6-5059-000	T25 - 3	FC6-9259-000	101 - 4	FC6-9407-000	513 - 85
FC6-5061-000	353 - 3	FC6-9260-000	101 - 3	FC6-9408-000	513 - 82
FC6-5061-000	354 - 28	FC6-9265-000	101 - 6	FC6-9409-000	513 - 84

# NUMERICAL INDEX

iR C3580/3580i/3480/3480i/3080/3080i/2550/2550i/2380i(Numerical Index)

PARTS NUMBER	FIGURE & KEY NO.	PARTS NUMBER	FIGURE & KEY NO.	PARTS NUMBER	FIGURE & KEY NO.
FC6-9410-000	513 - 81	FC6-9595-000	115 - 22	FC7-2383-000	512 - 12
FC6-9411-000	513 - 92	FC6-9598-000	115 - 21	FC7-2385-000	260 - 11
FC6-9412-000	513 - 90	FC6-9604-000	115 - 2	FC7-2395-000	810 - 47
FC6-9413-000	513 - 91	FC6-9606-000	315 - 3	FC7-2471-000	810 - 30
FC6-9414-000	513 - 86	FC6-9607-000	315 - 4	FC7-4126-010	986 - 2
FC6-9415-000	512 - 2	FC6-9609-000	260 - 15	FC7-4130-000	513 - 16
FC6-9416-000	512 - 3	FC6-9610-000	260 - 16	FC7-4132-000	100 - 22
FC6-9417-000	512 - 4	FC6-9613-000	102 - 30	FC7-4141-000	115 - 20
FC6-9444-010	101 - 23	FC6-9614-000	260 - 13	FC7-4147-000	513 - 52
FC6-9449-000	101 - 38	FC6-9617-000	260 - 18	FC7-4151-000	130 - 10
FC6-9450-000	101 - 37	FC6-9618-000	260 - 2	FC7-4152-000	130 - 10
FC6-9452-000	116 - 7	FC6-9620-000	103 - 6	FC7-4154-000	107 - 1
FC6-9454-000	116 - 6	FC6-9621-000	104 - 5	FC7-4155-000	115 - 4
FC6-9457-000	100 - 23	FC6-9622-000	104 - 4	FC7-4159-000	103 - 10
FC6-9459-000	100 - 25	FC6-9623-000	104 - 6	FC7-4160-000	620 - 7
FC6-9470-000	280 - 3	FC6-9624-000	104 - 7	FC7-4161-000	986 - 9
FC6-9471-000	810 - 17	FC6-9625-000	115 - 19	FC7-4162-000	986 - 1
FC6-9472-000	810 - 36	FC6-9867-000	310 - 31	FC7-4165-000	512 - 13
FC6-9473-000	810 - 38	FC6-9867-000	311 - 31	FC7-4166-000	986 - 28
FC6-9474-000	810 - 11	FC7-1740-000	315 - 12	FC7-4168-000	513 - 20
FC6-9490-000	513 - 68	FC7-2162-000	354 - 36	FC7-4169-000	513 - 17
FC6-9507-000	513 - 54	FC7-2164-000	352 - 29	FC7-4170-000	513 - 13
FC6-9512-000	513 - 61	FC7-2169-000	353 - 10	FC7-4172-000	101 - 2
FC6-9513-000	513 - 69	FC7-2171-000	354 - 1	FC7-4431-000	512 - 14
FC6-9530-000	620 - 8	FC7-2172-000	352 - 20	FC7-4436-000	513 - 25
FC6-9531-000	620 - 9	FC7-2176-000	352 - 27	FC7-4438-000	810 - 43
FC6-9532-000	620 - 12	FC7-2178-000	351 - 18	FC7-4439-000	260 - 21
FC6-9533-000	620 - 10	FC7-2305-000	513 - 39	FC7-4452-000	810 - 44
FC6-9538-000	620 - 35	FC7-2307-000	115 - 25	FC7-4454-010	986 - 16
FC6-9540-000	102 - 40	FC7-2312-000	513 - 89	FC7-4455-000	101 - 29
FC6-9542-000	106 - 22	FC7-2313-000	513 - 38	FC7-4456-000	512 - 5
FC6-9544-000	513 - 87	FC7-2317-000	102 - 7	FC7-4457-000	512 - 6
FC6-9545-000	513 - 88	FC7-2318-000	101 - 20	FC7-4458-000	512 - 7
FC6-9549-000	102 - 6	FC7-2320-000	101 - 15	FC7-4459-000	512 - 8
FC6-9556-000	290 - 4	FC7-2337-000	100 - 18	FC7-4460-000	512 - 9
FC6-9557-000	290 - 5	FC7-2341-000	115 - 41	FC7-4466-000	351 - 13
FC6-9558-000	102 - 3	FC7-2346-000	621 - 15	FC7-4467-000	351 - 4
FC6-9560-000	460 - 3	FC7-2352-000	986 - 20	FC7-4740-000	354 - 25
FC6-9561-000	460 - 4	FC7-2353-000	986 - 21	FC7-4816-000	115 - 39
FC6-9562-000	460 - 2	FC7-2354-000	513 - 41	FC7-4817-000	100 - 36
FC6-9563-000	460 - 5	FC7-2355-000	513 - 40	FC7-4819-000	100 - 14
FC6-9565-000	100 - 3	FC7-2359-000	100 - 27	FC7-4820-000	105 - 3
FC6-9567-000	460 - 6	FC7-2360-000	100 - 21	FC7-4821-000	105 - 4
FC6-9568-000	130 - 10	FC7-2362-000	T25 - 2	FC7-4822-000	105 - 2
FC6-9571-000	130 - 13	FC7-2367-000	986 - 25	FC7-4823-000	620 - 14
FC6-9582-000	513 - 42	FC7-2368-000	986 - 26	FC7-4828-000	100 - 14
FC6-9588-000	102 - 14	FC7-2370-000	513 - 21	FC7-4829-000	100 - 14
FC6-9589-000	102 - 15	FC7-2377-000	620 - 42	FC7-4831-000	115 - 24
FC6-9590-000	102 - 13	FC7-2379-000	101 - 14	FC7-4836-000	810 - 31
FC6-9592-000	102 - 16	FC7-2380-000	101 - 12	FC7-4852-000	513 - 77
FC6-9593-000	102 - 12	FC7-2381-000	101 - 19	FC7-4860-000	251 - 28
FC6-9594-000	102 - 17	FC7-2382-000	513 - 76	FC7-4865-000	350 - 1

# NUMERICAL INDEX

iR C3580/3580i/3480/3480i/3080/3080i/2550/2550i/2380i(Numerical Index)

PARTS NUMBER	FIGURE & KEY NO.	PARTS NUMBER	FIGURE & KEY NO.	PARTS NUMBER	FIGURE & KEY NO.
FC7-5845-000	310 - 66	FF2-5915-000	107 - 12	FH2-7037-000	130 - 4
FC7-5845-000	311 - 65	FF3-4302-040	A11 - 10	FH2-7054-000	400 - 17
FC7-5906-000	104 - 30	FF3-4303-000	A40 - 27	FH2-7072-000	T21 - 2
FC7-5907-000	104 - 31	FF3-4306-000	A11 - 11	FH3-7215-000	400 - 18
FC7-6968-000	100 - 4	FF3-4307-000	A11 - 26	FH4-6204-000	994 - 1C
FC7-6969-000	100 - 43	FF3-4526-000	140 - 6	FH4-6214-000	936 - 1C
FC7-6970-000	100 - 44	FF3-4527-000	140 - 2	FH4-6227-000	938 - 1C
FC7-6972-000	102 - 9	FF3-4609-000	A12 - 9	FH4-6237-000	933 - 1C
FC7-6973-000	102 - 11	FF6-2058-000	310 - 25	FH4-6237-000	939 - 1C
FC7-6978-000	810 - 48	FF6-2058-000	311 - 25	FH4-6239-000	935 - 1C
FC7-6979-000	810 - 64	FF6-2059-010	310 - 26	FH4-6241-000	939 - 1C
FC7-6981-000	810 - 54	FF6-2059-010	311 - 26	FH4-6243-000	932 - 1C
FC7-6991-000	115 - 44	FF6-2064-020	308 - 22	FH4-6247-000	935 - 1C
FC7-6997-000	115 - 31	FF6-2064-020	309 - 22	FH4-6260-000	935 - 1C
FC7-6998-000	115 - 45	FF6-2397-000	310 - 49	FH4-6284-000	T90 - 1C
FC7-6999-000	115 - 46	FF6-2397-000	311 - 49	FH4-6300-000	930 - 1C
FC7-7000-000	115 - 47	FG3-2302-020	310 - 59	FH4-6300-000	932 - 1C
FC7-7001-000	115 - 48	FG3-2302-020	311 - 59	FH4-6302-000	932 - 1C
FC7-7002-000	115 - 50	FG3-2376-000	130 - 12	FH4-6303-000	937 - 1C
FC7-7003-000	115 - 70	FG3-2826-000	T21 - 1	FH5-1028-000	400 - 48
FC7-7004-000	101 - 44	FG3-3124-050	A90 -	FH5-1128-000	A40 - 55
FC7-7008-000	513 - 101	FG3-3125-010	A11 - 16	FH5-1129-000	A40 - 46
FC7-7011-000	115 - 49	FG3-3152-000	400 - 46	FH6-5076-020	260 - 3
FC7-7017-000	100 - 35	FG3-3153-000	400 - 29	FH7-7312-000	310 - 28
FC7-7386-000	100 - 41	FG3-3154-000	400 - 34	FH7-7312-000	311 - 28
FC7-7388-000	251 - 14	FG3-3155-000	400 - 37	FH7-7312-000	400 - 40
FC7-7392-000	810 - 70	FG3-3156-000	400 - 30	FH7-7312-000	620 - 32
FC7-9358-000	115 - 73	FG3-3157-000	400 - 35	FH7-7422-000	621 - 6
FC7-9359-000	101 - 1	FG3-3158-000	400 - 45	FH7-7557-020	351 - 10
FC7-9365-000	315 - 14	FG3-3159-000	938 -	FH7-7557-020	352 - 6
FC7-9370-000	104 - 28	FG3-3171-000	900 - 5	FH7-7557-020	353 - 12
FC7-9522-000	315 - 6	FG3-3178-020	105 - 9	FH7-7557-020	354 - 22
FC8-0786-000	353 - 4	FG3-3187-000	315 - 1	FH7-7569-000	400 - 20
FC8-0786-000	354 - 29	FG3-3188-000	115 - 58	FK2-0140-000	140 - 1
FC8-1169-000	986 - 29	FG3-3193-000	104 - 22	FK2-0146-000	140 - 7
FC8-1178-000	310 - 6	FG3-3294-000	351 - 7	FK2-0148-000	140 - 8
FC8-1178-000	311 - 6	FG3-3295-000	354 - 7	FK2-0149-000	101 - 34
FC8-1182-000	100 - 19	FG3-3297-000	351 - 8	FK2-0149-000	104 - 15
FC8-1183-000	100 - 19	FG3-3299-020	353 - 11	FK2-0149-000	115 - 13
FC8-1184-000	100 - 19	FG3-3301-000	351 - 9	FK2-0149-000	281 - 11
FC8-1185-000	100 - 19	FG3-3303-030	A40 - 50	FK2-0149-000	400 - 19
FC8-1186-000	100 - 19	FG3-3644-000	107 - 13	FK2-0165-000	140 - 3
FC8-1187-000	100 - 19	FG3-3757-000	A12 - 19	FK2-0166-000	140 - 3
FC8-1188-000	100 - 19	FG3-3758-000	A12 - 14	FK2-0211-000	A90 - 1C
FC8-1189-000	100 - 19	FG3-3843-000	911 - 2	FK2-0216-000	A11 - 32
FC8-1190-000	100 - 19	FG3-3844-020	T21 - 4	FK2-0240-000	938 - 1C
FC8-1191-000	100 - 19	FG3-3851-010	900 - 6	FK2-0246-000	130 - 5
FC8-1192-000	100 - 19	FG3-3965-000	130 - 11	FK2-0331-000	T90 - 1C
FC8-1193-000	100 - 19	FG3-4160-000	130 - 7	FK2-0340-000	106 - 7
FC8-1194-000	100 - 19	FH2-6488-000	140 - 9	FK2-0341-020	106 - 7
FC8-1195-000	100 - 19	FH2-6552-000	103 - 8	FK2-0360-000	911 - 1
FC8-1201-000	100 - 17	FH2-6552-000	105 - 12	FK2-0375-000	102 - 28

# NUMERICAL INDEX

iR C3580/3580i/3480/3480i/3080/3080i/2550/2550i/2380i(Numerical Index)

PARTS NUMBER	FIGURE & KEY NO.	PARTS NUMBER	FIGURE & KEY NO.	PARTS NUMBER	FIGURE & KEY NO
FK2-0376-000	102 - 28	FL2-0104-000	104 - 19	FL2-4395-000	810 - 51
FK2-0408-000	310 - 27	FL2-0105-000	116 - 18	FL2-4399-000	115 - 6
FK2-0408-000	311 - 27	FL2-0106-000	115 - 59	FL2-4400-000	115 - 60
FK2-0411-000	T90 - IC	FL2-0108-000	116 - 1	FL2-4402-000	513 - 1
FK2-0428-000	T25 - 1	FL2-0127-000	400 - 21	FL2-4412-000	513 - 64
FK2-0472-000	106 - 3	FL2-0128-000	400 - 22	FL2-4414-000	620 - 15
FK2-0478-000	106 - 1	FL2-0144-000	810 - 52	FL2-4421-000	620 - 20
FK2-0484-020	513 - 8	FL2-0220-000	400 - 23	FL2-4424-000	810 - 41
FK2-0489-000	986 - 19	FL2-0223-000	400 - 24	FL2-4425-000	100 - 16
FK2-0493-000	513 - 9	FL2-0224-000	400 - 24	FL2-4427-000	100 - 30
FK2-0494-000	513 - 10	FL2-0225-000	400 - 24	FL2-4428-000	102 - 47
FK2-0495-000	101 - 28	FL2-0273-000	400 - 24	FL2-4447-000	513 - 11
FK2-0501-000	930 - IC	FL2-0279-000	400 - 25	FL2-4450-000	810 - 23
FK2-0732-000	103 - 15	FL2-0379-000	350 - 7	FL2-4451-010	513 - 43
FK2-0755-000	900 - 4	FL2-0941-000	A11 - 12	FL2-4452-000	251 - 8
FK2-0912-000	934 - IC	FL2-0942-000	A11 - 45	FL2-4453-000	115 - 10
FK2-0913-000	934 - IC	FL2-0943-010	A11 - 35	FL2-4460-000	251 - 12
FK2-2043-000	930 - IC	FL2-0945-010	A11 - 30	FL2-4461-000	251 - 9
FK2-2046-000	930 - IC	FL2-0946-000	A11 - 31	FL2-4462-000	251 - 10
FK2-2063-000	107 - 2	FL2-0947-020	A11 - 13	FL2-4464-000	104 - 8
FK2-2064-000	102 - 5	FL2-0948-000	A13 - 12	FL2-4467-000	100 - 29
FK2-2064-000	190 - 2	FL2-0949-000	A12 - 10	FL2-4469-000	100 - 26
FK2-2065-000	290 - 6	FL2-0950-000	A12 - 11	FL2-4470-000	100 - 31
FK2-2066-000	251 - 1	FL2-0951-000	A12 - 1	FL2-4503-000	350 - 6
FK2-2067-000	270 - 1	FL2-0952-000	A12 - 12	FL2-4504-000	116 - 16
FK2-2068-000	260 - 23	FL2-0953-000	A13 - 13	FL2-4520-000	104 - 16
FK2-2069-000	290 - 1	FL2-0955-000	A13 - 14	FL2-5047-000	354 - 33
FK2-2070-000	260 - 27	FL2-0958-030	A40 - 29	FL2-5050-000	354 - 24
FK2-2903-000	932 - IC	FL2-0959-000	A40 - 30	FL2-5051-000	351 - 2
FK2-3077-000	106 - 13	FL2-0960-000	A40 - 31	FL2-5277-000	810 - 35
FK2-3078-000	106 - 13	FL2-0961-000	A11 - 7	FL2-5804-000	104 - 3
FK2-3234-000	900 - 1	FL2-0962-000	A40 - 51	FL2-5805-000	513 - 7
FK2-3300-000	930 - 1	FL2-0963-010	A40 - 52	FL2-6580-000	310 - 15
FK2-3302-000	352 - 11	FL2-0964-000	A40 - 53	FL2-6580-000	311 - 15
FK2-3737-000	900 - 2	FL2-0965-000	A40 - 16	FM2-0232-000	400 - 4
FK2-3739-000	933 - IC	FL2-0967-020	A11 - 6	FM2-0305-000	102 - 18
FK2-5212-000	106 - 19	FL2-0968-000	A40 - 58	FM2-0338-000	107 - 6
FK2-6818-000	115 - 37	FL2-0982-000	140 - 5	FM2-0338-000	281 - 9
FK2-7015-000	001 - 1	FL2-1200-000	352 - 23	FM2-0339-000	107 - 3
FK2-7016-000	001 - 1	FL2-1201-040	353 - 13	FM2-0780-060	A12 -
FK2-7018-000	001 - 1	FL2-1202-000	353 - 14	FM2-0781-030	A13 -
FK2-7019-000	001 - 1	FL2-1203-010	353 - 15	FM2-0782-150	A40 -
FK2-7020-000	001 - 2	FL2-1205-010	354 - 37	FM2-0787-030	A13 - 27
FK2-7021-000	001 - 3	FL2-1206-010	354 - 8	FM2-0788-000	A13 - 23
FK2-7022-000	001 - 5	FL2-1207-020	354 - 23	FM2-0789-000	A13 - 18
FK2-7023-000	001 - 6	FL2-1208-030	354 - 13	FM2-0792-000	A40 - 24
FK2-7024-000	001 - 6	FL2-3266-000	261 - 3	FM2-1116-000	130 - 9
FK2-7025-000	001 - 5	FL2-4375-000	280 - 7	FM2-1563-020	400 - 38
FK2-7042-000	001 - 6	FL2-4376-000	280 - 8	FM2-1578-130	311 -
FK2-7043-000	001 - 7	FL2-4378-000	810 - 22	FM2-2768-000	315 - 8
FK2-7045-000	001 - 4	FL2-4386-000	251 - 2	FM2-2770-000	102 - 20
FK2-7385-000	352 - 10	FL2-4393-000	810 - 59	FM2-2771-000	102 - 22



# NUMERICAL INDEX

iR C3580/3580i/3480/3480i/3080/3080i/2550/2550i/2380i(Numerical Index)

PARTS NUMBER	FIGURE & KEY NO.	PARTS NUMBER	FIGURE & KEY NO.	PARTS NUMBER	FIGURE & KEY NO.
FM2-2838-000	261 - 4	FM2-5605-000	939 -	FM2-9467-000	106 - 6
FM2-2842-000	107 - 11	FM2-5610-000	130 -	FM2-9468-000	106 - 9
FM2-2843-000	105 - 16	FM2-5611-000	130 -	FM2-9469-000	260 - 28
FM2-2853-000	102 - 31	FM2-5612-000	130 -	FM2-9470-000	T25 - 5
FM2-2973-000	T20 - 1	FM2-5613-000	986 - 10	FM2-9473-000	101 - 42
FM2-3221-000	994 -	FM2-5615-000	140 -	FM2-9475-000	260 - 1
FM2-3470-000	513 - 30	FM2-5616-000	140 -	FM2-9476-000	115 - 63
FM2-3681-000	900 - 7	FM2-6206-000	933 -	FM2-9477-000	115 - 64
FM2-3686-000	T21 - 6	FM2-7490-000	353 -	FM2-9483-000	106 - 12
FM2-3715-010	T21 - 7	FM2-7753-000	T21 - 9	FM2-9484-000	101 - 32
FM2-3838-000	935 -	FM2-7759-000	T21 - 8	FM2-9486-000	930 - 2
FM2-5506-000	513 - 31	FM2-8258-000	900 - 3	FM2-9533-000	T21 - 5
FM2-5517-000	620 -	FM2-8264-000	931 - 1	FM2-9611-000	936 -
FM2-5520-000	251 -	FM2-8266-000	620 - 19	FM2-9623-000	T90 -
FM2-5522-000	535 -	FM2-8270-000	106 - 16	FM2-9838-000	354 -
FM2-5523-000	102 - 44	FM2-8272-000	102 - 24	FM2-9963-000	513 - 50
FM2-5526-000	116 -	FM2-8281-000	930 - 3	FM2-9971-000	116 - 15
FM2-5528-000	280 -	FM2-9161-000	937 -	FM2-9980-000	140 -
FM2-5530-010	513 - 66	FM2-9163-010	932 -	FM2-9983-010	106 - 21
FM2-5533-000	772 -	FM2-9166-000	934 -	FM2-9985-000	810 -
FM2-5534-000	190 -	FM2-9427-000	102 - 2	FM2-9986-000	810 -
FM2-5535-000	290 -	FM2-9430-000	620 - 16	FM2-9987-000	810 -
FM2-5536-000	260 -	FM2-9431-000	911 - 3	FM2-9994-010	512 -
FM2-5537-000	261 -	FM2-9432-000	513 - 94	FM2-9997-000	108 - 1
FM2-5538-000	281 -	FM2-9433-000	620 - 31	FM2-9998-000	101 - 7
FM2-5539-000	115 - 61	FM2-9434-000	101 - 40	FM3-0003-000	460 - 1
FM2-5540-000	315 -	FM2-9435-000	986 - 13	FM3-0005-000	350 -
FM2-5544-010	106 - 21	FM2-9437-000	985 - 1	FM3-0007-010	350 - 13
FM2-5545-000	911 -	FM2-9438-000	810 - 65	FM3-0008-000	101 - 31
FM2-5546-000	101 - 26	FM2-9439-000	810 - 67	FM3-0009-000	310 -
FM2-5548-000	985 -	FM2-9440-000	290 - 8	FM3-0281-000	103 - 14
FM2-5549-000	101 - 35	FM2-9441-000	103 - 3	FM3-1297-000	104 - 27
FM2-5550-000	101 - 36	FM2-9442-000	281 - 7	FM3-1992-000	810 - 24
FM2-5553-000	106 - 10	FM2-9443-000	115 - 62	FM3-1993-000	810 - 24
FM2-5554-000	102 - 4	FM2-9444-000	116 - 2	FM3-1994-000	810 - 24
FM2-5558-010	986 -	FM2-9445-000	513 - 96	FM3-1997-000	513 - 75
FM2-5568-000	270 -	FM2-9446-000	513 - 93	FM3-2982-000	310 -
FM2-5571-000	106 - 5	FM2-9447-000	513 - 51	FM3-2983-000	311 -
FM2-5572-000	100 - 15	FM2-9448-000	103 - 2	FM3-3911-000	104 - 32
FM2-5575-000	810 - 56	FM2-9448-000	190 - 1	FM3-4139-000	117 - 3
FM2-5576-000	810 - 58	FM2-9449-000	106 - 11	FM3-4140-000	117 -
FM2-5585-010	513 - 67	FM2-9450-000	140 - 4	FM3-4146-000	310 - 9
FM2-5586-000	513 - 78	FM2-9451-000	105 - 11	FM3-4146-000	311 - 9
FM2-5589-000	621 - 1	FM2-9452-000	900 - 10	FM3-4148-000	100 - 28
FM2-5590-000	621 - 2	FM2-9453-000	103 - 5	FM3-4151-000	115 -
FM2-5591-000	621 - 3	FM2-9456-000	102 - 25	FM3-4154-000	352 -
FM2-5592-000	621 - 4	FM2-9457-000	105 - 5	FM3-5544-000	933 -
FM2-5593-000	620 - 34	FM2-9460-000	103 - 4	FS1-1508-000	280 - 9
FM2-5594-000	620 - 46	FM2-9461-000	101 - 10	FS1-1508-000	280 - 7
FM2-5595-000	620 - 50	FM2-9462-000	100 - 2	FS1-1528-000	810 - 61
FM2-5596-000	620 - 48	FM2-9464-000	106 - 8	FS1-9010-020	A40 - 39
FM2-5597-000	620 - 18	FM2-9465-000	102 - 32	FS5-1798-000	104 - 23

# NUMERICAL INDEX

iR C3580/3580i/3480/3480i/3080/3080i/2550/2550i/2380i(Numerical Index)

PARTS NUMBER	FIGURE & KEY NO.	PARTS NUMBER	FIGURE & KEY NO.	PARTS NUMBER	FIGURE & KEY NO
FS5-1943-000	310 - 60	FU3-0288-000	311 - 47	FU5-1763-000	310 - 37
FS5-1943-000	311 - 60	FU3-0289-000	310 - 48	FU5-1763-000	311 - 37
FS5-1943-000	350 - 8	FU3-0289-000	311 - 48	FU5-2032-000	308 - 27
FS5-1943-000	352 - 25	FU3-0293-000	308 - 25	FU5-2033-000	309 - 27
FS5-1943-000	353 - 22	FU3-0293-000	309 - 25	FU5-2034-000	115 - 11
FS5-1943-000	354 - 38	FU3-0294-000	308 - 26	FU5-2035-000	104 - 10
FS5-1943-000	810 - 18	FU3-0294-000	309 - 26	FU5-2057-000	400 - 42
FS5-6488-000	353 - 23	FU3-0347-000	310 - 53	FU5-2063-000	115 - 32
FS5-9215-000	513 - 70	FU3-0347-000	311 - 53	FU5-2064-000	102 - 39
FS5-9227-020	400 - 41	FU3-0349-000	310 - 42	FU5-2066-000	104 - 21
FS5-9282-020	101 - 11	FU3-0349-000	311 - 42	FU5-2067-000	115 - 65
FS5-9282-020	105 - 7	FU3-0350-000	310 - 52	FU5-2068-030	350 - 10
FS5-9592-000	810 - 16	FU3-0350-000	311 - 52	FU5-2070-000	101 - 27
FS5-9664-020	103 - 20	FU5-0006-000	115 - 36	FU5-2073-000	810 - 69
FS6-1063-000	310 - 32	FU5-0033-000	260 - 24	FU5-2074-000	350 - 11
FS6-1063-000	311 - 32	FU5-0054-000	352 - 12	FU5-2091-000	400 - 26
FS6-2790-000	115 - 3	FU5-0062-000	315 - 10	FU5-2097-000	308 - 28
FS6-2791-000	115 - 1	FU5-0063-000	315 - 9	FU5-2097-000	309 - 28
FS6-8116-000	308 - 23	FU5-0076-000	353 - 25	FU5-2103-000	400 - 27
FS6-8116-000	309 - 23	FU5-0077-000	352 - 13	FU5-2104-000	308 - 29
FS7-2660-000	A11 - 36	FU5-0078-000	352 - 14	FU5-2104-000	309 - 29
FS7-2661-000	A11 - 40	FU5-0128-000	350 - 9	FU5-2105-000	400 - 16
FS7-2662-000	A11 - 5	FU5-0628-000	A13 - 20	FU5-2364-000	A40 - 54
FS7-2663-000	A13 - 15	FU5-0629-000	A40 - 43	FU5-2611-000	116 - 22
FS7-2664-000	A40 - 57	FU5-0630-000	A40 - 44	FU5-2682-000	102 - 37
FS7-2666-000	A40 - 1	FU5-0631-000	A40 - 45	FU5-2683-000	810 - 46
FS7-2797-000	310 - 33	FU5-0633-000	A12 - 17	FU5-2717-000	513 - 6
FS7-2797-000	311 - 33	FU5-1006-000	115 - 35	FU5-3016-000	115 - 28
FS7-2800-000	310 - 35	FU5-1009-000	116 - 19	FU5-3018-000	354 - 39
FS7-2800-000	311 - 35	FU5-1011-000	104 - 18	FU5-3019-000	353 - 26
FS7-2801-000	310 - 36	FU5-1033-000	310 - 30	FU5-3020-000	352 - 15
FS7-2801-000	311 - 36	FU5-1033-000	311 - 30	FU5-3020-000	353 - 27
FS7-2803-000	310 - 38	FU5-1035-000	104 - 26	FU5-3021-000	352 - 26
FS7-2803-000	311 - 38	FU5-1035-000	117 - 8	FU5-3021-000	354 - 40
FS7-2805-000	308 - 24	FU5-1168-000	A13 - 19	FU5-3022-000	352 - 16
FS7-2805-000	309 - 24	FU5-1169-000	A40 - 33	FU5-3030-000	400 - 49
FS7-2859-000	353 - 24	FU5-1170-000	A40 - 40	FU5-3146-000	A40 - 34
FS7-2859-000	354 - 34	FU5-1172-000	A13 - 21	FU5-3147-000	A40 - 35
FS7-5909-000	310 - 39	FU5-1172-000	A40 - 41	FU5-3148-000	A40 - 36
FS7-5909-000	311 - 39	FU5-1173-000	A11 - 37	FU5-3149-000	A40 - 37
FS7-5910-000	310 - 40	FU5-1448-000	620 - 36	FU5-3150-000	A40 - 38
FS7-5910-000	311 - 40	FU5-1451-000	620 - 45	FU5-3328-000	400 - 2
FU3-0280-000	310 - 41	FU5-1559-000	810 - 49	FU5-5561-020	A40 - 63
FU3-0280-000	311 - 41	FU5-1615-000	260 - 30	FU5-6014-000	115 - 66
FU3-0282-000	310 - 43	FU5-1701-000	104 - 2	FU5-6641-000	251 - 4
FU3-0282-000	311 - 43	FU5-1702-000	513 - 22	FU5-6642-000	251 - 26
FU3-0283-000	310 - 44	FU5-1703-000	513 - 27	FU5-6643-000	102 - 36
FU3-0283-000	311 - 44	FU5-1704-000	270 - 7	FU5-8001-000	400 - 43
FU3-0284-000	310 - 45	FU5-1704-000	513 - 19	FU5-8002-000	400 - 44
FU3-0284-000	311 - 45	FU5-1706-000	350 - 14	FU5-8003-000	400 - 43
FU3-0285-000	107 - 7	FU5-1737-000	115 - 12	FU5-8004-000	400 - 44
FU3-0288-000	310 - 47	FU5-1760-000	115 - 72	FU5-8005-000	400 - 43

# NUMERICAL INDEX

iR C3580/3580i/3480/3480i/3080/3080i/2550/2550i/2380i(Numerical Index)

PARTS NUMBER	FIGURE & KEY NO.	PARTS NUMBER	FIGURE & KEY NO.	PARTS NUMBER	FIGURE & KEY NO.
FU5-8006-000	400 - 44	FU6-2661-000	621 - 16	FU7-0294-000	281 - 1
FU5-8007-010	400 - 43	FU6-2662-000	102 - 33	FU7-0295-000	281 - 4
FU5-8008-010	400 - 44	FU6-2663-000	115 - 67	FU7-0296-000	281 - 5
FU5-8021-000	100 - 45	FU6-2664-000	115 - 68	FU7-0297-000	281 - 3
FU5-8203-010	400 - 28	FU6-2665-000	116 - 28	FU7-0301-000	513 - 48
FU5-8204-000	400 - 28	FU6-2666-000	102 - 41	FU7-0302-000	513 - 49
FU5-8205-000	400 - 28	FU6-2667-000	251 - 23	FU7-0304-000	513 - 53
FU5-8206-000	400 - 28	FU6-2668-000	101 - 16	FU7-0305-000	513 - 55
FU5-8207-000	400 - 28	FU6-2669-000	115 - 40	FU7-0306-000	513 - 57
FU5-8208-000	400 - 28	FU6-2671-000	101 - 13	FU7-0307-000	513 - 60
FU5-8209-000	400 - 28	FU6-2672-000	101 - 18	FU7-0308-000	513 - 59
FU5-8210-000	400 - 28	FU6-2674-000	101 - 9	FU7-0310-000	513 - 58
FU5-8211-000	400 - 28	FU6-2674-000	105 - 6	FU7-0311-000	513 - 45
FU5-8215-000	400 - 28	FU6-2675-000	513 - 14	FU7-0312-000	513 - 44
FU5-8216-000	400 - 28	FU6-2676-000	260 - 19	FU7-0313-000	513 - 46
FU5-8217-000	400 - 28	FU6-2684-000	310 - 34	FU7-0314-000	513 - 71
FU5-8329-000	100 - 42	FU6-2684-000	311 - 34	FU7-0315-000	620 - 23
FU5-8795-000	315 - 2	FU6-2784-000	310 - 65	FU7-0316-000	620 - 25
FU5-8796-000	117 - 11	FU6-2784-000	311 - 64	FU7-0318-000	290 - 3
FU5-8797-000	100 - 20	FU6-2924-000	104 - 25	FU7-0319-000	513 - 47
FU5-8802-000	100 - 40	FU6-2924-000	117 - 9	FU7-0322-000	280 - 5
FU5-8803-000	100 - 40	FU6-2974-000	117 - 10	FU7-0323-000	280 - 6
FU5-9139-000	A01 - 1	FU6-4104-000	620 - 3	FU7-0326-000	810 - 7
FU5-9140-000	A01 - 2	FU6-4106-000	620 - 47	FU7-0327-000	810 - 8
FU5-9330-000	102 - 38	FU6-4108-000	620 - 39	FU7-0328-000	810 - 3
FU5-9446-000	103 - 1	FU6-5409-000	102 - 42	FU7-0329-000	810 - 40
FU5-9446-000	513 - 15	FU6-5413-000	101 - 17	FU7-0330-000	810 - 55
FU5-9447-000	513 - 95	FU6-5415-000	513 - 18	FU7-0331-000	260 - 8
FU5-9449-000	810 - 63	FU6-5416-000	105 - 15	FU7-0332-000	260 - 9
FU6-0024-000	261 - 6	FU7-0245-000	270 - 16	FU7-0333-000	260 - 10
FU6-0029-000	261 - 5	FU7-0246-000	270 - 14	FU7-0334-000	260 - 7
FU6-0076-000	116 - 13	FU7-0247-000	270 - 15	FU7-0335-000	260 - 6
FU6-0105-000	251 - 11	FU7-0251-000	251 - 25	FU7-0336-000	260 - 12
FU6-0155-000	620 - 22	FU7-0252-000	251 - 3	FU7-0337-000	260 - 20
FU6-0164-000	620 - 38	FU7-0253-000	251 - 16	FU7-0338-000	260 - 22
FU6-0710-000	310 - 46	FU7-0254-000	270 - 6	FU7-0340-000	260 - 14
FU6-0710-000	311 - 46	FU7-0256-000	513 - 73	FU7-0341-000	260 - 5
FU6-2636-000	270 - 8	FU7-0257-000	513 - 72	FU7-0342-000	115 - 5
FU6-2637-000	251 - 13	FU7-0258-000	810 - 13	FU7-0444-000	310 - 50
FU6-2641-000	986 - 12	FU7-0259-000	280 - 4	FU7-0444-000	311 - 50
FU6-2642-000	513 - 2	FU7-0267-000	810 - 5	FU7-0445-000	310 - 51
FU6-2643-000	513 - 3	FU7-0270-000	810 - 25	FU7-0445-000	311 - 51
FU6-2644-000	810 - 34	FU7-0278-000	620 - 4	FU7-0847-000	270 - 13
FU6-2648-000	260 - 17	FU7-0279-000	620 - 5	HH2-2824-000	T20 - 2
FU6-2649-000	620 - 2	FU7-0280-000	621 - 7	NPN	001 -
FU6-2650-000	513 - 26	FU7-0281-000	620 - 49	NPN	100 -
FU6-2652-000	513 - 28	FU7-0283-000	620 - 37	NPN	101 -
FU6-2653-000	513 - 56	FU7-0285-000	620 - 41	NPN	102 -
FU6-2654-000	513 - 63	FU7-0286-000	620 - 44	NPN	103 -
FU6-2655-000	290 - 2	FU7-0287-000	620 - 20	NPN	104 -
FU6-2656-000	101 - 22	FU7-0289-000	513 - 74	NPN	105 -
FU6-2660-000	986 - 11	FU7-0293-000	281 - 2	NPN	106 -

# NUMERICAL INDEX

iR C3580/3580i/3480/3480i/3080/3080i/2550/2550i/2380i(Numerical Index)

PARTS NUMBER	FIGURE & KEY NO.	PARTS NUMBER	FIGURE & KEY NO.	PARTS NUMBER	FIGURE & KEY NO
NPN	107 -	VS1-7177-003	354 - 44	XA9-1386-000	106 - 14
NPN	108 -	VS1-7177-003	900 - 11	XA9-1386-000	107 - 10
NPN	308 -	VS1-7177-003	A12 - 18	XA9-1386-000	115 - 17
NPN	309 -	VS1-7177-004	103 - 17	XA9-1386-000	251 - 6
NPN	351 -	VS1-7177-004	108 - 5	XA9-1386-000	260 - 4
NPN	400 -	VS1-7177-004	261 - 9	XA9-1386-000	261 - 1
NPN	460 -	VS1-7177-004	290 - 11	XA9-1386-000	270 - 2
NPN	513 -	VS1-7177-004	400 - 52	XA9-1386-000	280 - 1
NPN	621 -	VS1-7177-006	400 - 53	XA9-1386-000	281 - 8
NPN	900 -	VS1-7177-007	108 - 2	XA9-1386-000	290 - 9
NPN	930 -	VS1-7177-009	100 - 37	XA9-1386-000	310 - 64
NPN	931 -	VS1-7177-009	103 - 19	XA9-1386-000	351 - 11
NPN	A01 -	VS1-7177-009	A11 - 2	XA9-1386-000	352 - 17
NPN	A11 -	VS1-7177-010	100 - 39	XA9-1386-000	354 - 41
NPN	T20 -	VS1-7207-003	260 - 29	XA9-1386-000	400 - 31
NPN	T21 -	VS1-7207-003	513 - 99	XA9-1386-000	512 - 11
NPN	T25 -	VS1-7207-008	103 - 18	XA9-1386-000	513 - 12
RB1-8945-000	310 - 55	VS1-7207-008	108 - 9	XA9-1386-000	T20 - 3
RB1-8945-000	311 - 55	VS1-7207-008	810 - 66	XA9-1386-000	T25 - 4
RB2-5850-000	115 - 69	VS1-7207-009	108 - 8	XA9-1415-000	400 - 32
RH7-7129-020	103 - 7	VS1-7207-010	281 - 10	XA9-1496-000	900 - 9
RS5-1567-000	310 - 56	VS1-7207-012	108 - 10	XA9-1510-000	513 - 79
RS5-1567-000	311 - 56	VS1-7207-018	513 - 98	XA9-1510-000	810 - 20
VD7-3201-001	106 - 17	VS1-7440-002	A11 - 33	XA9-1668-000	102 - 35
VS1-7164-040	T21 - 12	VS1-7507-007	108 - 6	XB1-1300-609	290 - 503
VS1-7173-003	101 - 41	VS1-7860-028	105 - 14	XB1-2260-407	513 - 503
VS1-7173-003	T21 - 11	WC1-5182-000	106 - 18	XB1-2260-407	620 - 503
VS1-7173-005	102 - 45	WG8-5624-000	A11 - 14	XB1-2300-306	A11 - 509
VS1-7173-007	101 - 43	WG8-5624-000	A12 - 13	XB1-2300-306	A40 - 502
VS1-7173-007	102 - 46	WG8-5624-000	A40 - 47	XB1-2300-309	513 - 505
VS1-7173-007	106 - 15	WG8-5772-000	101 - 24	XB1-2300-405	353 - 501
VS1-7173-009	106 - 20	WG8-5772-000	104 - 9	XB1-2300-405	354 - 502
VS1-7173-014	310 - 57	WG8-5772-000	116 - 27	XB1-2300-607	102 - 504
VS1-7173-014	311 - 57	WG8-5772-000	513 - 62	XB1-2300-607	104 - 501
VS1-7173-015	108 - 7	WG8-5772-000	620 - 24	XB1-2300-607	106 - 502
VS1-7177-002	100 - 38	WG8-5772-000	810 - 32	XB1-2300-607	107 - 501
VS1-7177-002	101 - 33	WT8-5076-000	T21 - 3	XB1-2300-607	117 - 503
VS1-7177-002	107 - 14	XA9-0265-010	105 - 10	XB1-2300-607	281 - 501
VS1-7177-002	108 - 3	XA9-0643-000	251 - 29	XB1-2300-607	400 - 505
VS1-7177-002	310 - 62	XA9-0656-000	310 - 58	XB1-2300-607	986 - 501
VS1-7177-002	311 - 62	XA9-0656-000	311 - 58	XB1-2300-807	310 - 505
VS1-7177-002	353 - 31	XA9-0702-000	A40 - 67	XB1-2300-807	311 - 505
VS1-7177-002	354 - 43	XA9-0836-000	900 - 12	XB1-2400-603	103 - 502
VS1-7177-002	513 - 97	XA9-0849-000	620 - 17	XB1-2400-603	106 - 504
VS1-7177-002	T21 - 10	XA9-0874-000	A01 - 3	XB1-2400-603	140 - 502
VS1-7177-002	T25 - 6	XA9-0894-010	A11 - 15	XB1-2400-606	A11 - 501
VS1-7177-003	102 - 49	XA9-0903-000	352 - 30	XB1-2400-606	A40 - 501
VS1-7177-003	103 - 16	XA9-1386-000	101 - 8	XB1-2400-607	107 - 502
VS1-7177-003	105 - 13	XA9-1386-000	102 - 34	XB1-2400-607	310 - 506
VS1-7177-003	108 - 4	XA9-1386-000	103 - 13	XB1-2400-607	311 - 506
VS1-7177-003	115 - 51	XA9-1386-000	104 - 20	XB1-2400-807	105 - 502
VS1-7177-003	290 - 10	XA9-1386-000	105 - 8	XB1-2400-807	106 - 506

# NUMERICAL INDEX

iR C3580/3580i/3480/3480i/3080/3080i/2550/2550i/2380i(Numerical Index)

PARTS NUMBER	FIGURE & KEY NO.	PARTS NUMBER	FIGURE & KEY NO.	PARTS NUMBER	FIGURE & KEY NO
XB1-2400-807	400 - 501	XB4-6260-807	107 - 503	XD3-2200-102	A13 - 502
XB1-2401-406	A11 - 507	XB4-7300-605	104 - 503	XD3-2200-122	102 - 503
XB1-2402-007	106 - 507	XB4-7300-807	117 - 502	XD3-2200-122	116 - 503
XB1-2402-007	140 - 501	XB4-7300-809	A11 - 503	XD3-2200-122	261 - 502
XB1-2403-007	900 - 502	XB4-7300-809	A12 - 501	XD3-2200-122	310 - 504
XB1-2500-603	140 - 505	XB4-7300-809	A40 - 503	XD3-2200-122	311 - 504
XB1-3300-607	310 - 503	XB4-7400-605	A11 - 510	XD3-2200-122	352 - 503
XB1-3300-607	311 - 503	XB6-7300-407	400 - 504	XD3-2200-122	354 - 505
XB1-3301-207	308 - 505	XB6-7300-607	102 - 501	XD3-2200-122	810 - 501
XB1-3301-207	309 - 505	XB6-7300-607	102 - 502	XD3-2200-122	986 - 503
XB2-5301-407	900 - 501	XB6-7300-607	105 - 501	XD3-2200-142	251 - 502
XB2-8300-607	308 - 501	XB6-7300-607	106 - 503	XD3-2200-162	280 - 501
XB2-8300-607	309 - 501	XB6-7300-607	116 - 501	XD3-2200-182	261 - 503
XB2-8300-807	101 - 501	XB6-7300-607	130 - 502	XD3-2200-182	986 - 502
XB2-8300-807	103 - 501	XB6-7300-607	140 - 504	XD3-2200-202	251 - 503
XB2-8300-807	251 - 501	XB6-7300-607	261 - 501	XD9-0103-000	116 - 29
XB2-8300-807	400 - 502	XB6-7300-607	290 - 501	XD9-0120-000	350 - 15
XB2-8300-807	810 - 502	XB6-7300-607	400 - 503	XD9-0134-000	270 - 19
XB3-6300-605	310 - 501	XB6-7300-607	513 - 502	XD9-0134-000	270 - 20
XB3-6300-605	311 - 501	XB6-7300-607	900 - 503	XD9-0134-000	290 - 12
XB3-6400-805	100 - 501	XB6-7300-607	911 - 501	XD9-0135-000	101 - 39
XB4-5300-607	352 - 501	XB6-7300-607	930 - 501	XD9-0135-000	513 - 102
XB4-5300-805	351 - 502	XB6-7300-607	931 - 501	XD9-0135-000	620 - 28
XB4-5300-805	354 - 501	XB6-7300-607	T20 - 501	XD9-0135-000	810 - 71
XB4-5300-806	A11 - 502	XB6-7300-607	T21 - 501	XD9-0135-000	986 - 23
XB4-5300-806	A13 - 501	XB6-7300-807	308 - 503	XD9-0136-000	102 - 23
XB4-5300-807	106 - 501	XB6-7300-807	309 - 503	XD9-0136-000	116 - 30
XB4-5300-807	308 - 502	XB6-7400-609	A40 - 507	XD9-0136-000	251 - 30
XB4-5300-807	309 - 502	XB7-2100-405	A11 - 508	XD9-0136-000	260 - 32
XB4-5300-807	513 - 504	XD1-1100-322	101 - 502	XD9-0136-000	270 - 21
XB4-5300-807	620 - 501	XD1-1104-135	308 - 504	XD9-0136-000	280 - 10
XB4-5300-807	986 - 504	XD1-1104-135	309 - 504	XD9-0136-000	281 - 12
XB4-5301-007	130 - 501	XD1-1108-213	513 - 501	XD9-0136-000	290 - 13
XB4-5301-009	621 - 502	XD1-4200-402	103 - 503	XD9-0136-000	310 - 61
XB4-5400-807	101 - 503	XD1-4200-402	106 - 505	XD9-0136-000	311 - 61
XB4-5400-807	104 - 502	XD1-4200-402	140 - 503	XD9-0136-000	350 - 16
XB4-5400-807	117 - 501	XD1-4200-502	140 - 506	XD9-0136-000	351 - 12
XB4-5400-807	260 - 501	XD2-1100-242	351 - 501	XD9-0136-000	352 - 28
XB4-5400-807	310 - 507	XD2-1100-322	354 - 504	XD9-0136-000	353 - 30
XB4-5400-807	311 - 507	XD2-1100-322	810 - 503	XD9-0136-000	354 - 26
XB4-5400-807	350 - 501	XD2-1100-322	A40 - 506	XD9-0136-000	400 - 9
XB4-5400-809	A11 - 506	XD2-1100-402	512 - 501	XD9-0136-000	620 - 29
XB4-5400-809	A40 - 504	XD2-1100-402	A11 - 505	XD9-0136-000	810 - 72
XB4-5401-007	115 - 501	XD2-1100-422	115 - 503	XD9-0136-000	A11 - 49
XB4-5401-007	116 - 502	XD2-1100-502	105 - 503	XD9-0136-000	A13 - 25
XB4-5401-007	315 - 501	XD2-1100-502	810 - 504	XD9-0137-010	104 - 29
XB4-5401-205	352 - 502	XD2-2100-502	A40 - 505	XD9-0137-010	115 - 74
XB4-5401-205	353 - 502	XD2-2300-302	621 - 501	XD9-0137-010	251 - 31
XB4-5401-205	354 - 503	XD3-2160-162	115 - 502	XD9-0137-010	260 - 33
XB4-5401-205	A11 - 504	XD3-2200-102	115 - 504	XD9-0137-010	261 - 10
XB4-5401-207	310 - 502	XD3-2200-102	290 - 502	XD9-0137-010	A40 - 66
XB4-5401-207	311 - 502	XD3-2200-102	620 - 502	XD9-0169-000	251 - 21

# NUMERICAL INDEX

iR C3580/3580i/3480/3480i/3080/3080i/2550/2550i/2380i(Numerical Index)

PARTS NUMBER	FIGURE & KEY NO.	PARTS NUMBER	FIGURE & KEY NO.	PARTS NUMBER	FIGURE & KEY NO.
XF2-1604-040	281 - 6				
XF2-1604-435	A40 - 60				
XF2-1605-760	261 - 2				
XF2-1605-940	A40 - 2				
XF2-1606-135	A13 - 22				
XF2-1607-440	A40 - 3				
XF2-1607-840	107 - 9				
XF2-1609-040	107 - 4				
XF2-1610-240	A40 - 5				
XF2-1616-060	A40 - 6				
XF2-4104-240	352 - 18				
XF2-4107-940	353 - 28				
XF2-4108-240	352 - 19				
XF2-4109-240	354 - 42				
XF2-4115-940	115 - 18				
XF2-4118-560	251 - 20				
XF2-4606-740	400 - 50				
XF9-0727-000	A40 - 4				
XF9-0743-000	400 - 33				
XG9-0172-000	810 - 62				
XG9-0242-000	810 - 39				
XG9-0390-000	270 - 18				
XG9-0497-000	116 - 23				
XG9-0507-000	A40 - 49				
XG9-0508-000	251 - 15				
XG9-0513-000	810 - 37				
XG9-0520-000	251 - 7				
XG9-0520-000	353 - 29				
XG9-0544-000	270 - 5				
XH9-0126-000	A11 - 9				
XH9-0136-000	105 - 1				
XZ9-0603-000	512 - 10				

# **iR C3580/3580i/3480/3480i/3080/3080i/ 2550/2550i/2380i(Parts Catalog)**

## **iR C3580i**

<b>230V ASIA</b>	<b>F15-4642-000</b>	<b>CZY</b>	
<b>120V TW</b>	<b>F15-4652-000</b>	<b>DAH</b>	
<b>230V CN</b>	<b>F15-4662-000</b>	<b>DAZ</b>	
<b>230V KR</b>	<b>F15-4672-000</b>	<b>DBB</b>	
<b>230V AU</b>	<b>F15-4681-000</b>	<b>CZZ</b>	DADF model
<b>230V EUR</b>	<b>F15-4692-000</b>	<b>CZT</b>	

## **iR C3580F**

<b>100V JP</b>	<b>F15-4612-000</b>	<b>CZH</b>	DADF model
----------------	---------------------	------------	------------

## **iR C3580**

<b>100V JP</b>	<b>F15-4611-000</b>	<b>CZG</b>	
<b>230V ASIA</b>	<b>F15-4641-000</b>	<b>CZU</b>	
<b>230V EUR</b>	<b>F15-4691-000</b>	<b>CZS</b>	

## **iR C3080i**

<b>230V ASIA</b>	<b>F15-4646-000</b>	<b>DBU</b>	
<b>120V TW</b>	<b>F15-4656-000</b>	<b>DBW</b>	
<b>230V CN</b>	<b>F15-4666-000</b>	<b>DBX</b>	
<b>230V KR</b>	<b>F15-4676-000</b>	<b>DBY</b>	
<b>230V AU</b>	<b>F15-4685-000</b>	<b>DBV</b>	DADF model
<b>230V EUR</b>	<b>F15-4696-000</b>	<b>DBN</b>	

## iR C3080F

<b>100V JP</b>	<b>F15-4616-000</b>	<b>DBD</b>	<b>DADF model</b>
----------------	---------------------	------------	-------------------

## iR C3080

<b>100V JP</b>	<b>F15-4615-000</b>	<b>DBC</b>
----------------	---------------------	------------

<b>230V ASIA</b>	<b>F15-4645-000</b>	<b>DBT</b>
------------------	---------------------	------------

<b>230V EUR</b>	<b>F15-4695-000</b>	<b>DBM</b>
-----------------	---------------------	------------

## iR C2550i

<b>230V ASIA</b>	<b>F15-4648-000</b>	<b>DCK</b>
------------------	---------------------	------------

<b>120V TW</b>	<b>F15-4658-000</b>	<b>DCM</b>
----------------	---------------------	------------

<b>230V CN</b>	<b>F15-4668-000</b>	<b>DCP</b>
----------------	---------------------	------------

<b>230V KR</b>	<b>F15-4678-000</b>	<b>DCQ</b>
----------------	---------------------	------------

<b>230V AU</b>	<b>F15-4687-000</b>	<b>DCL</b>	<b>DADF model</b>
----------------	---------------------	------------	-------------------

## iR C2550F

<b>100V JP</b>	<b>F15-4618-000</b>	<b>DBZ</b>	<b>DADF model</b>
----------------	---------------------	------------	-------------------

## iR C2380i

<b>230V EUR</b>	<b>F15-4698-000</b>	<b>DCF</b>
-----------------	---------------------	------------

## imageRUNNER C3480i

<b>120V UL</b>	<b>F15-4622-000</b>	<b>CZK</b>	<b>DADF model</b>
----------------	---------------------	------------	-------------------

## imageRUNNER C3480

<b>120V UL</b>	<b>F15-4632-000</b>	<b>CZJ</b>
----------------	---------------------	------------

<b>120V UL</b>	<b>F15-4682-000</b>	<b>CZR</b>	<b>GOVERNMENT/DADF model</b>
----------------	---------------------	------------	------------------------------



imageRUNNER C3080i

<b>120V UL</b>	<b>F15-4626-000</b>	<b>DBF</b>	DADF model
----------------	---------------------	------------	------------

imageRUNNER C3080

<b>120V UL</b>	<b>F15-4636-000</b>	<b>DBE</b>	
----------------	---------------------	------------	--

<b>120V UL</b>	<b>F15-4686-000</b>	<b>DBG</b>	GOVERNMENT/DADF model
----------------	---------------------	------------	-----------------------

imageRUNNER C2550

<b>120V UL</b>	<b>F15-4638-000</b>	<b>DCA</b>	
----------------	---------------------	------------	--

<b>120V UL</b>	<b>F15-4688-000</b>	<b>DCE</b>	GOVERNMENT/DADF model
----------------	---------------------	------------	-----------------------

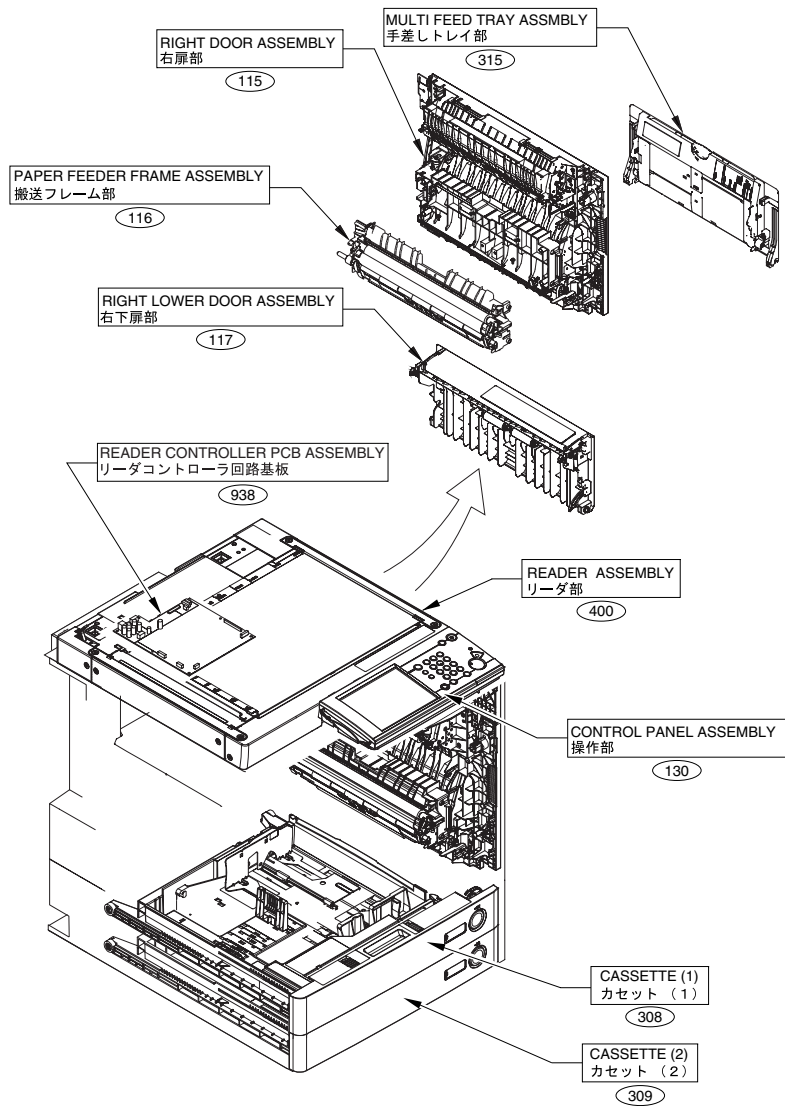


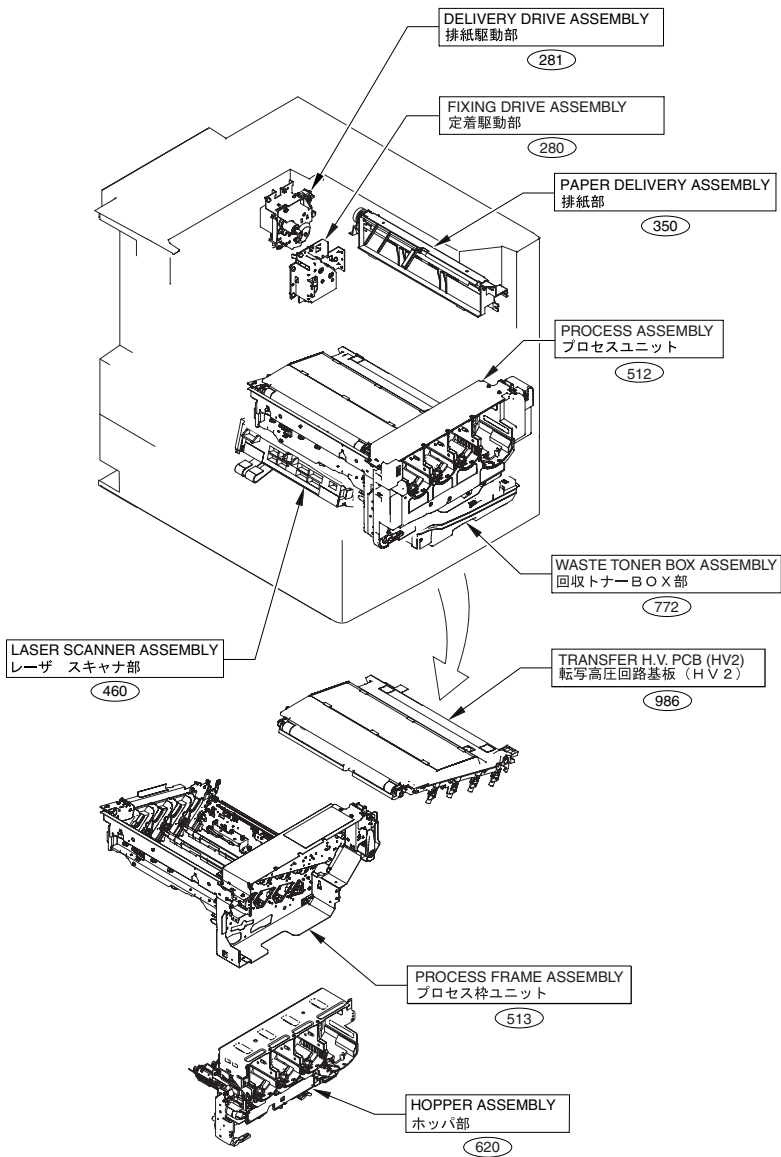
# Contents

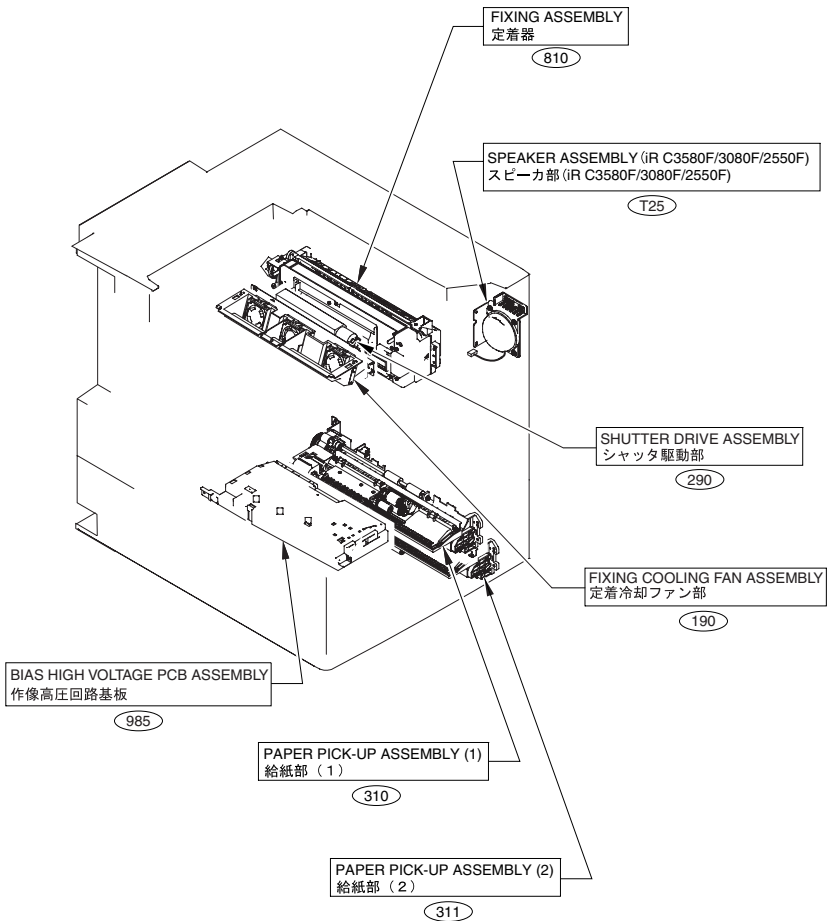
A1	ASSEMBLY LOCATION DIAGRAM .....	2-1
A2	OPTION PARTS CATALOG LIST .....	2-8
001	ACCESSORIES .....	2-9
100	EXTERNAL COVERS, PANELS, ETC. ....	2-11
101	MACHINE FRONT PLATE .....	2-14
102	INTERNAL COMPONENTS 1 .....	2-17
103	INTERNAL COMPONENTS 2 .....	2-20
104	INTERNAL COMPONENTS 3 .....	2-22
105	MACHINE REAR PLATE 1 .....	2-25
106	MACHINE REAR PLATE 2 .....	2-27
107	MACHINE REAR PLATE 3 .....	2-30
108	MACHINE REAR PLATE 4 .....	2-32
115	RIGHT DOOR ASSEMBLY .....	2-34
116	PAPER FEEDER FRAME ASSEMBLY .....	2-39
117	RIGHT LOWER DOOR ASSEMBLY .....	2-42
130	CONTROL PANEL ASSEMBLY .....	2-44
140	POWER CORD TERMINAL ASSEMBLY .....	2-46
190	FIXING COOLING FAN ASSEMBLY .....	2-48
251	DRUM DRIVE ASSEMBLY .....	2-49
260	MULTI FEEDER DRIVE ASSEMBLY .....	2-52
261	DUPLEXING DRIVE ASSEMBLY .....	2-55
270	DEVELOPING DRIVE ASSEMBLY .....	2-57
280	FIXING DRIVE ASSEMBLY .....	2-59
281	DELIVERY DRIVE ASSEMBLY .....	2-61
290	SHUTTER DRIVE ASSEMBLY .....	2-63
308	CASSETTE (1) .....	2-65
309	CASSETTE (2) .....	2-68
310	PAPER PICK-UP ASSEMBLY (1) .....	2-71
311	PAPER PICK-UP ASSEMBLY (2) .....	2-75
315	MULTI FEED TRAY ASSEMBLY .....	2-79
350	PAPER DELIVERY ASSEMBLY .....	2-81
351	2ND 3RD DELIVERY ASSEMBLY .....	2-83
352	2ND UPPER DELIVERY ASSEMBLY .....	2-85
353	2ND DELIVERY FRAME ASSEMBLY .....	2-88
354	3RD DELIVERY FRAME ASSEMBLY .....	2-91
400	READER ASSEMBLY .....	2-94
460	LASER SCANNER ASSEMBLY .....	2-99
512	PROCESS ASSEMBLY .....	2-101
513	PROCESS FRAME ASSEMBLY .....	2-103
535	INTERMEDIATE TRANSFER BELT ASSEMBLY .....	2-109
620	HOPPER ASSEMBLY .....	2-110
621	BUFFER ASSEMBLY .....	2-113
772	WASTE TONER BOX ASSEMBLY .....	2-115
810	FIXING ASSEMBLY .....	2-116
900	CONTROLLER BOX ASSEMBLY .....	2-120

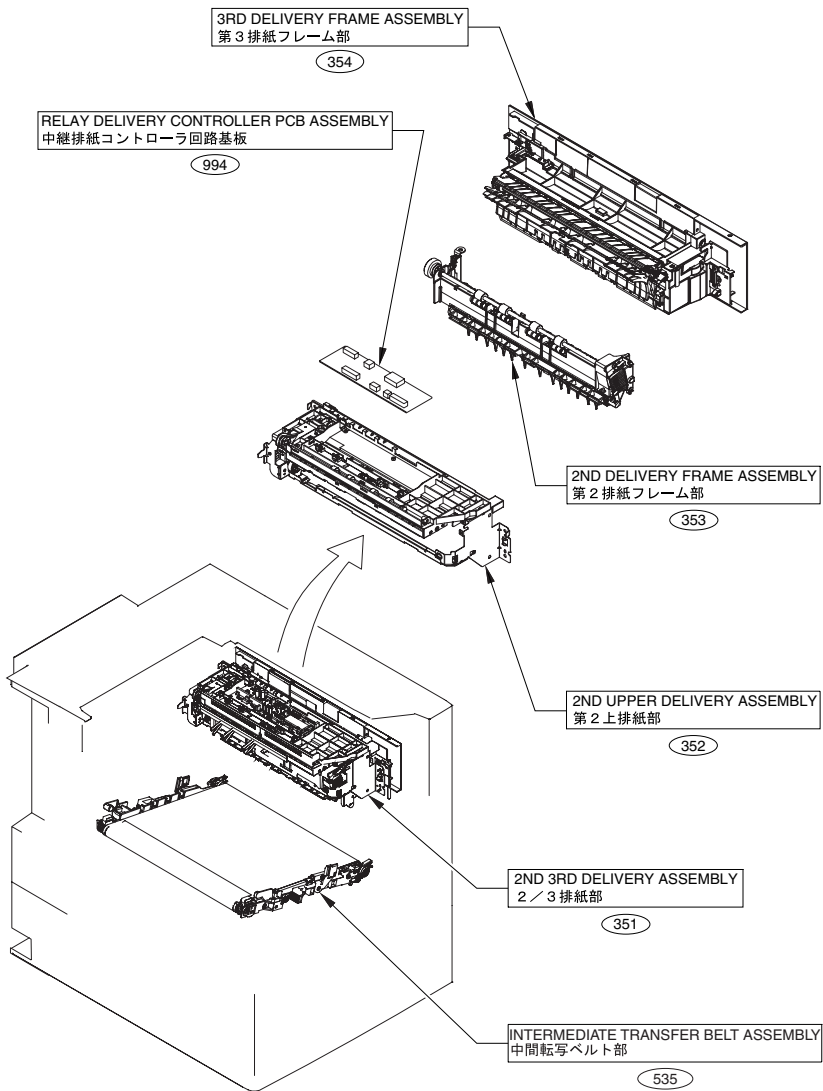
911	MAIN CONT. POWER SUPPLY ASS'Y .....	2-122
930	DC CONTROLLER PCB ASSEMBLY .....	2-124
931	DC DRIVER PCB ASSEMBLY .....	2-126
932	MAIN CONTROLLER PCB ASSEMBLY .....	2-127
933	MAIN CONTROLLER PCB ASS'Y,R-A.....	2-128
934	PDRM-EF-A PCB ASS'Y(S).....	2-129
935	MAIN CONTROLLER PCB ASS'Y,SJ-A .....	2-130
936	LANBAR-C-BC PCB ASSEMBLY .....	2-131
937	RB-A2 PCB ASSEMBLY .....	2-132
938	READER CONTROLLER PCB ASSEMBLY .....	2-133
939	OPEN INTERFACE BOARD PCB ASS'Y .....	2-134
985	BIAS HIGH VOLTAGE PCB ASSEMBLY .....	2-135
986	TRANSFER H.V. PCB (HV2).....	2-136
994	RELAY DELIVERY CONTROLLER PCB ASSEMBLY .....	2-139
A01	DADF MOUNTING HARDWARE(DADF model).....	2-140
A11	DADF ASSEMBLY(DADF model).....	2-142
A12	DOCUMENT TRAY ASSEMBLY(DADF model) .....	2-147
A13	OPEN/CLOSE PANEL ASSEMBLY(DADF model).....	2-149
A40	PAPER FEEDER ASSEMBLY(DADF model).....	2-151
A90	ADF CONTROLLER PCB ASSEMBLY(DADF model).....	2-156
T20	FAX ASSEMBLY (iR C3580F/3080F/2550F) .....	2-157
T21	FAX PCB ASSEMBLY (iR C3580F/3080F/2550F).....	2-159
T25	SPEAKER ASSEMBLY (iR C3580F/3080F/2550F) .....	2-161
T90	MODEM PCB ASSEMBLY (iR C3580F/3080F/2550F).....	2-163

# FIGURE A1 ASSEMBLY LOCATION DIAGRAM

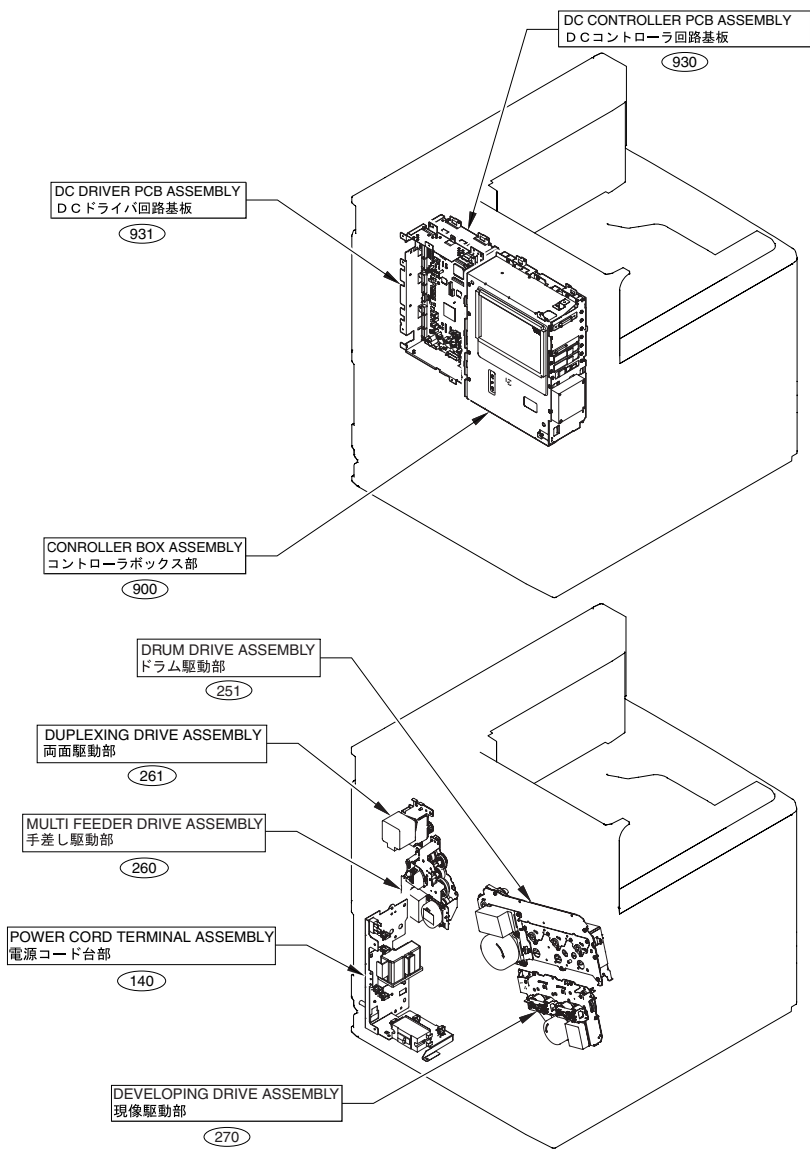










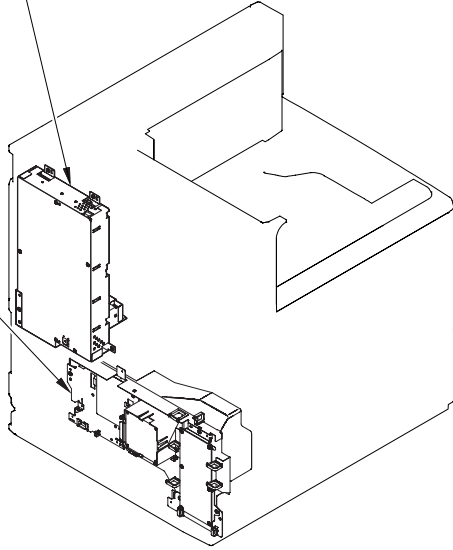


FAX PCB ASSEMBLY (IR C3580F/3080F/2550F)  
F A X 回路基板部 (IR C3580F/3080F/2550F)

T21

MAIN CONT. POWER SUPPLY ASSY  
メイン コントローラ電源部

911

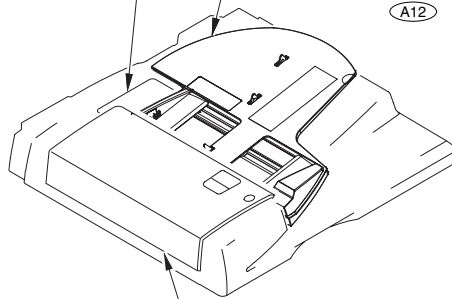


ADF CONTROLLER PCB ASSEMBLY(DADF model)  
ADFコントローラ回路基板 (DADFモデル)

A90

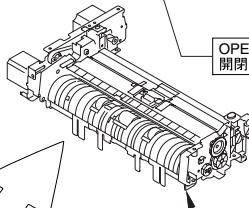
DOCUMENT TRAY ASSEMBLY(DADF model)  
原稿トレイ部 (DADFモデル)

A12



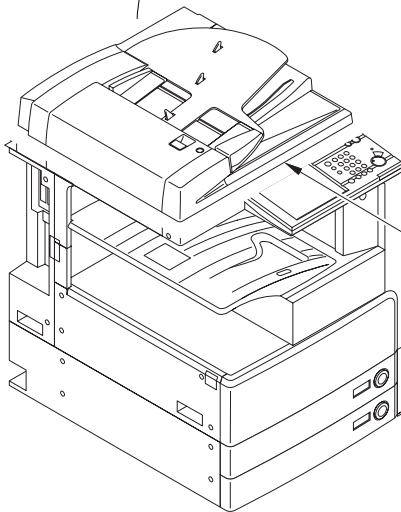
OPEN/CLOSE PANEL ASSEMBLY(DADF model)  
開閉カバー部 (DADFモデル)

A13



PAPER FEEDER ASSEMBLY(DADF model)  
搬送部 (DADFモデル)

A40



DADF ASSEMBLY(DADF model)  
DADF部 (DADFモデル)

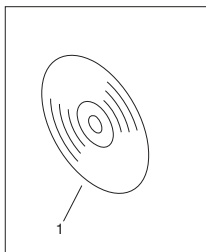
A11

# FIGURE A2 OPTION PARTS CATALOG LIST

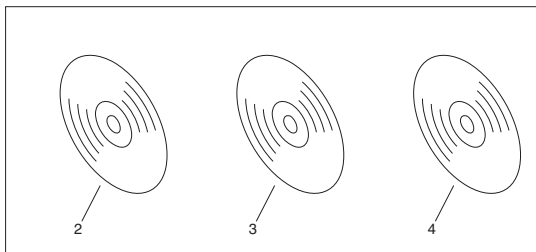
This is the table of the machine's options whose parts catalog is issued.  
本機のオプションで、パーツカタログが発行されている機種の一覧である。

No.	Model Name(English)	Model Name(Japanese)
1	DADF-L1	DADF・L1
2	Color Image Reader-F1	カラーイメージリーダー・F1
3	Color Image Reader-E1	カラーイメージリーダー・E1
4	ADF Access Handle-A1	ADFアクセスハンドル・A1
5	Stamp Unit-B1	スタンプユニット・B1
6	Platen Cover Type H	原稿台カバータイプH
7	Paper Deck-Z1	サイドペーパーデッキ・Z1
8	Cassette Feeding Unit-Y1/Y2/Y3/Y3H	2段カセットベディスタル・Y1/Y2/Y3/Y3H
9	FL Cassette-Y1/Z1	FLカセット・Y1/Z1
10	Envelope Cassette-C1/C2	封筒カセット・C1/C2
11	INNER 2 WAY TRAY-D1	INNER 2 WAY TRAY-D1
12	Copy Tray-J1	コピートレイ・J1
13	Finisher-Z1	フィニッシャー・Z1
14	Finisher-Y1/Saddle Finisher-Y2	フィニッシャー・Y1/Sドルフィニッシャー・Y2
15	Puncher Unit-L1/M1/N1/P1/AG1/AH1/AJ1/AK1	パンチャーユニット・L1/M1/N1/P1/AG1/AH1/AJ1/AK1
16	BUFFER PASS UNIT-E1/E2	BUFFER PASS UNIT-E1/E2
17	CASSETTE HEATER UNIT-29	カセットヒーターユニット・29
18	Cassette Heater Unit-36	カセットヒーターユニット36
19	CST Heater Unit-31/32	カセットヒーターユニット31/32
20	Reader Heater Kit-E1	リーダーヒータキット・E1
21	Reader Heater Kit-B1	リーダーヒータキット・B1
22	Cassette Heater Attachment-B1/D1/D2	カセットベディスタル用ヒーター取付キット・B1/D1/D2
23	Power Supply-R1	オプションプリント基板・R1
24	Super G3 FAX Board-W1/W2	スーパーG3FAXボード・W1/W2
25	Super G3 Multi-Line Fax Board-J1/J2	マルチポートFAXボード・J1/J2
26	G4 FAX BOARD-E1	G4 FAXボード・E1
27	MULTI-PDL PRINTER KIT-F1	MULTI-PDL PRINTER KIT-F1
28	Document Tray-J1	原稿置き台・J1
29	Key Switch Unit-A1/A2	管理キーユニット・A1/A2
30	CARD READER-C1/D1	カードリーダー・C1/D1
31	Card Reader Attachment Kit-B1/B2	カードリーダー取り付けキット・B1/B2
32	iR C3380 SELF OPERATION KIT-A1	iR C3380セルフ用圧板取付けキット・A1
33	iR Coin Manager Attachment Kit-A1	iR課金装置接続キット・A1
34	CCD INSTALLATION KIT	カラーイメージリーダー取り付けキット (CCDタイプ)
35	1200dpi Print Expansion Board-A1	LIPS LXプリンタ&スキャナキット・Q1
36	Voice Guidance Kit-A2/B1/Voice Guidance Attachment Kit-A1	音声ガイダンスキット・A2/B1/音声ガイダンス取り付けキット・A1
37	Voice Operation Kit-A1	音声操作キット・A1
38	HDD Data Encryption Kit-B1	HDDデータ暗号化キット・B1
39	iR 512MB Expansion RAM-C1	iR512MB拡張RAM・C1
40	Wireless Network Interface Adapter NB-W1	無線ネットワークインターフェースボード NB-W1

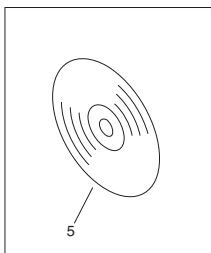
# FIGURE 001 ACCESSORIES



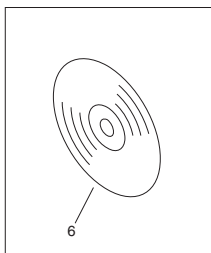
EXCEPT iR C2550F



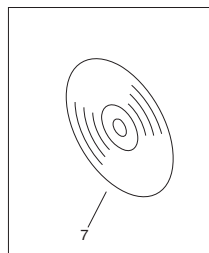
iR C3580F/3080F/2550F



imageRUNNER C3480/3080/2550/  
CZY/DBU/DCK  
TW/CN/KR



CZK/CZT/DBN/DBZ/DCF



iR C3580i/3080i/2550i 230V AU

FIGURE & KEY NO.	PARTS NUMBER	R A N K	Q'TY	DESCRIPTION	SERIAL NUMBER/ REMARKS	S V C
Fig.001	NPN		RF	ACCESSORIES		
1	FK2-7015-000		1	CD-ROM, SOFTWARE FOR MEAP	iR C3580/3580FiR C3080/ 3080F Japanese	
1	FK2-7016-000		1	CD-ROM, SOFTWARE FOR MEAP	English	
1	FK2-7018-000		1	CD-ROM, SOFTWARE FOR MEAP	English/French/Italian/ German/Spanish	
1	FK2-7019-000		1	CD-ROM, SOFTWARE FOR MEAP	English/Simplified Chinese/Traditional Chinese/Korean	
2	FK2-7020-000		1	CD-ROM, LIPS LX USER SOFTWARE	iR C3580F/3080F/2550F Japanese	
3	FK2-7021-000		1	CD-ROM, FAX DRIVER SOFTWARE	iR C3580F/3080F/2550F Japanese	
4	FK2-7045-000		1	CD-ROM, FAX DRIVER (WIN98/ME)	iR C3580F/3080F/2550F Japanese	
5	FK2-7022-000		1	CD-ROM, UFR II USER SOFTWARE	imageRUNNER C3480/ 3080/2550CZY/DBU/ DCK English	
5	FK2-7025-000		1	CD-ROM, UFR II USER SOFTWARE	TW/CN/KREnglish/ Simplified Chinese/ Traditional Chinese/ Korean	
6	FK2-7023-000		1	CD-ROM, UFR II/PCL USER S/W	CZT/DBN/DCFFrench/ Spanish	
6	FK2-7024-000		1	CD-ROM, UFR II/PCL USER S/W	CZK/CZT/DBN/DBZ/ DCF English	
6	FK2-7042-000		1	CD-ROM, UFR II/PCL USER S/W	CZT/DBN/DCF German/ Italian	
7	FK2-7043-000		1	CD-ROM, UFR II/PCL/PS USER S/W	iR C3580i/3080i/2550i 230V AU English	

# FIGURE 100 EXTERNAL COVERS, PANELS, ETC.

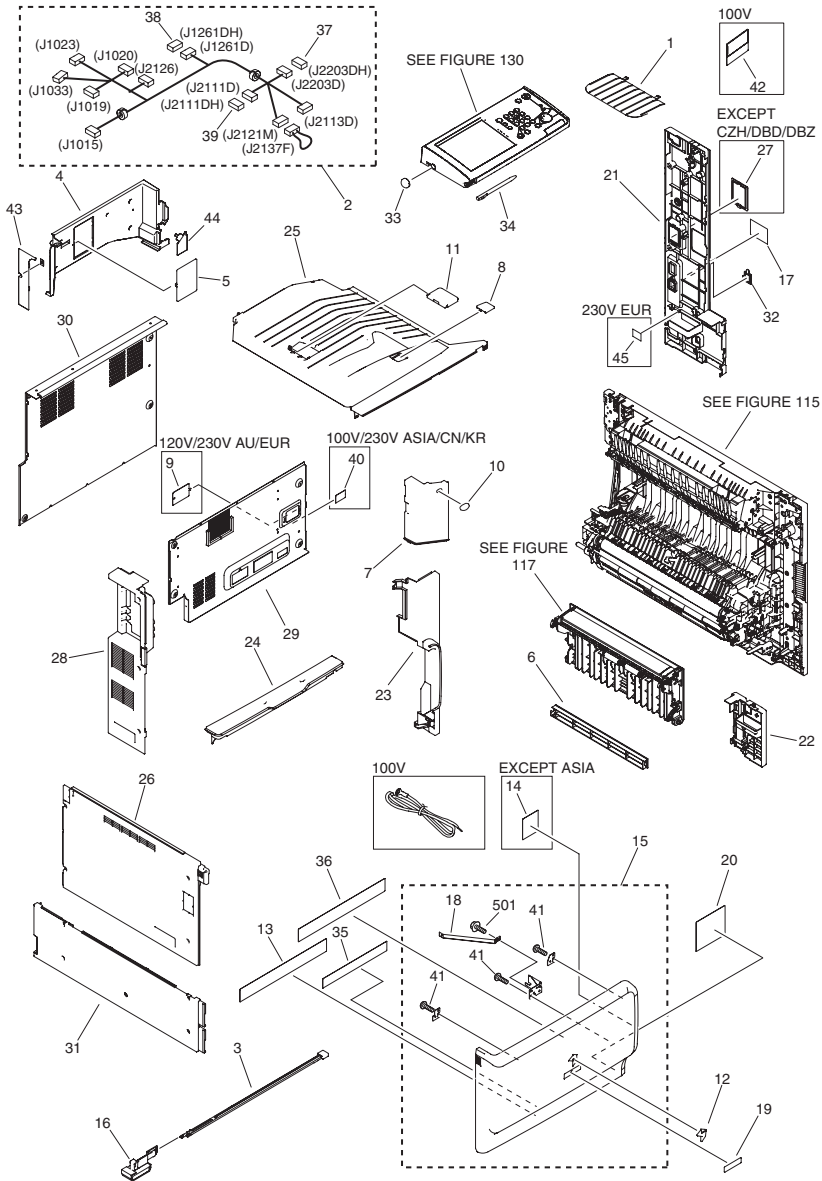


FIGURE & KEY NO.	PARTS NUMBER	R A N K	Q'TY	DESCRIPTION	SERIAL NUMBER/ REMARKS	S V C
Fig.100	NPN		RF	EXTERNAL COVERS, PANELS, ETC.		
1	FC5-0860-020		1	GUIDE, REVERSE BACK END		
2	FM2-9462-000		1	CABLE, CONTROL PANEL		
3	FC6-9565-000		1	ARM, CLEANING		
4	FC7-6968-000		1	PANEL, INNER, REAR		
5	FC5-0889-000		1	COVER, BLANKING		
6	FC5-0954-000		1	PANEL, RIGHT, LOWER		
7	FC5-1117-000		1	PANEL, INNER, RIGHT		
8	FC5-0957-000		1	CAP, INTERNAL PAPER DELIVERY		
9	FC5-1111-000		1	COVER, OUTLET	120V 230V AU/EUR	
10	FC5-6540-000		1	COVER, SCREW		
11	FC5-0812-000		1	STOPPER, PUSHING		
12	FC5-0459-000		1	EMBLEM, IMAGERUNNER		
13	FC6-9398-000		1	LABEL, WASTE TONER EXCHANGE		
14	FC7-4819-000		1	LABEL, TONER	EXCEPT 120V UL/230V ASIA/EUR	
14	FC7-4828-000		1	LABEL, TONER	120V UL	
14	FC7-4829-000		1	LABEL, TONER	230V EUR	
15	FM2-5572-000		1	PANEL, FRONT		
16	FL2-4425-000		1	CLEANING PAD UNIT		
17	FC8-1201-000		1	LABEL, SHUT,DOWN AB		
18	FC7-2337-000		1	STRAP, DOOR, FRONT		
19	FC8-1182-000		1	PLATE, NAME	iR C3580	
19	FC8-1183-000		1	PLATE, NAME	iR C3580F	
19	FC8-1184-000		1	PLATE, NAME	iR C3580i	
19	FC8-1185-000		1	PLATE, NAME	imageRUNNER C3480	
19	FC8-1186-000		1	PLATE, NAME	imageRUNNER C3480i	
19	FC8-1187-000		1	PLATE, NAME	iR C3080	
19	FC8-1188-000		1	PLATE, NAME	iR C3080F	
19	FC8-1189-000		1	PLATE, NAME	iR C3080i	
19	FC8-1190-000		1	PLATE, NAME	imageRUNNER C3080	
19	FC8-1191-000		1	PLATE, NAME	imageRUNNER C3080i	



FIGURE & KEY NO.	PARTS NUMBER	R A N K	Q'TY	DESCRIPTION	SERIAL NUMBER/ REMARKS	S V C
19	FC8-1192-000		1	PLATE, NAME	iR C2550F	
19	FC8-1193-000		1	PLATE, NAME	iR C2550i	
19	FC8-1194-000		1	PLATE, NAME	imageRUNNER C2550	
19	FC8-1195-000		1	PLATE, NAME	iR C2380i	
20	FU5-8797-000		1	LABEL, LASER CAUTION		
21	FC7-2360-000		1	COVER, RIGHT, REAR		
22	FC7-4132-000		1	PANEL, RIGHT, FRONT LOWER		
23	FC6-9457-000		1	COVER, RIGHT FRONT		
24	FC6-9382-000		1	COVER, SUB, FRONT		
25	FC6-9459-000		1	PANEL, INTERNAL PAPER DELIVERY		
26	FL2-4469-000		1	COVER, LEFT		
27	FC7-2359-000		1	COVER, MODULAR	EXCEPT CZH/DBD/DBZ	
28	FM3-4148-000		1	PANEL, LEFT, REAR		
29	FL2-4467-000		1	COVER, REAR, LOWER		
30	FL2-4427-000		1	PANEL, REAR, UPPER		
31	FL2-4470-000		1	PANEL, LEFT		
33	FB6-3771-000		1	COVER, RUBBER		
34	FB6-3950-000		1	PEN, TOUCH PANEL		
35	FC7-7017-000		1	LABEL, CASE EXCHANGE		
36	FC7-4817-000		1	LABEL, CLEANING OPERATOR		
37	VS1-7177-009		1	CONNECTOR, 9P		
38	VS1-7177-002		1	CONNECTOR, SNAP TIGHT, BK		
39	VS1-7177-010		1	CONNECTOR, 10P		
40	FU5-8802-000		1	LABEL,OUTLET	100V	
40	FU5-8803-000		1	LABEL,OUTLET	230V ASIA/CN/KR	
41	FC7-7386-000		5	SCREW, FLAT HEAD, M4X10		
42	FU5-8329-000		1	LABEL, GROUNDING CAUTION	100V	
43	FC7-6969-000		1	PANEL, READER CROSSMEMBER		
44	FC7-6970-000		1	COVER, SENSOR		
45	FU5-8021-000		1	LABEL, GROUNDING CAUTION	230V EUR	
501	XB3-6400-805		1	SCREW,RS,M4X8		

# FIGURE 101 MACHINE FRONT PLATE

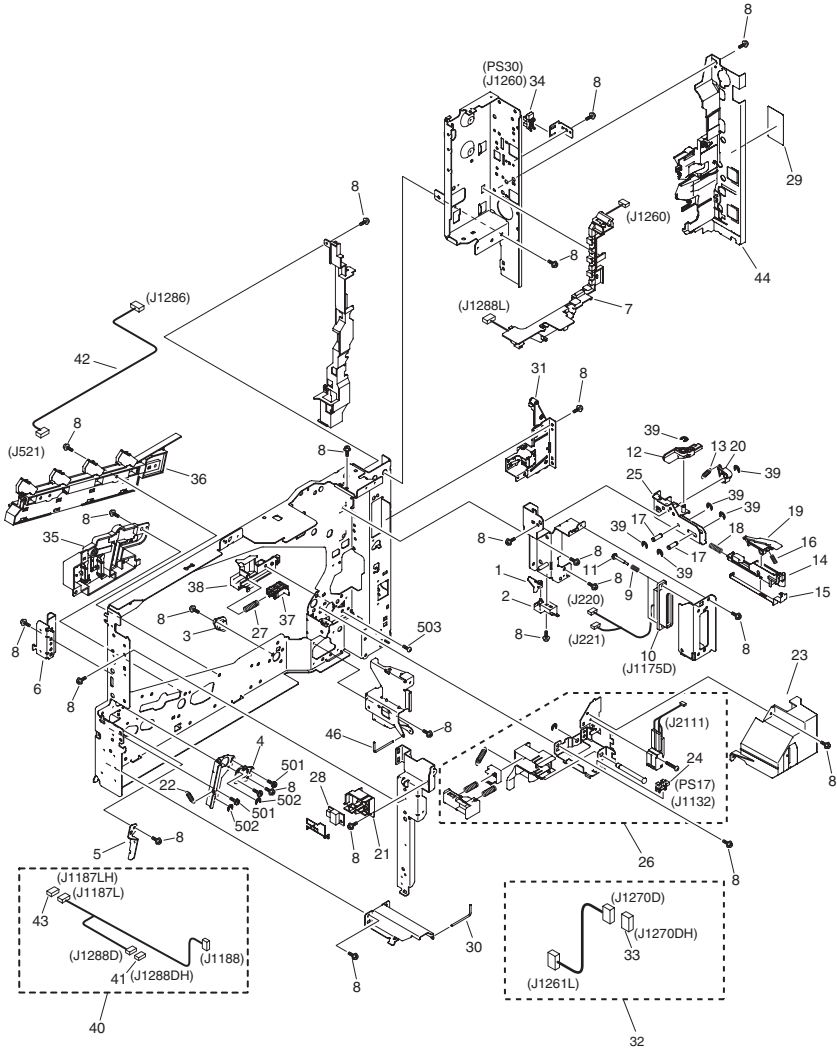


FIGURE & KEY NO.	PARTS NUMBER	R A N K	Q'TY	DESCRIPTION	SERIAL NUMBER/ REMARKS	S V C
Fig.101	NPN		RF	MACHINE FRONT PLATE		
1	FC7-9359-000		1	FLAG, SENSOR		
2	FC7-4172-000		1	LOCK, SHUTTER SENSOR		
3	FC6-9260-000		1	BUSHING		
4	FC6-9259-000		1	BUSHING		
5	FC6-9240-000		1	PLATE HOLDER ADJUST		
6	FC6-9265-000		1	PLATE_CROSSMEMBER FIXED		
7	FM2-9998-000		1	CABLE, DOOR SENSOR CONNECTING		
8	XA9-1386-000		AR	SCREW,RS,M3X8		
9	FU6-2674-000		2	SPRING, COMPRESSION		
10	FM2-9461-000		1	CABLE, CONNECTING		
11	FS5-9282-020		2	SCREW, STEPPED		
12	FC7-2380-000		1	ARM, LINK		
13	FU6-2671-000		1	SPRING, TENSION		
14	FC7-2379-000		1	BASE, SLIDE		
15	FC7-2320-000		1	PLATE, LEVER GROUNDING		
16	FU6-2668-000		1	SPRING, COMPRESSION		
17	FU6-5413-000		2	SHAFT, SLIDE		
18	FU6-2672-000		1	SPRING, COMPRESSION		
19	FC7-2381-000		1	LEVER, LOCK		
20	FC7-2318-000		1	LOCK, LEVER		
21	FC6-5381-000		1	HOLDER, TEMP./HYGRO. SENSOR		
22	FU6-2656-000		1	SPRING, TENSION		
23	FC6-9444-010		1	COVER, INTERLOCK, FRONT		
24	WG8-5772-000		1	PHOTO-INTERRUPTER, TLP1255(C8)	PS17	
26	FM2-5546-000		1	SWITCH, INTERLOCK ASS'Y		
27	FU5-2070-000		1	SPRING, COMPRESSION		
28	FK2-0495-000		1	SENSOR UNIT, ENVIRONMENT		
29	FC7-4455-000		1	LABEL, I.T.B. CAUTION		
30	FC6-5052-000		2	PIN,HINGE		
31	FM3-0008-000		1	DOOR PRESSURE AUX. UNIT, RT.		
32	FM2-9484-000		1	CABLE, SPEAKER, SHORT		

FIGURE & KEY NO.	PARTS NUMBER	R A N K	Q'TY	DESCRIPTION	SERIAL NUMBER/ REMARKS	S V C
33	VS1-7177-002		1	CONNECTOR, SNAP TIGHT, BK	PS30	
34	FK2-0149-000		1	PHOTO-INTERRUPTER, TLP1252(C6)		
35	FM2-5549-000		1	HIGH VOLTAGE CONNECTING UNIT		
36	FM2-5550-000		1	DRUM NEW OLD DETECT UNIT		
37	FC6-9450-000		1	SLIDER		
38	FC6-9449-000		1	GUIDE, SLIDER		
39	XD9-0135-000		8	RING, E		
40	FM2-9434-000		1	CABLE, ENVIRONMENT SENSOR		
41	VS1-7173-003		1	CONNECTOR, SNAP TIGHT, 3P, W		
42	FM2-9473-000		1	CABLE, NEW OLD SENSOR		
43	VS1-7173-007		1	CONNECTOR, SNAP TIGHT, 7P		
44	FC7-7004-000		1	COVER, INNER, RIGHT		
501	XB2-8300-807		3	SCREW,W/WASHER,M3X8		
502	XD1-1100-322		2	RETAINING RING (E-TYPE)		
503	XB4-5400-807		1	SCREW,P,M4X8		

# FIGURE 102 INTERNAL COMPONENTS 1

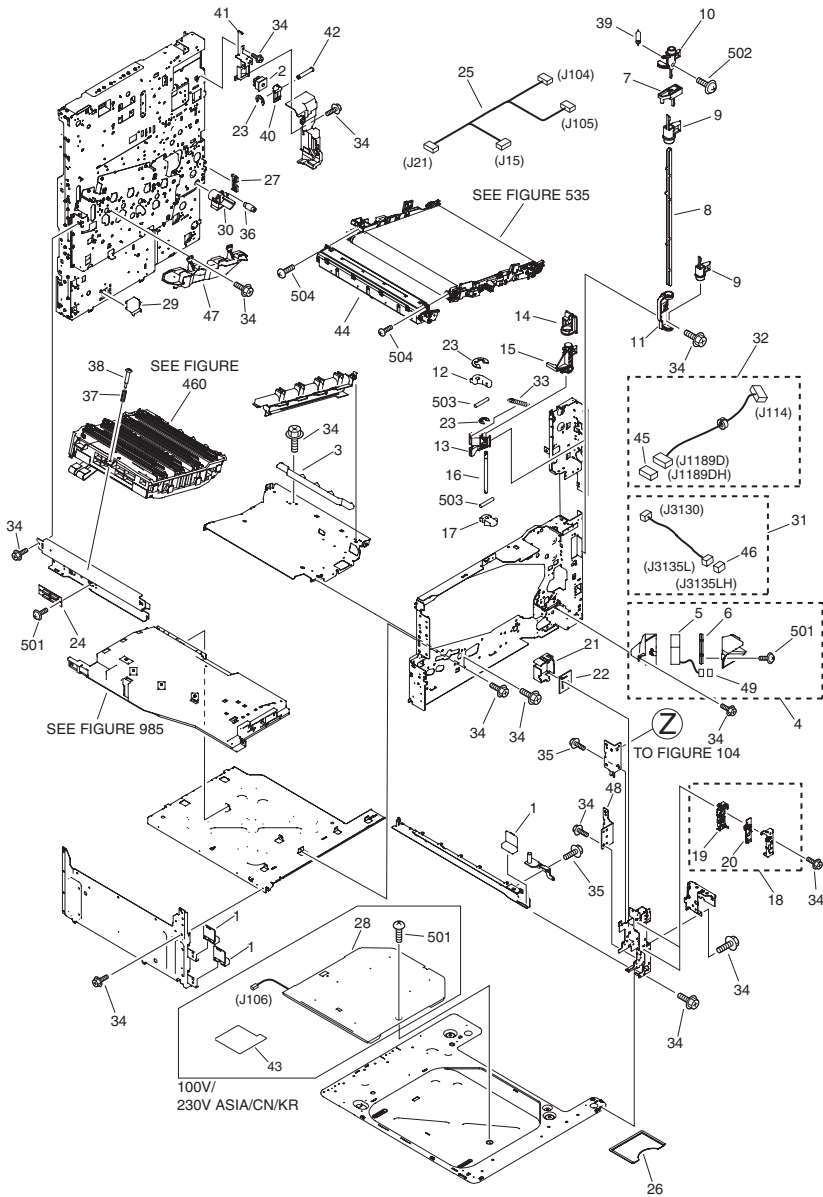


FIGURE & KEY NO.	PARTS NUMBER	R A N K	Q'TY	DESCRIPTION	SERIAL NUMBER/ REMARKS	S V C
Fig.102	NPN		RF	INTERNAL COMPONENTS 1		
1	FB6-3507-000		4	BLOCK, SWING		
2	FM2-9427-000		1	CABLE, FIXING INTERLOCK		
3	FC6-9558-000		1	GUIDE, SCANNER		
4	FM2-5554-000		1	EXHAUST FAN DUCT ASSEMBLY		
5	FK2-2064-000		1	FAN		
6	FC6-9549-000		1	FILTER, AIR		
7	FC7-2317-000		1	LINK, SHAFT		
8	FC6-9241-010		1	SHAFT, HOOK		
9	FC7-6972-000		2	HOOK, RIGHT DOOR, LOWER		
10	FC5-0686-010		1	HOOK, RIGHT DOOR, UPPER		
11	FC7-6973-000		1	SUPPORT, HOOK POSITIONING		
12	FC6-9593-000		1	LEVER, RELEASE, UPPER		
13	FC6-9590-000		1	BUSHING		
14	FC6-9588-000		1	BUSHING		
15	FC6-9589-000		1	HOOK		
16	FC6-9592-000		1	SHAFT, RELEASE		
17	FC6-9594-000		1	LEVER, RELEASE, LOWER		
18	FM2-0305-000		2	CASSETTE SIZE SENSOR ASSEMBLY		
19	FC5-1420-000		2	HOLDER, SIZE DETECT		
20	FM2-2770-000		2	SIZE SENSOR PCB ASSEMBLY		
21	FC5-0641-010		1	COVER, PCB		
22	FM2-2771-000		1	SIZE DETECT CONNECT PCB ASS'Y		
23	XD9-0136-000		3	RING, E		
24	FM2-8272-000		1	LASER CONNECTING PCB ASS'Y		
25	FM2-9456-000		1	CABLE, SCANNER		
26	FC5-1146-000		1	HOLDER, SERVICE BOOK		
27	FC5-7195-000		1	COVER, DOOR POSITIONING, RIGHT		
28	FK2-0375-000		1	HEATER, CASSETTE	100V	
28	FK2-0376-000		1	HEATER, CASSETTE	230V ASIA/CN/KR	
29	FC6-5053-000		1	COVER, HEATER CONNECTOR		
30	FC6-9613-000		1	CAM, RELEASE		

FIGURE & KEY NO.	PARTS NUMBER	R A N K	Q'TY	DESCRIPTION	SERIAL NUMBER/REMARKS	S V C
31	FM2-2853-000		1	CABLE,CST.SIZE DETECT CONNECT	100V/230V ASIA/CN/KR	
32	FM2-9465-000		1	CABLE, POLYGON MOTOR		
33	FU6-2662-000		1	SPRING, TENSION		
34	XA9-1386-000		AR	SCREW,RS,M3X8		
35	XA9-1668-000		2	SCREW,RS,M3X8.5		
36	FU5-6643-000		1	ROLLER		
37	FU5-2682-000		3	SPRING		
38	FU5-9330-000		3	SCREW, STEPPED, M3		
39	FU5-2064-000		1	SPRING, TENSION		
40	FC6-9540-000		1	PLATE, SWITCH PRESSURE		
41	FU6-2666-000		1	SPRING, TENSION		
42	FU6-5409-000		1	SHAFT, INTERLOCK LINK, AC		
43	FC5-6899-000		1	COVER,HEATER		
44	FM2-5523-000		1	TRANSFER CLEANING ASSEMBLY		
45	VS1-7173-005		1	CONNECTOR, SNAP TIGHT		
46	VS1-7173-007		1	CONNECTOR, SNAP TIGHT, 7P		
47	FL2-4428-000		1	DUCT,UPPER		
48	FC5-0567-010		1	PLATE, PICK-UP ASSY MOUNT, U		
49	VS1-7177-003		1	CONNECTOR, SNAP TIGHT, BK		
501	XB6-7300-607		1	SCREW, CROOSS-RECESS, FCH		
502	XB6-7300-607		1	SCREW,TP,M3X6		
503	XD3-2200-122		2	PIN, DOWEL		
504	XB1-2300-607		4	SCREW, BH3X6		

# FIGURE 103 INTERNAL COMPONENTS 2

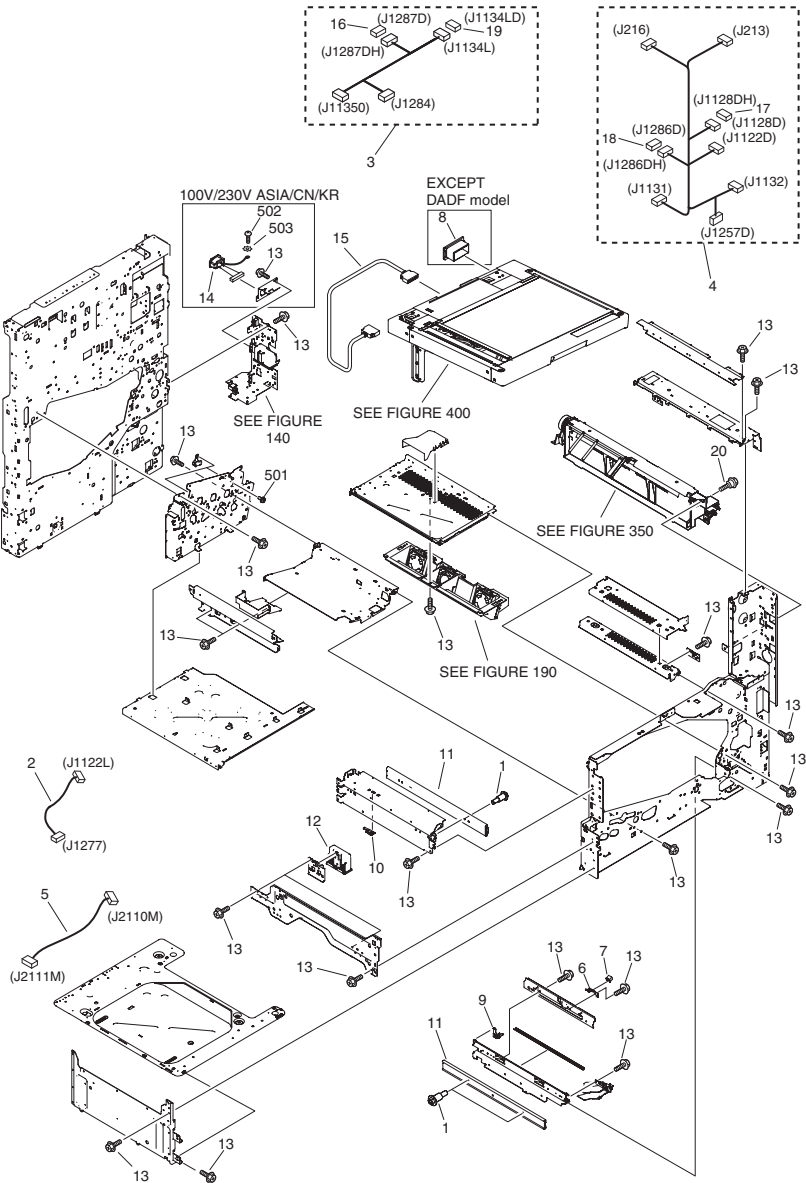




FIGURE & KEY NO.	PARTS NUMBER	RANK	Q'TY	DESCRIPTION	SERIAL NUMBER/REMARKS	SVC
Fig.103	NPN		RF	INTERNAL COMPONENTS 2		
1	FU5-9446-000		4	SCREW, STEPPED, M4X8.2		
2	FM2-9448-000		1	CABLE, OHP		
3	FM2-9441-000		1	CABLE, COOLING FAN		
4	FM2-9460-000		1	CABLE, PROCESSOR I.T.		
5	FM2-9453-000		1	CABLE, DC INTERLOCK CONNECTING		
6	FC6-9620-000		1	MOUNT, SENSOR		
7	RH7-7129-020		1	OHT SENSOR UNIT		
8	FH2-6552-000		1	COVER, CONNECTOR	EXCEPT DADF model	
9	FC6-9257-000		1	GUIDE, RAIL		
10	FC7-4159-000		1	GUIDE, FRAME		
11	FC6-9233-000		2	RAIL, SLIDE		
12	FC5-0959-000		2	GRIP, LEFT		
13	XA9-1386-000		AR	SCREW,RS,M3X8		
14	FM3-0281-000		1	CABLE, OUTLET	100V/230V ASIA/CN/KR	
15	FK2-0732-000		1	CABLE,DDI-S SERIAL		
16	VS1-7177-003		2	CONNECTOR, SNAP TIGHT, BK		
17	VS1-7177-004		1	CONNECTOR, SNAP TIGHT, BK		
18	VS1-7207-008		1	CONNECTOR, SNAP TIGHT, BK		
19	VS1-7177-009		1	CONNECTOR, 9P		
20	FS5-9664-020		2	SCREW,RS STEPPED,M3		
501	XB2-8300-807		6	SCREW, M3X8		
502	XB1-2400-603		3	SCREW, MACHINE M4X6 (COP)	100V/230V ASIA/CN/KR	
503	XD1-4200-402		1	WASHER, TOOTHED LOCK, M4	100V/230V ASIA/CN/KR	



FIGURE & KEY NO.	PARTS NUMBER	R A N K	Q'TY	DESCRIPTION	SERIAL NUMBER/ REMARKS	S V C
Fig.104	NPN		RF	INTERNAL COMPONENTS 3		
1	FC5-0958-000		1	GRIP, RIGHT FRONT		
2	FU5-1701-000		1	BUSHING		
3	FL2-5804-000		1	CABLE, VARISTOR		
4	FC6-9622-000		1	HOLDER, GROUNDING		
5	FC6-9621-000		1	SPRING, GROUNDING		
6	FC6-9623-000		1	SPRING, GROUNDING		
7	FC6-9624-000		1	HOLDER, GROUNDING		
8	FL2-4464-000		1	GUIDE,PRE-REGIST.MAIN BODY		
9	WG8-5772-000		1	PHOTO-INTERRUPTER, TLP1255(C8)	PS19	
10	FU5-2035-000		1	SPRING, TORSION		
11	FC5-0516-000		1	SPRING, GROUNDING		
12	FC5-0540-000		1	HOLDER, GROUNDING SPRING		
13	FC5-0547-000		1	GUIDE, PRE-REGISTRATION PAPER		
14	FC6-5062-000		1	SPRING, GROUNDING		
15	FK2-0149-000		1	PHOTO-INTERRUPTER, TLP1252(C6)		
16	FL2-4520-000		1	FLAG, PRE-REGISTRATION SENSOR		
17	FC6-5051-000		2	PIN, POSITIONING		
18	FU5-1011-000		1	BUSHING		
19	FL2-0104-000		1	ROLLER, REGISTRATION HARD		
20	XA9-1386-000		AR	SCREW,RS,M3X8		
21	FU5-2066-000		2	SPRING, COMPRESSION		
22	FG3-3193-000		1	CABLE, PRE-REGISTRATION SENSOR		
23	FS5-1798-000		1	BUSHING		
24	FB6-3313-000		2	ROLLER, PAPER FEED		
25	FU6-2924-000		4	SPRING, COMPRESSION		
26	FU5-1035-000		4	BUSHING		
27	FM3-1297-000		1	RIGHT LOWER INNER DOOR ASS'Y		
28	FC7-9370-000		1	PLATE,FLAG,REGISTRATION SENSOR		
29	XD9-0137-010		2	RING, E		
30	FC7-5906-000		1	SPRING, LEAF		
31	FC7-5907-000		2	SPRING, GROUNDING		

FIGURE & KEY NO.	PARTS NUMBER	R A N K	Q'TY	DESCRIPTION	SERIAL NUMBER/ REMARKS	S V C
32	FM3-3911-000		1	CABLE, GROUNDING		
501	XB1-2300-607		2	SCREW, BH3X6		
502	XB4-5400-807		AR	SCREW,P,M4X8		
503	XB4-7300-605		AR	SCREW, BH M3X6, S		

# FIGURE 105 MACHINE REAR PLATE 1

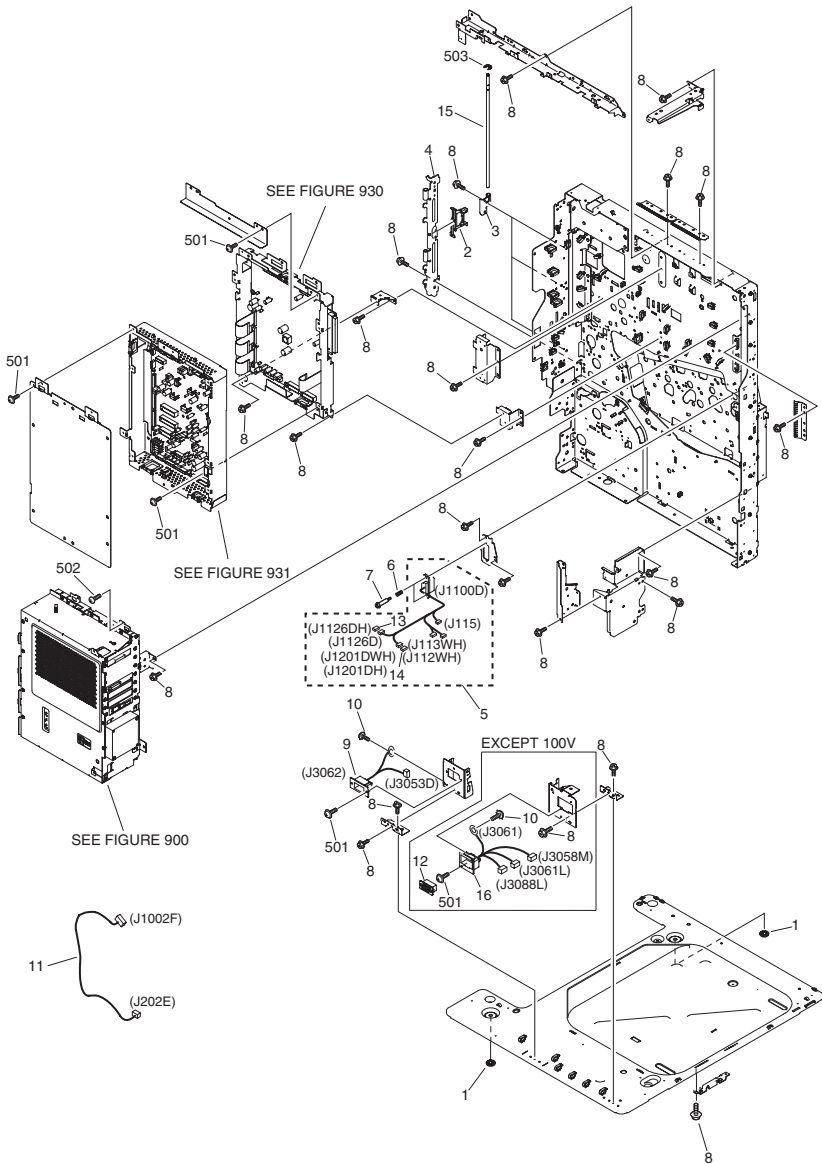


FIGURE & KEY NO.	PARTS NUMBER	R A N K	Q'TY	DESCRIPTION	SERIAL NUMBER/ REMARKS	S V C
Fig.105	NPN		RF	MACHINE REAR PLATE 1		
1	XH9-0136-000		2	FOOT, RUBBER		
2	FC7-4822-000		1	COVER, EDGE		
3	FC7-4820-000		3	HINGE, DOOR		
4	FC7-4821-000		1	SUPPORT, TURN		
5	FM2-9457-000		1	CABLE, HIGH VOLTAGE CONNECTING		
6	FU6-2674-000		2	SPRING, COMPRESSION		
7	FS5-9282-020		2	SCREW, STEPPED		
8	XA9-1386-000		AR	SCREW,RS,M3X8		
9	FG3-3178-020		1	CABLE, LATTICE		
10	XA9-0265-010		2	SCREW,W/WASHER,TRUSS HEAD		
11	FM2-9451-000		1	CABLE, FIXING AC		
12	FH2-6552-000		1	COVER, CONNECTOR	EXCEPT 100V	
13	VS1-7177-003		1	CONNECTOR, SNAP TIGHT, BK		
14	VS1-7860-028		1	CONNECTOR, 28P		
15	FU6-5416-000		1	SHAFT, DOOR TURN, RIGHT		
16	FM2-2843-000		1	CABLE, FINISHER LATTICE	EXCEPT 100V	
501	XB6-7300-607		AR	SCREW, CROOSS-RECESS, FCH		
502	XB1-2400-807		AR	SCREW, M4X8		
503	XD2-1100-502		AR	RETAINING RING (E-TYPE)		

# FIGURE 106 MACHINE REAR PLATE 2

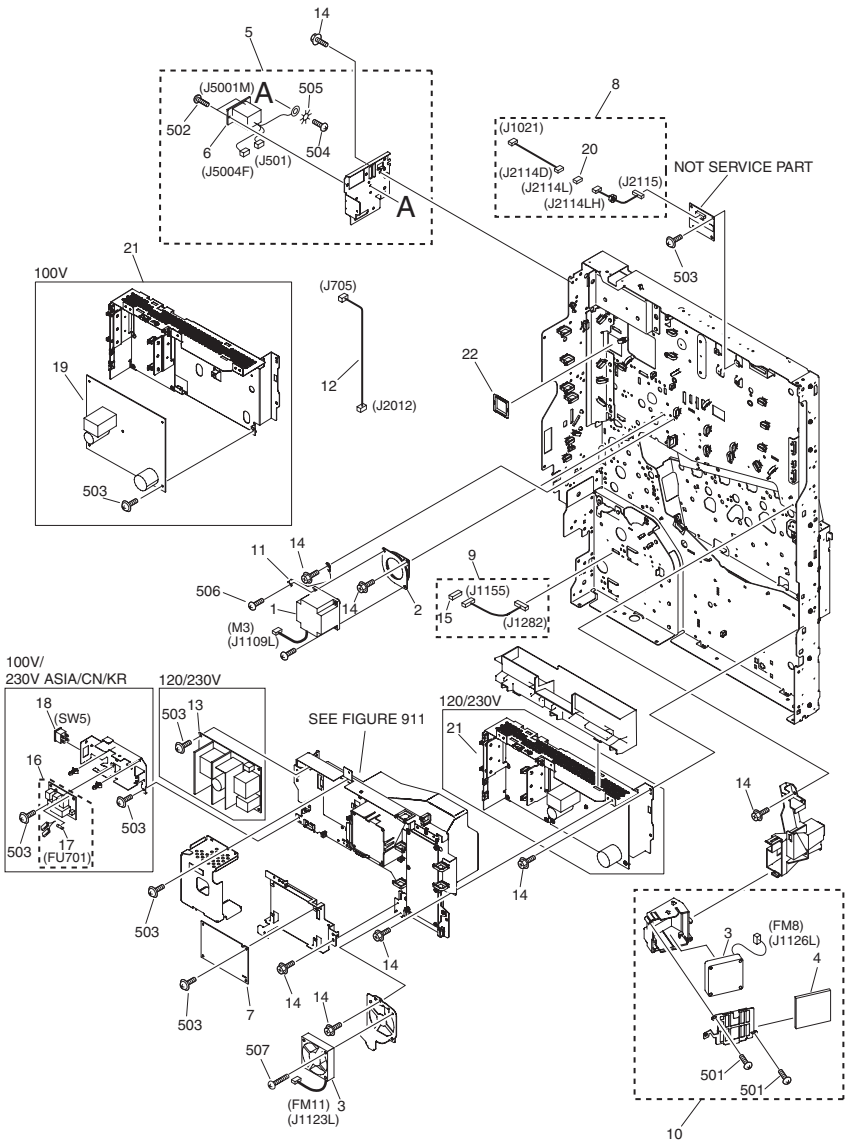


FIGURE & KEY NO.	PARTS NUMBER	RANK	Q'TY	DESCRIPTION	SERIAL NUMBER/REMARKS	SVC
Fig.106	NPN		RF	MACHINE REAR PLATE 2		
1	FK2-0478-000		1	MOTOR,STEPPING,DC	M3	
2	FB6-0577-000		1	MOUNT, MOTOR		
3	FK2-0472-000		2	FAN	FM8,11	
4	FC6-4023-000		1	FILTER, AIR		
5	FM2-5571-000		1	READER POWER MOUNT ASSEMBLY		
6	FM2-9467-000		1	CABLE, READER LATTICE		
7	FK2-0340-000		1	ALL DAY POWER PCB ASSEMBLY	100V/120V	
7	FK2-0341-020		1	ALL DAY POWER PCB ASSEMBLY	230V	
8	FM2-9464-000		1	CABLE, ECO-ID		
9	FM2-9468-000		1	CABLE,CST.SIZE DETECT CONNECT		
10	FM2-5553-000		1	AIR INTAKE FAN DUCT ASSEMBLY		
11	FM2-9449-000		1	CABLE, MOTOR GROUNDING		
12	FM2-9483-000		1	CABLE, HEATER CONNECTING		
13	FK2-3077-000		1	SWITCHING P. SUPPLY PCB ASS'Y	120V	
13	FK2-3078-000		1	SWITCHING P. SUPPLY PCB ASS'Y	230V	
14	XA9-1386-000		20	SCREW,RS,M3X8		
15	VS1-7173-007		1	CONNECTOR, SNAP TIGHT, 7P		
16	FM2-8270-000		1	HEATER SWITCH PCB ASSEMBLY	100V/230V ASIA/CN/KR	
17	VD7-3201-001		1	FUSE	100V/230V ASIA/CN/KR	
18	WC1-5182-000		1	SWITCH(MECH), HEATER	100V/230V ASIA/CN/KR	
19	FK2-5212-000		1	UNIVERSAL POWER SUPPLY UNIT,L	100V	
20	VS1-7173-009		1	CONNECTOR, SNAP TIGHT, 9P, W		
21	FM2-5544-010		1	MAIN POWER SUPPLY PCB ASSEMBLY	120V	
21	FM2-9983-010		1	MAIN POWER SUPPLY PCB ASSEMBLY	230V	
22	FC6-9542-000		1	BUSHING		
501	XB4-5300-807		2	SCREW, P, M3X8		
502	XB1-2300-607		2	SCREW, BH3X6		
503	XB6-7300-607		13	SCREW, CROOSS-RECESS, FCH		
504	XB1-2400-603		1	SCREW, MACHINE M4X6 (COP)		
505	XD1-4200-402		1	WASHER, TOOTHED LOCK, M4		
506	XB1-2400-807		2	SCREW, M4X8		



FIGURE & KEY NO.	PARTS NUMBER	R A N K	Q'TY	DESCRIPTION	SERIAL NUMBER/ REMARKS	S V C
507	XB1-2402-007		2	SCREW, BH4X20 (S)		

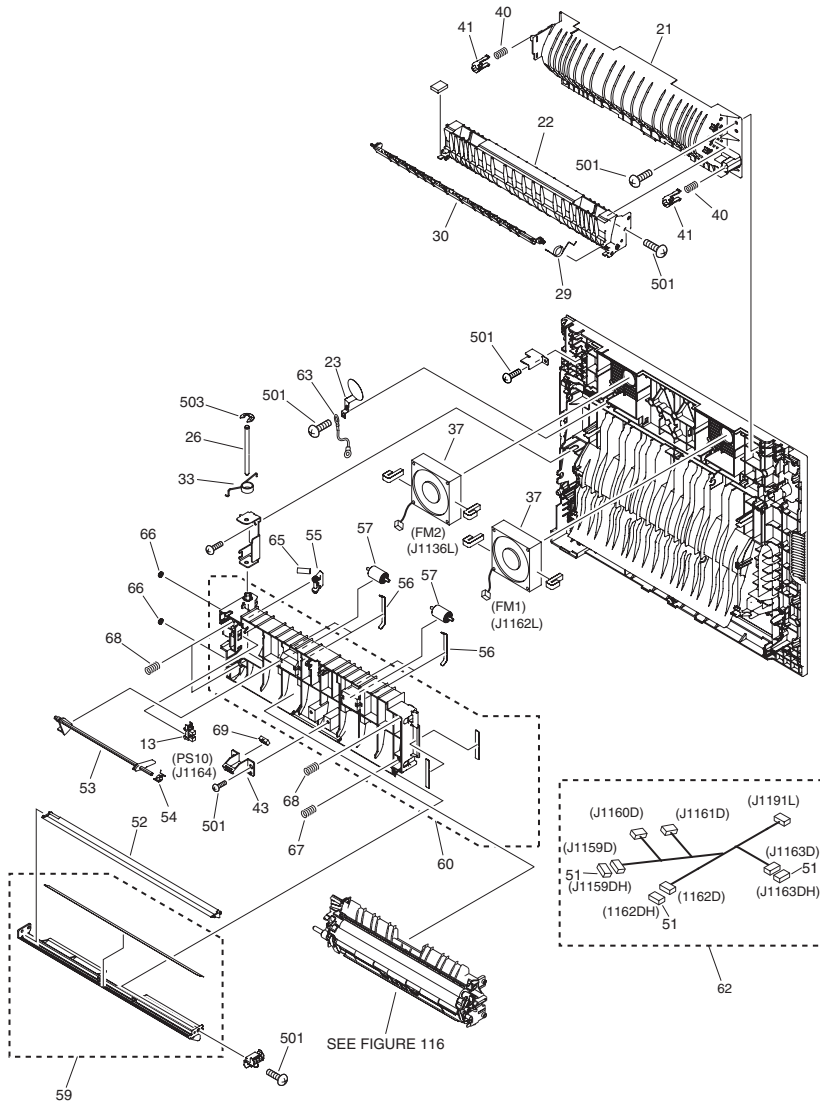


FIGURE & KEY NO.	PARTS NUMBER	R A N K	Q'TY	DESCRIPTION	SERIAL NUMBER/ REMARKS	S V C
Fig.107	NPN		RF	MACHINE REAR PLATE 3		
1	FC7-4154-000		1	SPACER, REGISTRATION CLUTCH		
2	FK2-2063-000		1	CLUTCH, ELECTROMAGNETIC	CL6	
3	FM2-0339-000		1	PAPER PICK-UP MOTOR UNIT		
4	XF2-1609-040		1	BELT, TIMING		
5	FC5-1516-000		1	PULLEY, 80T		
6	FM2-0338-000		2	MOTOR, DC	M4,5	
7	FU3-0285-000		1	GEAR, 80T/16T		
8	FC5-1517-000		1	PULLEY, 50T		
9	XF2-1607-840		1	BELT, TIMING		
10	XA9-1386-000		AR	SCREW,RS,M3X8		
11	FM2-2842-000		1	CABLE, CLUTCH		
12	FF2-5915-000		1	KEY, SWITCH	230V EXCEPT EUR	
13	FG3-3644-000		1	CABLE, KEY SWITCH	230V EXCEPT EUR	
14	VS1-7177-002		1	CONNECTOR, SNAP TIGHT, BK	230V EXCEPT EUR	
501	XB1-2300-607		5	SCREW, BH3X6		
502	XB1-2400-607		1	SCREW,MACH.,TRUSS HEAD,M4X6	230V EXCEPT EUR	
503	XB4-6260-807		2	SCREW,TAPPING,PAN HEAD,M2.6X8	230V EXCEPT EUR	



FIGURE & KEY NO.	PARTS NUMBER	RANK	Q'TY	DESCRIPTION	SERIAL NUMBER/REMARKS	SVC
Fig.108	NPN		RF	MACHINE REAR PLATE 4		
1	FM2-9997-000		1	CABLE, MAIN		
2	VS1-7177-007		1	CONNECTOR, 7P, FEMALE, BK		
3	VS1-7177-002		5	CONNECTOR, SNAP TIGHT, BK		
4	VS1-7177-003		2	CONNECTOR, SNAP TIGHT, BK		
5	VS1-7177-004		2	CONNECTOR, SNAP TIGHT, BK		
6	VS1-7507-007		1	CONNECTOR,7P		
7	VS1-7173-015		1	CONNECTOR, SNAP TIGHT, W		
8	VS1-7207-009		1	CONNECTOR, SNAP TIGHT		
9	VS1-7207-008		1	CONNECTOR, SNAP TIGHT, BK		
10	VS1-7207-012		1	CONNECTOR		

# FIGURE 115 RIGHT DOOR ASSEMBLY



NOTE 1 : This assembly includes the assemblies shown in Figure 116 and 315.  
 NOTE 2 : This assembly does not include the parts shown with key No. 39 and 70.  
 注 1 : このユニットはFigure 116, 315のユニットを含みます。  
 注 2 : このユニットにKey No. 39, 70の部品は含まれません。

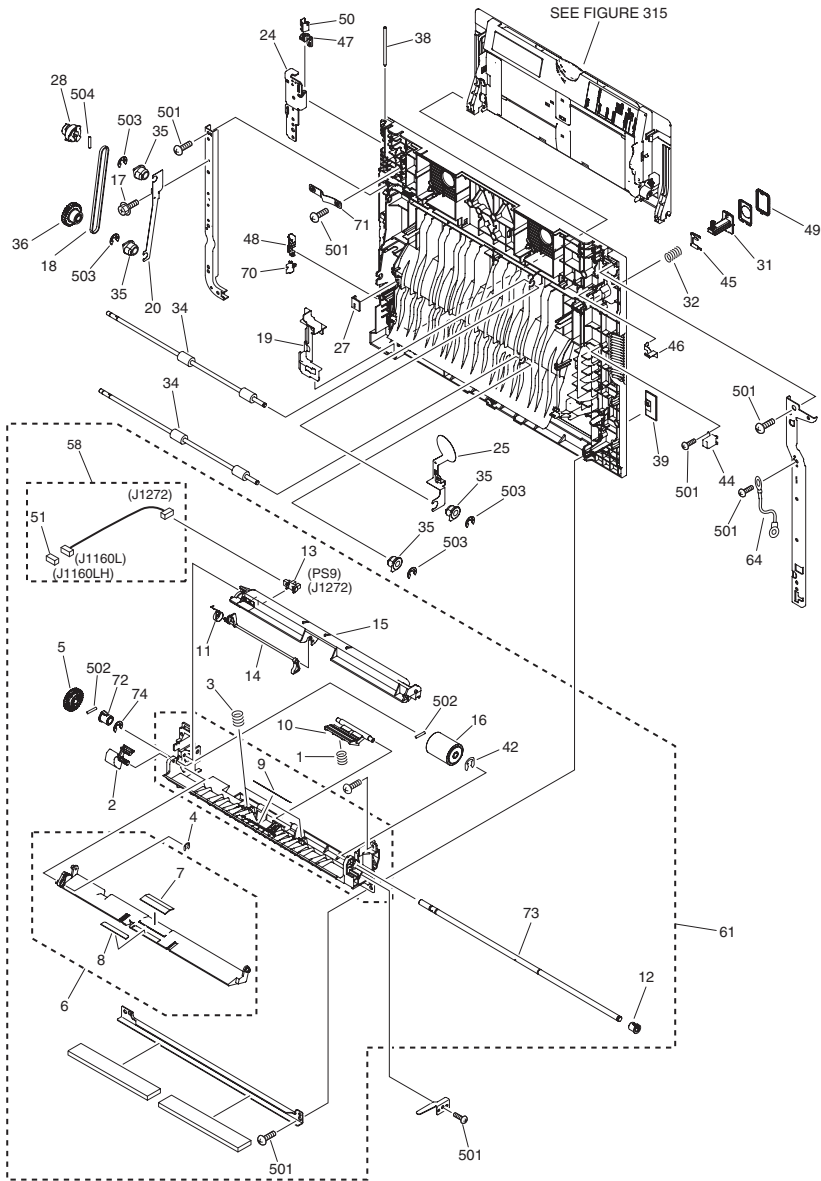


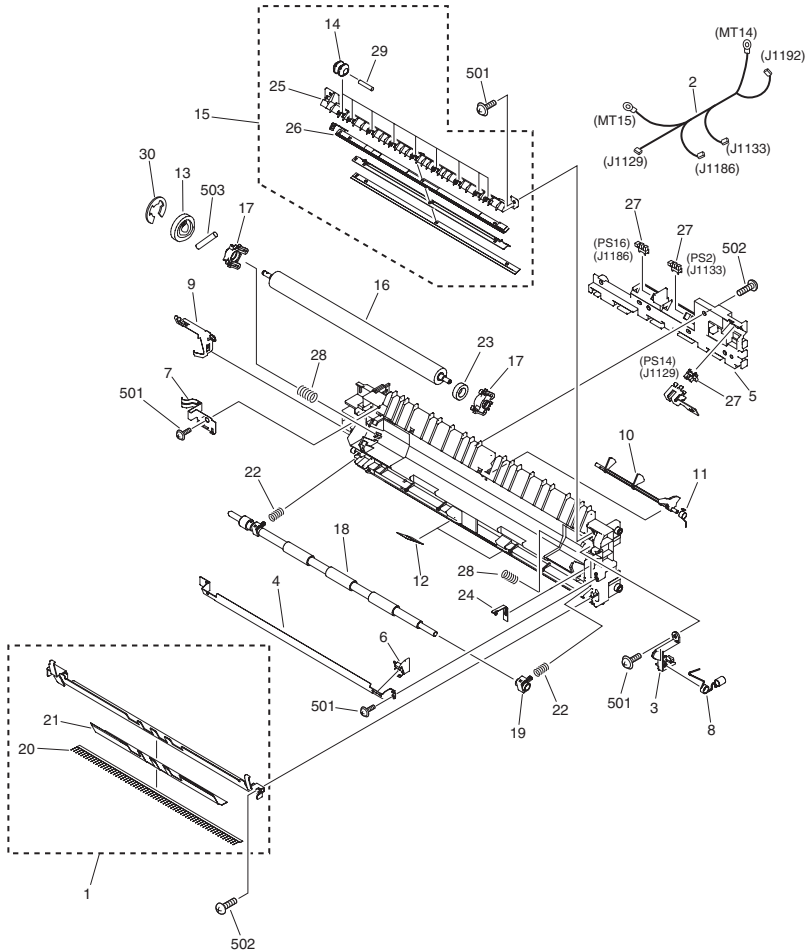
FIGURE & KEY NO.	PARTS NUMBER	R A N K	Q'TY	DESCRIPTION	SERIAL NUMBER/ REMARKS	S V C
Fig.115	FM3-4151-000		1	RIGHT DOOR ASSEMBLY	SEE NOTE 1	
1	FS6-2791-000		1	SPRING, COMPRESSION		
2	FC6-9604-000		1	LEVER, RELEASE		
3	FS6-2790-000		2	SPRING, COMPRESSION		
4	FC7-4155-000		1	RING, E		
5	FU7-0342-000		1	GEAR, 31T		
6	FL2-4399-000		1	PLATE, MULTI FEED, LIFTER		
7	FC5-0529-000		1	SHEET, SEPARATION		
8	FC5-0543-000		1	SHEET, SEPARATION		
9	FC5-0542-000		1	SHEET, MULTI FEED OUTLET		
10	FL2-4453-000		1	PAD, MULTI FEED SEPARATION		
11	FU5-2034-000		1	SPRING, TORSION		
12	FU5-1737-000		1	BUSHING		
13	FK2-0149-000		2	PHOTO-INTERRUPTER, TLP1252(C6)	PS9,10	
14	FC5-0489-000		1	FLAG, MULTI FEED SENSOR		
15	FC5-0490-000		1	COVER, MULTI FEED ROLLER		
16	FB1-8581-000		1	ROLLER		
17	XA9-1386-000		2	SCREW,RS,M3X8		
18	XF2-4115-940		1	BELT, TIMING		
19	FC6-9625-000		1	COVER, MULTI FEED CONNECTOR		
20	FC7-4141-000		1	SPRING, LEAF		
21	FC6-9598-000		1	GUIDE, DUPLEXING FEEDER		
22	FC6-9595-000		1	GUIDE, DUPLEXING FEEDER, 2		
23	FC6-9327-000		1	PLATE, GROUNDING		
24	FC7-4831-000		1	PLATE,HINGE,UPPER		
25	FC7-2307-000		1	PLATE, GROUNDING		
26	FC5-0682-000		1	PIN, INNER DOOR HINGE		
27	FC5-0690-000		1	PLATE, SHOCK ABSORBER		
28	FU5-3016-000		1	PULLEY, 24T		
29	FC5-0972-000		1	SPRING, TORSION		
30	FC5-1354-000		1	FLAPPER, FIXING DELIVERY REV.		
31	FC7-6997-000		1	BUTTON, RIGHT DOOR		



FIGURE & KEY NO.	PARTS NUMBER	R A N K	Q'TY	DESCRIPTION	SERIAL NUMBER/ REMARKS	S V C
32	FU5-2063-000		1	SPRING, COMPRESSION		
33	FC5-0659-000		1	SPRING, TORSION		
34	FC6-4019-000		2	ROLLER, DUPLEXING FEEDER		
35	FU5-1006-000		4	BUSHING		
36	FU5-0006-000		1	GEAR, 26T/PULLEY, 24T		
37	FK2-6818-000		2	FAN	FM1,2	
38	FC5-0679-000		1	PIN, HINGE		
39	FC7-4816-000		1	PLATE, PUSHING POSITION	SEE NOTE 2	
40	FU6-2669-000		2	SPRING, COMPRESSION		
41	FC7-2341-000		2	BLOCK, PRESSURE		
42	FC6-5046-000		1	RING, RETAINING		
43	FC5-0491-000		1	HOLDER, OHP SENSOR		
44	FC7-6991-000		1	BLOCK, PRESSURE		
45	FC7-6998-000		1	PLATE, BUTTON GROUNDING, 1		
46	FC7-6999-000		1	PLATE, BUTTON GROUNDING, 2		
47	FC7-7000-000		1	CAP, UPPER		
48	FC7-7001-000		1	CAP, LOWER		
49	FC7-7011-000		1	FRAME, BUTTON		
50	FC7-7002-000		1	CAP, UPPER		
51	VS1-7177-003		4	CONNECTOR, SNAP TIGHT, BK		
52	FC5-0496-000		1	GUIDE, PRE-REGIST. AUX., UPPER		
53	FC5-0657-000		1	FLAG, DUPLEXING FEEDER SENSOR		
54	FC5-0658-000		1	SPRING, TORSION		
55	FC5-0691-000		1	STOPPER, DOOR		
56	FC6-4015-000		4	SPRING, LEAF		
57	FC6-5055-000		2	ROLLER, DUPLEXING		
58	FG3-3188-000		1	CABLE, MULTI SENSOR		
59	FL2-0106-000		1	GUIDE, PRE-REGIST. AUXILIARY		
60	FL2-4400-000		1	GUIDE, DUPLEXING INTERNAL		
61	FM2-5539-000		1	MULTI FEED FRAME ASSEMBLY		
62	FM2-9443-000		1	CABLE, DOOR, RIGHT		
63	FM2-9476-000		1	CABLE, GROUNDING, 1		

FIGURE & KEY NO.	PARTS NUMBER	RANK	Q'TY	DESCRIPTION	SERIAL NUMBER/REMARKS	SVC
64	FM2-9477-000		1	CABLE, GROUNDING, 2	SEE NOTE 2	
65	FU5-2067-000		1	SPRING, COMPRESSION		
66	FU5-6014-000		2	COLLAR		
67	FU6-2663-000		1	SPRING, COMPRESSION		
68	FU6-2664-000		3	SPRING, COMPRESSION		
69	RB2-5850-000		1	PRISM		
70	FC7-7003-000		1	CAP, LOWER		
71	FC5-0674-000		1	STRAP, RIGHT DOOR		
72	FU5-1760-000		1	BUSHING		
73	FC7-9358-000		1	SHAFT,MULTIFEED ROLLER		
74	XD9-0137-010		1	RING, E		
501	XB4-5401-007		AR	SCREW, M4X10		
502	XD3-2160-162		2	PIN,DOWEL		
503	XD2-1100-422		5	RETAINING RING (C-TYPE)		
504	XD3-2200-102		1	PIN, PARALLEL		

# FIGURE 116 PAPER FEEDER FRAME ASSEMBLY



NOTE : This assembly is included in the assembly shown in Figure 115.  
 注：このユニットはFigure 115のユニットに含まれます。

FIGURE & KEY NO.	PARTS NUMBER	R A N K	Q'TY	DESCRIPTION	SERIAL NUMBER/ REMARKS	S V C
Fig.116	FM2-5526-000		1	PAPER FEEDER FRAME ASSEMBLY	SEE NOTE	
1	FL2-0108-000		1	GUIDE, PRE-REGIST. DOOR SIDE		
2	FM2-9444-000		1	CABLE, LOOP SENSOR		
3	FC6-9166-000		1	HOLDER, CONTACT		
4	FC6-9162-000		1	GUIDE, PRE-TRANSFER OUTER		
5	FC6-9167-000		1	HOLDER, SENSOR		
6	FC6-9454-000		1	HOLDER, VARISTOR CONTACT		
7	FC6-9452-000		1	SPRING, LEAF		
8	FC6-9165-000		1	SPRING		
9	FC6-9168-000		1	SPRING, LEAF		
10	FC6-9325-000		1	LEVER, LOOP SENSOR		
11	FC6-9326-000		1	SPRING, TORSION		
12	FC5-0548-000		2	SHEET, PRE-REGISTRATION		
13	FU6-0076-000		1	GEAR, 24T		
14	FB6-3150-000		18	ROLLER, TRANSFER SENSOR		
15	FM2-9971-000		1	TRANSFER SEPARATION GUIDE UNIT		
16	FL2-4504-000		1	ROLLER, SEC. TRANSFER, OUT		
17	FC5-7867-000		2	BUSHING		
18	FL2-0105-000		1	ROLLER, REGISTRATION		
19	FU5-1009-000		1	BUSHING		
20	FC5-0549-000		1	ELIMINATOR, STATIC CHARGE		
21	FC5-0550-000		1	SHEET, PRE-REGIST. DOOR SIDE		
22	FU5-2611-000		2	SPRING, COMPRESSION		
23	XG9-0497-000		2	BEARING, BALL, MR106ZZ,		
24	FC6-9164-000		1	SPRING, LEAF		
25	FC6-9163-000		1	GUIDE, TRANSFER SEPARATION		
26	FC5-7805-000		1	ELIMINATOR, STATIC CHARGE		
27	WG8-5772-000		3	PHOTO-INTERRUPTER, TLP1255(C8)	PS2,14,16	
28	FU6-2665-000		2	SPRING, COMPRESSION		
29	XD9-0103-000		9	PIN, DOWEL		
30	XD9-0136-000		1	RING, E		
501	XB6-7300-607		6	SCREW, CROOSS-RECESS, FCH		

FIGURE & KEY NO.	PARTS NUMBER	R A N K	Q'TY	DESCRIPTION	SERIAL NUMBER/ REMARKS	S V C
502	XB4-5401-007		6	SCREW, M4X10		
503	XD3-2200-122		1	PIN, DOWEL		

# FIGURE 117 RIGHT LOWER DOOR ASSEMBLY

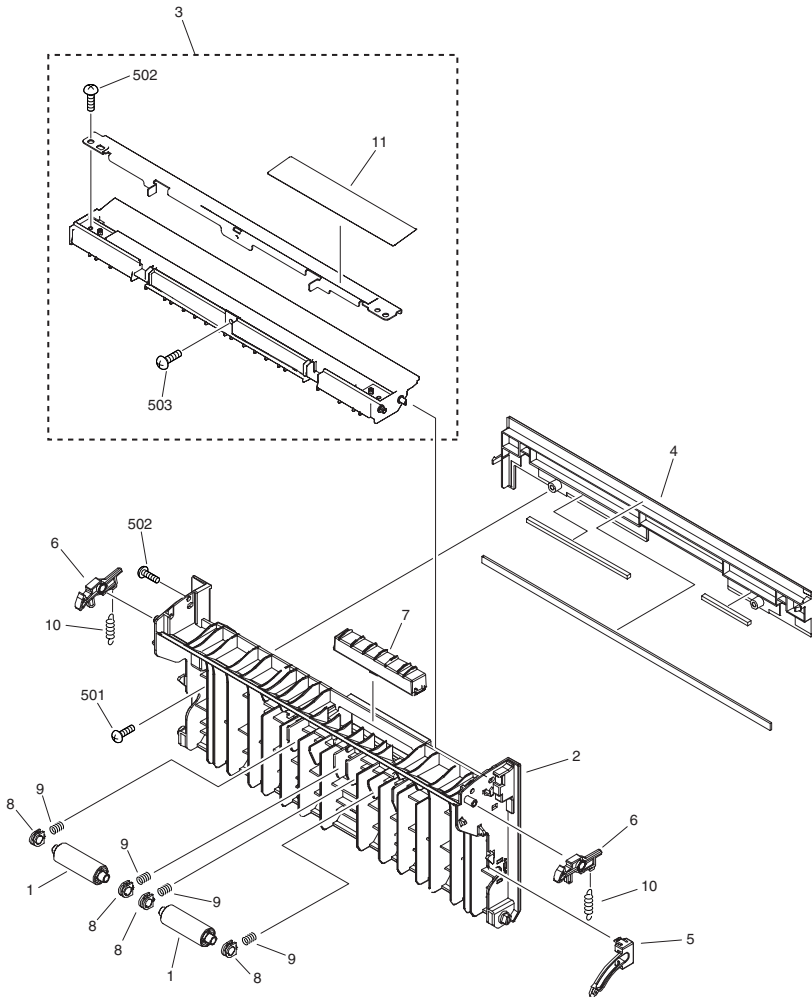


FIGURE & KEY NO.	PARTS NUMBER	R A N K	Q'TY	DESCRIPTION	SERIAL NUMBER/ REMARKS	S V C
Fig.117	FM3-4140-000		1	RIGHT LOWER DOOR ASSEMBLY		
1	FB6-3313-000		2	ROLLER, PAPER FEED		
2	FC5-0588-010		1	DOOR, RIGHT LOWER		
3	FM3-4139-000		1	GUIDE, DECK PATH		
4	FC5-0590-000		1	PANEL, BLANKING		
5	FC5-0592-000		1	STOPPER, RIGHT LOWER DOOR		
6	FC5-0593-000		2	HOOK, RIGHT LOWER DOOR		
7	FC5-0594-000		1	GRIP, RIGHT LOWER DOOR		
8	FU5-1035-000		4	BUSHING		
9	FU6-2924-000		4	SPRING, COMPRESSION		
10	FU6-2974-000		2	SPRING, TENSION		
11	FU5-8796-000		1	LABEL, LASER CAUTION		
501	XB4-5400-807		2	SCREW,P,M4X8		
502	XB4-7300-807		1	SCREW, TAP TIGHT, BINDING HEAD		
503	XB1-2300-607		1	SCREW, BH3X6		

# FIGURE 130 CONTROL PANEL ASSEMBLY

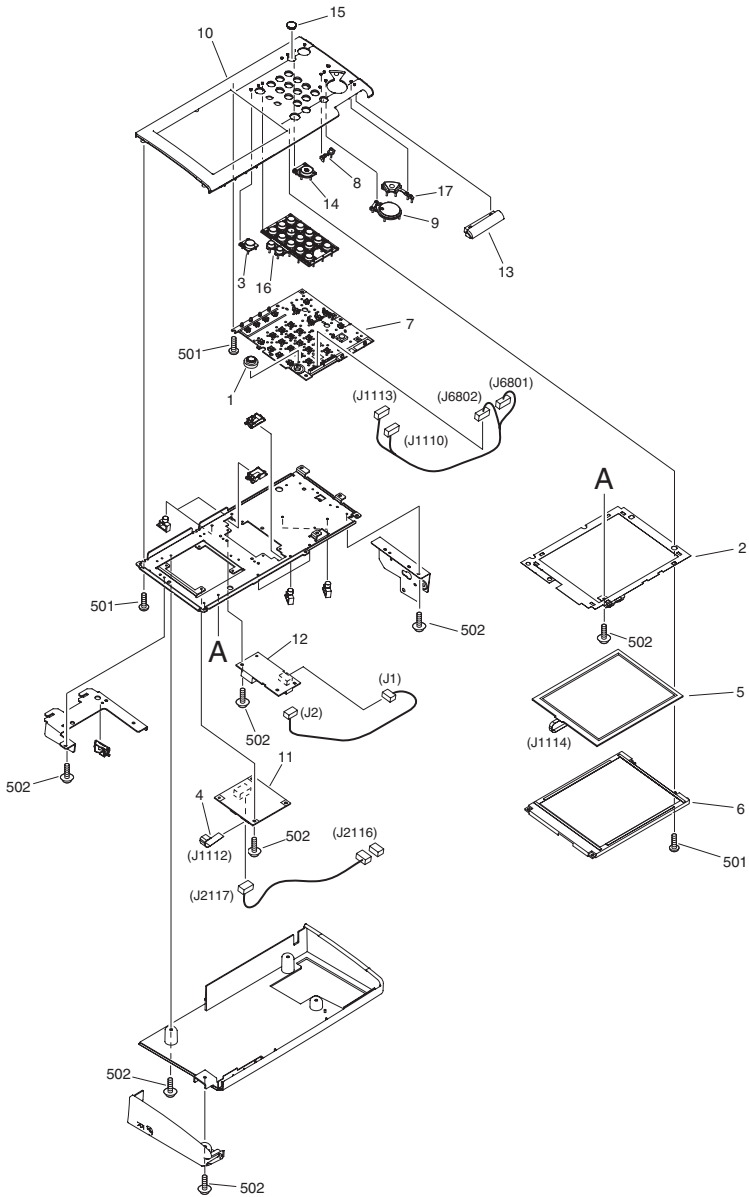
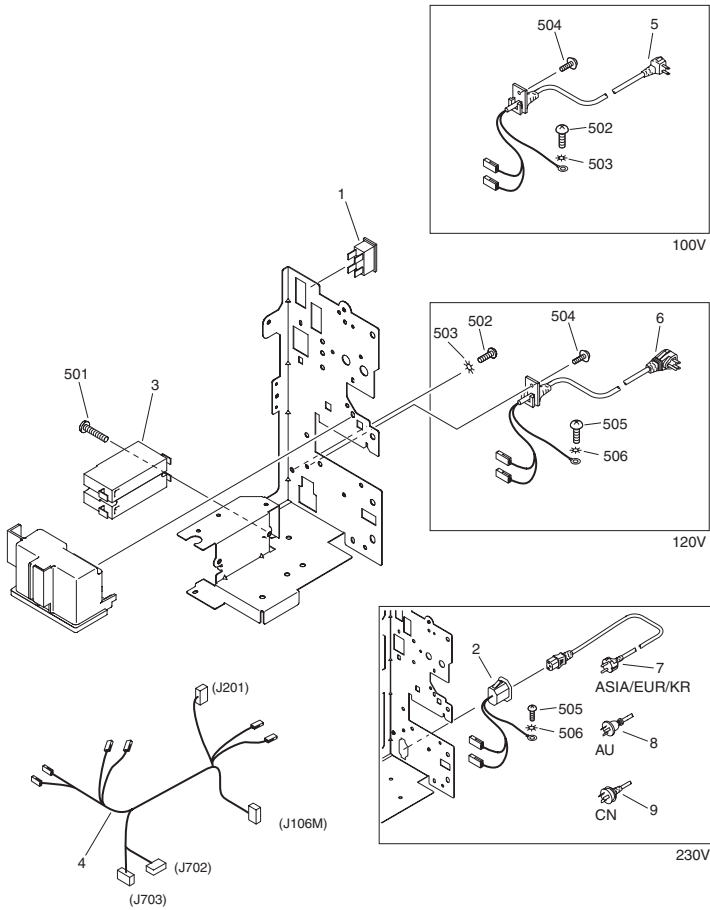




FIGURE & KEY NO.	PARTS NUMBER	R A N K	Q'TY	DESCRIPTION	SERIAL NUMBER/ REMARKS	S V C
Fig.130	FM2-5610-000		1	CONTROL PANEL ASSEMBLY	100V	
Fig.130	FM2-5611-000		1	CONTROL PANEL ASSEMBLY	120V230V ASIA/AU	
Fig.130	FM2-5612-000		1	CONTROL PANEL ASSEMBLY	230V CN/EUR/KR	
1	FC5-1067-000		1	KNOB, VOLUME		
2	FC5-4458-000		1	SHEET, LCD ELECTROSTATIC		
3	FC5-1065-000		1	KEY TOP, RESET		
4	FH2-7037-000		1	CABLE, FLAT		
5	FK2-0246-000		1	ANALOG TOUCH PANEL UNIT		
7	FG3-4160-000		1	PANEL SWITCH PCB ASSEMBLY		
8	FC5-1066-000		1	KEY TOP, COUNTER		
9	FM2-1116-000		1	START KEY TOP ASSEMBLY		
10	FC6-9568-000		1	PANEL, CONTROL PANEL	100V	
10	FC7-4151-000		1	PANEL, CONTROL PANEL	120V230V ASIA/AU	
10	FC7-4152-000		1	PANEL, CONTROL PANEL	230V CN/EUR/KR	
11	FG3-3965-000		1	CONTROL PANEL CPU PCB ASSEMBLY		
12	FG3-2376-000		1	INVERTER PCB ASSEMBLY		
13	FC6-9571-000		1	WINDOW, LAMP		
14	FC5-1059-000		1	KEY TOP, POWER SUPPLY		
15	FC5-1506-000		1	CAP, ENERGY SAVE		
16	FC5-1061-000		1	KEY TOP, NUMBERS		
17	FC5-1064-000		1	KEY TOP, STOP		
501	XB4-5301-007		18	SCREW,P,M3X10		
502	XB6-7300-607		20	SCREW, TP, M3X6		

# FIGURE 140 POWER CORD TERMINAL ASSEMBLY



NOTE : This assembly does not include the parts shown with key No. 7, 8 and 9.  
 注 : このユニットにKey No. 7, 8, 9の部品は含まれません。

FIGURE & KEY NO.	PARTS NUMBER	R A N K	Q'TY	DESCRIPTION	SERIAL NUMBER/REMARKS	S V C
Fig.140	FM2-5615-000		1	POWER CORD TERMINAL ASSEMBLY	100V	
Fig.140	FM2-5616-000		1	POWER CORD TERMINAL ASSEMBLY	120V	
Fig.140	FM2-9980-000		1	POWER CORD TERMINAL ASSEMBLY	230V	
1	FK2-0140-000		1	SWITCH, TOGGLE		
2	FF3-4527-000		1	CABLE, SOCKET	230V	
3	FK2-0166-000		1	BREAKER, ELECTRIC LEAKAGE	100V/120V	
3	FK2-0165-000		1	BREAKER, ELECTRIC LEAKAGE	230V	
4	FM2-9450-000		1	CABLE,AC POWER SUPPLY		
5	FL2-0982-000		1	CORD, POWER SUPPLY	100V	
6	FF3-4526-000		1	CORD, POWER SUPPLY	120V	
7	FK2-0146-000		1	CORD, POWER SUPPLY	SEE NOTE 230V ASIA/ EUR/KR	
8	FK2-0148-000		1	CORD, POWER SUPPLY	SEE NOTE 230V AU	
9	FH2-6488-000		1	POWER CORD, 220V	SEE NOTE 230V CN	
501	XB1-2402-007		2	SCREW, BH4X20 (S)		
502	XB1-2400-603		1	SCREW, MACHINE M4X6 (COP)	100V/120V	
503	XD1-4200-402		1	WASHER, TOOTHED LOCK, M4	100V/120V	
504	XB6-7300-607		1	SCREW, CROOSS-RECESS, FCH	100V/120V	
505	XB1-2500-603		1	SCREW, M5X6	120V/230V	
506	XD1-4200-502		1	LOCK WASHER (SUS)	120V/230V	

# FIGURE 190 FIXING COOLING FAN ASSEMBLY

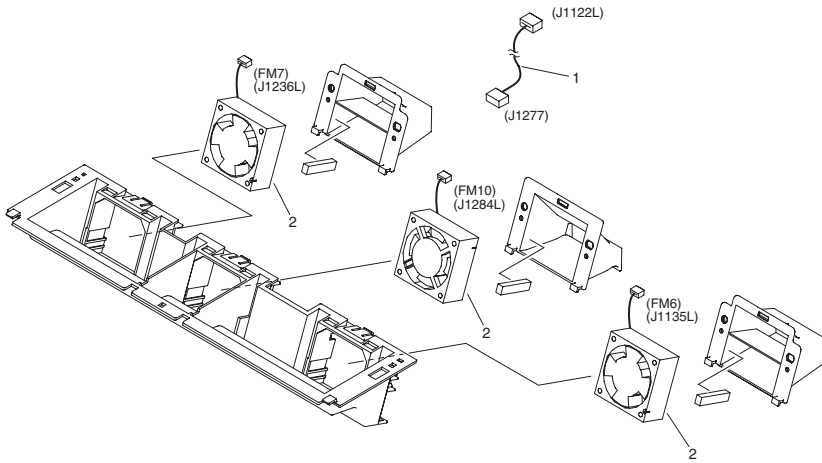


FIGURE & KEY NO.	PARTS NUMBER	RANK	Q'TY	DESCRIPTION	SERIAL NUMBER/REMARKS	SVC
Fig.190	FM2-5534-000		1	FIXING COOLING FAN ASSEMBLY		
1	FM2-9448-000		1	CABLE, OHP		
2	FK2-2064-000		3	FAN	FM6,7,10	

# FIGURE 251 DRUM DRIVE ASSEMBLY

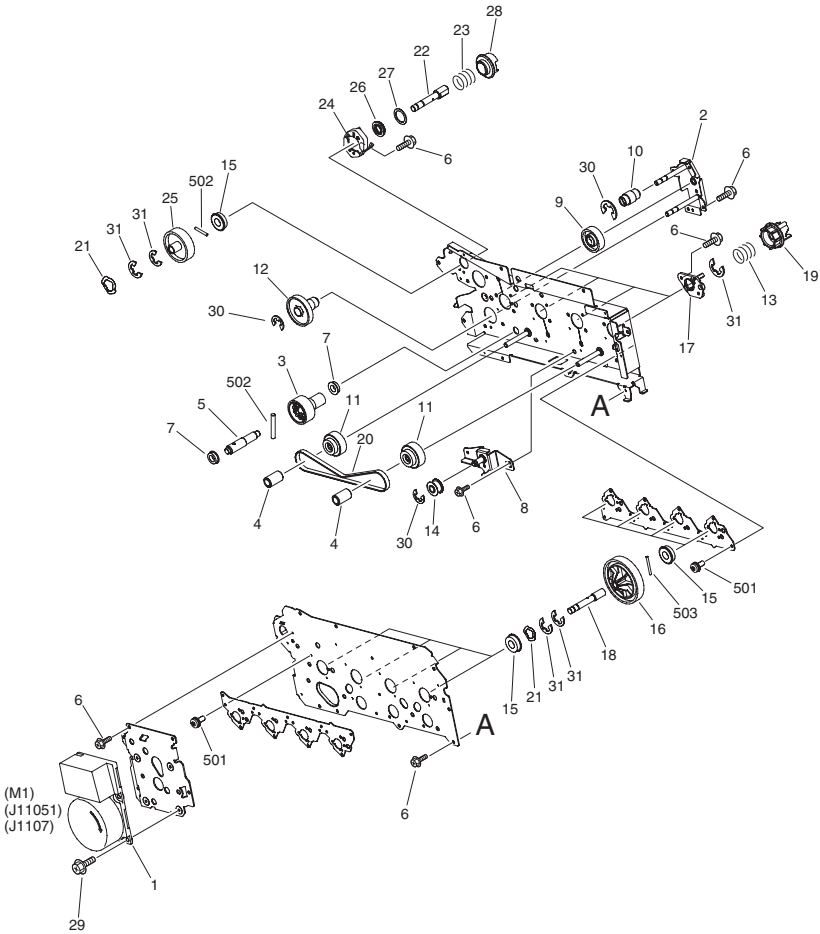


FIGURE & KEY NO.	PARTS NUMBER	R A N K	Q'TY	DESCRIPTION	SERIAL NUMBER/ REMARKS	S V C
Fig.251	FM2-5520-000		1	DRUM DRIVE ASSEMBLY		
1	FK2-2066-000		1	MOTOR, DC	M1	
2	FL2-4386-000		1	SUPPORT, I.T.B. DRIVE		
3	FU7-0252-000		1	GEAR, 23T/52T		
4	FU5-6641-000		2	SPACER, DRUM PULLEY		
5	FC6-9150-000		1	SHAFT, DRUM DEACCELERATE		
6	XA9-1386-000		26	SCREW,RS,M3X8		
7	XG9-0520-000		2	BEARING, BALL, MF106ZZS		
8	FL2-4452-000		1	PLATE, DRUM TENSIONER		
9	FL2-4461-000		1	GEAR, 66T		
10	FL2-4462-000		1	GEAR, 33T/38T		
11	FU6-0105-000		2	GEAR,69T		
12	FL2-4460-000		1	GEAR, 76T		
13	FU6-2637-000		4	SPRING, COMPRESSION		
14	FC7-7388-000		1	PULLEY, TENSION		
15	XG9-0508-000		10	BEARING, BALL, F688ZZ		
16	FU7-0253-000		4	GEAR, 125T		
17	FC6-9145-000		4	BUSHING		
18	FC6-9149-000		4	SHAFT, DRUM COUPLING		
19	FC6-9142-000		4	COUPLING, DRUM		
20	XF2-4118-560		1	BELT, TIMING		
21	XD9-0169-000		5	WASHER,WAVE		
22	FC6-9148-000		1	SHAFT, I.T.B. COUPLING		
23	FU6-2667-000		1	SPRING, COMPRESSION		
24	FC6-9144-000		1	BUSHING		
25	FU7-0251-000		1	GEAR, 76T		
26	FU5-6642-000		1	HOLDER, I.T.B. SPRING		
27	FC6-9253-000		1	WASHER, PLAIN		
28	FC7-4860-000		1	COUPLING, I.T.B.		
29	XA9-0643-000		4	SCREW, RS, M4X10		
30	XD9-0136-000		3	RING, E		
31	XD9-0137-010		14	RING, E		

FIGURE & KEY NO.	PARTS NUMBER	R A N K	Q'TY	DESCRIPTION	SERIAL NUMBER/ REMARKS	S V C
501	XB2-8300-807		15	SCREW, M3X8		
502	XD3-2200-142		2	PIN, PARALLEL		
503	XD3-2200-202		4	PIN, M2 X20		

# FIGURE 260 MULTI FEEDER DRIVE ASSEMBLY

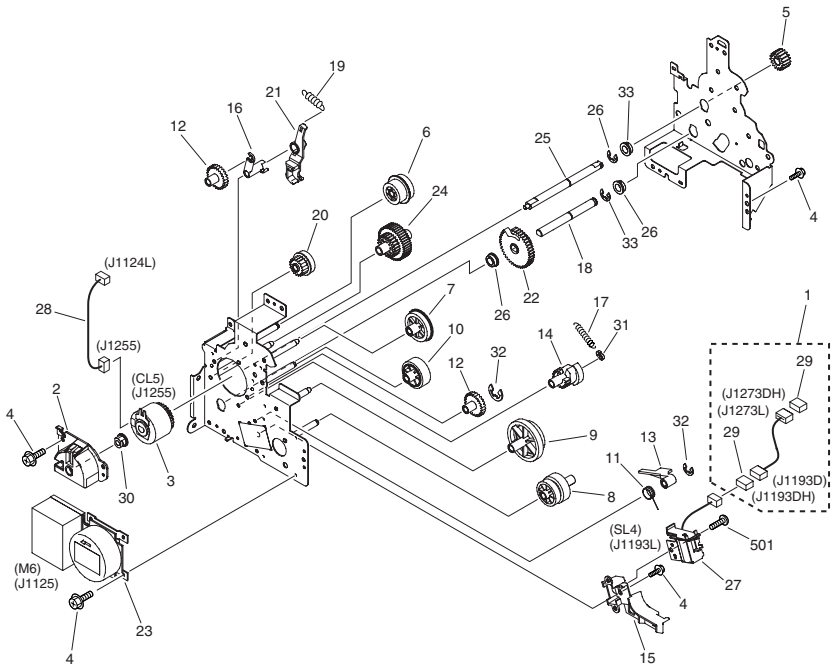




FIGURE & KEY NO.	PARTS NUMBER	RANK	Q'TY	DESCRIPTION	SERIAL NUMBER/REMARKS	SVC
Fig.260	FM2-5536-000		1	MULTI FEEDER DRIVE ASSEMBLY		
1	FM2-9475-000		1	CABLE, SOLENOID CONNECTING		
2	FC6-9618-000		1	HOLDER, MULTI CLUTCH		
3	FH6-5076-020		1	CLUTCH, ELECTRO MAGNETIC	CL5	
4	XA9-1386-000		11	SCREW,RS,M3X8		
5	FU7-0341-000		1	GEAR, 17T		
6	FU7-0335-000		1	GEAR, 25T/28T		
7	FU7-0334-000		1	GEAR, 40T		
8	FU7-0331-000		1	GEAR, 28T/50T		
9	FU7-0332-000		1	GEAR, 32T/43T		
10	FU7-0333-000		1	GEAR, 28T		
11	FC7-2385-000		1	SPRING, TORSION		
12	FU7-0336-000		2	GEAR, 20T		
13	FC6-9614-000		1	LEVER, RELEASE		
14	FU7-0340-000		1	GEAR, 15T		
15	FC6-9609-000		1	MOUNT, SOLENOID		
16	FC6-9610-000		1	HOOK, CAM SPRING		
17	FU6-2648-000		1	SPRING, TENSION		
18	FC6-9617-000		1	SHAFT, M.P. PICK UP DRIVE		
19	FU6-2676-000		1	SPRING, TENSION		
20	FU7-0337-000		1	GEAR, 18T/22T		
21	FC7-4439-000		1	CAM		
22	FU7-0338-000		1	GEAR, 42T		
23	FK2-2068-000		1	MOTOR, DC	M6	
24	FU5-0033-000		1	GEAR, 45T/23T		
25	FC6-4016-000		1	SHAFT, MULTI DRIVE		
26	FA9-2112-000		3	BUSHING, PL		
27	FK2-2070-000		1	SOLENOID, FLAPPER	SL4	
28	FM2-9469-000		1	CABLE, M.P. PICK UP CLUTCH		
29	VS1-7207-003		2	CONNECTOR, SNAP TIGHT, BK		
30	FU5-1615-000		1	BUSHING		
31	FC6-2993-000		1	COLLAR, SPRING		

FIGURE & KEY NO.	PARTS NUMBER	R A N K	Q'TY	DESCRIPTION	SERIAL NUMBER/ REMARKS	S V C
32	XD9-0136-000		2	RING, E		
33	XD9-0137-010		2	RING, E		
501	XB4-5400-807		1	SCREW,P,M4X8		

# FIGURE 261 DUPLEXING DRIVE ASSEMBLY

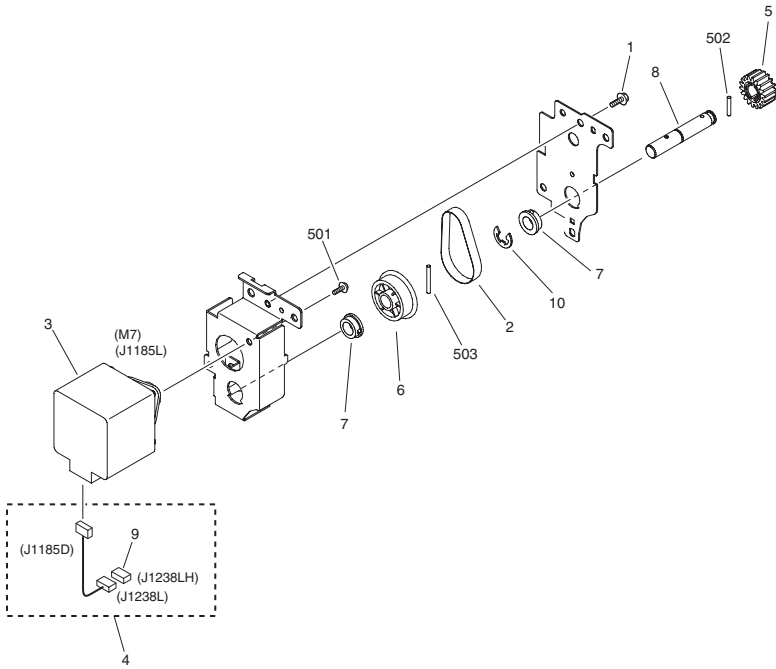


FIGURE & KEY NO.	PARTS NUMBER	R A N K	Q'TY	DESCRIPTION	SERIAL NUMBER/ REMARKS	S V C
Fig.261	FM2-5537-000		1	DUPLEXING DRIVE ASSEMBLY	M7	
1	XA9-1386-000		1	SCREW,RS,M3X8		
2	XF2-1605-760		1	BELT, TIMING		
3	FL2-3266-000		1	MOTOR,STEPPING,DC		
4	FM2-2838-000		1	CABLE, DUPLEXING MOTOR		
5	FU6-0029-000		1	GEAR, 18T		
6	FU6-0024-000		1	PULLEY, 40T		
7	FA9-2112-000		2	BUSHING, PL		
8	FC5-7171-000		1	SHAFT, DUPLEXING DRIVE		
9	VS1-7177-004		1	CONNECTOR, SNAP TIGHT, BK		
10	XD9-0137-010		1	RING, E		
501	XB6-7300-607		2	SCREW, CROOSS-RECESS, FCH		
502	XD3-2200-122		1	PIN, DOWEL		
503	XD3-2200-182		1	PIN, DOWEL		

FIGURE 270  
DEVELOPING DRIVE ASSEMBLY

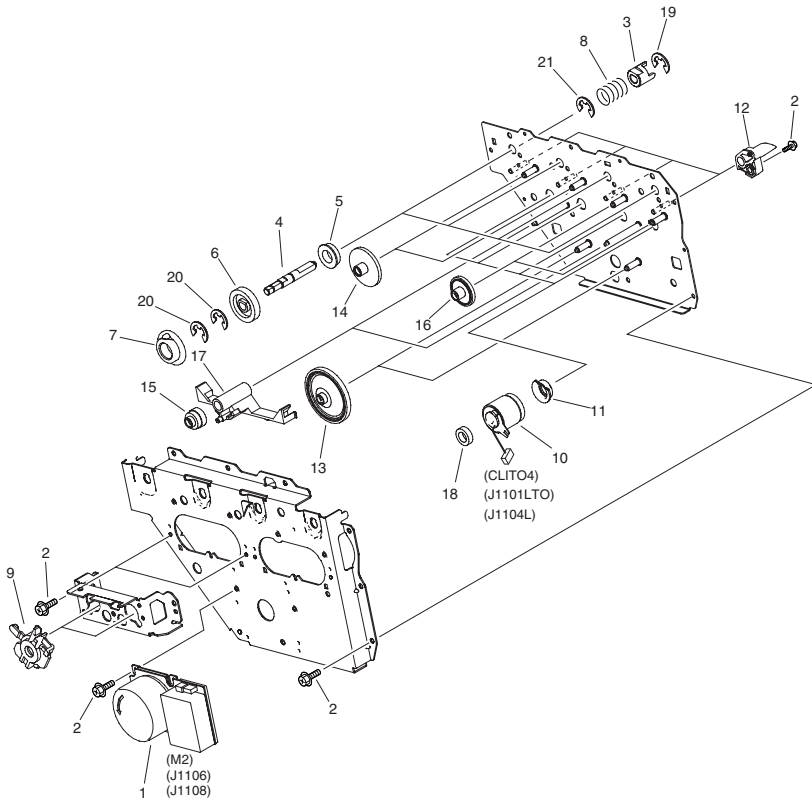


FIGURE & KEY NO.	PARTS NUMBER	R A N K	Q'TY	DESCRIPTION	SERIAL NUMBER/ REMARKS	S V C
Fig.270	FM2-5568-000		1	DEVELOPING DRIVE ASSEMBLY		
1	FK2-2067-000		1	MOTOR, DC	M2	
2	XA9-1386-000		16	SCREW,RS,M3X8		
3	FC6-9132-000		4	COUPLING, DEVELOPING		
4	FC6-9147-000		4	SHAFT, DEVELOPING OUTPUT		
5	XG9-0544-000		4	BEARING, BALL, 8H44M		
6	FU7-0254-000		4	GEAR, 27T		
7	FU5-1704-000		4	BUSHING		
8	FU6-2636-000		4	SPRING, COMPRESSION		
9	FC6-9135-000		4	BUSHING		
11	FC5-7755-000		4	COVER, BEARING		
12	FC6-9234-000		4	BLOCK, CARTRIDGE POSITIONING		
13	FU7-0847-000		2	GEAR, 107T		
14	FU7-0246-000		2	GEAR, 59T		
15	FU7-0247-000		2	GEAR, 19T/34T		
16	FU7-0245-000		2	GEAR, 44T		
17	FC6-9133-000		2	STOPPER, DEVELOPING CLUTCH		
18	XG9-0390-000		4	BEARING, BALL, R1350ZZ		
19	XD9-0134-000		4	RING, E		
20	XD9-0134-000		8	RING, E		
21	XD9-0136-000		4	RING, E		

# FIGURE 280 FIXING DRIVE ASSEMBLY

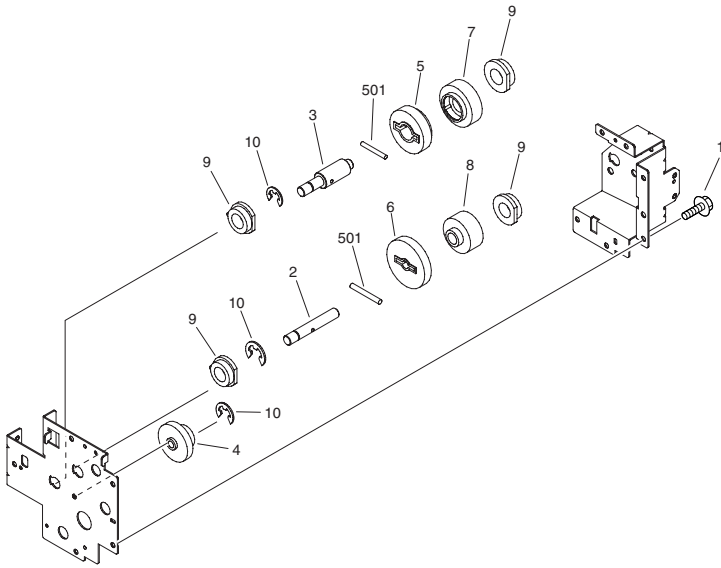


FIGURE & KEY NO.	PARTS NUMBER	R A N K	Q'TY	DESCRIPTION	SERIAL NUMBER/ REMARKS	S V C
Fig.280	FM2-5528-000		1	FIXING DRIVE ASSEMBLY		
1	XA9-1386-000		2	SCREW,RS,M3X8		
2	FC6-9318-000		1	SHAFT, PRESSURE RELEASE INPUT		
3	FC6-9470-000		1	SHAFT, FIXING INPUT		
4	FU7-0259-000		1	GEAR, 17T/53T		
5	FU7-0322-000		1	GEAR, 26T		
6	FU7-0323-000		1	GEAR, 35T		
7	FL2-4375-000		1	CLUTCH, ONE-WAY		
8	FL2-4376-000		1	CLUTCH, ONE-WAY		
9	FS1-1508-000		4	BUSHING		
10	XD9-0136-000		3	RING, E		
501	XD3-2200-162		2	PIN, PARALLEL		



# FIGURE 281 DELIVERY DRIVE ASSEMBLY

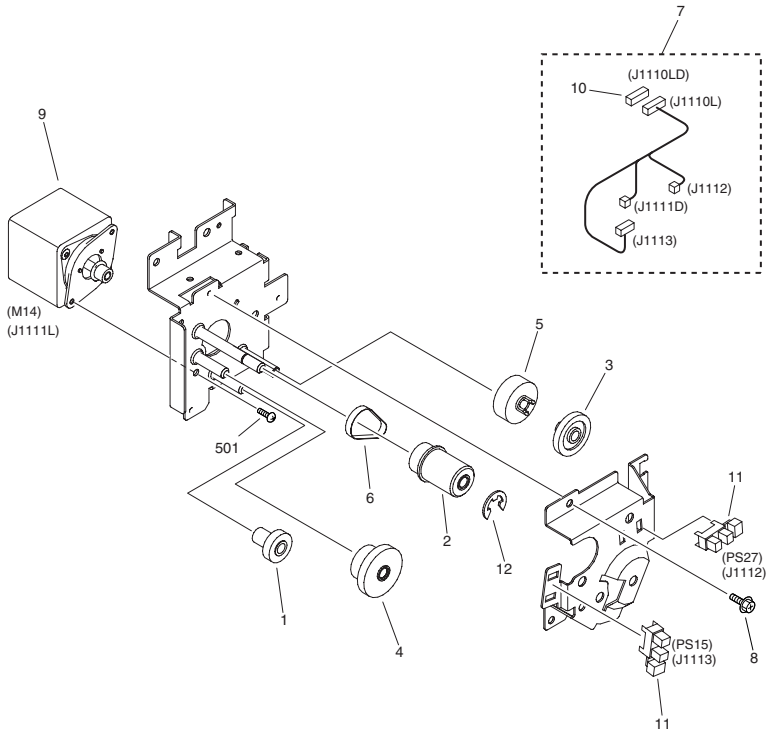


FIGURE & KEY NO.	PARTS NUMBER	R A N K	Q'TY	DESCRIPTION	SERIAL NUMBER/ REMARKS	S V C
Fig.281	FM2-5538-000		1	DELIVERY DRIVE ASSEMBLY		
1	FU7-0294-000		1	GEAR, 19T		
2	FU7-0293-000		1	GEAR/PULLEY, 20T/28T		
3	FU7-0297-000		1	GEAR, 23T		
4	FU7-0295-000		1	GEAR, 18T/33T		
5	FU7-0296-000		1	GEAR, 23T		
6	XF2-1604-040		1	BELT, TIMING		
7	FM2-9442-000		1	CABLE, FIRST PAPER DELIVERY		
8	XA9-1386-000		3	SCREW,RS,M3X8		
9	FM2-0338-000		1	MOTOR, DC	M14	
10	VS1-7207-010		1	CONNECTOR, SNAP TIGHT, W		
11	FK2-0149-000		2	PHOTO-INTERRUPTER, TLP1252(C6)	PS15,27	
12	XD9-0136-000		1	RING, E		
501	XB1-2300-607		2	SCREW, BH3X6		



FIGURE & KEY NO.	PARTS NUMBER	RANK	Q'TY	DESCRIPTION	SERIAL NUMBER/REMARKS	SVC
Fig.290	FM2-5535-000		1	SHUTTER DRIVE ASSEMBLY		
1	FK2-2069-000		1	MOTOR, STEPPING, DC	FM15	
2	FU6-2655-000		1	SPRING, COMPRESSION		
3	FU7-0318-000		1	GEAR, 50T		
4	FC6-9556-000		1	COUPLING, FAN SHUTTER		
5	FC6-9557-000		1	SHAFT_FAN SHUTTER COUPLING		
6	FK2-2065-000		1	FAN	FM9	
7	FS1-1508-000		2	BUSHING		
8	FM2-9440-000		1	CABLE_SHUTTER MOTOR		
9	XA9-1386-000		4	SCREW,RS,M3X8		
10	VS1-7177-003		1	CONNECTOR, SNAP TIGHT, BK		
11	VS1-7177-004		1	CONNECTOR, SNAP TIGHT, BK		
12	XD9-0134-000		1	RING, E		
13	XD9-0136-000		1	RING, E		
501	XB6-7300-607		1	SCREW,TP,M3X6		
502	XD3-2200-102		1	PIN, PARALLEL		
503	XB1-1300-609		2	SCREW, MACHINE M3X6 (S)		

FIGURE 308  
CASSETTE (1)

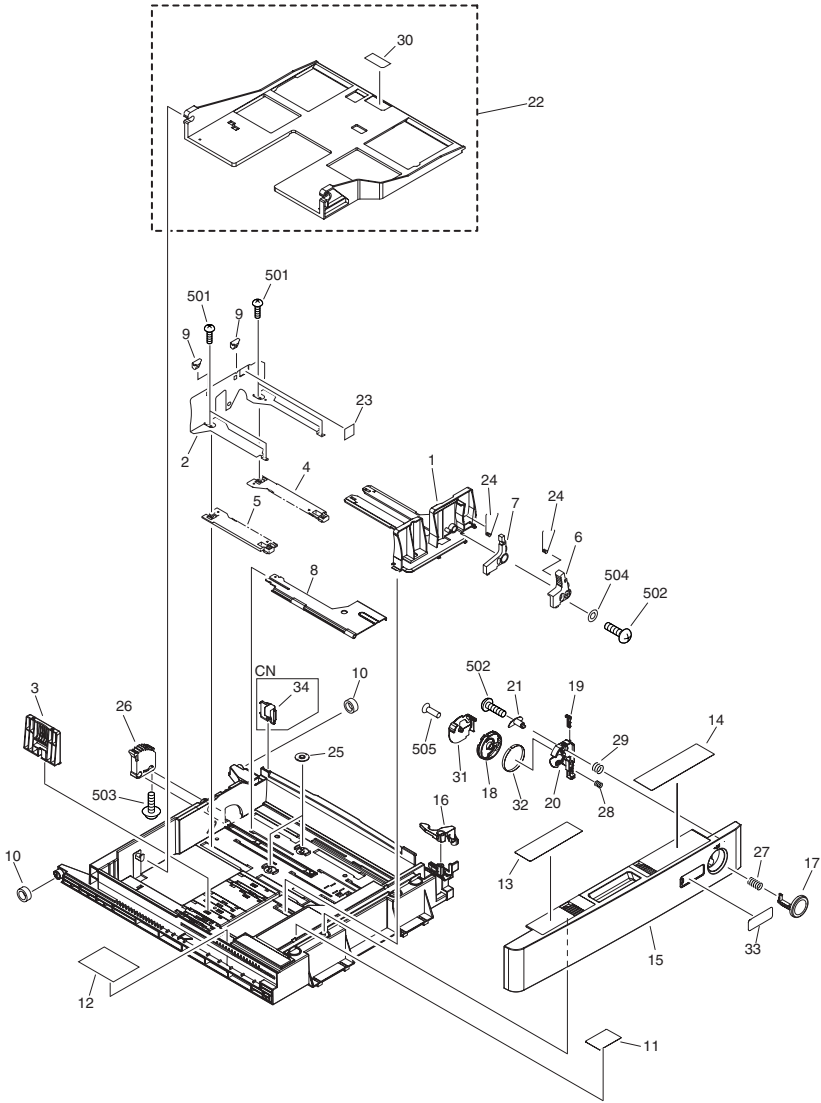


FIGURE & KEY NO.	PARTS NUMBER	R A N K	Q'TY	DESCRIPTION	SERIAL NUMBER/ REMARKS	S V C
Fig.308	NPN		RF	CASSETTE	MIDDLE	
1	FB6-3478-000		1	PLATE, SIDE GUIDE, FRONT		
2	FB6-3479-000		1	PLATE, SIDE GUIDE, REAR		
3	FB6-3480-000		1	PLATE, END GUIDE		
4	FB6-3481-000		1	RACK, 1		
5	FB6-3482-000		1	RACK, 2		
6	FB6-3483-000		1	KNOB, SIDE GUIDE PLATE, 1		
7	FB6-3484-000		1	KNOB, SIDE GUIDE PLATE, 2		
8	FB6-3486-000		1	PLATE, LIFTER		
9	FB6-3490-000		2	CLAW, SIDE PLATE GUIDE		
10	FB6-3506-000		2	COLLAR, CASSETTE SWING		
11	FC5-0583-000		1	LABEL, PAPER SET		
12	FC5-0585-000		1	LABEL, PAPER SET CAUTION	EXCEPT TW/CN/KR	
12	FC6-2848-000		1	LABEL, PAPER SET CAUTION	TW/CN/KR	
13	FC5-0591-000		1	LABEL, SIZE CHANGE		
14	FC5-0598-000		1	LABEL, DIAL SET	EXCEPT TW/CN/KR	
14	FC6-2849-000		1	LABEL, DIAL SET	TW/CN/KR	
15	FC5-0622-000		1	PANEL, CASSETTE FRONT		
16	FC5-0635-000		1	ARM, LOCK		
17	FC5-0636-000		1	BUTTON, PUSH		
18	FC5-1422-020		1	DIAL, SIZE DETECT		
19	FC5-1423-000		1	SLIDER, CONVERT		
20	FC5-1424-020		1	HOLDER, DIAL		
21	FC5-1425-000		1	PIN, FLOAT GUIDE		
22	FF6-2064-020		1	PLATE, PAPER LIFTING		
23	FS6-8116-000		1	LABEL, 'PAPER HEIGHT'		
24	FS7-2805-000		2	SPRING, TORSION		
25	FU3-0293-000		2	GEAR, 16T		
26	FU3-0294-000		1	GEAR, 7T		
27	FU5-2032-000		1	SPRING, COMPRESSION		
28	FU5-2097-000		1	SPRING, COMPRESSION		
29	FU5-2104-000		1	SPRING, COMPRESSION		

FIGURE & KEY NO.	PARTS NUMBER	R A N K	Q'TY	DESCRIPTION	SERIAL NUMBER/ REMARKS	S V C
30	FB6-3499-000		1	SHEET, SEPARATION		
32	FC5-0503-020		1	LABEL, CASSETTE SIZE, DIAL		
33	FC5-0563-020		1	LABEL, CASSETTE SIZE, PANEL		
501	XB2-8300-607		4	SCREW, M3X6, S		
502	XB4-5300-807		2	SCREW, P, M3X8		
503	XB6-7300-807		1	SCREW, TP, M3X8		
504	XD1-1104-135		1	WASHER, COP		
505	XB1-3301-207		1	SCREW, MACH., C.S. HEAD, M3X12		

FIGURE 309  
CASSETTE (2)

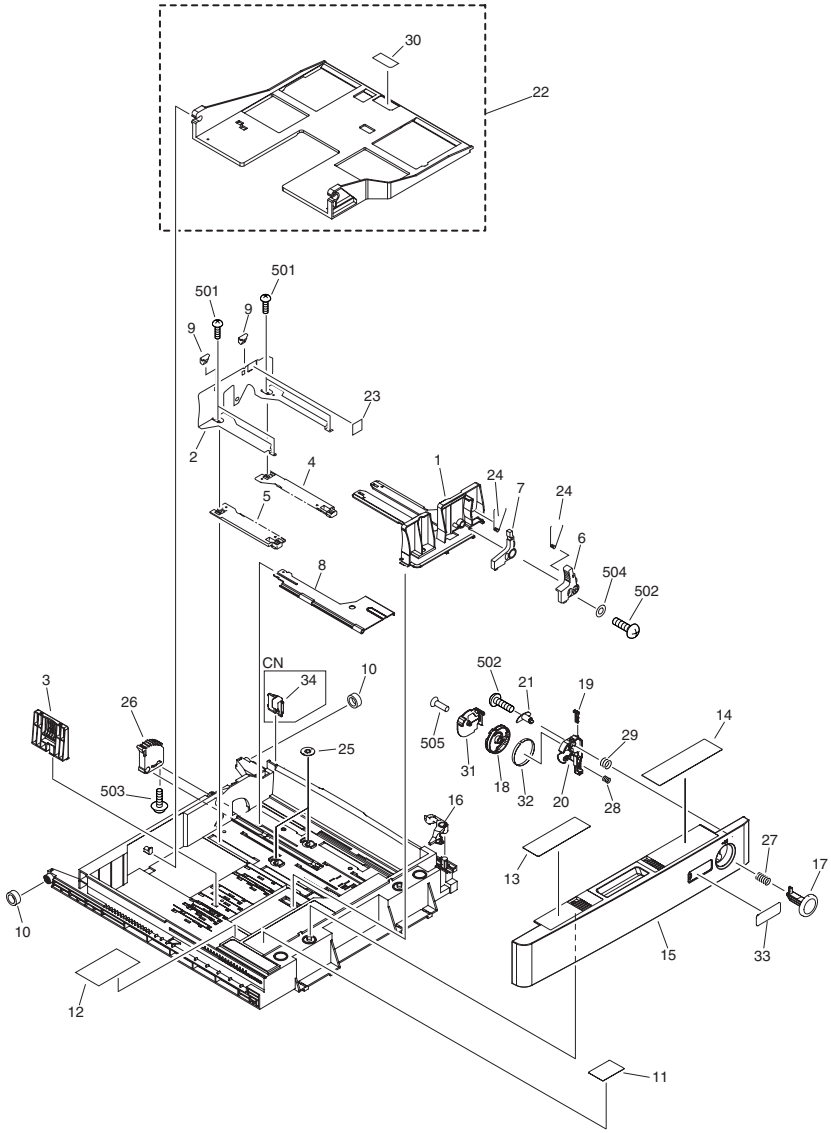




FIGURE & KEY NO.	PARTS NUMBER	R A N K	Q'TY	DESCRIPTION	SERIAL NUMBER/ REMARKS	S V C
Fig.309	NPN		RF	CASSETTE	LARGE	
1	FB6-3478-000		1	PLATE, SIDE GUIDE, FRONT		
2	FB6-3479-000		1	PLATE, SIDE GUIDE, REAR		
3	FB6-3480-000		1	PLATE, END GUIDE		
4	FB6-3481-000		1	RACK, 1		
5	FB6-3482-000		1	RACK, 2		
6	FB6-3483-000		1	KNOB, SIDE GUIDE PLATE, 1		
7	FB6-3484-000		1	KNOB, SIDE GUIDE PLATE, 2		
8	FB6-3486-000		1	PLATE, LIFTER		
9	FB6-3490-000		2	CLAW, SIDE PLATE GUIDE		
10	FB6-3506-000		2	COLLAR, CASSETTE SWING		
11	FC5-0583-000		1	LABEL, PAPER SET		
12	FB6-3524-000		1	LABEL, PAPER SIZE SELECT	EXCEPT TW/CN/KR	
12	FB6-6215-000		1	LABEL, PAPER SIZE SELECT	TW/CN/KR	
13	FC5-0584-000		1	LABEL, SIZE CHANGE		
14	FC5-0598-000		1	LABEL, DIAL SET	EXCEPT TW/CN/KR	
14	FC6-2849-000		1	LABEL, DIAL SET	TW/CN/KR	
15	FC5-0624-000		1	PANEL, CASSETTE FRONT		
16	FC5-0605-000		1	ARM, LOCK		
17	FC5-0637-000		1	BUTTON, PUSH		
18	FC5-1422-020		1	DIAL, SIZE DETECT		
19	FC5-1423-000		1	SLIDER, CONVERT		
20	FC5-1424-020		1	HOLDER, DIAL		
21	FC5-1425-000		1	PIN, FLOAT GUIDE		
22	FF6-2064-020		1	PLATE, PAPER LIFTING		
23	FS6-8116-000		1	LABEL, 'PAPER HEIGHT'		
24	FS7-2805-000		2	SPRING, TORSION		
25	FU3-0293-000		2	GEAR, 16T		
26	FU3-0294-000		1	GEAR, 7T		
27	FU5-2033-000		1	SPRING, COMPRESSION		
28	FU5-2097-000		1	SPRING, COMPRESSION		
29	FU5-2104-000		1	SPRING, COMPRESSION		

FIGURE & KEY NO.	PARTS NUMBER	R A N K	Q'TY	DESCRIPTION	SERIAL NUMBER/ REMARKS	S V C
30	FB6-3499-000		1	SHEET, SEPARATION		
32	FC5-0503-020		1	LABEL, CASSETTE SIZE, DIAL		
33	FC5-0563-020		1	LABEL, CASSETTE SIZE, PANEL		
501	XB2-8300-607		4	SCREW, M3X6, S		
502	XB4-5300-807		2	SCREW, P, M3X8		
503	XB6-7300-807		1	SCREW, TP, M3X8		
504	XD1-1104-135		1	WASHER, COP		
505	XB1-3301-207		1	SCREW, MACH., C.S. HEAD, M3X12		

**FIGURE 310**  
**PAPER PICK-UP ASSEMBLY (1)**

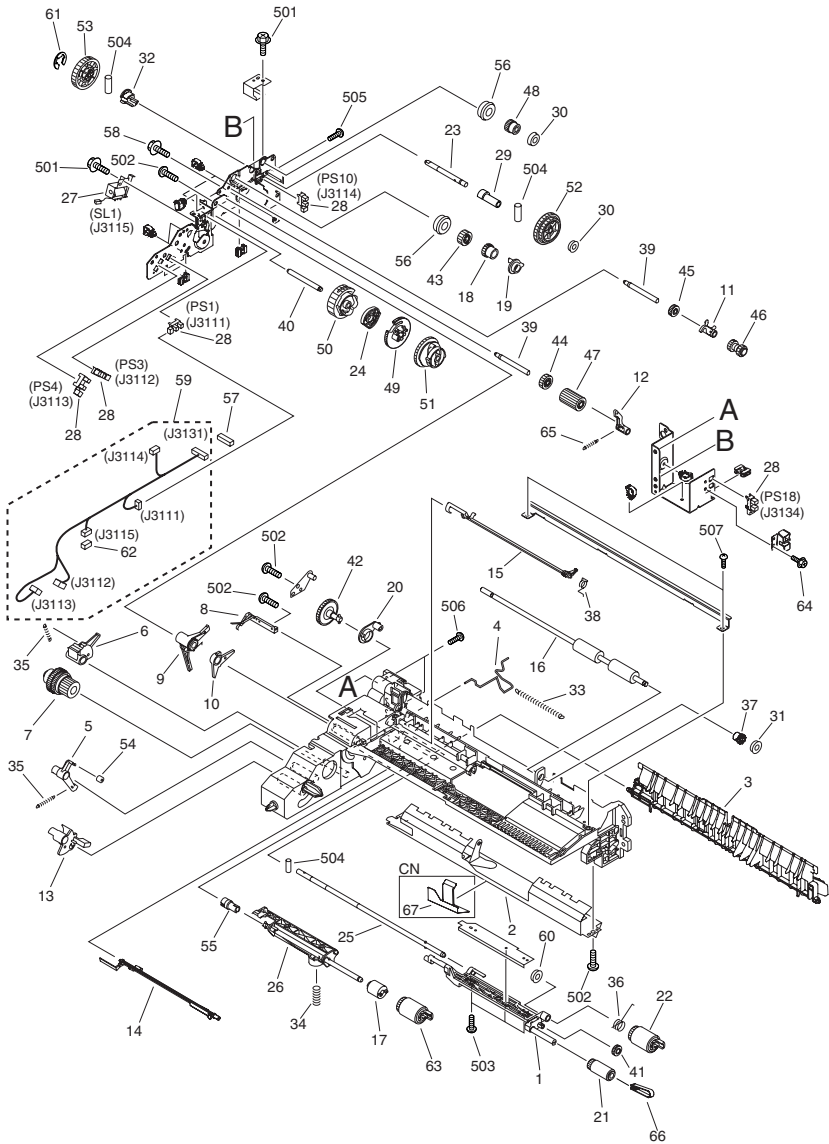


FIGURE & KEY NO.	PARTS NUMBER	R A N K	Q'TY	DESCRIPTION	SERIAL NUMBER/ REMARKS	S V C
Fig.310	FM3-0009-000		1	PAPER PICK-UP ASSEMBLY	MIDDLEEXCEPT CN	
Fig.310	FM3-2982-000		1	PAPER PICK-UP ASSEMBLY	MIDDLECN	
1	FB6-3380-020		1	HOLDER, PAPER PICK-UP ROLLER		
2	FB6-3386-010		1	GUIDE, RETARD		
3	FC5-0595-010		1	GUIDE, VERTICAL PATH	EXCEPT CN	
4	FB6-3388-000		1	ROD, SEPARATION ROLLER RELEASE		
5	FB6-3389-000		1	CLAW, PICK-UP		
6	FC8-1178-000		1	CLAW, PAPER PICK-UP		
7	FB6-3391-000		1	GEAR, RATCHET		
8	FB6-3392-020		1	SPRING, LEAF		
9	FM3-4146-000		1	PICK-UP ARM UNIT		
10	FB6-3394-000		1	ARM, LIFTING		
11	FB6-3395-000		1	ARM, PAPER FEED SHAFT		
12	FB6-3396-010		1	LOCK, PICK-UP		
13	FB6-3397-000		1	FLAG, PAPER SENSOR		
14	FB6-3398-000		1	FLAG, PAPER DETECT SENSOR		
15	FL2-6580-000		1	FLAG, REGISTRATION SENSOR		
16	FB6-4852-000		1	ROLLER, VERTICAL PATH	EXCEPT CN	
17	FB6-3410-000		1	LIMITER, TORQUE		
18	FB6-3402-000		1	GEAR, RATCHET		
19	FB6-3403-000		1	COUPLING, FEED SHAFT STOP		
20	FB6-3404-000		1	COUPLING, SEPARATION SHAFT		
21	FB6-3405-000		1	ROLLER, PAPER PICK-UP	EXCEPT CN	
22	FC6-7083-000		1	ROLLER, FEED/SEPARATION	EXCEPT CN	
23	FB6-3408-000		1	SHAFT, PAPER PICK-UP DRIVE		
24	FB6-7078-000		1	CAM, LOCK		
25	FF6-2058-000		1	SHAFT, PAPER FEED ROLLER		
26	FF6-2059-010		1	HOLDER, SEPARATION ROLLER		
27	FK2-0408-000		1	SOLENOID	SL1	
28	FH7-7312-000		5	IC, EE-SX4235A-P2,	PS1,3,4,10,18	
29	FB6-3413-000		1	COLLAR, PAPER PICK-UP SHAFT		
30	FU5-1033-000		2	BUSHING		

FIGURE & KEY NO.	PARTS NUMBER	R A N K	Q'TY	DESCRIPTION	SERIAL NUMBER/ REMARKS	S V C
31	FC6-9867-000		1	BUSHING		
32	FS6-1063-000		1	BUSHING		
33	FS7-2797-000		1	SPRING, TENSION		
34	FU6-2684-000		1	SPRING, COMPRESSION		
35	FS7-2800-000		2	SPRING, TENSION		
36	FS7-2801-000		1	SPRING, TORSION		
37	FU5-1763-000		1	BUSHING		
38	FS7-2803-000		1	SPRING, TORSION		
39	FS7-5909-000		2	SHAFT, IDLER, 2		
40	FS7-5910-000		1	SHAFT, IDLER, 3		
41	FU3-0280-000		1	GEAR, 15T		
42	FU3-0349-000		1	GEAR, 41T		
43	FU3-0282-000		1	GEAR, 21T		
44	FU3-0283-000		1	GEAR, 21T		
45	FU3-0284-000		1	GEAR, 16T		
46	FU6-0710-000		1	GEAR, 16T/16T		
47	FU3-0288-000		1	GEAR, 21T		
48	FU3-0289-000		1	GEAR, 14T		
49	FF6-2397-000		1	GEAR, 46T		
50	FU7-0444-000		1	GEAR, 51T		
51	FU7-0445-000		1	GEAR, 42T		
52	FU3-0350-000		1	GEAR, 41T/41T		
53	FU3-0347-000		1	GEAR, 41T		
54	FC6-5064-000		1	DAMPER		
55	RB1-8945-000		1	JOINT		
56	RS5-1567-000		2	BUSHING		
57	VS1-7173-014		1	CONNECTOR, SNAP TIGHT		
58	XA9-0656-000		1	SCREW,RS,M3X10		
59	FG3-2302-020		1	CABLE, PAPER PICK-UP		
60	FS5-1943-000		1	BUSHING		
61	XD9-0136-000		1	RING, E		
62	VS1-7177-002		1	CONNECTOR, SNAP TIGHT		

FIGURE & KEY NO.	PARTS NUMBER	R A N K	Q'TY	DESCRIPTION	SERIAL NUMBER/ REMARKS	S V C
63	FC6-6661-000		1	ROLLER, SEPARATION		
64	XA9-1386-000		1	SCREW,RS,M3X8		
65	FU6-2784-000		1	SPRING, TENSION		
66	FC7-5845-000		1	STOPPER, ROLLER		
501	XB3-6300-605		2	SCREW,RS,M3X6		
502	XB4-5401-207		7	SCREW,P,M4X12		
503	XB1-3300-607		3	SCREW, FTH3X6		
504	XD3-2200-122		3	PIN,DOWEL		
505	XB1-2300-807		1	SCREW,MACH.,TRUSS HEAD,M3X8		
506	XB1-2400-607		2	SCREW,MACH.,TRUSS HEAD,M4X6		
507	XB4-5400-807		2	SCREW,P,M4X8		

**FIGURE 311**  
**PAPER PICK-UP ASSEMBLY (2)**

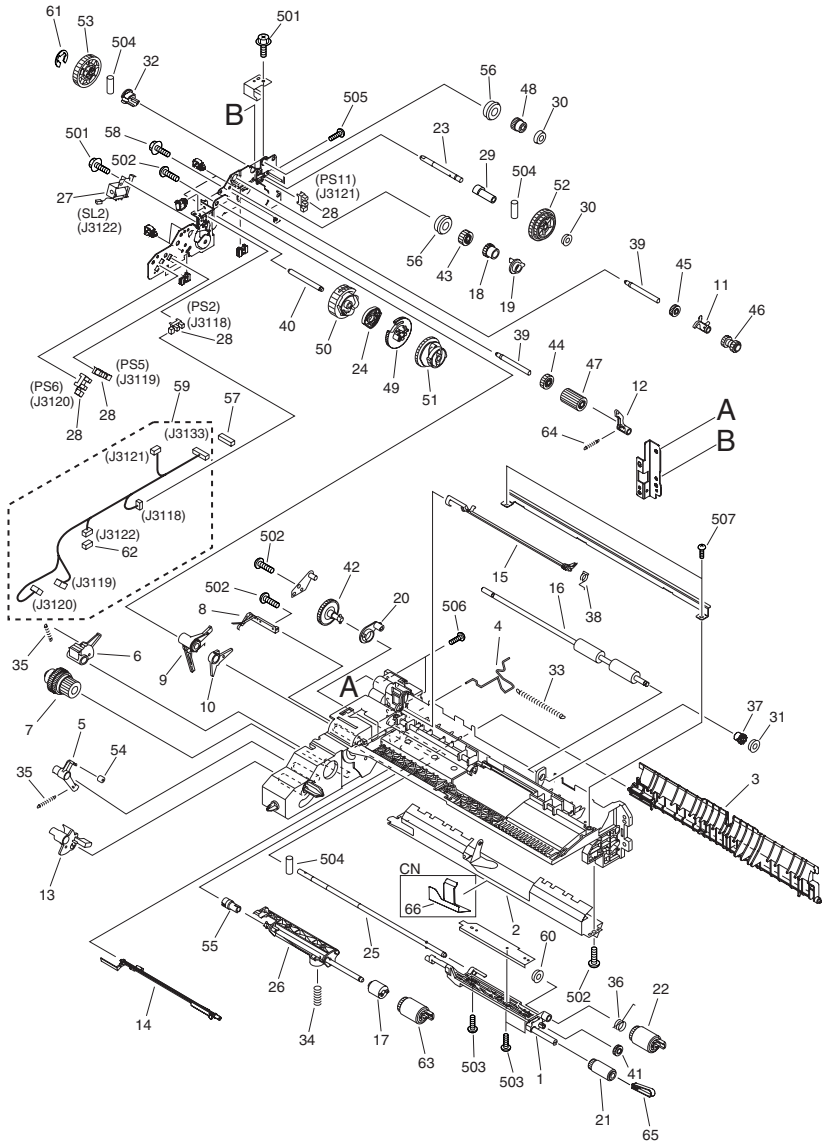


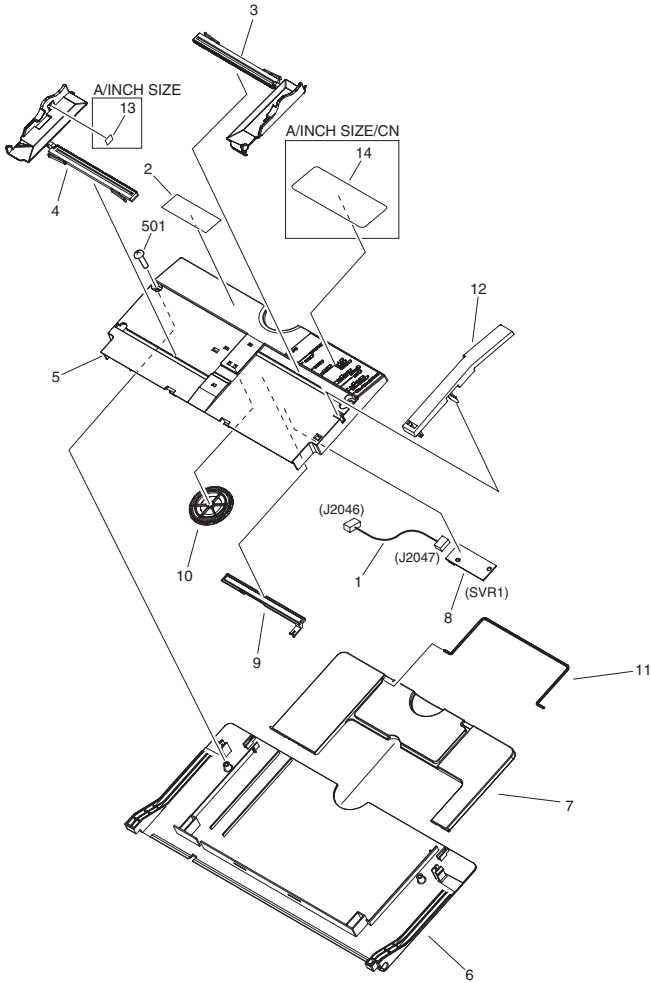
FIGURE & KEY NO.	PARTS NUMBER	R A N K	Q'TY	DESCRIPTION	SERIAL NUMBER/ REMARKS	S V C
Fig.311	FM2-1578-130		1	PAPER PICK-UP ASSEMBLY	LARGE EXCEPT CN	
Fig.311	FM3-2983-000		1	PAPER PICK-UP ASSEMBLY	LARGE CN	
1	FB6-3380-020		1	HOLDER, PAPER PICK-UP ROLLER		
2	FB6-3386-010		1	GUIDE, RETARD		
3	FB6-3387-000		1	GUIDE, VERTICAL PATH	EXCEPT CN	
4	FB6-3388-000		1	ROD, SEPARATION ROLLER RELEASE		
5	FB6-3389-000		1	CLAW, PICK-UP		
6	FC8-1178-000		1	CLAW, PAPER PICK-UP		
7	FB6-3391-000		1	GEAR, RATCHET		
8	FB6-3392-020		1	SPRING, LEAF		
9	FM3-4146-000		1	PICK-UP ARM UNIT		
10	FB6-3394-000		1	ARM, LIFTING		
11	FB6-3395-000		1	ARM, PAPER FEED SHAFT		
12	FB6-3396-010		1	LOCK, PICK-UP		
13	FB6-3397-000		1	FLAG, PAPER SENSOR		
14	FB6-3398-000		1	FLAG, PAPER DETECT SENSOR		
15	FL2-6580-000		1	FLAG, REGISTRATION SENSOR		
16	FB6-4852-000		1	ROLLER, VERTICAL PATH	EXCEPT CN	
17	FB6-3410-000		1	LIMITER, TORQUE		
18	FB6-3402-000		1	GEAR, RATCHET		
19	FB6-3403-000		1	COUPLING, FEED SHAFT STOP		
20	FB6-3404-000		1	COUPLING, SEPARATION SHAFT		
21	FB6-3405-000		1	ROLLER, PAPER PICK-UP	EXCEPT CN	
22	FC6-7083-000		1	ROLLER, FEED/SEPARATION	EXCEPT CN	
23	FB6-3408-000		1	SHAFT, PAPER PICK-UP DRIVE		
24	FB6-7078-000		1	CAM, LOCK		
25	FF6-2058-000		1	SHAFT, PAPER FEED ROLLER		
26	FF6-2059-010		1	HOLDER, SEPARATION ROLLER		
27	FK2-0408-000		1	SOLENOID	SL2	
28	FH7-7312-000		4	IC, EE-SX4235A-P2,	PS2,5,6,11	
29	FB6-3413-000		1	COLLAR, PAPER PICK-UP SHAFT		
30	FU5-1033-000		2	BUSHING		



FIGURE & KEY NO.	PARTS NUMBER	R A N K	Q'TY	DESCRIPTION	SERIAL NUMBER/ REMARKS	S V C
31	FC6-9867-000		1	BUSHING		
32	FS6-1063-000		1	BUSHING		
33	FS7-2797-000		1	SPRING, TENSION		
34	FU6-2684-000		1	SPRING, COMPRESSION		
35	FS7-2800-000		2	SPRING, TENSION		
36	FS7-2801-000		1	SPRING, TORSION		
37	FU5-1763-000		1	BUSHING		
38	FS7-2803-000		1	SPRING, TORSION		
39	FS7-5909-000		2	SHAFT, IDLER, 2		
40	FS7-5910-000		1	SHAFT, IDLER, 3		
41	FU3-0280-000		1	GEAR, 15T		
42	FU3-0349-000		1	GEAR, 41T		
43	FU3-0282-000		1	GEAR, 21T		
44	FU3-0283-000		1	GEAR, 21T		
45	FU3-0284-000		1	GEAR, 16T		
46	FU6-0710-000		1	GEAR, 16T/16T		
47	FU3-0288-000		1	GEAR, 21T		
48	FU3-0289-000		1	GEAR, 14T		
49	FF6-2397-000		1	GEAR, 46T		
50	FU7-0444-000		1	GEAR, 51T		
51	FU7-0445-000		1	GEAR, 42T		
52	FU3-0350-000		1	GEAR, 41T/41T		
53	FU3-0347-000		1	GEAR, 41T		
54	FC6-5064-000		1	DAMPER		
55	RB1-8945-000		1	JOINT		
56	RS5-1567-000		2	BUSHING		
57	VS1-7173-014		1	CONNECTOR, SNAP TIGHT		
58	XA9-0656-000		1	SCREW,RS,M3X10		
59	FG3-2302-020		1	CABLE, PAPER PICK-UP		
60	FS5-1943-000		1	BUSHING		
61	XD9-0136-000		1	RING, E		
62	VS1-7177-002		1	CONNECTOR, SNAP TIGHT		

FIGURE & KEY NO.	PARTS NUMBER	R A N K	Q'TY	DESCRIPTION	SERIAL NUMBER/ REMARKS	S V C
63	FC6-6661-000		1	ROLLER, SEPARATION		
64	FU6-2784-000		1	SPRING, TENSION		
65	FC7-5845-000		1	STOPPER, ROLLER		
501	XB3-6300-605		2	SCREW,RS,M3X6		
502	XB4-5401-207		7	SCREW,P,M4X12		
503	XB1-3300-607		3	SCREW, FTH3X6		
504	XD3-2200-122		3	PIN,DOWEL		
505	XB1-2300-807		1	SCREW,MACH.,TRUSS HEAD,M3X8		
506	XB1-2400-607		2	SCREW,MACH.,TRUSS HEAD,M4X6		
507	XB4-5400-807		2	SCREW,P,M4X8		

# FIGURE 315 MULTI FEED TRAY ASSEMBLY



NOTE 1 : This assembly is included in the assembly shown in Figure 115.

NOTE 2 : This assembly does not include the parts shown with key No. 2, 12, 13 and 14.

注 1 : このユニットはFigure 115のユニットに含まれます。

注 2 : このユニットにKey No. 2, 12, 13, 14の部品は含まれません。

FIGURE & KEY NO.	PARTS NUMBER	R A N K	Q'TY	DESCRIPTION	SERIAL NUMBER/ REMARKS	S V C
Fig.315	FM2-5540-000		1	MULTI FEED TRAY ASSEMBLY	SEE NOTE 1	
1	FG3-3187-000		1	CABLE, PAPER WIDTH SENSOR		
2	FU5-8795-000		1	LABEL, PAPER SET INDICATION	SEE NOTE 2	
3	FC6-9606-000		1	PLATE, PAPER SIDE END, FRONT		
4	FC6-9607-000		1	PLATE, PAPER SIDE END, REAR		
5	FC5-0479-030		1	TRAY, MULTI FEED, UPPER		
6	FC7-9522-000		1	TRAY, MULTI FEED, LOWER		
7	FC5-0481-000		1	TRAY, MULTI FEED AUXILIARY		
8	FM2-2768-000		1	MULTI FEED SIZE PCB ASSEMBLY		
9	FU5-0063-000		1	RACK, MULTI FEED SIZE DETECT		
10	FU5-0062-000		1	GEAR, 18T/62T		
11	FC5-0546-000		1	TRAY, WIRE AUXILIARY		
12	FC7-1740-000		1	COVER	SEE NOTE 2	
13	FC5-0544-000		1	LABEL, MAXIMUM LOAD	SEE NOTE 2 A/INCH SIZE	
14	FC5-0545-010		1	LABEL, PAPER SIZE	SEE NOTE 2 A/INCH SIZE	
14	FC7-9365-000		1	LABEL, PAPER SIZE	SEE NOTE 2 CN	
501	XB4-5401-007		3	SCREW, M4X10		

# FIGURE 350 PAPER DELIVERY ASSEMBLY

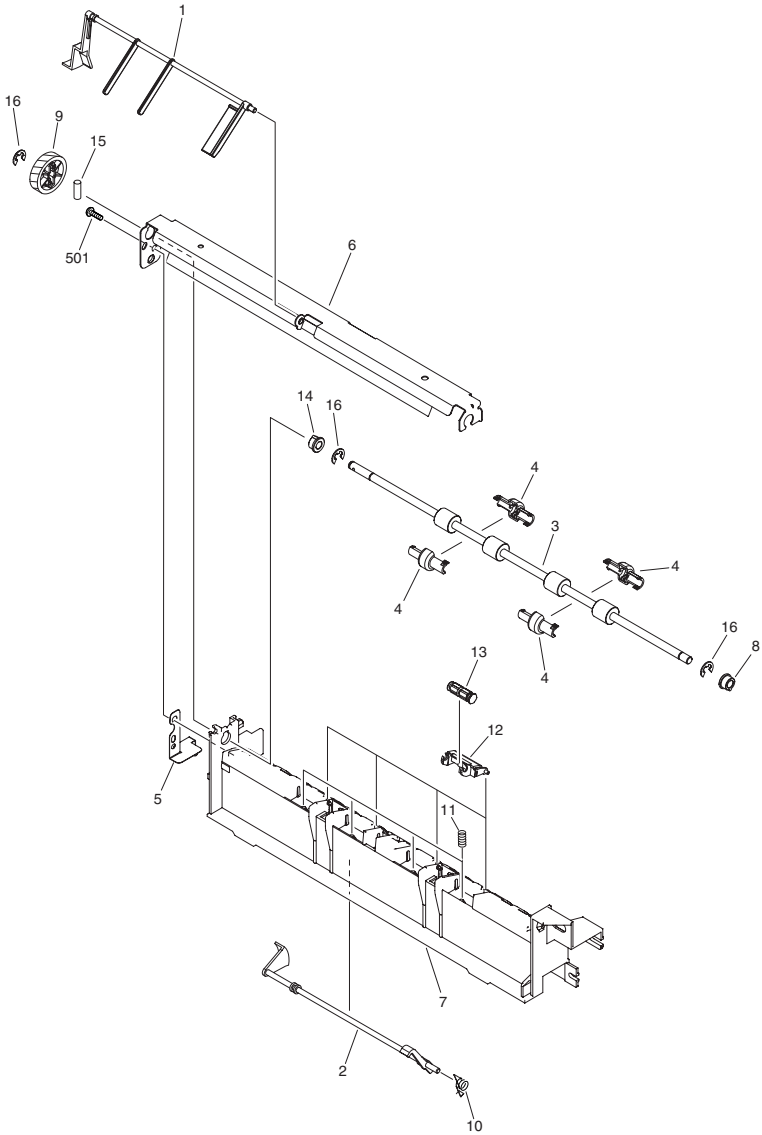


FIGURE & KEY NO.	PARTS NUMBER	R A N K	Q'TY	DESCRIPTION	SERIAL NUMBER/ REMARKS	S V C
Fig.350	FM3-0005-000		1	PAPER DELIVERY ASSEMBLY		
1	FC7-4865-000		1	FLAG, FULL DETECT		
2	FC5-0799-000		1	FLAG, 1ST DELIVERY SENSOR		
3	FC5-0800-000		1	ROLLER, PAPER DELIVERY		
4	FC5-0805-000		4	ROLLER, REFORM		
5	FC5-0806-000		1	PLATE, GROUNDING		
6	FL2-4503-000		1	ELIMINATOR, STATIC CHARGE		
7	FL2-0379-000		1	GUIDE, PAPER DELIVERY		
8	FS5-1943-000		1	BUSHING		
9	FU5-0128-000		1	GEAR, 35T		
10	FU5-2068-030		1	SPRING, TORSION		
11	FU5-2074-000		4	SPRING, COMPRESSION		
12	FC6-2915-000		4	HOLDER, ROLLER		
13	FM3-0007-010		4	O RING ROLLER UNIT		
14	FU5-1706-000		1	BUSHING		
15	XD9-0120-000		1	PIN, DOWEL		
16	XD9-0136-000		3	RING, E		
501	XB4-5400-807		1	SCREW,P,M4X8		

# FIGURE 351 2ND 3RD DELIVERY ASSEMBLY

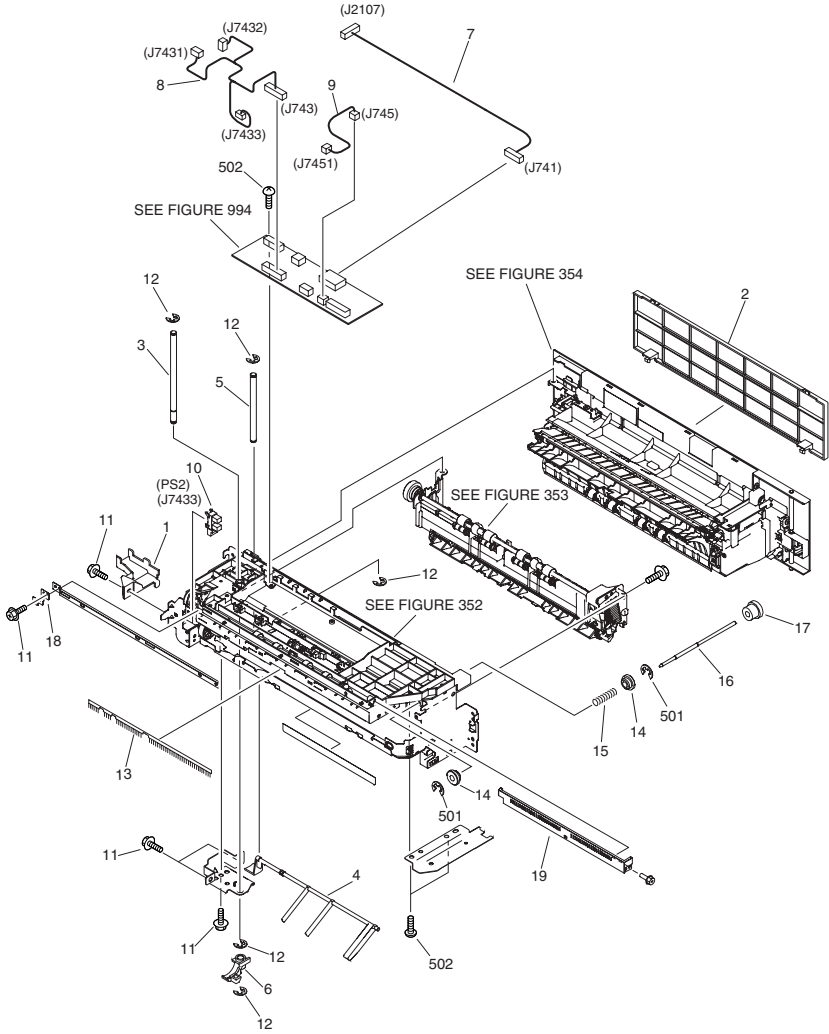


FIGURE & KEY NO.	PARTS NUMBER	R A N K	Q'TY	DESCRIPTION	SERIAL NUMBER/ REMARKS	S V C
Fig.351	NPN		RF	2ND 3RD DELIVERY ASSEMBLY		
1	FC5-0859-000		1	COVER, CONNECTOR		
2	FL2-5051-000		1	PANEL, BLANKING		
3	FC5-0978-020		1	SHAFT, 2ND DELIVERY HINGE		
4	FC7-4467-000		1	FLAG, PAPER FULL SENSOR		
5	FC5-1019-020		1	SHAFT, 3RD DELIVERY HINGE		
6	FC5-6011-000		1	COVER, GEAR		
7	FG3-3294-000		1	CABLE, INTERFACE		
8	FG3-3297-000		1	CABLE, MOTOR		
9	FG3-3301-000		1	CABLE, SENSOR		
10	FH7-7557-020		1	IC,LG-248L1, PHOTO-INTERRUPTER	PS2	
11	XA9-1386-000		5	SCREW, RS, M3X8		
12	XD9-0136-000		5	RING, E		
13	FC7-4466-000		1	ELIMINATOR, STATIC CHARGE		
14	FC5-0863-000		2	GUIDE, SAFETY SWITCH SPRING		
15	FC5-0864-000		1	SPRING, COMPRESSION		
16	FC5-0876-020		1	ROD, BUSHING		
17	FC5-6007-000		1	CAP, PUSHING ROD		
18	FC7-2178-000		1	PLATE, GROUNDING		
19	FC5-6004-000		1	COVER, PROTECTIVE		
501	XD2-1100-242		2	WASHER, RETAINING		
502	XB4-5300-805		4	SCREW, P, M3X8		



# FIGURE 352 2ND UPPER DELIVERY ASSEMBLY

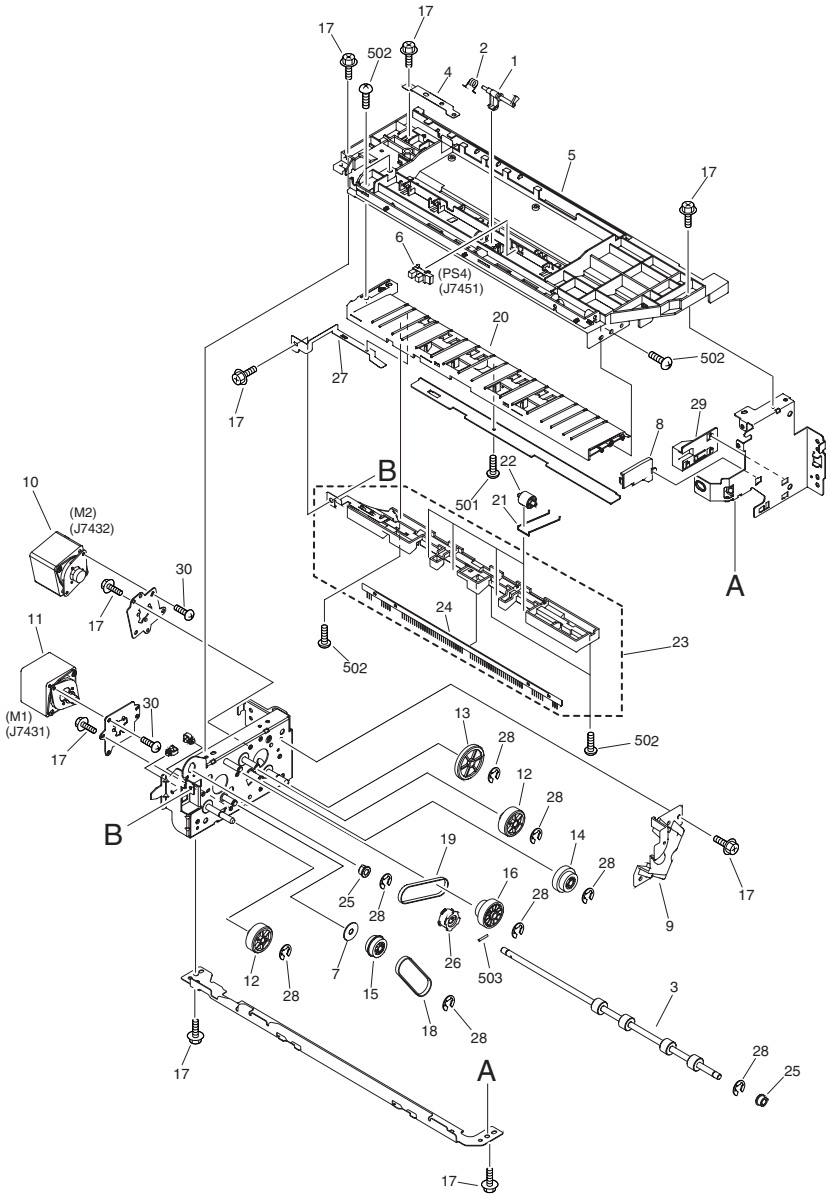


FIGURE & KEY NO.	PARTS NUMBER	R A N K	Q'TY	DESCRIPTION	SERIAL NUMBER/ REMARKS	S V C
Fig.352	FM3-4154-000		1	2ND UPPER DELIVERY ASSEMBLY		
1	FC5-0987-000		1	FLAG, REVERSE SENSOR		
2	FC5-0988-000		1	SPRING, TORSION		
3	FC5-0989-020		1	ROLLER, REVERSE		
4	FC5-1025-000		1	PLATE, GROUNDING		
5	FC5-1038-000		1	GUIDE, 2ND DELIVERY, UPPER		
6	FH7-7557-020		1	IC,LG-248L1, PHOTO-INTERRUPTER	PS4	
7	FB5-4754-000		1	SPACER		
8	FC5-0870-000		1	GUIDE, SLIDE		
9	FC5-6010-000		1	COVER, GEAR, 1		
10	FK2-7385-000		1	MOTOR, STEPPING, AC	M2	
11	FK2-3302-000		1	MOTOR, STEPPING, DC	M1	
12	FU5-0054-000		2	GEAR, 35T		
13	FU5-0077-000		1	GEAR, 46T		
14	FU5-0078-000		1	GEAR, 30T/24T		
15	FU5-3020-000		1	GEAR, 24T/PULLEY, 30T		
16	FU5-3022-000		1	PULLEY, 30T/GEAR, 35T		
17	XA9-1386-000		12	SCREW, RS, M3X8		
18	XF2-4104-240		1	BELT, TIMING, COGGED		
19	XF2-4108-240		1	BELT, TIMING, COGGED		
20	FC7-2172-000		1	GUIDE, REVERSE LOWER		
21	FC5-0991-000		4	SPRING		
22	FC5-1013-000		4	ROLLER		
23	FL2-1200-000		1	GUIDE, REVERSE LOWER AUXILIARY		
24	FC5-6003-000		1	ELIMINATOR, STATIC-CHARGE		
25	FS5-1943-000		2	BUSHING		
26	FU5-3021-000		1	PULLEY, 30T		
27	FC7-2176-000		1	PLATE, GROUNDING		
28	XD9-0136-000		8	RING, E		
29	FC7-2164-000		1	GUIDE, OPEN/CLOSE		
30	XA9-0903-000		4	SCREW, M3X5		
501	XB4-5300-607		1	SCREW,P,M3X6		

FIGURE & KEY NO.	PARTS NUMBER	R A N K	Q'TY	DESCRIPTION	SERIAL NUMBER/ REMARKS	S V C
502	XB4-5401-205		6	SCREW, P, M4X12		
503	XD3-2200-122		1	PIN, DOWEL		

# FIGURE 353 2ND DELIVERY FRAME ASSEMBLY

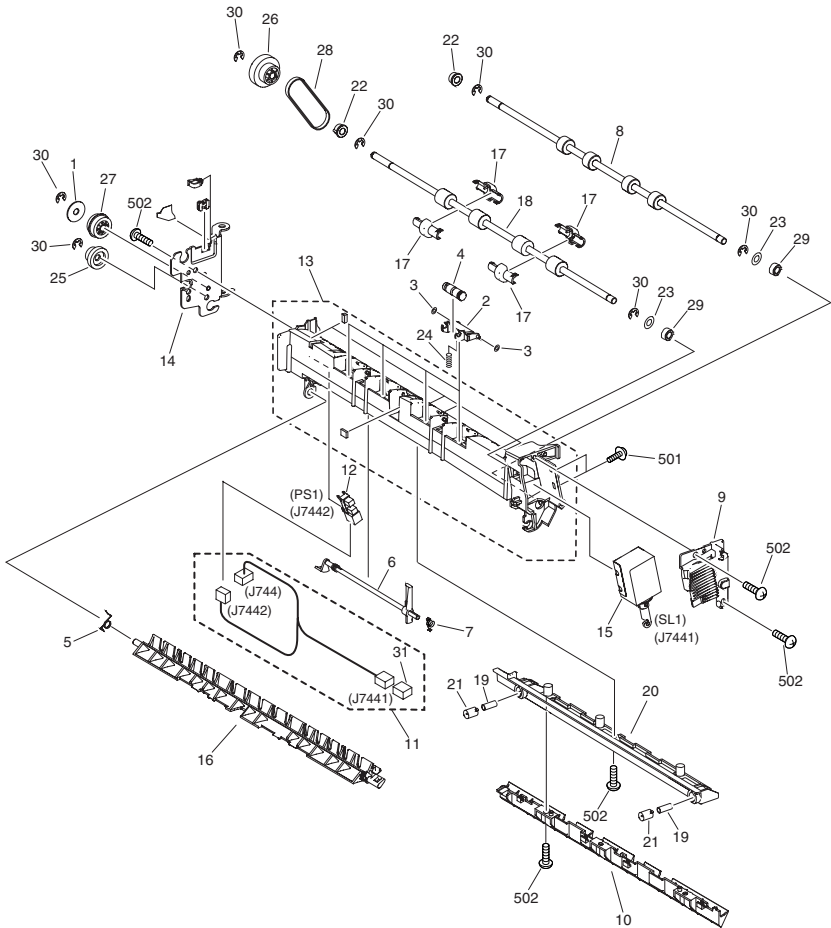


FIGURE & KEY NO.	PARTS NUMBER	R A N K	Q'TY	DESCRIPTION	SERIAL NUMBER/ REMARKS	S V C
Fig.353	FM2-7490-000		1	2ND DELIVERY FRAME ASSEMBLY		
1	FB5-4754-000		1	SPACER		
2	FC6-2915-000		4	HOLDER, ROLLER		
3	FC6-5061-000		8	RING		
4	FC8-0786-000		4	ROLLER, PAPER DELIVERY		
5	FC5-0974-000		1	SPRING, TORSION		
6	FC5-0996-000		1	FLAG, 2ND DELIVERY SENSOR		
7	FC5-0997-000		1	SPRING, TORSION		
8	FC5-1017-000		1	ROLLER, 2ND VERTICAL PATH		
9	FC5-1053-000		1	COVER, SOLENOID, 1		
10	FC7-2169-000		1	GUIDE, 2ND DELIVERY ENTRANCE		
11	FG3-3299-020		1	CABLE, 2ND PAPER DELIVERY		
12	FH7-7557-020		1	IC,LG-248L1, PHOTO-INTERRUPTER	PS1	
13	FL2-1201-040		1	GUIDE, 2ND PAPER DELIVERY		
14	FL2-1202-000		1	HINGE, 2ND DELIVERY		
15	FL2-1203-010		1	SOLENOID	SL1	
16	FC5-0999-030		1	FLAPPER, 1ST PAPER DELIVERY		
17	FC5-0805-000		4	ROLLER, REFORM		
18	FC5-0998-000		1	ROLLER, 2ND PAPER DELIVERY		
19	FC5-0871-000		2	SPRING, COMPRESSION		
20	FC5-0873-000		1	COVER, 2ND DELIVERY FRAME		
21	FC5-6014-000		2	CAP, SPRING		
22	FS5-1943-000		2	BUSHING		
23	FS5-6488-000		2	WASHER		
24	FS7-2859-000		4	SPRING, COMPRESSION		
25	FU5-0076-000		1	GEAR, 24T		
26	FU5-3019-000		1	PULLEY, 30T/GEAR, 35T		
27	FU5-3020-000		1	GEAR, 24T/PULLEY, 30T		
28	XF2-4107-940		1	BELT, TIMING. COGGED		
29	XG9-0520-000		2	BEARING, BALL, MF106ZZS		
30	XD9-0136-000		7	RING, E		
31	VS1-7177-002		1	CONNECTOR, SNAP TIGHT, BK		

FIGURE & KEY NO.	PARTS NUMBER	R A N K	Q'TY	DESCRIPTION	SERIAL NUMBER/ REMARKS	S V C
501	XB1-2300-405		2	SCREW, MACH, BH, M3X4		
502	XB4-5401-205		11	SCREW, P, M4X12		

# FIGURE 354 3RD DELIVERY FRAME ASSEMBLY

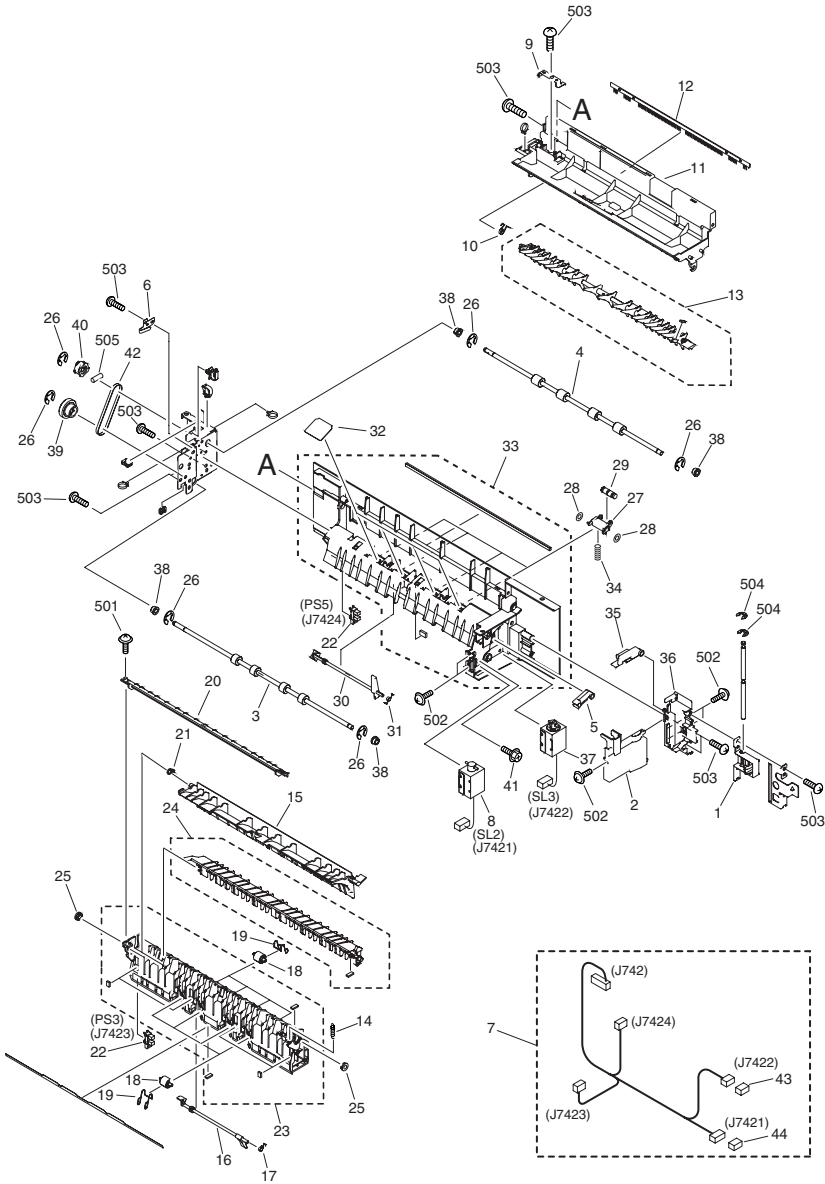


FIGURE & KEY NO.	PARTS NUMBER	R A N K	Q'TY	DESCRIPTION	SERIAL NUMBER/ REMARKS	S V C
Fig.354	FM2-9838-000		1	3RD DELIVERY FRAME ASSEMBLY		
1	FC7-2171-000		1	HOOK, 23 PAPER DELIVERY		
2	FC5-0872-000		1	COVER, DELIVERY SOLENOID, 2		
3	FC5-1012-000		1	ROLLER, DUPLEXING ENTRANCE		
4	FC5-1020-020		1	ROLLER, 3RD DELIVERY		
5	FC5-1023-000		1	ARM, SOLENOID, 2		
6	FC5-6006-000		1	PLATE, GROUNDING		
7	FG3-3295-000		1	CABLE, 3RD DELIVERY		
8	FL2-1206-010		1	SOLENOID	SL2	
9	FC5-0862-000		1	PLATE, GROUNDING		
10	FC5-0977-000		1	SPRING, TORSION		
11	FC5-1009-000		1	GUIDE, 3RD DELIVERY, UPPER		
12	FC5-6003-000		1	ELIMINATOR, STATIC-CHARGE		
13	FL2-1208-030		1	FLAPPER, 3RD PAPER DELIVERY		
14	FC5-0976-000		1	SPRING, TENSION		
15	FC5-1003-040		1	FLAPPER, 2ND PAPER DELIVERY		
16	FC5-1005-000		1	FLAG, DUPLEX ENTRANCE SENSOR		
17	FC5-1006-000		1	SPRING, TORSION		
18	FC5-1013-000		8	ROLLER		
19	FC5-1014-000		8	SPRING		
20	FC5-6008-020		1	GUIDE, DUPLEXING ENTRANCE, 2		
21	FC5-6019-000		1	SPRING, TORSION		
22	FH7-7557-020		2	IC,LG-248L1, PHOTO-INTERRUPTER	PS3,5	
23	FL2-1207-020		1	GUIDE, DUPLEXING ENTRANCE		
24	FL2-5050-000		1	FLAPPER, REVERSE		
25	FC7-4740-000		2	BUSHING		
26	XD9-0136-000		6	RING, E		
27	FC6-2915-000		4	ROLLER, PAPER DELIVERY		
28	FC6-5061-000		8	RING		
29	FC8-0786-000		4	ROLLER, PAPER DELIVERY		
30	FC5-1010-000		1	FLAG, 3RD DELIVERY SENSOR		
31	FC5-1011-000		1	SPRING, TORSION		



FIGURE & KEY NO.	PARTS NUMBER	R A N K	Q'TY	DESCRIPTION	SERIAL NUMBER/ REMARKS	S V C
32	FC5-6012-010		4	SHEET, HOLDER	SL3	
33	FL2-5047-000		1	FRAME, 3RD DELIVERY		
34	FS7-2859-000		4	SPRING, COMPRESSION		
35	FC5-1024-000		1	ARM, SOLENOID, 3		
36	FC7-2162-000		1	COVER, DELIVERY SOLENOID, 1		
37	FL2-1205-010		1	SOLENOID		
38	FS5-1943-000		4	BUSHING		
39	FU5-3018-000		1	PULLEY, 30T/GEAR, 35T		
40	FU5-3021-000		1	PULLEY, 30T		
41	XA9-1386-000		1	SCREW, RS, M3X8		
42	XF2-4109-240		1	BELT, TIMING, COGGED		
43	VS1-7177-002		1	CONNECTOR, SNAP TIGHT, BK		
44	VS1-7177-003		1	CONNECTOR, SNAP TIGHT, BK		
501	XB4-5300-805		2	SCREW, P, M3X8		
502	XB1-2300-405		5	SCREW, MACH, BH, M3X4		
503	XB4-5401-205		13	SCREW, P, M4X12		
504	XD2-1100-322		2	RETAINING RING (E-TYPE)		
505	XD3-2200-122		1	PIN. DOWEL		



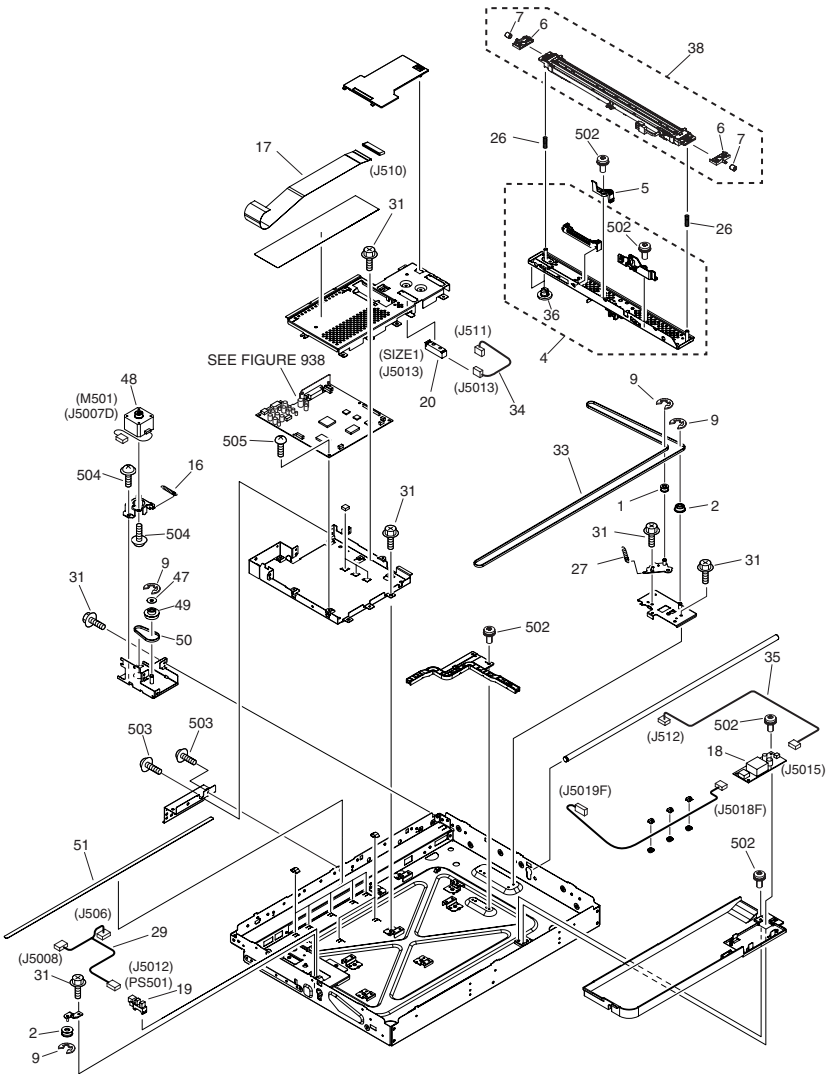


FIGURE & KEY NO.	PARTS NUMBER	R A N K	Q'TY	DESCRIPTION	SERIAL NUMBER/ REMARKS	S V C
Fig.400	NPN		RF	READER ASSEMBLY		
1	FB6-1321-000		1	PULLEY, TENSION		
2	FU5-3328-000		2	PULLEY,FOLLOWER		
3	FC5-1443-000		1	PANEL, READER, LEFT		
4	FM2-0232-000		1	CARRIAGE ASSEMBLY		
5	FC5-0792-000		1	RETAINER, BELT		
6	FB6-1336-000		2	GUIDE, CIS		
7	FB6-1337-000		2	COLLAR		
8	FC5-1426-000		2	GUIDE, CARRIAGE, RIGHT		
9	XD9-0136-000		4	RING, E		
10	FC5-1439-000		2	GUIDE, CARRIAGE, LEFT		
11	FC5-1440-000		1	PANEL, READER, FRONT		
12	FC5-1441-000		1	PANEL, READER, REAR		
13	FC5-1446-000		1	PANEL, DF SUPPORT, LEFT		
14	FC5-1447-000		1	PANEL, DF SUPPORT, RIGHT		
15	FC5-1473-000		2	RETAINER, GLASS		
16	FU5-2105-000		1	SPRING, TENSION		
17	FH2-7054-000		1	CABLE, FLEXIBLE FLAT		
18	FH3-7215-000		1	LAMP REGULATOR PCB ASSEMBLY		
19	FK2-0149-000		1	PHOTO-INTERRUPTER, TLP1252(C6)	PS501	
20	FH7-7569-000		1	DOCUMENT SIZE SENSOR UNIT	SIZE1	
21	FL2-0127-000		1	RETAINER, GLASS, RIGHT		
22	FL2-0128-000		1	RETAINER, GLASS, LEFT		
23	FL2-0220-000		1	GLASS, READER		
24	FL2-0223-000		1	GLASS, COPYBOARD	A/INCH SIZE	
24	FL2-0224-000		1	GLASS, COPYBOARD	A SIZE	
24	FL2-0225-000		1	GLASS, COPYBOARD	A/B/K INCH SIZE	
24	FL2-0273-000		1	GLASS, COPYBOARD	A/B SIZE	
25	FL2-0279-000		1	GUIDE, PAPER		
26	FU5-2091-000		2	SPRING, COMPRESSION		
27	FU5-2103-000		1	SPRING, TENSION		
28	FU5-8203-010		1	LABEL, COPY INHIBITED	Japanese	

FIGURE & KEY NO.	PARTS NUMBER	R A N K	Q'TY	DESCRIPTION	SERIAL NUMBER/ REMARKS	S V C
28	FU5-8204-000		1	LABEL, 'LEGAL LIMITATION'	US English	
28	FU5-8205-000		1	LABEL, COPY INHIBITED	Canadian French	
28	FU5-8206-000		1	LABEL, COPY INHIBITED	Portuguese	
28	FU5-8207-000		1	LABEL, COPY INHIBITED	Spanish	
28	FU5-8208-000		1	LABEL, COPY INHIBITED	English	
28	FU5-8209-000		1	LABEL, COPY INHIBITED	French	
28	FU5-8210-000		1	LABEL, COPY INHIBITED	German	
28	FU5-8211-000		1	LABEL, COPY INHIBITED	Italian	
28	FU5-8215-000		1	LABEL, COPY INHIBITED	Simplified Chinese	
28	FU5-8216-000		1	LABEL, COPY INHIBITED	Traditional Chinese	
28	FU5-8217-000		1	LABEL, COPY INHIBITED	Korean	
29	FG3-3153-000		1	CABLE, HOME POSITION SENSOR		
30	FG3-3156-000		1	CABLE, PLATE DETECT SENSOR		
31	XA9-1386-000		70	SCREW,RS,M3X8		
32	XA9-1415-000		14	SCREW, FLAT HEAD, M4		
33	XF9-0743-000		1	BELT, TIMING, COGGED		
34	FG3-3154-000		1	CABLE, SIZE DETECT		
35	FG3-3157-000		1	CABLE, INVERTER		
36	FB3-2411-000		2	PIN, SLIDE		
37	FG3-3155-000		1	CABLE, DDI-S POWER SUPPLY		
38	FM2-1563-020		1	CONTACT IMAGE SENSOR ASSEMBLY		
39	FC5-1479-000		1	FLAG, SENSOR		
40	FH7-7312-000		2	IC, EE-SX4235A-P2,	PS502,503	
41	FS5-9227-020		1	SCREW,STEPPEED,M4		
42	FU5-2057-000		1	SPRING, TORSION		
43	FU5-8001-000		1	PLATE, WIDTH INDEX	A/B SIZE	
43	FU5-8003-000		1	PLATE, WIDTH INDEX	A/INCH SIZE	
43	FU5-8005-000		1	PLATE, WIDTH INDEX	A SIZE	
43	FU5-8007-010		1	PLATE, WIDTH INDEX	A/B/K INCH SIZE	
44	FU5-8002-000		1	PLATE, LENGTH INDEX	A/B SIZE	
44	FU5-8004-000		1	PLATE, LENGTH INDEX	A/INCH SIZE	
44	FU5-8006-000		1	PLATE, LENGTH INDEX	A SIZE	

FIGURE & KEY NO.	PARTS NUMBER	R A N K	Q'TY	DESCRIPTION	SERIAL NUMBER/ REMARKS	S V C
44	FU5-8008-010		1	PLATE, LENGTH INDEX	A/B/K INCH SIZE	
45	FG3-3158-000		1	CABLE, HEATER CONNECTING		
46	FG3-3152-000		1	CABLE, READER		
47	FB6-1339-000		1	FLANGE		
48	FH5-1028-000		1	MOTOR, STEPPING, DC	M501	
49	FU5-3030-000		1	PULLEY, 24T/41T		
50	XF2-4606-740		1	BELT, TIMING, COGGED		
51	FC5-1492-000		1	PLATE, RAIL		
52	VS1-7177-004		1	CONNECTOR, SNAP TIGHT		
53	VS1-7177-006		1	CONNECTOR, SNAP TIGHT, BK		
54	FC5-1442-000		1	PANEL, READER, RIGHT		
55	FC5-1543-000		1	SUPPORT, READER, LEFT		
501	XB1-2400-807		7	SCREW, M4X8		
502	XB2-8300-807		8	SCREW,W/WASHER,M3X8		
503	XB6-7300-607		6	SCREW,TP,M3X6		
504	XB6-7300-407		4	SCREW,TP,M3X4		
505	XB1-2300-607		10	SCREW,MACH.,TRUSS HEAD,M3X6		

# FIGURE 460 LASER SCANNER ASSEMBLY

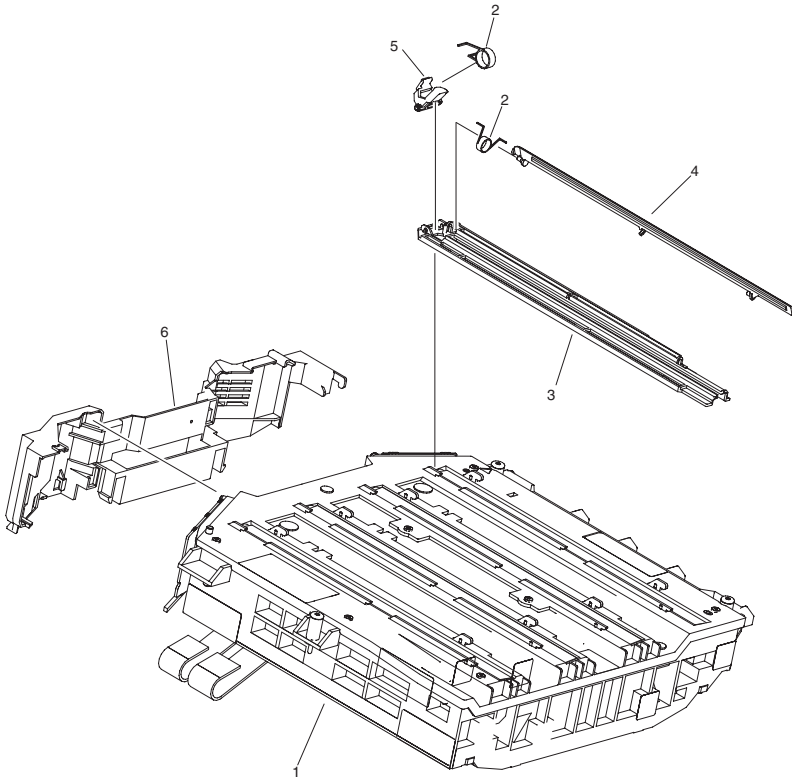
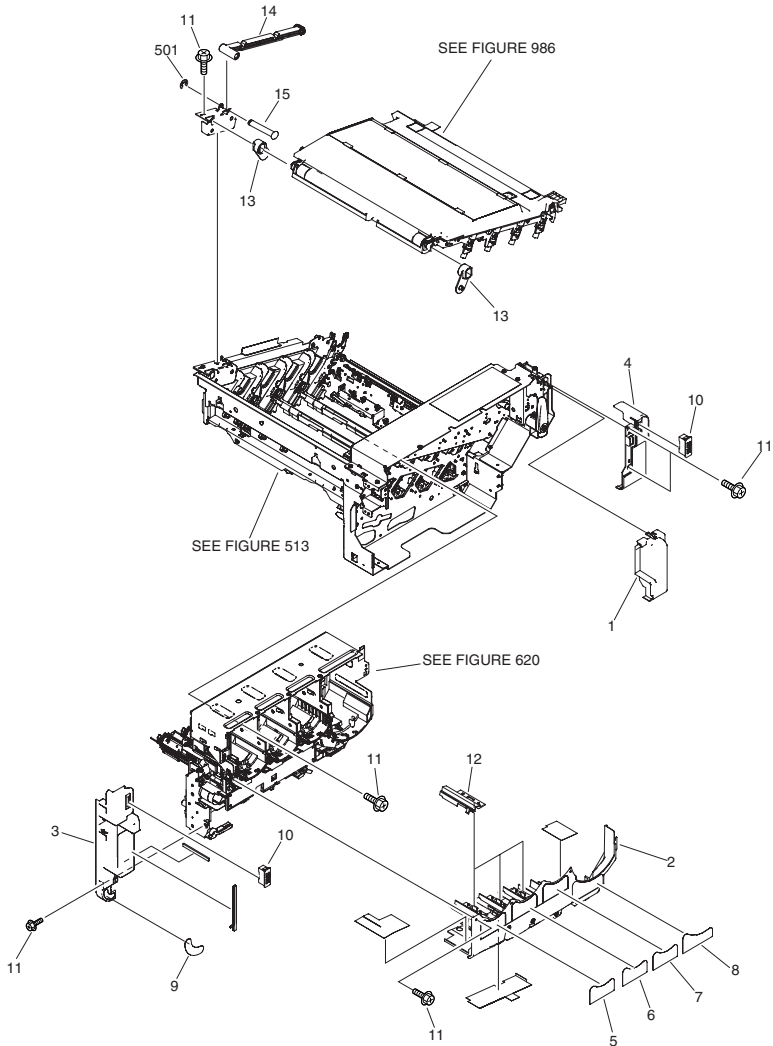


FIGURE & KEY NO.	PARTS NUMBER	RANK	Q'TY	DESCRIPTION	SERIAL NUMBER/REMARKS	SVC
Fig.460	NPN		RF	LASER SCANNER ASSEMBLY		
1	FM3-0003-000		1	LASER SCANNER ASSEMBLY		
2	FC6-9562-000		8	SPRING, TORSION		
3	FC6-9560-000		4	GUIDE, DUST-PROOF		
4	FC6-9561-000		4	SHUTTER, DUST-PROOF		
5	FC6-9563-000		4	LINK, DUST-PROOF SHUTTER		
6	FC6-9567-000		1	COVER, LASER		



# FIGURE 512 PROCESS ASSEMBLY



NOTE 1 : This assembly includes the assemblies shown in Figure 620 and 986.

NOTE 2 : This assembly includes the assembly shown in Figure 513.

NOTE 3 : This assembly does not include the parts shown with key No. 1.

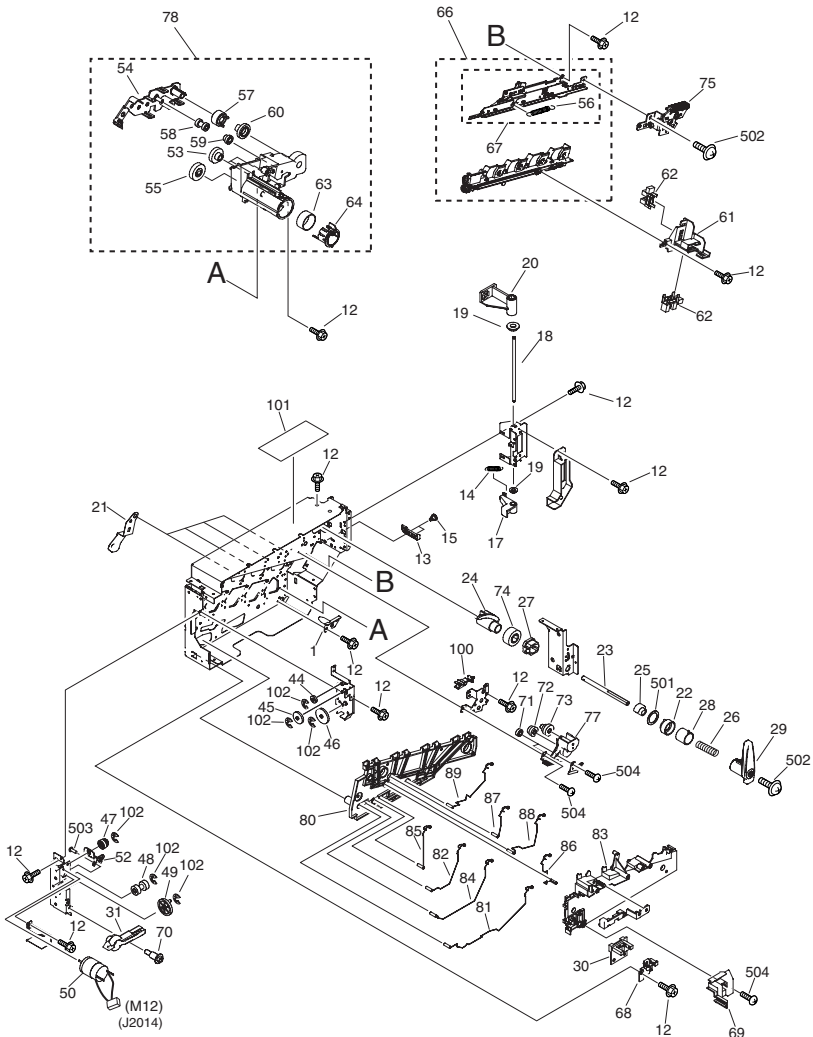
注 1 : このユニットはFigure 620,986のユニットを含みます。

注 2 : このユニットはFigure 513を含みます。

注 3 : このユニットにKey No1の部品は含まれません。

FIGURE & KEY NO.	PARTS NUMBER	R A N K	Q'TY	DESCRIPTION	SERIAL NUMBER/ REMARKS	S V C
Fig.512	FM2-9994-010		1	PROCESS ASSEMBLY	SEE NOTE 1,2	
1	FC6-9349-000		1	COVER, HANDLE	SEE NOTE 3	
2	FC6-9415-000		1	COVER, INNER, FRONT		
3	FC6-9416-000		1	COVER, FRONT INNER, LEFT		
4	FC6-9417-000		1	COVER, FRONT INNER, RIGHT		
5	FC7-4456-000		1	LABEL, CRG. CONTROL, YELLOW		
6	FC7-4457-000		1	LABEL, CRG. CONTROL, MAGENTA		
7	FC7-4458-000		1	LABEL, CRG. CONTROL, CYAN		
8	FC7-4459-000		1	LABEL, CRG. CONTROL, BLACK		
9	FC7-4460-000		1	LABEL, LOCK		
10	XZ9-0603-000		2	CATCH, MAGNET		
11	XA9-1386-000		AR	SCREW,RS,M3X8		
12	FC7-2383-000		3	GUIDE, CLEANING, UPPER		
13	FC7-4165-000		2	BUSHING		
14	FC7-4431-000		1	ARM, STOPPER		
15	FC6-0882-000		1	SHAFT, DAMPER		
501	XD2-1100-402		1	RETAINING RING (E-TYPE)		

# FIGURE 513 PROCESS FRAME ASSEMBLY



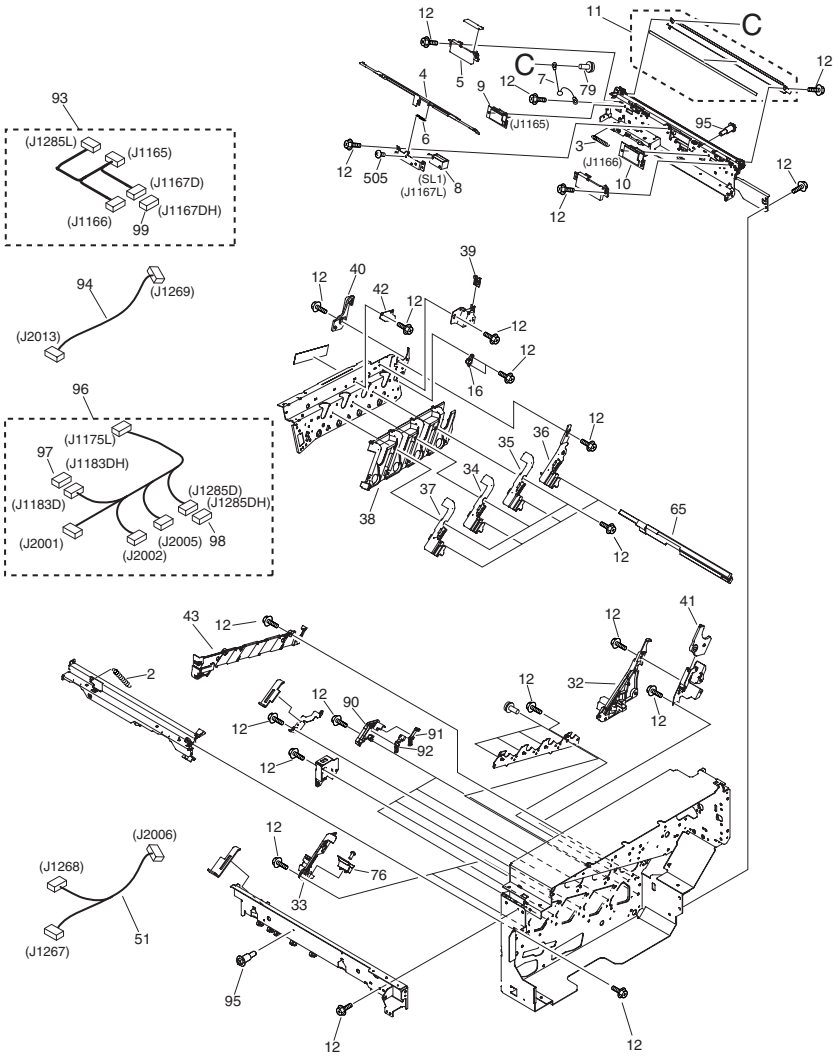


FIGURE & KEY NO.	PARTS NUMBER	RANK	Q'TY	DESCRIPTION	SERIAL NUMBER/REMARKS	SVC
Fig.513	NPN		RF	PROCESS FRAME ASSEMBLY		
1	FL2-4402-000		1	SUPPORT, POSITIONING SHAFT		
2	FU6-2642-000		1	SPRING, TENSION		
3	FU6-2643-000		1	SPRING, TENSION		
4	FC5-7676-010		1	LINK, SHUTTER		
5	FC5-7732-000		2	COVER, SENSOR		
6	FU5-2717-000		1	SPRING		
7	FL2-5805-000		1	VARISTOR		
8	FK2-0484-020		1	SOLENOID	SL1	
9	FK2-0493-000		1	PHOTO-SENSOR, REFLECTOR TYPE		
10	FK2-0494-000		1	PHOTO-SENSOR, REFLECTOR TYPE		
11	FL2-4447-000		1	GUIDE, PRE-TRANSFER		
12	XA9-1386-000		AR	SCREW,RS,M3X8		
13	FC7-4170-000		1	SLIDER, SHUTTER		
14	FU6-2675-000		1	SPRING, TENSION		
15	FU5-9446-000		2	SCREW, STEPPED, M4X8.2		
16	FC7-4130-000		1	BUSHING		
17	FC7-4169-000		1	LINK, SHUTTER		
18	FU6-5415-000		1	SHAFT, SHUTTER		
19	FU5-1704-000		2	BUSHING		
20	FC7-4168-000		1	SHUTTER		
21	FC7-2370-000		4	PLATE, DRUM GROUNDING		
22	FU5-1702-000		1	BUSHING		
23	FC6-9402-000		1	SHAFT, HANDLE		
24	FC6-9403-000		1	CAM, LEAD		
25	FC7-4436-000		1	STOPPER, HANDLE		
26	FU6-2650-000		1	SPRING, COMPRESSION		
27	FU5-1703-000		1	BUSHING		
28	FU6-2652-000		1	SPRING, TORSION		
29	FC6-9397-000		1	HANDLE, LOCK, RIGHT		
30	FM2-3470-000		1	WASTE TONER SENSOR UNIT		
31	FM2-5506-000		1	HANDLE, CASE FIXED		

FIGURE & KEY NO.	PARTS NUMBER	RANK	Q'TY	DESCRIPTION	SERIAL NUMBER/REMARKS	SVC
32	FC6-9228-000		1	RAIL, CARTRIDGE, FRONT, BK		
33	FC6-9227-000		3	RAIL, CARTRIDGE, FRONT, YMC		
34	FC6-9230-000		1	RAIL, MAGENTA CRG., REAR		
35	FC6-9231-000		1	RAIL, CYAN CARTRIDGE, REAR		
36	FC6-9232-000		1	RAIL, BLACK CARTRIDGE, REAR		
37	FC6-9229-000		1	RAIL, YELLOW CRG., REAR		
38	FC7-2313-000		1	BASE, CARTRIDGE RAIL, REAR		
39	FC7-2305-000		1	GUIDE, POSITIONING		
40	FC7-2355-000		1	GUIDE, I.T.B., REAR		
41	FC7-2354-000		1	GUIDE, I.T.B., FRONT		
42	FC6-9582-000		1	PLATE, TRANSFER GROUNDING		
43	FL2-4451-010		1	COVER, FRAME INTERNAL, FRONT		
44	FU7-0312-000		1	GEAR, 21T		
45	FU7-0311-000		1	GEAR, 37T		
46	FU7-0313-000		1	GEAR, 49T		
47	FU7-0319-000		1	GEAR, 20T/36T		
48	FU7-0301-000		2	GEAR, 19T		
49	FU7-0302-000		1	GEAR, 41T		
50	FM2-9963-000		1	WASTE TONER MOTOR ASSEMBLY	M12	
51	FM2-9447-000		1	CABLE, WASTE TONER SENSOR, 2		
52	FC7-4147-000		1	BUSHING		
53	FU7-0304-000		3	GEAR, 15T		
54	FC6-9507-000		1	COVER, GEAR		
55	FU7-0305-000		1	GEAR, 15T		
56	FU6-2653-000		1	SPRING, TENSION		
57	FU7-0306-000		1	GEAR, 14T		
58	FU7-0310-000		1	GEAR, 15T		
59	FU7-0308-000		1	GEAR, 17T		
60	FU7-0307-000		1	GEAR, 21T		
61	FC6-9512-000		1	MOUNT, SENSOR		
62	WG8-5772-000		2	PHOTO-INTERRUPTER, TLP1255(C8)		
63	FU6-2654-000		1	SPRING, COMPRESSION		

FIGURE & KEY NO.	PARTS NUMBER	RANK	Q'TY	DESCRIPTION	SERIAL NUMBER/REMARKS	SVC
64	FL2-4412-000		1	SHUTTER, 2 FEED OUTLET		
65	FC6-9393-000		4	SHUTTER		
66	FM2-5530-010		1	WASTE TONER 1 FEED ASSEMBLY		
67	FM2-5585-010		1	OPEN/CLOSE RACK ASSEMBLY		
68	FC6-9490-000		1	PLATE, SENSOR GROUNDING		
69	FC6-9513-000		1	COVER, SENSOR		
70	FS5-9215-000		1	SCREW, STEPPED		
71	FU7-0314-000		2	GEAR, 20T		
72	FU7-0257-000		1	GEAR, 23T/27T		
73	FU7-0256-000		1	GEAR, 35T/24T		
74	FU7-0289-000		1	GEAR, 20T		
75	FM3-1997-000		1	SHUTTER DRIVE RACK ASS'Y		
76	FC7-2382-000		4	GUIDE, CLEANING		
77	FC7-4852-000		1	CASE, SHUTTER DRIVE		
78	FM2-5586-000		1	WASTE TONER 2 FEED ASSEMBLY		
79	XA9-1510-000		1	SCREW, WW/WASHER TAPPING		
80	FC6-9406-000		1	HOLDER, H.V. CONNECTING, REAR		
81	FC6-9410-000		1	SPRING, TORSION, BK		
82	FC6-9408-000		1	SPRING, TORSION, M		
83	FC6-9405-000		1	HOLDER, H.V. CONNECTING, FRONT		
84	FC6-9409-000		1	SPRING, TORSION, C		
85	FC6-9407-000		1	SPRING, TORSION, Y		
86	FC6-9414-000		1	SPRING, TORSION, Y		
87	FC6-9544-000		1	SPRING, TORSION, M		
88	FC6-9545-000		1	SPRING, TORSION, C		
89	FC7-2312-000		1	SPRING, TORSION, BK		
90	FC6-9412-000		4	HOLDER, HIGH VOLTAGE CONTACT		
91	FC6-9413-000		4	HOLDER, H.V. CONTACT, A		
92	FC6-9411-000		4	HOLDER, H.V. CONTACT, B		
93	FM2-9446-000		1	CABLE, 2		
94	FM2-9432-000		1	CABLE, WASTE TONER SENSOR		
95	FU5-9447-000		2	SCREW, STEPPED, M4X6.3		

FIGURE & KEY NO.	PARTS NUMBER	RANK	Q'TY	DESCRIPTION	SERIAL NUMBER/REMARKS	SVC
96	FM2-9445-000		1	CABLE, 1		
97	VS1-7177-002		1	CONNECTOR, SNAP TIGHT, BK		
98	VS1-7207-018		1	CONNECTOR, SNAP TIGHT, W		
99	VS1-7207-003		1	CONNECTOR, SNAP TIGHT, BK		
101	FC7-7008-000		1	LABEL, OPEN/CLOSE CAUTION		
102	XD9-0135-000		8	RING, E		
501	XD1-1108-213		1	WASHER,COP		
502	XB6-7300-607		AR	SCREW, CROSS-RECESS, FCH		
503	XB1-2260-407		2	SCREW BH 2.6X4		
504	XB4-5300-807		10	SCREW, P, M3X8		
505	XB1-2300-309		2	SCREW, MACHINE M3X3,S		



# FIGURE 535 INTERMEDIATE TRANSFER BELT ASSEMBLY

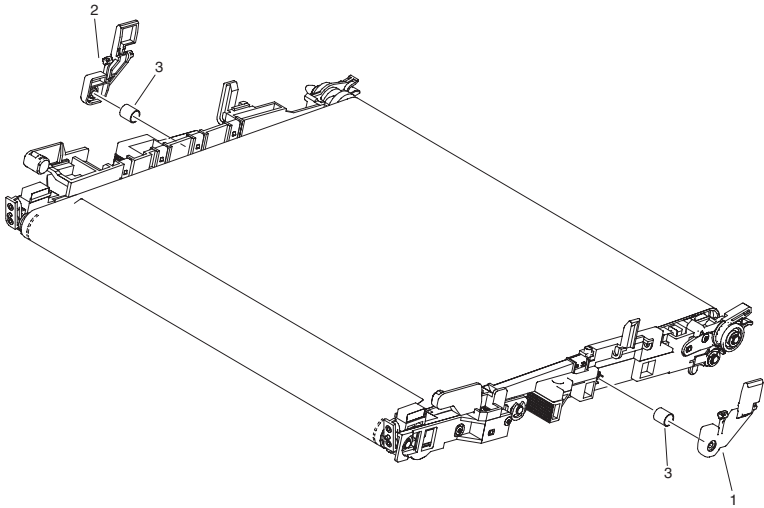
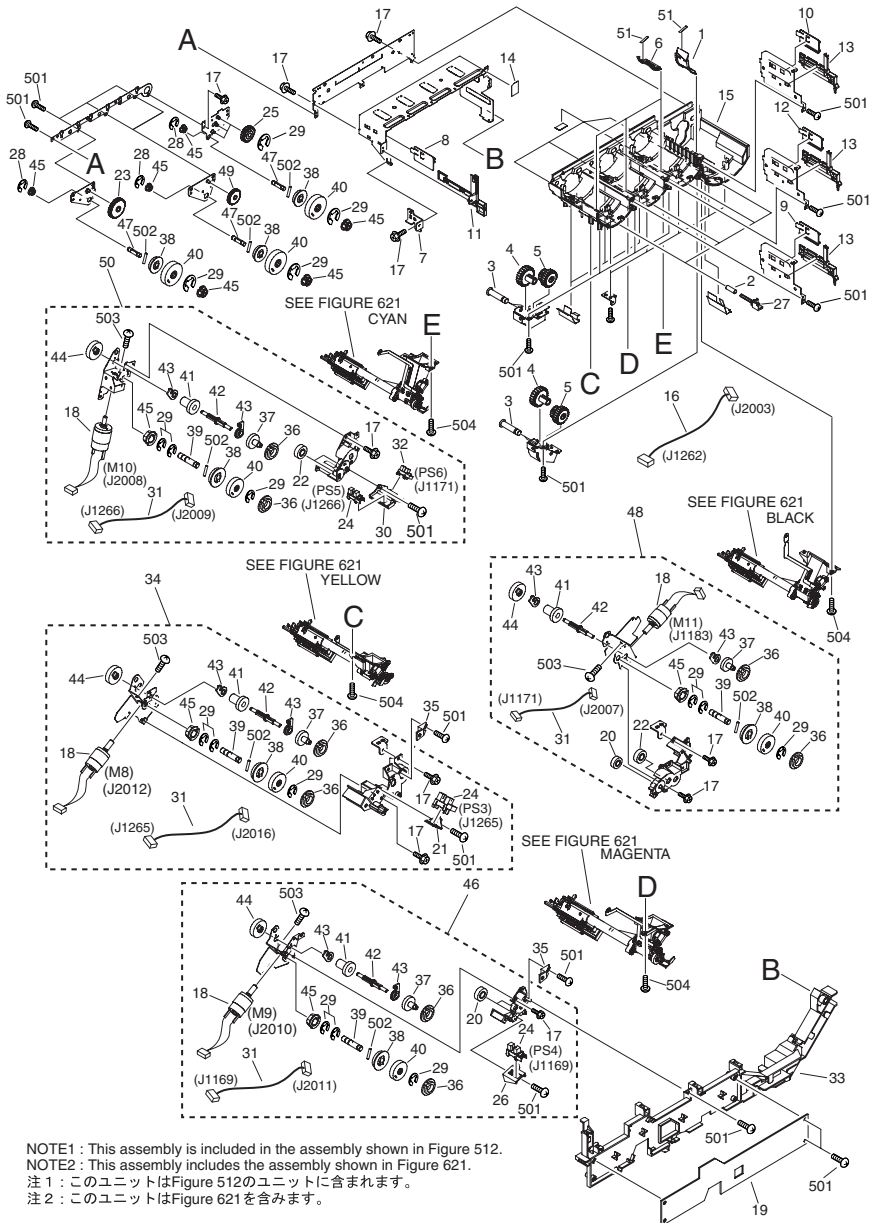


FIGURE & KEY NO.	PARTS NUMBER	RANK	QTY	DESCRIPTION	SERIAL NUMBER/REMARKS	SVC
Fig.535	FM2-5522-000		1	I.T.B. ASSEMBLY		
1	FC5-7654-000		1	LEVER, I.T.B. LOCK, LEFT		
2	FC5-7655-000		1	LEVER, I.T.B. LOCK, RIGHT		
3	FC6-0894-000		2	SPRING, COMPRESSION		

# FIGURE 620 HOPPER ASSEMBLY



NOTE1 : This assembly is included in the assembly shown in Figure 512.

NOTE2 : This assembly includes the assembly shown in Figure 621.

注1 : このユニットはFigure 512のユニットに含まれます。

注2 : このユニットはFigure 621を含みます。

FIGURE & KEY NO.	PARTS NUMBER	R A N K	Q'TY	DESCRIPTION	SERIAL NUMBER/ REMARKS	S V C
Fig.620	FM2-5517-000		1	HOPPER ASSEMBLY	SEE NOTE 1,2	
1	FC6-9336-000		1	SHUTTER, HOPPER, BLACK		
2	FU6-2649-000		4	SPRING, COMPRESSION		
3	FU6-4104-000		8	SHAFT, SET ON GEAR		
4	FU7-0278-000		4	GEAR, 24T		
5	FU7-0279-000		4	GEAR, 16T/24T		
6	FC6-9333-000		3	SHUTTER, HOPPER, CMY		
7	FC7-4160-000		1	HOLDER, INNER COVER, FRONT		
8	FC6-9530-000		1	BLOCK, YELLOW		
9	FC6-9531-000		1	BLOCK, MAGENTA		
10	FC6-9533-000		1	BLOCK, BLACK		
11	FC6-9329-000		1	GUIDE, TONER CARTRIDGE, LEFT		
12	FC6-9532-000		1	BLOCK, CYAN		
13	FC6-9344-000		3	GUIDE, TONER CARTRIDGE, INNER		
14	FC7-4823-000		1	LABEL, DOOR LOCK CONTROL, RT.		
15	FL2-4414-000		1	CASE, TONER CARTRIDGE		
16	FM2-9430-000		1	CABLE, TONER SENSOR		
17	XA9-0849-000	AR		SCREW, RS, M3X6		
18	FM2-5597-000		4	DC MOTOR UNIT, HOPPER	M8-11	
19	FM2-8266-000		1	CONNECTING PCB UNIT		
20	FU7-0287-000		3	GEAR, 16T		
21	FC6-9346-000		1	HOLDER, SENSOR		
22	FU6-0155-000		3	GEAR, 23T		
23	FU7-0315-000		1	GEAR, 36T		
24	WG8-5772-000		5	PHOTO-INTERRUPTER, TLP1255(C8)		
25	FU7-0316-000		3	GEAR, 21T		
26	FC6-9369-000		1	HOLDER, SENSOR		
27	FC6-9331-000		4	SHAFT, SHUTTER LOCK		
28	XD9-0135-000		4	RING, E		
29	XD9-0136-000		23	RING, E		
30	FC6-9368-000		1	HOLDER, SENSOR		
31	FM2-9433-000		4	CABLE, SENSOR		

FIGURE & KEY NO.	PARTS NUMBER	R A N K	Q'TY	DESCRIPTION	SERIAL NUMBER/ REMARKS	S V C
32	FH7-7312-000		1	IC, EE-SX4235A-P2,		
33	FC6-9380-000		1	GUIDE, UNIT CABLE, FRONT		
34	FM2-5593-000		1	TONER SUPPLY DRIVE ASS'Y,Y		
35	FC6-9538-000		2	CROSSMEMBER, GEAR CASE		
36	FU5-1448-000		8	BUSHING		
37	FU7-0283-000		4	GEAR, 20T		
38	FU6-0164-000		8	GEAR, 17T		
39	FU6-4108-000		4	SHAFT, ONE-WAY GEAR		
40	FL2-4421-000		8	CLUTCH, ONE WAY		
41	FU7-0285-000		4	GEAR, 19T		
42	FC7-2377-000		4	SHAFT, WORM WHEEL		
44	FU7-0286-000		4	GEAR, 23T		
45	FU5-1451-000		12	BUSHING		
46	FM2-5594-000		1	TONER SUPPLY DRIVE ASS'Y,M		
47	FU6-4106-000		4	SHAFT, ONE-WAY GEAR		
48	FM2-5596-000		1	TONER SUPPLY DRIVE ASS'Y,BK		
49	FU7-0281-000		2	GEAR, 34T		
50	FM2-5595-000		1	TONER SUPPLY DRIVE ASS'Y,C		
51	FC6-9332-000		4	COVER, SHUTTER		
501	XB4-5300-807		AR	SCREW, P, M3X8		
502	XD3-2200-102		AR	PIN, PARALLEL		
503	XB1-2260-407		8	SCREW BH 2.6X4		

# FIGURE 621 BUFFER ASSEMBLY

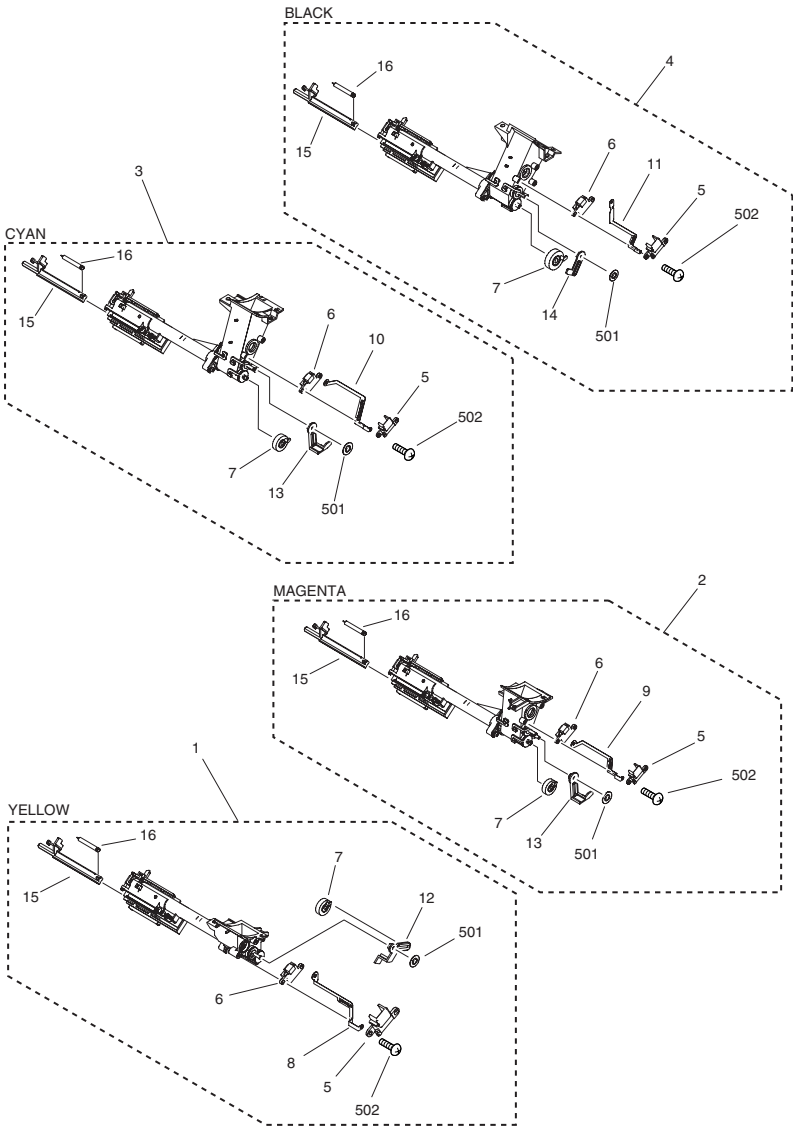


FIGURE & KEY NO.	PARTS NUMBER	R A N K	Q'TY	DESCRIPTION	SERIAL NUMBER/ REMARKS	S V C
Fig.621	NPN		RF	BUFFER ASSEMBLY		
1	FM2-5589-000		1	BUFFER ASSEMBLY, YELLOW		
2	FM2-5590-000		1	BUFFER ASSEMBLY, MAGENTA		
3	FM2-5591-000		1	BUFFER ASSEMBLY, CYAN		
4	FM2-5592-000		1	BUFFER ASSEMBLY, BLACK		
5	FC5-8003-000		4	COVER, CONNECTOR		
6	FH7-7422-000		4	SENSOR, TONER		
7	FU7-0280-000		4	GEAR, 20T		
8	FC6-9370-000		1	PLATE, GROUNDING, YELLOW		
9	FC6-9371-000		1	PLATE, GROUNDING, MAGENTA		
10	FC6-9372-000		1	PLATE, GROUNDING, CYAN		
11	FC6-9373-000		1	PLATE, GROUNDING, BLACK		
12	FC6-9347-000		1	LEVER, WIPER, YELLOW		
13	FC6-9358-000		2	LEVER, WIPER, MAGENTA, CYAN		
14	FC6-9366-000		1	LEVER, WIPER, BLACK		
15	FC7-2346-000		4	LEVER, SHUTTER		
16	FU6-2661-000		4	SPRING, TENSION		
501	XD2-2300-302		4	WASHER, RETAINING 3.0MM (SUS)		
502	XB4-5301-009		8	SCREW,P,M3X10		

# FIGURE 772 WASTE TONER BOX ASSEMBLY

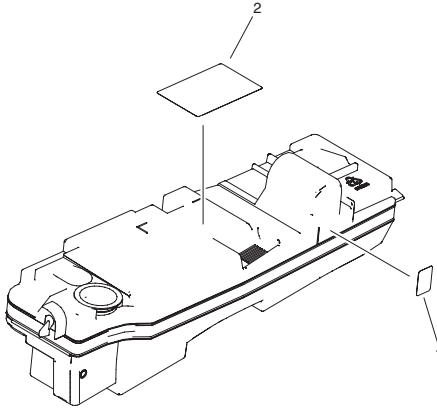


FIGURE & KEY NO.	PARTS NUMBER	RANK	QTY	DESCRIPTION	SERIAL NUMBER/REMARKS	SVC
Fig.772	FM2-5533-000		1	WASTE TONER BOX ASSEMBLY		
1	FB6-3860-000		1	LABEL, WASTE TONER BOTTLE		
2	FB6-3882-000		1	LABEL, WASTE TONER WARNING		

# FIGURE 810 FIXING ASSEMBLY

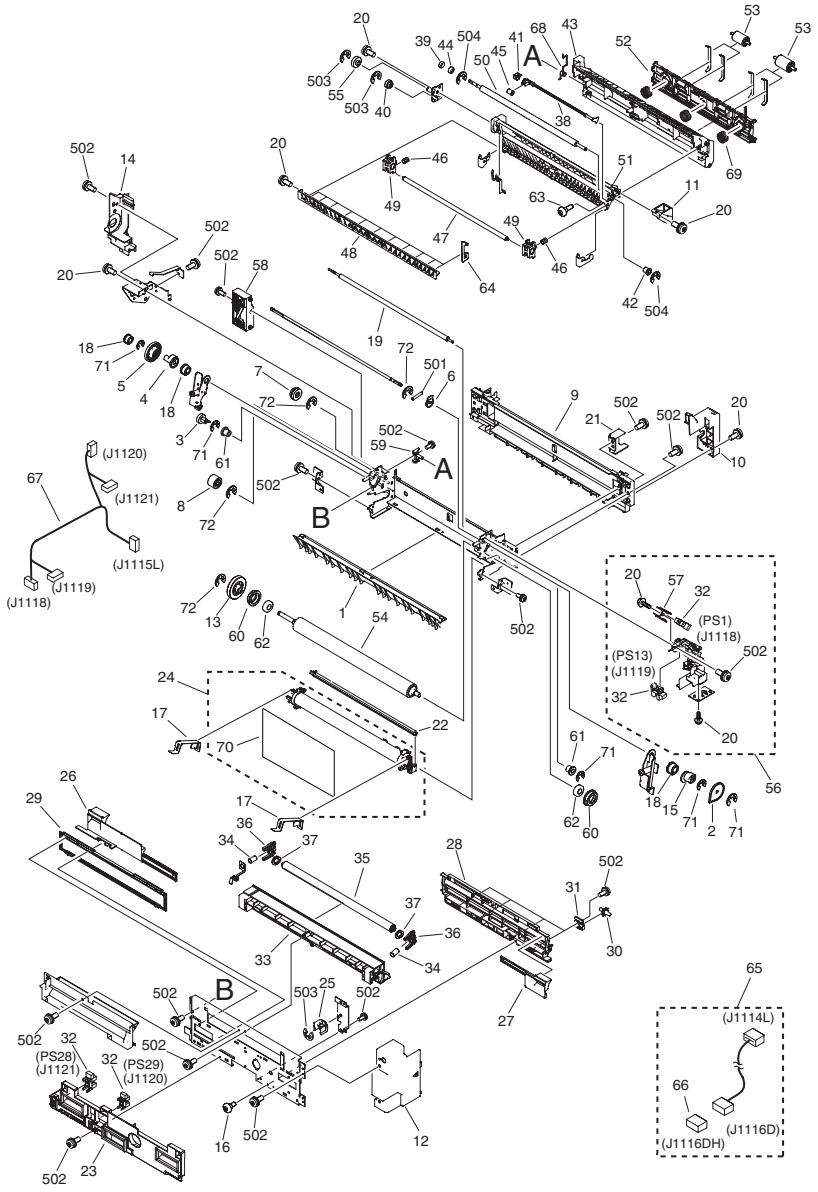




FIGURE & KEY NO.	PARTS NUMBER	R A N K	Q'TY	DESCRIPTION	SERIAL NUMBER/ REMARKS	S V C
Fig.810	FM2-9985-000		1	FIXING ASSEMBLY	100V	
Fig.810	FM2-9986-000		1	FIXING ASSEMBLY	120V	
Fig.810	FM2-9987-000		1	FIXING ASSEMBLY	230V	
1	FC6-9267-000		1	GUIDE, FIXING INLET		
2	FC6-9274-000		1	LEVER, PRESSURE RELEASE		
3	FU7-0328-000		1	GEAR, 15T		
4	FC6-9271-000		1	LEVER, PRESSURE RELEASE, REAR		
5	FU7-0267-000		1	GEAR, 46T		
6	FC6-9272-000		1	FLAG, PRESSURE RELEASE SENSOR		
7	FU7-0326-000		1	GEAR, 17T/27T		
8	FU7-0327-000		1	GEAR, 19T		
9	FC6-9275-000		1	GUIDE, FIXING CABLE		
10	FC6-9279-000		1	COVER, FIXING, FRONT		
11	FC6-9474-000		1	LEVER, JAM CLEARING		
12	FC6-9282-000		1	COVER, FIXING AC		
13	FU7-0258-000		1	GEAR, 33T		
14	FC6-9280-000		1	COVER, FIXING, REAR		
15	FC6-9270-000		1	LEVER, PRESSURE RELEASE, FRONT		
16	FS5-9592-000		1	SCREW, STEPPED, M3		
17	FC6-9471-000		2	SPRING, LEAF		
18	FS5-1943-000		3	BUSHING		
19	FC6-9268-000		1	ROLLER, INNER PAPER DELIVERY		
20	XA9-1510-000		12	SCREW, WWWASHER TAPPING		
21	FL2-4424-000		1	PLATE, GUIDE HINGE, FRONT		
22	FL2-4378-000		1	GUIDE, SEPARATION		
23	FL2-4450-000		1	HOLDER, SENSOR		
24	FM3-1992-000		1	FIXING FILM UNIT	100V	
24	FM3-1993-000		1	FIXING FILM UNIT	120V	
24	FM3-1994-000		1	FIXING FILM UNIT	230V	
25	FU7-0270-000		1	PINION, SHUTTER		
26	FC6-9295-000		1	SHUTTER, REAR		
27	FC6-9294-000		1	SHUTTER, FRONT		

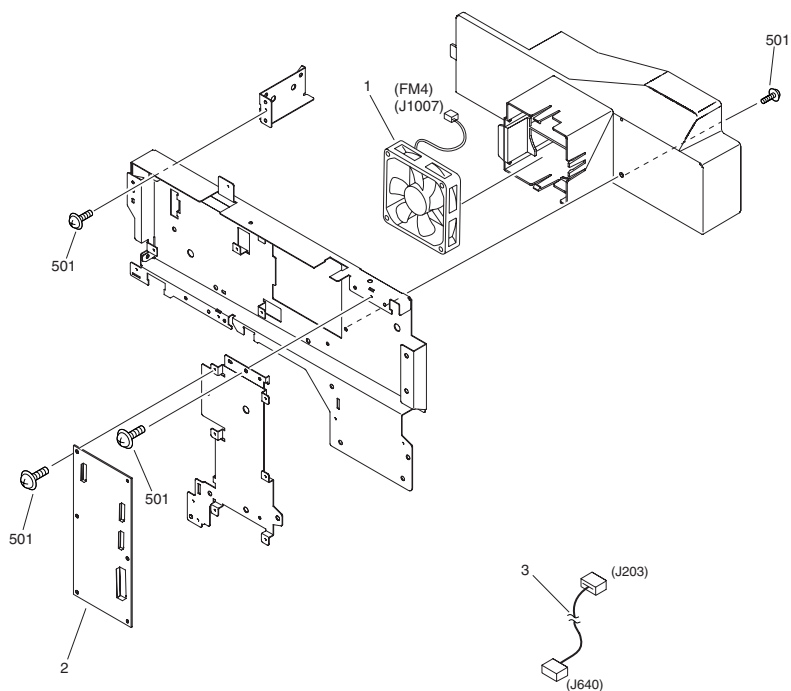
FIGURE & KEY NO.	PARTS NUMBER	R A N K	Q'TY	DESCRIPTION	SERIAL NUMBER/ REMARKS	S V C
28	FC6-9293-000		1	COVER, SHUTTER	PS1,13,28,29	
29	FC6-9292-000		1	GUIDE, SHUTTER		
30	FC7-2471-000		4	ROWEL		
31	FC7-4836-000		4	MOUNT, ROWEL		
32	WG8-5772-000		4	PHOTO-INTERRUPTER, TLP1255(C8)		
33	FC6-9303-000		1	GUIDE, FIXING DELIVERY, UPPER		
34	FU6-2644-000		2	SPRING, COMPRESSION		
35	FL2-5277-000		1	ROLLER, SLEEVE		
36	FC6-9472-000		2	HOLDER, BUSHING		
37	XG9-0513-000		2	BEARING, BALL, DDL-1280ZZR		
38	FC6-9473-000		1	FLAG, PAPER DELIVERY SENSOR		
39	XG9-0242-000		1	BEARING, BALL, MR106ZZMC3D4ML		
40	FU7-0329-000		1	GEAR, 20T/24T		
41	FC6-9309-000		1	SPRING, TORSION		
42	FA9-4041-005		1	BUSHING		
43	FC7-4438-000		1	GUIDE, DUPLEXING, UPPER		
44	FC7-4452-000		1	SPACER, HEAT-RESISTANT		
45	FB6-7002-000		1	ROLLER, PAPER SENSOR		
46	FU5-2683-000		2	SPRING		
47	FC7-2395-000		1	ROLLER, PAPER DELIVERY		
48	FC7-6978-000		1	GUIDE, INNER PAPER DELIVERY		
49	FU5-1559-000		2	BUSHING		
50	FC6-9305-000		1	ROLLER, FIXING PAPER DELIVERY		
51	FL2-4395-000		1	FIXING GUIDE UNIT, LOWER		
52	FL2-0144-000		1	GUIDE, DUPLEXING FEEDER, UPPER		
53	FC6-5055-000		2	ROLLER, DUPLEXING		
54	FC7-6981-000		1	ROLLER, PRESSURE		
55	FU7-0330-000		1	GEAR, 50T		
56	FM2-5575-000		1	CONTACT HOLDER ASS'Y, FILM		
57	FC6-9283-000		1	COVER, SENSOR		
58	FM2-5576-000		1	CONTACT HOLDER ASS'Y, ROLLER		
59	FL2-4393-000		1	PLATE, GUIDE HINGE, REAR		

FIGURE & KEY NO.	PARTS NUMBER	R A N K	Q'TY	DESCRIPTION	SERIAL NUMBER/ REMARKS	S V C
60	FC5-7182-000		2	HOUSING,BEARING		
61	FS1-1528-000		2	BUSHING, PL		
62	XG9-0172-000		2	BALL BEARING, NSK, 688AZZ1MC4E		
63	FU5-9449-000		4	SCREW, STEPPED, M3		
64	FC7-6979-000		11	RIB		
65	FM2-9438-000		1	CABLE, THERMISTOR CONNECTING		
66	VS1-7207-008		1	CONNECTOR, SNAP TIGHT, BK		
67	FM2-9439-000		1	CABLE, FIXING SENSOR		
68	FC6-9278-000		1	SPRING, TORSION		
69	FU5-2073-000		3	SPRING, COMPRESSION		
70	FC7-7392-000		1	SHEET, PROTECTION		
71	XD9-0135-000		5	RING, E		
72	XD9-0136-000		4	RING, E		
501	XD3-2200-122		1	PIN, DOWEL		
502	XB2-8300-807		35	SCREW, M3X8		
503	XD2-1100-322		3	RETAINING RING (E-TYPE)		
504	XD2-1100-502		2	RETAINING RING (E-TYPE)		



FIGURE & KEY NO.	PARTS NUMBER	R A N K	Q'TY	DESCRIPTION	SERIAL NUMBER/ REMARKS	S V C
Fig.900	NPN		RF	CONTROLLER BOX ASSEMBLY		
1	FK2-3234-000		1	FAN	FM5	
2	FK2-3737-000		1	CABLE, FLAT, HDD		
3	FM2-8258-000		1	HDD, HDS728080PLAT20		
4	FK2-0755-000		1	DIMM, SD-RAM. IC		
5	FG3-3171-000		1	CABLE, HARD DISK POWER SUPPLY		
6	FG3-3851-010		1	CABLE, FRAM		
7	FM2-3681-000		1	SRAM PCB ASSEMBLY		
9	XA9-1496-000		4	SCREW,M3X6.4		
10	FM2-9452-000		1	CABLE, CONTROLLER		
11	VS1-7177-003		2	CONNECTOR, SNAP TIGHT, BK		
12	XA9-0836-000		6	SCREW,TP,M3X6		
501	XB2-5301-407		6	SCREW,W/WASHER,M3X14		
502	XB1-2403-007		2	SCREW, BH 4X30 (S)		
503	XB6-7300-607		AR	SCREW, CROOSS-RECESS, FCH		

# FIGURE 911 MAIN CONT. POWER SUPPLY ASS'Y



NOTE : This assembly does not include the part shown with key No. 3.  
注 : このユニットにKey No. 3の部品は含まれません。

FIGURE & KEY NO.	PARTS NUMBER	RANK	Q'TY	DESCRIPTION	SERIAL NUMBER/REMARKS	SVC
Fig.911	FM2-5545-000		1	MAIN CONT. POWER SUPPLY ASS'Y		
1	FK2-0360-000		1	FAN	FM4	
2	FG3-3843-000		1	MAIN CONT. PS PCB ASSEMBLY		
3	FM2-9431-000		1	CABLE, ACCESSORY POWER SUPPLY	SEE NOTE	
501	XB6-7300-607		AR	SCREW, CROSS-RECESS, FCH		

# FIGURE 930 DC CONTROLLER PCB ASSEMBLY

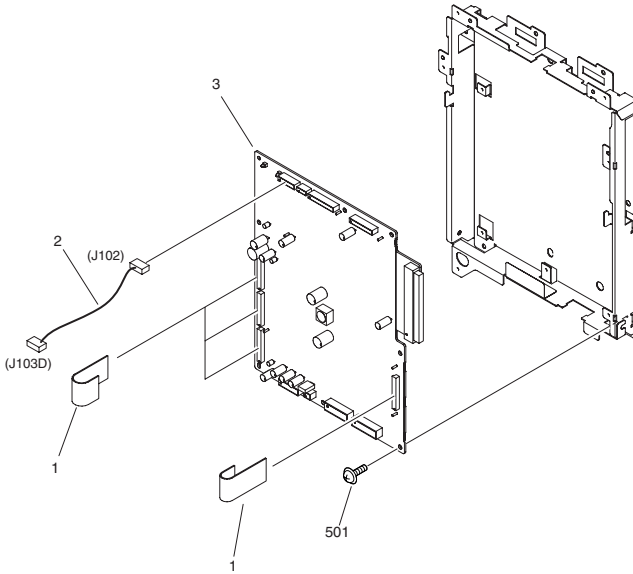




FIGURE & KEY NO.	PARTS NUMBER	RANK	Q'TY	DESCRIPTION	SERIAL NUMBER/REMARKS	SVC
Fig.930	NPN		RF	DC CONTROLLER PCB ASSEMBLY		
1	FK2-3300-000		4	CABLE, FLAT		
2	FM2-9486-000		1	CABLE, TERMINAL		
3	FM2-8281-000		1	DC CONTROLLER PCB ASSEMBLY		
501	XB6-7300-607		10	SCREW, CROSS-RECESS, FCH		
IC	FK2-0501-000		1	IC, MB87L8320, STANDARD CELL	IC14	
IC	FK2-2046-000		1	IC, MB87Q1282PB-GE1,	IC15	
IC	FK2-2043-000		4	IC, PM1100/40G, GATEARRAY,	IC16-IC19	
IC	FH4-6300-000		1	IC, M38871M2-010GP, MCU	IC21	

# FIGURE 931 DC DRIVER PCB ASSEMBLY

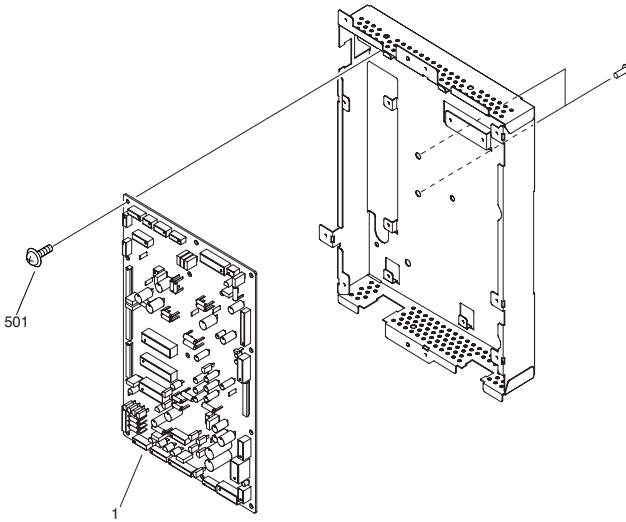


FIGURE & KEY NO.	PARTS NUMBER	RANK	Q'TY	DESCRIPTION	SERIAL NUMBER/REMARKS	SVC
Fig.931	NPN		RF	DC DRIVER PCB ASSEMBLY		
1	FM2-8264-000		1	DC DRIVER PCB ASSY		
501	XB6-7300-607		AR	SCREW, CROSS-RECESS, FCH		

# FIGURE 932 MAIN CONTROLLER PCB ASSEMBLY

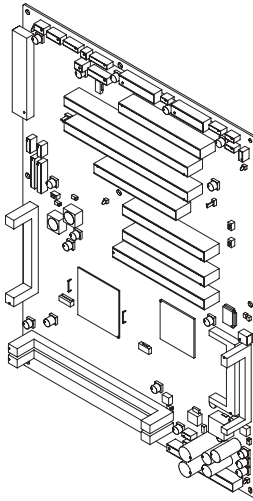


FIGURE & KEY NO.	PARTS NUMBER	RANK	Q'TY	DESCRIPTION	SERIAL NUMBER/REMARKS	S V C
Fig.932	FM2-9163-010		1	MAIN CONTROLLER PCB ASSEMBLY		
IC	FH4-6300-000		1	IC, M38871M2-010GP, MCU	IC20	
IC	FH4-6243-000		1	IC,L7A1860,STANDARD CELL	IC39	
IC	FK2-2903-000		1	IC, T8K21CXBG-5, STANDARD CELL	IC50	
IC	FH4-6302-000		1	IC,S1L50552F32L000,ASIC	IC54	

# FIGURE 933 MAIN CONTROLLER PCB ASS'Y,R-A

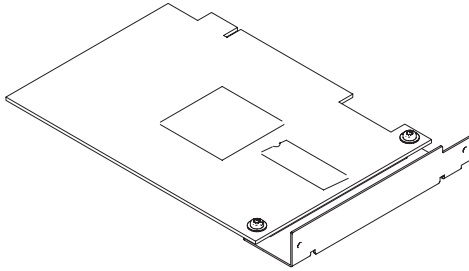


FIGURE & KEY NO.	PARTS NUMBER	RANK	Q'TY	DESCRIPTION	SERIAL NUMBER/ REMARKS	SVC
Fig.933	FM2-6206-000		1	MAIN CONTROLLER PCB ASS'Y,R-A	CZK/CZS/CZT/CZU/CZY/ CZZ/DAH/DAZ/DBB/DBF/ DBM/DBN/DBT/DBU/DBV/ DBW/DBX/DBY/DCM/ DCP/DCQ	
Fig.933	FM3-5544-000		1	MAIN CONTROLLER PCB ASS'Y,R-A	CZG/CZH/DBC/DBD/DBZ/ DCA/DCE/DCF/DCK/DCL	
IC	FH4-6237-000		1	IC,UPD800607S1,STANDARD CELL	CZK/CZS/CZT/CZU/CZY/ CZZ/DAH/DAZ/DBB/DBF/ DBM/DBN/DBT/DBU/DBV/ DBW/DBX/DBY/DCM/ DCP/DCQ	
IC	FK2-3739-000		1	IC,UPD800458F1,STANDARD CELL	IC1 CZG/CZH/DBC/DBD/ DBZ/ DCA/DCE/DCF/ DCK/DCL	

# FIGURE 934 PDRM-EF-A PCB ASS'Y(S)

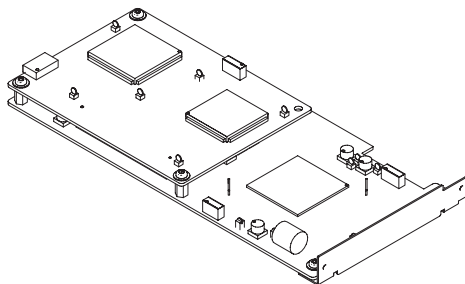


FIGURE & KEY NO.	PARTS NUMBER	RANK	Q'TY	DESCRIPTION	SERIAL NUMBER/REMARKS	S V C
Fig.934	FM2-9166-000		2	PDRM-EF-A PCB ASS'Y(S)		
IC	FK2-0912-000		1	IC, HG76CS037AHFV,	IC2	
IC	FK2-0913-000		1	IC, L7A1911, STANDARD CELL,	IC6	

# FIGURE 935 MAIN CONTROLLER PCB ASS'Y,SJ-A

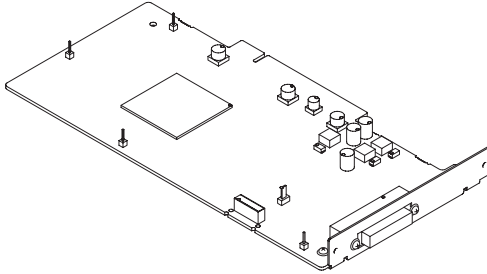


FIGURE & KEY NO.	PARTS NUMBER	RANK	Q'TY	DESCRIPTION	SERIAL NUMBER/REMARKS	SVC
Fig.935	FM2-3838-000		1	MAIN CONTROLLER PCB ASS'Y,SJ-A		
IC	FH4-6239-000		1	IC,UPD800008S1-011-F6-A	IC1	
IC	FH4-6247-000		1	IC, FUA119AA, STANDARD CELL,	IC18	
IC	FH4-6260-000		1	IC, M66446FP, STANDARD CELL	IC21	

# FIGURE 936 LANBAR-C-BC PCB ASSEMBLY

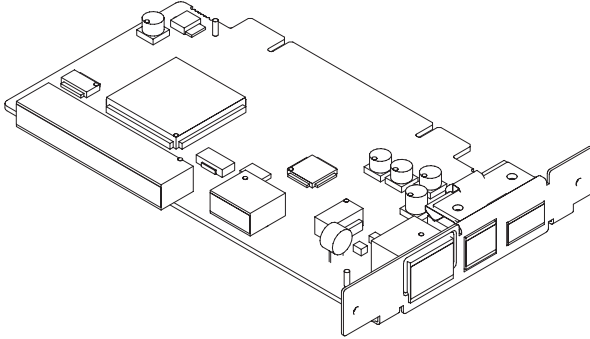


FIGURE & KEY NO.	PARTS NUMBER	RANK	QTY	DESCRIPTION	SERIAL NUMBER/REMARKS	SVC
Fig.936	FM2-9611-000		1	LANBAR-C-BC PCB ASSEMBLY		
IC	FH4-6214-000		1	IC, TC240E4804F-42,GATE ARRAY	IC1	

# FIGURE 937 RB-A2 PCB ASSEMBLY

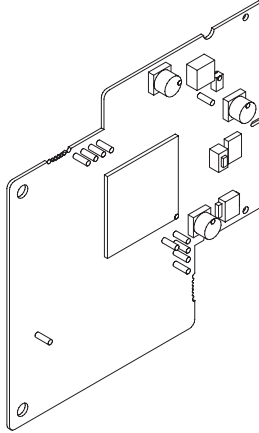


FIGURE & KEY NO.	PARTS NUMBER	RANK	Q'TY	DESCRIPTION	SERIAL NUMBER/REMARKS	SVC
Fig.937	FM2-9161-000		1	RB-A2 PCB ASSEMBLY	EXCEPT CZG/DBC/DCA/DCE/DCF/DCK/DCL	
IC	FH4-6303-000		1	IC.PD800052F1-011-MN3-A,	IC1EXCEPT CZG/DBC/DCA/DCE/DCF/DCK/DCL	



# FIGURE 938 READER CONTROLLER PCB ASSEMBLY

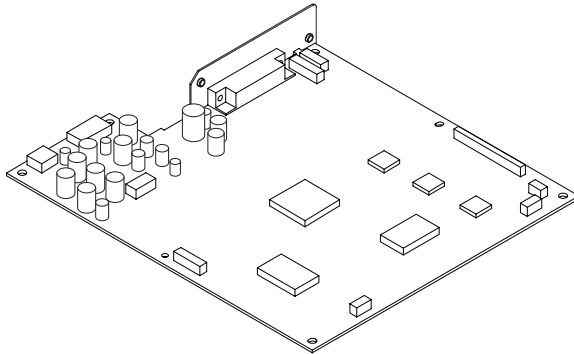


FIGURE & KEY NO.	PARTS NUMBER	RANK	QTY	DESCRIPTION	SERIAL NUMBER/REMARKS	SVC
Fig.938	FG3-3159-000		1	READER CONTROLLER PCB ASSEMBLY		
IC	FH4-6227-000		1	IC, MB87M1570, STANDARD CELL	IC515	
IC	FK2-0240-000		1	IC, HD6432323A01F, MCU	IC519	

# FIGURE 939 OPEN INTERFACE BOARD PCB ASS'Y

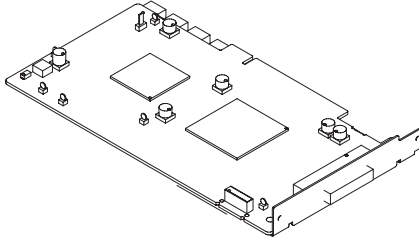


FIGURE & KEY NO.	PARTS NUMBER	RANK	Q'TY	DESCRIPTION	SERIAL NUMBER/REMARKS	SVC
Fig.939	FM2-5605-000		1	OPEN INTERFACE BOARD PCB ASS'Y	imageRUNNER C3480/3080	
IC	FH4-6237-000		1	IC,UPD800607S1,STANDARD CELL	IC1imageRUNNER C3480/3080	
IC	FH4-6241-000		1	IC,PD800028S1-011-F6-A,	IC6imageRUNNER C3480/3080	

# FIGURE 985 BIAS HIGH VOLTAGE PCB ASSEMBLY

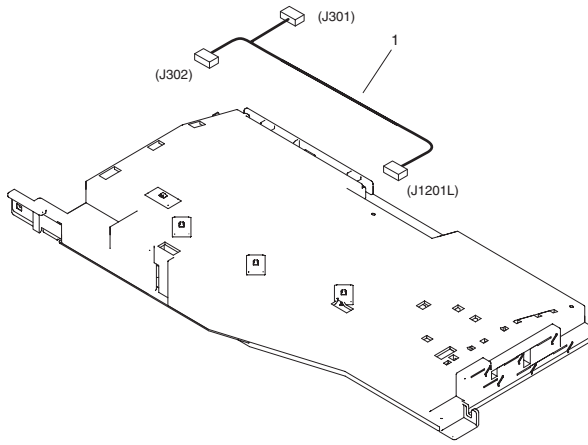
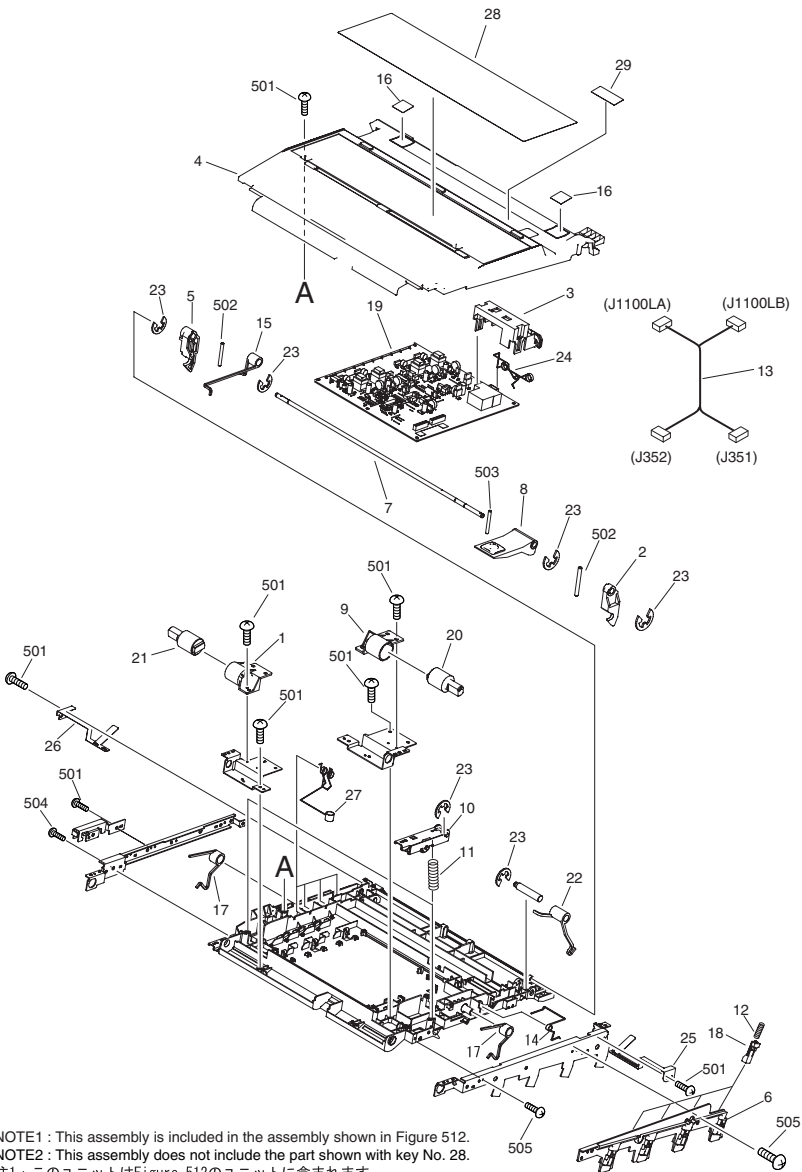


FIGURE & KEY NO.	PARTS NUMBER	RANK	QTY	DESCRIPTION	SERIAL NUMBER/REMARKS	SVC
Fig.985	FM2-5548-000		1	BIAS HIGH VOLTAGE PCB ASSEMBLY		
1	FM2-9437-000		1	CABLE, HIGH VOLTAGE CONNECTING		

# FIGURE 986 TRANSFER H.V. PCB (HV2)



NOTE1 : This assembly is included in the assembly shown in Figure 512.  
 NOTE2 : This assembly does not include the part shown with key No. 28.  
 注1 : このユニットはFigure 512のユニットに含まれます。  
 注2 : このユニットにKey No. 28の部品は含まれません。

FIGURE & KEY NO.	PARTS NUMBER	R A N K	Q'TY	DESCRIPTION	SERIAL NUMBER/ REMARKS	S V C
Fig.986	FM2-5558-010		1	TRANSFER H.V. PCB (HV2)	SEE NOTE 1	
1	FC7-4162-000		1	CASE_DAMPER_REAR		
2	FC7-4126-010		1	LEVER_LOCK_FRONT		
3	FC6-9208-000		1	HOLDER, POWER DISPATCHING		
4	FC6-9170-000		1	COVER, TRANSFER HIGH VOLTAGE		
5	FC6-9172-000		1	LEVER, LOCK, REAR		
6	FC6-9183-000		1	HOLDER, PRESSURE LEVER		
7	FC6-9214-000		1	SHAFT, LOCK		
8	FC6-9173-000		1	ARM, LOCK RELEASE		
9	FC7-4161-000		1	CASE_DAMPER_FRONT		
10	FM2-5613-000		2	RETAINING ASSEMBLY		
11	FU6-2660-000		2	SPRING, COMPRESSION		
12	FU6-2641-000		4	SPRING, COMPRESSION		
13	FM2-9435-000		1	CABLE, H.V. 2 CONNECTING		
14	FC6-9210-000		1	SPRING, TORSION		
15	FC6-9178-000		1	SPRING, TORSION		
16	FC7-4454-010		2	LABEL		
17	FC6-9176-000		2	SPRING, TORSION		
18	FC6-9182-000		4	LEVER, PRESSURE		
19	FK2-0489-000		1	HVT2		
20	FC7-2352-000		1	DAMPER, FRONT		
21	FC7-2353-000		1	DAMPER, REAR		
22	FC6-9174-000		1	SPRING, TORSION		
23	XD9-0135-000		6	RING, E		
24	FC6-9209-000		1	SPRING, TORSION		
25	FC7-2367-000		1	PLATE, GROUNDING, FRONT		
26	FC7-2368-000		1	PLATE, GROUNDING, REAR		
27	FC5-8030-010		4	SPRING, TORSION		
28	FC7-4166-000		1	SHEET, DRUM	SEE NOTE 2	
29	FC8-1169-000		1	LABEL, CAUTION, TRANSFER, H.V.		
501	XB1-2300-607		28	SCREW, BH3X6		
502	XD3-2200-182		2	PIN, DOWEL		

FIGURE & KEY NO.	PARTS NUMBER	R A N K	Q'TY	DESCRIPTION	SERIAL NUMBER/ REMARKS	S V C
503	XD3-2200-122		1	PIN, DOWEL		
504	XB4-5300-807		8	SCREW, P, M3X8		

# FIGURE 994 RELAY DELIVERY CONTROLLER PCB ASSEMBLY

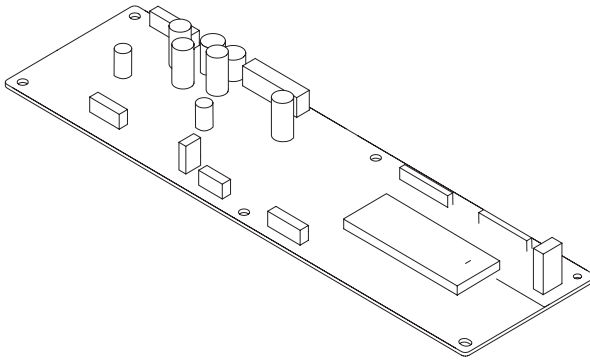


FIGURE & KEY NO.	PARTS NUMBER	RANK	QTY	DESCRIPTION	SERIAL NUMBER/REMARKS	SVC
Fig.994	FM2-3221-000		1	RELAY DELIVERY CONT. PCB ASS'Y		
IC	FH4-6204-000		1	IC, S1L50993F22H000,GATE-ARRAY	IC10	

# FIGURE A01 DADF MOUNTING HARDWARE(DADF model)

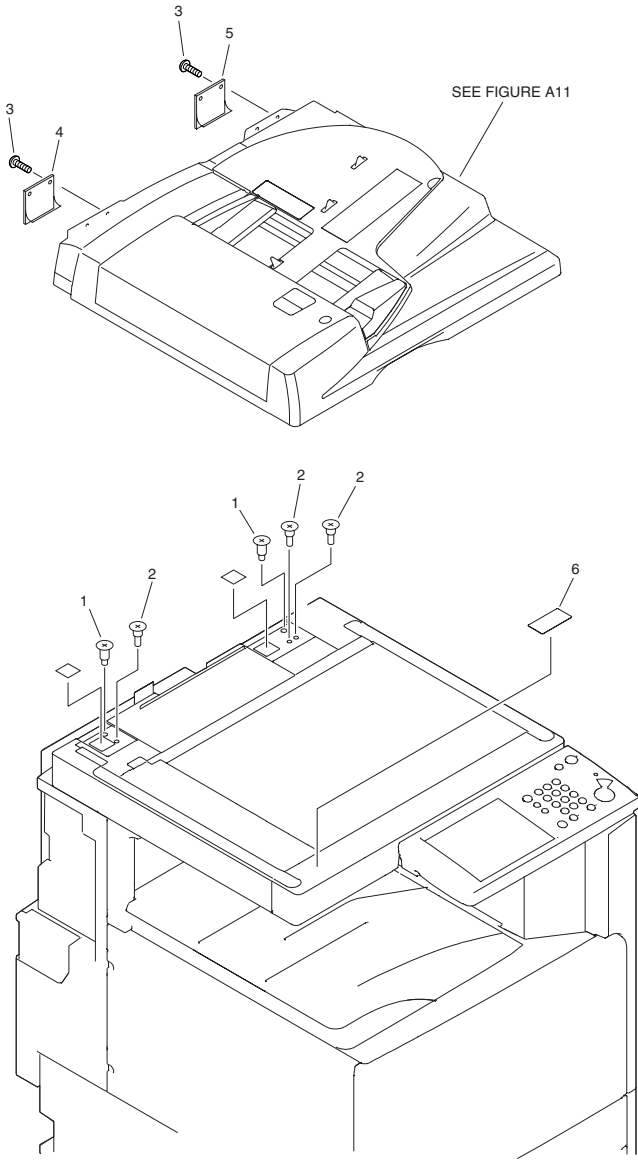
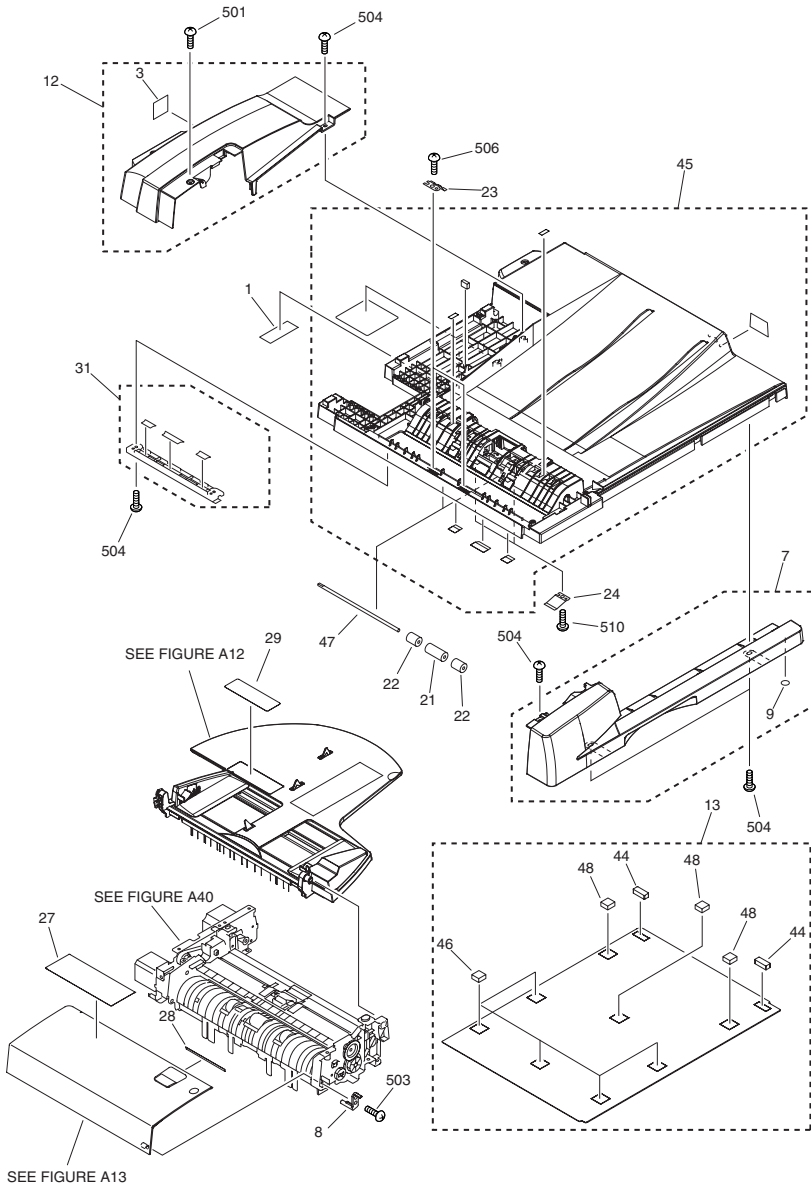




FIGURE & KEY NO.	PARTS NUMBER	RANK	Q'TY	DESCRIPTION	SERIAL NUMBER/REMARKS	SVC
Fig.A01	NPN		RF	DADF MOUNTING HARDWARE	DADF model	
1	FU5-9139-000		2	SCREW, STEPPED, M5X6		
2	FU5-9140-000		3	SCREW, STEPPED, M4X10		
3	XA9-0874-000		4	SCREW,M3X8		
4	FB5-9504-000		1	SHEET, HINGE GUIDE, LEFT		
5	FB5-9505-000		1	SHEET, HINGE GUIDE, RIGHT		
6	FC5-4410-000		1	LABEL, CLEANING	A/B SIZE	
6	FC5-4412-000		1	LABEL, CLEANING	A/INCH SIZE A/B/INCH SIZE	

# FIGURE A11 DADF ASSEMBLY(DADF model)



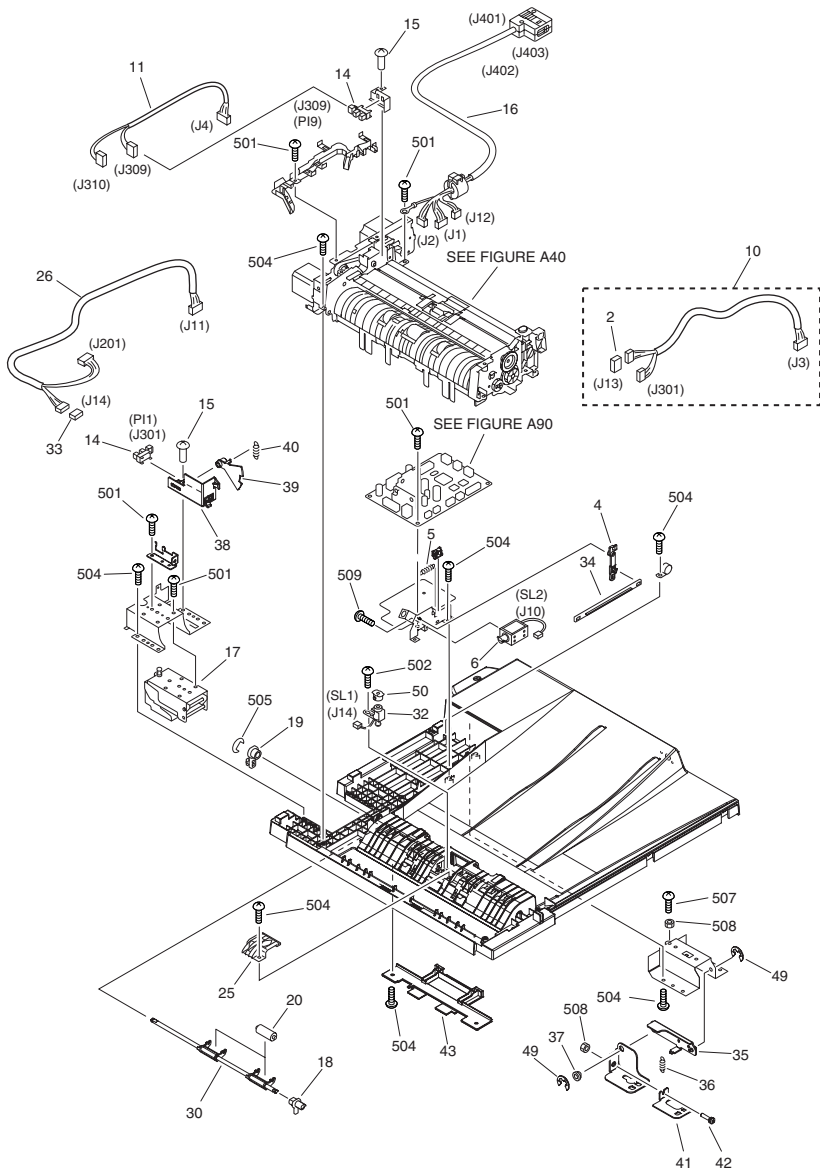


FIGURE & KEY NO.	PARTS NUMBER	R A N K	Q'TY	DESCRIPTION	SERIAL NUMBER/ REMARKS	S V C
Fig.A11	NPN		RF	DADF ASSEMBLY	DADF model	
1	FC5-4396-000		1	LABEL, HINGE CAUTION	A/B SIZE	
1	FC5-4397-000		1	LABEL, HINGE CAUTION	A/INCH SIZE A/B/INCH SIZE	
2	VS1-7177-009		1	CONNECTOR, 9P		
3	FC5-4400-000		1	LABEL, HINGE CAUTION		
4	FC5-4279-000		1	LEVER, SOLENOID		
5	FS7-2662-000		1	SPRING, TENSION		
6	FL2-0967-020		1	SOLENOID	SL2	
7	FL2-0961-000		1	PANEL, FRONT		
8	FC5-4264-000		1	SHAFT, OPEN/CLOSE		
9	XH9-0126-000		1	SHEET, CLEAR DAMPER		
10	FF3-4302-040		1	CABLE, DF OPEN/CLOSE CONNECT		
11	FF3-4306-000		1	CABLE, COVER OPEN/CLOSE SENSOR		
12	FL2-0941-000		1	PANEL, REAR		
13	FL2-0947-020		1	PANEL, COPYBOARD		
14	WG8-5624-000		2	IC, PHOTO INTERRUPTER	PI1,9	
15	XA9-0894-010		2	SCREW,M3X6		
16	FG3-3125-010		1	CABLE, INTERFACE		
17	FC6-2803-000		1	LEFT HINGE UNIT		
18	FC5-4280-000		1	BUSHING		
19	FC5-4281-000		1	BUSHING		
20	FC6-2778-000		2	ROLLER, DELIVERY REVERSE		
21	FC5-4286-000		2	ROLLER, PAPER FEED, 1		
22	FC5-4287-000		4	ROLLER, PAPER FEED, 2		
23	FB5-9401-000		2	SPRING, LEAF		
24	FC5-4289-000		2	SPRING, LEAF		
25	FC5-4291-000		1	GUIDE, STAMP		
26	FF3-4307-000		1	CABLE, SOLENOID LED		
27	FC5-4402-000		1	LABEL, DOCUMENT PROHIBITION	A/B SIZE	
27	FC5-4395-000		1	LABEL, DOCUMENT PROHIBITION	A/INCH SIZE A/B/INCH SIZE	
28	FC5-4408-000		1	LABEL, DOCUMENT SIZE		

FIGURE & KEY NO.	PARTS NUMBER	R A N K	Q'TY	DESCRIPTION	SERIAL NUMBER/ REMARKS	S V C
29	FC5-4391-000		1	LABEL, DOCUMENT SIZE	A/B SIZE	
29	FC5-4392-020		1	LABEL, DOCUMENT SIZE	A/B/INCH SIZE	
29	FC5-4394-000		1	LABEL, DOCUMENT SIZE	A/INCH SIZE	
30	FL2-0945-010		1	SHAFT, DELIVERY REVERSE ROLLER		
31	FL2-0946-000		1	GUIDE, PAPER FEED ROLLER, 1		
32	FK2-0216-000		1	SOLENOID	SL1	
33	VS1-7440-002		1	CONNECTOR, SNAP TIGHT		
34	FC5-4278-000		1	LINK, SOLENOID		
35	FL2-0943-010		1	ARM, RIGHT HINGE		
36	FS7-2660-000		1	SPRING, TENSION		
37	FU5-1173-000		1	BUSHING		
38	FC5-4275-000		1	COVER, DF SENSOR		
39	FC5-4276-000		1	FLAG, DF SENSOR		
40	FS7-2661-000		1	SPRING, TENSION		
41	FC5-4273-020		1	PLATE, RIGHT HINGE ADJUSTMENT		
42	FC5-4274-000		1	SCREW, ADJUSTMENT, M4		
43	FC5-4292-000		1	GUIDE, PAPER FEED ROLLER, 2		
44	FC5-4293-010		2	SPONGE, COPYBOARD PANEL		
45	FL2-0942-000		1	COVER, UPPER		
46	FC5-4295-010		8	SHEET, COPYBOARD COVER, LARGE		
47	FC5-4285-030		2	SHAFT, PAPER FEED ROLLER		
48	FB5-9383-000		3	SPONGE		
49	XD9-0136-000		2	RING, E		
50	FB5-9410-000		1	STAMPER		
501	XB1-2400-606		13	SCREW,MACH.,TRUSS HEAD,M4X6		
502	XB4-5300-806		1	SCREW,P,M3X8		
503	XB4-7300-809		2	SCREW,TAPPING,TRUSS HEAD,M3X8		
504	XB4-5401-205		26	SCREW,P,M4X12		
505	XD2-1100-402		1	RING,E		
506	XB4-5400-809		2	SCREW,P,M4X8		
507	XB1-2401-406		1	SCREW,MACH.,TRUSS HEAD,M4X14		
508	XB7-2100-405		2	NUT,HEX,M4		

FIGURE & KEY NO.	PARTS NUMBER	R A N K	Q'TY	DESCRIPTION	SERIAL NUMBER/ REMARKS	S V C
509	XB1-2300-306		2	SCREW,MACH.,TRUSS HEAD,M3X3		
510	XB4-7400-605		2	SCREW,TAPPING,TRUSS HEAD,M4X6		

# FIGURE A12 DOCUMENT TRAY ASSEMBLY(DADF model)

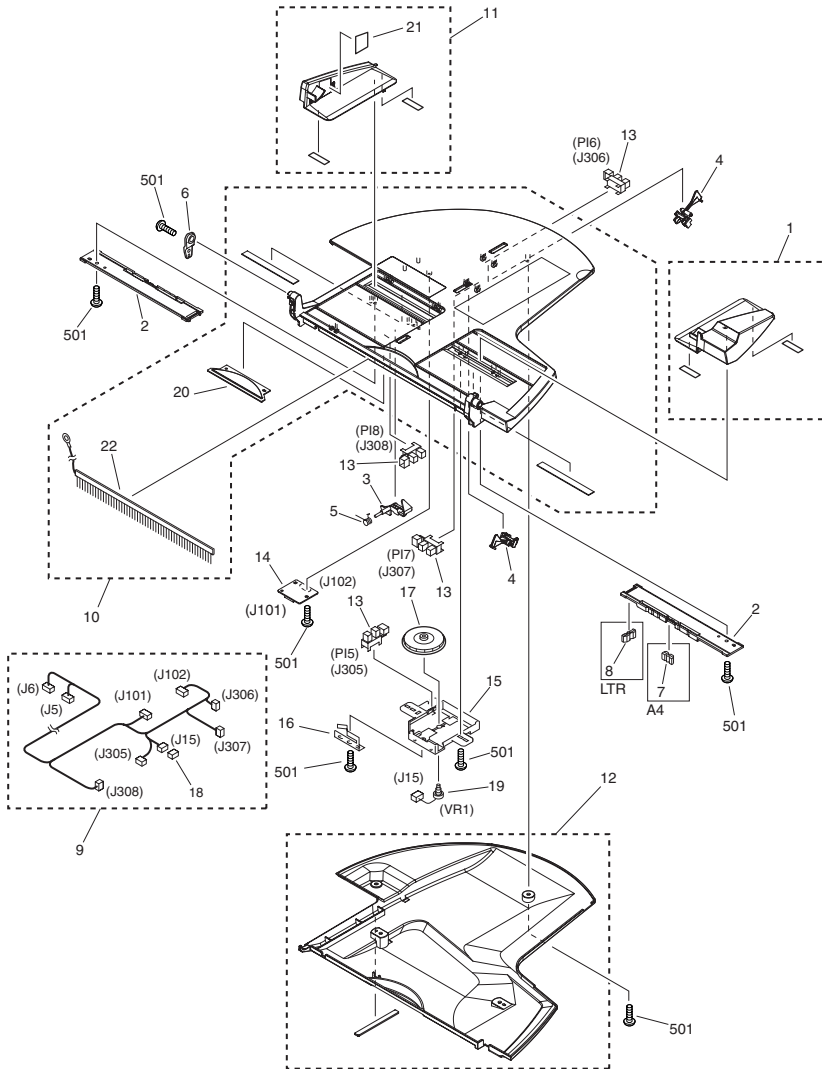


FIGURE & KEY NO.	PARTS NUMBER	R A N K	Q'TY	DESCRIPTION	SERIAL NUMBER/ REMARKS	S V C
Fig.A12	FM2-0780-060		1	DOCUMENT TRAY ASSEMBLY	DADF model	
1	FL2-0951-000		1	GUIDE, DOCUMENT, FRONT		
2	FC5-4305-020		2	RACK, DOCUMENT SIDE GUIDE		
3	FC5-4306-000		1	FLAG, CYCLE END		
4	FC5-4307-000		2	FLAG, DOCUMENT LENGTH SENSOR		
5	FB5-9427-000		1	SPRING, TORSION		
6	FC5-4308-000		1	HOLDER, DOCUMENT TRAY		
7	FC5-4422-000		1	RACK	A4	
8	FC5-4421-000		1	RACK	LTR	
9	FF3-4609-000		1	CABLE, DOCUMENT TRAY		
10	FL2-0949-000		1	TRAY, DOCUMENT, UPPER		
11	FL2-0950-000		1	GUIDE, DOCUMENT, REAR		
12	FL2-0952-000		1	GUIDE, DOCUMENT TRAY, LOWER		
13	WG8-5624-000		4	IC, PHOTO INTERRUPTER	PI5-8	
14	FG3-3758-000		1	CONNECTING PCB UNIT		
15	FC5-4302-000		1	HOLDER, VOLUME		
16	FB5-9417-000		1	SPRING, LEAF		
17	FU5-0633-000		1	GEAR, 62T		
18	VS1-7177-003		1	CONNECTOR, SNAP TIGHT, BK		
19	FG3-3757-000		1	VARIABLE RESISTOR UNIT	VR1	
20	FC5-4309-000		1	WINDOW, DOCUMENT TRAY		
21	FC5-4406-000		1	LABEL, DOCUMENT HEIGHT LIMIT		
22	FB5-9414-000		1	ELIMINATOR, STATIC CHARGE		
501	XB4-7300-809		10	SCREW,TAPPING,TRUSS HEAD,M3X8		



# FIGURE A13 OPEN/CLOSE PANEL ASSEMBLY(DADF model)

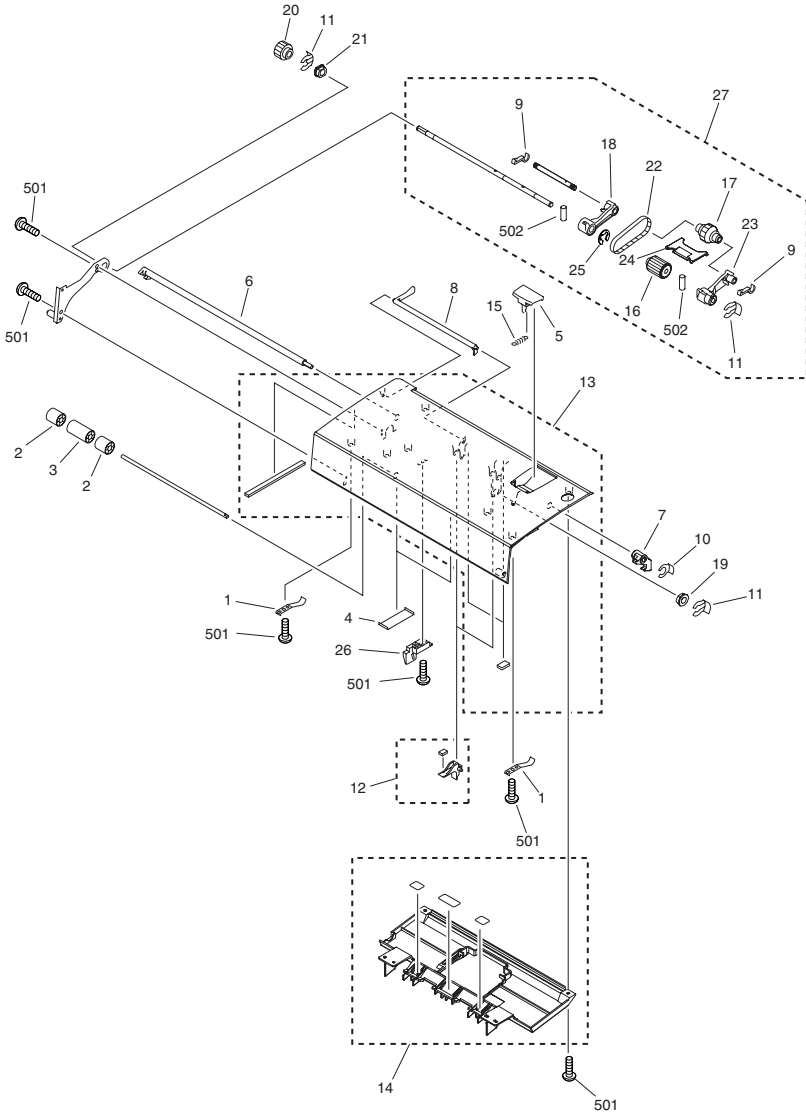
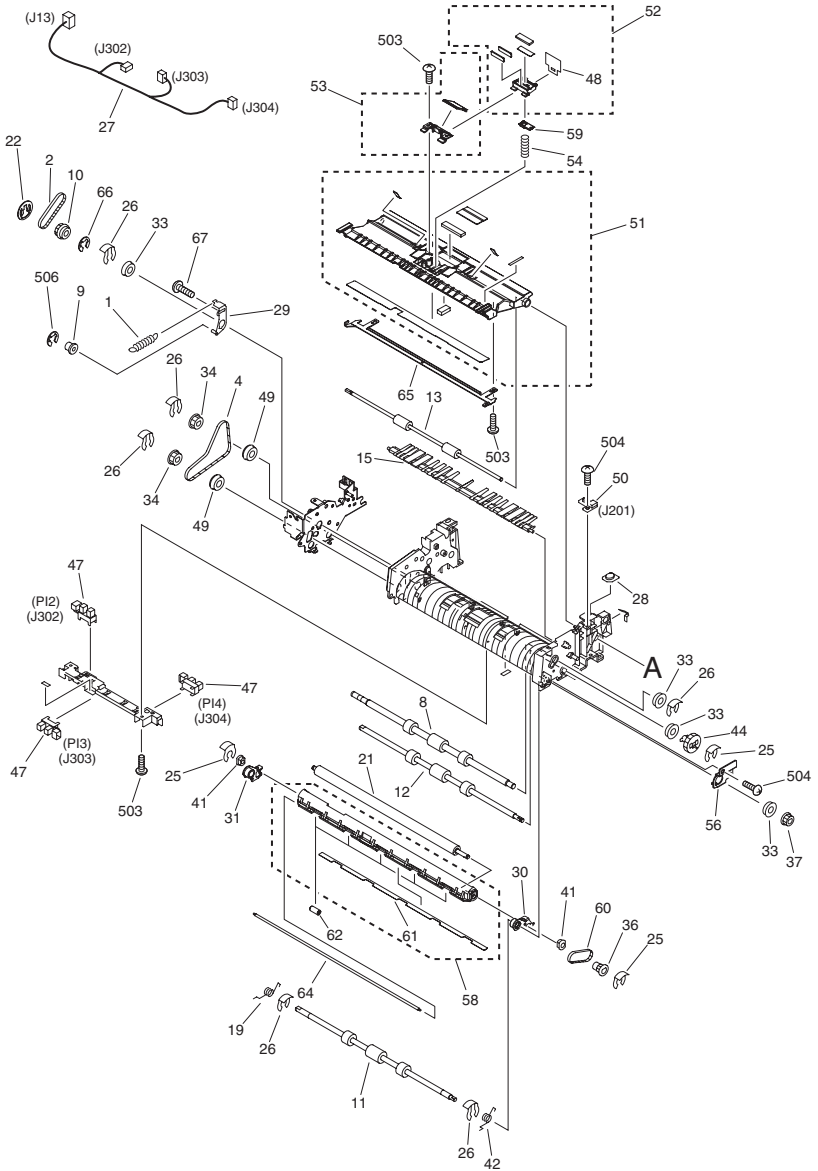


FIGURE & KEY NO.	PARTS NUMBER	R A N K	Q'TY	DESCRIPTION	SERIAL NUMBER/ REMARKS	S V C
Fig.A13	FM2-0781-030		1	OPEN/CLOSE PANEL ASSEMBLY	DADF model	
1	FB5-9434-000		2	SPRING, LEAF		
2	FC5-4323-000		2	ROLLER, REGISTRATION, 1		
3	FC5-4324-000		1	ROLLER, REGISTRATION, 2		
4	FB5-9438-000		2	SPRING, LEAF		
5	FC5-4326-000		1	LEVER, OPEN/CLOSE		
6	FB5-9440-000		1	SHAFT, LATCH		
7	FC5-4327-000		1	LEVER, LATCH		
8	FC5-4329-000		1	FLAG, DOCUMENT SENSOR		
9	FC5-4336-000		2	LEVER, STOP		
10	FC5-4424-000		1	CLIP		
11	FC5-4425-000		3	CLIP		
12	FL2-0948-000		2	SHUTTER		
13	FL2-0953-000		1	PANEL, OPEN/CLOSE		
14	FL2-0955-000		1	GUIDE, OPEN/CLOSE		
15	FS7-2663-000		1	SPRING, TENSION		
16	FC5-4331-000		1	ROLLER, PAPER SEPARATION		
17	FB5-9446-000		1	ROLLER, PAPER PICK-UP		
18	FM2-0789-000		1	PICK-UP ARM UNIT, REAR		
19	FU5-1168-000		1	BUSHING		
20	FU5-0628-000		1	GEAR, 18T		
21	FU5-1172-000		1	BUSHING		
22	XF2-1606-135		1	BELT, TIMING		
23	FM2-0788-000		1	PICK-UP ARM UNIT, FRONT		
24	FC5-4341-000		1	GUIDE, SEPARATION ROLLER		
25	XD9-0136-000		1	RING, E		
26	FC5-4338-000		1	COVER, REGISTRATION ADJUSTMENT		
27	FM2-0787-030		1	SEPARATION ROLLER ASSEMBLY		
501	XB4-5300-806		9	SCREW,P,M3X8		
502	XD3-2200-102		2	PIN,DOWEL		

# FIGURE A40 PAPER FEEDER ASSEMBLY(DADF model)



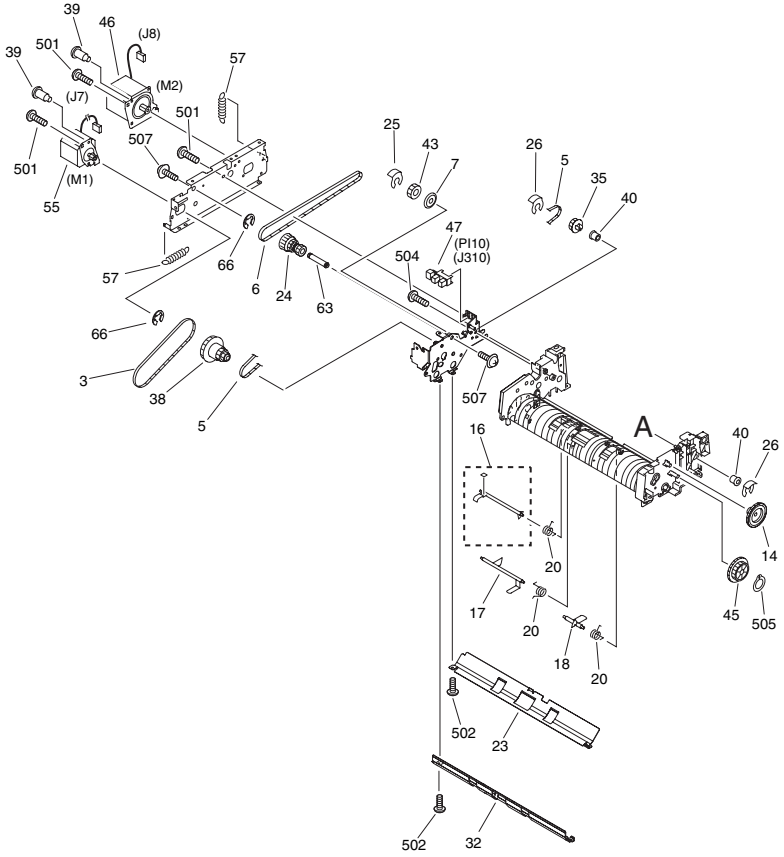


FIGURE & KEY NO.	PARTS NUMBER	R A N K	Q'TY	DESCRIPTION	SERIAL NUMBER/ REMARKS	S V C
Fig.A40	FM2-0782-150		1	PAPER FEEDER ASSEMBLY	DADF model	
1	FS7-2666-000		1	SPRING, TENSION		
2	XF2-1605-940		1	BELT, TIMING		
3	XF2-1607-440		1	BELT, TIMING		
4	XF9-0727-000		1	BELT, TIMING		
5	XF2-1610-240		1	BELT, TIMING		
6	XF2-1616-060		1	BELT, TIMING		
7	FC5-4353-000		1	FLANGE, BELT		
8	FC5-4354-000		1	ROLLER, REGISTRATION		
9	FC5-4356-000		1	PULLEY, TENSIONER		
10	FB5-9466-000		1	PULLEY, ONE-WAY		
11	FC6-2805-000		1	ROLLER, PAPER FEEDER, 1		
12	FC6-2806-000		1	ROLLER, PAPER FEEDER, 2		
13	FC6-2807-000		1	ROLLER, PAPER DELIVERY		
14	FC5-4380-000		1	KNOB, JAM CLEARING		
15	FB5-9471-000		1	DEFLECTOR, PAPER		
16	FL2-0965-000		1	FLAG, REGISTRATION SENSOR		
17	FC5-4358-000		1	FLAG, READ SENSOR		
18	FC5-4359-000		1	FLAG, PAPER DELIVERY SENSOR		
19	FC5-4382-000		1	SPRING, TORSION		
20	FB5-9477-000		3	SPRING, TORSION		
21	FC6-2804-000		1	ROLLER, PLATEN		
22	FB6-2705-000		1	RING, E, FRANGE		
23	FC5-4363-000		1	GUIDE, PLATEN ROLLER, RIGHT		
24	FM2-0792-000		1	PICK DRIVE GEAR UNIT		
25	FC5-4424-000		5	CLIP		
26	FC5-4425-000		8	CLIP		
27	FF3-4303-000		1	CABLE, PATH SENSOR		
28	FB5-9460-000		1	WINDOW, LED		
29	FL2-0958-030		1	PLATE, TENSIONER		
30	FL2-0959-000		1	ARM, SWING BUSHING, FRONT		
31	FL2-0960-000		1	ARM, SWING BUSHING, REAR		

FIGURE & KEY NO.	PARTS NUMBER	R A N K	Q'TY	DESCRIPTION	SERIAL NUMBER/ REMARKS	S V C
32	FC5-4362-000		1	GUIDE, PLATEN ROLLER, LEFT		
33	FU5-1169-000		4	BUSHING		
34	FU5-3146-000		2	PULLEY, 27T		
35	FU5-3147-000		1	PULLEY, 28T		
36	FU5-3148-000		1	PULLEY, 18T		
37	FU5-3149-000		1	PULLEY, 23T		
38	FU5-3150-000		1	PULLEY, 56T/29T/21T		
39	FS1-9010-020		2	SCREW, STEPPED, M3X2.2		
40	FU5-1170-000		2	BUSHING		
41	FU5-1172-000		2	BUSHING		
42	FC5-4381-000		1	SPRING, TORSION		
43	FU5-0629-000		1	GEAR, 19T		
44	FU5-0630-000		1	GEAR, 30T		
45	FU5-0631-000		1	GEAR, 54T/39T		
46	FH5-1129-000		1	MOTOR, STEPPING, DC	M2	
47	WG8-5624-000		4	IC, PHOTO INTERRUPTER	P12-4,10	
48	FC5-4368-000		1	PAD, PAPER SEPARATION		
49	XG9-0507-000		2	BEARING, BALL, MF128ZZ		
50	FG3-3303-030		1	LED PCB UNIT		
51	FL2-0962-000		1	GUIDE, PAPER SEPARATION		
52	FL2-0963-010		1	HOLDER, SEPARATION PAD,1		
53	FL2-0964-000		1	HOLDER, SEPARATION PAD, 2		
54	FU5-2364-000		1	SPRING, COMPRESSION		
55	FH5-1128-000		1	MOTOR, STEPPING, DC	M1	
56	FC5-4376-000		1	GUIDE, PAPER FEEDER ROLLER		
57	FS7-2664-000		2	SPRING, TENSION		
58	FL2-0968-000		1	HOLDER, GUIDE ROLLER		
59	FC5-4367-000		1	MOUNT, SPRING		
60	XF2-1604-435		1	BELT, TIMING		
61	FC5-4373-000		1	SHEET, PAPER FEED		
62	FC5-4374-000		5	ROLLER, GUIDE		
63	FU5-5561-020		1	SPACER, REAR SIDE PLATE		

FIGURE & KEY NO.	PARTS NUMBER	RANK	Q'TY	DESCRIPTION	SERIAL NUMBER/REMARKS	SVC
64	FC5-4372-020		1	SHAFT, GUIDE ROLLER		
65	FC5-4365-000		1	PLATE, SEPARATION GUIDE		
66	XD9-0137-010		3	RING, E		
67	XA9-0702-000		1	SCREW, W/WASHER, M3X6		
501	XB1-2400-606		6	SCREW,MACH.,TRUSS HEAD,M4X6		
502	XB1-2300-306		3	SCREW,MACH.,TRUSS HEAD,M3X3		
503	XB4-7300-809		6	SCREW,TAPPING,TRUSS HEAD,M3X8		
504	XB4-5400-809		5	SCREW,P,M4X8		
505	XD2-2100-502		1	RING,GRIP		
506	XD2-1100-322		1	RING,E		
507	XB6-7400-609		2	SCREW,TP,M4X6		

# FIGURE A90

## ADF CONTROLLER PCB ASSEMBLY(DADF model)

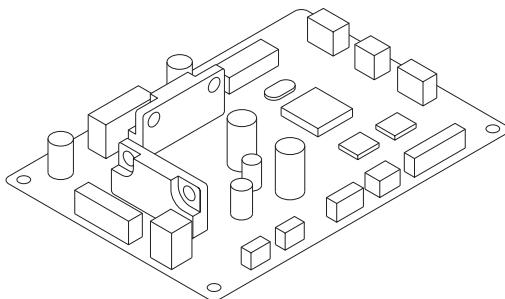


FIGURE & KEY NO.	PARTS NUMBER	RANK	Q'TY	DESCRIPTION	SERIAL NUMBER/REMARKS	SVC
Fig.A90	FG3-3124-050		1	ADF CONTROLLER PCB ASSEMBLY	DADF model	
IC	FK2-0211-000		1	IC, HD6432353M07FV, CPU 16BIT	IC1	



# FIGURE T20 FAX ASSEMBLY (iR C3580F/3080F/2550F)

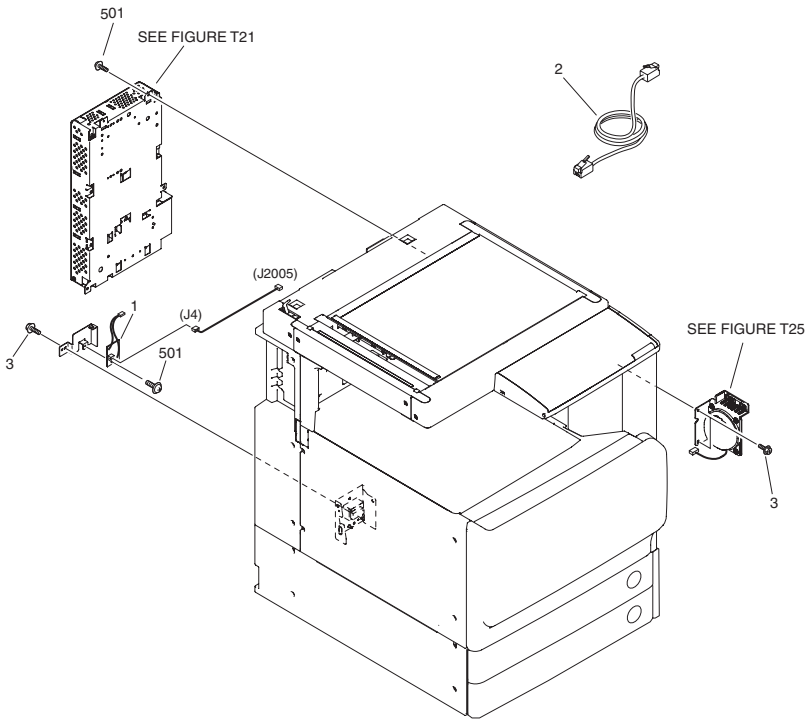


FIGURE & KEY NO.	PARTS NUMBER	R A N K	Q'TY	DESCRIPTION	SERIAL NUMBER/ REMARKS	S V C
Fig.T20	NPN		RF	FAX ASSEMBLY	IR C3580F/3080F/2550F	
1	FM2-2973-000		1	ARRESTER PCB ASSEMBLY		
2	HH2-2824-000		1	MODULAR CORD, 2P		
3	XA9-1386-000		3	SCREW,RS,M3X8		
501	XB6-7300-607		5	SCREW, CROSS-RECESS, FCH		

FIGURE T21  
 FAX PCB ASSEMBLY (iR C3580F/3080F/2550F)

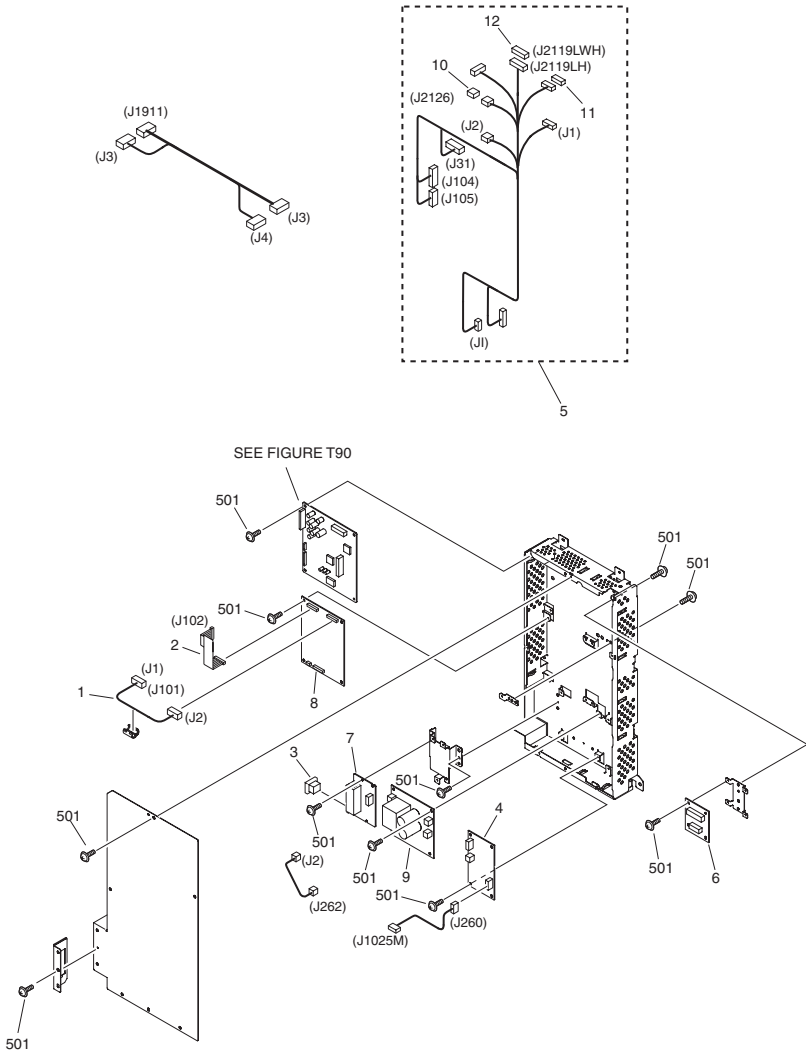
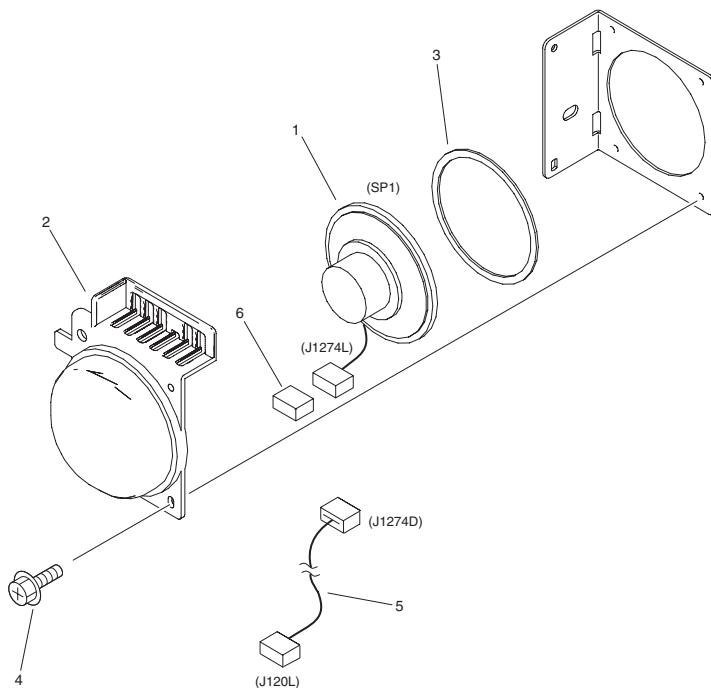


FIGURE & KEY NO.	PARTS NUMBER	RANK	Q'TY	DESCRIPTION	SERIAL NUMBER/REMARKS	SVC
Fig.T21	NPN		RF	FAX PCB ASSEMBLY	IR C3580F/3080F/2550F	
1	FG3-2826-000		1	CABLE, G3 ANALOG		
2	FH2-7072-000		1	CABLE, FLEXIBLE		
3	WT8-5076-000		1	SPACER,MODULAR		
4	FG3-3844-020		1	G3 FAX PS PCB ASSEMBLY		
5	FM2-9533-000		1	CABLE, 1 PORT FOR MAIN		
6	FM2-3686-000		1	RESOLUTION SWITCH B.PCB ASS'Y		
7	FM2-3715-010		1	G3 MODULAR PCB ASSEMBLY		
8	FM2-7759-000		1	NCU PCB ASSEMBLY		
9	FM2-7753-000		1	PSEUDO CI PCB ASSEMBLY		
10	VS1-7177-002		1	CONNECTOR, SNAP TIGHT, BK		
11	VS1-7173-003		1	CONNECTOR, SNAP TIGHT, 3P, W		
12	VS1-7164-040		1	CONNECTOR, SNAP TIGHT		
501	XB6-7300-607		AR	SCREW, CROSS-RECESS, FCH		

# FIGURE T25 SPEAKER ASSEMBLY (iR C3580F/3080F/2550F)



NOTE : The part of key No. 5 is equipped products except iR C3580F/3080F/2550F with.  
注 : Key No.5の部品はiR C3580F/3080F/2550F以外の製品にも装備されています。

FIGURE & KEY NO.	PARTS NUMBER	RANK	Q'TY	DESCRIPTION	SERIAL NUMBER/REMARKS	SVC
Fig.T25	NPN		RF	SPEAKER ASSEMBLY	IR C3580F/3080F/2550F	
1	FK2-0428-000		1	SPEAKER	SP1	
2	FC7-2362-000		1	HOLDER, SPEAKER		
3	FC6-5059-000		1	DAMPER, RUBBER		
4	XA9-1386-000		4	SCREW,RS,M3X8		
5	FM2-9470-000		1	CABLE, SPEAKER CONNECTING	SEE NOTE	
6	VS1-7177-002		1	CONNECTOR, SNAP TIGHT, BK		

# FIGURE T90

## MODEM PCB ASSEMBLY (iR C3580F/3080F/2550F)

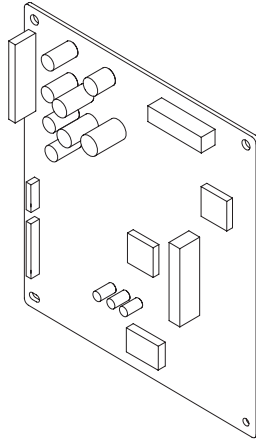


FIGURE & KEY NO.	PARTS NUMBER	RANK	QTY	DESCRIPTION	SERIAL NUMBER/REMARKS	SVC
Fig.T90	FM2-9623-000		1	MODEM PCB ASSEMBLY	iR C3580F/3080F/2550F	
IC	FK2-0411-000		1	IC, EPM3128ATC100-10N, PLD	IC2	
IC	FK2-0331-000		1	IC, MSM6653A-631G3-K, CUSTOM	IC14	
IC	FH4-6284-000		1	IC, UPD65882GC-015-8EU-A, ASIC	IC16	





Prepared by  
OIP HFE Promotion Center  
CANON INC.

**Canon**