

W8200

PARTS CATALOG

REVISION 0

| | |
|------------|------------|
| 8474A001AA | W8200 |
| 8474A002AA | W8200(JPN) |
| 8474A003AA | W8200(USA) |
| 8482A001AA | ST-41 |

Canon

APR. 2003

AY3-4306-P03

0403 N 0.00-0

W8200

PARTS CATALOG



Application

This manual has been issued by Canon Inc. for qualified person to learn technical theory, installation, maintenance, and repair of products. This manual covers all localities where the products are sold. For this reason, there may be information in this manual that does not apply to your locality.

Corrections

This manual could include technical inaccuracies or typographical errors due to improvements or changes in the products. When changes occur in applicable products or in the content of this manual, Canon will release technical information as the need arises. In the event of major changes in the contents of this manual over a long or short period. Canon will issue a new editions of this manual.

The following paragraph does not apply to any countries where such provisions are inconsistent with local law.

Trademarks

The product names and company names described in this manual are the registered trademarks of the individual companies.

Copyright

This manual is copyrighted with all rights reserved. Under the copyright laws, this manual may not be copied, reproduced or translated into another language, in whole or in part, without the written consent of Canon Inc.

Copyright © 2003 by Canon Inc.

CANON INC.

NB Quality Assurance Div.

16-1, Shimonoge 3-chome, Takatsu-ku, Kawasaki-shi,
Kanagawa 213-8512, Japan

DTP System

This manual was produced on an Apple® Power Macintosh® G3 personal computer and Canon LBP-2030PS laser beam printer, final pages were printed on Genasett 3100Q.

Parts layout illustrations and Logotypes were created using MACROMEDIA® FreeHand® 7J.

Pattern drawing were scanned by CanoScan 600 scanner with Adobe® photoshop®.

Documents and page layouts were created using QuarkXpress® 3.3J.

Parts lists were created using Helix Technologies® Herix Xpress® and converted to EPS files.

I. CONTENTS

- A. PARTS LAYOUT & PARTS LIST
- B. SCREWS & WASHERS LIST
- C. NUMERICAL INDEX

II. ABOUT THIS MANUAL

A. PARTS LAYOUT & PARTS LIST

Parts layout illustration

a) Parts search

Find a part from the parts layout illustration and find its key number from the parts list to identify the part number and name. For screws, nuts, washers, lock washers, pins, spacers, see SCREWS & WASHERS LIST.

Note: If parts have the same or similar shape but different specifications, their key number is assigned to several part numbers and names in the parts list.

b) Parts replacement procedure

To replace parts, the parts layout illustrations have figure numbers according to the disassembly procedure of the product. The parts that require careful work are shown the illustration.

C) TOOL LIST

This is a list of tools used for servicing products.

Parts list

a) FIGURE & KEY No.

The FIGURE & KEY No. column corresponds to the key numbers assigned to the parts in the parts layout illustration. It also corresponds to the part locations printed on the PC board.

b) PART NUMBER

The PART NUMBER column gives the part numbers corresponding to the key numbers. To order a part, indicate the part number clearly.

Note: Parts marked NPN are not service parts.

c) RANK

The service parts with N in the RANK column are order parts.

d) QTY

The QTY column gives the number of parts in the corresponding components layout illustration.

e) DESCRIPTION

The DESCRIPTION column gives the part names in English.
To order a part, indicate the part name, too.

B. SCREWS & WASHERS LIST

This is a list of screws, nuts, washers, lock washers, pins, and spacers.

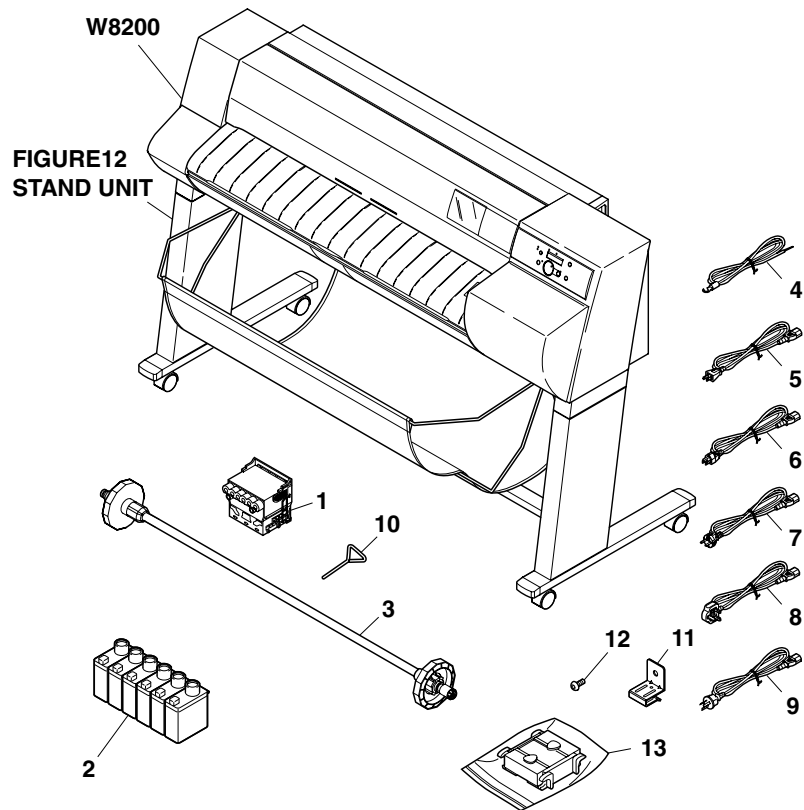
The QTY column does not give the number of parts used.

C. NUMERICAL INDEX

All the parts listed in this parts catalog are arranged in order of part number. You can identify part locations and names from the NUMERICAL INDEX.

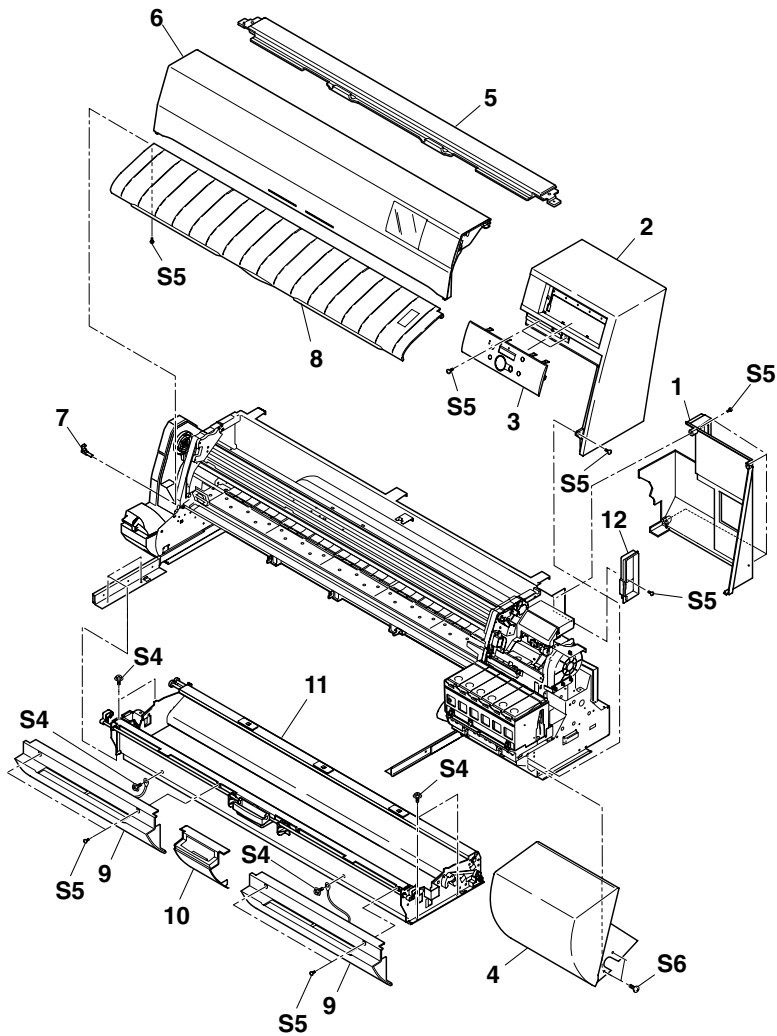
A. PARTS LAYOUT & PARTS LIST

FIGURE 1 PRINTER & ACCESSORIES



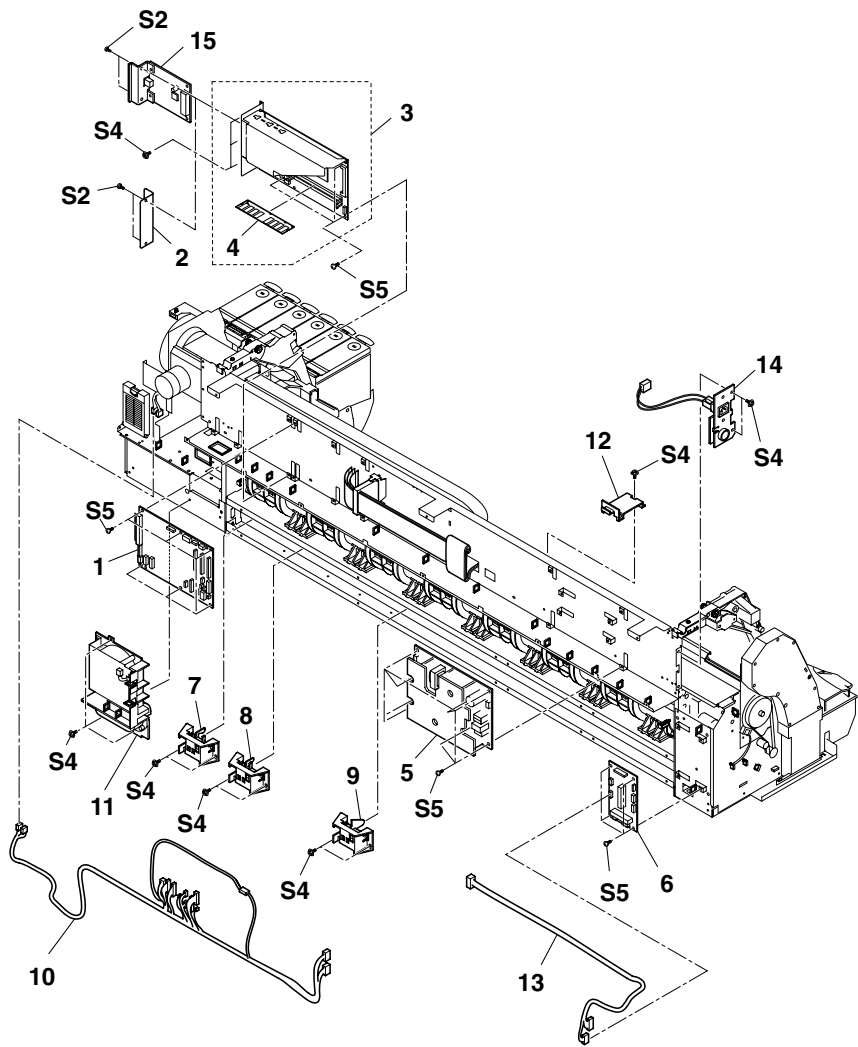
| FIGURE & KEY NO. | PART NUMBER | RANK | QTY | DESCRIPTION | REMARKS |
|------------------|--------------|------|-----|--------------------|-----------|
| 1- 1 2 | NPN | | 1 | PRINT HEAD | |
| | NPN | | 1 | INK TANK(BK) | |
| | NPN | | 1 | INK TANK(PC) | |
| | NPN | | 1 | INK TANK(C) | |
| | NPN | | 1 | INK TANK(PM) | |
| 3 | NPN | | 1 | INK TANK(M) | |
| | NPN | | 1 | INK TANK(Y) | |
| | NPN | | 1 | ROLL HOLDER SET | |
| 4 | FH2-5006-000 | | 1 | WIRE, GROUNDING | |
| 5 | QH2-2627-000 | | 1 | CORD, POWER | 100V |
| 6 | QH2-2628-000 | | 1 | CORD, POWER | 120V(UL) |
| 7 | QH2-2629-000 | | 1 | CORD, POWER | 220V-240V |
| 8 | QH2-2630-000 | | 1 | CORD, POWER | 240V(UK) |
| 9 | QH2-2631-000 | | 1 | CORD. POWER | 240V(AUS) |
| 10 | NPN | | 1 | HEX KEY WRENCH | |
| 11 | QE1-3126-000 | | 1 | STOPPER, BELT | |
| 12 | QE1-2334-000 | | 1 | SCREW, ALLEN, M4X6 | |
| 13 | QM1-0812-000 | | 1 | RAIL CLEANER ASS'Y | |
| | | | | | |
| | | | | | |
| | | | | | |
| | | | | | |
| | | | | | |
| | | | | | |
| | | | | | |

FIGURE 3 COVERS (2)



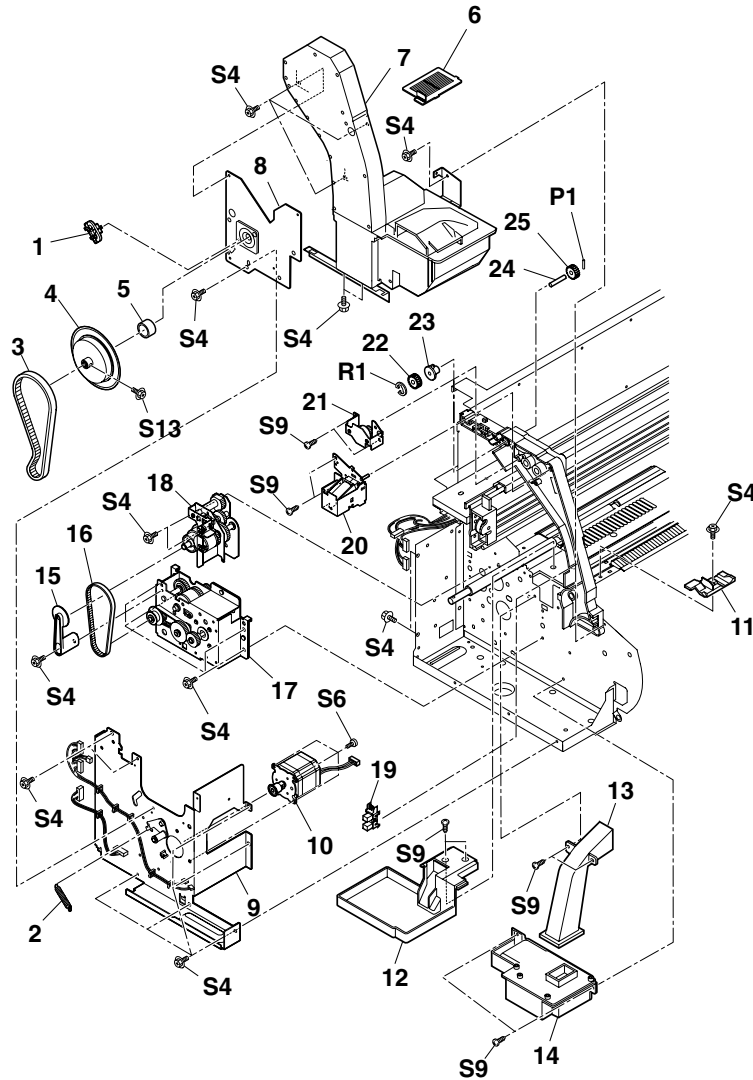
| FIGURE & KEY NO. | PART NUMBER | RANK | QTY | DESCRIPTION | REMARKS |
|------------------|--------------|------|-----|------------------------|----------|
| 3- 1 | QC1-1496-000 | | 1 | COVER, REAR RIGHT | |
| 2 | QM1-0687-020 | | 1 | UPPER RIGHT COVER UNIT | |
| 3 | QM1-0688-030 | | 1 | OPERATION PANEL UNIT | ENGLISH |
| | QM1-0770-000 | | 1 | OPERATION PANEL UNIT | JAPANESE |
| 4 | QM1-0699-030 | | 1 | RIGHT COVER UNIT | |
| 5 | QM2-0368-000 | | 1 | UPPER REAR COVER UNIT | |
| 6 | QM2-0369-000 | | 1 | UPPER COVER UNIT | USA |
| | QM2-0407-000 | | 1 | UPPER COVER UNIT | |
| 7 | QM1-0645-020 | | 1 | SENSOR SHAFT ASS'Y | |
| 8 | QM2-0355-000 | | 1 | MANUAL FEED TRAY UNIT | |
| 9 | QM2-0389-000 | | 2 | TRAY COVER UNIT | |
| 10 | QC1-1491-000 | | 1 | COVER, TRAY, CENTER | |
| 11 | QM2-0359-000 | | 1 | ROLL TRAY UNIT | |
| 12 | QC1-1501-000 | | 1 | COVER, INTERFACE | |
| | | | | | |
| | | | | | |
| | | | | | |
| | | | | | |
| | | | | | |
| | | | | | |
| | | | | | |
| | | | | | |

FIGURE 4 ELECTRICAL PART



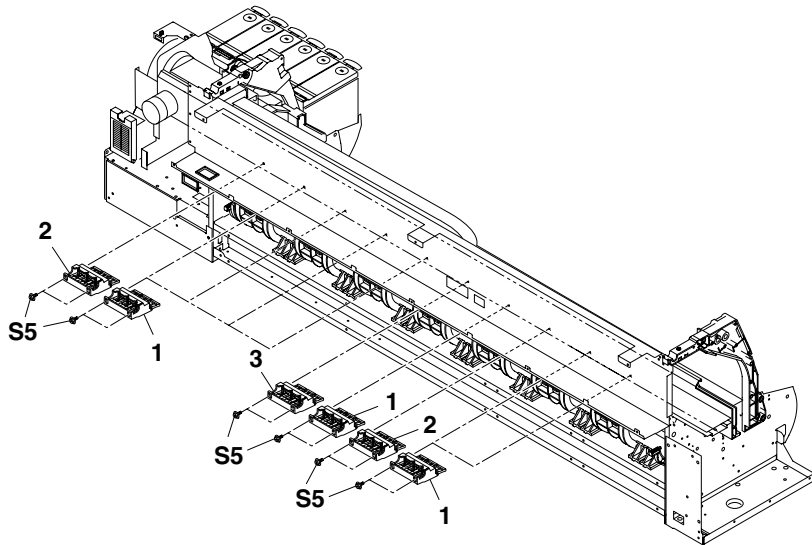
| FIGURE & KEY NO. | PART NUMBER | RANK | QTY | DESCRIPTION | REMARKS |
|------------------|--------------|------|-----|----------------------------|---------|
| 4- 1 | QM1-5036-000 | | 1 | ENGINE CONTROLLER ASS'Y | |
| 2 | NPN | | 1 | PLATE, BLIND | |
| 3 | QM2-0343-000 | | 1 | SYSTEM CONTROLLER ASS'Y | |
| 4 | WA7-2313-000 | | 1 | IC, 128M-168SDS-13C, SDRAM | |
| 5 | QH3-3648-000 | | 1 | POWER SUPPLY ASS'Y | |
| 6 | QM1-5003-020 | | 1 | MOTOR DRIVER ASS'Y | |
| 7 | QM1-0683-000 | | 1 | ROLL SET SENSOR UNIT | |
| 8 | QM1-0681-000 | | 1 | ROLL END SENSOR UNIT | |
| 9 | QM1-0682-000 | | 1 | ROLL TRAY SET SENSOR UNIT | |
| 10 | QM1-5042-000 | | 1 | DC CABLE ASS'Y | |
| 11 | QM1-0653-000 | | 1 | FAN UNIT | |
| 12 | NPN | | 1 | GUIDE, CABLE | |
| 13 | QM1-5044-000 | | 1 | MOTOR DRIVE CABLE ASS'Y | |
| 14 | QM1-0720-020 | | 1 | INLET UNIT | |
| 15 | NPN | | 1 | USB I/F BOARD | USA |
| | | | | | |
| | | | | | |
| | | | | | |
| | | | | | |
| | | | | | |
| | | | | | |
| | | | | | |

FIGURE 5 AIR FLOW FAN UNIT & FEED MOTOR ASS'Y



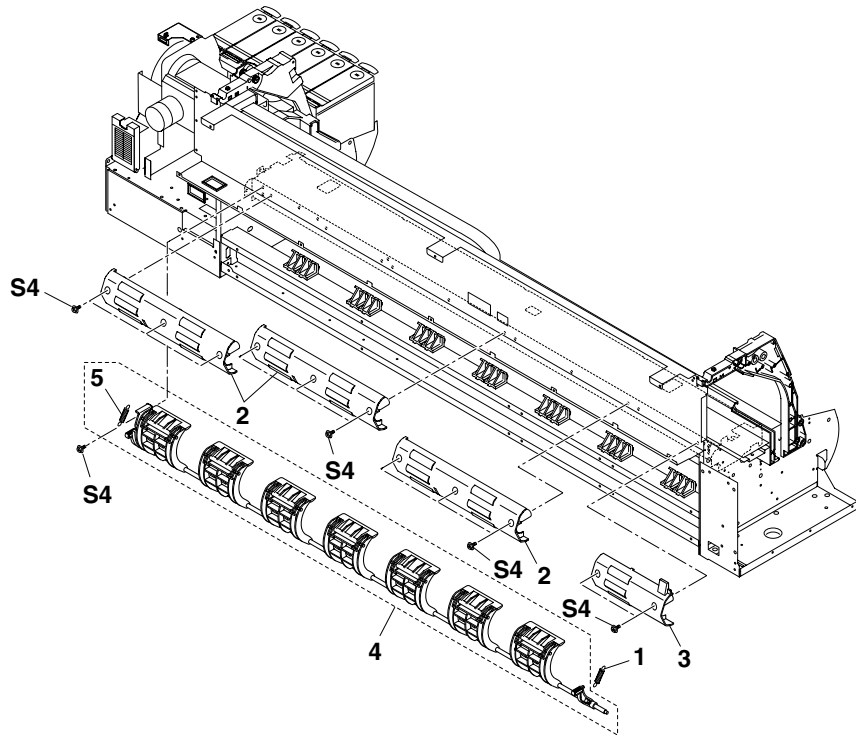
| FIGURE & KEY NO. | PART NUMBER | RANK | QTY | DESCRIPTION | REMARKS |
|------------------|--------------|------|-----|---------------------------------|---------|
| 5- 1 | QM1-0658-000 | | 1 | FEED ROLLER SENSOR UNIT | |
| 2 | QE1-1279-000 | | 1 | SPRING, HOOK END COIL | |
| 3 | XF2-4119-090 | | 1 | BELT, FEED | |
| 4 | QL1-0436-030 | | 1 | ENCODER SLIT ASS'Y | |
| 5 | QE1-2982-000 | | 1 | SPACER | |
| 6 | QE1-3239-000 | | 1 | FILTER, AIR | |
| 7 | QM1-0778-070 | | 1 | AIR FLOW FAN UNIT | |
| 8 | NPN | | 1 | FAN BASE UNIT | |
| 9 | NPN | | 1 | FEED MOTOR BASE UNIT | |
| 10 | QM1-0656-000 | | 1 | FEED MOTOR ASS'Y | |
| 11 | QC1-1541-000 | | 1 | COVER, CUTTER SENSOR | |
| 12 | QM2-0345-000 | | 1 | LEFT PLATEN UNIT | |
| 13 | QL2-0219-000 | | 1 | DUCT ASS'Y | |
| 14 | QM2-0388-000 | | 1 | FAN UNIT | |
| 15 | QE1-3024-000 | | 1 | GUIDE, BELT | |
| 16 | XF2-4114-360 | | 1 | BELT, DRIVE | |
| 17 | QM1-0673-040 | | 1 | ROLL DRIVE UNIT | |
| 18 | QM1-0651-020 | | 1 | PINCH ROLLER DRIVE UNIT | |
| 19 | FH7-7312-000 | | 1 | IC, EE-SX4235A-P2, PHOTO INTER. | |
| 20 | QM1-0642-020 | | 1 | UPPER COVER LOCK UNIT (L) | |
| 21 | QM1-0786-020 | | 1 | LEFT DUMPER UNIT | |
| 22 | QE1-1061-000 | | 1 | GEAR, IDLER | |
| 23 | FS5-1646-000 | | 1 | BUSHING | |
| 24 | NPN | | 1 | SHAFT | |
| 25 | QE1-1063-000 | | 1 | GEAR, IDLER | |
| | | | | | |
| | | | | | |
| | | | | | |
| | | | | | |

FIGURE 6 PINCH ROLLER UNIT



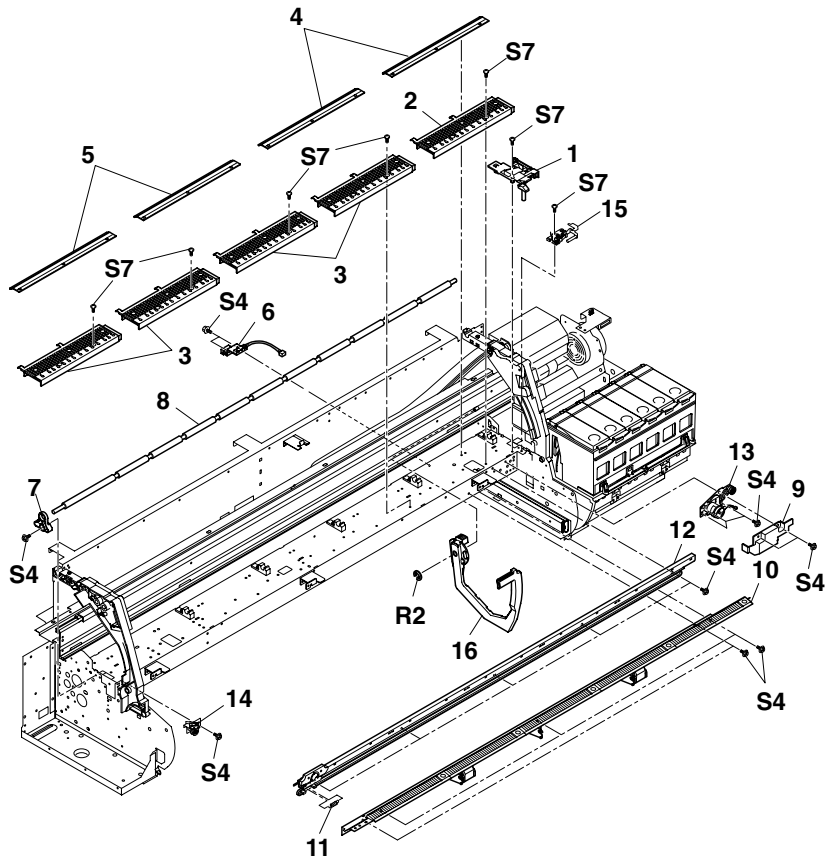
| FIGURE & KEY NO. | PART NUMBER | RANK | QTY | DESCRIPTION | REMARKS |
|------------------|--------------|------|-----|---------------------|---------|
| 6 - 1 | QM2-0352-000 | | 7 | PINCH ROLLER UNIT | |
| 2 | QM2-0410-000 | | 2 | PINCH ROLLER UNIT A | |
| 3 | QM2-0412-000 | | 1 | PINCH ROLLER UNIT B | |
| | | | | | |
| | | | | | |
| | | | | | |
| | | | | | |
| | | | | | |
| | | | | | |
| | | | | | |
| | | | | | |
| | | | | | |
| | | | | | |
| | | | | | |
| | | | | | |
| | | | | | |
| | | | | | |
| | | | | | |
| | | | | | |
| | | | | | |
| | | | | | |
| | | | | | |
| | | | | | |
| | | | | | |

FIGURE 7 PAPER GUIDE UNIT



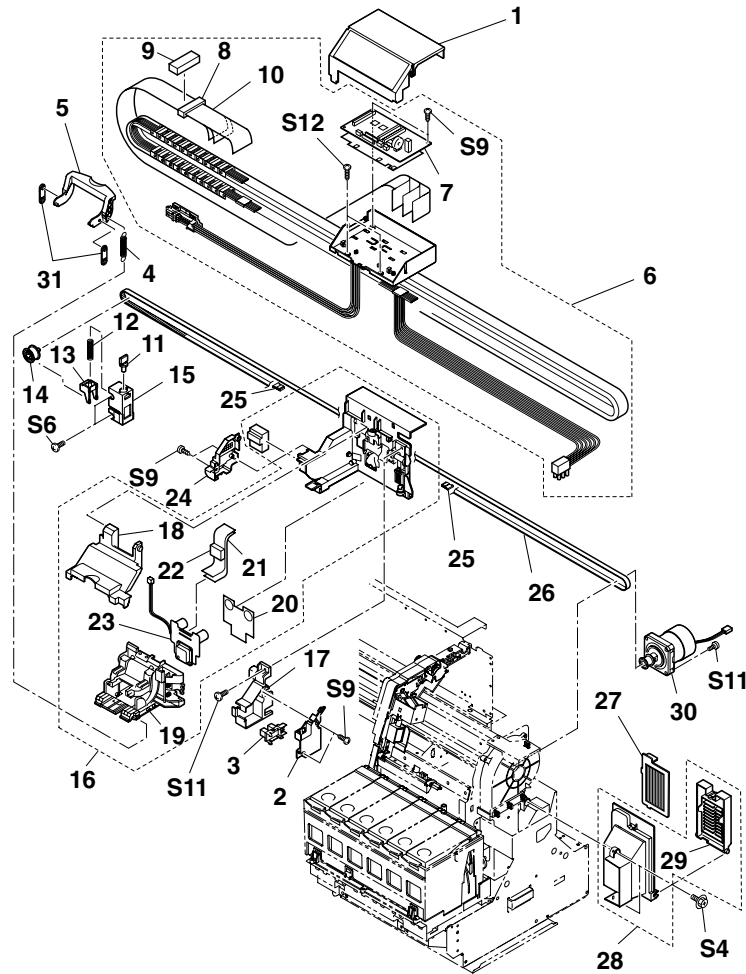
| FIGURE & KEY NO. | PART NUMBER | RANK | QTY | DESCRIPTION | REMARKS |
|------------------|--------------|------|-----|-----------------------|---------|
| 7 - 1 | QE1-1271-000 | | 1 | SPRING, HOOK END COIL | |
| 2 | QM1-0648-000 | | 3 | PAPER GUIDE UNIT A | |
| 3 | QM2-0353-000 | | 1 | PAPER GUIDE UNIT A1 | |
| 4 | QM2-0354-000 | | 1 | PAPER GUIDE UNIT B | |
| 5 | QE1-1271-000 | | 1 | SPRING, HOOK END COIL | |
| | | | | | |
| | | | | | |
| | | | | | |
| | | | | | |
| | | | | | |
| | | | | | |
| | | | | | |
| | | | | | |
| | | | | | |
| | | | | | |
| | | | | | |
| | | | | | |
| | | | | | |
| | | | | | |
| | | | | | |

FIGURE 8 PLATEN & FEED ROLLER



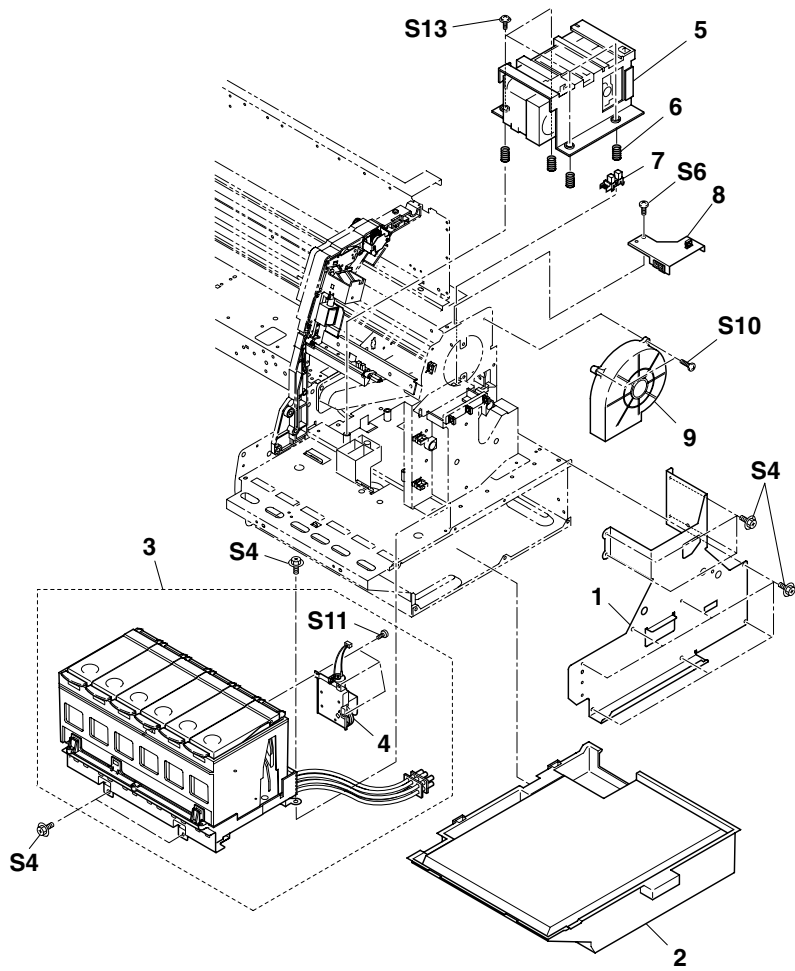
| FIGURE & KEY NO. | PART NUMBER | RANK | QTY | DESCRIPTION | REMARKS |
|------------------|--------------|------|-----|-----------------------------|---------|
| 8 - 1 | QM2-0380-000 | | 1 | HEAD MANAGEMENT SENSOR UNIT | |
| 2 | QM1-0761-000 | | 1 | PLATEN A | |
| 3 | QE1-2674-000 | | 4 | PLATEN B | |
| 4 | QE1-2697-000 | | 2 | PLATEN, REAR | |
| 5 | QC1-1421-000 | | 2 | PLATEN B, REAR | |
| 6 | QM2-0408-000 | | 1 | FEED SENSOR UNIT | |
| 7 | QE1-2673-000 | | 1 | BUSHING, FEED | |
| 8 | QC1-1534-000 | | 1 | ROLLER, FEED | |
| 9 | QC1-1487-000 | | 1 | COVER, CUTTER MOTOR | |
| 10 | QM2-0399-000 | | 1 | FEED GUIDE UNIT | |
| 11 | QU1-2057-000 | | 1 | SPRING, HOOK END COIL | |
| 12 | QM2-0400-000 | | 1 | CUTTER HOLDER UNIT | |
| 13 | QM2-0396-000 | | 1 | CUTTER MOTOR UNIT | |
| 14 | QM2-0398-000 | | 1 | CUTTER LEFT SWITCH UNIT | |
| 15 | QM2-0344-000 | | 1 | CUTTER RIGHT SWITCH UNIT | |
| 16 | QM1-0731-000 | | 1 | RELEASE LEVER ASS'Y | |
| | | | | | |
| | | | | | |
| | | | | | |
| | | | | | |
| | | | | | |
| | | | | | |
| | | | | | |

FIGURE 9 CARRIAGE UNIT



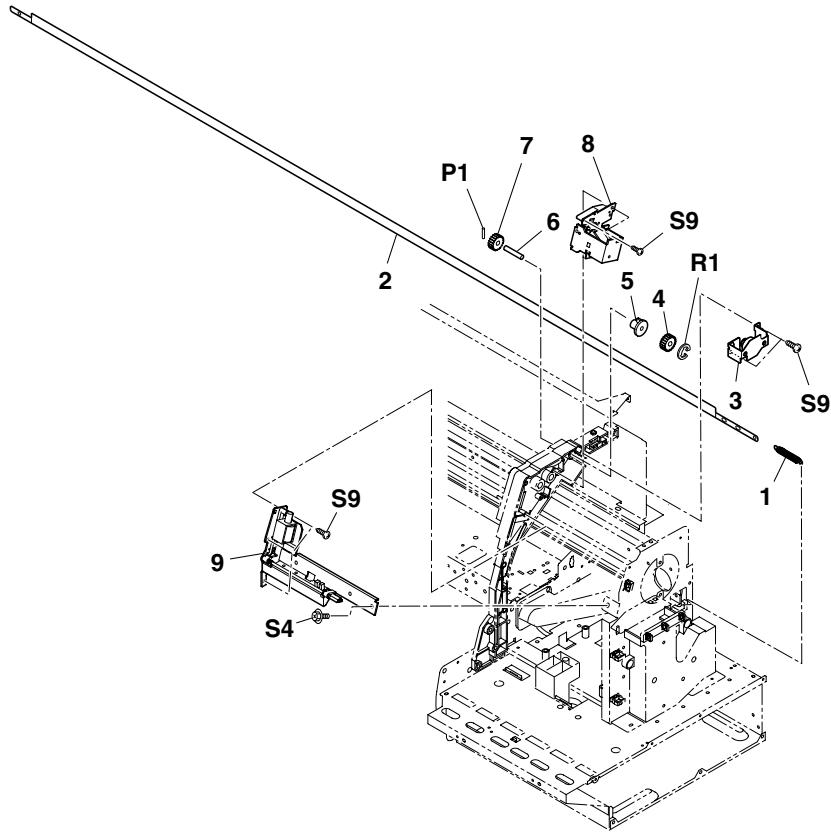
| FIGURE & KEY NO. | PART NUMBER | RANK | QTY | DESCRIPTION | REMARKS |
|------------------|--------------|------|-----|---------------------------------|---------|
| 9 - 1 | QL1-0417-000 | | 1 | TUBE BASE COVER ASS'Y | |
| 2 | QE1-3058-000 | | 1 | COVER, TUBE HOLDER | |
| 3 | FH7-7312-000 | | 1 | IC, EE-SX4235A-P2, PHOTO INTER. | |
| 4 | QE1-1282-000 | | 1 | SPRING, HOOK END COIL | |
| 5 | QE1-2819-000 | | 1 | LEVER, PRINthead LOCK | |
| 6 | QM2-0357-000 | | 1 | INK TUBE UNIT | |
| 7 | QM1-5037-000 | | 1 | CARRIAGE RELAY ASS'Y | |
| 8 | WE8-5344-000 | | 1 | FERRITE CORE | |
| 9 | QE1-2682-000 | | 1 | PAD | |
| 10 | QM1-5049-000 | | 1 | FLEXIBLE CABLE ASS'Y | |
| 11 | QE1-2691-000 | | 1 | LEVER, IDLER ROLLER | |
| 12 | QE1-1270-000 | | 1 | SPRING, COIL | |
| 13 | QE1-2690-000 | | 1 | GUIDE, IDLER ROLLER | |
| 14 | QM1-0662-000 | | 1 | IDLER ROLLER ASS'Y | |
| 15 | QE1-2689-000 | | 1 | MOUNT, IDLER ROLLER | |
| 16 | QM2-0358-000 | | 1 | CARRIAGE UNIT | |
| 17 | QE1-2826-000 | | 1 | HOLDER, TUBE | |
| 18 | QE1-2814-000 | | 1 | COVER, CARRIAGE | |
| 19 | NPN | | 1 | HEAD HOLDER UNIT | |
| 20 | QE1-2838-020 | | 1 | SHEET | |
| 21 | QH2-2554-000 | | 2 | FLEXIBLE CABLE | |
| 22 | QE1-3184-000 | | 1 | PAD | |
| 23 | QM1-5004-000 | | 1 | HEAD RELAY ASS'Y | |
| 24 | NPN | | 1 | COVER, SENSOR | |
| 25 | QE1-2341-020 | | 2 | STOPPER, BELT | |
| 26 | QC1-1464-000 | | 1 | BELT, CARRIAGE | |
| 27 | QE1-3239-000 | | 1 | FILTER, AIR | |
| 28 | QM1-0777-000 | | 1 | DUCT UNIT | |
| 29 | QL1-0431-000 | | 1 | FILTER COVER ASS'Y | |
| 30 | QM1-0661-000 | | 1 | CARRIAGE MOTOR ASS'Y | |
| 31 | QC1-0008-000 | | 2 | JOINT LEVER B | |
| | | | | | |
| | | | | | |

FIGURE 10 INK TANK & PURGE UNIT



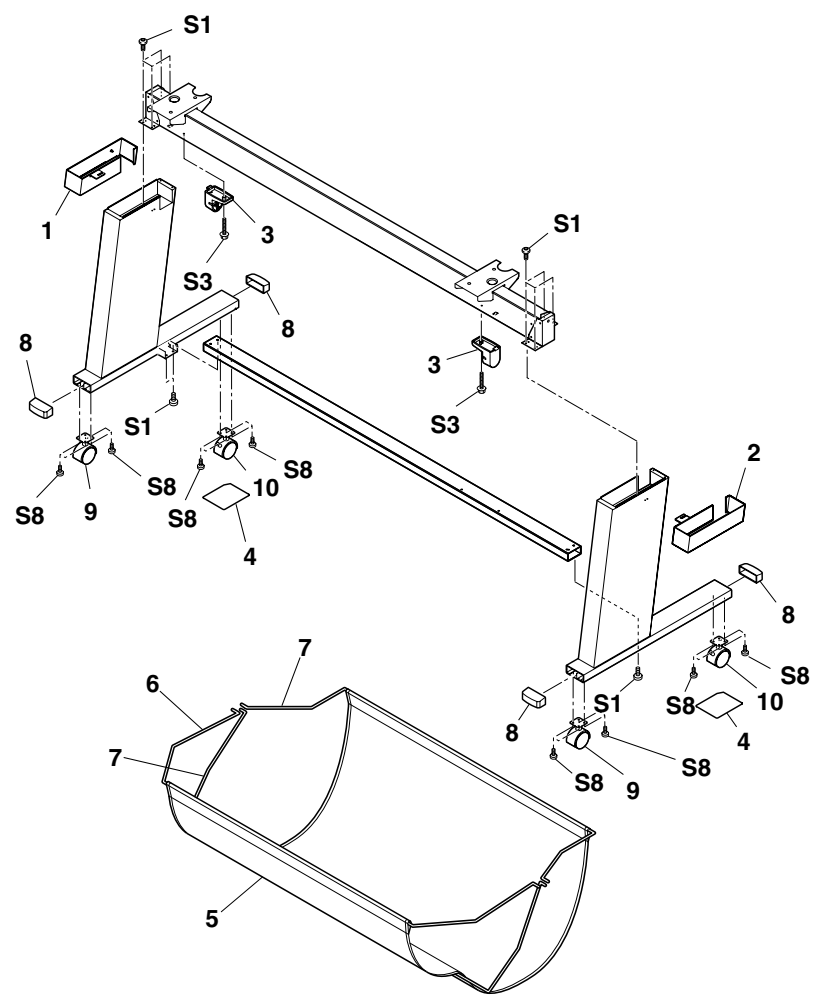
| FIGURE & KEY NO. | PART NUMBER | RANK | QTY | DESCRIPTION | REMARKS |
|------------------|--------------|------|-----|---------------------------------|---------|
| 10 - 1 | NPN | | 1 | STAY, SUPPORT | |
| 2 | QM1-0659-000 | | 1 | WASTE INK ABSORBER UNIT | |
| 3 | QM2-0370-000 | | 1 | INK TANK UNIT | |
| 4 | QM2-0379-000 | | 1 | VALVE MOTOR UNIT | |
| 5 | QM2-0383-000 | | 1 | PURGE UNIT | |
| 6 | QE1-1280-000 | | 4 | SPRING, COIL | |
| 7 | FH7-7312-000 | | 1 | IC, EE-SX4235A-P2, PHOTO INTER. | |
| 8 | NPN | | 1 | MOUNT, CONNECTOR | |
| 9 | QL1-0427-020 | | 1 | FAN, AIR FLOW | |
| | | | | | |
| | | | | | |
| | | | | | |
| | | | | | |
| | | | | | |
| | | | | | |
| | | | | | |
| | | | | | |

FIGURE 11 LINEAR SCALE



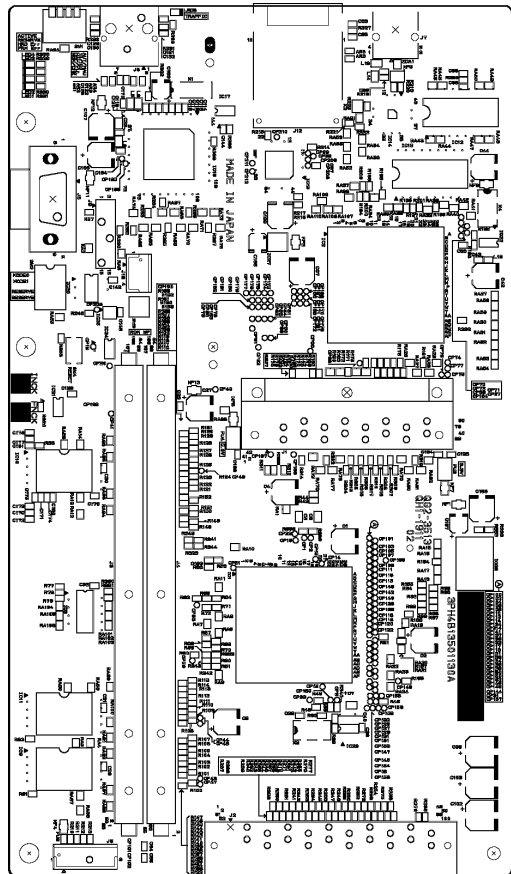
| FIGURE & KEY NO. | PART NUMBER | RANK | QTY | DESCRIPTION | REMARKS |
|------------------|--------------|------|-----|---------------------------|---------|
| 11- 1 | QE1-1254-000 | | 1 | SPRING, HOOK END COIL | |
| 2 | QC1-1459-000 | | 1 | SCALE, LINEAR | |
| 3 | QM1-0787-020 | | 1 | RIGHT DUMPER UNIT | |
| 4 | QE1-1061-000 | | 1 | GEAR, IDLER | |
| 5 | FS5-1646-000 | | 1 | BUSHING | |
| 6 | NPN | | 1 | SHAFT | |
| 7 | QE1-1063-000 | | 1 | GEAR, IDLER | |
| 8 | QM1-0643-020 | | 1 | UPPER COVER LOCK UNIT (R) | |
| 9 | QM1-0644-030 | | 1 | RIGHT COVER LOCK UNIT | |
| | | | | | |
| | | | | | |
| | | | | | |
| | | | | | |
| | | | | | |
| | | | | | |
| | | | | | |
| | | | | | |
| | | | | | |

FIGURE 12 STAND UNIT



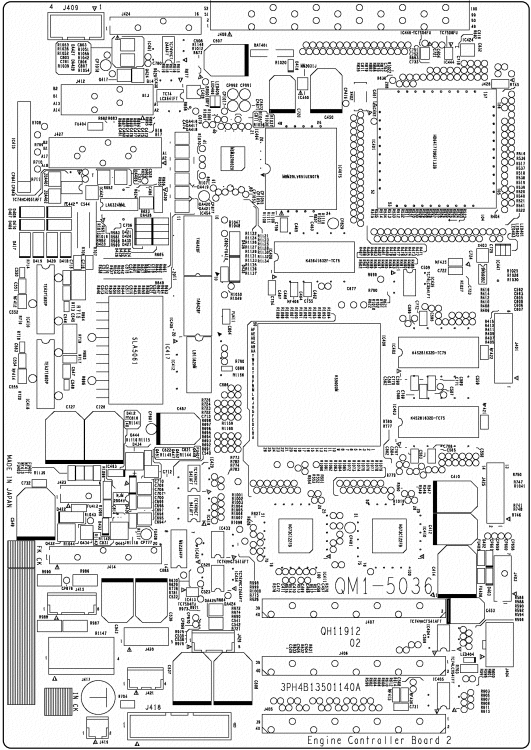
| FIGURE & KEY NO. | PART NUMBER | RANK | QTY | DESCRIPTION | REMARKS |
|------------------|--------------|------|-----|----------------------|-----------------|
| 12- 1 | QE1-3063-020 | | 1 | COVER, LEFT | |
| 2 | QE1-3064-020 | | 1 | COVER, RIGHT | |
| 3 | QE1-3009-030 | | 2 | SUPPORT, BLOCK | |
| 4 | QE1-3158-000 | | 2 | SHEET, CASTER | |
| 5 | QC1-1504-000 | | 1 | STACKER, PAPER | |
| 6 | QC1-1505-000 | | 1 | WIRE, HANGING, FRONT | |
| 7 | QC1-1506-000 | | 2 | WIRE, HANGING, REAR | |
| 8 | QE1-2995-000 | | 4 | CAP, FOOT | |
| 9 | QE1-3173-000 | | 2 | CASTER | WITHOUT STOPPER |
| 10 | QE1-3174-000 | | 2 | CASTER | WITH STOPPER |
| | | | | | |
| | | | | | |
| | | | | | |
| | | | | | |
| | | | | | |
| | | | | | |
| | | | | | |
| | | | | | |
| | | | | | |

FIGURE 13 SYSTEM CONTROLLER COMPONENT



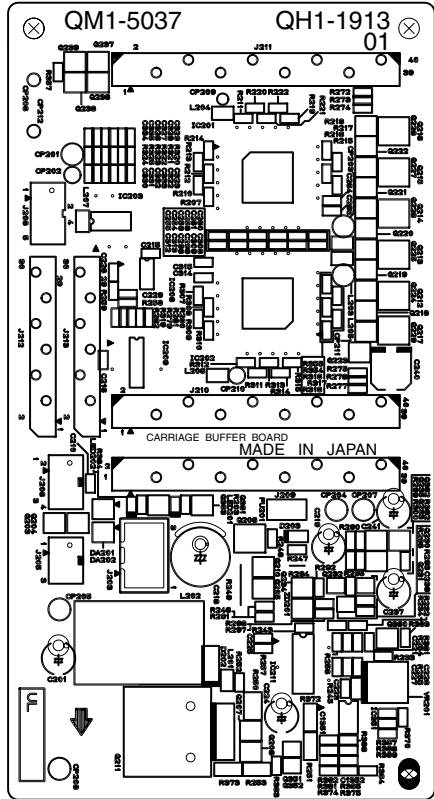
| FIGURE & KEY NO. | PART NUMBER | RANK | QTY | DESCRIPTION | REMARKS |
|------------------|------------------------------|------|--------|--|---------|
| 13 - 1 3 | QH8-1040-000 WA7-2521-000 | | 1 2 | IC, MB87J8060PB-G, GATE ARRAY IC, MX29LV160TTC-90G, FLASH ROM | |
| | | | | | |
| | | | | | |
| | | | | | |
| | | | | | |
| | | | | | |
| | | | | | |
| | | | | | |
| | | | | | |
| | | | | | |

FIGURE 14 ENGINE CONTROLLER COMPONENT



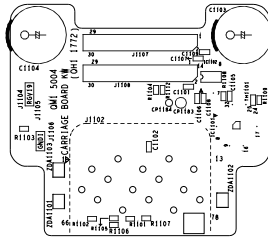
| FIGURE & KEY NO. | PART NUMBER | RANK | QTY | DESCRIPTION | REMARKS |
|------------------|--------------|------|-----|---------------------------------|---------|
| 14 - 1 | QH8-1016-000 | | 1 | IC, KS5000M, ASIC | |
| 2 | QH8-1021-000 | | 2 | IC, HG73C122FB, ASIC | |
| 3 | QH8-1279-000 | | 1 | IC, MSM32R020-512TS-K, ASIC | |
| 4 | WA7-2350-000 | | 1 | IC, MBM29LV651UE90TN, FLASH-ROM | |
| | | | | | |
| | | | | | |
| | | | | | |
| | | | | | |
| | | | | | |
| | | | | | |
| | | | | | |
| | | | | | |
| | | | | | |
| | | | | | |

FIGURE 15 CARRIAGE CONTROLLER COMPONENT



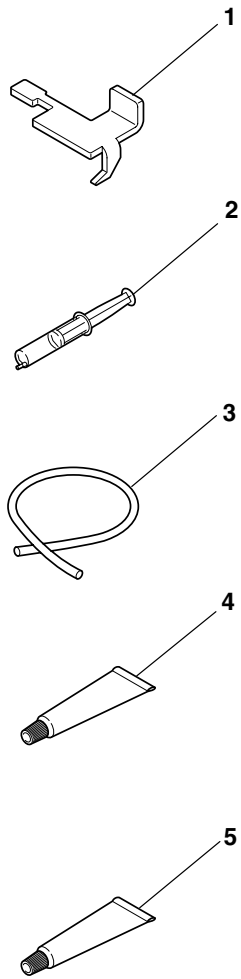
| FIGURE & KEY NO. | PART NUMBER | RANK | QTY | DESCRIPTION | REMARKS |
|------------------|--------------|------|-----|----------------------|---------|
| 15 - 1 | QH8-1020-000 | | 2 | IC, HG73C121FB, ASIC | |
| | | | | | |
| | | | | | |
| | | | | | |
| | | | | | |
| | | | | | |
| | | | | | |
| | | | | | |
| | | | | | |
| | | | | | |
| | | | | | |
| | | | | | |

FIGURE 16 HEAD CONTROLLER COMPONENT



| FIGURE & KEY NO. | PART NUMBER | RANK | QTY | DESCRIPTION | REMARKS |
|------------------|--------------|------|-----|----------------------|---------|
| 16 - 1 | QH7-8512-000 | | 1 | IC, BJ-LICC2, LINEAR | |
| | | | | | |
| | | | | | |
| | | | | | |
| | | | | | |
| | | | | | |
| | | | | | |
| | | | | | |
| | | | | | |
| | | | | | |
| | | | | | |
| | | | | | |
| | | | | | |
| | | | | | |
| | | | | | |
| | | | | | |
| | | | | | |
| | | | | | |
| | | | | | |
| | | | | | |
| | | | | | |
| | | | | | |

FIGURE 17 TOOL



| FIGURE & KEY NO. | PART NUMBER | RANK | QTY | DESCRIPTION | REMARKS |
|------------------|--------------|------|-----|-------------------------|---------|
| 17 - 1 | QY9-0103-000 | | 1 | COVER SWITCH TOOL | |
| 2 | CK-0541-000 | | 1 | SYRINGE | |
| 3 | QA2-6161-000 | | 1 | TUBE | |
| 4 | CK-0551-020 | | 1 | LUBE, PERMALUB G NO.2 | |
| 5 | CK-0562-000 | | 1 | GREASE, MOLYKOTE PG-641 | |
| | | | | | |
| | | | | | |
| | | | | | |
| | | | | | |
| | | | | | |
| | | | | | |
| | | | | | |
| | | | | | |
| | | | | | |
| | | | | | |
| | | | | | |
| | | | | | |
| | | | | | |

B. SCREWS & WASHERS LIST

| FIGURE & KEY NO. | PART NUMBER | RANK | QTY | DESCRIPTION | REMARKS |
|------------------|--------------|------|-----|-------------------------------|---------|
| P - 1 | XD3-2160-082 | | | PIN, DOWEL 1.6x8 | |
| R - 1 | XD2-1100-322 | | | RING, E M3.2 | |
| 2 | XD2-1100-802 | | | RING, E M8 | |
| S - 1 | QE1-2304-000 | | | SCREW, ALLEN, M4X8 | |
| 2 | QE1-2334-000 | | | SCREW, ALLEN, M4X6 | |
| 3 | XA9-0632-000 | | | SCREW, M4X26 | |
| 4 | XA9-0732-000 | | | SCREW, RS, M4 | |
| 5 | XB1-2400-606 | | | SCREW, MACHINE M4X6 | |
| 6 | XB1-2400-609 | | | SCREW, MACHINE M4X6 | |
| 7 | XB1-2400-809 | | | SCREW, MACHINE M4X8 | |
| 8 | XB6-7400-806 | | | SCREW, TP, M4X8 | |
| 9 | XB4-7400-809 | | | SCREW, TAP BINDING HEAD, M4X8 | |
| 10 | XB1-2300-809 | | | SCREW, MACHINE M3X8 | |
| 11 | XB1-2401-009 | | | SCREW, MACHINE M4X10 | |
| 12 | XB4-7401-009 | | | SCREW, TAP BINDING HEAD M4X10 | |
| 13 | XB6-7400-609 | | | SCREW, MACHINE, M4X6 | |
| | | | | | |
| | | | | | |
| | | | | | |
| | | | | | |
| | | | | | |
| | | | | | |

C. NUMERICAL INDEX

| PART NUMBER | FIGURE & KEY NO. | DESCRIPTION |
|--------------|------------------|---------------------------------|
| CK-0541-000 | 17 - 2 | SYRINGE |
| CK-0551-020 | 17 - 4 | LUBE, PERMALUB G NO.2 |
| CK-0562-000 | 17 - 5 | GREASE, MOLYKOTE PG-641 |
| FH2-5006-000 | 1 - 4 | WIRE, GROUNDING |
| FH7-7312-000 | 5 - 19 | IC, EE-SX4235A-P2, PHOTO INTER. |
| | 9 - 3 | |
| | 10 - 7 | |
| F55-1646-000 | 5 - 23 | BUSHING |
| | 11 - 5 | |
| QA2-6161-000 | 17 - 3 | TUBE |
| QC1-0008-000 | 9 - 31 | JOINT LEVER B |
| QC1-1421-000 | 8 - 5 | PLATEN B, REAR |
| QC1-1459-000 | 11 - 2 | SCALE, LINEAR |
| QC1-1464-000 | 9 - 26 | BELT, CARRIAGE |
| QC1-1487-000 | 8 - 9 | COVER, CUTTER MOTOR |
| QC1-1491-000 | 3 - 10 | COVER, TRAY, CENTER |
| QC1-1495-000 | 2 - 1 | COVER, REAR |
| QC1-1496-000 | 3 - 1 | COVER, REAR RIGHT |
| QC1-1501-000 | 3 - 12 | COVER, INTERFACE |
| QC1-1504-000 | 12 - 5 | STACKER, PAPER |
| QC1-1505-000 | 12 - 6 | WIRE, HANGING, FRONT |
| QC1-1506-000 | 12 - 7 | WIRE, HANGING, REAR |
| QC1-1513-000 | 2 - 6 | COVER, STAY, REAR |
| QC1-1524-000 | 2 - 5 | COVER, STAY, REAR |
| QC1-1534-000 | 8 - 8 | ROLLER, FEED |
| QC1-1541-000 | 5 - 11 | COVER, CUTTER SENSOR |
| QE1-1061-000 | 5 - 22 | GEAR, IDLER |
| | 11 - 4 | |
| QE1-1063-000 | 5 - 25 | GEAR, IDLER |
| | 11 - 7 | |
| QE1-1254-000 | 11 - 1 | SPRING, HOOK END COIL |
| QE1-1270-000 | 9 - 12 | SPRING, COIL |
| QE1-1271-000 | 7 - 1 | SPRING, HOOK END COIL |
| | 7 - 5 | |
| QE1-1279-000 | 5 - 2 | SPRING, HOOK END COIL |
| QE1-1280-000 | 10 - 6 | SPRING, COIL |
| QE1-1282-000 | 9 - 4 | SPRING, HOOK END COIL |
| QE1-2304-000 | S - 1 | SCREW, ALLEN, M4X8 |
| QE1-2334-000 | 1 - 12 | SCREW, ALLEN, M4X6 |
| | S - 2 | |
| QE1-2341-020 | 9 - 25 | STOPPER, BELT |
| QE1-2673-000 | 8 - 7 | BUSHING, FEED |
| QE1-2674-000 | 8 - 3 | PLATEN B |
| QE1-2682-000 | 9 - 9 | PAD |
| QE1-2689-000 | 9 - 15 | MOUNT, IDLER ROLLER |
| QE1-2690-000 | 9 - 13 | GUIDE, IDLER ROLLER |
| QE1-2691-000 | 9 - 11 | LEVER, IDLER ROLLER |
| QE1-2697-000 | 8 - 4 | PLATEN, REAR |
| QE1-2708-000 | 2 - 2 | COVER, REAR LEFT |
| QE1-2814-000 | 9 - 18 | COVER, CARRIAGE |
| QE1-2819-000 | 9 - 5 | LEVER, PRINTHEAD LOCK |
| QE1-2826-000 | 9 - 17 | HOLDER, TUBE |
| QE1-2838-020 | 9 - 20 | SHEET |
| QE1-2982-000 | 5 - 5 | SPACER |
| QE1-2985-000 | 12 - 8 | CAP, FOOT |
| QE1-3009-030 | 12 - 3 | SUPPORT, BLOCK |
| QE1-3024-000 | 5 - 15 | GUIDE, BELT |
| QE1-3058-000 | 9 - 2 | COVER, TUBE HOLDER |

| PART NUMBER | FIGURE & KEY NO. | DESCRIPTION |
|--------------|------------------|-------------------------------|
| QE1-3063-020 | 12 - 1 | COVER, LEFT |
| QE1-3064-020 | 12 - 2 | COVER, RIGHT |
| QE1-3126-000 | 1 - 11 | STOPPER, BELT |
| QE1-3158-000 | 12 - 4 | SHEET, CASTER |
| QE1-3173-000 | 12 - 9 | CASTER |
| QE1-3174-000 | 12 - 10 | CASTER |
| QE1-3184-000 | 9 - 22 | PAD |
| QE1-3239-000 | 5 - 6 | FILTER, AIR |
| | 9 - 27 | |
| QH2-2554-000 | 9 - 21 | FLEXIBLE CABLE |
| QH2-2627-000 | 1 - 5 | CORD, POWER |
| QH2-2628-000 | 1 - 6 | CORD, POWER |
| QH2-2629-000 | 1 - 7 | CORD, POWER |
| QH2-2630-000 | 1 - 8 | CORD, POWER |
| QH2-2631-000 | 1 - 9 | CORD, POWER |
| QH3-3648-000 | 4 - 5 | POWER SUPPLY ASSY |
| QH7-8512-000 | 16 - 1 | IC, BJ-LICC2, LINEAR |
| QH8-1016-000 | 14 - 1 | IC, KS5000M, ASIC |
| QH8-1020-000 | 15 - 1 | IC, HG73C121FB, ASIC |
| QH8-1021-000 | 14 - 2 | IC, HG73C122FB, ASIC |
| QH8-1040-000 | 13 - 1 | IC, MB87J8060PB-G, GATE ARRAY |
| QH8-1279-000 | 14 - 3 | IC, MSM32R020-512TS-K, ASIC |
| QL1-0417-000 | 9 - 1 | TUBE BASE COVER ASSY |
| QL1-0427-020 | 10 - 9 | FAN, AIR FLOW |
| QL1-0431-000 | 9 - 29 | FILTER COVER ASSY |
| QL1-0436-030 | 5 - 4 | ENCODER SLIT ASSY |
| QL2-0219-000 | 5 - 13 | DUCT ASSY |
| QM1-0638-020 | 2 - 4 | UPPER LEFT COVER UNIT |
| QM1-0642-020 | 5 - 20 | UPPER COVER LOCK UNIT (L) |
| QM1-0643-020 | 11 - 8 | UPPER COVER LOCK UNIT (R) |
| QM1-0644-030 | 11 - 9 | RIGHT COVER LOCK UNIT |
| QM1-0645-020 | 3 - 7 | SENSOR SHAFT ASSY |
| QM1-0648-000 | 7 - 2 | PAPER GUIDE UNIT A |
| QM1-0651-020 | 5 - 18 | PINCH ROLLER DRIVE UNIT |
| QM1-0653-000 | 4 - 11 | FAN UNIT |
| QM1-0656-000 | 5 - 10 | FEED MOTOR ASSY |
| QM1-0658-000 | 5 - 1 | FEED ROLLER SENSOR UNIT |
| QM1-0659-000 | 10 - 2 | WASTE INK ABSORBER UNIT |
| QM1-0661-000 | 9 - 30 | CARRIAGE MOTOR ASSY |
| QM1-0662-000 | 9 - 14 | IDLER ROLLER ASSY |
| QM1-0673-040 | 5 - 17 | ROLL DRIVE UNIT |
| QM1-0681-000 | 4 - 8 | ROLL END SENSOR UNIT |
| QM1-0682-000 | 4 - 9 | ROLL TRAY SET SENSOR UNIT |
| QM1-0683-000 | 4 - 7 | ROLL SET SENSOR UNIT |
| QM1-0687-020 | 3 - 2 | UPPER RIGHT COVER UNIT |
| QM1-0688-030 | 3 - 3 | OPERATION PANEL UNIT |
| QM1-0699-030 | 3 - 4 | RIGHT COVER UNIT |
| QM1-0720-020 | 4 - 14 | INLET UNIT |
| QM1-0731-000 | 8 - 16 | RELEASE LEVER ASSY |
| QM1-0761-000 | 8 - 2 | PLATEN A |
| QM1-0770-000 | 3 - 3 | OPERATION PANEL UNIT |
| QM1-0777-000 | 9 - 28 | DUCT UNIT |
| QM1-0778-070 | 5 - 7 | AIR FLOW FAN UNIT |
| QM1-0779-030 | 2 - 3 | LEFT COVER UNIT |
| QM1-0786-020 | 5 - 21 | LEFT DUMPER UNIT |
| QM1-0787-020 | 11 - 3 | RIGHT DUMPER UNIT |
| QM1-0812-000 | 1 - 13 | RAIL CLEANER ASSY |
| QM1-5003-020 | 4 - 6 | MOTOR DRIVER ASSY |

| PART NUMBER | FIGURE & KEY NO. | DESCRIPTION |
|--------------|------------------|---------------------------------|
| QM1-5004-000 | 9 - 23 | HEAD RELAY ASSY |
| QM1-5036-000 | 4 - 1 | ENGINE CONTROLLER ASSY |
| QM1-5037-000 | 9 - 7 | CARRIAGE RELAY ASSY |
| QM1-5042-000 | 4 - 10 | DC CABLE ASSY |
| QM1-5044-000 | 4 - 13 | MOTOR DRIVE CABLE ASSY |
| QM1-5049-000 | 9 - 10 | FLEXIBLE CABLE ASSY |
| QM2-0343-000 | 4 - 3 | SYSTEM CONTROLLER ASSY |
| QM2-0344-000 | 8 - 15 | CUTTER RIGHT SWITCH UNIT |
| QM2-0345-000 | 5 - 12 | LEFT PLATEN UNIT |
| QM2-0352-000 | 6 - 1 | PINCH ROLLER UNIT |
| QM2-0353-000 | 7 - 3 | PAPER GUIDE UNIT A1 |
| QM2-0354-000 | 7 - 4 | PAPER GUIDE UNIT B |
| QM2-0355-000 | 3 - 8 | MANUAL FEED TRAY UNIT |
| QM2-0357-000 | 9 - 6 | INK TUBE UNIT |
| QM2-0358-000 | 9 - 16 | CARRIAGE UNIT |
| QM2-0359-000 | 3 - 11 | ROLL TRAY UNIT |
| QM2-0368-000 | 3 - 5 | UPPER REAR COVER UNIT |
| QM2-0369-000 | 3 - 6 | UPPER COVER UNIT |
| QM2-0370-000 | 10 - 3 | INK TANK UNIT |
| QM2-0379-000 | 10 - 4 | VALVE MOTOR UNIT |
| QM2-0380-000 | 8 - 1 | HEAD MANAGEMENT SENSOR UNIT |
| QM2-0383-000 | 10 - 5 | PURGE UNIT |
| QM2-0388-000 | 5 - 14 | FAN UNIT |
| QM2-0389-000 | 3 - 9 | TRAY COVER UNIT |
| QM2-0396-000 | 8 - 13 | CUTTER MOTOR UNIT |
| QM2-0398-000 | 8 - 14 | CUTTER LEFT SWITCH UNIT |
| QM2-0399-000 | 8 - 10 | FEED GUIDE UNIT |
| QM2-0400-000 | 8 - 12 | CUTTER HOLDER UNIT |
| QM2-0407-000 | 3 - 6 | UPPER COVER UNIT |
| QM2-0408-000 | 8 - 6 | FEED SENSOR UNIT |
| QM2-0410-000 | 6 - 2 | PINCH ROLLER UNIT A |
| QM2-0412-000 | 6 - 3 | PINCH ROLLER UNIT B |
| QU1-2057-000 | 8 - 11 | SPRING, HOOK END COIL |
| QY9-0103-000 | 17 - 1 | COVER SWITCH TOOL |
| WAT-2313-000 | 4 - 4 | IC, 128M-168SDS-13C, SDRAM |
| WAT-2350-000 | 14 - 4 | IC, M8M29LV651UE90TN, FLASH-ROM |
| WAT-2521-000 | 13 - 3 | IC, MX29LV160TTC-90G, FLASH ROM |
| WE8-5344-000 | 9 - 8 | FERRITE CORE |
| XA9-0632-000 | S - 3 | SCREW, M4X26 |
| XA9-0732-000 | S - 4 | SCREW, RS, M4 |
| XB1-2300-809 | S - 10 | SCREW, MACHINE M3X8 |
| XB1-2400-606 | S - 5 | SCREW, MACHINE M4X6 |
| XB1-2400-609 | S - 6 | SCREW, MACHINE M4X6 |
| XB1-2400-809 | S - 7 | SCREW, MACHINE M4X8 |
| XB1-2401-009 | S - 11 | SCREW, MACHINE M4X10 |
| XB4-7400-809 | S - 9 | SCREW, TAP BINDING HEAD, M4X8 |
| XB4-7401-009 | S - 12 | SCREW, TAP BINDING HEAD M4X10 |
| XB6-7400-609 | S - 13 | SCREW, MACHINE, M4X6 |
| XB6-7400-806 | S - 8 | SCREW, TP, M4X8 |
| XD2-1100-322 | R - 1 | RING, E M3.2 |
| XD2-1100-802 | R - 2 | RING, E M8 |
| XD3-2160-082 | P - 1 | PIN, DOWEL 1.6x8 |
| XF2-4114-360 | 5 - 16 | BELT, DRIVE |
| XF2-4119-090 | 5 - 3 | BELT, FEED |

Canon