

PARTS CATALOG

**iPF786/785/781/780/771/
770/765/760/755/750**

Canon

Nov 19 2014

PREFACE

This Parts Catalog contains listings of parts used

Diagrams are provided with the listings to aid the service technician in identifying clearly, the item to be ordered.

Whenever ordering parts, consult this Parts Catalog for all of the information pertaining to each item. Be sure to include, in the Parts Request, the full item description, the item part number, and the quantity.

COPYRIGHT (C) 1999 CANON INC.

Use of this manual should be strictly supervised to avoid disclosure of confidential information.

Contents

NUMERICAL INDEX

iPF786/785/781/780/771/770/765/760/755/750(Numerical Index) 1-1

iPF786/785/781/780/771/770/765/760/755/750(Parts Catalog)

01	PRINTER & ACCESSORIES	2-1
02	COVERS	2-3
03	ROLL UNIT	2-6
04	ELECTRICAL PART	2-9
05	INK SUPPLY & PURGE UNIT	2-11
06	LINEAR SCALE	2-17
07	CARRIAGE UNIT	2-18
08	AIR FLOW FAN UNIT	2-21
09	CUTTER UNIT	2-23
10	PLATEN & GUIDE UNIT	2-25
11	PINCH ROLLER UNIT	2-27
12	FEED ROLLER UNIT	2-28
13	TOOL	2-30
R1	STAND UNIT ST-33	2-31
R2	STAND UNIT ST-34	2-33
ZZA	MECHANICAL STANDARD PARTS(HOW TO USE)	2-37
ZZB	MECHANICAL STANDARD PARTS(SCREWS)	2-38
ZZC	MECHANICAL STANDARD PARTS(BOLTS)	2-45
ZZD	MECHANICAL STANDARD PARTS(NUTS)	2-46
ZZE	MECHANICAL STANDARD PARTS(RETAINING RINGS)	2-47

NUMERICAL INDEX

iPF786/785/781/780/771/770/765/760/755/750(Numerical Index)

PARTS NUMBER	FIGURE & KEY NO.	PARTS NUMBER	FIGURE & KEY NO.	PARTS NUMBER	FIGURE & KEY NO
	02 -	QC3-1516-000	07 - 32	QC3-1709-000	01 - 5
	03 -	QC3-1519-000	07 - 33	QC3-1710-000	01 - 6
	04 -	QC3-1524-000	07 - 21	QC3-1711-000	01 - 7
	06 -	QC3-1525-000	07 - 36	QC3-1712-000	01 - 8
	08 -	QC3-1526-000	07 - 23	QC3-1713-000	01 - 9
	12 -	QC3-1527-000	07 - 35	QC3-1714-000	01 - 10
	R1 -	QC3-1531-000	07 - 4	QC3-1731-000	R1 - 8
	R2 -	QC3-1532-000	07 - 5	QC3-1731-000	R2 - 28
AY3-4560-010	R2 - 8	QC3-1533-000	07 - 6	QC3-1732-000	R1 - 10
FB1-0733-000	01 - 3	QC3-1534-010	07 - 7	QC3-1732-000	R2 - 30
FK2-2416-000	04 - 3	QC3-1550-000	05 - 5	QC3-1739-000	R1 - 3
FK2-6470-000	03 - 3	QC3-1552-000	08 - 6	QC3-1742-000	02 - 9
FY9-6022-000	13 - 2	QC3-1553-000	02 - 22	QC3-1747-000	R1 - 16
FY9-6028-000	13 - 3	QC3-1555-000	09 - 1	QC3-1747-000	R2 - 26
NPN	01 - 1	QC3-1568-000	08 - 14	QC3-1751-000	07 - 1
NPN	01 - 2	QC3-1569-000	08 - 15	QC3-1752-010	03 - 8
NPN	01 - 2	QC3-1570-000	08 - 17	QC3-1759-000	03 - 14
NPN	01 - 2	QC3-1571-000	08 - 18	QC3-1760-000	03 - 15
NPN	01 - 2	QC3-1572-000	08 - 19	QC3-1766-000	09 - 2
NPN	01 - 2	QC3-1574-000	08 - 20	QC3-1808-000	08 - 7
QC1-0008-000	07 - 16	QC3-1612-000	05 - 25	QC3-1818-000	03 - 23
QC1-4850-000	09 - 5	QC3-1615-000	05 - 33	QC3-1819-000	03 - 18
QC1-6912-000	01 - 14	QC3-1616-000	05 - 34	QC3-1829-000	02 - 18
QC2-0682-000	05 - 1	QC3-1617-000	05 - 35	QC3-1850-000	R2 - 6
QC2-0687-000	05 - 2	QC3-1621-000	07 - 13	QC3-1878-000	06 - 1
QC2-0689-000	05 - 3	QC3-1631-000	03 - 16	QC3-1879-000	12 - 6
QC2-0690-000	05 - 4	QC3-1634-000	03 - 12	QC3-1900-000	02 - 24
QC2-0729-000	05 - 18	QC3-1635-000	03 - 5	QC3-1914-000	R1 - 1
QC2-0736-000	05 - 19	QC3-1636-000	03 - 30	QC3-1914-000	R2 - 1
QC2-0739-000	05 - 23	QC3-1639-000	03 - 13	QC3-1921-000	R2 - 33
QC2-0832-000	05 - 24	QC3-1647-000	03 - 22	QC3-1928-000	05 - 49
QC2-0957-000	12 - 8	QC3-1648-000	03 - 21	QC3-1929-000	05 - 50
QC2-0998-000	12 - 7	QC3-1649-000	03 - 33	QC3-1930-000	05 - 51
QC2-1281-000	05 - 20	QC3-1650-010	03 - 52	QC3-1931-000	05 - 52
QC2-4116-000	R1 - 12	QC3-1651-000	03 - 34	QC3-1939-000	05 - 53
QC2-4116-000	R2 - 32	QC3-1652-000	03 - 35	QC3-1944-000	R2 - 21
QC2-4346-000	R1 - 5	QC3-1654-000	03 - 6	QC3-1945-000	R2 - 22
QC2-6633-000	02 - 25	QC3-1658-000	03 - 10	QC3-1950-000	R2 - 10
QC2-6793-000	01 - 24	QC3-1659-000	03 - 11	QC3-1953-000	R2 - 4
QC3-0133-000	R1 - 15	QC3-1661-000	03 - 2	QC3-1958-000	R2 - 12
QC3-0133-000	R2 - 35	QC3-1668-000	02 - 19	QC4-8815-000	06 - 1
QC3-1437-000	08 - 28	QC3-1672-000	03 - 9	QC4-9036-000	05 - 13
QC3-1442-000	R1 - 17	QC3-1683-000	02 - 16	QC4-9076-000	10 - 6
QC3-1445-000	08 - 8	QC3-1684-000	07 - 9	QC4-9225-000	02 - 18
QC3-1455-000	R1 - 18	QC3-1686-010	07 - 10	QC4-9252-000	03 - 20
QC3-1458-010	10 - 8	QC3-1690-000	02 - 6	QC4-9256-000	03 - 19
QC3-1478-000	12 - 10	QC3-1695-000	02 - 2	QC4-9259-000	03 - 17
QC3-1480-000	11 - 6	QC3-1696-000	02 - 3	QC4-9290-000	03 - 24
QC3-1492-000	R1 - 4	QC3-1697-000	02 - 4	QC4-9303-000	R1 - 14
QC3-1511-000	07 - 29	QC3-1698-000	02 - 5	QC4-9303-000	R2 - 34
QC3-1514-000	07 - 28	QC3-1706-000	03 - 44	QC4-9319-000	R1 - 7
QC3-1515-000	07 - 27	QC3-1707-000	03 - 45	QC4-9319-000	R2 - 27

NUMERICAL INDEX

iPF786/785/781/780/771/770/765/760/755/750(Numerical Index)

PARTS NUMBER	FIGURE & KEY NO.	PARTS NUMBER	FIGURE & KEY NO.	PARTS NUMBER	FIGURE & KEY NO
QC4-9322-000	R1 - 19	QD1-1282-000	02 - 32	QM3-5804-010	12 - 17
QC4-9322-000	R2 - 3	QE1-2819-010	07 - 17	QM3-5805-000	08 - 12
QC4-9323-000	R1 - 9	QH2-2732-000	01 - 21	QM3-5808-000	08 - 2
QC4-9323-000	R2 - 29	QK1-0440-000	05 - 6	QM3-5815-000	12 - 9
QC4-9330-000	R1 - 13	QK1-0440-000	08 - 3	QM3-5817-000	11 - 4
QC4-9331-000	R1 - 21	QK1-0550-000	05 - 26	QM3-5819-010	04 - 1
QC4-9331-000	R2 - 39	QK1-0550-000	09 - 6	QM3-5820-010	04 - 1
QC4-9335-000	R2 - 5	QK1-1392-000	01 - 19	QM3-5824-020	07 - 19
QC4-9338-000	R1 - 20	QK1-1396-010	01 - 22	QM3-5826-010	07 - 25
QC4-9338-000	R2 - 38	QK1-2081-000	03 - 37	QM3-5833-000	07 - 2
QC4-9342-000	R2 - 20	QK1-2086-000	08 - 11	QM3-5841-000	08 - 5
QC4-9345-000	R2 - 19	QK1-5066-000	12 - 4	QM3-5842-000	02 - 1
QC4-9346-000	R2 - 16	QK1-5067-000	12 - 3	QM3-5844-030	09 - 3
QC4-9347-000	R2 - 15	QK1-5068-000	07 - 41	QM3-5846-030	09 - 4
QC4-9349-000	R2 - 9	QK1-5080-000	04 - 10	QM3-5856-020	05 - 17
QC4-9350-000	R2 - 24	QK1-5097-000	01 - 17	QM3-5861-010	05 - 32
QC4-9352-000	R2 - 14	QK1-5098-000	01 - 18	QM3-5862-020	05 - 16
QC4-9353-000	R2 - 23	QK1-5099-000	01 - 20	QM3-5876-000	03 - 7
QC4-9354-000	R2 - 13	QK1-5141-000	04 - 2	QM3-5878-000	02 - 12
QC4-9355-000	R2 - 11	QK1-5143-000	07 - 39	QM3-5879-000	02 - 13
QC4-9365-000	05 - 56	QK1-9687-000	07 - 38	QM3-5882-000	02 - 14
QC4-9366-000	05 - 57	QK1-9860-000	05 - 71	QM3-5883-020	07 - 8
QC4-9367-000	05 - 58	QK2-0830-000	01 - 23	QM3-5885-000	02 - 7
QC5-1549-000	05 - 18	QL2-3157-010	10 - 5	QM3-5886-000	02 - 8
QC5-1550-000	05 - 19	QL2-3158-010	10 - 4	QM3-5890-000	01 - 11
QC5-1552-000	05 - 23	QL2-3159-010	10 - 3	QM3-5894-000	R1 - 2
QC5-1554-000	05 - 20	QL2-3160-010	10 - 2	QM3-5894-000	R2 - 2
QC5-1572-000	05 - 25	QL2-3175-000	03 - 36	QM3-5904-000	02 - 1
QC5-1575-000	05 - 33	QL2-3175-000	07 - 11	QM3-5908-000	02 - 10
QC5-1576-000	05 - 34	QL2-3182-000	12 - 1	QM3-5909-000	02 - 11
QC5-1577-000	05 - 35	QL2-3183-000	08 - 16	QM3-5910-010	05 - 31
QC5-1581-000	05 - 27	QL2-6892-000	02 - 21	QM3-5911-000	02 - 15
QC5-1582-000	05 - 28	QL2-6893-000	02 - 20	QM3-5942-000	02 - 11
QC5-1583-000	05 - 29	QL2-6896-000	07 - 14	QM3-5946-000	11 - 1
QC5-1598-000	R1 - 18	QM3-1355-010	05 - 21	QM3-5947-000	02 - 17
QC5-1601-000	R1 - 17	QM3-4569-010	07 - 31	QM3-5949-020	10 - 1
QD1-0270-000	05 - 68	QM3-4582-000	04 - 11	QM3-5953-010	03 - 27
QD1-0287-000	05 - 59	QM3-4583-000	09 - 9	QM3-5954-000	05 - 42
QD1-1095-000	R1 - 11	QM3-4584-000	09 - 10	QM3-5955-000	05 - 43
QD1-1095-000	R2 - 31	QM3-4585-020	04 - 7	QM3-5957-000	05 - 12
QD1-1225-000	05 - 69	QM3-4587-000	04 - 8	QM3-5961-000	09 - 15
QD1-1233-000	05 - 70	QM3-4590-000	07 - 43	QM3-7911-000	03 - 41
QD1-1234-000	02 - 31	QM3-4591-000	07 - 42	QM4-2765-000	11 - 7
QD1-1235-000	02 - 26	QM3-4592-000	03 - 4	QM4-2767-000	05 - 36
QD1-1238-000	02 - 32	QM3-4599-000	08 - 25	QM4-2795-000	10 - 11
QD1-1239-000	02 - 27	QM3-4600-000	05 - 37	QM4-2797-000	08 - 9
QD1-1240-000	02 - 28	QM3-4601-000	05 - 38	QM4-2798-000	08 - 10
QD1-1245-000	02 - 6	QM3-4602-000	03 - 42	QM4-2803-000	03 - 1
QD1-1253-000	02 - 29	QM3-4611-000	12 - 11	QM4-2808-000	03 - 43
QD1-1254-000	02 - 30	QM3-4613-000	07 - 37	QM4-2810-000	01 - 13
QD1-1278-000	02 - 32	QM3-4932-000	08 - 24	QM4-2813-000	01 - 4
QD1-1281-000	02 - 32	QM3-5803-010	12 - 16	QM4-2817-000	08 - 1

NUMERICAL INDEX

iPF786/785/781/780/771/770/765/760/755/750(Numerical Index)

PARTS NUMBER	FIGURE & KEY NO.	PARTS NUMBER	FIGURE & KEY NO.	PARTS NUMBER	FIGURE & KEY NO
QM4-2823-000	07 - 15	QM7-3638-000	03 - 56	WG8-5836-000	05 - 30
QM4-2829-000	03 - 49	QM7-3984-000	04 - 1	WG8-5836-000	09 - 8
QM4-2834-000	R1 - 6	QM7-3985-000	04 - 1	WG8-5849-000	05 - 10
QM4-2834-000	R2 - 25	QM7-3988-000	05 - 21	WG8-5849-000	08 - 4
QM4-2841-000	R2 - 18	QM7-3989-000	04 - 7	WG8-5849-000	12 - 5
QM4-2842-000	R2 - 17	QM7-3990-000	04 - 8	WM2-5278-000	04 - 3
QM4-2844-000	07 - 19	QM7-3991-000	05 - 37	WM2-5280-000	04 - 3
QM4-2871-000	05 - 73	QM7-3992-000	05 - 38	WM2-5285-000	04 - 3
QM4-2872-000	05 - 67	QM7-7084-000	05 - 64	WT2-0136-000	05 - 39
QM4-2873-000	05 - 55	QM7-7231-000	05 - 65	WT2-0204-000	05 - 48
QM4-2875-000	05 - 66	QM7-7296-000	04 - 7	WT2-5056-000	05 - 44
QM4-2876-000	05 - 54	QM7-7298-000	05 - 62	WT2-5056-000	08 - 21
QM4-2878-000	01 - 15	QM7-7299-000	05 - 63	WT2-5056-000	09 - 11
QM4-2879-000	01 - 16	QM7-7319-000	04 - 1	WT2-5056-000	12 - 13
QM4-3202-000	02 - 7	QM7-7320-000	04 - 1	WT2-5098-000	04 - 9
QM4-3203-000	02 - 8	QU1-0359-000	08 - 26	WT2-5098-000	05 - 15
QM4-3247-000	02 - 1	QU1-0360-000	11 - 2	WT2-5694-000	03 - 46
QM4-3668-000	07 - 26	QU1-0363-000	05 - 7	WT2-5694-000	04 - 5
QM4-3670-000	05 - 11	QU1-0365-000	09 - 7	WT2-5694-000	05 - 41
QM4-3735-000	05 - 17	QU1-0366-000	05 - 27	WT2-5694-000	08 - 22
QM4-3736-000	05 - 42	QU1-0367-000	05 - 28	WT2-5694-000	09 - 12
QM4-3740-000	05 - 32	QU1-0369-000	01 - 12	WT2-5737-000	05 - 40
QM4-3741-000	05 - 16	QU1-0370-000	03 - 26	WT2-5737-000	12 - 14
QM4-3743-000	05 - 31	QU1-0371-000	03 - 25	WT2-5738-000	04 - 6
QM4-3744-000	02 - 1	QU1-0372-000	03 - 31	WT2-5738-000	05 - 45
QM4-3745-000	02 - 1	QU1-0373-000	03 - 29	WT2-5738-000	12 - 12
QM4-3746-000	02 - 1	QU1-0374-010	03 - 32	WT2-5981-000	07 - 45
QM4-3749-000	02 - 13	QU1-2437-000	06 - 2	XA9-0949-000	R2 - 36
QM4-3750-000	02 - 12	QU1-2438-000	07 - 24	XA9-1386-000	01 - 26
QM4-3751-000	02 - 10	QU1-2439-000	07 - 30	XA9-1386-000	03 - 47
QM4-3752-000	02 - 11	QU1-2440-000	07 - 40	XA9-1386-000	05 - 22
QM4-3754-000	02 - 11	QU1-2441-000	07 - 3	XA9-1386-000	08 - 23
QM4-3756-000	02 - 7	QU1-2442-000	11 - 3	XA9-1386-000	09 - 13
QM4-3757-000	02 - 8	QU1-2443-000	05 - 29	XA9-1386-000	10 - 9
QM4-3764-000	05 - 43	QU1-2445-000	07 - 18	XA9-1386-000	12 - 18
QM4-8157-000	02 - 11	QU1-2446-000	12 - 2	XA9-1928-000	02 - 23
QM4-8158-000	02 - 11	QU1-2447-000	05 - 8	XA9-1928-000	03 - 50
QM4-8159-000	04 - 1	QU1-2449-000	03 - 39	XA9-1928-000	04 - 4
QM4-8160-010	04 - 1	QU1-2450-000	03 - 40	XA9-1928-000	05 - 46
QM4-8464-000	05 - 72	QU1-2451-000	07 - 12	XA9-1928-000	07 - 44
QM4-8470-000	02 - 1	QU1-2456-000	03 - 51	XA9-1928-000	08 - 27
QM4-8480-000	09 - 3	QU1-8264-000	07 - 34	XA9-1928-000	09 - 14
QM4-8483-000	02 - 17	QU1-8279-000	01 - 25	XA9-1928-000	10 - 10
QM4-8494-000	02 - 1	QU1-8284-000	03 - 53	XA9-1928-000	11 - 9
QM7-3594-000	04 - 1	QU1-8285-000	03 - 54	XA9-1928-000	12 - 15
QM7-3596-000	04 - 1	QU1-8293-000	R2 - 7	XB1-2200-507	12 - 501
QM7-3602-000	07 - 31	QY9-0103-000	13 - 1	XB1-2260-409	05 - 501
QM7-3608-000	05 - 60	RK2-2884-000	03 - 48	XB1-2260-409	09 - 501
QM7-3609-000	05 - 61	WC4-5052-000	05 - 9	XB1-2300-407	04 - 501
QM7-3613-000	07 - 22	WC4-5052-000	08 - 13	XB1-2300-409	03 - 501
QM7-3621-000	04 - 8	WG8-5836-000	03 - 38	XB1-2300-607	05 - 502
QM7-3637-000	03 - 55	WG8-5836-000	05 - 30	XB1-2400-607	04 - 502

NUMERICAL INDEX

iPF786/785/781/780/771/770/765/760/755/750(Numerical Index)

PARTS NUMBER	FIGURE & KEY NO.	PARTS NUMBER	FIGURE & KEY NO.	PARTS NUMBER	FIGURE & KEY NO.
XB4-5300-807	02 - 501				
XB4-5300-807	05 - 503				
XB4-5300-807	07 - 501				
XB4-5300-807	08 - 501				
XB4-5300-807	R1 - 502				
XB4-5300-807	R2 - 502				
XB4-5400-807	09 - 503				
XB4-5401-007	03 - 502				
XB4-5401-007	05 - 504				
XB4-5401-007	08 - 502				
XB4-5401-007	12 - 503				
XB4-6301-205	R2 - 503				
XB4-6302-505	R2 - 504				
XB6-7300-607	01 - 501				
XB6-7300-607	12 - 502				
XB7-2301-009	R1 - 501				
XB7-2301-009	R2 - 501				
XD1-4200-402	04 - 503				
XD2-1100-242	09 - 502				
XD2-1100-322	01 - 502				
XD2-1100-502	01 - 503				
XD2-1100-502	03 - 503				
XZ9-0697-000	R2 - 37				

iPF786/785/781/780/771/770/765/760/ 755/750(Parts Catalog)

iPF786(TH)

**120/230V Q51-2505-
 000**

**230(CHN) Q51-2506-
 000**

**230(KOR) Q51-2508-
 000**

iPF785(TH)

**120/230V Q51-2504-
 000**

**100V Q51-2507-
 000**

iPF781(TH)

**120/230V Q51-2495-
 000**

**230(CHN) Q51-2496-
 000**

**230(KOR) Q51-2498-
 000**

iPF780(TH)

**120/230V Q51-2494-
 000**

**100V Q51-2497-
 000**

iPF786(CN)

120/230V	Q51-2435-000
230(CHN)	Q51-2436-000
230(KOR)	Q51-2438-000

iPF785(CN)

120/230V	Q51-2434-000
100V	Q51-2437-000

iPF781(CN)

120/230V	Q51-2425-000
230(CHN)	Q51-2426-000
230(KOR)	Q51-2428-000

iPF780(CN)

120/230V	Q51-2424-000
100V	Q51-2427-000

iPF771(TH)

120/230V	Q51-2535-000
230(CHN)	Q51-2536-000
230(KOR)	Q51-2538-000

iPF770(TH)

120/230V Q51-2534-000

100V Q51-2537-000

iPF765

120/230V Q51-2364-000

230(CHN) Q51-2366-000

100V Q51-2367-000

230(KOR) Q51-2368-000

iPF760

120/230V Q51-2354-000

230(CHN) Q51-2356-000

100V Q51-2357-000

230(KOR) Q51-2358-000

iPF755

120/230V Q51-1894-000

230(CHN) Q51-1896-000

100V Q51-1897-000

230(KOR) Q51-1898-000

iPF750

120/230V Q51-1764-
000

230(CHN) Q51-1766-
000

100V Q51-1767-
000

230(KOR) Q51-1768-
000

STAND UNIT ST-33(TH)

Q55-2980-
000

STAND UNIT ST-33(CN)

Q55-2560-
000

STAND UNIT ST-34(TH)

Q55-2910-
000

STAND UNIT ST-34(CN)

Q55-2800-
000

Contents

01	PRINTER & ACCESSORIES	2-1
02	COVERS	2-3
03	ROLL UNIT	2-6
04	ELECTRICAL PART	2-9
05	INK SUPPLY & PURGE UNIT	2-11
06	LINEAR SCALE	2-17
07	CARRIAGE UNIT	2-18
08	AIR FLOW FAN UNIT	2-21
09	CUTTER UNIT	2-23
10	PLATEN & GUIDE UNIT	2-25
11	PINCH ROLLER UNIT	2-27
12	FEED ROLLER UNIT	2-28
13	TOOL	2-30
R1	STAND UNIT ST-33	2-31
R2	STAND UNIT ST-34	2-33
ZZA	MECHANICAL STANDARD PARTS(HOW TO USE)	2-37
ZZB	MECHANICAL STANDARD PARTS(SCREWS)	2-38
ZZC	MECHANICAL STANDARD PARTS(BOLTS)	2-45
ZZD	MECHANICAL STANDARD PARTS(NUTS)	2-46
ZZE	MECHANICAL STANDARD PARTS(RETAINING RINGS)	2-47

FIGURE 01 PRINTER & ACCESSORIES

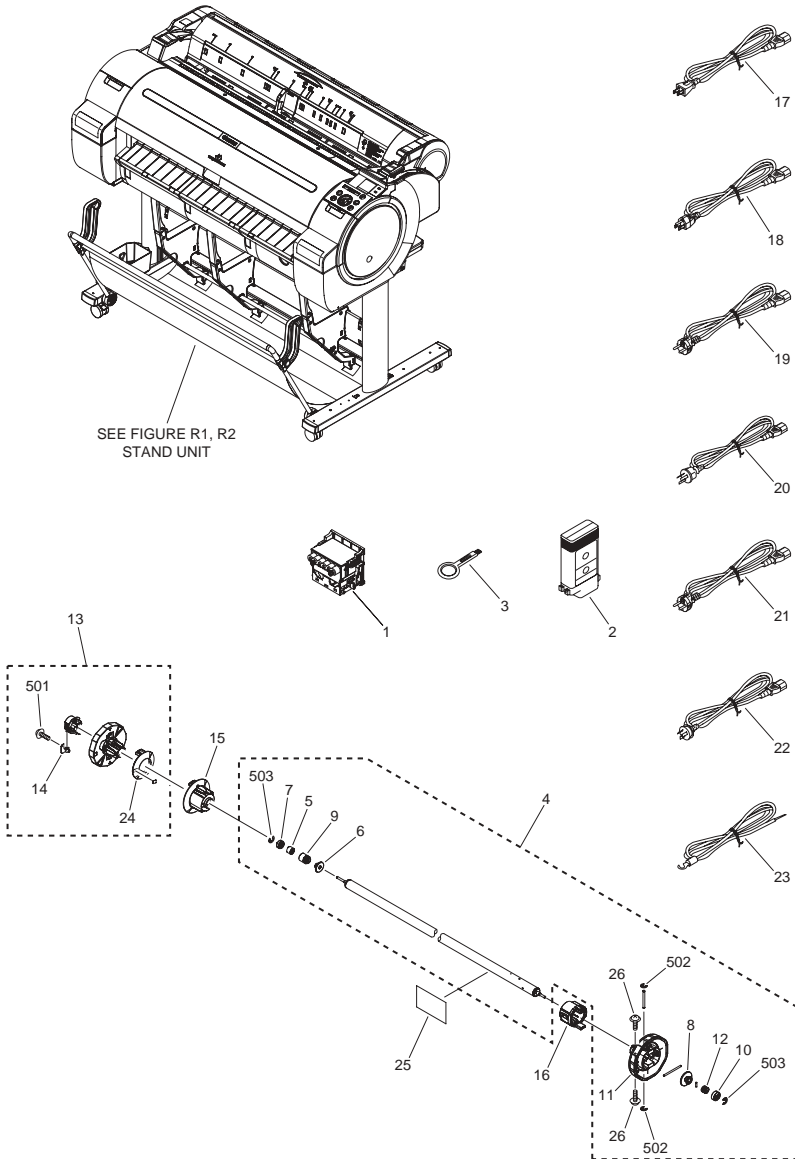


FIGURE & KEY NO.	PARTS NUMBER	RANK	QTY	DESCRIPTION	SERIAL NUMBER/REMARKS	SVC
1	NPN		RF	PRINthead		

FIGURE & KEY NO.	PARTS NUMBER	R A N K	Q'TY	DESCRIPTION	SERIAL NUMBER/ REMARKS	S V C
2	NPN		RF	INK TANK (MBK)		
2	NPN		RF	INK TANK (PBK)		
2	NPN		RF	INK TANK (C)		
2	NPN		RF	INK TANK (M)		
2	NPN		RF	INK TANK (Y)		
3	FB1-0733-000		1	BRUSH, CLEANING		
4	QM4-2813-000		1	SPOOL SHAFT UNIT		
5	QC3-1709-000		1	LIMITER, TORQUE		
6	QC3-1710-000		1	ROLLER, LIMIT, LEFT		
7	QC3-1711-000		1	CLUTCH, ONE-WAY		
8	QC3-1712-000		1	ROLLER, LIMIT, RIGHT		
9	QC3-1713-000		1	CAP, SPOOL, LEFT		
10	QC3-1714-000		1	CAP, SPOOL, RIGHT		
11	QM3-5890-000		1	FLANGE UNIT (R)		
12	QU1-0369-000		1	GEAR, 15T		
13	QM4-2810-000		1	FLANGE UNIT (L)		
14	QC1-6912-000		1	LEVER, LOCK, FLANGE		
15	QM4-2878-000		1	ROLL HOLDER UNIT (L)		
16	QM4-2879-000		1	ROLL HOLDER UNIT (R)		
17	QK1-5097-000		1	CORD, POWER	100V	
18	QK1-5098-000		1	CORD, POWER	120V UL	
19	QK1-1392-000		1	CORD, POWER	230V	
20	QK1-5099-000		1	CORD, POWER	230V AUS	
21	QH2-2732-000		1	CORD, POWER	230V KOR	
22	QK1-1396-010		1	CORD, POWER	230V CHN	
23	QK2-0830-000		1	CORD, GROUNDING	100V	
24	QC2-6793-000		1	SPACER, ROLL		
25	QU1-8279-000		1	LABEL,ROLL HOLDER		
26	XA9-1386-000		2	SCREW, RS, M3X8		
501	XB6-7300-607		3	SCREW, CROSS-RECESS, FCH		
502	XD2-1100-322		2	RETAINING RING (E-TYPE)		
503	XD2-1100-502		2	RETAINING RING (E-TYPE)		

FIGURE 02 COVERS

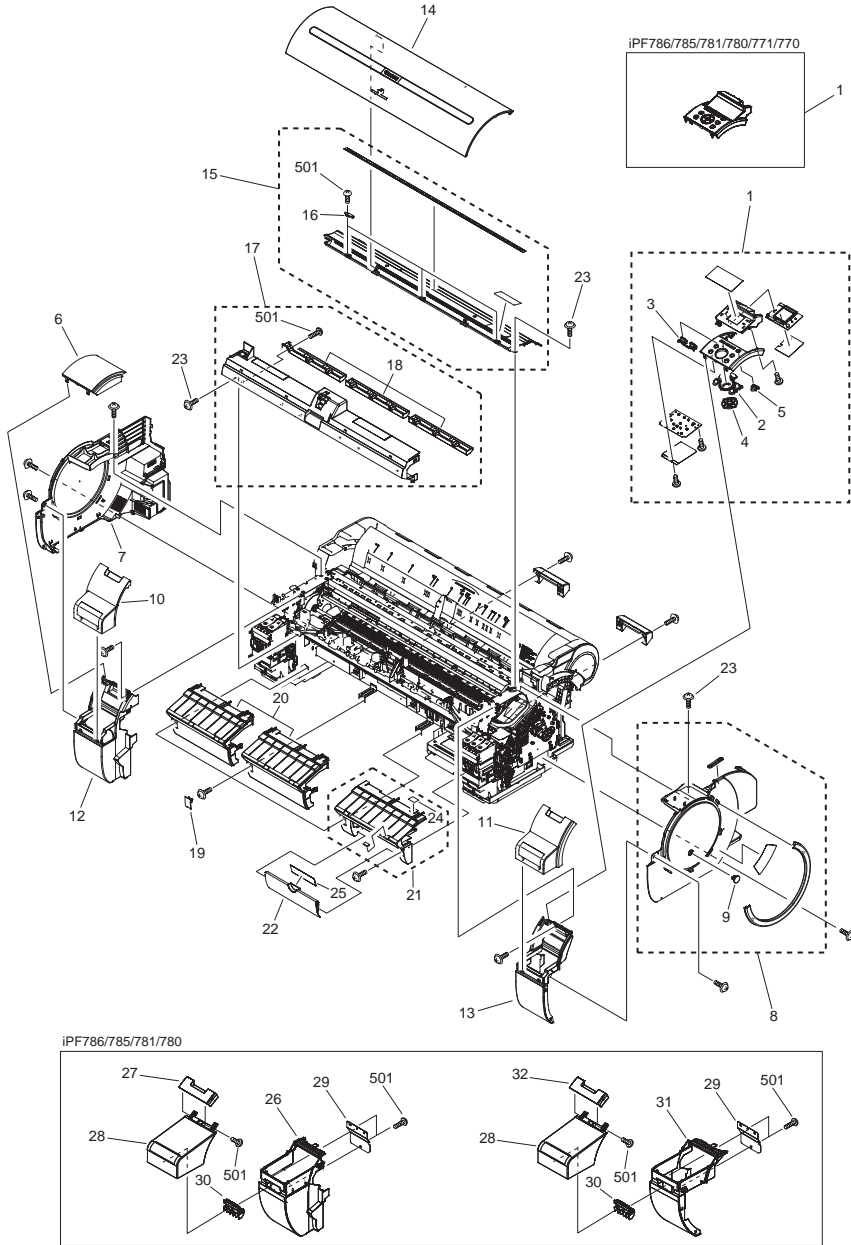


FIGURE & KEY NO.	PARTS NUMBER	R A N K	Q'TY	DESCRIPTION	SERIAL NUMBER/ REMARKS	S V C
Fig.02			RF	COVERS		
1	QM3-5842-000		1	OPERATION PANEL UNIT	iPF765/760/755/ 750:ENGLISH	
1	QM3-5904-000		1	OPERATION PANEL UNIT	iPF765/760/755/ 750:JAPANESE	
1	QM4-3745-000		1	OPERATION PANEL UNIT	iPF770:ENGLISH	
1	QM4-3744-000		1	OPERATION PANEL UNIT	iPF770:JAPANESE	
1	QM4-3746-000		1	OPERATION PANEL UNIT	iPF771	
1	QM4-3247-000		1	OPERATION PANEL UNIT	iPF785/780:ENGLISH	
1	QM4-8470-000		1	OPERATION PANEL UNIT	iPF785/780:JAPANESE	
1	QM4-8494-000		1	OPERATION PANEL UNIT	iPF786/781	
2	QC3-1695-000		1	KEY, SCROLL	iPF765/760/755/750	
3	QC3-1696-000		1	KEY, LOAD/CUT	iPF765/760/755/750	
4	QC3-1697-000		1	KEY, OK	iPF765/760/755/750	
5	QC3-1698-000		1	KEY, POWER	iPF765/760/755/750	
6	QC3-1690-000		1	COVER, TOP, LEFT	iPF765/760/755/750	
6	QD1-1245-000		1	COVER, TOP, LEFT	iPF786/785/781/780/771/ 770	
7	QM3-5885-000		1	LEFT COVER UNIT	iPF765/760/755/750	
7	QM4-3756-000		1	LEFT COVER UNIT	iPF771/770	
7	QM4-3202-000		1	LEFT COVER UNIT	iPF786/785/781/780	
8	QM3-5886-000		1	RIGHT COVER UNIT	iPF765/760/755/750	
8	QM4-3757-000		1	RIGHT COVER UNIT	iPF771/770	
8	QM4-3203-000		1	RIGHT COVER UNIT	iPF786/785/781/780	
9	QC3-1742-000		1	CAP, BLANKING		
10	QM3-5908-000		1	INK TANK COVER UNIT (L)	iPF765/760/755/750	
10	QM4-3751-000		1	INK TANK COVER UNIT (L)	iPF771/770	
11	QM3-5909-000		1	INK TANK COVER UNIT (R)	iPF750	
11	QM3-5942-000		1	INK TANK COVER UNIT (R)	iPF755	
11	QM4-8157-000		1	INK TANK COVER UNIT (R)	iPF760	
11	QM4-8158-000		1	INK TANK COVER UNIT (R)	iPF765	
11	QM4-3752-000		1	INK TANK COVER UNIT (R)	iPF770	
11	QM4-3754-000		1	INK TANK COVER UNIT (R)	iPF771	

FIGURE & KEY NO.	PARTS NUMBER	RANK	Q'TY	DESCRIPTION	SERIAL NUMBER/REMARKS	SVC
12	QM3-5878-000		1	FRONT COVER UNIT (L)	iPF765/760/755/750	
12	QM4-3750-000		1	FRONT COVER UNIT (L)	iPF771/770	
13	QM3-5879-000		1	FRONT COVER UNIT (R)	iPF765/760/755/750	
13	QM4-3749-000		1	FRONT COVER UNIT (R)	iPF771/770	
14	QM3-5882-000		1	UPPER COVER UNIT		
15	QM3-5911-000		1	UPPER REAR COVER UNIT		
16	QC3-1683-000		3	DAMPER		
17	QM3-5947-000		1	FRONT COVER UNIT	iPF765/760/755/750	
17	QM4-8483-000		1	FRONT COVER UNIT	iPF786/785/781/780/771/770	
18	QC3-1829-000		3	COVER, CUTTER GUARD	iPF765/760/755/750	
18	QC4-9225-000		3	COVER, CUTTER GUARD	iPF786/785/781/780/771/770	
19	QC3-1668-000		3	CAP, SCREW		
20	QL2-6893-000		2	COVER, DELIVERY		
21	QL2-6892-000		1	COVER, DELEVERY, RIGHT		
22	QC3-1553-000		1	COVER, MAINTENANCE CARTRIDGE		
23	XA9-1928-000		AR	SCREW, TP, M3X8		
24	QC3-1900-000		1	PAD		
25	QC2-6633-000		1	LABEL		
26	QD1-1235-000		1	FRONT COVER (L)	iPF786/785/781/780	
27	QD1-1239-000		1	INK TANK COVER TOP (L)	iPF786/785/781/780	
28	QD1-1240-000		2	INK TANK COVER	iPF786/785/781/780	
29	QD1-1253-000		2	PLATE, SUPPORT	iPF786/785/781/780	
30	QD1-1254-000		2	JOINT, INK TANK COVER	iPF786/785/781/780	
31	QD1-1234-000		1	FRONT COVER (R)	iPF786/785/781/780	
32	QD1-1238-000		1	INK TANK COVER TOP (R)	iPF780	
32	QD1-1281-000		1	INK TANK COVER TOP (R)	iPF781	
32	QD1-1278-000		1	INK TANK COVER TOP (R)	iPF785	
32	QD1-1282-000		1	INK TANK COVER TOP (R)	iPF786	
501	XB4-5300-807		12	SCREW, P, M3X8		

FIGURE 03 ROLL UNIT

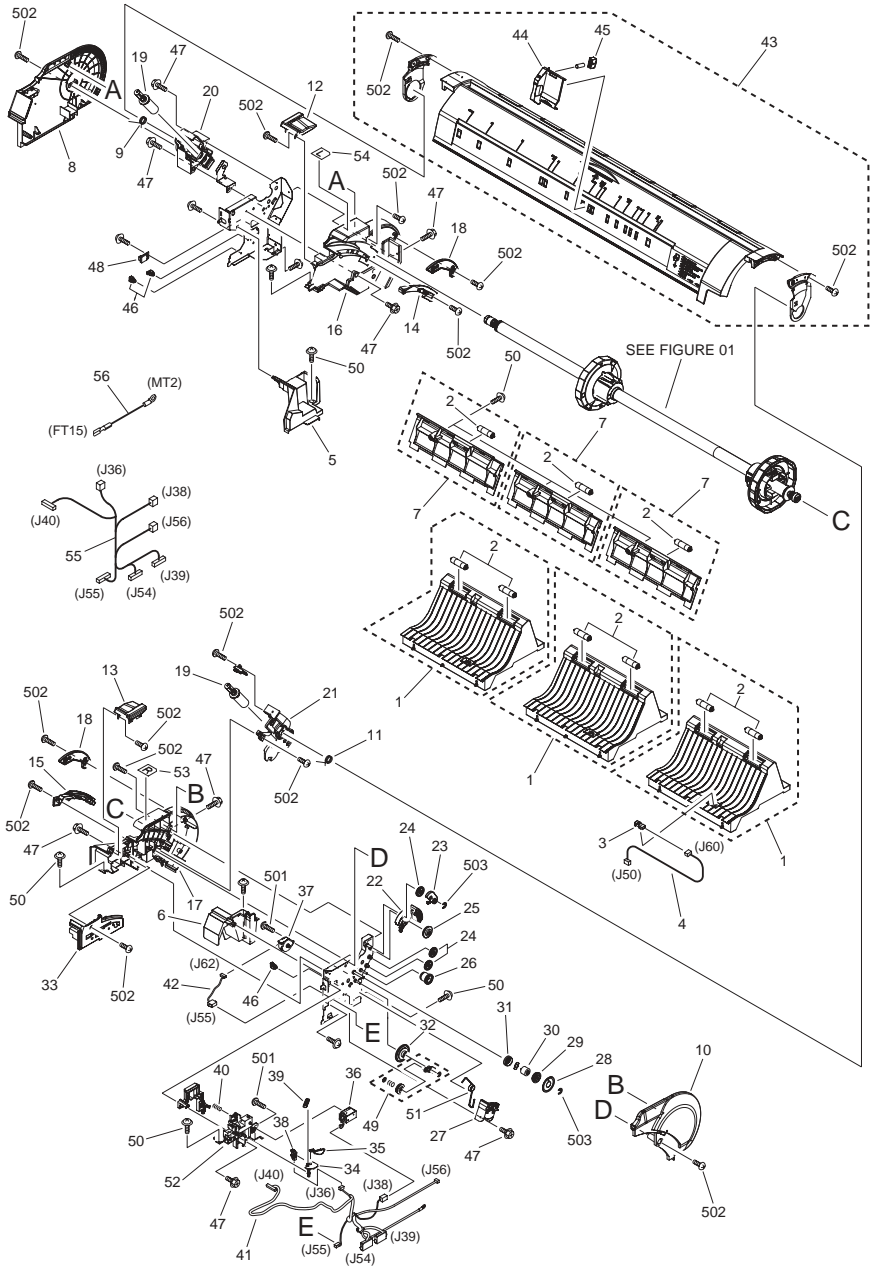


FIGURE & KEY NO.	PARTS NUMBER	RANK	Q'TY	DESCRIPTION	SERIAL NUMBER/REMARKS	SVC
Fig.03			RF	ROLL UNIT		
1	QM4-2803-000		3	FEED GUIDE UNIT (L)		
2	QC3-1661-000		9	ROLLER, GUIDE		
3	FK2-6470-000		1	PHOTO-SENSOR, KUA0055C		
4	QM3-4592-000		1	HARNES, WIRE, PE		
5	QC3-1635-000		1	COVER, REAR, LEFT		
6	QC3-1654-000		1	COVER, REAR, RIGHT		
7	QM3-5876-000		3	FEED GUIDE UNIT (U)		
8	QC3-1752-010		1	COVER, ROLL, LEFT		
9	QC3-1672-000		1	SPRING, TORSION		
10	QC3-1658-000		1	COVER, ROLL, RIGHT		
11	QC3-1659-000		1	SPRING, TORSION		
12	QC3-1634-000		1	MOUNT, SPOOL, LEFT		
13	QC3-1639-000		1	MOUNT, SPOOL, RIGHT		
14	QC3-1759-000		1	RAIL, SPOOL, LEFT		
15	QC3-1760-000		1	RAIL, SPOOL, RIGHT		
16	QC3-1631-000		1	HOLDER, SPOOL, LEFT		
17	QC4-9259-000		1	HOLDER, SPOOL, RIGHT		
18	QC3-1819-000		2	COVER, SUPPORT		
19	QC4-9256-000		2	DAMPER, AIR		
20	QC4-9252-000		1	HOLDER, DAMPER, LEFT		
21	QC3-1648-000		1	HOLDER, DAMPER, RIGHT		
22	QC3-1647-000		1	COVER, SPOOL GEAR		
23	QC3-1818-000		1	COVER, GEAR		
24	QC4-9290-000		3	GEAR, 25T		
25	QU1-0371-000		1	GEAR, 17T/28T		
26	QU1-0370-000		1	GEAR, 18T/54T		
27	QM3-5953-010		1	ENCODER UNIT		
29	QU1-0373-000		1	GEAR, 50T		
30	QC3-1636-000		1	LIMITER, TORQUE		
31	QU1-0372-000		1	GEAR, 50T		
32	QU1-0374-010		1	GEAR, 32T/96T		

FIGURE & KEY NO.	PARTS NUMBER	R A N K	Q'TY	DESCRIPTION	SERIAL NUMBER/REMARKS	S V C
33	QC3-1649-000		1	CAP. ROLL, RIGHT		
34	QC3-1651-000		1	FLAG, SENSOR		
35	QC3-1652-000		1	ARM, SENSOR FLAG		
36	QL2-3175-000		1	SOLENOID		
37	QK1-2081-000		1	MOTOR, STEPPING		
38	WG8-5836-000		1	PHOTO-INTERRUPTER, SG2481		
39	QU1-2449-000		1	SPRING, TENSION		
40	QU1-2450-000		1	SPRING, COMPRESSION		
41	QM3-7911-000		1	HARNESS, WIRE, ROLL	iPF786/785/781/780/765/ 760/755/750	
42	QM3-4602-000		1	HARNESS, WIRE, MOTOR		
43	QM4-2808-000		1	ROLL COVER UNIT		
44	QC3-1706-000		1	GUIDE, SLIDE		
45	QC3-1707-000		1	LOCK, SLIDE GUIDE		
46	WT2-5694-000		3	CLIP CLAMP, WIRE		
47	XA9-1386-000		10	SCREW, RS, M3X8		
48	RK2-2884-000		1	ENVIRONMENT SENSOR PCB ASS'Y		
49	QM4-2829-000		1	GEAR UNIT		
50	XA9-1928-000		AR	SCREW, TP, M3X8		
51	QU1-2456-000		1	SPRING, TORSION		
52	QC3-1650-010		1	HOLDER, SENSOR FLAG		
53	QU1-8284-000		1	LABEL, HOLDER R		
54	QU1-8285-000		1	LABEL, HOLDER L		
55	QM7-3637-000		1	HARNESS, ROLL UNIT	iPF786/785/781/780/771/ 770	
56	QM7-3638-000		1	HARNESS, EARTH	iPF786/785/781/780/771/ 770	
501	XB1-2300-409		4	SCREW, MACHINE M3X4		
502	XB4-5401-007		19	SCREW, M4X10		
503	XD2-1100-502		2	RETAINING RING (E-TYPE)		

FIGURE 04 ELECTRICAL PART

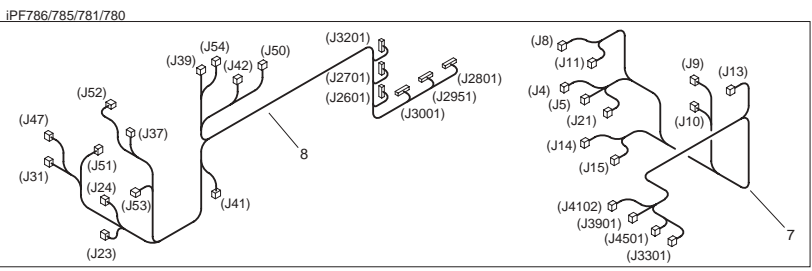
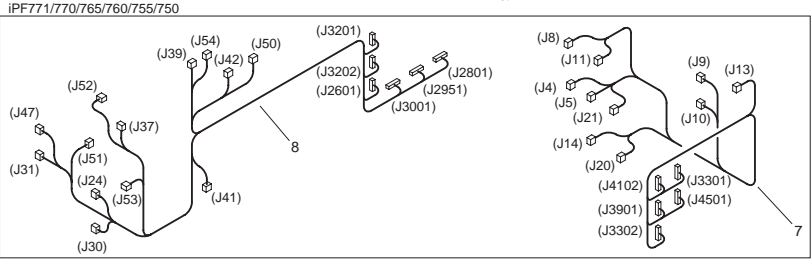
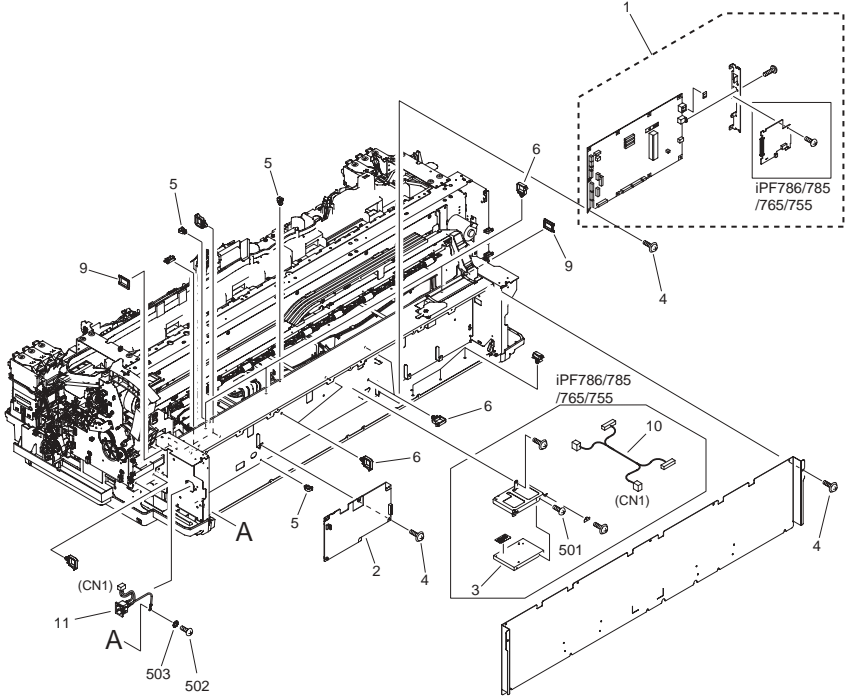
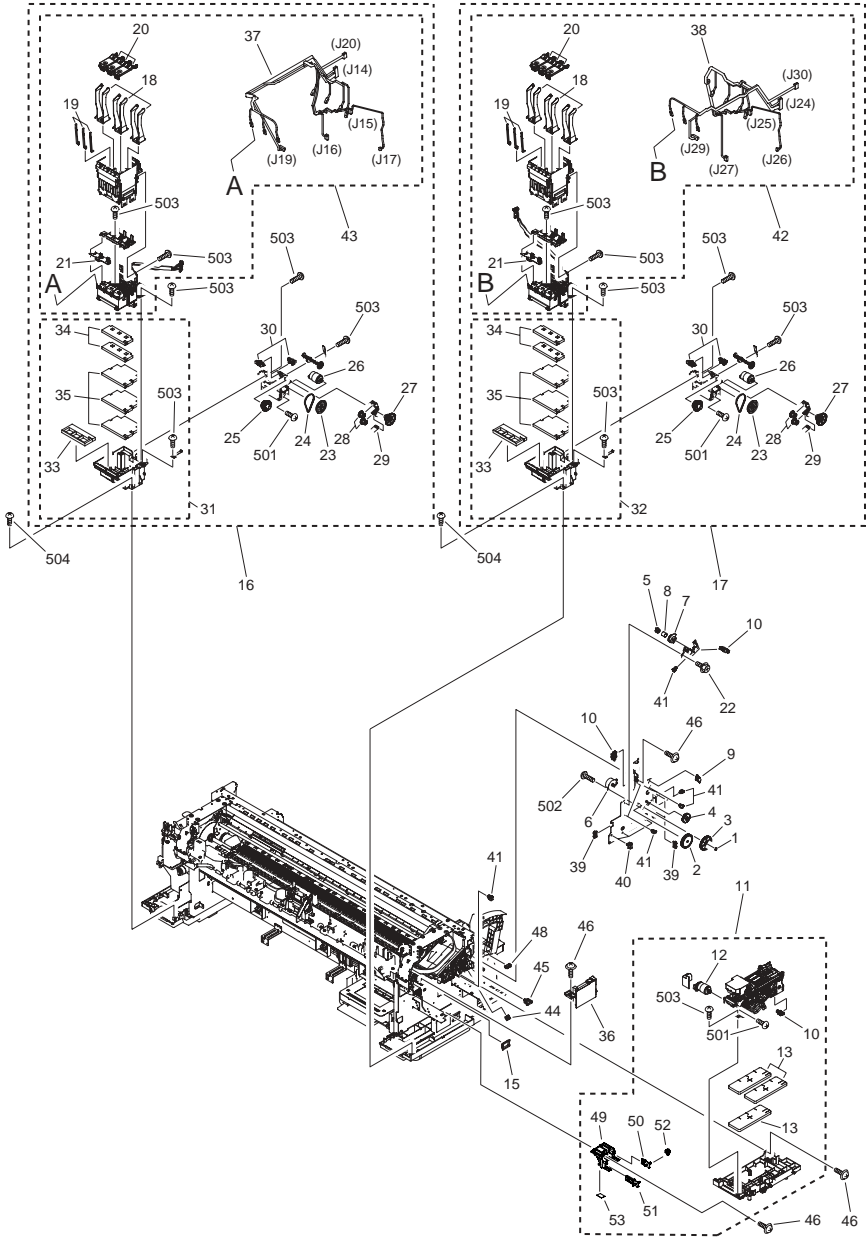


FIGURE & KEY NO.	PARTS NUMBER	R A N K	Q'TY	DESCRIPTION	SERIAL NUMBER/REMARKS	S V C
Fig.04			RF	ELECTRICAL PART		
1	QM3-5820-010		1	MAIN CONTROLLER ASS'Y	iPF750	
1	QM3-5819-010		1	MAIN CONTROLLER ASS'Y	iPF755	
1	QM4-8159-000		1	MAIN CONTROLLER ASS'Y	iPF760	
1	QM4-8160-010		1	MAIN CONTROLLER ASS'Y	iPF765	
1	QM7-3984-000		1	MAIN CONTROLLER ASS'Y	iPF770	
1	QM7-3985-000		1	MAIN CONTROLLER ASS'Y	iPF771	
1	QM7-3594-000		1	MAIN CONTROLLER ASS'Y	iPF780	
1	QM7-7319-000		1	MAIN CONTROLLER ASS'Y	iPF781	
1	QM7-3596-000		1	MAIN CONTROLLER ASS'Y	iPF785	
1	QM7-7320-000		1	MAIN CONTROLLER ASS'Y	iPF786	
2	QK1-5141-000		1	POWER SUPPLY ASS'Y		
3	FK2-2416-000		1	HDD, WD800BEVT-22ZCT0	iPF755(80GB)	
3	WM2-5278-000		1	HDD, MK1676GSX(HDD2J96QSL)	iPF755(160GB)	
3	WM2-5280-000		1	HDD, MK2575GSX(HDD2L05QSL)	iPF765(250GB)	
3	WM2-5285-000		1	HDD, MQ01ABF032	iPF786/785(320GB)	
4	XA9-1928-000	AR		SCREW, TP, M3X8		
5	WT2-5694-000		3	CLIP CLAMP, WIRE		
6	WT2-5738-000		7	CLAMP, CABLE		
7	QM3-4585-020		1	HARNESS, WIRE, LEFT	iPF765/760/755/750	
7	QM7-3989-000		1	HARNESS, WIRE, LEFT	iPF771/770	
7	QM7-7296-000		1	HARNESS, WIRE, LEFT	iPF786/785/781/780	
8	QM3-4587-000		1	HARNESS, WIRE, RIGHT	iPF765/760/755/750	
8	QM7-3990-000		1	HARNESS, WIRE, RIGHT	iPF771/770	
8	QM7-3621-000		1	HARNESS, WIRE, RIGHT	iPF786/785/781/780	
9	WT2-5098-000		2	SADDLE, WIRE		
10	QK1-5080-000		1	HARNESS, WIRE, HDD	iPF786/785/765/755	
11	QM3-4582-000		1	HARNESS, INLET		
501	XB1-2300-407		4	SCREW, MACH, TRUSS HEAD, M3X4	iPF786/785/765/755	
502	XB1-2400-607		1	SCREW, CROSS-RECESS, FCH		
503	XD1-4200-402		1	WASHER, TOOTHED LOCK, M4		

FIGURE 05 INK SUPPLY & PURGE UNIT



iPF786/785/781/780

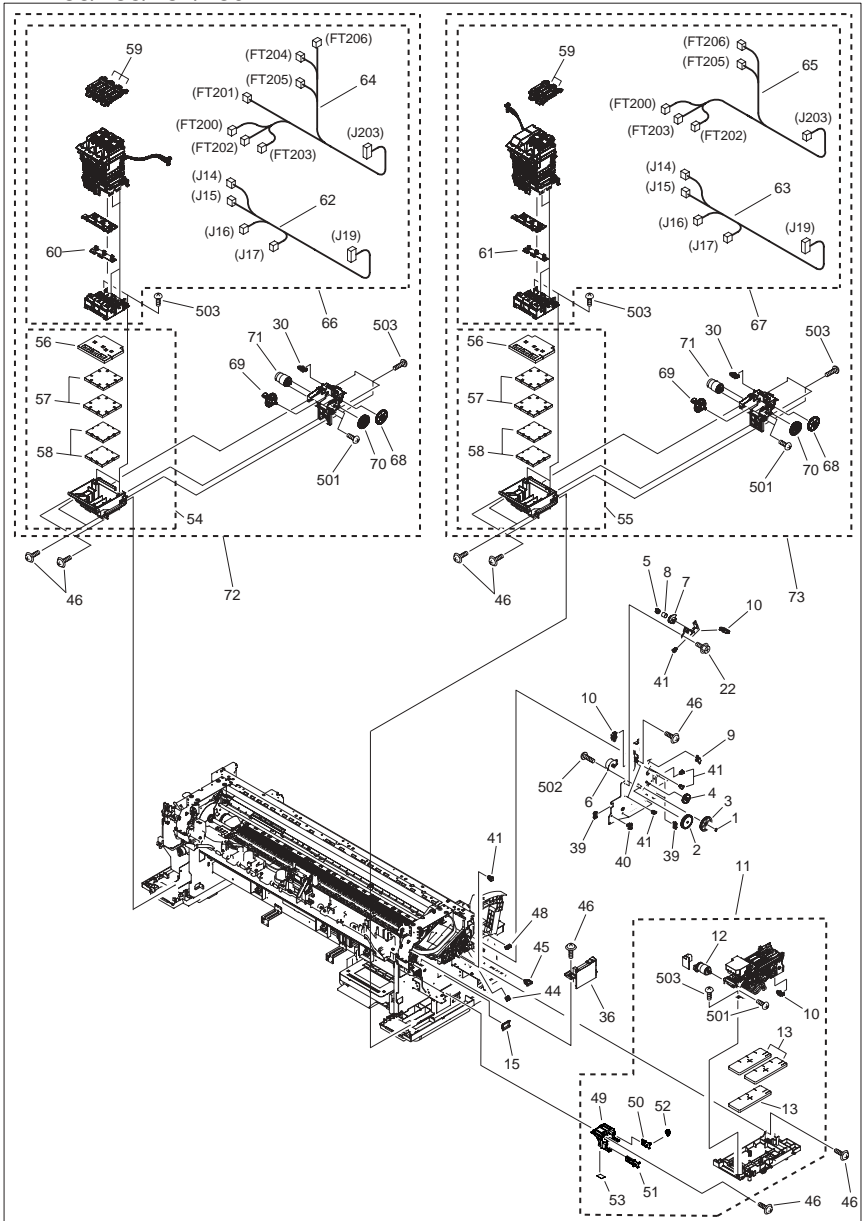


FIGURE & KEY NO.	PARTS NUMBER	R A N K	Q'TY	DESCRIPTION	SERIAL NUMBER/ REMARKS	S V C
1	QC2-0682-000		1	RING		
2	QC2-0687-000		1	GEAR, LIFT, IDLER B		
3	QC2-0689-000		1	GEAR, LIFT, DOUBLE B		
4	QC2-0690-000		1	GEAR, LIFT, DOUBLE C		
5	QC3-1550-000		1	COUPLING		
6	QK1-0440-000		1	MOTOR, STEPPING DC 10W UNDER		
7	QU1-0363-000		1	GEAR, LIFT, 30T		
8	QU1-2447-000		1	SPRING, COMPRESSION		
9	WC4-5052-000		1	MICRO SWITCH		
10	WG8-5849-000		3	PHOTOINTERRUPTER, GP1S173LCS0F		
11	QM4-3670-000		1	PURGE UNIT		
12	QM3-5957-000		1	MOTOR, DC		
13	QC4-9036-000		3	ABSORBER, INK		
15	WT2-5098-000		1	SADDLE, WIRE		
16	QM3-5862-020		1	INK SUPPLY UNIT (L)	iPF765/760/755/750	
16	QM4-3741-000		1	INK SUPPLY UNIT (L)	iPF771/770	
17	QM3-5856-020		1	INK SUPPLY UNIT (R)	iPF765/760/755/750	
17	QM4-3735-000		1	INK SUPPLY UNIT (R)	iPF771/770	
18	QC2-0729-000		6	HOLDER, INK TANK	iPF765/760/755/750	
18	QC5-1549-000		6	HOLDER, INK TANK	iPF771/770	
19	QC2-0736-000		6	GUIDE, LIGHT	iPF765/760/755/750	
19	QC5-1550-000		6	GUIDE, LIGHT	iPF771/770	
20	QC2-1281-000		6	LEVER, INK TANK	iPF765/760/755/750	
20	QC5-1554-000		6	LEVER, INK TANK	iPF771/770	
21	QM3-1355-010		2	INK TANK ROM PCB UNIT	iPF765/760/755/750	
21	QM7-3988-000		2	INK TANK ROM PCB UNIT	iPF771/770	
22	XA9-1386-000		2	SCREW, RS, M3X8		
23	QC2-0739-000		2	GEAR, VALVE 2	iPF765/760/755/750	
23	QC5-1552-000		2	GEAR, VALVE 2	iPF771/770	
24	QC2-0832-000		2	BELT, TIMING	iPF771/770/765/760/755/ 750	
25	QC3-1612-000		2	CAM GEAR, 38T	iPF765/760/755/750	

FIGURE & KEY NO.	PARTS NUMBER	R A N K	Q'TY	DESCRIPTION	SERIAL NUMBER/ REMARKS	S V C
25	QC5-1572-000		2	CAM GEAR, 38T	iPF771/770	
26	QK1-0550-000		2	MOTOR, 24V, DC	iPF771/770/765/760/755/ 750	
27	QU1-0366-000		2	GEAR, 22T/70T	iPF765/760/755/750	
27	QC5-1581-000		2	GEAR, 22T/70T	iPF771/770	
28	QU1-0367-000		4	GEAR, 14T	iPF765/760/755/750	
28	QC5-1582-000		4	GEAR, 14T	iPF771/770	
29	QU1-2443-000		2	SPRING, TORSION	iPF765/760/755/750	
29	QC5-1583-000		2	SPRING, TORSION	iPF771/770	
30	WG8-5836-000		4	PHOTO-INTERRUPTER, SG2481	iPF771/770/765/760/755/ 750	
30	WG8-5836-000		2	PHOTO-INTERRUPTER, SG2481	iPF786/785/781/780	
31	QM3-5910-010		1	INK SUPPLY MOUNT UNIT (L)	iPF765/760/755/750	
31	QM4-3743-000		1	INK SUPPLY MOUNT UNIT (L)	iPF771/770	
32	QM3-5861-010		1	INK SUPPLY MOUNT UNIT (R)	iPF765/760/755/750	
32	QM4-3740-000		1	INK SUPPLY MOUNT UNIT (R)	iPF771/770	
33	QC3-1615-000		2	ABSORBER, INK	iPF765/760/755/750	
33	QC5-1575-000		2	ABSORBER, INK	iPF771/770	
34	QC3-1616-000		4	ABSORBER, INK	iPF765/760/755/750	
34	QC5-1576-000		4	ABSORBER, INK	iPF771/770	
35	QC3-1617-000		6	ABSORBER, INK	iPF765/760/755/750	
35	QC5-1577-000		6	ABSORBER, INK	iPF771/770	
36	QM4-2767-000		1	HEAD MANAGEMENT SENSOR UNIT		
37	QM3-4600-000		1	HARNESS, WIRE, TANK, LEFT	iPF765/760/755/750	
37	QM7-3991-000		1	HARNESS, WIRE, TANK, LEFT	iPF771/770	
38	QM3-4601-000		1	HARNESS, WIRE, TANK (R)	iPF765/760/755/750	
38	QM7-3992-000		1	HARNESS, WIRE, TANK (R)	iPF771/770	
39	WT2-0136-000		4	CLAMP, CORD		
40	WT2-5737-000		3	CLIP, CABLE		
41	WT2-5694-000		8	CLIP CLAMP, WIRE		
42	QM3-5954-000		1	INK SUPPLY TANK UNIT (R)	iPF765/760/755/750	
42	QM4-3736-000		1	INK SUPPLY TANK UNIT (R)	iPF771/770	
43	QM3-5955-000		1	INK SUPPLY TANK UNIT (L)	iPF765/760/755/750	

FIGURE & KEY NO.	PARTS NUMBER	R A N K	Q'TY	DESCRIPTION	SERIAL NUMBER/ REMARKS	S V C
43	QM4-3764-000		1	INK SUPPLY TANK UNIT (L)	iPF771/770	
44	WT2-5056-000		2	CLIP, CORD		
45	WT2-5738-000		1	CLAMP, CABLE		
46	XA9-1928-000		AR	SCREW, TP, M3X8		
48	WT2-0204-000		1	CLAMP, CORD		
49	QC3-1928-000		1	MOUNT, JOINT, INK		
50	QC3-1929-000		1	JOINT A, INK		
51	QC3-1930-000		1	JOINT B, INK		
52	QC3-1931-000		1	CLAMP		
53	QC3-1939-000		1	TAPE, MOUNT, JOINT, INK	iPF765/760/755/750	
54	QM4-2876-000		1	INK SUPPLY MOUNT UNIT (L)	iPF786/785/781/780	
55	QM4-2873-000		1	INK SUPPLY MOUNT UNIT (R)	iPF786/785/781/780	
56	QC4-9365-000		2	ABSORBER, INK	iPF786/785/781/780	
57	QC4-9366-000		4	ABSORBER, INK	iPF786/785/781/780	
58	QC4-9367-000		4	ABSORBER, INK	iPF786/785/781/780	
59	QD1-0287-000		5	LEVER, INK TANK	iPF786/785/781/780	
60	QM7-3608-000		1	INK TANK ROM PCB UNIT (L)	iPF786/785/781/780	
61	QM7-3609-000		1	INK TANK ROM PCB UNIT (R)	iPF786/785/781/780	
62	QM7-7298-000		1	HARNESS, WIRE, TANK (L)	iPF786/785/781/780	
63	QM7-7299-000		1	HARNESS, WIRE, TANK (R)	iPF786/785/781/780	
64	QM7-7084-000		1	HARNESS, WIRE, INK SENSOR (L)	iPF786/785/781/780	
65	QM7-7231-000		1	HARNESS, WIRE, INK SENSOR (R)	iPF786/785/781/780	
66	QM4-2875-000		1	INK SUPPLY TANK UNIT (L)	iPF786/785/781/780	
67	QM4-2872-000		1	INK SUPPLY TANK UNIT (R)	iPF786/785/781/780	
68	QD1-0270-000		2	GEAR, VALVE	iPF786/785/781/780	
69	QD1-1225-000		2	CAM, VALVE 6T/52T	iPF786/785/781/780	
70	QD1-1233-000		2	GEAR, VALVE 22T/80T	iPF786/785/781/780	
71	QK1-9860-000		2	MOTOR, 24V, DC	iPF786/785/781/780	
72	QM4-8464-000		1	INK SUPPLY UNIT (L)	iPF786/785/781/780	
73	QM4-2871-000		1	INK SUPPLY UNIT (R)	iPF786/785/781/780	
501	XB1-2260-409		6	SCREW, BINDING HEAD, M2.6X4		
502	XB1-2300-607		2	SCREW, BH3X6		

FIGURE & KEY NO.	PARTS NUMBER	R A N K	Q'TY	DESCRIPTION	SERIAL NUMBER/ REMARKS	S V C
503	XB4-5300-807		27	SCREW, P, M3X8		
504	XB4-5401-007		8	SCREW, M4X10		

FIGURE 06 LINEAR SCALE

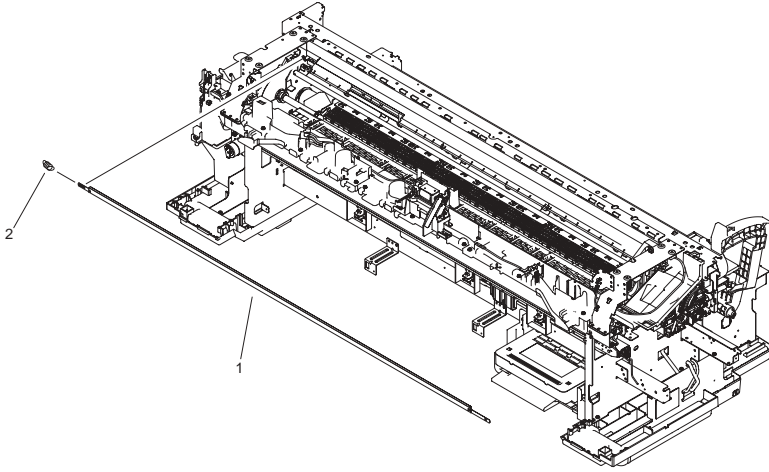


FIGURE & KEY NO.	PARTS NUMBER	RANK	QTY	DESCRIPTION	SERIAL NUMBER/REMARKS	SVC
Fig.06			RF	LINEAR SCALE		
1	QC3-1878-000		1	SCALE, LINEAR	iPF765/760/755/750	
1	QC4-8815-000		1	SCALE, LINEAR	iPF786/785/781/780/771/770	
2	QU1-2437-000		1	SPRING, TENSION		

FIGURE 07 CARRIAGE UNIT

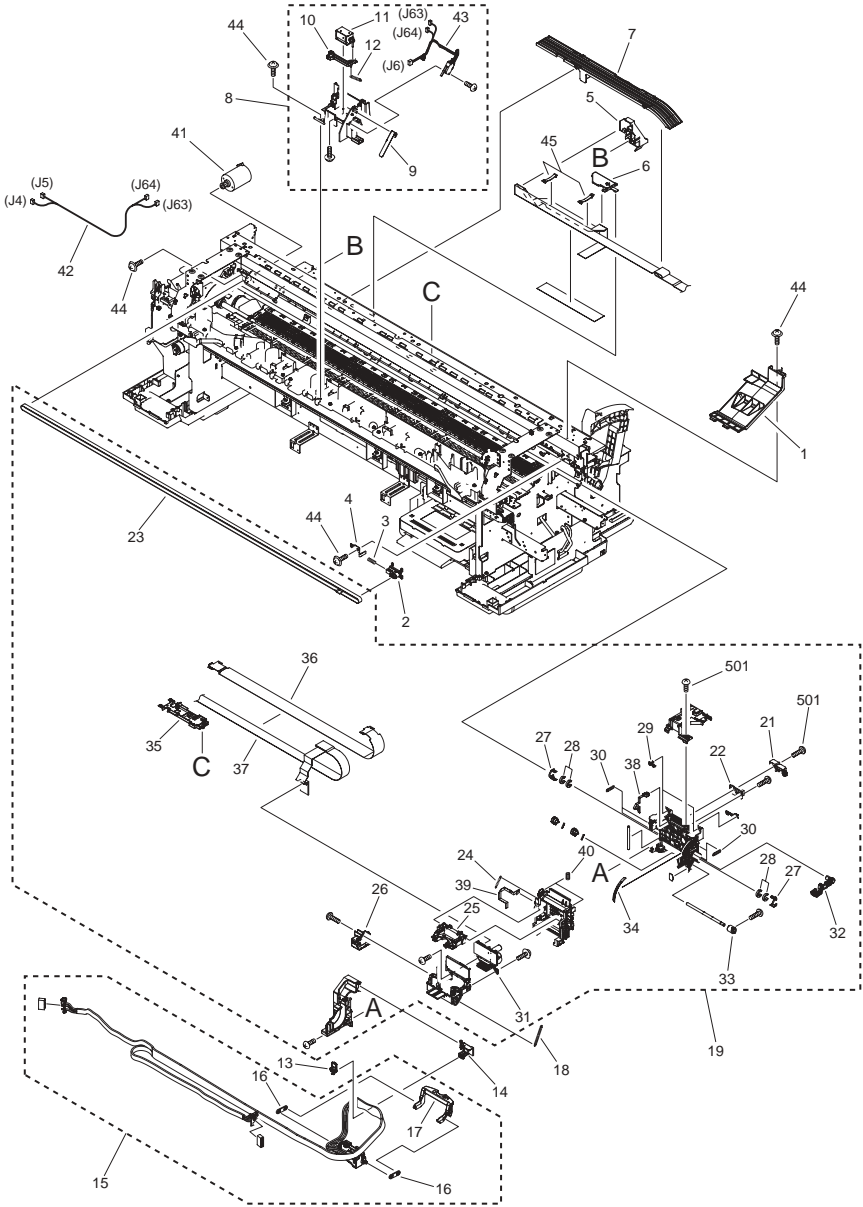


FIGURE & KEY NO.	PARTS NUMBER	R A N K	Q'TY	DESCRIPTION	SERIAL NUMBER/ REMARKS	S V C
1	QC3-1751-000		1	COVER, PROTECTION		
2	QM3-5833-000		1	PULLEY UNIT		
3	QU1-2441-000		1	SPRING, COMPRESSION		
4	QC3-1531-000		1	RETAINER, PULLEY		
5	QC3-1532-000		1	HOLDER, FLEXIBLE CABLE		
6	QC3-1533-000		1	COVER, FLEXIBLE CABLE		
7	QC3-1534-010		1	GUIDE, FLEXIBLE CABLE		
8	QM3-5883-020		1	COVER LOCK UNIT		
9	QC3-1684-000		1	PLATE, SWITCH		
10	QC3-1686-010		1	LEVER, LOCK		
11	QL2-3175-000		1	SOLENOID		
12	QU1-2451-000		1	SPRING, TENSION		
13	QC3-1621-000		1	SUPPORT, TUBE		
14	QL2-6896-000		1	GUIDE, TUBE		
15	QM4-2823-000		1	INK TUBE UNIT		
16	QC1-0008-000		2	JOINT LEVER B		
17	QE1-2819-010		1	JOINT LEVER A		
18	QU1-2445-000		1	SPRING, TENSION		
19	QM3-5824-020		1	CARRIAGE UNIT	iPF765/760/755/750	
19	QM4-2844-000		1	CARRIAGE UNIT	iPF786/785/781/780/771/ 770	
21	QC3-1524-000		1	COVER, LINEAR ENCODER		
22	QM7-3613-000		1	ENCODER SENSOR UNIT		
23	QC3-1526-000		1	BELT, CARRIAGE		
24	QU1-2438-000		1	SPRING, TENSION		
25	QM3-5826-010		1	HEAD LEVER UNIT		
26	QM4-3668-000		1	MULTI SENSOR UNIT		
27	QC3-1515-000		2	RETAINER, PAD		
28	QC3-1514-000		4	PAD		
29	QC3-1511-000		2	SLIDER, RAIL		
30	QU1-2439-000		4	SPRING, TENSION		
31	QM3-4569-010		1	CARRIAGE PCB UNIT	iPF765/760/755/750	

FIGURE & KEY NO.	PARTS NUMBER	R A N K	Q'TY	DESCRIPTION	SERIAL NUMBER/ REMARKS	S V C
31	QM7-3602-000		1	CARRIAGE PCB UNIT	iPF786/785/781/780/771/ 770	
32	QC3-1516-000		1	LEVER, SLANT		
33	QC3-1519-000		1	COUPLING		
34	QU1-8264-000		1	LABEL, SLANT		
35	QC3-1527-000		1	HOLDER, FLEXIBLE CABLE		
36	QC3-1525-000		1	FILM, FLEXIBLE CABLE		
37	QM3-4613-000		1	FLEXIBLE CABLE UNIT		
38	QK1-9687-000		1	CABLE, FLEXIBLE		
39	QK1-5143-000		1	CABLE, FLEXIBLE		
40	QU1-2440-000		2	SPRING, COMPRESSION		
41	QK1-5068-000		1	MOTOR, DC		
42	QM3-4591-000		1	HARNESS, WIRE, INTERLOCK RELAY		
43	QM3-4590-000		1	HARNESS, WIRE, INTERLOCK		
44	XA9-1928-000		6	SCREW, TP, M3X8		
45	WT2-5981-000		2	CLAMP, CORD		
501	XB4-5300-807		7	SCREW, P, M3X8		

FIGURE 08 AIR FLOW FAN UNIT

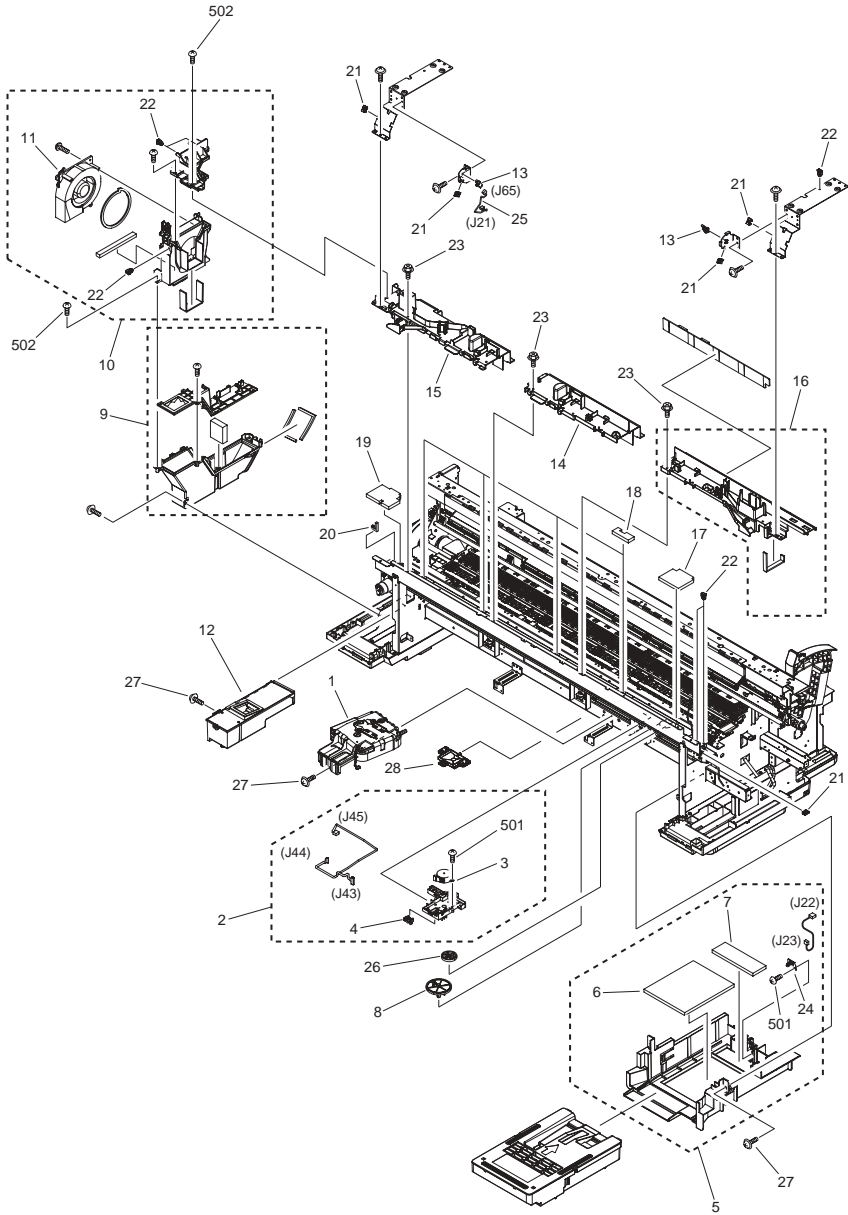


FIGURE & KEY NO.	PARTS NUMBER	R A N K	Q'TY	DESCRIPTION	SERIAL NUMBER/ REMARKS	S V C
Fig.08			RF	AIR FLOW FAN UNIT		
1	QM4-2817-000		1	SUCTION FAN UNIT		
2	QM3-5808-000		1	PLATEN SHUTTER DRIVE UNIT		
3	QK1-0440-000		1	MOTOR, STEPPING DC 10W UNDER		
4	WG8-5849-000		1	PHOTOINTERRUPTER, GP1S173LCS0F		
5	QM3-5841-000		1	M/C HOLDER UNIT		
6	QC3-1552-000		1	ABSORBER, INK		
7	QC3-1808-000		1	ABSORBER, INK		
8	QC3-1445-000		1	GEAR, SHUTTER		
9	QM4-2797-000		1	MIST FAN DUCT UNIT		
10	QM4-2798-000		1	FAN UNIT		
11	QK1-2086-000		1	FAN		
12	QM3-5805-000		1	WASTE INK BOX UNIT		
13	WC4-5052-000		2	MICRO SWITCH		
14	QC3-1568-000		1	COVER, FRONT DUCT		
15	QC3-1569-000		1	COVER, FRONT DUCT, LEFT		
16	QL2-3183-000		1	COVER, FRONT DUCT, RIGHT		
17	QC3-1570-000		1	ABSORBER, INK		
18	QC3-1571-000		4	ABSORBER, INK		
19	QC3-1572-000		1	ABSORBER, INK		
20	QC3-1574-000		1	SEAL, FRONT DUCT		
21	WT2-5056-000		6	CLIP, CORD		
22	WT2-5694-000		6	CLIP CLAMP, WIRE		
23	XA9-1386-000		20	SCREW, RS, M3X8		
24	QM3-4932-000		1	M/C RELAY PCB ASS'Y		
25	QM3-4599-000		1	HARNESS, WIRE, TANK COVER L		
26	QU1-0359-000		1	GEAR, 20T/72T		
27	XA9-1928-000		AR	SCREW, TP, M3X8		
28	QC3-1437-000		1	JOINT, TUBE, COLOR		
501	XB4-5300-807		4	SCREW, P, M3X8		
502	XB4-5401-007		5	SCREW, M4X10		

FIGURE 09 CUTTER UNIT

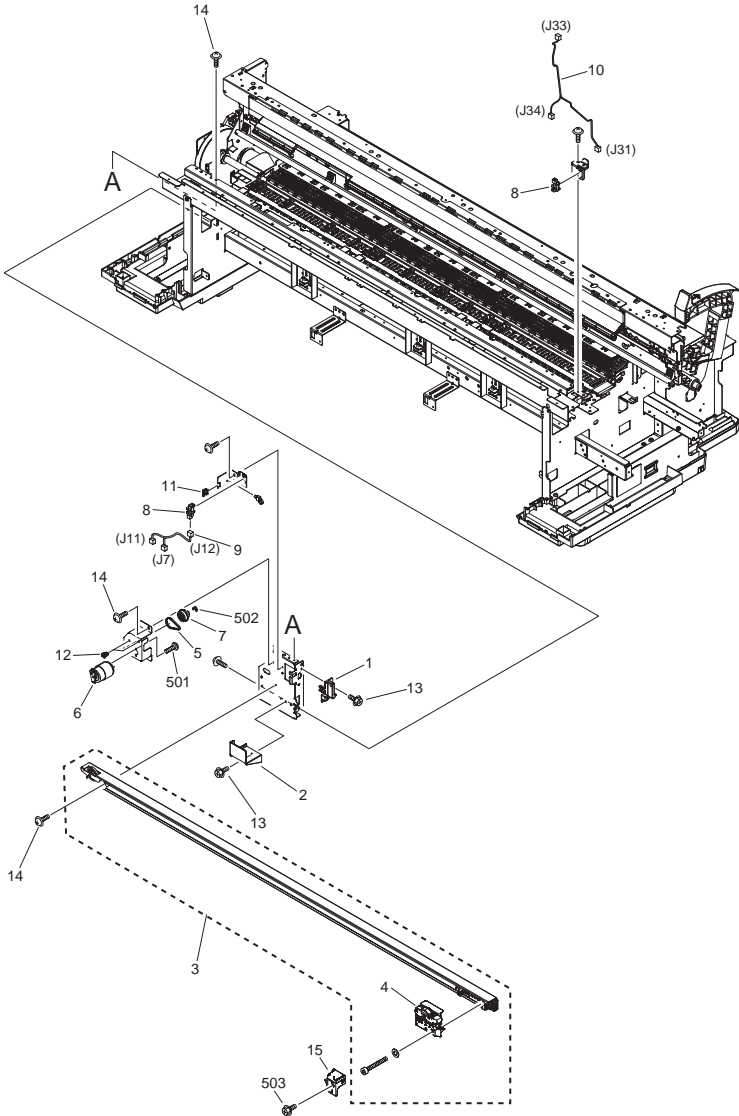


FIGURE & KEY NO.	PARTS NUMBER	RANK	QTY	DESCRIPTION	SERIAL NUMBER/REMARKS	SVC
1	QC3-1555-000		1	COVER, PLATE		
2	QC3-1766-000		1	COVER, CUTTER DRIVE		

FIGURE & KEY NO.	PARTS NUMBER	R A N K	Q'TY	DESCRIPTION	SERIAL NUMBER/ REMARKS	S V C
3	QM3-5844-030		1	CUTTER UNIT	iPF765/760/755/750	
3	QM4-8480-000		1	CUTTER UNIT	iPF786/785/781/780/771/ 770	
4	QM3-5846-030		1	CUTTER		
5	QC1-4850-000		1	BELT, TIMING		
6	QK1-0550-000		1	MOTOR, 24V, DC		
7	QU1-0365-000		1	GEAR, 30T		
8	WG8-5836-000		2	PHOTO-INTERRUPTER, SG2481		
9	QM3-4583-000		1	HARNESS, WIRE, CUTTER, LEFT		
10	QM3-4584-000		1	HARNESS, WIRE, CUTTER, RIGHT		
11	WT2-5056-000		1	CLIP, CORD		
12	WT2-5694-000		2	CLIP CLAMP, WIRE		
13	XA9-1386-000		2	SCREW, RS, M3X8		
14	XA9-1928-000		AR	SCREW, TP, M3X8		
15	QM3-5961-000		1	CUTTER SUPPORT UNIT		
501	XB1-2260-409		2	SCREW, BINDING HEAD, M2.6X4		
502	XD2-1100-242		1	WASHER, RETAINING		
503	XB4-5400-807		1	SCREW, P, M4X8		

FIGURE 10 PLATEN & GUIDE UNIT

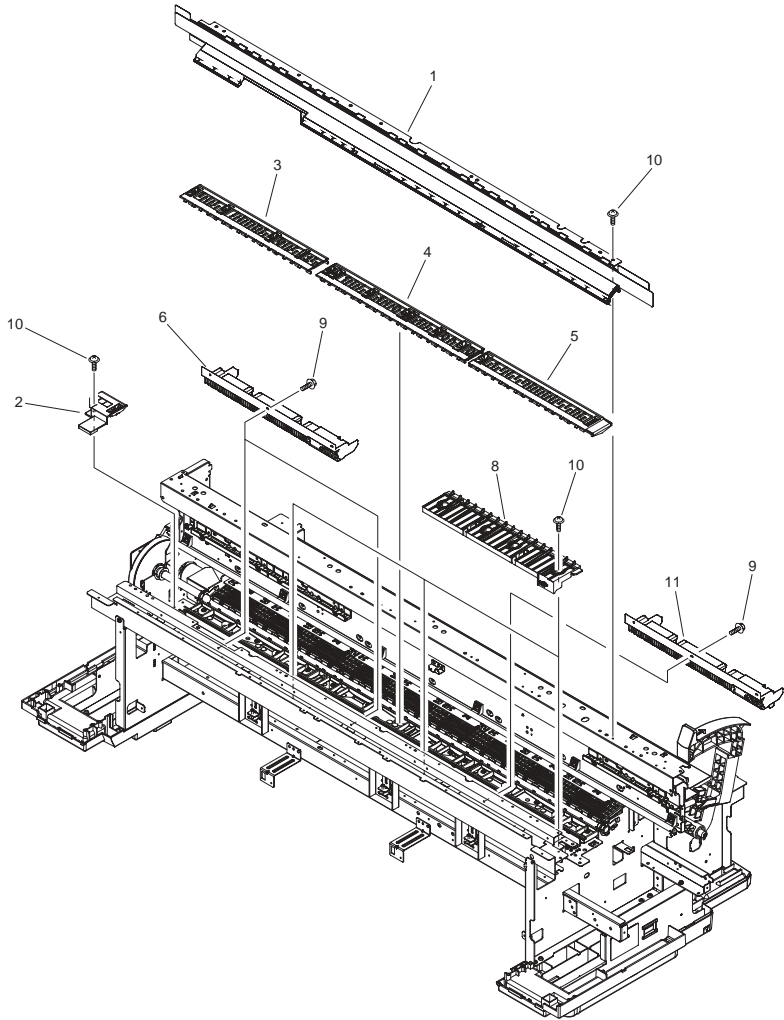


FIGURE & KEY NO.	PARTS NUMBER	RANK	QTY	DESCRIPTION	SERIAL NUMBER/REMARKS	SVC
1	QM3-5949-020		1	TUBE GUIDE UNIT		
2	QL2-3160-010		1	MOUNT, MULTI SENSOR REFERENCE		
3	QL2-3159-010		1	PLATEN, LEFT		
4	QL2-3158-010		1	PLATEN		
5	QL2-3157-010		1	PLATEN, RIGHT		

FIGURE & KEY NO.	PARTS NUMBER	R A N K	Q'TY	DESCRIPTION	SERIAL NUMBER/ REMARKS	S V C
6	QC4-9076-000		2	GUIDE, DELIVERY, UPPER		
8	QC3-1458-010		2	GUIDE, DELIVERY		
9	XA9-1386-000		9	SCREW, RS, M3X8		
10	XA9-1928-000		AR	SCREW, TP, M3X8		
11	QM4-2795-000		1	GUIDE, DELIVERY, UPPER, HP		

FIGURE 11 PINCH ROLLER UNIT

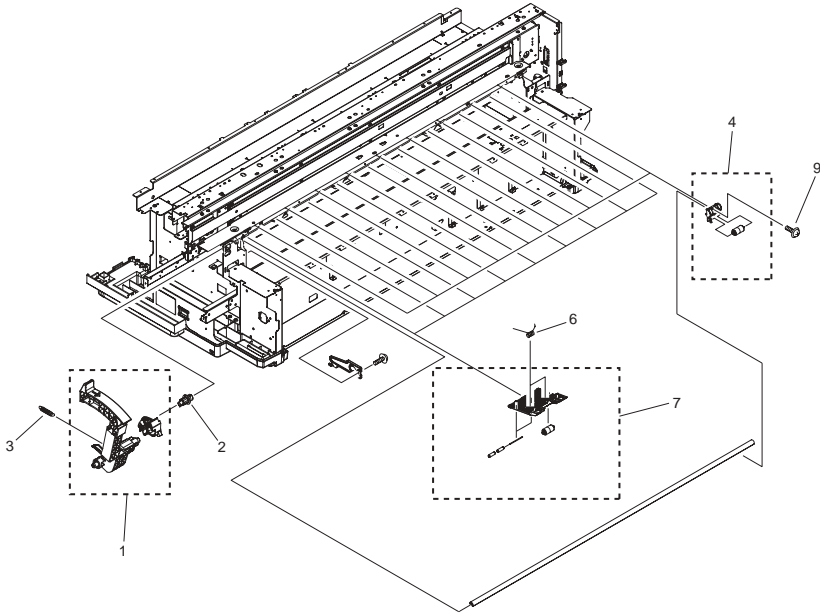


FIGURE & KEY NO.	PARTS NUMBER	RANK	Q'TY	DESCRIPTION	SERIAL NUMBER/REMARKS	SVC
1	QM3-5946-000		1	RELEASE LEVER UNIT		
2	QU1-0360-000		1	GEAR, RELEASE, 14T		
3	QU1-2442-000		1	SPRING, TENSION		
4	QM3-5817-000		9	PAPER GUIDE ROLLER UNIT		
6	QC3-1480-000		18	SPRING, TORSION		
7	QM4-2765-000		9	HOLDER, PINCH ROLLER		
9	XA9-1928-000		AR	SCREW, TP, M3X8		

FIGURE 12 FEED ROLLER UNIT

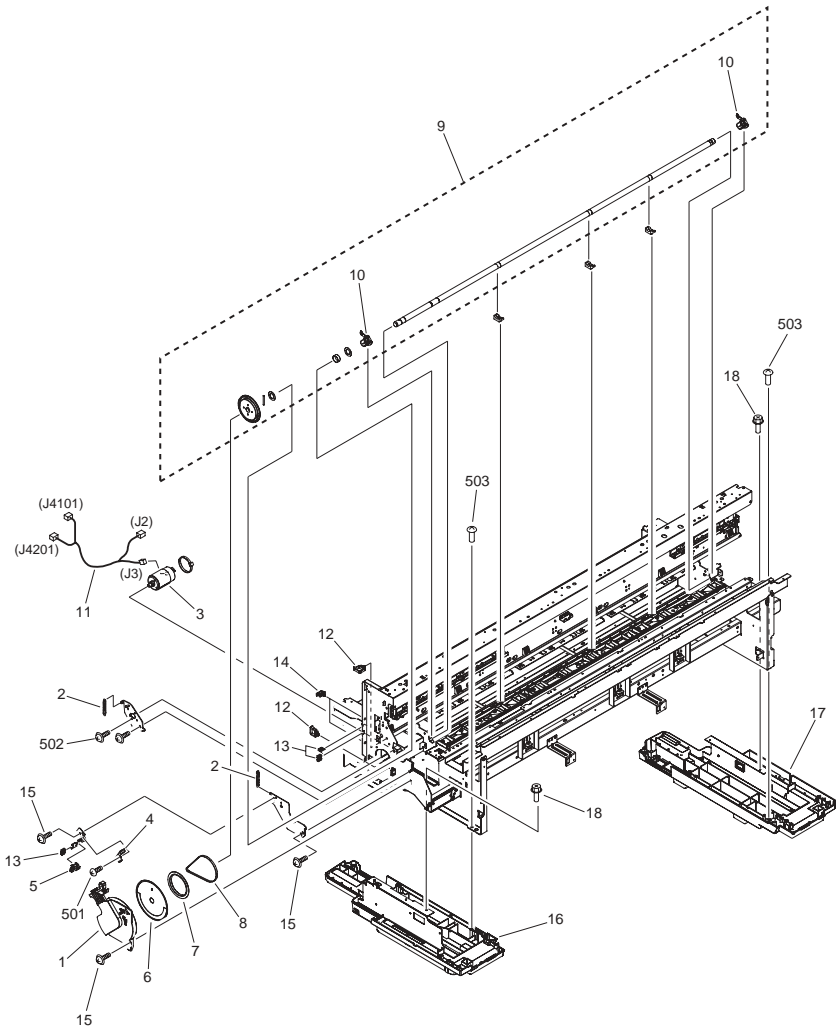


FIGURE & KEY NO.	PARTS NUMBER	R A N K	QTY	DESCRIPTION	SERIAL NUMBER/ REMARKS	S V C
Fig.12			RF	FEED ROLLER UNIT		
1	QL2-3182-000		1	COVER, CODE WHEEL		
2	QU1-2446-000		2	SPRING, TENSION		
3	QK1-5067-000		1	MOTOR, DC		

FIGURE & KEY NO.	PARTS NUMBER	R A N K	Q'TY	DESCRIPTION	SERIAL NUMBER/ REMARKS	S V C
4	QK1-5066-000		1	ENCODER ASS'Y		
5	WG8-5849-000		1	PHOTOINTERRUPTER, GP1S173LCS0F		
6	QC3-1879-000		1	WHEEL, CODE		
7	QC2-0998-000		1	FLANGE, PULLEY		
8	QC2-0957-000		1	BELT, DRIVE, PAPER TRANSPORT		
9	QM3-5815-000		1	FEED ROLLER ASS'Y		
10	QC3-1478-000		2	BUSHING		
11	QM3-4611-000		1	HARNESS, WIRE, MOTOR		
12	WT2-5738-000		2	CLAMP, CABLE		
13	WT2-5056-000		3	CLIP, CORD		
14	WT2-5737-000		2	CLIP, CABLE		
15	XA9-1928-000		4	SCREW, TP, M3X8		
16	QM3-5803-010		1	BOTTOM COVER UNIT, L		
17	QM3-5804-010		1	BOTTOM COVER UNIT, R		
18	XA9-1386-000		4	SCREW, RS, M3X8		
501	XB1-2200-507		2	SCREW, BH 2X5, S		
502	XB6-7300-607		2	SCREW, CROSS-RECESS, FCH		
503	XB4-5401-007		6	SCREW, M4X10		

FIGURE 13 TOOL

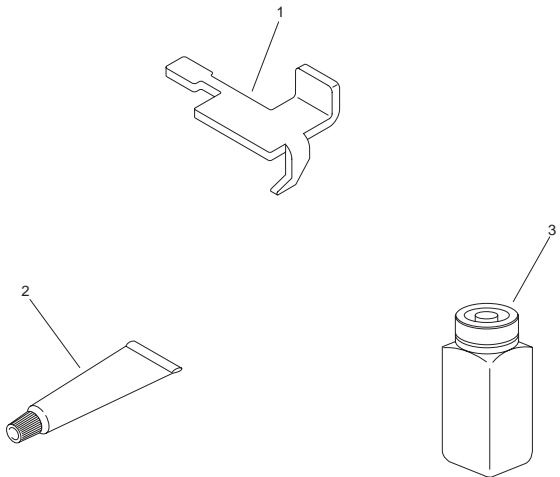


FIGURE & KEY NO.	PARTS NUMBER	RANK	QTY	DESCRIPTION	SERIAL NUMBER/REMARKS	SVC
1	QY9-0103-000		1	COVER SWITCH TOOL		
2	FY9-6022-000		1	LUBE, FLOIL G-5000H, GREASE		
3	FY9-6028-000		1	GREASE, EU-1		

FIGURE R1 STAND UNIT ST-33

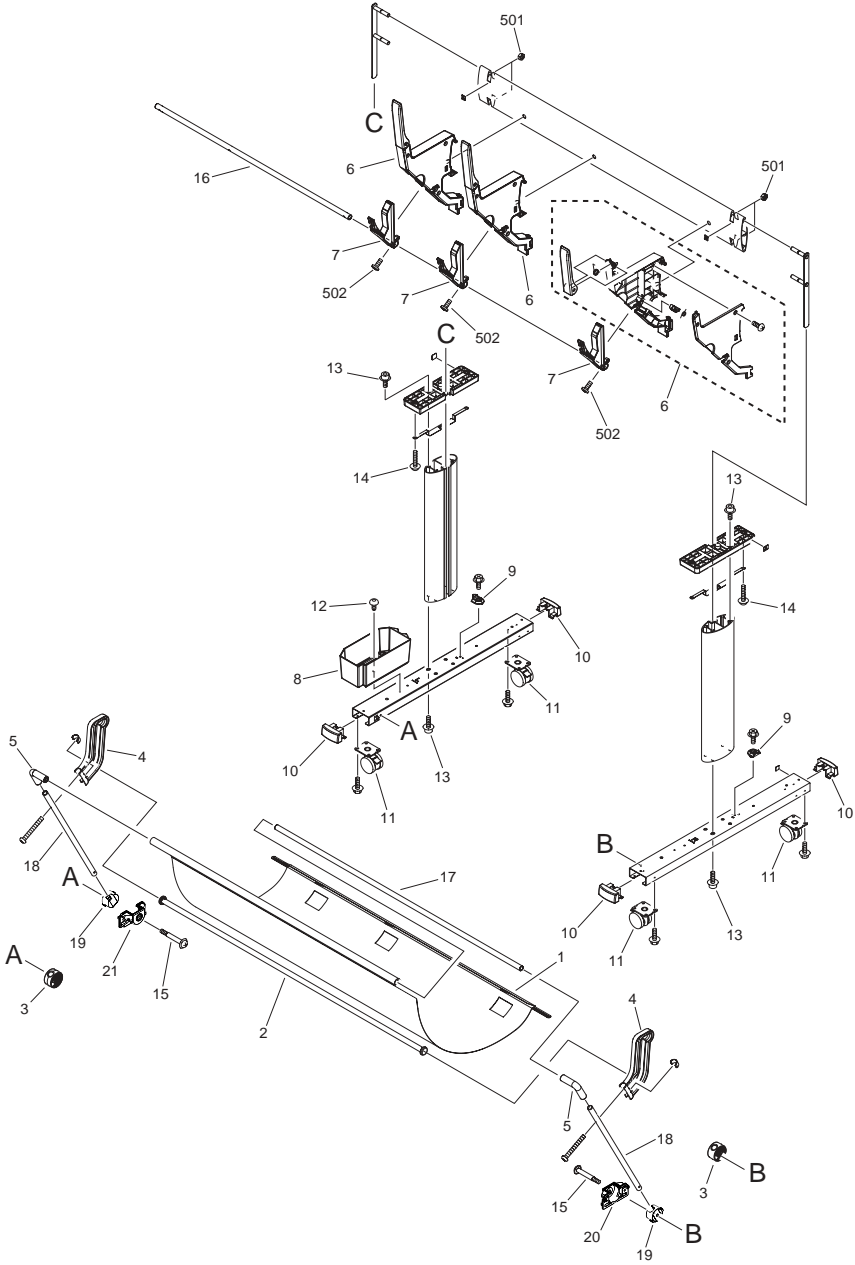
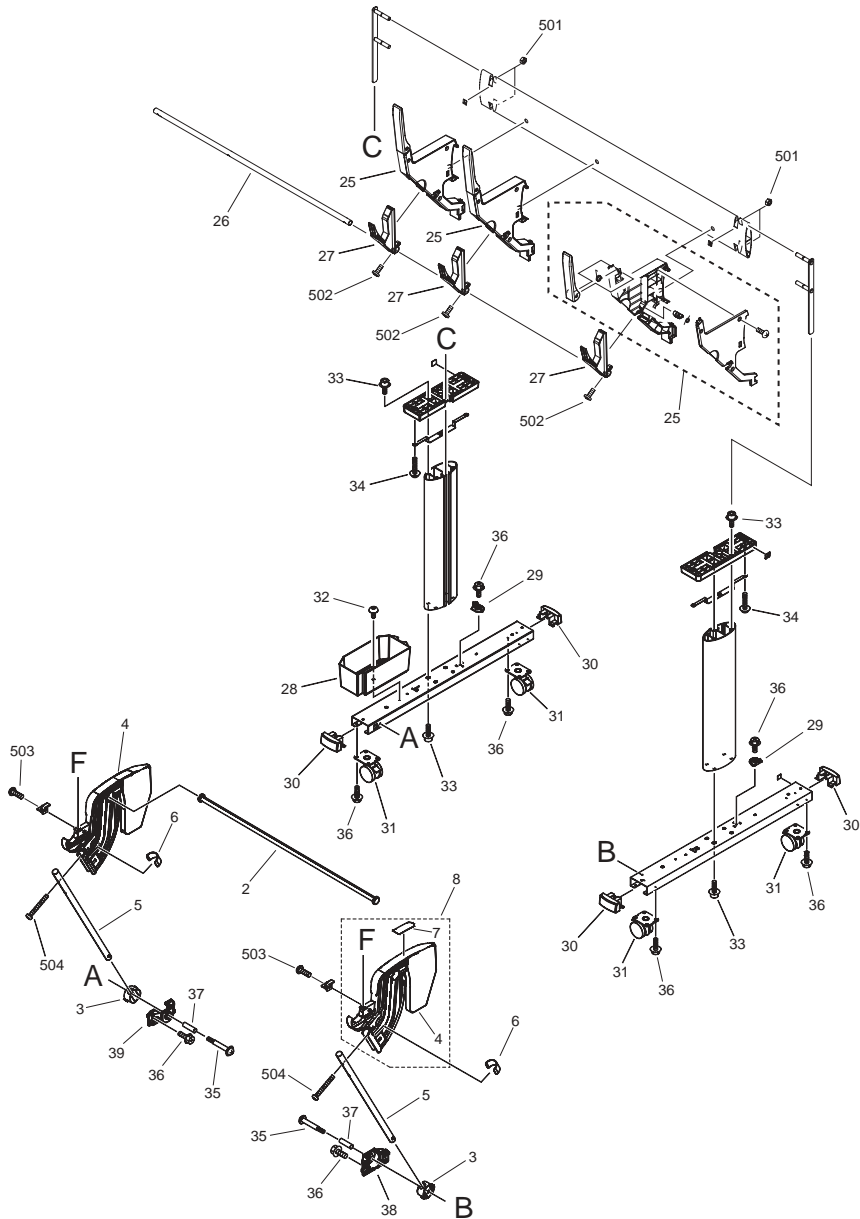


FIGURE & KEY NO.	PARTS NUMBER	R A N K	Q'TY	DESCRIPTION	SERIAL NUMBER/ REMARKS	S V C
Fig.R1			RF	STAND UNIT ST-33		
1	QC3-1914-000		1	BASKET		
2	QM3-5894-000		1	SUPPORT ROD UNIT		
3	QC3-1739-000		2	SUPPORT, ROD		
4	QC3-1492-000		2	GUIDE, BASKET		
5	QC2-4346-000		2	JOINT, ROD		
6	QM4-2834-000		3	PAPER GUIDE UNIT		
7	QC4-9319-000		3	PAPER STOPPER UNIT		
8	QC3-1731-000		1	BOX, ACCESSORY		
9	QC4-9323-000		2	HOOK, BASKET		
10	QC3-1732-000		4	CAP, STAND		
11	QD1-1095-000		4	CASTER, W/STOPPER		
12	QC2-4116-000		1	SCREW, HEX SOCKET M4X10		
13	QC4-9330-000		16	SCREW, ALLEN, M8X16		
14	QC4-9303-000		4	SCREW, HEX SOCKET, M4X30		
15	QC3-0133-000		2	SCREW, STEPPED, M4		
16	QC3-1747-000		1	ROD, STOPPER 36		
17	QC3-1442-000		1	ROD, AL 36		
17	QC5-1601-000		1	ROD, AL 36	iPF770	
18	QC3-1455-000		2	ROD, SIDE AL		
18	QC5-1598-000		2	ROD, SIDE AL	iPF770	
19	QC4-9322-000		2	SUPPORT, ROD		
20	QC4-9338-000		1	HOLDER, ROD, R		
21	QC4-9331-000		1	HOLDER, ROD, L		
501	XB7-2301-009		4	NUT		
502	XB4-5300-807		12	SCREW, P, M3X8		

FIGURE R2
STAND UNIT ST-34



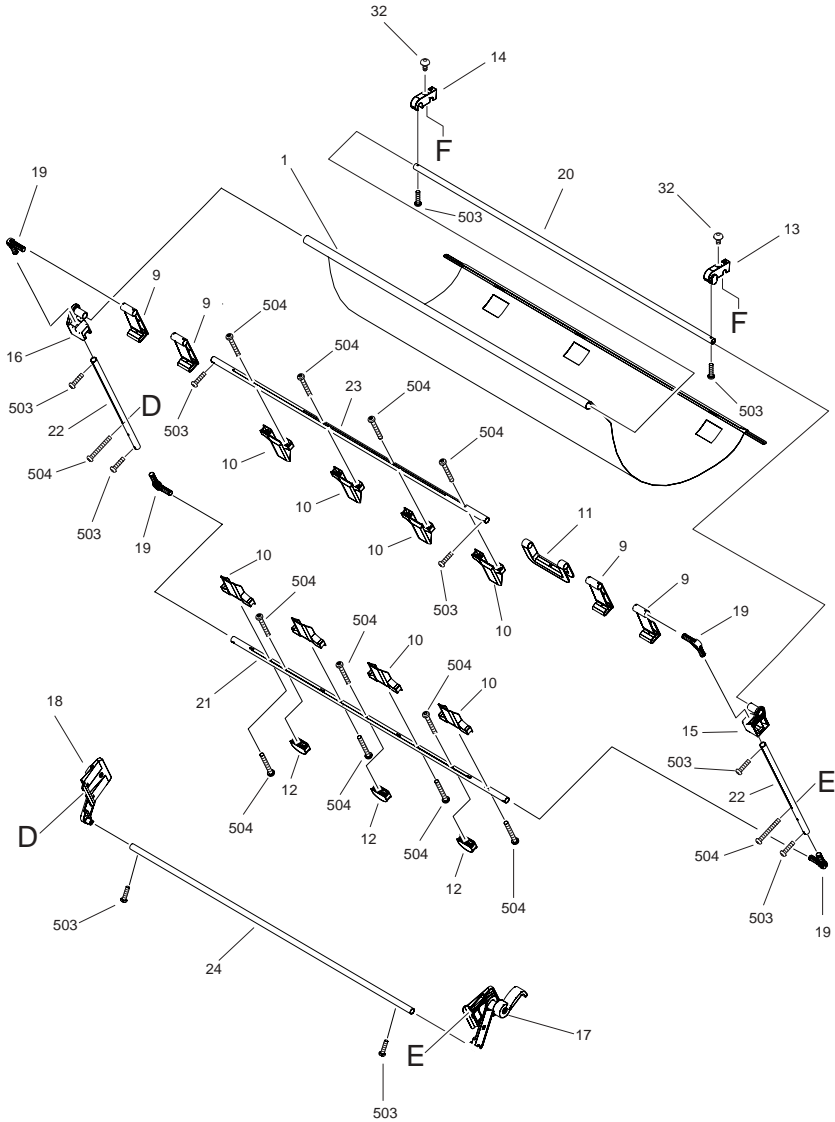


FIGURE & KEY NO.	PARTS NUMBER	RANK	QTY	DESCRIPTION	SERIAL NUMBER/REMARKS	SVC
Fig.R2			RF	STAND UNIT ST-34		

FIGURE & KEY NO.	PARTS NUMBER	R A N K	Q'TY	DESCRIPTION	SERIAL NUMBER/ REMARKS	S V C
1	QC3-1914-000		1	BASKET		
2	QM3-5894-000		1	SUPPORT ROD UNIT		
3	QC4-9322-000		2	SUPPORT, ROD		
4	QC3-1953-000		2	GUIDE, BASKET		
5	QC4-9335-000		2	ROD, SIDE AL		
6	QC3-1850-000		2	PROTECTOR, ROD		
7	QU1-8293-000		1	LABEL, UNLOCK		
8	AY3-4560-010		1	GUIDE, BASKET, R		
9	QC4-9349-000		4	TRAY		
10	QC3-1950-000		8	STOPPER, TRAY		
11	QC4-9355-000		1	HANDLE, BASKET		
12	QC3-1958-000		3	SPACER, BASKET		
13	QC4-9354-000		1	JOINT, C, R		
14	QC4-9352-000		1	JOINT, C, L		
15	QC4-9347-000		1	JOINT, SLIDE, R		
16	QC4-9346-000		1	JOINT, SLIDE, L		
17	QM4-2842-000		1	LINK ARM UNIT (R)		
18	QM4-2841-000		1	LINK ARM UNIT (L)		
19	QC4-9345-000		4	JOINT, ROD		
20	QC4-9342-000		1	ROD, AL, A, 36		
21	QC3-1944-000		1	ROD, AL, B, 36		
22	QC3-1945-000		2	ROD, AL, C		
23	QC4-9353-000		1	ROD, AL, D, 36		
24	QC4-9350-000		1	ROD, STOPPER, AL 36		
25	QM4-2834-000		3	PAPER GUIDE UNIT		
26	QC3-1747-000		1	ROD, STOPPER 36		
27	QC4-9319-000		3	PAPER STOPPER UNIT		
28	QC3-1731-000		1	BOX, ACCESSORY		
29	QC4-9323-000		2	HOOK, BASKET		
30	QC3-1732-000		4	CAP, STAND		
31	QD1-1095-000		4	CASTER, W/STOPPER		
32	QC2-4116-000		3	SCREW, HEX SOCKET M4X10		

FIGURE & KEY NO.	PARTS NUMBER	RANK	Q'TY	DESCRIPTION	SERIAL NUMBER/REMARKS	SVC
33	QC3-1921-000		16	SCREW, ALLEN, M8X16		
34	QC4-9303-000		4	SCREW, HEX SOCKET, M4X30		
35	QC3-0133-000		2	SCREW, STEPPED, M4		
36	XA9-0949-000		22	SCREW, RS, M4X10		
37	XZ9-0697-000		2	BUSHING		
38	QC4-9338-000		1	HOLDER, ROD, R		
39	QC4-9331-000		1	HOLDER, ROD, L		
501	XB7-2301-009		4	NUT		
502	XB4-5300-807		6	SCREW, P, M3X8		
503	XB4-6301-205		12	SCREW,TAPPING,PAN HEAD,M3X12		
504	XB4-6302-505		27	SCREW,TAPPING,PAN HEAD,M3X25		

FIGURE ZZA

MECHANICAL STANDARD PARTS(HOW TO USE)

Mechanical standard parts

機械標準部品

About a mechanical standard parts

A Mechanical standard parts is a mechanical part which not parts peculiar to a product. They are parts which are common to a Canon product and are used, such as a screw and a washer. The Fig No. and parts number of the mechanical standard parts are not listed in the product parts catalog. Refer to the parts catalog of mechanical standard parts when checking the parts number for screw or washer etc. and identify them by part shape or size.

機械標準部品とは

機械標準部品とは、製品特有の部品ではなく、ねじやワッシャなどキヤノン製品共通で使用されている機械部品（メカ部品）のことです。
製品のパーツカタログには、機械標準部品のFig No.や部品番号は記載しておりません。
ねじや、ワッシャ等の部品番号を調べるときは、機械標準部品のパーツカタログを参照し、部品の形状や大きさから判断し、使用している部品を調べてください。

Material and surface treatment of a mechanical standard parts

Material and surface treatment of mechanical standard parts are assigned commonly for each part. Refer to the Table 1 for the parts which material and surface treatment are assigned as numbers.

機械標準部品の材料および表面処理

機械標準部品の材料および表面処理については、各種部品共通で決められています。
材料および表面処理が番号で決められている部品については、表1を参照してください。

Table 1 Material and Surface treatment
表1 材料および表面処理

No. 番号	Material 材料	Surface treatment 表面処理	Color 色
1	Stainless steel ステンレス	Stainless steel black coloring (BC4) ステンレス黒着色(BC4)	Black 黒
2		not to be given なし	White 白
3	Brass 黄銅	Regular nickel plating (NL) 普通ニッケルメッキ(NL)	White 白
4		Black nickel plating (BN) 黒色ニッケルメッキ(BN)	Black 黒
5	Steel 鋼	White zinc trivalent chromate treating (ZC3) 白色亜鉛3価クロメート(ZC3)	White 白
6		Regular nickel chromium plating (NC) 普通ニッケルクロムメッキ(NC)	White 白
7		Regular nickel plating (NL) 普通ニッケルメッキ(NL)	White 白
8		Iron and steel phosphating (P1) 鉄鋼磷酸塩処理(P1)	Black 黒
9		Black zinc trivalent chromate treating (BZ3) 黒色亜鉛3価クロメート(BZ3)	Black 黒

FIGURE ZZB MECHANICAL STANDARD PARTS(SCREWS)

1. Screws ねじ

How to read Parts Numbers
部品番号の見方

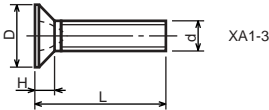
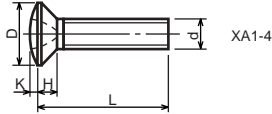
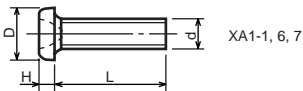
Screws
ねじ

XB1-2400-609

Type No.
類別番号
Normal designation (d)
ねじの呼び(d)
Length (L)
ねじの長さ(L)
Material and Surface treatment
材料および表面処理

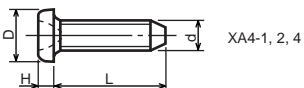
XB1-2 expresses Binding head machine screw.
XB1-2は、バインドねじを表す
40 expresses M4.0.
40は、M4.0を表す
0-60 expresses a length of 6.0mm.
0-60は、6.0mmの長さを表す
9 expresses Steel (Black zinc trivalent chromate
treating) from Table 1.
9は、表1より鋼(黒色亜鉛3価クロメート)を表す

1-1. Cross Recessed Head Screws for Precision Equipments 精密機器用十字穴付き小ねじ

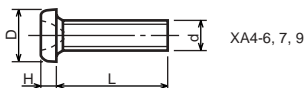


Type No. 類別番号	Type 類別	Head size (mm) 頭部寸法 (mm)							
		M1.4	M1.6	M1.7	M2	M2.5	M2.6		
XA1-1	Pan head Class 1 なべ1種	D	XA1-1	2	2.4	2.5	3	3.8	4
		H	XA1-1	0.5	0.55	0.5	0.6	0.9	0.8
XA1-3	Countersunk head Class 1 さら1種	D	XA1-3	2	2.4	2.5	3	3.8	4
		H	XA1-3	0.48	0.55	0.58	0.73	0.85	0.93
XA1-4	Oval countersunk head Class 1 丸さら1種	D	XA1-4	2	2.4	2.5	3	3.8	4
		H + K	XA1-4	0.68	0.8	0.88	1	1.25	1.3
XA1-6	Pan head Class 3 なべ3種	D	XA1-6	2.5	2.8	3	3.5	4.3	4.5
		H	XA1-6	0.8	0.85	0.9	1	1.3	1.2
XA1-7	Pan head Class 2 なべ2種	D	XA1-7	2.5	2.8	3	3.5	4.3	4.5
		H	XA1-7	0.5	0.55	0.5	0.6	0.9	0.8

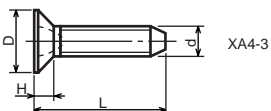
1-2. Precision Tapping Screws
精密用タッピンねじ



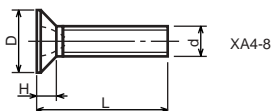
XA4-1, 2, 4



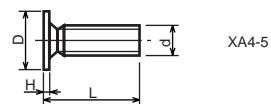
XA4-6, 7, 9



XA4-3



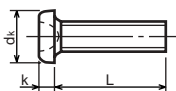
XA4-8



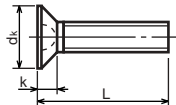
XA4-5

Type No. 類別番号	Type 類別	Head size (mm) 頭部寸法 (mm)						
		M1.4	M1.6	M1.7	M2	M2.5	M2.6	
XA4-1	With tapered end pan head Class 1 絞りなべ1種	D XA4-1	2	2.4	2.5	3	3.8	4
		H XA4-1	0.5	0.55	0.5	0.6	0.9	0.8
XA4-2	With tapered end pan head Class 3 絞りなべ3種	D XA4-2	2.5	2.8	3	3.5	4.3	4.5
		H XA4-2	0.8	0.85	0.9	1	1.3	1.2
XA4-3	With tapered end countersunk head 絞り-さら	D XA4-3	2	2.4	2.5	3	3.8	4
		H XA4-3	0.48	0.55	0.58	0.73	0.85	0.93
XA4-4	With tapered end pan head Class 2 絞りなべ2種	D XA4-4	2.5	2.8	3	3.5	4.3	4.5
		H XA4-4	0.5	0.55	0.5	0.6	0.9	0.8
XA4-5	With parallel end ultra thin head ストレート-超薄頭	D XA4-5	2.5	2.8	3	-	-	-
		H XA4-5	0.2	0.2	0.2	-	-	-
XA4-6	With parallel end pan head Class 1 ストレートなべ1種	D XA4-6	2	2.4	2.5	3	3.8	4
		H XA4-6	0.5	0.55	0.5	0.6	0.9	0.8
XA4-7	With parallel end pan head Class 3 ストレートなべ3種	D XA4-7	2.5	2.8	3	3.5	4.3	4.5
		H XA4-7	0.8	0.85	0.9	1	1.3	1.2
XA4-8	With parallel end countersunk head ストレート-さら	D XA4-8	2	2.4	2.5	3	3.8	4
		H XA4-8	0.48	0.55	0.58	0.73	0.85	0.93
XA4-9	With parallel end pan head Class 2 ストレートなべ2種	D XA4-9	2.5	2.8	3	3.5	4.3	4.5
		H XA4-9	0.5	0.55	0.5	0.6	0.9	0.8

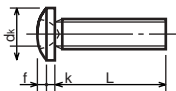
1-3. Cross Recessed Head Screws
 一般用十字穴付き小ねじ



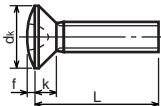
XB1-1



XB1-3



XB1-2

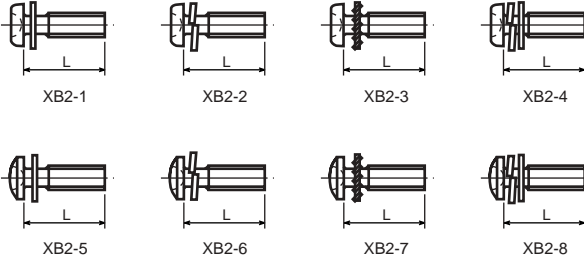


XB1-4

Type No. 類別番号	Type 類別
XB1-1	Pan head なべ
XB1-2	Binding head バインド
XB1-3	Countersunk head さら
XB1-4	Oval countersunk head 丸さら

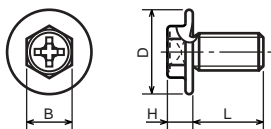
		Head size (mm) 頭部寸法 (mm)					
		M2	M2.5	M2.6	M3	M4	M5
dk	XB1-1	3.5	4.5	4.5	5.5	7	9
k	XB1-1	1.3	1.7	1.7	2	2.6	3.3
dk	XB1-2	4.3	5.3	5.5	6.3	8.3	10.3
k+f	XB1-2	1.2	1.5	1.6	1.9	2.5	3.1
dk	XB1-3	4	5	-	6	8	10
k	XB1-3	1.2	1.45	-	1.75	2.3	2.8
dk	XB1-4	4	5	-	6	8	10
k+f	XB1-4	1.6	2	-	2.45	3.2	4
Screw part length ねじ部長さ b		8	12	12	12	16	20

1-4. Cross Recessed Head Screws with Captive Washer
 座金組込み十字穴付き小ねじ



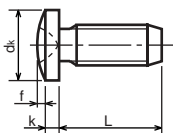
Type No. 類別番号	Type 類別
XB2-1	Pan head + Plain washer (circular bright) なべねじ+平座金
XB2-2	Pan head + Spring washer なべねじ+ばね座金
XB2-3	Pan head + Toothed lock washer なべねじ+歯付座金
XB2-4	Pan head + Spring washer and plain washer (circular bright) なべねじ+(ばね+平)座金
XB2-5	Binding head + Plain washer (circular bright) バインドねじ+平座金
XB2-6	Binding head + Spring washer バインドねじ+ばね座金
XB2-7	Binding head + Toothed lock washer バインドねじ+歯付座金
XB2-8	Binding head + Spring washer and plain washer (circular bright) バインドねじ+(ばね+平)座金

1-5. Hexagon Head Tapping Screws for Metallic Materials
 金属用六角タッピンねじ



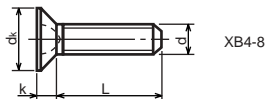
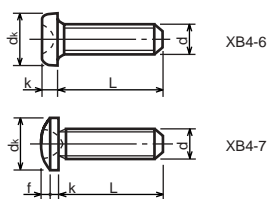
Type No. 類別番号	Type 類別	Head size (mm) 頭部寸法 (mm)	
		M3	M4
XB3-6	For metallic materials 金属用タッピン	D	8 10
		B	5.5 5.5
XB3-7	For metallic materials with clawed 金属用タッピン-つめ付き	H XB3-6	3.1 3.1
		H XB3-7	3.2 3.2

1-6. Special Tapping Screws
 特殊タッピンねじ



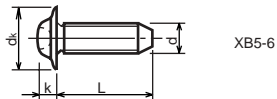
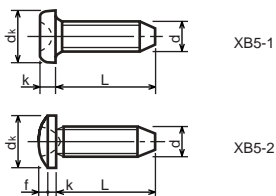
Type No. 類別番号	Type 類別	Head size (mm) 頭部寸法 (mm)	
		M3	M4
XB4-5	Binding head バインド	d _k	6.3 8.3
		k	1.3 1.7
		k+f	1.9 2.5

1-7. General Head Tapping Screws
一般用タッピンねじ



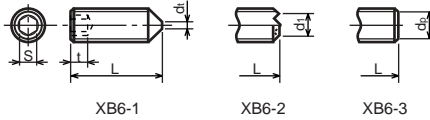
Type No. 類別番号	Type 類別	Head size (mm) 頭部寸法 (mm)						
		M2	M2.5	M2.6	M3	M4	M5	
XB4-6	Pan head なべ	d_k XB4-6	3.5	4.5	4.5	5.5	7	9
		k XB4-6	1.3	1.7	1.7	2	2.6	3.3
XB4-7	Binding head バインド	d_k XB4-7	4.3	5.3	5.5	6.3	8.3	10.3
		$k+f$ XB4-7	1.2	1.5	1.6	1.9	2.5	3.1
XB4-8	Countersunk head さら	d_k XB4-8	4	5	5.2	6	8	10
		k XB4-8	1.2	1.45	1.5	1.75	2.3	2.8

1-8. Tapping Screws for Metallic Materials
金属用タッピンねじ



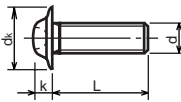
Type No. 類別番号	Type 類別	Head size (mm) 頭部寸法 (mm)					
		M2.5	M2.6	M3	M4	M5	
XB5-1	Pan head なべ	d_k XB5-1	4.5	4.5	5.5	7	9
		k XB5-1	1.7	1.7	2	2.6	3.3
XB5-2	Binding head バインド	d_k XB5-2	5.5	5.5	6.3	8.3	10.3
		$k+f$ XB5-2	1.6	1.6	1.9	2.5	3.1
XB5-6	Flanged pan head つば付きなべ	d_k XB5-6	6.5	6.5	8	10	12
		k XB5-6	2.1	2.1	1.75	3.2	4

1-9. Hexagon Socket Set Screws
六角穴付止めねじ



Type No. 類別番号	Type 類別	Head size (mm) 頭部寸法 (mm)							
		M1.6 M1.7	M2	M2.5 M2.6	M3	M5	M5	M6	
XB6-1	Cone point とがり先	S	0.7	0.9	1.3	1.5	2	2.5	3
		t	1.5	1.7	2	2	2.5	3	3.5
		$d_{t \max}$ XB6-1	0.4	0.5	0.65	0.75	1	1.25	1.5
XB6-2	Double point ダブルポイント	$d_{l \max}$ XB6-2	-	1.2	1.5	1.7	2.2	2.8	3.3
		$d_{l \min}$ XB6-2	-	1	1.2	1.4	1.9	2.4	2.9
XB6-3	Flat point 平先	$d_{p \max}$ XB6-3	0.8	1	1.5	2	2.5	3.5	4
		$d_{p \min}$ XB6-3	0.55	0.75	1.25	1.75	2.25	3.2	3.7

1-10. Flanged Pan Head Machine Screws
つば付きなべ小ねじ



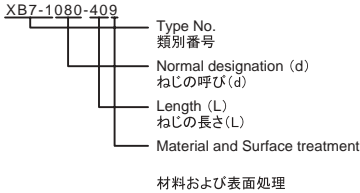
Type No. 類別番号	Type 類別	Head size (mm) 頭部寸法 (mm)					
		M2	M2.5 M2.6	M3	M5	M5	
XB6-7	Flanged pan head つば付きなべ	d_k	5	6.5	8	10	12
		k	1.7	2.1	2.5	3.2	4

FIGURE ZZC MECHANICAL STANDARD PARTS(BOLTS)

2. Bolts (Socket head cap screw) ボルト

How to read Parts Numbers
部品番号の見方

Bolt (Socket head cap screw)
ボルト



XB7-1 expresses Hexagon socket head cap screws.
XB7-1は、六角穴付きボルトを表す

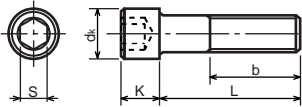
080 expresses M8.0.
080は、M8.0を表す

40 expresses a length of 40mm.
40は、40mmの長さを表す

9 expresses Steel (Black zinc trivalent chromate
treating) from Table 1.

9は、表1より鋼(黒色亜鉛3価クロメート)を表す

2-1. Hexagon socket head cap screws 六角穴付きボルト



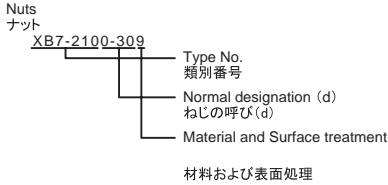
Type No. 類別番号	Type 類別
XB7-1	Hexagon socket head cap screws 六角穴付きボルト

	Head size (mm) 頭部寸法 (mm)						
	M3	M4	M5	M6	M8	M10	M12
S	2.5	3	4	5	6	8	10
d_k	5.5	7	8.5	10	13	16	18
K	3	4	5	6	8	10	12
Screw part length b_{max} ねじ部長さ b_{max}	18	20	22	24	28	32	36

FIGURE ZZD MECHANICAL STANDARD PARTS(NUTS)

3. Nuts ナット

How to read Parts Numbers
部品番号の見方



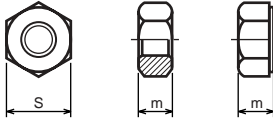
XB7-210 expresses Hexagon nut class 1.
XB7-210は、六角ナット1種を表す

0-30 expresses M3.0.
0-30は、M3.0を表す

9 expresses Steel (Black zinc trivalent chromate
treating) from Table 1.

9は、表1より鋼(黒色亜鉛3価クロメート)を表す

3-1. Hexagon Nuts and Hexagon Thin Nuts 六角ナット



Type No. 類別番号	Type 類別
XB7-210	Hexagon nut Class 1 六角ナット-1種
XB7-220	Hexagon nut Class 3 六角ナット-3種
XB7-230	Hexagon nut Style 1 double chamfered 六角ナット-スタイル1-両面とり
XB7-231	Hexagon nut Style 1 washer faced 六角ナット-スタイル1-座付き
XB7-240	Hexagon nut Style 2 double chamfered 六角ナット-スタイル2-両面とり
XB7-241	Hexagon nut Style 2 washer faced 六角ナット-スタイル2-座付き
XB7-250	Hexagon nut 六角ナット
XB7-260	Hexagon thin nut double chamfered 六角低ナット-両面とり
XB7-270	Hexagon thin nut not chamfered 六角低ナット-面とり無し

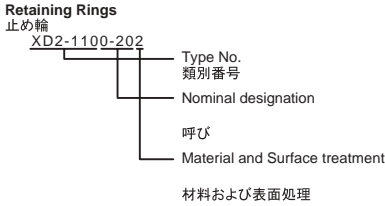
	Head size (mm) 頭部寸法 (mm)						
	M2	M2.5	M3	M4	M5	M6	M8
S	4	5	5.5	7	8	10	13
m XB7-210	1.6	2	2.4	3.2	4	5	6.5
m XB7-220	1.2	1.6	1.8	2.4	3.2	3.6	5
m XB7-230, 231	1.6	2	2.4	3.2	4.7	5.2	6.8
m XB7-240, 241	-	-	-	-	5.1	5.7	7.5
m XB7-250	-	-	-	-	5.6	6.1	7.9
m XB7-260	1.2	1.6	1.8	2.2	2.7	3.2	4
m XB7-270	1.2	1.6	1.8	2.2	2.7	3.2	4

FIGURE ZZE MECHANICAL STANDARD PARTS(RETAINING RINGS)

5. Retaining Rings

止め輪

How to read Parts Numbers
部品番号の見方



XD2-110 expresses retaining ring-E type (Type1).
XD2-110は、E形止め輪(1種)を表す

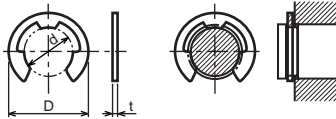
0-20 expresses a 020 of nominal designation.
(See Table 5)

0-20は、呼び020を表す(表5参照)

2 expresses Stainless steel (Surface treatment is not to be given) from Table 1.
2は、表1よりステンレス(表面処理なし)を表す

5-1. Retaining Rings - E type

E形止め輪

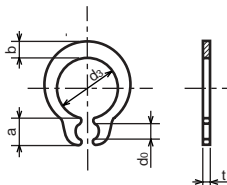


Type No. 類別番号	Type 類別
XD2-110	Retaining ring - E type (Type 1) E形止め輪(1種)
XD2-120	Retaining ring - E type (Type 2) E形止め輪(2種)

Table 5 表5

Type 種類	Nominal designation 呼び	d (mm)	D (mm)	t (mm)
Type 1 1種	007	0.65	2	0.2
	010	0.95	2.8	0.2
	013	1.25	3.3	0.3
	017	1.65	4.2	0.4
	020	1.95	4.6	0.5
	024	2.35	6	0.6
	028	2.74	6.5	0.6
	032	3.14	7.2	0.6
	037	3.64	8	0.7
	040	3.93	10	0.7
	042	4.13	10	0.7
	050	4.93	11	0.7
	058	5.73	12	0.7
	060	5.93	12.7	0.9
	064	6.32	13.5	0.9
	074	7.31	15	0.9
Type 2 2種	080	7.91	16.5	1
	008	0.8	2	0.2
	012	1.2	3	0.3
	015	1.5	4	0.4
	020	2	5	0.4
	025	2.5	6	0.4
	030	3	7	0.6
	040	4	9	0.6
	050	5	11	0.6
	060	6	12	0.8
	070	7	14	0.8
	080	8	16	0.8
	090	9	18	0.8
	100	10	20	1

5-2. Grip Rings
グリップ止め輪

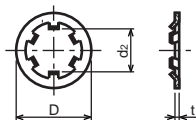


Type No. 類別番号	Type 類別
XD2-210	Grip ring グリップ止め輪

Table 5 表5

Nominal designation 呼び	d ₃ (mm)	t (mm)	b (mm)	a (mm)	d ₀ (mm)
020	1.9	0.5	1	1.8	0.8
025	2.35	0.5	1.2	1.9	0.9
030	2.85	0.6	1.4	1.9	0.9
035	3.3	0.6	1.6	2	0.9
040	3.8	0.8	1.8	2.8	1.2
045	4.25	0.8	2	2.9	1.3
050	4.75	0.8	2.2	2.9	1.3
060	5.7	1	2.4	3.1	1.4
070	6.7	1	2.7	3.3	1.4
080	7.7	1	3	3.5	1.4
090	8.65	1.2	3.3	4.7	1.5
100	9.65	1.2	3.5	4.7	2

5-3. Toothed Retaining Rings
歯付き形止め輪



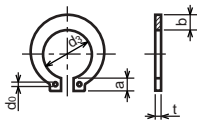
Type No. 類別番号	Type 類別
XD2-230	Toothed retaining ring 歯付き形止め輪

Table 5 表5

Nominal designation 呼び	d _z (mm)	D (mm)	t (mm)	No of teeth 歯数
015	1.4	5.2	0.25	3
020	1.9	6	0.25	3
024	2.3	6.4	0.25	3
030	2.8	8	0.25	4
040	3.8	9	0.25	4
050	4.8	10	0.25	5
060	5.8	11	0.25	5
080	7.8	13	0.25	5
100	9.8	15.4	0.25	6

5-4. Retaining Rings - C Type

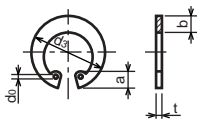
C形止め輪



Type No. 類別番号	Type 類別
XD2-310	Retaining ring - C type for shaft C形止め輪 軸用

Table 5 表5

Nominal designation 呼び	d ₃ (mm)	t (mm)	b (mm)	a (mm)	d ₀ (mm)
010	9.3	1	1.6	3	1.2
012	11.1	1	1.8	3.2	1.5
014	12.9	1	2	3.4	1.7
015	13.8	1	2.1	3.5	1.7
016	14.7	1	2.2	3.6	1.7
017	15.7	1	2.2	3.7	1.7
018	16.5	1.2	2.6	3.8	1.7
020	18.5	1.2	2.7	3.9	2
022	20.5	1.2	2.7	4.1	2
025	23.2	1.2	3.1	4.3	2
028	25.9	1.5	3.1	4.6	2
030	27.9	1.5	3.5	4.8	2
032	29.6	1.5	3.5	5	2.5
035	32.2	1.5	4	5.4	2.5



Type No. 類別番号	Type 類別
XD2-320	Retaining ring - C type for hole C形止め輪 穴用

Table 5 表5

Nominal designation 呼び	d ₃ (mm)	t (mm)	b (mm)	a (mm)	d ₀ (mm)
010	10.7	1	1.8	3.1	1.2
011	11.8	1	1.8	3.2	1.2
012	13	1	1.8	3.3	1.5
014	15.1	1	2	3.6	1.7
016	17.3	1	2	3.7	1.7
018	19.5	1	2.5	4	1.7
019	20.5	1	2.5	4	2
020	21.5	1	2.5	4	2
022	23.5	1	2.5	4.1	2
025	26.9	1.2	3	4.4	2
028	30.1	1.2	3	4.6	2
030	32.1	1.2	3	4.7	2
032	34.4	1.2	3.5	5.2	2.5
035	37.8	1.5	3.5	5.2	2.5
037	39.8	1.5	3.5	5.2	2.5
040	43.5	1.8	4	5.7	2.5
042	45.5	1.8	4	5.8	2.5
045	48.5	1.8	4.5	5.9	2.5
047	50.5	1.8	4.5	6.1	2.5
050	54.2	2	4.5	6.5	2.5
052	56.2	2	5.1	6.5	2.5
055	59.2	2	5.1	6.5	2.5
060	64.2	2	5.1	6.8	2.5
062	66.2	2	5.5	6.9	2.5
068	72.5	2.5	6	7.4	2.5
072	76.5	2.5	6.6	7.4	2.5
075	79.5	2.5	6.6	7.8	2.5
080	85.5	2.5	7	8	2.5
085	90.5	3	7	8	3
090	95.5	3	7.6	8.3	3
095	100.5	3	8	8.5	3

Prepared by
L Printer Quality Assurance Center
CANON INC.

Canon