

PARTS CATALOG

imagePROGRAF

iPF6450

iPF6400

iPF6400S

iPF6350

iPF6300

iPF6300S

iPF6200

iPF6100

iPF6000

iPF605



Canon

September 4, 2013

Rev. 0

PREFACE

This Parts Catalog contains listings of parts used

Diagrams are provided with the listings to aid the service technician in identifying clearly, the item to be ordered.

Whenever ordering parts, consult this Parts Catalog for all of the information pertaining to each item. Be sure to include, in the Parts Request, the full item description, the item part number, and the quantity.

COPYRIGHT (C) 1999 CANON INC.

Use of this manual should be strictly supervised to avoid disclosure of confidential information.

Contents

NUMERICAL INDEX

iPF6460/6450/6410/6410S/6400/6400S/6350/6300/6300S/6200/6100/
6000S/605/605L plus(Numerical Index) 1-1

iPF6460/6450/6410/6410S/6400/6400S/6350/6300/6300S/6200/6100/
6000S/605/605L plus(Parts Catalog)

01	PRINTER & ACCESSORIES	2-1
02	ROLL UNIT	2-3
03	COVERS (1)	2-6
04	COVERS (2)	2-10
05	ELECTRICAL PART	2-12
06	PURGE UNIT	2-16
07	CUTTER UNIT	2-19
08	INK SUPPLY UNIT	2-21
09	LINEAR SCALE & LIFT DRIVE UNIT	2-30
10	CARRIAGE UNIT	2-32
11	CARRIAGE & FEED MOTOR UNIT	2-35
12	PINCH ROLLER UNIT	2-37
13	AIR FLOW FAN UNIT	2-39
14	PLATEN & SPUR UNIT	2-41
15	TOOL	2-44
R1	STAND UNIT	2-45
R2	SPECTROPHOTOMETER COVERS	2-47
R3	SPECTROPHOTOMETER FRAME	2-49
R4	SPECTROPHOTOMETER MAIN	2-52
R5	SPECTROPHOTOMETER ATTACHMENT	2-55
ZZA	MECHANICAL STANDARD PARTS(HOW TO USE)	2-57
ZZB	MECHANICAL STANDARD PARTS(SCREWS)	2-58
ZZC	MECHANICAL STANDARD PARTS(BOLTS)	2-65
ZZD	MECHANICAL STANDARD PARTS(NUTS)	2-66
ZZE	MECHANICAL STANDARD PARTS(RETAINING RINGS)	2-67

NUMERICAL INDEX

iPF6460/6450/6410/6410S/6400/6400S/6350/6300/6300S/6200/6100/6000S

PARTS NUMBER	FIGURE & KEY NO.	PARTS NUMBER	FIGURE & KEY NO.	PARTS NUMBER	FIGURE & KEY NO.
AY3-4493-000	15 - 3	QC2-0663-000	10 - 16	QC2-1009-000	14 - 18
FB1-0733-000	01 - 4	QC2-0664-000	10 - 19	QC2-1018-000	14 - 19
FH2-7092-020	01 - 11	QC2-0675-000	09 - 6	QC2-1024-000	14 - 20
FK2-2416-000	05 - 32	QC2-0676-000	09 - 7	QC2-1025-000	14 - 21
FY9-6022-000	15 - 1	QC2-0678-000	09 - 5	QC2-1027-000	14 - 22
NPN	01 -	QC2-0681-000	09 - 8	QC2-1070-000	13 - 6
NPN	01 - 1	QC2-0682-000	09 - 9	QC2-1071-000	13 - 6
NPN	01 - 2	QC2-0682-000	12 - 3	QC2-1076-000	13 - 4
NPN	01 - 2	QC2-0683-000	09 - 10	QC2-1079-000	13 - 5
NPN	01 - 2	QC2-0684-000	09 - 17	QC2-1100-000	06 - 6
NPN	01 - 2	QC2-0685-000	09 - 11	QC2-1103-000	03 - 18
NPN	01 - 2	QC2-0686-000	09 - 12	QC2-1110-000	06 - 1
NPN	01 - 2	QC2-0687-000	09 - 13	QC2-1118-000	04 - 7
NPN	01 - 2	QC2-0688-000	09 - 14	QC2-1120-010	04 - 1
NPN	01 - 2	QC2-0689-000	09 - 15	QC2-1122-000	03 - 4
NPN	01 - 2	QC2-0690-000	09 - 16	QC2-1123-000	03 - 3
NPN	01 - 2	QC2-0695-000	10 - 3	QC2-1124-050	04 - 2
NPN	01 - 2	QC2-0710-000	10 - 11	QC2-1139-030	03 - 4
NPN	01 - 2	QC2-0739-000	08 - 6	QC2-1140-000	04 - 2
NPN	03 -	QC2-0740-000	08 - 7	QC2-1154-000	04 - 8
NPN	04 -	QC2-0742-000	08 - 8	QC2-1165-000	03 - 1
NPN	05 -	QC2-0746-020	08 - 2	QC2-1167-000	03 - 9
NPN	06 -	QC2-0746-020	08 - 2	QC2-1172-000	04 - 3
NPN	07 -	QC2-0758-000	08 - 18	QC2-1189-000	02 - 24
NPN	08 -	QC2-0763-000	08 - 11	QC2-1191-000	02 - 47
NPN	09 -	QC2-0763-000	08 - 11	QC2-1210-000	02 - 34
NPN	10 -	QC2-0764-000	08 - 12	QC2-1211-000	02 - 31
NPN	11 -	QC2-0764-000	08 - 12	QC2-1212-020	02 - 35
NPN	12 -	QC2-0807-000	06 - 7	QC2-1213-000	02 - 39
NPN	13 -	QC2-0811-000	14 - 28	QC2-1214-000	02 - 37
NPN	14 -	QC2-0832-000	07 - 10	QC2-1222-000	02 - 8
NPN	15 -	QC2-0832-000	08 - 9	QC2-1223-000	02 - 10
NPN	R1 -	QC2-0833-020	06 - 8	QC2-1231-000	02 - 26
NPN	R2 -	QC2-0833-020	06 - 8	QC2-1234-000	02 - 29
NPN	R3 -	QC2-0866-000	14 - 8	QC2-1236-000	02 - 27
NPN	R4 -	QC2-0933-010	12 - 14	QC2-1238-000	02 - 36
NPN	R5 -	QC2-0935-020	12 - 19	QC2-1240-000	02 - 41
QA4-0292-000	14 - 6	QC2-0946-000	04 - 9	QC2-1244-000	02 - 32
QA4-0880-000	14 - 7	QC2-0957-000	11 - 4	QC2-1256-050	02 - 1
QC1-0710-000	02 - 44	QC2-0958-000	14 - 9	QC2-1257-000	02 - 14
QC1-2950-000	12 - 12	QC2-0964-000	14 - 10	QC2-1258-000	02 - 15
QC1-4149-000	02 - 45	QC2-0981-000	12 - 17	QC2-1261-000	02 - 5
QC1-4149-000	08 - 27	QC2-0982-000	12 - 4	QC2-1262-000	02 - 6
QC1-4149-000	14 - 13	QC2-0985-000	11 - 6	QC2-1263-000	02 - 12
QC1-4850-000	07 - 5	QC2-0990-000	11 - 7	QC2-1264-000	02 - 13
QC1-7399-000	R5 - 1	QC2-0994-000	12 - 5	QC2-1270-000	03 - 16
QC2-0606-000	05 - 10	QC2-0995-000	11 - 9	QC2-1272-000	03 - 11
QC2-0612-000	05 - 15	QC2-0996-000	12 - 6	QC2-1273-000	03 - 17
QC2-0612-000	05 - 15	QC2-0997-000	12 - 20	QC2-1274-000	07 - 9
QC2-0653-000	10 - 23	QC2-0998-000	11 - 11	QC2-1283-000	10 - 12
QC2-0661-000	10 - 18	QC2-1002-000	14 - 14	QC2-1307-000	03 - 14
QC2-0661-000	10 - 18	QC2-1007-000	14 - 17	QC2-1309-000	10 - 13

NUMERICAL INDEX

iPF6460/6450/6410/6410S/6400/6400S/6350/6300/6300S/6200/6100/6000S

PARTS NUMBER	FIGURE & KEY NO.	PARTS NUMBER	FIGURE & KEY NO.	PARTS NUMBER	FIGURE & KEY NO.
QC2-1310-000	02 - 7	QC2-6320-000	R1 - 11	QD1-0090-000	R4 - 9
QC2-1317-000	12 - 9	QC2-6322-020	R1 - 15	QD1-0097-000	R4 - 10
QC2-1323-000	06 - 3	QC2-6323-010	R1 - 16	QD1-0098-000	R2 - 11
QC2-1323-000	06 - 3	QC2-6346-000	08 - 15	QD1-0099-000	R2 - 12
QC2-1330-000	R1 - 6	QC2-6568-000	02 - 55	QD1-0101-000	R4 - 11
QC2-1373-000	05 - 19	QC2-6569-000	02 - 54	QD1-0102-000	R4 - 12
QC2-1375-000	08 - 14	QC2-6575-000	04 - 13	QD1-0108-000	R4 - 13
QC2-1381-000	02 - 28	QC2-6663-000	03 - 27	QD1-0109-000	R4 - 14
QC2-1385-000	02 - 2	QC2-8562-000	03 - 5	QD1-0111-000	R4 - 15
QC2-1386-000	02 - 3	QC2-8591-000	08 - 8	QD1-0117-000	R3 - 1
QC2-1391-000	03 - 14	QC2-8596-000	05 - 16	QD1-0118-000	R3 - 2
QC2-1395-000	14 - 11	QC2-8598-000	03 - 5	QD1-0135-000	R3 - 3
QC2-1396-000	10 - 20	QC2-8599-000	03 - 5	QD1-0136-000	R3 - 4
QC2-1396-000	11 - 5	QC2-8605-000	03 - 1	QD1-0137-010	06 - 1
QC2-1396-000	14 - 15	QC2-8639-000	03 - 5	QD1-0138-000	R3 - 5
QC2-1397-020	01 - 3	QC2-8643-000	03 - 1	QD1-0140-000	R4 - 16
QC2-1404-000	03 - 27	QC2-8645-000	03 - 27	QD1-0141-000	R4 - 17
QC2-1411-000	02 - 25	QC3-0133-000	R5 - 3	QD1-0142-000	R4 - 18
QC2-1411-000	05 - 29	QC3-0169-000	01 - 4	QD1-0143-000	R4 - 19
QC2-1440-000	06 - 15	QC3-1455-000	R5 - 4	QD1-0144-000	R3 - 6
QC2-1446-000	03 - 19	QC3-1492-000	R5 - 5	QD1-0147-000	R3 - 7
QC2-1458-000	03 - 5	QC3-1739-000	R5 - 6	QD1-0148-000	R3 - 8
QC2-1460-000	12 - 16	QC3-1850-000	R5 - 7	QD1-0153-000	R3 - 9
QC2-1541-000	02 - 46	QC3-1882-010	09 - 2	QD1-0154-000	R3 - 10
QC2-1541-000	12 - 18	QC3-1885-000	11 - 8	QD1-0171-000	R5 - 8
QC2-1569-000	14 - 12	QC3-1888-010	09 - 2	QD1-0173-000	R5 - 9
QC2-1570-000	14 - 26	QC3-2664-000	09 - 6	QD1-0174-000	R5 - 10
QC2-4116-000	R5 - 2	QC3-2679-000	03 - 5	QD1-0175-000	R5 - 11
QC2-4325-000	10 - 3	QC3-2876-000	06 - 14	QD1-0188-000	R3 - 11
QC2-4326-000	10 - 10	QC3-2881-000	06 - 11	QD1-0189-000	R3 - 12
QC2-4327-000	02 - 53	QC3-5565-000	06 - 12	QD1-0195-000	R5 - 12
QC2-4346-000	R1 - 1	QC4-0917-000	03 - 5	QD1-0200-000	R3 - 13
QC2-4348-000	R1 - 8	QC4-0930-000	02 - 12	QD1-0206-000	R3 - 14
QC2-4359-000	R1 - 2	QC4-0931-000	02 - 13	QD1-0213-000	R3 - 15
QC2-5993-000	R1 - 3	QD1-0026-000	R2 - 1	QD1-0215-000	R3 - 16
QC2-5995-000	R1 - 4	QD1-0039-000	R2 - 2	QD1-0236-000	03 - 3
QC2-6006-000	R1 - 5	QD1-0042-000	R4 - 1	QD1-0256-000	08 - 12
QC2-6009-000	R1 - 7	QD1-0049-000	R2 - 3	QD1-0257-000	08 - 11
QC2-6071-000	04 - 10	QD1-0050-000	R2 - 4	QD1-0269-000	08 - 28
QC2-6249-000	04 - 11	QD1-0051-000	R2 - 5	QD1-0270-000	08 - 29
QC2-6250-000	04 - 12	QD1-0052-000	R2 - 6	QD1-0271-000	08 - 30
QC2-6261-000	02 - 4	QD1-0054-000	R2 - 7	QD1-0272-000	08 - 31
QC2-6262-000	02 - 52	QD1-0056-000	R2 - 8	QD1-0273-000	08 - 32
QC2-6265-000	03 - 22	QD1-0057-000	R2 - 9	QD1-0274-000	08 - 33
QC2-6266-000	03 - 23	QD1-0058-000	R2 - 10	QD1-0298-000	08 - 34
QC2-6270-000	02 - 51	QD1-0063-000	R4 - 2	QD1-0307-000	08 - 14
QC2-6275-000	03 - 20	QD1-0064-000	R4 - 3	QD1-0315-000	10 - 13
QC2-6285-000	13 - 8	QD1-0065-000	R4 - 4	QD1-0319-000	03 - 5
QC2-6302-000	03 - 24	QD1-0071-000	R4 - 5	QD1-0320-000	03 - 5
QC2-6303-000	03 - 25	QD1-0072-000	R4 - 6	QD1-0382-000	R1 - 9
QC2-6308-000	03 - 26	QD1-0073-000	R4 - 7	QD1-0383-000	R1 - 10
QC2-6315-000	03 - 6	QD1-0087-000	R4 - 8	QD1-0404-000	10 - 25

NUMERICAL INDEX

iPF6460/6450/6410/6410S/6400/6400S/6350/6300/6300S/6200/6100/6000S

PARTS NUMBER	FIGURE & KEY NO.	PARTS NUMBER	FIGURE & KEY NO.	PARTS NUMBER	FIGURE & KEY NO.
QD1-0405-000	10 - 17	QL2-1555-000	03 - 15	QM3-0568-050	08 - 1
QD1-0464-000	03 - 5	QL2-1561-000	14 - 23	QM3-0574-000	08 - 16
QD1-0465-000	03 - 5	QL2-1567-000	14 - 27	QM3-0576-000	05 - 2
QD1-0475-000	R4 - 20	QL2-1579-000	14 - 3	QM3-0579-020	12 - 11
QD1-0485-000	R2 - 13	QL2-1580-000	14 - 4	QM3-0580-030	12 - 13
QD1-0488-000	R3 - 17	QL2-1581-000	14 - 25	QM3-0583-030	03 - 10
QD1-0489-000	R3 - 18	QL2-1588-000	04 - 4	QM3-0584-000	08 - 4
QD1-0490-000	R3 - 19	QL2-2307-000	R1 - 12	QM3-0585-010	07 - 4
QD1-0495-000	R3 - 20	QL2-2308-000	R1 - 13	QM3-0599-010	07 - 3
QD1-0496-000	R3 - 21	QL2-2312-000	R1 - 14	QM3-0614-030	03 - 10
QD1-0966-000	12 - 15	QL2-2317-000	12 - 2	QM3-0653-090	06 - 4
QD1-1039-000	03 - 1	QL2-2387-000	03 - 12	QM3-0654-070	06 - 4
QD1-1041-000	03 - 27	QL2-2404-000	03 - 12	QM3-0698-010	13 - 9
QD1-1052-000	03 - 5	QL2-2418-000	12 - 2	QM3-0699-000	08 - 4
QD1-1053-000	03 - 5	QL2-2423-000	14 - 23	QM3-0700-000	03 - 21
QD1-1060-000	08 - 28	QL2-8032-000	14 - 23	QM3-0701-010	13 - 1
QD1-1107-000	03 - 14	QL2-8062-000	R4 - 23	QM3-0704-000	10 - 26
QD1-1108-000	03 - 5	QM2-3420-000	11 - 3	QM3-0705-000	13 - 11
QE1-3177-000	R3 - 22	QM2-3421-010	10 - 6	QM3-0706-000	04 - 6
QE1-3210-000	R3 - 23	QM2-3423-000	11 - 10	QM3-0708-000	03 - 2
QK1-0440-000	09 - 1	QM2-3428-010	02 - 17	QM3-0711-000	02 -
QK1-0447-000	11 - 1	QM2-3432-000	05 - 7	QM3-0715-000	02 - 11
QK1-0550-000	07 - 6	QM2-3437-000	10 - 7	QM3-0717-000	02 - 49
QK1-0550-000	07 - 11	QM3-0161-000	09 - 4	QM3-0718-000	03 - 7
QK1-0550-000	08 - 10	QM3-0162-000	08 - 5	QM3-0719-000	02 - 20
QK1-2073-010	05 - 4	QM3-0187-000	13 - 3	QM3-0721-000	02 - 23
QK1-2081-000	02 - 16	QM3-0209-000	13 - 9	QM3-0728-000	R1 - 17
QK1-2083-000	11 - 2	QM3-0212-030	03 - 8	QM3-0729-000	03 - 7
QK1-2084-000	13 - 2	QM3-0221-000	02 - 30	QM3-0737-030	03 - 13
QK1-2086-000	06 - 10	QM3-0223-030	02 - 33	QM3-0760-000	12 - 1
QK1-2087-000	06 - 10	QM3-0224-000	02 - 40	QM3-0761-000	12 - 7
QK1-2090-000	10 - 5	QM3-0226-000	02 - 18	QM3-0762-000	03 - 2
QK1-2091-000	10 - 14	QM3-0227-000	02 - 19	QM3-0767-000	12 - 10
QK1-2682-000	01 - 8	QM3-0231-000	02 - 21	QM3-0775-000	08 - 1
QK1-2685-010	01 - 7	QM3-0245-000	14 - 16	QM3-0776-010	02 - 38
QK1-2686-000	01 - 10	QM3-0246-000	14 - 2	QM3-0784-010	10 - 1
QK1-2688-000	01 - 5	QM3-0351-000	10 - 4	QM3-0786-010	10 - 2
QK1-2689-000	01 - 6	QM3-0361-000	10 - 4	QM3-0793-010	14 - 1
QK1-2690-000	01 - 9	QM3-0365-000	10 - 7	QM3-0799-000	06 - 9
QK1-2745-010	05 - 4	QM3-0368-000	08 - 13	QM3-0800-000	14 - 24
QK1-2746-000	05 - 4	QM3-0369-000	08 - 19	QM3-0801-000	14 - 24
QK1-2756-000	05 - 18	QM3-0527-000	05 - 17	QM3-0804-010	10 - 1
QK1-2757-000	10 - 14	QM3-0529-000	06 - 5	QM3-0806-000	10 - 2
QK1-2758-000	10 - 14	QM3-0541-000	10 - 8	QM3-0807-000	06 - 9
QK1-2793-000	05 - 18	QM3-0542-000	10 - 22	QM3-0853-000	05 - 8
QK1-2813-000	05 - 4	QM3-0543-000	10 - 21	QM3-0855-000	08 - 19
QK1-5942-000	05 - 4	QM3-0547-050	04 - 5	QM3-0855-000	08 - 19
QK1-9587-000	10 - 14	QM3-0548-040	04 - 6	QM3-0858-000	05 - 9
QK1-9590-000	R4 - 21	QM3-0550-000	13 - 10	QM3-0862-000	08 - 13
QK1-9594-000	R4 - 22	QM3-0560-000	10 - 24	QM3-0863-000	05 - 11
QK1-9595-000	R3 - 24	QM3-0561-040	04 - 5	QM3-0868-000	02 - 42
QL2-1537-000	13 - 7	QM3-0566-020	12 - 8	QM3-0869-000	02 - 43

NUMERICAL INDEX

iPF6460/6450/6410/6410S/6400/6400S/6350/6300/6300S/6200/6100/6000S

PARTS NUMBER	FIGURE & KEY NO.	PARTS NUMBER	FIGURE & KEY NO.	PARTS NUMBER	FIGURE & KEY NO.
QM3-0870-000	05 - 31	QM3-6665-000	09 - 18	QM4-8393-000	03 - 13
QM3-0872-000	08 - 22	QM3-6675-000	14 - 1	QM4-8394-000	03 - 7
QM3-0875-000	08 - 20	QM3-6676-000	06 - 13	QM7-7075-000	10 - 4
QM3-0876-000	06 - 2	QM3-6679-010	08 - 1	QM7-7078-000	R3 - 27
QM3-0882-000	08 - 23	QM3-6680-000	03 - 2	QM7-7080-000	08 - 23
QM3-0884-000	08 - 24	QM3-6681-010	03 - 13	QM7-7081-000	08 - 24
QM3-0886-000	08 - 21	QM3-8145-030	06 - 4	QM7-7082-000	08 - 22
QM3-0895-000	05 - 14	QM3-8146-010	07 - 1	QM7-7083-000	08 - 19
QM3-0901-000	08 - 22	QM3-8149-010	07 - 1	QM7-7084-000	08 - 13
QM3-0903-000	08 - 20	QM3-9914-010	03 - 13	QM7-7085-000	05 - 31
QM3-0904-000	06 - 2	QM3-9915-000	03 - 2	QM7-7086-000	05 - 9
QM3-0914-000	08 - 21	QM3-9916-000	03 - 7	QM7-7087-000	07 - 2
QM3-0920-000	05 - 14	QM3-9917-000	03 - 7	QM7-7088-000	R3 - 28
QM3-0923-000	07 - 2	QM3-9918-010	08 - 1	QM7-7089-000	R4 - 31
QM3-0924-000	08 - 23	QM3-9919-010	08 - 16	QM7-7090-000	R4 - 32
QM3-0925-000	08 - 24	QM3-9920-000	08 - 25	QM7-7093-000	R2 - 16
QM3-0927-000	05 - 8	QM3-9921-000	08 - 26	QM7-7094-000	R5 - 13
QM3-0928-000	08 - 17	QM3-9927-010	05 - 6	QM7-7095-000	R5 - 14
QM3-0936-000	05 - 12	QM3-9928-000	05 - 2	QM7-7111-000	05 - 2
QM3-0937-000	05 - 13	QM3-9930-000	10 - 1	QM7-7222-000	05 - 2
QM3-0947-000	08 - 23	QM3-9931-000	07 - 3	QM7-7223-000	05 - 2
QM3-0948-000	07 - 2	QM4-8018-000	10 - 7	QM7-7230-000	08 - 19
QM3-4339-000	03 - 7	QM4-8020-000	08 - 16	QM7-7231-000	08 - 13
QM3-4340-000	03 - 7	QM4-8026-000	R4 - 24	QM7-7232-000	08 - 36
QM3-4342-010	05 - 2	QM4-8031-000	R4 - 25	QM7-7233-000	08 - 37
QM3-4344-010	05 - 6	QM4-8032-000	R4 - 26	QM7-7258-000	07 - 2
QM3-4346-000	05 - 2	QM4-8033-000	R4 - 27	QM7-7261-000	07 - 3
QM3-4347-000	05 - 2	QM4-8040-000	R4 - 28	QU1-2006-000	10 - 9
QM3-4348-000	05 - 5	QM4-8042-000	R4 - 29	QY9-0037-000	15 - 2
QM3-5294-000	08 - 16	QM4-8043-000	R4 - 30	WC4-5052-000	07 - 8
QM3-5295-000	08 - 1	QM4-8052-000	R3 - 25	WE8-6409-000	10 - 15
QM3-5296-000	08 - 25	QM4-8054-000	R2 - 14	WG8-5624-000	02 - 22
QM3-5297-000	08 - 26	QM4-8058-000	R2 - 15	WG8-5624-000	07 - 7
QM3-5302-000	08 - 5	QM4-8060-000	08 - 5	WG8-5624-000	07 - 7
QM3-5304-000	03 - 13	QM4-8061-000	04 - 6	WG8-5624-000	08 - 3
QM3-5305-000	03 - 2	QM4-8062-000	03 - 4	WG8-5624-000	08 - 3
QM3-5306-000	03 - 7	QM4-8065-000	03 - 2	WG8-5624-000	09 - 3
QM3-5307-000	03 - 7	QM4-8069-010	03 - 13	WG8-5624-000	14 - 5
QM3-5308-000	12 - 1	QM4-8071-000	05 - 5	WG8-5776-000	08 - 35
QM3-5309-000	12 - 7	QM4-8072-000	05 - 6	WG8-5776-000	08 - 35
QM3-5310-010	07 - 3	QM4-8079-000	05 - 2	WG8-5776-000	R3 - 29
QM3-5311-000	02 - 50	QM4-8080-000	07 - 3	WG8-5776-000	R4 - 33
QM3-5317-000	03 - 7	QM4-8086-000	R1 - 17	WK1-5207-000	05 - 3
QM3-5318-000	03 - 7	QM4-8089-000	R3 - 26	WM2-5278-000	05 - 32
QM3-6421-000	05 - 8	QM4-8090-000	08 - 1	WM2-5280-000	05 - 32
QM3-6423-000	05 - 14	QM4-8091-000	10 - 1	WP2-5187-000	05 - 1
QM3-6426-000	05 - 30	QM4-8363-000	03 - 2	WT2-0136-000	05 - 20
QM3-6448-000	10 - 4	QM4-8364-000	03 - 13	WT2-0317-000	05 - 21
QM3-6451-000	07 - 2	QM4-8365-000	08 - 5	WT2-0494-000	05 - 23
QM3-6488-010	08 - 16	QM4-8366-000	08 - 1	WT2-5018-000	05 - 24
QM3-6657-000	05 - 2	QM4-8367-000	08 - 16	WT2-5056-000	05 - 25
QM3-6661-000	13 - 10	QM4-8389-000	03 - 2	WT2-5064-000	05 - 26

NUMERICAL INDEX

iPF6460/6450/6410/6410S/6400/6400S/6350/6300/6300S/6200/6100/6000S

PARTS NUMBER	FIGURE & KEY NO.	PARTS NUMBER	FIGURE & KEY NO.	PARTS NUMBER	FIGURE & KEY NO.
WT2-5694-000	05 - 27				
WT2-5701-000	05 - 22				
WT2-5760-000	05 - 28				
XA9-0831-000	02 - 48				
XA9-0863-000	02 - 9				
XA9-0893-000	R5 - 15				
XA9-0894-010	R4 - 34				
XA9-1340-000	R4 - 35				
XA9-1420-000	R3 - 30				
XA9-1503-000	R3 - 31				
XA9-1928-000	R2 - 17				
XA9-1928-000	R3 - 32				
XA9-1928-000	R4 - 36				
XB1-2200-506	11 - 501				
XB1-2260-409	07 - 501				
XB1-2260-409	08 - 501				
XB1-2300-606	02 - 502				
XB1-2300-606	09 - 502				
XB1-2400-606	05 - 502				
XB1-2400-805	R1 - 501				
XB3-6300-605	12 - 502				
XB4-5300-806	02 - 501				
XB4-5300-807	08 - 504				
XB4-5300-807	R5 - 501				
XB4-5401-007	R2 - 501				
XB4-5401-007	R3 - 501				
XB4-5401-007	R4 - 501				
XB4-5401-007	R5 - 502				
XB4-6302-505	R5 - 503				
XB4-7300-806	03 - 501				
XB4-7300-806	04 - 502				
XB4-7300-806	06 - 502				
XB4-7300-806	08 - 503				
XB4-7300-807	14 - 502				
XB6-7300-409	05 - 504				
XB6-7300-606	03 - 502				
XB6-7300-606	04 - 501				
XB6-7300-606	05 - 503				
XB6-7300-606	06 - 501				
XB6-7300-606	07 - 502				
XB6-7300-606	08 - 502				
XB6-7300-606	09 - 501				
XB6-7300-606	11 - 502				
XB6-7300-606	12 - 501				
XB6-7300-606	13 - 501				
XB6-7300-606	14 - 501				
XD1-4200-402	05 - 501				
XD2-1100-322	R3 - 502				
XD2-1100-322	R4 - 502				
XD2-1100-502	R3 - 503				
XG9-0473-000	R4 - 37				
XG9-0794-000	R3 - 33				

iPF6460/6450/6410/6410S/6400/6400S/ 6350/6300/6300S/6200/6100/6000S/ 605/605L plus(Parts Catalog)

iPF6460

230V(SPR)	Q51-2275-000
230V(CHN)	Q51-2276-000
230V(KOR)	Q51-2278-000

iPF6450

120V/230V	Q51-2274-000
100V	Q51-2277-000

iPF6410S

230V(SPR)	Q51-2385-000
230V(CHN)	Q51-2386-000
230V(KOR)	Q51-2388-000

iPF6410

230V(SPR)	Q51-2265-000
230V(CHN)	Q51-2266-000

230V(KOR) Q51-2268-000

iPF6400S

120V/230V Q51-2384-000

100V Q51-2387-000

iPF6400

120V/230V Q51-2264-000

100V Q51-2267-000

iPF6350

100V Q51-1951-000

120/230V Q51-1953-000

230V(CHN) Q51-1956-000

iPF6300

100V Q51-1941-000

120/230V Q51-1943-000

230V(CHN) Q51-1946-000

iPF6300S

120/230V	Q51-2164-000
230V(CHN)	Q51-2166-000
100V	Q51-2167-000

iPF6200

100V	Q51-1881-000
120/230V	Q51-1882-000
230V	Q51-1883-000

iPF6100

100V	Q51-1481-000
120V	Q51-1482-000
230V	Q51-1483-000

iPF6000S

100V	Q51-1871-000
120V	Q51-1872-000
230V	Q51-1873-000

iPF605

100V	Q51-1841-000
-------------	---------------------

120V **Q51-1842-
000**

230V **Q51-1843-
000**

iPF605L plus

100V **Q51-2471-
000**

STAND UNIT ST-25

**Q55-2410-
000**

STAND UNIT ST-28

**Q55-2820-
000**

SPECTROPHOTOMETER UNIT

**Q55-2830-
000**

Contents

01	PRINTER & ACCESSORIES	2-1
02	ROLL UNIT	2-3
03	COVERS (1)	2-6
04	COVERS (2)	2-10
05	ELECTRICAL PART	2-12
06	PURGE UNIT	2-16
07	CUTTER UNIT	2-19
08	INK SUPPLY UNIT	2-21
09	LINEAR SCALE & LIFT DRIVE UNIT	2-30
10	CARRIAGE UNIT	2-32
11	CARRIAGE & FEED MOTOR UNIT	2-35
12	PINCH ROLLER UNIT	2-37
13	AIR FLOW FAN UNIT	2-39
14	PLATEN & SPUR UNIT	2-41
15	TOOL	2-44
R1	STAND UNIT	2-45
R2	SPECTROPHOTOMETER COVERS	2-47
R3	SPECTROPHOTOMETER FRAME	2-49
R4	SPECTROPHOTOMETER MAIN	2-52
R5	SPECTROPHOTOMETER ATTACHMENT	2-55
ZZA	MECHANICAL STANDARD PARTS(HOW TO USE)	2-57
ZZB	MECHANICAL STANDARD PARTS(SCREWS).....	2-58
ZZC	MECHANICAL STANDARD PARTS(BOLTS).....	2-65
ZZD	MECHANICAL STANDARD PARTS(NUTS).....	2-66
ZZE	MECHANICAL STANDARD PARTS(RETAINING RINGS)	2-67

FIGURE 01 PRINTER & ACCESSORIES

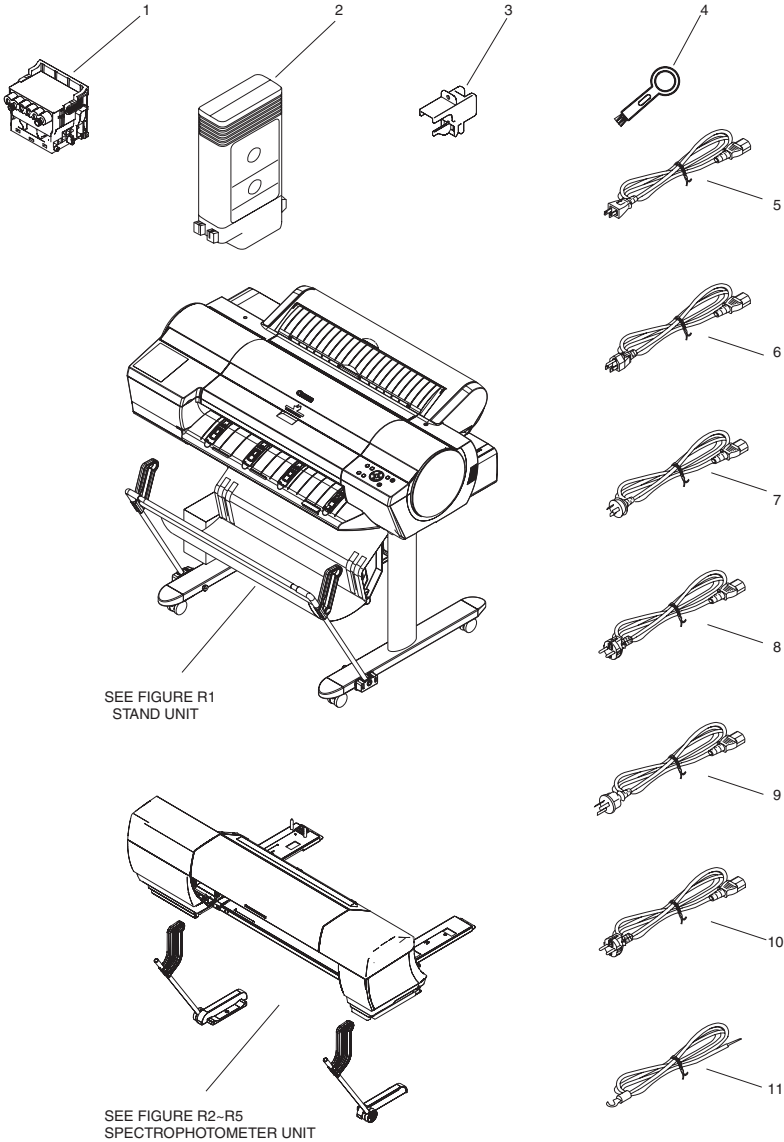
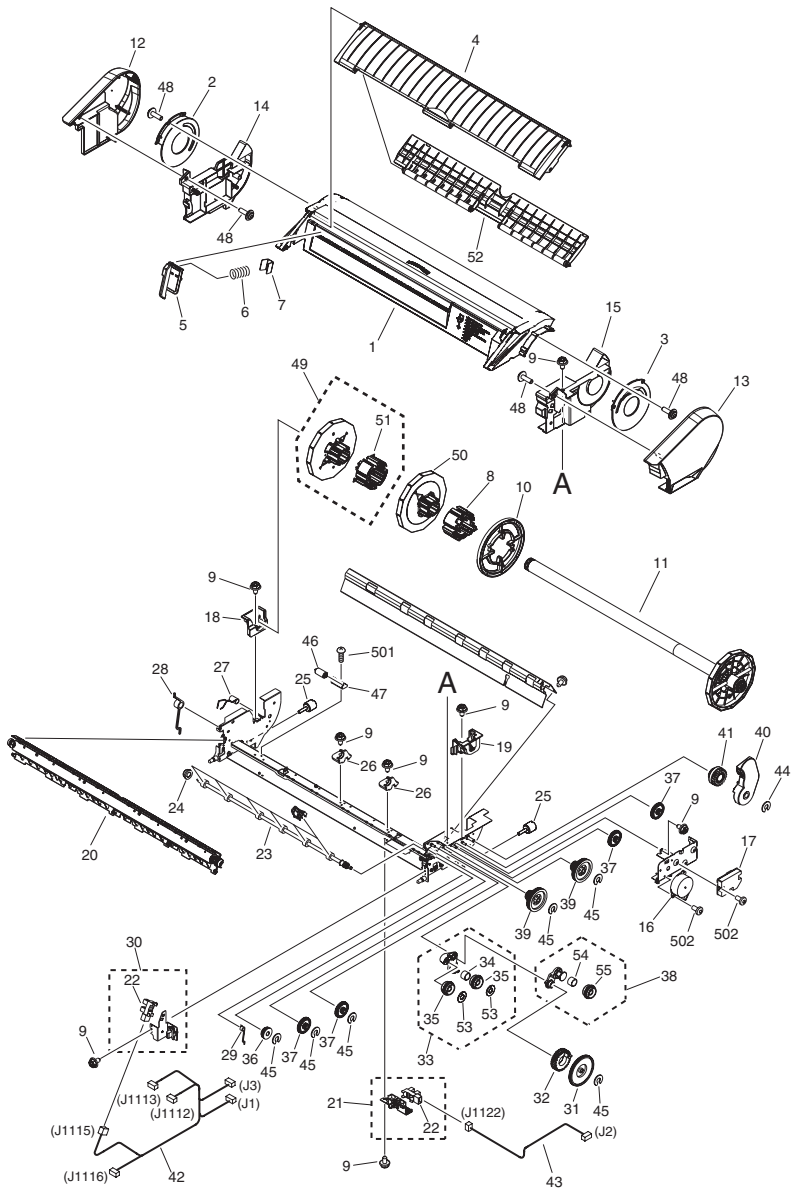


FIGURE & KEY NO.	PARTS NUMBER	R A N K	Q'TY	DESCRIPTION	SERIAL NUMBER/ REMARKS	S V C
Fig.01	NPN		RF	PRINTER & ACCESSORIES		
1	NPN		RF	PRINTHEAD		
2	NPN		RF	INK TANK (MBK)		
2	NPN		RF	INK TANK (PBK)		
2	NPN		RF	INK TANK (C)		
2	NPN		RF	INK TANK (M)		
2	NPN		RF	INK TANK (Y)		
2	NPN		RF	INK TANK (PC)	iPF6460/6450/6410S/ 6410/6400S/6400/6350/ 6300/6300S/6200/6100/ 6000S	
2	NPN		RF	INK TANK (PM)	iPF6460/6450/6410S/ 6410/6400S/6400/6350/ 6300/6300S/6200/6100/ 6000S	
2	NPN		RF	INK TANK (R)	iPF6460/6450/6410/6400/ 6350/6300/6200/6100	
2	NPN		RF	INK TANK (G)	iPF6460/6450/6410/6400/ 6350/6300/6200/6100	
2	NPN		RF	INK TANK (B)	iPF6460/6450/6410/6400/ 6350/6300/6200/6100	
2	NPN		RF	INK TANK (GY)	iPF6460/6450/6410S/ 6410/6400S/6400/6350/ 6300/6300S/6200/6100/ 6000S	
2	NPN		RF	INK TANK (PGY)	iPF6460/6450/6410/6400/ 6350/6300/6200/6100	
3	QC2-1397-020		1	STOPPER, BELT		
4	QC3-0169-000		1	BRUSH, CLEANING	iPF6460/6450/6410S/ 6410/6400S/6400/6350/ 6300/6300S	
4	FB1-0733-000		1	BRUSH, CLEANER	iPF6200/6100/6000S/605/ 605L plus	
5	QK1-2688-000		1	CORD, POWER	100V	
6	QK1-2689-000		1	CORD, POWER	120V UL	
7	QK1-2685-010		1	CORD, POWER	240V CHN	
8	QK1-2682-000		1	CORD, POWER	220-240V	
9	QK1-2690-000		1	CORD, POWER	240V AUS	
10	QK1-2686-000		1	CORD, POWER	240V KOR	
11	FH2-7092-020		1	WIRE, GROUND	100V	

FIGURE 02 ROLL UNIT



NOTE : This assembly does not include the parts shown with key No.8,10,11,25,49,50, and 51.
 注 : このユニットにKey No. 8, 10, 11, 25, 49, 50, 51の部分は含まれません。

FIGURE & KEY NO.	PARTS NUMBER	RANK	Q'TY	DESCRIPTION	SERIAL NUMBER/REMARKS	SVC
Fig.02	QM3-0711-000		1	ROLL UNIT	iPF6460/6450/6410S/ 6410/6400S/6400/6350/ 6300/6200/6100/6000S/ 605/605L plus	
1	QC2-1256-050		1	COVER, ROLL		
2	QC2-1385-000		1	COVER, ROLL, LEFT		
3	QC2-1386-000		1	COVER, ROLL, RIGHT		
4	QC2-6261-000		1	TRAY, MANUAL PAPER FEED		
5	QC2-1261-000		1	GUIDE, SIDE, PAPER		
6	QC2-1262-000		1	SPRING, COMPRESSION		
7	QC2-1310-000		1	SLIDE PIECE, GUIDE		
8	QC2-1222-000		1	HOLDER, ROLL		
9	XA9-0863-000		AR	SCREW, MACHINE, RS-TIGHT, M3X6		
10	QC2-1223-000		1	SPACER, HOLDER, ROLL		
11	QM3-0715-000		1	ROLL SHAFT UNIT		
12	QC2-1263-000		1	CAP, ROLL, LEFT	iPF6460/6450/6410/6400/ 6350/6300/6200/6100/ 6000S/605/605L plus	
12	QC4-0930-000		1	CAP, ROLL, LEFT	iPF6410S/6400S/6300S	
13	QC2-1264-000		1	CAP, ROLL, RIGHT	iPF6460/6450/6410/6400/ 6350/6300/6200/6100/ 6000S/605/605L plus	
13	QC4-0931-000		1	CAP, ROLL, RIGHT	iPF6410S/6400S/6300S	
14	QC2-1257-000		1	CASE, ROLL, LEFT		
15	QC2-1258-000		1	CASE, R, ROLL		
16	QK1-2081-000		1	MOTOR, STEPPING		
17	QM2-3428-010		1	PCB ASS'Y, DRIVER, ROLL UNIT		
18	QM3-0226-000		1	HOLDER UNIT, LEFT, ROLL HOLDER		
19	QM3-0227-000		1	HOLDER UNIT, RIGHT, ROLL HOLDE		
20	QM3-0719-000		1	ROLLER RELEASE UNIT		
21	QM3-0231-000		1	SENSOR UNIT, DETECTION, ROLL		
22	WG8-5624-000		2	IC, PHOTO INTERRUPTER		
23	QM3-0721-000		1	FEED ROLLER UNIT		
24	QC2-1189-000		1	BUSHING		
25	QC2-1411-000		2	SCREW, M3X12		

FIGURE & KEY NO.	PARTS NUMBER	R A N K	Q'TY	DESCRIPTION	SERIAL NUMBER/ REMARKS	S V C
26	QC2-1231-000		2	BUSHING		
27	QC2-1236-000		1	SPRING, LEAF, GROUNDING		
28	QC2-1381-000		1	SPRING, TORSION		
29	QC2-1234-000		1	SPRING, TORSION		
30	QM3-0221-000		1	SENSOR UNIT, CAM, ROLL		
31	QC2-1211-000		1	GEAR, PENDULUM, TOP		
32	QC2-1244-000		1	GEAR, PENDULUM, BOTTOM		
33	QM3-0223-030		1	PENDULUM UNIT, LOWER, ROLL		
34	QC2-1210-000		1	SPRING, COMPRESSION		
35	QC2-1212-020		2	GEAR, PENDULUM, 1		
36	QC2-1238-000		1	GEAR		
37	QC2-1214-000		4	GEAR		
38	QM3-0776-010		1	UPPER ROLL PENDULUM UNIT		
39	QC2-1213-000		2	GEAR		
40	QM3-0224-000		1	PENDULUM UNIT, 2, ROLL		
41	QC2-1240-000		1	GEAR, PENDULUM, 2		
42	QM3-0868-000		1	HARNESS, WIRE, ROLL UNIT		
43	QM3-0869-000		1	HARNESS, WIRE, SENSOR, ROLL		
44	QC1-0710-000		1	WASHER		
45	QC1-4149-000		6	WASHER		
46	QC2-1541-000		1	ROLLER, GUIDE		
47	QC2-1191-000		1	HOLDER, ROLLER		
48	XA9-0831-000		AR	SCREW, TP, M3X10		
49	QM3-0717-000		1	HOLDER, ROLL, LEFT, 2		
50	QM3-5311-000		1	HOLDER, ROLL, LEFT, 1		
51	QC2-6270-000		1	HOLDER, ROLL		
52	QC2-6262-000		1	TRAY, AUXILIARY		
53	QC2-4327-000		2	RING		
54	QC2-6569-000		1	SPRING, COMPRESSION		
55	QC2-6568-000		1	GEAR, 32T		
501	XB4-5300-806		4	SCREW, TAPPING, TRUSS HEAD M3X8		
502	XB1-2300-606		AR	SCREW, MACHINE M3X6		

FIGURE 03 COVERS (1)

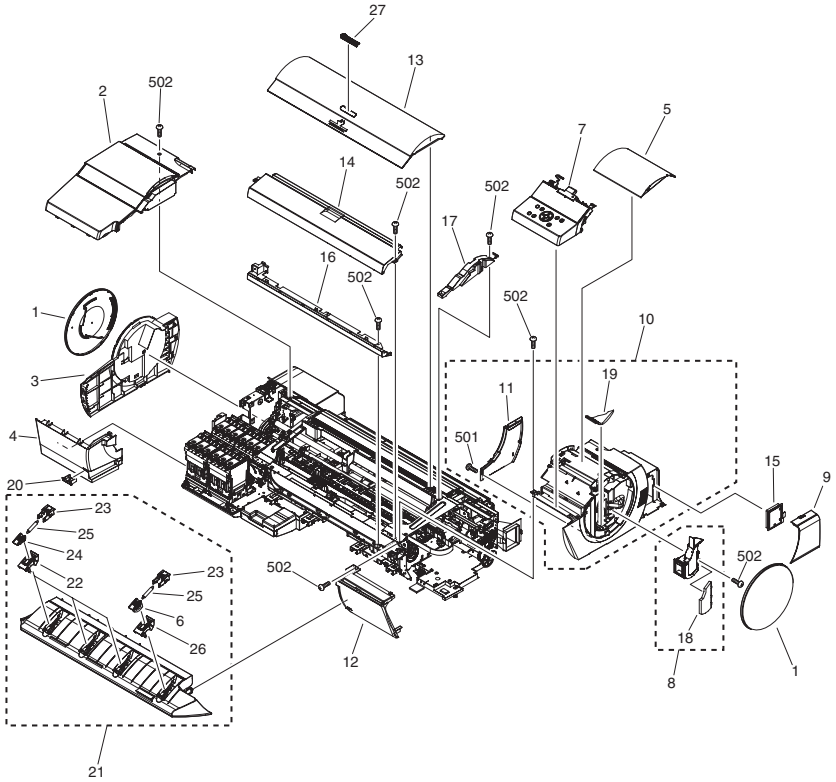


FIGURE & KEY NO.	PARTS NUMBER	R A N K	Q'TY	DESCRIPTION	SERIAL NUMBER/ REMARKS	S V C
Fig.03	NPN		RF	COVERS (1)		
1	QC2-8605-000		2	COVER, CIRCLE	iPF6410S/6400S/6300S/ 6000S	
1	QC2-1165-000		2	COVER, CIRCLE	iPF6200/6100/605	
1	QC2-8643-000		2	COVER, CIRCLE	iPF6460/6450/6410/6400/ 6350/6300	
1	QD1-1039-000		2	COVER, CIRCLE	iPF605L plus	
2	QM3-5305-000		1	TANK COVER UNIT	iPF6000S	
2	QM3-0762-000		1	TANK COVER UNIT	iPF605	
2	QM3-0708-000		1	TANK COVER UNIT	iPF6200/6100	
2	QM3-6680-000		1	TANK COVER UNIT	iPF6350/6300	
2	QM3-9915-000		1	TANK COVER UNIT	iPF6300S	
2	QM4-8065-000		1	TANK COVER UNIT	iPF6460/6450/6410/6400	
2	QM4-8363-000		1	TANK COVER UNIT	iPF6410S/6400S	
2	QM4-8389-000		1	TANK COVER UNIT	iPF605L plus	
3	QC2-1123-000		1	COVER, LEFT	iPF6350/6300/6300S/ 6200/6100/6000S/605/ 605L plus	
3	QD1-0236-000		1	COVER, LEFT	iPF6460/6450/6410S/ 6410/6400S/6400	
4	QC2-1139-030		1	COVER, LEFT, FRONT	iPF605/605L plus	
4	QC2-1122-000		1	COVER, LEFT, FRONT	iPF6350/6300/6300S/ 6200/6100/6000S	
4	QM4-8062-000		1	COVER, LEFT, FRONT	iPF6460/6450/6410S/ 6410/6400S/6400	
5	QC2-8599-000		1	COVER, TOP, RIGHT	iPF6000S	
5	QC2-8562-000		1	COVER, TOP, RIGHT	iPF605	
5	QC2-1458-000		1	COVER, TOP, RIGHT	iPF6100	
5	QC2-8598-000		1	COVER, TOP, RIGHT	iPF6200	
5	QC2-8639-000		1	COVER, TOP, RIGHT	iPF6300	
5	QC3-2679-000		1	COVER, TOP, RIGHT	iPF6350	
5	QC4-0917-000		1	COVER, TOP, RIGHT	iPF6300S	
5	QD1-0319-000		1	COVER, TOP, RIGHT	iPF6400	
5	QD1-0320-000		1	COVER, TOP, RIGHT	iPF6450	
5	QD1-0464-000		1	COVER, TOP, RIGHT	iPF6410	

FIGURE & KEY NO.	PARTS NUMBER	R A N K	Q'TY	DESCRIPTION	SERIAL NUMBER/ REMARKS	S V C
5	QD1-0465-000		1	COVER, TOP, RIGHT	IPF6460	
5	QD1-1052-000		1	COVER, TOP, RIGHT	iPF6400S	
5	QD1-1053-000		1	COVER, TOP, RIGHT	iPF6410S	
5	QD1-1108-000		1	COVER, TOP, RIGHT	IPF605L plus	
6	QC2-6315-000		1	GUIDE, PICK-UP, RIGHT, 2		
7	QM3-5306-000		1	OPERATION PANEL UNIT	iPF6000S:ENGLISH	
7	QM3-5307-000		1	OPERATION PANEL UNIT	IPF6000S:JAPANESE	
7	QM3-4340-000		1	OPERATION PANEL UNIT	iPF605:ENGLISH	
7	QM3-4339-000		1	OPERATION PANEL UNIT	iPF605:JAPANESE	
7	QM3-0729-000		1	OPERATION PANEL UNIT	iPF6200/6100:ENGLISH	
7	QM3-0718-000		1	OPERATION PANEL UNIT	iPF6200/6100:JAPANESE	
7	QM3-5318-000		1	OPERATION PANEL UNIT	iPF6460/6450/6410/6400/ 6350/6300:ENGLISH	
7	QM3-5317-000		1	OPERATION PANEL UNIT	iPF6450/6400/6350/ 6300:JAPANESE	
7	QM3-9916-000		1	OPERATION PANEL UNIT	iPF6410S/6400S/ 6300S:ENGLISH	
7	QM3-9917-000		1	OPERATION PANEL UNIT	iPF6400S/ 6300S:JAPANESE	
7	QM4-8394-000		1	OPERATION PANEL UNIT	IPF605L plus	
8	QM3-0212-030		1	MIST FILTER UNIT		
9	QC2-1167-000		1	COVER, FILTER		
10	QM3-0583-030		1	COVER, RIGHT	iPF605/605L plus	
10	QM3-0614-030		1	COVER, RIGHT	iPF6460/6450/6410S/ 6410/6400S/6400/6350/ 6300/6300S/6200/6100/ 6000S	
11	QC2-1272-000		1	COVER, LOUVER		
12	QL2-2404-000		1	COVER, RIGHT, FRONT	iPF605/605L plus	
12	QL2-2387-000		1	COVER, RIGHT, FRONT	IPF6460/6450/6410S/ 6410/6400S/6400/6350/ 6300/6300S/6200/6100/ 6000S	
13	QM3-5304-000		1	TOP COVER UNIT	iPF6000S	
13	QM3-0737-030		1	TOP COVER UNIT	IPF6200/6100/605	
13	QM3-6681-010		1	TOP COVER UNIT	iPF6350/6300	
13	QM3-9914-010		1	TOP COVER UNIT	IPF6300S	

FIGURE & KEY NO.	PARTS NUMBER	R A N K	Q'TY	DESCRIPTION	SERIAL NUMBER/ REMARKS	S V C
13	QM4-8069-010		1	TOP COVER UNIT	iPF6460/6450/6410/6400	
13	QM4-8364-000		1	TOP COVER UNIT	iPF6410S/6400S	
13	QM4-8393-000		1	TOP COVER UNIT	iPF605L plus	
14	QC2-1391-000		1	COVER, FRONT, UPPER	iPF605	
14	QC2-1307-000		1	COVER, FRONT, UPPER	iPF6460/6450/6410S/ 6410/6400S/6400/6350/ 6300/6300S/6200/6100/ 6000S	
14	QD1-1107-000		1	COVER, FRONT, UPPER	iPF605L plus	
15	QL2-1555-000		1	HOLDER, FILTER(MECH), EXHAUST		
16	QC2-1270-000		1	COVER, AIR DUCT, FRONT		
17	QC2-1273-000		1	ARM		
18	QC2-1103-000		1	FILTER(MECH), INK MIST		
19	QC2-1446-000		1	ABSORBER, DRAIN, WASTE INK		
20	QC2-6275-000		1	COVER, BLANKING	iPF6350/6300/6300S/ 6200/6100/6000S/605/ 605L plus	
21	QM3-0700-000		1	DELIVERY GUIDE UNIT		
22	QC2-6265-000		3	GUIDE, PICK-UP, 1		
23	QC2-6266-000		4	SUPPORT, PICK-UP GUIDE		
24	QC2-6302-000		3	GUIDE, PICK-UP, 2		
25	QC2-6303-000		4	SPRING, TENSION		
26	QC2-6308-000		1	GUIDE, PICK-UP, RIGHT, 1		
27	QC2-6663-000		1	EMBLEM, CANON LOGO	iPF6410S/6400S/6300S/ 6000S	
27	QC2-1404-000		1	EMBLEM, CANON LOGO	iPF6200/6100/605	
27	QC2-8645-000		1	EMBLEM, CANON LOGO	iPF6460/6450/6410/6400/ 6350/6300	
27	QD1-1041-000		1	EMBLEM, CANON LOGO	iPF605L plus	
501	XB4-7300-806		1	SCREW, TAP, BINDING HEAD, M3X8		
502	XB6-7300-606		AR	SCREW, TP, M3X6		

FIGURE 04 COVERS (2)

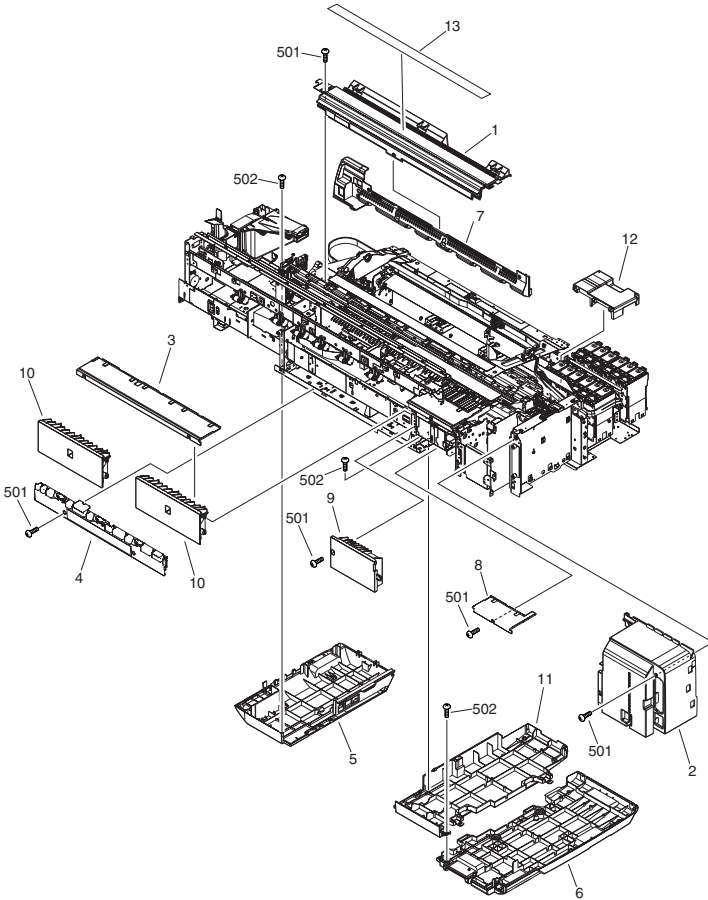


FIGURE & KEY NO.	PARTS NUMBER	R A N K	Q'TY	DESCRIPTION	SERIAL NUMBER/ REMARKS	S V C
Fig.04	NPN		RF	COVERS (2)		
1	QC2-1120-010		1	COVER, REAR, UPPER		
2	QC2-1124-050		1	COVER, LEFT, REAR	iPF6460/6450/6410S/ 6410/6400S/6400/6350/ 6300/6300S/6200/6100/ 6000S	
2	QC2-1140-000		1	COVER, LEFT, REAR	iPF605/605L plus	
3	QC2-1172-000		1	COVER, REAR		
4	QL2-1588-000		1	COVER, REAR, LOWER		
5	QM3-0561-040		1	COVER, BOTTOM, RIGHT	iPF6460/6450/6410S/ 6410/6400S/6400/6350/ 6300/6300S/6200/6100/ 6000S	
5	QM3-0547-050		1	COVER, BOTTOM, RIGHT	iPF605/605L plus	
6	QM3-0706-000		1	COVER, BOTTOM, LEFT	iPF6350/6300/6300S/ 6200/6100/6000S	
6	QM3-0548-040		1	COVER, BOTTOM, LEFT	iPF605/605L plus	
6	QM4-8061-000		1	COVER, BOTTOM, LEFT	iPF6460/6450/6410S/ 6410/6400S/6400	
7	QC2-1118-000		1	GUIDE, PAPER, MANUAL FEED		
8	QC2-1154-000		1	COVER, REAR, LEFT		
9	QC2-0946-000		1	COVER, REAR, L		
10	QC2-6071-000		2	COVER, REAR, R		
11	QC2-6249-000		1	COVER, BOTTOM	iPF6410S/6400S/6350/ 6300/6300S/6200/6100/ 6000S	
12	QC2-6250-000		1	COVER, BOTTOM, SUB	iPF6410S/6400S/6350/ 6300/6300S/6200/6100/ 6000S	
13	QC2-6575-000		1	LABEL, SCALE		
501	XB6-7300-606		AR	SCREW, TP, M3X6		
502	XB4-7300-806		14	SCREW, TAP, BINDING HEAD, M3X8		

FIGURE 05 ELECTRICAL PART

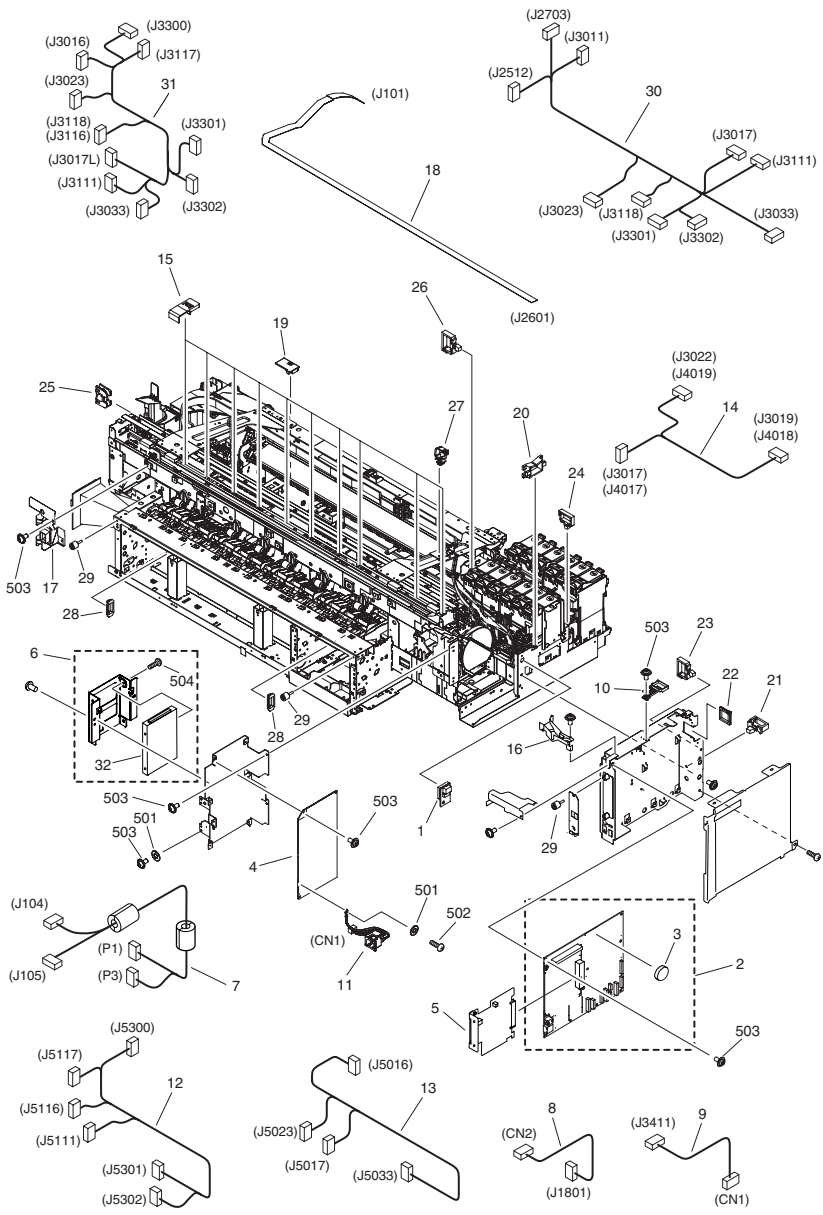


FIGURE & KEY NO.	PARTS NUMBER	R A N K	Q'TY	DESCRIPTION	SERIAL NUMBER/ REMARKS	S V C
Fig.05	NPN		RF	ELECTRICAL PART		
1	WP2-5187-000		1	SENSOR UNIT, HUMIDITY		
2	QM3-4347-000		1	MAIN CONTROLLER ASS'Y	iPF6000S	
2	QM3-4342-010		1	MAIN CONTROLLER ASS'Y	iPF605/605L plus	
2	QM3-0576-000		1	MAIN CONTROLLER ASS'Y	iPF6100	
2	QM3-4346-000		1	MAIN CONTROLLER ASS'Y	iPF6200	
2	QM3-6657-000		1	MAIN CONTROLLER ASS'Y	iPF6350/6300	
2	QM3-9928-000		1	MAIN CONTROLLER ASS'Y	iPF6300S	
2	QM4-8079-000		1	MAIN CONTROLLER ASS'Y	iPF6450/6400	
2	QM7-7111-000		1	MAIN CONTROLLER ASS'Y	iPF6460/6410	
2	QM7-7222-000		1	MAIN CONTROLLER ASS'Y	iPF6400S	
2	QM7-7223-000		1	MAIN CONTROLLER ASS'Y	iPF6410S	
3	WK1-5207-000		1	BATTERY, LITHIUM		
4	QK1-2073-010		1	POWER SUPPLY ASS'Y	iPF605:100V/120V iPF605L plus	
4	QK1-2813-000		1	POWER SUPPLY ASS'Y	iPF605:230V	
4	QK1-2745-010		1	POWER SUPPLY ASS'Y	iPF6200/6100/ 6000S:100V/120V	
4	QK1-2746-000		1	POWER SUPPLY ASS'Y	iPF6200/6100/ 6000S:230V	
4	QK1-5942-000		1	POWER SUPPLY ASS'Y	iPF6460/6450/6410S/ 6410/6400S/6400/6350/ 6300/6300S	
5	QM3-4348-000		1	HDD EXPANSION BOARD ASS'Y	iPF6350/6300S/6200/ 6000S	
5	QM4-8071-000		1	HDD EXPANSION BOARD ASS'Y	iPF6460/6450/6410S/ 6400S	
6	QM3-4344-010		1	HDD UNIT, WD800BEVT-22ZCT0	iPF6350/6200/6000S	
6	QM3-9927-010		1	HDD UNIT, MK1665GSX(HDD2H85ASL	iPF6300S	
6	QM4-8072-000		1	HDD UNIT,MK2575GSX,HDD2L05QSL	iPF6460/6450/6410S/ 6400S	
7	QM2-3432-000		1	HARNESS, WIRE, HDD	iPF6460/6450/6410S/ 6400S/6350/6300S/6200/ 6000S	
8	QM3-0853-000		1	HARNESS, WIRE, POWER	iPF605/605L plus	
8	QM3-0927-000		1	HARNESS, WIRE, POWER	iPF6200/6100/6000S	

FIGURE & KEY NO.	PARTS NUMBER	R A N K	Q'TY	DESCRIPTION	SERIAL NUMBER/ REMARKS	S V C
8	QM3-6421-000		1	HARNESS, WIRE, POWER	iPF6460/6450/6410S/ 6400S/6350/6300S/6200/ 6000S	
9	QM3-0858-000		1	HARNESS, WIRE, HIGROMETER	iPF6350/6300/6300S/ 6200/6100/6000S/605/ 605L plus	
9	QM7-7086-000		1	HARNESS, WIRE, HIGROMETER	iPF6460/6450/6410S/ 6410/6400S/6400	
10	QC2-0606-000		1	HOLDER, CORE, CABLE		
11	QM3-0863-000		1	HARNESS, WIRE, INLET		
12	QM3-0936-000		1	HARNESS, WIRE, 2, CROSSING	iPF605/605L plus	
13	QM3-0937-000		1	HARNESS, WIRE, 1, CROSSING	iPF605/605L plus	
14	QM3-0895-000		1	HARNESS, WIRE, BASE UNIT	iPF605/605L plus	
14	QM3-0920-000		1	HARNESS, WIRE, BASE UNIT	iPF6200/6100/6000S	
14	QM3-6423-000		1	HARNESS, WIRE, BASE UNIT	iPF6460/6450/6410S/ 6410/6400S/6400/6350/ 6300/6300S	
15	QC2-0612-000		9	GUIDE, CABLE	iPF605/605L plus	
15	QC2-0612-000		10	GUIDE, CABLE	iPF6460/6450/6410S/ 6410/6400S/6400/6350/ 6300/6300S/6200/6100/ 6000S	
16	QC2-8596-000		1	GUIDE, HDD CABLE	iPF6460/6450/6410S/ 6400S/6350/6200/6000S	
17	QM3-0527-000		1	CONNECTOR UNIT		
18	QK1-2793-000		1	CABLE, FLAT, CONTROL PANEL	iPF605/605L plus	
18	QK1-2756-000		1	CABLE, FLEXIBLE	iPF6460/6450/6410S/ 6410/6400S/6400/6350/ 6300/6300S/6200/6100/ 6000S	
19	QC2-1373-000		1	RETAINING PLATE, HARNESS, WIRE		
20	WT2-0136-000		3	CLAMP, CORD		
21	WT2-0317-000		8	CLIP, CABLE		
22	WT2-5701-000		1	SADDLE, WIRE		
23	WT2-0494-000		2	SADDLE, WIRE		
24	WT2-5018-000		12	SADDLE, WIRE		
25	WT2-5056-000		1	SADDLE, WIRE		
26	WT2-5064-000		1	SADDLE, WIRE		
27	WT2-5694-000		14	SADDLE, WIRE		

FIGURE & KEY NO.	PARTS NUMBER	R A N K	Q'TY	DESCRIPTION	SERIAL NUMBER/ REMARKS	S V C
28	WT2-5760-000		2	SADDLE, WIRE		
29	QC2-1411-000		3	SCREW, M3X12		
30	QM3-6426-000		1	HARNESS, WIRE	iPF6350/6300/6300S	
31	QM3-0870-000		1	HARNESS, WIRE	iPF6200/6100/6000S	
31	QM7-7085-000		1	HARNESS, WIRE	iPF6460/6450/6410S/ 6410/6400S/6400	
32	FK2-2416-000		1	HDD, WD800BEVT-22ZCT0	iPF6350/6200/6000S	
32	WM2-5278-000		1	HDD, MK1676GSX(HDD2J96QSL)	iPF6300S	
32	WM2-5280-000		1	HDD, MK2575GSX(HDD2L05QSL)	iPF6460/6450/6410S/ 6400S	
501	XD1-4200-402		2	WASHER, TOOTHED LOCK, M4		
502	XB1-2400-606		1	SCREW, MACHINE M4X6		
503	XB6-7300-606		AR	SCREW, TP, M3X6		
504	XB6-7300-409		4	SCREW, TP, M3X4	iPF6460/6450/6410S/ 6400S/6350/6300S/6200/ 6000S	

FIGURE 06 PURGE UNIT

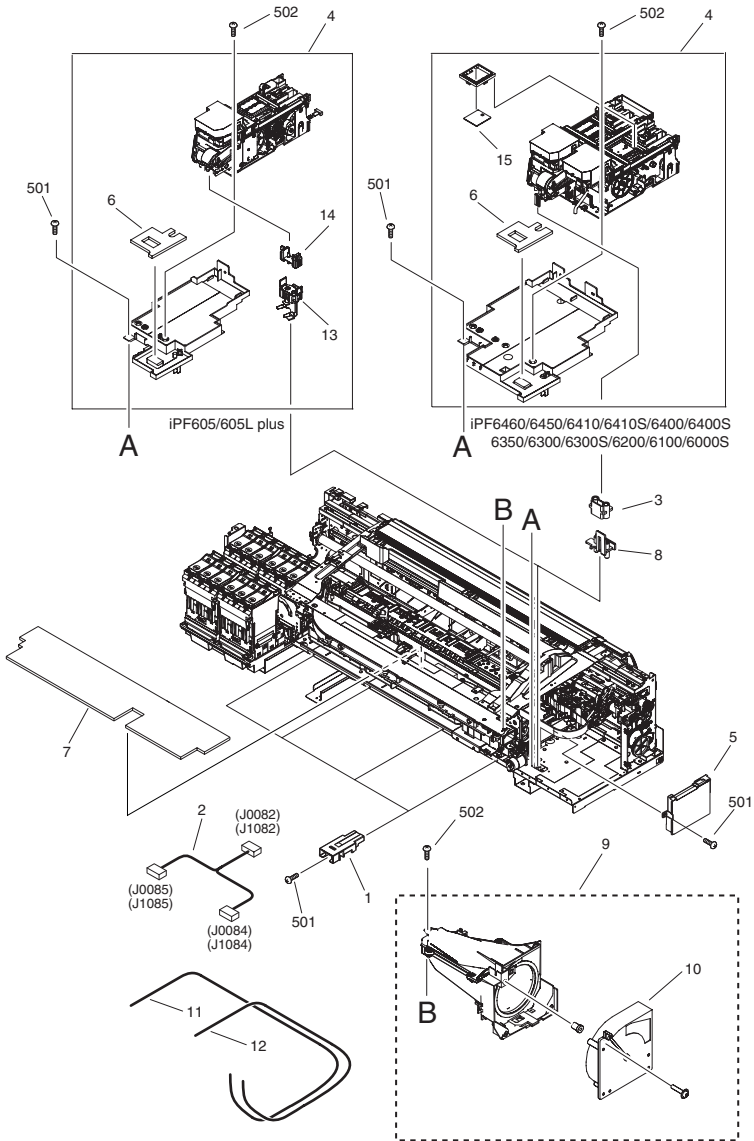


FIGURE & KEY NO.	PARTS NUMBER	RANK	Q'TY	DESCRIPTION	SERIAL NUMBER/REMARKS	SVC
Fig.06	NPN		RF	PURGE UNIT		
1	QC2-1110-000		4	GUIDE, MAINTENANCE CARTRIDGE	iPF6350/6300/6300S/ 6200/6100/6000S/605	
1	QD1-0137-010		4	GUIDE, MAINTENANCE CARTRIDGE	iPF6460/6450/6410S/ 6410/6400S/6400/605L plus	
2	QM3-0904-000		1	HARNESS, WIRE, HEAD MANAGEMENT	iPF605/605L plus	
2	QM3-0876-000		1	HARNESS, WIRE, HEAD MANAGEMENT	iPF6460/6450/6410S/ 6410/6400S/6400/6350/ 6300/6300S/6200/6100/ 6000S	
3	QC2-1323-000		1	JOINT, TUBE	iPF6460/6450/6410S/ 6410/6400S/6400/6350/ 6300/6300S/6200/6100/ 6000S	
3	QC2-1323-000		1	JOINT, TUBE	iPF6460/6450/6410S/ 6410/6400S/6400/6350/ 6300/6300S/6200/6100/ 6000S	
4	QM3-0653-090		1	PURGE KIT	iPF605/605L plus	
4	QM3-0654-070		1	PURGE KIT	iPF6200/6100/6000S	
4	QM3-8145-030		1	PURGE KIT	iPF6460/6450/6410S/ 6410/6400S/6400/6350/ 6300/6300S	
5	QM3-0529-000		1	HEAD MANAGEMENT SENSOR		
6	QC2-1100-000		1	ABSORBER, INK, FAN		
7	QC2-0807-000		1	ABSORBER, WASTE INK		
8	QC2-0833-020		1	JOINT, INK TUBE, PURGE UNIT	iPF6460/6450/6410/ 6410S/6400S/6400/6350/ 6300/6300S/6200/6100/ 6000S	
8	QC2-0833-020		1	JOINT, INK TUBE, PURGE UNIT	iPF6460/6450/6410/ 6410S/6400S/6400/6350/ 6300/6300S/6200/6100/ 6000S	
9	QM3-0799-000		1	MIST FAN UNIT	iPF605/605L plus	
9	QM3-0807-000		1	MIST FAN UNIT	iPF6460/6450/6410/ 6410S/6400S/6400/6350/ 6300/6300S/6200/6100/ 6000S	
10	QK1-2086-000		1	FAN	iPF605/605L plus	
10	QK1-2087-000		1	FAN	iPF6460/6450/6410/ 6410S/6400S/6400/6350/ 6300/6300S/6200/6100/ 6000S	

FIGURE & KEY NO.	PARTS NUMBER	RANK	Q'TY	DESCRIPTION	SERIAL NUMBER/REMARKS	SVC
11	QC3-2881-000		1	W-INK TUBE, COLOR	iPF605/605L plus	
12	QC3-5565-000		1	W-INK TUBE, BLACK	iPF605/605L plus	
13	QM3-6676-000		1	TUBE JOINT UNIT	iPF605/605L plus	
14	QC3-2876-000		1	JOINT, INK TUBE, PURGE UNIT	iPF605/605L plus	
15	QC2-1440-000		1	ABSORBER, SUB CAP	iPF6460/6450/6410/ 6410S/6400S/6400/6350/ 6300/6300S/6200/6100/ 6000S	
501	XB6-7300-606		9	SCREW, TP, M3X6		
502	XB4-7300-806		4	SCREW, TAP, BINDING HEAD, M3X8		

FIGURE 07 CUTTER UNIT

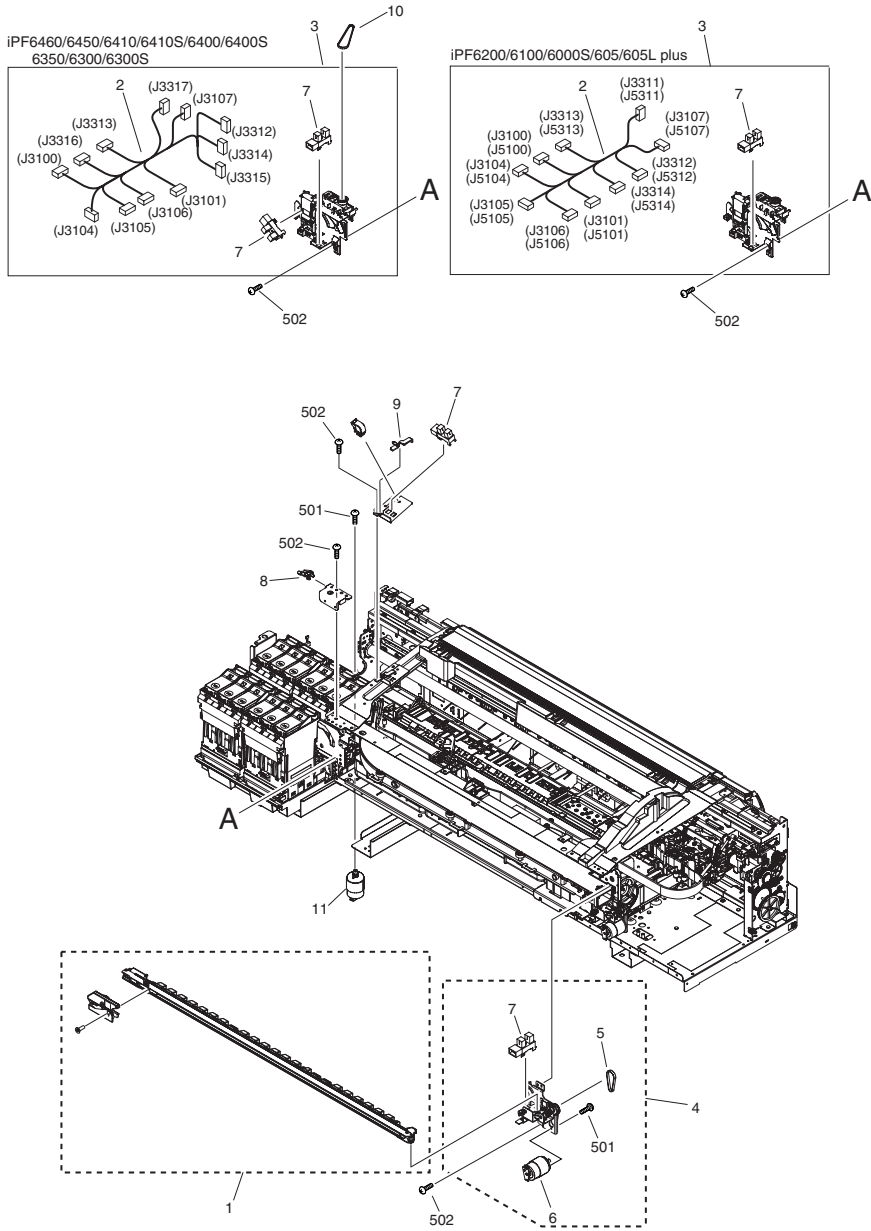
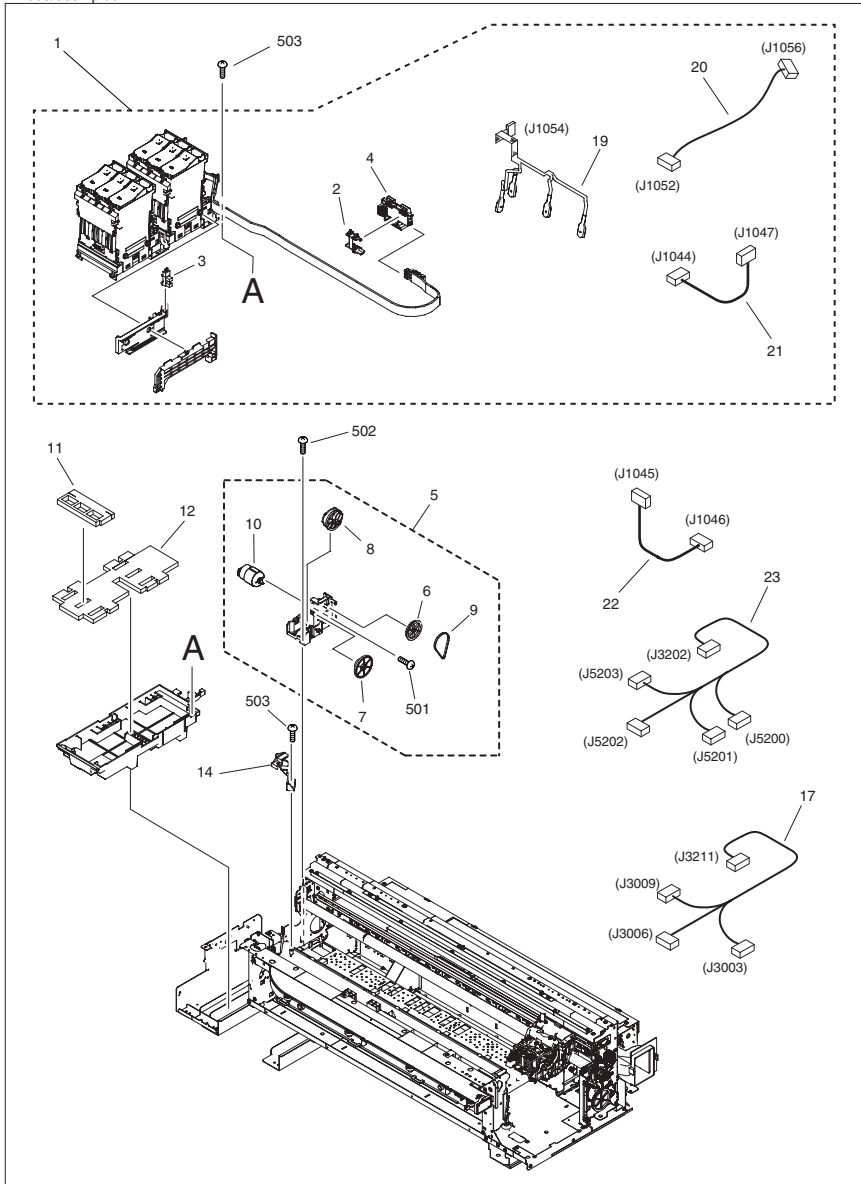
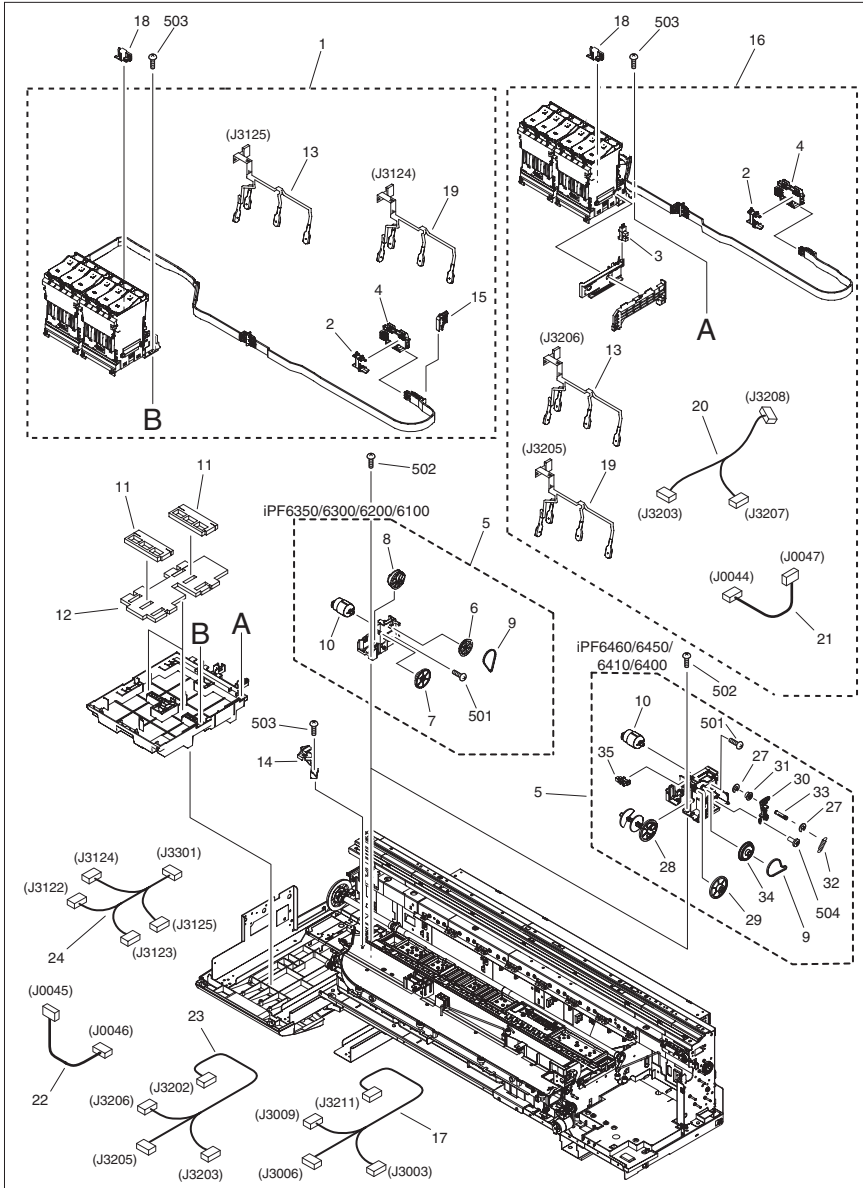


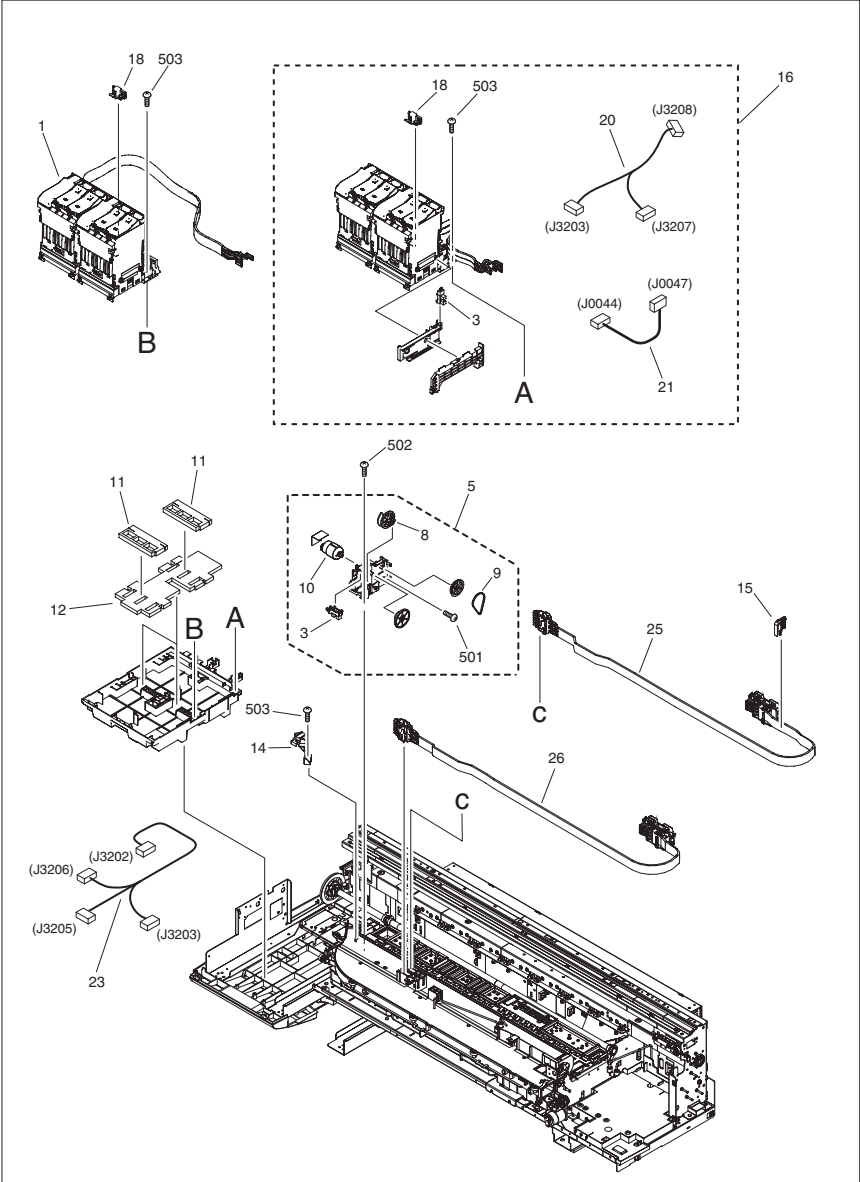
FIGURE & KEY NO.	PARTS NUMBER	R A N K	Q'TY	DESCRIPTION	SERIAL NUMBER/ REMARKS	S V C
Fig.07	NPN		RF	CUTTER UNIT		
1	QM3-8146-010		1	CUTTER UNIT	iPF6200/6100/6000S/605/605L plus	
1	QM3-8149-010		1	CUTTER UNIT	iPF6460/6450/6410/6410S/6400S/6400/6350/6300/6300S	
2	QM3-0948-000		1	HARNESS, WIRE, COVER	iPF6000S	
2	QM3-0923-000		1	HARNESS, WIRE, COVER	iPF6200/6100	
2	QM3-6451-000		1	HARNESS, WIRE, COVER	iPF6350/6300/6300S	
2	QM7-7087-000		1	HARNESS, WIRE, COVER	iPF6460/6450/6410S/6410/6400S/6400	
2	QM7-7258-000		1	HARNESS, WIRE, COVER	iPF605/605L plus	
3	QM3-5310-010		1	CUTTER MOUNT UNIT	iPF6000S	
3	QM3-0599-010		1	CUTTER MOUNT UNIT	iPF6200/6100	
3	QM3-9931-000		1	CUTTER MOUNT UNIT	iPF6350/6300/6300S	
3	QM4-8080-000		1	CUTTER MOUNT UNIT	iPF6460/6450/6410S/6410/6400S/6400	
3	QM7-7261-000		1	CUTTER MOUNT UNIT	iPF605/605L plus	
4	QM3-0585-010		1	CUTTER DRIVE UNIT		
5	QC1-4850-000		1	BELT, TIMING		
6	QK1-0550-000		1	MOTOR, 24V, DC		
7	WG8-5624-000		3	IC, PHOTO INTERRUPTER	iPF6200/6100/6000S/605/605L plus	
7	WG8-5624-000		4	IC, PHOTO INTERRUPTER	iPF6460/6450/6410/6410S/6400S/6400/6350/6300/6300S	
8	WC4-5052-000		1	MICRO SWITCH		
9	QC2-1274-000		1	LEVER, SENSOR		
10	QC2-0832-000		1	BELT, TIMING	iPF6460/6450/6410/6410S/6400S/6400/6350/6300/6300S	
11	QK1-0550-000		1	MOTOR, 24V, DC	iPF6460/6450/6410/6410S/6400S/6400/6350/6300/6300S	
501	XB1-2260-409		4	SCREW, BINDING HEAD, M2.6X4		
502	XB6-7300-606		4	SCREW, TP, M3X6		

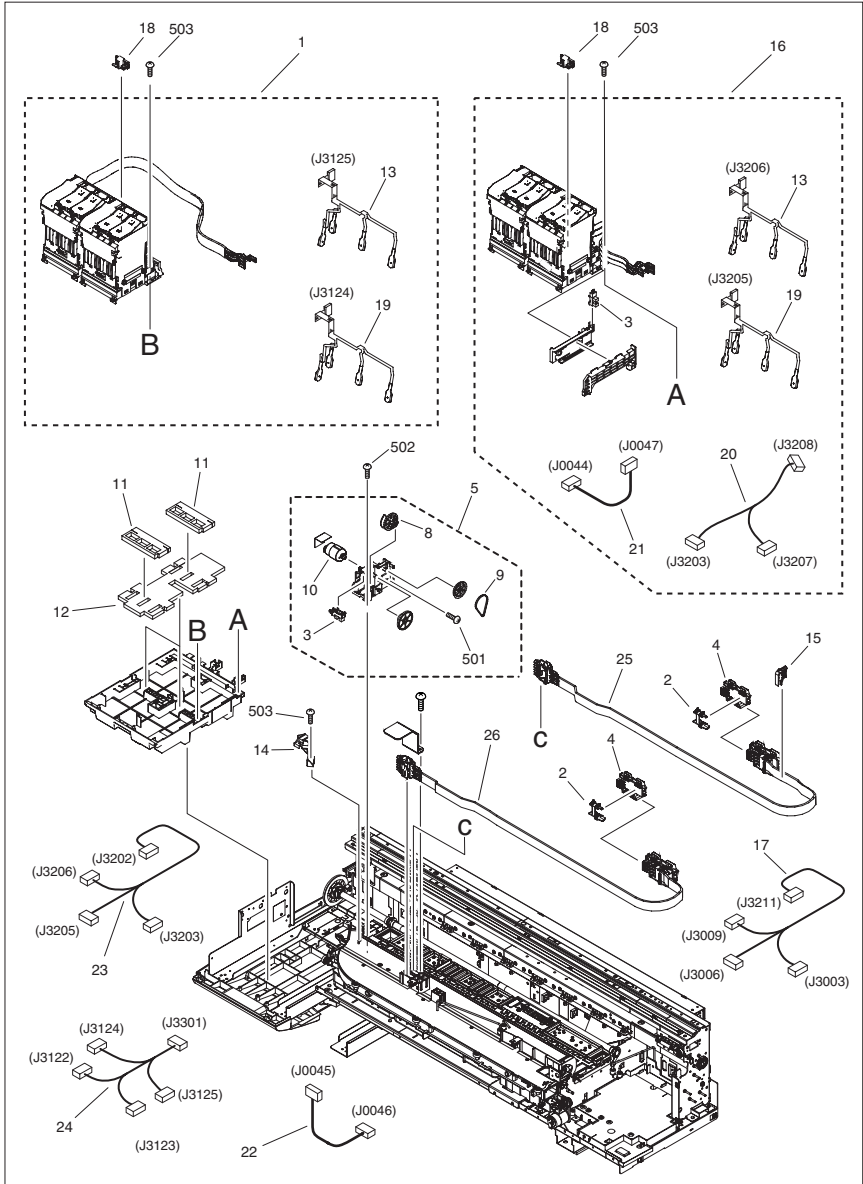
FIGURE 08 INK SUPPLY UNIT

iPF605/605L plus









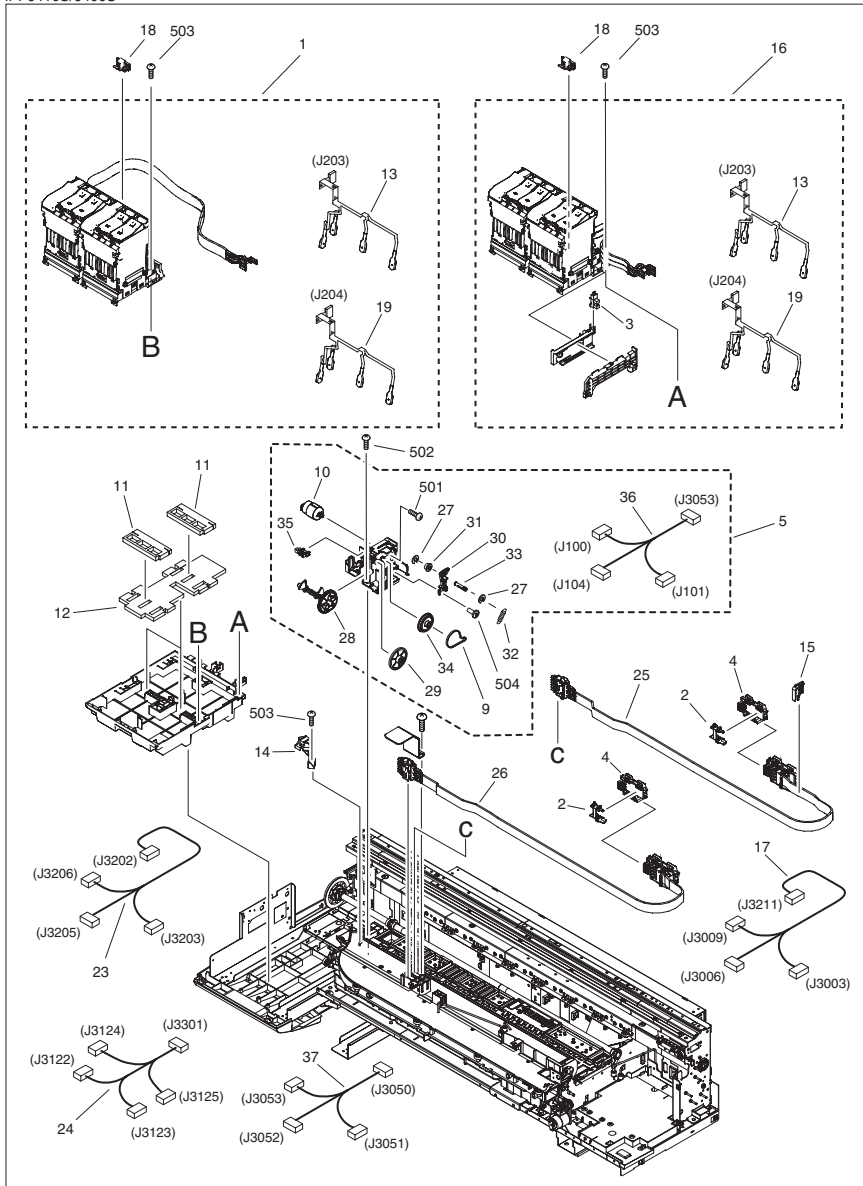


FIGURE & KEY NO.	PARTS NUMBER	R A N K	Q'TY	DESCRIPTION	SERIAL NUMBER/ REMARKS	S V C
Fig.08	NPN		RF	INK SUPPLY UNIT		
1	QM3-5295-000		1	INK SUPPLY UNIT	iPF6000S	
1	QM3-0568-050		1	INK SUPPLY UNIT	iPF605/605L plus	
1	QM3-0775-000		1	INK SUPPLY UNIT	iPF6200/6100	
1	QM3-9918-010		1	INK SUPPLY UNIT	iPF6300S	
1	QM3-6679-010		1	INK SUPPLY UNIT	iPF6350/6300	
1	QM4-8090-000		1	INK SUPPLY UNIT	iPF6460/6450/6410/6400	
1	QM4-8366-000		1	INK SUPPLY UNIT	iPF6410S/6400S	
2	QC2-0746-020		1	GUIDE, TUBE, CARRIAGE	iPF605/605L plus	
2	QC2-0746-020		2	GUIDE, TUBE, CARRIAGE	iPF6460/6450/6410S/ 6410/6400S/6400/6350/ 6300/6300S/6200/6100	
3	WG8-5624-000		2	IC, PHOTO INTERRUPTER, TLP1241	iPF6410S/6400S/6300S/ 6000S	
3	WG8-5624-000		1	IC, PHOTO INTERRUPTER, TLP1241	iPF6460/6450/6410/6400/ 6350/6300/6200/6100/ 605/605L plus	
4	QM3-0584-000		1	BASE UNIT, JOINT	iPF605/605L plus	
4	QM3-0699-000		2	JOINT BASE UNIT	iPF6460/6450/6410S/ 6410/6400S/6400/6350/ 6300/6300S/6200/6100	
5	QM3-5302-000		1	INK SUPPLY DRIVE UNIT	iPF6300S/6000S	
5	QM3-0162-000		1	INK SUPPLY DRIVE UNIT	iPF6350/6300/6200/6100/ 605/605L plus	
5	QM4-8060-000		1	INK SUPPLY DRIVE UNIT	iPF6460/6450/6410/6400	
5	QM4-8365-000		1	INK SUPPLY DRIVE UNIT	iPF6410S/6400S	
6	QC2-0739-000		1	GEAR, VALVE 2	iPF6350/6300/6200/6100/ 605/605L plus	
7	QC2-0740-000		1	GEAR, VALVE 3	iPF6350/6300/6200/6100/ 605/605L plus	
8	QC2-8591-000		1	CAM, VALVE	iPF6300S/6000S	
8	QC2-0742-000		1	CAM, VALVE	iPF6350/6300/6200/6100/ 605/605L plus	
9	QC2-0832-000		1	BELT, TIMING		
10	QK1-0550-000		1	MOTOR, 24V, DC		
11	QC2-0763-000		2	ABSORBER, INK, UPPER	iPF605/605L plus	
11	QC2-0763-000		4	ABSORBER, INK, UPPER	iPF6350/6300/6300S/ 6200/6100/6000S	

FIGURE & KEY NO.	PARTS NUMBER	R A N K	Q'TY	DESCRIPTION	SERIAL NUMBER/ REMARKS	S V C
11	QD1-0257-000		1	ABSORBER, INK, UPPER	iPF6460/6450/6410S/ 6410/6400S/6400	
12	QC2-0764-000		2	ABSORBER, INK, LOWER	iPF605/605L plus	
12	QC2-0764-000		4	ABSORBER, INK, LOWER	iPF6350/6300/6300S/ 6200/6100/6000S	
12	QD1-0256-000		1	ABSORBER, INK, LOWER	iPF6460/6450/6410S/ 6410/6400S/6400	
13	QM3-0368-000		2	HARNESS, WIRE, INK SENSOR	iPF6300S	
13	QM3-0862-000		2	HARNESS, WIRE, INK SENSOR	iPF6350/6300/6200/6100	
13	QM7-7084-000		2	HARNESS, WIRE, INK SENSOR	iPF6460/6450/6410/6400	
13	QM7-7231-000		1	HARNESS, WIRE, INK SENSOR	iPF6410S/6400S	
14	QC2-1375-000		1	GUIDE, INK TUBE	iPF6350/6300/6300S/ 6200/6100/6000S/605/ 605L plus	
14	QD1-0307-000		1	GUIDE, INK TUBE	iPF6460/6450/6410S/ 6410/6400S/6400	
15	QC2-6346-000		1	GUIDE, TUBE	iPF6460/6450/6410S/ 6410/6400S/6400/6350/ 6300/6300S/6200/6100/ 6000S	
16	QM3-5294-000		1	INK SUPPLY UNIT (R)	iPF6000S	
16	QM3-0574-000		1	INK SUPPLY UNIT (R)	iPF6200/6100	
16	QM3-9919-010		1	INK SUPPLY UNIT (R)	iPF6300S	
16	QM3-6488-010		1	INK SUPPLY UNIT (R)	iPF6350/6300	
16	QM4-8020-000		1	INK SUPPLY UNIT (R)	iPF6460/6450/6410/6400	
16	QM4-8367-000		1	INK SUPPLY UNIT (R)	iPF6410S/6400S	
17	QM3-0928-000		1	HARNESS, WIRE, FEED		
18	QC2-0758-000		2	JOINT, LEVER	iPF6460/6450/6410S/ 6410/6400S/6400/6350/ 6300/6300S/6200/6100/ 6000S	
19	QM3-0855-000		1	HARNESS, WIRE, INK SENSOR	iPF605/605L plus	
19	QM3-0369-000		2	HARNESS, WIRE, INK SENSOR	iPF6300S	
19	QM3-0855-000		2	HARNESS, WIRE, INK SENSOR	iPF6350/6300/6200/6100	
19	QM7-7083-000		2	HARNESS, WIRE, INK SENSOR	iPF6460/6450/6410/6400	
19	QM7-7230-000		1	HARNESS, WIRE, INK SENSOR	iPF6410S/6400S	
20	QM3-0903-000		1	HARNESS, WIRE, ROM, INK TANK	iPF605/605L plus	

FIGURE & KEY NO.	PARTS NUMBER	RANK	Q'TY	DESCRIPTION	SERIAL NUMBER/REMARKS	SVC
20	QM3-0875-000		1	HARNES, WIRE, ROM, INK TANK	iPF6350/6300/6300S/6200/6100/6000S	
21	QM3-0914-000		1	HARNES, WIRE, SENSOR, VALVE	iPF605/605L plus	
21	QM3-0886-000		1	HARNES, WIRE, SENSOR, VALVE	iPF6350/6300/6300S/6200/6100/6000S	
22	QM3-0901-000		1	HARNES, WIRE, VALVE MOTOR	iPF605/605L plus	
22	QM3-0872-000		1	HARNES, WIRE, VALVE MOTOR	iPF6350/6300/6300S/6200/6100	
22	QM7-7082-000		1	HARNES, WIRE, VALVE MOTOR	iPF6460/6450/6410/6400	
23	QM3-0947-000		1	HARNES, WIRE, INK TANK	iPF605/605L plus	
23	QM3-0882-000		1	HARNES, WIRE, INK TANK	iPF6200	
23	QM3-0924-000		1	HARNES, WIRE, INK TANK	iPF6350/6300/6300S/6200/6100/6000S	
23	QM7-7080-000		1	HARNES, WIRE, INK TANK	iPF6460/6450/6410S/6410/6400S/6400	
24	QM3-0884-000		1	HARNES, WIRE, 2, INK TANK	iPF6200	
24	QM3-0925-000		1	HARNES, WIRE, 2, INK TANK	iPF6350/6300/6300S/6200/6100	
24	QM7-7081-000		1	HARNES, WIRE, 2, INK TANK	iPF6460/6450/6410S/6410/6400S/6400	
25	QM3-5296-000		1	INK TUBE UNIT (L)	iPF6000S	
25	QM3-9920-000		1	INK TUBE UNIT (L)	iPF6410S/6400S/6300S	
26	QM3-5297-000		1	INK TUBE UNIT (R)	iPF6000S	
26	QM3-9921-000		1	INK TUBE UNIT (R)	iPF6410S/6400S/6300S	
27	QC1-4149-000		2	WASHER	iPF6460/6450/6410S/6410/6400S/6400	
28	QD1-0269-000		1	CAM, VALVE	iPF6460/6450/6410/6400	
28	QD1-1060-000		1	CAM, VALVE	iPF6410S/6400S	
29	QD1-0270-000		1	GEAR, VALVE	iPF6460/6450/6410S/6410/6400S/6400	
30	QD1-0271-000		1	LEVER, TENSION	iPF6460/6450/6410S/6410/6400S/6400	
31	QD1-0272-000		1	ROLLER, TENSION	iPF6460/6450/6410S/6410/6400S/6400	
32	QD1-0273-000		1	SPRING, TENSION	iPF6460/6450/6410S/6410/6400S/6400	
33	QD1-0274-000		1	SHAFT	iPF6460/6450/6410S/6410/6400S/6400	

FIGURE & KEY NO.	PARTS NUMBER	R A N K	Q'TY	DESCRIPTION	SERIAL NUMBER/ REMARKS	S V C
34	QD1-0298-000		1	PULLEY, BELT	IPF6460/6450/6410S/ 6410/6400S/6400	
35	WG8-5776-000		1	PHOTO-INTERRUPTER, SG2481	iPF6460/6450/6410/6400	
35	WG8-5776-000		2	PHOTO-INTERRUPTER, SG2481	iPF6410S/6400S	
36	QM7-7232-000		1	HARNESS, VALVE UNIT	iPF6410S/6400S	
37	QM7-7233-000		1	HARNESS, VALVE, RELAY	iPF6410S/6400S	
501	XB1-2260-409		2	SCREW, BINDING HEAD, M2.6X4		
502	XB6-7300-606		6	SCREW, TP, M3X6		
503	XB4-7300-806		10	SCREW, TAP, BINDING HEAD, M3X8		
504	XB4-5300-807		2	SCREW, P, M3X8	IPF6460/6450/6410S/ 6410/6400S/6400	

FIGURE & KEY NO.	PARTS NUMBER	R A N K	Q'TY	DESCRIPTION	SERIAL NUMBER/ REMARKS	S V C
Fig.09	NPN		RF	LINEAR SCALE & LIFT DRIVE UNIT		
1	QK1-0440-000		1	MOTOR, STEPPING DC 10W UNDER		
2	QC3-1882-010		1	SCALE, LINEAR	iPF6460/6450/6410S/ 6410/6400S/6400/6350/ 6300/6300S/6200/6100/ 6000S	
2	QC3-1888-010		1	SCALE, LINEAR	iPF605/605L plus	
3	WG8-5624-000		1	IC, PHOTO INTERRUPTER		
4	QM3-0161-000		1	IDLER PULLEY UNIT		
5	QC2-0678-000		1	GEAR, LIFT		
6	QC3-2664-000		2	CAM, LIFTER	iPF6460/6450/6410S/ 6410/6400S/6400/6350/ 6300/6300S	
6	QC2-0675-000		2	CAM, LIFTER	iPF6200/6100/6000S/605/ 605L plus	
7	QC2-0676-000		2	SPRING, TORSION		
8	QC2-0681-000		1	RING		
9	QC2-0682-000		2	RING		
10	QC2-0683-000		1	BUSHING, POLYPLASTICS		
11	QC2-0685-000		1	GEAR, RELEASE, IDLER		
12	QC2-0686-000		1	GEAR, LIFT, IDLER A		
13	QC2-0687-000		1	GEAR, LIFT, IDLER B		
14	QC2-0688-000		1	GEAR, LIFT, DOUBLE A		
15	QC2-0689-000		1	GEAR, LIFT, DOUBLE B		
16	QC2-0690-000		1	GEAR, LIFT, DOUBLE C		
17	QC2-0684-000		1	GEAR, RELEASE, PRESSURE		
18	QM3-6665-000		1	TUBE LEVER GUIDE UNIT		
501	XB6-7300-606		5	SCREW, TP, M3X6		
502	XB1-2300-606		2	SCREW, MACHINE M3X6		

FIGURE 10 CARRIAGE UNIT

IPF6460/6450/6410/6410S/6400/6400S/6350/6300/6300S/6200/6100/6000S

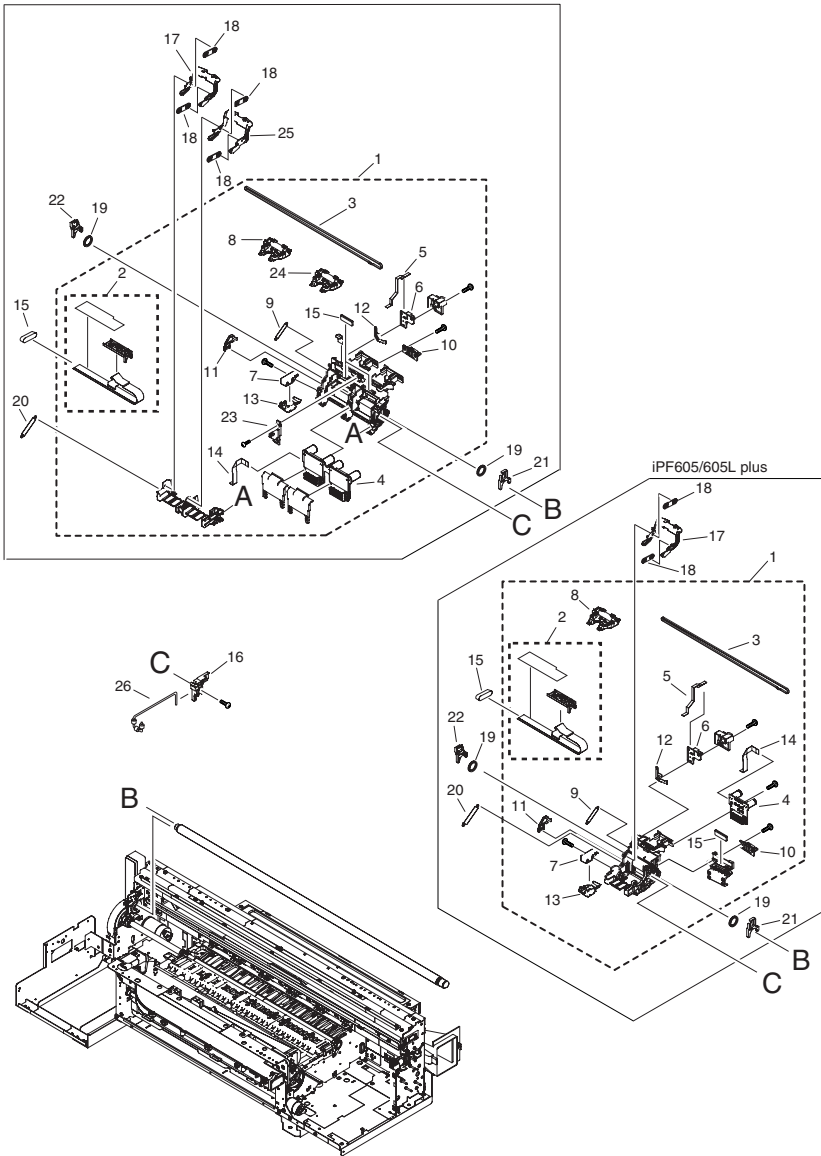


FIGURE & KEY NO.	PARTS NUMBER	RANK	Q'TY	DESCRIPTION	SERIAL NUMBER/REMARKS	SVC
Fig.10	NPN		RF	CARRIAGE UNIT		
1	QM3-9930-000		1	CARRIAGE UNIT	iPF6350/6300/6300S	
1	QM3-0784-010		1	CARRIAGE UNIT	iPF6200/6100/6000S	
1	QM3-0804-010		1	CARRIAGE UNIT	iPF605/605L plus	
1	QM4-8091-000		1	CARRIAGE UNIT	iPF6460/6450/6410S/ 6410/6400S/6400	
2	QM3-0786-010		1	FLEXIBLE CABLE ASS'Y	iPF6460/6450/6410S/ 6410/6400S/6400/6300/ 6300S/6200/6100/6000S	
2	QM3-0806-000		1	FLEXIBLE CABLE ASS'Y	iPF605/605L plus	
3	QC2-0695-000		1	BELT, CARRIAGE	iPF6410S/6400S/6300S/ 6200/6100/6000S	
3	QC2-4325-000		1	BELT, CARRIAGE	iPF605/605L plus	
4	QM3-6448-000		1	CARRIAGE RELAY PCB ASS'Y	iPF6350/6300/6300S	
4	QM3-0361-000		1	CARRIAGE RELAY PCB ASS'Y	iPF6200/6100/6000S	
4	QM3-0351-000		1	CARRIAGE RELAY PCB ASS'Y	iPF605/605L plus	
4	QM7-7075-000		1	CARRIAGE RELAY PCB ASS'Y	iPF6460/6450/6410S/ 6410/6400S/6400	
5	QK1-2090-000		1	CABLE, FLEXIBLE		
6	QM2-3421-010		1	ENCODER SENSOR UNIT		
7	QM3-0365-000		1	MULTI SENSOR UNIT	iPF6350/6300/6300S/ 6200/6100/6000S	
7	QM2-3437-000		1	MULTI SENSOR UNIT	iPF605/605L plus	
7	QM4-8018-000		1	MULTI SENSOR UNIT	iPF6460/6450/6410S/ 6410/6400S/6400	
8	QM3-0541-000		1	HEAD LEVER UNIT		
9	QU1-2006-000		2	SPRING, COMPRESSION		
10	QC2-4326-000		1	HOLDER, BELT		
11	QC2-0710-000		1	COVER, FFC, MULTI-SENSOR		
12	QC2-1283-000		1	SPRING, LEAF, GROUNDING		
13	QC2-1309-000		1	GUIDE, MULTI-SENSOR	iPF6350/6300/6300S/ 6200/6100/6000S/605/ 605L plus	
13	QD1-0315-000		1	GUIDE, MULTI-SENSOR	iPF6460/6450/6410S/ 6410/6400S/6400	
14	QK1-2758-000		1	CABLE, MULTI SENSOR	iPF6350/6300/6300S	
14	QK1-2757-000		1	CABLE, MULTI SENSOR	iPF6200/6100/6000S	

FIGURE & KEY NO.	PARTS NUMBER	R A N K	Q'TY	DESCRIPTION	SERIAL NUMBER/ REMARKS	S V C
14	QK1-9587-000		1	CABLE, MULTI SENSOR	iPF6460/6450/6410S/ 6410/6400S/6400	
14	QK1-2091-000		1	CABLE, FLAT, MULTI-SENSOR	iPF605/605L plus	
15	WE8-6409-000		2	FERRITE CORE		
16	QC2-0663-000		1	HOLDER, WIRE(MECH)		
17	QD1-0405-000		1	LEVER, L, INK TUBE		
18	QC2-0661-000		4	LINK, LEVER, TUBE	iPF6460/6450/6410S/ 6410/6400S/6400/6350/ 6300/6300S/6200/6100/ 6000S	
18	QC2-0661-000		2	LINK, LEVER, TUBE	iPF605/605L plus	
19	QC2-0664-000		2	PAD, OIL		
20	QC2-1396-000		1	SPRING, TENSION		
21	QM3-0543-000		1	CLEANER UNIT, R, RAIL,CARRIAGE		
22	QM3-0542-000		1	CLEANER UNIT, L, RAIL,CARRIAGE		
23	QC2-0653-000		1	HOLDER, LEVER SET, PRINthead	iPF6460/6450/6410S/ 6410/6400S/6400/6350/ 6300/6300S/6200/6100/ 6000S	
24	QM3-0560-000		1	HEAD LEVER UNIT	iPF6460/6450/6410S/ 6410/6400S/6400/6350/ 6300/6300S/6200/6100/ 6000S	
25	QD1-0404-000		1	LEVER, R, INK TUBE	iPF6460/6450/6410S/ 6410/6400S/6400/6350/ 6300/6300S/6200/6100/ 6000S	
26	QM3-0704-000		1	TUBE GUIDE UNIT		

FIGURE 11
CARRIAGE & FEED MOTOR UNIT

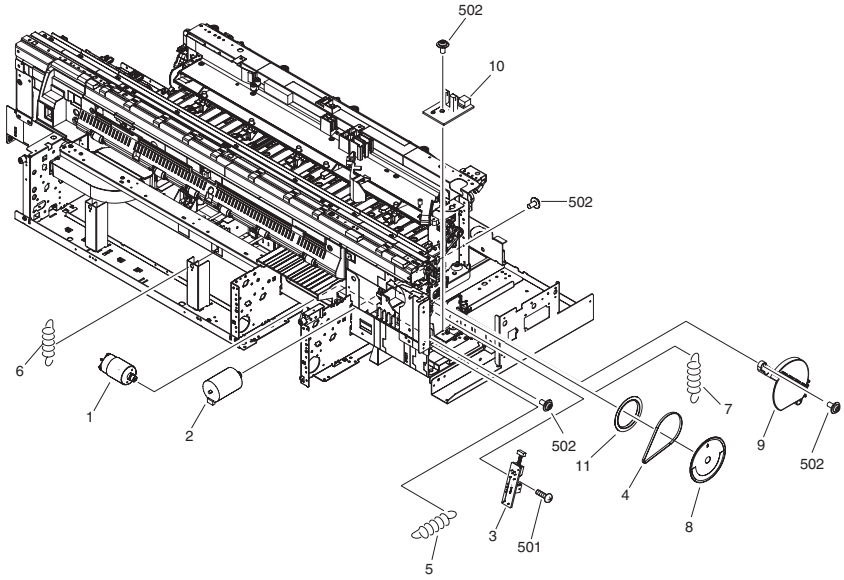


FIGURE & KEY NO.	PARTS NUMBER	R A N K	Q'TY	DESCRIPTION	SERIAL NUMBER/ REMARKS	S V C
Fig.11	NPN		RF	CARRIAGE & FEED MOTOR UNIT		
1	QK1-0447-000		1	MOTOR, 26.4V, DC		
2	QK1-2083-000		1	MOTOR, DC BRUSHLESS		
3	QM2-3420-000		1	SENSOR UNIT, LINE FEED		
4	QC2-0957-000		1	BELT, DRIVE, PAPER TRANSPORT		
5	QC2-1396-000		1	SPRING, TENSION		
6	QC2-0985-000		1	SPRING, TENSION		
7	QC2-0990-000		1	SPRING, TENSION		
8	QC3-1885-000		1	WHEEL, CODE		
9	QC2-0995-000		1	COVER, CODE WHEEL		
10	QM2-3423-000		1	SENSOR UNIT, HOME POSITION, LI		
11	QC2-0998-000		1	FLANGE, PULLEY		
501	XB1-2200-506		2	SCREW, BINDING HEAD, M2X5		
502	XB6-7300-606		4	SCREW, TP, M3X6		

FIGURE 12 PINCH ROLLER UNIT

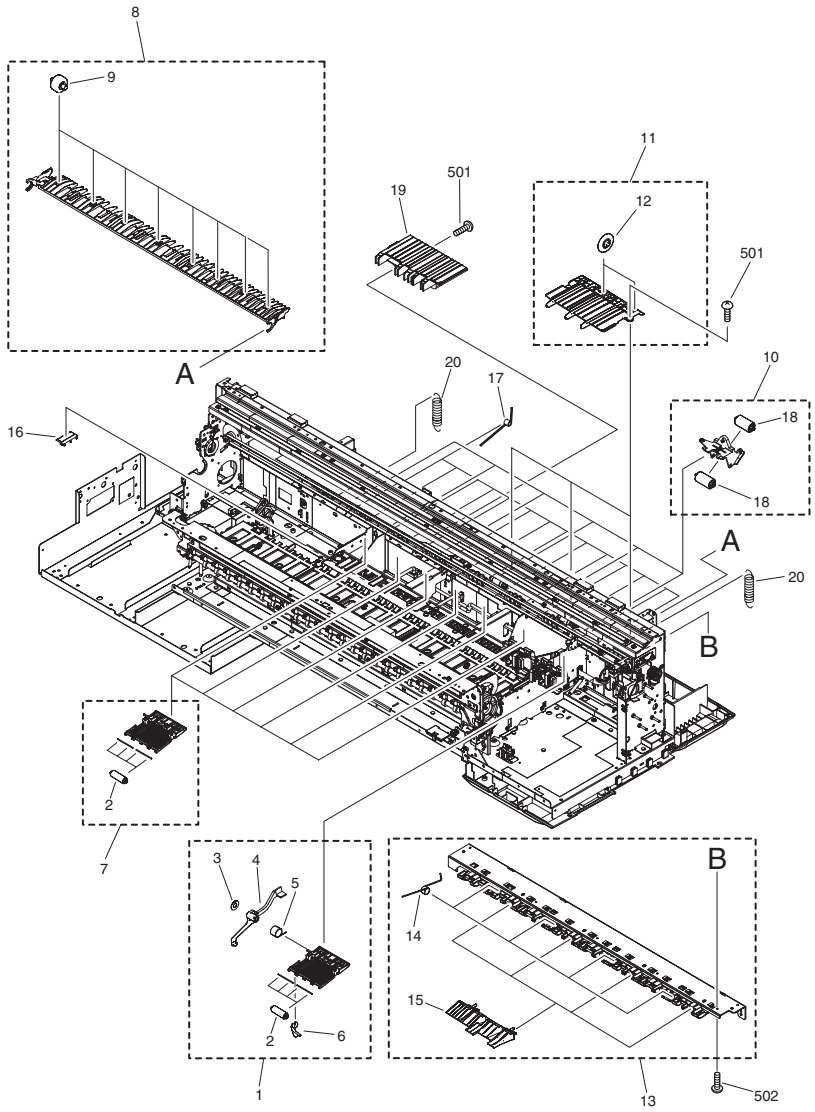


FIGURE & KEY NO.	PARTS NUMBER	R A N K	Q'TY	DESCRIPTION	SERIAL NUMBER/ REMARKS	S V C
Fig.12	NPN		RF	PINCH ROLLER UNIT		
1	QM3-0760-000		1	PINCH ROLLER UNIT 1	iPF6460/6450/6410S/ 6410/6400S/6400/6350/ 6300/6300S/6200/6100/ 605/605L plus	
1	QM3-5308-000		1	PINCH ROLLER UNIT 1	iPF6000S	
2	QL2-2317-000		28	ROLLER, PINCH	iPF6460/6450/6410S/ 6410/6400S/6400/6350/ 6300/6300S/6200/6100/ 605/605L plus	
2	QL2-2418-000		28	ROLLER, PINCH	iPF6000S	
3	QC2-0682-000		1	RING		
4	QC2-0982-000		1	LEVER, A		
5	QC2-0994-000		1	SPRING, TORSION		
6	QC2-0996-000		1	LEVER, B		
7	QM3-0761-000		6	PINCH ROLLER UNIT 2	iPF6460/6450/6410S/ 6410/6400S/6400/6350/ 6300/6300S/6200/6100/ 605/605L plus	
7	QM3-5309-000		6	PINCH ROLLER UNIT 2	iPF6000S	
8	QM3-0566-020		1	GUIDE UNIT, PAPER		
9	QC2-1317-000		8	ROLLER, GUIDE, INNER		
10	QM3-0767-000		6	GUIDE ROLLER UNIT		
11	QM3-0579-020		3	GUIDE UNIT, INNER, STRAIGHT PA		
12	QC1-2950-000		6	ROLLER		
13	QM3-0580-030		1	GUIDE , OUTER		
14	QC2-0933-010		4	SPRING, TORSION		
15	QD1-0966-000		4	FLAPPER		
16	QC2-1460-000		1	GUIDE, WASTE INK	iPF6200/6100/6000S/605/ 605L plus	
17	QC2-0981-000		14	SPRING, TORSION		
18	QC2-1541-000		12	ROLLER, GUIDE		
19	QC2-0935-020		1	GUIDE, INNER		
20	QC2-0997-000		2	SPRING, TENSION		
501	XB6-7300-606		AR	SCREW, TP, M3X6		
502	XB3-6300-605		3	SCREW,RS,M3X6		

FIGURE 13
AIR FLOW FAN UNIT

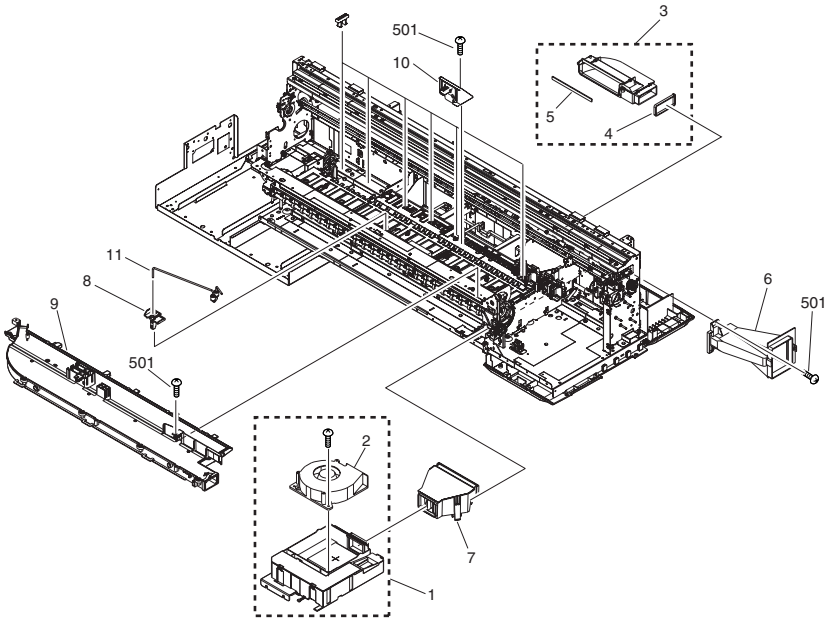


FIGURE & KEY NO.	PARTS NUMBER	R A N K	Q'TY	DESCRIPTION	SERIAL NUMBER/ REMARKS	S V C
Fig.13	NPN		RF	AIR FLOW FAN UNIT		
1	QM3-0701-010		1	SUCTION FAN UNIT		
2	QK1-2084-000		1	FAN		
3	QM3-0187-000		1	AIR DUCT, 2		
4	QC2-1076-000		1	SEAL, 4, AIR DUCT		
5	QC2-1079-000		1	SEAL, 3, AIR DUCT		
6	QC2-1071-000		1	AIR, DUCT	iPF6460/6450/6410S/ 6410/6400S/6400/6350/ 6300/6300S/6200/6100/ 6000S	
6	QC2-1070-000		1	AIR DUCT, 3,REAR	iPF605/605L plus	
7	QL2-1537-000		1	AIR DUCT, 1		
8	QC2-6285-000		1	HOLDER, TUBE GUIDE	iPF6460/6450/6410S/ 6410/6400S/6400/6350/ 6300/6300S/6200/6100/ 6000S	
9	QM3-0698-010		1	FRONT DUCT UNIT	iPF6460/6450/6410S/ 6410/6400S/6400/6350/ 6300/6300S/6200/6100/ 6000S	
9	QM3-0209-000		1	FRONT DUCT UNIT	iPF605/605L plus	
10	QM3-6661-000		1	M/C RELAY PCB ASS'Y	iPF6460/6450/6410S/ 6410/6400S/6400/6350/ 6300/6300S	
10	QM3-0550-000		1	M/C RELAY PCB ASS'Y	iPF6200/6100/6000S/605/ 605L plus	
11	QM3-0705-000		1	TUBE GUIDE UNIT	iPF6460/6450/6410S/ 6410/6400S/6400/6350/ 6300/6300S/6200/6100/ 6000S	
501	XB6-7300-606		5	SCREW, TP, M3X6		

FIGURE & KEY NO.	PARTS NUMBER	RANK	Q'TY	DESCRIPTION	SERIAL NUMBER/REMARKS	SVC
Fig.14	NPN		RF	PLATEN & SPUR UNIT		
1	QM3-6675-000		1	SPUR UNIT	iPF6460/6450/6410S/ 6410/6400S/6400/6350/ 6300/6300S/6000S/605/ 605L plus	
1	QM3-0793-010		1	SPUR UNIT	iPF6200/6100	
2	QM3-0246-000		1	SPUR MOTOR UNIT		
3	QL2-1579-000		1	PLATEN A		
4	QL2-1580-000		1	PLATEN B		
5	WG8-5624-000		1	IC, PHOTO INTERRUPTER		
6	QA4-0292-000		46	SPRING, TENSION		
7	QA4-0880-000		92	ROWEL		
8	QC2-0866-000		4	BUSHING		
9	QC2-0958-000		1	BELT, DRIVE, PAPER EJECTION		
10	QC2-0964-000		2	PULLEY		
11	QC2-1395-000		3	RING		
12	QC2-1569-000		3	PULLEY, BELT		
13	QC1-4149-000		3	WASHER		
14	QC2-1002-000		2	BUSHING		
15	QC2-1396-000		1	SPRING, TENSION		
16	QM3-0245-000		1	SENSOR UNIT, SPUR		
17	QC2-1007-000		2	COVER, BUSHING		
18	QC2-1009-000		2	SPRING, COMPRESSION		
19	QC2-1018-000		2	SPRING, TENSION		
20	QC2-1024-000		1	GEAR, ROWEL		
21	QC2-1025-000		2	ARM, SUPPORT, ROWEL BASE		
22	QC2-1027-000		1	CAM, ROWEL		
23	QL2-2423-000		1	PLATE, REFLECTION, MULTI-SENSO	iPF6350/6300/6300S	
23	QL2-1561-000		1	PLATE, REFLECTION, MULTI-SENSO	iPF6200/6100/6000S/605/ 605L plus	
23	QL2-8032-000		1	PLATE, REFLECTION, MULTI-SENSO	iPF6460/6450/6410S/ 6410/6400S/6400	
24	QM3-0800-000		1	DUCT UNIT, PLATEN	iPF6460/6450/6410S/ 6410/6400S/6400/6350/ 6300/6300S/6200/6100/ 6000S	

FIGURE & KEY NO.	PARTS NUMBER	RANK	Q'TY	DESCRIPTION	SERIAL NUMBER/REMARKS	SVC
24	QM3-0801-000		1	DUCT UNIT, PLATEN	IPF605/605L plus	
25	QL2-1581-000		1	PLATEN C		
26	QC2-1570-000		3	FLANGE, BELT PULLEY		
27	QL2-1567-000		2	ROLLER, DELIVERY		
28	QC2-0811-000		2	GUIDE, WASTE INK		
501	XB6-7300-606		8	SCREW, TP, M3X6		
502	XB4-7300-807		4	SCREW, TAP TIGHT, BINDING HEAD		

FIGURE 15 TOOL

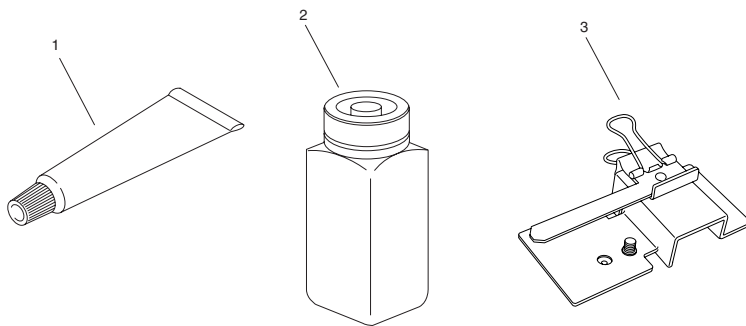


FIGURE & KEY NO.	PARTS NUMBER	RANK	Q'TY	DESCRIPTION	SERIAL NUMBER/REMARKS	SVC
Fig.15	NPN		RF	TOOL		
1	FY9-6022-000		1	LUBE, FLOIL G-5000H, GREASE		
2	QY9-0037-000		1	GREASE, EU-1		
3	AY3-4493-000		1	ADJUSTING UNIT, CR WIRE		

FIGURE R1 STAND UNIT

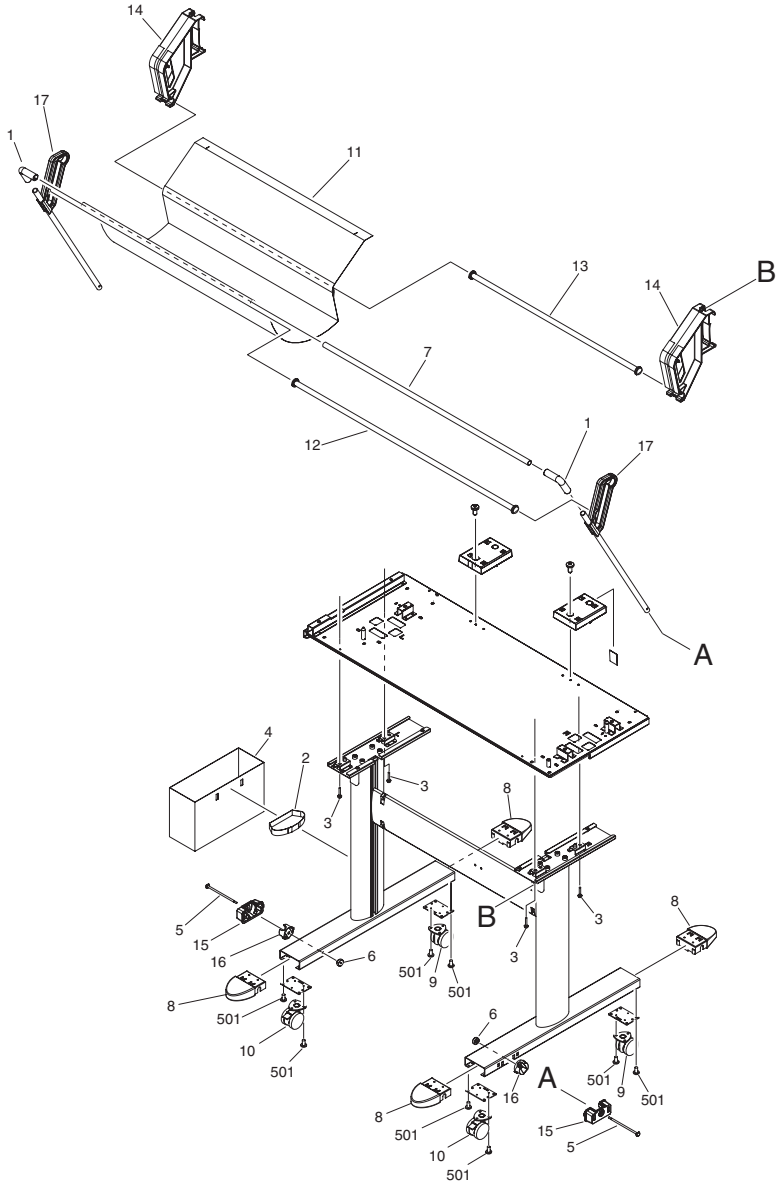


FIGURE & KEY NO.	PARTS NUMBER	R A N K	Q'TY	DESCRIPTION	SERIAL NUMBER/ REMARKS	S V C
Fig.R1	NPN		RF	STAND UNIT		
1	QC2-4346-000		2	JOINT, ROD		
2	QC2-4359-000		1	BAND, FIXING		
3	QC2-5993-000		4	SCREW, HEX SOCKET, M4X30		
4	QC2-5995-000		1	BOX, ACCESSORY		
5	QC2-6006-000		2	BOLT		
6	QC2-1330-000		2	NUT		
7	QC2-6009-000		1	ROD, BASKET, FRONT		
8	QC2-4348-000		4	CAP, STAND		
9	QD1-0382-000		2	CASTER		
10	QD1-0383-000		2	CASTER, W/STOPPER		
11	QC2-6320-000		1	BASKET		
12	QL2-2307-000		1	ROD, BASKET, SUPPORT		
13	QL2-2308-000		1	ROD, BASKET, REAR		
14	QL2-2312-000		2	ARM, BASKET		
15	QC2-6322-020		2	HOLDER, ROD		
16	QC2-6323-010		2	SUPPORT, ROD		
17	QM3-0728-000		2	BASKET ROD UNIT	ST25	
17	QM4-8086-000		2	BASKET ROD UNIT	ST28	
501	XB1-2400-805		28	SCREW, MACHINE M4X8 (S)		

FIGURE R2 SPECTROPHOTOMETER COVERS

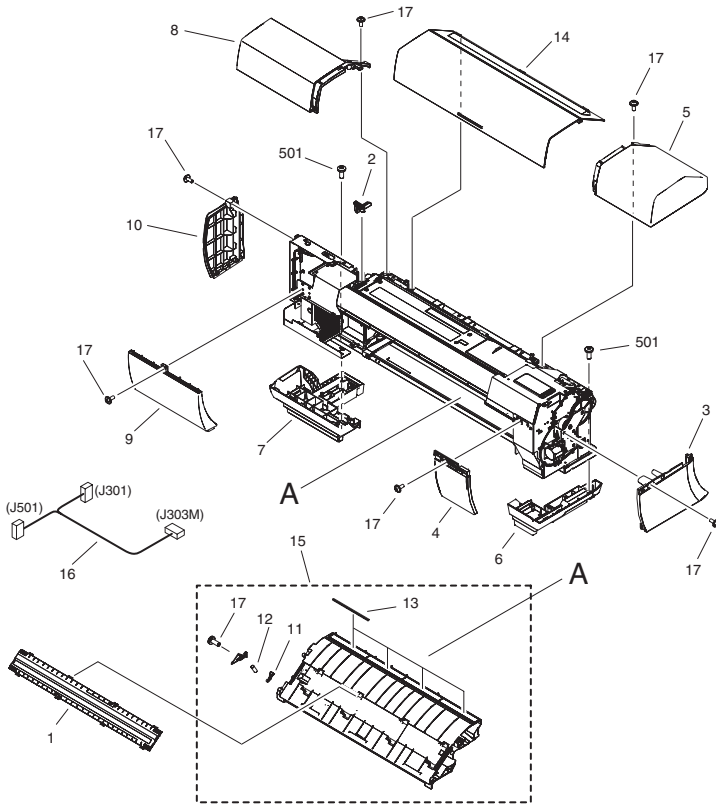


FIGURE & KEY NO.	PARTS NUMBER	R A N K	Q'TY	DESCRIPTION	SERIAL NUMBER/ REMARKS	S V C
Fig.R2	NPN		RF	SPECTROPHOTOMETER COVERS		
1	QD1-0026-000		1	PLATE, BACK		
2	QD1-0039-000		1	LEVER, SENSOR, TOP COVER		
3	QD1-0049-000		1	COVER, RIGHT		
4	QD1-0050-000		1	COVER, TOP, LEFT		
5	QD1-0051-000		1	COVER, TOP, RIGHT		
6	QD1-0052-000		1	COVER, BOTTOM, RIGHT		
7	QD1-0054-000		1	COVER, BOTTOM, LEFT		
8	QD1-0056-000		1	COVER, TOP, LEFT		
9	QD1-0057-000		1	COVER, FRONT, LEFT		
10	QD1-0058-000		1	COVER, LEFT		
11	QD1-0098-000		1	LEVER, SENSOR		
12	QD1-0099-000		1	SPRING, COMPRESSION		
13	QD1-0485-000		4	SHEET, EJECT GUIDE		
14	QM4-8054-000		1	UPPER COVER UNIT		
15	QM4-8058-000		1	PAPER DELIVERY GUIDE UNIT		
16	QM7-7093-000		1	HARNESS, WIRE, PRINTER IF		
17	XA9-1928-000		28	SCREW, TP, M3X8		
501	XB4-5401-007		5	SCREW, M4X10		

FIGURE R3 SPECTROPHOTOMETER FRAME

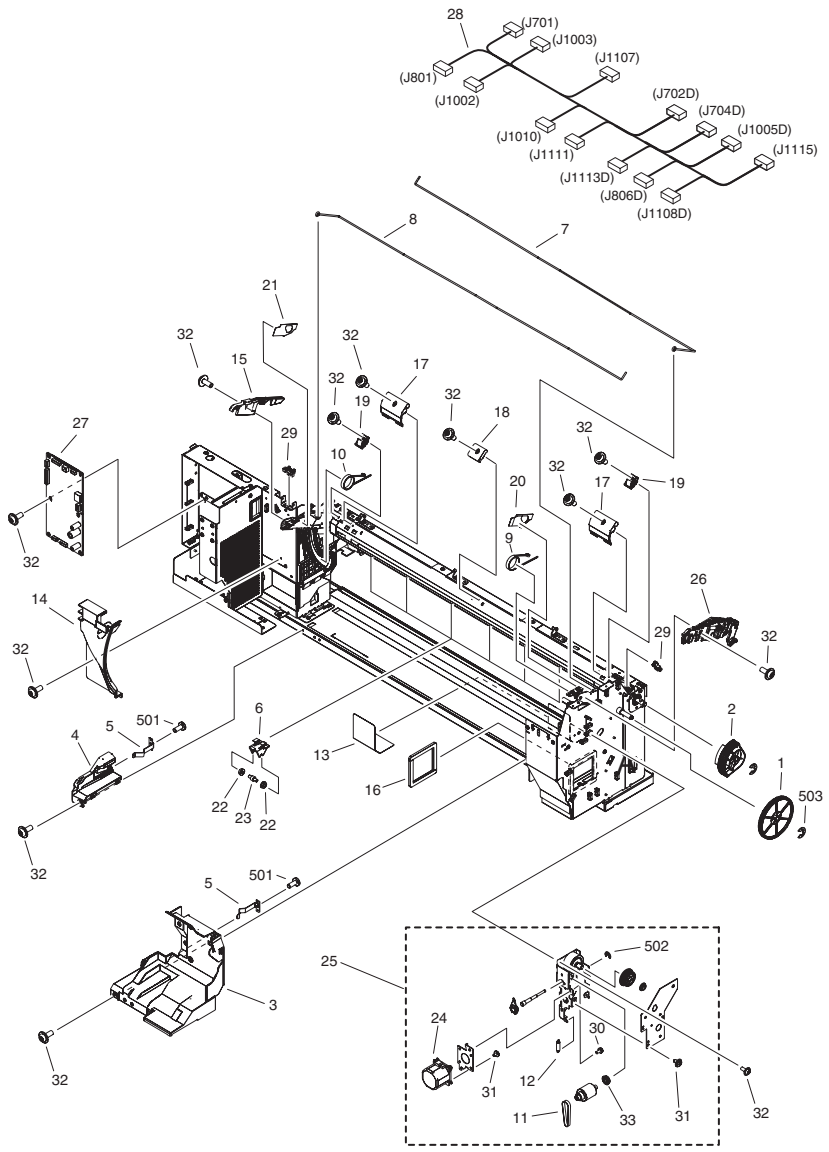


FIGURE & KEY NO.	PARTS NUMBER	R A N K	Q'TY	DESCRIPTION	SERIAL NUMBER/ REMARKS	S V C
Fig.R3	NPN		RF	SPECTROPHOTOMETER FRAME		
1	QD1-0117-000		1	GEAR, 22T/88T		
2	QD1-0118-000		1	GEAR, 30T		
3	QD1-0135-000		1	GUIDE, SLIDER, R		
4	QD1-0136-000		1	GUIDE, SLIDER, L		
5	QD1-0138-000		2	SPRING, LEAF		
6	QD1-0144-000		6	HOLDER, ROLLER		
7	QD1-0147-000		1	SPRING, TORSION, R		
8	QD1-0148-000		1	SPRING, TORSION, L		
9	QD1-0153-000		1	SPRING, TORSION		
10	QD1-0154-000		1	SPRING, TORSION		
11	QD1-0188-000		1	BELT		
12	QD1-0189-000		1	SPRING, TENSION		
13	QD1-0200-000		1	GUARD, EDGE		
14	QD1-0206-000		1	COVER, USB		
15	QD1-0213-000		1	COVER, ARM, LEFT		
16	QD1-0215-000		1	SHEET, LIFT MOTOR		
17	QD1-0488-000		2	SUPPORT, SPRING, B		
18	QD1-0489-000		1	SUPPORT, SPRING, C		
19	QD1-0490-000		2	SUPPORT, LIFT SPRING		
20	QD1-0495-000		1	SHEET, ARM COVER, RIGHT		
21	QD1-0496-000		1	SHEET, ARM COVER, LEFT		
22	QE1-3177-000		12	ROLLER		
23	QE1-3210-000		6	SHAFT		
24	QK1-9595-000		1	MOTOR, STEPPING		
25	QM4-8052-000		1	LIFT DRIVE UNIT		
26	QM4-8089-000		1	COVER, ARM, RIGHT		
27	QM7-7078-000		1	MAIN CONTROLLER ASS'Y		
28	QM7-7088-000		1	HARNESS, WIRE, CM MAIN		
29	WG8-5776-000		2	PHOTO-INTERRUPTER, SG2481		
30	XA9-1420-000		2	SCREW, WWASHER, M3X8		
31	XA9-1503-000		8	SCREW, TAP, M3X6		

FIGURE & KEY NO.	PARTS NUMBER	R A N K	Q'TY	DESCRIPTION	SERIAL NUMBER/ REMARKS	S V C
32	XA9-1928-000		30	SCREW, TP, M3X8		
33	XG9-0794-000		1	BEARING, BALL		
501	XB4-5401-007		15	SCREW, M4X10		
502	XD2-1100-322		1	RING E		
503	XD2-1100-502		1	RETAINING RING (E-TYPE)		

FIGURE R4 SPECTROPHOTOMETER MAIN

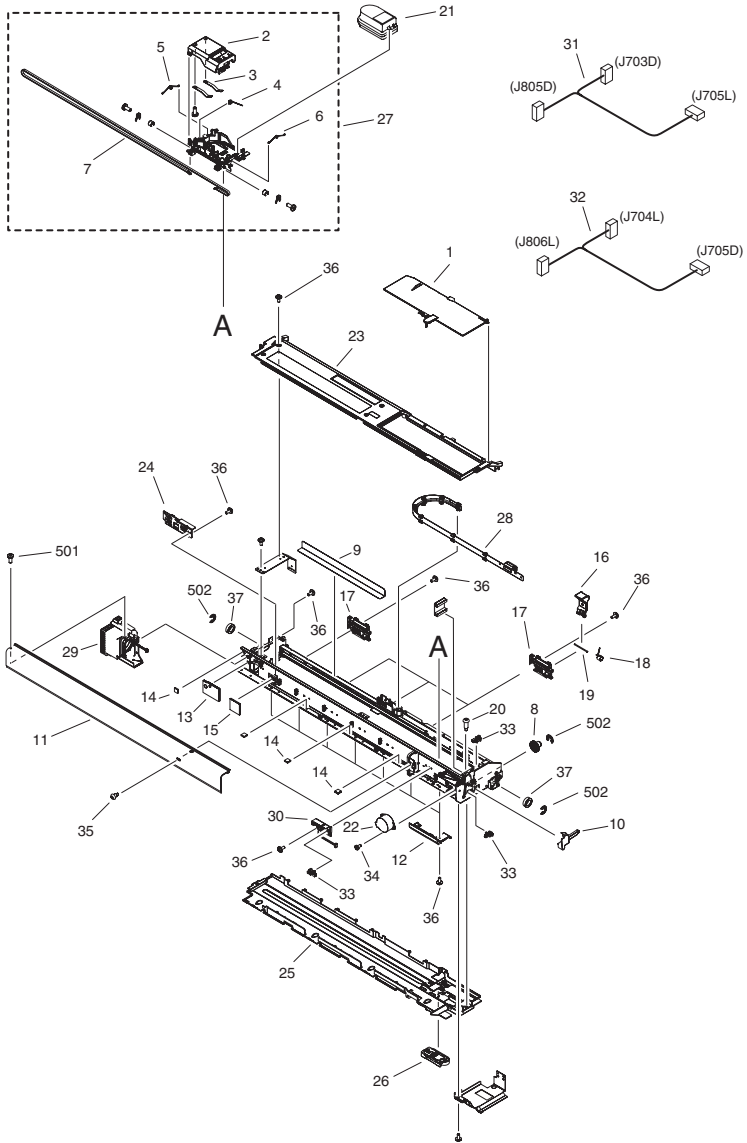


FIGURE & KEY NO.	PARTS NUMBER	RANK	Q'TY	DESCRIPTION	SERIAL NUMBER/REMARKS	SVC
Fig.R4	NPN		RF	SPECTROPHOTOMETER MAIN		
1	QD1-0042-000		1	COVER, MAIN, FRONT		
2	QD1-0063-000		1	COVER, CM SENSOR		
3	QD1-0064-000		2	SPRING, LEAF		
4	QD1-0065-000		1	SPRING, TORSION		
5	QD1-0071-000		1	SPRING, TORSION		
6	QD1-0072-000		1	SPRING, TORSION		
7	QD1-0073-000		1	BELT		
8	QD1-0087-000		1	GEAR, 20T/48T		
9	QD1-0090-000		1	SHEET, CABLE GUIDE		
10	QD1-0097-000		1	LEVER, SENSOR		
11	QD1-0101-000		1	DUCT		
12	QD1-0102-000		7	LOUVER		
13	QD1-0108-000		1	PAD		
14	QD1-0109-000		4	PAD, 2		
15	QD1-0111-000		1	PAD, 3		
16	QD1-0140-000		3	FLAPPER, GUIDE		
17	QD1-0141-000		4	HOLDER, GUIDE		
18	QD1-0142-000		3	SPRING, TORSION		
19	QD1-0143-000		3	SHAFT, GUIDE		
20	QD1-0475-000		1	SCREW, STEPPED, M3		
21	QK1-9590-000		1	CM SENSOR UNIT		
22	QK1-9594-000		1	MOTOR, STEPPING		
23	QL2-8062-000		1	COVER, FRAME		
24	QM4-8026-000		1	BELT TENSIONER UNIT		
25	QM4-8031-000		1	PLATE, PAPER PRESS		
26	QM4-8032-000		1	WHITE TILE HOLDER UNIT		
27	QM4-8033-000		1	CARRIAGE UNIT		
28	QM4-8040-000		1	CABLE UNIT		
29	QM4-8042-000		1	FAN UNIT		
30	QM4-8043-000		1	COVER DETECT UNIT		
31	QM7-7089-000		1	HARNESS, WIRE, FAN		

FIGURE & KEY NO.	PARTS NUMBER	RANK	Q'TY	DESCRIPTION	SERIAL NUMBER/REMARKS	SVC
32	QM7-7090-000		1	HARNES, WIRE, FAN, RELAY		
33	WG8-5776-000		4	PHOTO-INTERRUPTER, SG2481		
34	XA9-0894-010		2	SCREW,M3X6		
35	XA9-1340-000		1	SCREW, STEPPED M3		
36	XA9-1928-000		10	SCREW, TP, M3X8		
37	XG9-0473-000		2	BEARING, BALL		
501	XB4-5401-007		6	SCREW, M4X10		
502	XD2-1100-322		7	RING E		

FIGURE R5 SPECTROPHOTOMETER ATTACHMENT

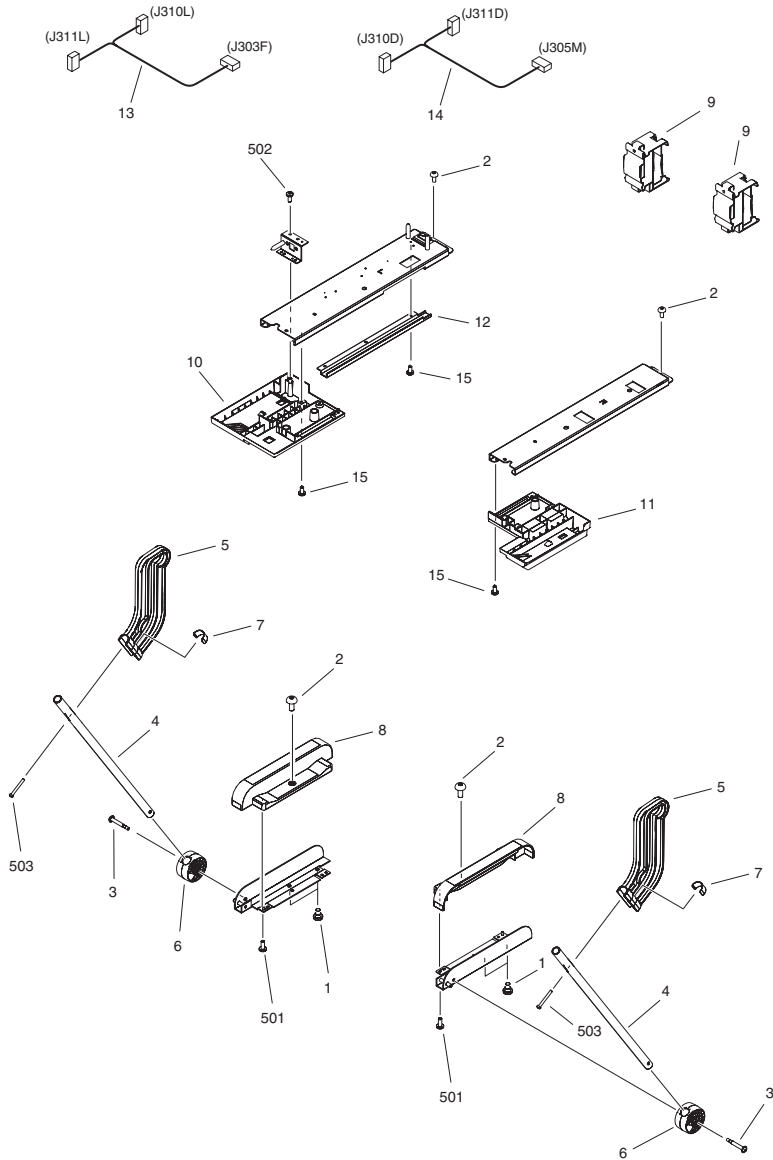


FIGURE & KEY NO.	PARTS NUMBER	R A N K	Q'TY	DESCRIPTION	SERIAL NUMBER/ REMARKS	S V C
Fig.R5	NPN		RF	SPECTROPHOTOMETER ATTACHMENT		
1	QC1-7399-000		4	SCREW, STEPPED, M4		
2	QC2-4116-000		16	SCREW, HEX SOCKET M4X10		
3	QC3-0133-000		2	SCREW, STEPPED, M4		
4	QC3-1455-000		2	ROD, SIDE AL		
5	QC3-1492-000		2	GUIDE, BASKET		
6	QC3-1739-000		2	SUPPORT, ROD		
7	QC3-1850-000		2	PROTECTOR, ROD		
8	QD1-0171-000		2	HOLDER, ROD SUPPORT		
9	QD1-0173-000		2	ATTACHMENT, ARM		
10	QD1-0174-000		1	GUIDE, STAND LEFT		
11	QD1-0175-000		1	GUIDE, STAND RIGHT		
12	QD1-0195-000		1	COVER, CABLE		
13	QM7-7094-000		1	HARNESS, PRINTER IF, RELAY 1		
14	QM7-7095-000		1	HARNESS, PRINTER IF, RELAY 2		
15	XA9-0893-000		11	SCREW,M4X8		
501	XB4-5300-807		4	SCREW, P, M3X8		
502	XB4-5401-007		3	SCREW, M4X10		
503	XB4-6302-505		2	SCREW,TAPPING,PAN HEAD,M3X25		

FIGURE ZZA

MECHANICAL STANDARD PARTS(HOW TO USE)

Mechanical standard parts

機械標準部品

About a mechanical standard parts

A Mechanical standard parts is a mechanical part which not parts peculiar to a product. They are parts which are common to a Canon product and are used, such as a screw and a washer. The Fig No. and parts number of the mechanical standard parts are not listed in the product parts catalog. Refer to the parts catalog of mechanical standard parts when checking the parts number for screw or washer etc. and identify them by part shape or size.

機械標準部品とは

機械標準部品とは、製品特有の部品ではなく、ねじやワッシャなどキヤノン製品共通で使用されている機械部品（メカ部品）のことです。
製品のパーツカタログには、機械標準部品のFig No.や部品番号は記載しておりません。
ねじや、ワッシャ等の部品番号を調べるときは、機械標準部品のパーツカタログを参照し、部品の形状や大きさから判断し、使用している部品を調べてください。

Material and surface treatment of a mechanical standard parts

Material and surface treatment of mechanical standard parts are assigned commonly for each part. Refer to the Table 1 for the parts which material and surface treatment are assigned as numbers.

機械標準部品の材料および表面処理

機械標準部品の材料および表面処理については、各種部品共通で決められています。
材料および表面処理が番号で決められている部品については、表1を参照してください。

Table 1 Material and Surface treatment
表1 材料および表面処理

No. 番号	Material 材料	Surface treatment 表面処理	Color 色
1	Stainless steel ステンレス	Stainless steel black coloring (BC4) ステンレス黒着色(BC4)	Black 黒
2		not to be given なし	White 白
3	Brass 黄銅	Regular nickel plating (NL) 普通ニッケルメッキ(NL)	White 白
4		Black nickel plating (BN) 黒色ニッケルメッキ(BN)	Black 黒
5	Steel 鋼	White zinc trivalent chromate treating (ZC3) 白色亜鉛3価クロメート(ZC3)	White 白
6		Regular nickel chromium plating (NC) 普通ニッケルクロムメッキ(NC)	White 白
7		Regular nickel plating (NL) 普通ニッケルメッキ(NL)	White 白
8		Iron and steel phosphating (P1) 鉄鋼磷酸塩処理(P1)	Black 黒
9		Black zinc trivalent chromate treating (BZ3) 黒色亜鉛3価クロメート(BZ3)	Black 黒

FIGURE ZZB MECHANICAL STANDARD PARTS(SCREWS)

1. Screws ねじ

How to read Parts Numbers
部品番号の見方

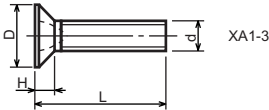
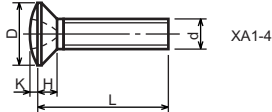
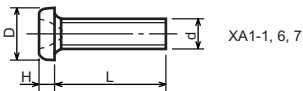
Screws
ねじ

XB1-2400-609

Type No.
類別番号
Normal designation (d)
ねじの呼び(d)
Length (L)
ねじの長さ(L)
Material and Surface treatment
材料および表面処理

XB1-2 expresses Binding head machine screw.
XB1-2は、バインドねじを表す
40 expresses M4.0.
40は、M4.0を表す
0-60 expresses a length of 6.0mm.
0-60は、6.0mmの長さを表す
9 expresses Steel (Black zinc trivalent chromate
treating) from Table 1.
9は、表1より鋼(黒色亜鉛3価クロメート)を表す

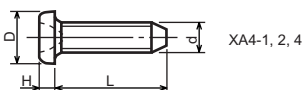
1-1. Cross Recessed Head Screws for Precision Equipments 精密機器用十字穴付き小ねじ



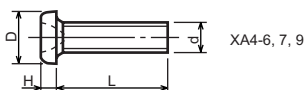
Type No. 類別番号	Type 類別	Head size (mm) 頭部寸法 (mm)							
		M1.4	M1.6	M1.7	M2	M2.5	M2.6		
XA1-1	Pan head Class 1 なべ1種	D	XA1-1	2	2.4	2.5	3	3.8	4
		H	XA1-1	0.5	0.55	0.5	0.6	0.9	0.8
XA1-3	Countersunk head Class 1 さら1種	D	XA1-3	2	2.4	2.5	3	3.8	4
		H	XA1-3	0.48	0.55	0.58	0.73	0.85	0.93
XA1-4	Oval countersunk head Class 1 丸さら1種	D	XA1-4	2	2.4	2.5	3	3.8	4
		H + K	XA1-4	0.68	0.8	0.88	1	1.25	1.3
XA1-6	Pan head Class 3 なべ3種	D	XA1-6	2.5	2.8	3	3.5	4.3	4.5
		H	XA1-6	0.8	0.85	0.9	1	1.3	1.2
XA1-7	Pan head Class 2 なべ2種	D	XA1-7	2.5	2.8	3	3.5	4.3	4.5
		H	XA1-7	0.5	0.55	0.5	0.6	0.9	0.8

1-2. Precision Tapping Screws

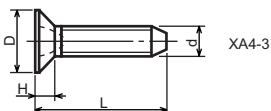
精密用タッピンねじ



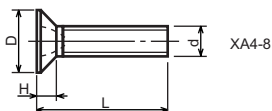
XA4-1, 2, 4



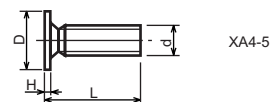
XA4-6, 7, 9



XA4-3



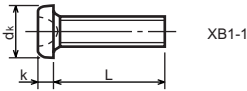
XA4-8



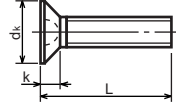
XA4-5

Type No. 類別番号	Type 類別	Head size (mm) 頭部寸法 (mm)						
		M1.4	M1.6	M1.7	M2	M2.5	M2.6	
XA4-1	With tapered end pan head Class 1 絞りなべ1種	D XA4-1	2	2.4	2.5	3	3.8	4
		H XA4-1	0.5	0.55	0.5	0.6	0.9	0.8
XA4-2	With tapered end pan head Class 3 絞りなべ3種	D XA4-2	2.5	2.8	3	3.5	4.3	4.5
		H XA4-2	0.8	0.85	0.9	1	1.3	1.2
XA4-3	With tapered end countersunk head 絞り-さら	D XA4-3	2	2.4	2.5	3	3.8	4
		H XA4-3	0.48	0.55	0.58	0.73	0.85	0.93
XA4-4	With tapered end pan head Class 2 絞りなべ2種	D XA4-4	2.5	2.8	3	3.5	4.3	4.5
		H XA4-4	0.5	0.55	0.5	0.6	0.9	0.8
XA4-5	With parallel end ultra thin head ストレート-超薄頭	D XA4-5	2.5	2.8	3	-	-	-
		H XA4-5	0.2	0.2	0.2	-	-	-
XA4-6	With parallel end pan head Class 1 ストレートなべ1種	D XA4-6	2	2.4	2.5	3	3.8	4
		H XA4-6	0.5	0.55	0.5	0.6	0.9	0.8
XA4-7	With parallel end pan head Class 3 ストレートなべ3種	D XA4-7	2.5	2.8	3	3.5	4.3	4.5
		H XA4-7	0.8	0.85	0.9	1	1.3	1.2
XA4-8	With parallel end countersunk head ストレート-さら	D XA4-8	2	2.4	2.5	3	3.8	4
		H XA4-8	0.48	0.55	0.58	0.73	0.85	0.93
XA4-9	With parallel end pan head Class 2 ストレートなべ2種	D XA4-9	2.5	2.8	3	3.5	4.3	4.5
		H XA4-9	0.5	0.55	0.5	0.6	0.9	0.8

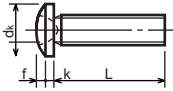
1-3. Cross Recessed Head Screws
 一般用十字穴付き小ねじ



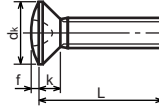
XB1-1



XB1-3



XB1-2

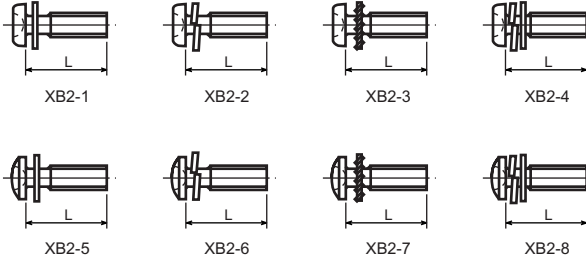


XB1-4

Type No. 類別番号	Type 類別
XB1-1	Pan head なべ
XB1-2	Binding head バインド
XB1-3	Countersunk head さら
XB1-4	Oval countersunk head 丸さら

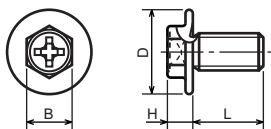
		Head size (mm) 頭部寸法 (mm)					
		M2	M2.5	M2.6	M3	M4	M5
dk	XB1-1	3.5	4.5	4.5	5.5	7	9
k	XB1-1	1.3	1.7	1.7	2	2.6	3.3
dk	XB1-2	4.3	5.3	5.5	6.3	8.3	10.3
k+f	XB1-2	1.2	1.5	1.6	1.9	2.5	3.1
dk	XB1-3	4	5	-	6	8	10
k	XB1-3	1.2	1.45	-	1.75	2.3	2.8
dk	XB1-4	4	5	-	6	8	10
k+f	XB1-4	1.6	2	-	2.45	3.2	4
Screw part length ねじ部長さ b		8	12	12	12	16	20

1-4. Cross Recessed Head Screws with Captive Washer
 座金組み十字穴付き小ねじ



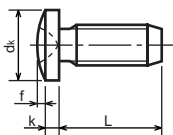
Type No. 類別番号	Type 類別
XB2-1	Pan head + Plain washer (circular bright) なべねじ+平座金
XB2-2	Pan head + Spring washer なべねじ+ばね座金
XB2-3	Pan head + Toothed lock washer なべねじ+歯付座金
XB2-4	Pan head + Spring washer and plain washer (circular bright) なべねじ+(ばね+平)座金
XB2-5	Binding head + Plain washer (circular bright) バインドねじ+平座金
XB2-6	Binding head + Spring washer バインドねじ+ばね座金
XB2-7	Binding head + Toothed lock washer バインドねじ+歯付座金
XB2-8	Binding head + Spring washer and plain washer (circular bright) バインドねじ+(ばね+平)座金

1-5. Hexagon Head Tapping Screws for Metallic Materials
 金属用六角タッピンねじ



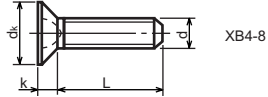
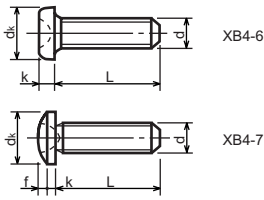
Type No. 類別番号	Type 類別	Head size (mm) 頭部寸法 (mm)	
		M3	M4
XB3-6	For metallic materials 金属用タッピン	D	8 10
		B	5.5 5.5
XB3-7	For metallic materials with clawed 金属用タッピン-つめ付き	H XB3-6	3.1 3.1
		H XB3-7	3.2 3.2

1-6. Special Tapping Screws
 特殊タッピンねじ



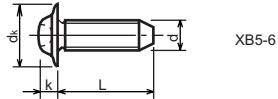
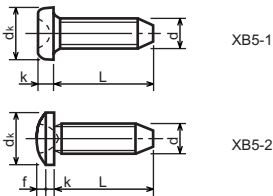
Type No. 類別番号	Type 類別	Head size (mm) 頭部寸法 (mm)	
		M3	M4
XB4-5	Binding head バインド	dk	6.3 8.3
		k	1.3 1.7
		k+f	1.9 2.5

1-7. General Head Tapping Screws
一般用タッピンねじ



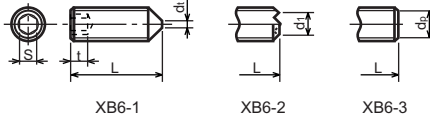
Type No. 類別番号	Type 類別	Head size (mm) 頭部寸法 (mm)						
		M2	M2.5	M2.6	M3	M4	M5	
XB4-6	Pan head なべ	d_k XB4-6	3.5	4.5	4.5	5.5	7	9
		k XB4-6	1.3	1.7	1.7	2	2.6	3.3
XB4-7	Binding head バインド	d_k XB4-7	4.3	5.3	5.5	6.3	8.3	10.3
		$k+f$ XB4-7	1.2	1.5	1.6	1.9	2.5	3.1
XB4-8	Countersunk head さら	d_k XB4-8	4	5	5.2	6	8	10
		k XB4-8	1.2	1.45	1.5	1.75	2.3	2.8

1-8. Tapping Screws for Metallic Materials
金属用タッピンねじ



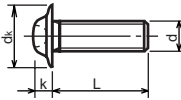
Type No. 類別番号	Type 類別	Head size (mm) 頭部寸法 (mm)					
		M2.5	M2.6	M3	M4	M5	
XB5-1	Pan head なべ	d_k XB5-1	4.5	4.5	5.5	7	9
		k XB5-1	1.7	1.7	2	2.6	3.3
XB5-2	Binding head バインド	d_k XB5-2	5.5	5.5	6.3	8.3	10.3
		$k+f$ XB5-2	1.6	1.6	1.9	2.5	3.1
XB5-6	Flanged pan head つば付きなべ	d_k XB5-6	6.5	6.5	8	10	12
		k XB5-6	2.1	2.1	1.75	3.2	4

1-9. Hexagon Socket Set Screws
六角穴付止めねじ



Type No. 類別番号	Type 類別	Head size (mm) 頭部寸法 (mm)							
		M1.6 M1.7	M2	M2.5 M2.6	M3	M5	M5	M6	
XB6-1	Cone point とがり先	S	0.7	0.9	1.3	1.5	2	2.5	3
		t	1.5	1.7	2	2	2.5	3	3.5
		$d_{t \max}$ XB6-1	0.4	0.5	0.65	0.75	1	1.25	1.5
		$d_{l \max}$ XB6-2	-	1.2	1.5	1.7	2.2	2.8	3.3
		$d_{l \min}$ XB6-2	-	1	1.2	1.4	1.9	2.4	2.9
XB6-3	Flat point 平先	$d_{p \max}$ XB6-3	0.8	1	1.5	2	2.5	3.5	4
		$d_{p \min}$ XB6-3	0.55	0.75	1.25	1.75	2.25	3.2	3.7

1-10. Flanged Pan Head Machine Screws
つば付きなべ小ねじ



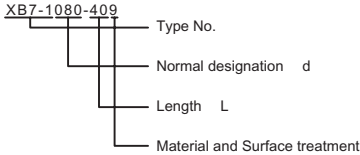
Type No. 類別番号	Type 類別	Head size (mm) 頭部寸法 (mm)					
		M2	M2.5 M2.6	M3	M5	M5	
XB6-7	Flanged pan head つば付きなべ	d_k	5	6.5	8	10	12
		k	1.7	2.1	2.5	3.2	4

FIGURE ZZC MECHANICAL STANDARD PARTS(BOLTS)

2. Bolts (Socket head cap screw)

How to read Parts Numbers

Bolt (Socket head cap screw)



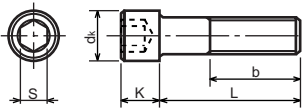
XB7-1 expresses Hexagon socket head cap screws.

080 expresses M8.0.

40 expresses a length of 40mm.

9 expresses Steel (Black zinc trivalent chromate treating) from Table 1.

2-1. Hexagon socket head cap screws



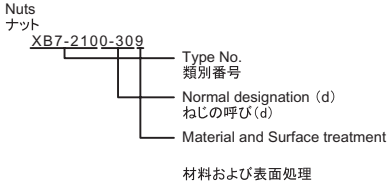
	Hexagon socket head cap screws

	Head size (mm)						
	M3	M4	M5	M6	M8	M10	M12
S	2.5	3	4	5	6	8	10
d_k	5.5	7	8.5	10	13	16	18
K	3	4	5	6	8	10	12
Screw part length b_{max}	18	20	22	24	28	32	36

FIGURE ZZD MECHANICAL STANDARD PARTS(NUTS)

3. Nuts ナット

How to read Parts Numbers
部品番号の見方



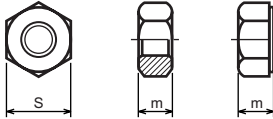
XB7-210 expresses Hexagon nut class 1.
XB7-210は、六角ナット1種を表す

0-30 expresses M3.0.
0-30は、M3.0を表す

9 expresses Steel (Black zinc trivalent chromate
treating) from Table 1.

9は、表1より鋼(黒色亜鉛3価クロメート)を表す

3-1. Hexagon Nuts and Hexagon Thin Nuts 六角ナット



Type No. 類別番号	Type 類別
XB7-210	Hexagon nut Class 1 六角ナット-1種
XB7-220	Hexagon nut Class 3 六角ナット-3種
XB7-230	Hexagon nut Style 1 double chamfered 六角ナット-スタイル1-両面とり
XB7-231	Hexagon nut Style 1 washer faced 六角ナット-スタイル1-座付き
XB7-240	Hexagon nut Style 2 double chamfered 六角ナット-スタイル2-両面とり
XB7-241	Hexagon nut Style 2 washer faced 六角ナット-スタイル2-座付き
XB7-250	Hexagon nut 六角ナット
XB7-260	Hexagon thin nut double chamfered 六角低ナット-両面とり
XB7-270	Hexagon thin nut not chamfered 六角低ナット-面とり無し

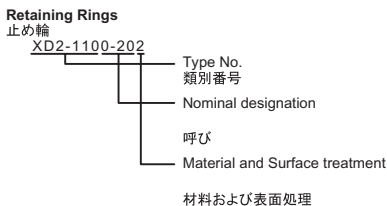
	Head size (mm) 頭部寸法 (mm)						
	M2	M2.5	M3	M4	M5	M6	M8
S	4	5	5.5	7	8	10	13
m XB7-210	1.6	2	2.4	3.2	4	5	6.5
m XB7-220	1.2	1.6	1.8	2.4	3.2	3.6	5
m XB7-230, 231	1.6	2	2.4	3.2	4.7	5.2	6.8
m XB7-240, 241	-	-	-	-	5.1	5.7	7.5
m XB7-250	-	-	-	-	5.6	6.1	7.9
m XB7-260	1.2	1.6	1.8	2.2	2.7	3.2	4
m XB7-270	1.2	1.6	1.8	2.2	2.7	3.2	4

FIGURE ZZE MECHANICAL STANDARD PARTS(RETAINING RINGS)

5. Retaining Rings

止め輪

How to read Parts Numbers
部品番号の見方



XD2-110 expresses retaining ring-E type (Type1).
XD2-110は、E形止め輪(1種)を表す

0-20 expresses a 020 of nominal designation.
(See Table 5)

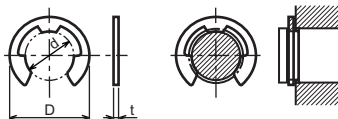
0-20は、呼び020を表す(表5参照)

2 expresses Stainless steel (Surface treatment is not to be given) from Table 1.

2は、表1よりステンレス(表面処理なし)を表す

5-1. Retaining Rings - E type

E形止め輪

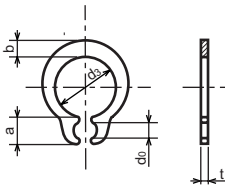


Type No. 類別番号	Type 類別
XD2-110	Retaining ring - E type (Type 1) E形止め輪(1種)
XD2-120	Retaining ring - E type (Type 2) E形止め輪(2種)

Table 5 表5

Type 種類	Nominal designation 呼び	d (mm)	D (mm)	t (mm)
Type 1 1種	007	0.65	2	0.2
	010	0.95	2.8	0.2
	013	1.25	3.3	0.3
	017	1.65	4.2	0.4
	020	1.95	4.6	0.5
	024	2.35	6	0.6
	028	2.74	6.5	0.6
	032	3.14	7.2	0.6
	037	3.64	8	0.7
	040	3.93	10	0.7
	042	4.13	10	0.7
	050	4.93	11	0.7
	058	5.73	12	0.7
	060	5.93	12.7	0.9
	064	6.32	13.5	0.9
	074	7.31	15	0.9
080	7.91	16.5	1	
Type 2 2種	008	0.8	2	0.2
	012	1.2	3	0.3
	015	1.5	4	0.4
	020	2	5	0.4
	025	2.5	6	0.4
	030	3	7	0.6
	040	4	9	0.6
	050	5	11	0.6
	060	6	12	0.8
	070	7	14	0.8
	080	8	16	0.8
	090	9	18	0.8
	100	10	20	1

5-2. Grip Rings
グリップ止め輪

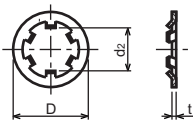


Type No. 類別番号	Type 類別
XD2-210	Grip ring グリップ止め輪

Table 5 表5

Nominal designation 呼び	d ₃ (mm)	t (mm)	b (mm)	a (mm)	d ₀ (mm)
020	1.9	0.5	1	1.8	0.8
025	2.35	0.5	1.2	1.9	0.9
030	2.85	0.6	1.4	1.9	0.9
035	3.3	0.6	1.6	2	0.9
040	3.8	0.8	1.8	2.8	1.2
045	4.25	0.8	2	2.9	1.3
050	4.75	0.8	2.2	2.9	1.3
060	5.7	1	2.4	3.1	1.4
070	6.7	1	2.7	3.3	1.4
080	7.7	1	3	3.5	1.4
090	8.65	1.2	3.3	4.7	1.5
100	9.65	1.2	3.5	4.7	2

5-3. Toothed Retaining Rings
歯付き形止め輪



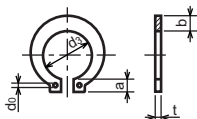
Type No. 類別番号	Type 類別
XD2-230	Toothed retaining ring 歯付き形止め輪

Table 5 表5

Nominal designation 呼び	d _z (mm)	D (mm)	t (mm)	No of teeth 歯数
015	1.4	5.2	0.25	3
020	1.9	6	0.25	3
024	2.3	6.4	0.25	3
030	2.8	8	0.25	4
040	3.8	9	0.25	4
050	4.8	10	0.25	5
060	5.8	11	0.25	5
080	7.8	13	0.25	5
100	9.8	15.4	0.25	6

5-4. Retaining Rings - C Type

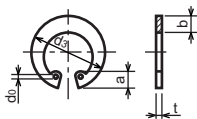
C形止め輪



Type No. 類別番号	Type 類別
XD2-310	Retaining ring - C type for shaft C形止め輪 軸用

Table 5 表5

Nominal designation 呼び	d ₃ (mm)	t (mm)	b (mm)	a (mm)	d ₀ (mm)
010	9.3	1	1.6	3	1.2
012	11.1	1	1.8	3.2	1.5
014	12.9	1	2	3.4	1.7
015	13.8	1	2.1	3.5	1.7
016	14.7	1	2.2	3.6	1.7
017	15.7	1	2.2	3.7	1.7
018	16.5	1.2	2.6	3.8	1.7
020	18.5	1.2	2.7	3.9	2
022	20.5	1.2	2.7	4.1	2
025	23.2	1.2	3.1	4.3	2
028	25.9	1.5	3.1	4.6	2
030	27.9	1.5	3.5	4.8	2
032	29.6	1.5	3.5	5	2.5
035	32.2	1.5	4	5.4	2.5



Type No. 類別番号	Type 類別
XD2-320	Retaining ring - C type for hole C形止め輪 穴用

Table 5 表5

Nominal designation 呼び	d ₃ (mm)	t (mm)	b (mm)	a (mm)	d ₀ (mm)
010	10.7	1	1.8	3.1	1.2
011	11.8	1	1.8	3.2	1.2
012	13	1	1.8	3.3	1.5
014	15.1	1	2	3.6	1.7
016	17.3	1	2	3.7	1.7
018	19.5	1	2.5	4	1.7
019	20.5	1	2.5	4	2
020	21.5	1	2.5	4	2
022	23.5	1	2.5	4.1	2
025	26.9	1.2	3	4.4	2
028	30.1	1.2	3	4.6	2
030	32.1	1.2	3	4.7	2
032	34.4	1.2	3.5	5.2	2.5
035	37.8	1.5	3.5	5.2	2.5
037	39.8	1.5	3.5	5.2	2.5
040	43.5	1.8	4	5.7	2.5
042	45.5	1.8	4	5.8	2.5
045	48.5	1.8	4.5	5.9	2.5
047	50.5	1.8	4.5	6.1	2.5
050	54.2	2	4.5	6.5	2.5
052	56.2	2	5.1	6.5	2.5
055	59.2	2	5.1	6.5	2.5
060	64.2	2	5.1	6.8	2.5
062	66.2	2	5.5	6.9	2.5
068	72.5	2.5	6	7.4	2.5
072	76.5	2.5	6.6	7.4	2.5
075	79.5	2.5	6.6	7.8	2.5
080	85.5	2.5	7	8	2.5
085	90.5	3	7	8	3
090	95.5	3	7.6	8.3	3
095	100.5	3	8	8.5	3

Prepared by
L Printer Quality Assurance Center
CANON INC.

Canon