

iPF610/600

PARTS CATALOG



Canon

DU7-3164-010

OCTOBER 2007
REV. 1

PREFACE

This Parts Catalog contains listings of parts used

Diagrams are provided with the listings to aid the service technician in identifying clearly, the item to be ordered.

Whenever ordering parts, consult this Parts Catalog for all of the information pertaining to each item. Be sure to include, in the Parts Request, the full item description, the item part number, and the quantity.

COPYRIGHT (C) 1999 CANON INC.

Use of this manual should be strictly supervised to avoid disclosure of confidential information.

Contents

NUMERICAL INDEX

iPF610/600(Numerical Index)..... 1-1

iPF610/600(Parts Catalog)

01	PRINTER & ACCESSORIES	2-1
02	ROLL UNIT	2-4
03	COVERS (1)	2-8
04	COVERS (2)	2-12
05	ELECTRICAL PART	2-14
06	PURGE UNIT	2-18
07	CUTTER UNIT	2-20
08	INK SUPPLY UNIT	2-22
09	LINEAR SCALE & LIFT DRIVE UNIT	2-24
10	CARRIAGE UNIT	2-26
11	CARRIAGE & FEED MOTOR UNIT	2-28
12	PICK-UP & FEED UNIT (1)	2-30
13	PICK-UP & FEED UNIT (2)	2-34
14	PINCH ROLLER UNIT	2-36
15	AIR FLOW FAN UNIT	2-38
16	PLATEN & SPUR UNIT	2-40
17	CASSETTE	2-43
18	TOOL	2-45
R1	STAND UNIT	2-46

NUMERICAL INDEX

iPF610/600(Numerical Index)

PARTS NUMBER	FIGURE & KEY NO.	PARTS NUMBER	FIGURE & KEY NO.	PARTS NUMBER	FIGURE & KEY NO
AY3-4493-000	18 - 3	QC2-0682-000	14 - 3	QC2-0923-000	04 - 9
CK-0562-000	18 - 1	QC2-0683-000	09 - 10	QC2-0924-000	04 - 10
FB1-0733-000	01 - 4	QC2-0684-000	09 - 17	QC2-0926-000	04 - 11
FH2-7092-020	01 - 11	QC2-0685-000	09 - 11	QC2-0927-000	04 - 12
NPN	01 -	QC2-0686-000	09 - 12	QC2-0928-000	04 - 13
NPN	01 - 1	QC2-0687-000	09 - 13	QC2-0929-000	04 - 14
NPN	01 - 2	QC2-0688-000	09 - 14	QC2-0930-000	13 - 18
NPN	01 - 2	QC2-0689-000	09 - 15	QC2-0933-000	14 - 14
NPN	01 - 2	QC2-0690-000	09 - 16	QC2-0934-000	14 - 15
NPN	01 - 2	QC2-0710-000	10 - 11	QC2-0938-000	13 - 12
NPN	01 - 2	QC2-0739-000	08 - 6	QC2-0941-000	13 - 19
NPN	02 -	QC2-0740-000	08 - 7	QC2-0942-000	04 - 16
NPN	03 -	QC2-0742-000	08 - 8	QC2-0943-000	04 - 17
NPN	04 -	QC2-0746-020	08 - 2	QC2-0946-000	04 - 20
NPN	05 -	QC2-0759-000	10 - 12	QC2-0956-000	16 - 9
NPN	06 -	QC2-0763-000	08 - 11	QC2-0957-000	11 - 4
NPN	07 -	QC2-0764-000	08 - 12	QC2-0958-000	16 - 10
NPN	08 -	QC2-0807-000	06 - 7	QC2-0964-000	16 - 11
NPN	09 -	QC2-0832-000	07 - 11	QC2-0981-000	14 - 17
NPN	10 -	QC2-0832-000	08 - 9	QC2-0982-000	14 - 4
NPN	11 -	QC2-0832-000	12 - 30	QC2-0985-000	11 - 6
NPN	12 -	QC2-0833-020	06 - 8	QC2-0990-000	11 - 7
NPN	13 -	QC2-0862-000	12 - 7	QC2-0994-000	14 - 5
NPN	14 -	QC2-0863-000	12 - 8	QC2-0995-000	11 - 9
NPN	15 -	QC2-0864-000	12 - 9	QC2-0996-000	14 - 6
NPN	16 -	QC2-0865-000	12 - 10	QC2-0997-000	14 - 20
NPN	17 -	QC2-0866-000	12 - 11	QC2-0998-000	11 - 11
NPN	18 -	QC2-0866-000	13 - 16	QC2-1002-000	16 - 15
NPN	R1 -	QC2-0866-000	16 - 8	QC2-1004-000	16 - 17
QA4-0292-000	16 - 6	QC2-0867-000	12 - 12	QC2-1007-000	16 - 18
QA4-0880-000	16 - 7	QC2-0868-000	12 - 13	QC2-1009-000	16 - 19
QC1-0710-000	02 - 44	QC2-0869-000	12 - 14	QC2-1018-000	16 - 20
QC1-2950-000	14 - 12	QC2-0872-000	13 - 5	QC2-1024-000	16 - 21
QC1-4149-000	02 - 45	QC2-0873-000	13 - 6	QC2-1025-000	16 - 22
QC1-4149-000	04 - 15	QC2-0874-000	13 - 7	QC2-1027-000	16 - 23
QC1-4149-000	12 - 18	QC2-0875-000	13 - 8	QC2-1070-000	15 - 6
QC1-4149-000	13 - 25	QC2-0876-000	13 - 9	QC2-1077-000	15 - 4
QC1-4149-000	16 - 14	QC2-0878-000	13 - 13	QC2-1079-000	15 - 5
QC1-4850-000	07 - 6	QC2-0879-000	13 - 14	QC2-1100-000	06 - 6
QC1-5141-000	R1 - 18	QC2-0884-000	13 - 1	QC2-1103-000	03 - 24
QC2-0606-000	05 - 8	QC2-0887-000	12 - 15	QC2-1110-000	06 - 1
QC2-0612-000	05 - 13	QC2-0888-000	13 - 15	QC2-1116-000	03 - 2
QC2-0660-000	10 - 18	QC2-0889-000	12 - 26	QC2-1117-000	03 - 3
QC2-0661-000	10 - 19	QC2-0890-000	12 - 27	QC2-1118-000	04 - 18
QC2-0663-000	10 - 17	QC2-0891-000	12 - 16	QC2-1120-000	04 - 1
QC2-0664-000	10 - 20	QC2-0892-000	12 - 17	QC2-1123-000	03 - 8
QC2-0675-000	09 - 6	QC2-0895-000	12 - 20	QC2-1139-000	03 - 9
QC2-0676-000	09 - 7	QC2-0900-000	12 - 21	QC2-1140-000	04 - 2
QC2-0678-000	09 - 5	QC2-0902-000	12 - 22	QC2-1154-000	04 - 19
QC2-0681-000	09 - 8	QC2-0903-000	12 - 23	QC2-1165-000	03 - 6
QC2-0682-000	09 - 9	QC2-0918-000	12 - 24	QC2-1167-000	03 - 13
QC2-0682-000	12 - 6	QC2-0922-000	04 - 8	QC2-1172-000	04 - 3

NUMERICAL INDEX

iPF610/600(Numerical Index)

PARTS NUMBER	FIGURE & KEY NO.	PARTS NUMBER	FIGURE & KEY NO.	PARTS NUMBER	FIGURE & KEY NO.
QC2-1176-000	03 - 16	QC2-1396-000	11 - 5	QK1-0550-000	12 - 3
QC2-1189-000	02 - 24	QC2-1396-000	16 - 16	QK1-1386-000	15 - 2
QC2-1191-000	02 - 47	QC2-1397-000	01 - 3	QK1-1440-000	06 - 10
QC2-1210-000	02 - 34	QC2-1411-000	02 - 25	QK1-2073-000	05 - 5
QC2-1210-000	02 - 55	QC2-1411-000	05 - 29	QK1-2074-000	05 - 5
QC2-1211-000	02 - 31	QC2-1446-000	03 - 25	QK1-2081-000	02 - 16
QC2-1212-000	02 - 56	QC2-1451-000	12 - 28	QK1-2083-000	11 - 2
QC2-1212-020	02 - 35	QC2-1452-000	12 - 29	QK1-2084-000	15 - 2
QC2-1213-000	02 - 39	QC2-1455-000	12 - 4	QK1-2086-000	06 - 10
QC2-1214-000	02 - 37	QC2-1457-000	03 - 10	QK1-2090-000	10 - 5
QC2-1222-000	02 - 8	QC2-1460-000	14 - 16	QK1-2091-000	10 - 15
QC2-1222-000	02 - 51	QC2-1541-000	02 - 46	QK1-2682-000	01 - 8
QC2-1223-000	02 - 10	QC2-1541-000	14 - 18	QK1-2685-000	01 - 7
QC2-1229-000	14 - 19	QC2-1556-020	17 - 5	QK1-2686-000	01 - 10
QC2-1231-000	02 - 26	QC2-1569-000	16 - 13	QK1-2688-000	01 - 5
QC2-1234-000	02 - 29	QC2-1570-000	16 - 27	QK1-2689-000	01 - 6
QC2-1236-000	02 - 27	QC2-4325-000	10 - 3	QK1-2690-000	01 - 9
QC2-1238-000	02 - 36	QC2-4326-000	10 - 10	QK1-2793-000	05 - 15
QC2-1240-000	02 - 41	QC2-4327-000	02 - 54	QL2-1537-000	15 - 7
QC2-1244-000	02 - 32	QC2-4327-000	02 - 57	QL2-1555-000	03 - 20
QC2-1256-000	02 - 1	QC2-4346-000	R1 - 1	QL2-1561-000	16 - 24
QC2-1257-000	02 - 14	QC2-4348-000	R1 - 13	QL2-1567-000	16 - 28
QC2-1258-000	02 - 15	QC2-4350-000	R1 - 14	QL2-1572-000	03 - 18
QC2-1260-000	02 - 4	QC2-4351-000	R1 - 15	QL2-1579-000	16 - 3
QC2-1261-000	02 - 5	QC2-4359-000	R1 - 2	QL2-1580-000	16 - 4
QC2-1262-000	02 - 6	QC2-5993-000	R1 - 3	QL2-1581-000	16 - 26
QC2-1263-000	02 - 12	QC2-5995-000	R1 - 4	QL2-1585-000	02 - 49
QC2-1264-000	02 - 13	QC2-5997-000	R1 - 16	QL2-1588-000	04 - 4
QC2-1270-000	03 - 22	QC2-5998-000	R1 - 17	QL2-1591-000	16 - 25
QC2-1272-000	03 - 15	QC2-6005-000	R1 - 5	QL2-1593-000	14 - 2
QC2-1273-000	03 - 23	QC2-6006-000	R1 - 6	QL2-2317-000	14 - 2
QC2-1274-000	07 - 10	QC2-6008-000	R1 - 10	QM2-3420-000	11 - 3
QC2-1276-000	03 - 4	QC2-6009-000	R1 - 11	QM2-3421-000	10 - 6
QC2-1278-000	03 - 5	QC2-6010-000	R1 - 12	QM2-3422-000	12 - 2
QC2-1283-000	10 - 13	QC2-6039-000	11 - 8	QM2-3423-000	11 - 10
QC2-1289-000	03 - 21	QC2-6040-000	12 - 5	QM2-3424-000	05 - 1
QC2-1309-000	10 - 14	QC2-6052-000	09 - 2	QM2-3426-000	10 - 7
QC2-1310-000	02 - 7	QC2-6261-000	02 - 4	QM2-3428-000	02 - 17
QC2-1317-000	13 - 10	QC2-6262-000	02 - 53	QM3-0161-009	09 - 4
QC2-1317-000	14 - 9	QC2-6270-000	02 - 51	QM3-0162-000	08 - 5
QC2-1323-000	06 - 3	QC2-6276-000	03 - 26	QM3-0179-000	15 - 1
QC2-1324-000	13 - 11	QC2-6277-000	03 - 27	QM3-0181-000	17 - 1
QC2-1330-000	R1 - 7	QC2-6518-000	03 - 2	QM3-0182-000	17 - 4
QC2-1373-000	05 - 16	QC2-6519-000	03 - 3	QM3-0183-000	17 - 2
QC2-1374-000	10 - 22	QC2-6536-000	03 - 10	QM3-0184-000	17 - 3
QC2-1375-000	08 - 18	QC2-6568-000	02 - 56	QM3-0186-000	04 - 7
QC2-1381-000	02 - 28	QC2-6569-000	02 - 55	QM3-0187-000	15 - 3
QC2-1385-000	02 - 2	QC2-6595-000	R1 - 9	QM3-0204-000	03 - 1
QC2-1386-000	02 - 3	QK1-0440-000	09 - 1	QM3-0205-000	03 - 11
QC2-1391-000	03 - 19	QK1-0447-000	11 - 1	QM3-0209-000	15 - 9
QC2-1395-000	16 - 12	QK1-0550-000	07 - 7	QM3-0210-000	06 - 9
QC2-1396-000	10 - 21	QK1-0550-000	08 - 10	QM3-0212-030	03 - 12

NUMERICAL INDEX

iPF610/600(Numerical Index)

PARTS NUMBER	FIGURE & KEY NO.	PARTS NUMBER	FIGURE & KEY NO.	PARTS NUMBER	FIGURE & KEY NO.
QM3-0219-000	02 - 11	QM3-0721-000	02 - 23	WC4-5052-000	07 - 9
QM3-0221-000	02 - 30	QM3-0722-000	02 - 50	WE8-6409-000	10 - 16
QM3-0222-030	02 - 38	QM3-0737-000	03 - 17	WG8-5624-000	02 - 22
QM3-0223-030	02 - 33	QM3-0743-000	03 - 1	WG8-5624-000	07 - 8
QM3-0224-000	02 - 40	QM3-0745-000	03 - 5	WG8-5624-000	08 - 3
QM3-0226-000	02 - 18	QM3-0760-000	14 - 1	WG8-5624-000	09 - 3
QM3-0227-000	02 - 19	QM3-0761-000	14 - 7	WG8-5624-000	13 - 4
QM3-0231-000	02 - 21	QM3-0762-000	03 - 7	WG8-5624-000	16 - 5
QM3-0233-000	02 - 20	QM3-0763-000	03 - 11	WK1-5024-000	05 - 4
QM3-0235-000	02 - 23	QM3-0764-000	03 - 11	WP2-5187-000	05 - 2
QM3-0245-000	16 - 29	QM3-0767-000	14 - 10	WT2-0136-000	05 - 17
QM3-0246-000	16 - 2	QM3-0770-000	05 - 3	WT2-0262-000	05 - 18
QM3-0351-000	10 - 4	QM3-0772-000	07 - 4	WT2-0270-000	12 - 25
QM3-0517-000	14 - 1	QM3-0773-000	03 - 14	WT2-0317-000	05 - 19
QM3-0518-000	14 - 7	QM3-0776-000	02 - 38	WT2-0491-000	05 - 20
QM3-0526-000	13 - 3	QM3-0779-000	17 - 1	WT2-0494-000	05 - 21
QM3-0527-000	05 - 14	QM3-0801-000	16 - 25	WT2-5018-000	05 - 22
QM3-0529-000	06 - 5	QM3-0804-000	10 - 1	WT2-5056-000	05 - 23
QM3-0541-000	10 - 8	QM3-0806-000	10 - 1	WT2-5056-000	13 - 24
QM3-0542-000	10 - 24	QM3-0853-000	05 - 6	WT2-5064-000	05 - 24
QM3-0543-000	10 - 23	QM3-0855-000	08 - 13	WT2-5098-000	05 - 25
QM3-0547-000	04 - 5	QM3-0857-000	05 - 28	WT2-5694-000	05 - 26
QM3-0548-040	04 - 6	QM3-0858-000	05 - 7	WT2-5694-000	13 - 17
QM3-0549-000	03 - 7	QM3-0863-000	05 - 9	WT2-5760-000	05 - 27
QM3-0550-000	15 - 10	QM3-0864-000	15 - 8	XA9-0135-000	12 - 19
QM3-0566-000	14 - 8	QM3-0865-000	13 - 21	XA9-0831-000	02 - 48
QM3-0568-040	08 - 1	QM3-0866-000	13 - 22	XA9-0863-000	02 - 9
QM3-0570-000	05 - 3	QM3-0867-000	07 - 2	XB1-2200-506	11 - 501
QM3-0579-000	14 - 11	QM3-0868-000	02 - 42	XB1-2200-506	12 - 501
QM3-0580-000	14 - 13	QM3-0869-000	02 - 43	XB1-2260-409	07 - 501
QM3-0583-030	03 - 14	QM3-0895-000	05 - 12	XB1-2260-409	08 - 501
QM3-0584-000	08 - 4	QM3-0901-000	08 - 14	XB1-2260-409	12 - 502
QM3-0585-000	07 - 5	QM3-0902-000	08 - 15	XB1-2300-606	02 - 502
QM3-0589-000	07 - 1	QM3-0903-000	08 - 16	XB1-2300-606	09 - 502
QM3-0593-000	16 - 1	QM3-0904-000	06 - 2	XB1-2400-606	05 - 503
QM3-0598-000	07 - 4	QM3-0905-000	05 - 12	XB1-2400-805	R1 - 501
QM3-0619-000	12 - 1	QM3-0914-000	08 - 17	XB1-2403-009	R1 - 502
QM3-0626-000	03 - 11	QM3-0917-000	16 - 30	XB3-6300-605	14 - 502
QM3-0628-000	02 - 50	QM3-0918-000	16 - 31	XB4-5300-806	02 - 501
QM3-0631-000	13 - 2	QM3-0928-000	08 - 19	XB4-7300-806	03 - 501
QM3-0632-000	13 - 20	QM3-0935-000	08 - 15	XB4-7300-806	04 - 502
QM3-0635-000	03 - 17	QM3-0936-000	05 - 10	XB4-7300-806	06 - 502
QM3-0649-020	10 - 1	QM3-0937-000	05 - 11	XB4-7300-806	08 - 503
QM3-0652-000	10 - 2	QM3-0938-000	07 - 3	XB6-7300-606	03 - 502
QM3-0653-040	06 - 4	QM3-0940-000	05 - 6	XB6-7300-606	04 - 501
QM3-0688-000	R1 - 8	QM3-0941-000	07 - 3	XB6-7300-606	05 - 501
QM3-0701-000	15 - 1	QM3-0942-000	13 - 23	XB6-7300-606	06 - 501
QM3-0704-000	10 - 25	QM3-0943-000	05 - 10	XB6-7300-606	07 - 502
QM3-0712-000	07 - 1	QM3-0944-000	05 - 11	XB6-7300-606	08 - 502
QM3-0715-000	02 - 11	QM3-0945-000	13 - 23	XB6-7300-606	09 - 501
QM3-0717-000	02 - 52	QU1-2006-000	10 - 9	XB6-7300-606	11 - 502
QM3-0719-000	02 - 20	QY9-0037-000	18 - 2	XB6-7300-606	12 - 503

NUMERICAL INDEX
iPF610/600(Numerical Index)

PARTS NUMBER	FIGURE & KEY NO.	PARTS NUMBER	FIGURE & KEY NO.	PARTS NUMBER	FIGURE & KEY NO
XB6-7300-606	13 - 502				
XB6-7300-606	14 - 501				
XB6-7300-606	15 - 501				
XB6-7300-606	16 - 501				
XD1-4200-402	05 - 502				
XD3-1200-102	13 - 503				
XD3-2200-082	13 - 504				
XD3-2200-122	13 - 501				

iPF610/600(Parts Catalog)

iPF610

100V	Q51-1661-000
120V	Q51-1662-000
230V	Q51-1663-000

iPF600

100V	Q51-1491-000
120V	Q51-1492-000
230V	Q51-1493-000

STAND UNIT ST-24

Q55-2370-000

Contents

01	PRINTER & ACCESSORIES	2-1
02	ROLL UNIT	2-4
03	COVERS (1)	2-8
04	COVERS (2)	2-12
05	ELECTRICAL PART	2-14
06	PURGE UNIT	2-18
07	CUTTER UNIT	2-20
08	INK SUPPLY UNIT	2-22
09	LINEAR SCALE & LIFT DRIVE UNIT	2-24
10	CARRIAGE UNIT	2-26
11	CARRIAGE & FEED MOTOR UNIT	2-28
12	PICK-UP & FEED UNIT (1).....	2-30
13	PICK-UP & FEED UNIT (2).....	2-34
14	PINCH ROLLER UNIT	2-36
15	AIR FLOW FAN UNIT	2-38
16	PLATEN & SPUR UNIT	2-40
17	CASSETTE	2-43
18	TOOL	2-45
R1	STAND UNIT	2-46

FIGURE 01 PRINTER & ACCESSORIES

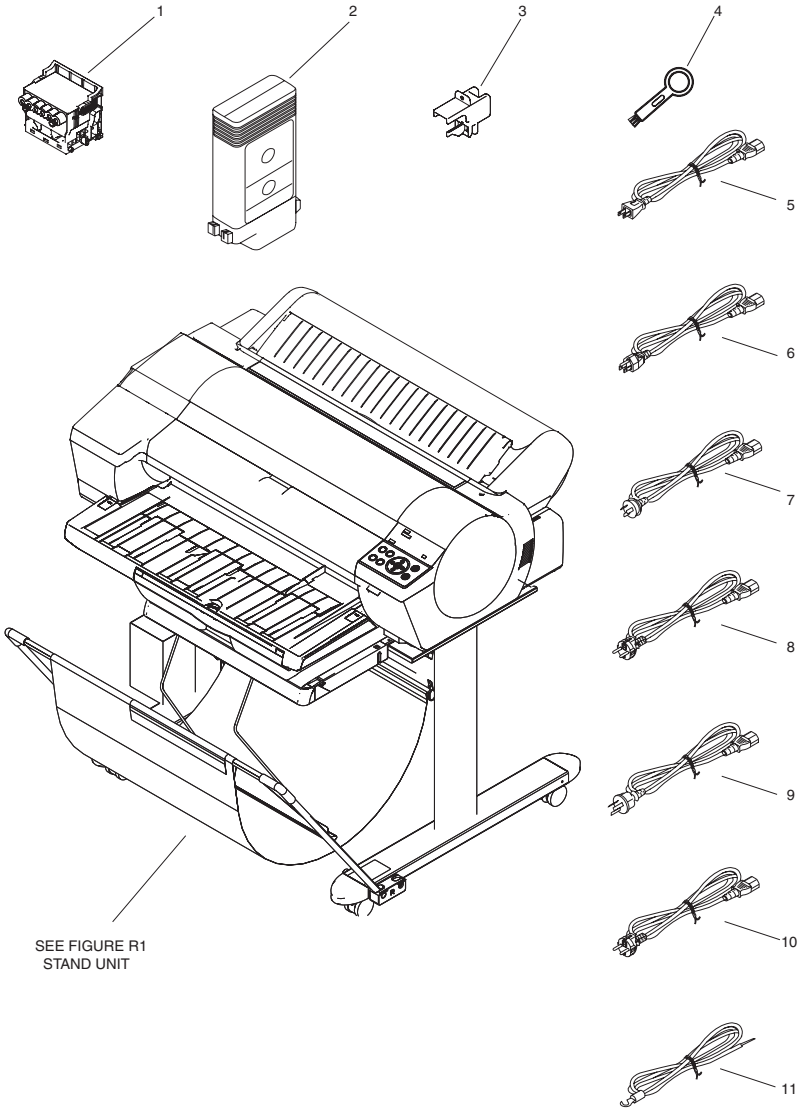


FIGURE & KEY NO.	PARTS NUMBER	R A N K	Q'TY	DESCRIPTION	SERIAL NUMBER/ REMARKS	S V C
Fig.01	NPN		RF	PRINTER & ACCESSORIES		
1	NPN		RF	PRINTHEAD		
2	NPN		RF	INK TANK (MBK)		
2	NPN		RF	INK TANK (PBK)		
2	NPN		RF	INK TANK (C)		
2	NPN		RF	INK TANK (M)		
2	NPN		RF	INK TANK (Y)		
3	QC2-1397-000		1	STOPPER, BELT	100V	
4	FB1-0733-000		1	BRUSH, CLEANER		
5	QK1-2688-000		1	CORD, POWER	120V (UL)	
6	QK1-2689-000		1	CORD, POWER	240V (CHN)	
7	QK1-2685-000		1	CORD, POWER	220-240V	
8	QK1-2682-000		1	CORD, POWER	240V (AUS)	
9	QK1-2690-000		1	CORD, POWER	240V (KOR)	
10	QK1-2686-000		1	CORD, POWER		
11	FH2-7092-020		1	WIRE, GROUND	100V	

FIGURE 02 ROLL UNIT

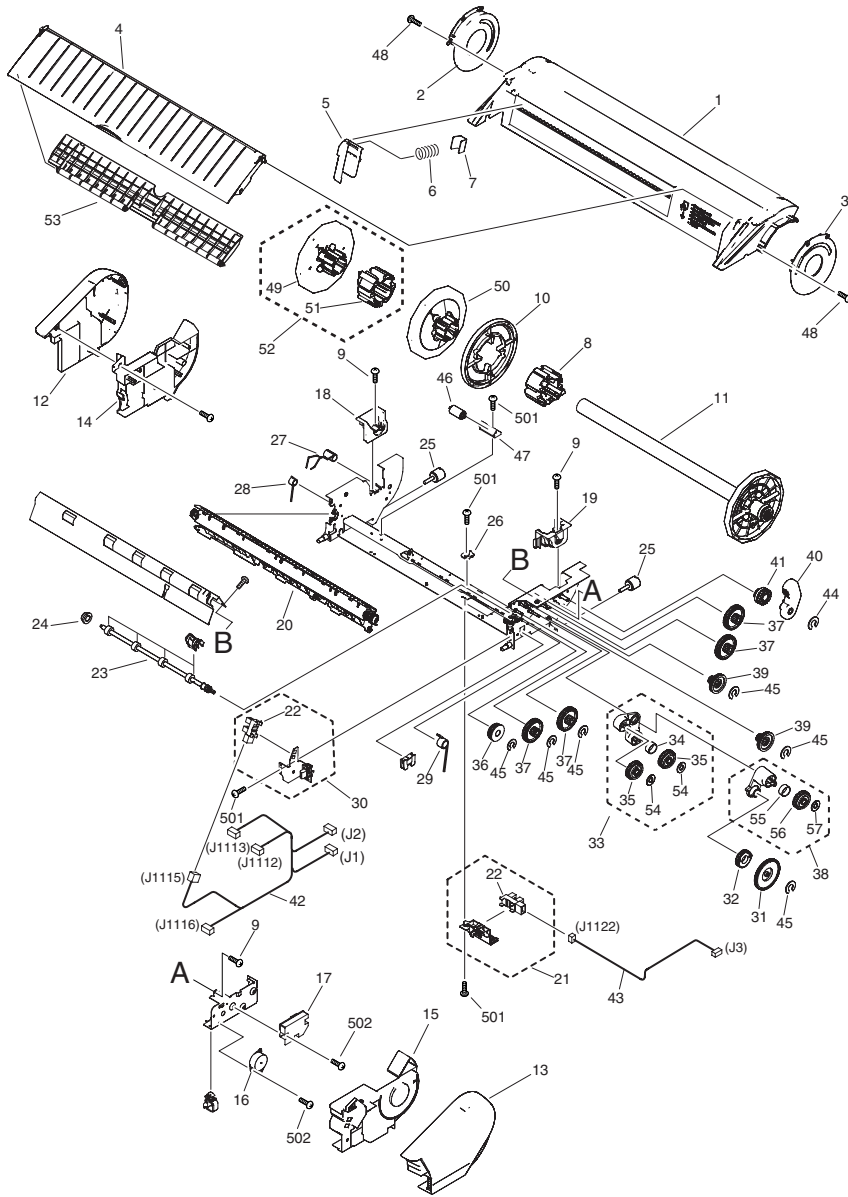


FIGURE & KEY NO.	PARTS NUMBER	R A N K	Q'TY	DESCRIPTION	SERIAL NUMBER/ REMARKS	S V C
Fig.02	NPN		RF	ROLL UNIT		
1	QC2-1256-000		1	COVER, ROLL		
2	QC2-1385-000		1	COVER, ROLL, LEFT		
3	QC2-1386-000		1	COVER, ROLL, RIGHT		
4	QC2-6261-000		1	TRAY, MANUAL PAPER FEED	iPF610	
4	QC2-1260-000		1	TRAY	iPF600	
5	QC2-1261-000		1	GUIDE, SIDE, PAPER		
6	QC2-1262-000		1	SPRING, COMPRESSION		
7	QC2-1310-000		1	SLIDE PIECE, GUIDE		
8	QC2-1222-000		1	HOLDER, ROLL		
9	XA9-0863-000		11	SCREW, MACHINE, RS-TIGHT, M3X6		
10	QC2-1223-000		1	SPACER, HOLDER, ROLL		
11	QM3-0715-000		1	ROLL SHAFT UNIT	iPF610	
11	QM3-0219-000		1	SHAFT UNIT,ROLL	iPF600	
12	QC2-1263-000		1	CAP, ROLL, LEFT		
13	QC2-1264-000		1	CAP, ROLL, RIGHT		
14	QC2-1257-000		1	CASE, ROLL, LEFT		
15	QC2-1258-000		1	CASE, R, ROLL		
16	QK1-2081-000		1	MOTOR, STEPPING		
17	QM2-3428-000		1	PCB ASS'Y, DRIVER, ROLL UNIT		
18	QM3-0226-000		1	HOLDER UNIT, LEFT, ROLL HOLDER		
19	QM3-0227-000		1	HOLDER UNIT, RIGHT, ROLL HOLDE		
20	QM3-0719-000		1	ROLLER RELEASE UNIT	iPF610	
20	QM3-0233-000		1	RELEASE UNIT, PINCH ROLLER,ROL	iPF600	
21	QM3-0231-000		1	SENSOR UNIT, DETECTION, ROLL		
22	WG8-5624-000		2	IC, PHOTO INTERRUPTER, TLP1241		
23	QM3-0721-000		1	FEED ROLLER UNIT	iPF610	
23	QM3-0235-000		1	ROLLER, TRANSPORT	iPF600	
24	QC2-1189-000		1	BUSHING		
25	QC2-1411-000		2	SCREW, M3X12		
26	QC2-1231-000		2	BUSHING		
27	QC2-1236-000		1	SPRING, LEAF, GROUNDING		

FIGURE & KEY NO.	PARTS NUMBER	RANK	Q'TY	DESCRIPTION	SERIAL NUMBER/REMARKS	SVC
28	QC2-1381-000		1	SPRING, TORSION		
29	QC2-1234-000		1	SPRING, TORSION		
30	QM3-0221-000		1	SENSOR UNIT, CAM, ROLL		
31	QC2-1211-000		1	GEAR, PENDULUM, TOP		
32	QC2-1244-000		1	GEAR, PENDULUM, BOTTOM		
33	QM3-0223-030		1	PENDULUM UNIT, LOWER, ROLL		
34	QC2-1210-000		1	SPRING, COMPRESSION		
35	QC2-1212-020		2	GEAR, PENDULUM, 1		
36	QC2-1238-000		1	GEAR		
37	QC2-1214-000		4	GEAR		
38	QM3-0776-000		1	UPPER ROLL RENDULUM UNIT	iPF610	
38	QM3-0222-030		1	PENDULUM UNIT, UPPER, ROLL	iPF600	
39	QC2-1213-000		2	GEAR		
40	QM3-0224-000		1	PENDULUM UNIT, 2, ROLL		
41	QC2-1240-000		1	GEAR, PENDULUM, 2		
42	QM3-0868-000		1	HARNESS, WIRE, ROLL UNIT		
43	QM3-0869-000		1	HARNESS, WIRE, SENSOR, ROLL		
44	QC1-0710-000		1	WASHER		
45	QC1-4149-000		6	WASHER		
46	QC2-1541-000		1	ROLLER, GUIDE		
47	QC2-1191-000		1	HOLDER, ROLLER		
48	XA9-0831-000		16	SCREW, TP, M3X10		
49	QL2-1585-000		1	HOLDER, ROLL, LEFT, 2	iPF600	
50	QM3-0722-000		1	HOLDER, ROLL, LEFT, 1	iPF610	
50	QM3-0628-000		1	HOLDER, ROLL, LEFT, 1	iPF600	
51	QC2-6270-000		1	HOLDER, ROLL	iPF610	
51	QC2-1222-000		1	HOLDER, ROLL	iPF600	
52	QM3-0717-000		1	HOLDER, ROLL, LEFT, 2	iPF610	
53	QC2-6262-000		1	TRAY, AUXILIARY	iPF610	
54	QC2-4327-000		2	RING		
55	QC2-6569-000		1	SPRING, COMPRESSION	iPF610	
55	QC2-1210-000		1	SPRING, COMPRESSION	iPF600	

FIGURE & KEY NO.	PARTS NUMBER	R A N K	Q'TY	DESCRIPTION	SERIAL NUMBER/ REMARKS	S V C
56	QC2-6568-000		1	GEAR, 32T	iPF610	
56	QC2-1212-000		1	GEAR, PENDULUM, 1	iPF600	
57	QC2-4327-000		1	RING	iPF600	
501	XB4-5300-806		4	SCREW, TAPPING, TRUSS HEAD M3X8		
502	XB1-2300-606		5	SCREW, MACHINE M3X6		

FIGURE 03 COVERS (1)

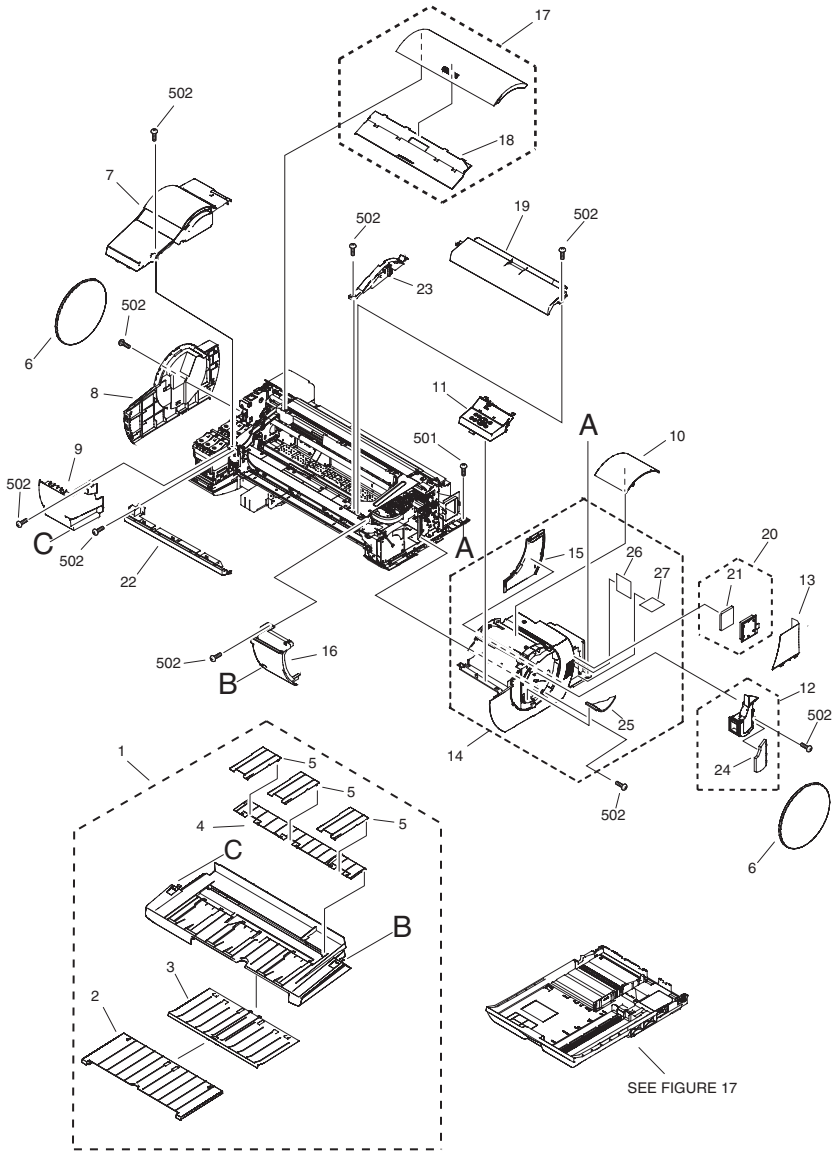


FIGURE & KEY NO.	PARTS NUMBER	R A N K	Q'TY	DESCRIPTION	SERIAL NUMBER/ REMARKS	S V C
Fig.03	NPN		RF	COVERS (1)		
1	QM3-0743-000		1	TRAY UNIT	iPF610	
1	QM3-0204-000		1	TRAY UNIT	iPF600	
2	QC2-6518-000		1	TRAY, DELIVERY	iPF610	
2	QC2-1116-000		1	TRAY, PAPER EJECTION	iPF600	
3	QC2-6519-000		1	TRAY, AUXILIARY	iPF610	
3	QC2-1117-000		1	TRAY, EXTENSION, PAPER	iPF600	
4	QC2-1276-000		1	BASE, GUIDE, ROLL		
5	QM3-0745-000		2	ROLL GUIDE UNIT	iPF610	
5	QC2-1278-000		2	GUIDE, ROLL	iPF600	
6	QC2-1165-000		2	COVER, CIRCLE		
7	QM3-0762-000		1	TANK COVER UNIT	iPF610	
7	QM3-0549-000		1	TANK COVER UNIT	iPF600	
8	QC2-1123-000		1	COVER, LEFT		
9	QC2-1139-000		1	COVER, LEFT, FRONT		
10	QC2-6536-000		1	COVER, TOP, RIGHT	iPF610	
10	QC2-1457-000		1	COVER, TOP, RIGHT	iPF600	
11	QM3-0763-000		1	OPERATION PANEL UNIT	iPF610(JAPANESE)	
11	QM3-0764-000		1	OPERATION PANEL UNIT	iPF610(ENGLISH)	
11	QM3-0205-000		1	OPERATION PANEL UNIT	iPF600(JAPANESE)	
11	QM3-0626-000		1	OPERATION PANEL UNIT	iPF600(ENGLISH)	
12	QM3-0212-030		1	MIST FILTER UNIT		
13	QC2-1167-000		1	COVER, RIGHT		
14	QM3-0773-000		1	COVER, RIGHT	iPF610	
14	QM3-0583-030		1	COVER, RIGHT	iPF600	
15	QC2-1272-000		1	COVER, LOUVER		
16	QC2-1176-000		1	COVER, RIGHT, FRONT		
17	QM3-0737-000		1	TOP COVER UNIT	iPF610	
17	QM3-0635-000		1	TOP COVER UNIT	iPF600	
18	QL2-1572-000		1	COVER, TOP, WINDOW	iPF600	
19	QC2-1391-000		1	COVER, FRONT, UPPER		
20	QL2-1555-000		1	HOLDER, FILTER(MECH), EXHAUST		

FIGURE & KEY NO.	PARTS NUMBER	RANK	Q'TY	DESCRIPTION	SERIAL NUMBER/REMARKS	SVC
21	QC2-1289-000		1	FILTER(MECH), AIR		
22	QC2-1270-000		1	COVER, AIR DUCT, FRONT		
23	QC2-1273-000		1	ARM		
24	QC2-1103-000		1	FILTER(MECH), INK MIST		
25	QC2-1446-000		1	ABSORBER, DRAIN, WASTE INK		
26	QC2-6276-000		1	ABSORBER, NOIZE	iPF610	
27	QC2-6277-000		1	ABSORBER, NOIZE	iPF610	
501	XB4-7300-806		1	SCREW, TAP, BINDING HEAD, M3X8		
502	XB6-7300-606		AR	SCREW, TP, M3X6		

FIGURE 04 COVERS (2)

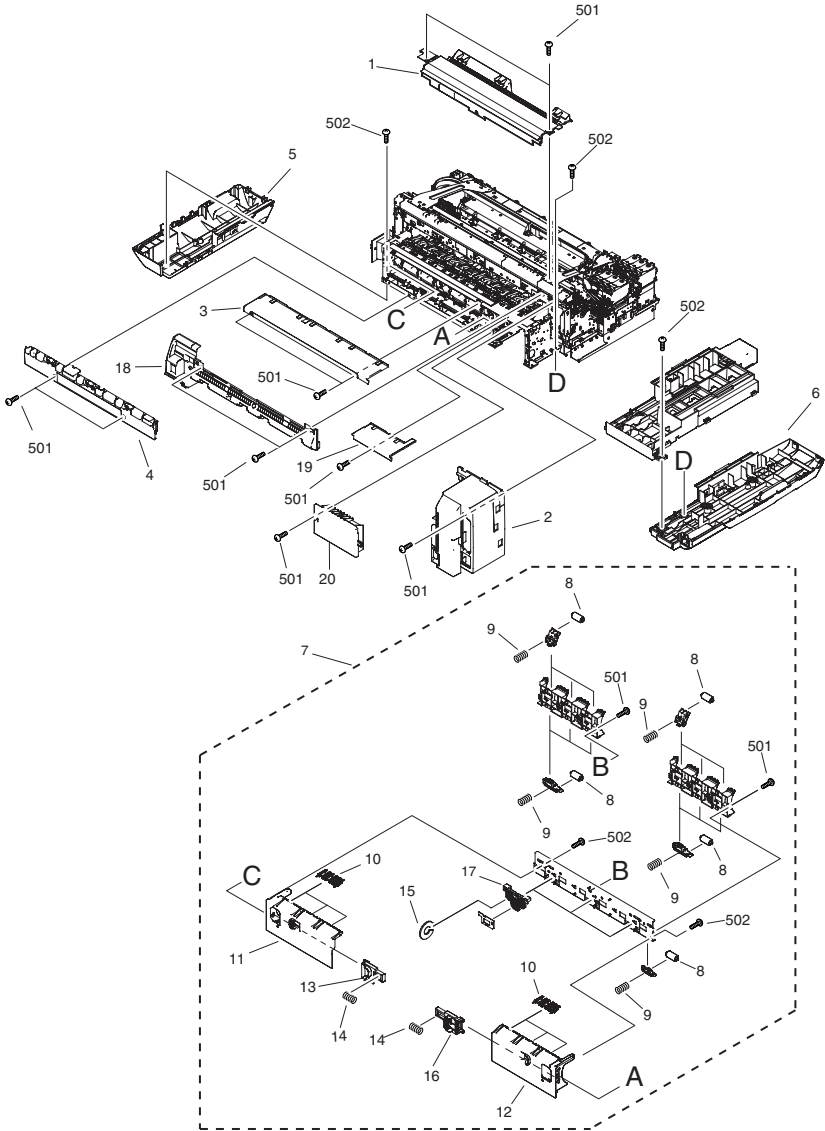


FIGURE & KEY NO.	PARTS NUMBER	R A N K	Q'TY	DESCRIPTION	SERIAL NUMBER/ REMARKS	S V C
Fig.04	NPN		RF	COVERS (2)		
1	QC2-1120-000		1	COVER, REAR, UPPER		
2	QC2-1140-000		1	COVER, LEFT, REAR		
3	QC2-1172-000		1	COVER, REAR		
4	QL2-1588-000		1	COVER, REAR, LOWER		
5	QM3-0547-000		1	COVER, BOTTOM, RIGHT		
6	QM3-0548-040		1	COVER, BOTTOM, LEFT		
7	QM3-0186-000		1	GUIDE UNIT, PAPER, CASSETTE		
8	QC2-0922-000		12	ROLLER, PINCH		
9	QC2-0923-000		12	SPRING, COMPRESSION		
10	QC2-0924-000		6	FLAPPER, GUIDE, PAPER		
11	QC2-0926-000		1	GUIDE, SLIDE, R		
12	QC2-0927-000		1	GUIDE, SLIDE, L		
13	QC2-0928-000		1	LEVER, R, GUIDE, SLIDE		
14	QC2-0929-000		2	SPRING, COMPRESSION		
15	QC1-4149-000		3	WASHER		
16	QC2-0942-000		1	GUIDE, SLIDE, R		
17	QC2-0943-000		3	LEVER, RELEASE, PINCH		
18	QC2-1118-000		1	GUIDE, PAPER, MANUAL FEED		
19	QC2-1154-000		1	COVER, REAR, LEFT		
20	QC2-0946-000		1	COVER, REAR, L		
501	XB6-7300-606		AR	SCREW, TP, M3X6		
502	XB4-7300-806		14	SCREW, TAP, BINDING HEAD, M3X8		

FIGURE 05 ELECTRICAL PART

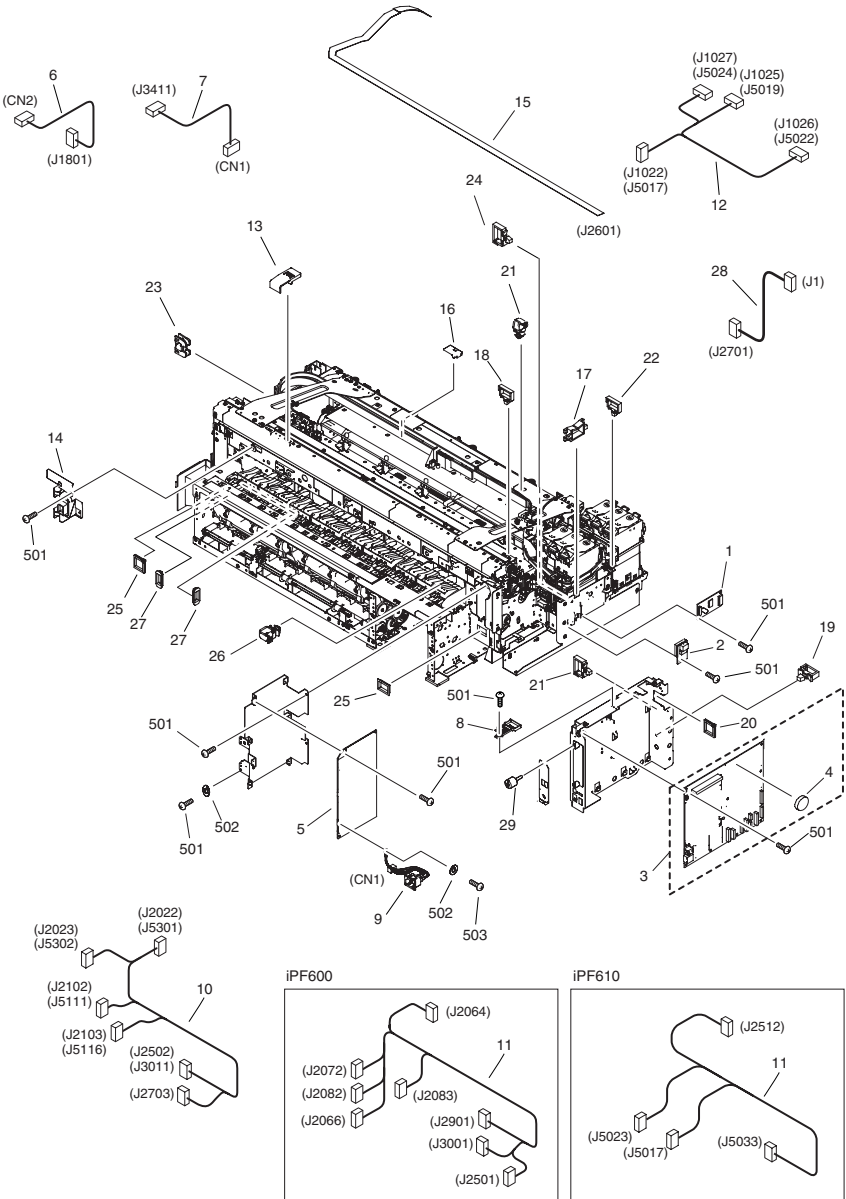


FIGURE & KEY NO.	PARTS NUMBER	R A N K	Q'TY	DESCRIPTION	SERIAL NUMBER/REMARKS	S V C
Fig.05	NPN		RF	ELECTRICAL PART		
1	QM2-3424-000		1	CUTTER DRIVER PCB ASS'Y	iPF600	
2	WP2-5187-000		1	SENSOR, HUMIDITY		
3	QM3-0770-000		1	MAIN CONTROLLER ASS'Y	iPF610	
3	QM3-0570-000		1	MAIN CONTROLLER ASS'Y	iPF600	
4	WK1-5024-000		1	BATTERY, LITHIUM		
5	QK1-2073-000		1	POWER SUPPLY ASS'Y	100/120V	
5	QK1-2074-000		1	POWER SUPPLY ASS'Y	230V	
6	QM3-0940-000		1	HARNESS, WIRE, POWER	iPF610	
6	QM3-0853-000		1	HARNESS, WIRE, POWER	iPF600	
7	QM3-0858-000		1	HARNESS, WIRE, HIGROMETER		
8	QC2-0606-000		1	HOLDER, CORE, CABLE		
9	QM3-0863-000		1	HARNESS, WIRE, INLET		
10	QM3-0936-000		1	HARNESS, WIRE, 2, CROSSING	iPF610	
10	QM3-0943-000		1	HARNESS, WIRE, 2, CROSSING	iPF600	
11	QM3-0937-000		1	HARNESS, WIRE, 1, CROSSING	iPF610	
11	QM3-0944-000		1	HARNESS, WIRE, 1, CROSSING	iPF600	
12	QM3-0895-000		1	HARNESS, WIRE, BASE UNIT	iPF610	
12	QM3-0905-000		1	HARNESS, WIRE, BASE UNIT	iPF600	
13	QC2-0612-000		9	GUIDE, CABLE		
14	QM3-0527-000		1	CONNECTOR UNIT		
15	QK1-2793-000		1	CABLE, FLAT, CONTROL PANEL		
16	QC2-1373-000		1	RETAINING PLATE, HARNESS, WIRE		
17	WT2-0136-000		3	SADDLE, WIRE		
18	WT2-0262-000		3	SADDLE, WIRE		
19	WT2-0317-000		8	CLIP, CABLE		
20	WT2-0491-000		2	SADDLE, WIRE		
21	WT2-0494-000		2	SADDLE, WIRE		
22	WT2-5018-000		12	SADDLE, WIRE		
23	WT2-5056-000		1	SADDLE, WIRE		
24	WT2-5064-000		1	SADDLE, WIRE		
25	WT2-5098-000		6	SADDLE, WIRE		

FIGURE & KEY NO.	PARTS NUMBER	RANK	Q'TY	DESCRIPTION	SERIAL NUMBER/REMARKS	SVC
26	WT2-5694-000		14	SADDLE, WIRE	iPF600	
27	WT2-5760-000		2	SADDLE, WIRE		
28	QM3-0857-000		1	HARNESS, WIRE, CUTTER		
29	QC2-1411-000		1	SCREW, M3X12		
501	XB6-7300-606	AR		SCREW, TP, M3X6		
502	XD1-4200-402		2	WASHER, TOOTHED LOCK, M4		
503	XB1-2400-606		1	SCREW, MACHINE M4X6		

FIGURE & KEY NO.	PARTS NUMBER	R A N K	Q'TY	DESCRIPTION	SERIAL NUMBER/ REMARKS	S V C
Fig.06	NPN		RF	PURGE UNIT		
1	QC2-1110-000		4	GUIDE, MAINTENANCE CARTRIDGE		
2	QM3-0904-000		1	HARNESS, WIRE, HEAD MANAGEMENT		
3	QC2-1323-000		1	JOINT, TUBE		
4	QM3-0653-040		1	PURGE KIT		
5	QM3-0529-000		1	SENSOR UNIT		
6	QC2-1100-000		1	ABSORBER, INK, FAN		
7	QC2-0807-000		1	ABSORBER, WASTE INK		
8	QC2-0833-020		1	JOINT, INK TUBE, PURGE UNIT		
9	QM3-0210-000		1	MIST FAN UNIT		
10	QK1-2086-000		1	FAN	iPF610	
10	QK1-1440-000		1	FAN	iPF600	
501	XB6-7300-606		9	SCREW, TP, M3X6		
502	XB4-7300-806		4	SCREW, TAP, BINDING HEAD, M3X8		

FIGURE 07 CUTTER UNIT

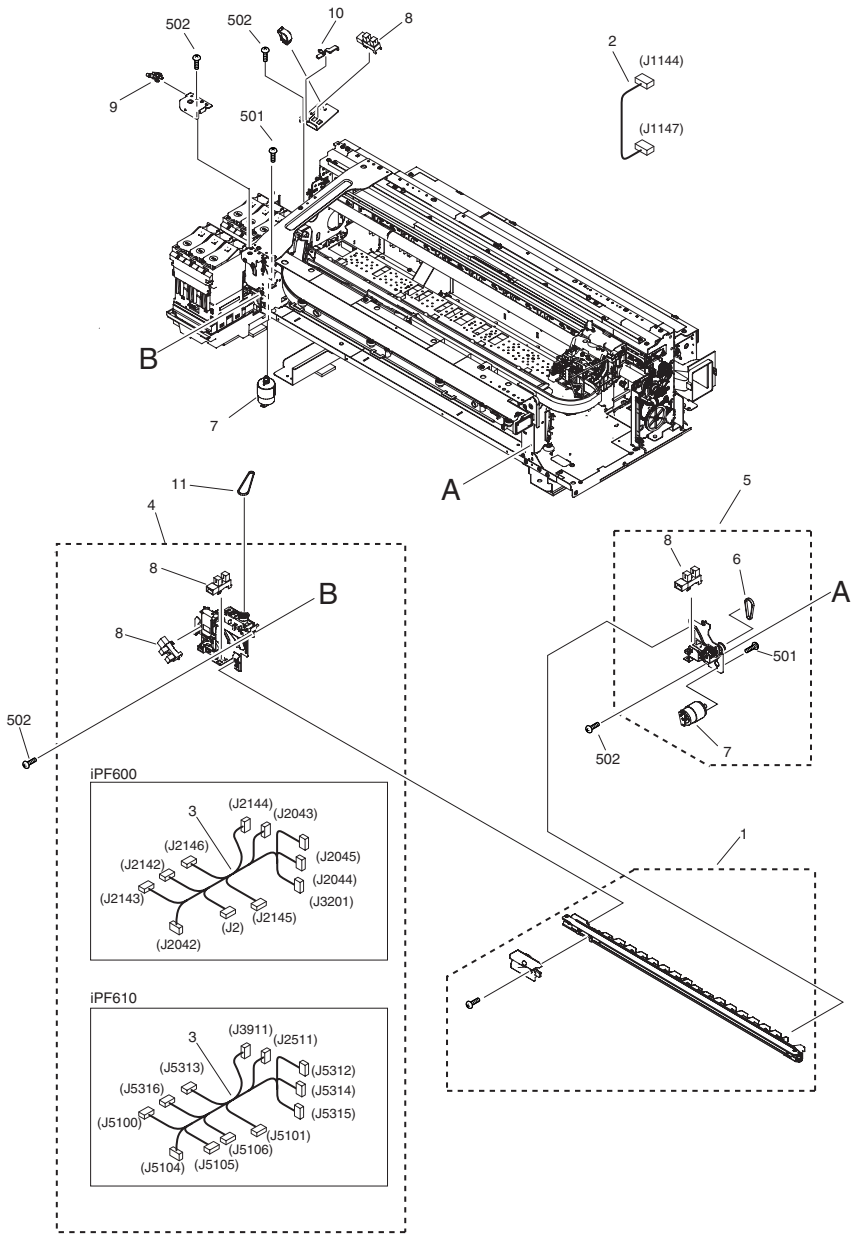


FIGURE & KEY NO.	PARTS NUMBER	R A N K	Q'TY	DESCRIPTION	SERIAL NUMBER/REMARKS	S V C
Fig.07	NPN		RF	CUTTER UNIT		
1	QM3-0712-000		1	CUTTER UNIT	iPF610	
1	QM3-0589-000		1	CUTTER UNIT	iPF600	
2	QM3-0867-000		1	HARNESS, WIRE, LIFT MOTOR, CUT		
3	QM3-0938-000		1	HARNESS, WIRE, COVER	iPF610	
3	QM3-0941-000		1	HARNESS, WIRE, COVER	iPF600	
4	QM3-0772-000		1	CUTTER LIFTER DRIVE UNIT	iPF610	
4	QM3-0598-000		1	CUTTER LIFTER DRIVE UNIT	iPF600	
5	QM3-0585-000		1	CUTTER DRIVE UNIT		
6	QC1-4850-000		1	BELT, TIMING		
7	QK1-0550-000		2	MOTOR, DC24V		
8	WG8-5624-000		4	IC, PHOTO INTERRUPTER		
9	WC4-5052-000		1	MICRO SWITCH		
10	QC2-1274-000		1	LEVER, SENSOR		
11	QC2-0832-000		1	BELT, TIMING		
501	XB1-2260-409		4	SCREW, BH 2.6X4		
502	XB6-7300-606		4	SCREW, TP, M3X6		

FIGURE 08 INK SUPPLY UNIT

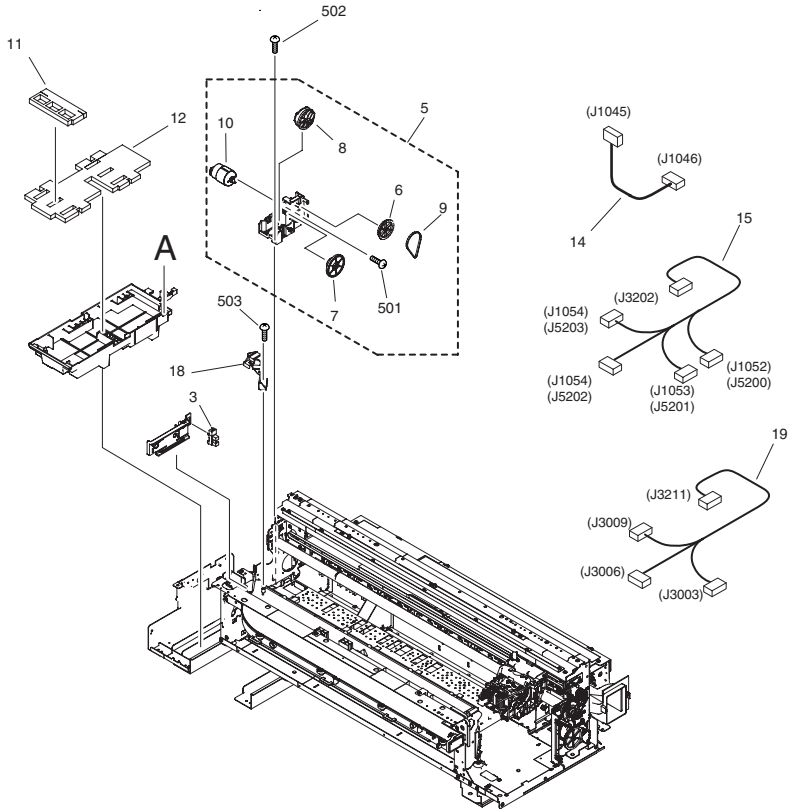
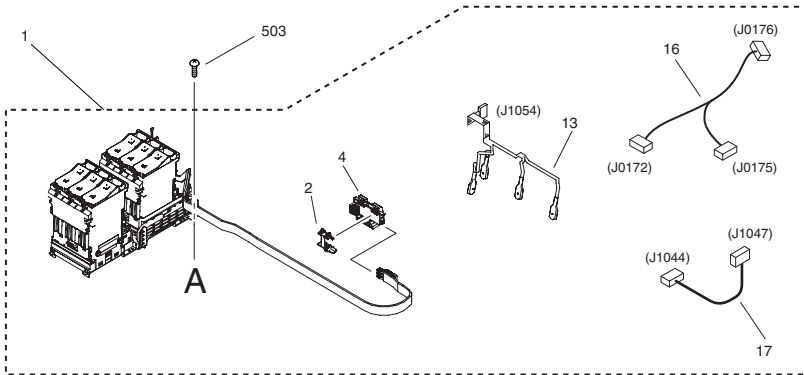
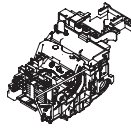


FIGURE & KEY NO.	PARTS NUMBER	R A N K	Q'TY	DESCRIPTION	SERIAL NUMBER/ REMARKS	S V C
Fig.08	NPN		RF	INK SUPPLY UNIT		
1	QM3-0568-040		1	INK SUPPLY UNIT		
2	QC2-0746-020		1	GUIDE, TUBE, CARRIAGE		
3	WG8-5624-000		1	IC, PHOTO INTERRUPTER, TLP1241		
4	QM3-0584-000		1	BASE UNIT, JOINT		
5	QM3-0162-000		1	INK SUPPLY DRIVE UNIT		
6	QC2-0739-000		1	GEAR, VALVE 2		
7	QC2-0740-000		1	GEAR, VALVE 3		
8	QC2-0742-000		1	CAM, VALVE		
9	QC2-0832-000		1	BELT, TIMING		
10	QK1-0550-000		1	MOTOR, 24V, DC		
11	QC2-0763-000		2	ABSORBER, INK, UPPER		
12	QC2-0764-000		2	ABSORBER, INK, LOWER		
13	QM3-0855-000		2	HARNESS, WIRE, INK SENSOR		
14	QM3-0901-000		1	HARNESS, WIRE, VALVE MOTOR		
15	QM3-0935-000		1	HARNESS, WIRE, INK TANK	IPF610	
15	QM3-0902-000		1	HARNESS, WIRE, INK TANK	IPF600	
16	QM3-0903-000		1	HARNESS, WIRE, ROM, INK TANK		
17	QM3-0914-000		1	HARNESS, WIRE, SENSOR, VALVE		
18	QC2-1375-000		1	GUIDE, INK TUBE		
19	QM3-0928-000		1	HARNESS, WIRE, FEED	IPF610	
501	XB1-2260-409		2	SCREW, BINDING HEAD, M2.6X4		
502	XB6-7300-606		6	SCREW, TP, M3X6		
503	XB4-7300-806		10	SCREW, TAP, BINDING HEAD, M3X8		

FIGURE 09 LINEAR SCALE & LIFT DRIVE UNIT



SEE FIGURE 10

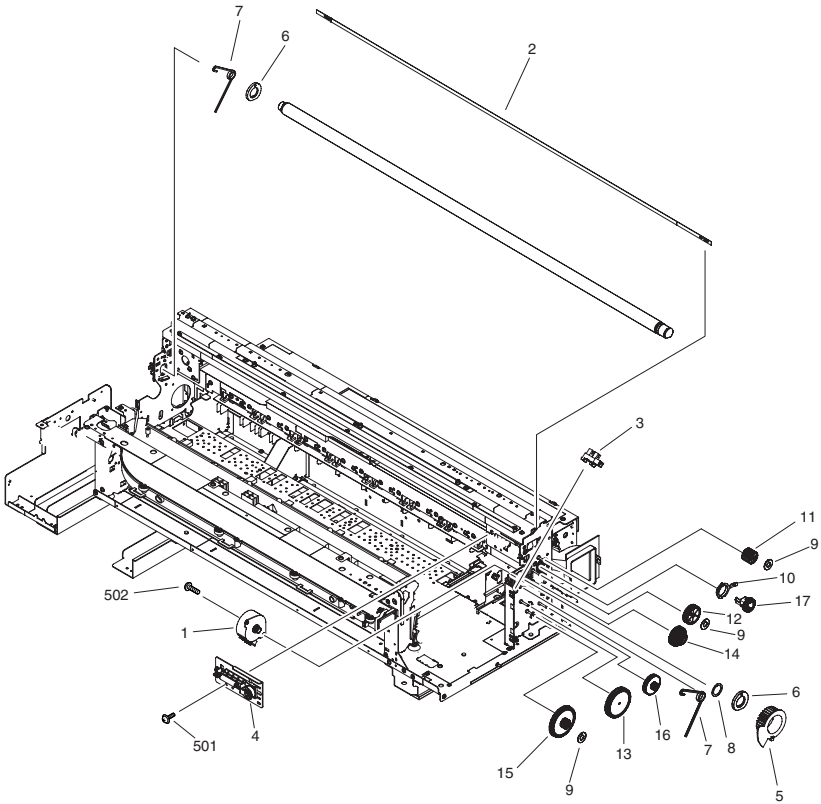


FIGURE & KEY NO.	PARTS NUMBER	R A N K	Q'TY	DESCRIPTION	SERIAL NUMBER/ REMARKS	S V C
Fig.09	NPN		RF	LINEAR SCALE & LIFT DRIVE UNIT		
1	QK1-0440-000		1	MOTOR, 24V, DC		
2	QC2-6052-000		1	SCALE, LINEAR		
3	WG8-5624-000		1	IC, PHOTO INTERRUPTER		
4	QM3-0161-009		1	IDLER PULLEY UNIT		
5	QC2-0678-000		1	GEAR, LIFT		
6	QC2-0675-000		2	CAM, LIFTER		
7	QC2-0676-000		2	SPRING, TORSION		
8	QC2-0681-000		1	RING		
9	QC2-0682-000		2	RING		
10	QC2-0683-000		1	BUSHING, POLYPLASTICS		
11	QC2-0685-000		1	GEAR, RELEASE, IDLER		
12	QC2-0686-000		1	GEAR, LIFT, IDLER A		
13	QC2-0687-000		1	GEAR, LIFT, IDLER B		
14	QC2-0688-000		1	GEAR, LIFT, DOUBLE A		
15	QC2-0689-000		1	GEAR, LIFT, DOUBLE B		
16	QC2-0690-000		1	GEAR, LIFT, DOUBLE C		
17	QC2-0684-000		1	GEAR, RELEASE, PRESSURE		
501	XB6-7300-606		2	SCREW, TP, M3X6		
502	XB1-2300-606		2	SCREW, MACHINE M3X6		

FIGURE 10 CARRIAGE UNIT

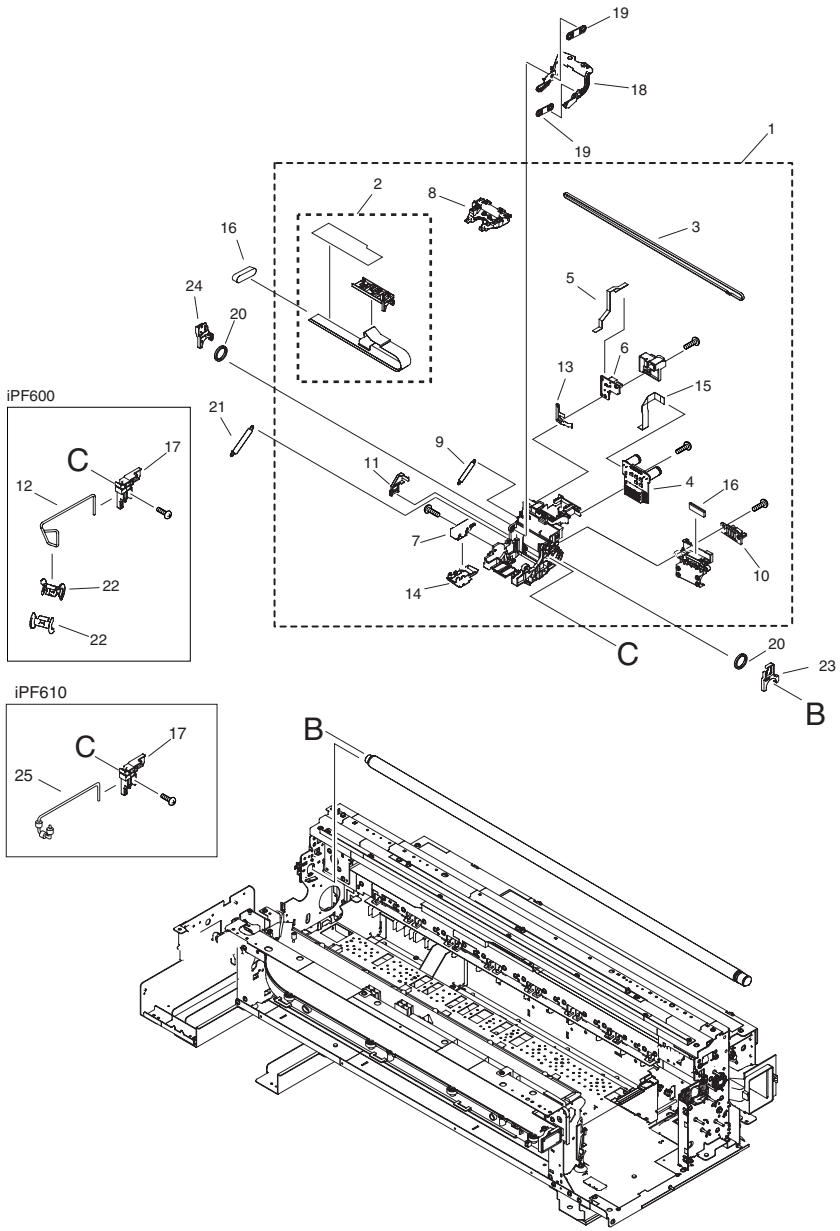


FIGURE & KEY NO.	PARTS NUMBER	R A N K	Q'TY	DESCRIPTION	SERIAL NUMBER/REMARKS	S V C
Fig.10	NPN		RF	CARRIAGE UNIT		
1	QM3-0804-000		1	CARRIAGE UNIT	iPF610	
1	QM3-0649-020		1	CARRIAGE UNIT	iPF600	
1	QM3-0806-000		1	FLEXIBLE CABLE ASS'Y	iPF610	
2	QM3-0652-000		1	FLEXIBLE CABLE ASS'Y	iPF600	
3	QC2-4325-000		1	BELT, CARRIAGE		
4	QM3-0351-000		1	CARRIAGE RELAY PCB ASS'Y		
5	QK1-2090-000		1	CABLE, FLEXIBLE		
6	QM2-3421-000		1	ENCODER SENSOR UNIT		
7	QM2-3426-000		1	MULTI SENSOR UNIT		
8	QM3-0541-000		1	HEAD LEVER UNIT		
9	QU1-2006-000		2	SPRING, COMPRESSION		
10	QC2-4326-000		1	HOLDER, BELT		
11	QC2-0710-000		1	COVER, FFC, MULTI-SENSOR		
12	QC2-0759-000		1	GUIDE, TUBE	iPF600	
13	QC2-1283-000		1	SPRING, LEAF, GROUING		
14	QC2-1309-000		1	GUIDE, MULTI-SENSOR		
15	QK1-2091-000		1	CABLE, FLAT, MULTI-SENSOR		
16	WE8-6409-000		1	FERRITE CORE		
17	QC2-0663-000		1	HOLDER, WIRE(MECH)		
18	QC2-0660-000		1	LEVER, L, INK TUBE		
19	QC2-0661-000		2	LINK, LEVER, TUBE		
20	QC2-0664-000		2	PAD, OIL		
21	QC2-1396-000		1	SPRING, TENSION		
22	QC2-1374-000		2	ROLLER, WIRE(MECH), GUIDE	iPF600	
23	QM3-0543-000		1	CLEANER UNIT, R, RAIL,CARRIAGE		
24	QM3-0542-000		1	CLEANER UNIT, L, RAIL,CARRIAGE		
25	QM3-0704-000		1	TUBE GUIDE UNIT	iPF610	

FIGURE 11 CARRIAGE & FEED MOTOR UNIT

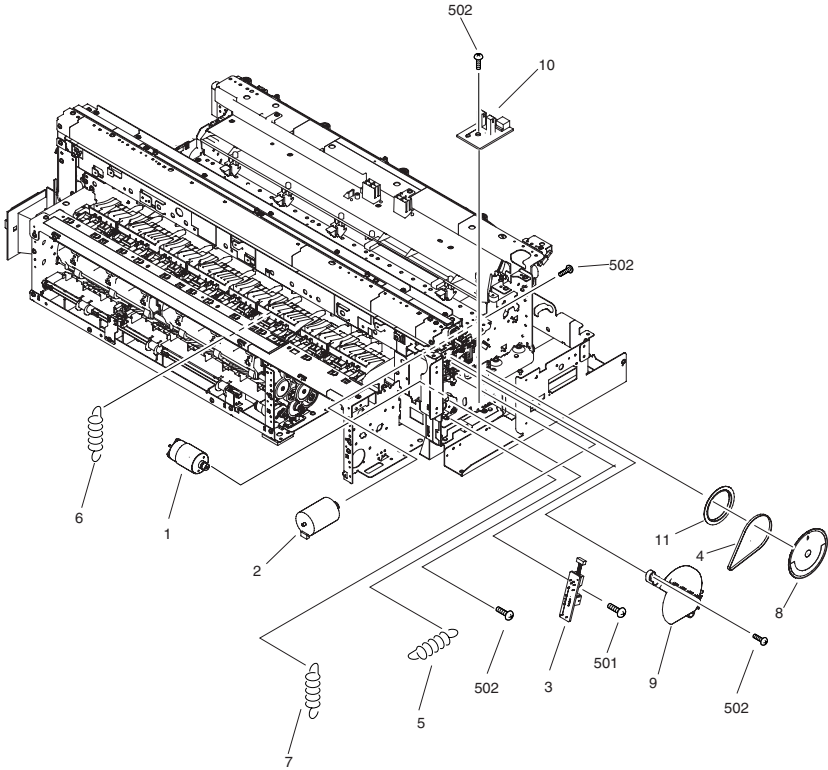


FIGURE & KEY NO.	PARTS NUMBER	RANK	Q'TY	DESCRIPTION	SERIAL NUMBER/REMARKS	SVC
Fig.11	NPN		RF	CARRIAGE & FEED MOTOR UNIT		
1	QK1-0447-000		1	MOTOR, 26.4V, DC		
2	QK1-2083-000		1	MOTOR, DC BRUSHLESS		
3	QM2-3420-000		1	SENSOR UNIT, LINE FEED		
4	QC2-0957-000		1	BELT, DRIVE, PAPER TRANSPORT		
5	QC2-1396-000		1	SPRING, TENSION		
6	QC2-0985-000		1	SPRING, TENSION		
7	QC2-0990-000		1	SPRING, TENSION		
8	QC2-6039-000		1	WHEEL, CODE		
9	QC2-0995-000		1	COVER, CODE WHEEL		
10	QM2-3423-000		1	SENSOR UNIT, HOME POSITION, LI		
11	QC2-0998-000		1	FLANGE, PULLEY		
501	XB1-2200-506		2	SCREW, BINDING HEAD, M2X5		
502	XB6-7300-606		4	SCREW, TP, M3X6		

FIGURE 12
 PICK-UP & FEED UNIT (1)

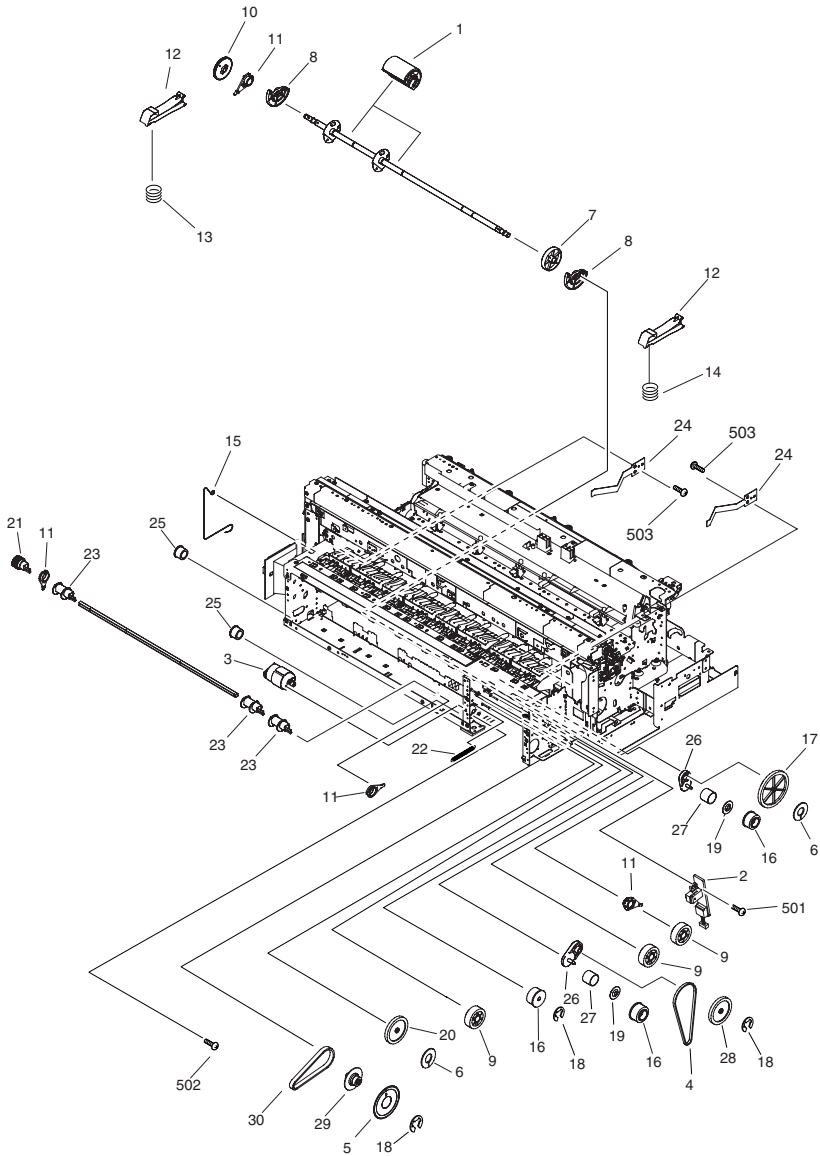


FIGURE & KEY NO.	PARTS NUMBER	R A N K	Q'TY	DESCRIPTION	SERIAL NUMBER/ REMARKS	S V C
Fig.12	NPN		RF	PICK-UP & FEED UNIT (1)		
1	QM3-0619-000		2	ROLLER, PICK-UP		
2	QM2-3422-000		1	ENCODER SENSOR UNIT		
3	QK1-0550-000		1	MOTOR, DC24V		
4	QC2-1455-000		1	BELT, TIMING		
5	QC2-6040-000		1	WHEEL, CODE		
6	QC2-0682-000		5	RING		
7	QC2-0862-000		1	ROLLER, PICK-UP, PAPER		
8	QC2-0863-000		2	ROLLER, PICK-UP, PAPER		
9	QC2-0864-000		3	GEAR, DRIVE, PAPER FEED		
10	QC2-0865-000		1	GEAR, CAM, PAPER FEED		
11	QC2-0866-000		5	BUSHING		
12	QC2-0867-000		2	LEVER, CAM, PAPER CASSETTE		
13	QC2-0868-000		1	SPRING, R, COMPRESSION		
14	QC2-0869-000		1	SPRING, L, COMPRESSION		
15	QC2-0887-000		1	SPRING, EARTH, PAPER CASSETTE		
16	QC2-0891-000		3	GEAR, PENDULUM, PAPER CASSETTE		
17	QC2-0892-000		1	GEAR, PAPER CASSETTE		
18	QC1-4149-000		3	WASHER		
19	XA9-0135-000		2	RING, PUSH		
20	QC2-0895-000		1	GEAR, IDLER		
21	QC2-0900-000		1	GEAR, CAM, RELEASE		
22	QC2-0902-000		1	SPRING, TENSION		
23	QC2-0903-000		3	CAM, RELEASE		
24	QC2-0918-000		2	SPRING, PLATE, PAPER CASSETTE		
25	WT2-0270-000		2	BUSHING	IPF600	
26	QC2-0889-000		2	BASE, PENDULUM		
27	QC2-0890-000		2	SPRING, COMPRESSION		
28	QC2-1451-000		1	GEAR, 17T/77T		
29	QC2-1452-000		1	GEAR, 20T/61T		
30	QC2-0832-000		1	BELT, TIMING		
501	XB1-2200-506		1	SCREW, BINDING HEAD, M2X5		

FIGURE & KEY NO.	PARTS NUMBER	R A N K	Q'TY	DESCRIPTION	SERIAL NUMBER/ REMARKS	S V C
502	XB1-2260-409		2	SCREW, BINDING HEAD, M2.6X4		
503	XB6-7300-606		AR	SCREW, TP, M3X6		

FIGURE 13 PICK-UP & FEED UNIT (2)

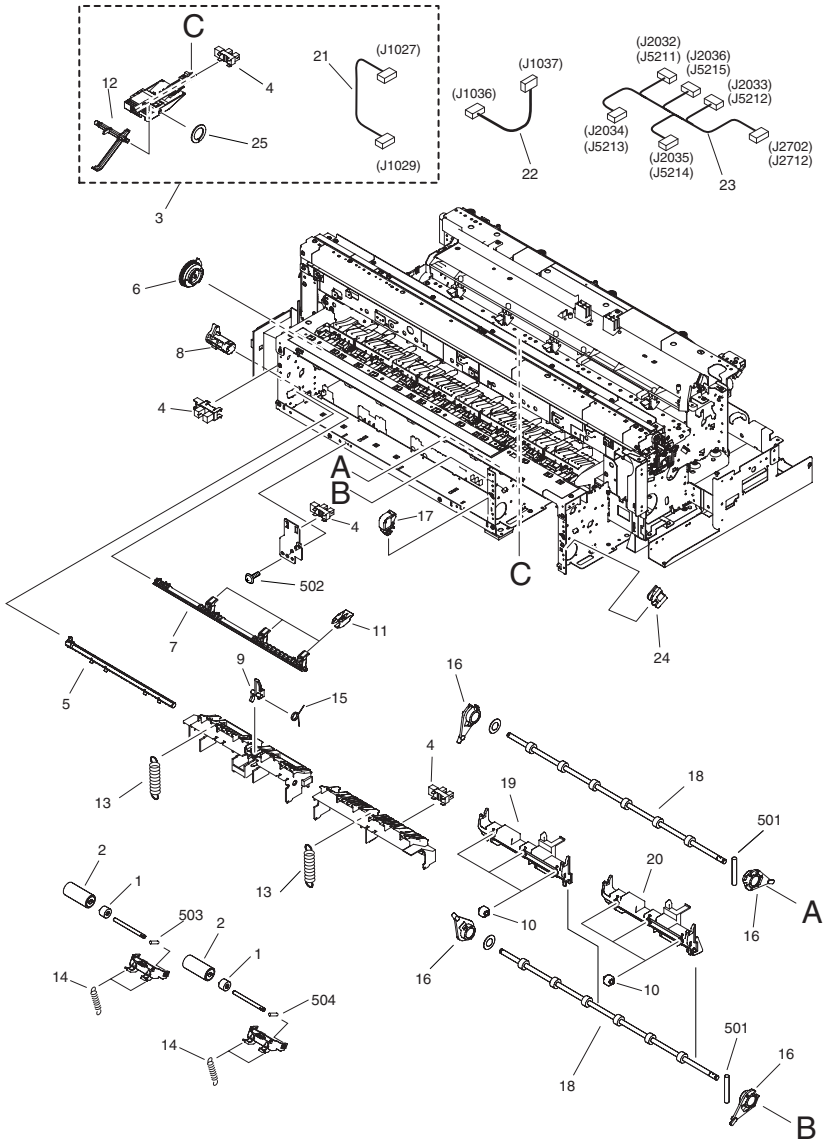


FIGURE & KEY NO.	PARTS NUMBER	RANK	Q'TY	DESCRIPTION	SERIAL NUMBER/REMARKS	SVC
Fig.13	NPN		RF	PICK-UP & FEED UNIT (2)		
1	QC2-0884-000		2	TORQUE LIMITTER		
2	QM3-0631-000		2	RUBBER UNIT, SEPARATE		
3	QM3-0526-000		1	CASSETTE SENSOR UNIT		
4	WG8-5624-000		4	IC, PHOTO INTERRUPTER		
5	QC2-0872-000		1	LEVER, RELEASE		
6	QC2-0873-000		1	GEAR, CAM, SEPARATION		
7	QC2-0874-000		1	LEVER, RETURN		
8	QC2-0875-000		1	ARM, LEVER, RETURN		
9	QC2-0876-000		1	LEVER, PAPER FEED		
10	QC2-1317-000		6	ROLLER, GUIDE, INNER		
11	QC2-1324-000		3	COVER, LEVER, RETURN		
12	QC2-0938-000		1	LEVER, PAPER SENSOR, CASSETTE		
13	QC2-0878-000		2	SPRING, TENSION		
14	QC2-0879-000		4	SPRING, TENSION		
15	QC2-0888-000		1	SPRING, TORSION		
16	QC2-0866-000		4	BUSHING		
17	WT2-5694-000		18	SADDLE, WIRE		
18	QC2-0930-000		2	ROLLER, FEED		
19	QC2-0941-000		2	GUIDE, INNER, PAPER		
20	QM3-0632-000		1	GUIDE UNIT, L, INNER, PAPER PA		
21	QM3-0865-000		1	HARNESS, WIRE, PAPER SENSE		
22	QM3-0866-000		1	HARNESS, WIRE, CASSETTE SENSE		
23	QM3-0945-000		1	HARNESS, WIRE, CASSETTE	IPF610	
23	QM3-0942-000		1	HARNESS, WIRE, CASSETTE	IPF600	
24	WT2-5056-000		1	SADDLE, WIRE		
25	QC1-4149-000		1	WASHER		
501	XD3-2200-122		2	PIN DOWEL		
502	XB6-7300-606		1	SCREW, TP, M3X6		
503	XD3-1200-102		2	PIN, SPRING, 2X10		
504	XD3-2200-082		1	PIN, STRAIGHT, 2X8		

FIGURE 14 PINCH ROLLER UNIT

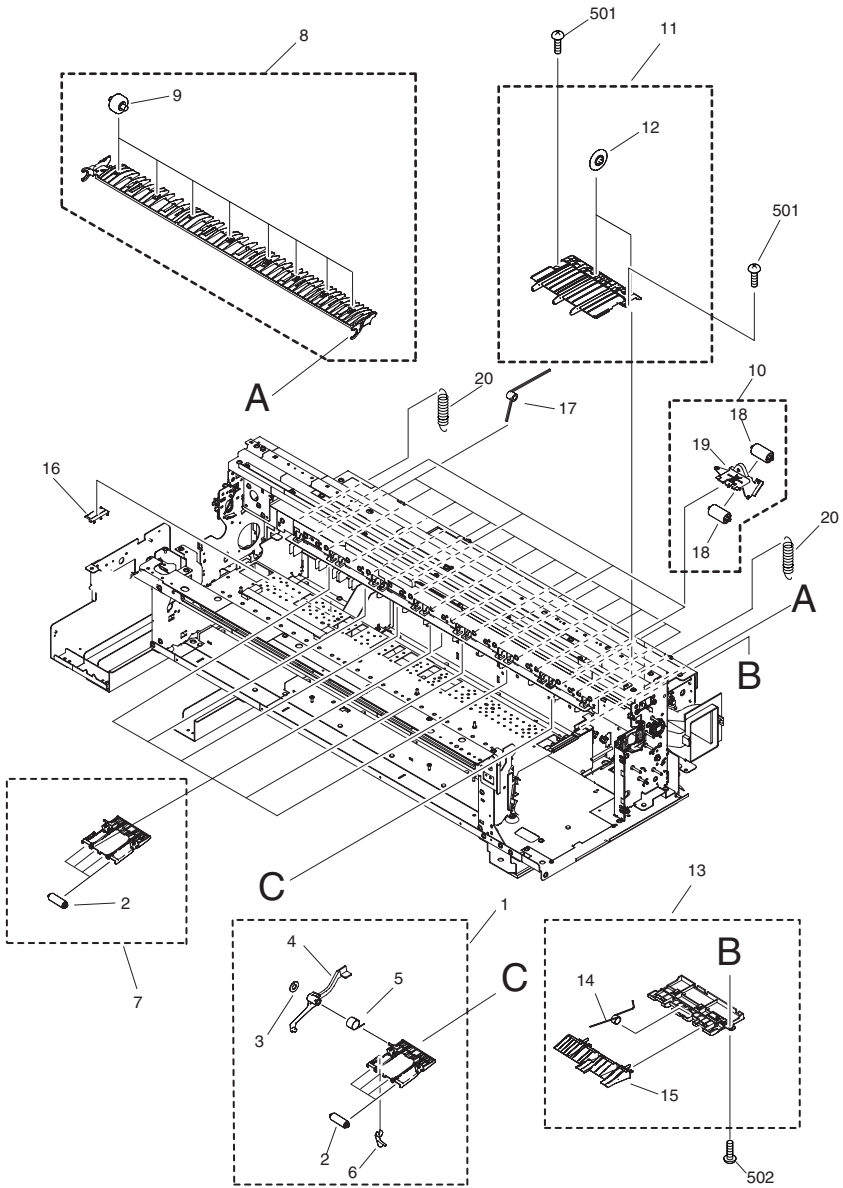


FIGURE & KEY NO.	PARTS NUMBER	RANK	Q'TY	DESCRIPTION	SERIAL NUMBER/REMARKS	SVC
Fig.14	NPN		RF	PINCH ROLLER UNIT		
1	QM3-0760-000		1	PINCH ROLLER UNIT 1	iPF610	
1	QM3-0517-000		1	PINCH ROLLER UNIT 1	iPF600	
2	QL2-2317-000		28	ROLLER, PINCH	iPF610	
2	QL2-1593-000		28	ROLLER, PINCH	iPF600	
3	QC2-0682-000		1	RING		
4	QC2-0982-000		1	LEVER, A		
5	QC2-0994-000		1	SPRING, TORSION		
6	QC2-0996-000		1	LEVER, B		
7	QM3-0761-000		6	PINCH ROLLER UNIT 2	iPF610	
7	QM3-0518-000		6	PINCH ROLLER UNIT 2	iPF600	
8	QM3-0566-000		1	GUIDE UNIT, PAPER		
9	QC2-1317-000		8	ROLLER, GUIDE, INNER		
10	QM3-0767-000		6	GUIDE ROLLER UNIT		
11	QM3-0579-000		3	GUIDE UNIT, INNER, STRAIGHT PA		
12	QC1-2950-000		6	ROLLER		
13	QM3-0580-000		1	GUIDE , OUTER		
14	QC2-0933-000		4	SPRING, TORSION		
15	QC2-0934-000		4	FLAPPER		
16	QC2-1460-000		1	GUIDE, WASTE INK		
17	QC2-0981-000		14	SPRING, TORSION		
18	QC2-1541-000		12	ROLLER, GUIDE		
19	QC2-1229-000		6	HOLLEDR, ROLLER, GUIDE	iPF600	
20	QC2-0997-000		2	SPRING, TENSION		
501	XB6-7300-606		AR	SCREW, TP, M3X6		
502	XB3-6300-605		3	SCREW,RS,M3X6		

FIGURE 15
AIR FLOW FAN UNIT

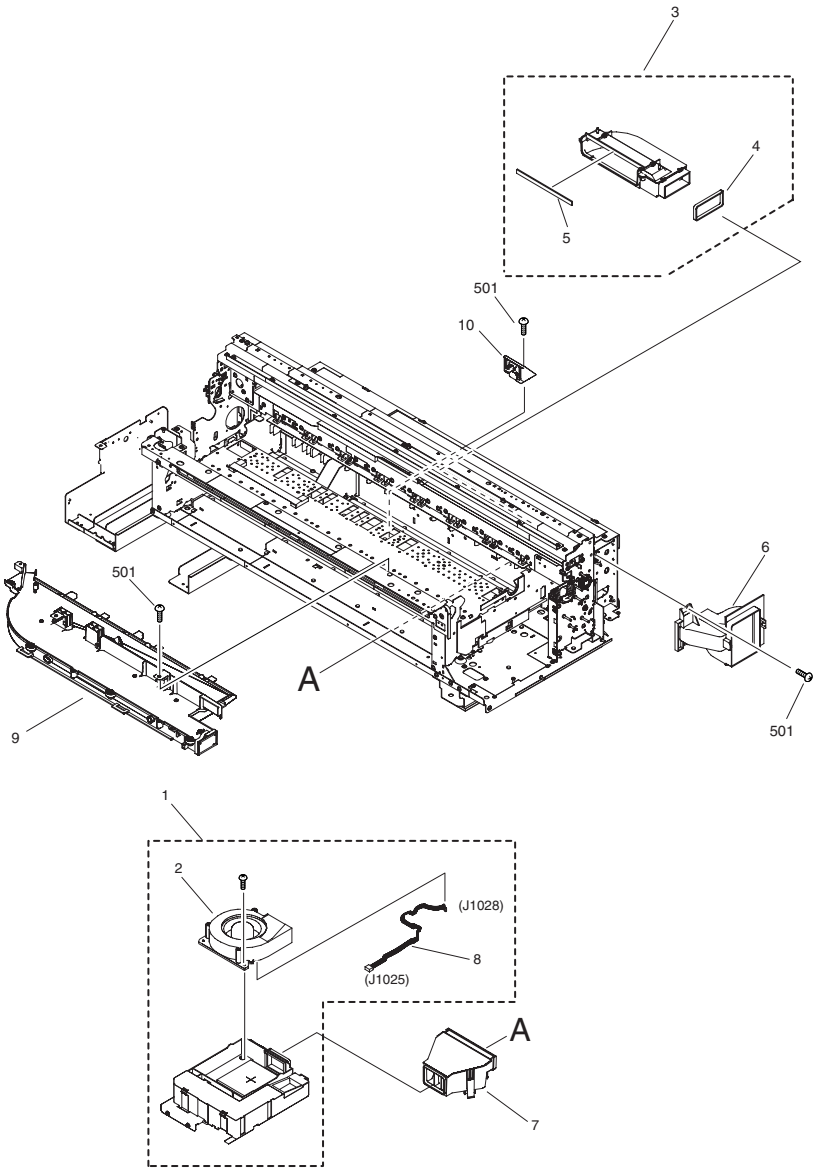


FIGURE & KEY NO.	PARTS NUMBER	R A N K	Q'TY	DESCRIPTION	SERIAL NUMBER/REMARKS	S V C
Fig.15	NPN		RF	AIR FLOW FAN UNIT		
1	QM3-0701-000		1	SUCTION FAN UNIT	iPF610	
1	QM3-0179-000		1	SUCTION FAN UNIT	iPF600	
2	QK1-2084-000		1	FAN	iPF610	
2	QK1-1386-000		1	FAN	iPF600	
3	QM3-0187-000		1	AIR DUCT, 2		
4	QC2-1077-000		1	SEAL, 3, AIR DUCT		
5	QC2-1079-000		1	SEAL, 3, AIR DUCT		
6	QC2-1070-000		1	AIR DUCT, 3,REAR		
7	QL2-1537-000		1	AIR DUCT, 1		
8	QM3-0864-000		1	HARNESS, WIRE, FAN, PLATEN	iPF600	
9	QM3-0209-000		1	FRONT DUCT UNIT		
10	QM3-0550-000		1	M/C RELAY PCB ASS'Y		
501	XB6-7300-606		5	SCREW, TP, M3X6		

FIGURE 16
 PLATEN & SPUR UNIT

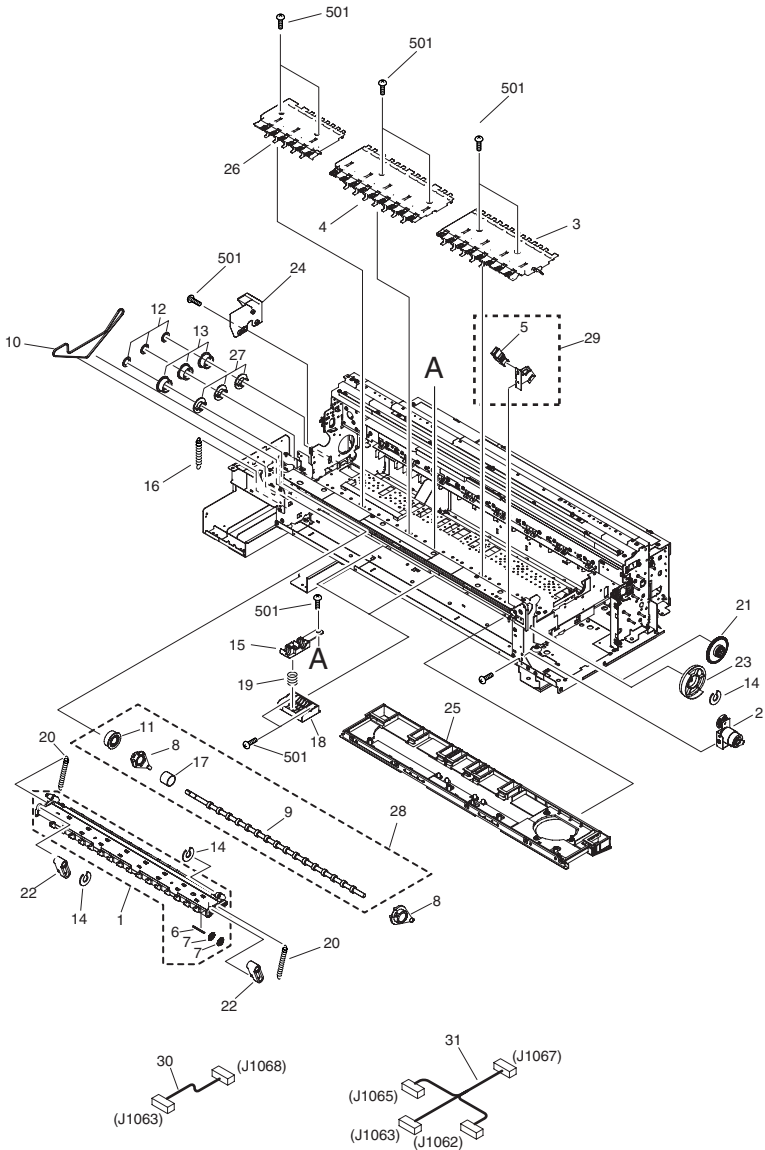


FIGURE & KEY NO.	PARTS NUMBER	R A N K	Q'TY	DESCRIPTION	SERIAL NUMBER/ REMARKS	S V C
Fig.16	NPN		RF	PLATEN & SPUR UNIT		
1	QM3-0593-000		1	SPUR UNIT		
2	QM3-0246-000		1	SPUR MOTOR UNIT		
3	QL2-1579-000		1	PLATEN A		
4	QL2-1580-000		1	PLATEN B		
5	WG8-5624-000		1	IC, PHOTO INTERRUPTER		
6	QA4-0292-000		32	SPRING, TENSION		
7	QA4-0880-000		64	ROWEL		
8	QC2-0866-000		4	BUSHING		
9	QC2-0956-000		2	ROLLER, TRANSPORT, PAPER	IPF600	
10	QC2-0958-000		1	BELT, DRIVE, PAPER EJECTION		
11	QC2-0964-000		2	PULLEY		
12	QC2-1395-000		3	RING		
13	QC2-1569-000		3	PULLEY, BELT		
14	QC1-4149-000		3	WASHER		
15	QC2-1002-000		2	BUSHING		
16	QC2-1396-000		1	SPRING, TENSION		
17	QC2-1004-000		2	SPRING, COMPRESSION	IPF600	
18	QC2-1007-000		2	COVER, BUSHING		
19	QC2-1009-000		1	SPRING, COMPRESSION		
20	QC2-1018-000		2	SPRING, TENSION		
21	QC2-1024-000		1	GEAR, ROWEL		
22	QC2-1025-000		2	ARM, SUPPORT, ROWEL BASE		
23	QC2-1027-000		1	CAM, ROWEL		
24	QL2-1561-000		1	PLATE, REFLECTION, MULTI-SENSO		
25	QM3-0801-000		1	DUCT UNIT, PLATEN	IPF610	
25	QL2-1591-000		1	DUCT UNIT, PLATEN	IPF600	
26	QL2-1581-000		1	PLATEN C		
27	QC2-1570-000		3	FLANGE, BELT PULLEY		
28	QL2-1567-000		2	ROLLER, DELIVERY		
29	QM3-0245-000		1	SENSOR UNIT, SPUR		
30	QM3-0917-000		1	HARNESS, WIRE, 1, SPUR		

FIGURE & KEY NO.	PARTS NUMBER	R A N K	Q'TY	DESCRIPTION	SERIAL NUMBER/ REMARKS	S V C
31	QM3-0918-000		1	HARNES, WIRE, 2, SPUR	iPF600	
501	XB6-7300-606		8	SCREW, TP, M3X6		

FIGURE 17
CASSETTE

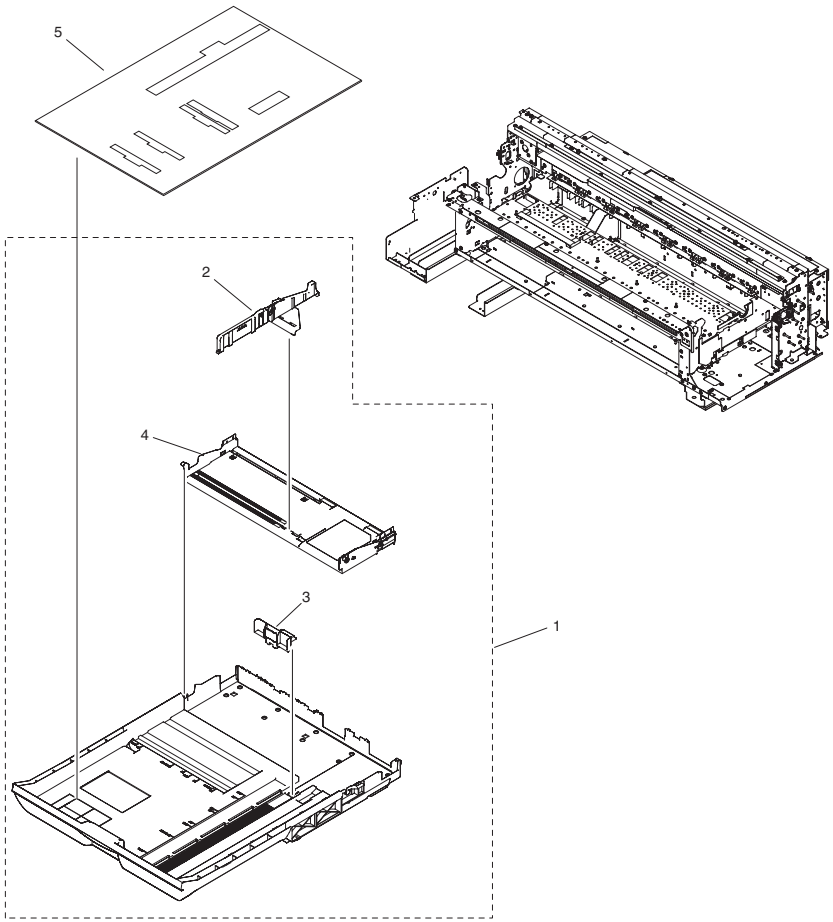


FIGURE & KEY NO.	PARTS NUMBER	RANK	Q'TY	DESCRIPTION	SERIAL NUMBER/REMARKS	SVC
Fig.17	NPN		RF	CASSETTE		
1	QM3-0779-000		1	CASSETTE BASE	iPF610	
1	QM3-0181-000		1	CASSETTE BASE	iPF600	
2	QM3-0183-000		1	GUIDE, SIDE LIMIT, CASSETTE		
3	QM3-0184-000		1	GUIDE, END LIMIT, CASSETTE		

FIGURE & KEY NO.	PARTS NUMBER	R A N K	Q'TY	DESCRIPTION	SERIAL NUMBER/ REMARKS	S V C
4	QM3-0182-000		1	PLATE UNIT,PAPER CASSETTE		
5	QC2-1556-020		1	SHEET, MYLAR		

FIGURE 18 TOOL

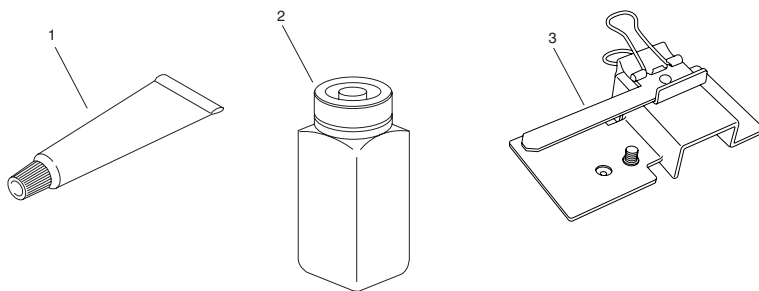


FIGURE & KEY NO.	PARTS NUMBER	RANK	Q'TY	DESCRIPTION	SERIAL NUMBER/REMARKS	S V C
Fig.18	NPN		RF	TOOL		
1	CK-0562-000		1	GREASE, MOLYKOTE PG-641		
2	QY9-0037-000		1	GREASE, EU-1		
3	AY3-4493-000		1	ADJUSTING UNIT, CR WIRE		

FIGURE R1 STAND UNIT

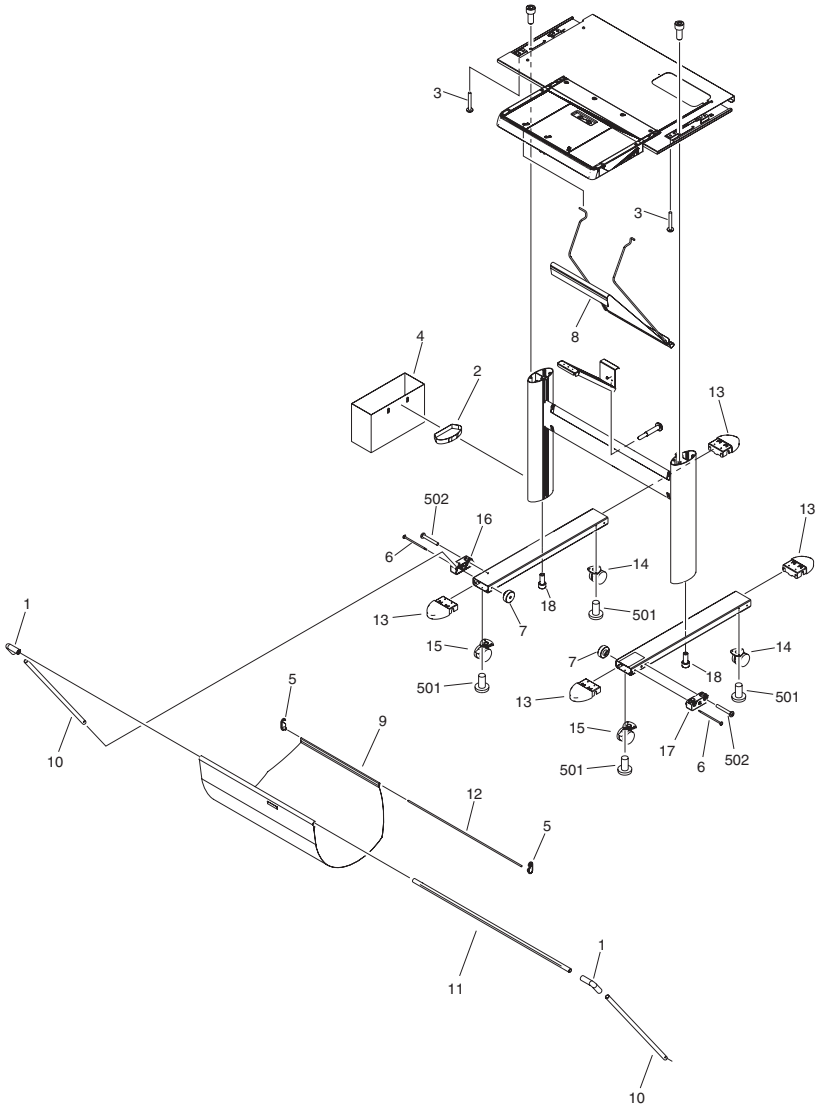


FIGURE & KEY NO.	PARTS NUMBER	RANK	Q'TY	DESCRIPTION	SERIAL NUMBER/REMARKS	SVC
Fig.R1	NPN		RF	STAND UNIT		
1	QC2-4346-000		2	JOINT, ROD		
2	QC2-4359-000		1	BAND, FIXING		
3	QC2-5993-000		4	SCREW, HEX SOCKET, M4X30		
4	QC2-5995-000		1	BOX, ACCESSORY		
5	QC2-6005-000		2	SUPPORT, BASKET		
6	QC2-6006-000		2	BOLT		
7	QC2-1330-000		2	NUT		
8	QM3-0688-000		1	STACK ROD UNIT		
9	QC2-6595-000		1	BASKET		
10	QC2-6008-000		2	ROD, BASKET, SIDE		
11	QC2-6009-000		1	ROD, BASKET, FRONT		
12	QC2-6010-000		1	ROD, BASKET, REAR		
13	QC2-4348-000		4	CAP, STAND		
14	QC2-4350-000		2	CASTER		
15	QC2-4351-000		2	CASTER, W/STOPPER		
16	QC2-5997-000		1	SUPPORT, ROD, LEFT		
17	QC2-5998-000		1	SUPPORT, ROD, RIGHT		
18	QC1-5141-000		8	SCREW, ALLEN, M8X20		
501	XB1-2400-805		28	SCREW, MACHINE M4X8 (S)		
502	XB1-2403-009		2	SCREW, MACHINE M4X30		

Canon