

imagePROGRAF TX-3000

PARTS CATALOG



Canon

October 13, 2017
Rev. 0

PREFACE

This Parts Catalog contains listings of parts used.

Diagrams are provided with the listings to aid the service technician in identifying clearly, the item to be ordered.

When ordering parts, consult this Parts Catalog for all of the information pertaining to each item.

Use of this manual should be strictly supervised to avoid disclosure of confidential information.

はじめに

このパーツカタログには、サービス部品の一覧を掲載しています。

また、サービステクニシャンが注文する部品を認識し易いように図解もあります。

部品を注文する際は、それぞれの部品に関する情報をこのパーツカタログで確認してください。

本マニュアルについては、機密保持等その取扱いには十分注意してください。

Application

This manual has been issued by Canon Inc. for qualified persons to learn technical theory, installation, maintenance, and repair of products. This manual covers all localities where the products are sold. For this reason, there may be information in this manual that does not apply to your locality.

適用

この資料は、該当製品のサービスを行う技術者が、技術学習、設置、保守、修理を行う上で必要な技術情報を提供することを目的としてキヤノン株式会社が発行しています。この資料は、該当製品が発売される全地域に対応する内容で作成されているため、貴地域に非該当の情報が記載されている場合があります。

Corrections

This manual may contain technical inaccuracies or typographical errors due to improvements or changes in products. When changes occur in applicable products or in the contents of this manual, Canon will release technical information as the need arises. In the event of major changes in the contents of this manual over a long or short period, Canon will issue a new edition of this manual.

改訂

本マニュアルには、該当製品の改良変更のため、技術的に不正確な記述、あるいは、ミスプリントが含まれることがあります。これらの理由により、本マニュアルの内容に変更が発生した場合には、随時技術情報を発行しています。長期的、あるいは、短期的に本マニュアルの内容に大幅な変更が発生した場合には、改訂版を発行します。

Trademarks

The product names and company names used in this manual are the registered trademarks of the individual companies.

商標

本マニュアル中に記載されている各製品名、各会社名は各社の登録商標あるいは商標です。

Warning

Use of this manual should be strictly supervised to avoid disclosure of confidential information.

Mishandling may be punishable under the local laws and regulations.

警告

本マニュアルについては、機密保持等その取り扱いには十分注意してください。

万一取り扱いを誤りますと法律で処罰されることがあります。

Copyright

This manual is copyrighted with all rights reserved. Under the copyright laws, this manual may not be copied, reproduced or translated into another language, in whole or in part, without the consent of Canon Inc.

Copyright © 2017 by Canon Inc.

CANON INC.

Inkjet Quality Assurance Center

451, Tsukagoshi 3-chome, Saiwai-ku, Kawasaki-shi, Kanagawa 212-8530, Japan

著作権

この資料の著作権は、キヤノン株式会社に帰属しています。キヤノン株式会社の同意なしに無断でこの資料の一部あるいは、全体を複製または転載、他の言語への翻訳等が禁止されています。

Copyright © 2017 by Canon Inc.

キヤノン株式会社

インクジェット品質保証センター

〒 212-8530 神奈川県川崎市幸区塚越 3-451

CONTENTS

Product Code list	6
How to read the illustration	8
FIGURE 1 Printer & Accessories	10
FIGURE 2 Top Covers & Side Covers	12
FIGURE 3 Front Covers & Rear Covers	14
FIGURE 4 Electrical Parts	16
FIGURE 5 Ink Tank & Purge Unit.....	18
FIGURE 6 Carriage, Tube Unit & Film Strip.....	20
FIGURE 7 Pinch Roller, Release Lever & Mist Fan	24
FIGURE 8 Roll Covers	26
FIGURE 9 Cutter & Access Cover Lock Unit	28
FIGURE 10 Platen & Feed Roller	30
FIGURE 11 Upper Roll Unit, Suction Fan & Waste Ink Unit	32
FIGURE 12 Stand Unit	34
FIGURE 13 Tool.....	36
FIGURE R1 Lower Roll Unit (Right)	38
FIGURE R2 Lower Roll Unit (Left)	40
FIGURE R3 Lower Roll Unit (Main).....	42
FIGURE R4 Stacker.....	44
FIGURE R5 Stacker.....	46

Product Code list

TX-3000

Product Code	Remarks
Q51-2717-000	

Roll Unit RU-32

Product Code	Remarks
Q55-3210-000	

Stacker SS-31

Product Code	Remarks
Q55-3240-000	

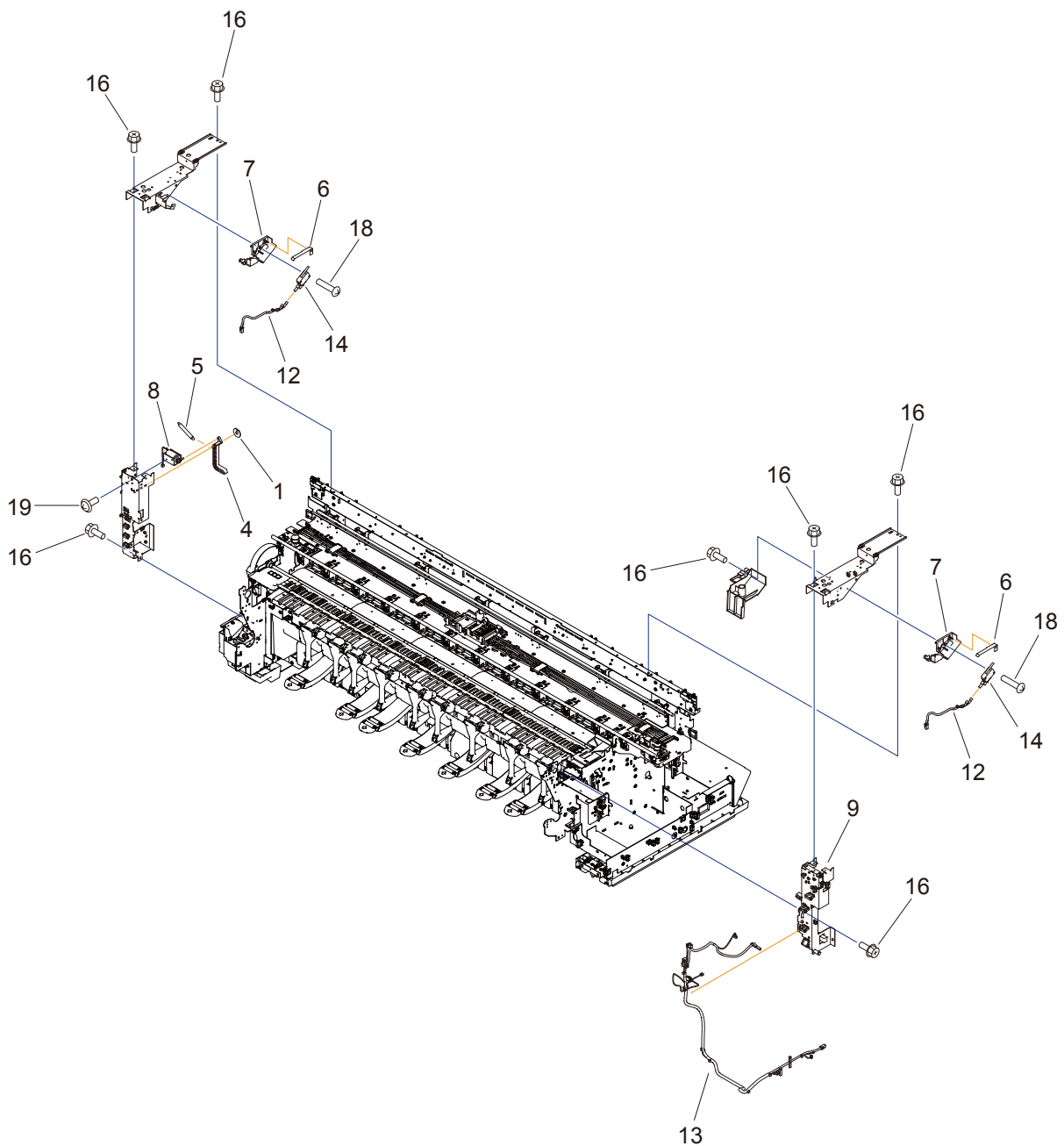
How to read the illustration

■ How to read the illustration

- a) Blue leader line indicates that the tool is required to tighten the component (screw and E-ring, etc.).
- b) Orange leader line is used for the components other than a), and indicates that they can be tightened manually without using the tool.

■ イラストの見方

- a) 引出線 / 青 : 工具を用いる締結部品 (ビス、Eリング等) の引出線
- b) 引出線 / オレンジ : a) 以外の手作業で分組可能な部品の引出線



■ How to read the parts list

PART NUMBER column:

- NPN: No Part Number (no service part number is assigned)

QTY column:

- AR: As Required (appropriate quantity, e.g. screw)
- RF: Reference (not available as a service part, e.g. print head, ink tank)

■ パーツリストの見方

PART NUMBER 欄

- NPN : サービス部番設定なし

QTY 欄

- AR: As Required / 必要数 (ビスなど)
- RF: Reference / サービス設定なし (ヘッド、インクなど)

FIGURE 1 Printer & Accessories

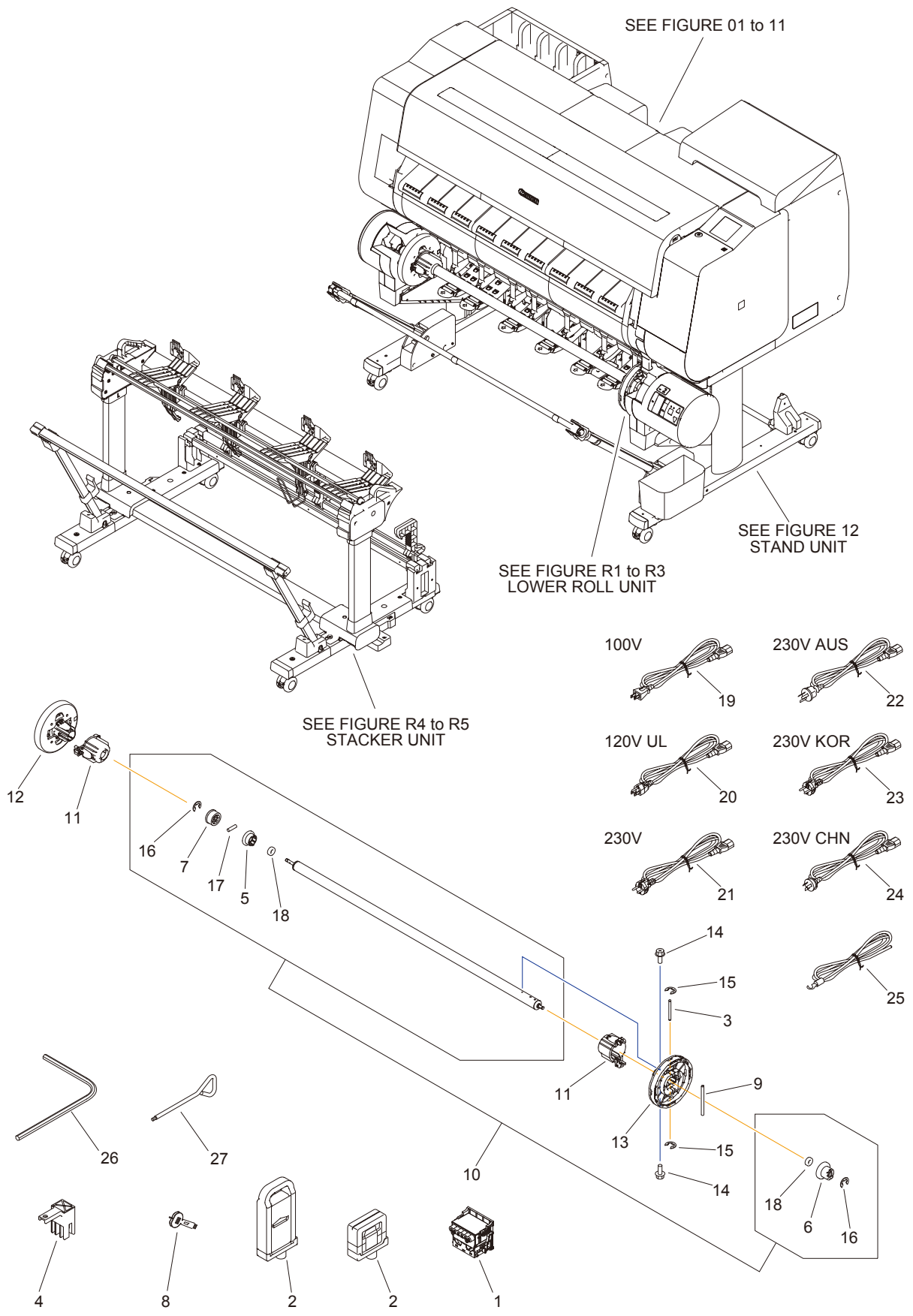


FIG	KEY NO.	PART NUMBER	QTY	DESCRIPTION	REMARKS
1	1	NPN	RF	PRINT HEAD	
	2	NPN	RF	INK TANK (Y)	
	2	NPN	RF	INK TANK (M)	
	2	NPN	RF	INK TANK (C)	
	2	NPN	RF	INK TANK (MBK)	
	2	NPN	RF	INK TANK (B)	
	3	QC4-9195-000	1	HOLD PIN4	
	4	QD1-2645-000	1	LOCK BELT	
	5	QD1-2704-000	1	HOLDER, SPOOL BEARING L	
	6	QD1-2705-000	1	HOLDER, SPOOL BEARING R	
	7	QD1-2706-000	1	GEAR, SPOOL	
	8	QD1-2729-000	1	PLATEN CLEANER BRUSH	
	9	QD1-2747-000	1	PIN, SPOOL	
	10	QM4-5360-000	1	SPOOL SHAFT UNIT	
	11	QM4-4296-000	2	SPOOL 3INCH ATTACHMENT UNIT	
	12	QM4-4297-000	1	SPOOL FLANGE UNIT L	
	13	QM4-4298-000	1	SPOOL FLANGE UNIT R	
	14	XA9-1671-000	2	SCREW, D, M3X8	
	15	XD2-1100-322	2	RETAINING RING (E-TYPE)	
	16	XD2-1100-642	2	RING, E	
	17	XD3-2200-182	1	PIN, DOWEL	
	18	XG9-0793-000	2	BEARING	
	19	QK2-1739-000	1	CORD, POWER	JPN
	20	QK2-1741-000	1	CORD, POWER	USA
	21	QK2-1743-000	1	CORD, POWER	EUR/SPL
	22	QK2-1745-000	1	CORD, POWER	AUS
	23	QK2-1747-000	1	CORD, POWER	KOR
24	QK2-1749-000	1	CORD, POWER	CHN	
25	QK2-0830-000	1	CORD, GROUNDING	JPN	
26	QD1-2746-000	1	HEXAGONAL WRENCH		
27	QC4-9302-000	1	WRENCH, HEX KEY		

FIGURE 2 Top Covers & Side Covers

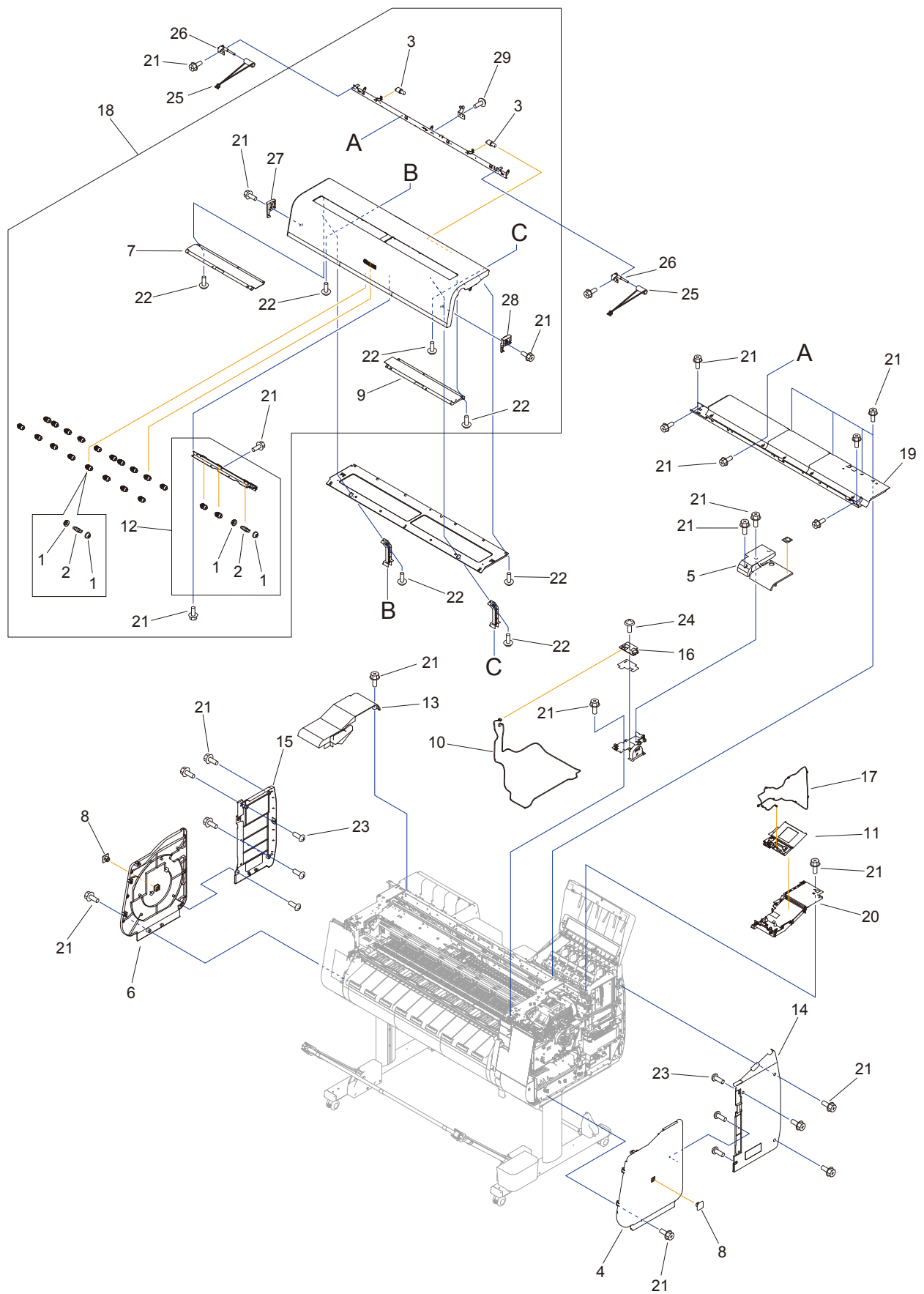


FIG	KEY NO.	PART NUMBER	QTY	DESCRIPTION	REMARKS
2	1	QD1-1358-000	26	ROLLER, PRESS	
	2	QD1-1359-000	13	SHAFT, PRESS ROLLER	
	3	QD1-2912-000	2	ROTARY DAMPER	
	4	QD1-2358-000	1	COVER, SIDE R A	
	5	QD1-2360-000	1	COVER, FRONT TOP R	
	6	QD1-2366-000	1	COVER, SIDE L A	
	7	QC5-6175-000	1	WINDOW	
	8	QD1-2752-000	2	CAP, SIDE COVER	
	9	QC5-6176-000	1	WINDOW R	
	10	QK2-1480-000	1	CABLE, USB RELAY	
	11	QM4-5315-000	1	OPERATION PANEL UNIT	
	12	QM4-4350-000	1	GUARD ACCESS COVER UNIT W/SPUR	
	13	QC5-6170-000	1	COVER UNIT, TOP L	
	14	QM4-4900-000	1	COVER UNIT, SIDE R B	
	15	QM4-5344-000	1	COVER UNIT, SIDE L B	
	16	QM7-4757-000	1	USB HOST PCB ASS'Y	
	17	QM7-4869-000	1	HARNESS ASS'Y, PANEL LVDS	
	18	QM4-5749-000	1	ACCESS COVER UNIT S	
	19	QM4-5298-000	1	COVER UNIT, BACK TOP CENTER	
	20	QM4-5382-000	1	COVER UNIT, BACK TOP R	
	21	XA9-0732-000	AR	SCREW, RS, M4	
	22	XA9-1157-000	AR	SCREW, TAPPING, C.S.HEAD M4X10	
	23	XB4-7401-005	6	SCREW, TP, TRUSS HEAD, M4X10	
	24	XB6-7300-405	1	SCREW, FLANGED PAN HEAD, M3X4	
	25	QC5-6182-000	2	SPRING, ACCESS COVER	
	26	QL2-8518-000	2	HINGE ASS'Y, ACCESS COVER SP	
	27	QD1-2549-000	1	LEVER, LOCK L	
	28	QD1-2550-000	1	LEVER, LOCK R	
	29	XA9-1566-000	AR	SCREW, RS, M3X6	

FIGURE 3 Front Covers & Rear Covers

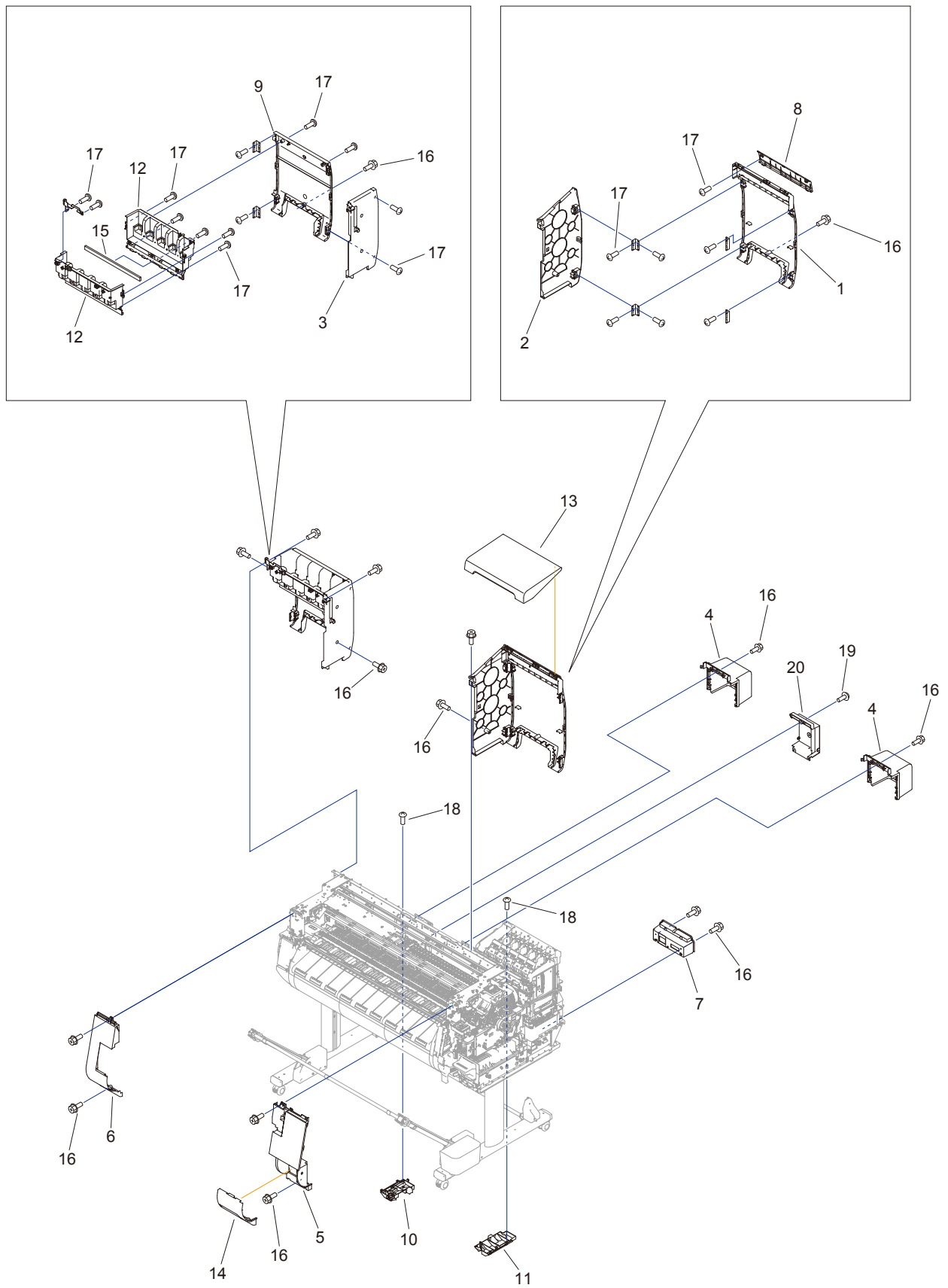


FIG	KEY NO.	PART NUMBER	QTY	DESCRIPTION	REMARKS
3	1	QD1-2317-000	1	COVER, INKTANK BACK	
	2	QD1-2320-000	1	COVER, INKTANK R INSIDE	
	3	QC5-6189-000	1	COVER, INKTANK L INSIDE	
	4	QD1-2349-000	1	COVER, MIST FAN	
	5	QC5-6285-000	1	COVER, FRONT R	
	6	QC5-6290-000	1	COVER, FRONT L	
	7	QD1-2553-000	1	HANDLE, INKTANK BACK	
	8	QD1-2562-000	1	COVER, INKTANK TOP BACK	
	9	QC5-6187-000	1	COVER, INKTANK BACK	
	10	QM4-5316-000	1	INK SUPPLY MOUNT BASE UNIT L	
	11	QM4-8697-000	1	INK SUPPLY MOUNT BASE UNIT R	
	12	QC5-6186-000	2	BOX, INKTANK	
	13	QM4-5321-000	1	COVER UNIT, INKTANK, TOP R	
	14	QM4-4899-000	1	COVER UNIT, MTC	
	15	QC5-6236-000	1	ABSORBER	
	16	XA9-0732-000	AR	SCREW, RS, M4	
	17	XB4-7300-805	AR	SCREW, TP, BH3X8, S	
	18	XB4-7401-005	6	SCREW, TP, TRUSS HEAD, M4X10	
	19	XA9-1648-000	1	SCREW, TP, M3X8	
	20	QC5-8091-000	1	COVER, BACK W-FAN	

FIGURE 4 Electrical Parts

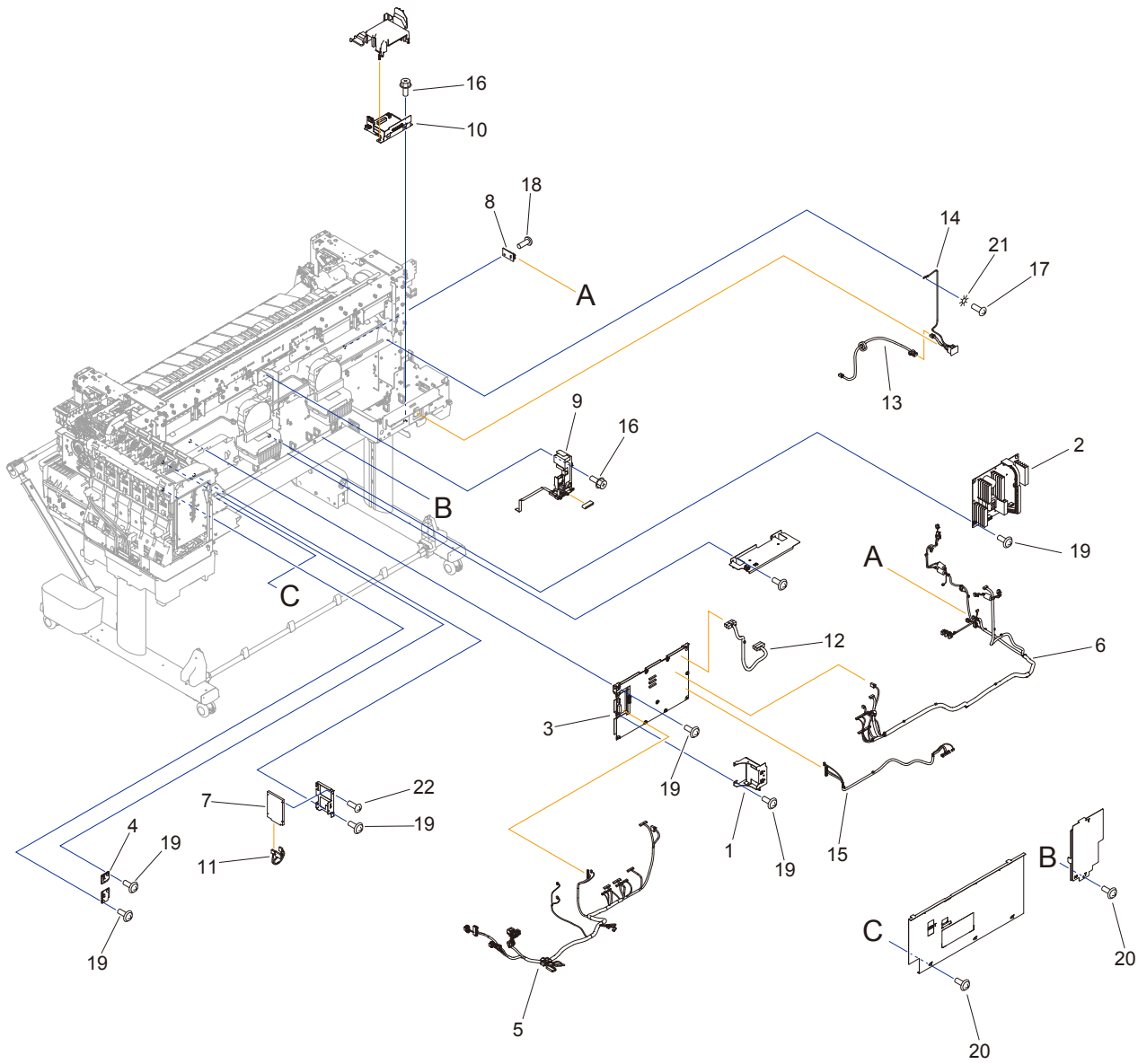


FIG	KEY NO.	PART NUMBER	QTY	DESCRIPTION	REMARKS
4	1	QM4-4368-000	1	I/F PCB UNIT	
	2	QM4-5548-000	1	POWER SUPPLY UNIT	
	3	QM4-5331-000	1	MAIN PCB UNIT	
	4	QM7-4756-000	1	BACKUP PCB UNIT	
	5	QM7-5397-000	1	HARNESS ASS'Y, R	
	6	QM7-5406-000	1	HARNESS ASS'Y, L	
	7	WM2-5301-000	1	HDD, MQ01ABU050W	
	8	WP2-5410-000	1	SENSOR, HUMIDITY	
	9	QM4-5860-000	1	WIRELESS LAN PCB UNIT	
	10	QM4-5335-000	1	RELAY PCB UNIT, RU	
	11	QK2-1472-000	1	HDD CABLE ASS'Y	
	12	QM7-4821-000	1	HARNESS ASS'Y, POWER SUPPLY	
	13	QM7-5394-000	1	HARNESS ASS'Y, INLET RELAY	
	14	QM7-4826-000	1	INLET HARNESS UNIT	
	15	QM7-5409-000	1	HARNESS ASS'Y, RU RELAY	
	16	XA9-0732-000	5	SCREW, RS, M4	
	17	XB1-2400-607	1	SCREW, CROSS-RECESS, FCH	
	18	XB4-7300-805	1	SCREW, TP, BH3X8, S	
	19	XB6-7300-605	AR	SCREW, TP, M3X6 (S)	
	20	XB6-7400-805	9	SCREW, FLANGED PAN HEAD, M4X8	
	21	XD1-4200-402	1	WASHER, TOOTHED LOCK, M4	
	22	XB1-2300-405	4	SCREW, MACH, BH, M3X4	

FIGURE 5 Ink Tank & Purge Unit

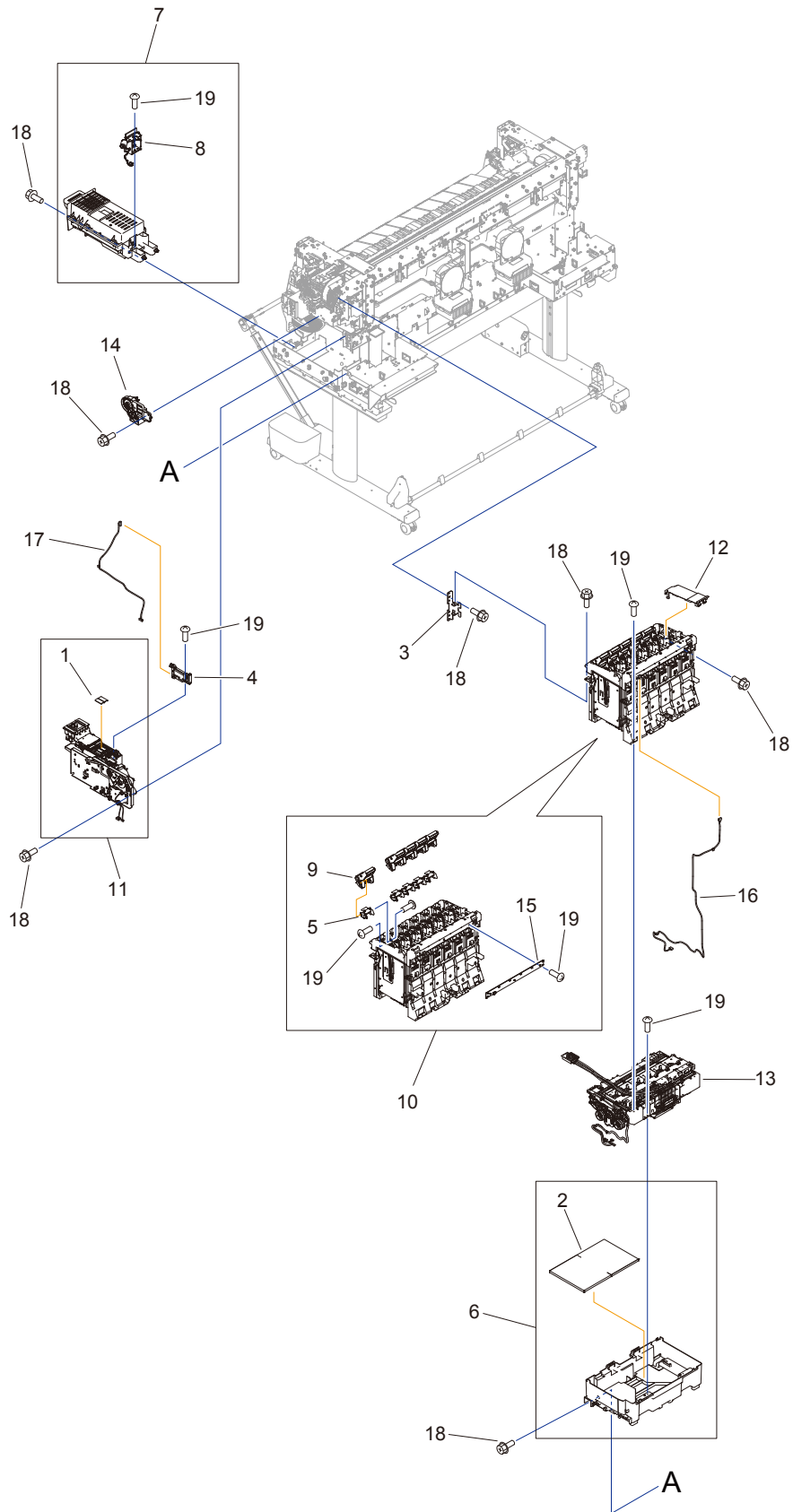


FIG	KEY NO.	PART NUMBER	QTY	DESCRIPTION	REMARKS
5	1	QC5-6203-000	2	ABSORBER, CAP	
	2	QD1-2348-000	1	ABSORBER, INK	
	3	QD1-2579-000	1	UPPER GUIDE, INK TANK	
	4	QM4-4038-000	1	HEAD MANAGEMENT SENSOR UNIT	
	5	QD1-2326-010	5	LEVER, INK TANK	
	6	QM4-4198-000	1	INK SUPPLY MOUNT UNIT R	
	7	QM4-5862-000	1	WASTE INK TANK UNIT	
	8	QM4-5863-000	1	ROM BOARD UNIT	
	9	QM4-4923-010	5	HANDLE UNIT, INK TANK S	
	10	QM4-5301-000	1	INK SUPPLY TANK HOLDER UNIT R	
	11	QM4-5309-000	1	PURGE UNIT	
	12	QD1-1885-000	1	COVER, SOCKET	
	13	QM4-5307-000	1	SUB INK TANK UNIT R	
	14	QM4-5333-000	1	LIFT UNIT	
	15	QM7-4761-000	1	TANK LED PCB UNIT	
	16	QM7-4834-000	1	HARNESS ASS'Y, TANKLED R RLY	
	17	QM7-4845-000	1	HARNESS ASS'Y, HEAD MANAGEMENT	
	18	XA9-0732-000	AR	SCREW, RS, M4	
	19	XB4-7300-805	AR	SCREW, TP, BH3X8, S	

FIGURE 6 Carriage, Tube Unit & Film Strip

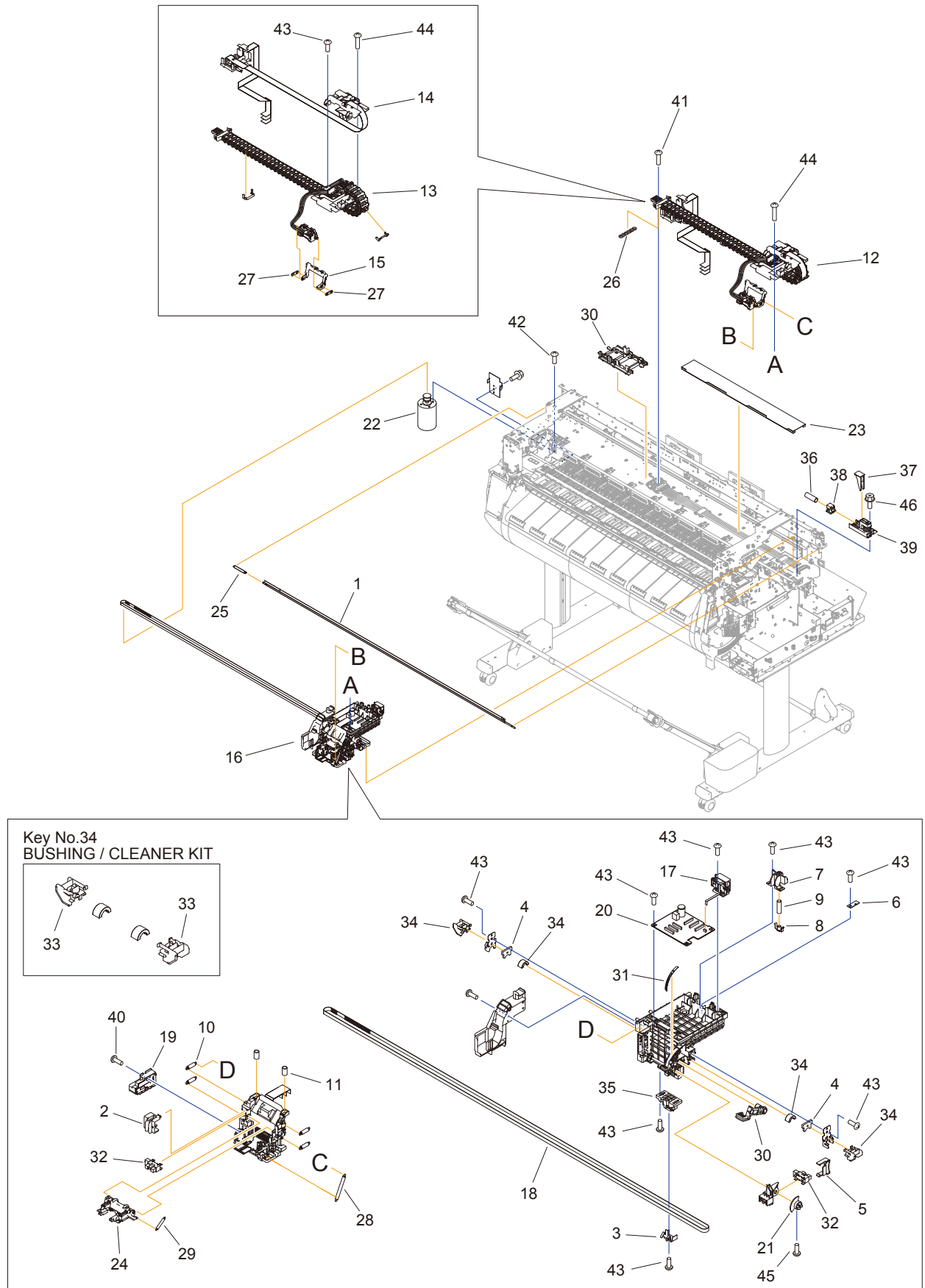


FIG	KEY NO.	PART NUMBER	QTY	DESCRIPTION	REMARKS
6	1	QC5-6283-000	1	FILM, TIMING SLIT STRIP	
	2	QC5-8107-000	2	ARM, LEVER LINK	
	3	QD1-1951-000	2	STOPPER, BELT, CR	
	4	QC5-6309-000	2	PAD, BUSHING, CR	
	5	QD1-1926-000	1	COVER, PI SENSOR, CR	
	6	QC5-8776-000	1	SLIDER BUSHING, OILLESS, CR	
	7	QD1-1963-000	1	STOPPER, SUB SLIDER, CR	
	8	QD1-2110-000	1	HOLDER, SLIDER PRESSURE, CR	
	9	QD1-2111-000	1	SPRING, SLIDER PRESSURE, CR	
	10	QC4-8948-000	4	SPRING, TENSION	
	11	QC4-8949-000	2	SPRING, COMPRESSION	
	12	QM4-5859-000	1	INK TUBE UNIT	
	13	QM4-5340-000	1	TUBE UNIT	
	14	QM4-5856-000	1	FLEXIBLE CABLE UNIT	
	15	QC5-6087-000	1	LEVER, TUBE	
	16	QM4-5319-000	1	CARRIAGE UNIT	
	17	QM4-5850-000	1	CARRIAGE ENCODER UNIT	
	18	QC5-6277-000	1	BELT, CARRIAGE	
	19	QM4-5328-000	1	MULTI SENSOR UNIT	
	20	QM7-5216-000	1	CARRIAGE RELAY PCB UNIT	
	21	QC5-6088-000	1	COUPLING, CARRIAGE	
	22	QK2-2200-000	1	MOTOR, DC, 47.8W	
	23	QC5-6308-000	1	SHEET DAMPER	
	24	QM4-5871-000	1	HEAD LEVER UNIT	
	25	QD1-2420-000	1	SPRING, FILM STRIP	
	26	QC5-1900-000	1	SIX-RING RUBBER CHAIN	
	27	QC4-9233-000	2	ARM, LEVER LINK	
	28	QC4-9297-000	1	SPRING, TENSION	
	29	QC4-8947-000	1	SPRING, TENSION	
	30	QD1-2419-000	1	BASE, CHAIN LINK	
	31	QC4-8944-000	1	LABEL, SLANT	
	32	WG8-5935-000	1	PHOTO INTERRUPTER	
	33	QM4-5868-000	2	RAIL CLEANER UNIT S	
	34	QM4-5869-000	1	BUSHING / CLEANER KIT	
	35	QD1-2545-000	1	HOLDER, BELT, CR	
	36	QD1-1983-000	1	SPRING, IDLER, PULLEY	
	37	QD1-1981-000	1	TENSIONER, IDLER, PULLEY	
	38	QD1-1982-000	1	SLIDER, IDLER, PULLEY	
	39	QM4-4191-000	1	IDLER PULLEY UNIT	
	40	QU1-9070-000	1	SCREW, TP, M3 PAN HEAD, M2.6X8	
	41	XB1-2302-005	2	SCREW, MACH, TRUSS HEAD, M3X20	
	42	XB1-2400-607	4	SCREW, BH, M4X6	
	43	XB4-7300-805	AR	SCREW, TP, BH3X8, S	
	44	XB4-7301-209	4	SCREW, TP, M3X12	
	45	XB1-2200-405	1	SCREW, BH, M2X4	

FIG	KEY NO.	PART NUMBER	QTY	DESCRIPTION	REMARKS
6	46	XB2-8400-805	1	SCREW, W/SPRING WASHER, M4X8	

FIGURE 7 Pinch Roller, Release Lever & Mist Fan

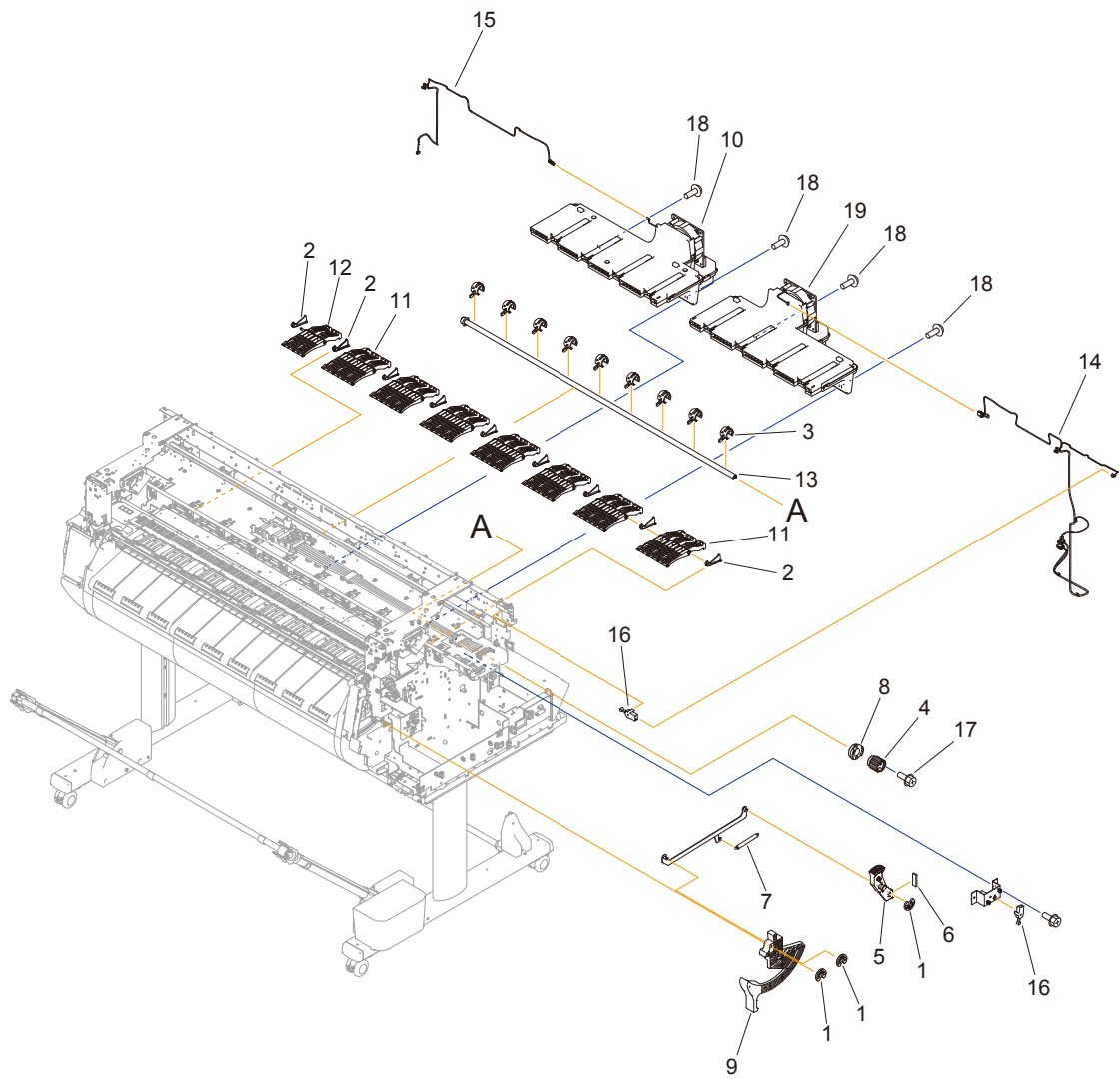


FIG	KEY NO.	PART NUMBER	QTY	DESCRIPTION	REMARKS
7	1	QC4-1522-000	3	E RING G17	
	2	QD1-2085-000	9	BUSH, ARM ROTARY SHAFT	
	3	QD1-2231-000	9	BUSHING, PRESSURE RELEASE	
	4	QD1-2233-000	1	GEAR, PRESSURE RELEASE	
	5	QD1-2237-000	1	GEAR, RELEASE LEVER	
	6	QD1-2280-000	1	PAD, RELEASE LEVER STOPPER	
	7	QD1-2712-000	1	SPRING, RELEASE LEVER	
	8	QD1-2884-000	1	BUSHING, PR RELEASE	
	9	QM4-4208-000	1	RELEASE LEVER UNIT	
	10	QM4-5738-000	1	MIST FAN DUCT UNIT 3	
	11	QM4-4252-000	7	PINCH ROLLER UNIT	
	12	QM4-4254-000	1	PINCH ROLLER UNIT L	
	13	QM4-5352-000	1	SHAFT PRESSURE RELEASE UNIT	
	14	QM7-4829-000	1	HARNESS ASS'Y, TANK CVR MFAN R	
	15	QM7-5400-000	1	HARNESS ASS'Y, MFAN L	
	16	WC4-5376-000	2	DETECT MICRO SWITCH	
	17	XA9-0732-000	1	SCREW, RS, M4	
	18	XB6-7400-805	4	SCREW, FLANGED PAN HEAD, M4X8	
	19	QM4-4228-010	1	MIST FAN DUCT UNIT 1	

FIGURE 8 Roll Covers

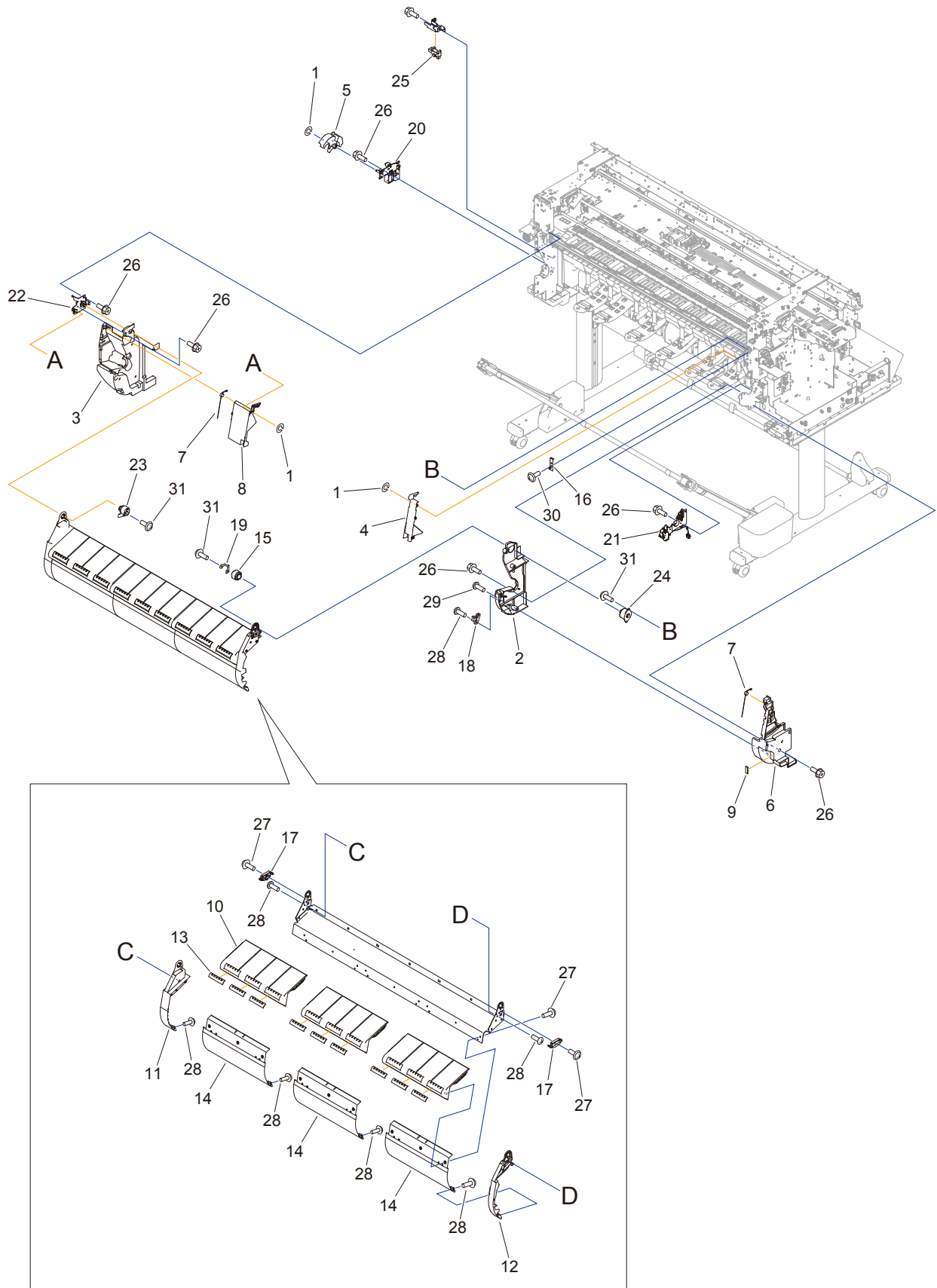


FIG	KEY NO.	PART NUMBER	QTY	DESCRIPTION	REMARKS
8	1	QD1-1441-000	3	CUT WASHER	
	2	QD1-1721-010	1	HOLDER, SPOOL SIDE R	
	3	QD1-1722-000	1	HOLDER, SPOOL SIDE L	
	4	QD1-1723-000	1	COVER, SPOOL R	
	5	QD1-1792-000	1	COVER, ROLL GEAR L	
	6	QD1-2239-000	1	CASE, SPOOL SIDE INNER R	
	7	QD1-2240-000	2	SPRING, SPOOL COVER	
	8	QD1-2241-000	1	COVER, SPOOL L	
	9	QD1-2280-000	1	PAD, RELEASE LEVER STOPPER	
	10	QD1-2429-000	3	COVER, ROLL TOP	
	11	QC5-6219-000	1	COVER, ROLL SIDE L	
	12	QD1-2431-000	1	COVER, ROLL SIDE R	
	13	QD1-2435-000	9	PAD, EJECT FRICTION	
	14	QD1-2653-000	3	COVER, ROLL FRONT	
	15	QD1-2709-000	1	CAP, ROLL COVER SHAFT	
	16	QD1-2710-000	1	SPRING, EJECT EARTH	
	17	QD1-2863-000	2	CAM, ROLL COVER SIDE	
	18	QD1-2867-000	1	CATCH, ROLL COVER	
	19	QD1-2888-000	1	SPRING, EARTH	
	20	QM4-4299-000	1	SPOOL LOCK UNIT	
	21	QM4-4301-000	1	SPOOL SENSOR UNIT	
	22	QM4-4890-000	1	PLATE UNIT, SPOOL SIDE SUPPORT	
	23	QM4-4892-000	1	BUSH UNIT, ROLL COVER L	
	24	QM4-4908-000	1	DAMPER UNIT, ROLL COVER R	
	25	WG8-5935-000	1	IC, PHOTO INTERRUPTER	
	26	XA9-0732-000	AR	SCREW, RS, M4	
	27	XA9-1752-000	AR	SCREW, TP, WASHER HEAD, M3X12	
	28	XB4-7300-805	8	SCREW, TP, BH3X8, S	
	29	XB4-7401-005	2	SCREW, TP, TRUSS HEAD, M4X10	
	30	XB6-7300-405	1	SCREW, FLANGED PAN HEAD, M3X4	
	31	XB6-7300-605	5	SCREW, TP, M3X6 (S)	

FIGURE 9 Cutter & Access Cover Lock Unit

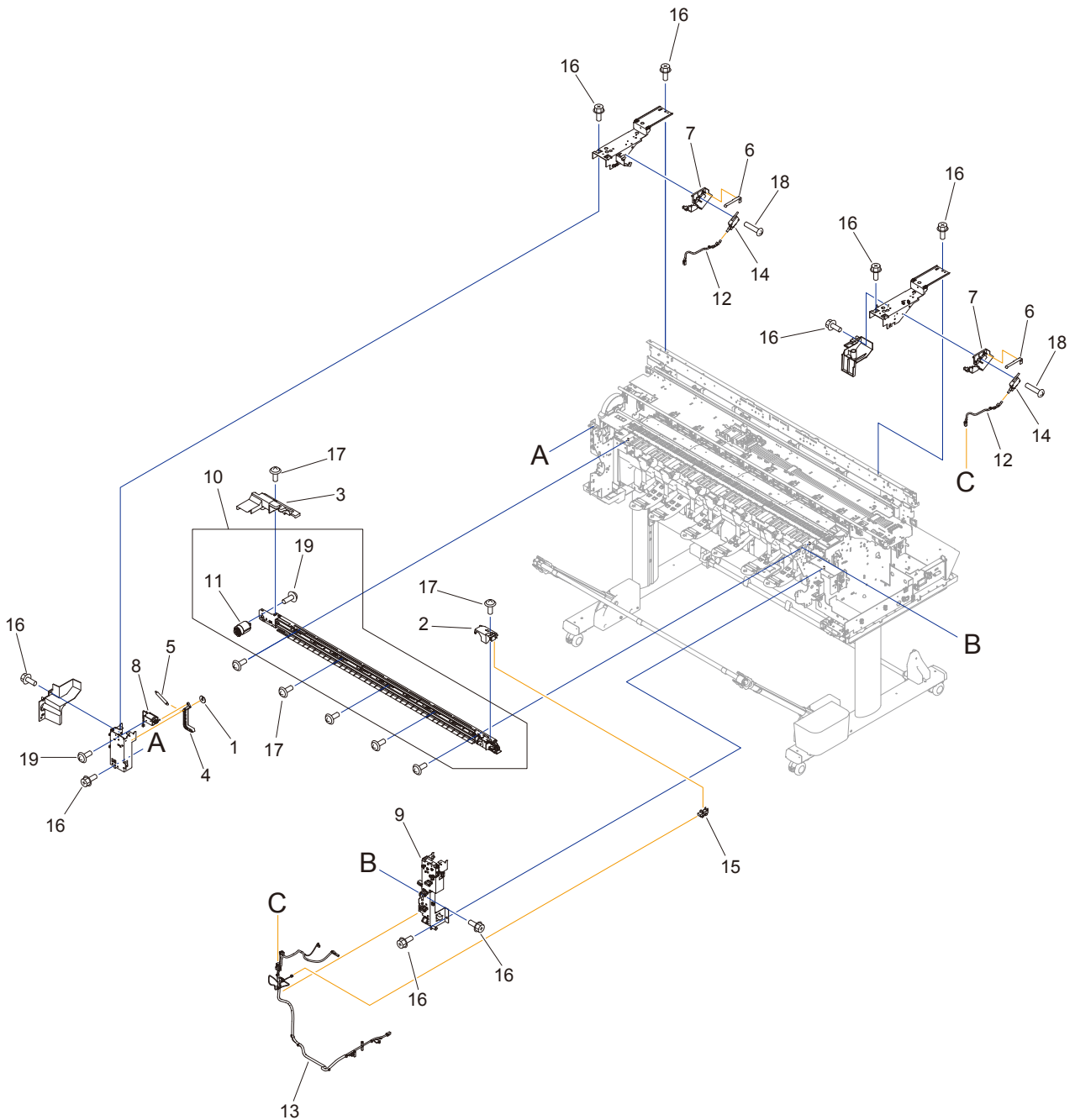


FIG	KEY NO.	PART NUMBER	QTY	DESCRIPTION	REMARKS
9	1	QD1-1441-000	1	CUT WASHER	
	2	QD1-2221-000	1	COVER, HOME POSITION	
	3	QD1-2222-000	1	COVER, BACK POSITION	
	4	QD1-2408-000	1	LOCK LEVER, ACCESS COVER L	
	5	QD1-2411-000	1	SPRING, LOCK	
	6	QD1-2416-000	2	PLATE, SPRING SWITCH	
	7	QD1-2548-000	2	HOLDER, SWITCH	
	8	QK2-1484-000	1	SOLENOID	
	9	QM4-4217-000	1	ACCESS COVER LOCK UNIT R	
	10	QM4-5870-000	1	CUTTER BLADE UNIT	w/tool & instructions
	11	QM4-8677-000	1	CUTTER MOTOR UNIT, W/ENCODER	
	12	QM7-4831-000	2	HARNESS ASS'Y, INTERLOCK SW	
	13	QM7-5396-000	1	HARNESS ASS'Y, RSIDE FRONT	
	14	WC4-5171-000	2	MICROSWITCH	
	15	WG8-5935-000	1	IC, PHOTO INTERRUPTER	
	16	XA9-0732-000	AR	SCREW, RS, M4	
	17	XA9-1671-000	7	SCREW, D, M3X8	
	18	XB1-2302-005	2	SCREW, MACH, TRUSS HEAD, M3X20	
	19	XB6-7300-405	4	SCREW, FLANGED PAN HEAD, M3X4	

FIGURE 10 Platen & Feed Roller

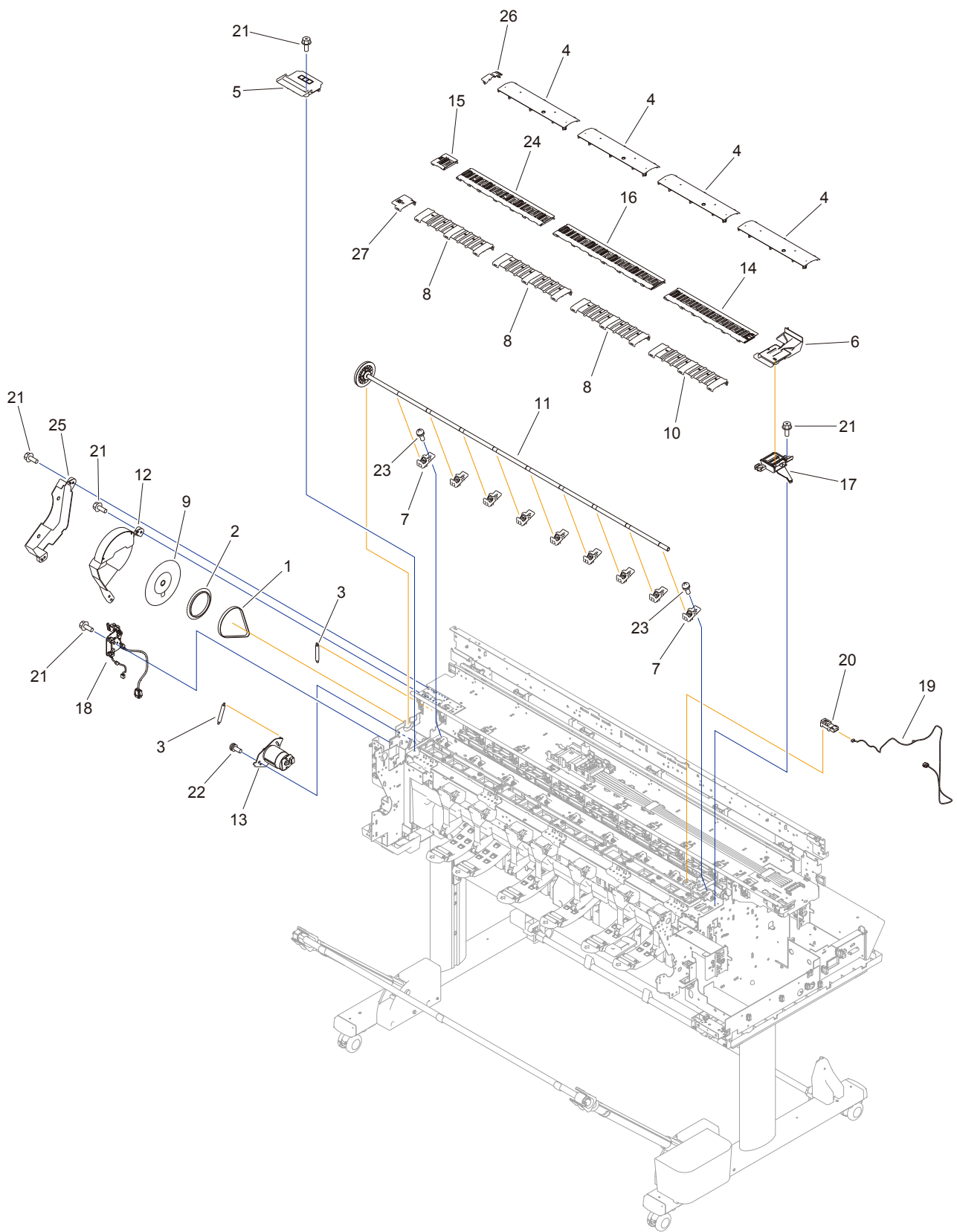


FIG	KEY NO.	PART NUMBER	QTY	DESCRIPTION	REMARKS
10	1	QC5-8098-000	1	BELT, PAPER TRANSPORT	
	2	QC4-8784-000	1	FLANGE, PULLEY	
	3	QC5-8099-000	2	SPRING, TENSION	
	4	QD1-1758-000	4	PLATEN, REAR	
	5	QD1-1760-000	1	AWAY PLATEN	
	6	QD1-1761-000	1	PLATEN, INK PRE EJECTION	
	7	QD1-2079-000	9	HOLDER, PAPER FEED ROLLER	
	8	QD1-2244-000	3	PLATEN, UNDER A	
	9	QD1-2702-000	1	FILM, TIMING SLIT DISK	
	10	QD1-2801-000	1	PLATEN, UNDER HOME	
	11	QL3-0359-000	1	PAPER FEED ROLLER UNIT	
	12	QM4-5388-000	1	CODEWHEEL COVER UNIT	
	13	QM4-5389-000	1	PAPER FEED MOTOR UNIT	
	14	QM4-5348-000	1	PLATEN UNIT, TOP A	
	15	QM4-5363-000	1	PLATEN UNIT, TOP AWAY	
	16	QM4-4272-000	1	PLATEN UNIT, TOP B	
	17	QM4-4277-000	1	PRE PRINTING PLATEN BASE ASS'Y	
	18	QM4-4288-000	1	PAPER FEED ENCODER UNIT	
	19	QM7-4828-000	1	HARNESS ASS'Y, LFPE SNS	
	20	WG8-5677-000	1	PHOTO INTERRUPTER	
	21	XA9-0732-000	8	SCREW, RS, M4	
	22	XA9-1161-000	2	SCREW, W/WASHER, M3X8	
	23	XB2-8400-805	9	SCREW, W/SPRING WASHER, M4X8	
	24	QM4-5350-000	1	PLATEN UNIT, TOP C	
	25	QC5-8774-000	1	COVER, PF ENCODER OUTER	
	26	QC5-6116-000	1	PLATEN, REAR COLLAR	
	27	QC5-6218-000	1	PLATEN, UNDER C	

FIGURE 11 Upper Roll Unit, Suction Fan & Waste Ink Unit

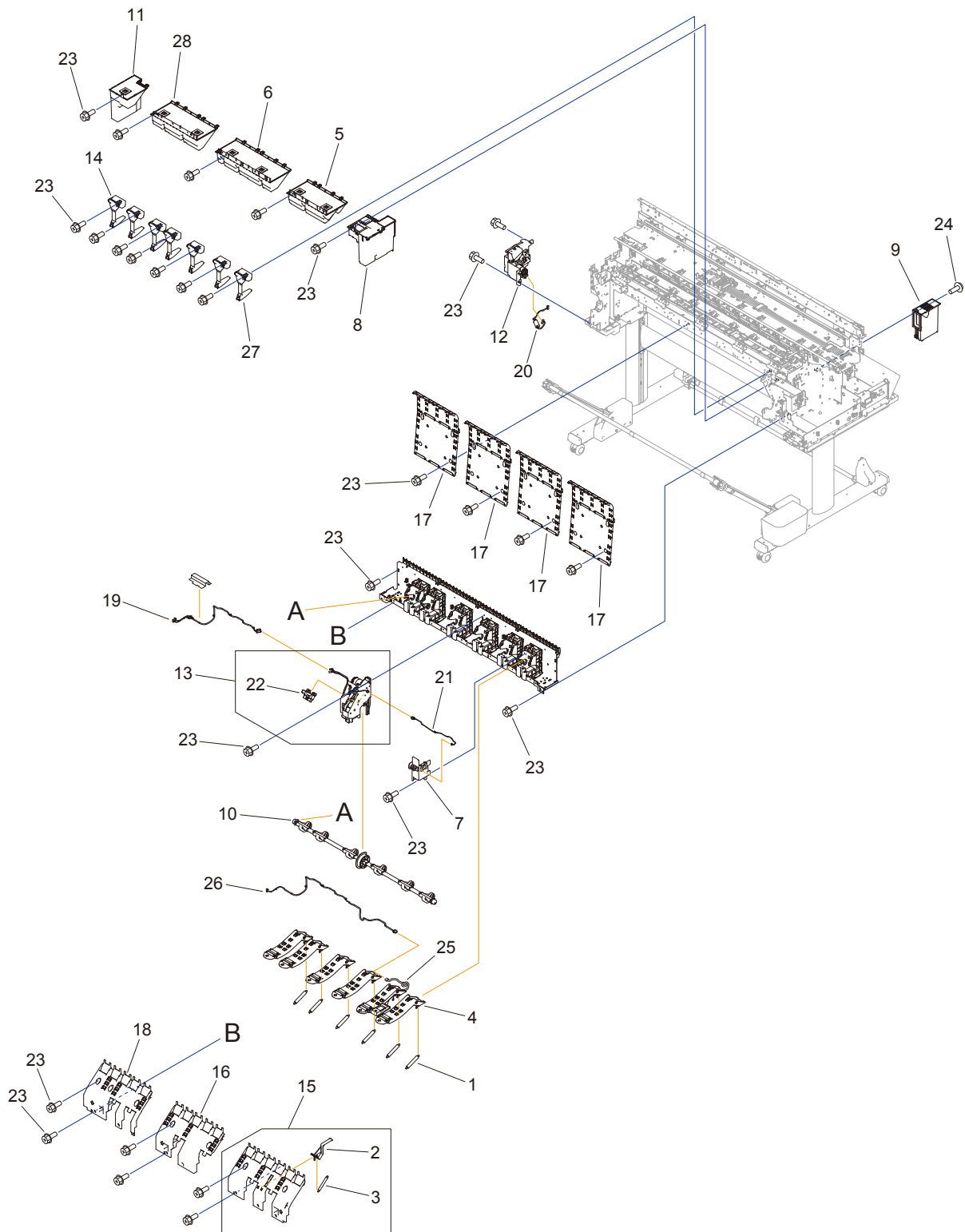


FIG	KEY NO.	PART NUMBER	QTY	DESCRIPTION	REMARKS
11	1	QD1-1677-000	7	SPRING, PAPER SET	
	2	QD1-2159-000	1	LEVER, PAPER FEED SENSOR	
	3	QD1-2160-000	1	SPRING, PAPER FEED SENSOR	
	4	QM4-4926-010	5	NIP ARM UNIT	
	5	QM4-4241-000	1	WASTE INK ABSORBER UNIT A	
	6	QM4-4242-000	1	WASTE INK ABSORBER UNIT B	
	7	QM4-4249-010	1	ROLL PAPER FEED SENSOR UNIT	
	8	QM4-5861-000	1	SUCTION FAN UNIT	
	9	QM4-4261-000	1	SUCTION FAN DUCT UNIT	
	10	QM4-5358-000	1	CAM SHAFT UNIT	
	11	QM4-5751-000	1	WASTE INK ABSORBER UNIT	
	12	QM4-8678-000	1	ACTIVE ROLL BRAKE UNIT	
	13	QM4-8715-000	1	DRIVE NIP ARM UNIT	
	14	QM4-8718-000	6	FLAPPER SEPARATE UNIT	
	15	QM4-4927-010	1	GUIDE UNIT, LOW A	
	16	QM4-4928-000	1	GUIDE UNIT, LOW B	
	17	QM4-5853-000	4	GUIDE UNIT, OUTSIDE A	
	18	QM4-4929-000	1	GUIDE UNIT, LOW C	
	19	QM7-5401-000	1	HARNESS ASS'Y, UP RLNIP RELAY	
	20	QM7-4872-000	1	HARNESS ASS'Y, ARB MOTOR	
	21	QM7-4884-000	1	HARNESS ASS'Y, RLNIP PF SNS	
	22	WG8-5935-000	1	IC, PHOTO INTERRUPTER	
	23	XA9-0732-000	AR	SCREW, RS, M4	
	24	XB6-7400-805	1	SCREW, FLANGED PAN HEAD, M4X8	
	25	QM4-5356-000	1	NIP ARM SENSOR UNIT	
	26	QM7-5402-000	1	HARNESS ASS'Y, ROLL SEP RLY	
	27	QM4-5867-000	1	FLAPPER SEPARATE UNIT W/SP	
	28	QM4-4243-000	1	WASTE INK ABSORBER UNIT E	

FIGURE 12 Stand Unit

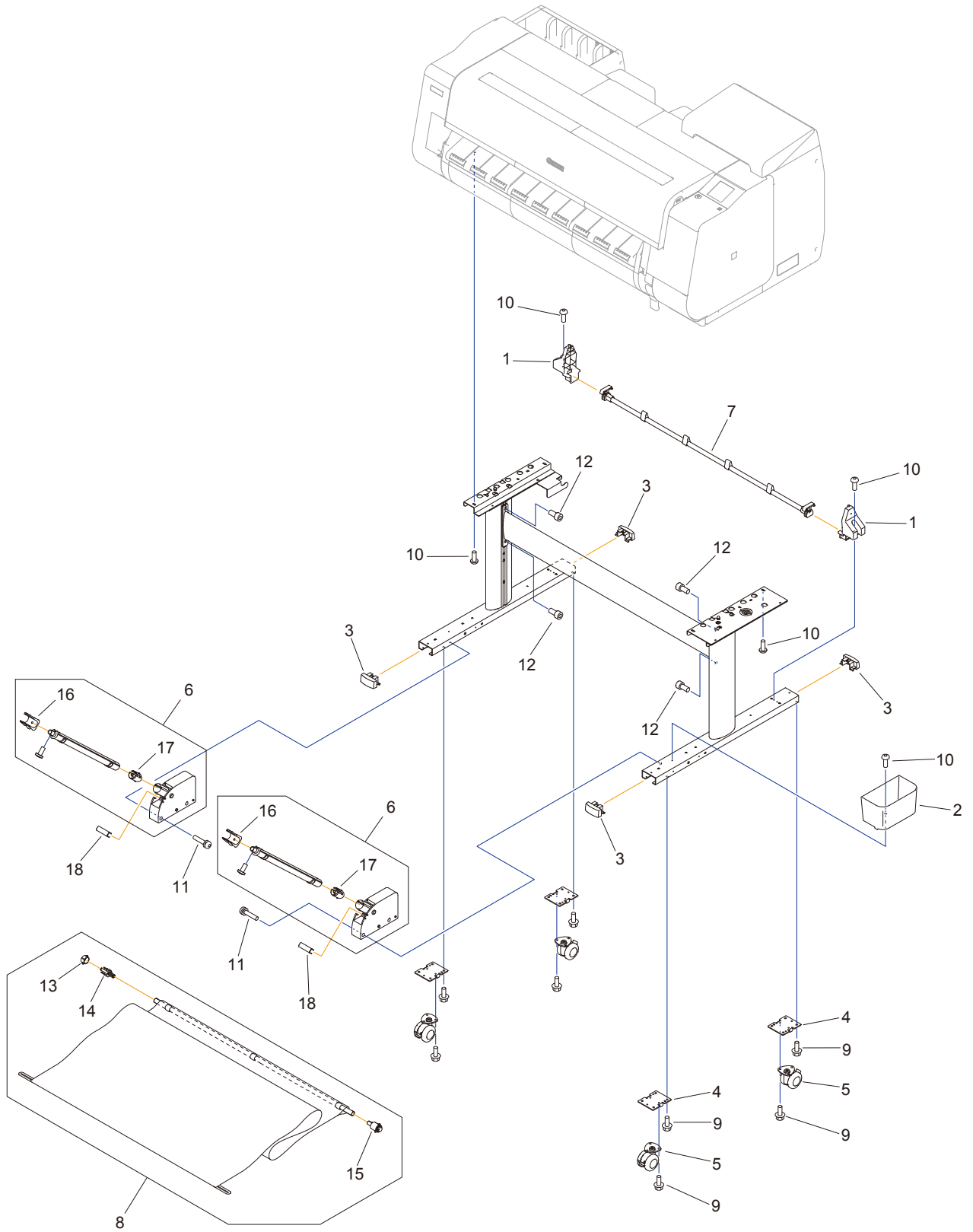


FIG	KEY NO.	PART NUMBER	QTY	DESCRIPTION	REMARKS
12	1	QD1-2522-000	2	HOLDER, REAR ROD	
	2	QD1-2736-000	1	BOX	
	3	QD1-2787-000	4	CAP, STAND	
	4	QD1-2879-000	4	PLATE, CASTER	
	5	QD1-2880-000	4	CASTER, W/LOCK	
	6	QM4-4294-020	2	SIDE ROD UNIT	
	7	QM4-5295-000	1	REAR ROD UNIT	
	8	QM4-5296-010	1	TOP ROD UNIT	
	9	XA9-0949-000	AR	SCREW, RS, M4X10	
	10	QC4-9300-000	9	SCREW, HEX SOCKET M4X10	
	11	QC4-9303-000	4	BOLT, HEXAGON BUTTON, M4X30	
	12	XB7-1080-169	4	SCREW, MACHINE M8X16	
	13	QD1-2740-000	1	CAP SUPPORT, TOP ROD L	
	14	QD1-2521-010	1	CAP, TOP ROD L	
	15	QM4-8680-010	1	BASKET ROLL UNIT	
	16	QD1-2529-000	1	ROD JOINT	
	17	QD1-2528-000	1	ROD END	
	18	QC5-8788-000	2	PTATE, LOCK	

FIGURE 13 Tool

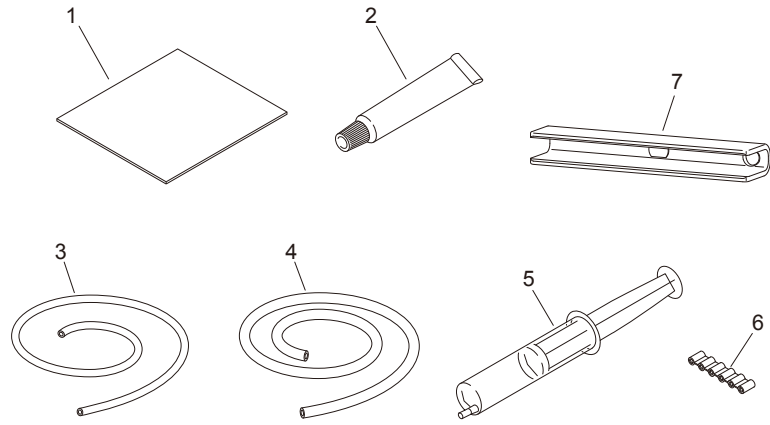


FIG	KEY NO.	PART NUMBER	QTY	DESCRIPTION	REMARKS
13	1	AY3-4615-000	1	PLATE, PURGE CHECK	
	2	AY3-4609-000	1	GREASE, FLOIL G-31KB	
	3	AY3-4595-000	1	TUBE, WASTE INK	
	4	AY3-4530-000	1	W-INK TUBE, BLACK	
	5	CK-0541-000	1	SYRINGE	
	6	QC2-6710-000	1	STOPPER	
	7	QD1-2904-000	1	TOOL, CUTTER SPACER	

FIGURE R1 Lower Roll Unit (Right)

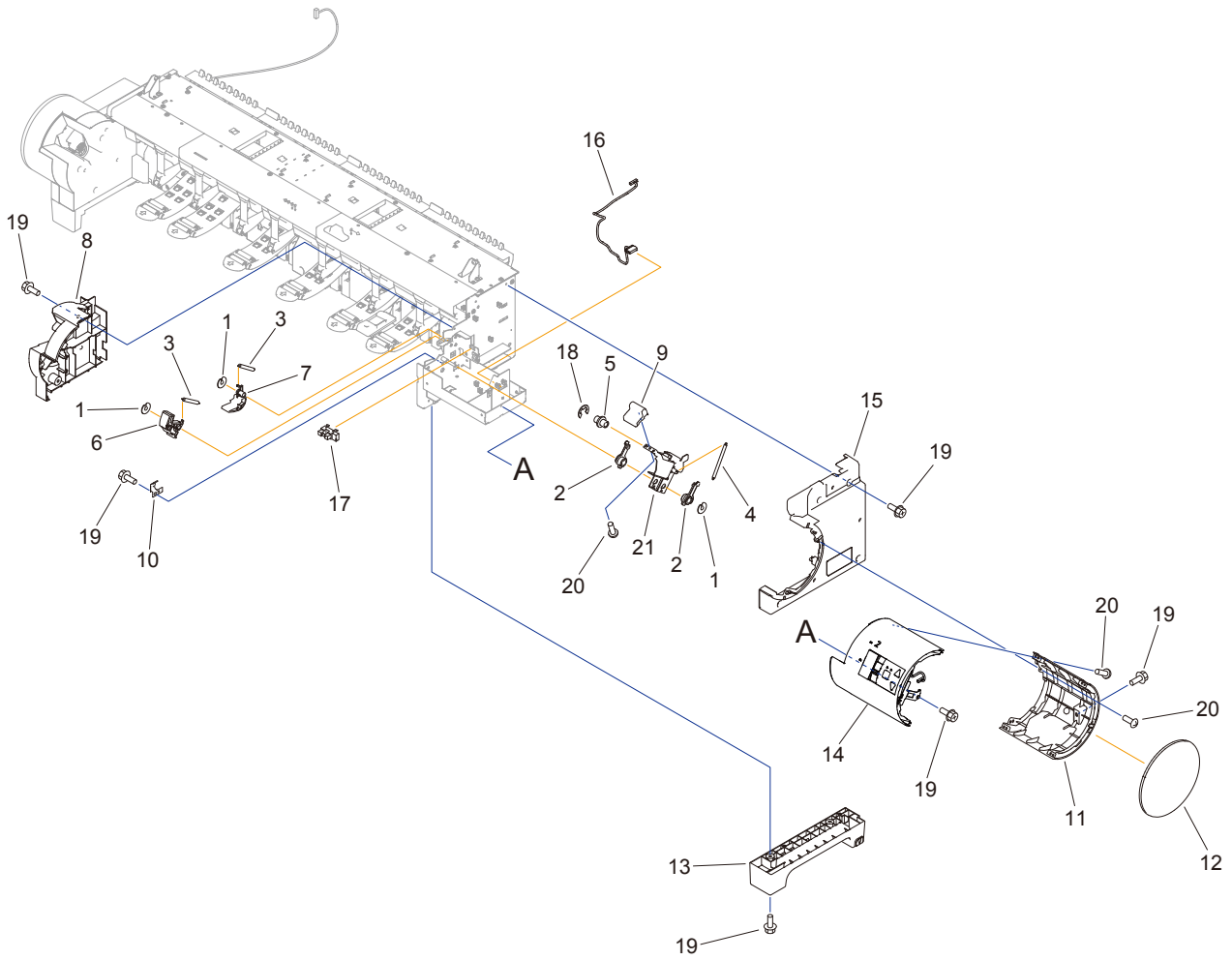


FIG	KEY NO.	PART NUMBER	QTY	DESCRIPTION	REMARKS
R1	1	QD1-1441-000	3	CUT WASHER	
	2	QD1-1443-000	2	BUSHING, DRIVE	
	3	QD1-1785-000	2	SPRING, LOCK A	
	4	QD1-1787-000	1	SPRING, LOCK C	
	5	QD1-1788-000	1	ROLLER, LOCK	
	6	QD1-1789-000	1	LOCK LEVER A	
	7	QD1-1790-000	1	LOCK LEVER B	
	8	QD1-1791-000	1	HOLDER, SPOOL R	
	9	QD1-2588-000	1	KNOB, OPERATION	
	10	QD1-2593-000	1	PLATE, SPOOL GROUND	
	11	QD1-2725-000	1	COVER, SIDE R REAR	
	12	QD1-2726-000	1	COVER, SIDE R	
	13	QM4-4898-000	1	HANDLE UNIT, LOWER SUPPORT R	
	14	QM4-4914-000	1	OPERATION PANEL UNIT, RU	
	15	QM4-4915-000	1	COVER UNIT, SIDE OUTER R	
	16	QM7-4877-000	1	HARNESS ASS'Y, RU PANEL RLY	
	17	WG8-5935-000	1	IC, PHOTO INTERRUPTER	
	18	XD2-1100-322	1	RETAINING RING (E-TYPE)	
	19	XA9-0732-000	AR	SCREW, RS, M4	
	20	XB4-7300-805	7	SCREW, TP, BH3X8, S	
	21	QL2-8481-000	1	LEVER ASS'Y, SPL LOCK R	

FIGURE R2 Lower Roll Unit (Left)

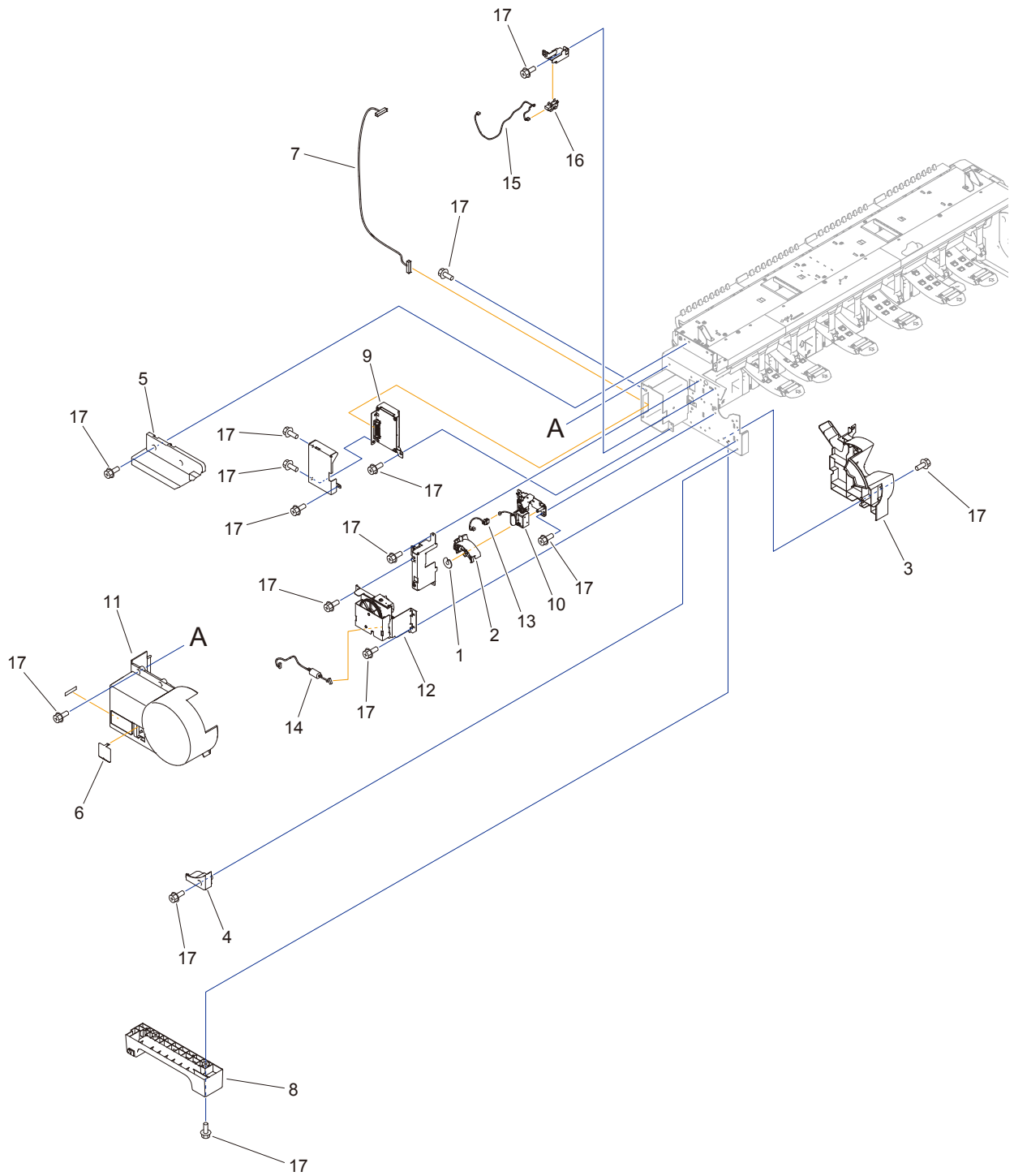


FIG	KEY NO.	PART NUMBER	QTY	DESCRIPTION	REMARKS
R2	1	QD1-1441-000	1	CUT WASHER	
	2	QD1-1792-000	1	COVER, ROLL GEAR L	
	3	QD1-1795-000	1	HOLDER, SPOOL L	
	4	QD1-2656-000	1	COVER, SIDE L SUB	
	5	QD1-2784-000	1	COVER, SIDE TOP L	
	6	QD1-2853-000	1	CAP, COVER SIDE L	
	7	QK2-1476-000	1	CABLE, ROLL UNIT	
	8	QM4-4897-000	1	HANDLE UNIT, LOWER SUPPORT L	
	9	QM4-5865-000	1	I/F PCB UNIT, RU	
	10	QM4-4299-000	1	SPOOL LOCK UNIT	
	11	QM4-5755-000	1	COVER UNIT, SIDE OUTER L	
	12	QM4-8678-000	1	ACTIVE ROLL BRAKE UNIT	
	13	QM7-4871-000	1	HARNESS ASS'Y, LO SPL SOL	
	14	QM7-4872-000	1	HARNESS ASS'Y, ARB MOTOR	
	15	QM7-4873-000	1	HARNESS ASS'Y, LO SPLSET L	
	16	WG8-5935-000	1	IC, PHOTO INTERRUPTER	
	17	XA9-0732-000	AR	SCREW, RS, M4	

FIGURE R3 Lower Roll Unit (Main)

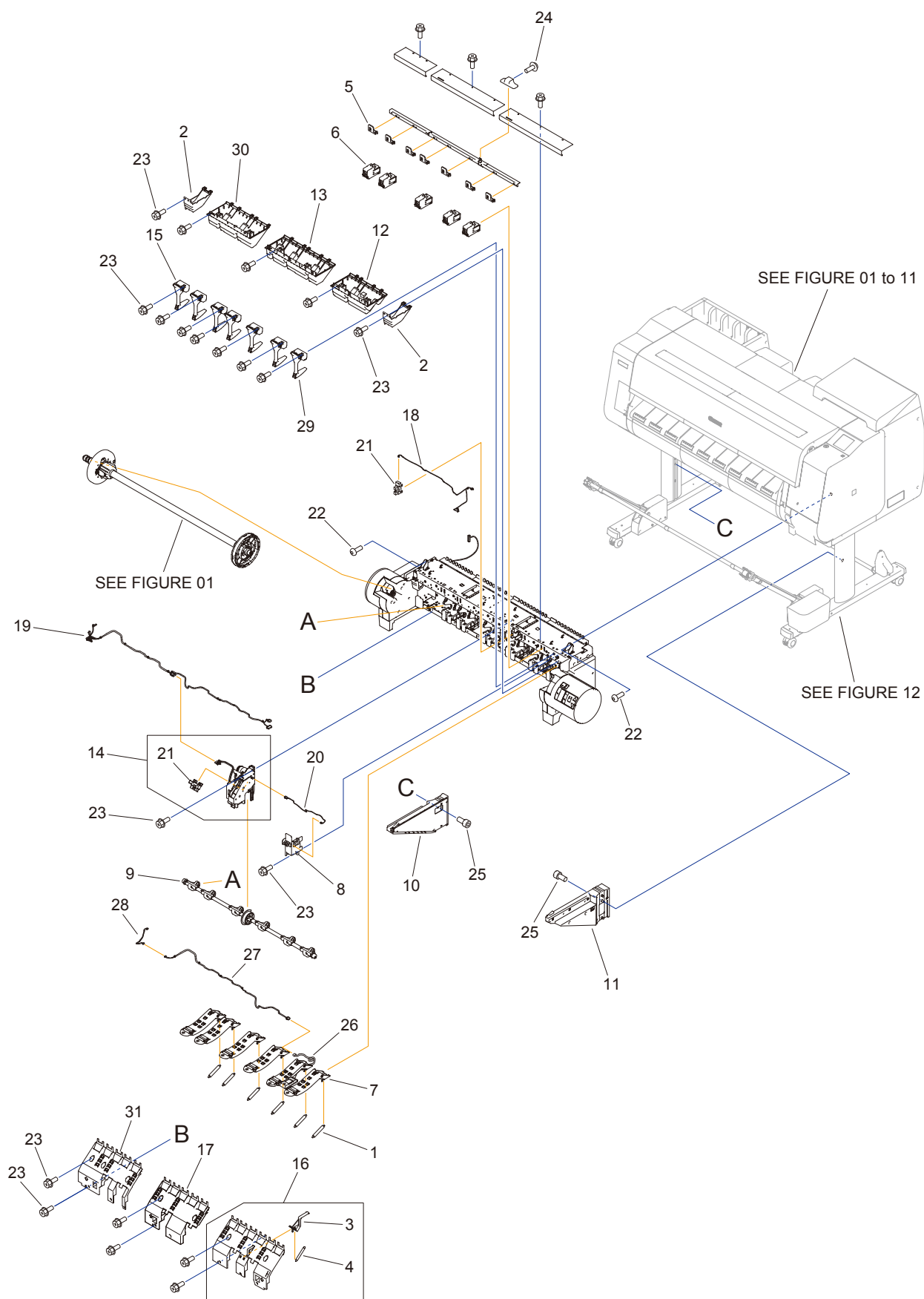


FIG	KEY NO.	PART NUMBER	QTY	DESCRIPTION	REMARKS
R3	1	QD1-1677-000	6	SPRING, PAPER SET	
	2	QC5-6312-000	2	GUIDE, UPPER	
	3	QD1-2159-000	1	LEVER, PAPER FEED SENSOR	
	4	QD1-2160-000	1	SPRING, PAPER FEED SENSOR	
	5	QD1-2595-000	6	CAM, FLAP SELEC	
	6	QD1-2602-000	5	SUPPORT, FLAP SELEC	
	7	QM4-4926-010	5	NIP ARM UNIT	
	8	QM4-4249-010	1	ROLL PAPER FEED SENSOR UNIT	
	9	QM4-5358-000	1	CAM SHAFT UNIT	
	10	QM4-4342-000	1	RAIL UNIT L	
	11	QM4-4343-000	1	RAIL UNIT R	
	12	QM4-4859-000	1	PAPER GUIDE ROLLER UNIT, RU A	
	13	QM4-4860-000	1	PAPER GUIDE ROLLER UNIT, RU B	
	14	QM4-8715-000	1	DRIVE NIP ARM UNIT	
	15	QM4-8718-000	7	FLAPPER SEPARATE UNIT	
	16	QM4-4927-010	1	GUIDE UNIT, LOW A	
	17	QM4-4928-000	1	GUIDE UNIT, LOW B	
	18	QM7-4876-000	1	HARNESS ASS'Y, LO FLAP SPLSET	
	19	QM7-5415-000	1	HARNESS ASS'Y, RU MAIN	
	20	QM7-4884-000	1	HARNESS ASS'Y, RLNIP PF SNS	
	21	WG8-5935-000	2	IC, PHOTO INTERRUPTER	
	22	QC4-9300-000	2	SCREW, HEX SOCKET M4X10	
	23	XA9-0732-000	AR	SCREW, RS, M4	
	24	XB6-7300-605	1	SCREW, TP, M3X6 (S)	
	25	XB7-1080-169	2	SCREW, MACHINE M8X16	
	26	QM4-5357-000	1	ROLL SEPARATE SENSOR UNIT	
	27	QM7-5412-000	1	HARNESS ASS'Y, LO ROLL SEP RLY	
	28	QM7-5402-000	1	HARNESS ASS'Y, ROLL SEP RLY	
	29	QM4-5867-000	1	FLAPPER SEPARATE UNIT W/SP	
	30	QM4-5757-000	1	PAPER GUIDE ROLLER UNIT, RU E	
	31	QM4-4929-000	1	GUIDE UNIT, LOW C	

FIGURE R4 Stacker

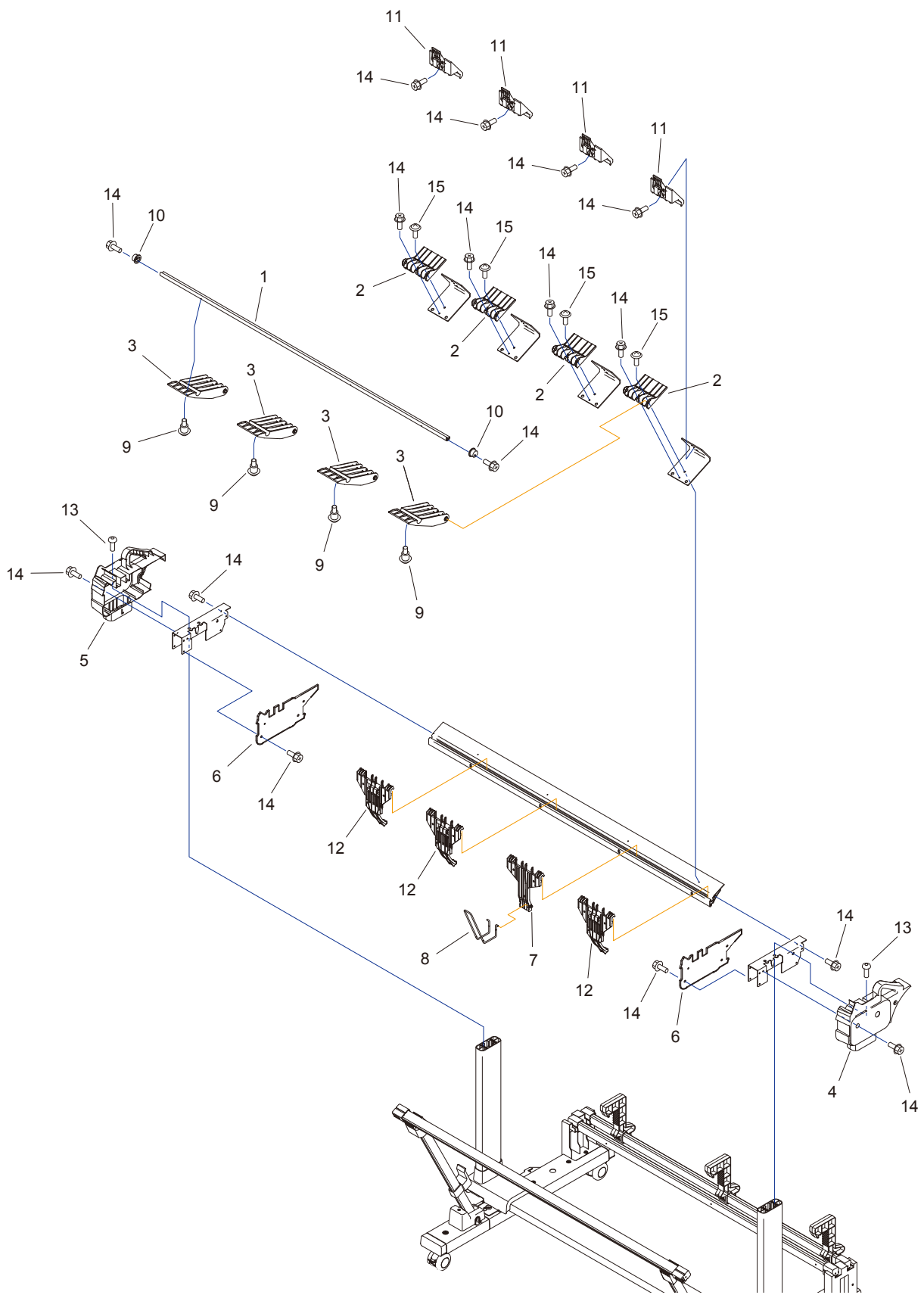


FIG	KEY NO.	PART NUMBER	QTY	DESCRIPTION	REMARKS
R4	1	QC5-6145-000	1	SHAFT, BASKET FLAPPER FRONT	
	2	QC5-6149-000	4	GUIDE, BASKET	
	3	QC5-6150-000	4	FLAPPER, BASKET	
	4	QC5-6153-000	1	UPPER ROD SUPPORT R	
	5	QC5-6154-000	1	UPPER ROD SUPPORT L	
	6	QC5-8751-000	2	COVER, UPPER ROD SUPPORT	
	7	QC5-8758-000	1	HANG STOPPER	
	8	QC5-8778-000	1	WIRE, TRAY	
	9	QD1-1595-010	4	SCREW, STEPPED, M3	
	10	QD1-2456-000	2	CAP, CAM SHAFT	
	11	QM4-5717-000	4	JOINT GUIDE UNIT	
	12	QM4-5851-000	3	HANG GUIDE UNIT	
	13	QC4-9300-000	AR	SCREW, HEX SOCKET M4X10	
	14	XA9-0732-000	AR	SCREW, RS, M4	
	15	XA9-1648-000	AR	SCREW, TP, M3X8	

FIGURE R5 Stacker

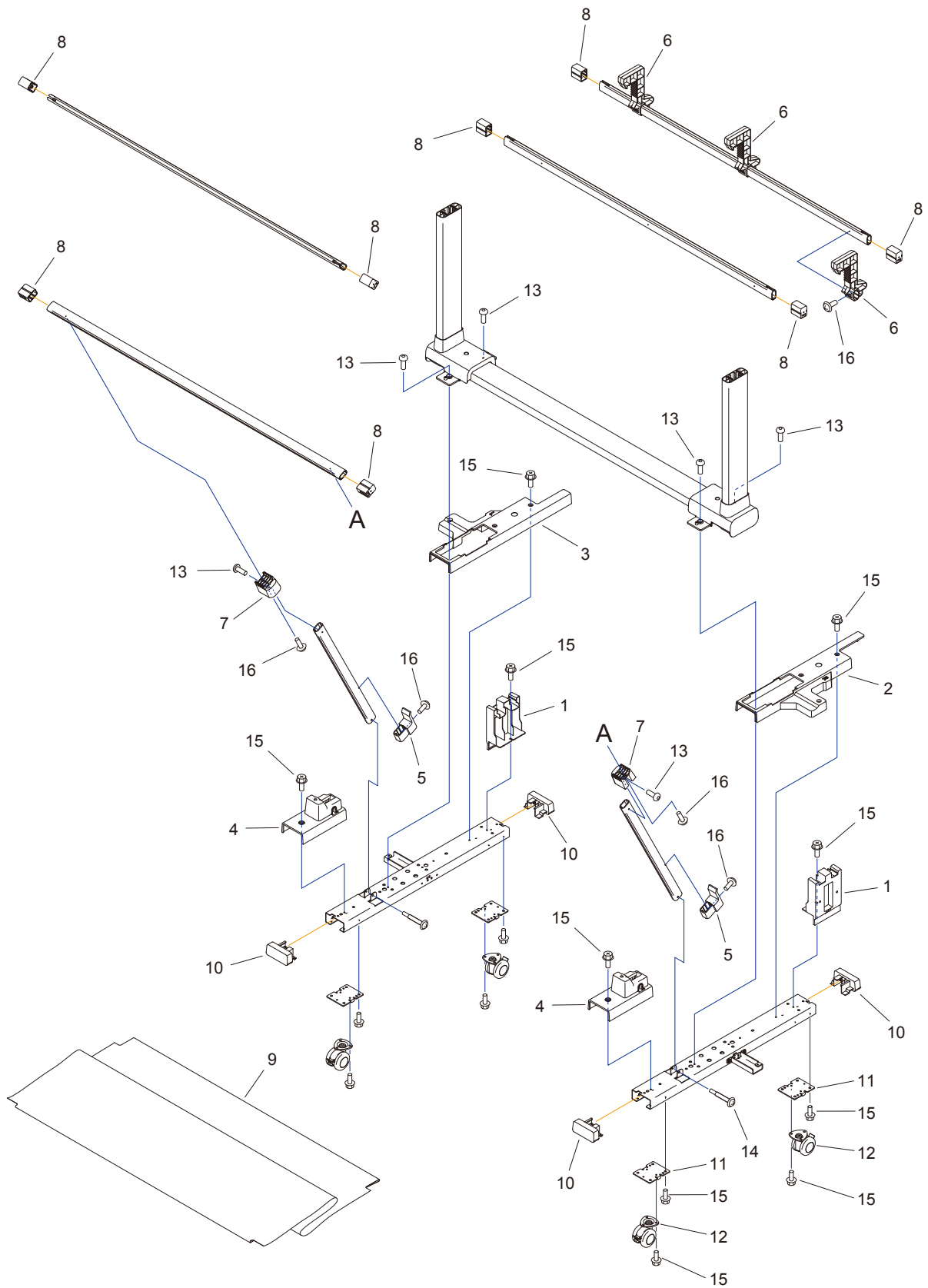


FIG	KEY NO.	PART NUMBER	QTY	DESCRIPTION	REMARKS
R5	1	QC5-6159-000	2	STOPPER, MOUNT	
	2	QC5-8111-000	1	COVER, DIR XY POSITION R	
	3	QC5-8112-000	1	COVER, DIR XY POSITION L	
	4	QC5-8113-000	2	MOUNT, SIDE ROD	
	5	QC5-8115-000	2	HOLDER, UPPER ROD	
	6	QC5-8119-000	3	STOPPER, REAR	
	7	QC5-8734-000	2	SUPPORT, FRONT ROD	
	8	QC5-8743-000	8	CAP, SQUARE	
	9	QC5-8746-000	1	BASKET	
	10	QC5-8759-000	4	CAP, FOOT	
	11	QD1-2879-000	4	PLATE, CASTER	
	12	QD1-2880-000	4	CASTER, W/LOCK	
	13	QC4-9300-000	AR	SCREW, HEX SOCKET M4X10	
	14	QC4-9324-000	AR	SCREW, STEPPED, M4	
	15	XA9-0732-000	AR	SCREW, RS, M4	
	16	XA9-1648-000	AR	SCREW, TP, M3X8	