

PRISMAsync for imagePRESS C800

PARTS CATALOG

Canon

**August 13, 2014
Rev. 0**

PREFACE

This Parts Catalog contains listings of parts used

Diagrams are provided with the listings to aid the service technician in identifying clearly, the item to be ordered.

Whenever ordering parts, consult this Parts Catalog for all of the information pertaining to each item. Be sure to include, in the Parts Request, the full item description, the item part number, and the quantity.

COPYRIGHT (C) 1999 CANON INC.

Use of this manual should be strictly supervised to avoid disclosure of confidential information.

Contents

NUMERICAL INDEX

PRISMAsync for imagePRESS C800(Numerical Index) 1-1

PRISMAsync for imagePRESS C800(Parts Catalog)

U10	PRISMAsync	2-1
V10	OPERATOR ATTENTION LIGHT	2-3
W10	OPERATOR PANEL	2-4

NUMERICAL INDEX

PRISMAsync for imagePRESS C800(Numerical Index)

PARTS NUMBER	FIGURE & KEY NO.	PARTS NUMBER	FIGURE & KEY NO.	PARTS NUMBER	FIGURE & KEY NO
1060000937	V10 - 1				
1060043936	U10 - 16				
1060069477	U10 - 4				
1060084290	U10 - 12				
1060118892	W10 - 4				
1060118965	W10 - 2				
1060120115	U10 - 5				
1060120121	U10 - 7				
1060120124	U10 - 11				
1060126966	V10 - 2				
1060127754	W10 - 3				
1060130444	U10 - 15				
1070003522	W10 - 1				
1070005457	U10 - 3				
1070026086	U10 - 13				
1070033079	U10 - 17				
1070033448	U10 - 2				
1070033463	U10 - 8				
1070037688	U10 - 6				
1201204	V10 - 3				
NPN	U10 -				
NPN	V10 -				
NPN	W10 -				

PRISMAsync for imagePRESS C800(Parts Catalog)

PRISMAsync for imagePRESS C800

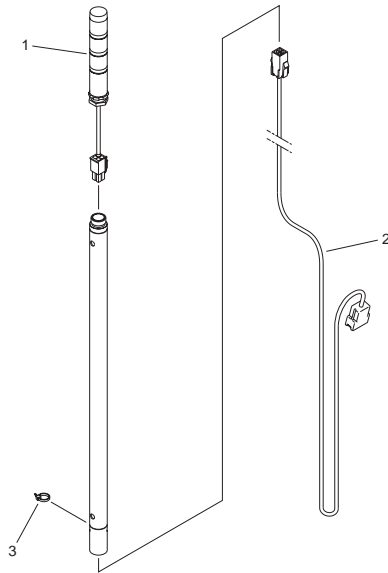
F63-3001-000

Contents

U10	PRISMAsync.....	2-1
V10	OPERATOR ATTENTION LIGHT.....	2-3
W10	OPERATOR PANEL.....	2-4

FIGURE & KEY NO.	PARTS NUMBER	R A N K	Q'TY	DESCRIPTION	SERIAL NUMBER/ REMARKS	S V C
Fig.U10	NPN		RF	PRISMAsync		
2	1070033448		1	PBA DDI IF BOARD		
3	1070005457		1	PBAP AUX CONTROL		
4	1060069477		1	DATA CABLE RJ45-RJ45		
5	1060120115		3	HDD 3.5 SATA II 250GB 7200RPM	Replace 3x HDD's simultaneously	
6	1070037688		4	MEMORY MODULE 4GB DDR3		
7	1060120121		1	POWER SUPPLY 600W		
8	1070033463		1	KIT SUPPORT		
11	1060120124		1	SYSTEM FAN 120MM		
12	1060084290		1	USB KEY		
13	1070026086		1	GRAPHIC BOARD		
15	1060130444		1	HARNESS 22W1		
16	1060043936		1	ETHERNET BOARD ROHS	needed for IPDS	
17	1070033079		1	INDUSTRIAL CONTROLLER IBASE		

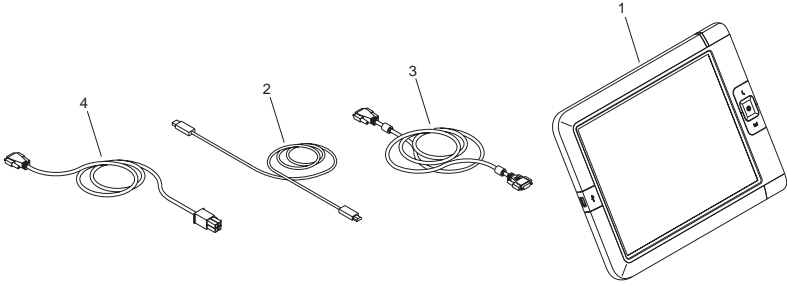
FIGURE V10 OPERATOR ATTENTION LIGHT



Copyright Océ.

FIGURE & KEY NO.	PARTS NUMBER	RANK	Q'TY	DESCRIPTION	SERIAL NUMBER/REMARKS	SVC
Fig.V10	NPN		RF	OPERATOR ATTENTION LIGHT		
1	1060000937		1	SIGNAL LAMP ASSY		
2	1060126966		1	HARNESS, 11W01		
3	1201204		1	TIE, CABLE		

FIGURE W10 OPERATOR PANEL



Copyright Océ,

FIGURE & KEY NO.	PARTS NUMBER	RANK	QTY	DESCRIPTION	SERIAL NUMBER/REMARKS	SVC
Fig.W10	NPN		RF	OPERATOR PANEL		
1	1070003522		1	USER INTERFACE PANEL TYPE 4		
2	1060118965		1	CABLE ASS DATA, USB-A - USB-B		
3	1060127754		1	CABLE ASS DATA, DVI-VGA		
4	1060118892		1	CABLE, DSUB-15 MMT-4P		

Prepared by
OIP Business Support Group
CANON INC.

Canon