

# PARTS CATALOG

## **imagePRESS C7011VPS/C7010VPS C6011VPS/C6010VPS C6011S/C6010S**



# Canon

December 4, 2013  
Rev. 1



## **PREFACE**

This Parts Catalog contains listings of parts used

Diagrams are provided with the listings to aid the service technician in identifying clearly, the item to be ordered.

Whenever ordering parts, consult this Parts Catalog for all of the information pertaining to each item. Be sure to include, in the Parts Request, the full item description, the item part number, and the quantity.

***COPYRIGHT (C) 1999 CANON INC.***

Use of this manual should be strictly supervised to avoid disclosure of confidential information.



# Contents

## NUMERICAL INDEX

imagePRESS C7011VPS/C7010VPS/C6011VPS/C6010VPS/C6011S/ C6010S(Numerical Index) .....	1-1
---	-----

## imagePRESS C7011VPS/C7010VPS/C6011VPS/C6010VPS/C6011S/ C6010S(Parts Catalog)

A1	ASSEMBLY LOCATION DIAGRAM .....	2-1
001	ACCESSORIES .....	2-16
100	EXTERNAL COVERS, PANELS, ETC. (Main station) .....	2-18
101	INTERNAL COMPONENTS 1 (Main station) .....	2-24
102	INTERNAL COMPONENTS 2 (Main station) .....	2-26
103	INTERNAL COMPONENTS 3 (Main station) .....	2-28
104	INTERNAL COMPONENTS 4 (Main station) .....	2-30
105	INTERNAL COMPONENTS 5 (Main station) .....	2-32
106	INTERNAL COMPONENTS 6 (Main station) .....	2-35
107	INTERNAL COMPONENTS 7 (Main station) .....	2-37
108	MACHINE REAR PLATE 1 (Main station) .....	2-39
109	MACHINE REAR PLATE 2 (Main station) .....	2-41
111	EXTERNAL COVERS, PANELS, ETC. (Sub station) .....	2-43
112	INTERNAL COMPONENTS 1 (Sub station) .....	2-46
113	INTERNAL COMPONENTS 2 (Sub station) .....	2-48
114	INTERNAL COMPONENTS 3 (Sub station) .....	2-50
115	MACHINE REAR PLATE 1 (Sub station) .....	2-52
116	MACHINE REAR PLATE 2 (Sub station) .....	2-54
120	POWER STATION COVER ASSEMBLY .....	2-56
121	POWER STATION ASSEMBLY .....	2-58
125	MAIN INTERLOCK SWITCH UNIT .....	2-60
126	DRUM HEATER INTERLOCK SW.ASS'Y .....	2-61
130	OPERATOR PANEL .....	2-62
140	POWER CORD TERMINAL ASSEMBLY .....	2-63
180	FIXING BELT COOLING FAN ASS'Y .....	2-64
181	COOLING FAN ASS'Y, 2 .....	2-65
182	ROLLER COOLING FAN ASSEMBLY .....	2-66
183	FIRST FIXING FAN ASSEMBLY .....	2-67
184	SECOND FIXING FAN ASSEMBLY .....	2-68
185	FIRST EXHAUST DUCT ASSEMBLY .....	2-69
186	FAN MOUNT ASSEMBLY, OUTER .....	2-71
188	BELT COOLING FAN ASSEMBLY .....	2-72
189	PAPER DELIVERY FAN ASSEMBLY .....	2-73

# Contents

190	FAN MOUNT ASSEMBLY .....	2-74
191	PRIMARY EXHAUST FAN ASSEMBLY .....	2-76
192	PRIMARY INLET FAN ASS'Y, C/K .....	2-78
193	PRIMARY INLET FAN ASS'Y, Y/M .....	2-79
194	PRE-TRNS.EXHAUST DUCT ASSEMBLY .....	2-80
195	FIRST FIXING EXHAUST FAN ASS'Y .....	2-81
260	PAPER PICK-UP DRIVE ASS'Y .....	2-82
262	REGISTRATION SLIDE DRIVE ASS'Y .....	2-84
271	DRUM DRIVE ASSEMBLY .....	2-86
272	DEVELOPING DRIVE ASSEMBLY .....	2-88
273	I.T.B. CLEANER DRIVE ASSEMBLY .....	2-90
274	SECONDARY TRANSFER DRIVE ASS'Y .....	2-91
280	FIXING DRIVE ASSEMBLY .....	2-93
283	WASTE TONER DRIVE ASSEMBLY .....	2-95
284	DELIVERY DRIVE ASSEMBLY .....	2-96
300	PAPER STOCK ASSEMBLY .....	2-97
310	PAPER PICK-UP ASSEMBLY .....	2-104
320	REGIST. PAPER FEEDER ASSEMBLY .....	2-107
321	PRE-REGISTRATION FEED ASSEMBLY .....	2-112
322	PRE-REGIST. FEEDER UPPER ASS'Y .....	2-114
323	PRE-REGIST. FEEDER LOWER ASS'Y .....	2-119
324	2ND TRNSFR. ELIM. ASS'Y, REAR .....	2-121
325	VERTICAL PATH ASSEMBLY .....	2-122
326	RIGHT DOOR ASSEMBLY .....	2-123
327	VERTICAL PATH MAIN ASSEMBLY .....	2-125
328	TURN ASSEMBLY .....	2-128
329	INNER GUIDE OPEN/CLOSE ASS'Y .....	2-130
330	PRE-FIXING PAPER FEED ASSEMBLY .....	2-131
331	2ND TRNS. FRAME/FIX. F.D ASS'Y .....	2-133
332	2ND TRNSFR. BASE PLATE ASS'Y .....	2-135
333	SECONDARY TRANSFER ASSEMBLY .....	2-138
336	LOWER PAPER FEED ASSEMBLY .....	2-141
337	LOWER PAPER FEED ASS'Y, UPPER .....	2-143
338	LOWER PAPER FEED ASS'Y, LOWER .....	2-145
340	FIXING/FEED ASSEMBLY, CENTER .....	2-147
341	FIXING/FEED ASS'Y, CENTER LW. ....	2-149
342	FIXING/FEED ASS'Y, CENTER UP. ....	2-151
343	FIXING/FEED ASSEMBLY, LEFT .....	2-153
344	FIXING/FEED ASS'Y, LEFT UPPER .....	2-155
345	FIXING/FEED ASS'Y, LEFT MIDDLE .....	2-157
346	FIXING/FEED ASS'Y, LEFT LOWER .....	2-159
347	FIXING/FEED ASSEMBLY, RIGHT .....	2-161
348	FIXING/FEED ASS'Y, RIGHT UPPER .....	2-162
349	FIXING/FEED ASS'Y, RIGHT LOWER .....	2-164
350	REVERSE DELIVERY ASSEMBLY .....	2-166

# Contents

351	DELIVERY GUIDE ASSEMBLY, UPPER .....	2-168
352	DELIVERY GUIDE ASSEMBLY, LOWER .....	2-171
353	REVERSE GUIDE ASSEMBLY, UPPER .....	2-173
354	REVERSE GUIDE ASSEMBLY, LOWER .....	2-174
355	REVERSE ASSEMBLY .....	2-176
360	DUPLEX LEFT ASSEMBLY .....	2-182
361	DUPLEX CENTER ASSEMBLY .....	2-184
362	DUPLEX RIGHT ASSEMBLY .....	2-186
370	DUPLEXING DECURLER ASSEMBLY .....	2-188
371	DUPLEXING ASSEMBLY, RIGHT .....	2-192
372	DUPLEXING ASSEMBLY, LEFT .....	2-195
380	LEFT DECK PATH MERGER ASS'Y .....	2-198
381	PULL-OUT ROLLER LEFT ASS'Y .....	2-200
382	PULL-OUT ROLLER RIGHT ASS'Y .....	2-202
383	PAPER FEED MOUNT ASSEMBLY .....	2-204
460	SCANNER ASSEMBLY .....	2-207
511	D KIT ASSEMBLY .....	2-208
530	I.T.B. ASSEMBLY .....	2-211
531	I.T.B. LOWER FRAME ASSEMBLY .....	2-213
532	I.T.B. UPPER FRAME ASSEMBLY .....	2-217
533	I.T.B. CLEANER ASSEMBLY .....	2-224
535	I.T.B. POST CORONA ASSEMBLY .....	2-226
536	EDGE REGISTRATION DETECT ASS'Y .....	2-228
550	PRIMARY CORONA ASSEMBLY .....	2-230
600	PROCESSOR KIT ASSEMBLY .....	2-233
610	DEVELOPING RAIL ASSEMBLY .....	2-237
615	DEVELOPING PRESSURE ASSEMBLY .....	2-239
620	HOPPER ASSEMBLY .....	2-241
621	BUFFER ASSEMBLY .....	2-245
622	SUB HOPPER ASSEMBLY .....	2-247
625	TONER FEED ASS'Y .....	2-249
640	DEVELOPING ASSEMBLY .....	2-251
710	CLEANER ASSEMBLY .....	2-253
770	WASTE TONER FEEDER ASSEMBLY .....	2-255
771	WASTE TONER BUFFER ASSEMBLY .....	2-256
775	WASTE TONER PIPE ASSEMBLY .....	2-257
780	WASTE TONER COLLECTION ASS'Y .....	2-258
781	WASTE TONER BOTTLE TRAY ASS'Y .....	2-261
810	FIRST FIXING ASSEMBLY .....	2-263
812	INNER PAPER DELIVERY ASS'Y, 1 .....	2-265
813	FIXING BELT ASSEMBLY .....	2-268
814	FIXING INTERMEDIATE ASS'Y, 1 .....	2-270
815	FIRST FIXING ASSEMBLY, UPPER .....	2-273
816	FIRST FIXING ASSEMBLY, LOWER .....	2-278
817	CLEANER DRIVE ASSEMBLY .....	2-283

# Contents

818	FIXING BELT DRIVE ASS'Y .....	2-285
830	FIXING CLEANER ASSEMBLY .....	2-286
840	EXTERNAL HEATING ASSEMBLY .....	2-288
850	SECOND FIXING ASSEMBLY .....	2-291
852	INNER PAPER DELIVERY ASS'Y, 2 .....	2-293
854	FIXING INTERMEDIATE ASS'Y, 2 .....	2-296
855	SECOND FIXING ASSEMBLY, UPPER .....	2-299
856	SECOND FIXING ASSEMBLY, LOWER .....	2-304
890	FIRST FIXING MOUNT ASSEMBLY .....	2-308
891	SECOND FIXING MOUNT ASSEMBLY .....	2-310
892	LOCK SENSING ASSEMBLY, 1 .....	2-312
893	LOCK SENSING ASSEMBLY, 2 .....	2-313
900	CONTROLLER BOX ASSEMBLY .....	2-314
911	DC POWER SUPPLY ASS'Y, 12V .....	2-317
912	DC POWER SUPPLY ASS'Y, 24V-1 .....	2-318
913	DC POWER SUPPLY ASS'Y, 24V-2 .....	2-319
930	DC CONTROLLER ASSEMBLY .....	2-320
932	DRM PCB ASSEMBLY, 256 .....	2-321
933	DRM PCB ASSEMBLY, 512 .....	2-322
934	LAN-BAR-B PCB ASSEMBLY .....	2-323
935	RO-B PCB ASSEMBLY .....	2-324
936	MAIN CONTROLLER PCB ASS'Y, M .....	2-325
937	MAIN CONTROLLER PCB ASS'Y, P .....	2-326
938	S-B PCB ASSEMBLY .....	2-327
940	DC CONTROLLER PCB 1-1 ASSEMBLY .....	2-328
941	DC CONTROLLER PCB 1-2 ASSEMBLY .....	2-329
942	DC CONTROLLER PCB 1-3 ASSEMBLY .....	2-330
960	V.PATH/L.FEED DRIVER PCB ASS'Y .....	2-331
962	PAPER PICK-UP DRIVER PCB ASS'Y .....	2-332
964	DRUM DRIVER PCB ASSEMBLY .....	2-333
965	FEED DRIVER PCB ASSEMBLY .....	2-334
970	COLOR SENSOR DRIVER PCB ASS'Y .....	2-335
980	DEV./PRIMARY H.V. PCB ASSEMBLY .....	2-336
981	2ND TRNSFR. H.V. PCB ASSEMBLY .....	2-337
999	CABLE UNIT .....	2-338
U10	PRISMAsync .....	2-350
V10	OPERATOR ATTENTION LIGHT .....	2-352
ZZA	MECHANICAL STANDARD PARTS (HOW TO USE) .....	2-353
ZZB	MECHANICAL STANDARD PARTS (SCREWS) .....	2-354
ZZC	MECHANICAL STANDARD PARTS (BOLTS) .....	2-361
ZZD	MECHANICAL STANDARD PARTS (NUTS) .....	2-362
ZZE	MECHANICAL STANDARD PARTS (RETAINING RINGS) .....	2-363



# NUMERICAL INDEX

imagePRESS C7011VPS/C7010VPS/C6011VPS/C6010VPS/C6011S/C6010S

PARTS NUMBER	FIGURE & KEY NO.	PARTS NUMBER	FIGURE & KEY NO.	PARTS NUMBER	FIGURE & KEY NO.
1060000937	V10 - 1	FA9-2112-000	372 - 14	FB6-5144-000	600 - 32
1060043936	U10 - 16	FA9-2112-000	380 - 1	FB6-6088-000	333 - 22
1060069477	U10 - 4	FA9-2112-000	381 - 1	FB6-6088-000	815 - 66
1060084290	U10 - 12	FA9-2112-000	382 - 1	FB6-6088-000	855 - 67
1060098242	V10 - 4	FA9-2112-000	532 - 1	FB6-6519-000	856 - 1
1060099125	U10 - 2	FA9-2864-010	345 - 3	FC0-2217-000	816 - 16
1060115901	130 - 2	FA9-2864-010	349 - 8	FC0-2218-000	856 - 10
1060120115	U10 - 5	FA9-2864-010	350 - 1	FC0-2219-000	816 - 34
1060120116	U10 - 6	FA9-2864-010	355 - 2	FC0-2220-000	812 - 22
1060120121	U10 - 7	FA9-2864-010	370 - 42	FC0-2220-000	852 - 13
1060120124	U10 - 11	FB2-2959-000	550 - 1	FC0-2221-010	812 - 13
1060126966	V10 - 2	FB2-2960-000	550 - 2	FC0-2221-010	852 - 14
1060127733	130 - 4	FB2-3159-000	114 - 4	FC0-2227-000	383 - 24
1060130444	U10 - 15	FB2-3159-000	350 - 2	FC0-2235-000	001 - 13
1070003522	130 - 1	FB2-4375-000	511 - 1	FC0-2236-000	001 - 14
1070005457	U10 - 3	FB2-4383-000	191 - 1	FC0-2237-000	001 - 15
1070026086	U10 - 13	FB2-6285-020	330 - 2	FC0-2242-000	840 - 35
1070033079	U10 - 17	FB2-6285-020	331 - 8	FC0-4129-000	105 - 19
1070033463	U10 - 8	FB2-6285-020	333 - 21	FC0-4232-000	105 - 23
1070037688	U10 - 6	FB2-6285-020	352 - 2	FC0-8818-000	114 - 15
1201204	V10 - 3	FB2-6285-020	355 - 3	FC1-1117-000	271 - 1
1201205	130 - 3	FB2-6285-020	511 - 46	FC2-2121-000	105 - 8
FA4-1864-000	535 - 1	FB2-6890-000	710 - 1	FC2-2121-000	814 - 2
FA4-8614-000	600 - 1	FB2-7540-000	352 - 3	FC2-2121-000	815 - 2
FA6-8257-000	300 - 1	FB2-7755-000	310 - 2	FC2-2121-000	855 - 2
FA9-2112-000	104 - 12	FB2-7755-000	381 - 2	FC2-2121-000	856 - 2
FA9-2112-000	260 - 1	FB2-7755-000	382 - 2	FC5-0127-000	620 - 56
FA9-2112-000	300 - 2	FB3-7543-000	815 - 1	FC5-1146-000	112 - 9
FA9-2112-000	310 - 1	FB3-7543-000	855 - 1	FC5-1810-000	535 - 3
FA9-2112-000	321 - 1	FB3-7543-000	856 - 3	FC5-1810-000	550 - 3
FA9-2112-000	323 - 1	FB3-9241-000	300 - 3	FC5-1904-000	620 - 1
FA9-2112-000	326 - 1	FB3-9243-000	300 - 4	FC5-1945-000	620 - 3
FA9-2112-000	327 - 1	FB3-9244-000	300 - 5	FC5-2067-000	330 - 4
FA9-2112-000	328 - 1	FB3-9319-000	300 - 92	FC5-2067-000	331 - 10
FA9-2112-000	330 - 1	FB4-1494-000	940 - 1	FC5-2321-000	856 - 25
FA9-2112-000	331 - 1	FB4-3687-000	535 - 11	FC5-2369-020	817 - 2
FA9-2112-000	338 - 1	FB4-3687-000	550 - 33	FC5-2582-000	840 - 24
FA9-2112-000	341 - 16	FB4-3689-000	814 - 1	FC5-2597-020	817 - 3
FA9-2112-000	343 - 7	FB4-3689-000	854 - 1	FC5-2669-000	324 - 1
FA9-2112-000	345 - 21	FB4-5093-020	371 - 29	FC5-2715-000	814 - 27
FA9-2112-000	346 - 18	FB4-5093-020	372 - 21	FC5-2715-000	854 - 2
FA9-2112-000	349 - 5	FB5-4858-000	322 - 32	FC5-5145-000	856 - 26
FA9-2112-000	351 - 1	FB5-4858-000	323 - 12	FC5-6232-000	340 - 5
FA9-2112-000	352 - 1	FB5-4858-000	344 - 1	FC5-6232-000	343 - 19
FA9-2112-000	353 - 1	FB5-4858-000	812 - 49	FC5-6232-000	816 - 53
FA9-2112-000	354 - 1	FB6-3150-000	856 - 24	FC5-6366-000	550 - 4
FA9-2112-000	355 - 1	FB6-3440-000	326 - 17	FC5-8003-000	622 - 1
FA9-2112-000	360 - 1	FB6-3440-000	336 - 1	FC5-8112-000	102 - 7
FA9-2112-000	361 - 1	FB6-3771-000	100 - 75	FC5-8115-000	310 - 3
FA9-2112-000	362 - 1	FB6-5141-000	600 - 32	FC5-8116-010	310 - 4
FA9-2112-000	370 - 18	FB6-5142-000	600 - 32	FC5-8120-000	310 - 5
FA9-2112-000	371 - 21	FB6-5143-000	600 - 32	FC5-8121-000	310 - 6

# NUMERICAL INDEX

imagePRESS C7011VPS/C7010VPS/C6011VPS/C6010VPS/C6011S/C6010S

PARTS NUMBER	FIGURE & KEY NO.	PARTS NUMBER	FIGURE & KEY NO.	PARTS NUMBER	FIGURE & KEY NO.
FC5-8122-000	310 - 7	FC5-8838-000	511 - 4	FC5-9150-000	532 - 10
FC5-8126-000	310 - 8	FC5-8839-000	511 - 5	FC5-9151-000	532 - 11
FC5-8127-000	310 - 9	FC5-8840-000	511 - 6	FC5-9152-000	532 - 12
FC5-8133-000	310 - 10	FC5-8842-000	511 - 7	FC5-9156-000	533 - 1
FC5-8133-000	381 - 3	FC5-8877-000	511 - 8	FC5-9160-000	533 - 2
FC5-8133-000	382 - 3	FC5-8880-000	511 - 9	FC5-9163-000	533 - 4
FC5-8142-000	310 - 11	FC5-8881-000	511 - 10	FC5-9168-000	533 - 5
FC5-8143-000	310 - 12	FC5-8885-000	511 - 11	FC5-9183-000	273 - 1
FC5-8144-000	310 - 13	FC5-8890-000	105 - 12	FC5-9188-000	531 - 1
FC5-8146-000	310 - 14	FC5-8907-000	600 - 2	FC5-9239-000	345 - 13
FC5-8147-000	310 - 15	FC5-8908-000	600 - 3	FC5-9239-000	370 - 17
FC5-8149-000	310 - 39	FC5-8910-000	600 - 4	FC5-9252-010	532 - 54
FC5-8153-000	310 - 16	FC5-8911-000	600 - 5	FC5-9277-000	531 - 3
FC5-8154-000	310 - 17	FC5-8913-000	600 - 6	FC5-9278-000	531 - 4
FC5-8165-000	104 - 13	FC5-8923-000	511 - 12	FC5-9280-000	531 - 44
FC5-8169-000	381 - 5	FC5-8926-000	511 - 13	FC5-9281-000	531 - 5
FC5-8169-000	382 - 5	FC5-8927-000	600 - 42	FC5-9301-000	532 - 14
FC5-8171-000	310 - 18	FC5-8932-000	815 - 3	FC5-9302-000	532 - 15
FC5-8175-000	381 - 6	FC5-8932-000	855 - 3	FC5-9303-000	532 - 16
FC5-8175-000	382 - 6	FC5-8934-010	852 - 1	FC5-9304-000	532 - 17
FC5-8205-000	300 - 6	FC5-8935-010	852 - 2	FC5-9305-000	532 - 94
FC5-8206-000	300 - 7	FC5-8945-000	852 - 3	FC5-9306-000	532 - 95
FC5-8207-000	300 - 8	FC5-8946-000	852 - 4	FC5-9307-000	532 - 18
FC5-8223-000	103 - 20	FC5-9005-000	272 - 1	FC5-9312-000	532 - 55
FC5-8229-000	300 - 30	FC5-9006-000	272 - 2	FC5-9316-000	532 - 82
FC5-8246-000	300 - 107	FC5-9014-000	280 - 2	FC5-9317-000	532 - 56
FC5-8249-000	300 - 9	FC5-9014-000	815 - 4	FC5-9318-000	532 - 19
FC5-8250-000	300 - 10	FC5-9014-000	855 - 4	FC5-9327-000	531 - 6
FC5-8251-000	300 - 11	FC5-9020-000	622 - 2	FC5-9328-000	532 - 20
FC5-8252-000	300 - 12	FC5-9023-000	622 - 3	FC5-9332-000	333 - 24
FC5-8253-000	300 - 69	FC5-9024-000	622 - 4	FC5-9335-000	333 - 30
FC5-8538-000	300 - 13	FC5-9025-000	622 - 5	FC5-9337-000	330 - 3
FC5-8542-000	300 - 14	FC5-9026-000	622 - 6	FC5-9337-000	331 - 9
FC5-8561-000	300 - 15	FC5-9033-000	615 - 1	FC5-9339-000	331 - 2
FC5-8579-000	190 - 1	FC5-9034-000	615 - 2	FC5-9340-000	331 - 3
FC5-8656-000	104 - 24	FC5-9046-000	610 - 1	FC5-9341-000	333 - 1
FC5-8660-000	100 - 48	FC5-9050-000	615 - 3	FC5-9348-000	274 - 1
FC5-8660-000	111 - 29	FC5-9051-000	615 - 4	FC5-9363-000	324 - 2
FC5-8661-000	104 - 6	FC5-9052-000	615 - 5	FC5-9370-000	330 - 18
FC5-8661-000	114 - 3	FC5-9053-000	615 - 6	FC5-9370-000	331 - 27
FC5-8746-000	621 - 1	FC5-9058-000	615 - 7	FC5-9374-000	330 - 19
FC5-8747-000	621 - 2	FC5-9059-000	615 - 8	FC5-9374-000	331 - 28
FC5-8748-000	621 - 3	FC5-9060-000	610 - 2	FC5-9378-000	332 - 1
FC5-8754-010	620 - 4	FC5-9061-000	610 - 3	FC5-9381-000	332 - 2
FC5-8755-000	620 - 5	FC5-9065-000	615 - 9	FC5-9382-000	332 - 37
FC5-8756-000	620 - 6	FC5-9121-000	532 - 98	FC5-9384-000	383 - 1
FC5-8764-000	621 - 4	FC5-9131-010	532 - 4	FC5-9392-000	332 - 3
FC5-8765-000	621 - 5	FC5-9132-010	532 - 5	FC5-9405-000	331 - 4
FC5-8771-000	621 - 6	FC5-9135-000	532 - 6	FC5-9414-000	383 - 2
FC5-8829-000	710 - 2	FC5-9136-000	532 - 7	FC5-9418-000	333 - 2
FC5-8830-000	710 - 3	FC5-9137-000	532 - 8	FC5-9420-000	333 - 3
FC5-8837-000	511 - 3	FC5-9145-000	532 - 9	FC5-9421-000	333 - 4

# NUMERICAL INDEX

imagePRESS C7011VPS/C7010VPS/C6011VPS/C6010VPS/C6011S/C6010S

PARTS NUMBER	FIGURE & KEY NO.	PARTS NUMBER	FIGURE & KEY NO.	PARTS NUMBER	FIGURE & KEY NO.
FC5-9422-000	333 - 5	FC5-9668-000	362 - 10	FC5-9935-000	355 - 5
FC5-9424-000	333 - 37	FC5-9668-000	372 - 12	FC5-9939-000	353 - 2
FC5-9483-000	329 - 1	FC5-9715-000	320 - 14	FC5-9953-000	355 - 6
FC5-9484-000	329 - 2	FC5-9719-000	320 - 15	FC5-9976-000	370 - 27
FC5-9489-000	327 - 2	FC5-9721-000	320 - 16	FC5-9987-000	111 - 17
FC5-9510-000	326 - 2	FC5-9722-010	320 - 17	FC5-9988-000	111 - 18
FC5-9511-000	326 - 3	FC5-9725-000	320 - 18	FC5-9989-000	351 - 7
FC5-9513-000	326 - 4	FC5-9740-000	320 - 19	FC6-0009-000	326 - 5
FC5-9518-000	328 - 3	FC5-9745-000	320 - 20	FC6-0027-000	337 - 1
FC5-9519-000	328 - 4	FC5-9746-000	320 - 21	FC6-0034-000	360 - 2
FC5-9522-000	328 - 5	FC5-9747-000	320 - 22	FC6-0034-000	362 - 2
FC5-9559-000	323 - 8	FC5-9748-000	320 - 23	FC6-0036-000	112 - 8
FC5-9559-000	327 - 4	FC5-9749-000	320 - 24	FC6-0036-000	383 - 11
FC5-9559-000	328 - 15	FC5-9761-000	830 - 9	FC6-0049-000	327 - 6
FC5-9559-000	330 - 17	FC5-9766-000	813 - 20	FC6-0055-000	327 - 7
FC5-9559-000	331 - 24	FC5-9768-000	280 - 3	FC6-0056-000	326 - 6
FC5-9559-000	338 - 13	FC5-9769-000	280 - 4	FC6-0058-000	326 - 7
FC5-9559-000	341 - 15	FC5-9775-000	812 - 1	FC6-0059-000	327 - 8
FC5-9559-000	345 - 20	FC5-9775-000	852 - 5	FC6-0059-000	360 - 3
FC5-9559-000	346 - 17	FC5-9778-000	830 - 21	FC6-0059-000	362 - 3
FC5-9559-000	349 - 4	FC5-9785-000	812 - 2	FC6-0060-000	326 - 8
FC5-9559-000	351 - 2	FC5-9791-000	812 - 3	FC6-0061-000	326 - 9
FC5-9559-000	352 - 4	FC5-9791-000	852 - 8	FC6-0063-000	326 - 10
FC5-9559-000	355 - 4	FC5-9792-000	812 - 4	FC6-0065-000	326 - 18
FC5-9559-000	360 - 25	FC5-9792-000	852 - 9	FC6-0069-000	326 - 11
FC5-9559-000	361 - 21	FC5-9810-010	840 - 2	FC6-0070-000	326 - 12
FC5-9559-000	362 - 25	FC5-9811-010	840 - 3	FC6-0073-000	326 - 13
FC5-9559-000	370 - 19	FC5-9815-000	840 - 33	FC6-0074-000	328 - 6
FC5-9559-000	371 - 20	FC5-9816-000	840 - 34	FC6-0075-000	328 - 7
FC5-9559-000	372 - 13	FC5-9824-000	840 - 36	FC6-0083-000	326 - 14
FC5-9559-000	380 - 9	FC5-9826-000	840 - 6	FC6-0084-000	326 - 15
FC5-9559-000	532 - 87	FC5-9833-000	341 - 14	FC6-0089-000	337 - 2
FC5-9565-000	360 - 27	FC5-9835-000	341 - 13	FC6-0090-000	337 - 3
FC5-9565-000	362 - 28	FC5-9848-000	340 - 8	FC6-0093-000	336 - 13
FC5-9614-010	320 - 1	FC5-9848-000	341 - 1	FC6-0101-000	100 - 60
FC5-9615-010	320 - 2	FC5-9869-000	349 - 7	FC6-0102-000	100 - 61
FC5-9616-000	320 - 3	FC5-9885-000	352 - 5	FC6-0104-000	100 - 2
FC5-9617-000	320 - 4	FC5-9892-000	352 - 23	FC6-0111-000	326 - 27
FC5-9619-000	320 - 5	FC5-9904-000	350 - 16	FC6-0111-000	351 - 15
FC5-9620-000	320 - 6	FC5-9907-000	350 - 3	FC6-0122-000	271 - 3
FC5-9621-000	320 - 7	FC5-9907-000	352 - 7	FC6-0175-000	109 - 16
FC5-9622-010	320 - 8	FC5-9912-010	351 - 37	FC6-0201-000	815 - 5
FC5-9623-000	320 - 9	FC5-9917-000	351 - 4	FC6-0202-000	815 - 6
FC5-9624-000	320 - 10	FC5-9918-000	342 - 7	FC6-0202-000	855 - 5
FC5-9625-000	262 - 1	FC5-9918-000	344 - 2	FC6-0235-000	815 - 28
FC5-9631-000	320 - 11	FC5-9918-000	345 - 5	FC6-0235-000	855 - 6
FC5-9643-000	262 - 2	FC5-9918-000	348 - 6	FC6-0237-010	815 - 7
FC5-9644-000	262 - 3	FC5-9918-000	351 - 5	FC6-0237-010	855 - 7
FC5-9654-000	383 - 3	FC5-9918-000	355 - 77	FC6-0238-010	815 - 8
FC5-9668-000	322 - 1	FC5-9920-000	351 - 35	FC6-0238-010	855 - 8
FC5-9668-000	360 - 10	FC5-9922-010	351 - 36	FC6-0241-000	855 - 10
FC5-9668-000	361 - 10	FC5-9928-000	351 - 6	FC6-0253-000	815 - 12

# NUMERICAL INDEX

imagePRESS C7011VPS/C7010VPS/C6011VPS/C6010VPS/C6011S/C6010S

PARTS NUMBER	FIGURE & KEY NO.	PARTS NUMBER	FIGURE & KEY NO.	PARTS NUMBER	FIGURE & KEY NO.
FC6-0253-000	855 - 11	FC6-2071-000	855 - 13	FC6-2346-000	620 - 17
FC6-0255-000	815 - 13	FC6-2072-000	815 - 16	FC6-2347-000	620 - 18
FC6-0255-000	855 - 12	FC6-2072-000	855 - 14	FC6-2389-000	112 - 5
FC6-0265-000	890 - 1	FC6-2074-000	532 - 34	FC6-2400-000	355 - 12
FC6-0265-000	891 - 1	FC6-2075-000	532 - 35	FC6-2420-000	383 - 12
FC6-0282-000	816 - 1	FC6-2076-000	532 - 36	FC6-2447-000	352 - 26
FC6-0291-000	816 - 2	FC6-2087-000	531 - 7	FC6-2451-000	355 - 13
FC6-0292-000	816 - 3	FC6-2102-000	344 - 5	FC6-3133-000	100 - 56
FC6-0294-000	816 - 5	FC6-2102-000	348 - 3	FC6-3133-000	111 - 36
FC6-0295-000	816 - 6	FC6-2111-000	340 - 11	FC6-3134-000	111 - 37
FC6-0297-000	816 - 7	FC6-2113-000	531 - 8	FC6-3160-000	100 - 89
FC6-0297-000	856 - 4	FC6-2134-000	533 - 6	FC6-3160-000	111 - 41
FC6-0298-000	816 - 62	FC6-2135-000	533 - 7	FC6-3173-000	113 - 8
FC6-0299-000	816 - 63	FC6-2136-000	533 - 8	FC6-3173-000	125 - 6
FC6-0300-000	816 - 8	FC6-2139-000	535 - 2	FC6-3173-000	185 - 8
FC6-0308-010	816 - 9	FC6-2146-000	535 - 4	FC6-3175-000	100 - 49
FC6-0309-000	816 - 10	FC6-2147-000	535 - 5	FC6-3176-000	100 - 53
FC6-0314-000	816 - 11	FC6-2148-000	535 - 6	FC6-3181-000	126 - 1
FC6-0316-000	816 - 12	FC6-2152-000	194 - 1	FC6-3186-000	186 - 1
FC6-0320-000	816 - 13	FC6-2153-000	194 - 2	FC6-3186-000	600 - 7
FC6-0321-000	816 - 14	FC6-2177-000	532 - 37	FC6-3187-000	550 - 13
FC6-0325-000	818 - 9	FC6-2178-000	532 - 38	FC6-3188-000	535 - 12
FC6-0333-000	813 - 22	FC6-2179-000	532 - 39	FC6-3188-000	550 - 23
FC6-0335-000	813 - 23	FC6-2184-000	532 - 30	FC6-3198-000	100 - 33
FC6-0336-000	813 - 2	FC6-2185-000	532 - 62	FC6-3199-000	107 - 2
FC6-0337-000	813 - 25	FC6-2186-000	532 - 83	FC6-3202-000	100 - 39
FC6-0342-000	813 - 4	FC6-2187-000	532 - 84	FC6-3203-010	100 - 58
FC6-0361-000	816 - 55	FC6-2189-000	532 - 21	FC6-3204-000	100 - 59
FC6-0362-000	816 - 17	FC6-2190-000	532 - 22	FC6-3205-000	100 - 4
FC6-0383-000	856 - 5	FC6-2211-000	530 - 15	FC6-3208-000	100 - 40
FC6-0407-000	856 - 6	FC6-2215-000	346 - 15	FC6-3209-000	100 - 41
FC6-0416-000	856 - 7	FC6-2251-000	349 - 19	FC6-3211-000	100 - 42
FC6-0417-000	856 - 8	FC6-2261-000	354 - 13	FC6-3215-000	100 - 43
FC6-0418-000	856 - 9	FC6-2266-000	355 - 8	FC6-3218-000	100 - 44
FC6-1051-000	550 - 5	FC6-2271-000	355 - 83	FC6-3219-000	100 - 45
FC6-1052-000	550 - 6	FC6-2272-000	355 - 9	FC6-3225-000	620 - 19
FC6-1057-000	550 - 8	FC6-2277-000	355 - 10	FC6-3230-000	620 - 20
FC6-1058-000	550 - 9	FC6-2294-000	620 - 7	FC6-3342-000	355 - 15
FC6-1061-000	550 - 12	FC6-2301-000	620 - 8	FC6-3371-000	856 - 47
FC6-1177-000	815 - 14	FC6-2302-000	100 - 36	FC6-3412-010	816 - 54
FC6-1224-000	816 - 18	FC6-2303-000	620 - 9	FC6-3419-000	781 - 11
FC6-1254-000	813 - 3	FC6-2313-000	620 - 10	FC6-4910-000	533 - 9
FC6-1260-000	812 - 5	FC6-2314-000	620 - 11	FC6-5481-000	620 - 21
FC6-1260-000	852 - 10	FC6-2317-000	620 - 12	FC6-5482-000	620 - 22
FC6-1292-000	817 - 5	FC6-2318-000	100 - 37	FC6-7832-000	532 - 40
FC6-1294-000	830 - 1	FC6-2319-000	100 - 38	FC6-7842-000	341 - 12
FC6-1295-000	830 - 2	FC6-2320-000	620 - 13	FC6-7842-000	360 - 4
FC6-2034-000	111 - 1	FC6-2327-000	620 - 14	FC6-7842-000	361 - 4
FC6-2035-000	111 - 7	FC6-2335-000	621 - 7	FC6-7842-000	362 - 4
FC6-2040-000	113 - 12	FC6-2336-000	621 - 8	FC6-7852-000	360 - 5
FC6-2048-000	814 - 30	FC6-2339-000	620 - 15	FC6-7852-000	361 - 5
FC6-2071-000	815 - 15	FC6-2342-000	620 - 16	FC6-7852-000	362 - 5

# NUMERICAL INDEX

imagePRESS C7011VPS/C7010VPS/C6011VPS/C6010VPS/C6011S/C6010S

PARTS NUMBER	FIGURE & KEY NO.	PARTS NUMBER	FIGURE & KEY NO.	PARTS NUMBER	FIGURE & KEY NO.
FC6-7864-000	383 - 4	FC6-8257-000	347 - 2	FC6-8484-000	105 - 10
FC6-7866-000	383 - 13	FC6-8258-000	344 - 12	FC6-8484-000	106 - 9
FC6-7875-000	362 - 26	FC6-8258-000	348 - 13	FC6-8492-000	322 - 5
FC6-7877-000	104 - 18	FC6-8289-000	340 - 6	FC6-8493-000	322 - 6
FC6-7878-000	104 - 19	FC6-8300-000	320 - 26	FC6-8494-000	322 - 33
FC6-7903-010	533 - 10	FC6-8306-000	320 - 27	FC6-8495-000	322 - 34
FC6-7904-000	533 - 11	FC6-8307-000	320 - 28	FC6-8502-000	320 - 30
FC6-7905-000	533 - 12	FC6-8310-000	320 - 29	FC6-8502-000	322 - 7
FC6-7906-000	533 - 13	FC6-8310-000	341 - 11	FC6-8504-000	371 - 18
FC6-7910-000	531 - 9	FC6-8310-000	360 - 8	FC6-8506-000	371 - 9
FC6-7931-000	531 - 10	FC6-8310-000	361 - 8	FC6-8509-000	320 - 31
FC6-7932-000	531 - 11	FC6-8310-000	362 - 8	FC6-8511-000	812 - 9
FC6-7933-000	531 - 12	FC6-8313-000	112 - 12	FC6-8513-010	812 - 10
FC6-7935-000	533 - 14	FC6-8326-000	112 - 1	FC6-8514-000	812 - 11
FC6-7947-000	622 - 7	FC6-8337-000	111 - 3	FC6-8514-000	852 - 12
FC6-7948-000	622 - 8	FC6-8338-000	111 - 4	FC6-8516-000	814 - 7
FC6-7955-000	622 - 9	FC6-8339-000	112 - 6	FC6-8516-000	854 - 7
FC6-8002-000	610 - 4	FC6-8340-000	112 - 7	FC6-8522-000	815 - 18
FC6-8033-000	100 - 76	FC6-8341-000	111 - 5	FC6-8522-000	855 - 17
FC6-8033-000	111 - 40	FC6-8390-000	536 - 1	FC6-8524-000	810 - 7
FC6-8041-000	100 - 74	FC6-8398-000	333 - 9	FC6-8524-000	850 - 6
FC6-8045-000	321 - 2	FC6-8400-000	332 - 34	FC6-8562-000	781 - 6
FC6-8046-000	322 - 3	FC6-8407-010	104 - 2	FC6-8563-000	781 - 5
FC6-8052-000	383 - 5	FC6-8408-000	330 - 6	FC6-8564-000	781 - 4
FC6-8053-000	383 - 6	FC6-8412-000	840 - 7	FC6-8565-000	781 - 3
FC6-8054-010	383 - 7	FC6-8417-000	840 - 8	FC6-8574-000	812 - 35
FC6-8056-000	322 - 4	FC6-8421-000	815 - 57	FC6-8574-000	852 - 15
FC6-8071-000	530 - 13	FC6-8421-000	855 - 60	FC6-8575-000	812 - 36
FC6-8072-000	532 - 97	FC6-8422-010	814 - 6	FC6-8575-000	852 - 16
FC6-8098-000	330 - 5	FC6-8422-010	854 - 6	FC6-8576-000	855 - 18
FC6-8098-000	331 - 11	FC6-8434-000	812 - 57	FC6-8578-000	852 - 17
FC6-8104-000	332 - 4	FC6-8434-000	852 - 48	FC6-8579-010	852 - 18
FC6-8112-000	332 - 5	FC6-8437-010	812 - 6	FC6-8581-000	852 - 19
FC6-8113-000	332 - 6	FC6-8438-010	812 - 7	FC6-8582-010	852 - 20
FC6-8115-000	332 - 33	FC6-8439-000	812 - 8	FC6-8596-000	354 - 2
FC6-8116-000	332 - 7	FC6-8439-000	852 - 11	FC6-8598-000	354 - 3
FC6-8118-000	383 - 8	FC6-8440-000	855 - 15	FC6-8599-000	353 - 3
FC6-8120-000	331 - 5	FC6-8446-000	112 - 2	FC6-8601-000	351 - 12
FC6-8133-000	111 - 33	FC6-8447-000	112 - 3	FC6-8631-000	284 - 1
FC6-8137-000	111 - 32	FC6-8458-000	355 - 16	FC6-8647-000	372 - 11
FC6-8138-000	111 - 34	FC6-8460-000	351 - 8	FC6-8948-000	120 - 1
FC6-8139-000	620 - 24	FC6-8461-000	351 - 9	FC6-9945-000	300 - 108
FC6-8190-000	890 - 2	FC6-8464-000	351 - 10	FC6-9946-000	300 - 109
FC6-8190-000	891 - 2	FC6-8464-000	355 - 17	FC6-9948-000	300 - 114
FC6-8202-000	320 - 25	FC6-8464-000	370 - 5	FC6-9951-000	103 - 22
FC6-8206-000	320 - 83	FC6-8465-000	351 - 11	FC6-9959-000	300 - 16
FC6-8219-000	322 - 9	FC6-8465-000	355 - 18	FC6-9960-000	300 - 17
FC6-8219-000	323 - 21	FC6-8465-000	370 - 3	FC6-9961-000	300 - 18
FC6-8234-000	331 - 6	FC6-8469-000	350 - 17	FC6-9965-000	300 - 20
FC6-8236-000	333 - 7	FC6-8472-000	352 - 27	FC6-9966-000	300 - 21
FC6-8237-000	333 - 8	FC6-8483-000	105 - 9	FC6-9967-000	300 - 22
FC6-8239-000	104 - 1	FC6-8483-000	106 - 8	FC6-9969-000	300 - 23

# NUMERICAL INDEX

imagePRESS C7011VPS/C7010VPS/C6011VPS/C6010VPS/C6011S/C6010S

PARTS NUMBER	FIGURE & KEY NO.	PARTS NUMBER	FIGURE & KEY NO.	PARTS NUMBER	FIGURE & KEY NO.
FC6-9972-000	300 - 32	FC7-1625-000	370 - 46	FC7-3455-000	111 - 38
FC6-9982-000	300 - 24	FC7-1808-000	370 - 29	FC7-3458-000	111 - 25
FC6-9987-000	300 - 104	FC7-1825-000	100 - 8	FC7-3466-000	100 - 78
FC6-9992-000	001 - 11	FC7-1826-000	100 - 9	FC7-3470-000	321 - 7
FC7-0167-000	814 - 8	FC7-1835-000	100 - 14	FC7-3474-000	532 - 23
FC7-0167-000	854 - 8	FC7-1836-000	100 - 15	FC7-3480-000	856 - 15
FC7-0169-000	815 - 19	FC7-1837-000	100 - 16	FC7-3482-000	001 - 6
FC7-0169-000	855 - 19	FC7-1838-000	100 - 18	FC7-3492-000	320 - 32
FC7-0174-000	813 - 26	FC7-1842-000	813 - 21	FC7-3493-000	321 - 4
FC7-0175-000	815 - 51	FC7-1843-000	102 - 1	FC7-3506-000	371 - 15
FC7-0175-000	855 - 54	FC7-1845-000	100 - 50	FC7-3512-000	371 - 13
FC7-0177-000	830 - 3	FC7-1846-000	104 - 3	FC7-3514-000	341 - 19
FC7-0616-000	109 - 14	FC7-1847-000	104 - 4	FC7-3514-000	371 - 12
FC7-0822-000	550 - 14	FC7-1848-000	100 - 17	FC7-4017-000	300 - 29
FC7-0823-000	550 - 15	FC7-1858-010	532 - 2	FC7-4021-000	100 - 22
FC7-0916-000	550 - 16	FC7-1879-000	336 - 14	FC7-4022-000	100 - 23
FC7-0932-000	840 - 25	FC7-1879-000	372 - 23	FC7-4024-000	300 - 31
FC7-0936-000	816 - 20	FC7-1882-000	100 - 19	FC7-4027-000	300 - 34
FC7-0947-000	120 - 10	FC7-1884-000	100 - 66	FC7-4040-000	354 - 6
FC7-1531-000	345 - 11	FC7-1888-000	100 - 20	FC7-4042-000	354 - 7
FC7-1531-000	370 - 16	FC7-1892-000	111 - 6	FC7-4043-000	113 - 1
FC7-1532-000	345 - 10	FC7-2241-000	120 - 2	FC7-4044-000	113 - 2
FC7-1549-000	780 - 25	FC7-2243-000	120 - 6	FC7-4048-000	370 - 45
FC7-1551-000	780 - 14	FC7-2244-000	120 - 5	FC7-4058-000	372 - 8
FC7-1552-000	780 - 31	FC7-2253-010	100 - 47	FC7-4062-000	812 - 14
FC7-1553-000	780 - 13	FC7-2255-000	100 - 21	FC7-4063-000	812 - 15
FC7-1555-000	780 - 24	FC7-2261-000	780 - 32	FC7-4064-000	812 - 16
FC7-1556-000	780 - 12	FC7-2262-000	781 - 1	FC7-4064-000	852 - 21
FC7-1559-000	780 - 23	FC7-2271-000	332 - 8	FC7-4066-000	812 - 52
FC7-1560-000	780 - 22	FC7-2272-000	332 - 9	FC7-4068-010	812 - 17
FC7-1561-000	780 - 10	FC7-2409-000	103 - 17	FC7-4068-010	852 - 22
FC7-1562-000	780 - 9	FC7-2431-000	300 - 25	FC7-4069-010	812 - 18
FC7-1564-000	780 - 8	FC7-2432-000	300 - 26	FC7-4073-000	812 - 19
FC7-1568-000	780 - 6	FC7-2436-000	300 - 19	FC7-4073-000	852 - 23
FC7-1569-000	345 - 17	FC7-2439-000	300 - 27	FC7-4074-000	812 - 20
FC7-1569-000	370 - 9	FC7-2440-000	300 - 28	FC7-4074-000	852 - 24
FC7-1584-000	346 - 16	FC7-2465-000	103 - 8	FC7-4075-000	812 - 21
FC7-1587-000	346 - 25	FC7-2638-000	103 - 9	FC7-4076-000	852 - 25
FC7-1588-000	346 - 26	FC7-3090-000	114 - 2	FC7-4077-000	852 - 26
FC7-1589-000	346 - 10	FC7-3091-000	890 - 3	FC7-4485-000	300 - 79
FC7-1592-000	346 - 11	FC7-3091-000	891 - 3	FC7-4563-000	191 - 3
FC7-1594-000	346 - 8	FC7-3092-010	890 - 4	FC7-4575-000	100 - 51
FC7-1595-000	346 - 5	FC7-3092-010	891 - 4	FC7-4576-000	100 - 52
FC7-1597-000	346 - 12	FC7-3106-000	280 - 5	FC7-4576-000	111 - 26
FC7-1598-000	346 - 22	FC7-3130-000	322 - 8	FC7-4577-000	840 - 10
FC7-1598-000	370 - 31	FC7-3318-000	100 - 71	FC7-4589-000	341 - 22
FC7-1601-000	346 - 14	FC7-3432-000	814 - 10	FC7-4593-000	342 - 1
FC7-1601-000	370 - 7	FC7-3435-000	816 - 59	FC7-4595-000	344 - 6
FC7-1603-000	345 - 14	FC7-3441-000	856 - 13	FC7-4595-000	348 - 9
FC7-1603-000	370 - 10	FC7-3447-000	856 - 43	FC7-4600-000	346 - 3
FC7-1614-000	780 - 5	FC7-3450-000	856 - 14	FC7-4600-000	370 - 2
FC7-1616-000	780 - 7	FC7-3451-000	840 - 9	FC7-4619-000	349 - 12

# NUMERICAL INDEX

imagePRESS C7011VPS/C7010VPS/C6011VPS/C6010VPS/C6011S/C6010S

PARTS NUMBER	FIGURE & KEY NO.	PARTS NUMBER	FIGURE & KEY NO.	PARTS NUMBER	FIGURE & KEY NO.
FC7-4625-000	615 - 10	FC7-5644-000	100 - 29	FC7-7041-000	840 - 4
FC7-4631-000	615 - 11	FC7-5645-000	100 - 29	FC7-7043-000	120 - 9
FC7-4633-000	533 - 29	FC7-5646-000	100 - 29	FC7-7044-000	815 - 23
FC7-4634-000	815 - 58	FC7-5647-000	100 - 29	FC7-7044-000	855 - 52
FC7-4634-000	855 - 61	FC7-5648-000	100 - 29	FC7-7046-000	815 - 24
FC7-4635-000	815 - 69	FC7-5649-000	100 - 29	FC7-7046-000	855 - 53
FC7-4635-000	855 - 70	FC7-5650-000	100 - 29	FC7-7048-000	830 - 4
FC7-4640-000	852 - 46	FC7-5654-000	620 - 57	FC7-7049-000	830 - 5
FC7-4641-000	852 - 27	FC7-5655-000	620 - 57	FC7-7050-010	830 - 6
FC7-4642-000	852 - 28	FC7-5657-010	111 - 35	FC7-7051-010	830 - 7
FC7-4643-000	852 - 29	FC7-5658-010	111 - 30	FC7-7057-000	892 - 1
FC7-4645-000	349 - 23	FC7-5659-010	111 - 30	FC7-7057-000	893 - 3
FC7-4646-000	812 - 23	FC7-5660-010	111 - 30	FC7-7063-000	892 - 4
FC7-4647-000	812 - 24	FC7-5661-010	111 - 30	FC7-7064-000	341 - 18
FC7-4649-000	812 - 25	FC7-5662-010	111 - 30	FC7-7065-000	323 - 5
FC7-4650-000	812 - 26	FC7-5663-010	111 - 30	FC7-7067-000	355 - 22
FC7-4651-000	812 - 27	FC7-5664-010	111 - 30	FC7-7481-000	320 - 35
FC7-4652-000	812 - 28	FC7-5668-000	100 - 30	FC7-7486-000	371 - 19
FC7-4653-000	812 - 29	FC7-5669-000	100 - 30	FC7-7487-000	371 - 14
FC7-4901-010	355 - 21	FC7-5670-000	100 - 30	FC7-7499-000	893 - 1
FC7-4907-000	817 - 6	FC7-5671-000	100 - 30	FC7-7501-000	338 - 3
FC7-4908-000	817 - 7	FC7-5672-000	100 - 30	FC7-7506-000	120 - 4
FC7-4909-000	817 - 8	FC7-5673-000	100 - 30	FC7-7514-000	816 - 22
FC7-4913-000	815 - 21	FC7-5674-000	100 - 30	FC7-7517-000	816 - 23
FC7-4913-000	855 - 21	FC7-5678-010	111 - 23	FC7-7519-000	816 - 24
FC7-4915-000	840 - 11	FC7-5679-010	111 - 23	FC7-7526-000	855 - 43
FC7-4917-000	120 - 3	FC7-5680-010	111 - 23	FC7-7527-000	533 - 15
FC7-4919-000	121 - 1	FC7-5681-010	111 - 23	FC7-7528-000	533 - 16
FC7-4935-000	840 - 12	FC7-5682-010	111 - 23	FC7-7538-000	830 - 22
FC7-4936-000	840 - 13	FC7-5683-010	111 - 23	FC7-7542-000	105 - 20
FC7-4941-000	113 - 5	FC7-5684-010	111 - 23	FC7-7544-000	105 - 21
FC7-4947-000	856 - 46	FC7-5707-000	193 - 1	FC7-7549-000	840 - 27
FC7-4948-000	815 - 22	FC7-5711-000	112 - 4	FC7-7550-000	280 - 1
FC7-4948-000	855 - 22	FC7-5720-000	340 - 12	FC7-7551-000	107 - 3
FC7-4959-000	345 - 8	FC7-5720-000	371 - 11	FC7-7555-000	330 - 15
FC7-4972-000	320 - 33	FC7-5757-000	814 - 29	FC7-7573-000	817 - 1
FC7-4973-000	320 - 34	FC7-5757-000	854 - 27	FC7-7694-000	300 - 74
FC7-5100-000	190 - 2	FC7-5758-000	814 - 34	FC7-7699-000	300 - 44
FC7-5571-000	300 - 72	FC7-5758-000	854 - 29	FC7-7700-000	300 - 63
FC7-5573-000	300 - 73	FC7-5759-000	814 - 28	FC7-7708-000	100 - 83
FC7-5575-000	300 - 115	FC7-5759-000	854 - 26	FC7-7708-000	103 - 15
FC7-5577-000	300 - 80	FC7-5760-000	814 - 35	FC7-7716-000	103 - 12
FC7-5578-000	300 - 81	FC7-5760-000	854 - 30	FC7-8080-000	100 - 84
FC7-5584-000	300 - 98	FC7-7026-000	346 - 28	FC7-9321-000	532 - 3
FC7-5585-000	300 - 99	FC7-7026-000	370 - 47	FC7-9534-000	300 - 93
FC7-5588-000	100 - 69	FC7-7030-010	120 - 8	FC7-9536-000	300 - 94
FC7-5589-000	100 - 85	FC7-7035-000	812 - 50	FC7-9539-000	300 - 95
FC7-5591-000	300 - 37	FC7-7036-000	812 - 30	FC7-9540-000	300 - 96
FC7-5592-000	100 - 27	FC7-7037-000	812 - 31	FC7-9568-000	103 - 14
FC7-5641-010	111 - 22	FC7-7038-000	812 - 34	FC7-9569-000	300 - 33
FC7-5642-010	111 - 20	FC7-7039-000	816 - 21	FC7-9656-000	532 - 80
FC7-5643-000	100 - 28	FC7-7040-000	812 - 32	FC7-9662-000	349 - 24

# NUMERICAL INDEX

imagePRESS C7011VPS/C7010VPS/C6011VPS/C6010VPS/C6011S/C6010S

PARTS NUMBER	FIGURE & KEY NO.	PARTS NUMBER	FIGURE & KEY NO.	PARTS NUMBER	FIGURE & KEY NO.
FC7-9667-000	781 - 9	FC8-2970-010	113 - 15	FC8-6848-000	852 - 6
FC7-9687-000	191 - 9	FC8-2970-010	344 - 11	FC8-6852-000	532 - 33
FC7-9708-000	001 - 5	FC8-2970-010	348 - 12	FC8-6861-000	815 - 43
FC7-9716-000	300 - 102	FC8-2970-010	351 - 33	FC8-6861-000	855 - 48
FC7-9717-000	103 - 21	FC8-2970-010	370 - 44	FC8-6863-000	815 - 17
FC7-9718-000	001 - 9	FC8-2970-010	372 - 22	FC8-6863-000	855 - 16
FC7-9721-000	810 - 5	FC8-2971-010	112 - 10	FC8-6866-000	640 - 5
FC7-9721-000	850 - 7	FC8-2971-010	113 - 15	FC8-6874-000	640 - 6
FC7-9726-000	300 - 105	FC8-2971-010	344 - 11	FC8-7665-000	300 - 100
FC7-9740-000	812 - 22	FC8-2971-010	348 - 12	FC8-7675-000	001 - 8
FC7-9745-000	815 - 11	FC8-2971-010	351 - 33	FC8-7675-000	103 - 6
FC7-9747-000	105 - 5	FC8-2971-010	370 - 44	FC8-7678-000	300 - 103
FC7-9747-000	106 - 10	FC8-2971-010	372 - 22	FC8-7687-000	001 - 8
FC8-0997-000	531 - 43	FC8-2972-010	112 - 10	FC8-7687-000	103 - 6
FC8-0999-000	812 - 51	FC8-2972-010	113 - 15	FC8-9079-000	320 - 79
FC8-1030-000	615 - 18	FC8-2972-010	344 - 11	FC8-9141-000	781 - 10
FC8-1031-000	615 - 19	FC8-2972-010	348 - 12	FC9-5749-000	550 - 11
FC8-1648-000	300 - 106	FC8-2972-010	351 - 33	FC9-5763-000	186 - 5
FC8-1654-000	381 - 13	FC8-2972-010	370 - 44	FC9-5771-000	100 - 82
FC8-1655-000	300 - 111	FC8-2972-010	372 - 22	FC9-5772-000	100 - 86
FC8-1659-000	381 - 4	FC8-2976-010	112 - 11	FC9-5773-000	100 - 26
FC8-1659-000	382 - 4	FC8-2977-010	112 - 11	FC9-5783-000	100 - 6
FC8-2295-000	550 - 7	FC8-2978-010	112 - 11	FC9-5798-000	532 - 13
FC8-2966-010	112 - 10	FC8-2979-010	112 - 11	FC9-5805-000	333 - 6
FC8-2966-010	113 - 15	FC8-2980-010	112 - 11	FC9-5806-000	333 - 36
FC8-2966-010	344 - 11	FC8-2981-010	112 - 11	FC9-5815-000	640 - 10
FC8-2966-010	348 - 12	FC8-2982-010	112 - 11	FC9-5819-000	640 - 11
FC8-2966-010	351 - 33	FC8-2990-000	100 - 77	FC9-5841-000	640 - 7
FC8-2966-010	370 - 44	FC8-2990-000	320 - 75	FC9-5842-000	640 - 8
FC8-2966-010	372 - 22	FC8-2993-000	900 - 21	FC9-5864-000	001 - 12
FC8-2967-010	112 - 10	FC8-3641-000	100 - 77	FC9-5891-000	333 - 33
FC8-2967-010	113 - 15	FC8-3641-000	320 - 75	FC9-5896-000	531 - 59
FC8-2967-010	344 - 11	FC8-3642-000	100 - 77	FC9-5897-000	531 - 60
FC8-2967-010	348 - 12	FC8-3642-000	320 - 75	FC9-5898-000	345 - 26
FC8-2967-010	351 - 33	FC8-3643-000	100 - 77	FC9-5899-000	345 - 22
FC8-2967-010	370 - 44	FC8-3643-000	320 - 75	FC9-5900-000	346 - 23
FC8-2967-010	372 - 22	FC8-3644-000	100 - 77	FC9-5905-000	346 - 19
FC8-2968-010	112 - 10	FC8-3644-000	320 - 75	FC9-5909-000	355 - 7
FC8-2968-010	113 - 15	FC8-3645-000	100 - 77	FC9-5911-000	355 - 79
FC8-2968-010	344 - 11	FC8-3645-000	320 - 75	FC9-5920-000	531 - 2
FC8-2968-010	348 - 12	FC8-3646-000	100 - 77	FC9-5959-000	533 - 30
FC8-2968-010	351 - 33	FC8-3646-000	320 - 75	FC9-5980-000	531 - 45
FC8-2968-010	370 - 44	FC8-3787-000	817 - 26	FC9-5981-000	531 - 58
FC8-2968-010	372 - 22	FC8-3788-000	817 - 27	FC9-6003-000	107 - 6
FC8-2969-010	112 - 10	FC8-3800-000	001 - 10	FC9-6014-000	191 - 2
FC8-2969-010	113 - 15	FC8-6462-000	351 - 3	FC9-6017-000	100 - 87
FC8-2969-010	344 - 11	FC8-6462-000	352 - 6	FC9-6018-020	511 - 41
FC8-2969-010	348 - 12	FC8-6789-000	108 - 4	FC9-6034-000	100 - 32
FC8-2969-010	351 - 33	FC8-6799-000	600 - 35	FC9-6044-000	100 - 7
FC8-2969-010	370 - 44	FC8-6812-000	533 - 3	FC9-6045-000	100 - 25
FC8-2969-010	372 - 22	FC8-6828-000	327 - 37	FC9-6046-000	101 - 1
FC8-2970-010	112 - 10	FC8-6847-000	812 - 48	FC9-6082-000	106 - 16



# NUMERICAL INDEX

imagePRESS C7011VPS/C7010VPS/C6011VPS/C6010VPS/C6011S/C6010S

PARTS NUMBER	FIGURE & KEY NO.	PARTS NUMBER	FIGURE & KEY NO.	PARTS NUMBER	FIGURE & KEY NO.
FC9-6085-000	530 - 20	FH7-5838-030	355 - 23	FK2-2709-000	940 - IC
FC9-6090-000	351 - 40	FK2-0022-000	283 - 1	FK2-2709-000	941 - IC
FC9-6091-000	333 - 23	FK2-0022-000	771 - 1	FK2-2713-000	640 - 1
FC9-6097-000	511 - 47	FK2-0104-000	942 - IC	FK2-2725-000	531 - 14
FC9-6098-000	511 - 48	FK2-0105-000	531 - 19	FK2-2726-000	272 - 3
FC9-6099-000	111 - 2	FK2-0149-000	103 - 10	FK2-2726-000	511 - 23
FC9-6105-000	111 - 8	FK2-0149-000	113 - 9	FK2-2726-000	620 - 27
FC9-6106-000	511 - 2	FK2-0149-000	114 - 9	FK2-2727-000	280 - 16
FC9-6107-000	511 - 38	FK2-0149-000	125 - 2	FK2-2729-000	536 - 3
FC9-6109-000	511 - 40	FK2-0149-000	185 - 9	FK2-2729-000	600 - 9
FC9-6110-000	100 - 5	FK2-0149-000	262 - 4	FK2-2858-000	121 - 3
FC9-6114-000	530 - 21	FK2-0149-000	300 - 38	FK2-2887-000	900 - 2
FC9-6116-000	856 - 11	FK2-0149-000	327 - 11	FK2-2888-000	900 - 3
FC9-6122-000	100 - 68	FK2-0149-000	338 - 9	FK2-2892-000	900 - 1
FC9-6125-000	100 - 32	FK2-0149-000	340 - 4	FK2-2901-000	936 - IC
FC9-6126-010	001 - 17	FK2-0149-000	349 - 2	FK2-2972-000	300 - 39
FC9-9463-000	355 - 11	FK2-0149-000	351 - 13	FK2-2973-000	300 - 71
FC9-9464-000	355 - 14	FK2-0149-000	370 - 33	FK2-2974-000	190 - 4
FC9-9465-000	370 - 32	FK2-0149-000	371 - 10	FK2-2975-000	300 - 40
FC9-9466-000	371 - 28	FK2-0149-000	372 - 7	FK2-2976-000	103 - 18
FC9-9466-000	372 - 20	FK2-0149-000	532 - 25	FK2-2977-000	103 - 19
FC9-9468-000	327 - 3	FK2-0149-000	622 - 10	FK2-2984-000	300 - 41
FC9-9469-000	327 - 5	FK2-0149-000	780 - 21	FK2-2989-000	190 - 5
FC9-9470-000	328 - 2	FK2-0149-000	812 - 33	FK2-3086-010	813 - 5
FC9-9471-000	338 - 2	FK2-0149-000	815 - 29	FK2-3087-010	813 - 5
FC9-9471-000	371 - 27	FK2-0149-000	816 - 26	FK2-3094-000	813 - 1
FC9-9471-000	372 - 19	FK2-0149-000	817 - 9	FK2-3097-000	840 - 26
FC9-9473-000	380 - 2	FK2-0149-000	852 - 30	FK2-3098-010	101 - 2
FC9-9475-000	323 - 3	FK2-0149-000	855 - 55	FK2-3098-010	109 - 17
FC9-9476-000	323 - 4	FK2-0149-000	856 - 16	FK2-3098-010	115 - 5
FC9-9477-000	360 - 6	FK2-0149-000	892 - 2	FK2-3098-010	116 - 7
FC9-9477-000	361 - 6	FK2-0149-000	893 - 2	FK2-3098-010	183 - 1
FC9-9477-000	362 - 6	FK2-0161-000	532 - 26	FK2-3098-010	184 - 1
FC9-9478-000	360 - 7	FK2-0360-000	911 - 1	FK2-3098-010	186 - 2
FC9-9478-000	361 - 7	FK2-0540-000	340 - 10	FK2-3098-010	188 - 1
FC9-9478-000	362 - 7	FK2-0589-000	322 - 10	FK2-3098-010	189 - 1
FE3-5783-000	321 - 3	FK2-0590-000	621 - 9	FK2-3098-010	191 - 12
FE3-7639-000	102 - 10	FK2-0590-000	622 - 11	FK2-3100-000	116 - 2
FE3-7639-000	114 - 5	FK2-0591-000	771 - 2	FK2-3100-000	185 - 3
FE9-0018-020	530 - 9	FK2-0591-000	780 - 20	FK2-3100-000	348 - 7
FF2-2891-000	511 - 15	FK2-0607-000	600 - 8	FK2-3100-000	349 - 3
FG6-8605-020	320 - 36	FK2-0912-000	937 - IC	FK2-3101-000	180 - 1
FH4-6214-000	934 - IC	FK2-0913-000	932 - IC	FK2-3102-000	182 - 1
FH4-6235-000	937 - IC	FK2-0913-000	933 - IC	FK2-3108-000	532 - 27
FH4-6237-000	935 - IC	FK2-0913-000	937 - IC	FK2-3110-000	531 - 55
FH4-6239-000	938 - IC	FK2-0999-000	322 - 2	FK2-3112-000	532 - 28
FH4-6241-000	935 - IC	FK2-0999-000	323 - 10	FK2-3115-000	109 - 20
FH4-6243-000	936 - IC	FK2-1773-000	962 - IC	FK2-3116-000	109 - 21
FH4-6248-000	937 - IC	FK2-1773-000	965 - IC	FK2-3117-000	109 - 22
FH4-6274-000	937 - IC	FK2-1773-000	970 - IC	FK2-3118-000	102 - 2
FH4-6300-000	936 - IC	FK2-2046-000	942 - IC	FK2-3119-000	102 - 3
FH4-6302-000	936 - IC	FK2-2304-000	001 - 16	FK2-3120-000	102 - 4

# NUMERICAL INDEX

imagePRESS C7011VPS/C7010VPS/C6011VPS/C6010VPS/C6011S/C6010S

PARTS NUMBER	FIGURE & KEY NO.	PARTS NUMBER	FIGURE & KEY NO.	PARTS NUMBER	FIGURE & KEY NO.
FK2-3121-000	102 - 5	FK2-7518-000	109 - 5	FL2-1896-000	625 - 12
FK2-3122-000	116 - 14	FK2-7518-000	116 - 1	FL2-1904-000	621 - 10
FK2-3124-000	262 - 5	FK2-8214-000	900 - 22	FL2-1912-000	600 - 11
FK2-3124-000	320 - 38	FK2-8215-000	900 - 23	FL2-1913-000	600 - 12
FK2-3124-000	322 - 12	FK2-8216-000	900 - 24	FL2-1917-000	108 - 1
FK2-3125-000	323 - 6	FK2-8361-000	900 - 6	FL2-1918-000	108 - 2
FK2-3125-000	328 - 8	FK3-0821-000	814 - 21	FL2-1944-000	511 - 17
FK2-3125-000	338 - 10	FK3-0821-000	854 - 12	FL2-1950-000	511 - 42
FK2-3125-000	341 - 10	FK3-0822-000	856 - 18	FL2-1955-000	600 - 39
FK2-3125-000	343 - 9	FK3-0823-000	320 - 61	FL2-1963-010	105 - 3
FK2-3125-000	349 - 13	FK3-0824-000	620 - 25	FL2-1984-010	622 - 25
FK2-3125-000	355 - 25	FK3-0825-000	620 - 28	FL2-1985-010	622 - 24
FK2-3125-000	360 - 9	FK3-0827-000	116 - 6	FL2-1994-000	780 - 18
FK2-3125-000	361 - 9	FK3-0827-000	192 - 1	FL2-1997-000	191 - 4
FK2-3125-000	362 - 9	FK3-0827-000	193 - 2	FL2-1998-000	191 - 5
FK2-3125-000	371 - 25	FK3-0827-000	194 - 3	FL2-2016-000	342 - 6
FK2-3125-000	372 - 18	FK3-0827-000	323 - 7	FL2-2016-000	344 - 7
FK2-3126-000	349 - 6	FK4-0058-000	840 - 15	FL2-2016-000	345 - 24
FK2-3126-000	818 - 1	FK4-0060-000	814 - 11	FL2-2016-000	348 - 10
FK2-3127-000	320 - 39	FK4-0060-000	854 - 11	FL2-2016-000	351 - 14
FK2-3129-000	355 - 26	FK4-0061-000	856 - 17	FL2-2016-000	355 - 30
FK2-3129-000	370 - 36	FK4-0062-000	856 - 17	FL2-2024-000	536 - 4
FK2-3130-000	260 - 2	FK4-0073-000	840 - 15	FL2-2053-000	531 - 42
FK2-3132-000	284 - 2	FK4-0075-000	814 - 11	FL2-2080-000	111 - 13
FK2-3132-000	350 - 5	FK4-0075-000	854 - 11	FL2-2081-000	111 - 14
FK2-3132-000	355 - 27	FK4-0993-000	900 - 17	FL2-2086-010	332 - 32
FK2-3132-000	818 - 4	FL0-3237-000	100 - 34	FL2-2094-000	332 - 11
FK2-3132-000	856 - 19	FL0-3238-000	100 - 34	FL2-2099-010	330 - 16
FK2-3134-000	355 - 28	FL0-3239-000	100 - 34	FL2-2099-010	331 - 23
FK2-3135-000	352 - 8	FL2-0434-000	535 - 7	FL2-2121-000	300 - 82
FK2-3136-000	343 - 6	FL2-0464-000	535 - 14	FL2-2127-000	325 - 2
FK2-3136-000	345 - 6	FL2-0464-000	550 - 25	FL2-2139-000	340 - 9
FK2-3136-000	370 - 12	FL2-0991-000	535 - 8	FL2-2139-000	343 - 15
FK2-3137-000	260 - 3	FL2-0991-000	550 - 18	FL2-2139-000	347 - 1
FK2-3143-000	320 - 40	FL2-1775-000	260 - 4	FL2-2140-000	336 - 15
FK2-3144-000	532 - 29	FL2-1777-000	300 - 110	FL2-2140-000	372 - 24
FK2-3145-000	532 - 59	FL2-1780-000	102 - 17	FL2-2147-000	321 - 8
FK2-3148-000	352 - 9	FL2-1785-000	310 - 22	FL2-2148-000	321 - 9
FK2-3148-000	355 - 29	FL2-1786-000	381 - 14	FL2-2164-000	812 - 55
FK2-3148-000	383 - 9	FL2-1786-000	382 - 12	FL2-2169-000	810 - 8
FK2-3148-000	816 - 25	FL2-1789-000	260 - 17	FL2-2169-000	850 - 8
FK2-3150-000	181 - 1	FL2-1795-000	300 - 113	FL2-2193-000	280 - 25
FK2-3150-000	195 - 1	FL2-1799-000	300 - 42	FL2-2200-000	815 - 67
FK2-3152-000	370 - 35	FL2-1805-000	300 - 43	FL2-2200-000	855 - 68
FK2-3153-000	600 - 10	FL2-1809-000	300 - 97	FL2-2201-000	815 - 68
FK2-3154-000	280 - 6	FL2-1816-000	300 - 45	FL2-2201-000	855 - 69
FK2-3160-000	814 - 4	FL2-1818-000	103 - 23	FL2-2203-000	815 - 55
FK2-3160-000	854 - 13	FL2-1851-000	260 - 5	FL2-2208-000	855 - 66
FK2-6447-000	912 - 3	FL2-1851-000	381 - 8	FL2-2209-000	840 - 29
FK2-6447-000	913 - 3	FL2-1877-000	111 - 10	FL2-2210-000	840 - 30
FK2-6484-000	912 - 1	FL2-1878-000	111 - 11	FL2-2218-000	856 - 48
FK2-6818-000	913 - 1	FL2-1879-000	111 - 12	FL2-2219-000	856 - 49

# NUMERICAL INDEX

imagePRESS C7011VPS/C7010VPS/C6011VPS/C6010VPS/C6011S/C6010S

PARTS NUMBER	FIGURE & KEY NO.	PARTS NUMBER	FIGURE & KEY NO.	PARTS NUMBER	FIGURE & KEY NO.
FL2-2257-000	350 - 6	FL2-5453-000	813 - 17	FL3-0560-010	622 - 12
FL2-2261-000	350 - 7	FL2-5562-000	260 - 6	FL3-0561-010	108 - 3
FL2-2262-010	355 - 76	FL2-5562-000	355 - 32	FL3-2870-000	511 - 16
FL2-2268-000	355 - 31	FL2-5573-000	300 - 76	FL3-2873-000	343 - 20
FL2-2269-000	351 - 34	FL2-6002-000	531 - 56	FL3-2874-000	355 - 80
FL2-2274-000	350 - 8	FL2-6002-000	615 - 12	FL3-2875-000	345 - 2
FL2-2293-000	113 - 11	FL2-6048-000	815 - 53	FL3-2875-000	355 - 81
FL2-2293-000	336 - 11	FL2-6048-000	855 - 57	FL3-2876-000	346 - 27
FL2-2293-000	372 - 17	FL2-6139-000	622 - 13	FL3-2892-000	600 - 38
FL2-2295-000	338 - 4	FL2-6237-000	355 - 33	FL3-2894-000	550 - 10
FL2-2302-000	100 - 1	FL2-6256-000	532 - 31	FL3-2895-000	111 - 15
FL2-2306-000	325 - 1	FL2-6258-000	105 - 4	FL3-2902-000	331 - 25
FL2-2374-000	621 - 11	FL2-6259-000	813 - 19	FL3-2909-000	640 - 9
FL2-2375-000	621 - 12	FL2-6260-000	830 - 8	FL3-2912-000	531 - 54
FL2-2376-000	621 - 13	FL2-6335-000	814 - 25	FL3-2913-000	531 - 47
FL2-2406-000	532 - 50	FL2-6335-000	854 - 23	FL3-5093-000	104 - 23
FL2-2407-000	532 - 51	FL2-6474-000	300 - 77	FL3-5095-000	351 - 39
FL2-2409-000	530 - 16	FL2-6530-000	813 - 16	FL3-5095-000	352 - 24
FL2-2410-000	530 - 17	FL2-6885-000	330 - 7	FL3-5098-010	105 - 1
FL2-2411-000	530 - 18	FL2-6885-000	331 - 12	FL3-5130-000	511 - 24
FL2-2412-000	530 - 19	FL2-6945-000	814 - 5	FL3-5131-000	511 - 35
FL2-2412-000	532 - 90	FL2-7124-000	815 - 60	FL3-5565-000	813 - 27
FL2-2423-000	535 - 9	FL2-7124-000	855 - 63	FL3-5568-000	530 - 3
FL2-2649-000	813 - 24	FL2-7127-000	100 - 24	FL3-5835-000	530 - 12
FL2-2704-000	511 - 18	FL2-7221-000	100 - 10	FL3-5839-000	530 - 14
FL2-2707-020	511 - 19	FL2-7222-000	100 - 11	FL3-6094-000	271 - 4
FL2-2708-020	511 - 20	FL2-7223-000	100 - 12	FL3-6096-000	854 - 16
FL2-2709-000	511 - 21	FL2-7224-000	100 - 13	FL3-6099-000	120 - 11
FL2-2713-000	710 - 4	FL2-7834-000	814 - 9	FL3-6102-000	100 - 3
FL2-2714-000	710 - 5	FL2-7834-000	854 - 21	FL3-7080-000	327 - 25
FL2-2765-000	815 - 10	FL2-7886-010	625 - 11	FL3-7084-000	100 - 34
FL2-2765-000	855 - 9	FL2-7887-000	111 - 9	FL3-7085-000	100 - 34
FL2-4042-000	300 - 46	FL2-7889-000	381 - 7	FL3-7086-000	100 - 34
FL2-4074-000	320 - 41	FL2-7889-000	382 - 7	FM1-F167-000	326 - 16
FL2-4088-000	001 - 3	FL2-7894-000	600 - 31	FM1-F167-000	329 - 3
FL2-4111-010	333 - 10	FL2-8401-000	780 - 11	FM1-F167-000	336 - 2
FL2-4112-000	333 - 27	FL2-8404-000	106 - 12	FM1-F167-000	353 - 4
FL2-4113-000	333 - 28	FL2-8410-000	106 - 11	FM1-F167-000	354 - 4
FL2-4114-010	333 - 11	FL2-8411-000	106 - 14	FM1-F167-000	355 - 19
FL2-4116-000	324 - 3	FL2-8544-000	814 - 26	FM1-F167-000	370 - 25
FL2-4118-000	324 - 4	FL2-8544-000	854 - 24	FM1-F167-000	371 - 16
FL2-4128-000	533 - 26	FL2-8546-000	814 - 26	FM1-F167-000	372 - 9
FL2-4129-010	533 - 17	FL2-8546-000	854 - 24	FM1-F167-000	380 - 3
FL2-4130-010	533 - 18	FL2-9290-000	001 - 2	FM2-0848-000	116 - 3
FL2-4135-000	371 - 26	FL2-9438-000	310 - 21	FM2-0956-000	620 - 29
FL2-4140-000	323 - 2	FL2-9917-000	600 - 36	FM2-0956-000	770 - 1
FL2-4141-000	322 - 31	FL3-0541-000	107 - 4	FM2-0956-000	771 - 3
FL2-4157-000	350 - 9	FL3-0548-000	815 - 56	FM2-0956-000	775 - 1
FL2-4182-000	111 - 16	FL3-0548-000	855 - 59	FM2-1979-000	310 -
FL2-4271-000	535 - 13	FL3-0551-000	280 - 15	FM2-1980-000	190 -
FL2-4271-000	550 - 24	FL3-0555-000	815 - 20	FM2-1982-030	300 -
FL2-5445-000	550 - 19	FL3-0555-000	855 - 20	FM2-1997-010	260 -

# NUMERICAL INDEX

imagePRESS C7011VPS/C7010VPS/C6011VPS/C6010VPS/C6011S/C6010S

PARTS NUMBER	FIGURE & KEY NO.	PARTS NUMBER	FIGURE & KEY NO.	PARTS NUMBER	FIGURE & KEY NO.
FM2-1999-000	100 - 72	FM2-2213-010	183 -	FM2-5102-000	381 -
FM2-2006-000	300 - 48	FM2-2214-010	184 -	FM2-5103-000	382 -
FM2-2012-000	103 - 1	FM2-2215-000	813 -	FM2-5107-000	326 - 19
FM2-2036-000	100 - 35	FM2-2218-000	812 - 37	FM2-5108-000	326 - 20
FM2-2052-000	770 -	FM2-2222-010	348 -	FM2-5108-000	351 - 38
FM2-2053-000	771 -	FM2-2223-010	349 -	FM2-5111-010	327 -
FM2-2054-010	775 -	FM2-2224-000	341 -	FM2-5112-000	327 - 9
FM2-2055-000	283 -	FM2-2225-000	342 -	FM2-5113-000	327 - 10
FM2-2057-000	781 -	FM2-2226-010	344 -	FM2-5114-000	327 - 16
FM2-2058-000	001 - 1	FM2-2231-020	351 -	FM2-5115-000	327 - 17
FM2-2058-000	781 - 8	FM2-2233-010	354 -	FM2-5116-010	327 - 18
FM2-2071-000	111 - 24	FM2-2235-010	353 -	FM2-5117-000	327 - 19
FM2-2078-010	600 - 13	FM2-2236-000	284 -	FM2-5118-000	327 - 20
FM2-2079-000	105 - 2	FM2-2237-020	370 -	FM2-5119-000	327 - 21
FM2-2097-030	622 -	FM2-2238-010	189 -	FM2-5123-000	383 - 25
FM2-2107-000	610 - 5	FM2-2240-010	371 -	FM2-5124-000	383 - 18
FM2-2110-010	615 -	FM2-2241-010	372 -	FM2-5128-000	327 - 22
FM2-2123-000	104 - 8	FM2-2243-000	338 -	FM2-5129-000	328 -
FM2-2127-000	332 - 12	FM2-2244-000	338 - 8	FM2-5131-010	329 -
FM2-2128-000	330 - 8	FM2-2246-010	380 -	FM2-5147-000	114 - 1
FM2-2128-000	331 - 7	FM2-2247-010	326 -	FM2-5168-000	262 -
FM2-2129-000	274 - 2	FM2-2249-000	271 - 5	FM2-5180-000	320 - 44
FM2-2130-000	383 - 10	FM2-2252-000	109 - 1	FM2-5197-000	360 -
FM2-2136-000	106 - 1	FM2-2261-000	109 - 7	FM2-5210-000	361 -
FM2-2142-000	532 - 32	FM2-2262-000	109 - 8	FM2-5213-000	362 -
FM2-2145-000	532 - 49	FM2-2281-000	932 -	FM2-6040-000	900 - 4
FM2-2146-000	532 - 52	FM2-2282-000	933 -	FM2-6211-000	900 - 5
FM2-2147-000	103 - 3	FM2-2284-000	934 -	FM2-7189-000	981 - 1
FM2-2148-000	103 - 4	FM2-2292-000	625 - 6	FM2-7190-010	532 - 46
FM2-2151-000	273 -	FM2-2293-000	625 - 7	FM2-7192-000	531 - 17
FM2-2152-000	531 - 16	FM2-2294-000	625 - 8	FM2-7193-000	981 - 2
FM2-2157-000	535 -	FM2-2295-000	625 - 9	FM2-7195-000	615 - 13
FM2-2165-010	532 - 53	FM2-2302-000	814 - 15	FM2-7360-000	900 - 20
FM2-2170-000	532 - 58	FM2-2302-000	854 - 14	FM2-7430-000	935 -
FM2-2171-000	333 - 12	FM2-2303-000	816 - 27	FM2-7627-000	962 -
FM2-2174-000	274 -	FM2-2306-020	817 -	FM2-7628-000	190 - 7
FM2-2176-000	324 -	FM2-2308-010	856 - 31	FM2-7629-000	300 - 49
FM2-2184-000	337 -	FM2-2309-010	852 - 31	FM2-7630-000	100 - 73
FM2-2186-000	337 - 4	FM2-2310-000	852 - 33	FM2-7640-000	322 - 13
FM2-2197-010	840 -	FM2-2320-010	188 -	FM2-7687-000	942 -
FM2-2198-020	812 -	FM2-2323-000	111 - 31	FM2-7690-000	531 - 26
FM2-2199-020	852 -	FM2-2329-000	621 - 14	FM2-7692-000	531 - 27
FM2-2200-010	280 -	FM2-2330-000	621 - 14	FM2-7694-000	620 - 30
FM2-2201-000	195 -	FM2-2331-000	621 - 14	FM2-7698-000	620 - 31
FM2-2202-000	181 -	FM2-2332-000	621 - 14	FM2-7702-000	280 - 7
FM2-2205-010	890 -	FM2-2333-000	621 -	FM2-7703-000	814 - 16
FM2-2206-000	891 -	FM2-2334-000	621 -	FM2-7703-000	854 - 15
FM2-2207-000	892 -	FM2-2335-000	621 -	FM2-7707-000	531 - 20
FM2-2208-000	893 -	FM2-2336-000	621 -	FM2-7715-000	140 - 1
FM2-2209-000	818 -	FM2-2493-010	710 -	FM2-7717-000	105 - 25
FM2-2211-000	180 -	FM2-2680-000	710 - 6	FM2-7718-000	535 - 10
FM2-2212-000	182 -	FM2-2713-000	354 - 8	FM2-7719-000	530 - 5

# NUMERICAL INDEX

imagePRESS C7011VPS/C7010VPS/C6011VPS/C6010VPS/C6011S/C6010S

PARTS NUMBER	FIGURE & KEY NO.	PARTS NUMBER	FIGURE & KEY NO.	PARTS NUMBER	FIGURE & KEY NO.
FM2-7720-000	530 - 6	FM2-8603-000	191 - 8	FM2-8814-000	115 - 10
FM2-7721-000	530 - 7	FM2-8604-000	190 - 6	FM2-8817-000	780 - 19
FM2-7733-000	970 -	FM2-8605-000	300 - 52	FM2-8832-000	121 - 4
FM2-7814-000	936 -	FM2-8616-000	532 - 48	FM2-8843-000	511 - 43
FM2-7815-000	937 -	FM2-8618-000	108 - 5	FM2-8844-000	190 - 16
FM2-7822-000	900 - 26	FM2-8629-000	310 - 25	FM2-8982-000	271 - 6
FM2-7978-000	816 - 15	FM2-8630-000	190 - 14	FM2-9050-000	109 - 9
FM2-8300-000	532 - 44	FM2-8631-000	107 - 5	FM2-9052-000	109 - 10
FM2-8301-000	940 - 2	FM2-8633-000	620 - 36	FM2-9053-000	109 - 11
FM2-8312-000	116 - 4	FM2-8636-000	620 - 40	FM2-9073-000	109 - 13
FM2-8313-000	965 - 1	FM2-8638-010	600 - 20	FM2-9076-000	938 -
FM2-8314-000	125 - 1	FM2-8643-000	190 - 15	FM2-9132-000	532 - 96
FM2-8485-000	615 - 14	FM2-8645-000	300 - 54	FM2-9257-000	535 - 18
FM2-8486-000	532 - 91	FM2-8649-000	322 - 35	FM2-9257-000	550 - 22
FM2-8487-000	531 - 57	FM2-8660-000	999 - 24	FM2-9258-020	511 - 37
FM2-8488-000	620 - 32	FM2-8668-000	107 - 7	FM2-9265-010	840 -
FM2-8489-000	620 - 33	FM2-8682-000	622 - 16	FM2-9267-000	813 -
FM2-8490-000	108 - 6	FM2-8689-000	262 - 13	FM2-9268-000	106 - 3
FM2-8491-000	108 - 6	FM2-8689-000	274 - 14	FM2-9269-000	106 - 4
FM2-8492-000	550 - 34	FM2-8689-000	280 - 27	FM2-9270-000	106 - 5
FM2-8493-000	615 - 15	FM2-8689-000	320 - 82	FM2-9271-000	106 - 6
FM2-8495-000	981 - 3	FM2-8689-000	322 - 36	FM2-9272-000	106 - 7
FM2-8496-000	331 - 26	FM2-8689-000	323 - 22	FM2-9276-000	336 - 10
FM2-8497-000	190 - 9	FM2-8689-000	330 - 20	FM2-9287-000	109 - 12
FM2-8500-000	532 - 47	FM2-8689-000	331 - 29	FM2-9289-000	115 - 2
FM2-8502-000	770 - 2	FM2-8689-000	332 - 36	FM2-9290-000	115 - 3
FM2-8503-000	771 - 4	FM2-8689-000	355 - 82	FM2-9291-010	814 -
FM2-8504-000	620 - 34	FM2-8689-000	360 - 26	FM2-9292-010	854 -
FM2-8509-000	327 - 36	FM2-8689-000	361 - 22	FM2-9294-000	104 - 10
FM2-8509-000	892 - 3	FM2-8689-000	362 - 27	FM2-9296-000	125 -
FM2-8509-000	893 - 4	FM2-8689-000	370 - 48	FM2-9297-000	126 -
FM2-8517-000	191 - 6	FM2-8689-000	371 - 31	FM2-9298-000	511 - 29
FM2-8518-000	190 - 10	FM2-8689-000	818 - 10	FM2-9301-010	352 -
FM2-8519-000	310 - 23	FM2-8693-000	816 - 4	FM2-9302-000	350 - 14
FM2-8520-000	300 - 50	FM2-8698-000	856 - 44	FM2-9303-000	104 - 11
FM2-8521-000	104 - 5	FM2-8699-000	815 - 64	FM2-9404-000	190 - 17
FM2-8523-000	771 - 6	FM2-8699-000	855 - 64	FM2-9408-000	310 - 28
FM2-8527-000	600 - 17	FM2-8702-000	816 - 61	FM2-9409-000	300 - 56
FM2-8559-000	531 - 48	FM2-8704-000	856 - 45	FM3-0287-000	111 - 21
FM2-8560-000	531 - 49	FM2-8731-000	812 - 53	FM3-0288-000	100 - 55
FM2-8561-000	531 - 50	FM2-8734-000	840 - 16	FM3-0289-000	100 - 57
FM2-8562-000	531 - 51	FM2-8736-000	852 - 44	FM3-0290-000	111 - 19
FM2-8563-000	531 - 52	FM2-8738-000	856 - 42	FM3-0291-010	320 - 78
FM2-8564-000	531 - 53	FM2-8752-000	349 - 25	FM3-0293-000	113 - 4
FM2-8569-000	600 - 18	FM2-8763-000	116 - 20	FM3-0299-000	100 - 63
FM2-8572-000	272 - 4	FM2-8764-000	116 - 18	FM3-0300-000	100 - 64
FM2-8576-000	260 - 7	FM2-8765-010	816 - 58	FM3-0301-000	100 - 65
FM2-8577-000	190 - 11	FM2-8781-000	816 - 19	FM3-0302-000	100 - 88
FM2-8579-000	102 - 15	FM2-8790-000	780 - 29	FM3-0303-000	100 - 70
FM2-8587-000	104 - 7	FM2-8802-000	280 - 23	FM3-0304-000	100 - 67
FM2-8589-000	511 - 28	FM2-8805-000	280 - 24	FM3-0316-010	814 -
FM2-8596-000	622 - 14	FM2-8806-000	780 - 30	FM3-0319-010	854 -

# NUMERICAL INDEX

imagePRESS C7011VPS/C7010VPS/C6011VPS/C6010VPS/C6011S/C6010S

PARTS NUMBER	FIGURE & KEY NO.	PARTS NUMBER	FIGURE & KEY NO.	PARTS NUMBER	FIGURE & KEY NO.
FM3-0417-000	102 - 16	FM4-2599-000	323 -	FM4-7099-000	814 - 14
FM3-0419-000	101 - 4	FM4-2608-000	536 -	FM4-7099-000	854 - 10
FM3-0420-000	126 - 2	FM4-2609-000	531 - 23	FM4-7100-000	816 - 60
FM3-0636-000	620 - 2	FM4-2610-000	531 - 24	FM4-7129-000	330 -
FM3-0655-000	856 - 33	FM4-2611-000	531 - 25	FM4-7132-000	960 -
FM3-0656-000	814 - 3	FM4-2615-000	109 - 2	FM4-7139-000	194 -
FM3-0656-000	854 - 3	FM4-2616-010	109 - 3	FM4-7143-000	105 - 24
FM3-0657-000	840 - 1	FM4-2617-000	109 - 6	FM4-7145-000	140 -
FM3-1644-020	530 - 1	FM4-2620-000	332 -	FM4-7146-010	533 -
FM3-1647-000	840 - 14	FM4-2621-000	333 -	FM4-7147-000	140 -
FM3-1648-000	815 - 25	FM4-2622-000	320 -	FM4-7148-000	140 -
FM3-1648-000	855 - 23	FM4-2623-000	322 -	FM4-7150-000	140 -
FM3-1649-000	830 - 23	FM4-2624-010	355 -	FM4-7152-000	620 -
FM3-2089-000	310 - 20	FM4-2628-020	511 -	FM4-7153-000	620 -
FM3-2092-000	830 -	FM4-2630-000	320 - 76	FM4-7154-000	620 -
FM3-2093-010	810 - 3	FM4-2632-000	105 - 29	FM4-7155-000	620 -
FM3-2094-000	850 - 2	FM4-2634-000	105 - 31	FM4-7156-000	271 -
FM3-2100-010	812 - 40	FM4-2638-000	345 -	FM4-7255-000	771 - 8
FM3-2104-010	810 - 4	FM4-2639-000	346 -	FM4-7272-000	620 - 35
FM3-2104-010	850 - 3	FM4-4383-000	900 - 25	FM4-7434-000	625 - 2
FM3-2132-000	114 - 6	FM4-6237-000	941 -	FM4-7435-000	625 - 3
FM3-2134-010	817 - 4	FM4-6238-000	930 - 2	FM4-7436-000	625 - 4
FM3-2357-010	300 - 101	FM4-6239-000	323 - 11	FM4-7437-000	625 - 5
FM3-2552-000	913 -	FM4-6240-000	383 - 14	FM4-7438-000	625 - 1
FM3-4695-000	965 - 2	FM4-6241-000	532 - 60	FM4-7440-020	640 - 3
FM3-4696-000	965 - 3	FM4-6242-000	600 - 14	FM4-7441-000	333 - 20
FM3-4697-000	999 - 22	FM4-6245-000	964 - 1	FM4-7442-000	600 - 34
FM3-4699-000	116 - 12	FM4-6248-000	980 - 1	FM4-7443-000	185 - 10
FM3-6949-000	600 - 15	FM4-6249-000	980 - 2	FM4-7444-000	530 - 2
FM3-6951-000	116 - 13	FM4-6250-000	531 - 30	FM4-7449-000	550 -
FM3-6953-000	532 - 81	FM4-6253-000	121 - 5	FM4-7451-000	350 - 12
FM3-7597-000	814 - 33	FM4-6254-000	121 - 6	FS1-1189-000	320 - 45
FM3-8441-000	109 - 15	FM4-6255-000	116 - 19	FS1-1213-000	300 - 57
FM3-8538-000	103 - 2	FM4-6256-000	115 - 1	FS1-1340-000	816 - 30
FM4-2548-000	192 -	FM4-6257-000	105 - 7	FS1-1341-000	320 - 46
FM4-2549-000	193 -	FM4-6258-000	640 - 2	FS1-1465-000	320 - 47
FM4-2552-000	185 - 5	FM4-6264-000	350 - 13	FS1-1465-000	532 - 63
FM4-2559-000	610 -	FM4-6266-000	323 - 9	FS1-1510-000	620 - 41
FM4-2561-000	600 - 27	FM4-6267-010	940 -	FS1-1532-000	322 - 16
FM4-2562-000	600 - 27	FM4-6291-000	121 - 7	FS1-1569-000	338 - 11
FM4-2563-000	600 - 41	FM4-6292-000	121 - 8	FS1-1569-000	341 - 17
FM4-2564-000	103 - 7	FM4-6293-000	121 - 9	FS1-1569-000	344 - 4
FM4-2564-000	536 - 5	FM4-6296-000	121 - 10	FS1-1569-000	348 - 2
FM4-2565-000	103 - 5	FM4-6298-000	121 - 11	FS1-1569-000	351 - 19
FM4-2568-000	912 -	FM4-6301-000	116 - 10	FS1-1569-000	352 - 10
FM4-2569-000	911 -	FM4-6303-000	116 - 17	FS1-1569-000	355 - 37
FM4-2573-000	272 -	FM4-6305-000	115 - 9	FS1-1569-000	360 - 14
FM4-2575-000	105 - 27	FM4-6318-000	600 - 26	FS1-1569-000	361 - 14
FM4-2576-000	105 - 28	FM4-6319-000	600 - 19	FS1-1569-000	362 - 14
FM4-2589-000	511 - 22	FM4-6330-000	532 - 92	FS1-1569-000	371 - 8
FM4-2590-000	272 - 11	FM4-6334-000	101 - 3	FS1-1569-000	817 - 12
FM4-2595-000	331 -	FM4-7033-000	460 -	FS1-9003-020	355 - 38

# NUMERICAL INDEX

imagePRESS C7011VPS/C7010VPS/C6011VPS/C6010VPS/C6011S/C6010S

PARTS NUMBER	FIGURE & KEY NO.	PARTS NUMBER	FIGURE & KEY NO.	PARTS NUMBER	FIGURE & KEY NO.
FS1-9009-020	530 - 8	FS5-6488-000	322 - 19	FU5-1315-000	610 - 7
FS1-9009-020	550 - 27	FS5-6488-000	326 - 28	FU5-1317-000	622 - 17
FS1-9009-020	856 - 35	FS5-6488-000	327 - 23	FU5-1319-000	355 - 42
FS1-9010-020	327 - 12	FS5-6488-000	332 - 35	FU5-1319-000	383 - 15
FS1-9010-020	856 - 36	FS5-6488-000	333 - 13	FU5-1323-000	620 - 44
FS1-9053-020	114 - 18	FS5-6488-000	337 - 5	FU5-1326-000	322 - 20
FS1-9053-020	360 - 15	FS5-6488-000	338 - 5	FU5-1327-000	890 - 5
FS1-9053-020	361 - 15	FS5-6488-000	340 - 3	FU5-1327-000	891 - 5
FS1-9053-020	362 - 15	FS5-6488-000	343 - 1	FU5-1328-000	345 - 18
FS1-9076-020	280 - 18	FS5-6488-000	345 - 16	FU5-1328-000	370 - 15
FS1-9076-020	300 - 58	FS5-6488-000	346 - 2	FU5-1330-000	531 - 36
FS1-9078-020	815 - 9	FS5-6488-000	349 - 10	FU5-1333-000	780 - 17
FS1-9078-020	840 - 20	FS5-6488-000	351 - 16	FU5-1334-000	622 - 23
FS1-9078-020	855 - 56	FS5-6488-000	355 - 41	FU5-2121-000	710 - 7
FS1-9120-020	812 - 54	FS5-6488-000	360 - 11	FU5-2135-000	852 - 35
FS1-9169-000	104 - 15	FS5-6488-000	361 - 11	FU5-2138-000	812 - 39
FS1-9170-020	533 - 19	FS5-6488-000	362 - 11	FU5-2138-000	852 - 36
FS1-9199-000	355 - 39	FS5-6488-000	370 - 6	FU5-2781-000	310 - 30
FS2-1012-000	326 - 21	FS5-6488-000	532 - 88	FU5-2783-000	310 - 31
FS2-1012-000	328 - 10	FS5-6488-000	533 - 20	FU5-2784-000	310 - 32
FS2-1012-000	336 - 3	FS5-6488-000	610 - 6	FU5-2785-000	310 - 33
FS2-1012-000	371 - 7	FS5-6488-000	812 - 38	FU5-2785-000	381 - 10
FS2-1012-000	372 - 6	FS5-6488-000	813 - 7	FU5-2785-000	382 - 8
FS2-1256-000	830 - 10	FS5-6488-000	815 - 31	FU5-2791-000	102 - 11
FS2-6022-000	105 - 6	FS5-6488-000	816 - 31	FU5-2792-000	300 - 61
FS2-6022-000	106 - 15	FS5-6488-000	852 - 34	FU5-2803-000	300 - 62
FS2-9012-000	104 - 16	FS5-6488-000	855 - 24	FU5-2809-000	300 - 64
FS2-9015-020	331 - 17	FS5-6601-000	190 - 19	FU5-2811-000	300 - 84
FS5-0688-000	355 - 40	FS5-6601-000	280 - 20	FU5-2813-000	300 - 85
FS5-1005-000	371 - 6	FS5-6864-000	531 - 33	FU5-2814-000	300 - 35
FS5-1214-000	532 - 64	FS5-6864-000	532 - 67	FU5-2824-000	511 - 33
FS5-1474-000	532 - 65	FS5-6908-000	300 - 83	FU5-2829-000	331 - 18
FS5-1592-000	345 - 15	FS5-9206-020	531 - 34	FU5-2830-000	274 - 4
FS5-1592-000	346 - 13	FS5-9438-030	341 - 21	FU5-2831-000	332 - 13
FS5-1592-000	370 - 8	FS5-9758-020	190 - 20	FU5-2832-000	532 - 69
FS5-1592-000	532 - 66	FS5-9758-020	280 - 8	FU5-2833-000	326 - 22
FS5-1755-000	345 - 1	FS6-0124-000	511 - 31	FU5-2833-000	329 - 9
FS5-1755-000	370 - 43	FS6-0125-000	511 - 32	FU5-2834-000	511 - 34
FS5-1897-000	535 - 16	FS6-8822-000	105 - 14	FU5-2839-000	336 - 4
FS5-2586-000	830 - 12	FS6-8822-000	106 - 13	FU5-2839-000	353 - 6
FS5-2925-000	284 - 3	FS7-2796-000	190 - 21	FU5-2839-000	354 - 9
FS5-2965-000	280 - 19	FS7-2854-000	327 - 13	FU5-2839-000	355 - 43
FS5-6248-000	351 - 20	FU5-0161-000	352 - 12	FU5-2839-000	360 - 16
FS5-6248-000	352 - 11	FU5-0199-000	620 - 42	FU5-2839-000	361 - 16
FS5-6487-000	262 - 6	FU5-0262-000	352 - 13	FU5-2839-000	362 - 16
FS5-6487-000	310 - 29	FU5-0266-000	351 - 11	FU5-2839-000	370 - 24
FS5-6487-000	322 - 18	FU5-0266-000	352 - 14	FU5-2839-000	371 - 5
FS5-6487-000	813 - 6	FU5-0268-000	550 - 28	FU5-2839-000	372 - 5
FS5-6488-000	262 - 7	FU5-0273-000	620 - 43	FU5-2840-000	280 - 9
FS5-6488-000	272 - 5	FU5-1280-000	300 - 60	FU5-2841-000	380 - 5
FS5-6488-000	274 - 3	FU5-1313-000	531 - 35	FU5-2846-000	360 - 17
FS5-6488-000	320 - 49	FU5-1314-000	532 - 68	FU5-2846-000	362 - 17

# NUMERICAL INDEX

imagePRESS C7011VPS/C7010VPS/C6011VPS/C6010VPS/C6011S/C6010S

PARTS NUMBER	FIGURE & KEY NO.	PARTS NUMBER	FIGURE & KEY NO.	PARTS NUMBER	FIGURE & KEY NO.
FU5-2850-000	830 - 13	FU5-2957-000	355 - 49	FU5-3441-000	355 - 54
FU5-2851-000	533 - 21	FU5-2958-000	355 - 50	FU5-3441-000	360 - 18
FU5-2853-000	531 - 37	FU5-2960-000	349 - 9	FU5-3441-000	361 - 18
FU5-2855-000	531 - 38	FU5-2961-000	327 - 24	FU5-3441-000	362 - 18
FU5-2857-000	840 - 21	FU5-2962-000	326 - 23	FU5-3441-000	370 - 20
FU5-2861-000	817 - 13	FU5-2963-000	326 - 24	FU5-3441-000	371 - 4
FU5-2867-010	815 - 27	FU5-2964-000	328 - 11	FU5-3441-000	372 - 4
FU5-2867-010	855 - 25	FU5-2966-000	531 - 40	FU5-4170-000	856 - 29
FU5-2868-000	532 - 70	FU5-2968-000	532 - 72	FU5-4565-000	343 - 3
FU5-2870-000	272 - 6	FU5-2969-000	817 - 15	FU5-4608-000	340 - 2
FU5-2872-000	532 - 41	FU5-2977-000	620 - 45	FU5-4608-000	341 - 3
FU5-2875-000	816 - 32	FU5-2978-000	620 - 46	FU5-4657-000	346 - 7
FU5-2877-000	816 - 52	FU5-2979-000	620 - 47	FU5-4658-000	346 - 6
FU5-2878-000	813 - 8	FU5-2980-000	337 - 8	FU5-4670-000	341 - 2
FU5-2883-000	532 - 71	FU5-2982-000	530 - 4	FU5-4672-000	341 - 20
FU5-2884-000	852 - 37	FU5-2986-000	331 - 19	FU5-5704-000	274 - 5
FU5-2885-000	852 - 38	FU5-2987-000	333 - 14	FU5-5707-000	274 - 6
FU5-2888-000	273 - 2	FU5-2988-000	333 - 15	FU5-5771-000	620 - 48
FU5-2893-000	342 - 5	FU5-2989-000	100 - 62	FU5-5823-000	620 - 49
FU5-2893-000	344 - 3	FU5-2994-000	890 - 6	FU5-5824-000	620 - 50
FU5-2893-000	345 - 4	FU5-2994-000	891 - 6	FU5-5831-000	332 - 14
FU5-2893-000	348 - 8	FU5-2996-000	345 - 19	FU5-6241-000	531 - 41
FU5-2894-000	342 - 4	FU5-2996-000	370 - 13	FU5-6242-000	531 - 18
FU5-2896-000	320 - 50	FU5-2998-000	781 - 2	FU5-6244-000	531 - 15
FU5-2896-000	343 - 5	FU5-2999-000	354 - 10	FU5-6246-000	840 - 22
FU5-2900-000	531 - 39	FU5-3188-010	260 - 9	FU5-6248-000	815 - 32
FU5-2901-000	622 - 18	FU5-3189-000	260 - 10	FU5-6248-000	855 - 26
FU5-2904-000	351 - 22	FU5-3189-000	382 - 9	FU5-6249-000	345 - 23
FU5-2904-000	355 - 44	FU5-3196-000	813 - 9	FU5-6249-000	815 - 33
FU5-2905-000	350 - 20	FU5-3197-000	816 - 35	FU5-6249-000	855 - 27
FU5-2906-000	615 - 16	FU5-3201-000	350 - 22	FU5-6254-000	337 - 6
FU5-2908-000	536 - 6	FU5-3201-000	352 - 16	FU5-6254-000	338 - 6
FU5-2909-000	536 - 7	FU5-3204-000	350 - 23	FU5-6256-000	815 - 61
FU5-2911-000	355 - 45	FU5-3204-000	355 - 51	FU5-6256-000	855 - 36
FU5-2914-000	355 - 46	FU5-3205-000	355 - 52	FU5-6259-000	817 - 16
FU5-2918-000	355 - 47	FU5-3206-000	355 - 53	FU5-6260-000	812 - 41
FU5-2921-000	327 - 14	FU5-3207-000	104 - 9	FU5-6262-000	852 - 32
FU5-2934-000	856 - 37	FU5-3208-000	345 - 12	FU5-6263-000	840 - 5
FU5-2939-000	320 - 51	FU5-3208-000	370 - 11	FU5-8547-000	105 - 17
FU5-2940-000	320 - 52	FU5-3209-000	345 - 7	FU5-8560-000	120 - 13
FU5-2941-000	320 - 53	FU5-3209-000	370 - 21	FU5-9207-000	102 - 8
FU5-2944-000	322 - 21	FU5-3210-000	370 - 14	FU5-9208-000	104 - 17
FU5-2945-000	322 - 22	FU5-3211-000	370 - 23	FU5-9208-000	114 - 8
FU5-2947-000	351 - 23	FU5-3212-000	320 - 48	FU5-9210-000	100 - 80
FU5-2947-000	355 - 48	FU5-3410-000	300 - 75	FU5-9210-000	326 - 25
FU5-2947-000	370 - 4	FU5-3438-000	320 - 54	FU5-9215-000	816 - 36
FU5-2953-000	350 - 21	FU5-3441-000	323 - 13	FU5-9219-000	930 - 1
FU5-2954-000	113 - 7	FU5-3441-000	327 - 26	FU5-9220-000	816 - 37
FU5-2954-000	125 - 5	FU5-3441-000	328 - 12	FU5-9221-000	321 - 5
FU5-2954-000	126 - 3	FU5-3441-000	336 - 5	FU5-9222-000	103 - 16
FU5-2954-000	185 - 7	FU5-3441-000	341 - 9	FU5-9222-000	104 - 22
FU5-2954-000	193 - 3	FU5-3441-000	349 - 11	FU5-9222-000	383 - 20



# NUMERICAL INDEX

imagePRESS C7011VPS/C7010VPS/C6011VPS/C6010VPS/C6011S/C6010S

PARTS NUMBER	FIGURE & KEY NO.	PARTS NUMBER	FIGURE & KEY NO.	PARTS NUMBER	FIGURE & KEY NO.
FU5-9222-000	511 - 14	FU6-0192-000	300 - 89	FU6-0358-000	815 - 35
FU5-9222-000	530 - 11	FU6-0193-000	300 - 36	FU6-0358-000	855 - 30
FU5-9222-000	532 - 79	FU6-0194-000	300 - 47	FU6-0359-000	622 - 19
FU5-9222-000	533 - 28	FU6-0195-010	300 - 67	FU6-0360-000	622 - 20
FU5-9222-000	710 - 8	FU6-0250-000	625 - 13	FU6-0362-000	272 - 7
FU5-9223-000	103 - 13	FU6-0251-000	625 - 10	FU6-0363-000	272 - 8
FU5-9223-000	333 - 29	FU6-0254-000	621 - 15	FU6-0364-000	272 - 9
FU5-9223-000	511 - 39	FU6-0256-000	280 - 10	FU6-0366-000	600 - 28
FU5-9223-000	532 - 78	FU6-0261-000	274 - 7	FU6-0368-000	610 - 8
FU5-9223-000	533 - 27	FU6-0262-000	330 - 10	FU6-0369-000	610 - 9
FU5-9223-000	550 - 32	FU6-0262-000	331 - 14	FU6-0374-000	343 - 11
FU5-9223-000	600 - 33	FU6-0263-000	274 - 8	FU6-0375-000	343 - 10
FU5-9223-000	710 - 9	FU6-0264-000	274 - 9	FU6-0376-000	343 - 2
FU5-9223-000	810 - 6	FU6-0265-000	333 - 31	FU6-0376-000	346 - 21
FU5-9223-000	850 - 1	FU6-0267-000	333 - 16	FU6-0378-000	352 - 17
FU5-9224-000	105 - 18	FU6-0268-000	333 - 25	FU6-0381-000	536 - 8
FU5-9224-000	600 - 40	FU6-0270-000	332 - 15	FU6-0382-000	536 - 9
FU5-9224-000	810 - 2	FU6-0271-000	332 - 16	FU6-0383-000	536 - 10
FU5-9224-000	814 - 23	FU6-0272-000	332 - 17	FU6-0386-000	320 - 55
FU5-9224-000	815 - 63	FU6-0273-000	332 - 18	FU6-0387-000	262 - 8
FU5-9224-000	830 - 24	FU6-0276-000	332 - 20	FU6-0392-000	320 - 56
FU5-9224-000	850 - 4	FU6-0277-000	332 - 21	FU6-0393-000	320 - 57
FU5-9224-000	854 - 9	FU6-0283-000	640 - 4	FU6-0396-000	283 - 2
FU5-9224-000	855 - 62	FU6-0306-000	812 - 42	FU6-0397-000	283 - 2
FU5-9225-000	105 - 22	FU6-0306-000	852 - 39	FU6-0399-000	283 - 4
FU5-9225-000	114 - 17	FU6-0308-000	380 - 6	FU6-0409-000	815 - 36
FU5-9225-000	814 - 22	FU6-0310-000	533 - 22	FU6-0409-000	855 - 31
FU5-9225-000	856 - 40	FU6-0311-000	533 - 23	FU6-0410-000	280 - 11
FU5-9226-000	105 - 16	FU6-0312-000	533 - 24	FU6-0411-000	280 - 12
FU5-9227-000	511 - 30	FU6-0315-000	273 - 3	FU6-0412-000	280 - 13
FU5-9228-000	810 - 1	FU6-0316-000	273 - 4	FU6-0413-000	280 - 14
FU5-9228-000	850 - 5	FU6-0318-000	273 - 5	FU6-0414-000	355 - 55
FU5-9229-000	550 - 31	FU6-0332-000	855 - 28	FU6-0422-000	333 - 17
FU5-9230-000	100 - 79	FU6-0335-000	815 - 34	FU6-0423-000	274 - 10
FU5-9230-000	111 - 39	FU6-0335-000	855 - 29	FU6-0424-000	330 - 11
FU5-9230-000	816 - 33	FU6-0336-000	814 - 13	FU6-0424-000	331 - 20
FU5-9230-000	856 - 41	FU6-0336-000	854 - 17	FU6-0425-000	274 - 11
FU5-9231-000	840 - 28	FU6-0339-000	816 - 56	FU6-0426-000	332 - 22
FU5-9234-000	105 - 15	FU6-0341-000	816 - 39	FU6-0427-000	332 - 23
FU5-9234-000	106 - 2	FU6-0342-000	816 - 57	FU6-0428-000	620 - 51
FU5-9235-000	815 - 65	FU6-0343-000	816 - 40	FU6-0429-000	620 - 52
FU5-9235-000	855 - 65	FU6-0345-000	818 - 6	FU6-0430-000	621 - 16
FU5-9305-000	813 - 18	FU6-0347-000	818 - 7	FU6-0431-000	621 - 17
FU5-9404-000	321 - 6	FU6-0348-000	818 - 2	FU6-0432-000	621 - 18
FU6-0169-000	260 - 11	FU6-0352-000	340 - 1	FU6-0433-000	621 - 19
FU6-0169-000	381 - 11	FU6-0352-000	360 - 19	FU6-0434-000	620 - 53
FU6-0169-000	382 - 10	FU6-0352-000	362 - 19	FU6-0435-000	620 - 54
FU6-0178-000	300 - 66	FU6-0352-000	371 - 3	FU6-0438-000	332 - 24
FU6-0187-000	300 - 68	FU6-0354-000	856 - 22	FU6-0440-000	333 - 18
FU6-0189-000	300 - 86	FU6-0356-000	818 - 5	FU6-0441-000	284 - 4
FU6-0190-000	300 - 87	FU6-0356-000	856 - 20	FU6-0442-000	284 - 5
FU6-0191-000	300 - 88	FU6-0357-000	856 - 38	FU6-0446-000	346 - 20

# NUMERICAL INDEX

imagePRESS C7011VPS/C7010VPS/C6011VPS/C6010VPS/C6011S/C6010S

PARTS NUMBER	FIGURE & KEY NO.	PARTS NUMBER	FIGURE & KEY NO.	PARTS NUMBER	FIGURE & KEY NO.
FU6-0448-000	274 - 12	FU6-2528-000	780 - 1	FU7-0375-000	830 - 17
FU6-0451-000	343 - 4	FU6-2529-000	351 - 24	FU7-2432-000	260 - 8
FU6-0452-000	815 - 37	FU6-2530-000	351 - 25	FU8-2629-000	320 - 77
FU6-0453-000	815 - 38	FU6-2531-000	351 - 26	FU9-0165-000	511 - 36
FU6-0455-000	815 - 52	FU6-2532-000	355 - 59	FU9-0172-000	535 - 17
FU6-0455-000	855 - 32	FU6-2534-000	326 - 26	MB4-8200-000	622 - 21
FU6-0457-010	817 - 17	FU6-2535-000	383 - 16	NPN	001 -
FU6-0457-010	830 - 14	FU6-2537-000	532 - 73	NPN	100 -
FU6-0458-000	817 - 18	FU6-2539-000	355 - 61	NPN	101 -
FU6-0459-000	817 - 19	FU6-2542-000	327 - 27	NPN	102 -
FU6-0460-000	817 - 20	FU6-2543-000	352 - 19	NPN	103 -
FU6-0461-000	817 - 21	FU6-2544-000	100 - 54	NPN	104 -
FU6-0463-000	352 - 18	FU6-2544-000	111 - 28	NPN	105 -
FU6-0466-000	815 - 39	FU6-2545-000	817 - 22	NPN	106 -
FU6-0466-000	855 - 44	FU6-2546-000	615 - 17	NPN	107 -
FU6-0467-000	815 - 40	FU6-2548-010	355 - 60	NPN	108 -
FU6-0467-000	855 - 45	FU6-2549-000	341 - 8	NPN	109 -
FU6-0468-000	815 - 41	FU6-2550-000	351 - 27	NPN	111 -
FU6-0468-000	855 - 46	FU6-2553-000	816 - 41	NPN	112 -
FU6-0469-010	815 - 42	FU6-2556-000	812 - 43	NPN	113 -
FU6-0469-010	855 - 47	FU6-2557-010	815 - 44	NPN	114 -
FU6-0474-000	511 - 25	FU6-2557-010	855 - 49	NPN	115 -
FU6-0475-000	511 - 26	FU6-2558-010	815 - 45	NPN	116 -
FU6-0483-000	280 - 26	FU6-2558-010	855 - 50	NPN	120 -
FU6-0486-000	816 - 38	FU6-2559-010	815 - 46	NPN	121 -
FU6-0650-000	818 - 8	FU6-2559-010	855 - 51	NPN	130 -
FU6-2001-000	780 - 4	FU6-2560-000	815 - 54	NPN	185 -
FU6-2002-000	780 - 3	FU6-2560-000	855 - 58	NPN	186 -
FU6-2003-000	346 - 4	FU6-2562-000	371 - 2	NPN	191 -
FU6-2004-000	346 - 9	FU6-2563-000	856 - 28	NPN	321 -
FU6-2005-000	370 - 22	FU6-2564-000	336 - 6	NPN	325 -
FU6-2006-000	354 - 11	FU6-2566-000	812 - 44	NPN	336 -
FU6-2007-000	353 - 7	FU6-2567-000	532 - 75	NPN	340 -
FU6-2042-000	532 - 42	FU6-2568-000	100 - 81	NPN	343 -
FU6-2059-000	550 - 29	FU6-2569-010	830 - 11	NPN	347 -
FU6-2065-000	817 - 14	FU6-3060-000	600 - 30	NPN	350 -
FU6-2088-000	535 - 15	FU6-5271-000	816 - 42	NPN	383 -
FU6-2088-000	550 - 26	FU6-5273-000	852 - 43	NPN	530 -
FU6-2511-000	360 - 20	FU6-5276-000	852 - 7	NPN	531 -
FU6-2511-000	361 - 2	FU6-6140-000	271 - 2	NPN	532 -
FU6-2511-000	362 - 20	FU6-8216-000	001 - 7	NPN	600 -
FU6-2512-000	360 - 21	FU7-0141-000	322 - 24	NPN	625 -
FU6-2512-000	361 - 3	FU7-0142-000	322 - 25	NPN	640 -
FU6-2512-000	362 - 21	FU7-0143-000	815 - 47	NPN	780 -
FU6-2514-000	320 - 58	FU7-0143-000	855 - 33	NPN	810 -
FU6-2515-000	320 - 59	FU7-0144-000	815 - 48	NPN	815 -
FU6-2516-000	320 - 60	FU7-0144-000	855 - 34	NPN	816 -
FU6-2521-000	355 - 56	FU7-0149-000	855 - 35	NPN	850 -
FU6-2522-000	355 - 57	FU7-0150-000	332 - 25	NPN	855 -
FU6-2523-000	350 - 18	FU7-0151-000	332 - 19	NPN	856 -
FU6-2525-000	780 - 16	FU7-0373-000	830 - 15	NPN	900 -
FU6-2527-000	780 - 2	FU7-0374-000	830 - 16	NPN	930 -

# NUMERICAL INDEX

imagePRESS C7011VPS/C7010VPS/C6011VPS/C6010VPS/C6011S/C6010S

PARTS NUMBER	FIGURE & KEY NO.	PARTS NUMBER	FIGURE & KEY NO.	PARTS NUMBER	FIGURE & KEY NO.
NPN	964 -	VS1-7173-005	900 - 12	VS1-7177-003	125 - 3
NPN	965 -	VS1-7173-005	999 - 9	VS1-7177-003	181 - 2
NPN	980 -	VS1-7173-006	114 - 12	VS1-7177-003	182 - 2
NPN	981 -	VS1-7173-006	338 - 14	VS1-7177-003	185 - 2
NPN	999 -	VS1-7173-008	101 - 6	VS1-7177-003	190 - 18
NPN	U10 -	VS1-7173-008	104 - 21	VS1-7177-003	195 - 2
NPN	V10 -	VS1-7173-008	349 - 22	VS1-7177-003	300 - 51
RB2-0493-000	812 - 45	VS1-7173-008	900 - 8	VS1-7177-003	310 - 24
RB2-0493-000	852 - 40	VS1-7173-009	114 - 11	VS1-7177-003	320 - 42
RH7-6037-000	113 - 6	VS1-7173-009	383 - 22	VS1-7177-003	323 - 17
RH7-6037-000	185 - 6	VS1-7173-009	999 - 16	VS1-7177-003	328 - 9
RH7-7129-020	322 - 26	VS1-7173-010	536 - 11	VS1-7177-003	337 - 11
RS1-1042-000	320 - 62	VS1-7173-011	331 - 21	VS1-7177-003	340 - 13
RS5-1058-000	260 - 15	VS1-7173-011	536 - 13	VS1-7177-003	343 - 18
RS5-1058-000	310 - 36	VS1-7173-011	999 - 10	VS1-7177-003	350 - 10
RS5-1567-000	320 - 63	VS1-7173-012	102 - 14	VS1-7177-003	355 - 34
RS5-9061-000	816 - 43	VS1-7173-012	105 - 33	VS1-7177-003	370 - 28
VD7-2892-001	109 - 24	VS1-7173-012	114 - 10	VS1-7177-003	383 - 19
VD7-2892-001	140 - 2	VS1-7173-012	185 - 4	VS1-7177-003	511 - 45
VD7-3011-502	140 - 3	VS1-7173-012	999 - 11	VS1-7177-003	531 - 29
VS1-7077-019	840 - 17	VS1-7173-014	105 - 26	VS1-7177-003	532 - 93
VS1-7164-020	100 - 31	VS1-7173-014	999 - 12	VS1-7177-003	550 - 20
VS1-7164-024	105 - 11	VS1-7173-015	327 - 35	VS1-7177-003	600 - 21
VS1-7164-024	999 - 23	VS1-7173-015	531 - 21	VS1-7177-003	620 - 38
VS1-7164-028	102 - 13	VS1-7173-015	532 - 86	VS1-7177-003	771 - 7
VS1-7164-028	105 - 32	VS1-7173-016	113 - 3	VS1-7177-003	780 - 26
VS1-7164-030	999 - 1	VS1-7173-016	186 - 3	VS1-7177-003	814 - 19
VS1-7164-032	109 - 18	VS1-7173-016	191 - 11	VS1-7177-003	816 - 29
VS1-7164-032	531 - 31	VS1-7173-016	337 - 10	VS1-7177-003	854 - 5
VS1-7164-032	999 - 2	VS1-7173-016	338 - 15	VS1-7177-003	856 - 27
VS1-7164-034	999 - 7	VS1-7173-016	999 - 21	VS1-7177-003	900 - 7
VS1-7164-036	320 - 72	VS1-7177-002	101 - 7	VS1-7177-003	911 - 2
VS1-7164-036	323 - 16	VS1-7177-002	115 - 6	VS1-7177-003	912 - 2
VS1-7164-036	999 - 8	VS1-7177-002	300 - 53	VS1-7177-003	913 - 2
VS1-7164-038	105 - 13	VS1-7177-002	310 - 26	VS1-7177-003	999 - 15
VS1-7164-040	280 - 17	VS1-7177-002	322 - 15	VS1-7177-004	101 - 8
VS1-7164-040	999 - 3	VS1-7177-002	323 - 18	VS1-7177-004	105 - 30
VS1-7173-003	104 - 20	VS1-7177-002	511 - 44	VS1-7177-004	109 - 19
VS1-7173-003	114 - 13	VS1-7177-002	550 - 21	VS1-7177-004	115 - 8
VS1-7173-003	323 - 19	VS1-7177-002	600 - 16	VS1-7177-004	116 - 8
VS1-7173-003	380 - 4	VS1-7177-002	620 - 37	VS1-7177-004	125 - 4
VS1-7173-003	383 - 21	VS1-7177-002	622 - 15	VS1-7177-004	180 - 2
VS1-7173-003	536 - 12	VS1-7177-002	770 - 3	VS1-7177-004	185 - 1
VS1-7173-003	999 - 4	VS1-7177-002	771 - 5	VS1-7177-004	186 - 4
VS1-7173-004	114 - 14	VS1-7177-002	814 - 18	VS1-7177-004	189 - 2
VS1-7173-004	191 - 10	VS1-7177-002	817 - 25	VS1-7177-004	190 - 12
VS1-7173-004	320 - 73	VS1-7177-002	854 - 18	VS1-7177-004	191 - 7
VS1-7173-004	323 - 20	VS1-7177-002	900 - 9	VS1-7177-004	310 - 27
VS1-7173-004	900 - 11	VS1-7177-003	103 - 11	VS1-7177-004	320 - 65
VS1-7173-004	999 - 20	VS1-7177-003	113 - 10	VS1-7177-004	330 - 9
VS1-7173-005	101 - 5	VS1-7177-003	116 - 16	VS1-7177-004	331 - 13
VS1-7173-005	322 - 29	VS1-7177-003	121 - 12	VS1-7177-004	348 - 1

# NUMERICAL INDEX

imagePRESS C7011VPS/C7010VPS/C6011VPS/C6010VPS/C6011S/C6010S

PARTS NUMBER	FIGURE & KEY NO.	PARTS NUMBER	FIGURE & KEY NO.	PARTS NUMBER	FIGURE & KEY NO.
VS1-7177-004	349 - 1	VS1-7440-004	116 - 15	XA9-0892-000	320 - 64
VS1-7177-004	355 - 36	VS1-7462-001	813 - 10	XA9-0892-000	352 - 20
VS1-7177-004	531 - 28	VT2-5177-025	190 - 8	XA9-0892-000	531 - 32
VS1-7177-004	600 - 22	WD3-5127-000	140 - 3	XA9-0892-000	781 - 12
VS1-7177-004	780 - 27	WE8-5928-000	532 - 89	XA9-0892-000	816 - 44
VS1-7177-004	814 - 20	WG8-5736-000	310 - 38	XA9-0922-000	327 - 28
VS1-7177-004	854 - 19	WG8-5736-000	320 - 13	XA9-0934-000	284 - 8
VS1-7177-004	900 - 10	WG8-5736-000	322 - 23	XA9-0934-000	343 - 14
VS1-7177-004	999 - 5	WG8-5736-000	324 - 5	XA9-0934-000	818 - 3
VS1-7177-005	532 - 61	WG8-5736-000	327 - 34	XA9-0934-000	856 - 21
VS1-7177-005	600 - 23	WG8-5736-000	328 - 16	XA9-0940-000	120 - 7
VS1-7177-005	814 - 24	WG8-5736-000	330 - 14	XA9-0994-000	300 - 112
VS1-7177-005	854 - 22	WG8-5736-000	331 - 22	XA9-1031-000	300 - 65
VS1-7177-005	999 - 13	WG8-5736-000	337 - 9	XA9-1035-000	322 - 27
VS1-7177-006	102 - 12	WG8-5736-000	342 - 3	XA9-1035-000	856 - 30
VS1-7177-006	107 - 1	WG8-5736-000	344 - 8	XA9-1035-000	890 - 7
VS1-7177-006	115 - 7	WG8-5736-000	345 - 9	XA9-1035-000	891 - 9
VS1-7177-006	343 - 17	WG8-5736-000	348 - 11	XA9-1249-010	114 - 16
VS1-7177-006	349 - 21	WG8-5736-000	351 - 28	XA9-1249-010	121 - 2
VS1-7177-006	350 - 11	WG8-5736-000	354 - 12	XA9-1249-010	300 - 55
VS1-7177-006	355 - 35	WG8-5736-000	355 - 62	XA9-1249-010	381 - 12
VS1-7177-006	370 - 1	WG8-5736-000	360 - 24	XA9-1415-000	300 - 70
VS1-7177-006	814 - 17	WG8-5736-000	361 - 20	XA9-1469-000	371 - 30
VS1-7177-006	816 - 28	WG8-5736-000	362 - 24	XA9-1469-000	900 - 13
VS1-7177-006	817 - 10	WG8-5736-000	370 - 30	XA9-1659-000	300 - 59
VS1-7177-006	854 - 20	WG8-5736-000	371 - 1	XA9-1659-000	310 - 34
VS1-7177-006	856 - 32	WG8-5736-000	372 - 3	XA9-1659-000	355 - 78
VS1-7177-006	999 - 17	WG8-5736-000	380 - 7	XA9-1659-000	817 - 23
VS1-7177-007	780 - 28	WG8-5783-000	620 - 26	XA9-1750-000	330 - 12
VS1-7177-007	999 - 18	WG8-5830-000	532 - 24	XA9-1750-000	331 - 15
VS1-7177-008	190 - 13	WG8-5848-000	190 - 3	XA9-1788-000	102 - 6
VS1-7177-008	340 - 15	WG8-5848-000	310 - 19	XA9-1788-000	113 - 14
VS1-7177-008	600 - 24	WG8-5848-000	320 - 37	XA9-1813-000	262 - 12
VS1-7177-008	771 - 9	WG8-5848-000	322 - 11	XA9-1813-000	320 - 12
VS1-7177-008	999 - 14	WG8-5848-000	332 - 10	XA9-1911-000	900 - 14
VS1-7177-009	115 - 4	WG8-5848-000	343 - 8	XA9-1932-000	333 - 34
VS1-7177-009	320 - 74	WG8-5848-000	350 - 4	XA9-1932-000	814 - 32
VS1-7177-009	340 - 7	WG8-5848-000	355 - 24	XA9-1932-000	840 - 31
VS1-7177-009	343 - 16	WG8-5848-000	536 - 2	XA9-1932-000	854 - 25
VS1-7177-009	383 - 23	WG8-5848-000	550 - 17	XA9-1933-000	840 - 32
VS1-7177-009	900 - 18	WG8-5848-000	600 - 29	XB6-2300-308	262 - 501
VS1-7177-010	532 - 85	WS6-5200-000	109 - 23	XD1-1104-122	113 - 501
VS1-7177-010	600 - 37	WS6-5201-000	109 - 4	XD1-1104-122	125 - 501
VS1-7177-010	900 - 19	WS6-5201-000	116 - 11	XD1-1104-122	185 - 501
VS1-7177-011	116 - 9	WS6-5209-000	116 - 5	XD1-1104-131	810 - 501
VS1-7177-011	600 - 25	WT2-6122-000	852 - 45	XD1-1104-131	850 - 501
VS1-7177-012	340 - 14	XA9-0228-000	550 - 30	XD1-1106-215	511 - 501
VS1-7177-012	349 - 20	XA9-0546-020	355 - 58	XD1-1107-225	813 - 501
VS1-7177-012	351 - 18	XA9-0554-000	113 - 16	XD2-1100-552	532 - 501
VS1-7177-012	620 - 39	XA9-0554-000	185 - 11	XD2-2100-632	260 - 18
VS1-7177-012	999 - 19	XA9-0679-000	814 - 31	XD9-0150-000	890 - 8
VS1-7207-008	999 - 6	XA9-0679-000	854 - 28	XD9-0150-000	891 - 7

# NUMERICAL INDEX

imagePRESS C7011VPS/C7010VPS/C6011VPS/C6010VPS/C6011S/C6010S

PARTS NUMBER	FIGURE & KEY NO.	PARTS NUMBER	FIGURE & KEY NO.	PARTS NUMBER	FIGURE & KEY NO.
XD9-0220-000	320 - 66	XG9-0013-000	856 - 39	XG9-0386-000	332 - 29
XF2-1605-660	262 - 9	XG9-0120-000	532 - 74	XG9-0387-000	327 - 15
XF2-1606-260	262 - 10	XG9-0149-000	355 - 69	XG9-0387-000	532 - 77
XF2-1606-960	320 - 67	XG9-0177-000	813 - 11	XG9-0387-000	815 - 26
XF2-1608-060	323 - 14	XG9-0177-000	856 - 23	XG9-0387-000	855 - 41
XF2-1610-760	320 - 68	XG9-0192-000	610 - 10	XG9-0400-000	351 - 30
XF2-1805-280	816 - 45	XG9-0217-000	815 - 49	XG9-0400-000	352 - 22
XF2-3604-940	355 - 64	XG9-0217-000	855 - 37	XG9-0407-000	813 - 14
XF2-3605-060	370 - 40	XG9-0232-000	332 - 27	XG9-0407-000	816 - 50
XF2-3606-360	320 - 69	XG9-0232-000	333 - 19	XG9-0414-000	333 - 35
XF2-3607-060	341 - 5	XG9-0232-000	533 - 25	XG9-0419-000	814 - 12
XF2-3607-060	355 - 65	XG9-0242-000	333 - 32	XG9-0419-000	854 - 4
XF2-3607-260	104 - 14	XG9-0242-000	345 - 30	XG9-0438-000	622 - 22
XF2-3607-260	327 - 29	XG9-0242-000	370 - 34	XG9-0484-000	300 - 90
XF2-3607-260	372 - 2	XG9-0245-000	322 - 19	XG9-0484-000	349 - 14
XF2-3607-460	327 - 30	XG9-0245-000	326 - 27	XG9-0484-000	812 - 47
XF2-3607-460	328 - 13	XG9-0245-000	337 - 7	XG9-0484-000	852 - 42
XF2-3607-660	350 - 15	XG9-0245-000	338 - 7	XG9-0491-000	511 - 27
XF2-3608-060	370 - 39	XG9-0245-000	351 - 17	XG9-0491-000	815 - 59
XF2-3608-460	336 - 7	XG9-0245-000	360 - 12	XG9-0491-000	830 - 19
XF2-3608-460	355 - 66	XG9-0245-000	361 - 12	XG9-0491-000	855 - 42
XF2-3608-460	360 - 22	XG9-0245-000	362 - 12	XG9-0492-000	260 - 16
XF2-3608-460	361 - 17	XG9-0250-000	816 - 46	XG9-0499-000	531 - 46
XF2-3608-460	362 - 22	XG9-0258-000	330 - 13	XG9-0503-000	532 - 43
XF2-3608-560	343 - 12	XG9-0258-000	331 - 16	XG9-0506-000	532 - 76
XF2-3609-060	327 - 31	XG9-0258-000	332 - 28	XG9-0507-000	310 - 37
XF2-3609-960	355 - 67	XG9-0286-000	816 - 47	XG9-0507-000	355 - 72
XF2-3610-060	349 - 17	XG9-0291-000	280 - 21	XG9-0507-000	830 - 20
XF2-3610-660	350 - 25	XG9-0291-000	812 - 46	XG9-0508-000	260 - 14
XF2-3611-560	327 - 32	XG9-0291-000	816 - 48	XG9-0508-000	310 - 35
XF2-3611-560	371 - 23	XG9-0291-000	817 - 24	XG9-0508-000	381 - 9
XF2-3612-560	370 - 38	XG9-0291-000	852 - 41	XG9-0508-000	382 - 11
XF2-3613-060	336 - 8	XG9-0302-000	780 - 15	XG9-0511-000	342 - 2
XF2-3613-660	345 - 27	XG9-0302-000	781 - 7	XG9-0511-000	344 - 10
XF2-3614-560	260 - 12	XG9-0304-000	355 - 71	XG9-0511-000	345 - 29
XF2-3614-860	355 - 68	XG9-0304-000	531 - 13	XG9-0511-000	348 - 5
XF2-3615-460	360 - 23	XG9-0304-000	856 - 34	XG9-0511-000	351 - 32
XF2-3615-460	361 - 19	XG9-0321-000	274 - 13	XG9-0511-000	355 - 73
XF2-3615-460	362 - 23	XG9-0350-000	815 - 50	XG9-0520-000	284 - 7
XF2-3615-460	371 - 22	XG9-0350-000	855 - 38	XG9-0520-000	343 - 13
XF2-3615-460	372 - 1	XG9-0360-000	813 - 12	XG9-0520-000	345 - 28
XF2-3615-560	260 - 13	XG9-0365-000	280 - 22	XG9-0520-000	346 - 24
XF2-3616-460	349 - 18	XG9-0365-000	815 - 30	XG9-0520-000	349 - 15
XF2-3617-560	341 - 6	XG9-0365-000	817 - 11	XG9-0520-000	351 - 29
XF2-3618-260	341 - 4	XG9-0365-000	830 - 18	XG9-0520-000	352 - 15
XG1-1026-085	383 - 17	XG9-0365-000	840 - 23	XG9-0520-000	355 - 74
XG1-1030-095	531 - 22	XG9-0365-000	855 - 39	XG9-0520-000	370 - 41
XG1-1528-075	320 - 80	XG9-0378-000	856 - 12	XG9-0584-000	840 - 18
XG1-1528-075	322 - 28	XG9-0384-000	320 - 70	XG9-0585-000	813 - 15
XG2-6012-405	262 - 11	XG9-0384-000	816 - 49	XG9-0585-000	816 - 51
XG3-6012-405	320 - 81	XG9-0384-000	890 - 9	XG9-0593-000	813 - 13
XG3-6012-405	322 - 30	XG9-0384-000	891 - 8	XG9-0602-000	320 - 71

# NUMERICAL INDEX

imagePRESS C7011VPS/C7010VPS/C6011VPS/C6010VPS/C6011S/C6010S

PARTS NUMBER	FIGURE & KEY NO.	PARTS NUMBER	FIGURE & KEY NO.	PARTS NUMBER	FIGURE & KEY NO.
XG9-0603-000	532 - 45	XZ9-0603-000	620 - 23		
XG9-0620-000	332 - 30	XZ9-0614-000	111 - 27		
XG9-0621-000	332 - 31	XZ9-0614-000	113 - 13		
XG9-0622-000	530 - 10	XZ9-0614-000	344 - 9		
XG9-0623-000	333 - 26	XZ9-0614-000	348 - 4		
XG9-0664-000	284 - 6	XZ9-0618-000	120 - 12		
XG9-0664-000	300 - 78				
XG9-0664-000	322 - 14				
XG9-0664-000	323 - 15				
XG9-0664-000	327 - 33				
XG9-0664-000	328 - 14				
XG9-0664-000	332 - 26				
XG9-0664-000	338 - 12				
XG9-0664-000	341 - 7				
XG9-0664-000	345 - 25				
XG9-0664-000	346 - 1				
XG9-0664-000	349 - 16				
XG9-0664-000	350 - 24				
XG9-0664-000	351 - 31				
XG9-0664-000	352 - 21				
XG9-0664-000	355 - 75				
XG9-0664-000	360 - 13				
XG9-0664-000	361 - 13				
XG9-0664-000	362 - 13				
XG9-0664-000	370 - 37				
XG9-0664-000	371 - 24				
XG9-0664-000	372 - 16				
XG9-0664-000	380 - 8				
XG9-0664-000	532 - 57				
XG9-0668-000	350 - 19				
XG9-0668-000	355 - 70				
XG9-0691-000	815 - 62				
XG9-0691-000	855 - 40				
XG9-0756-000	840 - 19				
XG9-0757-000	300 - 91				
XG9-0763-000	272 - 10				
XG9-0779-000	352 - 25				
XH9-0006-000	310 - 40				
XH9-0122-000	320 - 43				
XH9-0137-000	620 - 55				
XH9-0149-000	900 - 15				
XZ1-1301-005	900 - 16				
XZ1-1301-105	812 - 56				
XZ1-1301-105	852 - 47				
XZ1-1900-705	310 - 41				
XZ9-0281-000	001 - 4				
XZ9-0565-000	102 - 9				
XZ9-0565-000	114 - 7				
XZ9-0598-000	336 - 9				
XZ9-0598-000	372 - 15				
XZ9-0603-000	100 - 46				
XZ9-0603-000	355 - 63				

# imagePRESS C7011VPS/C7010VPS/ C6011VPS/C6010VPS/C6011S/ C6010S(Parts Catalog)

## imagePRESS C7010VPS

JP	F15-9614-000	GWG	Sub station
US,CA,LTN	F15-9634-000	GWJ	Sub station
EUR,AU,LTN	F15-9694-000	GWK	Sub station
JP	F16-2411-000	JZN	Main station
JP	F16-2417-000	JZP	Power station
US,CA,LTN	F16-2431-000	HZS	Main station
US,CA,LTN	F16-2437-000	HVR	Power station
EUR,AU,LTN	F16-2491-000	HZV	Main station
EUR,AU,LTN	F16-2497-000	HVU	Power station

## imagePRESS C6010VPS

US,CA,LTN	F15-9635-000	GWY	Sub station
EUR,AU,LTN	F15-9695-000	GWZ	Sub station
US,CA,LTN	F16-2432-000	HZT	Main station
US,CA,LTN	F16-2438-000	HVS	Power station
EUR,AU,LTN	F16-2492-000	HZW	Main station
EUR,AU,LTN	F16-2498-000	HVW	Power station

## imagePRESS C6010S

US,CA,LTN	F15-9636-000	GYH	Sub station
EUR,AU,LTN	F15-9696-000	GYJ	Sub station
US,CA,LTN	F16-2433-000	HZU	Main station

US,CA,LTN	F16-2439-000	HVT	Power station
EUR,AU,LTN	F16-2493-000	HZX	Main station
EUR,AU,LTN	F16-2499-000	HVX	Power station

### imagePRESS C7011VPS

JP	F15-9614-000	QZX	Sub station
US,CA,LTN	F15-9634-000	QZY	Sub station
EUR,AU,LTN	F15-9694-000	QZZ	Sub station
JP	F16-2411-000	RHQ	Main station
JP	F16-2417-000	RHU	Power station
US,CA,LTN	F16-2431-000	RHN	Main station
US,CA,LTN	F16-2437-000	RHT	Power station
EUR,AU,LTN	F16-2491-000	RHP	Main station
EUR,AU,LTN	F16-2497-000	RHS	Power station

### imagePRESS C6011VPS

US,CA,LTN	F15-9635-000	RGM	Sub station
EUR,AU,LTN	F15-9695-000	RGN	Sub station
US,CA,LTN	F16-2432-000	RHX	Main station
US,CA,LTN	F16-2438-000	RJB	Power station
EUR,AU,LTN	F16-2492-000	RHY	Main station
EUR,AU,LTN	F16-2498-000	RHZ	Power station

### imagePRESS C6011S

US,CA,LTN	F15-9636-000	RGY	Sub station
EUR,AU,LTN	F15-9696-000	RHD	Sub station
US,CA,LTN	F16-2433-000	RJC	Main station
US,CA,LTN	F16-2439-000	RJG	Power station



<b>EUR,AU,LTN</b>	<b>F16-2493-000</b>	<b>RJE</b>	Main station
<b>EUR,AU,LTN</b>	<b>F16-2499-000</b>	<b>RJF</b>	Power station



# Contents

A1	ASSEMBLY LOCATION DIAGRAM .....	2-1
001	ACCESSORIES .....	2-16
100	EXTERNAL COVERS, PANELS, ETC. (Main station).....	2-18
101	INTERNAL COMPONENTS 1 (Main station).....	2-24
102	INTERNAL COMPONENTS 2 (Main station).....	2-26
103	INTERNAL COMPONENTS 3 (Main station).....	2-28
104	INTERNAL COMPONENTS 4 (Main station).....	2-30
105	INTERNAL COMPONENTS 5 (Main station).....	2-32
106	INTERNAL COMPONENTS 6 (Main station).....	2-35
107	INTERNAL COMPONENTS 7 (Main station).....	2-37
108	MACHINE REAR PLATE 1 (Main station) .....	2-39
109	MACHINE REAR PLATE 2 (Main station) .....	2-41
111	EXTERNAL COVERS, PANELS, ETC. (Sub station) .....	2-43
112	INTERNAL COMPONENTS 1 (Sub station) .....	2-46
113	INTERNAL COMPONENTS 2 (Sub station) .....	2-48
114	INTERNAL COMPONENTS 3 (Sub station) .....	2-50
115	MACHINE REAR PLATE 1 (Sub station).....	2-52
116	MACHINE REAR PLATE 2 (Sub station).....	2-54
120	POWER STATION COVER ASSEMBLY .....	2-56
121	POWER STATION ASSEMBLY .....	2-58
125	MAIN INTERLOCK SWITCH UNIT .....	2-60
126	DRUM HEATER INTERLOCK SW.ASS'Y .....	2-61
130	OPERATOR PANEL .....	2-62
140	POWER CORD TERMINAL ASSEMBLY .....	2-63
180	FIXING BELT COOLING FAN ASS'Y .....	2-64
181	COOLING FAN ASS'Y, 2 .....	2-65
182	ROLLER COOLING FAN ASSEMBLY .....	2-66
183	FIRST FIXING FAN ASSEMBLY .....	2-67
184	SECOND FIXING FAN ASSEMBLY .....	2-68
185	FIRST EXHAUST DUCT ASSEMBLY .....	2-69
186	FAN MOUNT ASSEMBLY, OUTER.....	2-71
188	BELT COOLING FAN ASSEMBLY .....	2-72
189	PAPER DELIVERY FAN ASSEMBLY .....	2-73
190	FAN MOUNT ASSEMBLY .....	2-74
191	PRIMARY EXHAUST FAN ASSEMBLY .....	2-76
192	PRIMARY INLET FAN ASS'Y, C/K .....	2-78
193	PRIMARY INLET FAN ASS'Y, Y/M.....	2-79
194	PRE-TRNS.EXHAUST DUCT ASSEMBLY .....	2-80
195	FIRST FIXING EXHAUST FAN ASS'Y .....	2-81
260	PAPER PICK-UP DRIVE ASS'Y .....	2-82
262	REGISTRATION SLIDE DRIVE ASS'Y .....	2-84
271	DRUM DRIVE ASSEMBLY .....	2-86
272	DEVELOPING DRIVE ASSEMBLY .....	2-88
273	I.T.B. CLEANER DRIVE ASSEMBLY .....	2-90
274	SECONDARY TRANSFER DRIVE ASS'Y.....	2-91

280	FIXING DRIVE ASSEMBLY.....	2-93
283	WASTE TONER DRIVE ASSEMBLY .....	2-95
284	DELIVERY DRIVE ASSEMBLY .....	2-96
300	PAPER STOCK ASSEMBLY .....	2-97
310	PAPER PICK-UP ASSEMBLY .....	2-104
320	REGIST. PAPER FEEDER ASSEMBLY .....	2-107
321	PRE-REGISTRATION FEED ASSEMBLY.....	2-112
322	PRE-REGIST. FEEDER UPPER ASS'Y.....	2-114
323	PRE-REGIST. FEEDER LOWER ASS'Y .....	2-119
324	2ND TRNSFR. ELIM. ASS'Y, REAR.....	2-121
325	VERTICAL PATH ASSEMBLY .....	2-122
326	RIGHT DOOR ASSEMBLY.....	2-123
327	VERTICAL PATH MAIN ASSEMBLY .....	2-125
328	TURN ASSEMBLY.....	2-128
329	INNER GUIDE OPEN/CLOSE ASS'Y.....	2-130
330	PRE-FIXING PAPER FEED ASSEMBLY .....	2-131
331	2ND TRNS. FRAME/FIX. F.D ASS'Y.....	2-133
332	2ND TRNSFR. BASE PLATE ASS'Y.....	2-135
333	SECONDARY TRANSFER ASSEMBLY.....	2-138
336	LOWER PAPER FEED ASSEMBLY.....	2-141
337	LOWER PAPER FEED ASS'Y, UPPER .....	2-143
338	LOWER PAPER FEED ASS'Y, LOWER.....	2-145
340	FIXING/FEED ASSEMBLY, CENTER .....	2-147
341	FIXING/FEED ASS'Y, CENTER LW. ....	2-149
342	FIXING/FEED ASS'Y, CENTER UP. ....	2-151
343	FIXING/FEED ASSEMBLY, LEFT .....	2-153
344	FIXING/FEED ASS'Y, LEFT UPPER .....	2-155
345	FIXING/FEED ASS'Y, LEFT MIDDLE.....	2-157
346	FIXING/FEED ASS'Y, LEFT LOWER .....	2-159
347	FIXING/FEED ASSEMBLY, RIGHT.....	2-161
348	FIXING/FEED ASS'Y, RIGHT UPPER.....	2-162
349	FIXING/FEED ASS'Y, RIGHT LOWER.....	2-164
350	REVERSE DELIVERY ASSEMBLY.....	2-166
351	DELIVERY GUIDE ASSEMBLY, UPPER.....	2-168
352	DELIVERY GUIDE ASSEMBLY, LOWER .....	2-171
353	REVERSE GUIDE ASSEMBLY, UPPER.....	2-173
354	REVERSE GUIDE ASSEMBLY, LOWER.....	2-174
355	REVERSE ASSEMBLY .....	2-176
360	DUPLEX LEFT ASSEMBLY .....	2-182
361	DUPLEX CENTER ASSEMBLY .....	2-184
362	DUPLEX RIGHT ASSEMBLY .....	2-186
370	DUPLEXING DECURLER ASSEMBLY .....	2-188
371	DUPLEXING ASSEMBLY, RIGHT.....	2-192
372	DUPLEXING ASSEMBLY, LEFT .....	2-195
380	LEFT DECK PATH MERGER ASS'Y.....	2-198

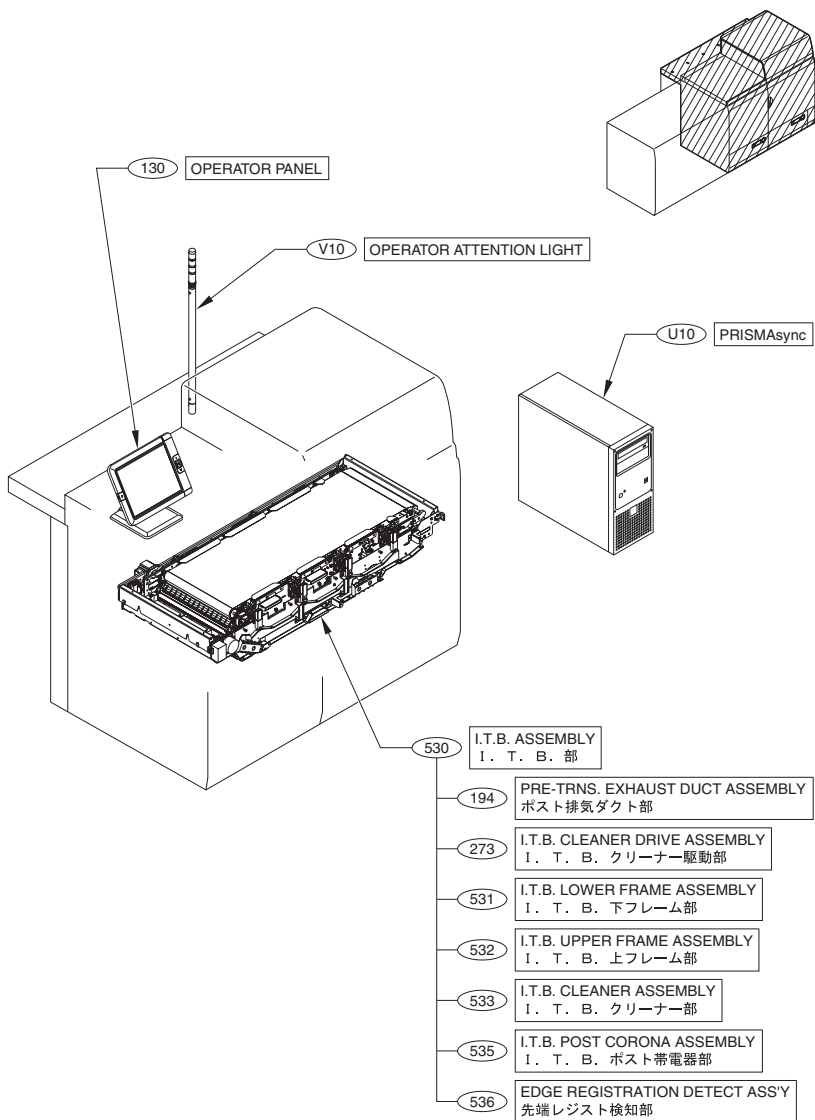
# Contents

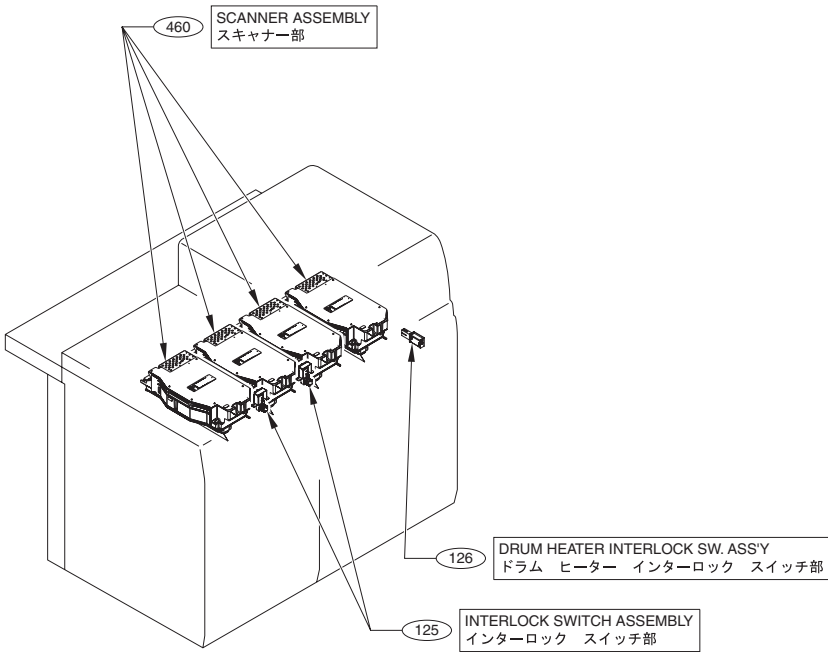
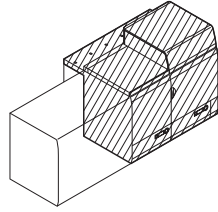
381	PULL-OUT ROLLER LEFT ASS'Y .....	2-200
382	PULL-OUT ROLLER RIGHT ASS'Y .....	2-202
383	PAPER FEED MOUNT ASSEMBLY .....	2-204
460	SCANNER ASSEMBLY .....	2-207
511	D KIT ASSEMBLY .....	2-208
530	I.T.B. ASSEMBLY .....	2-211
531	I.T.B. LOWER FRAME ASSEMBLY .....	2-213
532	I.T.B. UPPER FRAME ASSEMBLY .....	2-217
533	I.T.B. CLEANER ASSEMBLY .....	2-224
535	I.T.B. POST CORONA ASSEMBLY .....	2-226
536	EDGE REGISTRATION DETECT ASS'Y .....	2-228
550	PRIMARY CORONA ASSEMBLY .....	2-230
600	PROCESSOR KIT ASSEMBLY .....	2-233
610	DEVELOPING RAIL ASSEMBLY .....	2-237
615	DEVELOPING PRESSURE ASSEMBLY .....	2-239
620	HOPPER ASSEMBLY .....	2-241
621	BUFFER ASSEMBLY .....	2-245
622	SUB HOPPER ASSEMBLY .....	2-247
625	TONER FEED ASS'Y .....	2-249
640	DEVELOPING ASSEMBLY .....	2-251
710	CLEANER ASSEMBLY .....	2-253
770	WASTE TONER FEEDER ASSEMBLY .....	2-255
771	WASTE TONER BUFFER ASSEMBLY .....	2-256
775	WASTE TONER PIPE ASSEMBLY .....	2-257
780	WASTE TONER COLLECTION ASS'Y .....	2-258
781	WASTE TONER BOTTLE TRAY ASS'Y .....	2-261
810	FIRST FIXING ASSEMBLY .....	2-263
812	INNER PAPER DELIVERY ASS'Y, 1 .....	2-265
813	FIXING BELT ASSEMBLY .....	2-268
814	FIXING INTERMEDIATE ASS'Y, 1 .....	2-270
815	FIRST FIXING ASSEMBLY, UPPER .....	2-273
816	FIRST FIXING ASSEMBLY, LOWER .....	2-278
817	CLEANER DRIVE ASSEMBLY .....	2-283
818	FIXING BELT DRIVE ASS'Y .....	2-285
830	FIXING CLEANER ASSEMBLY .....	2-286
840	EXTERNAL HEATING ASSEMBLY .....	2-288
850	SECOND FIXING ASSEMBLY .....	2-291
852	INNER PAPER DELIVERY ASS'Y, 2 .....	2-293
854	FIXING INTERMEDIATE ASS'Y, 2 .....	2-296
855	SECOND FIXING ASSEMBLY, UPPER .....	2-299
856	SECOND FIXING ASSEMBLY, LOWER .....	2-304
890	FIRST FIXING MOUNT ASSEMBLY .....	2-308
891	SECOND FIXING MOUNT ASSEMBLY .....	2-310
892	LOCK SENSING ASSEMBLY, 1 .....	2-312
893	LOCK SENSING ASSEMBLY, 2 .....	2-313

# Contents

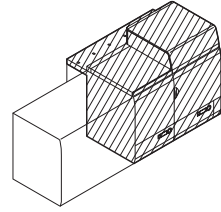
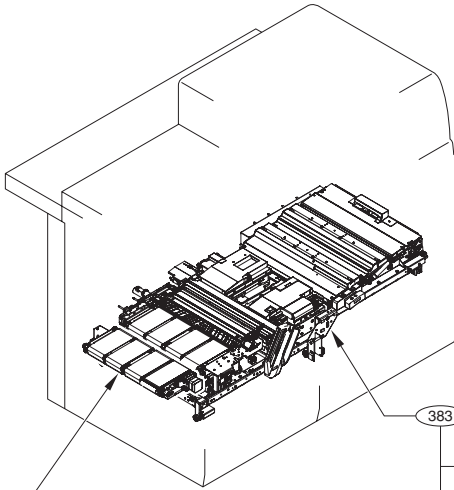
900	CONTROLLER BOX ASSEMBLY .....	2-314
911	DC POWER SUPPLY ASS'Y, 12V .....	2-317
912	DC POWER SUPPLY ASS'Y, 24V-1 .....	2-318
913	DC POWER SUPPLY ASS'Y, 24V-2 .....	2-319
930	DC CONTROLLER ASSEMBLY .....	2-320
932	DRM PCB ASSEMBLY, 256 .....	2-321
933	DRM PCB ASSEMBLY, 512 .....	2-322
934	LAN-BAR-B PCB ASSEMBLY .....	2-323
935	RO-B PCB ASSEMBLY .....	2-324
936	MAIN CONTROLLER PCB ASS'Y, M.....	2-325
937	MAIN CONTROLLER PCB ASS'Y, P .....	2-326
938	S-B PCB ASSEMBLY .....	2-327
940	DC CONTROLLER PCB 1-1 ASSEMBLY .....	2-328
941	DC CONTROLLER PCB 1-2 ASSEMBLY .....	2-329
942	DC CONTROLLER PCB 1-3 ASSEMBLY .....	2-330
960	V.PATH/L.FEED DRIVER PCB ASS'Y .....	2-331
962	PAPER PICK-UP DRIVER PCB ASS'Y .....	2-332
964	DRUM DRIVER PCB ASSEMBLY .....	2-333
965	FEED DRIVER PCB ASSEMBLY .....	2-334
970	COLOR SENSOR DRIVER PCB ASS'Y .....	2-335
980	DEV./PRIMARY H.V. PCB ASSEMBLY .....	2-336
981	2ND TRANSFR. H.V. PCB ASSEMBLY .....	2-337
999	CABLE UNIT .....	2-338
U10	PRISMAsync .....	2-350
V10	OPERATOR ATTENTION LIGHT .....	2-352
ZZA	MECHANICAL STANDARD PARTS (HOW TO USE) .....	2-353
ZZB	MECHANICAL STANDARD PARTS (SCREWS).....	2-354
ZZC	MECHANICAL STANDARD PARTS (BOLTS).....	2-361
ZZD	MECHANICAL STANDARD PARTS (NUTS).....	2-362
ZZE	MECHANICAL STANDARD PARTS (RETAINING RINGS) .....	2-363

# FIGURE A1 ASSEMBLY LOCATION DIAGRAM



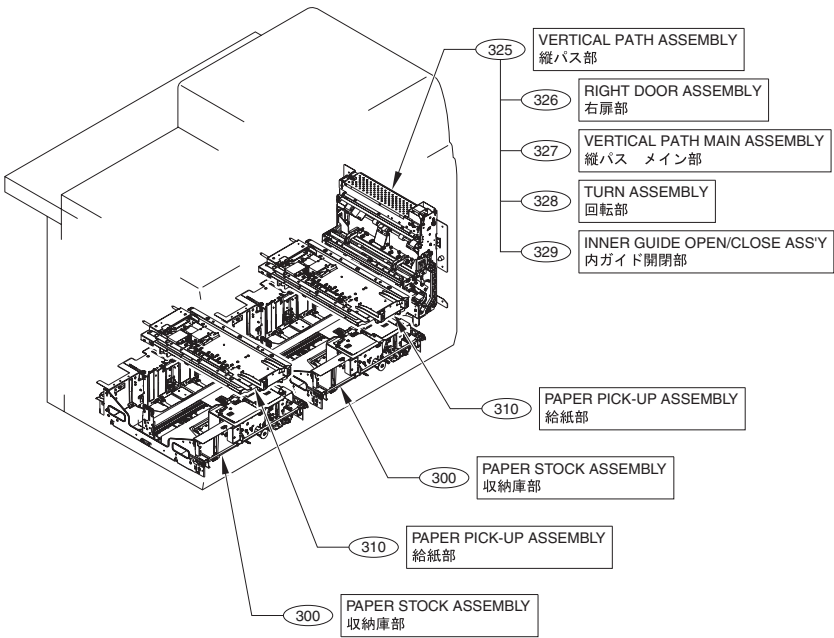
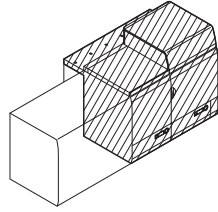


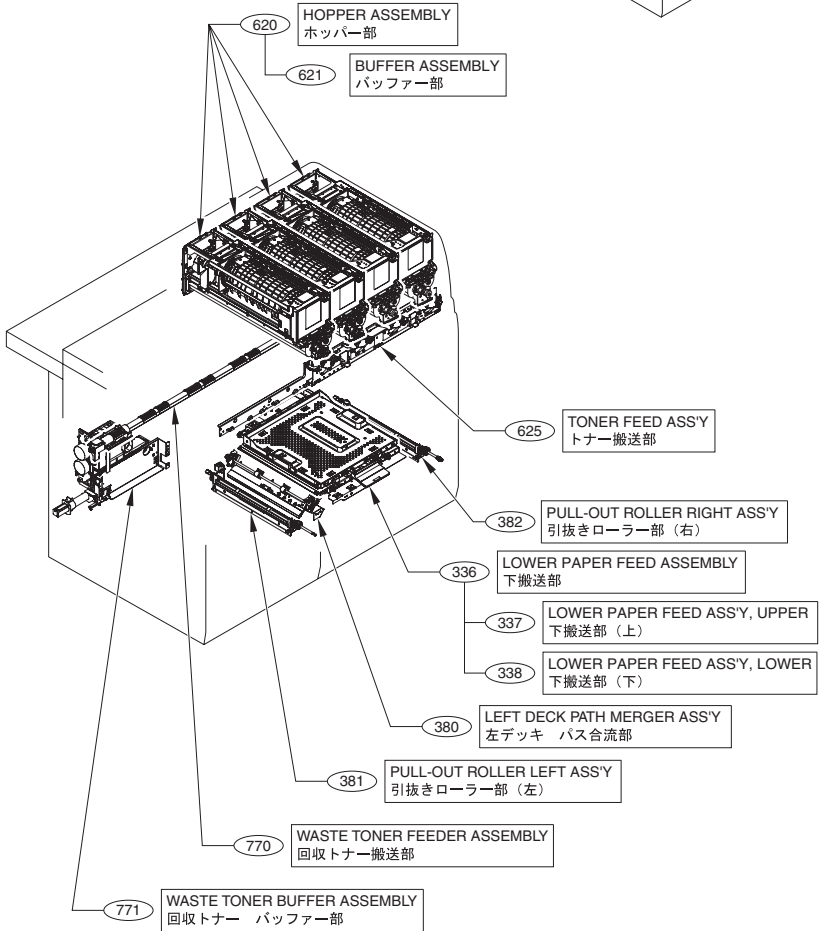
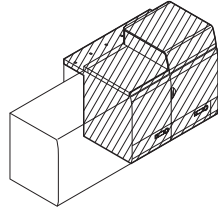


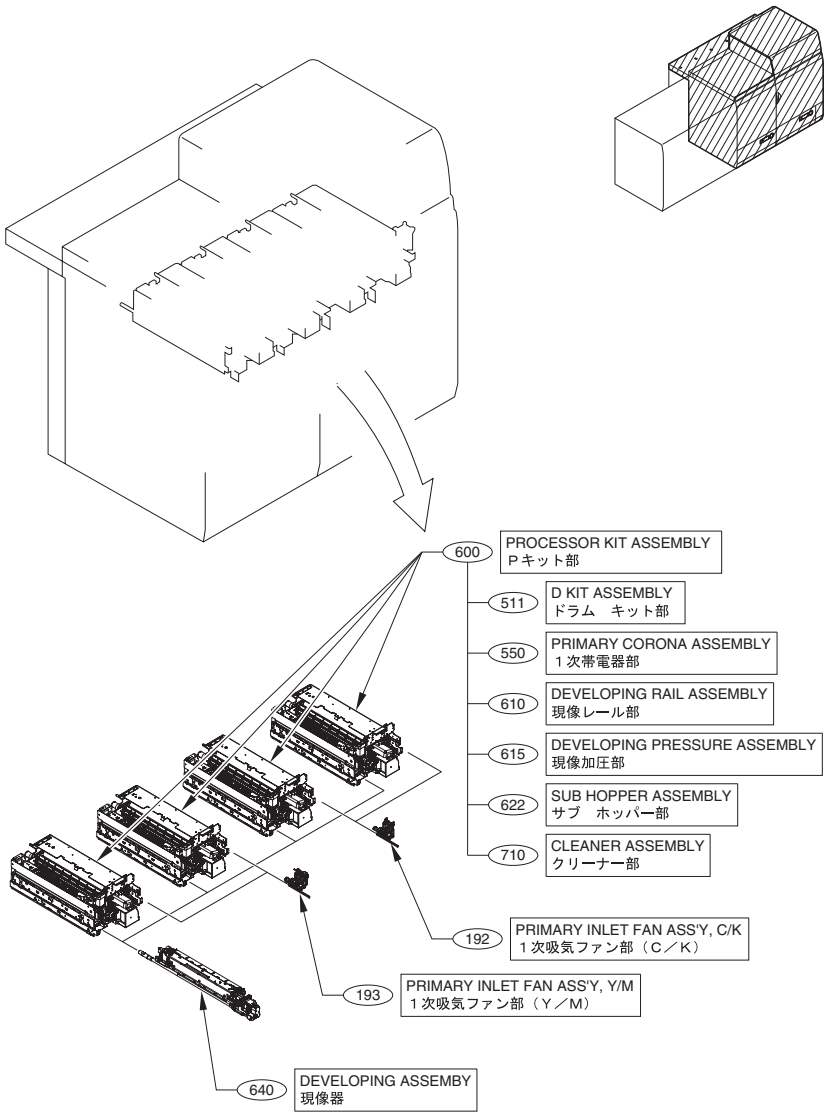


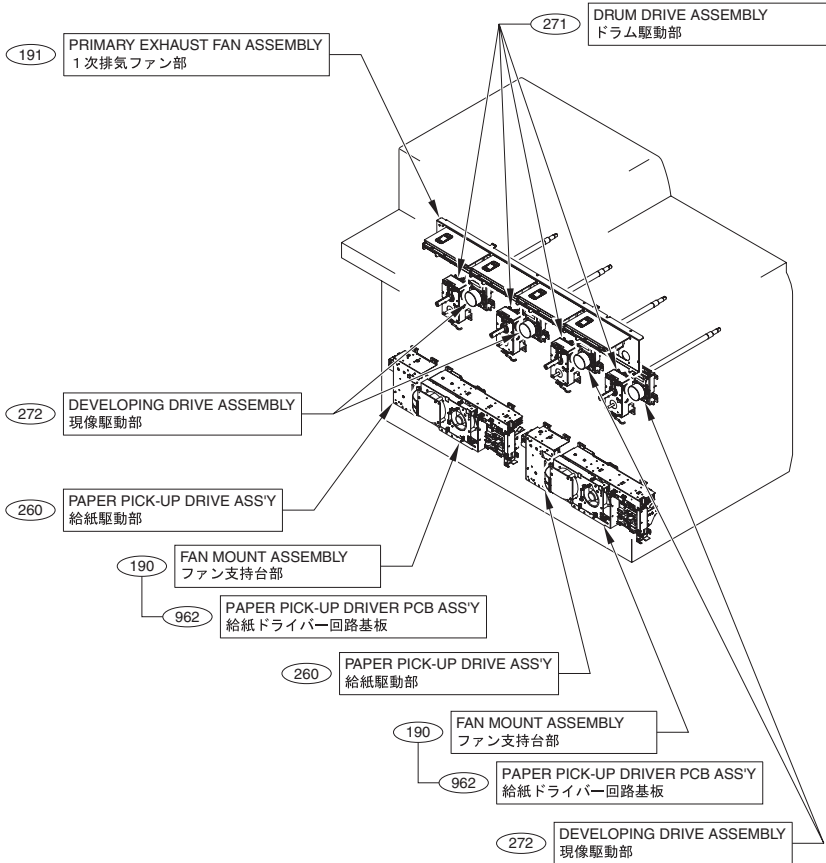
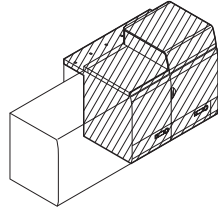
330 PRE-FIXING PAPER FEED ASSEMBLY  
定着前搬送部

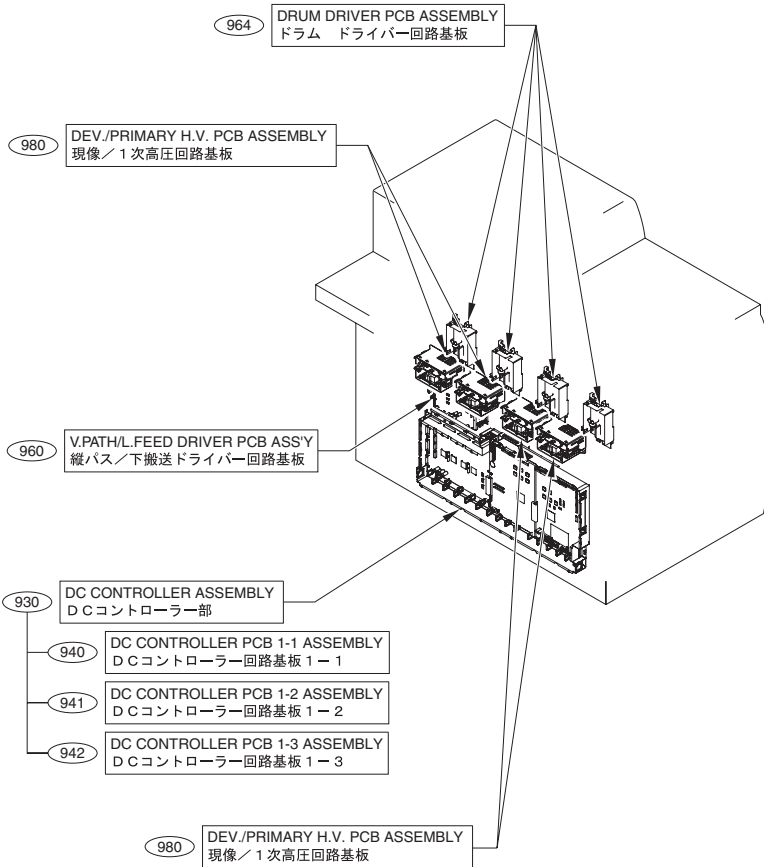
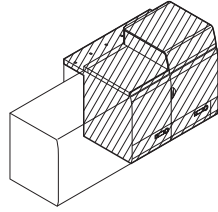
- 383 PAPER FEED MOUNT ASSEMBLY  
搬送引出し部
- 262 REGISTRATION SLIDE DRIVE ASS'Y  
レジスト スライド駆動部
- 274 SECONDARY TRANSFER DRIVE ASS'Y  
2次転写駆動部
- 320 REGIST.PAPER FEEDER ASSEMBLY  
レジスト搬送部
- 321 PRE-REGISTRATION FEED ASSEMBLY  
レジスト前搬送部
- 322 PRE-REGIST. FEEDER UPPER ASS'Y  
レジスト前搬送部 (上)
- 323 PRE-REGIST. FEEDER LOWER ASS'Y  
レジスト前搬送部 (下)
- 324 2ND TRNSFR. ELIM. ASS'Y, REAR  
2次転写除電部 (後)
- 331 2ND TRNS.FRAME/FIX. F.D ASS'Y  
2次転写フレーム/定着前搬送部
- 332 2ND TRNS. BASE PLATE ASS'Y  
2次転写底板部
- 333 SECONDARY TRANSFER ASSEMBLY  
2次転写部
- 360 DUPLEX LEFT ASSEMBLY  
両面部 (左)
- 361 DUPLEX CENTER ASSEMBLY  
両面部 (中)
- 362 DUPLEX RIGHT ASSEMBLY  
両面部 (右)
- 981 2ND TRNSFR. H.V. PCB ASSEMBLY  
2次転写高圧回路基板

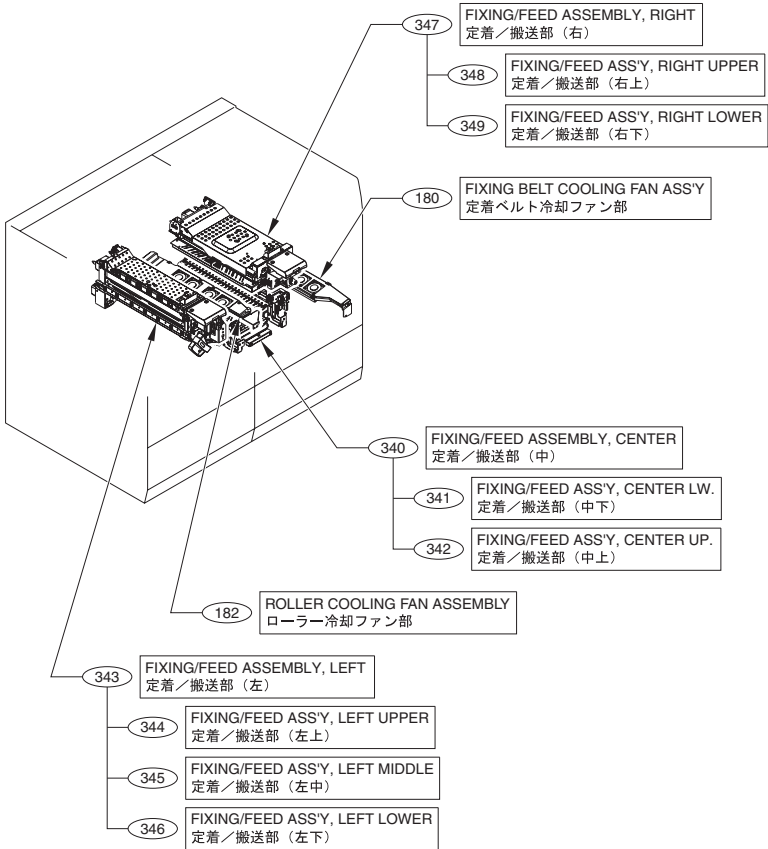
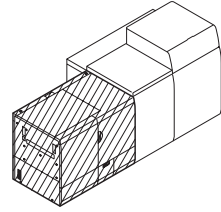


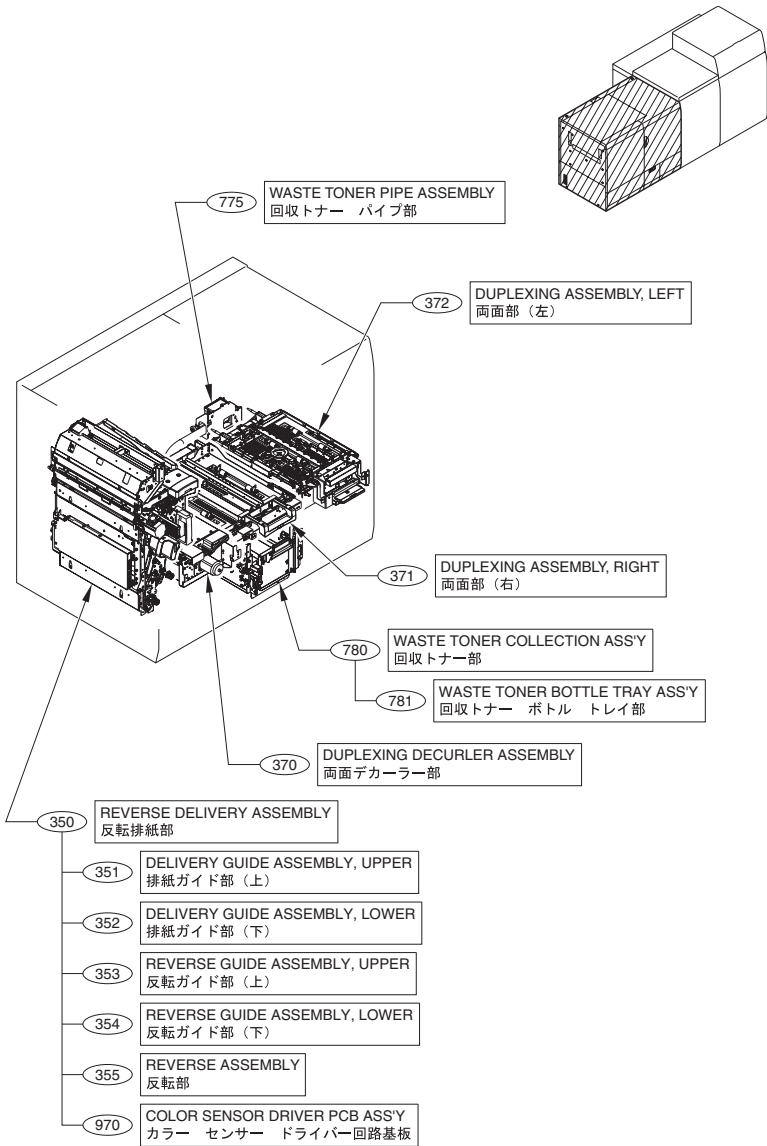




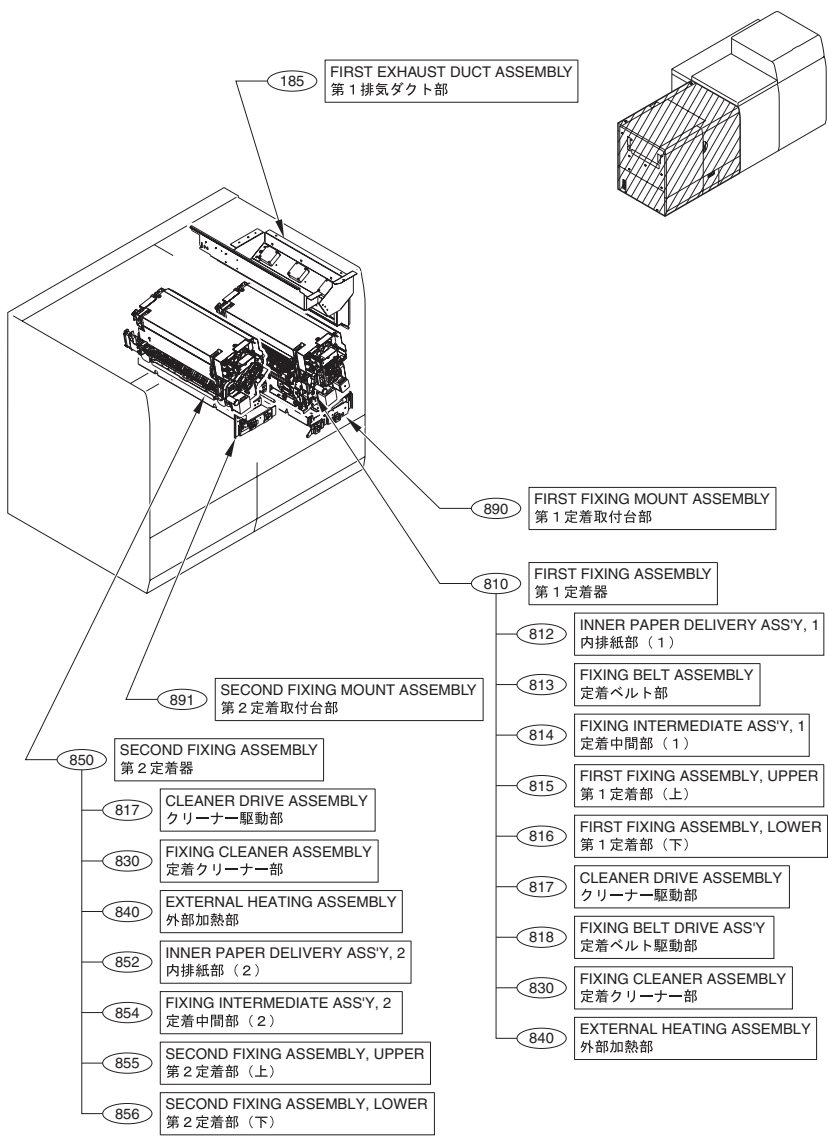


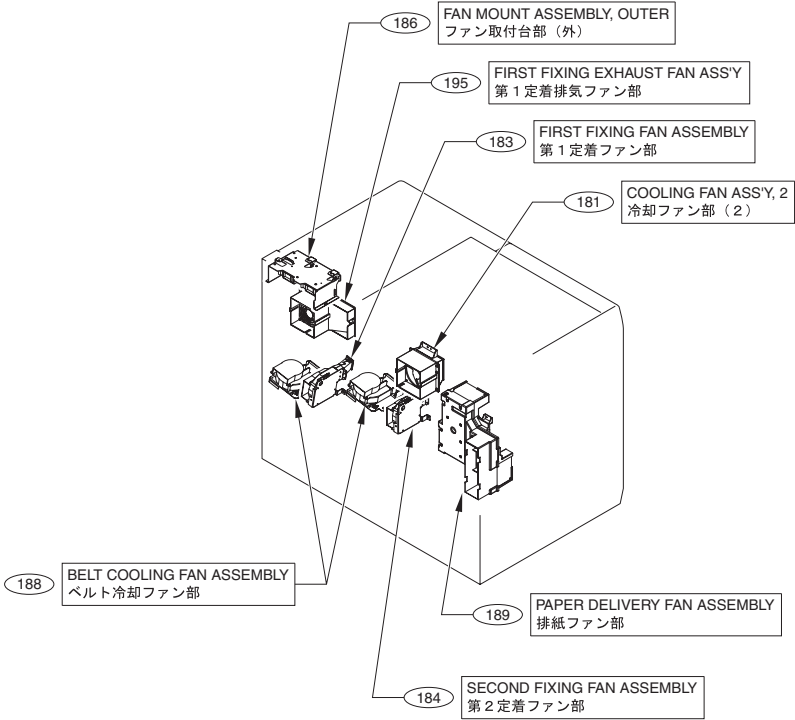
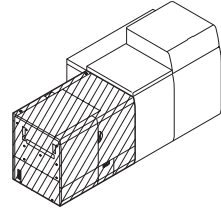


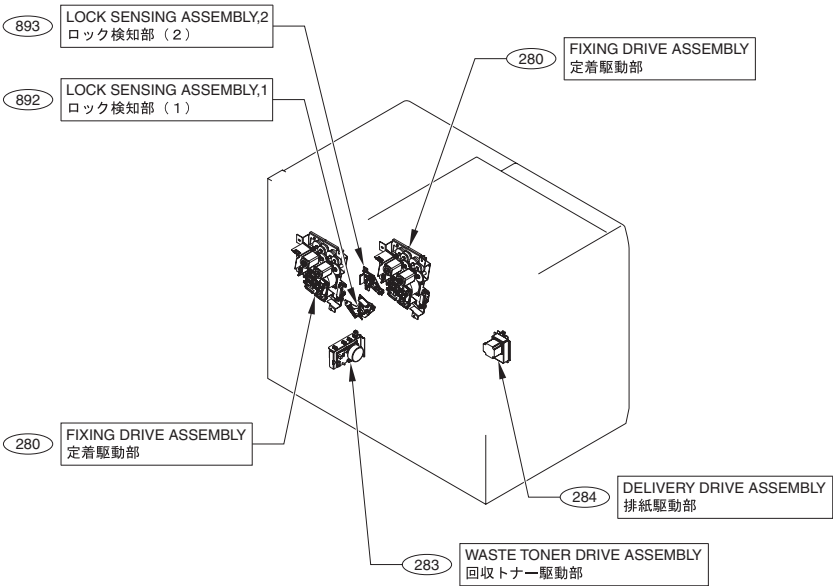
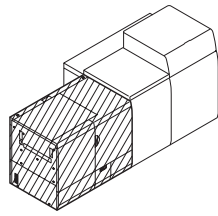


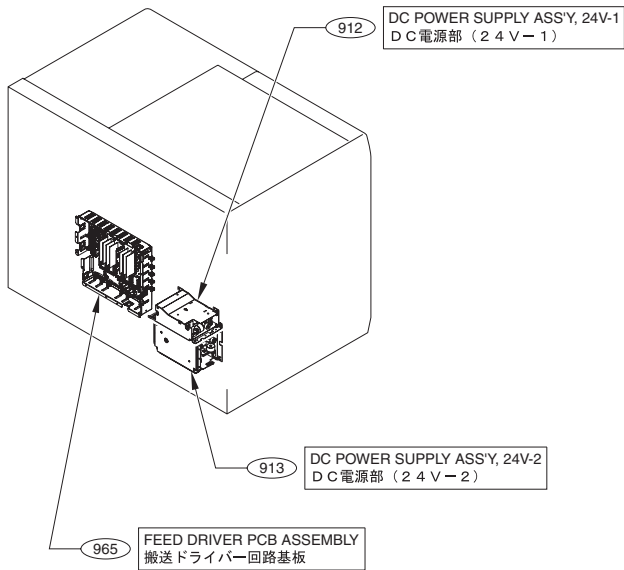
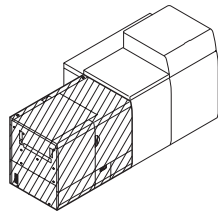


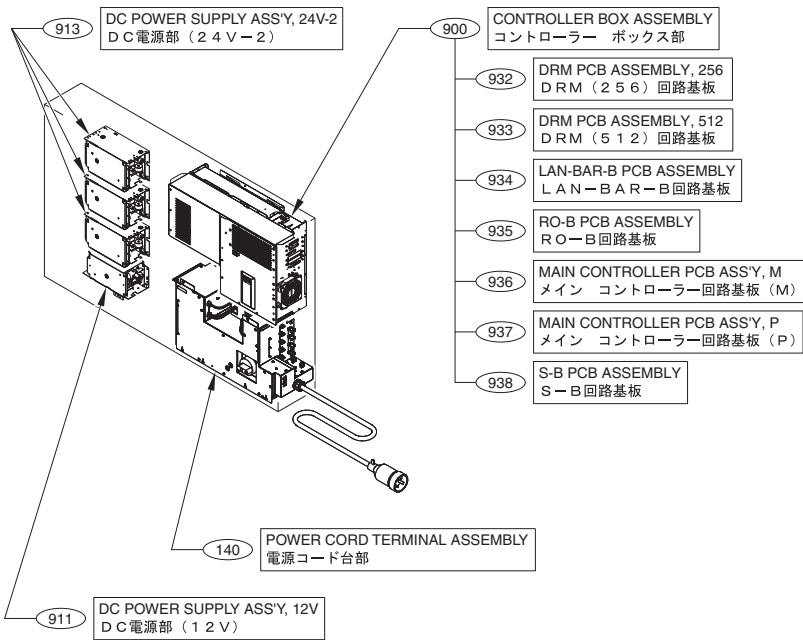
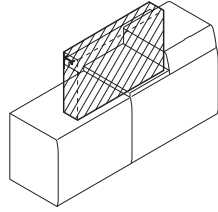












# FIGURE 001 ACCESSORIES

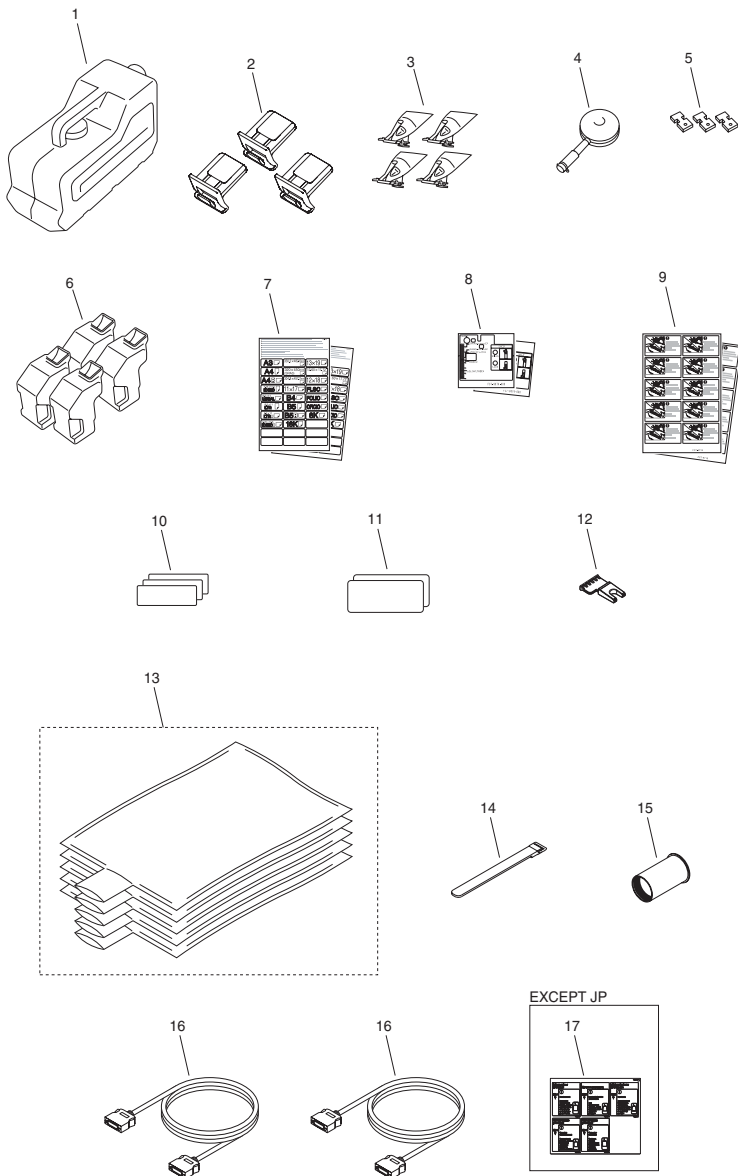
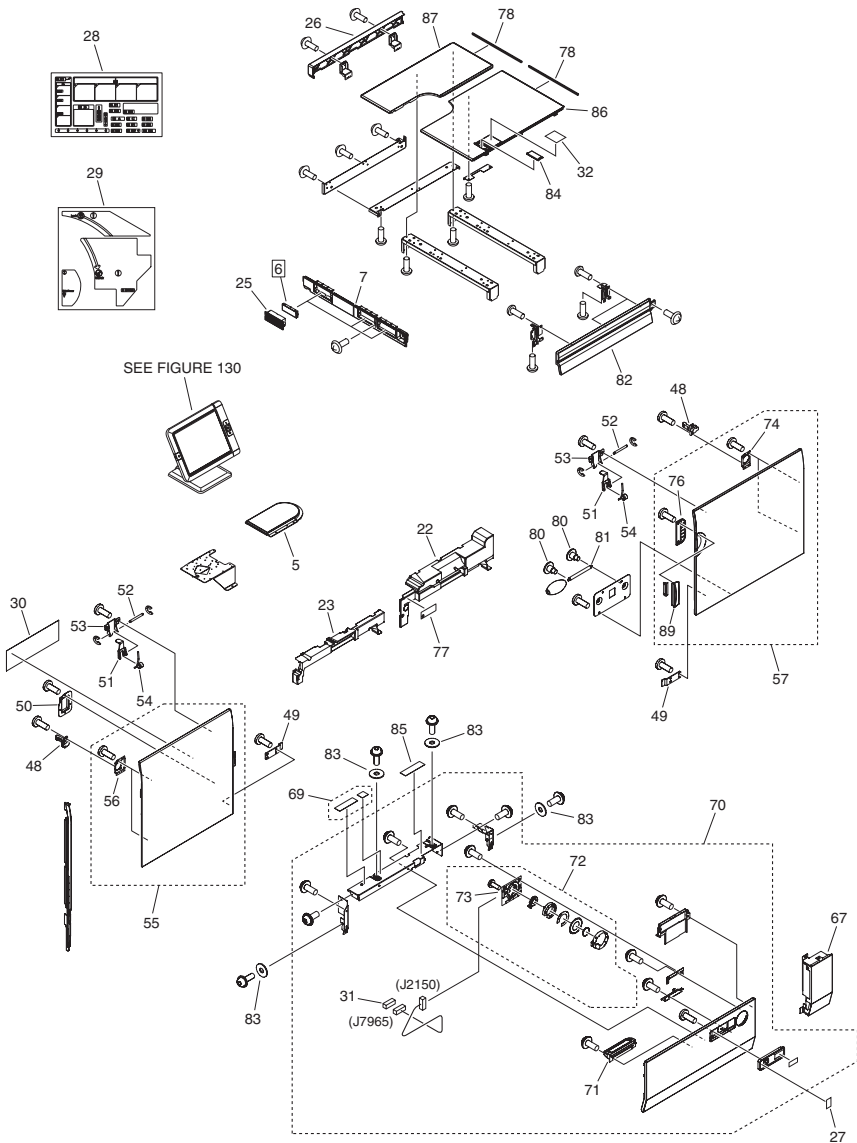


FIGURE & KEY NO.	PARTS NUMBER	R A N K	Q'TY	DESCRIPTION	SERIAL NUMBER/ REMARKS	S V C
Fig.001	NPN		RF	ACCESSORIES		
1	FM2-2058-000		1	BOTTLE, WASTE TONER		
2	FL2-9290-000		3	CLEANING UNIT, A		
3	FL2-4088-000		4	FUNNEL, ABS		
4	XZ9-0281-000		1	BLOWER BRUSH		
5	FC7-9708-000		3	COVER, TOOL		
6	FC7-3482-000		4	CASE, COLOR DEVELOPING		
7	FU6-8216-000		2	LABEL, PAPER SIZE		
8	FC8-7687-000		2	LABEL, WIDTH SIZE, INCH	JP, EUR, AU, LTN	
8	FC8-7675-000		2	LABEL, WIDTH SIZE	US, CA, LTN	
9	FC7-9718-000		2	LABEL, PAPER SUPPLY CAUTION, O		
10	FC8-3800-000		3	SHEET, TONER BREAK UP		
11	FC6-9992-000		2	PLATE, MEDIA INDICATION		
12	FC9-5864-000		1	SPACER, SHUTTER OPEN		
13	FC0-2235-000		1	BAG, WASTE TONER		
14	FC0-2236-000		1	BAND, WASTE TONER		
15	FC0-2237-000		1	JOINT, WASTE TONER		
16	FK2-2304-000		2	CABLE, COPIER I/F		
17	FC9-6126-010		1	LABEL, SHUT, DOWN	EXCEPT JP	

# FIGURE 100 EXTERNAL COVERS, PANELS, ETC. (Main station)





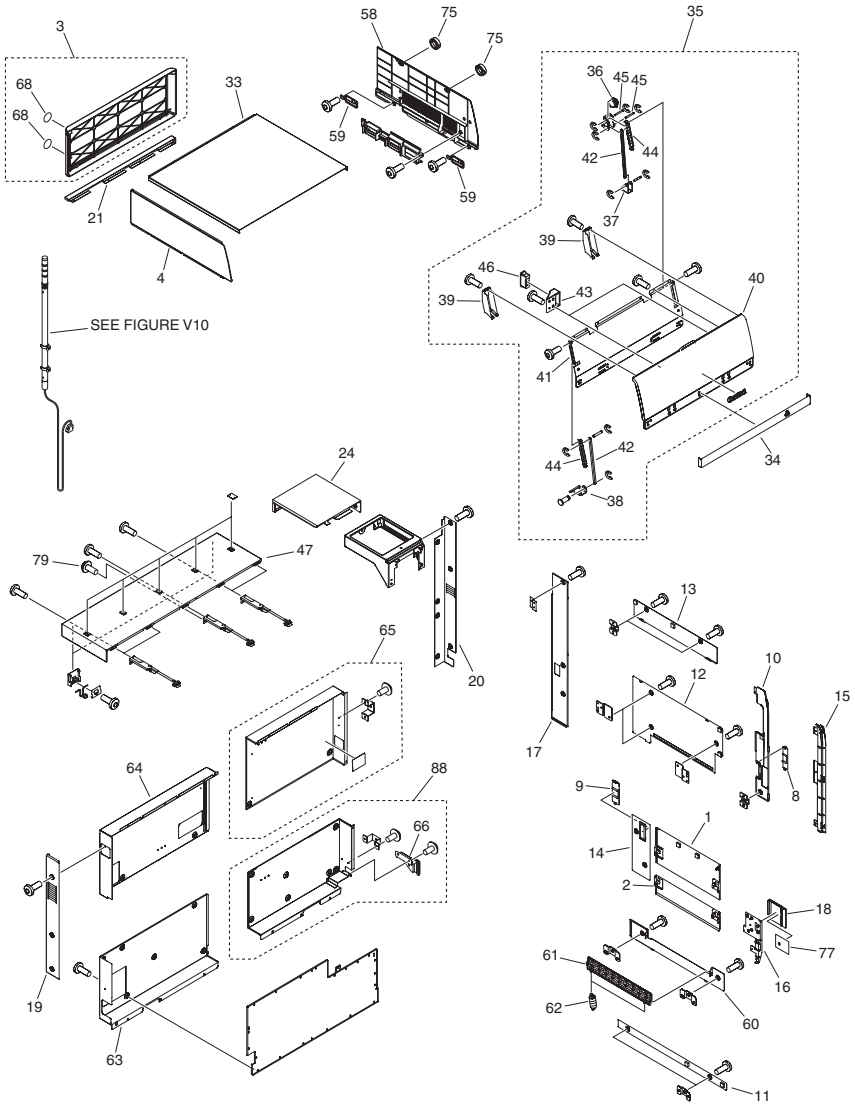


FIGURE & KEY NO.	PARTS NUMBER	R A N K	Q'TY	DESCRIPTION	SERIAL NUMBER/ REMARKS	S V C
Fig.100	NPN		RF	EXTERNAL COVERS, PANELS, ETC.	Main station	
1	FL2-2302-000		1	COVER, RIGHT DOOR, CENTER		
2	FC6-0104-000		1	COVER, RIGHT DOOR, LOWER		
3	FL3-6102-000		1	PANEL, REAR		
4	FC6-3205-000		1	PANEL, LEFT		
5	FC9-6110-000		1	COVER, UPPER, SMALL		
6	FC9-5783-000		3	FILTER, AIR	[DP]	
7	FC9-6044-000		1	COVER, LEFT		
8	FC7-1825-000		1	COVER, HOOK, 1		
9	FC7-1826-000		1	COVER, HOOK, 2		
10	FL2-7221-000		1	PANEL, RIGHT, 1		
11	FL2-7222-000		1	PANEL, RIGHT, 2		
12	FL2-7223-000		1	PANEL, RIGHT, 3		
13	FL2-7224-000		1	PANEL, RIGHT, 4		
14	FC7-1835-000		1	PANEL, RIGHT, 5		
15	FC7-1836-000		1	PANEL, RIGHT, 6		
16	FC7-1837-000		1	PANEL, RIGHT, 7		
17	FC7-1848-000		1	PANEL, RIGHT, 8		
18	FC7-1838-000		1	COVER, JAM DIAL		
19	FC7-1882-000		1	PANEL, REAR, LEFT		
20	FC7-1888-000		1	PANEL, REAR, RIGHT		
21	FC7-2255-000		1	PANEL, REAR UPPER RIGHT, 2		
22	FC7-4021-000		1	COVER, RIGHT DECK, INNER		
23	FC7-4022-000		1	COVER, LEFT DECK, INNER		
24	FL2-7127-000		1	COVER, REAR UPPER, RIGHT, 1		
25	FC9-6045-000		3	COVER, FILTER		
26	FC9-5773-000		1	COVER, REAR, LEFT UPPER		
27	FC7-5592-000		1	LABEL, DECK NUMBER		
28	FC7-5643-000		1	LABEL, UNIVERSAL		
29	FC7-5644-000		1	LABEL, OPERATION, 1	Japanese	
29	FC7-5645-000		1	LABEL, OPERATION, 1	English	
29	FC7-5646-000		1	LABEL, OPERATION, 1	French	

FIGURE & KEY NO.	PARTS NUMBER	R A N K	Q'TY	DESCRIPTION	SERIAL NUMBER/ REMARKS	S V C
29	FC7-5647-000		1	LABEL, OPERATION, 1	German	
29	FC7-5648-000		1	LABEL, OPERATION, 1	Italian	
29	FC7-5649-000		1	LABEL, OPERATION, 1	Spanish	
29	FC7-5650-000		1	LABEL, OPERATION, 1	Portuguese	
30	FC7-5668-000		1	LABEL, OPERATION, 2	Japanese	
30	FC7-5669-000		1	LABEL, OPERATION, 2	English	
30	FC7-5670-000		1	LABEL, OPERATION, 2	French	
30	FC7-5671-000		1	LABEL, OPERATION, 2	German	
30	FC7-5672-000		1	LABEL, OPERATION, 2	Italian	
30	FC7-5673-000		1	LABEL, OPERATION, 2	Spanish	
30	FC7-5674-000		1	LABEL, OPERATION, 2	Portuguese	
31	VS1-7164-020		1	CONNECTOR, SNAP TIGHT, BK		
32	FC9-6034-000		1	LABEL, SHUT, DOWN	Japanese	
32	FC9-6125-000		1	LABEL, SHUT, DOWN	English	
33	FC6-3198-000		1	COVER, HOPPER, TOP		
34	FL3-7084-000		1	EMBLEM	C7010VPS	
34	FL0-3237-000		1	EMBLEM	C7011VPS	
34	FL3-7085-000		1	EMBLEM	C6010VPS	
34	FL0-3238-000		1	EMBLEM	C6011VPS	
34	FL3-7086-000		1	EMBLEM	C6010S	
34	FL0-3239-000		1	EMBLEM	C6011S	
35	FM2-2036-000		1	COVER, CARTRIDGE		
36	FC6-2302-000		1	DAMPER		
37	FC6-2318-000		1	HOLDER, STOPPER, RIGHT		
38	FC6-2319-000		1	HOLDER, STOPPER, LEFT		
39	FC6-3202-000		2	COVER, RACK		
40	FC6-3208-000		1	COVER, CARTRIDGE		
41	FC6-3209-000		1	BASE, CARTRIDGE COVER		
42	FC6-3211-000		2	STOPPER, DOOR		
43	FC6-3215-000		2	HOLDER, MAGNET		
44	FC6-3218-000		2	RACK, COVER, RIGHT		
45	FC6-3219-000		2	SHAFT, COVER RACK, RIGHT		

FIGURE & KEY NO.	PARTS NUMBER	R A N K	Q'TY	DESCRIPTION	SERIAL NUMBER/ REMARKS	S V C
46	XZ9-0603-000		2	CATCH, MAGNET		
47	FC7-2253-010		1	COVER, REAR UPPER, LEFT		
48	FC5-8660-000		4	LOCK, ONE-TOUCH		
49	FC6-3175-000		2	SUPPORT, MAGNET, LOWER		
50	FC7-1845-000		1	PLATE, REG. FRAME HANDLE FP		
51	FC7-4575-000		2	PLATE, SWITCH PUSHING SWING		
52	FC7-4576-000		2	SHAFT, SWING		
53	FC6-3176-000		2	PLATE, SWITCH PUSHING FIXED		
54	FU6-2544-000		2	SPRING, TORSION		
55	FM3-0288-000		1	DOOR, FRONT, LEFT		
56	FC6-3133-000		2	SUPPORT, HINGE MOUNTING, 1		
57	FM3-0289-000		1	DOOR, RIGHT		
58	FC6-3203-010		1	PANEL, RIGHT		
59	FC6-3204-000		2	PANEL, RIGHT, SMALL		
60	FC6-0101-000		1	COVER, RIGHT LOWER		
61	FC6-0102-000		1	COVER, RIGHT		
62	FU5-2989-000		1	SPRING, TENSION		
63	FM3-0299-000		1	COVER, SHIELD, LEFT LOWER		
64	FM3-0300-000		1	COVER, SHIELD, LEFT UPPER		
65	FM3-0301-000		1	COVER, SHIELD, RIGHT UPPER		
66	FC7-1884-000		1	COVER, COUPLING		
67	FM3-0304-000		1	COVER, FRONT RIGHT, LOWER		
68	FC9-6122-000		2	SHEET, BLANKING		
69	FC7-5588-000		2	LABEL, PAPER SIZE		
70	FM3-0303-000		2	DECK COVER ASSEMBLY, FRONT		
71	FC7-3318-000		1	LEVER, C./STEPED DECK FOR, L.		
72	FM2-1999-000		1	PAPER STOCK DISPLAY ASSEMBLY		
73	FM2-7630-000		1	INDICATOR DRIVER PCB ASSEMBLY		
74	FC6-8041-000		2	SUPPORT, HINGE MOUNTING, 3		
75	FB6-3771-000		2	COVER, RUBBER		
76	FC6-8033-000		1	GRIP		
77	FC8-2990-000		1	LABEL, MAIN STATION LANGUAGE 2	SEE NOTE Japanese	

FIGURE & KEY NO.	PARTS NUMBER	R A N K	Q'TY	DESCRIPTION	SERIAL NUMBER/ REMARKS	S V C
77	FC8-3641-000		1	LABEL, MAIN STATION LANGUAGE 2	SEE NOTE English	
77	FC8-3642-000		1	LABEL, MAIN STATION LANGUAGE 2	SEE NOTE French	
77	FC8-3643-000		1	LABEL, MAIN STATION LANGUAGE 2	SEE NOTE German	
77	FC8-3644-000		1	LABEL, MAIN STATION LANGUAGE 2	SEE NOTE Italian	
77	FC8-3645-000		1	LABEL, MAIN STATION LANGUAGE 2	SEE NOTE Spanish	
77	FC8-3646-000		1	LABEL, MAIN STATION LANGUAGE 2	SEE NOTE Portuguese	
78	FC7-3466-000		2	SEAL, COVER		
79	FU5-9230-000		1	SCREW, TP, M4X8(YELLOW)		
80	FU5-9210-000		2	SCREW, STEPPED, M4		
81	FU6-2568-000		1	SPRING, TENSION		
82	FC9-5771-000		1	COVER, FRONT, LEFT UPPER		
83	FC7-7708-000		8	WASHER		
84	FC7-8080-000		1	COVER, POWER SUPPLY SWITCH		
85	FC7-5589-000		2	LABEL, PAPER SUPPLY		
86	FC9-5772-000		1	COVER, LEFT UPPER, 1		
87	FC9-6017-000		1	COVER, LEFT UPPER, 2		
88	FM3-0302-000		1	COVER, SHIELD, RIGHT LOWER		
89	FC6-3160-000		1	HANDLE		

# FIGURE 101 INTERNAL COMPONENTS 1 (Main station)

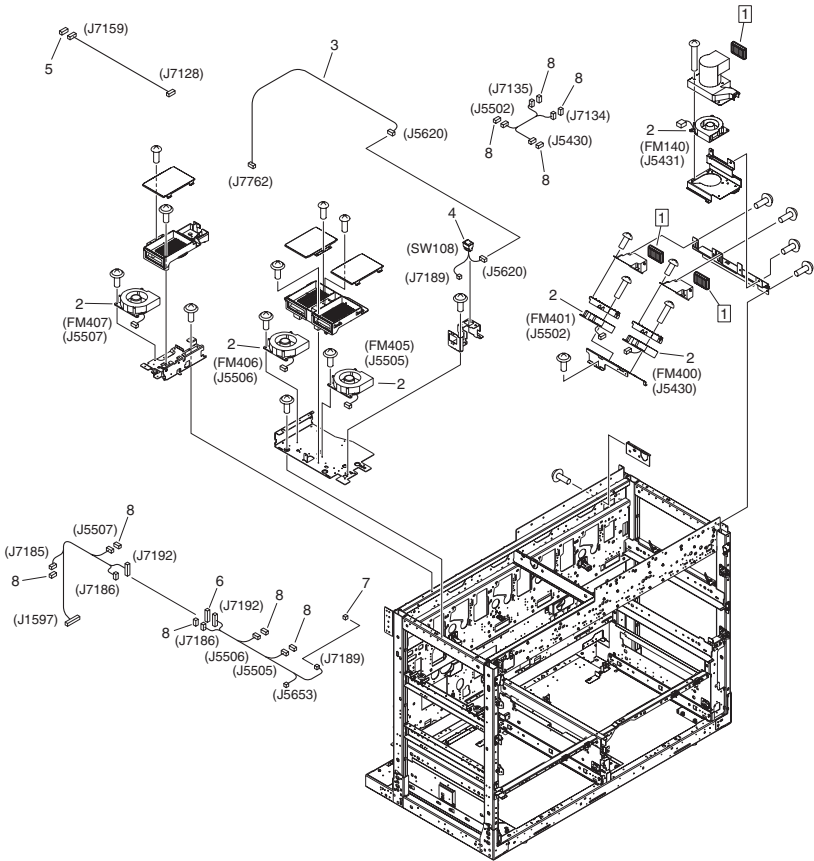


FIGURE & KEY NO.	PARTS NUMBER	RANK	Q'TY	DESCRIPTION	SERIAL NUMBER/REMARKS	SVC
Fig.101	NPN		RF	INTERNAL COMPONENTS 1	Main station	
1	FC9-6046-000		3	FILTER, AIR	[DP]	
2	FK2-3098-010		6	FAN	FM140,FM400,FM401,FM405,FM406,FM407	
3	FM4-6334-000		1	CABLE, MAIN SWITCH, AC		
4	FM3-0419-000		1	MAIN SWITCH ASSEMBLY	SW108	
5	VS1-7173-005		1	CONNECTOR, SNAP TIGHT		
6	VS1-7173-008		1	CONNECTOR, SNAP TIGHT, 8P, W		
7	VS1-7177-002		1	CONNECTOR, SNAP TIGHT, BK		
8	VS1-7177-004		9	CONNECTOR, SNAP TIGHT, BK		

# FIGURE 102 INTERNAL COMPONENTS 2 (Main station)

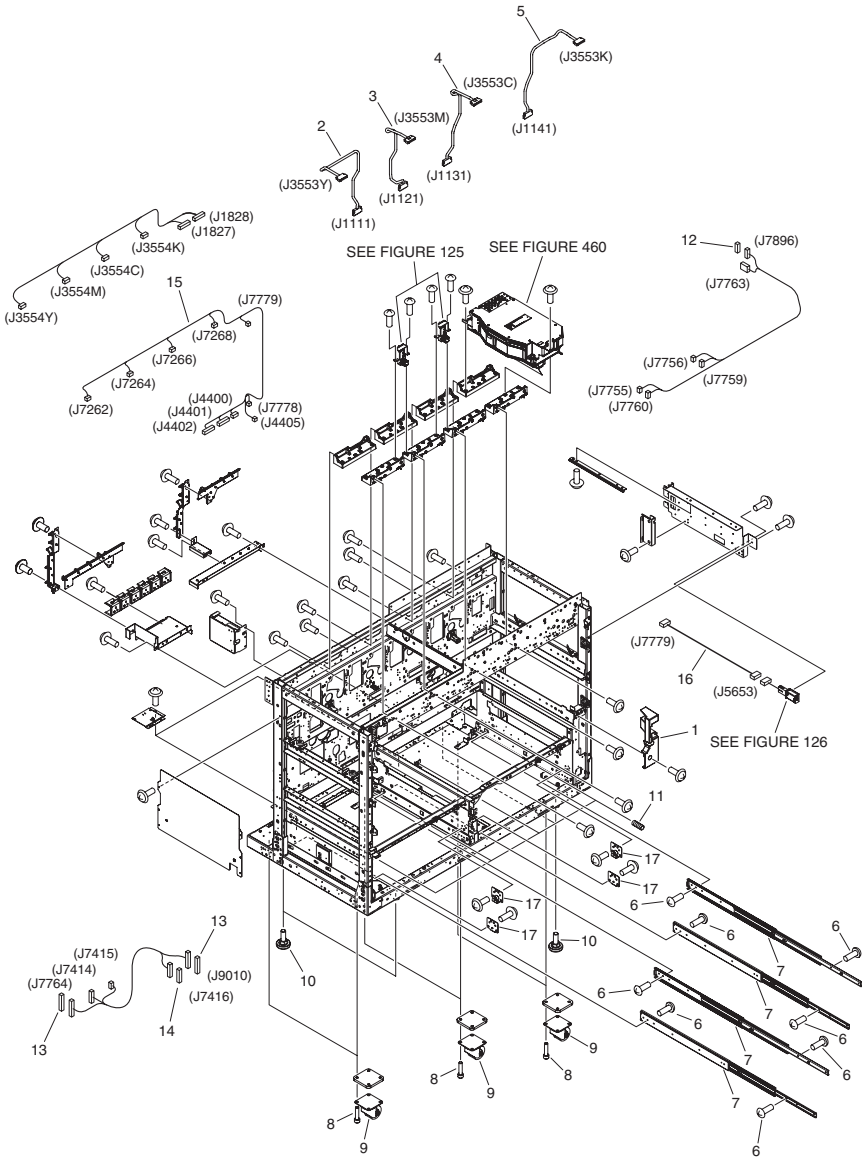




FIGURE & KEY NO.	PARTS NUMBER	R A N K	Q'TY	DESCRIPTION	SERIAL NUMBER/ REMARKS	S V C
Fig.102	NPN		RF	INTERNAL COMPONENTS 2	Main station	
1	FC7-1843-000		1	COVER, INNER		
2	FK2-3118-000		1	CABLE, LASER, YELLOW		
3	FK2-3119-000		1	CABLE, LASER, MAGENTA		
4	FK2-3120-000		1	CABLE, LASER, CYAN		
5	FK2-3121-000		1	CABLE, LASER, BLACK		
6	XA9-1788-000		AR	SCREW, MACH.,TRUSS HEAD,M4X6		
7	FC5-8112-000		4	RAIL, STOCK SLIDE		
8	FU5-9207-000		24	SCREW, BOLT, HEX HEAD, M8X16		
9	XZ9-0565-000		6	CASTER		
10	FE3-7639-000		4	ADJUSTER		
11	FU5-2791-000		4	SPRING, COMPRESSION		
12	VS1-7177-006		1	CONNECTOR, SNAP TIGHT, BK		
13	VS1-7164-028		2	CONNECTOR, SNAP TIGHT, BK		
14	VS1-7173-012		1	CONNECTOR, SNAP TIGHT, 12P, W		
15	FM2-8579-000		1	CABLE, DRUM HEATER, AC		
16	FM3-0417-000		1	CABLE, INTERLOCK SWITCH, AC		
17	FL2-1780-000		4	ROLLER, LATCH		

# FIGURE 103 INTERNAL COMPONENTS 3 (Main station)

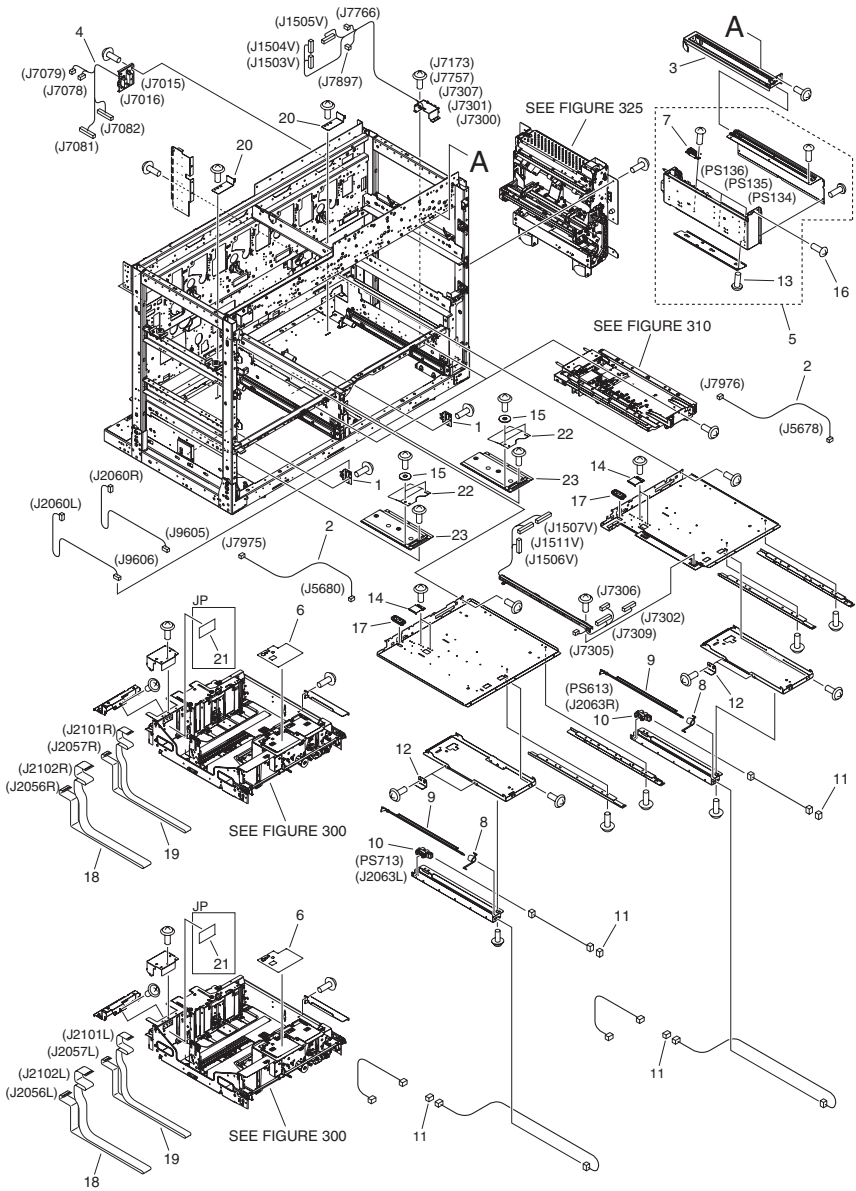


FIGURE & KEY NO.	PARTS NUMBER	R A N K	Q'TY	DESCRIPTION	SERIAL NUMBER/ REMARKS	S V C
Fig.103	NPN		RF	INTERNAL COMPONENTS 3	Main station	
1	FM2-2012-000		2	ENVIRONMENT SENSOR UNIT		
2	FM3-8538-000		2	CABLE, CASSETTE HEATER, AC		
3	FM2-2147-000		1	REGIST. MOUNTING GUIDE ASS'Y		
4	FM2-2148-000		1	REGIST. PATCH DRAWER ASS'Y		
5	FM4-2565-000		1	REG. PATCH SENSOR ASSEMBLY		
6	FC8-7675-000		2	LABEL, WIDTH SIZE	A/B/K SIZE	
6	FC8-7687-000		2	LABEL, WIDTH SIZE, INCH	INCH SIZE	
7	FM4-2564-000		3	REGIST. DETECT SENSOR ASSEMBLY	PS134,PS135,PS136	
8	FC7-2465-000		2	SPRING, TORSION		
9	FC7-2638-000		2	FLAG, SENSOR		
10	FK2-0149-000		2	PHOTO-INTERRUPTER, TLP1252(C6)	PS613,PS713	
11	VS1-7177-003		4	CONNECTOR, SNAP TIGHT, BK		
12	FC7-7716-000		4	STOPPER, SENSOR		
13	FU5-9223-000		1	SCREW, BH3X6(YELLOW)		
14	FC7-9568-000		4	COVER, OUTLET		
15	FC7-7708-000		4	WASHER		
16	FU5-9222-000		1	SCREW, BH4X8(YELLOW)		
17	FC7-2409-000		2	BUSHING		
18	FK2-2976-000		2	CABLE, FLAT, 1		
19	FK2-2977-000		2	CABLE, FLAT, 2		
20	FC5-8223-000		2	PLATE, SWITCH PUSH		
21	FC7-9717-000		2	LABEL, PAPER INDICATION	JP	
22	FC6-9951-000		2	SHEET, FLEXIBLE RETAINING		
23	FL2-1818-000		2	PLATE, FLEXIBLE COVER		

# FIGURE 104 INTERNAL COMPONENTS 4 (Main station)

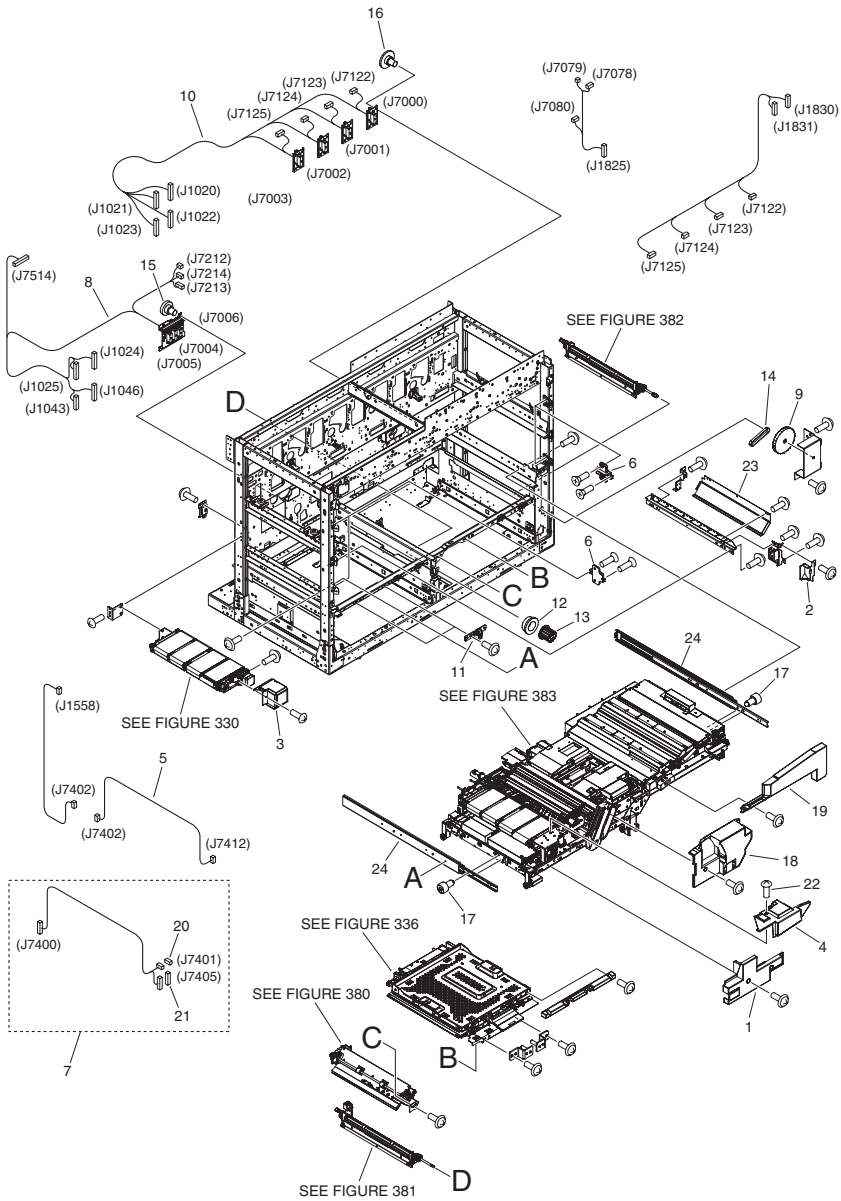


FIGURE & KEY NO.	PARTS NUMBER	R A N K	Q'TY	DESCRIPTION	SERIAL NUMBER/ REMARKS	S V C
Fig.104	NPN		RF	INTERNAL COMPONENTS 4	Main station	
1	FC6-8239-000		1	COVER, INNER, 1		
2	FC6-8407-010		1	COVER, CONNECTOR		
3	FC7-1846-000		1	COVER, INNER		
4	FC7-1847-000		1	COVER, INNER, 2		
5	FM2-8521-000		1	CABLE, 2 FIXING/ FEEDER, 1		
6	FC5-8661-000		4	PLATE, MOUNTING		
7	FM2-8587-000		1	CABLE, RELAY		
8	FM2-2123-000		1	2ND TRNSFR. DRAWER ASS'Y		
9	FU5-3207-000		1	PULLEY, 20T		
10	FM2-9294-000		1	REGISTRATION DRAWER ASSEMBLY		
11	FM2-9303-000		2	ROLLER, DUPLEXING GUIDE		
12	FA9-2112-000		1	BUSHING, PL		
13	FC5-8165-000		1	KNOB, EXTRACTION		
14	XF2-3607-260		1	BELT, TIMING		
15	FS1-9169-000		4	SCREW, STEPPED		
16	FS2-9012-000		12	SCREW, STEPPED M2.2		
17	FU5-9208-000		4	SCREW, STEPPED, M4		
18	FC6-7877-000		1	COVER, INNER, CENTER		
19	FC6-7878-000		1	COVER, INNER, RIGHT		
20	VS1-7173-003		1	CONNECTOR, SNAP TIGHT, 3P, W		
21	VS1-7173-008		1	CONNECTOR, SNAP TIGHT, 8P, W		
22	FU5-9222-000		1	SCREW, BH4X8(YELLOW)		
23	FL3-5093-000		1	PLATE, PRE-FIXING GUIDE		
24	FC5-8656-000		2	RAIL, SLIDE		



FIGURE & KEY NO.	PARTS NUMBER	R A N K	Q'TY	DESCRIPTION	SERIAL NUMBER/ REMARKS	S V C
Fig.105	NPN		RF	INTERNAL COMPONENTS 5	Main station	
1	FL3-5098-010		4	GLASS, DUST-PROOF		
2	FM2-2079-000		4	P- KIT DRAWER ASSEMBLY		
3	FL2-1963-010		4	DUCT, PRIMARY EXHAUST, LOWER		
4	FL2-6258-000		4	DUCT, PRIMARY EXHAUST, UPPER		
5	FC7-9747-000		4	BUSHING		
6	FS2-6022-000		3	BUSHING, COP		
7	FM4-6257-000		4	CONNECTING PCB ASS'Y		
8	FC2-2121-000		4	WASHER		
9	FC6-8483-000		3	LEVER, INNER COVER		
10	FC6-8484-000		3	STOPPER, INNER COVER		
11	VS1-7164-024		4	CONNECTOR, SNAP TIGHT, 24P, W		
12	FC5-8890-000		4	KNOB, DRUM SHAFT		
13	VS1-7164-038		4	CONNECTOR, SNAP TIGHT, 38P, W		
14	FS6-8822-000		1	LABEL, 'WARNIG LASER'		
15	FU5-9234-000		2	SCREW, STEPPED,M4(YELLOW)		
16	FU5-9226-000		4	SCREW, WWASHER, M4X16(YELLOW)		
17	FU5-8547-000		1	LABEL, WIRE HEIGHT		
18	FU5-9224-000		4	SCREW, BH4X6(YELLOW)		
19	FC0-4129-000		8	RAIL, SLIDE		
20	FC7-7542-000		1	COVER, LEVER, 2		
21	FC7-7544-000		1	SHAFT, LEVER TURN, 2		
22	FU5-9225-000		4	SCREW, WWASHER, M4X10(YELLOW)		
23	FC0-4232-000		16	SCREW, BH4X6(YELLOW)		
24	FM4-7143-000		4	POTENTIAL MEASURING UNIT		
25	FM2-7717-000		2	ENVIRONMENT MEASURING PCB UNIT		
26	VS1-7173-014		2	CONNECTOR, SNAP TIGHT, 14P, W		
27	FM4-2575-000		1	POTENTIAL MEASURING ASSEMBLY		
28	FM4-2576-000		1	POTENTIAL MEASURING ASSEMBLY		
29	FM4-2632-000		1	COOLING FAN ASSEMBLY	FM404	
30	VS1-7177-004		2	CONNECTOR, SNAP TIGHT, BK		
31	FM4-2634-000		1	FAN ASSEMBLY, POTENTIAL SENSOR	FM402	

FIGURE & KEY NO.	PARTS NUMBER	R A N K	Q'TY	DESCRIPTION	SERIAL NUMBER/ REMARKS	S V C
32	VS1-7164-028		1	CONNECTOR, SNAP TIGHT, BK		
33	VS1-7173-012		1	CONNECTOR, SNAP TIGHT, 12P, W		



FIGURE 106  
INTERNAL COMPONENTS 6 (Main station)

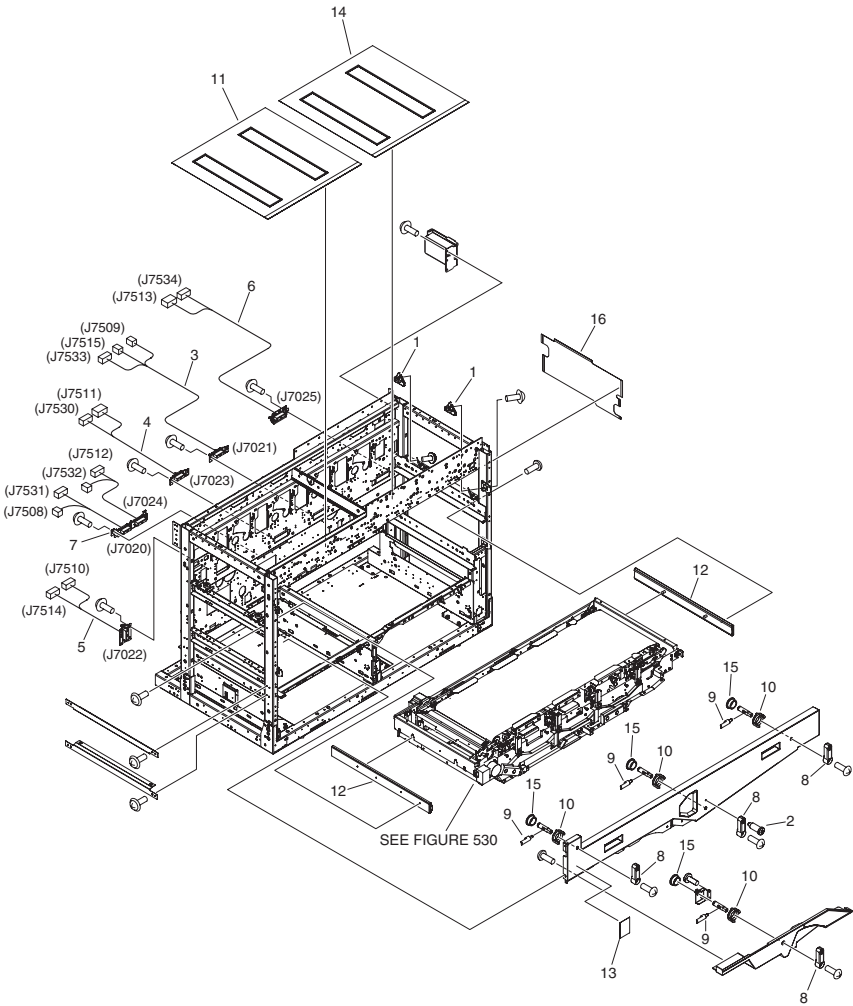


FIGURE & KEY NO.	PARTS NUMBER	R A N K	Q'TY	DESCRIPTION	SERIAL NUMBER/ REMARKS	S V C
Fig.106	NPN		RF	INTERNAL COMPONENTS 6	Main station	
1	FM2-2136-000		2	GUIDE, I.T.B. PUSH-ON		
2	FU5-9234-000		1	SCREW, STEPPED,M4(YELLOW)		
3	FM2-9268-000		1	I.T.B. DRAWER ASSEMBLY, A1		
4	FM2-9269-000		1	I.T.B. DRAWER ASSEMBLY, A2		
5	FM2-9270-000		1	I.T.B. DRAWER ASSEMBLY, B		
6	FM2-9271-000		1	I.T.B. DRAWER ASSEMBLY, C		
7	FM2-9272-000		1	I.T.B. DRAWER ASSEMBLY, D		
8	FC6-8483-000		4	LEVER, INNER COVER		
9	FC6-8484-000		4	STOPPER, INNER COVER		
10	FC7-9747-000		4	BUSHING		
11	FL2-8410-000		1	SHEET, PROCESSOR, LEFT UPPER		
12	FL2-8404-000		2	RAIL		
13	FS6-8822-000		1	LABEL, 'WARNIG LASER'		
14	FL2-8411-000		1	SHEET, PROCESSOR, RIGHT UPPER		
15	FS2-6022-000		4	BUSHING, COP		
16	FC9-6082-000		1	SHEET, RIGHT		

# FIGURE 107 INTERNAL COMPONENTS 7 (Main station)

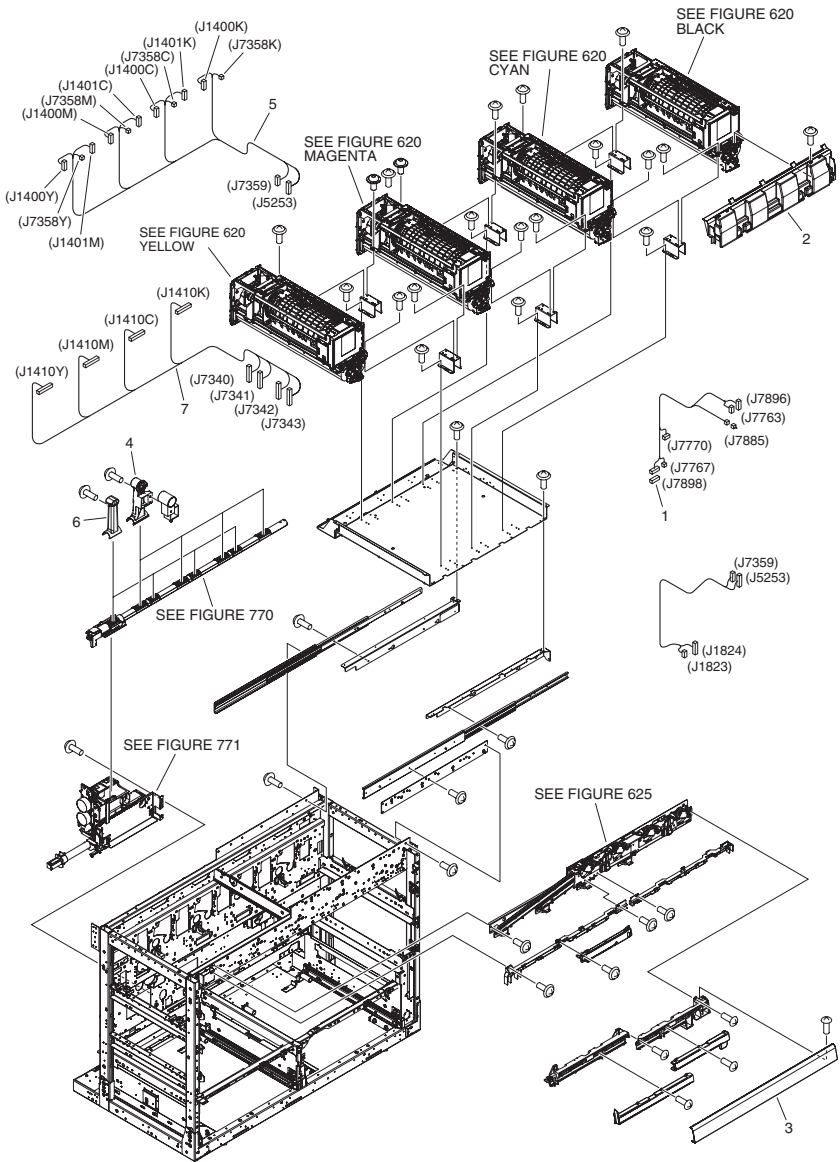


FIGURE & KEY NO.	PARTS NUMBER	RANK	Q'TY	DESCRIPTION	SERIAL NUMBER/REMARKS	SVC
Fig.107	NPN		RF	INTERNAL COMPONENTS 7	Main station	
1	VS1-7177-006		1	CONNECTOR, SNAP TIGHT, BK		
2	FC6-3199-000		1	COVER, HOPPER INNER		
3	FC7-7551-000		1	COVER, EXTERNAL, BOOK RT. UP.		
4	FL3-0541-000		4	WASTE TONER JOINT ASSEMBLY		
5	FM2-8631-000		1	CABLE ASSEMBLY		
6	FC9-6003-000		4	PIPE, JOINT		
7	FM2-8668-000		1	CABLE, HOPPER DRIVE SIGNAL		

FIGURE 108  
MACHINE REAR PLATE 1 (Main station)

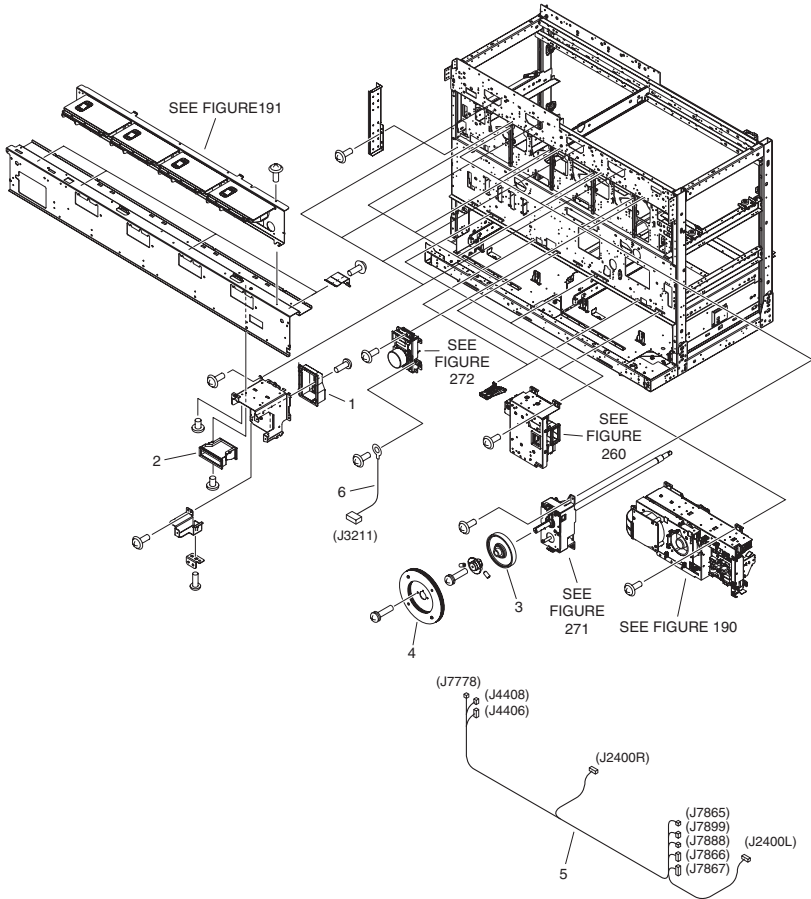


FIGURE & KEY NO.	PARTS NUMBER	RANK	Q'TY	DESCRIPTION	SERIAL NUMBER/REMARKS	SVC
Fig.108	NPN		RF	MACHINE REAR PLATE 1	Main station	
1	FL2-1917-000		4	DUCT, EXHAUST CONNECT, IN		
2	FL2-1918-000		4	DUCT, EXHAUST CONNECT, OUT		
3	FL3-0561-010		4	GEAR, 192T		
4	FC8-6789-000		4	FLYWHEEL		
5	FM2-8618-000		1	CABLE, DECK/CST./READER, AC		
6	FM2-8490-000		1	CABLE, HIGH VOLTAGE, 5	YELLOW	
6	FM2-8491-000		3	CABLE, HIGH VOLTAGE, 5	MAGENTA/CYAN/BLACK	

# FIGURE 109 MACHINE REAR PLATE 2 (Main station)

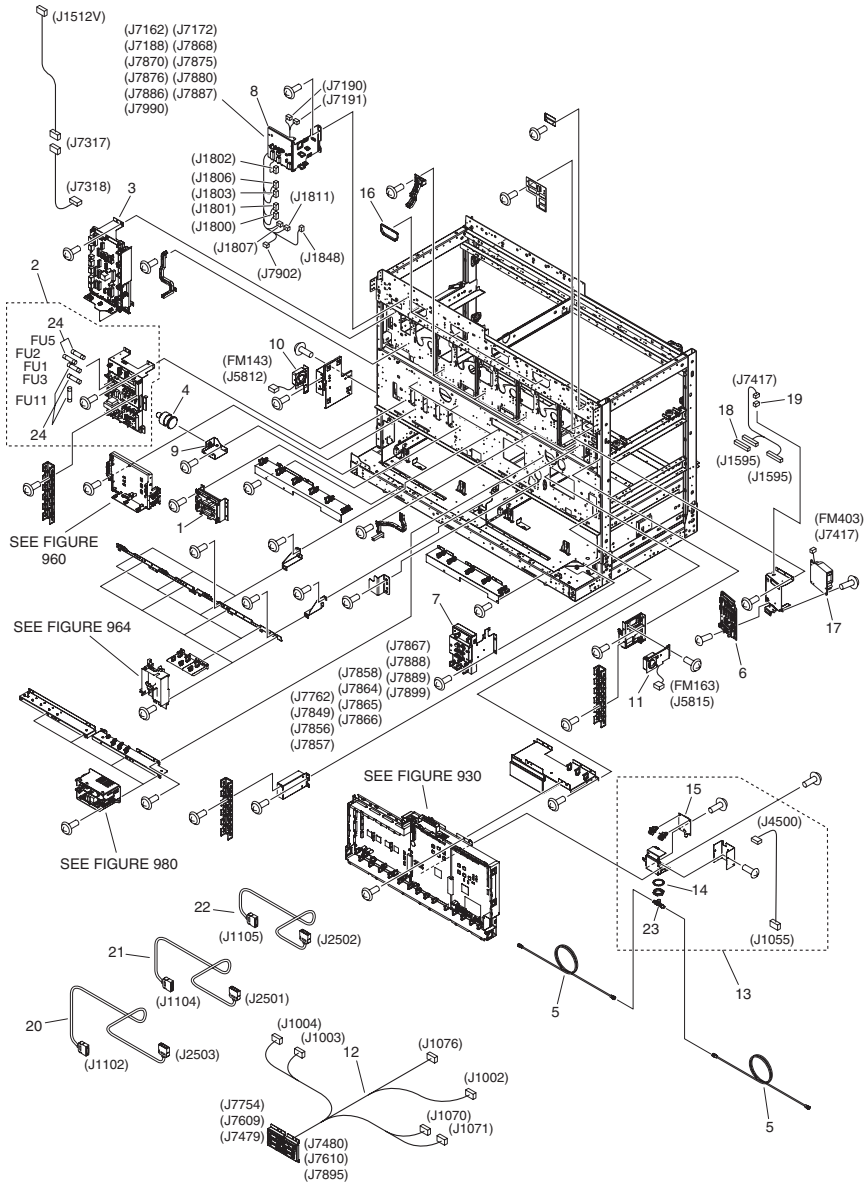


FIGURE & KEY NO.	PARTS NUMBER	R A N K	Q'TY	DESCRIPTION	SERIAL NUMBER/REMARKS	S V C
Fig.109	NPN		RF	MACHINE REAR PLATE 2	Main station	
1	FM2-2252-000		1	DC CONT. POWER PCB ASS'Y		
2	FM4-2615-000		1	ENV. HEATER DRIVER PCB ASS'Y		
3	FM4-2616-010		1	POWER SUPPLY CONNECT PCB ASS'Y		
4	WS6-5201-000		1	TERMINATOR		
5	FK2-7518-000		2	CABLE, BNC		
6	FM4-2617-000		1	FIXING/FEEDER DRIVER PCB ASS'Y		
7	FM2-2261-000		1	AC CABLE MOUNT ASSEMBLY		
8	FM2-2262-000		1	DC CABLE MOUNT ASSEMBLY		
9	FM2-9050-000		1	CONNECTOR ASSEMBLY		
10	FM2-9052-000		1	COOLING FAN ASSEMBLY, 1	FM143	
11	FM2-9053-000		1	COOLING FAN ASSEMBLY, 2	FM163	
12	FM2-9287-000		1	DRAWER ASSEMBLY		
13	FM2-9073-000		1	TRANSCEIVER PCB ASSEMBLY		
14	FC7-0616-000		1	WASHER, TOOTHED LOCK		
15	FM3-8441-000		1	INTERFACE PCB ASSEMBLY		
16	FC6-0175-000		4	BUSHING, MOUNT		
17	FK2-3098-010		4	FAN	FM403	
18	VS1-7164-032		1	CONNECTOR, SNAP TIGHT, 32P, W		
19	VS1-7177-004		1	CONNECTOR, SNAP TIGHT, BK		
20	FK2-3115-000		1	CABLE, DDI-P, 1		
21	FK2-3116-000		1	CABLE, DDI-P, 2		
22	FK2-3117-000		1	CABLE, DDI-P, 3		
23	WS6-5200-000		1	CONNECTOR		
24	VD7-2892-001		5	FUSE, 2A, 250V	FU1,FU2,FU3,FU5,FU11	



FIGURE 111  
EXTERNAL COVERS, PANELS, ETC. (Sub station)

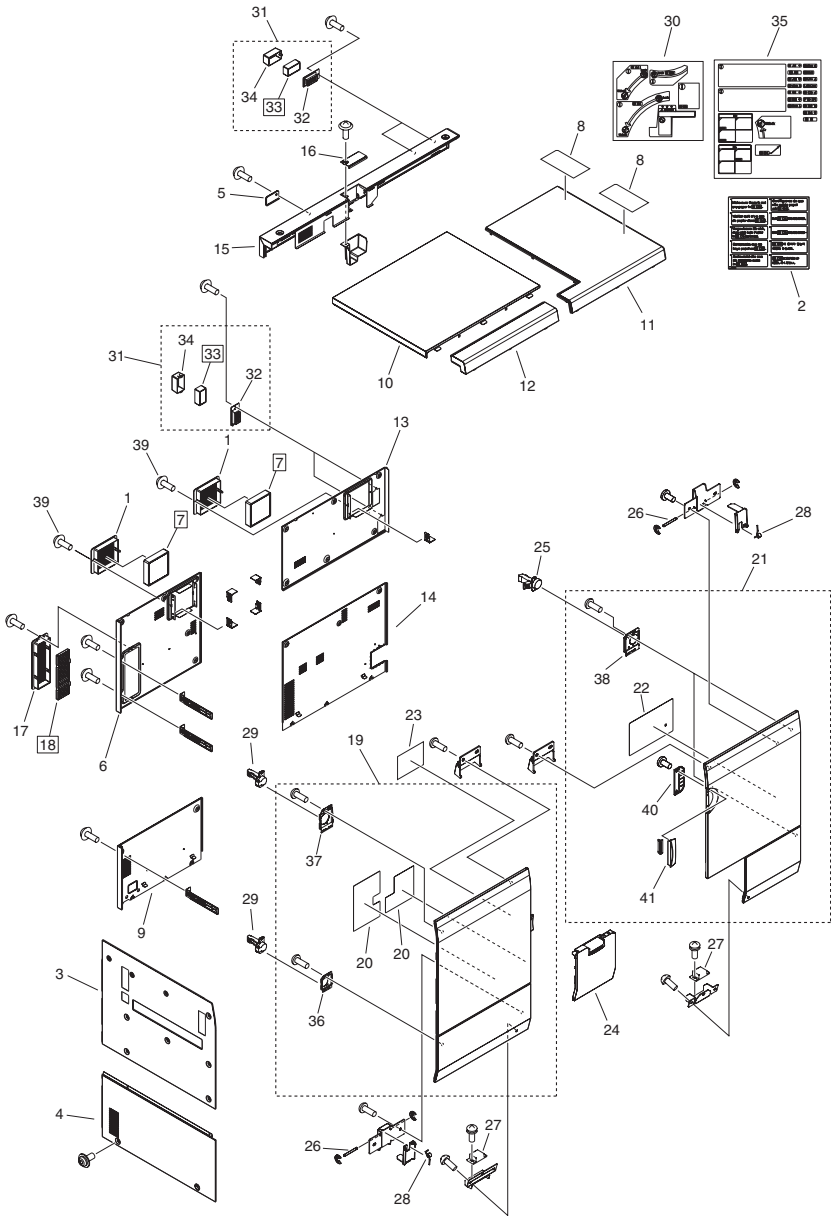
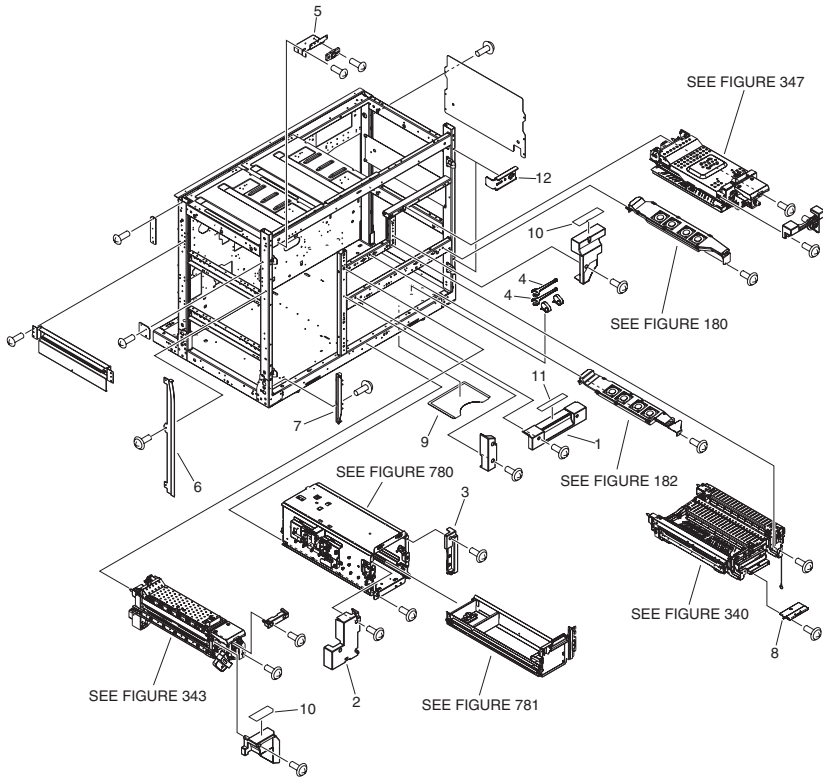


FIGURE & KEY NO.	PARTS NUMBER	R A N K	Q'TY	DESCRIPTION	SERIAL NUMBER/ REMARKS	S V C
Fig.111	NPN		RF	EXTERNAL COVERS, PANELS, ETC.	Sub station	
1	FC6-2034-000		2	COVER, FIXING FILTER		
2	FC9-6099-000		1	LABEL, JAM CLEARING		
3	FC6-8337-000		1	PANEL, LEFT, UPPER		
4	FC6-8338-000		1	PANEL, LEFT, LOWER		
5	FC6-8341-000		1	COVER, TOP PLATE BLANKING		
6	FC7-1892-000		1	COVER, REAR, LEFT UPPER		
7	FC6-2035-000		2	FILTER, OZONE	[DP]	
8	FC9-6105-000		2	LABEL, CAUTION		
9	FL2-7887-000		1	COVER, REAR, LEFT LOWER		
10	FL2-1877-000		1	COVER, LEFT UPPER		
11	FL2-1878-000		1	COVER, RIGHT UPPER		
12	FL2-1879-000		1	COVER, LEFT UPPER, FRONT		
13	FL2-2080-000		1	PANEL, REAR, RIGHT UPPER		
14	FL2-2081-000		1	PANEL, REAR, RIGHT LOWER		
15	FL3-2895-000		1	COVER, REAR UPPER		
16	FL2-4182-000		1	COVER, BLANKING, REAR UPPER		
17	FC5-9987-000		1	COVER, PAPER DELIVERY FILTER		
18	FC5-9988-000		1	FILTER, DELIVERY ELECTROSTATIC	[DP]	
19	FM3-0290-000		1	DOOR, LEFT		
20	FC7-5642-010		1	LABEL, FRONT DOOR, LEFT		
21	FM3-0287-000		1	DOOR, RIGHT		
22	FC7-5641-010		1	LABEL, FRONT DOOR, RIGHT		
23	FC7-5678-010		1	LABEL, OPERATION, 3	Japanese	
23	FC7-5679-010		1	LABEL, OPERATION, 3	English	
23	FC7-5680-010		1	LABEL, OPERATION, 3	French	
23	FC7-5681-010		1	LABEL, OPERATION, 3	German	
23	FC7-5682-010		1	LABEL, OPERATION, 3	Italian	
23	FC7-5683-010		1	LABEL, OPERATION, 3	Spanish	
23	FC7-5684-010		1	LABEL, OPERATION, 3	Portuguese	
24	FM2-2071-000		1	COVER, WASTE TONER BOTTLE		
25	FC7-3458-000		2	HINGE		

FIGURE & KEY NO.	PARTS NUMBER	R A N K	Q'TY	DESCRIPTION	SERIAL NUMBER/ REMARKS	S V C
26	FC7-4576-000		2	SHAFT, SWING		
27	XZ9-0614-000		2	CATCH, MAGNET		
28	FU6-2544-000		2	SPRING, TORSION		
29	FC5-8660-000		2	LOCK, ONE-TOUCH		
30	FC7-5658-010		1	LABEL, OPERATION, 2	Japanese	
30	FC7-5659-010		1	LABEL, OPERATION, 2	English	
30	FC7-5660-010		1	LABEL, OPERATION, 2	French	
30	FC7-5661-010		1	LABEL, OPERATION, 2	German	
30	FC7-5662-010		1	LABEL, OPERATION, 2	Italian	
30	FC7-5663-010		1	LABEL, OPERATION, 2	Spanish	
30	FC7-5664-010		1	LABEL, OPERATION, 2	Portuguese	
31	FM2-2323-000		4	FILTER, AIR		
32	FC6-8137-000		4	BASE, FILTER		
33	FC6-8133-000		4	FILTER, OZONE	[DP]	
34	FC6-8138-000		4	COVER, FILTER		
35	FC7-5657-010		1	LABEL, OPERATION, 1		
36	FC6-3133-000		1	SUPPORT, HINGE MOUNTING, 1		
37	FC6-3134-000		1	SUPPORT, HINGE MOUNTING, 2		
38	FC7-3455-000		2	SUPPORT, HINGE MOUNTING, 4		
39	FU5-9230-000		6	SCREW, TP, M4X8(YELLOW)		
40	FC6-8033-000		1	GRIP		
41	FC6-3160-000		1	HANDLE		

# FIGURE 112 INTERNAL COMPONENTS 1 (Sub station)

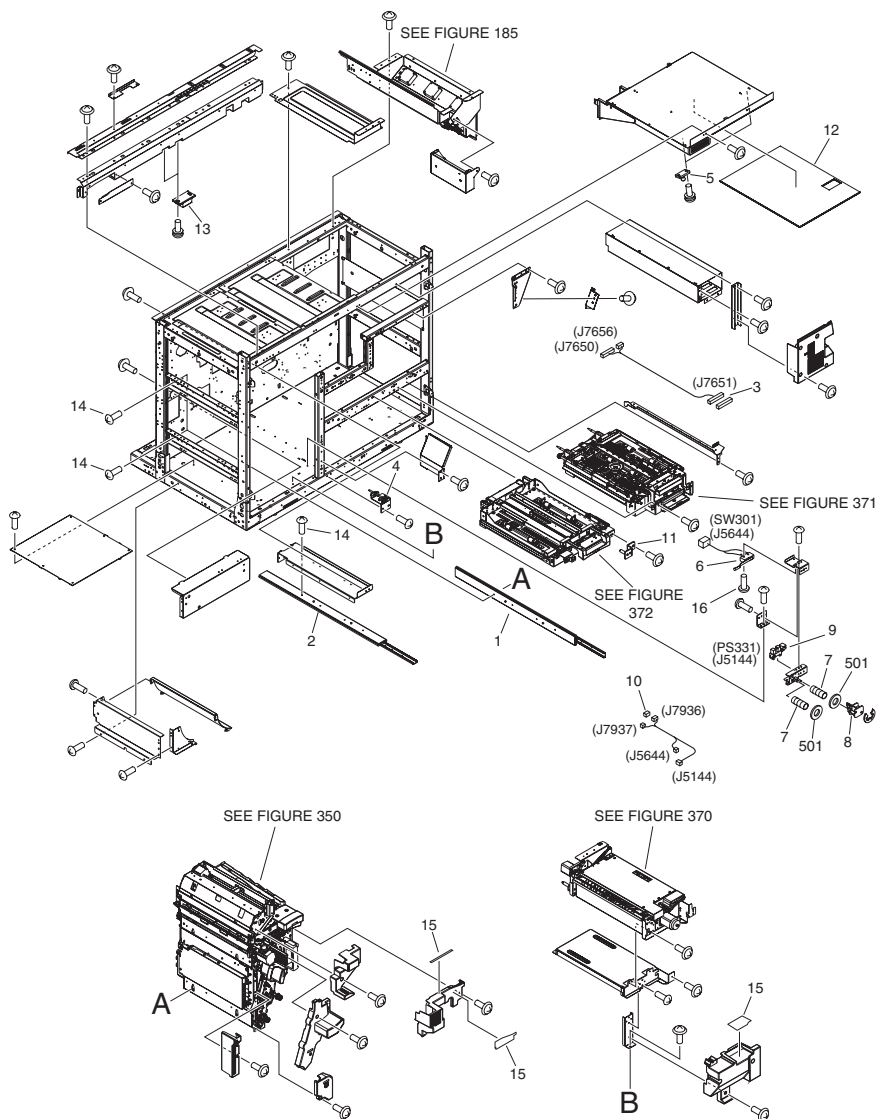


NOTE : Several kinds of labels are attached on the board for the parts of Key No. 10. The same parts as Fig-Key No. 113-15, 344-11, 348-12, 351-33, 370-44 and 372-22.

注 : Key No. 10の部品は台紙に数種類のラベルが付いています。Fig-Key No. 113-15, 344-11, 348-12, 351-33, 370-44, 372-22と同一部品です。

FIGURE & KEY NO.	PARTS NUMBER	R A N K	Q'TY	DESCRIPTION	SERIAL NUMBER/ REMARKS	S V C
Fig.112	NPN		RF	INTERNAL COMPONENTS 1	Sub station	
1	FC6-8326-000		1	COVER, DUPLEXING, LEFT		
2	FC6-8446-000		1	COVER, WASTE TONER, LEFT		
3	FC6-8447-000		1	COVER, WASTE TONER, RIGHT		
4	FC7-5711-000		2	SPANNER		
5	FC6-2389-000		1	PLATE, DELIVERY POSITION, FR.		
6	FC6-8339-000		1	COVER, BLANKING, UPPER		
7	FC6-8340-000		1	COVER, BLANKING, LOWER		
8	FC6-0036-000		1	GRIP, DUPLEXING HANDLE		
9	FC5-1146-000		1	HOLDER, SERVICE BOOK		
10	FC8-2966-010		1	LABEL, SUB STATION LANGUAGE 2	SEE NOTE Japanese	
10	FC8-2967-010		1	LABEL, SUB STATION LANGUAGE 2	SEE NOTE English	
10	FC8-2968-010		1	LABEL, SUB STATION LANGUAGE 2	SEE NOTE French	
10	FC8-2971-010		1	LABEL, SUB STATION LANGUAGE 2	SEE NOTE Spanish	
10	FC8-2972-010		1	LABEL, SUB STATION LANGUAGE 2	SEE NOTE Portuguese	
10	FC8-2969-010		1	LABEL, SUB STATION LANGUAGE 2	SEE NOTE German	
10	FC8-2970-010		1	LABEL, SUB STATION LANGUAGE 2	SEE NOTE Italian	
11	FC8-2976-010		1	LABEL, HAND STUCK WARNING	Japanese	
11	FC8-2977-010		1	LABEL, HAND STUCK WARNING	English	
11	FC8-2978-010		1	LABEL, HAND STUCK WARNING	French	
11	FC8-2979-010		1	LABEL, HAND STUCK WARNING	German	
11	FC8-2980-010		1	LABEL, HAND STUCK WARNING	Italian	
11	FC8-2981-010		1	LABEL, HAND STUCK WARNING	Spanish	
11	FC8-2982-010		1	LABEL, HAND STUCK WARNING	Portuguese	
12	FC6-8313-000		2	PLATE, FRAME JOINT		

# FIGURE 113 INTERNAL COMPONENTS 2 (Sub station)



NOTE : Several kinds of labels are attached on the board for the parts of Key No. 15. The same parts as Fig-Key No. 112-10, 344-11, 348-12, 351-33, 370-44 and 372-22.

注 : Key No. 15の部品は台紙に数種類のラベルが付いています。Fig-Key No. 112-10, 344-11, 348-12, 351-33, 370-44, 372-22と同一部品です。

FIGURE & KEY NO.	PARTS NUMBER	R A N K	Q'TY	DESCRIPTION	SERIAL NUMBER/ REMARKS	S V C
Fig.113	NPN		RF	INTERNAL COMPONENTS 2	Sub station	
1	FC7-4043-000		2	RAIL, PAPER DELIVERY SLIDE, 1		
2	FC7-4044-000		1	RAIL, PAPER DELIVERY SLIDE, 2		
3	VS1-7173-016		1	CONNECTOR, SNAP TIGHT, 16P, W		
4	FM3-0293-000		1	INTERLOCK PUSH UNIT		
5	FC7-4941-000		2	LATCH, PUSH		
6	RH7-6037-000		1	SWITCH, INTERLOCK	SW301	
7	FU5-2954-000		2	SPRING, COMPRESSION		
8	FC6-3173-000		1	BUTTON, SWITCH		
9	FK2-0149-000		1	PHOTO-INTERRUPTER, TLP1252(C6)	PS331	
10	VS1-7177-003		1	CONNECTOR, SNAP TIGHT, BK		
11	FL2-2293-000		1	LOCK, PAPER FEED, LOWER		
12	FC6-2040-000		1	SHEET, HEAT INSULATING		
13	XZ9-0614-000		2	CATCH, MAGNET		
14	XA9-1788-000		AR	SCREW, MACH., TRUSS HEAD, M4X6		
15	FC8-2966-010		1	LABEL, SUB STATION LANGUAGE 2	SEE NOTE Japanese	
15	FC8-2967-010		1	LABEL, SUB STATION LANGUAGE 2	SEE NOTE English	
15	FC8-2968-010		1	LABEL, SUB STATION LANGUAGE 2	SEE NOTE French	
15	FC8-2971-010		1	LABEL, SUB STATION LANGUAGE 2	SEE NOTE Spanish	
15	FC8-2972-010		1	LABEL, SUB STATION LANGUAGE 2	SEE NOTE Portuguese	
15	FC8-2969-010		1	LABEL, SUB STATION LANGUAGE 2	SEE NOTE German	
15	FC8-2970-010		1	LABEL, SUB STATION LANGUAGE 2	SEE NOTE Italian	
16	XA9-0554-000		2	SCREW, MACH., TRUSS HEAD		
501	XD1-1104-122		2	SHIM		

# FIGURE 114 INTERNAL COMPONENTS 3 (Sub station)

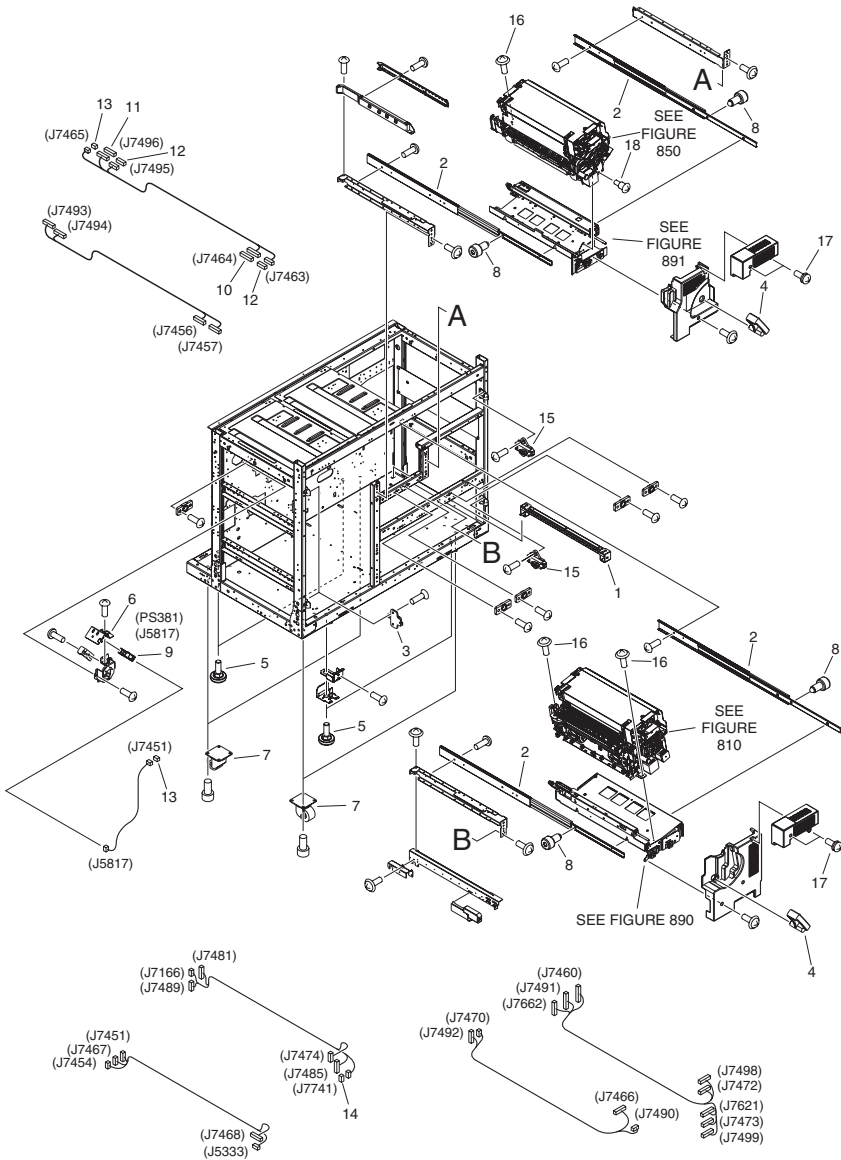




FIGURE & KEY NO.	PARTS NUMBER	R A N K	Q'TY	DESCRIPTION	SERIAL NUMBER/ REMARKS	S V C
Fig.114	NPN		RF	INTERNAL COMPONENTS 3	Sub station	
1	FM2-5147-000		1	VERTICAL PATH HANDLE ASSEMBLY		
2	FC7-3090-000		4	RAIL, FIXING SLIDE		
3	FC5-8661-000		2	PLATE, MOUNTING		
4	FB2-3159-000		2	LEVER, LIFTER		
5	FE3-7639-000		4	ADJUSTER		
6	FM3-2132-000		1	FLAG UNIT		
7	XZ9-0565-000		4	CASTER		
8	FU5-9208-000		4	SCREW, STEPPED, M4		
9	FK2-0149-000		1	PHOTO-INTERRUPTER, TLP1252(C6)	PS381	
10	VS1-7173-012		1	CONNECTOR, SNAP TIGHT, 12P, W		
11	VS1-7173-009		1	CONNECTOR, SNAP TIGHT, 9P, W		
12	VS1-7173-006		2	CONNECTOR, SNAP TIGHT, 6P, W		
13	VS1-7173-003		2	CONNECTOR, SNAP TIGHT, 3P, W		
14	VS1-7173-004		1	CONNECTOR, SNAP TIGHT		
15	FC0-8818-000		2	PLATE, MOUNTING		
16	XA9-1249-010		3	SCREW,TP M4X8		
17	FU5-9225-000		4	SCREW, W/WASHER, M4X10(YELLOW)		
18	FS1-9053-020		1	SCREW,STEPPED,M4		

# FIGURE 115 MACHINE REAR PLATE 1 (Sub station)

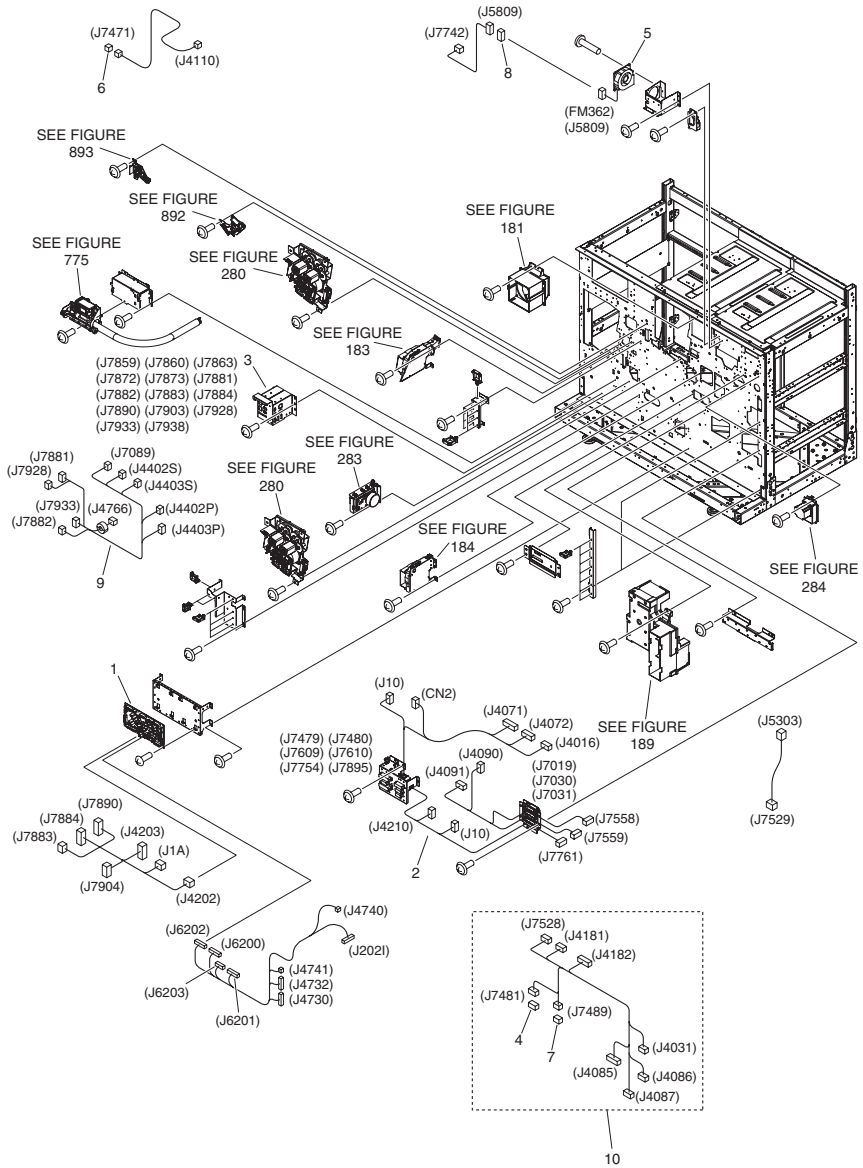


FIGURE & KEY NO.	PARTS NUMBER	RANK	Q'TY	DESCRIPTION	SERIAL NUMBER/REMARKS	SVC
Fig.115	NPN		RF	MACHINE REAR PLATE 1	Sub station	
1	FM4-6256-000		1	FIXING LIMITER PCB ASSEMBLY		
2	FM2-9289-000		1	CABLE, FIXING DUPLEXING DRAWER		
3	FM2-9290-000		1	CONNECTOR MOUNT UNIT		
4	VS1-7177-009		1	CONNECTOR, 9P		
5	FK2-3098-010		1	FAN	FM362	
6	VS1-7177-002		1	CONNECTOR, SNAP TIGHT, BK		
7	VS1-7177-006		1	CONNECTOR, SNAP TIGHT, BK		
8	VS1-7177-004		1	CONNECTOR, SNAP TIGHT, BK		
9	FM4-6305-000		1	CABLE, HEATER AC		
10	FM2-8814-000		1	CABLE, FIXING DUPLEXING, RIGHT		

# FIGURE 116 MACHINE REAR PLATE 2 (Sub station)

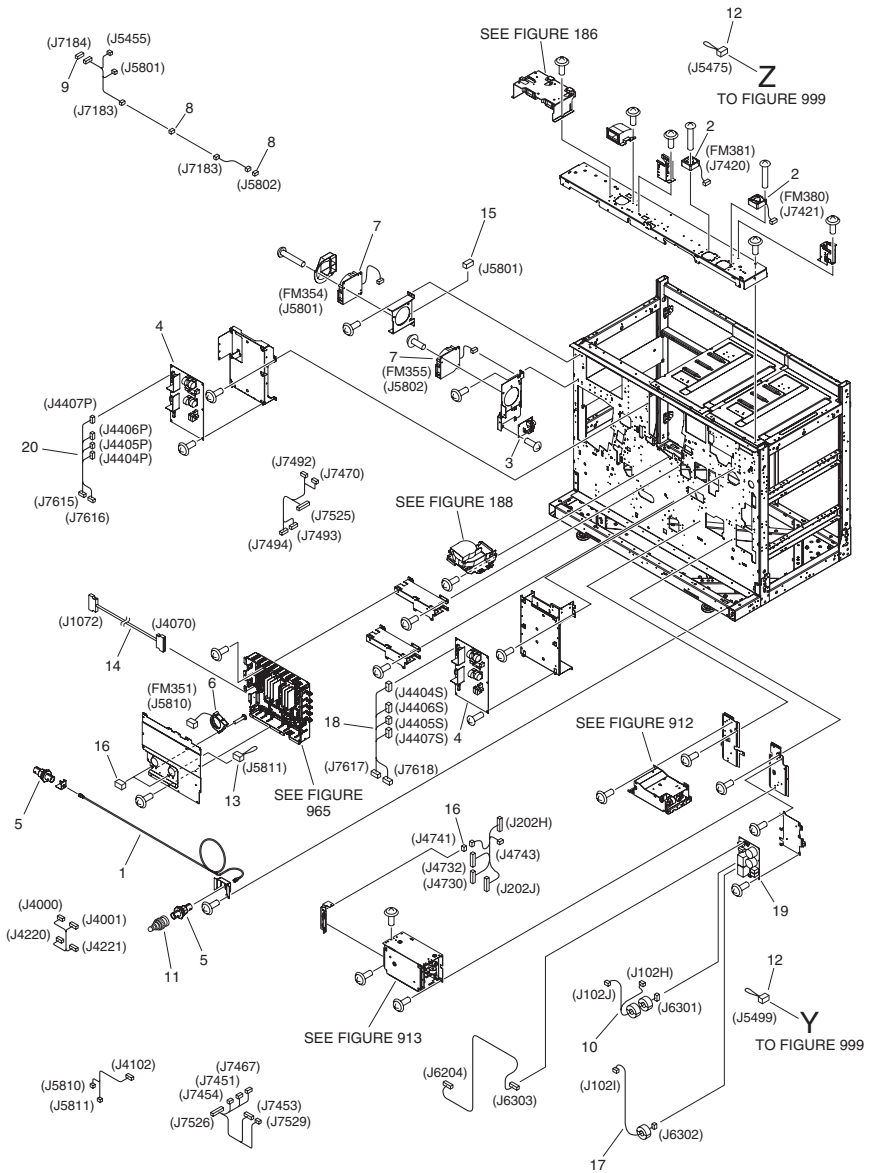


FIGURE & KEY NO.	PARTS NUMBER	R A N K	Q'TY	DESCRIPTION	SERIAL NUMBER/ REMARKS	S V C
Fig.116	NPN		RF	MACHINE REAR PLATE 2	Sub station	
1	FK2-7518-000		1	CABLE, BNC		
2	FK2-3100-000		2	FAN	FM380,FM381	
3	FM2-0848-000		1	DC-DC CONVERTER PCB ASSEMBLY 2		
4	FM2-8312-000		2	FIXING AC PCB ASSEMBLY		
5	WS6-5209-000		2	CONNECTOR, COAXIAL		
6	FK3-0827-000		1	FAN	FM351	
7	FK2-3098-010		2	FAN	FM354,FM355	
8	VS1-7177-004		2	CONNECTOR, SNAP TIGHT, BK		
9	VS1-7177-011		1	CONNECTOR, SNAP TIGHT, 11P, BK		
10	FM4-6301-000		1	CABLE, FIXING POWER SUPPLY, AC		
11	WS6-5201-000		1	TERMINATOR		
12	FM3-4699-000		2	CONNECTOR, SHORT		
13	FM3-6951-000		1	CONNECTOR, SHORT		
14	FK2-3122-000		1	CABLE, SERIAL		
15	VS1-7440-004		1	CONNECTOR, SNAP TIGHT		
16	VS1-7177-003		3	CONNECTOR, SNAP TIGHT, BK		
17	FM4-6303-000		1	CABLE, AC		
18	FM2-8764-000		1	CABLE, FIXING DRAWER RELAY		
19	FM4-6255-000		1	FIXING RELAY PCB ASSEMBLY		
20	FM2-8763-000		1	CABLE, FIXING DRAWER RELAY		

# FIGURE 120 POWER STATION COVER ASSEMBLY

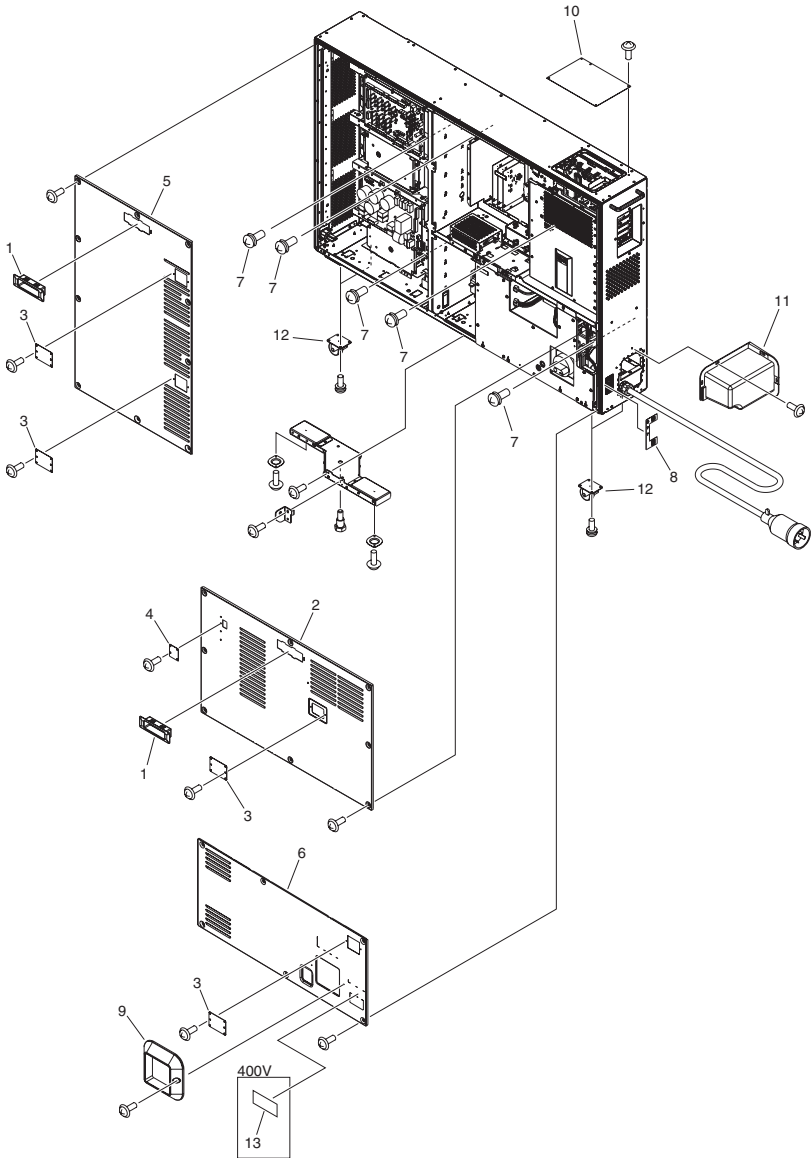


FIGURE & KEY NO.	PARTS NUMBER	R A N K	Q'TY	DESCRIPTION	SERIAL NUMBER/ REMARKS	S V C
Fig.120	NPN		RF	POWER STATION COVER ASSEMBLY		
1	FC6-8948-000		2	HANDLE		
2	FC7-2241-000		1	COVER, REAR,1		
3	FC7-4917-000		4	COVER, SWITCH		
4	FC7-7506-000		1	COVER, OPTION		
5	FC7-2244-000		1	COVER, REAR,2		
6	FC7-2243-000		1	COVER, REAR,3		
7	XA9-0940-000		5	SCREW, WWASHER, M4X12		
8	FC7-7030-010		1	LABEL, ENVIRONMENT SWITCH		
9	FC7-7043-000		1	PANEL, HANDLE PROTECTION		
10	FC7-0947-000		1	COVER, HDD		
11	FL3-6099-000		1	COVER, CABLE		
12	XZ9-0618-000		4	CASTER		
13	FU5-8560-000		1	LABEL,GROUNDING CAUTION	400V	

# FIGURE 121 POWER STATION ASSEMBLY

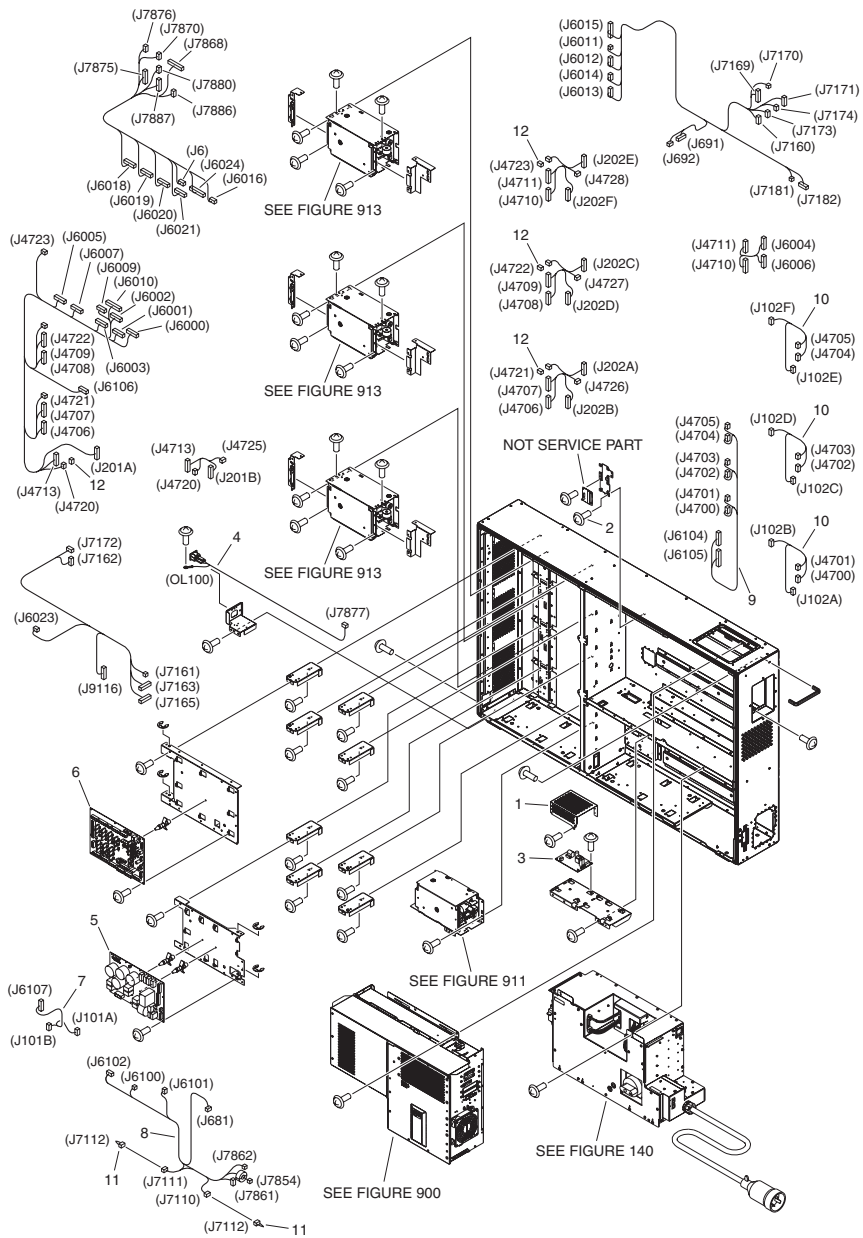




FIGURE & KEY NO.	PARTS NUMBER	RANK	Q'TY	DESCRIPTION	SERIAL NUMBER/REMARKS	SVC
Fig.121	NPN		RF	POWER STATION ASSEMBLY		
1	FC7-4919-000		1	COVER, POWER SUPPLY		
2	XA9-1249-010		2	SCREW,TP M4X8		
3	FK2-2858-000		1	EVERYNIGHT POWER PCB ASSEMBLY		
4	FM2-8832-000		1	CABLE, POD OUTLET	OL100	
5	FM4-6253-000		1	RELAY PCB ASSEMBLY		
6	FM4-6254-000		1	LIMITER PCB ASSEMBLY		
7	FM4-6291-000		1	CABLE, AC, 12V		
8	FM4-6292-000		1	CABLE, AC INPUT		
9	FM4-6293-000		1	CABLE, POWER SUPPLY, 24V		
10	FM4-6296-000		3	CABLE, POWER SUPPLY AC CONNECT		
11	FM4-6298-000		2	CABLE, AC, SHORT		
12	VS1-7177-003		4	CONNECTOR, SNAP TIGHT, BK		

# FIGURE 125 MAIN INTERLOCK SWITCH UNIT

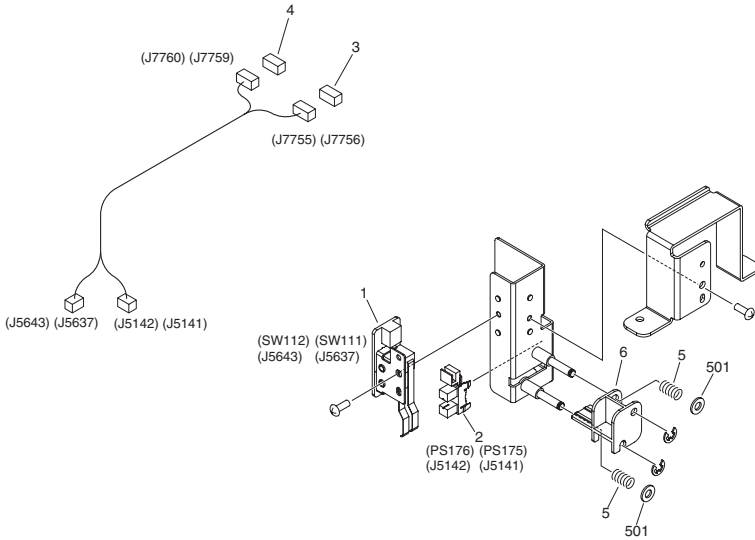


FIGURE & KEY NO.	PARTS NUMBER	RANK	Q'TY	DESCRIPTION	SERIAL NUMBER/REMARKS	SVC
Fig.125	FM2-9296-000		2	INTERLOCK SWITCH ASSEMBLY		
1	FM2-8314-000		1	DOUBLE SWITCH PCB ASSEMBLY	SW111,SW112	
2	FK2-0149-000		1	PHOTO-INTERRUPTER, TLP1252(C6)	PS175,PS176	
3	VS1-7177-003		1	CONNECTOR, SNAP TIGHT, BK		
4	VS1-7177-004		1	CONNECTOR, SNAP TIGHT, BK		
5	FU5-2954-000		2	SPRING, COMPRESSION		
6	FC6-3173-000		1	BUTTON, SWITCH		
501	XD1-1104-122		2	SHIM		

# FIGURE 126 DRUM HEATER INTERLOCK SW.ASS'Y

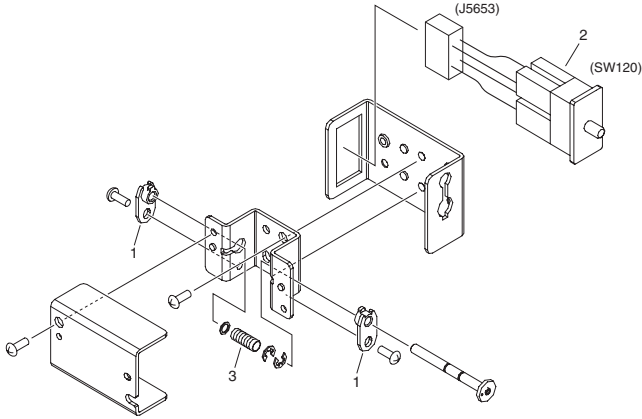
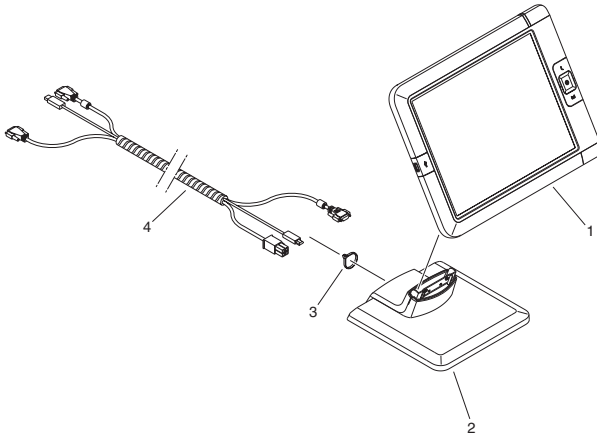


FIGURE & KEY NO.	PARTS NUMBER	RANK	Q'TY	DESCRIPTION	SERIAL NUMBER/REMARKS	SVC
Fig.126	FM2-9297-000		1	DRUM HEATER INTERLOCK SW.ASS'Y		
1	FC6-3181-000		2	CATCH, INTERLOCK ROD		
2	FM3-0420-000		1	DRUM HEATER ASSEMBLY	SW120	
3	FU5-2954-000		1	SPRING, COMPRESSION		

# FIGURE 130 OPERATOR PANEL



Copyright 2011 Océ.

FIGURE & KEY NO.	PARTS NUMBER	RANK	Q'TY	DESCRIPTION	SERIAL NUMBER/REMARKS	SVC
Fig.130	NPN		RF	OPERATOR PANEL		
1	1070003522		1	USER INTERFACE PANEL TYPE 4		
2	1060115901		1	COVER, UI		
3	1201205		1	TIE, CABLE-140		
4	1060127733		1	HARNESS, UI		

# FIGURE 140 POWER CORD TERMINAL ASSEMBLY

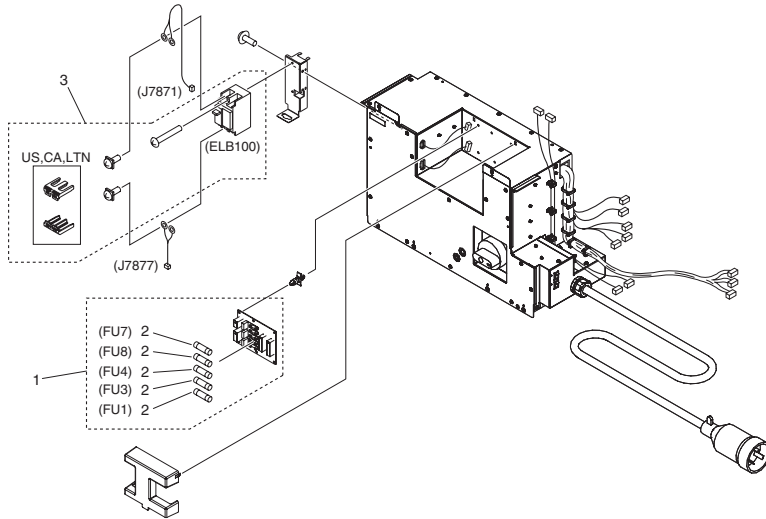


FIGURE & KEY NO.	PARTS NUMBER	RANK	Q'TY	DESCRIPTION	SERIAL NUMBER/REMARKS	SVC
Fig.140	FM4-7145-000		1	POWER CORD TERMINAL ASSEMBLY	200V	
Fig.140	FM4-7147-000		1	POWER CORD TERMINAL ASSEMBLY	208V C7010VPS,C6010VPS	
Fig.140	FM4-7150-000		1	POWER CORD TERMINAL ASSEMBLY	208V C6010S	
Fig.140	FM4-7148-000		1	POWER CORD TERMINAL ASSEMBLY	400V	
1	FM2-7715-000		1	HEATER CONNECTING PCB ASSEMBLY		
2	VD7-2892-001		5	FUSE, 2A, 250V	FU1,3,4,7,8	
3	VD7-3011-502		1	BREAKER	ELB100 US,CA,LTN	
3	WD3-5127-000		1	BREAKER	ELB100 JP,EUR,AU,LTN	

# FIGURE 180 FIXING BELT COOLING FAN ASS'Y

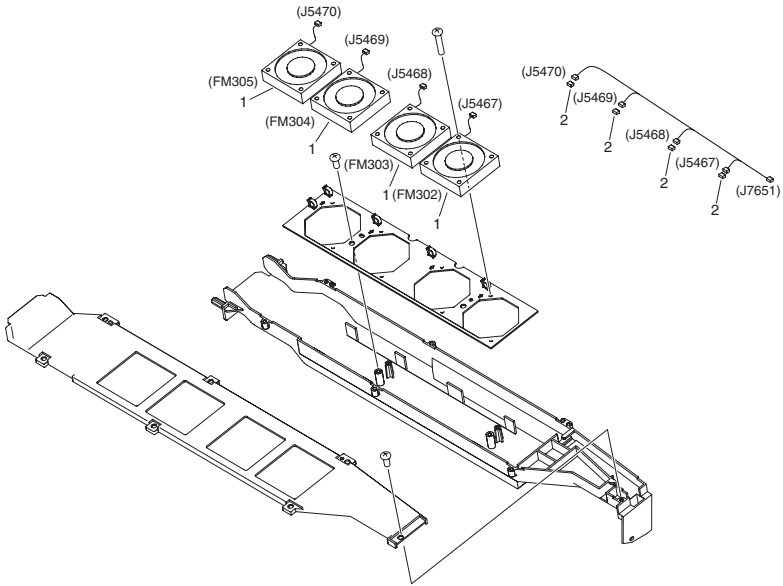


FIGURE & KEY NO.	PARTS NUMBER	RANK	Q'TY	DESCRIPTION	SERIAL NUMBER/REMARKS	SVC
Fig.180	FM2-2211-000		1	FIXING BELT COOLING FAN ASS'Y		
1	FK2-3101-000		4	FAN	FM302,FM303,FM304,FM305	
2	VS1-7177-004		4	CONNECTOR, SNAP TIGHT, BK		

# FIGURE 181 COOLING FAN ASS'Y, 2

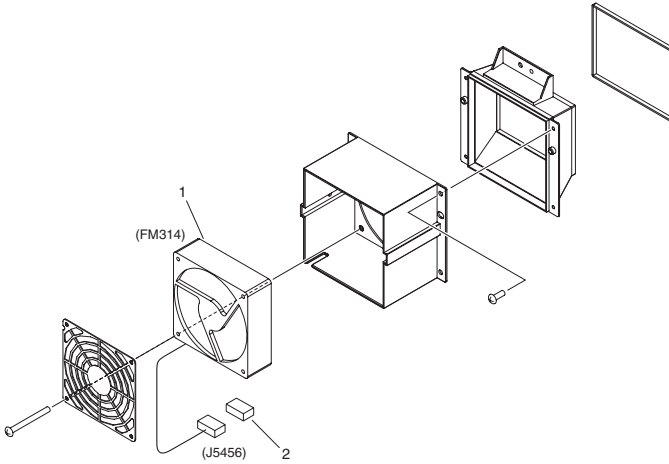


FIGURE & KEY NO.	PARTS NUMBER	R A N K	Q'TY	DESCRIPTION	SERIAL NUMBER/REMARKS	S V C
Fig.181	FM2-2202-000		1	COOLING FAN ASS'Y, 2		
1	FK2-3150-000		1	FAN	FM314	
2	VS1-7177-003		1	CONNECTOR, SNAP TIGHT, BK		

# FIGURE 182 ROLLER COOLING FAN ASSEMBLY

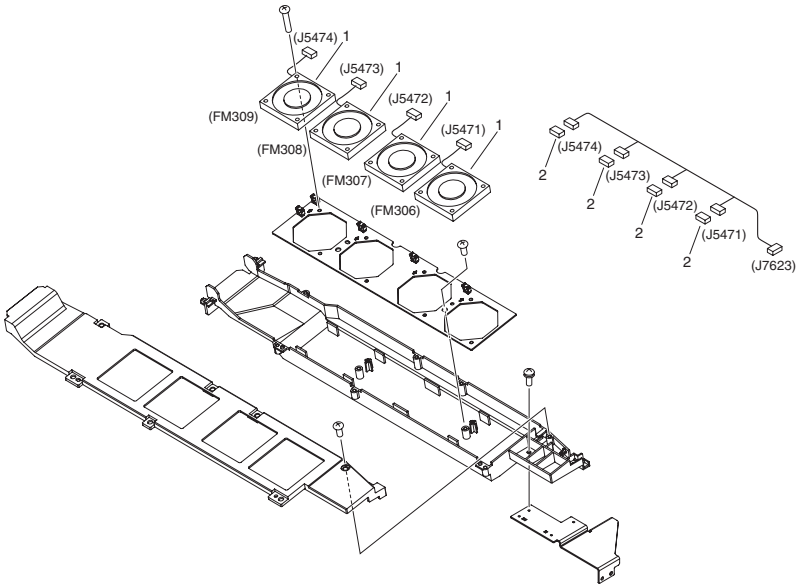


FIGURE & KEY NO.	PARTS NUMBER	RANK	QTY	DESCRIPTION	SERIAL NUMBER/REMARKS	SVC
Fig.182	FM2-2212-000		1	ROLLER COOLING FAN ASSEMBLY		
1	FK2-3102-000		4	FAN	FM306,FM307,FM308,FM309	
2	VS1-7177-003		4	CONNECTOR, SNAP TIGHT, BK		



# FIGURE 183 FIRST FIXING FAN ASSEMBLY

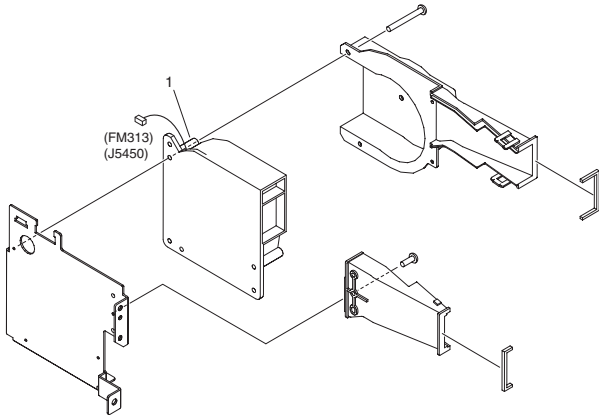


FIGURE & KEY NO.	PARTS NUMBER	RANK	Q'TY	DESCRIPTION	SERIAL NUMBER/REMARKS	SVC
Fig.183	FM2-2213-010		1	FIRST FIXING FAN ASSEMBLY		
1	FK2-3098-010		1	FAN	FM313	

# FIGURE 184 SECOND FIXING FAN ASSEMBLY

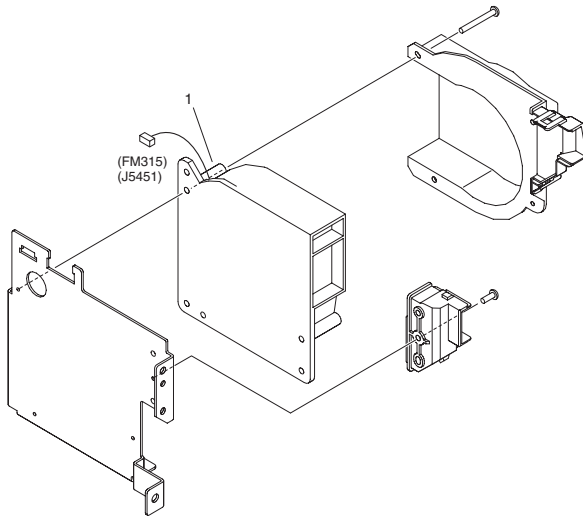


FIGURE & KEY NO.	PARTS NUMBER	RANK	QTY	DESCRIPTION	SERIAL NUMBER/REMARKS	SVC
Fig.184	FM2-2214-010		1	SECOND FIXING FAN ASSEMBLY		
1	FK2-3098-010		1	FAN	FM315	

# FIGURE 185 FIRST EXHAUST DUCT ASSEMBLY

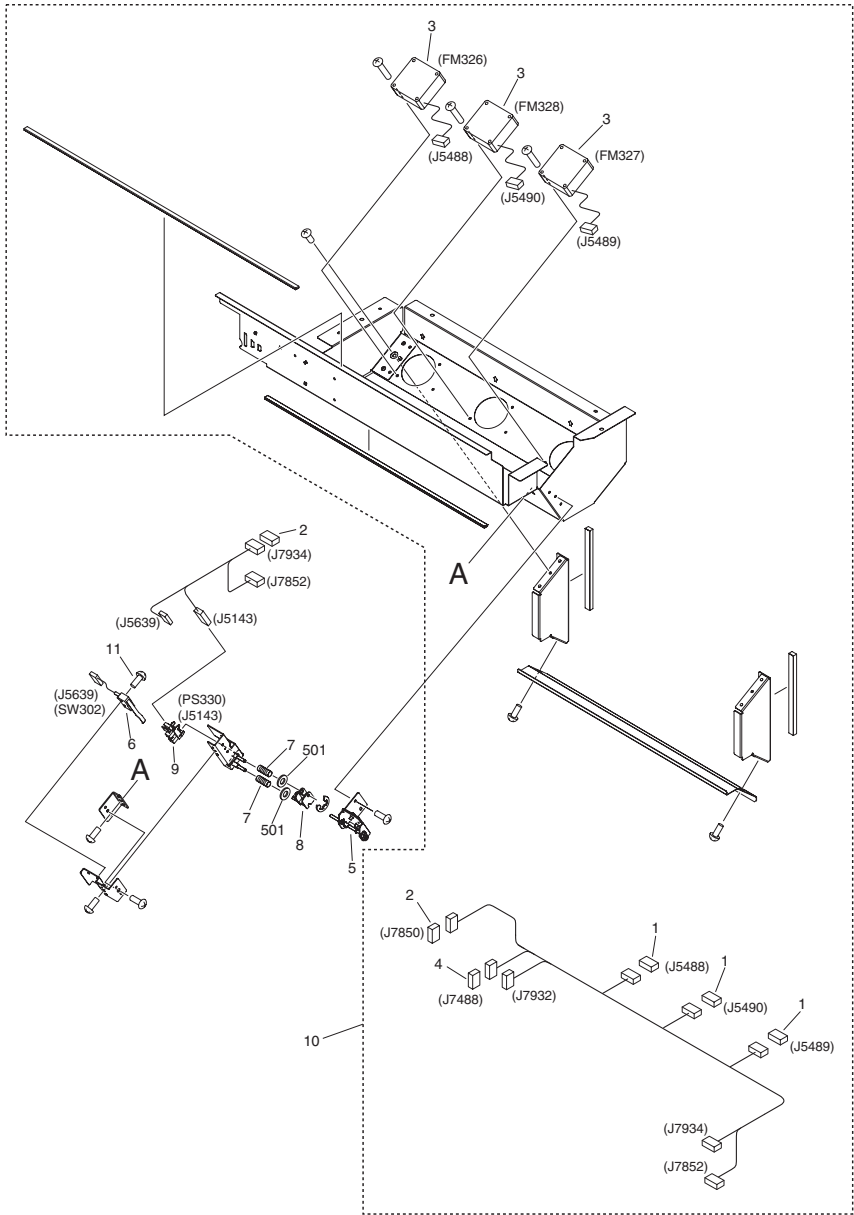


FIGURE & KEY NO.	PARTS NUMBER	R A N K	Q'TY	DESCRIPTION	SERIAL NUMBER/ REMARKS	S V C
Fig.185	NPN		RF	FIRST EXHAUST DUCT ASSEMBLY		
1	VS1-7177-004		3	CONNECTOR, SNAP TIGHT, BK		
2	VS1-7177-003		2	CONNECTOR, SNAP TIGHT, BK		
3	FK2-3100-000		3	FAN	FM326,FM327,FM328	
4	VS1-7173-012		1	CONNECTOR, SNAP TIGHT, 12P, W		
5	FM4-2552-000		1	INTERLOCK PUSH UNIT, LEFT		
6	RH7-6037-000		1	SWITCH, INTERLOCK	SW302	
7	FU5-2954-000		2	SPRING, COMPRESSION		
8	FC6-3173-000		1	BUTTON, SWITCH		
9	FK2-0149-000		1	PHOTO-INTERRUPTER, TLP1252(C6)	PS330	
10	FM4-7443-000		1	FIRST EXHAUST DUCT UNIT		
11	XA9-0554-000		2	SCREW,MACH.,TRUSS HEAD		
501	XD1-1104-122		2	SHIM		

# FIGURE 186 FAN MOUNT ASSEMBLY, OUTER

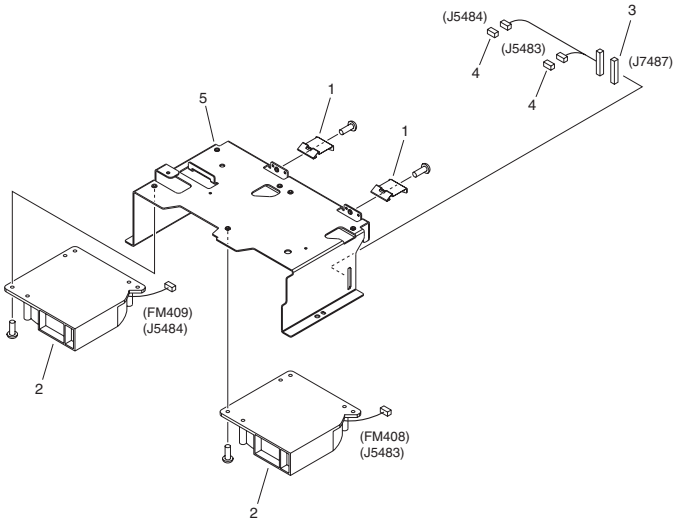


FIGURE & KEY NO.	PARTS NUMBER	R A N K	Q'TY	DESCRIPTION	SERIAL NUMBER/REMARKS	S V C
Fig.186	NPN		RF	FAN MOUNT ASSEMBLY, OUTER		
1	FC6-3186-000		2	STOPPER, PRIMARY		
2	FK2-3098-010		2	FAN	FM408,FM409	
3	VS1-7173-016		1	CONNECTOR, SNAP TIGHT, 16P, W		
4	VS1-7177-004		2	CONNECTOR, SNAP TIGHT, BK		
5	FC9-5763-000		1	MOUNT, EXHAUST FAN		

# FIGURE 188 BELT COOLING FAN ASSEMBLY

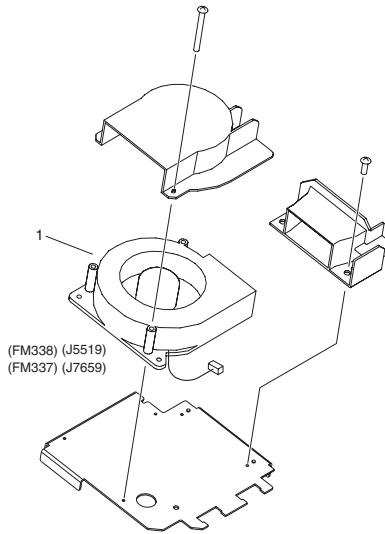


FIGURE & KEY NO.	PARTS NUMBER	RANK	QTY	DESCRIPTION	SERIAL NUMBER/REMARKS	SVC
Fig.188	FM2-2320-010		2	BELT COOLING FAN ASSEMBLY		
1	FK2-3098-010		1	FAN	FM337,FM338	

# FIGURE 189 PAPER DELIVERY FAN ASSEMBLY

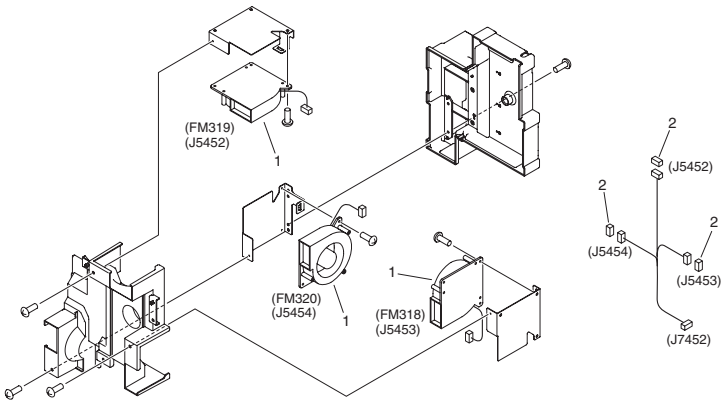
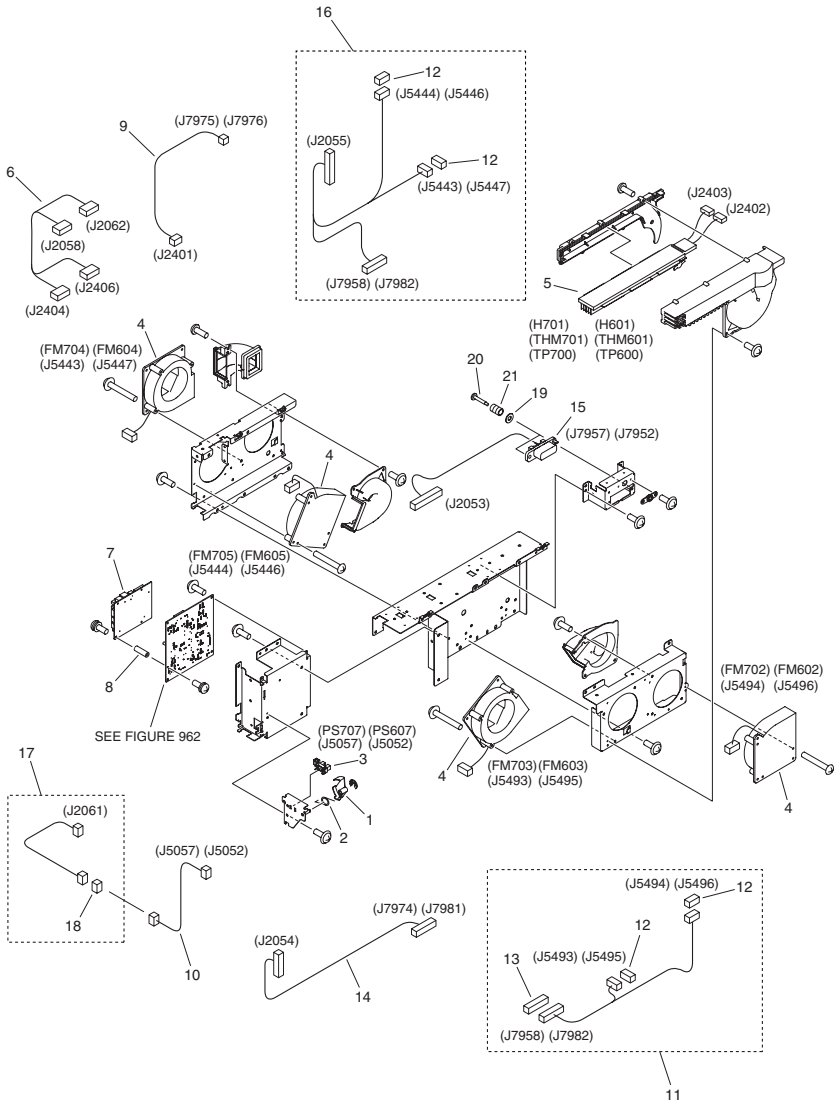


FIGURE & KEY NO.	PARTS NUMBER	RANK	Q'TY	DESCRIPTION	SERIAL NUMBER/REMARKS	SVC
Fig.189	FM2-2238-010		1	PAPER DELIVERY FAN ASSEMBLY		
1	FK2-3098-010		3	FAN	FM318,FM319,FM320	
2	VS1-7177-004		3	CONNECTOR, SNAP TIGHT, BK		

# FIGURE 190 FAN MOUNT ASSEMBLY



NOTE : This assembly includes the assembly shown in Figure 962.  
 注 : このユニットはFigure 962のユニットを含みます。



FIGURE & KEY NO.	PARTS NUMBER	R A N K	Q'TY	DESCRIPTION	SERIAL NUMBER/ REMARKS	S V C
Fig.190	FM2-1980-000		2	FAN MOUNT ASSEMBLY	SEE NOTE	
1	FC5-8579-000		1	FLAG, DOOR, FRONT		
2	FC7-5100-000		1	SPRING, TORSION		
3	WG8-5848-000		1	IC, PHOTO-INTERRUPTER	PS607,PS707	
4	FK2-2974-000		4	FAN	FM602,FM603,FM604,FM605,FM702,FM703,FM704,FM705	
5	FK2-2989-000		1	HEATER	H601 THM601 TP600 H701 THM701 TP700	
6	FM2-8604-000		1	CABLE, AC CONNECT		
7	FM2-7628-000		1	FEED DRIVER AC PCB ASSEMBLY		
8	VT2-5177-025		4	SPACER		
9	FM2-8497-000		1	CABLE, CASSETTE HEATER CONNECT		
10	FM2-8518-000		1	CABLE, DETECT SENSOR		
11	FM2-8577-000		1	CABLE, FAN 1/2		
12	VS1-7177-004		4	CONNECTOR, SNAP TIGHT, BK		
13	VS1-7177-008		1	CONNECTOR, SNAP TIGHT, BK		
14	FM2-8630-000		1	CABLE, PICK-UP DRIVE CONNECT		
15	FM2-8643-000		1	CABLE, AIR PICK-UP DRAWER		
16	FM2-8844-000		1	CABLE, FAN CONNECTING		
17	FM2-9404-000		1	CABLE, DETECT SENSOR CONNECT		
18	VS1-7177-003		1	CONNECTOR, SNAP TIGHT, BK		
19	FS5-6601-000		2	SPACER		
20	FS5-9758-020		2	SCREW, STEPPED, M3		
21	FS7-2796-000		2	SPRING, COMPRESSION		

# FIGURE 191 PRIMARY EXHAUST FAN ASSEMBLY

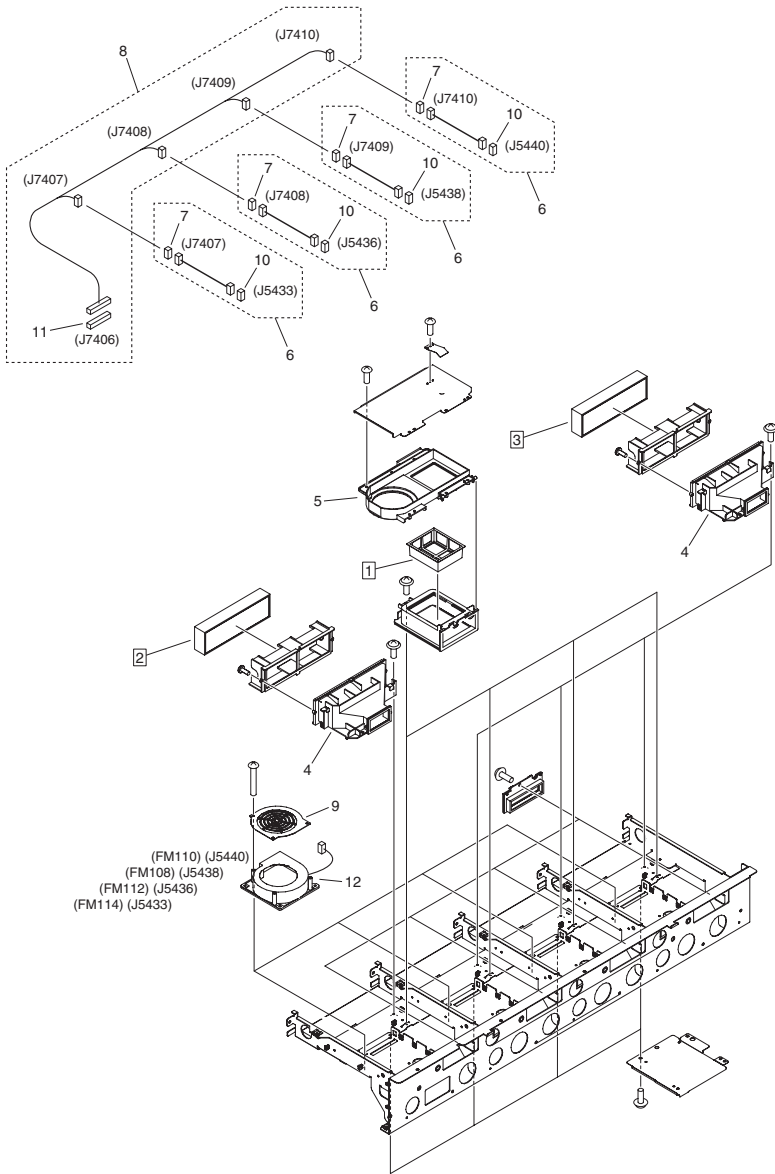


FIGURE & KEY NO.	PARTS NUMBER	RANK	Q'TY	DESCRIPTION	SERIAL NUMBER/REMARKS	SVC
Fig.191	NPN		RF	PRIMARY EXHAUST FAN ASSEMBLY		
1	FB2-4383-000		4	AIRFILTER, TONER	[DP]	
2	FC9-6014-000		1	FILTER, OZONE	YELLOW [DP]	
3	FC7-4563-000		3	FILTER, OZONE	MAGENTA/CYAN/BLACK [DP]	
4	FL2-1997-000		4	DUCT, EXHAUST		
5	FL2-1998-000		4	DUCT, CONNECTING		
6	FM2-8517-000		4	CABLE, P- KIT FAN		
7	VS1-7177-004		4	CONNECTOR, SNAP TIGHT, BK		
8	FM2-8603-000		1	CABLE, P- KIT FAN, RIGHT		
9	FC7-9687-000		4	COVER, FAN		
10	VS1-7173-004		4	CONNECTOR, SNAP TIGHT		
11	VS1-7173-016		1	CONNECTOR, SNAP TIGHT, 16P, W		
12	FK2-3098-010		4	FAN	FM108,FM110,FM112,FM114	

# FIGURE 192 PRIMARY INLET FAN ASS'Y, C/K

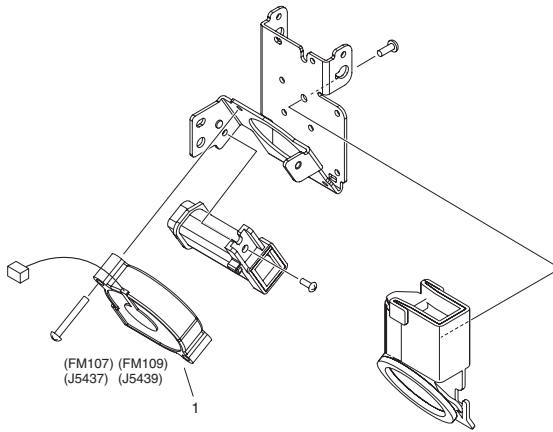


FIGURE & KEY NO.	PARTS NUMBER	RANK	QTY	DESCRIPTION	SERIAL NUMBER/REMARKS	SVC
Fig.192	FM4-2548-000		2	PRIMARY INLET FAN ASS'Y, C/K		
1	FK3-0827-000		1	FAN	FM107,FM109	

# FIGURE 193 PRIMARY INLET FAN ASS'Y, Y/M

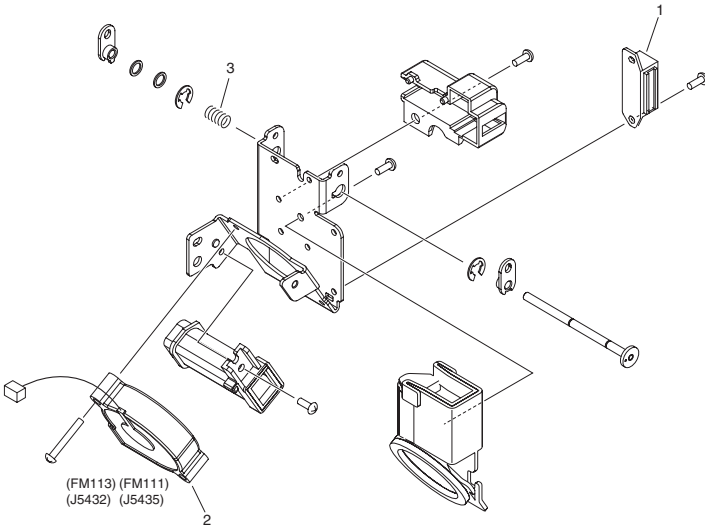


FIGURE & KEY NO.	PARTS NUMBER	RANK	Q'TY	DESCRIPTION	SERIAL NUMBER/REMARKS	SVC
Fig.193	FM4-2549-000		2	PRIMARY INLET FAN ASS'Y, Y/M		
1	FC7-5707-000		1	CATCH, MAGNET		
2	FK3-0827-000		1	FAN	FM111,FM113	
3	FU5-2954-000		1	SPRING, COMPRESSION		

# FIGURE 194 PRE-TRNS.EXHAUST DUCT ASSEMBLY

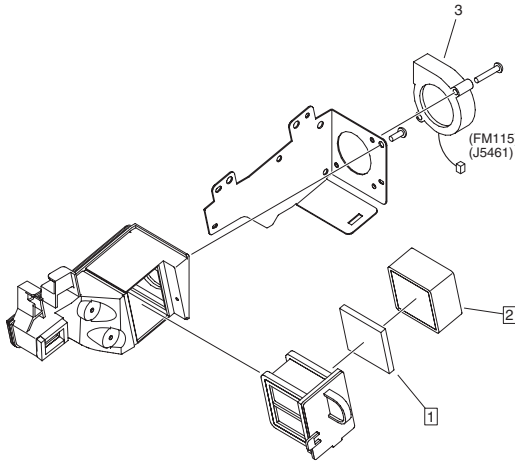


FIGURE & KEY NO.	PARTS NUMBER	RANK	Q'TY	DESCRIPTION	SERIAL NUMBER/REMARKS	SVC
Fig.194	FM4-7139-000		1	PRE-TRNS.EXHAUST DUCT ASSEMBLY		
1	FC6-2152-000		1	FILTER, DUST-PROOF	[DP]	
2	FC6-2153-000		1	FILTER, OZONE	[DP]	
3	FK3-0827-000		1	FAN	FM115	

# FIGURE 195 FIRST FIXING EXHAUST FAN ASS'Y

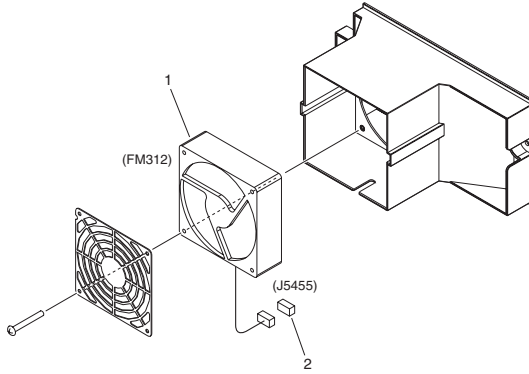


FIGURE & KEY NO.	PARTS NUMBER	RANK	Q'TY	DESCRIPTION	SERIAL NUMBER/REMARKS	SVC
Fig.195	FM2-2201-000		1	FIRST FIXING EXHAUST FAN ASS'Y		
1	FK2-3150-000		1	FAN	FM312	
2	VS1-7177-003		1	CONNECTOR, SNAP TIGHT, BK		

FIGURE 260  
 PAPER PICK-UP DRIVE ASS'Y

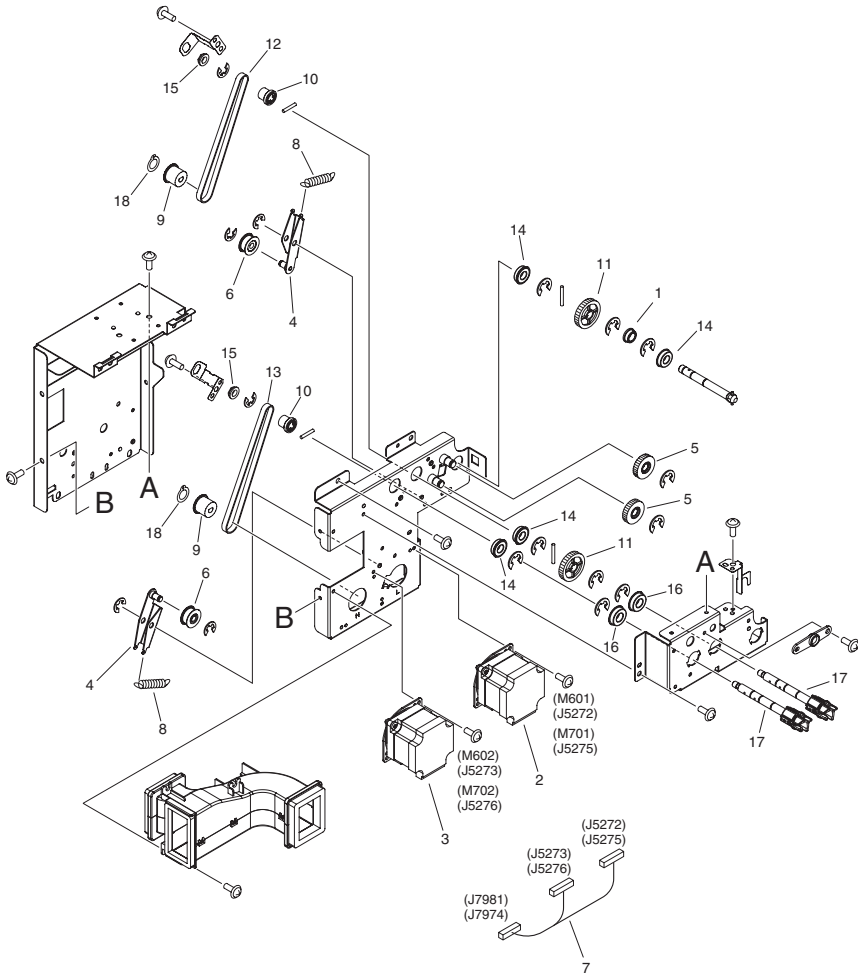
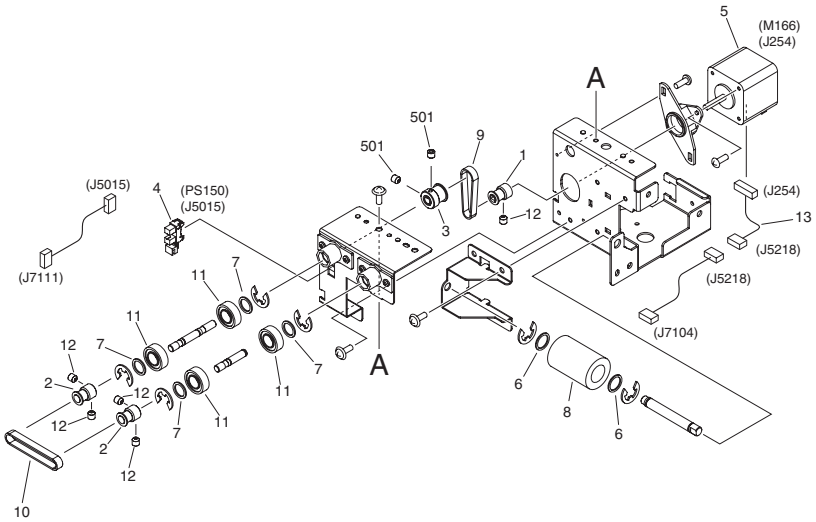




FIGURE & KEY NO.	PARTS NUMBER	R A N K	Q'TY	DESCRIPTION	SERIAL NUMBER/ REMARKS	S V C
Fig.260	FM2-1997-010		2	PAPER PICK-UP DRIVE ASS'Y		
1	FA9-2112-000		1	BUSHING, PL		
2	FK2-3130-000		1	MOTOR, STEPPING, DC	M601,M701	
3	FK2-3137-000		1	MOTOR, STEPPING, DC	M602,M702	
4	FL2-1775-000		2	ARM, TENSIONER		
5	FL2-1851-000		2	GEAR, 24T		
6	FL2-5562-000		2	ROLLER, TENSIONER		
7	FM2-8576-000		1	CABLE, PICK-UP DRIVE MOUNT		
8	FU7-2432-000		2	SPRING, TENSION		
9	FU5-3188-010		2	PULLEY, 28T		
10	FU5-3189-000		2	PULLEY, 20T		
11	FU6-0169-000		2	GEAR, 30T		
12	XF2-3614-560		1	BELT, TIMING		
13	XF2-3615-560		1	BELT, TIMING		
14	XG9-0508-000		4	BEARING, BALL, F688ZZ		
15	RS5-1058-000		2	BUSHING		
16	XG9-0492-000		2	BEARING, BALL, 608ZZ		
17	FL2-1789-000		2	SHAFT, TRANSMISSION		
18	XD2-2100-632		2	RING,GRIP		

# FIGURE 262 REGISTRATION SLIDE DRIVE ASS'Y



NOTE : This assembly is included in the assembly shown in Figure 320.  
 注 : このユニットはFigure 320のユニットに含まれます。

FIGURE & KEY NO.	PARTS NUMBER	R A N K	Q'TY	DESCRIPTION	SERIAL NUMBER/ REMARKS	S V C
Fig.262	FM2-5168-000		1	REGISTRATION SLIDE DRIVE ASS'Y	SEE NOTE	
1	FC5-9625-000		1	PULLEY, 15T		
2	FC5-9643-000		2	PULLEY, 15T		
3	FC5-9644-000		1	PULLEY, 22T		
4	FK2-0149-000		1	PHOTO-INTERRUPTER, TLP1252(C6)	PS150	
5	FK2-3124-000		1	MOTOR, STEPPING, DC	M166	
6	FS5-6487-000		2	WASHER		
7	FS5-6488-000		4	WASHER		
8	FU6-0387-000		1	GEAR, 27T		
9	XF2-1605-660		1	BELT, TIMING		
10	XF2-1606-260		1	BELT, TIMING, COGGED		
11	XG2-6012-405		4	BALL BEARING, NSK MR126JZMC3		
12	XA9-1813-000		5	SET SCREW, HEX.SKT.HEAD, M3X3		
13	FM2-8689-000		1	CABLE, MOTOR, 1		
501	XB6-2300-308		2	SET SCREW (S)		

# FIGURE 271 DRUM DRIVE ASSEMBLY

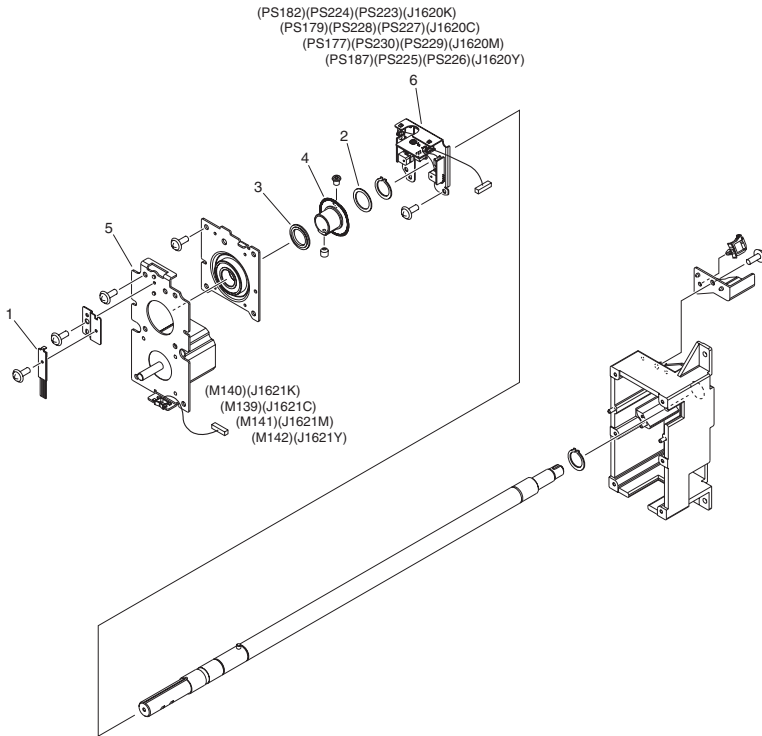


FIGURE & KEY NO.	PARTS NUMBER	RANK	Q'TY	DESCRIPTION	SERIAL NUMBER/REMARKS	SVC
Fig.271	FM4-7156-000		4	DRUM DRIVE ASSEMBLY		
1	FC1-1117-000		1	ELIMINATOR, STATIC CHARGE		
2	FU6-6140-000		1	SPACER		
3	FC6-0122-000		1	HOLDER, DRUM SHAFT		
4	FL3-6094-000		1	WHEEL, ENCODING		
5	FM2-2249-000		1	DRUM DRIVE MOTOR ASSEMBLY	M139,M140,M141,M142	
6	FM2-8982-000		1	DRUM SHAFT ENCODER ASSEMBLY	PS177,PS179,PS182,PS187,PS223,PS224,PS225,PS226,PS227,PS228,PS229,PS230	

# FIGURE 272 DEVELOPING DRIVE ASSEMBLY

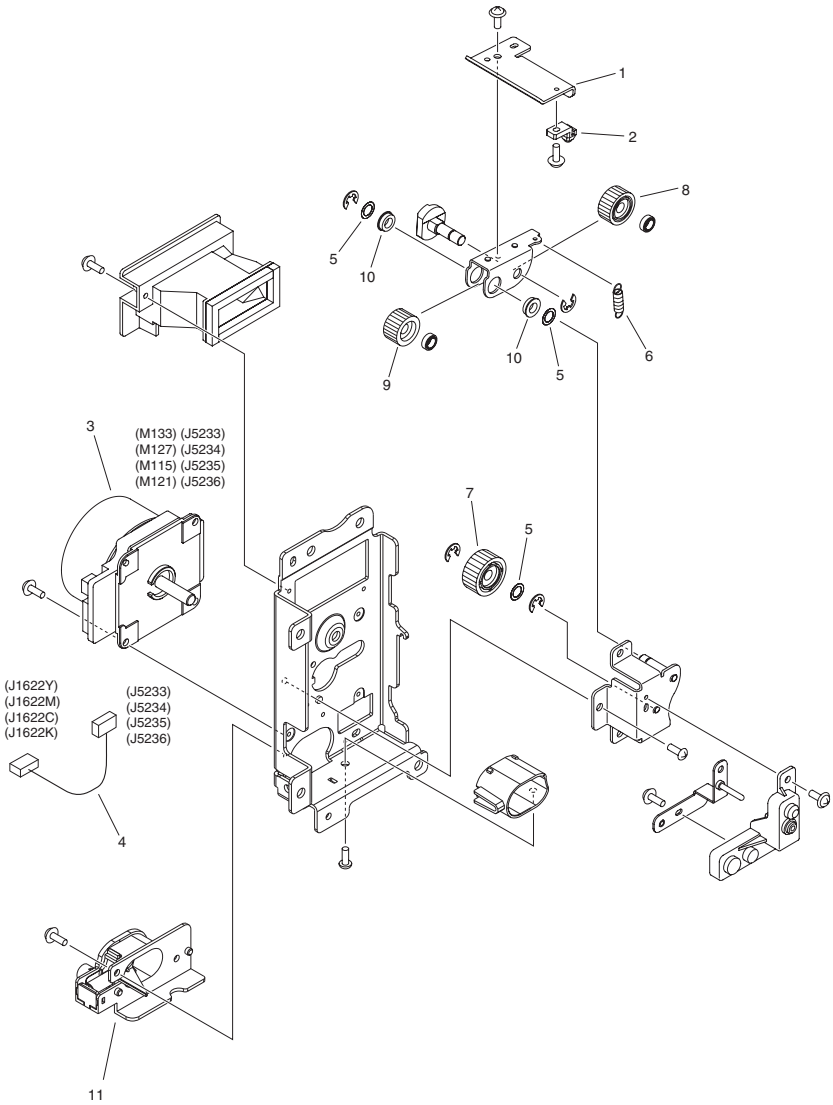


FIGURE & KEY NO.	PARTS NUMBER	RANK	Q'TY	DESCRIPTION	SERIAL NUMBER/REMARKS	SVC
Fig.272	FM4-2573-000		4	DEVELOPING DRIVE ASSEMBLY		
1	FC5-9005-000		1	ARM, CAM FOLLOWER		
2	FC5-9006-000		1	HOLDER, CAM FOLLOWER		
3	FK2-2726-000		1	MOTOR, BRUSHLESS, DC	M115,M121,M127,M133	
4	FM2-8572-000		1	CABLE, DRUM DRIVE		
5	FS5-6488-000		3	WASHER		
6	FU5-2870-000		1	SPRING, TENSION		
7	FU6-0362-000		1	GEAR, 42T		
8	FU6-0363-000		1	GEAR, 35T		
9	FU6-0364-000		1	GEAR, 32T		
10	XG9-0763-000		2	BEARING, BALL, MF106ZZ*SVAD4ML		
11	FM4-2590-000		1	SHUTTER HOLDER ASSEMBLY		

# FIGURE 273 I.T.B. CLEANER DRIVE ASSEMBLY

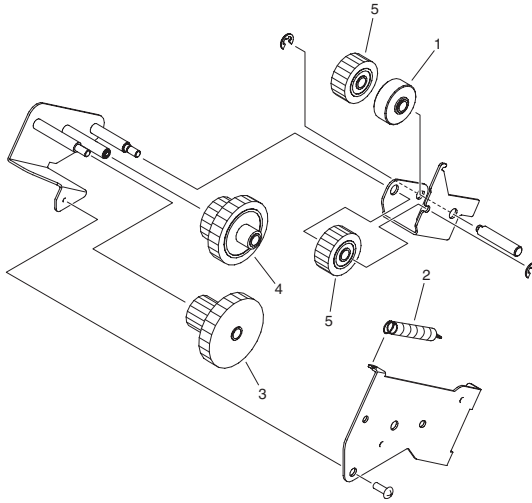
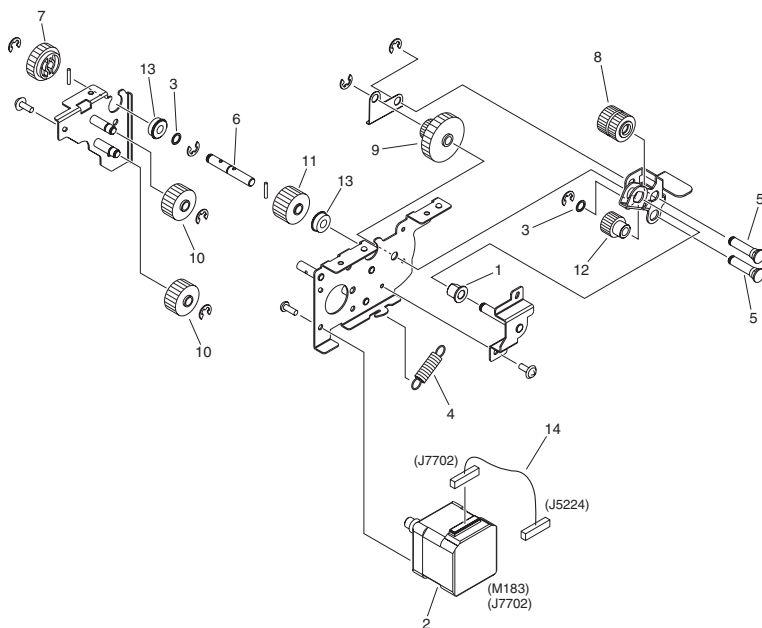


FIGURE & KEY NO.	PARTS NUMBER	RANK	Q'TY	DESCRIPTION	SERIAL NUMBER/REMARKS	SVC
Fig.273	FM2-2151-000		1	I.T.B. CLEANER DRIVE ASSEMBLY	[DP]	
1	FC5-9183-000		1	ROLLER, SWING		
2	FU5-2888-000		1	SPRING, TENSION		
3	FU6-0315-000		1	GEAR, 22T/64T		
4	FU6-0316-000		1	GEAR, 30T/46T		
5	FU6-0318-000		2	GEAR, 30T		



# FIGURE 274 SECONDARY TRANSFER DRIVE ASS'Y



NOTE : This assembly is included in the assembly shown in Figure 333.  
 注 : このユニットはFigure 333のユニットに含まれます。

FIGURE & KEY NO.	PARTS NUMBER	RANK	Q'TY	DESCRIPTION	SERIAL NUMBER/REMARKS	SVC
Fig.274	FM2-2174-000		1	SECONDARY TRANSFER DRIVE ASS'Y	SEE NOTE	
1	FC5-9348-000		1	BUSHING		
2	FM2-2129-000		1	2ND TRNSFR. DRIVE MOTOR ASS'Y	M183	
3	FS5-6488-000		2	WASHER		
4	FU5-2830-000		1	SPRING, TENSION		
5	FU5-5704-000		2	SHAFT, TOOTHED, 2		
6	FU5-5707-000		1	SHAFT, TOOTHED, 5		
7	FU6-0261-000		1	GEAR, 27T		
8	FU6-0263-000		1	GEAR, 22T/30T		
9	FU6-0264-000		1	GEAR, 16T/54T		
10	FU6-0423-000		2	GEAR, 36T		
11	FU6-0425-000		1	GEAR, 36T		
12	FU6-0448-000		1	GEAR, 17T		
13	XG9-0321-000		2	BALL BEARING, NMB LF-1360ZZ		
14	FM2-8689-000		1	CABLE, MOTOR, 1		

# FIGURE 280 FIXING DRIVE ASSEMBLY

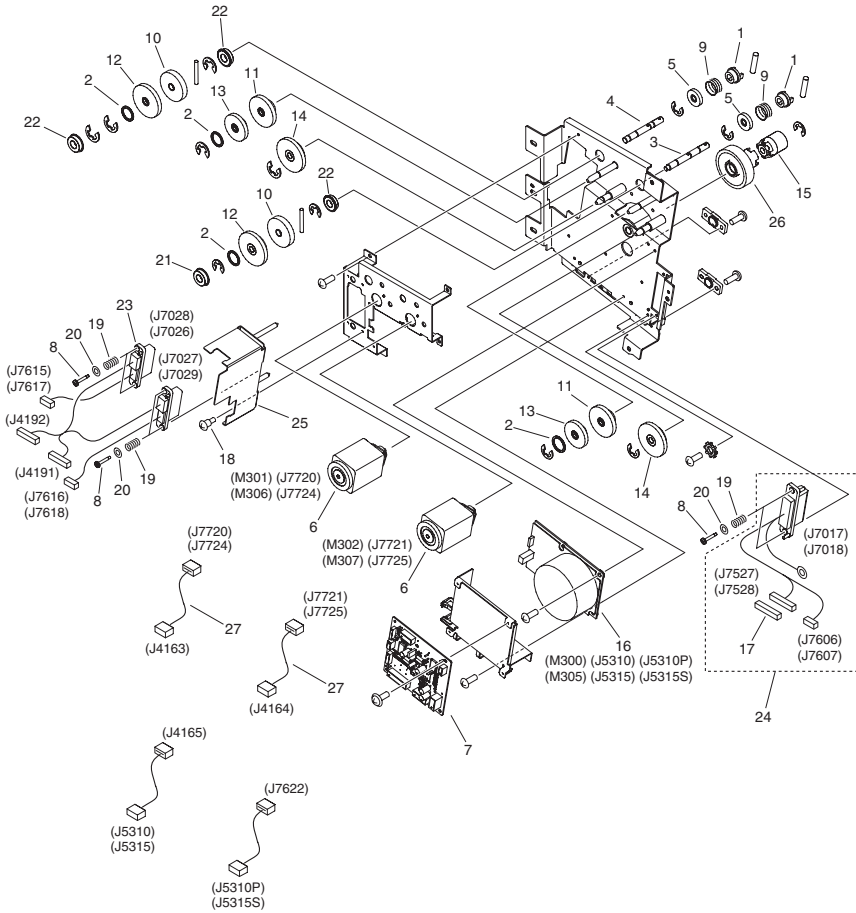


FIGURE & KEY NO.	PARTS NUMBER	RANK	Q'TY	DESCRIPTION	SERIAL NUMBER/REMARKS	SVC
Fig.280	FM2-2200-010		2	FIXING DRIVE ASSEMBLY		
1	FC7-7550-000		2	COUPLING, FIXING		
2	FC5-9014-000		4	WASHER		
3	FC5-9768-000		1	SHAFT, INPUT, ROLL		
4	FC5-9769-000		1	SHAFT, INPUT, EXTERNAL		
5	FC7-3106-000		2	STOPPER, COUPLING		
6	FK2-3154-000		2	MOTOR, STEPPING, DC	M301,M302,M306,M307	
7	FM2-7702-000		1	FIXING OUTER DRIVER PCB ASS'Y		
8	FS5-9758-020		6	SCREW, STEPPED, M3		
9	FU5-2840-000		2	SPRING, COMPRESSION		
10	FU6-0256-000		2	GEAR, 40T		
11	FU6-0410-000		2	GEAR, 20T/42T		
12	FU6-0411-000		2	GEAR, 18T/45T		
13	FU6-0412-000		2	GEAR, 15T/36T		
14	FU6-0413-000		2	GEAR, 30T/46T		
15	FL3-0551-000		1	GEAR, 22T		
16	FK2-2727-000		1	MOTOR, BRUSHLESS, DC	M300,M305	
17	VS1-7164-040		1	CONNECTOR, SNAP TIGHT		
18	FS1-9076-020		4	SCREW, STEPPED, M4		
19	FS5-2965-000		6	SPRING, COMPRESSION		
20	FS5-6601-000		6	SPACER		
21	XG9-0291-000		1	BEARING, BALL, LOWER ROLLER		
22	XG9-0365-000		3	BEARING, BALL		
23	FM2-8802-000		1	CABLE, FIRST FIXING DRAWER, 1		
24	FM2-8805-000		1	CABLE, FIRST FIXING DRAWER, 3		
25	FL2-2193-000		1	PLATE, DRAWER		
26	FU6-0483-000		1	GEAR, 85T		
27	FM2-8689-000		2	CABLE, MOTOR, 1		

# FIGURE 283 WASTE TONER DRIVE ASSEMBLY

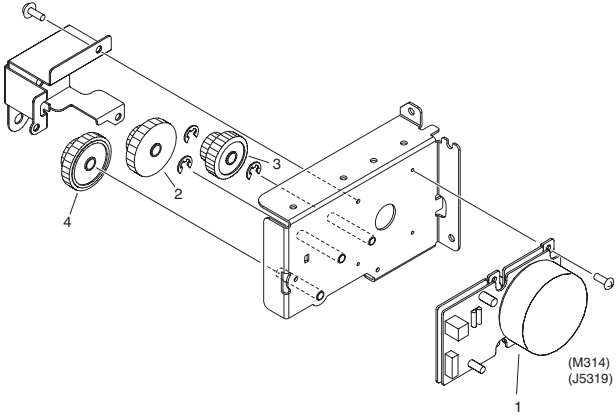


FIGURE & KEY NO.	PARTS NUMBER	RANK	Q'TY	DESCRIPTION	SERIAL NUMBER/REMARKS	SVC
Fig.283	FM2-2055-000		1	WASTE TONER DRIVE ASSEMBLY		
1	FK2-0022-000		1	MOTOR, 161 BRUSHLESS DC	M314	
2	FU6-0396-000		1	GEAR, 24T/40T		
3	FU6-0397-000		1	GEAR, 20T/40T		
4	FU6-0399-000		1	GEAR, 20T/50T		

# FIGURE 284 DELIVERY DRIVE ASSEMBLY

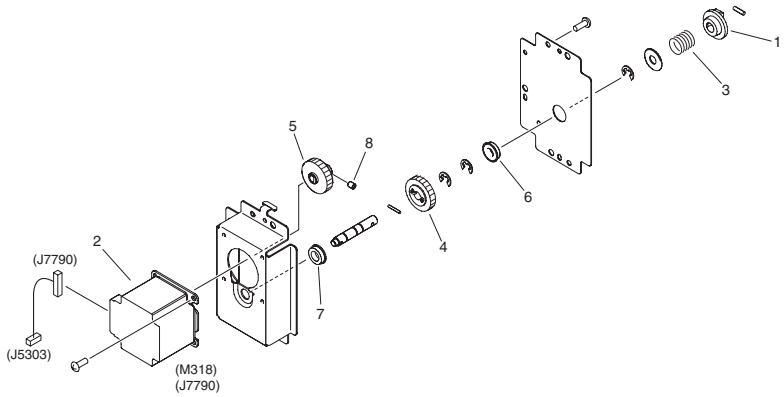
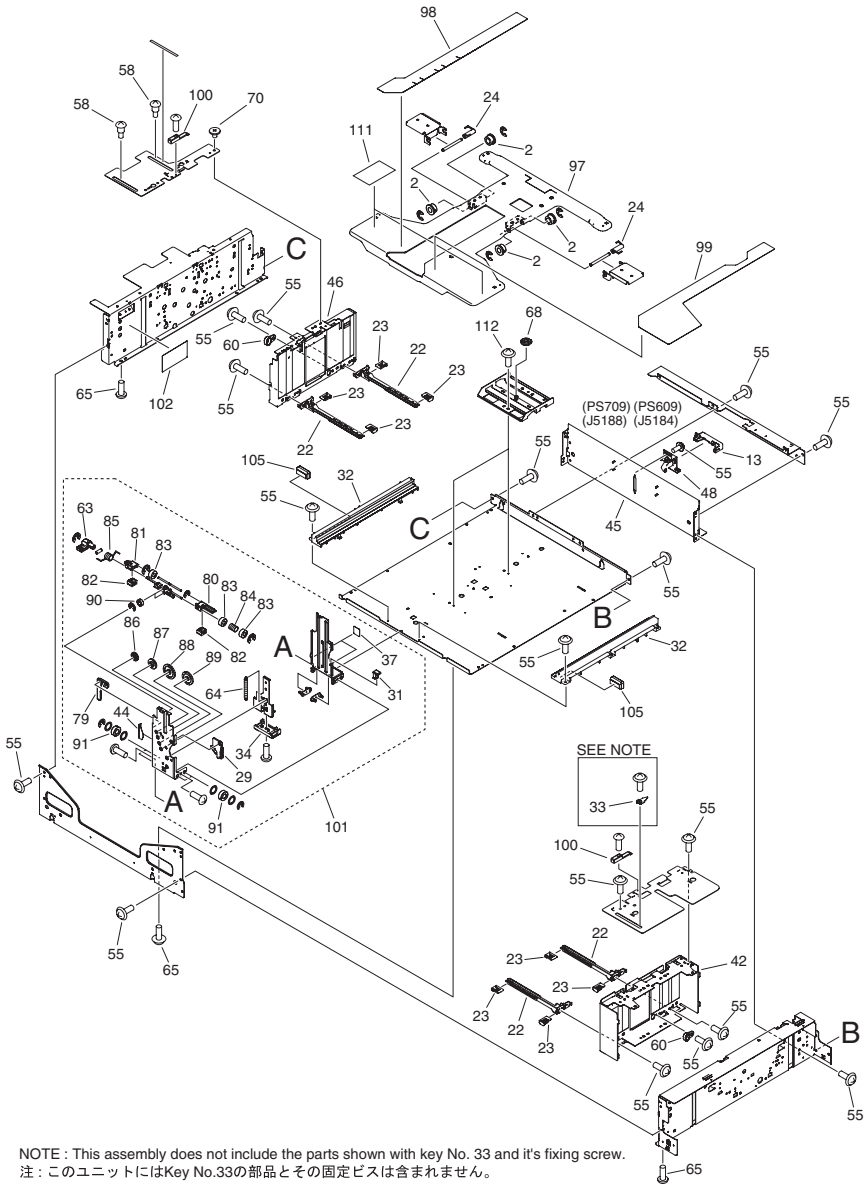
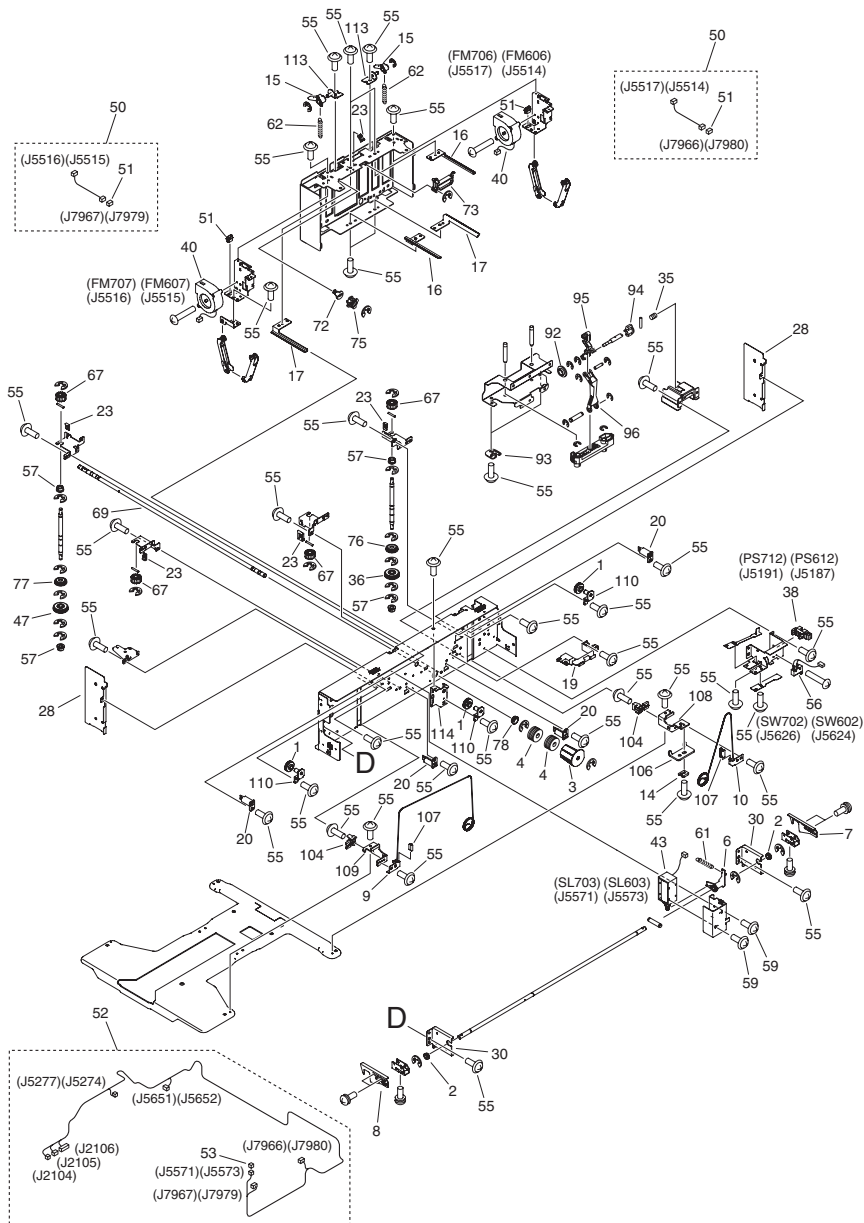


FIGURE & KEY NO.	PARTS NUMBER	RANK	Q'TY	DESCRIPTION	SERIAL NUMBER/REMARKS	SVC
Fig.284	FM2-2236-000		1	DELIVERY DRIVE ASSEMBLY		
1	FC6-8631-000		1	COUPLING, PAPER DELIVERY		
2	FK2-3132-000		1	MOTOR, STEPPING, DC	M318	
3	FS5-2925-000		1	SPRING, COMPRESSION		
4	FU6-0441-000		1	GEAR, 29T		
5	FU6-0442-000		1	GEAR, 29T		
6	XG9-0664-000		1	BALL BEARING, JMK-688ZZNR*D4ML		
7	XG9-0520-000		1	BEARING, BALL, MF106ZZS		
8	XA9-0934-000		1	SETSCREW,M3X6		

# FIGURE 300 PAPER STOCK ASSEMBLY







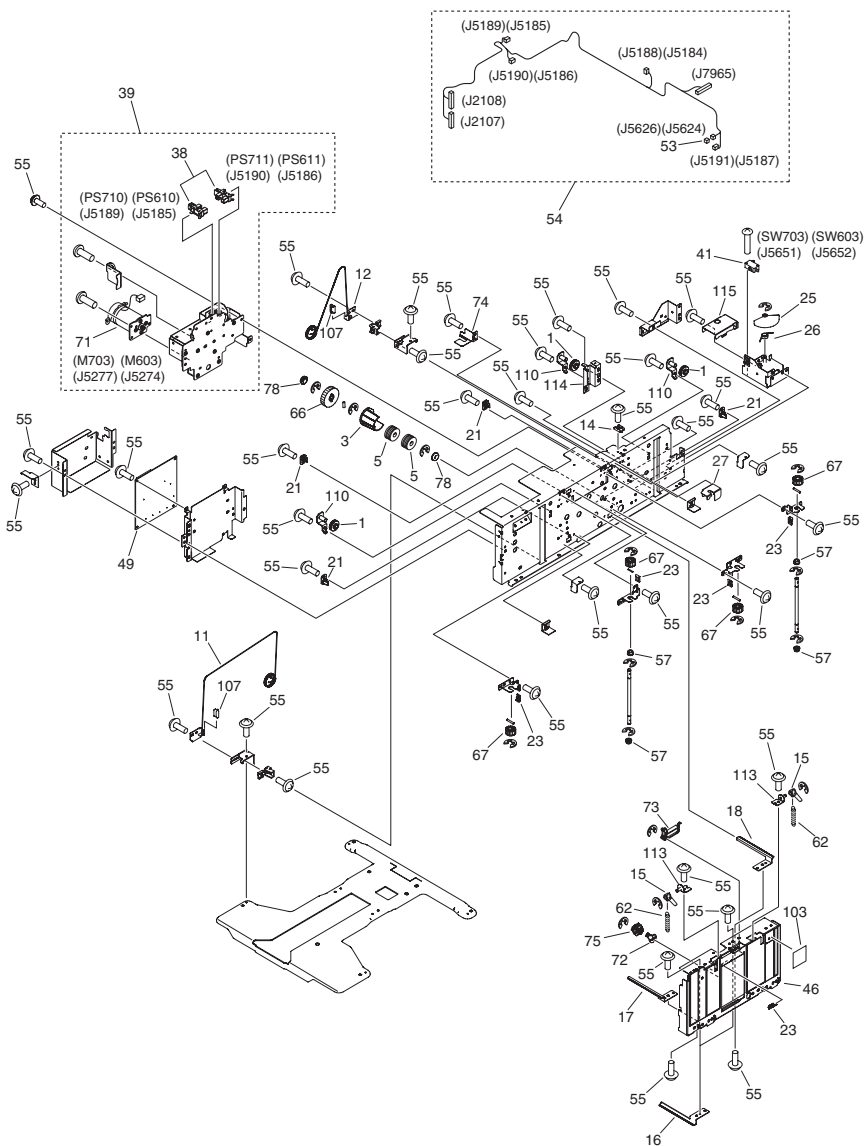


FIGURE & KEY NO.	PARTS NUMBER	R A N K	Q'TY	DESCRIPTION	SERIAL NUMBER/ REMARKS	S V C
Fig.300	FM2-1982-030		2	PAPER STOCK ASSEMBLY	1K	
1	FA6-8257-000		6	PULLEY		
2	FA9-2112-000		6	BUSHING, PL		
3	FB3-9241-000		2	GUIDE, PULLEY, FRONT		
4	FB3-9243-000		2	PULLEY, DRIVE, FRONT		
5	FB3-9244-000		2	PULLEY, DRIVE, REAR		
6	FC5-8205-000		1	LEVER, OPEN		
7	FC5-8206-000		1	CLAW, LATCH, RIGHT		
8	FC5-8207-000		1	CLAW, LATCH, LEFT		
9	FC5-8249-000		1	WIRE, LIFTER, 1		
10	FC5-8250-000		1	WIRE, LIFTER, 2		
11	FC5-8251-000		1	WIRE, LIFTER, 3		
12	FC5-8252-000		1	WIRE, LIFTER, 4		
13	FC5-8538-000		1	COVER, PAPER SUPPLY SENSOR		
14	FC5-8542-000		2	SLIDER, PAPER PICK-UP HEAD		
15	FC5-8561-000		4	CLAW, SHEET RETAINER		
16	FC6-9959-000		4	RACK, SIDE, 1		
17	FC6-9960-000		3	RACK, SIDE, 2		
18	FC6-9961-000		1	RACK, SIDE, 3		
19	FC7-2436-000		1	GUIDE, WIRE		
20	FC6-9965-000		4	BUSHING, SLIDER, FRONT		
21	FC6-9966-000		4	BUSHING, SLIDER, REAR		
22	FC6-9967-000		4	RACK, CENTER		
23	FC6-9969-000		18	SLIDER, RACK		
24	FC6-9982-000		2	SPRING, TORSION		
25	FC7-2431-000		1	FLAG, SWITCH		
26	FC7-2432-000		1	SPRING, TORSION		
27	FC7-2439-000		1	COVER, GEAR		
28	FC7-2440-000		2	COVER, SIDE		
29	FC7-4017-000		1	KNOB, BACK END LIMIT, FRONT		
30	FC5-8229-000		2	SUPPORT, LATCH		
31	FC7-4024-000		1	BUSHING, EDGE PROTECTIVE		

FIGURE & KEY NO.	PARTS NUMBER	R A N K	Q'TY	DESCRIPTION	SERIAL NUMBER/ REMARKS	S V C
32	FC6-9972-000		2	RAIL, BACK END LIMIT		
33	FC7-9569-000		2	PLATE, SIZE DISPLAY	SEE NOTE	
34	FC7-4027-000		1	STOPPER, BACK END		
35	FU5-2814-000		1	SPRING, COMPRESSION		
36	FU6-0193-000		1	GEAR, T30		
37	FC7-5591-000		1	LABEL, BACK END INDEX		
38	FK2-0149-000		3	PHOTO-INTERRUPTER, TLP1252(C6)	PS610,PS611,PS612,PS710,PS711,PS712	
39	FK2-2972-000		1	MOTOR, DC		
40	FK2-2975-000		2	FAN	FM606,FM607,FM706,FM707	
41	FK2-2984-000		1	SWITCH, MICRO	SW603,SW703	
42	FL2-1799-000		1	PLATE, PAPER SIDE END, FRONT		
43	FL2-1805-000		1	SOLENOID	SL603,SL703	
44	FC7-7699-000		1	LABEL, BACK END KNOB		
45	FL2-1816-000		1	PLATE, FRONT END LIMIT		
46	FL2-4042-000		1	PLATE, PAPER SIDE END, REAR		
47	FU6-0194-000		1	GEAR, T30		
48	FM2-2006-000		1	PAPER SUPPLY SENSOR UNIT	PS609,PS709	
49	FM2-7629-000		1	BOX DRIVER PCB ASSEMBLY		
50	FM2-8520-000		2	CABLE, SIDE FAN CONNECTING		
51	VS1-7177-003		4	CONNECTOR, SNAP TIGHT, BK		
52	FM2-8605-000		1	CABLE, PAPER STOCK POWER		
53	VS1-7177-002		2	CONNECTOR, SNAP TIGHT, BK		
54	FM2-8645-000		1	CABLE, PAPER STOCK SIGNAL		
55	XA9-1249-010		AR	SCREW,TP M4X8		
56	FM2-9409-000		1	CABLE, SWITCH	SW602,SW702	
57	FS1-1213-000		8	BUSHING		
58	FS1-9076-020		2	SCREW, STEPPED, M4		
59	XA9-1659-000		2	SCREW,M3X4		
60	FU5-1280-000		2	BUSHING		
61	FU5-2792-000		1	SPRING, TENSION		
62	FU5-2803-000		4	SPRING, TENSION		

FIGURE & KEY NO.	PARTS NUMBER	R A N K	Q'TY	DESCRIPTION	SERIAL NUMBER/ REMARKS	S V C
63	FC7-7700-000		1	HOLDER, BACK END SPRING		
64	FU5-2809-000		1	SPRING, TENSION		
65	XA9-1031-000		AR	SCREW, MACH. TRUSS HEAD, M4X6		
66	FU6-0178-000		1	GEAR, 42T		
67	FU6-0195-010		8	GEAR, 18T		
68	FU6-0187-000		2	GEAR, 20T		
69	FC5-8253-000		1	SHAFT, TRANSMISSION		
70	XA9-1415-000		3	SCREW, FLAT HEAD, M4		
71	FK2-2973-000		1	MOTOR, DC	M603,M703	
72	FC7-5571-000		2	PLATE, ADJUSTING		
73	FC7-5573-000		2	PLATE, ADJUSTING, RIGHT		
74	FC7-7694-000		1	COVER, GEAR		
75	FU5-3410-000		2	PULLEY, 20T		
76	FL2-5573-000		1	GEAR, 24T		
77	FL2-6474-000		1	GEAR, 24T		
78	XG9-0664-000		3	BALL BEARING, JMK-688ZZNR*D4ML		
79	FC7-4485-000		1	RACK, BACK END RETAINING		
80	FC7-5577-000		1	PLATE, BACK END RETAINING, FR		
81	FC7-5578-000		1	PLATE, BACK END RETAINING, RE		
82	FL2-2121-000		2	PAD, SEPARATION		
83	FS5-6908-000		3	ROLLER, LEVER, 3		
84	FU5-2811-000		1	SPRING, COMPRESSION		
85	FU5-2813-000		1	SPRING, TORSION		
86	FU6-0189-000		1	GEAR, 13T		
87	FU6-0190-000		1	GEAR, 14T/16T		
88	FU6-0191-000		1	GEAR, 14T/40T		
89	FU6-0192-000		1	GEAR, 36T		
90	XG9-0484-000		2	BEARING, BALL, DDL-740ZZH		
91	XG9-0757-000		4	BEARING, BALL, MR84ZZ		
92	FB3-9319-000		1	BUSHING		
93	FC7-9534-000		2	BUSHING		
94	FC7-9536-000		1	BLOCK, LOCK		

FIGURE & KEY NO.	PARTS NUMBER	R A N K	Q'TY	DESCRIPTION	SERIAL NUMBER/ REMARKS	S V C
95	FC7-9539-000		1	LEVER		
96	FC7-9540-000		1	LINK		
97	FL2-1809-000		1	PLATE, LIFTER		
98	FC7-5584-000		1	LABEL, LENGTH SIZE, INCH		
99	FC7-5585-000		1	LABEL, LENGTH SIZE, AB		
100	FC8-7665-000		2	KNOB, SIDE GUIDE		
101	FM3-2357-010		1	BACK END LIMIT ASSEMBLY		
102	FC7-9716-000		1	LABEL, PAPER SUPPLY CAUTION		
103	FC8-7678-000		1	LABEL, MAXIMUM LOAD, SIDE		
104	FC6-9987-000		2	GUIDE, LIFTER PLATE		
105	FC7-9726-000		2	STOPPER, RAIL		
106	FC8-1648-000		1	SPACER, SLIDER		
107	FC5-8246-000		4	GUIDE, WIRE		
108	FC6-9945-000		1	PLATE, WIRE FIXED, 1		
109	FC6-9946-000		1	PLATE, WIRE FIXED, 2		
110	FL2-1777-000		6	MOUNT, FIXED PULLEY		
111	FC8-1655-000		2	LABEL, HAND STUCK WARNING		
112	XA9-0994-000		6	SCREW, TP, M4X6		
113	FL2-1795-000		4	SUPPORT, FRONT		
114	FC6-9948-000		2	MOUNT, WIRE ADJUSTMENT		
115	FC7-5575-000		1	PLATE, SWITCH PROTECT		

# FIGURE 310 PAPER PICK-UP ASSEMBLY

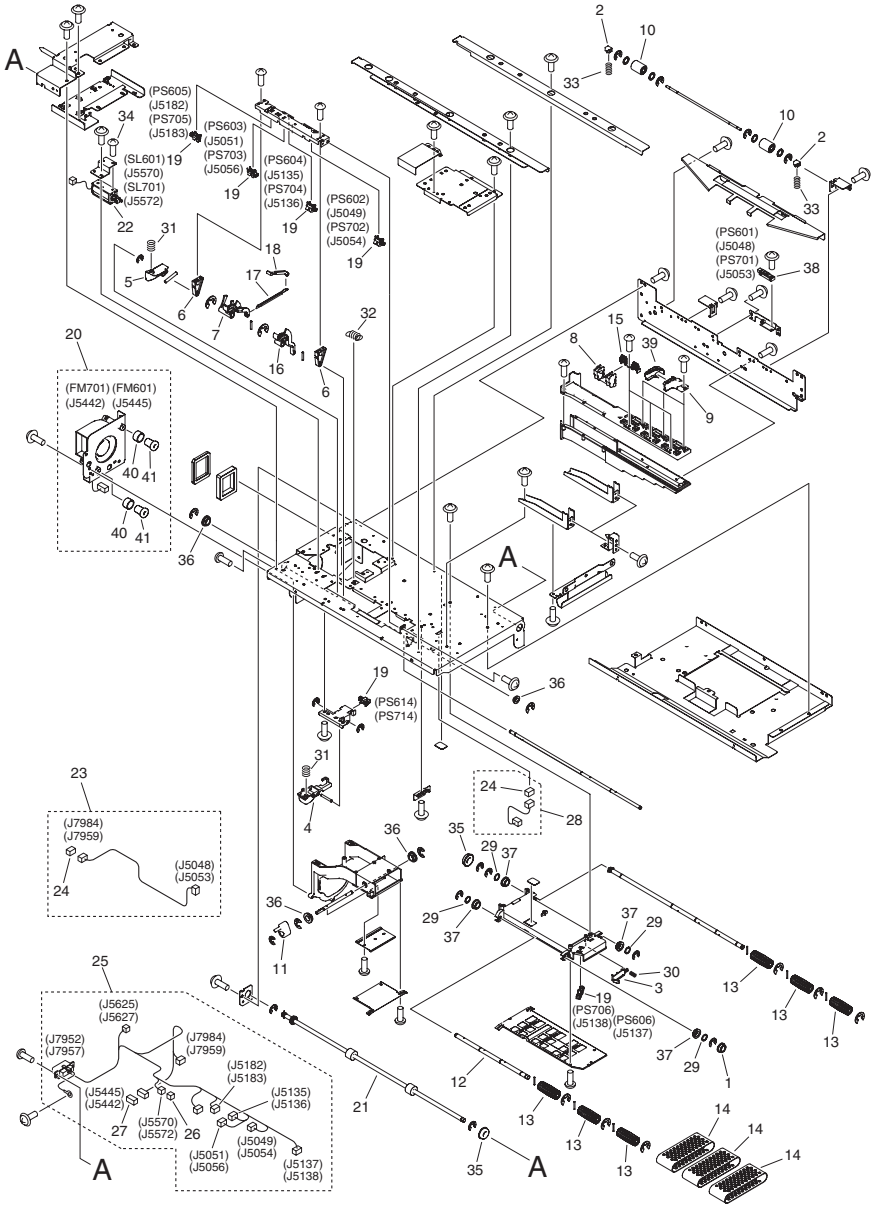
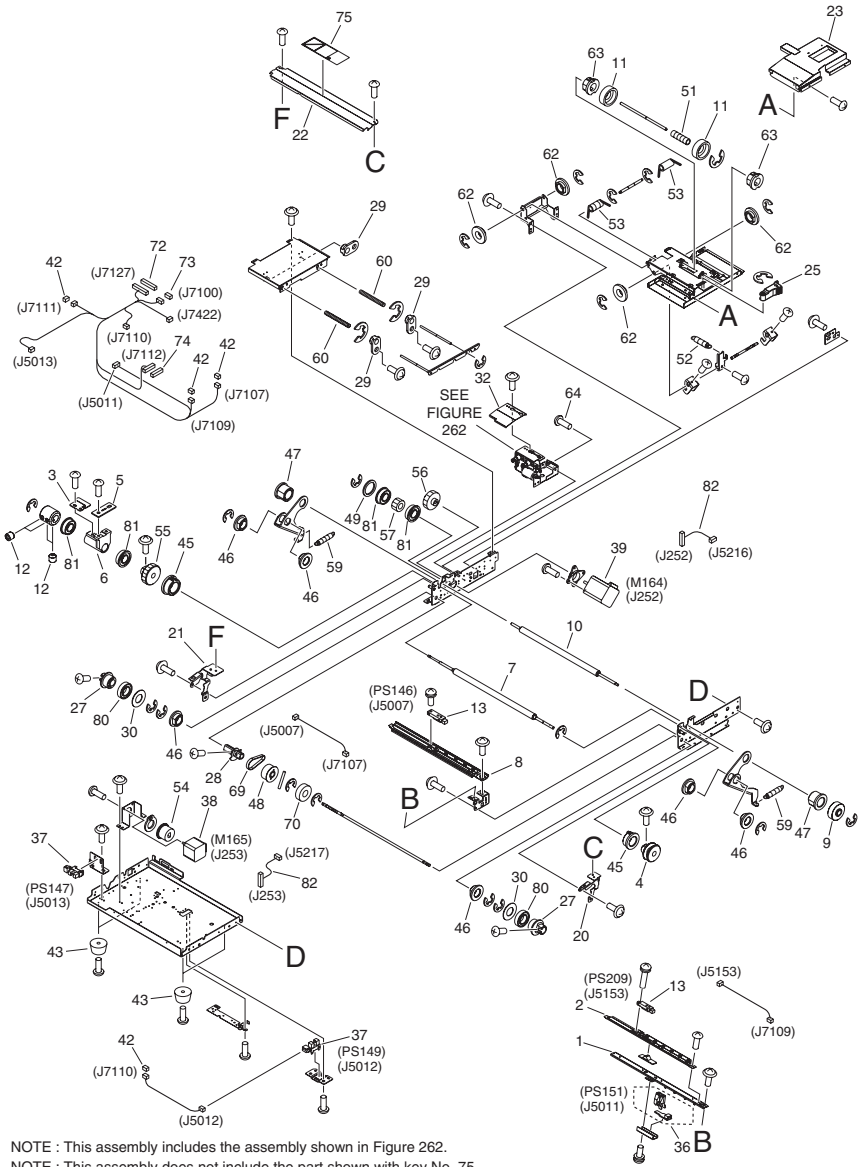


FIGURE & KEY NO.	PARTS NUMBER	R A N K	Q'TY	DESCRIPTION	SERIAL NUMBER/ REMARKS	S V C
Fig.310	FM2-1979-000		2	PAPER PICK-UP ASSEMBLY		
1	FA9-2112-000		1	BUSHING, PL		
2	FB2-7755-000		2	BUSHING		
3	FC5-8115-000		1	FLAG, ATTRACTION		
4	FC5-8116-010		1	BUTTON, UPPER LIMIT SWITCH		
5	FC5-8120-000		1	CAM		
6	FC5-8121-000		2	HOLDER, PAPER SENSOR SHAFT		
7	FC5-8122-000		1	FLAG, PAPER SENSOR		
8	FC5-8126-000		3	NOZZLE, SEPARATION		
9	FC5-8127-000		3	NOZZLE, FRONT		
10	FC5-8133-000		2	ROLLER, DRIVEN		
11	FC5-8142-000		1	LINK, ATTRACTION SHUTTER		
12	FC5-8143-000		1	SHAFT, BELT FOLLOWER		
13	FC5-8144-000		6	ROLLER, BELT DRIVE		
14	FC5-8146-000		3	BELT, ATTRACTION		
15	FC5-8147-000		3	COVER, SEPARATION NOZZLE		
16	FC5-8153-000		1	FLAG, PAPER PRESENCE SENSOR		
17	FC5-8154-000		1	LINK, PAPER		
18	FC5-8171-000		1	ARM, PAPER DETECT		
19	WG8-5848-000		6	IC, PHOTO-INTERRUPTER	PS602,PS603,PS604,PS605,PS606,PS614,PS702,PS703,PS704,PS705,PS706,PS714	
20	FM3-2089-000		1	FAN UNIT	FM601,FM701	
21	FL2-9438-000		1	EXTRACTION ROLLER UNIT		
22	FL2-1785-000		1	SOLENOID, PAPER PICK-UP	SL601,SL701	
23	FM2-8519-000		1	CABLE, EXTRACTION SENSOR		
24	VS1-7177-003		2	CONNECTOR, SNAP TIGHT, BK		
25	FM2-8629-000		1	CABLE, AIR PAPER PICK-UP		
26	VS1-7177-002		1	CONNECTOR, SNAP TIGHT, BK		
27	VS1-7177-004		1	CONNECTOR, SNAP TIGHT, BK		
28	FM2-9408-000		1	CABLE, ABSORB SENSOR CONNECT		
29	FS5-6487-000		4	WASHER		

FIGURE & KEY NO.	PARTS NUMBER	RANK	Q'TY	DESCRIPTION	SERIAL NUMBER/REMARKS	SVC
30	FU5-2781-000		1	SPRING, COMPRESSION	PS601,PS701	
31	FU5-2783-000		2	SPRING, COMPRESSION		
32	FU5-2784-000		1	SPRING, TENSION		
33	FU5-2785-000		2	SPRING, COMPRESSION		
34	XA9-1659-000		2	SCREW,M3X4		
35	XG9-0508-000		2	BEARING, BALL, F688ZZ		
36	RS5-1058-000		4	BUSHING		
37	XG9-0507-000		4	BEARING, BALL, MF128ZZ		
38	WG8-5736-000		1	PHOTO SENSOR UNIT		
39	FC5-8149-000		3	NOZZLE, REAR		
40	XH9-0006-000		2	BUSHING,RUBBER,(WITH M4 NUT)		
41	XZ1-1900-705		2	SPACER		



# FIGURE 320 REGIST. PAPER FEEDER ASSEMBLY



NOTE : This assembly includes the assembly shown in Figure 262.  
 NOTE : This assembly does not include the part shown with key No. 75.  
 NOTE : Several kinds of labels are attached on the board for the parts of Key No. 75. The same parts as Fig/Key No. 100-96.  
 注 : このユニットはFigure 262のユニットを含みます。  
 注 : このユニットにKey No. 75の部品は含まれません。  
 注 : Key No. 75の部品は台紙に数種類のラベルが付いています。Fig/Key No. 100-96と同一部品です。

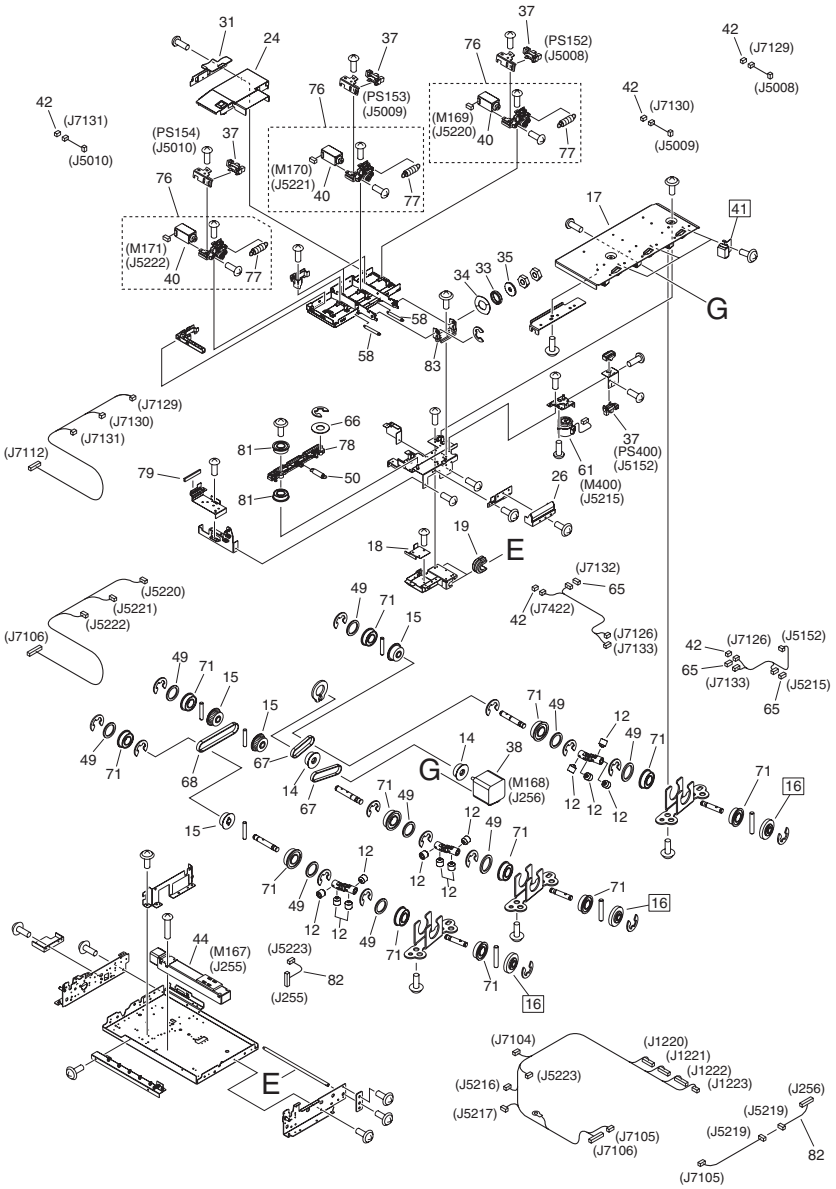


FIGURE & KEY NO.	PARTS NUMBER	R A N K	Q'TY	DESCRIPTION	SERIAL NUMBER/REMARKS	S V C
Fig.320	FM4-2622-000		1	REGIST. PAPER FEEDER ASSEMBLY	SEE NOTE	
1	FC5-9614-010		1	GUIDE, REGIST. REAR, LOWER		
2	FC5-9615-010		1	GUIDE, REGIST. REAR, UPPER		
3	FC5-9616-000		1	FLAG, REG. ROLLER H.P. SENSOR		
4	FC5-9617-000		1	JOINT, REG. ROLLER, LOWER		
5	FC5-9619-000		1	STOPPER, BELT		
6	FC5-9620-000		1	HOLDER, REGISTRATION SLIDE		
7	FC5-9621-000		1	ROLLER, REGISTRATION, LOWER		
8	FC5-9622-010		1	GUIDE, PRE-REGISTRATION		
9	FC5-9623-000		1	JOINT, REG. ROLLER, UPPER		
10	FC5-9624-000		1	ROLLER, REGISTRATION, UPPER		
11	FC5-9631-000		2	SUPPORT, SPRING		
12	XA9-1813-000		AR	SET SCREW, HEX.SKT.HEAD, M3X3		
13	WG8-5736-000		2	PHOTO SENSOR UNIT	PS146,PS209	
14	FC5-9715-000		2	PULLEY, 30T		
15	FC5-9719-000		4	PULLEY		
16	FC5-9721-000		3	ROLLER	[DP]	
17	FC5-9722-010		1	GUIDE, LOWER		
18	FC5-9725-000		1	FLAG, JOG HOME POSITION		
19	FC5-9740-000		2	BLOCK, SLIDE		
20	FC5-9745-000		1	RETAINER, BUSHING, FRONT		
21	FC5-9746-000		1	RETAINER, BUSHING, REAR		
22	FC5-9747-000		1	COVER, REGISTRATION ROLLER		
23	FC5-9748-000		1	COVER, FIXED GUIDE		
24	FC5-9749-000		1	COVER, ROLLER INNER		
25	FC6-8202-000		1	BUTTON, RELEASE		
26	FC6-8300-000		1	COVER, ROLLER INNER, 2		
27	FC6-8306-000		2	CAM, REGISTRATION RELEASE		
28	FC6-8307-000		1	FLAG, SENSOR UNIT, H.P.		
29	FC6-8310-000		4	BUSHING, FIXED		
30	FC6-8502-000		2	RETAINER, THRUST		
31	FC6-8509-000		1	HANDLE, GUIDE, UPPER		

FIGURE & KEY NO.	PARTS NUMBER	R A N K	Q'TY	DESCRIPTION	SERIAL NUMBER/ REMARKS	S V C
32	FC7-3492-000		1	COVER, DRIVE		
33	FC7-4972-000		1	WASHER, MOLD		
34	FC7-4973-000		1	WASHER, WAVE		
35	FC7-7481-000		1	WASHER		
36	FG6-8605-020		1	OPTICAL SENSOR PCB ASSEMBLY	PS151	
37	WG8-5848-000		6	IC, PHOTO-INTERRUPTER	PS147,PS149,PS152,PS153,PS154,PS400	
38	FK2-3124-000		2	MOTOR, STEPPING, DC	M165,M168	
39	FK2-3127-000		1	MOTOR, STEPPING, DC	M164	
40	FK2-3143-000		3	MOTOR, STEPPING, DC	M169,M170,M171	
41	FL2-4074-000		3	SUPPORT, CLEANING PAD	[DP]	
42	VS1-7177-003		9	CONNECTOR, SNAP TIGHT, BK		
43	XH9-0122-000		4	FOOT, RUBBER		
44	FM2-5180-000		1	REGISTRATION JOGGING ASSEMBLY	M167	
45	FS1-1189-000		2	BUSHING, ABS		
46	FS1-1341-000		6	BUSHING, OILLESS METAL		
47	FS1-1465-000		2	BUSHING		
48	FU5-3212-000		1	PULLEY, 40T		
49	FS5-6488-000		10	WASHER		
50	FU5-2896-000		1	SPRING, TENSION		
51	FU5-2939-000		1	SPRING, COMPRESSION		
52	FU5-2940-000		1	SPRING, TENSION		
53	FU5-2941-000		2	SPRING, TORSION		
54	FU5-3438-000		1	PULLEY, 20T		
55	FU6-0386-000		1	GEAR		
56	FU6-0392-000		1	GEAR		
57	FU6-0393-000		1	GEAR		
58	FU6-2514-000		2	SPRING, TENSION		
59	FU6-2515-000		2	SPRING, TENSION		
60	FU6-2516-000		2	SPRING, COMPRESSION		
61	FK3-0823-000		1	MOTOR, STEPPING, DC	M400	
62	RS1-1042-000		4	BUSHING		

FIGURE & KEY NO.	PARTS NUMBER	RANK	Q'TY	DESCRIPTION	SERIAL NUMBER/REMARKS	SVC
63	RS5-1567-000		2	BUSHING		
64	XA9-0892-000		3	SCREW,MACH.,TRUSS HEAD,M4X6		
65	VS1-7177-004		3	CONNECTOR, SNAP TIGHT, BK		
66	XD9-0220-000		1	WASHER		
67	XF2-1606-960		2	BELT, TIMING		
68	XF2-1610-760		1	BELT, TIMING		
69	XF2-3606-360		1	BELT, TIMING		
70	XG9-0384-000		1	BEARING, BALL,DDR198022LY13		
71	XG9-0602-000		12	BEARING, BALL, MF126T12ZZMC3		
72	VS1-7164-036		1	CONNECTOR, SNAP TIGHT, 36P, W		
73	VS1-7173-004		1	CONNECTOR, SNAP TIGHT		
74	VS1-7177-009		1	CONNECTOR, 9P		
75	FC8-2990-000		1	LABEL, MAIN STATION LANGUAGE 2	SEE NOTE Japanese	
75	FC8-3641-000		1	LABEL, MAIN STATION LANGUAGE 2	SEE NOTE English	
75	FC8-3642-000		1	LABEL, MAIN STATION LANGUAGE 2	SEE NOTE French	
75	FC8-3643-000		1	LABEL, MAIN STATION LANGUAGE 2	SEE NOTE German	
75	FC8-3644-000		1	LABEL, MAIN STATION LANGUAGE 2	SEE NOTE Italian	
75	FC8-3645-000		1	LABEL, MAIN STATION LANGUAGE 2	SEE NOTE Spanish	
75	FC8-3646-000		1	LABEL, MAIN STATION LANGUAGE 2	SEE NOTE Portuguese	
76	FM4-2630-000		3	PRESSURE RELEASE MOTOR UNIT		
77	FU8-2629-000		3	SPRING, TENSION		
78	FM3-0291-010		1	SIDE BLOCK ASSEMBLY		
79	FC8-9079-000		1	SHEET, LIGHT-BLOCKING		
80	XG1-1528-075		2	BALL BEARING, NSK 6902ZZ, SUJ		
81	XG3-6012-405		6	BALL BEARING, MF126ZZ		
82	FM2-8689-000		4	CABLE, MOTOR, 1		
83	FC6-8206-000		1	MOUNT, HANDLE		

# FIGURE 321 PRE-REGISTRATION FEED ASSEMBLY

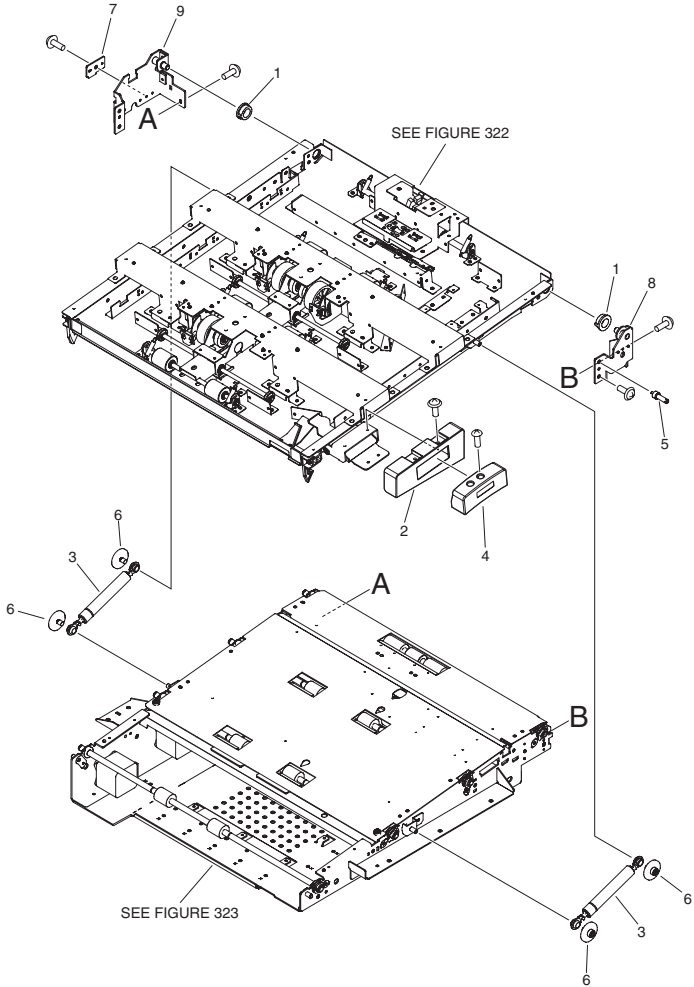
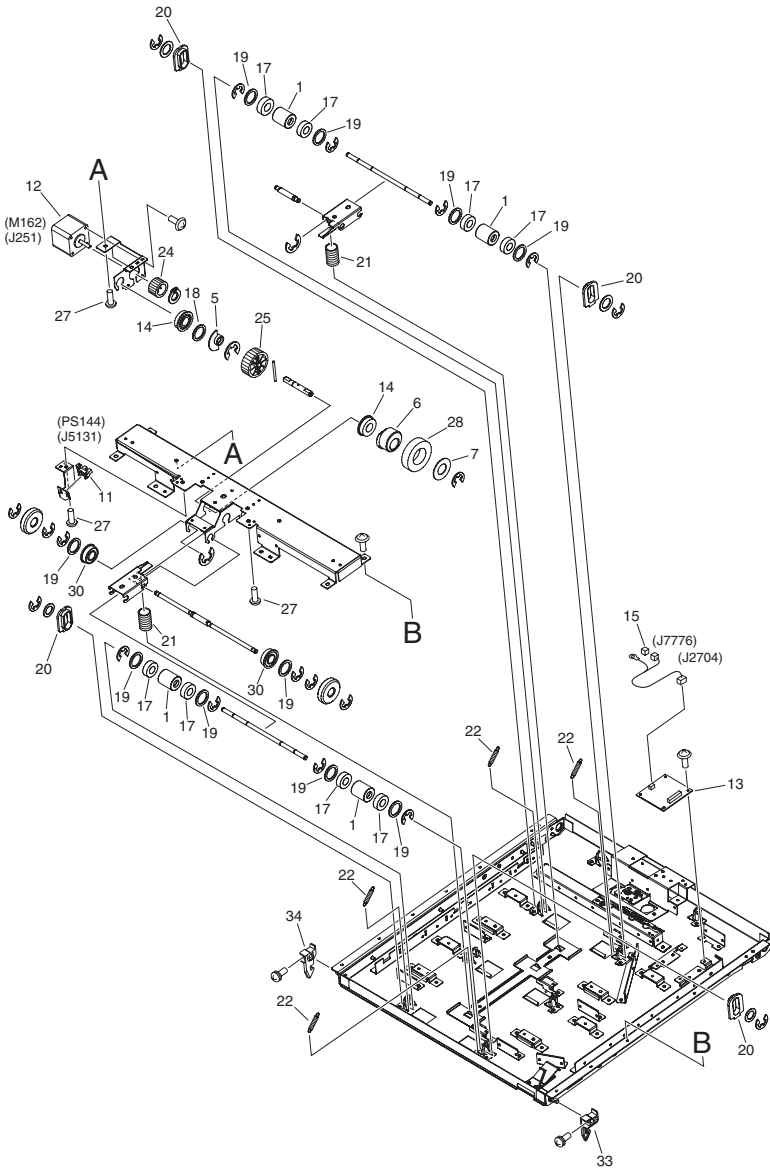
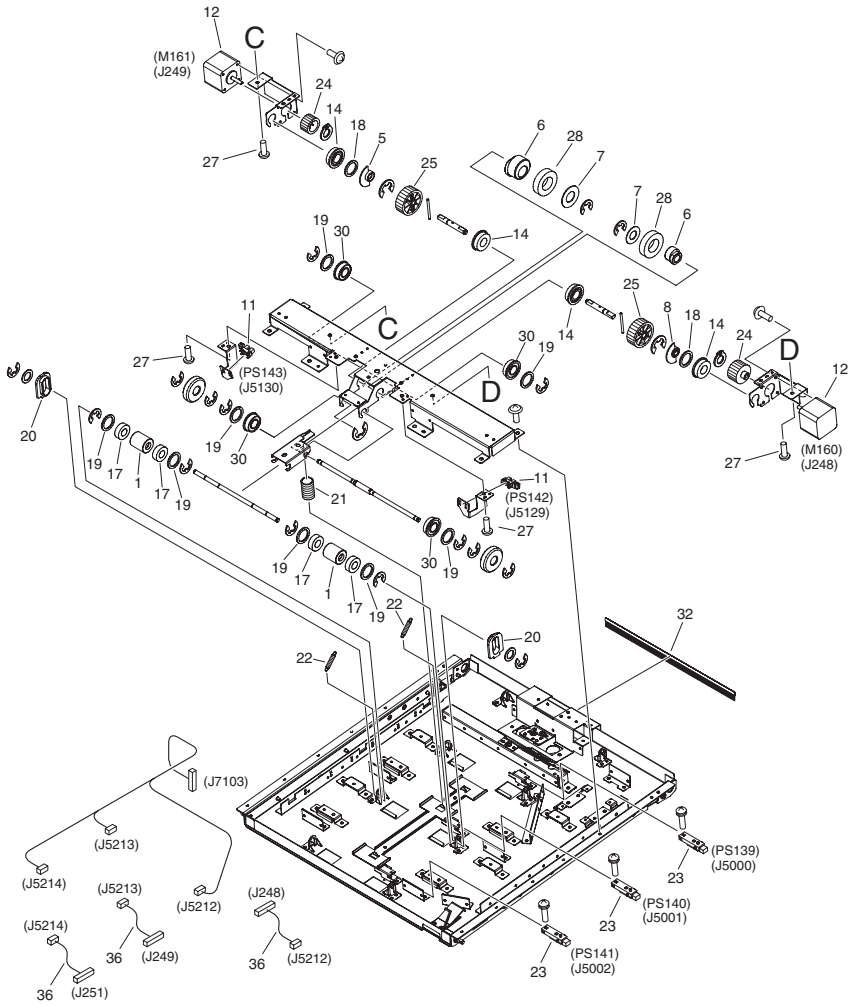


FIGURE & KEY NO.	PARTS NUMBER	RANK	Q'TY	DESCRIPTION	SERIAL NUMBER/REMARKS	SVC
Fig.321	NPN		RF	PRE-REGISTRATION FEED ASSEMBLY		
1	FA9-2112-000		2	BUSHING, PL		
2	FC6-8045-000		1	COVER, RELEASE LEVER		
3	FE3-5783-000		2	SPRING, GAS		
4	FC7-3493-000		1	HANDLE, LEVER		
5	FU5-9221-000		1	SHAFT, GUIDE, UPPER		
6	FU5-9404-000		4	SHAFT, TURN		
7	FC7-3470-000		1	PLATE, HINGE MOUNT FIXED, REAR		
8	FL2-2147-000		1	MOUNT, HINGE, FRONT		
9	FL2-2148-000		1	MOUNT, HINGE, REAR		

FIGURE 322  
 PRE-REGIST. FEEDER UPPER ASS'Y







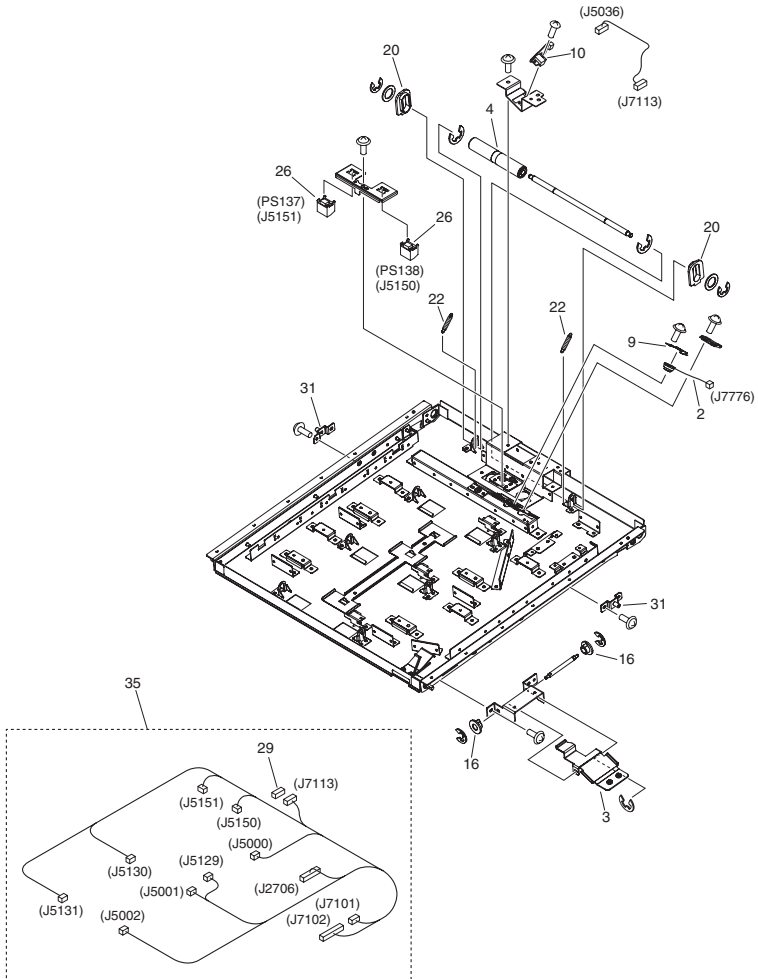


FIGURE & KEY NO.	PARTS NUMBER	R A N K	Q'TY	DESCRIPTION	SERIAL NUMBER/ REMARKS	S V C
Fig.322	FM4-2623-000		1	PRE-REGIST. FEEDER UPPER ASS'Y		
1	FC5-9668-000		6	ROLLER, FOLLOWER		
2	FK2-0999-000		1	SENSOR		
3	FC6-8046-000		1	LEVER, RELEASE		
4	FC6-8056-000		1	ROLLER, PAPER THICK DETECT, UP		
5	FC6-8492-000		2	FLAG, CAM SENSOR		
6	FC6-8493-000		3	CAM, RELEASE		
7	FC6-8502-000		3	RETAINER, THRUST		
8	FC7-3130-000		1	FLAG, CAM SENSOR, FRONT		
9	FC6-8219-000		1	PLATE, RETAINING		
10	FK2-0589-000		1	PAPER SENSOR PCB UNIT		
11	WG8-5848-000		3	IC, PHOTO-INTERRUPTER	PS142,PS143,PS144	
12	FK2-3124-000		3	MOTOR, STEPPING, DC	M160,M161,M162	
13	FM2-7640-000		1	RECEPTION PCB ASSEMBLY		
14	XG9-0664-000		6	BALL BEARING, JMK-688ZZNR*D4ML		
15	VS1-7177-002		1	CONNECTOR, SNAP TIGHT, BK		
16	FS1-1532-000		2	BUSHING, PL		
17	XG9-0245-000		12	BEARING, BALL, MR126ZZMC3NS7L		
18	FS5-6487-000		5	WASHER		
19	FS5-6488-000		18	WASHER		
20	FU5-1326-000		8	BUSHING, FOLLOWER ROLLER		
21	FU5-2944-000		3	SPRING, COMPRESSION		
22	FU5-2945-000		8	SPRING, TENSION		
23	WG8-5736-000		3	PHOTO SENSOR UNIT	PS139,PS140,PS141	
24	FU7-0141-000		3	GEAR, 26T		
25	FU7-0142-000		3	GEAR, 52T		
26	RH7-7129-020		2	OHT SENSOR UNIT	PS137,PS138	
27	XA9-1035-000		AR	SCREW,M4X4		
28	XG1-1528-075		3	BALL BEARING, NSK 6902ZZ, SUJ		
29	VS1-7173-005		1	CONNECTOR, SNAP TIGHT		
30	XG3-6012-405		6	BALL BEARING, MF126ZZ		
31	FL2-4141-000		2	MOUNT, CROSSMEMBER, UPPER		

FIGURE & KEY NO.	PARTS NUMBER	R A N K	Q'TY	DESCRIPTION	SERIAL NUMBER/ REMARKS	S V C
32	FB5-4858-000		1	ELIMINATOR, STATIC CHARGE		
33	FC6-8494-000		1	HOOK, FRONT		
34	FC6-8495-000		1	HOOK, REAR		
35	FM2-8649-000		1	CABLE, REGISTRATION SENSOR		
36	FM2-8689-000		3	CABLE, MOTOR, 1		

# FIGURE 323 PRE-REGIST. FEEDER LOWER ASS'Y

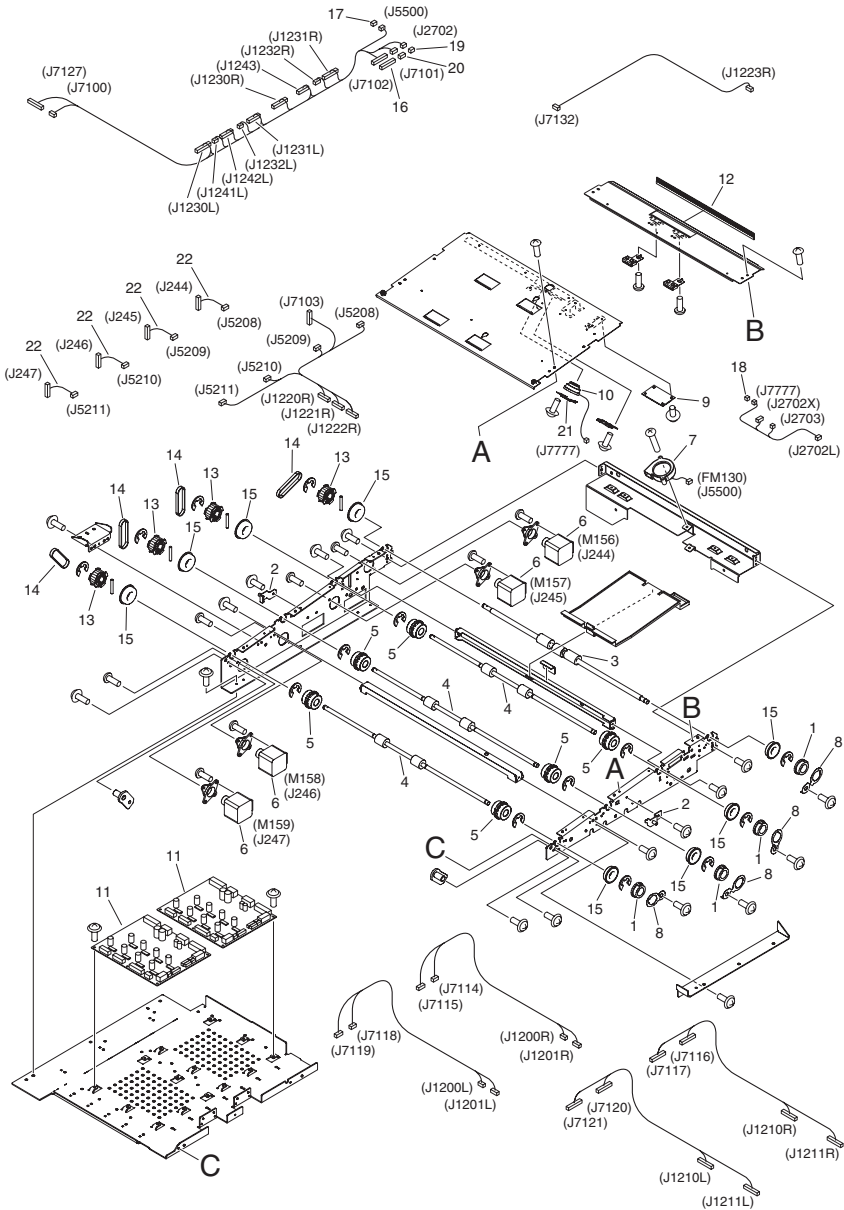
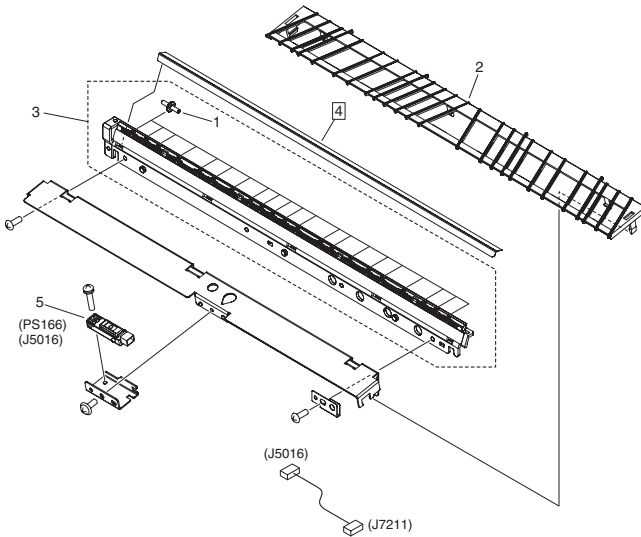


FIGURE & KEY NO.	PARTS NUMBER	R A N K	Q'TY	DESCRIPTION	SERIAL NUMBER/ REMARKS	S V C
Fig.323	FM4-2599-000		1	PRE-REGIST. FEEDER LOWER ASS'Y		
1	FA9-2112-000		4	BUSHING, PL		
2	FL2-4140-000		2	MOUNT, CROSSMEMBER, LOWER		
3	FC9-9475-000		1	ROLLER, SENSOR FOR FEEDER		
4	FC9-9476-000		3	ROLLER, PAPER FEEDER, FRONT		
5	FC7-7065-000		6	ROLLER, SLIDE		
6	FK2-3125-000		4	MOTOR, STEPPING, DC	M156,M157,M158,M159	
7	FK3-0827-000		1	FAN	FM130	
8	FC5-9559-000		4	PLATE, ROLLER GROUNDING		
9	FM4-6266-000		1	TRANSMISSION PCB ASSEMBLY		
10	FK2-0999-000		1	SENSOR		
11	FM4-6239-000		2	REG. FEED DRIVER PCB ASSEMBLY		
12	FB5-4858-000		1	ELIMINATOR, STATIC CHARGE		
13	FU5-3441-000		4	PULLEY, 30T		
14	XF2-1608-060		4	BELT, TIMING		
15	XG9-0664-000		8	BALL BEARING, JMK-688ZZNR*D4ML		
16	VS1-7164-036		1	CONNECTOR, SNAP TIGHT, 36P, W		
17	VS1-7177-003		1	CONNECTOR, SNAP TIGHT, BK		
18	VS1-7177-002		1	CONNECTOR, SNAP TIGHT, BK		
19	VS1-7173-003		1	CONNECTOR, SNAP TIGHT, 3P, W		
20	VS1-7173-004		1	CONNECTOR, SNAP TIGHT		
21	FC6-8219-000		1	PLATE, RETAINING		
22	FM2-8689-000		4	CABLE, MOTOR, 1		

# FIGURE 324 2ND TRNSFR. ELIM. ASS'Y, REAR



NOTE : This assembly is included in the assembly shown in Figure 333.  
注：このユニットはFigure 333のユニットに含まれます。

FIGURE & KEY NO.	PARTS NUMBER	RANK	Q'TY	DESCRIPTION	SERIAL NUMBER/REMARKS	SVC
Fig.324	FM2-2176-000		1	2ND TRNSFR. ELIM. ASS'Y, REAR	SEE NOTE	
1	FC5-2669-000		21	ROWEL		
2	FC5-9363-000		1	GUIDE, REAR		
3	FL2-4116-000		1	ELIMINATOR, STATIC-CHARGE		
4	FL2-4118-000		1	SHEET, SCATTER PREVENTION, 5	[DP]	
5	WG8-5736-000		1	PHOTO SENSOR UNIT	PS166	

# FIGURE 325 VERTICAL PATH ASSEMBLY

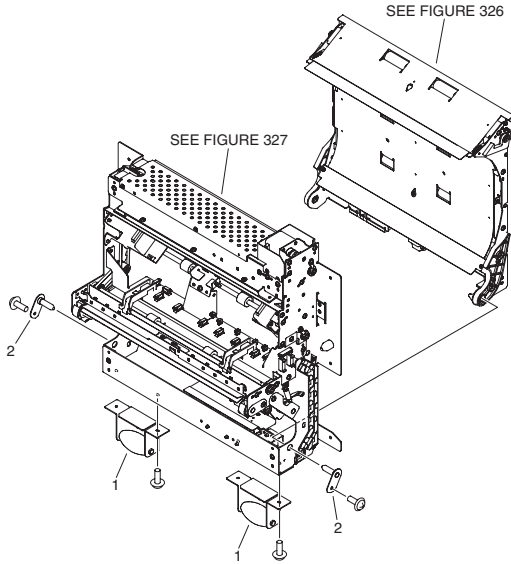


FIGURE & KEY NO.	PARTS NUMBER	RANK	QTY	DESCRIPTION	SERIAL NUMBER/REMARKS	SVC
Fig.325	NPN		RF	VERTICAL PATH ASSEMBLY		
1	FL2-2306-000		2	ROLLER, SLIDE		
2	FL2-2127-000		2	HINGE, RIGHT DOOR		



# FIGURE 326 RIGHT DOOR ASSEMBLY

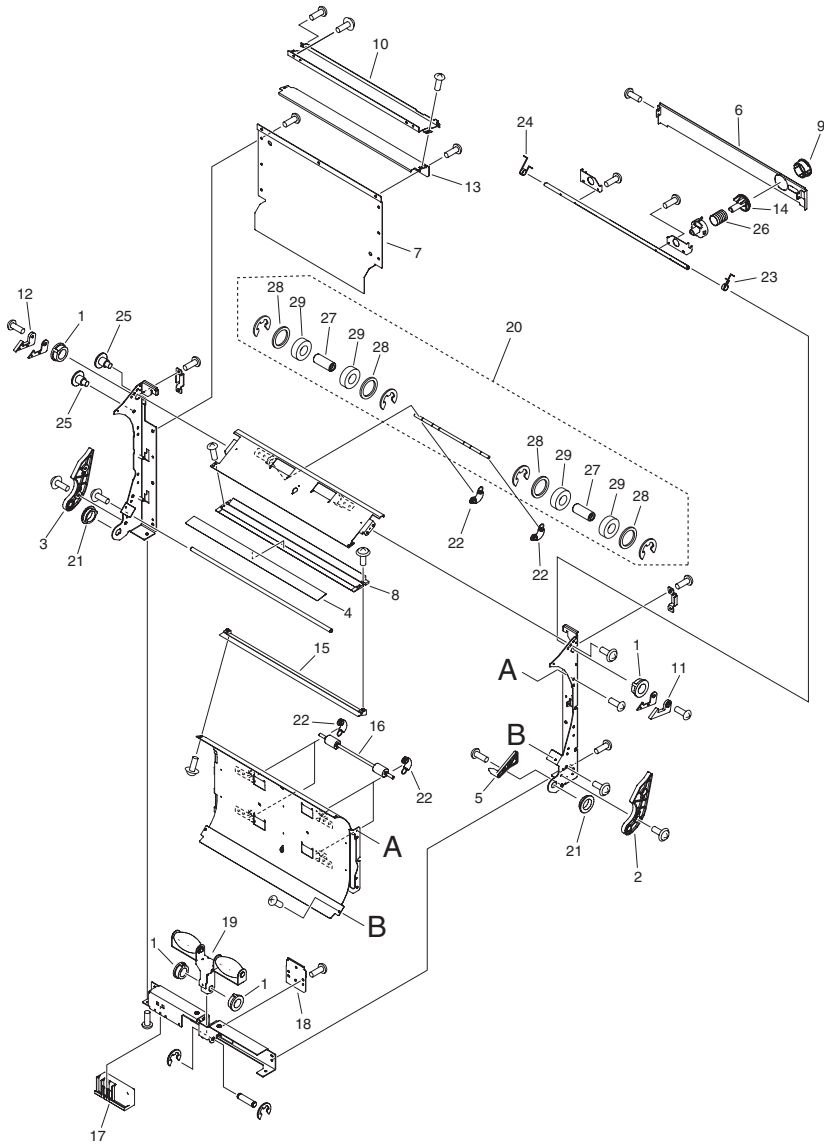
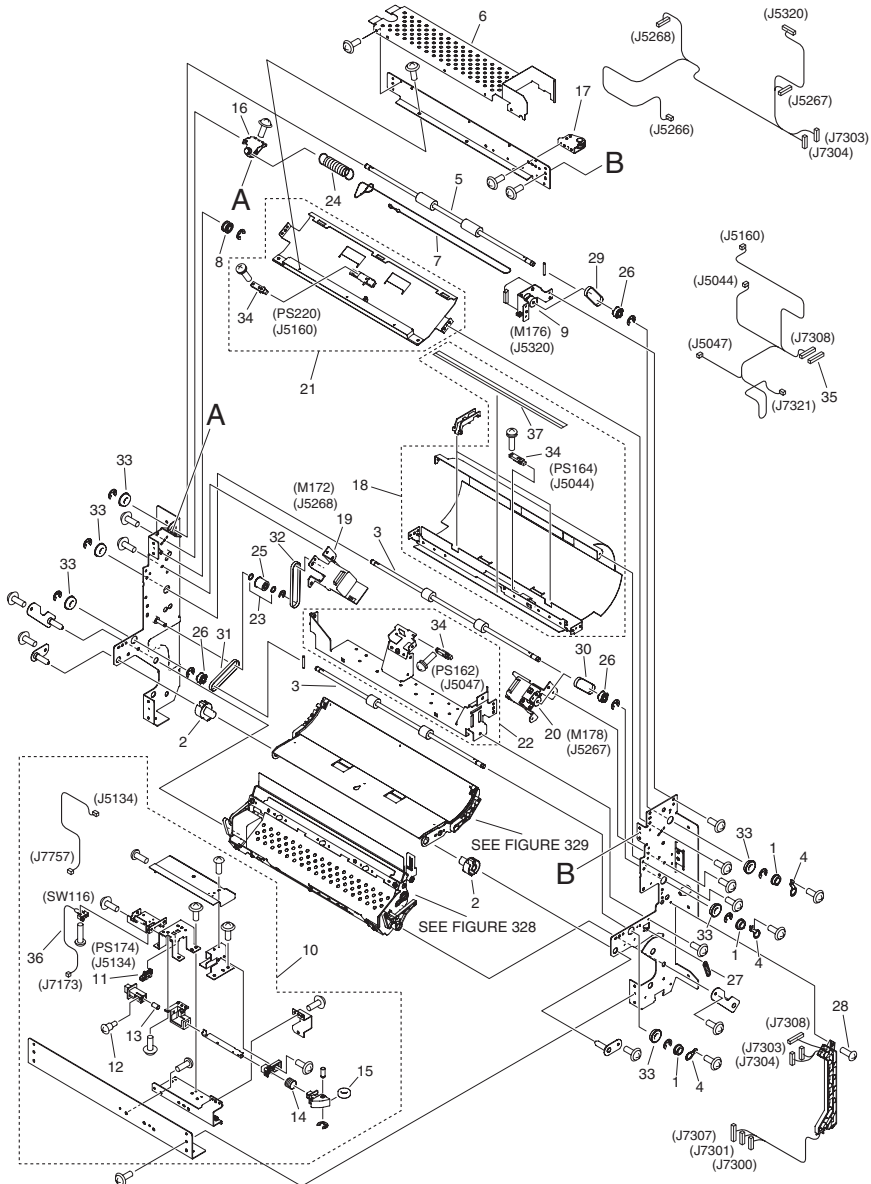


FIGURE & KEY NO.	PARTS NUMBER	R A N K	Q'TY	DESCRIPTION	SERIAL NUMBER/ REMARKS	S V C
Fig.326	FM2-2247-010		1	RIGHT DOOR ASSEMBLY		
1	FA9-2112-000		4	BUSHING, PL		
2	FC5-9510-000		1	CAM, OPEN/CLOSE, FRONT		
3	FC5-9511-000		1	CAM, OPEN/CLOSE, REAR		
4	FC5-9513-000		1	SHEET, GUIDE, 2		
5	FC6-0009-000		1	SWITCH, DOOR, RIGHT		
6	FC6-0056-000		1	COVER, RIGHT DOOR, UPPER		
7	FC6-0058-000		1	COVER, DOOR INNER, RIGHT		
8	FC6-0060-000		1	BLOCK, CROSSING, UPPER		
9	FC6-0061-000		1	HOLDER, BUTTON		
10	FC6-0063-000		1	GUIDE, UPPER		
11	FC6-0069-000		1	HOOK, RIGHT DOOR, FRONT		
12	FC6-0070-000		1	HOOK, RIGHT DOOR, REAR		
13	FC6-0073-000		1	GUIDE, LOWER		
14	FC6-0083-000		1	BUTTON, RELEASE		
15	FC6-0084-000		1	BLOCK, CROSSING, LOWER		
16	FM1-F167-000		2	FOLLOWER ROLLER ASSEMBLY		
17	FB6-3440-000		1	HANDLE, REAR		
18	FC6-0065-000		1	STOPPER, ROLLER		
19	FM2-5107-000		1	AUXILIARY ROLLER ASSEMBLY		
20	FM2-5108-000		1	ROLLER, FOLLOWER, LEFT		
21	FS2-1012-000		2	BUSHING		
22	FU5-2833-000		6	SPRING, TENSION		
23	FU5-2962-000		1	SPRING, TORSION		
24	FU5-2963-000		1	SPRING, TORSION		
25	FU5-9210-000		2	SCREW, STEPPED, M4		
26	FU6-2534-000		1	SPRING, COMPRESSION		
27	FC6-0111-000		2	ROLLER, FOLLOWER		
28	FS5-6488-000		4	WASHER		
29	XG9-0245-000		4	BEARING, BALL, MR126ZZMC3NS7L		

# FIGURE 327 VERTICAL PATH MAIN ASSEMBLY

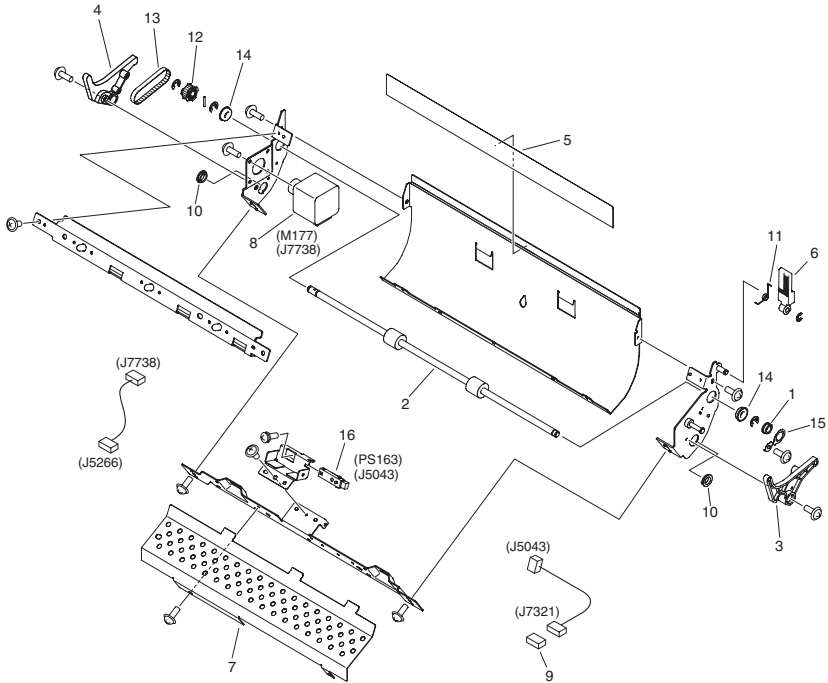


NOTE : This assembly includes the assemblies shown in Figure 328 and 329.  
 注 : このユニットはFigure 328, 329のユニットを含みます。

FIGURE & KEY NO.	PARTS NUMBER	R A N K	Q'TY	DESCRIPTION	SERIAL NUMBER/ REMARKS	S V C
Fig.327	FM2-5111-010		1	VERTICAL PATH MAIN ASSEMBLY	SEE NOTE	
1	FA9-2112-000		3	BUSHING, PL		
2	FC5-9489-000		2	BUSHING, OPEN/CLOSE		
3	FC9-9468-000		2	ROLLER, V. PATH PAPER FEED		
4	FC5-9559-000		3	PLATE, ROLLER GROUNDING		
5	FC9-9469-000		1	ROLLER, EXTERNAL CROSSING		
6	FC6-0049-000		1	COVER, BLANKING, UPPER		
7	FC6-0055-000		1	WIRE, VERTICAL PATH		
8	FC6-0059-000		1	ROLLER, WIRE		
9	FM2-5112-000		1	POD PATH DRIVE ASSEMBLY	M176	
10	FM2-5113-000		1	OPEN/CLOSE DETECT ASSEMBLY		
11	FK2-0149-000		1	PHOTO-INTERRUPTER, TLP1252(C6)	PS174	
12	FS1-9010-020		1	SCREW, STEPPED, M3		
13	FS7-2854-000		1	SPRING, COMPRESSION		
14	FU5-2921-000		1	SPRING, COMPRESSION		
15	XG9-0387-000		1	BEARING, BALL, L-1680HH LY13		
16	FM2-5114-000		1	WIRE RETURN ASSEMBLY		
17	FM2-5115-000		1	WIRE STOPPER ASSEMBLY		
18	FM2-5116-010		1	INNER GUIDE ASSEMBLY		
19	FM2-5117-000		1	LOWER FEEDER PATH DRIVE ASS'Y	M172	
20	FM2-5118-000		1	VERTICAL PATH DRIVE ASSEMBLY	M178	
21	FM2-5119-000		1	POD PATH GUIDE ASSEMBLY, UPPER		
22	FM2-5128-000		1	VERTICAL PATH CONNECTOR ASS'Y		
23	FS5-6488-000		2	WASHER		
24	FU5-2961-000		1	SPRING, TENSION		
25	FL3-7080-000		1	PULLEY, 30T		
26	FU5-3441-000		3	PULLEY, 30T		
27	FU6-2542-000		1	SPRING, TENSION		
28	XA9-0922-000		2	SCREW, TP, M3X8		
29	XF2-3607-260		1	BELT, TIMING		
30	XF2-3607-460		1	BELT, TIMING		
31	XF2-3609-060		1	BELT, TIMING		

FIGURE & KEY NO.	PARTS NUMBER	RANK	Q'TY	DESCRIPTION	SERIAL NUMBER/REMARKS	SVC
32	XF2-3611-560		1	BELT, TIMING		
33	XG9-0664-000		6	BALL BEARING, JMK-688ZZNR*D4ML		
34	WG8-5736-000		3	PHOTO SENSOR UNIT	PS162,PS164,PS220	
35	VS1-7173-015		1	CONNECTOR, SNAP TIGHT, W		
36	FM2-8509-000		1	CABLE, SWITCH	SW116	
37	FC8-6828-000		1	SHEET		

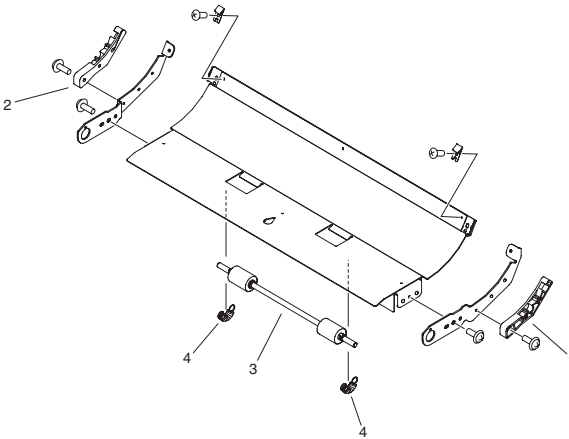
# FIGURE 328 TURN ASSEMBLY



NOTE : This assembly is included in the assembly shown in Figure 327.  
 注 : このユニットはFigure 327のユニットに含まれます。

FIGURE & KEY NO.	PARTS NUMBER	R A N K	Q'TY	DESCRIPTION	SERIAL NUMBER/ REMARKS	S V C
Fig.328	FM2-5129-000		1	TURN ASSEMBLY	SEE NOTE	
1	FA9-2112-000		1	BUSHING, PL		
2	FC9-9470-000		1	ROLLER, DECK CROSSING, RIGHT		
3	FC5-9518-000		1	CAM, FRONT		
4	FC5-9519-000		1	CAM, REAR		
5	FC5-9522-000		1	SHEET, GUIDE, 1		
6	FC6-0074-000		1	LEVER, GUIDE, CENTER		
7	FC6-0075-000		1	COVER, INNER GUIDE BLANKING		
8	FK2-3125-000		1	MOTOR, STEPPING, DC	M177	
9	VS1-7177-003		1	CONNECTOR, SNAP TIGHT, BK		
10	FS2-1012-000		2	BUSHING		
11	FU5-2964-000		1	SPRING, TORSION		
12	FU5-3441-000		1	PULLEY, 30T		
13	XF2-3607-460		1	BELT, TIMING		
14	XG9-0664-000		2	BALL BEARING, JMK-688ZZNR*D4ML		
15	FC5-9559-000		1	PLATE, ROLLER GROUNDING		
16	WG8-5736-000		1	PHOTO SENSOR UNIT	PS163	

# FIGURE 329 INNER GUIDE OPEN/CLOSE ASS'Y



NOTE : This assembly is included in the assembly shown in Figure 327.  
注：このユニットはFigure 327のユニットに含まれます。

FIGURE & KEY NO.	PARTS NUMBER	RANK	Q'TY	DESCRIPTION	SERIAL NUMBER/REMARKS	S V C
Fig.329	FM2-5131-010		1	INNER GUIDE OPEN/CLOSE ASS'Y	SEE NOTE	
1	FC5-9483-000		1	CAM, OPEN/CLOSE, FRONT		
2	FC5-9484-000		1	CAM, OPEN/CLOSE, REAR		
3	FM1-F167-000		1	FOLLOWER ROLLER ASSEMBLY		
4	FU5-2833-000		2	SPRING, TENSION		



# FIGURE 330 PRE-FIXING PAPER FEED ASSEMBLY

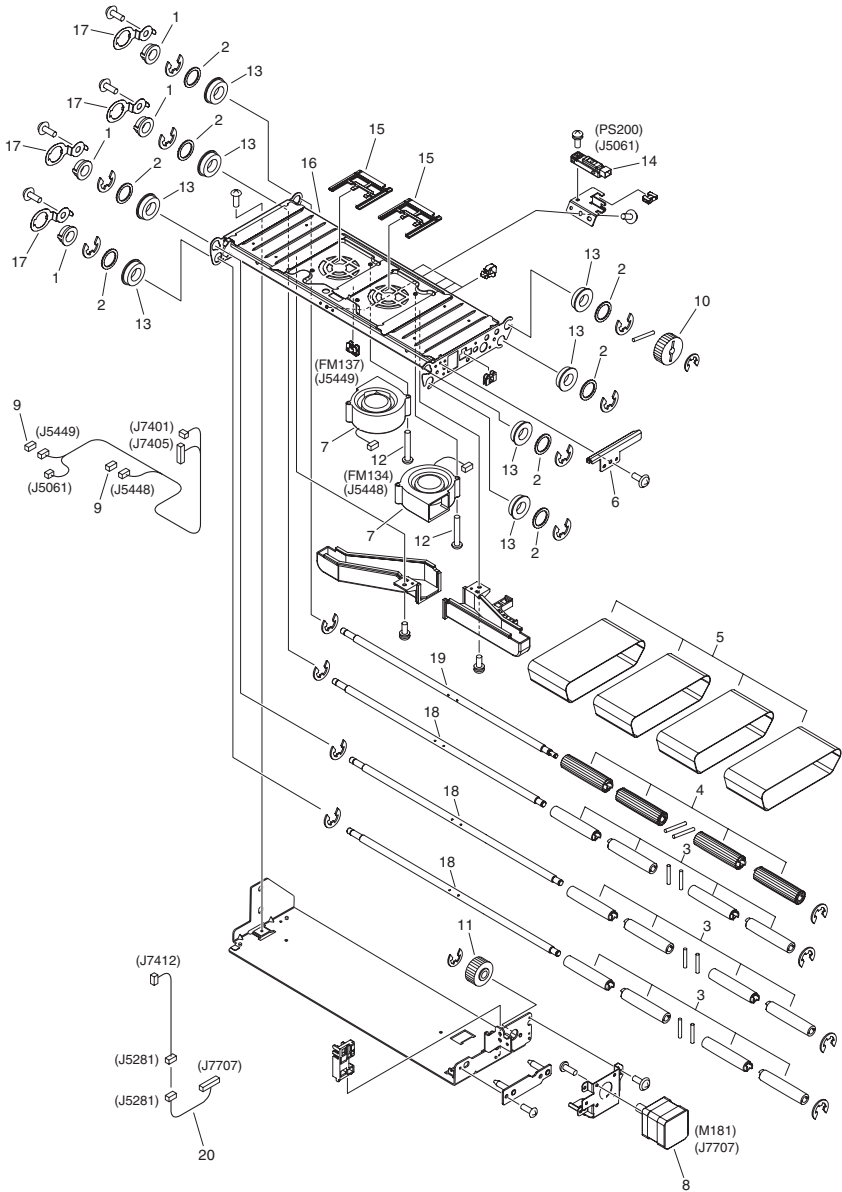


FIGURE & KEY NO.	PARTS NUMBER	R A N K	Q'TY	DESCRIPTION	SERIAL NUMBER/ REMARKS	S V C
Fig.330	FM4-7129-000		1	PRE-FIXING PAPER FEED ASSEMBLY		
1	FA9-2112-000		4	BUSHING, PL		
2	FB2-6285-020		8	SHIM		
3	FC5-9337-000		12	ROLLER,IDLER		
4	FC5-2067-000		4	ROLLER, DRIVE		
5	FC6-8098-000		4	BELT, PAPER FEED		
6	FC6-8408-000		1	GUIDE, FIXING/FEEDER PAPER		
7	FL2-6885-000		2	FAN, FIXING/FEEDER	FM134,FM137	
8	FM2-2128-000		1	FIXING/FEEDER DRIVE MOTOR	M181	
9	VS1-7177-004		2	CONNECTOR, SNAP TIGHT, BK		
10	FU6-0262-000		1	GEAR, 40T		
11	FU6-0424-000		1	GEAR, 32T		
12	XA9-1750-000		4	SCREW, M4 - L33		
13	XG9-0258-000		8	BEARING, BALL, NSK MF148ZZMC3		
14	WG8-5736-000		1	PHOTO SENSOR UNIT	PS200	
15	FC7-7555-000		2	PLATE, WIND LIMIT		
16	FL2-2099-010		1	SUPPORT, FAN		
17	FC5-9559-000		4	PLATE, ROLLER GROUNDING		
18	FC5-9370-000		3	SHAFT, FIXING/FEEDER		
19	FC5-9374-000		1	SHAFT, FIXING/FEEDER DRIVE		
20	FM2-8689-000		1	CABLE, MOTOR, 1		

# FIGURE 331

## 2ND TRNS. FRAME/FIX. F.D ASS'Y

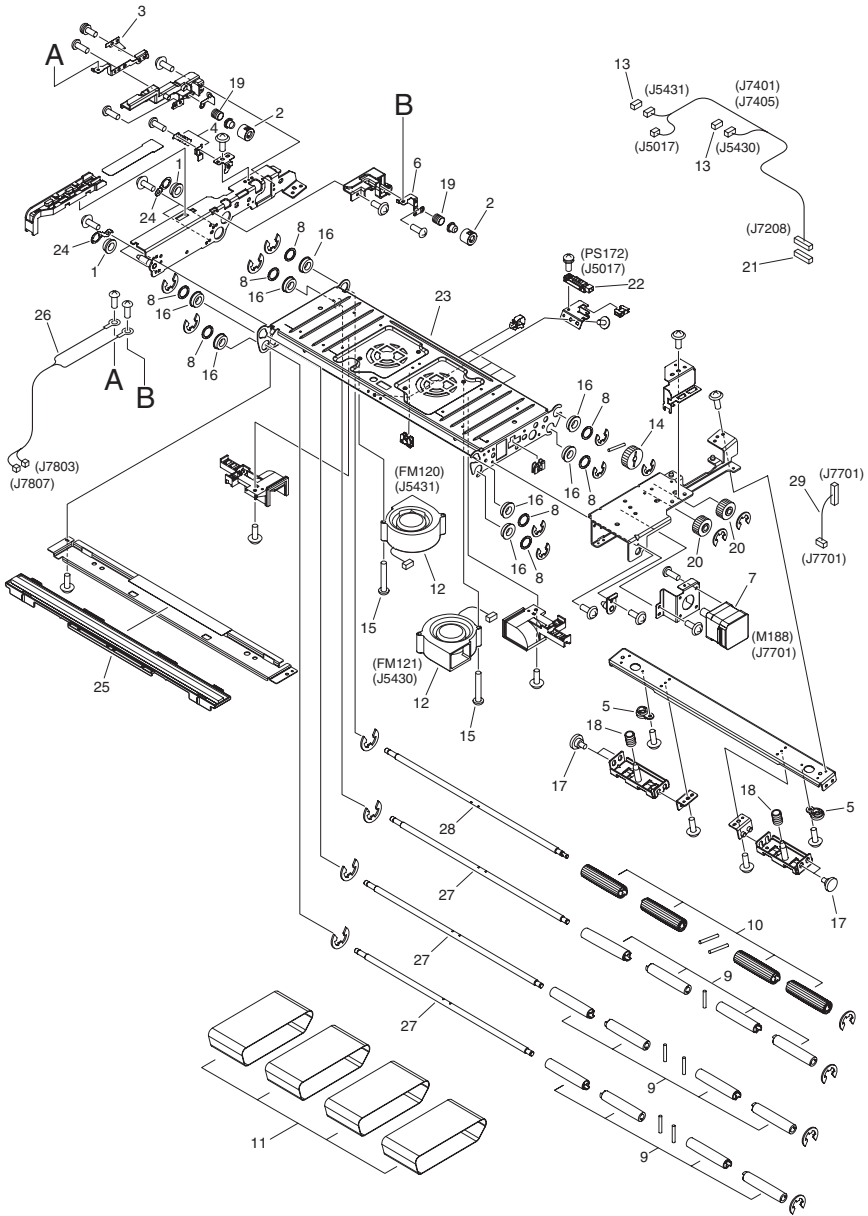


FIGURE & KEY NO.	PARTS NUMBER	R A N K	Q'TY	DESCRIPTION	SERIAL NUMBER/ REMARKS	S V C
Fig.331	FM4-2595-000		1	2ND TRNS. FRAME/FIX. F.D ASS'Y		
1	FA9-2112-000		4	BUSHING, PL		
2	FC5-9339-000		2	GUIDE, CONTACT		
3	FC5-9340-000		1	CONTACT, BIAS ROLLER		
4	FC5-9405-000		2	SPRING, GROUNDING		
5	FC6-8120-000		2	BUSHING, CAM		
6	FC6-8234-000		1	SPRING, POWER DISPATCHING, 3		
7	FM2-2128-000		1	FIXING/FEEDER DRIVE MOTOR	M188	
8	FB2-6285-020		8	SHIM		
9	FC5-9337-000		12	ROLLER, IDLER		
10	FC5-2067-000		4	ROLLER, DRIVE		
11	FC6-8098-000		4	BELT, PAPER FEED		
12	FL2-6885-000		2	FAN, FIXING/FEEDER	FM120, FM121	
13	VS1-7177-004		2	CONNECTOR, SNAP TIGHT, BK		
14	FU6-0262-000		1	GEAR, 40T		
15	XA9-1750-000		4	SCREW, M4 - L33		
16	XG9-0258-000		8	BEARING, BALL, NSK MF148ZZMC3		
17	FS2-9015-020		4	SCREW, STEPPED, M4		
18	FU5-2829-000		2	SPRING, COMPRESSION		
19	FU5-2986-000		2	SPRING, COMPRESSION		
20	FU6-0424-000		2	GEAR, 32T		
21	VS1-7173-011		1	CONNECTOR, SNAP TIGHT, 11P, W		
22	WG8-5736-000		1	PHOTO SENSOR UNIT	PS172	
23	FL2-2099-010		1	SUPPORT, FAN		
24	FC5-9559-000		4	PLATE, ROLLER GROUNDING		
25	FL3-2902-000		1	BRUSH HOLDER UNIT		
26	FM2-8496-000		1	CABLE, SECONDARY TRANSFER H.V.		
27	FC5-9370-000		3	SHAFT, FIXING/FEEDER		
28	FC5-9374-000		1	SHAFT, FIXING/FEEDER DRIVE		
29	FM2-8689-000		1	CABLE, MOTOR, 1		

**FIGURE 332**  
**2ND TRNSFR. BASE PLATE ASS'Y**

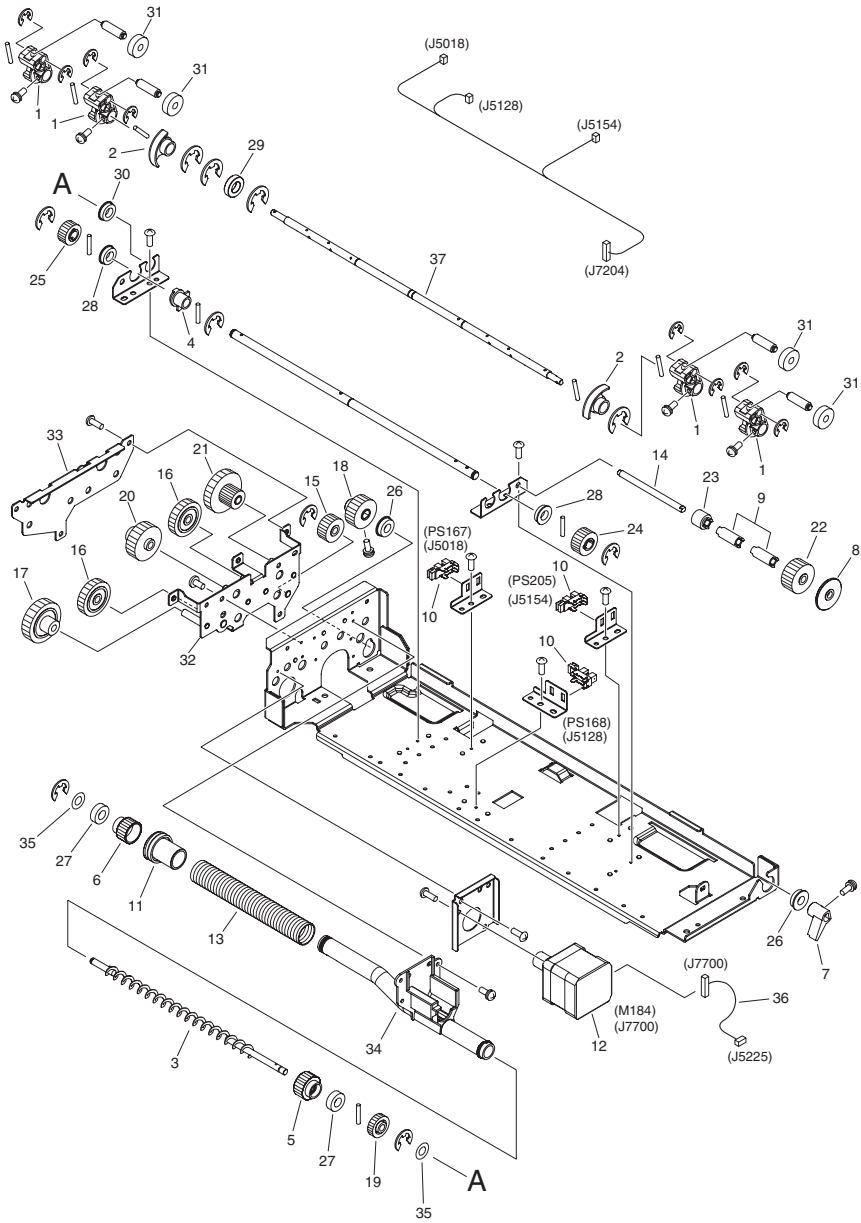
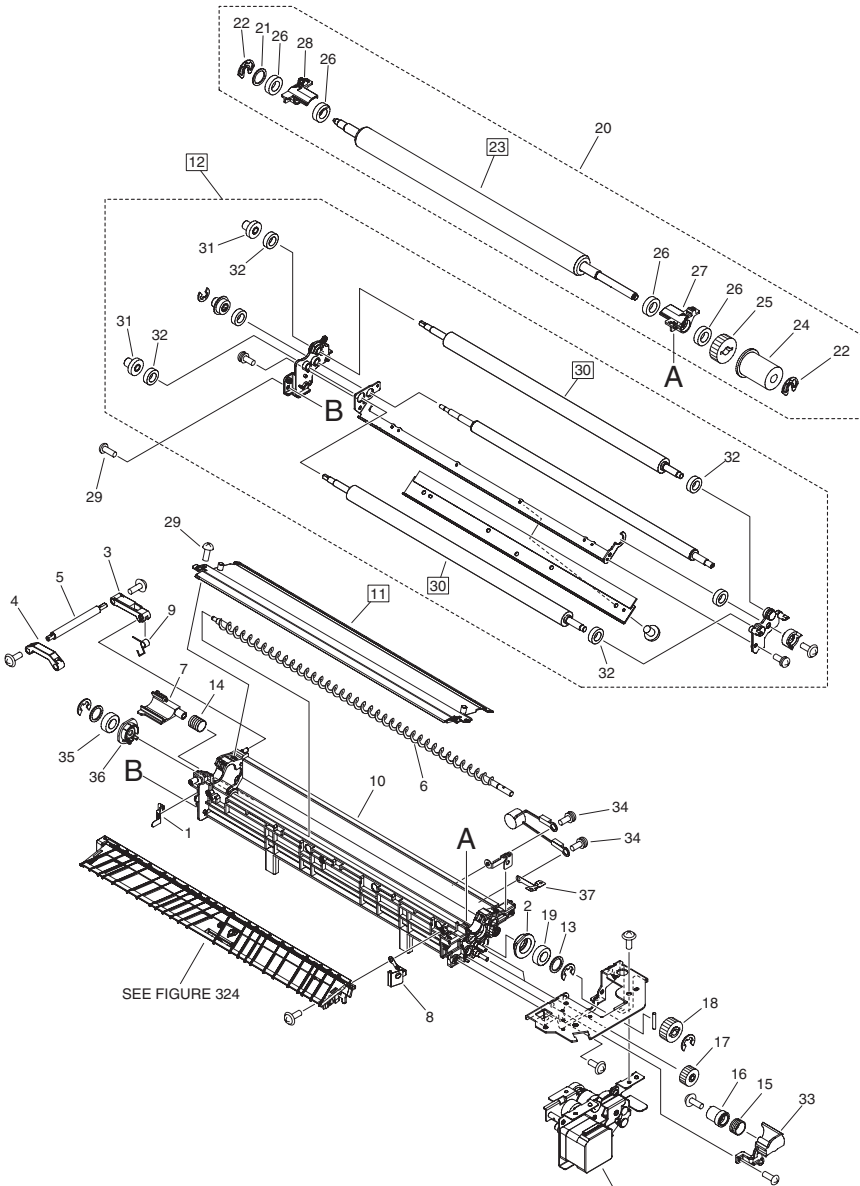


FIGURE & KEY NO.	PARTS NUMBER	R A N K	Q'TY	DESCRIPTION	SERIAL NUMBER/ REMARKS	S V C
Fig.332	FM4-2620-000		1	2ND TRNSFR. BASE PLATE ASS'Y		
1	FC5-9378-000		4	CAM, 2ND TRNSFR. RELEASE		
2	FC5-9381-000		2	FLAG, SWING CAM SENSOR		
3	FC5-9392-000		1	SCREW, FEED WASTE TONER		
4	FC6-8104-000		1	FLAG, WASTE TONER		
5	FC6-8112-000		1	BUSHING, SEAL		
6	FC6-8113-000		1	CAP. WASTE TONER		
7	FC6-8116-000		1	FLAG, PRESSURE RELEASE		
8	FC7-2271-000		1	ROLLER, SWING GEAR POSITIONING		
9	FC7-2272-000		2	COUPLING, SPACER		
10	WG8-5848-000		3	IC, PHOTO-INTERRUPTER	PS167,PS168,PS205	
11	FL2-2094-000		1	SHUTTER, WASTE TONER		
12	FM2-2127-000		1	PRESSURE MOTOR ASSEMBLY	M184	
13	FU5-2831-000		1	SPRING, COMPRESSION		
14	FU5-5831-000		1	SHAFT, WASTE TONER DRIVE INPUT		
15	FU6-0270-000		1	GEAR, 20T		
16	FU6-0271-000		2	GEAR, 38T		
17	FU6-0272-000		1	GEAR, 15T/45T		
18	FU6-0273-000		1	GEAR, 25T		
19	FU7-0151-000		1	GEAR, 18T		
20	FU6-0276-000		1	GEAR, 15T/38T		
21	FU6-0277-000		1	GEAR, 15T/45T		
22	FU6-0426-000		1	GEAR, 32T		
23	FU6-0427-000		1	GEAR, 15T		
24	FU6-0438-000		1	GEAR, 25T		
25	FU7-0150-000		1	GEAR, 17T		
26	XG9-0664-000		2	BALL BEARING, JMK-688ZZNR*D4ML		
27	XG9-0232-000		2	BEARING, BALL, MR126		
28	XG9-0258-000		2	BEARING, BALL, NSK MF148ZZMC3		
29	XG9-0386-000		1	BEARING, BALL, DDL-1910ZZY05R		
30	XG9-0620-000		1	BEARING, BALL, DDLF1260ZZRP0P		
31	XG9-0621-000		4	BEARING, BALL, 626ZZM2MTLY13		

FIGURE & KEY NO.	PARTS NUMBER	RANK	Q'TY	DESCRIPTION	SERIAL NUMBER/REMARKS	SVC
32	FL2-2086-010		1	SUPPORT, CAM GEAR SHAFT		
33	FC6-8115-000		1	SUPPORT, CAM GEAR SHAFT, 2		
34	FC6-8400-000		1	CASE, 2ND TRANSFER WASTE TONER		
35	FS5-6488-000		2	WASHER		
36	FM2-8689-000		1	CABLE, MOTOR, 1		
37	FC5-9382-000		1	SHAFT, CAM		

# FIGURE 333 SECONDARY TRANSFER ASSEMBLY



NOTE : This assembly includes the assemblies shown in Figure 274 and 324.  
 注 : このユニットはFigure 274, 324のユニットを含みます。

SEE FIGURE 274



FIGURE & KEY NO.	PARTS NUMBER	R A N K	Q'TY	DESCRIPTION	SERIAL NUMBER/ REMARKS	S V C
Fig.333	FM4-2621-000		1	SECONDARY TRANSFER ASSEMBLY	SEE NOTE	
1	FC5-9341-000		1	SPRING, ELIMINATOR		
2	FC5-9418-000		1	COVER, WASTE TONER BUSHING		
3	FC5-9420-000		1	HANDLE, 1		
4	FC5-9421-000		1	HANDLE, 2		
5	FC5-9422-000		1	HANDLE, 3		
6	FC9-5805-000		1	SCREW, FEED WASTE TONER		
7	FC6-8236-000		1	SHUTTER, WASTE TONER		
8	FC6-8237-000		1	SPRING, 2ND TRNSFR. G, REAR		
9	FC6-8398-000		1	SPRING, TORSION		
10	FL2-4111-010		1	COVER, OUTER ROLLER UNIT		
11	FL2-4114-010		1	GUIDE, 2ND TRNSFR. ENTRANCE	[DP]	
12	FM2-2171-000		1	2ND TRNSFR. CLEANER ASSEMBLY	[DP]	
13	FS5-6488-000		1	WASHER		
14	FU5-2987-000		1	SPRING, COMPRESSION		
15	FU5-2988-000		1	SPRING, COMPRESSION		
16	FU6-0267-000		1	GEAR, 15T/23T		
17	FU6-0422-000		2	GEAR, 14T		
18	FU6-0440-000		1	GEAR, 18T		
19	XG9-0232-000		1	BEARING, BALL, MR126		
20	FM4-7441-000		1	2ND TRNSFR. OUTER ROLLER ASS'Y		
21	FB2-6285-020		1	SHIM		
22	FB6-6088-000		2	RING, RETAINING		
23	FC9-6091-000		1	ROLLER, TRANSFER	[DP]	
24	FC5-9332-000		1	LIMITER, TORQUE		
25	FU6-0268-000		1	GEAR, 28T		
26	XG9-0623-000		4	BEARING, BALL, L1480DDR0P025		
27	FL2-4112-000		1	HOLDER, 2ND TRNSFR., FRONT		
28	FL2-4113-000		1	HOLDER, 2ND TRNSFR., REAR		
29	FU5-9223-000		4	SCREW, BH3X6(YELLOW)		
30	FC5-9335-000		2	ROLLER, CLEANING	[DP]	
31	FU6-0265-000		2	GEAR, 15T		

FIGURE & KEY NO.	PARTS NUMBER	R A N K	Q'TY	DESCRIPTION	SERIAL NUMBER/ REMARKS	S V C
32	XG9-0242-000		4	BEARING, BALL, MR106ZZMC3D4ML		
33	FC9-5891-000		1	SUPPORT, DRIVE GEAR		
34	XA9-1932-000		2	SCREW, WWASHER, M3X6		
35	XG9-0414-000		1	BEARING, BALL		
36	FC9-5806-000		1	COVER, WASTE TONER BUSHING, 2		
37	FC5-9424-000		1	CONTACT		

# FIGURE 336 LOWER PAPER FEED ASSEMBLY

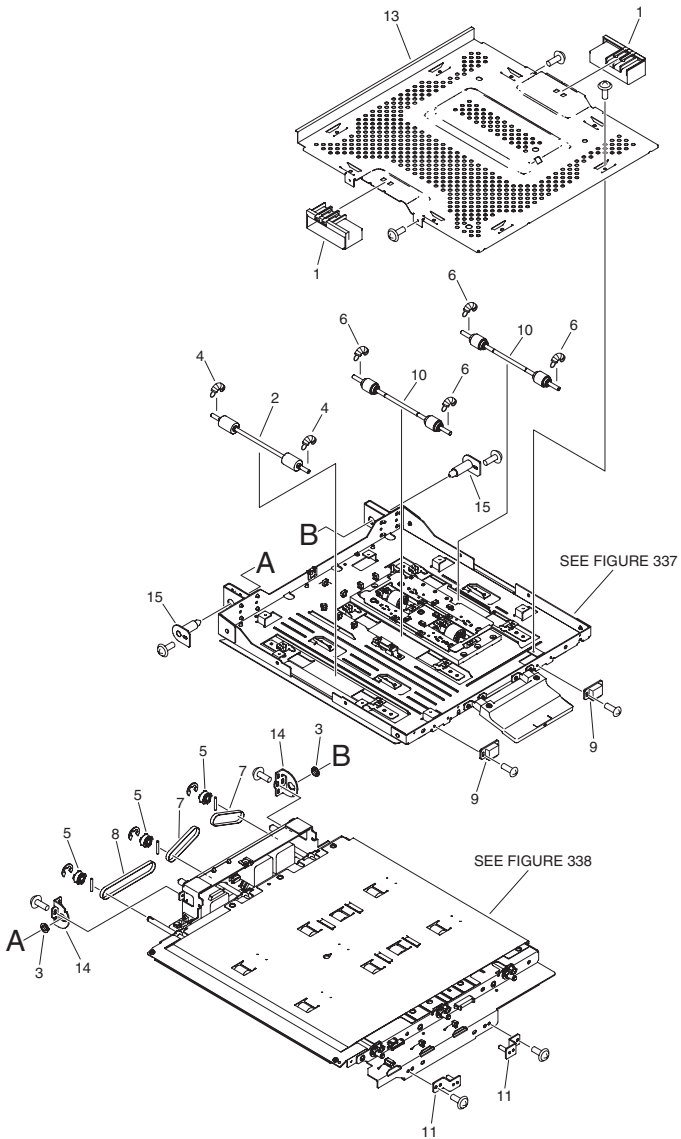


FIGURE & KEY NO.	PARTS NUMBER	R A N K	Q'TY	DESCRIPTION	SERIAL NUMBER/ REMARKS	S V C
Fig.336	NPN		RF	LOWER PAPER FEED ASSEMBLY		
1	FB6-3440-000		2	HANDLE, REAR		
2	FM1-F167-000		1	FOLLOWER ROLLER ASSEMBLY		
3	FS2-1012-000		2	BUSHING		
4	FU5-2839-000		2	SPRING, TENSION		
5	FU5-3441-000		3	PULLEY, 30T		
6	FU6-2564-000		4	SPRING, TENSION		
7	XF2-3608-460		2	BELT, TIMING		
8	XF2-3613-060		1	BELT, TIMING		
9	XZ9-0598-000		2	CATCH, MAGNET		
10	FM2-9276-000		2	ROLLER, DRIVEN		
11	FL2-2293-000		2	LOCK, PAPER FEED, LOWER		
13	FC6-0093-000		1	COVER, PROTECT		
14	FC7-1879-000		2	HINGE, ADJUSTMENT, LEFT		
15	FL2-2140-000		2	HINGE, PAPER FEED, LOWER		

FIGURE 337  
LOWER PAPER FEED ASS'Y, UPPER

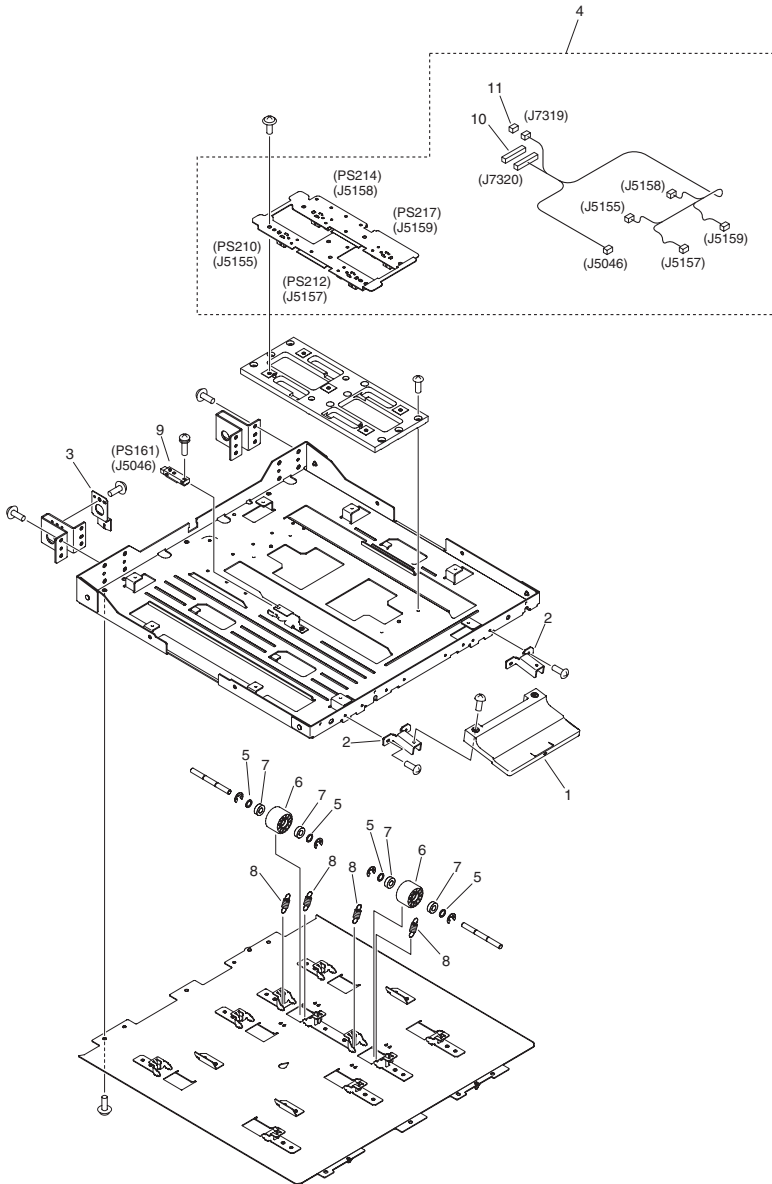


FIGURE & KEY NO.	PARTS NUMBER	R A N K	Q'TY	DESCRIPTION	SERIAL NUMBER/REMARKS	S V C
Fig.337	FM2-2184-000		1	LOWER PAPER FEED ASS'Y, UPPER		
1	FC6-0027-000		1	HANDLE, PAPER FEED, LOWER		
2	FC6-0089-000		2	ARM, GRIP		
3	FC6-0090-000		1	FLAG, GUIDE OPEN/CLOSE DETECT		
4	FM2-2186-000		1	PAPER LENGTH SENSOR PCB	PS210,PS212,PS214,PS217	
5	FS5-6488-000		4	WASHER		
6	FU5-6254-000		2	ROLLER, STABILIZER		
7	XG9-0245-000		4	BEARING, BALL, MR126ZZMC3NS7L		
8	FU5-2980-000		4	SPRING, TENSION		
9	WG8-5736-000		1	PHOTO SENSOR UNIT	PS161	
10	VS1-7173-016		1	CONNECTOR, SNAP TIGHT, 16P, W		
11	VS1-7177-003		1	CONNECTOR, SNAP TIGHT, BK		

FIGURE 338  
 LOWER PAPER FEED ASS'Y, LOWER

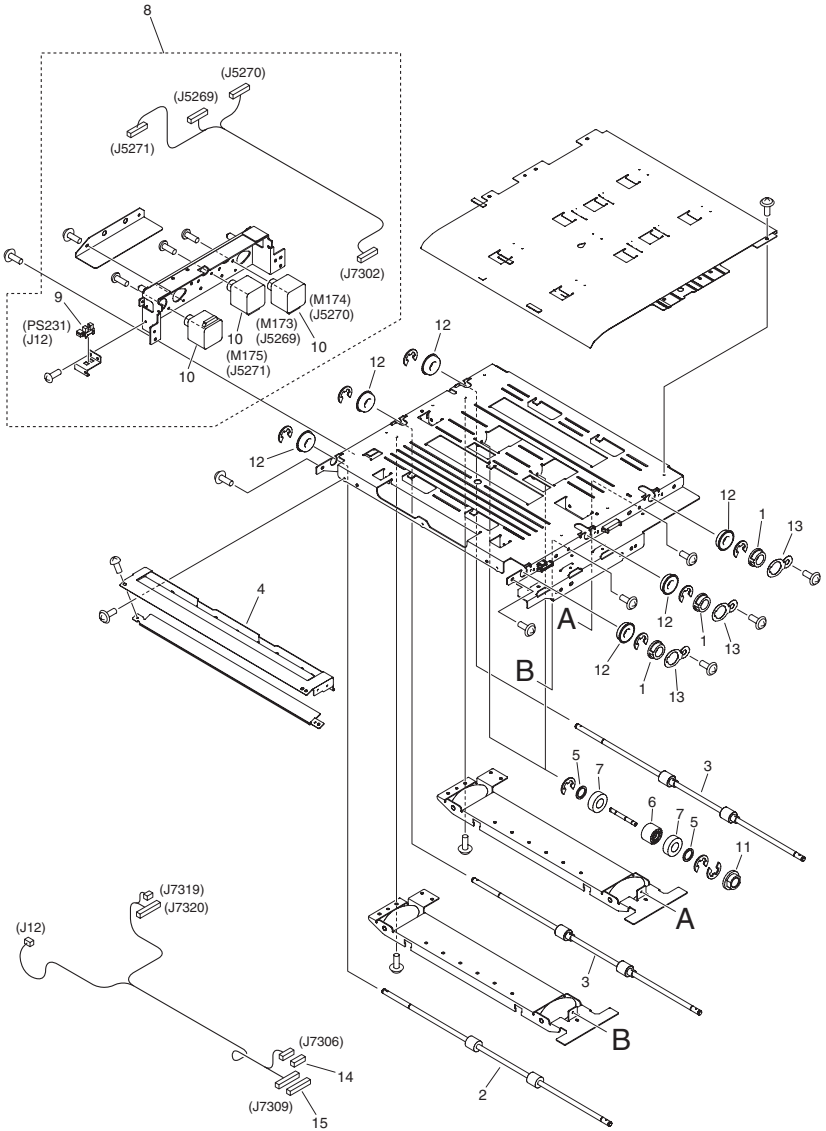


FIGURE & KEY NO.	PARTS NUMBER	R A N K	Q'TY	DESCRIPTION	SERIAL NUMBER/ REMARKS	S V C
Fig.338	FM2-2243-000		1	LOWER PAPER FEED ASS'Y, LOWER		
1	FA9-2112-000		3	BUSHING, PL		
2	FC9-9471-000		1	ROLLER, PAPER FEED, LOWER		
3	FC7-7501-000		2	ROLLER, BRAST		
4	FL2-2295-000		1	GUIDE, INTERFACE		
5	FS5-6488-000		4	WASHER		
6	FU5-6254-000		2	ROLLER, STABILIZER		
7	XG9-0245-000		4	BEARING, BALL, MR126ZZMC3NS7L		
8	FM2-2244-000		1	LOWER FEEDER DRIVE ASSEMBLY		
9	FK2-0149-000		1	PHOTO-INTERRUPTER, TLP1252(C6)	PS231	
10	FK2-3125-000		3	MOTOR, STEPPING, DC	M173,M174,M175	
11	FS1-1569-000		2	BUSHING		
12	XG9-0664-000		6	BALL BEARING, JMK-688ZZNR*D4ML		
13	FC5-9559-000		3	PLATE, ROLLER GROUNDING		
14	VS1-7173-006		1	CONNECTOR, SNAP TIGHT, 6P, W		
15	VS1-7173-016		1	CONNECTOR, SNAP TIGHT, 16P, W		



# FIGURE 340 FIXING/FEEED ASSEMBLY, CENTER

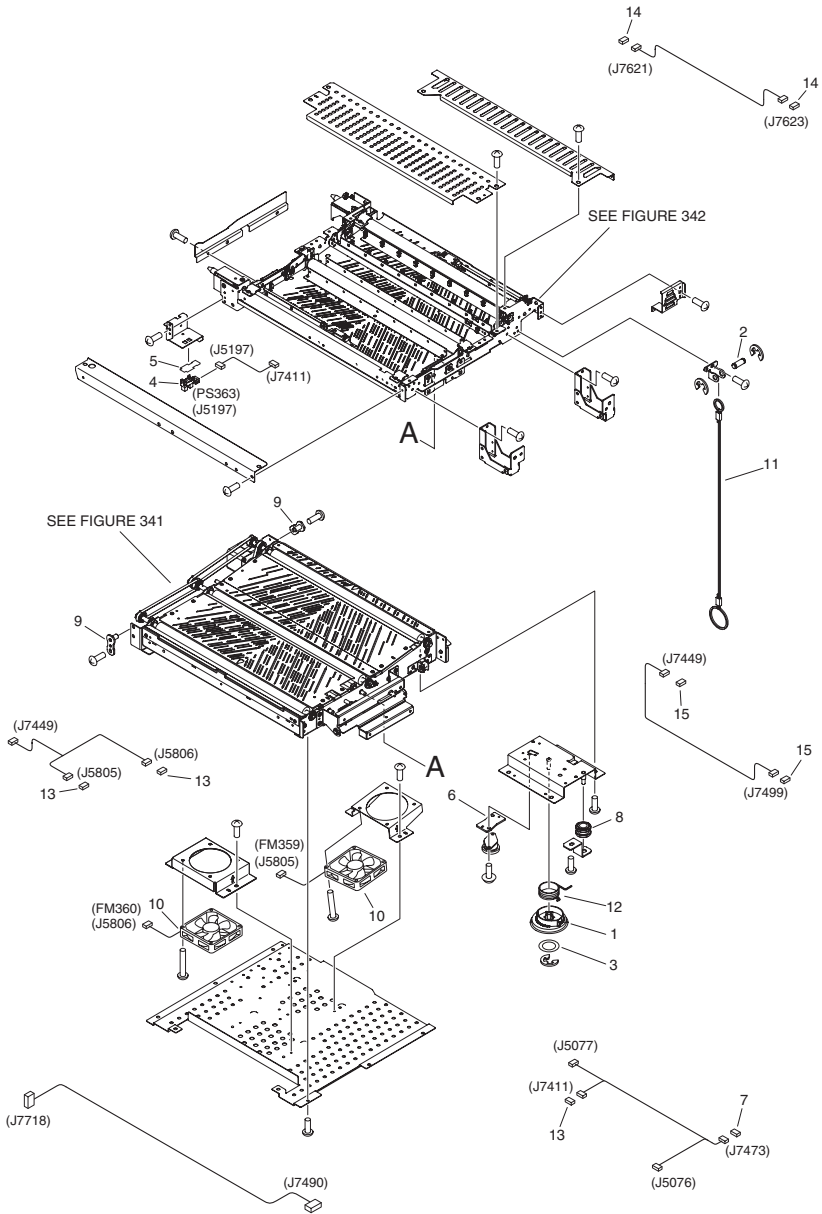


FIGURE & KEY NO.	PARTS NUMBER	R A N K	Q'TY	DESCRIPTION	SERIAL NUMBER/ REMARKS	S V C
Fig.340	NPN		RF	FIXING/FEED ASSEMBLY, CENTER		
1	FU6-0352-000		1	GEAR, 62T		
2	FU5-4608-000		1	SHAFT, WIRE FIXED		
3	FS5-6488-000		1	WASHER		
4	FK2-0149-000		1	PHOTO-INTERRUPTER, TLP1252(C6)	PS363	
5	FC5-6232-000		1	SHEET, SENSOR PROTECTIVE		
6	FC6-8289-000		1	SPACER, DAMPER		
7	VS1-7177-009		1	CONNECTOR, 9P		
8	FC5-9848-000		1	ROLLER, WIRE		
9	FL2-2139-000		2	HINGE, CROSSING, REAR		
10	FK2-0540-000		2	FAN	FM359,FM360	
11	FC6-2111-000		1	WIRE, OPEN/CLOSE AUXILIARY		
12	FC7-5720-000		1	SPRING, TORSION		
13	VS1-7177-003		3	CONNECTOR, SNAP TIGHT, BK		
14	VS1-7177-012		2	CONNECTOR, SNAP TIGHT, BK		
15	VS1-7177-008		2	CONNECTOR, SNAP TIGHT, BK		

FIGURE 341  
FIXING/FEEED ASS'Y, CENTER LW.

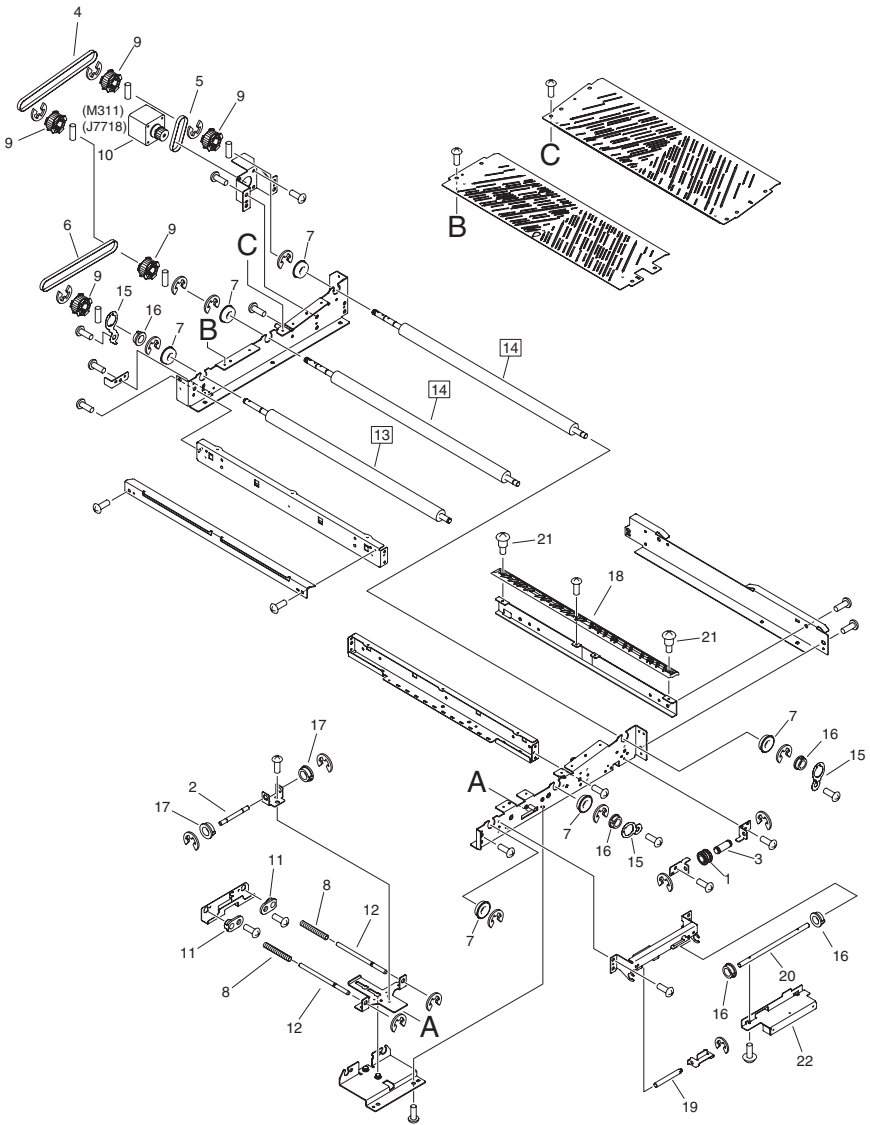


FIGURE & KEY NO.	PARTS NUMBER	R A N K	Q'TY	DESCRIPTION	SERIAL NUMBER/ REMARKS	S V C
Fig.341	FM2-2224-000		1	FIXING/FEED ASS'Y, CENTER LW.		
1	FC5-9848-000		1	ROLLER, WIRE		
2	FU5-4670-000		1	SHAFT, RELEASE GUIDE		
3	FU5-4608-000		1	SHAFT, WIRE FIXED		
4	XF2-3618-260		1	BELT, TIMING		
5	XF2-3607-060		1	BELT, TIMING		
6	XF2-3617-560		1	BELT, TIMING		
7	XG9-0664-000		6	BALL BEARING, JMK-688ZZNR*D4ML		
8	FU6-2549-000		2	SPRING, COMPRESSION		
9	FU5-3441-000		5	PULLEY, 30T		
10	FK2-3125-000		1	MOTOR, STEPPING, DC	M311	
11	FC6-8310-000		2	BUSHING, FIXED		
12	FC6-7842-000		2	PIN, GUIDE LOCK		
13	FC5-9835-000		1	ROLLER, PAPER FEED, C	[DP]	
14	FC5-9833-000		2	ROLLER, PAPER FEED, A	[DP]	
15	FC5-9559-000		3	PLATE, ROLLER GROUNDING		
16	FA9-2112-000		5	BUSHING, PL		
17	FS1-1569-000		2	BUSHING		
18	FC7-7064-000		1	GUIDE, PAPER FEED		
19	FC7-3514-000		1	SHAFT, LOCK RELEASE		
20	FU5-4672-000		1	SHAFT, HANDLE		
21	FS5-9438-030		2	SCREW, STEPPED		
22	FC7-4589-000		1	MOUNT, BYPASS HANDLE		

FIGURE 342  
FIXING/FEEED ASS'Y, CENTER UP.

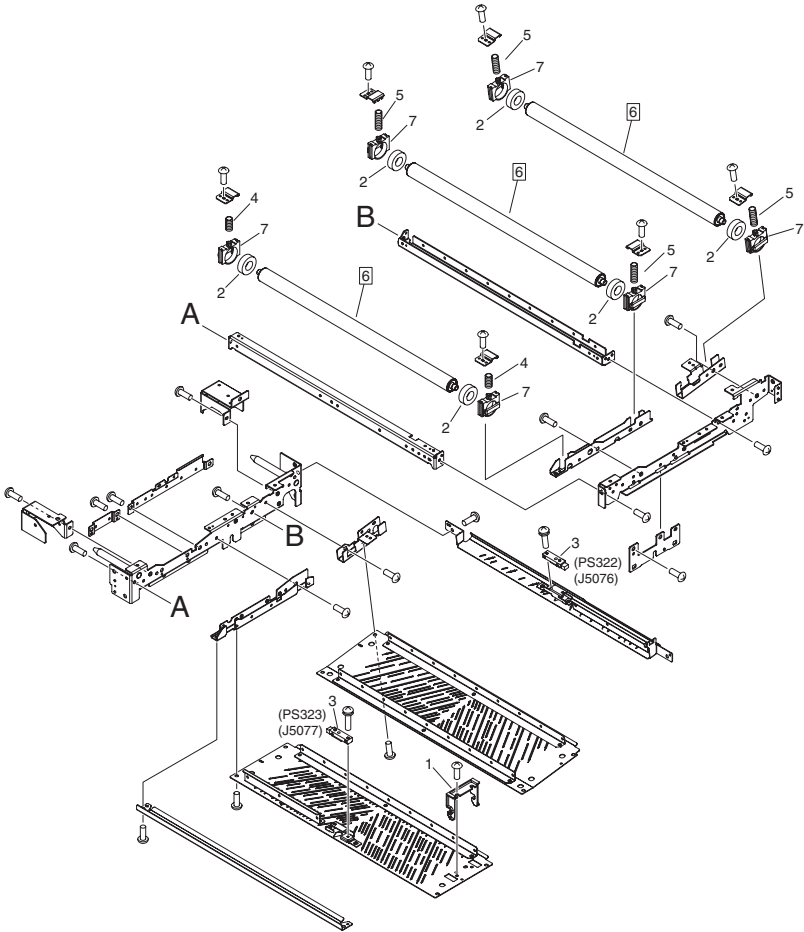


FIGURE & KEY NO.	PARTS NUMBER	RANK	Q'TY	DESCRIPTION	SERIAL NUMBER/REMARKS	SVC
Fig.342	FM2-2225-000		1	FIXING/FEED ASS'Y, CENTER UP.		
1	FC7-4593-000		1	HOOK, GUIDE		
2	XG9-0511-000		6	BEARING, BALL		
3	WG8-5736-000		2	PHOTO SENSOR UNIT	PS322,PS323	
4	FU5-2894-000		2	SPRING, COMPRESSION		
5	FU5-2893-000		4	SPRING, COMPRESSION		
6	FL2-2016-000		3	ROLLER, DRIVEN	[DP]	
7	FC5-9918-000		6	HOLDER		

# FIGURE 343 FIXING/FEEED ASSEMBLY, LEFT

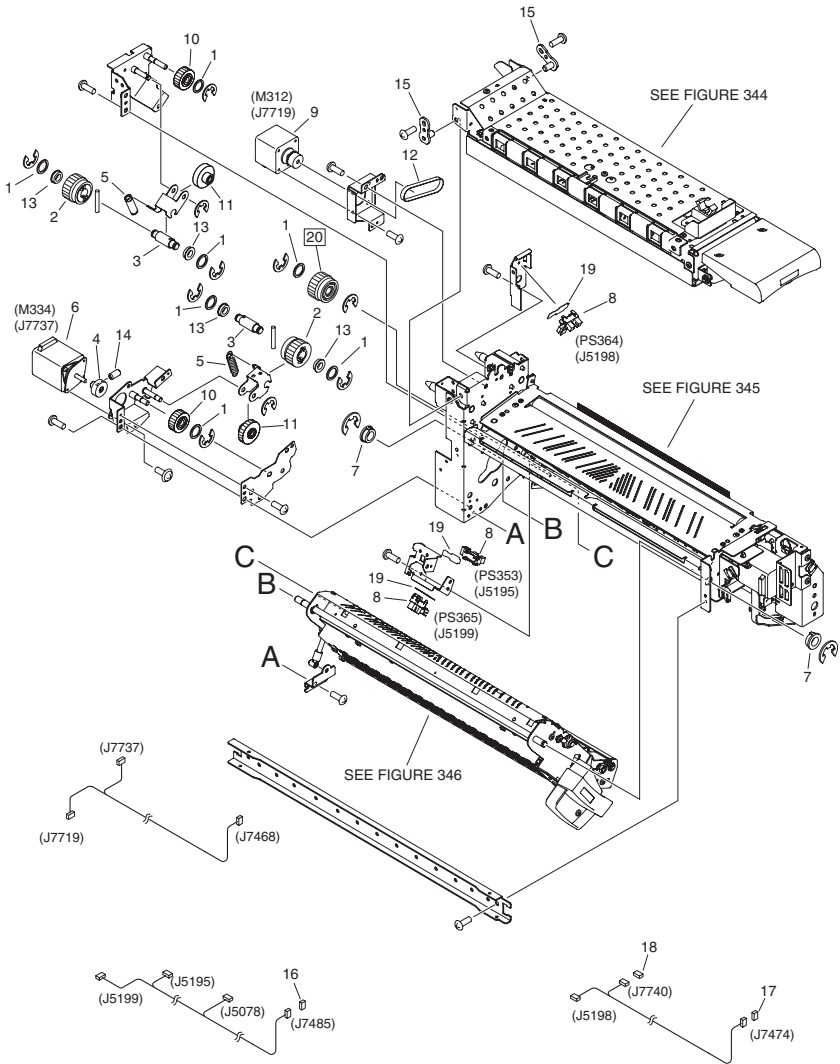
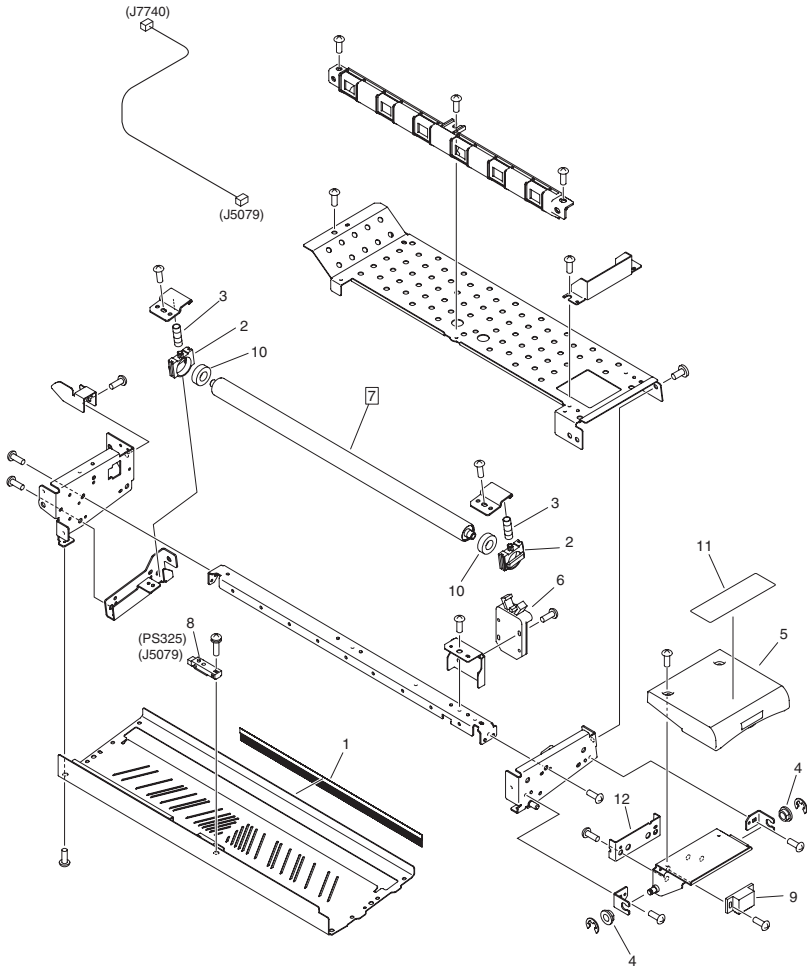


FIGURE & KEY NO.	PARTS NUMBER	R A N K	Q'TY	DESCRIPTION	SERIAL NUMBER/ REMARKS	S V C
Fig.343	NPN		RF	FIXING/FEED ASSEMBLY, LEFT		
1	FS5-6488-000		7	WASHER		
2	FU6-0376-000		2	GEAR, 20T		
3	FU5-4565-000		2	SHAFT, SWING GEAR		
4	FU6-0451-000		1	GEAR, 20T		
5	FU5-2896-000		2	SPRING, TENSION		
6	FK2-3136-000		1	MOTOR, STEPPING, DC	M334	
7	FA9-2112-000		2	BUSHING, PL		
8	WG8-5848-000		3	IC, PHOTO-INTERRUPTER	PS353,PS364,PS365	
9	FK2-3125-000		1	MOTOR, STEPPING, DC	M312	
10	FU6-0375-000		2	GEAR, 20T		
11	FU6-0374-000		2	GEAR, 30T		
12	XF2-3608-560		1	BELT, TIMING		
13	XG9-0520-000		4	BEARING, BALL, MF106ZZS		
14	XA9-0934-000		1	SETSCREW,M3X6		
15	FL2-2139-000		2	HINGE, CROSSING, REAR		
16	VS1-7177-009		1	CONNECTOR, 9P		
17	VS1-7177-006		1	CONNECTOR, SNAP TIGHT, BK		
18	VS1-7177-003		1	CONNECTOR, SNAP TIGHT, BK		
19	FC5-6232-000		3	SHEET, SENSOR PROTECTIVE		
20	FL3-2873-000		1	GEAR, 20T	[DP]	



# FIGURE 344 FIXING/FEEED ASS'Y, LEFT UPPER



NOTE : This assembly does not include the part shown with key No. 11.

NOTE : Several kinds of labels are attached on the board for the parts of Key No. 11. The same parts as Fig-Key No. 112-10, 113-15, 348-12, 351-33, 370-44 and 372-22.

注：このユニットにKey No. 11の部品は含まれません。

注：Key No. 11の部品は台紙に数種類のラベルが付いています。Fig-Key No. 112-10, 113-15, 348-12, 351-33, 370-44, 372-22と同一部品です。

FIGURE & KEY NO.	PARTS NUMBER	R A N K	Q'TY	DESCRIPTION	SERIAL NUMBER/ REMARKS	S V C
Fig.344	FM2-2226-010		1	FIXING/FEED ASS'Y, LEFT UPPER		
1	FB5-4858-000		1	ELIMINATOR, STATIC CHARGE		
2	FC5-9918-000		2	HOLDER		
3	FU5-2893-000		2	SPRING, COMPRESSION		
4	FS1-1569-000		2	BUSHING		
5	FC6-2102-000		1	LEVER, GUIDE OPEN/CLOSE, UPPER		
6	FC7-4595-000		1	LATCH, PUSH		
7	FL2-2016-000		1	ROLLER, DRIVEN	[DP]	
8	WG8-5736-000		1	PHOTO SENSOR UNIT	PS325	
9	XZ9-0614-000		1	CATCH, MAGNET		
10	XG9-0511-000		2	BEARING, BALL		
11	FC8-2966-010		1	LABEL, SUB STATION LANGUAGE 2	SEE NOTE Japanese	
11	FC8-2967-010		1	LABEL, SUB STATION LANGUAGE 2	SEE NOTE English	
11	FC8-2968-010		1	LABEL, SUB STATION LANGUAGE 2	SEE NOTE French	
11	FC8-2971-010		1	LABEL, SUB STATION LANGUAGE 2	SEE NOTE Spanish	
11	FC8-2972-010		1	LABEL, SUB STATION LANGUAGE 2	SEE NOTE Portuguese	
11	FC8-2969-010		1	LABEL, SUB STATION LANGUAGE 2	SEE NOTE German	
11	FC8-2970-010		1	LABEL, SUB STATION LANGUAGE 2	SEE NOTE Italian	
12	FC6-8258-000		1	MOUNT, MAGNET ADJUSTMENT		

FIGURE 345  
FIXING/FEEED ASS'Y, LEFT MIDDLE

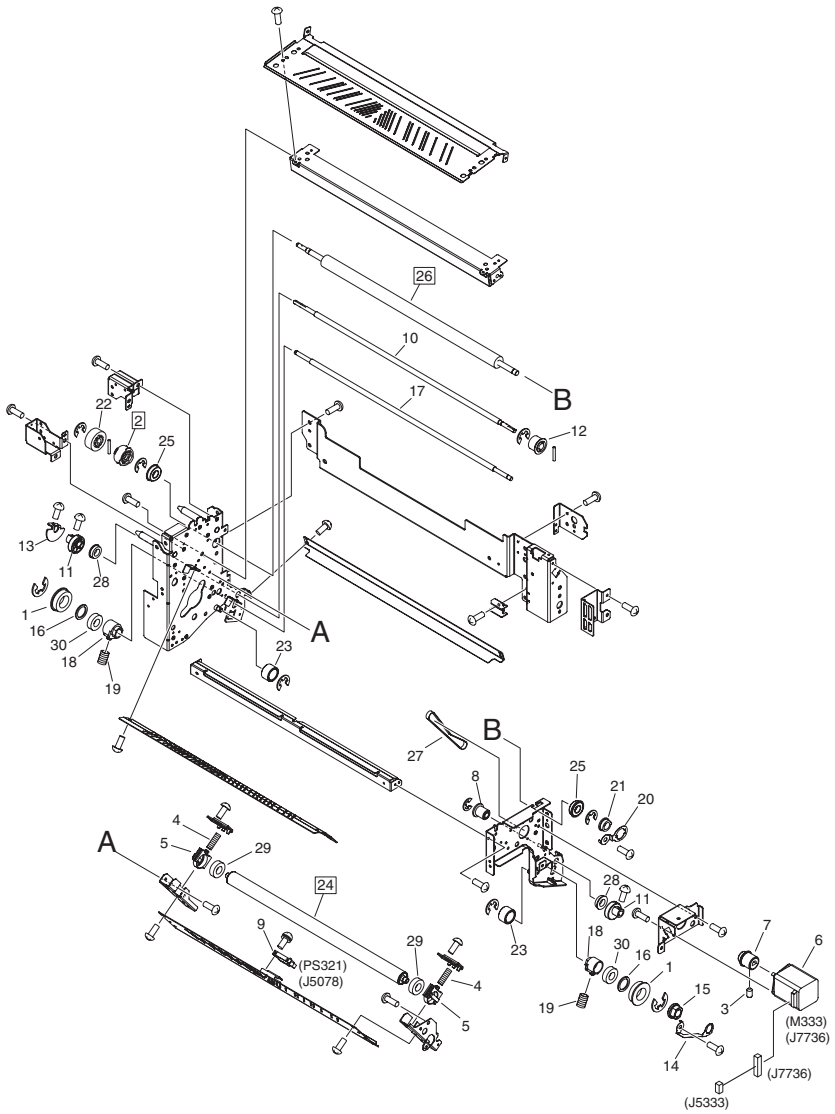


FIGURE & KEY NO.	PARTS NUMBER	R A N K	Q'TY	DESCRIPTION	SERIAL NUMBER/ REMARKS	S V C
Fig.345	FM4-2638-000		1	FIXING/FEED ASS'Y, LEFT MIDDLE		
1	FS5-1755-000		2	BUSHING		
2	FL3-2875-000		1	PULLEY, 30T	[DP]	
3	FA9-2864-010		1	SETSCREW, M3X4		
4	FU5-2893-000		2	SPRING, COMPRESSION		
5	FC5-9918-000		2	HOLDER		
6	FK2-3136-000		1	MOTOR, STEPPING, DC	M333	
7	FU5-3209-000		1	PULLEY, 20T		
8	FC7-4959-000		1	TENSIONER		
9	WG8-5736-000		1	PHOTO SENSOR UNIT	PS321	
10	FC7-1532-000		1	SHAFT, DECURLER CAM		
11	FC7-1531-000		2	CAM, DECURLER		
12	FU5-3208-000		1	PULLEY, 20T		
13	FC5-9239-000		1	FLAG, SENSOR		
14	FC7-1603-000		1	PLATE, ROLLER GROUNDING, UP.		
15	FS5-1592-000		1	BUSHING		
16	FS5-6488-000		2	WASHER		
17	FC7-1569-000		1	ROLLER, DECURLER, UPPER		
18	FU5-1328-000		2	BUSHING, ROLLER		
19	FU5-2996-000		2	SPRING, COMPRESSION		
20	FC5-9559-000		1	PLATE, ROLLER GROUNDING		
21	FA9-2112-000		1	BUSHING, PL		
22	FC9-5899-000		1	GEAR, 20T		
23	FU5-6249-000		2	ROLLER		
24	FL2-2016-000		1	ROLLER, DRIVEN	[DP]	
25	XG9-0664-000		2	BALL BEARING, JMK-688ZZNR*D4ML		
26	FC9-5898-000		1	ROLLER, PAPER FEED	[DP]	
27	XF2-3613-660		1	BELT, TIMING		
28	XG9-0520-000		2	BEARING, BALL, MF106ZZS		
29	XG9-0511-000		2	BEARING, BALL		
30	XG9-0242-000		2	BEARING, BALL, MR106ZZMC3D4ML		

# FIGURE 346 FIXING/FEEED ASS'Y, LEFT LOWER

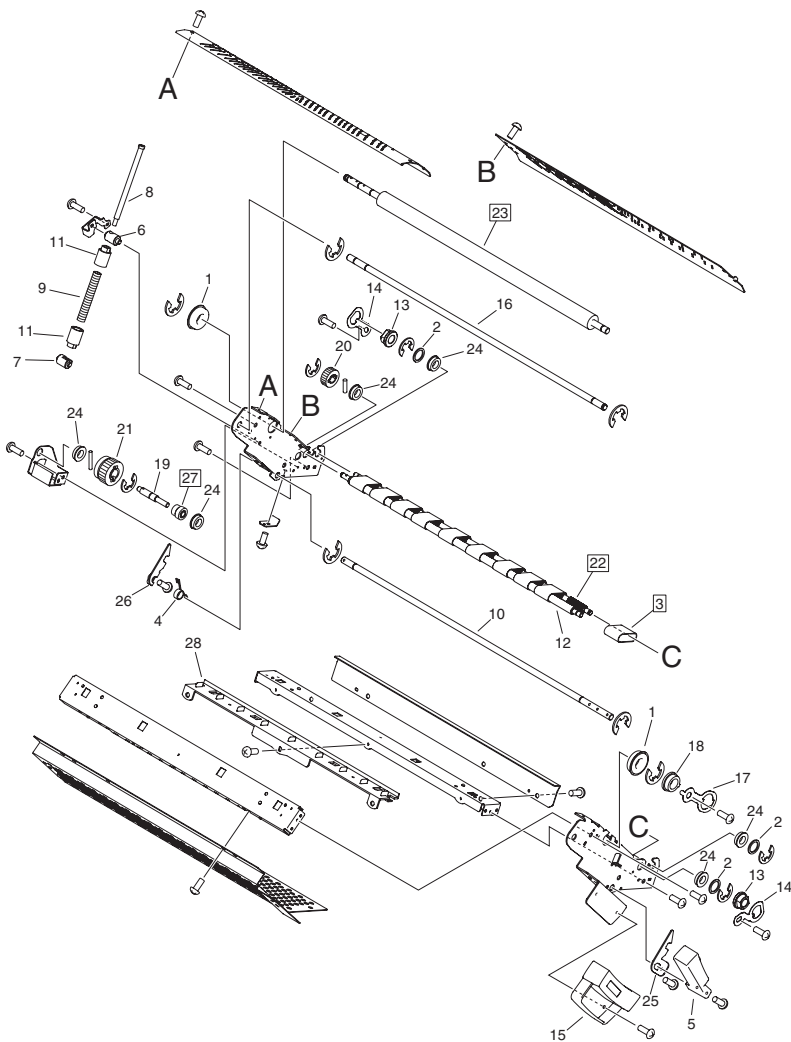


FIGURE & KEY NO.	PARTS NUMBER	R A N K	Q'TY	DESCRIPTION	SERIAL NUMBER/ REMARKS	S V C
Fig.346	FM4-2639-000		1	FIXING/FEED ASS'Y, LEFT LOWER		
1	XG9-0664-000		2	BALL BEARING, JMK-688ZZNR*D4ML		
2	FS5-6488-000		3	WASHER		
3	FC7-4600-000		10	BELT, WIDTH PAPER FEED	[DP]	
4	FU6-2003-000		1	SPRING, TORSION		
5	FC7-1595-000		1	LEVER, LATCH		
6	FU5-4658-000		1	SHAFT, TOGGLE, G		
7	FU5-4657-000		1	SHAFT, TOGGLE, FRONT		
8	FC7-1594-000		1	ROD		
9	FU6-2004-000		1	SPRING, COMPRESSION		
10	FC7-1589-000		1	SHAFT, LATCH		
11	FC7-1592-000		2	BUSHING		
12	FC7-1597-000		1	ROLLER, DECURLER DRIVE		
13	FS5-1592-000		2	BUSHING		
14	FC7-1601-000		2	PLATE, DECURLER GROUNDING		
15	FC6-2215-000		1	GRIP, OPEN/CLOSE LEVER		
16	FC7-1584-000		1	SHAFT, GUIDE TURN, LOWER		
17	FC5-9559-000		1	PLATE, ROLLER GROUNDING		
18	FA9-2112-000		1	BUSHING, PL		
19	FC9-5905-000		1	SHAFT, SWING GEAR, MOVABLE		
20	FU6-0446-000		1	GEAR, 18T		
21	FU6-0376-000		1	GEAR, 20T		
22	FC7-1598-000		1	ROLLER, DRIVEN	[DP]	
23	FC9-5900-000		1	ROLLER, PAPER FEED, A	[DP]	
24	XG9-0520-000		6	BEARING, BALL, MF106ZZS		
25	FC7-1587-000		1	LATCH,FRONT		
26	FC7-1588-000		1	LATCH,REAR		
27	FL3-2876-000		1	GEAR, 18T	[DP]	
28	FC7-7026-000		1	GUIDE, BELT		

# FIGURE 347 FIXING/FEED ASSEMBLY, RIGHT

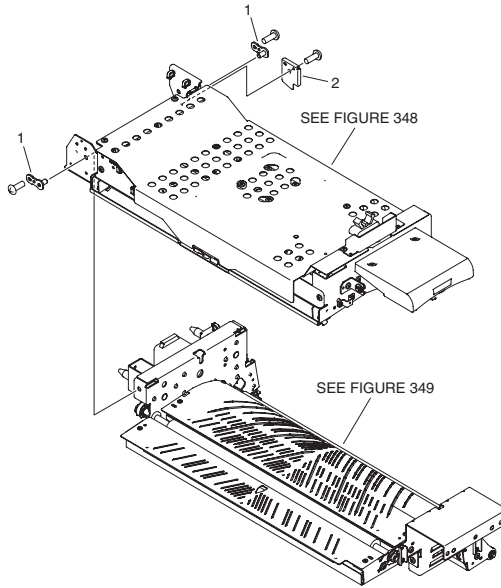
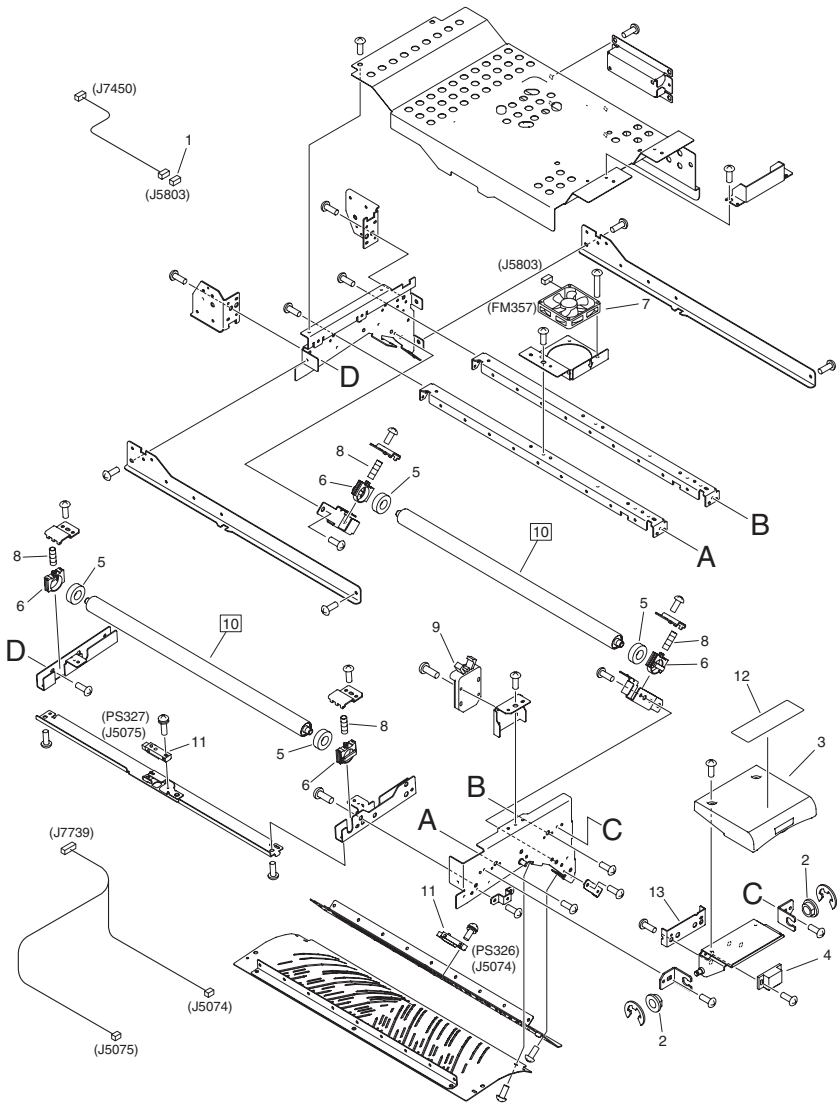


FIGURE & KEY NO.	PARTS NUMBER	RANK	Q'TY	DESCRIPTION	SERIAL NUMBER/REMARKS	SVC
Fig.347	NPN		RF	FIXING/FEED ASSEMBLY, RIGHT		
1	FL2-2139-000		2	HINGE, CROSSING, REAR		
2	FC6-8257-000		1	FLAG, OPEN/CLOSE SENSING		

# FIGURE 348 FIXING/FEEED ASS'Y, RIGHT UPPER



NOTE : This assembly does not include the part shown with key No. 12.

NOTE : Several kinds of labels are attached on the board for the parts of Key No. 12. The same parts as Fig-Key No. 112-10, 113-15, 344-11, 351-33, 370-44 and 372-22.

注：このユニットにKey No. 12の部品は含まれません。

注：Key No. 12の部品は台紙に数種類のラベルが付いています。Fig-Key No. 112-10, 113-15, 344-11, 351-33, 370-44, 372-22と同一部品です。



FIGURE & KEY NO.	PARTS NUMBER	R A N K	Q'TY	DESCRIPTION	SERIAL NUMBER/ REMARKS	S V C
Fig.348	FM2-2222-010		1	FIXING/FEED ASS'Y, RIGHT UPPER		
1	VS1-7177-004		1	CONNECTOR, SNAP TIGHT, BK		
2	FS1-1569-000		2	BUSHING		
3	FC6-2102-000		1	LEVER, GUIDE OPEN/CLOSE, UPPER		
4	XZ9-0614-000		1	CATCH, MAGNET		
5	XG9-0511-000		4	BEARING, BALL		
6	FC5-9918-000		4	HOLDER		
7	FK2-3100-000		1	FAN	FM357	
8	FU5-2893-000		4	SPRING, COMPRESSION		
9	FC7-4595-000		1	LATCH, PUSH		
10	FL2-2016-000		2	ROLLER, DRIVEN	[DP]	
11	WG8-5736-000		2	PHOTO SENSOR UNIT	PS326,PS327	
12	FC8-2966-010		1	LABEL, SUB STATION LANGUAGE 2	SEE NOTE Japanese	
12	FC8-2967-010		1	LABEL, SUB STATION LANGUAGE 2	SEE NOTE English	
12	FC8-2968-010		1	LABEL, SUB STATION LANGUAGE 2	SEE NOTE French	
12	FC8-2971-010		1	LABEL, SUB STATION LANGUAGE 2	SEE NOTE Spanish	
12	FC8-2972-010		1	LABEL, SUB STATION LANGUAGE 2	SEE NOTE Portuguese	
12	FC8-2969-010		1	LABEL, SUB STATION LANGUAGE 2	SEE NOTE German	
12	FC8-2970-010		1	LABEL, SUB STATION LANGUAGE 2	SEE NOTE Italian	
13	FC6-8258-000		1	MOUNT, MAGNET ADJUSTMENT		

FIGURE 349  
FIXING/FEEED ASS'Y, RIGHT LOWER

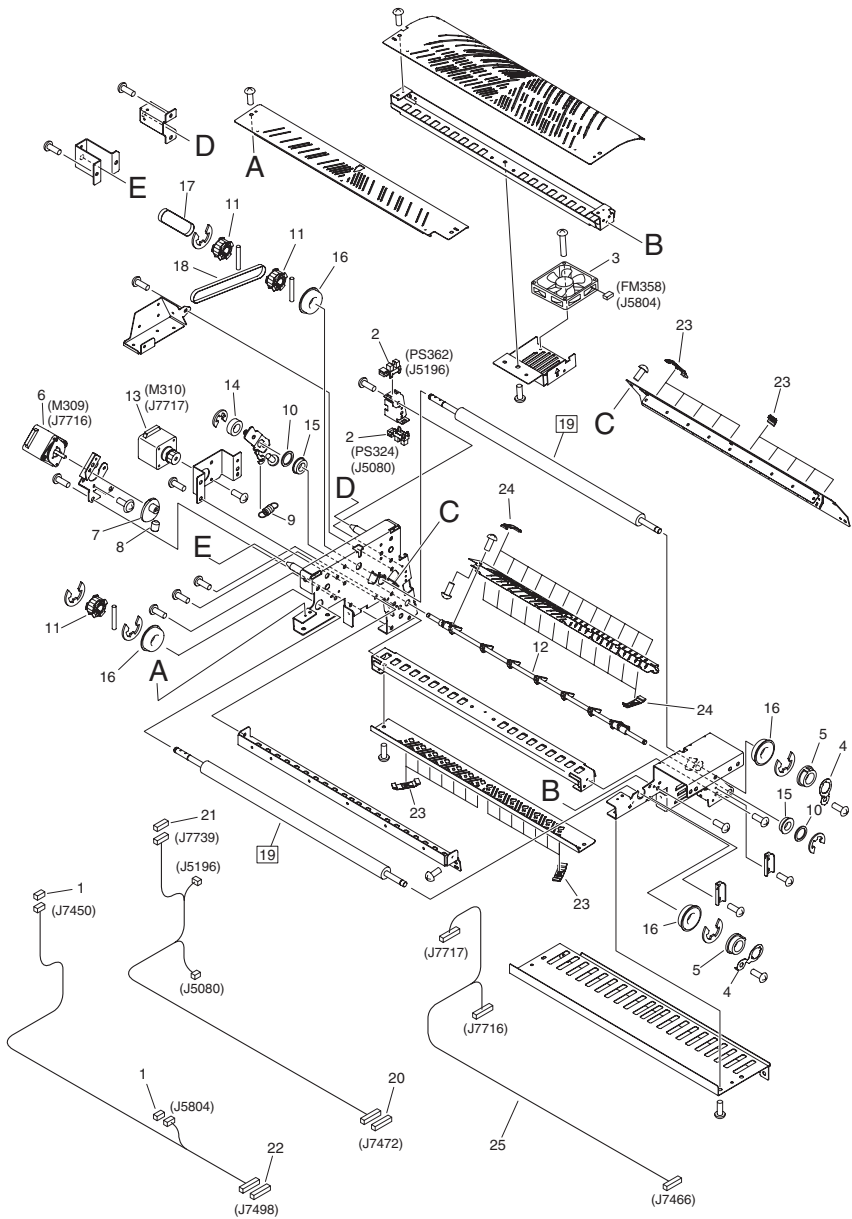


FIGURE & KEY NO.	PARTS NUMBER	R A N K	Q'TY	DESCRIPTION	SERIAL NUMBER/ REMARKS	S V C
Fig.349	FM2-2223-010		1	FIXING/FEED ASS'Y, RIGHT LOWER		
1	VS1-7177-004		2	CONNECTOR, SNAP TIGHT, BK		
2	FK2-0149-000		2	PHOTO-INTERRUPTER, TLP1252(C6)	PS324,PS362	
3	FK2-3100-000		1	FAN	FM358	
4	FC5-9559-000		2	PLATE, ROLLER GROUNDING		
5	FA9-2112-000		2	BUSHING, PL		
6	FK2-3126-000		1	MOTOR, STEPPING, DC	M309	
7	FC5-9869-000		1	CAM, FLAPPER DRIVE		
8	FA9-2864-010		1	SETSCREW, M3X4		
9	FU5-2960-000		1	SPRING, TENSION		
10	FS5-6488-000		2	WASHER		
11	FU5-3441-000		3	PULLEY, 30T		
12	FC7-4619-000		1	FLAPPER		
13	FK2-3125-000		1	MOTOR, STEPPING, DC	M310	
14	XG9-0484-000		1	BEARING, BALL, DDL-740ZZH		
15	XG9-0520-000		2	BEARING, BALL, MF106ZZS		
16	XG9-0664-000		4	BALL BEARING, JMK-688ZZNR*D4ML		
17	XF2-3610-060		1	BELT, TIMING		
18	XF2-3616-460		1	BELT, TIMING		
19	FC6-2251-000		2	ROLLER, PAPER FEED	[DP]	
20	VS1-7177-012		1	CONNECTOR, SNAP TIGHT, BK		
21	VS1-7177-006		1	CONNECTOR, SNAP TIGHT, BK		
22	VS1-7173-008		1	CONNECTOR, SNAP TIGHT, 8P, W		
23	FC7-4645-000		24	RIB, PAPER DELIVERY, SMALL		
24	FC7-9662-000		24	RIB, FLAPPER		
25	FM2-8752-000		1	CABLE, TANDEM FEED MOTOR		

# FIGURE 350 REVERSE DELIVERY ASSEMBLY

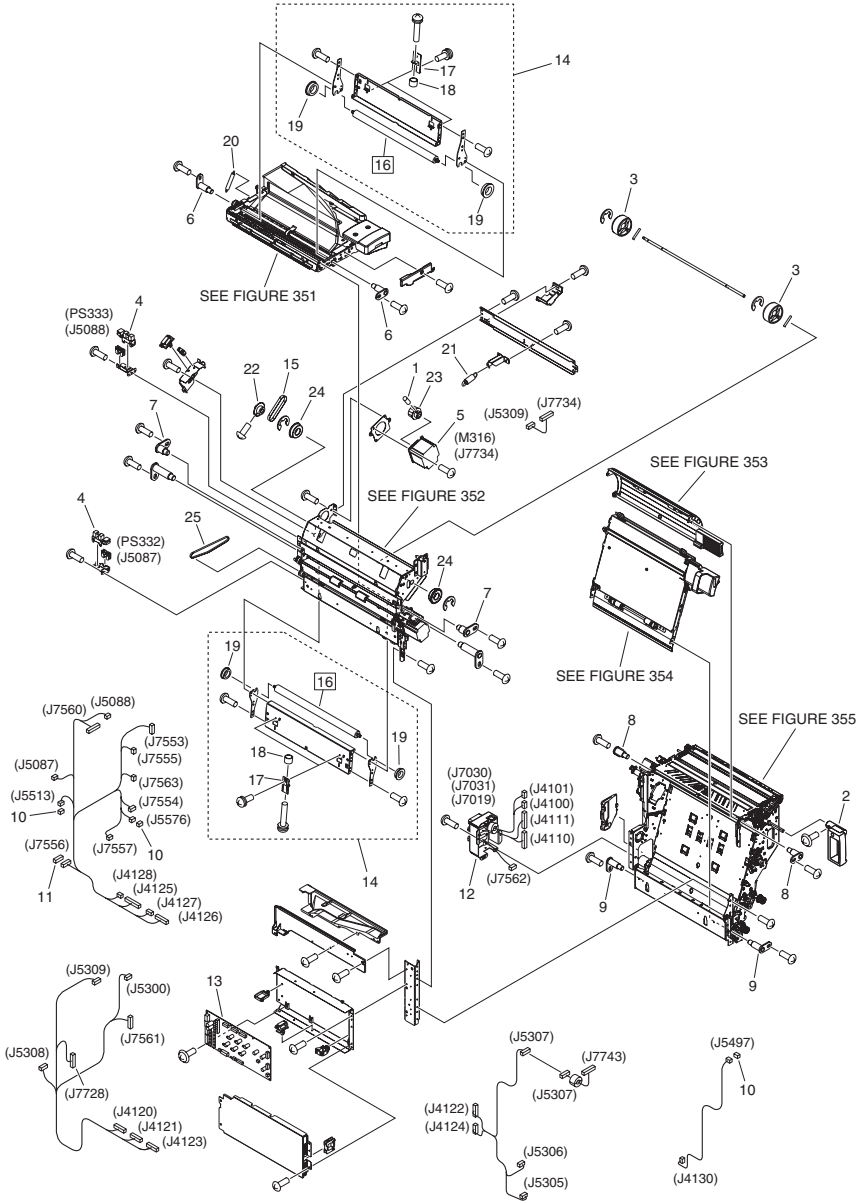
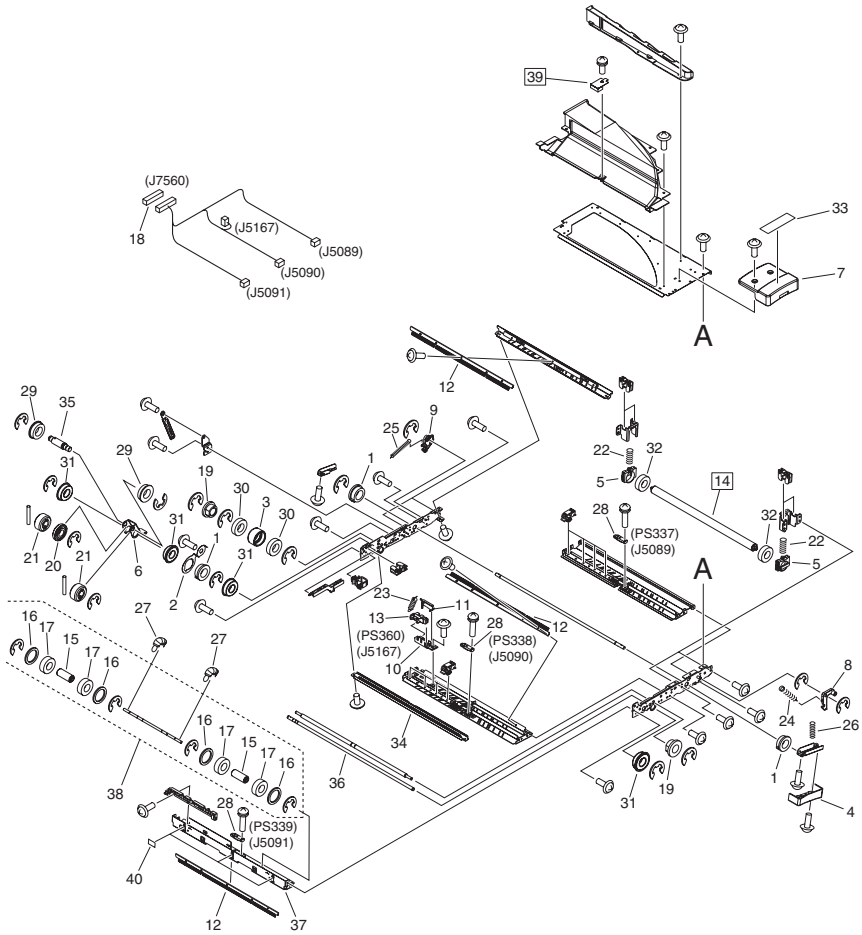


FIGURE & KEY NO.	PARTS NUMBER	R A N K	Q'TY	DESCRIPTION	SERIAL NUMBER/ REMARKS	S V C
Fig.350	NPN		RF	REVERSE DELIVERY ASSEMBLY		
1	FA9-2864-010		1	SETSCREW, M3X4		
2	FB2-3159-000		1	LEVER, LIFTER		
3	FC5-9907-000		2	CAM		
4	WG8-5848-000		2	IC, PHOTO-INTERRUPTER	PS332,PS333	
5	FK2-3132-000		1	MOTOR, STEPPING, DC	M316	
6	FL2-2257-000		2	PIN, MOUNTING, 1		
7	FL2-2261-000		2	PIN, PAPER DELIVERY GUIDE, UP.		
8	FL2-2274-000		2	PIN, GUIDE, 1		
9	FL2-4157-000		2	PIN, GUIDE, 2		
10	VS1-7177-003		3	CONNECTOR, SNAP TIGHT, BK		
11	VS1-7177-006		1	CONNECTOR, SNAP TIGHT, BK		
12	FM4-7451-000		1	CABLE, PAPER DELIVERY REVERSE		
13	FM4-6264-000		1	PAPER DELIVERY PCB ASSEMBLY		
14	FM2-9302-000		2	DECURLER ASSEMBLY		
15	XF2-3607-660		1	BELT, TIMING		
16	FC5-9904-000		2	ROLLER, SPONGE	[DP]	
17	FC6-8469-000		4	ADJUSTER, DECURLER CAM		
18	FU6-2523-000		4	SPRING, COMPRESSION		
19	XG9-0668-000		4	BEARING, BALL, 12MM		
20	FU5-2905-000		1	SPRING, TENSION		
21	FU5-2953-000		1	SPRING, TENSION		
22	FU5-3201-000		1	PULLEY		
23	FU5-3204-000		1	PULLEY, 30T		
24	XG9-0664-000		2	BALL BEARING, JMK-688ZZNR*D4ML		
25	XF2-3610-660		1	BELT, TIMING		

# FIGURE 351 DELIVERY GUIDE ASSEMBLY, UPPER



NOTE : This assembly does not include the part shown with key No. 33.

NOTE : Several kinds of labels are attached on the board for the parts of Key No. 33. The same parts as Fig-Key No. 112-10, 113-15, 344-11, 348-12, 370-44 and 372-22.

注：このユニットにKey No. 33の部品は含まれません。

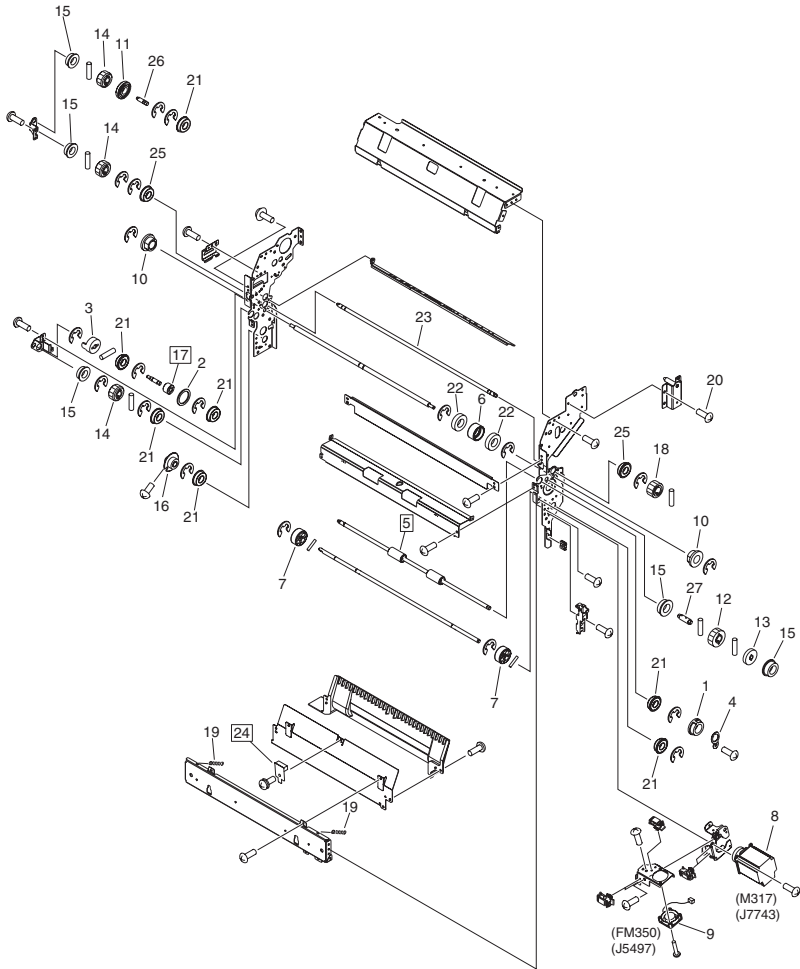
注：Key No. 33の部品は台紙に数種類のラベルが付いています。Fig-Key No. 112-10, 113-15, 344-11, 348-12, 370-44, 372-22と同一部品です。

FIGURE & KEY NO.	PARTS NUMBER	R A N K	Q'TY	DESCRIPTION	SERIAL NUMBER/ REMARKS	S V C
Fig.351	FM2-2231-020		1	DELIVERY GUIDE ASSEMBLY, UPPER		
1	FA9-2112-000		3	BUSHING, PL		
2	FC5-9559-000		1	PLATE, ROLLER GROUNDING		
3	FC8-6462-000		1	ROLLER, BACK-UP		
4	FC5-9917-000		1	LEVER, PAPER DELIVERY GUIDE, 1		
5	FC5-9918-000		4	HOLDER		
6	FC5-9928-000		1	PLATE, DRIVE SWING		
7	FC5-9989-000		1	LEVER, PAPER DELIVERY GUIDE, 2		
8	FC6-8460-000		1	LOCK, DELIVERY GUIDE, FRONT		
9	FC6-8461-000		1	LOCK, DELIVERY GUIDE, REAR		
10	FC6-8464-000		1	MOUNT, OPEN/CLOSE SENSOR		
11	FC6-8465-000		1	FLAG, OPEN/CLOSE DETECT		
12	FC6-8601-000		3	ELIMINATOR, STATIC CHARGE		
13	FK2-0149-000		1	PHOTO-INTERRUPTER, TLP1252(C6)	PS360	
14	FL2-2016-000		2	ROLLER, DRIVEN	[DP]	
15	FC6-0111-000		2	ROLLER, FOLLOWER		
16	FS5-6488-000		4	WASHER		
17	XG9-0245-000		4	BEARING, BALL, MR126ZZMC3NS7L		
18	VS1-7177-012		1	CONNECTOR, SNAP TIGHT, BK		
19	FS1-1569-000		2	BUSHING		
20	FS5-6248-000		1	ROLLER, PUSH-ON		
21	FU5-0266-000		2	GEAR, 20T		
22	FU5-2904-000		4	SPRING, COMPRESSION		
23	FU5-2947-000		1	SPRING, TENSION		
24	FU6-2529-000		1	SPRING, TENSION		
25	FU6-2530-000		1	SPRING, TENSION		
26	FU6-2531-000		1	SPRING, COMPRESSION		
27	FU6-2550-000		2	SPRING, TENSION		
28	WG8-5736-000		3	PHOTO SENSOR UNIT	PS337,PS338,PS339	
29	XG9-0520-000		2	BEARING, BALL, MF106ZZS		
30	XG9-0400-000		2	BEARING, BALL		
31	XG9-0664-000		4	BALL BEARING, JMK-688ZZNR*D4ML		

FIGURE & KEY NO.	PARTS NUMBER	R A N K	Q'TY	DESCRIPTION	SERIAL NUMBER/ REMARKS	S V C
32	XG9-0511-000		4	BEARING, BALL		
33	FC8-2966-010		1	LABEL, SUB STATION LANGUAGE 2	SEE NOTE Japanese	
33	FC8-2967-010		1	LABEL, SUB STATION LANGUAGE 2	SEE NOTE English	
33	FC8-2968-010		1	LABEL, SUB STATION LANGUAGE 2	SEE NOTE French	
33	FC8-2971-010		1	LABEL, SUB STATION LANGUAGE 2	SEE NOTE Spanish	
33	FC8-2972-010		1	LABEL, SUB STATION LANGUAGE 2	SEE NOTE Portuguese	
33	FC8-2969-010		1	LABEL, SUB STATION LANGUAGE 2	SEE NOTE German	
33	FC8-2970-010		1	LABEL, SUB STATION LANGUAGE 2	SEE NOTE Italian	
34	FL2-2269-000		1	GUIDE, PAPER DELIVERY, UPPER,2		
35	FC5-9920-000		1	SHAFT, TRANSMISSION		
36	FC5-9922-010		1	SHAFT, TRANSMISSION		
37	FC5-9912-010		1	GUIDE,PAPER DELIVERY,UPPER		
38	FM2-5108-000		1	ROLLER, FOLLOWER, LEFT		
39	FL3-5095-000		1	SHEET, BRUSH BACK-UP	[DP]	
40	FC9-6090-000		3	SHEET		



# FIGURE 352 DELIVERY GUIDE ASSEMBLY, LOWER



NOTE : This assembly does not include the part shown with key No. 19.  
 注 : このユニットにKey No. 19の部品は含まれません。

FIGURE & KEY NO.	PARTS NUMBER	R A N K	Q'TY	DESCRIPTION	SERIAL NUMBER/ REMARKS	S V C
Fig.352	FM2-9301-010		1	DELIVERY GUIDE ASSEMBLY, LOWER		
1	FA9-2112-000		1	BUSHING, PL		
2	FB2-6285-020		1	SHIM		
3	FB2-7540-000		1	BUSHING		
4	FC5-9559-000		1	PLATE, ROLLER GROUNDING		
5	FC5-9885-000		1	ROLLER, PAPER DELIVERY, 3	[DP]	
6	FC8-6462-000		1	ROLLER, BACK-UP		
7	FC5-9907-000		2	CAM		
8	FK2-3135-000		1	MOTOR, STEPPING, DC	M317	
9	FK2-3148-000		1	FAN	FM350	
10	FS1-1569-000		2	BUSHING		
11	FS5-6248-000		1	ROLLER, PUSH-ON		
12	FU5-0161-000		1	GEAR, 26T		
13	FU5-0262-000		1	GEAR, 44T		
14	FU5-0266-000		3	GEAR, 20T		
15	XG9-0520-000		5	BEARING, BALL, MF106ZZS		
16	FU5-3201-000		1	PULLEY		
17	FU6-0378-000		1	COUPLING	[DP]	
18	FU6-0463-000		1	GEAR, 18T		
19	FU6-2543-000		2	SPRING, TENSION	SEE NOTE	
20	XA9-0892-000		4	SCREW,MACH.,TRUSS HEAD,M4X6		
21	XG9-0664-000		7	BALL BEARING, JMK-688ZZNR*D4ML		
22	XG9-0400-000		2	BEARING, BALL		
23	FC5-9892-000		1	SHAFT, TRANSMISSION		
24	FL3-5095-000		1	SHEET, BRUSH BACK-UP, FL	[DP]	
25	XG9-0779-000		2	BEARING, BALL, 688ZZNR D41		
26	FC6-2447-000		1	SHAFT, TRANSMISSION		
27	FC6-8472-000		1	SHAFT, TRANSMISSION		

# FIGURE 353 REVERSE GUIDE ASSEMBLY, UPPER

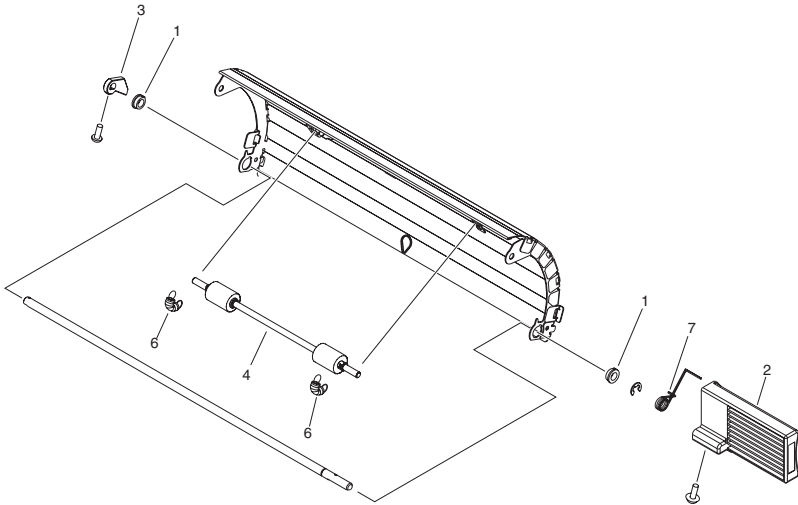
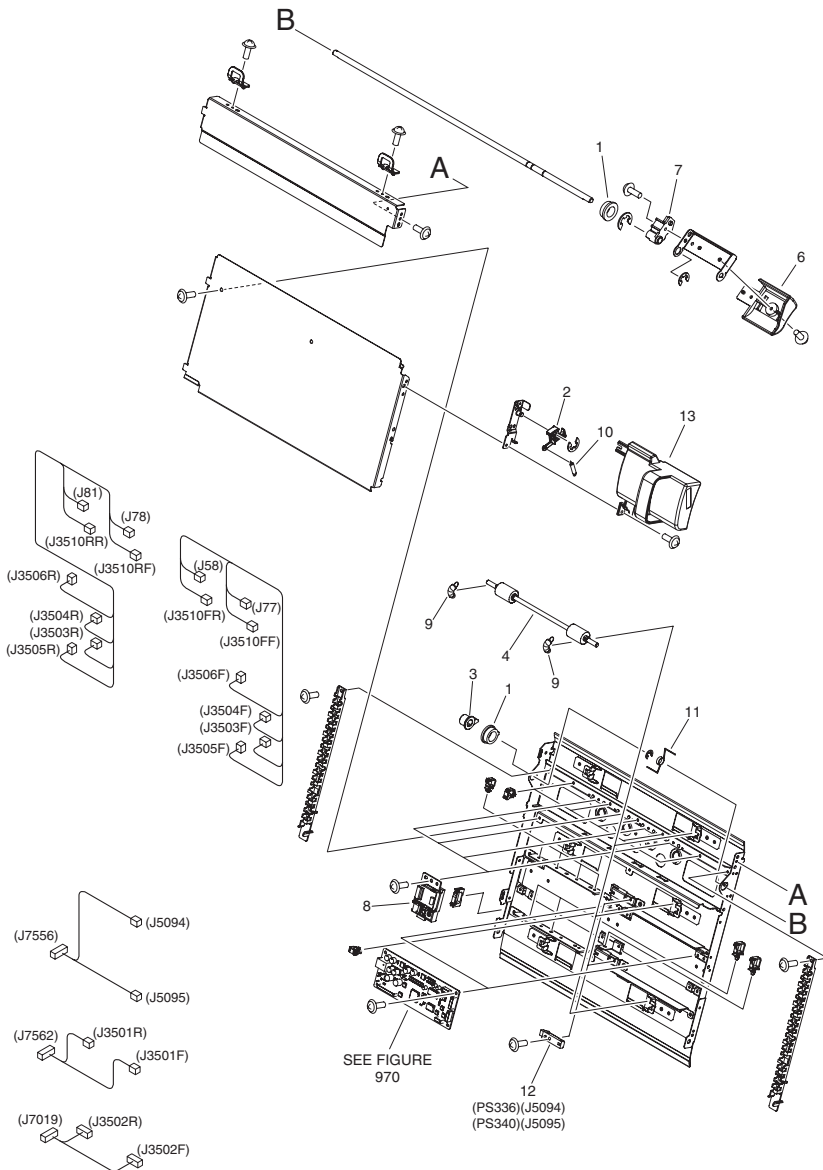


FIGURE & KEY NO.	PARTS NUMBER	RANK	QTY	DESCRIPTION	SERIAL NUMBER/REMARKS	SVC
Fig.353	FM2-2235-010		1	REVERSE GUIDE ASSEMBLY, UPPER		
1	FA9-2112-000		2	BUSHING, PL		
2	FC5-9939-000		1	LEVER, REVERSE GUIDE, LOWER 3		
3	FC6-8599-000		1	CAM, LEVER, 2		
4	FM1-F167-000		1	FOLLOWER ROLLER ASSEMBLY		
6	FU5-2839-000		2	SPRING, TENSION		
7	FU6-2007-000		1	SPRING, TORSION		

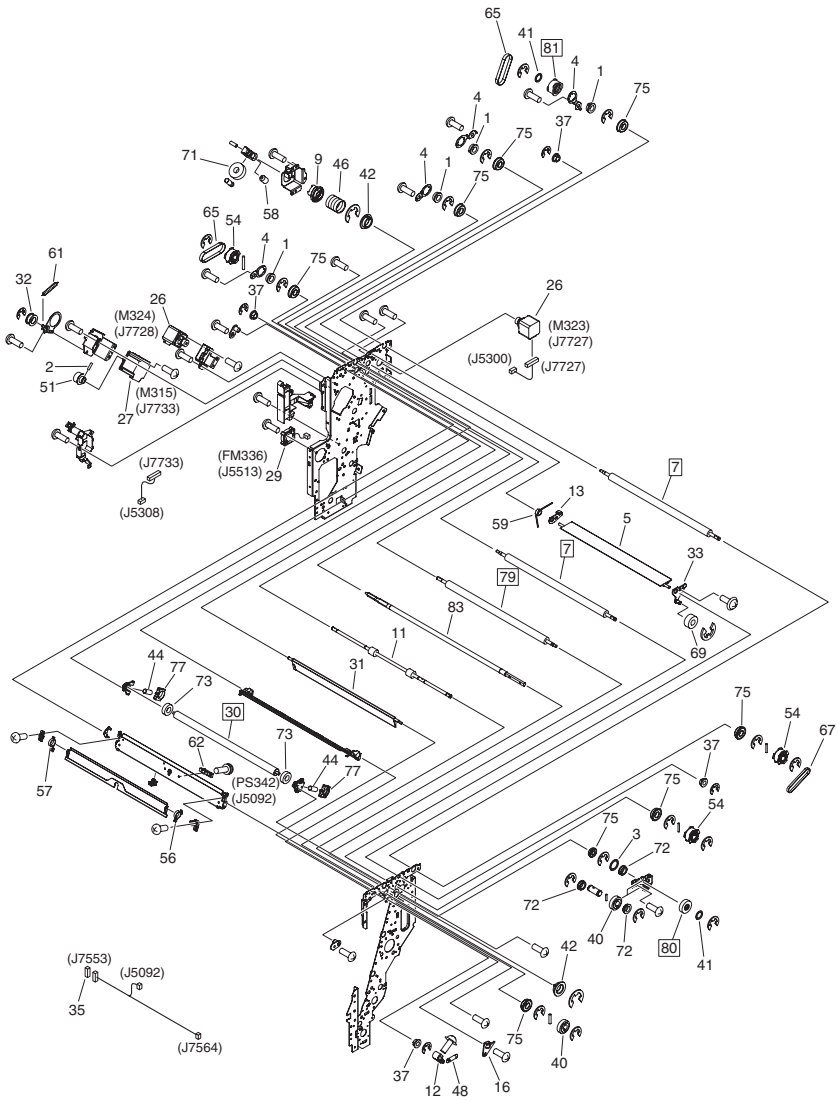
# FIGURE 354 REVERSE GUIDE ASSEMBLY, LOWER



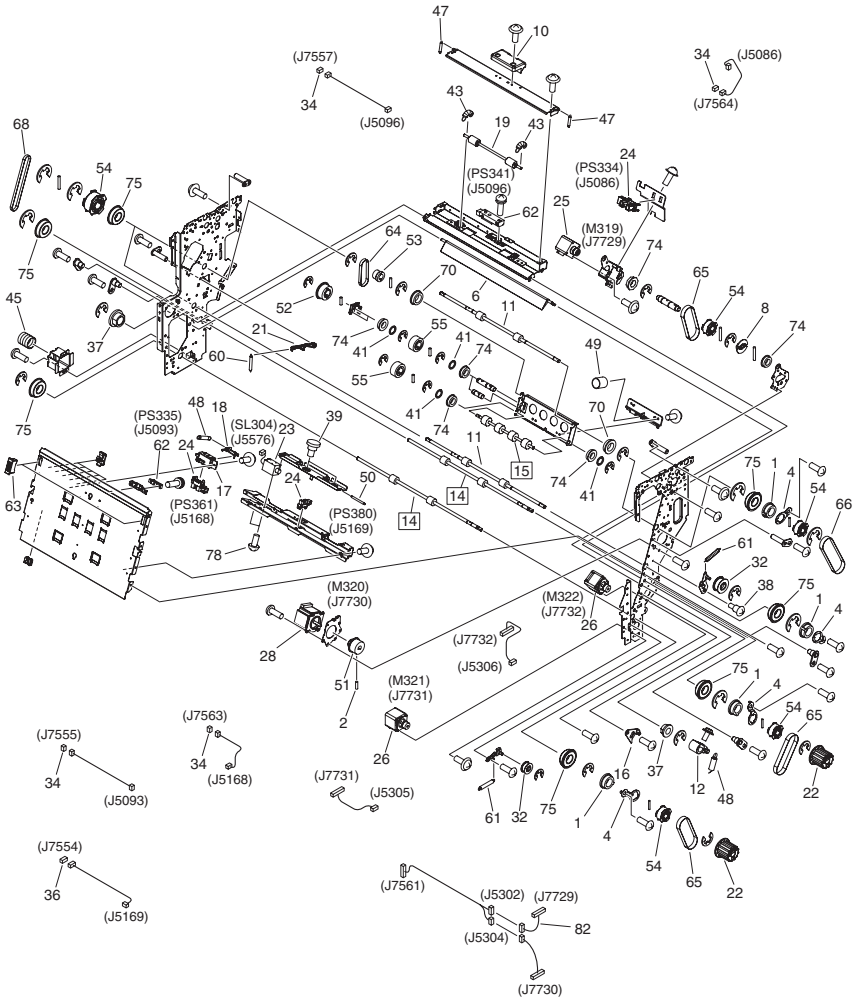
NOTE : This assembly includes the assembly shown in Figure 970.  
 注 : このユニットはFigure 970のユニットを含みます。

FIGURE & KEY NO.	PARTS NUMBER	R A N K	Q'TY	DESCRIPTION	SERIAL NUMBER/ REMARKS	S V C
Fig.354	FM2-2233-010		1	REVERSE GUIDE ASSEMBLY, LOWER	SEE NOTE	
1	FA9-2112-000		2	BUSHING, PL		
2	FC6-8596-000		1	HOOK, LEVER FRONT, 1		
3	FC6-8598-000		1	CAM, LEVER, 1		
4	FM1-F167-000		3	FOLLOWER ROLLER ASSEMBLY		
6	FC7-4040-000		1	LEVER, REVERSE GUIDE, 2		
7	FC7-4042-000		1	CAM, REVERSE GUIDE LEVER		
8	FM2-2713-000		4	COLOR SENSOR PCB UNIT		
9	FU5-2839-000		6	SPRING, TENSION		
10	FU5-2999-000		1	SPRING, TENSION		
11	FU6-2006-000		1	SPRING, TORSION		
12	WG8-5736-000		2	PHOTO SENSOR UNIT	PS336,PS340	
13	FC6-2261-000		1	GUIDE, REVERSE		

# FIGURE 355 REVERSE ASSEMBLY



NOTE : This assembly does not include the parts shown with key No. 22 and 60.  
 注 : このユニットにKey No. 22, 60の部品は含まれません。



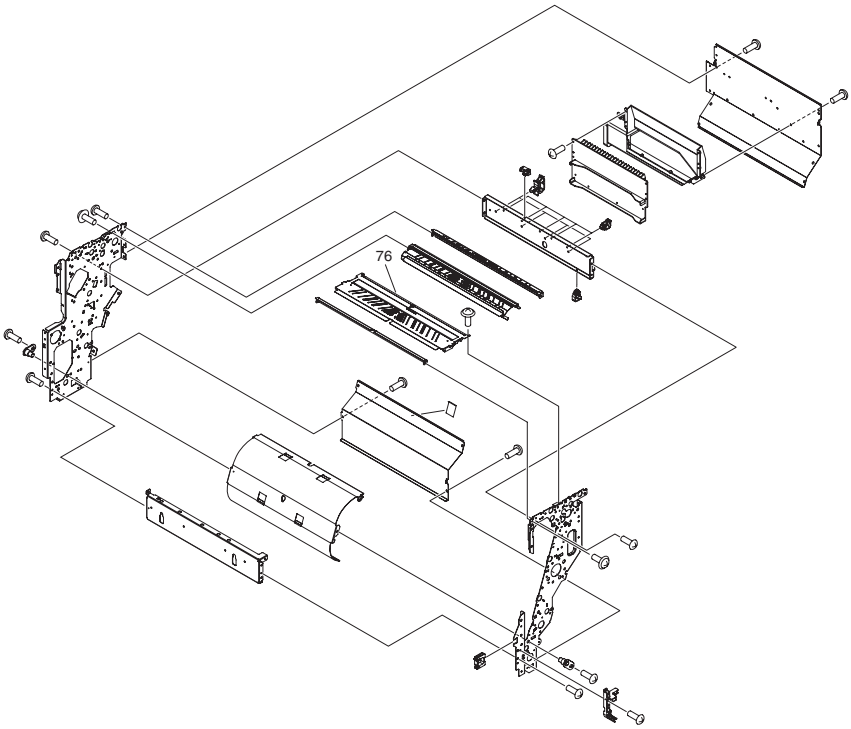




FIGURE & KEY NO.	PARTS NUMBER	R A N K	Q'TY	DESCRIPTION	SERIAL NUMBER/ REMARKS	S V C
Fig.355	FM4-2624-010		1	REVERSE ASSEMBLY		
1	FA9-2112-000		8	BUSHING, PL		
2	FA9-2864-010		2	SETSCREW, M3X4		
3	FB2-6285-020		1	SHIM		
4	FC5-9559-000		8	PLATE, ROLLER GROUNDING		
5	FC5-9935-000		1	FLAPPER, PAPER DELIVERY, 1		
6	FC5-9953-000		1	FLAPPER, REVERSE, 2		
7	FC9-5909-000		2	ROLLER, PAPER DELIVERY DRIVE,A	[DP]	
8	FC6-2266-000		1	CAM, FLAPPER		
9	FC6-2272-000		1	LOCK, LEVER		
10	FC6-2277-000		1	LEVER, DUPLEXING ENTRANCE		
11	FC9-9463-000		3	ROLLER, REVERSE, 1		
12	FC6-2400-000		2	LEVER, FLAPPER, 1		
13	FC6-2451-000		1	PLATE, FLAPPER		
14	FC9-9464-000		2	ROLLER, DUPLEXING REVERSE	[DP]	
15	FC6-3342-000		1	ROLLER, SPONGE	[DP]	
16	FC6-8458-000		2	HOOK, SPRING		
17	FC6-8464-000		1	MOUNT, OPEN/CLOSE SENSOR		
18	FC6-8465-000		1	FLAG, OPEN/CLOSE DETECT		
19	FM1-F167-000		1	FOLLOWER ROLLER ASSEMBLY		
21	FC7-4901-010		1	LEVER, REVERSE GUIDE		
22	FC7-7067-000		2	KNOB, EXTRACTION	SEE NOTE	
23	FH7-5838-030		1	SOLENOID	SL304	
24	WG8-5848-000		3	IC, PHOTO-INTERRUPTER	PS334,PS361,PS380	
25	FK2-3125-000		1	MOTOR, STEPPING, DC	M319	
26	FK2-3129-000		4	MOTOR, STEPPING, DC	M321,M322,M323,M324	
27	FK2-3132-000		1	MOTOR, STEPPING, DC	M315	
28	FK2-3134-000		1	MOTOR, STEPPING, DC	M320	
29	FK2-3148-000		1	FAN	FM336	
30	FL2-2016-000		1	ROLLER, DRIVEN	[DP]	
31	FL2-2268-000		1	FLAPPER, REVERSE, 1		
32	FL2-5562-000		3	ROLLER, TENSIONER		

FIGURE & KEY NO.	PARTS NUMBER	R A N K	Q'TY	DESCRIPTION	SERIAL NUMBER/ REMARKS	S V C
33	FL2-6237-000		1	PLATE, FLAPPER, 2		
34	VS1-7177-003		4	CONNECTOR, SNAP TIGHT, BK		
35	VS1-7177-006		1	CONNECTOR, SNAP TIGHT, BK		
36	VS1-7177-004		1	CONNECTOR, SNAP TIGHT, BK		
37	FS1-1569-000		6	BUSHING		
38	FS1-9003-020		1	SCREW, STEPPED, M4		
39	FS1-9199-000		2	SCREW, M4		
40	FS5-0688-000		3	GEAR, 17T		
41	FS5-6488-000		8	WASHER		
42	FU5-1319-000		2	BUSHING		
43	FU5-2839-000		2	SPRING, TENSION		
44	FU5-2904-000		2	SPRING, COMPRESSION		
45	FU5-2911-000		1	SPRING, COMPRESSION		
46	FU5-2914-000		1	SPRING, COMPRESSION		
47	FU5-2918-000		2	SPRING, TENSION		
48	FU5-2947-000		3	SPRING, TENSION		
49	FU5-2957-000		1	SPRING, COMPRESSION		
50	FU5-2958-000		1	SPRING, TENSION		
51	FU5-3204-000		2	PULLEY, 30T		
52	FU5-3205-000		1	PULLEY, 22T		
53	FU5-3206-000		1	PULLEY, 20T		
54	FU5-3441-000		9	PULLEY, 30T		
55	FU6-0414-000		3	GEAR, 20T		
56	FU6-2521-000		1	SPRING, TORSION		
57	FU6-2522-000		1	SPRING, TORSION		
58	XA9-0546-020		1	SET SCREW, M4 X 6		
59	FU6-2532-000		1	SPRING, TORSION		
60	FU6-2548-010		1	SPRING, TENSION	SEE NOTE	
61	FU6-2539-000		3	SPRING, TENSION		
62	WG8-5736-000		3	PHOTO SENSOR UNIT	PS335,PS341,PS342	
63	XZ9-0603-000		2	CATCH, MAGNET		
64	XF2-3604-940		1	BELT, TIMING		

FIGURE & KEY NO.	PARTS NUMBER	RANK	Q'TY	DESCRIPTION	SERIAL NUMBER/REMARKS	SVC
65	XF2-3607-060		5	BELT, TIMING		
66	XF2-3608-460		1	BELT, TIMING		
67	XF2-3609-960		1	BELT, TIMING		
68	XF2-3614-860		1	BELT, TIMING		
69	XG9-0149-000		1	BEARING, BALL, 684AA1T12DZZ,		
70	XG9-0668-000		2	BEARING, BALL, 12MM		
71	XG9-0304-000		1	BALL BEARING,NMB		
72	XG9-0507-000		5	BEARING, BALL, MF128ZZ		
73	XG9-0511-000		2	BEARING, BALL		
74	XG9-0520-000		8	BEARING, BALL, MF106ZZS		
75	XG9-0664-000		16	BALL BEARING, JMK-688ZZNR*D4ML		
76	FL2-2262-010		1	GUIDE, PAPER DELIVERY, LOWER,3		
77	FC5-9918-000		2	HOLDER		
78	XA9-1659-000		2	SCREW,M3X4		
79	FC9-5911-000		1	ROLLER, PAPER DELIVERY DRIVE,B	[DP]	
80	FL3-2874-000		1	GEAR, 17T	[DP]	
81	FL3-2875-000		1	PULLEY, 30T	[DP]	
82	FM2-8689-000		1	CABLE, MOTOR, 1		
83	FC6-2271-000		1	SHAFT, TRANSMISSION		

# FIGURE 360 DUPLEX LEFT ASSEMBLY

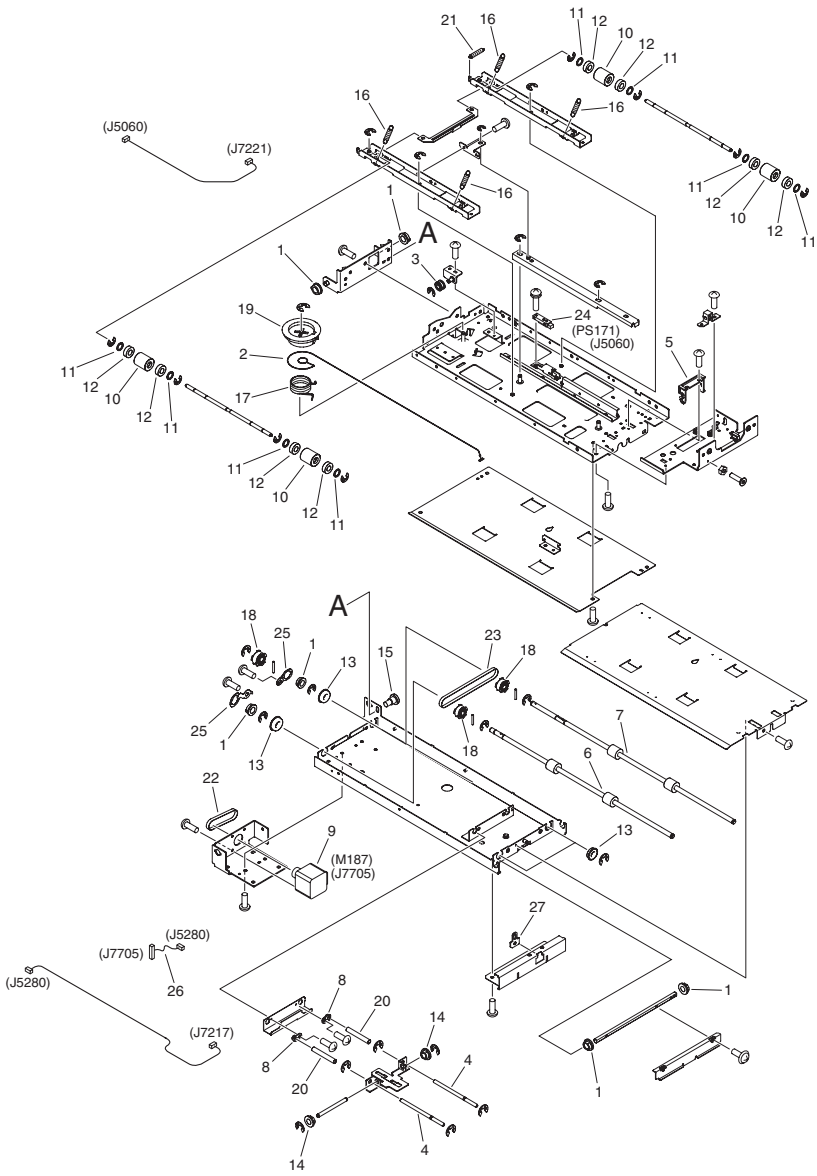


FIGURE & KEY NO.	PARTS NUMBER	R A N K	Q'TY	DESCRIPTION	SERIAL NUMBER/ REMARKS	S V C
Fig.360	FM2-5197-000		1	DUPLEX LEFT ASSEMBLY		
1	FA9-2112-000		6	BUSHING, PL		
2	FC6-0034-000		1	WIRE, LIFTER		
3	FC6-0059-000		1	ROLLER, WIRE		
4	FC6-7842-000		2	PIN, GUIDE LOCK		
5	FC6-7852-000		1	HOOK, DUPLEXING GUIDE		
6	FC9-9477-000		1	ROLLER, PAPER FEED, A		
7	FC9-9478-000		1	ROLLER, PAPER FEED, B		
8	FC6-8310-000		2	BUSHING, FIXED		
9	FK2-3125-000		1	MOTOR, STEPPING, DC	M187	
10	FC5-9668-000		4	ROLLER, FOLLOWER		
11	FS5-6488-000		8	WASHER		
12	XG9-0245-000		8	BEARING, BALL, MR126ZZMC3NS7L		
13	XG9-0664-000		4	BALL BEARING, JMK-688ZZNR*D4ML		
14	FS1-1569-000		2	BUSHING		
15	FS1-9053-020		1	SCREW, STEPPED, M4		
16	FU5-2839-000		4	SPRING, TENSION		
17	FU5-2846-000		1	SPRING, TORSION		
18	FU5-3441-000		3	PULLEY, 30T		
19	FU6-0352-000		1	GEAR, 62T		
20	FU6-2511-000		2	SPRING, COMPRESSION		
21	FU6-2512-000		1	SPRING, FOLLOWER ROLLER HOLDER		
22	XF2-3608-460		1	BELT, TIMING		
23	XF2-3615-460		1	BELT, TIMING		
24	WG8-5736-000		1	PHOTO SENSOR UNIT	PS171	
25	FC5-9559-000		2	PLATE, ROLLER GROUNDING		
26	FM2-8689-000		1	CABLE, MOTOR, 1		
27	FC5-9565-000		1	PLATE, HOOK		

# FIGURE 361 DUPLEX CENTER ASSEMBLY

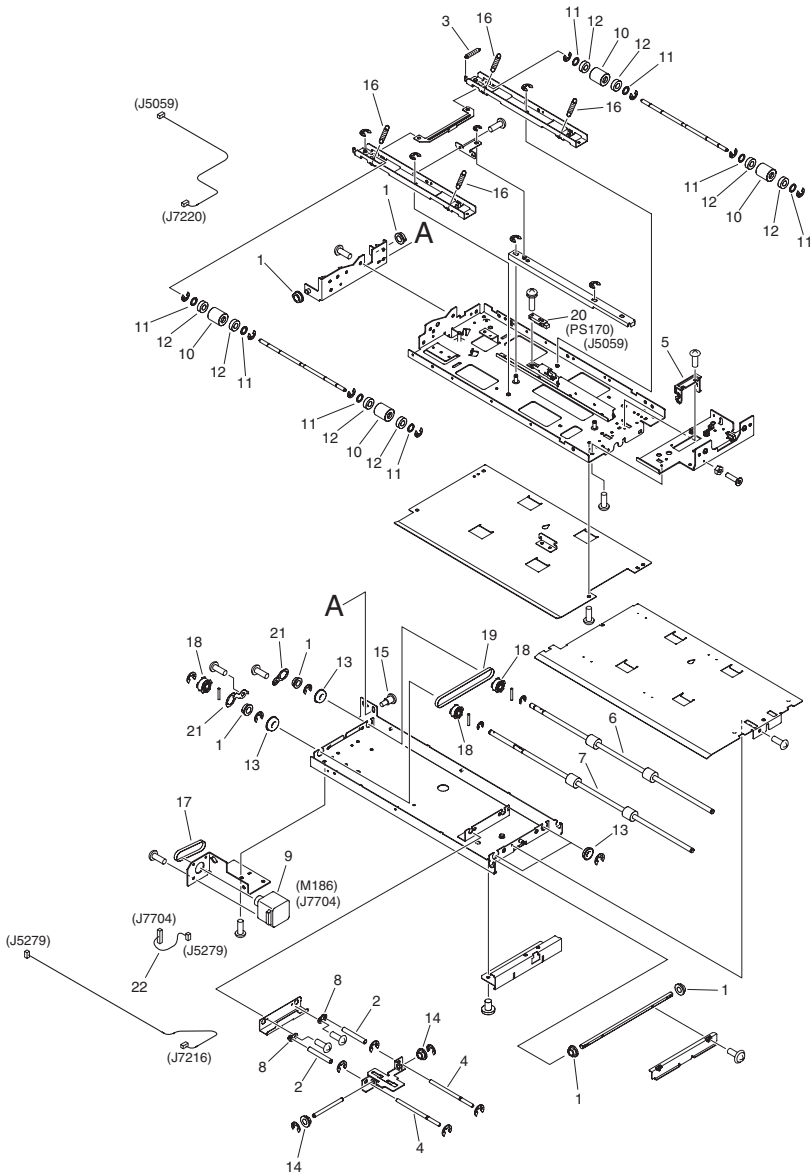


FIGURE & KEY NO.	PARTS NUMBER	R A N K	Q'TY	DESCRIPTION	SERIAL NUMBER/ REMARKS	S V C
Fig.361	FM2-5210-000		1	DUPLEX CENTER ASSEMBLY		
1	FA9-2112-000		6	BUSHING, PL		
2	FU6-2511-000		2	SPRING, COMPRESSION		
3	FU6-2512-000		1	SPRING, FOLLOWER ROLLER HOLDER		
4	FC6-7842-000		2	PIN, GUIDE LOCK		
5	FC6-7852-000		1	HOOK, DUPLEXING GUIDE		
6	FC9-9477-000		1	ROLLER, PAPER FEED, A		
7	FC9-9478-000		1	ROLLER, PAPER FEED, B		
8	FC6-8310-000		2	BUSHING, FIXED		
9	FK2-3125-000		1	MOTOR, STEPPING, DC	M186	
10	FC5-9668-000		4	ROLLER, FOLLOWER		
11	FS5-6488-000		8	WASHER		
12	XG9-0245-000		8	BEARING, BALL, MR126ZZMC3NS7L		
13	XG9-0664-000		4	BALL BEARING, JMK-688ZZNR*D4ML		
14	FS1-1569-000		2	BUSHING		
15	FS1-9053-020		1	SCREW, STEPPED, M4		
16	FU5-2839-000		4	SPRING, TENSION		
17	XF2-3608-460		1	BELT, TIMING		
18	FU5-3441-000		3	PULLEY, 30T		
19	XF2-3615-460		1	BELT, TIMING		
20	WG8-5736-000		1	PHOTO SENSOR UNIT	PS170	
21	FC5-9559-000		2	PLATE, ROLLER GROUNDING		
22	FM2-8689-000		1	CABLE, MOTOR, 1		

# FIGURE 362 DUPLEX RIGHT ASSEMBLY

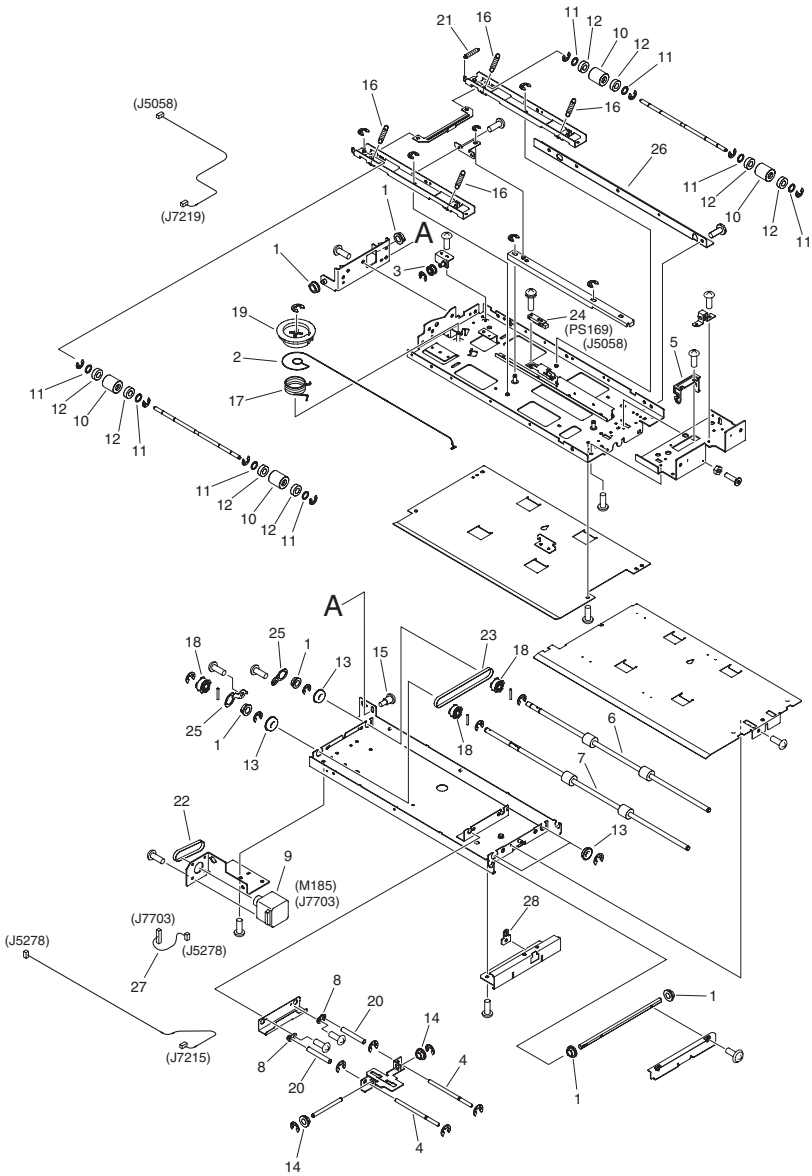
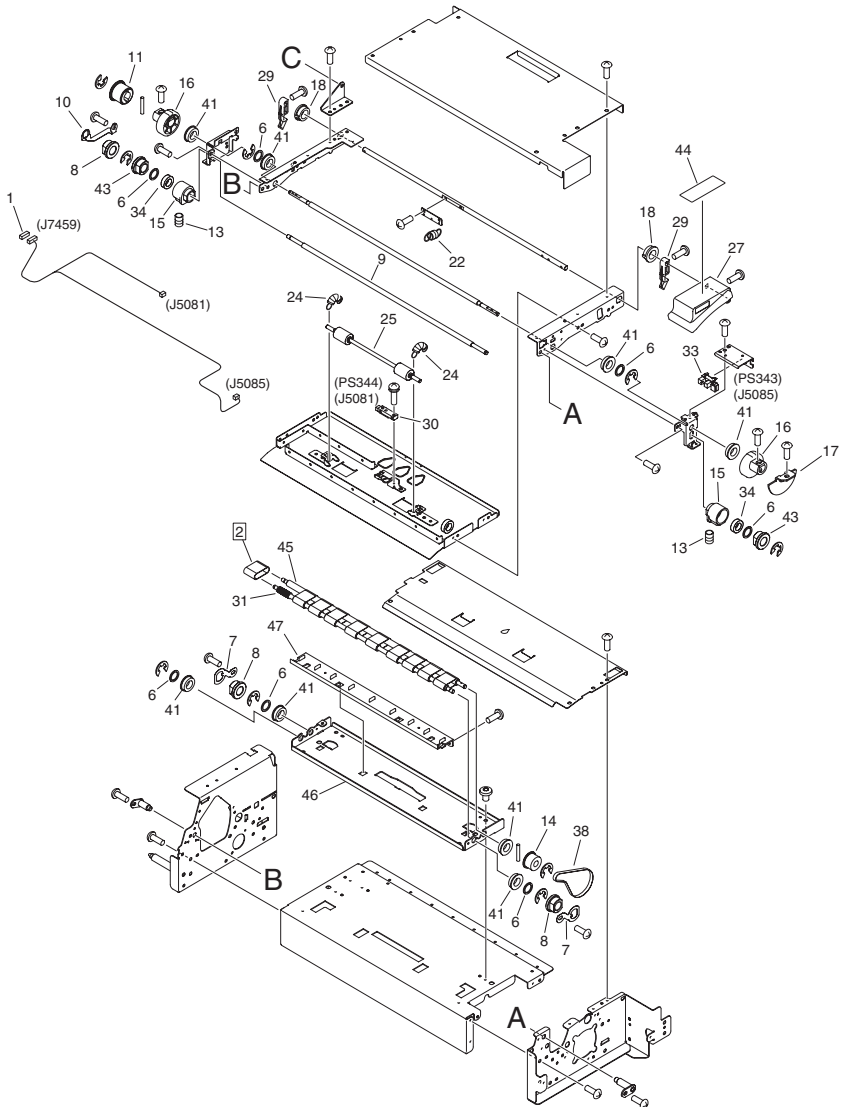




FIGURE & KEY NO.	PARTS NUMBER	R A N K	Q'TY	DESCRIPTION	SERIAL NUMBER/ REMARKS	S V C
Fig.362	FM2-5213-000		1	DUPLEX RIGHT ASSEMBLY		
1	FA9-2112-000		6	BUSHING, PL		
2	FC6-0034-000		1	WIRE, LIFTER		
3	FC6-0059-000		1	ROLLER, WIRE		
4	FC6-7842-000		2	PIN, GUIDE LOCK		
5	FC6-7852-000		1	HOOK, DUPLEXING GUIDE		
6	FC9-9477-000		1	ROLLER, PAPER FEED, A		
7	FC9-9478-000		1	ROLLER, PAPER FEED, B		
8	FC6-8310-000		2	BUSHING, FIXED		
9	FK2-3125-000		1	MOTOR, STEPPING, DC	M185	
10	FC5-9668-000		4	ROLLER, FOLLOWER		
11	FS5-6488-000		8	WASHER		
12	XG9-0245-000		8	BEARING, BALL, MR126ZZMC3NS7L		
13	XG9-0664-000		4	BALL BEARING, JMK-688ZZNR*D4ML		
14	FS1-1569-000		2	BUSHING		
15	FS1-9053-020		1	SCREW, STEPPED, M4		
16	FU5-2839-000		4	SPRING, TENSION		
17	FU5-2846-000		1	SPRING, TORSION		
18	FU5-3441-000		3	PULLEY, 30T		
19	FU6-0352-000		1	GEAR, 62T		
20	FU6-2511-000		2	SPRING, COMPRESSION		
21	FU6-2512-000		1	SPRING, FOLLOWER ROLLER HOLDER		
22	XF2-3608-460		1	BELT, TIMING		
23	XF2-3615-460		1	BELT, TIMING		
24	WG8-5736-000		1	PHOTO SENSOR UNIT	PS169	
25	FC5-9559-000		2	PLATE, ROLLER GROUNDING		
26	FC6-7875-000		1	GUIDE, DUPLEX OUTLET, UPPER		
27	FM2-8689-000		1	CABLE, MOTOR, 1		
28	FC5-9565-000		1	PLATE, HOOK		

# FIGURE 370 DUPLEXING DECURLER ASSEMBLY



NOTE : This assembly does not include the part shown with key No. 44.

NOTE : Several kinds of labels are attached on the board for the parts of Key No. 44. The same parts as Fig-Key No. 112-10, 113-15, 344-11, 348-12, 351-33 and 372-22.

注：このユニットにKey No. 44の部品は含まれません。

注：Key No. 44の部品は台紙に数種類のラベルが付いています。Fig-Key No. 112-10, 113-15, 344-11, 348-12, 351-33, 372-22と同一部品です。

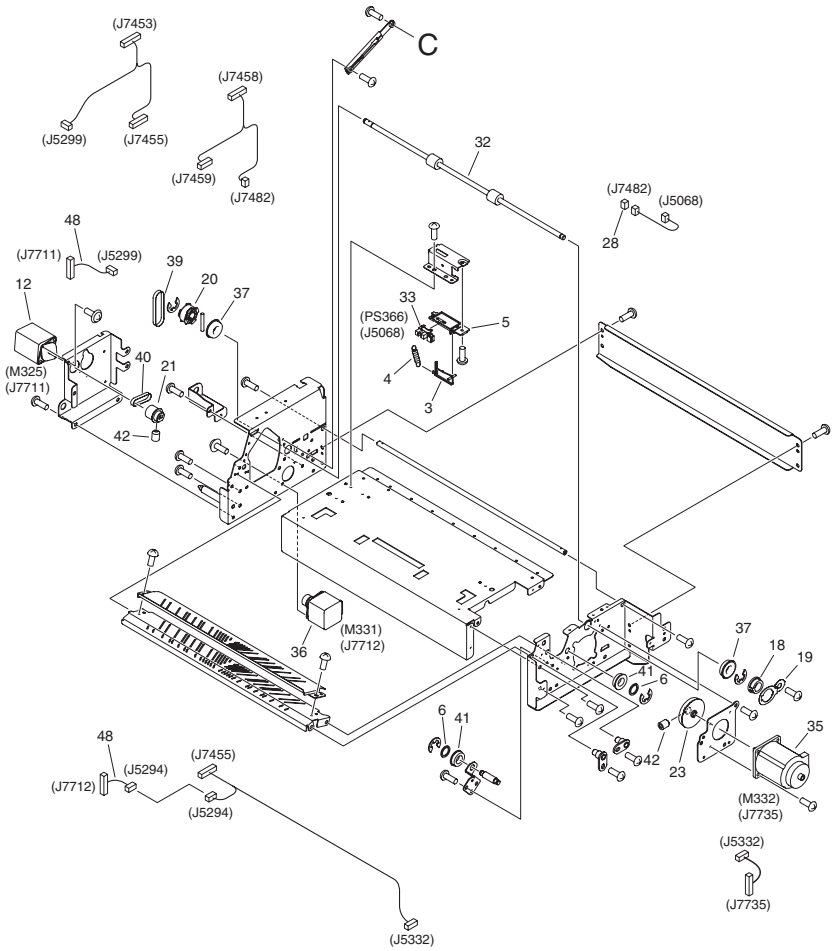
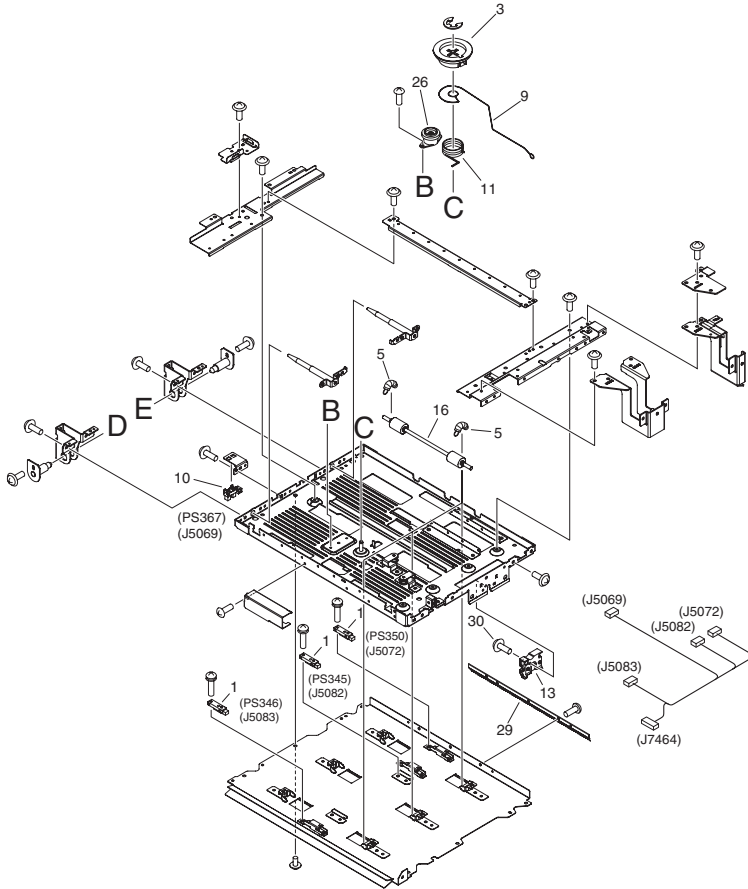


FIGURE & KEY NO.	PARTS NUMBER	R A N K	Q'TY	DESCRIPTION	SERIAL NUMBER/ REMARKS	S V C
Fig.370	FM2-2237-020		1	DUPLEXING DECURLER ASSEMBLY		
1	VS1-7177-006		1	CONNECTOR, SNAP TIGHT, BK		
2	FC7-4600-000		10	BELT, WIDTH PAPER FEED	[DP]	
3	FC6-8465-000		1	FLAG, OPEN/CLOSE DETECT		
4	FU5-2947-000		1	SPRING, TENSION		
5	FC6-8464-000		1	MOUNT, OPEN/CLOSE SENSOR		
6	FS5-6488-000		9	WASHER		
7	FC7-1601-000		2	PLATE, DECURLER GROUNDING		
8	FS5-1592-000		3	BUSHING		
9	FC7-1569-000		1	ROLLER, DECURLER, UPPER		
10	FC7-1603-000		1	PLATE, ROLLER GROUNDING, UP.		
11	FU5-3208-000		1	PULLEY, 20T		
12	FK2-3136-000		1	MOTOR, STEPPING, DC	M325	
13	FU5-2996-000		2	SPRING, COMPRESSION		
14	FU5-3210-000		1	PULLEY, 23T		
15	FU5-1328-000		2	BUSHING, ROLLER		
16	FC7-1531-000		2	CAM, DECURLER		
17	FC5-9239-000		1	FLAG, SENSOR		
18	FA9-2112-000		3	BUSHING, PL		
19	FC5-9559-000		1	PLATE, ROLLER GROUNDING		
20	FU5-3441-000		1	PULLEY, 30T		
21	FU5-3209-000		1	PULLEY, 20T		
22	FU6-2005-000		1	SPRING, TENSION		
23	FU5-3211-000		1	PULLEY, 81T		
24	FU5-2839-000		2	SPRING, TENSION		
25	FM1-F167-000		1	FOLLOWER ROLLER ASSEMBLY		
27	FC5-9976-000		1	LEVER, REVERSE GUIDE		
28	VS1-7177-003		1	CONNECTOR, SNAP TIGHT, BK		
29	FC7-1808-000		2	HOOK, RELEASE		
30	WG8-5736-000		1	PHOTO SENSOR UNIT	PS344	
31	FC7-1598-000		1	ROLLER, DRIVEN		
32	FC9-9465-000		1	ROLLER, DUPLEXING, REAR		

FIGURE & KEY NO.	PARTS NUMBER	R A N K	Q'TY	DESCRIPTION	SERIAL NUMBER/ REMARKS	S V C
33	FK2-0149-000		2	PHOTO-INTERRUPTER, TLP1252(C6)	PS343,PS366	
34	XG9-0242-000		2	BEARING, BALL, MR106ZZMC3D4ML		
35	FK2-3152-000		1	MOTOR, STEPPING, DC	M332	
36	FK2-3129-000		1	MOTOR, STEPPING, DC	M331	
37	XG9-0664-000		2	BALL BEARING, JMK-688ZZNR*D4ML		
38	XF2-3612-560		1	BELT, TIMING		
39	XF2-3608-060		1	BELT, TIMING		
40	XF2-3605-060		1	BELT, TIMING		
41	XG9-0520-000		10	BEARING, BALL, MF106ZZS		
42	FA9-2864-010		2	SETSCREW, M3X4		
43	FS5-1755-000		2	BUSHING		
44	FC8-2967-010		1	LABEL, SUB STATION LANGUAGE 2	SEE NOTE English	
44	FC8-2968-010		1	LABEL, SUB STATION LANGUAGE 2	SEE NOTE French	
44	FC8-2969-010		1	LABEL, SUB STATION LANGUAGE 2	SEE NOTE German	
44	FC8-2970-010		1	LABEL, SUB STATION LANGUAGE 2	SEE NOTE Italian	
44	FC8-2966-010		1	LABEL, SUB STATION LANGUAGE 2	SEE NOTE Japanese	
44	FC8-2972-010		1	LABEL, SUB STATION LANGUAGE 2	SEE NOTE Portuguese	
44	FC8-2971-010		1	LABEL, SUB STATION LANGUAGE 2	SEE NOTE Spanish	
45	FC7-4048-000		1	SHAFT, TRANSMISSION		
46	FC7-1625-000		1	FRAME,DUPLEX		
47	FC7-7026-000		1	GUIDE, BELT		
48	FM2-8689-000		2	CABLE, MOTOR, 1		

FIGURE 371  
DUPLEXING ASSEMBLY, RIGHT



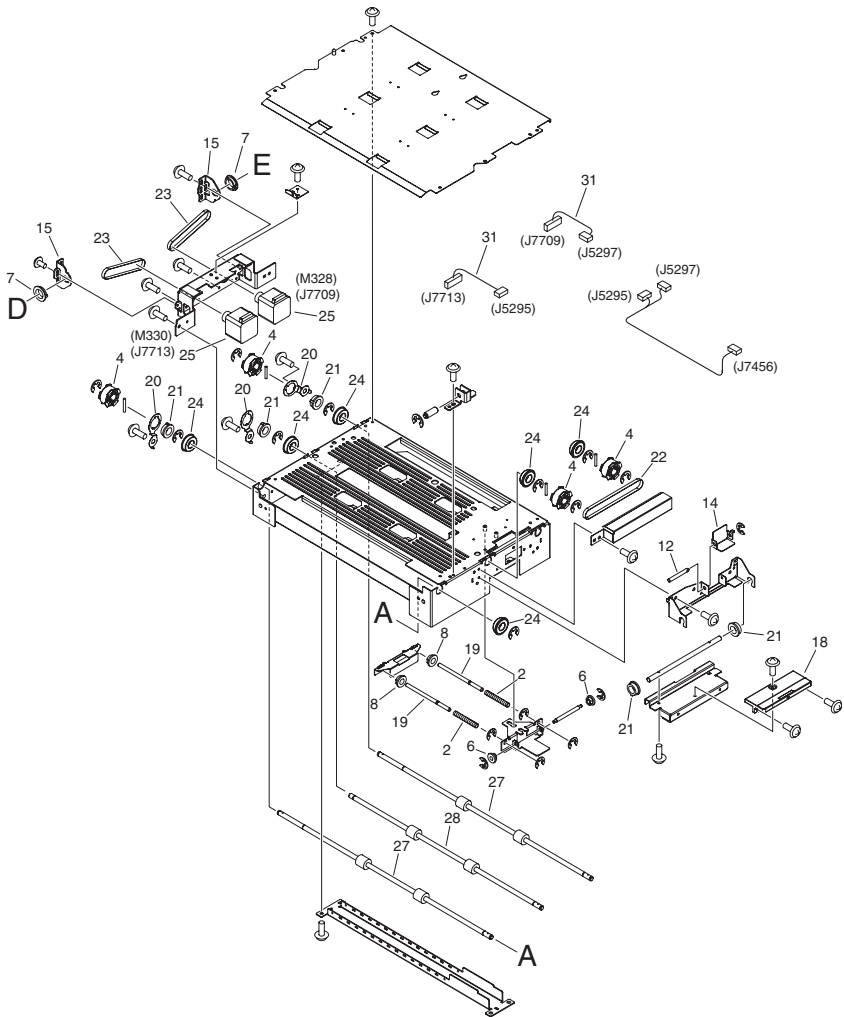
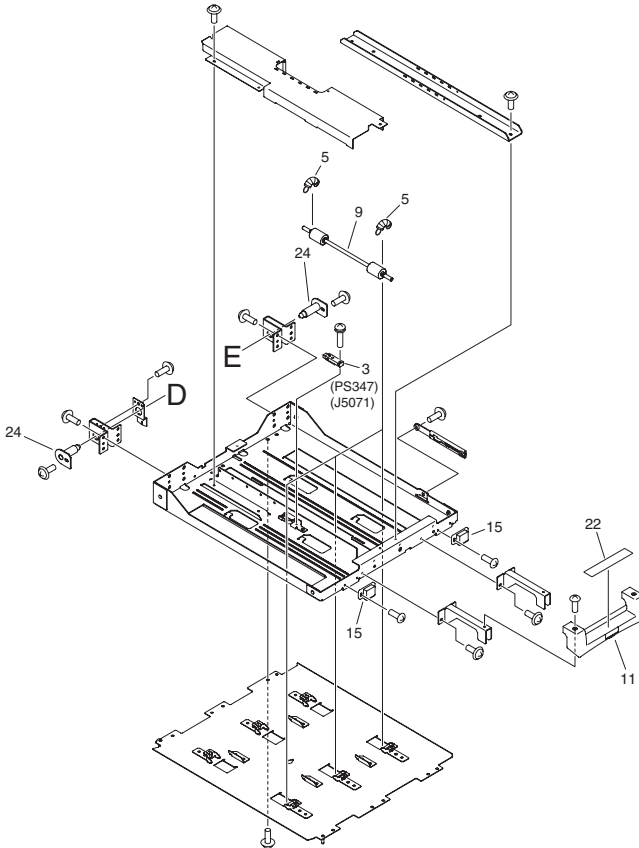


FIGURE & KEY NO.	PARTS NUMBER	R A N K	Q'TY	DESCRIPTION	SERIAL NUMBER/ REMARKS	S V C
Fig.371	FM2-2240-010		1	DUPLEXING ASSEMBLY, RIGHT		
1	WG8-5736-000		3	PHOTO SENSOR UNIT	PS345,PS346,PS350	
2	FU6-2562-000		2	SPRING, COMPRESSION		
3	FU6-0352-000		1	GEAR, 62T		
4	FU5-3441-000		4	PULLEY, 30T		
5	FU5-2839-000		6	SPRING, TENSION		
6	FS5-1005-000		2	BUSHING, POLYACETAR		
7	FS2-1012-000		2	BUSHING		
8	FS1-1569-000		2	BUSHING		
9	FC6-8506-000		1	WIRE, DUPLEXING LIFTER		
10	FK2-0149-000		1	PHOTO-INTERRUPTER, TLP1252(C6)	PS367	
11	FC7-5720-000		1	SPRING, TORSION		
12	FC7-3514-000		1	SHAFT, LOCK RELEASE		
13	FC7-3512-000		1	HOOK, DUPLEXING GUIDE, RIGHT		
14	FC7-7487-000		1	LINK, LOCK RELEASE		
15	FC7-3506-000		2	HINGE, ADJUSTMENT, RIGHT		
16	FM1-F167-000		3	FOLLOWER ROLLER ASSEMBLY		
18	FC6-8504-000		1	GRIP, DUPLEXING HANDLE, RIGHT		
19	FC7-7486-000		2	SHAFT, GUIDE LOCK		
20	FC5-9559-000		3	PLATE, ROLLER GROUNDING		
21	FA9-2112-000		5	BUSHING, PL		
22	XF2-3615-460		1	BELT, TIMING		
23	XF2-3611-560		2	BELT, TIMING		
24	XG9-0664-000		6	BALL BEARING, JMK-688ZZNR*D4ML		
25	FK2-3125-000		2	MOTOR, STEPPING, DC	M328,M330	
26	FL2-4135-000		1	DAMPER, ROTARY		
27	FC9-9471-000		2	ROLLER, PAPER FEED, LOWER		
28	FC9-9466-000		1	ROLLER, DUPLEXING PAPER FEED		
29	FB4-5093-020		1	PLATE, HORIZON. PATH GROUNDING		
30	XA9-1469-000		1	SCREW, TP,M3X6		
31	FM2-8689-000		2	CABLE, MOTOR, 1		



# FIGURE 372 DUPLEXING ASSEMBLY, LEFT



NOTE : This assembly does not include the part shown with key No. 22.

NOTE : Several kinds of labels are attached on the board for the parts of Key No. 22. The same parts as Fig-Key No. 112-10, 113-15, 344-11, 348-12, 351-33 and 370-44.

注 : このユニットにKey No. 22の部品は含まれません。

注 : Key No. 22の部品は台紙に数種類のラベルが付いています。Fig-Key No. 112-10, 113-15, 344-11, 348-12, 351-33, 370-44と同一部品です。

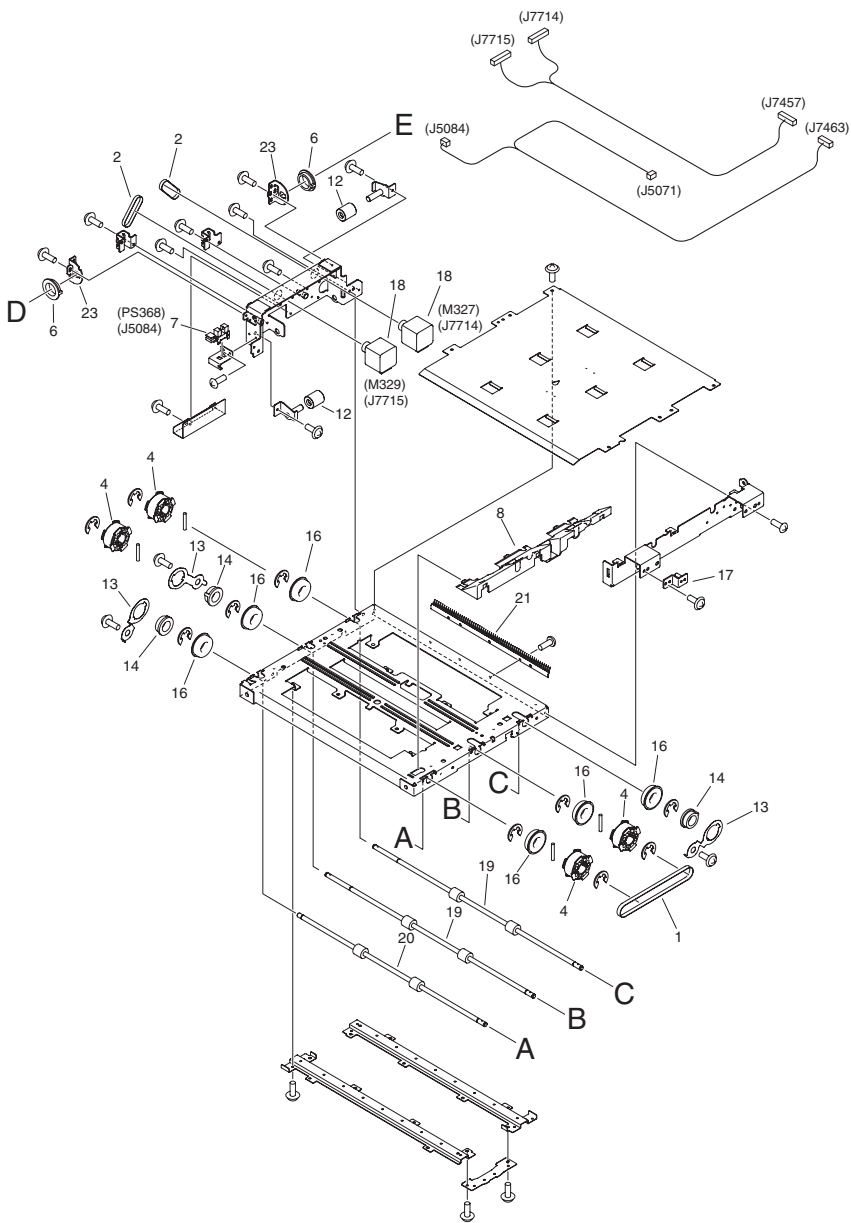


FIGURE & KEY NO.	PARTS NUMBER	R A N K	Q'TY	DESCRIPTION	SERIAL NUMBER/ REMARKS	S V C
Fig.372	FM2-2241-010		1	DUPLEXING ASSEMBLY, LEFT		
1	XF2-3615-460		1	BELT, TIMING		
2	XF2-3607-260		2	BELT, TIMING		
3	WG8-5736-000		1	PHOTO SENSOR UNIT	PS347	
4	FU5-3441-000		4	PULLEY, 30T		
5	FU5-2839-000		6	SPRING, TENSION		
6	FS2-1012-000		2	BUSHING		
7	FK2-0149-000		1	PHOTO-INTERRUPTER, TLP1252(C6)	PS368	
8	FC7-4058-000		1	MOUNT, JUMP		
9	FM1-F167-000		3	FOLLOWER ROLLER ASSEMBLY		
11	FC6-8647-000		1	HANDLE, DUPLEXING, LEFT		
12	FC5-9668-000		2	ROLLER, FOLLOWER		
13	FC5-9559-000		3	PLATE, ROLLER GROUNDING		
14	FA9-2112-000		3	BUSHING, PL		
15	XZ9-0598-000		2	CATCH, MAGNET		
16	XG9-0664-000		6	BALL BEARING, JMK-688ZZNR*D4ML		
17	FL2-2293-000		1	LOCK, PAPER FEED, LOWER		
18	FK2-3125-000		2	MOTOR, STEPPING, DC	M327,M329	
19	FC9-9471-000		2	ROLLER, PAPER FEED, LOWER		
20	FC9-9466-000		1	ROLLER, DUPLEXING PAPER FEED		
21	FB4-5093-020		1	PLATE, HORIZON. PATH GROUNDING		
22	FC8-2967-010		1	LABEL, SUB STATION LANGUAGE 2	SEE NOTE English	
22	FC8-2968-010		1	LABEL, SUB STATION LANGUAGE 2	SEE NOTE French	
22	FC8-2969-010		1	LABEL, SUB STATION LANGUAGE 2	SEE NOTE German	
22	FC8-2970-010		1	LABEL, SUB STATION LANGUAGE 2	SEE NOTE Italian	
22	FC8-2966-010		1	LABEL, SUB STATION LANGUAGE 2	SEE NOTE Japanese	
22	FC8-2972-010		1	LABEL, SUB STATION LANGUAGE 2	SEE NOTE Portuguese	
22	FC8-2971-010		1	LABEL, SUB STATION LANGUAGE 2	SEE NOTE Spanish	
23	FC7-1879-000		2	HINGE, ADJUSTMENT, LEFT		
24	FL2-2140-000		2	HINGE, PAPER FEED, LOWER		

FIGURE 380  
LEFT DECK PATH MERGER ASS'Y

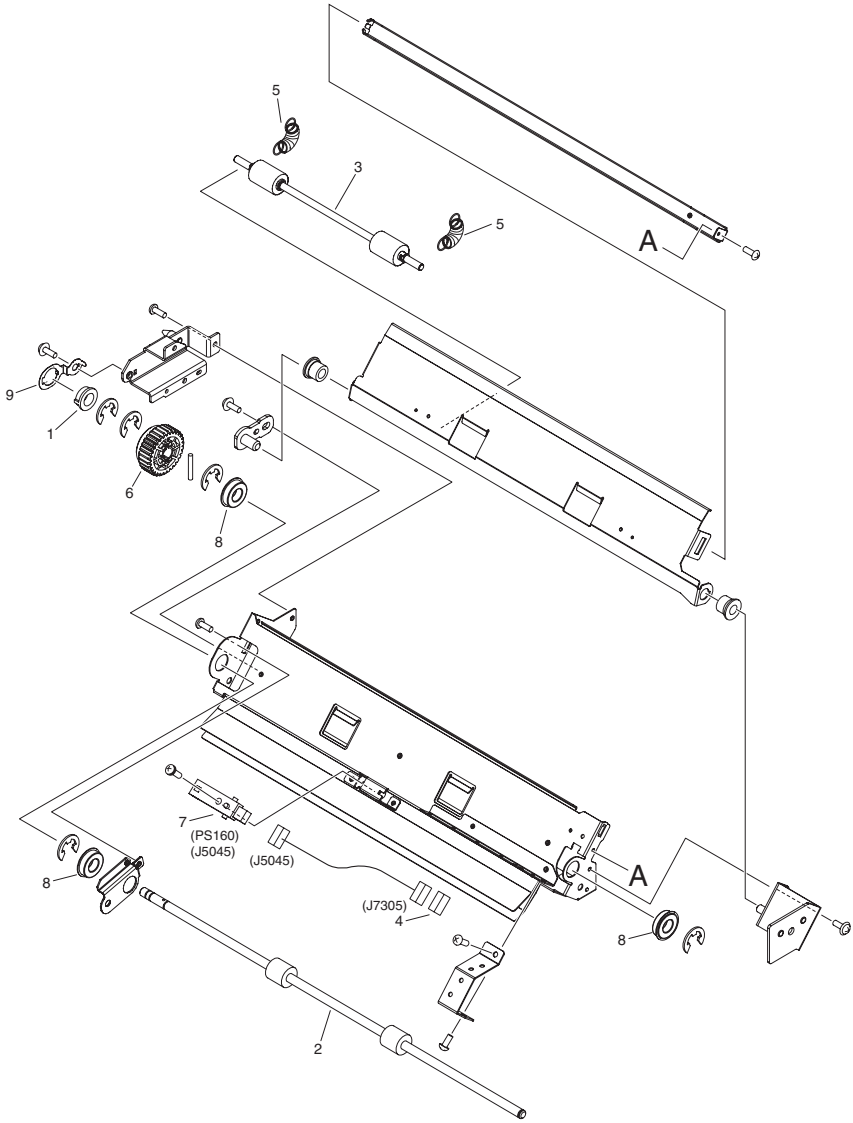


FIGURE & KEY NO.	PARTS NUMBER	RANK	Q'TY	DESCRIPTION	SERIAL NUMBER/REMARKS	SVC
Fig.380	FM2-2246-010		1	LEFT DECK PATH MERGER ASS'Y		
1	FA9-2112-000		1	BUSHING, PL		
2	FC9-9473-000		1	ROLLER, LEFT DECK CROSSING		
3	FM1-F167-000		1	FOLLOWER ROLLER ASSEMBLY		
4	VS1-7173-003		1	CONNECTOR, SNAP TIGHT, 3P, W		
5	FU5-2841-000		2	SPRING, TENSION		
6	FU6-0308-000		1	GEAR, 30T		
7	WG8-5736-000		1	PHOTO SENSOR UNIT	PS160	
8	XG9-0664-000		3	BALL BEARING, JMK-688ZZNR*D4ML		
9	FC5-9559-000		1	PLATE, ROLLER GROUNDING		

FIGURE 381  
PULL-OUT ROLLER LEFT ASS'Y

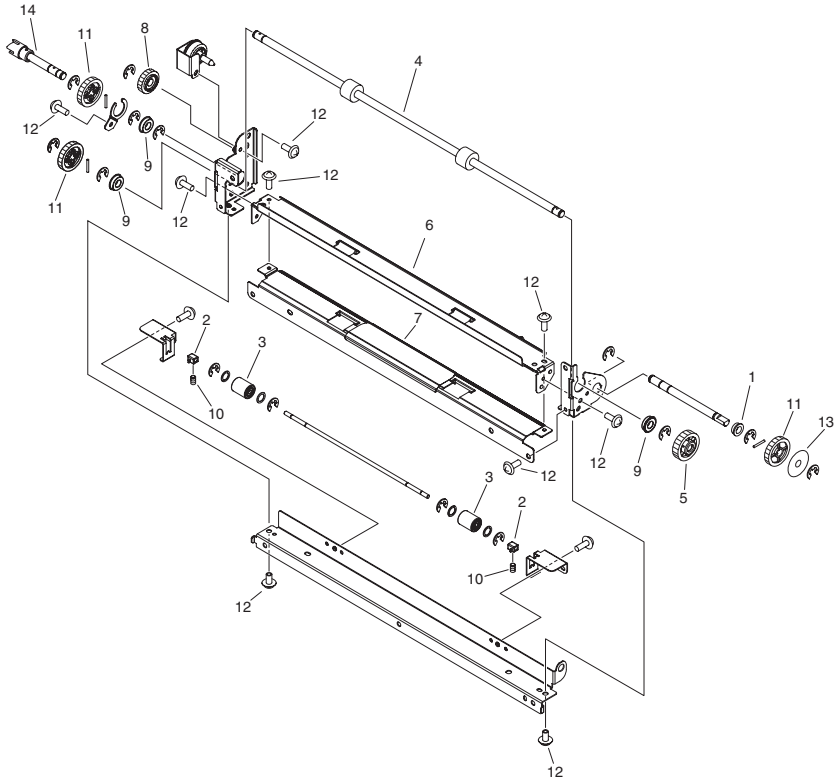


FIGURE & KEY NO.	PARTS NUMBER	R A N K	Q'TY	DESCRIPTION	SERIAL NUMBER/ REMARKS	S V C
Fig.381	FM2-5102-000		1	PULL-OUT ROLLER LEFT ASS'Y		
1	FA9-2112-000		1	BUSHING, PL		
2	FB2-7755-000		2	BUSHING		
3	FC5-8133-000		2	ROLLER, DRIVEN		
4	FC8-1659-000		1	ROLLER, SECOND EXTRACTION		
5	FC5-8169-000		1	GEAR, 30T		
6	FC5-8175-000		1	GUIDE, EXTRACTION, UPPER		
7	FL2-7889-000		1	GUIDE, EXTRACTION, LOWER		
8	FL2-1851-000		1	GEAR, 24T		
9	XG9-0508-000		3	BEARING, BALL, F688ZZ		
10	FU5-2785-000		2	SPRING, COMPRESSION		
11	FU6-0169-000		3	GEAR, 30T		
12	XA9-1249-010		AR	SCREW, TP M4X8		
13	FC8-1654-000		1	CLAMP, GEAR		
14	FL2-1786-000		1	SHAFT, TRANSMISSION		

FIGURE 382  
PULL-OUT ROLLER RIGHT ASS'Y

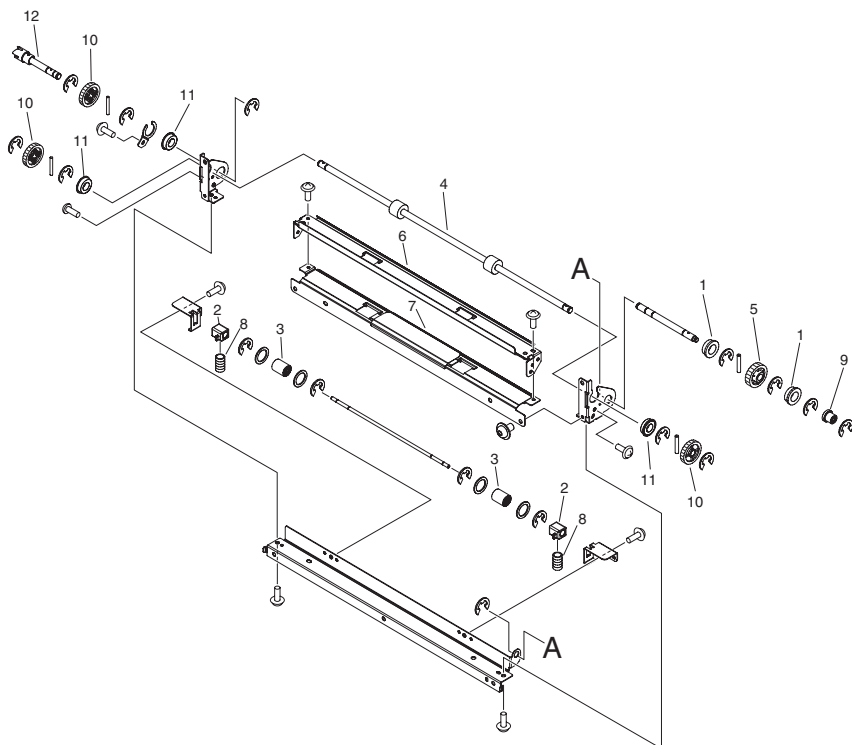
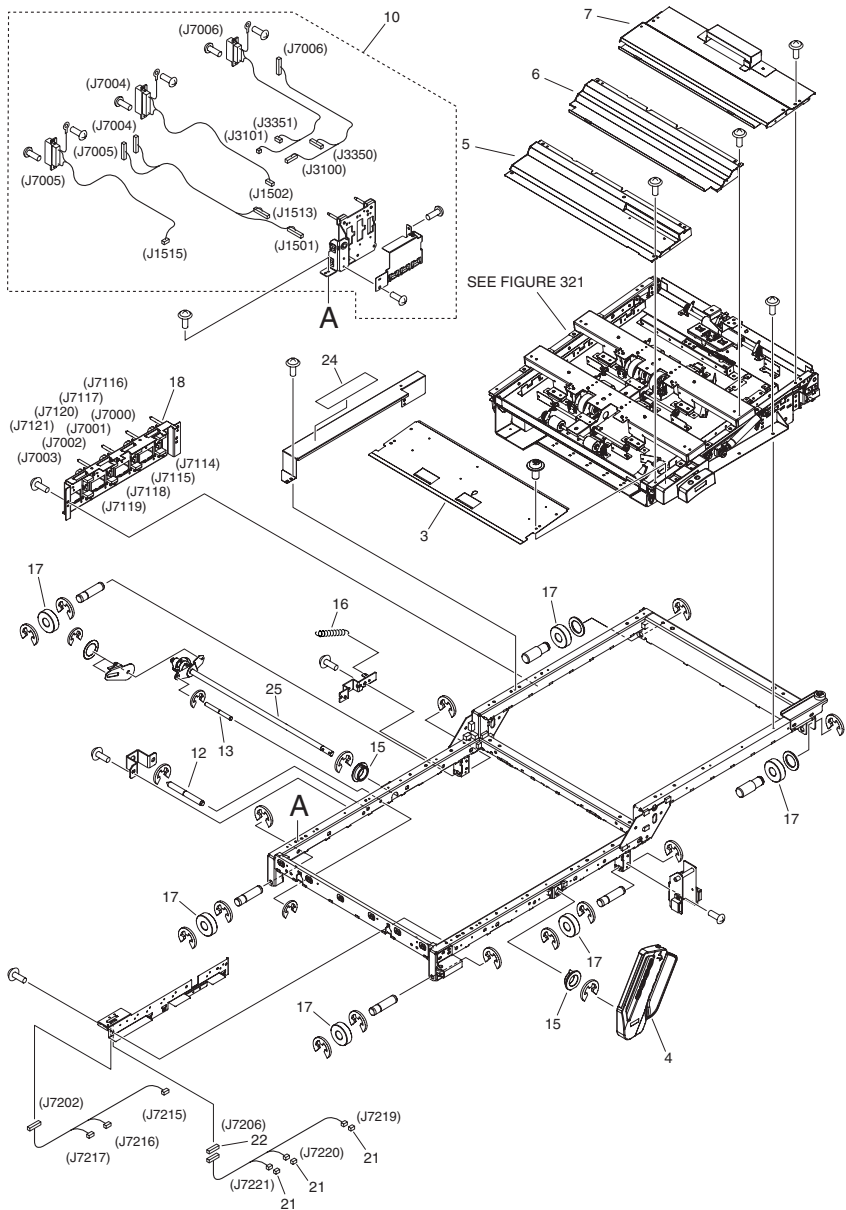




FIGURE & KEY NO.	PARTS NUMBER	RANK	Q'TY	DESCRIPTION	SERIAL NUMBER/REMARKS	SVC
Fig.382	FM2-5103-000		1	PULL-OUT ROLLER RIGHT ASS'Y		
1	FA9-2112-000		2	BUSHING, PL		
2	FB2-7755-000		2	BUSHING		
3	FC5-8133-000		2	ROLLER, DRIVEN		
4	FC8-1659-000		1	ROLLER, SECOND EXTRACTION		
5	FC5-8169-000		1	GEAR, 30T		
6	FC5-8175-000		1	GUIDE, EXTRACTION, UPPER		
7	FL2-7889-000		1	GUIDE, EXTRACTION, LOWER		
8	FU5-2785-000		2	SPRING, COMPRESSION		
9	FU5-3189-000		1	PULLEY, 20T		
10	FU6-0169-000		3	GEAR, 30T		
11	XG9-0508-000		3	BEARING, BALL, F688ZZ		
12	FL2-1786-000		1	SHAFT, TRANSMISSION		

# FIGURE 383 PAPER FEED MOUNT ASSEMBLY



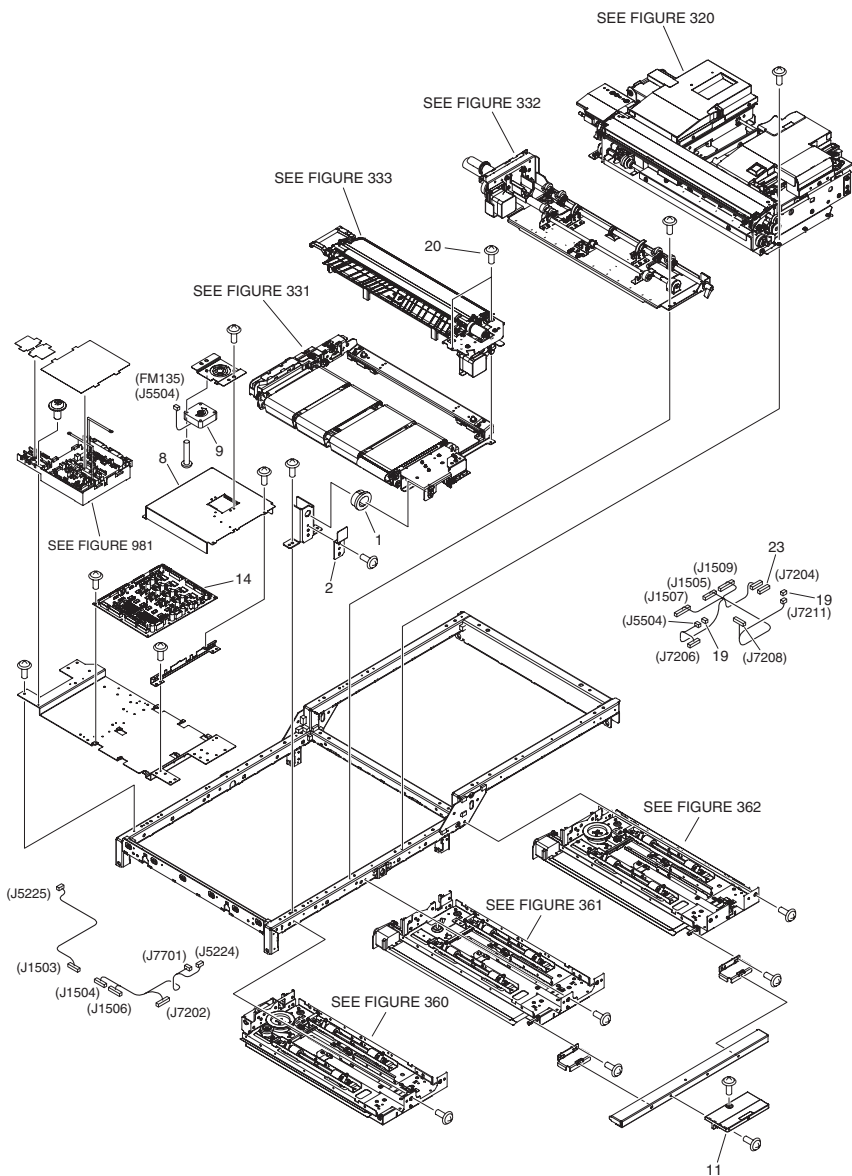


FIGURE & KEY NO.	PARTS NUMBER	R A N K	Q'TY	DESCRIPTION	SERIAL NUMBER/ REMARKS	S V C
Fig.383	NPN		RF	PAPER FEED MOUNT ASSEMBLY		
1	FC5-9384-000		1	BUSHING, FIXING/FEEDER TURN		
2	FC5-9414-000		1	SPRING, 2ND TRNSFR. THRUST		
3	FC5-9654-000		1	GUIDE, PRE-REG. FEED, LOWER 3		
4	FC6-7864-000		1	HANDLE, REGISTRATION FRAME		
5	FC6-8052-000		1	COVER, 1		
6	FC6-8053-000		1	COVER, 2		
7	FC6-8054-010		1	COVER, 3		
8	FC6-8118-000		1	COVER, PCB		
9	FK2-3148-000		1	FAN	FM135	
10	FM2-2130-000		1	2ND TRNSFR. DRAWER ASS'Y		
11	FC6-0036-000		1	GRIP, DUPLEXING HANDLE		
12	FC6-2420-000		1	PIN, POSITIONING		
13	FC6-7866-000		1	PIN, POSITIONING		
14	FM4-6240-000		1	2ND TRANSFER/DUPLEX PCB ASS'Y		
15	FU5-1319-000		2	BUSHING		
16	FU6-2535-000		1	SPRING, TENSION		
17	XG1-1026-085		6	BALL BEARING, NSK 6000ZZ		
18	FM2-5124-000		1	REGIST. DRAWER MOUNTING ASS'Y		
19	VS1-7177-003		2	CONNECTOR, SNAP TIGHT, BK		
20	FU5-9222-000		2	SCREW, BH4X8(YELLOW)		
21	VS1-7173-003		3	CONNECTOR, SNAP TIGHT, 3P, W		
22	VS1-7173-009		1	CONNECTOR, SNAP TIGHT, 9P, W		
23	VS1-7177-009		1	CONNECTOR, 9P		
24	FC0-2227-000		1	LABEL, DUPLEXING UNIT		
25	FM2-5123-000		1	HANDLE SHAFT ASSEMBLY		

# FIGURE 460 SCANNER ASSEMBLY

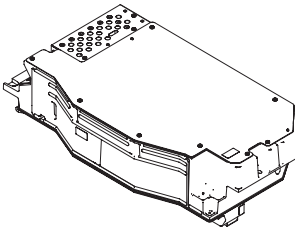
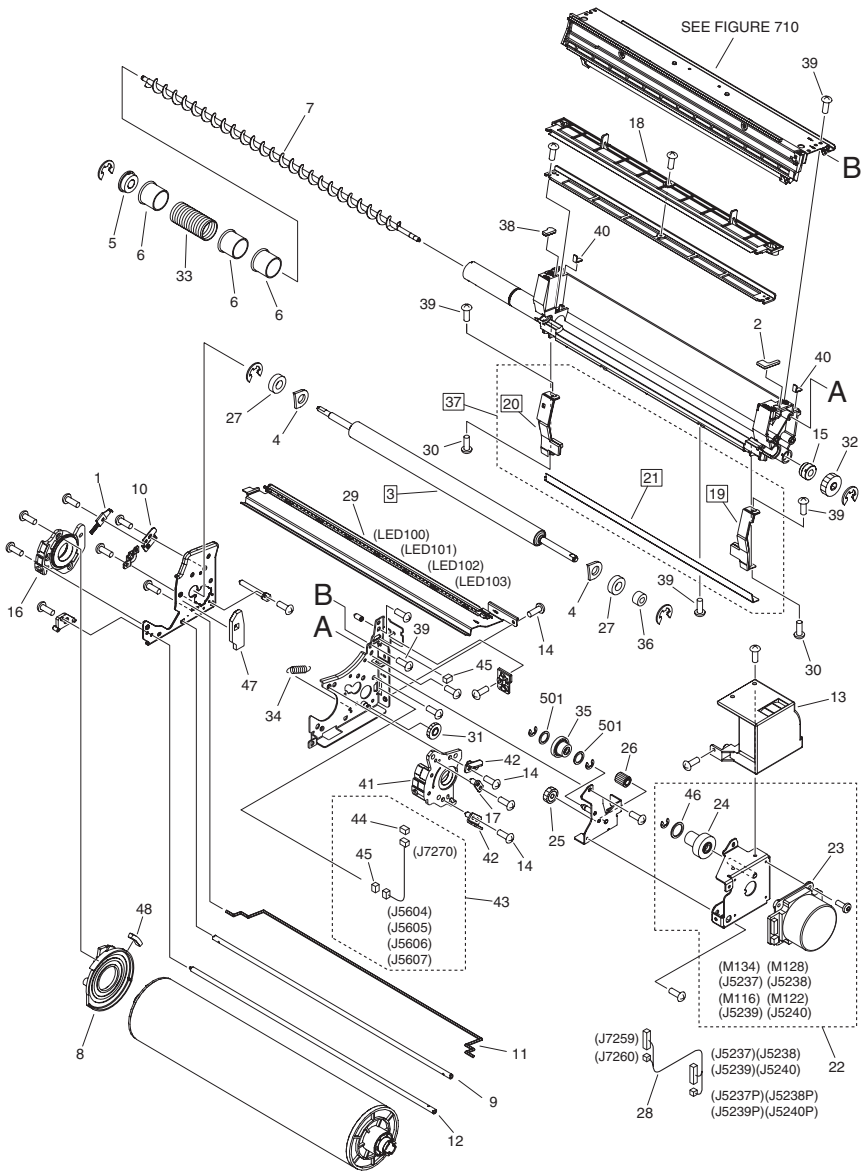


FIGURE & KEY NO.	PARTS NUMBER	RANK	Q'TY	DESCRIPTION	SERIAL NUMBER/ REMARKS	SVC
Fig.460	FM4-7033-000		4	SCANNER ASSEMBLY		

# FIGURE 511 D KIT ASSEMBLY



NOTE : This assembly includes the assembly shown in Figure 710.  
 注 : このユニットはFigure 710のユニットを含みます。

FIGURE & KEY NO.	PARTS NUMBER	R A N K	Q'TY	DESCRIPTION	SERIAL NUMBER/ REMARKS	S V C
Fig.511	FM4-2628-020		4	D KIT ASSEMBLY	SEE NOTE	
1	FB2-4375-000		1	BRUSH, GROUNDING		
2	FC9-6106-000		1	SEAL, CLEANER, FRONT		
3	FC5-8837-000		1	BRUSH, CLEANER	[DP]	
4	FC5-8838-000		2	SEAL, FELT		
5	FC5-8839-000		1	BUSHING, SCREW		
6	FC5-8840-000		3	SHUTTER, WASTE TONER		
7	FC5-8842-000		1	SCREW, FEED TONER		
8	FC5-8877-000		1	RING, SLIP		
9	FC5-8880-000		1	STOPPER, FOOT		
10	FC5-8881-000		1	PLATE, GROUNDING BASE		
11	FC5-8885-000		1	FOOT		
12	FC5-8923-000		1	RAIL		
13	FC5-8926-000		1	HANDLE		
14	FU5-9222-000		3	SCREW, BH4X8(YELLOW)		
15	FF2-2891-000		1	BUSHING, 1 (POM)		
16	FL3-2870-000		1	SUPPORT, BEARING, REAR		
17	FL2-1944-000		1	SUPPORT, PIN, FRONT		
18	FL2-2704-000		1	PLATE, PARTITION, CENTER		
19	FL2-2707-020		1	SEAL, PLATE, FRONT	[DP]	
20	FL2-2708-020		1	SEAL, PLATE, REAR	[DP]	
21	FL2-2709-000		1	SHEET, SCRAPER	[DP]	
22	FM4-2589-000		1	DRUM CLEANER DRIVE ASSEMBLY		
23	FK2-2726-000		1	MOTOR, BRUSHLESS, DC	M116,M122,M128,M134	
24	FL3-5130-000		1	GEAR, 24T/55T		
25	FU6-0474-000		1	GEAR, 32T		
26	FU6-0475-000		1	GEAR, 18T		
27	XG9-0491-000		2	BEARING, BALL, NSK P0 16MM		
28	FM2-8589-000		1	CABLE, P- KIT DRUM		
29	FM2-9298-000		1	PRE-EXPOSURE UNIT	LED100,LED101,LED102, LED103	
30	FU5-9227-000		2	SCREW, STEPPED, M3(YELLOW)		

FIGURE & KEY NO.	PARTS NUMBER	R A N K	Q'TY	DESCRIPTION	SERIAL NUMBER/REMARKS	S V C
31	FS6-0124-000		1	GEAR, 24T	[DP]	
32	FS6-0125-000		1	GEAR, 30T		
33	FU5-2824-000		1	SPRING, COMPRESSION		
34	FU5-2834-000		1	SPRING, TENSION		
35	FL3-5131-000		1	GEAR, 26T/39T		
36	FU9-0165-000		1	GEAR, 23T		
37	FM2-9258-020		1	DRUM CLEANING SET		
38	FC9-6107-000		1	SEAL, CLEANER, REAR		
39	FU5-9223-000		9	SCREW, BH3X6(YELLOW)		
40	FC9-6109-000		2	SEAL, CLEANER, 2		
41	FC9-6018-020		1	SUPPORT, BEARING, FRONT		
42	FL2-1950-000		2	PLATE		
43	FM2-8843-000		1	CABLE, P- KIT LED		
44	VS1-7177-002		1	CONNECTOR, SNAP TIGHT, BK		
45	VS1-7177-003		2	CONNECTOR, SNAP TIGHT, BK		
46	FB2-6285-020		1	SHIM		
47	FC9-6097-000		1	SEAL, REAR		
48	FC9-6098-000		1	SEAL, SLIP RING		
501	XD1-1106-215		2	WASHER,COP		



# FIGURE 530 I.T.B. ASSEMBLY

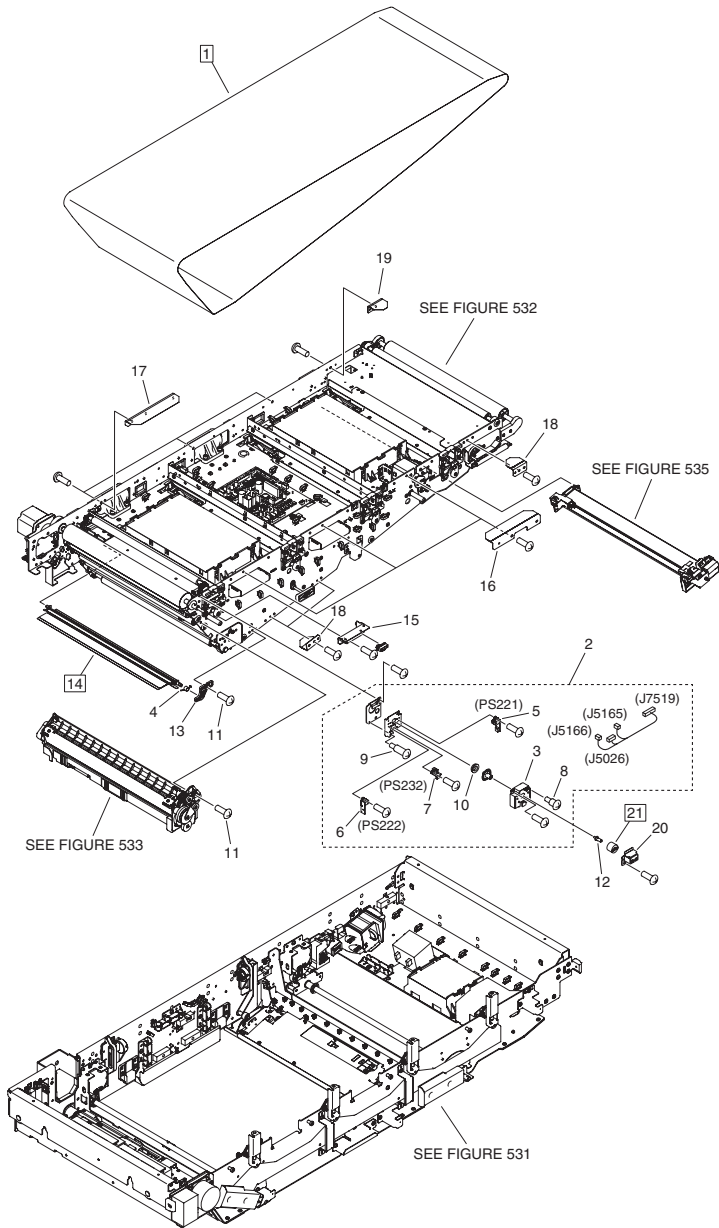
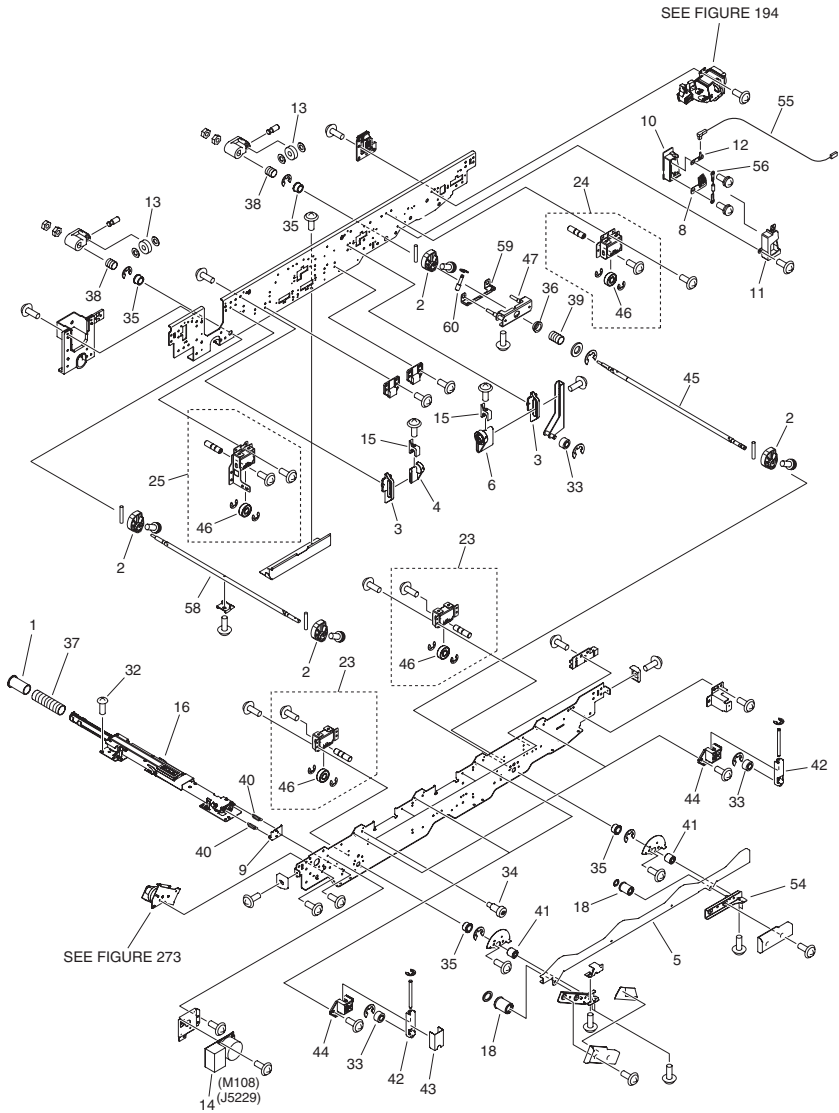


FIGURE & KEY NO.	PARTS NUMBER	RANK	Q'TY	DESCRIPTION	SERIAL NUMBER/REMARKS	SVC
Fig.530	NPN		RF	I.T.B. ASSEMBLY		
1	FM3-1644-020		1	BELT, TRANSFER	[DP]	
2	FM4-7444-000		1	ENCODER ASSEMBLY		
3	FL3-5568-000		1	COVER, ENCODER		
4	FU5-2982-000		1	SPRING, TORSION		
5	FM2-7719-000		1	I.T.B. ENCODER ASSEMBLY, A	PS221	
6	FM2-7720-000		1	I.T.B. ENCODER ASSEMBLY, B	PS222	
7	FM2-7721-000		1	I.T.B. ROLLER HP SENSOR PCB	PS232	
8	FS1-9009-020		1	TWO-STEP SCREW, M3		
9	FE9-0018-020		1	SCREW, STEPPED, M3		
10	XG9-0622-000		1	BEARING, BALL, NMB, 12MM P0		
11	FU5-9222-000		2	SCREW, BH4X8(YELLOW)		
12	FL3-5835-000		1	SHAFT, TRANSMISSION		
13	FC6-8071-000		1	HOLDER		
14	FL3-5839-000		1	GUIDE, ENTRANCE, UPPER	[DP]	
15	FC6-2211-000		1	MOUNT, CABLE		
16	FL2-2409-000		3	PLATE, BELT RETAINER, A, FRONT		
17	FL2-2410-000		3	PLATE, BELT RETAINER, A, REAR		
18	FL2-2411-000		3	PLATE, BELT RETAINER, B, FRONT		
19	FL2-2412-000		1	PLATE, BELT RETAINER, B, REAR		
20	FC9-6085-000		1	STOPPER, TORQUE LIMITER		
21	FC9-6114-000		1	LIMITTER, TORQUE	[DP]	

# FIGURE 531 I.T.B. LOWER FRAME ASSEMBLY



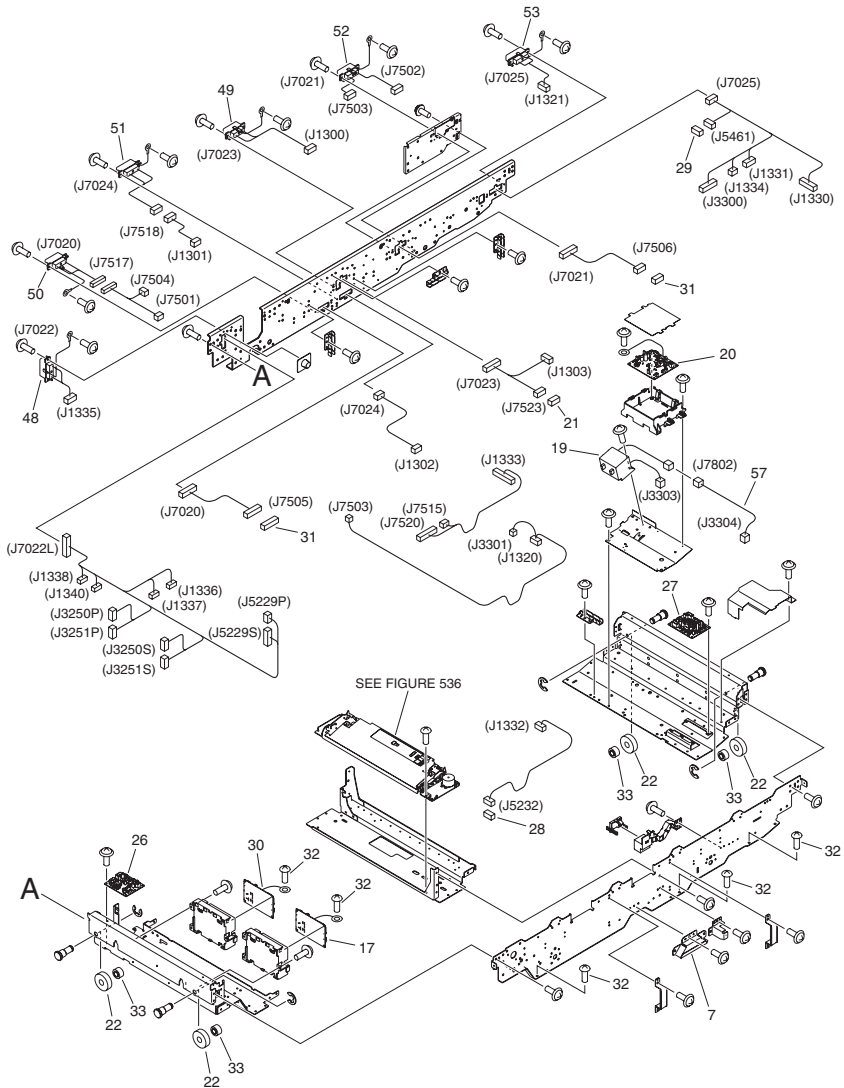
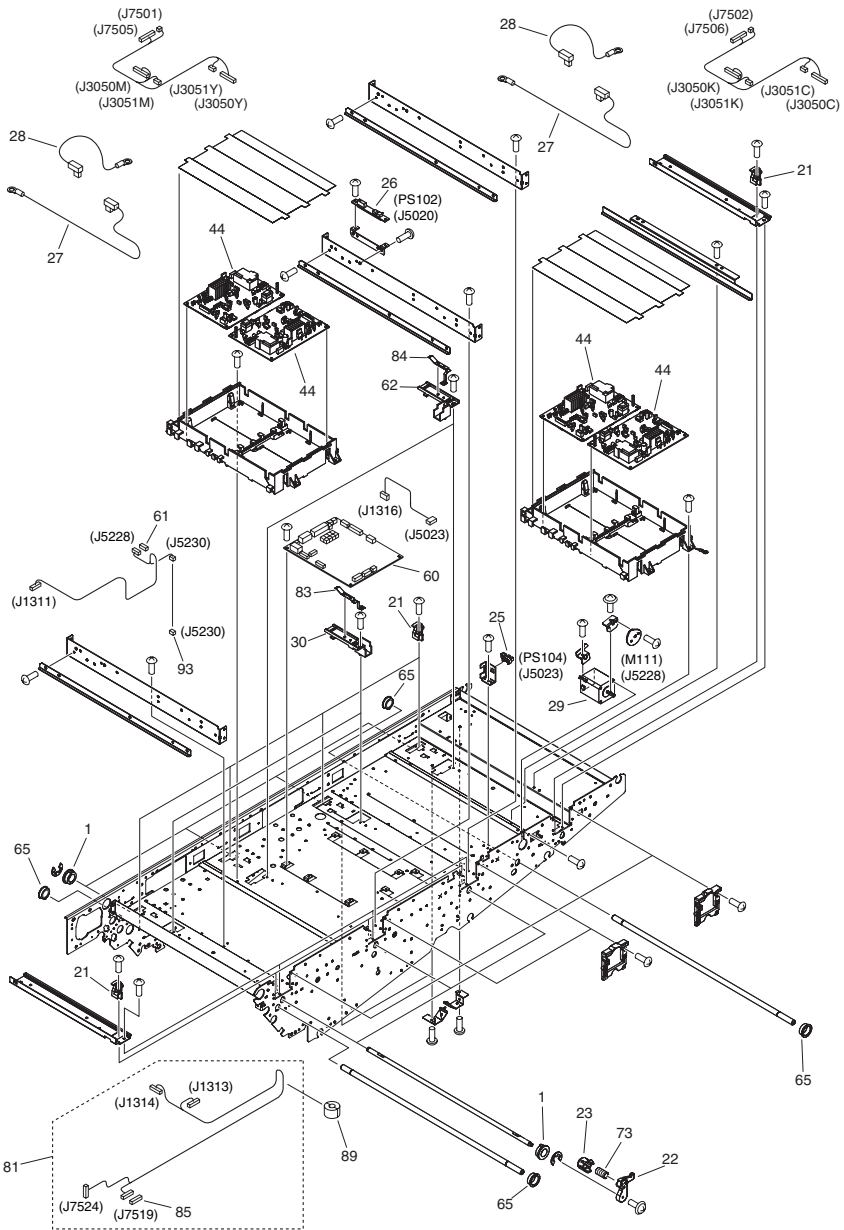
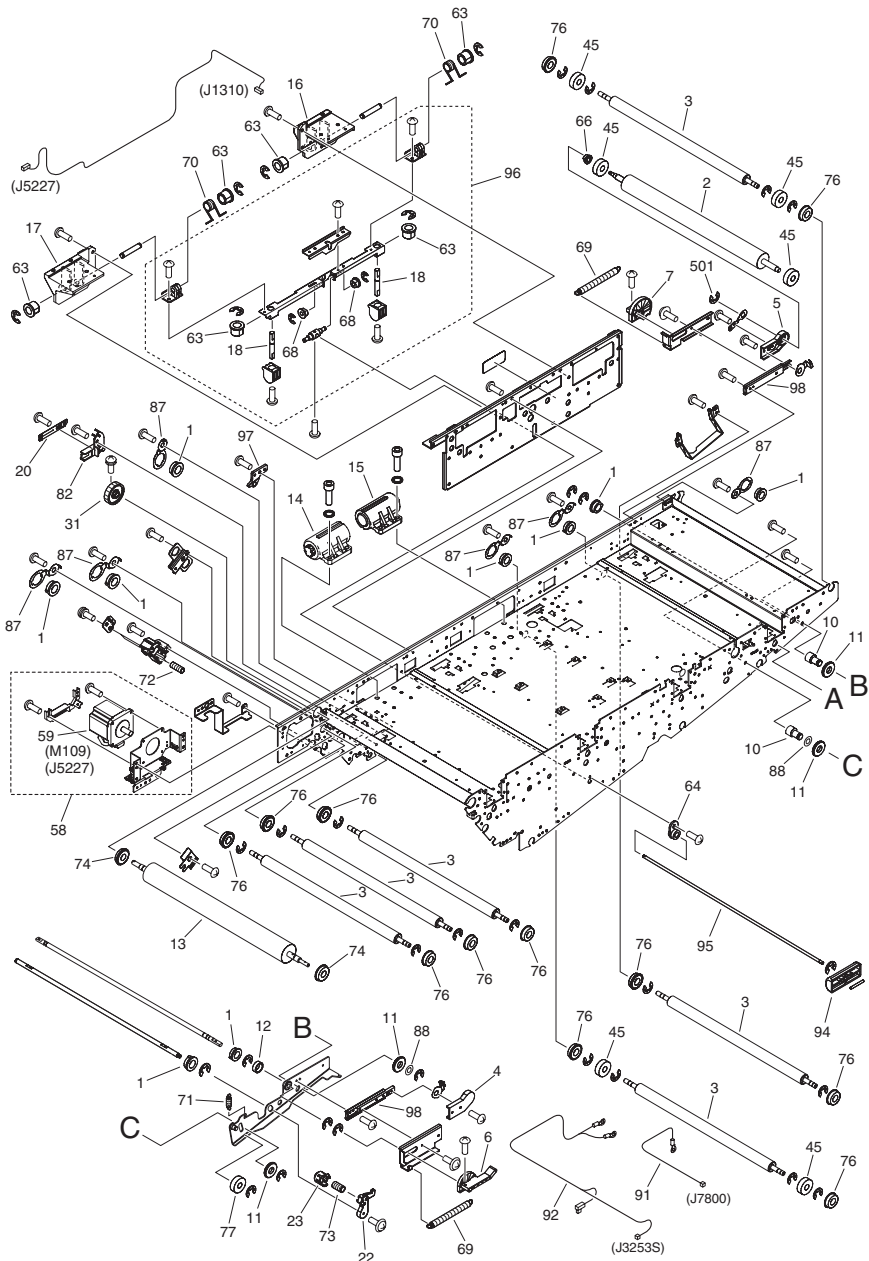


FIGURE & KEY NO.	PARTS NUMBER	RANK	Q'TY	DESCRIPTION	SERIAL NUMBER/REMARKS	SVC
Fig.531	NPN		RF	I.T.B. LOWER FRAME ASSEMBLY		
1	FC5-9188-000		1	SHUTTER, PIPE		
2	FC9-5920-000		4	CAM, LIFT UP		
3	FC5-9277-000		2	HOLDER, HINGE SLIDE		
4	FC5-9278-000		1	COUPLING, DAMPER, LEFT		
5	FC5-9281-000		1	LINK, I.T.B. LEVER		
6	FC5-9327-000		1	COUPLING, DAMPER, RIGHT		
7	FC6-2087-000		1	GRIP		
8	FC6-2113-000		1	SPRING, POST POWER DISPATCHING		
9	FC6-7910-000		1	HOOK, PAPER FEED		
10	FC6-7931-000		1	BLOCK, POST POWER DISPATCHING		
11	FC6-7932-000		1	COVER, POST POWER DISPATCHING		
12	FC6-7933-000		1	PLATE, POST POWER DISPATCHING		
13	XG9-0304-000		2	BALL BEARING,NMB		
14	FK2-2725-000		1	MOTOR, BRUSHLESS, DC	M108	
15	FU5-6244-000		2	COLLAR, COUPLING		
16	FM2-2152-000		1	I.T.B. WASTE TONER FEED ASS'Y		
17	FM2-7192-000		1	HV6-2 PCB ASSEMBLY		
18	FU5-6242-000		2	COLLAR, LEVER, B		
19	FK2-0105-000		1	TRANSFORMER, H.V.		
20	FM2-7707-000		1	HIGH VOLTAGE PCB ASSEMBLY		
21	VS1-7173-015		1	CONNECTOR, SNAP TIGHT, W		
22	XG1-1030-095		4	BEARING,BALL, 6200ZZ/2AS		
23	FM4-2609-000		2	LIFT UP ASSEMBLY, FRONT		
24	FM4-2610-000		1	LIFT UP ASSEMBLY, RIGHT REAR		
25	FM4-2611-000		1	LIFT UP ASSEMBLY, LEFT REAR		
26	FM2-7690-000		1	I.T.B. DRIVER PCB ASS'Y, LEFT		
27	FM2-7692-000		1	I.T.B. DRIVER PCB ASS'Y, RIGHT		
28	VS1-7177-004		1	CONNECTOR, SNAP TIGHT, BK		
29	VS1-7177-003		1	CONNECTOR, SNAP TIGHT, BK		
30	FM4-6250-000		1	HV6-1 PCB ASSEMBLY		
31	VS1-7164-032		2	CONNECTOR, SNAP TIGHT, 32P, W		

FIGURE & KEY NO.	PARTS NUMBER	R A N K	Q'TY	DESCRIPTION	SERIAL NUMBER/ REMARKS	S V C
32	XA9-0892-000		AR	SCREW,MACH.,TRUSS HEAD,M4X6		
33	FS5-6864-000		9	ROLLER, SIDE END		
34	FS5-9206-020		4	SCREW, STEPPED, M4		
35	FU5-1313-000		4	BUSHING		
36	FU5-1330-000		1	BUSHING		
37	FU5-2853-000		1	SPRING, COMPRESSION		
38	FU5-2855-000		2	SPRING, COMPRESSION		
39	FU5-2900-000		1	SPRING, COMPRESSION		
40	FU5-2966-000		2	SPRING, TENSION		
41	FU5-6241-000		2	COLLAR, LEVER, A		
42	FL2-2053-000		4	GUIDE, SLIDE, A		
43	FC8-0997-000		2	SHEET, PROTECT		
44	FC5-9280-000		4	GUIDE,SLIDE,B		
45	FC9-5980-000		1	SHAFT, LIFT UP		
46	XG9-0499-000		4	BEARING, BALL R-1560X2ZZR		
47	FL3-2913-000		1	GUIDE, LEVER LOCK		
48	FM2-8559-000		1	CABLE, DRAWER, ITB UNIT, 1		
49	FM2-8560-000		1	CABLE, DRAWER, ITB UNIT, 2		
50	FM2-8561-000		1	CABLE, DRAWER, ITB UNIT, 3		
51	FM2-8562-000		1	CABLE, DRAWER, ITB UNIT, 4		
52	FM2-8563-000		1	CABLE, DRAWER, ITB UNIT, 5		
53	FM2-8564-000		1	CABLE, DRAWER, ITB UNIT, 6		
54	FL3-2912-000		1	LEVER, RIGHT		
55	FK2-3110-000		1	CONNECTOR, HIGH VOLTAGE		
56	FL2-6002-000		1	RESISTOR, H.V. - 9 CURRENT		
57	FM2-8487-000		1	CABLE, HIGH VOLTAGE, 7		
58	FC9-5981-000		1	SHAFT, LIFT UP, LEFT		
59	FC9-5896-000		1	GUIDE, LEVER LOCK, 2		
60	FC9-5897-000		1	PIN, LEVER INTERLOCK		

# FIGURE 532 I.T.B. UPPER FRAME ASSEMBLY







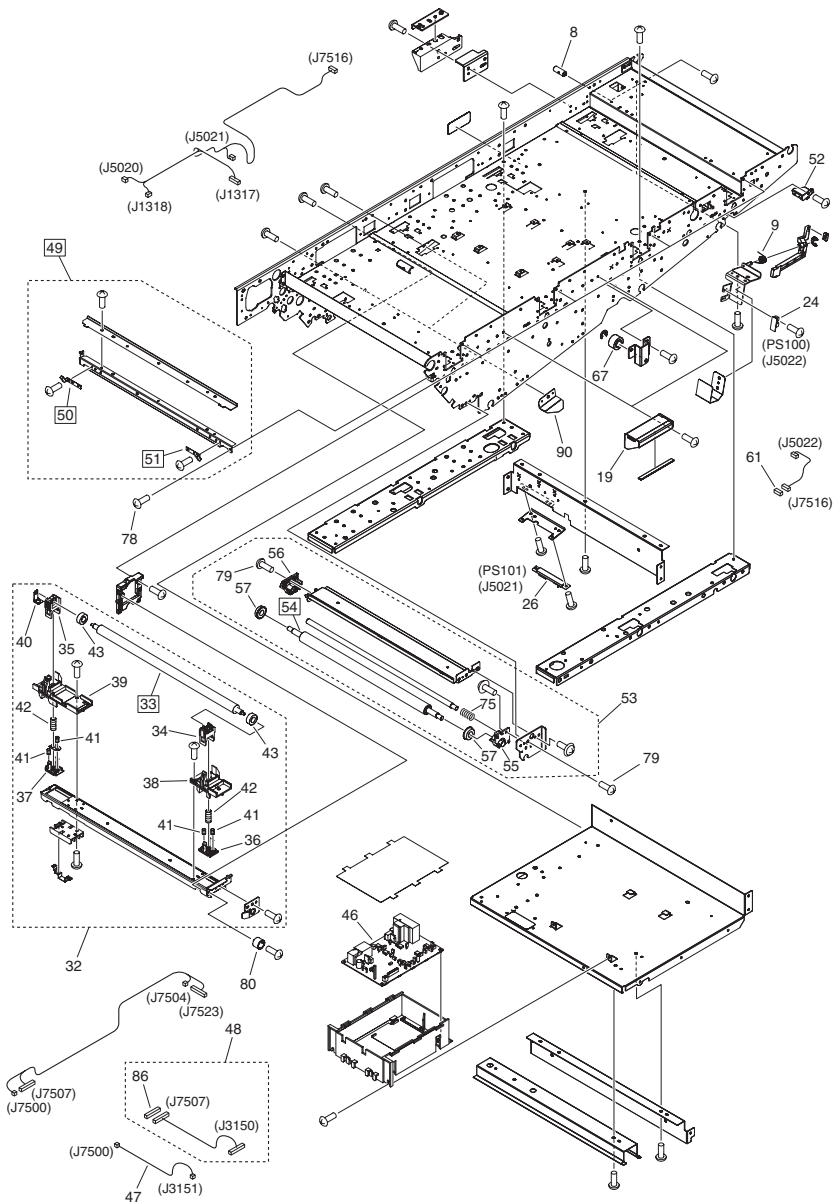


FIGURE & KEY NO.	PARTS NUMBER	R A N K	Q'TY	DESCRIPTION	SERIAL NUMBER/ REMARKS	S V C
Fig.532	NPN		RF	I.T.B. UPPER FRAME ASSEMBLY		
1	FA9-2112-000		16	BUSHING, PL		
2	FC7-1858-010		1	ROLLER, STEERING		
3	FC7-9321-000		6	ROLLER, IDLER		
4	FC5-9131-010		1	HOLDER, BUSHING, FRONT		
5	FC5-9132-010		1	HOLDER, BUSHING, REAR		
6	FC5-9135-000		1	CAM, RELEASE, FRONT		
7	FC5-9136-000		1	CAM, RELEASE, REAR		
8	FC5-9137-000		1	PIN, STOPPER		
9	FC5-9145-000		1	SPRING, TORSION		
10	FC5-9150-000		2	GUIDE, SWING		
11	FC5-9151-000		4	COLLAR, SLIDE		
12	FC5-9152-000		1	COLLAR		
13	FC9-5798-000		1	ROLLER, DRIVE		
14	FC5-9301-000		1	DAMPER, LEFT		
15	FC5-9302-000		1	DAMPER, RIGHT		
16	FC5-9303-000		1	HOLDER, DAMPER, RIGHT		
17	FC5-9304-000		1	HOLDER, DAMPER, LEFT		
18	FC5-9307-000		2	ARM, HINGE LOCK		
19	FC5-9318-000		1	HANDLE, I.T.B.		
20	FC5-9328-000		1	SPRING, H.V.		
21	FC6-2189-000		8	CAM, PRIMARY TRANSFER RELEASE	PS100	
22	FC6-2190-000		4	LEVER, 1ST TRNSFR. RELEASE	PS104	
23	FC7-3474-000		4	PIN, LOCK	PS101,PS102	
24	WG8-5830-000		1	SENSOR, MICRO DISPLACEMENT		
25	FK2-0149-000		1	PHOTO-INTERRUPTER, TLP1252(C6)		
26	FK2-0161-000		2	SENSOR UNIT, EE-SY133-P18		
27	FK2-3108-000		2	CONNECTOR, HIGH VOLTAGE		
28	FK2-3112-000		2	CONNECTOR, HIGH VOLTAGE		
29	FK2-3144-000		1	MOTOR, STEPPING, DC	M111	
30	FC6-2184-000		2	BRACKET, HVT CONNECTOR,		
31	FL2-6256-000		1	GEAR, 60T		

FIGURE & KEY NO.	PARTS NUMBER	R A N K	Q'TY	DESCRIPTION	SERIAL NUMBER/ REMARKS	S V C
32	FM2-2142-000		4	PRIMARY TRANSFER ASSEMBLY		
33	FC8-6852-000		1	ROLLER, TRANSFER, 1	[DP]	
34	FC6-2074-000		1	BUSHING, FRONT		
35	FC6-2075-000		1	BUSHING, REAR		
36	FC6-2076-000		1	HOLDER, SPRING, FRONT		
37	FC6-2177-000		1	HOLDER, SPRING, REAR		
38	FC6-2178-000		1	HOLDER, FRONT		
39	FC6-2179-000		1	HOLDER, REAR		
40	FC6-7832-000		1	SPRING, H.V. CONTACT		
41	FU5-2872-000		4	SPRING, COMPRESSION		
42	FU6-2042-000		2	SPRING, COMPRESSION		
43	XG9-0503-000		2	BEARING,BALL, MR84T12ZZMC3		
44	FM2-8300-000		4	HVT2 PCB ASSEMBLY		
45	XG9-0603-000		6	BEARING,BALL, 608ZZ1MC3E		
46	FM2-7190-010		1	HV4 PCB ASSEMBLY		
47	FM2-8500-000		1	CABLE, I.T.B. H.V.		
48	FM2-8616-000		1	CABLE, I.T.B. SIGNAL		
49	FM2-2145-000		1	INNER CLEANING ASSEMBLY	[DP]	
50	FL2-2406-000		1	SEAL, SIDE, REAR	[DP]	
51	FL2-2407-000		1	SEAL, SIDE, FRONT	[DP]	
52	FM2-2146-000		1	WIRE CLEANING UNIT		
53	FM2-2165-010		1	2ND TRNSFR. INNER ROLLER ASS'Y		
54	FC5-9252-010		1	ROLLER, TRANSFER, 2	[DP]	
55	FC5-9312-000		1	HOLDER, FRONT		
56	FC5-9317-000		1	HOLDER, REAR		
57	XG9-0664-000		2	BALL BEARING, JMK-688ZZNR*D4ML		
58	FM2-2170-000		1	I.T.B. DRIVE MOTOR ASSEMBLY		
59	FK2-3145-000		1	MOTOR, STEPPING, DC	M109	
60	FM4-6241-000		1	I.T.B. DRIVER PCB ASSEMBLY		
61	VS1-7177-005		2	CONNECTOR, SNAP TIGHT, BK		
62	FC6-2185-000		2	BRACKET, HVT CONNECTOR,		
63	FS1-1465-000		6	BUSHING		

FIGURE & KEY NO.	PARTS NUMBER	RANK	Q'TY	DESCRIPTION	SERIAL NUMBER/REMARKS	SVC
64	FS5-1214-000		1	BUSHING		
65	FS5-1474-000		4	BUSHING		
66	FS5-1592-000		1	BUSHING		
67	FS5-6864-000		1	ROLLER, SIDE END		
68	FU5-1314-000		2	BUSHING		
69	FU5-2832-000		2	SPRING, TENSION		
70	FU5-2868-000		2	SPRING, TORSION		
71	FU5-2883-000		1	SPRING, TENSION		
72	FU5-2968-000		2	SPRING, COMPRESSION		
73	FU6-2537-000		4	SPRING, COMPRESSION		
74	XG9-0120-000		2	BALL BEARING, NSK 6900DDNXR*		
75	FU6-2567-000		1	SPRING		
76	XG9-0506-000		12	BEARING, BALL, 688AZZ1NR MC3		
77	XG9-0387-000		1	BEARING, BALL, L-1680HH LY13		
78	FU5-9223-000		1	SCREW, BH3X6(YELLOW)		
79	FU5-9222-000		2	SCREW, BH4X8(YELLOW)		
80	FC7-9656-000		4	COLLAR, FIXED		
81	FM3-6953-000		1	CABLE, I.T.BELT UNIT RELAY		
82	FC5-9316-000		1	GUIDE, SECONDARY TRANSFER		
83	FC6-2186-000		2	PLATE, 1ST TRANSFER, INPUT, 1		
84	FC6-2187-000		2	PLATE, 1ST TRANSFER, INPUT, 2		
85	VS1-7177-010		1	CONNECTOR, 10P		
86	VS1-7173-015		1	CONNECTOR, SNAP TIGHT, W		
87	FC5-9559-000		6	PLATE, ROLLER GROUNDING		
88	FS5-6488-000		2	WASHER		
89	WE8-5928-000		1	CORE, FERRITE		
90	FL2-2412-000		2	PLATE, BELT RETAINER,B,REAR		
91	FM2-8486-000		1	CABLE, HIGH VOLTAGE, 4		
92	FM4-6330-000		1	CABLE, HIGH VOLTAGE, 6		
93	VS1-7177-003		1	CONNECTOR, SNAP TIGHT, BK		
94	FC5-9305-000		1	GUIDE, HINGE LOCK		
95	FC5-9306-000		1	SHAFT, HINGE LOCK RELEASE		

FIGURE & KEY NO.	PARTS NUMBER	R A N K	Q'TY	DESCRIPTION	SERIAL NUMBER/ REMARKS	S V C
96	FM2-9132-000		1	HINGE LOCK ASSEMBLY		
97	FC6-8072-000		1	HOLDER, REAR		
98	FC5-9121-000		2	RAIL, SLIDE		
501	XD2-1100-502		1	RETAINING RING (E-TYPE)		

# FIGURE 533 I.T.B. CLEANER ASSEMBLY

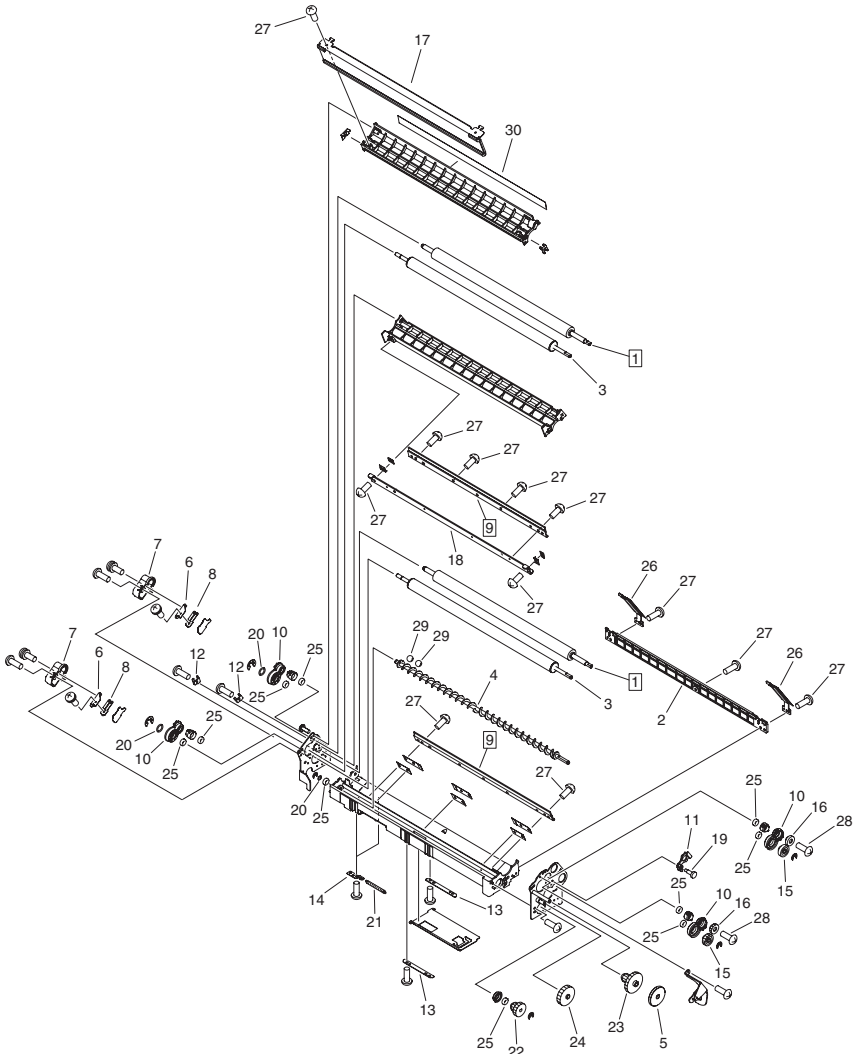


FIGURE & KEY NO.	PARTS NUMBER	R A N K	Q'TY	DESCRIPTION	SERIAL NUMBER/ REMARKS	S V C
Fig.533	FM4-7146-010		1	I.T.B. CLEANER ASSEMBLY		
1	FC5-9156-000		2	ROLLER, CLEANING BRUSH	[DP]	
2	FC5-9160-000		1	COVER, LOWER		
3	FC8-6812-000		2	ROLLER, BIAS, 1		
4	FC5-9163-000		1	SCREW, FEED WASTE TONER		
5	FC5-9168-000		1	ROLLER, INPUT		
6	FC6-2134-000		2	PLATE, ELECTRODE		
7	FC6-2135-000		2	BLOCK, POWER DISPATCHING		
8	FC6-2136-000		2	PLATE, POWER DISPATCHING		
9	FC6-4910-000		2	BLADE, 1	[DP]	
10	FC6-7903-010		4	BLOCK, SHAFT		
11	FC6-7904-000		1	STOPPER, BEARING, FRONT		
12	FC6-7905-000		2	STOPPER, BEARING, REAR		
13	FC6-7906-000		2	CLAMP, SHUTTER		
14	FC6-7935-000		2	HOOK, SHUTTER SPRING		
15	FC7-7527-000		2	GEAR, 25T		
16	FC7-7528-000		2	GEAR, 21T		
17	FL2-4129-010		1	COVER, TRANSFER CLEANING, U.		
18	FL2-4130-010		1	CROSSMEMBER, BLADE		
19	FS1-9170-020		1	SCREW, STEPPED		
20	FS5-6488-000		3	WASHER		
21	FU5-2851-000		2	SPRING, TENSION		
22	FU6-0310-000		1	GEAR, 18T/30T		
23	FU6-0311-000		1	GEAR, 18T/47T		
24	FU6-0312-000		1	GEAR, 44T		
25	XG9-0232-000		10	BEARING, BALL, MR126		
26	FL2-4128-000		2	PLATE, SIDE SEAL		
27	FU5-9223-000		13	SCREW, BH3X6(YELLOW)		
28	FU5-9222-000		2	SCREW, BH4X8(YELLOW)		
29	FC7-4633-000		2	BALL, STIRRING		
30	FC9-5959-000		1	SHEET, SCATTER PREVENTION		

# FIGURE 535 I.T.B. POST CORONA ASSEMBLY

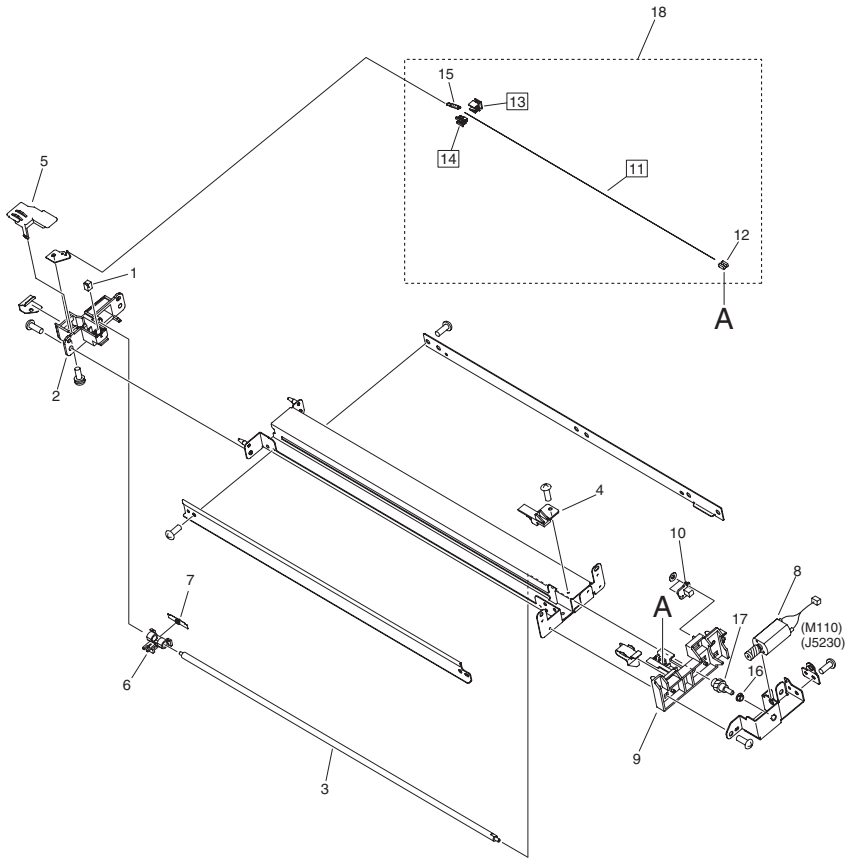




FIGURE & KEY NO.	PARTS NUMBER	R A N K	Q'TY	DESCRIPTION	SERIAL NUMBER/ REMARKS	S V C
Fig.535	FM2-2157-000		1	I.T.B. POST CORONA ASSEMBLY	[DP]	
1	FA4-1864-000		1	DAMPER		
2	FC6-2139-000		1	BLOCK, POST, REAR		
3	FC5-1810-000		1	SCREW, LEAD		
4	FC6-2146-000		1	COVER, PRE-TRANSFER, FRONT		
5	FC6-2147-000		1	COVER, PRE-TRANSFER, REAR		
6	FC6-2148-000		1	HOLDER, FELT		
7	FL2-0434-000		1	SPRING, LEAF		
8	FL2-0991-000		1	DC MOTOR UNIT	M110	
9	FL2-2423-000		1	BLOCK, POST, FRONT		
10	FM2-7718-000		1	WCM BOARD PCB ASSEMBLY		
11	FB4-3687-000		1	WIRE, CORONA, 0.06MM (20M)	[DP]	
12	FC6-3188-000		1	HOLDER, PRIMARY WIRE, FRONT		
13	FL2-4271-000		1	BLOCK, WIRE CLEANING PAD	[DP]	
14	FL2-0464-000		1	HOLDER, WIRE CLEANING PAD	[DP]	
15	FU6-2088-000		1	SPRING, TENSION		
16	FS5-1897-000		1	BUSHING		
17	FU9-0172-000		1	GEAR, 18T		
18	FM2-9257-000		1	CORONA ASSEMBLY		

# FIGURE 536 EDGE REGISTRATION DETECT ASS'Y

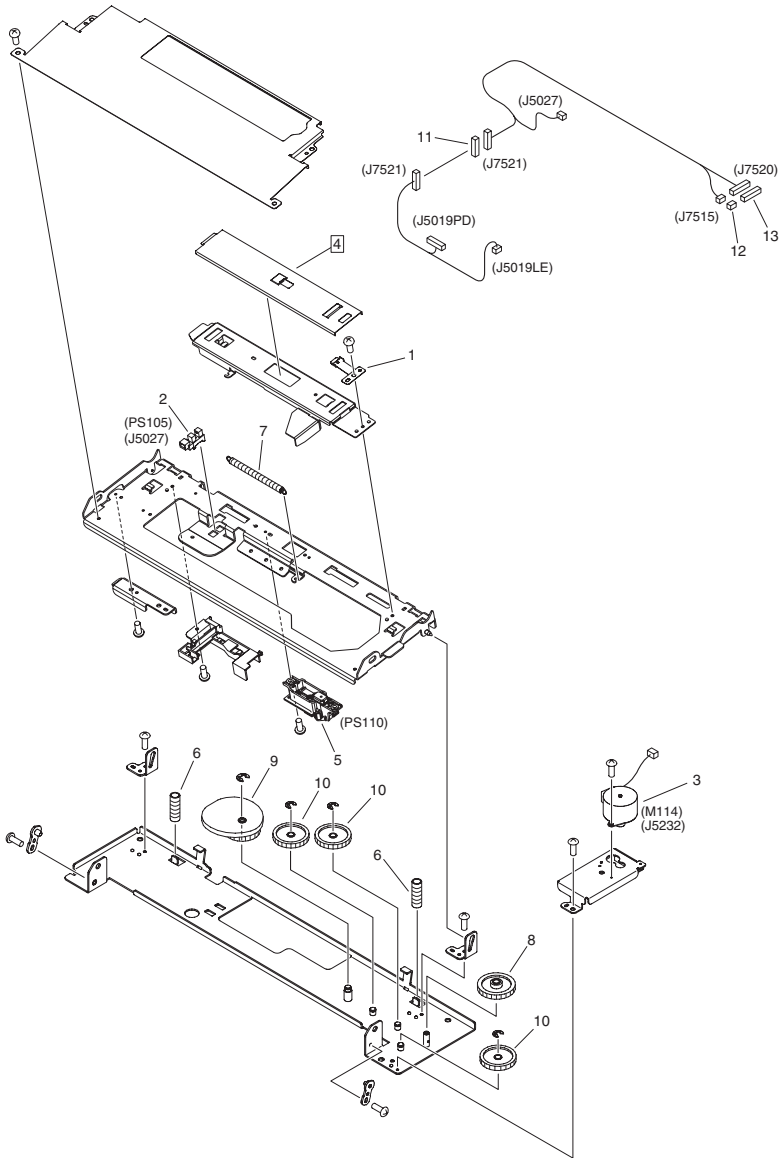


FIGURE & KEY NO.	PARTS NUMBER	R A N K	Q'TY	DESCRIPTION	SERIAL NUMBER/ REMARKS	S V C
Fig.536	FM4-2608-000		1	EDGE REGISTRATION DETECT ASSY		
1	FC6-8390-000		1	SPRING, SHUTTER MOUNTING		
2	WG8-5848-000		1	IC, PHOTO-INTERRUPTER	PS105	
3	FK2-2729-000		1	MOTOR, STEPPING, DC	M114	
4	FL2-2024-000		1	SHUTTER, EDGE REGIST. DETECT	[DP]	
5	FM4-2564-000		1	REGIST. DETECT SENSOR ASSEMBLY	PS110	
6	FU5-2908-000		2	SPRING, COMPRESSION		
7	FU5-2909-000		1	SPRING, TENSION		
8	FU6-0381-000		1	GEAR, 30T/63T		
9	FU6-0382-000		1	GEAR, 60T		
10	FU6-0383-000		3	GEAR, 60T		
11	VS1-7173-010		1	CONNECTOR, SNAP TIGHT, 10P, W		
12	VS1-7173-003		1	CONNECTOR, SNAP TIGHT, 3P, W		
13	VS1-7173-011		1	CONNECTOR, SNAP TIGHT, 11P, W		

# FIGURE 550 PRIMARY CORONA ASSEMBLY

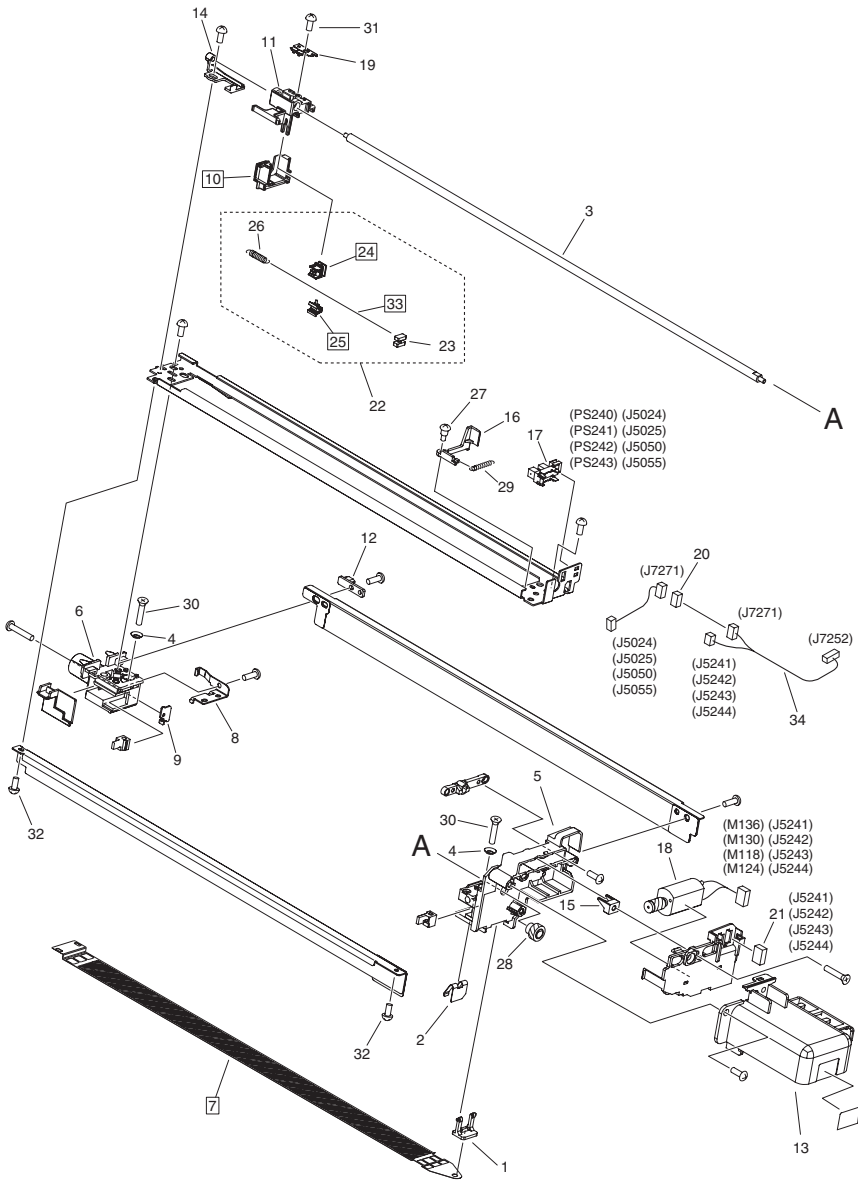
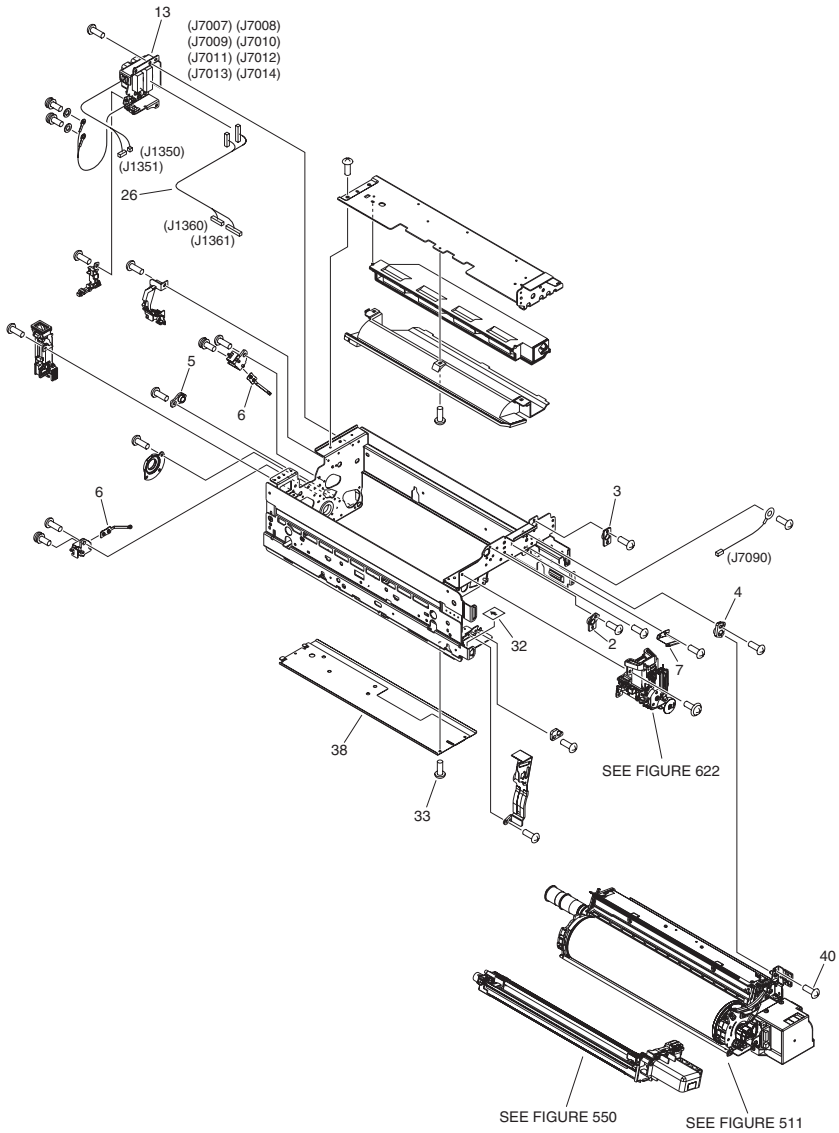


FIGURE & KEY NO.	PARTS NUMBER	R A N K	Q'TY	DESCRIPTION	SERIAL NUMBER/ REMARKS	S V C
Fig.550	FM4-7449-000		4	PRIMARY CORONA ASSEMBLY	[DP]	
1	FB2-2959-000		1	LEVER, GRID		
2	FB2-2960-000		1	SPRING, LEAF		
3	FC5-1810-000		1	SCREW, LEAD		
4	FC5-6366-000		2	WASHER, SHEET		
5	FC6-1051-000		1	BLOCK, PRIMARY CORONA, FRONT		
6	FC6-1052-000		1	BLOCK, PRIMARY CORONA, REAR		
7	FC8-2295-000		1	PLATE, ETCHING GRID	[DP]	
8	FC6-1057-000		1	PLATE, POWER DISPATCHING		
9	FC6-1058-000		1	PLATE, WIRE POWER DISPATCHING		
10	FL3-2894-000		1	GRID CLEANING UNIT	[DP]	
11	FC9-5749-000		1	MOUNT, PAD HOLDER		
12	FC6-1061-000		1	BLOCK, GUIDE		
13	FC6-3187-000		1	HANDLE, PRIMARY		
14	FC7-0822-000		1	BUSHING		
15	FC7-0823-000		1	BLOCK, PRIMARY POSITIONING		
16	FC7-0916-000		1	FLAG, DETECT		
17	WG8-5848-000		1	IC, PHOTO-INTERRUPTER	PS240,PS241,PS242,PS243	
18	FL2-0991-000		1	DC MOTOR UNIT	M118,M124,M130,M136	
19	FL2-5445-000		1	PIN, SLIDER		
20	VS1-7177-003		1	CONNECTOR, SNAP TIGHT, BK		
21	VS1-7177-002		1	CONNECTOR, SNAP TIGHT, BK		
22	FM2-9257-000		1	CORONA ASSEMBLY		
23	FC6-3188-000		1	HOLDER, PRIMARY WIRE, FRONT		
24	FL2-4271-000		1	BLOCK, WIRE CLEANING PAD	[DP]	
25	FL2-0464-000		1	HOLDER, WIRE CLEANING PAD	[DP]	
26	FU6-2088-000		1	SPRING, TENSION		
27	FS1-9009-020		1	TWO-STEP SCREW, M3		
28	FU5-0268-000		1	GEAR, 18T		
29	FU6-2059-000		1	SPRING, TENSION		
30	XA9-0228-000		2	SCREW, INSUL., C.S.HEAD		

FIGURE & KEY NO.	PARTS NUMBER	RANK	Q'TY	DESCRIPTION	SERIAL NUMBER/REMARKS	SVC
31	FU5-9229-000		1	SCREW, TAPPING, M3X6(YELLOW)		
32	FU5-9223-000		2	SCREW, BH3X6(YELLOW)		
33	FB4-3687-000		1	WIRE, CORONA, 0.06MM (20M)	[DP]	
34	FM2-8492-000		1	CABLE, P- KIT PRIM WIRE		

# FIGURE 600 PROCESSOR KIT ASSEMBLY



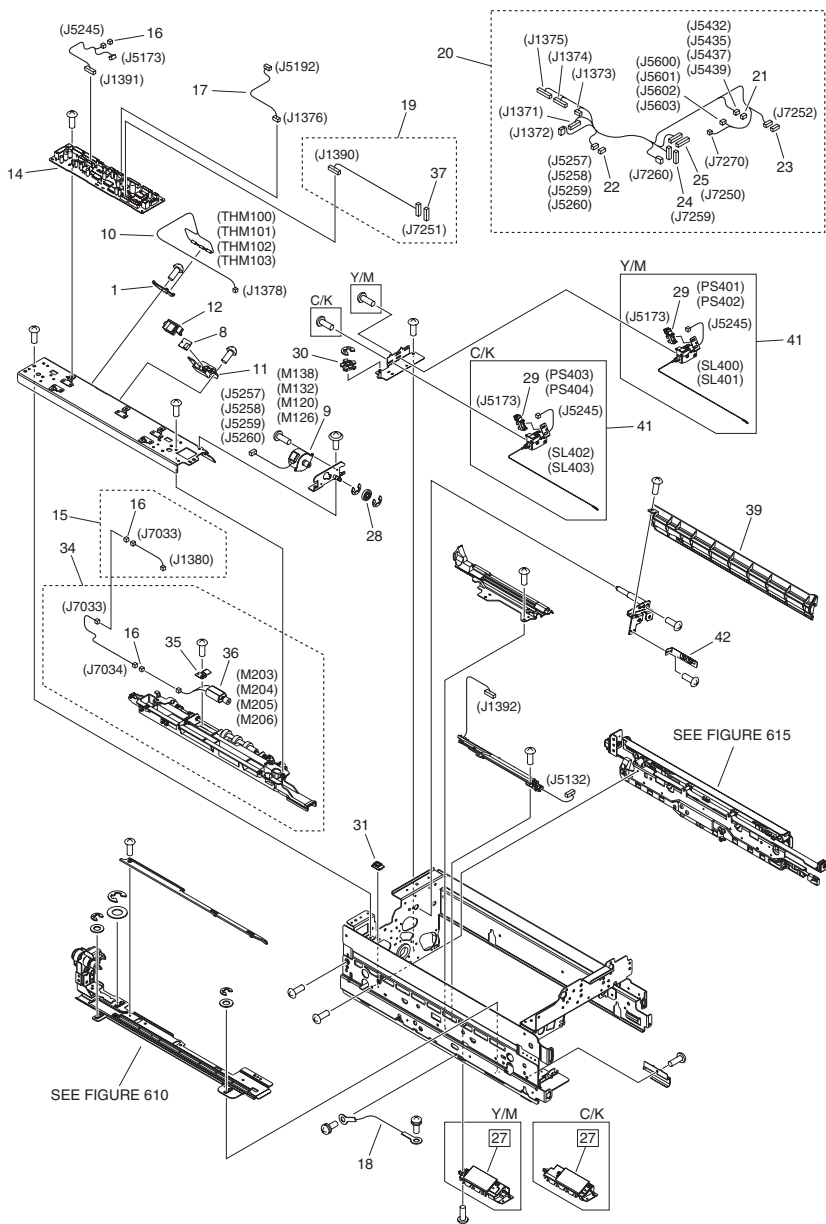




FIGURE & KEY NO.	PARTS NUMBER	R A N K	Q'TY	DESCRIPTION	SERIAL NUMBER/ REMARKS	S V C
Fig.600	NPN		RF	PROCESSOR KIT ASSEMBLY		
1	FA4-8614-000		1	HOLDER,THERMISTOR		
2	FC5-8907-000		1	BUSHING, LEFT		
3	FC5-8908-000		1	BUSHING, RIGHT		
4	FC5-8910-000		1	BUSHING, FRONT RIGHT		
5	FC5-8911-000		1	BUSHING, REAR		
6	FC5-8913-000		2	ELIMINATOR, POWER DISPATCHING		
7	FC6-3186-000		1	STOPPER, PRIMARY		
8	FK2-0607-000		1	THERMOSENSOR		
9	FK2-2729-000		1	MOTOR, STEPPING, DC	M120,M126,M132,M138	
10	FK2-3153-000		1	THERMISTOR	THM100,THM101,THM102,THM103	
11	FL2-1912-000		1	HOLDER, THERMO SENSOR		
12	FL2-1913-000		1	COVER, THERMO SENSOR		
13	FM2-2078-010		1	DRAWER CONNECTOR ASSEMBLY		
14	FM4-6242-000		1	P- KIT DRIVER PCB ASSEMBLY		
15	FM3-6949-000		1	CABLE, DEVELOPING KNOCK		
16	VS1-7177-002		3	CONNECTOR, SNAP TIGHT, BK		
17	FM2-8527-000		1	CABLE, P- KIT		
18	FM2-8569-000		1	CABLE, P- KIT GROUNDING, 2		
19	FM4-6319-000		1	CABLE, SENSOR		
20	FM2-8638-010		1	CABLE, P- KIT FAN		
21	VS1-7177-003		1	CONNECTOR, SNAP TIGHT, BK		
22	VS1-7177-004		1	CONNECTOR, SNAP TIGHT, BK		
23	VS1-7177-005		1	CONNECTOR, SNAP TIGHT, BK		
24	VS1-7177-008		1	CONNECTOR, SNAP TIGHT, BK		
25	VS1-7177-011		1	CONNECTOR, SNAP TIGHT, 11P, BK		
26	FM4-6318-000		1	CABLE, P- KIT DRAWER		
27	FM4-2561-000		1	SENSOR UNIT, PATCH SENSING,Y/M	Y/M [DP]	
27	FM4-2562-000		1	SENSOR UNIT, PATCH SENSING,C/K	C/K [DP]	
28	FU6-0366-000		1	GEAR, 32T		
29	WG8-5848-000		1	IC, PHOTO-INTERRUPTER	PS401,PS402,PS403,PS404	

FIGURE & KEY NO.	PARTS NUMBER	RANK	Q'TY	DESCRIPTION	SERIAL NUMBER/REMARKS	SVC
30	FU6-3060-000		1	PULLEY		
31	FL2-7894-000		1	SPACER, DEV.RAIL, LOWER		
32	FB6-5141-000		1	LABEL, INSERT, YELLOW	YELLOW	
32	FB6-5142-000		1	LABEL, INSERT, MAGENTA	MAGENTA	
32	FB6-5143-000		1	LABEL, INSERT, CYAN	CYAN	
32	FB6-5144-000		1	LABEL, INSERT, BLACK	BLACK	
33	FU5-9223-000		2	SCREW, BH3X6(YELLOW)		
34	FM4-7442-000		1	DEVELOPING KNOCK UNIT		
35	FC8-6799-000		1	CLAMP, MOTOR		
36	FL2-9917-000		1	MOTOR, BRUSH, DC, 3.96W	M203,M204,M205,M206	
37	VS1-7177-010		1	CONNECTOR, 10P		
38	FL3-2892-000		1	COVER, BOTTOM		
39	FL2-1955-000		1	RAIL, PRIMARY, LEFT		
40	FU5-9224-000		1	SCREW, BH4X6(YELLOW)		
41	FM4-2563-000		1	SOLENOID ASSEMBLY	SL400,SL401,SL402,SL403	
42	FC5-8927-000		1	PLATE, GROUNDING		

# FIGURE 610 DEVELOPING RAIL ASSEMBLY

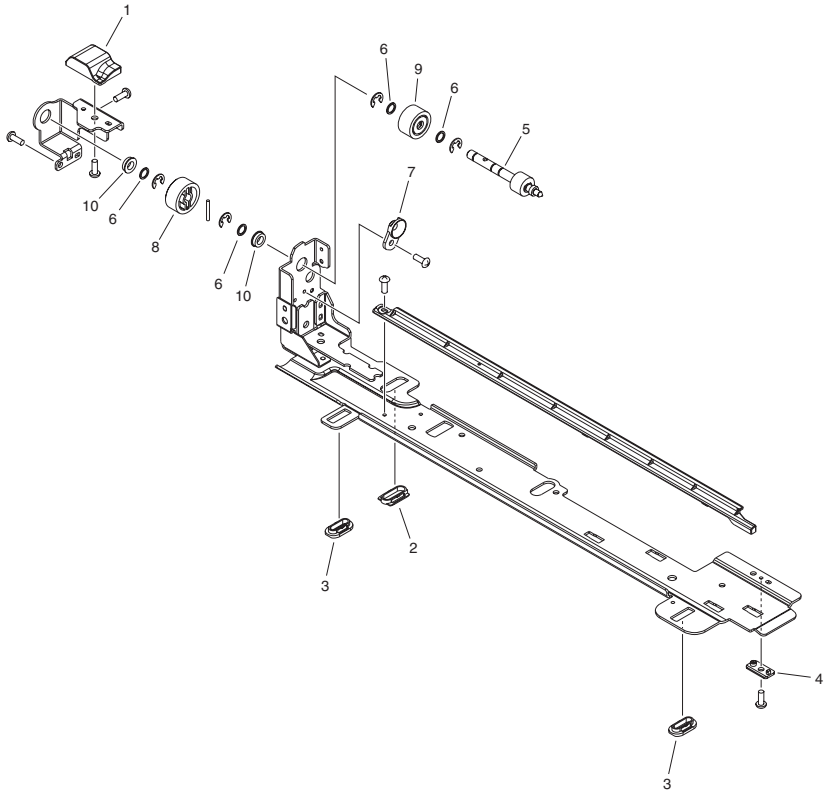


FIGURE & KEY NO.	PARTS NUMBER	RANK	Q'TY	DESCRIPTION	SERIAL NUMBER/REMARKS	SVC
Fig.610	FM4-2559-000		4	DEVELOPING RAIL ASSEMBLY		
1	FC5-9046-000		1	CAM, SWING GEAR		
2	FC5-9060-000		1	GUIDE, PIN, 1		
3	FC5-9061-000		2	GUIDE, PIN, 2		
4	FC6-8002-000		1	SLIDER, DEVELOPING MOUNT		
5	FM2-2107-000		1	SHAFT, DEVELOPING DRIVE		
6	FS5-6488-000		4	WASHER		
7	FU5-1315-000		1	BUSH		
8	FU6-0368-000		1	GEAR, 41T		
9	FU6-0369-000		1	GEAR, 30T		
10	XG9-0192-000		2	BALL BEARING, NMB DDLF-1060ZZH		

# FIGURE 615 DEVELOPING PRESSURE ASSEMBLY

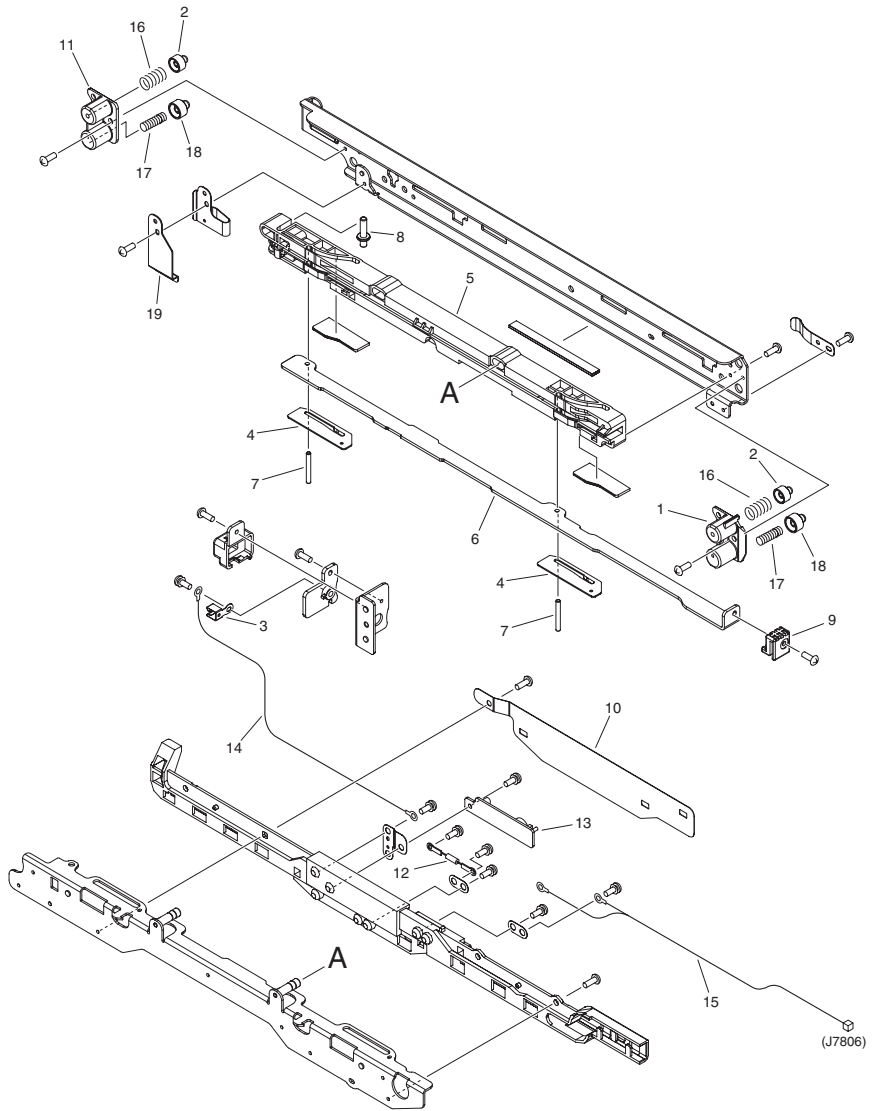
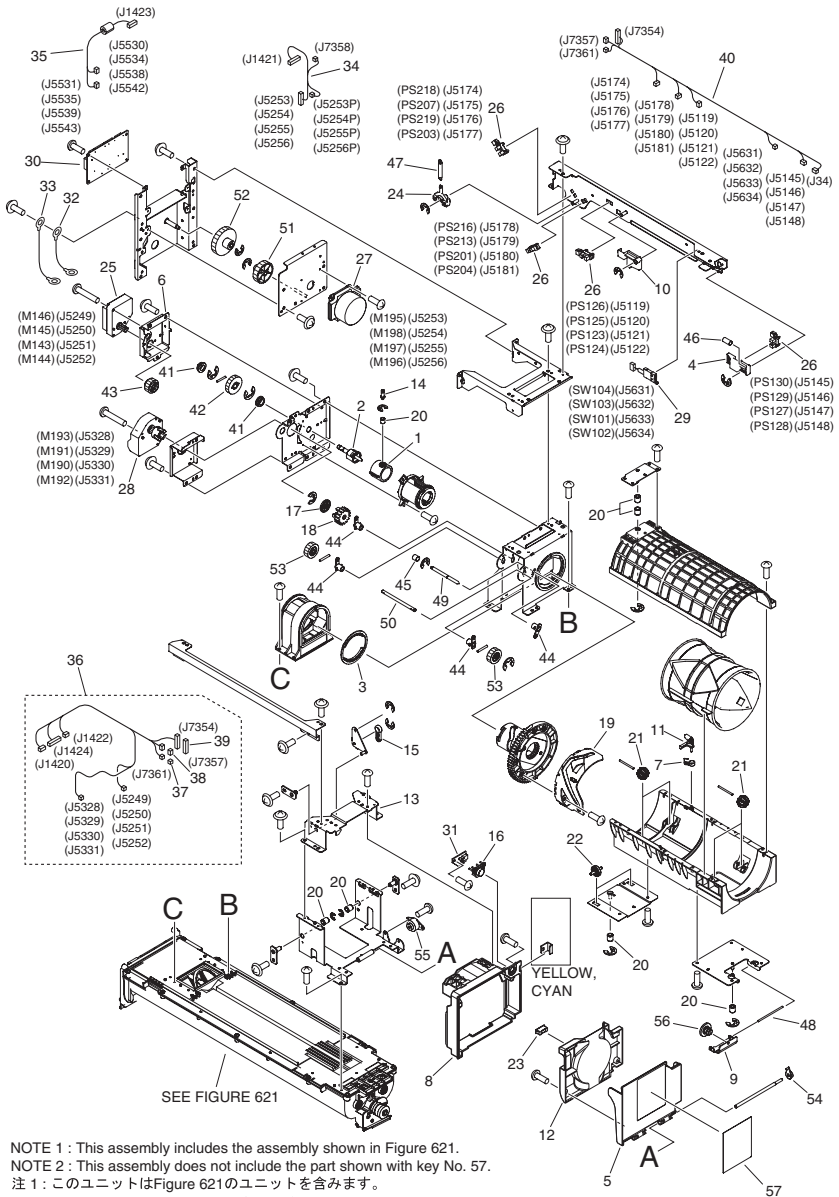


FIGURE & KEY NO.	PARTS NUMBER	R A N K	Q'TY	DESCRIPTION	SERIAL NUMBER/REMARKS	S V C
Fig.615	FM2-2110-010		4	DEVELOPING PRESSURE ASSEMBLY		
1	FC5-9033-000		1	HOLDER, PRESSURE SPRING, FRONT		
2	FC5-9034-000		2	HOLDER, PRESSURE		
3	FC5-9050-000		1	CONNECTOR, HIGH VOLTAGE		
4	FC5-9051-000		2	GUIDE, SWING		
5	FC5-9052-000		1	BLOCK, PRESSURE		
6	FC5-9053-000		1	LEVER, PRESSURE		
7	FC5-9058-000		2	PIN		
8	FC5-9059-000		1	PIN, POSITIONING		
9	FC5-9065-000		1	HANDLE, DEVELOPING PRESSURE		
10	FC7-4625-000		1	COVER, PCB		
11	FC7-4631-000		1	HOLDER, PRESSURE SPRING, REAR		
12	FL2-6002-000		1	RESISTOR, H.V. - 9 CURRENT		
13	FM2-7195-000		1	HIGH VOLTAGE PCB ASSEMBLY		
14	FM2-8485-000		1	CABLE, P- KIT HIGH VOLTAGE		
15	FM2-8493-000		1	CABLE, P- KIT H.V. DEV. RELAY		
16	FU5-2906-000		2	SPRING, DEV. PRESSURE, UPPER		
17	FU6-2546-000		2	SPRING, DEV. PRESSURE, LOWER		
18	FC8-1030-000		2	PIN, PRESSURE, LOWER		
19	FC8-1031-000		1	PLATE, BACK-UP		

# FIGURE 620 HOPPER ASSEMBLY



NOTE 1 : This assembly includes the assembly shown in Figure 621.  
 NOTE 2 : This assembly does not include the part shown with key No. 57.  
 注 1 : このユニットはFigure 621のユニットを含みます。  
 注 2 : このユニットにKey No. 57の部品は含まれません。

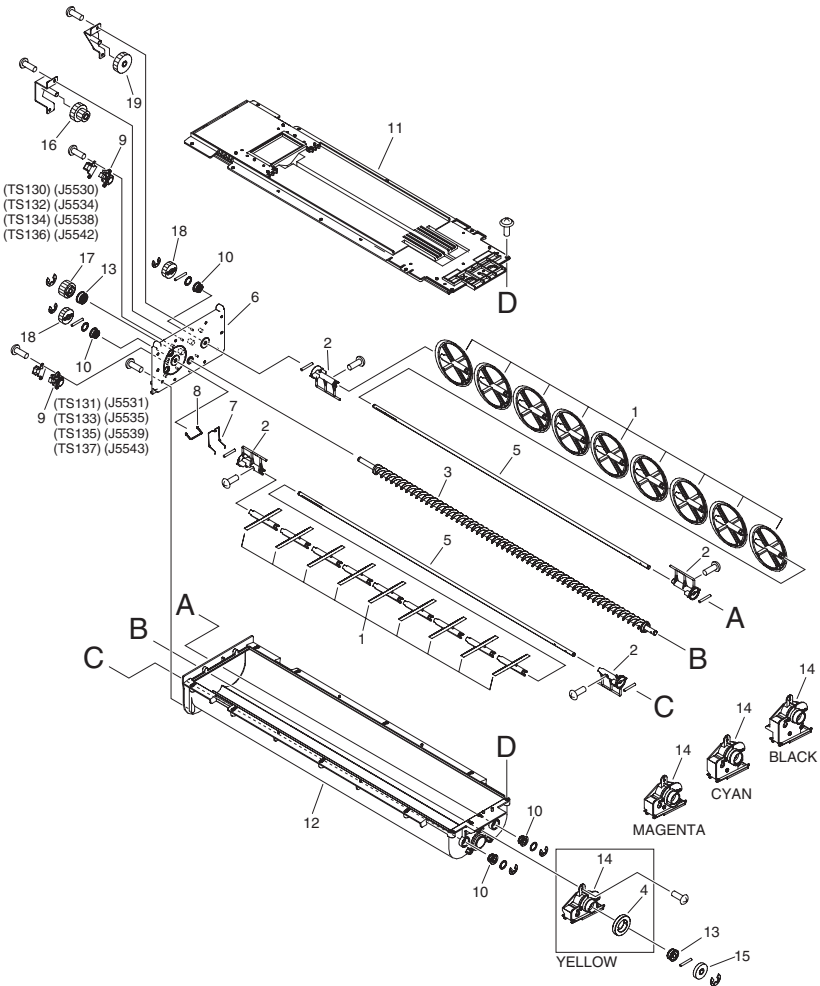
FIGURE & KEY NO.	PARTS NUMBER	R A N K	Q'TY	DESCRIPTION	SERIAL NUMBER/ REMARKS	S V C
Fig.620	FM4-7152-000		1	HOPPER ASSEMBLY, YELLOW	SEE NOTE 1	
Fig.620	FM4-7153-000		1	HOPPER ASSEMBLY, MAGENTA	SEE NOTE 1	
Fig.620	FM4-7154-000		1	HOPPER ASSEMBLY, CYAN	SEE NOTE 1	
Fig.620	FM4-7155-000		1	HOPPER ASSEMBLY, BLACK	SEE NOTE 1	
1	FC5-1904-000		1	GUIDE, RELEASE		
2	FM3-0636-000		1	BOTTLE DRIVE SHAFT UNIT		
3	FC5-1945-000		1	HOLDER, RING		
4	FC5-8754-010		1	FLAG, SENSOR, INNER COVER		
5	FC5-8755-000		1	DOOR, CARTRIDGE INNER		
6	FC5-8756-000		1	MOUNT, CARTRIDGE MOTOR		
7	FC6-2294-000		1	SPRING, TORSION		
8	FC6-2301-000		1	COVER, CARTRIDGE INNER		
9	FC6-2303-000		1	STOPPER, CARTRIDGE		
10	FC6-2313-000		1	FLAG, SENSOR, CARTRIDGE SWING		
11	FC6-2314-000		1	FLAG, CARTRIDGE SENSOR		
12	FC6-2317-000		1	GUIDE, BOTTLE		
13	FC6-2320-000		1	HOLDER, COVER		
14	FC6-2327-000		1	SHAFT, RING		
15	FC6-2339-000		1	CATCH, COVER		
16	FC6-2342-000		1	SWITCH, OPEN		
17	FC6-2346-000		1	LINK, RELEASE		
18	FC6-2347-000		1	COUPLING, TRAY DRIVE		
19	FC6-3225-000		1	CAM, BOTTLE SHIFT		
20	FC6-3230-000		7	STOPPER, FRONT		
21	FC6-5481-000		4	ROLLER		
22	FC6-5482-000		2	ROLLER		
23	XZ9-0603-000		1	CATCH, MAGNET		
24	FC6-8139-000		1	FLAG, SLIDE SENSOR		
25	FK3-0824-000		1	MOTOR, DC	M143,M144,M145,M146	
26	WG8-5783-000		4	IC,PHOTO-INTERRUPTER,LG248NL1A	PS123,PS124,PS125,PS126,PS127,PS128,PS129,PS130,PS201,PS203,PS204,PS207,PS213,PS216,PS218,PS219	



FIGURE & KEY NO.	PARTS NUMBER	R A N K	Q'TY	DESCRIPTION	SERIAL NUMBER/ REMARKS	S V C
27	FK2-2726-000		1	MOTOR, BRUSHLESS, DC	M195,M196,M197,M198	
28	FK3-0825-000		1	MOTOR, DC	M190,M191,M192,M193	
29	FM2-0956-000		1	CABLE, MULTI DOOR SWITCH	SW101,SW102,SW103,S W104	
30	FM2-7694-000		1	HOPPER DRIVER PCB ASSEMBLY		
31	FM2-7698-000		1	HOPPER SWITCH PCB ASSEMBLY		
32	FM2-8488-000		1	CABLE, HOPPER GROUNDING, 1		
33	FM2-8489-000		1	CABLE, HOPPER GROUNDING, 2		
34	FM2-8504-000		1	CABLE, HOPPER MOTOR		
35	FM4-7272-000		1	CABLE, HOPPER SENSOR		
36	FM2-8633-000		1	CABLE, HOPPER DRIVE		
37	VS1-7177-002		1	CONNECTOR, SNAP TIGHT, BK		
38	VS1-7177-003		1	CONNECTOR, SNAP TIGHT, BK		
39	VS1-7177-012		1	CONNECTOR, SNAP TIGHT, BK		
40	FM2-8636-000		1	CABLE, HOPPER SENSOR MOTOR		
41	FS1-1510-000		2	BUSHING, 8,4, (COP)		
42	FU5-0199-000		1	GEAR, 36T		
43	FU5-0273-000		1	GEAR, 35T		
44	FU5-1323-000		4	BUSHING		
45	FU5-2977-000		1	SPRING, COMPRESSION		
46	FU5-2978-000		1	SPRING, COMPRESSION		
47	FU5-2979-000		1	SPRING, TENSION		
48	FU5-5771-000		1	PIN, STOPPER		
49	FU5-5823-000		1	SHAFT, DRIVE RELEASE		
50	FU5-5824-000		1	SHAFT, TRAY DRIVE		
51	FU6-0428-000		1	GEAR, 26T/86T		
52	FU6-0429-000		1	GEAR, 18T/120T		
53	FU6-0434-000		2	GEAR, 14T		
54	FU6-0435-000		1	GEAR, 12T		
55	XH9-0137-000		1	DAMPER, ROTARY		
56	FC5-0127-000		1	PIN, SLIDER		
57	FC7-5655-000		1	LABEL, HOPPER	SEE NOTE 2 JP,EUR,AU,LTN	

FIGURE & KEY NO.	PARTS NUMBER	R A N K	Q'TY	DESCRIPTION	SERIAL NUMBER/ REMARKS	S V C
57	FC7-5654-000		1	LABEL, HOPPER	SEE NOTE 2 US,CA,LTN	

# FIGURE 621 BUFFER ASSEMBLY



NOTE : This assembly is included in the assembly shown in Figure 620.  
 注 : このユニットはFigure 620のユニットに含まれます。

FIGURE & KEY NO.	PARTS NUMBER	R A N K	Q'TY	DESCRIPTION	SERIAL NUMBER/ REMARKS	S V C
Fig.621	FM2-2333-000		1	BUFFER YELLOW ASSEMBLY	SEE NOTE	
Fig.621	FM2-2334-000		1	BUFFER MAGENTA ASSEMBLY	SEE NOTE	
Fig.621	FM2-2335-000		1	BUFFER CYAN ASSEMBLY	SEE NOTE	
Fig.621	FM2-2336-000		1	BUFFER BLACK ASSEMBLY	SEE NOTE	
1	FC5-8746-000		18	BLADE, STIRRING		
2	FC5-8747-000		4	ROD, STIRRING		
3	FC5-8748-000		1	SCREW, FEED		
4	FC5-8764-000		1	FLANGE, YELLOW	YELLOW	
5	FC5-8765-000		2	SHAFT, STIRRING		
6	FC5-8771-000		1	LID, HOPPER BACK		
7	FC6-2335-000		1	WIPER		
8	FC6-2336-000		1	HOLDER, WIPER		
9	FK2-0590-000		2	TONER SENSOR UNIT	TS130,TS131,TS132,TS133,TS134,TS135,TS136,TS137	
10	FL2-1904-000		4	BUSHING, PHI 6		
11	FL2-2374-000		1	LID, HOPPER, UPPER		
12	FL2-2375-000		1	CASE, HOPPER		
13	FL2-2376-000		2	BUSHING, PHI 8		
14	FM2-2329-000		1	SHUTTER, YELLOW	YELLOW	
14	FM2-2330-000		1	SHUTTER, MAGENTA	MAGENTA	
14	FM2-2331-000		1	SHUTTER, CYAN	CYAN	
14	FM2-2332-000		1	SHUTTER, BLACK	BLACK	
15	FU6-0254-000		1	GEAR, 27T		
16	FU6-0430-000		1	GEAR, 18T/30T		
17	FU6-0431-000		1	GEAR, 26T		
18	FU6-0432-000		2	GEAR, 26T		
19	FU6-0433-000		1	GEAR, 34T		

# FIGURE 622 SUB HOPPER ASSEMBLY

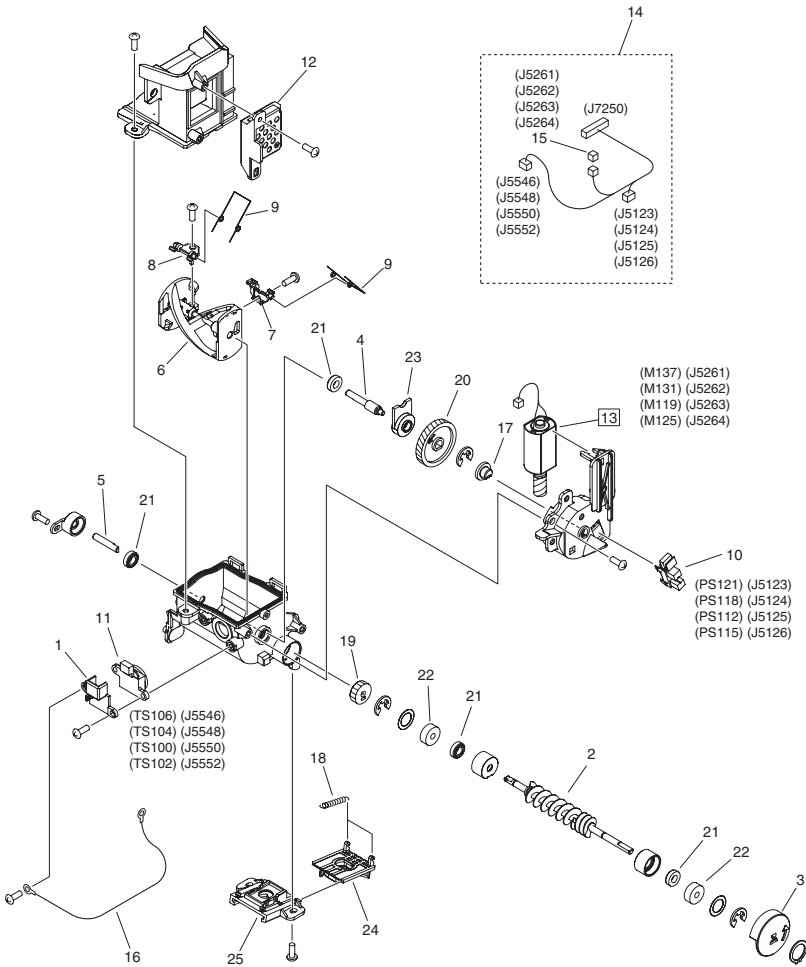


FIGURE & KEY NO.	PARTS NUMBER	R A N K	Q'TY	DESCRIPTION	SERIAL NUMBER/REMARKS	S V C
Fig.622	FM2-2097-030		4	SUB HOPPER ASSEMBLY		
1	FC5-8003-000		1	COVER, CONNECTOR		
2	FC5-9020-000		1	SCREW, SUPPLY		
3	FC5-9023-000		1	FLAG, HOME POSITION DETECT		
4	FC5-9024-000		1	SHAFT, STIRRING, FRONT		
5	FC5-9025-000		1	SHAFT, STIRRING, REAR		
6	FC5-9026-000		1	BLADE, STIRRING		
7	FC6-7947-000		1	RETAINER, SPRING, FRONT		
8	FC6-7948-000		1	RETAINER, SPRING, REAR		
9	FC6-7955-000		2	SPRING, TORSION		
10	FK2-0149-000		1	PHOTO-INTERRUPTER, TLP1252(C6)	PS112,PS115,PS118,PS121	
11	FK2-0590-000		1	TONER SENSOR UNIT	TS100,TS102,TS104,TS106	
12	FL3-0560-010		1	FILTER,DUST		
13	FL2-6139-000		1	MOTOR, SUB HOPPER STIRRING	M119,M125,M131,M137 [DP]	
14	FM2-8596-000		1	CABLE, P- KIT SUB HOPPER		
15	VS1-7177-002		1	CONNECTOR, SNAP TIGHT, BK		
16	FM2-8682-000		1	CABLE, P-KIT GROUNDING, 1		
17	FU5-1317-000		1	BUSHING		
18	FU5-2901-000		2	SPRING, TENSION		
19	FU6-0359-000		1	GEAR, 22T		
20	FU6-0360-000		1	GEAR, 50T		
21	MB4-8200-000		4	SEAL, OIL		
22	XG9-0438-000		2	BEARING, BALL		
23	FU5-1334-000		1	BUSHING		
24	FL2-1985-010		1	SHUTTER		
25	FL2-1984-010		1	RAIL, SHUTTER		

FIGURE 625  
TONER FEED ASS'Y

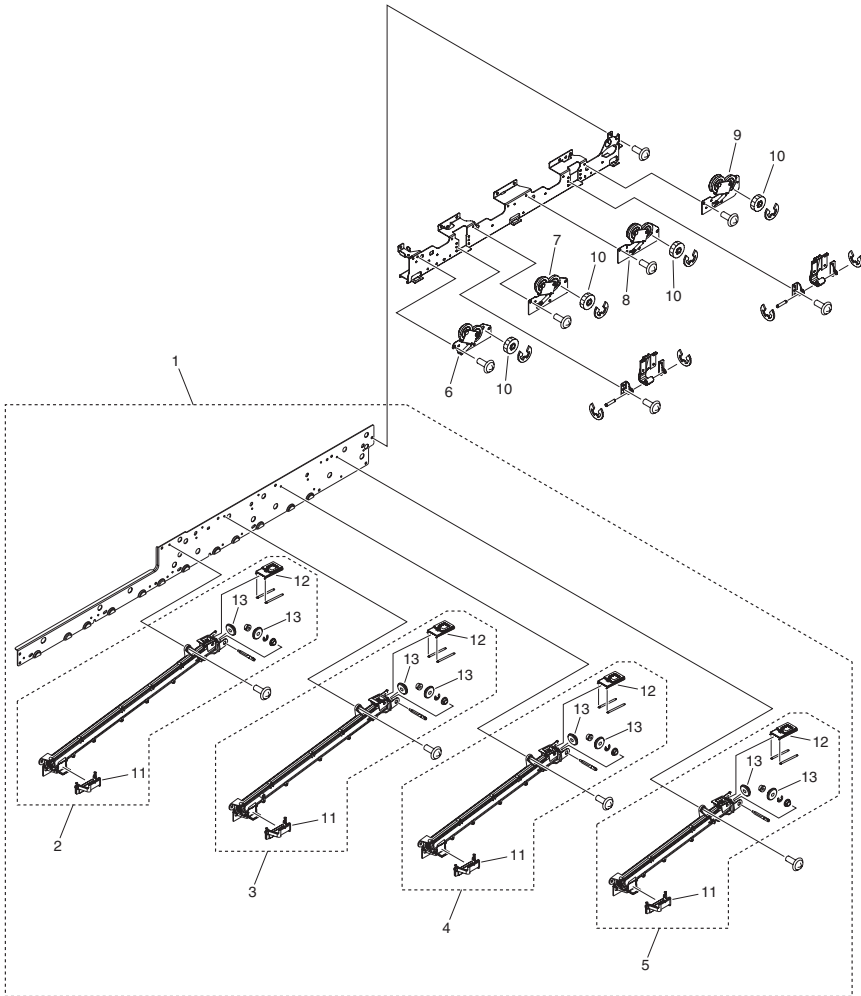


FIGURE & KEY NO.	PARTS NUMBER	R A N K	Q'TY	DESCRIPTION	SERIAL NUMBER/ REMARKS	S V C
Fig.625	NPN		RF	TONER FEED ASS'Y		
1	FM4-7438-000		1	FEED PIPE UNIT		
2	FM4-7434-000		1	PIPE, TONER PAPER FEED, YELLOW		
3	FM4-7435-000		1	PIPE, TONER PAPER FEED,		
4	FM4-7436-000		1	PIPE, TONER PAPER FEED, CYAN		
5	FM4-7437-000		1	PIPE, TONER PAPER FEED, BLACK		
6	FM2-2292-000		1	FEEDER DRIVE ASSEMBLY, YELLOW		
7	FM2-2293-000		1	FEEDER DRIVE ASSEMBLY, MAGENTA		
8	FM2-2294-000		1	FEEDER DRIVE ASSEMBLY, CYAN		
9	FM2-2295-000		1	FEEDER DRIVE ASSEMBLY, BLACK		
10	FU6-0251-000		4	GEAR, 18T		
11	FL2-7886-010		4	SEAL, PIPE SUB		
12	FL2-1896-000		4	SHUTTER, PIPE		
13	FU6-0250-000		8	GEAR, BEVEL, 20T		



# FIGURE 640 DEVELOPING ASSEMBLY

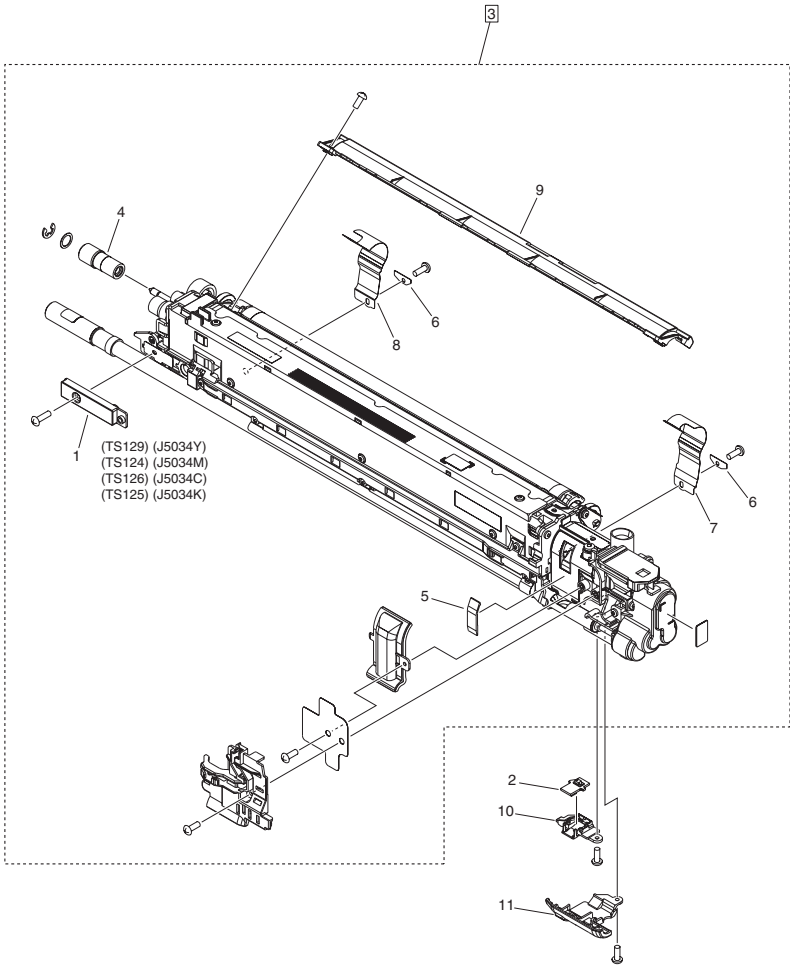
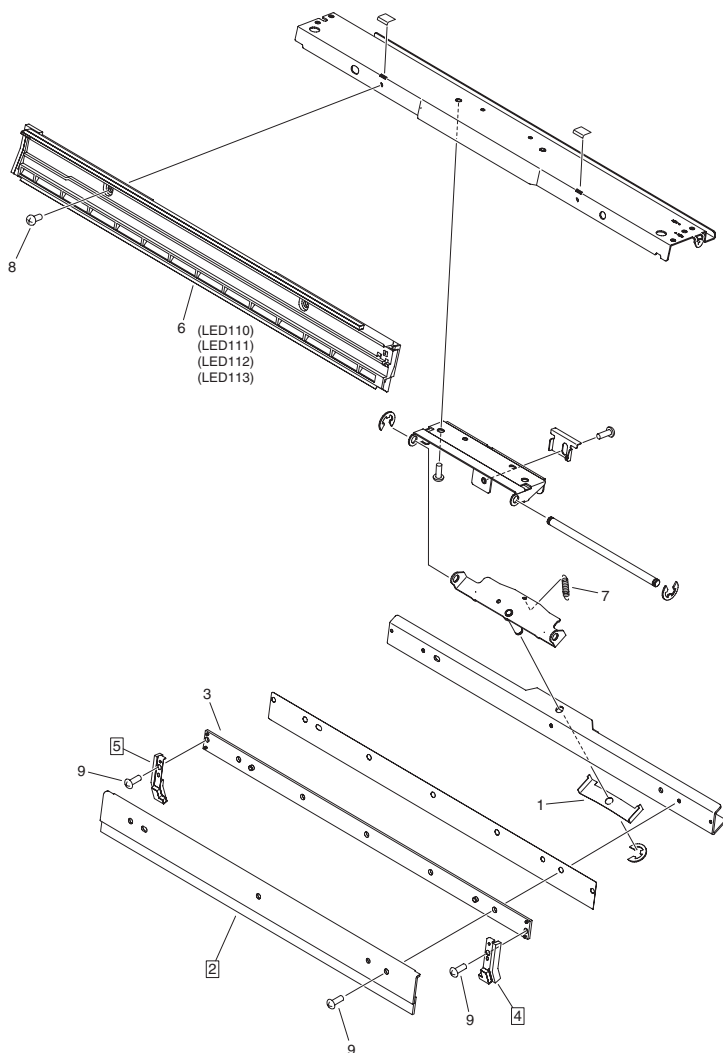


FIGURE & KEY NO.	PARTS NUMBER	RANK	Q'TY	DESCRIPTION	SERIAL NUMBER/REMARKS	SVC
Fig.640	NPN		RF	DEVELOPING ASSEMBLY		
1	FK2-2713-000		1	SENSOR, TONER DENSITY	TS124,TS125,TS126,TS129	
2	FM4-6258-000		1	ENVIRONMENT SENSOR PCB ASS'Y		
3	FM4-7440-020		1	DEVELOPING ASSEMBLY	[DP]	
4	FU6-0283-000		1	GEAR,INTERMEDIATE		
5	FC8-6866-000		1	SPACER		
6	FC8-6874-000		2	CLAMP, SIDE END SHEET		
7	FC9-5841-000		1	SHEET,SIDE END,FRONT		
8	FC9-5842-000		1	SHEET,SIDE END,REAR		
9	FL3-2909-000		1	COVER, SLEEVE		
10	FC9-5815-000		1	HOLDER, SENSOR		
11	FC9-5819-000		1	GUIDE, HIGH VOLTAGE CABLE		

# FIGURE 710 CLEANER ASSEMBLY



NOTE : This assembly is included in the assembly shown in Figure 511.  
注 : このユニットはFigure 511のユニットに含まれます。

FIGURE & KEY NO.	PARTS NUMBER	RANK	Q'TY	DESCRIPTION	SERIAL NUMBER/REMARKS	SVC
Fig.710	FM2-2493-010		4	CLEANER ASSEMBLY	SEE NOTE	
1	FB2-6890-000		1	SPRING, LEAF		
2	FC5-8829-000		1	BLADE, CLEANER	[DP]	
3	FC5-8830-000		1	SPACER, BLADE		
4	FL2-2713-000		1	SEAL, FRONT	[DP]	
5	FL2-2714-000		1	SEAL, REAR	[DP]	
6	FM2-2680-000		1	PRE-EXPOSURE UNIT	LED110,LED111,LED112, LED113	
7	FU5-2121-000		1	SPRING, TENSION		
8	FU5-9222-000		2	SCREW, BH4X8(YELLOW)		
9	FU5-9223-000		5	SCREW, BH3X6(YELLOW)		

# FIGURE 770 WASTE TONER FEEDER ASSEMBLY

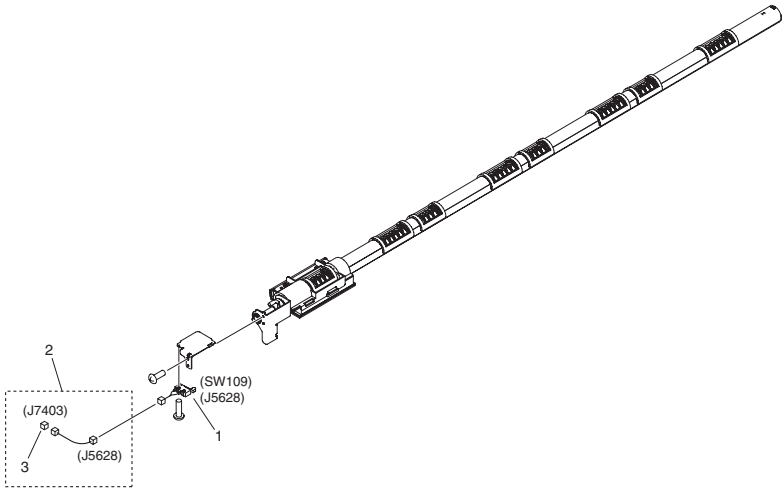


FIGURE & KEY NO.	PARTS NUMBER	R A N K	Q'TY	DESCRIPTION	SERIAL NUMBER/ REMARKS	S V C
Fig.770	FM2-2052-000		1	WASTE TONER FEEDER ASSEMBLY		
1	FM2-0956-000		1	CABLE, MULTI DOOR SWITCH	SW109	
2	FM2-8502-000		1	CABLE, WASTE TONER SWITCH		
3	VS1-7177-002		1	CONNECTOR, SNAP TIGHT, BK		

# FIGURE 771 WASTE TONER BUFFER ASSEMBLY

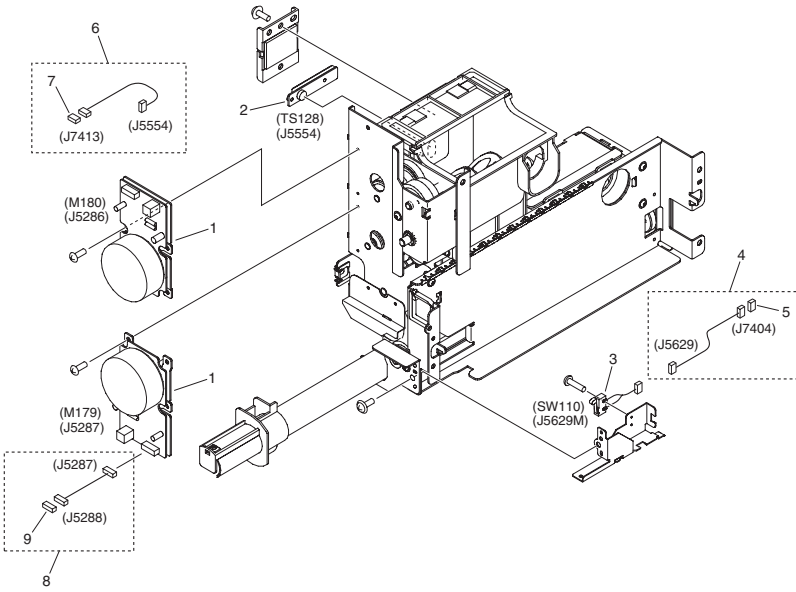


FIGURE & KEY NO.	PARTS NUMBER	RANK	QTY	DESCRIPTION	SERIAL NUMBER/REMARKS	SVC
Fig.771	FM2-2053-000		1	WASTE TONER BUFFER ASSEMBLY		
1	FK2-0022-000		2	MOTOR, 161 BRUSHLESS DC	M179,M180	
2	FK2-0591-000		1	SENSOR, TONER	TS128	
3	FM2-0956-000		1	CABLE, MULTI DOOR SWITCH	SW110	
4	FM2-8503-000		1	CABLE, TRANSFORMER SWITCH		
5	VS1-7177-002		1	CONNECTOR, SNAP TIGHT, BK		
6	FM2-8523-000		1	CABLE, FULL SENSOR		
7	VS1-7177-003		1	CONNECTOR, SNAP TIGHT, BK		
8	FM4-7255-000		1	CABLE, BUFFER MOTOR CONNECTING		
9	VS1-7177-008		1	CONNECTOR, SNAP TIGHT, BK		

# FIGURE 775 WASTE TONER PIPE ASSEMBLY

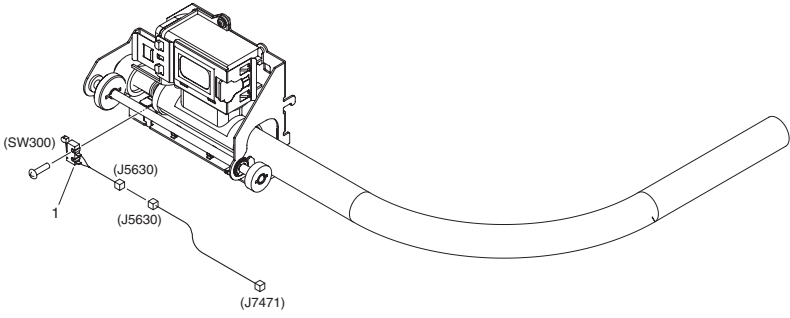


FIGURE & KEY NO.	PARTS NUMBER	RANK	QTY	DESCRIPTION	SERIAL NUMBER/REMARKS	SVC
Fig.775	FM2-2054-010		1	WASTE TONER PIPE ASSEMBLY		
1	FM2-0956-000		1	CABLE, MULTI DOOR SWITCH	SW300	

# FIGURE 780 WASTE TONER COLLECTION ASS'Y

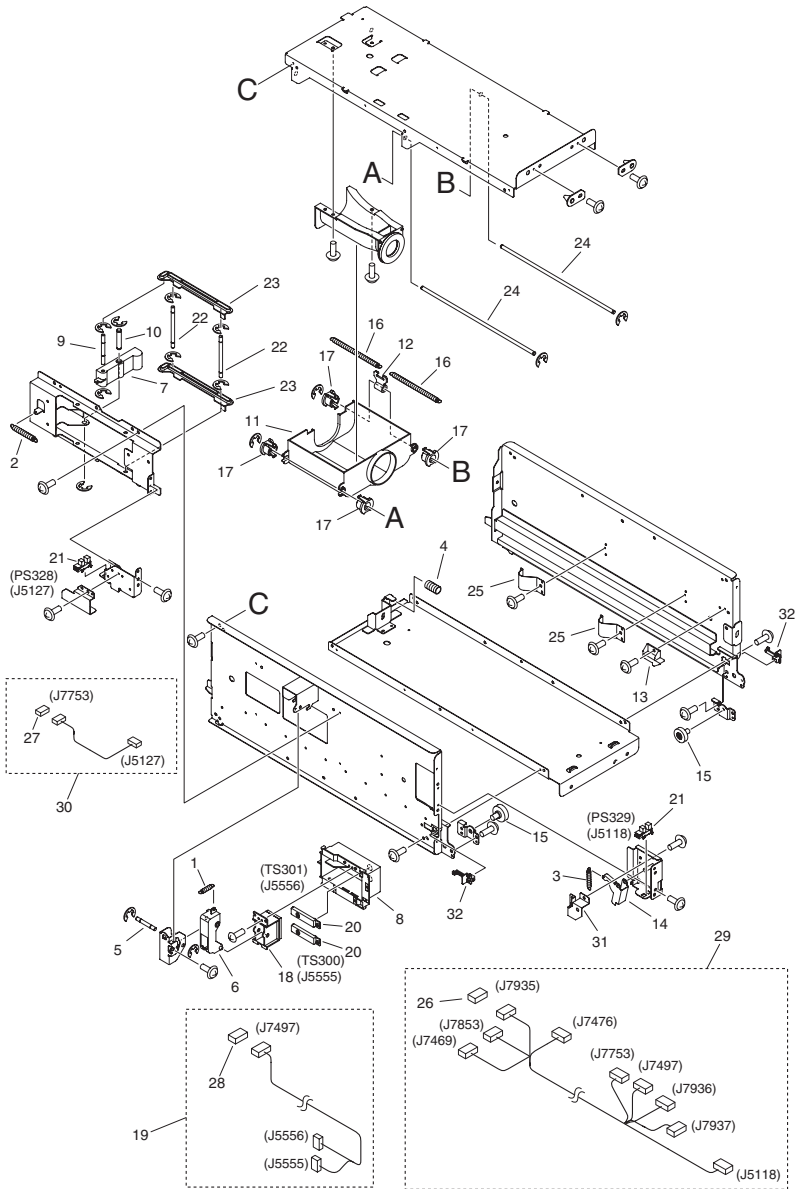
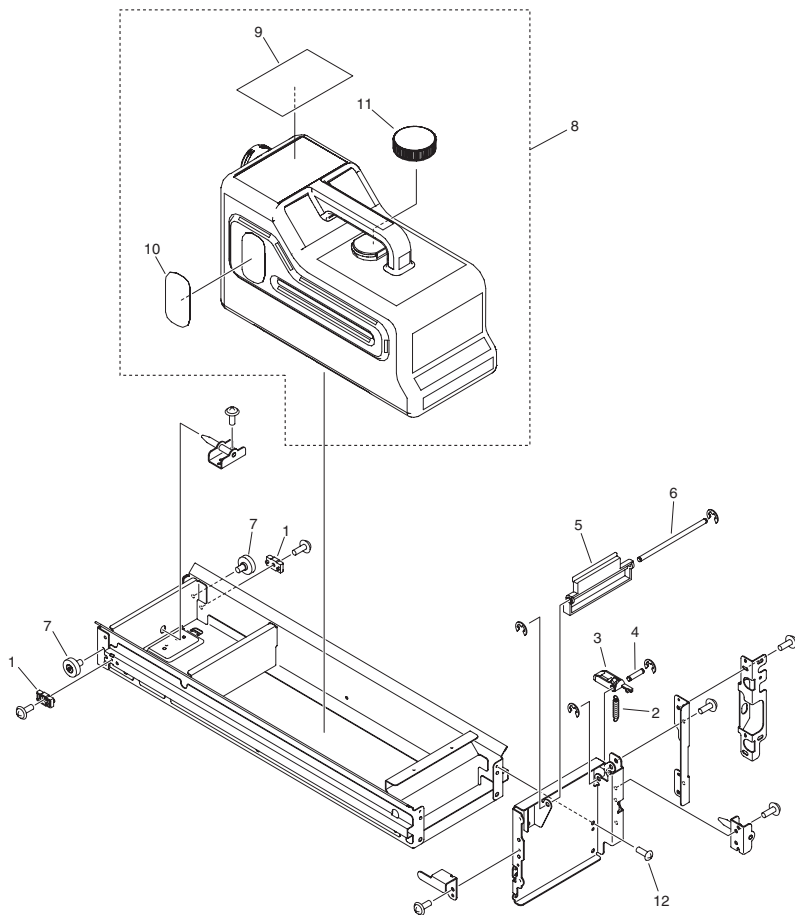




FIGURE & KEY NO.	PARTS NUMBER	R A N K	Q'TY	DESCRIPTION	SERIAL NUMBER/ REMARKS	S V C
Fig.780	NPN		RF	WASTE TONER COLLECTION ASS'Y		
1	FU6-2528-000		1	SPRING, TENSION		
2	FU6-2527-000		1	SPRING, TENSION		
3	FU6-2002-000		1	SPRING, TENSION		
4	FU6-2001-000		1	SPRING, COMPRESSION		
5	FC7-1614-000		1	SHAFT, SUPPORTING		
6	FC7-1568-000		1	ARM, PRESSURE		
7	FC7-1616-000		1	LEVER, BOTTLE DETECT		
8	FC7-1564-000		1	HOLDER, TONER SENSOR		
9	FC7-1562-000		1	SHAFT, HOOK		
10	FC7-1561-000		1	SHAFT, LEVER		
11	FL2-8401-000		1	COVER, PIPE		
12	FC7-1556-000		1	HOOK, COUPLING		
13	FC7-1553-000		1	HOOK		
14	FC7-1551-000		1	FLAG, DOOR SENSOR		
15	XG9-0302-000		2	STEEL BALL BEARING, A-19-B2		
16	FU6-2525-000		2	SPRING, TENSION		
17	FU5-1333-000		4	BUSHING, SLIDE		
18	FL2-1994-000		1	STOPPER, TONER SENSOR		
19	FM2-8817-000		1	CABLE, WASTE TONER FULL DETECT		
20	FK2-0591-000		2	SENSOR, TONER	TS300,TS301	
21	FK2-0149-000		2	PHOTO-INTERRUPTER, TLP1252(C6)	PS328,PS329	
22	FC7-1560-000		2	SHAFT, CAM		
23	FC7-1559-000		2	CAM, SLIDE		
24	FC7-1555-000		2	SHAFT, GUIDE		
25	FC7-1549-000		2	STOPPER, SIDE		
26	VS1-7177-003		1	CONNECTOR, SNAP TIGHT, BK		
27	VS1-7177-004		1	CONNECTOR, SNAP TIGHT, BK		
28	VS1-7177-007		1	CONNECTOR, 7P, FEMALE, BK		
29	FM2-8790-000		1	CABLE, WASTE TONER		
30	FM2-8806-000		1	CABLE, BOTTLE SENSOR		
31	FC7-1552-000		1	STOPPER, FLAG		

FIGURE & KEY NO.	PARTS NUMBER	R A N K	Q'TY	DESCRIPTION	SERIAL NUMBER/ REMARKS	S V C
32	FC7-2261-000		2	STOPPER, CONTAINER		

# FIGURE 781 WASTE TONER BOTTLE TRAY ASS'Y



NOTE : This assembly does not include the part shown with key No. 8.  
注 : このユニットにKey No. 8の部品は含まれません。

FIGURE & KEY NO.	PARTS NUMBER	R A N K	Q'TY	DESCRIPTION	SERIAL NUMBER/ REMARKS	S V C
Fig.781	FM2-2057-000		1	WASTE TONER BOTTLE TRAY ASS'Y	SEE NOTE	
1	FC7-2262-000		2	STOPPER, SIDE		
2	FU5-2998-000		1	SPRING, TENSION		
3	FC6-8565-000		1	ARM, LATCH		
4	FC6-8564-000		1	SHAFT, ARM		
5	FC6-8563-000		1	LEVER, OPEN/CLOSE		
6	FC6-8562-000		1	SHAFT, LEVER		
7	XG9-0302-000		2	STEEL BALL BEARING, A-19-B2		
8	FM2-2058-000		1	BOTTLE, WASTE TONER		
9	FC7-9667-000		1	LABEL, TONER BOTTLE		
10	FC8-9141-000		1	SHEET, BOTTLE WINDOW		
11	FC6-3419-000		1	CAP, WASTE TONER BOTTLE		
12	XA9-0892-000		4	SCREW,MACH.,TRUSS HEAD,M4X6		

# FIGURE 810 FIRST FIXING ASSEMBLY

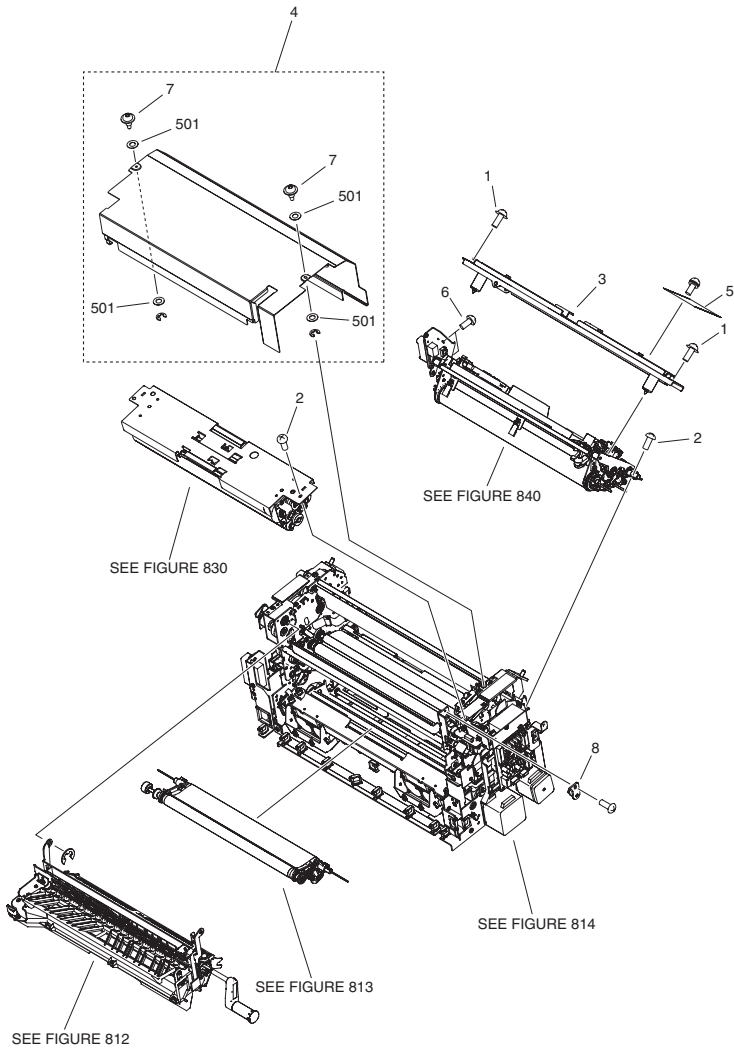


FIGURE & KEY NO.	PARTS NUMBER	RANK	Q'TY	DESCRIPTION	SERIAL NUMBER/REMARKS	SVC
Fig.810	NPN		RF	FIRST FIXING ASSEMBLY		
1	FU5-9228-000		2	SCREW, TP, M5X14(YELLOW)		
2	FU5-9224-000		6	SCREW, BH4X6(YELLOW)		
3	FM3-2093-010		1	HEAT PRESSURE CROSSMEMBER UNIT		
4	FM3-2104-010		1	COVER, UPPER		
5	FC7-9721-000		1	SHEET, PROTECTION		
6	FU5-9223-000		2	SCREW, BH3X6(YELLOW)		
7	FC6-8524-000		2	SCREW, RETAINER, M4		
8	FL2-2169-000		1	PLATE		
501	XD1-1104-131		4	WASHER,COP		

# FIGURE 812 INNER PAPER DELIVERY ASS'Y, 1

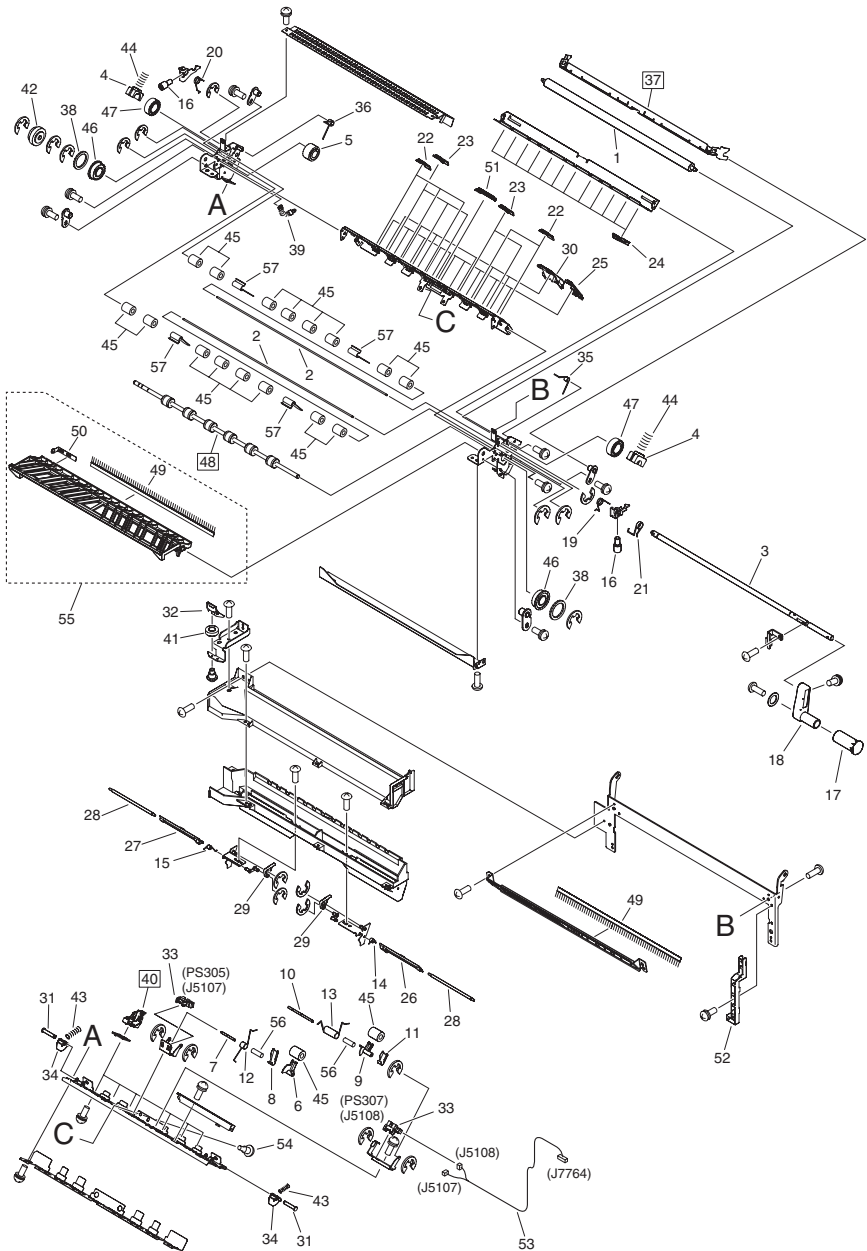


FIGURE & KEY NO.	PARTS NUMBER	R A N K	Q'TY	DESCRIPTION	SERIAL NUMBER/ REMARKS	S V C
Fig.812	FM2-2198-020		1	INNER PAPER DELIVERY ASS'Y, 1		
1	FC5-9775-000		1	ROLLER, INTERNAL DELIVERY, U.		
2	FC5-9785-000		2	SHAFT, ROLLER		
3	FC5-9791-000		1	SHAFT, OPEN/CLOSE		
4	FC5-9792-000		2	BUSHING, INNER PAPER DELIVERY		
5	FC6-1260-000		1	SPACER, INNER PAPER DELIVERY		
6	FC6-8437-010		1	LEVER, SENSOR, 1		
7	FC6-8438-010		1	SHAFT, SENSOR LEVER, 1		
8	FC6-8439-000		1	PLATE, INNER DELIVERY LEVER		
9	FC6-8511-000		1	LEVER, REVERSE SENSOR, FIRST		
10	FC6-8513-010		1	SHAFT, REVERSE SENSOR LEVER		
11	FC6-8514-000		1	PLATE, REVERSE LEVER		
12	FC0-2220-000		1	SPRING, TORSION		
13	FC0-2221-010		1	SPRING, REVERSE SENSOR LEVER		
14	FC7-4062-000		1	SPRING, TORSION		
15	FC7-4063-000		1	SPRING		
16	FC7-4064-000		2	BOLT, STOPPER		
17	FC7-4068-010		1	HANDLE, INNER PAPER DELIVERY		
18	FC7-4069-010		1	LEVER, FIRST OPEN/CLOSE		
19	FC7-4073-000		1	SPRING, TORSION		
20	FC7-4074-000		1	SPRING, TORSION		
21	FC7-4075-000		1	SPRING, TORSION		
22	FC7-9740-000		5	RIB, PAPER DELIVERY, SMALL		
23	FC7-4646-000		5	RIB, PAPER DELIVERY, LARGE		
24	FC7-4647-000		12	RIB, INNER DELIVERY OUTER, UP.		
25	FC7-4649-000		8	RIB, INNER PAPER DELIVERY, S		
26	FC7-4650-000		1	SHUTTER, FRONT		
27	FC7-4651-000		1	SHUTTER, REAR		
28	FC7-4652-000		2	SHAFT, TURN		
29	FC7-4653-000		2	LEVER, OPEN/CLOSE		
30	FC7-7036-000		6	RIB, INNER PAPER DELIVERY, L		
31	FC7-7037-000		2	SHAFT, PUSH		



FIGURE & KEY NO.	PARTS NUMBER	R A N K	Q'TY	DESCRIPTION	SERIAL NUMBER/REMARKS	S V C
32	FC7-7040-000		1	PLATE, INSERT		
33	FK2-0149-000		2	PHOTO-INTERRUPTER, TLP1252(C6)	PS305,PS307	
34	FC7-7038-000		2	PLATE, PUSHING, UPPER		
35	FC6-8574-000		1	SPRING, TORSION		
36	FC6-8575-000		1	SPRING, TORSION		
37	FM2-2218-000		1	PLATE, SEPARATION	[DP]	
38	FS5-6488-000		2	WASHER		
39	FU5-2138-000		1	SPRING, TENSION		
40	FM3-2100-010		6	SEPARATION CLAW ASSEMBLY	[DP]	
41	FU5-6260-000		1	ROLLER		
42	FU6-0306-000		1	GEAR, 22T		
43	FU6-2556-000		2	SPRING, COMPRESSION		
44	FU6-2566-000		2	SPRING, COMPRESSION		
45	RB2-0493-000		18	ROLLER, PAPER SENSOR		
46	XG9-0291-000		2	BEARING, BALL, LOWER ROLLER		
47	XG9-0484-000		2	BEARING, BALL, DDL-740ZZH		
48	FC8-6847-000		1	ROLLER, PAPER DELIVERY, LOWER	[DP]	
49	FB5-4858-000		2	ELIMINATOR, STATIC CHARGE		
50	FC7-7035-000		1	PLATE, GROUNDING		
51	FC8-0999-000		1	RIB, INNER PAPER DELIVERY, L		
52	FC7-4066-000		1	GUIDE, CABLE		
53	FM2-8731-000		1	CABLE, FIRST INNER SENSOR		
54	FS1-9120-020		2	SCREW, STEPPED, M3		
55	FL2-2164-000		1	GUIDE, CONNECTION, LOWER		
56	XZ1-1301-105		2	SPACER		
57	FC6-8434-000		4	STOPPER, ROLLER SHAFT		

# FIGURE 813 FIXING BELT ASSEMBLY

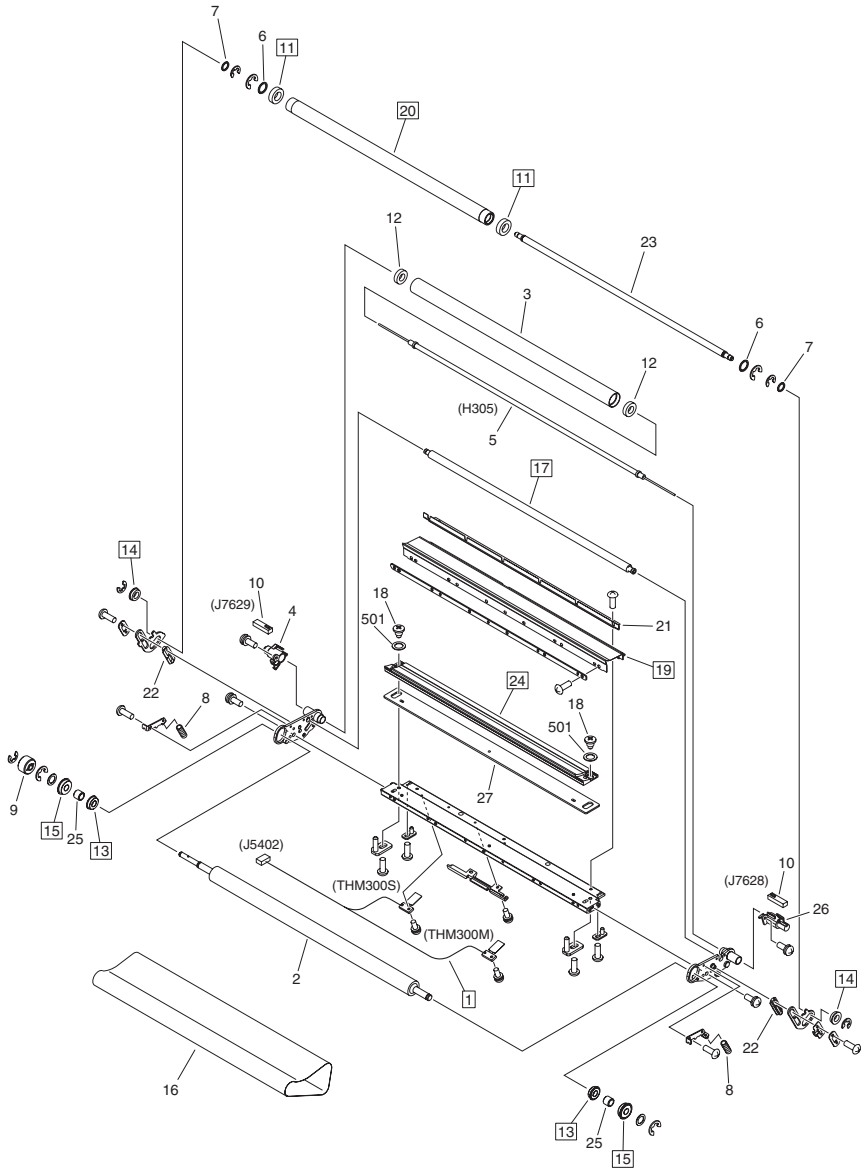
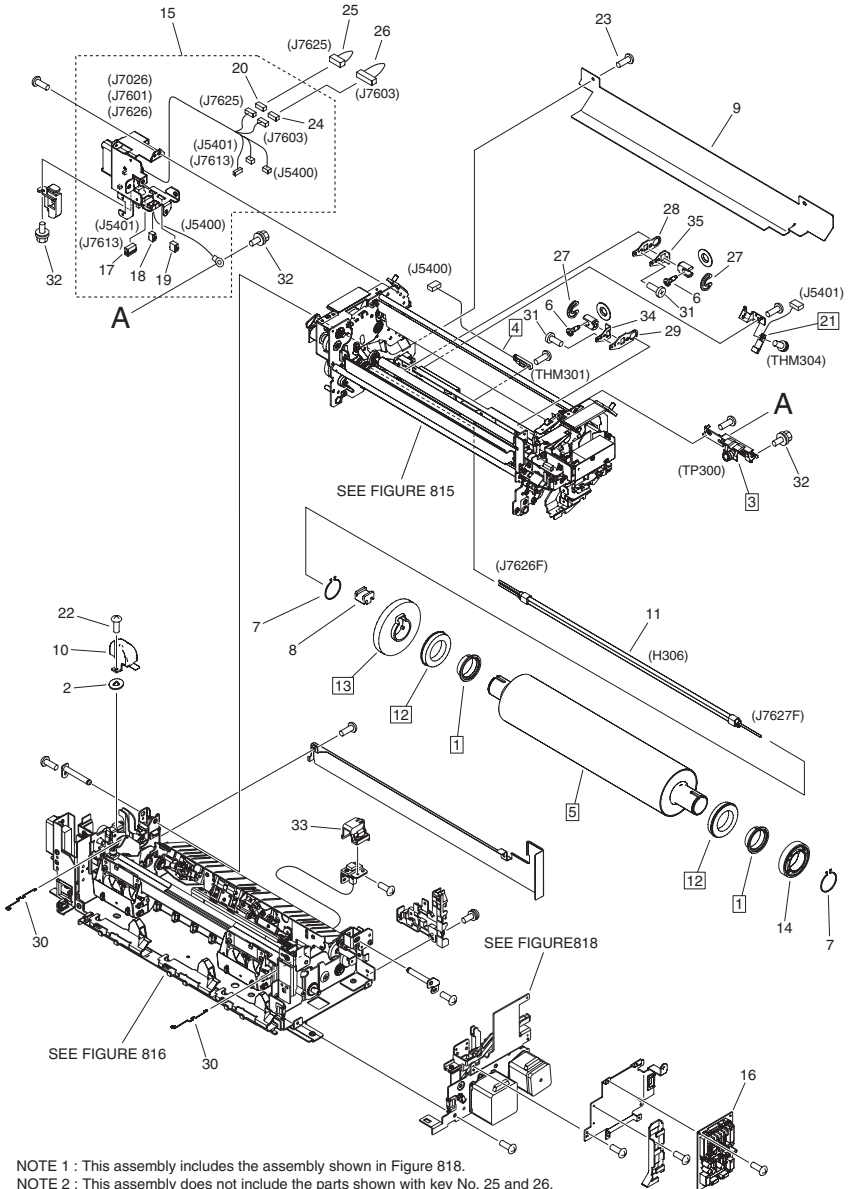


FIGURE & KEY NO.	PARTS NUMBER	R A N K	Q'TY	DESCRIPTION	SERIAL NUMBER/ REMARKS	S V C
Fig.813	FM2-2215-000		1	FIXING BELT ASSEMBLY	200V,208V [DP]	
Fig.813	FM2-9267-000		1	FIXING BELT ASSEMBLY	240V [DP]	
1	FK2-3094-000		1	THERMISTOR	THM300 [DP]	
2	FC6-0336-000		1	ROLLER, SEPARATION		
3	FC6-1254-000		1	ROLLER, INLET		
4	FC6-0342-000		1	CASE, INLET HEATER, R		
5	FK2-3086-010		1	HEATER, HALOGEN	200V,208V H305	
5	FK2-3087-010		1	HEATER, HALOGEN	240V H305	
6	FS5-6487-000		2	WASHER		
7	FS5-6488-000		2	WASHER		
8	FU5-2878-000		2	SPRING, TENSION		
9	FU5-3196-000		1	PULLEY, 23T		
10	VS1-7462-001		2	CONNECTOR, 1P		
11	XG9-0177-000		2	BALL BEARING, NMB DDL-1480ZZR	[DP]	
12	XG9-0360-000		2	BEARING, BALL, DDL-1910ZZY05R		
13	XG9-0593-000		2	BEARING, BALL	[DP]	
14	XG9-0407-000		2	BEARING, BALL, UGF106P12ZZD4ML	[DP]	
15	XG9-0585-000		2	BEARING, BALL	[DP]	
16	FL2-6530-000		1	BELT, FIXING		
17	FL2-5453-000		1	ROLLER, OIL	[DP]	
18	FU5-9305-000		2	SCREW, STEPPED, M4		
19	FL2-6259-000		1	COVER, PAD	[DP]	
20	FC5-9766-000		1	ROLLER, STEERING	[DP]	
21	FC7-1842-000		1	PLATE, STOPPER		
22	FC6-0333-000		2	SLIDER, TENSION		
23	FC6-0335-000		1	SHAFT, TRANSMISSION		
24	FL2-2649-000		1	PAD, PRESSURE	[DP]	
25	FC6-0337-000		2	SPACER		
26	FC7-0174-000		1	CASE, INLET HEATER, F		
27	FL3-5565-000		1	SPACER, PRESSURE PAD		
501	XD1-1107-225		2	WASHER		

# FIGURE 814 FIXING INTERMEDIATE ASS'Y, 1

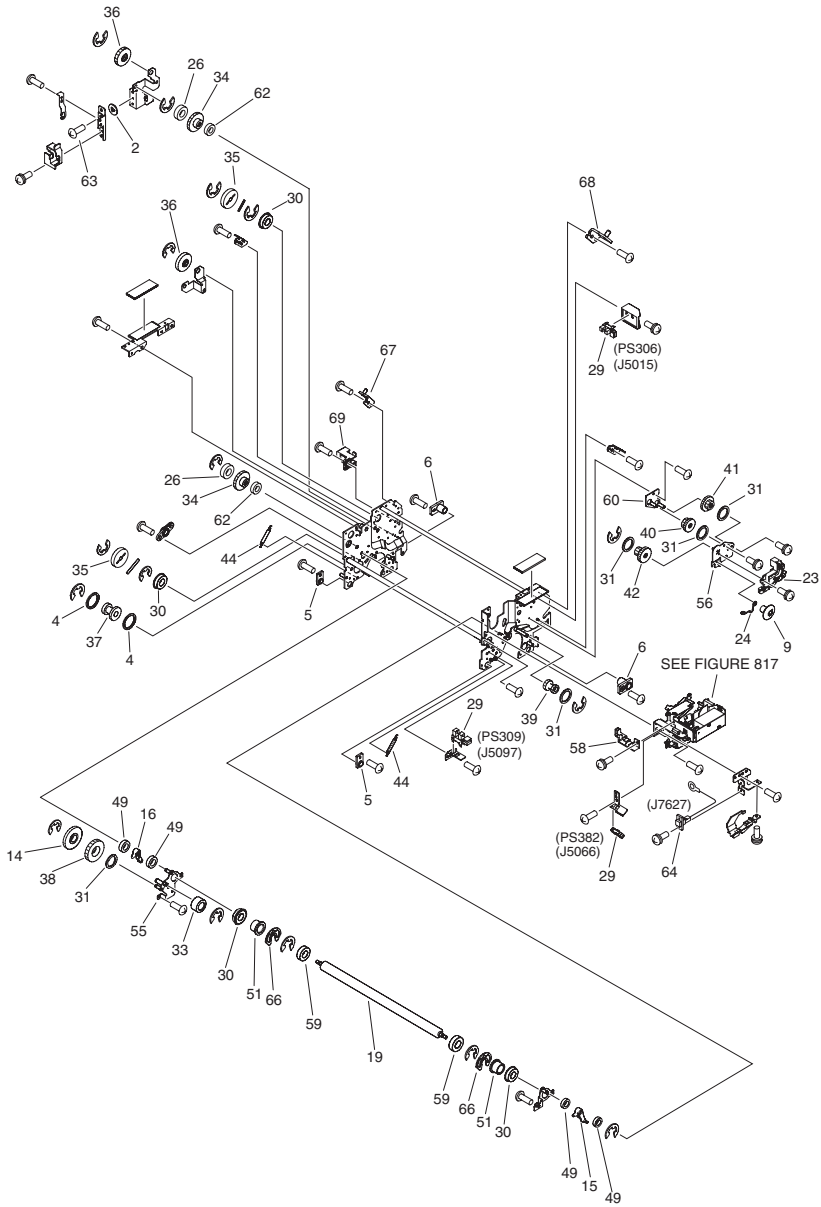


NOTE 1 : This assembly includes the assembly shown in Figure 818.  
 NOTE 2 : This assembly does not include the parts shown with key No. 25 and 26.  
 注1 : このユニットはFigure 818のユニットを含みます。  
 注2 : このユニットにKey No. 25, 26の部品は含まれません。

FIGURE & KEY NO.	PARTS NUMBER	R A N K	Q'TY	DESCRIPTION	SERIAL NUMBER/ REMARKS	S V C
Fig.814	FM2-9291-010		1	FIXING INTERMEDIATE ASS'Y, 1	200V,208V SEE NOTE 1	
Fig.814	FM3-0316-010		1	FIXING INTERMEDIATE ASS'Y, 1	240V SEE NOTE 1	
1	FB4-3689-000		2	BUSHING	[DP]	
2	FC2-2121-000		1	WASHER		
3	FM3-0656-000		1	THERMOSWITCH UNIT	TP300 [DP]	
4	FK2-3160-000		1	THERMISTOR	THM301 [DP]	
5	FL2-6945-000		1	ROLLER, FIXING	[DP]	
6	FC6-8422-010		2	SCREW, FIXED, M4		
7	FC6-8516-000		2	RING, RETAINING		
8	FC7-0167-000		1	KEY, GEAR		
9	FL2-7834-000		1	COVER, FIXING, RIGHT		
10	FC7-3432-000		1	COVER, CONNECTOR		
11	FK4-0075-000		1	HEATER, HALOGEN	200V,208V H306	
11	FK4-0060-000		1	HEATER, HALOGEN	240V H306	
12	XG9-0419-000		2	BEARING, BALL, 6907ZZNRS1CS37	[DP]	
13	FU6-0336-000		1	GEAR, 86T	[DP]	
14	FM4-7099-000		1	53T GEAR ASSEMBLY		
15	FM2-2302-000		1	CABLE, DRAWER, 1		
16	FM2-7703-000		1	FIXING INNER DRIVER PCB ASS'Y		
17	VS1-7177-006		1	CONNECTOR, SNAP TIGHT, BK		
18	VS1-7177-002		1	CONNECTOR, SNAP TIGHT, BK		
19	VS1-7177-003		1	CONNECTOR, SNAP TIGHT, BK		
20	VS1-7177-004		1	CONNECTOR, SNAP TIGHT, BK		
21	FK3-0821-000		1	THERMISTOR	THM304 [DP]	
22	FU5-9225-000		1	SCREW, WWASHER, M4X10(YELLOW)		
23	FU5-9224-000		2	SCREW, BH4X6(YELLOW)		
24	VS1-7177-005		1	CONNECTOR, SNAP TIGHT, BK		
25	FL2-6335-000		1	CONNECTOR, SHORT	SEE NOTE 2	
26	FL2-8544-000		1	CONNECTOR, SHORT	SEE NOTE 2 JP,US,CA,LTN	
26	FL2-8546-000		1	CONNECTOR, SHORT	SEE NOTE 2 EUR,AU,LTN	
27	FC5-2715-000		2	RING, RETAINING		

FIGURE & KEY NO.	PARTS NUMBER	RANK	Q'TY	DESCRIPTION	SERIAL NUMBER/REMARKS	SVC
28	FC7-5759-000		1	RETAINER, BEARING, REAR,1		
29	FC7-5757-000		1	RETAINER, BEARING, FRONT,1		
30	FC6-2048-000		2	SPRING, ROLLER FIXED		
31	XA9-0679-000		2	SCREW, MACH., FLAT HEAD, M3X4		
32	XA9-1932-000		3	SCREW, WWASHER, M3X6		
33	FM3-7597-000		1	CONNECTOR COVER FRONT ASS'Y		
34	FC7-5758-000		1	RETAINER, BEARING, FRONT, 2		
35	FC7-5760-000		1	RETAINER, BEARING, REAR, 2		

FIGURE 815  
FIRST FIXING ASSEMBLY, UPPER



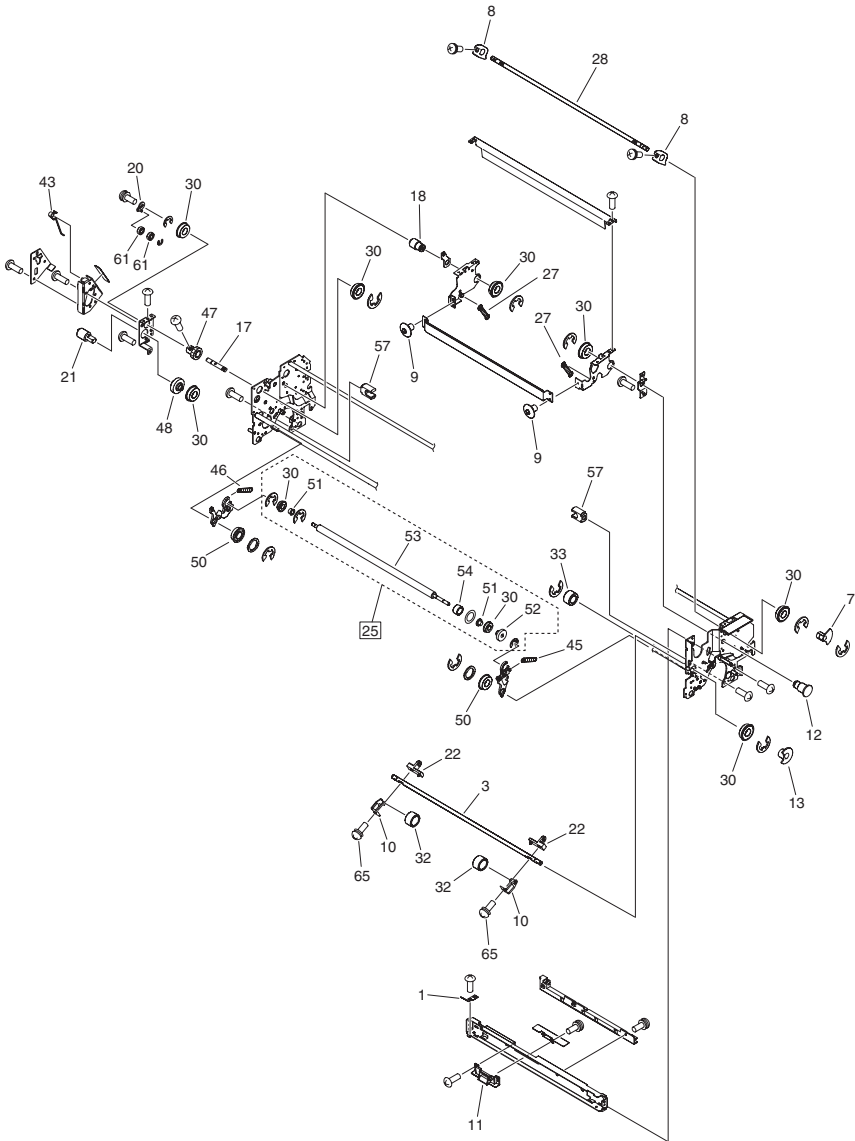


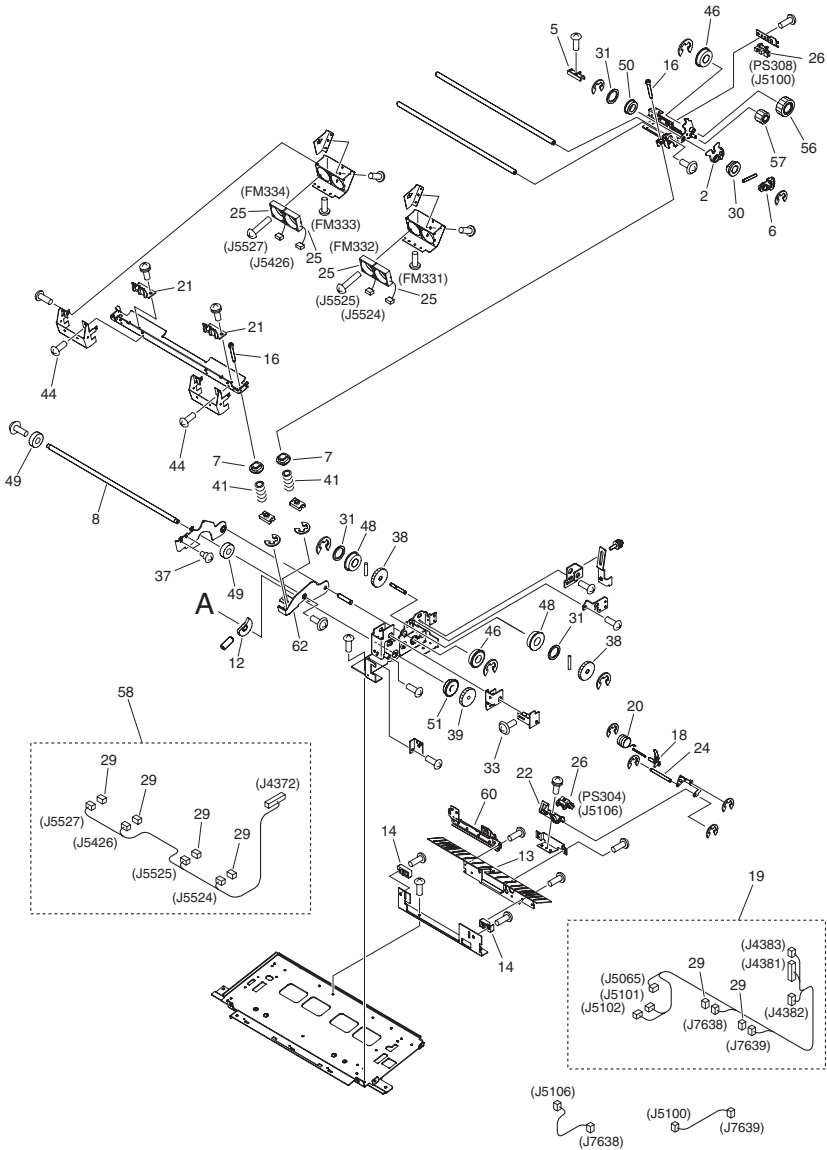


FIGURE & KEY NO.	PARTS NUMBER	R A N K	Q'TY	DESCRIPTION	SERIAL NUMBER/ REMARKS	S V C
Fig.815	NPN		RF	FIRST FIXING ASSEMBLY, UPPER		
1	FB3-7543-000		1	PLATE, STATIC CHARGE ELI.		
2	FC2-2121-000		1	WASHER		
3	FC5-8932-000		1	SHAFT, ROLL PRESSURE		
4	FC5-9014-000		2	WASHER		
5	FC6-0201-000		2	HOLDER, PIN, LEFT		
6	FC6-0202-000		2	HOLDER, PIN, RIGHT		
7	FC6-0237-010		1	FLAG, EXTERNAL HEATING H.P. DE		
8	FC6-0238-010		2	CAM, EXTERNAL HEATING DESORPTI		
9	FS1-9078-020		3	SCREW, STEPPED, M4		
10	FL2-2765-000		2	ARM, ROLLER		
11	FC7-9745-000		1	COVER, NC		
12	FC6-0253-000		1	SHAFT, ROLL DESORPTION TURN, F		
13	FC6-0255-000		1	FLAG, CLEAN ROLL, SENSOR		
14	FC6-1177-000		1	SPACER, PAPER DELIVERY		
15	FC6-2071-000		1	ARM, ROLLER ESTRANGEMENT, FR.		
16	FC6-2072-000		1	ARM, ROLLER ESTRANGEMENT, REAR		
17	FC8-6863-000		1	SHAFT, TRANSMISSION		
18	FC6-8522-000		1	SHAFT, ROLL DESORPTION TURN, R		
19	FC7-0169-000		1	ROLLER		
20	FL3-0555-000		1	PLATE, LOCK		
21	FC7-4913-000		1	DAMPER, ONE-WAY		
22	FC7-4948-000		2	PLATE, ROLL RETAINING		
23	FC7-7044-000		1	GUIDE, MAIN HEATER, FRONT		
24	FC7-7046-000		1	SPRING, TORSION		
25	FM3-1648-000		1	ROLLER, REFRESH	[DP]	
26	XG9-0387-000		2	BEARING, BALL, L-1680HH LY13		
27	FU5-2867-010		2	SPRING, TENSION		
28	FC6-0235-000		1	SHAFT, HEAT PRESSURE		
29	FK2-0149-000		3	PHOTO-INTERRUPTER, TLP1252(C6)	PS306,PS309,PS382	
30	XG9-0365-000		13	BEARING, BALL		
31	FS5-6488-000		5	WASHER		

FIGURE & KEY NO.	PARTS NUMBER	R A N K	Q'TY	DESCRIPTION	SERIAL NUMBER/ REMARKS	S V C
32	FU5-6248-000		2	ROLLER		
33	FU5-6249-000		2	ROLLER		
34	FU6-0335-000		2	GEAR, 20T/46T		
35	FU6-0358-000		2	GEAR, 40T		
36	FU6-0409-000		2	GEAR, 38T		
37	FU6-0452-000		1	GEAR, 21T/28T		
38	FU6-0453-000		1	GEAR, 14T		
39	FU6-0466-000		1	GEAR, 16T/20T		
40	FU6-0467-000		1	GEAR, 20T/27T		
41	FU6-0468-000		1	GEAR, 17T/31T		
42	FU6-0469-010		1	GEAR, 16T/31T		
43	FC8-6861-000		1	SPRING, TORSION		
44	FU6-2557-010		2	SPRING, TENSION		
45	FU6-2558-010		1	SPRING, TENSION		
46	FU6-2559-010		1	SPRING, TENSION		
47	FU7-0143-000		1	GEAR, 14T		
48	FU7-0144-000		1	GEAR, 28T		
49	XG9-0217-000		4	BALL BEARING, NSK MR106ZZ1MC4E		
50	XG9-0350-000		2	BALL BEARING, NSK MF106ZZ D4M		
51	FC7-0175-000		4	BUSHING		
52	FU6-0455-000		1	GEAR, 17T		
53	FL2-6048-000		1	ROLLER, REFRESH		
54	FU6-2560-000		1	SPRING, COMPRESSION		
55	FL2-2203-000		1	MOUNT, IDLER		
56	FL3-0548-000		1	PLATE, GEAR FIXED, SMALL		
57	FC6-8421-000		2	SUPPORT, BEARING		
58	FC7-4634-000		1	GUIDE, CABLE		
59	XG9-0491-000		2	BEARING, BALL, NSK P0 16MM		
60	FL2-7124-000		1	SUPPORT, GEAR		
61	FU5-6256-000		2	ROLLER		
62	XG9-0691-000		2	BEARING,BALL, L1280ZZP0P25LY13		
63	FU5-9224-000		1	SCREW, BH4X6(YELLOW)		

FIGURE & KEY NO.	PARTS NUMBER	R A N K	Q'TY	DESCRIPTION	SERIAL NUMBER/ REMARKS	S V C
64	FM2-8699-000		1	CABLE, MAIN HEATER		
65	FU5-9235-000		2	SCREW, WWASHER, M4X14		
66	FB6-6088-000		2	RING, RETAINING		
67	FL2-2200-000		1	SUPPORT, CROSSMEMBER, REAR		
68	FL2-2201-000		1	SUPPORT, CROSSMEMBER, FRONT		
69	FC7-4635-000		1	GUIDE, DRAWER CABLE		

# FIGURE 816 FIRST FIXING ASSEMBLY, LOWER



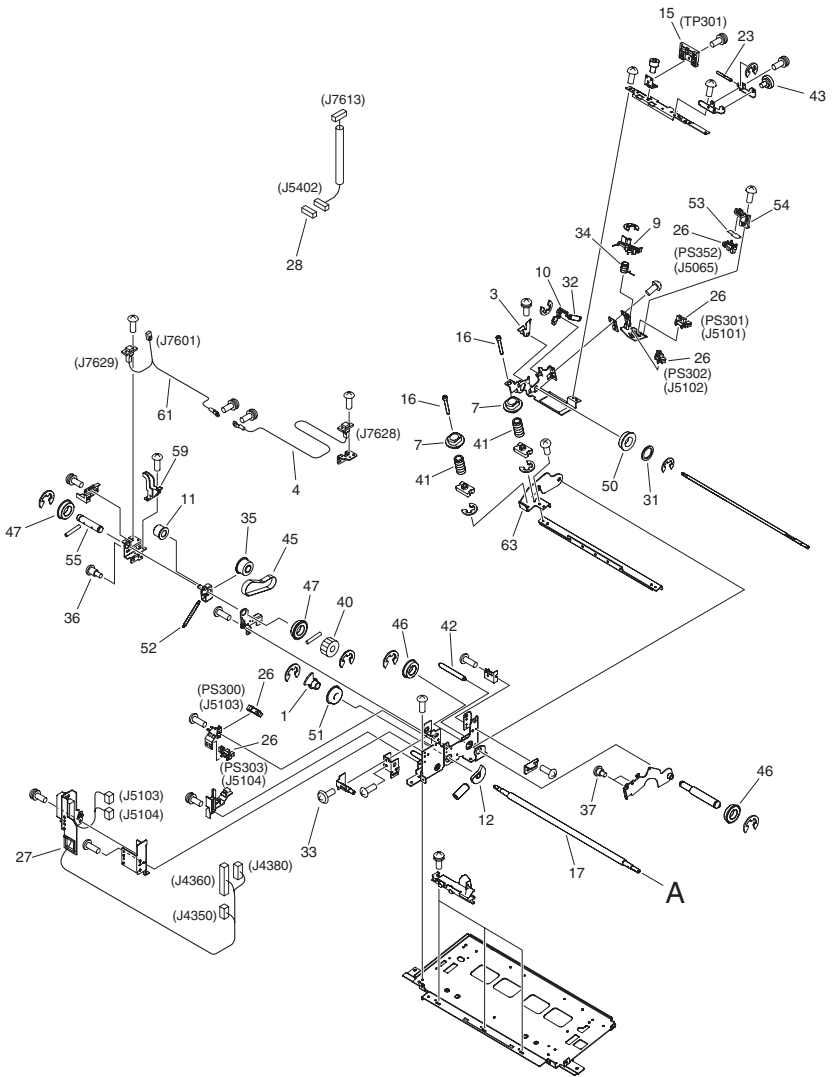


FIGURE & KEY NO.	PARTS NUMBER	R A N K	Q'TY	DESCRIPTION	SERIAL NUMBER/ REMARKS	S V C
Fig.816	NPN		RF	FIRST FIXING ASSEMBLY, LOWER		
1	FC6-0282-000		1	FLAG, PRESSURE CAM DETECT		
2	FC6-0291-000		1	ARM, STERRING, FRONT		
3	FC6-0292-000		1	ARM, STERRING, REAR		
4	FM2-8693-000		1	CABLE, FIXING BELT HEATER		
5	FC6-0294-000		1	FLAG, STERRING, SENSOR		
6	FC6-0295-000		1	ARM, STERRING, DRIVER		
7	FC6-0297-000		4	SPACER, PRESSURE		
8	FC6-0300-000		1	SHAFT, BELT PRESSURE		
9	FC6-0308-010		1	ARM, SENSOR		
10	FC6-0309-000		1	ARM, SENSOR		
11	FC6-0314-000		1	ROLLER, BELT TENSION		
12	FC6-0316-000		2	CAM, PRESSURE		
13	FC6-0320-000		1	GUIDE, FIXING ENTRANCE		
14	FC6-0321-000		2	MOUNT, GUIDE		
15	FM2-7978-000		1	HOLDER, BELT, THERMOSWITCH	TP301	
16	FC0-2217-000		4	SCREW, ADJUSTMENT, M6		
17	FC6-0362-000		1	SHAFT, BELT PRESSURE CAM		
18	FC6-1224-000		1	FLAG, FIXING INLET SENSOR		
19	FM2-8781-000		1	CABLE, FUSER SENSOR, 1		
20	FC7-0936-000		1	SPRING, TORSION		
21	FC7-7039-000		2	PLATE, PUSHING, LOWER		
22	FC7-7514-000		1	MOUNT, SENSOR		
23	FC7-7517-000		1	SHAFT, SENSOR SWING ARM		
24	FC7-7519-000		1	SHAFT, FIXING ENTRANCE SENSOR		
25	FK2-3148-000		4	FAN	FM331,FM332,FM333,FM334	
26	FK2-0149-000		7	PHOTO-INTERRUPTER, TLP1252(C6)	PS300,PS301,PS302,PS303,PS304,PS308,PS352	
27	FM2-2303-000		1	CABLE, DRAWER, 2		
28	VS1-7177-006		1	CONNECTOR, SNAP TIGHT, BK		
29	VS1-7177-003		6	CONNECTOR, SNAP TIGHT, BK		
30	FS1-1340-000		1	BUSHING, OILLESS METAL		

FIGURE & KEY NO.	PARTS NUMBER	R A N K	Q'TY	DESCRIPTION	SERIAL NUMBER/ REMARKS	S V C
31	FS5-6488-000		4	WASHER		
32	FU5-2875-000		1	SPRING, TENSION		
33	FU5-9230-000		2	SCREW, TP, M4X8(YELLOW)		
34	FC0-2219-000		1	SPRING, TORSION		
35	FU5-3197-000		1	PULLEY, 20T		
36	FU5-9215-000		1	SCREW, STEPPED, M3		
37	FU5-9220-000		4	SCREW, STEPPED, M4		
38	FU6-0486-000		2	GEAR, 36T		
39	FU6-0341-000		1	GEAR, 41T		
40	FU6-0343-000		1	GEAR, 19T		
41	FU6-2553-000		4	SPRING, COMPRESSION		
42	FU6-5271-000		1	PIN, FIXING POSITIONING, 2		
43	RS5-9061-000		1	SCREW, STEPPED, M3		
44	XA9-0892-000		4	SCREW,MACH.,TRUSS HEAD,M4X6		
45	XF2-1805-280		1	BELT, TIMING		
46	XG9-0250-000		4	BALL BEARING, 688AZZNR*MC3D4M		
47	XG9-0286-000		2	BALL BEARING, MR148ZZNRMC4ENSL		
48	XG9-0291-000		2	BEARING, BALL, LOWER ROLLER		
49	XG9-0384-000		2	BEARING, BALL,DDR198022LY13		
50	XG9-0407-000		2	BEARING, BALL, UGF106P12ZZD4ML		
51	XG9-0585-000		2	BEARING, BALL		
52	FU5-2877-000		1	SPRING, TENSION		
53	FC5-6232-000		1	SHEET, SENSOR PROTECTIVE		
54	FC6-3412-010		1	GUIDE, DETECT SENSOR CABLE		
55	FC6-0361-000		1	SHAFT, TRANSMISSION		
56	FU6-0339-000		1	GEAR, 22T		
57	FU6-0342-000		1	GEAR, 14T		
58	FM2-8765-010		1	CABLE, FIRST FUSER SPLIT FAN		
59	FC7-3435-000		1	GUIDE, HEATER CABLE, 1		
60	FM4-7100-000		1	CORD GUIDE ASSEMBLY		
61	FM2-8702-000		1	CABLE, FIXING BELT HEATER		
62	FC6-0298-000		1	PLATE, BELT PRESSURE, FRONT		

FIGURE & KEY NO.	PARTS NUMBER	R A N K	Q'TY	DESCRIPTION	SERIAL NUMBER/ REMARKS	S V C
63	FC6-0299-000		1	PLATE, BELT PRESSURE, REAR		



# FIGURE 817 CLEANER DRIVE ASSEMBLY

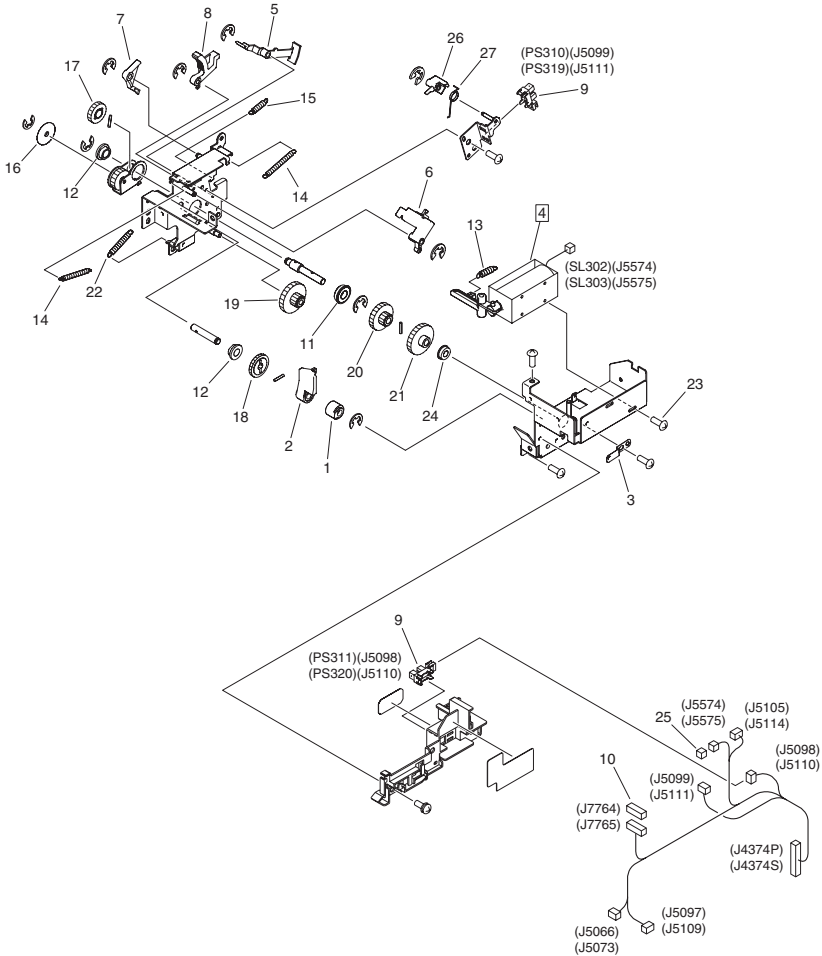
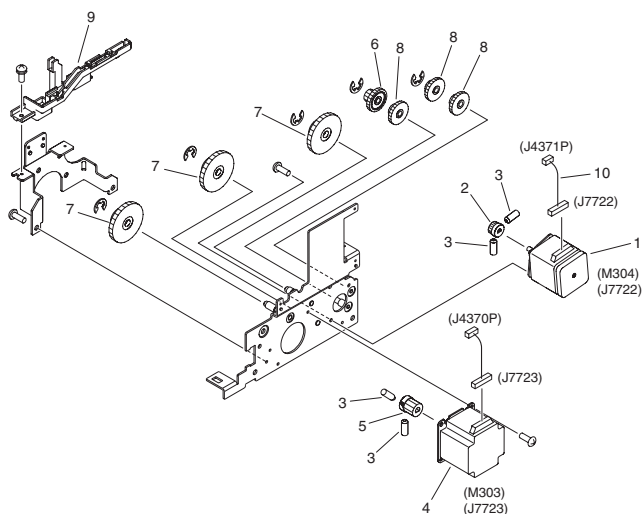


FIGURE & KEY NO.	PARTS NUMBER	R A N K	Q'TY	DESCRIPTION	SERIAL NUMBER/ REMARKS	S V C
Fig.817	FM2-2306-020		2	CLEANER DRIVE ASSEMBLY		
1	FC7-7573-000		1	BUSHING, ONE-WAY		
2	FC5-2369-020		1	ARM, ONE-WAY		
3	FC5-2597-020		1	SPRING, LEAF		
4	FM3-2134-010		1	CLEANER SOLENOID UNIT	SL302,SL303 [DP]	
5	FC6-1292-000		1	FLAG, REMNANT SENSOR		
6	FC7-4907-000		1	ARM, CLEANING ROLL FEEDER		
7	FC7-4908-000		1	LEVER, STOPPER, RELEASE		
8	FC7-4909-000		1	LEVER, STOPPER		
9	FK2-0149-000		2	PHOTO-INTERRUPTER, TLP1252(C6)	PS310,PS311,PS319,PS320	
10	VS1-7177-006		1	CONNECTOR, SNAP TIGHT, BK		
11	XG9-0365-000		1	BEARING, BALL		
12	FS1-1569-000		2	BUSHING		
13	FU5-2861-000		1	SPRING, TENSION		
14	FU6-2065-000		2	SPRING, TENSION		
15	FU5-2969-000		1	SPRING, TENSION		
16	FU5-6259-000		1	ROLLER		
17	FU6-0457-010		1	GEAR, 18T		
18	FU6-0458-000		1	GEAR, 36T		
19	FU6-0459-000		1	GEAR, 48/18T		
20	FU6-0460-000		1	GEAR, 42/18T		
21	FU6-0461-000		1	GEAR, 48T		
22	FU6-2545-000		1	SPRING, TENSION		
23	XA9-1659-000		2	SCREW,M3X4		
24	XG9-0291-000		1	BEARING, BALL, LOWER ROLLER		
25	VS1-7177-002		1	CONNECTOR, SNAP TIGHT, BK		
26	FC8-3787-000		1	FLAG, SENSOR		
27	FC8-3788-000		1	SPRING, TORSION		

# FIGURE 818 FIXING BELT DRIVE ASS'Y



NOTE : This assembly is included in the assembly shown in Figure 814.  
 注 : このユニットはFigure 814のユニットに含まれます。

FIGURE & KEY NO.	PARTS NUMBER	RANK	Q'TY	DESCRIPTION	SERIAL NUMBER/REMARKS	SVC
Fig.818	FM2-2209-000		1	FIXING BELT DRIVE ASS'Y	SEE NOTE	
1	FK2-3126-000		1	MOTOR, STEPPING, DC	M304	
2	FU6-0348-000		1	GEAR, 16T		
3	XA9-0934-000		4	SETSCREW,M3X6		
4	FK2-3132-000		1	MOTOR, STEPPING, DC	M303	
5	FU6-0356-000		1	GEAR, 14T		
6	FU6-0345-000		1	GEAR, 16T/32T		
7	FU6-0347-000		3	GEAR, 20T/46T		
8	FU6-0650-000		3	GEAR, 16T/32T		
9	FC6-0325-000		1	GUIDE, HEATER CABLE		
10	FM2-8689-000		1	CABLE, MOTOR, 1		

# FIGURE 830 FIXING CLEANER ASSEMBLY

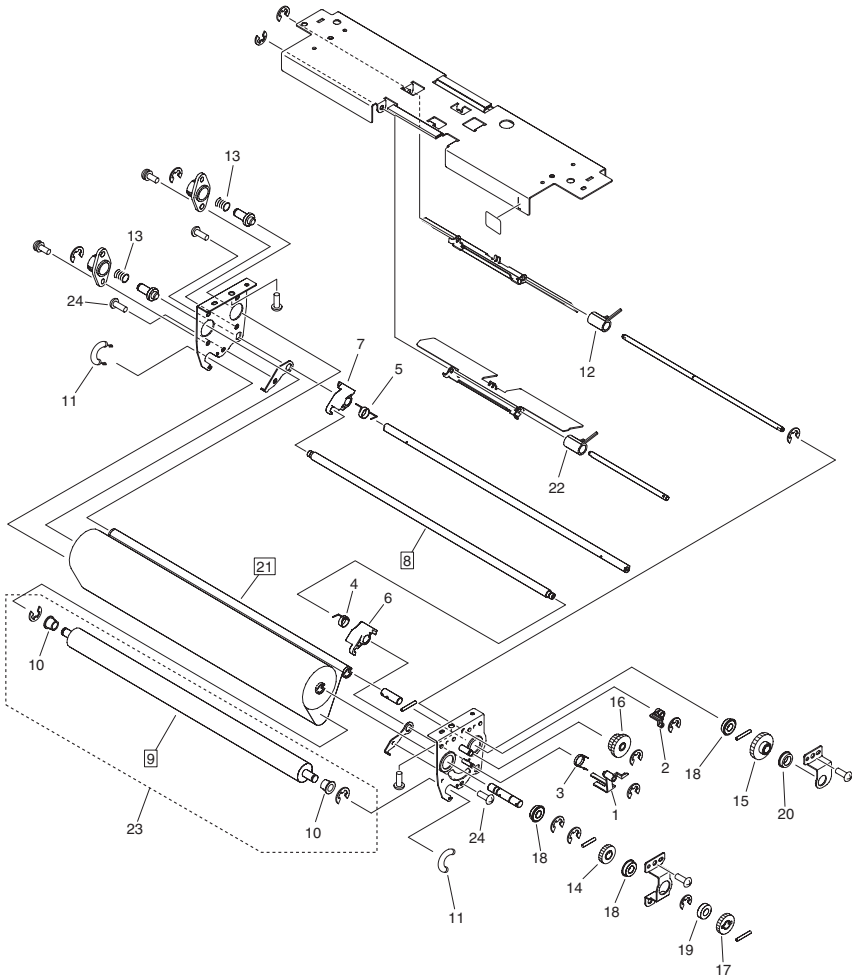


FIGURE & KEY NO.	PARTS NUMBER	R A N K	Q'TY	DESCRIPTION	SERIAL NUMBER/ REMARKS	S V C
Fig.830	FM3-2092-000		2	FIXING CLEANER ASSEMBLY		
1	FC6-1294-000		1	ARM, REMNANT SENSOR		
2	FC6-1295-000		1	ARM, CLEANING ROLL FEEDER		
3	FC7-0177-000		1	SPRING, TORSION		
4	FC7-7048-000		1	SPRING, TORSION		
5	FC7-7049-000		1	SPRING, TORSION		
6	FC7-7050-010		1	LEVER, FRONT		
7	FC7-7051-010		1	LEVER, REAR		
8	FL2-6260-000		1	ROLLER, RC	[DP]	
9	FC5-9761-000		1	ROLLER, CLEANING	[DP]	
10	FS2-1256-000		2	BUSHING		
11	FU6-2569-010		2	SPRING, TENSION		
12	FS5-2586-000		1	SPRING, TORSION		
13	FU5-2850-000		2	SPRING, COMPRESSION		
14	FU6-0457-010		1	GEAR, 18T		
15	FU7-0373-000		1	GEAR, 27T		
16	FU7-0374-000		1	GEAR, 17T/23T		
17	FU7-0375-000		1	GEAR, 20T		
18	XG9-0365-000		3	BEARING, BALL		
19	XG9-0491-000		1	BEARING, BALL, NSK P0 16MM		
20	XG9-0507-000		1	BEARING, BALL, MF128ZZ		
21	FC5-9778-000		1	CLEANING ROLL	[DP]	
22	FC7-7538-000		1	SPRING, TORSION		
23	FM3-1649-000		1	CLEANING ROLLER ASSEMBLY		
24	FU5-9224-000		2	SCREW, BH4X6(YELLOW)		

# FIGURE 840 EXTERNAL HEATING ASSEMBLY

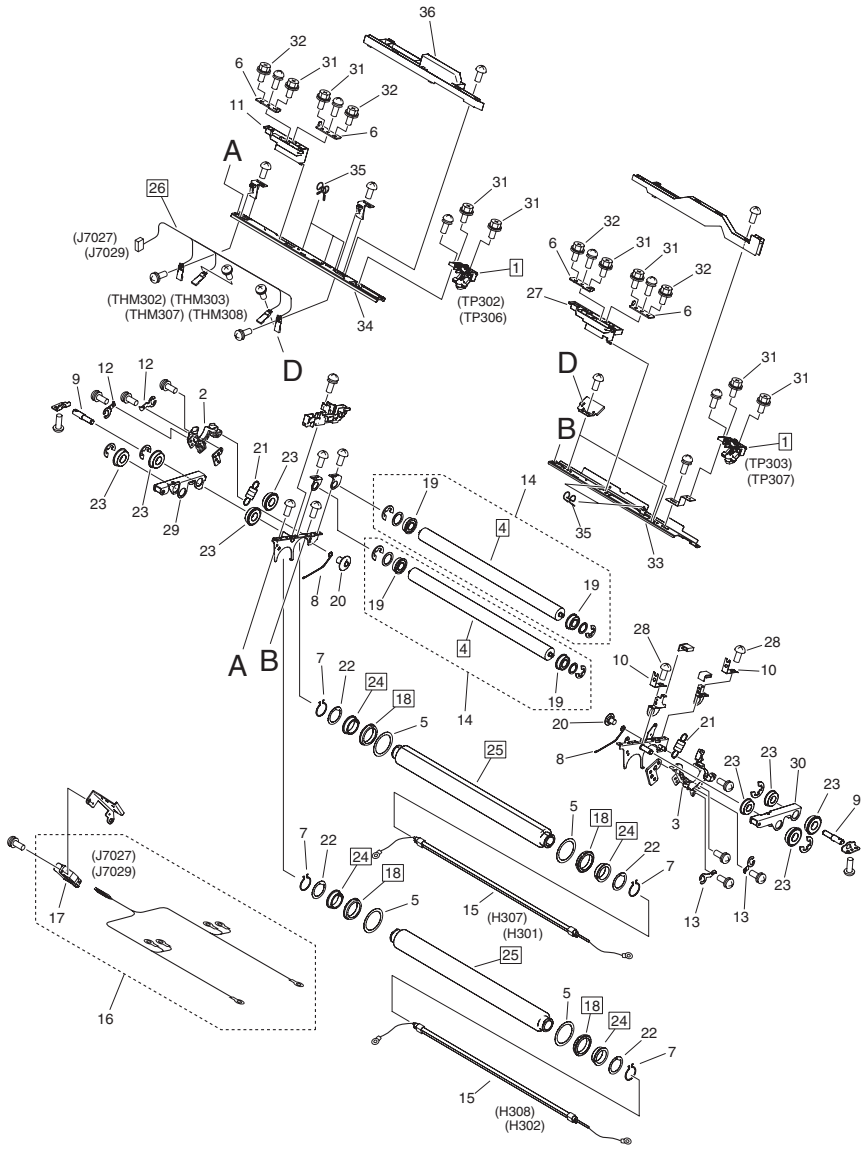


FIGURE & KEY NO.	PARTS NUMBER	R A N K	Q'TY	DESCRIPTION	SERIAL NUMBER/ REMARKS	S V C
Fig.840	FM2-2197-010		2	EXTERNAL HEATING ASSEMBLY	208V	
Fig.840	FM2-9265-010		2	EXTERNAL HEATING ASSEMBLY	240V	
1	FM3-0657-000		2	THERMOSWITCH UNIT	TP302,TP303,TP306,TP307 [DP]	
2	FC5-9810-010		1	HOLDER, HEATER, REAR		
3	FC5-9811-010		1	HOLDER, HEATER, FRONT		
4	FC7-7041-000		2	ROLLER, CLEANING	[DP]	
5	FU5-6263-000		4	WASHER, PLAIN		
6	FC5-9826-000		4	PLATE,SW.HEATER ELECTRODE,R		
7	FC6-8412-000		4	RING, RETAINING		
8	FC6-8417-000		2	CLAMP, EXTERNAL HEATING ROLLER		
9	FC7-3451-000		2	SHAFT, EXTERNAL HEATING TURN		
10	FC7-4577-000		2	PLATE, RETAINING		
11	FC7-4915-000		1	MOUNT, HEATER TERMINAL		
12	FC7-4935-000		2	PLATE, HEATER MOUNTING		
13	FC7-4936-000		2	SPRING, HEATER MOUNTING		
14	FM3-1647-000		2	CLEANING ROLLER ASSEMBLY		
15	FK4-0073-000		2	HEATER, HALOGEN	200V,208V H301,H302,H307,H308	
15	FK4-0058-000		2	HEATER, HALOGEN	240V H301,H302,H307,H308	
16	FM2-8734-000		1	CABLE, DRAWER		
17	VS1-7077-019		1	CONNECTOR, 19P, FEMALE		
18	XG9-0584-000		4	BEARING, BALL, NTN, 37MM	[DP]	
19	XG9-0756-000		4	BEARING, BALL, MF126ZZ MC4 U76		
20	FS1-9078-020		2	SCREW,STEPPED,M4		
21	FU5-2857-000		2	SPRING, TENSION		
22	FU5-6246-000		4	SPACER		
23	XG9-0365-000		8	BEARING, BALL		
24	FC5-2582-000		4	BUSHING	[DP]	
25	FC7-0932-000		2	ROLLER, HEATING	[DP]	
26	FK2-3097-000		1	THERMISTOR	THM302,THM303,THM307,THM308 [DP]	
27	FC7-7549-000		1	MOUNT, HEATER TERMINAL, FEED		

FIGURE & KEY NO.	PARTS NUMBER	RANK	Q'TY	DESCRIPTION	SERIAL NUMBER/REMARKS	SVC
28	FU5-9231-000		2	SCREW, W/WASHER, M3X6(YELLOW)		
29	FL2-2209-000		1	ARM,EXTERNAL HEAT,REAR		
30	FL2-2210-000		1	ARM,EXTERNAL HEAT,FRONT		
31	XA9-1932-000		8	SCREW, W/WASHER, M3X6		
32	XA9-1933-000		4	SCREW, W/WASHER, M4X8		
33	FC5-9815-000		1	STAY, OUTER HEATER, RIGHT		
34	FC5-9816-000		1	STAY, OUTER HEATER, LEFT		
35	FC0-2242-000		5	CLAMP, WIRE		
36	FC5-9824-000		1	GUIDE, CABLE, UPPER LEFT		



# FIGURE 850 SECOND FIXING ASSEMBLY

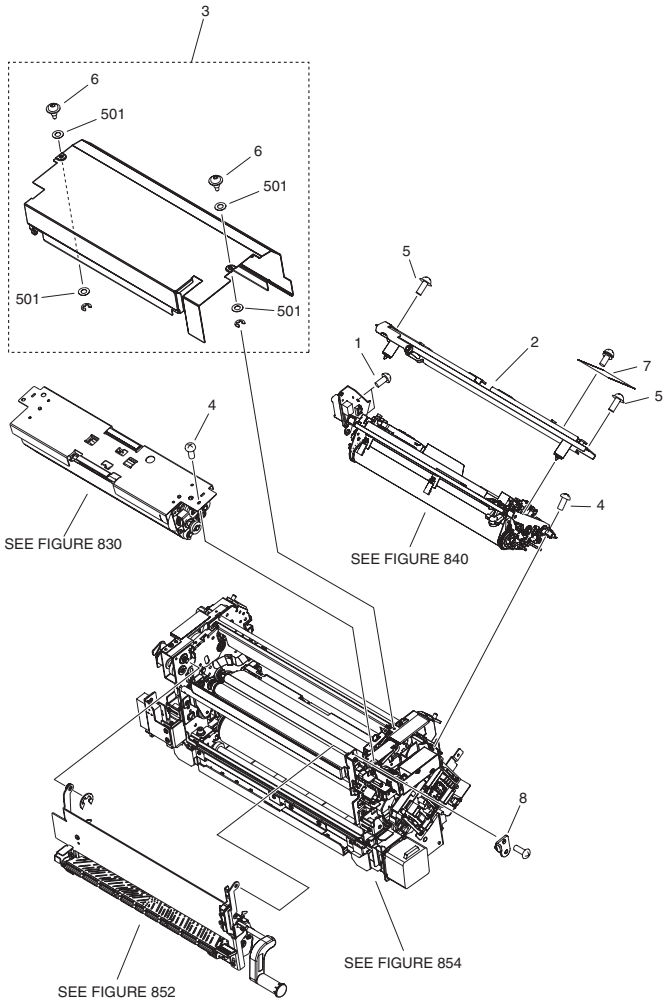


FIGURE & KEY NO.	PARTS NUMBER	RANK	Q'TY	DESCRIPTION	SERIAL NUMBER/REMARKS	SVC
Fig.850	NPN		RF	SECOND FIXING ASSEMBLY		
1	FU5-9223-000		2	SCREW, BH3X6(YELLOW)		
2	FM3-2094-000		1	OUTER HEAT UNIT, SECOND		
3	FM3-2104-010		1	COVER, UPPER		
4	FU5-9224-000		6	SCREW, BH4X6(YELLOW)		
5	FU5-9228-000		2	SCREW, TP, M5X14(YELLOW)		
6	FC6-8524-000		2	SCREW, RETAINER, M4		
7	FC7-9721-000		1	SHEET, PROTECTION		
8	FL2-2169-000		1	PLATE		
501	XD1-1104-131		4	WASHER,COP		

# FIGURE 852 INNER PAPER DELIVERY ASS'Y, 2

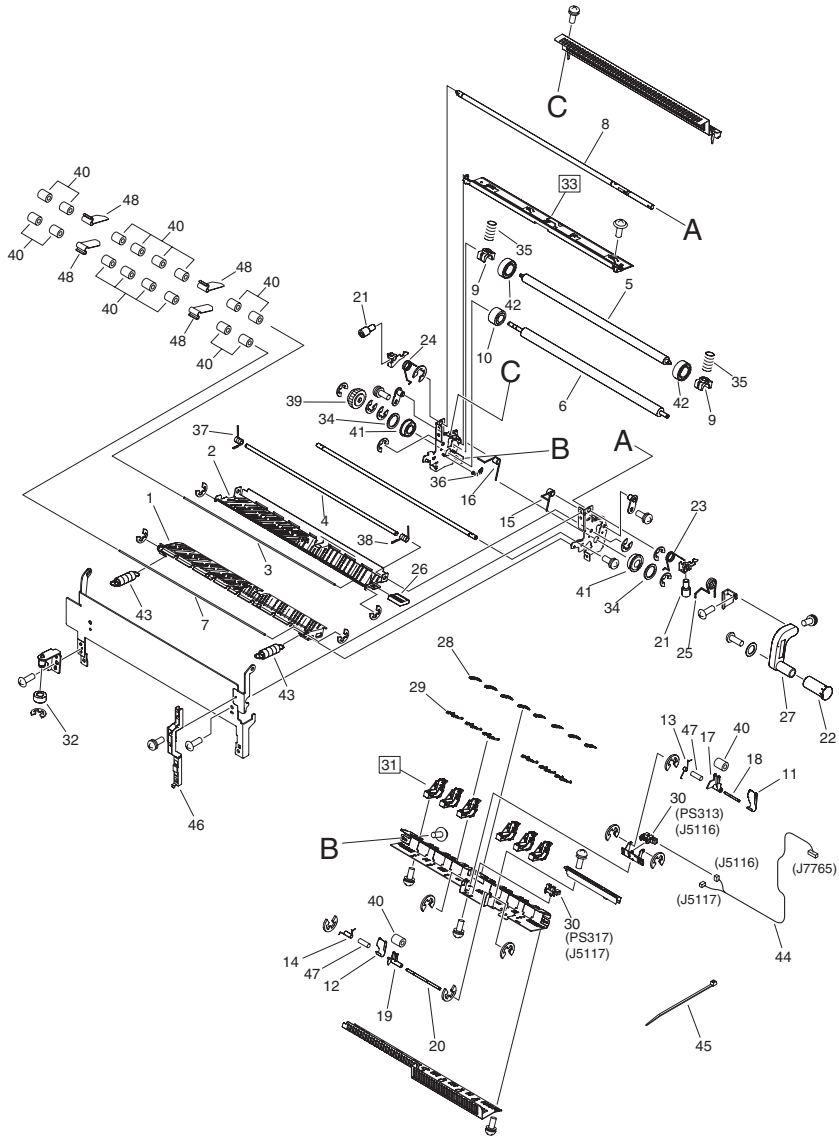
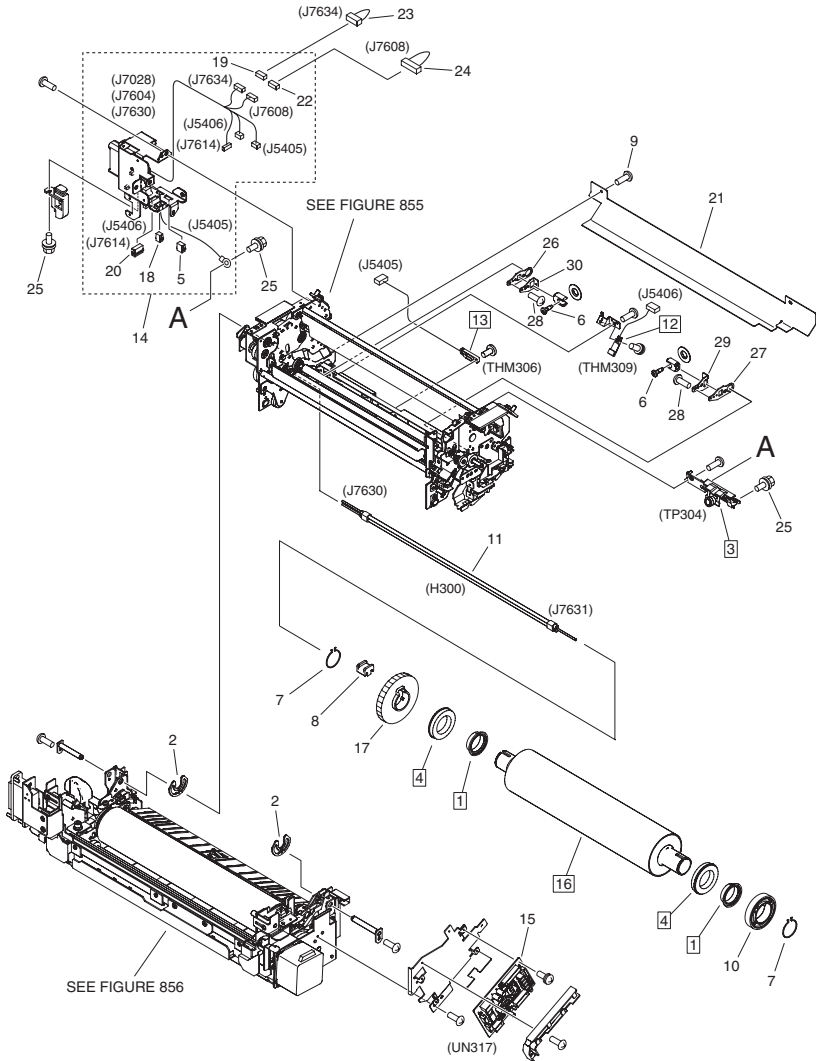


FIGURE & KEY NO.	PARTS NUMBER	R A N K	Q'TY	DESCRIPTION	SERIAL NUMBER/ REMARKS	S V C
Fig.852	FM2-2199-020		1	INNER PAPER DELIVERY ASS'Y, 2		
1	FC5-8934-010		1	GUIDE, PAPER DELIVERY LW., 2		
2	FC5-8935-010		1	GUIDE, PAPER DELIVERY UP., 2		
3	FC5-8945-000		1	SHAFT, ROLLER, SECOND UPPER		
4	FC5-8946-000		1	SHAFT, GUIDE OPEN/CLOSE		
5	FC5-9775-000		1	ROLLER, INTERNAL DELIVERY, U.		
6	FC8-6848-000		1	ROLLER, INTERNAL DELIVERY, L.		
7	FU6-5276-000		1	SHAFT, ROLLER, SECOND LOWER		
8	FC5-9791-000		1	SHAFT, OPEN/CLOSE		
9	FC5-9792-000		2	BUSHING, INNER PAPER DELIVERY		
10	FC6-1260-000		1	SPACER, INNER PAPER DELIVERY		
11	FC6-8439-000		1	PLATE, INNER DELIVERY LEVER		
12	FC6-8514-000		1	PLATE, REVERSE LEVER		
13	FC0-2220-000		1	SPRING, TORSION		
14	FC0-2221-010		1	SPRING, REVERSE SENSOR LEVER		
15	FC6-8574-000		1	SPRING, TORSION		
16	FC6-8575-000		1	SPRING, TORSION		
17	FC6-8578-000		1	LEVER, SENSOR, 2		
18	FC6-8579-010		1	SHAFT, SENSOR LEVER, 2		
19	FC6-8581-000		1	LEVER, REVERSE SENSOR, SECOND		
20	FC6-8582-010		1	SHAFT, REVERSE SENSOR LEVER, 2		
21	FC7-4064-000		2	BOLT, STOPPER		
22	FC7-4068-010		1	HANDLE, INNER PAPER DELIVERY		
23	FC7-4073-000		1	SPRING, TORSION		
24	FC7-4074-000		1	SPRING, TORSION		
25	FC7-4076-000		1	SPRING, TORSION		
26	FC7-4077-000		1	HANDLE, GUIDE		
27	FC7-4641-000		1	LEVER, SECOND OPEN/CLOSE		
28	FC7-4642-000		8	RIB, INNER DELIVERY, SMALL 2		
29	FC7-4643-000		6	RIB, INNER DELIVERY, LARGE 2		
30	FK2-0149-000		2	PHOTO-INTERRUPTER, TLP1252(C6)	PS313,PS317	
31	FM2-2309-010		6	SEPARATION CLAW ASSEMBLY, 2	[DP]	

FIGURE & KEY NO.	PARTS NUMBER	R A N K	Q'TY	DESCRIPTION	SERIAL NUMBER/ REMARKS	S V C
32	FU5-6262-000		1	ROLLER	[DP]	
33	FM2-2310-000		1	PLATE, SEPARATION, SECOND		
34	FS5-6488-000		2	WASHER		
35	FU5-2135-000		2	SPRING, COMPRESSION		
36	FU5-2138-000		1	SPRING, TENSION		
37	FU5-2884-000		1	SPRING, TORSION		
38	FU5-2885-000		1	SPRING, TORSION		
39	FU6-0306-000		1	GEAR, 22T		
40	RB2-0493-000		18	ROLLER, PAPER SENSOR		
41	XG9-0291-000		2	BEARING, BALL, LOWER ROLLER		
42	XG9-0484-000		2	BEARING, BALL, DDL-740ZZH		
43	FU6-5273-000		2	SPRING, TENSION		
44	FM2-8736-000		1	CABLE,SECOND INNER SENSOR		
45	WT2-6122-000		1	TIE, CABLE		
46	FC7-4640-000		1	GUIDE, CABLE, 2		
47	XZ1-1301-105		2	SPACER		
48	FC6-8434-000		4	STOPPER, ROLLER SHAFT		

# FIGURE 854 FIXING INTERMEDIATE ASS'Y, 2



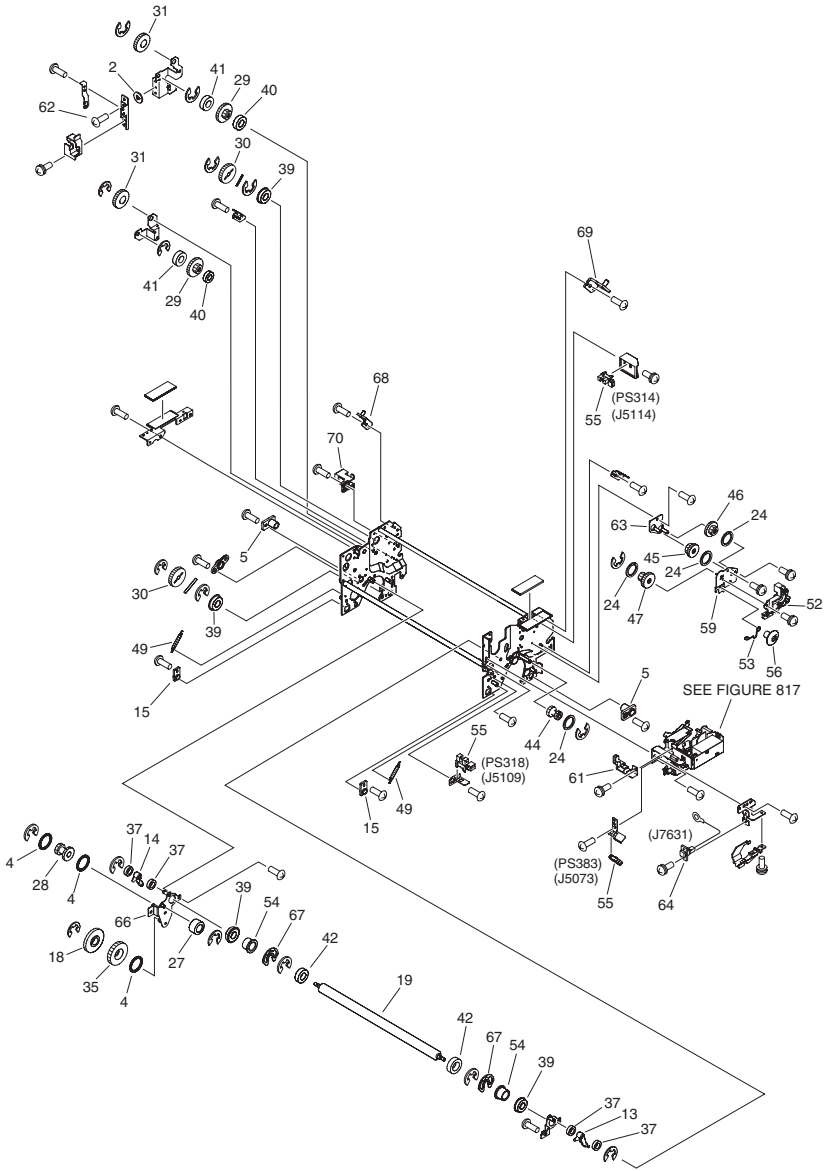
NOTE : This assembly does not include the parts shown with key No. 23 and 24.  
 注 : このユニットにKey No. 23, 24の部品は含まれません。

FIGURE & KEY NO.	PARTS NUMBER	R A N K	Q'TY	DESCRIPTION	SERIAL NUMBER/ REMARKS	S V C
Fig.854	FM2-9292-010		1	FIXING INTERMEDIATE ASS'Y, 2	208V	
Fig.854	FM3-0319-010		1	FIXING INTERMEDIATE ASS'Y, 2	240V	
1	FB4-3689-000		2	BUSHING	[DP]	
2	FC5-2715-000		2	RING, RETAINING		
3	FM3-0656-000		1	THERMOSWITCH UNIT	TP304 [DP]	
4	XG9-0419-000		2	BEARING, BALL, 6907ZZNRS1CS37	[DP]	
5	VS1-7177-003		1	CONNECTOR, SNAP TIGHT, BK		
6	FC6-8422-010		2	SCREW, FIXED, M4		
7	FC6-8516-000		2	RING, RETAINING		
8	FC7-0167-000		1	KEY, GEAR		
9	FU5-9224-000		2	SCREW, BH4X6(YELLOW)		
10	FM4-7099-000		1	53T GEAR ASSEMBLY		
11	FK4-0075-000		1	HEATER, HALOGEN	200V,208V H300	
11	FK4-0060-000		1	HEATER, HALOGEN	240V H300	
12	FK3-0821-000		1	THERMISTOR	THM309 [DP]	
13	FK2-3160-000		1	THERMISTOR	THM306 [DP]	
14	FM2-2302-000		1	CABLE, DRAWER, 1		
15	FM2-7703-000		1	FIXING INNER DRIVER PCB ASS'Y		
16	FL3-6096-000		1	ROLLER, FIXING	[DP]	
17	FU6-0336-000		1	GEAR, 86T		
18	VS1-7177-002		1	CONNECTOR, SNAP TIGHT, BK		
19	VS1-7177-004		1	CONNECTOR, SNAP TIGHT, BK		
20	VS1-7177-006		1	CONNECTOR, SNAP TIGHT, BK		
21	FL2-7834-000		1	COVER, FIXING, RIGHT		
22	VS1-7177-005		1	CONNECTOR, SNAP TIGHT, BK		
23	FL2-6335-000		1	CONNECTOR, SHORT	SEE NOTE	
24	FL2-8544-000		1	CONNECTOR, SHORT	SEE NOTE JP,US,CA,LTN	
24	FL2-8546-000		1	CONNECTOR, SHORT	SEE NOTE EUR,AU,LTN	
25	XA9-1932-000		3	SCREW, W/WASHER, M3X6		
26	FC7-5759-000		1	RETAINER, BEARING, REAR,1		
27	FC7-5757-000		1	RETAINER, BEARING, FRONT,1		
28	XA9-0679-000		2	SCREW, MACH., FLAT HEAD, M3X4		

FIGURE & KEY NO.	PARTS NUMBER	R A N K	Q'TY	DESCRIPTION	SERIAL NUMBER/ REMARKS	S V C
29	FC7-5758-000		1	RETAINER, BEARING, FRONT, 2		
30	FC7-5760-000		1	RETAINER, BEARING, REAR, 2		



# FIGURE 855 SECOND FIXING ASSEMBLY, UPPER



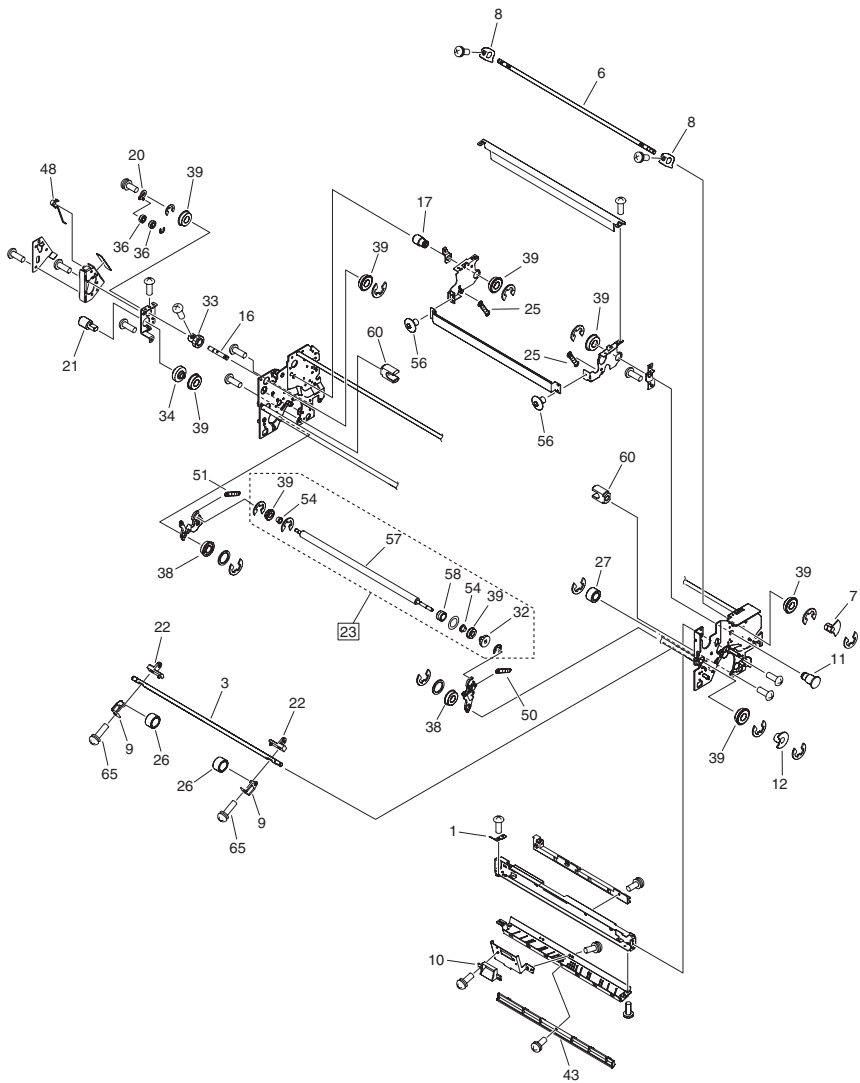
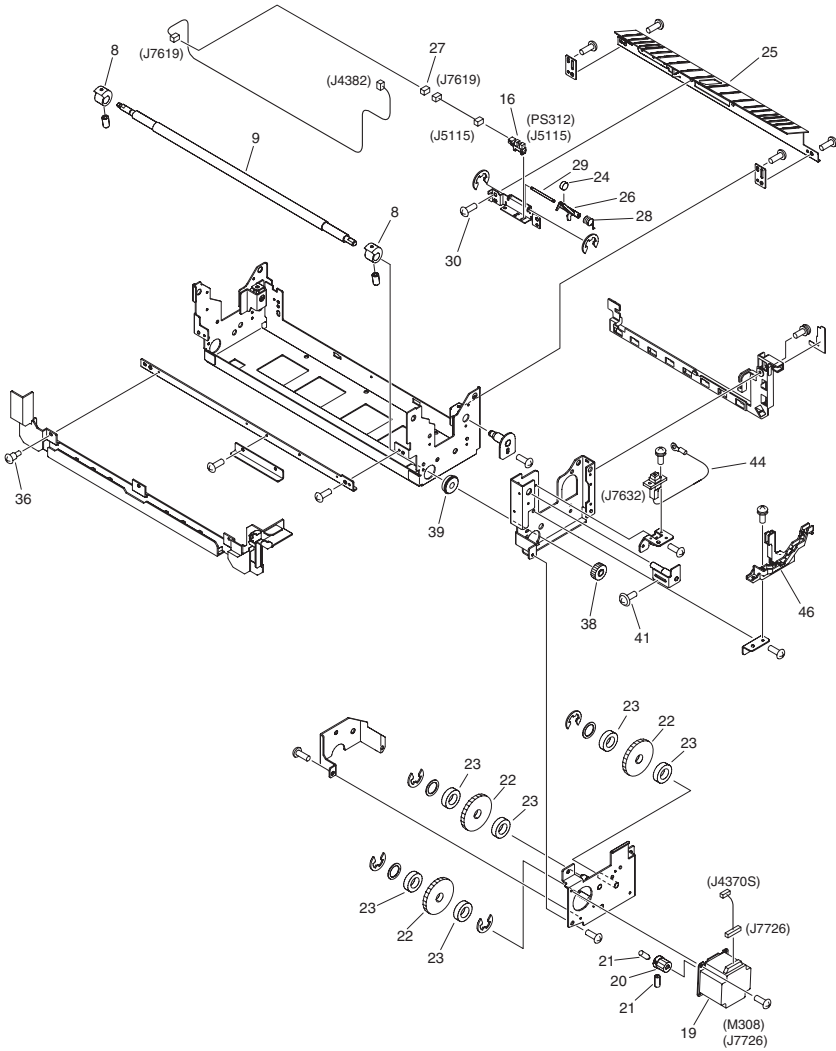


FIGURE & KEY NO.	PARTS NUMBER	R A N K	Q'TY	DESCRIPTION	SERIAL NUMBER/ REMARKS	S V C
Fig.855	NPN		RF	SECOND FIXING ASSEMBLY, UPPER		
1	FB3-7543-000		1	PLATE, STATIC CHARGE ELI.		
2	FC2-2121-000		1	WASHER		
3	FC5-8932-000		1	SHAFT, ROLL PRESSURE		
4	FC5-9014-000		3	WASHER		
5	FC6-0202-000		2	HOLDER, PIN, RIGHT		
6	FC6-0235-000		1	SHAFT, HEAT PRESSURE		
7	FC6-0237-010		1	FLAG, EXTERNAL HEATING H.P. DE		
8	FC6-0238-010		2	CAM, EXTERNAL HEATING DESORPTI		
9	FL2-2765-000		2	ARM, ROLLER		
10	FC6-0241-000		1	COVER, NC		
11	FC6-0253-000		1	SHAFT, ROLL DESORPTION TURN, F		
12	FC6-0255-000		1	FLAG, CLEAN ROLL, SENSOR		
13	FC6-2071-000		1	ARM, ROLLER ESTRANGEMENT, FR.		
14	FC6-2072-000		1	ARM, ROLLER ESTRANGEMENT, REAR		
15	FC6-8440-000		2	HOLDER, PIN, 8 X 10		
16	FC8-6863-000		1	SHAFT, TRANSMISSION		
17	FC6-8522-000		1	SHAFT, ROLL DESORPTION TURN, R		
18	FC6-8576-000		1	SPACER, INNER DELIVERY, SECOND		
19	FC7-0169-000		1	ROLLER		
20	FL3-0555-000		1	PLATE, LOCK		
21	FC7-4913-000		1	DAMPER, ONE-WAY		
22	FC7-4948-000		2	PLATE, ROLL RETAINING		
23	FM3-1648-000		1	ROLLER, REFRESH	[DP]	
24	FS5-6488-000		4	WASHER		
25	FU5-2867-010		2	SPRING, TENSION		
26	FU5-6248-000		2	ROLLER		
27	FU5-6249-000		2	ROLLER		
28	FU6-0332-000		1	GEAR, 22T/30T		
29	FU6-0335-000		2	GEAR, 20T/46T		
30	FU6-0358-000		2	GEAR, 40T		
31	FU6-0409-000		2	GEAR, 38T		

FIGURE & KEY NO.	PARTS NUMBER	R A N K	Q'TY	DESCRIPTION	SERIAL NUMBER/ REMARKS	S V C
32	FU6-0455-000		1	GEAR, 17T		
33	FU7-0143-000		1	GEAR, 14T		
34	FU7-0144-000		1	GEAR, 28T		
35	FU7-0149-000		1	GEAR, 23T		
36	FU5-6256-000		2	ROLLER		
37	XG9-0217-000		4	BALL BEARING, NSK MR106ZZ1MC4E		
38	XG9-0350-000		2	BALL BEARING, NSK MF106ZZ D4M		
39	XG9-0365-000		13	BEARING, BALL		
40	XG9-0691-000		2	BEARING,BALL, L1280ZZP0P25LY13		
41	XG9-0387-000		2	BEARING, BALL, L-1680HH LY13		
42	XG9-0491-000		2	BEARING, BALL, NSK P0 16MM		
43	FC7-7526-000		1	GUIDE, ENTRANCE UP., SMALL		
44	FU6-0466-000		1	GEAR, 16T/20T		
45	FU6-0467-000		1	GEAR, 20T/27T		
46	FU6-0468-000		1	GEAR, 17T/31T		
47	FU6-0469-010		1	GEAR, 16T/31T		
48	FC8-6861-000		1	SPRING, TORSION		
49	FU6-2557-010		2	SPRING, TENSION		
50	FU6-2558-010		1	SPRING, TENSION		
51	FU6-2559-010		1	SPRING, TENSION		
52	FC7-7044-000		1	GUIDE, MAIN HEATER, FRONT		
53	FC7-7046-000		1	SPRING, TORSION		
54	FC7-0175-000		4	BUSHING		
55	FK2-0149-000		3	PHOTO-INTERRUPTER, TLP1252(C6)	PS314,PS318,PS383	
56	FS1-9078-020		3	SCREW,STEPPED,M4		
57	FL2-6048-000		1	ROLLER, REFRESH		
58	FU6-2560-000		1	SPRING, COMPRESSION		
59	FL3-0548-000		1	PLATE, GEAR FIXED, SMALL		
60	FC6-8421-000		2	SUPPORT, BEARING		
61	FC7-4634-000		1	GUIDE, CABLE		
62	FU5-9224-000		1	SCREW, BH4X6(YELLOW)		
63	FL2-7124-000		1	SUPPORT, GEAR		

FIGURE & KEY NO.	PARTS NUMBER	RANK	Q'TY	DESCRIPTION	SERIAL NUMBER/REMARKS	SVC
64	FM2-8699-000		1	CABLE, FIXING HEATER		
65	FU5-9235-000		2	SCREW, WWASHER, M4X14		
66	FL2-2208-000		1	MOUNT, PAPER DELIVERY IDLER, 2		
67	FB6-6088-000		2	RING, RETAINING		
68	FL2-2200-000		1	SUPPORT, CROSSMEMBER, REAR		
69	FL2-2201-000		1	SUPPORT, CROSSMEMBER, FRONT		
70	FC7-4635-000		1	GUIDE, DRAWER CABLE		

# FIGURE 856 SECOND FIXING ASSEMBLY, LOWER



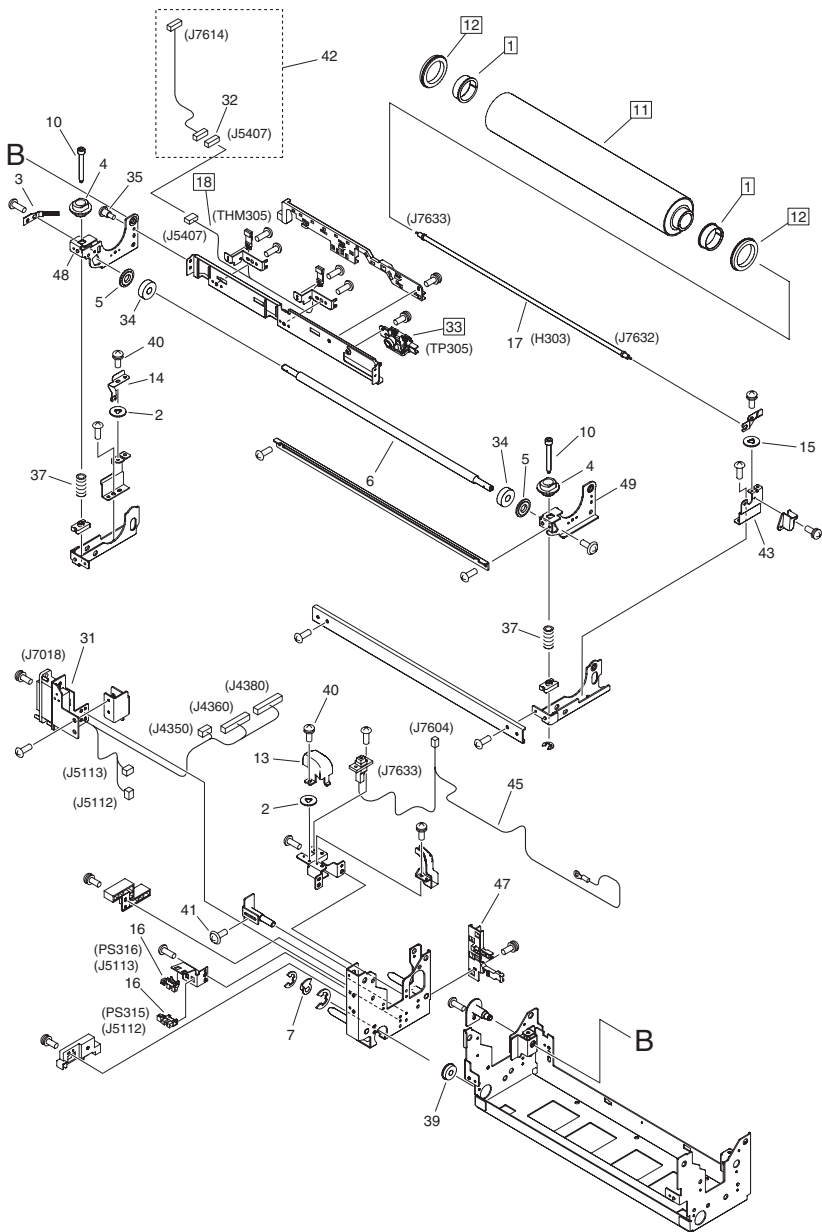


FIGURE & KEY NO.	PARTS NUMBER	RANK	Q'TY	DESCRIPTION	SERIAL NUMBER/REMARKS	SVC
Fig.856	NPN		RF	SECOND FIXING ASSEMBLY, LOWER		
1	FB6-6519-000		2	BUSHING	[DP]	
2	FC2-2121-000		2	WASHER		
3	FB3-7543-000		1	PLATE, STATIC CHARGE ELI.		
4	FC6-0297-000		2	SPACER, PRESSURE		
5	FC6-0383-000		2	SPACER, CAM SHAFT		
6	FC6-0407-000		1	SHAFT, CAM, UPPER		
7	FC6-0416-000		1	FLAG, PRESSURE CAM DETECT, 2		
8	FC6-0417-000		2	CAM, PRESSURE		
9	FC6-0418-000		1	SHAFT, PRESSURE CAM, 2		
10	FC0-2218-000		2	SCREW, ADJUSTING, M6		
11	FC9-6116-000		1	ROLLER, PRESSURE	[DP]	
12	XG9-0378-000		2	BEARING, BALL, 6807ZZL1NSRS1C4	[DP]	
13	FC7-3441-000		1	COVER, CONNECTOR, 2 LOWER REAR		
14	FC7-3450-000		1	SPRING, HEATER MOUNTING, LOWER		
15	FC7-3480-000		1	WASHER, M3 RETAINING		
16	FK2-0149-000		3	PHOTO-INTERRUPTER, TLP1252(C6)	PS312,PS315,PS316	
17	FK4-0061-000		1	HEATER, HALOGEN	200V,208V H303	
17	FK4-0062-000		1	HEATER, HALOGEN	240V H303	
18	FK3-0822-000		1	THERMISTOR	THM305 [DP]	
19	FK2-3132-000		1	MOTOR, STEPPING, DC	M308	
20	FU6-0356-000		1	GEAR, 14T		
21	XA9-0934-000		2	SETSCREW,M3X6		
22	FU6-0354-000		3	GEAR, 53T/20T		
23	XG9-0177-000		6	BALL BEARING, NMB DDL-1480ZZR		
24	FB6-3150-000		1	ROLLER, TRANSFER SENSOR		
25	FC5-2321-000		1	GUIDE, ENTRANCE		
26	FC5-5145-000		1	FLAG, FIXING ENTRANCE SENSOR		
27	VS1-7177-003		1	CONNECTOR, SNAP TIGHT, BK		
28	FU6-2563-000		1	SPRING, TORSION		
29	FU5-4170-000		1	SHAFT, FIXING ENTRANCE SENSOR		
30	XA9-1035-000		2	SCREW,M4X4		



FIGURE & KEY NO.	PARTS NUMBER	R A N K	Q'TY	DESCRIPTION	SERIAL NUMBER/ REMARKS	S V C
31	FM2-2308-010		1	CABLE, DRAWER, 3	TP305 [DP]	
32	VS1-7177-006		1	CONNECTOR, SNAP TIGHT, BK		
33	FM3-0655-000		1	SWITCH, PRESSURE ROLLER THERMO		
34	XG9-0304-000		2	BALL BEARING,NMB		
35	FS1-9009-020		2	TWO-STEP SCREW, M3		
36	FS1-9010-020		3	SCREW, STEPPED, M3		
37	FU5-2934-000		2	SPRING, COMPRESSION		
38	FU6-0357-000		1	GEAR, 21T		
39	XG9-0013-000		2	BALL BEARING, NSK 608ZZNRM3		
40	FU5-9225-000		2	SCREW, W/WASHER, M4X10(YELLOW)		
41	FU5-9230-000		2	SCREW, TP, M4X8(YELLOW)		
42	FM2-8738-000		1	CABLE, FUSER BELT THERMISTOR,2		
43	FC7-3447-000		1	SUPPORT, HEATER, 2 LOWER FRONT		
44	FM2-8698-000		1	CABLE, FIXING BELT HEATER		
45	FM2-8704-000		1	CABLE, FIXING BELT HEATER		
46	FC7-4947-000		1	GUIDE, HEATER CABLE, 2 LW. FR.		
47	FC6-3371-000		1	GUIDE, THERMISTOR CABLE, 2		
48	FL2-2218-000		1	ARM, ROLLER PRESSURE, REAR		
49	FL2-2219-000		1	ARM, ROLLER PRESSURE, FRONT		

# FIGURE 890 FIRST FIXING MOUNT ASSEMBLY

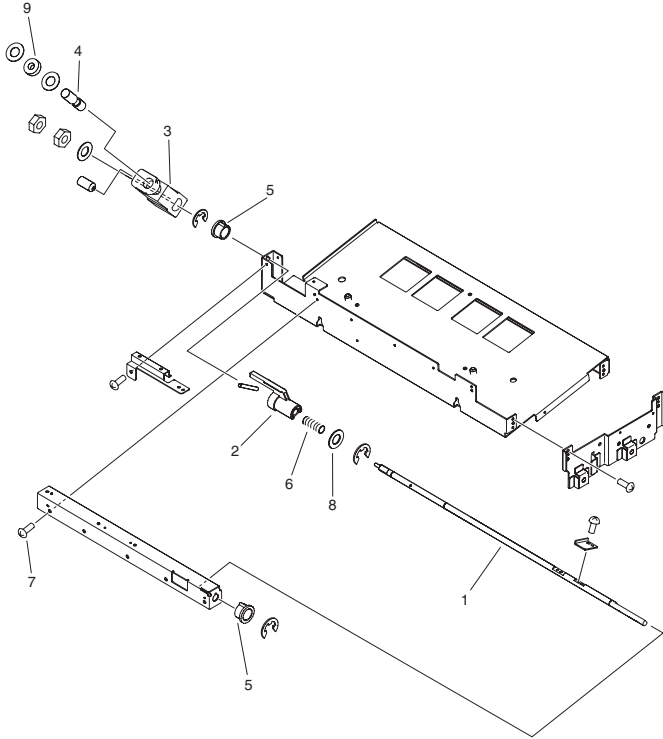


FIGURE & KEY NO.	PARTS NUMBER	RANK	Q'TY	DESCRIPTION	SERIAL NUMBER/REMARKS	SVC
Fig.890	FM2-2205-010		1	FIRST FIXING MOUNT ASSEMBLY		
1	FC6-0265-000		1	SHAFT, HANDLE, 1		
2	FC6-8190-000		1	GUIDE, HANDLE LOCK		
3	FC7-3091-000		1	GUIDE, FIXING EXTRACTION		
4	FC7-3092-010		1	SHAFT, FIXING EXTRACTION		
5	FU5-1327-000		2	BUSHING		
6	FU5-2994-000		1	SPRING, COMPRESSION		
7	XA9-1035-000		3	SCREW,M4X4		
8	XD9-0150-000		1	WASHER, PLAIN		
9	XG9-0384-000		1	BEARING, BALL,DDR198022LY13		

# FIGURE 891 SECOND FIXING MOUNT ASSEMBLY

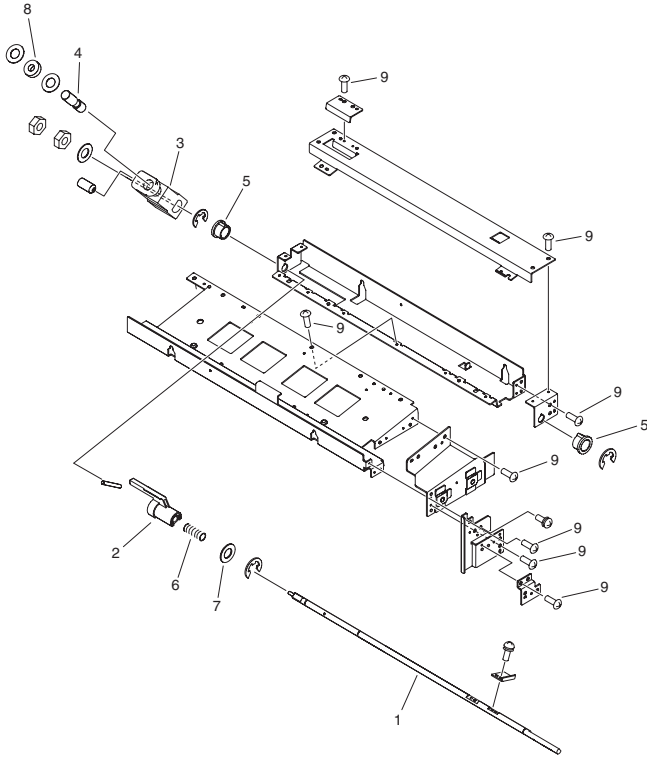


FIGURE & KEY NO.	PARTS NUMBER	R A N K	Q'TY	DESCRIPTION	SERIAL NUMBER/ REMARKS	S V C
Fig.891	FM2-2206-000		1	SECOND FIXING MOUNT ASSEMBLY		
1	FC6-0265-000		1	SHAFT, HANDLE, 1		
2	FC6-8190-000		1	GUIDE, HANDLE LOCK		
3	FC7-3091-000		1	GUIDE, FIXING EXTRACTION		
4	FC7-3092-010		1	SHAFT, FIXING EXTRACTION		
5	FU5-1327-000		2	BUSHING		
6	FU5-2994-000		1	SPRING, COMPRESSION		
7	XD9-0150-000		1	WASHER, PLAIN		
8	XG9-0384-000		1	BEARING, BALL,DDR198022LY13		
9	XA9-1035-000		AR	SCREW,M4X4		

# FIGURE 892 LOCK SENSING ASSEMBLY, 1

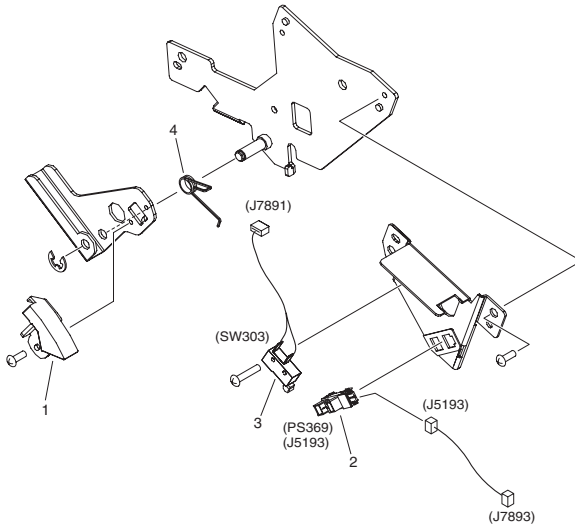


FIGURE & KEY NO.	PARTS NUMBER	RANK	Q'TY	DESCRIPTION	SERIAL NUMBER/REMARKS	SVC
Fig.892	FM2-2207-000		1	LOCK SENSING ASSEMBLY, 1		
1	FC7-7057-000		1	FLAG, LOCK SENSOR		
2	FK2-0149-000		1	PHOTO-INTERRUPTER, TLP1252(C6)	PS369	
3	FM2-8509-000		1	CABLE, SWITCH	SW303	
4	FC7-7063-000		1	SPRING, TORSION		

# FIGURE 893 LOCK SENSING ASSEMBLY, 2

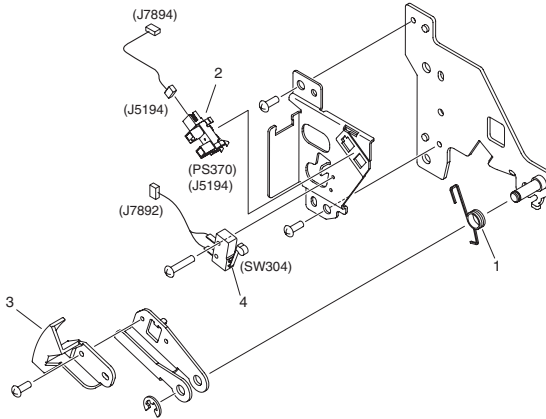
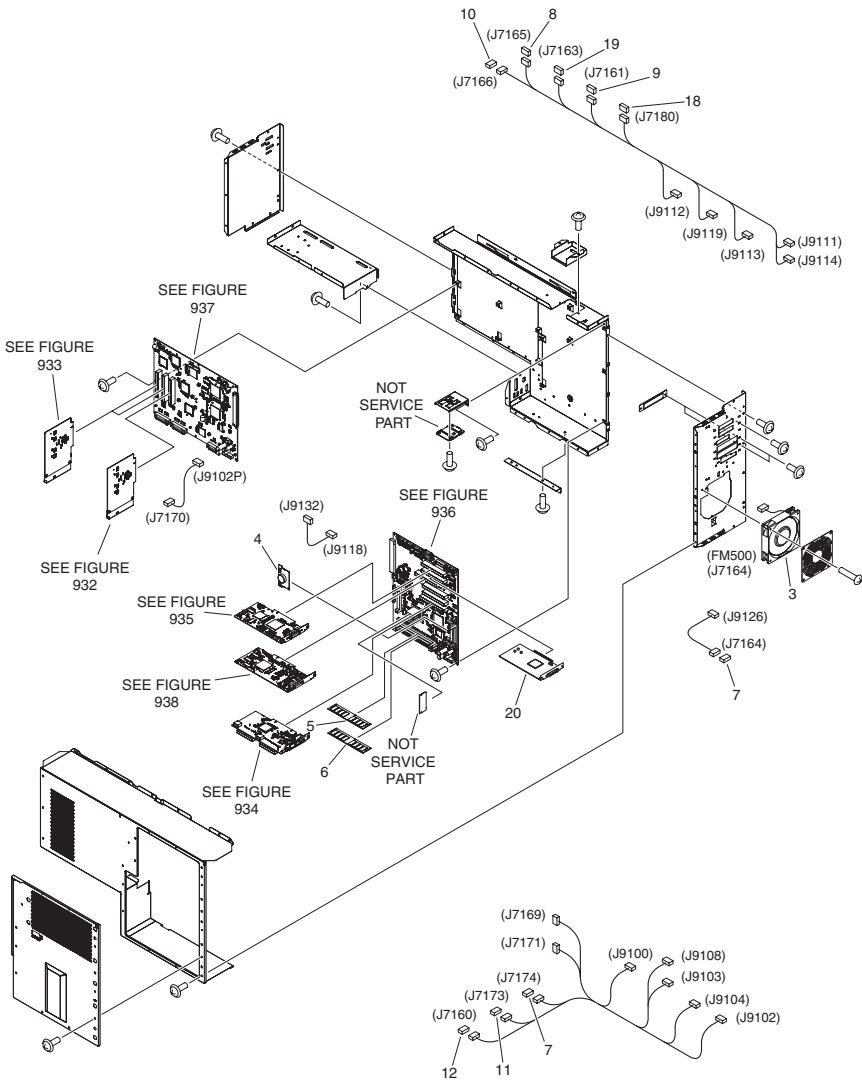


FIGURE & KEY NO.	PARTS NUMBER	RANK	Q'TY	DESCRIPTION	SERIAL NUMBER/REMARKS	SVC
Fig.893	FM2-2208-000		1	LOCK SENSING ASSEMBLY, 2		
1	FC7-7499-000		1	SPRING, TORSION		
2	FK2-0149-000		1	PHOTO-INTERRUPTER, TLP1252(C6)	PS370	
3	FC7-7057-000		1	FLAG, LOCK SENSOR		
4	FM2-8509-000		1	CABLE, SWITCH	SW304	

# FIGURE 900 CONTROLLER BOX ASSEMBLY





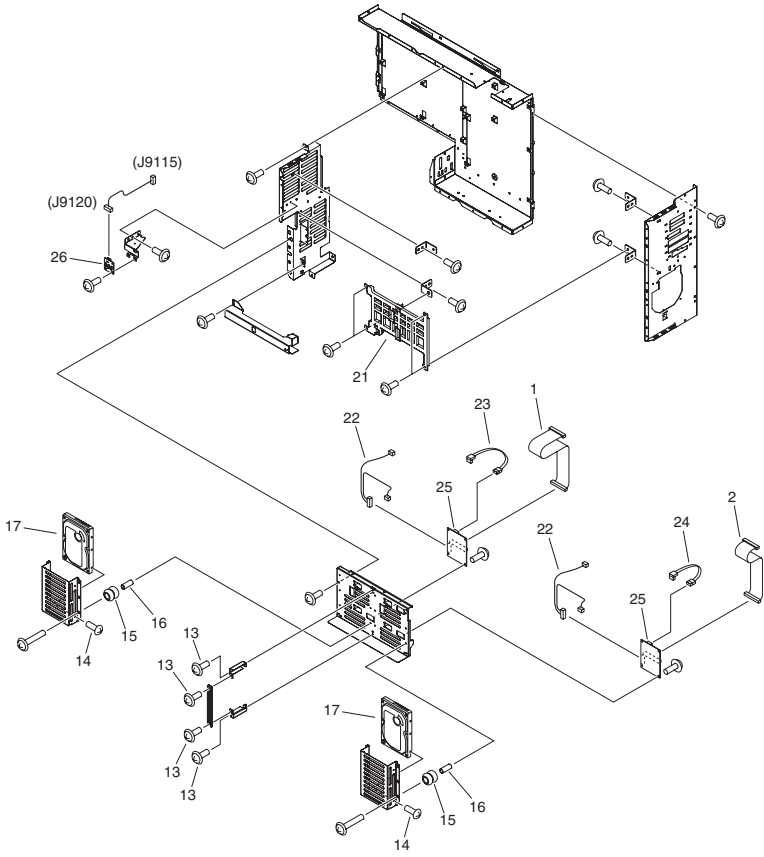


FIGURE & KEY NO.	PARTS NUMBER	RANK	Q'TY	DESCRIPTION	SERIAL NUMBER/REMARKS	SVC
Fig.900	NPN		RF	CONTROLLER BOX ASSEMBLY		
1	FK2-2892-000		1	CABLE, FLAT		
2	FK2-2887-000		1	CABLE, FLAT		
3	FK2-2888-000		1	FAN	FM500	
4	FM2-6040-000		1	SRAM BOARD PCB ASSEMBLY		
5	FM2-6211-000		1	DIMM, DD4333-S512MDJ-CA,SD-RAM		
6	FK2-8361-000		1	DIMM, SMD-1G48H6P-D, SDRAM		
7	VS1-7177-003		2	CONNECTOR, SNAP TIGHT, BK		
8	VS1-7173-008		1	CONNECTOR, SNAP TIGHT, 8P, W		
9	VS1-7177-002		1	CONNECTOR, SNAP TIGHT, BK		
10	VS1-7177-004		1	CONNECTOR, SNAP TIGHT, BK		
11	VS1-7173-004		1	CONNECTOR, SNAP TIGHT		
12	VS1-7173-005		1	CONNECTOR, SNAP TIGHT		
13	XA9-1469-000		4	SCREW, TP,M3X6		
14	XA9-1911-000		8	SCREW, M3X5		
15	XH9-0149-000		12	DAMPER, CUSHION		
16	XZ1-1301-005		12	SPACER		
17	FK4-0993-000		2	HDD, WD1600AVCS-632DY1		
18	VS1-7177-009		1	CONNECTOR, 9P		
19	VS1-7177-010		1	CONNECTOR, 10P		
20	FM2-7360-000		1	OPEN INTERFACE BOARD PCB ASS'Y		
21	FC8-2993-000		1	GUIDE, CONTROLLER BOARD		
22	FK2-8214-000		2	CABLE, SATA POWER		
23	FK2-8215-000		1	CABLE, SATA SIGNAL		
24	FK2-8216-000		1	CABLE, SATA SIGNAL		
25	FM4-4383-000		2	PCB ASS'Y, PATA-SATA		
26	FM2-7822-000		1	SWITCH PCB ASSEMBLY		

# FIGURE 911 DC POWER SUPPLY ASS'Y, 12V

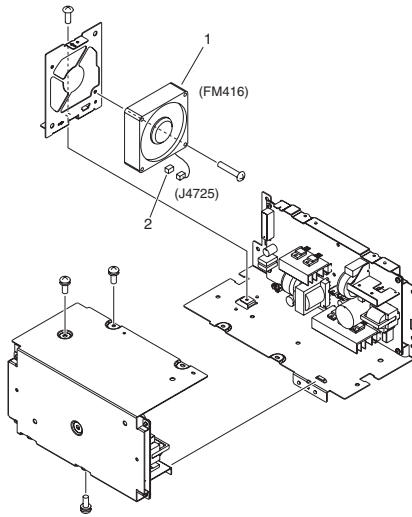


FIGURE & KEY NO.	PARTS NUMBER	RANK	Q'TY	DESCRIPTION	SERIAL NUMBER/REMARKS	SVC
Fig.911	FM4-2569-000		1	DC POWER SUPPLY ASS'Y, 12V		
1	FK2-0360-000		1	FAN	FM416	
2	VS1-7177-003		1	CONNECTOR, SNAP TIGHT, BK		

# FIGURE 912 DC POWER SUPPLY ASS'Y, 24V-1

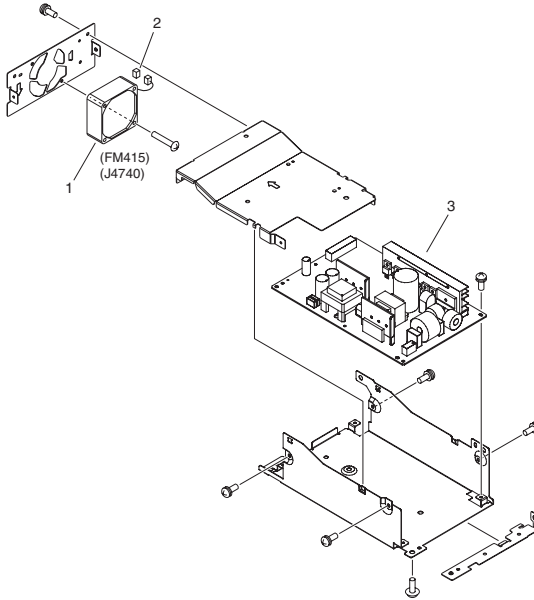


FIGURE & KEY NO.	PARTS NUMBER	RANK	Q'TY	DESCRIPTION	SERIAL NUMBER/REMARKS	SVC
Fig.912	FM4-2568-000		1	DC POWER SUPPLY ASS'Y, 24V-1		
1	FK2-6484-000		1	FAN	FM415	
2	VS1-7177-003		1	CONNECTOR, SNAP TIGHT, BK		
3	FK2-6447-000		1	DC POWER SUPPLY PCB ASSEMBLY		

# FIGURE 913 DC POWER SUPPLY ASS'Y, 24V-2

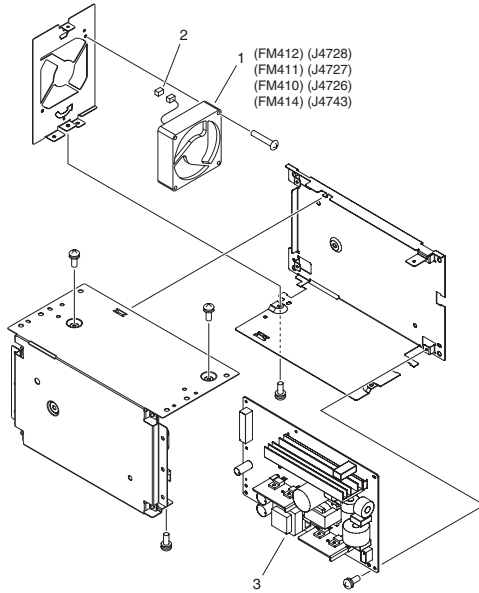


FIGURE & KEY NO.	PARTS NUMBER	RANK	Q'TY	DESCRIPTION	SERIAL NUMBER/REMARKS	SVC
Fig.913	FM3-2552-000		4	DC POWER SUPPLY ASS'Y, 24V-2		
1	FK2-6818-000		1	FAN	FM410,FM411,FM412,FM414	
2	VS1-7177-003		1	CONNECTOR, SNAP TIGHT, BK		
3	FK2-6447-000		2	DC POWER SUPPLY PCB ASSEMBLY		

# FIGURE 930 DC CONTROLLER ASSEMBLY

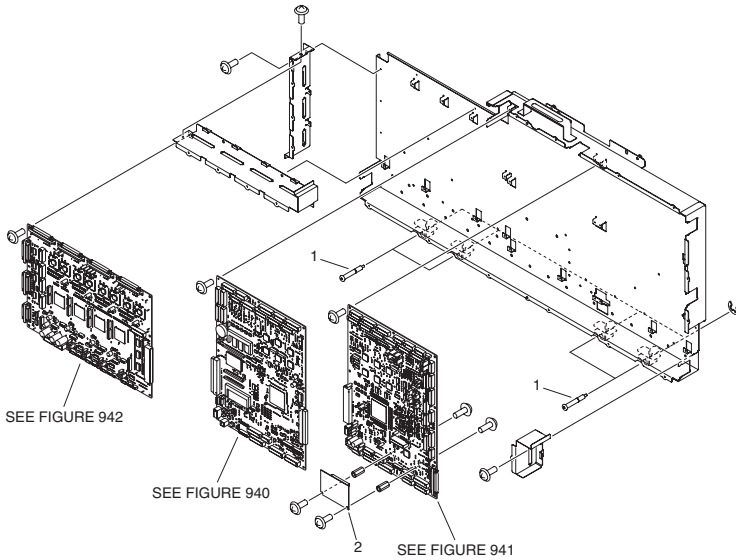


FIGURE & KEY NO.	PARTS NUMBER	RANK	QTY	DESCRIPTION	SERIAL NUMBER/REMARKS	SVC
Fig.930	NPN		RF	DC CONTROLLER ASSEMBLY		
1	FU5-9219-000		4	SCREW, STEPPED, M4		
2	FM4-6238-000		1	FUNCTION EXPANSION PCB ASS'Y		

# FIGURE 932 DRM PCB ASSEMBLY, 256

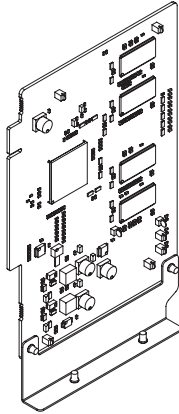


FIGURE & KEY NO.	PARTS NUMBER	RANK	Q'TY	DESCRIPTION	SERIAL NUMBER/REMARKS	SVC
Fig.932	FM2-2281-000		1	DRM PCB ASSEMBLY, 256		
IC	FK2-0913-000		1	IC, L7A1911, STANDARD CELL	IC1	

# FIGURE 933 DRM PCB ASSEMBLY, 512

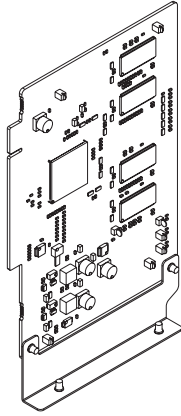


FIGURE & KEY NO.	PARTS NUMBER	RANK	QTY	DESCRIPTION	SERIAL NUMBER/REMARKS	SVC
Fig.933	FM2-2282-000		2	DRM PCB ASSEMBLY, 512		
IC	FK2-0913-000		1	IC, L7A1911, STANDARD CELL	IC1	



# FIGURE 934 LAN-BAR-B PCB ASSEMBLY

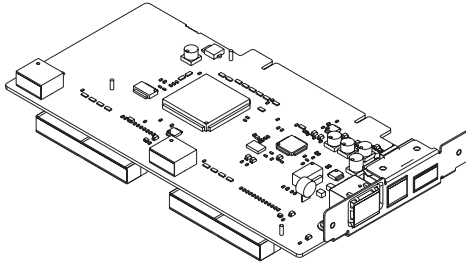


FIGURE & KEY NO.	PARTS NUMBER	RANK	Q'TY	DESCRIPTION	SERIAL NUMBER/REMARKS	SVC
Fig.934	FM2-2284-000		1	LAN-BAR-B PCB ASSEMBLY		
IC	FH4-6214-000		1	IC, TC240E4804AF-42,GATE ARRAY	IC1	

# FIGURE 935 RO-B PCB ASSEMBLY

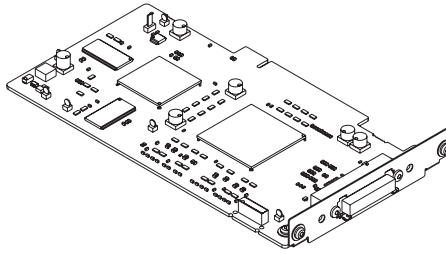


FIGURE & KEY NO.	PARTS NUMBER	RANK	QTY	DESCRIPTION	SERIAL NUMBER/REMARKS	SVC
Fig.935	FM2-7430-000		1	RO-B PCB ASSEMBLY		
IC	FH4-6237-000		1	IC,UPD800607S1,STANDARD CELL	IC1	
IC	FH4-6241-000		1	IC,PD800028S1-011-F6-A,	IC6	

# FIGURE 936 MAIN CONTROLLER PCB ASS'Y, M

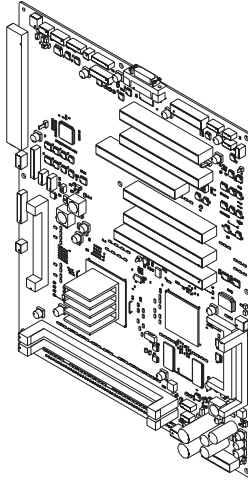


FIGURE & KEY NO.	PARTS NUMBER	RANK	Q'TY	DESCRIPTION	SERIAL NUMBER/REMARKS	SVC
Fig.936	FM2-7814-000		1	MAIN CONTROLLER PCB ASS'Y, M		
IC	FH4-6243-000		1	IC, L7A1860, STANDARD CELL	IC2	
IC	FH4-6300-000		1	IC, M38871M2-010GP, MCU	IC13	
IC	FH4-6302-000		1	IC,S1L50552F32L000,ASIC	IC45	
IC	FK2-2901-000		1	IC,T8K21DXBG-8, STANDARD CELL	IC1	

# FIGURE 937 MAIN CONTROLLER PCB ASS'Y, P

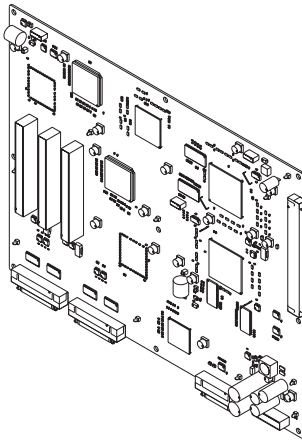


FIGURE & KEY NO.	PARTS NUMBER	RANK	Q'TY	DESCRIPTION	SERIAL NUMBER/REMARKS	S V C
Fig.937	FM2-7815-000		1	MAIN CONTROLLER PCB ASS'Y, P		
IC	FH4-6235-000		2	IC,UPD800606S1, STANDARD CELL	IC1,IC4	
IC	FH4-6248-000		2	IC,HG76C026HFV,STANDARD CELL	IC8,IC9	
IC	FH4-6274-000		1	IC,HG76CS033BPV,STANDARD CELL	IC7	
IC	FK2-0912-000		2	IC, HG76CS037AHFV,	IC10,IC11	
IC	FK2-0913-000		1	IC, L7A1911, STANDARD CELL	IC12	

# FIGURE 938 S-B PCB ASSEMBLY

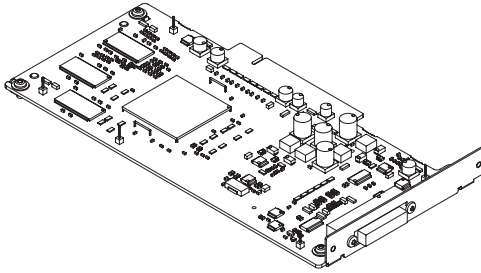


FIGURE & KEY NO.	PARTS NUMBER	RANK	Q'TY	DESCRIPTION	SERIAL NUMBER/REMARKS	SVC
Fig.938	FM2-9076-000		1	S-B PCB ASSEMBLY		
IC	FH4-6239-000		1	IC,UPD800008S1-011-F6-A	IC1	

# FIGURE 940 DC CONTROLLER PCB 1-1 ASSEMBLY

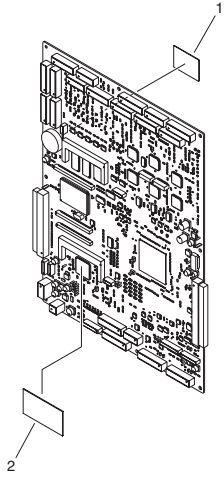


FIGURE & KEY NO.	PARTS NUMBER	RANK	Q'TY	DESCRIPTION	SERIAL NUMBER/REMARKS	SVC
Fig.940	FM4-6267-010		1	DC CONTROLLER PCB 1-1 ASSEMBLY		
1	FB4-1494-000		1	SHEET, PROTECTIVE		
2	FM2-8301-000		1	DIMM ASS'Y		
IC	FK2-2709-000		1	IC,PD85806N7-011-H6-A	IC109	

# FIGURE 941 DC CONTROLLER PCB 1-2 ASSEMBLY

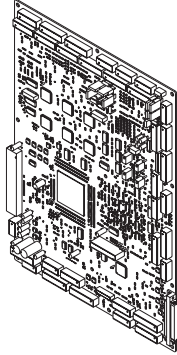


FIGURE & KEY NO.	PARTS NUMBER	RANK	Q'TY	DESCRIPTION	SERIAL NUMBER/REMARKS	SVC
Fig.941	FM4-6237-000		1	DC CONTROLLER PCB 1-2 ASSEMBLY		
IC	FK2-2709-000		1	IC,PD85806N7-011-H6-A	IC129	

# FIGURE 942 DC CONTROLLER PCB 1-3 ASSEMBLY

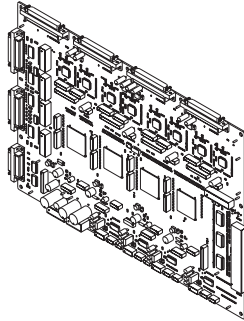


FIGURE & KEY NO.	PARTS NUMBER	RANK	Q'TY	DESCRIPTION	SERIAL NUMBER/REMARKS	S V C
Fig.942	FM2-7687-000		1	DC CONTROLLER PCB 1-3 ASSEMBLY		
IC	FK2-0104-000		8	IC, PM1100G, PWM	IC191,IC192,IC291,IC292, IC391,IC392,IC491,IC492	
IC	FK2-2046-000		4	IC, MB87Q1282PB-GE1,	IC5001,IC5002,IC5003,IC 5004	



# FIGURE 960 V.PATH/L.FEED DRIVER PCB ASS'Y

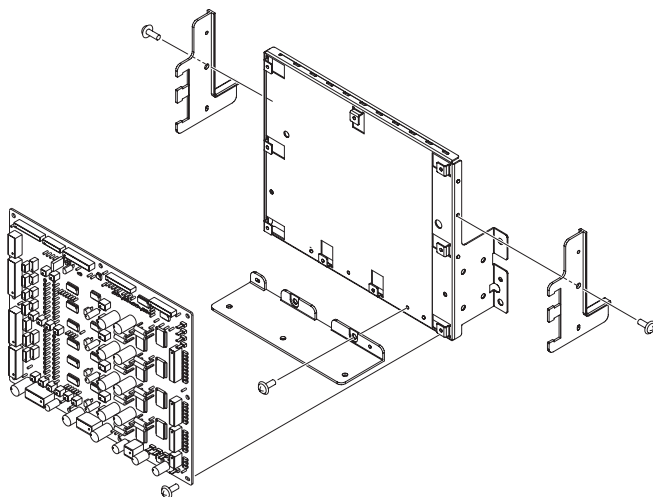
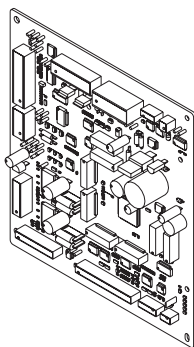


FIGURE & KEY NO.	PARTS NUMBER	RANK	Q'TY	DESCRIPTION	SERIAL NUMBER/REMARKS	SVC
Fig.960	FM4-7132-000		1	V.PATH/L.FEED DRIVER PCB ASS'Y		

# FIGURE 962 PAPER PICK-UP DRIVER PCB ASS'Y



NOTE : This assembly is included in the assembly shown in Figure 190.  
 注 : このユニットはFigure 190のユニットに含まれます。

FIGURE & KEY NO.	PARTS NUMBER	RANK	Q'TY	DESCRIPTION	SERIAL NUMBER/REMARKS	SVC
Fig.962	FM2-7627-000		2	PAPER PICK-UP DRIVER PCB ASS'Y	SEE NOTE	
IC	FK2-1773-000		1	IC.TC200GO2EFG-1031,GATE ARRAY	IC104	

# FIGURE 964 DRUM DRIVER PCB ASSEMBLY

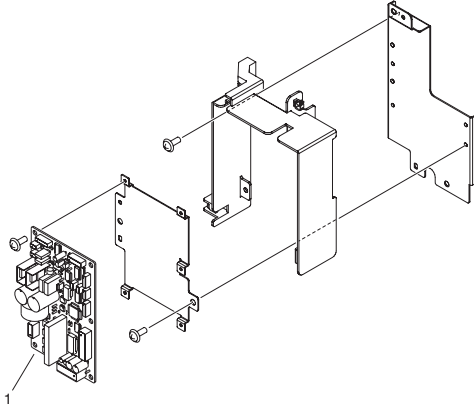


FIGURE & KEY NO.	PARTS NUMBER	RANK	Q'TY	DESCRIPTION	SERIAL NUMBER/REMARKS	SVC
Fig.964	NPN		RF	DRUM DRIVER PCB ASSEMBLY		
1	FM4-6245-000		4	DRUM DRIVE DRIVER PCB ASSEMBLY		

# FIGURE 965 FEED DRIVER PCB ASSEMBLY

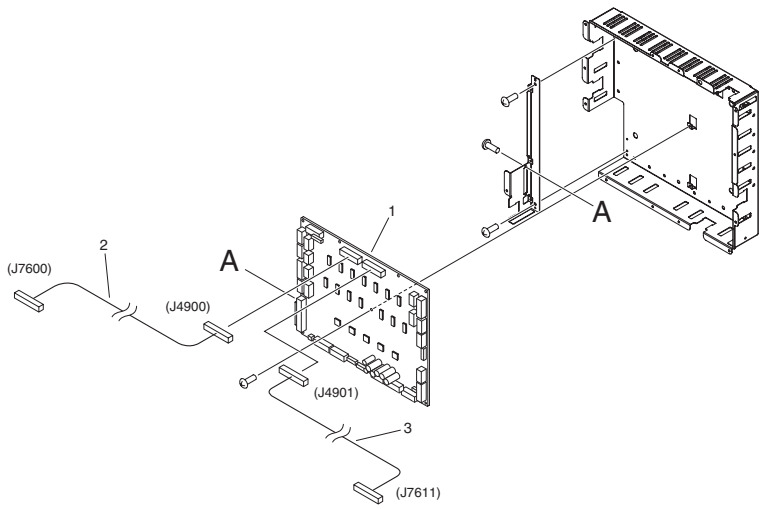
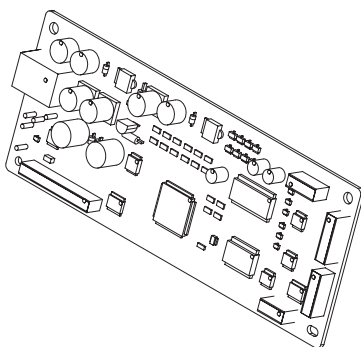


FIGURE & KEY NO.	PARTS NUMBER	RANK	Q'TY	DESCRIPTION	SERIAL NUMBER/REMARKS	SVC
Fig.965	NPN		RF	FEED DRIVER PCB ASSEMBLY		
1	FM2-8313-000		1	FIXING DUPLEX FEED PCB ASSY		
2	FM3-4695-000		1	CABLE, MOTOR, LEFT		
3	FM3-4696-000		1	CABLE, MOTOR, RIGHT		
IC	FK2-1773-000		5	IC,TC200GO2EFG-1031,GATE ARRAY	IC173,IC174,IC175,IC176, IC177	

# FIGURE 970 COLOR SENSOR DRIVER PCB ASS'Y



NOTE : This assembly is included in the assembly shown in Figure 354.  
注：このユニットはFigure 354のユニットに含まれます。

FIGURE & KEY NO.	PARTS NUMBER	RANK	Q'TY	DESCRIPTION	SERIAL NUMBER/REMARKS	SVC
Fig.970	FM2-7733-000		2	COLOR SENSOR DRIVER PCB ASS'Y	SEE NOTE	
IC	FK2-1773-000		1	IC,TC200GO2EFG-1031,GATE ARRAY	IC14	

# FIGURE 980 DEV./PRIMARY H.V. PCB ASSEMBLY

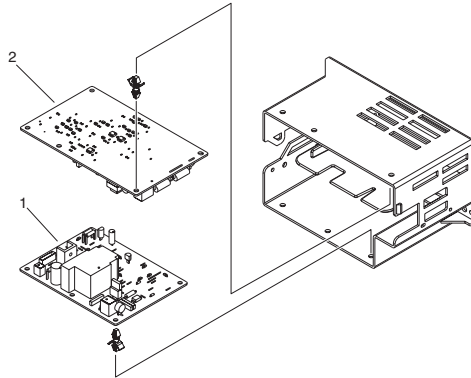


FIGURE & KEY NO.	PARTS NUMBER	RANK	QTY	DESCRIPTION	SERIAL NUMBER/REMARKS	SVC
Fig.980	NPN		RF	DEV./PRIMARY H.V. PCB ASSEMBLY		
1	FM4-6248-000		1	1ST CHARGE H.V. PCB ASSEMBLY		
2	FM4-6249-000		1	DEV. HIGH VOLTAGE PCB ASSEMBLY		

# FIGURE 981 2ND TRNSFR. H.V. PCB ASSEMBLY

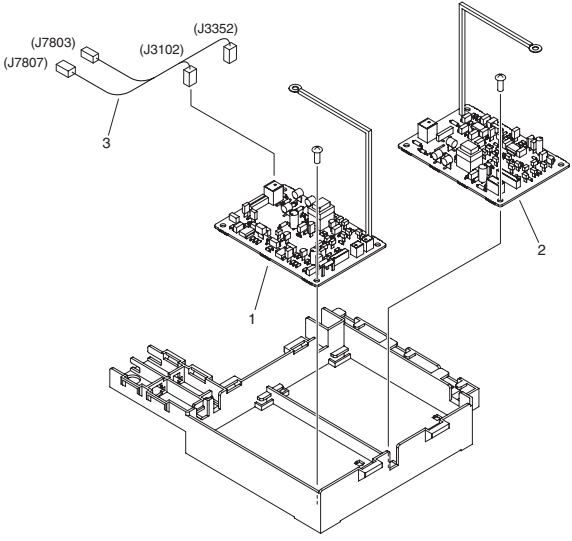
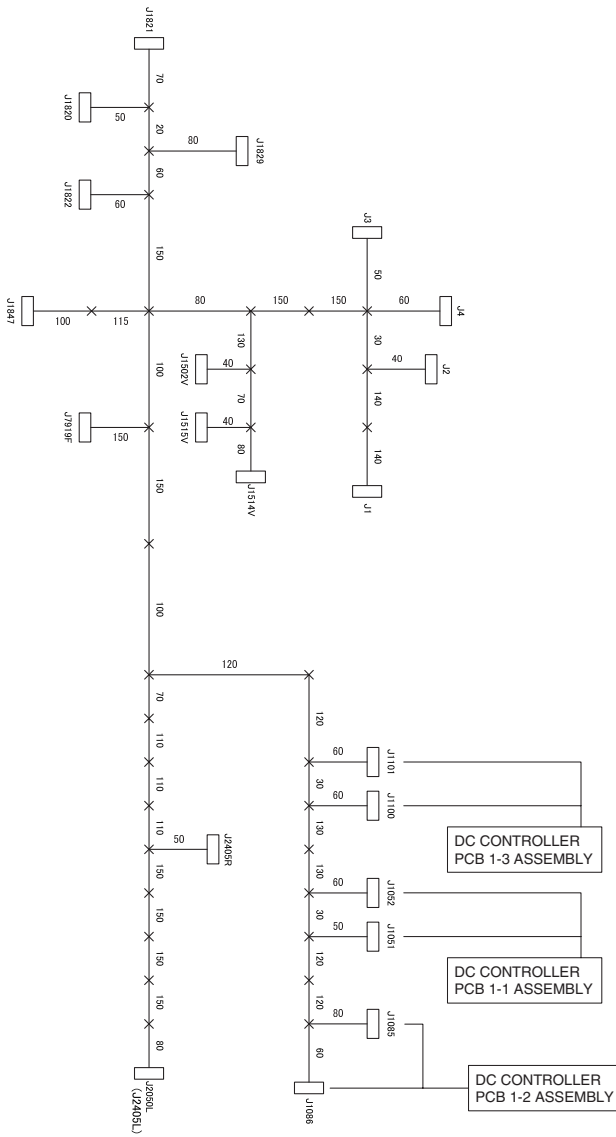


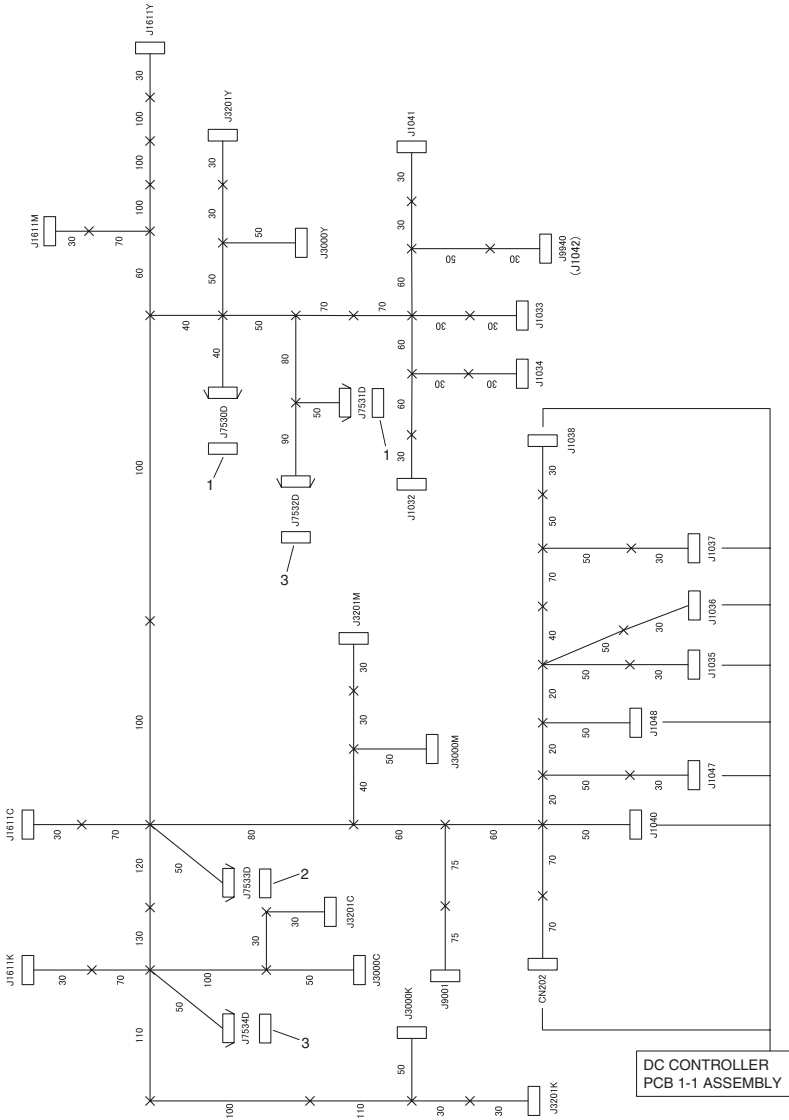
FIGURE & KEY NO.	PARTS NUMBER	RANK	Q'TY	DESCRIPTION	SERIAL NUMBER/REMARKS	SVC
Fig.981	NPN		RF	2ND TRNSFR. H.V. PCB ASSEMBLY		
1	FM2-7189-000		1	HV3 PCB ASSEMBLY		
2	FM2-7193-000		1	HV8 PCB ASSEMBLY		
3	FM2-8495-000		1	CABLE, H.V. RELAY		

# FIGURE 999 CABLE UNIT



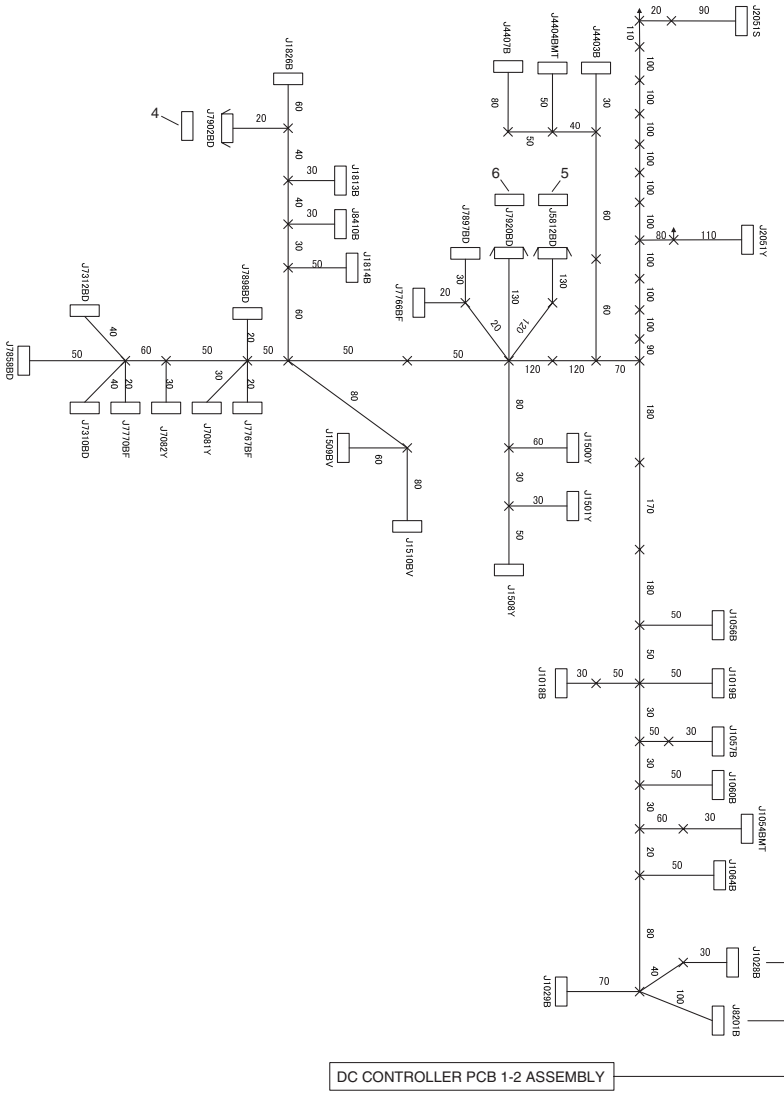






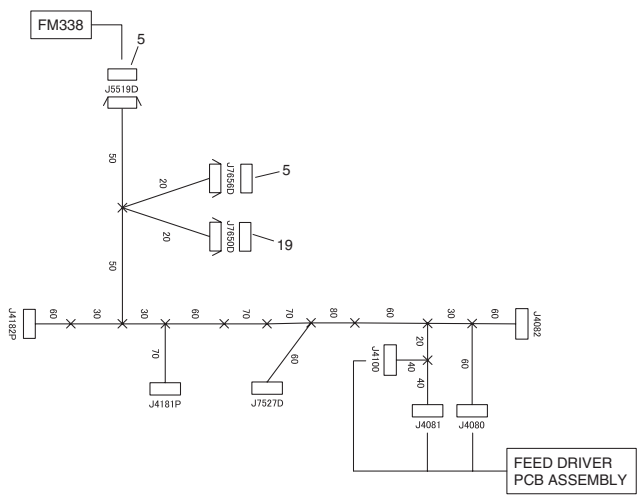
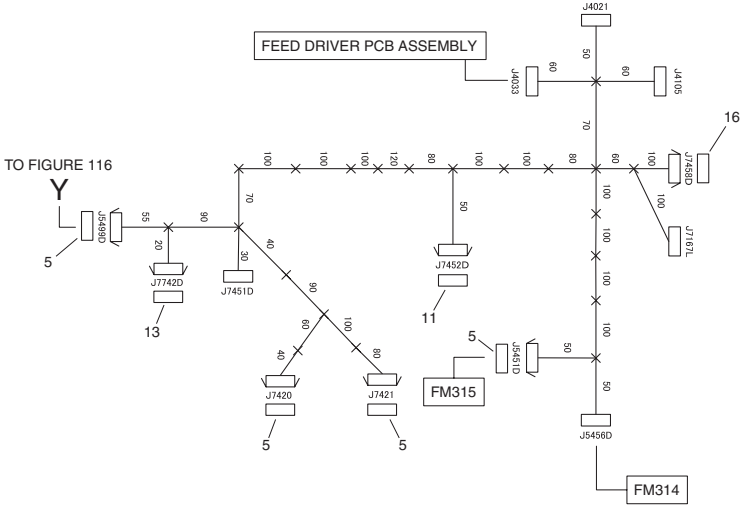














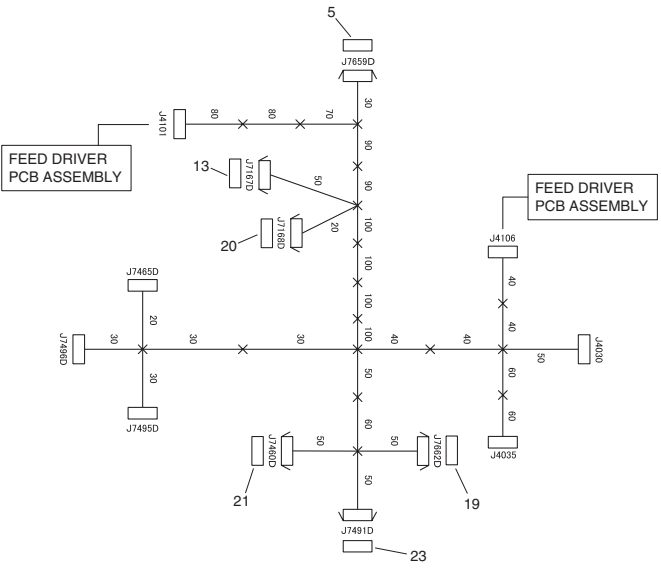
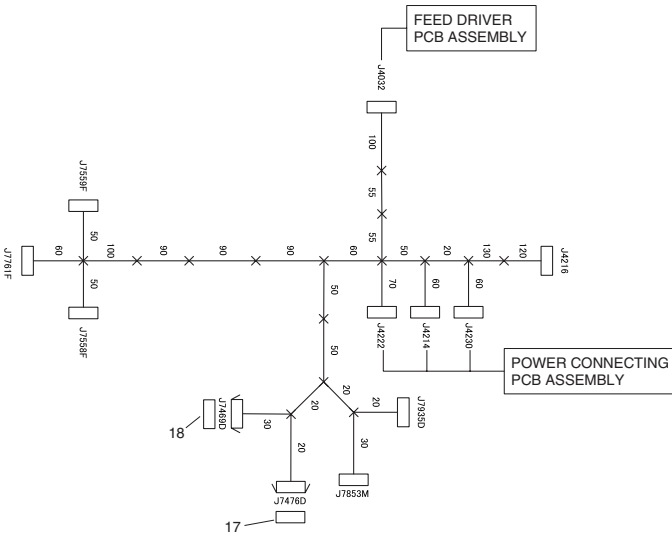
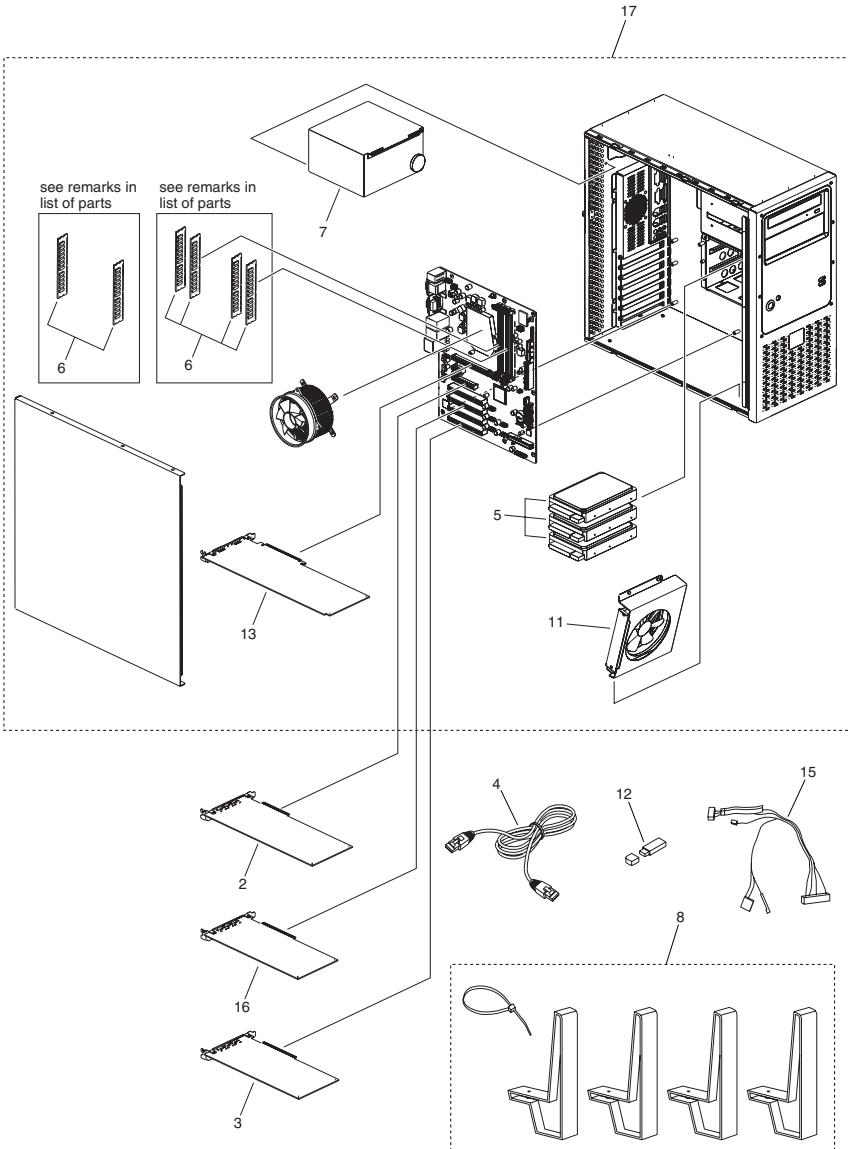




FIGURE & KEY NO.	PARTS NUMBER	R A N K	Q'TY	DESCRIPTION	SERIAL NUMBER/ REMARKS	S V C
Fig.999	NPN		RF	CABLE UNIT		
1	VS1-7164-030		2	CONNECTOR, SNAP TIGHT, 30P, W		
2	VS1-7164-032		1	CONNECTOR, SNAP TIGHT, 32P, W		
3	VS1-7164-040		2	CONNECTOR, SNAP TIGHT		
4	VS1-7173-003		1	CONNECTOR, SNAP TIGHT, 3P, W		
5	VS1-7177-004		14	CONNECTOR, SNAP TIGHT, BK		
6	VS1-7207-008		1	CONNECTOR, SNAP TIGHT, BK		
7	VS1-7164-034		2	CONNECTOR, SNAP TIGHT, 34P, W		
8	VS1-7164-036		2	CONNECTOR, SNAP TIGHT, 36P, W		
9	VS1-7173-005		1	CONNECTOR, SNAP TIGHT		
10	VS1-7173-011		1	CONNECTOR, SNAP TIGHT, 11P, W		
11	VS1-7173-012		2	CONNECTOR, SNAP TIGHT, 12P, W		
12	VS1-7173-014		1	CONNECTOR, SNAP TIGHT, 14P, W		
13	VS1-7177-005		5	CONNECTOR, SNAP TIGHT, BK		
14	VS1-7177-008		2	CONNECTOR, SNAP TIGHT, BK		
15	VS1-7177-003		7	CONNECTOR, SNAP TIGHT, BK		
16	VS1-7173-009		1	CONNECTOR, SNAP TIGHT, 9P, W		
17	VS1-7177-006		1	CONNECTOR, SNAP TIGHT, BK		
18	VS1-7177-007		1	CONNECTOR, 7P, FEMALE, BK		
19	VS1-7177-012		2	CONNECTOR, SNAP TIGHT, BK		
20	VS1-7173-004		1	CONNECTOR, SNAP TIGHT		
21	VS1-7173-016		1	CONNECTOR, SNAP TIGHT, 16P, W		
22	FM3-4697-000		4	CONNECTOR, SHORT		
23	VS1-7164-024		1	CONNECTOR, SNAP TIGHT, 24P, W		
24	FM2-8660-000		1	CABLE, REAR SIDE PLATE, 1		

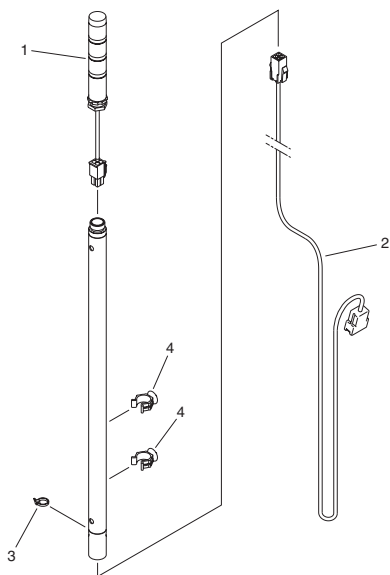
# FIGURE U10 PRISMAsync



Copyright 2011 Océ.

FIGURE & KEY NO.	PARTS NUMBER	RANK	Q'TY	DESCRIPTION	SERIAL NUMBER/REMARKS	SVC
Fig.U10	NPN		RF	PRISMAsync		
2	1060099125		1	PBA DDI IF BOARD		
3	1070005457		1	PBAP AUX CONTROL	To be ordered when replacing V1 or V2 controllers. (V1 and V2 has no part number on the sticker (bottom of controller))	
4	1060069477		1	DATA CABLE RJ45-RJ45		
5	1060120115		3	HDD 3.5 SATA II 250GB 7200RPM"		
6	1060120116		2	MEMORY MODULE 2GB DDR3	For controllers part number 1070026100 or lower	
6	1070037688		4	MEMORY MODULE 4GB DDR3	For controllers part number 1070033079 or higher	
7	1060120121		1	POWER SUPPLY 600W		
8	1070033463		1	KIT SUPPORT	Shipped with controllers from Nov 2013. Service kit for PRISMAsync controllers delivered before Nov 2013.	
11	1060120124		1	SYSTEM FAN 120MM		
12	1060084290		1	USB KEY		
13	1070026086		1	GRAPHIC BOARD	imagePRESS C7010VPS R2.2.0.0. or later needed	
15	1060130444		1	HARNESS 22W1	To be ordered when replacing V1 or V2 controllers. (V1 and V2 has no part number on the sticker (bottom of controller))	
16	1060043936		1	ETHERNET BOARD ROHS	needed for IPDS	
17	1070033079		1	INDUSTRIAL CONTROLLER IBASE	A. imagePRESS C7010VPS R2.2.0.0. or later needed. B. Order harness 22W1 and PBAP AUX when replacing a V1 or V2 controller also. (V1 and V2 has no part number on the sticker (bottom of controller))	

# FIGURE V10 OPERATOR ATTENTION LIGHT



Copyright 2011 Océ.

FIGURE & KEY NO.	PARTS NUMBER	RANK	Q'TY	DESCRIPTION	SERIAL NUMBER/REMARKS	SVC
Fig.V10	NPN		RF	OPERATOR ATTENTION LIGHT		
1	1060000937		1	SIGNAL LAMP ASSY		
2	1060126966		1	HARNESS, 11W01		
3	1201204		1	TIE, CABLE		
4	1060098242		2	HOLDER, TUBE		

# FIGURE ZZA

## MECHANICAL STANDARD PARTS (HOW TO USE)

### Mechanical standard parts

#### 機械標準部品

About a mechanical standard parts

A Mechanical standard parts is a mechanical part which not parts peculiar to a product. They are parts which are common to a Canon product and are used, such as a screw and a washer. The Fig No. and parts number of the mechanical standard parts are not listed in the product parts catalog. Refer to the parts catalog of mechanical standard parts when checking the parts number for screw or washer etc. and identify them by part shape or size.

機械標準部品とは

機械標準部品とは、製品特有の部品ではなく、ねじやワッシャなどキヤノン製品共通で使用されている機械部品（メカ部品）のことです。  
製品のパーツカタログには、機械標準部品のFig No.や部品番号は記載しておりません。  
ねじや、ワッシャ等の部品番号を調べるときは、機械標準部品のパーツカタログを参照し、部品の形状や大きさから判断し、使用している部品を調べてください。

Material and surface treatment of a mechanical standard parts

Material and surface treatment of mechanical standard parts are assigned commonly for each part. Refer to the Table 1 for the parts which material and surface treatment are assigned as numbers.

機械標準部品の材料および表面処理

機械標準部品の材料および表面処理については、各種部品共通で決められています。  
材料および表面処理が番号で決められている部品については、表1を参照してください。

Table 1 Material and Surface treatment  
表1 材料および表面処理

No. 番号	Material 材料	Surface treatment 表面処理	Color 色
1	Stainless steel ステンレス	Stainless steel black coloring (BC4) ステンレス黒着色(BC4)	Black 黒
2		not to be given なし	White 白
3	Brass 黄銅	Regular nickel plating (NL) 普通ニッケルメッキ(NL)	White 白
4		Black nickel plating (BN) 黒色ニッケルメッキ(BN)	Black 黒
5	Steel 鋼	White zinc trivalent chromate treating (ZC3) 白色亜鉛3価クロメート(ZC3)	White 白
6		Regular nickel chromium plating (NC) 普通ニッケルクロムメッキ(NC)	White 白
7		Regular nickel plating (NL) 普通ニッケルメッキ(NL)	White 白
8		Iron and steel phosphating (P1) 鉄鋼磷酸塩処理(P1)	Black 黒
9		Black zinc trivalent chromate treating (BZ3) 黒色亜鉛3価クロメート(BZ3)	Black 黒

# FIGURE ZZB MECHANICAL STANDARD PARTS (SCREWS)

## 1. Screws ねじ

How to read Parts Numbers  
部品番号の見方

Screws  
ねじ

**XB1-2400-609**

Type No.  
類別番号

Normal designation (d)  
ねじの呼び(d)

Length (L)  
ねじの長さ(L)

Material and Surface treatment  
材料および表面処理

XB1-2 expresses Binding head machine screw.  
XB1-2は、バインドねじを表す

40 expresses M4.0.  
40は、M4.0を表す

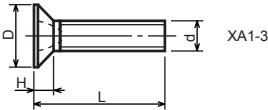
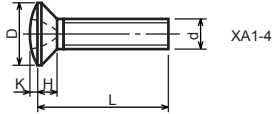
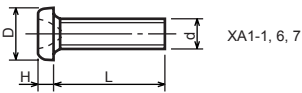
0-60 expresses a length of 6.0mm.  
0-60は、6.0mmの長さを表す

9 expresses Steel (Black zinc trivalent chromate treating) from Table 1.

9は、表1より鋼(黒色亜鉛3価クロメート)を表す

### 1-1. Cross Recessed Head Screws for Precision Equipments

精密機器用十字穴付き小ねじ

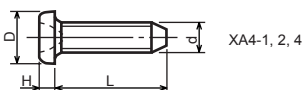


Type No. 類別番号	Type 類別	Head size (mm) 頭部寸法 (mm)							
		M1.4	M1.6	M1.7	M2	M2.5	M2.6		
XA1-1	Pan head Class 1 なべ1種	D	XA1-1	2	2.4	2.5	3	3.8	4
		H	XA1-1	0.5	0.55	0.5	0.6	0.9	0.8
XA1-3	Countersunk head Class 1 さら1種	D	XA1-3	2	2.4	2.5	3	3.8	4
		H	XA1-3	0.48	0.55	0.58	0.73	0.85	0.93
XA1-4	Oval countersunk head Class 1 丸さら1種	D	XA1-4	2	2.4	2.5	3	3.8	4
		H + K	XA1-4	0.68	0.8	0.88	1	1.25	1.3
XA1-6	Pan head Class 3 なべ3種	D	XA1-6	2.5	2.8	3	3.5	4.3	4.5
		H	XA1-6	0.8	0.85	0.9	1	1.3	1.2
XA1-7	Pan head Class 2 なべ2種	D	XA1-7	2.5	2.8	3	3.5	4.3	4.5
		H	XA1-7	0.5	0.55	0.5	0.6	0.9	0.8



## 1-2. Precision Tapping Screws

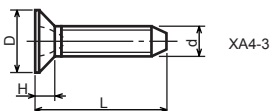
精密用タッピンねじ



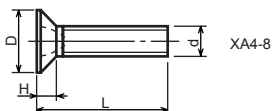
XA4-1, 2, 4



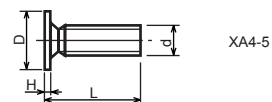
XA4-6, 7, 9



XA4-3



XA4-8



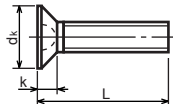
XA4-5

Type No. 類別番号	Type 類別	Head size (mm) 頭部寸法 (mm)						
		M1.4	M1.6	M1.7	M2	M2.5	M2.6	
XA4-1	With tapered end pan head Class 1 絞りなべ1種	D XA4-1	2	2.4	2.5	3	3.8	4
		H XA4-1	0.5	0.55	0.5	0.6	0.9	0.8
XA4-2	With tapered end pan head Class 3 絞りなべ3種	D XA4-2	2.5	2.8	3	3.5	4.3	4.5
		H XA4-2	0.8	0.85	0.9	1	1.3	1.2
XA4-3	With tapered end countersunk head 絞りさら	D XA4-3	2	2.4	2.5	3	3.8	4
		H XA4-3	0.48	0.55	0.58	0.73	0.85	0.93
XA4-4	With tapered end pan head Class 2 絞りなべ2種	D XA4-4	2.5	2.8	3	3.5	4.3	4.5
		H XA4-4	0.5	0.55	0.5	0.6	0.9	0.8
XA4-5	With parallel end ultra thin head ストレート超薄頭	D XA4-5	2.5	2.8	3	-	-	-
		H XA4-5	0.2	0.2	0.2	-	-	-
XA4-6	With parallel end pan head Class 1 ストレートなべ1種	D XA4-6	2	2.4	2.5	3	3.8	4
		H XA4-6	0.5	0.55	0.5	0.6	0.9	0.8
XA4-7	With parallel end pan head Class 3 ストレートなべ3種	D XA4-7	2.5	2.8	3	3.5	4.3	4.5
		H XA4-7	0.8	0.85	0.9	1	1.3	1.2
XA4-8	With parallel end countersunk head ストレートさら	D XA4-8	2	2.4	2.5	3	3.8	4
		H XA4-8	0.48	0.55	0.58	0.73	0.85	0.93
XA4-9	With parallel end pan head Class 2 ストレートなべ2種	D XA4-9	2.5	2.8	3	3.5	4.3	4.5
		H XA4-9	0.5	0.55	0.5	0.6	0.9	0.8

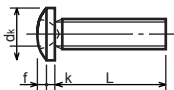
**1-3. Cross Recessed Head Screws**  
 一般用十字穴付き小ねじ



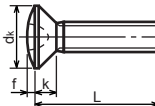
XB1-1



XB1-3



XB1-2

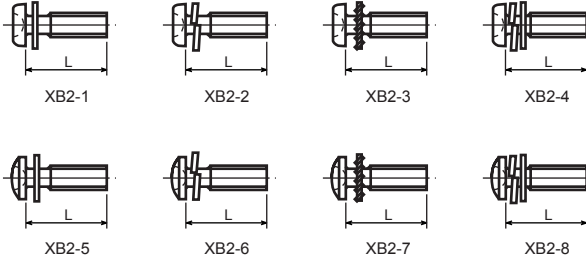


XB1-4

Type No. 類別番号	Type 類別
XB1-1	Pan head なべ
XB1-2	Binding head バインド
XB1-3	Countersunk head さら
XB1-4	Oval countersunk head 丸さら

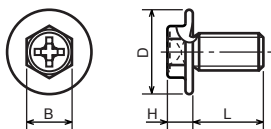
		Head size (mm) 頭部寸法 (mm)					
		M2	M2.5	M2.6	M3	M4	M5
dk	XB1-1	3.5	4.5	4.5	5.5	7	9
k	XB1-1	1.3	1.7	1.7	2	2.6	3.3
dk	XB1-2	4.3	5.3	5.5	6.3	8.3	10.3
k+f	XB1-2	1.2	1.5	1.6	1.9	2.5	3.1
dk	XB1-3	4	5	-	6	8	10
k	XB1-3	1.2	1.45	-	1.75	2.3	2.8
dk	XB1-4	4	5	-	6	8	10
k+f	XB1-4	1.6	2	-	2.45	3.2	4
Screw part length ねじ部長さ b		8	12	12	12	16	20

1-4. Cross Recessed Head Screws with Captive Washer  
 座金組込み十字穴付き小ねじ



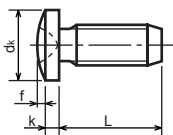
Type No. 類別番号	Type 類別
XB2-1	Pan head + Plain washer (circular bright) なべねじ+平座金
XB2-2	Pan head + Spring washer なべねじ+ばね座金
XB2-3	Pan head + Toothed lock washer なべねじ+歯付座金
XB2-4	Pan head + Spring washer and plain washer (circular bright) なべねじ+(ばね+平)座金
XB2-5	Binding head + Plain washer (circular bright) バインドねじ+平座金
XB2-6	Binding head + Spring washer バインドねじ+ばね座金
XB2-7	Binding head + Toothed lock washer バインドねじ+歯付座金
XB2-8	Binding head + Spring washer and plain washer (circular bright) バインドねじ+(ばね+平)座金

**1-5. Hexagon Head Tapping Screws for Metallic Materials**  
 金属用六角タッピンねじ



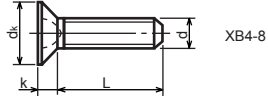
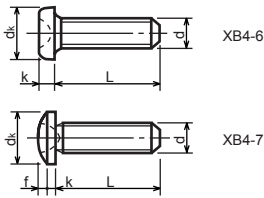
Type No. 類別番号	Type 類別	Head size (mm) 頭部寸法 (mm)		
		M3	M4	
XB3-6	For metallic materials 金属用タッピン	D	8	10
		B	5.5	5.5
XB3-7	For metallic materials with clawed 金属用タッピン-つめ付き	H XB3-6	3.1	3.1
		H XB3-7	3.2	3.2

**1-6. Special Tapping Screws**  
 特殊タッピンねじ



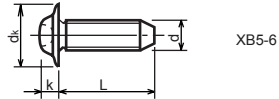
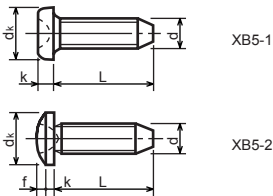
Type No. 類別番号	Type 類別	Head size (mm) 頭部寸法 (mm)		
		M3	M4	
XB4-5	Binding head バインド	d <sub>k</sub>	6.3	8.3
		k	1.3	1.7
		k+f	1.9	2.5

1-7. General Head Tapping Screws  
一般用タッピンねじ



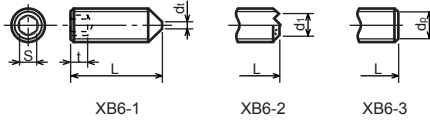
Type No. 類別番号	Type 類別	Head size (mm) 頭部寸法 (mm)						
		M2	M2.5	M2.6	M3	M4	M5	
XB4-6	Pan head なべ	$d_k$ XB4-6	3.5	4.5	4.5	5.5	7	9
		$k$ XB4-6	1.3	1.7	1.7	2	2.6	3.3
XB4-7	Binding head バインド	$d_k$ XB4-7	4.3	5.3	5.5	6.3	8.3	10.3
		$k+f$ XB4-7	1.2	1.5	1.6	1.9	2.5	3.1
XB4-8	Countersunk head さら	$d_k$ XB4-8	4	5	5.2	6	8	10
		$k$ XB4-8	1.2	1.45	1.5	1.75	2.3	2.8

1-8. Tapping Screws for Metallic Materials  
金属用タッピンねじ



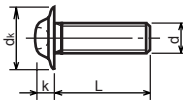
Type No. 類別番号	Type 類別	Head size (mm) 頭部寸法 (mm)					
		M2.5	M2.6	M3	M4	M5	
XB5-1	Pan head なべ	$d_k$ XB5-1	4.5	4.5	5.5	7	9
		$k$ XB5-1	1.7	1.7	2	2.6	3.3
XB5-2	Binding head バインド	$d_k$ XB5-2	5.5	5.5	6.3	8.3	10.3
		$k+f$ XB5-2	1.6	1.6	1.9	2.5	3.1
XB5-6	Flanged pan head つば付きなべ	$d_k$ XB5-6	6.5	6.5	8	10	12
		$k$ XB5-6	2.1	2.1	1.75	3.2	4

**1-9. Hexagon Socket Set Screws**  
六角穴付止めねじ



Type No. 類別番号	Type 類別	Head size (mm) 頭部寸法 (mm)							
		M1.6 M1.7	M2	M2.5 M2.6	M3	M5	M5	M6	
XB6-1	Cone point とがり先	S	0.7	0.9	1.3	1.5	2	2.5	3
		t	1.5	1.7	2	2	2.5	3	3.5
		$d_{t \max}$ XB6-1	0.4	0.5	0.65	0.75	1	1.25	1.5
		$d_{l \max}$ XB6-2	-	1.2	1.5	1.7	2.2	2.8	3.3
		$d_{l \min}$ XB6-2	-	1	1.2	1.4	1.9	2.4	2.9
		$d_{p \max}$ XB6-3	0.8	1	1.5	2	2.5	3.5	4
		$d_{p \min}$ XB6-3	0.55	0.75	1.25	1.75	2.25	3.2	3.7

**1-10. Flanged Pan Head Machine Screws**  
つば付きなべ小ねじ



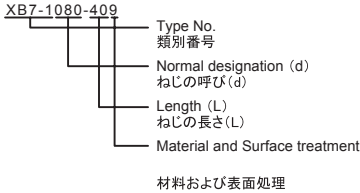
Type No. 類別番号	Type 類別	Head size (mm) 頭部寸法 (mm)					
		M2	M2.5 M2.6	M3	M5	M5	
XB6-7	Flanged pan head つば付きなべ	$d_k$	5	6.5	8	10	12
		k	1.7	2.1	2.5	3.2	4

# FIGURE ZZC MECHANICAL STANDARD PARTS (BOLTS)

## 2. Bolts (Socket head cap screw) ボルト

How to read Parts Numbers  
部品番号の見方

Bolt (Socket head cap screw)  
ボルト



XB7-1 expresses Hexagon socket head cap screws.  
XB7-1は、六角穴付きボルトを表す

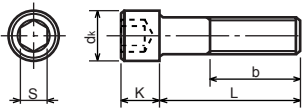
080 expresses M8.0.  
080は、M8.0を表す

40 expresses a length of 40mm.  
40は、40mmの長さを表す

9 expresses Steel (Black zinc trivalent chromate  
treating) from Table 1.

9は、表1より鋼(黒色亜鉛3価クロメート)を表す

### 2-1. Hexagon socket head cap screws 六角穴付きボルト



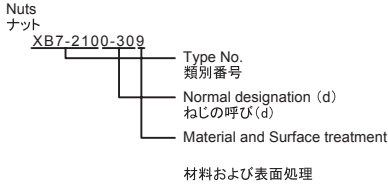
Type No. 類別番号	Type 類別
XB7-1	Hexagon socket head cap screws 六角穴付きボルト

	Head size (mm) 頭部寸法 (mm)						
	M3	M4	M5	M6	M8	M10	M12
S	2.5	3	4	5	6	8	10
$d_k$	5.5	7	8.5	10	13	16	18
K	3	4	5	6	8	10	12
Screw part length $b_{max}$ ねじ部長さ $b_{max}$	18	20	22	24	28	32	36

# FIGURE ZZD MECHANICAL STANDARD PARTS (NUTS)

## 3. Nuts ナット

How to read Parts Numbers  
部品番号の見方

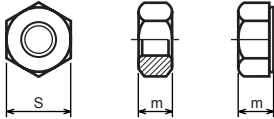


XB7-210 expresses Hexagon nut class 1.  
XB7-210は、六角ナット1種を表す

0-30 expresses M3.0.  
0-30は、M3.0を表す

9 expresses Steel (Black zinc trivalent chromate  
treating) from Table 1.  
9は、表1より鋼(黒色亜鉛3価クロメート)を表す

### 3-1. Hexagon Nuts and Hexagon Thin Nuts 六角ナット



Type No. 類別番号	Type 類別
XB7-210	Hexagon nut Class 1 六角ナット-1種
XB7-220	Hexagon nut Class 3 六角ナット-3種
XB7-230	Hexagon nut Style 1 double chamfered 六角ナット-スタイル1-両面とり
XB7-231	Hexagon nut Style 1 washer faced 六角ナット-スタイル1-座付き
XB7-240	Hexagon nut Style 2 double chamfered 六角ナット-スタイル2-両面とり
XB7-241	Hexagon nut Style 2 washer faced 六角ナット-スタイル2-座付き
XB7-250	Hexagon nut 六角ナット
XB7-260	Hexagon thin nut double chamfered 六角低ナット-両面とり
XB7-270	Hexagon thin nut not chamfered 六角低ナット-面とり無し

	Head size (mm) 頭部寸法 (mm)						
	M2	M2.5	M3	M4	M5	M6	M8
S	4	5	5.5	7	8	10	13
m XB7-210	1.6	2	2.4	3.2	4	5	6.5
m XB7-220	1.2	1.6	1.8	2.4	3.2	3.6	5
m XB7-230, 231	1.6	2	2.4	3.2	4.7	5.2	6.8
m XB7-240, 241	-	-	-	-	5.1	5.7	7.5
m XB7-250	-	-	-	-	5.6	6.1	7.9
m XB7-260	1.2	1.6	1.8	2.2	2.7	3.2	4
m XB7-270	1.2	1.6	1.8	2.2	2.7	3.2	4

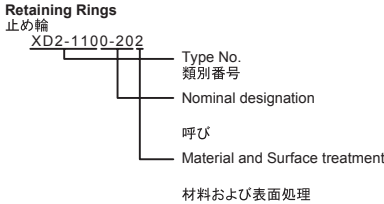


# FIGURE ZZE MECHANICAL STANDARD PARTS (RETAINING RINGS)

## 5. Retaining Rings

止め輪

How to read Parts Numbers  
部品番号の見方



XD2-110 expresses retaining ring-E type (Type1).  
XD2-110は、E形止め輪(1種)を表す

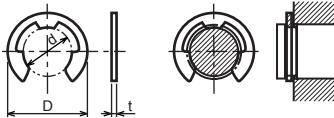
0-20 expresses a 020 of nominal designation.  
(See Table 5)

0-20は、呼び020を表す(表5参照)

2 expresses Stainless steel (Surface treatment is not to be given) from Table 1.  
2は、表1よりステンレス(表面処理なし)を表す

### 5-1. Retaining Rings - E type

E形止め輪

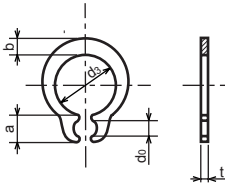


Type No. 類別番号	Type 類別
XD2-110	Retaining ring - E type (Type 1) E形止め輪(1種)
XD2-120	Retaining ring - E type (Type 2) E形止め輪(2種)

Table 5 表5

Type 種類	Nominal designation 呼び	d (mm)	D (mm)	t (mm)
Type 1 1種	007	0.65	2	0.2
	010	0.95	2.8	0.2
	013	1.25	3.3	0.3
	017	1.65	4.2	0.4
	020	1.95	4.6	0.5
	024	2.35	6	0.6
	028	2.74	6.5	0.6
	032	3.14	7.2	0.6
	037	3.64	8	0.7
	040	3.93	10	0.7
	042	4.13	10	0.7
	050	4.93	11	0.7
	058	5.73	12	0.7
	060	5.93	12.7	0.9
	064	6.32	13.5	0.9
	074	7.31	15	0.9
080	7.91	16.5	1	
Type 2 2種	008	0.8	2	0.2
	012	1.2	3	0.3
	015	1.5	4	0.4
	020	2	5	0.4
	025	2.5	6	0.4
	030	3	7	0.6
	040	4	9	0.6
	050	5	11	0.6
	060	6	12	0.8
	070	7	14	0.8
	080	8	16	0.8
	090	9	18	0.8
	100	10	20	1

5-2. Grip Rings  
グリップ止め輪

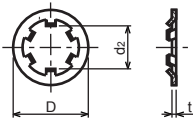


Type No. 類別番号	Type 類別
XD2-210	Grip ring グリップ止め輪

Table 5 表5

Nominal designation 呼び	d <sub>3</sub> (mm)	t (mm)	b (mm)	a (mm)	d <sub>0</sub> (mm)
020	1.9	0.5	1	1.8	0.8
025	2.35	0.5	1.2	1.9	0.9
030	2.85	0.6	1.4	1.9	0.9
035	3.3	0.6	1.6	2	0.9
040	3.8	0.8	1.8	2.8	1.2
045	4.25	0.8	2	2.9	1.3
050	4.75	0.8	2.2	2.9	1.3
060	5.7	1	2.4	3.1	1.4
070	6.7	1	2.7	3.3	1.4
080	7.7	1	3	3.5	1.4
090	8.65	1.2	3.3	4.7	1.5
100	9.65	1.2	3.5	4.7	2

5-3. Toothed Retaining Rings  
歯付き形止め輪



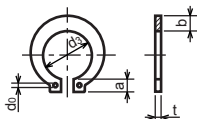
Type No. 類別番号	Type 類別
XD2-230	Toothed retaining ring 歯付き形止め輪

Table 5 表5

Nominal designation 呼び	d <sub>z</sub> (mm)	D (mm)	t (mm)	No of teeth 歯数
015	1.4	5.2	0.25	3
020	1.9	6	0.25	3
024	2.3	6.4	0.25	3
030	2.8	8	0.25	4
040	3.8	9	0.25	4
050	4.8	10	0.25	5
060	5.8	11	0.25	5
080	7.8	13	0.25	5
100	9.8	15.4	0.25	6

### 5-4. Retaining Rings - C Type

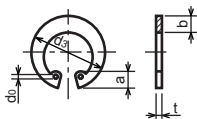
C形止め輪



Type No. 類別番号	Type 類別
XD2-310	Retaining ring - C type for shaft C形止め輪 軸用

Table 5 表5

Nominal designation 呼び	d <sub>3</sub> (mm)	t (mm)	b (mm)	a (mm)	d <sub>0</sub> (mm)
010	9.3	1	1.6	3	1.2
012	11.1	1	1.8	3.2	1.5
014	12.9	1	2	3.4	1.7
015	13.8	1	2.1	3.5	1.7
016	14.7	1	2.2	3.6	1.7
017	15.7	1	2.2	3.7	1.7
018	16.5	1.2	2.6	3.8	1.7
020	18.5	1.2	2.7	3.9	2
022	20.5	1.2	2.7	4.1	2
025	23.2	1.2	3.1	4.3	2
028	25.9	1.5	3.1	4.6	2
030	27.9	1.5	3.5	4.8	2
032	29.6	1.5	3.5	5	2.5
035	32.2	1.5	4	5.4	2.5



Type No. 類別番号	Type 類別
XD2-320	Retaining ring - C type for hole C形止め輪 穴用

Table 5 表5

Nominal designation 呼び	d <sub>3</sub> (mm)	t (mm)	b (mm)	a (mm)	d <sub>0</sub> (mm)
010	10.7	1	1.8	3.1	1.2
011	11.8	1	1.8	3.2	1.2
012	13	1	1.8	3.3	1.5
014	15.1	1	2	3.6	1.7
016	17.3	1	2	3.7	1.7
018	19.5	1	2.5	4	1.7
019	20.5	1	2.5	4	2
020	21.5	1	2.5	4	2
022	23.5	1	2.5	4.1	2
025	26.9	1.2	3	4.4	2
028	30.1	1.2	3	4.6	2
030	32.1	1.2	3	4.7	2
032	34.4	1.2	3.5	5.2	2.5
035	37.8	1.5	3.5	5.2	2.5
037	39.8	1.5	3.5	5.2	2.5
040	43.5	1.8	4	5.7	2.5
042	45.5	1.8	4	5.8	2.5
045	48.5	1.8	4.5	5.9	2.5
047	50.5	1.8	4.5	6.1	2.5
050	54.2	2	4.5	6.5	2.5
052	56.2	2	5.1	6.5	2.5
055	59.2	2	5.1	6.5	2.5
060	64.2	2	5.1	6.8	2.5
062	66.2	2	5.5	6.9	2.5
068	72.5	2.5	6	7.4	2.5
072	76.5	2.5	6.6	7.4	2.5
075	79.5	2.5	6.6	7.8	2.5
080	85.5	2.5	7	8	2.5
085	90.5	3	7	8	3
090	95.5	3	7.6	8.3	3
095	100.5	3	8	8.5	3



Prepared by  
OIP Business Support Group  
CANON INC.

**Canon**