

PARTS CATALOG

imagePRESS C7010VP C6010VP C6010



Canon

October 18, 2010
Rev. 0

PREFACE

This Parts Catalog contains listings of parts used

Diagrams are provided with the listings to aid the service technician in identifying clearly, the item to be ordered.

Whenever ordering parts, consult this Parts Catalog for all of the information pertaining to each item. Be sure to include, in the Parts Request, the full item description, the item part number, and the quantity.

COPYRIGHT (C) 1999 CANON INC.

Use of this manual should be strictly supervised to avoid disclosure of confidential information.

Contents

NUMERICAL INDEX

imagePRESS C7010VP/C6010VP/C6010(Numerical Index) 1-1

imagePRESS C7010VP/C6010VP/C6010(Parts Catalog)

A1	ASSEMBLY LOCATION DIAGRAM	2-1
A2	OPTION PARTS CATALOG LIST	2-16
001	ACCESSORIES	2-17
100	EXTERNAL COVERS, PANELS, ETC.	2-19
101	INTERNAL COMPONENTS 1 (Main station)	2-25
102	INTERNAL COMPONENTS 2 (Main station)	2-27
103	INTERNAL COMPONENTS 3 (Main station)	2-29
104	INTERNAL COMPONENTS 4 (Main station)	2-31
105	INTERNAL COMPONENTS 5 (Main station)	2-33
106	INTERNAL COMPONENTS 6 (Main station)	2-36
107	INTERNAL COMPONENTS 7 (Main station)	2-38
108	MACHINE REAR PLATE 1 (Main station)	2-40
109	MACHINE REAR PLATE 2 (Main station)	2-42
111	EXTERNAL COVERS, PANELS, ETC.	2-44
112	INTERNAL COMPONENTS 1 (Sub station)	2-47
113	INTERNAL COMPONENTS 2 (Sub station)	2-49
114	INTERNAL COMPONENTS 3 (Sub station)	2-51
115	MACHINE REAR PLATE 1 (Sub station)	2-53
116	MACHINE REAR PLATE 2 (Sub station)	2-55
120	POWER STATION COVER ASSEMBLY	2-57
121	POWER STATION ASSEMBLY	2-59
125	MAIN INTERLOCK SWITCH UNIT	2-61
126	DRUM HEATER INTERLOCK SW.ASS'Y	2-62
130	CONTROL PANEL ASSEMBLY	2-63
140	POWER CORD TERMINAL ASSEMBLY	2-66
180	FIXING BELT COOLING FAN ASS'Y	2-67
181	COOLING FAN ASS'Y, 2	2-68
182	ROLLER COOLING FAN ASSEMBLY	2-69
183	FIRST FIXING FAN ASSEMBLY	2-70
184	SECOND FIXING FAN ASSEMBLY	2-71
185	FIRST EXHAUST DUCT ASSEMBLY	2-72
186	FAN MOUNT ASSEMBLY, OUTER	2-74
188	BELT COOLING FAN ASSEMBLY	2-75
189	PAPER DELIVERY FAN ASSEMBLY	2-76
190	FAN MOUNT ASSEMBLY	2-77

Contents

191	PRIMARY EXHAUST FAN ASSEMBLY	2-79
192	PRIMARY INLET FAN ASS'Y, C/K	2-81
193	PRIMARY INLET FAN ASS'Y, Y/M	2-82
194	PRE-TRNS.EXHAUST DUCT ASSEMBLY	2-83
195	FIRST FIXING EXHAUST FAN ASS'Y	2-84
260	PAPER PICK-UP DRIVE ASS'Y	2-85
262	REGISTRATION SLIDE DRIVE ASS'Y	2-87
271	DRUM DRIVE ASSEMBLY	2-89
272	DEVELOPING DRIVE ASSEMBLY	2-91
273	I.T.B. CLEANER DRIVE ASSEMBLY	2-93
274	SECONDARY TRANSFER DRIVE ASS'Y	2-94
280	FIXING DRIVE ASSEMBLY	2-96
283	WASTE TONER DRIVE ASSEMBLY	2-98
284	DELIVERY DRIVE ASSEMBLY	2-99
300	PAPER STOCK ASSEMBLY	2-100
310	PAPER PICK-UP ASSEMBLY	2-107
320	REGIST. PAPER FEEDER ASSEMBLY	2-110
321	PRE-REGISTRATION FEED ASSEMBLY	2-115
322	PRE-REGIST. FEEDER UPPER ASS'Y	2-117
323	PRE-REGIST. FEEDER LOWER ASS'Y	2-122
324	2ND TRNSFR. ELIM. ASS'Y, REAR	2-124
325	VERTICAL PATH ASSEMBLY	2-125
326	RIGHT DOOR ASSEMBLY	2-126
327	VERTICAL PATH MAIN ASSEMBLY	2-128
328	TURN ASSEMBLY	2-131
329	INNER GUIDE OPEN/CLOSE ASS'Y	2-133
330	PRE-FIXING PAPER FEED ASSEMBLY	2-134
331	2ND TRNS. FRAME/FIX. F.D ASS'Y	2-136
332	2ND TRNSFR. BASE PLATE ASS'Y	2-138
333	SECONDARY TRANSFER ASSEMBLY	2-141
336	LOWER PAPER FEED ASSEMBLY	2-144
337	LOWER PAPER FEED ASS'Y, UPPER	2-146
338	LOWER PAPER FEED ASS'Y, LOWER	2-148
340	FIXING/FEED ASSEMBLY, CENTER	2-150
341	FIXING/FEED ASS'Y, CENTER LW.	2-152
342	FIXING/FEED ASS'Y, CENTER UP.	2-154
343	FIXING/FEED ASSEMBLY, LEFT	2-156
344	FIXING/FEED ASS'Y, LEFT UPPER	2-158
345	FIXING/FEED ASS'Y, LEFT MIDDLE	2-160
346	FIXING/FEED ASS'Y, LEFT LOWER	2-162
347	FIXING/FEED ASSEMBLY, RIGHT	2-164
348	FIXING/FEED ASS'Y, RIGHT UPPER	2-165
349	FIXING/FEED ASS'Y, RIGHT LOWER	2-167
350	REVERSE DELIVERY ASSEMBLY	2-169
351	DELIVERY GUIDE ASSEMBLY, UPPER	2-171

Contents

352	DELIVERY GUIDE ASSEMBLY, LOWER	2-174
353	REVERSE GUIDE ASSEMBLY, UPPER	2-176
354	REVERSE GUIDE ASSEMBLY, LOWER	2-177
355	REVERSE ASSEMBLY	2-179
360	DUPLEX LEFT ASSEMBLY	2-185
361	DUPLEX CENTER ASSEMBLY	2-187
362	DUPLEX RIGHT ASSEMBLY	2-189
370	DUPLEXING DECURLER ASSEMBLY	2-191
371	DUPLEXING ASSEMBLY, RIGHT	2-195
372	DUPLEXING ASSEMBLY, LEFT	2-198
380	LEFT DECK PATH MERGER ASS'Y	2-201
381	PULL-OUT ROLLER LEFT ASS'Y	2-203
382	PULL-OUT ROLLER RIGHT ASS'Y	2-205
383	PAPER FEED MOUNT ASSEMBLY	2-207
460	SCANNER ASSEMBLY	2-210
511	D KIT ASSEMBLY	2-211
530	I.T.B. ASSEMBLY	2-214
531	I.T.B. LOWER FRAME ASSEMBLY	2-216
532	I.T.B. UPPER FRAME ASSEMBLY	2-220
533	I.T.B. CLEANER ASSEMBLY	2-227
535	I.T.B. POST CORONA ASSEMBLY	2-229
536	EDGE REGISTRATION DETECT ASS'Y	2-231
550	PRIMARY CORONA ASSEMBLY	2-233
600	PROCESSOR KIT ASSEMBLY	2-236
610	DEVELOPING RAIL ASSEMBLY	2-240
615	DEVELOPING PRESSURE ASSEMBLY	2-242
620	HOPPER ASSEMBLY	2-244
621	BUFFER ASSEMBLY	2-248
622	SUB HOPPER ASSEMBLY	2-250
625	TONER FEED ASS'Y	2-252
640	DEVELOPING ASSEMBLY	2-254
710	CLEANER ASSEMBLY	2-256
770	WASTE TONER FEEDER ASSEMBLY	2-258
771	WASTE TONER BUFFER ASSEMBLY	2-259
775	WASTE TONER PIPE ASSEMBLY	2-260
780	WASTE TONER COLLECTION ASS'Y	2-261
781	WASTE TONER BOTTLE TRAY ASS'Y	2-264
810	FIRST FIXING ASSEMBLY	2-266
812	INNER PAPER DELIVERY ASS'Y, 1	2-268
813	FIXING BELT ASSEMBLY	2-271
814	FIXING INTERMEDIATE ASS'Y, 1	2-273
815	FIRST FIXING ASSEMBLY, UPPER	2-276
816	FIRST FIXING ASSEMBLY, LOWER	2-281
817	CLEANER DRIVE ASSEMBLY	2-285
818	FIXING BELT DRIVE ASS'Y	2-287

Contents

830	FIXING CLEANER ASSEMBLY	2-288
840	EXTERNAL HEATING ASSEMBLY	2-290
850	SECOND FIXING ASSEMBLY	2-293
852	INNER PAPER DELIVERY ASS'Y, 2	2-295
854	FIXING INTERMEDIATE ASS'Y, 2	2-298
855	SECOND FIXING ASSEMBLY, UPPER	2-301
856	SECOND FIXING ASSEMBLY, LOWER	2-306
890	FIRST FIXING MOUNT ASSEMBLY	2-310
891	SECOND FIXING MOUNT ASSEMBLY	2-312
892	LOCK SENSING ASSEMBLY, 1	2-314
893	LOCK SENSING ASSEMBLY, 2	2-315
900	CONTROLLER BOX ASSEMBLY	2-316
911	DC POWER SUPPLY ASS'Y, 12V	2-319
912	DC POWER SUPPLY ASS'Y, 24V-1	2-320
913	DC POWER SUPPLY ASS'Y, 24V-2	2-321
930	DC CONTROLLER ASSEMBLY	2-322
932	DRM PCB ASSEMBLY, 256	2-323
933	DRM PCB ASSEMBLY, 512	2-324
934	LAN-BAR-B PCB ASSEMBLY	2-325
935	RO-B PCB ASSEMBLY	2-326
936	MAIN CONTROLLER PCB ASS'Y, M	2-327
937	MAIN CONTROLLER PCB ASS'Y, P	2-328
938	S-B PCB ASSEMBLY	2-329
940	DC CONTROLLER PCB 1-1 ASSEMBLY	2-330
941	DC CONTROLLER PCB 1-2 ASSEMBLY	2-331
942	DC CONTROLLER PCB 1-3 ASSEMBLY	2-332
960	V.PATH/L.FEED DRIVER PCB ASS'Y	2-333
962	PAPER PICK-UP DRIVER PCB ASS'Y	2-334
964	DRUM DRIVER PCB ASSEMBLY	2-335
965	FEED DRIVER PCB ASSEMBLY	2-336
970	COLOR SENSOR DRIVER PCB ASS'Y	2-337
980	DEV./PRIMARY H.V. PCB ASSEMBLY	2-338
981	2ND TRNSFR. H.V. PCB ASSEMBLY	2-339
999	CABLE UNIT	2-340
ZZA	MECHANICAL STANDARD PARTS (HOW TO USE)	2-352
ZZB	MECHANICAL STANDARD PARTS (SCREWS)	2-353
ZZC	MECHANICAL STANDARD PARTS (BOLTS)	2-360
ZZD	MECHANICAL STANDARD PARTS (NUTS)	2-361
ZZE	MECHANICAL STANDARD PARTS (RETAINING RINGS)	2-362

NUMERICAL INDEX

imagePRESS C7010VP/C6010VP/C6010(Numerical Index)

PARTS NUMBER	FIGURE & KEY NO.	PARTS NUMBER	FIGURE & KEY NO.	PARTS NUMBER	FIGURE & KEY NO
FA4-1864-000	535 - 1	FB2-6890-000	710 - 1	FC2-2121-000	815 - 2
FA4-8614-000	600 - 1	FB2-7540-000	352 - 3	FC2-2121-000	855 - 2
FA6-8257-000	300 - 1	FB2-7755-000	310 - 2	FC2-2121-000	856 - 2
FA9-2112-000	104 - 12	FB2-7755-000	381 - 2	FC5-0127-000	620 - 56
FA9-2112-000	260 - 1	FB2-7755-000	382 - 2	FC5-1146-000	112 - 9
FA9-2112-000	300 - 2	FB3-7543-000	815 - 1	FC5-1810-000	535 - 3
FA9-2112-000	310 - 1	FB3-7543-000	855 - 1	FC5-1810-000	550 - 3
FA9-2112-000	321 - 1	FB3-7543-000	856 - 3	FC5-1904-000	620 - 1
FA9-2112-000	323 - 1	FB3-9241-000	300 - 3	FC5-1945-000	620 - 3
FA9-2112-000	326 - 1	FB3-9243-000	300 - 4	FC5-2067-000	330 - 4
FA9-2112-000	327 - 1	FB3-9244-000	300 - 5	FC5-2067-000	331 - 10
FA9-2112-000	328 - 1	FB3-9319-000	300 - 92	FC5-2321-000	856 - 25
FA9-2112-000	330 - 1	FB4-1494-000	940 - 1	FC5-2369-020	817 - 2
FA9-2112-000	331 - 1	FB4-3687-000	535 - 11	FC5-2582-000	840 - 24
FA9-2112-000	338 - 1	FB4-3687-000	550 - 33	FC5-2597-020	817 - 3
FA9-2112-000	341 - 16	FB4-3689-000	814 - 1	FC5-2669-000	324 - 1
FA9-2112-000	343 - 7	FB4-3689-000	854 - 1	FC5-2715-000	814 - 27
FA9-2112-000	345 - 21	FB4-5093-020	371 - 29	FC5-2715-000	854 - 2
FA9-2112-000	346 - 18	FB4-5093-020	372 - 21	FC5-5145-000	856 - 26
FA9-2112-000	349 - 5	FB5-4858-000	322 - 32	FC5-6232-000	340 - 5
FA9-2112-000	351 - 1	FB5-4858-000	323 - 12	FC5-6232-000	343 - 19
FA9-2112-000	352 - 1	FB5-4858-000	344 - 1	FC5-6232-000	816 - 53
FA9-2112-000	353 - 1	FB5-4858-000	812 - 49	FC5-6366-000	550 - 4
FA9-2112-000	354 - 1	FB6-0433-000	100 - 75	FC5-8003-000	622 - 1
FA9-2112-000	355 - 1	FB6-0439-020	100 - 26	FC5-8112-000	102 - 7
FA9-2112-000	360 - 1	FB6-3150-000	856 - 24	FC5-8115-000	310 - 3
FA9-2112-000	361 - 1	FB6-3440-000	326 - 17	FC5-8116-010	310 - 4
FA9-2112-000	362 - 1	FB6-3440-000	336 - 1	FC5-8120-000	310 - 5
FA9-2112-000	370 - 18	FB6-3771-000	100 - 92	FC5-8121-000	310 - 6
FA9-2112-000	371 - 1	FB6-3953-000	130 - 1	FC5-8122-000	310 - 7
FA9-2112-000	372 - 14	FB6-5141-000	600 - 32	FC5-8126-000	310 - 8
FA9-2112-000	380 - 1	FB6-5142-000	600 - 32	FC5-8127-000	310 - 9
FA9-2112-000	381 - 1	FB6-5143-000	600 - 32	FC5-8133-000	310 - 10
FA9-2112-000	382 - 1	FB6-5144-000	600 - 32	FC5-8133-000	381 - 3
FA9-2112-000	532 - 1	FB6-6088-000	333 - 22	FC5-8133-000	382 - 3
FA9-2864-010	345 - 3	FB6-6519-000	856 - 1	FC5-8142-000	310 - 11
FA9-2864-010	349 - 8	FC0-2217-000	816 - 16	FC5-8143-000	310 - 12
FA9-2864-010	350 - 1	FC0-2218-000	856 - 10	FC5-8144-000	310 - 13
FA9-2864-010	355 - 2	FC0-2219-000	816 - 34	FC5-8146-000	310 - 14
FA9-2864-010	370 - 42	FC0-2220-000	812 - 12	FC5-8147-000	310 - 15
FB2-2959-000	550 - 1	FC0-2220-000	852 - 13	FC5-8149-000	310 - 39
FB2-2960-000	550 - 2	FC0-2221-000	812 - 13	FC5-8153-000	310 - 16
FB2-3159-000	114 - 4	FC0-2221-000	852 - 14	FC5-8154-000	310 - 17
FB2-3159-000	350 - 2	FC0-2227-000	383 - 24	FC5-8165-000	104 - 13
FB2-4375-000	511 - 1	FC0-2235-000	001 - 14	FC5-8169-000	381 - 5
FB2-4383-000	191 - 1	FC0-2236-000	001 - 15	FC5-8169-000	382 - 5
FB2-6285-020	330 - 2	FC0-2237-000	001 - 16	FC5-8171-000	310 - 18
FB2-6285-020	331 - 8	FC0-4129-000	105 - 19	FC5-8175-000	381 - 6
FB2-6285-020	333 - 21	FC0-4232-000	105 - 23	FC5-8175-000	382 - 6
FB2-6285-020	352 - 2	FC1-1117-000	271 - 1	FC5-8205-000	300 - 6
FB2-6285-020	355 - 3	FC2-2121-000	105 - 8	FC5-8206-000	300 - 7
FB2-6285-020	511 - 46	FC2-2121-000	814 - 2	FC5-8207-000	300 - 8

NUMERICAL INDEX

imagePRESS C7010VP/C6010VP/C6010(Numerical Index)

PARTS NUMBER	FIGURE & KEY NO.	PARTS NUMBER	FIGURE & KEY NO.	PARTS NUMBER	FIGURE & KEY NO
FC5-8229-000	300 - 30	FC5-9014-000	280 - 2	FC5-9318-000	532 - 19
FC5-8246-000	300 - 107	FC5-9014-000	815 - 4	FC5-9327-000	531 - 6
FC5-8249-000	300 - 9	FC5-9014-000	855 - 4	FC5-9328-000	532 - 20
FC5-8250-000	300 - 10	FC5-9020-000	622 - 2	FC5-9332-000	333 - 24
FC5-8251-000	300 - 11	FC5-9023-000	622 - 3	FC5-9335-000	333 - 30
FC5-8252-000	300 - 12	FC5-9024-000	622 - 4	FC5-9337-000	330 - 3
FC5-8253-000	300 - 69	FC5-9025-000	622 - 5	FC5-9337-000	331 - 9
FC5-8538-000	300 - 13	FC5-9026-000	622 - 6	FC5-9339-000	331 - 2
FC5-8542-000	300 - 14	FC5-9033-000	615 - 1	FC5-9340-000	331 - 3
FC5-8561-000	300 - 15	FC5-9034-000	615 - 2	FC5-9341-000	333 - 1
FC5-8579-000	190 - 1	FC5-9046-000	610 - 1	FC5-9348-000	274 - 1
FC5-8660-000	100 - 48	FC5-9050-000	615 - 3	FC5-9363-000	324 - 2
FC5-8660-000	111 - 29	FC5-9051-000	615 - 4	FC5-9378-000	332 - 1
FC5-8661-000	104 - 6	FC5-9052-000	615 - 5	FC5-9381-000	332 - 2
FC5-8661-000	114 - 3	FC5-9053-000	615 - 6	FC5-9384-000	383 - 1
FC5-8746-000	621 - 1	FC5-9058-000	615 - 7	FC5-9392-000	332 - 3
FC5-8747-000	621 - 2	FC5-9059-000	615 - 8	FC5-9405-000	331 - 4
FC5-8748-000	621 - 3	FC5-9060-000	610 - 2	FC5-9414-000	383 - 2
FC5-8754-010	620 - 4	FC5-9061-000	610 - 3	FC5-9418-000	333 - 2
FC5-8755-000	620 - 5	FC5-9065-000	615 - 9	FC5-9420-000	333 - 3
FC5-8756-000	620 - 6	FC5-9131-010	532 - 4	FC5-9421-000	333 - 4
FC5-8764-000	621 - 4	FC5-9132-010	532 - 5	FC5-9422-000	333 - 5
FC5-8765-000	621 - 5	FC5-9135-000	532 - 6	FC5-9424-000	333 - 37
FC5-8771-000	621 - 6	FC5-9136-000	532 - 7	FC5-9483-000	329 - 1
FC5-8829-000	710 - 2	FC5-9137-000	532 - 8	FC5-9484-000	329 - 2
FC5-8830-000	710 - 3	FC5-9145-000	532 - 9	FC5-9489-000	327 - 2
FC5-8836-000	511 - 2	FC5-9150-000	532 - 10	FC5-9493-000	327 - 3
FC5-8837-000	511 - 3	FC5-9151-000	532 - 11	FC5-9510-000	326 - 2
FC5-8838-000	511 - 4	FC5-9152-000	532 - 12	FC5-9511-000	326 - 3
FC5-8839-000	511 - 5	FC5-9156-000	533 - 1	FC5-9513-000	326 - 4
FC5-8840-000	511 - 6	FC5-9160-000	533 - 2	FC5-9518-000	328 - 3
FC5-8842-000	511 - 7	FC5-9163-000	533 - 4	FC5-9519-000	328 - 4
FC5-8877-000	511 - 8	FC5-9168-000	533 - 5	FC5-9522-000	328 - 5
FC5-8880-000	511 - 9	FC5-9183-000	273 - 1	FC5-9539-000	380 - 2
FC5-8881-000	511 - 10	FC5-9188-000	531 - 1	FC5-9559-000	323 - 8
FC5-8885-000	511 - 11	FC5-9239-000	345 - 13	FC5-9559-000	327 - 4
FC5-8890-000	105 - 12	FC5-9239-000	370 - 17	FC5-9559-000	328 - 15
FC5-8907-000	600 - 2	FC5-9252-010	532 - 54	FC5-9559-000	330 - 17
FC5-8908-000	600 - 3	FC5-9277-000	531 - 3	FC5-9559-000	331 - 24
FC5-8910-000	600 - 4	FC5-9278-000	531 - 4	FC5-9559-000	338 - 13
FC5-8911-000	600 - 5	FC5-9280-000	531 - 44	FC5-9559-000	341 - 15
FC5-8913-000	600 - 6	FC5-9281-000	531 - 5	FC5-9559-000	345 - 20
FC5-8923-000	511 - 12	FC5-9301-000	532 - 14	FC5-9559-000	346 - 17
FC5-8926-000	511 - 13	FC5-9302-000	532 - 15	FC5-9559-000	349 - 4
FC5-8932-000	815 - 3	FC5-9303-000	532 - 16	FC5-9559-000	351 - 2
FC5-8932-000	855 - 3	FC5-9304-000	532 - 17	FC5-9559-000	352 - 4
FC5-8934-010	852 - 1	FC5-9305-000	532 - 94	FC5-9559-000	355 - 4
FC5-8935-010	852 - 2	FC5-9306-000	532 - 95	FC5-9559-000	360 - 25
FC5-8945-000	852 - 3	FC5-9307-000	532 - 18	FC5-9559-000	361 - 21
FC5-8946-000	852 - 4	FC5-9312-000	532 - 55	FC5-9559-000	362 - 25
FC5-9005-000	272 - 1	FC5-9316-000	532 - 82	FC5-9559-000	370 - 19
FC5-9006-000	272 - 2	FC5-9317-000	532 - 56	FC5-9559-000	371 - 20

NUMERICAL INDEX

imagePRESS C7010VP/C6010VP/C6010(Numerical Index)

PARTS NUMBER	FIGURE & KEY NO.	PARTS NUMBER	FIGURE & KEY NO.	PARTS NUMBER	FIGURE & KEY NO.
FC5-9559-000	372 - 13	FC5-9811-010	840 - 3	FC6-0073-000	326 - 13
FC5-9559-000	380 - 9	FC5-9815-000	840 - 33	FC6-0074-000	328 - 6
FC5-9559-000	532 - 87	FC5-9816-000	840 - 34	FC6-0075-000	328 - 7
FC5-9562-000	371 - 28	FC5-9826-000	840 - 6	FC6-0083-000	326 - 14
FC5-9562-000	372 - 20	FC5-9833-000	341 - 14	FC6-0084-000	326 - 15
FC5-9563-000	338 - 2	FC5-9835-000	341 - 13	FC6-0089-000	337 - 2
FC5-9563-000	371 - 27	FC5-9848-000	340 - 8	FC6-0090-000	337 - 3
FC5-9563-000	372 - 19	FC5-9848-000	341 - 1	FC6-0093-000	336 - 13
FC5-9614-010	320 - 1	FC5-9869-000	349 - 7	FC6-0101-000	100 - 60
FC5-9615-000	320 - 2	FC5-9885-000	352 - 5	FC6-0102-000	100 - 61
FC5-9616-000	320 - 3	FC5-9892-000	352 - 23	FC6-0104-000	100 - 2
FC5-9617-000	320 - 4	FC5-9904-000	350 - 16	FC6-0111-000	326 - 27
FC5-9619-000	320 - 5	FC5-9907-000	350 - 3	FC6-0111-000	351 - 15
FC5-9620-000	320 - 6	FC5-9907-000	352 - 7	FC6-0122-000	271 - 3
FC5-9621-000	320 - 7	FC5-9912-010	351 - 37	FC6-0175-000	109 - 16
FC5-9622-010	320 - 8	FC5-9917-000	351 - 4	FC6-0201-000	815 - 5
FC5-9623-000	320 - 9	FC5-9918-000	342 - 7	FC6-0202-000	815 - 6
FC5-9624-000	320 - 10	FC5-9918-000	344 - 2	FC6-0202-000	855 - 5
FC5-9625-000	262 - 1	FC5-9918-000	345 - 5	FC6-0235-000	815 - 28
FC5-9631-000	320 - 11	FC5-9918-000	348 - 6	FC6-0235-000	855 - 6
FC5-9643-000	262 - 2	FC5-9918-000	351 - 5	FC6-0237-010	815 - 7
FC5-9644-000	262 - 3	FC5-9918-000	355 - 77	FC6-0237-010	855 - 7
FC5-9654-000	383 - 3	FC5-9920-000	351 - 35	FC6-0238-010	815 - 8
FC5-9668-000	322 - 1	FC5-9922-010	351 - 36	FC6-0238-010	855 - 8
FC5-9668-000	360 - 10	FC5-9928-000	351 - 6	FC6-0241-000	855 - 10
FC5-9668-000	361 - 10	FC5-9935-000	355 - 5	FC6-0253-000	815 - 12
FC5-9668-000	362 - 10	FC5-9939-000	353 - 2	FC6-0253-000	855 - 11
FC5-9668-000	372 - 12	FC5-9953-000	355 - 6	FC6-0255-000	815 - 13
FC5-9715-000	320 - 14	FC5-9976-000	370 - 27	FC6-0255-000	855 - 12
FC5-9719-000	320 - 15	FC5-9987-000	111 - 17	FC6-0265-000	890 - 1
FC5-9721-000	320 - 16	FC5-9988-000	111 - 18	FC6-0265-000	891 - 1
FC5-9722-010	320 - 17	FC5-9989-000	351 - 7	FC6-0282-000	816 - 1
FC5-9725-000	320 - 18	FC6-0009-000	326 - 5	FC6-0291-000	816 - 2
FC5-9740-000	320 - 19	FC6-0027-000	337 - 1	FC6-0292-000	816 - 3
FC5-9745-000	320 - 20	FC6-0034-000	360 - 2	FC6-0294-000	816 - 5
FC5-9746-000	320 - 21	FC6-0034-000	362 - 2	FC6-0295-000	816 - 6
FC5-9747-000	320 - 22	FC6-0036-000	112 - 8	FC6-0297-000	816 - 7
FC5-9748-000	320 - 23	FC6-0036-000	383 - 11	FC6-0297-000	856 - 4
FC5-9749-000	320 - 24	FC6-0045-000	327 - 5	FC6-0300-000	816 - 8
FC5-9761-000	830 - 9	FC6-0049-000	327 - 6	FC6-0308-010	816 - 9
FC5-9766-000	813 - 20	FC6-0055-000	327 - 7	FC6-0309-000	816 - 10
FC5-9768-000	280 - 3	FC6-0056-000	326 - 6	FC6-0314-000	816 - 11
FC5-9769-000	280 - 4	FC6-0058-000	326 - 7	FC6-0316-000	816 - 12
FC5-9775-000	812 - 1	FC6-0059-000	327 - 8	FC6-0320-000	816 - 13
FC5-9775-000	852 - 5	FC6-0059-000	360 - 3	FC6-0321-000	816 - 14
FC5-9778-000	830 - 21	FC6-0059-000	362 - 3	FC6-0325-000	818 - 9
FC5-9785-000	812 - 2	FC6-0060-000	326 - 8	FC6-0333-000	813 - 22
FC5-9791-000	812 - 3	FC6-0061-000	326 - 9	FC6-0335-000	813 - 23
FC5-9791-000	852 - 8	FC6-0063-000	326 - 10	FC6-0336-000	813 - 2
FC5-9792-000	812 - 4	FC6-0065-000	326 - 18	FC6-0337-000	813 - 25
FC5-9792-000	852 - 9	FC6-0069-000	326 - 11	FC6-0342-000	813 - 4
FC5-9810-010	840 - 2	FC6-0070-000	326 - 12	FC6-0361-000	816 - 55

NUMERICAL INDEX

imagePRESS C7010VP/C6010VP/C6010(Numerical Index)

PARTS NUMBER	FIGURE & KEY NO.	PARTS NUMBER	FIGURE & KEY NO.	PARTS NUMBER	FIGURE & KEY NO.
FC6-0362-000	816 - 17	FC6-2190-000	532 - 22	FC6-3209-000	100 - 41
FC6-0383-000	856 - 5	FC6-2211-000	530 - 15	FC6-3211-000	100 - 42
FC6-0407-000	856 - 6	FC6-2215-000	346 - 15	FC6-3215-000	100 - 43
FC6-0416-000	856 - 7	FC6-2251-000	349 - 19	FC6-3218-000	100 - 44
FC6-0417-000	856 - 8	FC6-2261-000	354 - 13	FC6-3219-000	100 - 45
FC6-0418-000	856 - 9	FC6-2266-000	355 - 8	FC6-3225-000	620 - 19
FC6-1051-000	550 - 5	FC6-2272-000	355 - 9	FC6-3230-000	620 - 20
FC6-1052-000	550 - 6	FC6-2277-000	355 - 10	FC6-3342-000	355 - 15
FC6-1057-000	550 - 8	FC6-2280-000	355 - 11	FC6-3412-010	816 - 54
FC6-1058-000	550 - 9	FC6-2294-000	620 - 7	FC6-3419-000	781 - 11
FC6-1061-000	550 - 12	FC6-2301-000	620 - 8	FC6-4910-000	533 - 9
FC6-1177-000	815 - 14	FC6-2302-000	100 - 36	FC6-4943-000	130 - 3
FC6-1224-000	816 - 18	FC6-2303-000	620 - 9	FC6-4945-000	130 - 4
FC6-1254-000	813 - 3	FC6-2313-000	620 - 10	FC6-4946-000	130 - 5
FC6-1260-000	812 - 5	FC6-2314-000	620 - 11	FC6-4947-000	130 - 6
FC6-1260-000	852 - 10	FC6-2317-000	620 - 12	FC6-4949-000	130 - 7
FC6-1292-000	817 - 5	FC6-2318-000	100 - 37	FC6-4950-000	130 - 8
FC6-1294-000	830 - 1	FC6-2319-000	100 - 38	FC6-4951-000	130 - 9
FC6-1295-000	830 - 2	FC6-2320-000	620 - 13	FC6-4952-000	130 - 10
FC6-2034-000	111 - 1	FC6-2327-000	620 - 14	FC6-4954-000	130 - 11
FC6-2035-000	111 - 7	FC6-2335-000	621 - 7	FC6-4955-000	130 - 12
FC6-2040-000	113 - 12	FC6-2336-000	621 - 8	FC6-4956-000	130 - 13
FC6-2048-000	814 - 30	FC6-2339-000	620 - 15	FC6-4957-000	130 - 14
FC6-2071-000	815 - 15	FC6-2342-000	620 - 16	FC6-4958-000	100 - 90
FC6-2071-000	855 - 13	FC6-2346-000	620 - 17	FC6-4959-000	100 - 89
FC6-2072-000	815 - 16	FC6-2347-000	620 - 18	FC6-4960-000	100 - 84
FC6-2072-000	855 - 14	FC6-2389-000	112 - 5	FC6-4961-000	100 - 83
FC6-2074-000	532 - 34	FC6-2400-000	355 - 12	FC6-5481-000	620 - 21
FC6-2075-000	532 - 35	FC6-2401-000	370 - 32	FC6-5482-000	620 - 22
FC6-2076-000	532 - 36	FC6-2420-000	383 - 12	FC6-5614-000	100 - 78
FC6-2087-000	531 - 7	FC6-2451-000	355 - 13	FC6-5731-000	100 - 76
FC6-2102-000	344 - 5	FC6-3133-000	100 - 56	FC6-6824-000	100 - 25
FC6-2102-000	348 - 3	FC6-3133-000	111 - 36	FC6-6824-000	130 - 15
FC6-2111-000	340 - 11	FC6-3134-000	111 - 37	FC6-7832-000	532 - 40
FC6-2113-000	531 - 8	FC6-3173-000	113 - 8	FC6-7842-000	341 - 12
FC6-2134-000	533 - 6	FC6-3173-000	125 - 6	FC6-7842-000	360 - 4
FC6-2135-000	533 - 7	FC6-3173-000	185 - 8	FC6-7842-000	361 - 4
FC6-2136-000	533 - 8	FC6-3175-000	100 - 49	FC6-7842-000	362 - 4
FC6-2139-000	535 - 2	FC6-3176-000	100 - 53	FC6-7852-000	360 - 5
FC6-2146-000	535 - 4	FC6-3181-000	126 - 1	FC6-7852-000	361 - 5
FC6-2147-000	535 - 5	FC6-3186-000	186 - 1	FC6-7852-000	362 - 5
FC6-2148-000	535 - 6	FC6-3186-000	600 - 7	FC6-7864-000	383 - 4
FC6-2152-000	194 - 1	FC6-3187-000	550 - 13	FC6-7866-000	383 - 13
FC6-2153-000	194 - 2	FC6-3188-000	535 - 12	FC6-7877-000	104 - 18
FC6-2177-000	532 - 37	FC6-3188-000	550 - 23	FC6-7878-000	104 - 19
FC6-2178-000	532 - 38	FC6-3198-000	100 - 102	FC6-7903-010	533 - 10
FC6-2179-000	532 - 39	FC6-3199-000	107 - 2	FC6-7904-000	533 - 11
FC6-2184-000	532 - 30	FC6-3202-000	100 - 39	FC6-7905-000	533 - 12
FC6-2185-000	532 - 62	FC6-3203-010	100 - 58	FC6-7906-000	533 - 13
FC6-2186-000	532 - 83	FC6-3204-000	100 - 59	FC6-7910-000	531 - 9
FC6-2187-000	532 - 84	FC6-3205-000	100 - 4	FC6-7931-000	531 - 10
FC6-2189-000	532 - 21	FC6-3208-000	100 - 40	FC6-7932-000	531 - 11

NUMERICAL INDEX

imagePRESS C7010VP/C6010VP/C6010(Numerical Index)

PARTS NUMBER	FIGURE & KEY NO.	PARTS NUMBER	FIGURE & KEY NO.	PARTS NUMBER	FIGURE & KEY NO.
FC6-7933-000	531 - 12	FC6-8310-000	361 - 8	FC6-8514-000	852 - 12
FC6-7935-000	533 - 14	FC6-8310-000	362 - 8	FC6-8516-000	814 - 7
FC6-7947-000	622 - 7	FC6-8326-000	112 - 1	FC6-8516-000	854 - 7
FC6-7948-000	622 - 8	FC6-8337-000	111 - 3	FC6-8522-000	815 - 18
FC6-7955-000	622 - 9	FC6-8338-000	111 - 4	FC6-8522-000	855 - 17
FC6-8002-000	610 - 4	FC6-8339-000	112 - 6	FC6-8524-000	810 - 7
FC6-8033-000	100 - 97	FC6-8340-000	112 - 7	FC6-8524-000	850 - 6
FC6-8033-000	111 - 40	FC6-8341-000	111 - 5	FC6-8562-000	781 - 6
FC6-8041-000	100 - 74	FC6-8390-000	536 - 1	FC6-8563-000	781 - 5
FC6-8045-000	321 - 2	FC6-8398-000	333 - 9	FC6-8564-000	781 - 4
FC6-8046-000	322 - 3	FC6-8400-000	332 - 34	FC6-8565-000	781 - 3
FC6-8052-000	383 - 5	FC6-8407-010	104 - 2	FC6-8574-000	812 - 35
FC6-8053-000	383 - 6	FC6-8408-000	330 - 6	FC6-8574-000	852 - 15
FC6-8054-010	383 - 7	FC6-8412-000	840 - 7	FC6-8575-000	812 - 36
FC6-8056-000	322 - 4	FC6-8417-000	840 - 8	FC6-8575-000	852 - 16
FC6-8071-000	530 - 13	FC6-8421-000	815 - 57	FC6-8576-000	855 - 18
FC6-8072-000	532 - 97	FC6-8421-000	855 - 60	FC6-8578-000	852 - 17
FC6-8098-000	330 - 5	FC6-8422-010	814 - 6	FC6-8579-010	852 - 18
FC6-8098-000	331 - 11	FC6-8422-010	854 - 6	FC6-8581-000	852 - 19
FC6-8104-000	332 - 4	FC6-8437-010	812 - 6	FC6-8582-010	852 - 20
FC6-8112-000	332 - 5	FC6-8438-010	812 - 7	FC6-8596-000	354 - 2
FC6-8113-000	332 - 6	FC6-8439-000	812 - 8	FC6-8598-000	354 - 3
FC6-8115-000	332 - 33	FC6-8439-000	852 - 11	FC6-8599-000	353 - 3
FC6-8116-000	332 - 7	FC6-8440-000	855 - 15	FC6-8601-000	351 - 12
FC6-8118-000	383 - 8	FC6-8446-000	112 - 2	FC6-8631-000	284 - 1
FC6-8120-000	331 - 5	FC6-8447-000	112 - 3	FC6-8647-000	372 - 11
FC6-8133-000	111 - 33	FC6-8458-000	355 - 16	FC6-8948-000	120 - 1
FC6-8137-000	111 - 32	FC6-8460-000	351 - 8	FC6-9945-000	300 - 108
FC6-8138-000	111 - 34	FC6-8461-000	351 - 9	FC6-9946-000	300 - 109
FC6-8139-000	620 - 24	FC6-8464-000	351 - 10	FC6-9959-000	300 - 16
FC6-8144-000	100 - 6	FC6-8464-000	355 - 17	FC6-9960-000	300 - 17
FC6-8145-000	100 - 7	FC6-8464-000	370 - 5	FC6-9961-000	300 - 18
FC6-8190-000	890 - 2	FC6-8465-000	351 - 11	FC6-9965-000	300 - 20
FC6-8190-000	891 - 2	FC6-8465-000	355 - 18	FC6-9966-000	300 - 21
FC6-8202-000	320 - 25	FC6-8465-000	370 - 3	FC6-9967-000	300 - 22
FC6-8219-000	322 - 9	FC6-8469-000	350 - 17	FC6-9969-000	300 - 23
FC6-8219-000	323 - 21	FC6-8483-000	105 - 9	FC6-9972-000	300 - 32
FC6-8234-000	331 - 6	FC6-8483-000	106 - 8	FC6-9982-000	300 - 24
FC6-8236-000	333 - 7	FC6-8484-000	105 - 10	FC6-9987-000	300 - 104
FC6-8237-000	333 - 8	FC6-8484-000	106 - 9	FC6-9992-000	001 - 12
FC6-8239-000	104 - 1	FC6-8492-000	322 - 5	FC7-0042-000	326 - 16
FC6-8257-000	347 - 2	FC6-8493-000	322 - 6	FC7-0042-000	329 - 3
FC6-8258-000	344 - 12	FC6-8494-000	322 - 33	FC7-0042-000	336 - 2
FC6-8258-000	348 - 13	FC6-8495-000	322 - 34	FC7-0042-000	353 - 4
FC6-8289-000	340 - 6	FC6-8502-000	320 - 30	FC7-0042-000	354 - 4
FC6-8300-000	320 - 26	FC6-8502-000	322 - 7	FC7-0042-000	355 - 19
FC6-8306-000	320 - 27	FC6-8504-000	371 - 18	FC7-0042-000	370 - 26
FC6-8307-000	320 - 28	FC6-8506-000	371 - 9	FC7-0042-000	371 - 17
FC6-8309-000	321 - 3	FC6-8509-000	320 - 31	FC7-0042-000	372 - 10
FC6-8310-000	320 - 29	FC6-8511-000	812 - 9	FC7-0042-000	380 - 3
FC6-8310-000	341 - 11	FC6-8513-010	812 - 10	FC7-0043-000	336 - 12
FC6-8310-000	360 - 8	FC6-8514-000	812 - 11	FC7-0043-000	353 - 5

NUMERICAL INDEX

imagePRESS C7010VP/C6010VP/C6010(Numerical Index)

PARTS NUMBER	FIGURE & KEY NO.	PARTS NUMBER	FIGURE & KEY NO.	PARTS NUMBER	FIGURE & KEY NO
FC7-0043-000	354 - 5	FC7-1614-000	780 - 5	FC7-3447-000	856 - 43
FC7-0043-000	355 - 20	FC7-1616-000	780 - 7	FC7-3450-000	856 - 14
FC7-0043-000	370 - 25	FC7-1625-000	370 - 46	FC7-3451-000	840 - 9
FC7-0043-000	371 - 16	FC7-1808-000	370 - 29	FC7-3455-000	111 - 38
FC7-0043-000	372 - 9	FC7-1825-000	100 - 8	FC7-3458-000	111 - 25
FC7-0167-000	814 - 8	FC7-1826-000	100 - 9	FC7-3459-000	114 - 15
FC7-0167-000	854 - 8	FC7-1835-000	100 - 14	FC7-3466-000	100 - 105
FC7-0169-000	815 - 19	FC7-1836-000	100 - 15	FC7-3470-000	321 - 7
FC7-0169-000	855 - 19	FC7-1837-000	100 - 16	FC7-3474-000	532 - 23
FC7-0174-000	813 - 26	FC7-1838-000	100 - 18	FC7-3480-000	856 - 15
FC7-0175-000	815 - 51	FC7-1842-000	813 - 21	FC7-3482-000	001 - 6
FC7-0175-000	855 - 54	FC7-1843-000	102 - 1	FC7-3492-000	320 - 32
FC7-0177-000	830 - 3	FC7-1845-000	100 - 50	FC7-3493-000	321 - 4
FC7-0223-000	100 - 77	FC7-1846-000	104 - 3	FC7-3506-000	371 - 15
FC7-0616-000	109 - 14	FC7-1847-000	104 - 4	FC7-3512-000	371 - 13
FC7-0822-000	550 - 14	FC7-1848-000	100 - 17	FC7-3514-000	341 - 19
FC7-0823-000	550 - 15	FC7-1858-010	532 - 2	FC7-3514-000	371 - 12
FC7-0916-000	550 - 16	FC7-1879-000	336 - 14	FC7-4017-000	300 - 29
FC7-0932-000	840 - 25	FC7-1879-000	372 - 23	FC7-4021-000	100 - 22
FC7-0936-000	816 - 20	FC7-1882-000	100 - 19	FC7-4022-000	100 - 23
FC7-0947-000	120 - 10	FC7-1884-000	100 - 66	FC7-4024-000	300 - 31
FC7-1531-000	345 - 11	FC7-1888-000	100 - 20	FC7-4027-000	300 - 34
FC7-1531-000	370 - 16	FC7-1892-000	111 - 6	FC7-4040-000	354 - 6
FC7-1532-000	345 - 10	FC7-2241-000	120 - 2	FC7-4042-000	354 - 7
FC7-1549-000	780 - 25	FC7-2243-000	120 - 6	FC7-4043-000	113 - 1
FC7-1551-000	780 - 14	FC7-2244-000	120 - 5	FC7-4044-000	113 - 2
FC7-1552-000	780 - 31	FC7-2253-010	100 - 47	FC7-4048-000	370 - 45
FC7-1553-000	780 - 13	FC7-2255-000	100 - 21	FC7-4058-000	372 - 8
FC7-1555-000	780 - 24	FC7-2261-000	780 - 32	FC7-4062-000	812 - 14
FC7-1556-000	780 - 12	FC7-2262-000	781 - 1	FC7-4063-000	812 - 15
FC7-1559-000	780 - 23	FC7-2271-000	332 - 8	FC7-4064-000	812 - 16
FC7-1560-000	780 - 22	FC7-2272-000	332 - 9	FC7-4064-000	852 - 21
FC7-1561-000	780 - 10	FC7-2409-000	103 - 17	FC7-4066-000	812 - 52
FC7-1562-000	780 - 9	FC7-2431-000	300 - 25	FC7-4068-010	812 - 17
FC7-1564-000	780 - 8	FC7-2432-000	300 - 26	FC7-4068-010	852 - 22
FC7-1568-000	780 - 6	FC7-2436-000	300 - 19	FC7-4069-010	812 - 18
FC7-1569-000	345 - 17	FC7-2439-000	300 - 27	FC7-4073-000	812 - 19
FC7-1569-000	370 - 9	FC7-2440-000	300 - 28	FC7-4073-000	852 - 23
FC7-1584-000	346 - 16	FC7-2465-000	103 - 8	FC7-4074-000	812 - 20
FC7-1587-000	346 - 25	FC7-2638-000	103 - 9	FC7-4074-000	852 - 24
FC7-1588-000	346 - 26	FC7-3068-000	100 - 33	FC7-4075-000	812 - 21
FC7-1589-000	346 - 10	FC7-3090-000	114 - 2	FC7-4076-000	852 - 25
FC7-1592-000	346 - 11	FC7-3091-000	890 - 3	FC7-4077-000	852 - 26
FC7-1594-000	346 - 8	FC7-3091-000	891 - 3	FC7-4485-000	300 - 79
FC7-1595-000	346 - 5	FC7-3092-010	890 - 4	FC7-4563-000	191 - 2
FC7-1597-000	346 - 12	FC7-3092-010	891 - 4	FC7-4575-000	100 - 51
FC7-1598-000	346 - 22	FC7-3106-000	280 - 5	FC7-4576-000	100 - 52
FC7-1598-000	370 - 31	FC7-3130-000	322 - 8	FC7-4576-000	111 - 26
FC7-1601-000	346 - 14	FC7-3318-000	100 - 71	FC7-4577-000	840 - 10
FC7-1601-000	370 - 7	FC7-3432-000	814 - 10	FC7-4593-000	342 - 1
FC7-1603-000	345 - 14	FC7-3435-000	816 - 59	FC7-4595-000	344 - 6
FC7-1603-000	370 - 10	FC7-3441-000	856 - 13	FC7-4595-000	348 - 9

NUMERICAL INDEX

imagePRESS C7010VP/C6010VP/C6010(Numerical Index)

PARTS NUMBER	FIGURE & KEY NO.	PARTS NUMBER	FIGURE & KEY NO.	PARTS NUMBER	FIGURE & KEY NO
FC7-4600-000	346 - 3	FC7-5644-000	100 - 29	FC7-7048-000	830 - 4
FC7-4600-000	370 - 2	FC7-5645-000	100 - 29	FC7-7049-000	830 - 5
FC7-4619-000	349 - 12	FC7-5646-000	100 - 29	FC7-7050-010	830 - 6
FC7-4625-000	615 - 10	FC7-5647-000	100 - 29	FC7-7051-010	830 - 7
FC7-4631-000	615 - 11	FC7-5648-000	100 - 29	FC7-7057-000	892 - 1
FC7-4633-000	533 - 29	FC7-5649-000	100 - 29	FC7-7057-000	893 - 3
FC7-4634-000	815 - 58	FC7-5650-000	100 - 29	FC7-7063-000	892 - 4
FC7-4634-000	855 - 61	FC7-5654-000	620 - 57	FC7-7064-000	341 - 18
FC7-4640-000	852 - 46	FC7-5655-000	620 - 57	FC7-7065-000	323 - 5
FC7-4641-000	852 - 27	FC7-5657-010	111 - 35	FC7-7067-000	355 - 22
FC7-4642-000	852 - 28	FC7-5658-010	111 - 30	FC7-7481-000	320 - 35
FC7-4643-000	852 - 29	FC7-5659-010	111 - 30	FC7-7486-000	371 - 19
FC7-4645-000	349 - 23	FC7-5660-010	111 - 30	FC7-7487-000	371 - 14
FC7-4646-000	812 - 23	FC7-5661-010	111 - 30	FC7-7499-000	893 - 1
FC7-4647-000	812 - 24	FC7-5662-010	111 - 30	FC7-7501-000	338 - 3
FC7-4649-000	812 - 25	FC7-5663-010	111 - 30	FC7-7506-000	120 - 4
FC7-4650-000	812 - 26	FC7-5664-010	111 - 30	FC7-7514-000	816 - 22
FC7-4651-000	812 - 27	FC7-5668-000	100 - 30	FC7-7517-000	816 - 23
FC7-4652-000	812 - 28	FC7-5669-000	100 - 30	FC7-7519-000	816 - 24
FC7-4653-000	812 - 29	FC7-5670-000	100 - 30	FC7-7526-000	855 - 43
FC7-4901-010	355 - 21	FC7-5671-000	100 - 30	FC7-7527-000	533 - 15
FC7-4907-000	817 - 6	FC7-5672-000	100 - 30	FC7-7528-000	533 - 16
FC7-4908-000	817 - 7	FC7-5673-000	100 - 30	FC7-7538-000	830 - 22
FC7-4909-000	817 - 8	FC7-5674-000	100 - 30	FC7-7542-000	105 - 20
FC7-4913-000	815 - 21	FC7-5678-010	111 - 23	FC7-7544-000	105 - 21
FC7-4913-000	855 - 21	FC7-5679-010	111 - 23	FC7-7549-000	840 - 27
FC7-4915-000	840 - 11	FC7-5680-010	111 - 23	FC7-7550-000	280 - 1
FC7-4917-000	120 - 3	FC7-5681-010	111 - 23	FC7-7551-000	107 - 3
FC7-4919-000	121 - 1	FC7-5682-010	111 - 23	FC7-7555-000	330 - 15
FC7-4935-000	840 - 12	FC7-5683-010	111 - 23	FC7-7573-000	817 - 1
FC7-4936-000	840 - 13	FC7-5684-010	111 - 23	FC7-7694-000	300 - 74
FC7-4941-000	113 - 5	FC7-5707-000	193 - 1	FC7-7699-000	300 - 44
FC7-4948-000	815 - 22	FC7-5711-000	112 - 4	FC7-7700-000	300 - 63
FC7-4948-000	855 - 22	FC7-5720-000	340 - 12	FC7-7708-000	100 - 93
FC7-4959-000	345 - 8	FC7-5720-000	371 - 11	FC7-7708-000	103 - 15
FC7-4972-000	320 - 33	FC7-5757-000	814 - 29	FC7-7716-000	103 - 12
FC7-4973-000	320 - 34	FC7-5757-000	854 - 27	FC7-8080-000	100 - 106
FC7-5044-000	130 - 16	FC7-5759-000	814 - 28	FC7-9321-000	532 - 3
FC7-5100-000	190 - 2	FC7-5759-000	854 - 26	FC7-9534-000	300 - 93
FC7-5571-000	300 - 72	FC7-7030-010	120 - 8	FC7-9536-000	300 - 94
FC7-5573-000	300 - 73	FC7-7035-000	812 - 50	FC7-9539-000	300 - 95
FC7-5577-000	300 - 80	FC7-7036-000	812 - 30	FC7-9540-000	300 - 96
FC7-5578-000	300 - 81	FC7-7037-000	812 - 31	FC7-9568-000	103 - 14
FC7-5584-000	300 - 98	FC7-7038-000	812 - 34	FC7-9569-000	300 - 33
FC7-5585-000	300 - 99	FC7-7039-000	816 - 21	FC7-9656-000	532 - 80
FC7-5588-000	100 - 103	FC7-7040-000	812 - 32	FC7-9662-000	349 - 24
FC7-5589-000	100 - 104	FC7-7041-000	840 - 4	FC7-9667-000	781 - 9
FC7-5591-000	300 - 37	FC7-7043-000	120 - 9	FC7-9687-000	191 - 9
FC7-5592-000	100 - 27	FC7-7044-000	815 - 23	FC7-9708-000	001 - 5
FC7-5641-010	111 - 22	FC7-7044-000	855 - 52	FC7-9716-000	300 - 102
FC7-5642-010	111 - 20	FC7-7046-000	815 - 24	FC7-9717-000	103 - 16
FC7-5643-000	100 - 28	FC7-7046-000	855 - 53	FC7-9718-000	001 - 9

NUMERICAL INDEX

imagePRESS C7010VP/C6010VP/C6010(Numerical Index)

PARTS NUMBER	FIGURE & KEY NO.	PARTS NUMBER	FIGURE & KEY NO.	PARTS NUMBER	FIGURE & KEY NO.
FC7-9721-000	810 - 5	FC8-2972-010	372 - 22	FC8-7687-000	001 - 8
FC7-9721-000	850 - 7	FC8-2976-010	112 - 11	FC8-7687-000	103 - 6
FC7-9726-000	300 - 105	FC8-2977-010	112 - 11	FC8-9079-000	320 - 79
FC7-9740-000	812 - 22	FC8-2978-010	112 - 11	FC8-9141-000	781 - 10
FC7-9745-000	815 - 11	FC8-2979-010	112 - 11	FC9-5749-000	550 - 11
FC7-9747-000	105 - 5	FC8-2980-010	112 - 11	FC9-5771-000	100 - 82
FC7-9747-000	106 - 10	FC8-2981-010	112 - 11	FC9-5772-000	100 - 86
FC8-0997-000	531 - 43	FC8-2982-010	112 - 11	FC9-5773-000	100 - 98
FC8-0999-000	812 - 51	FC8-2990-000	100 - 96	FC9-5774-000	100 - 5
FC8-1030-000	615 - 18	FC8-2990-000	320 - 75	FC9-5783-000	100 - 99
FC8-1648-000	300 - 106	FC8-2993-000	900 - 21	FC9-5786-000	100 - 69
FC8-1654-000	381 - 13	FC8-3309-000	130 - 2	FC9-5798-000	532 - 13
FC8-1655-000	300 - 111	FC8-3310-000	130 - 2	FC9-5805-000	333 - 6
FC8-1659-000	381 - 4	FC8-3311-000	130 - 2	FC9-5806-000	333 - 36
FC8-1659-000	382 - 4	FC8-3312-000	130 - 16	FC9-5841-000	640 - 7
FC8-2295-000	550 - 7	FC8-3313-000	130 - 16	FC9-5842-000	640 - 8
FC8-2966-010	112 - 10	FC8-3641-000	100 - 96	FC9-5864-000	001 - 13
FC8-2967-010	112 - 10	FC8-3641-000	320 - 75	FC9-5891-000	333 - 33
FC8-2968-010	112 - 10	FC8-3642-000	100 - 96	FC9-5898-000	345 - 26
FC8-2968-010	113 - 15	FC8-3642-000	320 - 75	FC9-5899-000	345 - 22
FC8-2968-010	344 - 11	FC8-3643-000	100 - 96	FC9-5900-000	346 - 23
FC8-2968-010	348 - 12	FC8-3643-000	320 - 75	FC9-5905-000	346 - 19
FC8-2968-010	351 - 33	FC8-3644-000	100 - 96	FC9-5909-000	355 - 7
FC8-2968-010	370 - 44	FC8-3644-000	320 - 75	FC9-5911-000	355 - 79
FC8-2968-010	372 - 22	FC8-3645-000	100 - 96	FC9-5920-000	531 - 2
FC8-2969-010	112 - 10	FC8-3645-000	320 - 75	FC9-5980-000	531 - 45
FC8-2969-010	113 - 15	FC8-3646-000	100 - 96	FC9-5991-000	130 - 30
FC8-2969-010	344 - 11	FC8-3646-000	320 - 75	FC9-6014-000	191 - 3
FC8-2969-010	348 - 12	FC8-3787-000	817 - 26	FC9-6017-000	100 - 87
FC8-2969-010	351 - 33	FC8-3788-000	817 - 27	FC9-6018-000	511 - 41
FC8-2969-010	370 - 44	FC8-3800-000	001 - 11	FC9-6044-000	100 - 100
FC8-2969-010	372 - 22	FC8-6462-000	351 - 3	FC9-6045-000	100 - 101
FC8-2970-010	112 - 10	FC8-6462-000	352 - 6	FC9-6046-000	101 - 1
FC8-2970-010	113 - 15	FC8-6789-000	108 - 4	FC9-6071-000	100 - 32
FC8-2970-010	344 - 11	FC8-6799-000	600 - 35	FC9-6072-000	100 - 32
FC8-2970-010	348 - 12	FC8-6812-000	533 - 3	FC9-6082-000	106 - 16
FC8-2970-010	351 - 33	FC8-6817-000	620 - 57	FC9-6085-000	530 - 20
FC8-2970-010	370 - 44	FC8-6818-000	620 - 57	FC9-6090-000	351 - 40
FC8-2970-010	372 - 22	FC8-6828-000	327 - 37	FC9-6091-000	333 - 23
FC8-2971-010	112 - 10	FC8-6847-000	812 - 48	FC9-6097-000	511 - 47
FC8-2971-010	113 - 15	FC8-6848-000	852 - 6	FC9-6098-000	511 - 48
FC8-2971-010	344 - 11	FC8-6852-000	532 - 33	FC9-6099-000	111 - 2
FC8-2971-010	348 - 12	FC8-6861-000	815 - 43	FC9-6105-000	111 - 8
FC8-2971-010	351 - 33	FC8-6861-000	855 - 48	FC9-6106-000	511 - 49
FC8-2971-010	370 - 44	FC8-6863-000	815 - 17	FC9-6107-000	511 - 38
FC8-2971-010	372 - 22	FC8-6863-000	855 - 16	FC9-6109-000	511 - 40
FC8-2972-010	112 - 10	FC8-6866-000	640 - 5	FC9-6114-000	530 - 21
FC8-2972-010	113 - 15	FC8-6874-000	640 - 6	FC9-6116-000	856 - 11
FC8-2972-010	344 - 11	FC8-7665-000	300 - 100	FC9-6122-000	100 - 68
FC8-2972-010	348 - 12	FC8-7675-000	001 - 8	FC9-9464-000	355 - 14
FC8-2972-010	351 - 33	FC8-7675-000	103 - 6	FC9-9470-000	328 - 2
FC8-2972-010	370 - 44	FC8-7678-000	300 - 103	FC9-9475-000	323 - 3

NUMERICAL INDEX

imagePRESS C7010VP/C6010VP/C6010(Numerical Index)

PARTS NUMBER	FIGURE & KEY NO.	PARTS NUMBER	FIGURE & KEY NO.	PARTS NUMBER	FIGURE & KEY NO.
FC9-9476-000	323 - 4	FK2-0149-000	893 - 2	FK2-3086-010	813 - 5
FC9-9477-000	360 - 6	FK2-0161-000	532 - 26	FK2-3087-010	813 - 5
FC9-9477-000	361 - 6	FK2-0360-000	911 - 1	FK2-3090-000	856 - 17
FC9-9477-000	362 - 6	FK2-0540-000	340 - 10	FK2-3091-000	856 - 17
FC9-9478-000	360 - 7	FK2-0589-000	322 - 10	FK2-3094-000	813 - 1
FC9-9478-000	361 - 7	FK2-0590-000	621 - 9	FK2-3096-000	856 - 18
FC9-9478-000	362 - 7	FK2-0590-000	622 - 11	FK2-3097-000	840 - 26
FE9-0018-020	530 - 9	FK2-0591-000	771 - 2	FK2-3098-000	101 - 2
FF2-2891-000	511 - 15	FK2-0591-000	780 - 20	FK2-3098-000	109 - 17
FG6-8605-020	320 - 36	FK2-0607-000	600 - 8	FK2-3098-000	115 - 5
FH4-6214-000	934 - IC	FK2-0755-000	900 - 6	FK2-3098-000	116 - 7
FH4-6235-000	937 - IC	FK2-0912-000	937 - IC	FK2-3098-000	183 - 1
FH4-6237-000	935 - IC	FK2-0913-000	932 - IC	FK2-3098-000	184 - 1
FH4-6239-000	938 - IC	FK2-0913-000	933 - IC	FK2-3098-000	186 - 2
FH4-6241-000	935 - IC	FK2-0913-000	937 - IC	FK2-3098-000	188 - 1
FH4-6243-000	936 - IC	FK2-0999-000	322 - 2	FK2-3098-000	189 - 1
FH4-6248-000	937 - IC	FK2-0999-000	323 - 10	FK2-3098-000	191 - 12
FH4-6274-000	937 - IC	FK2-1636-000	130 - 17	FK2-3100-000	116 - 2
FH4-6300-000	936 - IC	FK2-1646-000	130 - 19	FK2-3100-000	116 - 2
FH4-6302-000	936 - IC	FK2-1773-000	962 - 19	FK2-3100-000	185 - 3
FH7-5838-030	355 - 23	FK2-1773-000	965 - IC	FK2-3100-000	348 - 7
FK2-0022-000	283 - 1	FK2-1773-000	970 - IC	FK2-3100-000	349 - 3
FK2-0022-000	771 - 1	FK2-2046-000	942 - IC	FK2-3101-000	180 - 1
FK2-0104-000	942 - IC	FK2-2709-000	940 - IC	FK2-3102-000	182 - 1
FK2-0105-000	531 - 19	FK2-2709-000	941 - IC	FK2-3108-000	532 - 27
FK2-0149-000	103 - 10	FK2-2713-000	640 - 1	FK2-3110-000	531 - 55
FK2-0149-000	113 - 9	FK2-2725-000	531 - 14	FK2-3112-000	532 - 28
FK2-0149-000	114 - 9	FK2-2726-000	272 - 3	FK2-3115-000	109 - 20
FK2-0149-000	125 - 2	FK2-2726-000	511 - 23	FK2-3116-000	109 - 21
FK2-0149-000	185 - 9	FK2-2726-000	620 - 27	FK2-3117-000	109 - 22
FK2-0149-000	190 - 3	FK2-2727-000	280 - 16	FK2-3118-000	102 - 2
FK2-0149-000	262 - 4	FK2-2729-000	536 - 3	FK2-3119-000	102 - 3
FK2-0149-000	300 - 38	FK2-2729-000	600 - 9	FK2-3120-000	102 - 4
FK2-0149-000	327 - 11	FK2-2858-000	121 - 3	FK2-3121-000	102 - 5
FK2-0149-000	338 - 9	FK2-2887-000	900 - 1	FK2-3122-000	116 - 14
FK2-0149-000	340 - 4	FK2-2888-000	900 - 3	FK2-3124-000	262 - 5
FK2-0149-000	349 - 2	FK2-2892-000	900 - 2	FK2-3124-000	320 - 38
FK2-0149-000	351 - 13	FK2-2901-000	936 - IC	FK2-3124-000	322 - 12
FK2-0149-000	370 - 33	FK2-2972-000	300 - 39	FK2-3125-000	323 - 6
FK2-0149-000	371 - 10	FK2-2973-000	300 - 71	FK2-3125-000	328 - 8
FK2-0149-000	372 - 7	FK2-2974-000	190 - 4	FK2-3125-000	338 - 10
FK2-0149-000	532 - 25	FK2-2975-000	300 - 40	FK2-3125-000	341 - 10
FK2-0149-000	622 - 10	FK2-2976-000	103 - 18	FK2-3125-000	343 - 9
FK2-0149-000	780 - 21	FK2-2977-000	103 - 19	FK2-3125-000	349 - 13
FK2-0149-000	812 - 33	FK2-2984-000	300 - 41	FK2-3125-000	355 - 25
FK2-0149-000	815 - 29	FK2-2989-000	190 - 5	FK2-3125-000	360 - 9
FK2-0149-000	816 - 26	FK2-3080-000	840 - 15	FK2-3125-000	361 - 9
FK2-0149-000	817 - 9	FK2-3081-000	840 - 15	FK2-3125-000	362 - 9
FK2-0149-000	852 - 30	FK2-3082-000	814 - 11	FK2-3125-000	371 - 25
FK2-0149-000	855 - 55	FK2-3082-000	854 - 11	FK2-3125-000	372 - 18
FK2-0149-000	856 - 16	FK2-3083-000	814 - 11	FK2-3126-000	349 - 6
FK2-0149-000	892 - 2	FK2-3083-000	854 - 11	FK2-3126-000	818 - 1

NUMERICAL INDEX

imagePRESS C7010VP/C6010VP/C6010(Numerical Index)

PARTS NUMBER	FIGURE & KEY NO.	PARTS NUMBER	FIGURE & KEY NO.	PARTS NUMBER	FIGURE & KEY NO.
FK2-3127-000	320 - 39	FL2-0434-000	535 - 7	FL2-2127-000	325 - 2
FK2-3129-000	355 - 26	FL2-0462-020	535 - 13	FL2-2139-000	340 - 9
FK2-3129-000	370 - 36	FL2-0462-020	550 - 24	FL2-2139-000	343 - 15
FK2-3130-000	260 - 2	FL2-0464-000	535 - 14	FL2-2139-000	347 - 1
FK2-3132-000	284 - 2	FL2-0464-000	550 - 25	FL2-2140-000	336 - 15
FK2-3132-000	350 - 5	FL2-0991-000	535 - 8	FL2-2140-000	372 - 24
FK2-3132-000	355 - 27	FL2-0991-000	550 - 18	FL2-2147-000	321 - 8
FK2-3132-000	818 - 4	FL2-1775-000	260 - 4	FL2-2148-000	321 - 9
FK2-3132-000	856 - 19	FL2-1777-000	300 - 110	FL2-2164-000	812 - 55
FK2-3134-000	355 - 28	FL2-1785-000	310 - 22	FL2-2169-000	810 - 8
FK2-3135-000	352 - 8	FL2-1789-000	260 - 17	FL2-2169-000	850 - 8
FK2-3136-000	343 - 6	FL2-1795-000	300 - 113	FL2-2193-000	280 - 25
FK2-3136-000	345 - 6	FL2-1799-000	300 - 42	FL2-2203-000	815 - 55
FK2-3136-000	370 - 12	FL2-1805-000	300 - 43	FL2-2209-000	840 - 29
FK2-3137-000	260 - 3	FL2-1809-000	300 - 97	FL2-2210-000	840 - 30
FK2-3143-000	320 - 40	FL2-1816-000	300 - 45	FL2-2257-000	350 - 6
FK2-3144-000	532 - 29	FL2-1851-000	260 - 5	FL2-2261-000	350 - 7
FK2-3145-000	532 - 59	FL2-1851-000	381 - 8	FL2-2262-010	355 - 76
FK2-3148-000	352 - 9	FL2-1877-000	111 - 10	FL2-2268-000	355 - 31
FK2-3148-000	355 - 29	FL2-1878-000	111 - 11	FL2-2269-000	351 - 34
FK2-3148-000	383 - 9	FL2-1879-000	111 - 12	FL2-2274-000	350 - 8
FK2-3148-000	816 - 25	FL2-1896-000	625 - 12	FL2-2293-000	113 - 11
FK2-3150-000	181 - 1	FL2-1904-000	621 - 10	FL2-2293-000	336 - 11
FK2-3150-000	195 - 1	FL2-1912-000	600 - 11	FL2-2293-000	372 - 17
FK2-3152-000	370 - 35	FL2-1913-000	600 - 12	FL2-2295-000	338 - 4
FK2-3153-000	600 - 10	FL2-1917-000	108 - 1	FL2-2302-000	100 - 1
FK2-3154-000	280 - 6	FL2-1918-000	108 - 2	FL2-2306-000	325 - 1
FK2-3160-000	814 - 4	FL2-1944-000	511 - 17	FL2-2374-000	621 - 11
FK2-3160-000	854 - 13	FL2-1950-000	511 - 42	FL2-2375-000	621 - 12
FK2-4690-000	001 - 10	FL2-1955-000	600 - 39	FL2-2376-000	621 - 13
FK2-4691-000	001 - 10	FL2-1963-010	105 - 3	FL2-2382-000	100 - 79
FK2-4692-000	001 - 10	FL2-1984-010	622 - 25	FL2-2406-000	532 - 50
FK2-6484-000	912 - 1	FL2-1985-010	622 - 24	FL2-2407-000	532 - 51
FK2-6777-000	814 - 21	FL2-1994-000	780 - 18	FL2-2409-000	530 - 16
FK2-6777-000	854 - 12	FL2-1997-000	191 - 4	FL2-2410-000	530 - 17
FK2-6818-000	913 - 1	FL2-1998-000	191 - 5	FL2-2411-000	530 - 18
FK2-7407-000	130 - 18	FL2-2016-000	342 - 6	FL2-2412-000	530 - 19
FK2-7408-000	130 - 19	FL2-2016-000	344 - 7	FL2-2412-000	532 - 90
FK2-7518-000	109 - 5	FL2-2016-000	345 - 24	FL2-2423-000	535 - 9
FK2-7518-000	116 - 1	FL2-2016-000	348 - 10	FL2-2615-000	130 - 20
FK2-8214-000	900 - 22	FL2-2016-000	351 - 14	FL2-2616-000	130 - 21
FK2-8215-000	900 - 23	FL2-2016-000	355 - 30	FL2-2649-000	813 - 24
FK2-8216-000	900 - 24	FL2-2021-000	511 - 18	FL2-2707-020	511 - 19
FK2-8352-000	900 - 17	FL2-2024-000	536 - 4	FL2-2708-020	511 - 20
FK3-0823-000	320 - 61	FL2-2053-000	531 - 42	FL2-2709-000	511 - 21
FK3-0824-000	620 - 25	FL2-2080-000	111 - 13	FL2-2713-000	710 - 4
FK3-0825-000	620 - 28	FL2-2081-000	111 - 14	FL2-2714-000	710 - 5
FK3-0827-000	116 - 6	FL2-2086-010	332 - 32	FL2-2765-000	815 - 10
FK3-0827-000	192 - 1	FL2-2094-000	332 - 11	FL2-2765-000	855 - 9
FK3-0827-000	193 - 2	FL2-2099-010	330 - 16	FL2-4042-000	300 - 46
FK3-0827-000	194 - 3	FL2-2099-010	331 - 23	FL2-4074-000	320 - 41
FK3-0827-000	323 - 7	FL2-2121-000	300 - 82	FL2-4088-000	001 - 3

NUMERICAL INDEX

imagePRESS C7010VP/C6010VP/C6010(Numerical Index)

PARTS NUMBER	FIGURE & KEY NO.	PARTS NUMBER	FIGURE & KEY NO.	PARTS NUMBER	FIGURE & KEY NO
FL2-4111-010	333 - 10	FL2-8410-000	106 - 11	FM2-1980-000	190 -
FL2-4112-000	333 - 27	FL2-8411-000	106 - 14	FM2-1982-030	300 -
FL2-4113-000	333 - 28	FL2-8544-000	814 - 26	FM2-1997-000	260 -
FL2-4114-010	333 - 11	FL2-8544-000	854 - 24	FM2-1999-000	100 - 72
FL2-4116-000	324 - 3	FL2-8546-000	814 - 26	FM2-2006-000	300 - 48
FL2-4118-000	324 - 4	FL2-8546-000	854 - 24	FM2-2012-000	103 - 1
FL2-4128-000	533 - 26	FL2-9290-000	001 - 2	FM2-2036-000	100 - 35
FL2-4129-010	533 - 17	FL2-9438-000	310 - 21	FM2-2052-000	770 -
FL2-4130-010	533 - 18	FL2-9917-000	600 - 36	FM2-2053-000	771 -
FL2-4135-000	371 - 26	FL3-0541-000	107 - 4	FM2-2054-010	775 -
FL2-4140-000	323 - 2	FL3-0548-000	815 - 56	FM2-2055-000	283 -
FL2-4141-000	322 - 31	FL3-0548-000	855 - 59	FM2-2057-000	781 -
FL2-4157-000	350 - 9	FL3-0551-000	280 - 15	FM2-2058-000	001 - 1
FL2-4182-000	111 - 16	FL3-0555-000	815 - 20	FM2-2058-000	781 - 8
FL2-5445-000	550 - 19	FL3-0555-000	855 - 20	FM2-2071-000	111 - 24
FL2-5453-000	813 - 17	FL3-0560-010	622 - 12	FM2-2078-010	600 - 13
FL2-5562-000	260 - 6	FL3-0561-000	108 - 3	FM2-2079-000	105 - 2
FL2-5562-000	355 - 32	FL3-1063-000	130 - 21	FM2-2097-030	622 -
FL2-5573-000	300 - 76	FL3-2870-000	511 - 16	FM2-2107-000	610 - 5
FL2-6002-000	531 - 56	FL3-2873-000	343 - 20	FM2-2110-010	615 -
FL2-6002-000	615 - 12	FL3-2874-000	355 - 80	FM2-2123-000	104 - 8
FL2-6048-000	815 - 53	FL3-2875-000	345 - 2	FM2-2127-000	332 - 12
FL2-6048-000	855 - 57	FL3-2875-000	355 - 81	FM2-2128-000	330 - 8
FL2-6139-000	622 - 13	FL3-2876-000	346 - 27	FM2-2128-000	331 - 7
FL2-6237-000	355 - 33	FL3-2892-000	600 - 38	FM2-2129-000	274 - 2
FL2-6256-000	532 - 31	FL3-2894-000	550 - 10	FM2-2130-000	383 - 10
FL2-6258-000	105 - 4	FL3-2895-000	111 - 15	FM2-2136-000	106 - 1
FL2-6259-000	813 - 19	FL3-2902-000	331 - 25	FM2-2142-000	532 - 32
FL2-6260-000	830 - 8	FL3-2909-000	640 - 9	FM2-2145-000	532 - 49
FL2-6335-000	814 - 25	FL3-2912-000	531 - 54	FM2-2146-000	532 - 52
FL2-6335-000	854 - 23	FL3-2913-000	531 - 47	FM2-2147-000	103 - 3
FL2-6474-000	300 - 77	FL3-5095-000	351 - 39	FM2-2148-000	103 - 4
FL2-6530-000	813 - 16	FL3-5095-000	352 - 24	FM2-2151-000	273 -
FL2-6885-000	330 - 7	FL3-5098-000	105 - 1	FM2-2152-000	531 - 16
FL2-6885-000	331 - 12	FL3-5130-000	511 - 24	FM2-2157-000	535 -
FL2-6945-000	814 - 5	FL3-5131-000	511 - 35	FM2-2165-010	532 - 53
FL2-7124-000	815 - 60	FL3-5562-000	100 - 34	FM2-2170-000	532 - 58
FL2-7124-000	855 - 63	FL3-5563-000	100 - 34	FM2-2171-000	333 - 12
FL2-7127-000	100 - 24	FL3-5564-000	100 - 34	FM2-2174-000	274 -
FL2-7221-000	100 - 10	FL3-5568-000	530 - 3	FM2-2176-000	324 -
FL2-7222-000	100 - 11	FL3-5835-000	530 - 12	FM2-2184-000	337 -
FL2-7223-000	100 - 12	FL3-5839-000	530 - 14	FM2-2186-000	337 - 4
FL2-7224-000	100 - 13	FL3-6094-000	271 - 4	FM2-2197-000	840 -
FL2-7834-000	814 - 9	FL3-6096-000	854 - 16	FM2-2198-020	812 -
FL2-7834-000	854 - 21	FL3-6099-000	120 - 11	FM2-2199-020	852 -
FL2-7886-010	625 - 11	FL3-6102-000	100 - 3	FM2-2200-010	280 -
FL2-7887-000	111 - 9	FM2-0848-000	116 - 3	FM2-2201-000	195 -
FL2-7889-000	381 - 7	FM2-0956-000	620 - 29	FM2-2202-000	181 -
FL2-7889-000	382 - 7	FM2-0956-000	770 - 1	FM2-2205-010	890 -
FL2-7894-000	600 - 31	FM2-0956-000	771 - 3	FM2-2206-000	891 -
FL2-8401-000	780 - 11	FM2-0956-000	775 - 1	FM2-2207-000	892 -
FL2-8404-000	106 - 12	FM2-1979-000	310 -	FM2-2208-000	893 -

NUMERICAL INDEX

imagePRESS C7010VP/C6010VP/C6010(Numerical Index)

PARTS NUMBER	FIGURE & KEY NO.	PARTS NUMBER	FIGURE & KEY NO.	PARTS NUMBER	FIGURE & KEY NO
FM2-2209-000	818 -	FM2-2336-000	621 -	FM2-7703-000	814 - 16
FM2-2211-000	180 -	FM2-2493-010	710 -	FM2-7703-000	854 - 15
FM2-2212-000	182 -	FM2-2680-000	710 - 6	FM2-7707-000	531 - 20
FM2-2213-000	183 -	FM2-2713-000	354 - 8	FM2-7715-000	140 - 1
FM2-2214-000	184 -	FM2-5102-000	381 -	FM2-7717-000	105 - 25
FM2-2215-000	813 -	FM2-5103-000	382 -	FM2-7718-000	535 - 10
FM2-2218-000	812 - 37	FM2-5107-000	326 - 19	FM2-7719-000	530 - 5
FM2-2222-010	348 -	FM2-5108-000	326 - 20	FM2-7720-000	530 - 6
FM2-2223-010	349 -	FM2-5108-000	351 - 38	FM2-7721-000	530 - 7
FM2-2224-000	341 -	FM2-5111-000	327 -	FM2-7733-000	970 -
FM2-2225-000	342 -	FM2-5112-000	327 - 9	FM2-7813-000	936 -
FM2-2226-010	344 -	FM2-5113-000	327 - 10	FM2-7815-000	937 -
FM2-2231-020	351 -	FM2-5114-000	327 - 16	FM2-7978-000	816 - 15
FM2-2233-000	354 -	FM2-5115-000	327 - 17	FM2-8300-000	532 - 44
FM2-2235-000	353 -	FM2-5116-010	327 - 18	FM2-8301-000	940 - 2
FM2-2236-000	284 -	FM2-5117-000	327 - 19	FM2-8312-000	116 - 4
FM2-2237-010	370 -	FM2-5118-000	327 - 20	FM2-8313-000	965 - 1
FM2-2238-000	189 -	FM2-5119-000	327 - 21	FM2-8314-000	125 - 1
FM2-2240-000	371 -	FM2-5124-000	383 - 18	FM2-8485-000	615 - 14
FM2-2241-000	372 -	FM2-5128-000	327 - 22	FM2-8486-000	532 - 91
FM2-2243-000	338 -	FM2-5129-000	328 -	FM2-8487-000	531 - 57
FM2-2244-000	338 - 8	FM2-5131-000	329 -	FM2-8488-000	620 - 32
FM2-2246-000	380 -	FM2-5147-000	114 - 1	FM2-8489-000	620 - 33
FM2-2247-000	326 -	FM2-5168-000	262 -	FM2-8490-000	108 - 6
FM2-2249-000	271 - 5	FM2-5180-000	320 - 44	FM2-8491-000	108 - 6
FM2-2252-000	109 - 1	FM2-5197-000	360 -	FM2-8492-000	550 - 34
FM2-2261-000	109 - 7	FM2-5210-000	361 -	FM2-8493-000	615 - 15
FM2-2262-000	109 - 8	FM2-5213-000	362 -	FM2-8495-000	981 - 3
FM2-2281-000	932 -	FM2-5439-000	130 - 23	FM2-8496-000	331 - 26
FM2-2282-000	933 -	FM2-5440-000	130 - 24	FM2-8497-000	190 - 9
FM2-2283-000	900 - 20	FM2-5441-000	130 - 25	FM2-8500-000	532 - 47
FM2-2284-000	934 -	FM2-5462-000	130 - 27	FM2-8502-000	770 - 2
FM2-2292-000	625 - 6	FM2-5463-000	130 - 28	FM2-8503-000	771 - 4
FM2-2293-000	625 - 7	FM2-6040-000	900 - 4	FM2-8504-000	620 - 34
FM2-2294-000	625 - 8	FM2-6208-000	900 - 5	FM2-8509-000	327 - 36
FM2-2295-000	625 - 9	FM2-7189-000	981 - 1	FM2-8509-000	892 - 3
FM2-2302-000	814 - 15	FM2-7190-010	532 - 46	FM2-8509-000	893 - 4
FM2-2302-000	854 - 14	FM2-7192-000	531 - 17	FM2-8517-000	191 - 6
FM2-2303-000	816 - 27	FM2-7193-000	981 - 2	FM2-8518-000	190 - 10
FM2-2306-020	817 -	FM2-7195-000	615 - 13	FM2-8519-000	310 - 23
FM2-2308-000	856 - 31	FM2-7430-000	935 -	FM2-8520-000	300 - 50
FM2-2309-010	852 - 31	FM2-7627-000	962 -	FM2-8521-000	104 - 5
FM2-2310-000	852 - 33	FM2-7628-000	190 - 7	FM2-8523-000	771 - 6
FM2-2320-000	188 -	FM2-7629-000	300 - 49	FM2-8527-000	600 - 17
FM2-2323-000	111 - 31	FM2-7630-000	100 - 73	FM2-8559-000	531 - 48
FM2-2329-000	621 - 14	FM2-7640-000	322 - 13	FM2-8560-000	531 - 49
FM2-2330-000	621 - 14	FM2-7687-000	942 -	FM2-8561-000	531 - 50
FM2-2331-000	621 - 14	FM2-7690-000	531 - 26	FM2-8562-000	531 - 51
FM2-2332-000	621 - 14	FM2-7692-000	531 - 27	FM2-8563-000	531 - 52
FM2-2333-000	621 -	FM2-7694-000	620 - 30	FM2-8564-000	531 - 53
FM2-2334-000	621 -	FM2-7698-000	620 - 31	FM2-8569-000	600 - 18
FM2-2335-000	621 -	FM2-7702-000	280 - 7	FM2-8570-000	620 - 35

NUMERICAL INDEX

imagePRESS C7010VP/C6010VP/C6010(Numerical Index)

PARTS NUMBER	FIGURE & KEY NO.	PARTS NUMBER	FIGURE & KEY NO.	PARTS NUMBER	FIGURE & KEY NO.
FM2-8572-000	272 - 4	FM2-9257-000	550 - 22	FM3-2089-000	310 - 20
FM2-8576-000	260 - 7	FM2-9258-010	511 - 37	FM3-2092-000	830 -
FM2-8577-000	190 - 11	FM2-9265-000	840 -	FM3-2093-010	810 - 3
FM2-8579-000	102 - 15	FM2-9267-000	813 -	FM3-2094-000	850 - 2
FM2-8587-000	104 - 7	FM2-9268-000	106 - 3	FM3-2100-010	812 - 40
FM2-8589-000	511 - 28	FM2-9269-000	106 - 4	FM3-2104-010	810 - 4
FM2-8596-000	622 - 14	FM2-9270-000	106 - 5	FM3-2104-010	850 - 3
FM2-8603-000	191 - 8	FM2-9271-000	106 - 6	FM3-2132-000	114 - 6
FM2-8604-000	190 - 6	FM2-9272-000	106 - 7	FM3-2134-010	817 - 4
FM2-8605-000	300 - 52	FM2-9276-000	336 - 10	FM3-2357-010	300 - 101
FM2-8616-000	532 - 48	FM2-9287-000	109 - 12	FM3-2552-000	913 -
FM2-8618-000	108 - 5	FM2-9289-000	115 - 2	FM3-4695-000	965 - 2
FM2-8629-000	310 - 25	FM2-9290-000	115 - 3	FM3-4696-000	965 - 3
FM2-8630-000	190 - 14	FM2-9291-010	814 -	FM3-4697-000	999 - 22
FM2-8631-000	107 - 5	FM2-9292-010	854 -	FM3-4699-000	116 - 12
FM2-8633-000	620 - 36	FM2-9294-000	104 - 10	FM3-6949-000	600 - 15
FM2-8636-000	620 - 40	FM2-9296-000	125 -	FM3-6951-000	116 - 13
FM2-8638-010	600 - 20	FM2-9297-000	126 -	FM3-6953-000	532 - 81
FM2-8643-000	190 - 15	FM2-9298-000	511 - 29	FM3-7597-000	814 - 33
FM2-8645-000	300 - 54	FM2-9301-010	352 -	FM3-8441-000	109 - 15
FM2-8649-000	322 - 35	FM2-9302-000	350 - 14	FM3-8538-000	103 - 2
FM2-8682-000	622 - 16	FM2-9303-000	104 - 11	FM4-2548-000	192 -
FM2-8693-000	816 - 4	FM2-9404-000	190 - 17	FM4-2549-000	193 -
FM2-8698-000	856 - 44	FM2-9408-000	310 - 28	FM4-2552-000	185 - 5
FM2-8699-000	815 - 64	FM2-9409-000	300 - 56	FM4-2559-000	610 -
FM2-8699-000	855 - 64	FM3-0287-000	111 - 21	FM4-2561-000	600 - 27
FM2-8702-000	816 - 61	FM3-0288-000	100 - 55	FM4-2562-000	600 - 27
FM2-8704-000	856 - 45	FM3-0289-000	100 - 57	FM4-2563-000	600 - 41
FM2-8731-000	812 - 53	FM3-0290-000	111 - 19	FM4-2564-000	103 - 7
FM2-8734-000	840 - 16	FM3-0291-010	320 - 78	FM4-2564-000	536 - 5
FM2-8736-000	852 - 44	FM3-0293-000	113 - 4	FM4-2565-000	103 - 5
FM2-8738-000	856 - 42	FM3-0299-000	100 - 63	FM4-2568-000	912 -
FM2-8763-000	116 - 20	FM3-0300-000	100 - 64	FM4-2569-000	911 -
FM2-8764-000	116 - 18	FM3-0301-000	100 - 65	FM4-2573-000	272 -
FM2-8765-010	816 - 58	FM3-0302-000	100 - 88	FM4-2575-000	105 - 27
FM2-8781-000	816 - 19	FM3-0303-000	100 - 70	FM4-2576-000	105 - 28
FM2-8790-000	780 - 29	FM3-0304-000	100 - 67	FM4-2589-000	511 - 22
FM2-8802-000	280 - 23	FM3-0316-010	814 -	FM4-2590-000	272 - 11
FM2-8805-000	280 - 24	FM3-0319-010	854 -	FM4-2595-000	331 -
FM2-8806-000	780 - 30	FM3-0417-000	102 - 16	FM4-2599-000	323 -
FM2-8817-000	780 - 19	FM3-0419-000	101 - 4	FM4-2608-000	536 -
FM2-8832-000	121 - 4	FM3-0420-000	126 - 2	FM4-2609-000	531 - 23
FM2-8843-000	511 - 43	FM3-0636-000	620 - 2	FM4-2610-000	531 - 24
FM2-8844-000	190 - 16	FM3-0655-000	856 - 33	FM4-2611-000	531 - 25
FM2-8982-000	271 - 6	FM3-0656-000	814 - 3	FM4-2615-000	109 - 2
FM2-9050-000	109 - 9	FM3-0656-000	854 - 3	FM4-2616-000	109 - 3
FM2-9052-000	109 - 10	FM3-0657-000	840 - 1	FM4-2617-000	109 - 6
FM2-9053-000	109 - 11	FM3-1644-020	530 - 1	FM4-2620-000	332 -
FM2-9073-000	109 - 13	FM3-1647-000	840 - 14	FM4-2621-000	333 -
FM2-9076-000	938 -	FM3-1648-000	815 - 25	FM4-2623-000	322 -
FM2-9132-000	532 - 96	FM3-1648-000	855 - 23	FM4-2624-000	355 -
FM2-9257-000	535 - 18	FM3-1649-000	830 - 23	FM4-2628-000	511 -

NUMERICAL INDEX

imagePRESS C7010VP/C6010VP/C6010(Numerical Index)

PARTS NUMBER	FIGURE & KEY NO.	PARTS NUMBER	FIGURE & KEY NO.	PARTS NUMBER	FIGURE & KEY NO.
FM4-2630-000	320 - 76	FM4-7152-000	620 -	FS1-9076-020	280 - 18
FM4-2632-000	105 - 29	FM4-7153-000	620 -	FS1-9076-020	300 - 58
FM4-2634-000	105 - 31	FM4-7154-000	620 -	FS1-9078-020	815 - 9
FM4-2638-000	345 -	FM4-7155-000	620 -	FS1-9078-020	840 - 20
FM4-2639-000	346 -	FM4-7156-000	271 -	FS1-9078-020	855 - 56
FM4-4383-000	900 - 25	FM4-7255-000	771 - 8	FS1-9120-020	812 - 54
FM4-6236-000	940 -	FM4-7258-000	100 - 85	FS1-9169-000	104 - 15
FM4-6237-000	941 -	FM4-7350-000	130 - 26	FS1-9170-020	533 - 19
FM4-6238-000	930 - 2	FM4-7422-000	130 -	FS1-9199-000	355 - 39
FM4-6239-000	323 - 11	FM4-7426-000	130 -	FS2-1012-000	326 - 21
FM4-6240-000	383 - 14	FM4-7434-000	625 - 2	FS2-1012-000	328 - 10
FM4-6241-000	532 - 60	FM4-7435-000	625 - 3	FS2-1012-000	336 - 3
FM4-6242-000	600 - 14	FM4-7436-000	625 - 4	FS2-1012-000	371 - 7
FM4-6245-000	964 - 1	FM4-7437-000	625 - 5	FS2-1012-000	372 - 6
FM4-6248-000	980 - 1	FM4-7438-000	625 - 1	FS2-1256-000	830 - 10
FM4-6249-000	980 - 2	FM4-7440-000	640 - 3	FS2-6022-000	105 - 6
FM4-6250-000	531 - 30	FM4-7441-000	333 - 20	FS2-6022-000	106 - 15
FM4-6253-000	121 - 5	FM4-7442-000	600 - 34	FS2-9012-000	104 - 16
FM4-6254-000	121 - 6	FM4-7443-000	185 - 10	FS2-9015-020	331 - 17
FM4-6255-000	116 - 19	FM4-7444-000	530 - 2	FS5-0688-000	355 - 40
FM4-6256-000	115 - 1	FM4-7449-000	550 -	FS5-1005-000	371 - 6
FM4-6257-000	105 - 7	FM4-7451-000	350 - 12	FS5-1214-000	532 - 64
FM4-6258-000	640 - 2	FS1-1189-000	320 - 45	FS5-1474-000	532 - 65
FM4-6264-000	350 - 13	FS1-1213-000	300 - 57	FS5-1592-000	345 - 15
FM4-6266-000	323 - 9	FS1-1340-000	816 - 30	FS5-1592-000	346 - 13
FM4-6291-000	121 - 7	FS1-1341-000	320 - 46	FS5-1592-000	370 - 8
FM4-6292-000	121 - 8	FS1-1465-000	320 - 47	FS5-1592-000	532 - 66
FM4-6293-000	121 - 9	FS1-1465-000	532 - 63	FS5-1755-000	345 - 1
FM4-6296-000	121 - 10	FS1-1510-000	620 - 41	FS5-1755-000	370 - 43
FM4-6298-000	121 - 11	FS1-1532-000	322 - 16	FS5-1897-000	535 - 16
FM4-6301-000	116 - 10	FS1-1569-000	338 - 11	FS5-2586-000	830 - 12
FM4-6303-000	116 - 17	FS1-1569-000	341 - 17	FS5-2925-000	284 - 3
FM4-6305-000	115 - 9	FS1-1569-000	344 - 4	FS5-2965-000	280 - 19
FM4-6318-000	600 - 26	FS1-1569-000	348 - 2	FS5-6248-000	351 - 20
FM4-6319-000	600 - 19	FS1-1569-000	351 - 19	FS5-6248-000	352 - 11
FM4-6330-000	532 - 92	FS1-1569-000	352 - 10	FS5-6487-000	262 - 6
FM4-6334-000	101 - 3	FS1-1569-000	355 - 37	FS5-6487-000	310 - 29
FM4-7033-000	460 -	FS1-1569-000	360 - 14	FS5-6487-000	322 - 18
FM4-7099-000	814 - 14	FS1-1569-000	361 - 14	FS5-6487-000	813 - 6
FM4-7099-000	854 - 10	FS1-1569-000	362 - 14	FS5-6488-000	262 - 7
FM4-7100-000	816 - 60	FS1-1569-000	371 - 8	FS5-6488-000	272 - 5
FM4-7129-000	330 -	FS1-1569-000	817 - 12	FS5-6488-000	274 - 3
FM4-7132-000	960 -	FS1-9003-020	355 - 38	FS5-6488-000	320 - 49
FM4-7138-000	130 -	FS1-9009-020	530 - 8	FS5-6488-000	322 - 19
FM4-7139-000	194 -	FS1-9009-020	550 - 27	FS5-6488-000	326 - 28
FM4-7143-000	105 - 24	FS1-9009-020	856 - 35	FS5-6488-000	327 - 23
FM4-7145-000	140 -	FS1-9010-020	327 - 12	FS5-6488-000	332 - 35
FM4-7146-000	533 -	FS1-9010-020	856 - 36	FS5-6488-000	333 - 13
FM4-7147-000	140 -	FS1-9053-020	114 - 18	FS5-6488-000	337 - 5
FM4-7148-000	140 -	FS1-9053-020	360 - 15	FS5-6488-000	338 - 5
FM4-7149-000	140 -	FS1-9053-020	361 - 15	FS5-6488-000	340 - 3
FM4-7150-000	140 -	FS1-9053-020	362 - 15	FS5-6488-000	343 - 1

NUMERICAL INDEX

imagePRESS C7010VP/C6010VP/C6010(Numerical Index)

PARTS NUMBER	FIGURE & KEY NO.	PARTS NUMBER	FIGURE & KEY NO.	PARTS NUMBER	FIGURE & KEY NO.
FS5-6488-000	345 - 16	FU5-1328-000	370 - 15	FU5-2870-000	272 - 6
FS5-6488-000	346 - 2	FU5-1330-000	531 - 36	FU5-2872-000	532 - 41
FS5-6488-000	349 - 10	FU5-1333-000	780 - 17	FU5-2875-000	816 - 32
FS5-6488-000	351 - 16	FU5-1334-000	622 - 23	FU5-2877-000	816 - 52
FS5-6488-000	355 - 41	FU5-2121-000	710 - 7	FU5-2878-000	813 - 8
FS5-6488-000	360 - 11	FU5-2135-000	852 - 35	FU5-2883-000	532 - 71
FS5-6488-000	361 - 11	FU5-2138-000	812 - 39	FU5-2884-000	852 - 37
FS5-6488-000	362 - 11	FU5-2138-000	852 - 36	FU5-2885-000	852 - 38
FS5-6488-000	370 - 6	FU5-2781-000	310 - 30	FU5-2888-000	273 - 2
FS5-6488-000	532 - 88	FU5-2783-000	310 - 31	FU5-2893-000	342 - 5
FS5-6488-000	533 - 20	FU5-2784-000	310 - 32	FU5-2893-000	344 - 3
FS5-6488-000	610 - 6	FU5-2785-000	310 - 33	FU5-2893-000	345 - 4
FS5-6488-000	812 - 38	FU5-2785-000	381 - 10	FU5-2893-000	348 - 8
FS5-6488-000	813 - 7	FU5-2785-000	382 - 8	FU5-2894-000	342 - 4
FS5-6488-000	815 - 31	FU5-2791-000	102 - 11	FU5-2896-000	320 - 50
FS5-6488-000	816 - 31	FU5-2792-000	300 - 61	FU5-2896-000	343 - 5
FS5-6488-000	852 - 34	FU5-2803-000	300 - 62	FU5-2900-000	531 - 39
FS5-6488-000	855 - 24	FU5-2809-000	300 - 64	FU5-2901-000	622 - 18
FS5-6601-000	190 - 19	FU5-2811-000	300 - 84	FU5-2904-000	351 - 22
FS5-6601-000	280 - 20	FU5-2813-000	300 - 85	FU5-2904-000	355 - 44
FS5-6864-000	531 - 33	FU5-2814-000	300 - 35	FU5-2905-000	350 - 20
FS5-6864-000	532 - 67	FU5-2824-000	511 - 33	FU5-2906-000	615 - 16
FS5-6908-000	300 - 83	FU5-2829-000	331 - 18	FU5-2908-000	536 - 6
FS5-9206-020	531 - 34	FU5-2830-000	274 - 4	FU5-2909-000	536 - 7
FS5-9438-030	341 - 21	FU5-2831-000	332 - 13	FU5-2911-000	355 - 45
FS5-9758-020	190 - 20	FU5-2832-000	532 - 69	FU5-2914-000	355 - 46
FS5-9758-020	280 - 8	FU5-2833-000	326 - 22	FU5-2918-000	355 - 47
FS6-0124-000	511 - 31	FU5-2833-000	329 - 4	FU5-2921-000	327 - 14
FS6-0125-000	511 - 32	FU5-2834-000	511 - 34	FU5-2934-000	856 - 37
FS6-8822-000	105 - 14	FU5-2839-000	336 - 4	FU5-2939-000	320 - 51
FS6-8822-000	106 - 13	FU5-2839-000	353 - 6	FU5-2940-000	320 - 52
FS7-2796-000	190 - 21	FU5-2839-000	354 - 9	FU5-2941-000	320 - 53
FS7-2854-000	327 - 13	FU5-2839-000	355 - 43	FU5-2944-000	322 - 21
FU5-0161-000	352 - 12	FU5-2839-000	360 - 16	FU5-2945-000	322 - 22
FU5-0199-000	620 - 42	FU5-2839-000	361 - 16	FU5-2947-000	351 - 23
FU5-0262-000	352 - 13	FU5-2839-000	362 - 16	FU5-2947-000	355 - 48
FU5-0266-000	351 - 21	FU5-2839-000	370 - 24	FU5-2947-000	370 - 4
FU5-0266-000	352 - 14	FU5-2839-000	371 - 5	FU5-2953-000	350 - 21
FU5-0268-000	550 - 28	FU5-2839-000	372 - 5	FU5-2954-000	113 - 7
FU5-0273-000	620 - 43	FU5-2840-000	280 - 9	FU5-2954-000	125 - 5
FU5-1280-000	300 - 60	FU5-2841-000	380 - 5	FU5-2954-000	126 - 3
FU5-1313-000	531 - 35	FU5-2846-000	360 - 17	FU5-2954-000	185 - 7
FU5-1314-000	532 - 68	FU5-2846-000	362 - 17	FU5-2954-000	193 - 3
FU5-1315-000	610 - 7	FU5-2850-000	830 - 13	FU5-2957-000	355 - 49
FU5-1317-000	622 - 17	FU5-2851-000	533 - 21	FU5-2958-000	355 - 50
FU5-1319-000	355 - 42	FU5-2853-000	531 - 37	FU5-2960-000	349 - 9
FU5-1319-000	383 - 15	FU5-2855-000	531 - 38	FU5-2961-000	327 - 24
FU5-1323-000	620 - 44	FU5-2857-000	840 - 21	FU5-2962-000	326 - 23
FU5-1326-000	322 - 20	FU5-2861-000	817 - 13	FU5-2963-000	326 - 24
FU5-1327-000	890 - 5	FU5-2867-000	815 - 27	FU5-2964-000	328 - 11
FU5-1327-000	891 - 5	FU5-2867-000	855 - 25	FU5-2966-000	531 - 40
FU5-1328-000	345 - 18	FU5-2868-000	532 - 70	FU5-2968-000	532 - 72

NUMERICAL INDEX

imagePRESS C7010VP/C6010VP/C6010(Numerical Index)

PARTS NUMBER	FIGURE & KEY NO.	PARTS NUMBER	FIGURE & KEY NO.	PARTS NUMBER	FIGURE & KEY NO
FU5-2969-000	817 - 15	FU5-4565-000	343 - 3	FU5-9223-000	532 - 78
FU5-2977-000	620 - 45	FU5-4608-000	340 - 2	FU5-9223-000	533 - 27
FU5-2978-000	620 - 46	FU5-4608-000	341 - 3	FU5-9223-000	550 - 32
FU5-2979-000	620 - 47	FU5-4657-000	346 - 7	FU5-9223-000	600 - 33
FU5-2980-000	337 - 8	FU5-4658-000	346 - 6	FU5-9223-000	710 - 9
FU5-2982-000	530 - 4	FU5-4670-000	341 - 2	FU5-9223-000	810 - 6
FU5-2986-000	331 - 19	FU5-4672-000	341 - 20	FU5-9223-000	850 - 1
FU5-2987-000	333 - 14	FU5-5704-000	274 - 5	FU5-9224-000	105 - 18
FU5-2988-000	333 - 15	FU5-5707-000	274 - 6	FU5-9224-000	600 - 40
FU5-2989-000	100 - 62	FU5-5771-000	620 - 48	FU5-9224-000	810 - 2
FU5-2994-000	890 - 6	FU5-5823-000	620 - 49	FU5-9224-000	814 - 23
FU5-2994-000	891 - 6	FU5-5824-000	620 - 50	FU5-9224-000	815 - 63
FU5-2996-000	345 - 19	FU5-5831-000	332 - 14	FU5-9224-000	830 - 24
FU5-2996-000	370 - 13	FU5-6241-000	531 - 41	FU5-9224-000	850 - 4
FU5-2998-000	781 - 2	FU5-6242-000	531 - 18	FU5-9224-000	854 - 9
FU5-2999-000	354 - 10	FU5-6244-000	531 - 15	FU5-9224-000	855 - 62
FU5-3188-000	260 - 9	FU5-6246-000	840 - 22	FU5-9225-000	105 - 22
FU5-3189-000	260 - 10	FU5-6248-000	815 - 32	FU5-9225-000	114 - 17
FU5-3189-000	382 - 9	FU5-6248-000	855 - 26	FU5-9225-000	814 - 22
FU5-3193-000	327 - 25	FU5-6249-000	345 - 23	FU5-9225-000	856 - 40
FU5-3196-000	813 - 9	FU5-6249-000	815 - 33	FU5-9226-000	105 - 16
FU5-3197-000	816 - 35	FU5-6249-000	855 - 27	FU5-9227-000	511 - 30
FU5-3201-000	350 - 22	FU5-6254-000	337 - 6	FU5-9228-000	810 - 1
FU5-3201-000	352 - 16	FU5-6254-000	338 - 6	FU5-9228-000	850 - 5
FU5-3204-000	350 - 23	FU5-6256-000	815 - 61	FU5-9229-000	550 - 31
FU5-3204-000	355 - 51	FU5-6256-000	855 - 36	FU5-9230-000	100 - 95
FU5-3205-000	355 - 52	FU5-6259-000	817 - 16	FU5-9230-000	111 - 39
FU5-3206-000	355 - 53	FU5-6260-000	812 - 41	FU5-9230-000	816 - 33
FU5-3207-000	104 - 9	FU5-6262-000	852 - 32	FU5-9230-000	856 - 41
FU5-3208-000	345 - 12	FU5-6263-000	840 - 5	FU5-9231-000	840 - 28
FU5-3208-000	370 - 11	FU5-8547-000	105 - 17	FU5-9234-000	105 - 15
FU5-3209-000	345 - 7	FU5-8560-000	120 - 13	FU5-9234-000	106 - 2
FU5-3209-000	370 - 21	FU5-9207-000	102 - 8	FU5-9235-000	815 - 65
FU5-3210-000	370 - 14	FU5-9208-000	104 - 17	FU5-9235-000	855 - 65
FU5-3211-000	370 - 23	FU5-9208-000	114 - 8	FU5-9305-000	813 - 18
FU5-3212-000	320 - 48	FU5-9210-000	100 - 80	FU5-9404-000	321 - 6
FU5-3410-000	300 - 75	FU5-9210-000	326 - 25	FU6-0169-000	260 - 11
FU5-3438-000	320 - 54	FU5-9215-000	816 - 36	FU6-0169-000	381 - 11
FU5-3441-000	323 - 13	FU5-9219-000	930 - 1	FU6-0169-000	382 - 10
FU5-3441-000	327 - 26	FU5-9220-000	816 - 37	FU6-0178-000	300 - 66
FU5-3441-000	328 - 12	FU5-9221-000	321 - 5	FU6-0187-000	300 - 68
FU5-3441-000	336 - 5	FU5-9222-000	103 - 20	FU6-0189-000	300 - 86
FU5-3441-000	341 - 9	FU5-9222-000	104 - 22	FU6-0190-000	300 - 87
FU5-3441-000	349 - 11	FU5-9222-000	383 - 20	FU6-0191-000	300 - 88
FU5-3441-000	355 - 54	FU5-9222-000	511 - 14	FU6-0192-000	300 - 89
FU5-3441-000	360 - 18	FU5-9222-000	530 - 11	FU6-0193-000	300 - 36
FU5-3441-000	361 - 18	FU5-9222-000	532 - 79	FU6-0194-000	300 - 47
FU5-3441-000	362 - 18	FU5-9222-000	533 - 28	FU6-0195-010	300 - 67
FU5-3441-000	370 - 20	FU5-9222-000	710 - 8	FU6-0251-000	625 - 10
FU5-3441-000	371 - 4	FU5-9223-000	103 - 13	FU6-0254-000	621 - 15
FU5-3441-000	372 - 4	FU5-9223-000	333 - 29	FU6-0256-000	280 - 10
FU5-4170-000	856 - 29	FU5-9223-000	511 - 39	FU6-0261-000	274 - 7

NUMERICAL INDEX

imagePRESS C7010VP/C6010VP/C6010(Numerical Index)

PARTS NUMBER	FIGURE & KEY NO.	PARTS NUMBER	FIGURE & KEY NO.	PARTS NUMBER	FIGURE & KEY NO
FU6-0262-000	330 - 10	FU6-0368-000	610 - 8	FU6-0458-000	817 - 18
FU6-0262-000	331 - 14	FU6-0369-000	610 - 9	FU6-0459-000	817 - 19
FU6-0263-000	274 - 8	FU6-0374-000	343 - 11	FU6-0460-000	817 - 20
FU6-0264-000	274 - 9	FU6-0375-000	343 - 10	FU6-0461-000	817 - 21
FU6-0265-000	333 - 31	FU6-0376-000	343 - 2	FU6-0463-000	352 - 18
FU6-0267-000	333 - 16	FU6-0376-000	346 - 21	FU6-0466-000	815 - 39
FU6-0268-000	333 - 25	FU6-0378-000	352 - 17	FU6-0466-000	855 - 44
FU6-0270-000	332 - 15	FU6-0381-000	536 - 8	FU6-0467-000	815 - 40
FU6-0271-000	332 - 16	FU6-0382-000	536 - 9	FU6-0467-000	855 - 45
FU6-0272-000	332 - 17	FU6-0383-000	536 - 10	FU6-0468-000	815 - 41
FU6-0273-000	332 - 18	FU6-0386-000	320 - 55	FU6-0468-000	855 - 46
FU6-0276-000	332 - 20	FU6-0387-000	262 - 8	FU6-0469-010	815 - 42
FU6-0277-000	332 - 21	FU6-0392-000	320 - 56	FU6-0469-010	855 - 47
FU6-0283-000	640 - 4	FU6-0393-000	320 - 57	FU6-0474-000	511 - 25
FU6-0306-000	812 - 42	FU6-0396-000	283 - 2	FU6-0475-000	511 - 26
FU6-0306-000	852 - 39	FU6-0397-000	283 - 3	FU6-0483-000	280 - 26
FU6-0308-000	380 - 6	FU6-0399-000	283 - 4	FU6-0650-000	818 - 8
FU6-0310-000	533 - 22	FU6-0409-000	815 - 36	FU6-2001-000	780 - 4
FU6-0311-000	533 - 23	FU6-0409-000	855 - 31	FU6-2002-000	780 - 3
FU6-0312-000	533 - 24	FU6-0410-000	280 - 11	FU6-2003-000	346 - 4
FU6-0315-000	273 - 3	FU6-0411-000	280 - 12	FU6-2004-000	346 - 9
FU6-0316-000	273 - 4	FU6-0412-000	280 - 13	FU6-2005-000	370 - 22
FU6-0318-000	273 - 5	FU6-0413-000	280 - 14	FU6-2006-000	354 - 11
FU6-0332-000	855 - 28	FU6-0414-000	355 - 55	FU6-2007-000	353 - 7
FU6-0335-000	815 - 34	FU6-0422-000	333 - 17	FU6-2042-000	532 - 42
FU6-0335-000	855 - 29	FU6-0423-000	274 - 10	FU6-2059-000	550 - 29
FU6-0336-000	814 - 13	FU6-0424-000	330 - 11	FU6-2065-000	817 - 14
FU6-0336-000	854 - 17	FU6-0424-000	331 - 20	FU6-2088-000	535 - 15
FU6-0339-000	816 - 56	FU6-0425-000	274 - 11	FU6-2088-000	550 - 26
FU6-0340-000	816 - 38	FU6-0426-000	332 - 22	FU6-2511-000	360 - 20
FU6-0341-000	816 - 39	FU6-0427-000	332 - 23	FU6-2511-000	361 - 2
FU6-0342-000	816 - 57	FU6-0428-000	620 - 51	FU6-2511-000	362 - 20
FU6-0343-000	816 - 40	FU6-0429-000	620 - 52	FU6-2512-000	360 - 21
FU6-0345-000	818 - 6	FU6-0430-000	621 - 16	FU6-2512-000	361 - 3
FU6-0347-000	818 - 7	FU6-0431-000	621 - 17	FU6-2512-000	362 - 21
FU6-0348-000	818 - 2	FU6-0432-000	621 - 18	FU6-2514-000	320 - 58
FU6-0352-000	340 - 1	FU6-0433-000	621 - 19	FU6-2515-000	320 - 59
FU6-0352-000	360 - 19	FU6-0434-000	620 - 53	FU6-2516-000	320 - 60
FU6-0352-000	362 - 19	FU6-0435-000	620 - 54	FU6-2521-000	355 - 56
FU6-0352-000	371 - 3	FU6-0438-000	332 - 24	FU6-2522-000	355 - 57
FU6-0354-000	856 - 22	FU6-0440-000	333 - 18	FU6-2523-000	350 - 18
FU6-0356-000	818 - 5	FU6-0441-000	284 - 4	FU6-2525-000	780 - 16
FU6-0356-000	856 - 20	FU6-0442-000	284 - 5	FU6-2527-000	780 - 2
FU6-0357-000	856 - 38	FU6-0446-000	346 - 20	FU6-2528-000	780 - 1
FU6-0358-000	815 - 35	FU6-0448-000	274 - 12	FU6-2529-000	351 - 24
FU6-0358-000	855 - 30	FU6-0451-000	343 - 4	FU6-2530-000	351 - 25
FU6-0359-000	622 - 19	FU6-0452-000	815 - 37	FU6-2531-000	351 - 26
FU6-0360-000	622 - 20	FU6-0453-000	815 - 38	FU6-2532-000	355 - 59
FU6-0362-000	272 - 7	FU6-0455-000	815 - 52	FU6-2534-000	326 - 26
FU6-0363-000	272 - 8	FU6-0455-000	855 - 32	FU6-2535-000	383 - 16
FU6-0364-000	272 - 9	FU6-0457-010	817 - 17	FU6-2537-000	532 - 73
FU6-0366-000	600 - 28	FU6-0457-010	830 - 14	FU6-2539-000	355 - 61

NUMERICAL INDEX

imagePRESS C7010VP/C6010VP/C6010(Numerical Index)

PARTS NUMBER	FIGURE & KEY NO.	PARTS NUMBER	FIGURE & KEY NO.	PARTS NUMBER	FIGURE & KEY NO
FU6-2542-000	327 - 27	NPN	102 -	RH7-7129-020	322 - 26
FU6-2543-000	352 - 19	NPN	103 -	RS1-1042-000	320 - 62
FU6-2544-000	100 - 54	NPN	104 -	RS5-1058-000	260 - 15
FU6-2544-000	111 - 28	NPN	105 -	RS5-1058-000	310 - 36
FU6-2545-000	817 - 22	NPN	106 -	RS5-1567-000	320 - 63
FU6-2546-000	615 - 17	NPN	107 -	RS5-9061-000	816 - 43
FU6-2548-010	355 - 60	NPN	108 -	VD7-2892-001	109 - 24
FU6-2549-000	341 - 8	NPN	109 -	VD7-2892-001	140 - 2
FU6-2550-000	351 - 27	NPN	111 -	VD7-3011-502	140 - 3
FU6-2553-000	816 - 41	NPN	112 -	VS1-7077-019	840 - 17
FU6-2556-000	812 - 43	NPN	113 -	VS1-7164-020	100 - 31
FU6-2557-000	815 - 44	NPN	114 -	VS1-7164-024	105 - 11
FU6-2557-000	855 - 49	NPN	115 -	VS1-7164-024	999 - 23
FU6-2558-000	815 - 45	NPN	116 -	VS1-7164-028	102 - 13
FU6-2558-000	855 - 50	NPN	120 -	VS1-7164-028	105 - 32
FU6-2559-000	815 - 46	NPN	121 -	VS1-7164-030	999 - 1
FU6-2559-000	855 - 51	NPN	185 -	VS1-7164-032	109 - 18
FU6-2560-000	815 - 54	NPN	186 -	VS1-7164-032	531 - 31
FU6-2560-000	855 - 58	NPN	191 -	VS1-7164-032	999 - 2
FU6-2562-000	371 - 2	NPN	320 -	VS1-7164-034	999 - 7
FU6-2563-000	856 - 28	NPN	321 -	VS1-7164-036	320 - 72
FU6-2564-000	336 - 6	NPN	325 -	VS1-7164-036	323 - 16
FU6-2566-000	812 - 44	NPN	336 -	VS1-7164-036	999 - 8
FU6-2567-000	532 - 75	NPN	340 -	VS1-7164-038	105 - 13
FU6-2568-000	100 - 81	NPN	343 -	VS1-7164-040	280 - 17
FU6-2569-010	830 - 11	NPN	347 -	VS1-7164-040	999 - 3
FU6-3060-000	600 - 30	NPN	350 -	VS1-7173-003	104 - 20
FU6-5271-000	816 - 42	NPN	383 -	VS1-7173-003	114 - 13
FU6-5273-000	852 - 43	NPN	530 -	VS1-7173-003	323 - 19
FU6-5276-000	852 - 7	NPN	531 -	VS1-7173-003	380 - 4
FU6-6140-000	271 - 2	NPN	532 -	VS1-7173-003	383 - 21
FU6-8216-000	001 - 7	NPN	600 -	VS1-7173-003	536 - 12
FU7-0141-000	322 - 24	NPN	625 -	VS1-7173-003	999 - 4
FU7-0142-000	322 - 25	NPN	640 -	VS1-7173-004	114 - 14
FU7-0143-000	815 - 47	NPN	780 -	VS1-7173-004	191 - 10
FU7-0143-000	855 - 33	NPN	810 -	VS1-7173-004	320 - 73
FU7-0144-000	815 - 48	NPN	815 -	VS1-7173-004	323 - 20
FU7-0144-000	855 - 34	NPN	816 -	VS1-7173-004	900 - 11
FU7-0149-000	855 - 35	NPN	850 -	VS1-7173-004	999 - 20
FU7-0150-000	332 - 25	NPN	855 -	VS1-7173-005	101 - 5
FU7-0151-000	332 - 19	NPN	856 -	VS1-7173-005	322 - 29
FU7-0373-000	830 - 15	NPN	900 -	VS1-7173-005	900 - 12
FU7-0374-000	830 - 16	NPN	930 -	VS1-7173-005	999 - 9
FU7-0375-000	830 - 17	NPN	964 -	VS1-7173-006	114 - 12
FU7-2432-000	260 - 8	NPN	965 -	VS1-7173-006	338 - 14
FU8-2629-000	320 - 77	NPN	980 -	VS1-7173-008	101 - 6
FU9-0165-000	511 - 36	NPN	981 -	VS1-7173-008	104 - 21
FU9-0172-000	535 - 17	NPN	999 -	VS1-7173-008	349 - 22
MB4-8200-000	622 - 21	RB2-0493-000	812 - 45	VS1-7173-008	900 - 8
NPN	001 -	RB2-0493-000	852 - 40	VS1-7173-009	114 - 11
NPN	100 -	RH7-6037-000	113 - 6	VS1-7173-009	383 - 22
NPN	101 -	RH7-6037-000	185 - 6	VS1-7173-009	999 - 16

NUMERICAL INDEX

imagePRESS C7010VP/C6010VP/C6010(Numerical Index)

PARTS NUMBER	FIGURE & KEY NO.	PARTS NUMBER	FIGURE & KEY NO.	PARTS NUMBER	FIGURE & KEY NO.
VS1-7173-010	536 - 11	VS1-7177-003	340 - 13	VS1-7177-005	854 - 22
VS1-7173-011	331 - 21	VS1-7177-003	343 - 18	VS1-7177-005	999 - 13
VS1-7173-011	536 - 13	VS1-7177-003	350 - 10	VS1-7177-006	102 - 12
VS1-7173-011	999 - 10	VS1-7177-003	355 - 34	VS1-7177-006	107 - 1
VS1-7173-012	102 - 14	VS1-7177-003	370 - 28	VS1-7177-006	115 - 7
VS1-7173-012	105 - 33	VS1-7177-003	383 - 19	VS1-7177-006	343 - 17
VS1-7173-012	114 - 10	VS1-7177-003	511 - 45	VS1-7177-006	349 - 21
VS1-7173-012	185 - 4	VS1-7177-003	531 - 29	VS1-7177-006	350 - 11
VS1-7173-012	999 - 11	VS1-7177-003	532 - 93	VS1-7177-006	355 - 35
VS1-7173-014	105 - 26	VS1-7177-003	550 - 20	VS1-7177-006	370 - 1
VS1-7173-014	999 - 12	VS1-7177-003	600 - 21	VS1-7177-006	814 - 17
VS1-7173-015	327 - 35	VS1-7177-003	620 - 38	VS1-7177-006	816 - 28
VS1-7173-015	531 - 21	VS1-7177-003	771 - 7	VS1-7177-006	817 - 10
VS1-7173-015	532 - 86	VS1-7177-003	780 - 26	VS1-7177-006	854 - 20
VS1-7173-016	113 - 3	VS1-7177-003	814 - 19	VS1-7177-006	856 - 32
VS1-7173-016	186 - 3	VS1-7177-003	816 - 29	VS1-7177-006	999 - 17
VS1-7173-016	191 - 11	VS1-7177-003	854 - 5	VS1-7177-007	780 - 28
VS1-7173-016	337 - 10	VS1-7177-003	856 - 27	VS1-7177-007	999 - 18
VS1-7173-016	338 - 15	VS1-7177-003	900 - 7	VS1-7177-008	190 - 13
VS1-7173-016	999 - 21	VS1-7177-003	911 - 2	VS1-7177-008	340 - 15
VS1-7177-002	101 - 7	VS1-7177-003	912 - 2	VS1-7177-008	600 - 24
VS1-7177-002	115 - 6	VS1-7177-003	913 - 2	VS1-7177-008	771 - 9
VS1-7177-002	300 - 53	VS1-7177-003	999 - 15	VS1-7177-008	999 - 14
VS1-7177-002	310 - 26	VS1-7177-004	101 - 8	VS1-7177-009	115 - 4
VS1-7177-002	322 - 15	VS1-7177-004	105 - 30	VS1-7177-009	320 - 74
VS1-7177-002	323 - 18	VS1-7177-004	109 - 19	VS1-7177-009	340 - 7
VS1-7177-002	511 - 44	VS1-7177-004	115 - 8	VS1-7177-009	343 - 16
VS1-7177-002	550 - 21	VS1-7177-004	116 - 8	VS1-7177-009	383 - 23
VS1-7177-002	620 - 37	VS1-7177-004	125 - 4	VS1-7177-009	900 - 18
VS1-7177-002	622 - 15	VS1-7177-004	180 - 2	VS1-7177-010	532 - 85
VS1-7177-002	770 - 3	VS1-7177-004	185 - 1	VS1-7177-010	600 - 37
VS1-7177-002	771 - 5	VS1-7177-004	186 - 4	VS1-7177-010	900 - 19
VS1-7177-002	814 - 18	VS1-7177-004	189 - 2	VS1-7177-011	116 - 9
VS1-7177-002	817 - 25	VS1-7177-004	190 - 12	VS1-7177-011	600 - 25
VS1-7177-002	854 - 18	VS1-7177-004	191 - 7	VS1-7177-012	340 - 14
VS1-7177-002	900 - 9	VS1-7177-004	310 - 27	VS1-7177-012	349 - 20
VS1-7177-003	103 - 11	VS1-7177-004	320 - 65	VS1-7177-012	351 - 18
VS1-7177-003	113 - 10	VS1-7177-004	330 - 9	VS1-7177-012	620 - 39
VS1-7177-003	116 - 16	VS1-7177-004	331 - 13	VS1-7177-012	999 - 19
VS1-7177-003	121 - 12	VS1-7177-004	348 - 1	VS1-7207-008	999 - 6
VS1-7177-003	125 - 3	VS1-7177-004	349 - 1	VS1-7440-004	116 - 15
VS1-7177-003	181 - 2	VS1-7177-004	355 - 36	VS1-7462-001	813 - 10
VS1-7177-003	182 - 2	VS1-7177-004	531 - 28	VT2-5177-025	190 - 8
VS1-7177-003	185 - 2	VS1-7177-004	600 - 22	WD3-5127-000	140 - 3
VS1-7177-003	190 - 18	VS1-7177-004	780 - 27	WE8-5689-000	100 - 94
VS1-7177-003	195 - 2	VS1-7177-004	814 - 20	WE8-5928-000	532 - 89
VS1-7177-003	300 - 51	VS1-7177-004	854 - 19	WE8-5929-000	130 - 29
VS1-7177-003	310 - 24	VS1-7177-004	900 - 10	WE8-6262-000	620 - 58
VS1-7177-003	320 - 42	VS1-7177-004	999 - 5	WG8-5736-000	310 - 38
VS1-7177-003	323 - 17	VS1-7177-005	532 - 61	WG8-5736-000	320 - 13
VS1-7177-003	328 - 9	VS1-7177-005	600 - 23	WG8-5736-000	322 - 23
VS1-7177-003	337 - 11	VS1-7177-005	814 - 24	WG8-5736-000	324 - 5

NUMERICAL INDEX

imagePRESS C7010VP/C6010VP/C6010(Numerical Index)

PARTS NUMBER	FIGURE & KEY NO.	PARTS NUMBER	FIGURE & KEY NO.	PARTS NUMBER	FIGURE & KEY NO.
WG8-5736-000	327 - 34	XA9-0940-000	100 - 91	XF2-3607-060	341 - 5
WG8-5736-000	328 - 16	XA9-0940-000	120 - 7	XF2-3607-060	355 - 65
WG8-5736-000	330 - 14	XA9-0940-000	130 - 22	XF2-3607-260	104 - 14
WG8-5736-000	331 - 22	XA9-0994-000	300 - 112	XF2-3607-260	327 - 29
WG8-5736-000	337 - 9	XA9-1031-000	300 - 65	XF2-3607-260	372 - 2
WG8-5736-000	342 - 3	XA9-1035-000	322 - 27	XF2-3607-460	327 - 30
WG8-5736-000	344 - 8	XA9-1035-000	856 - 30	XF2-3607-460	328 - 13
WG8-5736-000	345 - 9	XA9-1035-000	890 - 7	XF2-3607-660	350 - 15
WG8-5736-000	348 - 11	XA9-1035-000	891 - 9	XF2-3608-060	370 - 39
WG8-5736-000	351 - 28	XA9-1249-010	114 - 16	XF2-3608-460	336 - 7
WG8-5736-000	354 - 12	XA9-1249-010	121 - 2	XF2-3608-460	355 - 66
WG8-5736-000	355 - 62	XA9-1249-010	300 - 55	XF2-3608-460	360 - 22
WG8-5736-000	360 - 24	XA9-1249-010	381 - 12	XF2-3608-460	361 - 17
WG8-5736-000	361 - 20	XA9-1415-000	300 - 70	XF2-3608-460	362 - 22
WG8-5736-000	362 - 24	XA9-1469-000	371 - 10	XF2-3608-560	343 - 12
WG8-5736-000	370 - 30	XA9-1469-000	900 - 13	XF2-3609-060	327 - 31
WG8-5736-000	371 - 1	XA9-1659-000	300 - 59	XF2-3609-960	355 - 67
WG8-5736-000	372 - 3	XA9-1659-000	310 - 34	XF2-3610-060	349 - 17
WG8-5736-000	380 - 7	XA9-1659-000	355 - 78	XF2-3610-660	350 - 25
WG8-5783-000	620 - 26	XA9-1659-000	817 - 23	XF2-3611-560	327 - 32
WG8-5830-000	532 - 24	XA9-1750-000	330 - 12	XF2-3611-560	371 - 23
WG8-5848-000	310 - 19	XA9-1750-000	331 - 15	XF2-3612-560	370 - 38
WG8-5848-000	320 - 37	XA9-1788-000	102 - 6	XF2-3613-060	336 - 8
WG8-5848-000	322 - 11	XA9-1788-000	113 - 14	XF2-3613-660	345 - 27
WG8-5848-000	332 - 10	XA9-1813-000	262 - 12	XF2-3614-560	260 - 12
WG8-5848-000	343 - 8	XA9-1813-000	320 - 12	XF2-3614-860	355 - 68
WG8-5848-000	350 - 4	XA9-1911-000	900 - 14	XF2-3615-460	360 - 23
WG8-5848-000	355 - 24	XA9-1932-000	333 - 34	XF2-3615-460	361 - 19
WG8-5848-000	536 - 2	XA9-1932-000	814 - 32	XF2-3615-460	362 - 22
WG8-5848-000	550 - 17	XA9-1932-000	840 - 31	XF2-3615-460	371 - 23
WG8-5848-000	600 - 29	XA9-1932-000	854 - 25	XF2-3615-460	372 - 1
WS6-5200-000	109 - 23	XA9-1933-000	840 - 32	XF2-3615-560	260 - 13
WS6-5201-000	109 - 4	XB6-2300-308	262 - 501	XF2-3616-460	349 - 18
WS6-5201-000	116 - 11	XD1-1104-122	113 - 501	XF2-3617-560	341 - 6
WS6-5209-000	116 - 5	XD1-1104-122	125 - 501	XF2-3618-260	341 - 4
WT2-6122-000	852 - 45	XD1-1104-122	185 - 501	XG1-1026-085	383 - 17
XA9-0228-000	550 - 30	XD1-1104-131	810 - 501	XG1-1030-095	531 - 22
XA9-0546-020	355 - 58	XD1-1104-131	850 - 501	XG1-1528-075	320 - 80
XA9-0554-000	113 - 16	XD1-1106-215	511 - 501	XG1-1528-075	322 - 28
XA9-0554-000	185 - 11	XD2-1100-502	532 - 501	XG2-6012-405	262 - 11
XA9-0679-000	814 - 31	XD9-0150-000	890 - 8	XG3-6012-405	320 - 81
XA9-0679-000	854 - 28	XD9-0150-000	891 - 7	XG3-6012-405	322 - 30
XA9-0892-000	320 - 64	XD9-0220-000	320 - 66	XG9-0013-000	856 - 39
XA9-0892-000	352 - 20	XF2-1605-660	262 - 9	XG9-0120-000	532 - 74
XA9-0892-000	531 - 32	XF2-1606-260	262 - 10	XG9-0149-000	355 - 69
XA9-0892-000	781 - 12	XF2-1606-960	320 - 67	XG9-0177-000	813 - 11
XA9-0892-000	816 - 44	XF2-1608-060	323 - 14	XG9-0177-000	856 - 23
XA9-0922-000	327 - 28	XF2-1610-760	320 - 68	XG9-0217-000	815 - 49
XA9-0934-000	284 - 8	XF2-1805-280	816 - 45	XG9-0217-000	855 - 37
XA9-0934-000	343 - 14	XF2-3604-940	355 - 64	XG9-0232-000	332 - 27
XA9-0934-000	818 - 3	XF2-3605-060	370 - 40	XG9-0232-000	333 - 19
XA9-0934-000	856 - 21	XF2-3606-360	320 - 69	XG9-0232-000	533 - 25

NUMERICAL INDEX

imagePRESS C7010VP/C6010VP/C6010(Numerical Index)

PARTS NUMBER	FIGURE & KEY NO.	PARTS NUMBER	FIGURE & KEY NO.	PARTS NUMBER	FIGURE & KEY NO
XG9-0242-000	333 - 32	XG9-0419-000	854 - 4	XG9-0664-000	327 - 33
XG9-0242-000	345 - 30	XG9-0438-000	622 - 22	XG9-0664-000	328 - 14
XG9-0242-000	370 - 34	XG9-0484-000	300 - 90	XG9-0664-000	332 - 26
XG9-0245-000	322 - 17	XG9-0484-000	349 - 14	XG9-0664-000	338 - 12
XG9-0245-000	326 - 29	XG9-0484-000	812 - 47	XG9-0664-000	341 - 7
XG9-0245-000	337 - 7	XG9-0484-000	852 - 42	XG9-0664-000	345 - 25
XG9-0245-000	338 - 7	XG9-0491-000	511 - 27	XG9-0664-000	346 - 1
XG9-0245-000	351 - 17	XG9-0491-000	815 - 59	XG9-0664-000	349 - 16
XG9-0245-000	360 - 12	XG9-0491-000	830 - 19	XG9-0664-000	350 - 24
XG9-0245-000	361 - 12	XG9-0491-000	855 - 42	XG9-0664-000	351 - 31
XG9-0245-000	362 - 12	XG9-0492-000	260 - 16	XG9-0664-000	352 - 21
XG9-0250-000	816 - 46	XG9-0499-000	531 - 46	XG9-0664-000	355 - 75
XG9-0258-000	330 - 13	XG9-0503-000	532 - 43	XG9-0664-000	360 - 13
XG9-0258-000	331 - 16	XG9-0506-000	532 - 76	XG9-0664-000	361 - 13
XG9-0258-000	332 - 28	XG9-0507-000	310 - 37	XG9-0664-000	362 - 13
XG9-0286-000	816 - 47	XG9-0507-000	355 - 72	XG9-0664-000	370 - 37
XG9-0291-000	280 - 21	XG9-0507-000	830 - 20	XG9-0664-000	371 - 24
XG9-0291-000	812 - 46	XG9-0508-000	260 - 14	XG9-0664-000	372 - 16
XG9-0291-000	816 - 48	XG9-0508-000	310 - 35	XG9-0664-000	380 - 8
XG9-0291-000	817 - 24	XG9-0508-000	381 - 9	XG9-0664-000	532 - 57
XG9-0291-000	852 - 41	XG9-0508-000	382 - 11	XG9-0668-000	350 - 19
XG9-0302-000	780 - 15	XG9-0511-000	342 - 2	XG9-0668-000	355 - 70
XG9-0302-000	781 - 7	XG9-0511-000	344 - 10	XG9-0691-000	815 - 62
XG9-0304-000	355 - 71	XG9-0511-000	345 - 29	XG9-0691-000	855 - 40
XG9-0304-000	531 - 13	XG9-0511-000	348 - 5	XG9-0756-000	840 - 19
XG9-0304-000	856 - 34	XG9-0511-000	351 - 32	XG9-0757-000	300 - 91
XG9-0321-000	274 - 13	XG9-0511-000	355 - 73	XG9-0779-000	352 - 25
XG9-0350-000	815 - 50	XG9-0520-000	284 - 7	XH9-0006-000	310 - 40
XG9-0350-000	855 - 38	XG9-0520-000	343 - 13	XH9-0122-000	320 - 43
XG9-0360-000	813 - 12	XG9-0520-000	345 - 28	XH9-0137-000	620 - 55
XG9-0365-000	280 - 22	XG9-0520-000	346 - 24	XH9-0149-000	900 - 15
XG9-0365-000	815 - 30	XG9-0520-000	349 - 15	XZ1-1301-005	900 - 16
XG9-0365-000	817 - 11	XG9-0520-000	351 - 29	XZ1-1301-105	812 - 56
XG9-0365-000	830 - 18	XG9-0520-000	352 - 15	XZ1-1301-105	852 - 47
XG9-0365-000	840 - 23	XG9-0520-000	355 - 74	XZ1-1900-705	310 - 41
XG9-0365-000	855 - 39	XG9-0520-000	370 - 41	XZ9-0281-000	001 - 4
XG9-0378-000	856 - 12	XG9-0584-000	840 - 18	XZ9-0565-000	102 - 9
XG9-0384-000	320 - 70	XG9-0585-000	813 - 15	XZ9-0565-000	114 - 7
XG9-0384-000	816 - 49	XG9-0585-000	816 - 51	XZ9-0574-000	102 - 10
XG9-0384-000	890 - 9	XG9-0593-000	813 - 13	XZ9-0574-000	114 - 5
XG9-0384-000	891 - 8	XG9-0602-000	320 - 71	XZ9-0598-000	336 - 9
XG9-0386-000	332 - 29	XG9-0603-000	532 - 45	XZ9-0598-000	372 - 15
XG9-0387-000	327 - 15	XG9-0620-000	332 - 30	XZ9-0603-000	100 - 46
XG9-0387-000	532 - 77	XG9-0621-000	332 - 31	XZ9-0603-000	355 - 63
XG9-0387-000	815 - 26	XG9-0622-000	530 - 10	XZ9-0603-000	620 - 23
XG9-0387-000	855 - 41	XG9-0623-000	333 - 26	XZ9-0614-000	111 - 27
XG9-0400-000	351 - 30	XG9-0659-000	272 - 10	XZ9-0614-000	113 - 13
XG9-0400-000	352 - 22	XG9-0659-000	610 - 10	XZ9-0614-000	344 - 9
XG9-0407-000	813 - 14	XG9-0664-000	284 - 6	XZ9-0614-000	348 - 4
XG9-0407-000	816 - 50	XG9-0664-000	300 - 78	XZ9-0618-000	120 - 12
XG9-0414-000	333 - 35	XG9-0664-000	322 - 14		
XG9-0419-000	814 - 12	XG9-0664-000	323 - 15		

imagePRESS C7010VP/C6010VP/ C6010(Parts Catalog)

imagePRESS C7010VP

JP	F15-9611-000	GWC	Main station
JP	F15-9614-000	GWG	Sub station
JP	F15-9617-000	GWQ	Power station
US,CA,LTN	F15-9631-000	GWD	Main station
US,CA,LTN	F15-9634-000	GWJ	Sub station
US,CA,LTN	F15-9637-000	GWS	Power station
EUR,AU,SG,HK, KR,LTN	F15-9691-000	GWE	Main station
EUR,AU,SG,HK, KR,LTN	F15-9694-000	GWK	Sub station
EUR,AU,SG,HK, KR,LTN	F15-9697-000	GWT	Power station

imagePRESS C6010VP

US,CA,LTN	F15-9632-000	GWW	Main station
US,CA,LTN	F15-9635-000	GWY	Sub station
US,CA,LTN	F15-9638-000	GXT	Power station
EUR,AU,SG,HK, KR,LTN	F15-9692-000	GWX	Main station
EUR,AU,SG,HK, KR,LTN	F15-9695-000	GWZ	Sub station
EUR,AU,SG,HK, KR,LTN	F15-9698-000	GXU	Power station

imagePRESS C6010

JP	F15-9613-000	GXV	Main station
----	--------------	-----	--------------

JP	F15-9616-000	GYG	Sub station
JP	F15-9619-000	GYL	Power station
US,CA,LTN	F15-9633-000	GXX	Main station
US,CA,LTN	F15-9636-000	GYH	Sub station
US,CA,LTN	F15-9639-000	GYM	Power station
EUR,AU,SG,HK, KR,LTN	F15-9693-000	GXZ	Main station
EUR,AU,SG,HK, KR,LTN	F15-9696-000	GYJ	Sub station
EUR,AU,SG,HK, KR,LTN	F15-9699-000	GYN	Power station

Contents

A1	ASSEMBLY LOCATION DIAGRAM	2-1
A2	OPTION PARTS CATALOG LIST	2-16
001	ACCESSORIES	2-17
100	EXTERNAL COVERS, PANELS, ETC.	2-19
101	INTERNAL COMPONENTS 1 (Main station).....	2-25
102	INTERNAL COMPONENTS 2 (Main station).....	2-27
103	INTERNAL COMPONENTS 3 (Main station).....	2-29
104	INTERNAL COMPONENTS 4 (Main station).....	2-31
105	INTERNAL COMPONENTS 5 (Main station).....	2-33
106	INTERNAL COMPONENTS 6 (Main station).....	2-36
107	INTERNAL COMPONENTS 7 (Main station).....	2-38
108	MACHINE REAR PLATE 1 (Main station)	2-40
109	MACHINE REAR PLATE 2 (Main station)	2-42
111	EXTERNAL COVERS, PANELS, ETC.	2-44
112	INTERNAL COMPONENTS 1 (Sub station)	2-47
113	INTERNAL COMPONENTS 2 (Sub station)	2-49
114	INTERNAL COMPONENTS 3 (Sub station)	2-51
115	MACHINE REAR PLATE 1 (Sub station).....	2-53
116	MACHINE REAR PLATE 2 (Sub station).....	2-55
120	POWER STATION COVER ASSEMBLY.....	2-57
121	POWER STATION ASSEMBLY	2-59
125	MAIN INTERLOCK SWITCH UNIT.....	2-61
126	DRUM HEATER INTERLOCK SW.ASS'Y	2-62
130	CONTROL PANEL ASSEMBLY	2-63
140	POWER CORD TERMINAL ASSEMBLY	2-66
180	FIXING BELT COOLING FAN ASS'Y	2-67
181	COOLING FAN ASS'Y, 2.....	2-68
182	ROLLER COOLING FAN ASSEMBLY	2-69
183	FIRST FIXING FAN ASSEMBLY	2-70
184	SECOND FIXING FAN ASSEMBLY	2-71
185	FIRST EXHAUST DUCT ASSEMBLY	2-72
186	FAN MOUNT ASSEMBLY, OUTER.....	2-74
188	BELT COOLING FAN ASSEMBLY	2-75
189	PAPER DELIVERY FAN ASSEMBLY	2-76
190	FAN MOUNT ASSEMBLY	2-77
191	PRIMARY EXHAUST FAN ASSEMBLY	2-79
192	PRIMARY INLET FAN ASS'Y, C/K.....	2-81
193	PRIMARY INLET FAN ASS'Y, Y/M.....	2-82
194	PRE-TRNS.EXHAUST DUCT ASSEMBLY	2-83
195	FIRST FIXING EXHAUST FAN ASS'Y	2-84
260	PAPER PICK-UP DRIVE ASS'Y	2-85
262	REGISTRATION SLIDE DRIVE ASS'Y	2-87
271	DRUM DRIVE ASSEMBLY	2-89
272	DEVELOPING DRIVE ASSEMBLY	2-91
273	I.T.B. CLEANER DRIVE ASSEMBLY	2-93

274	SECONDARY TRANSFER DRIVE ASS'Y.....	2-94
280	FIXING DRIVE ASSEMBLY.....	2-96
283	WASTE TONER DRIVE ASSEMBLY.....	2-98
284	DELIVERY DRIVE ASSEMBLY.....	2-99
300	PAPER STOCK ASSEMBLY.....	2-100
310	PAPER PICK-UP ASSEMBLY.....	2-107
320	REGIST. PAPER FEEDER ASSEMBLY.....	2-110
321	PRE-REGISTRATION FEED ASSEMBLY.....	2-115
322	PRE-REGIST. FEEDER UPPER ASS'Y.....	2-117
323	PRE-REGIST. FEEDER LOWER ASS'Y.....	2-122
324	2ND TRNSFR. ELIM. ASS'Y, REAR.....	2-124
325	VERTICAL PATH ASSEMBLY.....	2-125
326	RIGHT DOOR ASSEMBLY.....	2-126
327	VERTICAL PATH MAIN ASSEMBLY.....	2-128
328	TURN ASSEMBLY.....	2-131
329	INNER GUIDE OPEN/CLOSE ASS'Y.....	2-133
330	PRE-FIXING PAPER FEED ASSEMBLY.....	2-134
331	2ND TRNS. FRAME/FIX. F.D ASS'Y.....	2-136
332	2ND TRNSFR. BASE PLATE ASS'Y.....	2-138
333	SECONDARY TRANSFER ASSEMBLY.....	2-141
336	LOWER PAPER FEED ASSEMBLY.....	2-144
337	LOWER PAPER FEED ASS'Y, UPPER.....	2-146
338	LOWER PAPER FEED ASS'Y, LOWER.....	2-148
340	FIXING/FEED ASSEMBLY, CENTER.....	2-150
341	FIXING/FEED ASS'Y, CENTER LW.....	2-152
342	FIXING/FEED ASS'Y, CENTER UP.....	2-154
343	FIXING/FEED ASSEMBLY, LEFT.....	2-156
344	FIXING/FEED ASS'Y, LEFT UPPER.....	2-158
345	FIXING/FEED ASS'Y, LEFT MIDDLE.....	2-160
346	FIXING/FEED ASS'Y, LEFT LOWER.....	2-162
347	FIXING/FEED ASSEMBLY, RIGHT.....	2-164
348	FIXING/FEED ASS'Y, RIGHT UPPER.....	2-165
349	FIXING/FEED ASS'Y, RIGHT LOWER.....	2-167
350	REVERSE DELIVERY ASSEMBLY.....	2-169
351	DELIVERY GUIDE ASSEMBLY, UPPER.....	2-171
352	DELIVERY GUIDE ASSEMBLY, LOWER.....	2-174
353	REVERSE GUIDE ASSEMBLY, UPPER.....	2-176
354	REVERSE GUIDE ASSEMBLY, LOWER.....	2-177
355	REVERSE ASSEMBLY.....	2-179
360	DUPLEX LEFT ASSEMBLY.....	2-185
361	DUPLEX CENTER ASSEMBLY.....	2-187
362	DUPLEX RIGHT ASSEMBLY.....	2-189
370	DUPLEXING DECURLER ASSEMBLY.....	2-191
371	DUPLEXING ASSEMBLY, RIGHT.....	2-195
372	DUPLEXING ASSEMBLY, LEFT.....	2-198

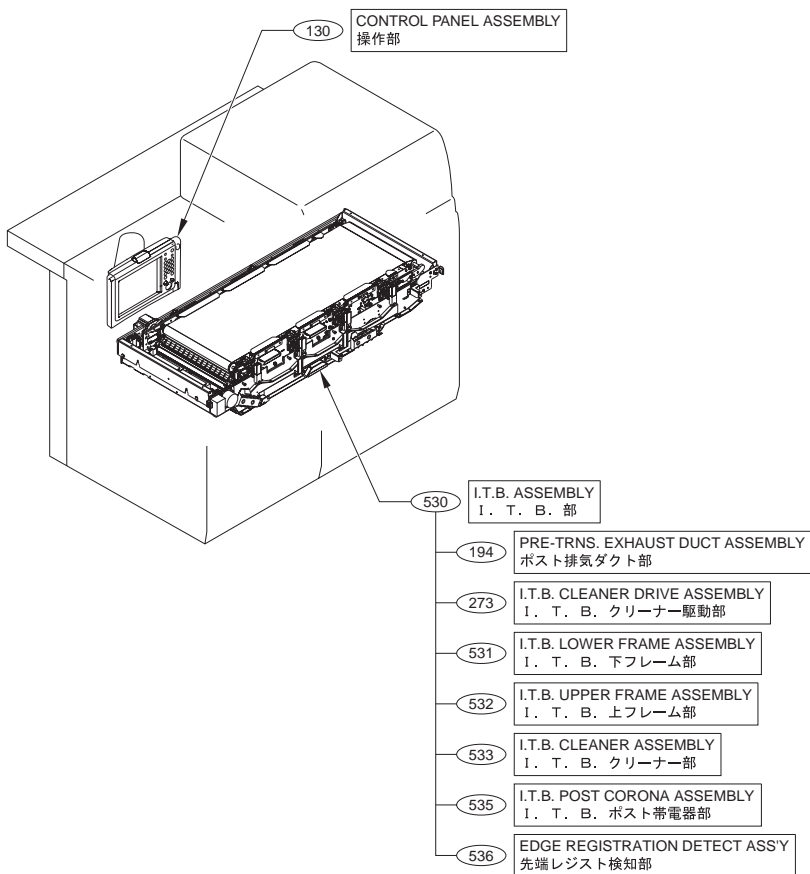
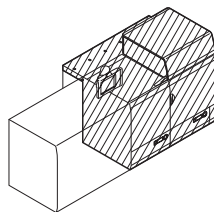
Contents

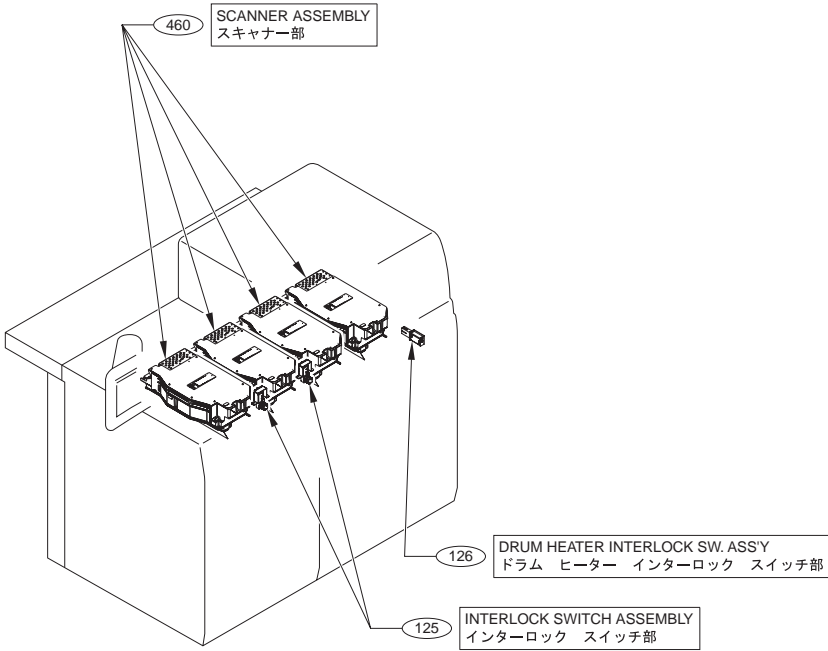
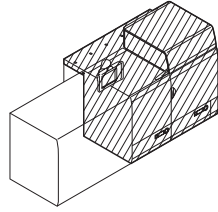
380	LEFT DECK PATH MERGER ASS'Y	2-201
381	PULL-OUT ROLLER LEFT ASS'Y	2-203
382	PULL-OUT ROLLER RIGHT ASS'Y	2-205
383	PAPER FEED MOUNT ASSEMBLY	2-207
460	SCANNER ASSEMBLY	2-210
511	D KIT ASSEMBLY	2-211
530	I.T.B. ASSEMBLY	2-214
531	I.T.B. LOWER FRAME ASSEMBLY	2-216
532	I.T.B. UPPER FRAME ASSEMBLY	2-220
533	I.T.B. CLEANER ASSEMBLY	2-227
535	I.T.B. POST CORONA ASSEMBLY	2-229
536	EDGE REGISTRATION DETECT ASS'Y	2-231
550	PRIMARY CORONA ASSEMBLY	2-233
600	PROCESSOR KIT ASSEMBLY	2-236
610	DEVELOPING RAIL ASSEMBLY	2-240
615	DEVELOPING PRESSURE ASSEMBLY	2-242
620	HOPPER ASSEMBLY	2-244
621	BUFFER ASSEMBLY	2-248
622	SUB HOPPER ASSEMBLY	2-250
625	TONER FEED ASS'Y	2-252
640	DEVELOPING ASSEMBLY	2-254
710	CLEANER ASSEMBLY	2-256
770	WASTE TONER FEEDER ASSEMBLY	2-258
771	WASTE TONER BUFFER ASSEMBLY	2-259
775	WASTE TONER PIPE ASSEMBLY	2-260
780	WASTE TONER COLLECTION ASS'Y	2-261
781	WASTE TONER BOTTLE TRAY ASS'Y	2-264
810	FIRST FIXING ASSEMBLY	2-266
812	INNER PAPER DELIVERY ASS'Y, 1	2-268
813	FIXING BELT ASSEMBLY	2-271
814	FIXING INTERMEDIATE ASS'Y, 1	2-273
815	FIRST FIXING ASSEMBLY, UPPER	2-276
816	FIRST FIXING ASSEMBLY, LOWER	2-281
817	CLEANER DRIVE ASSEMBLY	2-285
818	FIXING BELT DRIVE ASS'Y	2-287
830	FIXING CLEANER ASSEMBLY	2-288
840	EXTERNAL HEATING ASSEMBLY	2-290
850	SECOND FIXING ASSEMBLY	2-293
852	INNER PAPER DELIVERY ASS'Y, 2	2-295
854	FIXING INTERMEDIATE ASS'Y, 2	2-298
855	SECOND FIXING ASSEMBLY, UPPER	2-301
856	SECOND FIXING ASSEMBLY, LOWER	2-306
890	FIRST FIXING MOUNT ASSEMBLY	2-310
891	SECOND FIXING MOUNT ASSEMBLY	2-312
892	LOCK SENSING ASSEMBLY, 1	2-314

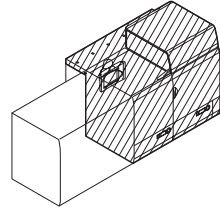
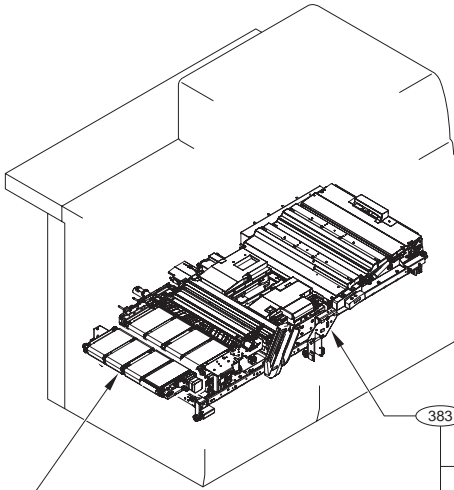
Contents

893	LOCK SENSING ASSEMBLY, 2.....	2-315
900	CONTROLLER BOX ASSEMBLY	2-316
911	DC POWER SUPPLY ASS'Y, 12V	2-319
912	DC POWER SUPPLY ASS'Y, 24V-1	2-320
913	DC POWER SUPPLY ASS'Y, 24V-2	2-321
930	DC CONTROLLER ASSEMBLY	2-322
932	DRM PCB ASSEMBLY, 256	2-323
933	DRM PCB ASSEMBLY, 512	2-324
934	LAN-BAR-B PCB ASSEMBLY	2-325
935	RO-B PCB ASSEMBLY	2-326
936	MAIN CONTROLLER PCB ASS'Y, M.....	2-327
937	MAIN CONTROLLER PCB ASS'Y, P	2-328
938	S-B PCB ASSEMBLY	2-329
940	DC CONTROLLER PCB 1-1 ASSEMBLY	2-330
941	DC CONTROLLER PCB 1-2 ASSEMBLY	2-331
942	DC CONTROLLER PCB 1-3 ASSEMBLY	2-332
960	V.PATH/L.FEED DRIVER PCB ASS'Y	2-333
962	PAPER PICK-UP DRIVER PCB ASS'Y	2-334
964	DRUM DRIVER PCB ASSEMBLY	2-335
965	FEED DRIVER PCB ASSEMBLY	2-336
970	COLOR SENSOR DRIVER PCB ASS'Y	2-337
980	DEV./PRIMARY H.V. PCB ASSEMBLY	2-338
981	2ND TRNSFR. H.V. PCB ASSEMBLY	2-339
999	CABLE UNIT	2-340
ZZA	MECHANICAL STANDARD PARTS (HOW TO USE)	2-352
ZZB	MECHANICAL STANDARD PARTS (SCREWS).....	2-353
ZZC	MECHANICAL STANDARD PARTS (BOLTS).....	2-360
ZZD	MECHANICAL STANDARD PARTS (NUTS).....	2-361
ZZE	MECHANICAL STANDARD PARTS (RETAINING RINGS)	2-362

FIGURE A1 ASSEMBLY LOCATION DIAGRAM

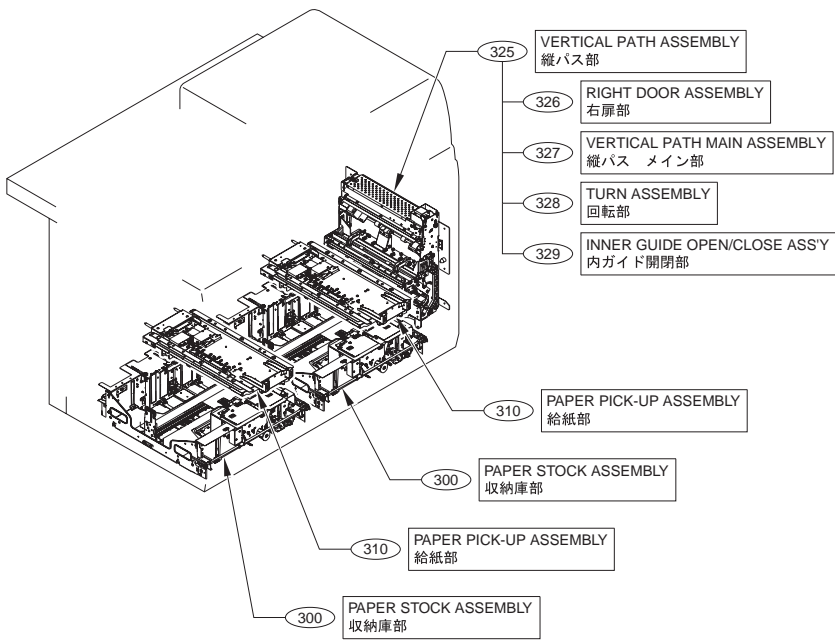
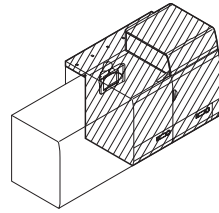


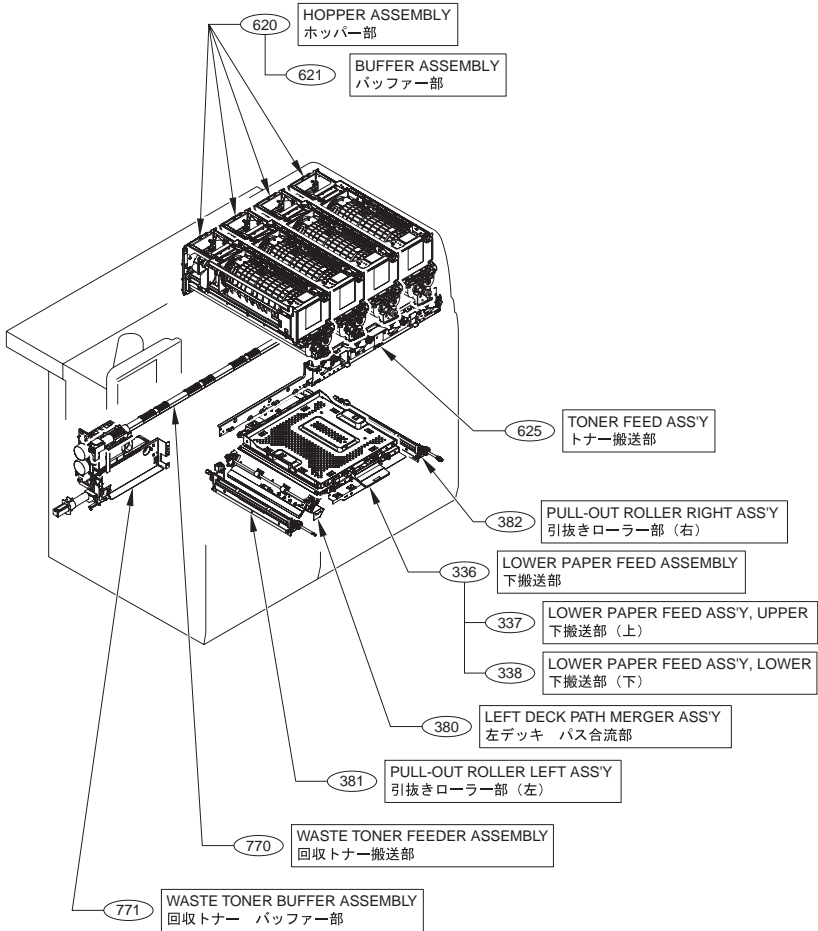
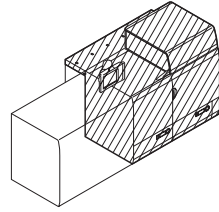


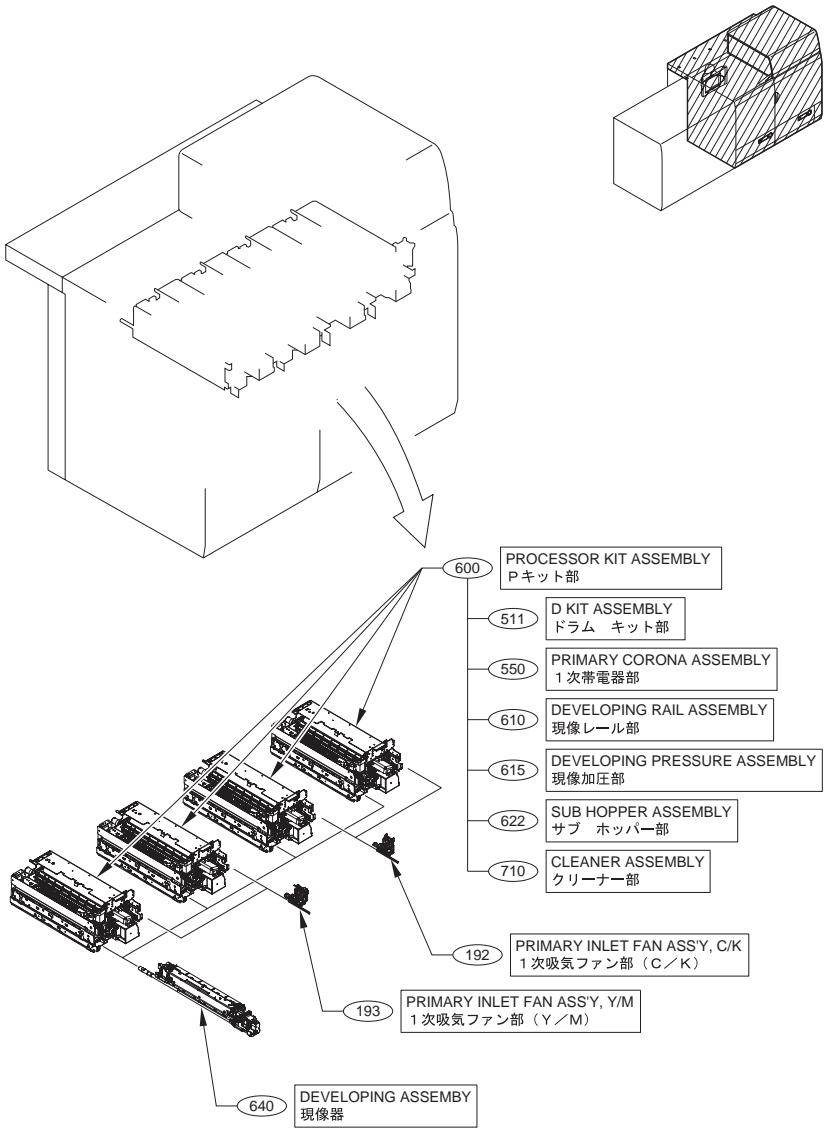


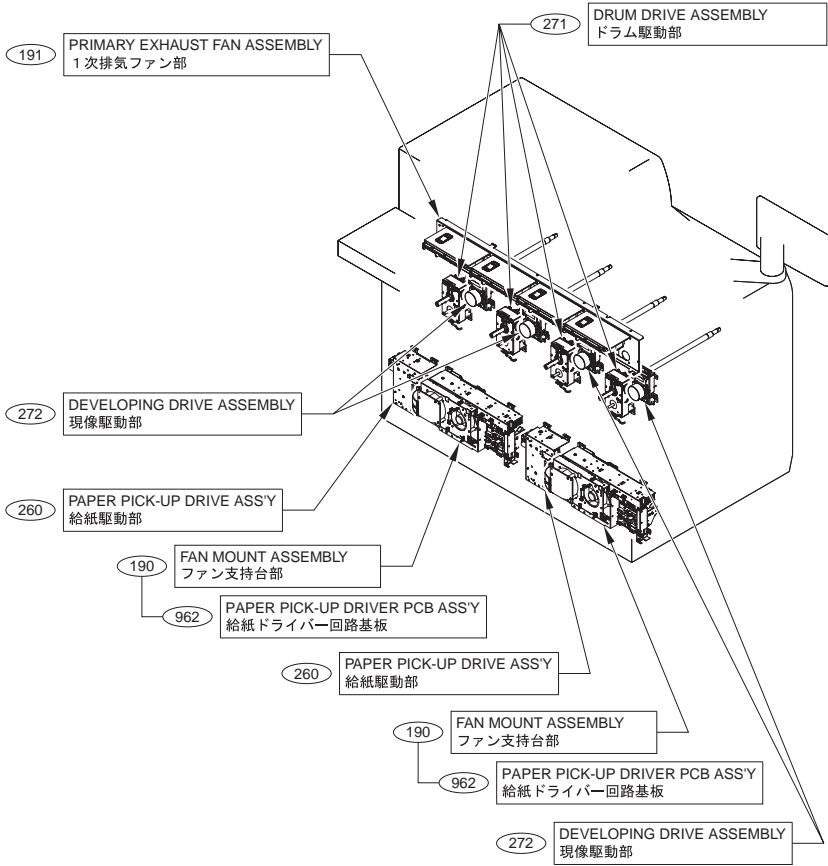
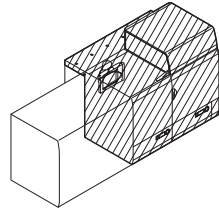
330 PRE-FIXING PAPER FEED ASSEMBLY
定着前搬送部

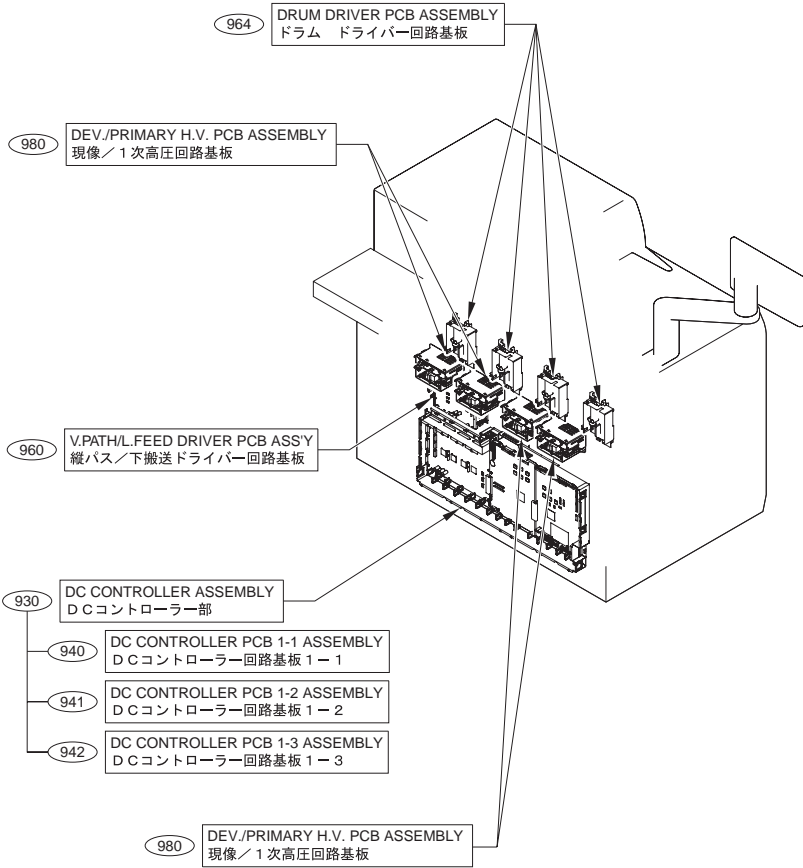
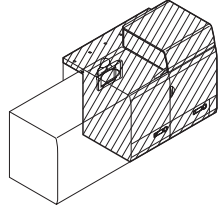
- 383 PAPER FEED MOUNT ASSEMBLY
搬送引出し部
- 262 REGISTRATION SLIDE DRIVE ASS'Y
レジスト スライド駆動部
- 274 SECONDARY TRANSFER DRIVE ASS'Y
2次転写駆動部
- 320 REGIST.PAPER FEEDER ASSEMBLY
レジスト搬送部
- 321 PRE-REGISTRATION FEED ASSEMBLY
レジスト前搬送部
- 322 PRE-REGIST. FEEDER UPPER ASS'Y
レジスト前搬送部 (上)
- 323 PRE-REGIST. FEEDER LOWER ASS'Y
レジスト前搬送部 (下)
- 324 2ND TRNSFR. ELIM. ASS'Y, REAR
2次転写除電部 (後)
- 331 2ND TRNS.FRAME/FIX. F.D ASS'Y
2次転写フレーム/定着前搬送部
- 332 2ND TRNS. BASE PLATE ASS'Y
2次転写底板部
- 333 SECONDARY TRANSFER ASSEMBLY
2次転写部
- 360 DUPLEX LEFT ASSEMBLY
両面部 (左)
- 361 DUPLEX CENTER ASSEMBLY
両面部 (中)
- 362 DUPLEX RIGHT ASSEMBLY
両面部 (右)
- 981 2ND TRNSFR. H.V. PCB ASSEMBLY
2次転写高圧回路基板

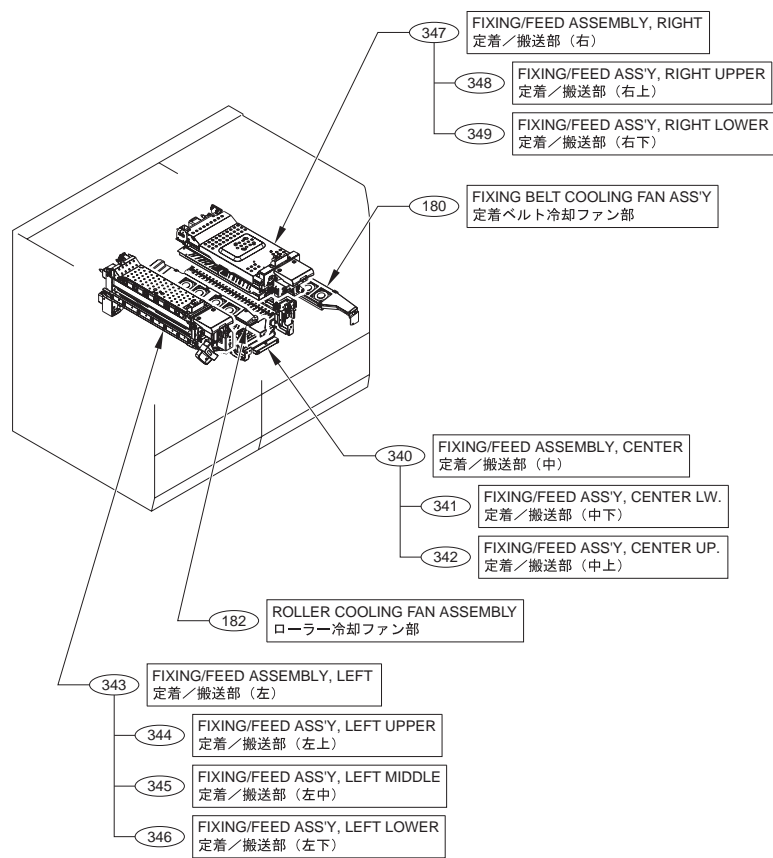
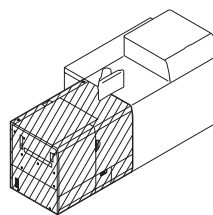


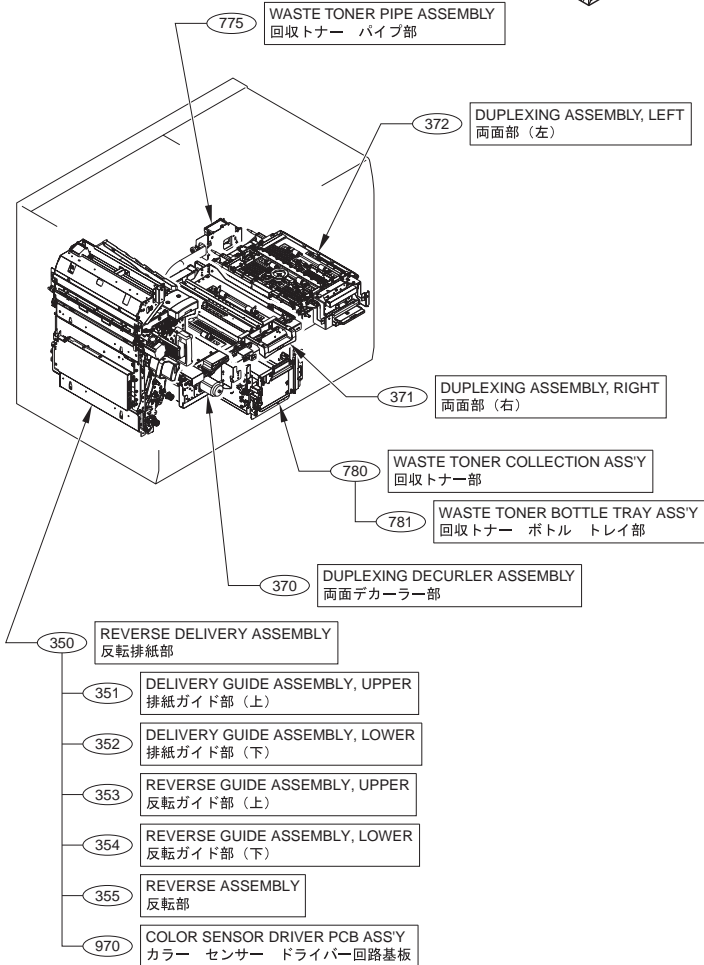
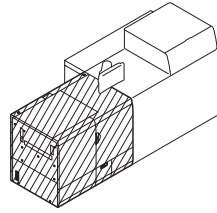


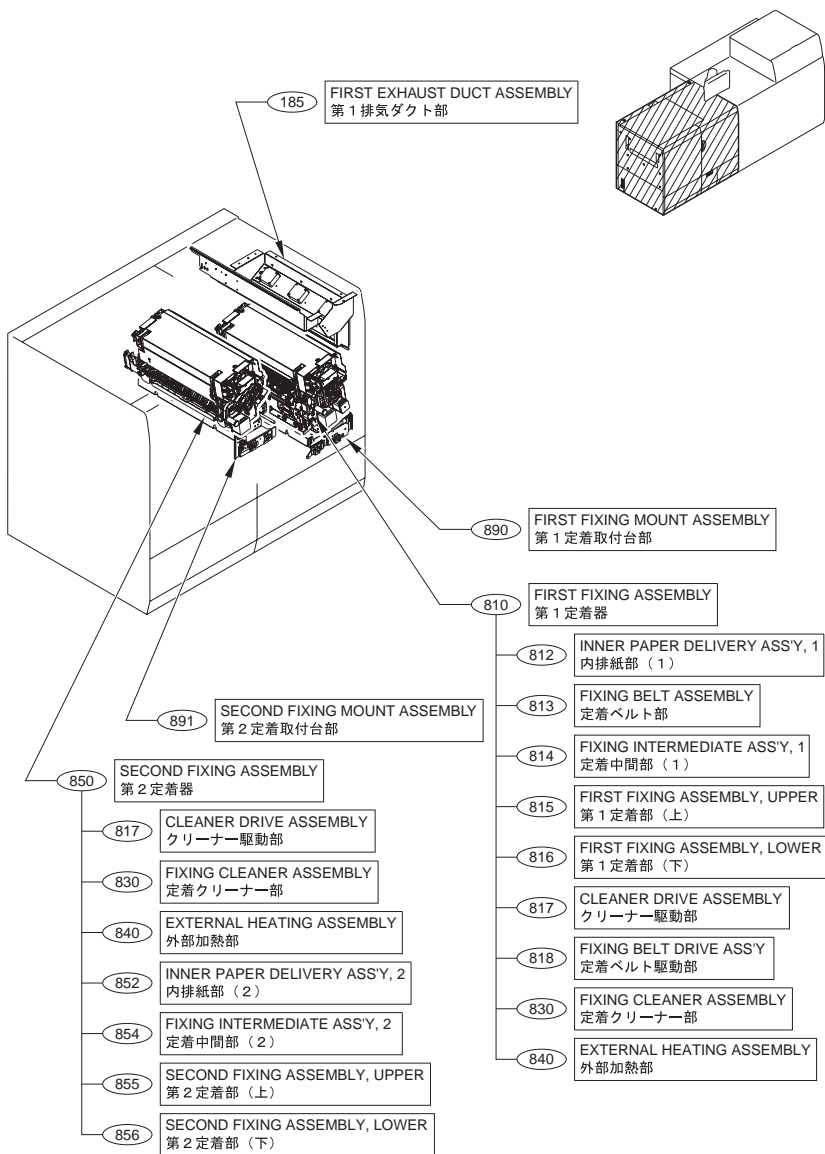


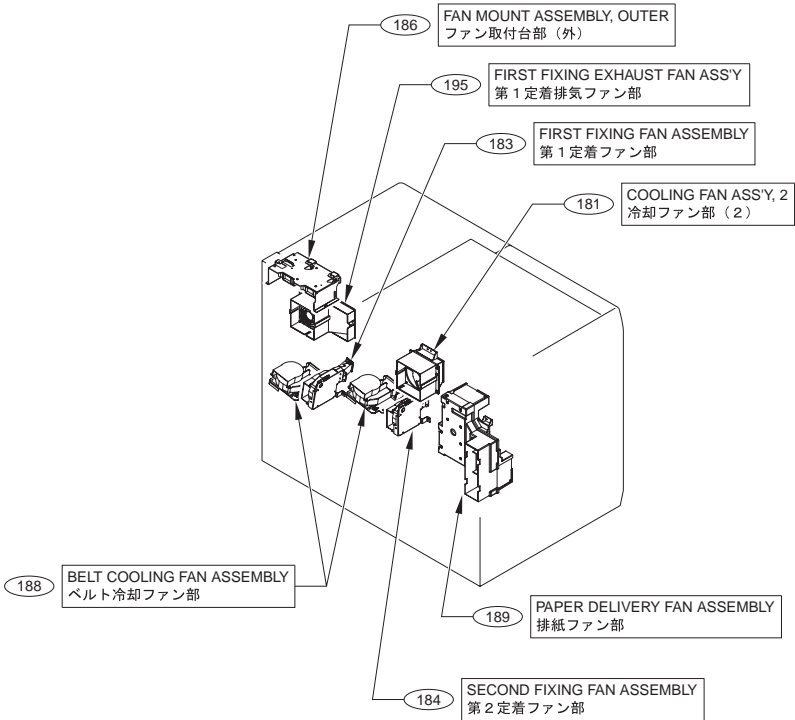
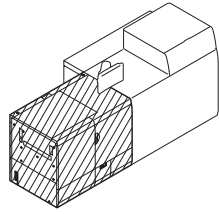


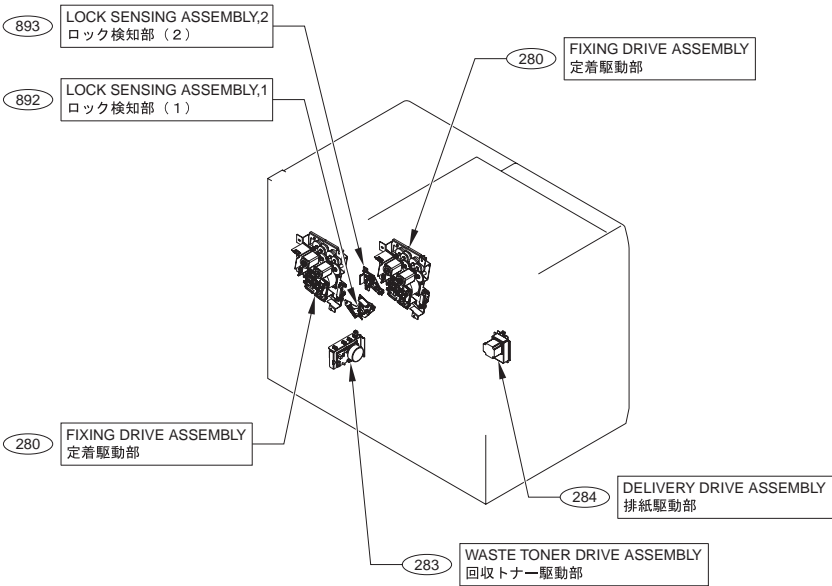
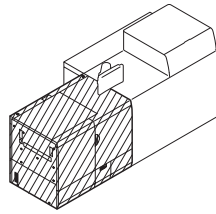


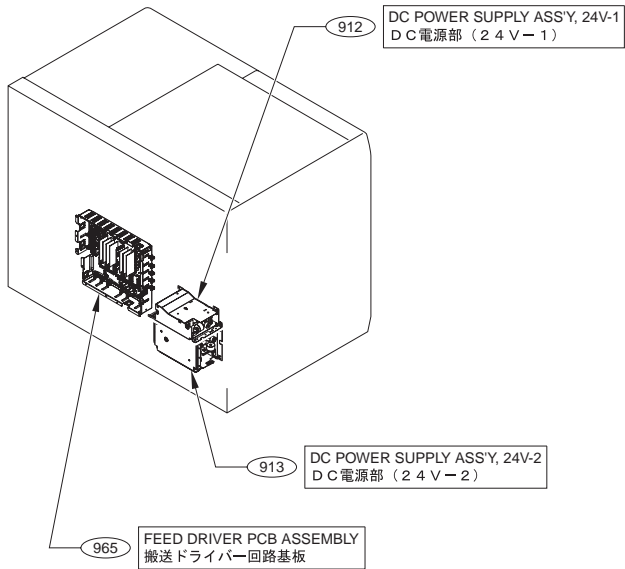
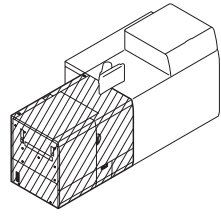












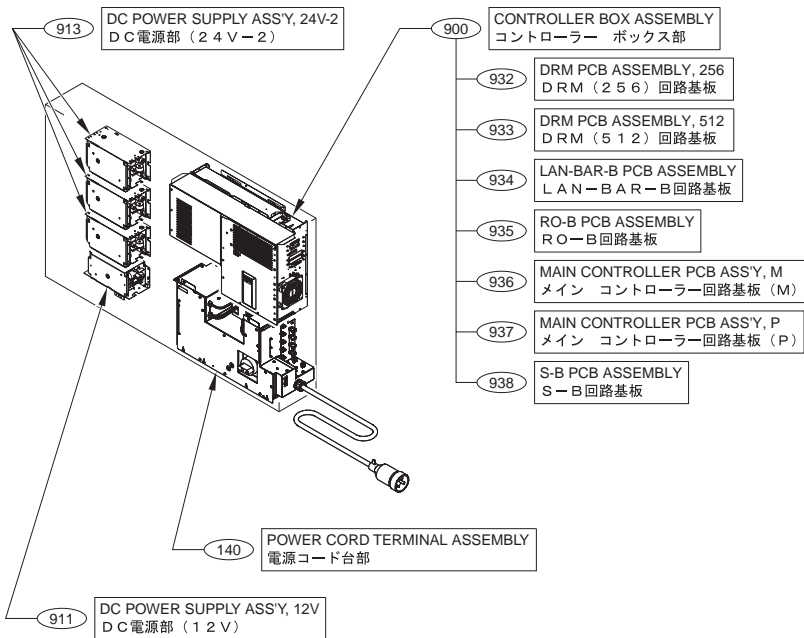
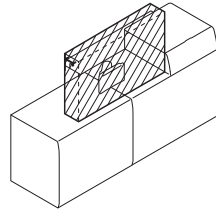


FIGURE A2 OPTION PARTS CATALOG LIST

This is the table of the machine's options whose parts catalog is issued.
本機のオプションで、パーツカタログが発行されている機種の一覧である。

No.	Model Name(English)	Model Name(Japanese)
1	DADF-R1	DADF-R1
2	Color Image Reader-H1	カラーイメージリーダー・H1
3	Reader Attachment-A1	リーダーアタッチメント・A1
4	Platen Cover Type K	原稿台カバータイプK
5	ADF Access Handle-A1	ADFアクセスハンドル・A1
6	Stack Bypass-A1	手差し給紙ユニット・A1
7	Paper Deck-AG1	サイドペーパーデッキ・AC1
8	POD Deck-A1/Secondary POD Deck-A1	PODデッキ・A1/重連デッキ・A1
9	Tab Feeding Attachment-C1	インデックス紙アタッチメント・C1
10	Finisher-AJ1/Saddle Finisher-AJ2	フィニッシャー・AJ1/サドルフィニッシャー・AJ2
11	High Capacity Stacker-C1	大容量スタッカー・C1
12	PERFECT BINDER-B1	パーフェクトバインダー・B1
13	Puncher Unit-BA1/BB1/BC1/BD1	パンチャーユニット・BA1/BB1/BC1/BD1
14	Professional Puncher-B1/C1	(海外のみ)
15	Professional Puncher Integration Unit-A1	(海外のみ)
16	Document Insertion Unit-C1	インサータ・C1
17	INSERTER ATTACHMENT KIT-A1	インサータ装着キット・A1
18	Booklet Trimmer-D1	トリマー・D1
19	Two-Knife Booklet Trimmer-A1	天地トリマー・A1
20	Reader Heater Kit-E1	リーダーヒータキット・E1
21	CST Heater Unit-31/32	カセットヒーターユニット31/32
22	Key Switch Unit-A1/A2	管理キーユニット・A1/A2
23	CARD READER-C1_D1	カードリーダー・C1_D1
24	COLOR UFR II/PCL/PS Printer Kit-T1/T2 /COLOR UFR II Printer Kit-P1/P2	マルチPDL拡張キット・T1/T2 /LIPS LXプリンタ&スキャナキット・P1/P2
25	IPR SRVR A1200	IPR SRVR A1200
26	IPR SRVR A2200	(海外のみ)
27	IPR SRVR A3200	IPR SRVR A3200
28	imagePRESS CR Server A7000 V2	(海外のみ)
29	Voice Guidance Kit-A2/B1/D1/E1 /Voice Guidance Attachment Kit-A1	音声ガイダンスキット・A2/B1/D1/E1 /音声ガイダンス取付けキット・A1
30	imagePRESS CR Server A7500	(海外のみ)
31	System Accessory Attachment Kit-A1	システムオプション取付けキット・A1
32	HDD Data Encryption Kit-B6/B9	HDDデータ暗号化キット・B6/B9

FIGURE 001 ACCESSORIES

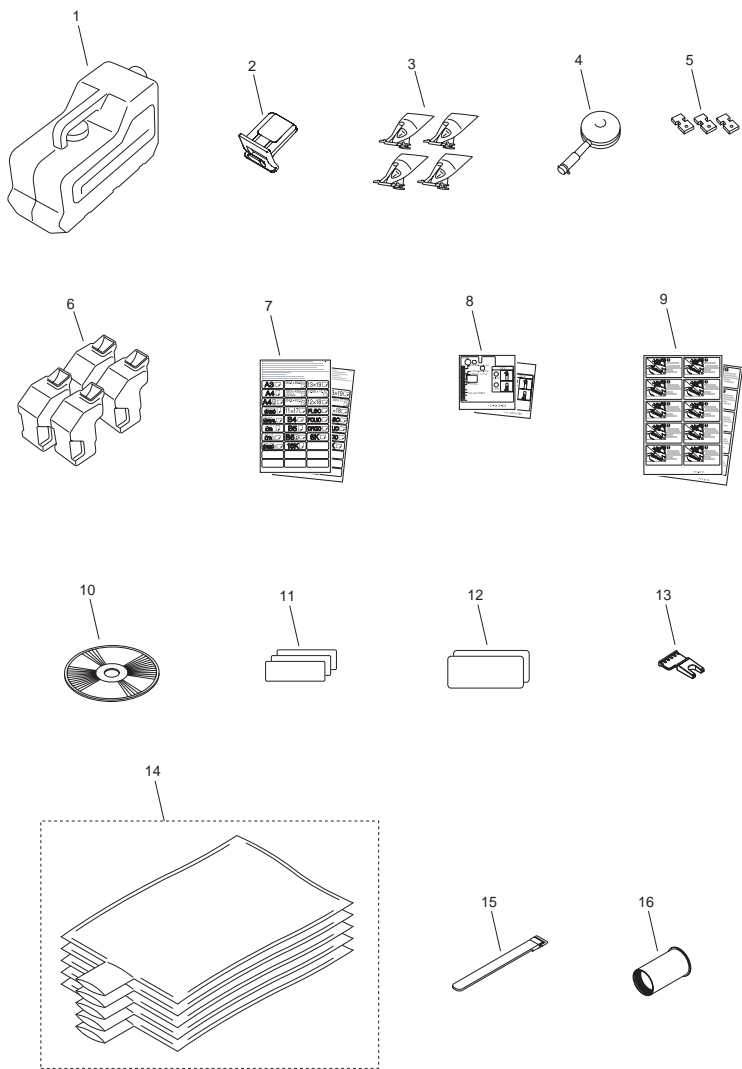
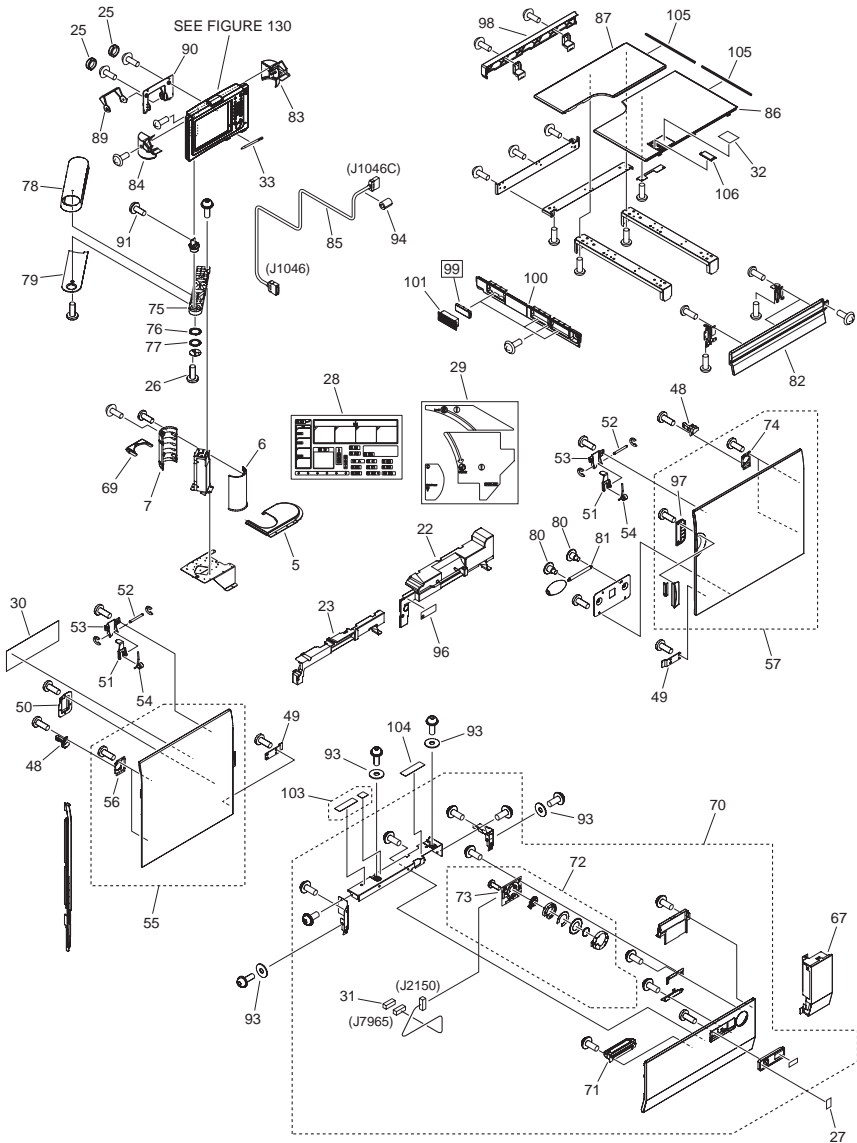


FIGURE & KEY NO.	PARTS NUMBER	R A N K	Q'TY	DESCRIPTION	SERIAL NUMBER/ REMARKS	S V C
Fig.001	NPN		RF	ACCESSORIES		
1	FM2-2058-000		1	BOTTLE, WASTE TONER		
2	FL2-9290-000		3	CLEANING UNIT, A		
3	FL2-4088-000		4	FUNNEL, ABS		
4	XZ9-0281-000		1	BLOWER BRUSH		
5	FC7-9708-000		3	COVER, TOOL		
6	FC7-3482-000		4	CASE, COLOR DEVELOPING		
7	FU6-8216-000		2	LABEL, PAPER SIZE		
8	FC8-7687-000		2	LABEL, WIDTH SIZE, INCH	JP, EUR, AU, SG, HK, KR, LT N	
8	FC8-7675-000		2	LABEL, WIDTH SIZE	US, CA, LTN	
9	FC7-9718-000		2	LABEL, PAPER SUPPLY CAUTION, O		
10	FK2-4690-000		1	CD-ROM, SOFTWARE FOR MEAP	JP	
10	FK2-4691-000		1	CD-ROM, SOFTWARE FOR MEAP	US, CA, LTN	
10	FK2-4692-000		1	CD-ROM, SOFTWARE FOR MEAP	EUR, AU, SG, HK, KR, LTN	
11	FC8-3800-000		3	SHEET, TONER BREAK UP		
12	FC6-9992-000		2	PLATE, MEDIA INDICATION		
13	FC9-5864-000		1	SPACER, SHUTTER OPEN		
14	FC0-2235-000		1	BAG, WASTE TONER		
15	FC0-2236-000		1	BAND, WASTE TONER		
16	FC0-2237-000		1	JOINT, WASTE TONER		

FIGURE 100 EXTERNAL COVERS, PANELS, ETC.



NOTE : Several kinds of labels are attached on the board for the parts of Key No. 96. The same parts as Fig/Key No. 320-75.
 注 : Key No. 96の部品は台紙に数種類のラベルが付いています。Fig/Key No. 320-75と同一部品です。

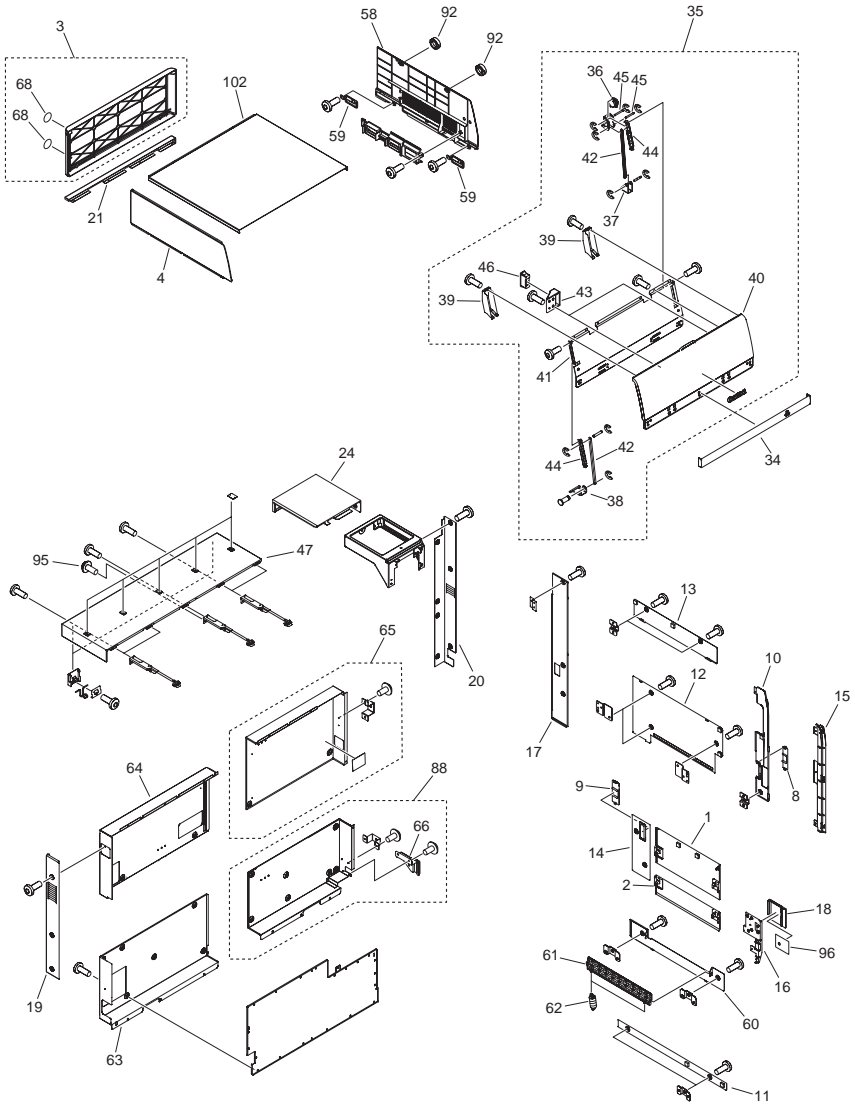


FIGURE & KEY NO.	PARTS NUMBER	R A N K	Q'TY	DESCRIPTION	SERIAL NUMBER/ REMARKS	S V C
Fig.100	NPN		RF	EXTERNAL COVERS, PANELS, ETC.	Main station	
1	FL2-2302-000		1	COVER, RIGHT DOOR, CENTER		
2	FC6-0104-000		1	COVER, RIGHT DOOR, LOWER		
3	FL3-6102-000		1	PANEL, REAR		
4	FC6-3205-000		1	PANEL, LEFT		
5	FC9-5774-000		1	COVER, UPPER, SMALL 1		
6	FC6-8144-000		1	COVER, PILLAR, FRONT		
7	FC6-8145-000		1	COVER, PILLAR, REAR		
8	FC7-1825-000		1	COVER, HOOK, 1		
9	FC7-1826-000		1	COVER, HOOK, 2		
10	FL2-7221-000		1	PANEL, RIGHT, 1		
11	FL2-7222-000		1	PANEL, RIGHT, 2		
12	FL2-7223-000		1	PANEL, RIGHT, 3		
13	FL2-7224-000		1	PANEL, RIGHT, 4		
14	FC7-1835-000		1	PANEL, RIGHT, 5		
15	FC7-1836-000		1	PANEL, RIGHT, 6		
16	FC7-1837-000		1	PANEL, RIGHT, 7		
17	FC7-1848-000		1	PANEL, RIGHT, 8		
18	FC7-1838-000		1	COVER, JAM DIAL		
19	FC7-1882-000		1	PANEL, REAR, LEFT		
20	FC7-1888-000		1	PANEL, REAR, RIGHT		
21	FC7-2255-000		1	PANEL, REAR UPPER RIGHT, 2		
22	FC7-4021-000		1	COVER, RIGHT DECK, INNER		
23	FC7-4022-000		1	COVER, LEFT DECK, INNER		
24	FL2-7127-000		1	COVER, REAR UPPER, RIGHT, 1		
25	FC6-6824-000		2	RUBBER COVER		
26	FB6-0439-020		1	SCREW, M4		
27	FC7-5592-000		1	LABEL, DECK NUMBER		
28	FC7-5643-000		1	LABEL, UNIVERSAL		
29	FC7-5644-000		1	LABEL, OPERATION, 1	Japanese	
29	FC7-5645-000		1	LABEL, OPERATION, 1	English	
29	FC7-5646-000		1	LABEL, OPERATION, 1	French	

FIGURE & KEY NO.	PARTS NUMBER	R A N K	Q'TY	DESCRIPTION	SERIAL NUMBER/ REMARKS	S V C
29	FC7-5647-000		1	LABEL, OPERATION, 1	German	
29	FC7-5648-000		1	LABEL, OPERATION, 1	Italian	
29	FC7-5649-000		1	LABEL, OPERATION, 1	Spanish	
29	FC7-5650-000		1	LABEL, OPERATION, 1	Portuguese	
30	FC7-5668-000		1	LABEL, OPERATION, 2	Japanese	
30	FC7-5669-000		1	LABEL, OPERATION, 2	English	
30	FC7-5670-000		1	LABEL, OPERATION, 2	French	
30	FC7-5671-000		1	LABEL, OPERATION, 2	German	
30	FC7-5672-000		1	LABEL, OPERATION, 2	Italian	
30	FC7-5673-000		1	LABEL, OPERATION, 2	Spanish	
30	FC7-5674-000		1	LABEL, OPERATION, 2	Portuguese	
31	VS1-7164-020		1	CONNECTOR, SNAP TIGHT, BK		
32	FC9-6071-000		1	LABEL, SHUT, DOWN	Japanese	
32	FC9-6072-000		1	LABEL, SHUT, DOWN	EXCEPT Japanese	
33	FC7-3068-000		1	PEN, TOUCH PANEL		
34	FL3-5562-000		1	EMBLEM	C7010VP	
34	FL3-5563-000		1	EMBLEM	C6010VP	
34	FL3-5564-000		1	EMBLEM	C6010	
35	FM2-2036-000		1	COVER, CARTRIDGE		
36	FC6-2302-000		1	DAMPER		
37	FC6-2318-000		1	HOLDER, STOPPER, RIGHT		
38	FC6-2319-000		1	HOLDER, STOPPER, LEFT		
39	FC6-3202-000		2	COVER, RACK		
40	FC6-3208-000		1	COVER, CARTRIDGE		
41	FC6-3209-000		1	BASE, CARTRIDGE COVER		
42	FC6-3211-000		2	STOPPER, DOOR		
43	FC6-3215-000		2	HOLDER, MAGNET		
44	FC6-3218-000		2	RACK, COVER, RIGHT		
45	FC6-3219-000		2	SHAFT, COVER RACK, RIGHT		
46	XZ9-0603-000		2	CATCH, MAGNET		
47	FC7-2253-010		1	COVER, REAR UPPER, LEFT		
48	FC5-8660-000		4	LOCK, ONE-TOUCH		

FIGURE & KEY NO.	PARTS NUMBER	R A N K	Q'TY	DESCRIPTION	SERIAL NUMBER/ REMARKS	S V C
49	FC6-3175-000		2	SUPPORT, MAGNET, LOWER		
50	FC7-1845-000		1	PLATE, REG. FRAME HANDLE FP		
51	FC7-4575-000		2	PLATE, SWITCH PUSHING SWING		
52	FC7-4576-000		2	SHAFT, SWING		
53	FC6-3176-000		2	PLATE, SWITCH PUSHING FIXED		
54	FU6-2544-000		2	SPRING, TORSION		
55	FM3-0288-000		1	DOOR, FRONT, LEFT		
56	FC6-3133-000		2	SUPPORT, HINGE MOUNTING, 1		
57	FM3-0289-000		1	DOOR, RIGHT		
58	FC6-3203-010		1	PANEL, RIGHT		
59	FC6-3204-000		2	PANEL, RIGHT, SMALL		
60	FC6-0101-000		1	COVER, RIGHT LOWER		
61	FC6-0102-000		1	COVER, RIGHT		
62	FU5-2989-000		1	SPRING, TENSION		
63	FM3-0299-000		1	COVER, SHIELD, LEFT LOWER		
64	FM3-0300-000		1	COVER, SHIELD, LEFT UPPER		
65	FM3-0301-000		1	COVER, SHIELD, RIGHT UPPER		
66	FC7-1884-000		1	COVER, COUPLING		
67	FM3-0304-000		1	COVER, FRONT RIGHT, LOWER		
68	FC9-6122-000		2	SHEET, BLANKING		
69	FC9-5786-000		1	COVER, UPPER, SMALL 2		
70	FM3-0303-000		2	DECK COVER ASSEMBLY, FRONT		
71	FC7-3318-000		1	LEVER, C./STEPPED DECK FOR, L.		
72	FM2-1999-000		1	PAPER STOCK DISPLAY ASSEMBLY		
73	FM2-7630-000		1	INDICATOR DRIVER PCB ASSEMBLY		
74	FC6-8041-000		2	SUPPORT, HINGE MOUNTING, 3		
75	FB6-0433-000		1	ARM		
76	FC6-5731-000		1	WASHER,WAVE		
77	FC7-0223-000		1	SHEET		
78	FC6-5614-000		1	COVER, ARM, 1		
79	FL2-2382-000		1	COVER, ARM, LOWER		
80	FU5-9210-000		2	SCREW, STEPPED, M4		

FIGURE & KEY NO.	PARTS NUMBER	R A N K	Q'TY	DESCRIPTION	SERIAL NUMBER/ REMARKS	S V C
81	FU6-2568-000		1	SPRING, TENSION		
82	FC9-5771-000		1	COVER, FRONT, LEFT UPPER		
83	FC6-4961-000		1	COVER, HINGE, RIGHT		
84	FC6-4960-000		1	COVER, HINGE, LEFT		
85	FM4-7258-000		1	CABLE, UI		
86	FC9-5772-000		1	COVER, LEFT UPPER, 1		
87	FC9-6017-000		1	COVER, LEFT UPPER, 2		
88	FM3-0302-000		1	COVER, SHIELD, RIGHT LOWER		
89	FC6-4959-000		1	COVER, SLIDE		
90	FC6-4958-000		1	COVER, HINGE		
91	XA9-0940-000		1	SCREW, W/WASHER, M4X12		
92	FB6-3771-000		2	COVER, RUBBER		
93	FC7-7708-000		8	WASHER		
94	WE8-5689-000		1	FILTER, NOISE(RING CORE)		
95	FU5-9230-000		1	SCREW, TP, M4X8(YELLOW)		
96	FC8-2990-000		1	LABEL, MAIN STATION LANGUAGE 2	SEE NOTE Japanese	
96	FC8-3641-000		1	LABEL, MAIN STATION LANGUAGE 2	SEE NOTE English	
96	FC8-3642-000		1	LABEL, MAIN STATION LANGUAGE 2	SEE NOTE French	
96	FC8-3643-000		1	LABEL, MAIN STATION LANGUAGE 2	SEE NOTE German	
96	FC8-3644-000		1	LABEL, MAIN STATION LANGUAGE 2	SEE NOTE Italian	
96	FC8-3645-000		1	LABEL, MAIN STATION LANGUAGE 2	SEE NOTE Spanish	
96	FC8-3646-000		1	LABEL, MAIN STATION LANGUAGE 2	SEE NOTE Portuguese	
97	FC6-8033-000		1	GRIP		
98	FC9-5773-000		1	COVER, REAR, LEFT UPPER		
99	FC9-5783-000		3	FILTER, AIR	[DP]	
100	FC9-6044-000		1	COVER, LEFT		
101	FC9-6045-000		3	COVER, FILTER		
102	FC6-3198-000		1	COVER, HOPPER, TOP		
103	FC7-5588-000		1	LABEL, PAPER SIZE		
104	FC7-5589-000		1	LABEL, PAPER SUPPLY		
105	FC7-3466-000		2	SEAL, COVER		
106	FC7-8080-000		1	COVER, POWER SUPPLY SWITCH		

FIGURE 101
INTERNAL COMPONENTS 1 (Main station)

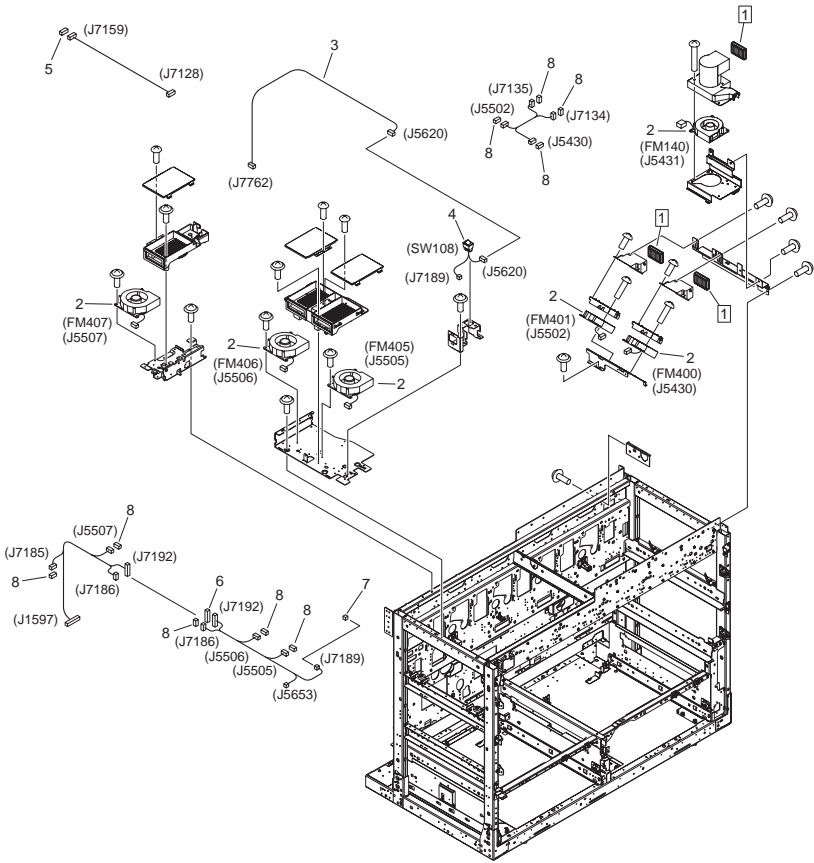


FIGURE & KEY NO.	PARTS NUMBER	RANK	Q'TY	DESCRIPTION	SERIAL NUMBER/REMARKS	SVC
Fig.101	NPN		RF	INTERNAL COMPONENTS 1	Main station	
1	FC9-6046-000		3	FILTER, AIR	[DP]	
2	FK2-3098-000		6	FAN	FM140,FM400,FM401,FM405,FM406,FM407	
3	FM4-6334-000		1	CABLE, MAIN SWITCH, AC		
4	FM3-0419-000		1	MAIN SWITCH ASSEMBLY	SW108	
5	VS1-7173-005		1	CONNECTOR, SNAP TIGHT		
6	VS1-7173-008		1	CONNECTOR, SNAP TIGHT, 8P, W		
7	VS1-7177-002		1	CONNECTOR, SNAP TIGHT, BK		
8	VS1-7177-004		9	CONNECTOR, SNAP TIGHT, BK		

FIGURE 102 INTERNAL COMPONENTS 2 (Main station)

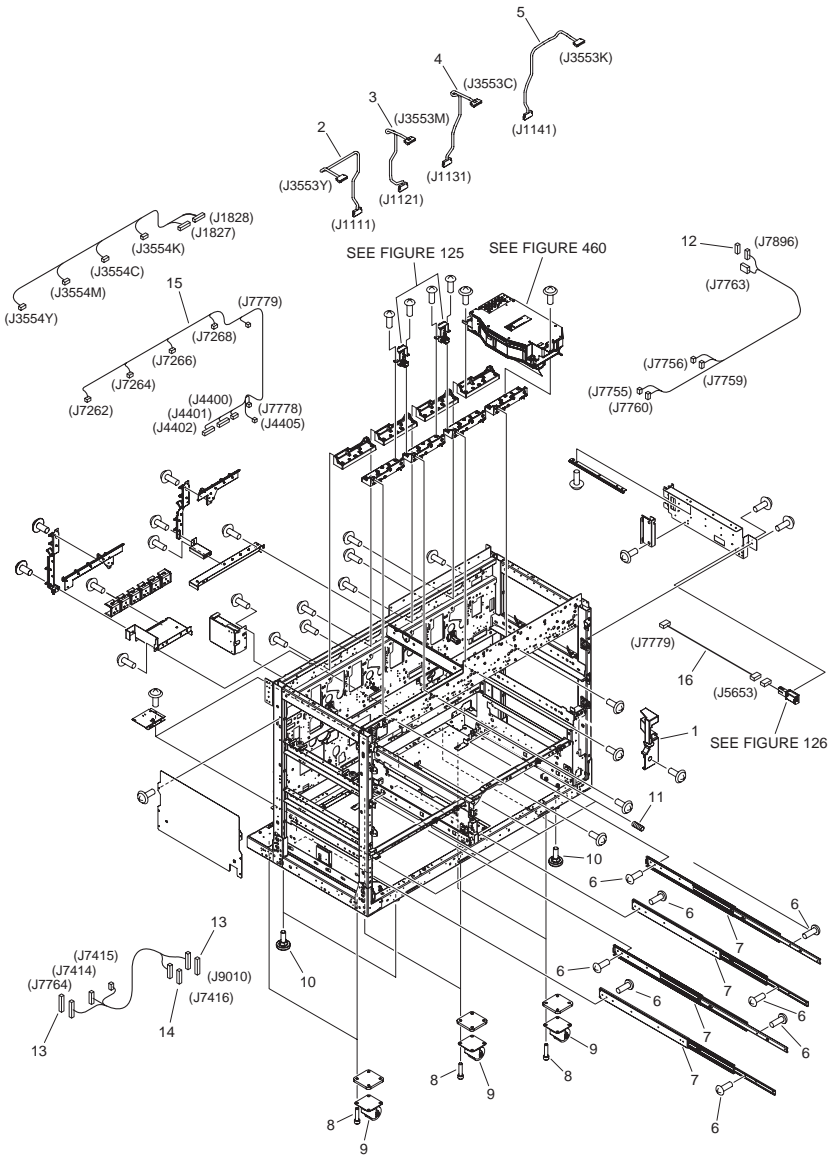


FIGURE & KEY NO.	PARTS NUMBER	R A N K	Q'TY	DESCRIPTION	SERIAL NUMBER/ REMARKS	S V C
Fig.102	NPN		RF	INTERNAL COMPONENTS 2	Main station	
1	FC7-1843-000		1	COVER, INNER		
2	FK2-3118-000		1	CABLE, LASER, YELLOW		
3	FK2-3119-000		1	CABLE, LASER, MAGENTA		
4	FK2-3120-000		1	CABLE, LASER, CYAN		
5	FK2-3121-000		1	CABLE, LASER, BLACK		
6	XA9-1788-000		22	SCREW, MACH.,TRUSS HEAD,M4X6		
7	FC5-8112-000		4	RAIL, STOCK SLIDE		
8	FU5-9207-000		24	SCREW, BOLT, HEX HEAD, M8X16		
9	XZ9-0565-000		6	CASTER		
10	XZ9-0574-000		4	BOLT,ADJUSTING		
11	FU5-2791-000		4	SPRING, COMPRESSION		
12	VS1-7177-006		1	CONNECTOR, SNAP TIGHT, BK		
13	VS1-7164-028		2	CONNECTOR, SNAP TIGHT, BK		
14	VS1-7173-012		1	CONNECTOR, SNAP TIGHT, 12P, W		
15	FM2-8579-000		1	CABLE, DRUM HEATER, AC		
16	FM3-0417-000		1	CABLE, INTERLOCK SWITCH, AC		

FIGURE 103 INTERNAL COMPONENTS 3 (Main station)

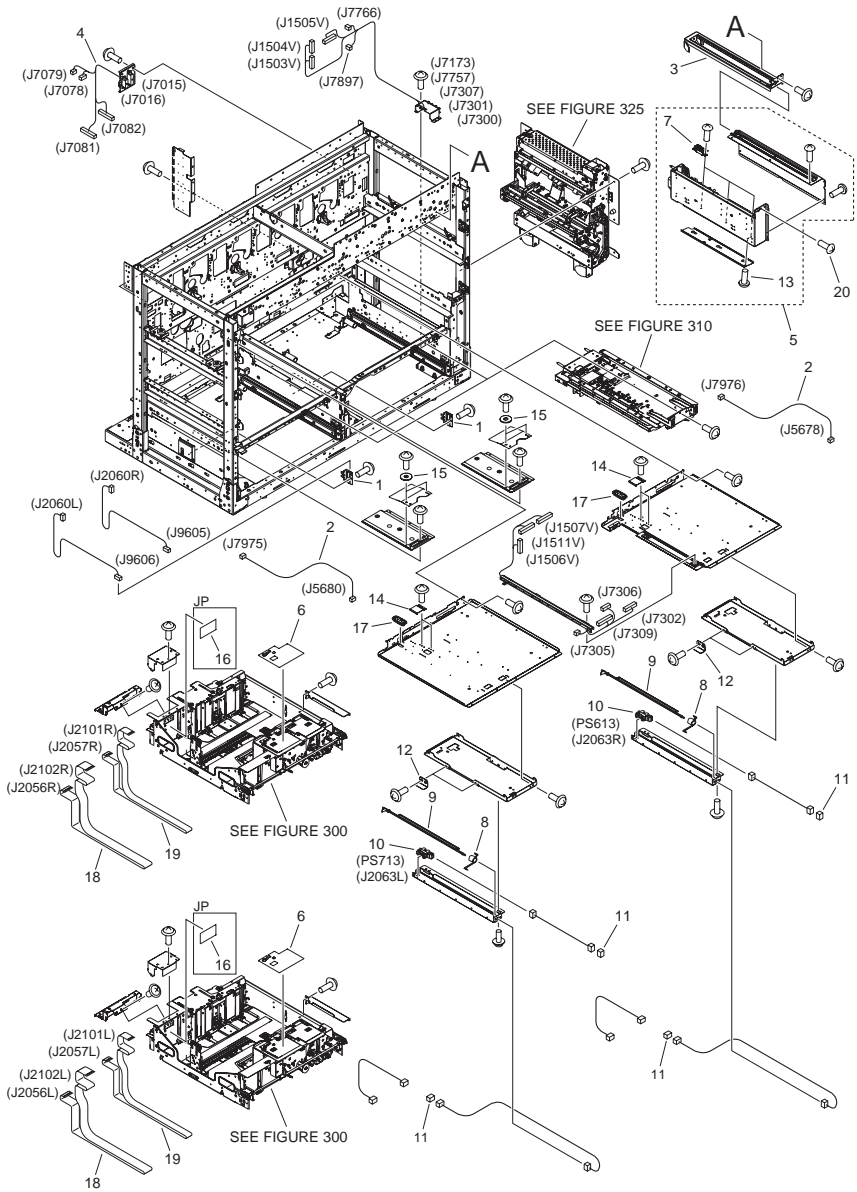


FIGURE & KEY NO.	PARTS NUMBER	R A N K	Q'TY	DESCRIPTION	SERIAL NUMBER/ REMARKS	S V C
Fig.103	NPN		RF	INTERNAL COMPONENTS 3	Main station	
1	FM2-2012-000		2	ENVIRONMENT SENSOR UNIT		
2	FM3-8538-000		2	CABLE, CASSETTE HEATER, AC		
3	FM2-2147-000		1	REGIST. MOUNTING GUIDE ASS'Y		
4	FM2-2148-000		1	REGIST. PATCH DRAWER ASS'Y		
5	FM4-2565-000		1	REG. PATCH SENSOR ASSEMBLY		
6	FC8-7675-000		2	LABEL, WIDTH SIZE	A/B/K SIZE	
6	FC8-7687-000		2	LABEL, WIDTH SIZE, INCH	INCH SIZE	
7	FM4-2564-000		3	REGIST. DETECT SENSOR ASSEMBLY		
8	FC7-2465-000		2	SPRING, TORSION		
9	FC7-2638-000		2	FLAG, SENSOR		
10	FK2-0149-000		2	PHOTO-INTERRUPTER, TLP1252(C6)	PS613,PS713	
11	VS1-7177-003		2	CONNECTOR, SNAP TIGHT, BK		
12	FC7-7716-000		4	STOPPER, SENSOR		
13	FU5-9223-000		1	SCREW, BH3X6(YELLOW)		
14	FC7-9568-000		4	COVER, OUTLET		
15	FC7-7708-000		4	WASHER		
16	FC7-9717-000		2	LABEL, PAPER INDICATION	JP	
17	FC7-2409-000		2	BUSHING		
18	FK2-2976-000		2	CABLE, FLAT, 1		
19	FK2-2977-000		2	CABLE, FLAT, 2		
20	FU5-9222-000		1	SCREW, BH4X8(YELLOW)		

FIGURE 104

INTERNAL COMPONENTS 4 (Main station)

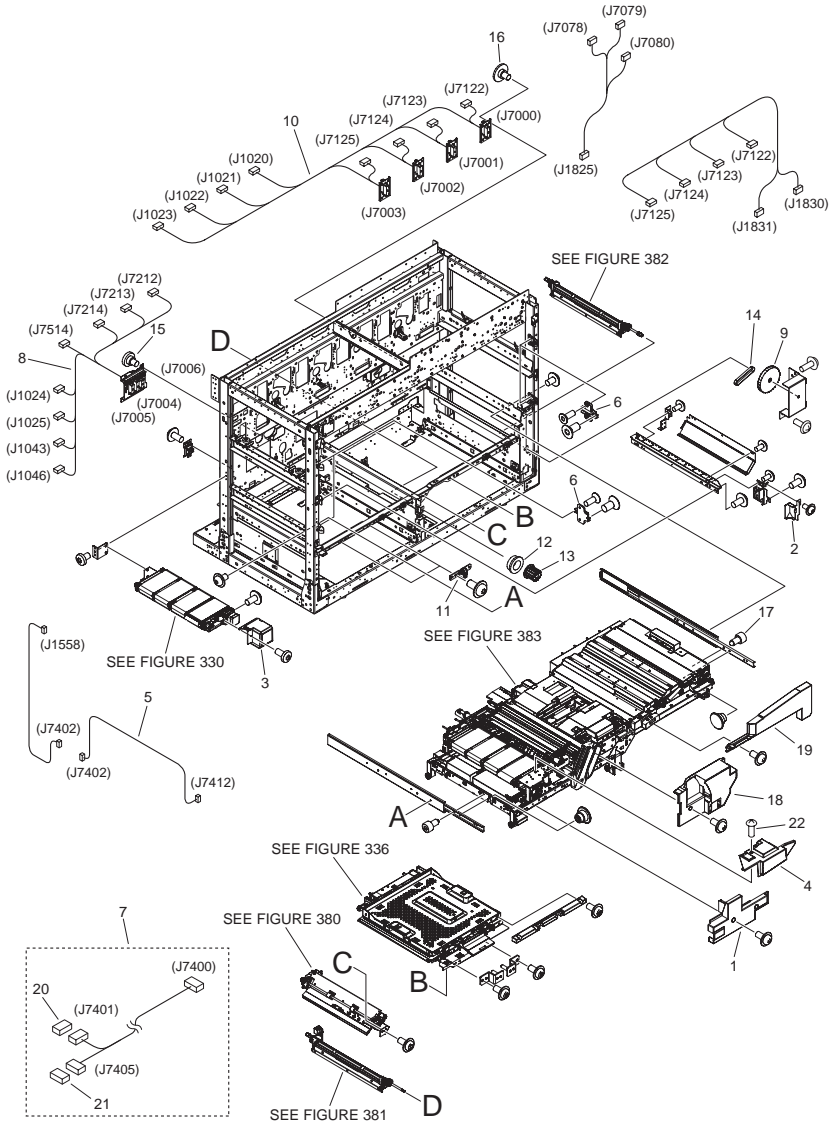


FIGURE & KEY NO.	PARTS NUMBER	R A N K	Q'TY	DESCRIPTION	SERIAL NUMBER/ REMARKS	S V C
Fig.104	NPN		RF	INTERNAL COMPONENTS 4	Main station	
1	FC6-8239-000		1	COVER, INNER, 1		
2	FC6-8407-010		1	COVER, CONNECTOR		
3	FC7-1846-000		1	COVER, INNER		
4	FC7-1847-000		1	COVER, INNER, 2		
5	FM2-8521-000		1	CABLE, 2 FIXING/ FEEDER, 1		
6	FC5-8661-000		4	PLATE, MOUNTING		
7	FM2-8587-000		1	CABLE, RELAY		
8	FM2-2123-000		1	2ND TRNSFR. DRAWER ASS'Y		
9	FU5-3207-000		1	PULLEY, 20T		
10	FM2-9294-000		1	REGISTRATION DRAWER ASSEMBLY		
11	FM2-9303-000		2	ROLLER, DUPLEXING GUIDE		
12	FA9-2112-000		1	BUSHING, PL		
13	FC5-8165-000		1	KNOB, EXTRACTION		
14	XF2-3607-260		1	BELT, TIMING		
15	FS1-9169-000		4	SCREW, STEPPED		
16	FS2-9012-000		12	SCREW, STEPPED M2.2		
17	FU5-9208-000		4	SCREW, STEPPED, M4		
18	FC6-7877-000		1	COVER, INNER, CENTER		
19	FC6-7878-000		1	COVER, INNER, RIGHT		
20	VS1-7173-003		1	CONNECTOR, SNAP TIGHT, 3P, W		
21	VS1-7173-008		1	CONNECTOR, SNAP TIGHT, 8P, W		
22	FU5-9222-000		1	SCREW, BH4X8(YELLOW)		

FIGURE 105 INTERNAL COMPONENTS 5 (Main station)

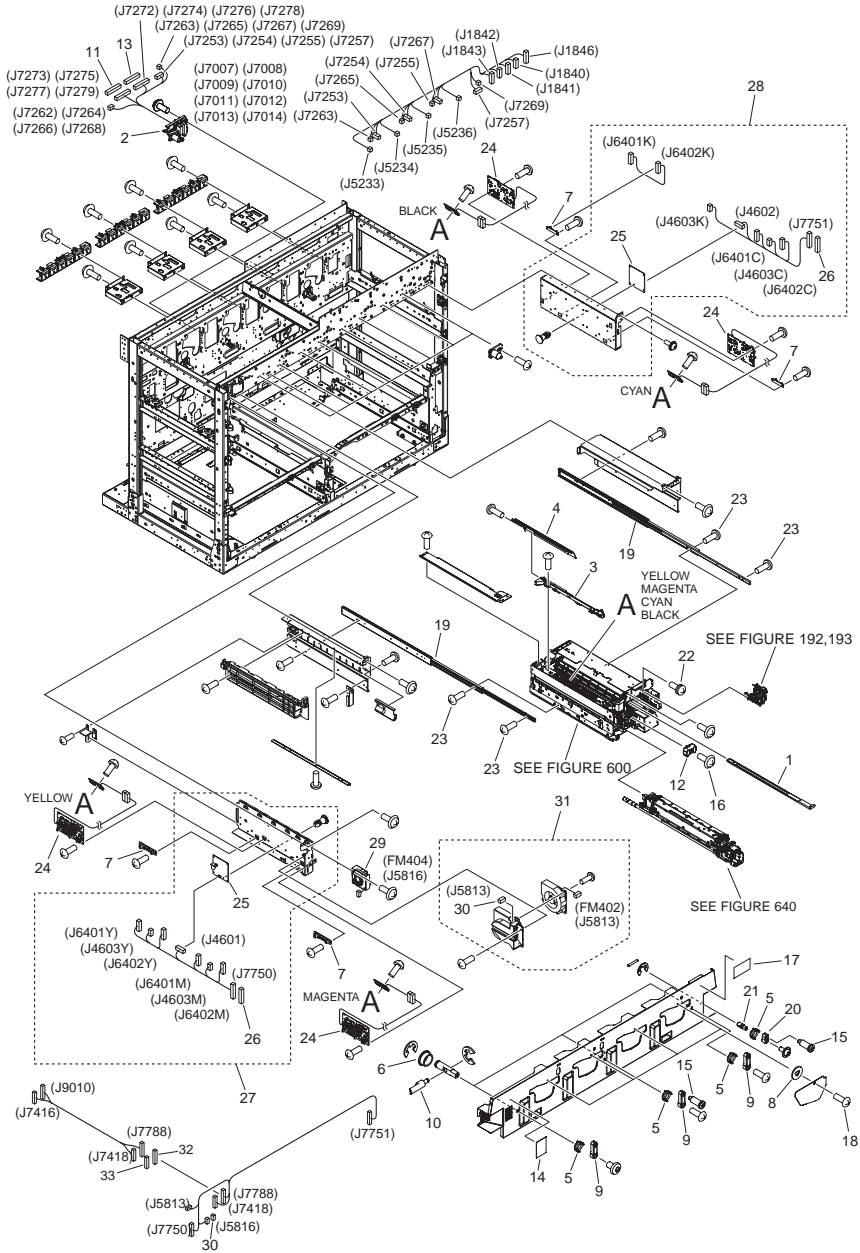


FIGURE & KEY NO.	PARTS NUMBER	RANK	Q'TY	DESCRIPTION	SERIAL NUMBER/REMARKS	SVC
Fig.105	NPN		RF	INTERNAL COMPONENTS 5	Main station	
1	FL3-5098-000		4	GLASS, DUST-PROOF		
2	FM2-2079-000		4	P- KIT DRAWER ASSEMBLY		
3	FL2-1963-010		1	DUCT, PRIMARY EXHAUST, LOWER		
4	FL2-6258-000		1	DUCT, PRIMARY EXHAUST, UPPER		
5	FC7-9747-000		4	BUSHING		
6	FS2-6022-000		3	BUSHING, COP		
7	FM4-6257-000		4	CONNECTING PCB ASS'Y		
8	FC2-2121-000		4	WASHER		
9	FC6-8483-000		3	LEVER, INNER COVER		
10	FC6-8484-000		3	STOPPER, INNER COVER		
11	VS1-7164-024		1	CONNECTOR, SNAP TIGHT, 24P, W		
12	FC5-8890-000		4	KNOB, DRUM SHAFT		
13	VS1-7164-038		1	CONNECTOR, SNAP TIGHT, 38P, W		
14	FS6-8822-000		1	LABEL, "WARNIG LASER"		
15	FU5-9234-000		2	SCREW, STEPPED,M4(YELLOW)		
16	FU5-9226-000		4	SCREW, WWASHER, M4X16(YELLOW)		
17	FU5-8547-000		1	LABEL, WIRE HEIGHT		
18	FU5-9224-000		4	SCREW, BH4X6(YELLOW)		
19	FC0-4129-000		8	RAIL, SLIDE		
20	FC7-7542-000		1	COVER, LEVER, 2		
21	FC7-7544-000		1	SHAFT, LEVER TURN, 2		
22	FU5-9225-000		8	SCREW, WWASHER, M4X10(YELLOW)		
23	FC0-4232-000		16	SCREW, BH4X6(YELLOW)		
24	FM4-7143-000		4	POTENTIAL MEASURING UNIT		
25	FM2-7717-000		2	ENVIRONMENT MEASURING PCB UNIT		
26	VS1-7173-014		2	CONNECTOR, SNAP TIGHT, 14P, W		
27	FM4-2575-000		1	POTENTIAL MEASURING ASSEMBLY		
28	FM4-2576-000		1	POTENTIAL MEASURING ASSEMBLY		
29	FM4-2632-000		1	COOLING FAN ASSEMBLY		
30	VS1-7177-004		2	CONNECTOR, SNAP TIGHT, BK		
31	FM4-2634-000		1	FAN ASSEMBLY, POTENTIAL SENSOR		

FIGURE & KEY NO.	PARTS NUMBER	R A N K	Q'TY	DESCRIPTION	SERIAL NUMBER/ REMARKS	S V C
32	VS1-7164-028		1	CONNECTOR, SNAP TIGHT, BK		
33	VS1-7173-012		1	CONNECTOR, SNAP TIGHT, 12P, W		

FIGURE 106
INTERNAL COMPONENTS 6 (Main station)

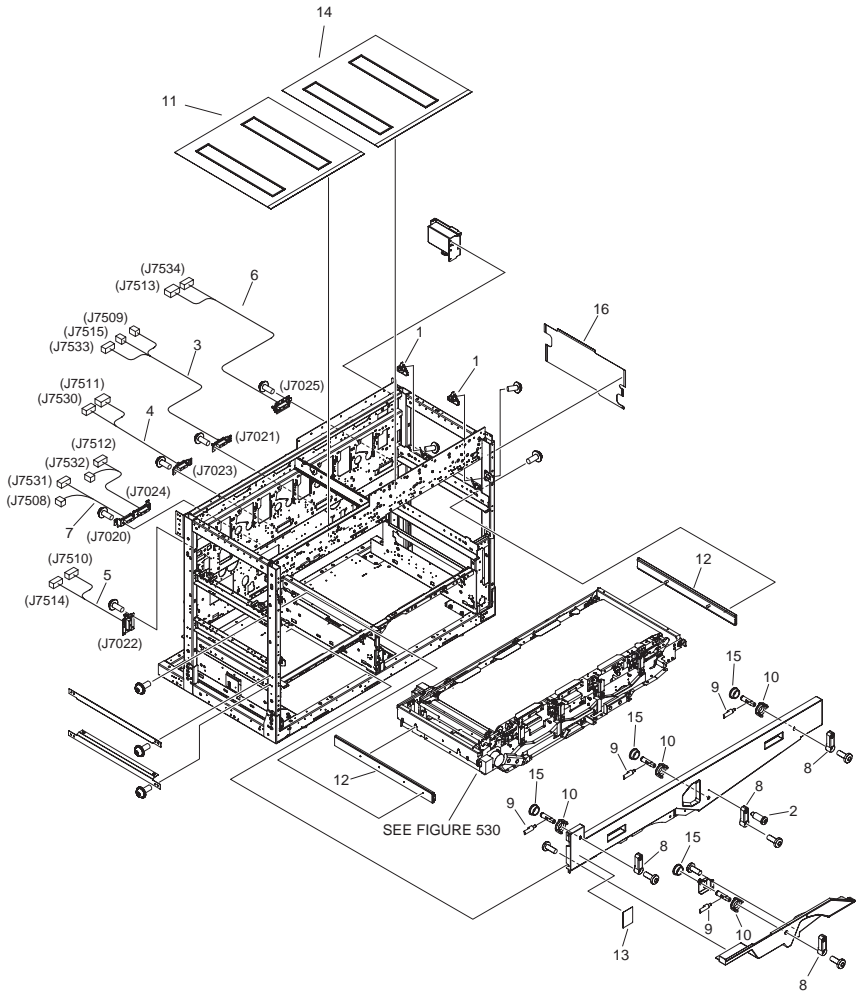


FIGURE & KEY NO.	PARTS NUMBER	R A N K	Q'TY	DESCRIPTION	SERIAL NUMBER/ REMARKS	S V C
Fig.106	NPN		RF	INTERNAL COMPONENTS 6	Main station	
1	FM2-2136-000		2	GUIDE, I.T.B. PUSH-ON		
2	FU5-9234-000		1	SCREW, STEPPED,M4(YELLOW)		
3	FM2-9268-000		1	I.T.B. DRAWER ASSEMBLY, A1		
4	FM2-9269-000		1	I.T.B. DRAWER ASSEMBLY, A2		
5	FM2-9270-000		1	I.T.B. DRAWER ASSEMBLY, B		
6	FM2-9271-000		1	I.T.B. DRAWER ASSEMBLY, C		
7	FM2-9272-000		1	I.T.B. DRAWER ASSEMBLY, D		
8	FC6-8483-000		4	LEVER, INNER COVER		
9	FC6-8484-000		4	STOPPER, INNER COVER		
10	FC7-9747-000		4	BUSHING		
11	FL2-8410-000		1	SHEET, PROCESSOR, LEFT UPPER		
12	FL2-8404-000		2	RAIL		
13	FS6-8822-000		1	LABEL, "WARNIG LASER"		
14	FL2-8411-000		1	SHEET, PROCESSOR, RIGHT UPPER		
15	FS2-6022-000		4	BUSHING, COP		
16	FC9-6082-000		1	SHEET, RIGHT		

FIGURE & KEY NO.	PARTS NUMBER	RANK	Q'TY	DESCRIPTION	SERIAL NUMBER/REMARKS	SVC
Fig.107	NPN		RF	INTERNAL COMPONENTS 7	Main station	
1	VS1-7177-006		1	CONNECTOR, SNAP TIGHT, BK		
2	FC6-3199-000		1	COVER, HOPPER INNER		
3	FC7-7551-000		1	COVER, EXTERNAL, BOOK RT. UP.		
4	FL3-0541-000		4	WASTE TONER JOINT ASSEMBLY		
5	FM2-8631-000		1	CABLE ASSEMBLY		

FIGURE 108 MACHINE REAR PLATE 1 (Main station)

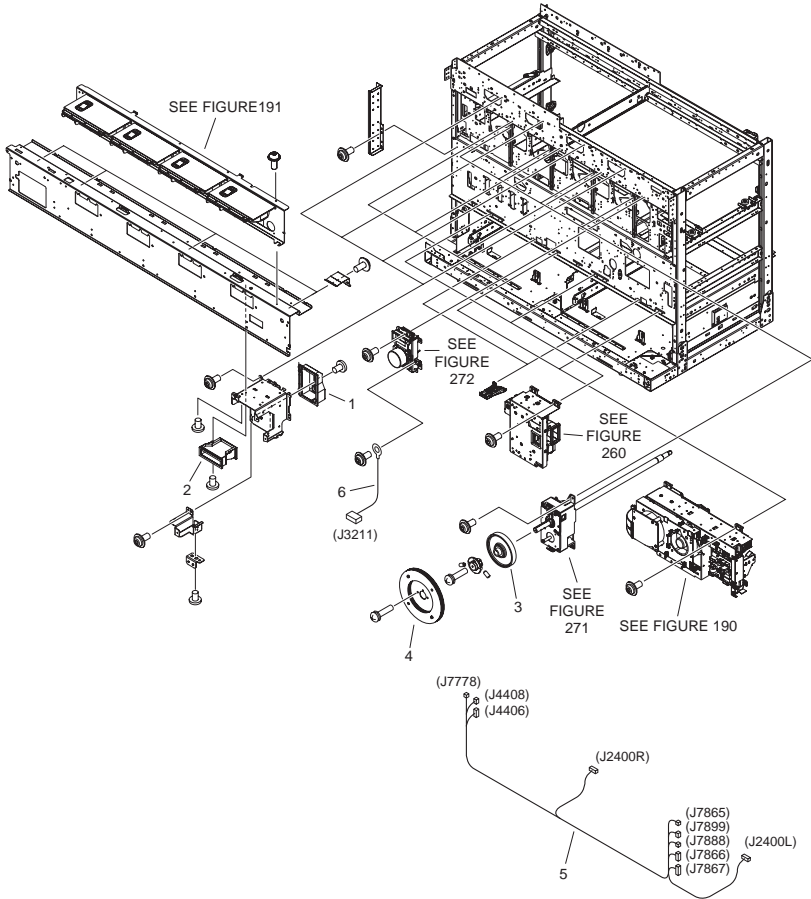


FIGURE & KEY NO.	PARTS NUMBER	RANK	Q'TY	DESCRIPTION	SERIAL NUMBER/REMARKS	SVC
Fig.108	NPN		RF	MACHINE REAR PLATE 1	Main station	
1	FL2-1917-000		1	DUCT, EXHAUST CONNECT, IN		
2	FL2-1918-000		1	DUCT, EXHAUST CONNECT, OUT		
3	FL3-0561-000		4	GEAR, 192T		
4	FC8-6789-000		4	FLYWHEEL		
5	FM2-8618-000		1	CABLE, DECK/CST./READER, AC		
6	FM2-8490-000		1	CABLE, HIGH VOLTAGE, 5	YELLOW	
6	FM2-8491-000		3	CABLE, HIGH VOLTAGE, 5	MAGENTA/CYAN/BLACK	

FIGURE 109 MACHINE REAR PLATE 2 (Main station)

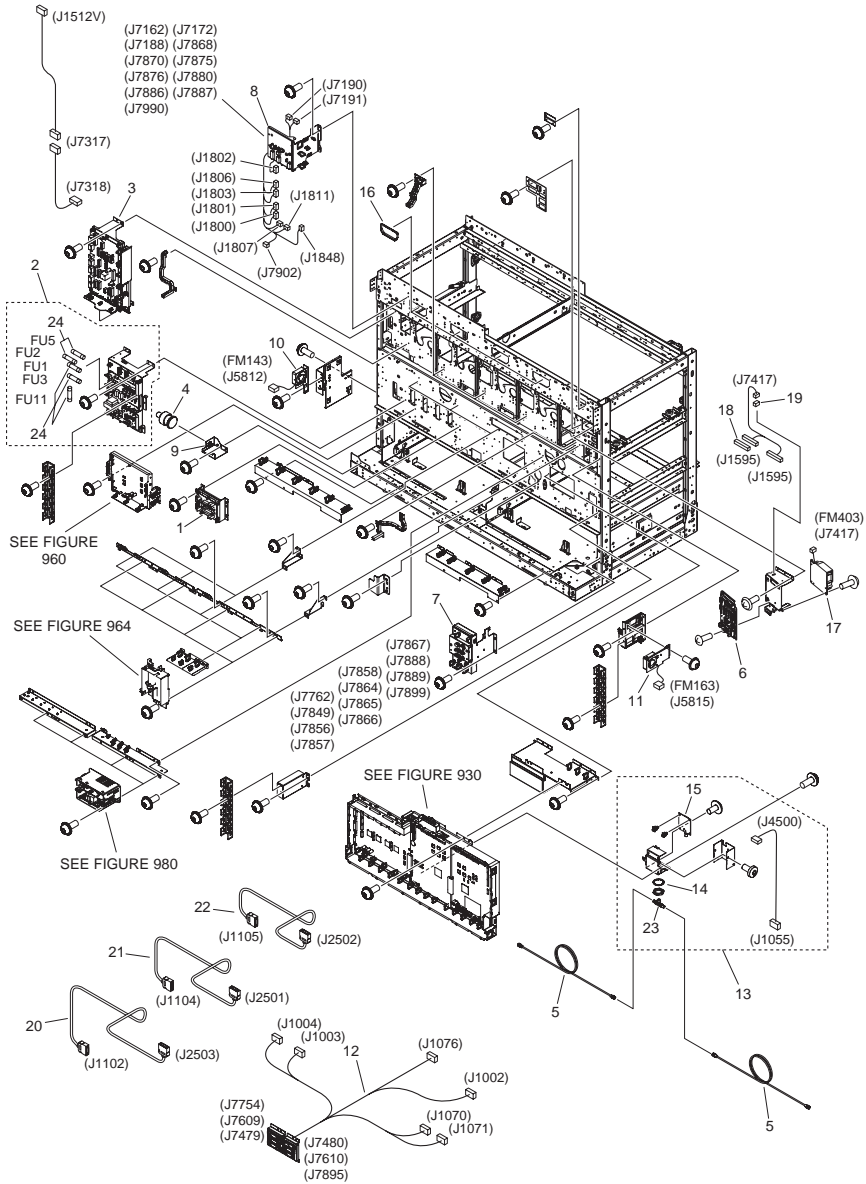


FIGURE & KEY NO.	PARTS NUMBER	RANK	Q'TY	DESCRIPTION	SERIAL NUMBER/REMARKS	SVC
Fig.109	NPN		RF	MACHINE REAR PLATE 2	Main station	
1	FM2-2252-000		1	DC CONT. POWER PCB ASS'Y		
2	FM4-2615-000		1	ENV. HEATER DRIVER PCB ASS'Y		
3	FM4-2616-000		1	POWER SUPPLY CONNECT PCB ASS'Y		
4	WS6-5201-000		1	TERMINATOR		
5	FK2-7518-000		2	CABLE, BNC		
6	FM4-2617-000		1	FIXING/FEEDER DRIVER PCB ASS'Y		
7	FM2-2261-000		1	AC CABLE MOUNT ASSEMBLY		
8	FM2-2262-000		1	DC CABLE MOUNT ASSEMBLY		
9	FM2-9050-000		1	CONNECTOR ASSEMBLY		
10	FM2-9052-000		1	COOLING FAN ASSEMBLY, 1	FM143	
11	FM2-9053-000		1	COOLING FAN ASSEMBLY, 2	FM163	
12	FM2-9287-000		1	DRAWER ASSEMBLY		
13	FM2-9073-000		1	TRANSCEIVER PCB ASSEMBLY		
14	FC7-0616-000		1	WASHER, TOOTHED LOCK		
15	FM3-8441-000		1	INTERFACE PCB ASSEMBLY		
16	FC6-0175-000		4	BUSHING, MOUNT		
17	FK2-3098-000		1	FAN	FM403	
18	VS1-7164-032		1	CONNECTOR, SNAP TIGHT, 32P, W		
19	VS1-7177-004		1	CONNECTOR, SNAP TIGHT, BK		
20	FK2-3115-000		1	CABLE, DDI-P, 1		
21	FK2-3116-000		1	CABLE, DDI-P, 2		
22	FK2-3117-000		1	CABLE, DDI-P, 3		
23	WS6-5200-000		1	CONNECTOR		
24	VD7-2892-001		5	FUSE, 2A, 250V	FU1,FU2,FU3,FU5,FU11	

FIGURE 111
EXTERNAL COVERS, PANELS, ETC.

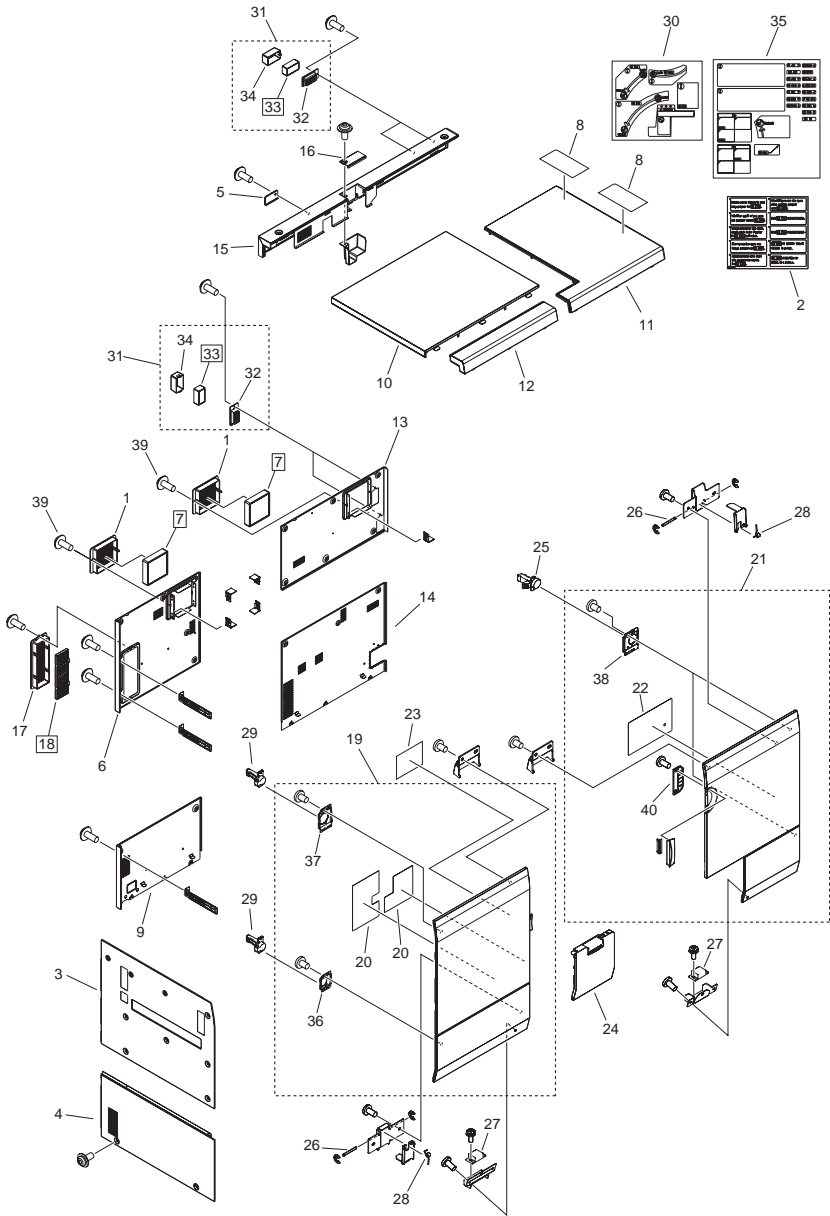
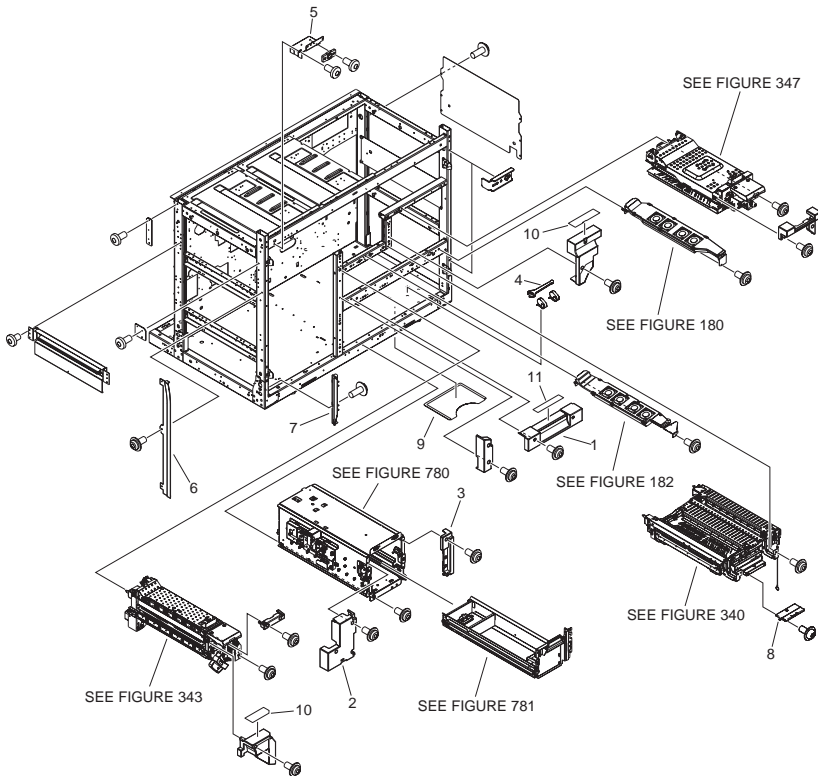


FIGURE & KEY NO.	PARTS NUMBER	R A N K	Q'TY	DESCRIPTION	SERIAL NUMBER/ REMARKS	S V C
Fig.111	NPN		RF	EXTERNAL COVERS, PANELS, ETC.	Sub station	
1	FC6-2034-000		2	COVER, FIXING FILTER		
2	FC9-6099-000		1	LABEL, JAM CLEARING		
3	FC6-8337-000		1	PANEL, LEFT, UPPER		
4	FC6-8338-000		1	PANEL, LEFT, LOWER		
5	FC6-8341-000		1	COVER, TOP PLATE BLANKING		
6	FC7-1892-000		1	COVER, REAR, LEFT UPPER		
7	FC6-2035-000		2	FILTER, OZONE	[DP]	
8	FC9-6105-000		2	LABEL, CAUTION		
9	FL2-7887-000		1	COVER, REAR, LEFT LOWER		
10	FL2-1877-000		1	COVER, LEFT UPPER		
11	FL2-1878-000		1	COVER, RIGHT UPPER		
12	FL2-1879-000		1	COVER, LEFT UPPER, FRONT		
13	FL2-2080-000		1	PANEL, REAR, RIGHT UPPER		
14	FL2-2081-000		1	PANEL, REAR, RIGHT LOWER		
15	FL3-2895-000		1	COVER, REAR UPPER		
16	FL2-4182-000		1	COVER, BLANKING, REAR UPPER		
17	FC5-9987-000		1	COVER, PAPER DELIVERY FILTER		
18	FC5-9988-000		1	FILTER, DELIVERY ELECTROSTATIC	[DP]	
19	FM3-0290-000		1	DOOR, LEFT		
20	FC7-5642-010		1	LABEL, FRONT DOOR, LEFT		
21	FM3-0287-000		1	DOOR, RIGHT		
22	FC7-5641-010		1	LABEL, FRONT DOOR, RIGHT		
23	FC7-5678-010		1	LABEL, OPERATION, 3	Japanese	
23	FC7-5679-010		1	LABEL, OPERATION, 3	English	
23	FC7-5680-010		1	LABEL, OPERATION, 3	French	
23	FC7-5681-010		1	LABEL, OPERATION, 3	German	
23	FC7-5682-010		1	LABEL, OPERATION, 3	Italian	
23	FC7-5683-010		1	LABEL, OPERATION, 3	Spanish	
23	FC7-5684-010		1	LABEL, OPERATION, 3	Portuguese	
24	FM2-2071-000		1	COVER, WASTE TONER BOTTLE		
25	FC7-3458-000		2	HINGE		

FIGURE & KEY NO.	PARTS NUMBER	R A N K	Q'TY	DESCRIPTION	SERIAL NUMBER/ REMARKS	S V C
26	FC7-4576-000		2	SHAFT, SWING		
27	XZ9-0614-000		2	CATCH, MAGNET		
28	FU6-2544-000		2	SPRING, TORSION		
29	FC5-8660-000		2	LOCK, ONE-TOUCH		
30	FC7-5658-010		1	LABEL, OPERATION, 2	Japanese	
30	FC7-5659-010		1	LABEL, OPERATION, 2	English	
30	FC7-5660-010		1	LABEL, OPERATION, 2	French	
30	FC7-5661-010		1	LABEL, OPERATION, 2	German	
30	FC7-5662-010		1	LABEL, OPERATION, 2	Italian	
30	FC7-5663-010		1	LABEL, OPERATION, 2	Spanish	
30	FC7-5664-010		1	LABEL, OPERATION, 2	Portuguese	
31	FM2-2323-000		4	FILTER, AIR		
32	FC6-8137-000		4	BASE, FILTER		
33	FC6-8133-000		4	FILTER, OZONE	[DP]	
34	FC6-8138-000		4	COVER, FILTER		
35	FC7-5657-010		1	LABEL, OPERATION, 1		
36	FC6-3133-000		1	SUPPORT, HINGE MOUNTING, 1		
37	FC6-3134-000		1	SUPPORT, HINGE MOUNTING, 2		
38	FC7-3455-000		2	SUPPORT, HINGE MOUNTING, 4		
39	FU5-9230-000		6	SCREW, TP, M4X8(YELLOW)		
40	FC6-8033-000		1	GRIP		

FIGURE 112 INTERNAL COMPONENTS 1 (Sub station)

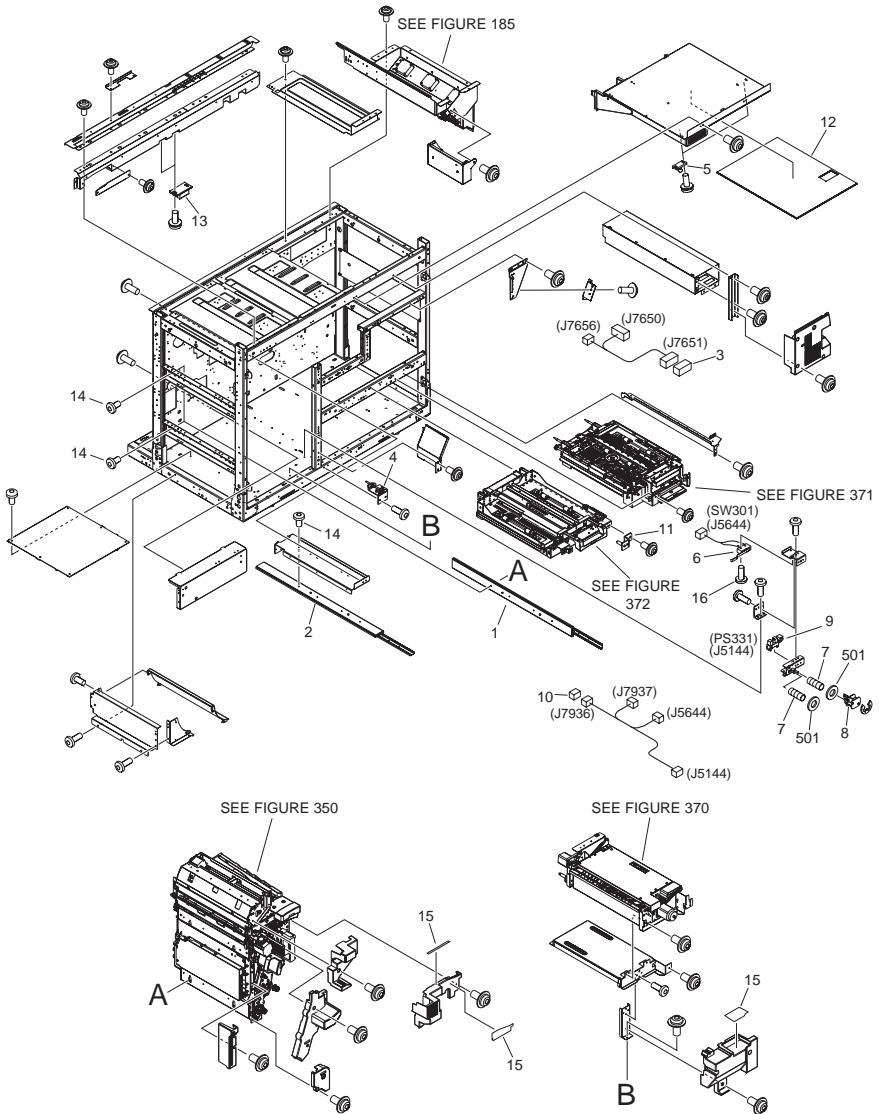


NOTE : Several kinds of labels are attached on the board for the parts of Key No. 10. The same parts as Fig/Key No. 113-15, 344-11, 348-12, 351-33, 370-44 and 372-22.

注 : Key No. 10の部品は台紙に数種類のラベルが付いています。Fig/Key No. 113-15, 344-11, 348-12, 351-33, 370-44, 372-22と同一部品です。

FIGURE & KEY NO.	PARTS NUMBER	R A N K	Q'TY	DESCRIPTION	SERIAL NUMBER/ REMARKS	S V C
Fig.112	NPN		RF	INTERNAL COMPONENTS 1	Sub station	
1	FC6-8326-000		1	COVER, DUPLEXING, LEFT		
2	FC6-8446-000		1	COVER, WASTE TONER, LEFT		
3	FC6-8447-000		1	COVER, WASTE TONER, RIGHT		
4	FC7-5711-000		2	SPANNER		
5	FC6-2389-000		1	PLATE, DELIVERY POSITION, FR.		
6	FC6-8339-000		1	COVER, BLANKING, UPPER		
7	FC6-8340-000		1	COVER, BLANKING, LOWER		
8	FC6-0036-000		1	GRIP, DUPLEXING HANDLE		
9	FC5-1146-000		1	HOLDER, SERVICE BOOK		
10	FC8-2966-010		1	LABEL, SUB STATION LANGUAGE 2	Japanese	
10	FC8-2967-010		1	LABEL, SUB STATION LANGUAGE 2	English	
10	FC8-2968-010		1	LABEL, SUB STATION LANGUAGE 2	French	
10	FC8-2971-010		1	LABEL, SUB STATION LANGUAGE 2	Spanish	
10	FC8-2972-010		1	LABEL, SUB STATION LANGUAGE 2	Portuguese	
10	FC8-2969-010		1	LABEL, SUB STATION LANGUAGE 2	German	
10	FC8-2970-010		1	LABEL, SUB STATION LANGUAGE 2	Italian	
11	FC8-2976-010		1	LABEL, HAND STUCK WARNING	Japanese	
11	FC8-2977-010		1	LABEL, HAND STUCK WARNING	English	
11	FC8-2978-010		1	LABEL, HAND STUCK WARNING	French	
11	FC8-2979-010		1	LABEL, HAND STUCK WARNING	German	
11	FC8-2980-010		1	LABEL, HAND STUCK WARNING	Italian	
11	FC8-2981-010		1	LABEL, HAND STUCK WARNING	Spanish	
11	FC8-2982-010		1	LABEL, HAND STUCK WARNING	Portuguese	

FIGURE 113 INTERNAL COMPONENTS 2 (Sub station)



NOTE : Several kinds of labels are attached on the board for the parts of Key No. 15. The same parts as Fig/Key No. 112-10, 344-11, 348-12, 351-33, 370-44 and 372-22.

注 : Key No. 15の部品は台紙に数種類のラベルが付いています。Fig/Key No. 112-10, 344-11, 348-12, 351-33, 370-44, 372-22と同一部品です。

FIGURE & KEY NO.	PARTS NUMBER	RANK	Q'TY	DESCRIPTION	SERIAL NUMBER/REMARKS	SVC
Fig.113	NPN		RF	INTERNAL COMPONENTS 2	Sub station	
1	FC7-4043-000		2	RAIL, PAPER DELIVERY SLIDE, 1		
2	FC7-4044-000		1	RAIL, PAPER DELIVERY SLIDE, 2		
3	VS1-7173-016		1	CONNECTOR, SNAP TIGHT, 16P, W		
4	FM3-0293-000		1	INTERLOCK PUSH UNIT		
5	FC7-4941-000		2	LATCH, PUSH		
6	RH7-6037-000		1	SWITCH, INTERLOCK	SW301	
7	FU5-2954-000		2	SPRING, COMPRESSION		
8	FC6-3173-000		1	BUTTON, SWITCH		
9	FK2-0149-000		1	PHOTO-INTERRUPTER, TLP1252(C6)	PS331	
10	VS1-7177-003		1	CONNECTOR, SNAP TIGHT, BK		
11	FL2-2293-000		1	LOCK, PAPER FEED, LOWER		
12	FC6-2040-000		1	SHEET, HEAT INSULATING		
13	XZ9-0614-000		2	CATCH, MAGNET		
14	XA9-1788-000		12	SCREW, MACH., TRUSS HEAD, M4X6		
15	FC8-2968-010		1	LABEL, SUB STATION LANGUAGE 2	French	
15	FC8-2971-010		1	LABEL, SUB STATION LANGUAGE 2	Spanish	
15	FC8-2972-010		1	LABEL, SUB STATION LANGUAGE 2	Portuguese	
15	FC8-2969-010		1	LABEL, SUB STATION LANGUAGE 2	German	
15	FC8-2970-010		1	LABEL, SUB STATION LANGUAGE 2	Italian	
16	XA9-0554-000		2	SCREW, MACH., TRUSS HEAD		
501	XD1-1104-122		2	SHIM		

FIGURE 114 INTERNAL COMPONENTS 3 (Sub station)

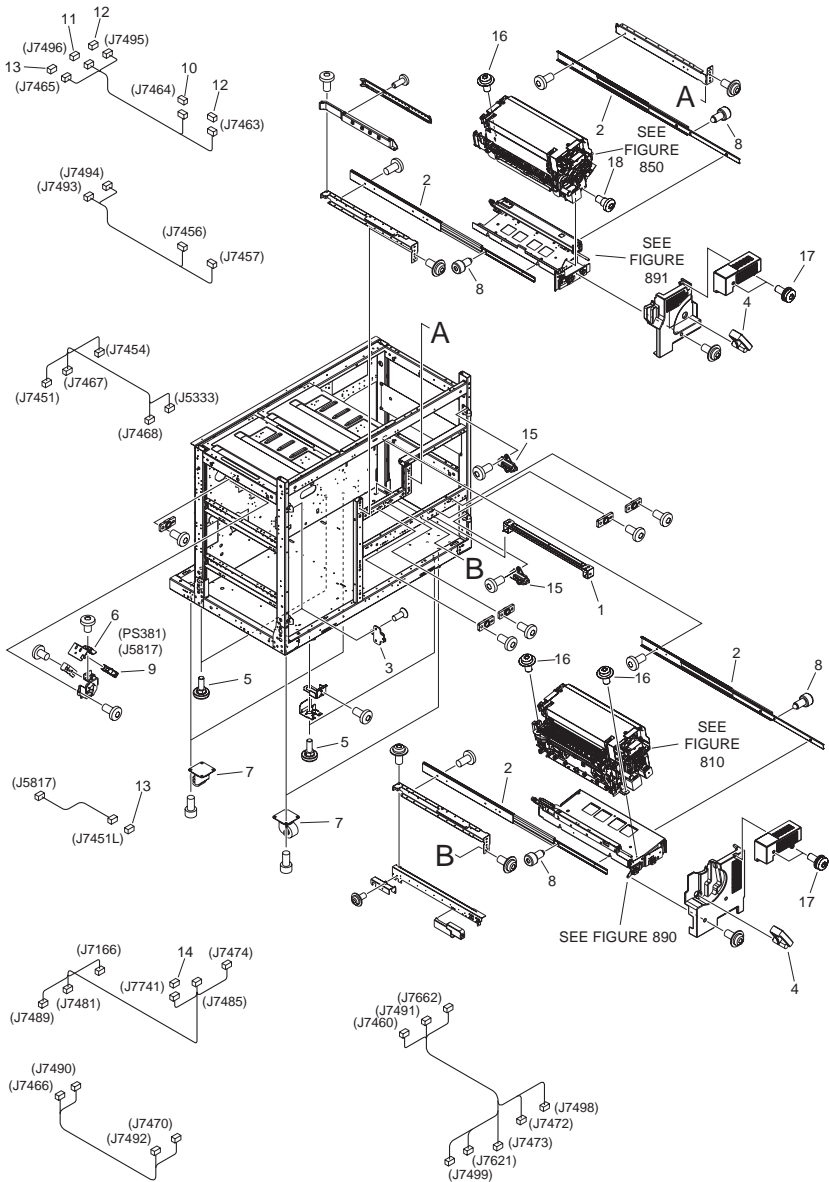


FIGURE & KEY NO.	PARTS NUMBER	R A N K	Q'TY	DESCRIPTION	SERIAL NUMBER/ REMARKS	S V C
Fig.114	NPN		RF	INTERNAL COMPONENTS 3	Sub station	
1	FM2-5147-000		1	VERTICAL PATH HANDLE ASSEMBLY		
2	FC7-3090-000		4	RAIL, FIXING SLIDE		
3	FC5-8661-000		2	PLATE, MOUNTING		
4	FB2-3159-000		2	LEVER, LIFTER		
5	XZ9-0574-000		4	BOLT,ADJUSTING		
6	FM3-2132-000		1	FLAG UNIT		
7	XZ9-0565-000		4	CASTER		
8	FU5-9208-000		4	SCREW, STEPPED, M4		
9	FK2-0149-000		1	PHOTO-INTERRUPTER, TLP1252(C6)	PS381	
10	VS1-7173-012		1	CONNECTOR, SNAP TIGHT, 12P, W		
11	VS1-7173-009		1	CONNECTOR, SNAP TIGHT, 9P, W		
12	VS1-7173-006		2	CONNECTOR, SNAP TIGHT, 6P, W		
13	VS1-7173-003		2	CONNECTOR, SNAP TIGHT, 3P, W		
14	VS1-7173-004		1	CONNECTOR, SNAP TIGHT		
15	FC7-3459-000		2	PLATE, MOUNTING		
16	XA9-1249-010		3	SCREW,TP M4X8		
17	FU5-9225-000		4	SCREW, W/WASHER, M4X10(YELLOW)		
18	FS1-9053-020		1	SCREW,STEPPED,M4		

FIGURE 115 MACHINE REAR PLATE 1 (Sub station)

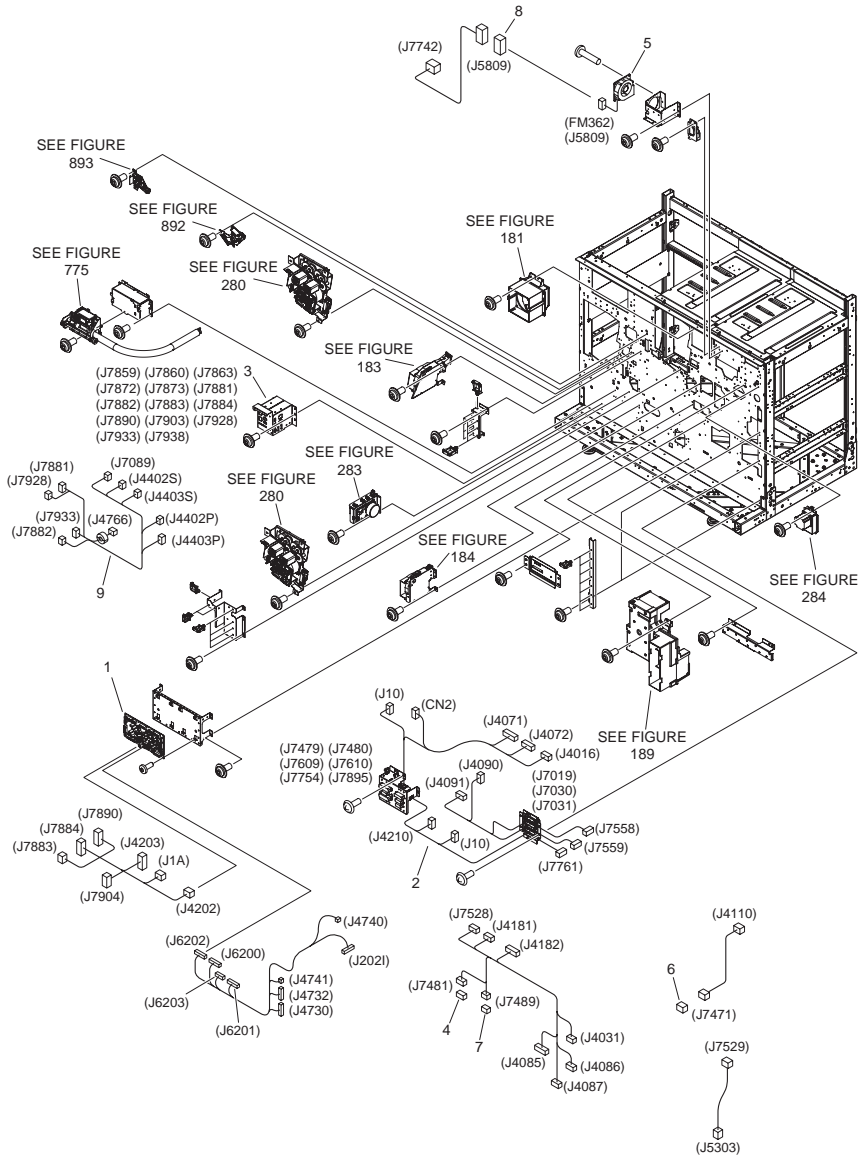


FIGURE & KEY NO.	PARTS NUMBER	RANK	Q'TY	DESCRIPTION	SERIAL NUMBER/REMARKS	SVC
Fig.115	NPN		RF	MACHINE REAR PLATE 1	Sub station	
1	FM4-6256-000		1	FIXING LIMITER PCB ASSEMBLY		
2	FM2-9289-000		1	CABLE, FIXING DUPLEXING DRAWER		
3	FM2-9290-000		1	CONNECTOR MOUNT UNIT		
4	VS1-7177-009		1	CONNECTOR, 9P		
5	FK2-3098-000		1	FAN	FM362	
6	VS1-7177-002		1	CONNECTOR, SNAP TIGHT, BK		
7	VS1-7177-006		1	CONNECTOR, SNAP TIGHT, BK		
8	VS1-7177-004		1	CONNECTOR, SNAP TIGHT, BK		
9	FM4-6305-000		1	CABLE, HEATER, AC		

FIGURE 116 MACHINE REAR PLATE 2 (Sub station)

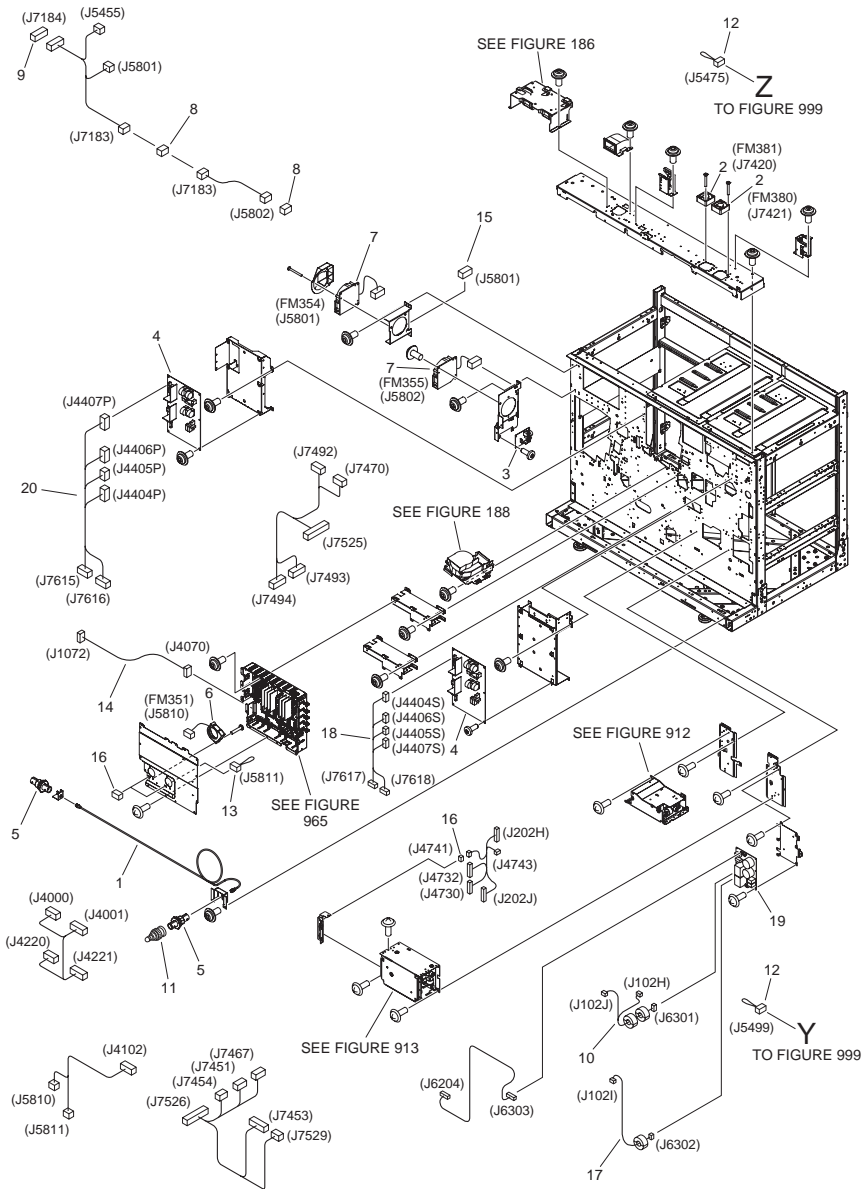


FIGURE & KEY NO.	PARTS NUMBER	R A N K	Q'TY	DESCRIPTION	SERIAL NUMBER/REMARKS	S V C
Fig.116	NPN		RF	MACHINE REAR PLATE 2	Sub station	
1	FK2-7518-000		1	CABLE, BNC		
2	FK2-3100-000		4	FAN	FM380,FM381	
2	FK2-3100-000		4	FAN	FM380,FM381	
3	FM2-0848-000		1	DC-DC CONVERTER PCB ASSEMBLY 2		
4	FM2-8312-000		2	FIXING AC PCB ASSEMBLY		
5	WS6-5209-000		2	CONNECTOR, COAXIAL		
6	FK3-0827-000		1	FAN	FM351	
7	FK2-3098-000		2	FAN	FM354,FM355	
8	VS1-7177-004		2	CONNECTOR, SNAP TIGHT, BK		
9	VS1-7177-011		1	CONNECTOR, SNAP TIGHT, 11P, BK		
10	FM4-6301-000		1	CABLE, FIXING POWER SUPPLY, AC		
11	WS6-5201-000		1	TERMINATOR		
12	FM3-4699-000		2	CONNECTOR, SHORT		
13	FM3-6951-000		1	CONNECTOR, SHORT		
14	FK2-3122-000		1	CABLE, SERIAL		
15	VS1-7440-004		1	CONNECTOR, SNAP TIGHT		
16	VS1-7177-003		3	CONNECTOR, SNAP TIGHT, BK		
17	FM4-6303-000		1	CABLE, AC		
18	FM2-8764-000		1	CABLE, FIXING DRAWER RELAY		
19	FM4-6255-000		1	FIXING RELAY PCB ASSEMBLY		
20	FM2-8763-000		1	CABLE, FIXING DRAWER RELAY		

FIGURE 120 POWER STATION COVER ASSEMBLY

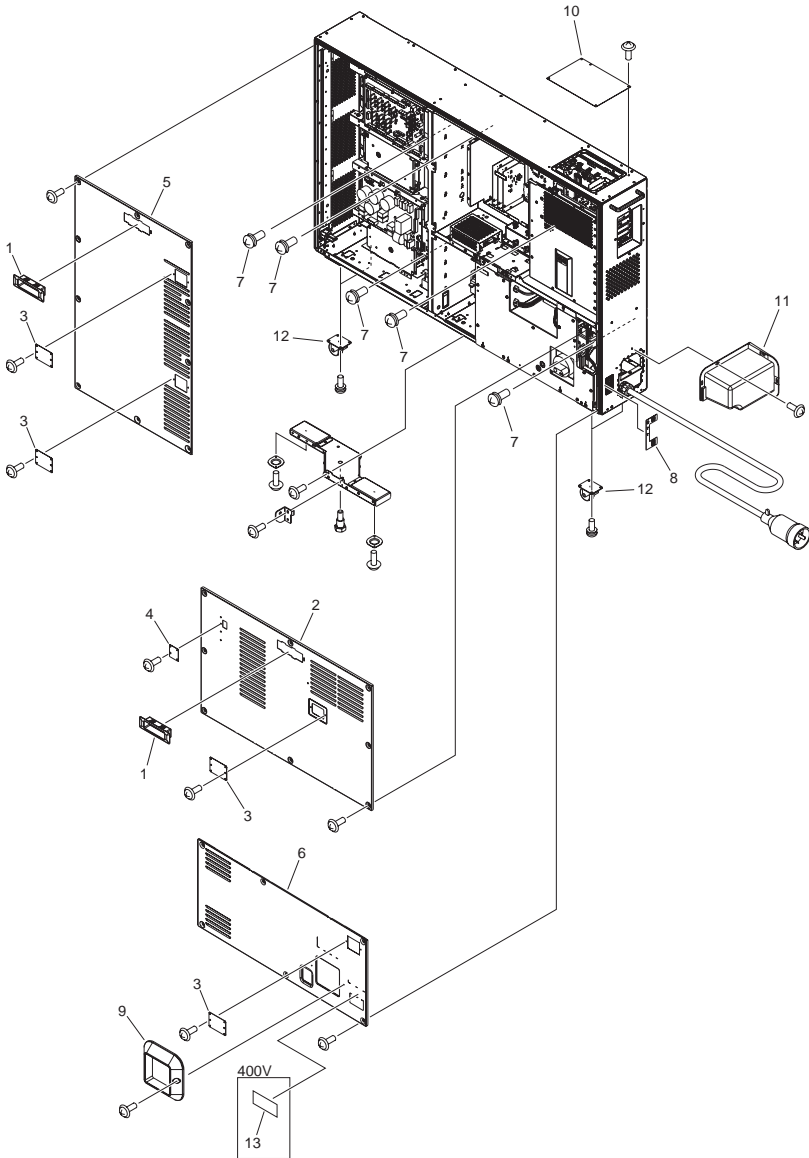


FIGURE & KEY NO.	PARTS NUMBER	R A N K	Q'TY	DESCRIPTION	SERIAL NUMBER/ REMARKS	S V C
Fig.120	NPN		RF	POWER STATION COVER ASSEMBLY		
1	FC6-8948-000		2	HANDLE		
2	FC7-2241-000		1	COVER, REAR,1		
3	FC7-4917-000		1	COVER, SWITCH		
4	FC7-7506-000		1	COVER, OPTION		
5	FC7-2244-000		1	COVER, REAR,2		
6	FC7-2243-000		1	COVER, REAR,3		
7	XA9-0940-000		5	SCREW, WWASHER, M4X12		
8	FC7-7030-010		1	LABEL, ENVIRONMENT SWITCH		
9	FC7-7043-000		1	PANEL, HANDLE PROTECTION		
10	FC7-0947-000		1	COVER, HDD		
11	FL3-6099-000		1	COVER, CABLE		
12	XZ9-0618-000		4	CASTER		
13	FU5-8560-000		1	LABEL,GROUNDING CAUTION	400V	

FIGURE 121 POWER STATION ASSEMBLY

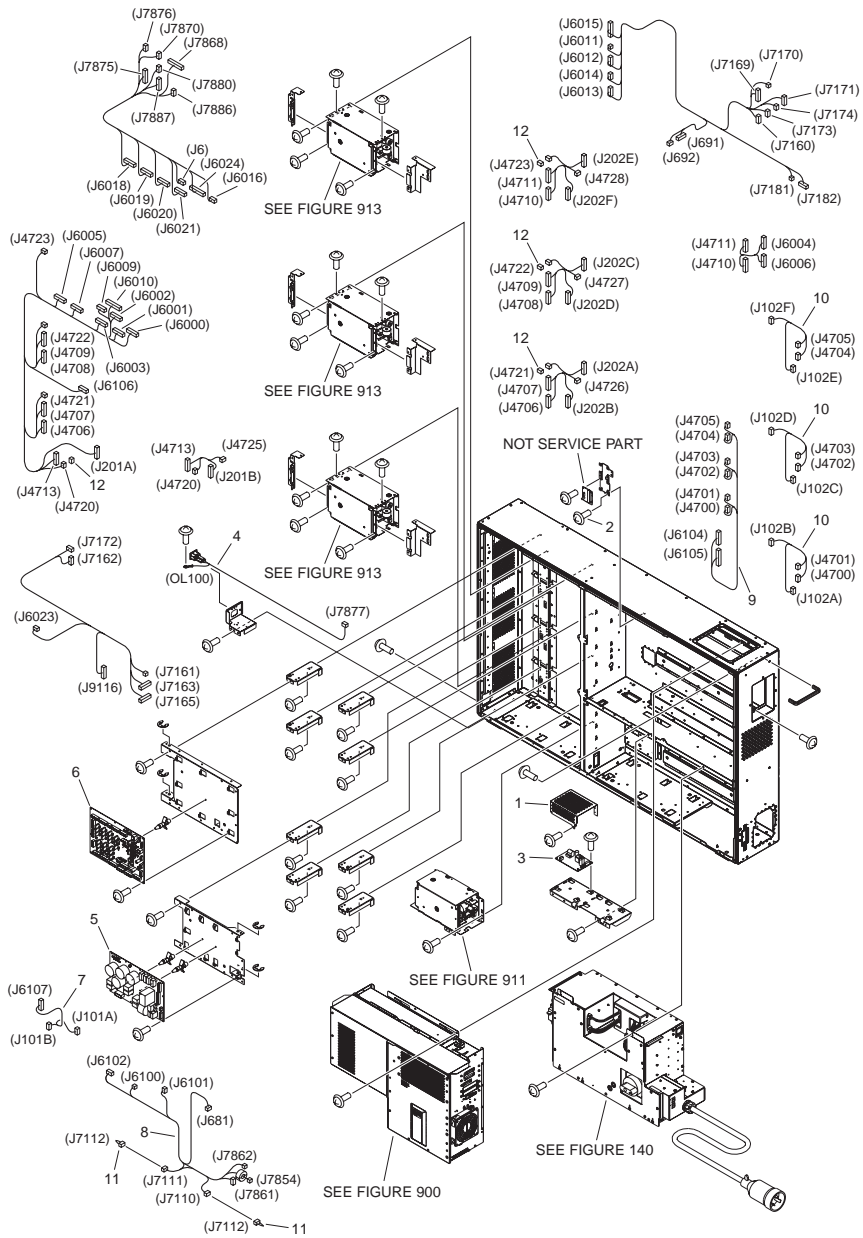


FIGURE & KEY NO.	PARTS NUMBER	R A N K	Q'TY	DESCRIPTION	SERIAL NUMBER/ REMARKS	S V C
Fig.121	NPN		RF	POWER STATION ASSEMBLY		
1	FC7-4919-000		1	COVER, POWER SUPPLY		
2	XA9-1249-010		2	SCREW,TP M4X8		
3	FK2-2858-000		1	EVERYNIGHT POWER PCB ASSEMBLY		
4	FM2-8832-000		1	CABLE, POD OUTLET	OL100	
5	FM4-6253-000		1	RELAY PCB ASSEMBLY		
6	FM4-6254-000		1	LIMITER PCB ASSEMBLY		
7	FM4-6291-000		1	CABLE, AC, 12V		
8	FM4-6292-000		1	CABLE, AC INPUT		
9	FM4-6293-000		1	CABLE, POWER SUPPLY, 24V		
10	FM4-6296-000		1	CABLE, POWER SUPPLY AC CONNECT		
11	FM4-6298-000		2	CABLE, AC, SHORT		
12	VS1-7177-003		4	CONNECTOR, SNAP TIGHT, BK		

FIGURE 125 MAIN INTERLOCK SWITCH UNIT

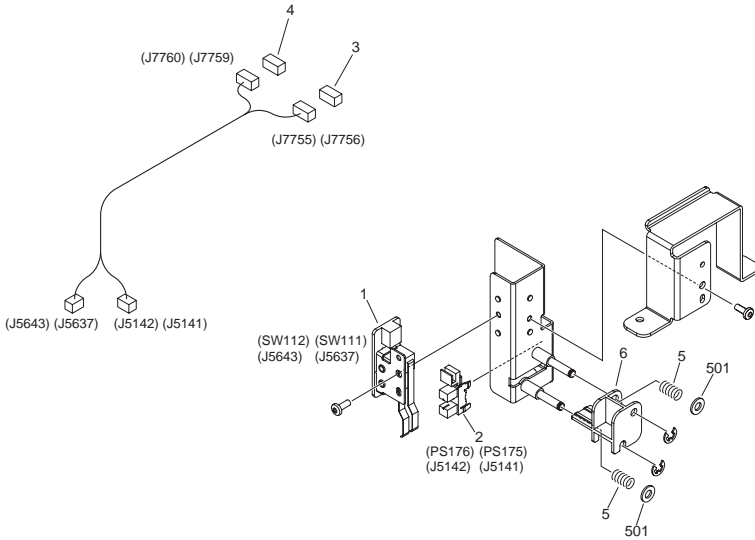


FIGURE & KEY NO.	PARTS NUMBER	R A N K	QTY	DESCRIPTION	SERIAL NUMBER/REMARKS	S V C
Fig.125	FM2-9296-000		2	INTERLOCK SWITCH ASSEMBLY		
1	FM2-8314-000		1	DOUBLE SWITCH PCB ASSEMBLY	SW111,SW112	
2	FK2-0149-000		1	PHOTO-INTERRUPTER, TLP1252(C6)	PS175,PS176	
3	VS1-7177-003		1	CONNECTOR, SNAP TIGHT, BK		
4	VS1-7177-004		1	CONNECTOR, SNAP TIGHT, BK		
5	FU5-2954-000		2	SPRING, COMPRESSION		
6	FC6-3173-000		1	BUTTON, SWITCH		
501	XD1-1104-122		2	SHIM		

FIGURE 126 DRUM HEATER INTERLOCK SW.ASS'Y

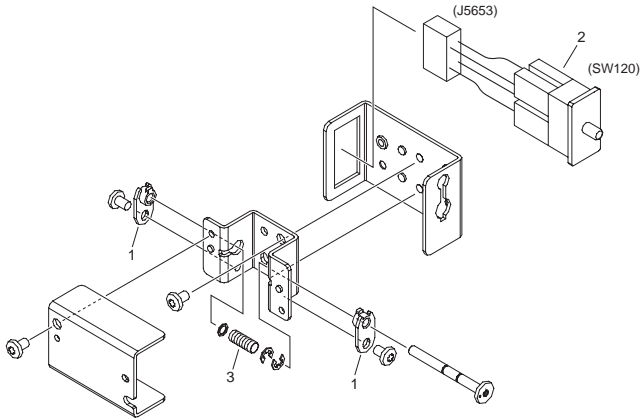


FIGURE & KEY NO.	PARTS NUMBER	RANK	QTY	DESCRIPTION	SERIAL NUMBER/REMARKS	SVC
Fig.126	FM2-9297-000		1	DRUM HEATER INTERLOCK SW.ASS'Y		
1	FC6-3181-000		2	CATCH, INTERLOCK ROD		
2	FM3-0420-000		1	DRUM HEATER ASSEMBLY	SW120	
3	FU5-2954-000		1	SPRING, COMPRESSION		

FIGURE 130 CONTROL PANEL ASSEMBLY

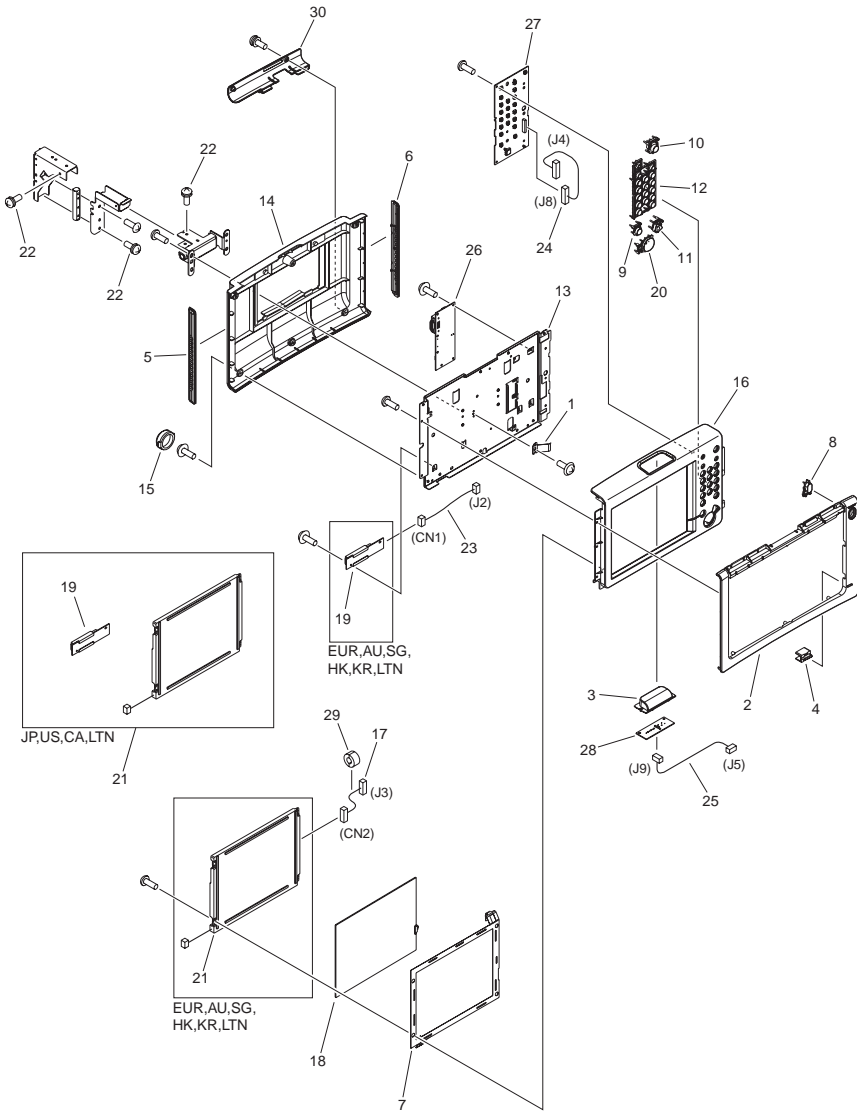


FIGURE & KEY NO.	PARTS NUMBER	R A N K	Q'TY	DESCRIPTION	SERIAL NUMBER/ REMARKS	S V C
Fig.130	FM4-7138-000		1	CONTROL PANEL ASSEMBLY	JP	
Fig.130	FM4-7422-000		1	CONTROL PANEL ASSEMBLY	US,CA,LTN	
Fig.130	FM4-7426-000		1	CONTROL PANEL ASSEMBLY	EUR,AU,SG,HK,KR,LTN	
1	FB6-3953-000		1	PLATE, GROUNDING		
2	FC8-3309-000		1	COVER, FRONT	JP	
2	FC8-3310-000		1	COVER, FRONT	US,CA,LTN	
2	FC8-3311-000		1	COVER, FRONT	EUR,AU,SG,HK,KR,LTN	
3	FC6-4943-000		1	COVER, INDICATOR LAMP		
4	FC6-4945-000		1	COVER, POWER LAMP		
5	FC6-4946-000		1	COVER, SIDE, LEFT		
6	FC6-4947-000		1	COVER, SIDE, RIGHT		
7	FC6-4949-000		1	SHEET, ELECTROSTATIC		
8	FC6-4950-000		1	KEY TOP, POWER		
9	FC6-4951-000		1	KEY TOP, RESET		
10	FC6-4952-000		1	KEY TOP, ENERGY SAVING		
11	FC6-4954-000		1	KEY TOP, STOP		
12	FC6-4955-000		1	KEY TOP, NUMBERS		
13	FC6-4956-000		1	STAY, CONTROL PANEL ASSEMBLY		
14	FC6-4957-000		1	COVER, REAR		
15	FC6-6824-000		3	RUBBER COVER		
16	FC8-3312-000		1	PANEL, CONTROL	JP	
16	FC8-3313-000		1	PANEL, CONTROL	US,CA,LTN	
16	FC7-5044-000		1	PANEL, CONTROL	EUR,AU,SG,HK,KR,LTN	
17	FK2-1636-000		1	CABLE, LCD		
18	FK2-7407-000		1	PANEL, TOUCH		
19	FK2-7408-000		1	INVERTER PCB ASSEMBLY	JP,US,CA,LTN	
19	FK2-1646-000		1	INVERTER PCB ASSEMBLY	EUR,AU,SG,HK,KR,LTN	
20	FL2-2615-000		1	START KEY ASSEMBLY		
21	FL3-1063-000		1	LCD CONT PANEL/ INVERTER UNIT	JP,US,CA,LTN	
21	FL2-2616-000		1	LCD CONTROL PANEL UNIT	EUR,AU,SG,HK,KR,LTN	
22	XA9-0940-000		8	SCREW, W/WASHER, M4X12		
23	FM2-5439-000		1	CABLE, INVERTER		

FIGURE & KEY NO.	PARTS NUMBER	R A N K	Q'TY	DESCRIPTION	SERIAL NUMBER/ REMARKS	S V C
24	FM2-5440-000		1	CABLE, KEY		
25	FM2-5441-000		1	CABLE, TALLY		
26	FM4-7350-000		1	CPU PCB ASSEMBLY		
27	FM2-5462-000		1	KEY PCB ASSEMBLY		
28	FM2-5463-000		1	TALLY PCB ASSEMBLY		
29	WE8-5929-000		1	CORE, FERRITE		
30	FC9-5991-000		1	HOLDER, PEN		

FIGURE 140 POWER CORD TERMINAL ASSEMBLY

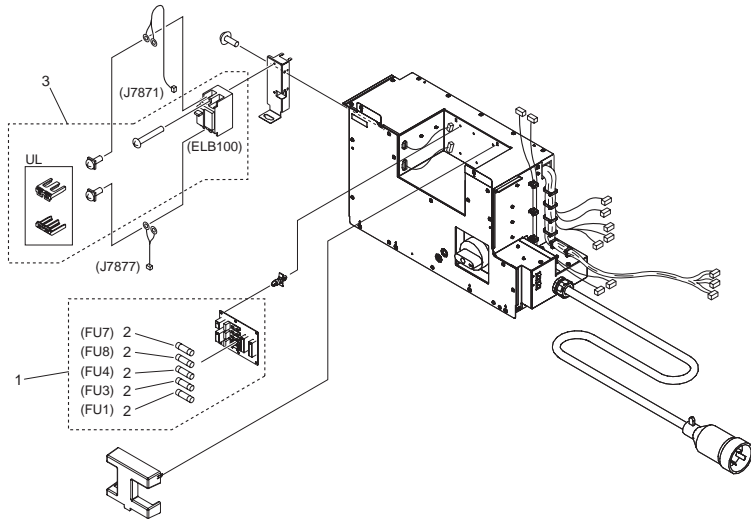


FIGURE & KEY NO.	PARTS NUMBER	RANK	QTY	DESCRIPTION	SERIAL NUMBER/REMARKS	SVC
Fig.140	FM4-7145-000		1	POWER CORD TERMINAL ASSEMBLY	C7010VP 200V	
Fig.140	FM4-7147-000		1	POWER CORD TERMINAL ASSEMBLY	C7010VP,C6010VP 208V	
Fig.140	FM4-7148-000		1	POWER CORD TERMINAL ASSEMBLY	400V	
Fig.140	FM4-7149-000		1	POWER CORD TERMINAL ASSEMBLY	C6010 200V	
Fig.140	FM4-7150-000		1	POWER CORD TERMINAL ASSEMBLY	C6010 208V	
1	FM2-7715-000		1	HEATER CONNECTING PCB ASSEMBLY		
2	VD7-2892-001		5	FUSE, 2A, 250V	FU1,3,4,7,8	
3	VD7-3011-502		1	BREAKER	ELB100 US,CA,LTN	
3	WD3-5127-000		1	BREAKER	ELB100 JP,EUR,AU,SG,HK,KR,LT N	

FIGURE 180 FIXING BELT COOLING FAN ASS'Y

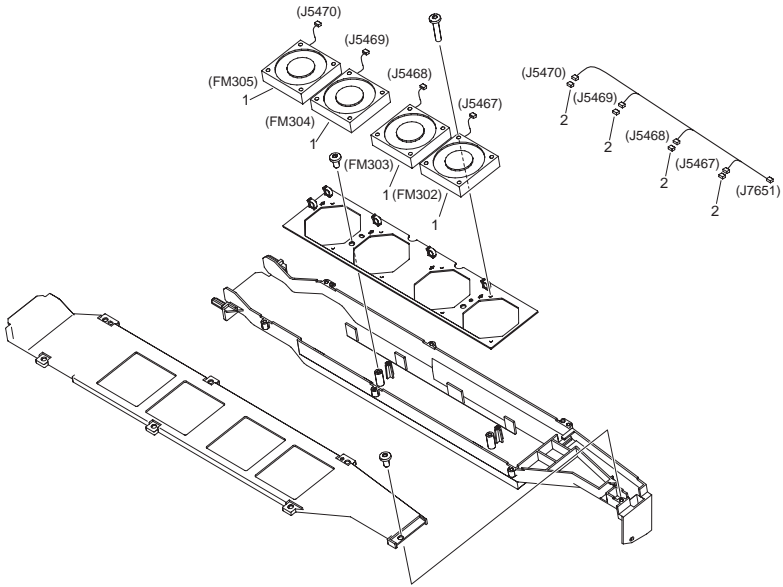


FIGURE & KEY NO.	PARTS NUMBER	RANK	QTY	DESCRIPTION	SERIAL NUMBER/REMARKS	SVC
Fig.180	FM2-2211-000		1	FIXING BELT COOLING FAN ASS'Y		
1	FK2-3101-000		4	FAN	FM302,FM303,FM304,FM305	
2	VS1-7177-004		4	CONNECTOR, SNAP TIGHT, BK		

FIGURE 181 COOLING FAN ASS'Y, 2

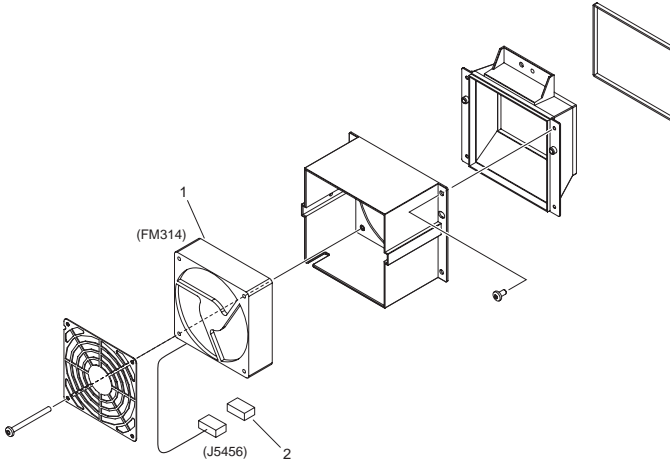


FIGURE & KEY NO.	PARTS NUMBER	RANK	QTY	DESCRIPTION	SERIAL NUMBER/REMARKS	S V C
Fig.181	FM2-2202-000		1	COOLING FAN ASS'Y, 2		
1	FK2-3150-000		1	FAN	FM314	
2	VS1-7177-003		1	CONNECTOR, SNAP TIGHT, BK		

FIGURE 182 ROLLER COOLING FAN ASSEMBLY

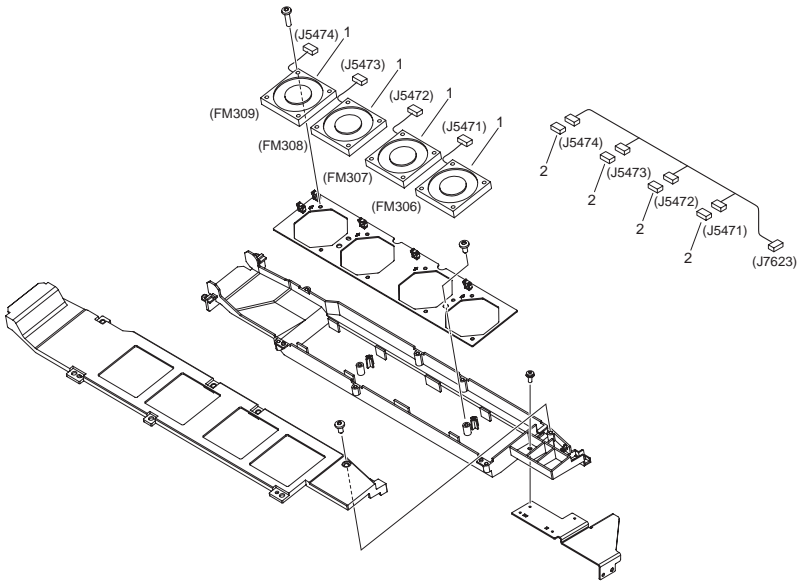


FIGURE & KEY NO.	PARTS NUMBER	RANK	QTY	DESCRIPTION	SERIAL NUMBER/REMARKS	SVC
Fig.182	FM2-2212-000		1	ROLLER COOLING FAN ASSEMBLY		
1	FK2-3102-000		4	FAN	FM306,FM307,FM308,FM309	
2	VS1-7177-003		4	CONNECTOR, SNAP TIGHT, BK		

FIGURE 183 FIRST FIXING FAN ASSEMBLY

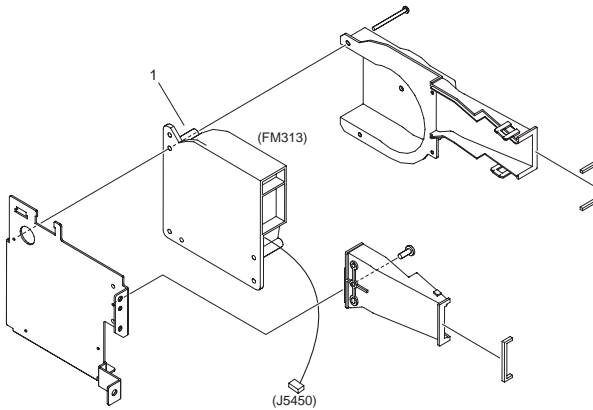


FIGURE & KEY NO.	PARTS NUMBER	RANK	QTY	DESCRIPTION	SERIAL NUMBER/REMARKS	SVC
Fig.183	FM2-2213-000		1	FIRST FIXING FAN ASSEMBLY		
1	FK2-3098-000		1	FAN	FM313	

FIGURE 184 SECOND FIXING FAN ASSEMBLY

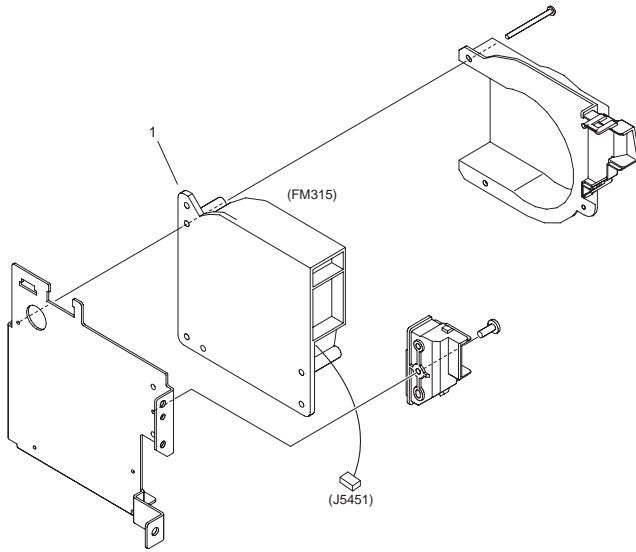


FIGURE & KEY NO.	PARTS NUMBER	RANK	QTY	DESCRIPTION	SERIAL NUMBER/REMARKS	SVC
Fig.184	FM2-2214-000		1	SECOND FIXING FAN ASSEMBLY		
1	FK2-3098-000		1	FAN	FM315	

FIGURE 185 FIRST EXHAUST DUCT ASSEMBLY

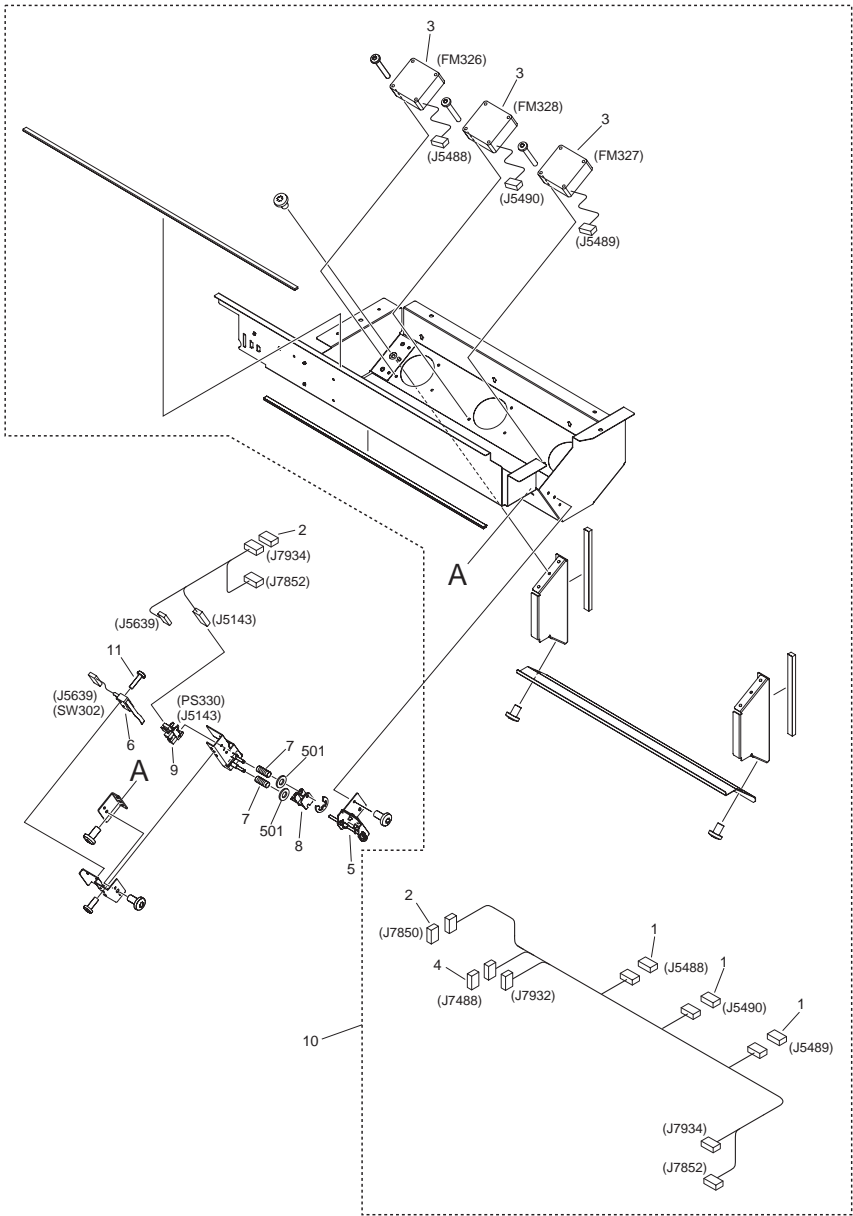


FIGURE & KEY NO.	PARTS NUMBER	R A N K	Q'TY	DESCRIPTION	SERIAL NUMBER/REMARKS	S V C
Fig.185	NPN		RF	FIRST EXHAUST DUCT ASSEMBLY		
1	VS1-7177-004		3	CONNECTOR, SNAP TIGHT, BK		
2	VS1-7177-003		2	CONNECTOR, SNAP TIGHT, BK		
3	FK2-3100-000		3	FAN	FM326,FM327,FM328	
4	VS1-7173-012		1	CONNECTOR, SNAP TIGHT, 12P, W		
5	FM4-2552-000		1	INTERLOCK PUSH UNIT, LEFT		
6	RH7-6037-000		1	SWITCH, INTERLOCK	SW302	
7	FU5-2954-000		2	SPRING, COMPRESSION		
8	FC6-3173-000		1	BUTTON, SWITCH		
9	FK2-0149-000		1	PHOTO-INTERRUPTER, TLP1252(C6)	PS330	
10	FM4-7443-000		1	FIRST EXHAUST DUCT UNIT		
11	XA9-0554-000		2	SCREW,MACH.,TRUSS HEAD		
501	XD1-1104-122		2	SHIM		

FIGURE 186 FAN MOUNT ASSEMBLY, OUTER

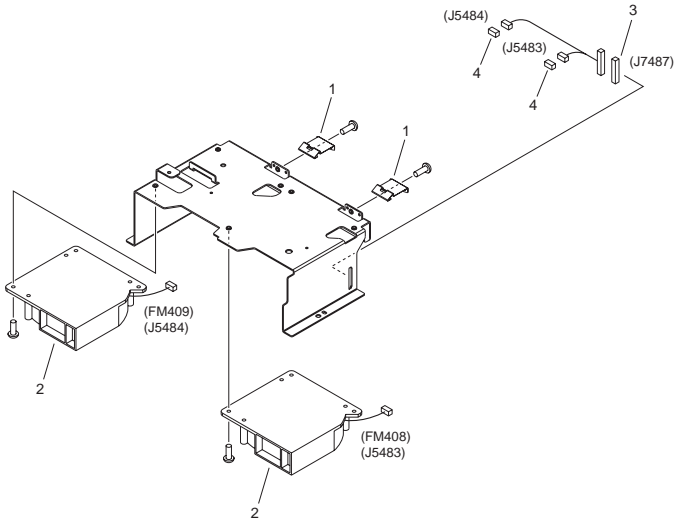


FIGURE & KEY NO.	PARTS NUMBER	RANK	QTY	DESCRIPTION	SERIAL NUMBER/REMARKS	SVC
Fig.186	NPN		RF	FAN MOUNT ASSEMBLY, OUTER		
1	FC6-3186-000		2	STOPPER, PRIMARY		
2	FK2-3098-000		2	FAN	FM408,FM409	
3	VS1-7173-016		1	CONNECTOR, SNAP TIGHT, 16P, W		
4	VS1-7177-004		2	CONNECTOR, SNAP TIGHT, BK		

FIGURE 188 BELT COOLING FAN ASSEMBLY

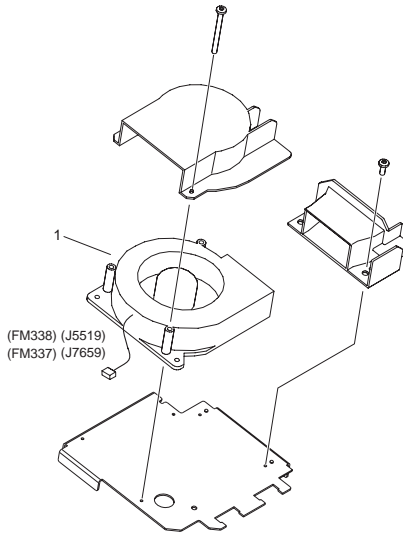


FIGURE & KEY NO.	PARTS NUMBER	RANK	QTY	DESCRIPTION	SERIAL NUMBER/REMARKS	SVC
Fig.188	FM2-2320-000		1	BELT COOLING FAN ASSEMBLY		
1	FK2-3098-000		1	FAN	FM337,FM338	

FIGURE 189 PAPER DELIVERY FAN ASSEMBLY

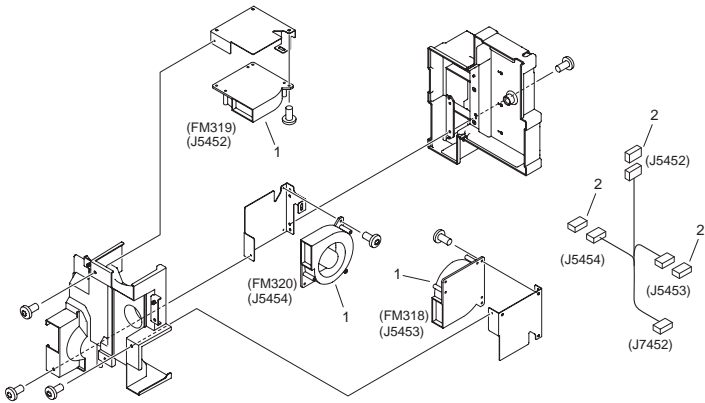
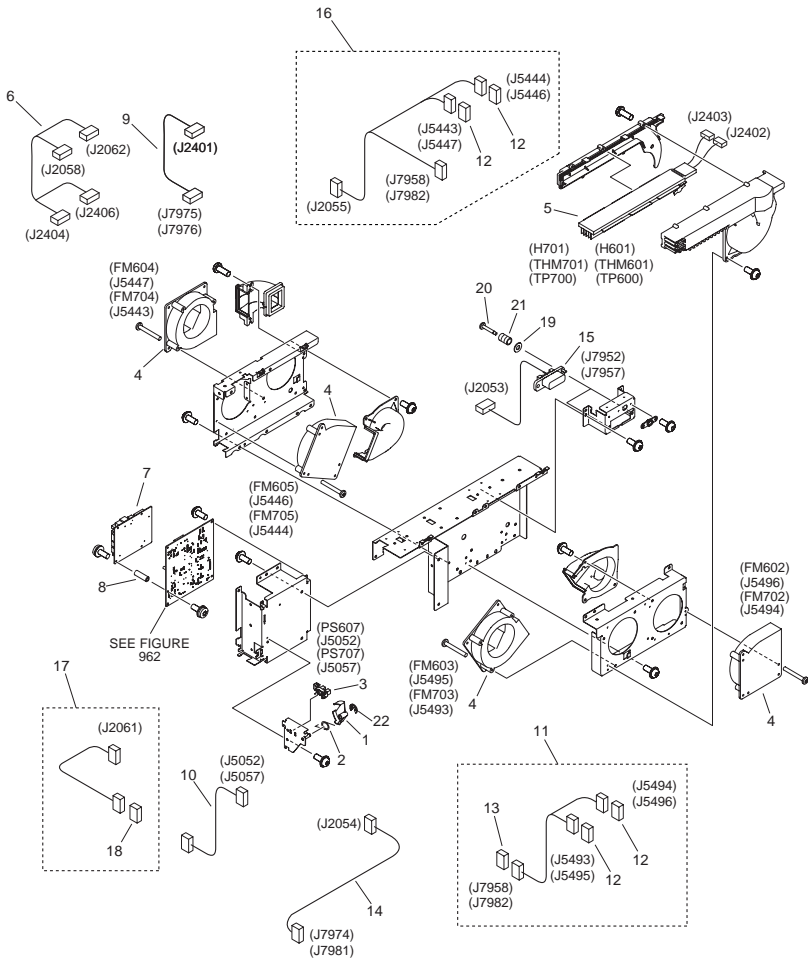


FIGURE & KEY NO.	PARTS NUMBER	RANK	QTY	DESCRIPTION	SERIAL NUMBER/REMARKS	SVC
Fig.189	FM2-2238-000		1	PAPER DELIVERY FAN ASSEMBLY		
1	FK2-3098-000		3	FAN	FM318,FM319,FM320	
2	VS1-7177-004		3	CONNECTOR, SNAP TIGHT, BK		

FIGURE 190 FAN MOUNT ASSEMBLY



NOTE : This assembly includes the assembly shown in Figure 962.
 注 : このユニットはFigure 962のユニットを含みます。

FIGURE & KEY NO.	PARTS NUMBER	RANK	Q'TY	DESCRIPTION	SERIAL NUMBER/REMARKS	SVC
Fig.190	FM2-1980-000		2	FAN MOUNT ASSEMBLY	SEE NOTE	
1	FC5-8579-000		1	FLAG, DOOR, FRONT		
2	FC7-5100-000		1	SPRING, TORSION		
3	FK2-0149-000		1	PHOTO-INTERRUPTER, TLP1252(C6)	PS607,PS707	
4	FK2-2974-000		4	FAN	FM602,FM603,FM604,FM605,FM702,FM703,FM704,FM705	
5	FK2-2989-000		1	HEATER	H601 THM601 TP600 H701 THM701 TP700	
6	FM2-8604-000		1	CABLE, AC CONNECT		
7	FM2-7628-000		1	FEED DRIVER AC PCB ASSEMBLY		
8	VT2-5177-025		4	SPACER		
9	FM2-8497-000		1	CABLE, CASSETTE HEATER CONNECT		
10	FM2-8518-000		1	CABLE, DETECT SENSOR		
11	FM2-8577-000		1	CABLE, FAN 1/2		
12	VS1-7177-004		4	CONNECTOR, SNAP TIGHT, BK		
13	VS1-7177-008		1	CONNECTOR, SNAP TIGHT, BK		
14	FM2-8630-000		1	CABLE, PICK-UP DRIVE CONNECT		
15	FM2-8643-000		1	CABLE, AIR PICK-UP DRAWER		
16	FM2-8844-000		1	CABLE, FAN CONNECTING		
17	FM2-9404-000		1	CABLE, DETECT SENSOR CONNECT		
18	VS1-7177-003		1	CONNECTOR, SNAP TIGHT, BK		
19	FS5-6601-000		2	SPACER		
20	FS5-9758-020		2	SCREW, STEPPED, M3		
21	FS7-2796-000		2	SPRING, COMPRESSION		

FIGURE 191 PRIMARY EXHAUST FAN ASSEMBLY

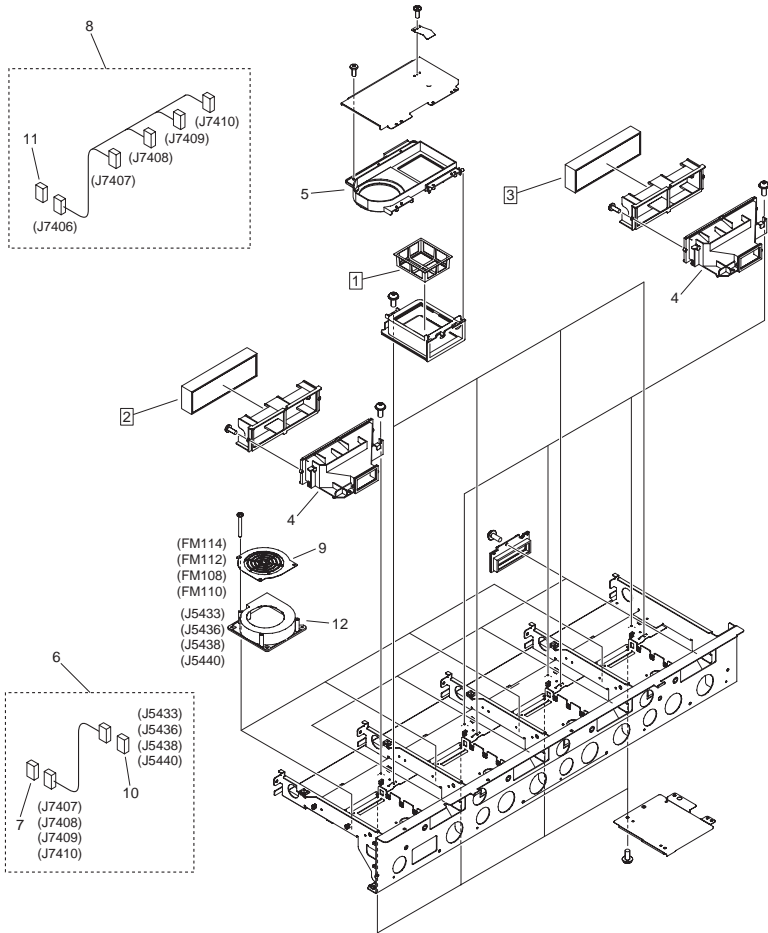


FIGURE & KEY NO.	PARTS NUMBER	R A N K	Q'TY	DESCRIPTION	SERIAL NUMBER/ REMARKS	S V C
Fig.191	NPN		RF	PRIMARY EXHAUST FAN ASSEMBLY		
1	FB2-4383-000		4	AIRFILTER, TONER	[DP]	
2	FC7-4563-000		3	FILTER, OZONE	[DP] MAGENTA,CYAN,BLACK	
3	FC9-6014-000		1	FILTER, OZONE	[DP] YELLOW	
4	FL2-1997-000		4	DUCT, EXHAUST		
5	FL2-1998-000		4	DUCT, CONNECTING		
6	FM2-8517-000		4	CABLE, P- KIT FAN		
7	VS1-7177-004		1	CONNECTOR, SNAP TIGHT, BK		
8	FM2-8603-000		1	CABLE, P- KIT FAN, RIGHT		
9	FC7-9687-000		4	COVER, FAN		
10	VS1-7173-004		1	CONNECTOR, SNAP TIGHT		
11	VS1-7173-016		1	CONNECTOR, SNAP TIGHT, 16P, W		
12	FK2-3098-000		4	FAN	FM108,FM110,FM112,FM 114	

FIGURE 192 PRIMARY INLET FAN ASS'Y, C/K

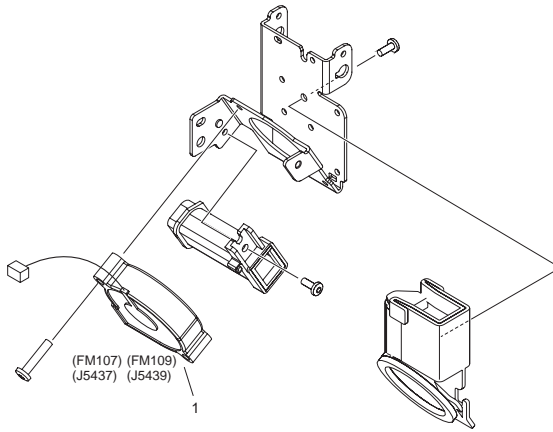


FIGURE & KEY NO.	PARTS NUMBER	RANK	QTY	DESCRIPTION	SERIAL NUMBER/REMARKS	SVC
Fig.192	FM4-2548-000		2	PRIMARY INLET FAN ASS'Y, C/K		
1	FK3-0827-000		1	FAN	FM107,FM109	

FIGURE 193 PRIMARY INLET FAN ASS'Y, Y/M

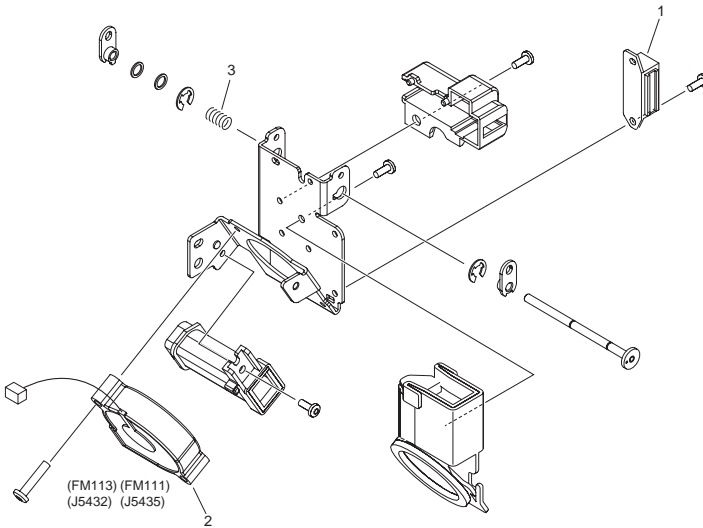


FIGURE & KEY NO.	PARTS NUMBER	RANK	QTY	DESCRIPTION	SERIAL NUMBER/REMARKS	SVC
Fig.193	FM4-2549-000		2	PRIMARY INLET FAN ASS'Y, Y/M		
1	FC7-5707-000		1	CATCH, MAGNET		
2	FK3-0827-000		1	FAN	FM111,FM113	
3	FU5-2954-000		1	SPRING, COMPRESSION		

FIGURE 194 PRE-TRNS.EXHAUST DUCT ASSEMBLY

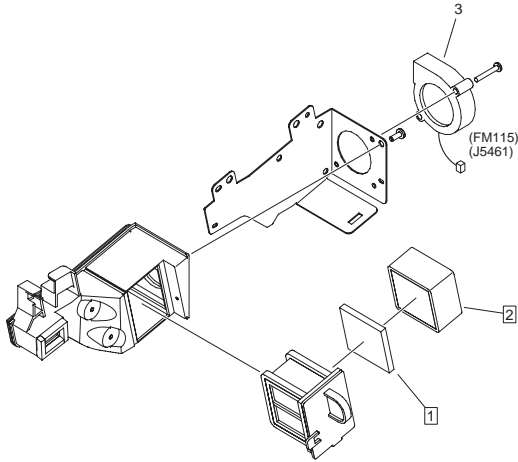


FIGURE & KEY NO.	PARTS NUMBER	RANK	QTY	DESCRIPTION	SERIAL NUMBER/REMARKS	SVC
Fig.194	FM4-7139-000		1	PRE-TRNS.EXHAUST DUCT ASSEMBLY		
1	FC6-2152-000		1	FILTER, DUST-PROOF	[DP]	
2	FC6-2153-000		1	FILTER, OZONE	[DP]	
3	FK3-0827-000		1	FAN	FM115	

FIGURE 195 FIRST FIXING EXHAUST FAN ASS'Y

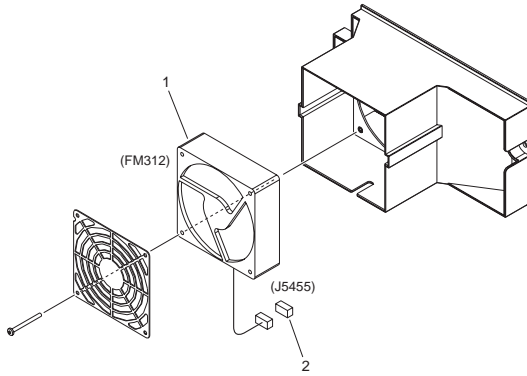


FIGURE & KEY NO.	PARTS NUMBER	RANK	QTY	DESCRIPTION	SERIAL NUMBER/REMARKS	SVC
Fig.195	FM2-2201-000		1	FIRST FIXING EXHAUST FAN ASS'Y		
1	FK2-3150-000		1	FAN	FM312	
2	VS1-7177-003		1	CONNECTOR, SNAP TIGHT, BK		

FIGURE 260
PAPER PICK-UP DRIVE ASS'Y

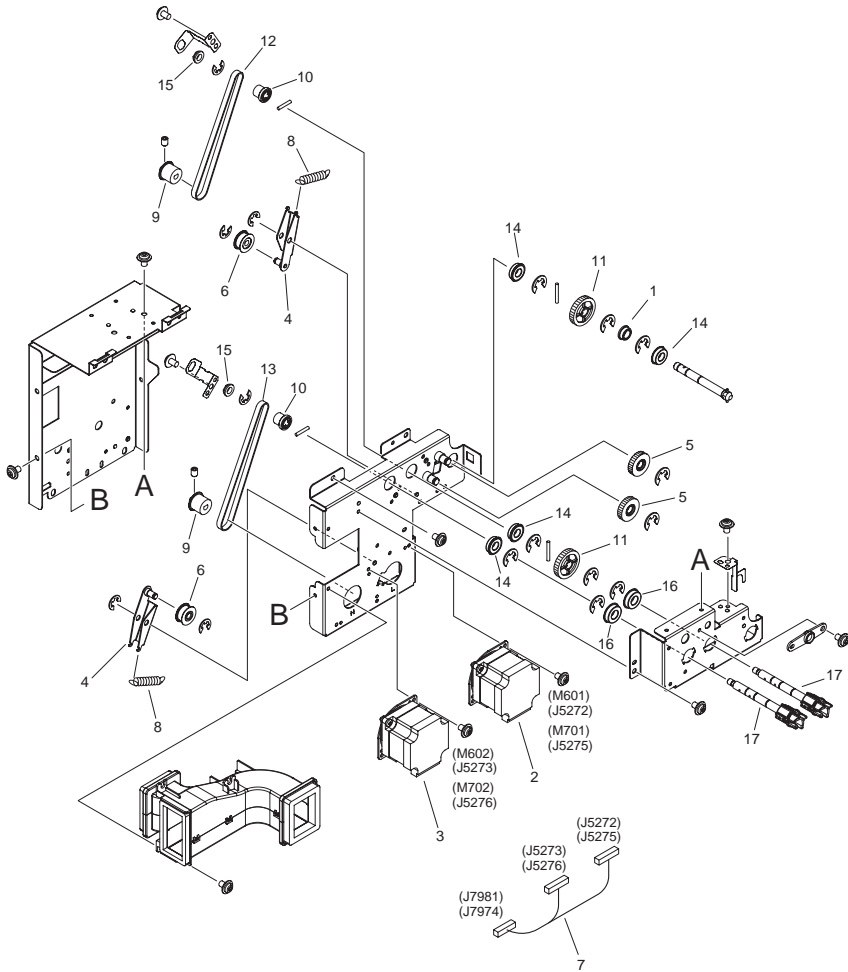


FIGURE & KEY NO.	PARTS NUMBER	R A N K	Q'TY	DESCRIPTION	SERIAL NUMBER/ REMARKS	S V C
Fig.260	FM2-1997-000		2	PAPER PICK-UP DRIVE ASS'Y		
1	FA9-2112-000		1	BUSHING, PL		
2	FK2-3130-000		1	MOTOR, STEPPING, DC	M601,M701	
3	FK2-3137-000		1	MOTOR, STEPPING, DC	M602,M702	
4	FL2-1775-000		2	ARM, TENSIONER		
5	FL2-1851-000		2	GEAR, 24T		
6	FL2-5562-000		2	ROLLER, TENSIONER		
7	FM2-8576-000		1	CABLE, PICK-UP DRIVE MOUNT		
8	FU7-2432-000		2	SPRING, TENSION		
9	FU5-3188-000		2	PULLEY, 28T		
10	FU5-3189-000		2	PULLEY, 20T		
11	FU6-0169-000		2	GEAR, 30T		
12	XF2-3614-560		1	BELT, TIMING		
13	XF2-3615-560		1	BELT, TIMING		
14	XG9-0508-000		4	BEARING, BALL, F688ZZ		
15	RS5-1058-000		2	BUSHING		
16	XG9-0492-000		2	BEARING, BALL, 608ZZ		
17	FL2-1789-000		2	SHAFT, TRANSMISSION		

FIGURE 262
REGISTRATION SLIDE DRIVE ASS'Y

REGISTRATION SLIDE DRIVE ASS'Y
レジスト スライド駆動部

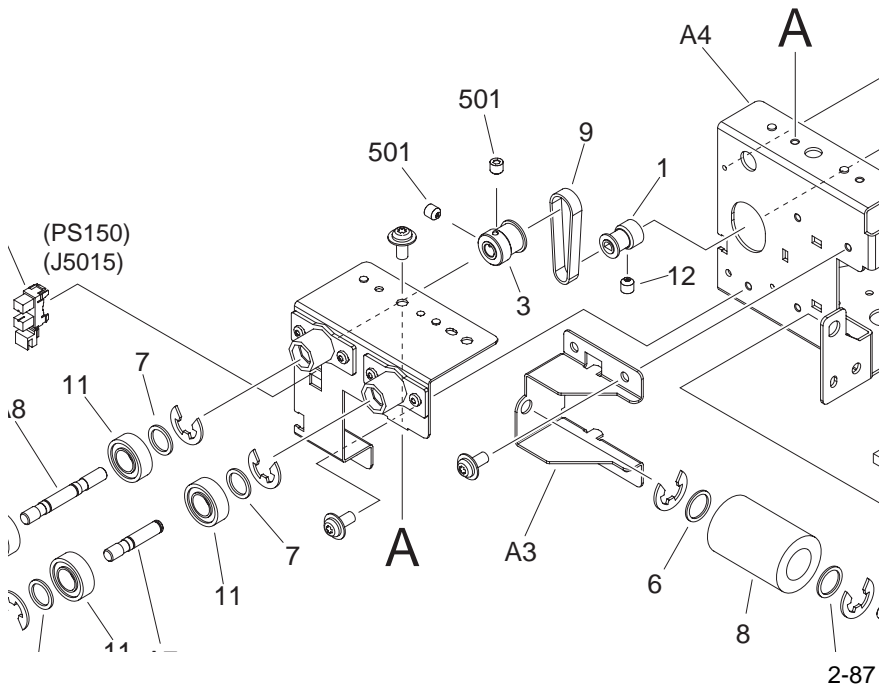


FIGURE & KEY NO.	PARTS NUMBER	R A N K	Q'TY	DESCRIPTION	SERIAL NUMBER/ REMARKS	S V C
Fig.262	FM2-5168-000		1	REGISTRATION SLIDE DRIVE ASS'Y		
1	FC5-9625-000		1	PULLEY, 15T		
2	FC5-9643-000		2	PULLEY, 15T		
3	FC5-9644-000		1	PULLEY, 22T		
4	FK2-0149-000		1	PHOTO-INTERRUPTER, TLP1252(C6)	PS150	
5	FK2-3124-000		1	MOTOR, STEPPING, DC	M166	
6	FS5-6487-000		2	WASHER		
7	FS5-6488-000		4	WASHER		
8	FU6-0387-000		1	GEAR, 27T		
9	XF2-1605-660		1	BELT, TIMING		
10	XF2-1606-260		1	BELT, TIMING, COGGED		
11	XG2-6012-405		4	BALL BEARING, NSK MR126JZMC3		
12	XA9-1813-000		5	SET SCREW, HEX.SKT.HEAD, M3X3		
501	XB6-2300-308		2	SET SCREW (S)		

FIGURE 271 DRUM DRIVE ASSEMBLY

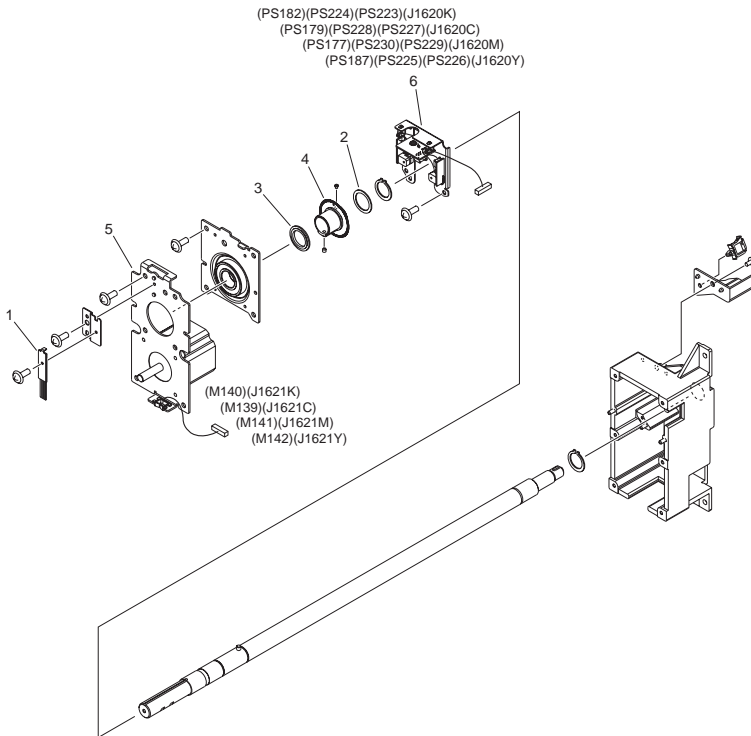


FIGURE & KEY NO.	PARTS NUMBER	RANK	Q'TY	DESCRIPTION	SERIAL NUMBER/REMARKS	SVC
Fig.271	FM4-7156-000		4	DRUM DRIVE ASSEMBLY		
1	FC1-1117-000		1	ELIMINATOR, STATIC CHARGE		
2	FU6-6140-000		1	SPACER		
3	FC6-0122-000		1	HOLDER, DRUM SHAFT		
4	FL3-6094-000		1	WHEEL, ENCODING		
5	FM2-2249-000		1	DRUM DRIVE MOTOR ASSEMBLY	M139,M140,M141,M142	
6	FM2-8982-000		1	DRUM SHAFT ENCODER ASSEMBLY	PS177,PS179,PS182,PS187,PS223,PS224,PS225,PS226,PS227,PS228,PS229,PS230	

FIGURE 272 DEVELOPING DRIVE ASSEMBLY

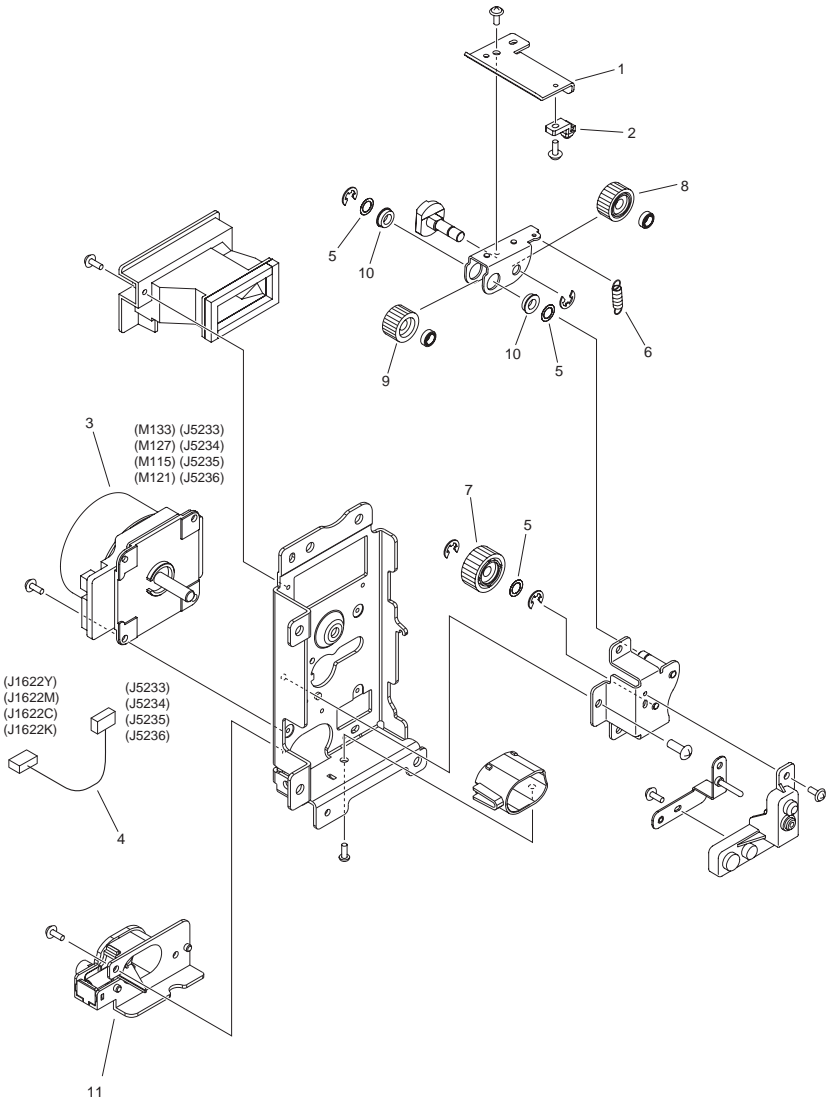


FIGURE & KEY NO.	PARTS NUMBER	R A N K	Q'TY	DESCRIPTION	SERIAL NUMBER/ REMARKS	S V C
Fig.272	FM4-2573-000		4	DEVELOPING DRIVE ASSEMBLY		
1	FC5-9005-000		1	ARM, CAM FOLLOWER		
2	FC5-9006-000		1	HOLDER, CAM FOLLOWER		
3	FK2-2726-000		1	MOTOR, BRUSHLESS, DC	M115,M121,M127,M133	
4	FM2-8572-000		1	CABLE, DRUM DRIVE		
5	FS5-6488-000		3	WASHER		
6	FU5-2870-000		1	SPRING, TENSION		
7	FU6-0362-000		1	GEAR, 42T		
8	FU6-0363-000		1	GEAR, 35T		
9	FU6-0364-000		1	GEAR, 32T		
10	XG9-0659-000		2	BEARING,BALL, 2F-FLW676AZZ1V11		
11	FM4-2590-000		1	SHUTTER HOLDER ASSEMBLY		

FIGURE 273 I.T.B. CLEANER DRIVE ASSEMBLY

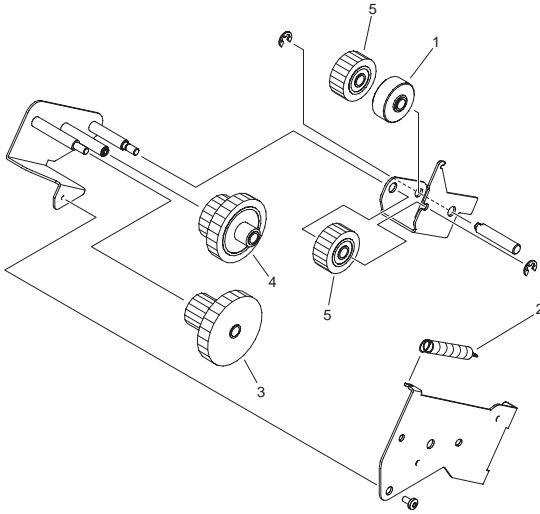
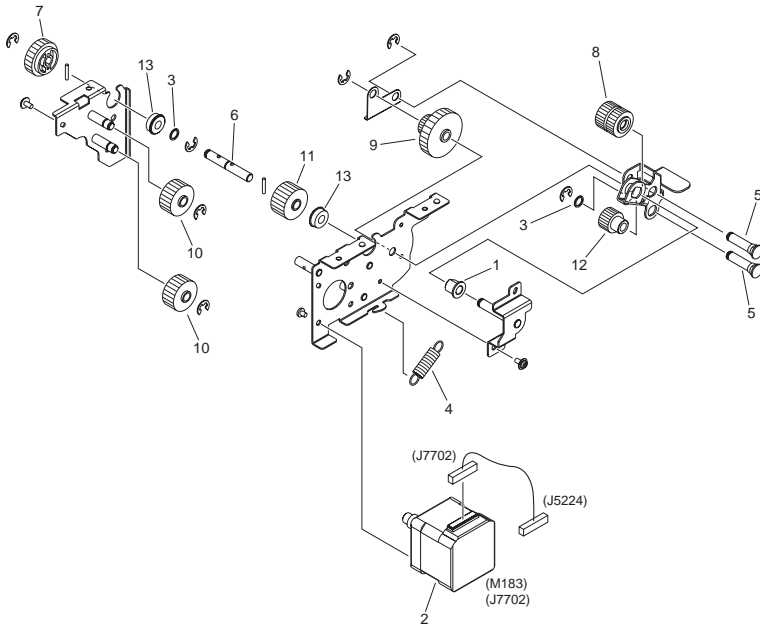


FIGURE & KEY NO.	PARTS NUMBER	RANK	QTY	DESCRIPTION	SERIAL NUMBER/REMARKS	SVC
Fig.273	FM2-2151-000		1	I.T.B. CLEANER DRIVE ASSEMBLY	[DP]	
1	FC5-9183-000		1	ROLLER, SWING		
2	FU5-2888-000		1	SPRING, TENSION		
3	FU6-0315-000		1	GEAR, 22T/64T		
4	FU6-0316-000		1	GEAR, 30T/46T		
5	FU6-0318-000		2	GEAR, 30T		

FIGURE 274 SECONDARY TRANSFER DRIVE ASS'Y



NOTE : This assembly is included in the assembly shown in Figure 333.
 注 : このユニットはFigure 333のユニットに含まれます。

FIGURE & KEY NO.	PARTS NUMBER	R A N K	Q'TY	DESCRIPTION	SERIAL NUMBER/ REMARKS	S V C
Fig.274	FM2-2174-000		1	SECONDARY TRANSFER DRIVE ASS'Y	SEE NOTE	
1	FC5-9348-000		1	BUSHING		
2	FM2-2129-000		1	2ND TRNSFR. DRIVE MOTOR ASS'Y	M183	
3	FS5-6488-000		2	WASHER		
4	FU5-2830-000		1	SPRING, TENSION		
5	FU5-5704-000		2	SHAFT, TOOTHED, 2		
6	FU5-5707-000		1	SHAFT, TOOTHED, 5		
7	FU6-0261-000		1	GEAR, 27T		
8	FU6-0263-000		1	GEAR, 22T/30T		
9	FU6-0264-000		1	GEAR, 16T/54T		
10	FU6-0423-000		2	GEAR, 36T		
11	FU6-0425-000		1	GEAR, 36T		
12	FU6-0448-000		1	GEAR, 17T		
13	XG9-0321-000		2	BALL BEARING, NMB LF-1360ZZ		

FIGURE & KEY NO.	PARTS NUMBER	RANK	Q'TY	DESCRIPTION	SERIAL NUMBER/REMARKS	SVC
Fig.280	FM2-2200-010		2	FIXING DRIVE ASSEMBLY		
1	FC7-7550-000		2	COUPLING, FIXING		
2	FC5-9014-000		4	WASHER		
3	FC5-9768-000		1	SHAFT, INPUT, ROLL		
4	FC5-9769-000		1	SHAFT, INPUT, EXTERNAL		
5	FC7-3106-000		2	STOPPER, COUPLING		
6	FK2-3154-000		2	MOTOR, STEPPING, DC	M301,M302,M306,M307	
7	FM2-7702-000		1	FIXING OUTER DRIVER PCB ASS'Y		
8	FS5-9758-020		6	SCREW, STEPPED, M3		
9	FU5-2840-000		2	SPRING, COMPRESSION		
10	FU6-0256-000		2	GEAR, 40T		
11	FU6-0410-000		2	GEAR, 20T/42T		
12	FU6-0411-000		2	GEAR, 18T/45T		
13	FU6-0412-000		2	GEAR, 15T/36T		
14	FU6-0413-000		2	GEAR, 30T/46T		
15	FL3-0551-000		1	GEAR, 22T	[DP]	
16	FK2-2727-000		1	MOTOR, BRUSHLESS, DC	M300,M305	
17	VS1-7164-040		1	CONNECTOR, SNAP TIGHT		
18	FS1-9076-020		4	SCREW, STEPPED, M4		
19	FS5-2965-000		6	SPRING, COMPRESSION		
20	FS5-6601-000		6	SPACER		
21	XG9-0291-000		1	BEARING, BALL, LOWER ROLLER		
22	XG9-0365-000		3	BEARING, BALL		
23	FM2-8802-000		1	CABLE, FIRST FIXING DRAWER, 1		
24	FM2-8805-000		1	CABLE, FIRST FIXING DRAWER, 3		
25	FL2-2193-000		1	PLATE, DRAWER		
26	FU6-0483-000		1	GEAR, 85T	[DP]	

FIGURE 283 WASTE TONER DRIVE ASSEMBLY

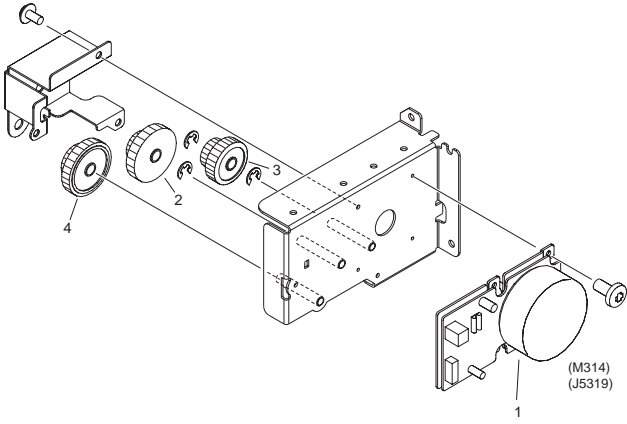


FIGURE & KEY NO.	PARTS NUMBER	RANK	QTY	DESCRIPTION	SERIAL NUMBER/REMARKS	SVC
Fig.283	FM2-2055-000		1	WASTE TONER DRIVE ASSEMBLY		
1	FK2-0022-000		1	MOTOR, 161 BRUSHLESS DC	M314	
2	FU6-0396-000		1	GEAR, 24T/40T		
3	FU6-0397-000		1	GEAR, 20T/40T		
4	FU6-0399-000		1	GEAR, 20T/50T		

FIGURE 284 DELIVERY DRIVE ASSEMBLY

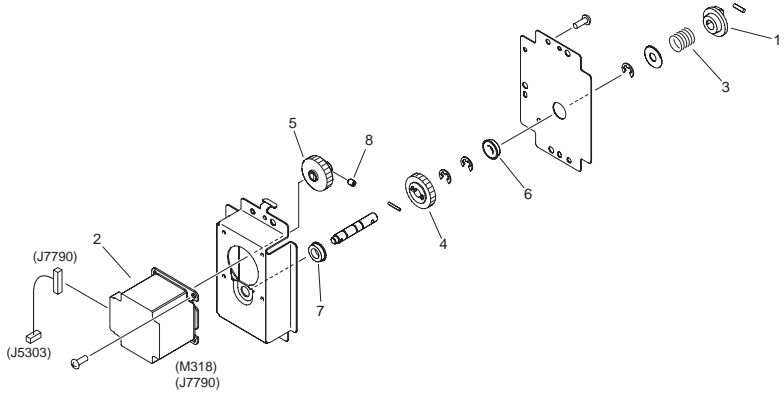
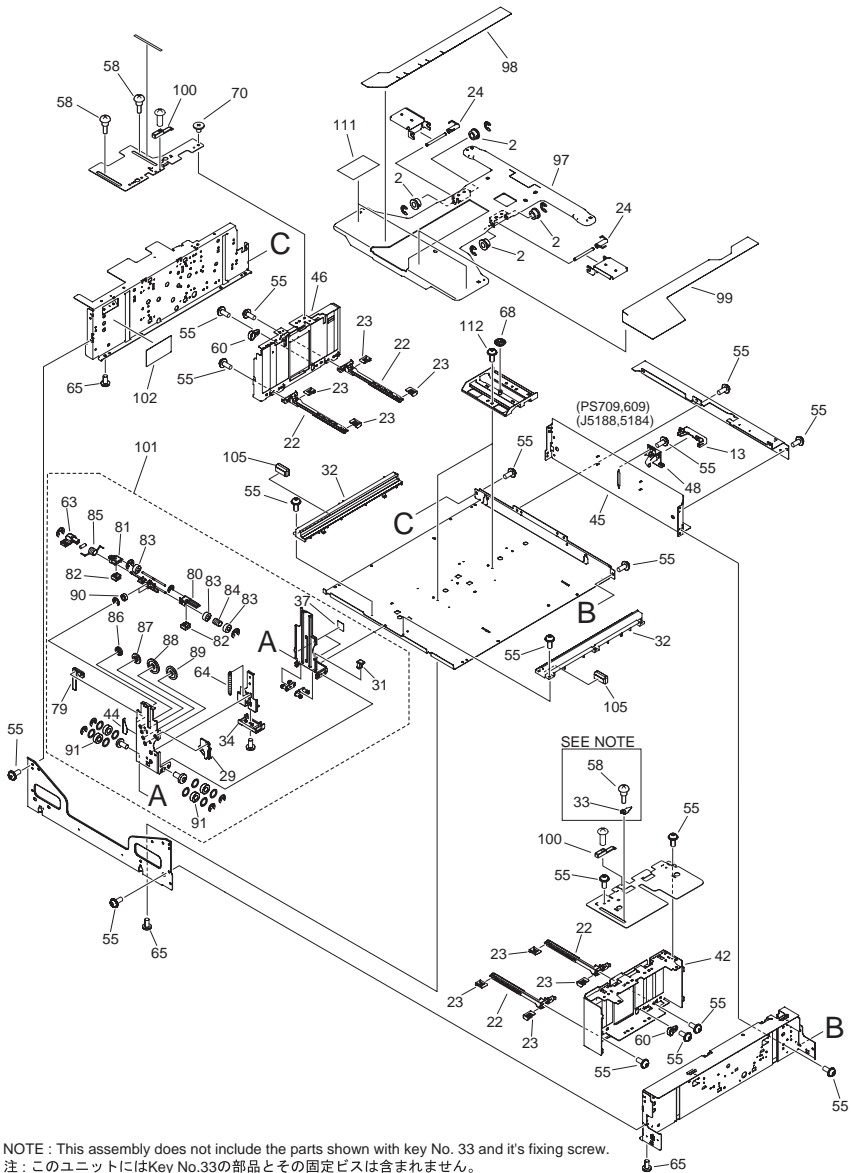
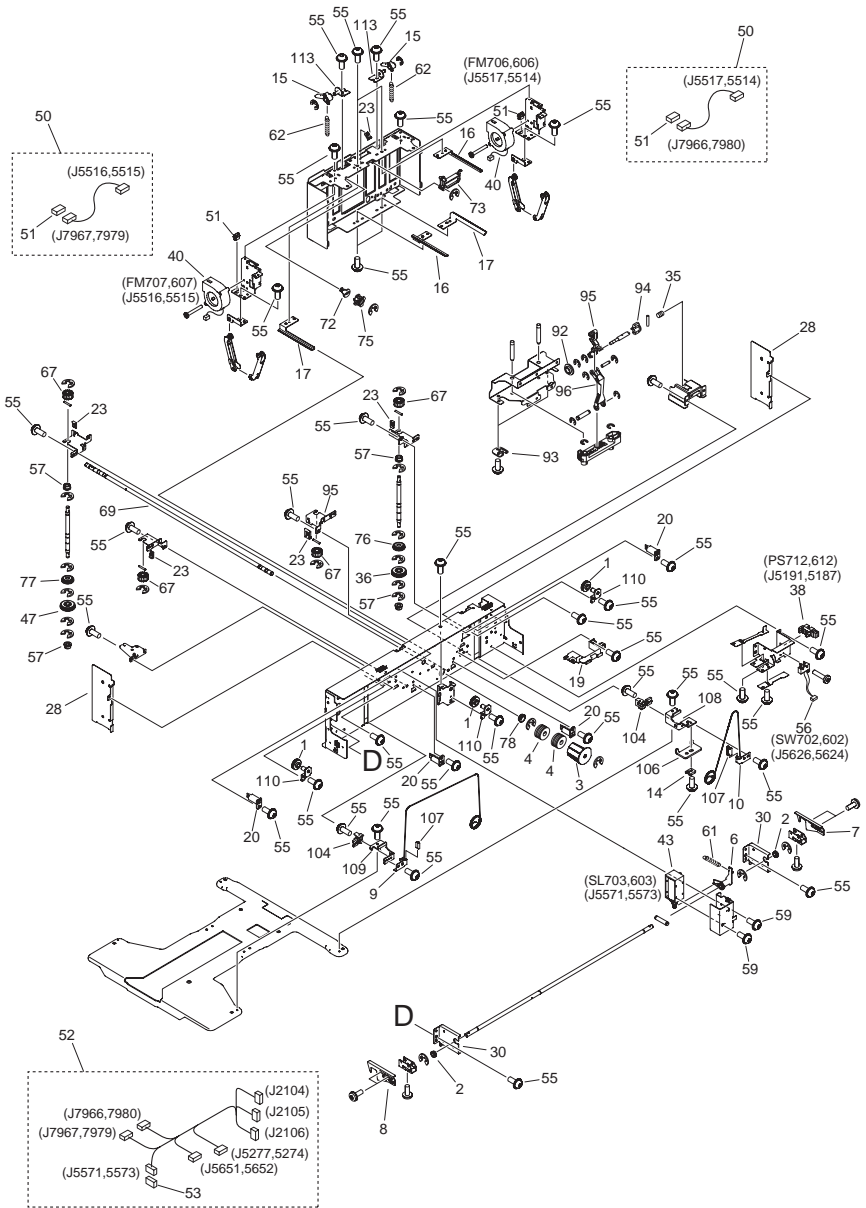


FIGURE & KEY NO.	PARTS NUMBER	RANK	QTY	DESCRIPTION	SERIAL NUMBER/REMARKS	SVC
Fig.284	FM2-2236-000		1	DELIVERY DRIVE ASSEMBLY		
1	FC6-8631-000		1	COUPLING, PAPER DELIVERY	M318	
2	FK2-3132-000		1	MOTOR, STEPPING, DC		
3	FS5-2925-000		1	SPRING, COMPRESSION		
4	FU6-0441-000		1	GEAR, 29T		
5	FU6-0442-000		1	GEAR, 29T		
6	XG9-0664-000		1	BALL BEARING, JMK-688ZZNR*D4ML		
7	XG9-0520-000		1	BEARING, BALL, MF106ZZS		
8	XA9-0934-000		1	SETSCREW,M3X6		

FIGURE 300 PAPER STOCK ASSEMBLY





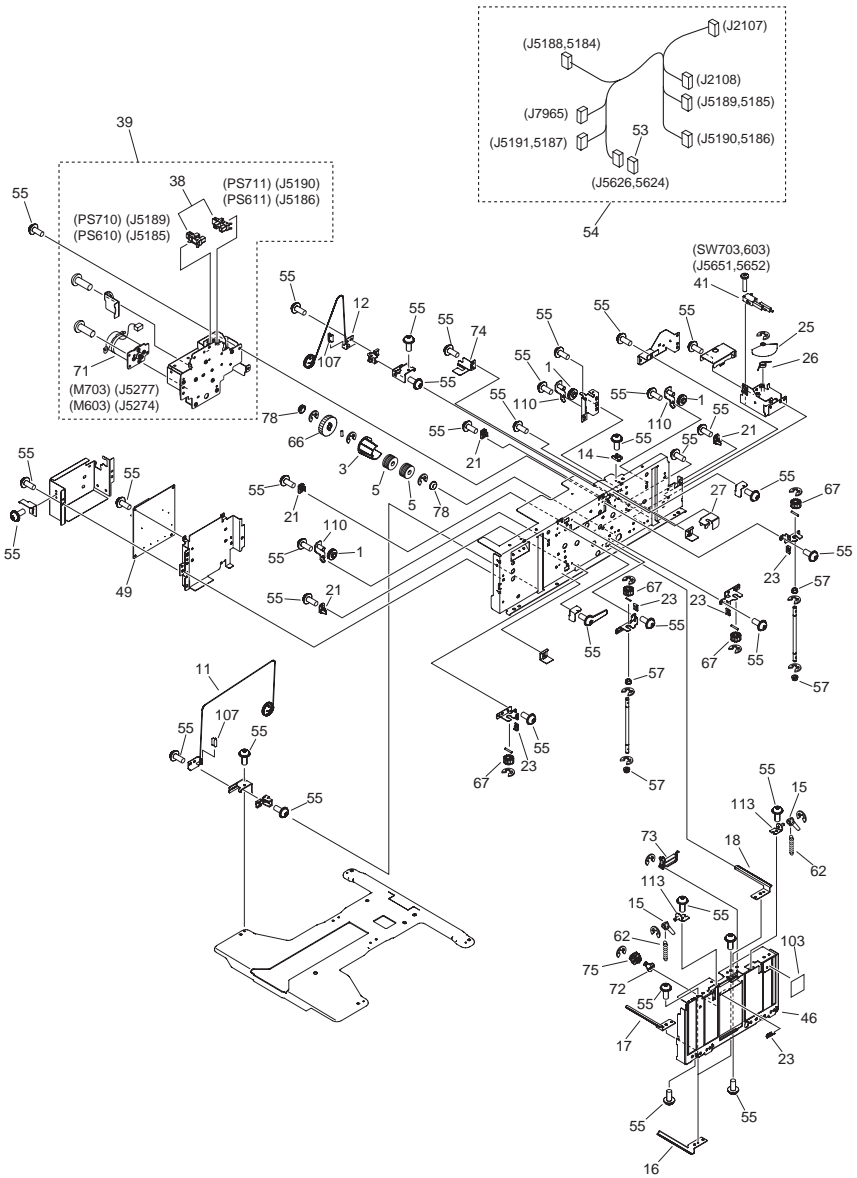


FIGURE & KEY NO.	PARTS NUMBER	R A N K	Q'TY	DESCRIPTION	SERIAL NUMBER/ REMARKS	S V C
Fig.300	FM2-1982-030		2	PAPER STOCK ASSEMBLY	1K	
1	FA6-8257-000		6	PULLEY		
2	FA9-2112-000		6	BUSHING, PL		
3	FB3-9241-000		2	GUIDE, PULLEY, FRONT		
4	FB3-9243-000		2	PULLEY, DRIVE, FRONT		
5	FB3-9244-000		2	PULLEY, DRIVE, REAR		
6	FC5-8205-000		1	LEVER, OPEN		
7	FC5-8206-000		1	CLAW, LATCH, RIGHT		
8	FC5-8207-000		1	CLAW, LATCH, LEFT		
9	FC5-8249-000		1	WIRE, LIFTER, 1		
10	FC5-8250-000		1	WIRE, LIFTER, 2		
11	FC5-8251-000		1	WIRE, LIFTER, 3		
12	FC5-8252-000		1	WIRE, LIFTER, 4		
13	FC5-8538-000		1	COVER, PAPER SUPPLY SENSOR		
14	FC5-8542-000		2	SLIDER, PAPER PICK-UP HEAD		
15	FC5-8561-000		4	CLAW, SHEET RETAINER		
16	FC6-9959-000		4	RACK, SIDE, 1		
17	FC6-9960-000		3	RACK, SIDE, 2		
18	FC6-9961-000		1	RACK, SIDE, 3		
19	FC7-2436-000		1	GUIDE, WIRE		
20	FC6-9965-000		4	BUSHING, SLIDER, FRONT		
21	FC6-9966-000		4	BUSHING, SLIDER, REAR		
22	FC6-9967-000		4	RACK, CENTER		
23	FC6-9969-000		18	SLIDER, RACK		
24	FC6-9982-000		2	SPRING, TORSION		
25	FC7-2431-000		1	FLAG, SWITCH		
26	FC7-2432-000		1	SPRING, TORSION		
27	FC7-2439-000		1	COVER, GEAR		
28	FC7-2440-000		2	COVER, SIDE		
29	FC7-4017-000		1	KNOB, BACK END LIMIT, FRONT		
30	FC5-8229-000		2	SUPPORT, LATCH		
31	FC7-4024-000		1	BUSHING, EDGE PROTECTIVE		

FIGURE & KEY NO.	PARTS NUMBER	R A N K	Q'TY	DESCRIPTION	SERIAL NUMBER/ REMARKS	S V C
32	FC6-9972-000		2	RAIL, BACK END LIMIT		
33	FC7-9569-000		2	PLATE, SIZE DISPLAY	SEE NOTE	
34	FC7-4027-000		1	STOPPER, BACK END		
35	FU5-2814-000		1	SPRING, COMPRESSION		
36	FU6-0193-000		1	GEAR, T30		
37	FC7-5591-000		1	LABEL, BACK END INDEX		
38	FK2-0149-000		3	PHOTO-INTERRUPTER, TLP1252(C6)	PS610,PS611,PS612,PS710,PS711,PS712	
39	FK2-2972-000		1	MOTOR, DC		
40	FK2-2975-000		2	FAN	FM606,M607,M706,M707	
41	FK2-2984-000		1	SWITCH, MICRO	SW603,SW703	
42	FL2-1799-000		1	PLATE, PAPER SIDE END, FRONT		
43	FL2-1805-000		1	SOLENOID	SL603,SL703	
44	FC7-7699-000		1	LABEL, BACK END KNOB		
45	FL2-1816-000		1	PLATE, FRONT END LIMIT		
46	FL2-4042-000		1	PLATE, PAPER SIDE END, REAR		
47	FU6-0194-000		1	GEAR, T30		
48	FM2-2006-000		1	PAPER SUPPLY SENSOR UNIT	PS609,PS709	
49	FM2-7629-000		1	BOX DRIVER PCB ASSEMBLY		
50	FM2-8520-000		2	CABLE, SIDE FAN CONNECTING		
51	VS1-7177-003		3	CONNECTOR, SNAP TIGHT, BK		
52	FM2-8605-000		1	CABLE, PAPER STOCK POWER		
53	VS1-7177-002		2	CONNECTOR, SNAP TIGHT, BK		
54	FM2-8645-000		1	CABLE, PAPER STOCK SIGNAL		
55	XA9-1249-010		147	SCREW,TP M4X8		
56	FM2-9409-000		1	CABLE, SWITCH	SW602,702	
57	FS1-1213-000		8	BUSHING		
58	FS1-9076-020		2	SCREW, STEPPED, M4		
59	XA9-1659-000		2	SCREW,M3X4		
60	FU5-1280-000		2	BUSHING		
61	FU5-2792-000		1	SPRING, TENSION		
62	FU5-2803-000		4	SPRING, TENSION		

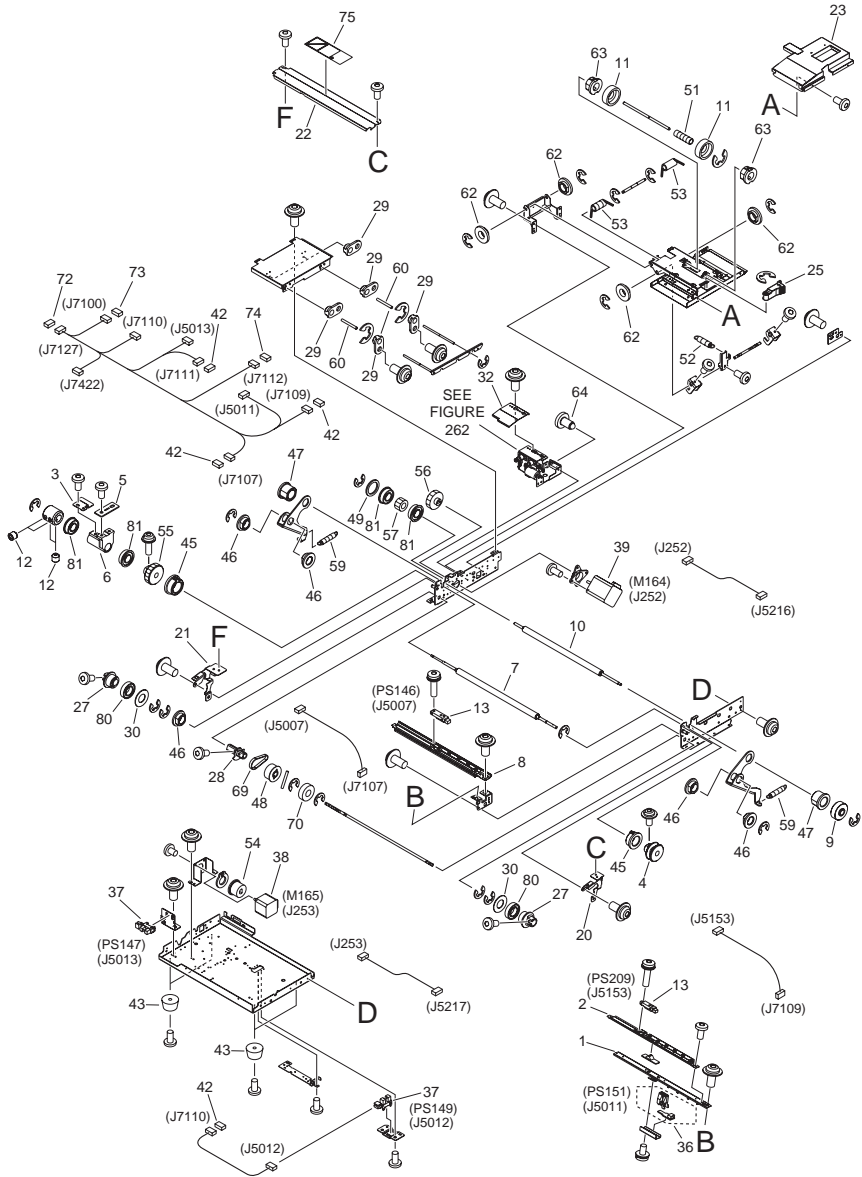
FIGURE & KEY NO.	PARTS NUMBER	R A N K	Q'TY	DESCRIPTION	SERIAL NUMBER/ REMARKS	S V C
63	FC7-7700-000		1	HOLDER, BACK END SPRING		
64	FU5-2809-000		1	SPRING, TENSION		
65	XA9-1031-000		11	SCREW, MACH. TRUSS HEAD, M4X6		
66	FU6-0178-000		1	GEAR, 42T		
67	FU6-0195-010		8	GEAR, 18T		
68	FU6-0187-000		2	GEAR, 20T		
69	FC5-8253-000		1	SHAFT, TRANSMISSION		
70	XA9-1415-000		3	SCREW, FLAT HEAD, M4		
71	FK2-2973-000		1	MOTOR, DC	M603,M703	
72	FC7-5571-000		2	PLATE, ADJUSTING		
73	FC7-5573-000		2	PLATE, ADJUSTING, RIGHT		
74	FC7-7694-000		1	COVER, GEAR		
75	FU5-3410-000		2	PULLEY, 20T		
76	FL2-5573-000		1	GEAR, 24T		
77	FL2-6474-000		1	GEAR, 24T		
78	XG9-0664-000		3	BALL BEARING, JMK-688ZZNR*D4ML		
79	FC7-4485-000		1	RACK, BACK END RETAINING		
80	FC7-5577-000		1	PLATE, BACK END RETAINING, FR		
81	FC7-5578-000		1	PLATE, BACK END RETAINING, RE		
82	FL2-2121-000		2	PAD, SEPARATION	[DP]	
83	FS5-6908-000		3	ROLLER, LEVER, 3		
84	FU5-2811-000		1	SPRING, COMPRESSION		
85	FU5-2813-000		1	SPRING, TORSION		
86	FU6-0189-000		1	GEAR, 13T		
87	FU6-0190-000		1	GEAR, 14T/16T		
88	FU6-0191-000		1	GEAR, 14T/40T		
89	FU6-0192-000		1	GEAR, 36T		
90	XG9-0484-000		2	BEARING, BALL, DDL-740ZZH		
91	XG9-0757-000		4	BEARING, BALL, MR84ZZ		
92	FB3-9319-000		1	BUSHING		
93	FC7-9534-000		2	BUSHING		
94	FC7-9536-000		1	BLOCK, LOCK		

FIGURE & KEY NO.	PARTS NUMBER	R A N K	Q'TY	DESCRIPTION	SERIAL NUMBER/ REMARKS	S V C
95	FC7-9539-000		1	LEVER		
96	FC7-9540-000		1	LINK		
97	FL2-1809-000		1	PLATE, LIFTER		
98	FC7-5584-000		1	LABEL, LENGTH SIZE, INCH		
99	FC7-5585-000		1	LABEL, LENGTH SIZE, AB		
100	FC8-7665-000		2	KNOB, SIDE GUIDE		
101	FM3-2357-010		1	BACK END LIMIT ASSEMBLY		
102	FC7-9716-000		1	LABEL, PAPER SUPPLY CAUTION		
103	FC8-7678-000		1	LABEL, MAXIMUM LOAD, SIDE		
104	FC6-9987-000		2	GUIDE, LIFTER PLATE		
105	FC7-9726-000		2	STOPPER, RAIL		
106	FC8-1648-000		1	SPACER, SLIDER		
107	FC5-8246-000		4	GUIDE, WIRE		
108	FC6-9945-000		1	PLATE, WIRE FIXED, 1		
109	FC6-9946-000		1	PLATE, WIRE FIXED, 2		
110	FL2-1777-000		6	MOUNT, FIXED PULLEY		
111	FC8-1655-000		2	LABEL, HAND STUCK WARNING		
112	XA9-0994-000		6	SCREW, TP, M4X6		
113	FL2-1795-000		4	SUPPORT, FRONT		

FIGURE & KEY NO.	PARTS NUMBER	R A N K	Q'TY	DESCRIPTION	SERIAL NUMBER/ REMARKS	S V C
Fig.310	FM2-1979-000		2	PAPER PICK-UP ASSEMBLY		
1	FA9-2112-000		1	BUSHING, PL		
2	FB2-7755-000		2	BUSHING		
3	FC5-8115-000		1	FLAG, ATTRACTION		
4	FC5-8116-010		1	BUTTON, UPPER LIMIT SWITCH		
5	FC5-8120-000		1	CAM		
6	FC5-8121-000		2	HOLDER, PAPER SENSOR SHAFT		
7	FC5-8122-000		1	FLAG, PAPER SENSOR		
8	FC5-8126-000		3	NOZZLE, SEPARATION		
9	FC5-8127-000		3	NOZZLE, FRONT		
10	FC5-8133-000		2	ROLLER, DRIVEN		
11	FC5-8142-000		1	LINK, ATTRACTION SHUTTER		
12	FC5-8143-000		1	SHAFT, BELT FOLLOWER		
13	FC5-8144-000		6	ROLLER, BELT DRIVE		
14	FC5-8146-000		3	BELT, ATTRACTION		
15	FC5-8147-000		3	COVER, SEPARATION NOZZLE		
16	FC5-8153-000		1	FLAG, PAPER PRESENCE SENSOR		
17	FC5-8154-000		1	LINK, PAPER		
18	FC5-8171-000		1	ARM, PAPER DETECT		
19	WG8-5848-000		6	IC, PHOTO-INTERRUPTER	PS602,PS603,PS604,PS605,PS606,PS614,PS702,PS703,PS704,PS705,PS706,PS714	
20	FM3-2089-000		1	FAN UNIT	FM601,FM701	
21	FL2-9438-000		1	EXTRACTION ROLLER UNIT		
22	FL2-1785-000		1	SOLENOID, PAPER PICK-UP	SL601,SL701	
23	FM2-8519-000		1	CABLE, EXTRACTION SENSOR		
24	VS1-7177-003		2	CONNECTOR, SNAP TIGHT, BK		
25	FM2-8629-000		1	CABLE, AIR PAPER PICK-UP		
26	VS1-7177-002		1	CONNECTOR, SNAP TIGHT, BK		
27	VS1-7177-004		1	CONNECTOR, SNAP TIGHT, BK		
28	FM2-9408-000		1	CABLE, ABSORB SENSOR CONNECT		
29	FS5-6487-000		4	WASHER		

FIGURE & KEY NO.	PARTS NUMBER	R A N K	Q'TY	DESCRIPTION	SERIAL NUMBER/REMARKS	S V C
30	FU5-2781-000		1	SPRING, COMPRESSION	PS601,PS701	
31	FU5-2783-000		2	SPRING, COMPRESSION		
32	FU5-2784-000		1	SPRING, TENSION		
33	FU5-2785-000		2	SPRING, COMPRESSION		
34	XA9-1659-000		2	SCREW,M3X4		
35	XG9-0508-000		2	BEARING, BALL, F688ZZ		
36	RS5-1058-000		4	BUSHING		
37	XG9-0507-000		4	BEARING, BALL, MF128ZZ		
38	WG8-5736-000		1	PHOTO SENSOR UNIT		
39	FC5-8149-000		3	NOZZLE, REAR		
40	XH9-0006-000		2	BUSHING,RUBBER,(WITH M4 NUT)		
41	XZ1-1900-705		2	SPACER		

FIGURE 320 REGIST. PAPER FEEDER ASSEMBLY



NOTE : Several kinds of labels are attached on the board for the parts of Key No. 75. The same parts as Fig/Key No. 100-96.
 注 : Key No. 75の部品は台紙に数種類のラベルが付いています。Fig/Key No. 100-96と同一部品です。

FIGURE & KEY NO.	PARTS NUMBER	R A N K	Q'TY	DESCRIPTION	SERIAL NUMBER/ REMARKS	S V C
Fig.320	NPN		RF	REGIST. PAPER FEEDER ASSEMBLY		
1	FC5-9614-010		1	GUIDE, REGIST. REAR, LOWER		
2	FC5-9615-000		1	GUIDE, REGIST. REAR, UPPER		
3	FC5-9616-000		1	FLAG, REG. ROLLER H.P. SENSOR		
4	FC5-9617-000		1	JOINT, REG. ROLLER, LOWER		
5	FC5-9619-000		1	STOPPER, BELT		
6	FC5-9620-000		1	HOLDER, REGISTRATION SLIDE		
7	FC5-9621-000		1	ROLLER, REGISTRATION, LOWER		
8	FC5-9622-010		1	GUIDE, PRE-REGISTRATION		
9	FC5-9623-000		1	JOINT, REG. ROLLER, UPPER		
10	FC5-9624-000		1	ROLLER, REGISTRATION, UPPER		
11	FC5-9631-000		2	SUPPORT, SPRING		
12	XA9-1813-000		16	SET SCREW, HEX.SKT.HEAD, M3X3		
13	WG8-5736-000		2	PHOTO SENSOR UNIT	PS146,PS209	
14	FC5-9715-000		2	PULLEY, 30T		
15	FC5-9719-000		4	PULLEY		
16	FC5-9721-000		3	ROLLER	[DP]	
17	FC5-9722-010		1	GUIDE, LOWER		
18	FC5-9725-000		1	FLAG, JOG HOME POSITION		
19	FC5-9740-000		2	BLOCK, SLIDE		
20	FC5-9745-000		1	RETAINER, BUSHING, FRONT		
21	FC5-9746-000		1	RETAINER, BUSHING, REAR		
22	FC5-9747-000		1	COVER, REGISTRATION ROLLER		
23	FC5-9748-000		1	COVER, FIXED GUIDE		
24	FC5-9749-000		1	COVER, ROLLER INNER		
25	FC6-8202-000		1	BUTTON, RELEASE		
26	FC6-8300-000		1	COVER, ROLLER INNER, 2		
27	FC6-8306-000		2	CAM, REGISTRATION RELEASE		
28	FC6-8307-000		1	FLAG, SENSOR UNIT, H.P.		
29	FC6-8310-000		4	BUSHING, FIXED		
30	FC6-8502-000		2	RETAINER, THRUST		
31	FC6-8509-000		1	HANDLE, GUIDE, UPPER		

FIGURE & KEY NO.	PARTS NUMBER	R A N K	Q'TY	DESCRIPTION	SERIAL NUMBER/REMARKS	S V C
32	FC7-3492-000		1	COVER, DRIVE		
33	FC7-4972-000		1	WASHER, MOLD		
34	FC7-4973-000		1	WASHER, WAVE		
35	FC7-7481-000		1	WASHER		
36	FG6-8605-020		1	OPTICAL SENSOR PCB ASSEMBLY	PS151	
37	WG8-5848-000		6	IC, PHOTO-INTERRUPTER	PS147,PS149,PS152,PS153,PS154,PS400	
38	FK2-3124-000		2	MOTOR, STEPPING, DC	M165,M168	
39	FK2-3127-000		1	MOTOR, STEPPING, DC	M164	
40	FK2-3143-000		1	MOTOR, STEPPING, DC	M169,M170,M171	
41	FL2-4074-000		3	SUPPORT, CLEANING PAD	[DP]	
42	VS1-7177-003		7	CONNECTOR, SNAP TIGHT, BK		
43	XH9-0122-000		4	FOOT, RUBBER		
44	FM2-5180-000		1	REGISTRATION JOGGING ASSEMBLY	M167	
45	FS1-1189-000		2	BUSHING, ABS		
46	FS1-1341-000		6	BUSHING, OILLESS METAL		
47	FS1-1465-000		2	BUSHING		
48	FU5-3212-000		1	PULLEY, 40T		
49	FS5-6488-000		10	WASHER		
50	FU5-2896-000		1	SPRING, TENSION		
51	FU5-2939-000		1	SPRING, COMPRESSION		
52	FU5-2940-000		1	SPRING, TENSION		
53	FU5-2941-000		2	SPRING, TORSION		
54	FU5-3438-000		1	PULLEY, 20T		
55	FU6-0386-000		1	GEAR		
56	FU6-0392-000		1	GEAR		
57	FU6-0393-000		1	GEAR		
58	FU6-2514-000		2	SPRING, TENSION		
59	FU6-2515-000		2	SPRING, TENSION		
60	FU6-2516-000		2	SPRING, COMPRESSION		
61	FK3-0823-000		1	MOTOR, STEPPING, DC	M400	
62	RS1-1042-000		4	BUSHING		

FIGURE & KEY NO.	PARTS NUMBER	R A N K	Q'TY	DESCRIPTION	SERIAL NUMBER/REMARKS	S V C
63	RS5-1567-000		2	BUSHING		
64	XA9-0892-000		3	SCREW,MACH.,TRUSS HEAD,M4X6		
65	VS1-7177-004		3	CONNECTOR, SNAP TIGHT, BK		
66	XD9-0220-000		1	WASHER		
67	XF2-1606-960		2	BELT, TIMING		
68	XF2-1610-760		1	BELT, TIMING		
69	XF2-3606-360		1	BELT, TIMING		
70	XG9-0384-000		1	BEARING, BALL,DDR198022LY13		
71	XG9-0602-000		12	BEARING, BALL, MF126T12ZZMC3		
72	VS1-7164-036		1	CONNECTOR, SNAP TIGHT, 36P, W		
73	VS1-7173-004		1	CONNECTOR, SNAP TIGHT		
74	VS1-7177-009		1	CONNECTOR, 9P		
75	FC8-2990-000		1	LABEL, MAIN STATION LANGUAGE 2	SEE NOTE Japanese	
75	FC8-3641-000		1	LABEL, MAIN STATION LANGUAGE 2	SEE NOTE English	
75	FC8-3642-000		1	LABEL, MAIN STATION LANGUAGE 2	SEE NOTE French	
75	FC8-3643-000		1	LABEL, MAIN STATION LANGUAGE 2	SEE NOTE German	
75	FC8-3644-000		1	LABEL, MAIN STATION LANGUAGE 2	SEE NOTE Italian	
75	FC8-3645-000		1	LABEL, MAIN STATION LANGUAGE 2	SEE NOTE Spanish	
75	FC8-3646-000		1	LABEL, MAIN STATION LANGUAGE 2	SEE NOTE Portuguese	
76	FM4-2630-000		3	PRESSURE RELEASE MOTOR UNIT		
77	FU8-2629-000		1	SPRING, TENSION		
78	FM3-0291-010		1	SIDE BLOCK ASSEMBLY		
79	FC8-9079-000		1	SHEET, LIGHT-BLOCKING		
80	XG1-1528-075		2	BALL BEARING, NSK 6902ZZ, SUJ		
81	XG3-6012-405		6	BALL BEARING, MF126ZZ		

FIGURE 321 PRE-REGISTRATION FEED ASSEMBLY

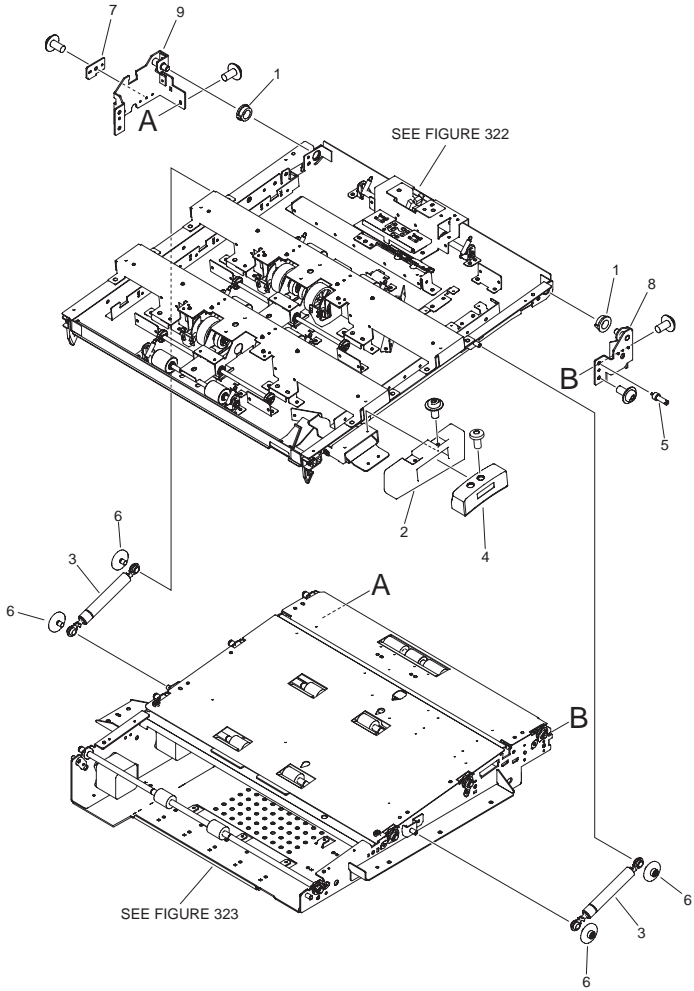
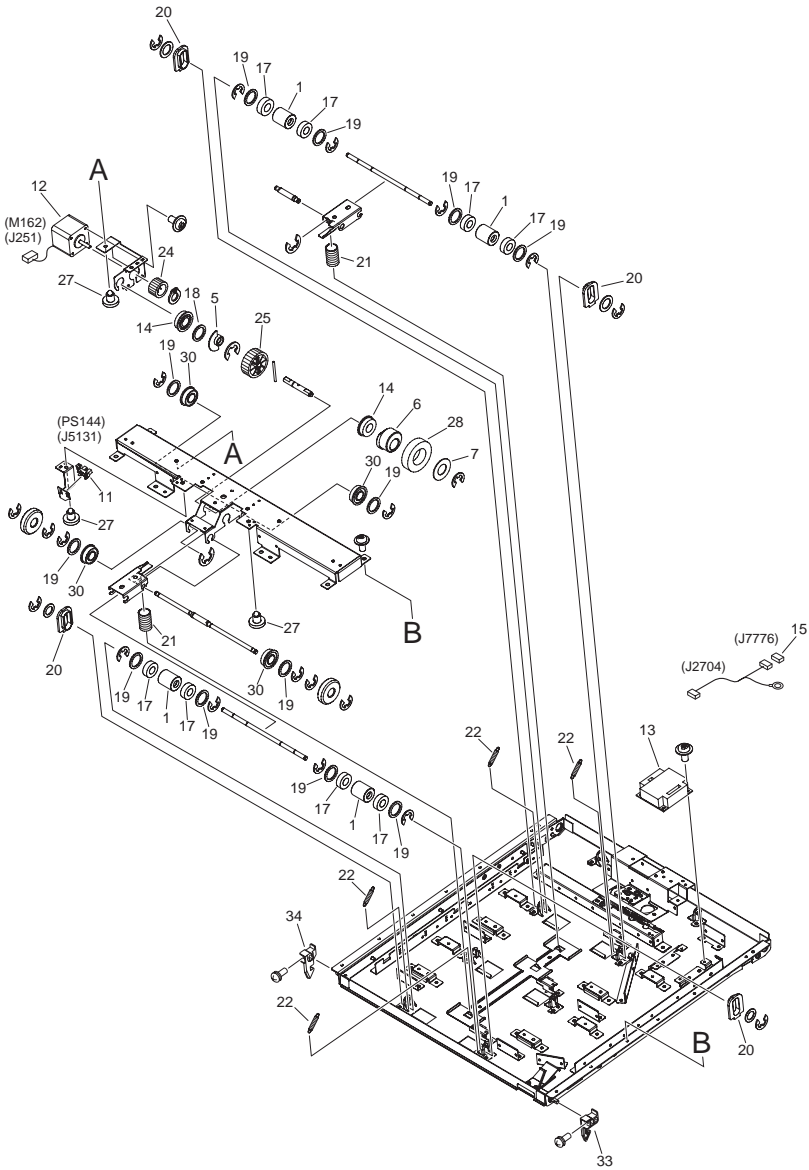
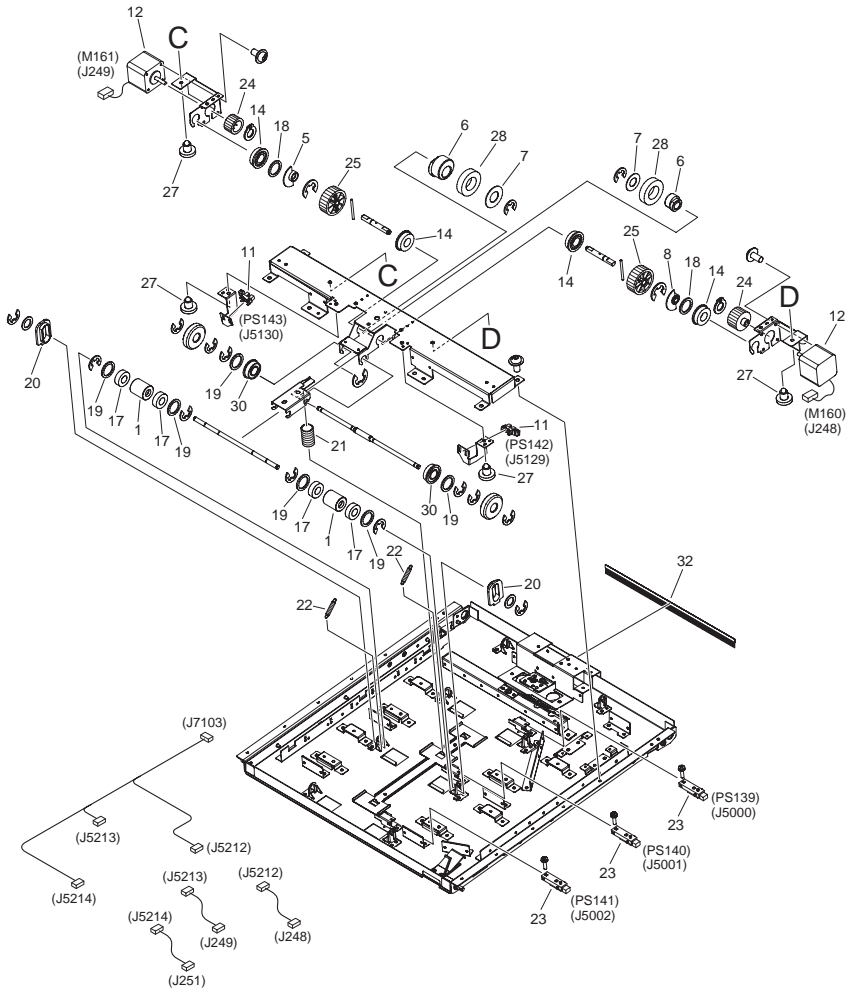


FIGURE & KEY NO.	PARTS NUMBER	RANK	Q'TY	DESCRIPTION	SERIAL NUMBER/REMARKS	SVC
Fig.321	NPN		RF	PRE-REGISTRATION FEED ASSEMBLY		
1	FA9-2112-000		2	BUSHING, PL		
2	FC6-8045-000		1	COVER, RELEASE LEVER		
3	FC6-8309-000		2	SPRING, GAS		
4	FC7-3493-000		1	HANDLE, LEVER		
5	FU5-9221-000		1	SHAFT, GUIDE, UPPER		
6	FU5-9404-000		4	SHAFT, TURN		
7	FC7-3470-000		1	PLATE, HINGE MOUNT FIXED, REAR		
8	FL2-2147-000		1	MOUNT, HINGE, FRONT		
9	FL2-2148-000		1	MOUNT, HINGE, REAR		

FIGURE 322
 PRE-REGIST. FEEDER UPPER ASS'Y





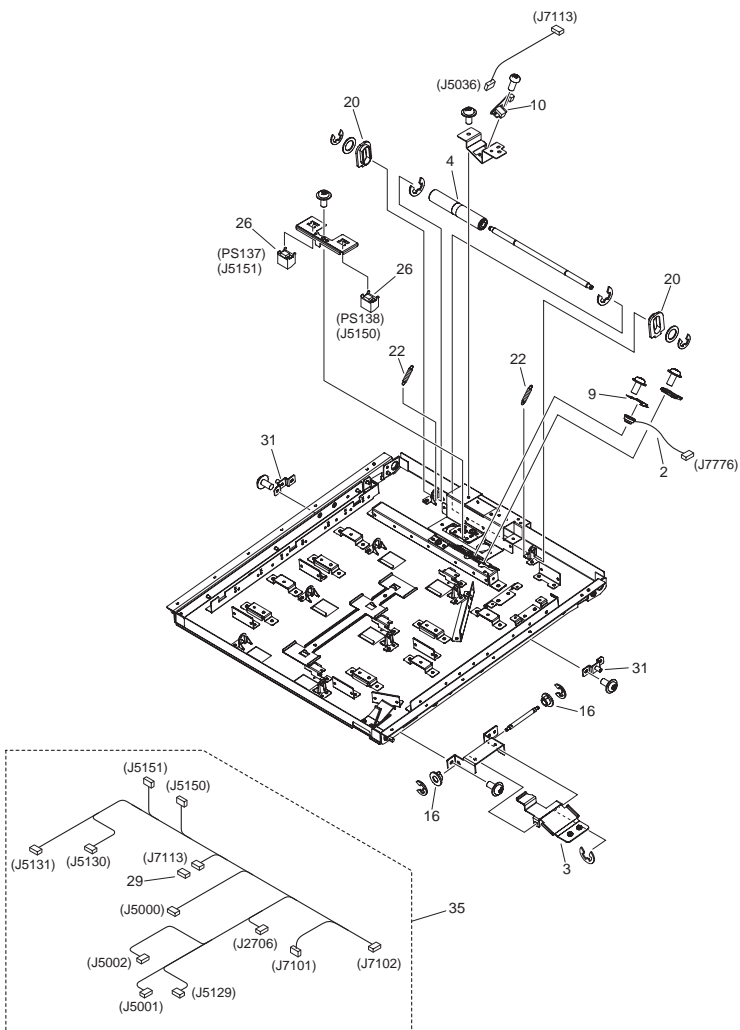


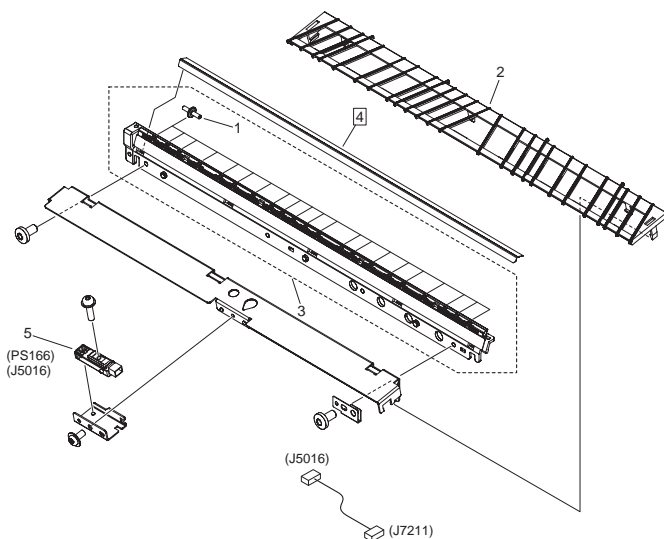
FIGURE & KEY NO.	PARTS NUMBER	R A N K	Q'TY	DESCRIPTION	SERIAL NUMBER/ REMARKS	S V C
Fig.322	FM4-2623-000		1	PRE-REGIST. FEEDER UPPER ASS'Y		
1	FC5-9668-000		6	ROLLER, FOLLOWER		
2	FK2-0999-000		1	SENSOR		
3	FC6-8046-000		1	LEVER, RELEASE		
4	FC6-8056-000		1	ROLLER, PAPER THICK DETECT, UP		
5	FC6-8492-000		2	FLAG, CAM SENSOR		
6	FC6-8493-000		3	CAM, RELEASE		
7	FC6-8502-000		3	RETAINER, THRUST		
8	FC7-3130-000		1	FLAG, CAM SENSOR, FRONT		
9	FC6-8219-000		1	PLATE, RETAINING		
10	FK2-0589-000		1	PAPER SENSOR PCB UNIT		
11	WG8-5848-000		3	IC, PHOTO-INTERRUPTER	PS142,PS143,PS144	
12	FK2-3124-000		3	MOTOR, STEPPING, DC	M160,M161,M162	
13	FM2-7640-000		1	RECEPTION PCB ASSEMBLY		
14	XG9-0664-000		6	BALL BEARING, JMK-688ZZNR*D4ML		
15	VS1-7177-002		1	CONNECTOR, SNAP TIGHT, BK		
16	FS1-1532-000		2	BUSHING, PL		
17	XG9-0245-000		12	BEARING, BALL, MR126ZZMC3NS7L		
18	FS5-6487-000		5	WASHER		
19	FS5-6488-000		18	WASHER		
20	FU5-1326-000		8	BUSHING, FOLLOWER ROLLER		
21	FU5-2944-000		3	SPRING, COMPRESSION		
22	FU5-2945-000		8	SPRING, TENSION		
23	WG8-5736-000		3	PHOTO SENSOR UNIT	PS139,PS140,PS141	
24	FU7-0141-000		3	GEAR, 26T		
25	FU7-0142-000		3	GEAR, 52T		
26	RH7-7129-020		2	OHT SENSOR UNIT	PS137,PS138	
27	XA9-1035-000		12	SCREW,M4X4		
28	XG1-1528-075		3	BALL BEARING, NSK 6902ZZ, SUJ		
29	VS1-7173-005		1	CONNECTOR, SNAP TIGHT		
30	XG3-6012-405		6	BALL BEARING, MF126ZZ		
31	FL2-4141-000		2	MOUNT, CROSSMEMBER, UPPER		

FIGURE & KEY NO.	PARTS NUMBER	R A N K	Q'TY	DESCRIPTION	SERIAL NUMBER/ REMARKS	S V C
32	FB5-4858-000		1	ELIMINATOR, STATIC CHARGE		
33	FC6-8494-000		1	HOOK, FRONT		
34	FC6-8495-000		1	HOOK, REAR		
35	FM2-8649-000		1	CABLE, REGISTRATION SENSOR		

FIGURE & KEY NO.	PARTS NUMBER	R A N K	Q'TY	DESCRIPTION	SERIAL NUMBER/ REMARKS	S V C
Fig.323	FM4-2599-000		1	PRE-REGIST. FEEDER LOWER ASS'Y		
1	FA9-2112-000		4	BUSHING, PL		
2	FL2-4140-000		2	MOUNT, CROSSMEMBER, LOWER		
3	FC9-9475-000		1	ROLLER, SENSOR FOR FEEDER		
4	FC9-9476-000		3	ROLLER, PAPER FEEDER, FRONT		
5	FC7-7065-000		6	ROLLER, SLIDE		
6	FK2-3125-000		4	MOTOR, STEPPING, DC	M156,M157,M158,M159	
7	FK3-0827-000		1	FAN		
8	FC5-9559-000		4	PLATE, ROLLER GROUNDING		
9	FM4-6266-000		1	TRANSMISSION PCB ASSEMBLY		
10	FK2-0999-000		1	SENSOR		
11	FM4-6239-000		2	REG. FEED DRIVER PCB ASSEMBLY		
12	FB5-4858-000		1	ELIMINATOR, STATIC CHARGE		
13	FU5-3441-000		4	PULLEY, 30T		
14	XF2-1608-060		4	BELT, TIMING		
15	XG9-0664-000		8	BALL BEARING, JMK-688ZZNR*D4ML		
16	VS1-7164-036		1	CONNECTOR, SNAP TIGHT, 36P, W		
17	VS1-7177-003		1	CONNECTOR, SNAP TIGHT, BK		
18	VS1-7177-002		1	CONNECTOR, SNAP TIGHT, BK		
19	VS1-7173-003		1	CONNECTOR, SNAP TIGHT, 3P, W		
20	VS1-7173-004		1	CONNECTOR, SNAP TIGHT		
21	FC6-8219-000		1	PLATE, RETAINING		

FIGURE 324

2ND TRNSFR. ELIM. ASS'Y, REAR



NOTE : This assembly is included in the assembly shown in Figure 333.
 注 : このユニットはFigure 333のユニットに含まれます。

FIGURE & KEY NO.	PARTS NUMBER	RANK	QTY	DESCRIPTION	SERIAL NUMBER/REMARKS	SVC
Fig.324	FM2-2176-000		1	2ND TRNSFR. ELIM. ASS'Y, REAR	SEE NOTE	
1	FC5-2669-000		21	ROWEL		
2	FC5-9363-000		1	GUIDE, REAR		
3	FL2-4116-000		1	ELIMINATOR, STATIC-CHARGE		
4	FL2-4118-000		1	SHEET, SCATTER PREVENTION, 5	[DP]	
5	WG8-5736-000		1	PHOTO SENSOR UNIT	PS166	

FIGURE 325 VERTICAL PATH ASSEMBLY

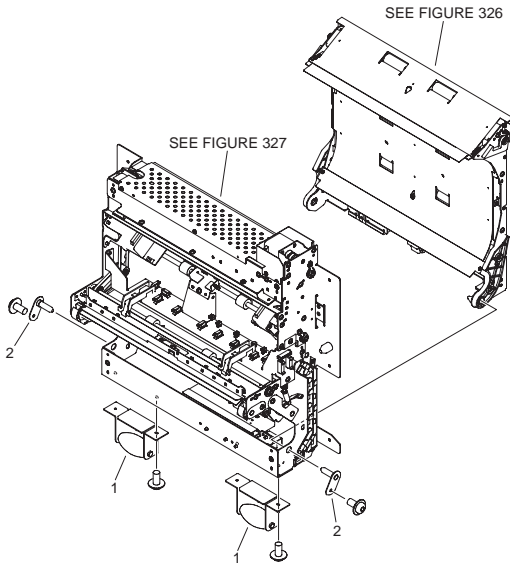


FIGURE & KEY NO.	PARTS NUMBER	RANK	QTY	DESCRIPTION	SERIAL NUMBER/REMARKS	SVC
Fig.325	NPN		RF	VERTICAL PATH ASSEMBLY		
1	FL2-2306-000		2	ROLLER, SLIDE		
2	FL2-2127-000		2	HINGE, RIGHT DOOR		

FIGURE 326 RIGHT DOOR ASSEMBLY

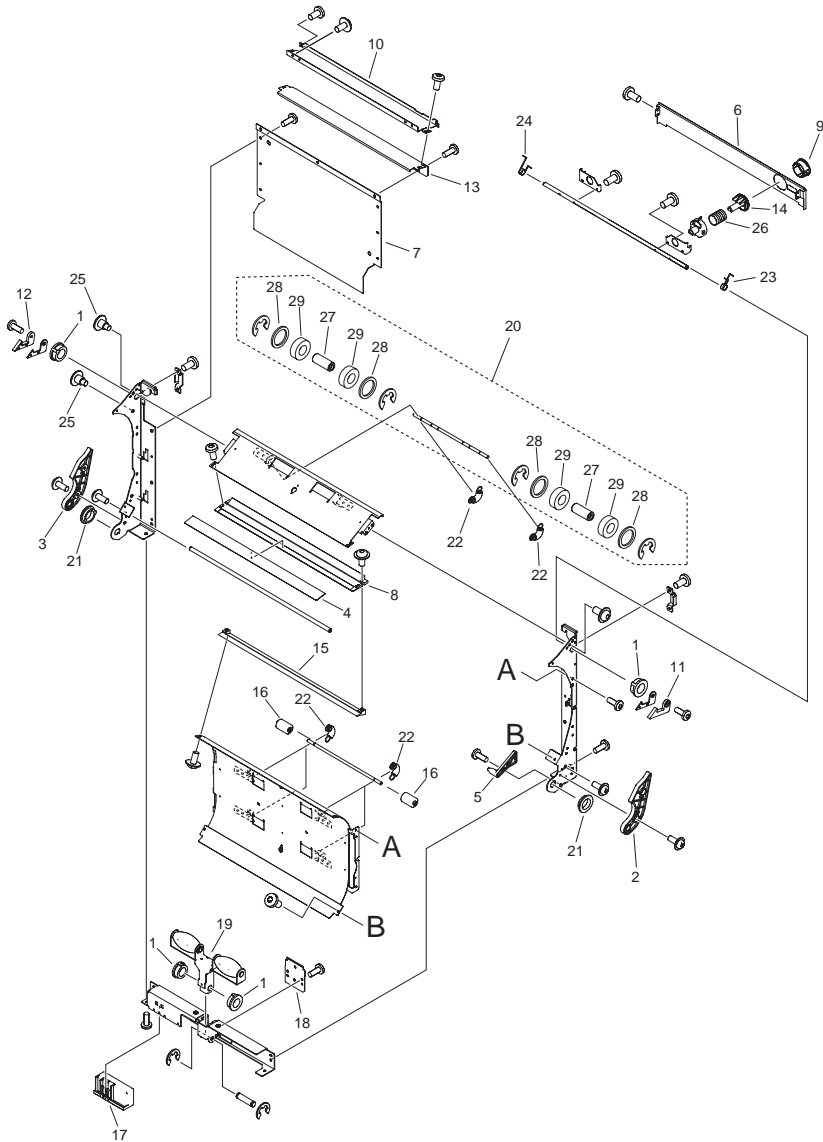


FIGURE & KEY NO.	PARTS NUMBER	R A N K	Q'TY	DESCRIPTION	SERIAL NUMBER/ REMARKS	S V C
Fig.326	FM2-2247-000		1	RIGHT DOOR ASSEMBLY		
1	FA9-2112-000		4	BUSHING, PL		
2	FC5-9510-000		1	CAM, OPEN/CLOSE, FRONT		
3	FC5-9511-000		1	CAM, OPEN/CLOSE, REAR		
4	FC5-9513-000		1	SHEET, GUIDE, 2		
5	FC6-0009-000		1	SWITCH, DOOR, RIGHT		
6	FC6-0056-000		1	COVER, RIGHT DOOR, UPPER		
7	FC6-0058-000		1	COVER, DOOR INNER, RIGHT		
8	FC6-0060-000		1	BLOCK, CROSSING, UPPER		
9	FC6-0061-000		1	HOLDER, BUTTON		
10	FC6-0063-000		1	GUIDE, UPPER		
11	FC6-0069-000		1	HOOK, RIGHT DOOR, FRONT		
12	FC6-0070-000		1	HOOK, RIGHT DOOR, REAR		
13	FC6-0073-000		1	GUIDE, LOWER		
14	FC6-0083-000		1	BUTTON, RELEASE		
15	FC6-0084-000		1	BLOCK, CROSSING, LOWER		
16	FC7-0042-000		4	ROLLER, FOLLOWER		
17	FB6-3440-000		1	HANDLE, REAR		
18	FC6-0065-000		1	STOPPER, ROLLER		
19	FM2-5107-000		1	AUXILIARY ROLLER ASSEMBLY		
20	FM2-5108-000		1	ROLLER, FOLLOWER, LEFT		
21	FS2-1012-000		2	BUSHING		
22	FU5-2833-000		6	SPRING, TENSION		
23	FU5-2962-000		1	SPRING, TORSION		
24	FU5-2963-000		1	SPRING, TORSION		
25	FU5-9210-000		2	SCREW, STEPPED, M4		
26	FU6-2534-000		1	SPRING, COMPRESSION		
27	FC6-0111-000		2	ROLLER, FOLLOWER		
28	FS5-6488-000		4	WASHER		
29	XG9-0245-000		4	BEARING, BALL, MR126ZZMC3NS7L		

FIGURE 327 VERTICAL PATH MAIN ASSEMBLY

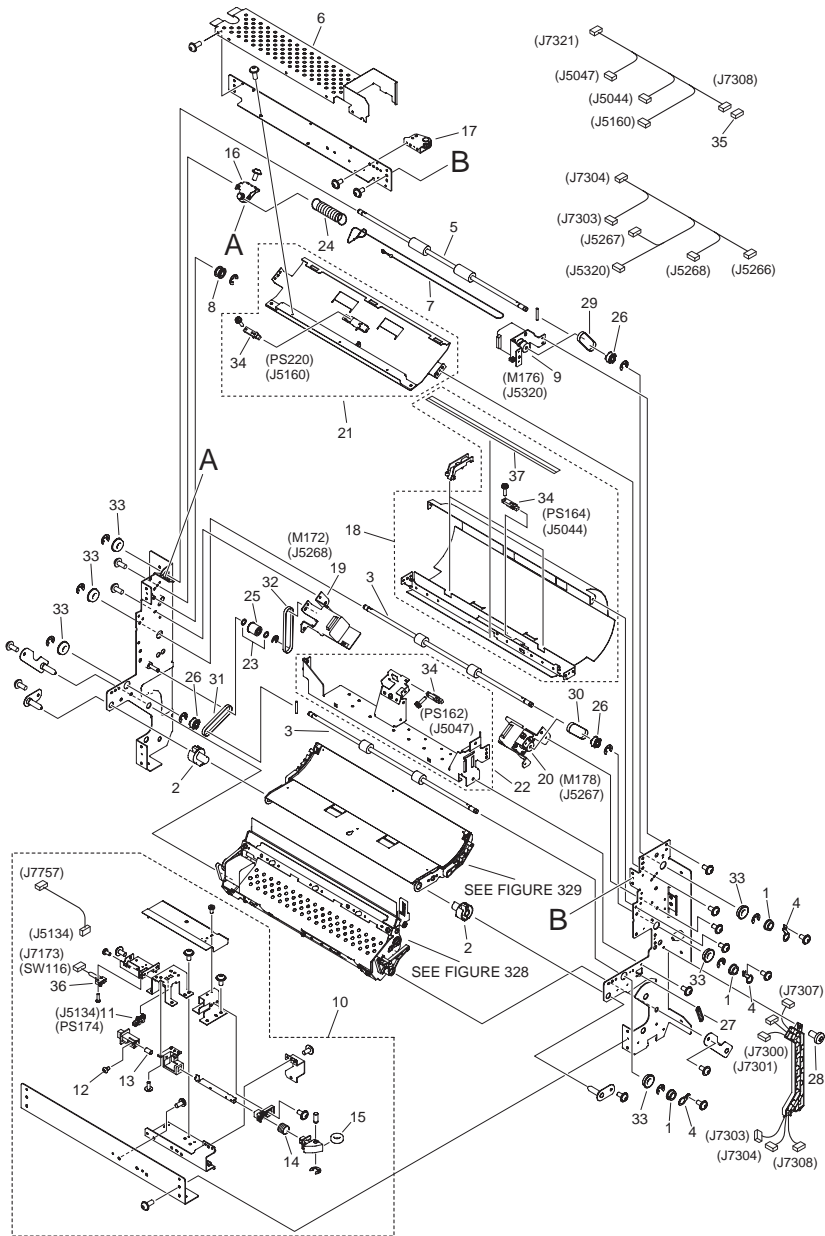


FIGURE & KEY NO.	PARTS NUMBER	R A N K	Q'TY	DESCRIPTION	SERIAL NUMBER/ REMARKS	S V C
Fig.327	FM2-5111-000		1	VERTICAL PATH MAIN ASSEMBLY		
1	FA9-2112-000		3	BUSHING, PL		
2	FC5-9489-000		2	BUSHING, OPEN/CLOSE		
3	FC5-9493-000		2	ROLLER, V. PATH PAPER FEED		
4	FC5-9559-000		3	PLATE, ROLLER GROUNDING		
5	FC6-0045-000		1	ROLLER, EXTERNAL CROSSING		
6	FC6-0049-000		1	COVER, BLANKING, UPPER		
7	FC6-0055-000		1	WIRE, VERTICAL PATH		
8	FC6-0059-000		1	ROLLER, WIRE		
9	FM2-5112-000		1	POD PATH DRIVE ASSEMBLY	M176	
10	FM2-5113-000		1	OPEN/CLOSE DETECT ASSEMBLY		
11	FK2-0149-000		1	PHOTO-INTERRUPTER, TLP1252(C6)	PS174	
12	FS1-9010-020		1	SCREW, STEPPED, M3		
13	FS7-2854-000		1	SPRING, COMPRESSION		
14	FU5-2921-000		1	SPRING, COMPRESSION		
15	XG9-0387-000		1	BEARING, BALL, L-1680HH LY13		
16	FM2-5114-000		1	WIRE RETURN ASSEMBLY		
17	FM2-5115-000		1	WIRE STOPPER ASSEMBLY		
18	FM2-5116-010		1	INNER GUIDE ASSEMBLY		
19	FM2-5117-000		1	LOWER FEEDER PATH DRIVE ASS'Y	M172	
20	FM2-5118-000		1	VERTICAL PATH DRIVE ASSEMBLY	M178	
21	FM2-5119-000		1	POD PATH GUIDE ASSEMBLY, UPPER		
22	FM2-5128-000		1	VERTICAL PATH CONNECTOR ASS'Y		
23	FS5-6488-000		2	WASHER		
24	FU5-2961-000		1	SPRING, TENSION		
25	FU5-3193-000		1	PULLEY, 30T		
26	FU5-3441-000		3	PULLEY, 30T		
27	FU6-2542-000		1	SPRING, TENSION		
28	XA9-0922-000		2	SCREW, TP, M3X8		
29	XF2-3607-260		1	BELT, TIMING		
30	XF2-3607-460		1	BELT, TIMING		
31	XF2-3609-060		1	BELT, TIMING		

FIGURE & KEY NO.	PARTS NUMBER	R A N K	Q'TY	DESCRIPTION	SERIAL NUMBER/ REMARKS	S V C
32	XF2-3611-560		1	BELT, TIMING		
33	XG9-0664-000		6	BALL BEARING, JMK-688ZZNR*D4ML		
34	WG8-5736-000		3	PHOTO SENSOR UNIT	PS162,PS164,PS220	
35	VS1-7173-015		1	CONNECTOR, SNAP TIGHT, W		
36	FM2-8509-000		1	CABLE, SWITCH	SW116	
37	FC8-6828-000		1	SHEET		

FIGURE 328 TURN ASSEMBLY

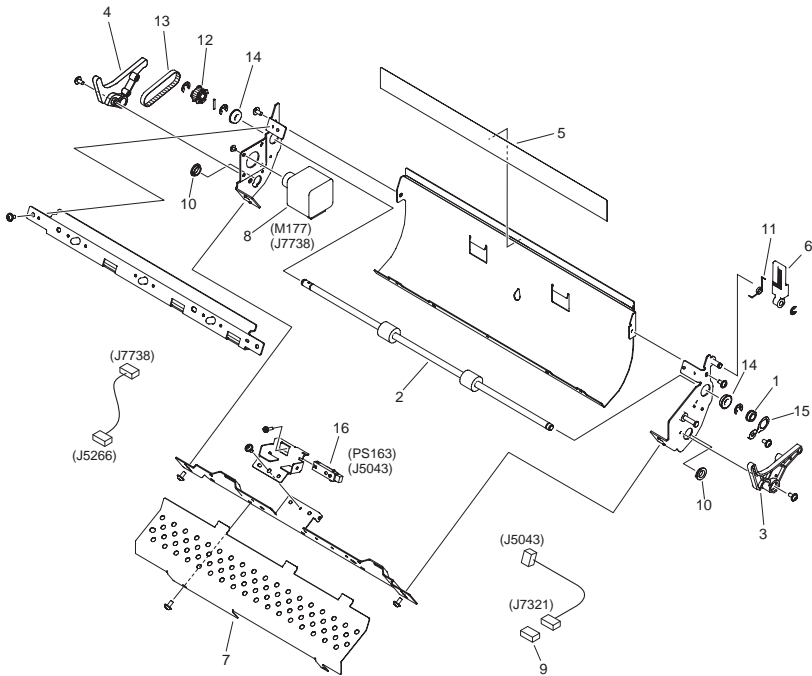


FIGURE & KEY NO.	PARTS NUMBER	R A N K	Q'TY	DESCRIPTION	SERIAL NUMBER/ REMARKS	S V C
Fig.328	FM2-5129-000		1	TURN ASSEMBLY		
1	FA9-2112-000		1	BUSHING, PL		
2	FC9-9470-000		1	ROLLER, DECK CROSSING, RIGHT		
3	FC5-9518-000		1	CAM, FRONT		
4	FC5-9519-000		1	CAM, REAR		
5	FC5-9522-000		1	SHEET, GUIDE, 1		
6	FC6-0074-000		1	LEVER, GUIDE, CENTER		
7	FC6-0075-000		1	COVER, INNER GUIDE BLANKING		
8	FK2-3125-000		1	MOTOR, STEPPING, DC	M177	
9	VS1-7177-003		1	CONNECTOR, SNAP TIGHT, BK		
10	FS2-1012-000		2	BUSHING		
11	FU5-2964-000		1	SPRING, TORSION		
12	FU5-3441-000		1	PULLEY, 30T		
13	XF2-3607-460		1	BELT, TIMING		
14	XG9-0664-000		2	BALL BEARING, JMK-688ZZNR*D4ML		
15	FC5-9559-000		1	PLATE, ROLLER GROUNDING		
16	WG8-5736-000		1	PHOTO SENSOR UNIT	PS163	

FIGURE 329 INNER GUIDE OPEN/CLOSE ASS'Y

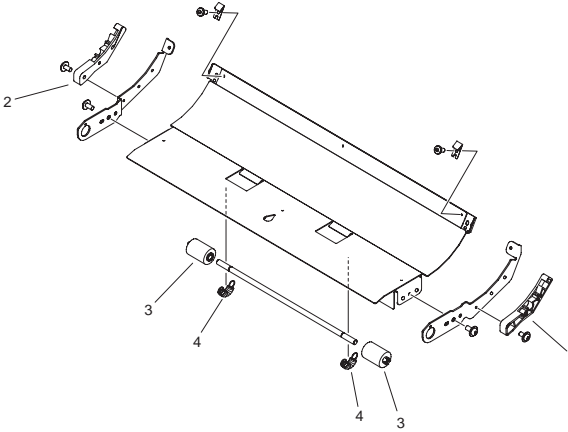


FIGURE & KEY NO.	PARTS NUMBER	RANK	QTY	DESCRIPTION	SERIAL NUMBER/REMARKS	SVC
Fig.329	FM2-5131-000		1	INNER GUIDE OPEN/CLOSE ASS'Y		
1	FC5-9483-000		1	CAM, OPEN/CLOSE, FRONT		
2	FC5-9484-000		1	CAM, OPEN/CLOSE, REAR		
3	FC7-0042-000		2	ROLLER, FOLLOWER		
4	FU5-2833-000		2	SPRING, TENSION		

FIGURE 330 PRE-FIXING PAPER FEED ASSEMBLY

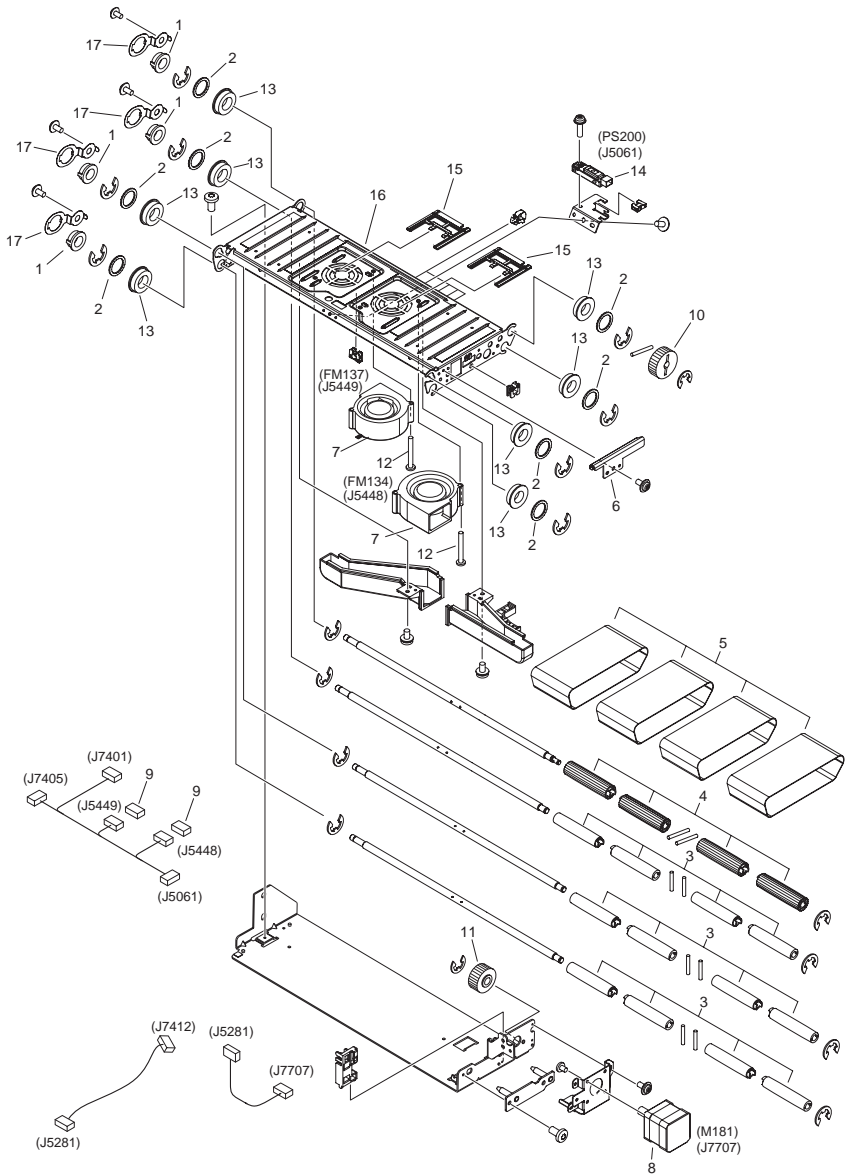


FIGURE & KEY NO.	PARTS NUMBER	R A N K	Q'TY	DESCRIPTION	SERIAL NUMBER/ REMARKS	S V C
Fig.330	FM4-7129-000		1	PRE-FIXING PAPER FEED ASSEMBLY		
1	FA9-2112-000		4	BUSHING, PL		
2	FB2-6285-020		8	SHIM		
3	FC5-9337-000		12	ROLLER,IDLER		
4	FC5-2067-000		4	ROLLER, DRIVE		
5	FC6-8098-000		4	BELT, PAPER FEED		
6	FC6-8408-000		1	GUIDE, FIXING/FEEDER PAPER		
7	FL2-6885-000		2	FAN, FIXING/FEEDER	FM134,FM137	
8	FM2-2128-000		1	FIXING/FEEDER DRIVE MOTOR	M181	
9	VS1-7177-004		2	CONNECTOR, SNAP TIGHT, BK		
10	FU6-0262-000		1	GEAR, 40T		
11	FU6-0424-000		1	GEAR, 32T		
12	XA9-1750-000		4	SCREW, M4 - L33		
13	XG9-0258-000		8	BEARING, BALL, NSK MF148ZZMC3		
14	WG8-5736-000		1	PHOTO SENSOR UNIT	PS200	
15	FC7-7555-000		2	PLATE, WIND LIMIT		
16	FL2-2099-010		1	SUPPORT, FAN		
17	FC5-9559-000		4	PLATE, ROLLER GROUNDING		

FIGURE 331
2ND TRNS. FRAME/FIX. F.D ASS'Y

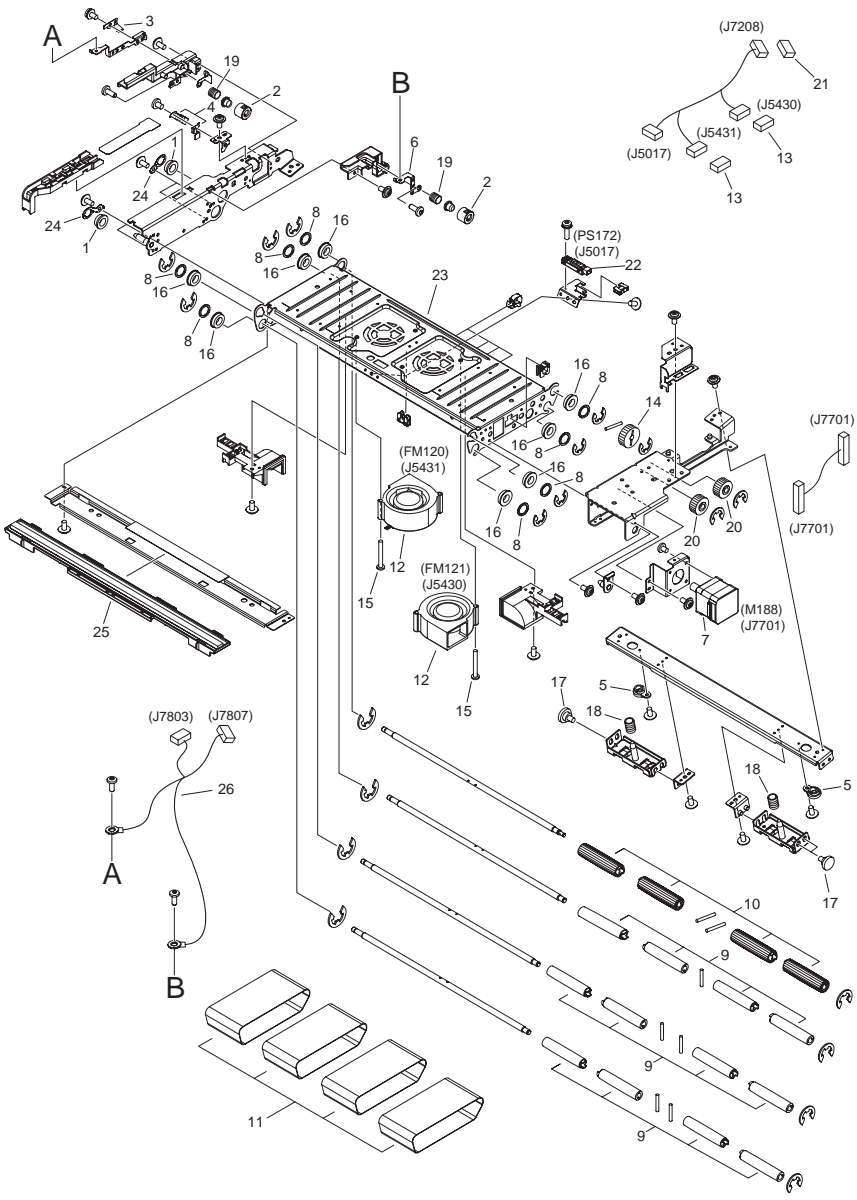


FIGURE & KEY NO.	PARTS NUMBER	R A N K	Q'TY	DESCRIPTION	SERIAL NUMBER/ REMARKS	S V C
Fig.331	FM4-2595-000		1	2ND TRNS. FRAME/FIX. F.D ASS'Y		
1	FA9-2112-000		4	BUSHING, PL		
2	FC5-9339-000		2	GUIDE, CONTACT		
3	FC5-9340-000		1	CONTACT, BIAS ROLLER		
4	FC5-9405-000		2	SPRING, GROUNDING		
5	FC6-8120-000		2	BUSHING, CAM		
6	FC6-8234-000		1	SPRING, POWER DISPATCHING, 3		
7	FM2-2128-000		1	FIXING/FEEDER DRIVE MOTOR	M188	
8	FB2-6285-020		8	SHIM		
9	FC5-9337-000		12	ROLLER, IDLER		
10	FC5-2067-000		4	ROLLER, DRIVE		
11	FC6-8098-000		4	BELT, PAPER FEED		
12	FL2-6885-000		2	FAN, FIXING/FEEDER	FM120, FM121	
13	VS1-7177-004		2	CONNECTOR, SNAP TIGHT, BK		
14	FU6-0262-000		1	GEAR, 40T		
15	XA9-1750-000		4	SCREW, M4 - L33		
16	XG9-0258-000		8	BEARING, BALL, NSK MF148ZZMC3		
17	FS2-9015-020		4	SCREW, STEPPED, M4		
18	FU5-2829-000		2	SPRING, COMPRESSION		
19	FU5-2986-000		2	SPRING, COMPRESSION		
20	FU6-0424-000		2	GEAR, 32T		
21	VS1-7173-011		1	CONNECTOR, SNAP TIGHT, 11P, W		
22	WG8-5736-000		1	PHOTO SENSOR UNIT	PS172	
23	FL2-2099-010		1	SUPPORT, FAN		
24	FC5-9559-000		4	PLATE, ROLLER GROUNDING		
25	FL3-2902-000		1	BRUSH HOLDER UNIT		
26	FM2-8496-000		1	CABLE, SECONDARY TRANSFER H.V.		

FIGURE 332
2ND TRNSFR. BASE PLATE ASS'Y

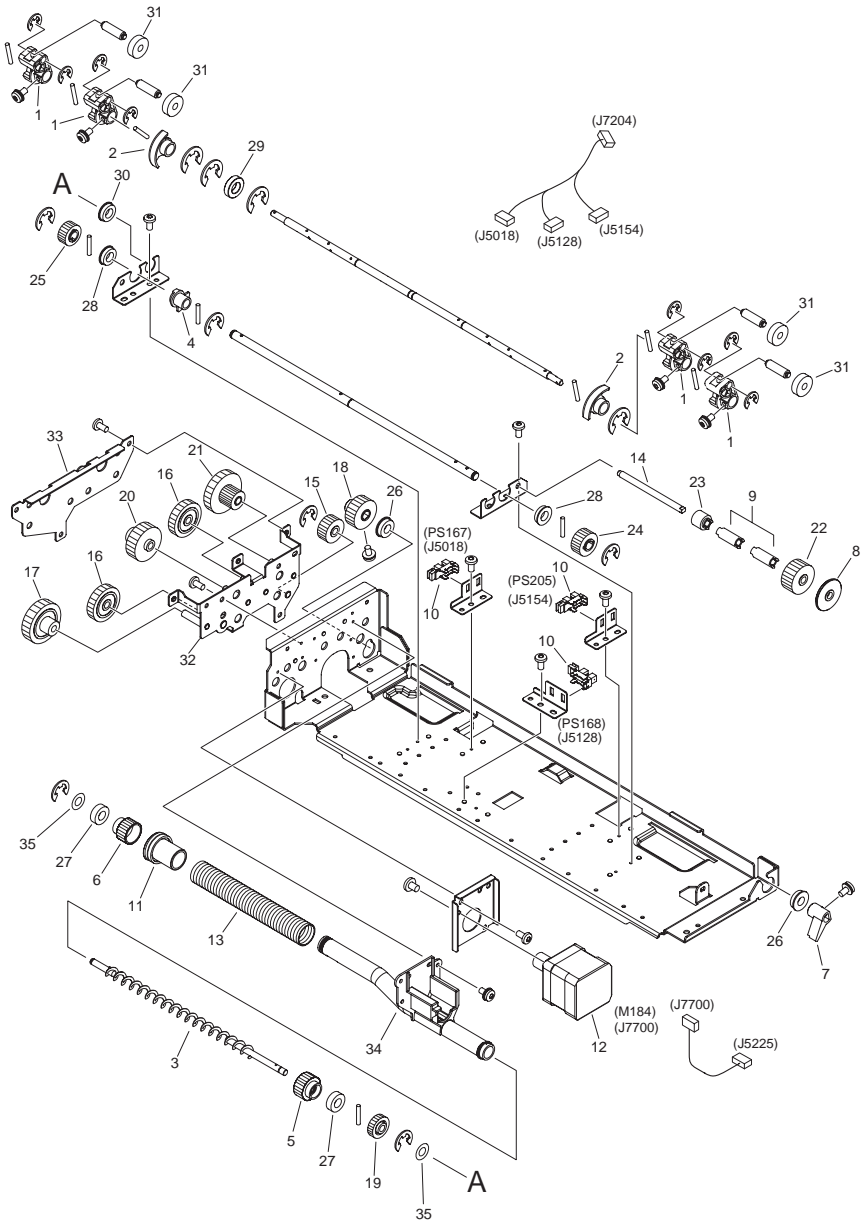
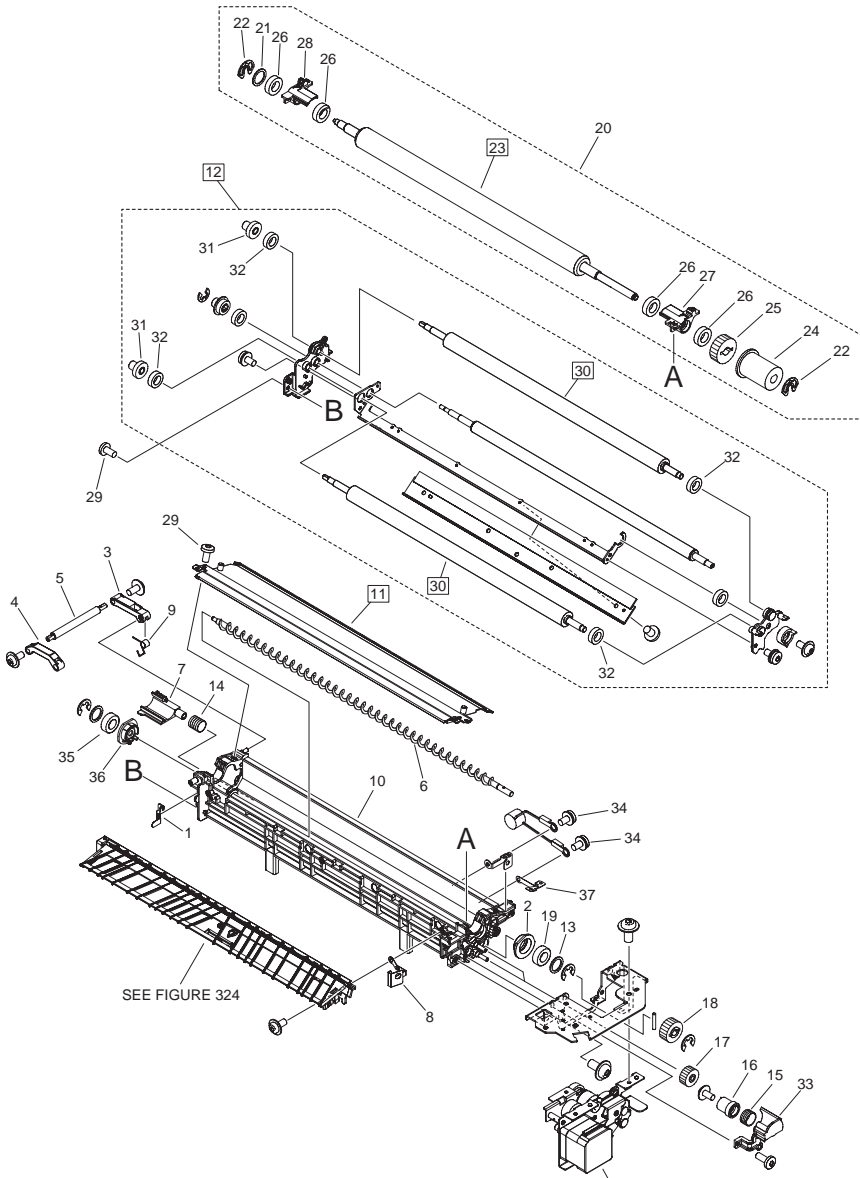


FIGURE & KEY NO.	PARTS NUMBER	RANK	Q'TY	DESCRIPTION	SERIAL NUMBER/REMARKS	SVC
Fig.332	FM4-2620-000		1	2ND TRNSFR. BASE PLATE ASS'Y		
1	FC5-9378-000		4	CAM, 2ND TRNSFR. RELEASE		
2	FC5-9381-000		2	FLAG, SWING CAM SENSOR		
3	FC5-9392-000		1	SCREW, FEED WASTE TONER		
4	FC6-8104-000		1	FLAG, WASTE TONER		
5	FC6-8112-000		1	BUSHING, SEAL		
6	FC6-8113-000		1	CAP. WASTE TONER		
7	FC6-8116-000		1	FLAG, PRESSURE RELEASE		
8	FC7-2271-000		1	ROLLER, SWING GEAR POSITIONING		
9	FC7-2272-000		2	COUPLING, SPACER		
10	WG8-5848-000		3	IC, PHOTO-INTERRUPTER	PS167,PS168,PS205	
11	FL2-2094-000		1	SHUTTER, WASTE TONER		
12	FM2-2127-000		1	PRESSURE MOTOR ASSEMBLY	M184	
13	FU5-2831-000		1	SPRING, COMPRESSION		
14	FU5-5831-000		1	SHAFT, WASTE TONER DRIVE INPUT		
15	FU6-0270-000		1	GEAR, 20T		
16	FU6-0271-000		2	GEAR, 38T		
17	FU6-0272-000		1	GEAR, 15T/45T		
18	FU6-0273-000		1	GEAR, 25T		
19	FU7-0151-000		1	GEAR, 18T		
20	FU6-0276-000		1	GEAR, 15T/38T		
21	FU6-0277-000		1	GEAR, 15T/45T		
22	FU6-0426-000		1	GEAR, 32T		
23	FU6-0427-000		1	GEAR, 15T		
24	FU6-0438-000		1	GEAR, 25T		
25	FU7-0150-000		1	GEAR, 17T		
26	XG9-0664-000		2	BALL BEARING, JMK-688ZZNR*D4ML		
27	XG9-0232-000		2	BEARING, BALL, MR126		
28	XG9-0258-000		2	BEARING, BALL, NSK MF148ZMC3		
29	XG9-0386-000		1	BEARING, BALL, DDL-1910ZZY05R		
30	XG9-0620-000		1	BEARING, BALL, DDLF1260ZZRP0P		
31	XG9-0621-000		4	BEARING, BALL, 626ZZM2MTLY13		

FIGURE & KEY NO.	PARTS NUMBER	R A N K	Q'TY	DESCRIPTION	SERIAL NUMBER/ REMARKS	S V C
32	FL2-2086-010		1	SUPPORT, CAM GEAR SHAFT		
33	FC6-8115-000		1	SUPPORT, CAM GEAR SHAFT, 2		
34	FC6-8400-000		1	CASE, 2ND TRANSFER WASTE TONER		
35	FS5-6488-000		2	WASHER		

FIGURE 333 SECONDARY TRANSFER ASSEMBLY



NOTE : This assembly includes the assemblies shown in Figure 274 and 324.
 注 : このユニットはFigure 274, 324のユニットを含みます。

SEE FIGURE 274

FIGURE & KEY NO.	PARTS NUMBER	R A N K	Q'TY	DESCRIPTION	SERIAL NUMBER/ REMARKS	S V C
Fig.333	FM4-2621-000		1	SECONDARY TRANSFER ASSEMBLY	SEE NOTE	
1	FC5-9341-000		1	SPRING, ELIMINATOR		
2	FC5-9418-000		1	COVER, WASTE TONER BUSHING		
3	FC5-9420-000		1	HANDLE, 1		
4	FC5-9421-000		1	HANDLE, 2		
5	FC5-9422-000		1	HANDLE, 3		
6	FC9-5805-000		1	SCREW, FEED WASTE TONER		
7	FC6-8236-000		1	SHUTTER, WASTE TONER		
8	FC6-8237-000		1	SPRING, 2ND TRNSFR. G, REAR		
9	FC6-8398-000		1	SPRING, TORSION		
10	FL2-4111-010		1	COVER, OUTER ROLLER UNIT		
11	FL2-4114-010		1	GUIDE, 2ND TRNSFR. ENTRANCE	[DP]	
12	FM2-2171-000		1	2ND TRNSFR. CLEANER ASSEMBLY	[DP]	
13	FS5-6488-000		1	WASHER		
14	FU5-2987-000		1	SPRING, COMPRESSION		
15	FU5-2988-000		1	SPRING, COMPRESSION		
16	FU6-0267-000		1	GEAR, 15T/23T		
17	FU6-0422-000		2	GEAR, 14T		
18	FU6-0440-000		1	GEAR, 18T		
19	XG9-0232-000		1	BEARING, BALL, MR126		
20	FM4-7441-000		1	2ND TRNSFR. OUTER ROLLER ASS'Y		
21	FB2-6285-020		1	SHIM		
22	FB6-6088-000		2	RING, RETAINING		
23	FC9-6091-000		1	ROLLER, TRANSFER	[DP]	
24	FC5-9332-000		1	LIMITER, TORQUE		
25	FU6-0268-000		1	GEAR, 28T		
26	XG9-0623-000		4	BEARING, BALL, L1480DDR0P25		
27	FL2-4112-000		1	HOLDER, 2ND TRNSFR., FRONT		
28	FL2-4113-000		1	HOLDER, 2ND TRNSFR., REAR		
29	FU5-9223-000		4	SCREW, BH3X6(YELLOW)		
30	FC5-9335-000		2	ROLLER, CLEANING	[DP]	
31	FU6-0265-000		2	GEAR, 15T		

FIGURE & KEY NO.	PARTS NUMBER	RANK	Q'TY	DESCRIPTION	SERIAL NUMBER/REMARKS	SVC
32	XG9-0242-000		6	BEARING, BALL, MR106ZZMC3D4ML		
33	FC9-5891-000		1	SUPPORT, DRIVE GEAR		
34	XA9-1932-000		2	SCREW, WWASHER, M3X6		
35	XG9-0414-000		1	BEARING, BALL		
36	FC9-5806-000		1	COVER, WASTE TONER BUSHING, 2		
37	FC5-9424-000		1	CONTACT		

FIGURE 336 LOWER PAPER FEED ASSEMBLY

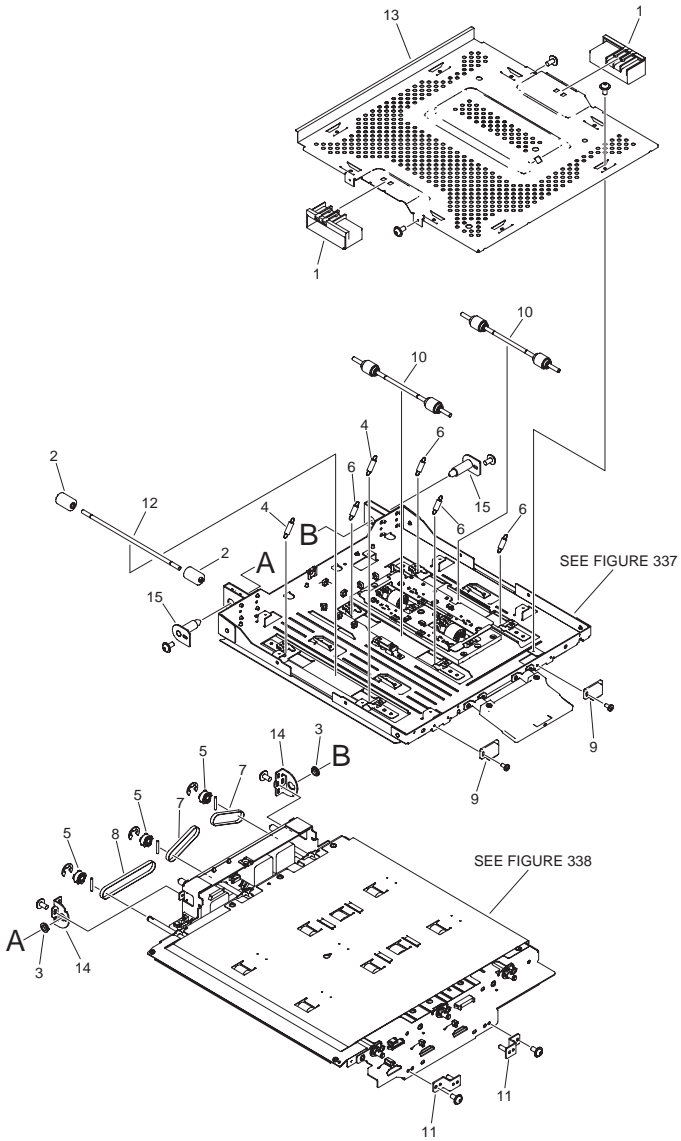


FIGURE & KEY NO.	PARTS NUMBER	R A N K	Q'TY	DESCRIPTION	SERIAL NUMBER/ REMARKS	S V C
Fig.336	NPN		RF	LOWER PAPER FEED ASSEMBLY		
1	FB6-3440-000		2	HANDLE, REAR		
2	FC7-0042-000		2	ROLLER, FOLLOWER		
3	FS2-1012-000		2	BUSHING		
4	FU5-2839-000		2	SPRING, TENSION		
5	FU5-3441-000		3	PULLEY, 30T		
6	FU6-2564-000		4	SPRING, TENSION		
7	XF2-3608-460		2	BELT, TIMING		
8	XF2-3613-060		1	BELT, TIMING		
9	XZ9-0598-000		2	CATCH, MAGNET		
10	FM2-9276-000		2	ROLLER, DRIVEN		
11	FL2-2293-000		2	LOCK, PAPER FEED, LOWER		
12	FC7-0043-000		1	SHAFT, FOLLOWER ROLLER		
13	FC6-0093-000		1	COVER, PROTECT		
14	FC7-1879-000		2	HINGE, ADJUSTMENT, LEFT		
15	FL2-2140-000		2	HINGE, PAPER FEED, LOWER		

FIGURE 337 LOWER PAPER FEED ASS'Y, UPPER

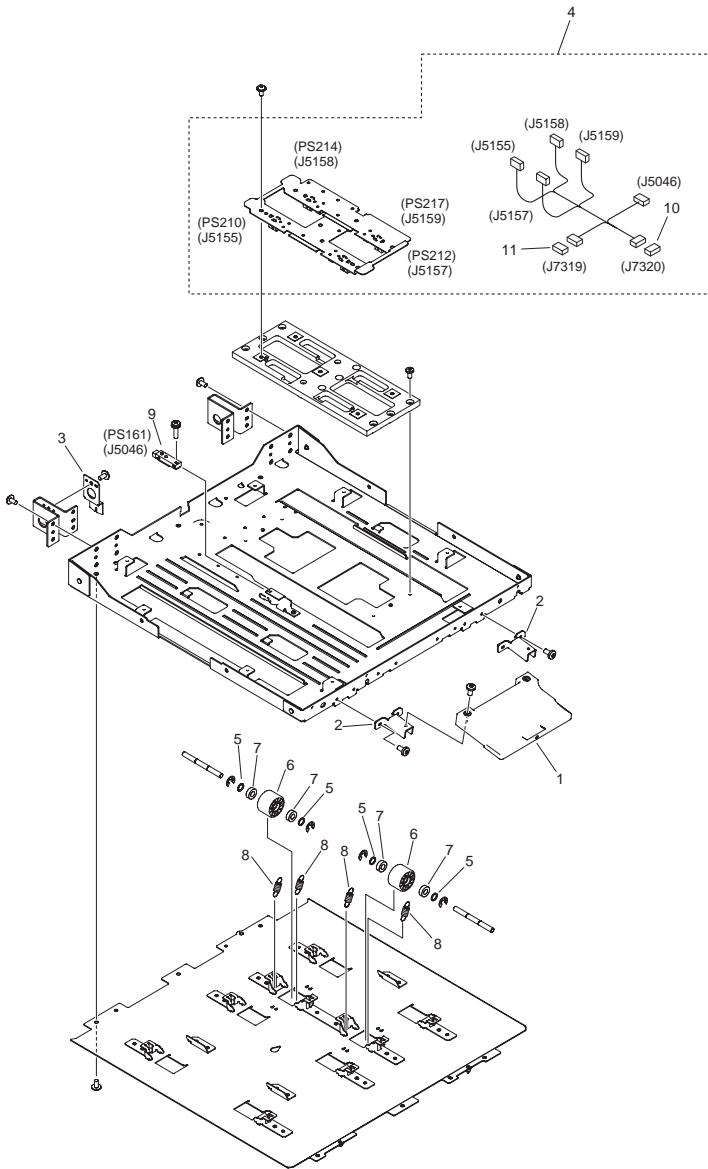


FIGURE & KEY NO.	PARTS NUMBER	RANK	Q'TY	DESCRIPTION	SERIAL NUMBER/REMARKS	SVC
Fig.337	FM2-2184-000		1	LOWER PAPER FEED ASS'Y, UPPER		
1	FC6-0027-000		1	HANDLE, PAPER FEED, LOWER		
2	FC6-0089-000		2	ARM, GRIP		
3	FC6-0090-000		1	FLAG, GUIDE OPEN/CLOSE DETECT		
4	FM2-2186-000		1	PAPER LENGTH SENSOR PCB	PS210,PS212,PS214,PS217	
5	FS5-6488-000		2	WASHER		
6	FU5-6254-000		1	ROLLER, STABILIZER		
7	XG9-0245-000		2	BEARING, BALL, MR126ZZMC3NS7L		
8	FU5-2980-000		4	SPRING, TENSION		
9	WG8-5736-000		1	PHOTO SENSOR UNIT	PS161	
10	VS1-7173-016		1	CONNECTOR, SNAP TIGHT, 16P, W		
11	VS1-7177-003		1	CONNECTOR, SNAP TIGHT, BK		

FIGURE 338 LOWER PAPER FEED ASS'Y, LOWER

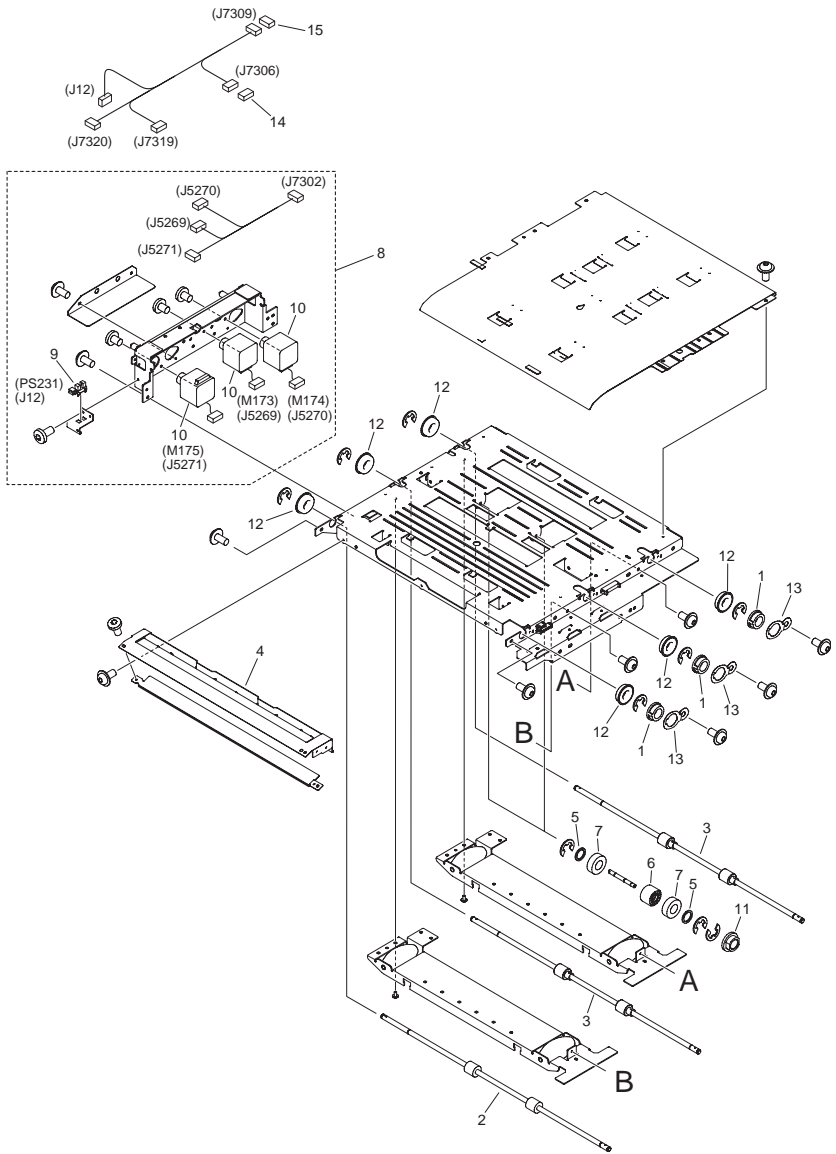


FIGURE & KEY NO.	PARTS NUMBER	R A N K	Q'TY	DESCRIPTION	SERIAL NUMBER/ REMARKS	S V C
Fig.338	FM2-2243-000		1	LOWER PAPER FEED ASS'Y, LOWER		
1	FA9-2112-000		3	BUSHING, PL		
2	FC5-9563-000		1	ROLLER, PAPER FEED, LOWER		
3	FC7-7501-000		2	ROLLER, BRAST		
4	FL2-2295-000		1	GUIDE, INTERFACE		
5	FS5-6488-000		2	WASHER		
6	FU5-6254-000		1	ROLLER, STABILIZER		
7	XG9-0245-000		2	BEARING, BALL, MR126ZZMC3NS7L		
8	FM2-2244-000		1	LOWER FEEDER DRIVE ASSEMBLY		
9	FK2-0149-000		1	PHOTO-INTERRUPTER, TLP1252(C6)	PS231	
10	FK2-3125-000		3	MOTOR, STEPPING, DC	M173,M174,M175	
11	FS1-1569-000		2	BUSHING		
12	XG9-0664-000		6	BALL BEARING, JMK-688ZZNR*D4ML		
13	FC5-9559-000		3	PLATE, ROLLER GROUNDING		
14	VS1-7173-006		1	CONNECTOR, SNAP TIGHT, 6P, W		
15	VS1-7173-016		1	CONNECTOR, SNAP TIGHT, 16P, W		

FIGURE 340 FIXING/FEEED ASSEMBLY, CENTER

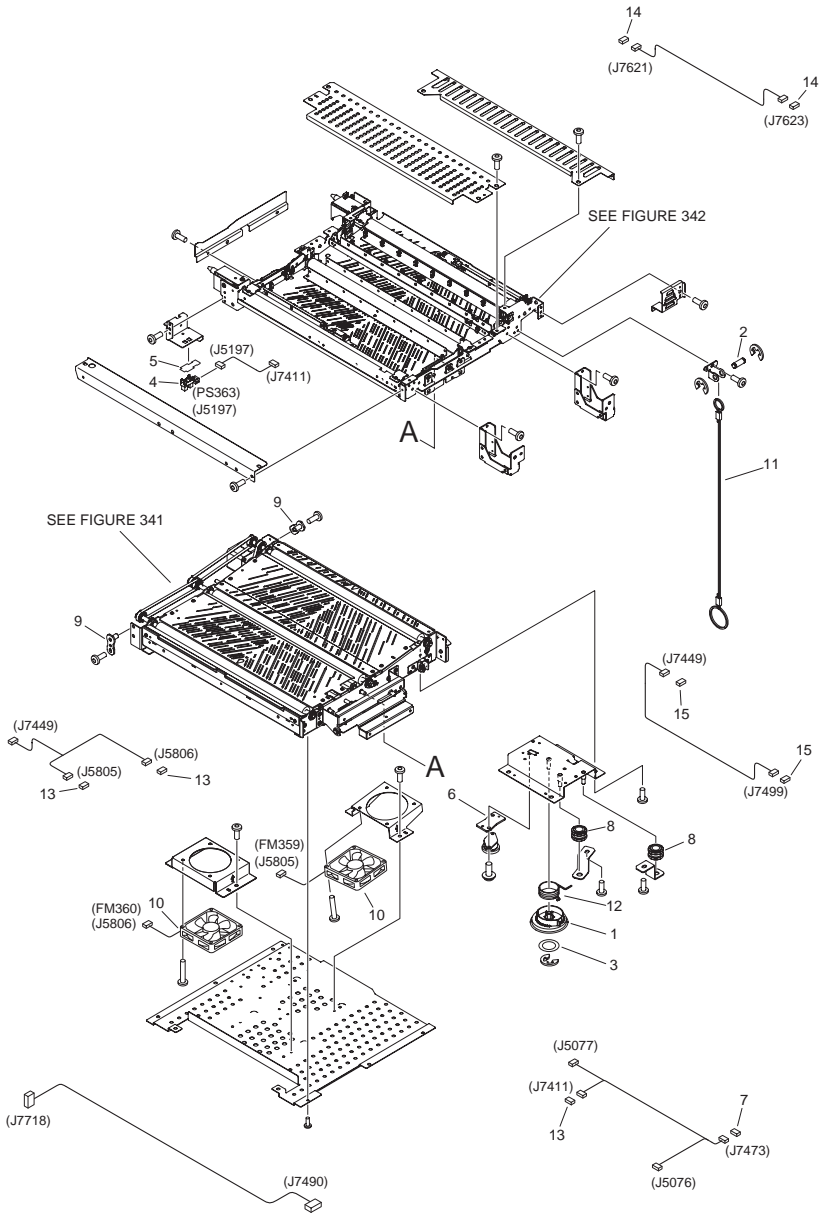


FIGURE & KEY NO.	PARTS NUMBER	R A N K	Q'TY	DESCRIPTION	SERIAL NUMBER/ REMARKS	S V C
Fig.340	NPN		RF	FIXING/FEED ASSEMBLY, CENTER		
1	FU6-0352-000		1	GEAR, 62T		
2	FU5-4608-000		1	SHAFT, WIRE FIXED		
3	FS5-6488-000		1	WASHER		
4	FK2-0149-000		1	PHOTO-INTERRUPTER, TLP1252(C6)	PS363	
5	FC5-6232-000		1	SHEET, SENSOR PROTECTIVE		
6	FC6-8289-000		1	SPACER, DAMPER		
7	VS1-7177-009		1	CONNECTOR, 9P		
8	FC5-9848-000		1	ROLLER, WIRE		
9	FL2-2139-000		2	HINGE, CROSSING, REAR		
10	FK2-0540-000		2	FAN	FM359,FM360	
11	FC6-2111-000		1	WIRE, OPEN/CLOSE AUXILIARY		
12	FC7-5720-000		1	SPRING, TORSION		
13	VS1-7177-003		3	CONNECTOR, SNAP TIGHT, BK		
14	VS1-7177-012		2	CONNECTOR, SNAP TIGHT, BK		
15	VS1-7177-008		2	CONNECTOR, SNAP TIGHT, BK		

FIGURE 341
FIXING/FEEED ASS'Y, CENTER LW.

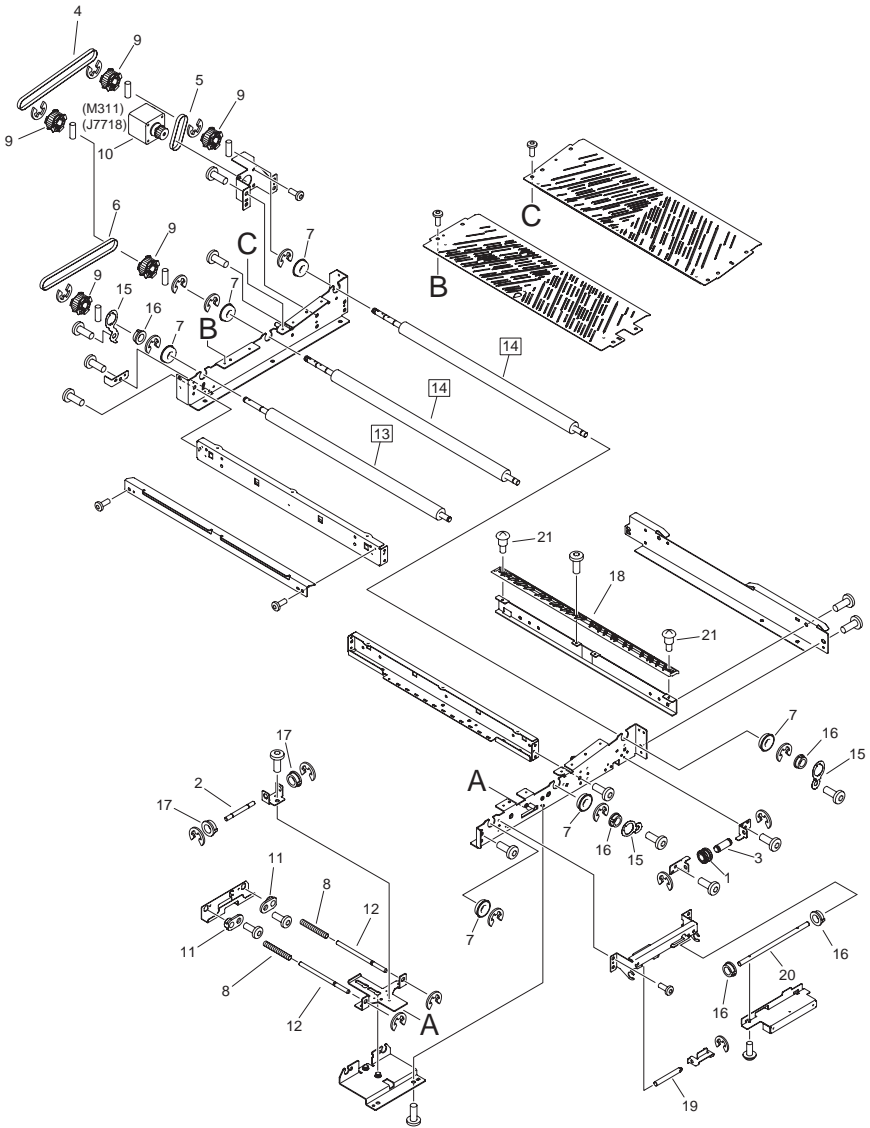


FIGURE & KEY NO.	PARTS NUMBER	R A N K	Q'TY	DESCRIPTION	SERIAL NUMBER/ REMARKS	S V C
Fig.341	FM2-2224-000		1	FIXING/FEED ASS'Y, CENTER LW.		
1	FC5-9848-000		1	ROLLER, WIRE		
2	FU5-4670-000		1	SHAFT, RELEASE GUIDE		
3	FU5-4608-000		1	SHAFT, WIRE FIXED		
4	XF2-3618-260		1	BELT, TIMING		
5	XF2-3607-060		1	BELT, TIMING		
6	XF2-3617-560		1	BELT, TIMING		
7	XG9-0664-000		6	BALL BEARING, JMK-688ZZNR*D4ML		
8	FU6-2549-000		2	SPRING, COMPRESSION		
9	FU5-3441-000		5	PULLEY, 30T		
10	FK2-3125-000		1	MOTOR, STEPPING, DC	M311	
11	FC6-8310-000		1	BUSHING, FIXED		
12	FC6-7842-000		2	PIN, GUIDE LOCK		
13	FC5-9835-000		1	ROLLER, PAPER FEED, C	[DP]	
14	FC5-9833-000		2	ROLLER, PAPER FEED, A	[DP]	
15	FC5-9559-000		3	PLATE, ROLLER GROUNDING		
16	FA9-2112-000		5	BUSHING, PL		
17	FS1-1569-000		2	BUSHING		
18	FC7-7064-000		1	GUIDE, PAPER FEED		
19	FC7-3514-000		1	SHAFT, LOCK RELEASE		
20	FU5-4672-000		1	SHAFT, HANDLE		
21	FS5-9438-030		2	SCREW, STEPPED		

FIGURE & KEY NO.	PARTS NUMBER	RANK	Q'TY	DESCRIPTION	SERIAL NUMBER/REMARKS	SVC
Fig.342	FM2-2225-000		1	FIXING/FEED ASS'Y, CENTER UP.		
1	FC7-4593-000		1	HOOK, GUIDE		
2	XG9-0511-000		6	BEARING, BALL		
3	WG8-5736-000		2	PHOTO SENSOR UNIT	PS322,PS323	
4	FU5-2894-000		2	SPRING, COMPRESSION		
5	FU5-2893-000		4	SPRING, COMPRESSION		
6	FL2-2016-000		3	ROLLER, DRIVEN	[DP]	
7	FC5-9918-000		6	HOLDER		

FIGURE 343 FIXING/FEEED ASSEMBLY, LEFT

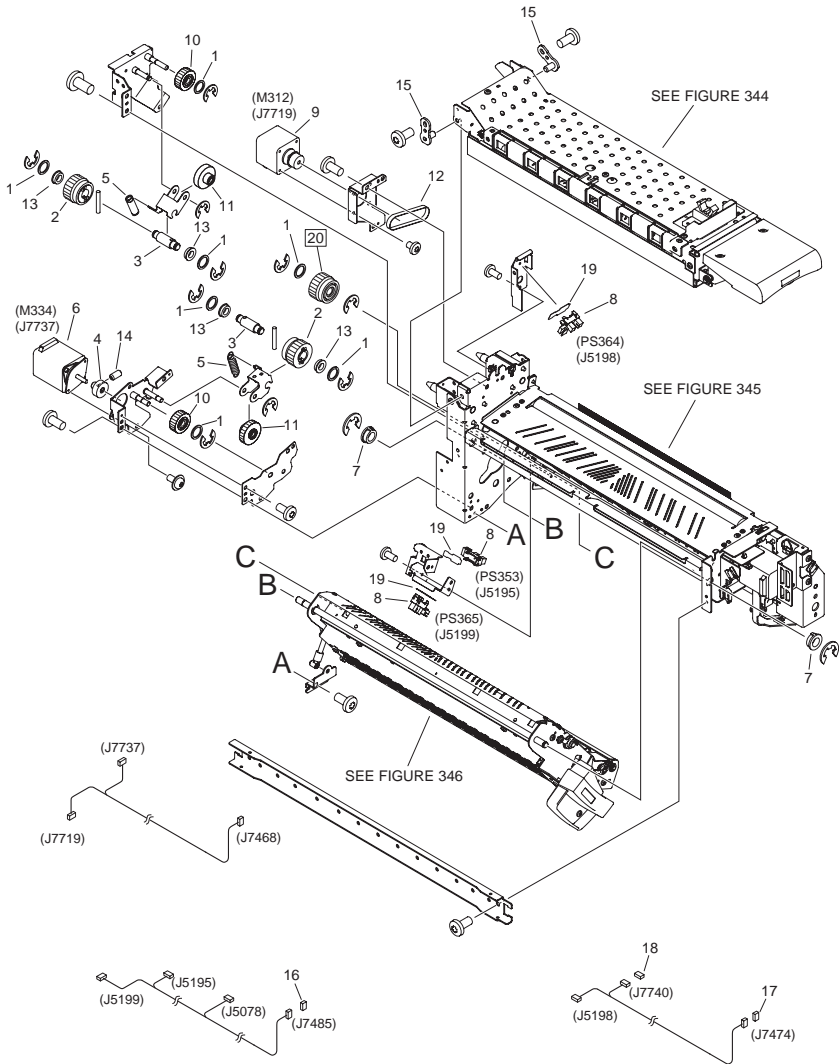
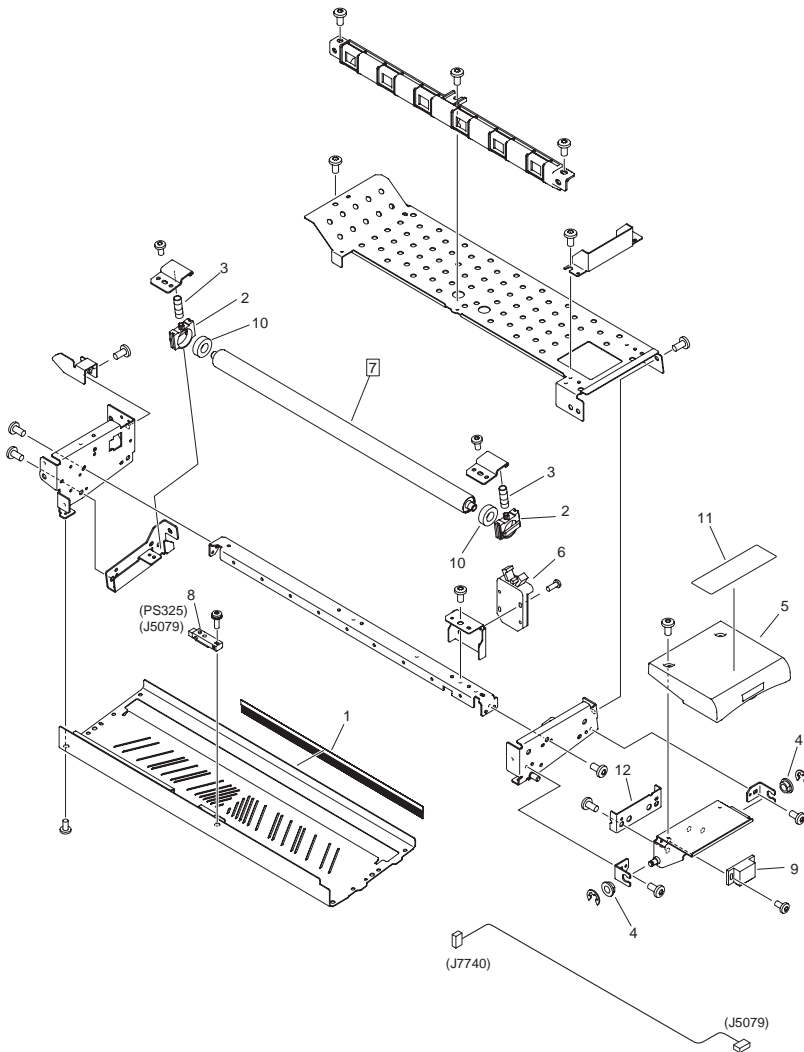


FIGURE & KEY NO.	PARTS NUMBER	R A N K	Q'TY	DESCRIPTION	SERIAL NUMBER/ REMARKS	S V C
Fig.343	NPN		RF	FIXING/FEED ASSEMBLY, LEFT		
1	FS5-6488-000		7	WASHER		
2	FU6-0376-000		2	GEAR, 20T		
3	FU5-4565-000		2	SHAFT, SWING GEAR		
4	FU6-0451-000		1	GEAR, 20T		
5	FU5-2896-000		2	SPRING, TENSION		
6	FK2-3136-000		1	MOTOR, STEPPING, DC	M334	
7	FA9-2112-000		2	BUSHING, PL		
8	WG8-5848-000		3	IC, PHOTO-INTERRUPTER	PS353,PS364,PS365	
9	FK2-3125-000		1	MOTOR, STEPPING, DC	M312	
10	FU6-0375-000		2	GEAR, 20T		
11	FU6-0374-000		2	GEAR, 30T		
12	XF2-3608-560		1	BELT, TIMING		
13	XG9-0520-000		4	BEARING, BALL, MF106ZZS		
14	XA9-0934-000		1	SETSCREW,M3X6		
15	FL2-2139-000		2	HINGE, CROSSING, REAR		
16	VS1-7177-009		1	CONNECTOR, 9P		
17	VS1-7177-006		1	CONNECTOR, SNAP TIGHT, BK		
18	VS1-7177-003		1	CONNECTOR, SNAP TIGHT, BK		
19	FC5-6232-000		3	SHEET, SENSOR PROTECTIVE		
20	FL3-2873-000		1	GEAR, 20T	[DP]	

FIGURE 344 FIXING/FEEED ASS'Y, LEFT UPPER



NOTE : This assembly does not include the part shown with key No. 11.

NOTE : Several kinds of labels are attached on the board for the parts of Key No. 11. The same parts as Fig/Key No. 112-10, 113-15, 348-12, 351-33, 370-44 and 372-22.

注：このユニットにKey No. 11の部品は含まれません。

注：Key No. 11の部品は台紙に数種類のラベルが付いています。Fig/Key No. 112-10, 113-15, 348-12, 351-33, 370-44, 372-22と同一部品です。

FIGURE & KEY NO.	PARTS NUMBER	R A N K	Q'TY	DESCRIPTION	SERIAL NUMBER/ REMARKS	S V C
Fig.344	FM2-2226-010		1	FIXING/FEED ASS'Y, LEFT UPPER		
1	FB5-4858-000		1	ELIMINATOR, STATIC CHARGE		
2	FC5-9918-000		2	HOLDER		
3	FU5-2893-000		2	SPRING, COMPRESSION		
4	FS1-1569-000		2	BUSHING		
5	FC6-2102-000		1	LEVER, GUIDE OPEN/CLOSE, UPPER		
6	FC7-4595-000		1	LATCH, PUSH		
7	FL2-2016-000		1	ROLLER, DRIVEN	[DP]	
8	WG8-5736-000		1	PHOTO SENSOR UNIT	PS325	
9	XZ9-0614-000		1	CATCH, MAGNET		
10	XG9-0511-000		2	BEARING, BALL		
11	FC8-2968-010		1	LABEL, SUB STATION LANGUAGE 2	French	
11	FC8-2971-010		1	LABEL, SUB STATION LANGUAGE 2	Spanish	
11	FC8-2972-010		1	LABEL, SUB STATION LANGUAGE 2	Portuguese	
11	FC8-2969-010		1	LABEL, SUB STATION LANGUAGE 2	German	
11	FC8-2970-010		1	LABEL, SUB STATION LANGUAGE 2	Italian	
12	FC6-8258-000		1	MOUNT, MAGNET ADJUSTMENT		

FIGURE 345
FIXING/FEEED ASS'Y, LEFT MIDDLE

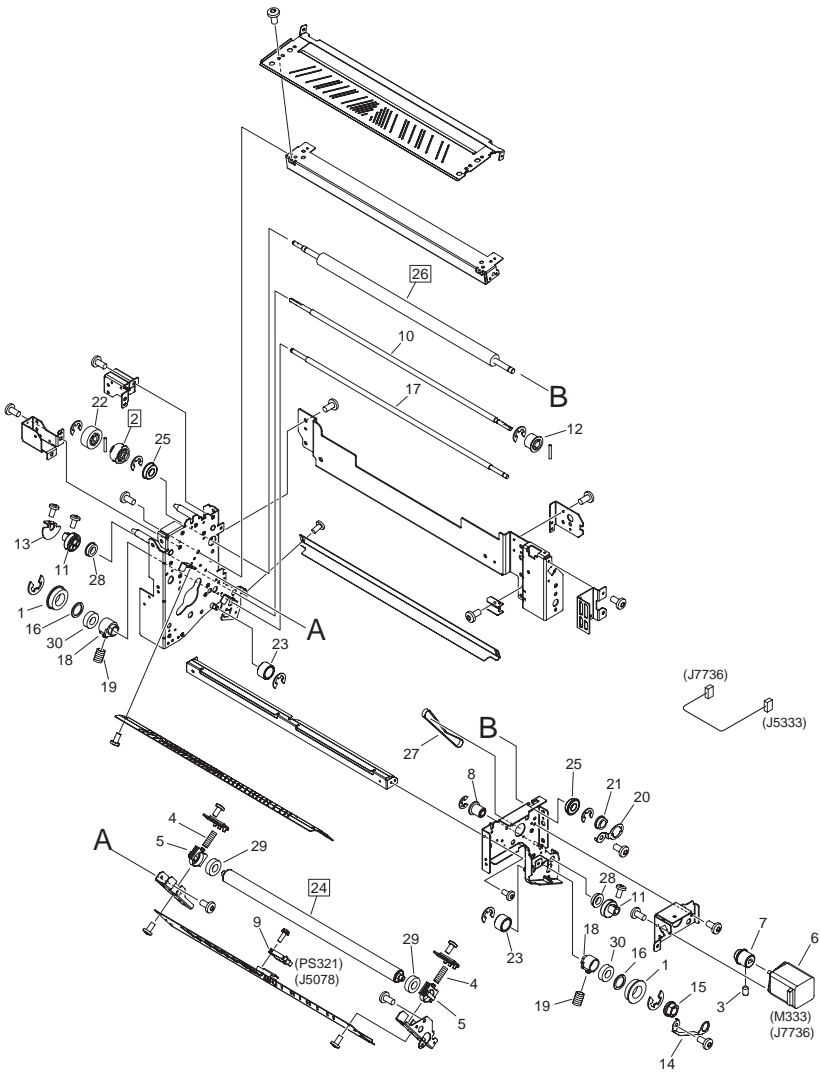


FIGURE & KEY NO.	PARTS NUMBER	R A N K	Q'TY	DESCRIPTION	SERIAL NUMBER/ REMARKS	S V C
Fig.345	FM4-2638-000		1	FIXING/FEED ASS'Y, LEFT MIDDLE		
1	FS5-1755-000		2	BUSHING		
2	FL3-2875-000		1	PULLEY, 30T	[DP]	
3	FA9-2864-010		1	SETSCREW, M3X4		
4	FU5-2893-000		2	SPRING, COMPRESSION		
5	FC5-9918-000		2	HOLDER		
6	FK2-3136-000		1	MOTOR, STEPPING, DC	M333	
7	FU5-3209-000		1	PULLEY, 20T		
8	FC7-4959-000		1	TENSIONER		
9	WG8-5736-000		1	PHOTO SENSOR UNIT	PS321	
10	FC7-1532-000		1	SHAFT, DECURLER CAM		
11	FC7-1531-000		2	CAM, DECURLER		
12	FU5-3208-000		1	PULLEY, 20T		
13	FC5-9239-000		1	FLAG, SENSOR		
14	FC7-1603-000		1	PLATE, ROLLER GROUNDING, UP.		
15	FS5-1592-000		1	BUSHING		
16	FS5-6488-000		2	WASHER		
17	FC7-1569-000		1	ROLLER, DECURLER, UPPER		
18	FU5-1328-000		2	BUSHING, ROLLER		
19	FU5-2996-000		2	SPRING, COMPRESSION		
20	FC5-9559-000		1	PLATE, ROLLER GROUNDING		
21	FA9-2112-000		1	BUSHING, PL		
22	FC9-5899-000		1	GEAR, 20T		
23	FU5-6249-000		2	ROLLER		
24	FL2-2016-000		1	ROLLER, DRIVEN	[DP]	
25	XG9-0664-000		2	BALL BEARING, JMK-688ZZNR*D4ML		
26	FC9-5898-000		1	ROLLER, PAPER FEED	[DP]	
27	XF2-3613-660		1	BELT, TIMING		
28	XG9-0520-000		2	BEARING, BALL, MF106ZZS		
29	XG9-0511-000		2	BEARING, BALL		
30	XG9-0242-000		2	BEARING, BALL, MR106ZZMC3D4ML		

FIGURE 346 FIXING/FEEED ASS'Y, LEFT LOWER

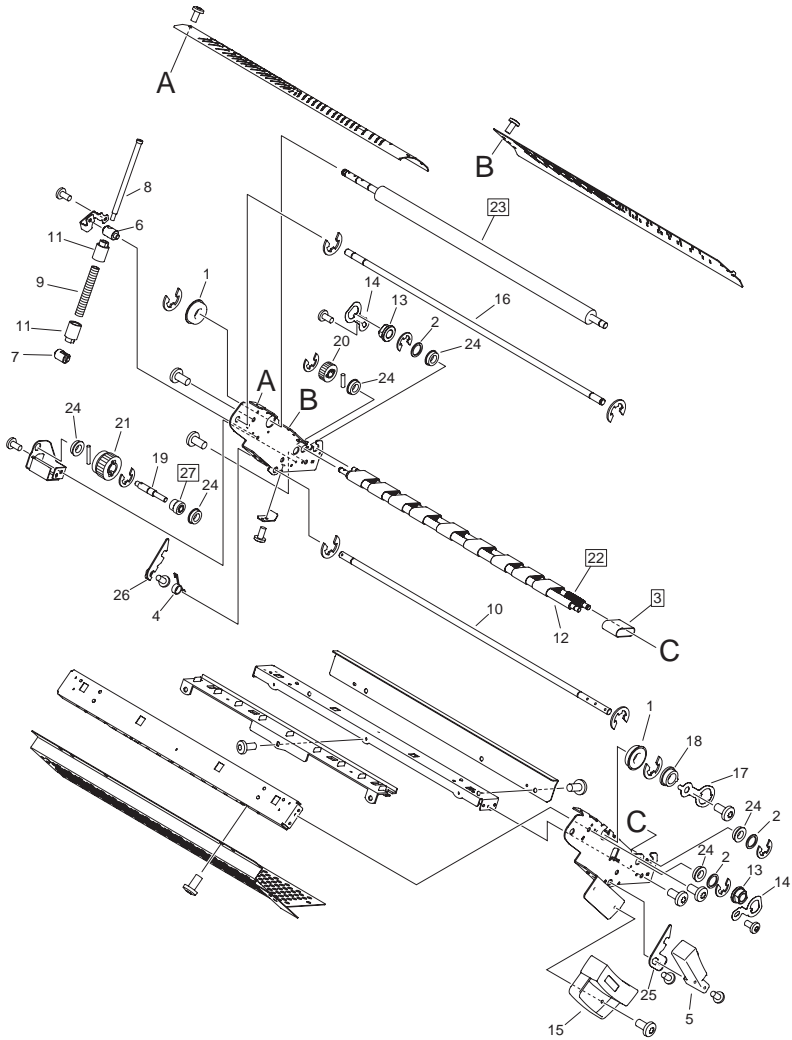


FIGURE & KEY NO.	PARTS NUMBER	R A N K	Q'TY	DESCRIPTION	SERIAL NUMBER/ REMARKS	S V C
Fig.346	FM4-2639-000		1	FIXING/FEED ASS'Y, LEFT LOWER		
1	XG9-0664-000		2	BALL BEARING, JMK-688ZZNR*D4ML		
2	FS5-6488-000		3	WASHER		
3	FC7-4600-000		10	BELT, WIDTH PAPER FEED	[DP]	
4	FU6-2003-000		1	SPRING, TORSION		
5	FC7-1595-000		1	LEVER, LATCH		
6	FU5-4658-000		1	SHAFT, TOGGLE, G		
7	FU5-4657-000		1	SHAFT, TOGGLE, FRONT		
8	FC7-1594-000		1	ROD		
9	FU6-2004-000		1	SPRING, COMPRESSION		
10	FC7-1589-000		1	SHAFT, LATCH		
11	FC7-1592-000		2	BUSHING		
12	FC7-1597-000		1	ROLLER, DECURLER DRIVE		
13	FS5-1592-000		2	BUSHING		
14	FC7-1601-000		2	PLATE, DECURLER GROUNDING		
15	FC6-2215-000		1	GRIP, OPEN/CLOSE LEVER		
16	FC7-1584-000		1	SHAFT, GUIDE TURN, LOWER		
17	FC5-9559-000		1	PLATE, ROLLER GROUNDING		
18	FA9-2112-000		1	BUSHING, PL		
19	FC9-5905-000		1	SHAFT, SWING GEAR, MOVABLE		
20	FU6-0446-000		1	GEAR, 18T		
21	FU6-0376-000		1	GEAR, 20T		
22	FC7-1598-000		1	ROLLER, DRIVEN	[DP]	
23	FC9-5900-000		1	ROLLER, PAPER FEED, A	[DP]	
24	XG9-0520-000		6	BEARING, BALL, MF106ZZS		
25	FC7-1587-000		1	LATCH,FRONT		
26	FC7-1588-000		1	LATCH,REAR		
27	FL3-2876-000		1	GEAR, 18T	[DP]	

FIGURE 347 FIXING/FEEED ASSEMBLY, RIGHT

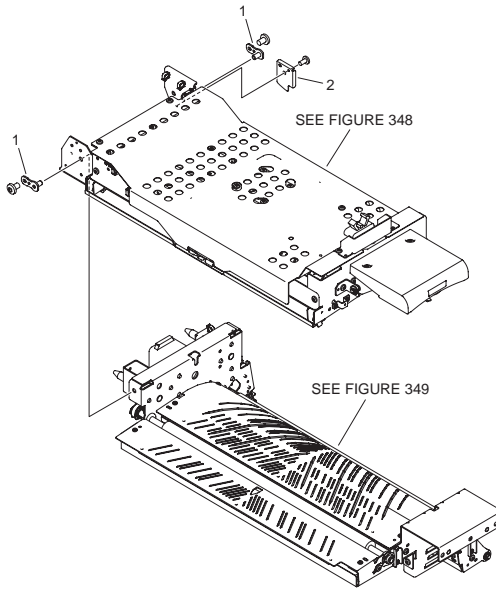
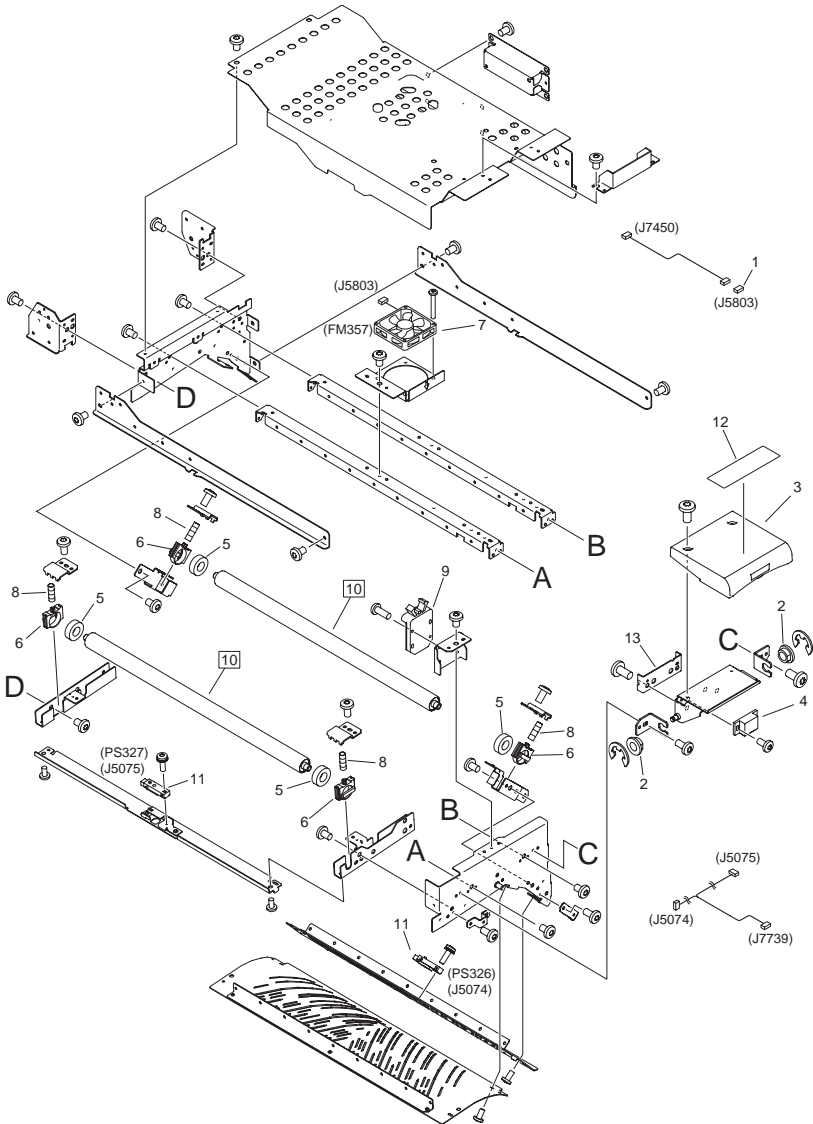


FIGURE & KEY NO.	PARTS NUMBER	RANK	QTY	DESCRIPTION	SERIAL NUMBER/REMARKS	SVC
Fig.347	NPN		RF	FIXING/FEEED ASSEMBLY, RIGHT		
1	FL2-2139-000		2	HINGE, CROSSING, REAR		
2	FC6-8257-000		1	FLAG, OPEN/CLOSE SENSING		

FIGURE 348 FIXING/FEEED ASS'Y, RIGHT UPPER



NOTE : This assembly does not include the part shown with key No. 12.

NOTE : Several kinds of labels are attached on the board for the parts of Key No. 12. The same parts as Fig/Key No. 112-10, 113-15, 344-11, 351-33, 370-44 and 372-22.

注 : このユニットにKey No. 12の部品は含まれません。

注 : Key No. 12の部品は台紙に数種類のラベルが付いています。Fig/Key No. 112-10, 113-15, 344-11, 351-33, 370-44, 372-22と同一部品です。

FIGURE & KEY NO.	PARTS NUMBER	R A N K	Q'TY	DESCRIPTION	SERIAL NUMBER/ REMARKS	S V C
Fig.348	FM2-2222-010		1	FIXING/FEED ASS'Y, RIGHT UPPER		
1	VS1-7177-004		1	CONNECTOR, SNAP TIGHT, BK		
2	FS1-1569-000		2	BUSHING		
3	FC6-2102-000		1	LEVER, GUIDE OPEN/CLOSE, UPPER		
4	XZ9-0614-000		1	CATCH, MAGNET		
5	XG9-0511-000		4	BEARING, BALL		
6	FC5-9918-000		4	HOLDER		
7	FK2-3100-000		1	FAN	FM357	
8	FU5-2893-000		4	SPRING, COMPRESSION		
9	FC7-4595-000		1	LATCH, PUSH		
10	FL2-2016-000		2	ROLLER, DRIVEN	[DP]	
11	WG8-5736-000		2	PHOTO SENSOR UNIT	PS326,327	
12	FC8-2968-010		1	LABEL, SUB STATION LANGUAGE 2	French	
12	FC8-2971-010		1	LABEL, SUB STATION LANGUAGE 2	Spanish	
12	FC8-2972-010		1	LABEL, SUB STATION LANGUAGE 2	Portuguese	
12	FC8-2969-010		1	LABEL, SUB STATION LANGUAGE 2	German	
12	FC8-2970-010		1	LABEL, SUB STATION LANGUAGE 2	Italian	
13	FC6-8258-000		1	MOUNT, MAGNET ADJUSTMENT		

FIGURE 349 FIXING/FEEED ASS'Y, RIGHT LOWER

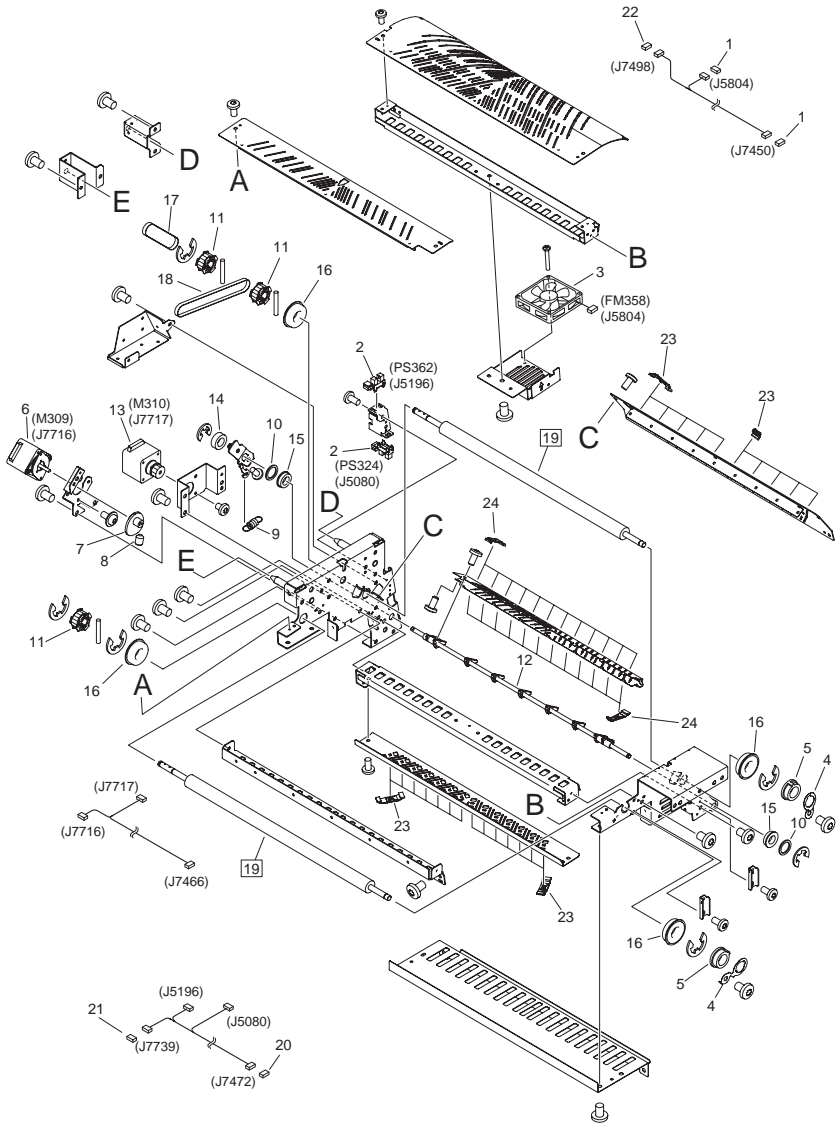


FIGURE & KEY NO.	PARTS NUMBER	R A N K	Q'TY	DESCRIPTION	SERIAL NUMBER/ REMARKS	S V C
Fig.349	FM2-2223-010		1	FIXING/FEED ASS'Y, RIGHT LOWER		
1	VS1-7177-004		2	CONNECTOR, SNAP TIGHT, BK		
2	FK2-0149-000		2	PHOTO-INTERRUPTER, TLP1252(C6)	PS324,362	
3	FK2-3100-000		1	FAN	FM358	
4	FC5-9559-000		2	PLATE, ROLLER GROUNDING		
5	FA9-2112-000		2	BUSHING, PL		
6	FK2-3126-000		1	MOTOR, STEPPING, DC	M309	
7	FC5-9869-000		1	CAM, FLAPPER DRIVE		
8	FA9-2864-010		1	SETSCREW, M3X4		
9	FU5-2960-000		1	SPRING, TENSION		
10	FS5-6488-000		2	WASHER		
11	FU5-3441-000		3	PULLEY, 30T		
12	FC7-4619-000		1	FLAPPER		
13	FK2-3125-000		1	MOTOR, STEPPING, DC	M310	
14	XG9-0484-000		1	BEARING, BALL, DDL-740ZZH		
15	XG9-0520-000		2	BEARING, BALL, MF106ZZS		
16	XG9-0664-000		4	BALL BEARING, JMK-688ZZNR*D4ML		
17	XF2-3610-060		1	BELT, TIMING		
18	XF2-3616-460		1	BELT, TIMING		
19	FC6-2251-000		2	ROLLER, PAPER FEED	[DP]	
20	VS1-7177-012		1	CONNECTOR, SNAP TIGHT, BK		
21	VS1-7177-006		1	CONNECTOR, SNAP TIGHT, BK		
22	VS1-7173-008		1	CONNECTOR, SNAP TIGHT, 8P, W		
23	FC7-4645-000		24	RIB, PAPER DELIVERY, SMALL		
24	FC7-9662-000		24	RIB, FLAPPER		

FIGURE 350 REVERSE DELIVERY ASSEMBLY

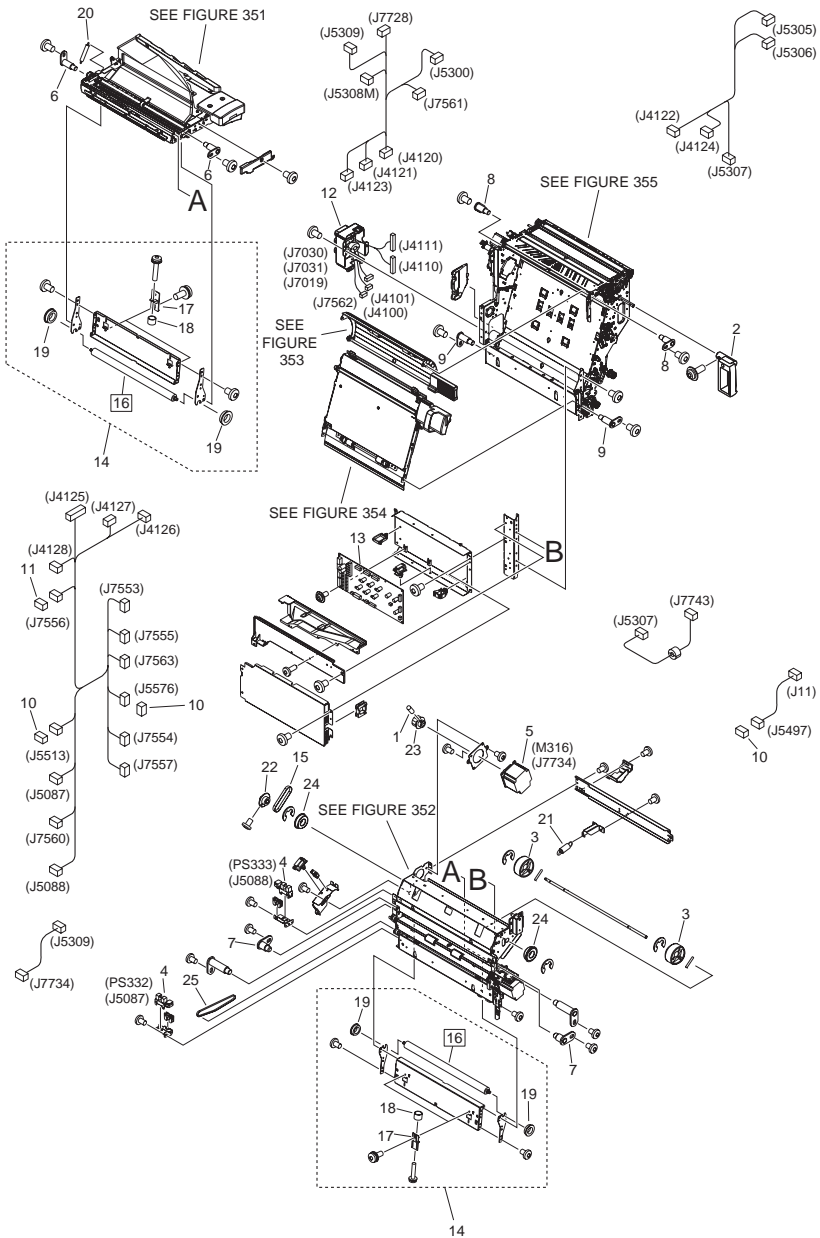
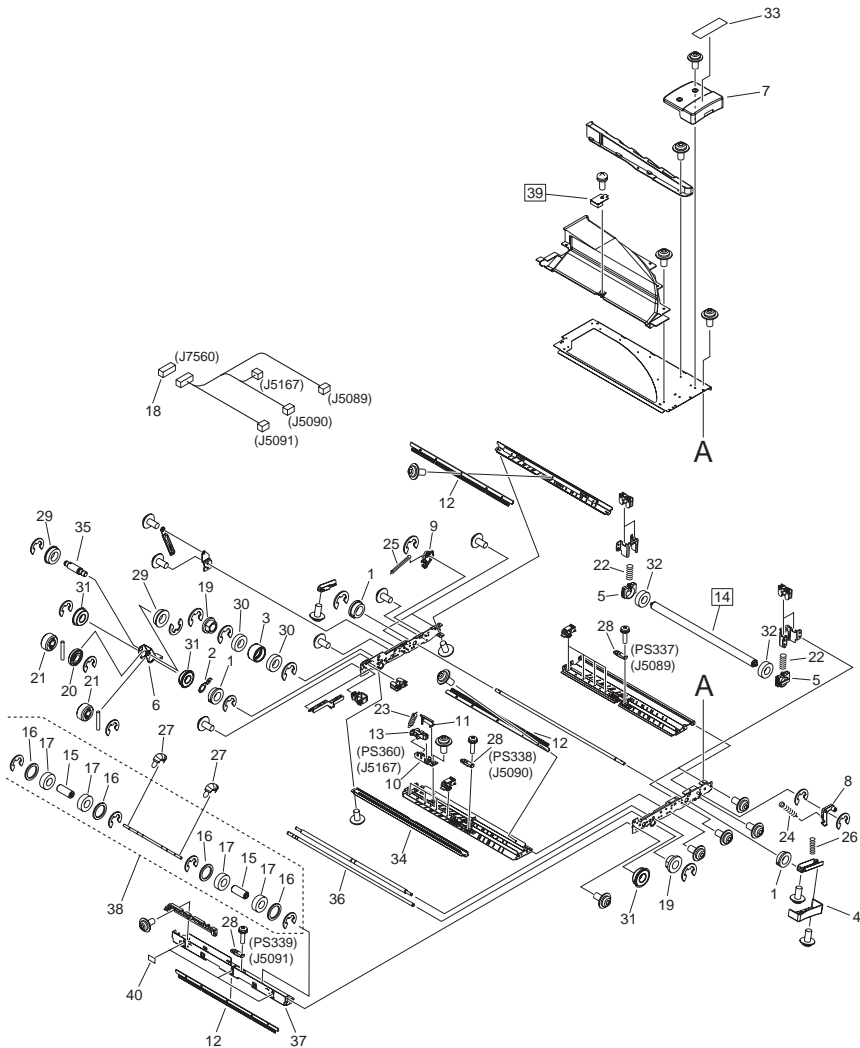


FIGURE & KEY NO.	PARTS NUMBER	R A N K	Q'TY	DESCRIPTION	SERIAL NUMBER/ REMARKS	S V C
Fig.350	NPN		RF	REVERSE DELIVERY ASSEMBLY		
1	FA9-2864-010		1	SETSCREW, M3X4		
2	FB2-3159-000		1	LEVER, LIFTER		
3	FC5-9907-000		2	CAM		
4	WG8-5848-000		2	IC, PHOTO-INTERRUPTER		
5	FK2-3132-000		1	MOTOR, STEPPING, DC	M316	
6	FL2-2257-000		2	PIN, MOUNTING, 1		
7	FL2-2261-000		2	PIN, PAPER DELIVERY GUIDE, UP.		
8	FL2-2274-000		2	PIN, GUIDE, 1		
9	FL2-4157-000		2	PIN, GUIDE, 2		
10	VS1-7177-003		3	CONNECTOR, SNAP TIGHT, BK		
11	VS1-7177-006		1	CONNECTOR, SNAP TIGHT, BK		
12	FM4-7451-000		1	CABLE, PAPER DELIVERY REVERSE		
13	FM4-6264-000		1	PAPER DELIVERY PCB ASSEMBLY		
14	FM2-9302-000		2	DECURLER ASSEMBLY		
15	XF2-3607-660		1	BELT, TIMING		
16	FC5-9904-000		2	ROLLER, SPONGE	[DP]	
17	FC6-8469-000		4	ADJUSTER, DECURLER CAM		
18	FU6-2523-000		4	SPRING, COMPRESSION		
19	XG9-0668-000		4	BEARING, BALL, 12MM		
20	FU5-2905-000		1	SPRING, TENSION		
21	FU5-2953-000		1	SPRING, TENSION		
22	FU5-3201-000		1	PULLEY		
23	FU5-3204-000		1	PULLEY, 30T		
24	XG9-0664-000		2	BALL BEARING, JMK-688ZZNR*D4ML		
25	XF2-3610-660		1	BELT, TIMING		

FIGURE 351 DELIVERY GUIDE ASSEMBLY, UPPER



NOTE : This assembly does not include the part shown with key No. 33.

NOTE : Several kinds of labels are attached on the board for the parts of Key No. 33. The same parts as Fig/Key No. 112-10, 113-15, 344-11, 348-12, 370-44 and 372-22.

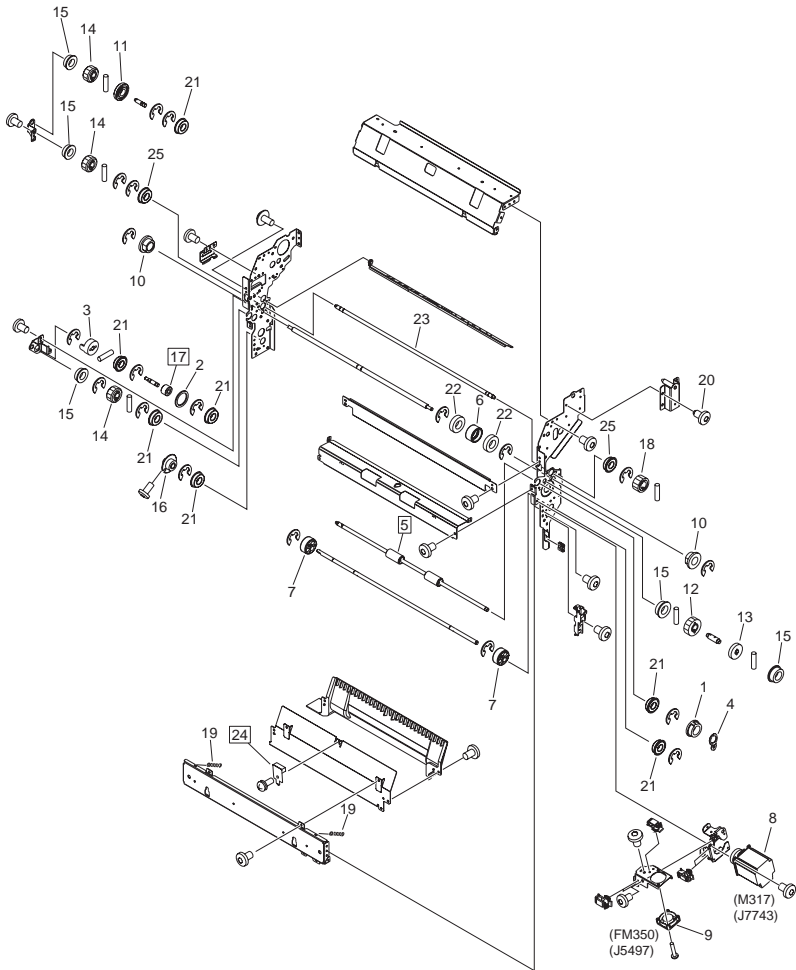
注 : このユニットにKey No. 33の部品は含まれません。

注 : Key No. 33の部品は台紙に数種類のラベルが付いています。Fig/Key No. 112-10, 113-15, 344-11, 348-12, 370-44, 372-22と同一部品です。

FIGURE & KEY NO.	PARTS NUMBER	R A N K	Q'TY	DESCRIPTION	SERIAL NUMBER/ REMARKS	S V C
Fig.351	FM2-2231-020		1	DELIVERY GUIDE ASSEMBLY, UPPER		
1	FA9-2112-000		3	BUSHING, PL		
2	FC5-9559-000		1	PLATE, ROLLER GROUNDING		
3	FC8-6462-000		1	ROLLER, BACK-UP		
4	FC5-9917-000		1	LEVER, PAPER DELIVERY GUIDE, 1		
5	FC5-9918-000		4	HOLDER		
6	FC5-9928-000		1	PLATE, DRIVE SWING		
7	FC5-9989-000		1	LEVER, PAPER DELIVERY GUIDE, 2		
8	FC6-8460-000		1	LOCK, DELIVERY GUIDE, FRONT		
9	FC6-8461-000		1	LOCK, DELIVERY GUIDE, REAR		
10	FC6-8464-000		1	MOUNT, OPEN/CLOSE SENSOR		
11	FC6-8465-000		1	FLAG, OPEN/CLOSE DETECT		
12	FC6-8601-000		3	ELIMINATOR, STATIC CHARGE		
13	FK2-0149-000		1	PHOTO-INTERRUPTER, TLP1252(C6)	PS360	
14	FL2-2016-000		2	ROLLER, DRIVEN	[DP]	
15	FC6-0111-000		2	ROLLER, FOLLOWER		
16	FS5-6488-000		4	WASHER		
17	XG9-0245-000		4	BEARING, BALL, MR126ZZMC3NS7L		
18	VS1-7177-012		1	CONNECTOR, SNAP TIGHT, BK		
19	FS1-1569-000		2	BUSHING		
20	FS5-6248-000		1	ROLLER, PUSH-ON		
21	FU5-0266-000		2	GEAR, 20T		
22	FU5-2904-000		4	SPRING, COMPRESSION		
23	FU5-2947-000		1	SPRING, TENSION		
24	FU6-2529-000		1	SPRING, TENSION		
25	FU6-2530-000		1	SPRING, TENSION		
26	FU6-2531-000		1	SPRING, COMPRESSION		
27	FU6-2550-000		2	SPRING, TENSION		
28	WG8-5736-000		3	PHOTO SENSOR UNIT	PS337,338,339	
29	XG9-0520-000		2	BEARING, BALL, MF106ZZS		
30	XG9-0400-000		2	BEARING, BALL		
31	XG9-0664-000		4	BALL BEARING, JMK-688ZZNR*D4ML		

FIGURE & KEY NO.	PARTS NUMBER	R A N K	Q'TY	DESCRIPTION	SERIAL NUMBER/ REMARKS	S V C
32	XG9-0511-000		4	BEARING, BALL		
33	FC8-2968-010		1	LABEL, SUB STATION LANGUAGE 2	French	
33	FC8-2971-010		1	LABEL, SUB STATION LANGUAGE 2	Spanish	
33	FC8-2972-010		1	LABEL, SUB STATION LANGUAGE 2	Portuguese	
33	FC8-2969-010		1	LABEL, SUB STATION LANGUAGE 2	German	
33	FC8-2970-010		1	LABEL, SUB STATION LANGUAGE 2	Italian	
34	FL2-2269-000		1	GUIDE, PAPER DELIVERY, UPPER,2		
35	FC5-9920-000		1	SHAFT, TRANSMISSION		
36	FC5-9922-010		1	SHAFT, TRANSMISSION		
37	FC5-9912-010		1	GUIDE,PAPER DELIVERY,UPPER		
38	FM2-5108-000		1	ROLLER, FOLLOWER, LEFT		
39	FL3-5095-000		1	SHEET, BRUSH BACK-UP	[DP]	
40	FC9-6090-000		3	SHEET		

FIGURE 352 DELIVERY GUIDE ASSEMBLY, LOWER



NOTE : This assembly does not include the part shown with key No. 19.
 注 : このユニットにKey No. 19の部品は含まれません。

FIGURE & KEY NO.	PARTS NUMBER	R A N K	Q'TY	DESCRIPTION	SERIAL NUMBER/ REMARKS	S V C
Fig.352	FM2-9301-010		1	DELIVERY GUIDE ASSEMBLY, LOWER		
1	FA9-2112-000		1	BUSHING, PL		
2	FB2-6285-020		4	SHIM		
3	FB2-7540-000		1	BUSHING		
4	FC5-9559-000		1	PLATE, ROLLER GROUNDING		
5	FC5-9885-000		1	ROLLER, PAPER DELIVERY, 3	[DP]	
6	FC8-6462-000		1	ROLLER, BACK-UP		
7	FC5-9907-000		2	CAM		
8	FK2-3135-000		1	MOTOR, STEPPING, DC	M317	
9	FK2-3148-000		1	FAN	FM350	
10	FS1-1569-000		2	BUSHING		
11	FS5-6248-000		1	ROLLER, PUSH-ON		
12	FU5-0161-000		1	GEAR, 26T		
13	FU5-0262-000		1	GEAR, 44T		
14	FU5-0266-000		3	GEAR, 20T		
15	XG9-0520-000		5	BEARING, BALL, MF106ZZS		
16	FU5-3201-000		1	PULLEY		
17	FU6-0378-000		1	COUPLING	[DP]	
18	FU6-0463-000		1	GEAR, 18T		
19	FU6-2543-000		2	SPRING, TENSION	SEE NOTE	
20	XA9-0892-000		4	SCREW,MACH.,TRUSS HEAD,M4X6		
21	XG9-0664-000		7	BALL BEARING, JMK-688ZZNR*D4ML		
22	XG9-0400-000		2	BEARING, BALL		
23	FC5-9892-000		1	SHAFT, TRANSMISSION		
24	FL3-5095-000		1	SHEET, BRUSH BACK-UP, FL	[DP]	
25	XG9-0779-000		2	BEARING, BALL, 688ZZNR D41		

FIGURE 353 REVERSE GUIDE ASSEMBLY, UPPER

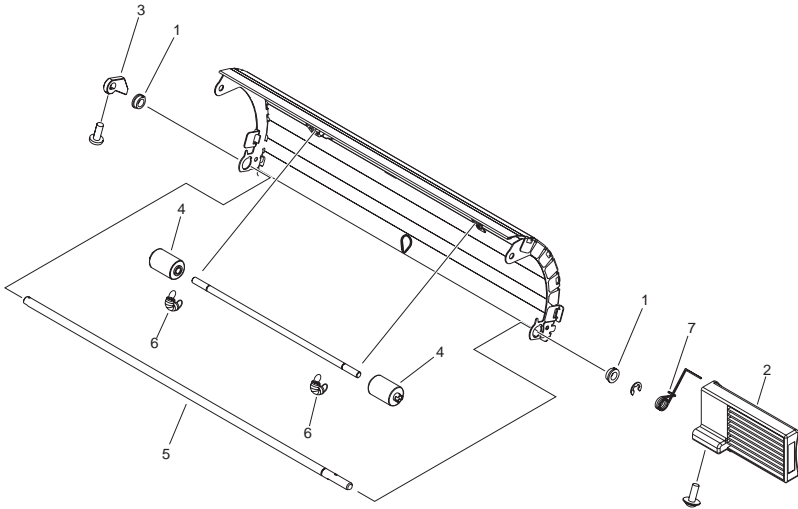
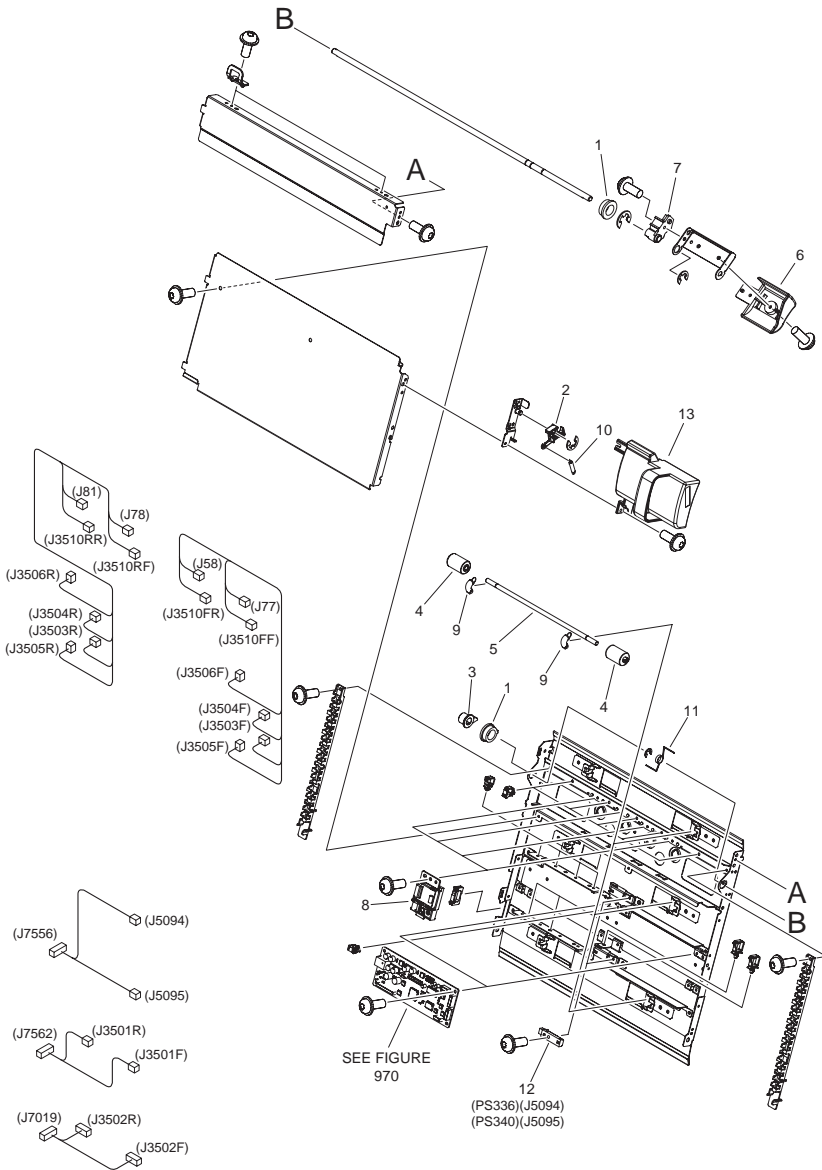


FIGURE & KEY NO.	PARTS NUMBER	RANK	QTY	DESCRIPTION	SERIAL NUMBER/REMARKS	SVC
Fig.353	FM2-2235-000		1	REVERSE GUIDE ASSEMBLY, UPPER		
1	FA9-2112-000		2	BUSHING, PL		
2	FC5-9939-000		1	LEVER, REVERSE GUIDE, LOWER 3		
3	FC6-8599-000		1	CAM, LEVER, 2		
4	FC7-0042-000		2	ROLLER, FOLLOWER		
5	FC7-0043-000		1	SHAFT, TRANSMISSION		
6	FU5-2839-000		2	SPRING, TENSION		
7	FU6-2007-000		1	SPRING, TORSION		

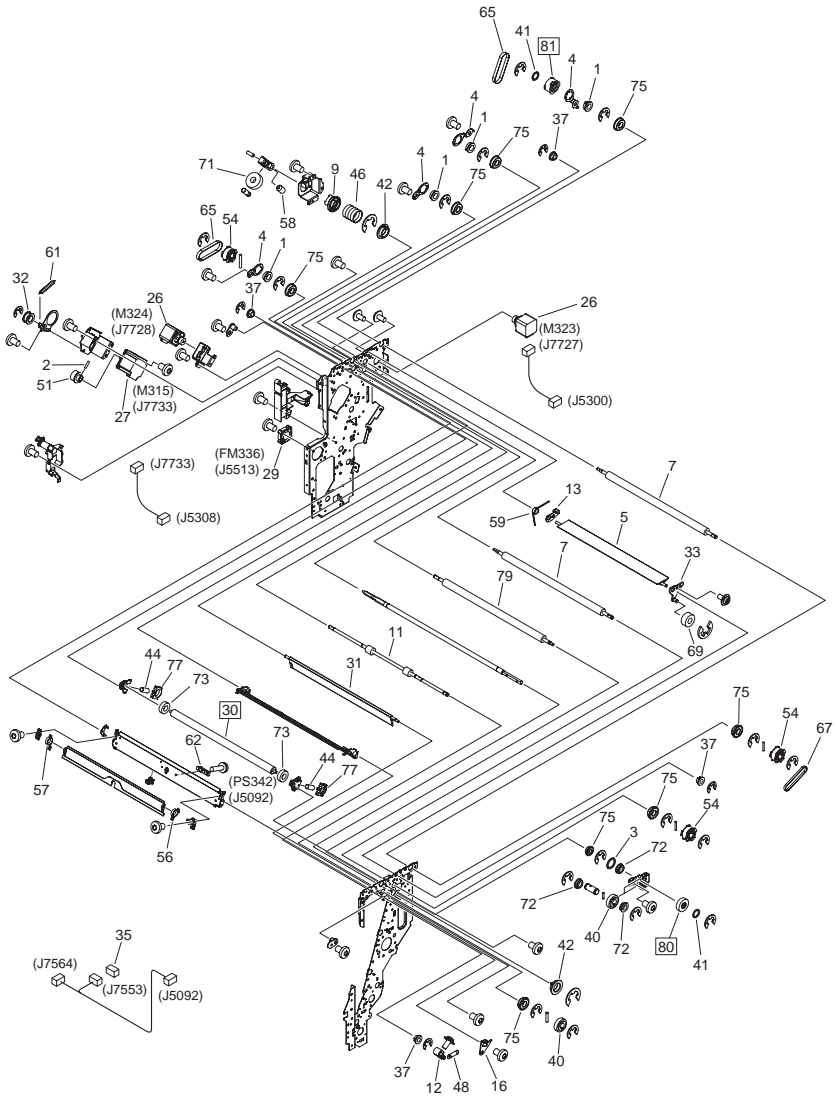
FIGURE 354 REVERSE GUIDE ASSEMBLY, LOWER



NOTE : This assembly includes the assembly shown in Figure 970.
 注 : このユニットはFigure 970のユニットを含みます。

FIGURE & KEY NO.	PARTS NUMBER	R A N K	Q'TY	DESCRIPTION	SERIAL NUMBER/ REMARKS	S V C
Fig.354	FM2-2233-000		1	REVERSE GUIDE ASSEMBLY, LOWER	SEE NOTE	
1	FA9-2112-000		2	BUSHING, PL		
2	FC6-8596-000		1	HOOK, LEVER FRONT, 1		
3	FC6-8598-000		1	CAM, LEVER, 1		
4	FC7-0042-000		6	ROLLER, FOLLOWER		
5	FC7-0043-000		3	SHAFT, TRANSMISSION		
6	FC7-4040-000		1	LEVER, REVERSE GUIDE, 2		
7	FC7-4042-000		1	CAM, REVERSE GUIDE LEVER		
8	FM2-2713-000		4	COLOR SENSOR PCB UNIT		
9	FU5-2839-000		6	SPRING, TENSION		
10	FU5-2999-000		1	SPRING, TENSION		
11	FU6-2006-000		1	SPRING, TORSION		
12	WG8-5736-000		2	PHOTO SENSOR UNIT	PS336,PS340	
13	FC6-2261-000		1	GUIDE, REVERSE		

FIGURE 355 REVERSE ASSEMBLY



NOTE : This assembly does not include the parts shown with key No. 22 and 60.
注 : このユニットにKey No. 22, 60の部品は含まれません。

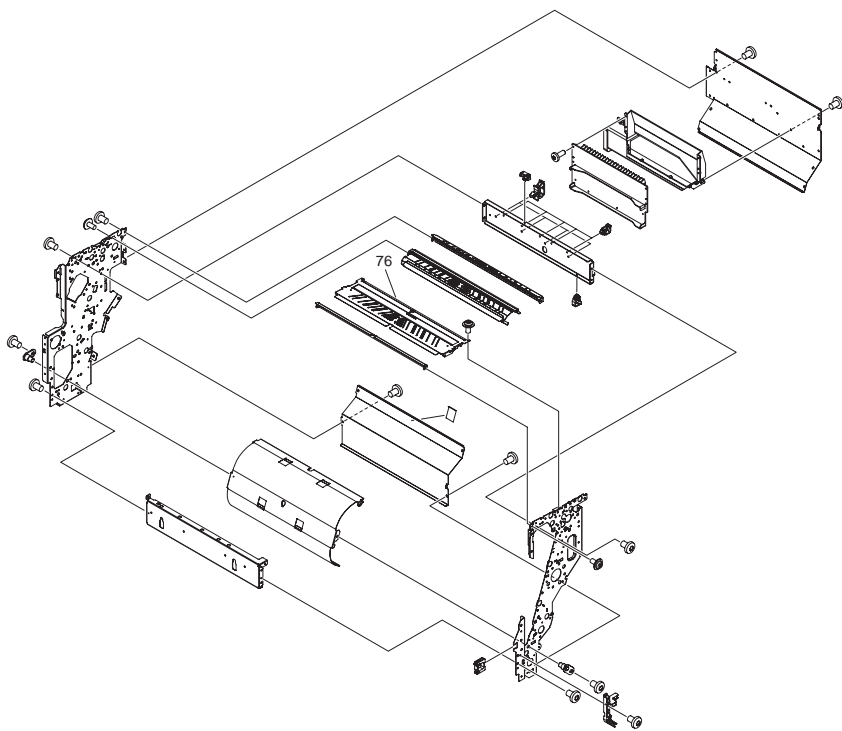


FIGURE & KEY NO.	PARTS NUMBER	R A N K	Q'TY	DESCRIPTION	SERIAL NUMBER/ REMARKS	S V C
Fig.355	FM4-2624-000		1	REVERSE ASSEMBLY		
1	FA9-2112-000		8	BUSHING, PL		
2	FA9-2864-010		2	SETSCREW, M3X4		
3	FB2-6285-020		1	SHIM		
4	FC5-9559-000		8	PLATE, ROLLER GROUNDING		
5	FC5-9935-000		1	FLAPPER, PAPER DELIVERY, 1		
6	FC5-9953-000		1	FLAPPER, REVERSE, 2		
7	FC9-5909-000		2	ROLLER, PAPER DELIVERY DRIVE,A	[DP]	
8	FC6-2266-000		1	CAM, FLAPPER		
9	FC6-2272-000		1	LOCK, LEVER		
10	FC6-2277-000		1	LEVER, DUPLEXING ENTRANCE		
11	FC6-2280-000		3	ROLLER, REVERSE, 1	[DP]	
12	FC6-2400-000		2	LEVER, FLAPPER, 1		
13	FC6-2451-000		1	PLATE, FLAPPER		
14	FC9-9464-000		2	ROLLER, DUPLEXING REVERSE	[DP]	
15	FC6-3342-000		1	ROLLER, SPONGE	[DP]	
16	FC6-8458-000		2	HOOK, SPRING		
17	FC6-8464-000		1	MOUNT, OPEN/CLOSE SENSOR		
18	FC6-8465-000		1	FLAG, OPEN/CLOSE DETECT		
19	FC7-0042-000		2	ROLLER, FOLLOWER		
20	FC7-0043-000		1	SHAFT, TRANSMISSION		
21	FC7-4901-010		1	LEVER, REVERSE GUIDE		
22	FC7-7067-000		2	KNOB, EXTRACTION	SEE NOTE	
23	FH7-5838-030		1	SOLENOID	SL304	
24	WG8-5848-000		3	IC, PHOTO-INTERRUPTER		
25	FK2-3125-000		1	MOTOR, STEPPING, DC	M319	
26	FK2-3129-000		4	MOTOR, STEPPING, DC	M321,M322,M323,M324	
27	FK2-3132-000		1	MOTOR, STEPPING, DC	M315	
28	FK2-3134-000		1	MOTOR, STEPPING, DC	M320	
29	FK2-3148-000		1	FAN	FM336	
30	FL2-2016-000		1	ROLLER, DRIVEN	[DP]	
31	FL2-2268-000		1	FLAPPER, REVERSE, 1		

FIGURE & KEY NO.	PARTS NUMBER	R A N K	Q'TY	DESCRIPTION	SERIAL NUMBER/ REMARKS	S V C
32	FL2-5562-000		3	ROLLER, TENSIONER		
33	FL2-6237-000		1	PLATE, FLAPPER, 2		
34	VS1-7177-003		4	CONNECTOR, SNAP TIGHT, BK		
35	VS1-7177-006		1	CONNECTOR, SNAP TIGHT, BK		
36	VS1-7177-004		1	CONNECTOR, SNAP TIGHT, BK		
37	FS1-1569-000		6	BUSHING		
38	FS1-9003-020		1	SCREW, STEPPED, M4		
39	FS1-9199-000		2	SCREW, M4		
40	FS5-0688-000		3	GEAR, 17T		
41	FS5-6488-000		8	WASHER		
42	FU5-1319-000		2	BUSHING		
43	FU5-2839-000		2	SPRING, TENSION		
44	FU5-2904-000		2	SPRING, COMPRESSION		
45	FU5-2911-000		1	SPRING, COMPRESSION		
46	FU5-2914-000		1	SPRING, COMPRESSION		
47	FU5-2918-000		2	SPRING, TENSION		
48	FU5-2947-000		3	SPRING, TENSION		
49	FU5-2957-000		1	SPRING, COMPRESSION		
50	FU5-2958-000		1	SPRING, TENSION		
51	FU5-3204-000		2	PULLEY, 30T		
52	FU5-3205-000		1	PULLEY, 22T		
53	FU5-3206-000		1	PULLEY, 20T		
54	FU5-3441-000		9	PULLEY, 30T		
55	FU6-0414-000		3	GEAR, 20T		
56	FU6-2521-000		1	SPRING, TORSION		
57	FU6-2522-000		1	SPRING, TORSION		
58	XA9-0546-020		1	SET SCREW, M4 X 6		
59	FU6-2532-000		1	SPRING, TORSION		
60	FU6-2548-010		1	SPRING, TENSION	SEE NOTE	
61	FU6-2539-000		3	SPRING, TENSION		
62	WG8-5736-000		3	PHOTO SENSOR UNIT	PS335,PS341,PS342	
63	XZ9-0603-000		2	CATCH, MAGNET		

FIGURE & KEY NO.	PARTS NUMBER	R A N K	Q'TY	DESCRIPTION	SERIAL NUMBER/ REMARKS	S V C
64	XF2-3604-940		1	BELT, TIMING		
65	XF2-3607-060		5	BELT, TIMING		
66	XF2-3608-460		1	BELT, TIMING		
67	XF2-3609-960		1	BELT, TIMING		
68	XF2-3614-860		1	BELT, TIMING		
69	XG9-0149-000		1	BEARING, BALL, 684AA1T12DZZ,		
70	XG9-0668-000		2	BEARING, BALL, 12MM		
71	XG9-0304-000		1	BALL BEARING,NMB		
72	XG9-0507-000		5	BEARING, BALL, MF128ZZ		
73	XG9-0511-000		2	BEARING, BALL		
74	XG9-0520-000		8	BEARING, BALL, MF106ZZS		
75	XG9-0664-000		16	BALL BEARING, JMK-688ZZNR*D4ML		
76	FL2-2262-010		1	GUIDE, PAPER DELIVERY, LOWER,3		
77	FC5-9918-000		2	HOLDER		
78	XA9-1659-000		2	SCREW,M3X4		
79	FC9-5911-000		1	ROLLER, PAPER DELIVERY DRIVE,B	[DP]	
80	FL3-2874-000		1	GEAR, 17T	[DP]	
81	FL3-2875-000		1	PULLEY, 30T	[DP]	

FIGURE 360 DUPLEX LEFT ASSEMBLY

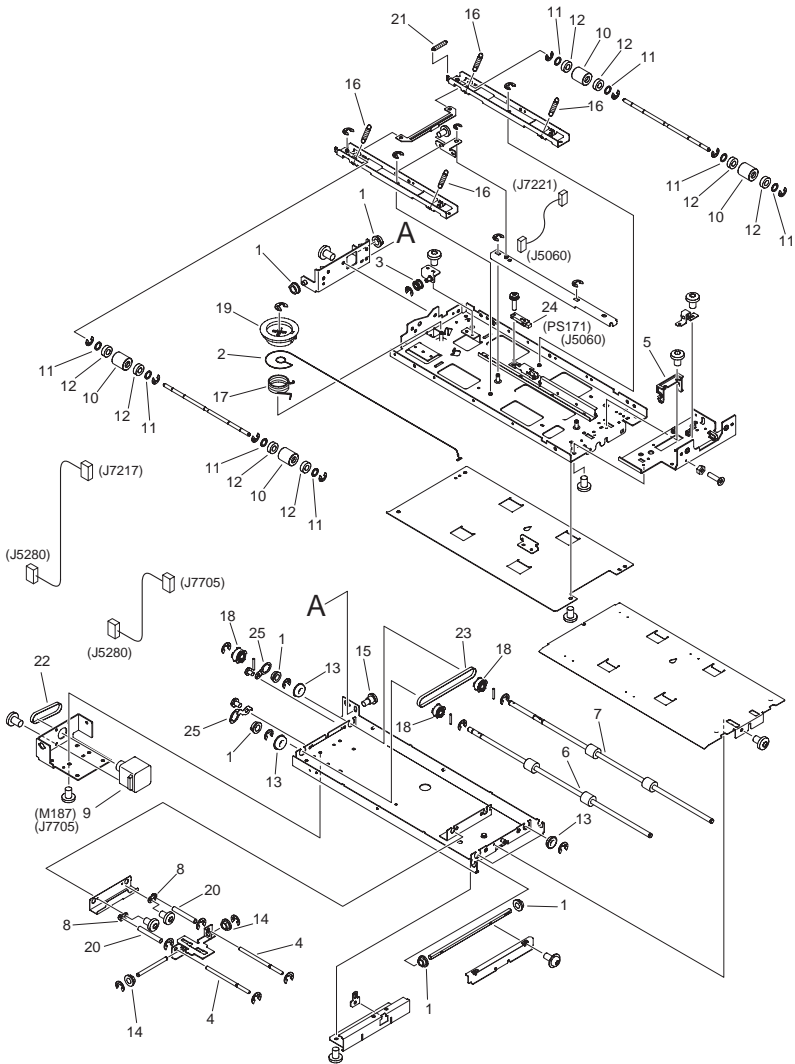


FIGURE & KEY NO.	PARTS NUMBER	R A N K	Q'TY	DESCRIPTION	SERIAL NUMBER/ REMARKS	S V C
Fig.360	FM2-5197-000		1	DUPLEX LEFT ASSEMBLY		
1	FA9-2112-000		6	BUSHING, PL		
2	FC6-0034-000		1	WIRE, LIFTER		
3	FC6-0059-000		1	ROLLER, WIRE		
4	FC6-7842-000		2	PIN, GUIDE LOCK		
5	FC6-7852-000		1	HOOK, DUPLEXING GUIDE		
6	FC9-9477-000		1	ROLLER, PAPER FEED, A		
7	FC9-9478-000		1	ROLLER, PAPER FEED, B		
8	FC6-8310-000		2	BUSHING, FIXED		
9	FK2-3125-000		1	MOTOR, STEPPING, DC	M187	
10	FC5-9668-000		2	ROLLER, FOLLOWER		
11	FS5-6488-000		4	WASHER		
12	XG9-0245-000		4	BEARING, BALL, MR126ZZMC3NS7L		
13	XG9-0664-000		4	BALL BEARING, JMK-688ZZNR*D4ML		
14	FS1-1569-000		2	BUSHING		
15	FS1-9053-020		1	SCREW, STEPPED, M4		
16	FU5-2839-000		4	SPRING, TENSION		
17	FU5-2846-000		1	SPRING, TORSION		
18	FU5-3441-000		3	PULLEY, 30T		
19	FU6-0352-000		1	GEAR, 62T		
20	FU6-2511-000		2	SPRING, COMPRESSION		
21	FU6-2512-000		1	SPRING, FOLLOWER ROLLER HOLDER		
22	XF2-3608-460		1	BELT, TIMING		
23	XF2-3615-460		1	BELT, TIMING		
24	WG8-5736-000		1	PHOTO SENSOR UNIT	PS171	
25	FC5-9559-000		2	PLATE, ROLLER GROUNDING		

FIGURE 361 DUPLEX CENTER ASSEMBLY

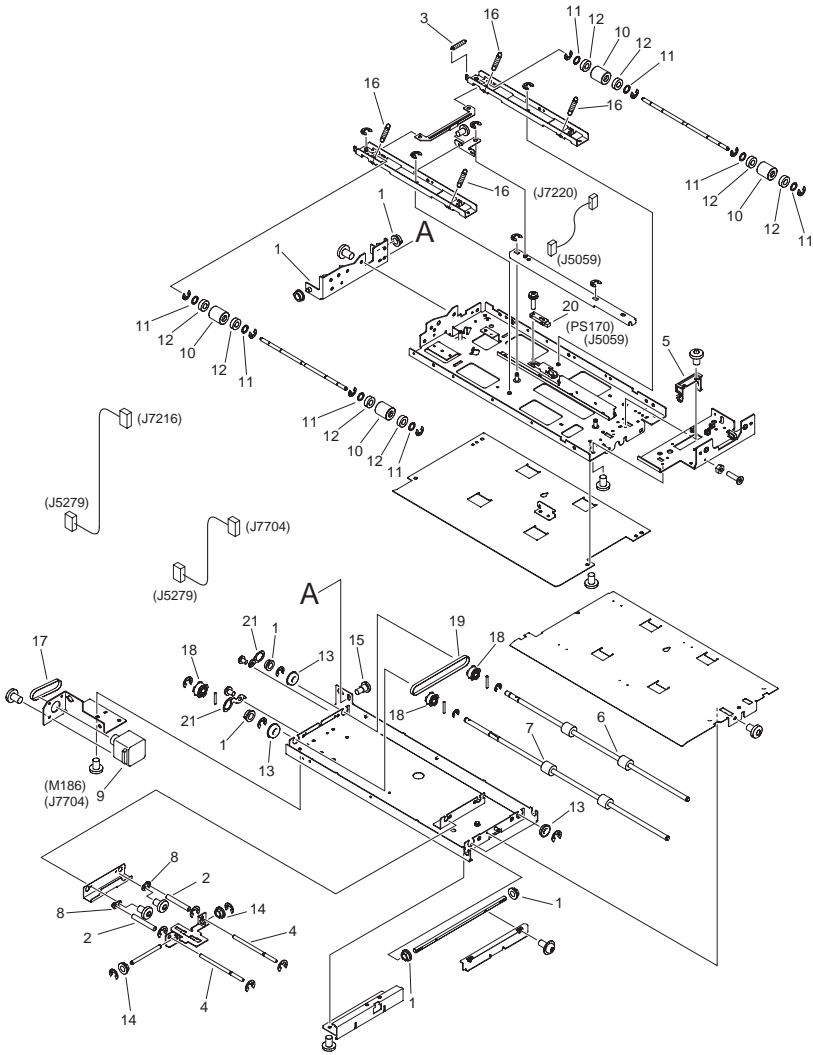


FIGURE & KEY NO.	PARTS NUMBER	R A N K	Q'TY	DESCRIPTION	SERIAL NUMBER/ REMARKS	S V C
Fig.361	FM2-5210-000		1	DUPLEX CENTER ASSEMBLY		
1	FA9-2112-000		6	BUSHING, PL		
2	FU6-2511-000		2	SPRING, COMPRESSION		
3	FU6-2512-000		1	SPRING, FOLLOWER ROLLER HOLDER		
4	FC6-7842-000		2	PIN, GUIDE LOCK		
5	FC6-7852-000		1	HOOK, DUPLEXING GUIDE		
6	FC9-9477-000		1	ROLLER, PAPER FEED, A		
7	FC9-9478-000		1	ROLLER, PAPER FEED, B		
8	FC6-8310-000		2	BUSHING, FIXED		
9	FK2-3125-000		1	MOTOR, STEPPING, DC	M186	
10	FC5-9668-000		2	ROLLER, FOLLOWER		
11	FS5-6488-000		4	WASHER		
12	XG9-0245-000		4	BEARING, BALL, MR126ZZMC3NS7L		
13	XG9-0664-000		4	BALL BEARING, JMK-688ZZNR*D4ML		
14	FS1-1569-000		2	BUSHING		
15	FS1-9053-020		1	SCREW, STEPPED, M4		
16	FU5-2839-000		4	SPRING, TENSION		
17	XF2-3608-460		1	BELT, TIMING		
18	FU5-3441-000		3	PULLEY, 30T		
19	XF2-3615-460		1	BELT, TIMING		
20	WG8-5736-000		1	PHOTO SENSOR UNIT	PS170	
21	FC5-9559-000		2	PLATE, ROLLER GROUNDING		

FIGURE 362 DUPLEX RIGHT ASSEMBLY

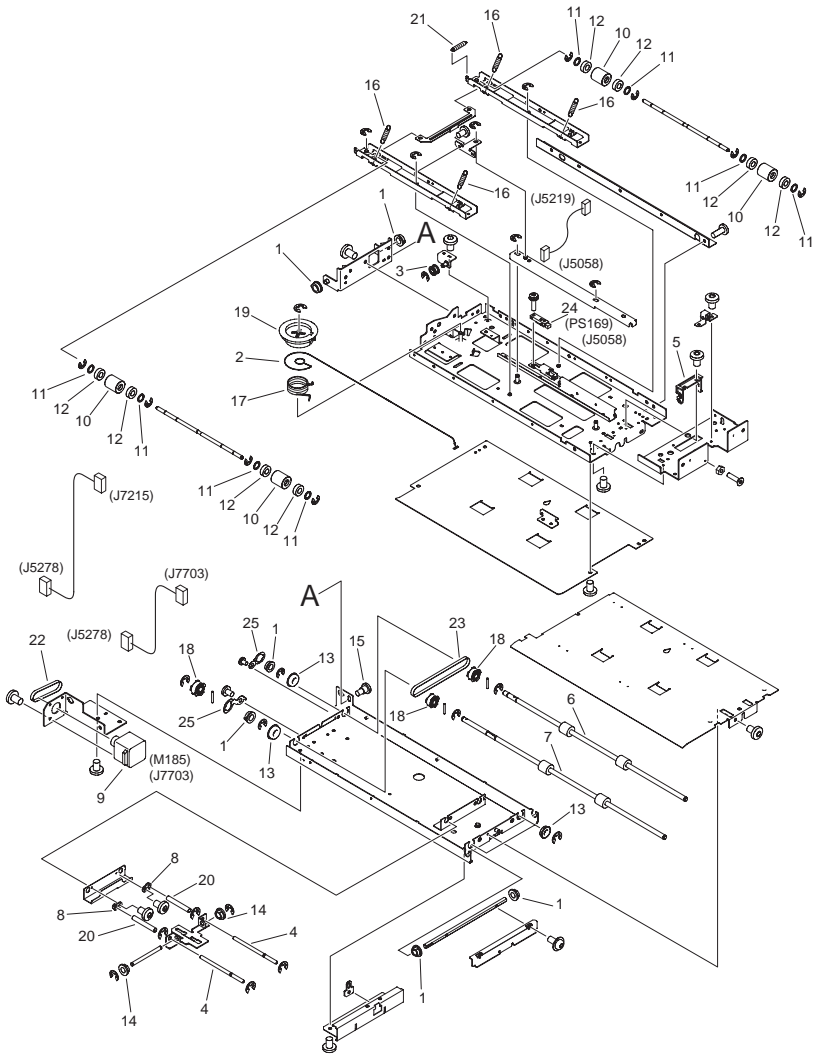
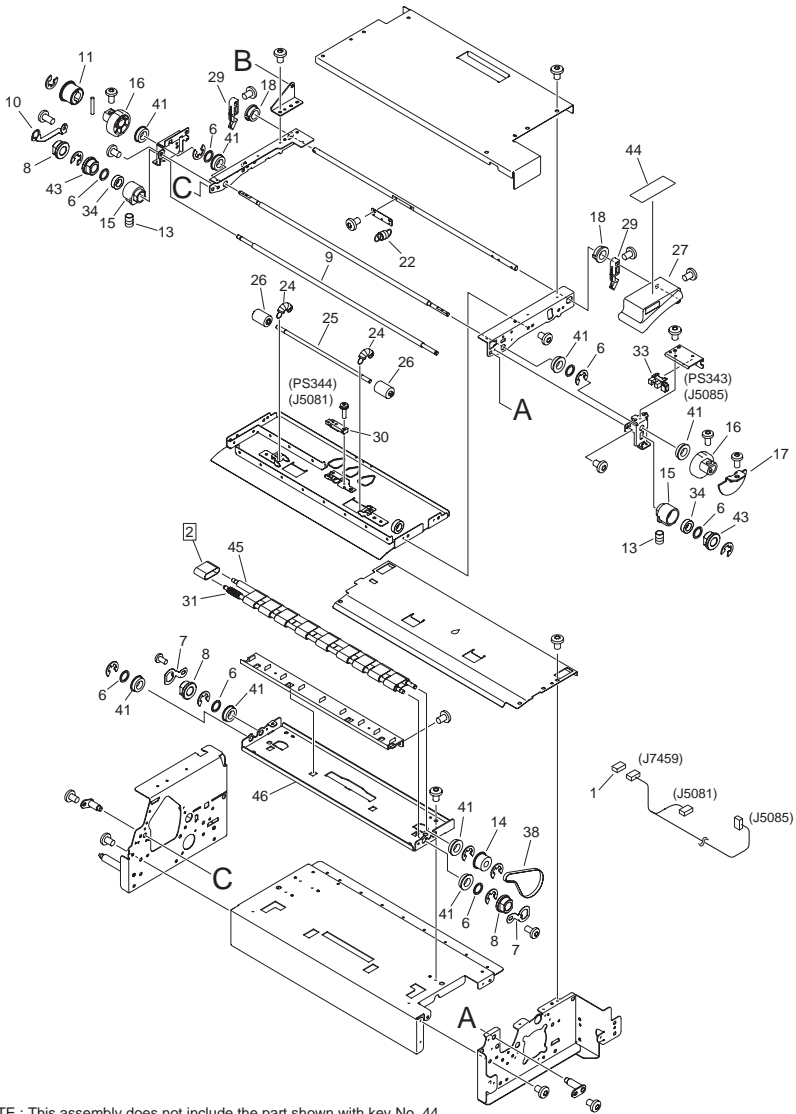


FIGURE & KEY NO.	PARTS NUMBER	R A N K	Q'TY	DESCRIPTION	SERIAL NUMBER/ REMARKS	S V C
Fig.362	FM2-5213-000		1	DUPLEX RIGHT ASSEMBLY		
1	FA9-2112-000		6	BUSHING, PL		
2	FC6-0034-000		1	WIRE, LIFTER		
3	FC6-0059-000		1	ROLLER, WIRE		
4	FC6-7842-000		2	PIN, GUIDE LOCK		
5	FC6-7852-000		1	HOOK, DUPLEXING GUIDE		
6	FC9-9477-000		1	ROLLER, PAPER FEED, A		
7	FC9-9478-000		1	ROLLER, PAPER FEED, B		
8	FC6-8310-000		2	BUSHING, FIXED		
9	FK2-3125-000		1	MOTOR, STEPPING, DC	M185	
10	FC5-9668-000		2	ROLLER, FOLLOWER		
11	FS5-6488-000		4	WASHER		
12	XG9-0245-000		4	BEARING, BALL, MR126ZZMC3NS7L		
13	XG9-0664-000		4	BALL BEARING, JMK-688ZZNR*D4ML		
14	FS1-1569-000		2	BUSHING		
15	FS1-9053-020		1	SCREW, STEPPED, M4		
16	FU5-2839-000		4	SPRING, TENSION		
17	FU5-2846-000		1	SPRING, TORSION		
18	FU5-3441-000		3	PULLEY, 30T		
19	FU6-0352-000		1	GEAR, 62T		
20	FU6-2511-000		2	SPRING, COMPRESSION		
21	FU6-2512-000		1	SPRING, FOLLOWER ROLLER HOLDER		
22	XF2-3608-460		1	BELT, TIMING		
23	XF2-3615-460		1	BELT, TIMING		
24	WG8-5736-000		1	PHOTO SENSOR UNIT	PS169	
25	FC5-9559-000		2	PLATE, ROLLER GROUNDING		

FIGURE 370 DUPLEXING DECURLER ASSEMBLY



NOTE : This assembly does not include the part shown with key No. 44.

NOTE : Several kinds of labels are attached on the board for the parts of Key No. 44. The same parts as Fig/Key No. 112-10, 113-15, 344-11, 348-12, 351-33 and 372-22.

注：このユニットにKey No. 44の部品は含まれません。

注：Key No. 44の部品は台紙に数種類のラベルが付いています。Fig/Key No. 112-10, 113-15, 344-11, 348-12, 351-33, 372-22と同一部品です。

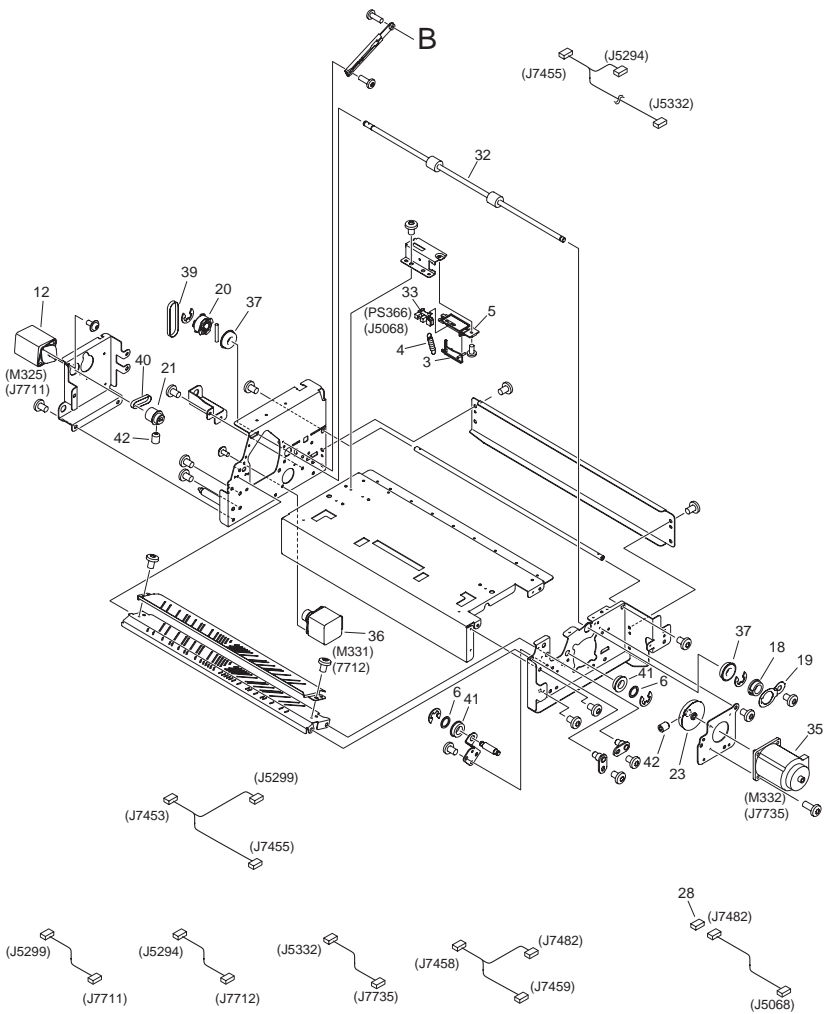
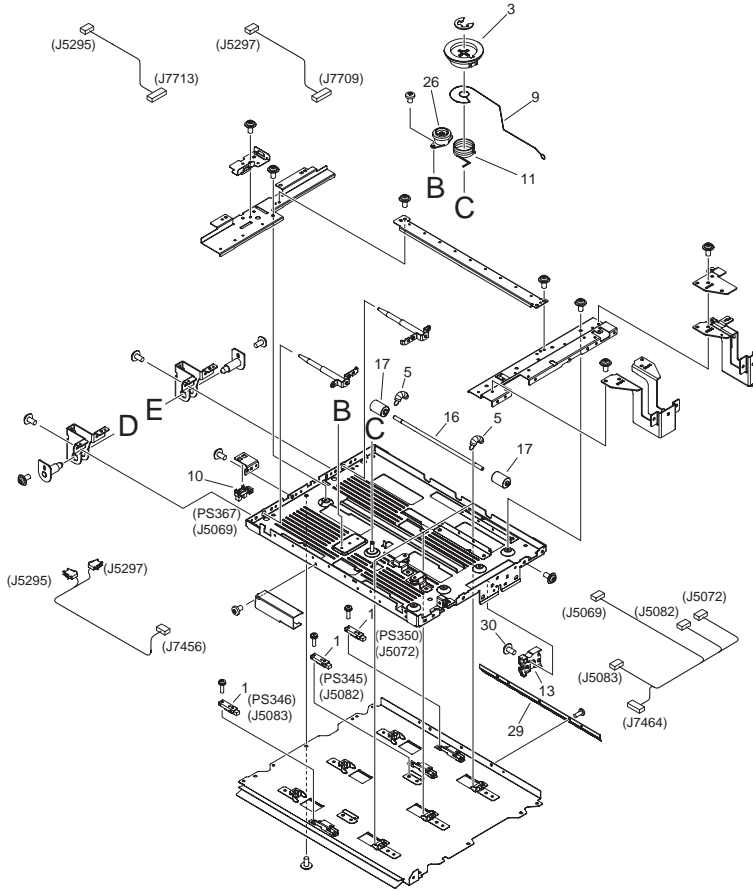


FIGURE & KEY NO.	PARTS NUMBER	R A N K	Q'TY	DESCRIPTION	SERIAL NUMBER/ REMARKS	S V C
Fig.370	FM2-2237-010		1	DUPLEXING DECURLER ASSEMBLY		
1	VS1-7177-006		1	CONNECTOR, SNAP TIGHT, BK		
2	FC7-4600-000		10	BELT, WIDTH PAPER FEED	[DP]	
3	FC6-8465-000		1	FLAG, OPEN/CLOSE DETECT		
4	FU5-2947-000		1	SPRING, TENSION		
5	FC6-8464-000		1	MOUNT, OPEN/CLOSE SENSOR		
6	FS5-6488-000		9	WASHER		
7	FC7-1601-000		2	PLATE, DECURLER GROUNDING		
8	FS5-1592-000		3	BUSHING		
9	FC7-1569-000		1	ROLLER, DECURLER, UPPER		
10	FC7-1603-000		1	PLATE, ROLLER GROUNDING, UP.		
11	FU5-3208-000		1	PULLEY, 20T		
12	FK2-3136-000		1	MOTOR, STEPPING, DC	M325	
13	FU5-2996-000		2	SPRING, COMPRESSION		
14	FU5-3210-000		1	PULLEY, 23T		
15	FU5-1328-000		2	BUSHING, ROLLER		
16	FC7-1531-000		2	CAM, DECURLER		
17	FC5-9239-000		1	FLAG, SENSOR		
18	FA9-2112-000		3	BUSHING, PL		
19	FC5-9559-000		1	PLATE, ROLLER GROUNDING		
20	FU5-3441-000		1	PULLEY, 30T		
21	FU5-3209-000		1	PULLEY, 20T		
22	FU6-2005-000		1	SPRING, TENSION		
23	FU5-3211-000		1	PULLEY, 81T		
24	FU5-2839-000		2	SPRING, TENSION		
25	FC7-0043-000		1	SHAFT, TRANSMISSION		
26	FC7-0042-000		2	ROLLER, FOLLOWER		
27	FC5-9976-000		1	LEVER, REVERSE GUIDE		
28	VS1-7177-003		1	CONNECTOR, SNAP TIGHT, BK		
29	FC7-1808-000		2	HOOK, RELEASE		
30	WG8-5736-000		1	PHOTO SENSOR UNIT	PS344	
31	FC7-1598-000		1	ROLLER, DRIVEN		

FIGURE & KEY NO.	PARTS NUMBER	R A N K	Q'TY	DESCRIPTION	SERIAL NUMBER/REMARKS	S V C
32	FC6-2401-000		1	ROLLER, DUPLEXING, REAR		
33	FK2-0149-000		2	PHOTO-INTERRUPTER, TLP1252(C6)	PS343,PS366	
34	XG9-0242-000		2	BEARING, BALL, MR106ZZMC3D4ML		
35	FK2-3152-000		1	MOTOR, STEPPING, DC	M332	
36	FK2-3129-000		1	MOTOR, STEPPING, DC	M331	
37	XG9-0664-000		2	BALL BEARING, JMK-688ZZNR*D4ML		
38	XF2-3612-560		1	BELT, TIMING		
39	XF2-3608-060		1	BELT, TIMING		
40	XF2-3605-060		1	BELT, TIMING		
41	XG9-0520-000		10	BEARING, BALL, MF106ZZS		
42	FA9-2864-010		2	SETSCREW, M3X4		
43	FS5-1755-000		2	BUSHING		
44	FC8-2968-010		1	LABEL, SUB STATION LANGUAGE 2	French	
44	FC8-2971-010		1	LABEL, SUB STATION LANGUAGE 2	Spanish	
44	FC8-2972-010		1	LABEL, SUB STATION LANGUAGE 2	Portuguese	
44	FC8-2969-010		1	LABEL, SUB STATION LANGUAGE 2	German	
44	FC8-2970-010		1	LABEL, SUB STATION LANGUAGE 2	Italian	
45	FC7-4048-000		1	SHAFT, TRANSMISSION		
46	FC7-1625-000		1	FRAME,DUPLEX		

FIGURE 371 DUPLEXING ASSEMBLY, RIGHT



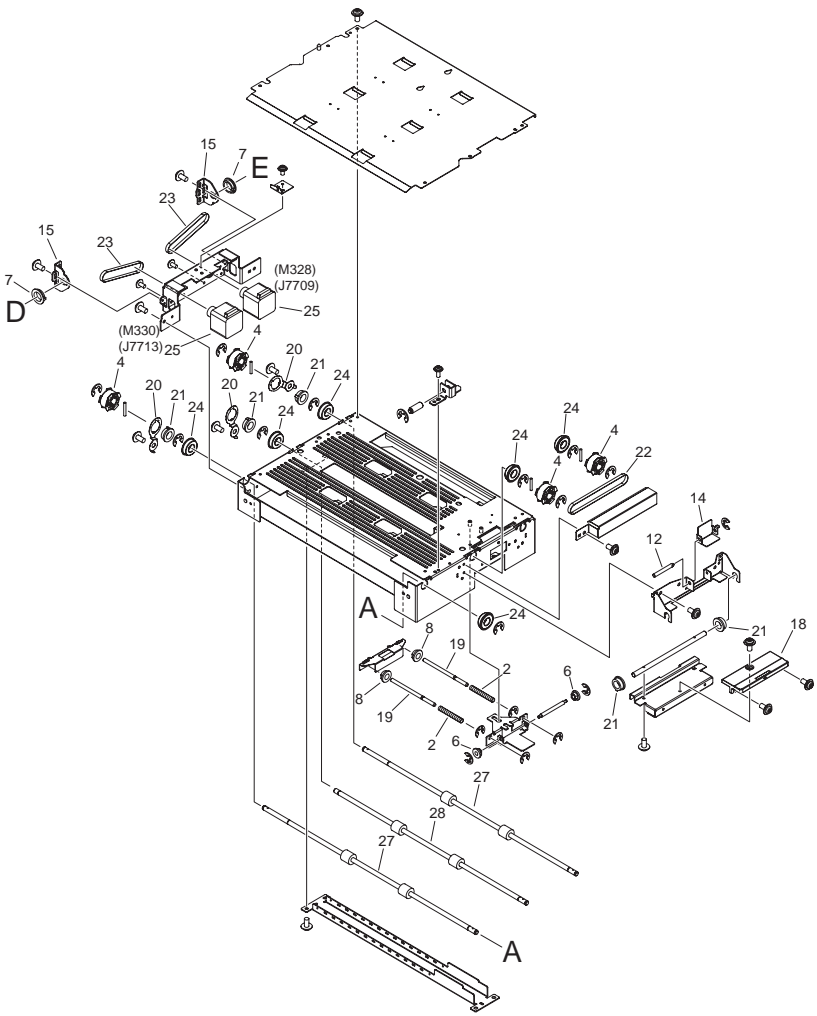
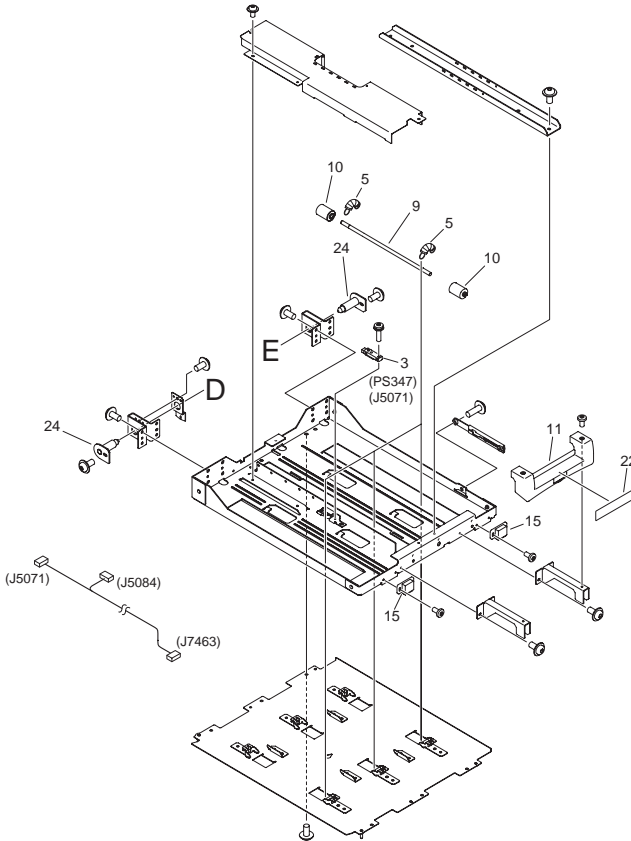


FIGURE & KEY NO.	PARTS NUMBER	R A N K	Q'TY	DESCRIPTION	SERIAL NUMBER/ REMARKS	S V C
Fig.371	FM2-2240-000		1	DUPLEXING ASSEMBLY, RIGHT		
1	WG8-5736-000		3	PHOTO SENSOR UNIT	PS345,PS346,PS350	
2	FU6-2562-000		2	SPRING, COMPRESSION		
3	FU6-0352-000		1	GEAR, 62T		
4	FU5-3441-000		4	PULLEY, 30T		
5	FU5-2839-000		6	SPRING, TENSION		
6	FS5-1005-000		2	BUSHING, POLYACETAR		
7	FS2-1012-000		2	BUSHING		
8	FS1-1569-000		2	BUSHING		
9	FC6-8506-000		1	WIRE, DUPLEXING LIFTER		
10	FK2-0149-000		1	PHOTO-INTERRUPTER, TLP1252(C6)	PS367	
11	FC7-5720-000		1	SPRING, TORSION		
12	FC7-3514-000		1	SHAFT, LOCK RELEASE		
13	FC7-3512-000		1	HOOK, DUPLEXING GUIDE, RIGHT		
14	FC7-7487-000		1	LINK, LOCK RELEASE		
15	FC7-3506-000		2	HINGE, ADJUSTMENT, RIGHT		
16	FC7-0043-000		3	SHAFT, TRANSMISSION		
17	FC7-0042-000		6	ROLLER, FOLLOWER		
18	FC6-8504-000		1	GRIP, DUPLEXING HANDLE, RIGHT		
19	FC7-7486-000		2	SHAFT, GUIDE LOCK		
20	FC5-9559-000		3	PLATE, ROLLER GROUNDING		
21	FA9-2112-000		5	BUSHING, PL		
22	XF2-3615-460		1	BELT, TIMING		
23	XF2-3611-560		2	BELT, TIMING		
24	XG9-0664-000		6	BALL BEARING, JMK-688ZZNR*D4ML		
25	FK2-3125-000		2	MOTOR, STEPPING, DC	M328,M330	
26	FL2-4135-000		1	DAMPER, ROTARY		
27	FC5-9563-000		2	ROLLER, PAPER FEED, LOWER		
28	FC5-9562-000		1	ROLLER, DUPLEXING PAPER FEED		
29	FB4-5093-020		1	PLATE, HORIZON. PATH GROUNDING		
30	XA9-1469-000		1	SCREW, TP,M3X6		

FIGURE 372 DUPLEXING ASSEMBLY, LEFT



NOTE : This assembly does not include the part shown with key No. 22.

NOTE : Several kinds of labels are attached on the board for the parts of Key No. 22. The same parts as Fig/Key No. 112-10, 113-15, 344-11, 348-12, 351-33 and 370-44.

注 : このユニットにKey No. 22の部品は含まれません。

注 : Key No. 22の部品は台紙に数種類のラベルが付いています。Fig/Key No. 112-10, 113-15, 344-11, 348-12, 351-33, 370-44と同一部品です。

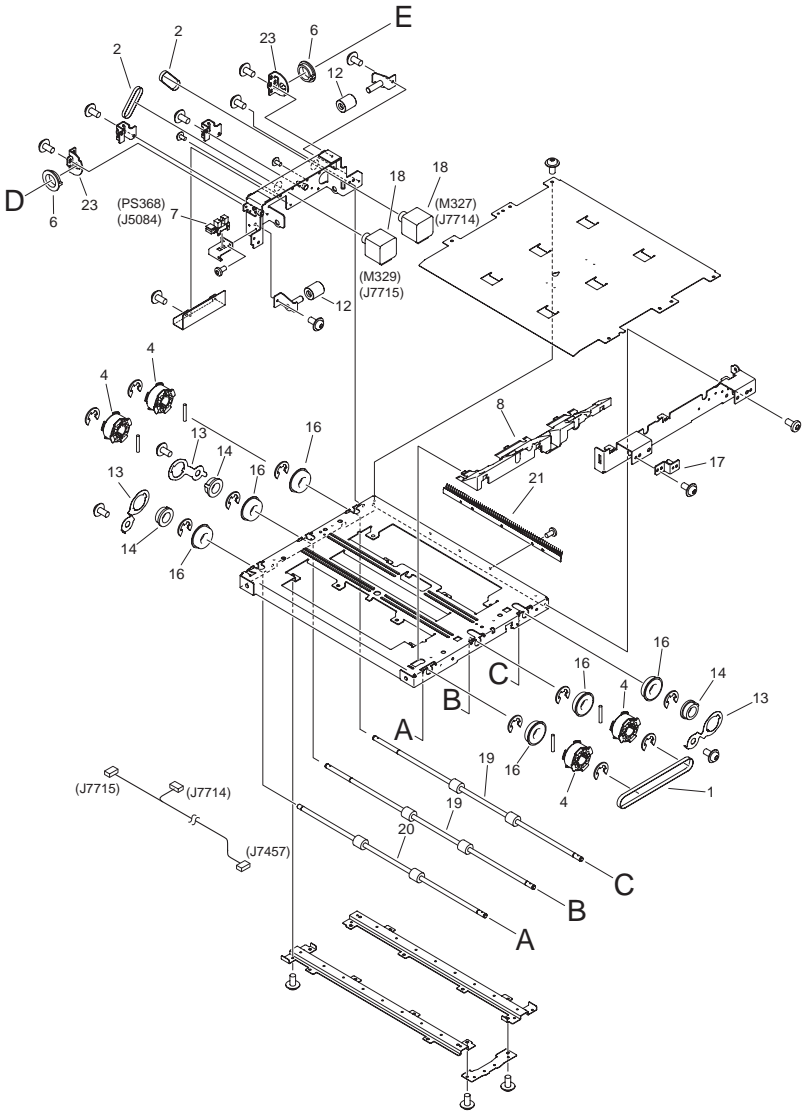


FIGURE & KEY NO.	PARTS NUMBER	R A N K	Q'TY	DESCRIPTION	SERIAL NUMBER/ REMARKS	S V C
Fig.372	FM2-2241-000		1	DUPLEXING ASSEMBLY, LEFT		
1	XF2-3615-460		1	BELT, TIMING		
2	XF2-3607-260		2	BELT, TIMING		
3	WG8-5736-000		1	PHOTO SENSOR UNIT	PS347	
4	FU5-3441-000		4	PULLEY, 30T		
5	FU5-2839-000		6	SPRING, TENSION		
6	FS2-1012-000		2	BUSHING		
7	FK2-0149-000		1	PHOTO-INTERRUPTER, TLP1252(C6)	PS368	
8	FC7-4058-000		1	MOUNT, JUMP		
9	FC7-0043-000		3	SHAFT, TRANSMISSION		
10	FC7-0042-000		6	ROLLER, FOLLOWER		
11	FC6-8647-000		1	HANDLE, DUPLEXING, LEFT		
12	FC5-9668-000		2	ROLLER, FOLLOWER		
13	FC5-9559-000		3	PLATE, ROLLER GROUNDING		
14	FA9-2112-000		3	BUSHING, PL		
15	XZ9-0598-000		2	CATCH, MAGNET		
16	XG9-0664-000		6	BALL BEARING, JMK-688ZZNR*D4ML		
17	FL2-2293-000		1	LOCK, PAPER FEED, LOWER		
18	FK2-3125-000		2	MOTOR, STEPPING, DC	M327,M329	
19	FC5-9563-000		2	ROLLER, PAPER FEED, LOWER		
20	FC5-9562-000		1	ROLLER, DUPLEXING PAPER FEED		
21	FB4-5093-020		1	PLATE, HORIZON. PATH GROUNDING		
22	FC8-2968-010		1	LABEL, SUB STATION LANGUAGE 2	French	
22	FC8-2971-010		1	LABEL, SUB STATION LANGUAGE 2	Spanish	
22	FC8-2972-010		1	LABEL, SUB STATION LANGUAGE 2	Portuguese	
22	FC8-2969-010		1	LABEL, SUB STATION LANGUAGE 2	German	
22	FC8-2970-010		1	LABEL, SUB STATION LANGUAGE 2	Italian	
23	FC7-1879-000		2	HINGE, ADJUSTMENT, LEFT		
24	FL2-2140-000		2	HINGE, PAPER FEED, LOWER		

FIGURE 380 LEFT DECK PATH MERGER ASS'Y

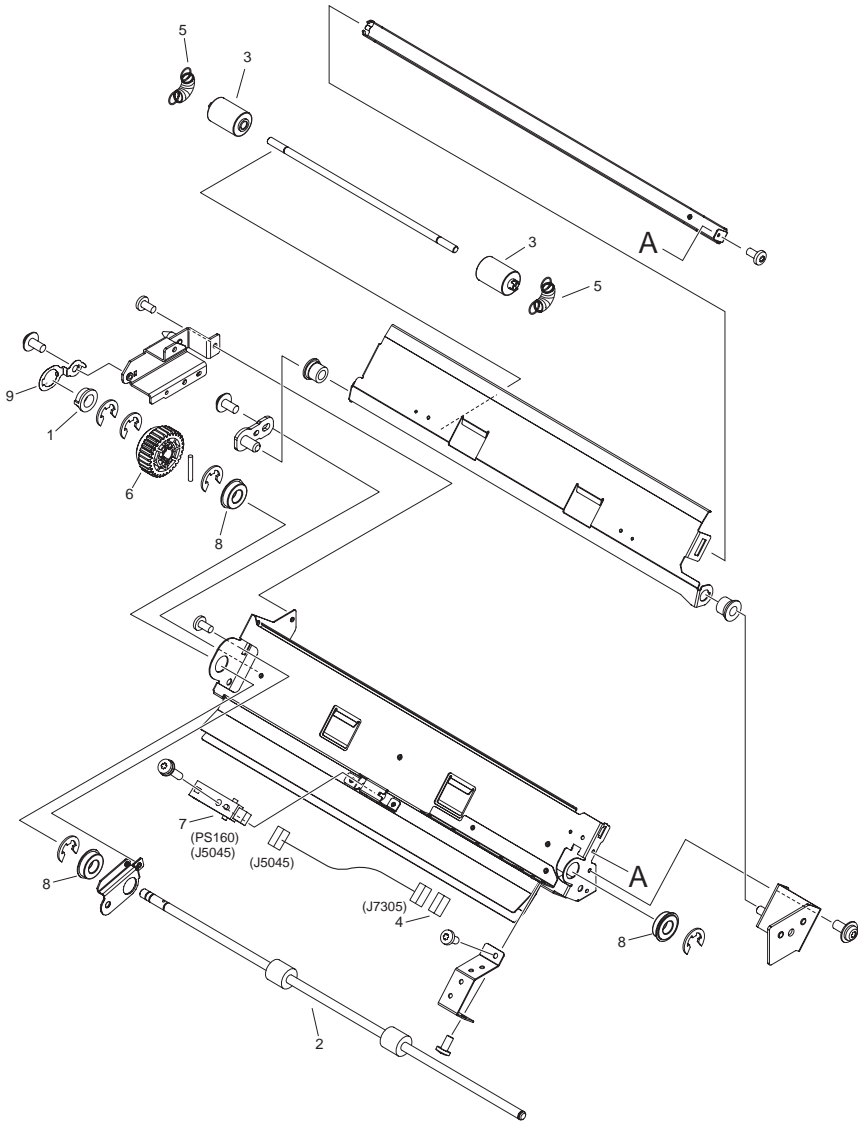


FIGURE & KEY NO.	PARTS NUMBER	RANK	Q'TY	DESCRIPTION	SERIAL NUMBER/REMARKS	SVC
Fig.380	FM2-2246-000		1	LEFT DECK PATH MERGER ASS'Y		
1	FA9-2112-000		1	BUSHING, PL		
2	FC5-9539-000		1	ROLLER, LEFT DECK CROSSING		
3	FC7-0042-000		2	ROLLER, FOLLOWER		
4	VS1-7173-003		1	CONNECTOR, SNAP TIGHT, 3P, W		
5	FU5-2841-000		2	SPRING, TENSION		
6	FU6-0308-000		1	GEAR, 30T		
7	WG8-5736-000		1	PHOTO SENSOR UNIT	PS160	
8	XG9-0664-000		3	BALL BEARING, JMK-688ZZNR*D4ML		
9	FC5-9559-000		1	PLATE, ROLLER GROUNDING		

FIGURE 381
PULL-OUT ROLLER LEFT ASS'Y

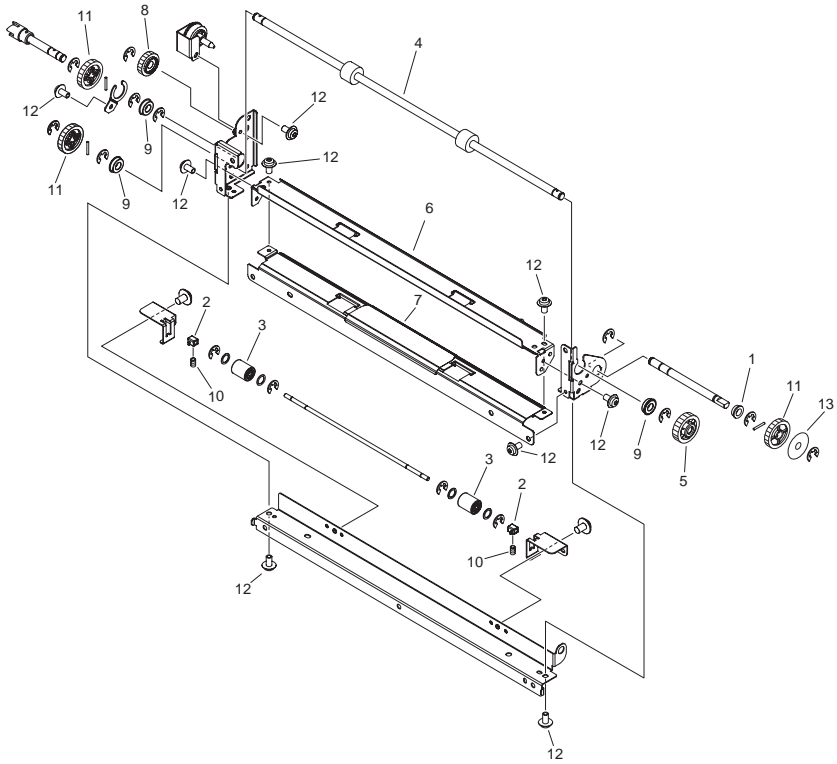


FIGURE & KEY NO.	PARTS NUMBER	R A N K	Q'TY	DESCRIPTION	SERIAL NUMBER/ REMARKS	S V C
Fig.381	FM2-5102-000		1	PULL-OUT ROLLER LEFT ASS'Y		
1	FA9-2112-000		1	BUSHING, PL		
2	FB2-7755-000		2	BUSHING		
3	FC5-8133-000		2	ROLLER, DRIVEN		
4	FC8-1659-000		1	ROLLER, SECOND EXTRACTION		
5	FC5-8169-000		1	GEAR, 30T		
6	FC5-8175-000		1	GUIDE, EXTRACTION, UPPER		
7	FL2-7889-000		1	GUIDE, EXTRACTION, LOWER		
8	FL2-1851-000		1	GEAR, 24T		
9	XG9-0508-000		3	BEARING, BALL, F688ZZ		
10	FU5-2785-000		2	SPRING, COMPRESSION		
11	FU6-0169-000		3	GEAR, 30T		
12	XA9-1249-010		12	SCREW,TP M4X8		
13	FC8-1654-000		1	CLAMP, GEAR		

FIGURE 382
PULL-OUT ROLLER RIGHT ASS'Y

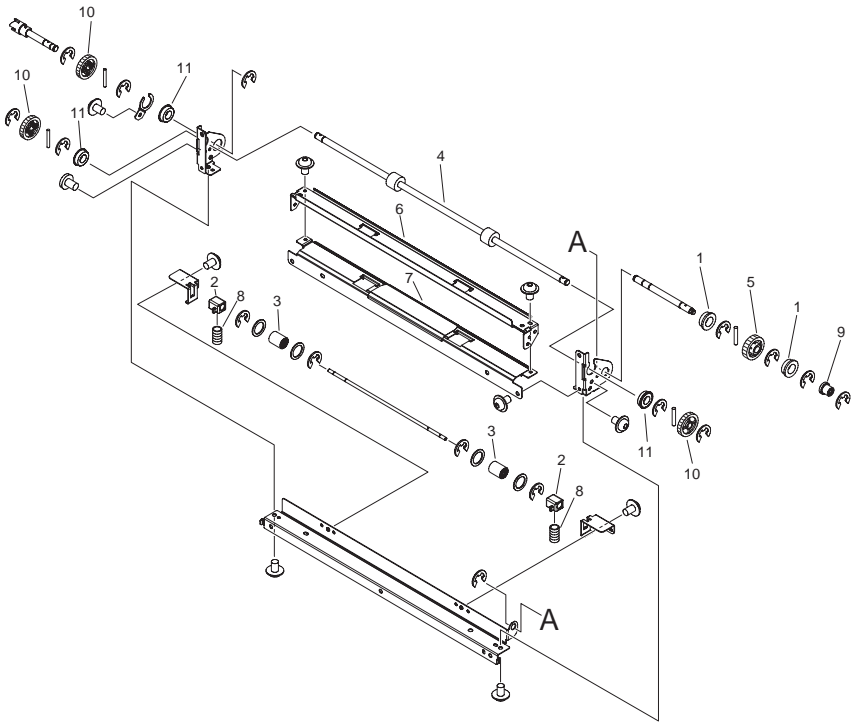
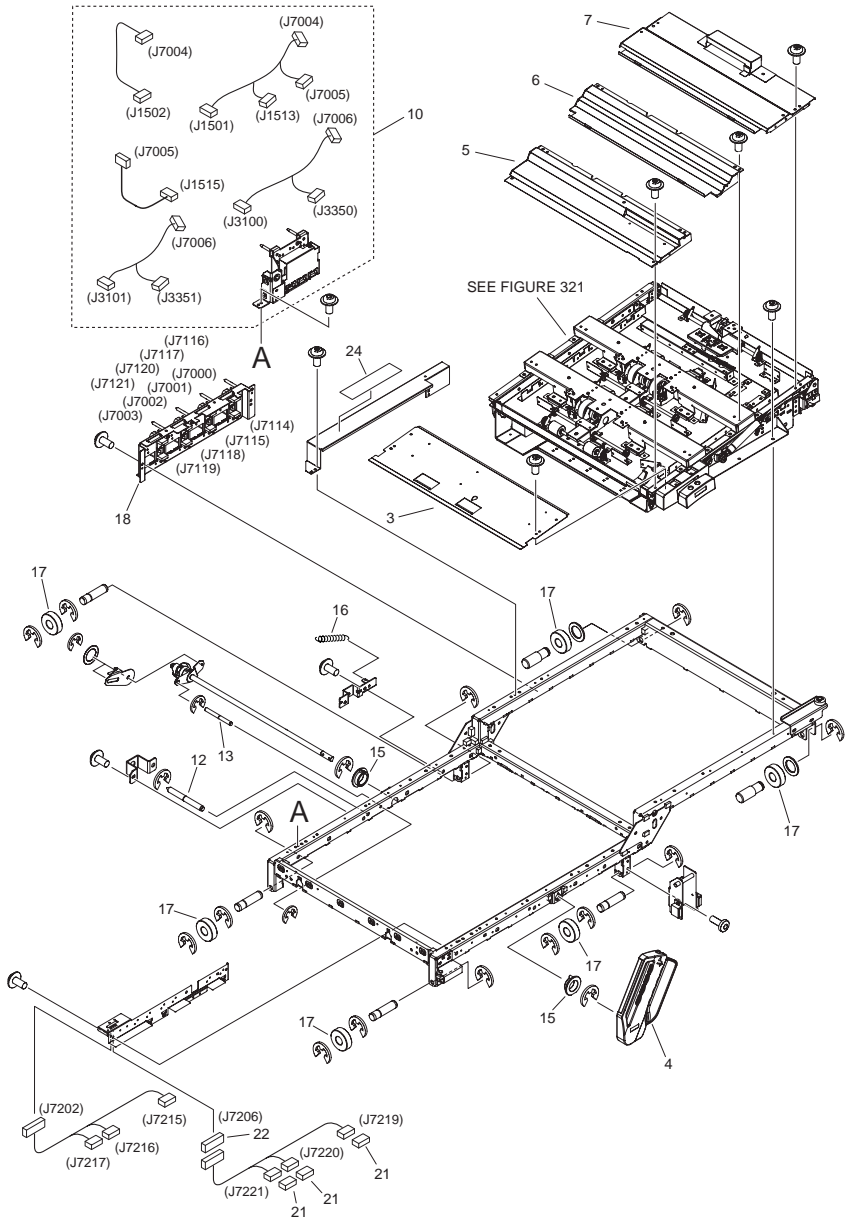


FIGURE & KEY NO.	PARTS NUMBER	R A N K	Q'TY	DESCRIPTION	SERIAL NUMBER/ REMARKS	S V C
Fig.382	FM2-5103-000		1	PULL-OUT ROLLER RIGHT ASS'Y		
1	FA9-2112-000		2	BUSHING, PL		
2	FB2-7755-000		2	BUSHING		
3	FC5-8133-000		2	ROLLER, DRIVEN		
4	FC8-1659-000		1	ROLLER, SECOND EXTRACTION		
5	FC5-8169-000		1	GEAR, 30T		
6	FC5-8175-000		1	GUIDE, EXTRACTION, UPPER		
7	FL2-7889-000		1	GUIDE, EXTRACTION, LOWER		
8	FU5-2785-000		2	SPRING, COMPRESSION		
9	FU5-3189-000		1	PULLEY, 20T		
10	FU6-0169-000		3	GEAR, 30T		
11	XG9-0508-000		3	BEARING, BALL, F688ZZ		

FIGURE 383 PAPER FEED MOUNT ASSEMBLY



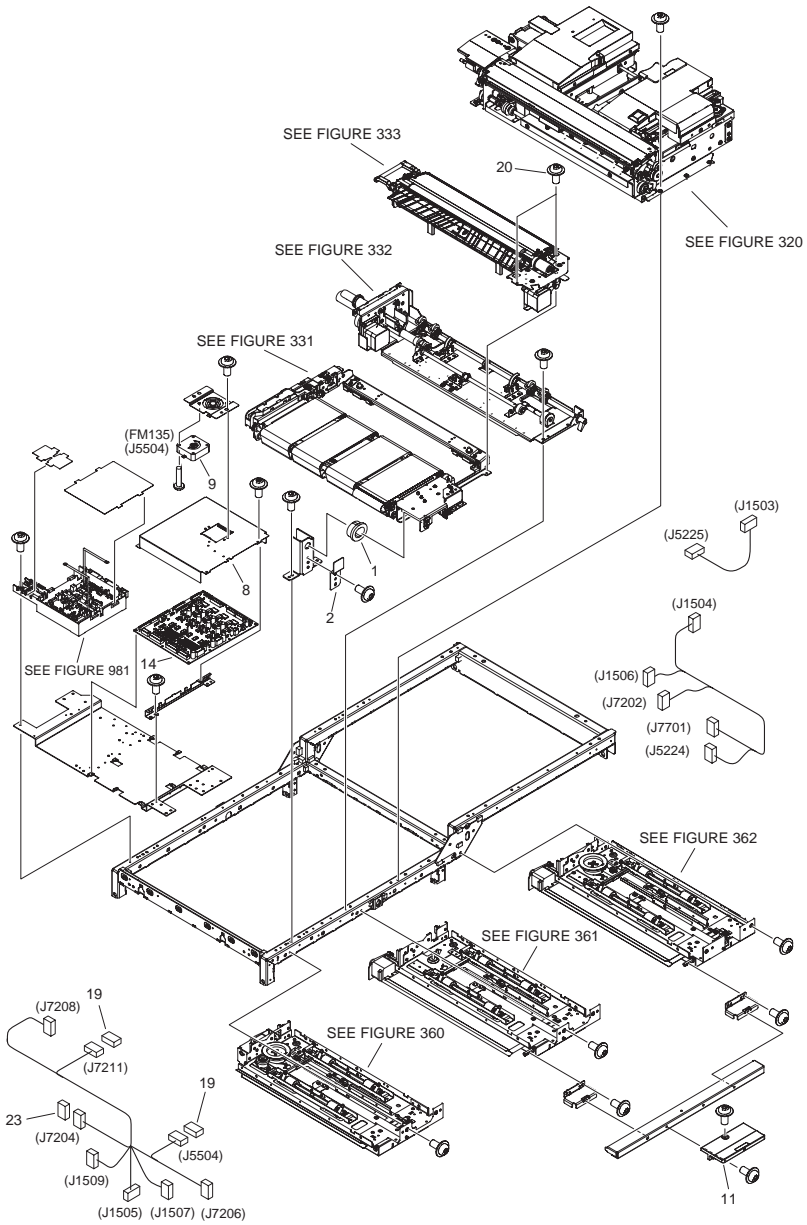


FIGURE & KEY NO.	PARTS NUMBER	RANK	Q'TY	DESCRIPTION	SERIAL NUMBER/REMARKS	SVC
Fig.383	NPN		RF	PAPER FEED MOUNT ASSEMBLY		
1	FC5-9384-000		1	BUSHING, FIXING/FEEDER TURN		
2	FC5-9414-000		1	SPRING, 2ND TRNSFR. THRUST		
3	FC5-9654-000		1	GUIDE, PRE-REG. FEED, LOWER 3		
4	FC6-7864-000		1	HANDLE, REGISTRATION FRAME		
5	FC6-8052-000		1	COVER, 1		
6	FC6-8053-000		1	COVER, 2		
7	FC6-8054-010		1	COVER, 3		
8	FC6-8118-000		1	COVER, PCB		
9	FK2-3148-000		1	FAN	FM135	
10	FM2-2130-000		1	2ND TRNSFR. DRAWER ASS'Y		
11	FC6-0036-000		1	GRIP, DUPLEXING HANDLE		
12	FC6-2420-000		1	PIN, POSITIONING		
13	FC6-7866-000		1	PIN, POSITIONING		
14	FM4-6240-000		1	2ND TRANSFER/DUPLEX PCB ASS'Y		
15	FU5-1319-000		2	BUSHING		
16	FU6-2535-000		1	SPRING, TENSION		
17	XG1-1026-085		6	BALL BEARING, NSK 6000ZZ		
18	FM2-5124-000		1	REGIST. DRAWER MOUNTING ASS'Y		
19	VS1-7177-003		2	CONNECTOR, SNAP TIGHT, BK		
20	FU5-9222-000		2	SCREW, BH4X8(YELLOW)		
21	VS1-7173-003		3	CONNECTOR, SNAP TIGHT, 3P, W		
22	VS1-7173-009		1	CONNECTOR, SNAP TIGHT, 9P, W		
23	VS1-7177-009		1	CONNECTOR, 9P		
24	FC0-2227-000		1	LABEL, DUPLEXING UNIT		

FIGURE 460 SCANNER ASSEMBLY

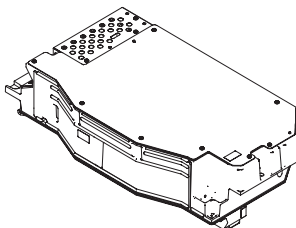


FIGURE & KEY NO.	PARTS NUMBER	RANK	QTY	DESCRIPTION	SERIAL NUMBER/ REMARKS	SVC
Fig.460	FM4-7033-000		4	SCANNER ASSEMBLY		

FIGURE 511 D KIT ASSEMBLY

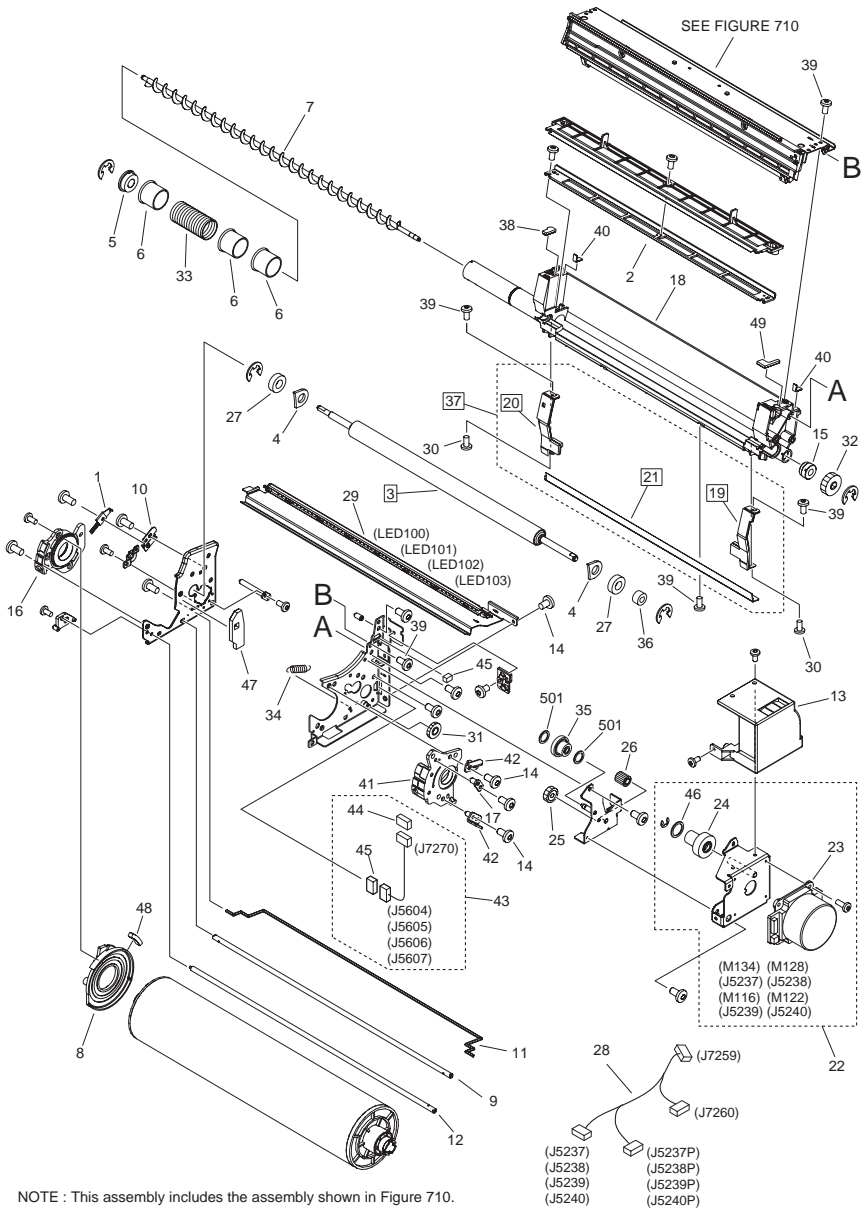


FIGURE & KEY NO.	PARTS NUMBER	R A N K	Q'TY	DESCRIPTION	SERIAL NUMBER/ REMARKS	S V C
Fig.511	FM4-2628-000		4	D KIT ASSEMBLY	SEE NOTE	
1	FB2-4375-000		1	BRUSH, GROUNDING		
2	FC5-8836-000		1	SCRAPER		
3	FC5-8837-000		1	BRUSH, CLEANER	[DP]	
4	FC5-8838-000		2	SEAL, FELT		
5	FC5-8839-000		1	BUSHING, SCREW		
6	FC5-8840-000		3	SHUTTER, WASTE TONER		
7	FC5-8842-000		1	SCREW, FEED TONER		
8	FC5-8877-000		1	RING, SLIP		
9	FC5-8880-000		1	STOPPER, FOOT		
10	FC5-8881-000		1	PLATE, GROUNDING BASE		
11	FC5-8885-000		1	FOOT		
12	FC5-8923-000		1	RAIL		
13	FC5-8926-000		1	HANDLE		
14	FU5-9222-000		3	SCREW, BH4X8(YELLOW)		
15	FF2-2891-000		1	BUSHING, 1 (POM)		
16	FL3-2870-000		1	SUPPORT, BEARING, REAR		
17	FL2-1944-000		1	SUPPORT, PIN, FRONT		
18	FL2-2021-000		1	CASE, CLEANER		
19	FL2-2707-020		1	SEAL, PLATE, FRONT	[DP]	
20	FL2-2708-020		1	SEAL, PLATE, REAR	[DP]	
21	FL2-2709-000		1	SHEET, SCRAPER	[DP]	
22	FM4-2589-000		1	DRUM CLEANER DRIVE ASSEMBLY		
23	FK2-2726-000		1	MOTOR, BRUSHLESS, DC	M116,M122,M128,M134	
24	FL3-5130-000		1	GEAR, 24T/55T		
25	FU6-0474-000		1	GEAR, 32T		
26	FU6-0475-000		1	GEAR, 18T		
27	XG9-0491-000		2	BEARING, BALL, NSK P0 16MM		
28	FM2-8589-000		1	CABLE, P- KIT DRUM		
29	FM2-9298-000		1	PRE-EXPOSURE UNIT	LED100,LED101,LED102, LED103	
30	FU5-9227-000		2	SCREW, STEPPED, M3(YELLOW)		

FIGURE & KEY NO.	PARTS NUMBER	R A N K	Q'TY	DESCRIPTION	SERIAL NUMBER/ REMARKS	S V C
31	FS6-0124-000		1	GEAR, 24T	[DP]	
32	FS6-0125-000		1	GEAR, 30T		
33	FU5-2824-000		1	SPRING, COMPRESSION		
34	FU5-2834-000		1	SPRING, TENSION		
35	FL3-5131-000		1	GEAR, 26T/39T		
36	FU9-0165-000		1	GEAR, 23T		
37	FM2-9258-010		1	DRUM CLEANING SET		
38	FC9-6107-000		1	SEAL, CLEANER, REAR		
39	FU5-9223-000		9	SCREW, BH3X6(YELLOW)		
40	FC9-6109-000		2	SEAL, CLEANER, 2		
41	FC9-6018-000		1	SUPPORT, BEARING, FRONT		
42	FL2-1950-000		2	PLATE		
43	FM2-8843-000		1	CABLE, P- KIT LED		
44	VS1-7177-002		1	CONNECTOR, SNAP TIGHT, BK		
45	VS1-7177-003		2	CONNECTOR, SNAP TIGHT, BK		
46	FB2-6285-020		1	SHIM		
47	FC9-6097-000		1	SEAL, REAR		
48	FC9-6098-000		1	SEAL, SLIP RING		
49	FC9-6106-000		1	SEAL, CLEANER, FRONT		
501	XD1-1106-215		2	WASHER,COP		

FIGURE 530 I.T.B. ASSEMBLY

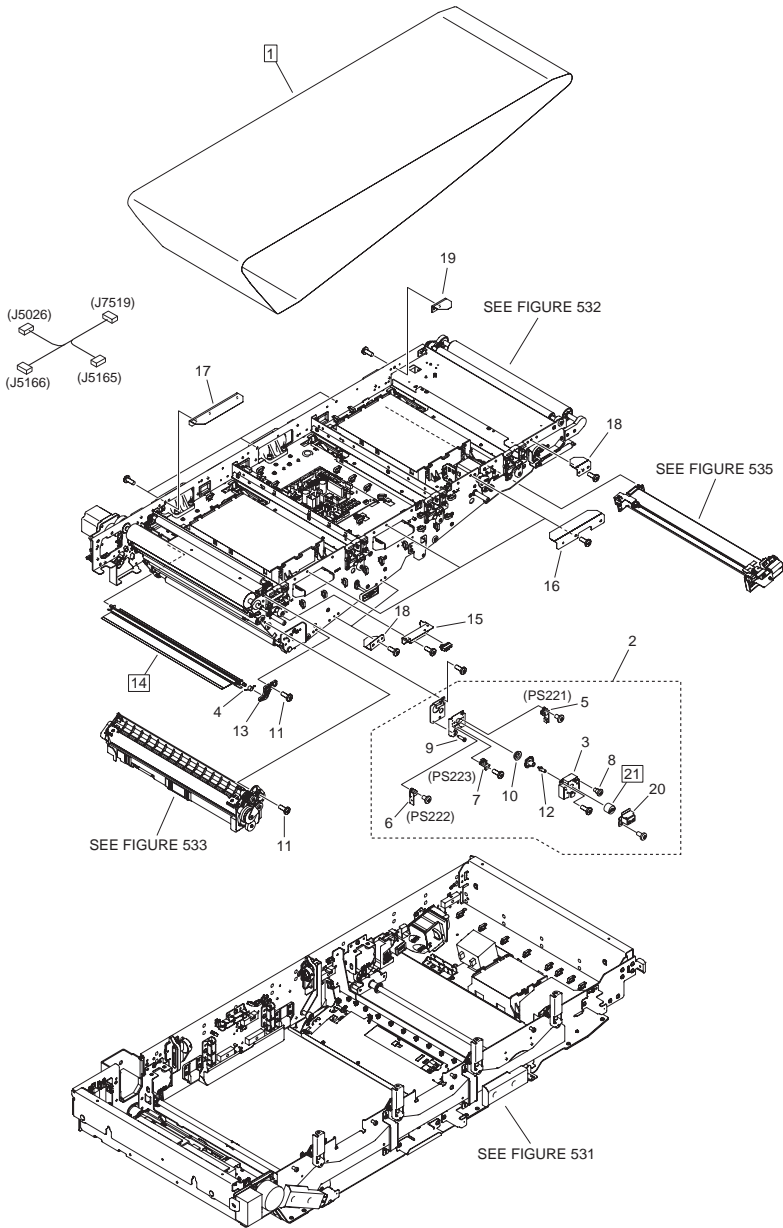
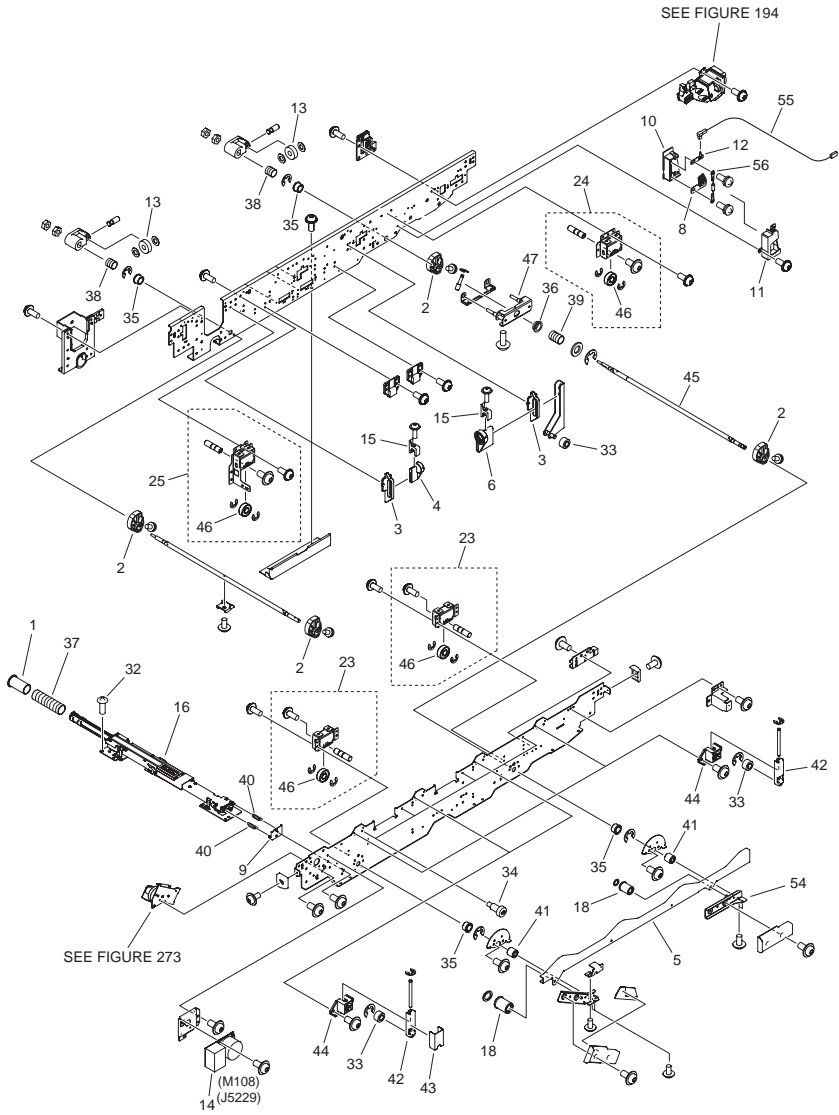


FIGURE & KEY NO.	PARTS NUMBER	R A N K	Q'TY	DESCRIPTION	SERIAL NUMBER/ REMARKS	S V C
Fig.530	NPN		RF	I.T.B. ASSEMBLY		
1	FM3-1644-020		1	BELT, TRANSFER	[DP]	
2	FM4-7444-000		1	ENCODER ASSEMBLY		
3	FL3-5568-000		1	COVER, ENCODER		
4	FU5-2982-000		1	SPRING, TORSION		
5	FM2-7719-000		1	I.T.B. ENCODER ASSEMBLY, A	PS221	
6	FM2-7720-000		1	I.T.B. ENCODER ASSEMBLY, B	PS222	
7	FM2-7721-000		1	I.T.B. ROLLER HP SENSOR PCB	PS223	
8	FS1-9009-020		1	TWO-STEP SCREW, M3		
9	FE9-0018-020		1	SCREW, STEPPED, M3		
10	XG9-0622-000		1	BEARING, BALL, NMB, 12MM P0		
11	FU5-9222-000		2	SCREW, BH4X8(YELLOW)		
12	FL3-5835-000		1	SHAFT, TRANSMISSION		
13	FC6-8071-000		1	HOLDER		
14	FL3-5839-000		1	GUIDE, ENTRANCE, UPPER	[DP]	
15	FC6-2211-000		1	MOUNT, CABLE		
16	FL2-2409-000		3	PLATE, BELT RETAINER, A, FRONT		
17	FL2-2410-000		3	PLATE, BELT RETAINER, A, REAR		
18	FL2-2411-000		3	PLATE, BELT RETAINER, B, FRONT		
19	FL2-2412-000		1	PLATE, BELT RETAINER, B, REAR		
20	FC9-6085-000		1	STOPPER, TORQUE LIMITER		
21	FC9-6114-000		1	LIMITTER, TORQUE	[DP]	

FIGURE 531 I.T.B. LOWER FRAME ASSEMBLY



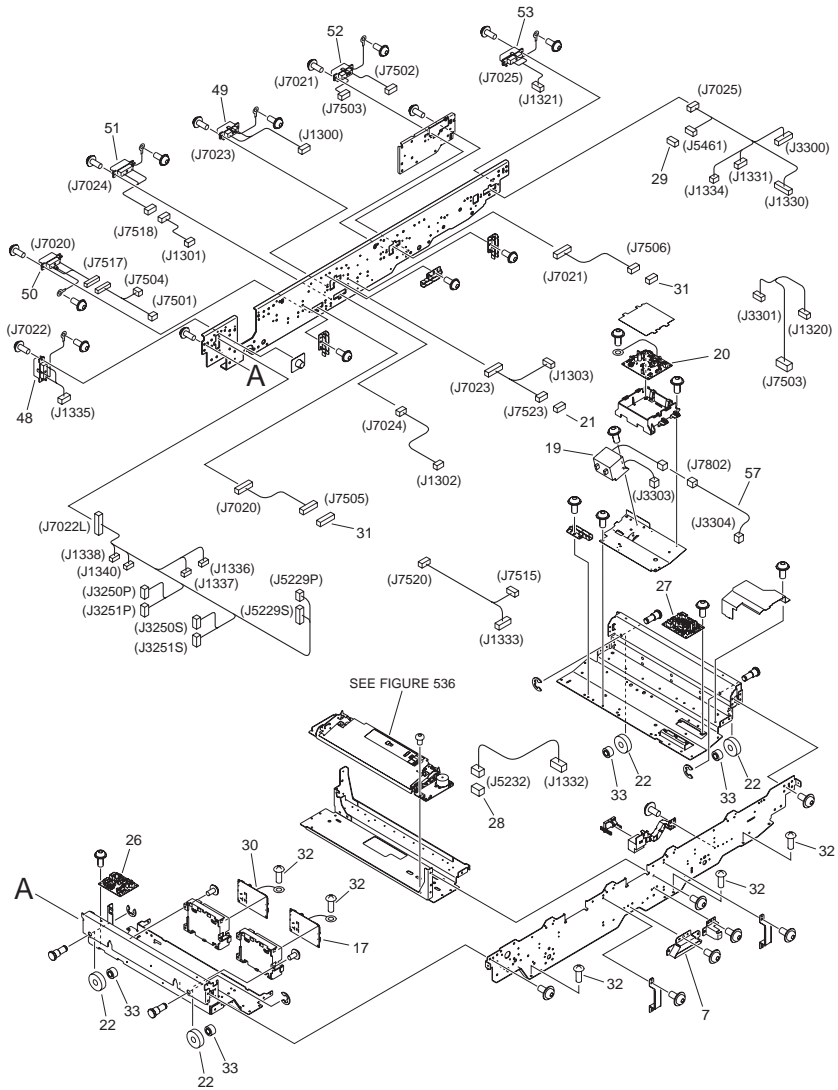
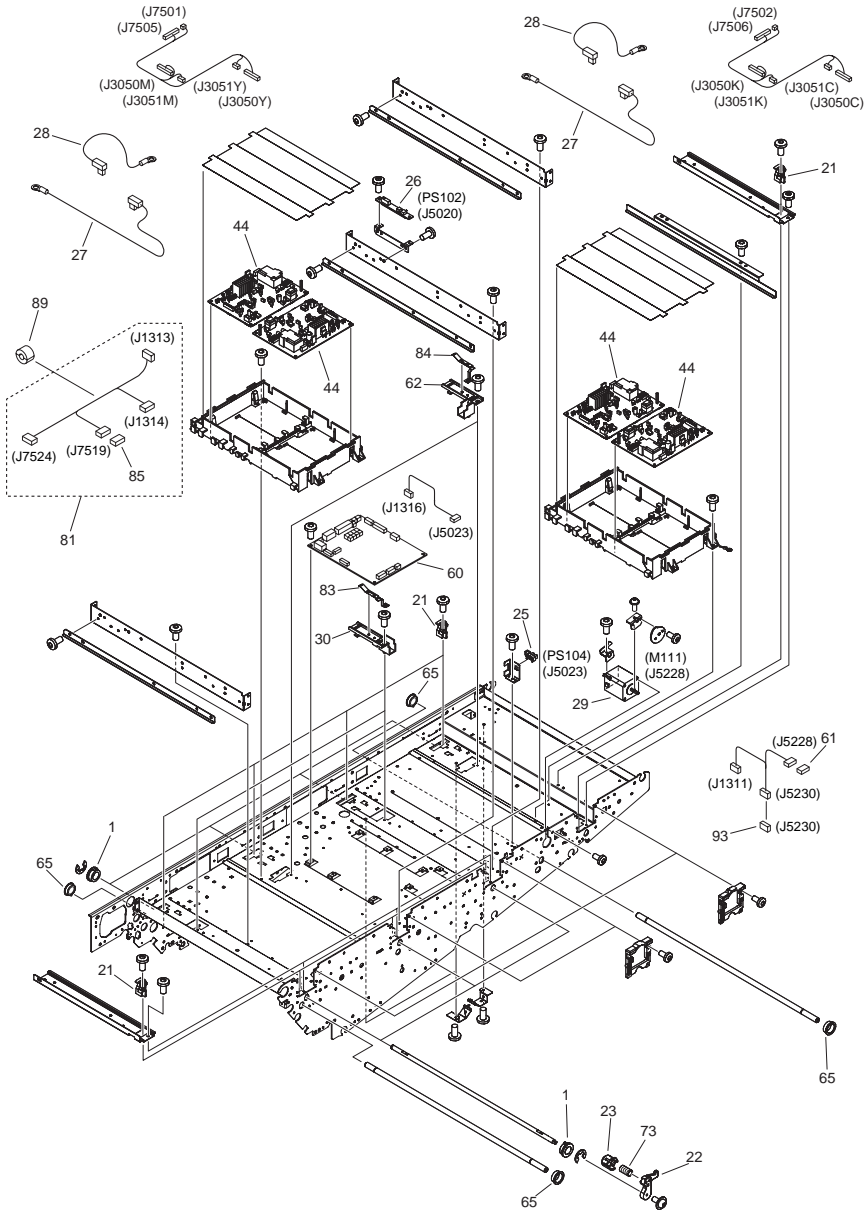
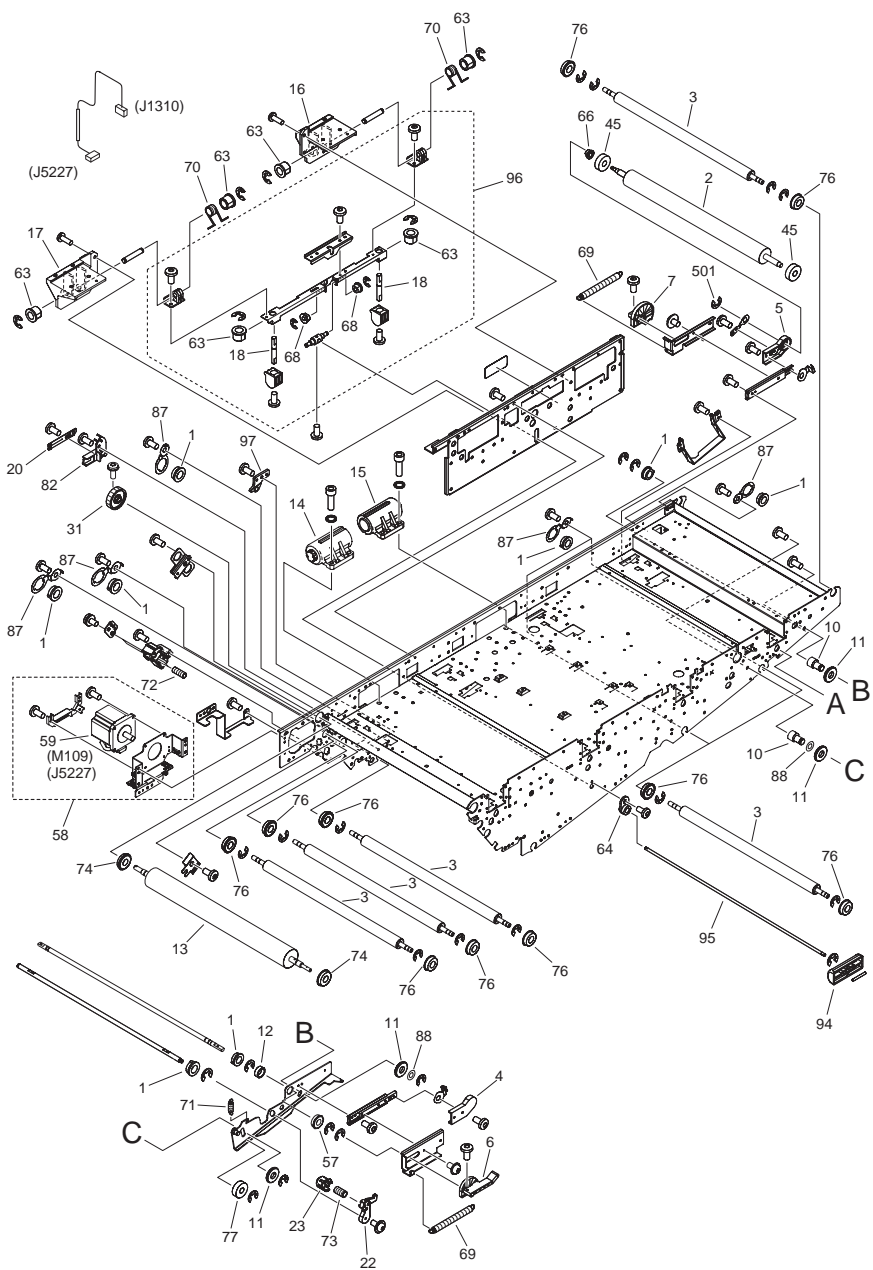


FIGURE & KEY NO.	PARTS NUMBER	R A N K	Q'TY	DESCRIPTION	SERIAL NUMBER/ REMARKS	S V C
Fig.531	NPN		RF	I.T.B. LOWER FRAME ASSEMBLY		
1	FC5-9188-000		1	SHUTTER, PIPE		
2	FC9-5920-000		4	CAM, LIFT UP		
3	FC5-9277-000		2	HOLDER, HINGE SLIDE		
4	FC5-9278-000		1	COUPLING, DAMPER, LEFT		
5	FC5-9281-000		1	LINK, I.T.B. LEVER		
6	FC5-9327-000		1	COUPLING, DAMPER, RIGHT		
7	FC6-2087-000		1	GRIP		
8	FC6-2113-000		1	SPRING, POST POWER DISPATCHING		
9	FC6-7910-000		1	HOOK, PAPER FEED		
10	FC6-7931-000		1	BLOCK, POST POWER DISPATCHING		
11	FC6-7932-000		1	COVER, POST POWER DISPATCHING		
12	FC6-7933-000		1	PLATE, POST POWER DISPATCHING		
13	XG9-0304-000		2	BALL BEARING,NMB		
14	FK2-2725-000		1	MOTOR, BRUSHLESS, DC	M108	
15	FU5-6244-000		2	COLLAR, COUPLING		
16	FM2-2152-000		1	I.T.B. WASTE TONER FEED ASS'Y		
17	FM2-7192-000		1	HV6-2 PCB ASSEMBLY		
18	FU5-6242-000		2	COLLAR, LEVER, B		
19	FK2-0105-000		1	TRANSFORMER, H.V.		
20	FM2-7707-000		1	HIGH VOLTAGE PCB ASSEMBLY		
21	VS1-7173-015		1	CONNECTOR, SNAP TIGHT, W		
22	XG1-1030-095		4	BEARING,BALL, 6200ZZ/2AS		
23	FM4-2609-000		2	LIFT UP ASSEMBLY, FRONT		
24	FM4-2610-000		1	LIFT UP ASSEMBLY, RIGHT REAR		
25	FM4-2611-000		1	LIFT UP ASSEMBLY, LEFT REAR		
26	FM2-7690-000		1	I.T.B. DRIVER PCB ASS'Y, LEFT		
27	FM2-7692-000		1	I.T.B. DRIVER PCB ASS'Y, RIGHT		
28	VS1-7177-004		1	CONNECTOR, SNAP TIGHT, BK		
29	VS1-7177-003		1	CONNECTOR, SNAP TIGHT, BK		
30	FM4-6250-000		1	HV6-1 PCB ASSEMBLY		
31	VS1-7164-032		2	CONNECTOR, SNAP TIGHT, 32P, W		

FIGURE & KEY NO.	PARTS NUMBER	R A N K	Q'TY	DESCRIPTION	SERIAL NUMBER/ REMARKS	S V C
32	XA9-0892-000		24	SCREW,MACH.,TRUSS HEAD,M4X6		
33	FS5-6864-000		9	ROLLER, SIDE END		
34	FS5-9206-020		4	SCREW, STEPPED, M4		
35	FU5-1313-000		4	BUSHING		
36	FU5-1330-000		1	BUSHING		
37	FU5-2853-000		1	SPRING, COMPRESSION		
38	FU5-2855-000		2	SPRING, COMPRESSION		
39	FU5-2900-000		1	SPRING, COMPRESSION		
40	FU5-2966-000		2	SPRING, TENSION		
41	FU5-6241-000		2	COLLAR, LEVER, A		
42	FL2-2053-000		4	GUIDE, SLIDE, A		
43	FC8-0997-000		2	SHEET, PROTECT		
44	FC5-9280-000		4	GUIDE,SLIDE,B		
45	FC9-5980-000		1	SHAFT, LIFT UP		
46	XG9-0499-000		3	BEARING, BALL R-1560X2ZZR		
47	FL3-2913-000		1	GUIDE, LEVER LOCK		
48	FM2-8559-000		1	CABLE, DRAWER, ITB UNIT, 1		
49	FM2-8560-000		1	CABLE, DRAWER, ITB UNIT, 2		
50	FM2-8561-000		1	CABLE, DRAWER, ITB UNIT, 3		
51	FM2-8562-000		1	CABLE, DRAWER, ITB UNIT, 4		
52	FM2-8563-000		1	CABLE, DRAWER, ITB UNIT, 5		
53	FM2-8564-000		1	CABLE, DRAWER, ITB UNIT, 6		
54	FL3-2912-000		1	LEVER, RIGHT		
55	FK2-3110-000		1	CONNECTOR, HIGH VOLTAGE		
56	FL2-6002-000		1	RESISTOR, H.V. - 9 CURRENT		
57	FM2-8487-000		1	CABLE, HIGH VOLTAGE, 7		

FIGURE 532 I.T.B. UPPER FRAME ASSEMBLY





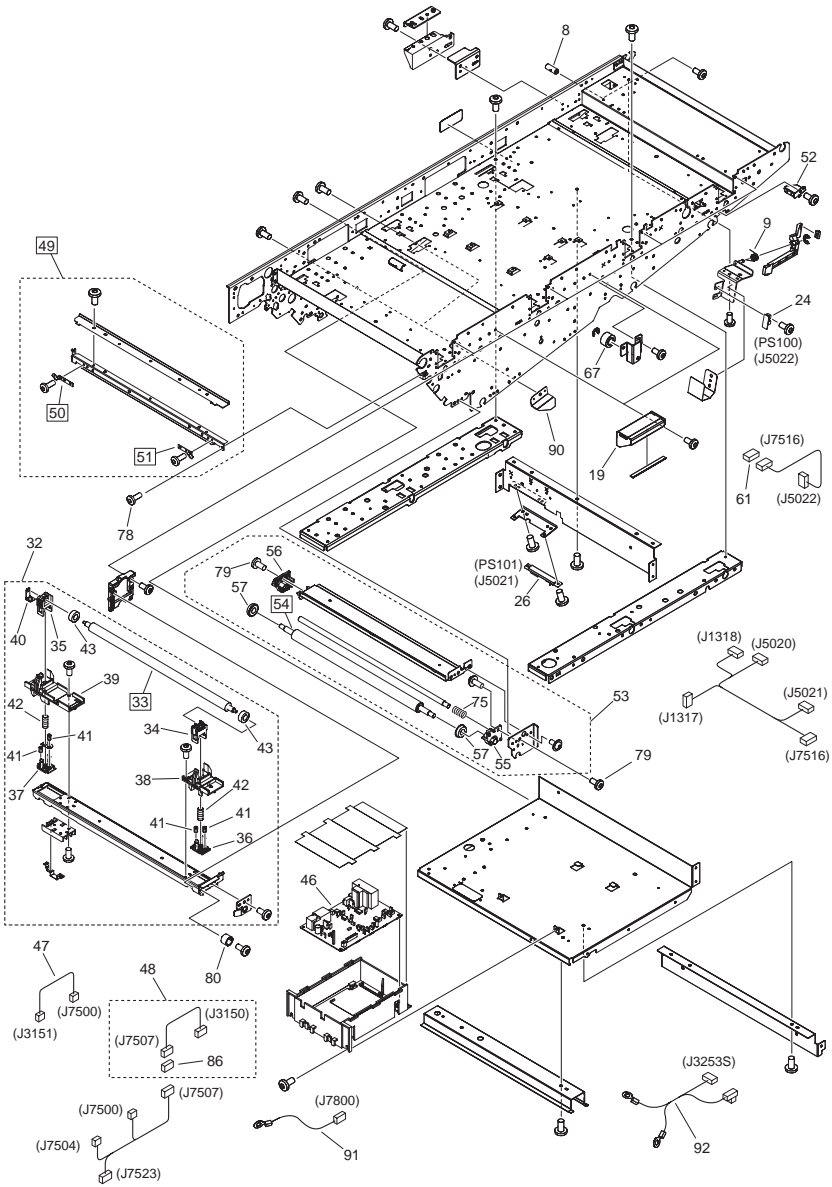


FIGURE & KEY NO.	PARTS NUMBER	R A N K	Q'TY	DESCRIPTION	SERIAL NUMBER/ REMARKS	S V C
Fig.532	NPN		RF	I.T.B. UPPER FRAME ASSEMBLY		
1	FA9-2112-000		16	BUSHING, PL		
2	FC7-1858-010		1	ROLLER, STEERING		
3	FC7-9321-000		6	ROLLER, IDLER		
4	FC5-9131-010		1	HOLDER, BUSHING, FRONT		
5	FC5-9132-010		1	HOLDER, BUSHING, REAR		
6	FC5-9135-000		1	CAM, RELEASE, FRONT		
7	FC5-9136-000		1	CAM, RELEASE, REAR		
8	FC5-9137-000		1	PIN, STOPPER		
9	FC5-9145-000		1	SPRING, TORSION		
10	FC5-9150-000		2	GUIDE, SWING		
11	FC5-9151-000		4	COLLAR, SLIDE		
12	FC5-9152-000		1	COLLAR		
13	FC9-5798-000		1	ROLLER, DRIVE		
14	FC5-9301-000		1	DAMPER, LEFT		
15	FC5-9302-000		1	DAMPER, RIGHT		
16	FC5-9303-000		1	HOLDER, DAMPER, RIGHT		
17	FC5-9304-000		1	HOLDER, DAMPER, LEFT		
18	FC5-9307-000		2	ARM, HINGE LOCK		
19	FC5-9318-000		1	HANDLE, I.T.B.		
20	FC5-9328-000		1	SPRING, H.V.		
21	FC6-2189-000		8	CAM, PRIMARY TRANSFER RELEASE		
22	FC6-2190-000		1	LEVER, 1ST TRNSFR. RELEASE		
23	FC7-3474-000		1	PIN, LOCK		
24	WG8-5830-000		1	SENSOR, MICRO DISPLACEMENT		
25	FK2-0149-000		1	PHOTO-INTERRUPTER, TLP1252(C6)	PS104	
26	FK2-0161-000		2	SENSOR UNIT, EE-SY133-P18	PS101,PS102	
27	FK2-3108-000		1	CONNECTOR, HIGH VOLTAGE		
28	FK2-3112-000		1	CONNECTOR, HIGH VOLTAGE		
29	FK2-3144-000		1	MOTOR, STEPPING, DC	M111	
30	FC6-2184-000		1	BRACKET, HVT CONNECTOR,		
31	FL2-6256-000		1	GEAR, 60T		

FIGURE & KEY NO.	PARTS NUMBER	R A N K	Q'TY	DESCRIPTION	SERIAL NUMBER/ REMARKS	S V C
32	FM2-2142-000		4	PRIMARY TRANSFER ASSEMBLY		
33	FC8-6852-000		1	ROLLER, TRANSFER, 1	[DP]	
34	FC6-2074-000		1	BUSHING, FRONT		
35	FC6-2075-000		1	BUSHING, REAR		
36	FC6-2076-000		1	HOLDER, SPRING, FRONT		
37	FC6-2177-000		1	HOLDER, SPRING, REAR		
38	FC6-2178-000		1	HOLDER, FRONT		
39	FC6-2179-000		1	HOLDER, REAR		
40	FC6-7832-000		1	SPRING, H.V. CONTACT		
41	FU5-2872-000		4	SPRING, COMPRESSION		
42	FU6-2042-000		2	SPRING, COMPRESSION		
43	XG9-0503-000		2	BEARING,BALL, MR84T12ZZMC3		
44	FM2-8300-000		4	HVT2 PCB ASSEMBLY		
45	XG9-0603-000		6	BEARING,BALL, 608ZZ1MC3E		
46	FM2-7190-010		1	HV4 PCB ASSEMBLY		
47	FM2-8500-000		1	CABLE, I.T.B. H.V.		
48	FM2-8616-000		1	CABLE, I.T.B. SIGNAL		
49	FM2-2145-000		1	INNER CLEANING ASSEMBLY	[DP]	
50	FL2-2406-000		1	SEAL, SIDE, REAR	[DP]	
51	FL2-2407-000		1	SEAL, SIDE, FRONT	[DP]	
52	FM2-2146-000		1	WIRE CLEANING UNIT		
53	FM2-2165-010		1	2ND TRNSFR. INNER ROLLER ASS'Y		
54	FC5-9252-010		1	ROLLER, TRANSFER, 2	[DP]	
55	FC5-9312-000		1	HOLDER, FRONT		
56	FC5-9317-000		1	HOLDER, REAR		
57	XG9-0664-000		2	BALL BEARING, JMK-688ZZNR*D4ML		
58	FM2-2170-000		1	I.T.B. DRIVE MOTOR ASSEMBLY		
59	FK2-3145-000		1	MOTOR, STEPPING, DC	M109	
60	FM4-6241-000		1	I.T.B. DRIVER PCB ASSEMBLY		
61	VS1-7177-005		2	CONNECTOR, SNAP TIGHT, BK		
62	FC6-2185-000		1	BRACKET, HVT CONNECTOR,		
63	FS1-1465-000		6	BUSHING		

FIGURE & KEY NO.	PARTS NUMBER	RANK	Q'TY	DESCRIPTION	SERIAL NUMBER/REMARKS	SVC
64	FS5-1214-000		1	BUSHING		
65	FS5-1474-000		4	BUSHING		
66	FS5-1592-000		1	BUSHING		
67	FS5-6864-000		1	ROLLER, SIDE END		
68	FU5-1314-000		2	BUSHING		
69	FU5-2832-000		2	SPRING, TENSION		
70	FU5-2868-000		2	SPRING, TORSION		
71	FU5-2883-000		1	SPRING, TENSION		
72	FU5-2968-000		2	SPRING, COMPRESSION		
73	FU6-2537-000		1	SPRING, COMPRESSION		
74	XG9-0120-000		2	BALL BEARING, NSK 6900DDNXR*		
75	FU6-2567-000		1	SPRING		
76	XG9-0506-000		12	BEARING, BALL, 688AZZ1NR MC3		
77	XG9-0387-000		1	BEARING, BALL, L-1680HH LY13		
78	FU5-9223-000		1	SCREW, BH3X6(YELLOW)		
79	FU5-9222-000		1	SCREW, BH4X8(YELLOW)		
80	FC7-9656-000		4	COLLAR, FIXED		
81	FM3-6953-000		1	CABLE, I.T.BELT UNIT RELAY		
82	FC5-9316-000		1	GUIDE, SECONDARY TRANSFER		
83	FC6-2186-000		1	PLATE, 1ST TRANSFER, INPUT, 1		
84	FC6-2187-000		1	PLATE, 1ST TRANSFER, INPUT, 2		
85	VS1-7177-010		1	CONNECTOR, 10P		
86	VS1-7173-015		1	CONNECTOR, SNAP TIGHT, W		
87	FC5-9559-000		6	PLATE, ROLLER GROUNDING		
88	FS5-6488-000		2	WASHER		
89	WE8-5928-000		1	CORE, FERRITE		
90	FL2-2412-000		2	PLATE, BELT RETAINER,B,REAR		
91	FM2-8486-000		1	CABLE, HIGH VOLTAGE, 4		
92	FM4-6330-000		1	CABLE, HIGH VOLTAGE, 6		
93	VS1-7177-003		1	CONNECTOR, SNAP TIGHT, BK		
94	FC5-9305-000		1	GUIDE, HINGE LOCK		
95	FC5-9306-000		1	SHAFT, HINGE LOCK RELEASE		

FIGURE & KEY NO.	PARTS NUMBER	R A N K	Q'TY	DESCRIPTION	SERIAL NUMBER/ REMARKS	S V C
96	FM2-9132-000		1	HINGE LOCK ASSEMBLY		
97	FC6-8072-000		1	HOLDER, REAR		
501	XD2-1100-502		1	RETAINING RING (E-TYPE)		

FIGURE 533 I.T.B. CLEANER ASSEMBLY

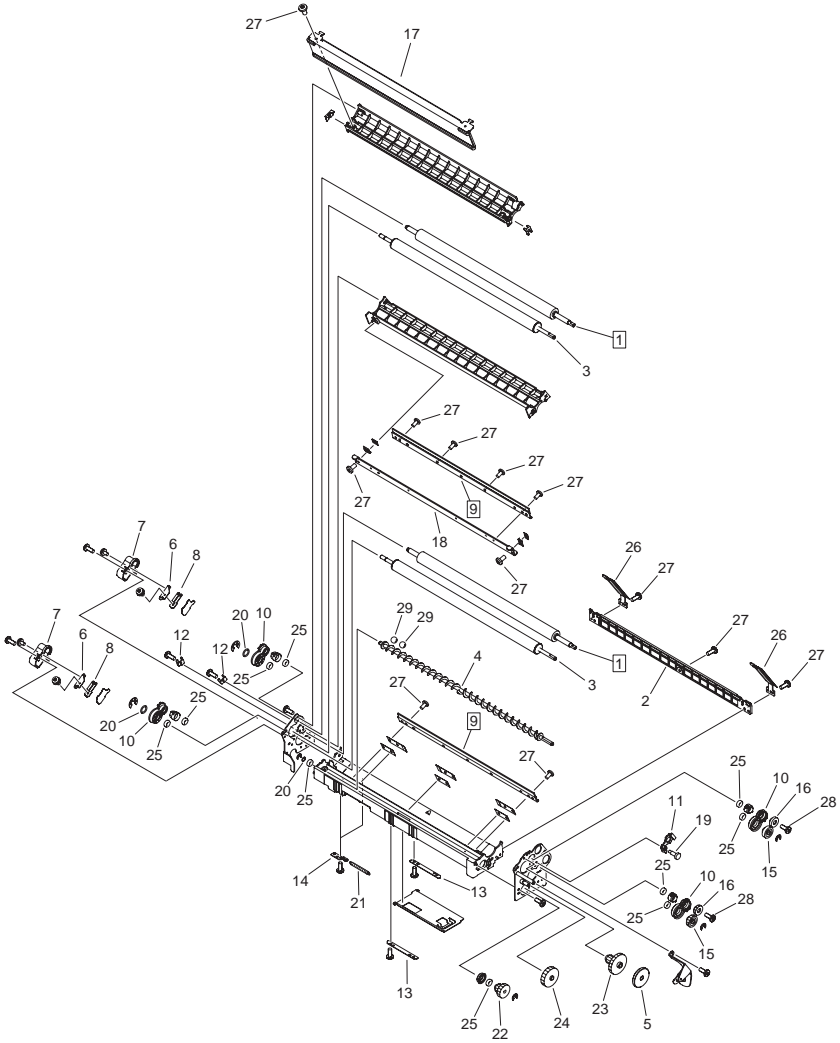


FIGURE & KEY NO.	PARTS NUMBER	R A N K	Q'TY	DESCRIPTION	SERIAL NUMBER/ REMARKS	S V C
Fig.533	FM4-7146-000		1	I.T.B. CLEANER ASSEMBLY		
1	FC5-9156-000		2	ROLLER, CLEANING BRUSH	[DP]	
2	FC5-9160-000		1	COVER, LOWER		
3	FC8-6812-000		2	ROLLER, BIAS, 1		
4	FC5-9163-000		1	SCREW, FEED WASTE TONER		
5	FC5-9168-000		1	ROLLER, INPUT		
6	FC6-2134-000		2	PLATE, ELECTRODE		
7	FC6-2135-000		2	BLOCK, POWER DISPATCHING		
8	FC6-2136-000		2	PLATE, POWER DISPATCHING		
9	FC6-4910-000		2	BLADE, 1	[DP]	
10	FC6-7903-010		4	BLOCK, SHAFT		
11	FC6-7904-000		1	STOPPER, BEARING, FRONT		
12	FC6-7905-000		2	STOPPER, BEARING, REAR		
13	FC6-7906-000		2	CLAMP, SHUTTER		
14	FC6-7935-000		2	HOOK, SHUTTER SPRING		
15	FC7-7527-000		2	GEAR, 25T		
16	FC7-7528-000		2	GEAR, 21T		
17	FL2-4129-010		1	COVER, TRANSFER CLEANING, U.		
18	FL2-4130-010		1	CROSSMEMBER, BLADE		
19	FS1-9170-020		1	SCREW, STEPPED		
20	FS5-6488-000		3	WASHER		
21	FU5-2851-000		2	SPRING, TENSION		
22	FU6-0310-000		1	GEAR, 18T/30T		
23	FU6-0311-000		1	GEAR, 18T/47T		
24	FU6-0312-000		1	GEAR, 44T		
25	XG9-0232-000		10	BEARING, BALL, MR126		
26	FL2-4128-000		2	PLATE, SIDE SEAL		
27	FU5-9223-000		13	SCREW, BH3X6(YELLOW)		
28	FU5-9222-000		2	SCREW, BH4X8(YELLOW)		
29	FC7-4633-000		2	BALL, STIRRING		

FIGURE 535 I.T.B. POST CORONA ASSEMBLY

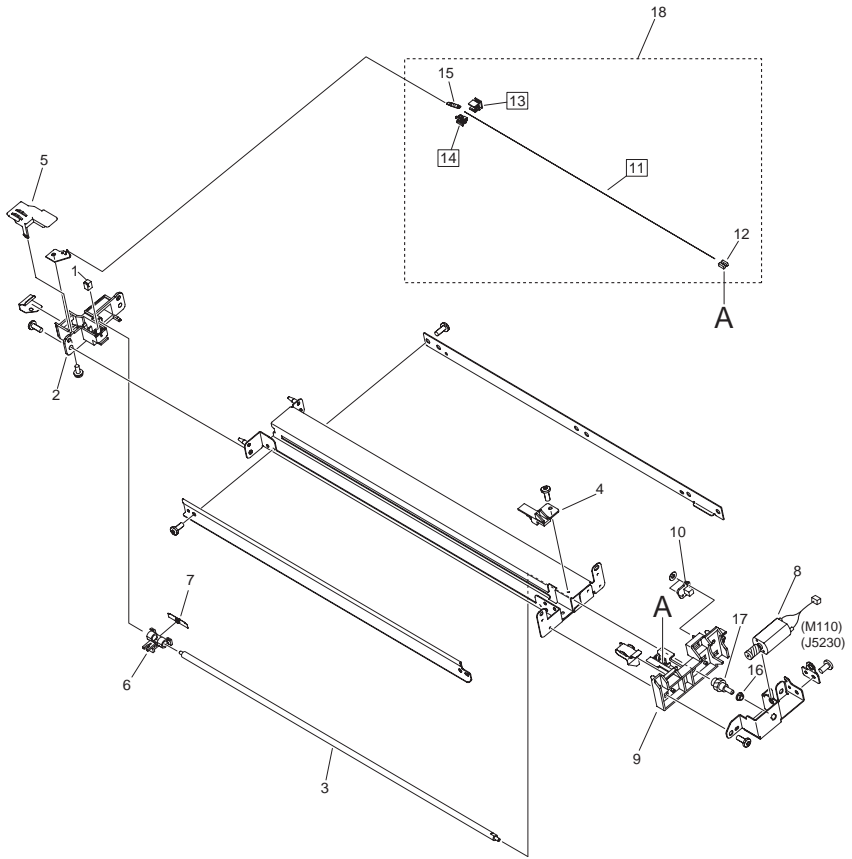


FIGURE & KEY NO.	PARTS NUMBER	R A N K	Q'TY	DESCRIPTION	SERIAL NUMBER/ REMARKS	S V C
Fig.535	FM2-2157-000		1	I.T.B. POST CORONA ASSEMBLY	[DP]	
1	FA4-1864-000		1	DAMPER		
2	FC6-2139-000		1	BLOCK, POST, REAR		
3	FC5-1810-000		1	SCREW, LEAD		
4	FC6-2146-000		1	COVER, PRE-TRANSFER, FRONT		
5	FC6-2147-000		1	COVER, PRE-TRANSFER, REAR		
6	FC6-2148-000		1	HOLDER, FELT		
7	FL2-0434-000		1	SPRING, LEAF		
8	FL2-0991-000		1	DC MOTOR UNIT	M110	
9	FL2-2423-000		1	BLOCK, POST, FRONT		
10	FM2-7718-000		1	WCM BOARD PCB ASSEMBLY		
11	FB4-3687-000		1	WIRE, CORONA, 0.06MM (20M)	[DP]	
12	FC6-3188-000		1	HOLDER, PRIMARY WIRE, FRONT		
13	FL2-0462-020		1	BLOCK, WIRE CLEANING PAD	[DP]	
14	FL2-0464-000		1	HOLDER, WIRE CLEANING PAD	[DP]	
15	FU6-2088-000		1	SPRING, TENSION		
16	FS5-1897-000		1	BUSHING		
17	FU9-0172-000		1	GEAR, 18T		
18	FM2-9257-000		1	CORONA ASSEMBLY		

FIGURE 536 EDGE REGISTRATION DETECT ASS'Y

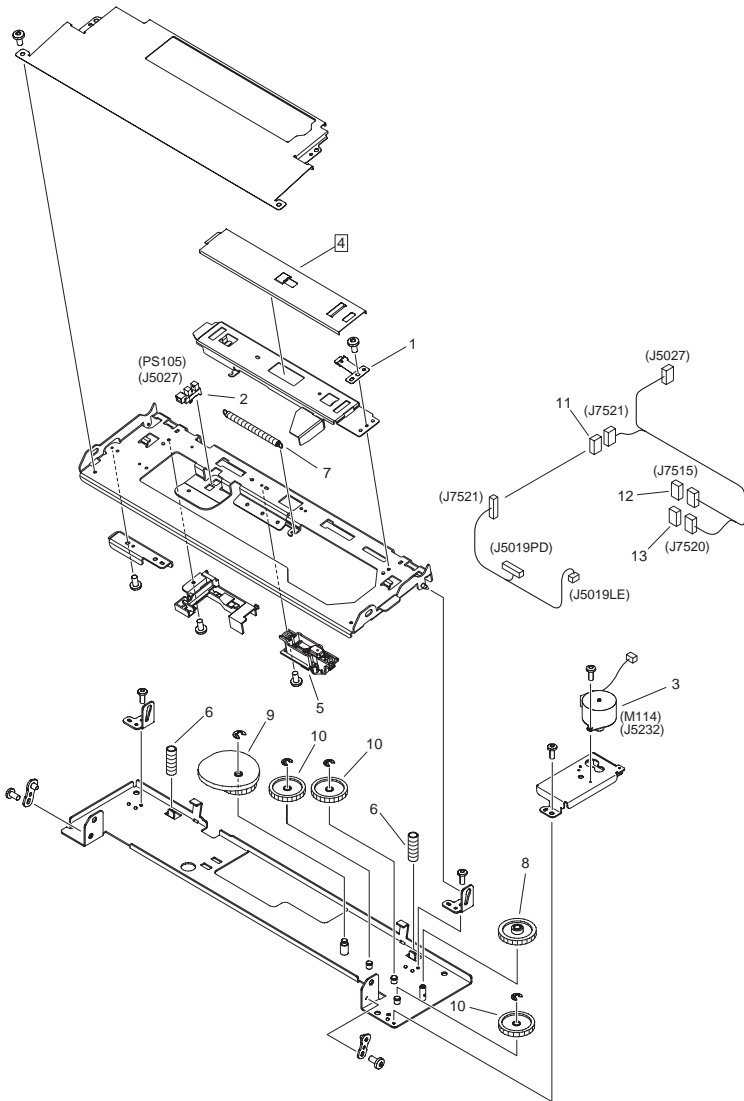


FIGURE & KEY NO.	PARTS NUMBER	R A N K	Q'TY	DESCRIPTION	SERIAL NUMBER/ REMARKS	S V C
Fig.536	FM4-2608-000		1	EDGE REGISTRATION DETECT ASSY		
1	FC6-8390-000		1	SPRING, SHUTTER MOUNTING		
2	WG8-5848-000		1	IC, PHOTO-INTERRUPTER	PS105	
3	FK2-2729-000		1	MOTOR, STEPPING, DC	M114	
4	FL2-2024-000		1	SHUTTER, EDGE REGIST. DETECT	[DP]	
5	FM4-2564-000		1	REGIST. DETECT SENSOR ASSEMBLY		
6	FU5-2908-000		2	SPRING, COMPRESSION		
7	FU5-2909-000		1	SPRING, TENSION		
8	FU6-0381-000		1	GEAR, 30T/63T		
9	FU6-0382-000		1	GEAR, 60T		
10	FU6-0383-000		3	GEAR, 60T		
11	VS1-7173-010		1	CONNECTOR, SNAP TIGHT, 10P, W		
12	VS1-7173-003		1	CONNECTOR, SNAP TIGHT, 3P, W		
13	VS1-7173-011		1	CONNECTOR, SNAP TIGHT, 11P, W		

FIGURE 550 PRIMARY CORONA ASSEMBLY

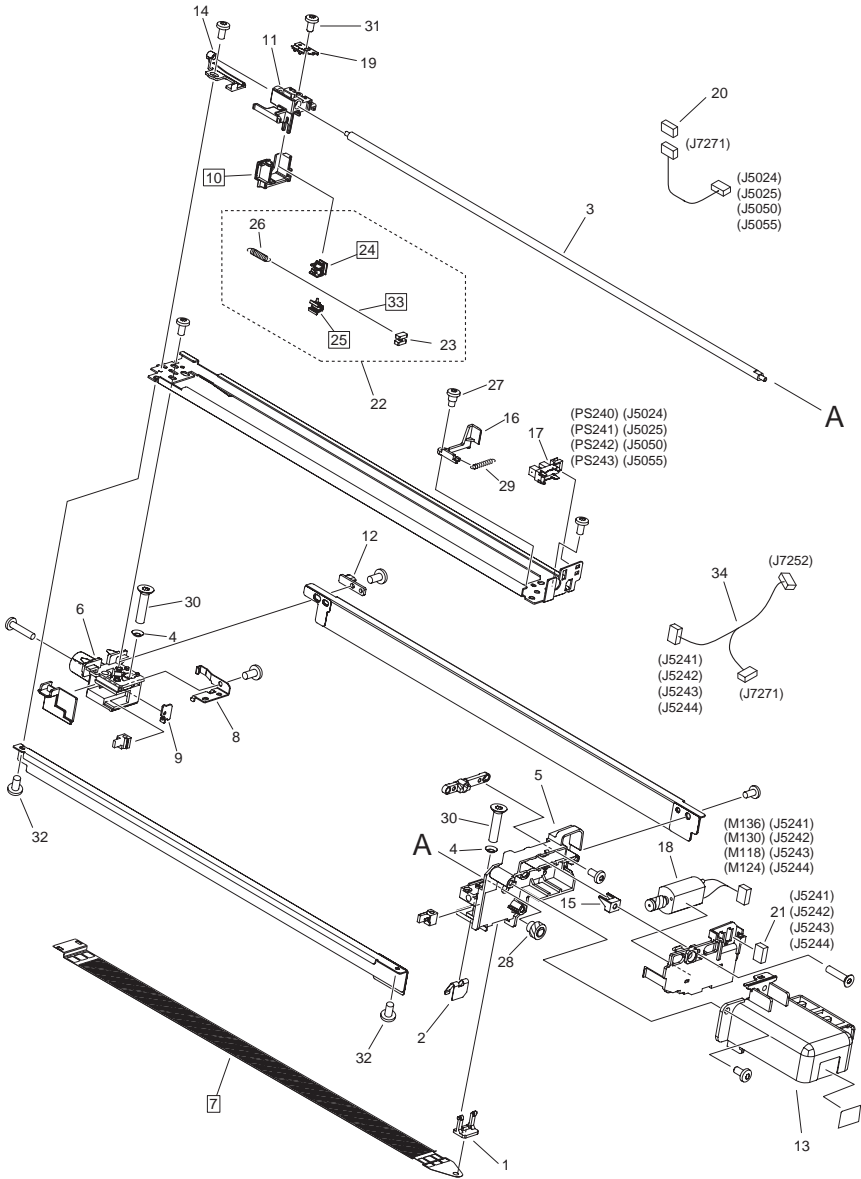
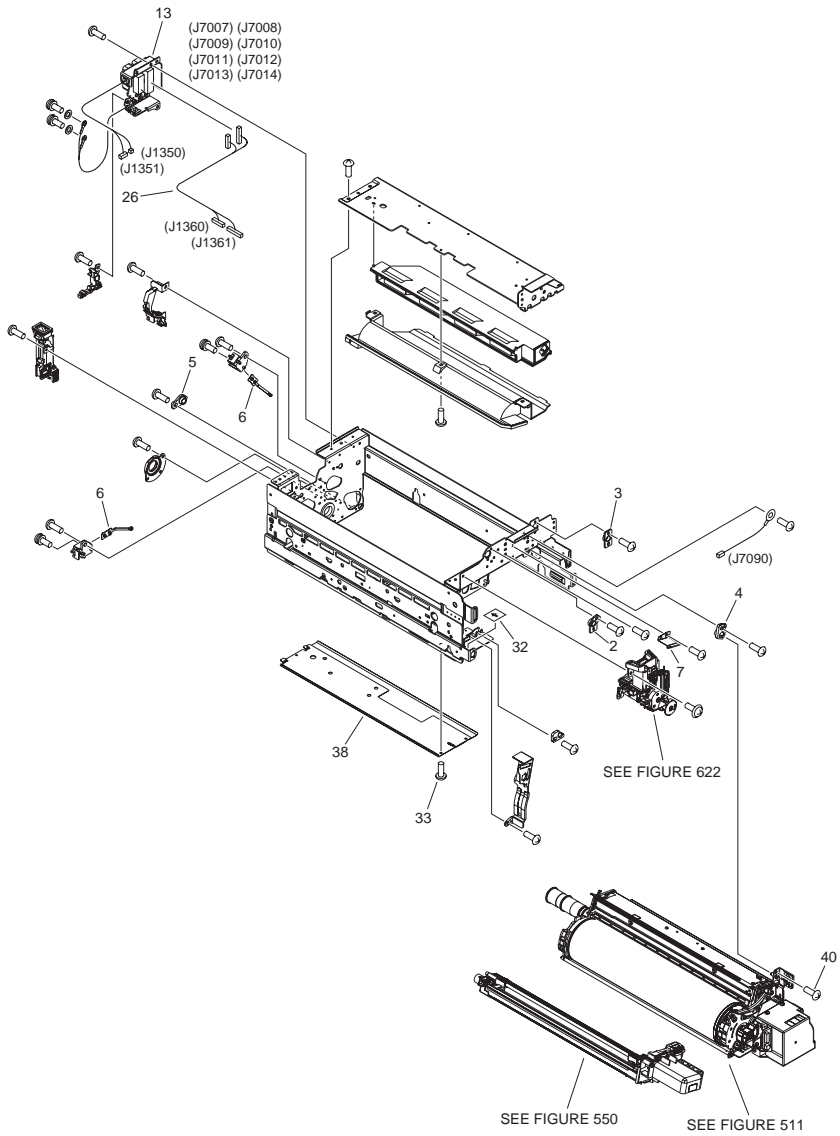


FIGURE & KEY NO.	PARTS NUMBER	R A N K	Q'TY	DESCRIPTION	SERIAL NUMBER/ REMARKS	S V C
Fig.550	FM4-7449-000		4	PRIMARY CORONA ASSEMBLY	[DP]	
1	FB2-2959-000		1	LEVER, GRID		
2	FB2-2960-000		1	SPRING, LEAF		
3	FC5-1810-000		1	SCREW, LEAD		
4	FC5-6366-000		2	WASHER, SHEET		
5	FC6-1051-000		1	BLOCK, PRIMARY CORONA, FRONT		
6	FC6-1052-000		1	BLOCK, PRIMARY CORONA, REAR		
7	FC8-2295-000		1	PLATE, ETCHING GRID	[DP]	
8	FC6-1057-000		1	PLATE, POWER DISPATCHING		
9	FC6-1058-000		1	PLATE, WIRE POWER DISPATCHING		
10	FL3-2894-000		1	GRID CLEANING UNIT	[DP]	
11	FC9-5749-000		1	MOUNT, PAD HOLDER		
12	FC6-1061-000		2	BLOCK, GUIDE		
13	FC6-3187-000		1	HANDLE, PRIMARY		
14	FC7-0822-000		1	BUSHING		
15	FC7-0823-000		1	BLOCK, PRIMARY POSITIONING		
16	FC7-0916-000		1	FLAG, DETECT		
17	WG8-5848-000		1	IC, PHOTO-INTERRUPTER		
18	FL2-0991-000		1	DC MOTOR UNIT	M118,M124,M130,M136	
19	FL2-5445-000		1	PIN, SLIDER		
20	VS1-7177-003		1	CONNECTOR, SNAP TIGHT, BK		
21	VS1-7177-002		1	CONNECTOR, SNAP TIGHT, BK		
22	FM2-9257-000		1	CORONA ASSEMBLY		
23	FC6-3188-000		1	HOLDER, PRIMARY WIRE, FRONT		
24	FL2-0462-020		1	BLOCK, WIRE CLEANING PAD	[DP]	
25	FL2-0464-000		1	HOLDER, WIRE CLEANING PAD	[DP]	
26	FU6-2088-000		1	SPRING, TENSION		
27	FS1-9009-020		1	TWO-STEP SCREW, M3		
28	FU5-0268-000		1	GEAR, 18T		
29	FU6-2059-000		1	SPRING, TENSION		
30	XA9-0228-000		2	SCREW, INSUL., C.S.HEAD		
31	FU5-9229-000		1	SCREW, TAPPING, M3X6(YELLOW)		

FIGURE & KEY NO.	PARTS NUMBER	R A N K	Q'TY	DESCRIPTION	SERIAL NUMBER/ REMARKS	S V C
32	FU5-9223-000		2	SCREW, BH3X6(YELLOW)		
33	FB4-3687-000		1	WIRE, CORONA, 0.06MM (20M)	[DP]	
34	FM2-8492-000		1	CABLE, P- KIT PRIM WIRE		

FIGURE 600 PROCESSOR KIT ASSEMBLY



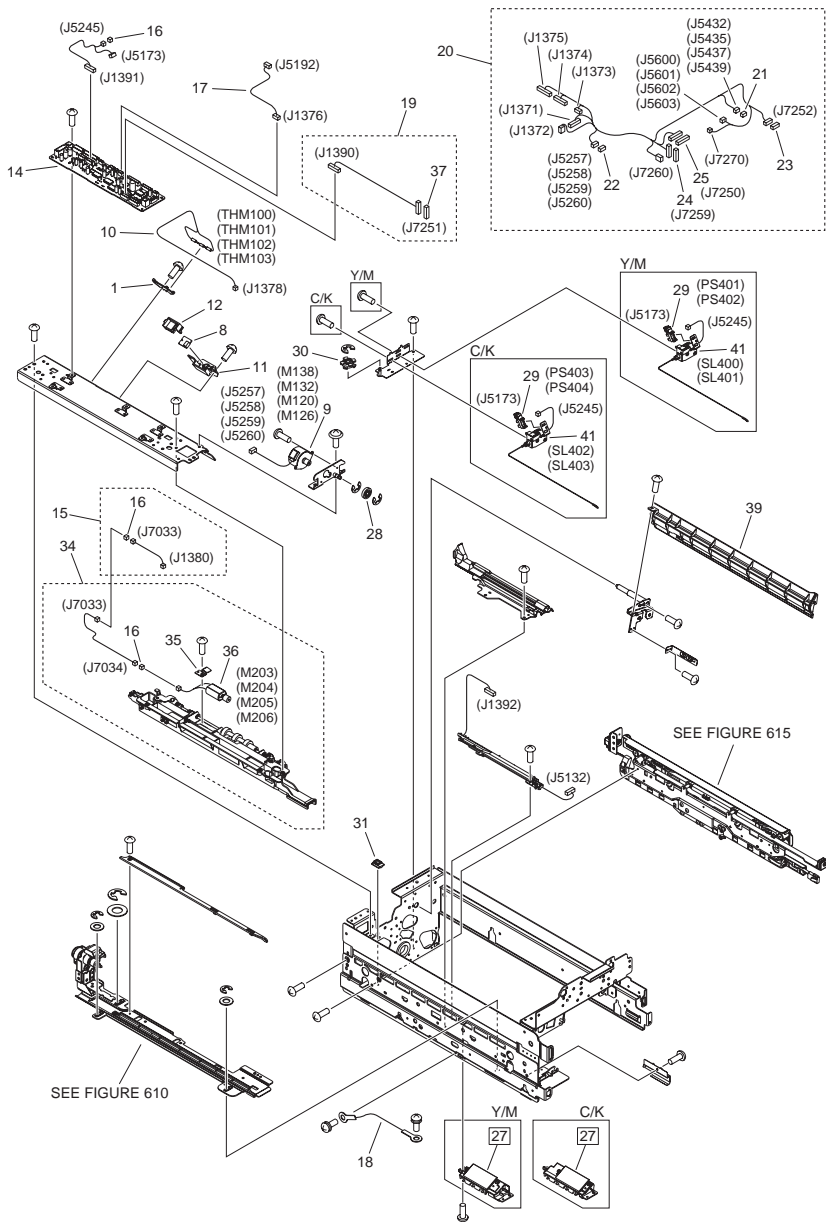


FIGURE & KEY NO.	PARTS NUMBER	R A N K	Q'TY	DESCRIPTION	SERIAL NUMBER/ REMARKS	S V C
Fig.600	NPN		RF	PROCESSOR KIT ASSEMBLY		
1	FA4-8614-000		1	HOLDER,THERMISTOR		
2	FC5-8907-000		1	BUSHING, LEFT		
3	FC5-8908-000		1	BUSHING, RIGHT		
4	FC5-8910-000		1	BUSHING, FRONT RIGHT		
5	FC5-8911-000		1	BUSHING, REAR		
6	FC5-8913-000		2	ELIMINATOR, POWER DISPATCHING		
7	FC6-3186-000		1	STOPPER, PRIMARY		
8	FK2-0607-000		1	THERMOSENSOR		
9	FK2-2729-000		1	MOTOR, STEPPING, DC	M120,M126,M132,M138	
10	FK2-3153-000		1	THERMISTOR	THM100,THM101,THM102,THM103	
11	FL2-1912-000		1	HOLDER, THERMO SENSOR		
12	FL2-1913-000		1	COVER, THERMO SENSOR		
13	FM2-2078-010		1	DRAWER CONNECTOR ASSEMBLY		
14	FM4-6242-000		1	P- KIT DRIVER PCB ASSEMBLY		
15	FM3-6949-000		1	CABLE, DEVELOPING KNOCK		
17	FM2-8527-000		1	CABLE, P- KIT		
18	FM2-8569-000		1	CABLE, P- KIT GROUNDING, 2		
19	FM4-6319-000		1	CABLE, SENSOR		
20	FM2-8638-010		1	CABLE, P- KIT FAN		
21	VS1-7177-003		1	CONNECTOR, SNAP TIGHT, BK		
22	VS1-7177-004		1	CONNECTOR, SNAP TIGHT, BK		
23	VS1-7177-005		1	CONNECTOR, SNAP TIGHT, BK		
24	VS1-7177-008		1	CONNECTOR, SNAP TIGHT, BK		
25	VS1-7177-011		1	CONNECTOR, SNAP TIGHT, 11P, BK		
26	FM4-6318-000		1	CABLE, P- KIT DRAWER		
27	FM4-2561-000		1	SENSOR UNIT, PATCH SENSING,Y/M	[DP] Y/M	
27	FM4-2562-000		1	SENSOR UNIT, PATCH SENSING,C/K	[DP] C/K	
28	FU6-0366-000		1	GEAR, 32T		
29	WG8-5848-000		1	IC, PHOTO-INTERRUPTER	PS401,PS402,PS403,PS404	
30	FU6-3060-000		1	PULLEY		

FIGURE & KEY NO.	PARTS NUMBER	R A N K	Q'TY	DESCRIPTION	SERIAL NUMBER/ REMARKS	S V C
31	FL2-7894-000		1	SPACER, DEV.RAIL, LOWER		
32	FB6-5141-000		1	LABEL, INSERT, YELLOW	YELLOW	
32	FB6-5142-000		1	LABEL, INSERT, MAGENTA	MAGENTA	
32	FB6-5143-000		1	LABEL, INSERT, CYAN	CYAN	
32	FB6-5144-000		1	LABEL, INSERT, BLACK	BLACK	
33	FU5-9223-000		2	SCREW, BH3X6(YELLOW)		
34	FM4-7442-000		1	DEVELOPING KNOCK UNIT		
35	FC8-6799-000		1	CLAMP, MOTOR		
36	FL2-9917-000		1	MOTOR, BRUSH, DC, 3.96W	M203,M204,M205,M206	
37	VS1-7177-010		1	CONNECTOR, 10P		
38	FL3-2892-000		1	COVER, BOTTOM		
39	FL2-1955-000		1	RAIL, PRIMARY, LEFT		
40	FU5-9224-000		1	SCREW, BH4X6(YELLOW)		
41	FM4-2563-000		1	SOLENOID ASSEMBLY	SL400,SL401,SL402,SL403	

FIGURE 610 DEVELOPING RAIL ASSEMBLY

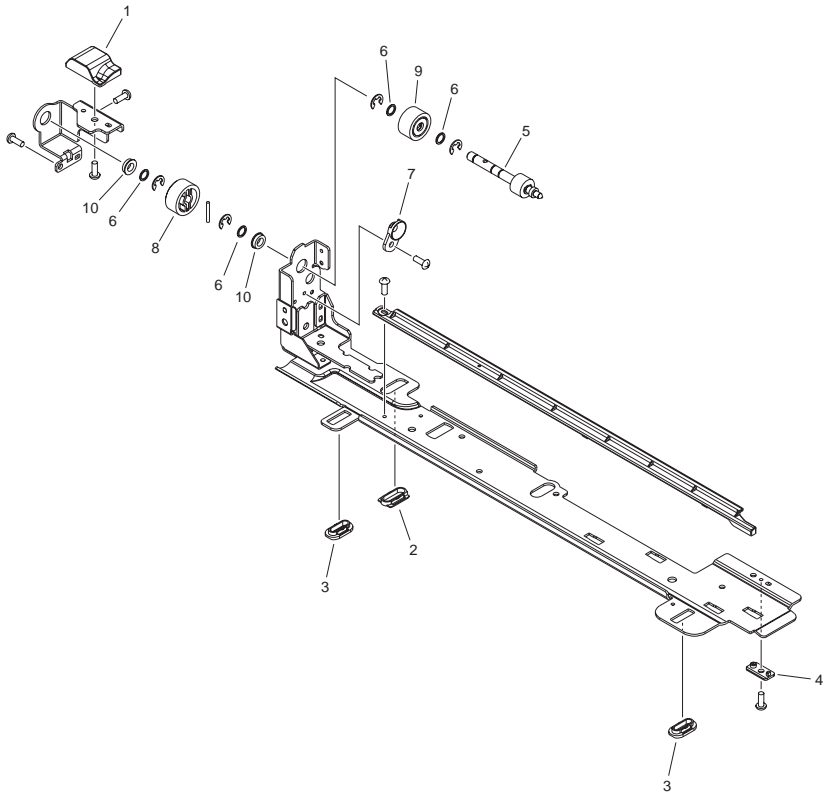


FIGURE & KEY NO.	PARTS NUMBER	RANK	Q'TY	DESCRIPTION	SERIAL NUMBER/REMARKS	SVC
Fig.610	FM4-2559-000		4	DEVELOPING RAIL ASSEMBLY		
1	FC5-9046-000		1	CAM, SWING GEAR		
2	FC5-9060-000		1	GUIDE, PIN, 1		
3	FC5-9061-000		2	GUIDE, PIN, 2		
4	FC6-8002-000		1	SLIDER, DEVELOPING MOUNT		
5	FM2-2107-000		1	SHAFT, DEVELOPING DRIVE		
6	FS5-6488-000		4	WASHER		
7	FU5-1315-000		1	BUSH		
8	FU6-0368-000		1	GEAR, 41T		
9	FU6-0369-000		1	GEAR, 30T		
10	XG9-0659-000		2	BEARING,BALL, 2F-FLW676AZZ1V11		

FIGURE 615 DEVELOPING PRESSURE ASSEMBLY

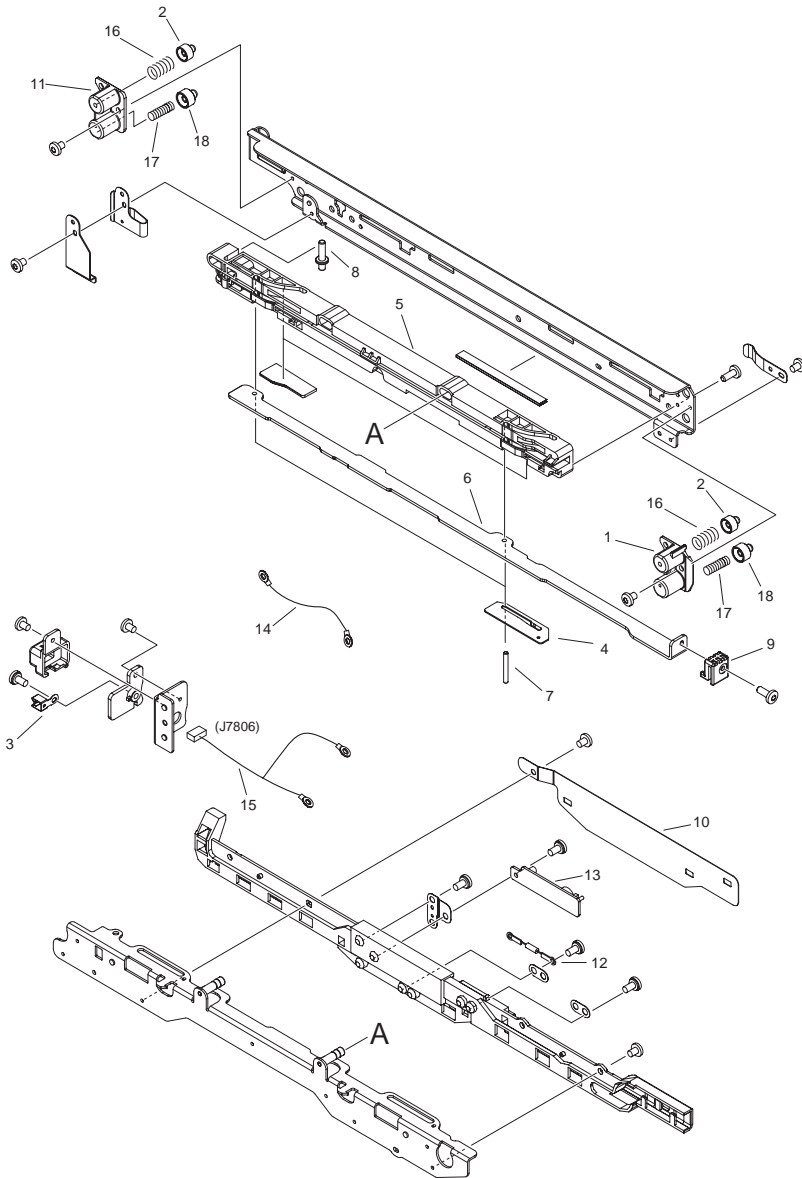


FIGURE & KEY NO.	PARTS NUMBER	R A N K	Q'TY	DESCRIPTION	SERIAL NUMBER/ REMARKS	S V C
Fig.615	FM2-2110-010		4	DEVELOPING PRESSURE ASSEMBLY		
1	FC5-9033-000		1	HOLDER, PRESSURE SPRING, FRONT		
2	FC5-9034-000		2	HOLDER, PRESSURE		
3	FC5-9050-000		1	CONNECTOR, HIGH VOLTAGE		
4	FC5-9051-000		2	GUIDE, SWING		
5	FC5-9052-000		1	BLOCK, PRESSURE		
6	FC5-9053-000		1	LEVER, PRESSURE		
7	FC5-9058-000		2	PIN		
8	FC5-9059-000		1	PIN, POSITIONING		
9	FC5-9065-000		1	HANDLE, DEVELOPING PRESSURE		
10	FC7-4625-000		1	COVER, PCB		
11	FC7-4631-000		1	HOLDER, PRESSURE SPRING, REAR		
12	FL2-6002-000		1	RESISTOR, H.V. - 9 CURRENT		
13	FM2-7195-000		1	HIGH VOLTAGE PCB ASSEMBLY		
14	FM2-8485-000		1	CABLE, P- KIT HIGH VOLTAGE		
15	FM2-8493-000		1	CABLE, P- KIT H.V. DEV. RELAY		
16	FU5-2906-000		2	SPRING, DEV. PRESSURE, UPPER		
17	FU6-2546-000		2	SPRING, DEV. PRESSURE, LOWER		
18	FC8-1030-000		2	PIN, PRESSURE, LOWER		

FIGURE & KEY NO.	PARTS NUMBER	R A N K	Q'TY	DESCRIPTION	SERIAL NUMBER/ REMARKS	S V C
Fig.620	FM4-7152-000		1	HOPPER ASSEMBLY, YELLOW	SEE NOTE	
Fig.620	FM4-7153-000		1	HOPPER ASSEMBLY, MAGENTA	SEE NOTE	
Fig.620	FM4-7154-000		1	HOPPER ASSEMBLY, CYAN	SEE NOTE	
Fig.620	FM4-7155-000		1	HOPPER ASSEMBLY, BLACK	SEE NOTE	
1	FC5-1904-000		1	GUIDE, RELEASE		
2	FM3-0636-000		1	BOTTLE DRIVE SHAFT UNIT		
3	FC5-1945-000		1	HOLDER, RING		
4	FC5-8754-010		1	FLAG, SENSOR, INNER COVER		
5	FC5-8755-000		1	DOOR, CARTRIDGE INNER		
6	FC5-8756-000		1	MOUNT, CARTRIDGE MOTOR		
7	FC6-2294-000		1	SPRING, TORSION		
8	FC6-2301-000		1	COVER, CARTRIDGE INNER		
9	FC6-2303-000		1	STOPPER, CARTRIDGE		
10	FC6-2313-000		1	FLAG, SENSOR, CARTRIDGE SWING		
11	FC6-2314-000		1	FLAG, CARTRIDGE SENSOR		
12	FC6-2317-000		1	GUIDE, BOTTLE		
13	FC6-2320-000		1	HOLDER, COVER		
14	FC6-2327-000		1	SHAFT, RING		
15	FC6-2339-000		1	CATCH, COVER		
16	FC6-2342-000		1	SWITCH, OPEN		
17	FC6-2346-000		1	LINK, RELEASE		
18	FC6-2347-000		1	COUPLING, TRAY DRIVE		
19	FC6-3225-000		1	CAM, BOTTLE SHIFT		
20	FC6-3230-000		7	STOPPER, FRONT		
21	FC6-5481-000		4	ROLLER		
22	FC6-5482-000		2	ROLLER		
23	XZ9-0603-000		1	CATCH, MAGNET		
24	FC6-8139-000		1	FLAG, SLIDE SENSOR		
25	FK3-0824-000		1	MOTOR, DC	M143,M144,M145,M146	
26	WG8-5783-000		4	IC,PHOTO-INTERRUPTER,LG248NL1A	PS123,PS124,PS125,PS126,PS127,PS128,PS129,PS130,PS201,PS203,PS204,PS207,PS213,PS216,PS218,PS219	

FIGURE & KEY NO.	PARTS NUMBER	R A N K	Q'TY	DESCRIPTION	SERIAL NUMBER/ REMARKS	S V C
27	FK2-2726-000		1	MOTOR, BRUSHLESS, DC	M195,M196,M197,M198	
28	FK3-0825-000		1	MOTOR, DC	M190,M191,M192,M193	
29	FM2-0956-000		1	CABLE, MULTI DOOR SWITCH	SW101,SW102,SW103,S W104	
30	FM2-7694-000		1	HOPPER DRIVER PCB ASSEMBLY		
31	FM2-7698-000		1	HOPPER SWITCH PCB ASSEMBLY		
32	FM2-8488-000		1	CABLE, HOPPER GROUNDING, 1		
33	FM2-8489-000		1	CABLE, HOPPER GROUNDING, 2		
34	FM2-8504-000		1	CABLE, HOPPER MOTOR		
35	FM2-8570-000		1	CABLE, HOPPER SENSOR		
36	FM2-8633-000		1	CABLE, HOPPER DRIVE		
37	VS1-7177-002		1	CONNECTOR, SNAP TIGHT, BK		
38	VS1-7177-003		1	CONNECTOR, SNAP TIGHT, BK		
39	VS1-7177-012		1	CONNECTOR, SNAP TIGHT, BK		
40	FM2-8636-000		1	CABLE, HOPPER SENSOR MOTOR		
41	FS1-1510-000		2	BUSHING, 8,4, (COP)		
42	FU5-0199-000		1	GEAR, 36T		
43	FU5-0273-000		1	GEAR, 35T		
44	FU5-1323-000		4	BUSHING		
45	FU5-2977-000		1	SPRING, COMPRESSION		
46	FU5-2978-000		1	SPRING, COMPRESSION		
47	FU5-2979-000		1	SPRING, TENSION		
48	FU5-5771-000		1	PIN, STOPPER		
49	FU5-5823-000		1	SHAFT, DRIVE RELEASE		
50	FU5-5824-000		1	SHAFT, TRAY DRIVE		
51	FU6-0428-000		1	GEAR, 26T/86T		
52	FU6-0429-000		1	GEAR, 18T/120T		
53	FU6-0434-000		2	GEAR, 14T		
54	FU6-0435-000		1	GEAR, 12T		
55	XH9-0137-000		1	DAMPER, ROTARY		
56	FC5-0127-000		1	PIN, SLIDER		
57	FC7-5655-000		1	LABEL, HOPPER	EUR,AU,SG,HK,KR,LTN, C7010VP JP	

FIGURE & KEY NO.	PARTS NUMBER	R A N K	Q'TY	DESCRIPTION	SERIAL NUMBER/ REMARKS	S V C
57	FC7-5654-000		1	LABEL, HOPPER	C7010VP/C6010VP US,CA,LTN	
57	FC8-6818-000		1	LABEL, HOPPER	C6010 JP	
57	FC8-6817-000		1	LABEL, HOPPER	C6010 US,CA,LTN	
58	WE8-6262-000		1	FERAITE		

FIGURE 621 BUFFER ASSEMBLY

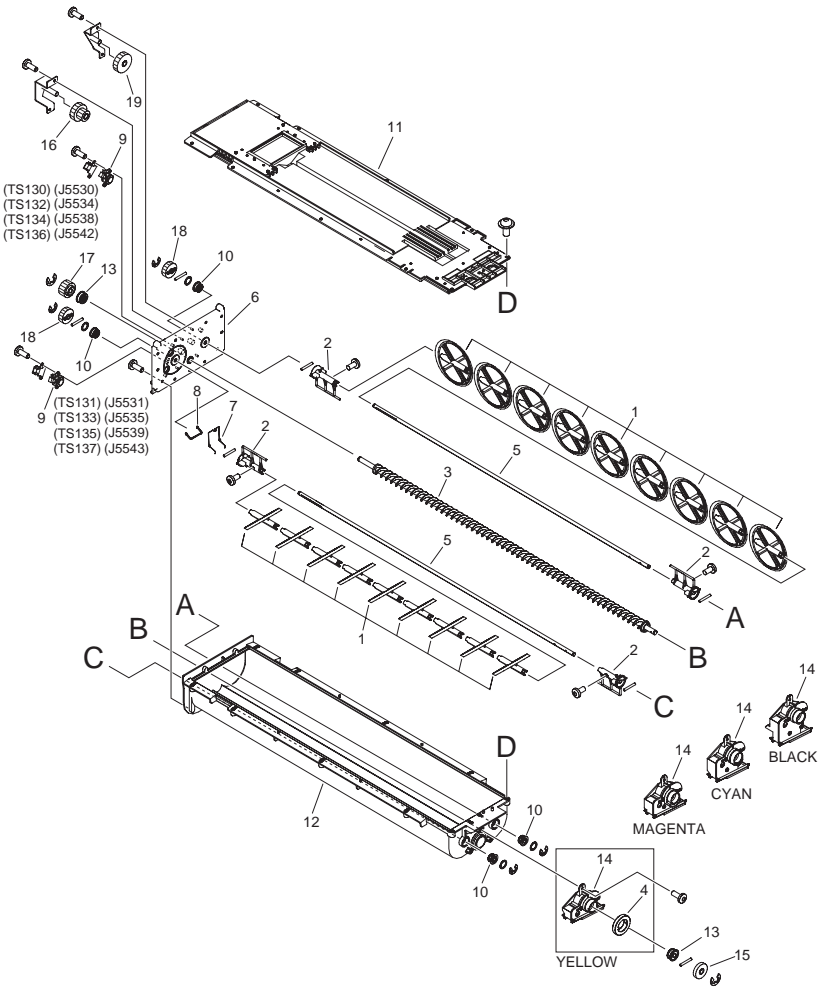


FIGURE & KEY NO.	PARTS NUMBER	R A N K	Q'TY	DESCRIPTION	SERIAL NUMBER/ REMARKS	S V C
Fig.621	FM2-2333-000		1	BUFFER YELLOW ASSEMBLY	SEE NOTE	
Fig.621	FM2-2334-000		1	BUFFER MAGENTA ASSEMBLY	SEE NOTE	
Fig.621	FM2-2335-000		1	BUFFER CYAN ASSEMBLY	SEE NOTE	
Fig.621	FM2-2336-000		1	BUFFER BLACK ASSEMBLY	SEE NOTE	
1	FC5-8746-000		18	BLADE, STIRRING		
2	FC5-8747-000		4	ROD, STIRRING		
3	FC5-8748-000		1	SCREW, FEED		
4	FC5-8764-000		1	FLANGE, YELLOW	YELLOW	
5	FC5-8765-000		2	SHAFT, STIRRING		
6	FC5-8771-000		1	LID, HOPPER BACK		
7	FC6-2335-000		1	WIPER		
8	FC6-2336-000		1	HOLDER, WIPER		
9	FK2-0590-000		2	TONER SENSOR UNIT	TS130,TS131,TS132,TS133,TS134,TS135,TS136,TS137	
10	FL2-1904-000		4	BUSHING, PHI 6		
11	FL2-2374-000		1	LID, HOPPER, UPPER		
12	FL2-2375-000		1	CASE, HOPPER		
13	FL2-2376-000		2	BUSHING, PHI 8		
14	FM2-2329-000		1	SHUTTER, YELLOW	YELLOW	
14	FM2-2330-000		1	SHUTTER, MAGENTA	MAGENTA	
14	FM2-2331-000		1	SHUTTER, CYAN	CYAN	
14	FM2-2332-000		1	SHUTTER, BLACK	BLACK	
15	FU6-0254-000		1	GEAR, 27T		
16	FU6-0430-000		1	GEAR, 18T/30T		
17	FU6-0431-000		1	GEAR, 26T		
18	FU6-0432-000		2	GEAR, 26T		
19	FU6-0433-000		1	GEAR, 34T		

FIGURE 622 SUB HOPPER ASSEMBLY

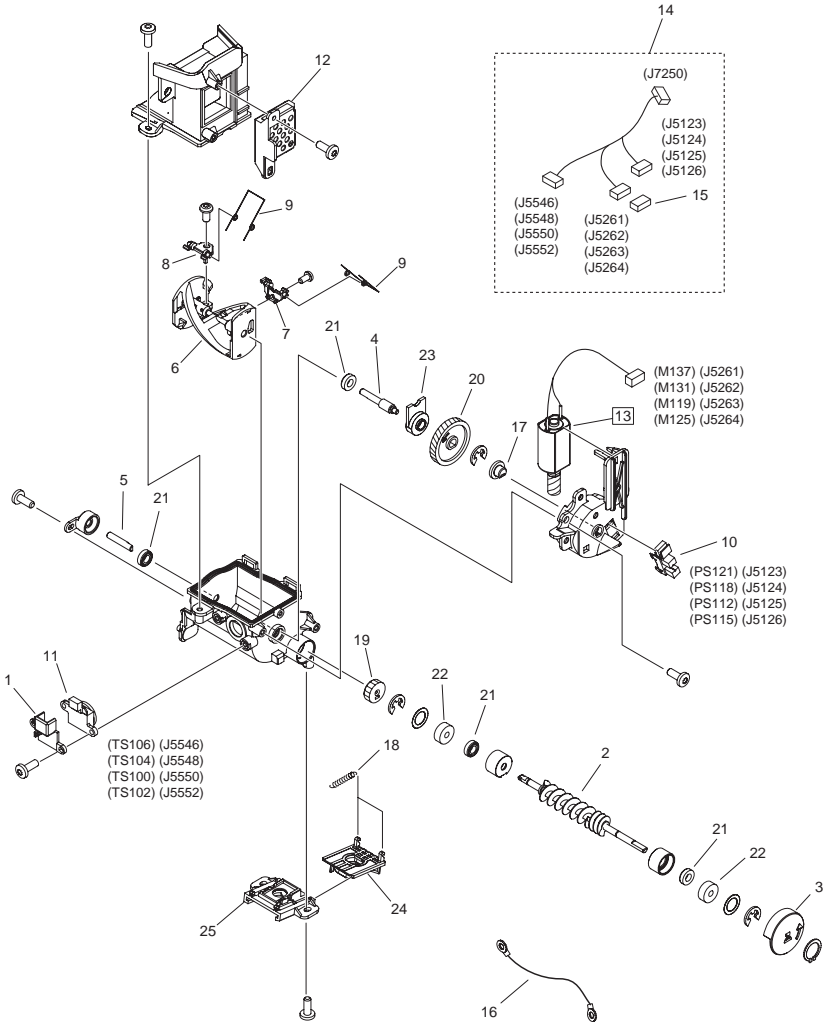


FIGURE & KEY NO.	PARTS NUMBER	R A N K	Q'TY	DESCRIPTION	SERIAL NUMBER/ REMARKS	S V C
Fig.622	FM2-2097-030		4	SUB HOPPER ASSEMBLY		
1	FC5-8003-000		1	COVER, CONNECTOR		
2	FC5-9020-000		1	SCREW, SUPPLY		
3	FC5-9023-000		1	FLAG, HOME POSITION DETECT		
4	FC5-9024-000		1	SHAFT, STIRRING, FRONT		
5	FC5-9025-000		1	SHAFT, STIRRING, REAR		
6	FC5-9026-000		1	BLADE, STIRRING		
7	FC6-7947-000		1	RETAINER, SPRING, FRONT		
8	FC6-7948-000		1	RETAINER, SPRING, REAR		
9	FC6-7955-000		2	SPRING, TORSION		
10	FK2-0149-000		1	PHOTO-INTERRUPTER, TLP1252(C6)	PS112,PS115,PS118,PS121	
11	FK2-0590-000		1	TONER SENSOR UNIT	TS100,TS102,TS104,TS106	
12	FL3-0560-010		1	FILTER,DUST		
13	FL2-6139-000		1	MOTOR, SUB HOPPER STIRRING	[DP] M119,M125,M131,M137	
14	FM2-8596-000		1	CABLE, P- KIT SUB HOPPER		
15	VS1-7177-002		1	CONNECTOR, SNAP TIGHT, BK		
16	FM2-8682-000		1	CABLE, P-KIT GROUNDING, 1		
17	FU5-1317-000		1	BUSHING		
18	FU5-2901-000		2	SPRING, TENSION		
19	FU6-0359-000		1	GEAR, 22T		
20	FU6-0360-000		1	GEAR, 50T		
21	MB4-8200-000		4	SEAL, OIL		
22	XG9-0438-000		2	BEARING, BALL		
23	FU5-1334-000		1	BUSHING		
24	FL2-1985-010		1	SHUTTER		
25	FL2-1984-010		1	RAIL, SHUTTER		

FIGURE 625
TONER FEED ASS'Y

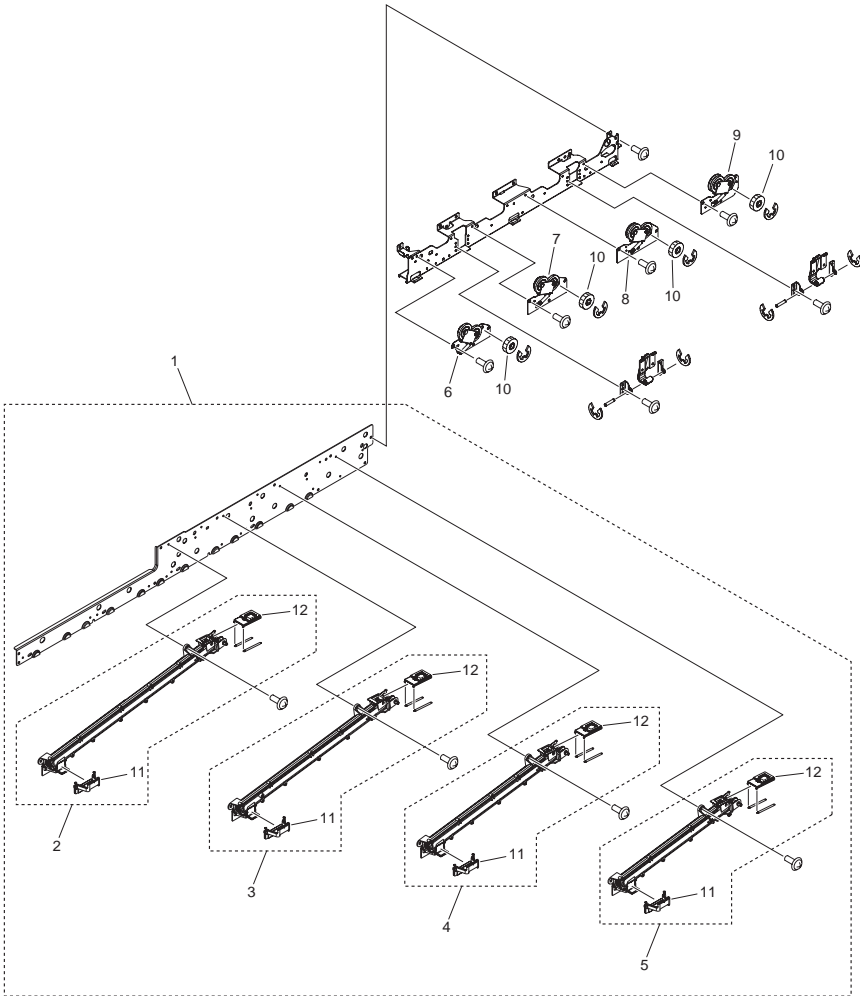


FIGURE & KEY NO.	PARTS NUMBER	R A N K	Q'TY	DESCRIPTION	SERIAL NUMBER/ REMARKS	S V C
Fig.625	NPN		RF	TONER FEED ASS'Y		
1	FM4-7438-000		1	FEED PIPE UNIT		
2	FM4-7434-000		1	PIPE, TONER PAPER FEED, YELLOW		
3	FM4-7435-000		1	PIPE, TONER PAPER FEED,		
4	FM4-7436-000		1	PIPE, TONER PAPER FEED, CYAN		
5	FM4-7437-000		1	PIPE, TONER PAPER FEED, BLACK		
6	FM2-2292-000		1	FEEDER DRIVE ASSEMBLY, YELLOW		
7	FM2-2293-000		1	FEEDER DRIVE ASSEMBLY, MAGENTA		
8	FM2-2294-000		1	FEEDER DRIVE ASSEMBLY, CYAN		
9	FM2-2295-000		1	FEEDER DRIVE ASSEMBLY, BLACK		
10	FU6-0251-000		4	GEAR, 18T		
11	FL2-7886-010		4	SEAL, PIPE SUB		
12	FL2-1896-000		4	SHUTTER, PIPE		

FIGURE 640 DEVELOPING ASSEMBLY

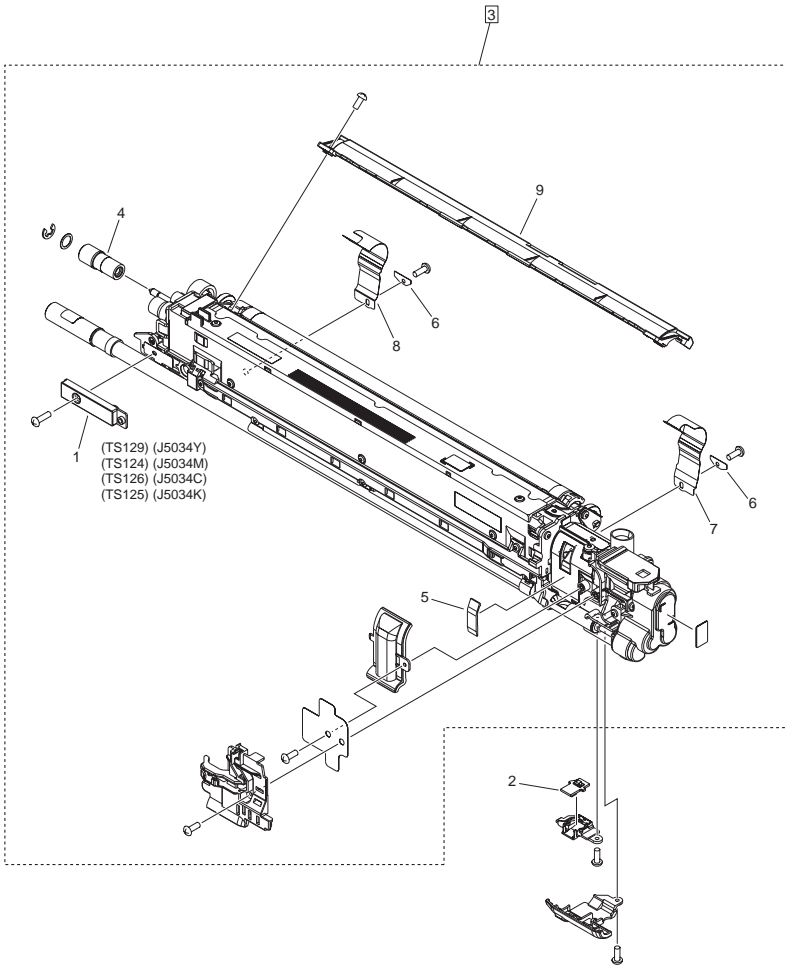
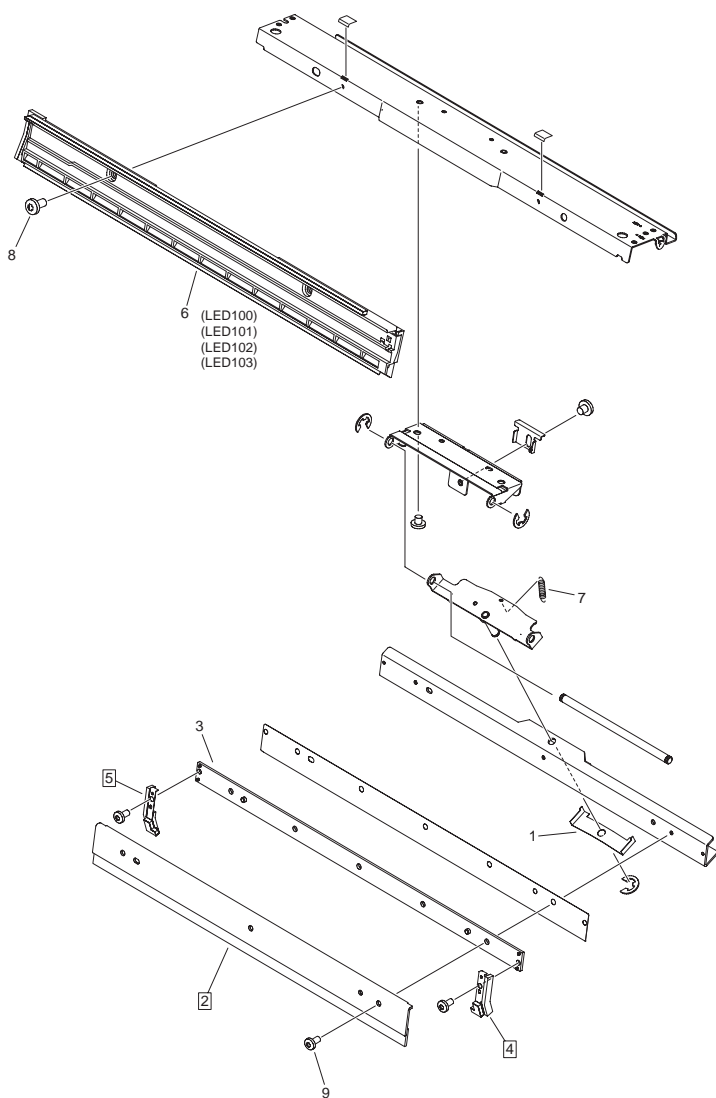


FIGURE & KEY NO.	PARTS NUMBER	RANK	Q'TY	DESCRIPTION	SERIAL NUMBER/REMARKS	SVC
Fig.640	NPN		RF	DEVELOPING ASSEMBLY		
1	FK2-2713-000		1	SENSOR, TONER DENSITY	TS124,TS125,TS126,TS129	
2	FM4-6258-000		1	ENVIRONMENT SENSOR PCB ASS'Y		
3	FM4-7440-000		1	DEVELOPING ASSEMBLY	[DP]	
4	FU6-0283-000		1	GEAR,INTERMEDIATE		
5	FC8-6866-000		1	SPACER		
6	FC8-6874-000		2	CLAMP, SIDE END SHEET		
7	FC9-5841-000		1	SHEET,SIDE END,FRONT		
8	FC9-5842-000		1	SHEET,SIDE END,REAR		
9	FL3-2909-000		1	COVER, SLEEVE		

FIGURE 710 CLEANER ASSEMBLY



NOTE : This assembly is included in the assembly shown in Figure 511.
注 : このユニットはFigure 511のユニットに含まれます。

FIGURE & KEY NO.	PARTS NUMBER	RANK	Q'TY	DESCRIPTION	SERIAL NUMBER/REMARKS	SVC
Fig.710	FM2-2493-010		4	CLEANER ASSEMBLY	SEE NOTE	
1	FB2-6890-000		1	SPRING, LEAF		
2	FC5-8829-000		1	BLADE, CLEANER	[DP]	
3	FC5-8830-000		1	SPACER, BLADE		
4	FL2-2713-000		1	SEAL, FRONT	[DP]	
5	FL2-2714-000		1	SEAL, REAR	[DP]	
6	FM2-2680-000		1	PRE-EXPOSURE UNIT	LED110,LED111,LED112, LED113	
7	FU5-2121-000		1	SPRING, TENSION		
8	FU5-9222-000		2	SCREW, BH4X8(YELLOW)		
9	FU5-9223-000		5	SCREW, BH3X6(YELLOW)		

FIGURE 770 WASTE TONER FEEDER ASSEMBLY

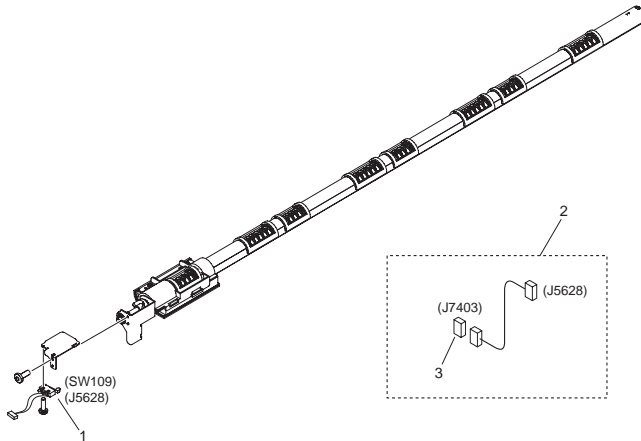


FIGURE & KEY NO.	PARTS NUMBER	RANK	QTY	DESCRIPTION	SERIAL NUMBER/REMARKS	SVC
Fig.770	FM2-2052-000		1	WASTE TONER FEEDER ASSEMBLY		
1	FM2-0956-000		1	CABLE, MULTI DOOR SWITCH	SW109	
2	FM2-8502-000		1	CABLE, WASTE TONER SWITCH		
3	VS1-7177-002		1	CONNECTOR, SNAP TIGHT, BK		

FIGURE 771 WASTE TONER BUFFER ASSEMBLY

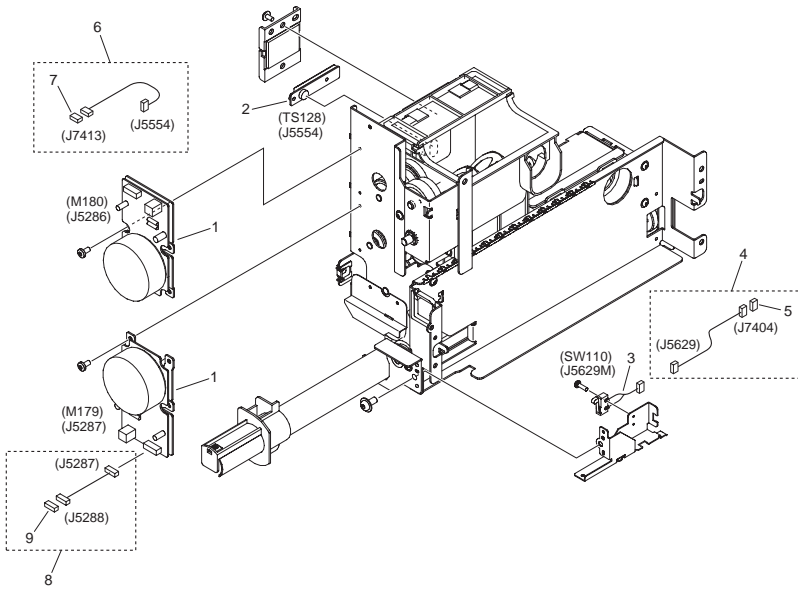


FIGURE & KEY NO.	PARTS NUMBER	RANK	QTY	DESCRIPTION	SERIAL NUMBER/REMARKS	SVC
Fig.771	FM2-2053-000		1	WASTE TONER BUFFER ASSEMBLY		
1	FK2-0022-000		2	MOTOR, 161 BRUSHLESS DC	M179,M180	
2	FK2-0591-000		1	SENSOR, TONER	TS128	
3	FM2-0956-000		1	CABLE, MULTI DOOR SWITCH	SW110	
4	FM2-8503-000		1	CABLE, TRANSFORMER SWITCH		
5	VS1-7177-002		1	CONNECTOR, SNAP TIGHT, BK		
6	FM2-8523-000		1	CABLE, FULL SENSOR		
7	VS1-7177-003		1	CONNECTOR, SNAP TIGHT, BK		
8	FM4-7255-000		1	CABLE, BUFFER MOTOR CONNECTING		
9	VS1-7177-008		1	CONNECTOR, SNAP TIGHT, BK		

FIGURE 775 WASTE TONER PIPE ASSEMBLY

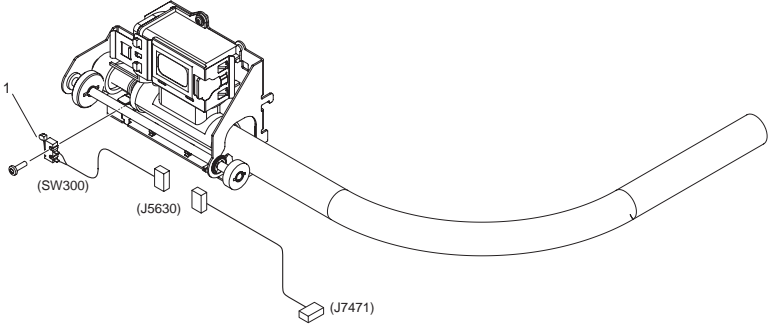


FIGURE & KEY NO.	PARTS NUMBER	RANK	QTY	DESCRIPTION	SERIAL NUMBER/REMARKS	SVC
Fig.775	FM2-2054-010		1	WASTE TONER PIPE ASSEMBLY		
1	FM2-0956-000		1	CABLE, MULTI DOOR SWITCH	SW300	

FIGURE 780 WASTE TONER COLLECTION ASS'Y

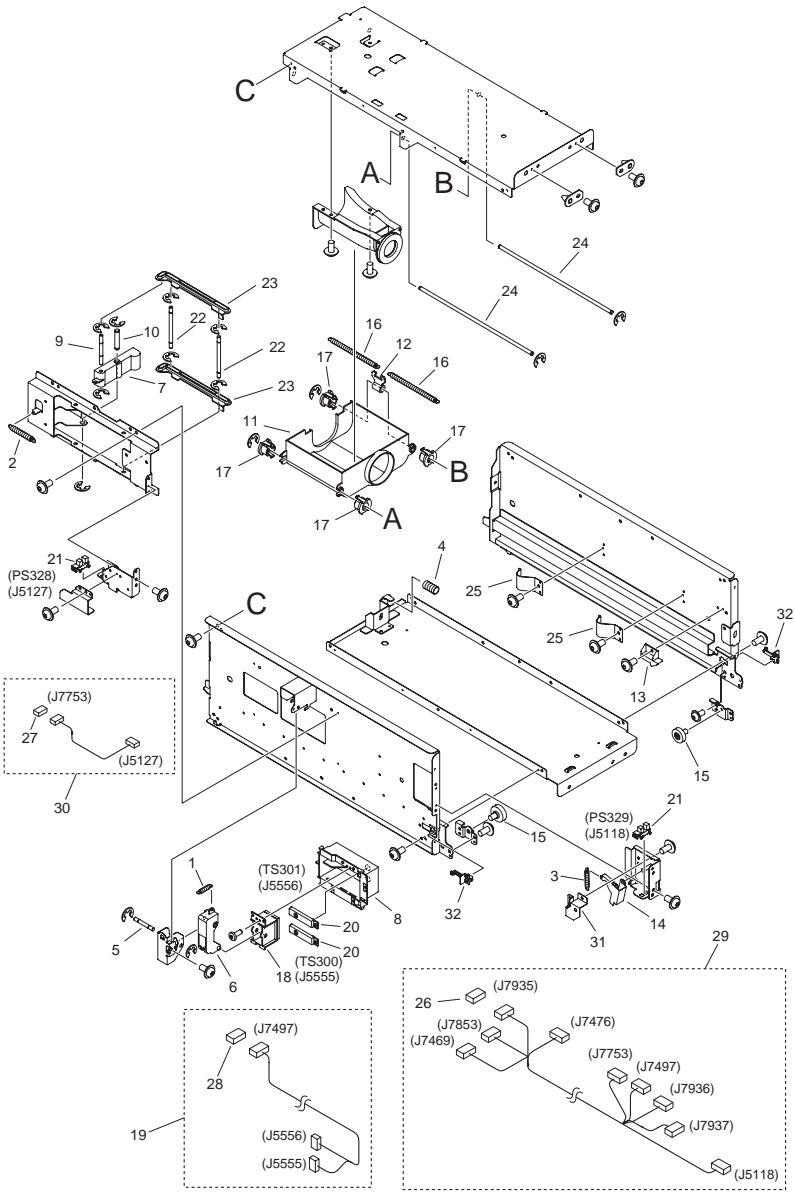
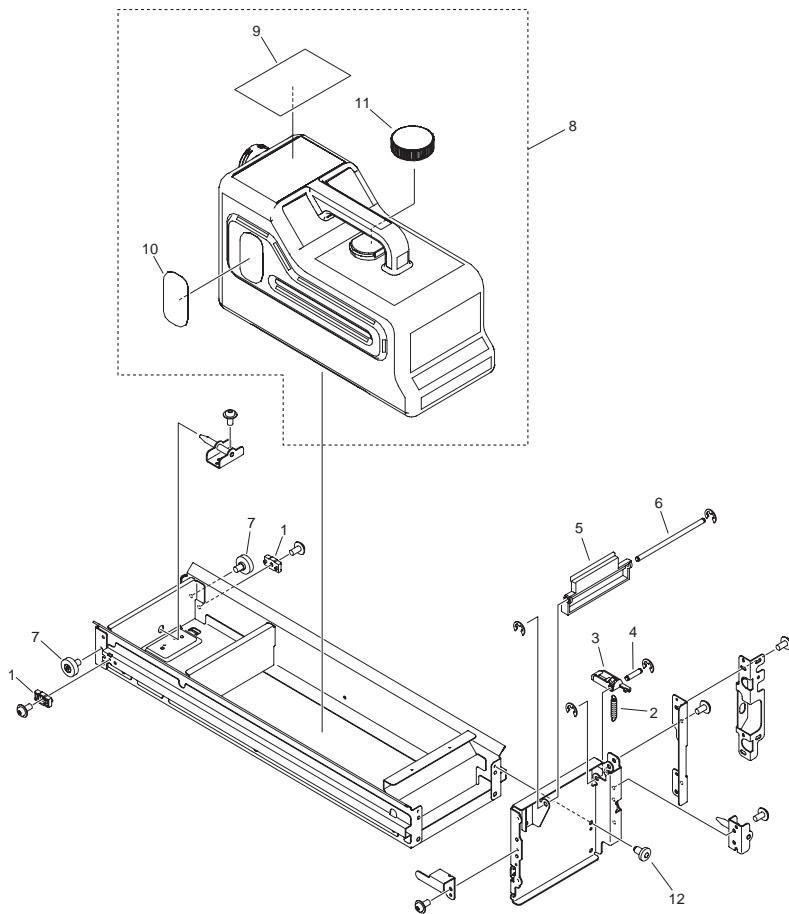


FIGURE & KEY NO.	PARTS NUMBER	R A N K	Q'TY	DESCRIPTION	SERIAL NUMBER/ REMARKS	S V C
Fig.780	NPN		RF	WASTE TONER COLLECTION ASS'Y		
1	FU6-2528-000		1	SPRING, TENSION		
2	FU6-2527-000		1	SPRING, TENSION		
3	FU6-2002-000		1	SPRING, TENSION		
4	FU6-2001-000		1	SPRING, COMPRESSION		
5	FC7-1614-000		1	SHAFT, SUPPORTING		
6	FC7-1568-000		1	ARM, PRESSURE		
7	FC7-1616-000		1	LEVER, BOTTLE DETECT		
8	FC7-1564-000		1	HOLDER, TONER SENSOR		
9	FC7-1562-000		1	SHAFT, HOOK		
10	FC7-1561-000		1	SHAFT, LEVER		
11	FL2-8401-000		1	COVER, PIPE		
12	FC7-1556-000		1	HOOK, COUPLING		
13	FC7-1553-000		1	HOOK		
14	FC7-1551-000		1	FLAG, DOOR SENSOR		
15	XG9-0302-000		2	STEEL BALL BEARING, A-19-B2		
16	FU6-2525-000		2	SPRING, TENSION		
17	FU5-1333-000		4	BUSHING, SLIDE		
18	FL2-1994-000		1	STOPPER, TONER SENSOR		
19	FM2-8817-000		1	CABLE, WASTE TONER FULL DETECT		
20	FK2-0591-000		2	SENSOR, TONER	TS300,TS301	
21	FK2-0149-000		2	PHOTO-INTERRUPTER, TLP1252(C6)	PS328,PS329	
22	FC7-1560-000		2	SHAFT, CAM		
23	FC7-1559-000		2	CAM, SLIDE		
24	FC7-1555-000		2	SHAFT, GUIDE		
25	FC7-1549-000		2	STOPPER, SIDE		
26	VS1-7177-003		1	CONNECTOR, SNAP TIGHT, BK		
27	VS1-7177-004		1	CONNECTOR, SNAP TIGHT, BK		
28	VS1-7177-007		1	CONNECTOR, 7P, FEMALE, BK		
29	FM2-8790-000		1	CABLE, WASTE TONER		
30	FM2-8806-000		1	CABLE, BOTTLE SENSOR		
31	FC7-1552-000		1	STOPPER, FLAG		

FIGURE & KEY NO.	PARTS NUMBER	R A N K	Q'TY	DESCRIPTION	SERIAL NUMBER/ REMARKS	S V C
32	FC7-2261-000		2	STOPPER, CONTAINER		

FIGURE 781 WASTE TONER BOTTLE TRAY ASS'Y



NOTE : This assembly does not include the part shown with key No. 8.
注 : このユニットにKey No. 8の部品は含まれません。

FIGURE & KEY NO.	PARTS NUMBER	R A N K	Q'TY	DESCRIPTION	SERIAL NUMBER/ REMARKS	S V C
Fig.781	FM2-2057-000		1	WASTE TONER BOTTLE TRAY ASS'Y	SEE NOTE	
1	FC7-2262-000		2	STOPPER, SIDE		
2	FU5-2998-000		1	SPRING, TENSION		
3	FC6-8565-000		1	ARM, LATCH		
4	FC6-8564-000		1	SHAFT, ARM		
5	FC6-8563-000		1	LEVER, OPEN/CLOSE		
6	FC6-8562-000		1	SHAFT, LEVER		
7	XG9-0302-000		2	STEEL BALL BEARING, A-19-B2		
8	FM2-2058-000		1	BOTTLE, WASTE TONER		
9	FC7-9667-000		1	LABEL, TONER BOTTLE		
10	FC8-9141-000		1	SHEET, BOTTLE WINDOW		
11	FC6-3419-000		1	CAP, WASTE TONER BOTTLE		
12	XA9-0892-000		4	SCREW,MACH.,TRUSS HEAD,M4X6		

FIGURE 810 FIRST FIXING ASSEMBLY

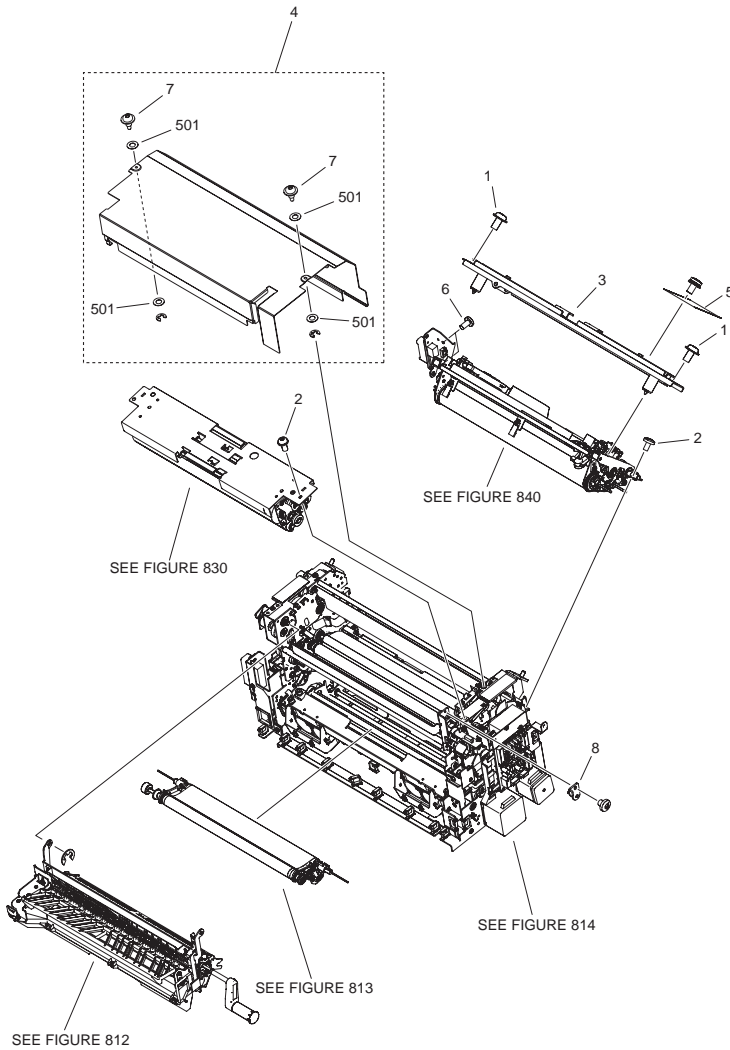


FIGURE & KEY NO.	PARTS NUMBER	RANK	Q'TY	DESCRIPTION	SERIAL NUMBER/REMARKS	SVC
Fig.810	NPN		RF	FIRST FIXING ASSEMBLY		
1	FU5-9228-000		2	SCREW, TP, M5X14(YELLOW)		
2	FU5-9224-000		6	SCREW, BH4X6(YELLOW)		
3	FM3-2093-010		1	HEAT PRESSURE CROSSMEMBER UNIT		
4	FM3-2104-010		1	COVER, UPPER		
5	FC7-9721-000		1	SHEET, PROTECTION		
6	FU5-9223-000		2	SCREW, BH3X6(YELLOW)		
7	FC6-8524-000		2	SCREW, RETAINER, M4		
8	FL2-2169-000		1	PLATE		
501	XD1-1104-131		4	WASHER,COP		

FIGURE 812 INNER PAPER DELIVERY ASS'Y, 1

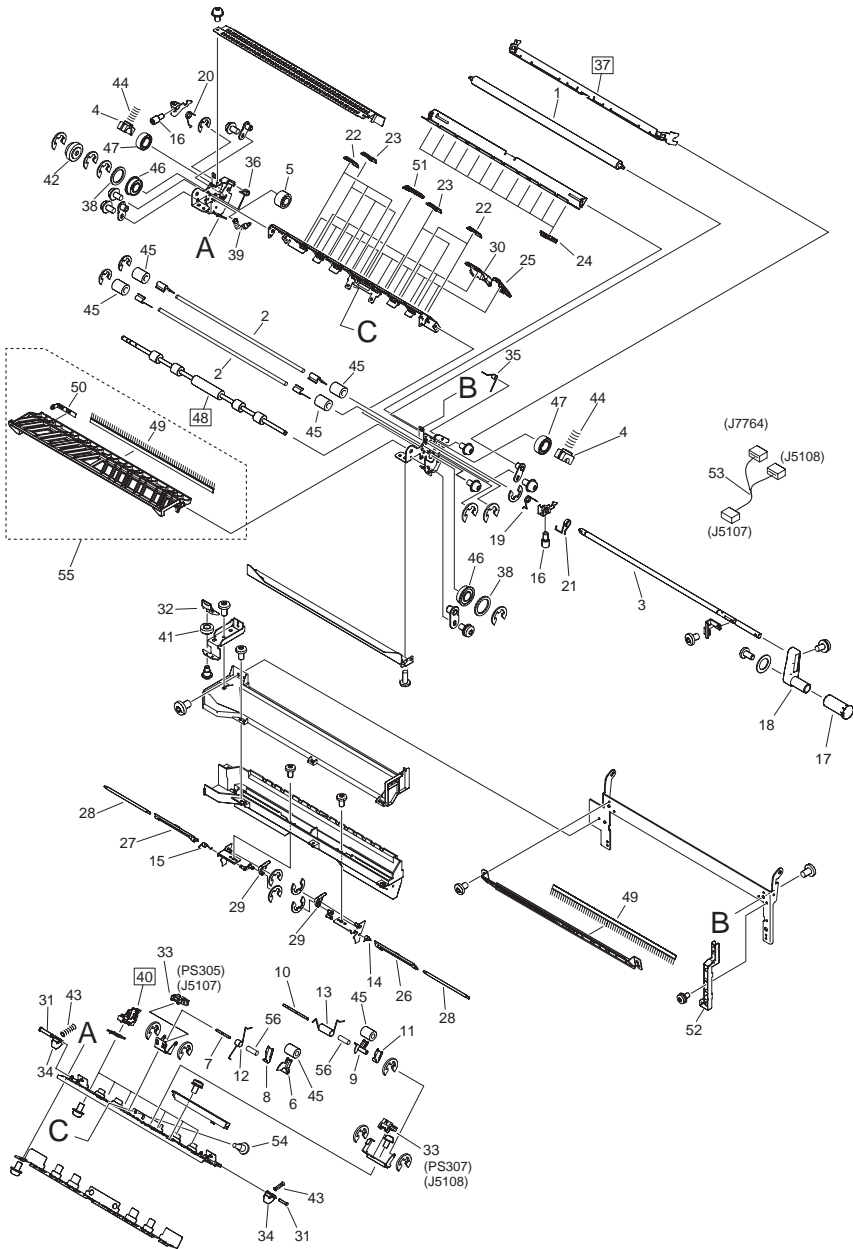


FIGURE & KEY NO.	PARTS NUMBER	R A N K	Q'TY	DESCRIPTION	SERIAL NUMBER/ REMARKS	S V C
Fig.812	FM2-2198-020		1	INNER PAPER DELIVERY ASS'Y, 1		
1	FC5-9775-000		1	ROLLER, INTERNAL DELIVERY, U.		
2	FC5-9785-000		2	SHAFT, ROLLER		
3	FC5-9791-000		1	SHAFT, OPEN/CLOSE		
4	FC5-9792-000		2	BUSHING, INNER PAPER DELIVERY		
5	FC6-1260-000		1	SPACER, INNER PAPER DELIVERY		
6	FC6-8437-010		1	LEVER, SENSOR, 1		
7	FC6-8438-010		1	SHAFT, SENSOR LEVER, 1		
8	FC6-8439-000		1	PLATE, INNER DELIVERY LEVER		
9	FC6-8511-000		1	LEVER, REVERSE SENSOR, FIRST		
10	FC6-8513-010		1	SHAFT, REVERSE SENSOR LEVER		
11	FC6-8514-000		1	PLATE, REVERSE LEVER		
12	FC0-2220-000		1	SPRING, TORSION		
13	FC0-2221-000		1	SPRING, REVERSE SENSOR LEVER		
14	FC7-4062-000		1	SPRING, TORSION		
15	FC7-4063-000		1	SPRING		
16	FC7-4064-000		2	BOLT, STOPPER		
17	FC7-4068-010		1	HANDLE, INNER PAPER DELIVERY		
18	FC7-4069-010		1	LEVER, FIRST OPEN/CLOSE		
19	FC7-4073-000		1	SPRING, TORSION		
20	FC7-4074-000		1	SPRING, TORSION		
21	FC7-4075-000		1	SPRING, TORSION		
22	FC7-9740-000		5	RIB, PAPER DELIVERY, SMALL		
23	FC7-4646-000		5	RIB, PAPER DELIVERY, LARGE		
24	FC7-4647-000		12	RIB, INNER DELIVERY OUTER, UP.		
25	FC7-4649-000		8	RIB, INNER PAPER DELIVERY, S		
26	FC7-4650-000		1	SHUTTER, FRONT		
27	FC7-4651-000		1	SHUTTER, REAR		
28	FC7-4652-000		2	SHAFT, TURN		
29	FC7-4653-000		2	LEVER, OPEN/CLOSE		
30	FC7-7036-000		6	RIB, INNER PAPER DELIVERY, L		
31	FC7-7037-000		2	SHAFT, PUSH		

FIGURE & KEY NO.	PARTS NUMBER	R A N K	Q'TY	DESCRIPTION	SERIAL NUMBER/REMARKS	S V C
32	FC7-7040-000		1	PLATE, INSERT		
33	FK2-0149-000		2	PHOTO-INTERRUPTER, TLP1252(C6)	PS305,PS307	
34	FC7-7038-000		2	PLATE, PUSHING, UPPER		
35	FC6-8574-000		1	SPRING, TORSION		
36	FC6-8575-000		1	SPRING, TORSION		
37	FM2-2218-000		1	PLATE, SEPARATION	[DP]	
38	FS5-6488-000		2	WASHER		
39	FU5-2138-000		1	SPRING, TENSION		
40	FM3-2100-010		6	SEPARATION CLAW ASSEMBLY	[DP]	
41	FU5-6260-000		1	ROLLER		
42	FU6-0306-000		1	GEAR, 22T		
43	FU6-2556-000		2	SPRING, COMPRESSION		
44	FU6-2566-000		2	SPRING, COMPRESSION		
45	RB2-0493-000		18	ROLLER, PAPER SENSOR		
46	XG9-0291-000		2	BEARING, BALL, LOWER ROLLER		
47	XG9-0484-000		2	BEARING, BALL, DDL-740ZZH		
48	FC8-6847-000		1	ROLLER, PAPER DELIVERY, LOWER	[DP]	
49	FB5-4858-000		2	ELIMINATOR, STATIC CHARGE		
50	FC7-7035-000		1	PLATE, GROUNDING		
51	FC8-0999-000		1	RIB, INNER PAPER DELIVERY, L		
52	FC7-4066-000		1	GUIDE, CABLE		
53	FM2-8731-000		1	CABLE, FIRST INNER SENSOR		
54	FS1-9120-020		2	SCREW, STEPPED, M3		
55	FL2-2164-000		1	GUIDE, CONNECTION, LOWER		
56	XZ1-1301-105		2	SPACER		

FIGURE 813 FIXING BELT ASSEMBLY

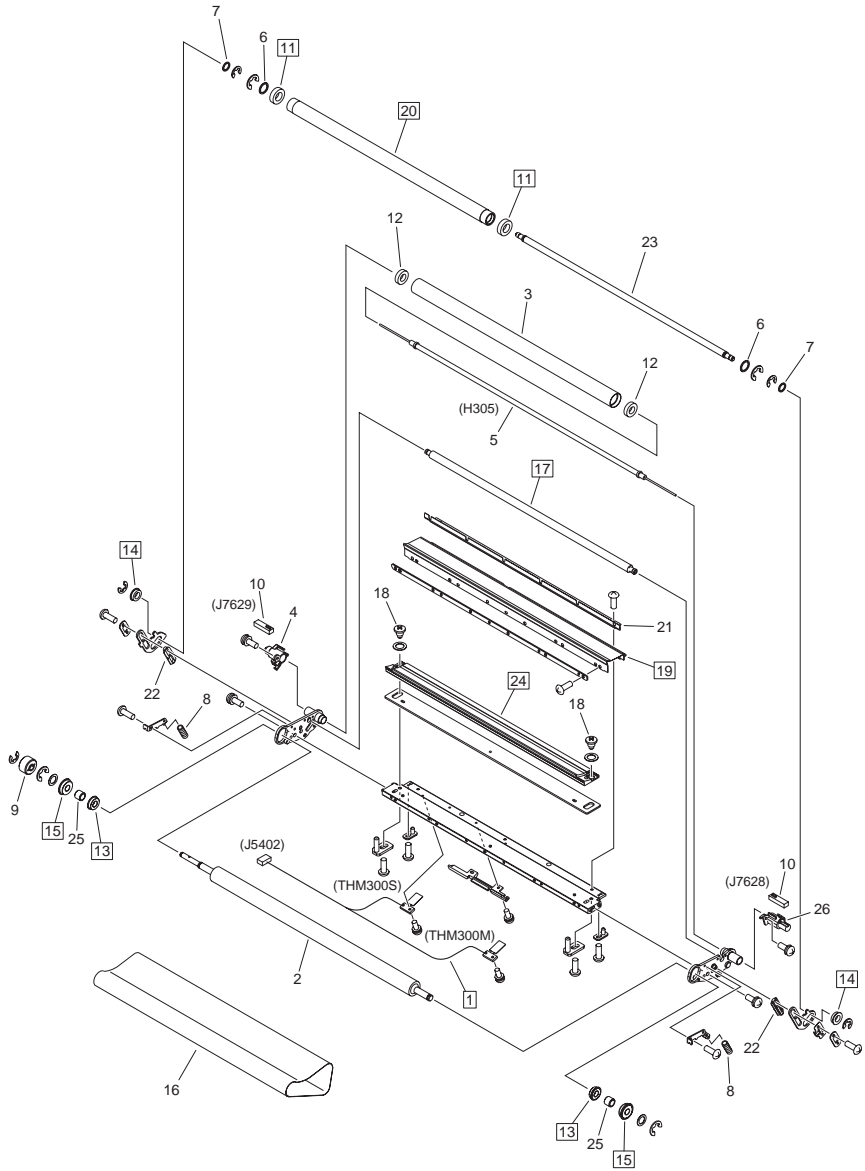
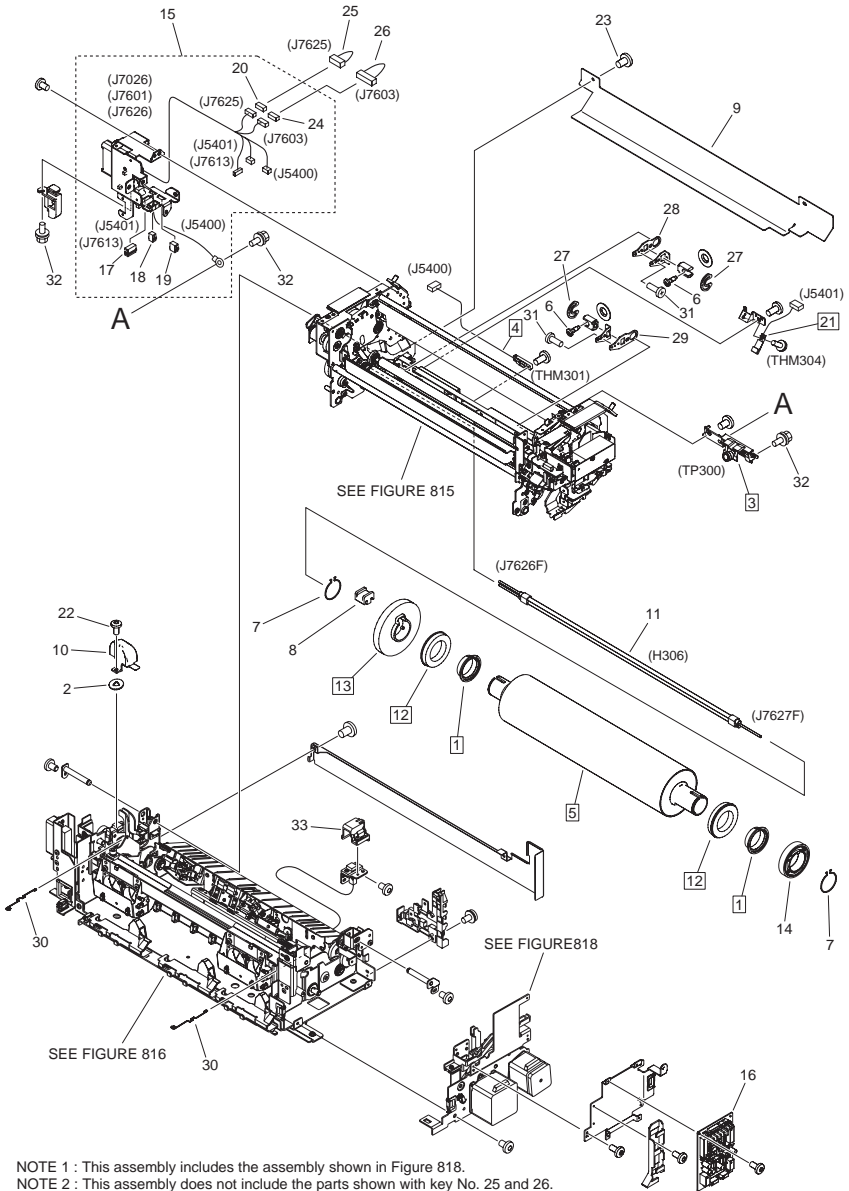


FIGURE & KEY NO.	PARTS NUMBER	R A N K	Q'TY	DESCRIPTION	SERIAL NUMBER/ REMARKS	S V C
Fig.813	FM2-2215-000		1	FIXING BELT ASSEMBLY	[DP] 208V	
Fig.813	FM2-9267-000		1	FIXING BELT ASSEMBLY	[DP] 240V	
1	FK2-3094-000		1	THERMISTOR	[DP] THM300	
2	FC6-0336-000		1	ROLLER, SEPARATION		
3	FC6-1254-000		1	ROLLER, INLET		
4	FC6-0342-000		1	CASE, INLET HEATER, R		
5	FK2-3086-010		1	HEATER, HALOGEN	208V H305	
5	FK2-3087-010		1	HEATER, HALOGEN	240V H305	
6	FS5-6487-000		2	WASHER		
7	FS5-6488-000		2	WASHER		
8	FU5-2878-000		2	SPRING, TENSION		
9	FU5-3196-000		1	PULLEY, 23T		
10	VS1-7462-001		2	CONNECTOR, 1P		
11	XG9-0177-000		2	BALL BEARING, NMB DDL-1480ZZR	[DP]	
12	XG9-0360-000		2	BEARING, BALL, DDL-1910ZZY05R		
13	XG9-0593-000		2	BEARING, BALL	[DP]	
14	XG9-0407-000		2	BEARING, BALL, UGF106P12ZZD4ML	[DP]	
15	XG9-0585-000		2	BEARING, BALL	[DP]	
16	FL2-6530-000		1	BELT, FIXING	[DP]	
17	FL2-5453-000		1	ROLLER, OIL	[DP]	
18	FU5-9305-000		2	SCREW, STEPPED, M4		
19	FL2-6259-000		1	COVER, PAD	[DP]	
20	FC5-9766-000		1	ROLLER, STEERING	[DP]	
21	FC7-1842-000		1	PLATE, STOPPER		
22	FC6-0333-000		2	SLIDER, TENSION		
23	FC6-0335-000		1	SHAFT, TRANSMISSION		
24	FL2-2649-000		1	PAD, PRESSURE	[DP]	
25	FC6-0337-000		2	SPACER		
26	FC7-0174-000		1	CASE, INLET HEATER, F		

FIGURE 814 FIXING INTERMEDIATE ASS'Y, 1

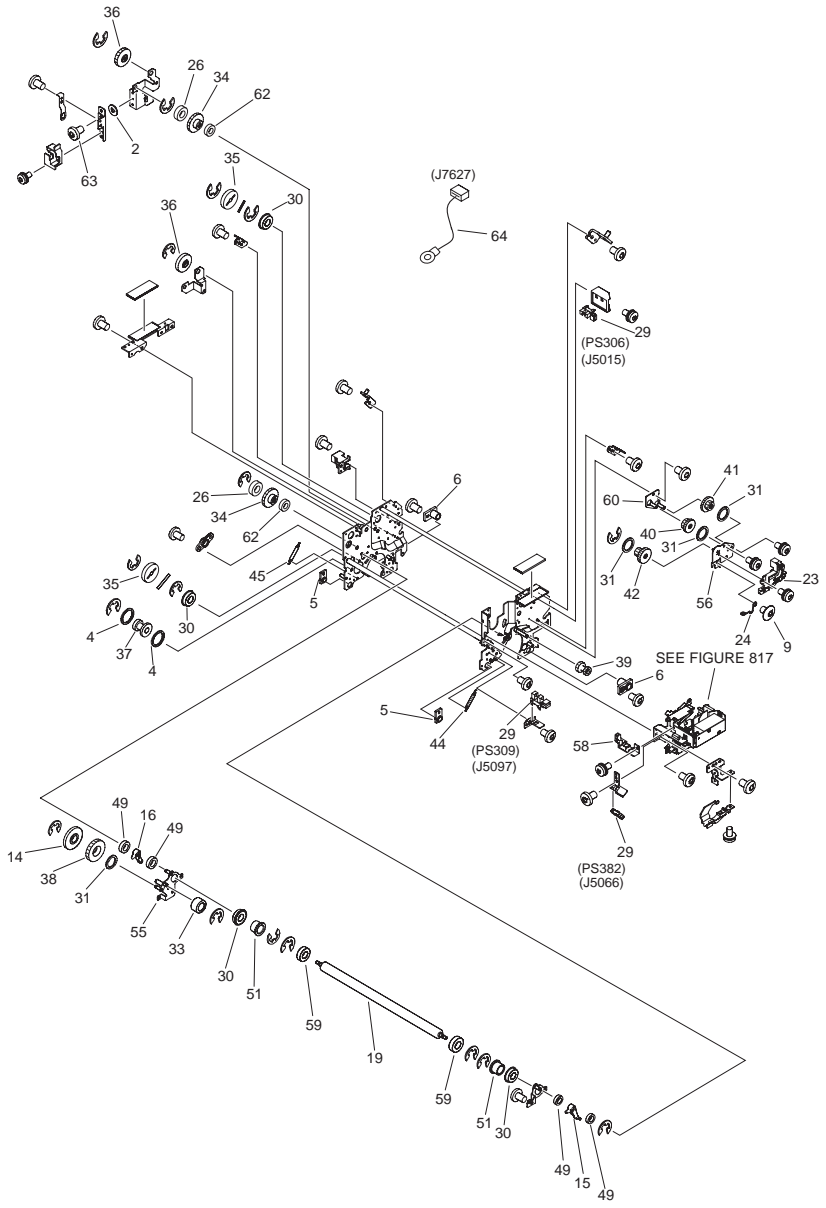


NOTE 1 : This assembly includes the assembly shown in Figure 818.
 NOTE 2 : This assembly does not include the parts shown with key No. 25 and 26.
 注1 : このユニットはFigure 818のユニットを含みます。
 注2 : このユニットにKey No. 25, 26の部品は含まれません。

FIGURE & KEY NO.	PARTS NUMBER	R A N K	Q'TY	DESCRIPTION	SERIAL NUMBER/ REMARKS	S V C
Fig.814	FM2-9291-010		1	FIXING INTERMEDIATE ASS'Y, 1	208V SEE NOTE 1	
Fig.814	FM3-0316-010		1	FIXING INTERMEDIATE ASS'Y, 1	240V SEE NOTE 1	
1	FB4-3689-000		2	BUSHING	[DP]	
2	FC2-2121-000		1	WASHER		
3	FM3-0656-000		1	THERMOSWITCH UNIT	[DP] TP300	
4	FK2-3160-000		1	THERMISTOR	[DP] THM301	
5	FL2-6945-000		1	ROLLER, FIXING	[DP]	
6	FC6-8422-010		2	SCREW, FIXED, M4		
7	FC6-8516-000		2	RING, RETAINING		
8	FC7-0167-000		1	KEY, GEAR		
9	FL2-7834-000		1	COVER, FIXING, RIGHT		
10	FC7-3432-000		1	COVER, CONNECTOR		
11	FK2-3082-000		1	HEATER, HALOGEN	208V H306	
11	FK2-3083-000		1	HEATER, HALOGEN	240V H306	
12	XG9-0419-000		2	BEARING, BALL, 6907ZZNRS1CS37	[DP]	
13	FU6-0336-000		1	GEAR, 86T	[DP]	
14	FM4-7099-000		1	53T GEAR ASSEMBLY		
15	FM2-2302-000		1	CABLE, DRAWER, 1		
16	FM2-7703-000		1	FIXING INNER DRIVER PCB ASS'Y		
17	VS1-7177-006		1	CONNECTOR, SNAP TIGHT, BK		
18	VS1-7177-002		1	CONNECTOR, SNAP TIGHT, BK		
19	VS1-7177-003		1	CONNECTOR, SNAP TIGHT, BK		
20	VS1-7177-004		1	CONNECTOR, SNAP TIGHT, BK		
21	FK2-6777-000		1	THERMISTOR	[DP] THM304	
22	FU5-9225-000		1	SCREW, WWASHER, M4X10(YELLOW)		
23	FU5-9224-000		2	SCREW, BH4X6(YELLOW)		
24	VS1-7177-005		1	CONNECTOR, SNAP TIGHT, BK		
25	FL2-6335-000		1	CONNECTOR, SHORT	SEE NOTE 2	
26	FL2-8544-000		1	CONNECTOR, SHORT	SEE NOTE 2 JP,US,CA,LTN	
26	FL2-8546-000		1	CONNECTOR, SHORT	SEE NOTE 2 EUR,AU,SG,HK,KR,LTN	
27	FC5-2715-000		2	RING, RETAINING		

FIGURE & KEY NO.	PARTS NUMBER	RANK	Q'TY	DESCRIPTION	SERIAL NUMBER/REMARKS	SVC
28	FC7-5759-000		1	RETAINER, BEARING, REAR,1		
29	FC7-5757-000		1	RETAINER, BEARING, FRONT,1		
30	FC6-2048-000		2	SPRING, ROLLER FIXED		
31	XA9-0679-000		2	SCREW, MACH., FLAT HEAD, M3X4		
32	XA9-1932-000		3	SCREW, WWASHER, M3X6		
33	FM3-7597-000		1	CONNECTOR COVER FRONT ASS'Y		

FIGURE 815 FIRST FIXING ASSEMBLY, UPPER



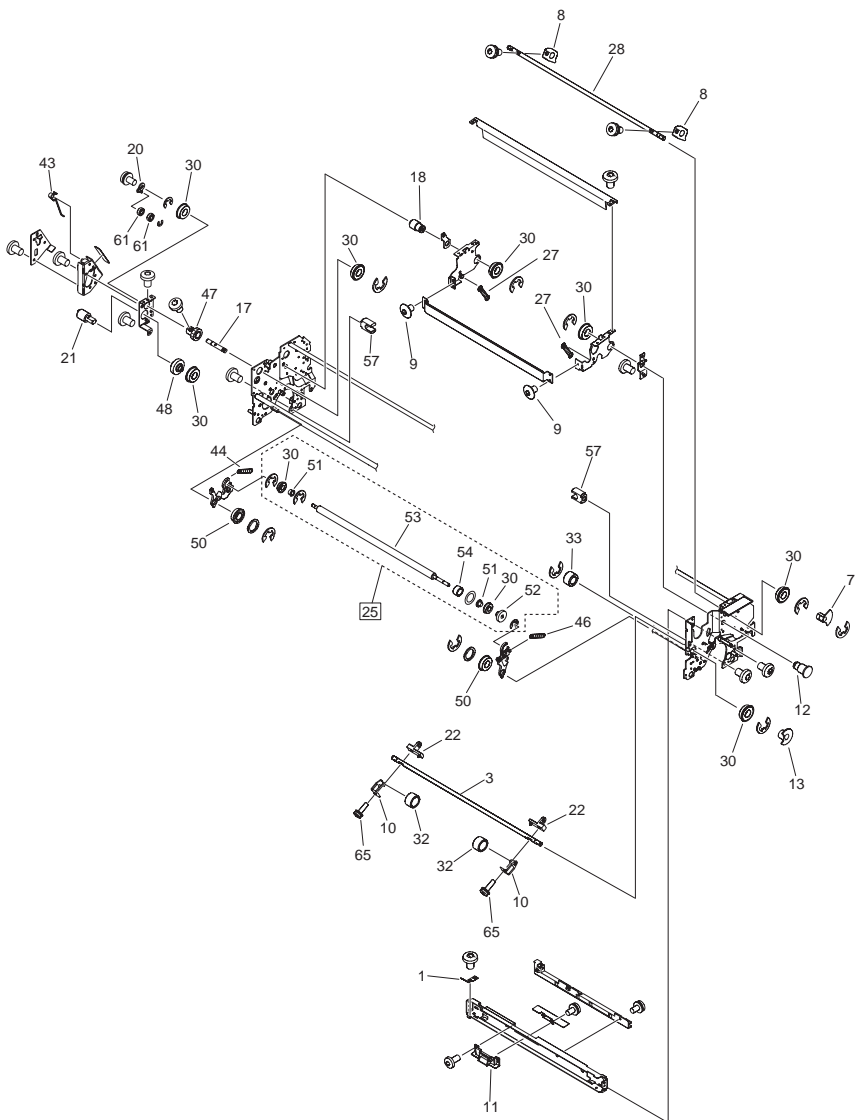
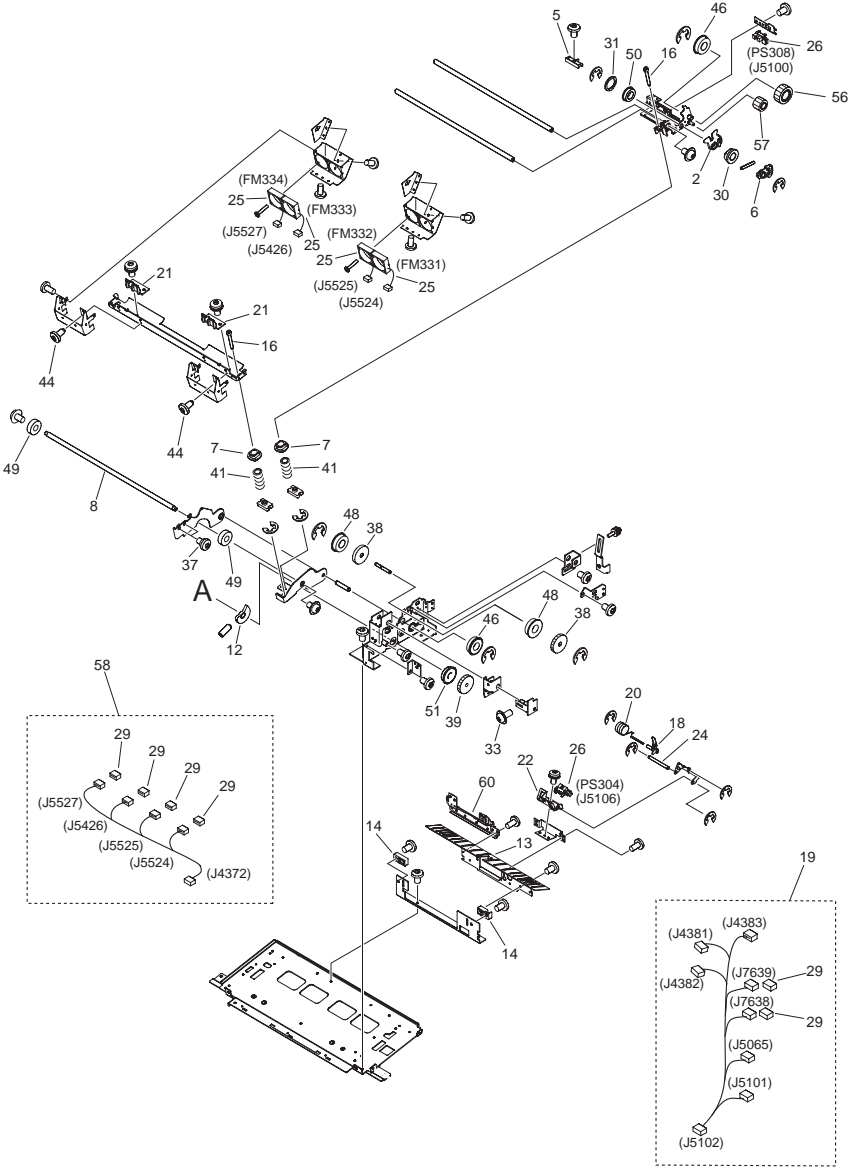


FIGURE & KEY NO.	PARTS NUMBER	R A N K	Q'TY	DESCRIPTION	SERIAL NUMBER/ REMARKS	S V C
Fig.815	NPN		RF	FIRST FIXING ASSEMBLY, UPPER		
1	FB3-7543-000		1	PLATE, STATIC CHARGE ELI.		
2	FC2-2121-000		1	WASHER		
3	FC5-8932-000		1	SHAFT, ROLL PRESSURE		
4	FC5-9014-000		2	WASHER		
5	FC6-0201-000		2	HOLDER, PIN, LEFT		
6	FC6-0202-000		2	HOLDER, PIN, RIGHT		
7	FC6-0237-010		1	FLAG, EXTERNAL HEATING H.P. DE		
8	FC6-0238-010		2	CAM, EXTERNAL HEATING DESORPTI		
9	FS1-9078-020		3	SCREW, STEPPED, M4		
10	FL2-2765-000		2	ARM, ROLLER		
11	FC7-9745-000		1	COVER, NC		
12	FC6-0253-000		1	SHAFT, ROLL DESORPTION TURN, F		
13	FC6-0255-000		1	FLAG, CLEAN ROLL, SENSOR		
14	FC6-1177-000		1	SPACER, PAPER DELIVERY		
15	FC6-2071-000		1	ARM, ROLLER ESTRANGEMENT, FR.		
16	FC6-2072-000		1	ARM, ROLLER ESTRANGEMENT, REAR		
17	FC8-6863-000		1	SHAFT, TRANSMISSION		
18	FC6-8522-000		1	SHAFT, ROLL DESORPTION TURN, R		
19	FC7-0169-000		1	ROLLER		
20	FL3-0555-000		1	PLATE, LOCK		
21	FC7-4913-000		1	DAMPER, ONE-WAY		
22	FC7-4948-000		2	PLATE, ROLL RETAINING		
23	FC7-7044-000		1	GUIDE, MAIN HEATER, FRONT		
24	FC7-7046-000		1	SPRING, TORSION		
25	FM3-1648-000		1	ROLLER, REFRESH	[DP]	
26	XG9-0387-000		2	BEARING, BALL, L-1680HH LY13		
27	FU5-2867-000		2	SPRING, TENSION		
28	FC6-0235-000		1	SHAFT, HEAT PRESSURE		
29	FK2-0149-000		3	PHOTO-INTERRUPTER, TLP1252(C6)	PS306,PS309,PS382	
30	XG9-0365-000		13	BEARING, BALL		
31	FS5-6488-000		5	WASHER		

FIGURE & KEY NO.	PARTS NUMBER	R A N K	Q'TY	DESCRIPTION	SERIAL NUMBER/ REMARKS	S V C
32	FU5-6248-000		2	ROLLER		
33	FU5-6249-000		2	ROLLER		
34	FU6-0335-000		2	GEAR, 20T/46T		
35	FU6-0358-000		2	GEAR, 40T		
36	FU6-0409-000		2	GEAR, 38T		
37	FU6-0452-000		1	GEAR, 21T/28T		
38	FU6-0453-000		1	GEAR, 14T		
39	FU6-0466-000		1	GEAR, 16T/20T		
40	FU6-0467-000		1	GEAR, 20T/27T		
41	FU6-0468-000		1	GEAR, 17T/31T		
42	FU6-0469-010		1	GEAR, 16T/31T		
43	FC8-6861-000		1	SPRING, TORSION		
44	FU6-2557-000		2	SPRING, TENSION		
45	FU6-2558-000		1	SPRING, TENSION		
46	FU6-2559-000		1	SPRING, TENSION		
47	FU7-0143-000		1	GEAR, 14T		
48	FU7-0144-000		1	GEAR, 28T		
49	XG9-0217-000		4	BALL BEARING, NSK MR106ZZ1MC4E		
50	XG9-0350-000		2	BALL BEARING, NSK MF106ZZ D4M		
51	FC7-0175-000		4	BUSHING		
52	FU6-0455-000		1	GEAR, 17T		
53	FL2-6048-000		1	ROLLER, REFRESH		
54	FU6-2560-000		1	SPRING, COMPRESSION		
55	FL2-2203-000		1	MOUNT, IDLER		
56	FL3-0548-000		1	PLATE, GEAR FIXED, SMALL		
57	FC6-8421-000		2	SUPPORT, BEARING		
58	FC7-4634-000		1	GUIDE, CABLE		
59	XG9-0491-000		2	BEARING, BALL, NSK P0 16MM		
60	FL2-7124-000		1	SUPPORT, GEAR		
61	FU5-6256-000		2	ROLLER		
62	XG9-0691-000		2	BEARING,BALL, L1280ZZP0P25LY13		
63	FU5-9224-000		1	SCREW, BH4X6(YELLOW)		

FIGURE & KEY NO.	PARTS NUMBER	R A N K	Q'TY	DESCRIPTION	SERIAL NUMBER/ REMARKS	S V C
64	FM2-8699-000		1	CABLE, MAIN HEATER		
65	FU5-9235-000		2	SCREW, WWASHER, M4X14		

FIGURE 816 FIRST FIXING ASSEMBLY, LOWER



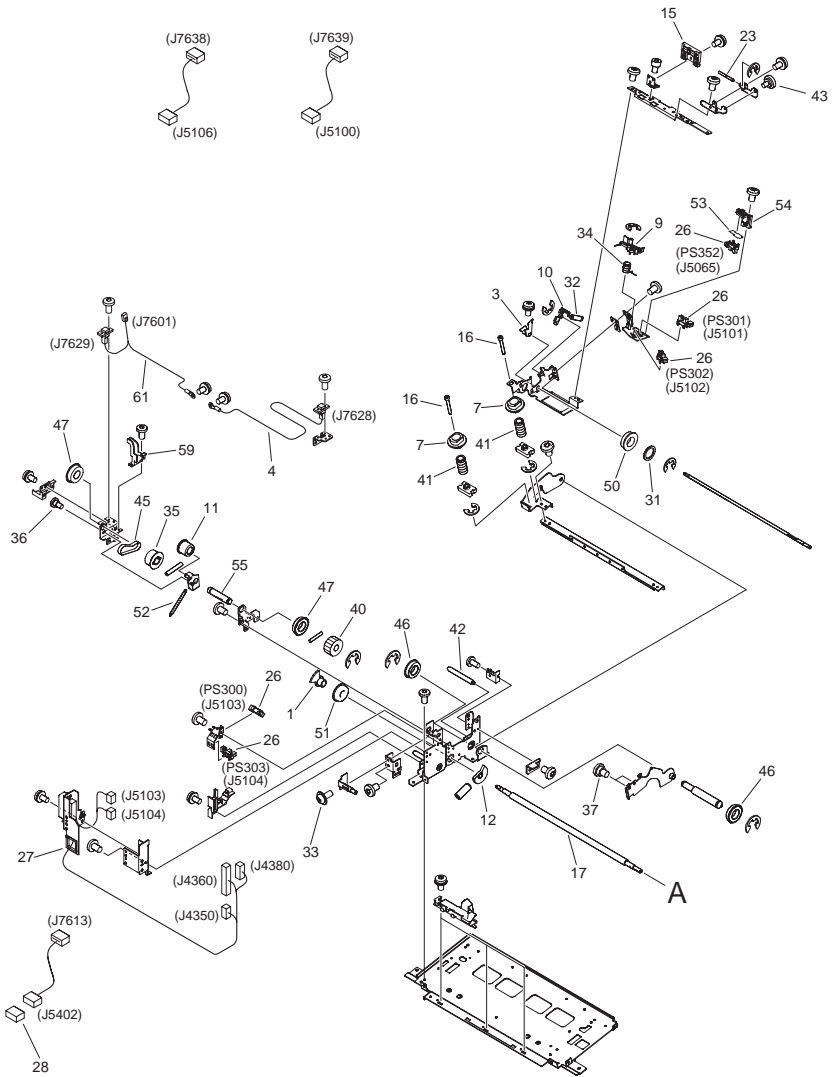


FIGURE & KEY NO.	PARTS NUMBER	R A N K	Q'TY	DESCRIPTION	SERIAL NUMBER/ REMARKS	S V C
Fig.816	NPN		RF	FIRST FIXING ASSEMBLY, LOWER		
1	FC6-0282-000		1	FLAG, PRESSURE CAM DETECT		
2	FC6-0291-000		1	ARM, STERRING, FRONT		
3	FC6-0292-000		1	ARM, STERRING, REAR		
4	FM2-8693-000		1	CABLE, FIXING BELT HEATER		
5	FC6-0294-000		1	FLAG, STERRING, SENSOR		
6	FC6-0295-000		1	ARM, STERRING, DRIVER		
7	FC6-0297-000		4	SPACER, PRESSURE		
8	FC6-0300-000		1	SHAFT, BELT PRESSURE		
9	FC6-0308-010		1	ARM, SENSOR		
10	FC6-0309-000		1	ARM, SENSOR		
11	FC6-0314-000		1	ROLLER, BELT TENSION		
12	FC6-0316-000		2	CAM, PRESSURE		
13	FC6-0320-000		1	GUIDE, FIXING ENTRANCE		
14	FC6-0321-000		2	MOUNT, GUIDE		
15	FM2-7978-000		1	HOLDER, BELT, THERMOSWITCH		
16	FC0-2217-000		4	SCREW, ADJUSTMENT, M6		
17	FC6-0362-000		1	SHAFT, BELT PRESSURE CAM		
18	FC6-1224-000		1	FLAG, FIXING INLET SENSOR		
19	FM2-8781-000		1	CABLE, FUSER SENSOR,1		
20	FC7-0936-000		1	SPRING, TORSION		
21	FC7-7039-000		2	PLATE, PUSHING, LOWER		
22	FC7-7514-000		1	MOUNT, SENSOR		
23	FC7-7517-000		1	SHAFT, SENSOR SWING ARM		
24	FC7-7519-000		1	SHAFT, FIXING ENTRANCE SENSOR		
25	FK2-3148-000		2	FAN	FM331,FM332,FM333,FM334	
26	FK2-0149-000		7	PHOTO-INTERRUPTER, TLP1252(C6)	PS300,PS301,PS302,PS303,PS304,PS308,PS352	
27	FM2-2303-000		1	CABLE, DRAWER, 2		
28	VS1-7177-006		1	CONNECTOR, SNAP TIGHT, BK		
29	VS1-7177-003		6	CONNECTOR, SNAP TIGHT, BK		
30	FS1-1340-000		1	BUSHING, OILLESS METAL		

FIGURE & KEY NO.	PARTS NUMBER	RANK	Q'TY	DESCRIPTION	SERIAL NUMBER/REMARKS	SVC
31	FS5-6488-000		2	WASHER		
32	FU5-2875-000		1	SPRING, TENSION		
33	FU5-9230-000		2	SCREW, TP, M4X8(YELLOW)		
34	FC0-2219-000		1	SPRING, TORSION		
35	FU5-3197-000		1	PULLEY, 20T		
36	FU5-9215-000		2	SCREW, STEPPED, M3		
37	FU5-9220-000		4	SCREW, STEPPED, M4		
38	FU6-0340-000		2	GEAR, 36T		
39	FU6-0341-000		1	GEAR, 41T		
40	FU6-0343-000		1	GEAR, 19T		
41	FU6-2553-000		4	SPRING, COMPRESSION		
42	FU6-5271-000		1	PIN, FIXING POSITIONING, 2		
43	RS5-9061-000		1	SCREW, STEPPED, M3		
44	XA9-0892-000		4	SCREW,MACH.,TRUSS HEAD,M4X6		
45	XF2-1805-280		1	BELT, TIMING		
46	XG9-0250-000		4	BALL BEARING, 688AZZNR*MC3D4M		
47	XG9-0286-000		2	BALL BEARING, MR148ZZNRMC4ENSL		
48	XG9-0291-000		2	BEARING, BALL, LOWER ROLLER		
49	XG9-0384-000		2	BEARING, BALL,DDR198022LY13		
50	XG9-0407-000		2	BEARING, BALL, UGF106P12ZZD4ML		
51	XG9-0585-000		2	BEARING, BALL		
52	FU5-2877-000		1	SPRING, TENSION		
53	FC5-6232-000		1	SHEET, SENSOR PROTECTIVE		
54	FC6-3412-010		1	GUIDE, DETECT SENSOR CABLE		
55	FC6-0361-000		1	SHAFT, TRANSMISSION		
56	FU6-0339-000		1	GEAR, 22T		
57	FU6-0342-000		1	GEAR, 14T		
58	FM2-8765-010		1	CABLE, FIRST FUSER SPLIT FAN		
59	FC7-3435-000		1	GUIDE, HEATER CABLE, 1		
60	FM4-7100-000		1	CORD GUIDE ASSEMBLY		
61	FM2-8702-000		1	CABLE, FIXING BELT HEATER		

FIGURE 817 CLEANER DRIVE ASSEMBLY

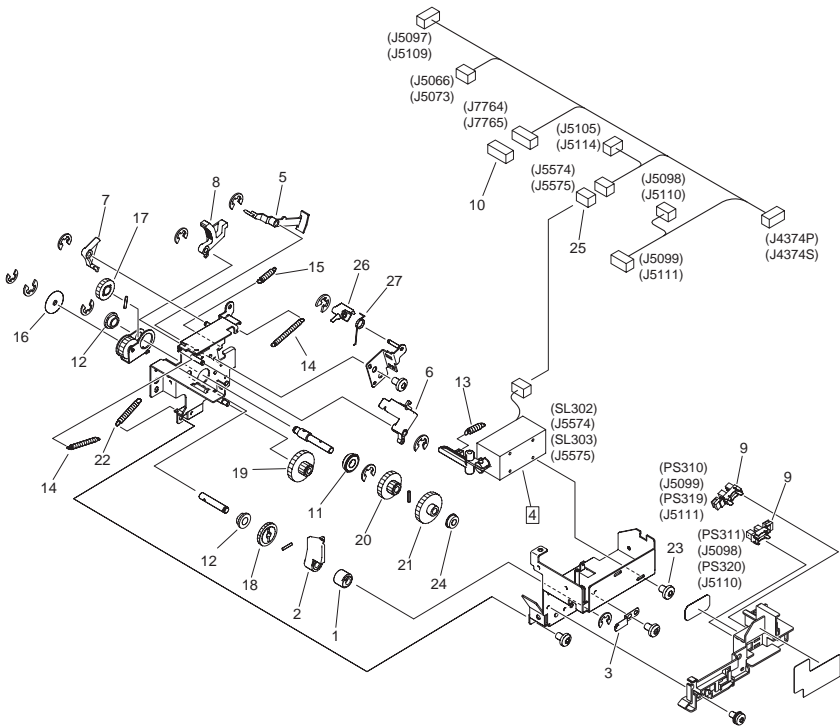
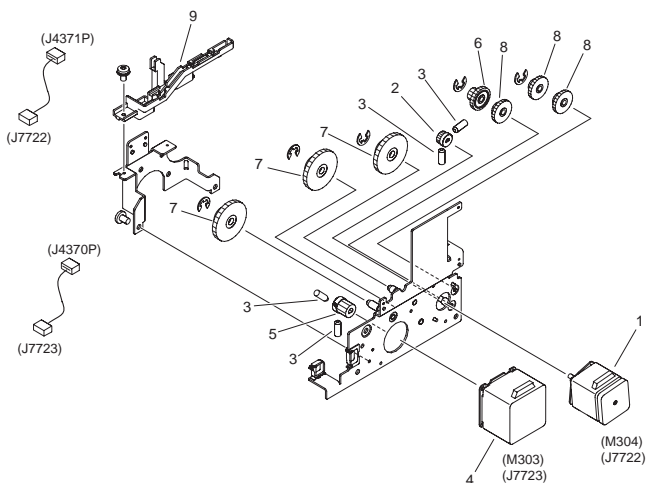


FIGURE & KEY NO.	PARTS NUMBER	R A N K	Q'TY	DESCRIPTION	SERIAL NUMBER/ REMARKS	S V C
Fig.817	FM2-2306-020		2	CLEANER DRIVE ASSEMBLY		
1	FC7-7573-000		1	BUSHING, ONE-WAY		
2	FC5-2369-020		1	ARM, ONE-WAY		
3	FC5-2597-020		1	SPRING, LEAF		
4	FM3-2134-010		1	CLEANER SOLENOID UNIT	[DP] SL302,SL303	
5	FC6-1292-000		1	FLAG, REMNANT SENSOR		
6	FC7-4907-000		1	ARM, CLEANING ROLL FEEDER		
7	FC7-4908-000		1	LEVER, STOPPER, RELEASE		
8	FC7-4909-000		1	LEVER, STOPPER		
9	FK2-0149-000		2	PHOTO-INTERRUPTER, TLP1252(C6)	PS310,PS311,PS319,PS320	
10	VS1-7177-006		1	CONNECTOR, SNAP TIGHT, BK		
11	XG9-0365-000		1	BEARING, BALL		
12	FS1-1569-000		2	BUSHING		
13	FU5-2861-000		1	SPRING, TENSION		
14	FU6-2065-000		2	SPRING, TENSION		
15	FU5-2969-000		1	SPRING, TENSION		
16	FU5-6259-000		1	ROLLER		
17	FU6-0457-010		1	GEAR, 18T		
18	FU6-0458-000		1	GEAR, 36T		
19	FU6-0459-000		1	GEAR, 48/18T		
20	FU6-0460-000		1	GEAR, 42/18T		
21	FU6-0461-000		1	GEAR, 48T		
22	FU6-2545-000		1	SPRING, TENSION		
23	XA9-1659-000		2	SCREW,M3X4		
24	XG9-0291-000		1	BEARING, BALL, LOWER ROLLER		
25	VS1-7177-002		1	CONNECTOR, SNAP TIGHT, BK		
26	FC8-3787-000		1	FLAG, SENSOR		
27	FC8-3788-000		1	SPRING, TORSION		

FIGURE 818 FIXING BELT DRIVE ASS'Y



NOTE : This assembly is included in the assembly shown in Figure 814.
注 : このユニットはFigure 814のユニットに含まれます。

FIGURE & KEY NO.	PARTS NUMBER	R A N K	Q'TY	DESCRIPTION	SERIAL NUMBER/REMARKS	S V C
Fig.818	FM2-2209-000		1	FIXING BELT DRIVE ASS'Y	SEE NOTE	
1	FK2-3126-000		1	MOTOR, STEPPING, DC	M304	
2	FU6-0348-000		1	GEAR, 16T		
3	XA9-0934-000		4	SETSCREW,M3X6		
4	FK2-3132-000		1	MOTOR, STEPPING, DC	M303	
5	FU6-0356-000		1	GEAR, 14T		
6	FU6-0345-000		1	GEAR, 16T/32T		
7	FU6-0347-000		3	GEAR, 20T/46T		
8	FU6-0650-000		3	GEAR, 16T/32T		
9	FC6-0325-000		1	GUIDE, HEATER CABLE		

FIGURE 830 FIXING CLEANER ASSEMBLY

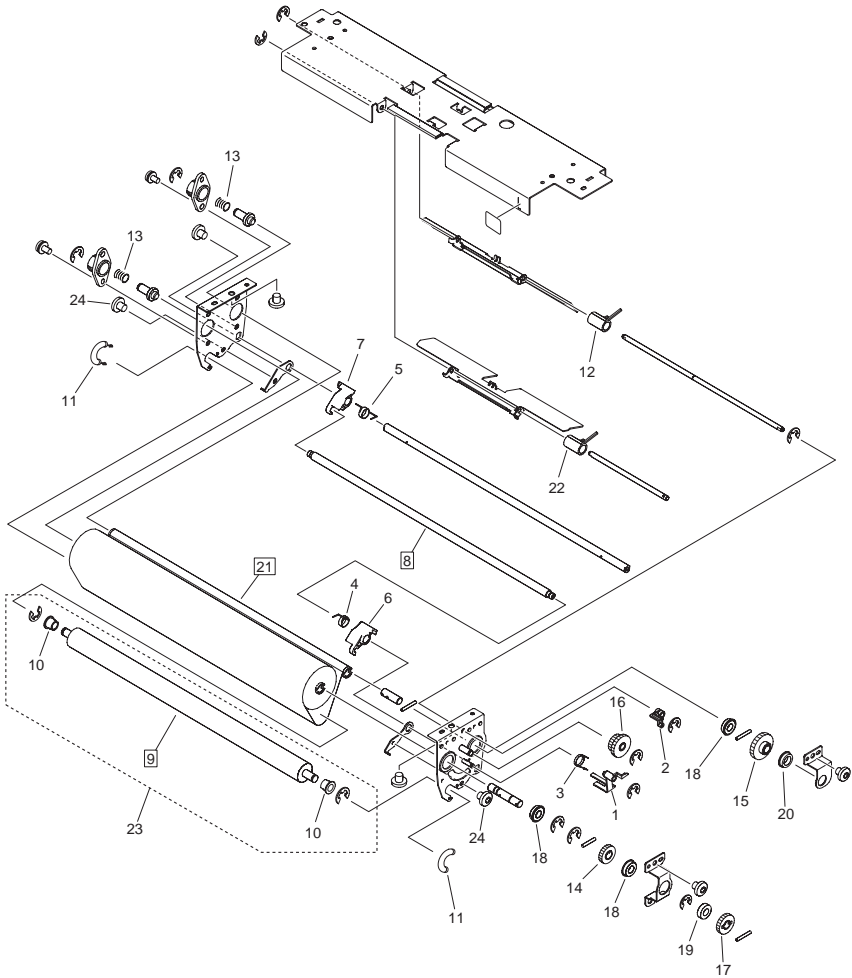


FIGURE & KEY NO.	PARTS NUMBER	R A N K	Q'TY	DESCRIPTION	SERIAL NUMBER/ REMARKS	S V C
Fig.830	FM3-2092-000		2	FIXING CLEANER ASSEMBLY		
1	FC6-1294-000		1	ARM, REMNANT SENSOR		
2	FC6-1295-000		1	ARM, CLEANING ROLL FEEDER		
3	FC7-0177-000		1	SPRING, TORSION		
4	FC7-7048-000		1	SPRING, TORSION		
5	FC7-7049-000		1	SPRING, TORSION		
6	FC7-7050-010		1	LEVER, FRONT		
7	FC7-7051-010		1	LEVER, REAR		
8	FL2-6260-000		1	ROLLER, RC	[DP]	
9	FC5-9761-000		1	ROLLER, CLEANING	[DP]	
10	FS2-1256-000		2	BUSHING		
11	FU6-2569-010		2	SPRING, TENSION		
12	FS5-2586-000		1	SPRING, TORSION		
13	FU5-2850-000		2	SPRING, COMPRESSION		
14	FU6-0457-010		1	GEAR, 18T		
15	FU7-0373-000		1	GEAR, 27T		
16	FU7-0374-000		1	GEAR, 17T/23T		
17	FU7-0375-000		1	GEAR, 20T		
18	XG9-0365-000		3	BEARING, BALL		
19	XG9-0491-000		1	BEARING, BALL, NSK P0 16MM		
20	XG9-0507-000		1	BEARING, BALL, MF128ZZ		
21	FC5-9778-000		1	CLEANING ROLL	[DP]	
22	FC7-7538-000		1	SPRING, TORSION		
23	FM3-1649-000		1	CLEANING ROLLER ASSEMBLY		
24	FU5-9224-000		2	SCREW, BH4X6(YELLOW)		

FIGURE 840 EXTERNAL HEATING ASSEMBLY

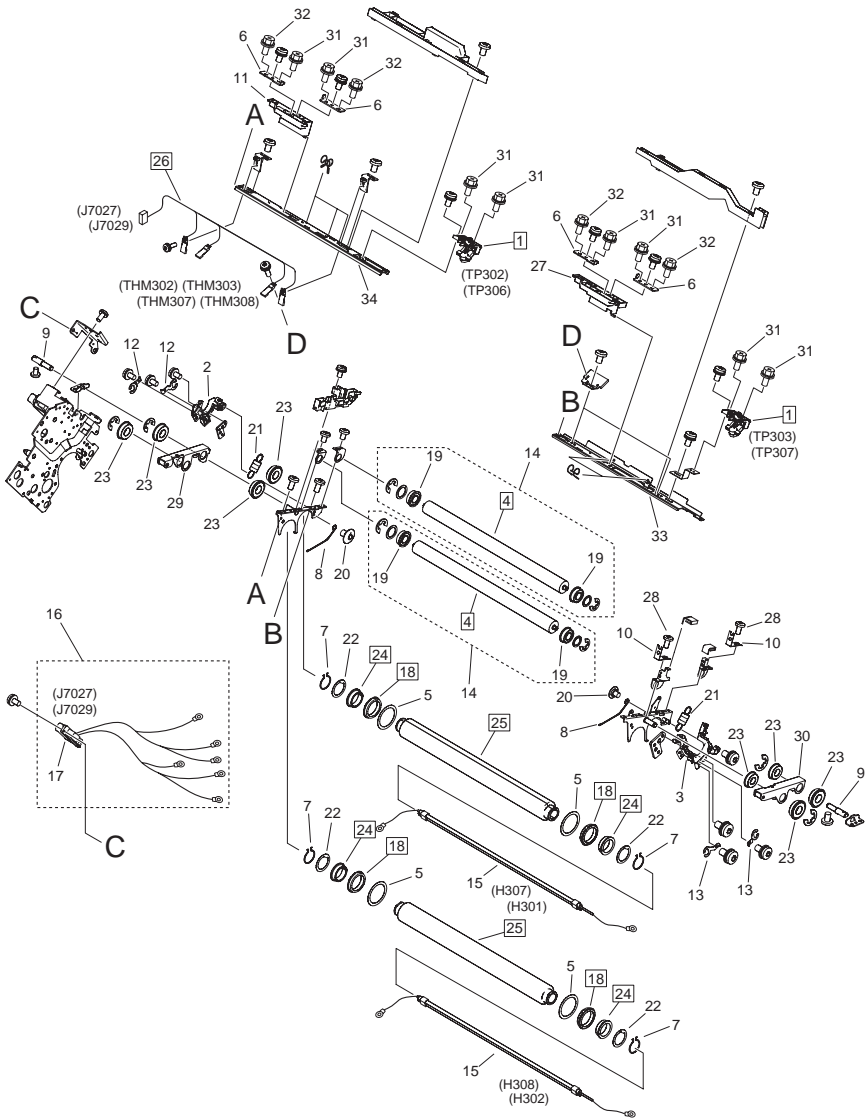


FIGURE & KEY NO.	PARTS NUMBER	R A N K	Q'TY	DESCRIPTION	SERIAL NUMBER/ REMARKS	S V C
Fig.840	FM2-2197-000		2	EXTERNAL HEATING ASSEMBLY	208V	
Fig.840	FM2-9265-000		2	EXTERNAL HEATING ASSEMBLY	240V	
1	FM3-0657-000		2	THERMOSWITCH UNIT	[DP] TP302,TP303,TP306,TP307	
2	FC5-9810-010		1	HOLDER, HEATER, REAR		
3	FC5-9811-010		1	HOLDER, HEATER, FRONT		
4	FC7-7041-000		2	ROLLER, CLEANING	[DP]	
5	FU5-6263-000		4	WASHER, PLAIN		
6	FC5-9826-000		4	PLATE,SW.HEATER ELECTRODE,R		
7	FC6-8412-000		4	RING, RETAINING		
8	FC6-8417-000		2	CLAMP, EXTERNAL HEATING ROLLER		
9	FC7-3451-000		2	SHAFT, EXTERNAL HEATING TURN		
10	FC7-4577-000		2	PLATE, RETAINING		
11	FC7-4915-000		1	MOUNT, HEATER TERMINAL		
12	FC7-4935-000		2	PLATE, HEATER MOUNTING		
13	FC7-4936-000		2	SPRING, HEATER MOUNTING		
14	FM3-1647-000		2	CLEANING ROLLER ASSEMBLY		
15	FK2-3080-000		2	HEATER, HALOGEN	208V H301,H302,H307,H308	
15	FK2-3081-000		2	HEATER, HALOGEN	240V H301,H302,H307,H308	
16	FM2-8734-000		1	CABLE, DRAWER		
17	VS1-7077-019		1	CONNECTOR, 19P, FEMALE		
18	XG9-0584-000		4	BEARING, BALL, NTN, 37MM	[DP]	
19	XG9-0756-000		4	BEARING, BALL, MF126ZZ MC4 U76		
20	FS1-9078-020		2	SCREW,STEPPED,M4		
21	FU5-2857-000		2	SPRING, TENSION		
22	FU5-6246-000		4	SPACER		
23	XG9-0365-000		8	BEARING, BALL		
24	FC5-2582-000		4	BUSHING	[DP]	
25	FC7-0932-000		2	ROLLER, HEATING	[DP]	
26	FK2-3097-000		1	THERMISTOR	[DP] THM302,THM303,THM307,THM308	

FIGURE & KEY NO.	PARTS NUMBER	RANK	Q'TY	DESCRIPTION	SERIAL NUMBER/REMARKS	SVC
27	FC7-7549-000		1	MOUNT, HEATER TERMINAL, FEED		
28	FU5-9231-000		2	SCREW, WWASHER, M3X6(YELLOW)		
29	FL2-2209-000		1	ARM,EXTERNAL HEAT,REAR		
30	FL2-2210-000		1	ARM,EXTERNAL HEAT,FRONT		
31	XA9-1932-000		8	SCREW, WWASHER, M3X6		
32	XA9-1933-000		4	SCREW, WWASHER, M4X8		
33	FC5-9815-000		1	STAY, OUTER HEATER, RIGHT		
34	FC5-9816-000		1	STAY, OUTER HEATER, LEFT		

FIGURE 850 SECOND FIXING ASSEMBLY

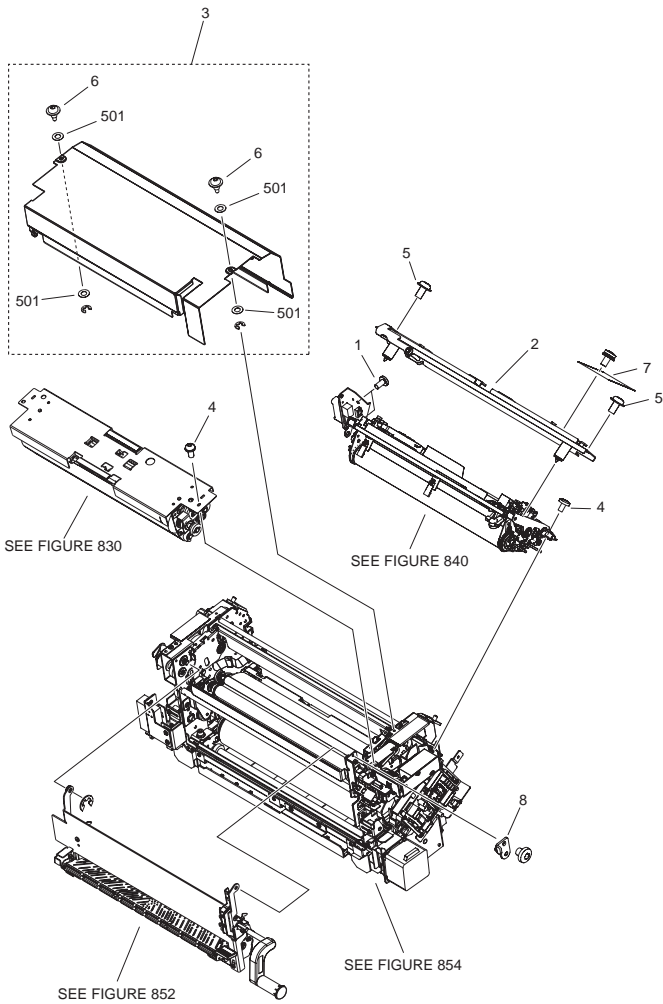


FIGURE & KEY NO.	PARTS NUMBER	RANK	Q'TY	DESCRIPTION	SERIAL NUMBER/REMARKS	SVC
Fig.850	NPN		RF	SECOND FIXING ASSEMBLY		
1	FU5-9223-000		2	SCREW, BH3X6(YELLOW)		
2	FM3-2094-000		1	OUTER HEAT UNIT, SECOND		
3	FM3-2104-010		1	COVER, UPPER		
4	FU5-9224-000		6	SCREW, BH4X6(YELLOW)		
5	FU5-9228-000		2	SCREW, TP, M5X14(YELLOW)		
6	FC6-8524-000		2	SCREW, RETAINER, M4		
7	FC7-9721-000		1	SHEET, PROTECTION		
8	FL2-2169-000		1	PLATE		
501	XD1-1104-131		4	WASHER,COP		

FIGURE 852 INNER PAPER DELIVERY ASS'Y, 2

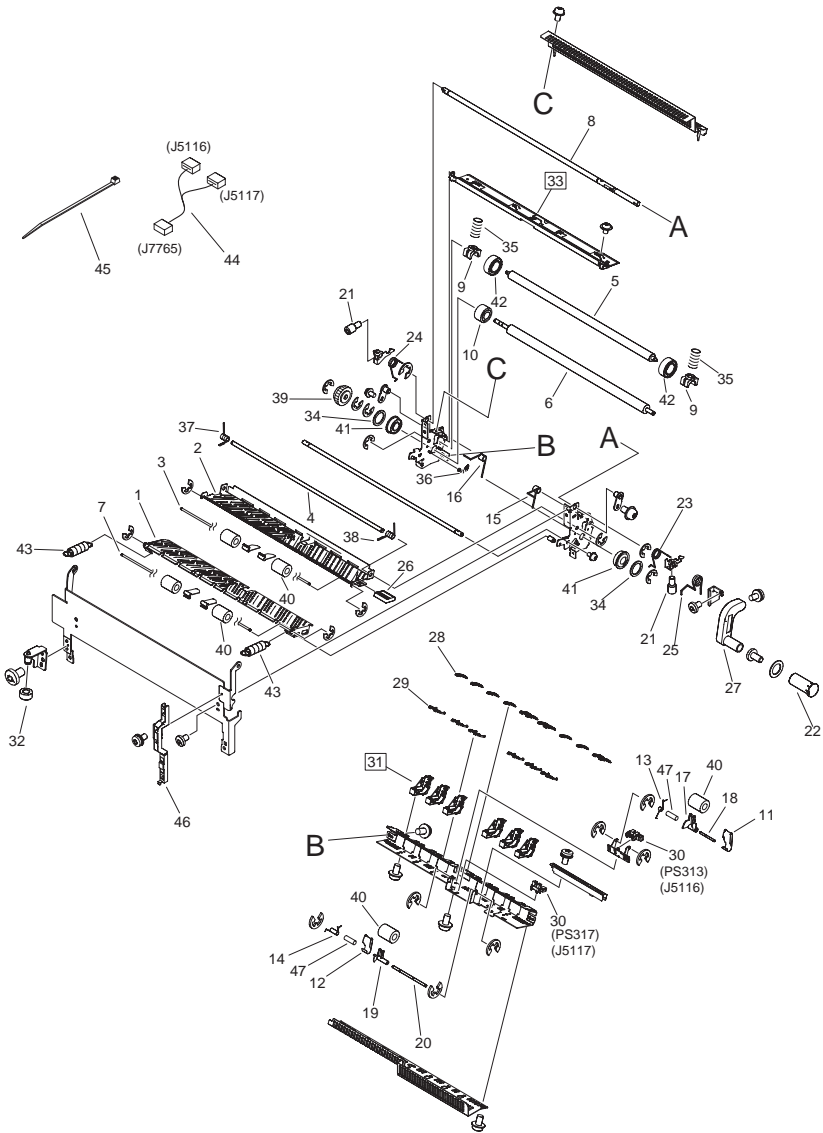
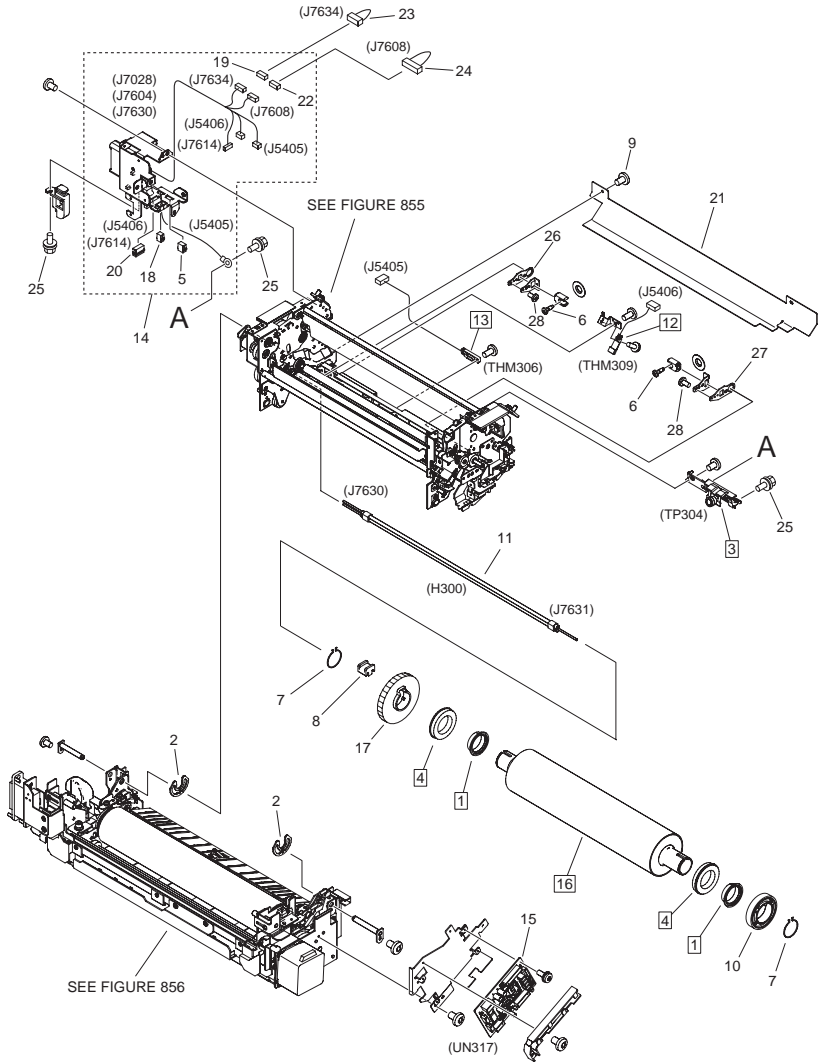


FIGURE & KEY NO.	PARTS NUMBER	R A N K	Q'TY	DESCRIPTION	SERIAL NUMBER/ REMARKS	S V C
Fig.852	FM2-2199-020		1	INNER PAPER DELIVERY ASS'Y, 2		
1	FC5-8934-010		1	GUIDE, PAPER DELIVERY LW., 2		
2	FC5-8935-010		1	GUIDE, PAPER DELIVERY UP., 2		
3	FC5-8945-000		1	SHAFT, ROLLER, SECOND UPPER		
4	FC5-8946-000		1	SHAFT, GUIDE OPEN/CLOSE		
5	FC5-9775-000		1	ROLLER, INTERNAL DELIVERY, U.		
6	FC8-6848-000		1	ROLLER, INTERNAL DELIVERY, L.	[DP]	
7	FU6-5276-000		1	SHAFT, ROLLER, SECOND LOWER		
8	FC5-9791-000		1	SHAFT, OPEN/CLOSE		
9	FC5-9792-000		2	BUSHING, INNER PAPER DELIVERY		
10	FC6-1260-000		1	SPACER, INNER PAPER DELIVERY		
11	FC6-8439-000		1	PLATE, INNER DELIVERY LEVER		
12	FC6-8514-000		1	PLATE, REVERSE LEVER		
13	FC0-2220-000		1	SPRING, TORSION		
14	FC0-2221-000		1	SPRING, REVERSE SENSOR LEVER		
15	FC6-8574-000		1	SPRING, TORSION		
16	FC6-8575-000		1	SPRING, TORSION		
17	FC6-8578-000		1	LEVER, SENSOR, 2		
18	FC6-8579-010		1	SHAFT, SENSOR LEVER, 2		
19	FC6-8581-000		1	LEVER, REVERSE SENSOR, SECOND		
20	FC6-8582-010		1	SHAFT, REVERSE SENSOR LEVER, 2		
21	FC7-4064-000		2	BOLT, STOPPER		
22	FC7-4068-010		1	HANDLE, INNER PAPER DELIVERY		
23	FC7-4073-000		1	SPRING, TORSION		
24	FC7-4074-000		1	SPRING, TORSION		
25	FC7-4076-000		1	SPRING, TORSION		
26	FC7-4077-000		1	HANDLE, GUIDE		
27	FC7-4641-000		1	LEVER, SECOND OPEN/CLOSE		
28	FC7-4642-000		8	RIB, INNER DELIVERY, SMALL 2		
29	FC7-4643-000		6	RIB, INNER DELIVERY, LARGE 2		
30	FK2-0149-000		2	PHOTO-INTERRUPTER, TLP1252(C6)	PS313,PS317	
31	FM2-2309-010		6	SEPARATION CLAW ASSEMBLY, 2	[DP]	

FIGURE & KEY NO.	PARTS NUMBER	R A N K	Q'TY	DESCRIPTION	SERIAL NUMBER/ REMARKS	S V C
32	FU5-6262-000		1	ROLLER	[DP]	
33	FM2-2310-000		1	PLATE, SEPARATION, SECOND		
34	FS5-6488-000		2	WASHER		
35	FU5-2135-000		2	SPRING, COMPRESSION		
36	FU5-2138-000		1	SPRING, TENSION		
37	FU5-2884-000		1	SPRING, TORSION		
38	FU5-2885-000		1	SPRING, TORSION		
39	FU6-0306-000		1	GEAR, 22T		
40	RB2-0493-000		18	ROLLER, PAPER SENSOR		
41	XG9-0291-000		2	BEARING, BALL, LOWER ROLLER		
42	XG9-0484-000		2	BEARING, BALL, DDL-740ZZH		
43	FU6-5273-000		2	SPRING, TENSION		
44	FM2-8736-000		1	CABLE,SECOND INNER SENSOR		
45	WT2-6122-000		1	TIE, CABLE		
46	FC7-4640-000		1	GUIDE, CABLE, 2		
47	XZ1-1301-105		2	SPACER		

FIGURE 854 FIXING INTERMEDIATE ASS'Y, 2

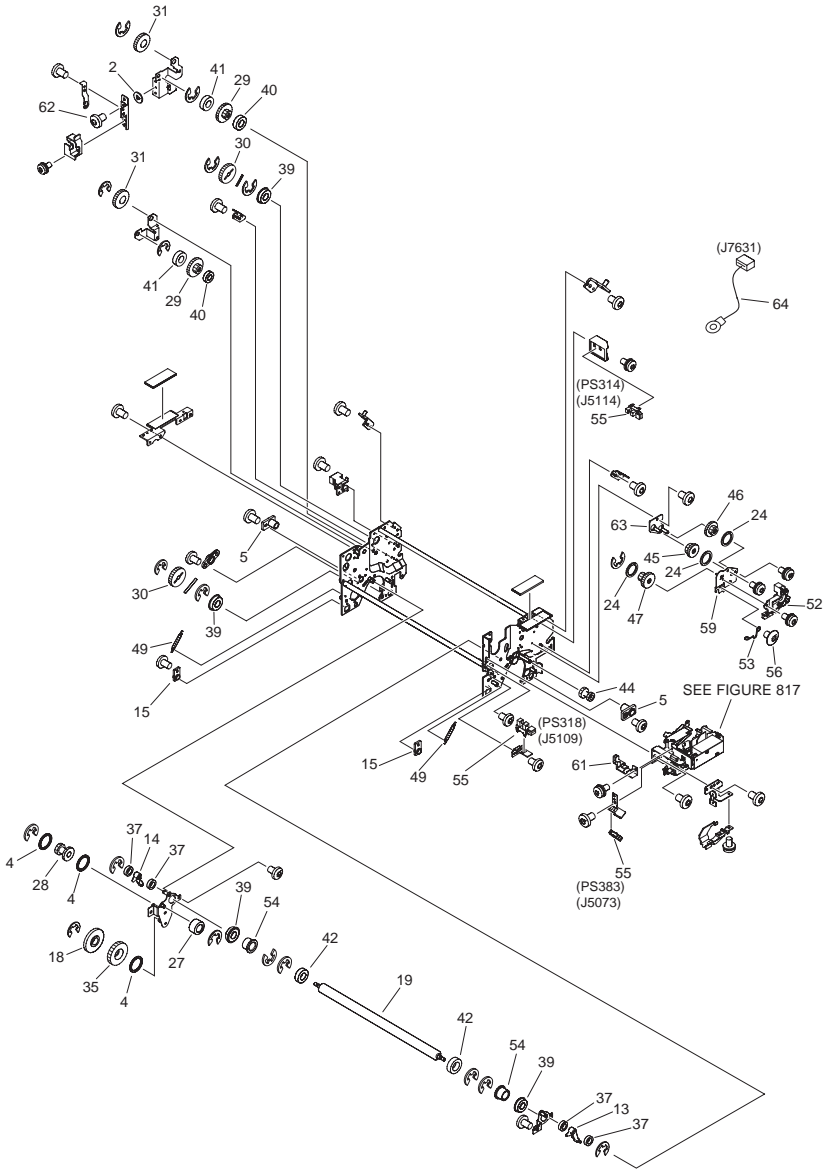


NOTE : This assembly does not include the parts shown with key No. 23 and 24.
 注 : このユニットにKey No. 23, 24の部品は含まれません。

FIGURE & KEY NO.	PARTS NUMBER	R A N K	Q'TY	DESCRIPTION	SERIAL NUMBER/ REMARKS	S V C
Fig.854	FM2-9292-010		1	FIXING INTERMEDIATE ASS'Y, 2	208V	
Fig.854	FM3-0319-010		1	FIXING INTERMEDIATE ASS'Y, 2	240V	
1	FB4-3689-000		2	BUSHING	[DP]	
2	FC5-2715-000		2	RING, RETAINING		
3	FM3-0656-000		1	THERMOSWITCH UNIT	[DP] TP304	
4	XG9-0419-000		2	BEARING, BALL, 6907ZZNRS1CS37	[DP]	
5	VS1-7177-003		1	CONNECTOR, SNAP TIGHT, BK		
6	FC6-8422-010		2	SCREW, FIXED, M4		
7	FC6-8516-000		2	RING, RETAINING		
8	FC7-0167-000		1	KEY, GEAR		
9	FU5-9224-000		2	SCREW, BH4X6(YELLOW)		
10	FM4-7099-000		1	53T GEAR ASSEMBLY		
11	FK2-3082-000		1	HEATER, HALOGEN	208V H300	
11	FK2-3083-000		1	HEATER, HALOGEN	240V H300	
12	FK2-6777-000		1	THERMISTOR	[DP] THM309	
13	FK2-3160-000		1	THERMISTOR	[DP] THM306	
14	FM2-2302-000		1	CABLE, DRAWER, 1		
15	FM2-7703-000		1	FIXING INNER DRIVER PCB ASS'Y		
16	FL3-6096-000		1	ROLLER, FIXING	[DP]	
17	FU6-0336-000		1	GEAR, 86T		
18	VS1-7177-002		1	CONNECTOR, SNAP TIGHT, BK		
19	VS1-7177-004		1	CONNECTOR, SNAP TIGHT, BK		
20	VS1-7177-006		1	CONNECTOR, SNAP TIGHT, BK		
21	FL2-7834-000		1	COVER, FIXING, RIGHT		
22	VS1-7177-005		1	CONNECTOR, SNAP TIGHT, BK		
23	FL2-6335-000		1	CONNECTOR, SHORT	SEE NOTE	
24	FL2-8544-000		1	CONNECTOR, SHORT	SEE NOTE JP,US,CA,LTN	
24	FL2-8546-000		1	CONNECTOR, SHORT	SEE NOTE EUR,AU,SG,HK,KR,LTN	
25	XA9-1932-000		3	SCREW, W/WASHER, M3X6		
26	FC7-5759-000		1	RETAINER, BEARING, REAR,1		
27	FC7-5757-000		1	RETAINER, BEARING, FRONT,1		

FIGURE & KEY NO.	PARTS NUMBER	R A N K	Q'TY	DESCRIPTION	SERIAL NUMBER/ REMARKS	S V C
28	XA9-0679-000		2	SCREW, MACH., FLAT HEAD, M3X4		

FIGURE 855 SECOND FIXING ASSEMBLY, UPPER



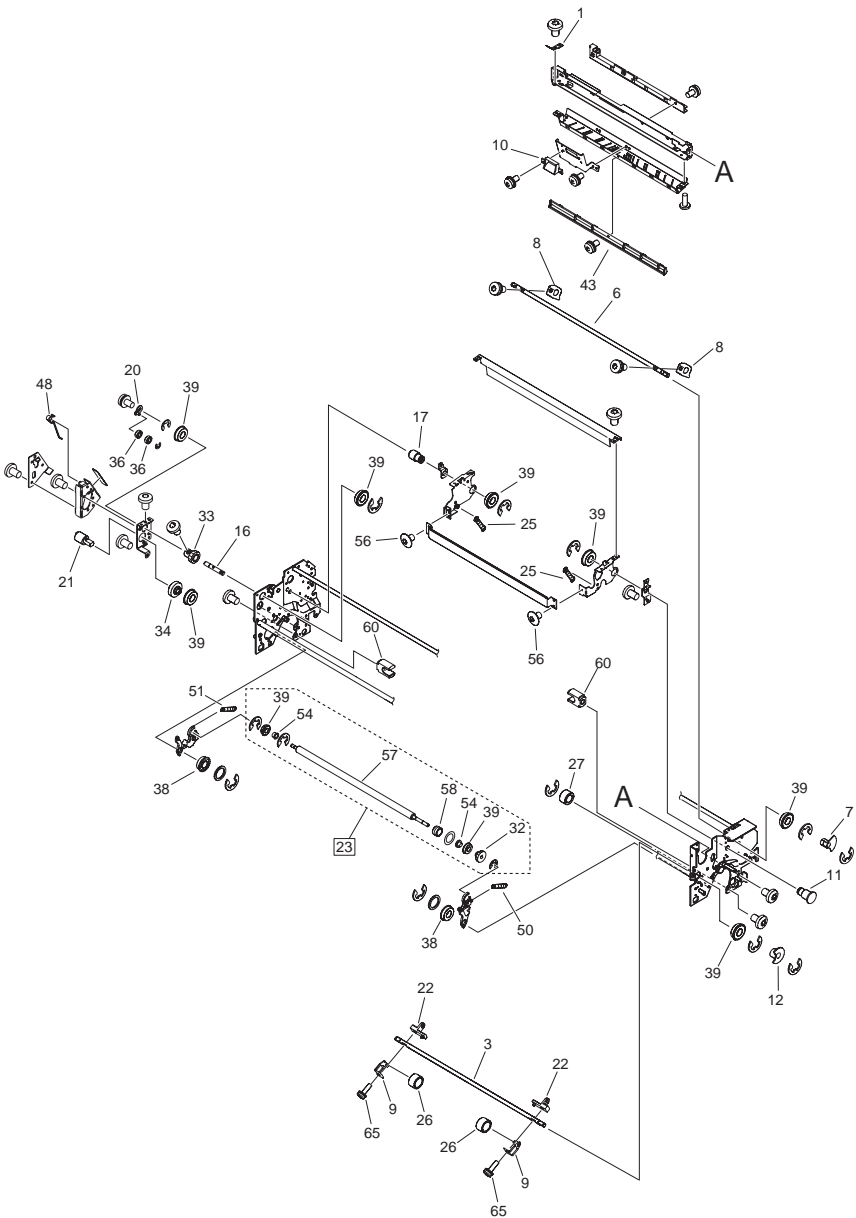
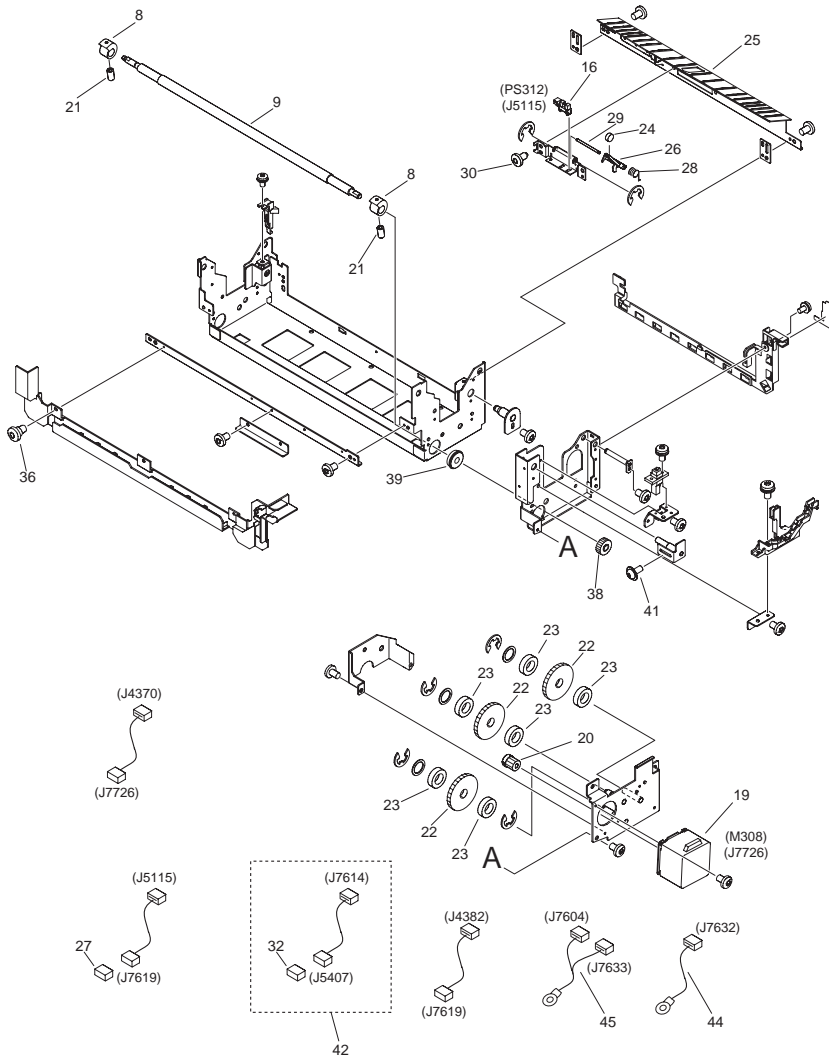


FIGURE & KEY NO.	PARTS NUMBER	R A N K	Q'TY	DESCRIPTION	SERIAL NUMBER/ REMARKS	S V C
Fig.855	NPN		RF	SECOND FIXING ASSEMBLY, UPPER		
1	FB3-7543-000		1	PLATE, STATIC CHARGE ELI.		
2	FC2-2121-000		1	WASHER		
3	FC5-8932-000		1	SHAFT, ROLL PRESSURE		
4	FC5-9014-000		3	WASHER		
5	FC6-0202-000		2	HOLDER, PIN, RIGHT		
6	FC6-0235-000		1	SHAFT, HEAT PRESSURE		
7	FC6-0237-010		1	FLAG, EXTERNAL HEATING H.P. DE		
8	FC6-0238-010		2	CAM, EXTERNAL HEATING DESORPTI		
9	FL2-2765-000		2	ARM, ROLLER		
10	FC6-0241-000		1	COVER, NC		
11	FC6-0253-000		1	SHAFT, ROLL DESORPTION TURN, F		
12	FC6-0255-000		1	FLAG, CLEAN ROLL, SENSOR		
13	FC6-2071-000		1	ARM, ROLLER ESTRANGEMENT, FR.		
14	FC6-2072-000		1	ARM, ROLLER ESTRANGEMENT, REAR		
15	FC6-8440-000		2	HOLDER, PIN, 8 X 10		
16	FC8-6863-000		1	SHAFT, TRANSMISSION		
17	FC6-8522-000		1	SHAFT, ROLL DESORPTION TURN, R		
18	FC6-8576-000		1	SPACER, INNER DELIVERY, SECOND		
19	FC7-0169-000		1	ROLLER		
20	FL3-0555-000		1	PLATE, LOCK		
21	FC7-4913-000		1	DAMPER, ONE-WAY		
22	FC7-4948-000		2	PLATE, ROLL RETAINING		
23	FM3-1648-000		1	ROLLER, REFRESH	[DP]	
24	FS5-6488-000		4	WASHER		
25	FU5-2867-000		2	SPRING, TENSION		
26	FU5-6248-000		2	ROLLER		
27	FU5-6249-000		2	ROLLER		
28	FU6-0332-000		1	GEAR, 22T/30T		
29	FU6-0335-000		2	GEAR, 20T/46T		
30	FU6-0358-000		2	GEAR, 40T		
31	FU6-0409-000		2	GEAR, 38T		

FIGURE & KEY NO.	PARTS NUMBER	R A N K	Q'TY	DESCRIPTION	SERIAL NUMBER/ REMARKS	S V C
32	FU6-0455-000		1	GEAR, 17T		
33	FU7-0143-000		1	GEAR, 14T		
34	FU7-0144-000		1	GEAR, 28T		
35	FU7-0149-000		1	GEAR, 23T		
36	FU5-6256-000		2	ROLLER		
37	XG9-0217-000		4	BALL BEARING, NSK MR106ZZ1MC4E		
38	XG9-0350-000		2	BALL BEARING, NSK MF106ZZ D4M		
39	XG9-0365-000		13	BEARING, BALL		
40	XG9-0691-000		2	BEARING,BALL, L1280ZZP0P25LY13		
41	XG9-0387-000		2	BEARING, BALL, L-1680HH LY13		
42	XG9-0491-000		2	BEARING, BALL, NSK P0 16MM		
43	FC7-7526-000		1	GUIDE, ENTRANCE UP., SMALL		
44	FU6-0466-000		1	GEAR, 16T/20T		
45	FU6-0467-000		1	GEAR, 20T/27T		
46	FU6-0468-000		1	GEAR, 17T/31T		
47	FU6-0469-010		1	GEAR, 16T/31T		
48	FC8-6861-000		1	SPRING, TORSION		
49	FU6-2557-000		2	SPRING, TENSION		
50	FU6-2558-000		1	SPRING, TENSION		
51	FU6-2559-000		1	SPRING, TENSION		
52	FC7-7044-000		1	GUIDE, MAIN HEATER, FRONT		
53	FC7-7046-000		1	SPRING, TORSION		
54	FC7-0175-000		4	BUSHING		
55	FK2-0149-000		3	PHOTO-INTERRUPTER, TLP1252(C6)	PS314,PS318,PS383	
56	FS1-9078-020		3	SCREW,STEPPED,M4		
57	FL2-6048-000		1	ROLLER, REFRESH		
58	FU6-2560-000		1	SPRING, COMPRESSION		
59	FL3-0548-000		1	PLATE, GEAR FIXED, SMALL		
60	FC6-8421-000		2	SUPPORT, BEARING		
61	FC7-4634-000		1	GUIDE, CABLE		
62	FU5-9224-000		1	SCREW, BH4X6(YELLOW)		
63	FL2-7124-000		1	SUPPORT, GEAR		

FIGURE & KEY NO.	PARTS NUMBER	R A N K	Q'TY	DESCRIPTION	SERIAL NUMBER/ REMARKS	S V C
64	FM2-8699-000		1	CABLE, FIXING HEATER		
65	FU5-9235-000		2	SCREW, WWASHER, M4X14		

FIGURE 856 SECOND FIXING ASSEMBLY, LOWER



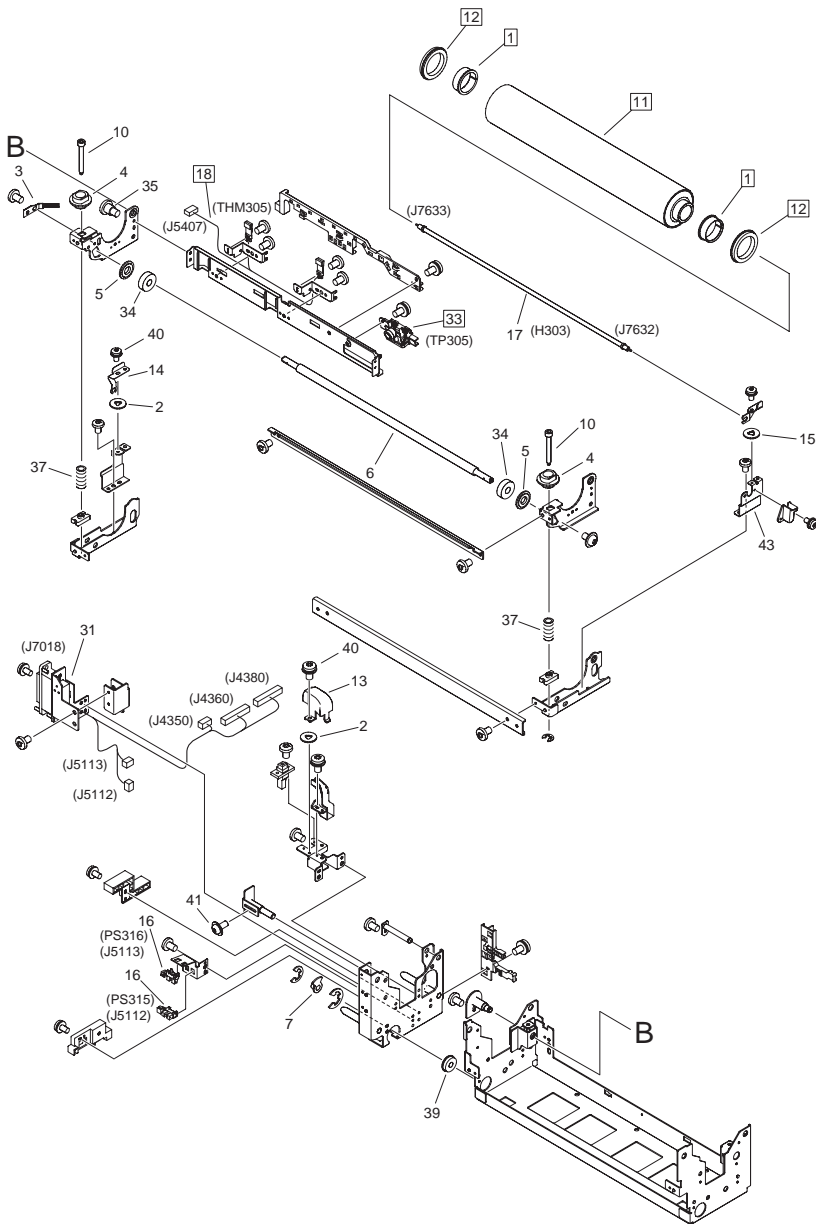


FIGURE & KEY NO.	PARTS NUMBER	R A N K	Q'TY	DESCRIPTION	SERIAL NUMBER/ REMARKS	S V C
Fig.856	NPN		RF	SECOND FIXING ASSEMBLY, LOWER		
1	FB6-6519-000		2	BUSHING	[DP]	
2	FC2-2121-000		2	WASHER		
3	FB3-7543-000		1	PLATE, STATIC CHARGE ELI.		
4	FC6-0297-000		2	SPACER, PRESSURE		
5	FC6-0383-000		2	SPACER, CAM SHAFT		
6	FC6-0407-000		1	SHAFT, CAM, UPPER		
7	FC6-0416-000		1	FLAG, PRESSURE CAM DETECT, 2		
8	FC6-0417-000		2	CAM, PRESSURE		
9	FC6-0418-000		1	SHAFT, PRESSURE CAM, 2		
10	FC0-2218-000		2	SCREW, ADJUSTING, M6		
11	FC9-6116-000		1	ROLLER, PRESSURE	[DP]	
12	XG9-0378-000		2	BEARING, BALL, 6807ZZL1NSRS1C4	[DP]	
13	FC7-3441-000		1	COVER, CONNECTOR, 2 LOWER REAR		
14	FC7-3450-000		1	SPRING, HEATER MOUNTING, LOWER		
15	FC7-3480-000		1	WASHER, M3 RETAINING		
16	FK2-0149-000		3	PHOTO-INTERRUPTER, TLP1252(C6)	PS312,PS315,PS316	
17	FK2-3090-000		1	HEATER, HALOGEN	208V H303	
17	FK2-3091-000		1	HEATER, HALOGEN	240V H303	
18	FK2-3096-000		1	THERMISTOR	[DP] THM305	
19	FK2-3132-000		1	MOTOR, STEPPING, DC	M308	
20	FU6-0356-000		1	GEAR, 14T		
21	XA9-0934-000		2	SETSCREW,M3X6		
22	FU6-0354-000		3	GEAR, 53T/20T		
23	XG9-0177-000		6	BALL BEARING, NMB DDL-1480ZZR		
24	FB6-3150-000		1	ROLLER, TRANSFER SENSOR		
25	FC5-2321-000		1	GUIDE, ENTRANCE		
26	FC5-5145-000		1	FLAG, FIXING ENTRANCE SENSOR		
27	VS1-7177-003		1	CONNECTOR, SNAP TIGHT, BK		
28	FU6-2563-000		1	SPRING, TORSION		
29	FU5-4170-000		1	SHAFT, FIXING ENTRANCE SENSOR		
30	XA9-1035-000		2	SCREW,M4X4		

FIGURE & KEY NO.	PARTS NUMBER	R A N K	Q'TY	DESCRIPTION	SERIAL NUMBER/ REMARKS	S V C
31	FM2-2308-000		1	CABLE, DRAWER, 3	[DP] TP305	
32	VS1-7177-006		1	CONNECTOR, SNAP TIGHT, BK		
33	FM3-0655-000		1	SWITCH, PRESSURE ROLLER THERMO		
34	XG9-0304-000		2	BALL BEARING,NMB		
35	FS1-9009-020		2	TWO-STEP SCREW, M3		
36	FS1-9010-020		3	SCREW, STEPPED, M3		
37	FU5-2934-000		2	SPRING, COMPRESSION		
38	FU6-0357-000		1	GEAR, 21T		
39	XG9-0013-000		2	BALL BEARING, NSK 608ZZNRC3		
40	FU5-9225-000		2	SCREW, W/WASHER, M4X10(YELLOW)		
41	FU5-9230-000		2	SCREW, TP, M4X8(YELLOW)		
42	FM2-8738-000		1	CABLE, FUSER BELT THERMISTOR,2		
43	FC7-3447-000		1	SUPPORT, HEATER, 2 LOWER FRONT		
44	FM2-8698-000		1	CABLE, FIXING BELT HEATER		
45	FM2-8704-000		1	CABLE, FIXING BELT HEATER		

FIGURE 890 FIRST FIXING MOUNT ASSEMBLY

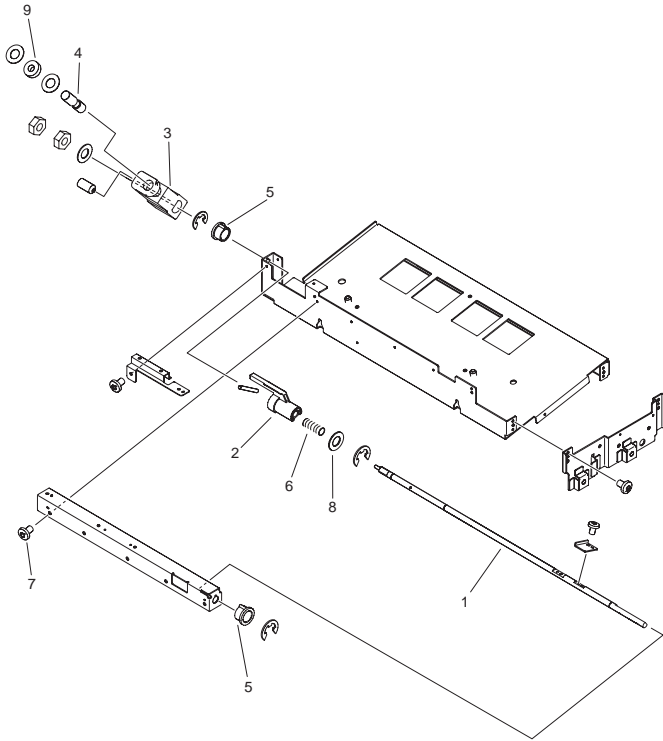


FIGURE & KEY NO.	PARTS NUMBER	RANK	Q'TY	DESCRIPTION	SERIAL NUMBER/REMARKS	SVC
Fig.890	FM2-2205-010		1	FIRST FIXING MOUNT ASSEMBLY		
1	FC6-0265-000		1	SHAFT, HANDLE, 1		
2	FC6-8190-000		1	GUIDE, HANDLE LOCK		
3	FC7-3091-000		1	GUIDE, FIXING EXTRACTION		
4	FC7-3092-010		1	SHAFT, FIXING EXTRACTION		
5	FU5-1327-000		2	BUSHING		
6	FU5-2994-000		1	SPRING, COMPRESSION		
7	XA9-1035-000		3	SCREW,M4X4		
8	XD9-0150-000		1	WASHER, PLAIN		
9	XG9-0384-000		1	BEARING, BALL,DDR198022LY13		

FIGURE 891 SECOND FIXING MOUNT ASSEMBLY

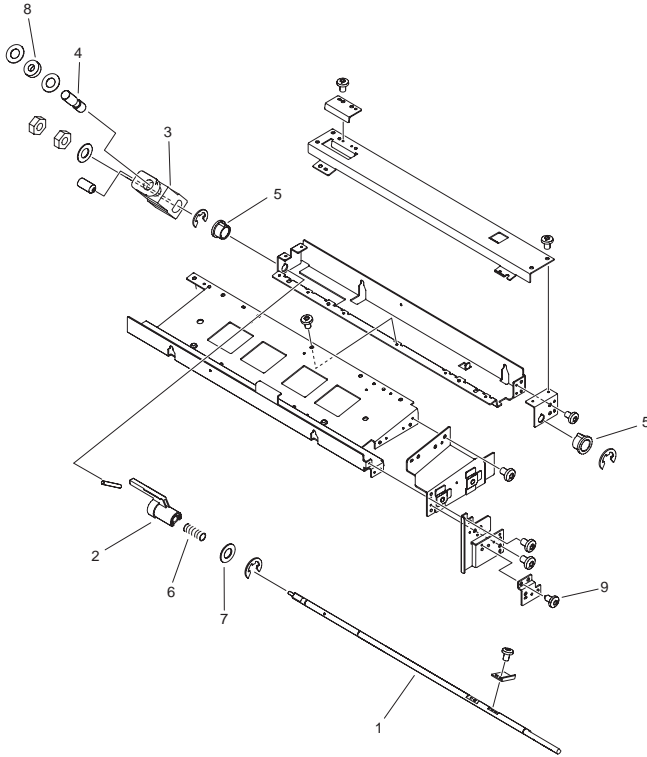


FIGURE & KEY NO.	PARTS NUMBER	RANK	Q'TY	DESCRIPTION	SERIAL NUMBER/REMARKS	SVC
Fig.891	FM2-2206-000		1	SECOND FIXING MOUNT ASSEMBLY		
1	FC6-0265-000		1	SHAFT, HANDLE, 1		
2	FC6-8190-000		1	GUIDE, HANDLE LOCK		
3	FC7-3091-000		1	GUIDE, FIXING EXTRACTION		
4	FC7-3092-010		1	SHAFT, FIXING EXTRACTION		
5	FU5-1327-000		2	BUSHING		
6	FU5-2994-000		1	SPRING, COMPRESSION		
7	XD9-0150-000		1	WASHER, PLAIN		
8	XG9-0384-000		1	BEARING, BALL,DDR198022LY13		
9	XA9-1035-000		19	SCREW,M4X4		

FIGURE 892 LOCK SENSING ASSEMBLY, 1

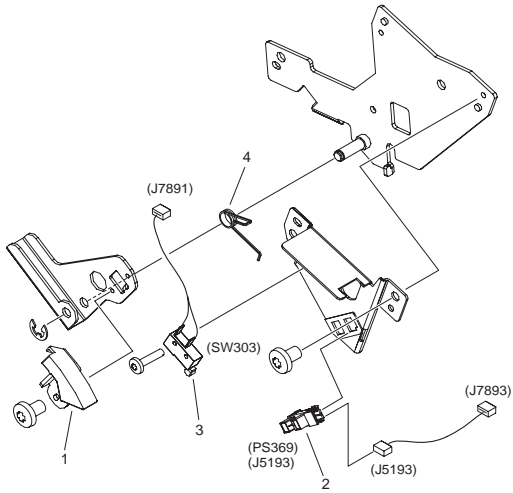


FIGURE & KEY NO.	PARTS NUMBER	RANK	QTY	DESCRIPTION	SERIAL NUMBER/REMARKS	SVC
Fig.892	FM2-2207-000		1	LOCK SENSING ASSEMBLY, 1		
1	FC7-7057-000		1	FLAG, LOCK SENSOR		
2	FK2-0149-000		1	PHOTO-INTERRUPTER, TLP1252(C6)	PS369	
3	FM2-8509-000		1	CABLE, SWITCH	SW303	
4	FC7-7063-000		1	SPRING, TORSION		

FIGURE 893 LOCK SENSING ASSEMBLY, 2

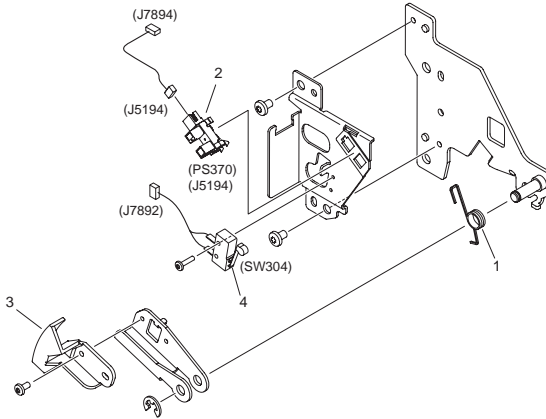
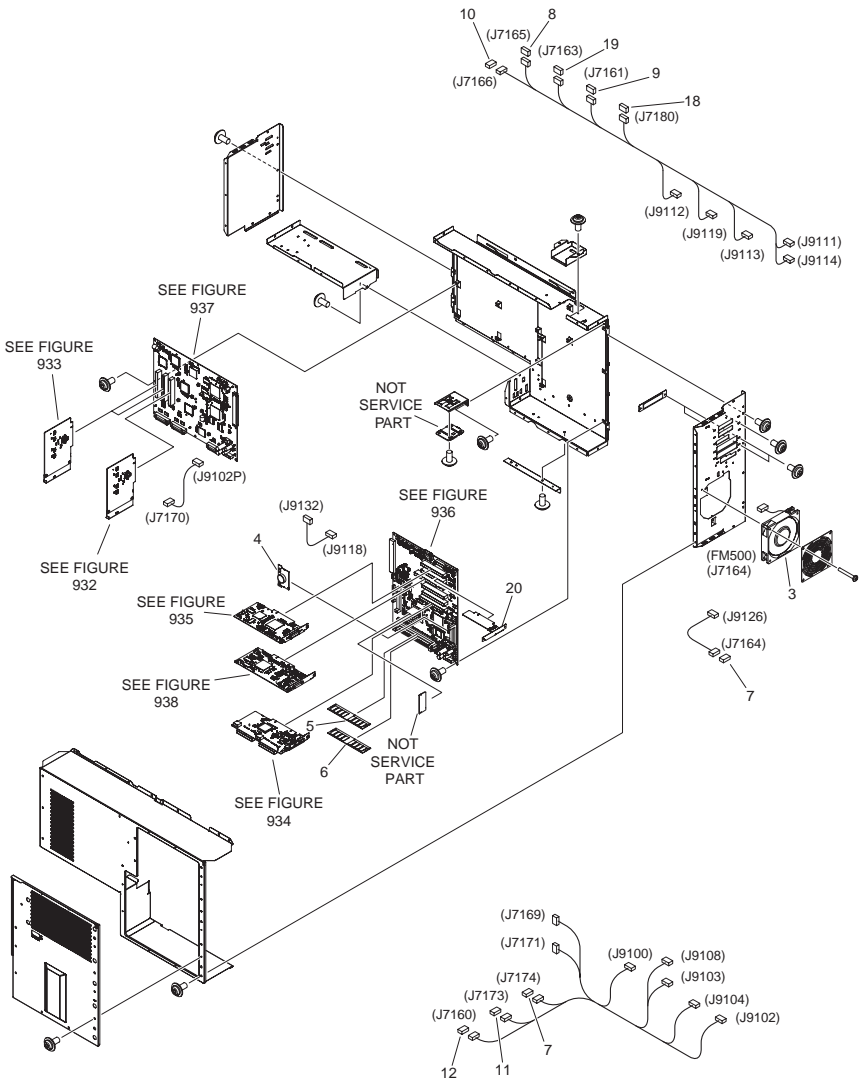


FIGURE & KEY NO.	PARTS NUMBER	RANK	QTY	DESCRIPTION	SERIAL NUMBER/REMARKS	SVC
Fig.893	FM2-2208-000		1	LOCK SENSING ASSEMBLY, 2		
1	FC7-7499-000		1	SPRING, TORSION		
2	FK2-0149-000		1	PHOTO-INTERRUPTER, TLP1252(C6)	PS370	
3	FC7-7057-000		1	FLAG, LOCK SENSOR		
4	FM2-8509-000		1	CABLE, SWITCH	SW304	

FIGURE 900 CONTROLLER BOX ASSEMBLY



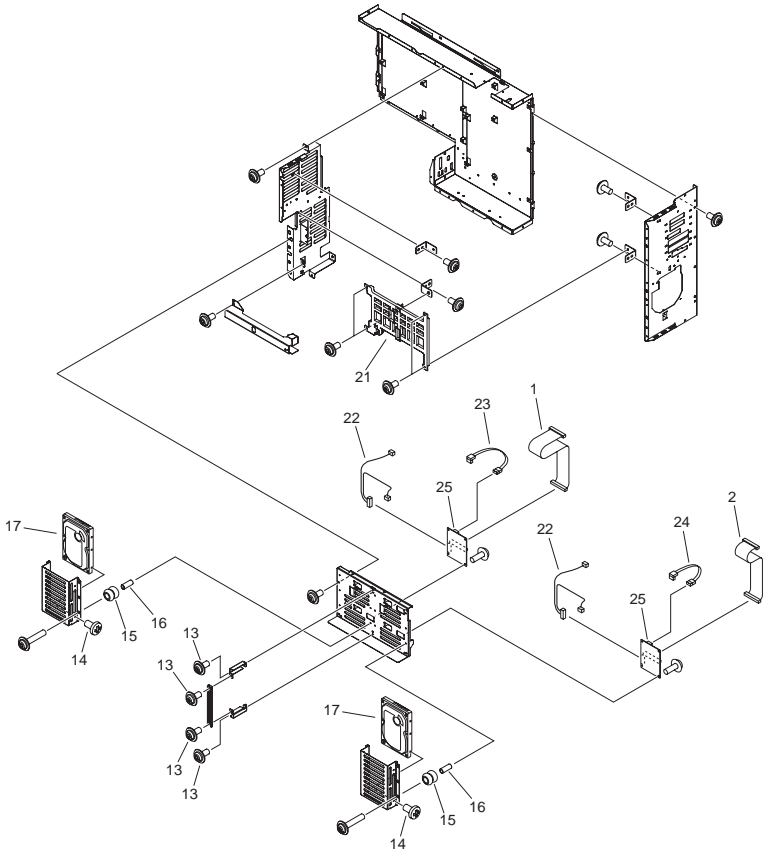


FIGURE & KEY NO.	PARTS NUMBER	R A N K	Q'TY	DESCRIPTION	SERIAL NUMBER/ REMARKS	S V C
Fig.900	NPN		RF	CONTROLLER BOX ASSEMBLY		
1	FK2-2887-000		1	CABLE, FLAT		
2	FK2-2892-000		1	CABLE, FLAT		
3	FK2-2888-000		1	FAN	FM500	
4	FM2-6040-000		1	SRAM BOARD PCB ASSEMBLY		
5	FM2-6208-000		1	DIMM ASS'Y		
6	FK2-0755-000		1	DIMM, DDR SDRAM, 1GB		
7	VS1-7177-003		2	CONNECTOR, SNAP TIGHT, BK		
8	VS1-7173-008		1	CONNECTOR, SNAP TIGHT, 8P, W		
9	VS1-7177-002		1	CONNECTOR, SNAP TIGHT, BK		
10	VS1-7177-004		1	CONNECTOR, SNAP TIGHT, BK		
11	VS1-7173-004		1	CONNECTOR, SNAP TIGHT		
12	VS1-7173-005		1	CONNECTOR, SNAP TIGHT		
13	XA9-1469-000		4	SCREW, TP,M3X6		
14	XA9-1911-000		8	SCREW, M3X5		
15	XH9-0149-000		12	DAMPER, CUSHION		
16	XZ1-1301-005		12	SPACER		
17	FK2-8352-000		1	HDD, ST3160316CS		
18	VS1-7177-009		1	CONNECTOR, 9P		
19	VS1-7177-010		1	CONNECTOR, 10P		
20	FM2-2283-000		1	GU SHOT PCB ASSEMBLY		
21	FC8-2993-000		1	GUIDE, CONTROLLER BOARD		
22	FK2-8214-000		2	CABLE, SATA POWER		
23	FK2-8215-000		1	CABLE, SATA SIGNAL		
24	FK2-8216-000		1	CABLE, SATA SIGNAL		
25	FM4-4383-000		2	PCB ASS'Y, PATA-SATA		

FIGURE 911 DC POWER SUPPLY ASS'Y, 12V

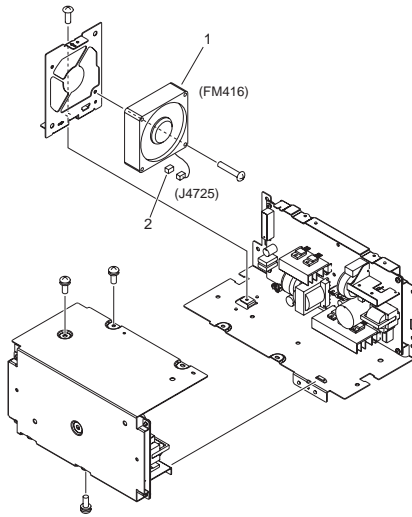


FIGURE & KEY NO.	PARTS NUMBER	RANK	QTY	DESCRIPTION	SERIAL NUMBER/REMARKS	SVC
Fig.911	FM4-2569-000		1	DC POWER SUPPLY ASS'Y, 12V		
1	FK2-0360-000		1	FAN	FM416	
2	VS1-7177-003		1	CONNECTOR, SNAP TIGHT, BK		

FIGURE 912 DC POWER SUPPLY ASS'Y, 24V-1

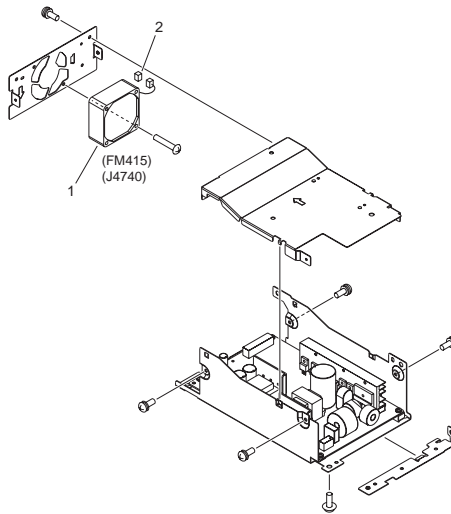


FIGURE & KEY NO.	PARTS NUMBER	RANK	QTY	DESCRIPTION	SERIAL NUMBER/REMARKS	SVC
Fig.912	FM4-2568-000		1	DC POWER SUPPLY ASS'Y, 24V-1		
1	FK2-6484-000		1	FAN	FM415	
2	VS1-7177-003		1	CONNECTOR, SNAP TIGHT, BK		

FIGURE 913 DC POWER SUPPLY ASS'Y, 24V-2

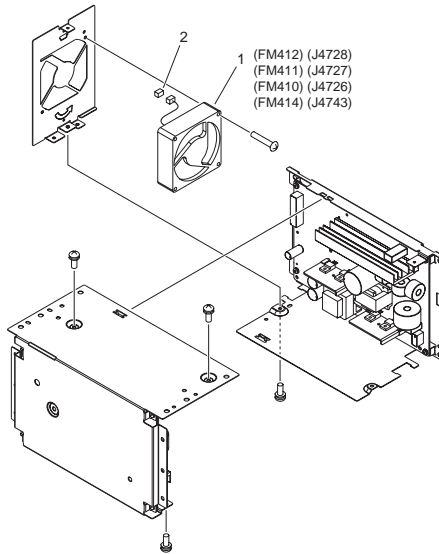


FIGURE & KEY NO.	PARTS NUMBER	RANK	QTY	DESCRIPTION	SERIAL NUMBER/REMARKS	SVC
Fig.913	FM3-2552-000		4	DC POWER SUPPLY ASS'Y, 24V-2		
1	FK2-6818-000		1	FAN	FM410,FM411,FM412,FM414	
2	VS1-7177-003		1	CONNECTOR, SNAP TIGHT, BK		

FIGURE 930 DC CONTROLLER ASSEMBLY

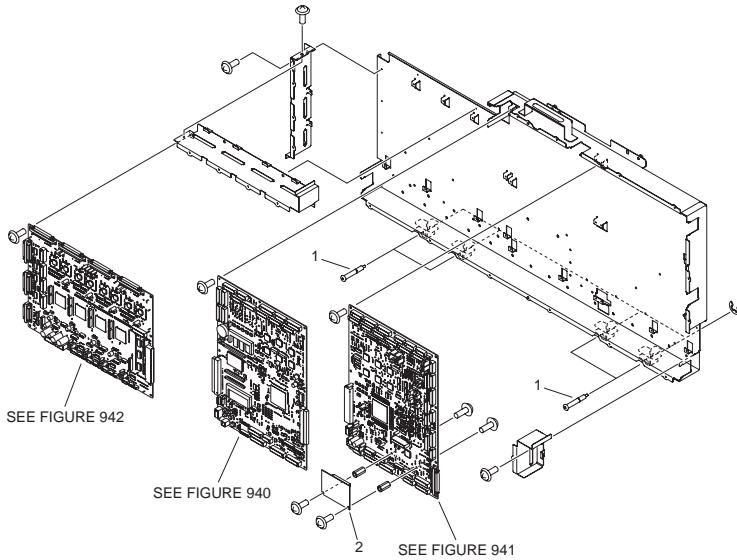


FIGURE & KEY NO.	PARTS NUMBER	RANK	QTY	DESCRIPTION	SERIAL NUMBER/REMARKS	SVC
Fig.930	NPN		RF	DC CONTROLLER ASSEMBLY		
1	FU5-9219-000		4	SCREW, STEPPED, M4		
2	FM4-6238-000		1	FUNCTION EXPANSION PCB ASS'Y		

FIGURE 932 DRM PCB ASSEMBLY, 256

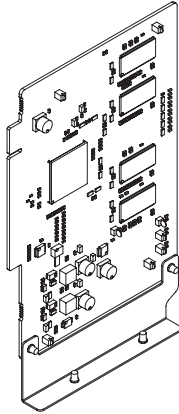


FIGURE & KEY NO.	PARTS NUMBER	RANK	QTY	DESCRIPTION	SERIAL NUMBER/REMARKS	SVC
Fig.932	FM2-2281-000		1	DRM PCB ASSEMBLY, 256		
IC	FK2-0913-000		1	IC, L7A1911, STANDARD CELL	IC1	

FIGURE 933 DRM PCB ASSEMBLY, 512

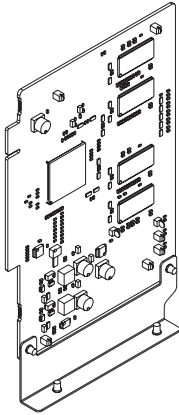


FIGURE & KEY NO.	PARTS NUMBER	RANK	QTY	DESCRIPTION	SERIAL NUMBER/REMARKS	SVC
Fig.933	FM2-2282-000		2	DRM PCB ASSEMBLY, 512		
IC	FK2-0913-000		1	IC, L7A1911, STANDARD CELL	IC1	

FIGURE 934 LAN-BAR-B PCB ASSEMBLY

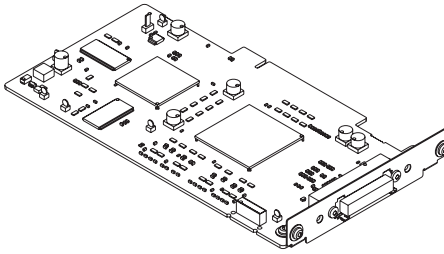


FIGURE & KEY NO.	PARTS NUMBER	RANK	QTY	DESCRIPTION	SERIAL NUMBER/REMARKS	SVC
Fig.934	FM2-2284-000		1	LAN-BAR-B PCB ASSEMBLY		
IC	FH4-6214-000		1	IC, TC240E4804AF-42,GATE ARRAY	IC1	

FIGURE 935 RO-B PCB ASSEMBLY

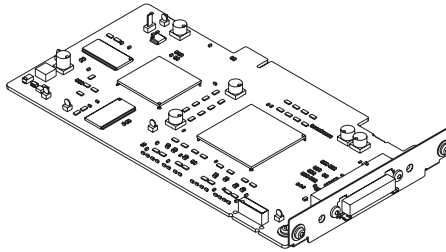


FIGURE & KEY NO.	PARTS NUMBER	RANK	QTY	DESCRIPTION	SERIAL NUMBER/REMARKS	SVC
Fig.935	FM2-7430-000		1	RO-B PCB ASSEMBLY		
IC	FH4-6237-000		1	IC,UPD800607S1,STANDARD CELL	IC1	
IC	FH4-6241-000		1	IC,PD800028S1-011-F6-A,	IC6	

FIGURE 936 MAIN CONTROLLER PCB ASS'Y, M

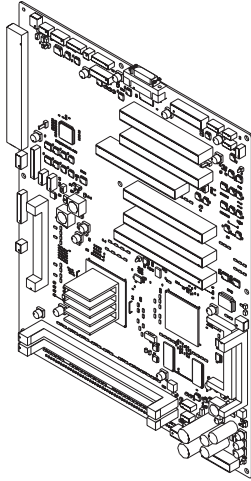


FIGURE & KEY NO.	PARTS NUMBER	RANK	Q'TY	DESCRIPTION	SERIAL NUMBER/REMARKS	SVC
Fig.936	FM2-7813-000		1	MAIN CONTROLLER PCB ASS'Y, M		
IC	FH4-6243-000		1	IC, L7A1860, STANDARD CELL	IC2	
IC	FH4-6300-000		1	IC, M38871M2-010GP, MCU	IC13	
IC	FH4-6302-000		1	IC,S1L50552F32L000,ASIC	IC45	
IC	FK2-2901-000		1	IC,T8K21DXBG-8, STANDARD CELL	IC1	

FIGURE 937 MAIN CONTROLLER PCB ASS'Y, P

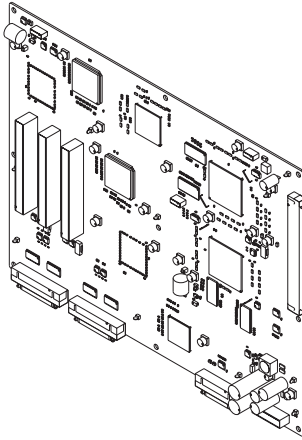


FIGURE & KEY NO.	PARTS NUMBER	RANK	QTY	DESCRIPTION	SERIAL NUMBER/REMARKS	SVC
Fig.937	FM2-7815-000		1	MAIN CONTROLLER PCB ASS'Y, P		
IC	FH4-6235-000		2	IC,UPD800606S1, STANDARD CELL	IC1,IC4	
IC	FH4-6248-000		2	IC,HG76C026HFV,STANDARD CELL	IC8,IC9	
IC	FH4-6274-000		1	IC,HG76CS033BPV,STANDARD CELL	IC7	
IC	FK2-0912-000		2	IC, HG76CS037AHFV,	IC10,IC11	
IC	FK2-0913-000		1	IC, L7A1911, STANDARD CELL	IC12	

FIGURE 938 S-B PCB ASSEMBLY

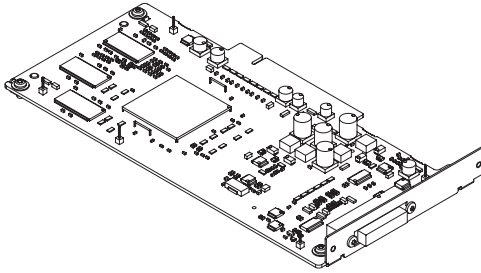


FIGURE & KEY NO.	PARTS NUMBER	RANK	QTY	DESCRIPTION	SERIAL NUMBER/REMARKS	SVC
Fig.938	FM2-9076-000		1	S-B PCB ASSEMBLY		
IC	FH4-6239-000		1	IC,UPD800008S1-011-F6-A	IC1	

FIGURE 940 DC CONTROLLER PCB 1-1 ASSEMBLY

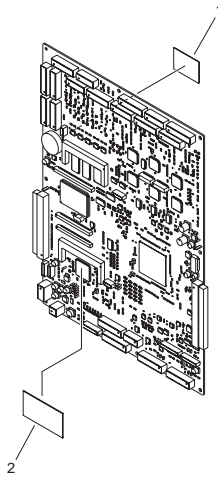


FIGURE & KEY NO.	PARTS NUMBER	RANK	QTY	DESCRIPTION	SERIAL NUMBER/REMARKS	SVC
Fig.940	FM4-6236-000		1	DC CONTROLLER PCB 1-1 ASSEMBLY		
1	FB4-1494-000		1	SHEET, PROTECTIVE		
2	FM2-8301-000		1	DIMM ASS'Y		
IC	FK2-2709-000		1	IC,PD85806N7-011-H6-A	IC109	

FIGURE 941 DC CONTROLLER PCB 1-2 ASSEMBLY

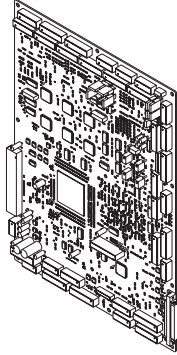


FIGURE & KEY NO.	PARTS NUMBER	RANK	QTY	DESCRIPTION	SERIAL NUMBER/REMARKS	SVC
Fig.941	FM4-6237-000		1	DC CONTROLLER PCB 1-2 ASSEMBLY		
IC	FK2-2709-000		1	IC,PD85806N7-011-H6-A	IC129	

FIGURE 942 DC CONTROLLER PCB 1-3 ASSEMBLY

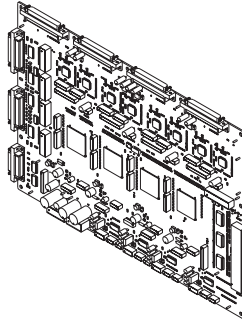


FIGURE & KEY NO.	PARTS NUMBER	RANK	QTY	DESCRIPTION	SERIAL NUMBER/REMARKS	S V C
Fig.942	FM2-7687-000		1	DC CONTROLLER PCB 1-3 ASSEMBLY		
IC	FK2-0104-000		8	IC, PM1100G, PWM	IC191,IC192,IC291,IC292, IC391,IC392,IC491,IC492	
IC	FK2-2046-000		4	IC, MB87Q1282PB-GE1,	IC5001,IC5002,IC5003,IC 5004	

FIGURE 960 V.PATH/L.FEED DRIVER PCB ASS'Y

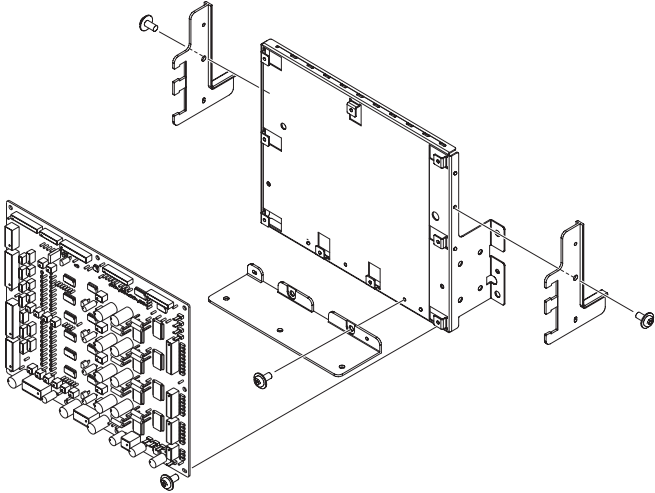
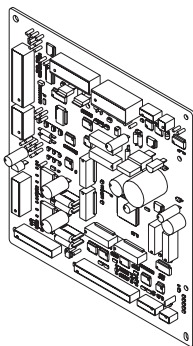


FIGURE & KEY NO.	PARTS NUMBER	RANK	QTY	DESCRIPTION	SERIAL NUMBER/REMARKS	SVC
Fig.960	FM4-7132-000		1	V.PATH/L.FEED DRIVER PCB ASS'Y		

FIGURE 962 PAPER PICK-UP DRIVER PCB ASS'Y



NOTE : This assembly is included in the assembly shown in Figure 190.
 注 : このユニットはFigure 190のユニットに含まれます。

FIGURE & KEY NO.	PARTS NUMBER	RANK	QTY	DESCRIPTION	SERIAL NUMBER/REMARKS	SVC
Fig.962	FM2-7627-000		2	PAPER PICK-UP DRIVER PCB ASS'Y	SEE NOTE	
IC	FK2-1773-000		1	IC.TC200GO2EFG-1031,GATE ARRAY	IC104	

FIGURE 964 DRUM DRIVER PCB ASSEMBLY

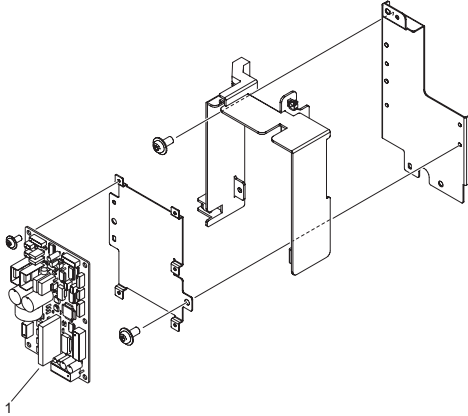


FIGURE & KEY NO.	PARTS NUMBER	RANK	QTY	DESCRIPTION	SERIAL NUMBER/REMARKS	SVC
Fig.964	NPN		RF	DRUM DRIVER PCB ASSEMBLY		
1	FM4-6245-000		4	DRUM DRIVE DRIVER PCB ASSEMBLY		

FIGURE 965 FEED DRIVER PCB ASSEMBLY

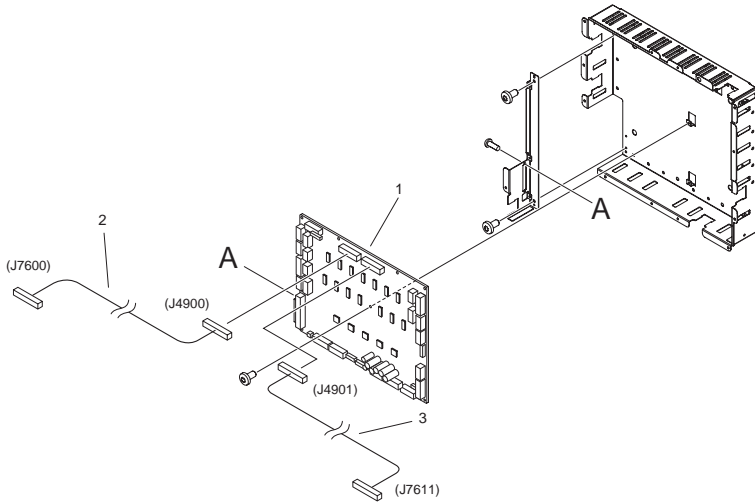
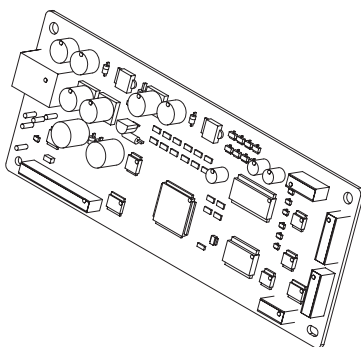


FIGURE & KEY NO.	PARTS NUMBER	RANK	QTY	DESCRIPTION	SERIAL NUMBER/REMARKS	SVC
Fig.965	NPN		RF	FEED DRIVER PCB ASSEMBLY		
1	FM2-8313-000		1	FIXING DUPLEX FEED PCB ASSY		
2	FM3-4695-000		1	CABLE, MOTOR, LEFT		
3	FM3-4696-000		1	CABLE, MOTOR, RIGHT		
IC	FK2-1773-000		5	IC,TC200GO2EFG-1031,GATE ARRAY	IC173,IC174,IC175,IC176, IC177	

FIGURE 970 COLOR SENSOR DRIVER PCB ASS'Y



NOTE : This assembly is included in the assembly shown in Figure 354.
注：このユニットはFigure 354のユニットに含まれます。

FIGURE & KEY NO.	PARTS NUMBER	RANK	QTY	DESCRIPTION	SERIAL NUMBER/REMARKS	SVC
Fig.970	FM2-7733-000		2	COLOR SENSOR DRIVER PCB ASS'Y	SEE NOTE	
IC	FK2-1773-000		1	IC,TC200GO2EFG-1031,GATE ARRAY	IC14	

FIGURE 980 DEV./PRIMARY H.V. PCB ASSEMBLY

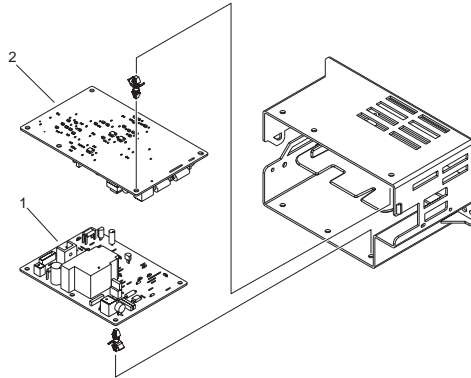


FIGURE & KEY NO.	PARTS NUMBER	RANK	QTY	DESCRIPTION	SERIAL NUMBER/REMARKS	SVC
Fig.980	NPN		RF	DEV./PRIMARY H.V. PCB ASSEMBLY		
1	FM4-6248-000		1	1ST CHARGE H.V. PCB ASSEMBLY		
2	FM4-6249-000		1	DEV. HIGH VOLTAGE PCB ASSEMBLY		

FIGURE 981 2ND TRNSFR. H.V. PCB ASSEMBLY

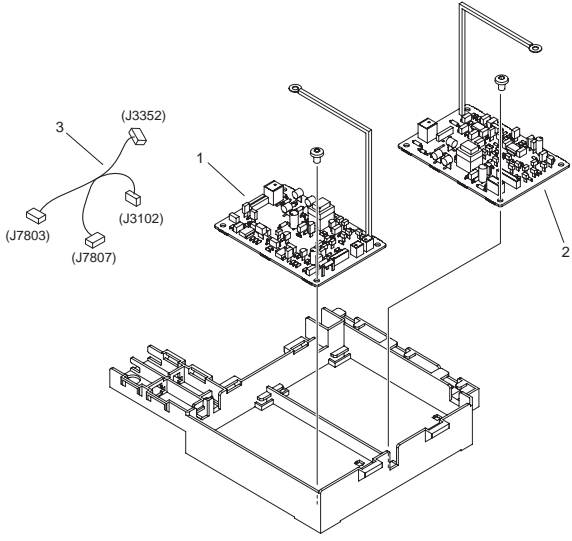
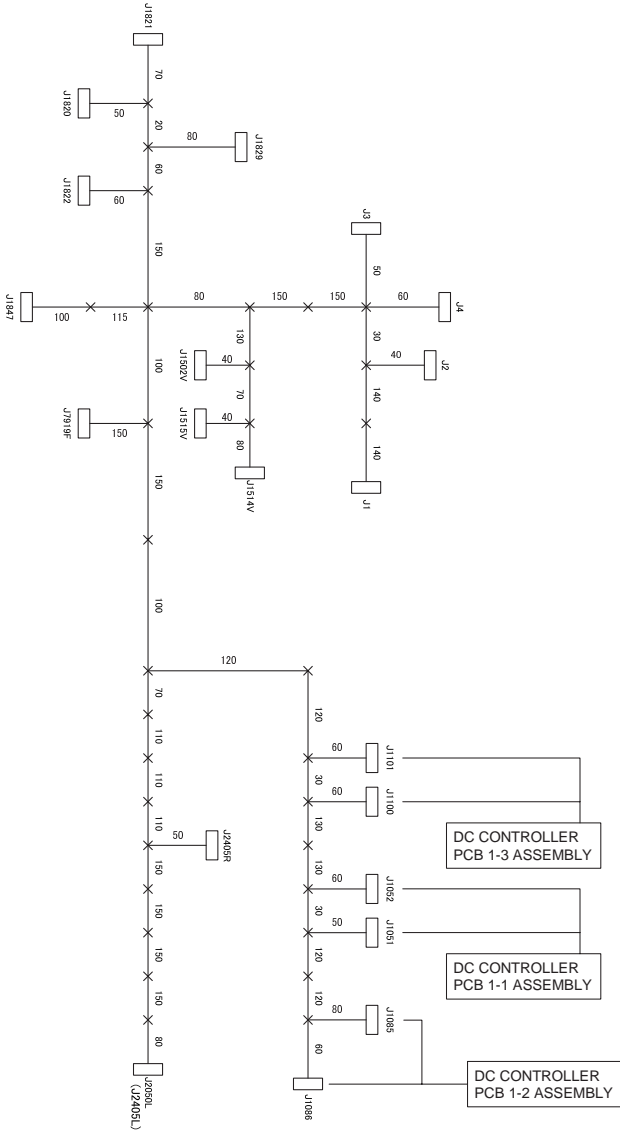
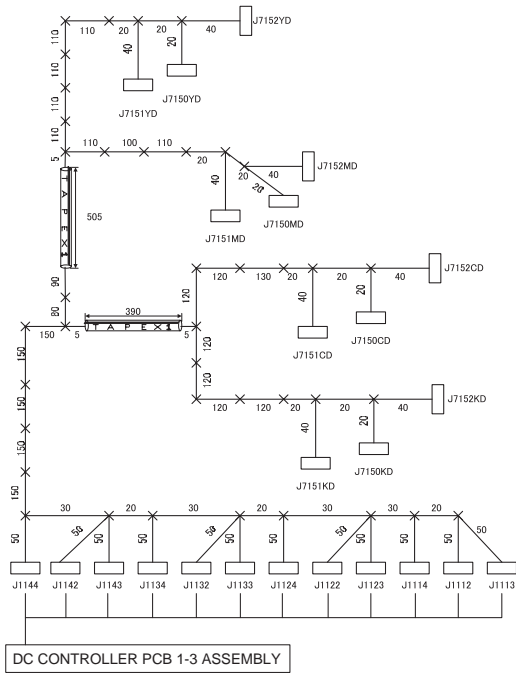


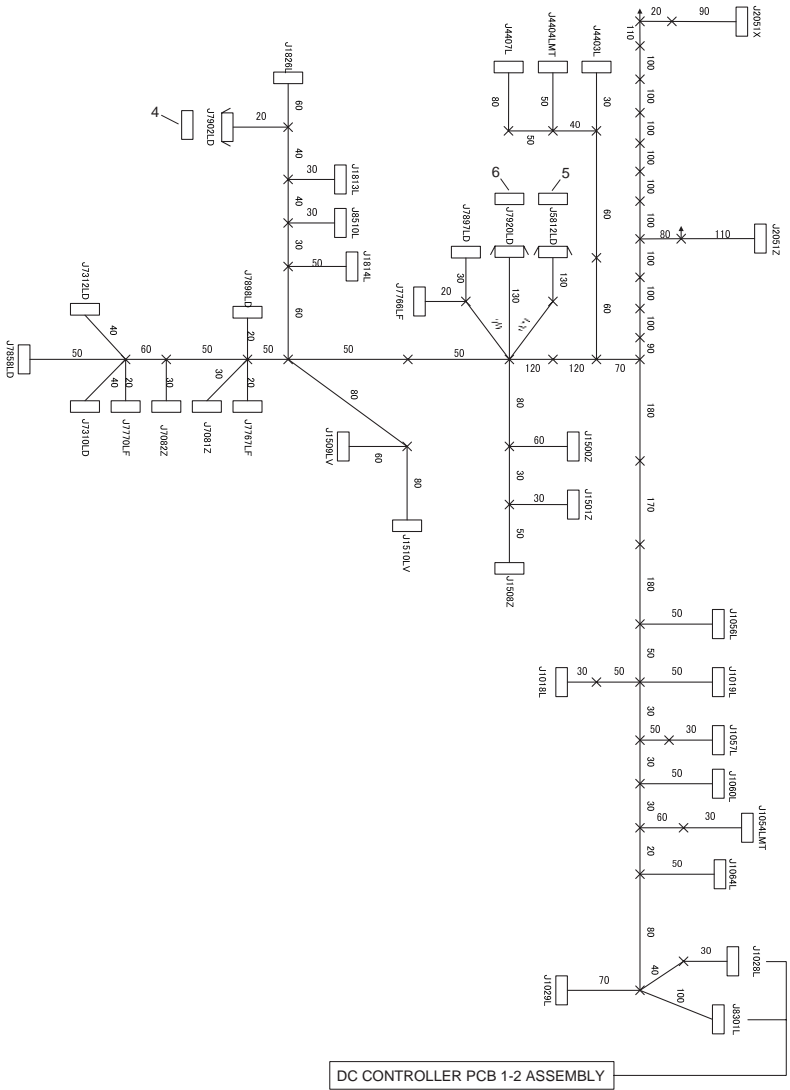
FIGURE & KEY NO.	PARTS NUMBER	RANK	QTY	DESCRIPTION	SERIAL NUMBER/REMARKS	SVC
Fig.981	NPN		RF	2ND TRNSFR. H.V. PCB ASSEMBLY		
1	FM2-7189-000		1	HV3 PCB ASSEMBLY		
2	FM2-7193-000		1	HV8 PCB ASSEMBLY		
3	FM2-8495-000		1	CABLE, H.V. RELAY		

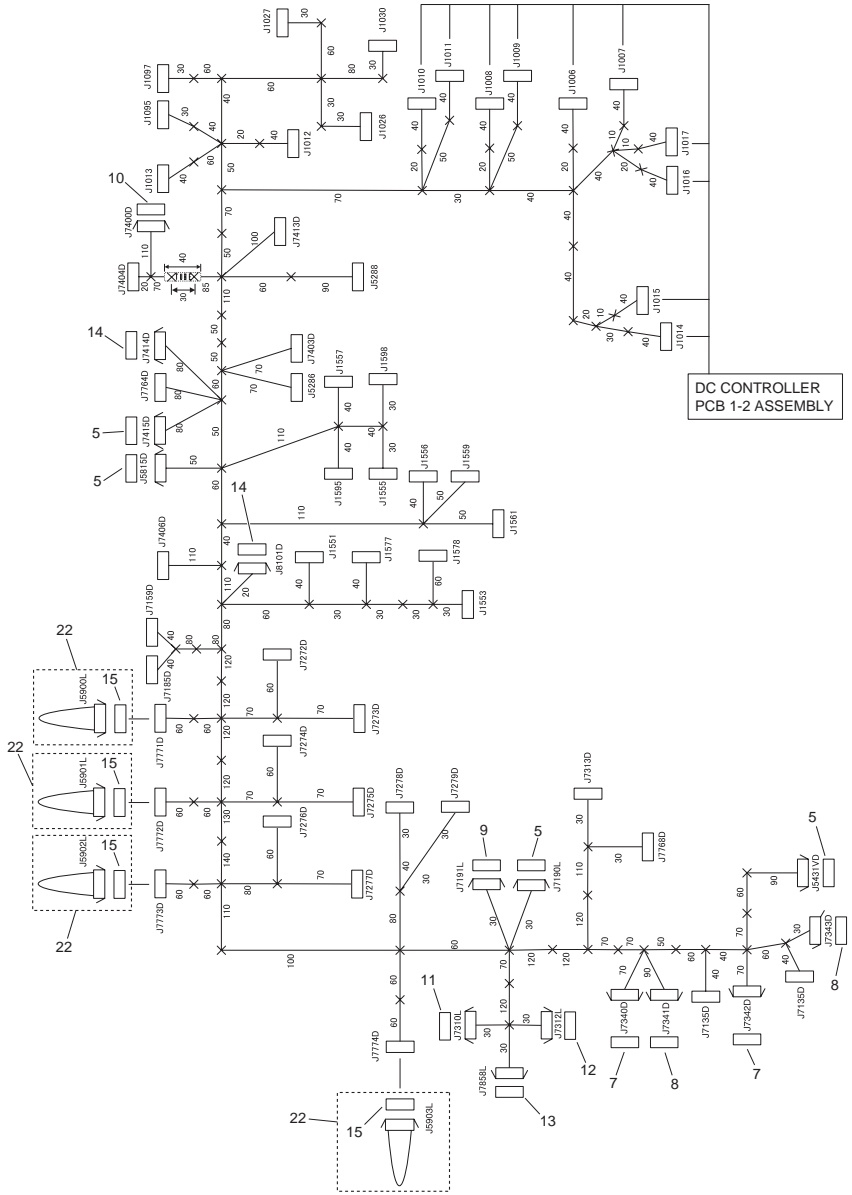
FIGURE 999 CABLE UNIT

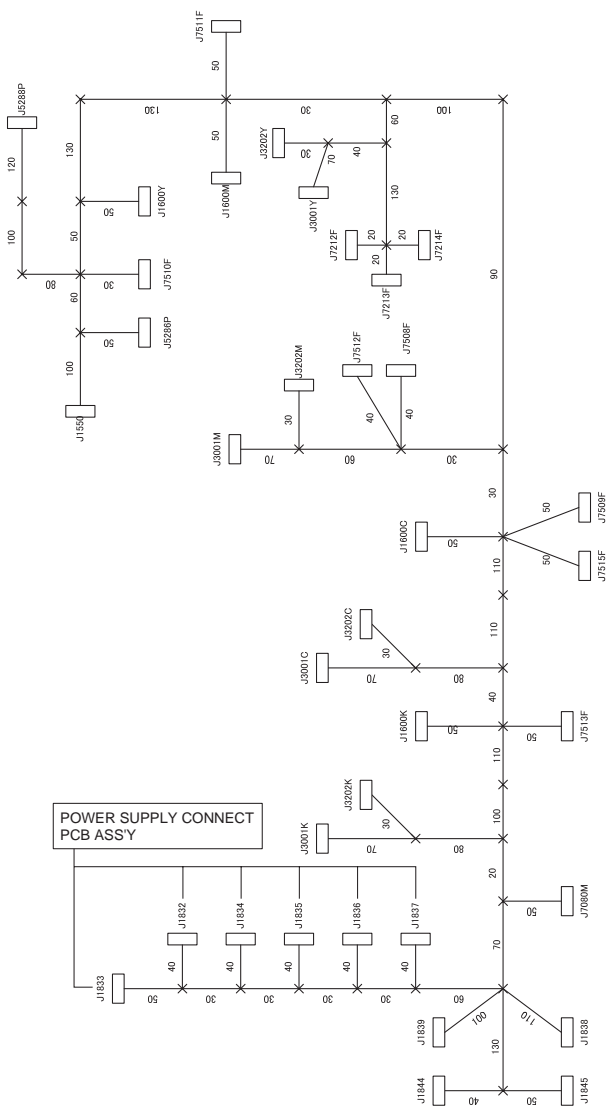


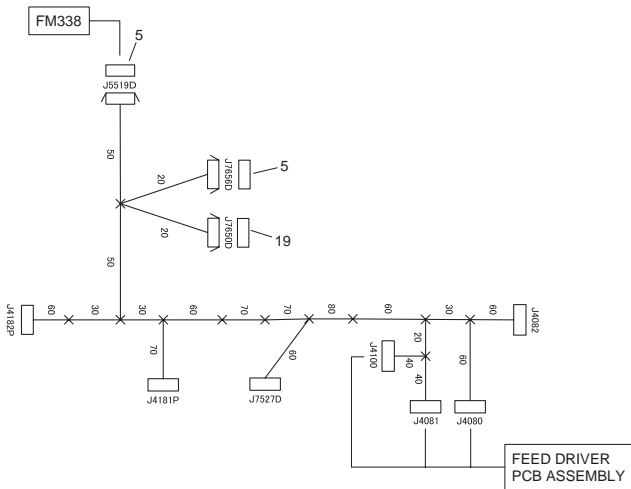
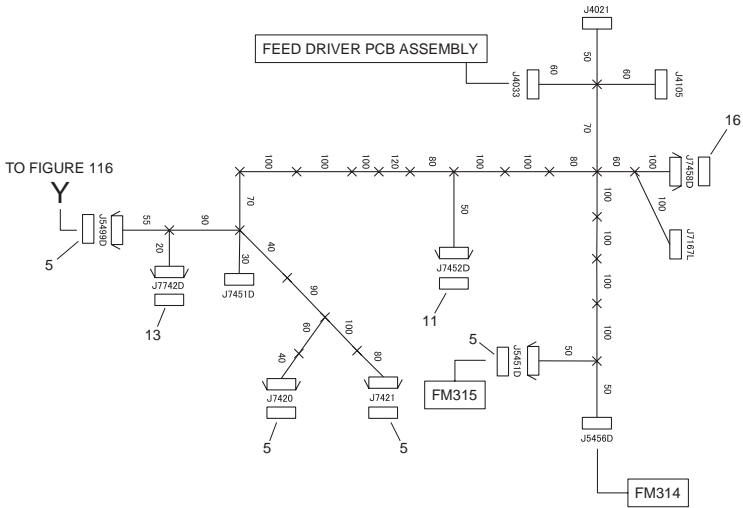


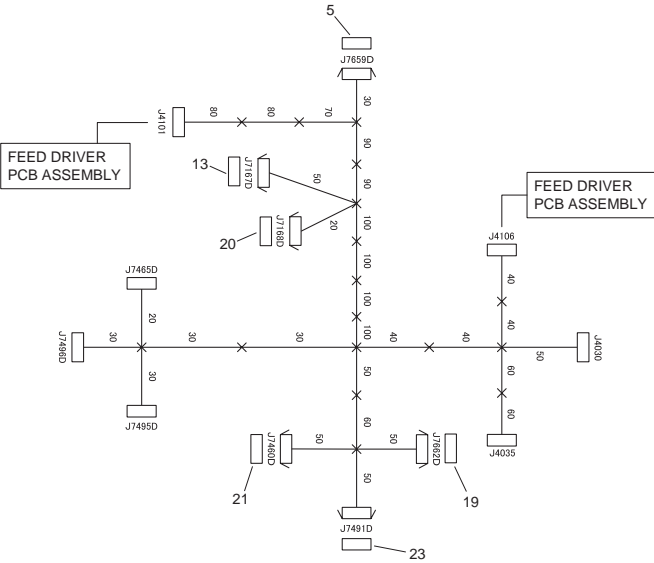
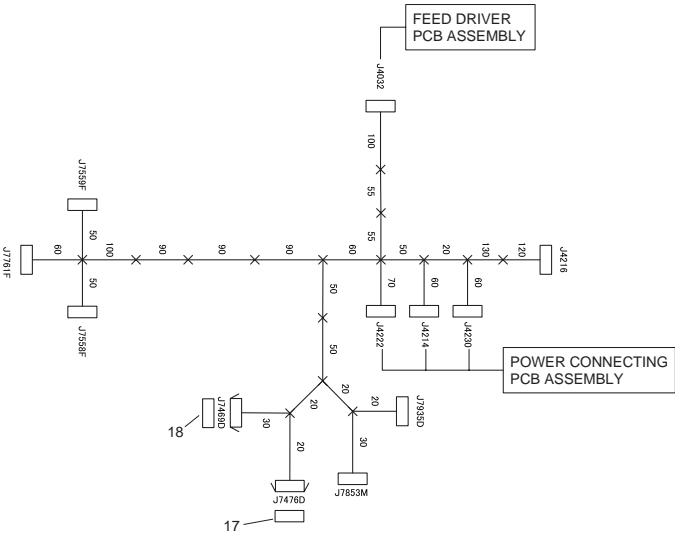
C6010VP











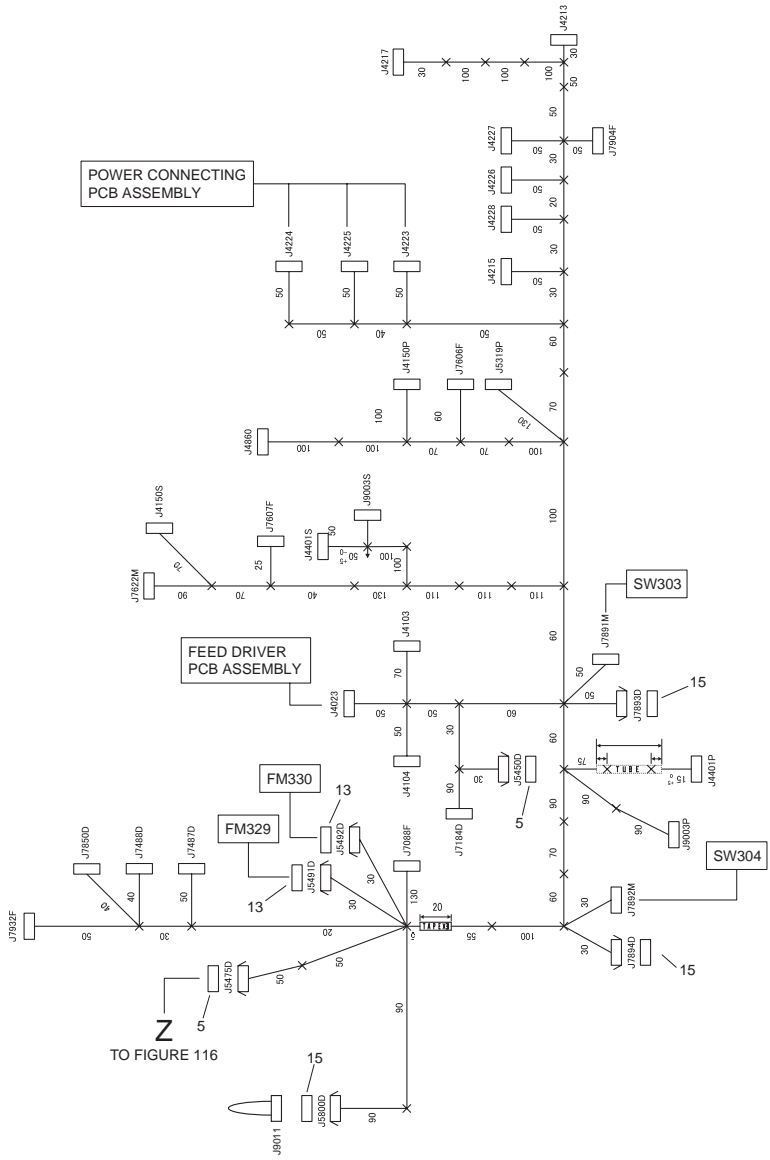


FIGURE & KEY NO.	PARTS NUMBER	RANK	Q'TY	DESCRIPTION	SERIAL NUMBER/REMARKS	SVC
Fig.999	NPN		RF	CABLE UNIT		
1	VS1-7164-030		2	CONNECTOR, SNAP TIGHT, 30P, W		
2	VS1-7164-032		1	CONNECTOR, SNAP TIGHT, 32P, W		
3	VS1-7164-040		2	CONNECTOR, SNAP TIGHT		
4	VS1-7173-003		1	CONNECTOR, SNAP TIGHT, 3P, W		
5	VS1-7177-004		14	CONNECTOR, SNAP TIGHT, BK		
6	VS1-7207-008		1	CONNECTOR, SNAP TIGHT, BK		
7	VS1-7164-034		2	CONNECTOR, SNAP TIGHT, 34P, W		
8	VS1-7164-036		2	CONNECTOR, SNAP TIGHT, 36P, W		
9	VS1-7173-005		1	CONNECTOR, SNAP TIGHT		
10	VS1-7173-011		1	CONNECTOR, SNAP TIGHT, 11P, W		
11	VS1-7173-012		2	CONNECTOR, SNAP TIGHT, 12P, W		
12	VS1-7173-014		1	CONNECTOR, SNAP TIGHT, 14P, W		
13	VS1-7177-005		5	CONNECTOR, SNAP TIGHT, BK		
14	VS1-7177-008		2	CONNECTOR, SNAP TIGHT, BK		
15	VS1-7177-003		4	CONNECTOR, SNAP TIGHT, BK		
16	VS1-7173-009		1	CONNECTOR, SNAP TIGHT, 9P, W		
17	VS1-7177-006		1	CONNECTOR, SNAP TIGHT, BK		
18	VS1-7177-007		1	CONNECTOR, 7P, FEMALE, BK		
19	VS1-7177-012		2	CONNECTOR, SNAP TIGHT, BK		
20	VS1-7173-004		1	CONNECTOR, SNAP TIGHT		
21	VS1-7173-016		1	CONNECTOR, SNAP TIGHT, 16P, W		
22	FM3-4697-000		4	CONNECTOR, SHORT		
23	VS1-7164-024		1	CONNECTOR, SNAP TIGHT, 24P, W		

FIGURE ZZA

MECHANICAL STANDARD PARTS (HOW TO USE)

Mechanical standard parts

機械標準部品

About a mechanical standard parts

A Mechanical standard parts is a mechanical part which not parts peculiar to a product. They are parts which are common to a Canon product and are used, such as a screw and a washer. The Fig No. and parts number of the mechanical standard parts are not listed in the product parts catalog. Refer to the parts catalog of mechanical standard parts when checking the parts number for screw or washer etc. and identify them by part shape or size.

機械標準部品とは

機械標準部品とは、製品特有の部品ではなく、ねじやワッシャなどキヤノン製品共通で使用されている機械部品（メカ部品）のことです。
製品のパーツカタログには、機械標準部品のFig No.や部品番号は記載しておりません。
ねじや、ワッシャ等の部品番号を調べるときは、機械標準部品のパーツカタログを参照し、部品の形状や大きさから判断し、使用している部品を調べてください。

Material and surface treatment of a mechanical standard parts

Material and surface treatment of mechanical standard parts are assigned commonly for each part. Refer to the Table 1 for the parts which material and surface treatment are assigned as numbers.

機械標準部品の材料および表面処理

機械標準部品の材料および表面処理については、各種部品共通で決められています。
材料および表面処理が番号で決められている部品については、表1を参照してください。

Table 1 Material and Surface treatment
表1 材料および表面処理

No. 番号	Material 材料	Surface treatment 表面処理	Color 色
1	Stainless steel ステンレス	Stainless steel black coloring (BC4) ステンレス黒着色(BC4)	Black 黒
2		not to be given なし	White 白
3	Brass 黄銅	Regular nickel plating (NL) 普通ニッケルメッキ(NL)	White 白
4		Black nickel plating (BN) 黒色ニッケルメッキ(BN)	Black 黒
5	Steel 鋼	White zinc trivalent chromate treating (ZC3) 白色亜鉛3価クロメート(ZC3)	White 白
6		Regular nickel chromium plating (NC) 普通ニッケルクロムメッキ(NC)	White 白
7		Regular nickel plating (NL) 普通ニッケルメッキ(NL)	White 白
8		Iron and steel phosphating (P1) 鉄鋼磷酸塩処理(P1)	Black 黒
9		Black zinc trivalent chromate treating (BZ3) 黒色亜鉛3価クロメート(BZ3)	Black 黒

FIGURE ZZB MECHANICAL STANDARD PARTS (SCREWS)

1. Screws ねじ

How to read Parts Numbers
部品番号の見方

Screws
ねじ

XB1-2400-609

Type No.
類別番号

Normal designation (d)
ねじの呼び(d)

Length (L)
ねじの長さ(L)

Material and Surface treatment
材料および表面処理

XB1-2 expresses Binding head machine screw.
XB1-2は、バインドねじを表す

40 expresses M4.0.
40は、M4.0を表す

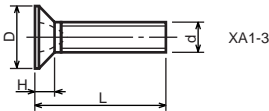
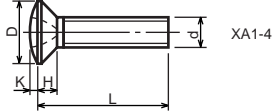
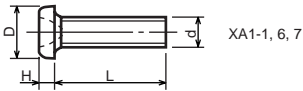
0-60 expresses a length of 6.0mm.
0-60は、6.0mmの長さを表す

9 expresses Steel (Black zinc trivalent chromate
treating) from Table 1.

9は、表1より鋼(黒色亜鉛3価クロメート)を表す

1-1. Cross Recessed Head Screws for Precision Equipments

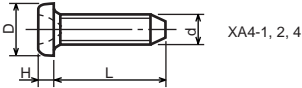
精密機器用十字穴付き小ねじ



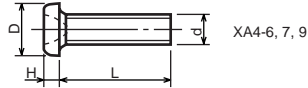
Type No. 類別番号	Type 類別
XA1-1	Pan head Class 1 なべ1種
XA1-3	Countersunk head Class 1 さら1種
XA1-4	Oval countersunk head Class 1 丸さら1種
XA1-6	Pan head Class 3 なべ3種
XA1-7	Pan head Class 2 なべ2種

		Head size (mm) 頭部寸法 (mm)					
		M1.4	M1.6	M1.7	M2	M2.5	M2.6
D	XA1-1	2	2.4	2.5	3	3.8	4
H	XA1-1	0.5	0.55	0.5	0.6	0.9	0.8
D	XA1-3	2	2.4	2.5	3	3.8	4
H	XA1-3	0.48	0.55	0.58	0.73	0.85	0.93
D	XA1-4	2	2.4	2.5	3	3.8	4
H + K	XA1-4	0.68	0.8	0.88	1	1.25	1.3
D	XA1-6	2.5	2.8	3	3.5	4.3	4.5
H	XA1-6	0.8	0.85	0.9	1	1.3	1.2
D	XA1-7	2.5	2.8	3	3.5	4.3	4.5
H	XA1-7	0.5	0.55	0.5	0.6	0.9	0.8

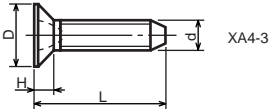
1-2. Precision Tapping Screws
精密用タッピンねじ



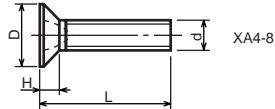
XA4-1, 2, 4



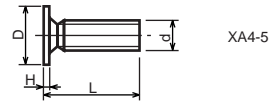
XA4-6, 7, 9



XA4-3



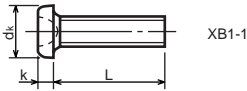
XA4-8



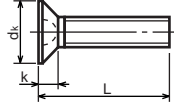
XA4-5

Type No. 類別番号	Type 類別	Head size (mm) 頭部寸法 (mm)						
		M1.4	M1.6	M1.7	M2	M2.5	M2.6	
XA4-1	With tapered end pan head Class 1 絞りなべ1種	D XA4-1	2	2.4	2.5	3	3.8	4
		H XA4-1	0.5	0.55	0.5	0.6	0.9	0.8
XA4-2	With tapered end pan head Class 3 絞りなべ3種	D XA4-2	2.5	2.8	3	3.5	4.3	4.5
		H XA4-2	0.8	0.85	0.9	1	1.3	1.2
XA4-3	With tapered end countersunk head 絞り-さら	D XA4-3	2	2.4	2.5	3	3.8	4
		H XA4-3	0.48	0.55	0.58	0.73	0.85	0.93
XA4-4	With tapered end pan head Class 2 絞りなべ2種	D XA4-4	2.5	2.8	3	3.5	4.3	4.5
		H XA4-4	0.5	0.55	0.5	0.6	0.9	0.8
XA4-5	With parallel end ultra thin head ストレート-超薄頭	D XA4-5	2.5	2.8	3	-	-	-
		H XA4-5	0.2	0.2	0.2	-	-	-
XA4-6	With parallel end pan head Class 1 ストレートなべ1種	D XA4-6	2	2.4	2.5	3	3.8	4
		H XA4-6	0.5	0.55	0.5	0.6	0.9	0.8
XA4-7	With parallel end pan head Class 3 ストレートなべ3種	D XA4-7	2.5	2.8	3	3.5	4.3	4.5
		H XA4-7	0.8	0.85	0.9	1	1.3	1.2
XA4-8	With parallel end countersunk head ストレート-さら	D XA4-8	2	2.4	2.5	3	3.8	4
		H XA4-8	0.48	0.55	0.58	0.73	0.85	0.93
XA4-9	With parallel end pan head Class 2 ストレートなべ2種	D XA4-9	2.5	2.8	3	3.5	4.3	4.5
		H XA4-9	0.5	0.55	0.5	0.6	0.9	0.8

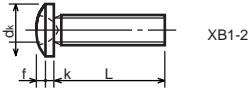
1-3. Cross Recessed Head Screws
一般用十字穴付き小ねじ



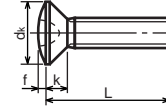
XB1-1



XB1-3



XB1-2

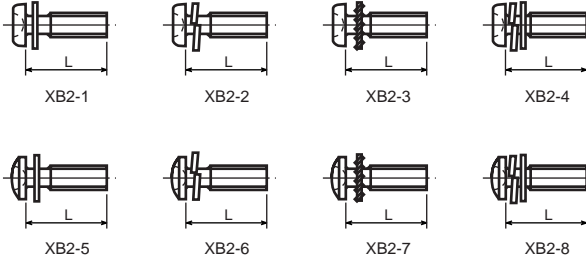


XB1-4

Type No. 類別番号	Type 類別
XB1-1	Pan head なべ
XB1-2	Binding head バインド
XB1-3	Countersunk head さら
XB1-4	Oval countersunk head 丸さら

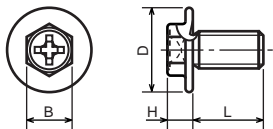
		Head size (mm) 頭部寸法 (mm)					
		M2	M2.5	M2.6	M3	M4	M5
dk	XB1-1	3.5	4.5	4.5	5.5	7	9
k	XB1-1	1.3	1.7	1.7	2	2.6	3.3
dk	XB1-2	4.3	5.3	5.5	6.3	8.3	10.3
k+f	XB1-2	1.2	1.5	1.6	1.9	2.5	3.1
dk	XB1-3	4	5	-	6	8	10
k	XB1-3	1.2	1.45	-	1.75	2.3	2.8
dk	XB1-4	4	5	-	6	8	10
k+f	XB1-4	1.6	2	-	2.45	3.2	4
Screw part length ねじ部長さ b		8	12	12	12	16	20

1-4. Cross Recessed Head Screws with Captive Washer
座金組込み十字穴付き小ねじ



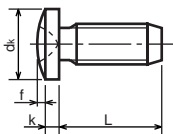
Type No. 類別番号	Type 類別
XB2-1	Pan head + Plain washer (circular bright) なべねじ+平座金
XB2-2	Pan head + Spring washer なべねじ+ばね座金
XB2-3	Pan head + Toothed lock washer なべねじ+歯付座金
XB2-4	Pan head + Spring washer and plain washer (circular bright) なべねじ+(ばね+平)座金
XB2-5	Binding head + Plain washer (circular bright) バインドねじ+平座金
XB2-6	Binding head + Spring washer バインドねじ+ばね座金
XB2-7	Binding head + Toothed lock washer バインドねじ+歯付座金
XB2-8	Binding head + Spring washer and plain washer (circular bright) バインドねじ+(ばね+平)座金

1-5. Hexagon Head Tapping Screws for Metallic Materials
 金属用六角タッピンねじ



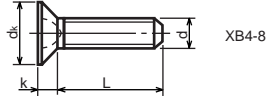
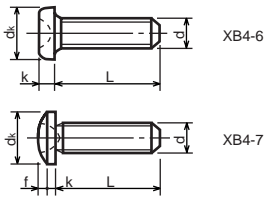
Type No. 類別番号	Type 類別	Head size (mm) 頭部寸法 (mm)		
		M3	M4	
XB3-6	For metallic materials 金属用タッピン	D	8	10
		B	5.5	5.5
XB3-7	For metallic materials with clawed 金属用タッピン-つめ付き	H XB3-6	3.1	3.1
		H XB3-7	3.2	3.2

1-6. Special Tapping Screws
 特殊タッピンねじ



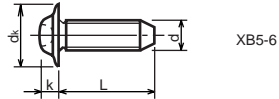
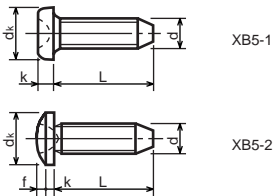
Type No. 類別番号	Type 類別	Head size (mm) 頭部寸法 (mm)		
		M3	M4	
XB4-5	Binding head バインド	d _k	6.3	8.3
		k	1.3	1.7
		k+f	1.9	2.5

1-7. General Head Tapping Screws
一般用タッピンねじ



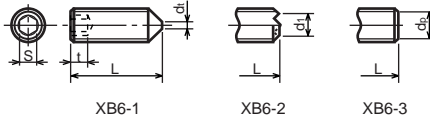
Type No. 類別番号	Type 類別	Head size (mm) 頭部寸法 (mm)						
		M2	M2.5	M2.6	M3	M4	M5	
XB4-6	Pan head なべ	d_k XB4-6	3.5	4.5	4.5	5.5	7	9
		k XB4-6	1.3	1.7	1.7	2	2.6	3.3
XB4-7	Binding head バインド	d_k XB4-7	4.3	5.3	5.5	6.3	8.3	10.3
		$k+f$ XB4-7	1.2	1.5	1.6	1.9	2.5	3.1
XB4-8	Countersunk head さら	d_k XB4-8	4	5	5.2	6	8	10
		k XB4-8	1.2	1.45	1.5	1.75	2.3	2.8

1-8. Tapping Screws for Metallic Materials
金属用タッピンねじ



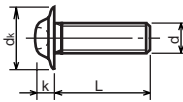
Type No. 類別番号	Type 類別	Head size (mm) 頭部寸法 (mm)					
		M2.5	M2.6	M3	M4	M5	
XB5-1	Pan head なべ	d_k XB5-1	4.5	4.5	5.5	7	9
		k XB5-1	1.7	1.7	2	2.6	3.3
XB5-2	Binding head バインド	d_k XB5-2	5.5	5.5	6.3	8.3	10.3
		$k+f$ XB5-2	1.6	1.6	1.9	2.5	3.1
XB5-6	Flanged pan head つば付きなべ	d_k XB5-6	6.5	6.5	8	10	12
		k XB5-6	2.1	2.1	1.75	3.2	4

1-9. Hexagon Socket Set Screws
六角穴付止めねじ



Type No. 類別番号	Type 類別	Head size (mm) 頭部寸法 (mm)							
		M1.6 M1.7	M2	M2.5 M2.6	M3	M5	M5	M6	
XB6-1	Cone point とがり先	S	0.7	0.9	1.3	1.5	2	2.5	3
		t	1.5	1.7	2	2	2.5	3	3.5
		$d_{t \max}$ XB6-1	0.4	0.5	0.65	0.75	1	1.25	1.5
		$d_{t \max}$ XB6-2	-	1.2	1.5	1.7	2.2	2.8	3.3
		$d_{t \min}$ XB6-2	-	1	1.2	1.4	1.9	2.4	2.9
		$d_{p \max}$ XB6-3	0.8	1	1.5	2	2.5	3.5	4
		$d_{p \min}$ XB6-3	0.55	0.75	1.25	1.75	2.25	3.2	3.7

1-10. Flanged Pan Head Machine Screws
つば付きなべ小ねじ



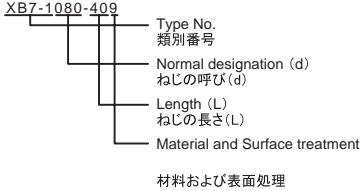
Type No. 類別番号	Type 類別	Head size (mm) 頭部寸法 (mm)					
		M2	M2.5 M2.6	M3	M5	M5	
XB6-7	Flanged pan head つば付きなべ	d_k	5	6.5	8	10	12
		k	1.7	2.1	2.5	3.2	4

FIGURE ZZC MECHANICAL STANDARD PARTS (BOLTS)

2. Bolts (Socket head cap screw) ボルト

How to read Parts Numbers
部品番号の見方

Bolt (Socket head cap screw)
ボルト



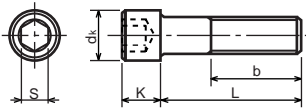
XB7-1 expresses Hexagon socket head cap screws.
XB7-1は、六角穴付きボルトを表す

080 expresses M8.0.
080は、M8.0を表す

40 expresses a length of 40mm.
40は、40mmの長さを表す

9 expresses Steel (Black zinc trivalent chromate treating) from Table 1.
9は、表1より鋼(黒色亜鉛3価クロメート)を表す

2-1. Hexagon socket head cap screws 六角穴付きボルト



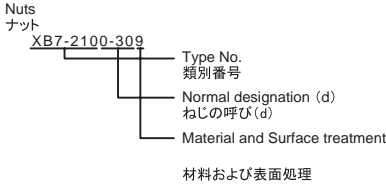
Type No. 類別番号	Type 類別
XB7-1	Hexagon socket head cap screws 六角穴付きボルト

	Head size (mm) 頭部寸法 (mm)						
	M3	M4	M5	M6	M8	M10	M12
S	2.5	3	4	5	6	8	10
d _k	5.5	7	8.5	10	13	16	18
K	3	4	5	6	8	10	12
Screw part length ねじ部長さ b _{max}	18	20	22	24	28	32	36

FIGURE ZZD MECHANICAL STANDARD PARTS (NUTS)

3. Nuts ナット

How to read Parts Numbers
部品番号の見方

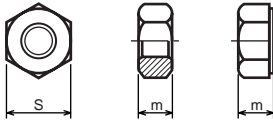


XB7-210 expresses Hexagon nut class 1.
XB7-210は、六角ナット1種を表す

0-30 expresses M3.0.
0-30は、M3.0を表す

9 expresses Steel (Black zinc trivalent chromate treating) from Table 1.
9は、表1より鋼(黒色亜鉛3価クロメート)を表す

3-1. Hexagon Nuts and Hexagon Thin Nuts 六角ナット



Type No. 類別番号	Type 類別
XB7-210	Hexagon nut Class 1 六角ナット-1種
XB7-220	Hexagon nut Class 3 六角ナット-3種
XB7-230	Hexagon nut Style 1 double chamfered 六角ナット-スタイル1-両面とり
XB7-231	Hexagon nut Style 1 washer faced 六角ナット-スタイル1-座付き
XB7-240	Hexagon nut Style 2 double chamfered 六角ナット-スタイル2-両面とり
XB7-241	Hexagon nut Style 2 washer faced 六角ナット-スタイル2-座付き
XB7-250	Hexagon nut 六角ナット
XB7-260	Hexagon thin nut double chamfered 六角低ナット-両面とり
XB7-270	Hexagon thin nut not chamfered 六角低ナット-面とり無し

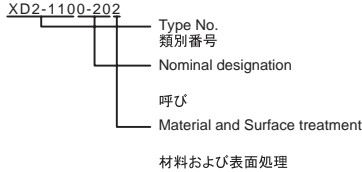
	Head size (mm) 頭部寸法 (mm)						
	M2	M2.5	M3	M4	M5	M6	M8
S	4	5	5.5	7	8	10	13
m XB7-210	1.6	2	2.4	3.2	4	5	6.5
m XB7-220	1.2	1.6	1.8	2.4	3.2	3.6	5
m XB7-230, 231	1.6	2	2.4	3.2	4.7	5.2	6.8
m XB7-240, 241	-	-	-	-	5.1	5.7	7.5
m XB7-250	-	-	-	-	5.6	6.1	7.9
m XB7-260	1.2	1.6	1.8	2.2	2.7	3.2	4
m XB7-270	1.2	1.6	1.8	2.2	2.7	3.2	4

FIGURE ZZE MECHANICAL STANDARD PARTS (RETAINING RINGS)

5. Retaining Rings 止め輪

How to read Parts Numbers
部品番号の見方

Retaining Rings 止め輪



XD2-110 expresses retaining ring-E type (Type1).
XD2-110は、E形止め輪(1種)を表す

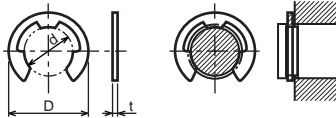
0-20 expresses a 020 of nominal designation.
(See Table 5)

0-20は、呼び020を表す(表5参照)

2 expresses Stainless steel (Surface treatment is not to be given) from Table 1.

2は、表1よりステンレス(表面処理なし)を表す

5-1. Retaining Rings - E type E形止め輪

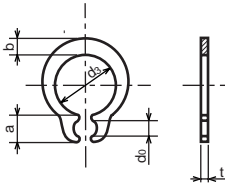


Type No. 類別番号	Type 類別
XD2-110	Retaining ring - E type (Type 1) E形止め輪(1種)
XD2-120	Retaining ring - E type (Type 2) E形止め輪(2種)

Table 5 表5

Type 種類	Nominal designation 呼び	d (mm)	D (mm)	t (mm)
Type 1 1種	007	0.65	2	0.2
	010	0.95	2.8	0.2
	013	1.25	3.3	0.3
	017	1.65	4.2	0.4
	020	1.95	4.6	0.5
	024	2.35	6	0.6
	028	2.74	6.5	0.6
	032	3.14	7.2	0.6
	037	3.64	8	0.7
	040	3.93	10	0.7
	042	4.13	10	0.7
	050	4.93	11	0.7
	058	5.73	12	0.7
	060	5.93	12.7	0.9
	064	6.32	13.5	0.9
	074	7.31	15	0.9
080	7.91	16.5	1	
Type 2 2種	008	0.8	2	0.2
	012	1.2	3	0.3
	015	1.5	4	0.4
	020	2	5	0.4
	025	2.5	6	0.4
	030	3	7	0.6
	040	4	9	0.6
	050	5	11	0.6
	060	6	12	0.8
	070	7	14	0.8
	080	8	16	0.8
	090	9	18	0.8
	100	10	20	1

5-2. Grip Rings
グリップ止め輪

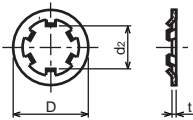


Type No. 類別番号	Type 類別
XD2-210	Grip ring グリップ止め輪

Table 5 表5

Nominal designation 呼び	d ₃ (mm)	t (mm)	b (mm)	a (mm)	d ₀ (mm)
020	1.9	0.5	1	1.8	0.8
025	2.35	0.5	1.2	1.9	0.9
030	2.85	0.6	1.4	1.9	0.9
035	3.3	0.6	1.6	2	0.9
040	3.8	0.8	1.8	2.8	1.2
045	4.25	0.8	2	2.9	1.3
050	4.75	0.8	2.2	2.9	1.3
060	5.7	1	2.4	3.1	1.4
070	6.7	1	2.7	3.3	1.4
080	7.7	1	3	3.5	1.4
090	8.65	1.2	3.3	4.7	1.5
100	9.65	1.2	3.5	4.7	2

5-3. Toothed Retaining Rings
歯付き形止め輪



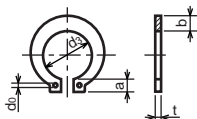
Type No. 類別番号	Type 類別
XD2-230	Toothed retaining ring 歯付き形止め輪

Table 5 表5

Nominal designation 呼び	d _z (mm)	D (mm)	t (mm)	No of teeth 歯数
015	1.4	5.2	0.25	3
020	1.9	6	0.25	3
024	2.3	6.4	0.25	3
030	2.8	8	0.25	4
040	3.8	9	0.25	4
050	4.8	10	0.25	5
060	5.8	11	0.25	5
080	7.8	13	0.25	5
100	9.8	15.4	0.25	6

5-4. Retaining Rings - C Type

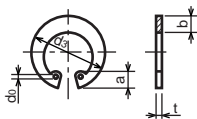
C形止め輪



Type No. 類別番号	Type 類別
XD2-310	Retaining ring - C type for shaft C形止め輪 軸用

Table 5 表5

Nominal designation 呼び	d ₃ (mm)	t (mm)	b (mm)	a (mm)	d ₀ (mm)
010	9.3	1	1.6	3	1.2
012	11.1	1	1.8	3.2	1.5
014	12.9	1	2	3.4	1.7
015	13.8	1	2.1	3.5	1.7
016	14.7	1	2.2	3.6	1.7
017	15.7	1	2.2	3.7	1.7
018	16.5	1.2	2.6	3.8	1.7
020	18.5	1.2	2.7	3.9	2
022	20.5	1.2	2.7	4.1	2
025	23.2	1.2	3.1	4.3	2
028	25.9	1.5	3.1	4.6	2
030	27.9	1.5	3.5	4.8	2
032	29.6	1.5	3.5	5	2.5
035	32.2	1.5	4	5.4	2.5



Type No. 類別番号	Type 類別
XD2-320	Retaining ring - C type for hole C形止め輪 穴用

Table 5 表5

Nominal designation 呼び	d ₃ (mm)	t (mm)	b (mm)	a (mm)	d ₀ (mm)
010	10.7	1	1.8	3.1	1.2
011	11.8	1	1.8	3.2	1.2
012	13	1	1.8	3.3	1.5
014	15.1	1	2	3.6	1.7
016	17.3	1	2	3.7	1.7
018	19.5	1	2.5	4	1.7
019	20.5	1	2.5	4	2
020	21.5	1	2.5	4	2
022	23.5	1	2.5	4.1	2
025	26.9	1.2	3	4.4	2
028	30.1	1.2	3	4.6	2
030	32.1	1.2	3	4.7	2
032	34.4	1.2	3.5	5.2	2.5
035	37.8	1.5	3.5	5.2	2.5
037	39.8	1.5	3.5	5.2	2.5
040	43.5	1.8	4	5.7	2.5
042	45.5	1.8	4	5.8	2.5
045	48.5	1.8	4.5	5.9	2.5
047	50.5	1.8	4.5	6.1	2.5
050	54.2	2	4.5	6.5	2.5
052	56.2	2	5.1	6.5	2.5
055	59.2	2	5.1	6.5	2.5
060	64.2	2	5.1	6.8	2.5
062	66.2	2	5.5	6.9	2.5
068	72.5	2.5	6	7.4	2.5
072	76.5	2.5	6.6	7.4	2.5
075	79.5	2.5	6.6	7.8	2.5
080	85.5	2.5	7	8	2.5
085	90.5	3	7	8	3
090	95.5	3	7.6	8.3	3
095	100.5	3	8	8.5	3

Prepared by
OIP Service Management Center
CANON INC.

Canon