

**PARTS
CATALOG**

**imagePRESS
C7000VP
C6000VP
C6000**



Canon

DU7-3196-010

MARCH 2008

PREFACE

This Parts Catalog contains listings of parts used

Diagrams are provided with the listings to aid the service technician in identifying clearly, the item to be ordered.

Whenever ordering parts, consult this Parts Catalog for all of the information pertaining to each item. Be sure to include, in the Parts Request, the full item description, the item part number, and the quantity.

COPYRIGHT (C) 1999 CANON INC.

Use of this manual should be strictly supervised to avoid disclosure of confidential information.

Contents

NUMERICAL INDEX

imagePRESS C7000VP/C6000VP/C6000(Numerical Index)..... 1-1

imagePRESS C7000VP/C6000VP/C6000(Parts Catalog)

A1	ASSEMBLY LOCATION DIAGRAM	2-1
A2	OPTION PARTS CATALOG LIST	2-16
001	ACCESSORIES	2-17
100	EXTERNAL COVERS, PANELS, ETC. (Main station)	2-19
102	INTERNAL COMPONENTS 1 (Main station)	2-24
103	INTERNAL COMPONENTS 2 (Main station)	2-26
104	INTERNAL COMPONENTS 3 (Main station)	2-28
105	INTERNAL COMPONENTS 4 (Main station)	2-30
106	INTERNAL COMPONENTS 5 (Main station)	2-32
107	INTERNAL COMPONENTS 6 (Main station)	2-34
108	MACHINE REAR PLATE 1 (Main station)	2-36
109	MACHINE REAR PLATE 2 (Main station)	2-38
111	EXTERNAL COVERS, PANELS, ETC. (Sub station)	2-40
112	INTERNAL COMPONENTS 1 (Sub station)	2-43
113	INTERNAL COMPONENTS 2 (Sub station)	2-45
114	INTERNAL COMPONENTS 3 (Sub station)	2-47
115	MACHINE REAR PLATE 1 (Sub station)	2-49
116	MACHINE REAR PLATE 2 (Sub station)	2-51
120	POWER STATION COVER ASSEMBLY	2-53
121	POWER STATION ASSEMBLY	2-55
125	INTERLOCK SWITCH ASSEMBLY	2-57
126	DRUM HEATER INTERLOCK SW. ASS'Y	2-58
130	CONTROL PANEL ASSEMBLY	2-59
140	POWER CORD TERMINAL ASSEMBLY	2-61
180	FIXING BELT COOLING FAN ASS'Y	2-62
181	COOLING FAN ASS'Y, 2	2-64
182	ROLLER COOLING FAN ASSEMBLY	2-65
183	FIRST FIXING FAN ASSEMBLY	2-67
184	SECOND FIXING FAN ASSEMBLY	2-68
185	DUCT, FIRST EXHAUST	2-69
186	FAN MOUNT ASSEMBLY, OUTER	2-71
188	BELT COOLING FAN ASSEMBLY	2-72
189	PAPER DELIVERY FAN ASSEMBLY	2-74
190	FAN MOUNT ASSEMBLY	2-75
191	PRIMARY EXHAUST FAN ASSEMBLY	2-77

Contents

192	PRIMARY INLET FAN ASS'Y, C/K	2-79
193	PRIMARY INLET FAN ASS'Y, Y/M	2-80
194	PRE-TRNS.EXHAUST DUCT ASSEMBLY	2-82
195	FIRST FIXING EXHAUST FAN ASS'Y	2-83
260	PAPER PICK-UP DRIVE ASS'Y	2-84
262	REGISTRATION SLIDE DRIVE ASS'Y	2-86
271	DRUM DRIVE ASSEMBLY	2-87
272	DEVELOPING DRIVE ASSEMBLY	2-89
273	I.T.B. CLEANER DRIVE ASSEMBLY	2-90
274	SECONDARY TRANSFER DRIVE ASS'Y	2-91
275	I.T.B. WEB PRESSURE ASSEMBLY	2-92
280	FIXING DRIVE ASSEMBLY	2-93
283	WASTE TONER DRIVE ASSEMBLY	2-95
284	DELIVERY DRIVE ASSEMBLY	2-96
300	PAPER STOCK ASSEMBLY	2-97
310	PAPER PICK-UP ASSEMBLY	2-104
320	REGIST.PAPER FEEDER ASSEMBLY	2-107
321	PRE-REGISTRATION FEED ASSEMBLY	2-112
322	PRE-REGIST. FEEDER UPPER ASS'Y	2-114
323	PRE-REGIST. FEEDER LOWER ASS'Y	2-118
324	2ND TRNSFR. ELIM. ASS'Y, REAR	2-120
325	VERTICAL PATH ASSEMBLY	2-121
326	RIGHT DOOR ASSEMBLY	2-122
327	VERTICAL PATH MAIN ASSEMBLY	2-124
328	TURN ASSEMBLY	2-127
329	INNER GUIDE OPEN/CLOSE ASS'Y	2-129
330	PRE-FIXING PAPER FEED ASS'Y	2-130
331	2ND TRNS.FRAME/FIX. F.D ASS'Y	2-132
332	2ND TRNS. BASE PLATE ASS'Y	2-134
333	SECONDARY TRANSFER ASSEMBLY	2-136
336	L.LOWER PAPER FEED ASSEMBLY	2-139
337	LOWER PAPER FEED ASS'Y, UPPER	2-141
338	LOWER PAPER FEED ASS'Y, LOWER	2-143
340	FIXING/FEED ASSEMBLY, CENTER	2-145
341	FIXING/FEED ASS'Y, CENTER LW.	2-147
342	FIXING/FEED ASS'Y, CENTER UP.	2-149
343	FIXING/FEED ASSEMBLY, LEFT	2-151
344	FIXING/FEED ASS'Y, LEFT UPPER	2-153
345	FIXING/FEED ASS'Y, LEFT MIDDLE	2-155
346	FIXING/FEED ASS'Y, LEFT LOWER	2-157
347	FIXING/FEED ASS'Y, RIGHT	2-159
348	FIXING/FEED ASS'Y, RIGHT UPPER	2-161
349	FIXING/FEED ASS'Y, RIGHT LOWER	2-163
350	REVERSE DELIVERY ASSEMBLY	2-165
351	DELIVERY GUIDE ASSEMBLY, UPPER	2-167

Contents

352	REVERSE ASSEMBLY	2-170
353	REVERSE GUIDE ASSEMBLY, LOWER	2-176
354	REVERSE GUIDE ASSEMBLY, UPPER	2-178
355	DELIVERY GUIDE ASSEMBLY, LOWER	2-179
360	DUPLEX LEFT ASSEMBLY	2-181
361	DUPLEX CENTER ASSEMBLY	2-183
362	DUPLEX RIGHT ASSEMBLY	2-185
370	DUPLEXING DECURLER ASSEMBLY	2-187
371	DUPLEXING ASSEMBLY, RIGHT	2-191
372	DUPLEXING ASSEMBLY, LEFT	2-194
380	LEFT DECK PATH MERGER ASS'Y	2-197
381	PULL-OUT ROLLER LEFT ASS'Y	2-199
382	PULL-OUT ROLLER RIGHT ASS'Y	2-201
383	PAPER FEED MOUNT ASSEMBLY	2-203
460	SCANNER ASSEMBLY	2-206
511	D KIT ASSEMBLY	2-207
530	I.T.B. ASSEMBLY	2-210
531	I.T.B. LOWER FRAME ASSEMBLY	2-212
532	I.T.B. UPPER FRAME ASSEMBLY	2-216
533	I.T.B. CLEANER ASSEMBLY	2-222
534	I.T.B. WEB ASSEMBLY	2-224
535	I.T.B. POST CORONA ASSEMBLY	2-226
536	EDGE REGISTRATION DETECT ASS'Y	2-228
550	PRIMARY CORONA ASSEMBLY	2-230
600	PROCESSOR KIT ASSEMBLY	2-233
610	DEVELOPING RAIL ASSEMBLY	2-236
615	DEVELOPING PRESSURE ASSEMBLY	2-238
620	HOPPER ASSEMBLY	2-240
621	BUFFER ASSEMBLY	2-244
622	SUB HOPPER ASSEMBLY	2-246
625	TONER FEED ASS'Y	2-248
640	DEVELOPING ASSEMBLY	2-249
710	CLEANER ASSEMBLY	2-251
770	WASTE TONER FEEDER ASSEMBLY	2-253
771	WASTE TONER BUFFER ASSEMBLY	2-254
775	WASTE TONER PIPE ASSEMBLY	2-255
780	WASTE TONER COLLECTION ASS'Y	2-256
781	WASTE TONER BOTTLE TRAY ASS'Y	2-259
810	FIRST FIXING ASSEMBLY	2-261
812	INNER PAPER DELIVERY ASS'Y, 1	2-263
813	FIXING BELT ASSEMBLY	2-266
814	FIXING INTERMEDIATE ASS'Y, 1	2-268
815	FIRST FIXING ASSEMBLY, UPPER	2-270
816	FIRST FIXING ASSEMBLY, LOWER	2-274
817	CLEANER DRIVE ASSEMBLY	2-278

Contents

818	FIXING BELT DRIVE ASS'Y	2-280
830	FIXING CLEANER ASSEMBLY	2-281
840	EXTERNAL HEATING ASSEMBLY	2-283
850	SECOND FIXING ASSEMBLY	2-285
854	FIXING INTERMEDIATE ASS'Y, 2	2-287
855	SECOND FIXING ASSEMBLY, UPPER	2-289
856	INNER PAPER DELIVERY ASS'Y, 2	2-293
857	SECOND FIXING ASSEMBLY, LOWER	2-296
890	FIRST FIXING MOUNT ASSEMBLY	2-300
891	SECOND FIXING MOUNT ASSEMBLY	2-302
892	LOCK SENSING ASSEMBLY,1	2-304
893	LOCK SENSING ASSEMBLY,2	2-305
900	CONTROLLER BOX ASSEMBLY	2-306
911	DC POWER SUPPLY ASS'Y, 24V	2-308
912	DC POWER SUPPLY ASS'Y, 13V	2-309
930	DC CONTROLLER ASSEMBLY	2-311
932	DRM PCB ASSEMBLY, 256	2-312
933	DRM PCB ASSEMBLY, 512	2-313
934	LAN-BAR-B PCB ASSEMBLY	2-314
935	RO-B PCB ASSEMBLY	2-315
936	MAIN CONTROLLER PCB ASS'Y, M	2-316
937	MAIN CONTROLLER PCB ASS'Y, P	2-317
938	S-B PCB ASSEMBLY	2-318
940	DC CONTROLLER PCB 1-1 ASSEMBLY	2-319
941	DC CONTROLLER PCB 1-2 ASSEMBLY	2-320
942	DC CONTROLLER PCB 1-3 ASSEMBLY	2-321
960	V.PATH/L.FEED DRIVER PCB ASS'Y	2-322
962	PAPER PICK-UP DRIVER PCB ASS'Y	2-323
964	DRUM DRIVER PCB ASSEMBLY	2-324
965	FEED DRIVER PCB ASSEMBLY	2-325
970	COLOR SENSOR DRIVER PCB ASS'Y	2-326
980	DEV./PRIMARY H.V. PCB ASSEMBLY	2-327
982	2ND TRNSFR. H.V. PCB ASSEMBLY	2-328
983	HVT8 PCB ASSEMBLY	2-329
999	CABLE UNIT	2-330
ZZA	MECHANICAL STANDARD PARTS (HOW TO USE)	2-343
ZZB	MECHANICAL STANDARD PARTS (SCREWS)	2-344
ZZC	MECHANICAL STANDARD PARTS (BOLTS)	2-351
ZZD	MECHANICAL STANDARD PARTS (NUTS)	2-352
ZZE	MECHANICAL STANDARD PARTS (WASHERS)	2-353
ZZF	MECHANICAL STANDARD PARTS (RETAINING RINGS)	2-356
ZZG	MECHANICAL STANDARD PARTS (PINS)	2-359
ZZH	MECHANICAL STANDARD PARTS (SPACERS)	2-360

NUMERICAL INDEX

imagePRESS C7000VP/C6000VP/C6000(Numerical Index)

PARTS NUMBER	FIGURE & KEY NO.	PARTS NUMBER	FIGURE & KEY NO.	PARTS NUMBER	FIGURE & KEY NO
FA4-1864-000	535 - 1	FB2-3200-000	534 - 1	FC5-1810-000	550 - 3
FA4-8614-000	600 - 1	FB2-4375-000	511 - 1	FC5-1904-000	620 - 1
FA6-8257-000	300 - 1	FB2-4383-000	191 - 1	FC5-1912-000	620 - 2
FA9-2112-000	104 - 12	FB2-6285-020	330 - 2	FC5-1945-000	620 - 3
FA9-2112-000	260 - 1	FB2-6285-020	331 - 8	FC5-2067-000	330 - 4
FA9-2112-000	300 - 2	FB2-6285-020	333 - 21	FC5-2067-000	331 - 10
FA9-2112-000	310 - 1	FB2-6285-020	350 - 15	FC5-2321-000	857 - 25
FA9-2112-000	321 - 1	FB2-6285-020	352 - 3	FC5-2369-020	817 - 2
FA9-2112-000	323 - 1	FB2-6285-020	355 - 2	FC5-2582-000	840 - 24
FA9-2112-000	326 - 1	FB2-6890-000	710 - 1	FC5-2597-020	817 - 3
FA9-2112-000	327 - 1	FB2-7540-000	355 - 1	FC5-2669-000	324 - 1
FA9-2112-000	328 - 1	FB2-7755-000	310 - 2	FC5-2715-000	814 - 27
FA9-2112-000	330 - 1	FB2-7755-000	381 - 2	FC5-2715-000	854 - 2
FA9-2112-000	331 - 1	FB2-7755-000	382 - 2	FC5-5145-000	857 - 26
FA9-2112-000	338 - 1	FB3-7543-000	815 - 1	FC5-6366-000	550 - 4
FA9-2112-000	340 - 7	FB3-7543-000	855 - 1	FC5-8003-000	622 - 1
FA9-2112-000	341 - 16	FB3-7543-000	857 - 3	FC5-8112-000	102 - 7
FA9-2112-000	343 - 7	FB3-9241-000	300 - 3	FC5-8115-000	310 - 3
FA9-2112-000	345 - 21	FB3-9243-000	300 - 4	FC5-8116-000	310 - 4
FA9-2112-000	346 - 18	FB3-9244-000	300 - 5	FC5-8120-000	310 - 5
FA9-2112-000	349 - 5	FB3-9319-000	300 - 92	FC5-8121-000	310 - 6
FA9-2112-000	351 - 1	FB4-1494-000	940 - 1	FC5-8122-000	310 - 7
FA9-2112-000	352 - 1	FB4-3687-000	535 - 11	FC5-8126-000	310 - 8
FA9-2112-000	353 - 1	FB4-3687-000	550 - 33	FC5-8127-000	310 - 9
FA9-2112-000	354 - 1	FB4-3689-000	814 - 1	FC5-8133-000	310 - 10
FA9-2112-000	355 - 1	FB4-3689-000	854 - 1	FC5-8133-000	381 - 3
FA9-2112-000	360 - 1	FB4-5093-020	371 - 29	FC5-8133-000	382 - 3
FA9-2112-000	361 - 1	FB4-5093-020	372 - 21	FC5-8142-000	310 - 11
FA9-2112-000	362 - 1	FB5-0994-000	600 - 30	FC5-8143-000	310 - 12
FA9-2112-000	370 - 18	FB5-4858-000	344 - 1	FC5-8144-000	310 - 13
FA9-2112-000	371 - 21	FB5-4858-000	812 - 49	FC5-8146-000	310 - 14
FA9-2112-000	372 - 14	FB6-0433-000	100 - 75	FC5-8147-000	310 - 15
FA9-2112-000	380 - 1	FB6-0439-020	100 - 26	FC5-8149-000	310 - 39
FA9-2112-000	381 - 1	FB6-3150-000	857 - 24	FC5-8153-000	310 - 16
FA9-2112-000	382 - 1	FB6-3440-000	326 - 17	FC5-8154-000	310 - 17
FA9-2112-000	532 - 1	FB6-3440-000	336 - 1	FC5-8165-000	104 - 13
FA9-2864-010	345 - 3	FB6-3771-000	100 - 92	FC5-8168-000	381 - 4
FA9-2864-010	349 - 8	FB6-3953-000	130 - 1	FC5-8168-000	382 - 4
FA9-2864-010	350 - 1	FB6-5141-000	600 - 32	FC5-8169-000	381 - 5
FA9-2864-010	352 - 2	FB6-5142-000	600 - 32	FC5-8169-000	382 - 5
FA9-2864-010	370 - 42	FB6-5143-000	600 - 32	FC5-8171-000	310 - 18
FA9-3684-000	100 - 91	FB6-5144-000	600 - 32	FC5-8175-000	381 - 6
FA9-3684-000	102 - 21	FB6-6088-000	333 - 22	FC5-8175-000	382 - 6
FA9-3684-000	106 - 12	FB6-6519-000	857 - 1	FC5-8205-000	300 - 6
FA9-3684-000	107 - 8	FC1-1117-000	271 - 1	FC5-8206-000	300 - 7
FA9-3684-000	300 - 104	FC2-2121-000	105 - 8	FC5-8207-000	300 - 8
FA9-3684-000	511 - 38	FC2-2121-000	814 - 2	FC5-8246-000	300 - 107
FA9-3684-000	600 - 29	FC2-2121-000	815 - 2	FC5-8249-000	300 - 9
FB2-2959-000	550 - 1	FC2-2121-000	855 - 2	FC5-8250-000	300 - 10
FB2-2960-000	550 - 2	FC2-2121-000	857 - 2	FC5-8251-000	300 - 11
FB2-3159-000	114 - 4	FC5-0127-000	620 - 56	FC5-8252-000	300 - 12
FB2-3159-000	350 - 2	FC5-1146-000	112 - 9	FC5-8538-000	300 - 13

NUMERICAL INDEX

imagePRESS C7000VP/C6000VP/C6000(Numerical Index)

PARTS NUMBER	FIGURE & KEY NO.	PARTS NUMBER	FIGURE & KEY NO.	PARTS NUMBER	FIGURE & KEY NO
FC5-8542-000	300 - 14	FC5-9026-000	622 - 6	FC5-9328-000	532 - 20
FC5-8561-000	300 - 15	FC5-9033-000	615 - 1	FC5-9331-000	333 - 23
FC5-8579-000	190 - 1	FC5-9034-000	615 - 2	FC5-9332-000	333 - 24
FC5-8660-000	100 - 48	FC5-9045-000	610 - 1	FC5-9335-000	333 - 30
FC5-8660-000	111 - 29	FC5-9046-000	610 - 2	FC5-9337-000	330 - 3
FC5-8661-000	104 - 6	FC5-9050-000	615 - 3	FC5-9337-000	331 - 9
FC5-8661-000	114 - 3	FC5-9051-000	615 - 4	FC5-9339-000	331 - 2
FC5-8746-000	621 - 1	FC5-9052-000	615 - 5	FC5-9340-000	331 - 3
FC5-8747-000	621 - 2	FC5-9053-000	615 - 6	FC5-9341-000	333 - 1
FC5-8748-000	621 - 3	FC5-9058-000	615 - 7	FC5-9348-000	274 - 1
FC5-8754-000	620 - 4	FC5-9059-000	615 - 8	FC5-9363-000	324 - 2
FC5-8755-000	620 - 5	FC5-9060-000	610 - 3	FC5-9378-000	332 - 1
FC5-8756-000	620 - 6	FC5-9061-000	610 - 4	FC5-9381-000	332 - 2
FC5-8764-000	621 - 4	FC5-9065-000	615 - 9	FC5-9384-000	383 - 1
FC5-8765-000	621 - 5	FC5-9119-000	532 - 3	FC5-9392-000	332 - 3
FC5-8771-000	621 - 6	FC5-9131-000	532 - 4	FC5-9405-000	331 - 4
FC5-8829-000	710 - 2	FC5-9132-000	532 - 5	FC5-9414-000	383 - 2
FC5-8830-000	710 - 3	FC5-9135-000	532 - 6	FC5-9418-000	333 - 2
FC5-8836-000	511 - 2	FC5-9136-000	532 - 7	FC5-9420-000	333 - 3
FC5-8837-000	511 - 3	FC5-9137-000	532 - 8	FC5-9421-000	333 - 4
FC5-8838-000	511 - 4	FC5-9145-000	532 - 9	FC5-9422-000	333 - 5
FC5-8839-000	511 - 5	FC5-9150-000	532 - 10	FC5-9483-000	329 - 1
FC5-8840-000	511 - 6	FC5-9151-000	532 - 11	FC5-9484-000	329 - 2
FC5-8842-000	511 - 7	FC5-9152-000	532 - 12	FC5-9489-000	327 - 2
FC5-8873-000	511 - 41	FC5-9156-000	533 - 1	FC5-9493-000	327 - 3
FC5-8877-000	511 - 8	FC5-9160-000	533 - 2	FC5-9510-000	326 - 2
FC5-8880-000	511 - 9	FC5-9161-000	533 - 3	FC5-9511-000	326 - 3
FC5-8881-000	511 - 10	FC5-9163-000	533 - 4	FC5-9513-000	326 - 4
FC5-8885-000	511 - 11	FC5-9168-000	533 - 5	FC5-9517-000	328 - 2
FC5-8890-000	105 - 12	FC5-9183-000	273 - 1	FC5-9518-000	328 - 3
FC5-8907-000	600 - 2	FC5-9188-000	531 - 1	FC5-9519-000	328 - 4
FC5-8908-000	600 - 3	FC5-9197-000	534 - 2	FC5-9522-000	328 - 5
FC5-8910-000	600 - 4	FC5-9200-000	534 - 3	FC5-9539-000	380 - 2
FC5-8911-000	600 - 5	FC5-9219-000	275 - 1	FC5-9559-000	327 - 4
FC5-8913-000	600 - 6	FC5-9239-000	345 - 13	FC5-9559-000	328 - 15
FC5-8923-000	511 - 12	FC5-9239-000	370 - 17	FC5-9559-000	338 - 13
FC5-8926-000	511 - 13	FC5-9245-000	530 - 3	FC5-9559-000	341 - 15
FC5-8932-000	815 - 3	FC5-9251-000	532 - 13	FC5-9559-000	345 - 20
FC5-8932-000	855 - 3	FC5-9252-000	532 - 54	FC5-9559-000	346 - 17
FC5-8934-000	856 - 1	FC5-9268-000	531 - 2	FC5-9559-000	349 - 4
FC5-8935-000	856 - 2	FC5-9277-000	531 - 3	FC5-9559-000	351 - 2
FC5-8945-000	856 - 3	FC5-9278-000	531 - 4	FC5-9559-000	352 - 4
FC5-8946-000	856 - 4	FC5-9281-000	531 - 5	FC5-9559-000	355 - 4
FC5-9005-000	272 - 1	FC5-9301-000	532 - 14	FC5-9559-000	370 - 19
FC5-9006-000	272 - 2	FC5-9302-000	532 - 15	FC5-9559-000	371 - 20
FC5-9014-000	280 - 2	FC5-9303-000	532 - 16	FC5-9559-000	372 - 13
FC5-9014-000	815 - 4	FC5-9304-000	532 - 17	FC5-9562-000	371 - 28
FC5-9014-000	855 - 4	FC5-9307-000	532 - 18	FC5-9562-000	372 - 20
FC5-9020-000	622 - 2	FC5-9312-000	532 - 55	FC5-9563-000	338 - 2
FC5-9023-000	622 - 3	FC5-9317-000	532 - 56	FC5-9563-000	371 - 27
FC5-9024-000	622 - 4	FC5-9318-000	532 - 19	FC5-9563-000	372 - 19
FC5-9025-000	622 - 5	FC5-9327-000	531 - 6	FC5-9614-000	320 - 1

NUMERICAL INDEX

imagePRESS C7000VP/C6000VP/C6000(Numerical Index)

PARTS NUMBER	FIGURE & KEY NO.	PARTS NUMBER	FIGURE & KEY NO.	PARTS NUMBER	FIGURE & KEY NO.
FC5-9615-000	320 - 2	FC5-9848-000	340 - 8	FC6-0104-000	100 - 2
FC5-9616-000	320 - 3	FC5-9848-000	341 - 1	FC6-0111-000	351 - 15
FC5-9617-000	320 - 4	FC5-9869-000	349 - 7	FC6-0114-000	271 - 2
FC5-9619-000	320 - 5	FC5-9885-000	355 - 5	FC6-0122-000	271 - 3
FC5-9620-000	320 - 6	FC5-9894-000	351 - 3	FC6-0175-000	109 - 16
FC5-9621-000	320 - 7	FC5-9894-000	355 - 6	FC6-0201-000	815 - 5
FC5-9622-000	320 - 8	FC5-9904-000	350 - 16	FC6-0202-000	815 - 6
FC5-9623-000	320 - 9	FC5-9907-000	350 - 3	FC6-0202-000	855 - 5
FC5-9624-000	320 - 10	FC5-9907-000	355 - 7	FC6-0235-000	815 - 28
FC5-9625-000	262 - 1	FC5-9917-000	351 - 4	FC6-0235-000	855 - 6
FC5-9631-000	320 - 11	FC5-9918-000	342 - 7	FC6-0237-010	815 - 7
FC5-9643-000	262 - 2	FC5-9918-000	344 - 2	FC6-0237-010	855 - 7
FC5-9644-000	262 - 3	FC5-9918-000	345 - 5	FC6-0238-010	815 - 8
FC5-9653-000	323 - 2	FC5-9918-000	348 - 6	FC6-0238-010	855 - 8
FC5-9654-000	383 - 3	FC5-9918-000	351 - 5	FC6-0241-000	855 - 10
FC5-9658-000	323 - 3	FC5-9928-000	351 - 6	FC6-0253-000	815 - 12
FC5-9660-000	323 - 4	FC5-9935-000	352 - 5	FC6-0253-000	855 - 11
FC5-9668-000	322 - 1	FC5-9939-000	354 - 2	FC6-0255-000	815 - 13
FC5-9668-000	360 - 10	FC5-9953-000	352 - 6	FC6-0255-000	855 - 12
FC5-9668-000	361 - 10	FC5-9976-000	370 - 27	FC6-0265-000	890 - 1
FC5-9668-000	362 - 10	FC5-9987-000	111 - 17	FC6-0265-000	891 - 1
FC5-9668-000	372 - 12	FC5-9988-000	111 - 18	FC6-0282-000	816 - 1
FC5-9715-000	320 - 14	FC5-9989-000	351 - 7	FC6-0291-000	816 - 2
FC5-9719-000	320 - 15	FC6-0009-000	326 - 5	FC6-0292-000	816 - 3
FC5-9721-000	320 - 16	FC6-0027-000	337 - 1	FC6-0294-000	816 - 5
FC5-9722-000	320 - 17	FC6-0034-000	360 - 2	FC6-0295-000	816 - 6
FC5-9725-000	320 - 18	FC6-0034-000	362 - 2	FC6-0297-000	816 - 7
FC5-9740-000	320 - 19	FC6-0036-000	112 - 8	FC6-0297-000	857 - 4
FC5-9745-000	320 - 20	FC6-0036-000	383 - 11	FC6-0300-000	816 - 8
FC5-9746-000	320 - 21	FC6-0045-000	327 - 5	FC6-0308-010	816 - 9
FC5-9747-000	320 - 22	FC6-0049-000	327 - 6	FC6-0309-000	816 - 10
FC5-9748-000	320 - 23	FC6-0055-000	327 - 7	FC6-0314-000	816 - 11
FC5-9749-000	320 - 24	FC6-0056-000	326 - 6	FC6-0316-000	816 - 12
FC5-9761-000	830 - 9	FC6-0058-000	326 - 7	FC6-0320-000	816 - 13
FC5-9766-000	813 - 20	FC6-0059-000	327 - 8	FC6-0321-000	816 - 14
FC5-9768-000	280 - 3	FC6-0059-000	360 - 3	FC6-0336-000	813 - 2
FC5-9769-000	280 - 4	FC6-0059-000	362 - 3	FC6-0357-000	816 - 16
FC5-9775-000	812 - 1	FC6-0060-000	326 - 8	FC6-0362-000	816 - 17
FC5-9775-000	856 - 5	FC6-0061-000	326 - 9	FC6-0383-000	857 - 5
FC5-9776-000	856 - 6	FC6-0063-000	326 - 10	FC6-0407-000	857 - 6
FC5-9778-000	830 - 21	FC6-0065-000	326 - 18	FC6-0416-000	857 - 7
FC5-9785-000	812 - 2	FC6-0069-000	326 - 11	FC6-0417-000	857 - 8
FC5-9791-000	812 - 3	FC6-0070-000	326 - 12	FC6-0418-000	857 - 9
FC5-9791-000	856 - 8	FC6-0073-000	326 - 13	FC6-1051-000	550 - 5
FC5-9792-000	812 - 4	FC6-0074-000	328 - 6	FC6-1052-000	550 - 6
FC5-9792-000	856 - 9	FC6-0075-000	328 - 7	FC6-1056-000	550 - 7
FC5-9810-000	840 - 2	FC6-0083-000	326 - 14	FC6-1057-000	550 - 8
FC5-9811-000	840 - 3	FC6-0084-000	326 - 15	FC6-1058-000	550 - 9
FC5-9826-000	840 - 6	FC6-0089-000	337 - 2	FC6-1059-000	550 - 10
FC5-9833-000	341 - 14	FC6-0090-000	337 - 3	FC6-1060-000	550 - 11
FC5-9833-000	346 - 23	FC6-0101-000	100 - 60	FC6-1061-000	550 - 12
FC5-9835-000	341 - 13	FC6-0102-000	100 - 61	FC6-1177-000	815 - 14

NUMERICAL INDEX

imagePRESS C7000VP/C6000VP/C6000(Numerical Index)

PARTS NUMBER	FIGURE & KEY NO.	PARTS NUMBER	FIGURE & KEY NO.	PARTS NUMBER	FIGURE & KEY NO
FC6-1224-000	816 - 18	FC6-2314-000	620 - 11	FC6-4947-000	130 - 6
FC6-1254-000	813 - 3	FC6-2317-000	620 - 12	FC6-4949-000	130 - 7
FC6-1260-000	812 - 5	FC6-2318-000	100 - 37	FC6-4950-000	130 - 8
FC6-1260-000	856 - 10	FC6-2319-000	100 - 38	FC6-4951-000	130 - 9
FC6-1292-000	817 - 5	FC6-2320-000	620 - 13	FC6-4952-000	130 - 10
FC6-1294-000	830 - 1	FC6-2327-000	620 - 14	FC6-4954-000	130 - 11
FC6-1295-000	830 - 2	FC6-2335-000	621 - 7	FC6-4955-000	130 - 12
FC6-1545-000	532 - 33	FC6-2336-000	621 - 8	FC6-4956-000	130 - 13
FC6-2034-000	111 - 1	FC6-2339-000	620 - 15	FC6-4957-000	130 - 14
FC6-2035-000	111 - 7	FC6-2342-000	620 - 16	FC6-4958-000	100 - 90
FC6-2040-000	113 - 12	FC6-2346-000	620 - 17	FC6-4959-000	100 - 89
FC6-2048-000	810 - 5	FC6-2347-000	620 - 18	FC6-4960-000	100 - 84
FC6-2071-000	815 - 15	FC6-2389-000	112 - 5	FC6-4961-000	100 - 83
FC6-2071-000	855 - 13	FC6-2400-000	352 - 12	FC6-5481-000	620 - 21
FC6-2072-000	815 - 16	FC6-2401-000	370 - 32	FC6-5482-000	620 - 22
FC6-2072-000	855 - 14	FC6-2420-000	383 - 12	FC6-5614-000	100 - 78
FC6-2074-000	532 - 34	FC6-2451-000	352 - 13	FC6-5731-000	100 - 76
FC6-2075-000	532 - 35	FC6-2455-000	352 - 14	FC6-6824-000	100 - 25
FC6-2076-000	532 - 36	FC6-3133-000	100 - 56	FC6-6824-000	130 - 15
FC6-2087-000	531 - 7	FC6-3133-000	111 - 36	FC6-7832-000	532 - 40
FC6-2102-000	344 - 5	FC6-3134-000	111 - 37	FC6-7842-000	341 - 12
FC6-2102-000	348 - 3	FC6-3173-000	113 - 8	FC6-7842-000	360 - 4
FC6-2111-000	340 - 11	FC6-3173-000	185 - 8	FC6-7842-000	361 - 4
FC6-2113-000	531 - 8	FC6-3175-000	100 - 49	FC6-7842-000	362 - 4
FC6-2134-000	533 - 6	FC6-3176-000	100 - 53	FC6-7852-000	360 - 5
FC6-2135-000	533 - 7	FC6-3181-000	126 - 1	FC6-7852-000	361 - 5
FC6-2136-000	533 - 8	FC6-3186-000	600 - 7	FC6-7852-000	362 - 5
FC6-2139-000	535 - 2	FC6-3187-000	550 - 13	FC6-7864-000	383 - 4
FC6-2144-000	535 - 3	FC6-3188-000	535 - 12	FC6-7866-000	383 - 13
FC6-2146-000	535 - 4	FC6-3188-000	550 - 23	FC6-7868-000	360 - 6
FC6-2147-000	535 - 5	FC6-3198-000	107 - 1	FC6-7868-000	361 - 6
FC6-2148-000	535 - 6	FC6-3199-000	107 - 2	FC6-7868-000	362 - 6
FC6-2152-000	194 - 1	FC6-3200-000	100 - 3	FC6-7869-000	360 - 7
FC6-2153-000	194 - 2	FC6-3202-000	100 - 39	FC6-7869-000	361 - 7
FC6-2177-000	532 - 37	FC6-3203-000	100 - 58	FC6-7869-000	362 - 7
FC6-2178-000	532 - 38	FC6-3204-000	100 - 59	FC6-7877-000	104 - 18
FC6-2179-000	532 - 39	FC6-3205-000	100 - 4	FC6-7878-000	104 - 19
FC6-2189-000	532 - 21	FC6-3208-000	100 - 40	FC6-7903-000	533 - 10
FC6-2190-000	532 - 22	FC6-3209-000	100 - 41	FC6-7904-000	533 - 11
FC6-2215-000	346 - 15	FC6-3211-000	100 - 42	FC6-7905-000	533 - 12
FC6-2251-000	345 - 26	FC6-3215-000	100 - 43	FC6-7906-000	533 - 13
FC6-2251-000	349 - 19	FC6-3218-000	100 - 44	FC6-7910-000	531 - 9
FC6-2253-000	352 - 7	FC6-3219-000	100 - 45	FC6-7919-000	534 - 4
FC6-2266-000	352 - 8	FC6-3225-000	620 - 19	FC6-7920-000	534 - 11
FC6-2272-000	352 - 9	FC6-3230-000	620 - 20	FC6-7921-000	534 - 12
FC6-2277-000	352 - 10	FC6-3342-000	352 - 15	FC6-7924-000	534 - 5
FC6-2280-000	352 - 11	FC6-3412-000	816 - 54	FC6-7925-000	534 - 6
FC6-2294-000	620 - 7	FC6-3419-000	781 - 11	FC6-7926-000	534 - 7
FC6-2301-000	620 - 8	FC6-4910-000	533 - 9	FC6-7931-000	531 - 10
FC6-2302-000	100 - 36	FC6-4943-000	130 - 3	FC6-7932-000	531 - 11
FC6-2303-000	620 - 9	FC6-4945-000	130 - 4	FC6-7933-000	531 - 12
FC6-2313-000	620 - 10	FC6-4946-000	130 - 5	FC6-7935-000	533 - 14

NUMERICAL INDEX

imagePRESS C7000VP/C6000VP/C6000(Numerical Index)

PARTS NUMBER	FIGURE & KEY NO.	PARTS NUMBER	FIGURE & KEY NO.	PARTS NUMBER	FIGURE & KEY NO.
FC6-7947-000	622 - 7	FC6-8338-000	111 - 4	FC6-8522-000	855 - 17
FC6-7948-000	622 - 8	FC6-8339-000	112 - 6	FC6-8524-000	850 -
FC6-7955-000	622 - 9	FC6-8340-000	112 - 7	FC6-8528-000	812 - 12
FC6-8002-000	610 - 5	FC6-8341-000	111 - 5	FC6-8528-000	856 - 13
FC6-8005-000	610 - 7	FC6-8384-000	534 - 8	FC6-8529-000	812 - 13
FC6-8006-000	610 - 8	FC6-8390-000	536 - 1	FC6-8529-000	856 - 14
FC6-8041-000	100 - 74	FC6-8398-000	333 - 9	FC6-8560-000	781 - 10
FC6-8045-000	321 - 2	FC6-8407-000	104 - 2	FC6-8562-000	781 - 6
FC6-8046-000	322 - 3	FC6-8408-000	330 - 6	FC6-8563-000	781 - 5
FC6-8052-000	383 - 5	FC6-8411-000	111 - 8	FC6-8564-000	781 - 4
FC6-8053-000	383 - 6	FC6-8412-000	840 - 7	FC6-8565-000	781 - 3
FC6-8054-000	383 - 7	FC6-8417-000	840 - 8	FC6-8574-000	812 - 35
FC6-8056-000	322 - 4	FC6-8422-010	814 - 6	FC6-8574-000	856 - 15
FC6-8098-000	330 - 5	FC6-8422-010	854 - 6	FC6-8575-000	812 - 36
FC6-8098-000	331 - 11	FC6-8437-010	812 - 6	FC6-8575-000	856 - 16
FC6-8104-000	332 - 4	FC6-8438-000	812 - 7	FC6-8576-000	855 - 18
FC6-8112-000	332 - 5	FC6-8439-000	812 - 8	FC6-8578-000	856 - 17
FC6-8113-000	332 - 6	FC6-8439-000	856 - 11	FC6-8579-000	856 - 18
FC6-8116-000	332 - 7	FC6-8440-000	855 - 15	FC6-8581-000	856 - 19
FC6-8118-000	383 - 8	FC6-8446-000	112 - 2	FC6-8582-000	856 - 20
FC6-8120-000	331 - 5	FC6-8447-000	112 - 3	FC6-8583-000	111 - 2
FC6-8133-000	111 - 32	FC6-8458-000	352 - 16	FC6-8596-000	353 - 2
FC6-8137-000	111 - 33	FC6-8460-000	351 - 8	FC6-8598-000	353 - 3
FC6-8138-000	111 - 34	FC6-8461-000	351 - 9	FC6-8599-000	354 - 3
FC6-8139-000	620 - 24	FC6-8464-000	351 - 10	FC6-8601-000	351 - 12
FC6-8143-000	100 - 5	FC6-8464-000	352 - 17	FC6-8631-000	284 - 1
FC6-8143-000	100 - 6	FC6-8464-000	370 - 5	FC6-8647-000	372 - 11
FC6-8145-000	100 - 7	FC6-8465-000	351 - 11	FC6-8948-000	120 - 1
FC6-8149-000	100 - 68	FC6-8465-000	352 - 18	FC6-9945-000	300 - 108
FC6-8152-000	100 - 69	FC6-8465-000	370 - 3	FC6-9946-000	300 - 109
FC6-8190-000	890 - 2	FC6-8469-000	350 - 17	FC6-9959-000	300 - 16
FC6-8190-000	891 - 2	FC6-8483-000	105 - 9	FC6-9960-000	300 - 17
FC6-8202-000	320 - 25	FC6-8483-000	106 - 8	FC6-9961-000	300 - 18
FC6-8219-000	322 - 9	FC6-8484-000	105 - 10	FC6-9965-000	300 - 20
FC6-8219-000	323 - 21	FC6-8484-000	106 - 9	FC6-9966-000	300 - 21
FC6-8234-000	331 - 6	FC6-8490-000	105 - 7	FC6-9967-000	300 - 22
FC6-8235-000	333 - 6	FC6-8492-000	322 - 5	FC6-9969-000	300 - 23
FC6-8236-000	333 - 7	FC6-8493-000	322 - 6	FC6-9972-000	300 - 32
FC6-8237-000	333 - 8	FC6-8502-000	320 - 30	FC6-9982-000	300 - 24
FC6-8239-000	104 - 1	FC6-8502-000	322 - 7	FC7-0042-000	326 - 16
FC6-8289-000	340 - 6	FC6-8504-000	371 - 18	FC7-0042-000	329 - 3
FC6-8300-000	320 - 26	FC6-8506-000	371 - 9	FC7-0042-000	336 - 2
FC6-8306-000	320 - 27	FC6-8509-000	320 - 31	FC7-0042-000	352 - 19
FC6-8307-000	320 - 28	FC6-8511-000	812 - 9	FC7-0042-000	353 - 4
FC6-8309-000	321 - 3	FC6-8513-000	812 - 10	FC7-0042-000	354 - 4
FC6-8310-000	320 - 29	FC6-8514-000	812 - 11	FC7-0042-000	370 - 26
FC6-8310-000	341 - 11	FC6-8514-000	856 - 12	FC7-0042-000	371 - 17
FC6-8310-000	360 - 8	FC6-8516-000	814 - 7	FC7-0042-000	372 - 10
FC6-8310-000	361 - 8	FC6-8516-000	854 - 7	FC7-0042-000	380 - 3
FC6-8310-000	362 - 8	FC6-8521-000	815 - 17	FC7-0043-000	352 - 20
FC6-8326-000	112 - 1	FC6-8521-000	855 - 16	FC7-0043-000	353 - 5
FC6-8337-000	111 - 3	FC6-8522-000	815 - 18	FC7-0043-000	354 - 5

NUMERICAL INDEX

imagePRESS C7000VP/C6000VP/C6000(Numerical Index)

PARTS NUMBER	FIGURE & KEY NO.	PARTS NUMBER	FIGURE & KEY NO.	PARTS NUMBER	FIGURE & KEY NO
FC7-0043-000	370 - 25	FC7-1825-000	100 - 8	FC7-3482-000	001 - 7
FC7-0043-000	371 - 16	FC7-1826-000	100 - 9	FC7-3492-000	320 - 32
FC7-0043-000	372 - 9	FC7-1835-000	100 - 14	FC7-3493-000	321 - 4
FC7-0167-000	814 - 8	FC7-1836-000	100 - 15	FC7-3506-000	371 - 15
FC7-0167-000	854 - 8	FC7-1837-000	100 - 16	FC7-3512-000	371 - 13
FC7-0169-000	815 - 19	FC7-1838-000	100 - 18	FC7-3514-000	340 - 5
FC7-0169-000	855 - 19	FC7-1843-000	102 - 1	FC7-3514-000	371 - 12
FC7-0175-000	815 - 51	FC7-1845-000	100 - 50	FC7-4017-000	300 - 29
FC7-0175-000	855 - 54	FC7-1846-000	104 - 3	FC7-4021-000	100 - 22
FC7-0177-000	830 - 3	FC7-1847-000	104 - 4	FC7-4022-000	100 - 23
FC7-0223-000	100 - 77	FC7-1848-000	100 - 17	FC7-4024-000	300 - 31
FC7-0616-000	109 - 14	FC7-1858-000	532 - 2	FC7-4027-000	300 - 34
FC7-0822-000	550 - 14	FC7-1882-000	100 - 19	FC7-4040-000	353 - 6
FC7-0823-000	550 - 15	FC7-1884-000	100 - 66	FC7-4042-000	353 - 7
FC7-0916-000	550 - 16	FC7-1888-000	100 - 20	FC7-4043-000	113 - 1
FC7-0932-000	840 - 25	FC7-1892-000	111 - 6	FC7-4044-000	113 - 2
FC7-0936-000	816 - 20	FC7-2241-000	120 - 2	FC7-4058-000	372 - 8
FC7-0947-000	121 - 1	FC7-2243-000	120 - 6	FC7-4062-000	812 - 14
FC7-0993-000	130 - 16	FC7-2244-000	120 - 5	FC7-4063-000	812 - 15
FC7-0994-000	130 - 16	FC7-2253-000	100 - 47	FC7-4064-000	812 - 16
FC7-1531-000	345 - 11	FC7-2255-000	100 - 21	FC7-4064-000	856 - 21
FC7-1531-000	370 - 16	FC7-2261-000	780 - 32	FC7-4068-010	812 - 17
FC7-1532-000	345 - 10	FC7-2262-000	781 - 1	FC7-4068-010	856 - 22
FC7-1549-000	780 - 25	FC7-2271-000	332 - 8	FC7-4069-010	812 - 18
FC7-1551-000	780 - 14	FC7-2272-000	332 - 9	FC7-4073-000	812 - 19
FC7-1552-000	780 - 31	FC7-2409-000	103 - 17	FC7-4073-000	856 - 23
FC7-1553-000	780 - 13	FC7-2431-000	300 - 25	FC7-4074-000	812 - 20
FC7-1555-000	780 - 24	FC7-2432-000	300 - 26	FC7-4074-000	856 - 24
FC7-1556-000	780 - 12	FC7-2439-000	300 - 27	FC7-4075-000	812 - 21
FC7-1559-000	780 - 23	FC7-2440-000	300 - 28	FC7-4076-000	856 - 25
FC7-1560-000	780 - 22	FC7-2465-000	103 - 8	FC7-4077-000	856 - 26
FC7-1561-000	780 - 10	FC7-2638-000	103 - 9	FC7-4485-000	300 - 79
FC7-1562-000	780 - 9	FC7-3068-000	100 - 33	FC7-4563-000	191 - 2
FC7-1564-000	780 - 8	FC7-3090-000	114 - 2	FC7-4575-000	100 - 51
FC7-1568-000	780 - 6	FC7-3091-000	890 - 3	FC7-4576-000	100 - 52
FC7-1569-000	345 - 17	FC7-3091-000	891 - 3	FC7-4576-000	111 - 26
FC7-1569-000	370 - 9	FC7-3092-010	890 - 4	FC7-4577-000	840 - 10
FC7-1584-000	346 - 16	FC7-3092-010	891 - 4	FC7-4593-000	342 - 1
FC7-1589-000	346 - 10	FC7-3106-000	280 - 5	FC7-4595-000	344 - 6
FC7-1592-000	346 - 11	FC7-3109-000	857 - 10	FC7-4595-000	348 - 9
FC7-1594-000	346 - 8	FC7-3130-000	322 - 8	FC7-4600-000	346 - 3
FC7-1595-000	346 - 5	FC7-3318-000	100 - 71	FC7-4600-000	370 - 2
FC7-1597-000	346 - 12	FC7-3432-000	814 - 10	FC7-4615-000	815 - 20
FC7-1598-000	346 - 22	FC7-3436-000	857 - 11	FC7-4615-000	855 - 20
FC7-1598-000	370 - 31	FC7-3441-000	857 - 13	FC7-4619-000	349 - 12
FC7-1601-000	346 - 14	FC7-3450-000	857 - 14	FC7-4625-000	615 - 10
FC7-1601-000	370 - 7	FC7-3451-000	840 - 9	FC7-4631-000	615 - 11
FC7-1603-000	345 - 14	FC7-3455-000	111 - 38	FC7-4641-000	856 - 27
FC7-1603-000	370 - 10	FC7-3458-000	111 - 25	FC7-4642-000	856 - 28
FC7-1614-000	780 - 5	FC7-3459-000	114 - 15	FC7-4643-000	856 - 29
FC7-1616-000	780 - 7	FC7-3474-000	532 - 23	FC7-4644-000	812 - 48
FC7-1808-000	370 - 29	FC7-3480-000	857 - 15	FC7-4645-000	349 - 23

NUMERICAL INDEX

imagePRESS C7000VP/C6000VP/C6000(Numerical Index)

PARTS NUMBER	FIGURE & KEY NO.	PARTS NUMBER	FIGURE & KEY NO.	PARTS NUMBER	FIGURE & KEY NO.
FC7-4646-000	812 - 23	FC7-5652-000	100 - 29	FC7-7057-000	892 - 1
FC7-4647-000	812 - 24	FC7-5654-000	100 - 31	FC7-7057-000	893 - 3
FC7-4649-000	812 - 25	FC7-5655-000	100 - 31	FC7-7063-000	892 - 4
FC7-4650-000	812 - 26	FC7-5657-000	111 - 35	FC7-7064-000	341 - 18
FC7-4651-000	812 - 27	FC7-5658-000	111 - 30	FC7-7065-000	323 - 5
FC7-4652-000	812 - 28	FC7-5659-000	111 - 30	FC7-7067-000	352 - 22
FC7-4653-000	812 - 29	FC7-5660-000	111 - 30	FC7-7481-000	320 - 35
FC7-4901-010	352 - 21	FC7-5661-000	111 - 30	FC7-7486-000	371 - 19
FC7-4907-000	817 - 6	FC7-5662-000	111 - 30	FC7-7487-000	371 - 14
FC7-4908-000	817 - 7	FC7-5663-000	111 - 30	FC7-7499-000	893 - 1
FC7-4909-000	817 - 8	FC7-5664-000	111 - 30	FC7-7501-000	338 - 3
FC7-4913-000	815 - 21	FC7-5666-000	111 - 30	FC7-7514-000	816 - 22
FC7-4913-000	855 - 21	FC7-5667-000	111 - 30	FC7-7517-000	816 - 23
FC7-4915-000	840 - 11	FC7-5668-000	100 - 30	FC7-7519-000	816 - 24
FC7-4917-000	120 - 3	FC7-5669-000	100 - 30	FC7-7526-000	855 - 43
FC7-4919-000	121 - 2	FC7-5670-000	100 - 30	FC7-7527-000	533 - 15
FC7-4935-000	840 - 12	FC7-5671-000	100 - 30	FC7-7528-000	533 - 16
FC7-4936-000	840 - 13	FC7-5672-000	100 - 30	FC7-7538-000	830 - 22
FC7-4941-000	113 - 5	FC7-5673-000	100 - 30	FC7-7542-000	102 - 13
FC7-4948-000	815 - 22	FC7-5674-000	100 - 30	FC7-7544-000	102 - 14
FC7-4948-000	855 - 22	FC7-5676-000	100 - 30	FC7-7547-000	107 - 5
FC7-4959-000	345 - 8	FC7-5678-000	111 - 23	FC7-7549-000	840 - 27
FC7-4972-000	320 - 33	FC7-5679-000	111 - 23	FC7-7550-000	280 - 1
FC7-4973-000	320 - 34	FC7-5680-000	111 - 23	FC7-7551-000	105 - 11
FC7-5044-000	130 - 16	FC7-5681-000	111 - 23	FC7-7555-000	330 - 15
FC7-5100-000	190 - 2	FC7-5682-000	111 - 23	FC7-7570-000	610 - 6
FC7-5196-000	116 - 10	FC7-5683-000	111 - 23	FC7-7573-000	817 - 1
FC7-5566-000	300 - 70	FC7-5684-000	111 - 23	FC7-7694-000	300 - 74
FC7-5567-000	300 - 71	FC7-5686-000	111 - 23	FC7-7699-000	300 - 44
FC7-5570-000	300 - 69	FC7-5687-000	111 - 23	FC7-7700-000	300 - 63
FC7-5571-000	300 - 72	FC7-5707-000	193 - 1	FC7-7708-000	100 - 93
FC7-5573-000	300 - 73	FC7-5711-000	112 - 4	FC7-7708-000	103 - 24
FC7-5577-000	300 - 80	FC7-5719-000	105 - 13	FC7-7716-000	103 - 12
FC7-5578-000	300 - 81	FC7-5720-000	340 - 17	FC7-9534-000	300 - 93
FC7-5584-000	300 - 98	FC7-5720-000	371 - 11	FC7-9536-000	300 - 94
FC7-5585-000	300 - 99	FC7-7030-010	121 - 3	FC7-9539-000	300 - 95
FC7-5586-000	001 - 8	FC7-7035-000	812 - 50	FC7-9540-000	300 - 96
FC7-5586-000	001 - 8	FC7-7036-000	812 - 30	FC7-9568-000	103 - 23
FC7-5587-000	001 - 12	FC7-7037-000	812 - 31	FC7-9569-000	300 - 33
FC7-5587-000	103 - 21	FC7-7038-000	812 - 34	FC7-9656-000	532 - 80
FC7-5591-000	300 - 37	FC7-7039-000	816 - 21	FC7-9662-000	349 - 24
FC7-5592-000	100 - 27	FC7-7040-000	812 - 32	FC7-9667-000	781 - 9
FC7-5641-000	111 - 22	FC7-7041-000	840 - 4	FC7-9672-000	001 - 10
FC7-5642-000	111 - 20	FC7-7043-000	120 - 9	FC7-9673-000	001 - 11
FC7-5643-000	100 - 28	FC7-7044-000	815 - 23	FC7-9674-000	001 - 12
FC7-5644-000	100 - 29	FC7-7044-000	855 - 52	FC7-9674-000	103 - 21
FC7-5645-000	100 - 29	FC7-7046-000	815 - 24	FC7-9687-000	191 - 9
FC7-5646-000	100 - 29	FC7-7046-000	855 - 53	FC7-9708-000	001 - 6
FC7-5647-000	100 - 29	FC7-7048-000	830 - 4	FC7-9716-000	300 - 102
FC7-5648-000	100 - 29	FC7-7049-000	830 - 5	FC7-9717-000	103 - 25
FC7-5649-000	100 - 29	FC7-7050-000	830 - 6	FC7-9718-000	001 - 13
FC7-5650-000	100 - 29	FC7-7051-000	830 - 7	FC7-9726-000	300 - 105

NUMERICAL INDEX

imagePRESS C7000VP/C6000VP/C6000(Numerical Index)

PARTS NUMBER	FIGURE & KEY NO.	PARTS NUMBER	FIGURE & KEY NO.	PARTS NUMBER	FIGURE & KEY NO.
FC7-9740-000	812 - 22	FC8-2972-000	112 - 10	FC8-3649-000	320 - 75
FC7-9745-000	815 - 11	FC8-2972-000	113 - 15	FC8-3651-000	511 - 40
FC7-9747-000	102 - 15	FC8-2972-000	344 - 11	FC8-3652-000	511 - 40
FC7-9747-000	105 - 5	FC8-2972-000	348 - 12	FC8-3653-000	511 - 40
FC7-9747-000	106 - 10	FC8-2972-000	351 - 33	FC8-3654-000	511 - 40
FC8-0999-000	812 - 51	FC8-2972-000	370 - 44	FC8-3655-000	511 - 40
FC8-1022-000	120 - 4	FC8-2972-000	372 - 22	FC8-3656-000	511 - 40
FC8-1030-000	615 - 18	FC8-2974-000	112 - 10	FC8-3657-000	511 - 40
FC8-1648-000	300 - 106	FC8-2974-000	113 - 15	FC8-3659-000	511 - 40
FC8-1654-000	381 - 13	FC8-2974-000	344 - 11	FC8-3660-000	511 - 40
FC8-2966-000	112 - 10	FC8-2974-000	348 - 12	FC8-3800-000	001 - 15
FC8-2966-000	113 - 15	FC8-2974-000	351 - 33	FC8-6789-000	108 - 4
FC8-2966-000	344 - 11	FC8-2974-000	370 - 44	FC8-6798-000	600 - 35
FC8-2966-000	348 - 12	FC8-2974-000	372 - 22	FC8-6806-000	640 - 10
FC8-2966-000	351 - 33	FC8-2975-000	112 - 10	FC8-6817-000	100 - 31
FC8-2966-000	370 - 44	FC8-2975-000	113 - 15	FC8-6818-000	100 - 31
FC8-2966-000	372 - 22	FC8-2975-000	344 - 11	FF6-2891-000	511 - 15
FC8-2967-000	112 - 10	FC8-2975-000	348 - 12	FG6-8605-020	320 - 36
FC8-2967-000	113 - 15	FC8-2975-000	351 - 33	FG6-9015-000	125 - 1
FC8-2967-000	344 - 11	FC8-2975-000	370 - 44	FH3-0967-000	531 - T
FC8-2967-000	348 - 12	FC8-2975-000	372 - 22	FH3-0967-000	982 - T
FC8-2967-000	351 - 33	FC8-2976-000	112 - 11	FH3-0967-000	983 - T
FC8-2967-000	370 - 44	FC8-2977-000	112 - 11	FH4-6214-000	934 - IC
FC8-2967-000	372 - 22	FC8-2978-000	112 - 11	FH4-6235-000	937 - IC
FC8-2968-000	112 - 10	FC8-2979-000	112 - 11	FH4-6237-000	935 - IC
FC8-2968-000	113 - 15	FC8-2980-000	112 - 11	FH4-6239-000	938 - IC
FC8-2968-000	344 - 11	FC8-2981-000	112 - 11	FH4-6241-000	935 - IC
FC8-2968-000	348 - 12	FC8-2982-000	112 - 11	FH4-6243-000	936 - IC
FC8-2968-000	351 - 33	FC8-2984-000	112 - 11	FH4-6248-000	937 - IC
FC8-2968-000	370 - 44	FC8-2985-000	112 - 11	FH4-6274-000	937 - IC
FC8-2968-000	372 - 22	FC8-2990-000	100 - 96	FH4-6300-000	936 - IC
FC8-2969-000	112 - 10	FC8-2990-000	320 - 75	FH4-6302-000	936 - IC
FC8-2969-000	113 - 15	FC8-2993-000	900 - 21	FH7-5838-030	352 - 23
FC8-2969-000	344 - 11	FC8-3309-000	130 - 2	FH7-7530-000	322 - 10
FC8-2969-000	348 - 12	FC8-3310-000	130 - 2	FH7-7530-000	532 - 24
FC8-2969-000	351 - 33	FC8-3311-000	130 - 2	FK2-0015-000	620 - 25
FC8-2969-000	370 - 44	FC8-3317-000	130 - 2	FK2-0017-010	275 - 2
FC8-2969-000	372 - 22	FC8-3641-000	100 - 96	FK2-0022-000	283 - 1
FC8-2970-000	112 - 10	FC8-3641-000	320 - 75	FK2-0022-000	771 - 1
FC8-2970-000	113 - 15	FC8-3642-000	100 - 96	FK2-0104-000	942 - IC
FC8-2970-000	344 - 11	FC8-3642-000	320 - 75	FK2-0105-000	531 - 19
FC8-2970-000	348 - 12	FC8-3643-000	100 - 96	FK2-0149-000	103 - 10
FC8-2970-000	351 - 33	FC8-3643-000	320 - 75	FK2-0149-000	113 - 9
FC8-2970-000	370 - 44	FC8-3644-000	100 - 96	FK2-0149-000	114 - 9
FC8-2970-000	372 - 22	FC8-3644-000	320 - 75	FK2-0149-000	125 - 2
FC8-2971-000	112 - 10	FC8-3645-000	100 - 96	FK2-0149-000	185 - 9
FC8-2971-000	113 - 15	FC8-3645-000	320 - 75	FK2-0149-000	262 - 4
FC8-2971-000	344 - 11	FC8-3646-000	100 - 96	FK2-0149-000	190 - 3
FC8-2971-000	348 - 12	FC8-3646-000	320 - 75	FK2-0149-000	262 - 4
FC8-2971-000	351 - 33	FC8-3648-000	100 - 96	FK2-0149-000	275 - 3
FC8-2971-000	370 - 44	FC8-3648-000	320 - 75	FK2-0149-000	300 - 38
FC8-2971-000	372 - 22	FC8-3649-000	100 - 96	FK2-0149-000	310 - 19
				FK2-0149-000	320 - 37

NUMERICAL INDEX

imagePRESS C7000VP/C6000VP/C6000(Numerical Index)

PARTS NUMBER	FIGURE & KEY NO.	PARTS NUMBER	FIGURE & KEY NO.	PARTS NUMBER	FIGURE & KEY NO.
FK2-0149-000	322 - 11	FK2-2046-000	942 - IC	FK2-3100-000	348 - 7
FK2-0149-000	327 - 11	FK2-2667-000	100 - 85	FK2-3100-000	349 - 3
FK2-0149-000	332 - 10	FK2-2709-000	940 - IC	FK2-3101-000	180 - 1
FK2-0149-000	338 - 9	FK2-2709-000	941 - IC	FK2-3102-000	182 - 1
FK2-0149-000	340 - 4	FK2-2711-000	911 -	FK2-3108-000	532 - 27
FK2-0149-000	343 - 8	FK2-2712-000	912 -	FK2-3112-000	532 - 28
FK2-0149-000	349 - 2	FK2-2725-000	531 - 14	FK2-3115-000	109 - 20
FK2-0149-000	350 - 4	FK2-2726-000	272 - 3	FK2-3116-000	109 - 21
FK2-0149-000	351 - 13	FK2-2726-000	511 - 23	FK2-3117-000	109 - 22
FK2-0149-000	352 - 24	FK2-2726-000	620 - 27	FK2-3118-000	102 - 2
FK2-0149-000	370 - 33	FK2-2727-000	280 - 16	FK2-3119-000	102 - 3
FK2-0149-000	371 - 10	FK2-2728-000	620 - 28	FK2-3120-000	102 - 4
FK2-0149-000	372 - 7	FK2-2729-000	536 - 3	FK2-3121-000	102 - 5
FK2-0149-000	532 - 25	FK2-2729-000	600 - 9	FK2-3122-000	109 - 23
FK2-0149-000	534 - 9	FK2-2858-000	121 - 6	FK2-3124-000	262 - 5
FK2-0149-000	536 - 2	FK2-2886-000	900 - 2	FK2-3124-000	320 - 38
FK2-0149-000	550 - 17	FK2-2887-000	900 - 1	FK2-3124-000	322 - 12
FK2-0149-000	610 - 9	FK2-2888-000	900 - 3	FK2-3125-000	323 - 6
FK2-0149-000	620 - 26	FK2-2901-000	936 - IC	FK2-3125-000	328 - 8
FK2-0149-000	622 - 10	FK2-2972-000	300 - 39	FK2-3125-000	338 - 10
FK2-0149-000	780 - 21	FK2-2974-000	190 - 4	FK2-3125-000	341 - 10
FK2-0149-000	812 - 33	FK2-2975-000	300 - 40	FK2-3125-000	343 - 9
FK2-0149-000	815 - 29	FK2-2976-000	103 - 18	FK2-3125-000	349 - 13
FK2-0149-000	816 - 26	FK2-2977-000	103 - 19	FK2-3125-000	352 - 25
FK2-0149-000	817 - 9	FK2-2984-000	300 - 41	FK2-3125-000	360 - 9
FK2-0149-000	855 - 55	FK2-2989-000	190 - 5	FK2-3125-000	361 - 9
FK2-0149-000	856 - 30	FK2-3080-000	840 - 15	FK2-3125-000	362 - 9
FK2-0149-000	857 - 16	FK2-3081-000	840 - 15	FK2-3125-000	371 - 25
FK2-0149-000	892 - 2	FK2-3082-000	814 - 11	FK2-3125-000	372 - 18
FK2-0149-000	893 - 2	FK2-3082-000	854 - 11	FK2-3126-000	349 - 6
FK2-0161-000	532 - 26	FK2-3083-000	814 - 11	FK2-3126-000	818 - 1
FK2-0540-000	340 - 10	FK2-3083-000	854 - 11	FK2-3127-000	320 - 39
FK2-0590-000	621 - 9	FK2-3086-010	813 - 5	FK2-3129-000	352 - 26
FK2-0590-000	622 - 11	FK2-3087-010	813 - 5	FK2-3129-000	370 - 36
FK2-0591-000	771 - 2	FK2-3090-000	857 - 17	FK2-3130-000	260 - 2
FK2-0591-000	780 - 20	FK2-3091-000	857 - 17	FK2-3132-000	284 - 2
FK2-0607-000	600 - 8	FK2-3094-000	813 - 1	FK2-3132-000	350 - 5
FK2-0755-000	900 - 6	FK2-3096-000	857 - 18	FK2-3132-000	352 - 27
FK2-0912-000	937 - IC	FK2-3097-000	840 - 26	FK2-3132-000	818 - 4
FK2-0913-000	932 - IC	FK2-3098-000	107 - 6	FK2-3132-000	857 - 19
FK2-0913-000	933 - IC	FK2-3098-000	115 - 5	FK2-3134-000	352 - 28
FK2-0913-000	937 - IC	FK2-3098-000	116 - 7	FK2-3135-000	355 - 8
FK2-0999-000	322 - 2	FK2-3098-000	183 - 1	FK2-3136-000	343 - 6
FK2-0999-000	323 - 10	FK2-3098-000	184 - 1	FK2-3136-000	345 - 6
FK2-1636-000	130 - 17	FK2-3098-000	188 - 1	FK2-3136-000	370 - 12
FK2-1645-000	130 - 18	FK2-3098-000	189 - 1	FK2-3137-000	260 - 3
FK2-1646-000	130 - 19	FK2-3098-000	191 - 3	FK2-3143-000	320 - 40
FK2-1771-000	116 - 1	FK2-3100-000	103 - 2	FK2-3144-000	532 - 29
FK2-1773-000	941 - IC	FK2-3100-000	107 - 3	FK2-3145-000	532 - 59
FK2-1773-000	962 - IC	FK2-3100-000	116 - 2	FK2-3147-000	116 - 4
FK2-1773-000	965 - IC	FK2-3100-000	185 - 3	FK2-3148-000	352 - 29
FK2-1773-000	970 - IC	FK2-3100-000	186 - 1	FK2-3148-000	355 - 9

NUMERICAL INDEX

imagePRESS C7000VP/C6000VP/C6000(Numerical Index)

PARTS NUMBER	FIGURE & KEY NO.	PARTS NUMBER	FIGURE & KEY NO.	PARTS NUMBER	FIGURE & KEY NO.
FK2-3148-000	383 - 9	FL2-1943-000	511 - 16	FL2-2714-000	710 - 5
FK2-3148-000	816 - 25	FL2-1944-000	511 - 17	FL2-4042-000	300 - 46
FK2-3149-000	116 - 6	FL2-1963-000	105 - 3	FL2-4074-000	320 - 41
FK2-3149-000	192 - 1	FL2-1968-000	640 - 3	FL2-4088-000	001 - 4
FK2-3149-000	193 - 2	FL2-1971-000	640 - 9	FL2-4111-000	333 - 10
FK2-3149-000	194 - 3	FL2-1979-000	640 - 3	FL2-4112-000	333 - 27
FK2-3149-000	323 - 7	FL2-1986-000	622 - 12	FL2-4113-000	333 - 28
FK2-3150-000	181 - 1	FL2-1994-000	780 - 18	FL2-4114-000	333 - 11
FK2-3150-000	195 - 1	FL2-1997-000	191 - 4	FL2-4116-000	324 - 3
FK2-3151-000	911 - 1	FL2-1998-000	191 - 5	FL2-4118-000	324 - 4
FK2-3151-000	912 - 1	FL2-2016-000	342 - 6	FL2-4128-000	533 - 26
FK2-3152-000	370 - 35	FL2-2016-000	344 - 7	FL2-4129-000	533 - 17
FK2-3153-000	600 - 10	FL2-2016-000	345 - 24	FL2-4130-000	533 - 18
FK2-3154-000	280 - 6	FL2-2016-000	348 - 10	FL2-4135-000	371 - 26
FK2-3160-000	814 - 4	FL2-2016-000	351 - 14	FL2-4157-000	350 - 9
FK2-3160-000	854 - 13	FL2-2016-000	352 - 30	FL2-4181-000	111 - 15
FK2-3168-000	640 - 4	FL2-2021-000	511 - 18	FL2-4182-000	111 - 16
FK2-4648-000	001 - 14	FL2-2023-000	103 - 6	FL2-5445-000	550 - 19
FK2-4649-000	001 - 14	FL2-2024-000	536 - 4	FL2-5453-000	813 - 17
FK2-4654-000	001 - 14	FL2-2025-000	536 - 11	FL2-5457-000	813 - 18
FK2-4662-000	001 - 14	FL2-2080-000	111 - 13	FL2-5562-000	260 - 6
FK2-4664-000	001 - 14	FL2-2081-000	111 - 14	FL2-5562-000	352 - 32
FK2-4665-000	001 - 14	FL2-2094-000	332 - 11	FL2-6002-000	615 - 12
FK2-6777-000	814 - 21	FL2-2139-000	340 - 9	FL2-6048-000	815 - 53
FK2-6777-000	854 - 12	FL2-2139-000	343 - 15	FL2-6048-000	855 - 57
FL2-0434-000	535 - 7	FL2-2139-000	347 - 1	FL2-6138-000	610 - 10
FL2-0462-020	535 - 13	FL2-2146-000	323 - 8	FL2-6139-000	622 - 13
FL2-0462-020	550 - 24	FL2-2257-000	350 - 6	FL2-6237-000	352 - 33
FL2-0464-000	535 - 14	FL2-2261-000	350 - 7	FL2-6256-000	532 - 31
FL2-0464-000	550 - 25	FL2-2268-000	352 - 31	FL2-6258-000	105 - 4
FL2-0991-000	535 - 8	FL2-2274-000	350 - 8	FL2-6259-000	813 - 19
FL2-0991-000	550 - 18	FL2-2293-000	113 - 11	FL2-6260-000	830 - 8
FL2-1775-000	260 - 4	FL2-2293-000	372 - 17	FL2-6337-000	534 - 13
FL2-1777-000	300 - 110	FL2-2295-000	338 - 4	FL2-6530-000	813 - 16
FL2-1784-000	310 - 21	FL2-2302-000	100 - 1	FL2-6885-000	330 - 7
FL2-1785-000	310 - 22	FL2-2306-000	325 - 1	FL2-6885-000	331 - 12
FL2-1799-000	300 - 42	FL2-2374-000	621 - 11	FL2-6945-000	814 - 5
FL2-1805-000	300 - 43	FL2-2375-000	621 - 12	FL2-7127-000	100 - 24
FL2-1809-000	300 - 97	FL2-2376-000	621 - 13	FL2-7221-000	100 - 10
FL2-1816-000	300 - 45	FL2-2382-000	100 - 79	FL2-7222-000	100 - 11
FL2-1851-000	260 - 5	FL2-2386-000	100 - 34	FL2-7223-000	100 - 12
FL2-1851-000	381 - 8	FL2-2388-000	100 - 34	FL2-7224-000	100 - 13
FL2-1877-000	111 - 10	FL2-2389-000	100 - 34	FL2-7257-000	300 - 82
FL2-1878-000	111 - 11	FL2-2406-000	532 - 50	FL2-7834-000	814 - 9
FL2-1879-000	111 - 12	FL2-2407-000	532 - 51	FL2-7834-000	854 - 21
FL2-1887-000	105 - 1	FL2-2423-000	535 - 9	FL2-7835-000	271 - 4
FL2-1890-000	100 - 32	FL2-2615-000	130 - 20	FL2-7881-000	854 - 16
FL2-1904-000	621 - 10	FL2-2616-000	130 - 21	FL2-7887-000	111 - 9
FL2-1912-000	600 - 11	FL2-2707-010	511 - 19	FL2-7889-000	381 - 7
FL2-1913-000	600 - 12	FL2-2708-010	511 - 20	FL2-7889-000	382 - 7
FL2-1917-000	108 - 1	FL2-2709-000	511 - 21	FL2-7894-000	600 - 31
FL2-1918-000	108 - 2	FL2-2713-000	710 - 4	FL2-8401-000	780 - 11

NUMERICAL INDEX

imagePRESS C7000VP/C6000VP/C6000(Numerical Index)

PARTS NUMBER	FIGURE & KEY NO.	PARTS NUMBER	FIGURE & KEY NO.	PARTS NUMBER	FIGURE & KEY NO.
FL2-8410-000	106 - 11	FM2-2145-000	532 - 49	FM2-2244-000	338 - 8
FL2-8411-000	106 - 14	FM2-2146-000	532 - 52	FM2-2246-000	380 -
FL2-9289-000	001 - 2	FM2-2147-000	103 - 3	FM2-2247-000	326 -
FL2-9290-000	001 - 3	FM2-2148-000	103 - 4	FM2-2248-000	271 -
FL2-9917-000	600 - 36	FM2-2150-000	533 -	FM2-2249-000	271 - 5
FM2-0848-000	116 - 3	FM2-2151-000	273 -	FM2-2252-000	109 - 1
FM2-0956-000	620 - 29	FM2-2152-000	531 - 16	FM2-2253-000	109 - 2
FM2-0956-000	770 - 1	FM2-2153-000	534 -	FM2-2254-000	109 - 3
FM2-0956-000	771 - 3	FM2-2154-000	275 -	FM2-2256-000	109 - 4
FM2-0956-000	775 - 1	FM2-2155-000	103 - 5	FM2-2257-000	109 - 5
FM2-1979-000	310 -	FM2-2156-000	536 -	FM2-2259-000	960 -
FM2-1980-000	190 -	FM2-2157-000	535 -	FM2-2260-000	109 - 6
FM2-1982-010	300 -	FM2-2158-000	194 -	FM2-2261-000	109 - 7
FM2-1997-000	260 -	FM2-2161-000	530 - 2	FM2-2262-000	109 - 8
FM2-1999-000	100 - 72	FM2-2165-000	532 - 53	FM2-2281-000	932 -
FM2-2006-000	300 - 48	FM2-2169-000	332 -	FM2-2282-000	933 -
FM2-2012-000	103 - 1	FM2-2170-000	532 - 58	FM2-2283-000	900 - 20
FM2-2036-000	100 - 35	FM2-2171-000	333 - 12	FM2-2284-000	934 -
FM2-2041-000	625 - 2	FM2-2172-000	333 - 20	FM2-2287-000	620 -
FM2-2042-000	625 - 3	FM2-2173-000	333 -	FM2-2288-000	620 -
FM2-2043-000	625 - 4	FM2-2174-000	274 -	FM2-2289-000	620 -
FM2-2044-000	625 - 5	FM2-2176-000	324 -	FM2-2290-000	620 -
FM2-2045-000	625 - 1	FM2-2184-000	337 -	FM2-2292-000	625 - 6
FM2-2047-000	620 -	FM2-2186-000	337 - 4	FM2-2293-000	625 - 7
FM2-2048-000	620 -	FM2-2190-000	322 -	FM2-2294-000	625 - 8
FM2-2049-000	620 -	FM2-2191-000	323 -	FM2-2295-000	625 - 9
FM2-2050-000	620 -	FM2-2197-000	840 -	FM2-2297-000	531 - 23
FM2-2051-000	103 - 13	FM2-2198-000	812 -	FM2-2298-000	531 - 24
FM2-2052-000	770 -	FM2-2199-000	856 -	FM2-2299-000	531 - 25
FM2-2053-000	771 -	FM2-2200-000	280 -	FM2-2300-000	534 - 10
FM2-2054-000	775 -	FM2-2201-000	195 -	FM2-2302-000	814 - 15
FM2-2055-000	283 -	FM2-2202-000	181 -	FM2-2302-000	854 - 14
FM2-2057-000	781 -	FM2-2205-010	890 -	FM2-2303-000	816 - 27
FM2-2058-000	001 - 1	FM2-2206-000	891 -	FM2-2306-000	817 -
FM2-2058-000	781 - 8	FM2-2207-000	892 -	FM2-2308-000	857 - 31
FM2-2071-000	111 - 24	FM2-2208-000	893 -	FM2-2309-000	856 - 31
FM2-2078-000	600 - 13	FM2-2209-000	818 -	FM2-2310-000	856 - 33
FM2-2079-000	105 - 2	FM2-2211-000	180 -	FM2-2323-000	111 - 31
FM2-2088-000	511 - 22	FM2-2212-000	182 -	FM2-2329-000	621 - 14
FM2-2097-000	622 -	FM2-2215-000	813 -	FM2-2330-000	621 - 14
FM2-2099-000	272 -	FM2-2218-000	812 - 37	FM2-2331-000	621 - 14
FM2-2107-000	610 - 11	FM2-2222-000	348 -	FM2-2332-000	621 - 14
FM2-2109-000	610 -	FM2-2223-000	349 -	FM2-2333-000	621 -
FM2-2110-000	615 -	FM2-2231-000	351 -	FM2-2334-000	621 -
FM2-2123-000	104 - 8	FM2-2232-010	352 -	FM2-2335-000	621 -
FM2-2127-000	332 - 12	FM2-2233-000	353 -	FM2-2336-000	621 -
FM2-2128-000	330 - 8	FM2-2235-000	354 -	FM2-2493-010	710 -
FM2-2128-000	331 - 7	FM2-2236-000	284 -	FM2-2680-000	710 - 6
FM2-2129-000	274 - 2	FM2-2237-000	370 -	FM2-2713-000	353 - 8
FM2-2130-000	383 - 10	FM2-2240-000	371 -	FM2-4356-000	323 - 9
FM2-2136-000	106 - 1	FM2-2241-000	372 -	FM2-4358-000	109 - 15
FM2-2142-000	532 - 32	FM2-2243-000	338 -	FM2-4887-000	460 -

NUMERICAL INDEX

imagePRESS C7000VP/C6000VP/C6000(Numerical Index)

PARTS NUMBER	FIGURE & KEY NO.	PARTS NUMBER	FIGURE & KEY NO.	PARTS NUMBER	FIGURE & KEY NO
FM2-5102-000	381 -	FM2-7694-000	620 - 30	FM2-8527-000	600 - 17
FM2-5103-000	382 -	FM2-7698-000	620 - 31	FM2-8569-000	600 - 18
FM2-5107-000	326 - 19	FM2-7699-000	964 - 1	FM2-8570-000	620 - 35
FM2-5108-000	326 - 20	FM2-7700-000	965 - 1	FM2-8572-000	272 - 4
FM2-5111-000	327 -	FM2-7701-000	350 - 13	FM2-8576-000	260 - 7
FM2-5112-000	327 - 9	FM2-7702-000	280 - 7	FM2-8577-000	190 - 11
FM2-5113-000	327 - 10	FM2-7703-000	814 - 16	FM2-8587-000	104 - 17
FM2-5114-000	327 - 16	FM2-7703-000	854 - 15	FM2-8588-000	600 - 9
FM2-5115-000	327 - 17	FM2-7705-000	980 - 1	FM2-8589-000	511 - 28
FM2-5116-000	327 - 18	FM2-7706-000	980 - 2	FM2-8596-000	622 - 14
FM2-5117-000	327 - 19	FM2-7707-000	531 - 20	FM2-8603-000	191 - 8
FM2-5118-000	327 - 20	FM2-7708-000	121 - 8	FM2-8604-000	190 - 6
FM2-5119-000	327 - 21	FM2-7710-000	121 - 7	FM2-8605-000	300 - 52
FM2-5124-000	383 - 18	FM2-7713-000	115 - 1	FM2-8616-000	532 - 48
FM2-5128-000	327 - 22	FM2-7714-000	121 - 10	FM2-8629-000	310 - 25
FM2-5129-000	328 -	FM2-7715-000	140 - 1	FM2-8630-000	190 - 14
FM2-5131-000	329 -	FM2-7717-000	109 - 18	FM2-8633-000	620 - 36
FM2-5147-000	114 - 1	FM2-7718-000	535 - 10	FM2-8636-000	620 - 40
FM2-5168-000	262 -	FM2-7719-000	530 - 5	FM2-8638-000	600 - 20
FM2-5180-000	320 - 44	FM2-7720-000	530 - 6	FM2-8643-000	190 - 15
FM2-5197-000	360 -	FM2-7721-000	530 - 7	FM2-8645-000	300 - 54
FM2-5210-000	361 -	FM2-7733-000	970 -	FM2-8661-000	600 - 26
FM2-5213-000	362 -	FM2-7813-000	936 -	FM2-8682-000	622 - 16
FM2-5439-000	130 - 23	FM2-7815-000	937 -	FM2-8734-000	840 - 16
FM2-5440-000	130 - 24	FM2-7978-000	816 - 15	FM2-8790-000	780 - 29
FM2-5441-000	130 - 25	FM2-7978-000	816 - 19	FM2-8802-000	280 - 23
FM2-5461-000	130 - 26	FM2-7978-000	816 - 53	FM2-8805-000	280 - 24
FM2-5462-000	130 - 27	FM2-8297-000	965 - 3	FM2-8806-000	780 - 30
FM2-5463-000	130 - 28	FM2-8298-000	965 - 2	FM2-8817-000	780 - 19
FM2-6040-000	900 - 4	FM2-8299-000	941 - 1	FM2-8832-000	121 - 11
FM2-6043-000	900 - 5	FM2-8300-000	532 - 44	FM2-8836-000	121 - 9
FM2-7189-000	982 - 1	FM2-8301-000	940 - 2	FM2-8843-000	600 - 27
FM2-7190-010	532 - 46	FM2-8306-000	323 - 12	FM2-8844-000	190 - 16
FM2-7192-000	531 - 17	FM2-8485-000	615 - 14	FM2-8982-000	271 - 6
FM2-7193-000	983 -	FM2-8488-000	620 - 32	FM2-8992-000	140 -
FM2-7195-000	615 - 13	FM2-8489-000	620 - 33	FM2-8996-000	108 - 3
FM2-7202-010	531 - 30	FM2-8492-000	600 - 15	FM2-9050-000	109 - 9
FM2-7430-000	935 -	FM2-8493-000	615 - 15	FM2-9052-000	109 - 10
FM2-7627-000	962 -	FM2-8497-000	190 - 9	FM2-9053-000	109 - 11
FM2-7628-000	190 - 7	FM2-8500-000	532 - 47	FM2-9073-000	109 - 13
FM2-7629-000	300 - 49	FM2-8502-000	770 - 2	FM2-9076-000	938 -
FM2-7630-000	100 - 73	FM2-8503-000	771 - 4	FM2-9080-000	140 -
FM2-7640-000	322 - 13	FM2-8504-000	620 - 34	FM2-9081-000	140 -
FM2-7685-000	940 -	FM2-8509-000	327 - 36	FM2-9256-000	103 - 7
FM2-7686-000	941 -	FM2-8509-000	892 - 3	FM2-9256-000	536 - 5
FM2-7687-000	942 -	FM2-8509-000	893 - 4	FM2-9257-000	535 - 18
FM2-7688-000	323 - 11	FM2-8517-000	191 - 6	FM2-9257-000	550 - 22
FM2-7689-000	383 - 14	FM2-8518-000	190 - 10	FM2-9258-000	511 - 37
FM2-7690-000	531 - 26	FM2-8519-000	310 - 23	FM2-9265-000	840 -
FM2-7691-000	532 - 60	FM2-8520-000	300 - 50	FM2-9267-000	813 -
FM2-7692-000	531 - 27	FM2-8521-000	104 - 5	FM2-9268-000	106 - 3
FM2-7693-000	600 - 14	FM2-8523-000	771 - 6	FM2-9269-000	106 - 4

NUMERICAL INDEX

imagePRESS C7000VP/C6000VP/C6000(Numerical Index)

PARTS NUMBER	FIGURE & KEY NO.	PARTS NUMBER	FIGURE & KEY NO.	PARTS NUMBER	FIGURE & KEY NO
FM2-9270-000	106 - 5	FM3-2104-000	810 - 4	FS1-9053-020	360 - 15
FM2-9271-000	106 - 6	FM3-2104-000	850 - 3	FS1-9053-020	361 - 15
FM2-9272-000	106 - 7	FM3-2107-020	511 -	FS1-9053-020	362 - 15
FM2-9276-000	336 - 10	FM3-2132-000	114 - 6	FS1-9076-020	280 - 18
FM2-9287-000	109 - 12	FM3-2134-000	817 - 4	FS1-9076-020	300 - 58
FM2-9289-000	115 - 2	FM3-2357-000	300 - 101	FS1-9078-020	815 - 9
FM2-9290-000	115 - 3	FM3-4189-000	550 -	FS1-9078-020	840 - 20
FM2-9291-000	814 -	FM3-4190-000	640 - 1	FS1-9078-020	840 - 21
FM2-9292-000	854 -	FM3-4190-000	640 - 1	FS1-9078-020	855 - 56
FM2-9294-000	104 - 10	FM3-4190-000	640 - 1	FS1-9121-000	534 - 19
FM2-9295-000	109 - 17	FM3-4190-000	640 - 1	FS1-9160-000	530 - 9
FM2-9298-000	511 - 29	FM3-4191-000	640 - 2	FS1-9169-000	104 - 15
FM2-9299-000	350 - 12	FM3-4191-000	640 - 2	FS1-9170-020	533 - 19
FM2-9301-000	355 -	FM3-4191-000	640 - 2	FS1-9170-020	534 - 27
FM2-9302-000	350 - 14	FM3-4191-000	640 - 2	FS1-9199-000	352 - 39
FM2-9303-000	104 - 11	FM3-4693-000	640 - 6	FS2-1012-000	326 - 21
FM2-9404-000	190 - 17	FM3-4694-000	640 - 5	FS2-1012-000	328 - 10
FM2-9408-000	310 - 28	FM3-6850-000	140 -	FS2-1012-000	336 - 3
FM2-9409-000	300 - 56	FM3-6851-000	140 -	FS2-1012-000	371 - 7
FM3-0287-000	111 - 21	FM3-6852-000	140 -	FS2-1012-000	372 - 6
FM3-0288-000	100 - 55	FM3-7582-000	600 - 34	FS2-1256-000	830 - 10
FM3-0289-000	100 - 57	FM3-7583-000	600 - 34	FS2-6022-000	105 - 6
FM3-0290-000	111 - 19	FS1-1189-000	320 - 45	FS2-9012-000	104 - 16
FM3-0293-000	113 - 4	FS1-1213-000	300 - 57	FS2-9015-020	331 - 17
FM3-0299-000	100 - 63	FS1-1340-000	816 - 30	FS5-0688-000	352 - 40
FM3-0300-000	100 - 64	FS1-1341-000	320 - 46	FS5-1005-000	371 - 6
FM3-0301-000	100 - 65	FS1-1465-000	320 - 47	FS5-1214-000	532 - 64
FM3-0302-000	100 - 88	FS1-1465-000	532 - 63	FS5-1474-000	532 - 65
FM3-0303-000	100 - 70	FS1-1510-000	275 - 4	FS5-1592-000	345 - 15
FM3-0304-000	100 - 67	FS1-1510-000	534 - 26	FS5-1592-000	346 - 13
FM3-0314-000	102 - 12	FS1-1510-000	620 - 41	FS5-1592-000	370 - 8
FM3-0316-000	814 -	FS1-1532-000	322 - 16	FS5-1592-000	532 - 66
FM3-0319-000	854 -	FS1-1569-000	338 - 11	FS5-1755-000	345 - 1
FM3-0418-000	103 - 14	FS1-1569-000	341 - 17	FS5-1755-000	370 - 43
FM3-0419-000	100 - 82	FS1-1569-000	344 - 4	FS5-1897-000	535 - 16
FM3-0420-000	126 - 2	FS1-1569-000	348 - 2	FS5-2586-000	830 - 12
FM3-0654-000	185 - 5	FS1-1569-000	351 - 19	FS5-2925-000	284 - 3
FM3-0655-000	857 - 33	FS1-1569-000	352 - 37	FS5-2965-000	280 - 19
FM3-0656-000	814 - 3	FS1-1569-000	355 - 10	FS5-6248-000	351 - 20
FM3-0656-000	854 - 3	FS1-1569-000	360 - 14	FS5-6248-000	355 - 11
FM3-0657-000	840 - 1	FS1-1569-000	361 - 14	FS5-6487-000	262 - 6
FM3-1236-000	640 - 8	FS1-1569-000	362 - 14	FS5-6487-000	310 - 29
FM3-1644-000	530 - 1	FS1-1569-000	371 - 8	FS5-6487-000	322 - 18
FM3-1647-000	840 - 14	FS1-1569-000	534 - 18	FS5-6487-000	813 - 6
FM3-1648-000	815 - 25	FS1-1569-000	817 - 12	FS5-6488-000	262 - 7
FM3-1648-000	855 - 23	FS1-9003-020	352 - 38	FS5-6488-000	272 - 5
FM3-1649-000	830 - 23	FS1-9009-020	530 - 8	FS5-6488-000	274 - 3
FM3-2089-000	310 - 20	FS1-9009-020	550 - 27	FS5-6488-000	320 - 49
FM3-2092-000	830 -	FS1-9009-020	857 - 35	FS5-6488-000	322 - 19
FM3-2093-000	810 - 3	FS1-9010-020	327 - 12	FS5-6488-000	327 - 23
FM3-2094-000	850 - 2	FS1-9010-020	857 - 36	FS5-6488-000	333 - 13
FM3-2100-000	812 - 40	FS1-9053-020	114 - 18	FS5-6488-000	337 - 5

NUMERICAL INDEX

imagePRESS C7000VP/C6000VP/C6000(Numerical Index)

PARTS NUMBER	FIGURE & KEY NO.	PARTS NUMBER	FIGURE & KEY NO.	PARTS NUMBER	FIGURE & KEY NO
FS5-6488-000	338 - 5	FU5-1327-000	890 - 5	FU5-2855-000	531 - 38
FS5-6488-000	340 - 3	FU5-1327-000	891 - 5	FU5-2861-000	817 - 13
FS5-6488-000	343 - 1	FU5-1328-000	345 - 18	FU5-2867-000	815 - 27
FS5-6488-000	345 - 16	FU5-1328-000	370 - 15	FU5-2867-000	855 - 25
FS5-6488-000	346 - 2	FU5-1329-000	534 - 20	FU5-2868-000	532 - 70
FS5-6488-000	349 - 10	FU5-1330-000	531 - 36	FU5-2870-000	272 - 6
FS5-6488-000	351 - 16	FU5-1333-000	780 - 17	FU5-2872-000	532 - 41
FS5-6488-000	352 - 41	FU5-1334-000	622 - 23	FU5-2875-000	816 - 32
FS5-6488-000	360 - 11	FU5-2121-000	710 - 7	FU5-2876-000	816 - 34
FS5-6488-000	361 - 11	FU5-2135-000	856 - 35	FU5-2877-000	816 - 52
FS5-6488-000	362 - 11	FU5-2138-000	812 - 39	FU5-2878-000	813 - 8
FS5-6488-000	370 - 6	FU5-2138-000	856 - 36	FU5-2883-000	532 - 71
FS5-6488-000	533 - 20	FU5-2781-000	310 - 30	FU5-2884-000	856 - 37
FS5-6488-000	610 - 12	FU5-2783-000	310 - 31	FU5-2885-000	856 - 38
FS5-6488-000	812 - 38	FU5-2784-000	310 - 32	FU5-2888-000	273 - 2
FS5-6488-000	813 - 7	FU5-2785-000	310 - 33	FU5-2893-000	342 - 5
FS5-6488-000	815 - 31	FU5-2785-000	381 - 10	FU5-2893-000	344 - 3
FS5-6488-000	816 - 31	FU5-2785-000	382 - 8	FU5-2893-000	345 - 4
FS5-6488-000	855 - 24	FU5-2787-000	260 - 8	FU5-2893-000	348 - 8
FS5-6488-000	856 - 34	FU5-2791-000	102 - 11	FU5-2894-000	342 - 4
FS5-6601-000	190 - 19	FU5-2792-000	300 - 61	FU5-2896-000	343 - 5
FS5-6601-000	280 - 20	FU5-2803-000	300 - 62	FU5-2900-000	531 - 39
FS5-6864-000	531 - 33	FU5-2809-000	300 - 64	FU5-2901-000	622 - 18
FS5-6864-000	532 - 67	FU5-2811-000	300 - 84	FU5-2903-000	534 - 22
FS5-6908-000	300 - 83	FU5-2813-000	300 - 85	FU5-2904-000	351 - 22
FS5-8618-000	300 - 103	FU5-2814-000	300 - 35	FU5-2904-000	352 - 44
FS5-9206-020	531 - 34	FU5-2824-000	511 - 33	FU5-2905-000	350 - 20
FS5-9758-020	190 - 20	FU5-2829-000	331 - 18	FU5-2906-000	615 - 16
FS5-9758-020	280 - 8	FU5-2830-000	274 - 4	FU5-2908-000	536 - 6
FS6-0115-000	535 - 17	FU5-2831-000	332 - 13	FU5-2909-000	536 - 7
FS6-0124-000	511 - 31	FU5-2832-000	532 - 69	FU5-2911-000	352 - 45
FS6-0125-000	511 - 32	FU5-2833-000	326 - 22	FU5-2914-000	352 - 46
FS6-8822-000	105 - 14	FU5-2833-000	329 - 4	FU5-2918-000	352 - 47
FS6-8822-000	106 - 13	FU5-2834-000	511 - 4	FU5-2921-000	327 - 14
FS7-2796-000	190 - 21	FU5-2839-000	336 - 4	FU5-2933-000	320 - 50
FS7-2854-000	327 - 13	FU5-2839-000	352 - 43	FU5-2934-000	857 - 37
FU5-0161-000	355 - 12	FU5-2839-000	353 - 9	FU5-2939-000	320 - 51
FU5-0199-000	620 - 42	FU5-2839-000	354 - 6	FU5-2940-000	320 - 52
FU5-0262-000	355 - 13	FU5-2839-000	360 - 16	FU5-2941-000	320 - 53
FU5-0266-000	351 - 21	FU5-2839-000	361 - 16	FU5-2944-000	322 - 21
FU5-0266-000	355 - 14	FU5-2839-000	362 - 16	FU5-2945-000	322 - 22
FU5-0268-000	550 - 28	FU5-2839-000	370 - 24	FU5-2947-000	351 - 23
FU5-0273-000	620 - 43	FU5-2839-000	371 - 5	FU5-2947-000	352 - 48
FU5-1280-000	300 - 60	FU5-2839-000	372 - 5	FU5-2947-000	352 - 58
FU5-1313-000	531 - 35	FU5-2840-000	280 - 9	FU5-2947-000	370 - 4
FU5-1314-000	532 - 68	FU5-2841-000	380 - 5	FU5-2953-000	350 - 21
FU5-1315-000	610 - 13	FU5-2846-000	360 - 17	FU5-2954-000	113 - 7
FU5-1317-000	622 - 17	FU5-2846-000	362 - 17	FU5-2954-000	125 - 5
FU5-1319-000	352 - 42	FU5-2850-000	830 - 13	FU5-2954-000	126 - 3
FU5-1319-000	383 - 15	FU5-2851-000	533 - 21	FU5-2954-000	185 - 7
FU5-1323-000	620 - 44	FU5-2853-000	531 - 37	FU5-2954-000	193 - 3
FU5-1326-000	322 - 20	FU5-2854-000	534 - 21	FU5-2957-000	352 - 49

NUMERICAL INDEX

imagePRESS C7000VP/C6000VP/C6000(Numerical Index)

PARTS NUMBER	FIGURE & KEY NO.	PARTS NUMBER	FIGURE & KEY NO.	PARTS NUMBER	FIGURE & KEY NO.
FU5-2958-000	352 - 50	FU5-3441-000	349 - 11	FU5-9222-000	511 - 14
FU5-2960-000	349 - 9	FU5-3441-000	352 - 54	FU5-9222-000	530 - 11
FU5-2961-000	327 - 24	FU5-3441-000	360 - 18	FU5-9222-000	532 - 79
FU5-2962-000	326 - 23	FU5-3441-000	361 - 18	FU5-9222-000	533 - 28
FU5-2963-000	326 - 24	FU5-3441-000	362 - 18	FU5-9222-000	710 - 8
FU5-2964-000	328 - 11	FU5-3441-000	370 - 20	FU5-9223-000	103 - 22
FU5-2966-000	531 - 40	FU5-3441-000	371 - 4	FU5-9223-000	333 - 29
FU5-2968-000	532 - 72	FU5-3441-000	372 - 4	FU5-9223-000	511 - 39
FU5-2969-000	817 - 15	FU5-4170-000	857 - 29	FU5-9223-000	530 - 12
FU5-2977-000	620 - 45	FU5-4565-000	343 - 3	FU5-9223-000	532 - 78
FU5-2978-000	620 - 46	FU5-4608-000	340 - 2	FU5-9223-000	533 - 27
FU5-2979-000	620 - 47	FU5-4608-000	341 - 3	FU5-9223-000	550 - 32
FU5-2980-000	337 - 8	FU5-4655-000	346 - 19	FU5-9223-000	600 - 33
FU5-2982-000	530 - 4	FU5-4657-000	346 - 7	FU5-9223-000	710 - 9
FU5-2986-000	331 - 19	FU5-4658-000	346 - 6	FU5-9223-000	810 - 6
FU5-2987-000	333 - 14	FU5-4670-000	341 - 2	FU5-9223-000	850 - 1
FU5-2988-000	333 - 15	FU5-4672-000	340 - 12	FU5-9224-000	105 - 18
FU5-2989-000	100 - 62	FU5-5704-000	274 - 5	FU5-9224-000	810 - 2
FU5-2994-000	890 - 6	FU5-5707-000	274 - 6	FU5-9224-000	814 - 23
FU5-2994-000	891 - 6	FU5-5771-000	620 - 48	FU5-9224-000	830 - 24
FU5-2996-000	345 - 19	FU5-5823-000	620 - 49	FU5-9224-000	850 - 4
FU5-2996-000	370 - 13	FU5-5824-000	620 - 50	FU5-9224-000	854 - 9
FU5-2998-000	781 - 2	FU5-5831-000	332 - 14	FU5-9225-000	105 - 19
FU5-2999-000	353 - 10	FU5-6238-000	271 - 7	FU5-9225-000	114 - 17
FU5-3188-000	260 - 9	FU5-6239-000	271 - 8	FU5-9225-000	814 - 22
FU5-3189-000	260 - 10	FU5-6241-000	531 - 41	FU5-9225-000	857 - 40
FU5-3189-000	382 - 9	FU5-6242-000	531 - 18	FU5-9226-000	105 - 16
FU5-3193-000	327 - 25	FU5-6244-000	531 - 15	FU5-9227-000	511 - 30
FU5-3196-000	813 - 9	FU5-6246-000	840 - 22	FU5-9228-000	810 - 1
FU5-3197-000	816 - 35	FU5-6248-000	815 - 32	FU5-9228-000	850 - 5
FU5-3201-000	350 - 22	FU5-6248-000	855 - 26	FU5-9229-000	550 - 31
FU5-3201-000	355 - 16	FU5-6249-000	345 - 23	FU5-9230-000	100 - 95
FU5-3204-000	350 - 23	FU5-6249-000	815 - 33	FU5-9230-000	111 - 39
FU5-3204-000	352 - 51	FU5-6249-000	855 - 27	FU5-9230-000	816 - 33
FU5-3205-000	352 - 52	FU5-6254-000	337 - 6	FU5-9231-000	840 - 28
FU5-3206-000	352 - 53	FU5-6254-000	338 - 6	FU5-9232-000	857 - 41
FU5-3207-000	104 - 9	FU5-6259-000	817 - 16	FU5-9234-000	102 - 20
FU5-3208-000	345 - 12	FU5-6260-000	812 - 41	FU5-9234-000	105 - 15
FU5-3208-000	370 - 11	FU5-6262-000	856 - 32	FU5-9234-000	106 - 2
FU5-3209-000	345 - 7	FU5-6263-000	840 - 5	FU5-9404-000	321 - 6
FU5-3209-000	370 - 21	FU5-8348-000	120 - 7	FU6-0169-000	260 - 11
FU5-3210-000	370 - 14	FU5-8547-000	105 - 17	FU6-0169-000	381 - 11
FU5-3211-000	370 - 23	FU5-8560-000	120 - 8	FU6-0169-000	382 - 10
FU5-3212-000	320 - 48	FU5-9207-000	102 - 8	FU6-0178-000	300 - 66
FU5-3410-000	300 - 75	FU5-9208-000	104 - 17	FU6-0187-000	300 - 68
FU5-3438-000	320 - 54	FU5-9208-000	114 - 8	FU6-0188-000	300 - 76
FU5-3441-000	323 - 13	FU5-9210-000	100 - 80	FU6-0189-000	300 - 86
FU5-3441-000	327 - 26	FU5-9210-000	326 - 25	FU6-0190-000	300 - 87
FU5-3441-000	328 - 12	FU5-9215-000	816 - 36	FU6-0191-000	300 - 88
FU5-3441-000	336 - 5	FU5-9219-000	930 - 1	FU6-0192-000	300 - 89
FU5-3441-000	341 - 9	FU5-9220-000	816 - 37	FU6-0193-000	300 - 36
FU5-3441-000	345 - 2	FU5-9221-000	321 - 5	FU6-0194-000	300 - 47

NUMERICAL INDEX

imagePRESS C7000VP/C6000VP/C6000(Numerical Index)

PARTS NUMBER	FIGURE & KEY NO.	PARTS NUMBER	FIGURE & KEY NO.	PARTS NUMBER	FIGURE & KEY NO
FU6-0195-010	300 - 67	FU6-0356-000	857 - 20	FU6-0438-000	332 - 24
FU6-0251-000	625 - 10	FU6-0357-000	857 - 38	FU6-0439-000	332 - 25
FU6-0254-000	621 - 15	FU6-0358-000	815 - 35	FU6-0440-000	333 - 18
FU6-0256-000	280 - 10	FU6-0358-000	855 - 30	FU6-0441-000	284 - 4
FU6-0261-000	274 - 7	FU6-0359-000	622 - 19	FU6-0442-000	284 - 5
FU6-0262-000	330 - 10	FU6-0360-000	622 - 20	FU6-0446-000	346 - 20
FU6-0262-000	331 - 14	FU6-0362-000	272 - 7	FU6-0448-000	274 - 12
FU6-0263-000	274 - 8	FU6-0363-000	272 - 8	FU6-0449-000	280 - 15
FU6-0264-000	274 - 9	FU6-0364-000	272 - 9	FU6-0451-000	343 - 4
FU6-0265-000	333 - 31	FU6-0366-000	600 - 28	FU6-0452-000	815 - 37
FU6-0267-000	333 - 16	FU6-0368-000	610 - 15	FU6-0453-000	815 - 38
FU6-0268-000	333 - 25	FU6-0369-000	610 - 16	FU6-0455-000	815 - 52
FU6-0270-000	332 - 15	FU6-0373-000	345 - 22	FU6-0455-000	855 - 32
FU6-0271-000	332 - 16	FU6-0374-000	343 - 11	FU6-0457-000	817 - 17
FU6-0272-000	332 - 17	FU6-0375-000	343 - 10	FU6-0457-000	830 - 14
FU6-0273-000	332 - 18	FU6-0376-000	343 - 2	FU6-0458-000	817 - 18
FU6-0274-000	332 - 19	FU6-0376-000	346 - 21	FU6-0459-000	817 - 19
FU6-0276-000	332 - 20	FU6-0378-000	355 - 17	FU6-0460-000	817 - 20
FU6-0277-000	332 - 21	FU6-0381-000	536 - 8	FU6-0461-000	817 - 21
FU6-0292-000	610 - 14	FU6-0382-000	536 - 9	FU6-0463-000	355 - 18
FU6-0304-000	511 - 24	FU6-0383-000	536 - 10	FU6-0464-000	534 - 15
FU6-0306-000	812 - 42	FU6-0386-000	320 - 55	FU6-0465-000	534 - 16
FU6-0306-000	856 - 39	FU6-0387-000	262 - 8	FU6-0466-000	815 - 39
FU6-0308-000	380 - 6	FU6-0392-000	320 - 56	FU6-0466-000	855 - 44
FU6-0310-000	533 - 22	FU6-0393-000	320 - 57	FU6-0467-000	815 - 40
FU6-0311-000	533 - 23	FU6-0396-000	283 - 2	FU6-0467-000	855 - 45
FU6-0312-000	533 - 24	FU6-0397-000	283 - 3	FU6-0468-000	815 - 41
FU6-0315-000	273 - 3	FU6-0399-000	283 - 4	FU6-0468-000	855 - 46
FU6-0316-000	273 - 4	FU6-0409-000	815 - 36	FU6-0469-000	815 - 42
FU6-0318-000	273 - 5	FU6-0409-000	855 - 31	FU6-0469-000	855 - 47
FU6-0320-000	534 - 28	FU6-0410-000	280 - 11	FU6-0470-000	814 - 14
FU6-0321-000	534 - 29	FU6-0411-000	280 - 12	FU6-0470-000	854 - 10
FU6-0325-000	275 - 5	FU6-0412-000	280 - 13	FU6-0473-000	511 - 35
FU6-0326-000	275 - 6	FU6-0413-000	280 - 14	FU6-0474-000	511 - 25
FU6-0328-000	511 - 36	FU6-0414-000	352 - 55	FU6-0475-000	511 - 26
FU6-0332-000	855 - 28	FU6-0415-000	534 - 23	FU6-0650-000	818 - 8
FU6-0335-000	815 - 34	FU6-0416-000	534 - 24	FU6-2001-000	780 - 4
FU6-0335-000	855 - 29	FU6-0422-000	333 - 17	FU6-2002-000	780 - 3
FU6-0336-000	814 - 13	FU6-0423-000	274 - 10	FU6-2003-000	346 - 4
FU6-0336-000	854 - 17	FU6-0424-000	330 - 11	FU6-2004-000	346 - 9
FU6-0340-000	816 - 38	FU6-0424-000	331 - 20	FU6-2005-000	370 - 22
FU6-0341-000	816 - 39	FU6-0425-000	274 - 11	FU6-2006-000	353 - 11
FU6-0343-000	816 - 40	FU6-0426-000	332 - 22	FU6-2007-000	354 - 7
FU6-0345-000	818 - 6	FU6-0427-000	332 - 23	FU6-2042-000	532 - 42
FU6-0347-000	818 - 7	FU6-0428-000	620 - 51	FU6-2059-000	550 - 29
FU6-0348-000	818 - 2	FU6-0429-000	620 - 52	FU6-2065-000	817 - 14
FU6-0352-000	340 - 1	FU6-0430-000	621 - 16	FU6-2088-000	535 - 15
FU6-0352-000	360 - 19	FU6-0431-000	621 - 17	FU6-2088-000	550 - 26
FU6-0352-000	362 - 19	FU6-0432-000	621 - 18	FU6-2511-000	360 - 20
FU6-0352-000	371 - 3	FU6-0433-000	621 - 19	FU6-2511-000	361 - 2
FU6-0354-000	857 - 22	FU6-0434-000	620 - 53	FU6-2511-000	362 - 20
FU6-0356-000	818 - 5	FU6-0435-000	620 - 54	FU6-2512-000	360 - 21

NUMERICAL INDEX

imagePRESS C7000VP/C6000VP/C6000(Numerical Index)

PARTS NUMBER	FIGURE & KEY NO.	PARTS NUMBER	FIGURE & KEY NO.	PARTS NUMBER	FIGURE & KEY NO
FU6-2512-000	361 - 3	FU6-5276-000	856 - 7	NPN	340 -
FU6-2512-000	362 - 21	FU6-8216-000	001 - 9	NPN	341 -
FU6-2514-000	320 - 58	FU7-0131-000	610 - 17	NPN	342 -
FU6-2515-000	320 - 59	FU7-0132-000	610 - 18	NPN	343 -
FU6-2516-000	320 - 60	FU7-0133-000	610 - 19	NPN	344 -
FU6-2521-000	352 - 56	FU7-0134-000	610 - 20	NPN	345 -
FU6-2522-000	352 - 57	FU7-0141-000	322 - 24	NPN	346 -
FU6-2523-000	350 - 18	FU7-0142-000	322 - 25	NPN	347 -
FU6-2525-000	780 - 16	FU7-0143-000	815 - 47	NPN	350 -
FU6-2527-000	780 - 2	FU7-0143-000	855 - 33	NPN	383 -
FU6-2528-000	780 - 1	FU7-0144-000	815 - 48	NPN	530 -
FU6-2529-000	351 - 24	FU7-0144-000	855 - 34	NPN	531 -
FU6-2530-000	351 - 25	FU7-0149-000	855 - 35	NPN	532 -
FU6-2531-000	351 - 26	FU7-0373-000	830 - 15	NPN	600 -
FU6-2532-000	352 - 59	FU7-0374-000	830 - 16	NPN	625 -
FU6-2534-000	326 - 26	FU7-0375-000	830 - 17	NPN	640 -
FU6-2535-000	383 - 16	MB4-8200-000	622 - 21	NPN	780 -
FU6-2536-000	320 - 61	NPN	001 -	NPN	810 -
FU6-2537-000	532 - 73	NPN	100 -	NPN	815 -
FU6-2539-000	350 - 24	NPN	102 -	NPN	816 -
FU6-2539-000	352 - 61	NPN	103 -	NPN	850 -
FU6-2542-000	327 - 27	NPN	104 -	NPN	855 -
FU6-2543-000	355 - 19	NPN	105 -	NPN	857 -
FU6-2544-000	100 - 54	NPN	106 -	NPN	900 -
FU6-2544-000	111 - 28	NPN	107 -	NPN	930 -
FU6-2545-000	817 - 22	NPN	108 -	NPN	964 -
FU6-2546-000	615 - 17	NPN	109 -	NPN	965 -
FU6-2548-010	352 - 60	NPN	111 -	NPN	980 -
FU6-2549-000	341 - 8	NPN	112 -	NPN	982 -
FU6-2550-000	351 - 27	NPN	113 -	NPN	999 -
FU6-2551-000	815 - 43	NPN	114 -	RB2-0493-000	812 - 45
FU6-2551-000	855 - 48	NPN	115 -	RB2-0493-000	856 - 40
FU6-2552-000	534 - 25	NPN	116 -	RH7-6037-000	113 - 6
FU6-2553-000	816 - 41	NPN	120 -	RH7-6037-000	185 - 6
FU6-2556-000	812 - 43	NPN	121 -	RH7-7129-020	322 - 26
FU6-2557-000	815 - 44	NPN	125 -	RS1-1042-000	320 - 62
FU6-2557-000	855 - 49	NPN	126 -	RS5-1058-000	260 - 15
FU6-2558-000	815 - 45	NPN	183 -	RS5-1058-000	310 - 36
FU6-2558-000	855 - 50	NPN	184 -	RS5-1567-000	320 - 63
FU6-2559-000	815 - 46	NPN	185 -	RS5-9061-000	816 - 43
FU6-2559-000	855 - 51	NPN	186 -	VD7-2892-001	140 - 2
FU6-2560-000	815 - 54	NPN	188 -	VD7-3011-502	121 - 12
FU6-2560-000	855 - 58	NPN	189 -	VS1-7077-019	840 - 17
FU6-2562-000	371 - 2	NPN	191 -	VS1-7164-020	103 - 20
FU6-2563-000	857 - 28	NPN	192 -	VS1-7164-028	102 - 17
FU6-2564-000	336 - 6	NPN	193 -	VS1-7164-030	999 - 1
FU6-2566-000	812 - 44	NPN	320 -	VS1-7164-032	531 - 31
FU6-2567-000	532 - 75	NPN	321 -	VS1-7164-032	999 - 2
FU6-2568-000	100 - 81	NPN	325 -	VS1-7164-034	999 - 7
FU6-2569-000	830 - 11	NPN	330 -	VS1-7164-036	320 - 72
FU6-5271-000	816 - 42	NPN	331 -	VS1-7164-036	323 - 16
FU6-5273-000	856 - 43	NPN	336 -	VS1-7164-036	999 - 8

NUMERICAL INDEX

imagePRESS C7000VP/C6000VP/C6000(Numerical Index)

PARTS NUMBER	FIGURE & KEY NO.	PARTS NUMBER	FIGURE & KEY NO.	PARTS NUMBER	FIGURE & KEY NO
VS1-7164-040	280 - 17	VS1-7177-002	817 - 25	VS1-7177-004	348 - 1
VS1-7164-040	999 - 3	VS1-7177-002	854 - 18	VS1-7177-004	349 - 1
VS1-7173-003	104 - 20	VS1-7177-002	900 - 9	VS1-7177-004	352 - 36
VS1-7173-003	114 - 13	VS1-7177-003	102 - 6	VS1-7177-004	531 - 28
VS1-7173-003	323 - 19	VS1-7177-003	103 - 11	VS1-7177-004	600 - 22
VS1-7173-003	380 - 4	VS1-7177-003	113 - 10	VS1-7177-004	780 - 27
VS1-7173-003	999 - 4	VS1-7177-003	125 - 3	VS1-7177-004	814 - 20
VS1-7173-004	114 - 14	VS1-7177-003	181 - 2	VS1-7177-004	854 - 19
VS1-7173-004	191 - 10	VS1-7177-003	182 - 2	VS1-7177-004	900 - 10
VS1-7173-004	320 - 73	VS1-7177-003	185 - 2	VS1-7177-004	999 - 5
VS1-7173-004	323 - 20	VS1-7177-003	190 - 18	VS1-7177-005	103 - 16
VS1-7173-004	900 - 11	VS1-7177-003	195 - 2	VS1-7177-005	532 - 61
VS1-7173-004	999 - 20	VS1-7177-003	300 - 51	VS1-7177-005	600 - 23
VS1-7173-005	322 - 29	VS1-7177-003	310 - 24	VS1-7177-005	814 - 24
VS1-7173-005	900 - 12	VS1-7177-003	320 - 42	VS1-7177-005	854 - 22
VS1-7173-005	999 - 9	VS1-7177-003	323 - 17	VS1-7177-005	999 - 13
VS1-7173-006	114 - 12	VS1-7177-003	328 - 9	VS1-7177-006	102 - 16
VS1-7173-006	338 - 14	VS1-7177-003	340 - 13	VS1-7177-006	107 - 7
VS1-7173-008	104 - 21	VS1-7177-003	343 - 18	VS1-7177-006	115 - 7
VS1-7173-008	349 - 22	VS1-7177-003	350 - 10	VS1-7177-006	343 - 17
VS1-7173-008	900 - 8	VS1-7177-003	352 - 34	VS1-7177-006	349 - 21
VS1-7173-009	114 - 11	VS1-7177-003	370 - 28	VS1-7177-006	350 - 11
VS1-7173-009	999 - 16	VS1-7177-003	383 - 19	VS1-7177-006	352 - 35
VS1-7173-011	116 - 9	VS1-7177-003	531 - 29	VS1-7177-006	370 - 1
VS1-7173-011	331 - 21	VS1-7177-003	550 - 20	VS1-7177-006	814 - 17
VS1-7173-011	999 - 10	VS1-7177-003	600 - 21	VS1-7177-006	816 - 28
VS1-7173-012	102 - 18	VS1-7177-003	610 - 22	VS1-7177-006	817 - 10
VS1-7173-012	114 - 10	VS1-7177-003	620 - 38	VS1-7177-006	854 - 20
VS1-7173-012	185 - 4	VS1-7177-003	771 - 7	VS1-7177-006	857 - 32
VS1-7173-012	999 - 11	VS1-7177-003	780 - 26	VS1-7177-006	999 - 17
VS1-7173-014	109 - 19	VS1-7177-003	814 - 19	VS1-7177-007	780 - 28
VS1-7173-014	999 - 12	VS1-7177-003	816 - 29	VS1-7177-007	999 - 18
VS1-7173-015	327 - 35	VS1-7177-003	854 - 5	VS1-7177-008	190 - 13
VS1-7173-015	531 - 21	VS1-7177-003	857 - 27	VS1-7177-008	340 - 15
VS1-7173-016	113 - 3	VS1-7177-003	900 - 7	VS1-7177-008	534 - 14
VS1-7173-016	186 - 3	VS1-7177-003	999 - 15	VS1-7177-008	600 - 24
VS1-7173-016	191 - 11	VS1-7177-004	100 - 87	VS1-7177-008	999 - 14
VS1-7173-016	338 - 15	VS1-7177-004	102 - 19	VS1-7177-009	115 - 4
VS1-7173-016	999 - 21	VS1-7177-004	103 - 15	VS1-7177-009	320 - 74
VS1-7177-002	100 - 86	VS1-7177-004	107 - 4	VS1-7177-009	340 - 16
VS1-7177-002	115 - 6	VS1-7177-004	115 - 8	VS1-7177-009	343 - 16
VS1-7177-002	300 - 53	VS1-7177-004	116 - 8	VS1-7177-009	900 - 18
VS1-7177-002	310 - 26	VS1-7177-004	125 - 4	VS1-7177-010	600 - 37
VS1-7177-002	322 - 15	VS1-7177-004	180 - 2	VS1-7177-010	640 - 7
VS1-7177-002	323 - 18	VS1-7177-004	185 - 1	VS1-7177-010	900 - 19
VS1-7177-002	534 - 17	VS1-7177-004	186 - 2	VS1-7177-011	600 - 25
VS1-7177-002	550 - 21	VS1-7177-004	189 - 2	VS1-7177-012	340 - 14
VS1-7177-002	620 - 37	VS1-7177-004	190 - 12	VS1-7177-012	349 - 20
VS1-7177-002	622 - 15	VS1-7177-004	191 - 7	VS1-7177-012	351 - 18
VS1-7177-002	770 - 3	VS1-7177-004	310 - 27	VS1-7177-012	620 - 39
VS1-7177-002	771 - 5	VS1-7177-004	330 - 9	VS1-7177-012	999 - 19
VS1-7177-002	814 - 18	VS1-7177-004	331 - 13	VS1-7207-008	999 - 6

NUMERICAL INDEX

imagePRESS C7000VP/C6000VP/C6000(Numerical Index)

PARTS NUMBER	FIGURE & KEY NO.	PARTS NUMBER	FIGURE & KEY NO.	PARTS NUMBER	FIGURE & KEY NO.
VS1-7462-001	813 - 10	XA9-1496-000	900 - 14	XF2-3614-860	352 - 68
VT2-5177-025	190 - 8	XA9-1659-000	300 - 59	XF2-3615-460	360 - 23
WB1-5198-000	121 - 13	XA9-1659-000	310 - 34	XF2-3615-460	361 - 19
WD3-5127-000	121 - 12	XA9-1659-000	817 - 23	XF2-3615-460	362 - 23
WE8-5689-000	100 - 94	XA9-1750-000	330 - 12	XF2-3615-460	371 - 22
WG8-5736-000	310 - 38	XA9-1750-000	331 - 15	XF2-3615-460	372 - 1
WG8-5736-000	320 - 13	XA9-1788-000	102 - 22	XF2-3615-560	260 - 13
WG8-5736-000	322 - 23	XA9-1788-000	113 - 14	XF2-3616-460	349 - 18
WG8-5736-000	324 - 5	XA9-1813-000	262 - 12	XF2-3617-560	341 - 6
WG8-5736-000	327 - 34	XA9-1813-000	320 - 12	XF2-3618-260	341 - 4
WG8-5736-000	328 - 16	XD1-1104-122	113 - 501	XG1-1019-055	351 - 30
WG8-5736-000	330 - 14	XD1-1104-122	125 - 501	XG1-1019-055	355 - 22
WG8-5736-000	331 - 22	XD1-1104-122	185 - 501	XG1-1026-085	383 - 17
WG8-5736-000	337 - 9	XD9-0150-000	890 - 8	XG1-1030-095	531 - 22
WG8-5736-000	342 - 3	XD9-0150-000	891 - 7	XG1-1528-075	322 - 28
WG8-5736-000	344 - 8	XD9-0212-000	320 - 65	XG2-6012-405	262 - 11
WG8-5736-000	345 - 9	XD9-0220-000	320 - 66	XG3-6012-405	322 - 30
WG8-5736-000	348 - 11	XF2-1105-640	300 - 77	XG3-8016-505	322 - 14
WG8-5736-000	351 - 28	XF2-1105-660	262 - 9	XG9-0094-000	284 - 6
WG8-5736-000	352 - 62	XF2-1106-260	262 - 10	XG9-0094-000	300 - 78
WG8-5736-000	353 - 12	XF2-1106-960	320 - 67	XG9-0094-000	323 - 15
WG8-5736-000	360 - 24	XF2-1108-060	323 - 14	XG9-0094-000	327 - 33
WG8-5736-000	361 - 20	XF2-1110-760	320 - 68	XG9-0094-000	328 - 14
WG8-5736-000	362 - 24	XF2-1305-280	816 - 45	XG9-0094-000	338 - 12
WG8-5736-000	370 - 30	XF2-3604-940	352 - 64	XG9-0094-000	341 - 7
WG8-5736-000	371 - 1	XF2-3605-060	370 - 40	XG9-0094-000	345 - 25
WG8-5736-000	372 - 3	XF2-3606-360	320 - 69	XG9-0094-000	346 - 1
WG8-5736-000	380 - 7	XF2-3607-060	341 - 5	XG9-0094-000	349 - 16
WM2-5243-000	900 - 17	XF2-3607-060	352 - 65	XG9-0094-000	351 - 31
WS6-5201-000	109 - 24	XF2-3607-260	104 - 14	XG9-0094-000	360 - 13
WS6-5201-000	116 - 11	XF2-3607-260	327 - 29	XG9-0094-000	361 - 13
WS6-5209-000	116 - 5	XF2-3607-260	372 - 2	XG9-0094-000	362 - 13
XA9-0228-000	550 - 30	XF2-3607-460	327 - 30	XG9-0094-000	371 - 24
XA9-0892-000	320 - 64	XF2-3607-460	328 - 13	XG9-0094-000	372 - 16
XA9-0892-000	355 - 20	XF2-3607-660	350 - 27	XG9-0120-000	532 - 74
XA9-0892-000	531 - 32	XF2-3608-060	370 - 39	XG9-0149-000	352 - 69
XA9-0922-000	327 - 28	XF2-3608-460	336 - 7	XG9-0177-000	813 - 11
XA9-0934-000	343 - 14	XF2-3608-460	352 - 66	XG9-0177-000	855 - 36
XA9-0934-000	818 - 3	XF2-3608-460	360 - 22	XG9-0177-000	857 - 23
XA9-0934-000	857 - 21	XF2-3608-460	361 - 17	XG9-0192-000	343 - 13
XA9-0940-000	130 - 22	XF2-3608-460	362 - 22	XG9-0211-000	350 - 19
XA9-1031-000	300 - 65	XF2-3608-560	343 - 12	XG9-0217-000	815 - 49
XA9-1031-000	816 - 44	XF2-3609-060	327 - 31	XG9-0217-000	855 - 37
XA9-1035-000	322 - 27	XF2-3609-960	352 - 67	XG9-0232-000	332 - 27
XA9-1035-000	857 - 30	XF2-3610-060	349 - 17	XG9-0232-000	333 - 19
XA9-1035-000	890 - 7	XF2-3610-660	350 - 25	XG9-0232-000	533 - 25
XA9-1035-000	891 - 9	XF2-3611-560	327 - 32	XG9-0242-000	333 - 32
XA9-1249-010	114 - 19	XF2-3611-560	371 - 23	XG9-0242-000	345 - 30
XA9-1249-010	121 - 5	XF2-3612-560	370 - 38	XG9-0242-000	370 - 34
XA9-1249-010	300 - 55	XF2-3613-060	336 - 8	XG9-0245-000	322 - 17
XA9-1249-010	381 - 12	XF2-3613-660	345 - 27	XG9-0245-000	337 - 7
XA9-1469-000	900 - 13	XF2-3614-560	260 - 12	XG9-0245-000	338 - 7

NUMERICAL INDEX

imagePRESS C7000VP/C6000VP/C6000(Numerical Index)

PARTS NUMBER	FIGURE & KEY NO.	PARTS NUMBER	FIGURE & KEY NO.	PARTS NUMBER	FIGURE & KEY NO.
XG9-0245-000	351 - 17	XG9-0503-000	300 - 91	XZ9-0281-000	001 - 5
XG9-0245-000	360 - 12	XG9-0503-000	532 - 43	XZ9-0565-000	102 - 9
XG9-0245-000	361 - 12	XG9-0506-000	532 - 76	XZ9-0565-000	114 - 7
XG9-0245-000	362 - 12	XG9-0507-000	310 - 37	XZ9-0574-000	102 - 10
XG9-0249-000	857 - 39	XG9-0507-000	352 - 72	XZ9-0574-000	114 - 5
XG9-0250-000	816 - 46	XG9-0507-000	830 - 20	XZ9-0598-000	336 - 9
XG9-0258-000	330 - 13	XG9-0508-000	260 - 14	XZ9-0598-000	372 - 15
XG9-0258-000	331 - 16	XG9-0508-000	310 - 35	XZ9-0603-000	100 - 46
XG9-0258-000	332 - 28	XG9-0508-000	381 - 9	XZ9-0603-000	352 - 63
XG9-0286-000	816 - 47	XG9-0508-000	382 - 11	XZ9-0603-000	620 - 23
XG9-0291-000	280 - 21	XG9-0511-000	342 - 2	XZ9-0614-000	111 - 27
XG9-0291-000	812 - 46	XG9-0511-000	344 - 10	XZ9-0614-000	113 - 13
XG9-0291-000	816 - 48	XG9-0511-000	345 - 29	XZ9-0614-000	344 - 9
XG9-0291-000	817 - 24	XG9-0511-000	348 - 5	XZ9-0614-000	348 - 4
XG9-0291-000	840 - 19	XG9-0511-000	351 - 32	XZ9-0618-000	121 - 4
XG9-0291-000	856 - 41	XG9-0511-000	352 - 73		
XG9-0302-000	780 - 15	XG9-0520-000	284 - 7		
XG9-0302-000	781 - 7	XG9-0520-000	345 - 28		
XG9-0304-000	352 - 71	XG9-0520-000	346 - 24		
XG9-0304-000	531 - 13	XG9-0520-000	349 - 15		
XG9-0304-000	857 - 34	XG9-0520-000	351 - 29		
XG9-0321-000	274 - 13	XG9-0520-000	352 - 74		
XG9-0350-000	815 - 50	XG9-0520-000	355 - 15		
XG9-0350-000	855 - 38	XG9-0520-000	370 - 41		
XG9-0360-000	813 - 12	XG9-0544-000	272 - 11		
XG9-0365-000	280 - 22	XG9-0544-000	610 - 21		
XG9-0365-000	815 - 30	XG9-0547-000	327 - 15		
XG9-0365-000	817 - 11	XG9-0547-000	532 - 77		
XG9-0365-000	830 - 18	XG9-0549-000	332 - 26		
XG9-0365-000	840 - 23	XG9-0549-000	350 - 26		
XG9-0365-000	855 - 39	XG9-0549-000	352 - 75		
XG9-0366-000	855 - 40	XG9-0549-000	355 - 21		
XG9-0378-000	857 - 12	XG9-0549-000	370 - 37		
XG9-0384-000	320 - 70	XG9-0549-000	532 - 57		
XG9-0384-000	816 - 49	XG9-0550-000	260 - 16		
XG9-0384-000	890 - 9	XG9-0584-000	840 - 18		
XG9-0384-000	891 - 8	XG9-0585-000	813 - 15		
XG9-0386-000	332 - 29	XG9-0585-000	816 - 51		
XG9-0387-000	815 - 26	XG9-0593-000	813 - 13		
XG9-0406-000	300 - 90	XG9-0602-000	320 - 71		
XG9-0406-000	349 - 14	XG9-0603-000	532 - 45		
XG9-0407-000	813 - 14	XG9-0620-000	332 - 30		
XG9-0407-000	816 - 50	XG9-0621-000	332 - 31		
XG9-0415-000	855 - 41	XG9-0622-000	530 - 10		
XG9-0419-000	814 - 12	XG9-0623-000	333 - 26		
XG9-0419-000	854 - 4	XG9-0668-000	352 - 70		
XG9-0438-000	622 - 22	XH9-0006-000	310 - 40		
XG9-0484-000	812 - 47	XH9-0122-000	320 - 43		
XG9-0484-000	856 - 42	XH9-0132-000	900 - 15		
XG9-0491-000	511 - 27	XH9-0137-000	620 - 55		
XG9-0491-000	830 - 19	XZ1-1301-005	900 - 16		
XG9-0491-000	855 - 42	XZ1-1900-705	310 - 41		

imagePRESS C7000VP/C6000VP/ C6000(Parts Catalog)

imagePRESS C7000VP

Main station(JP)	F14-6011-000	KTF
Sub station(JP)	F14-6014-000	KTG
Power sta.(JP)	F14-6017-000	KTK
Main station(UL)	F14-6031-000	KTL
Sub station(UL)	F14-6034-000	KTM
Power sta.(UL)	F14-6037-000	KTN
Main station(CN)	F14-6051-000	KTS
Sub station(CN)	F14-6054-000	KTT
Power sta.(CN)	F14-6057-000	KTU
Main station(EU/ O)	F14-6091-000	KTP
Sub station(EU/ O)	F14-6094-000	KTQ
Power sta.(EU/ O)	F14-6097-000	KTR

imagePRESS C6000VP

Main station(UL)	F14-9031-000	CWM
Sub station(UL)	F14-9034-000	CWR
Power sta.(UL)	F14-9037-000	CWT

imagePRESS C6000

Main station(JP)	F14-6012-000	KTV
Sub station(JP)	F14-6015-000	KTW

Power sta.(JP)	F14-6018-000	KTX
Main station(UL)	F14-6032-000	KTY
Sub station(UL)	F14-6035-000	KTZ
Power sta.(UL)	F14-6038-000	KUD
Main station(CN)	F14-6052-000	KUH
Sub station(CN)	F14-6055-000	KUJ
Power sta.(CN)	F14-6058-000	KUK
Main station(EU/O)	F14-6092-000	KUE
Sub station(EU/O)	F14-6095-000	KUF
Power sta.(EU/O)	F14-6098-000	KUG

Contents

A1	ASSEMBLY LOCATION DIAGRAM	2-1
A2	OPTION PARTS CATALOG LIST	2-16
001	ACCESSORIES	2-17
100	EXTERNAL COVERS, PANELS, ETC. (Main station).....	2-19
102	INTERNAL COMPONENTS 1 (Main station).....	2-24
103	INTERNAL COMPONENTS 2 (Main station).....	2-26
104	INTERNAL COMPONENTS 3 (Main station).....	2-28
105	INTERNAL COMPONENTS 4 (Main station).....	2-30
106	INTERNAL COMPONENTS 5 (Main station).....	2-32
107	INTERNAL COMPONENTS 6 (Main station).....	2-34
108	MACHINE REAR PLATE 1 (Main station)	2-36
109	MACHINE REAR PLATE 2 (Main station)	2-38
111	EXTERNAL COVERS, PANELS, ETC. (Sub station)	2-40
112	INTERNAL COMPONENTS 1 (Sub station)	2-43
113	INTERNAL COMPONENTS 2 (Sub station)	2-45
114	INTERNAL COMPONENTS 3 (Sub station)	2-47
115	MACHINE REAR PLATE 1 (Sub station).....	2-49
116	MACHINE REAR PLATE 2 (Sub station).....	2-51
120	POWER STATION COVER ASSEMBLY	2-53
121	POWER STATION ASSEMBLY	2-55
125	INTERLOCK SWITCH ASSEMBLY	2-57
126	DRUM HEATER INTERLOCK SW. ASS'Y	2-58
130	CONTROL PANEL ASSEMBLY	2-59
140	POWER CORD TERMINAL ASSEMBLY	2-61
180	FIXING BELT COOLING FAN ASS'Y	2-62
181	COOLING FAN ASS'Y, 2	2-64
182	ROLLER COOLING FAN ASSEMBLY	2-65
183	FIRST FIXING FAN ASSEMBLY	2-67
184	SECOND FIXING FAN ASSEMBLY	2-68
185	DUCT, FIRST EXHAUST.....	2-69
186	FAN MOUNT ASSEMBLY, OUTER.....	2-71
188	BELT COOLING FAN ASSEMBLY	2-72
189	PAPER DELIVERY FAN ASSEMBLY	2-74
190	FAN MOUNT ASSEMBLY	2-75
191	PRIMARY EXHAUST FAN ASSEMBLY	2-77
192	PRIMARY INLET FAN ASS'Y, C/K	2-79
193	PRIMARY INLET FAN ASS'Y, Y/M.....	2-80
194	PRE-TRNS.EXHAUST DUCT ASSEMBLY	2-82
195	FIRST FIXING EXHAUST FAN ASS'Y	2-83
260	PAPER PICK-UP DRIVE ASS'Y	2-84
262	REGISTRATION SLIDE DRIVE ASS'Y	2-86
271	DRUM DRIVE ASSEMBLY	2-87
272	DEVELOPING DRIVE ASSEMBLY	2-89
273	I.T.B. CLEANER DRIVE ASSEMBLY	2-90
274	SECONDARY TRANSFER DRIVE ASS'Y.....	2-91

275	I.T.B. WEB PRESSURE ASSEMBLY	2-92
280	FIXING DRIVE ASSEMBLY	2-93
283	WASTE TONER DRIVE ASSEMBLY	2-95
284	DELIVERY DRIVE ASSEMBLY	2-96
300	PAPER STOCK ASSEMBLY	2-97
310	PAPER PICK-UP ASSEMBLY	2-104
320	REGIST.PAPER FEEDER ASSEMBLY	2-107
321	PRE-REGISTRATION FEED ASSEMBLY	2-112
322	PRE-REGIST. FEEDER UPPER ASS'Y	2-114
323	PRE-REGIST. FEEDER LOWER ASS'Y	2-118
324	2ND TRNSFR. ELIM. ASS'Y, REAR	2-120
325	VERTICAL PATH ASSEMBLY	2-121
326	RIGHT DOOR ASSEMBLY	2-122
327	VERTICAL PATH MAIN ASSEMBLY	2-124
328	TURN ASSEMBLY	2-127
329	INNER GUIDE OPEN/CLOSE ASS'Y	2-129
330	PRE-FIXING PAPER FEED ASS'Y	2-130
331	2ND TRNS.FRAME/FIX. F.D ASS'Y	2-132
332	2ND TRNS. BASE PLATE ASS'Y	2-134
333	SECONDARY TRANSFER ASSEMBLY	2-136
336	L.OWER PAPER FEED ASSEMBLY	2-139
337	LOWER PAPER FEED ASS'Y, UPPER	2-141
338	LOWER PAPER FEED ASS'Y, LOWER	2-143
340	FIXING/FEED ASSEMBLY, CENTER	2-145
341	FIXING/FEED ASS'Y, CENTER LW	2-147
342	FIXING/FEED ASS'Y, CENTER UP	2-149
343	FIXING/FEED ASSEMBLY, LEFT	2-151
344	FIXING/FEED ASS'Y, LEFT UPPER	2-153
345	FIXING/FEED ASS'Y, LEFT MIDDLE	2-155
346	FIXING/FEED ASS'Y, LEFT LOWER	2-157
347	FIXING/FEED ASS'Y, RIGHT	2-159
348	FIXING/FEED ASS'Y, RIGHT UPPER	2-161
349	FIXING/FEED ASS'Y, RIGHT LOWER	2-163
350	REVERSE DELIVERY ASSEMBLY	2-165
351	DELIVERY GUIDE ASSEMBLY, UPPER	2-167
352	REVERSE ASSEMBLY	2-170
353	REVERSE GUIDE ASSEMBLY, LOWER	2-176
354	REVERSE GUIDE ASSEMBLY, UPPER	2-178
355	DELIVERY GUIDE ASSEMBLY, LOWER	2-179
360	DUPLEX LEFT ASSEMBLY	2-181
361	DUPLEX CENTER ASSEMBLY	2-183
362	DUPLEX RIGHT ASSEMBLY	2-185
370	DUPLEXING DECURLER ASSEMBLY	2-187
371	DUPLEXING ASSEMBLY, RIGHT	2-191
372	DUPLEXING ASSEMBLY, LEFT	2-194

Contents

380	LEFT DECK PATH MERGER ASS'Y	2-197
381	PULL-OUT ROLLER LEFT ASS'Y	2-199
382	PULL-OUT ROLLER RIGHT ASS'Y	2-201
383	PAPER FEED MOUNT ASSEMBLY	2-203
460	SCANNER ASSEMBLY	2-206
511	D KIT ASSEMBLY	2-207
530	I.T.B. ASSEMBLY	2-210
531	I.T.B. LOWER FRAME ASSEMBLY	2-212
532	I.T.B. UPPER FRAME ASSEMBLY	2-216
533	I.T.B. CLEANER ASSEMBLY	2-222
534	I.T.B. WEB ASSEMBLY	2-224
535	I.T.B. POST CORONA ASSEMBLY	2-226
536	EDGE REGISTRATION DETECT ASS'Y	2-228
550	PRIMARY CORONA ASSEMBLY	2-230
600	PROCESSOR KIT ASSEMBLY	2-233
610	DEVELOPING RAIL ASSEMBLY	2-236
615	DEVELOPING PRESSURE ASSEMBLY	2-238
620	HOPPER ASSEMBLY	2-240
621	BUFFER ASSEMBLY	2-244
622	SUB HOPPER ASSEMBLY	2-246
625	TONER FEED ASS'Y	2-248
640	DEVELOPING ASSEMBLY	2-249
710	CLEANER ASSEMBLY	2-251
770	WASTE TONER FEEDER ASSEMBLY	2-253
771	WASTE TONER BUFFER ASSEMBLY	2-254
775	WASTE TONER PIPE ASSEMBLY	2-255
780	WASTE TONER COLLECTION ASS'Y	2-256
781	WASTE TONER BOTTLE TRAY ASS'Y	2-259
810	FIRST FIXING ASSEMBLY	2-261
812	INNER PAPER DELIVERY ASS'Y, 1	2-263
813	FIXING BELT ASSEMBLY	2-266
814	FIXING INTERMEDIATE ASS'Y, 1	2-268
815	FIRST FIXING ASSEMBLY, UPPER	2-270
816	FIRST FIXING ASSEMBLY, LOWER	2-274
817	CLEANER DRIVE ASSEMBLY	2-278
818	FIXING BELT DRIVE ASS'Y	2-280
830	FIXING CLEANER ASSEMBLY	2-281
840	EXTERNAL HEATING ASSEMBLY	2-283
850	SECOND FIXING ASSEMBLY	2-285
854	FIXING INTERMEDIATE ASS'Y, 2	2-287
855	SECOND FIXING ASSEMBLY, UPPER	2-289
856	INNER PAPER DELIVERY ASS'Y, 2	2-293
857	SECOND FIXING ASSEMBLY, LOWER	2-296
890	FIRST FIXING MOUNT ASSEMBLY	2-300
891	SECOND FIXING MOUNT ASSEMBLY	2-302

Contents

892	LOCK SENSING ASSEMBLY,1.....	2-304
893	LOCK SENSING ASSEMBLY,2.....	2-305
900	CONTROLLER BOX ASSEMBLY	2-306
911	DC POWER SUPPLY ASS'Y, 24V	2-308
912	DC POWER SUPPLY ASS'Y, 13V	2-309
930	DC CONTROLLER ASSEMBLY.....	2-311
932	DRM PCB ASSEMBLY, 256	2-312
933	DRM PCB ASSEMBLY, 512.....	2-313
934	LAN-BAR-B PCB ASSEMBLY	2-314
935	RO-B PCB ASSEMBLY	2-315
936	MAIN CONTROLLER PCB ASS'Y, M.....	2-316
937	MAIN CONTROLLER PCB ASS'Y, P	2-317
938	S-B PCB ASSEMBLY	2-318
940	DC CONTROLLER PCB 1-1 ASSEMBLY	2-319
941	DC CONTROLLER PCB 1-2 ASSEMBLY	2-320
942	DC CONTROLLER PCB 1-3 ASSEMBLY	2-321
960	V.PATH/L.FEED DRIVER PCB ASS'Y.....	2-322
962	PAPER PICK-UP DRIVER PCB ASS'Y	2-323
964	DRUM DRIVER PCB ASSEMBLY	2-324
965	FEED DRIVER PCB ASSEMBLY	2-325
970	COLOR SENSOR DRIVER PCB ASS'Y.....	2-326
980	DEV./PRIMARY H.V. PCB ASSEMBLY	2-327
982	2ND TRNSFR. H.V. PCB ASSEMBLY	2-328
983	HVT8 PCB ASSEMBLY	2-329
999	CABLE UNIT.....	2-330
ZZA	MECHANICAL STANDARD PARTS (HOW TO USE)	2-343
ZZB	MECHANICAL STANDARD PARTS (SCREWS).....	2-344
ZZC	MECHANICAL STANDARD PARTS (BOLTS).....	2-351
ZZD	MECHANICAL STANDARD PARTS (NUTS).....	2-352
ZZE	MECHANICAL STANDARD PARTS (WASHERS)	2-353
ZZF	MECHANICAL STANDARD PARTS (RETAINING RINGS)	2-356
ZZG	MECHANICAL STANDARD PARTS (PINS).....	2-359
ZZH	MECHANICAL STANDARD PARTS (SPACERS)	2-360

FIGURE A1 ASSEMBLY LOCATION DIAGRAM

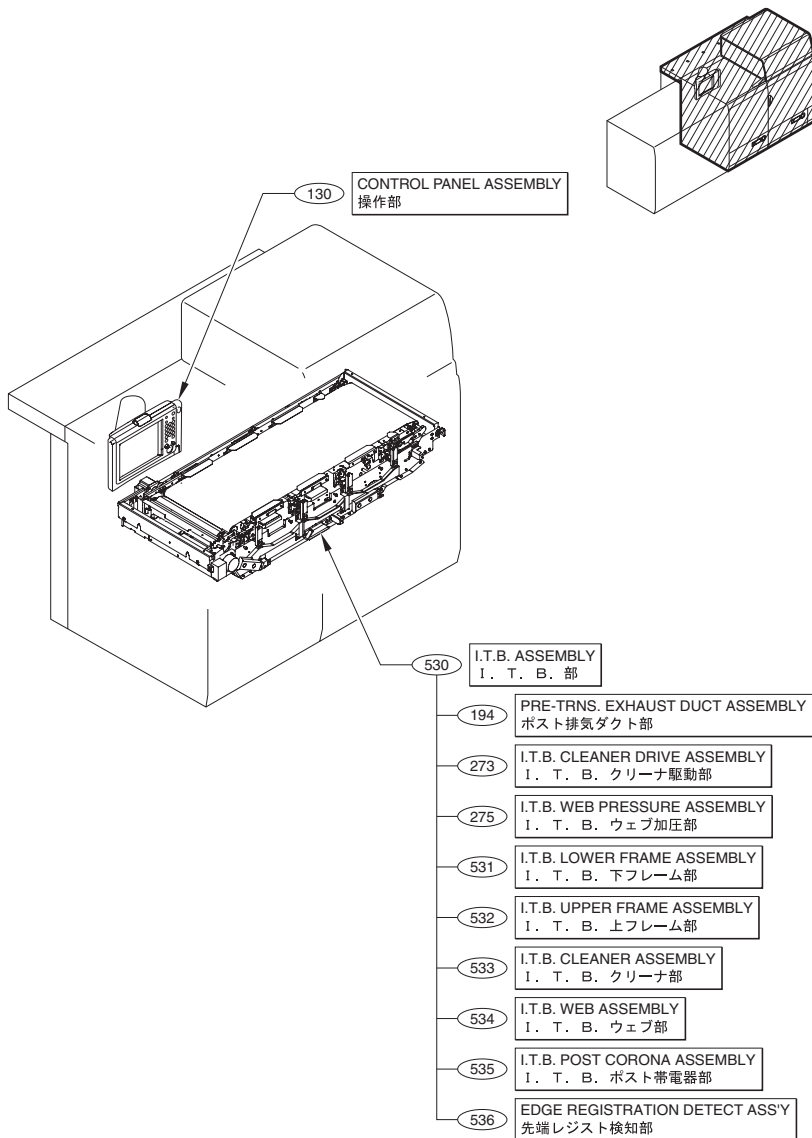


FIGURE A1 ASSEMBLY LOCATION DIAGRAM

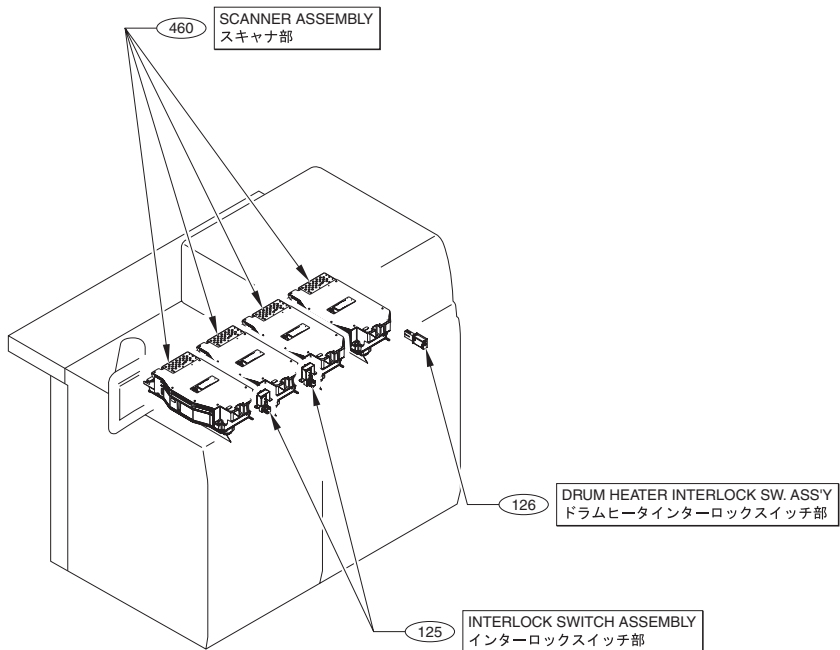
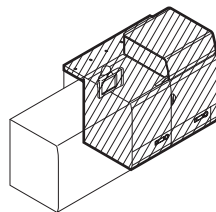
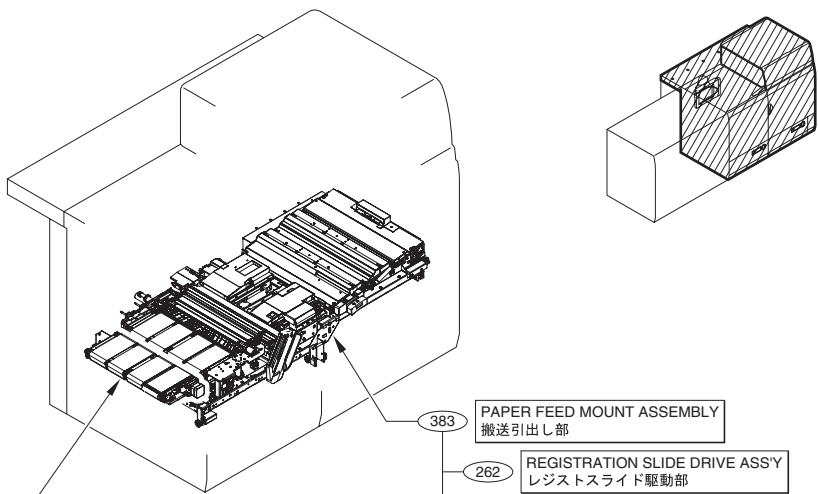


FIGURE A1 ASSEMBLY LOCATION DIAGRAM



330 PRE-FIXING PAPER FEED ASS'Y
定着前搬送部

- 383 PAPER FEED MOUNT ASSEMBLY
搬送引出し部
- 262 REGISTRATION SLIDE DRIVE ASS'Y
レジストスライド駆動部
- 274 SECONDARY TRANSFER DRIVE ASS'Y
2次転写駆動部
- 320 REGIST.PAPER FEEDER ASSEMBLY
レジスト搬送部
- 321 PRE-REGISTRATION FEED ASSEMBLY
レジスト前搬送部
- 322 PRE-REGIST. FEEDER UPPER ASS'Y
レジスト前搬送部 (上)
- 323 PRE-REGIST. FEEDER LOWER ASS'Y
レジスト前搬送部 (下)
- 324 2ND TRNSFR. ELIM. ASS'Y, REAR
2次転写除電部 (後)
- 331 2ND TRNS.FRAME/FIX. F.D ASS'Y
2次転写フレーム/定着前搬送部
- 332 2ND TRNS. BASE PLATE ASS'Y
2次転写底板部
- 333 SECONDARY TRANSFER ASSEMBLY
2次転写部
- 360 DUPLEX LEFT ASSEMBLY
両面部 (左)
- 361 DUPLEX CENTER ASSEMBLY
両面部 (中)
- 362 DUPLEX RIGHT ASSEMBLY
両面部 (右)
- 982 2ND TRNSFR. H.V. PCB ASSEMBLY
2次転写高压回路基板
- 983 HVT8 PCB ASSEMBLY
H V T 8 回路基板

FIGURE A1 ASSEMBLY LOCATION DIAGRAM

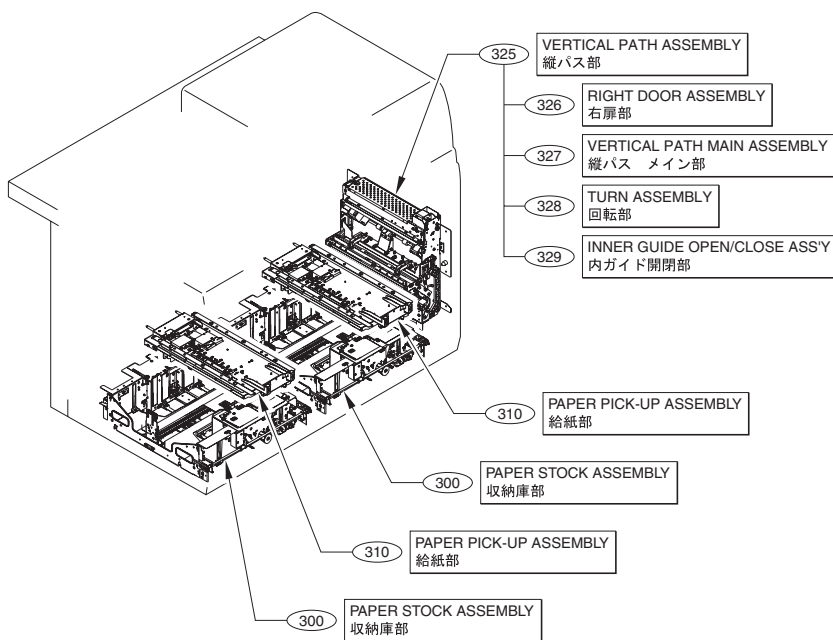
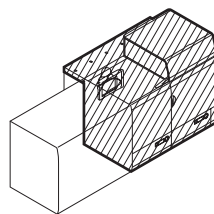


FIGURE A1 ASSEMBLY LOCATION DIAGRAM

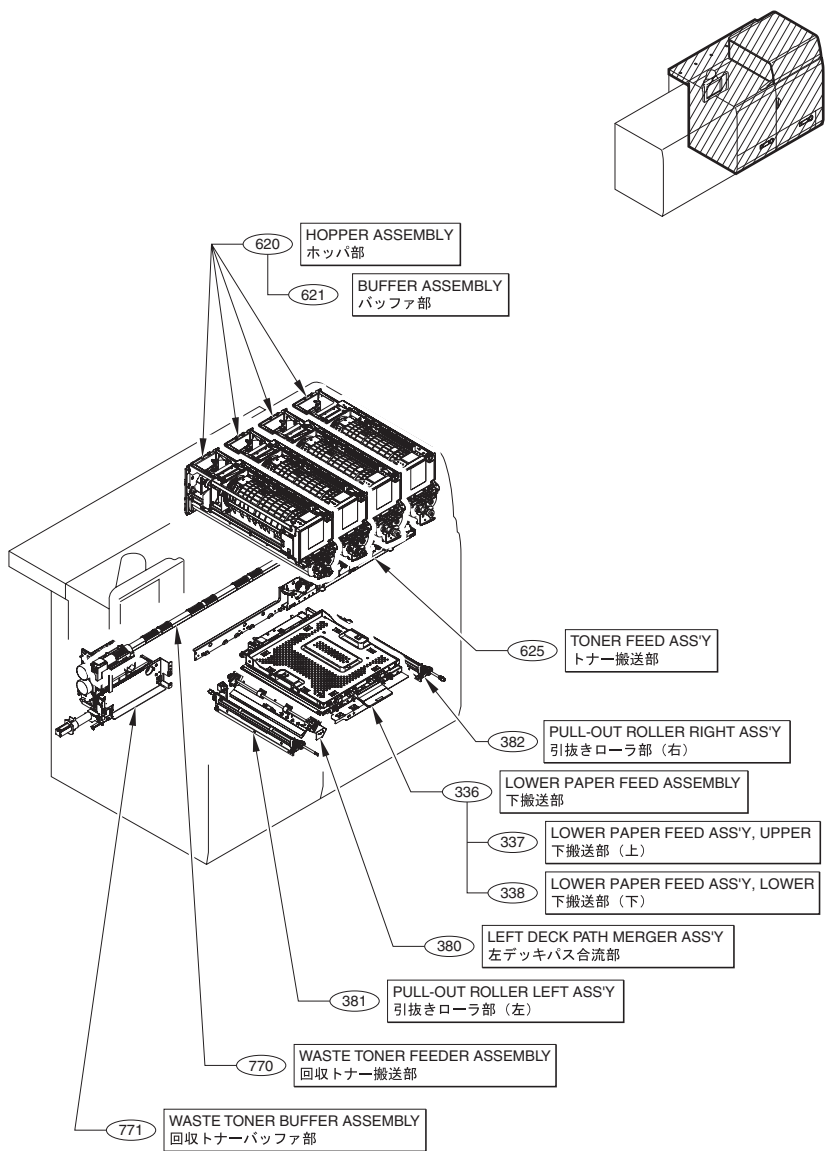


FIGURE A1 ASSEMBLY LOCATION DIAGRAM

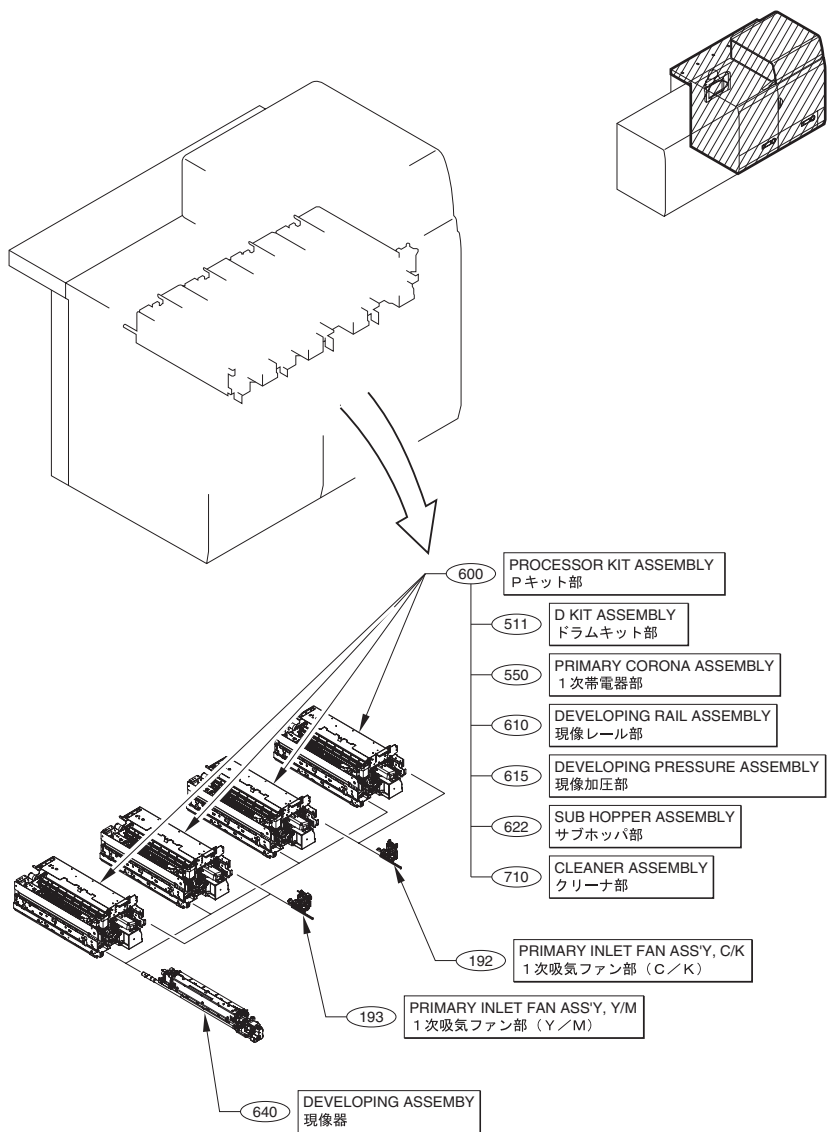


FIGURE A1 ASSEMBLY LOCATION DIAGRAM

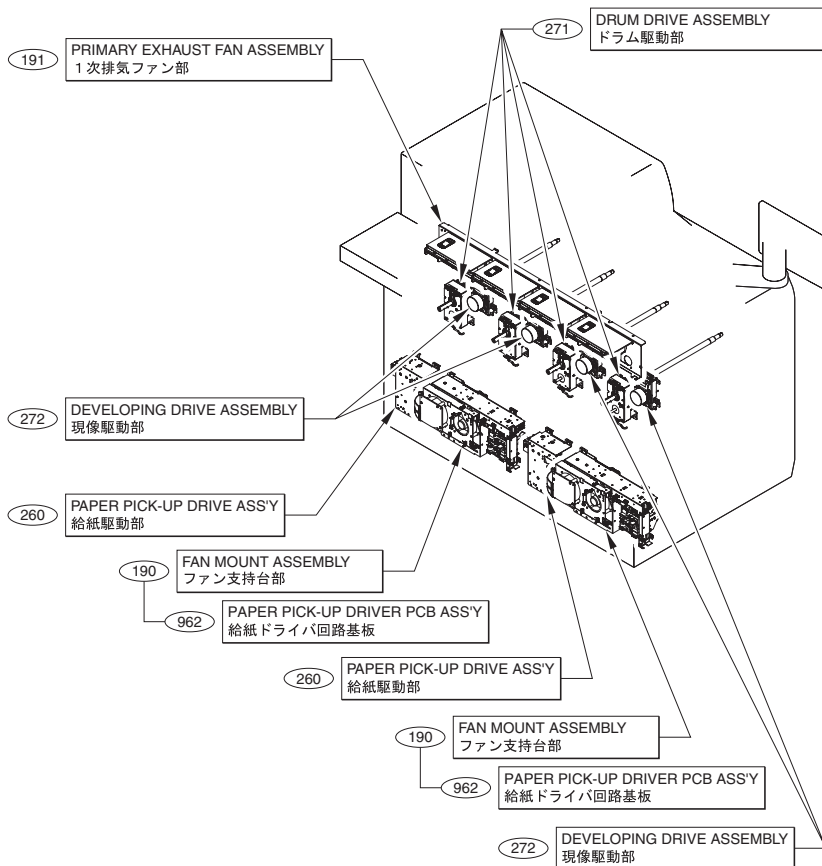
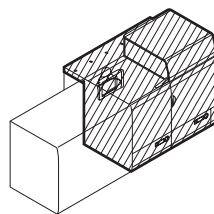


FIGURE A1 ASSEMBLY LOCATION DIAGRAM

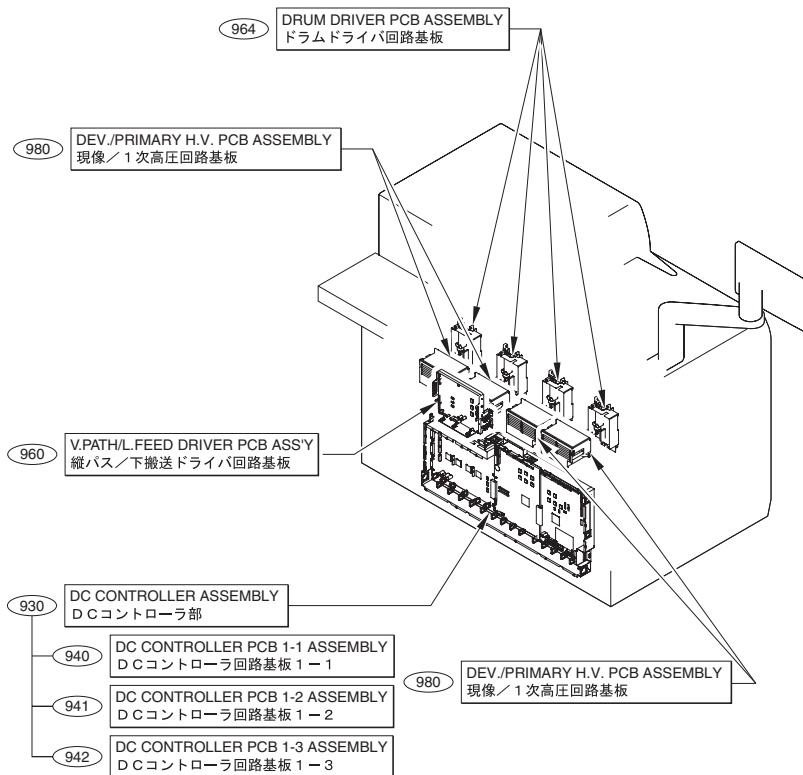
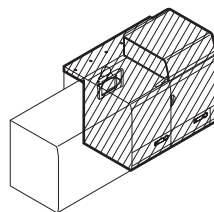


FIGURE A1 ASSEMBLY LOCATION DIAGRAM

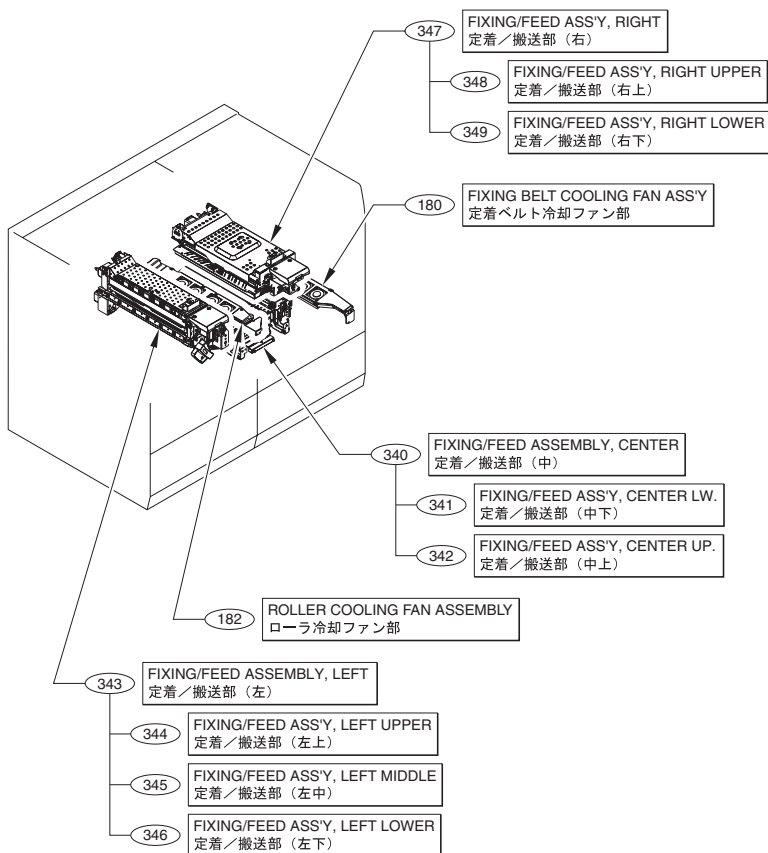
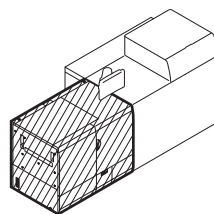


FIGURE A1 ASSEMBLY LOCATION DIAGRAM

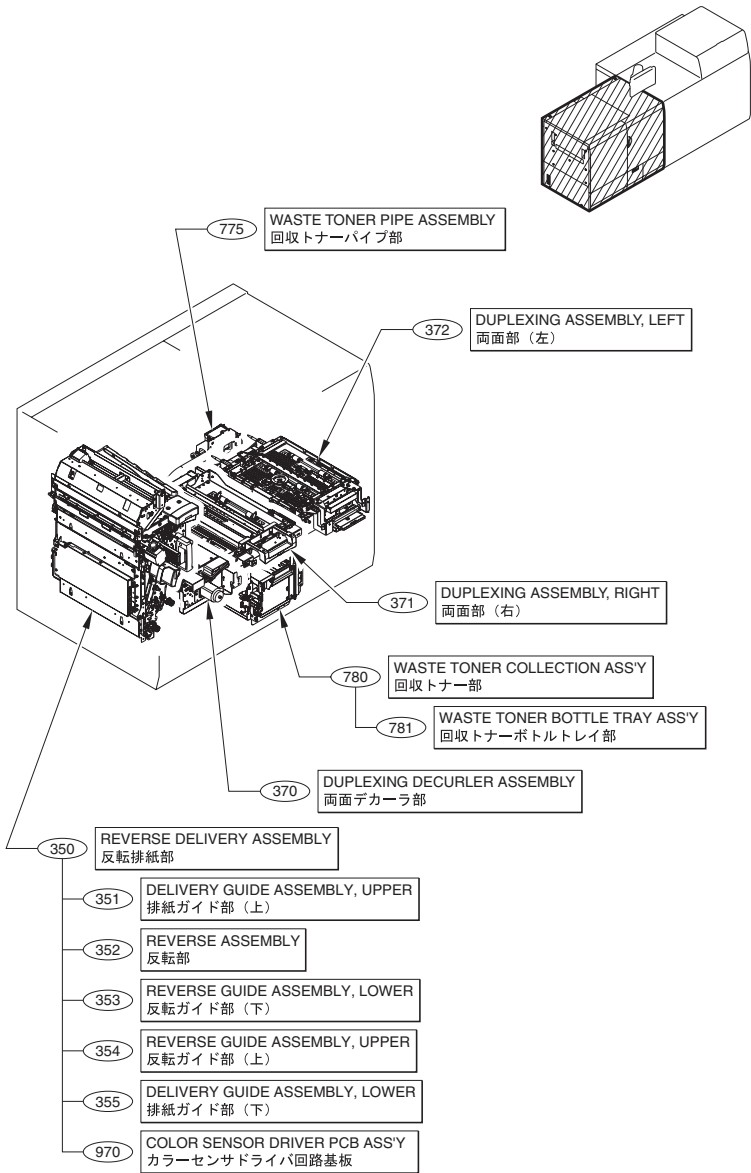


FIGURE A1 ASSEMBLY LOCATION DIAGRAM

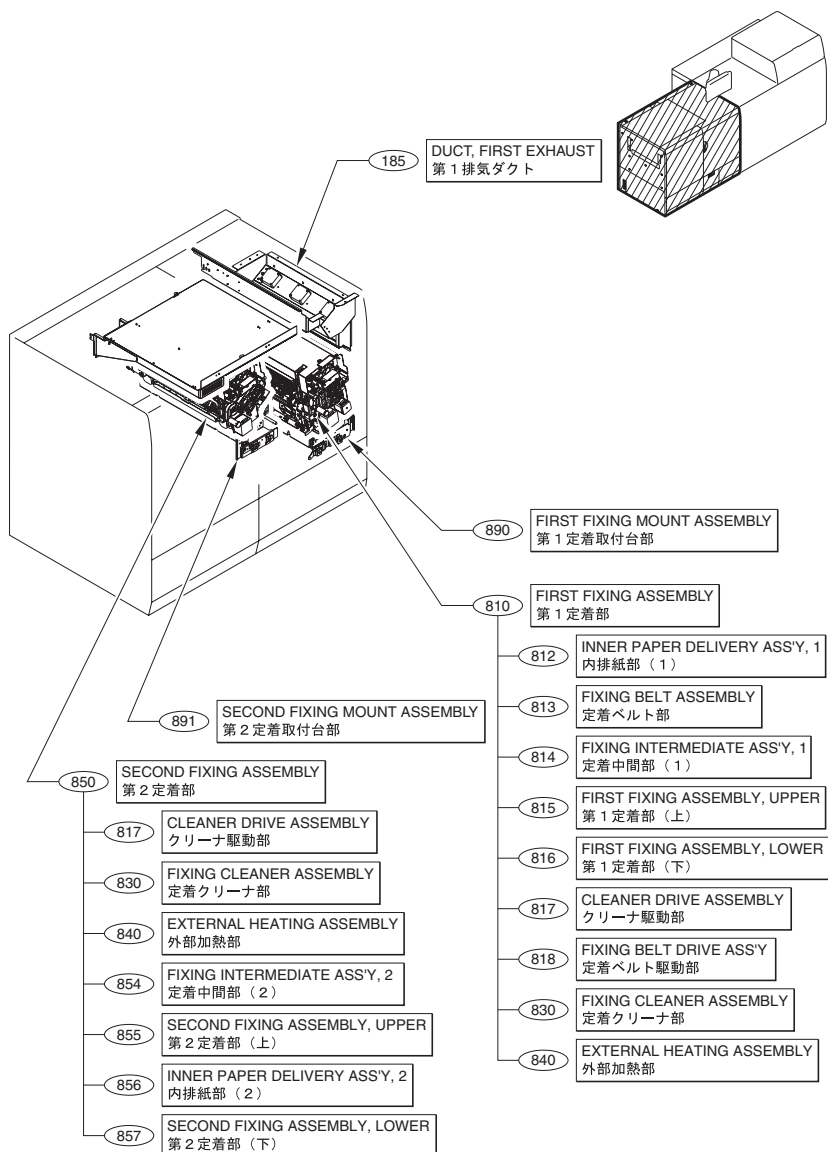


FIGURE A1 ASSEMBLY LOCATION DIAGRAM

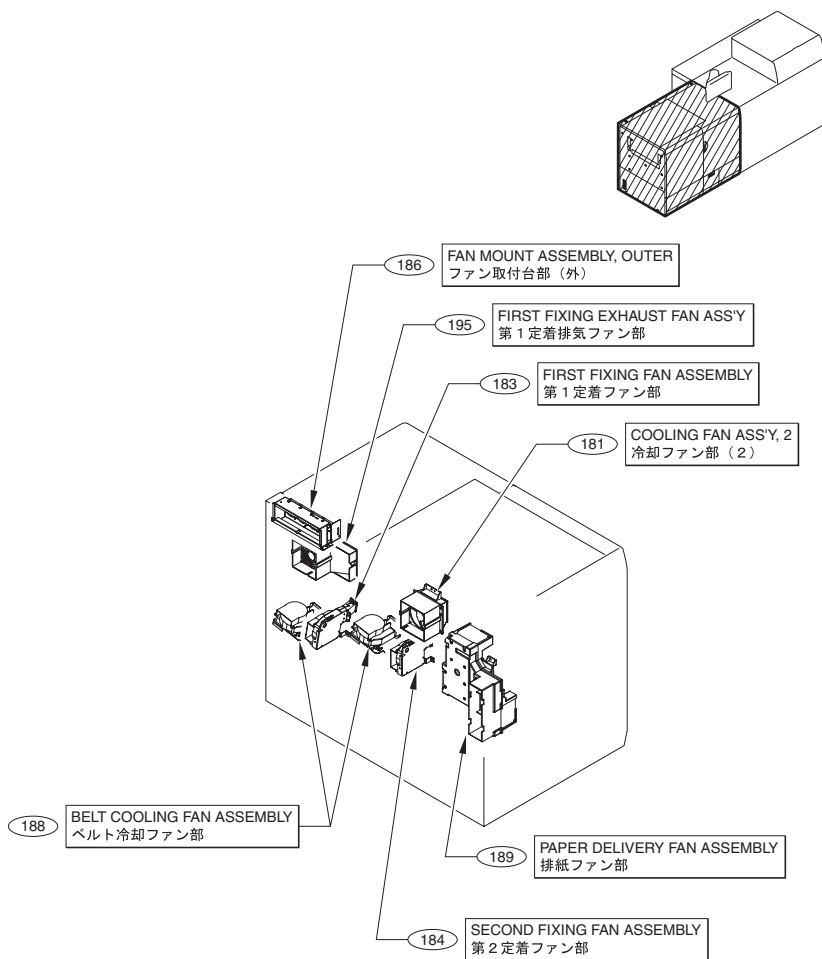


FIGURE A1 ASSEMBLY LOCATION DIAGRAM

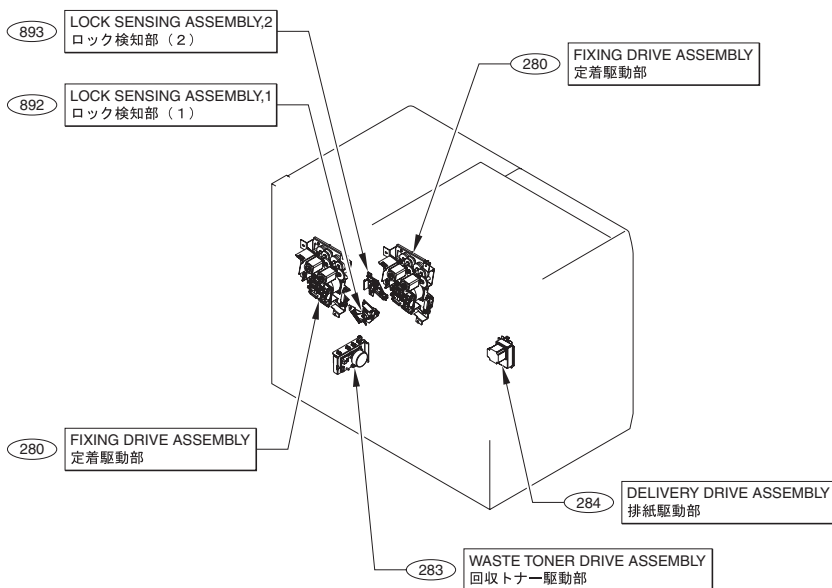
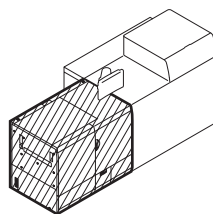


FIGURE A1 ASSEMBLY LOCATION DIAGRAM

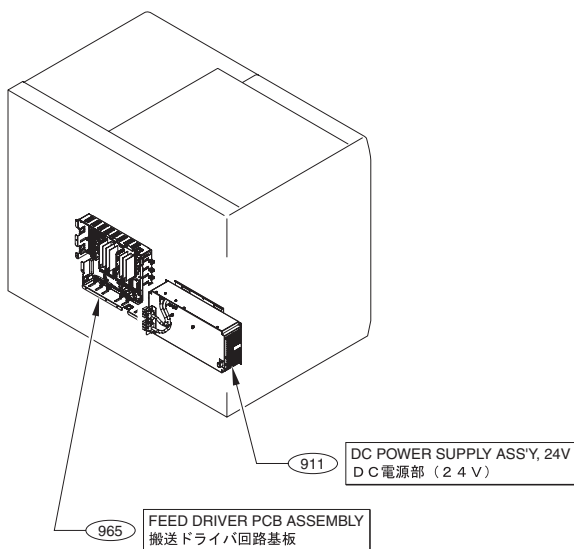
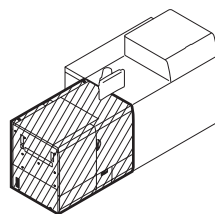


FIGURE A1 ASSEMBLY LOCATION DIAGRAM

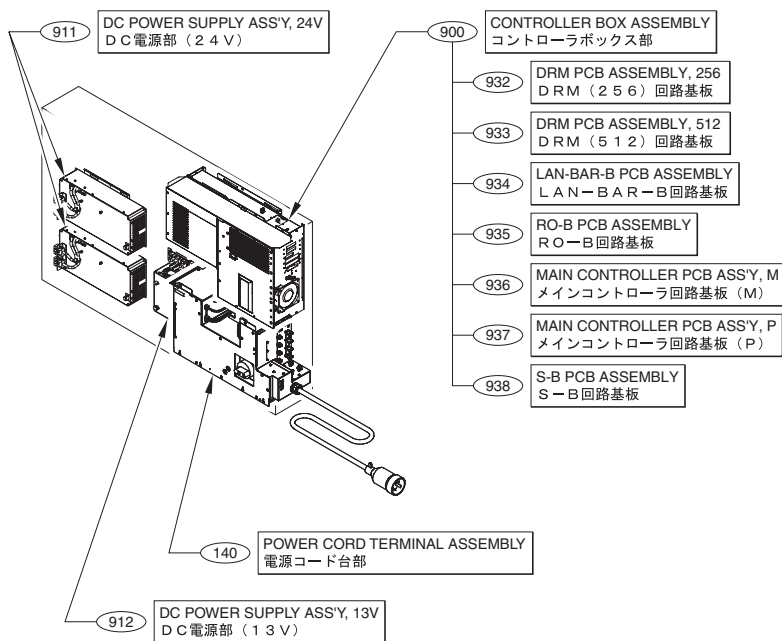
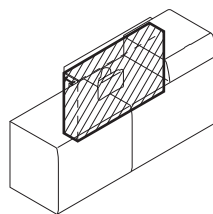


FIGURE A2 OPTION PARTS CATALOG LIST

This is the table of the machine's options whose parts catalog is issued.
本機オプションで、パーツカタログが発行されている機種の一覧である。

No.	Model Name(English)	Model Name(Japanese)
1	POD Deck-A1/Secondary POD Deck-A1	PODデッキ・A1/置速デッキ・A1
2	Finisher-AB1/ Saddle Finisher-AB2	フィニッシャー・AB1/ サドルフィニッシャー・AB2
3	Paper Deck-AC1	サイドペーパーデッキ・AC1
4	Reader Attachment-A1	リーダーアタッチメント・A1
5	Stack Bypass-A1	手差し結紙ユニット・A1
6	UFR II/PGL/PS Printer Kit-T1	マルチPDL拡張キット・T1
7	HDD Data Encryption Kit-B3	HDDデータ暗号化キット・B3
8	High Capacity Stacker-C1	大容量スタッカー・C1
9	Booklet Trimmer-C1	トリマー・C1
10	imagePRESS Server A1100	imagePRESS Server A1100
11	imagePRESS Server A2100	imagePRESS Server A2100
12	imagePRESS Server A3100	imagePRESS Server A3100
13	DADF-R1	DADF-R1
14	Platen Cover Type K	原稿台カバータイプK
15	Color Image Reader-H1	カラーイメージリーダー・H1
16	ADF Access Handle-A1	ADFアクセスハンドル・A1
17	Document Insertion Unit-C1	インサータ・C1
18	Punch Unit-U1/V1/W1/X1	パンチユニット・U1/V1/W1/X1
19	CST Heater Unit-31/32	カセットヒーターユニット31/32
20	Reader Heater Kit-E1	リーダーヒータキット・E1
21	Voice Guidance Kit-A2/ Voice Guidance Attachment Kit-A1	音声ガイダンスキット・A2/ 音声ガイダンス取り付けキット・A1
22	Key Switch Unit-A2	管理キーユニット・A2
23	CARD READER-C1	カードリーダー・C1
24	PERFECT BINDER-B1	パーフェクトバインダー・B1
25	Tab Feeding Attachment-C1	インデックス紙アタッチメント・C1

FIGURE 001 ACCESSORIES

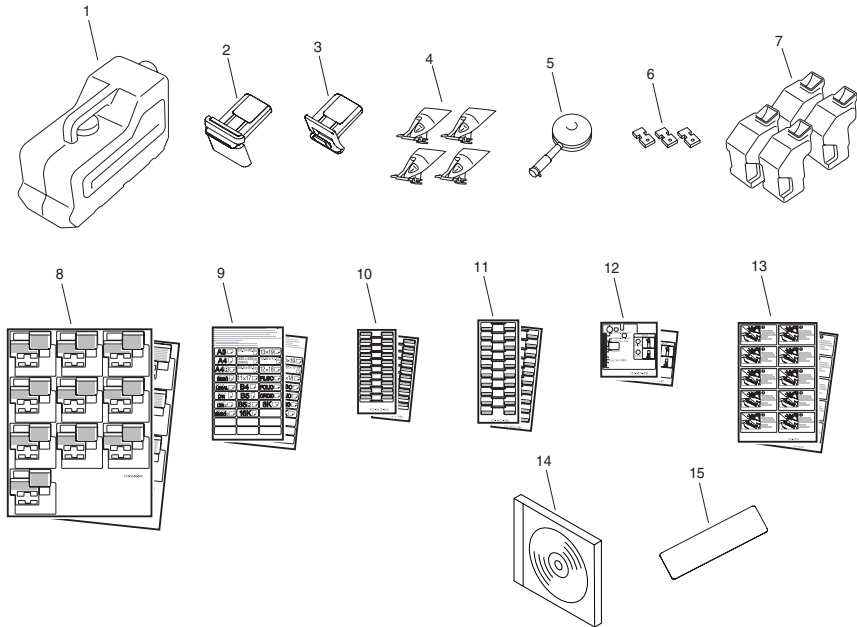
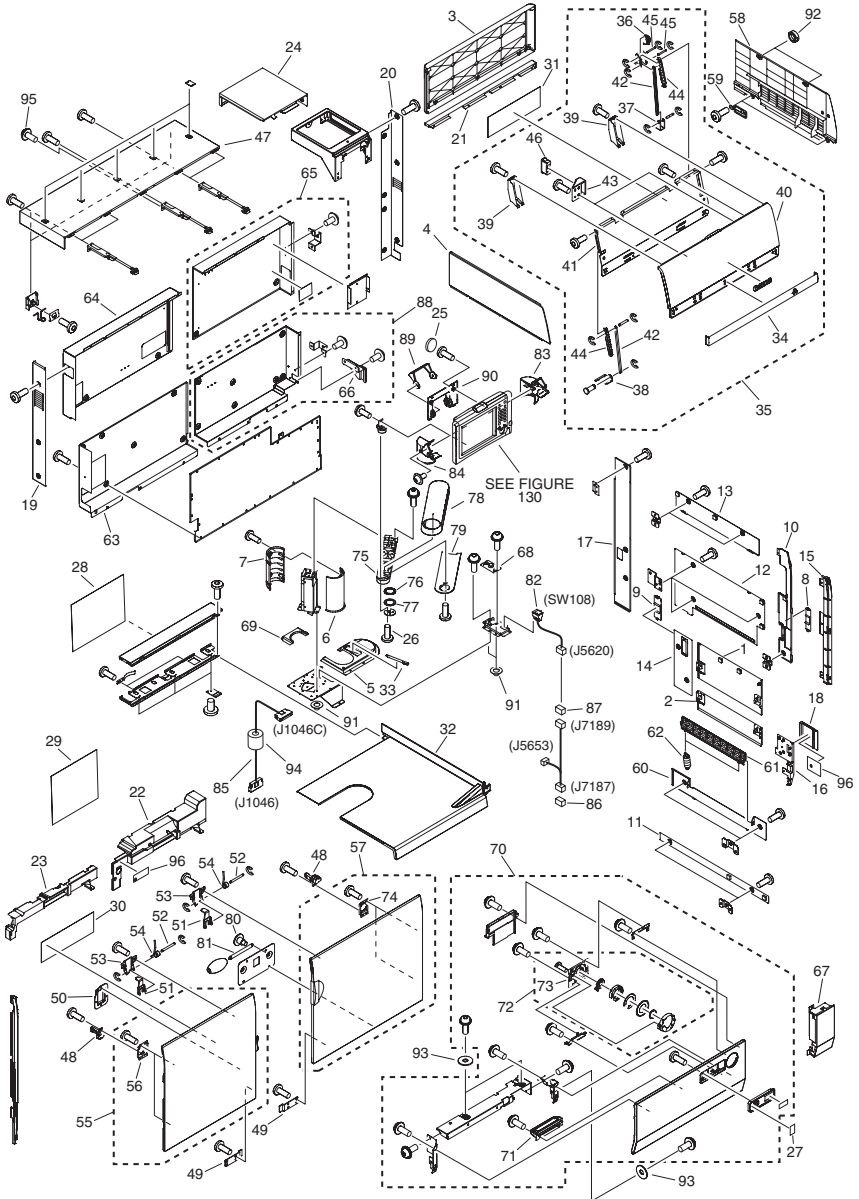


FIGURE & KEY NO.	PARTS NUMBER	R A N K	Q'TY	DESCRIPTION	SERIAL NUMBER/ REMARKS	S V C
Fig.001	NPN		RF	ACCESSORIES		
1	FM2-2058-000		1	BOTTLE, WASTE TONER		
2	FL2-9289-000		3	CLEANER B		
3	FL2-9290-000		3	CLEANER A		
4	FL2-4088-000		4	FENNEL, ABS		
5	XZ9-0281-000		1	BLOWER BRUSH		
6	FC7-9708-000		3	COVER, TOOL		
7	FC7-3482-000		4	CASE, COLOR DEVELOPING		
8	FC7-5586-000		1	LABEL, SIZE CHANGE PROCESS	EXCEPT Japanese	
8	FC7-5586-000		2	LABEL, SIZE CHANGE PROCESS	Japanese	
9	FU6-8216-000		2	LABEL, PAPER SIZE		
10	FC7-9672-000		2	LABEL, EXCHANGE, FRONT		
11	FC7-9673-000		2	LABEL, EXCHANGE, REAR		
12	FC7-5587-000		2	LABEL, WIDTH SIZE	A/B SIZE	
12	FC7-9674-000		2	LABEL, WIDTH SIZE, INCH	INCH SIZE	
13	FC7-9718-000		2	LABEL, PAPER SUPPLY CAUTION, O		
14	FK2-4648-000		1	CD-ROM, SOFTWARE FOR MEAP	C7000VP Japanese	
14	FK2-4649-000		1	CD-ROM, SOFTWARE FOR MEAP	C7000VP/C6000VP English	
14	FK2-4654-000		1	CD-ROM, SOFTWARE FOR MEAP	C7000VP Simplified Chinese	
14	FK2-4662-000		1	CD-ROM, SOFTWARE FOR MEAP	C6000 Japanese	
14	FK2-4664-000		1	CD-ROM, SOFTWARE FOR MEAP	C6000 English/French/ Italian/German/Spanish	
14	FK2-4665-000		1	CD-ROM, SOFTWARE FOR MEAP	C6000 Simplified Chinese	
15	FC8-3800-000		3	SHEET, TONER BREAK UP		

FIGURE 100 EXTERNAL COVERS, PANELS, ETC. (Main station)



NOTE : Several kinds of labels are attached on the board for the parts of Key No. 96. The same parts as Fig/Key No. 320-75.
 注 : Key No. 96の部品は台紙に数種類のラベルが付いています。Fig/Key No. 320-75と同一部品です。

FIGURE & KEY NO.	PARTS NUMBER	R A N K	Q'TY	DESCRIPTION	SERIAL NUMBER/ REMARKS	S V C
Fig.100	NPN		RF	EXTERNAL COVERS, PANELS, ETC.	Main station	
1	FL2-2302-000		1	COVER, RIGHT DOOR, CENTER		
2	FC6-0104-000		1	COVER, RIGHT DOOR, LOWER		
3	FC6-3200-000		1	PANEL, REAR		
4	FC6-3205-000		1	PANEL, LEFT		
5	FC6-8143-000		1	COVER, SWITCH		
6	FC6-8143-000		1	COVER, PILLAR, FRONT		
7	FC6-8145-000		1	COVER, PILLAR, REAR		
8	FC7-1825-000		1	COVER, HOOK, 1		
9	FC7-1826-000		1	COVER, HOOK, 2		
10	FL2-7221-000		1	PANEL, RIGHT, 1		
11	FL2-7222-000		1	PANEL, RIGHT, 2		
12	FL2-7223-000		1	PANEL, RIGHT, 3		
13	FL2-7224-000		1	PANEL, RIGHT, 4		
14	FC7-1835-000		1	PANEL, RIGHT, 5		
15	FC7-1836-000		1	PANEL, RIGHT, 6		
16	FC7-1837-000		1	PANEL, RIGHT, 7		
17	FC7-1848-000		1	PANEL, RIGHT, 8		
18	FC7-1838-000		1	COVER, JAM DIAL		
19	FC7-1882-000		1	PANEL, REAR, LEFT		
20	FC7-1888-000		1	PANEL, REAR, RIGHT		
21	FC7-2255-000		1	PANEL, REAR UPPER RIGHT, 2		
22	FC7-4021-000		1	COVER, RIGHT DECK, INNER		
23	FC7-4022-000		1	COVER, LEFT DECK, INNER		
24	FL2-7127-000		1	COVER, REAR UPPER, RIGHT, 1		
25	FC6-6824-000		2	RUBBER COVER		
26	FB6-0439-020		1	SCREW, M4		
27	FC7-5592-000		1	LABEL, DECK NUMBER		
28	FC7-5643-000		1	LABEL, UNIVERSAL		
29	FC7-5644-000		1	LABEL, OPERATION, 1	Japanese	
29	FC7-5645-000		1	LABEL, OPERATION, 1	English	
29	FC7-5646-000		1	LABEL, OPERATION, 1	French	

FIGURE & KEY NO.	PARTS NUMBER	R A N K	Q'TY	DESCRIPTION	SERIAL NUMBER/ REMARKS	S V C
29	FC7-5647-000		1	LABEL, OPERATION, 1	German	
29	FC7-5648-000		1	LABEL, OPERATION, 1	Italian	
29	FC7-5649-000		1	LABEL, OPERATION, 1	Spanish	
29	FC7-5650-000		1	LABEL, OPERATION, 1	Portuguese	
29	FC7-5652-000		1	LABEL, OPERATION, 1	Korean	
30	FC7-5668-000		1	LABEL, OPERATION, 2	Japanese	
30	FC7-5669-000		1	LABEL, OPERATION, 2	English	
30	FC7-5670-000		1	LABEL, OPERATION, 2	French	
30	FC7-5671-000		1	LABEL, OPERATION, 2	German	
30	FC7-5672-000		1	LABEL, OPERATION, 2	Italian	
30	FC7-5674-000		1	LABEL, OPERATION, 2	Portuguese	
30	FC7-5673-000		1	LABEL, OPERATION, 2	Spanish	
30	FC7-5676-000		1	LABEL, OPERATION, 2	Korean	
31	FC7-5654-000		1	LABEL, HOPPER	C7000VP/C6000VP UL	
31	FC7-5655-000		1	LABEL, HOPPER	C7000VP/C6000VP JP/ CN/EUR, C6000 EUR	
31	FC8-6817-000		1	LABEL, HOPPER	C6000 UL	
31	FC8-6818-000		1	LABEL, HOPPER	C6000 JP/CN	
32	FL2-1890-000		1	PANEL, LEFT UPPER		
33	FC7-3068-000		1	PEN, TOUCH PANEL		
34	FL2-2386-000		1	EMBLEM	C7000VP	
34	FL2-2388-000		1	EMBLEM	C6000	
34	FL2-2389-000		1	EMBLEM	C6000VP	
35	FM2-2036-000		1	COVER, CARTRIDGE		
36	FC6-2302-000		1	DAMPER		
37	FC6-2318-000		1	HOLDER, STOPPER, RIGHT		
38	FC6-2319-000		1	HOLDER, STOPPER, LEFT		
39	FC6-3202-000		2	COVER, RACK		
40	FC6-3208-000		1	COVER, CARTRIDGE		
41	FC6-3209-000		1	BASE, CARTRIDGE COVER		
42	FC6-3211-000		2	STOPPER, DOOR		
43	FC6-3215-000		2	HOLDER, MAGNET		

FIGURE & KEY NO.	PARTS NUMBER	RANK	Q'TY	DESCRIPTION	SERIAL NUMBER/REMARKS	SVC
44	FC6-3218-000		2	RACK, COVER, RIGHT		
45	FC6-3219-000		2	SHAFT, COVER RACK, RIGHT		
46	XZ9-0603-000		2	CATCH, MAGNET		
47	FC7-2253-000		1	COVER, REAR UPPER, LEFT		
48	FC5-8660-000		4	LOCK, ONE-TOUCH		
49	FC6-3175-000		2	SUPPORT, MAGNET, LOWER		
50	FC7-1845-000		1	PLATE, REG. FRAME HANDLE FP		
51	FC7-4575-000		2	PLATE, SWITCH PUSHING SWING		
52	FC7-4576-000		2	SHAFT, SWING		
53	FC6-3176-000		2	PLATE, SWITCH PUSHING FIXED		
54	FU6-2544-000		2	SPRING, TORSION		
55	FM3-0288-000		1	DOOR, FRONT, LEFT		
56	FC6-3133-000		2	SUPPORT, HINGE MOUNTING, 1		
57	FM3-0289-000		1	DOOR, FRONT, RIGHT		
58	FC6-3203-000		1	PANEL, RIGHT		
59	FC6-3204-000		2	PANEL, RIGHT, SMALL		
60	FC6-0101-000		1	COVER, RIGHT LOWER		
61	FC6-0102-000		1	COVER, RIGHT		
62	FU5-2989-000		2	SPRING, TENSION		
63	FM3-0299-000		1	COVER, SHIELD, LEFT LOWER		
64	FM3-0300-000		1	COVER, SHIELD, LEFT UPPER		
65	FM3-0301-000		1	COVER, SHIELD, RIGHT UPPER		
66	FC7-1884-000		1	COVER, COUPLING		
67	FM3-0304-000		1	COVER, FRONT RIGHT, LOWER		
68	FC6-8149-000		1	COVER, KEY		
69	FC6-8152-000		1	COVER, SWITCH, SMALL		
70	FM3-0303-000		2	DECK COVER ASSEMBLY, FRONT		
71	FC7-3318-000		2	LEVER, C./STEPED DECK FOR, L.		
72	FM2-1999-000		2	PAPER STOCK DISPLAY ASSEMBLY		
73	FM2-7630-000		2	INDICATOR DRIVER ASSEMBLY		
74	FC6-8041-000		2	SUPPORT, HINGE MOUNTING, 3		
75	FB6-0433-000		1	ARM		

FIGURE & KEY NO.	PARTS NUMBER	R A N K	Q'TY	DESCRIPTION	SERIAL NUMBER/ REMARKS	S V C
76	FC6-5731-000		1	WASHER,WAVE		
77	FC7-0223-000		1	SHEET		
78	FC6-5614-000		1	COVER, ARM, 1		
79	FL2-2382-000		1	COVER, ARM, LOWER		
80	FU5-9210-000		2	SCREW, STEPPED, M4		
81	FU6-2568-000		1	SPRING, TENSION		
82	FM3-0419-000		1	MAIN SWITCH ASSEMBLY	SW108	
83	FC6-4961-000		1	COVER, HINGE, RIGHT		
84	FC6-4960-000		1	COVER, HINGE, LEFT		
85	FK2-2667-000		1	CABLE, UI		
86	VS1-7177-002		1	CONNECTOR, SNAP TIGHT, BK		
87	VS1-7177-004		1	CONNECTOR, SNAP TIGHT, BK		
88	FM3-0302-000		1	COVER, SHIELD, RIGHT LOWER		
89	FC6-4959-000		1	COVER, SLIDE		
90	FC6-4958-000		1	COVER, HINGE		
91	FA9-3684-000		18	CUP		
92	FB6-3771-000		2	COVER, RUBBER		
93	FC7-7708-000		8	WASHER		
94	WE8-5689-000		1	FILTER, NOISE(RING CORE)		
95	FU5-9230-000		1	SCREW, TP, M4X6(YELLOW)		
96	FC8-2990-000		1	LABEL, MAIN STATION LANGUAGE 2	Japanese	
96	FC8-3641-000		1	LABEL, MAIN STATION LANGUAGE 2	English	
96	FC8-3642-000		1	LABEL, MAIN STATION LANGUAGE 2	French	
96	FC8-3643-000		1	LABEL, MAIN STATION LANGUAGE 2	German	
96	FC8-3644-000		1	LABEL, MAIN STATION LANGUAGE 2	Italian	
96	FC8-3645-000		1	LABEL, MAIN STATION LANGUAGE 2	Spanish	
96	FC8-3646-000		1	LABEL, MAIN STATION LANGUAGE 2	Portuguese	
96	FC8-3648-000		1	LABEL, MAIN STATION LANGUAGE 2	Korean	
96	FC8-3649-000		1	LABEL, MAIN STATION LANGUAGE 2	Simplified Chinese	

FIGURE 102 INTERNAL COMPONENTS 1 (Main station)

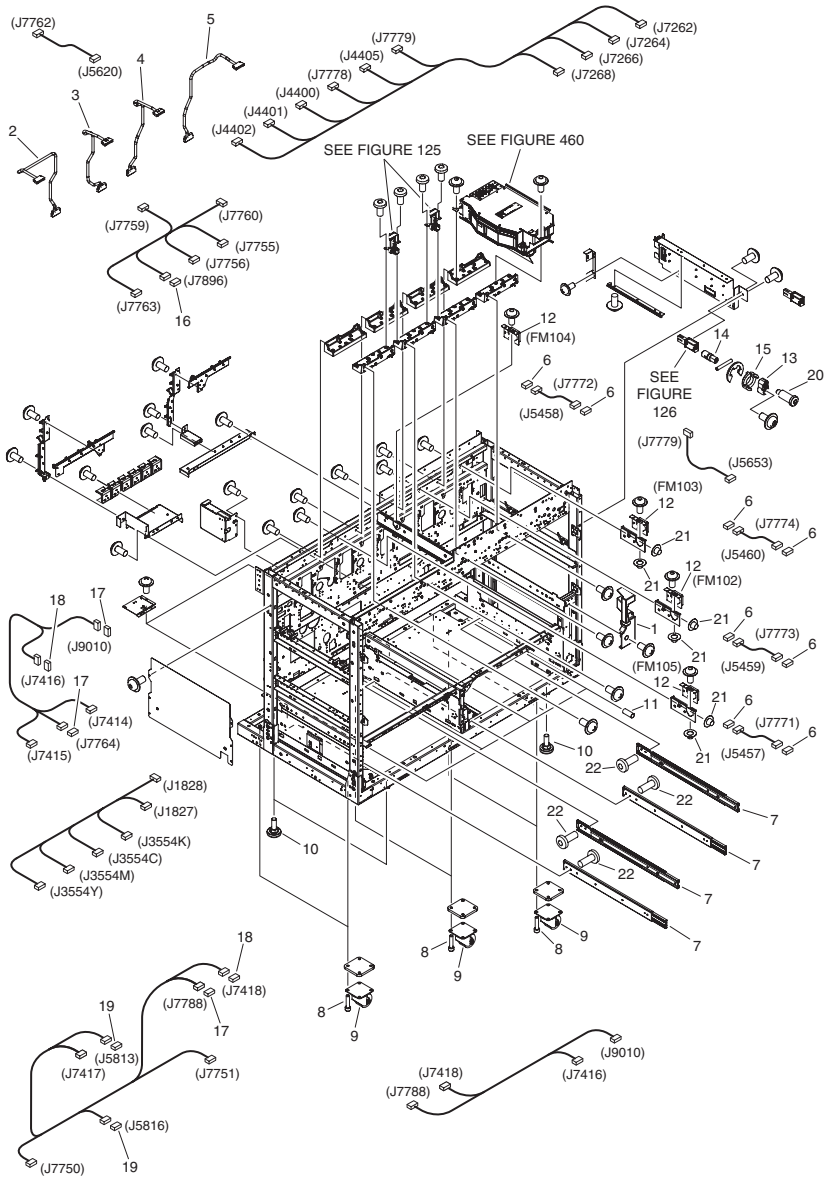


FIGURE & KEY NO.	PARTS NUMBER	R A N K	Q'TY	DESCRIPTION	SERIAL NUMBER/ REMARKS	S V C
Fig.102	NPN		RF	INTERNAL COMPONENTS 1	Main station	
1	FC7-1843-000		1	COVER, INNER		
2	FK2-3118-000		1	CABLE, LASER, YELLOW		
3	FK2-3119-000		1	CABLE, LASER, MAGENTA		
4	FK2-3120-000		1	CABLE, LASER, CYAN		
5	FK2-3121-000		1	CABLE, LASER, BLACK		
6	VS1-7177-003		8	CONNECTOR, SNAP TIGHT, BK		
7	FC5-8112-000		4	RAIL, STOCK SLIDE		
8	FU5-9207-000		24	SCREW, BOLT, HEX HEAD, M8X16		
9	XZ9-0565-000		6	CASTER		
10	XZ9-0574-000		4	BOLT,ADJUSTING		
11	FU5-2791-000		4	SPRING, COMPRESSION		
12	FM3-0314-000		4	FAN, LASER COOLING	FM102-105	
13	FC7-7542-000		1	COVER, LEVER, 2		
14	FC7-7544-000		1	SHAFT, LEVER TURN, 2		
15	FC7-9747-000		1	BUSHING		
16	VS1-7177-006		1	CONNECTOR, SNAP TIGHT, BK		
17	VS1-7164-028		3	CONNECTOR, SNAP TIGHT, BK		
18	VS1-7173-012		2	CONNECTOR, SNAP TIGHT, 12P, W		
19	VS1-7177-004		2	CONNECTOR, SNAP TIGHT, BK		
20	FU5-9234-000		1	SCREW, STEPPED,M4(YELLOW)		
21	FA9-3684-000		6	CUP		
22	XA9-1788-000		16	SCREW, MACH.,TRUSS HEAD,M4X6		

FIGURE 103 INTERNAL COMPONENTS 2 (Main station)

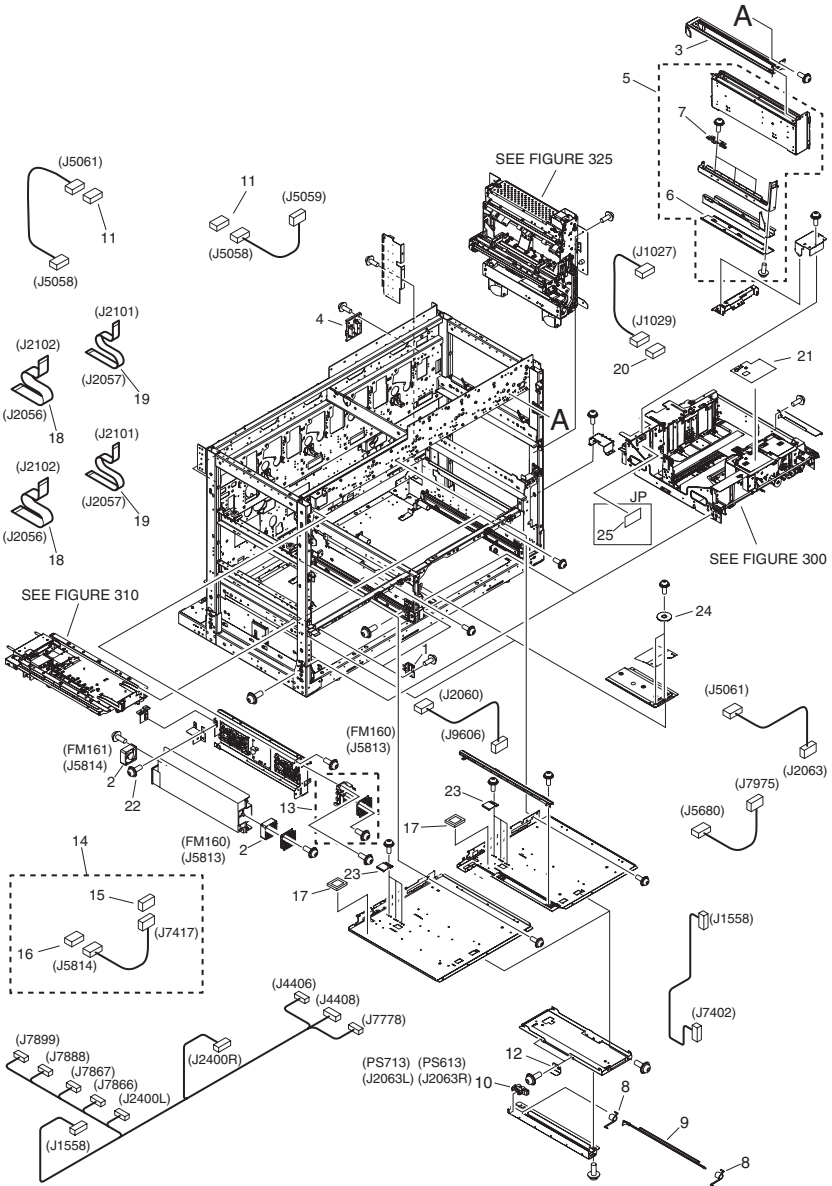


FIGURE & KEY NO.	PARTS NUMBER	RANK	Q'TY	DESCRIPTION	SERIAL NUMBER/REMARKS	SVC
Fig.103	NPN		RF	INTERNAL COMPONENTS 2	Main station	
1	FM2-2012-000		2	ENVIRONMENT SENSOR UNIT		
2	FK2-3100-000		2	FAN	FM160,161	
3	FM2-2147-000		1	REGIST. MOUNTING GUIDE ASS'Y		
4	FM2-2148-000		1	REGIST. PATCH DRAWER ASS'Y		
5	FM2-2155-000		1	REG. PATCH SENSOR ASSEMBLY		
6	FL2-2023-000		1	PLATE, REG. PATCHC SENSOR PAD		
7	FM2-9256-000		3	REG. DETECT SENSOR PCB ASS'Y		
8	FC7-2465-000		4	SPRING, TORSION		
9	FC7-2638-000		2	FLAG, SENSOR		
10	FK2-0149-000		2	PHOTO-INTERRUPTER, TLP1252(C6)	PS613,713	
11	VS1-7177-003		4	CONNECTOR, SNAP TIGHT, BK		
12	FC7-7716-000		4	STOPPER, SENSOR		
13	FM2-2051-000		1	COOLING FAN DUCT ASS'Y, YELLOW		
14	FM3-0418-000		1	CABLE, P- KIT SIDE FAN		
15	VS1-7177-004		1	CONNECTOR, SNAP TIGHT, BK		
16	VS1-7177-005		1	CONNECTOR, SNAP TIGHT, BK		
17	FC7-2409-000		2	BUSHING		
18	FK2-2976-000		2	CABLE, FLAT, 1		
19	FK2-2977-000		2	CABLE, FLAT, 2		
20	VS1-7164-020		1	CONNECTOR, SNAP TIGHT, BK		
21	FC7-5587-000		2	LABEL, WIDTH	JP, EUR, CN	
21	FC7-9674-000		2	LABEL, WIDTH	UL	
22	FU5-9223-000		1	SCREW, BH3X6(YELLOW)		
23	FC7-9568-000		6	COVER, OUTLET		
24	FC7-7708-000		4	WASHER		
25	FC7-9717-000		2	LABEL, PAPER INDICATION	JP	

FIGURE 104 INTERNAL COMPONENTS 3 (Main station)

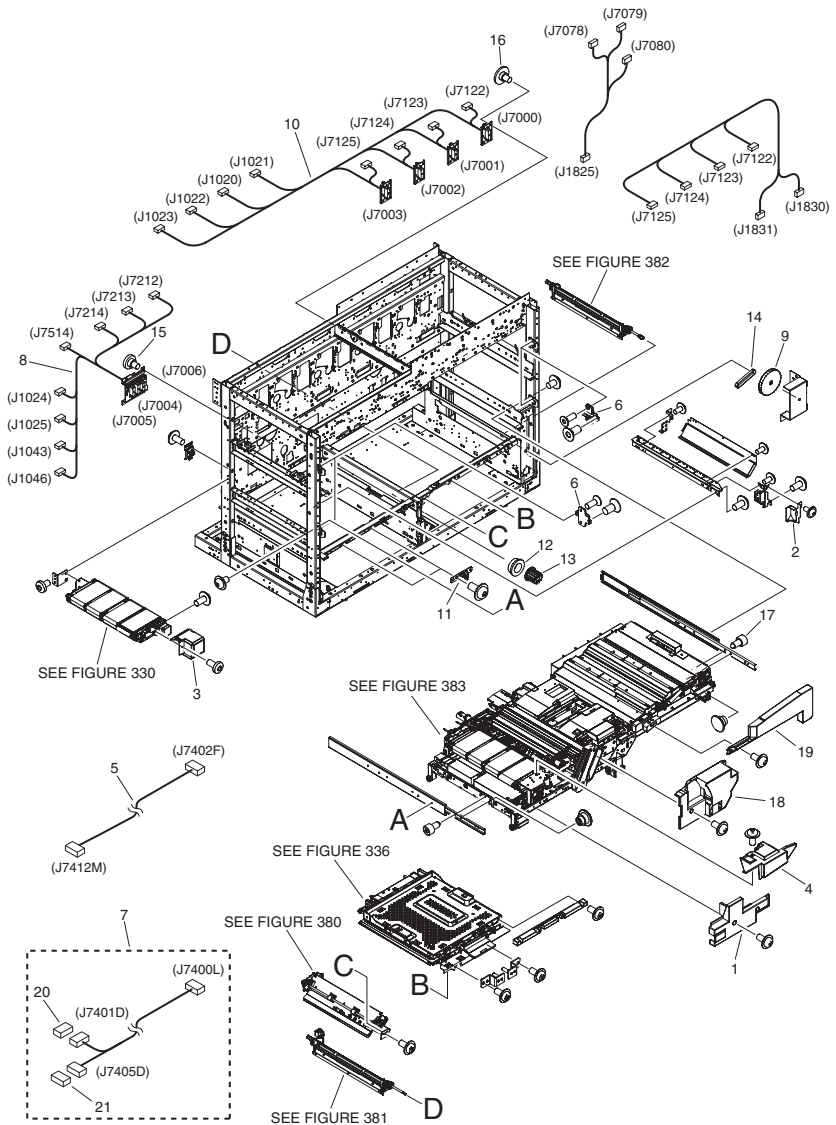


FIGURE & KEY NO.	PARTS NUMBER	R A N K	Q'TY	DESCRIPTION	SERIAL NUMBER/ REMARKS	S V C
Fig.104	NPN		RF	INTERNAL COMPONENTS 3	Main station	
1	FC6-8239-000		1	COVER, INNER, 1		
2	FC6-8407-000		1	COVER, CONNECTOR		
3	FC7-1846-000		1	COVER, INNER		
4	FC7-1847-000		1	COVER, INNER, 2		
5	FM2-8521-000		1	CABLE, 2 FIXING/ FEEDER, 1		
6	FC5-8661-000		4	PLATE, MOUNTING		
7	FM2-8587-000		1	CABLE, RELAY		
8	FM2-2123-000		1	2ND TRNSFR. DRAWER ASS'Y		
9	FU5-3207-000		1	PULLEY, 20T		
10	FM2-9294-000		1	REGISTRATION DRAWER ASSEMBLY		
11	FM2-9303-000		2	ROLLER, DUPLEXING GUIDE		
12	FA9-2112-000		1	BUSHING, PL		
13	FC5-8165-000		1	KNOB, EXTRACTION		
14	XF2-3607-260		1	BELT, TIMING		
15	FS1-9169-000		4	SCREW, STEPPED		
16	FS2-9012-000		12	SCREW, STEPPED M2.2		
17	FU5-9208-000		2	SCREW, STEPPED, M4		
18	FC6-7877-000		1	COVER, INNER, CENTER		
19	FC6-7878-000		1	COVER, INNER, RIGHT		
20	VS1-7173-003		1	CONNECTOR, SNAP TIGHT, 3P, W		
21	VS1-7173-008		1	CONNECTOR, SNAP TIGHT, 8P, W		

FIGURE 105 INTERNAL COMPONENTS 4 (Main station)

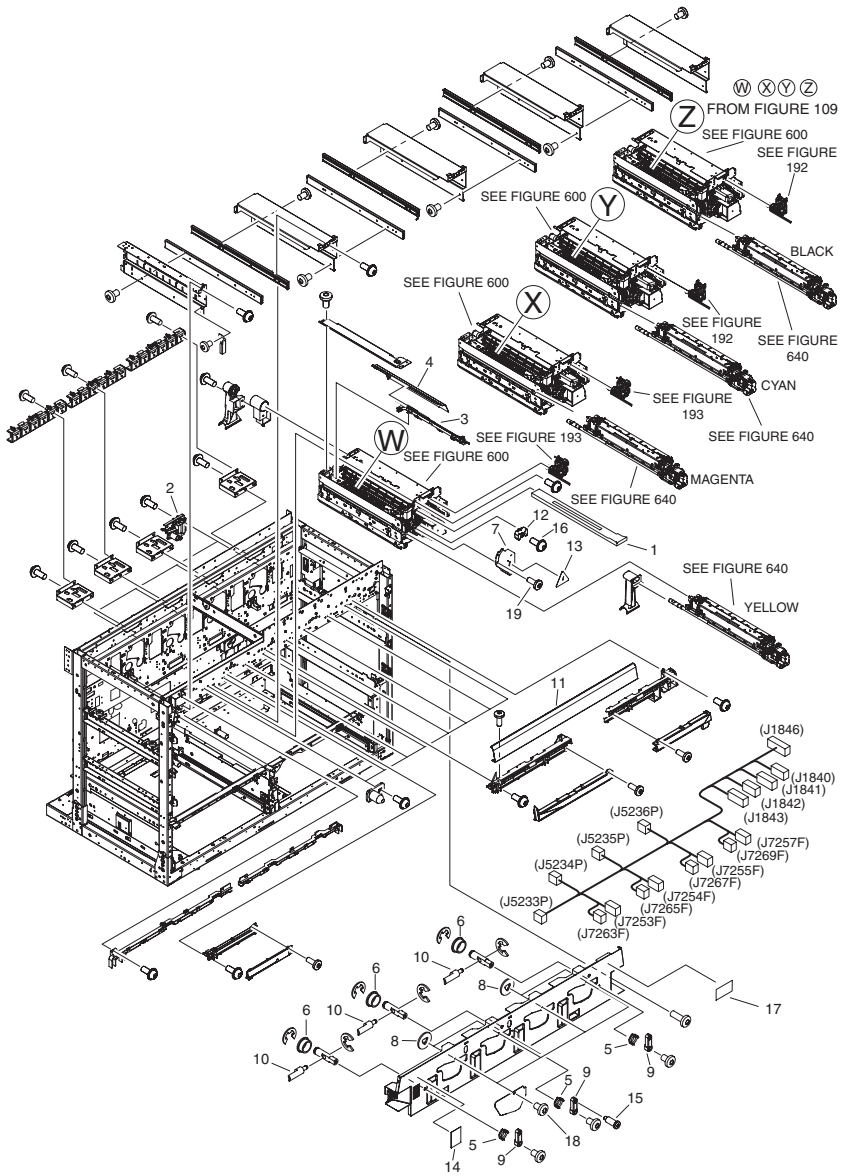


FIGURE & KEY NO.	PARTS NUMBER	R A N K	Q'TY	DESCRIPTION	SERIAL NUMBER/ REMARKS	S V C
Fig.105	NPN		RF	INTERNAL COMPONENTS 4	Main station	
1	FL2-1887-000		4	GLASS, DUST-PROOF		
2	FM2-2079-000		4	P- KIT DRAWER ASSEMBLY		
3	FL2-1963-000		4	DUCT, PRIMARY EXHAUST, LOWER		
4	FL2-6258-000		4	DUCT, PRIMARY EXHAUST, UPPER		
5	FC7-9747-000		3	BUSHING		
6	FS2-6022-000		3	MOUNT, P- KIT CABLE GUIDE		
7	FC6-8490-000		4	COVER, DRUM SHAFT KNOB		
8	FC2-2121-000		4	WASHER		
9	FC6-8483-000		3	LEVER, INNER COVER		
10	FC6-8484-000		3	STOPPER, INNER COVER		
11	FC7-7551-000		1	COVER_EXTERNAL_BOOK RT. UP.		
12	FC5-8890-000		4	KNOB, DRUM SHAFT		
13	FC7-5719-000		4	LABEL, NIP PREVENTION		
14	FS6-8822-000		1	LABEL, WARNIG LASER		
15	FU5-9234-000		1	W, STEPPED,M4(YELLOW)		
16	FU5-9226-000		4	SCREW, WWASHER, M4X16(YELLOW)		
17	FU5-8547-000		1	LABEL, PAPER INDICATION		
18	FU5-9224-000		4	SCREW, BH4X6(YELLOW)		
19	FU5-9225-000		8	SCREW, WWASHER, M4X10(YELLOW)		

FIGURE 106
INTERNAL COMPONENTS 5 (Main station)

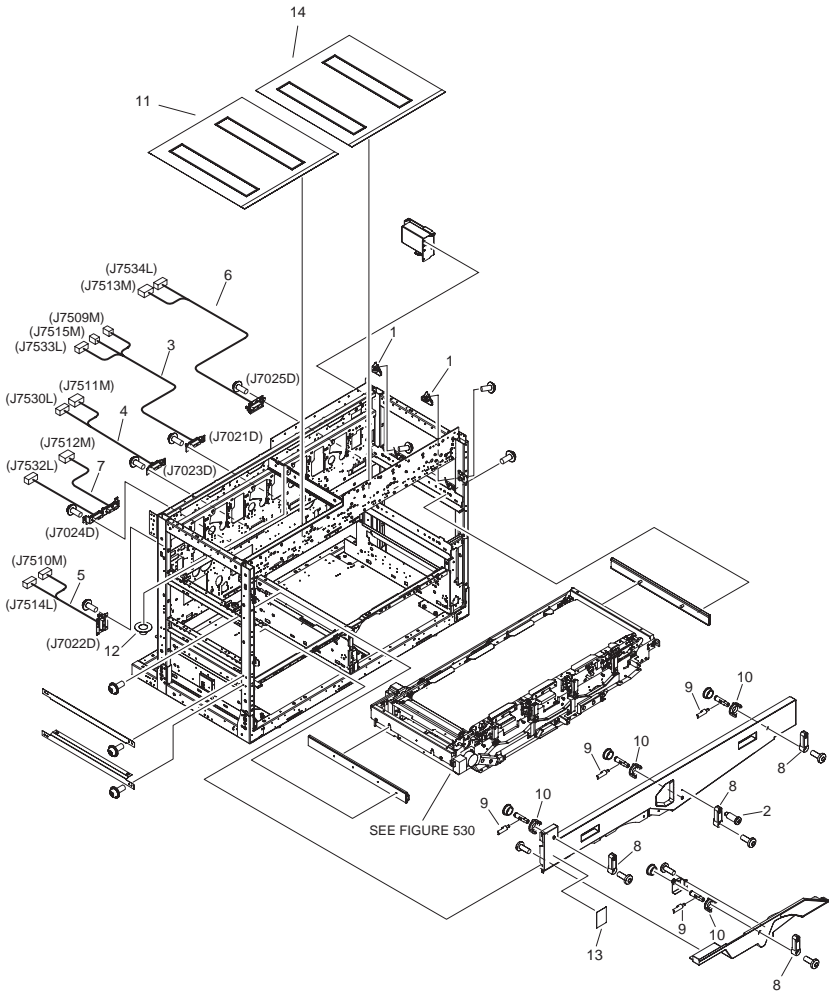


FIGURE & KEY NO.	PARTS NUMBER	RANK	Q'TY	DESCRIPTION	SERIAL NUMBER/REMARKS	SVC
Fig.106	NPN		RF	INTERNAL COMPONENTS 5	Main station	
1	FM2-2136-000		2	GUIDE, I.T.B. PUSH-ON		
2	FU5-9234-000		1	SCREW, STEPPED,M4(YELLOW)		
3	FM2-9268-000		1	I.T.B. DRAWER ASSEMBLY, A1		
4	FM2-9269-000		1	I.T.B. DRAWER ASSEMBLY, A2		
5	FM2-9270-000		1	I.T.B. DRAWER ASSEMBLY, B		
6	FM2-9271-000		1	I.T.B. DRAWER ASSEMBLY, C		
7	FM2-9272-000		1	I.T.B. DRAWER ASSEMBLY, D		
8	FC6-8483-000		4	LEVER, INNER COVER		
9	FC6-8484-000		4	STOPPER, INNER COVER		
10	FC7-9747-000		4	BUSHING		
11	FL2-8410-000		1	SHEET, PROCESSOR KIT, UPPER		
12	FA9-3684-000		1	CUP		
13	FS6-8822-000		1	LABEL, WARNIG LASER		
14	FL2-8411-000		1	SHEET, PROCESSOR KIT, UPPER		

FIGURE 107 INTERNAL COMPONENTS 6 (Main station)

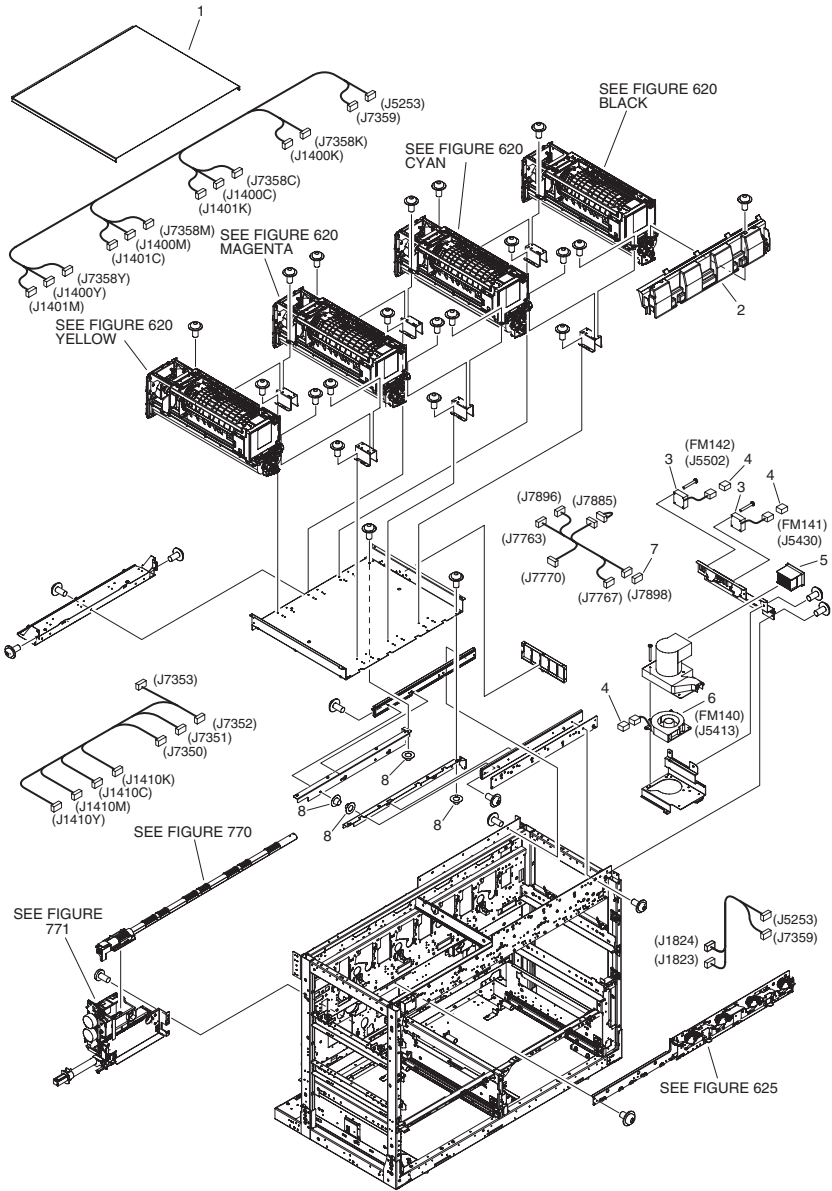


FIGURE & KEY NO.	PARTS NUMBER	RANK	Q'TY	DESCRIPTION	SERIAL NUMBER/REMARKS	SVC
Fig.107	NPN		RF	INTERNAL COMPONENTS 6	Main station	
1	FC6-3198-000		1	COVER, HOPPER, TOP		
2	FC6-3199-000		1	COVER, HOPPER, INNER		
3	FK2-3100-000		2	FAN	FM141,142	
4	VS1-7177-004		3	CONNECTOR, SNAP TIGHT, BK		
5	FC7-7547-000		1	FILTER, PRIMARY INHALATION		
6	FK2-3098-000		1	FAN	FM140	
7	VS1-7177-006		1	CONNECTOR, SNAP TIGHT, BK		
8	FA9-3684-000		16	CUP		

FIGURE 108 MACHINE REAR PLATE 1 (Main station)

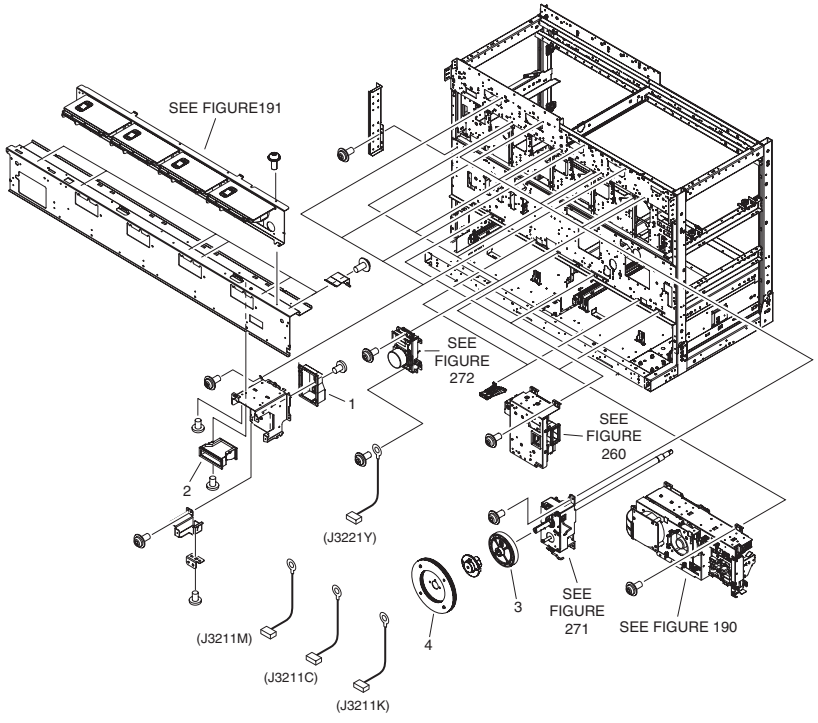


FIGURE & KEY NO.	PARTS NUMBER	RANK	Q'TY	DESCRIPTION	SERIAL NUMBER/REMARKS	SVC
Fig.108	NPN		RF	MACHINE REAR PLATE 1	Main station	
1	FL2-1917-000		4	DUCT, EXHAUST CONNECT, IN		
2	FL2-1918-000		4	DUCT, EXHAUST CONNECT, OUT		
3	FM2-8996-000		4	DRUM DRIVE GEAR ASSEMBLY		
4	FC8-6789-000		4	FLYWHEEL		

FIGURE 109 MACHINE REAR PLATE 2 (Main station)

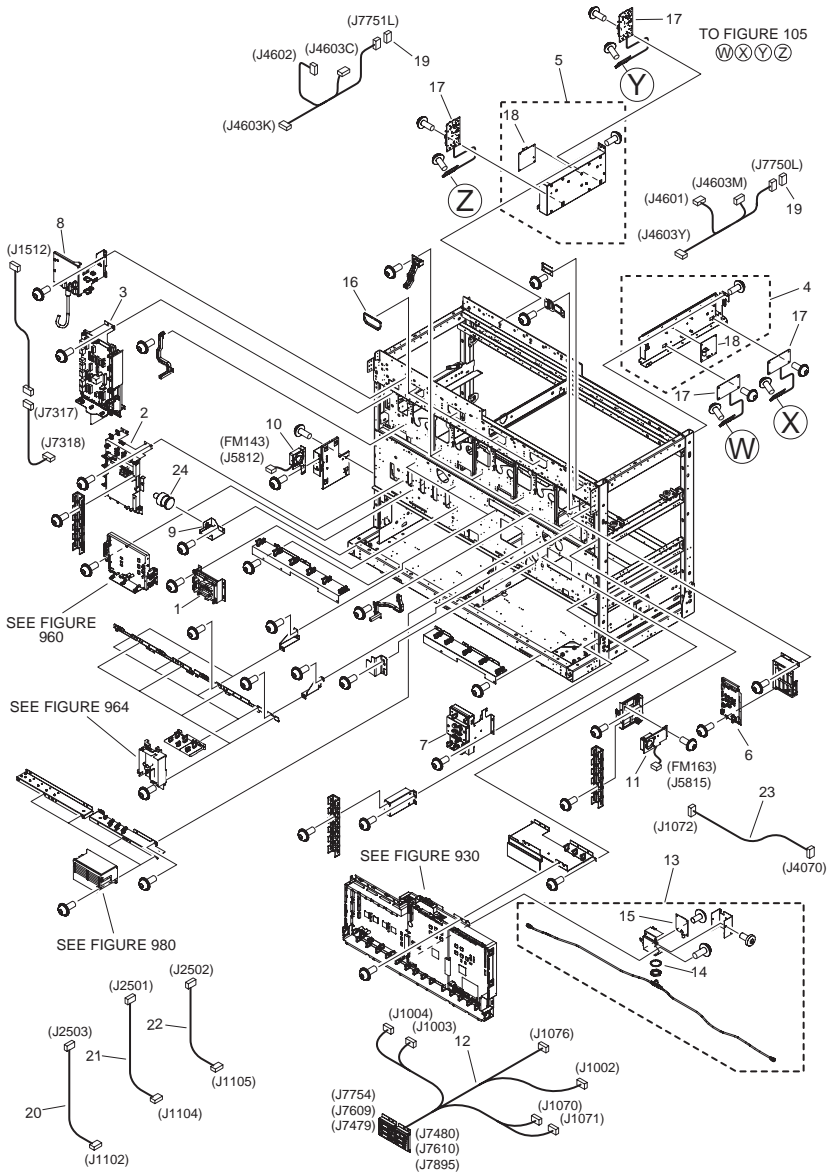


FIGURE & KEY NO.	PARTS NUMBER	RANK	Q'TY	DESCRIPTION	SERIAL NUMBER/REMARKS	SVC
Fig.109	NPN		RF	MACHINE REAR PLATE 2	Main station	
1	FM2-2252-000		1	DC CONT. POWER PCB ASS'Y		
2	FM2-2253-000		1	ENV. HEATER DRIVER PCB ASS'Y		
3	FM2-2254-000		1	POWER SUPPLY CONNECT PCB ASS'Y		
4	FM2-2256-000		1	ENV. MEASURING PCB ASS'Y, LEFT		
5	FM2-2257-000		1	ENV. MEASURING PCB ASS'Y, RIGH		
6	FM2-2260-000		1	FIXING/FEEDER DRIVER PCB ASS'Y		
7	FM2-2261-000		1	AC CABLE MOUNT ASSEMBLY		
8	FM2-2262-000		1	DC CABLE MOUNT ASSEMBLY		
9	FM2-9050-000		1	CONNECTOR ASSEMBLY		
10	FM2-9052-000		1	COOLING FAN ASSEMBLY, 1	FM143	
11	FM2-9053-000		1	COOLING FAN ASSEMBLY, 2	FM163	
12	FM2-9287-000		1	DRAWER ASSEMBLY		
13	FM2-9073-000		1	TRANSCEIVER PCB ASSEMBLY		
14	FC7-0616-000		1	WASHER, TOOTHED LOCK		
15	FM2-4358-000		1	INTERFACE PCB ASSEMBLY		
16	FC6-0175-000		4	BUSHING, MOUNT		
17	FM2-9295-000		4	POTENTIAL MEASURING ASSEMBLY		
18	FM2-7717-000		2	ENVIRONMENT MEASURING PCB UNIT		
19	VS1-7173-014		2	CONNECTOR, SNAP TIGHT, 14P, W		
20	FK2-3115-000		1	CABLE, DDI-P, 1		
21	FK2-3116-000		1	CABLE, DDI-P, 2		
22	FK2-3117-000		1	CABLE, DDI-P, 3		
23	FK2-3122-000		1	CABLE, SERIAL		
24	WS6-5201-000		1	TERMINATOR		

FIGURE 111
EXTERNAL COVERS, PANELS, ETC. (Sub station)

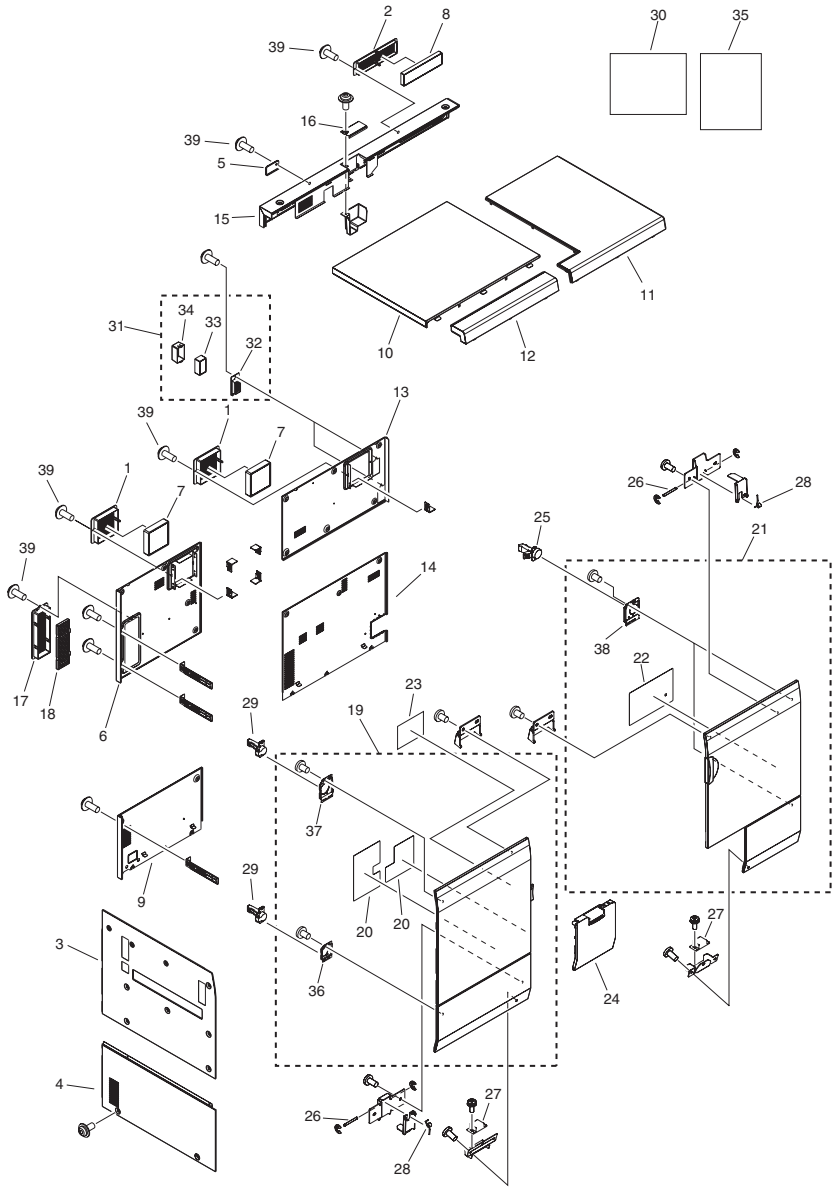
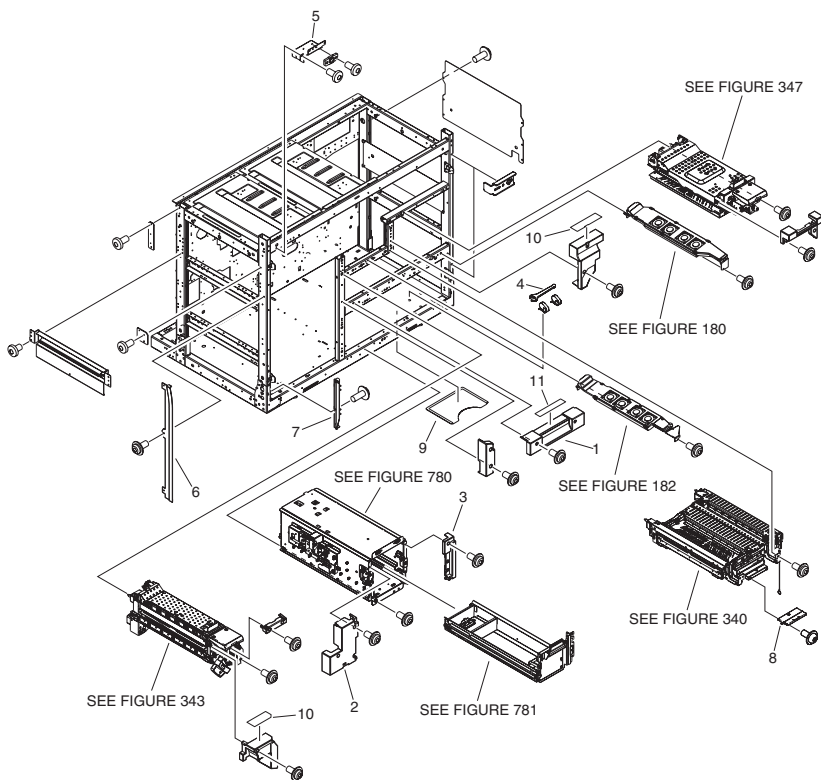


FIGURE & KEY NO.	PARTS NUMBER	R A N K	Q'TY	DESCRIPTION	SERIAL NUMBER/ REMARKS	S V C
Fig.111	NPN		RF	EXTERNAL COVERS, PANELS, ETC.	Sub station	
1	FC6-2034-000		2	COVER, FIXING FILTER		
2	FC6-8583-000		1	COVER, FILTER, REAR UPPER		
3	FC6-8337-000		1	PANEL, LEFT, UPPER		
4	FC6-8338-000		1	PANEL, LEFT, LOWER		
5	FC6-8341-000		1	COVER, TOP PLATE BLANKING		
6	FC7-1892-000		1	COVER, REAR, LEFT UPPER		
7	FC6-2035-000		2	FILTER, OZONE		
8	FC6-8411-000		1	FILTER, OZONE		
9	FL2-7887-000		1	COVER, REAR, LEFT LOWER		
10	FL2-1877-000		1	COVER, LEFT UPPER		
11	FL2-1878-000		1	COVER, RIGHT UPPER		
12	FL2-1879-000		1	COVER, LEFT UPPER, FRONT		
13	FL2-2080-000		1	PANEL, REAR, RIGHT UPPER		
14	FL2-2081-000		1	PANEL, REAR, RIGHT LOWER		
15	FL2-4181-000		1	COVER, REAR UPPER		
16	FL2-4182-000		1	COVER, BLANKING, REAR UPPER		
17	FC5-9987-000		1	COVER, PAPER DELIVERY FILTER		
18	FC5-9988-000		1	FILTER, DELIVERY ELECTROSTATIC		
19	FM3-0290-000		1	DOOR, LEFT		
20	FC7-5642-000		1	LABEL, FRONT DOOR, LEFT		
21	FM3-0287-000		1	DOOR, RIGHT		
22	FC7-5641-000		1	LABEL, FRONT DOOR, RIGHT		
23	FC7-5679-000		1	LABEL, OPERATION,3	English	
23	FC7-5680-000		1	LABEL, OPERATION,3	French	
23	FC7-5681-000		1	LABEL, OPERATION,3	German	
23	FC7-5682-000		1	LABEL, OPERATION,3	Italian	
23	FC7-5678-000		1	LABEL, OPERATION,3	Japanese	
23	FC7-5686-000		1	LABEL, OPERATION,3	Korean	
23	FC7-5684-000		1	LABEL, OPERATION,3	Portuguese	
23	FC7-5683-000		1	LABEL, OPERATION,3	Spanish	
23	FC7-5687-000		1	LABEL, OPERATION,3	Simplified Chinese	

FIGURE & KEY NO.	PARTS NUMBER	R A N K	Q'TY	DESCRIPTION	SERIAL NUMBER/ REMARKS	S V C
24	FM2-2071-000		1	COVER, WASTE TONER BOTTLE		
25	FC7-3458-000		2	HINGE		
26	FC7-4576-000		2	SHAFT, SWING		
27	XZ9-0614-000		2	MAGNET CATCH		
28	FU6-2544-000		2	SPRING, TORSION		
29	FC5-8660-000		2	LOCK, ONE-TOUCH		
30	FC7-5659-000		1	LABEL, OPERATION,2	English	
30	FC7-5660-000		1	LABEL, OPERATION,2	French	
30	FC7-5661-000		1	LABEL, OPERATION,2	German	
30	FC7-5662-000		1	LABEL, OPERATION,2	Italian	
30	FC7-5658-000		1	LABEL, OPERATION,2	Japanese	
30	FC7-5666-000		1	LABEL, OPERATION,2	Korean	
30	FC7-5664-000		1	LABEL, OPERATION,2	Portuguese	
30	FC7-5663-000		1	LABEL, OPERATION,2	Spanish	
30	FC7-5667-000		1	LABEL, OPERATION,2	Simplified Chinese	
31	FM2-2323-000		2	FILTER, AIR		
32	FC6-8133-000		2	FILTER, OZONE		
33	FC6-8137-000		2	BASE, FILTER		
34	FC6-8138-000		2	COVER, FILTER		
35	FC7-5657-000		1	LABEL, OPERATION,1		
36	FC6-3133-000		1	SUPPORT, HINGE MOUNTING, 1		
37	FC6-3134-000		1	SUPPORT, HINGE MOUNTING, 2		
38	FC7-3455-000		2	SUPPORT, HINGE MOUNTING, 4		
39	FU5-9230-000		8	SCREW, TP, M4X6(YELLOW)		

FIGURE 112 INTERNAL COMPONENTS 1 (Sub station)

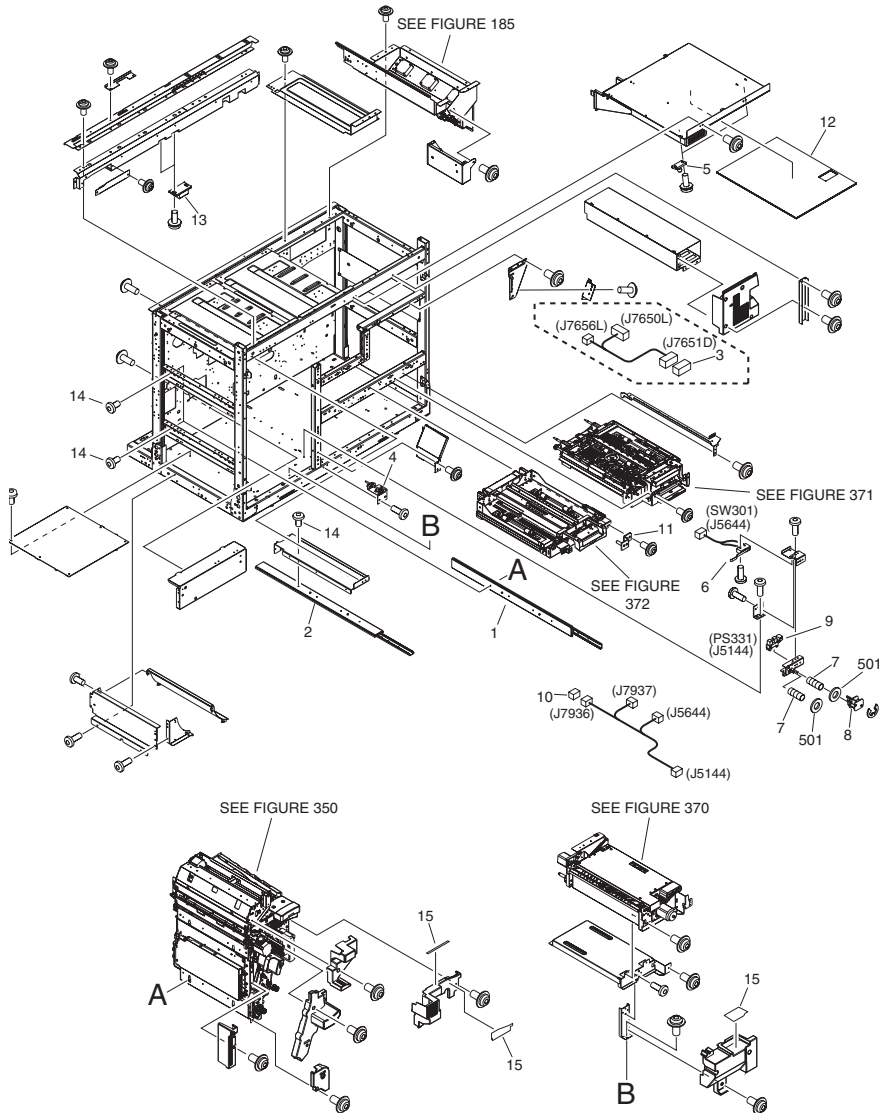


NOTE : Several kinds of labels are attached on the board for the parts of Key No. 10. The same parts as Fig/Key No. 113-15, 344-11, 348-12, 351-33, 370-44 and 372-22.

注 : Key No. 10の部品は台紙に数種類のラベルが付いています。Fig/Key No. 113-15, 344-11, 348-12, 351-33, 370-44, 372-22と同一部品です。

FIGURE & KEY NO.	PARTS NUMBER	R A N K	Q'TY	DESCRIPTION	SERIAL NUMBER/ REMARKS	S V C
Fig.112	NPN		RF	INTERNAL COMPONENTS 1	Sub station	
1	FC6-8326-000		1	COVER, DUPLEXING, LEFT		
2	FC6-8446-000		1	COVER, WASTE TONER, LEFT		
3	FC6-8447-000		1	COVER, WASTE TONER, RIGHT		
4	FC7-5711-000		2	SPANNER		
5	FC6-2389-000		1	PLATE, DELIVERY POSITION, FR.		
6	FC6-8339-000		1	COVER, BLANKING, UPPER		
7	FC6-8340-000		1	COVER, BLANKING, LOWER		
8	FC6-0036-000		1	GRIP, DUPLEXING HANDLE		
9	FC5-1146-000		1	HOLDER, SERVICE BOOK		
10	FC8-2966-000		1	LABEL, SUB STATION LANGUAGE 2	Japanese	
10	FC8-2967-000		1	LABEL, SUB STATION LANGUAGE 2	English	
10	FC8-2968-000		1	LABEL, SUB STATION LANGUAGE 2	French	
10	FC8-2969-000		1	LABEL, SUB STATION LANGUAGE 2	German	
10	FC8-2970-000		1	LABEL, SUB STATION LANGUAGE 2	Italian	
10	FC8-2971-000		1	LABEL, SUB STATION LANGUAGE 2	Spanish	
10	FC8-2972-000		1	LABEL, SUB STATION LANGUAGE 2	Portuguese	
10	FC8-2974-000		1	LABEL, SUB STATION LANGUAGE 2	Korean	
10	FC8-2975-000		1	LABEL, SUB STATION LANGUAGE 2	Simplified Chinese	
11	FC8-2976-000		1	LABEL, HAND STUCK WARNING	Japanese	
11	FC8-2977-000		1	LABEL, HAND STUCK WARNING	English	
11	FC8-2978-000		1	LABEL, HAND STUCK WARNING	French	
11	FC8-2979-000		1	LABEL, HAND STUCK WARNING	German	
11	FC8-2980-000		1	LABEL, HAND STUCK WARNING	Italian	
11	FC8-2981-000		1	LABEL, HAND STUCK WARNING	Spanish	
11	FC8-2982-000		1	LABEL, HAND STUCK WARNING	Portuguese	
11	FC8-2984-000		1	LABEL, HAND STUCK WARNING	Korean	
11	FC8-2985-000		1	LABEL, HAND STUCK WARNING	Simplified Chinese	

FIGURE 113 INTERNAL COMPONENTS 2 (Sub station)



NOTE : Several kinds of labels are attached on the board for the parts of Key No. 15. The same parts as Fig/Key No. 112-10, 344-11, 348-12, 351-33, 370-44 and 372-22.

注 : Key No. 15の部品は台紙に数種類のラベルが付いています。Fig/Key No. 112-10, 344-11, 348-12, 351-33, 370-44, 372-22と同一部品です。

FIGURE & KEY NO.	PARTS NUMBER	R A N K	Q'TY	DESCRIPTION	SERIAL NUMBER/ REMARKS	S V C
Fig.113	NPN		RF	INTERNAL COMPONENTS 2	Sub station	
1	FC7-4043-000		2	RAIL, PAPER DELIVERY SLIDE, 1		
2	FC7-4044-000		1	RAIL, PAPER DELIVERY SLIDE, 2		
3	VS1-7173-016		1	CONNECTOR, SNAP TIGHT, 16P, W		
4	FM3-0293-000		1	INTERLOCK PUSH UNIT		
5	FC7-4941-000		2	LATCH, PUSH		
6	RH7-6037-000		1	SWITCH, INTERLOCK	SW301	
7	FU5-2954-000		2	SPRING, COMPRESSION		
8	FC6-3173-000		1	BUTTON, SWITCH		
9	FK2-0149-000		1	PHOTO-INTERRUPTER, TLP1252(C6)	PS331	
10	VS1-7177-003		1	CONNECTOR, SNAP TIGHT, BK		
11	FL2-2293-000		1	LOCK, PAPER FEED, LOWER		
12	FC6-2040-000		1	SHEET, HEAT INSULATING		
13	XZ9-0614-000		2	MAGNET CATCH		
14	XA9-1788-000		12	SCREW, MACH., TRUSS HEAD, M4X6		
15	FC8-2966-000		1	LABEL, SUB STATION LANGUAGE 2	Japanese	
15	FC8-2967-000		1	LABEL, SUB STATION LANGUAGE 2	English	
15	FC8-2968-000		1	LABEL, SUB STATION LANGUAGE 2	French	
15	FC8-2969-000		1	LABEL, SUB STATION LANGUAGE 2	German	
15	FC8-2970-000		1	LABEL, SUB STATION LANGUAGE 2	Italian	
15	FC8-2971-000		1	LABEL, SUB STATION LANGUAGE 2	Spanish	
15	FC8-2972-000		1	LABEL, SUB STATION LANGUAGE 2	Portuguese	
15	FC8-2974-000		1	LABEL, SUB STATION LANGUAGE 2	Korean	
15	FC8-2975-000		1	LABEL, SUB STATION LANGUAGE 2	Simplified Chinese	
501	XD1-1104-122		2	SHIM		

FIGURE 114 INTERNAL COMPONENTS 3 (Sub station)

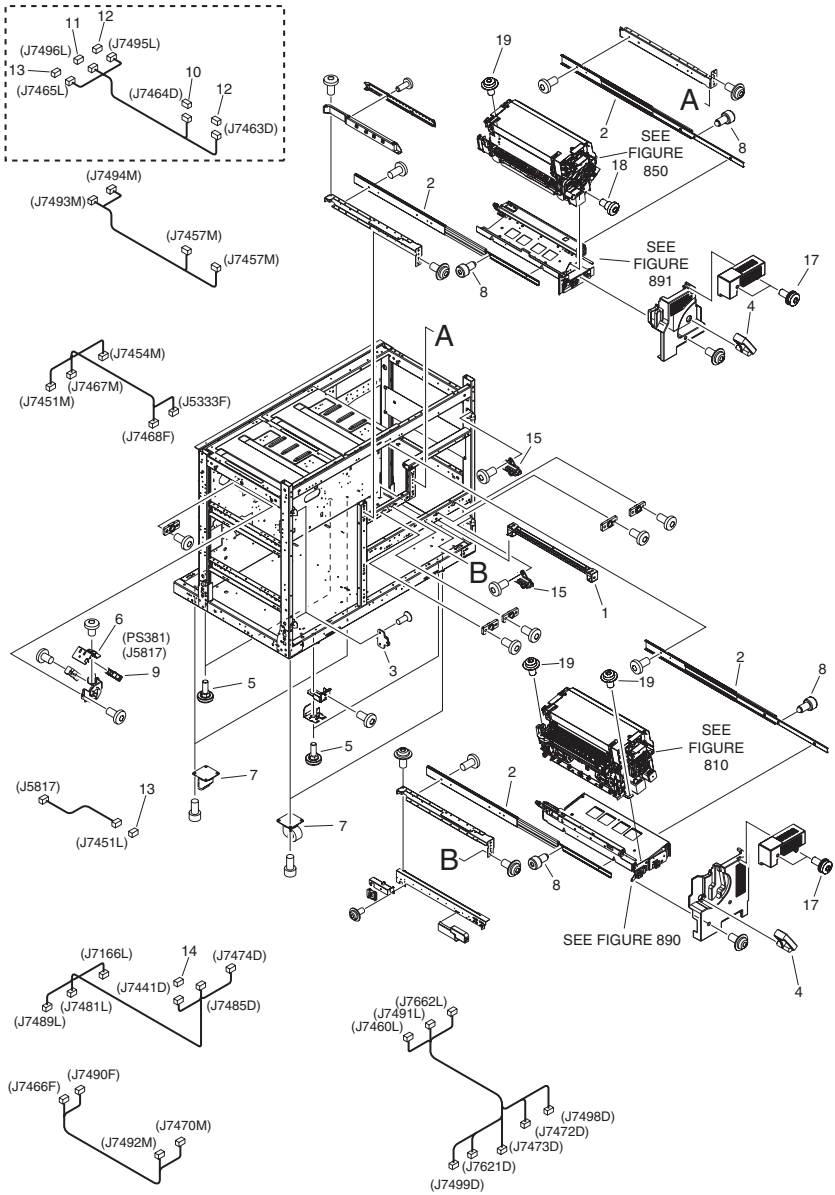


FIGURE & KEY NO.	PARTS NUMBER	R A N K	Q'TY	DESCRIPTION	SERIAL NUMBER/ REMARKS	S V C
Fig.114	NPN		RF	INTERNAL COMPONENTS 3	Sub station	
1	FM2-5147-000		1	VERTICAL PATH HANDLE ASSEMBLY		
2	FC7-3090-000		4	RAIL, FIXING SLIDE		
3	FC5-8661-000		2	PLATE, MOUNTING		
4	FB2-3159-000		2	LEVER, LIFTER		
5	XZ9-0574-000		4	BOLT,ADJUSTING		
6	FM3-2132-000		1	FLAG UNIT		
7	XZ9-0565-000		4	CASTER		
8	FU5-9208-000		4	SCREW, STEPPED, M4		
9	FK2-0149-000		1	PHOTO-INTERRUPTER, TLP1252(C6)	PS381	
10	VS1-7173-012		1	CONNECTOR, SNAP TIGHT, 12P, W		
11	VS1-7173-009		1	CONNECTOR, SNAP TIGHT, 9P, W		
12	VS1-7173-006		2	CONNECTOR, SNAP TIGHT, 6P, W		
13	VS1-7173-003		2	CONNECTOR, SNAP TIGHT, 3P, W		
14	VS1-7173-004		1	CONNECTOR, SNAP TIGHT		
15	FC7-3459-000		2	PLATE, MOUNTING		
17	FU5-9225-000		4	SCREW, WWASHER, M4X10(YELLOW)		
18	FS1-9053-020		1	SCREW,STEPPED,M4		
19	XA9-1249-010		3	SCREW,TP M4X8		

FIGURE 115 MACHINE REAR PLATE 1 (Sub station)

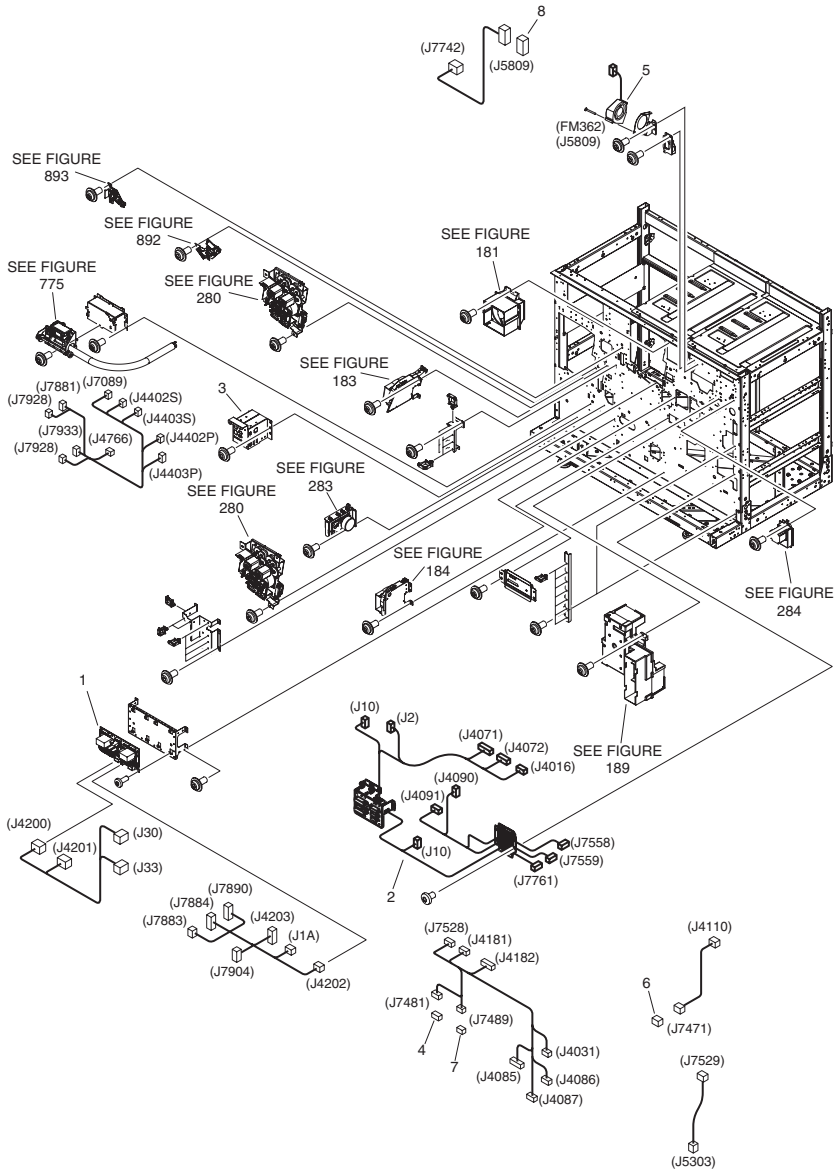


FIGURE & KEY NO.	PARTS NUMBER	RANK	Q'TY	DESCRIPTION	SERIAL NUMBER/REMARKS	SVC
Fig.115	NPN		RF	MACHINE REAR PLATE 1	Sub station	
1	FM2-7713-000		1	POWER CONNECTING PCB ASSEMBLY		
2	FM2-9289-000		1	CABLE, FIXING DUPLEXING DRAWER		
3	FM2-9290-000		1	CONNECTOR MOUNT UNIT		
4	VS1-7177-009		1	CONNECTOR, 9P		
5	FK2-3098-000		1	FAN	FM362	
6	VS1-7177-002		1	CONNECTOR, SNAP TIGHT, BK		
7	VS1-7177-006		1	CONNECTOR, SNAP TIGHT, BK		
8	VS1-7177-004		1	CONNECTOR, SNAP TIGHT, BK		

FIGURE 116 MACHINE REAR PLATE 2 (Sub station)

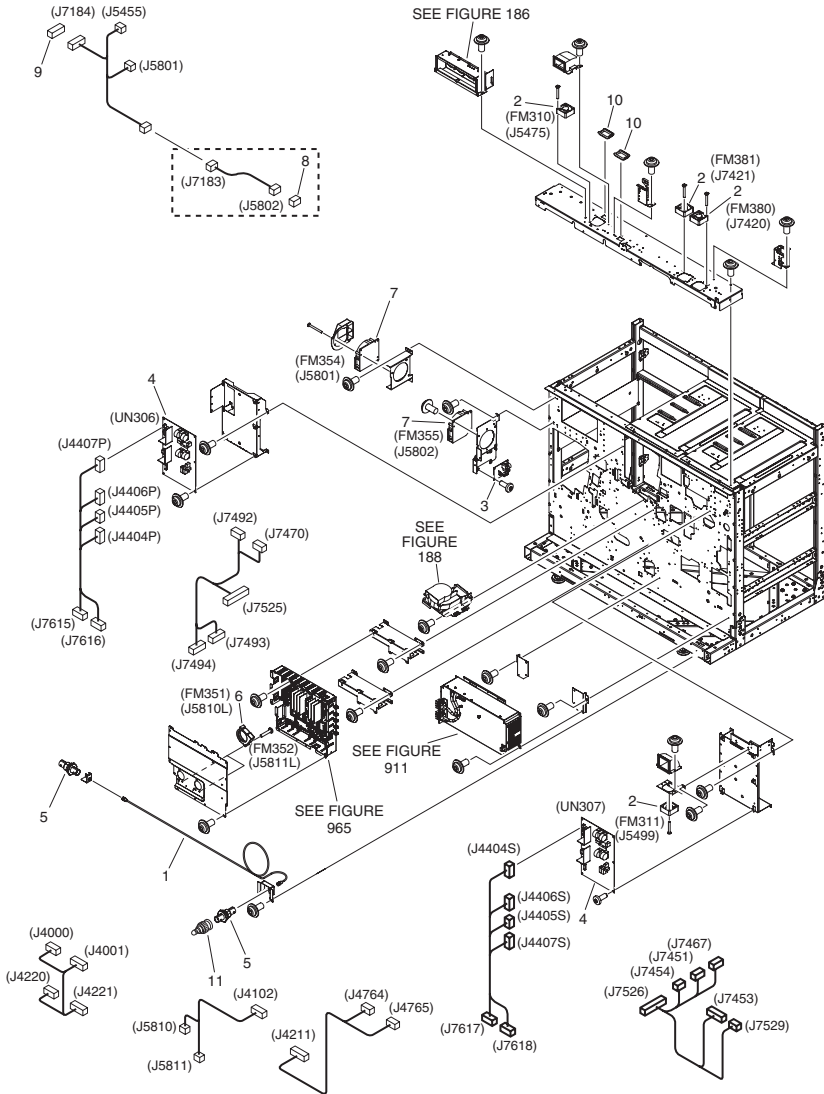


FIGURE & KEY NO.	PARTS NUMBER	R A N K	Q'TY	DESCRIPTION	SERIAL NUMBER/ REMARKS	S V C
Fig.116	NPN		RF	MACHINE REAR PLATE 2	Sub station	
1	FK2-1771-000		1	CABLE, BNC		
2	FK2-3100-000		4	FAN	FM310,311,380,381	
3	FM2-0848-000		1	DC-DC CONVERTER PCB ASSEMBLY 2		
4	FK2-3147-000		2	FIXING AC PCB ASSEMBLY	UN306,307	
5	WS6-5209-000		2	CONNECTOR, COAXIAL		
6	FK2-3149-000		2	FAN	FM351,352	
7	FK2-3098-000		2	FAN	FM354,355	
8	VS1-7177-004		1	CONNECTOR, SNAP TIGHT, BK		
9	VS1-7173-011		1	CONNECTOR, SNAP TIGHT, 11P, W		
10	FC7-5196-000		2	BUSHING, SQUARE -, 20X29		
11	WS6-5201-000		1	TERMINATOR		

FIGURE 120
POWER STATION COVER ASSEMBLY

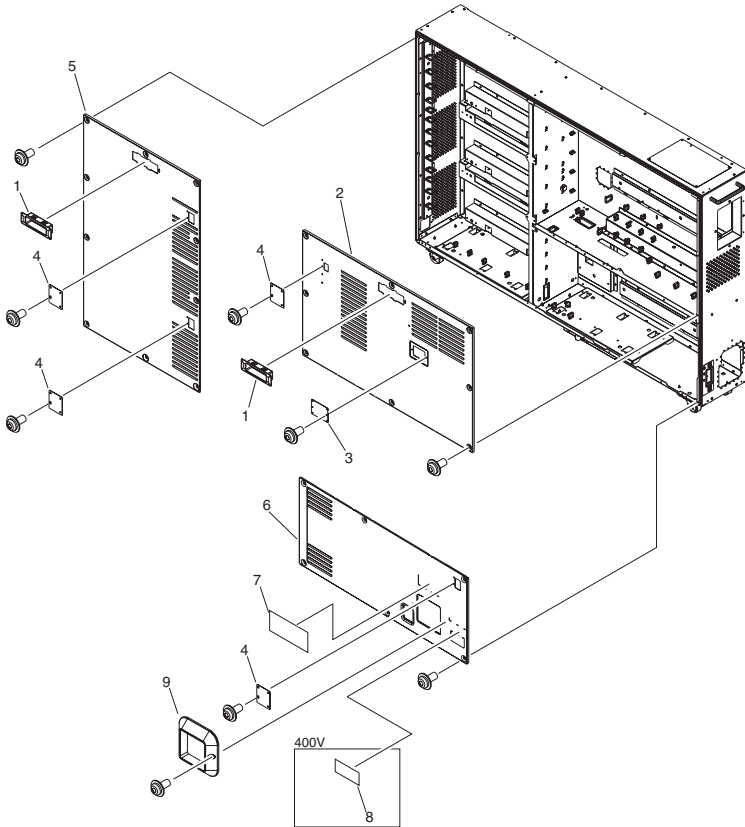


FIGURE & KEY NO.	PARTS NUMBER	RANK	Q'TY	DESCRIPTION	SERIAL NUMBER/REMARKS	SVC
Fig.120	NPN		RF	POWER STATION COVER ASSEMBLY		
1	FC6-8948-000		2	HANDLE		
2	FC7-2241-000		1	COVER, REAR,1		
3	FC7-4917-000		1	COVER, SWITCH		
4	FC8-1022-000		4	COVER, OPTION		
5	FC7-2244-000		1	COVER, REAR,2		
6	FC7-2243-000		1	COVER, REAR,3		
7	FU5-8348-000		1	LABEL, BREAKER CAUTION	CN	
8	FU5-8560-000		1	LABEL,GROUNDING CAUTION	400V	
9	FC7-7043-000		1	PANEL, HANDLE PROTECTION		

FIGURE 121 POWER STATION ASSEMBLY

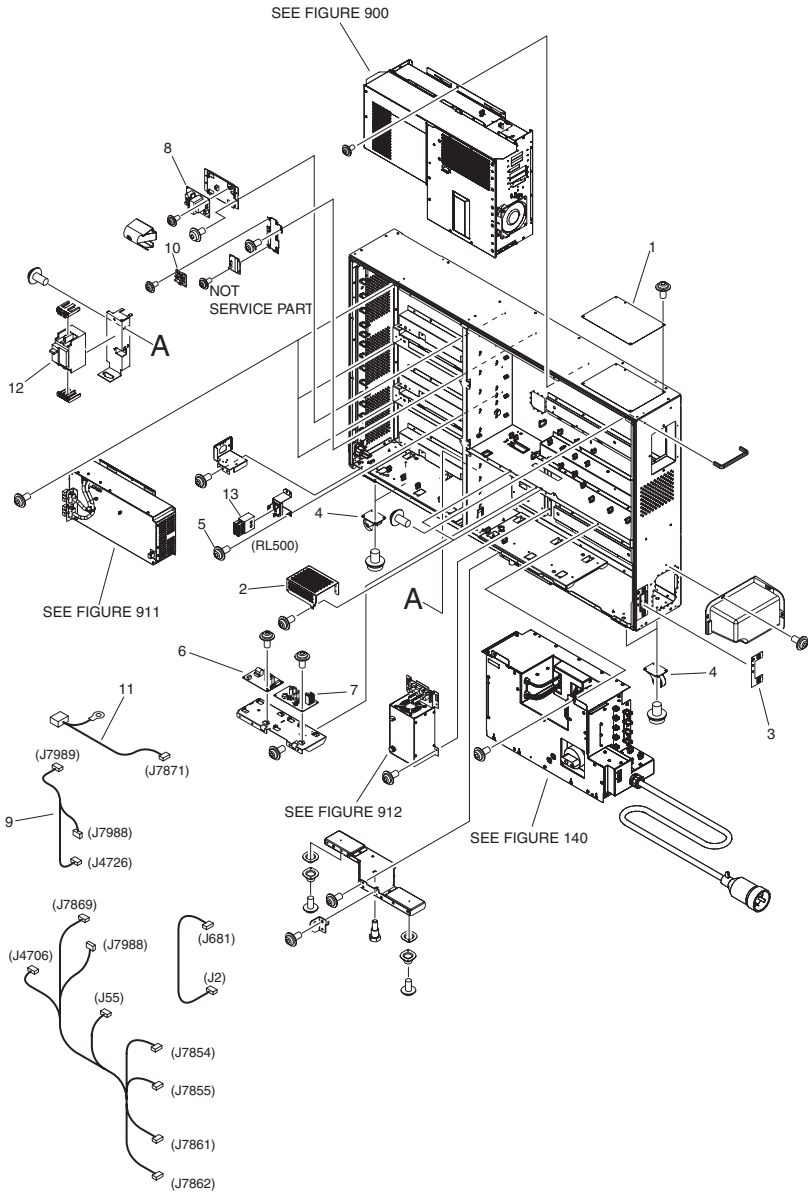


FIGURE & KEY NO.	PARTS NUMBER	RANK	Q'TY	DESCRIPTION	SERIAL NUMBER/REMARKS	SVC
Fig.121	NPN		RF	POWER STATION ASSEMBLY		
1	FC7-0947-000		1	COVER, HDD		
2	FC7-4919-000		2	COVER, POWER SUPPLY		
3	FC7-7030-010		1	LABEL, ENVIRONMENT SWITCH		
4	XZ9-0618-000		4	CASTER		
5	XA9-1249-010		6	SCREW,TP M4X8		
6	FK2-2858-000		1	EVERYNIGHT POWER PCB ASSEMBLY		
7	FM2-7710-000		1	DC DC PCB ASSEMBLY		
8	FM2-7708-000		1	THERMOPILE POWER PCB ASSEMBLY		
9	FM2-8836-000		1	CABLE, AC RELAY		
10	FM2-7714-000		1	SHUTDOWN PCB ASSEMBLY		
11	FM2-8832-000		1	CABEL, POD OUTLET		
12	WD3-5127-000		1	BREAKER	JP/EUR/CN	
12	VD7-3011-502		1	BREAKER	UL	
13	WB1-5198-000		1	RELAY	RL500	

FIGURE 125 INTERLOCK SWITCH ASSEMBLY

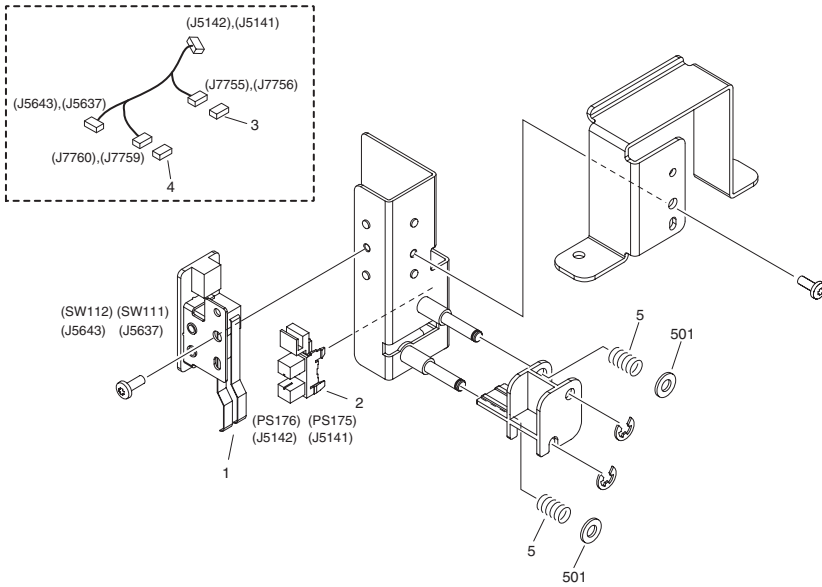


FIGURE & KEY NO.	PARTS NUMBER	RANK	Q'TY	DESCRIPTION	SERIAL NUMBER/REMARKS	SVC
Fig. 125	NPN		RF	INTERLOCK SWITCH ASSEMBLY		
1	FG6-9015-000		1	DOUBLE SWITCH PCB ASSEMBLY	SW111,112	
2	FK2-0149-000		1	PHOTO-INTERRUPTER, TLP1252(C6)	PS175,176	
3	VS1-7177-003		1	CONNECTOR, SNAP TIGHT, BK		
4	VS1-7177-004		1	CONNECTOR, SNAP TIGHT, BK		
5	FU5-2954-000		2	SPRING, COMPRESSION		
501	XD1-1104-122		2	SHIM		

FIGURE 126 DRUM HEATER INTERLOCK SW. ASS'Y

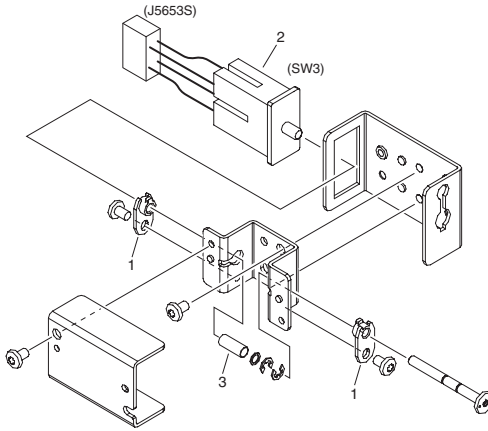


FIGURE & KEY NO.	PARTS NUMBER	RANK	Q'TY	DESCRIPTION	SERIAL NUMBER/REMARKS	S V C
Fig.126	NPN		RF	DRUM HEATER INTERLOCK SW.ASS'Y		
1	FC6-3181-000		2	CATCH, INTERLOCK ROD		
2	FM3-0420-000		1	DRUM HEATER ASSEMBLY	SW3	
3	FU5-2954-000		1	SPRING, COMPRESSION		

FIGURE 130 CONTROL PANEL ASSEMBLY

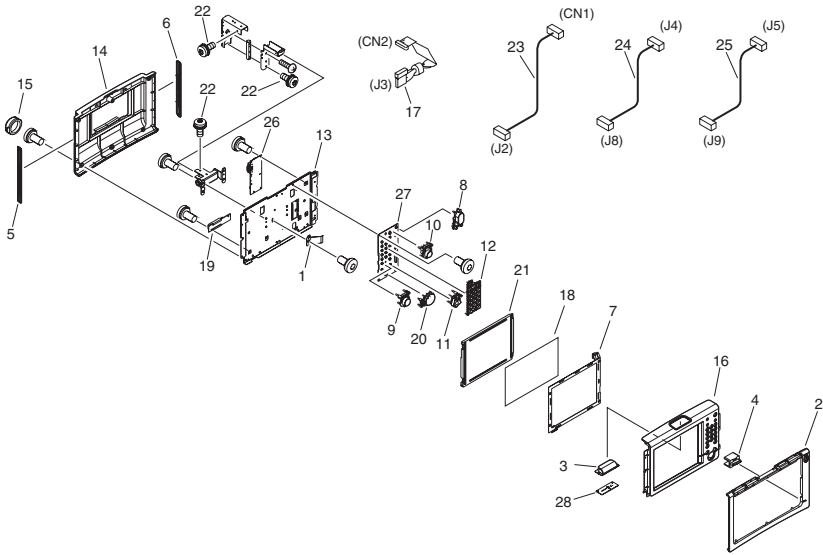


FIGURE & KEY NO.	PARTS NUMBER	RANK	QTY	DESCRIPTION	SERIAL NUMBER/REMARKS	SVC
1	FB6-3953-000		1	PLATE, GROUNDING		
2	FC8-3309-000		1	COVER, FRONT	JP	
2	FC8-3310-000		1	COVER, FRONT	UL	
2	FC8-3311-000		1	COVER, FRONT	EUR	
2	FC8-3317-000		1	COVER, FRONT	CN	
3	FC6-4943-000		1	COVER, INDICATOR LAMP		
4	FC6-4945-000		1	COVER, POWER LAMP		
5	FC6-4946-000		1	COVER, SIDE, LEFT		
6	FC6-4947-000		1	COVER, SIDE, RIGHT		
7	FC6-4949-000		1	SHEET, ELECTROSTATIC		
8	FC6-4950-000		1	KEY TOP, POWER		
9	FC6-4951-000		1	KEY TOP, RESET		
10	FC6-4952-000		1	KEY TOP, ENERGY SAVING		
11	FC6-4954-000		1	KEY TOP, STOP		
12	FC6-4955-000		1	KEY TOP, NUMBERS		

FIGURE & KEY NO.	PARTS NUMBER	R A N K	Q'TY	DESCRIPTION	SERIAL NUMBER/ REMARKS	S V C
13	FC6-4956-000		1	STAY, CONTROL PANEL ASSEMBLY		
14	FC6-4957-000		1	COVER, REAR		
15	FC6-6824-000		5	RUBBER, COVER		
16	FC7-0993-000		1	PANEL, CONTROL	200V	
16	FC7-0994-000		1	PANEL, CONTROL	208V	
16	FC7-5044-000		1	PANEL, CONTROL	400V	
17	FK2-1636-000		1	CABLE, LCD		
18	FK2-1645-000		1	PANEL, TOUCH		
19	FK2-1646-000		1	INVERTER PCB ASSEMBLY		
20	FL2-2615-000		1	START KEY ASSEMBLY		
21	FL2-2616-000		1	LCD CONTROL PANEL UNIT		
22	XA9-0940-000		8	SCREW, W/WASHER, M4X12		
23	FM2-5439-000		1	CABLE, INVERTER		
24	FM2-5440-000		1	CABLE, KEY		
25	FM2-5441-000		1	CABLE, TALLY		
26	FM2-5461-000		1	CPU PCB ASSEMBLY		
27	FM2-5462-000		1	KEY PCB ASSEMBLY		
28	FM2-5463-000		1	TALLY PCB ASSEMBLY		

FIGURE 140 POWER CORD TERMINAL ASSEMBLY

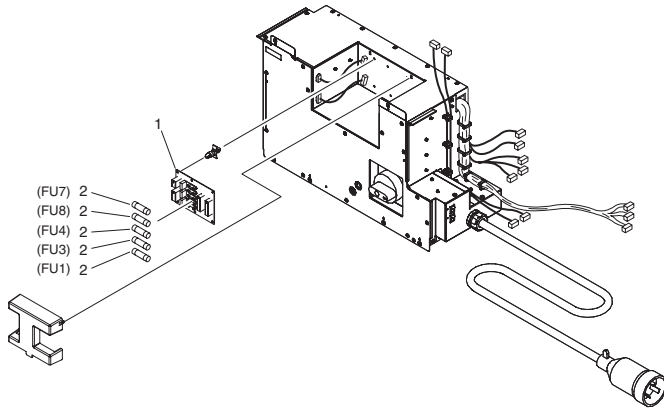


FIGURE & KEY NO.	PARTS NUMBER	R A N K	Q'TY	DESCRIPTION	SERIAL NUMBER/ REMARKS	S V C
Fig.140	FM2-8992-000		1	POWER CORD TERMINAL ASSEMBLY	C7000VP 200V	
Fig.140	FM2-9081-000		1	POWER CORD TERMINAL ASSEMBLY	C7000VP/C6000VP 208V	
Fig.140	FM2-9080-000		1	POWER CORD TERMINAL ASSEMBLY	C7000VP 400V	
Fig.140	FM3-6850-000		1	POWER CORD TERMINAL ASSEMBLY	C6000 200V	
Fig.140	FM3-6852-000		1	POWER CORD TERMINAL ASSEMBLY	C6000 208V	
Fig.140	FM3-6851-000		1	POWER CORD TERMINAL ASSEMBLY	C6000 400V	
1	FM2-7715-000		1	HEATER CONNECTING PCB ASSEMBLY		
2	VD7-2892-001		5	FUSE, 2A, 250V	FU1,3,4,7,8	

FIGURE 180 FIXING BELT COOLING FAN ASS'Y

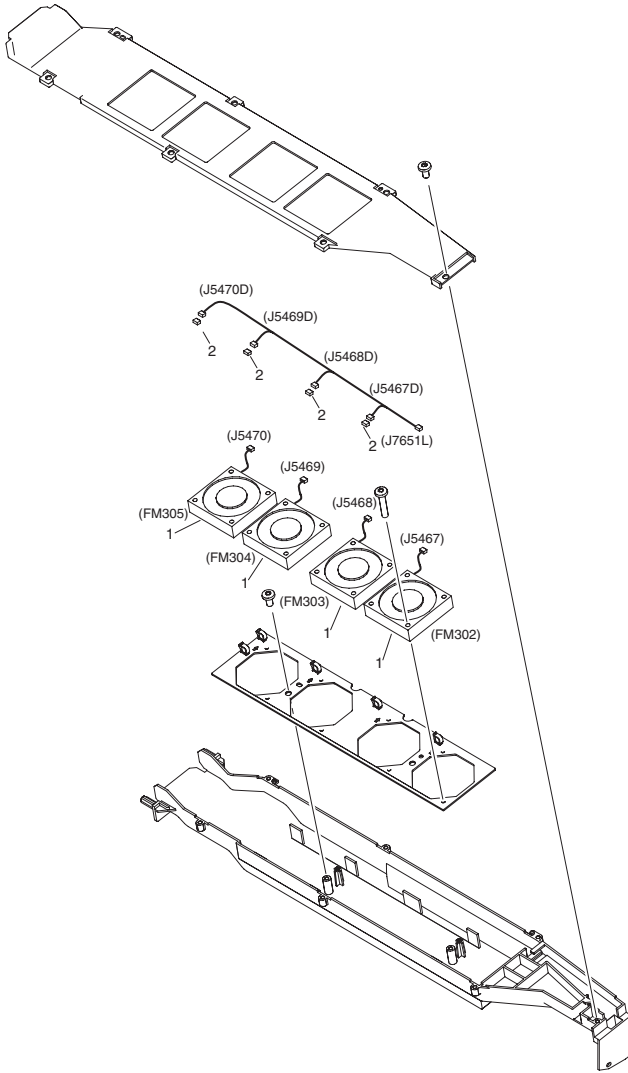


FIGURE & KEY NO.	PARTS NUMBER	RANK	Q'TY	DESCRIPTION	SERIAL NUMBER/REMARKS	SVC
Fig.180	FM2-2211-000		1	FIXING BELT COOLING FAN ASS'Y		
1	FK2-3101-000		4	FAN	FM302,303,304,305	
2	VS1-7177-004		4	CONNECTOR, SNAP TIGHT, BK		

FIGURE 181 COOLING FAN ASS'Y, 2

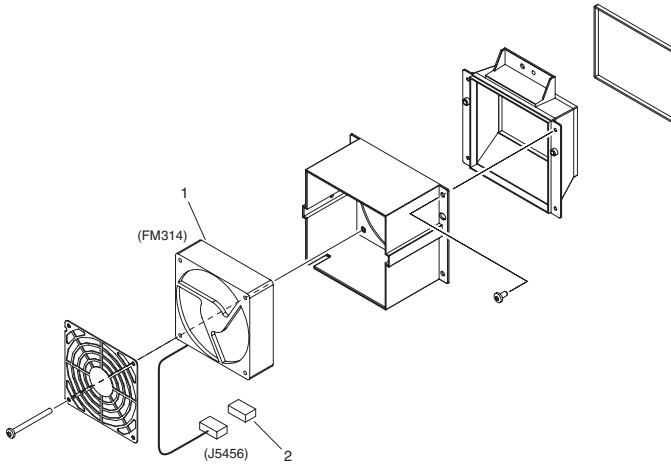


FIGURE & KEY NO.	PARTS NUMBER	RANK	Q'TY	DESCRIPTION	SERIAL NUMBER/REMARKS	S V C
Fig.181	FM2-2202-000		1	COOLING FAN ASS'Y, 2		
1	FK2-3150-000		1	FAN	FM314	
2	VS1-7177-003		1	CONNECTOR, SNAP TIGHT, BK		

FIGURE 182 ROLLER COOLING FAN ASSEMBLY

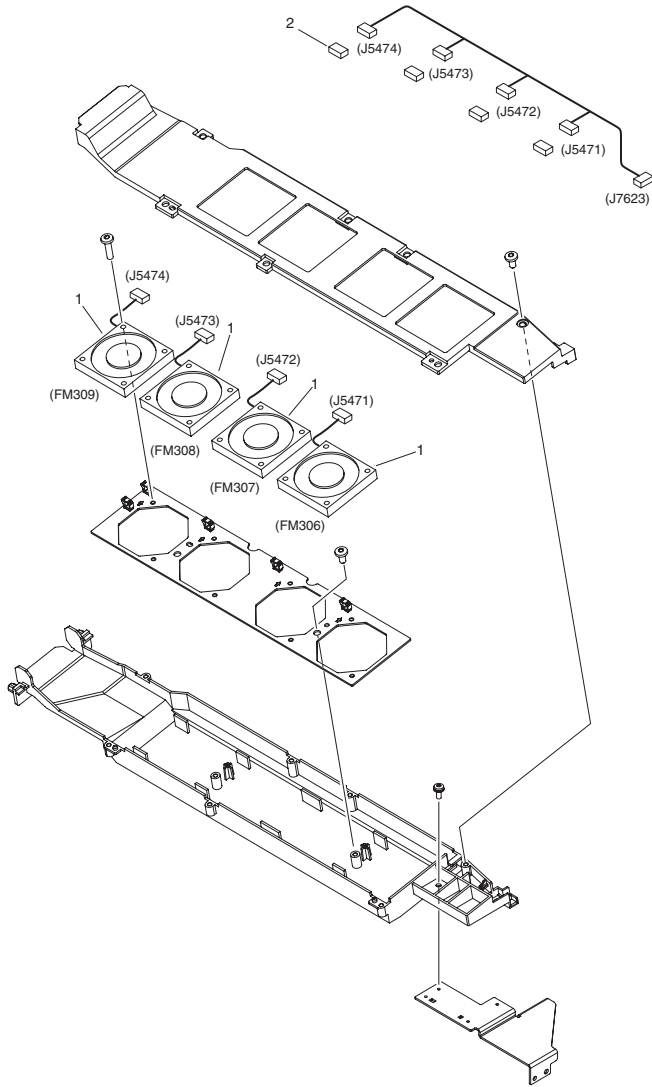


FIGURE & KEY NO.	PARTS NUMBER	RANK	Q'TY	DESCRIPTION	SERIAL NUMBER/REMARKS	SVC
Fig.182	FM2-2212-000		1	ROLLER COOLING FAN ASSEMBLY		
1	FK2-3102-000		4	FAN	FM306,307,308,309	
2	VS1-7177-003		4	CONNECTOR, SNAP TIGHT, BK		

FIGURE 183 FIRST FIXING FAN ASSEMBLY

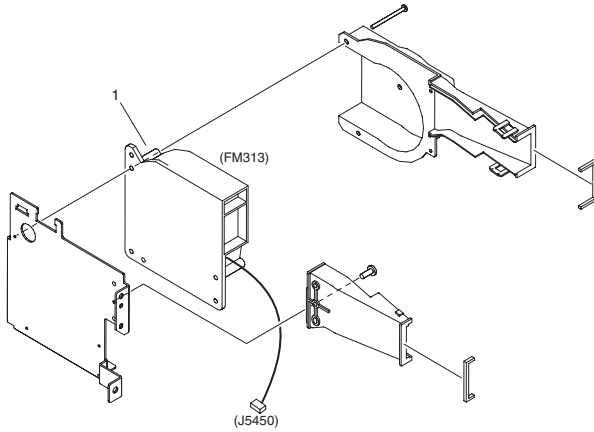


FIGURE & KEY NO.	PARTS NUMBER	RANK	Q'TY	DESCRIPTION	SERIAL NUMBER/REMARKS	SVC
Fig.183	NPN		RF	FIRST FIXING FAN ASSEMBLY		
1	FK2-3098-000		1	FAN	FM313	

FIGURE 184 SECOND FIXING FAN ASSEMBLY

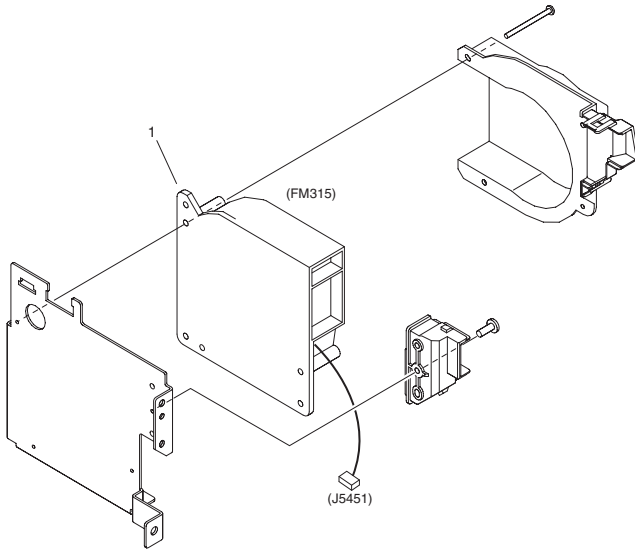


FIGURE & KEY NO.	PARTS NUMBER	RANK	Q'TY	DESCRIPTION	SERIAL NUMBER/REMARKS	SVC
Fig.184	NPN		RF	SECOND FIXING FAN ASSEMBLY		
1	FK2-3098-000		1	FAN	FM315	

FIGURE 185 DUCT, FIRST EXHAUST

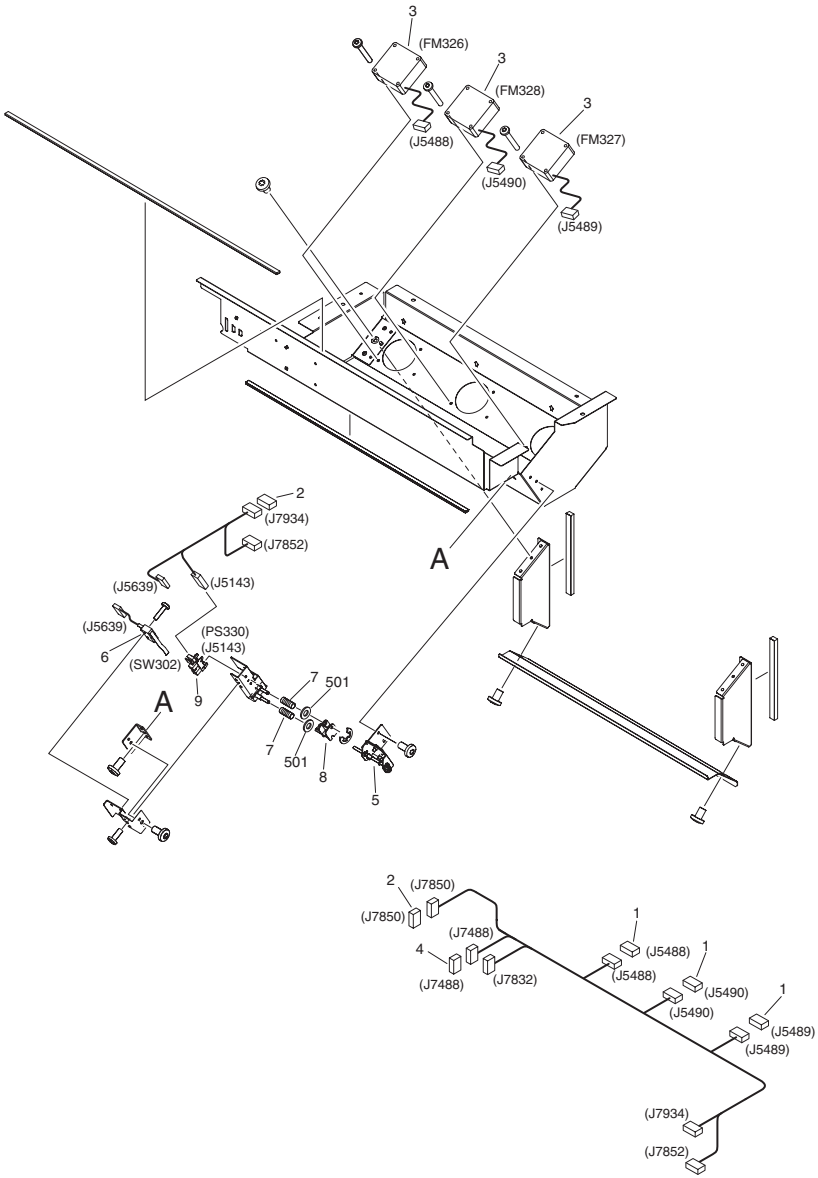


FIGURE & KEY NO.	PARTS NUMBER	RANK	Q'TY	DESCRIPTION	SERIAL NUMBER/REMARKS	SVC
Fig.185	NPN		RF	DUCT, FIRST EXHAUST		
1	VS1-7177-004		3	CONNECTOR, SNAP TIGHT, BK		
2	VS1-7177-003		2	CONNECTOR, SNAP TIGHT, BK		
3	FK2-3100-000		3	FAN	FM326,327,328	
4	VS1-7173-012		1	CONNECTOR, SNAP TIGHT, 12P, W		
5	FM3-0654-000		1	INTERLOCK PUSH UNIT, LEFT		
6	RH7-6037-000		1	SWITCH, INTERLOCK	SW302	
7	FU5-2954-000		2	SPRING, COMPRESSION		
8	FC6-3173-000		1	BUTTON, SWITCH		
9	FK2-0149-000		1	PHOTO-INTERRUPTER, TLP1252(C6)	PS330	
501	XD1-1104-122		2	SHIM		

FIGURE 186 FAN MOUNT ASSEMBLY, OUTER

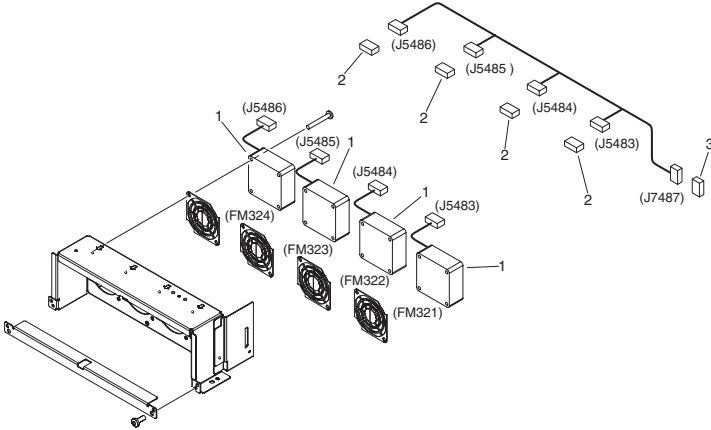


FIGURE & KEY NO.	PARTS NUMBER	RANK	Q'TY	DESCRIPTION	SERIAL NUMBER/REMARKS	SVC
Fig.186	NPN		RF	FAN MOUNT ASSEMBLY, OUTER		
1	FK2-3100-000		4	FAN	FM321,322,323,324	
2	VS1-7177-004		4	CONNECTOR, SNAP TIGHT, BK		
3	VS1-7173-016		1	CONNECTOR, SNAP TIGHT, 16P, W		

FIGURE 188 BELT COOLING FAN ASSEMBLY

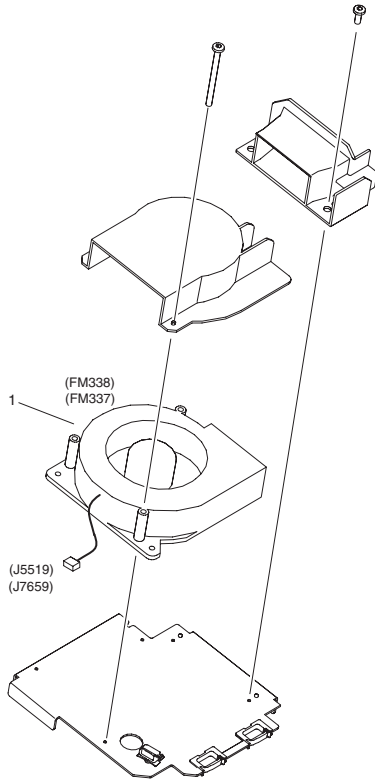


FIGURE & KEY NO.	PARTS NUMBER	R A N K	Q'TY	DESCRIPTION	SERIAL NUMBER/ REMARKS	S V C
Fig.188 1	NPN FK2-3098-000		RF 1	BELT COOLING FAN ASSEMBLY FAN	FM337,338	

FIGURE 189 PAPER DELIVERY FAN ASSEMBLY

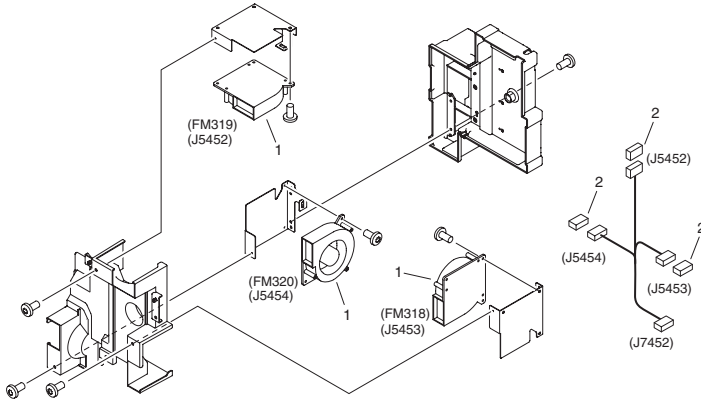


FIGURE & KEY NO.	PARTS NUMBER	RANK	Q'TY	DESCRIPTION	SERIAL NUMBER/REMARKS	SVC
Fig.189	NPN		RF	PAPER DELIVERY FAN ASSEMBLY		
1	FK2-3098-000		3	FAN	FM318,319,320	
2	VS1-7177-004		3	CONNECTOR, SNAP TIGHT, BK		

FIGURE 190 FAN MOUNT ASSEMBLY

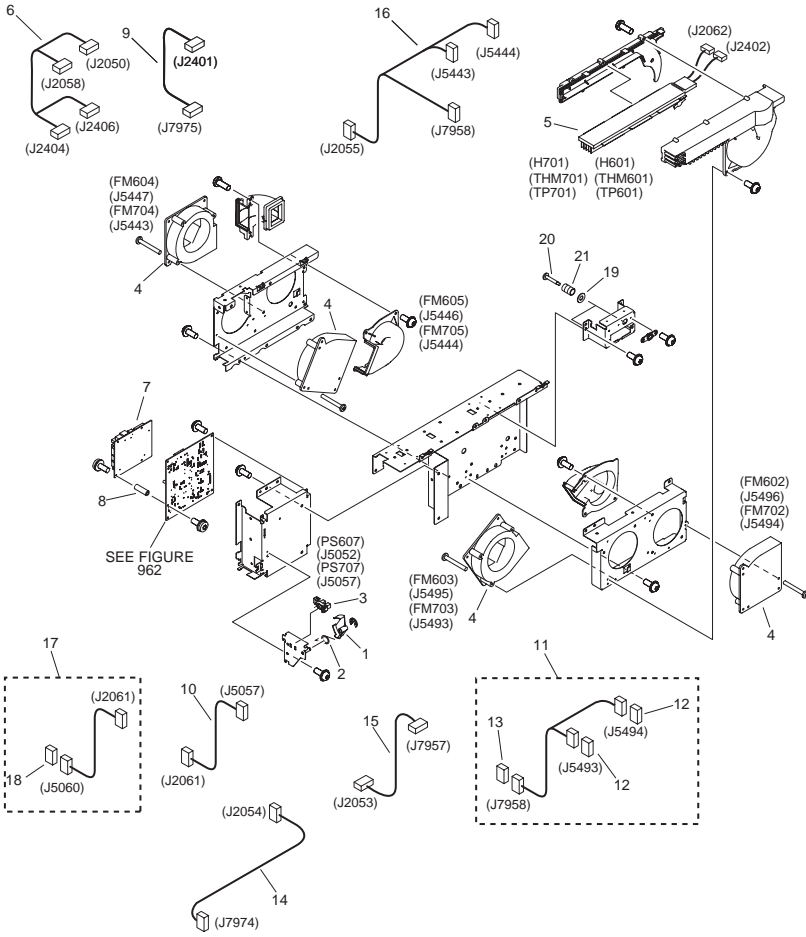


FIGURE & KEY NO.	PARTS NUMBER	R A N K	Q'TY	DESCRIPTION	SERIAL NUMBER/REMARKS	S V C
Fig.190	FM2-1980-000		2	FAN MOUNT ASSEMBLY		
1	FC5-8579-000		1	FLAG, DOOR, FRONT		
2	FC7-5100-000		1	SPRING, TORSION		
3	FK2-0149-000		1	PHOTO-INTERRUPTER, TLP1252(C6)	PS607,707	
4	FK2-2974-000		4	FAN	FM602-605FM702-705	
5	FK2-2989-000		1	HEATER	H601 THM601 TP601H701 THM701 TP701	
6	FM2-8604-000		1	CABLE, AC CONNECT		
7	FM2-7628-000		1	FEED DRIVER AC PCB ASSEMBLY		
8	VT2-5177-025		4	SPACER		
9	FM2-8497-000		1	CABLE, CASSETTE HEATER CONNECT		
10	FM2-8518-000		1	CABLE, DETECT SENSOR		
11	FM2-8577-000		1	CABLE, FAN 1/2		
12	VS1-7177-004		2	CONNECTOR, SNAP TIGHT, BK		
13	VS1-7177-008		1	CONNECTOR, SNAP TIGHT, BK		
14	FM2-8630-000		1	CABLE, PICK-UP DRIVE CONNECT		
15	FM2-8643-000		1	CABLE, AIR PICK-UP DRAWER		
16	FM2-8844-000		1	CABLE, FAN CONNECTING		
17	FM2-9404-000		1	CABLE, DETECT SENSOR CONNECT		
18	VS1-7177-003		1	CONNECTOR, SNAP TIGHT, BK		
19	FS5-6601-000		2	SPACER		
20	FS5-9758-020		2	SCREW, STEPPED, M3		
21	FS7-2796-000		2	SPRING, COMPRESSION		

FIGURE 191 PRIMARY EXHAUST FAN ASSEMBLY

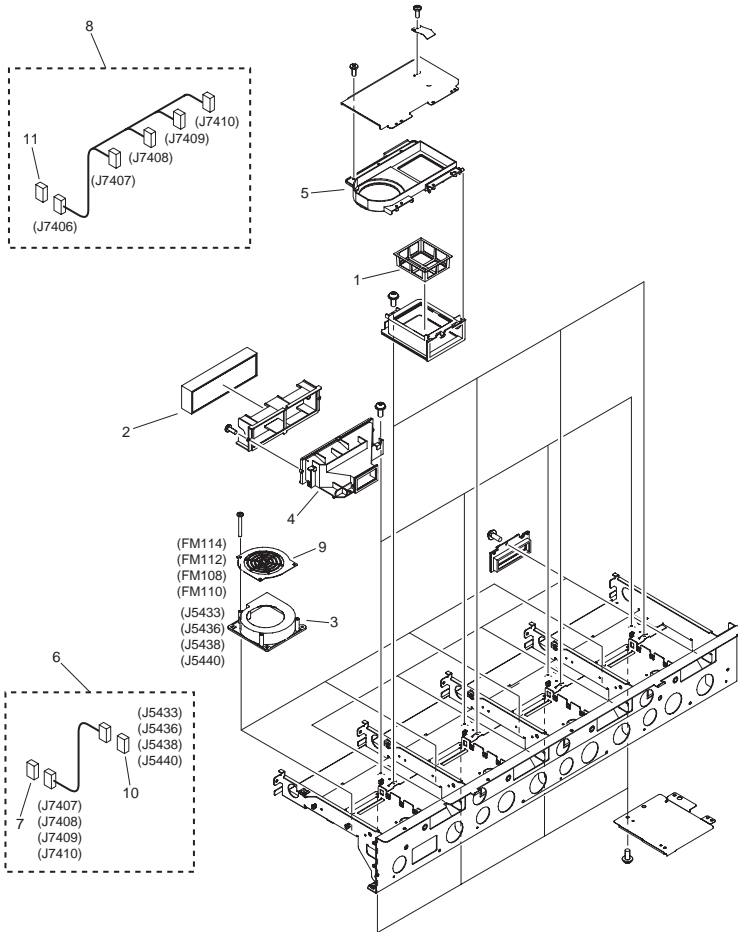


FIGURE & KEY NO.	PARTS NUMBER	RANK	Q'TY	DESCRIPTION	SERIAL NUMBER/REMARKS	SVC
Fig.191	NPN		RF	PRIMARY EXHAUST FAN ASSEMBLY		
1	FB2-4383-000		4	FILTER, TONER		
2	FC7-4563-000		4	FILTER, OZONE		
3	FK2-3098-000		4	FAN	FM114,112,108,110	
4	FL2-1997-000		4	DUCT, EXHAUST		
5	FL2-1998-000		4	DUCT, CONNECTING		
6	FM2-8517-000		4	CABLE, P- KIT FAN		
7	VS1-7177-004		4	CONNECTOR, SNAP TIGHT, BK		
8	FM2-8603-000		1	CABLE, P- KIT FAN, RIGHT		
9	FC7-9687-000		4	COVFR, FAN		
10	VS1-7173-004		4	CONNECTOR, SNAP TIGHT		
11	VS1-7173-016		1	CONNECTOR, SNAP TIGHT, 16P, W		

FIGURE 192 PRIMARY INLET FAN ASS'Y, C/K

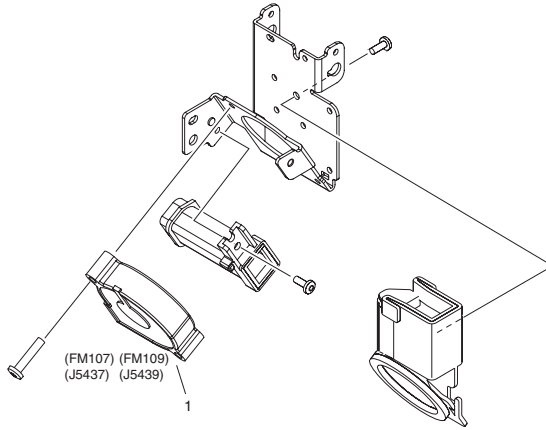


FIGURE & KEY NO.	PARTS NUMBER	RANK	Q'TY	DESCRIPTION	SERIAL NUMBER/REMARKS	S V C
Fig.192 1	NPN FK2-3149-000		RF 1	PRIMARY INLET FAN ASS'Y, C/K FAN	FM107,109	

FIGURE 193
PRIMARY INLET FAN ASS'Y, Y/M

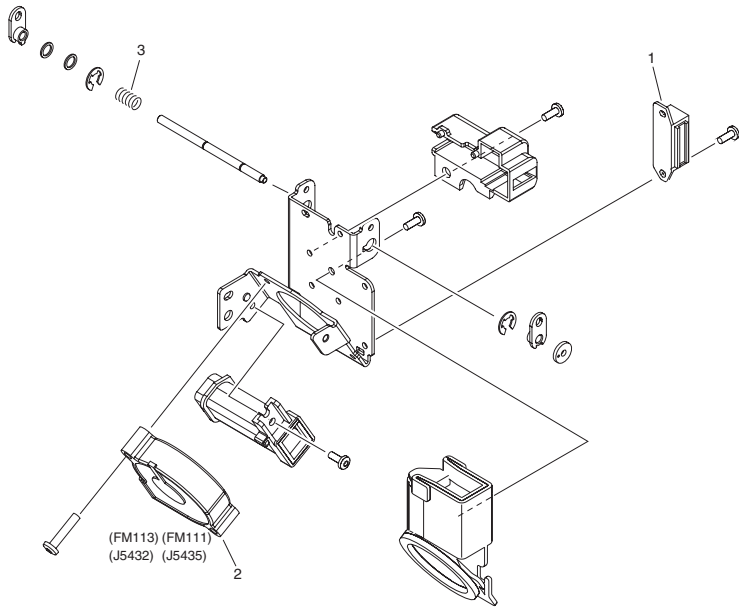


FIGURE & KEY NO.	PARTS NUMBER	RANK	Q'TY	DESCRIPTION	SERIAL NUMBER/REMARKS	SVC
Fig.193	NPN		RF	PRIMARY INLET FAN ASS'Y, Y/M		
1	FC7-5707-000		1	CATCH, MAGNET		
2	FK2-3149-000		1	FAN	FM111,113	
3	FU5-2954-000		1	SPRING, COMPRESSION		

FIGURE 194 PRE-TRNS.EXHAUST DUCT ASSEMBLY

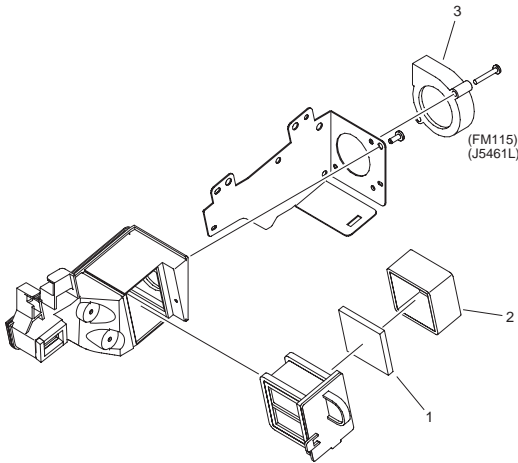


FIGURE & KEY NO.	PARTS NUMBER	RANK	Q'TY	DESCRIPTION	SERIAL NUMBER/REMARKS	SVC
Fig.194	FM2-2158-000		1	PRE-TRNS.EXHAUST DUCT ASSEMBLY		
1	FC6-2152-000		1	FILTER, DUST-PROOF		
2	FC6-2153-000		1	FILTER, OZONE		
3	FK2-3149-000		1	FAN	FM115	

FIGURE 195 FIRST FIXING EXHAUST FAN ASS'Y

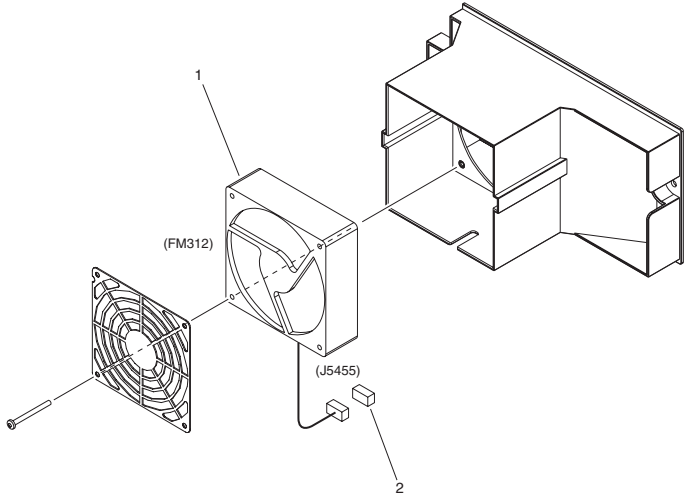


FIGURE & KEY NO.	PARTS NUMBER	RANK	Q'TY	DESCRIPTION	SERIAL NUMBER/REMARKS	SVC
Fig.195	FM2-2201-000		1	FIRST FIXING EXHAUST FAN ASSY		
1	FK2-3150-000		1	FAN	FM312	
2	VS1-7177-003		1	CONNECTOR, SNAP TIGHT, BK		

FIGURE 260 PAPER PICK-UP DRIVE ASS'Y

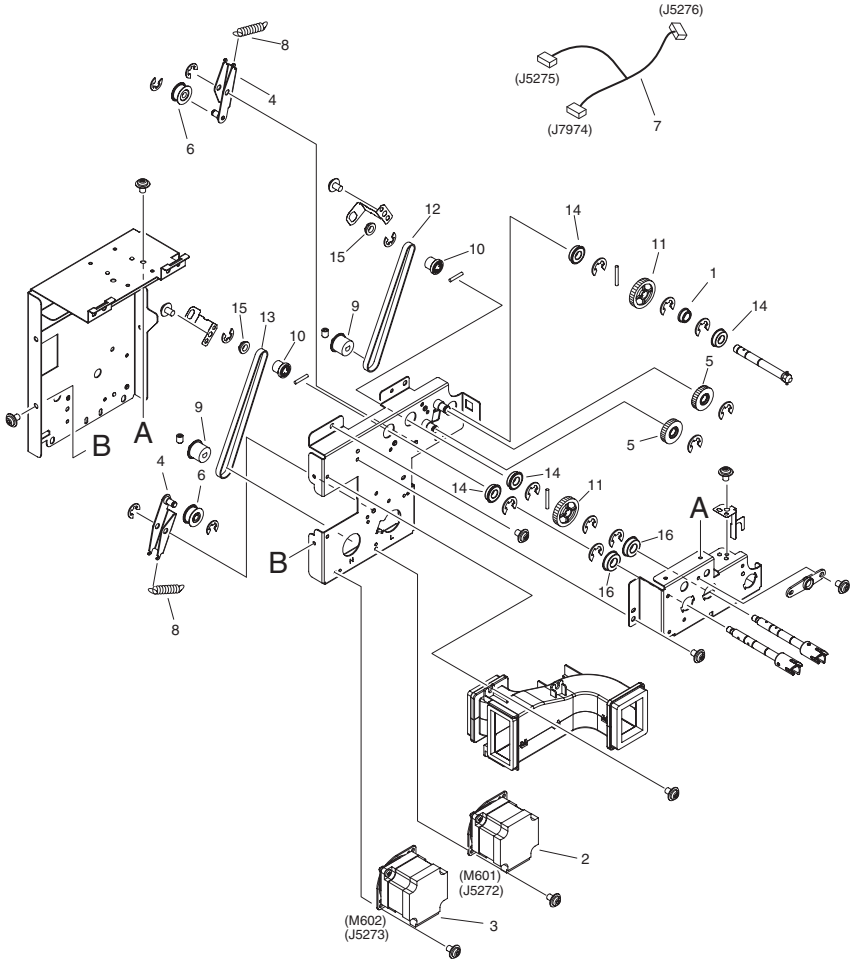


FIGURE & KEY NO.	PARTS NUMBER	R A N K	Q'TY	DESCRIPTION	SERIAL NUMBER/ REMARKS	S V C
Fig.260	FM2-1997-000		2	PAPER PICK-UP DRIVE ASS'Y		
1	FA9-2112-000		1	BUSHING, PL		
2	FK2-3130-000		1	MOTOR, STEPPING, DC	M601	
3	FK2-3137-000		1	MOTOR, STEPPING, DC	M602	
4	FL2-1775-000		2	ARM, TENSIONER		
5	FL2-1851-000		2	GEAR, 24T		
6	FL2-5562-000		2	ROLLER, TENSIONER		
7	FM2-8576-000		1	CABLE, PICK-UP DRIVE MOUNT		
8	FU5-2787-000		2	SPRING, TENSION		
9	FU5-3188-000		2	PULLEY, 28T		
10	FU5-3189-000		2	PULLEY, 20T		
11	FU6-0169-000		2	GEAR, 30T		
12	XF2-3614-560		1	BELT, TIMING		
13	XF2-3615-560		1	BELT, TIMING		
14	XG9-0508-000		4	BEARING, BALL, F688ZZ		
15	RS5-1058-000		2	BUSHING		
16	XG9-0550-000		2	BEARING, BALL, 608ZZ1NRMC3E		

FIGURE 262 REGISTRATION SLIDE DRIVE ASS'Y

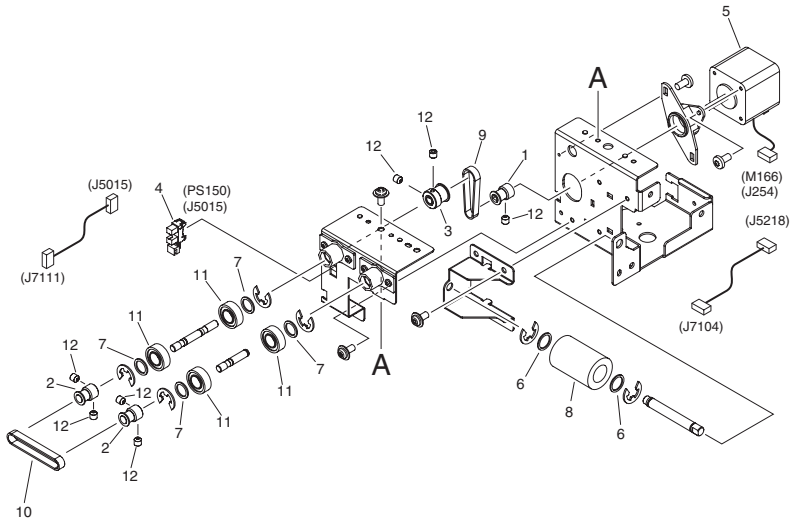


FIGURE & KEY NO.	PARTS NUMBER	RANK	QTY	DESCRIPTION	SERIAL NUMBER/REMARKS	SVC
Fig.262	FM2-5168-000		1	REGISTRATION SLIDE DRIVE ASSY		
1	FC5-9625-000		1	PULLEY, 15T		
2	FC5-9643-000		2	PULLEY, 15T		
3	FC5-9644-000		1	PULLEY, 22T		
4	FK2-0149-000		1	PHOTO-INTERRUPTER, TLP1252(C6)	PS150	
5	FK2-3124-000		1	MOTOR, STEPPING, DC	M166	
6	FS5-6487-000		2	WASHER		
7	FS5-6488-000		4	WASHER		
8	FU6-0387-000		1	GEAR, 27T		
9	XF2-1105-660		1	BELT, TIMING		
10	XF2-1106-260		1	BELT, TIMING		
11	XG2-6012-405		4	BALL BEARING, NSK MR126JZM3		
12	XA9-1813-000		7	NUT, HEX, M4		

FIGURE 271 DRUM DRIVE ASSEMBLY

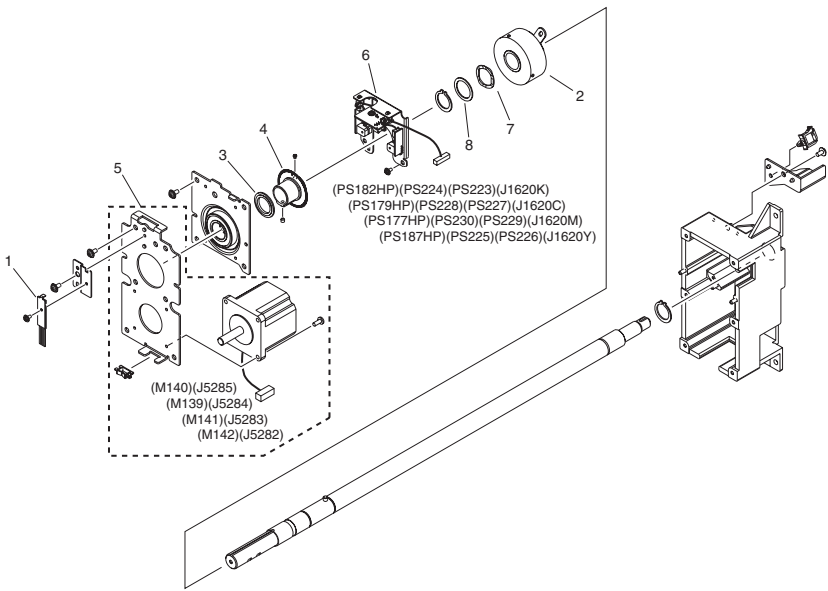


FIGURE & KEY NO.	PARTS NUMBER	RANK	Q'TY	DESCRIPTION	SERIAL NUMBER/REMARKS	SVC
Fig.271	FM2-2248-000		4	DRUM DRIVE ASSEMBLY		
1	FC1-1117-000		1	ELIMINATOR, STATIC CHARGE		
2	FC6-0114-000		1	CATCH, LIMIT		
3	FC6-0122-000		1	HOLDER, DRUM SHAFT		
4	FL2-7835-000		1	WHEEL, ENCODING		
5	FM2-2249-000		1	DRUM DRIVE MOTOR ASSEMBLY	M139-142	
6	FM2-8982-000		1	DRUM SHAFT ENCODER ASSEMBLY	PS223- 230PS177,179,182,187	
7	FU5-6238-000		1	WASHER, WAVE		
8	FU5-6239-000		1	WASHER, PLAIN		

FIGURE 272 DEVELOPING DRIVE ASSEMBLY

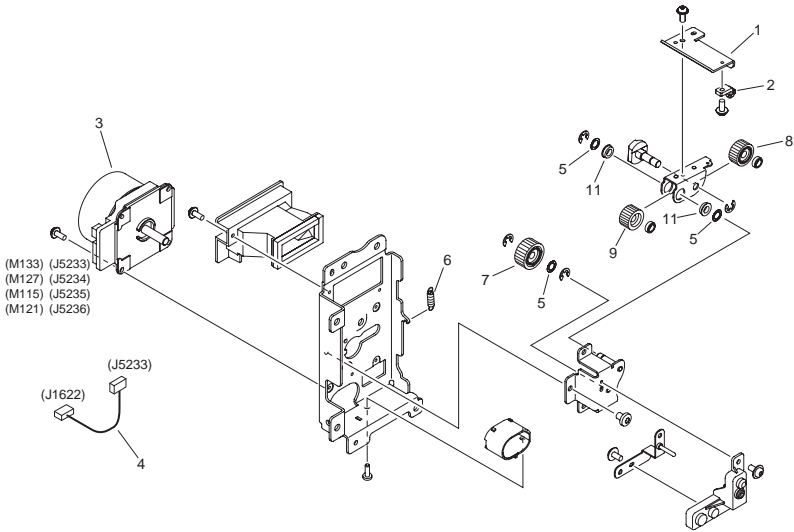


FIGURE & KEY NO.	PARTS NUMBER	RANK	QTY	DESCRIPTION	SERIAL NUMBER/REMARKS	SVC
Fig.272	FM2-2099-000		4	DEVELOPING DRIVE ASSEMBLY		
1	FC5-9005-000		1	ARM, CAM FOLLOWER	M115,121,127,133	
2	FC5-9006-000		1	HOLDER, CAM FOLLOWER		
3	FK2-2726-000		1	MOTOR, BRUSHLESS		
4	FM2-8572-000		1	CABLE, DRUM DRIVE		
5	FS5-6488-000		3	WASHER		
6	FU5-2870-000		1	SPRING, TENSION		
7	FU6-0362-000		1	GEAR, 42T		
8	FU6-0363-000		1	GEAR, 35T		
9	FU6-0364-000		1	GEAR, 32T		
11	XG9-0544-000		2	BEARING, BALL, 8H44M		

FIGURE 273

I.T.B. CLEANER DRIVE ASSEMBLY

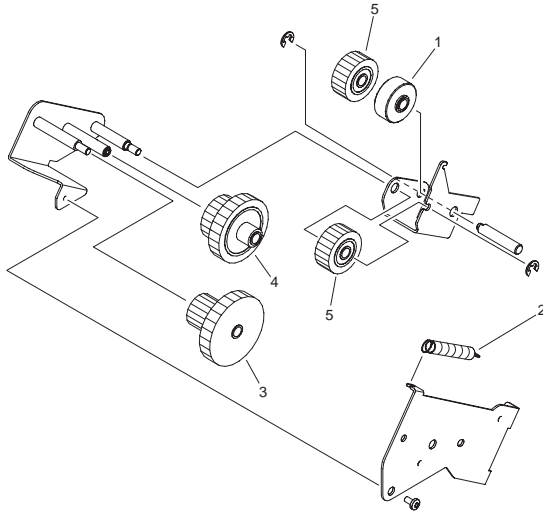


FIGURE & KEY NO.	PARTS NUMBER	RANK	Q'TY	DESCRIPTION	SERIAL NUMBER/REMARKS	SVC
Fig.273	FM2-2151-000		1	I.T.B. CLEANER DRIVE ASSEMBLY		
1	FC5-9183-000		1	ROLLER, SWING		
2	FU5-2888-000		1	SPRING, TENSION		
3	FU6-0315-000		1	GEAR, 22T/64T		
4	FU6-0316-000		1	GEAR, 30T/46T		
5	FU6-0318-000		2	GEAR, 30T		

FIGURE 274 SECONDARY TRANSFER DRIVE ASS'Y

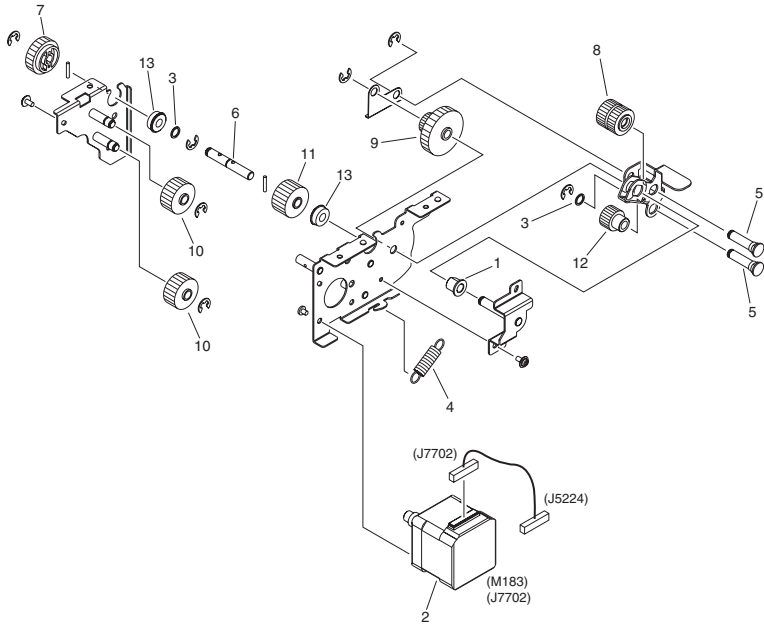


FIGURE & KEY NO.	PARTS NUMBER	RANK	Q'TY	DESCRIPTION	SERIAL NUMBER/REMARKS	SVC
Fig.274	FM2-2174-000		1	SECONDARY TRANSFER DRIVE ASS'Y		
1	FC5-9348-000		1	BUSHING		
2	FM2-2129-000		1	2ND TRNSFR. DRIVE MOTOR ASS'Y	M183	
3	FS5-6488-000		2	WASHER		
4	FU5-2830-000		1	SPRING, TENSION		
5	FU5-5704-000		2	SHAFT, TOOTHED, 2		
6	FU5-5707-000		1	SHAFT, TOOTHED, 5		
7	FU6-0261-000		1	GEAR, 27T		
8	FU6-0263-000		1	GEAR, 22T/30T		
9	FU6-0264-000		1	GEAR, 16T/54T		
10	FU6-0423-000		2	GEAR, 36T		
11	FU6-0425-000		1	GEAR, 36T		
12	FU6-0448-000		1	GEAR, 17T		
13	XG9-0321-000		2	BALL BEARING, NMB LF-1360ZZ		

FIGURE 275 I.T.B. WEB PRESSURE ASSEMBLY

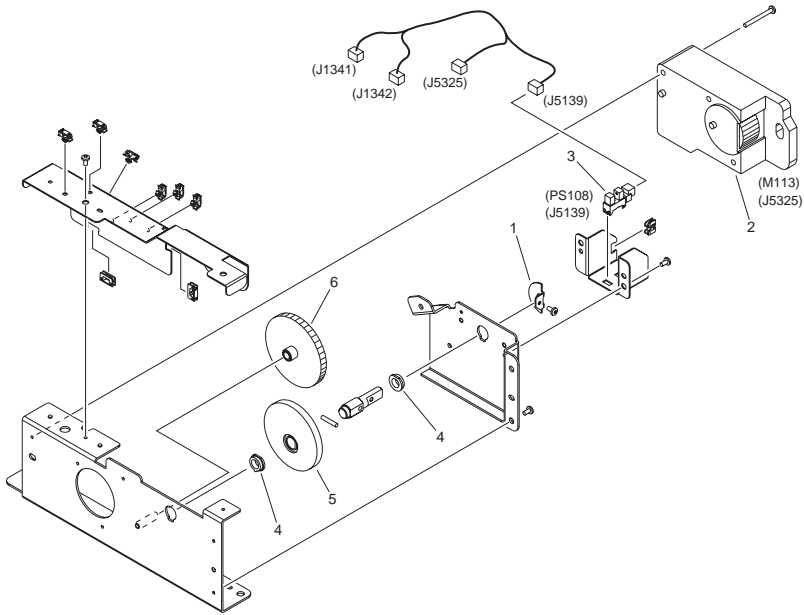


FIGURE & KEY NO.	PARTS NUMBER	RANK	QTY	DESCRIPTION	SERIAL NUMBER/REMARKS	SVC
Fig.275	FM2-2154-000		1	I.T.B. WEB PRESSURE ASSEMBLY		
1	FC5-9219-000		1	FLAG, SENSOR		
2	FK2-0017-010		1	MOTOR, DC	M113	
3	FK2-0149-000		1	PHOTO-INTERRUPTER, TLP1252(C6)	PS108	
4	FS1-1510-000		2	BUSHING, 8,4, (COP)		
5	FU6-0325-000		1	GEAR, 20T		
6	FU6-0326-000		1	GEAR, 60T		

FIGURE 280 FIXING DRIVE ASSEMBLY

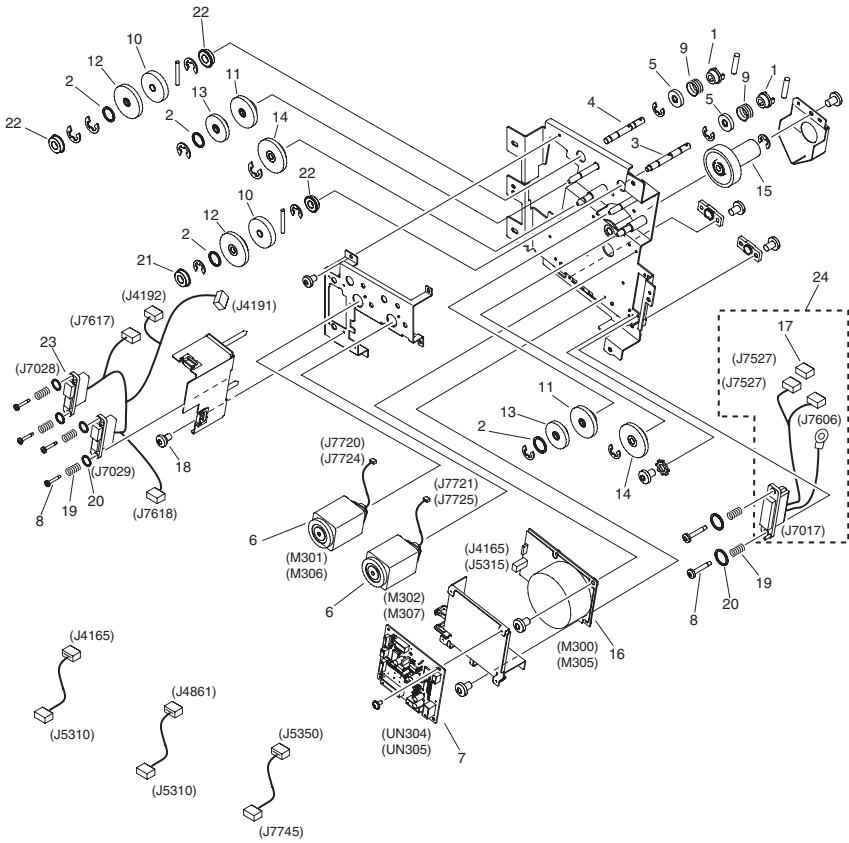


FIGURE & KEY NO.	PARTS NUMBER	RANK	Q'TY	DESCRIPTION	SERIAL NUMBER/REMARKS	SVC
Fig.280	FM2-2200-000		2	FIXING DRIVE ASSEMBLY		
1	FC7-7550-000		2	COUPLING, FIXING		
2	FC5-9014-000		4	WASHER		
3	FC5-9768-000		1	SHAFT, INPUT, ROLL		
4	FC5-9769-000		1	SHAFT, INPUT, EXTERNAL		
5	FC7-3106-000		2	STOPPER, COUPLING		
6	FK2-3154-000		2	MOTOR, STEPPING, DC	M301,302,306,307	
7	FM2-7702-000		1	FIXING OUTER DRIVER PCB ASS'Y	UN304,305	
8	FS5-9758-020		6	SCREW, STEPPED, M3		
9	FU5-2840-000		2	SPRING, COMPRESSION		
10	FU6-0256-000		2	GEAR, 40T		
11	FU6-0410-000		2	GEAR, 20T/42T		
12	FU6-0411-000		2	GEAR, 18T/45T		
13	FU6-0412-000		2	GEAR, 15T/36T		
14	FU6-0413-000		2	GEAR, 30T/46T		
15	FU6-0449-000		1	GEAR, 22T/85T		
16	FK2-2727-000		1	MOTOR, BRUSHLESS, DC	M300,305	
17	VS1-7164-040		1	CONNECTOR, SNAP TIGHT		
18	FS1-9076-020		4	SCREW, STEPPED, M4		
19	FS5-2965-000		6	SPRING, COMPRESSION		
20	FS5-6601-000		6	SPACER		
21	XG9-0291-000		1	BEARING, BALL, LOWER ROLLER		
22	XG9-0365-000		3	BEARING, BALL		
23	FM2-8802-000		1	CABLE, FIRST FIXING DRAWER, 1		
24	FM2-8805-000		1	CABLE, FIRST FIXING DRAWER, 3		

FIGURE 283 WASTE TONER DRIVE ASSEMBLY

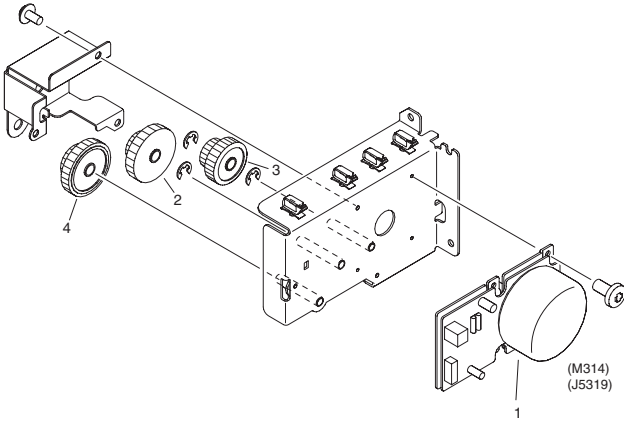


FIGURE & KEY NO.	PARTS NUMBER	RANK	QTY	DESCRIPTION	SERIAL NUMBER/REMARKS	SVC
Fig.283	FM2-2055-000		1	WASTE TONER DRIVE ASSEMBLY		
1	FK2-0022-000		1	MOTOR, 161 BRUSHLESS DC	M314	
2	FU6-0396-000		1	GEAR, 24T/40T		
3	FU6-0397-000		1	GEAR, 20T/40T		
4	FU6-0399-000		1	GEAR, 20T/50T		

FIGURE 284 DELIVERY DRIVE ASSEMBLY

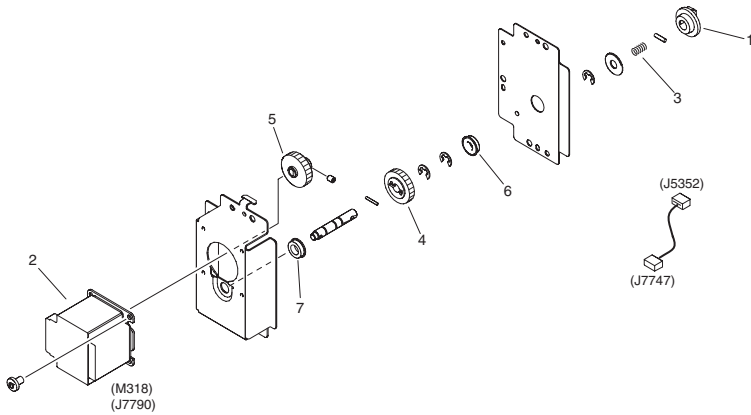
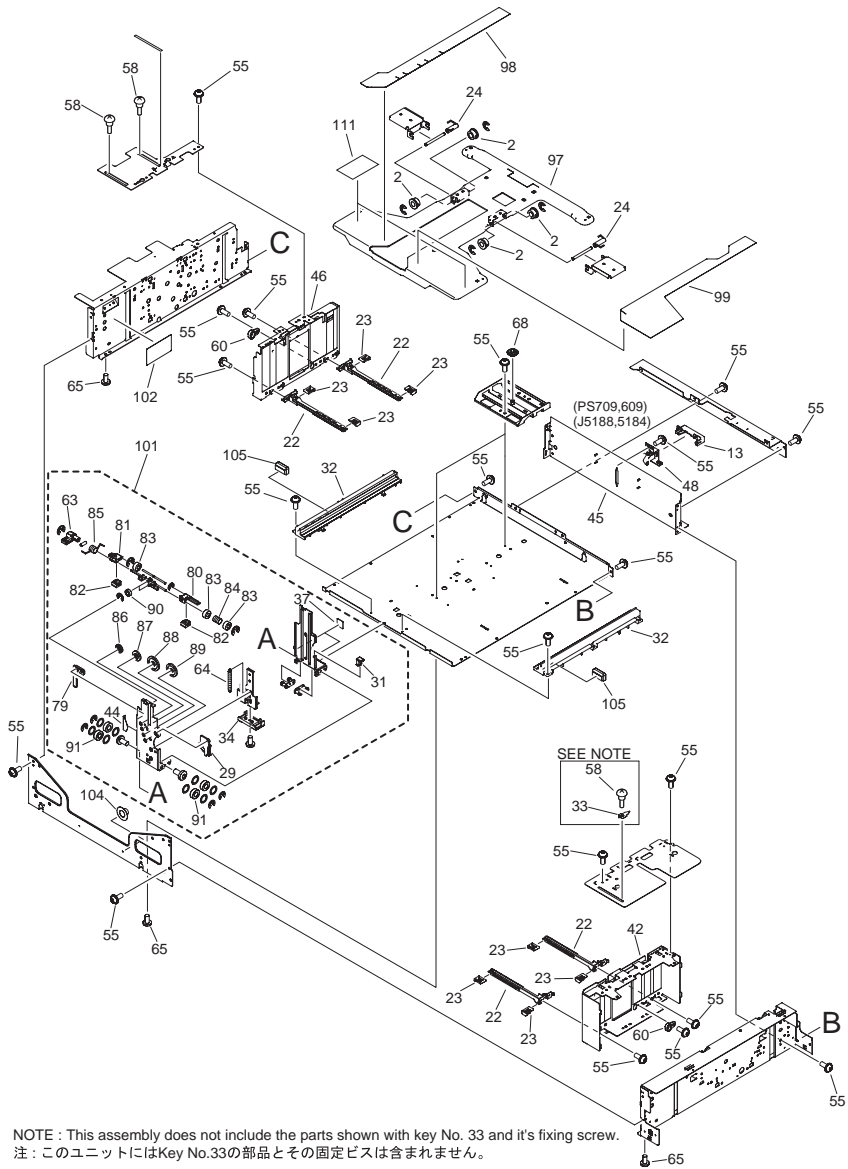


FIGURE & KEY NO.	PARTS NUMBER	RANK	Q'TY	DESCRIPTION	SERIAL NUMBER/REMARKS	S V C
Fig.284	FM2-2236-000		1	DELIVERY DRIVE ASSEMBLY		
1	FC6-8631-000		1	COUPLING, PAPER DELIVERY	M318	
2	FK2-3132-000		1	MOTOR, STEPPING, DC		
3	FS5-2925-000		1	SPRING, TORSION		
4	FU6-0441-000		1	GEAR, 29T		
5	FU6-0442-000		1	GEAR, 29T		
6	XG9-0094-000		1	BALL BEARING, NSK 688AZZNRMC3		
7	XG9-0520-000		1	BEARING, BALL, MF106ZZS		

FIGURE 300 PAPER STOCK ASSEMBLY



NOTE : This assembly does not include the parts shown with key No. 33 and it's fixing screw.
注：このユニットにはKey No.33の部品とその固定ビスは含まれません。

FIGURE 300 PAPER STOCK ASSEMBLY

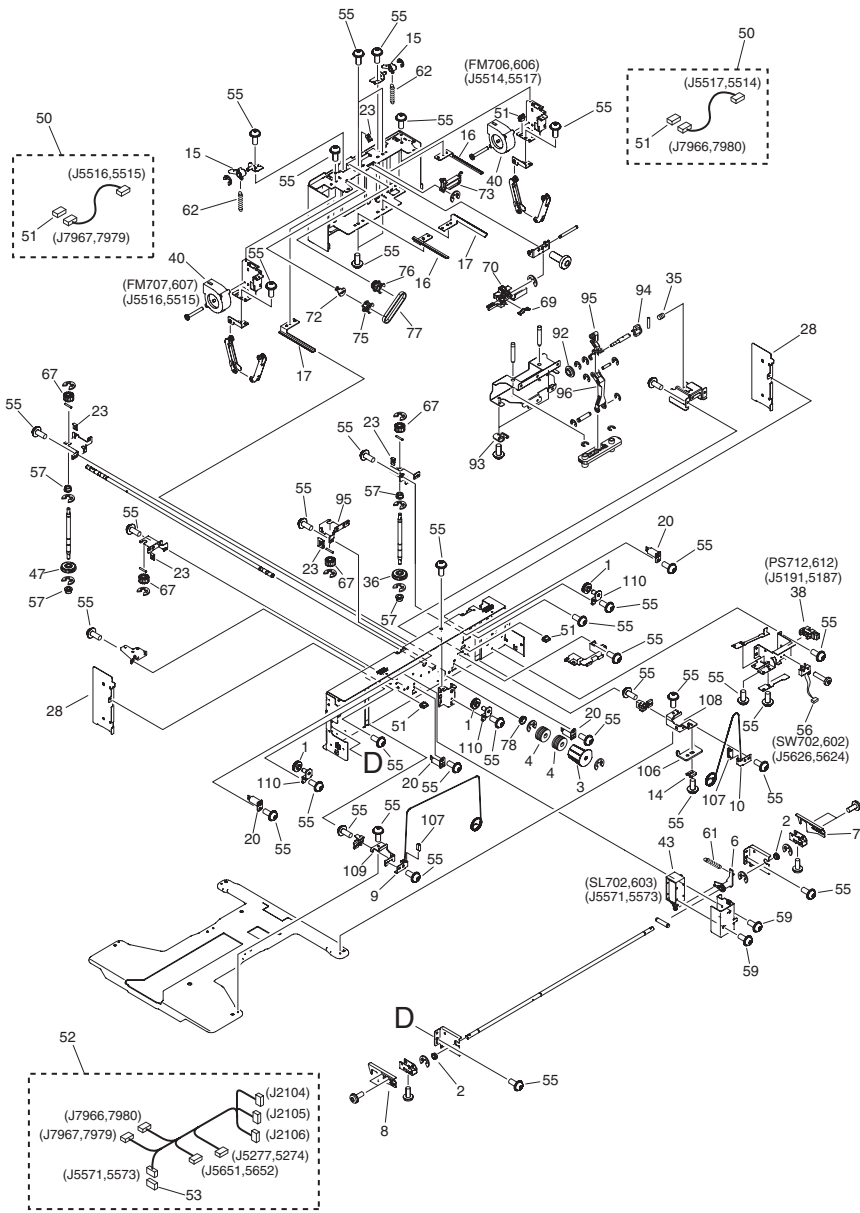


FIGURE 300 PAPER STOCK ASSEMBLY

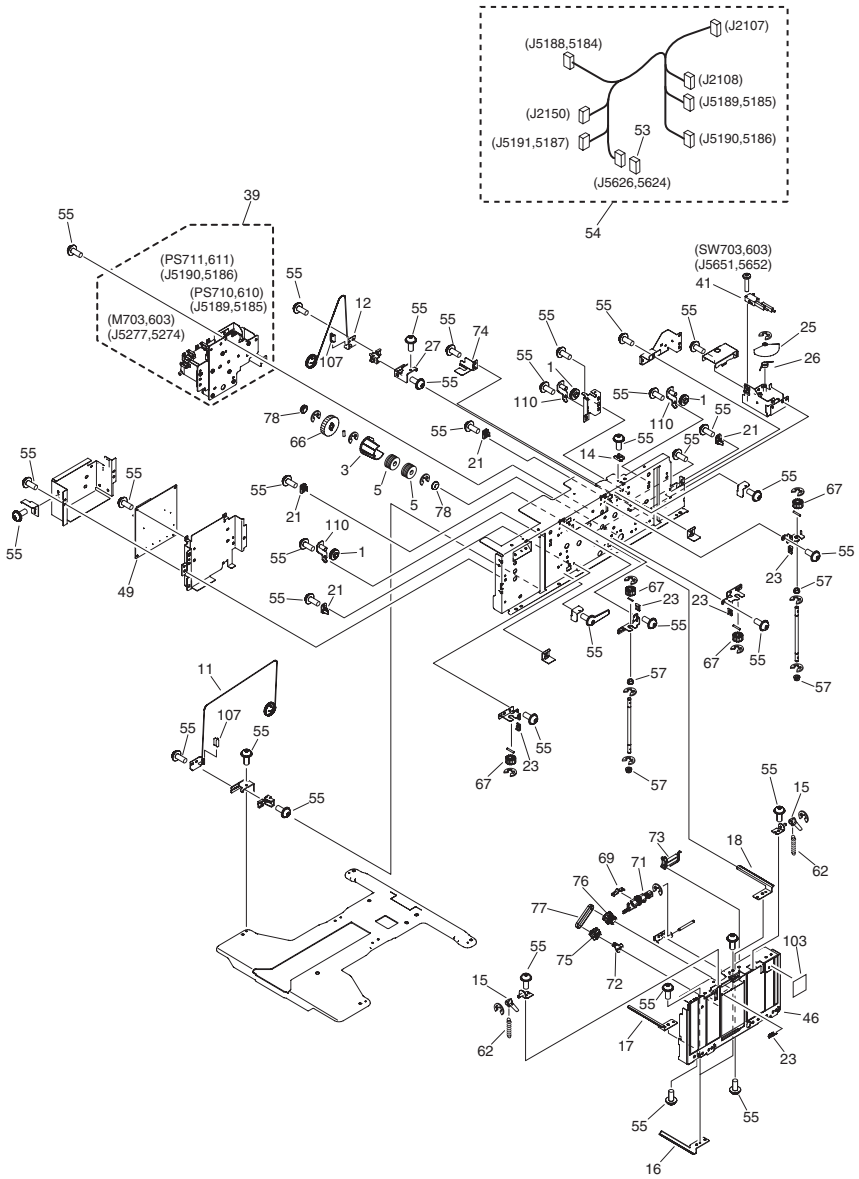


FIGURE & KEY NO.	PARTS NUMBER	R A N K	Q'TY	DESCRIPTION	SERIAL NUMBER/ REMARKS	S V C
Fig.300	FM2-1982-010		2	PAPER STOCK ASSEMBLY	1K	
1	FA6-8257-000		6	PULLEY		
2	FA9-2112-000		6	BUSHING, PL		
3	FB3-9241-000		2	GUIDE, PULLEY, FRONT		
4	FB3-9243-000		2	PULLEY, DRIVE, FRONT		
5	FB3-9244-000		2	PULLEY, DRIVE, REAR		
6	FC5-8205-000		1	LEVER, OPEN		
7	FC5-8206-000		1	CLAW, LATCH, RIGHT		
8	FC5-8207-000		1	CLAW, LATCH, LEFT		
9	FC5-8249-000		1	WIRE, LIFTER, 1		
10	FC5-8250-000		1	WIRE, LIFTER, 2		
11	FC5-8251-000		1	WIRE, LIFTER, 3		
12	FC5-8252-000		1	WIRE, LIFTER, 4		
13	FC5-8538-000		1	COVER, PAPER SUPPLY SENSOR		
14	FC5-8542-000		2	SLIDER, PAPER PICK-UP HEAD		
15	FC5-8561-000		4	CLAW, SHEET RETAINER		
16	FC6-9959-000		4	RACK, SIDE, 1		
17	FC6-9960-000		3	RACK, SIDE, 2		
18	FC6-9961-000		1	RACK, SIDE, 3		
20	FC6-9965-000		4	BUSHING, SLIDER, FRONT		
21	FC6-9966-000		4	BUSHING, SLIDER, REAR		
22	FC6-9967-000		4	RACK, CENTER		
23	FC6-9969-000		18	SLIDER, RACK		
24	FC6-9982-000		2	SPRING, TORSION		
25	FC7-2431-000		1	FLAG, SWITCH		
26	FC7-2432-000		1	SPRING, TORSION		
27	FC7-2439-000		1	COVER, GEAR		
28	FC7-2440-000		2	COVER, SIDE		
29	FC7-4017-000		1	KNOB, BACK END LIMIT, FRONT		
31	FC7-4024-000		1	BUSHING, EDGE PROTECTIVE		
32	FC6-9972-000		2	RAIL, BACK END LIMIT		
33	FC7-9569-000		1	PLATE, SIZE DISPLAY	SEE NOTE	

FIGURE & KEY NO.	PARTS NUMBER	R A N K	Q'TY	DESCRIPTION	SERIAL NUMBER/ REMARKS	S V C
34	FC7-4027-000		1	STOPPER, BACK END		
35	FU5-2814-000		1	SPRING, COMPRESSION		
36	FU6-0193-000		1	GEAR, 30T		
37	FC7-5591-000		1	LABEL, BACK END INDEX		
38	FK2-0149-000		1	PHOTO-INTERRUPTER, TLP1252(C6)	PS612,712	
39	FK2-2972-000		1	MOTOR, DC	M603,703PS610,611,710, 711	
40	FK2-2975-000		2	FAN	FM606,607,706,707	
41	FK2-2984-000		1	SWITCH, MICRO	SW603,703	
42	FL2-1799-000		1	PLATE, PAPER SIDE END, FRONT		
43	FL2-1805-000		1	SOLENOID	SL603,703	
44	FC7-7699-000		1	LABEL, BACK END KNOB		
45	FL2-1816-000		1	PLATE, FRONT END LIMIT		
46	FL2-4042-000		1	PLATE, PAPER SIDE END, REAR		
47	FU6-0194-000		1	GEAR, 30T		
48	FM2-2006-000		1	PAPER SUPPLY SENSOR UNIT	PS609,709	
49	FM2-7629-000		1	BOX DRIVER PCB ASSEMBLY		
50	FM2-8520-000		2	CABLE, SIDE FAN CONNECTING		
51	VS1-7177-003		5	CONNECTOR, SNAP TIGHT, BK		
52	FM2-8605-000		1	CABLE, PAPER STOCK POWER		
53	VS1-7177-002		2	CONNECTOR, SNAP TIGHT, BK		
54	FM2-8645-000		1	CABLE, PAPER STOCK SIGNAL		
55	XA9-1249-010		AR	SCREW,TP M4X8		
56	FM2-9409-000		1	CABLE, SWITCH	SW602,702	
57	FS1-1213-000		8	BUSHING		
58	FS1-9076-020		3	SCREW, STEPPED, M4		
59	XA9-1659-000		2	SCREW,M3X4		
60	FU5-1280-000		2	BUSHING		
61	FU5-2792-000		1	SPRING, TENSION		
62	FU5-2803-000		4	SPRING, TENSION		
63	FC7-7700-000		1	HOLDER, BACK END SPRING		
64	FU5-2809-000		1	SPRING, TENSION		

FIGURE & KEY NO.	PARTS NUMBER	RANK	Q'TY	DESCRIPTION	SERIAL NUMBER/REMARKS	SVC
65	XA9-1031-000		11	SCREW, MACH. TRUSS HEAD, M4X6		
66	FU6-0178-000		1	GEAR, 42T		
67	FU6-0195-010		8	GEAR, 18T		
68	FU6-0187-000		2	GEAR, 20T		
69	FC7-5570-000		2	SPRING, LEAF		
70	FC7-5566-000		1	PLATE, ADJUSTING, FRONT		
71	FC7-5567-000		1	PLATE, ADJUSTING, REAR		
72	FC7-5571-000		2	PLATE, ADJUSTING, LEFT		
73	FC7-5573-000		2	PLATE, ADJUSTING, RIGHT		
74	FC7-7694-000		1	COVER, GEAR		
75	FU5-3410-000		2	PULLY, 20T		
76	FU6-0188-000		2	GEAR/PULLEY, 20T		
77	XF2-1105-640		2	BELT, TIMING		
78	XG9-0094-000		3	BALL BEARING, NSK 688AZZNRMC3		
79	FC7-4485-000		1	RACK, BACK END RETAINING		
80	FC7-5577-000		1	PLATE, BACK END RETAINING, F		
81	FC7-5578-000		1	PLATE, BACK END RETAINING, R		
82	FL2-7257-000		2	PAD, SEPARATION		
83	FS5-6908-000		3	ROLLER, LEVER, 3		
84	FU5-2811-000		1	SPRING, COMPRESSION		
85	FU5-2813-000		1	SPRING, STOPPER		
86	FU6-0189-000		1	GEAR, 13T		
87	FU6-0190-000		1	GEAR, 14T/16T		
88	FU6-0191-000		1	GEAR, 14T/40T		
89	FU6-0192-000		1	GEAR, 36T		
90	XG9-0406-000		2	BEARING,BALL NMB		
91	XG9-0503-000		4	BEARING, BALL, MR84T12ZZMC3		
92	FB3-9319-000		1	BUSHING		
93	FC7-9534-000		2	BUSHING		
94	FC7-9536-000		1	BLOCK, LOCK		
95	FC7-9539-000		1	LEVER		
96	FC7-9540-000		1	LINK		

FIGURE & KEY NO.	PARTS NUMBER	RANK	Q'TY	DESCRIPTION	SERIAL NUMBER/REMARKS	SVC
97	FL2-1809-000		1	PLATE, LIFTER		
98	FC7-5584-000		1	LABEL, LENGTH SIZE, INCH		
99	FC7-5585-000		1	LABEL, LENGTH SIZE, AB		
101	FM3-2357-000		1	BACK END LIMIT ASSEMBLY		
102	FC7-9716-000		1	LABEL, PAPER SUPPLY CAUTION		
103	FS5-8618-000		1	MAXIMUM LOADLABEL		
104	FA9-3684-000		1	CUP		
105	FC7-9726-000		2	STOPPER, RAIL		
106	FC8-1648-000		1	SPACER, SLIDER		
107	FC5-8246-000		4	GUIDE, WIRE		
108	FC6-9945-000		1	PLATE, WIRE FIXED, 1		
109	FC6-9946-000		1	PLATE, WIRE FIXED, 2		
110	FL2-1777-000		6	MOUNT, FIXED PULLEY		

FIGURE 310 PAPER PICK-UP ASSEMBLY

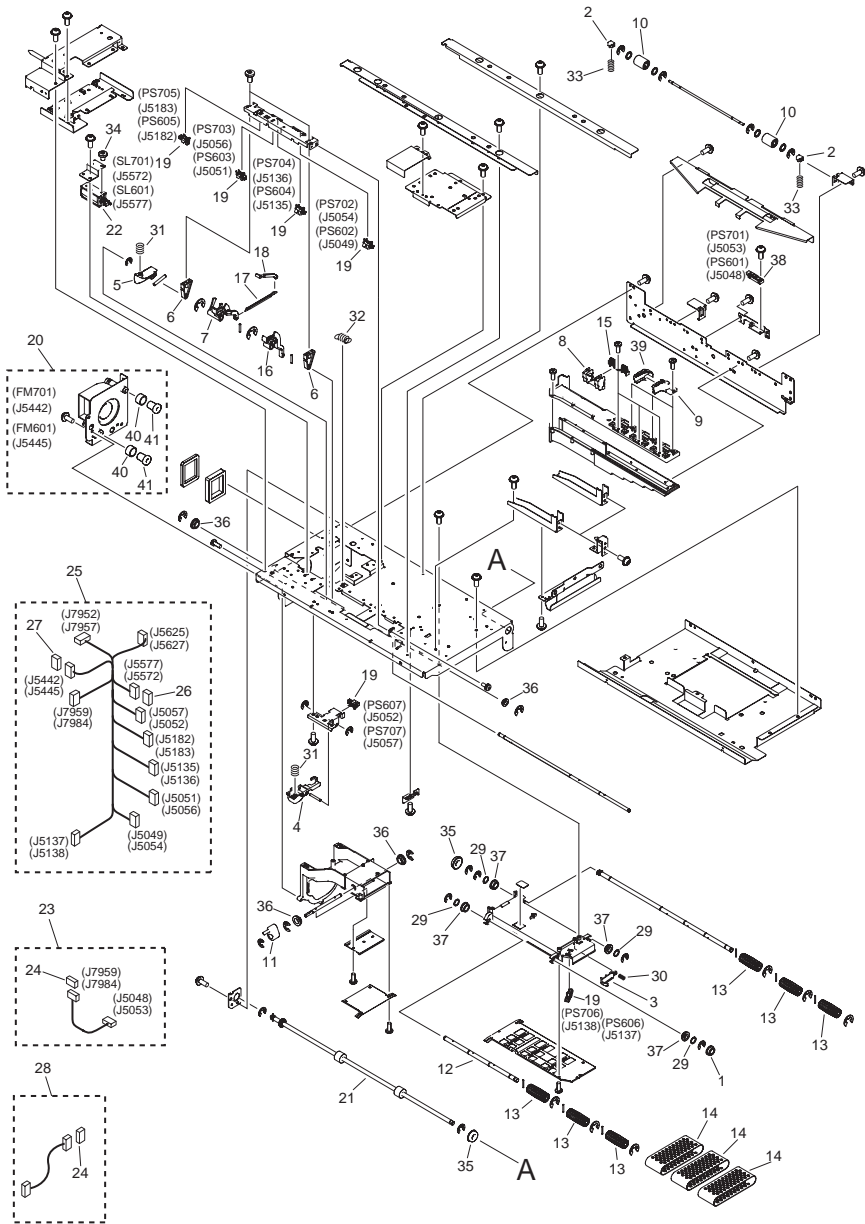
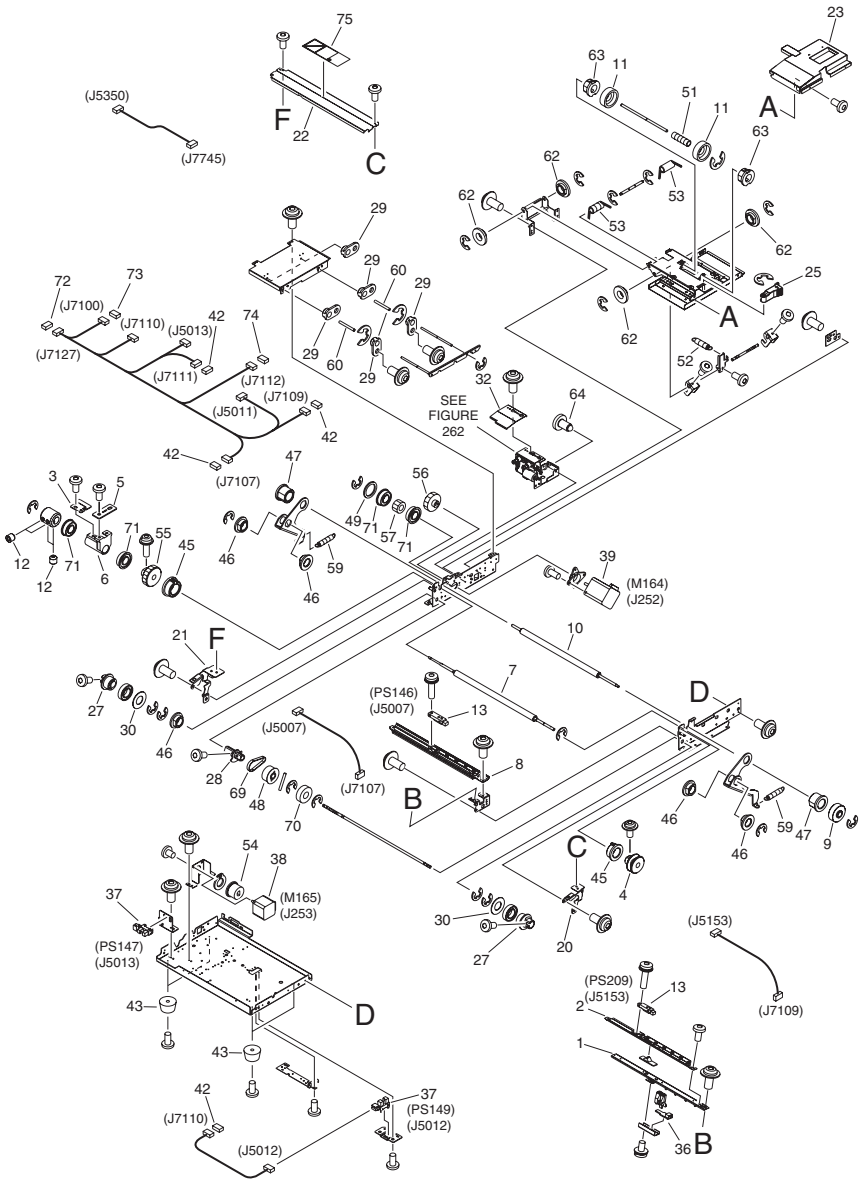


FIGURE & KEY NO.	PARTS NUMBER	R A N K	Q'TY	DESCRIPTION	SERIAL NUMBER/ REMARKS	S V C
Fig.310	FM2-1979-000		2	PAPER PICK-UP ASSEMBLY		
1	FA9-2112-000		1	BUSHING, PL		
2	FB2-7755-000		2	BUSHING		
3	FC5-8115-000		1	FLAG, ATTRACTION		
4	FC5-8116-000		1	BUTTON, UPPER LIMIT SWITCH		
5	FC5-8120-000		1	CAM		
6	FC5-8121-000		2	HOLDER, PAPER SENSOR SHAFT		
7	FC5-8122-000		1	FLAG, PAPER SENSOR		
8	FC5-8126-000		3	NOZZLE, SEPARATION		
9	FC5-8127-000		3	NOZZLE, FRONT		
10	FC5-8133-000		2	ROLLER, DRIVEN		
11	FC5-8142-000		1	LINK, ATTRACTION SHUTTER		
12	FC5-8143-000		1	SHAFT, BELT FOLLOWER		
13	FC5-8144-000		6	ROLLER, BELT DRIVE		
14	FC5-8146-000		3	BELT, ATTRACTION		
15	FC5-8147-000		3	COVER, SEPARATION NOZZLE		
16	FC5-8153-000		1	FLAG, PAPER PRESENCE SENSOR		
17	FC5-8154-000		1	LINK, PAPER		
18	FC5-8171-000		1	ARM, PAPER DETECT		
19	FK2-0149-000		6	PHOTO-INTERRUPTER, TLP1252(C6)	PS602-606,614,702-706,714	
20	FM3-2089-000		1	FAN UNIT	FM601,701	
21	FL2-1784-000		1	ROLLER, FIRST EXTRACTION		
22	FL2-1785-000		1	SOLENOID, PAPER PICK-UP	SL601,701	
23	FM2-8519-000		1	CABLE, EXTRACTION SENSOR		
24	VS1-7177-003		2	CONNECTOR, SNAP TIGHT, BK		
25	FM2-8629-000		1	CABLE, AIR PAPER PICK-UP		
26	VS1-7177-002		1	CONNECTOR, SNAP TIGHT, BK		
27	VS1-7177-004		1	CONNECTOR, SNAP TIGHT, BK		
28	FM2-9408-000		1	CABLE, ABSORB SENSOR CONNECT		
29	FS5-6487-000		4	WASHER		
30	FU5-2781-000		1	SPRING, COMPRESSION		

FIGURE & KEY NO.	PARTS NUMBER	RANK	Q'TY	DESCRIPTION	SERIAL NUMBER/REMARKS	SVC
31	FU5-2783-000		2	SPRING, COMPRESSION	PS601,701	
32	FU5-2784-000		1	SPRING, COMPRESSION		
33	FU5-2785-000		2	SPRING, COMPRESSION		
34	XA9-1659-000		2	SCREW,M3X4		
35	XG9-0508-000		2	BEARING, BALL, F688ZZ		
36	RS5-1058-000		4	BUSHING		
37	XG9-0507-000		4	BEARING, BALL, MF128ZZ		
38	WG8-5736-000		1	PHOTO SENSOR UNIT		
39	FC5-8149-000		3	NOZZLE, REAR		
40	XH9-0006-000		2	BUSHING ,RUBBER, (WITH M4 NUT		
41	XZ1-1900-705		2	SPACER		

FIGURE 320 REGIST.PAPER FEEDER ASSEMBLY



NOTE : Several kinds of labels are attached on the board for the parts of Key No. 75. The same parts as Fig/Key No. 100-96.
 注 : Key No. 75の部品は台紙に数種類のラベルが付いています。Fig/Key No. 100-96と同一部品です。

FIGURE & KEY NO.	PARTS NUMBER	R A N K	Q'TY	DESCRIPTION	SERIAL NUMBER/ REMARKS	S V C
Fig.320	NPN		RF	REGIST. PAPER FEEDER ASSEMBLY		
1	FC5-9614-000		1	GUIDE, REGIST. REAR, LOWER		
2	FC5-9615-000		1	GUIDE, REGIST. REAR, UPPER		
3	FC5-9616-000		1	FLAG, REG. ROLLER H.P. SENSOR		
4	FC5-9617-000		1	JOINT, REG. ROLLER, LOWER		
5	FC5-9619-000		1	STOPPER, BELT		
6	FC5-9620-000		1	HOLDER, REGISTRATION SLIDE		
7	FC5-9621-000		1	ROLLER, REGISTRATION, LOWER		
8	FC5-9622-000		1	GUIDE, PRE-REGISTRATION		
9	FC5-9623-000		1	JOINT, REG. ROLLER, UPPER		
10	FC5-9624-000		1	ROLLER, REGISTRATION, UPPER		
11	FC5-9631-000		2	SUPPORT, SPRING		
12	XA9-1813-000		18	NUT, HEX, M4		
13	WG8-5736-000		2	PHOTO SENSOR UNIT	PS146,209	
14	FC5-9715-000		2	PULLEY, 30T		
15	FC5-9719-000		4	PULLEY		
16	FC5-9721-000		3	ROLLER		
17	FC5-9722-000		1	GUIDE, LOWER		
18	FC5-9725-000		1	FLAG, JOG HOME POSITION		
19	FC5-9740-000		2	BLOCK, SLIDE		
20	FC5-9745-000		1	RETAINER, BUSHING, FRONT		
21	FC5-9746-000		1	RETAINER, BUSHING, REAR		
22	FC5-9747-000		1	COVER, REGISTRATION ROLLER		
23	FC5-9748-000		1	COVER, FIXED GUIDE		
24	FC5-9749-000		1	COVER, ROLLER INNER		
25	FC6-8202-000		1	BUTTON, RELEASE		
26	FC6-8300-000		1	COVER, ROLLER INNER, 2		
27	FC6-8306-000		2	CAM, REGISTRATION RELEASE		
28	FC6-8307-000		1	FLAG, SENSOR UNIT, H.P.		
29	FC6-8310-000		4	BUSHING, FIXED		
30	FC6-8502-000		2	RETAINER, THRUST		
31	FC6-8509-000		1	HANDLE, GUIDE, UPPER		

FIGURE & KEY NO.	PARTS NUMBER	R A N K	Q'TY	DESCRIPTION	SERIAL NUMBER/ REMARKS	S V C
32	FC7-3492-000		1	COVER, DRIVE		
33	FC7-4972-000		1	WASHER, MOLD		
34	FC7-4973-000		1	WASHER, WAVE		
35	FC7-7481-000		1	WASHER		
36	FG6-8605-020		1	OPTICAL SENSOR PCB ASSEMBLY		
37	FK2-0149-000		5	PHOTO-INTERRUPTER, TLP1252(C6)	PS147,149,152-154	
38	FK2-3124-000		2	MOTOR, STEPPING, DC	M165,168	
39	FK2-3127-000		1	MOTOR, STEPPING, DC	M164	
40	FK2-3143-000		3	MOTOR, STEPPING, DC	M169-171	
41	FL2-4074-000		3	SUPPORT, CLEANING PAD		
42	VS1-7177-003		5	CONNECTOR, SNAP TIGHT, BK		
43	XH9-0122-000		4	FOOT, RUBBER		
44	FM2-5180-000		1	REGISTRATION JOGGING ASSEMBLY		
45	FS1-1189-000		2	BUSHING, ABS		
46	FS1-1341-000		6	BUSHING, OILLESS METAL		
47	FS1-1465-000		2	BUSHING		
48	FU5-3212-000		1	PULLEY, 40T		
49	FS5-6488-000		10	WASHER		
50	FU5-2933-000		1	SPRING, TENSION		
51	FU5-2939-000		1	SPRING, COMPRESSION		
52	FU5-2940-000		1	SPRING, TENSION		
53	FU5-2941-000		2	SPRING, TORSION		
54	FU5-3438-000		1	PULLEY, 20T		
55	FU6-0386-000		1	GEAR		
56	FU6-0392-000		1	GEAR		
57	FU6-0393-000		1	GEAR		
58	FU6-2514-000		2	SPRING, TENSION		
59	FU6-2515-000		2	SPRING, TENSION		
60	FU6-2516-000		2	SPRING, COMPRESSION		
61	FU6-2536-000		1	SPRING, COMPRESSION		
62	RS1-1042-000		4	BUSHING		
63	RS5-1567-000		2	BUSHING		

FIGURE & KEY NO.	PARTS NUMBER	R A N K	Q'TY	DESCRIPTION	SERIAL NUMBER/ REMARKS	S V C
64	XA9-0892-000		3	SCREW,MACH.,TRUSS HEAD,M4X6		
65	XD9-0212-000		2	WASHER, M3 FOR PLAIN		
66	XD9-0220-000		1	WASHER		
67	XF2-1106-960		2	BELT, TIMING		
68	XF2-1110-760		1	BELT, TIMING		
69	XF2-3606-360		1	BELT, TIMING		
70	XG9-0384-000		1	BEARING, BALL,DDR198022LY13		
71	XG9-0602-000		12	BEARING, BALL, MF126T12ZZMC3		
72	VS1-7164-036		1	CONNECTOR, SNAP TIGHT, 36P, W		
73	VS1-7173-004		1	CONNECTOR, SNAP TIGHT		
74	VS1-7177-009		1	CONNECTOR, 9P		
75	FC8-2990-000		1	LABEL, MAIN STATION LANGUAGE 2	Japanese	
75	FC8-3641-000		1	LABEL, MAIN STATION LANGUAGE 2	English	
75	FC8-3642-000		1	LABEL, MAIN STATION LANGUAGE 2	French	
75	FC8-3643-000		1	LABEL, MAIN STATION LANGUAGE 2	German	
75	FC8-3644-000		1	LABEL, MAIN STATION LANGUAGE 2	Italian	
75	FC8-3645-000		1	LABEL, MAIN STATION LANGUAGE 2	Spanish	
75	FC8-3646-000		1	LABEL, MAIN STATION LANGUAGE 2	Portuguese	
75	FC8-3648-000		1	LABEL, MAIN STATION LANGUAGE 2	Korean	
75	FC8-3649-000		1	LABEL, MAIN STATION LANGUAGE 2	Simplified Chinese	

FIGURE 321 PRE-REGISTRATION FEED ASSEMBLY

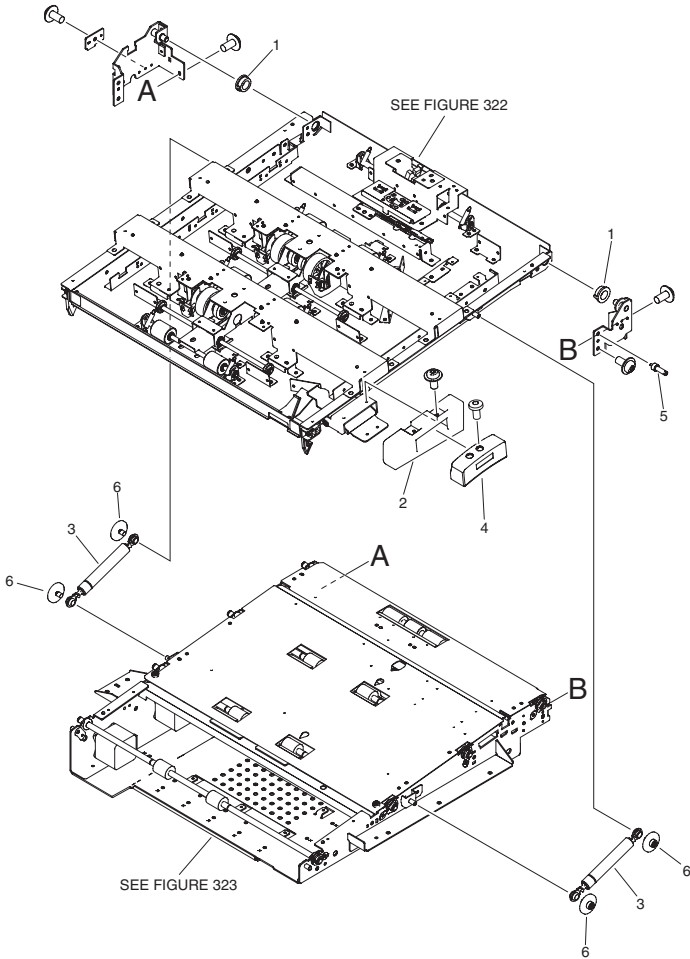


FIGURE & KEY NO.	PARTS NUMBER	RANK	Q'TY	DESCRIPTION	SERIAL NUMBER/REMARKS	SVC
Fig.321	NPN		RF	PRE-REGISTRATION FEED ASSEMBLY		
1	FA9-2112-000		2	BUSHING, PL		
2	FC6-8045-000		1	COVER, RELEASE LEVER		
3	FC6-8309-000		2	SPRING, GAS		
4	FC7-3493-000		1	HANDLE, LEVER		
5	FU5-9221-000		1	SHAFT, GUIDE, UPPER		
6	FU5-9404-000		4	SHAFT, TURN		

FIGURE 322
 PRE-REGIST. FEEDER UPPER ASS'Y

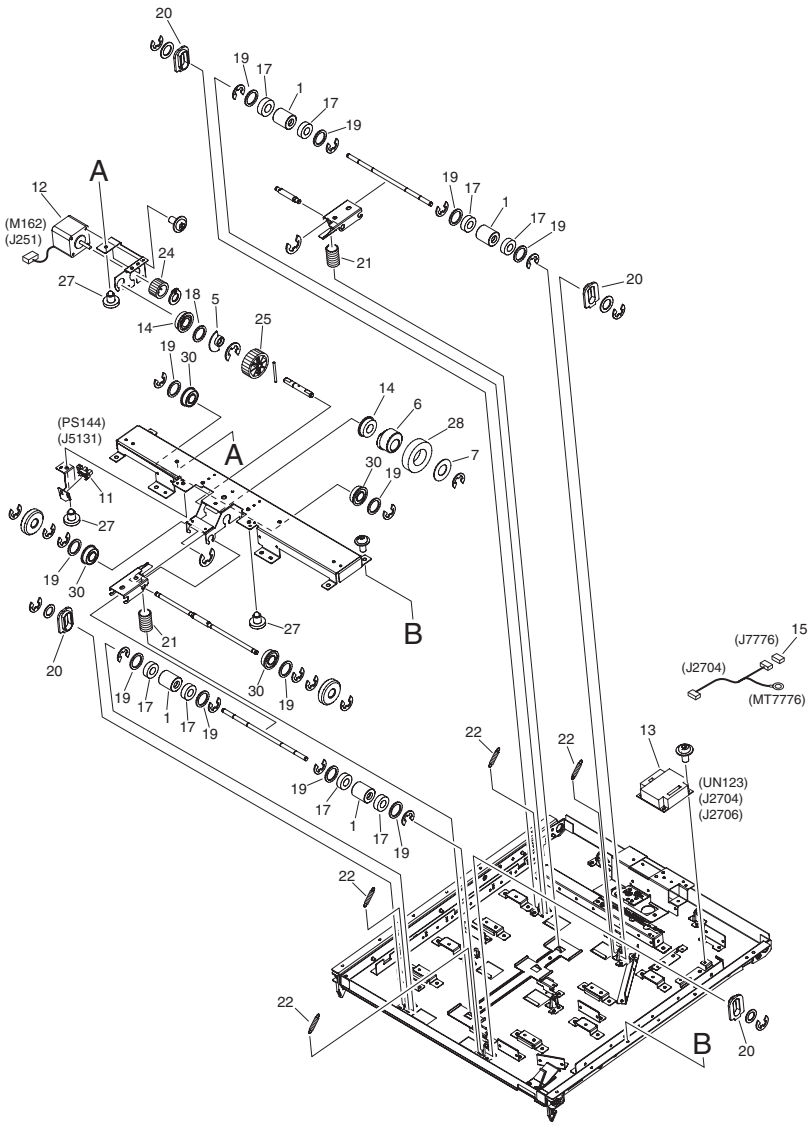


FIGURE 322
PRE-REGIST. FEEDER UPPER ASS'Y

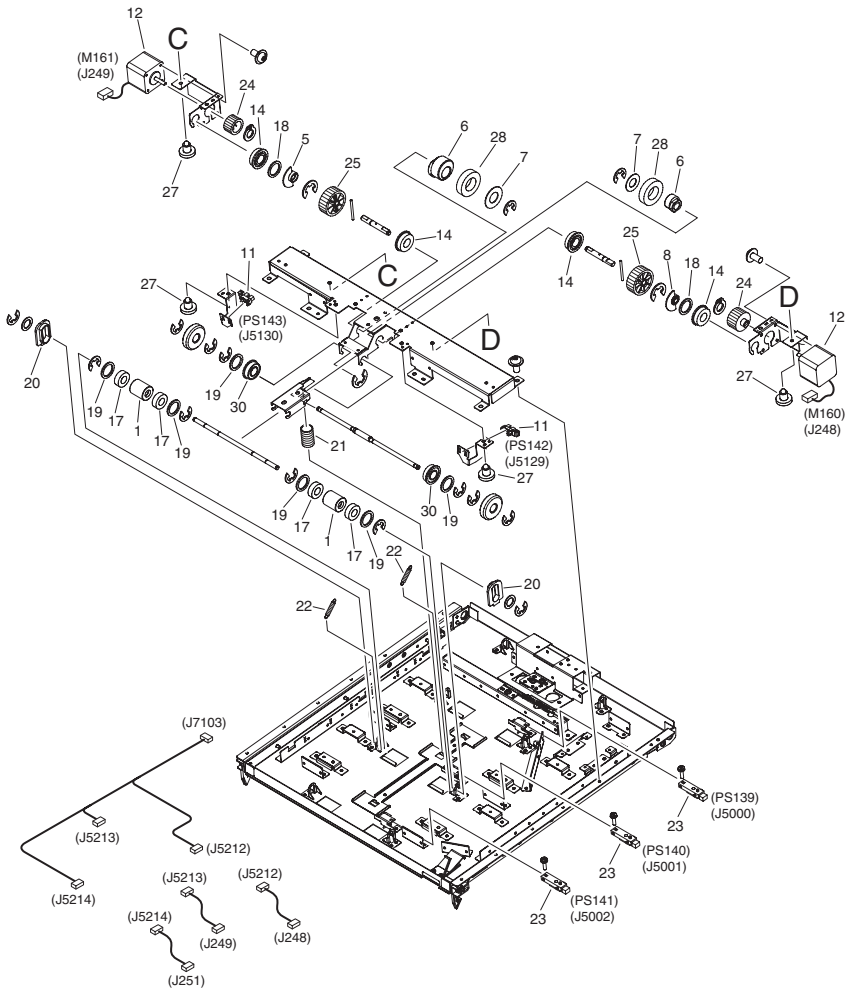


FIGURE 322
 PRE-REGIST. FEEDER UPPER ASS'Y

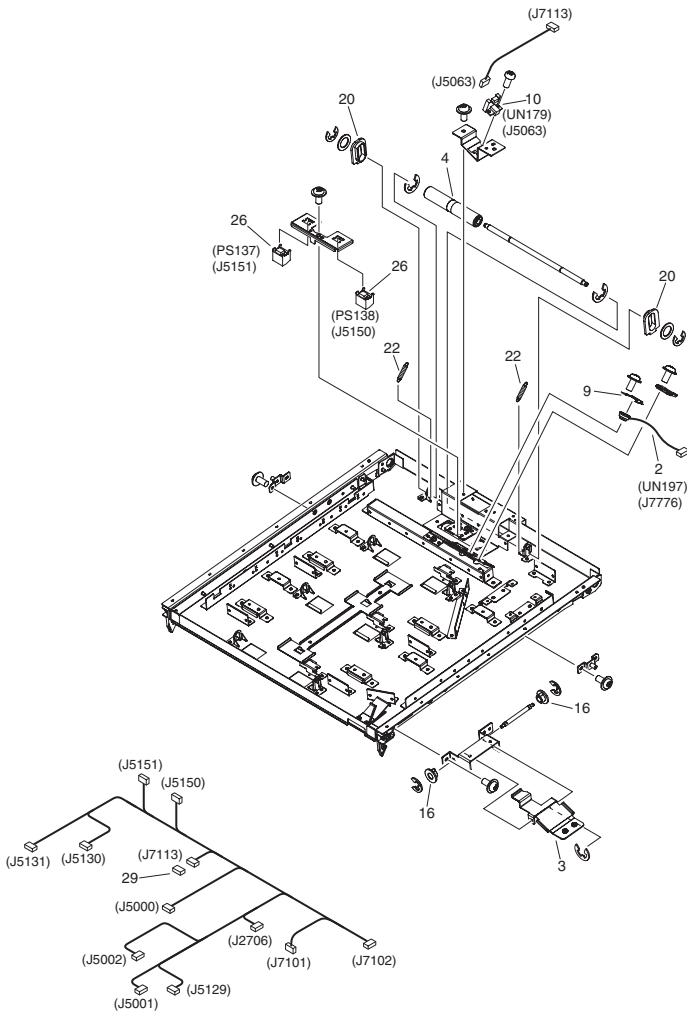


FIGURE & KEY NO.	PARTS NUMBER	R A N K	Q'TY	DESCRIPTION	SERIAL NUMBER/ REMARKS	S V C
Fig.322	FM2-2190-000		1	PRE-REGIST. FEEDER UPPER ASS'Y		
1	FC5-9668-000		6	ROLLER, FOLLOWER		
2	FK2-0999-000		1	SENSOR	UN197	
3	FC6-8046-000		1	LEVER, RELEASE		
4	FC6-8056-000		1	ROLLER, PAPER THICK DETECT, UP		
5	FC6-8492-000		2	FLAG, CAM SENSOR		
6	FC6-8493-000		3	CAM, RELEASE		
7	FC6-8502-000		3	RETAINER, THRUST		
8	FC7-3130-000		1	FLAG, CAM SENSOR, FRONT		
9	FC6-8219-000		1	PLATE, RETAINING		
10	FH7-7530-000		1	MICRO DISPLACEMENT SENSOR UNIT	UN179	
11	FK2-0149-000		3	PHOTO-INTERRUPTER, TLP1252(C6)	PS142-144	
12	FK2-3124-000		3	MOTOR, STEPPING, DC	M160-162	
13	FM2-7640-000		1	RECEPTION PCB ASSEMBLY	UN123	
14	XG3-8016-505		6	BALL BEARING, NSK, F688ZZ		
15	VS1-7177-002		1	CONNECTOR, SNAP TIGHT, BK		
16	FS1-1532-000		2	BUSHING, PL		
17	XG9-0245-000		12	BEARING, BALL, MR126ZZMC3NS7L		
18	FS5-6487-000		3	WASHER		
19	FS5-6488-000		18	WASHER		
20	FU5-1326-000		8	BUSHING, FOLLOWER ROLLER		
21	FU5-2944-000		3	SPRING, COMPRESSION		
22	FU5-2945-000		8	SPRING, TENSION		
23	WG8-5736-000		3	PHOTO SENSOR UNIT	PS139-141	
24	FU7-0141-000		3	GEAR, 26T		
25	FU7-0142-000		3	GEAR, 52T		
26	RH7-7129-020		2	OHT SENSOR UNIT	PS137,138	
27	XA9-1035-000		12	SCREW,M4X4		
28	XG1-1528-075		3	BALL BEARING, NSK 6902ZZ, SUJ		
29	VS1-7173-005		1	CONNECTOR, SNAP TIGHT		
30	XG3-6012-405		6	BALL BEARING, MF126ZZ		

FIGURE 323 PRE-REGIST. FEEDER LOWER ASS'Y

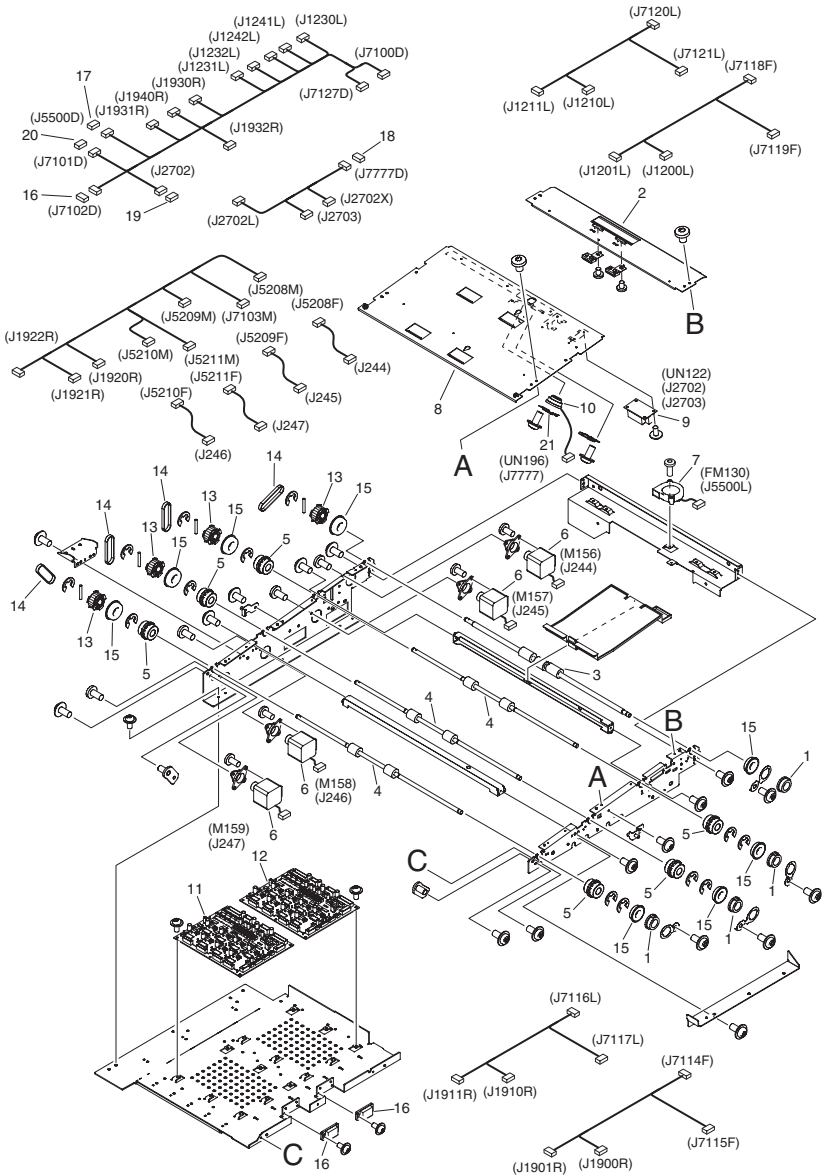


FIGURE & KEY NO.	PARTS NUMBER	R A N K	Q'TY	DESCRIPTION	SERIAL NUMBER/ REMARKS	S V C
Fig.323	FM2-2191-000		1	PRE-REGIST. FEEDER LOWER ASS'Y		
1	FA9-2112-000		4	BUSHING, PL		
2	FC5-9653-000		1	GUIDE, PRE-REG. FEED, LOWER 1		
3	FC5-9658-000		1	ROLLER, SENSOR FOR FEEDER		
4	FC5-9660-000		3	ROLLER, PAPER FEEDER, FRONT		
5	FC7-7065-000		6	ROLLER, SLIDE		
6	FK2-3125-000		4	MOTOR, STEPPING, DC	M156-159	
7	FK2-3149-000		1	FAN	FM130	
8	FL2-2146-000		1	GUIDE, PRE-REG. FEED, LOWER 2		
9	FM2-4356-000		1	TRANSMISSION PCB ASSEMBLY	UN122	
10	FK2-0999-000		1	SENSOR	UN196	
11	FM2-7688-000		1	REG. FEED DRIVER PCB ASSEMBLY		
12	FM2-8306-000		1	REG. FEED DRIVER PCB ASSEMBLY		
13	FU5-3441-000		4	PULLEY, 30T		
14	XF2-1108-060		4	BELT, TIMING		
15	XG9-0094-000		8	BALL BEARING, NSK 688AZZNRMC3		
16	VS1-7164-036		1	CONNECTOR, SNAP TIGHT, 36P, W		
17	VS1-7177-003		1	CONNECTOR, SNAP TIGHT, BK		
18	VS1-7177-002		1	CONNECTOR, SNAP TIGHT, BK		
19	VS1-7173-003		1	CONNECTOR, SNAP TIGHT, 3P, W		
20	VS1-7173-004		1	CONNECTOR, SNAP TIGHT		
21	FC6-8219-000		1	PLATE, RETAINING		

FIGURE 324 2ND TRNSFR. ELIM. ASS'Y, REAR

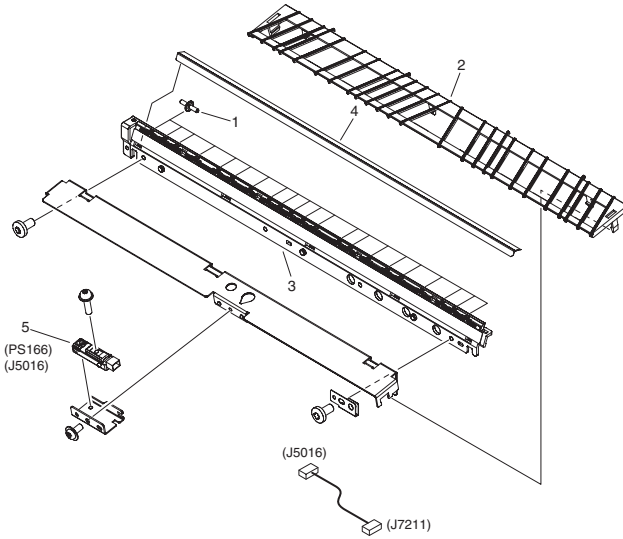


FIGURE & KEY NO.	PARTS NUMBER	RANK	Q'TY	DESCRIPTION	SERIAL NUMBER/REMARKS	SVC
Fig.324	FM2-2176-000		1	2ND TRNSFR. ELIM. ASS'Y, REAR		
1	FC5-2669-000		21	ROWEL		
2	FC5-9363-000		1	GUIDE, REAR		
3	FL2-4116-000		1	ELIMINATOR, STATIC-CHARGE		
4	FL2-4118-000		1	SHEET, SCATTER PREVENTION, 5		
5	WG8-5736-000		1	PHOTO SENSOR UNIT	PS166	

FIGURE 325 VERTICAL PATH ASSEMBLY

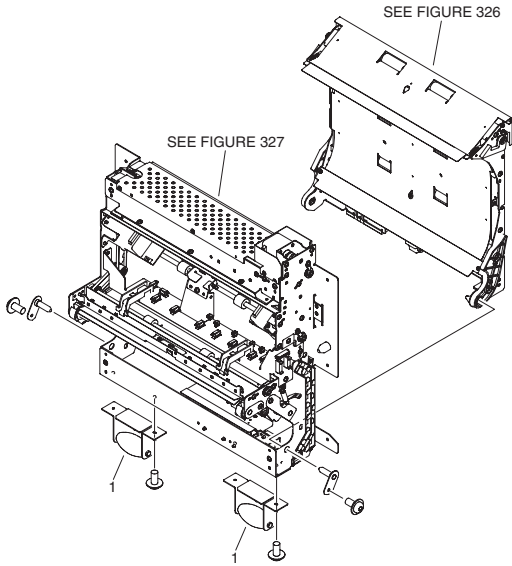


FIGURE & KEY NO.	PARTS NUMBER	RANK	QTY	DESCRIPTION	SERIAL NUMBER/REMARKS	SVC
Fig.325	NPN		RF	VERTICAL PATH ASSEMBLY		
1	FL2-2306-000		2	ROLLER, SLIDE		

FIGURE 326 RIGHT DOOR ASSEMBLY

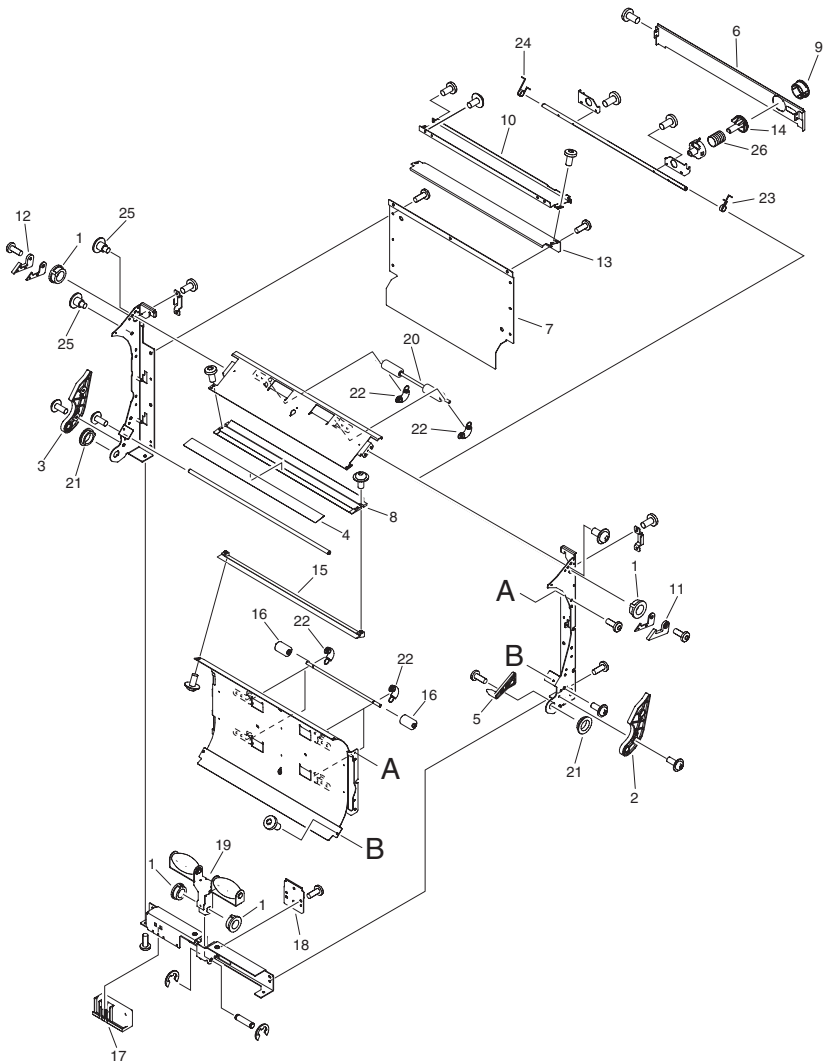


FIGURE & KEY NO.	PARTS NUMBER	R A N K	Q'TY	DESCRIPTION	SERIAL NUMBER/ REMARKS	S V C
Fig.326	FM2-2247-000		1	RIGHT DOOR ASSEMBLY		
1	FA9-2112-000		4	BUSHING, PL		
2	FC5-9510-000		1	CAM, OPEN/CLOSE, FRONT		
3	FC5-9511-000		1	CAM, OPEN/CLOSE, REAR		
4	FC5-9513-000		1	SHEET, GUIDE, 2		
5	FC6-0009-000		1	SWITCH, DOOR, RIGHT		
6	FC6-0056-000		1	COVER, RIGHT DOOR, UPPER		
7	FC6-0058-000		1	COVER, DOOR INNER, RIGHT		
8	FC6-0060-000		1	BLOCK, CROSSING, UPPER		
9	FC6-0061-000		1	HOLDER, BUTTON		
10	FC6-0063-000		1	GUIDE, UPPER		
11	FC6-0069-000		1	HOOK, RIGHT DOOR, FRONT		
12	FC6-0070-000		1	HOOK, RIGHT DOOR, REAR		
13	FC6-0073-000		1	GUIDE, LOWER		
14	FC6-0083-000		1	BUTTON, RELEASE		
15	FC6-0084-000		1	BLOCK, CROSSING, LOWER		
16	FC7-0042-000		4	ROLLER, FOLLOWER		
17	FB6-3440-000		1	HANDLE, REAR		
18	FC6-0065-000		1	STOPPER, ROLLER		
19	FM2-5107-000		1	AUXILIARY ROLLER ASSEMBLY		
20	FM2-5108-000		1	ROLLER, FOLLOWER, LEFT		
21	FS2-1012-000		2	BUSHING		
22	FU5-2833-000		6	SPRING, TENSION		
23	FU5-2962-000		1	SPRING, TORSION		
24	FU5-2963-000		1	SPRING, TORSION		
25	FU5-9210-000		2	SCREW, STEPPED, M4		
26	FU6-2534-000		1	SPRING, COMPRESSION		

FIGURE 327 VERTICAL PATH MAIN ASSEMBLY

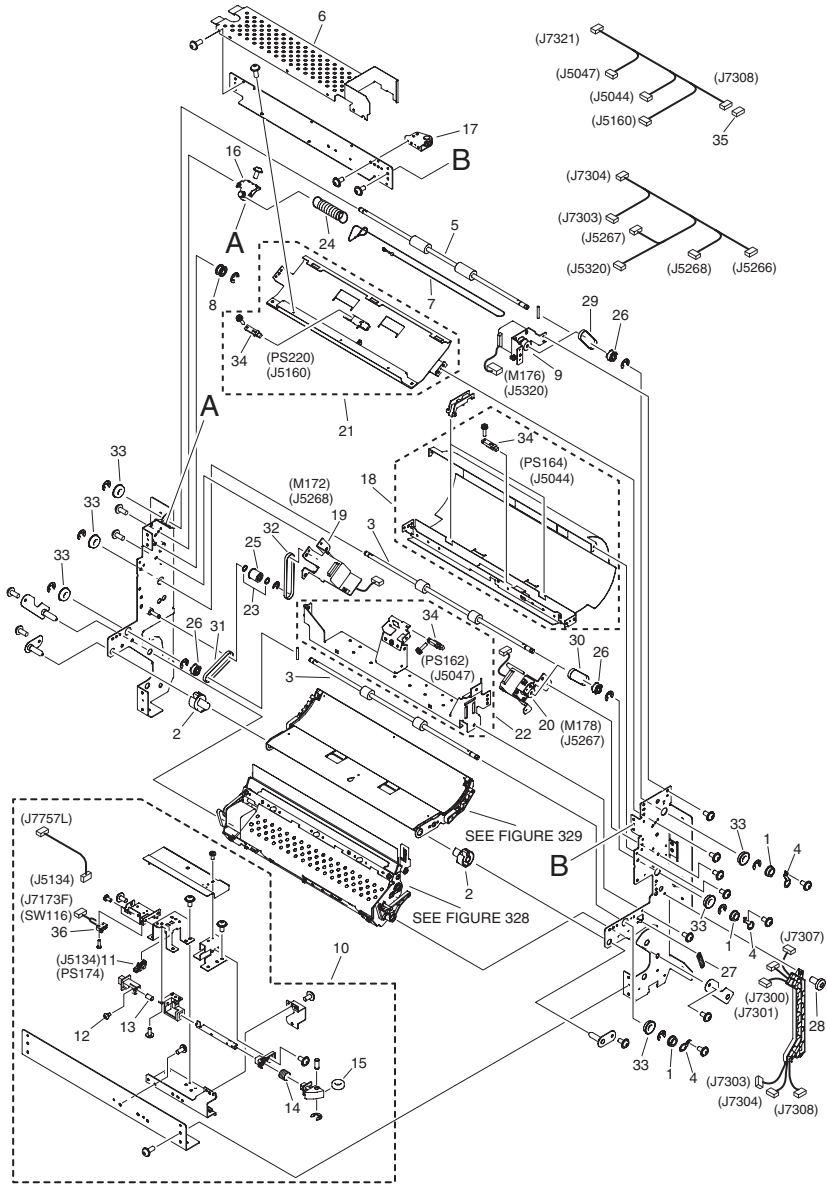


FIGURE & KEY NO.	PARTS NUMBER	R A N K	Q'TY	DESCRIPTION	SERIAL NUMBER/ REMARKS	S V C
Fig.327	FM2-5111-000		1	VERTICAL PATH MAIN ASSEMBLY		
1	FA9-2112-000		3	BUSHING, PL		
2	FC5-9489-000		2	BUSHING, OPEN/CLOSE		
3	FC5-9493-000		2	ROLLER, V. PATH PAPER FEED		
4	FC5-9559-000		3	PLATE, ROLLER GROUNDING		
5	FC6-0045-000		1	ROLLER, EXTERNAL CROSSING		
6	FC6-0049-000		1	COVER, BLANKING, UPPER		
7	FC6-0055-000		1	WIRE, VERTICAL PATH		
8	FC6-0059-000		1	ROLLER, WIRE		
9	FM2-5112-000		1	POD PATH DRIVE ASSEMBLY	M176	
10	FM2-5113-000		1	OPEN/CLOSE DETECT ASSEMBLY		
11	FK2-0149-000		1	PHOTO-INTERRUPTER, TLP1252(C6)	PS174	
12	FS1-9010-020		1	SCREW, STEPPED, M3		
13	FS7-2854-000		1	SPRING, COMPRESSION		
14	FU5-2921-000		1	SPRING, COMPRESSION		
15	XG9-0547-000		1	BEARING,BALL, JMK-688ZZ D4ML		
16	FM2-5114-000		1	WIRE RETURN ASSEMBLY		
17	FM2-5115-000		1	WIRE STOPPER ASSEMBLY		
18	FM2-5116-000		1	INNER GUIDE ASSEMBLY		
19	FM2-5117-000		1	LOWER FEEDER PATH DRIVE ASS'Y	M172	
20	FM2-5118-000		1	VERTICAL PATH DRIVE ASSEMBLY	M178	
21	FM2-5119-000		1	POD PATH GUIDE ASSEMBLY, UPPER		
22	FM2-5128-000		1	VERTICAL PATH CONNECTOR ASS'Y		
23	FS5-6488-000		2	WASHER		
24	FU5-2961-000		1	SPRING, TENSION		
25	FU5-3193-000		1	PULLEY, 30T		
26	FU5-3441-000		3	PULLEY, 30T		
27	FU6-2542-000		1	SPRING, TENSION		
28	XA9-0922-000		2	SCREW, TP, M3X8		
29	XF2-3607-260		1	BELT, TIMING		
30	XF2-3607-460		1	BELT, TIMING		
31	XF2-3609-060		1	BELT, TIMING		

FIGURE & KEY NO.	PARTS NUMBER	RANK	Q'TY	DESCRIPTION	SERIAL NUMBER/REMARKS	SVC
32	XF2-3611-560		1	BELT, TIMING		
33	XG9-0094-000		6	BALL BEARING, NSK 688AZZNRMC3		
34	WG8-5736-000		3	PHOTO SENSOR UNIT	PS162,164,220	
35	VS1-7173-015		1	CONNECTOR, SNAP TIGHT		
36	FM2-8509-000		1	CABLE, SWITCH	SW116	

FIGURE 328 TURN ASSEMBLY

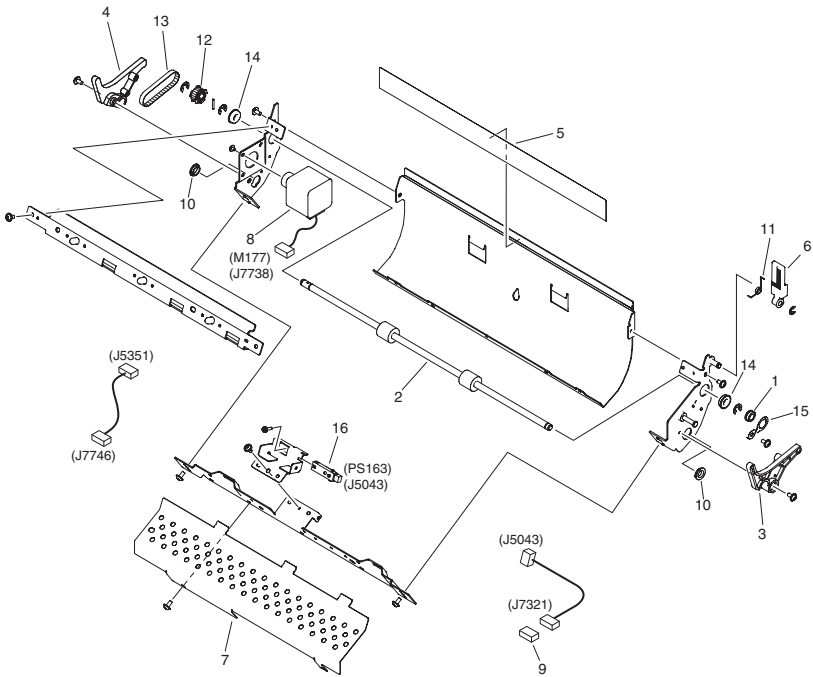


FIGURE & KEY NO.	PARTS NUMBER	R A N K	Q'TY	DESCRIPTION	SERIAL NUMBER/ REMARKS	S V C
Fig.328	FM2-5129-000		1	TURN ASSEMBLY		
1	FA9-2112-000		1	BUSHING, PL		
2	FC5-9517-000		1	ROLLER, DECK CROSSING, RIGHT		
3	FC5-9518-000		1	CAM, FRONT		
4	FC5-9519-000		1	CAM, REAR		
5	FC5-9522-000		1	SHEET, GUIDE, 1		
6	FC6-0074-000		1	LEVER, GUIDE, CENTER		
7	FC6-0075-000		1	COVER, INNER GUIDE BLANKING		
8	FK2-3125-000		1	MOTOR, STEPPING, DC	M177	
9	VS1-7177-003		1	CONNECTOR, SNAP TIGHT, BK		
10	FS2-1012-000		2	BUSHING		
11	FU5-2964-000		1	SPRING, TORSION		
12	FU5-3441-000		1	PULLEY, 30T		
13	XF2-3607-460		1	BELT, TIMING		
14	XG9-0094-000		2	BALL BEARING, NSK 688AZZNRMC3		
15	FC5-9559-000		1	PLATE, ROLLER GROUNDING		
16	WG8-5736-000		1	PHOTO SENSOR UNIT	PS163	

FIGURE 329 INNER GUIDE OPEN/CLOSE ASSEMBLY

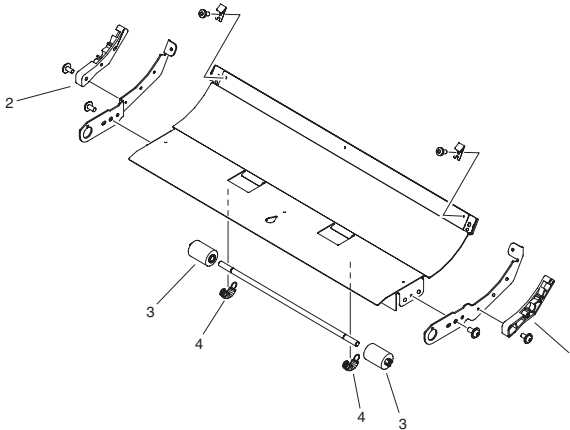


FIGURE & KEY NO.	PARTS NUMBER	RANK	QTY	DESCRIPTION	SERIAL NUMBER/REMARKS	SVC
Fig.329	FM2-5131-000		1	INNER GUIDE OPEN/CLOSE ASS'Y		
1	FC5-9483-000		1	CAM, OPEN/CLOSE, FRONT		
2	FC5-9484-000		1	CAM, OPEN/CLOSE, REAR		
3	FC7-0042-000		2	ROLLER, FOLLOWER		
4	FU5-2833-000		2	SPRING, TENSION		

FIGURE 330 PRE-FIXING PAPER FEED ASSEMBLY

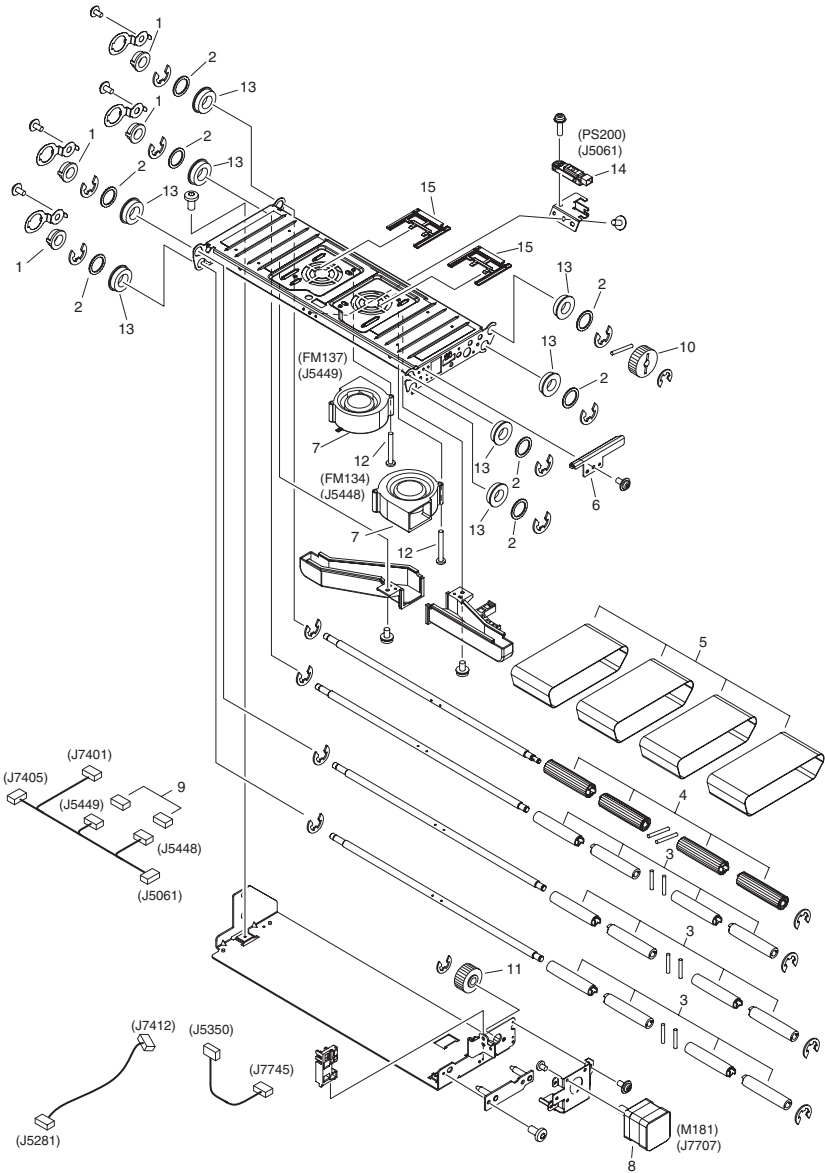


FIGURE & KEY NO.	PARTS NUMBER	R A N K	Q'TY	DESCRIPTION	SERIAL NUMBER/ REMARKS	S V C
Fig.330	NPN		RF	PRE-FIXING PAPER FEED ASS'Y		
1	FA9-2112-000		4	BUSHING, PL		
2	FB2-6285-020		8	SHIM		
3	FC5-9337-000		12	ROLLER, IDLER		
4	FC5-2067-000		4	ROLLER, DRIVE		
5	FC6-8098-000		4	BELT, PAPER FEED		
6	FC6-8408-000		1	GUIDE, FIXING/FEEDER PAPER		
7	FL2-6885-000		2	FAN, FIXING/FEEDER ABSORB	FM134,137	
8	FM2-2128-000		1	FIXING/FEEDER DRV. MOTOR ASS'Y	M181	
9	VS1-7177-004		2	CONNECTOR, SNAP TIGHT, BK		
10	FU6-0262-000		1	GEAR, 40T		
11	FU6-0424-000		1	GEAR, 32T		
12	XA9-1750-000		4	SCREW, M4 - L33		
13	XG9-0258-000		8	BEARING, BALL, NSK MF148ZZMC3		
14	WG8-5736-000		1	PHOTO SENSOR UNIT	PS200	
15	FC7-7555-000		2	PLATE, WIND LIMIT		

FIGURE 331 2ND TRNS.FRAME/FIX. F.D ASSEMBLY

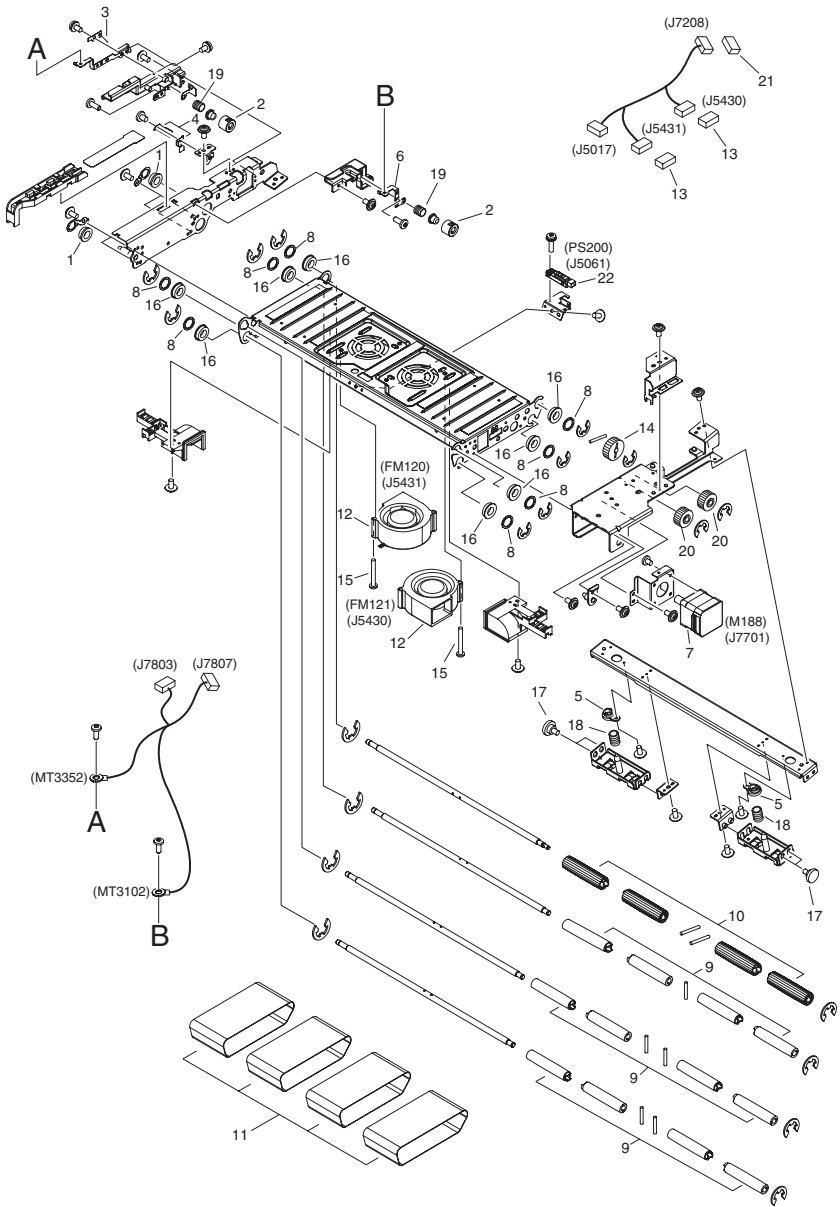


FIGURE & KEY NO.	PARTS NUMBER	RANK	Q'TY	DESCRIPTION	SERIAL NUMBER/REMARKS	SVC
Fig.331	NPN		RF	2ND TRNS. FRAME/FIX. F.D ASS'Y		
1	FA9-2112-000		4	BUSHING, PL		
2	FC5-9339-000		2	GUIDE, CONTACT		
3	FC5-9340-000		1	CONTACT, BIAS ROLLER		
4	FC5-9405-000		2	SPRING, GROUNDING		
5	FC6-8120-000		2	BUSHING, CAM		
6	FC6-8234-000		1	SPRING, POWER DISPATCHING, 3		
7	FM2-2128-000		1	FIXING/FEEDER DRIVE MOTOR ASS'	M188	
8	FB2-6285-020		8	SHIM		
9	FC5-9337-000		12	ROLLER, IDLER		
10	FC5-2067-000		4	ROLLER, DRIVE		
11	FC6-8098-000		4	BELT, PAPER FEED		
12	FL2-6885-000		2	FAN, FIXING/FEEDER	FM120,121	
13	VS1-7177-004		2	CONNECTOR, SNAP TIGHT, BK		
14	FU6-0262-000		1	GEAR, 40T		
15	XA9-1750-000		4	SCREW, M4 - L33		
16	XG9-0258-000		8	BEARING, BALL, NSK MF148ZZMC3		
17	FS2-9015-020		4	SCREW, STEPPED,M4		
18	FU5-2829-000		2	SPRING, COMPRESSION		
19	FU5-2986-000		2	SPRING, COMPRESSION		
20	FU6-0424-000		2	GEAR, 32T		
21	VS1-7173-011		1	CONNECTOR, SNAP TIGHT, 11P,W		
22	WG8-5736-000		1	PHOTO SENSOR UNIT	PS200	

FIGURE 332 2ND TRNS. BASE PLATE ASSEMBLY

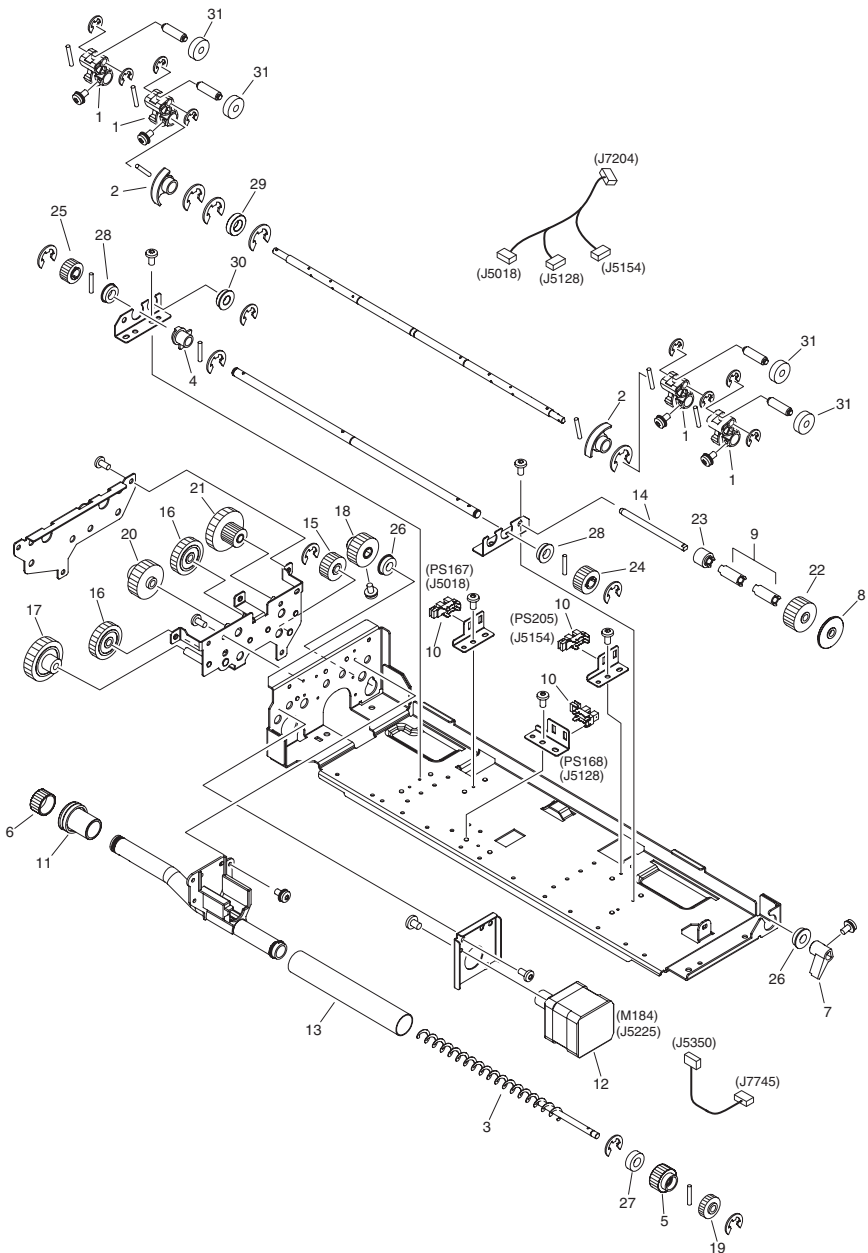


FIGURE & KEY NO.	PARTS NUMBER	R A N K	Q'TY	DESCRIPTION	SERIAL NUMBER/ REMARKS	S V C
Fig.332	FM2-2169-000		1	2ND TRNS. BASE PLATE ASS'Y		
1	FC5-9378-000		4	CAM, 2ND TRNSFR. RELEASE		
2	FC5-9381-000		2	FLAG, SWING CAM SENSOR		
3	FC5-9392-000		1	FEED SCREW, WASTE TONER		
4	FC6-8104-000		1	FLAG, WASTE TONER		
5	FC6-8112-000		1	BUSHING, SEAL		
6	FC6-8113-000		1	CAP. WASTE TONER		
7	FC6-8116-000		1	FLAG, PRESSURE RELEASE		
8	FC7-2271-000		1	ROLLER, SWING GEAR POSITIONING		
9	FC7-2272-000		2	COUPLING, SPACER		
10	FK2-0149-000		3	PHOTO-INTERRUPTER, TLP1252(C6)	PS167,168,205	
11	FL2-2094-000		1	SHUTTER, WASTE TONER		
12	FM2-2127-000		1	PRESSURE MOTOR ASSEMBLY	M184	
13	FU5-2831-000		1	SPRING, COMPRESSION		
14	FU5-5831-000		1	SHAFT, WASTE TONER DRIVE INPUT		
15	FU6-0270-000		1	GEAR, 20T		
16	FU6-0271-000		2	GEAR, 38T		
17	FU6-0272-000		1	GEAR, 15T/45T		
18	FU6-0273-000		1	GEAR, 25T		
19	FU6-0274-000		1	GEAR, 18T		
20	FU6-0276-000		1	GEAR, 15T/38T		
21	FU6-0277-000		1	GEAR, 15T/45T		
22	FU6-0426-000		1	GEAR, 32T		
23	FU6-0427-000		1	GEAR, 15T		
24	FU6-0438-000		1	GEAR, 25T		
25	FU6-0439-000		1	GEAR, 17T		
26	XG9-0549-000		2	BEARING, BALL, JMK-688ZZNR D4M		
27	XG9-0232-000		1	BEARING, BALL, MR126		
28	XG9-0258-000		2	BEARING, BALL, NSK MF148ZZMC3		
29	XG9-0386-000		1	BEARING, BALL, DDL-1910ZZY05R		
30	XG9-0620-000		1	BEARING, BALL, DDLF1260ZZRP0P		
31	XG9-0621-000		4	BEARING, BALL, 626ZZM2MTLY13		

FIGURE 333 SECONDARY TRANSFER ASSEMBLY

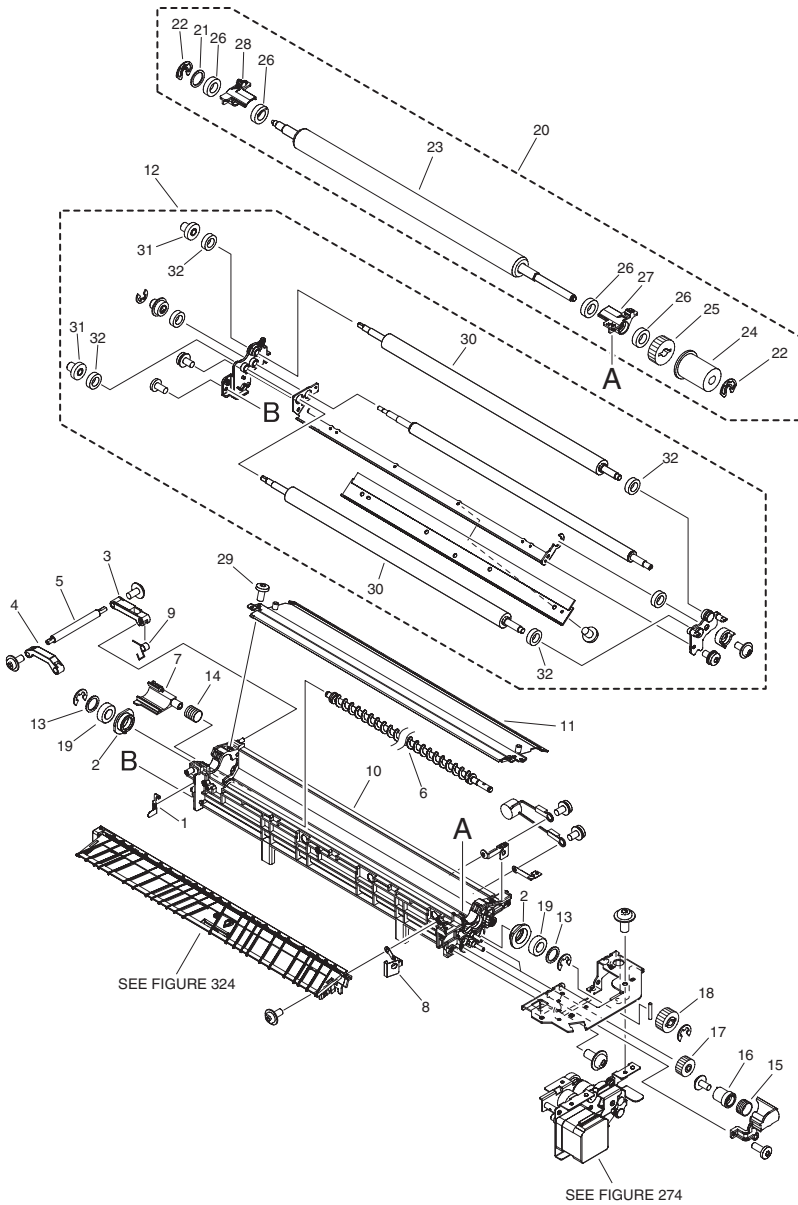


FIGURE & KEY NO.	PARTS NUMBER	R A N K	Q'TY	DESCRIPTION	SERIAL NUMBER/ REMARKS	S V C
Fig.333	FM2-2173-000		1	SECONDARY TRANSFER ASSEMBLY		
1	FC5-9341-000		1	SPRING, ELIMINATOR		
2	FC5-9418-000		2	COVER, WASTE TONER BUSHING		
3	FC5-9420-000		1	HANDLE, 1		
4	FC5-9421-000		1	HANDLE, 2		
5	FC5-9422-000		1	HANDLE, 3		
6	FC6-8235-000		1	FEED SCREW, WASTE TONER		
7	FC6-8236-000		1	SHUTTER, WASTE TONER		
8	FC6-8237-000		1	SPRING, 2ND TRNSFR. G, REAR		
9	FC6-8398-000		1	SPRING, TORSION		
10	FL2-4111-000		1	COVER, OUTER ROLLER UNIT		
11	FL2-4114-000		1	GUIDE, 2ND TRNSFR. ENTRANCE		
12	FM2-2171-000		1	2ND TRNSFR. CLEANER ASSEMBLY		
13	FS5-6488-000		2	WASHER		
14	FU5-2987-000		1	SPRING, COMPRESSION		
15	FU5-2988-000		1	SPRING, COMPRESSION		
16	FU6-0267-000		1	GEAR, 15T/23T		
17	FU6-0422-000		2	GEAR, 14T		
18	FU6-0440-000		1	GEAR, 18T		
19	XG9-0232-000		2	BEARING, BALL, MR126		
20	FM2-2172-000		1	2ND TRNSFR. OUTER ROLLER ASS'Y		
21	FB2-6285-020		1	SHIM		
22	FB6-6088-000		2	RING, RETAINING		
23	FC5-9331-000		1	ROLLER, TRANSFER		
24	FC5-9332-000		1	LIMITER, TORQUE		
25	FU6-0268-000		1	GEAR, 28T		
26	XG9-0623-000		4	BEARING, BALL, L1480DDRP0P25		
27	FL2-4112-000		1	HOLDER, 2ND TRANSFER, FRONT		
28	FL2-4113-000		1	HOLDER, 2ND TRANSFER, REAR		
29	FU5-9223-000		4	SCREW, BH3X6(YELLOW)		
30	FC5-9335-000		2	ROLLER, CLEANING		
31	FU6-0265-000		2	GEAR, 15T		

FIGURE & KEY NO.	PARTS NUMBER	R A N K	Q'TY	DESCRIPTION	SERIAL NUMBER/ REMARKS	S V C
32	XG9-0242-000		4	BEARING, BALL, MR106ZZMC3D4ML		

FIGURE 336 LOWER PAPER FEED ASSEMBLY

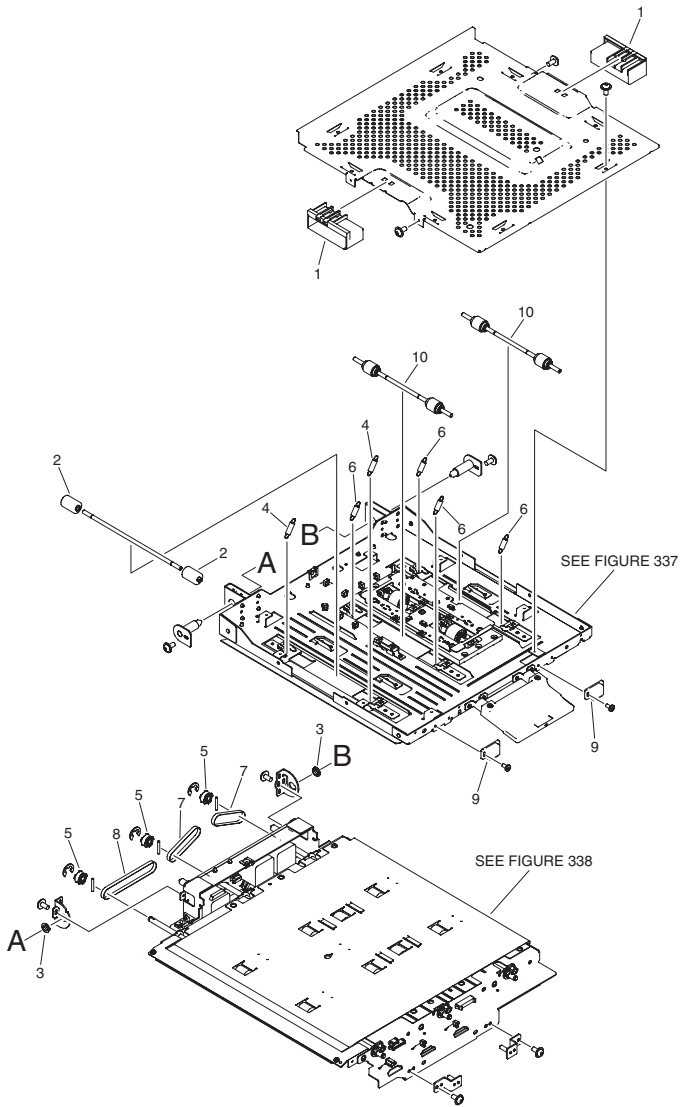


FIGURE & KEY NO.	PARTS NUMBER	RANK	Q'TY	DESCRIPTION	SERIAL NUMBER/REMARKS	SVC
Fig.336	NPN		RF	LOWER PAPER FEED ASSEMBLY		
1	FB6-3440-000		2	HANDLE, REAR		
2	FC7-0042-000		2	ROLLER, FOLLOWER		
3	FS2-1012-000		2	BUSHING		
4	FU5-2839-000		2	SPRING, TENSION		
5	FU5-3441-000		3	PULLEY, 30T		
6	FU6-2564-000		4	SPRING, TENSION		
7	XF2-3608-460		2	BELT, TIMING		
8	XF2-3613-060		1	BELT, TIMING		
9	XZ9-0598-000		2	CATCH, MAGNET		
10	FM2-9276-000		2	ROLLER, DRIVEN		

FIGURE 337 LOWER PAPER FEED ASSEMBLY, UPPER

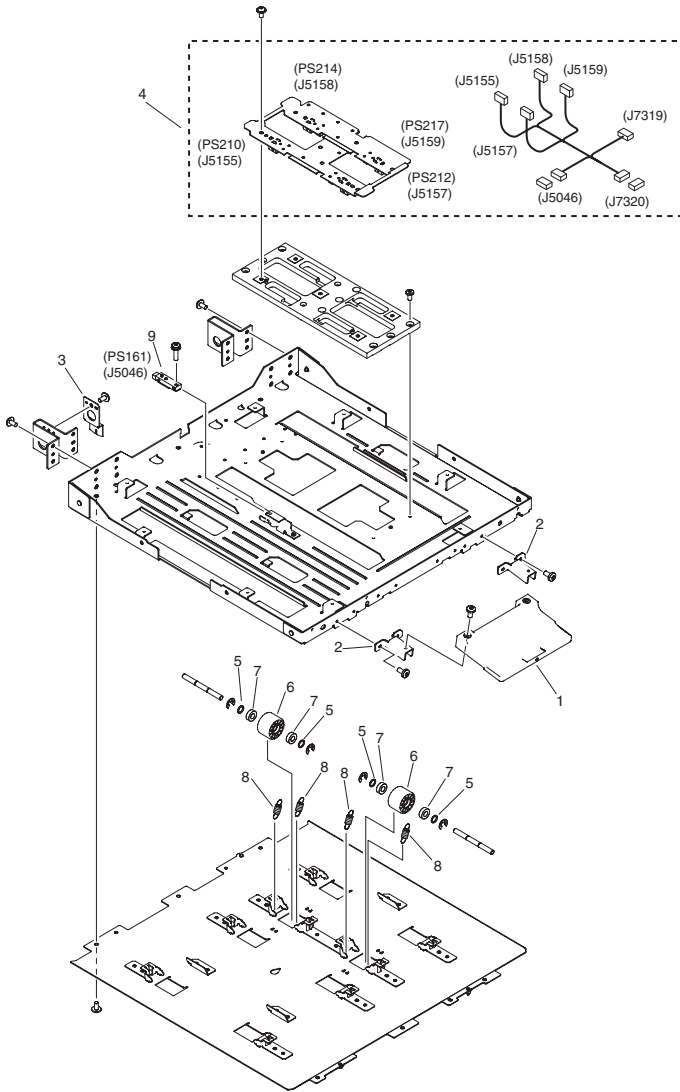


FIGURE & KEY NO.	PARTS NUMBER	R A N K	Q'TY	DESCRIPTION	SERIAL NUMBER/ REMARKS	S V C
Fig.337	FM2-2184-000		1	LOWER PAPER FEED ASS'Y, UPPER		
1	FC6-0027-000		1	HANDLE, PAPER FEED, LOWER		
2	FC6-0089-000		2	ARM, GRIP		
3	FC6-0090-000		1	FLAG, GUIDE OPEN/CLOSE DETECT		
4	FM2-2186-000		1	PAPER LENGTH SENSOR ASSEMBLY	PS210,212,214,217	
5	FS5-6488-000		4	WASHER		
6	FU5-6254-000		2	ROLLER, STABILIZER		
7	XG9-0245-000		4	BEARING, BALL, MR126ZZMC3NS7L		
8	FU5-2980-000		4	SPRING, TENSION		
9	WG8-5736-000		1	PHOTO SENSOR UNIT	PS161	

FIGURE 338
LOWER PAPER FEED ASSEMBLY, LOWER

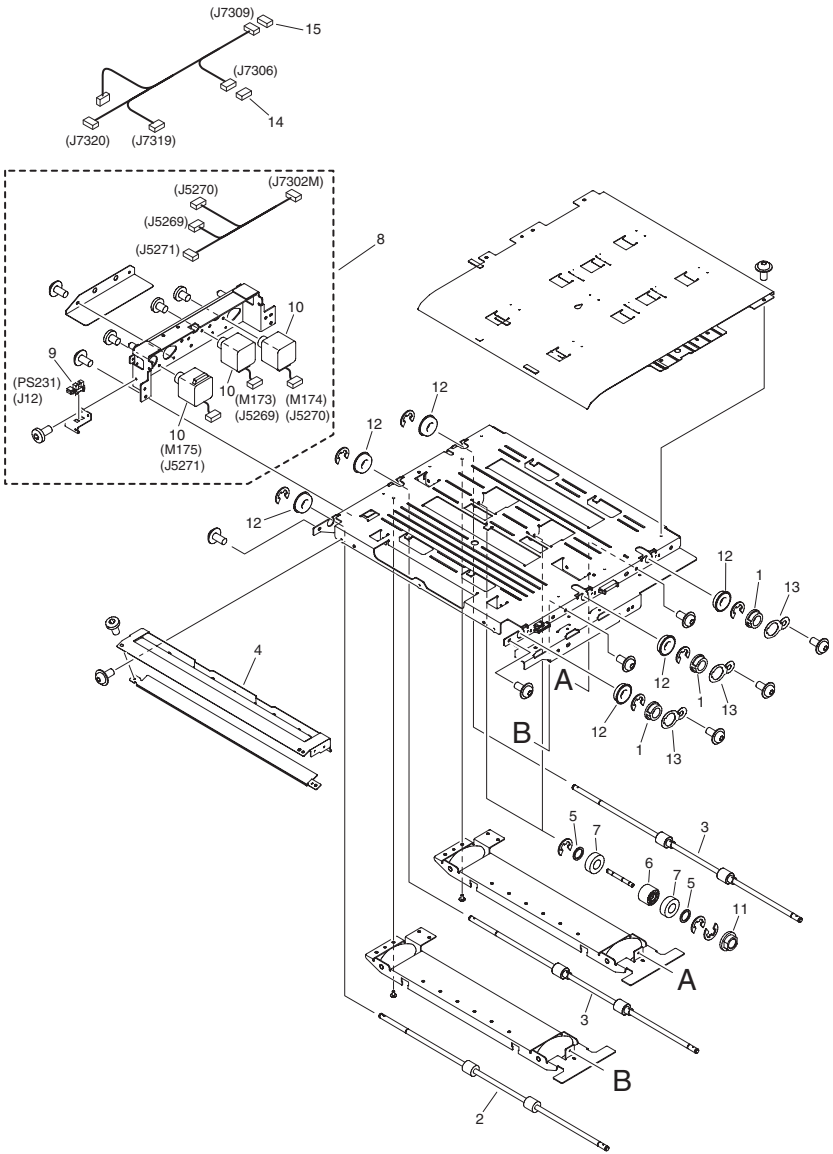


FIGURE & KEY NO.	PARTS NUMBER	R A N K	Q'TY	DESCRIPTION	SERIAL NUMBER/ REMARKS	S V C
Fig.338	FM2-2243-000		1	LOWER PAPER FEED ASS'Y, LOWER		
1	FA9-2112-000		3	BUSHING, PL		
2	FC5-9563-000		1	ROLLER, PAPER FEED, LOWER		
3	FC7-7501-000		2	ROLLER, BRAST		
4	FL2-2295-000		1	GUIDE, INTERFACE		
5	FS5-6488-000		4	WASHER		
6	FU5-6254-000		2	ROLLER, STABILIZER		
7	XG9-0245-000		4	BEARING, BALL, MR126ZZMC3NS7L		
8	FM2-2244-000		1	LOWER FEEDER DRIVE ASSEMBLY		
9	FK2-0149-000		1	PHOTO-INTERRUPTER, TLP1252(C6)	PS231	
10	FK2-3125-000		3	MOTOR, STEPPING, DC	M173-175	
11	FS1-1569-000		2	BUSHING		
12	XG9-0094-000		6	BALL BEARING, NSK 688AZZNRMC3		
13	FC5-9559-000		3	PLATE, ROLLER GROUNDING		
14	VS1-7173-006		1	CONNECTOR, SNAP TIGHT, 6P, W		
15	VS1-7173-016		1	CONNECTOR, SNAP TIGHT, 16P, W		

FIGURE 340 FIXING/FEEED ASSEMBLY, CENTER

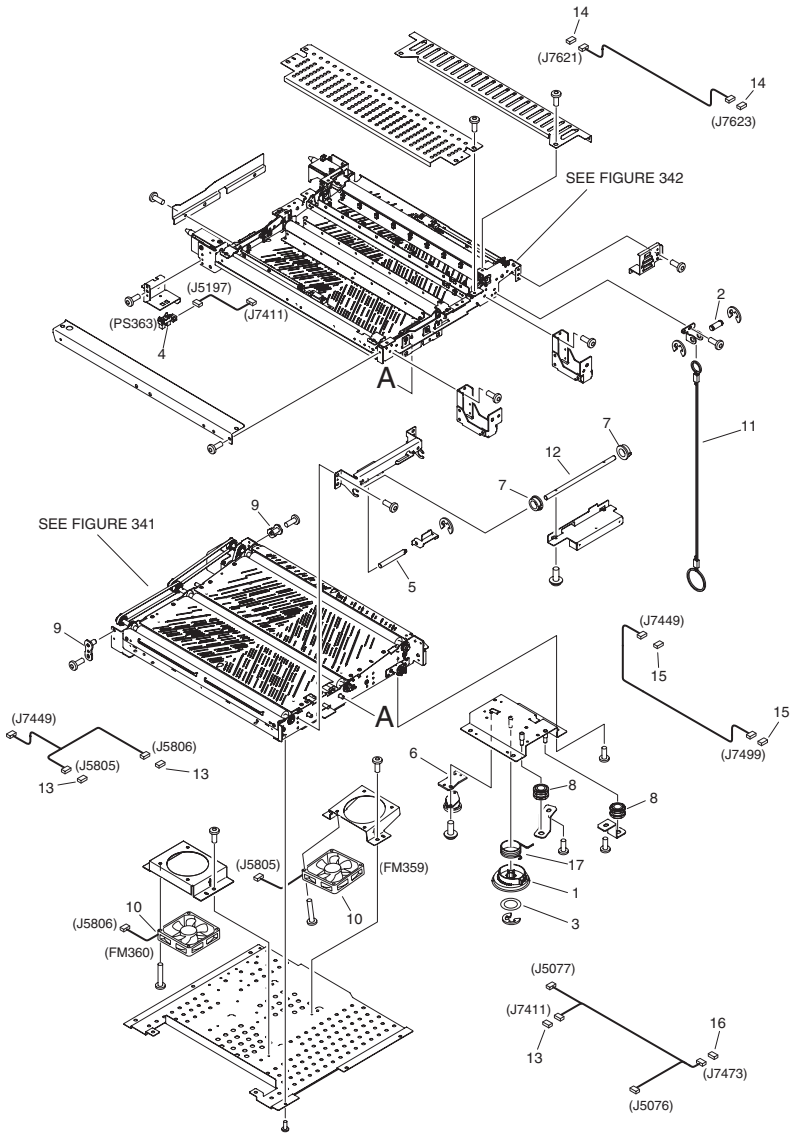


FIGURE & KEY NO.	PARTS NUMBER	RANK	Q'TY	DESCRIPTION	SERIAL NUMBER/REMARKS	SVC
Fig.340	NPN		RF	FIXING/FEED ASSEMBLY, CENTER		
1	FU6-0352-000		1	GEAR, 62T		
2	FU5-4608-000		1	SHAFT, WIRE FIXED		
3	FS5-6488-000		1	WASHER		
4	FK2-0149-000		1	PHOTO-INTERRUPTER, TLP1252(C6)	PS363	
5	FC7-3514-000		1	SHAFT, LOCK RELEASE		
6	FC6-8289-000		1	SPACER, DAMPER		
7	FA9-2112-000		2	BUSHING, PL		
8	FC5-9848-000		2	ROLLER, WIRE		
9	FL2-2139-000		2	HINGE, CROSSING, REAR		
10	FK2-0540-000		2	FAN	FM359,360	
11	FC6-2111-000		1	WIRE, OPEN/CLOSE AUXILIARY		
12	FU5-4672-000		1	SHAFT, HANDLE		
13	VS1-7177-003		3	CONNECTOR, SNAP TIGHT, BK		
14	VS1-7177-012		2	CONNECTOR, SNAP TIGHT, BK		
15	VS1-7177-008		2	CONNECTOR, SNAP TIGHT, BK		
16	VS1-7177-009		1	CONNECTOR, 9P		
17	FC7-5720-000		1	SPRING, TORSION		

FIGURE 341
FIXING/FEEED ASSEMBLY, CENTER LW.

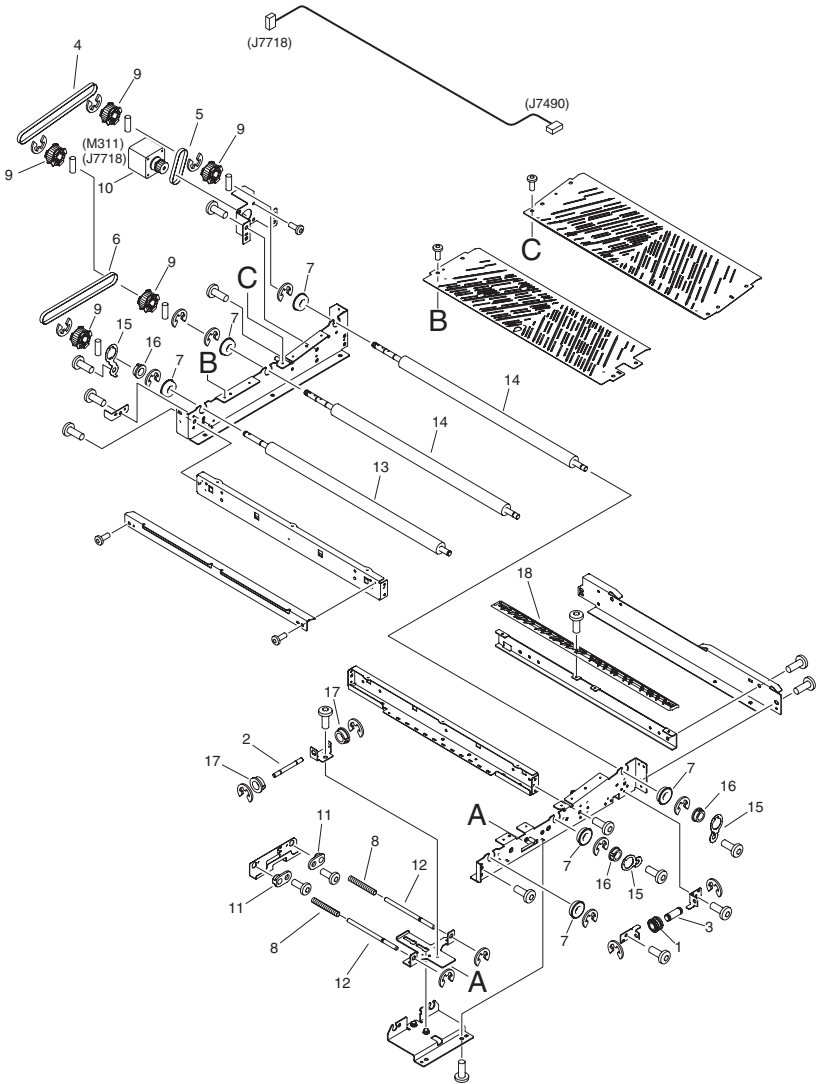


FIGURE & KEY NO.	PARTS NUMBER	R A N K	Q'TY	DESCRIPTION	SERIAL NUMBER/ REMARKS	S V C
Fig.341	NPN		RF	FIXING/FEED ASS'Y, CENTER LW.		
1	FC5-9848-000		1	ROLLER, WIRE		
2	FU5-4670-000		1	SHAFT, RELEASE GUIDE		
3	FU5-4608-000		1	SHAFT, WIRE FIXED		
4	XF2-3618-260		1	BELT, TIMING		
5	XF2-3607-060		1	BELT, TIMING		
6	XF2-3617-560		1	BELT, TIMING		
7	XG9-0094-000		6	BALL BEARING, NSK 688AZZNRMC3		
8	FU6-2549-000		2	SPRING, COMPRESSION		
9	FU5-3441-000		5	PULLEY, 30T		
10	FK2-3125-000		1	MOTOR, STEPPING, DC	M311	
11	FC6-8310-000		1	BUSHING, FIXED		
12	FC6-7842-000		2	PIN, GUIDE LOCK		
13	FC5-9835-000		1	ROLLER, PEPER FEED, C		
14	FC5-9833-000		2	ROLLER, PEPER FEED, A		
15	FC5-9559-000		3	PLATE, ROLLER GROUNDING		
16	FA9-2112-000		3	BUSHING, PL		
17	FS1-1569-000		2	BUSHING		
18	FC7-7064-000		1	GUIDE, PAPER FEED		

FIGURE 342
FIXING/FEEED ASSEMBLY, CENTER UP.

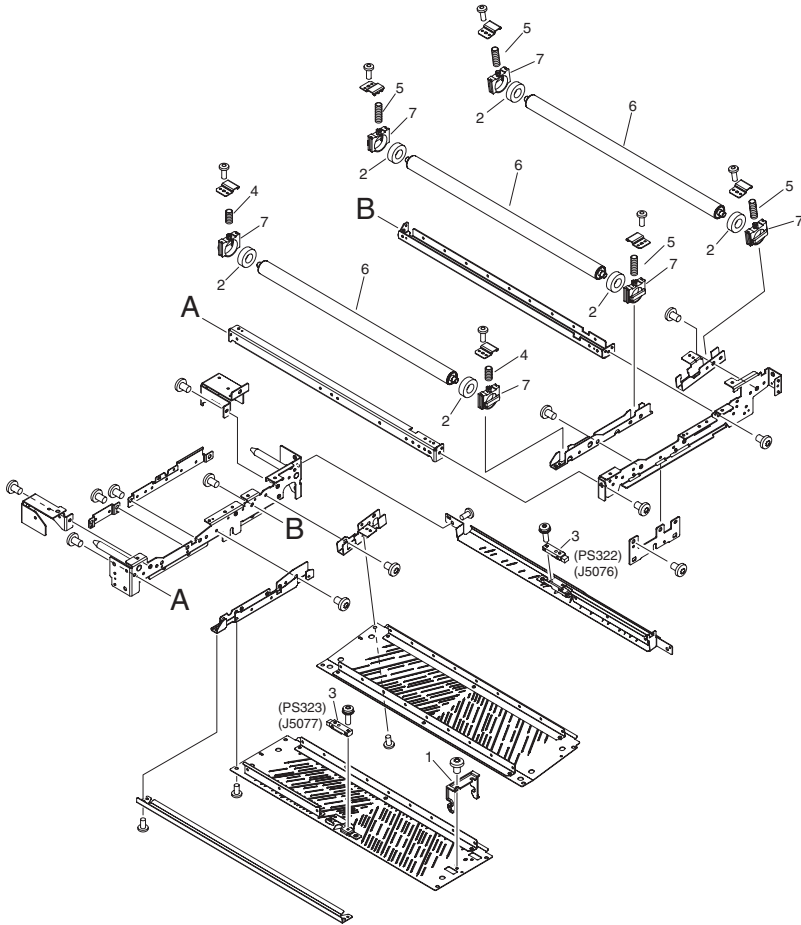


FIGURE & KEY NO.	PARTS NUMBER	RANK	Q'TY	DESCRIPTION	SERIAL NUMBER/REMARKS	SVC
Fig.342	NPN		RF	FIXING/FEED ASS'Y, CENTER UP.		
1	FC7-4593-000		1	HOOK, GUIDE		
2	XG9-0511-000		6	BEARING, BALL		
3	WG8-5736-000		2	PHOTO SENSOR UNIT	PS322,323	
4	FU5-2894-000		2	SPRING, COMPRESSION		
5	FU5-2893-000		4	SPRING, COMPRESSION		
6	FL2-2016-000		3	ROLLER, DRIVEN		
7	FC5-9918-000		6	HOLDER		

FIGURE 343 FIXING/FEEED ASSEMBLY, LEFT

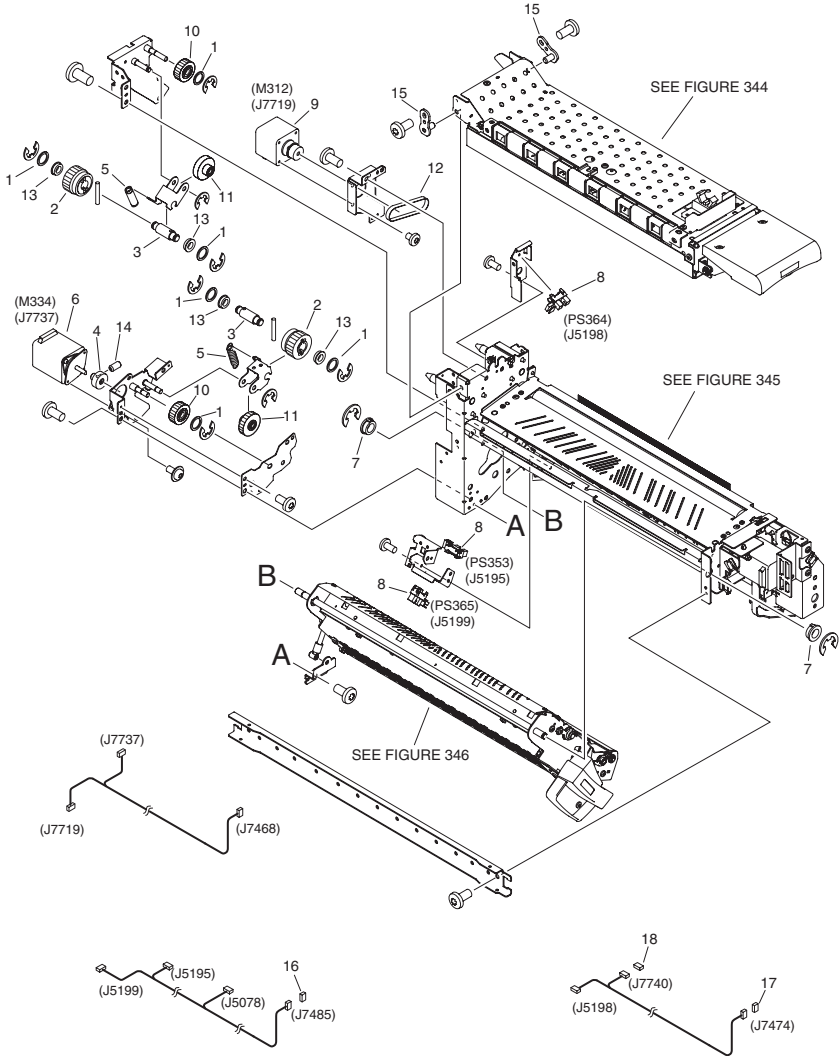
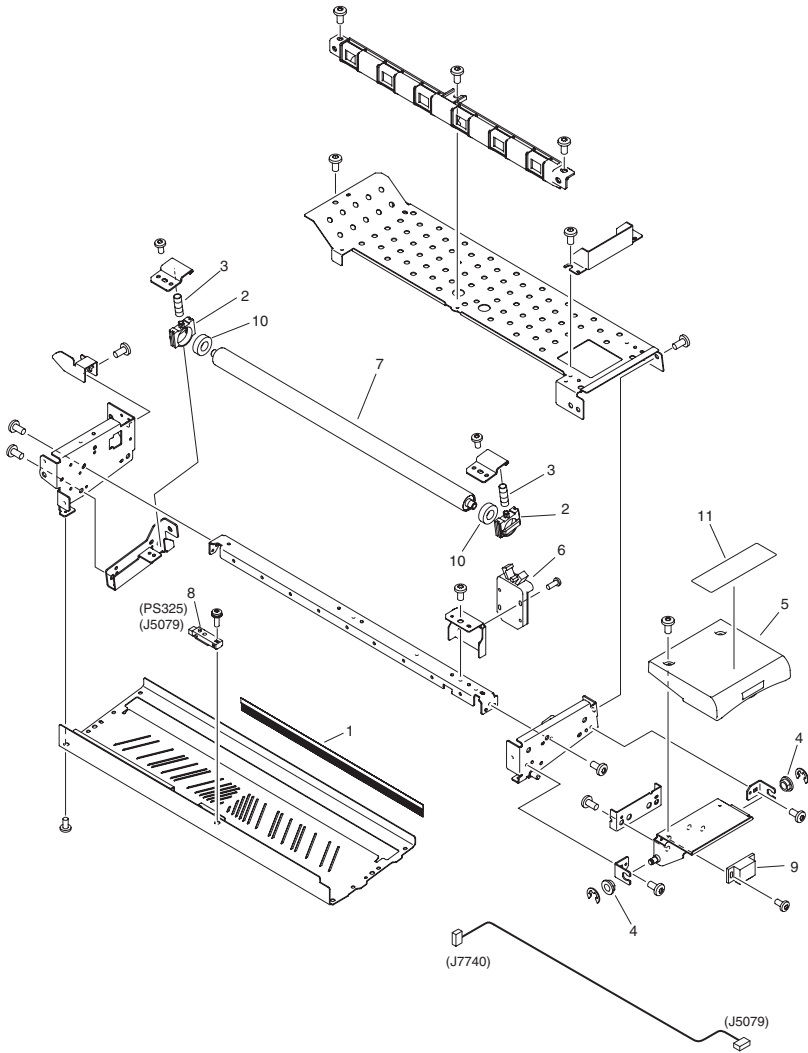


FIGURE & KEY NO.	PARTS NUMBER	RANK	Q'TY	DESCRIPTION	SERIAL NUMBER/REMARKS	SVC
Fig.343	NPN		RF	FIXING/FEED ASSEMBLY, LEFT		
1	FS5-6488-000		6	WASHER		
2	FU6-0376-000		2	GEAR, 20T		
3	FU5-4565-000		2	SHAFT, SWING GEAR		
4	FU6-0451-000		1	GEAR, 20T		
5	FU5-2896-000		2	SPRING, TENSION		
6	FK2-3136-000		1	MOTOR, STEPPING, DC	M334	
7	FA9-2112-000		2	BUSHING, PL		
8	FK2-0149-000		3	PHOTO-INTERRUPTER, TLP1252(C6)	PS353,364,365	
9	FK2-3125-000		1	MOTOR, STEPPING, DC	M312	
10	FU6-0375-000		2	GEAR, 20T		
11	FU6-0374-000		2	GEAR, 30T		
12	XF2-3608-560		1	BELT, TIMING		
13	XG9-0192-000		4	BALL BEARING, NMB DDLF-1060ZZH		
14	XA9-0934-000		1	SETSCREW,M3X6		
15	FL2-2139-000		2	HINGE, CROSSING, REAR		
16	VS1-7177-009		1	CONNECTOR, 9P		
17	VS1-7177-006		1	CONNECTOR, SNAP TIGHT, BK		
18	VS1-7177-003		1	CONNECTOR, SNAP TIGHT, BK		

FIGURE 344 FIXING/FEEED ASSEMBLY, LEFT UPPER



NOTE : Several kinds of labels are attached on the board for the parts of Key No. 11. The same parts as Fig/Key No. 112-10, 113-15, 348-12, 351-33, 370-44 and 372-22.

注 : Key No. 11の部品は台紙に数種類のラベルが付いています。Fig/Key No. 112-10, 113-15, 348-12, 351-33, 370-44, 372-22と同一部品です。

FIGURE & KEY NO.	PARTS NUMBER	R A N K	Q'TY	DESCRIPTION	SERIAL NUMBER/ REMARKS	S V C
Fig.344	NPN		RF	FIXING/FEED ASS'Y, LEFT UPPER		
1	FB5-4858-000		1	ELIMINATOR, STATIC CHARGE		
2	FC5-9918-000		2	HOLDER		
3	FU5-2893-000		2	SPRING, COMPRESSION		
4	FS1-1569-000		2	BUSHING		
5	FC6-2102-000		1	LEVER, GUIDE OPEN/CLOSE, UPPER		
6	FC7-4595-000		1	LATCH, PUSH		
7	FL2-2016-000		1	ROLLER, DRIVEN		
8	WG8-5736-000		1	PHOTO SENSOR UNIT	PS325	
9	XZ9-0614-000		1	MAGNET CATCH		
10	XG9-0511-000		2	BEARING, BALL		
11	FC8-2966-000		1	LABEL, SUB STATION LANGUAGE 2	Japanese	
11	FC8-2967-000		1	LABEL, SUB STATION LANGUAGE 2	English	
11	FC8-2968-000		1	LABEL, SUB STATION LANGUAGE 2	French	
11	FC8-2969-000		1	LABEL, SUB STATION LANGUAGE 2	German	
11	FC8-2970-000		1	LABEL, SUB STATION LANGUAGE 2	Italian	
11	FC8-2971-000		1	LABEL, SUB STATION LANGUAGE 2	Spanish	
11	FC8-2972-000		1	LABEL, SUB STATION LANGUAGE 2	Portuguese	
11	FC8-2974-000		1	LABEL, SUB STATION LANGUAGE 2	Korean	
11	FC8-2975-000		1	LABEL, SUB STATION LANGUAGE 2	Simplified Chinese	

FIGURE 345
FIXING/FEEED ASSEMBLY, LEFT MIDDLE

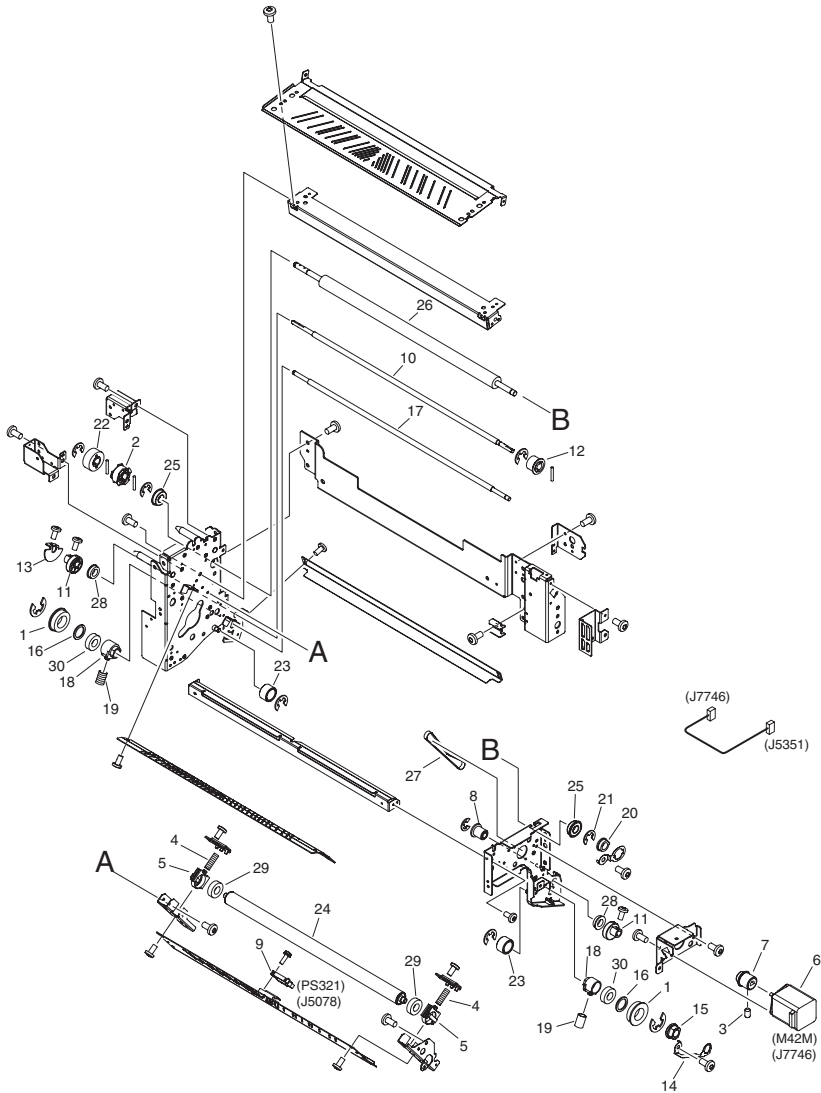


FIGURE & KEY NO.	PARTS NUMBER	R A N K	Q'TY	DESCRIPTION	SERIAL NUMBER/ REMARKS	S V C
Fig.345	NPN		RF	FIXING/FEED ASS'Y, LEFT MIDDLE		
1	FS5-1755-000		2	BUSHING		
2	FU5-3441-000		1	PULLEY, 30T		
3	FA9-2864-010		1	SETSCREW, M3X4		
4	FU5-2893-000		2	SPRING, COMPRESSION		
5	FC5-9918-000		2	HOLDER		
6	FK2-3136-000		1	MOTOR, STEPPING, DC	M42M	
7	FU5-3209-000		1	PULLEY, 20T		
8	FC7-4959-000		1	TENSIONER		
9	WG8-5736-000		1	PHOTO SENSOR UNIT	PS321	
10	FC7-1532-000		1	SHAFT, DECURLER CAM		
11	FC7-1531-000		2	CAM, DECURLER		
12	FU5-3208-000		1	PULLEY, 20T		
13	FC5-9239-000		1	FLAG, SENSOR		
14	FC7-1603-000		1	PLATE, ROLLER GROUNDING, UP.		
15	FS5-1592-000		1	BUSHING		
16	FS5-6488-000		2	WASHER		
17	FC7-1569-000		1	ROLLER, DECURLER, UPPER		
18	FU5-1328-000		2	BUSHING, ROLLER		
19	FU5-2996-000		2	SPRING, COMPRESSION		
20	FC5-9559-000		1	PLATE, ROLLER GROUNDING		
21	FA9-2112-000		1	BUSHING, PL		
22	FU6-0373-000		1	GEAR, 20T		
23	FU5-6249-000		2	ROLLER		
24	FL2-2016-000		1	ROLLER, DRIVEN		
25	XG9-0094-000		2	BALL BEARING, NSK 688AZZNRMC3		
26	FC6-2251-000		1	ROLLER, PAPER FEED		
27	XF2-3613-660		1	BELT, TIMING		
28	XG9-0520-000		2	BEARING, BALL, MF106ZZS		
29	XG9-0511-000		2	BEARING, BALL		
30	XG9-0242-000		2	BEARING, BALL, MR106ZZMC3D4ML		

FIGURE 346
FIXING/FEEED ASSEMBLY, LEFT LOWER

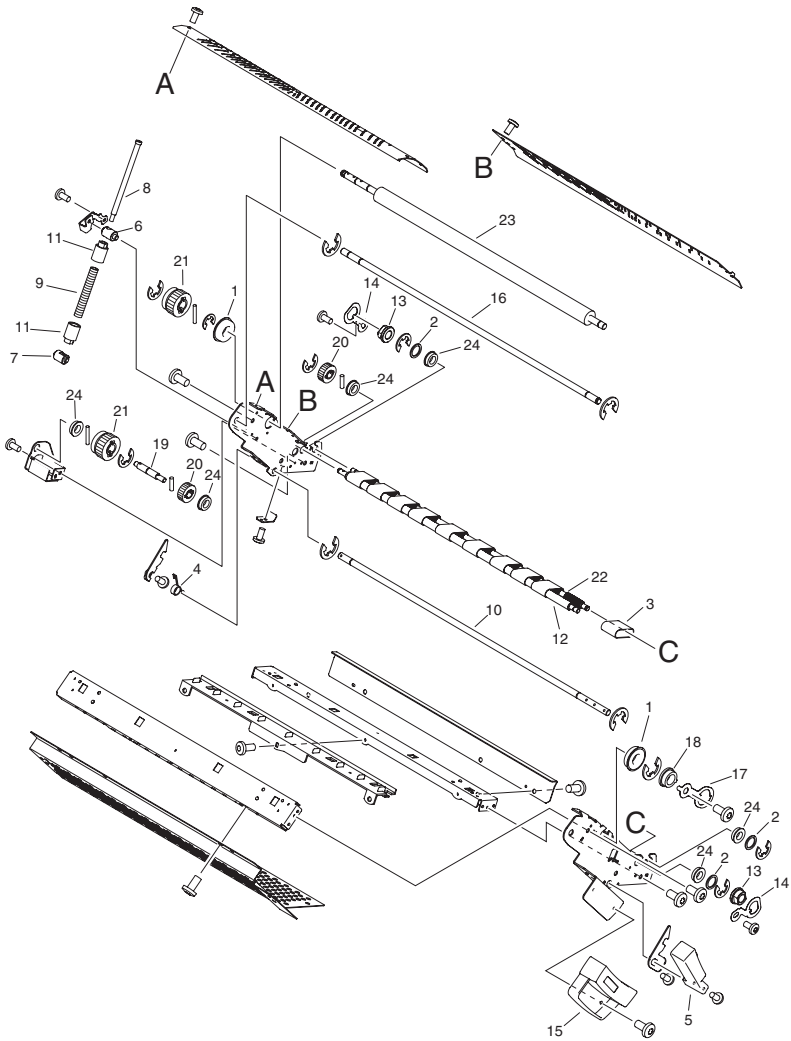


FIGURE & KEY NO.	PARTS NUMBER	R A N K	Q'TY	DESCRIPTION	SERIAL NUMBER/ REMARKS	S V C
Fig.346	NPN		RF	FIXING/FEED ASS'Y, LEFT LOWER		
1	XG9-0094-000		2	BALL BEARING, NSK 688AZZNRMC3		
2	FS5-6488-000		3	WASHER		
3	FC7-4600-000		10	BELT, WIDTH PAPER FEED		
4	FU6-2003-000		1	SPRING, TORSION		
5	FC7-1595-000		1	LEVER, LATCH		
6	FU5-4658-000		1	SHAFT, TOGGLE, G		
7	FU5-4657-000		1	SHAFT, TOGGLE, FRONT		
8	FC7-1594-000		1	ROD		
9	FU6-2004-000		1	SPRING, COMPRESSION		
10	FC7-1589-000		1	SHAFT, LATCH		
11	FC7-1592-000		2	BUSHING		
12	FC7-1597-000		1	ROLLER, DECURLER DRIVE		
13	FS5-1592-000		2	BUSHING		
14	FC7-1601-000		2	PLATE, DECURLER GROUNDING		
15	FC6-2215-000		1	GRIP, OPEN/CLOSE LEVER		
16	FC7-1584-000		1	SHAFT, GUIDE TURN, LOWER		
17	FC5-9559-000		1	PLATE, ROLLER GROUNDING		
18	FA9-2112-000		1	BUSHING, PL		
19	FU5-4655-000		1	SHAFT, SWING GEAR, MOVABLE		
20	FU6-0446-000		2	GEAR, 18T		
21	FU6-0376-000		2	GEAR, 20T		
22	FC7-1598-000		1	ROLLER, DRIVEN		
23	FC5-9833-000		1	ROLLER, PAPER FEED, A		
24	XG9-0520-000		6	BEARING, BALL, MF106ZZS		

FIGURE 347
FIXING/FEEED ASSEMBLY, RIGHT

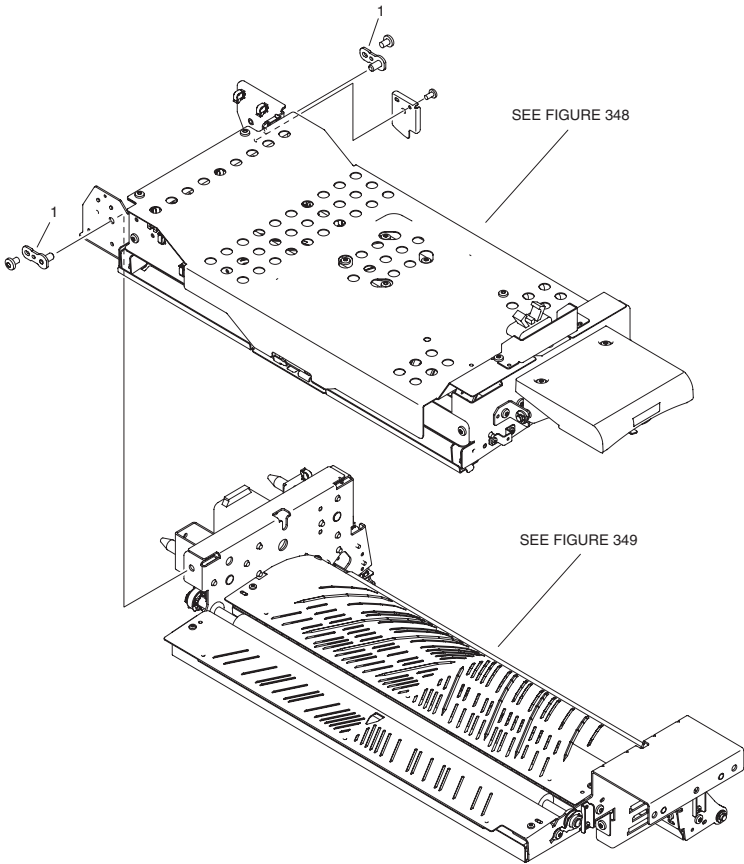
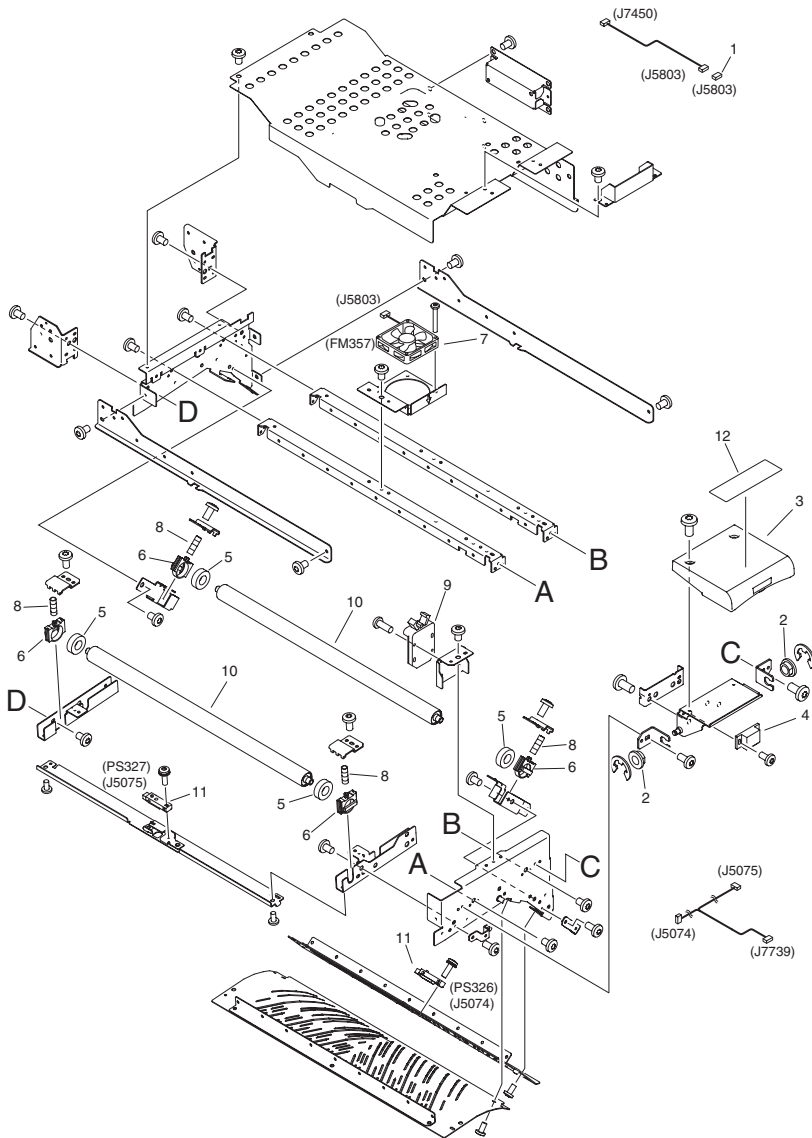


FIGURE & KEY NO.	PARTS NUMBER	R A N K	Q'TY	DESCRIPTION	SERIAL NUMBER/ REMARKS	S V C
Fig.347 1	NPN FL2-2139-000		RF 2	FIXING/FEED ASS'Y, RIGHT HINGE, CROSSING, REAR		

FIGURE 348 FIXING/FEEED ASSEMBLY, RIGHT UPPER



NOTE : Several kinds of labels are attached on the board for the parts of Key No. 12. The same parts as Fig/Key No. 112-10, 113-15, 344-11, 351-33, 370-44 and 372-22.

注 : Key No. 12の部品は台紙に数種類のラベルが付いています。Fig/Key No. 112-10, 113-15, 344-11, 351-33, 370-44, 372-22と同一部品です。

FIGURE & KEY NO.	PARTS NUMBER	R A N K	Q'TY	DESCRIPTION	SERIAL NUMBER/ REMARKS	S V C
Fig.348	FM2-2222-000		1	FIXING/FEED ASS'Y, RIGHT UPPER		
1	VS1-7177-004		1	CONNECTOR, SNAP TIGHT, BK		
2	FS1-1569-000		2	BUSHING		
3	FC6-2102-000		1	LEVER, GUIDE OPEN/CLOSE, UPPER		
4	XZ9-0614-000		1	MAGNET CATCH		
5	XG9-0511-000		4	BEARING, BALL		
6	FC5-9918-000		4	HOLDER		
7	FK2-3100-000		1	FAN	FM357	
8	FU5-2893-000		4	SPRING, COMPRESSION		
9	FC7-4595-000		1	LATCH, PUSH		
10	FL2-2016-000		2	ROLLER, DRIVEN		
11	WG8-5736-000		2	PHOTO SENSOR UNIT	PS326,327	
12	FC8-2966-000		1	LABEL, SUB STATION LANGUAGE 2	Japanese	
12	FC8-2967-000		1	LABEL, SUB STATION LANGUAGE 2	English	
12	FC8-2968-000		1	LABEL, SUB STATION LANGUAGE 2	French	
12	FC8-2969-000		1	LABEL, SUB STATION LANGUAGE 2	German	
12	FC8-2970-000		1	LABEL, SUB STATION LANGUAGE 2	Italian	
12	FC8-2971-000		1	LABEL, SUB STATION LANGUAGE 2	Spanish	
12	FC8-2972-000		1	LABEL, SUB STATION LANGUAGE 2	Portuguese	
12	FC8-2974-000		1	LABEL, SUB STATION LANGUAGE 2	Korean	
12	FC8-2975-000		1	LABEL, SUB STATION LANGUAGE 2	Simplified Chinese	

FIGURE 349
FIXING/FEEED ASSEMBLY, RIGHT LOWER

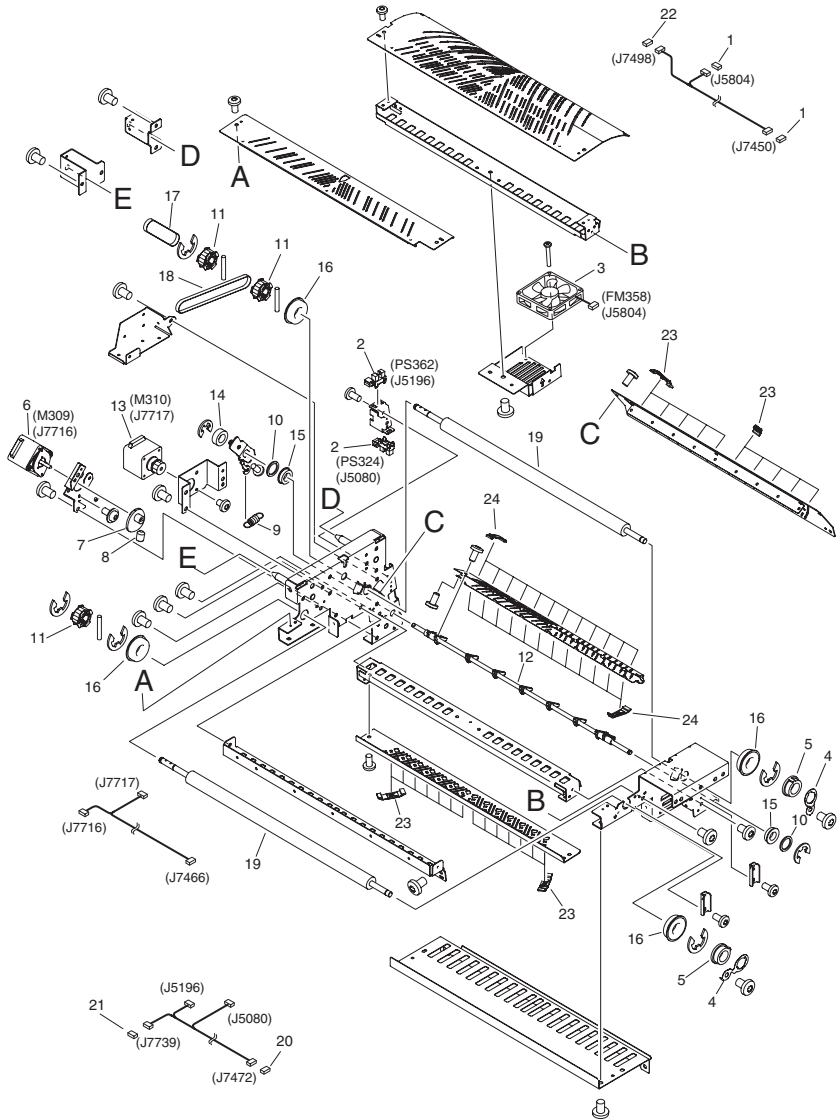


FIGURE & KEY NO.	PARTS NUMBER	R A N K	Q'TY	DESCRIPTION	SERIAL NUMBER/ REMARKS	S V C
Fig.349	FM2-2223-000		1	FIXING/FEED ASS'Y, RIGHT LOWER		
1	VS1-7177-004		2	CONNECTOR, SNAP TIGHT, BK		
2	FK2-0149-000		2	PHOTO-INTERRUPTER, TLP1252(C6)	PS324,362	
3	FK2-3100-000		1	FAN	FM358	
4	FC5-9559-000		2	PLATE, ROLLER GROUNDING		
5	FA9-2112-000		2	BUSHING, PL		
6	FK2-3126-000		1	MOTOR, STEPPING, DC	M309	
7	FC5-9869-000		1	CAM, FLAPPER DRIVE		
8	FA9-2864-010		1	SETSCREW, M3X4		
9	FU5-2960-000		1	SPRING, TENSION		
10	FS5-6488-000		2	WASHER		
11	FU5-3441-000		3	PULLEY, 30T		
12	FC7-4619-000		1	FLAPPER		
13	FK2-3125-000		1	MOTOR, STEPPING, DC	M310	
14	XG9-0406-000		1	BEARING,BALL NMB		
15	XG9-0520-000		2	BEARING, BALL, MF106ZZS		
16	XG9-0094-000		4	BALL BEARING, NSK 688AZZNRMC3		
17	XF2-3610-060		1	BELT, TIMING		
18	XF2-3616-460		1	BELT, TIMING		
19	FC6-2251-000		2	ROLLER, PAPER FEED		
20	VS1-7177-012		1	CONNECTOR, SNAP TIGHT, BK		
21	VS1-7177-006		1	CONNECTOR, SNAP TIGHT, BK		
22	VS1-7173-008		1	CONNECTOR, SNAP TIGHT, 8P, W		
23	FC7-4645-000		24	RIB, PAPER DELIVERY, SMALL		
24	FC7-9662-000		24	RIB, FLAPPER		

FIGURE 350 REVERSE DELIVERY ASSEMBLY

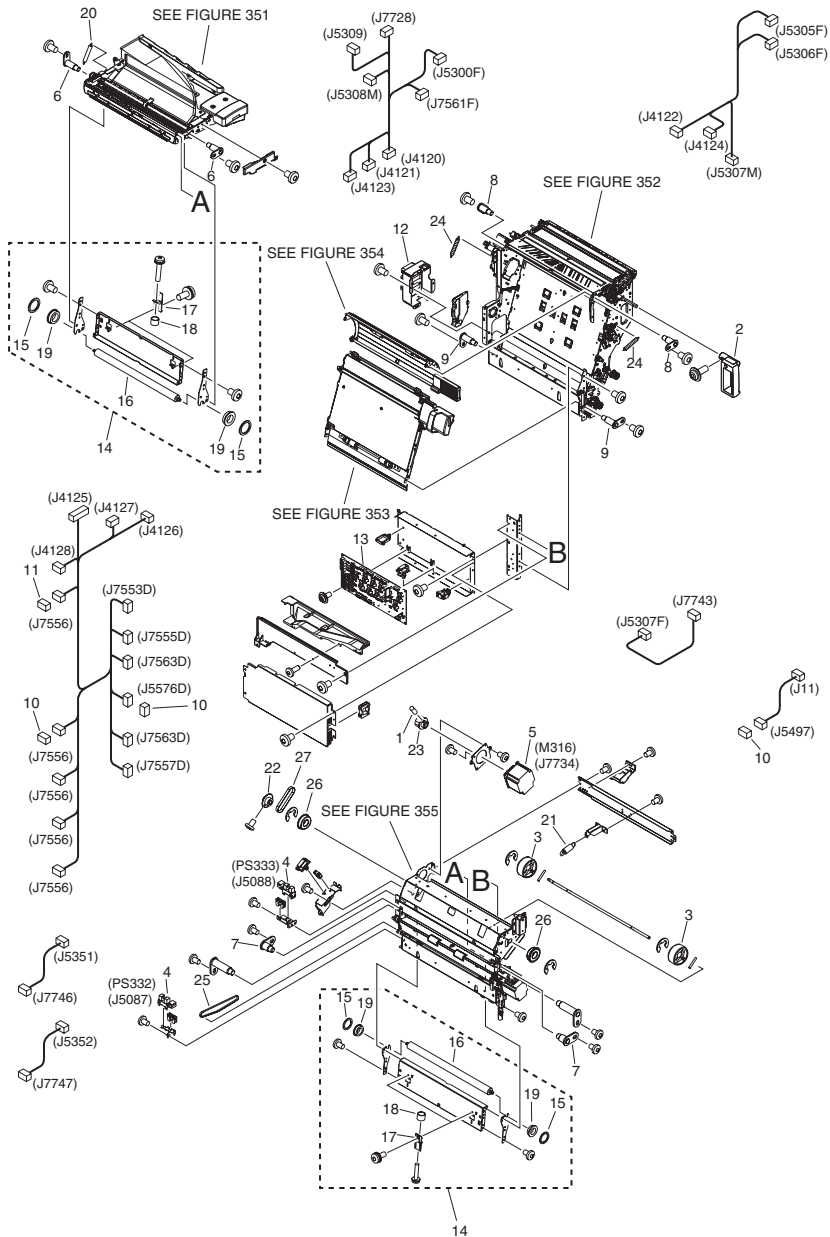
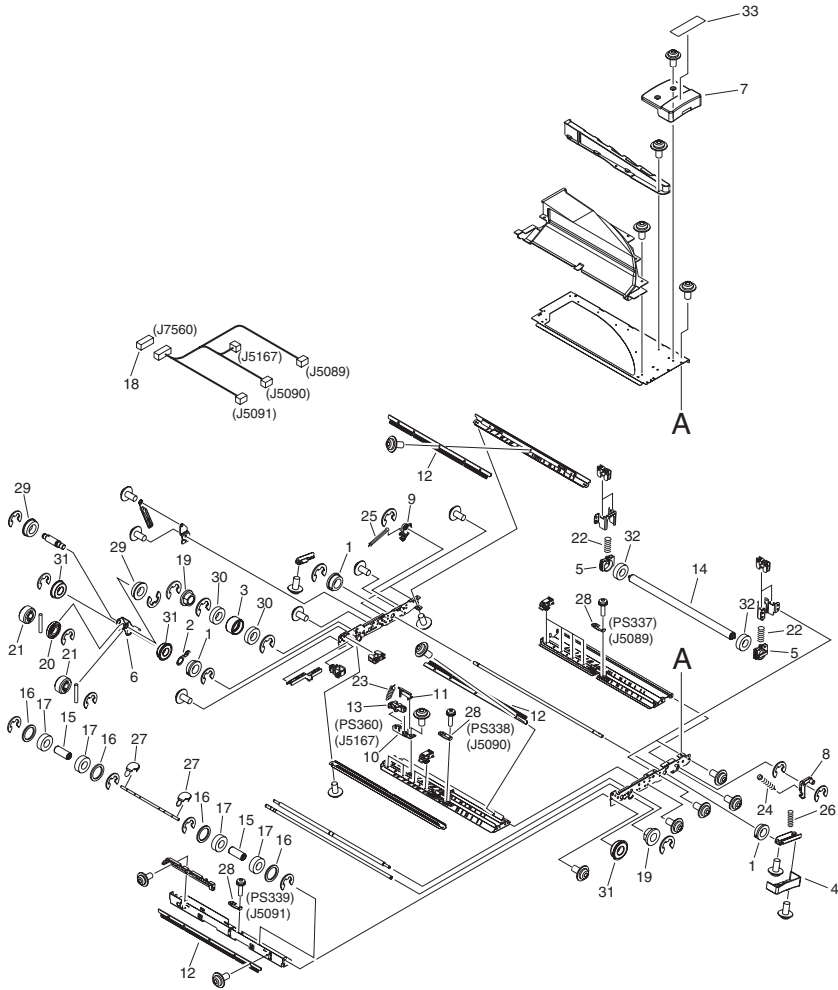


FIGURE & KEY NO.	PARTS NUMBER	R A N K	Q'TY	DESCRIPTION	SERIAL NUMBER/ REMARKS	S V C
Fig.350	NPN		RF	REVERSE DELIVER ASSEMBLY		
1	FA9-2864-010		1	SETSCREW, M3X4		
2	FB2-3159-000		1	LEVER, LIFTER		
3	FC5-9907-000		2	CAM		
4	FK2-0149-000		2	PHOTO-INTERRUPTER, TLP1252(C6)	PS332,333	
5	FK2-3132-000		1	MOTOR, STEPPING, DC	M316	
6	FL2-2257-000		2	PIN, MOUNTING, 1		
7	FL2-2261-000		2	PIN, PAPER DELIVERY GUIDE, UP.		
8	FL2-2274-000		2	PIN, GUIDE, 1		
9	FL2-4157-000		2	PIN, GUIDE, 2		
10	VS1-7177-003		3	CONNECTOR, SNAP TIGHT, BK		
11	VS1-7177-006		1	CONNECTOR, SNAP TIGHT, BK		
12	FM2-9299-000		1	CABLE, PAPER DELIVERY REVERSE		
13	FM2-7701-000		1	PAPER DELIVERY PCB ASSEMBLY		
14	FM2-9302-000		2	DECURLER ASSEMBLY		
15	FB2-6285-020		4	SHIM		
16	FC5-9904-000		2	ROLLER, SPONGE		
17	FC6-8469-000		4	ADJUSTER, DECURLER CAM		
18	FU6-2523-000		4	SPRING, COMPRESSION		
19	XG9-0211-000		4	BALL BEARING, MF128ZZ1MC3D4M		
20	FU5-2905-000		1	SPRING, TENSION		
21	FU5-2953-000		1	SPRING, TENSION		
22	FU5-3201-000		1	PULLEY		
23	FU5-3204-000		1	PULLEY, 30T		
24	FU6-2539-000		2	SPRING, TENSION		
25	XF2-3610-660		1	BELT, TIMING		
26	XG9-0549-000		2	BEARING,BALL, JMK-688ZZNR D4ML		
27	XF2-3607-660		1	BELT, TIMING		

FIGURE 351 DELIVERY GUIDE ASSEMBLY, UPPER



NOTE : Several kinds of labels are attached on the board for the parts of Key No. 33. The same parts as Fig/Key No. 112-10, 113-15, 344-11, 348-12, 370-44 and 372-22.

注 : Key No. 33の部品は台紙に数種類のラベルが付いています。Fig/Key No. 112-10, 113-15, 344-11, 348-12, 370-44, 372-22と同一部品です。

FIGURE & KEY NO.	PARTS NUMBER	R A N K	Q'TY	DESCRIPTION	SERIAL NUMBER/ REMARKS	S V C
Fig.351	FM2-2231-000		1	DELIVERY GUIDE ASSEMBLY, UPPER		
1	FA9-2112-000		3	BUSHING, PL		
2	FC5-9559-000		1	PLATE, ROLLER GROUNDING		
3	FC5-9894-000		1	ROLLER, BACK-UP		
4	FC5-9917-000		1	LEVER, PAPER DELIVERY GUIDE, 1		
5	FC5-9918-000		4	HOLDER		
6	FC5-9928-000		1	PLATE, DRIVE SWING		
7	FC5-9989-000		1	LEVER, PAPER DELIVERY GUIDE, 2		
8	FC6-8460-000		1	LOCK, DELIVERY GUIDE, FRONT		
9	FC6-8461-000		1	LOCK, DELIVERY GUIDE, READER		
10	FC6-8464-000		1	MOUNT, OPEN/CLOSE SENSOR		
11	FC6-8465-000		1	FLAG, OPEN/CLOSE DETECT		
12	FC6-8601-000		3	ELIMINATOR, STATIC CHARGE		
13	FK2-0149-000		1	PHOTO-INTERRUPTER, TLP1252(C6)	PS360	
14	FL2-2016-000		2	ROLLER, DRIVEN		
15	FC6-0111-000		2	ROLLER, FOLLOWER		
16	FS5-6488-000		4	WASHER		
17	XG9-0245-000		4	BEARING, BALL, MR126ZZMC3NS7L		
18	VS1-7177-012		1	CONNECTOR, SNAP TIGHT, BK		
19	FS1-1569-000		2	BUSHING		
20	FS5-6248-000		1	ROLLER, PUSH-ON		
21	FU5-0266-000		2	GEAR, 20T		
22	FU5-2904-000		4	SPRING, COMPRESSION		
23	FU5-2947-000		1	SPRING, TENSION		
24	FU6-2529-000		1	SPRING, TENSION		
25	FU6-2530-000		1	SPRING, TENSION		
26	FU6-2531-000		1	SPRING, COMPRESSION		
27	FU6-2550-000		2	SPRING, TENSION		
28	WG8-5736-000		3	PHOTO SENSOR UNIT	PS337,338,339	
29	XG9-0520-000		2	BEARING, BALL, MF106ZZS		
30	XG1-1019-055		2	BEARING,BALL		
31	XG9-0094-000		4	BALL BEARING, NSK 688AZZNRMC3		

FIGURE & KEY NO.	PARTS NUMBER	RANK	Q'TY	DESCRIPTION	SERIAL NUMBER/REMARKS	SVC
32	XG9-0511-000		4	BEARING, BALL		
33	FC8-2966-000		1	LABEL, SUB STATION LANGUAGE 2	Japanese	
33	FC8-2967-000		1	LABEL, SUB STATION LANGUAGE 2	English	
33	FC8-2968-000		1	LABEL, SUB STATION LANGUAGE 2	French	
33	FC8-2969-000		1	LABEL, SUB STATION LANGUAGE 2	German	
33	FC8-2970-000		1	LABEL, SUB STATION LANGUAGE 2	Italian	
33	FC8-2971-000		1	LABEL, SUB STATION LANGUAGE 2	Spanish	
33	FC8-2972-000		1	LABEL, SUB STATION LANGUAGE 2	Portuguese	
33	FC8-2974-000		1	LABEL, SUB STATION LANGUAGE 2	Korean	
33	FC8-2975-000		1	LABEL, SUB STATION LANGUAGE 2	Simplified Chinese	

FIGURE 352
REVERSE ASSEMBLY

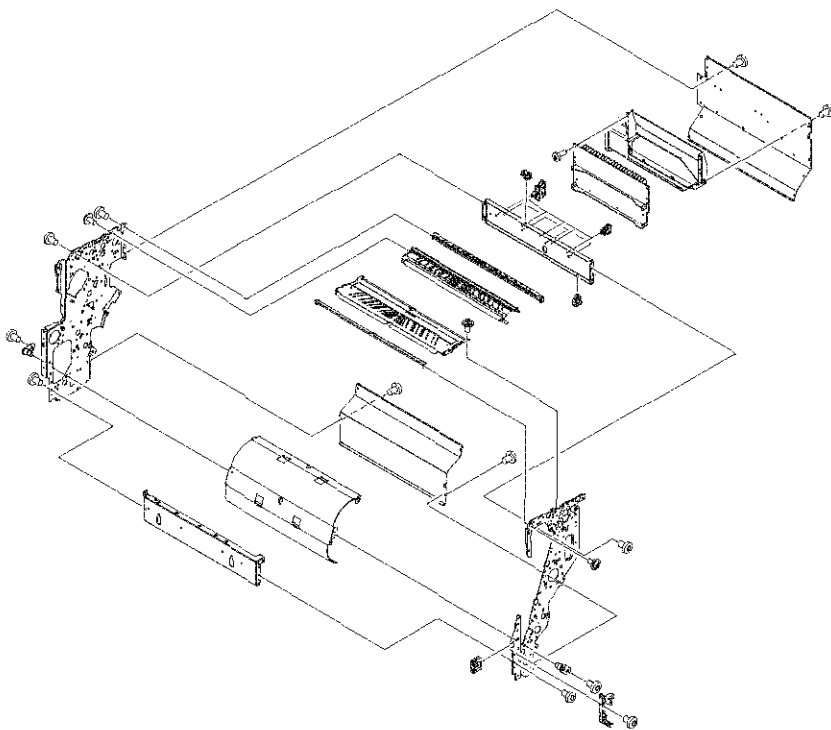


FIGURE 352 REVERSE ASSEMBLY

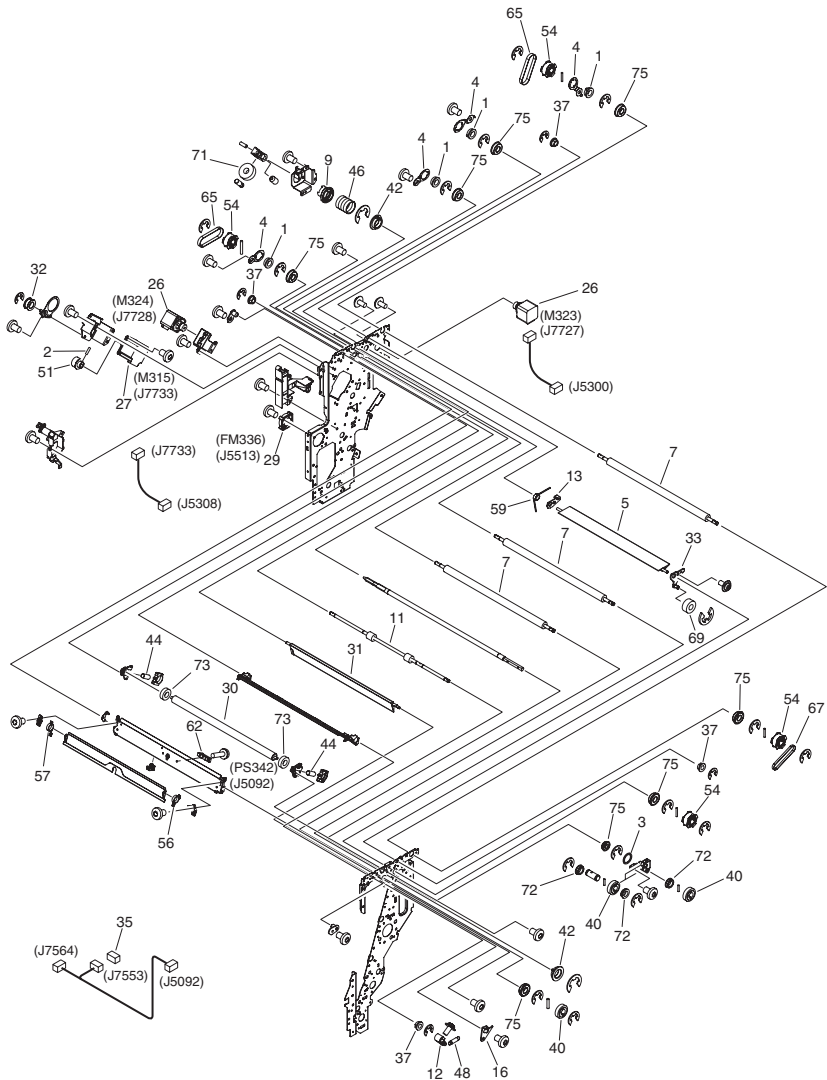


FIGURE 352 REVERSE ASSEMBLY

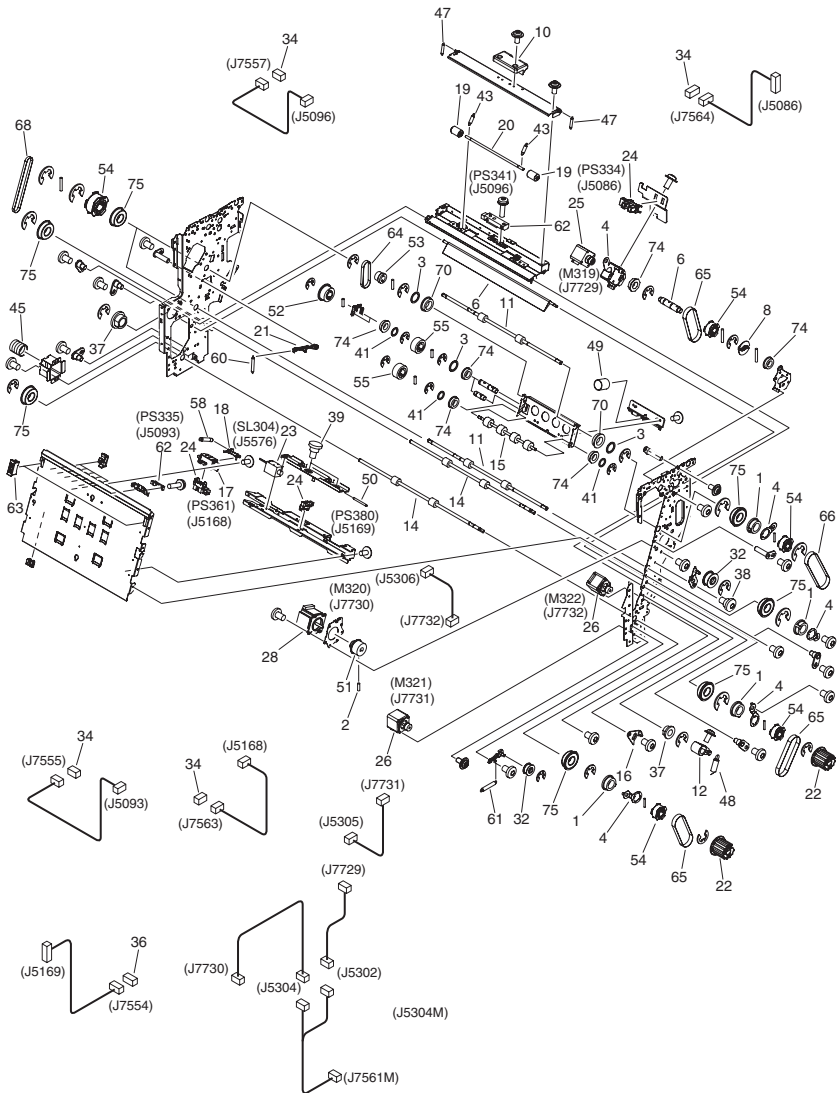


FIGURE & KEY NO.	PARTS NUMBER	R A N K	Q'TY	DESCRIPTION	SERIAL NUMBER/ REMARKS	S V C
Fig.352	FM2-2232-010		1	REVERSE ASSEMBLY		
1	FA9-2112-000		8	BUSHING, PL		
2	FA9-2864-010		2	SETSCREW, M3X4		
3	FB2-6285-020		4	SHIM		
4	FC5-9559-000		8	PLATE, ROLLER GROUNDING		
5	FC5-9935-000		1	FLAPPER, PAPER DELIVERY, 1		
6	FC5-9953-000		1	FLAPPER, REVERSE, 2		
7	FC6-2253-000		3	ROLLER, PAPER DELIVERY DRIVE		
8	FC6-2266-000		1	CAM, FLAPPER		
9	FC6-2272-000		1	LOCK, LEVER		
10	FC6-2277-000		1	LEVER, DUPLEXING ENTRANCE		
11	FC6-2280-000		3	ROLLER, REVERSE, 1		
12	FC6-2400-000		2	LEVER, FLAPPER, 1		
13	FC6-2451-000		1	PLATE, FLAPPER		
14	FC6-2455-000		2	ROLLER, DUPLEXING REVERSE		
15	FC6-3342-000		1	ROLLER, SPONGE		
16	FC6-8458-000		2	HOOK, SPRING		
17	FC6-8464-000		1	MOUNT, OPEN/CLOSE SENSOR		
18	FC6-8465-000		18	FLAG, OPEN/CLOSE DETECT		
19	FC7-0042-000		2	ROLLER, FOLLOWER		
20	FC7-0043-000		1	SHAFT, FOLLOWER ROLLER		
21	FC7-4901-010		1	LEVER, REVERSE GUIDE		
22	FC7-7067-000		2	KNOB, EXTRACTION		
23	FH7-5838-030		1	SOLENOID	SL304	
24	FK2-0149-000		3	PHOTO-INTERRUPTER, TLP1252(C6)	PS334,361,380	
25	FK2-3125-000		1	MOTOR, STEPPING, DC	M319	
26	FK2-3129-000		4	MOTOR, STEPPING, DC	M321,322,323,324	
27	FK2-3132-000		1	MOTOR, STEPPING, DC	M315	
28	FK2-3134-000		1	MOTOR, STEPPING, DC	M320	
29	FK2-3148-000		1	FAN	FM336	
30	FL2-2016-000		1	ROLLER, DRIVEN		
31	FL2-2268-000		1	FLAPPER, REVERSE, 1		

FIGURE & KEY NO.	PARTS NUMBER	R A N K	Q'TY	DESCRIPTION	SERIAL NUMBER/ REMARKS	S V C
32	FL2-5562-000		3	ROLLER, TENSIONER		
33	FL2-6237-000		1	PLATE, FLAPPER, 2		
34	VS1-7177-003		4	CONNECTOR, SNAP TIGHT, BK		
35	VS1-7177-006		1	CONNECTOR, SNAP TIGHT, BK		
36	VS1-7177-004		1	CONNECTOR, SNAP TIGHT, BK		
37	FS1-1569-000		6	BUSHING		
38	FS1-9003-020		1	SCREW, STEPPED, M4		
39	FS1-9199-000		2	SCREW, M4		
40	FS5-0688-000		4	GEAR, 17T		
41	FS5-6488-000		5	WASHER		
42	FU5-1319-000		2	BUSHING		
43	FU5-2839-000		2	SPRING, TENSION		
44	FU5-2904-000		2	SPRING, COMPRESSION		
45	FU5-2911-000		1	SPRING, COMPRESSION		
46	FU5-2914-000		1	SPRING, COMPRESSION		
47	FU5-2918-000		2	SPRING, TENSION		
48	FU5-2947-000		2	SPRING, TENSION		
49	FU5-2957-000		1	SPRING, COMPRESSION		
50	FU5-2958-000		1	SPRING, TENSION		
51	FU5-3204-000		2	PULLEY, 30T		
52	FU5-3205-000		1	PULLEY, 22T		
53	FU5-3206-000		1	PULLEY, 20T		
54	FU5-3441-000		10	PULLEY, 30T		
55	FU6-0414-000		3	GEAR, 20T		
56	FU6-2521-000		1	SPRING, TORSION		
57	FU6-2522-000		1	SPRING, TORSION		
58	FU5-2947-000		1	SPRING, TENSION		
59	FU6-2532-000		1	SPRING, TORSION		
60	FU6-2548-010		1	SPRING, TENSION		
61	FU6-2539-000		1	SPRING, TENSION		
62	WG8-5736-000		3	PHOTO SENSOR UNIT	PS335,341,342	
63	XZ9-0603-000		2	CATCH, MAGNET		

FIGURE & KEY NO.	PARTS NUMBER	RANK	Q'TY	DESCRIPTION	SERIAL NUMBER/REMARKS	SVC
64	XF2-3604-940		1	BELT, TIMING		
65	XF2-3607-060		5	BELT, TIMING		
66	XF2-3608-460		1	BELT, TIMING		
67	XF2-3609-960		1	BELT, TIMING		
68	XF2-3614-860		1	BELT, TIMING		
69	XG9-0149-000		1	BEARING, BALL, 684AA1T12DZZ,		
70	XG9-0668-000		2	BALL BEARING, MF128ZZ1MC3D4M		
71	XG9-0304-000		1	BALL BEARING,NMB		
72	XG9-0507-000		5	BEARING, BALL, MF128ZZ		
73	XG9-0511-000		2	BEARING, BALL		
74	XG9-0520-000		8	BEARING, BALL, MF106ZZS		
75	XG9-0549-000		16	BEARING,BALL, JMK-688ZZNR D4ML		

FIGURE 353 REVERSE GUIDE ASSEMBLY, LOWER

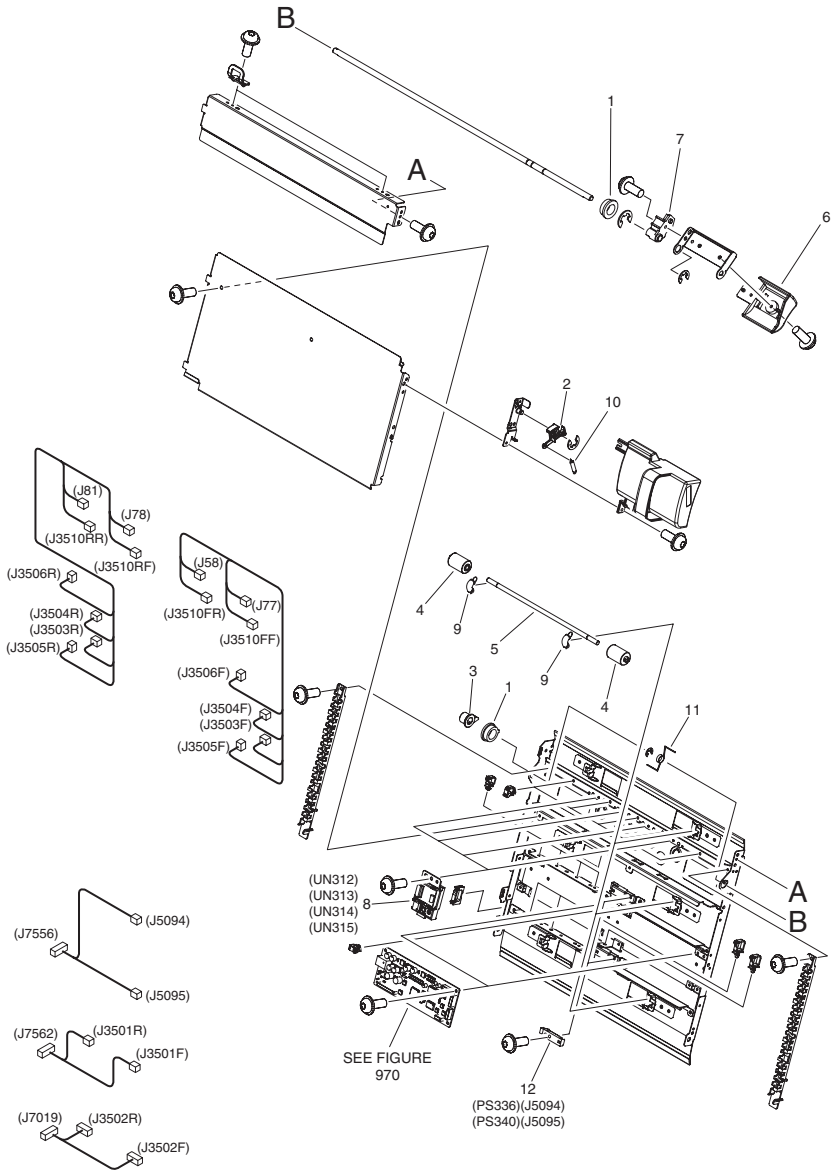


FIGURE & KEY NO.	PARTS NUMBER	R A N K	Q'TY	DESCRIPTION	SERIAL NUMBER/ REMARKS	S V C
Fig.353	FM2-2233-000		1	REVERSE GUIDE ASSEMBLY, LOWER		
1	FA9-2112-000		2	BUSHING, PL		
2	FC6-8596-000		1	HOOK, LEVER FRONT, 1		
3	FC6-8598-000		1	CAM, LEVER, 1		
4	FC7-0042-000		6	ROLLER, FOLLOWER		
5	FC7-0043-000		3	SHAFT, FOLLOWER ROLLER		
6	FC7-4040-000		1	LEVER, REVERSE GUIDE, 2		
7	FC7-4042-000		1	CAM, REVERSE GUIDE LEVER		
8	FM2-2713-000		4	COLOR SENSOR PCB UNIT	UN312-315	
9	FU5-2839-000		6	SPRING, TENSION		
10	FU5-2999-000		1	SPRING, TENSION		
11	FU6-2006-000		1	SPRING, TORSION		
12	WG8-5736-000		2	PHOTO SENSOR UNIT	PS336,340	

FIGURE 354 REVERSE GUIDE ASSEMBLY, UPPER

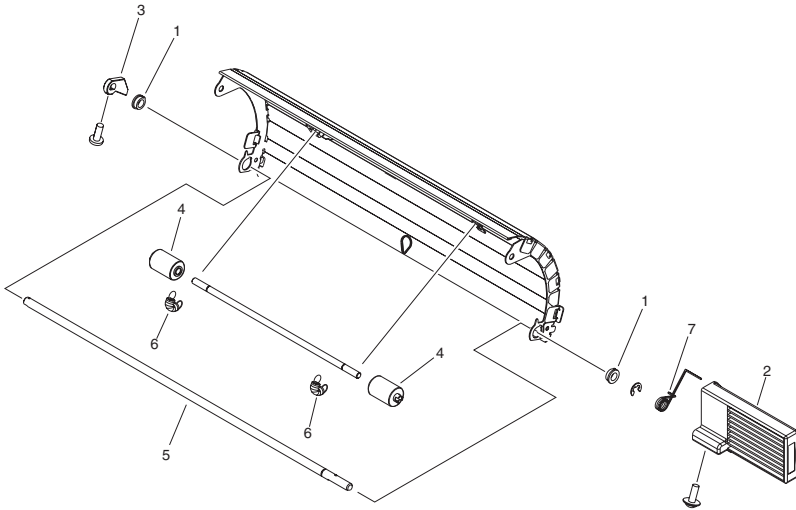


FIGURE & KEY NO.	PARTS NUMBER	RANK	QTY	DESCRIPTION	SERIAL NUMBER/REMARKS	SVC
Fig.354	FM2-2235-000		1	REVERSE GUIDE ASSEMBLY, UPPER		
1	FA9-2112-000		2	BUSHING, PL		
2	FC5-9939-000		1	LEVER, REVERSE GUIDE, LOWER 3		
3	FC6-8599-000		1	CAM, LEVER, 2		
4	FC7-0042-000		2	ROLLER, FOLLOWER		
5	FC7-0043-000		1	SHAFT, FOLLOWER ROLLER		
6	FU5-2839-000		2	SPRING, TENSION		
7	FU6-2007-000		1	SPRING, TORSION		

FIGURE 355 DELIVERY GUIDE ASSEMBLY, LOWER

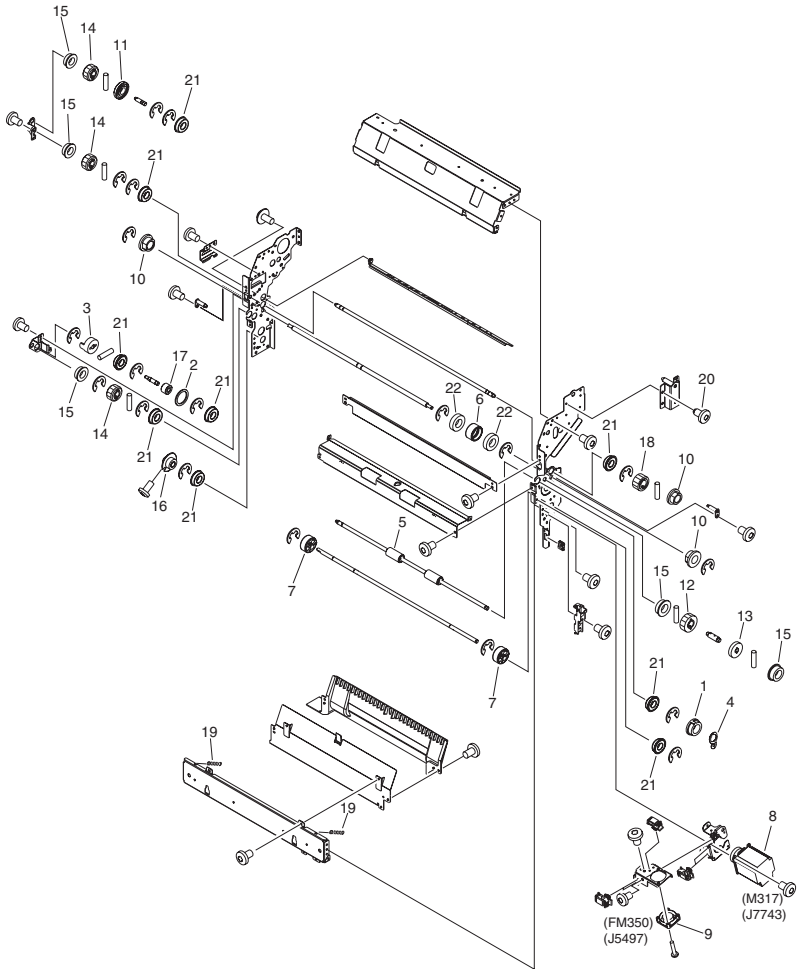


FIGURE & KEY NO.	PARTS NUMBER	R A N K	Q'TY	DESCRIPTION	SERIAL NUMBER/ REMARKS	S V C
Fig.355	FM2-9301-000		1	DELIVERY GUIDE ASSEMBLY, LOWER		
1	FA9-2112-000		1	BUSHING, PL		
2	FB2-6285-020		1	SHIM		
3	FB2-7540-000		1	BUSHING		
4	FC5-9559-000		1	PLATE, ROLLER GROUNDING		
5	FC5-9885-000		1	ROLLER, PAPER DELIVERY, 3		
6	FC5-9894-000		1	ROLLER, BACK-UP		
7	FC5-9907-000		2	CAM		
8	FK2-3135-000		1	MOTOR, STEPPING, DC	M317	
9	FK2-3148-000		1	FAN	FM350	
10	FS1-1569-000		3	BUSHING		
11	FS5-6248-000		1	ROLLER, PUSH-ON		
12	FU5-0161-000		1	GEAR, 26T		
13	FU5-0262-000		1	GEAR, 44T		
14	FU5-0266-000		3	GEAR, 20T		
15	XG9-0520-000		5	BEARING, BALL, MF106ZZS		
16	FU5-3201-000		1	PULLEY		
17	FU6-0378-000		1	COUPLING		
18	FU6-0463-000		1	GEAR, 18T		
19	FU6-2543-000		2	SPRING, TENSION		
20	XA9-0892-000		4	SCREW,MACH.,TRUSS HEAD,M4X6		
21	XG9-0549-000		9	BEARING,BALL, JMK-688ZZNR D4ML		
22	XG1-1019-055		2	BEARING,BALL		

FIGURE 360 DUPLEX LEFT ASSEMBLY

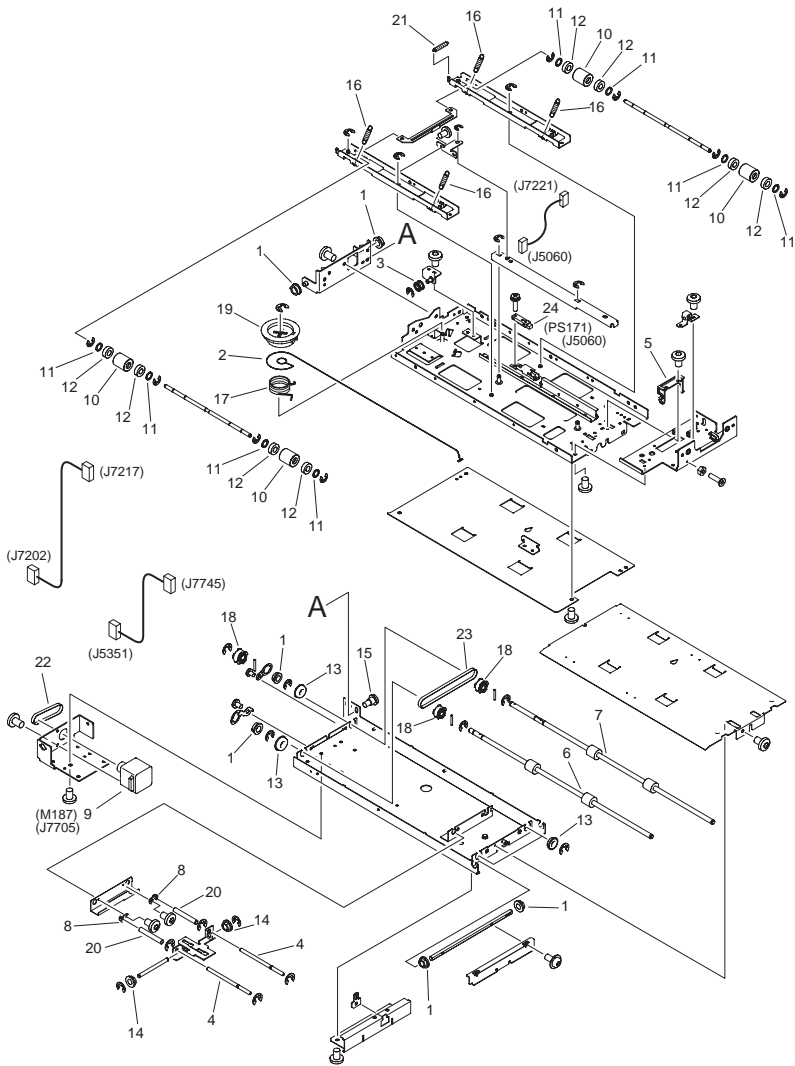


FIGURE & KEY NO.	PARTS NUMBER	R A N K	Q'TY	DESCRIPTION	SERIAL NUMBER/ REMARKS	S V C
Fig.360	FM2-5197-000		1	DUPLEX LEFT ASSEMBLY		
1	FA9-2112-000		6	BUSHING, PL		
2	FC6-0034-000		1	WIRE, LIFTER		
3	FC6-0059-000		1	ROLLER, WIRE		
4	FC6-7842-000		2	PIN, GUIDE LOCK		
5	FC6-7852-000		1	HOOK, DUPLEXING GUIDE		
6	FC6-7868-000		1	ROLLER, PAPER FEED, A		
7	FC6-7869-000		1	ROLLER, PAPER FEED, B		
8	FC6-8310-000		2	BUSHING, FIXED		
9	FK2-3125-000		1	MOTOR, STEPPING	M187	
10	FC5-9668-000		4	ROLLER, FOLLOWER		
11	FS5-6488-000		8	WASHER		
12	XG9-0245-000		8	BEARING, BALL, MR126ZZMC3NS7L		
13	XG9-0094-000		4	BALL BEARING, NSK 688AZZNRMC3		
14	FS1-1569-000		2	BUSHING		
15	FS1-9053-020		1	SCREW, STEPPED, M4		
16	FU5-2839-000		4	SPRING, TENSION		
17	FU5-2846-000		1	SPRING, TORSION		
18	FU5-3441-000		3	PULLEY, 30T		
19	FU6-0352-000		1	GEAR, 62T		
20	FU6-2511-000		2	SPRING, COMPRESSION		
21	FU6-2512-000		1	SPRING, FOLLOWER ROLLER HOLDER		
22	XF2-3608-460		1	BELT, TIMING		
23	XF2-3615-460		1	BELT, TIMING		
24	WG8-5736-000		1	PHOTO- SENSOR, REFLECTOR TYPE	PS171	

FIGURE 361 DUPLEX CENTER ASSEMBLY

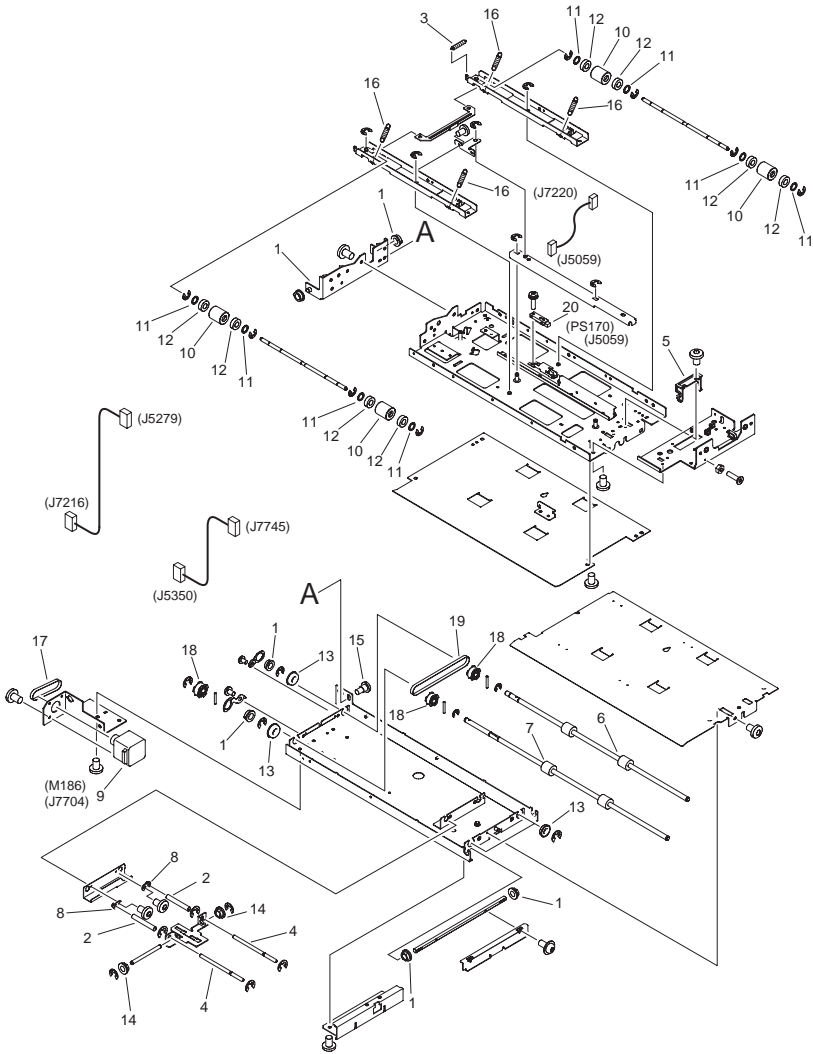


FIGURE & KEY NO.	PARTS NUMBER	R A N K	Q'TY	DESCRIPTION	SERIAL NUMBER/ REMARKS	S V C
Fig.361	FM2-5210-000		1	DUPLEX CENTER ASSEMBLY		
1	FA9-2112-000		6	BUSHING, PL		
2	FU6-2511-000		2	SPRING, COMPRESSION		
3	FU6-2512-000		1	SPRING, FOLLOWER ROLLER HOLDER		
4	FC6-7842-000		2	PIN, GUIDE LOCK		
5	FC6-7852-000		1	HOOK, DUPLEXING GUIDE		
6	FC6-7868-000		1	ROLLER, PAPER FEED, A		
7	FC6-7869-000		1	ROLLER, PAPER FEED, B		
8	FC6-8310-000		2	BUSHING, FIXED		
9	FK2-3125-000		1	MOTOR, STEPPING	M186	
10	FC5-9668-000		4	ROLLER, FOLLOWER		
11	FS5-6488-000		8	WASHER		
12	XG9-0245-000		8	BEARING, BALL, MR126ZZMC3NS7L		
13	XG9-0094-000		4	BALL BEARING, NSK 688AZZNRMC3		
14	FS1-1569-000		2	BUSHING		
15	FS1-9053-020		1	SCREW, STEPPED, M4		
16	FU5-2839-000		4	SPRING, TENSION		
17	XF2-3608-460		1	BELT, TIMING		
18	FU5-3441-000		3	PULLEY, 30T		
19	XF2-3615-460		1	BELT, TIMING		
20	WG8-5736-000		1	PHOTO-SENSOR, REFLECTOR TYPE	PS170	

FIGURE 362
DUPLEX RIGHT ASSEMBLY

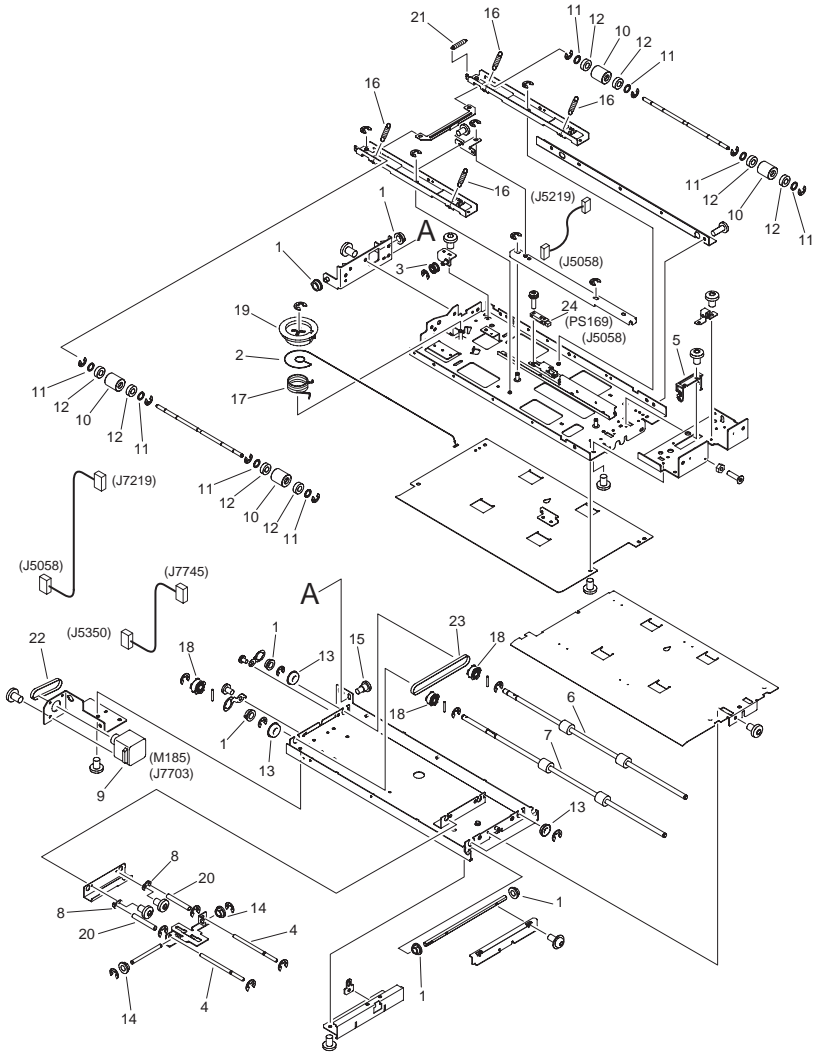
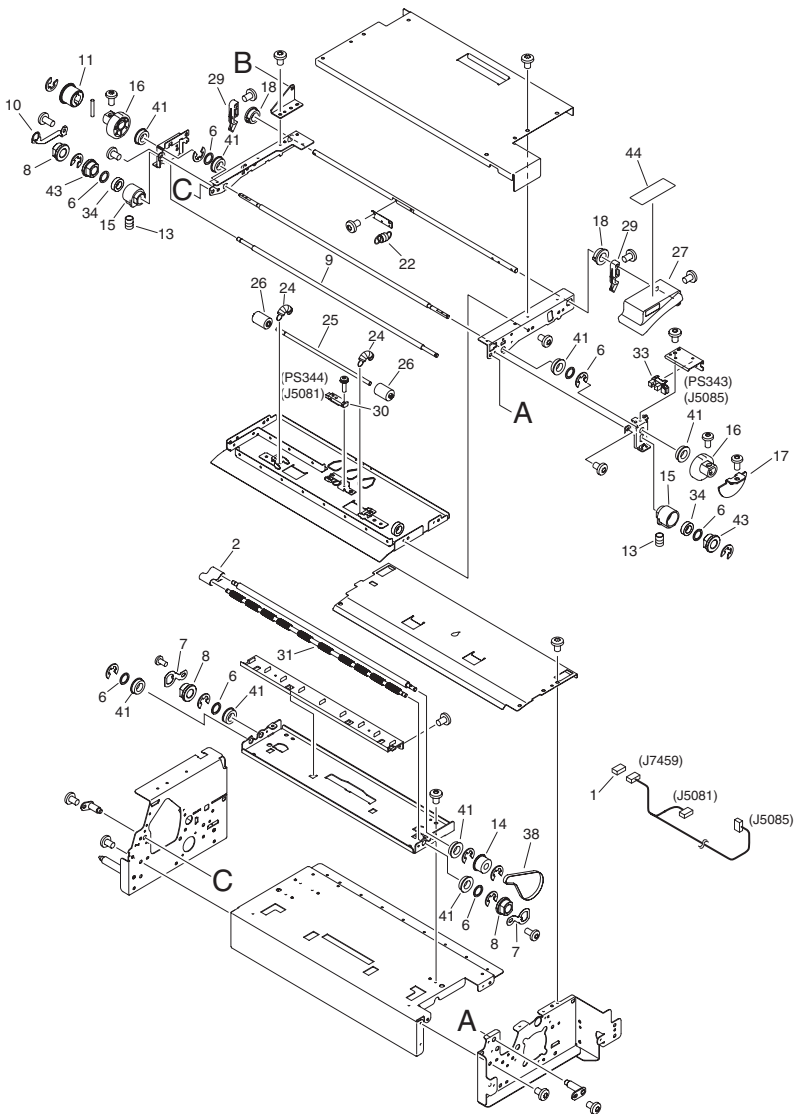


FIGURE & KEY NO.	PARTS NUMBER	R A N K	Q'TY	DESCRIPTION	SERIAL NUMBER/ REMARKS	S V C
Fig.362	FM2-5213-000		1	DUPLEX RIGHT ASSEMBLY		
1	FA9-2112-000		6	BUSHING, PL		
2	FC6-0034-000		1	WIRE, LIFTER		
3	FC6-0059-000		1	ROLLER, WIRE		
4	FC6-7842-000		2	PIN, GUIDE LOCK		
5	FC6-7852-000		1	HOOK, DUPLEXING GUIDE		
6	FC6-7868-000		1	ROLLER, PAPER FEED, A		
7	FC6-7869-000		1	ROLLER, PAPER FEED, B		
8	FC6-8310-000		2	BUSHING, FIXED		
9	FK2-3125-000		1	MOTOR, STEPPING	M185	
10	FC5-9668-000		4	ROLLER, FOLLOWER		
11	FS5-6488-000		8	WASHER		
12	XG9-0245-000		8	BEARING, BALL, MR126ZZMC3NS7L		
13	XG9-0094-000		4	BALL BEARING, NSK 688AZZNRMC3		
14	FS1-1569-000		2	BUSHING		
15	FS1-9053-020		1	SCREW, STEPPED, M4		
16	FU5-2839-000		4	SPRING, TENSION		
17	FU5-2846-000		1	SPRING, TORSION		
18	FU5-3441-000		3	PULLEY, 30T		
19	FU6-0352-000		1	GEAR, 62T		
20	FU6-2511-000		2	SPRING, COMPRESSION		
21	FU6-2512-000		1	SPRING, FOLLOWER ROLLER HOLDER		
22	XF2-3608-460		1	BELT, TIMING		
23	XF2-3615-460		1	BELT, TIMING		
24	WG8-5736-000		1	PHOTO-SENSOR, REFLECTOR TYPE	PS169	

FIGURE 370 DUPLEXING DECURLER ASSEMBLY



NOTE : Several kinds of labels are attached on the board for the parts of Key No. 44. The same parts as Fig/Key No. 112-10, 113-15, 344-11, 348-12, 351-33 and 372-22.

注 : Key No. 44の部品は台紙に数種類のラベルが付いています。Fig/Key No. 112-10, 113-15, 344-11, 348-12, 351-33, 372-22と同一部品です。

FIGURE 370 DUPLEXING DECURLER ASSEMBLY

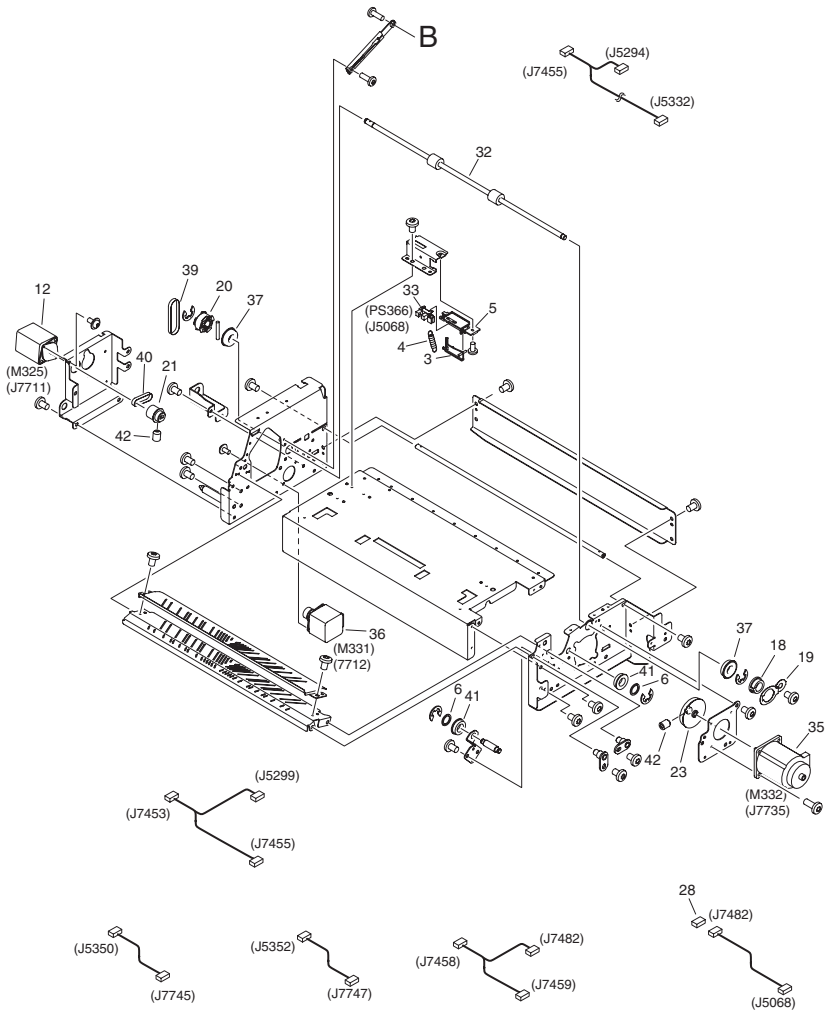


FIGURE & KEY NO.	PARTS NUMBER	R A N K	Q'TY	DESCRIPTION	SERIAL NUMBER/ REMARKS	S V C
Fig.370	FM2-2237-000		1	DUPLEXING DECURLER ASSEMBLY		
1	VS1-7177-006		1	CONNECTOR, SNAP TIGHT, BK		
2	FC7-4600-000		10	BELT, WIDTH PAPER FEED		
3	FC6-8465-000		1	FLAG, OPEN/CLOSE DETECT		
4	FU5-2947-000		1	SPRING, TENSION		
5	FC6-8464-000		1	MOUNT, OPEN/CLOSE SENSOR		
6	FS5-6488-000		9	WASHER		
7	FC7-1601-000		2	PLATE, DECURLER GROUNDING		
8	FS5-1592-000		3	BUSHING		
9	FC7-1569-000		1	ROLLER, DECURLER, UPPER		
10	FC7-1603-000		1	PLATE, ROLLER GROUNDING, UP.		
11	FU5-3208-000		1	PULLEY, 20T		
12	FK2-3136-000		1	MOTOR, STEPPING, DC	M325	
13	FU5-2996-000		2	SPRING, COMPRESSION		
14	FU5-3210-000		1	PULLEY, 23T		
15	FU5-1328-000		2	BUSHING, ROLLER		
16	FC7-1531-000		2	CAM, DECURLER		
17	FC5-9239-000		1	FLAG, SENSOR		
18	FA9-2112-000		3	BUSHING, PL		
19	FC5-9559-000		1	PLATE, ROLLER GROUNDING		
20	FU5-3441-000		1	PULLEY, 30T		
21	FU5-3209-000		1	PULLEY, 20T		
22	FU6-2005-000		1	SPRING, TENSION		
23	FU5-3211-000		1	PULLEY, 81T		
24	FU5-2839-000		2	SPRING, TENSION		
25	FC7-0043-000		1	SHAFT, FOLLOWER ROLLER		
26	FC7-0042-000		2	ROLLER, FOLLOWER		
27	FC5-9976-000		1	LEVER, REVERSE GUIDE		
28	VS1-7177-003		1	CONNECTOR, SNAP TIGHT, BK		
29	FC7-1808-000		2	HOOK, RELEASE		
30	WG8-5736-000		1	PHOTO SENSOR UNIT	PS344	
31	FC7-1598-000		1	ROLLER, DRIVEN		

FIGURE & KEY NO.	PARTS NUMBER	RANK	Q'TY	DESCRIPTION	SERIAL NUMBER/REMARKS	SVC
32	FC6-2401-000		1	ROLLER, DUPLEXING, REAR		
33	FK2-0149-000		2	PHOTO-INTERRUPTER, TLP1252(C6)	PS343,366	
34	XG9-0242-000		2	BEARING, BALL, MR106ZZMC3D4ML		
35	FK2-3152-000		1	MOTOR, STEPPING, DC	M332	
36	FK2-3129-000		1	MOTOR, STEPPING, DC	M331	
37	XG9-0549-000		2	BEARING,BALL, JMK-688ZZNR D4ML		
38	XF2-3612-560		1	BELT, TIMING		
39	XF2-3608-060		1	BELT, TIMING		
40	XF2-3605-060		1	BELT, TIMING		
41	XG9-0520-000		10	BEARING, BALL, MF106ZZS		
42	FA9-2864-010		2	SET SCREW, M3 X 4		
43	FS5-1755-000		2	BUSHING		
44	FC8-2966-000		1	LABEL, SUB STATION LANGUAGE 2	Japanese	
44	FC8-2967-000		1	LABEL, SUB STATION LANGUAGE 2	English	
44	FC8-2968-000		1	LABEL, SUB STATION LANGUAGE 2	French	
44	FC8-2969-000		1	LABEL, SUB STATION LANGUAGE 2	German	
44	FC8-2970-000		1	LABEL, SUB STATION LANGUAGE 2	Italian	
44	FC8-2971-000		1	LABEL, SUB STATION LANGUAGE 2	Spanish	
44	FC8-2972-000		1	LABEL, SUB STATION LANGUAGE 2	Portuguese	
44	FC8-2974-000		1	LABEL, SUB STATION LANGUAGE 2	Korean	
44	FC8-2975-000		1	LABEL, SUB STATION LANGUAGE 2	Simplified Chinese	

FIGURE 371 DUPLEXING ASSEMBLY, RIGHT

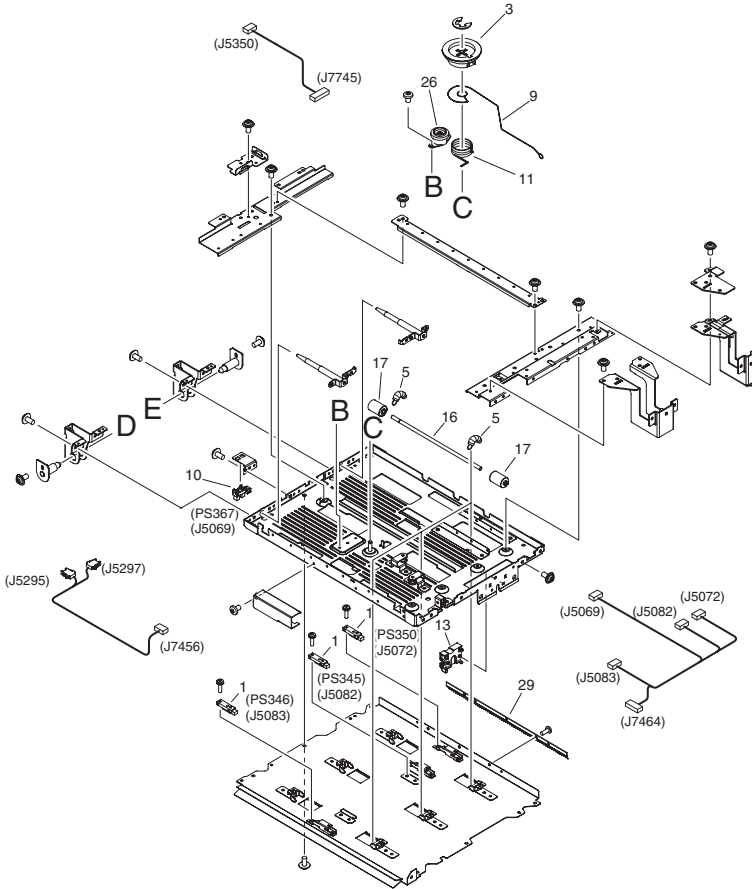


FIGURE 371
DUPLEXING ASSEMBLY, RIGHT

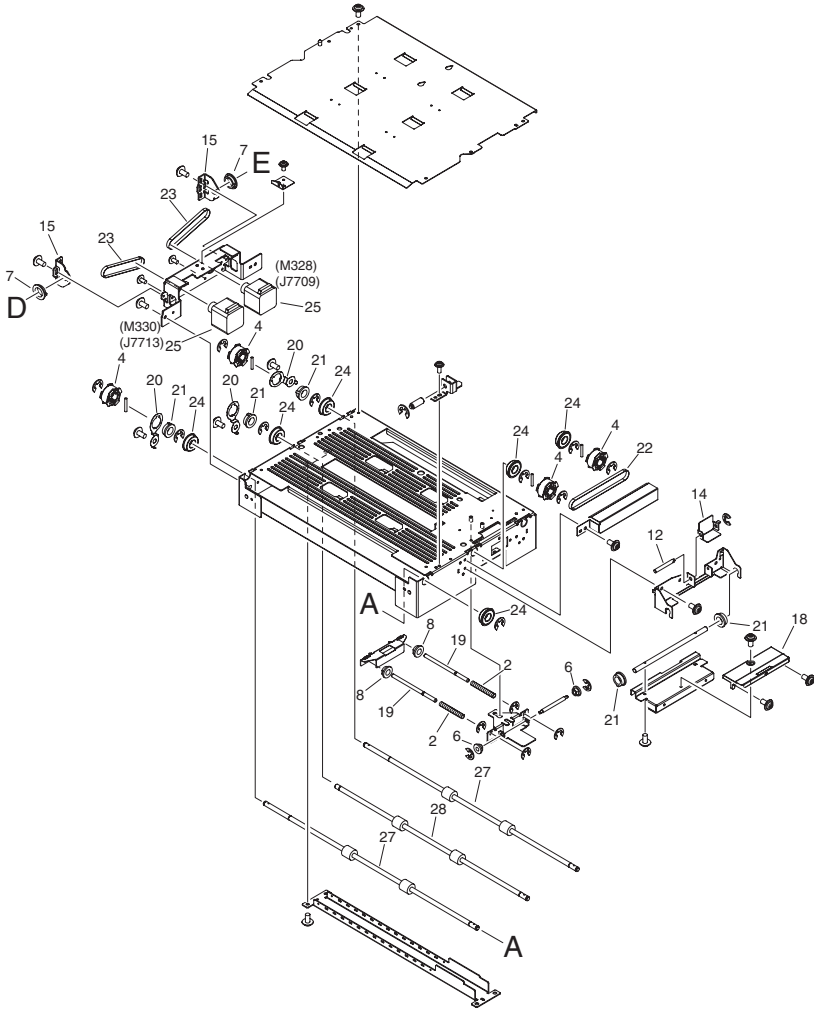
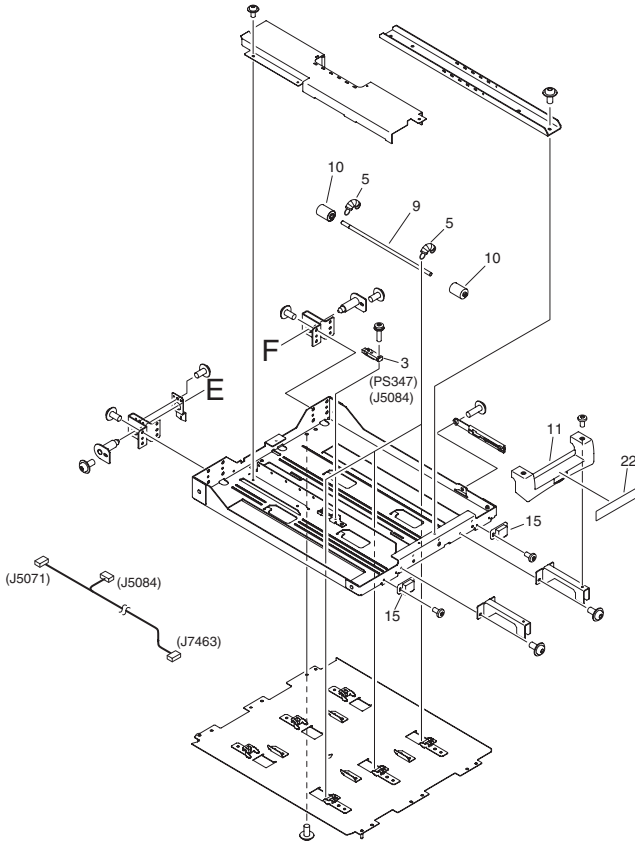


FIGURE & KEY NO.	PARTS NUMBER	R A N K	Q'TY	DESCRIPTION	SERIAL NUMBER/ REMARKS	S V C
Fig.371	FM2-2240-000		1	DUPLEXING ASSEMBLY, RIGHT		
1	WG8-5736-000		3	PHOTO SENSOR UNIT	PS345,346,350	
2	FU6-2562-000		2	SPRING, COMPRESSION		
3	FU6-0352-000		1	GEAR, 62T		
4	FU5-3441-000		4	PULLEY, 30T		
5	FU5-2839-000		6	SPRING, TENSION		
6	FS5-1005-000		2	BUSHING, POLYACETAR		
7	FS2-1012-000		2	BUSHING		
8	FS1-1569-000		2	BUSHING		
9	FC6-8506-000		1	WIRE, DUPLEXING LIFTER		
10	FK2-0149-000		1	PHOTO-INTERRUPTER, TLP1252(C6)	PS367	
11	FC7-5720-000		1	SPRING, TORSION		
12	FC7-3514-000		1	SHAFT, LOCK RELEASE		
13	FC7-3512-000		1	HOOK, DUPLEXING GUIDE, RIGHT		
14	FC7-7487-000		1	LINK, LOCK RELEASE		
15	FC7-3506-000		2	HINGE, ADJUSTMENT, RIGHT		
16	FC7-0043-000		3	SHAFT, FOLLOWER ROLLER		
17	FC7-0042-000		6	ROLLER, FOLLOWER		
18	FC6-8504-000		1	GRIP, DUPLEXING HANDLE, RIGHT		
19	FC7-7486-000		2	SHAFT, GUIDE LOCK		
20	FC5-9559-000		3	PLATE, ROLLER GROUNDING		
21	FA9-2112-000		5	BUSHING, PL		
22	XF2-3615-460		1	BELT, TIMING		
23	XF2-3611-560		2	BELT, TIMING		
24	XG9-0094-000		6	BALL BEARING, NSK 688AZZNRMC3		
25	FK2-3125-000		2	MOTOR, STEPPING, DC	M328,330	
26	FL2-4135-000		1	DAMPER, ROTARY		
27	FC5-9563-000		2	ROLLER, PAPER FEED, LOWER		
28	FC5-9562-000		1	ROLLER, DUPLEXING PAPER FEED		
29	FB4-5093-020		1	PLATE, HORIZON. PATH GROUNDING		

FIGURE 372 DUPLEXING ASSEMBLY, LEFT



NOTE : Several kinds of labels are attached on the board for the parts of Key No. 22. The same parts as Fig/Key No. 112-10, 113-15, 344-11, 348-12, 351-33 and 370-44.

注 : Key No. 22の部品は台紙に数種類のラベルが付いています。Fig/Key No. 112-10, 113-15, 344-11, 348-12, 351-33, 370-44と同一部品です。

FIGURE 372 DUPLEXING ASSEMBLY, LEFT

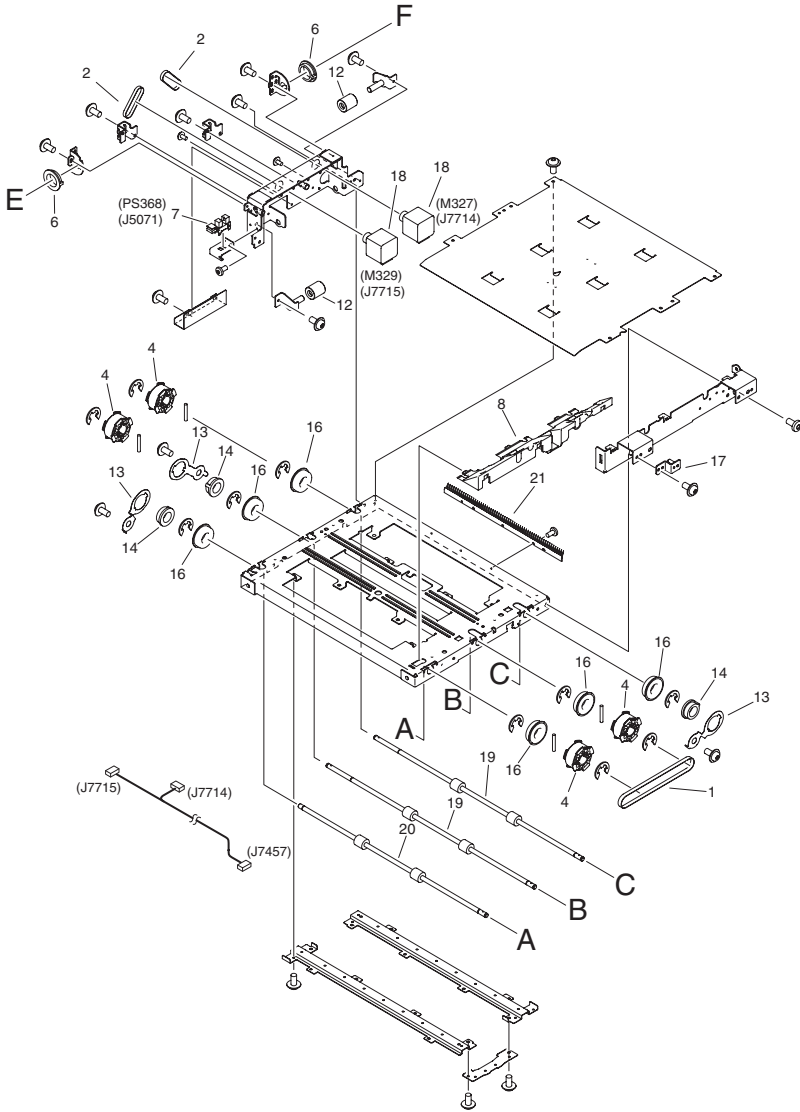


FIGURE & KEY NO.	PARTS NUMBER	R A N K	Q'TY	DESCRIPTION	SERIAL NUMBER/ REMARKS	S V C
Fig.372	FM2-2241-000		1	DUPLEXING ASSEMBLY, LEFT		
1	XF2-3615-460		1	BELT, TIMING		
2	XF2-3607-260		2	BELT, TIMING		
3	WG8-5736-000		1	PHOTO SENSOR UNIT	PS347	
4	FU5-3441-000		4	PULLEY, 30T		
5	FU5-2839-000		6	SPRING, TENSION		
6	FS2-1012-000		2	BUSHING		
7	FK2-0149-000		1	PHOTO-INTERRUPTER, TLP1252(C6)	PS368	
8	FC7-4058-000		1	MOUNT, JUMP		
9	FC7-0043-000		3	SHAFT, FOLLOWER ROLLER		
10	FC7-0042-000		6	ROLLER, FOLLOWER		
11	FC6-8647-000		1	HANDLE, DUPLEXING, LEFT		
12	FC5-9668-000		2	ROLLER, FOLLOWER		
13	FC5-9559-000		3	PLATE, ROLLER GROUNDING		
14	FA9-2112-000		3	BUSHING, PL		
15	XZ9-0598-000		2	CATCH, MAGNET		
16	XG9-0094-000		6	BALL BEARING, NSK 688AZZNRMC3		
17	FL2-2293-000		1	LOCK, PAPER FEED, LOWER		
18	FK2-3125-000		2	MOTOR, STEPPING, DC	M327,329	
19	FC5-9563-000		2	ROLLER, PAPER FEED, LOWER		
20	FC5-9562-000		1	ROLLER, DUPLEXING PAPER FEED		
21	FB4-5093-020		1	PLATE, HORIZON. PATH GROUNDING		
22	FC8-2966-000		1	LABEL, SUB STATION LANGUAGE 2	Japanese	
22	FC8-2967-000		1	LABEL, SUB STATION LANGUAGE 2	English	
22	FC8-2968-000		1	LABEL, SUB STATION LANGUAGE 2	French	
22	FC8-2969-000		1	LABEL, SUB STATION LANGUAGE 2	German	
22	FC8-2970-000		1	LABEL, SUB STATION LANGUAGE 2	Italian	
22	FC8-2971-000		1	LABEL, SUB STATION LANGUAGE 2	Spanish	
22	FC8-2972-000		1	LABEL, SUB STATION LANGUAGE 2	Portuguese	
22	FC8-2974-000		1	LABEL, SUB STATION LANGUAGE 2	Korean	
22	FC8-2975-000		1	LABEL, SUB STATION LANGUAGE 2	Simplified Chinese	

FIGURE 380
LEFT DECK PATH MERGER ASS'Y

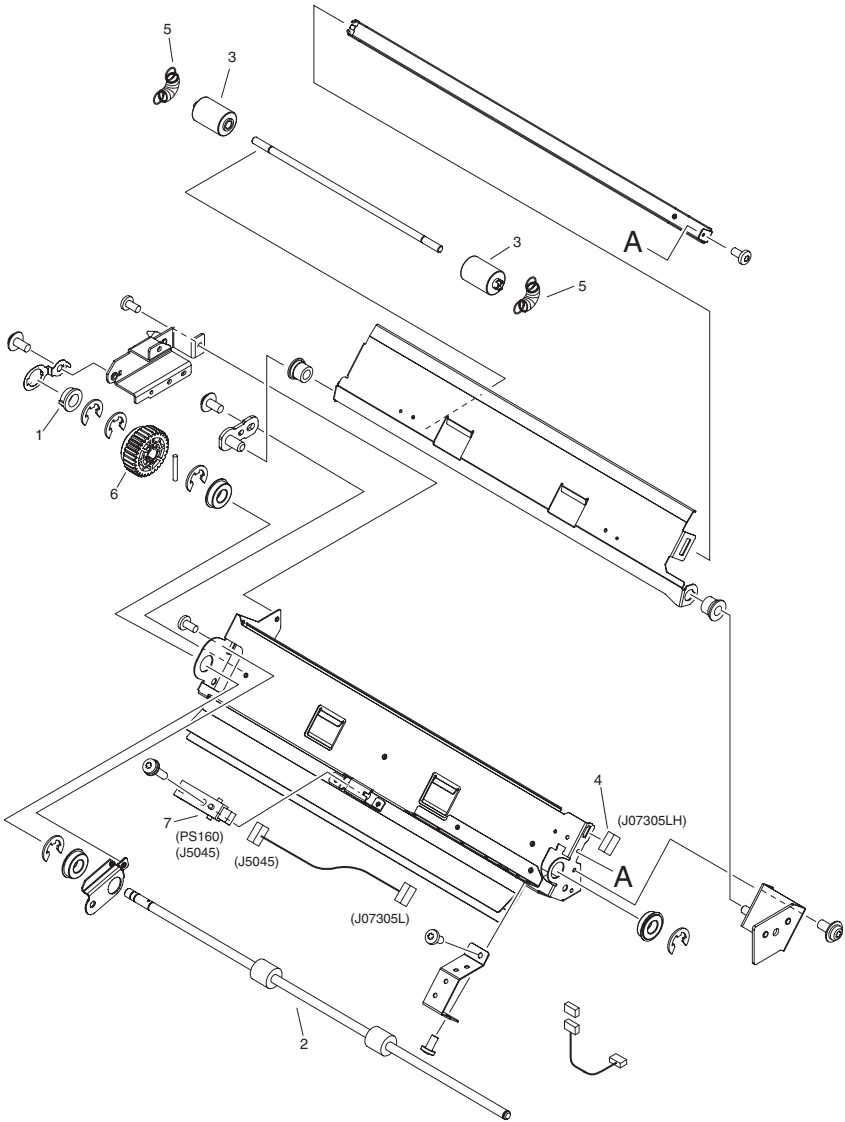


FIGURE & KEY NO.	PARTS NUMBER	RANK	Q'TY	DESCRIPTION	SERIAL NUMBER/REMARKS	SVC
Fig.380	FM2-2246-000		1	LEFT DECK PATH MERGER ASS'Y		
1	FA9-2112-000		1	BUSHING, PL		
2	FC5-9539-000		1	ROLLER, LEFT DECK CROSSING		
3	FC7-0042-000		2	ROLLER, FOLLOWER		
4	VS1-7173-003		1	CONNECTOR, SNAP TIGHT, 3P, W		
5	FU5-2841-000		2	SPRING, TENSION		
6	FU6-0308-000		1	GEAR, 30T		
7	WG8-5736-000		1	PHOTO SENSOR UNIT	PS160	

FIGURE 381
PULL-OUT ROLLER LEFT ASS'Y

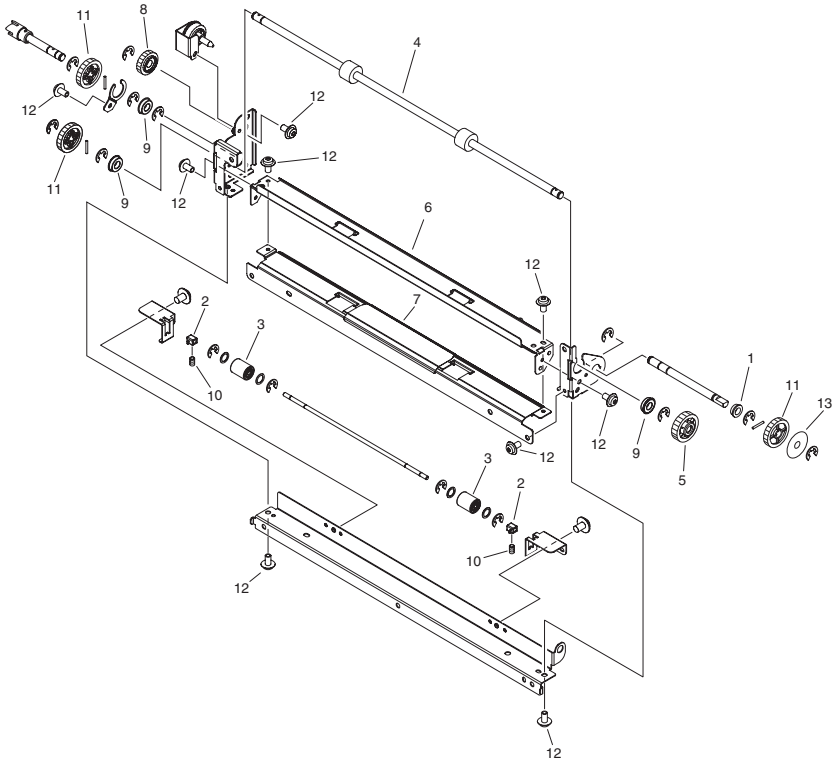


FIGURE & KEY NO.	PARTS NUMBER	R A N K	Q'TY	DESCRIPTION	SERIAL NUMBER/ REMARKS	S V C
Fig.381	FM2-5102-000		1	PULL-OUT ROLLER LEFT ASS'Y		
1	FA9-2112-000		1	BUSHING, PL		
2	FB2-7755-000		2	BUSHING		
3	FC5-8133-000		2	ROLLER, FOLLOWER		
4	FC5-8168-000		1	ROLLER, SECOND EXTRACTION		
5	FC5-8169-000		1	GEAR, 30T		
6	FC5-8175-000		1	GUIDE, EXTRACTION, UPPER		
7	FL2-7889-000		1	GUIDE, EXTRACTION, LOWER		
8	FL2-1851-000		1	GEAR, 24T		
9	XG9-0508-000		3	BEARING, BALL, F688ZZ		
10	FU5-2785-000		2	SPRING, COMPRESSION		
11	FU6-0169-000		3	GEAR, 30T		
12	XA9-1249-010		1	SCREW,TP M4X8		
13	FC8-1654-000		1	CLAMP, GEAR		

FIGURE 382
PULL-OUT ROLLER RIGHT ASS'Y

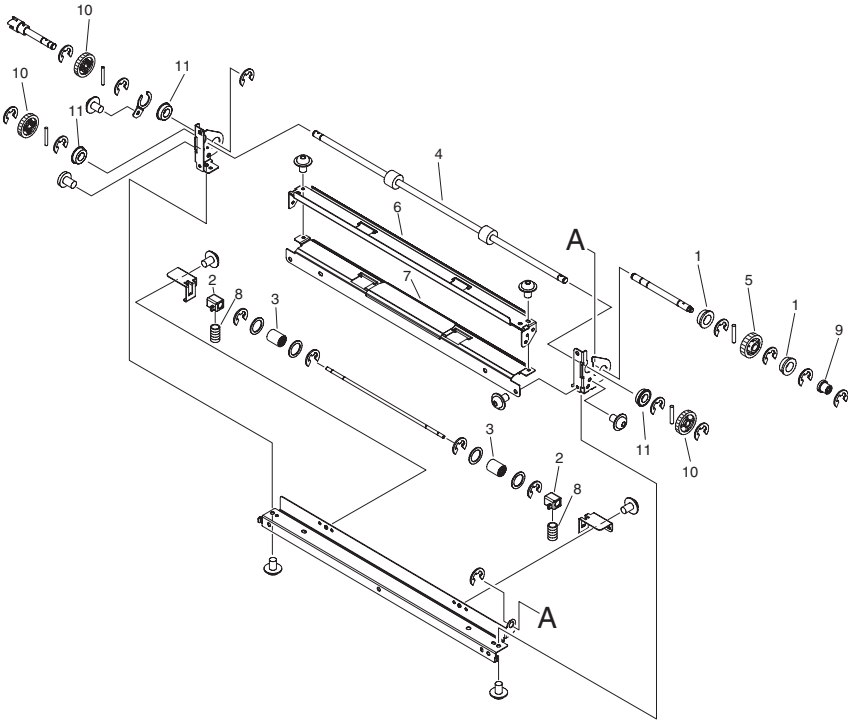


FIGURE & KEY NO.	PARTS NUMBER	RANK	Q'TY	DESCRIPTION	SERIAL NUMBER/REMARKS	SVC
Fig.382	FM2-5103-000		1	PULL-OUT ROLLER RIGHT ASS'Y		
1	FA9-2112-000		2	BUSHING, PL		
2	FB2-7755-000		2	BUSHING		
3	FC5-8133-000		2	ROLLER FOLLOWER		
4	FC5-8168-000		1	ROLLER, SECOND EXTRACTION		
5	FC5-8169-000		1	GEAR, 30T		
6	FC5-8175-000		1	GUIDE, EXTRACTION, UPPER		
7	FL2-7889-000		1	GUIDE, EXTRACTION, LOWER		
8	FU5-2785-000		2	SPRING, COMPRESSION		
9	FU5-3189-000		1	PULLEY, 20T		
10	FU6-0169-000		3	GEAR, 30T		
11	XG9-0508-000		3	BEARING, BALL, F688ZZ		

FIGURE 383 PAPER FEED MOUNT ASSEMBLY

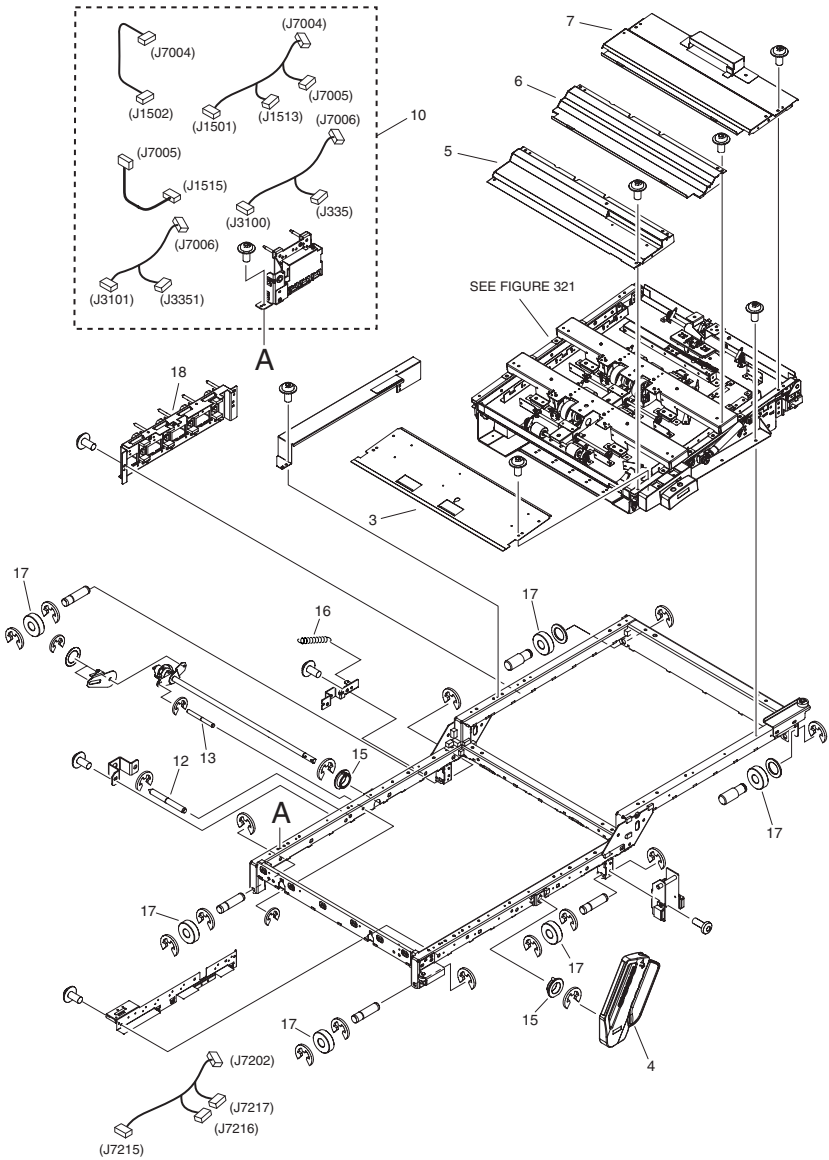


FIGURE 383 PAPER FEED MOUNT ASSEMBLY

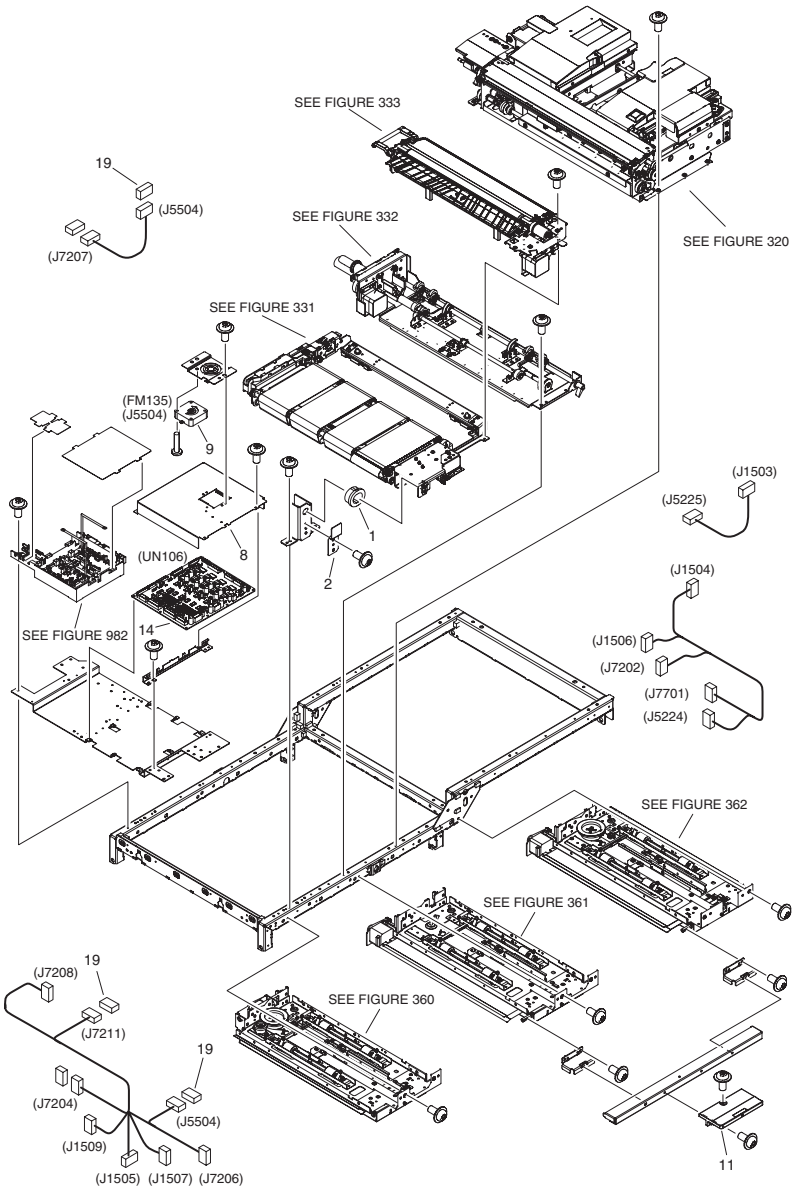


FIGURE & KEY NO.	PARTS NUMBER	R A N K	Q'TY	DESCRIPTION	SERIAL NUMBER/ REMARKS	S V C
Fig.383	NPN		RF	PAPER FEED MOUNT ASSEMBLY		
1	FC5-9384-000		1	BUSHING, FIXING/FEEDER TURN		
2	FC5-9414-000		1	SPRING, 2ND TRANSFER THRUST		
3	FC5-9654-000		1	GUIDE, PRE-REG. FEED, LOWER 3		
4	FC6-7864-000		1	HANDLE, REGISTRATION FRAME		
5	FC6-8052-000		1	COVER, 1		
6	FC6-8053-000		1	COVER, 2		
7	FC6-8054-000		1	COVER, 3		
8	FC6-8118-000		1	COVER, PCB		
9	FK2-3148-000		1	FAN	FM135	
10	FM2-2130-000		1	2ND TRNSFR. DRAWER ASS'Y		
11	FC6-0036-000		1	GRIP, DUPLEXING HANDLE		
12	FC6-2420-000		1	PIN, POSITIONING		
13	FC6-7866-000		1	PIN, POSITIONING		
14	FM2-7689-000		1	V. PATH/FEED DRIVER ASS'Y, LW		
15	FU5-1319-000		2	BUSHING		
16	FU6-2535-000		1	SPRING, TENSION		
17	XG1-1026-085		6	BALL BEARING, NSK 6000ZZ		
18	FM2-5124-000		1	REGIST. DRAWER MOUNTING ASS'Y		
19	VS1-7177-003		3	CONNECTOR, SNAP TIGHT, BK		

FIGURE 460 SCANNER ASSEMBLY

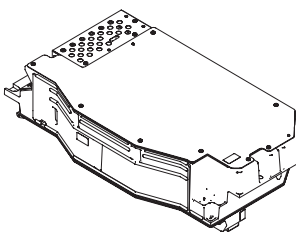
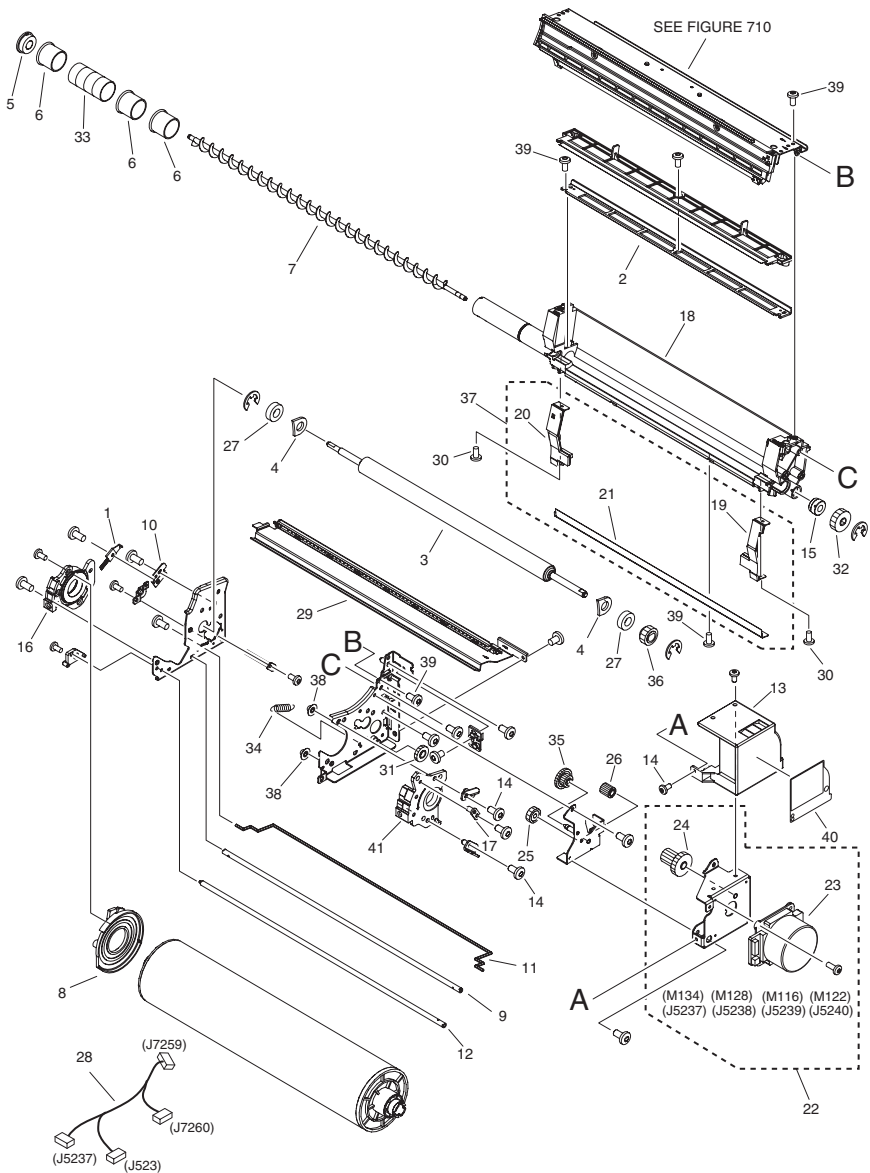


FIGURE & KEY NO.	PARTS NUMBER	R A N K	Q'TY	DESCRIPTION	SERIAL NUMBER/ REMARKS	S V C
Fig.460	FM2-4887-000		4	SCANNER ASSEMBLY		

FIGURE 511 D KIT ASSEMBLY



NOTE : This assembly does not include the part shown with key No. 40.
注 : このユニットにKey No. 40の部品は含まれません。

FIGURE & KEY NO.	PARTS NUMBER	R A N K	Q'TY	DESCRIPTION	SERIAL NUMBER/ REMARKS	S V C
Fig.511	FM3-2107-020		4	D KIT ASSEMBLY	SEE NOTE	
1	FB2-4375-000		1	BRUSH, GROUNDING		
2	FC5-8836-000		1	SCRAPER		
3	FC5-8837-000		1	HOLDER, CLEANER		
4	FC5-8838-000		2	SEAL, FELT		
5	FC5-8839-000		1	BUSHING, SCREW		
6	FC5-8840-000		3	SHUTTER, WASTE TONER		
7	FC5-8842-000		1	FEED SCREW, TONER		
8	FC5-8877-000		1	RING, SLIP		
9	FC5-8880-000		1	STOPPER, FOOT		
10	FC5-8881-000		1	PLATE, GROUNDING BASE		
11	FC5-8885-000		1	FOOT		
12	FC5-8923-000		1	RAIL		
13	FC5-8926-000		1	HANDLE		
14	FU5-9222-000		3	SCREW, BH4X8(YELLOW)		
15	FF2-2891-000		1	BUSHING, 1 (POM)		
16	FL2-1943-000		1	SUPPORT, BEARING, REAR		
17	FL2-1944-000		1	SUPPORT, PIN, FRONT		
18	FL2-2021-000		1	CASE, CLEANER		
19	FL2-2707-010		1	SEAL, PLATE, FRONT		
20	FL2-2708-010		1	SEAL, PLATE, REAR		
21	FL2-2709-000		1	SHEET, SCRAPER		
22	FM2-2088-000		1	DRUM CLEANER DRIVE UNIT		
23	FK2-2726-000		1	MOTOR, BRUSHLESS	M134,M128,M116,M122	
24	FU6-0304-000		1	GEAR, 16T/55T		
25	FU6-0474-000		1	GEAR, 32T		
26	FU6-0475-000		1	GEAR, 18T		
27	XG9-0491-000		2	BEARING, BALL, NSK P0 16MM		
28	FM2-8589-000		1	CABLE, P- KIT DRUM		
29	FM2-9298-000		1	PRE-EXPOSURE UNIT		
30	FU5-9227-000		2	SCREW, STEPPED, M3(YELLOW)		
31	FS6-0124-000		1	GEAR, 24T		

FIGURE & KEY NO.	PARTS NUMBER	R A N K	Q'TY	DESCRIPTION	SERIAL NUMBER/ REMARKS	S V C
32	FS6-0125-000		1	GEAR, 30T		
33	FU5-2824-000		1	SPRING, COMPRESSION		
34	FU5-2834-000		1	SPRING, TENSION		
35	FU6-0473-000		1	GEAR, 26T/26T		
36	FU6-0328-000		1	GEAR, 14T		
37	FM2-9258-000		1	DRAM CLEANING UNIT		
38	FA9-3684-000		2	CUP		
39	FU5-9223-000		9	SCREW, BH3X6(YELLOW)		
40	FC8-3651-000		1	LABEL, DEVELOPER CONNECTOR	Japanese	
40	FC8-3652-000		1	LABEL, DEVELOPER CONNECTOR	English	
40	FC8-3653-000		1	LABEL, DEVELOPER CONNECTOR	French	
40	FC8-3654-000		1	LABEL, DEVELOPER CONNECTOR	German	
40	FC8-3655-000		1	LABEL, DEVELOPER CONNECTOR	Italian	
40	FC8-3656-000		1	LABEL, DEVELOPER CONNECTOR	Spanish	
40	FC8-3657-000		1	LABEL, DEVELOPER CONNECTOR	Portuguese	
40	FC8-3659-000		1	LABEL, DEVELOPER CONNECTOR	Korean	
40	FC8-3660-000		1	LABEL, DEVELOPER CONNECTOR	Simplified Chinese	
41	FC5-8873-000		1	SUPPORT, BEARING, FRONT		

FIGURE 530 I.T.B. ASSEMBLY

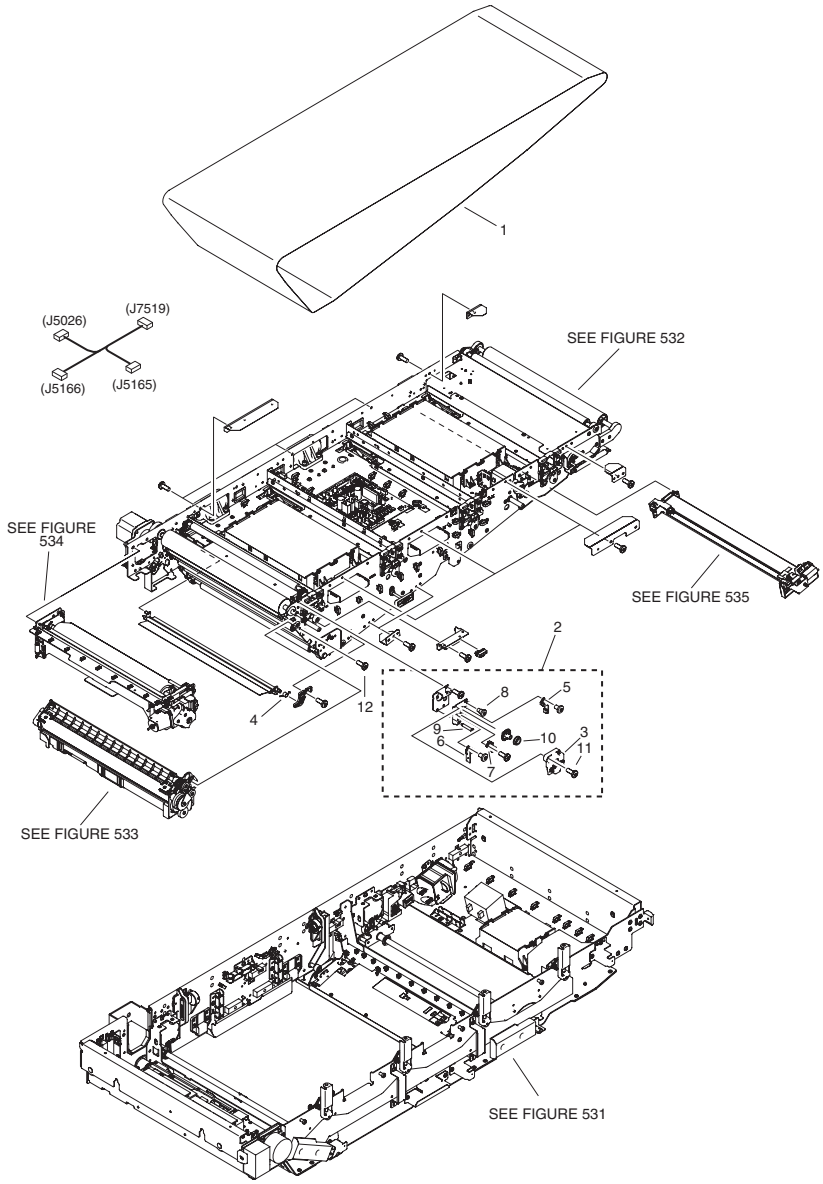


FIGURE & KEY NO.	PARTS NUMBER	R A N K	Q'TY	DESCRIPTION	SERIAL NUMBER/ REMARKS	S V C
Fig.530	NPN		RF	I..T.B. ASSEMBLY		
1	FM3-1644-000		1	BELT, TRANSFER		
2	FM2-2161-000		1	ENCODER ASSEMBLY		
3	FC5-9245-000		1	COVER, ENCODER		
4	FU5-2982-000		1	SPRING, TORSION		
5	FM2-7719-000		1	I.T.B. ENCODER ASSEMBLY, A		
6	FM2-7720-000		1	I.T.B. ENCODER ASSEMBLY, B		
7	FM2-7721-000		1	I.T.B. ROLLER HP SENS PCB UNIT		
8	FS1-9009-020		1	SCREW, STEPPED, M3		
9	FS1-9160-000		1	SCREW, S		
10	XG9-0622-000		1	BALL BEARING, DDLF1170P0P25		
11	FU5-9222-000		2	SCREW, BH4X8(YELLOW)		
12	FU5-9223-000		1	SCREW, BH3X6(YELLOW)		

FIGURE 531 I.T.B. LOWER FRAME ASSEMBLY

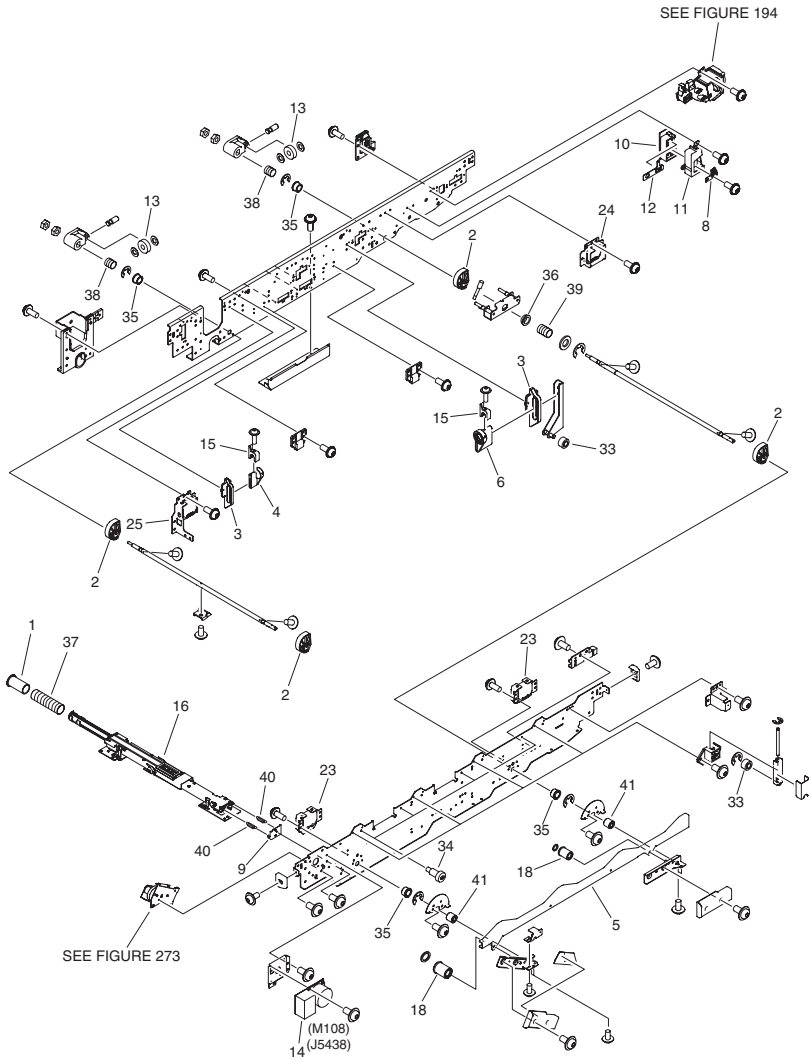


FIGURE & KEY NO.	PARTS NUMBER	R A N K	Q'TY	DESCRIPTION	SERIAL NUMBER/ REMARKS	S V C
Fig.531	NPN		RF	I.T.B. LOWER FRAME ASSEMBLY		
1	FC5-9188-000		1	SHUTTER, PIPE		
2	FC5-9268-000		4	CAM, LIFT UP		
3	FC5-9277-000		2	HOLDER, HINGE SLIDE		
4	FC5-9278-000		1	COUPLING, DAMPER, LEFT		
5	FC5-9281-000		1	LINK, I.T.B. LEVER		
6	FC5-9327-000		1	COUPLING, DAMPER, RIGHT		
7	FC6-2087-000		1	GRIP		
8	FC6-2113-000		1	SPRING, POST POWER DISPATCHING		
9	FC6-7910-000		1	HOOK, PAPER FEED		
10	FC6-7931-000		1	BLOCK, POST POWER DISPATCHING		
11	FC6-7932-000		1	COVER, POST POWER DISPATCHING		
12	FC6-7933-000		1	PLATE, POST POWER DISPATCHING		
13	XG9-0304-000		2	BALL BEARING,NMB		
14	FK2-2725-000		1	MOTOR, BRUSHLESS	M108	
15	FU5-6244-000		2	COLLAR, COUPLING		
16	FM2-2152-000		1	I.T.B. WASTE TONER FEED ASS'Y		
17	FM2-7192-000		1	HVT6 PCB ASSEMBLY		
18	FU5-6242-000		2	COLLAR, LEVER, B		
19	FK2-0105-000		1	TRANSFORMER, H.V.		
20	FM2-7707-000		1	HIGH VOLTAGE PCB ASSEMBLY		
21	VS1-7173-015		1	CONNECTOR, SNAP TIGHT, W		
22	XG1-1030-095		4	BEARING,BALL		
23	FM2-2297-000		2	LIFT UP ASSEMBLY, FRONT		
24	FM2-2298-000		1	LIFT UP ASSEMBLY, RIGHT REAR		
25	FM2-2299-000		1	LIFT UP ASSEMBLY, LEFT REAR		
26	FM2-7690-000		1	I.T.B. DRIVER PCB ASSEMBLY, L		
27	FM2-7692-000		1	I.T.B. DRIVER PCB ASSEMBLY, R		
28	VS1-7177-004		1	CONNECTOR, SNAP TIGHT, BK		
29	VS1-7177-003		1	CONNECTOR, SNAP TIGHT, BK		
30	FM2-7202-010		1	PRE-TRANSFER H.V. PCB ASSEMBLY		
31	VS1-7164-032		2	CONNECTOR, SNAP TIGHT, 32P, W		

FIGURE & KEY NO.	PARTS NUMBER	RANK	Q'TY	DESCRIPTION	SERIAL NUMBER/REMARKS	SVC
32	XA9-0892-000		AR	SCREW,MACH.,TRUSS HEAD,M4X6		
33	FS5-6864-000		9	ROLLER, SIDE END		
34	FS5-9206-020		4	SCREW, STEPPED, M4		
35	FU5-1313-000		4	BUSHING		
36	FU5-1330-000		1	BUSHING		
37	FU5-2853-000		1	SPRING, COMPRESSION		
38	FU5-2855-000		2	SPRING, COMPRESSION		
39	FU5-2900-000		1	SPRING, COMPRESSION		
40	FU5-2966-000		2	SPRING, TENSION		
41	FU5-6241-000		2	COLLAR, LEVER, A		
T	FH3-0967-000		1	TRANSFORMER, INVERTER	T1,T2,T301	

FIGURE 532 I.T.B. UPPER FRAME ASSEMBLY

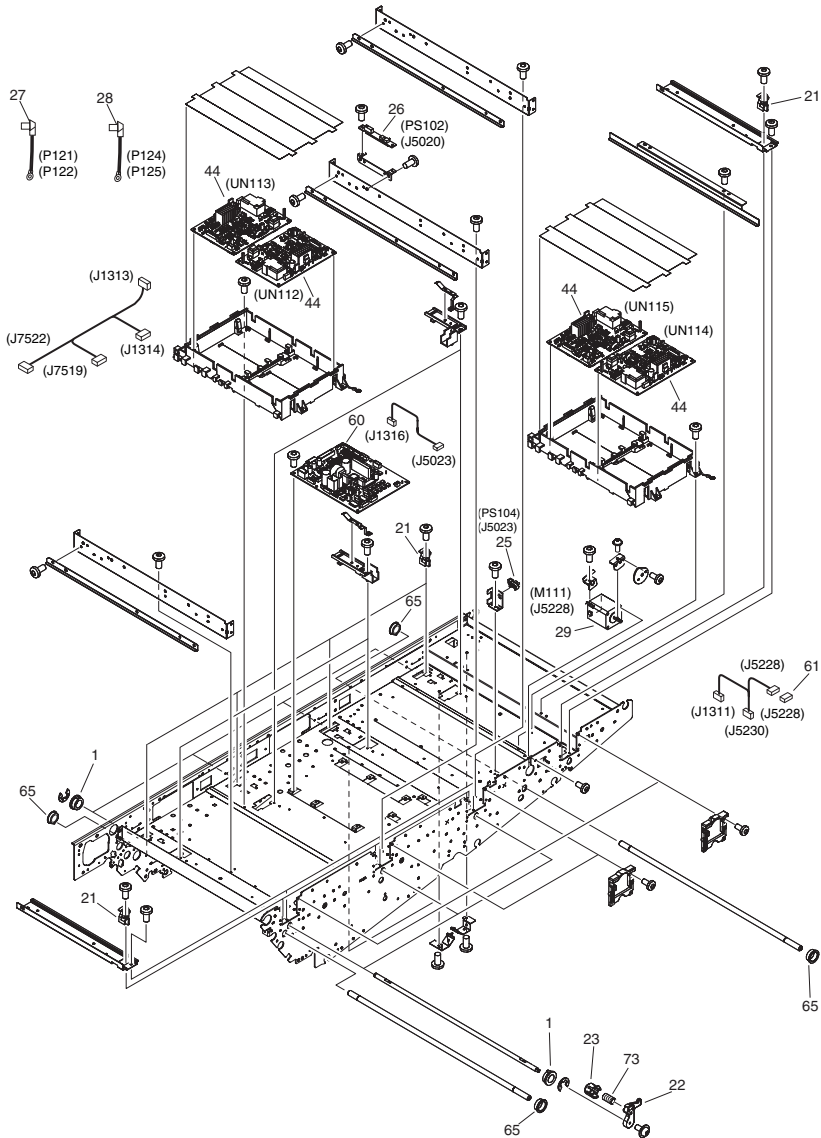


FIGURE 532 I.T.B. UPPER FRAME ASSEMBLY

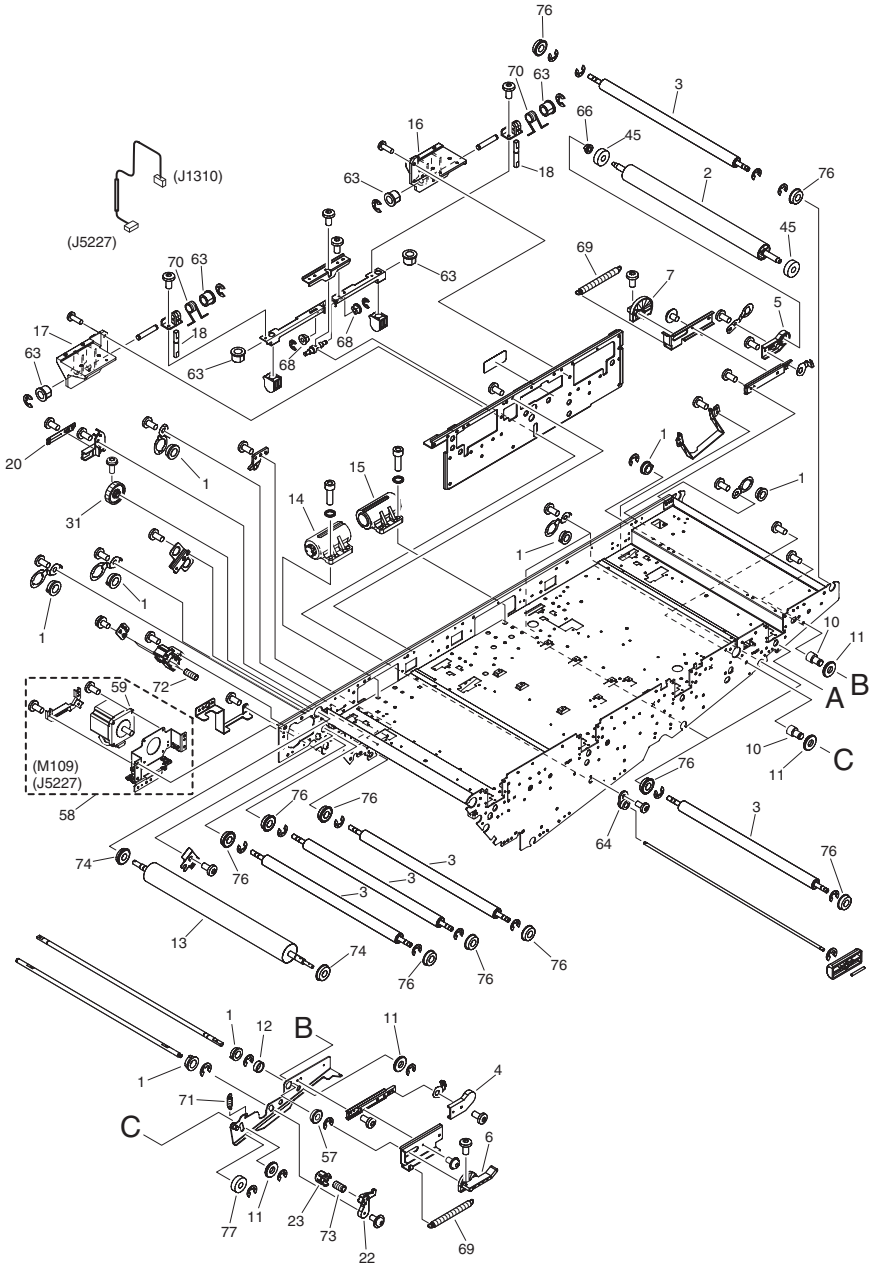


FIGURE 532 I.T.B. UPPER FRAME ASSEMBLY

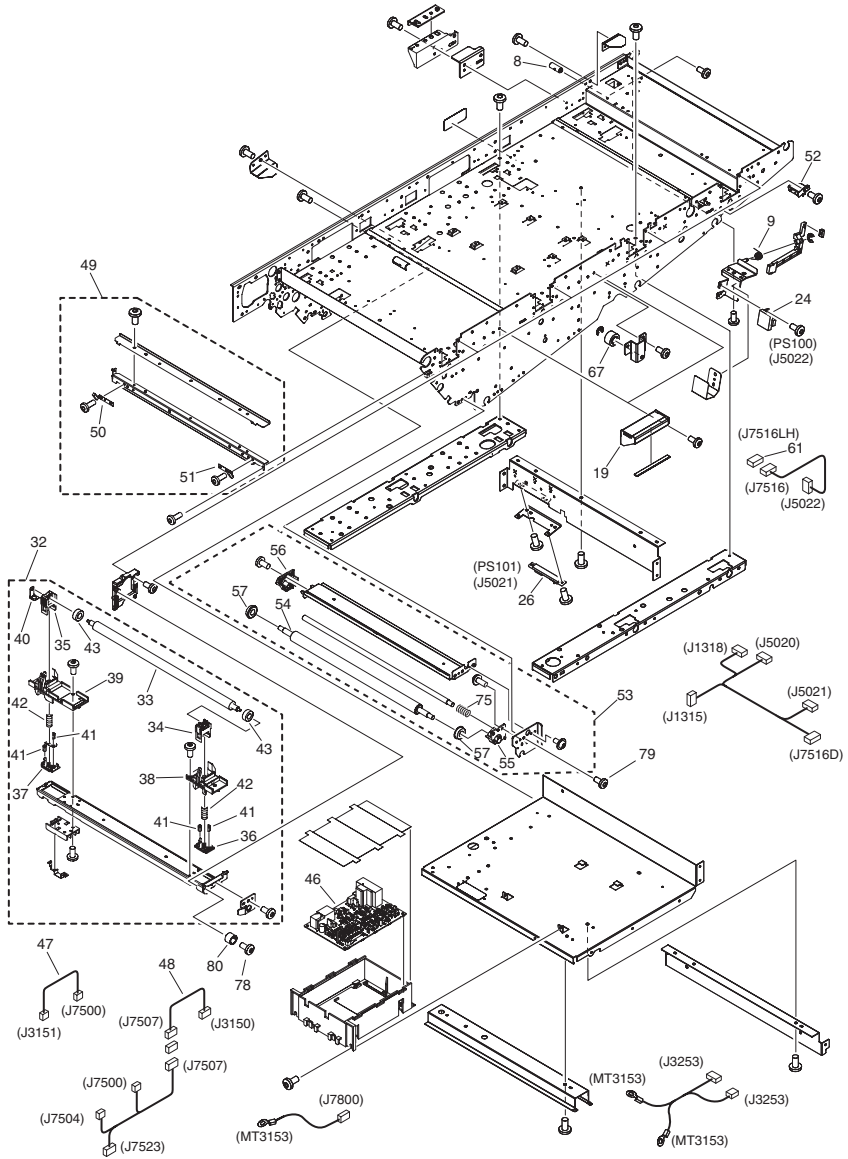


FIGURE & KEY NO.	PARTS NUMBER	R A N K	Q'TY	DESCRIPTION	SERIAL NUMBER/ REMARKS	S V C
Fig.532	NPN		RF	I.T.B. UPPER FRAME ASSEMBLY		
1	FA9-2112-000		16	BUSHING, PL		
2	FC7-1858-000		1	ROLLER, STEERING		
3	FC5-9119-000		6	ROLLER, IDLER		
4	FC5-9131-000		1	HOLDER, BUSHING, FRONT		
5	FC5-9132-000		1	HOLDER, BUSHING, REAR		
6	FC5-9135-000		1	CAM, RELEASE, FRONT		
7	FC5-9136-000		1	CAM, RELEASE, REAR		
8	FC5-9137-000		1	PIN, STOPPER		
9	FC5-9145-000		1	SPRING, TORSION		
10	FC5-9150-000		2	GUIDE, SWING		
11	FC5-9151-000		4	COLLAR, SLIDE		
12	FC5-9152-000		1	COLLAR		
13	FC5-9251-000		1	ROLLER, DRIVE		
14	FC5-9301-000		1	DAMPER, LEFT		
15	FC5-9302-000		1	DAMPER, RIGHT		
16	FC5-9303-000		1	HOLDER, DAMPER, RIGHT		
17	FC5-9304-000		1	HOLDER, DAMPER, LEFT		
18	FC5-9307-000		2	ARM, HINGE LOCK		
19	FC5-9318-000		2	HANDLE, I.T.B.		
20	FC5-9328-000		1	SPRING, H.V.		
21	FC6-2189-000		8	CAM, PRIMARY TRANSFER RELEASE	PS100	
22	FC6-2190-000		4	LEVER, 1ST TRNSFR. RELEASE	PS104	
23	FC7-3474-000		4	PIN, LOCK		
24	FH7-7530-000		1	MICRO DISPLACEMENT SENSOR UNIT	PS100	
25	FK2-0149-000		1	PHOTO-INTERRUPTER, TLP1252(C6)	PS104	
26	FK2-0161-000		2	SENSOR UNIT, EE-SY133-P18	PS101,102	
27	FK2-3108-000		2	CONNECTOR, HIGH VOLTAGE	P121,122	
28	FK2-3112-000		2	CONNECTOR, HIGH VOLTAGE	P124,125	
29	FK2-3144-000		1	MOTOR, STEPPING, DC	M111	
31	FL2-6256-000		1	GEAR, 60T		
32	FM2-2142-000		4	PRIMARY TRANSFER ASSEMBLY		

FIGURE & KEY NO.	PARTS NUMBER	R A N K	Q'TY	DESCRIPTION	SERIAL NUMBER/ REMARKS	S V C
33	FC6-1545-000		1	ROLLER, TRANSFER, 1		
34	FC6-2074-000		1	BUSHING, FRONT		
35	FC6-2075-000		1	BUSHING, REAR		
36	FC6-2076-000		1	HOLDER, SPRING, FRONT		
37	FC6-2177-000		1	HOLDER, SPRING, REAR		
38	FC6-2178-000		1	HOLDER, FRONT		
39	FC6-2179-000		1	HOLDER, REAR		
40	FC6-7832-000		1	SPRING, H.V. CONTACT		
41	FU5-2872-000		4	SPRING, COMPRESSION		
42	FU6-2042-000		2	SPRING, COMPRESSION		
43	XG9-0503-000		2	BEARING,BALL, MR84T1ZZZMC3		
44	FM2-8300-000		4	HVT2 PCB ASSEMBLY		
45	XG9-0603-000		6	BEARING,BALL, 608ZZ1MC3E		
46	FM2-7190-010		1	HVT4 PCB ASSEMBLY		
47	FM2-8500-000		1	CABLE, I.T.B. H.V.		
48	FM2-8616-000		1	CABLE, I.T.B. SIGNAL		
49	FM2-2145-000		1	INNER CLEANING ASSEMBLY		
50	FL2-2406-000		1	SEAL, SIDE, REAR		
51	FL2-2407-000		1	SEAL, SIDE, FRONT		
52	FM2-2146-000		1	WIRE CLEANING UNIT		
53	FM2-2165-000		1	2ND TRNSFR. INNER ROLLER ASS'Y		
54	FC5-9252-000		1	ROLLER, TRANSFER, 2		
55	FC5-9312-000		1	HOLDER, FRONT		
56	FC5-9317-000		1	HOLDER, REAR		
57	XG9-0549-000		3	BEARING,BALL, JMK-688ZZNR D4ML		
58	FM2-2170-000		1	I.T.B. DRIVE MOTOR ASSEMBLY		
59	FK2-3145-000		1	MOTOR, STEPPING, DC	M109	
60	FM2-7691-000		1	ITB-C DRIVE UNIT		
61	VS1-7177-005		2	CONNECTOR, SNAP TIGHT, BK		
63	FS1-1465-000		6	BUSHING		
64	FS5-1214-000		1	BUSHING		
65	FS5-1474-000		4	BUSHING COP		

FIGURE & KEY NO.	PARTS NUMBER	R A N K	Q'TY	DESCRIPTION	SERIAL NUMBER/ REMARKS	S V C
66	FS5-1592-000		1	BUSHING		
67	FS5-6864-000		1	ROLLER, SIDE END		
68	FU5-1314-000		2	BUSHING		
69	FU5-2832-000		2	SPRING, TENSION		
70	FU5-2868-000		2	SPRING, TORSION		
71	FU5-2883-000		1	SPRING, TENSION		
72	FU5-2968-000		2	SPRING, COMPRESSION		
73	FU6-2537-000		4	SPRING, COMPRESSION		
74	XG9-0120-000		2	BALL BEARING, NSK 6900DDNXR*		
75	FU6-2567-000		1	SPRING, COMPRESSION		
76	XG9-0506-000		12	BEARING,BALL, JMK-688ZZNR D4ML		
77	XG9-0547-000		1	BEARING,BALL, JMK-688ZZ D4ML		
78	FU5-9223-000		1	SCREW, BH3X6(YELLOW)		
79	FU5-9222-000		1	SCREW, BH4X8(YELLOW)		
80	FC7-9656-000		4	COLLAR, FIXED		

FIGURE 533 I.T.B. CLEANER ASSEMBLY

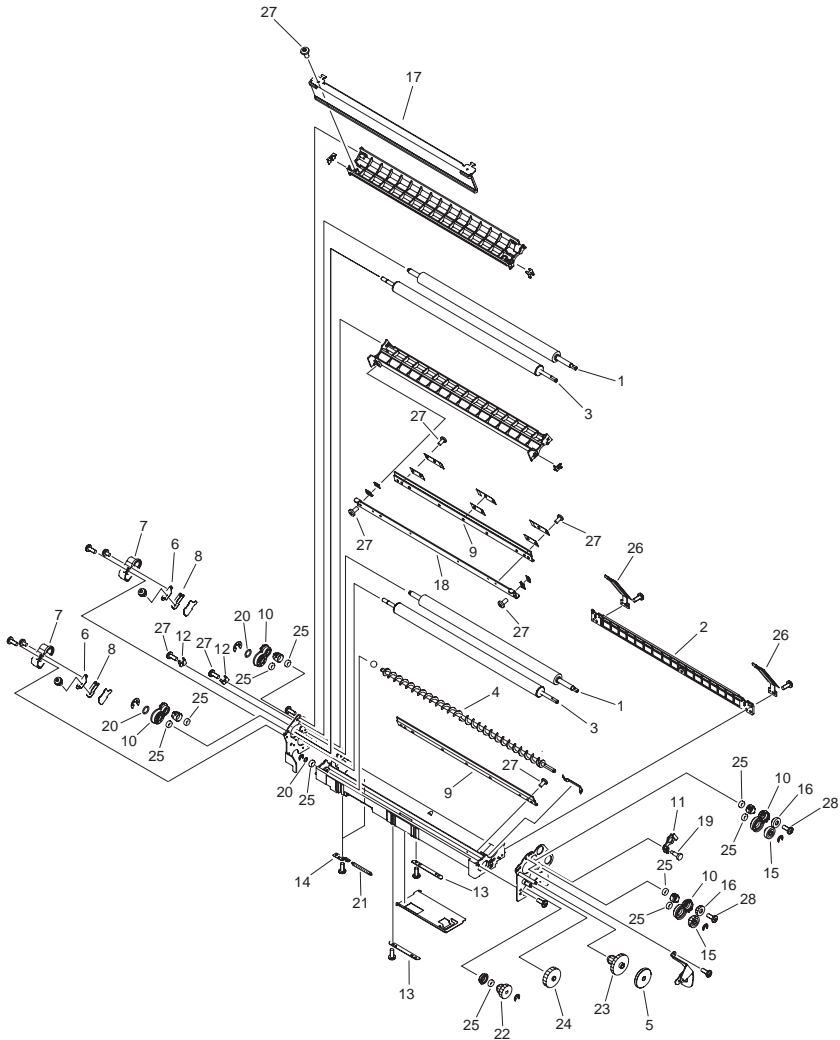


FIGURE & KEY NO.	PARTS NUMBER	R A N K	Q'TY	DESCRIPTION	SERIAL NUMBER/ REMARKS	S V C
Fig.533	FM2-2150-000		1	I.T.B. CLEANER ASSEMBLY		
1	FC5-9156-000		2	ROLLER, CLEANING BRUSH		
2	FC5-9160-000		1	COVER, LOWER		
3	FC5-9161-000		2	ROLLER, BIAS, 1		
4	FC5-9163-000		1	FEED SCREW, WASTE TONER		
5	FC5-9168-000		1	ROLLER, INPUT		
6	FC6-2134-000		2	PLATE, ELECTRODE		
7	FC6-2135-000		2	BLOCK, POWER DISPATCHING		
8	FC6-2136-000		2	PLATE, POWER DISPATCHING		
9	FC6-4910-000		2	BLADE, 1		
10	FC6-7903-000		4	BLOCK, SHAFT		
11	FC6-7904-000		1	STOPPER, BEARING, FRONT		
12	FC6-7905-000		2	STOPPER, BEARING, REAR		
13	FC6-7906-000		2	CLAMP, SHUTTER		
14	FC6-7935-000		2	HOOK, SHUTTER SPRING		
15	FC7-7527-000		2	GEAR, 25T		
16	FC7-7528-000		2	GEAR, 21T		
17	FL2-4129-000		1	COVER, TRANSFER CLEANING, U.		
18	FL2-4130-000		1	CROSSMEMBER, BLADE		
19	FS1-9170-020		1	SCREW, STEPPED		
20	FS5-6488-000		3	WASHER		
21	FU5-2851-000		2	SPRING, TENSION		
22	FU6-0310-000		1	GEAR, 18T/30T		
23	FU6-0311-000		1	GEAR, 18T/47T		
24	FU6-0312-000		1	GEAR, 44T		
25	XG9-0232-000		10	BEARING, BALL, MR126		
26	FL2-4128-000		2	PLATE, SIDE SEAL		
27	FU5-9223-000		13	SCREW, BH3X6(YELLOW)		
28	FU5-9222-000		2	SCREW, BH4X8(YELLOW)		

FIGURE 534 I.T.B. WEB ASSEMBLY

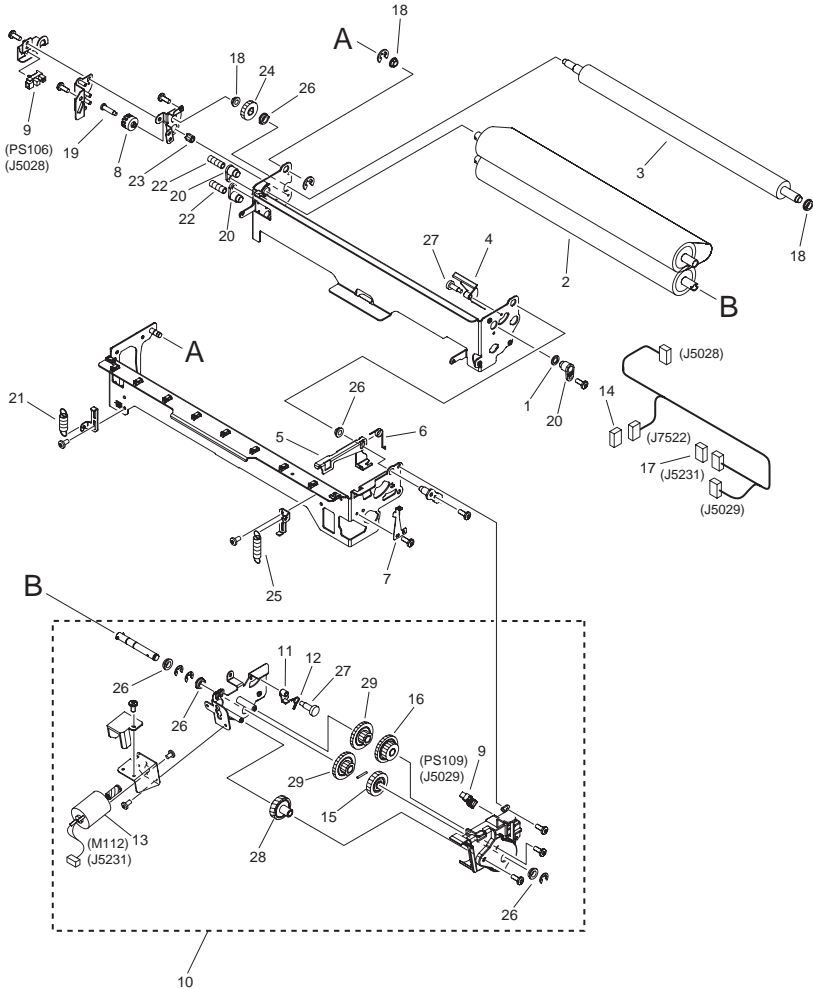


FIGURE & KEY NO.	PARTS NUMBER	R A N K	Q'TY	DESCRIPTION	SERIAL NUMBER/ REMARKS	S V C
Fig.534	FM2-2153-000		1	I.T.B. WEB ASSEMBLY		
1	FB2-3200-000		1	RUBBER, FRICTION		
2	FC5-9197-000		1	WEB, CLEANING		
3	FC5-9200-000		1	ROLLER, WEB		
4	FC6-7919-000		1	ARM, REMNANT DETECT		
5	FC6-7924-000		1	STOPPER		
6	FC6-7925-000		1	SPRING, TORSION		
7	FC6-7926-000		1	SPRING, WEB UNIT MOUNTING		
8	FC6-8384-000		1	FLAG, FEED		
9	FK2-0149-000		2	PHOTO-INTERRUPTER, TLP1252(C6)	PS106,109	
10	FM2-2300-000		1	I.T.B. WEB DRIVE ASSEMBLY		
11	FC6-7920-000		1	FLAG, REMNANT DETECT		
12	FC6-7921-000		1	SPRING, TORSION		
13	FL2-6337-000		1	DC MOTOR UNIT	M112	
14	VS1-7177-008		1	CONNECTOR, SNAP TIGHT, BK		
15	FU6-0464-000		1	GEAR, 28T		
16	FU6-0465-000		1	GEAR, 20T/42T		
17	VS1-7177-002		1	CONNECTOR, SNAP TIGHT, BK		
18	FS1-1569-000		3	BUSHING		
19	FS1-9121-000		1	SCREW, STEPPED, M3		
20	FU5-1329-000		3	BUSHING		
21	FU5-2854-000		1	SPRING, TENSION		
22	FU5-2903-000		2	SPRING, COMPRESSION		
23	FU6-0415-000		1	GEAR, 15T		
24	FU6-0416-000		1	GEAR, 45T		
25	FU6-2552-000		1	SPRING, TENSION		
26	FS1-1510-000		5	BUSHING, 8,4, (COP)		
27	FS1-9170-020		2	SCREW, STEPPED		
28	FU6-0320-000		1	GEAR, 16T/46T		
29	FU6-0321-000		2	GEAR, 18T/42T		

FIGURE 535 I.T.B. POST CORONA ASSEMBLY

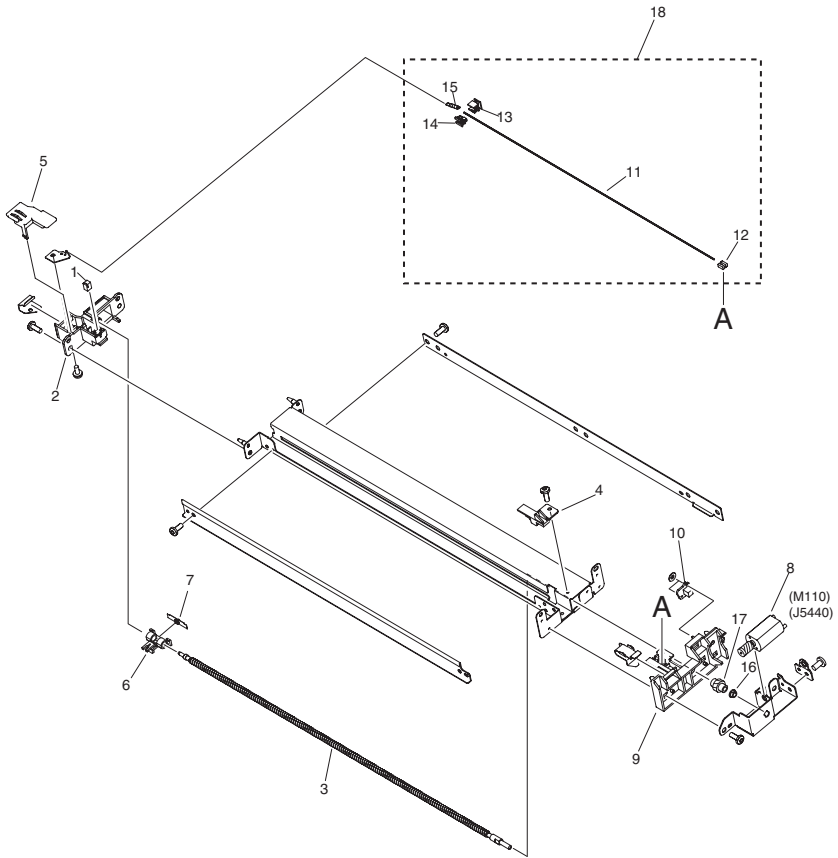


FIGURE & KEY NO.	PARTS NUMBER	R A N K	Q'TY	DESCRIPTION	SERIAL NUMBER/ REMARKS	S V C
Fig.535	FM2-2157-000		1	I.T.B. POST CORONA ASSEMBLY		
1	FA4-1864-000		1	DAMPER		
2	FC6-2139-000		1	BLOCK, POST, REAR		
3	FC6-2144-000		1	SCREW, LEAD		
4	FC6-2146-000		1	COVER, PRE-TRANSFER, FRONT		
5	FC6-2147-000		1	COVER, PRE-TRANSFER, REAR		
6	FC6-2148-000		1	HOLDER, FELT		
7	FL2-0434-000		1	SPRING, LEAF		
8	FL2-0991-000		1	DC MOTOR UNIT	M110	
9	FL2-2423-000		1	BLOCK, POST, FRONT		
10	FM2-7718-000		1	WCM BOARD PCB ASSEMBLY		
11	FB4-3687-000		1	WIRE, CORONA, 0.06MM (20M)		
12	FC6-3188-000		1	HOLDER, PRIMARY WIRE, FRONT		
13	FL2-0462-020		1	BLOCK, WIRE CLEANING PAD		
14	FL2-0464-000		1	HOLDER, WIRE CLEANING PAD		
15	FU6-2088-000		1	SPRING, TENSION		
16	FS5-1897-000		1	BUSHING		
17	FS6-0115-000		1	GEAR, 18T		
18	FM2-9257-000		1	CORONA ASSEMBLY		

FIGURE 536
EDGE REGISTRATION DETECT ASS'Y

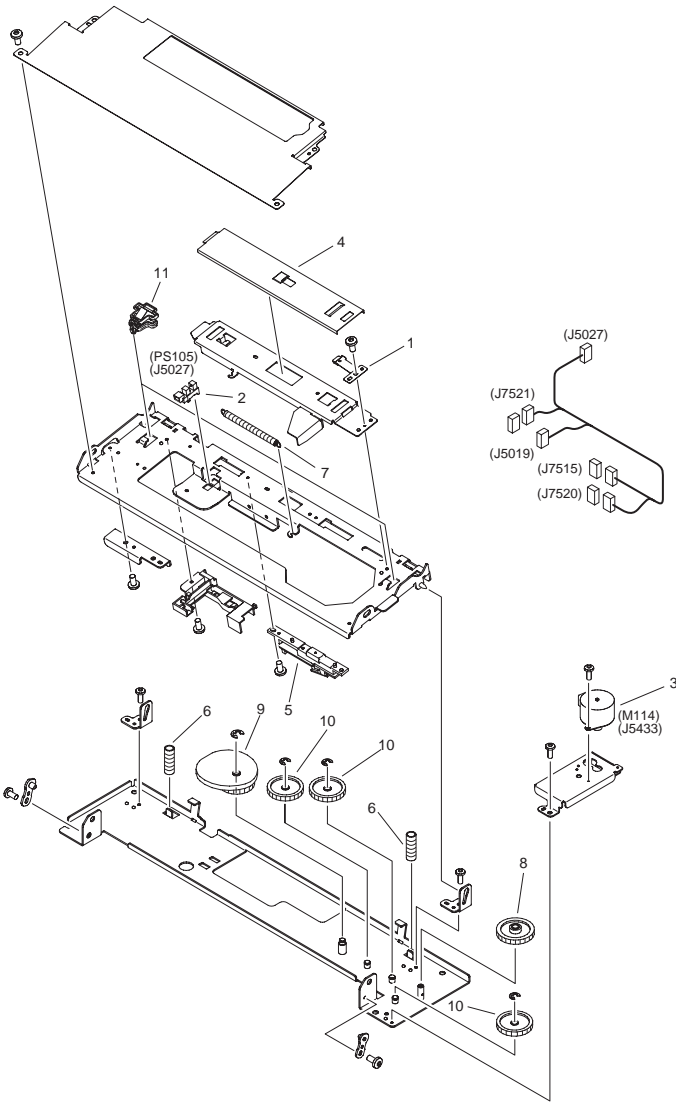


FIGURE & KEY NO.	PARTS NUMBER	R A N K	Q'TY	DESCRIPTION	SERIAL NUMBER/REMARKS	S V C
Fig.536	FM2-2156-000		1	EDGE REGISTRATION DETECT ASSY		
1	FC6-8390-000		1	SPRING, SHUTTER MOUNTING		
2	FK2-0149-000		1	PHOTO-INTERRUPTER, TLP1252(C6)	PS105	
3	FK2-2729-000		1	MOTOR, STEPPING, DC	M114	
4	FL2-2024-000		1	SHUTTER, EDGE REGIST. DETECT		
5	FM2-9256-000		1	REGIST. DETECT SENSOR ASSEMBLY		
6	FU5-2908-000		2	SPRING, COMPRESSION		
7	FU5-2909-000		1	SPRING, TENSION		
8	FU6-0381-000		1	GEAR, 30T/63T		
9	FU6-0382-000		1	GEAR, 60T		
10	FU6-0383-000		3	GEAR, 60T		
11	FL2-2025-000		2	SCRAPER, SIDE		

FIGURE 550 PRIMARY CORONA ASSEMBLY

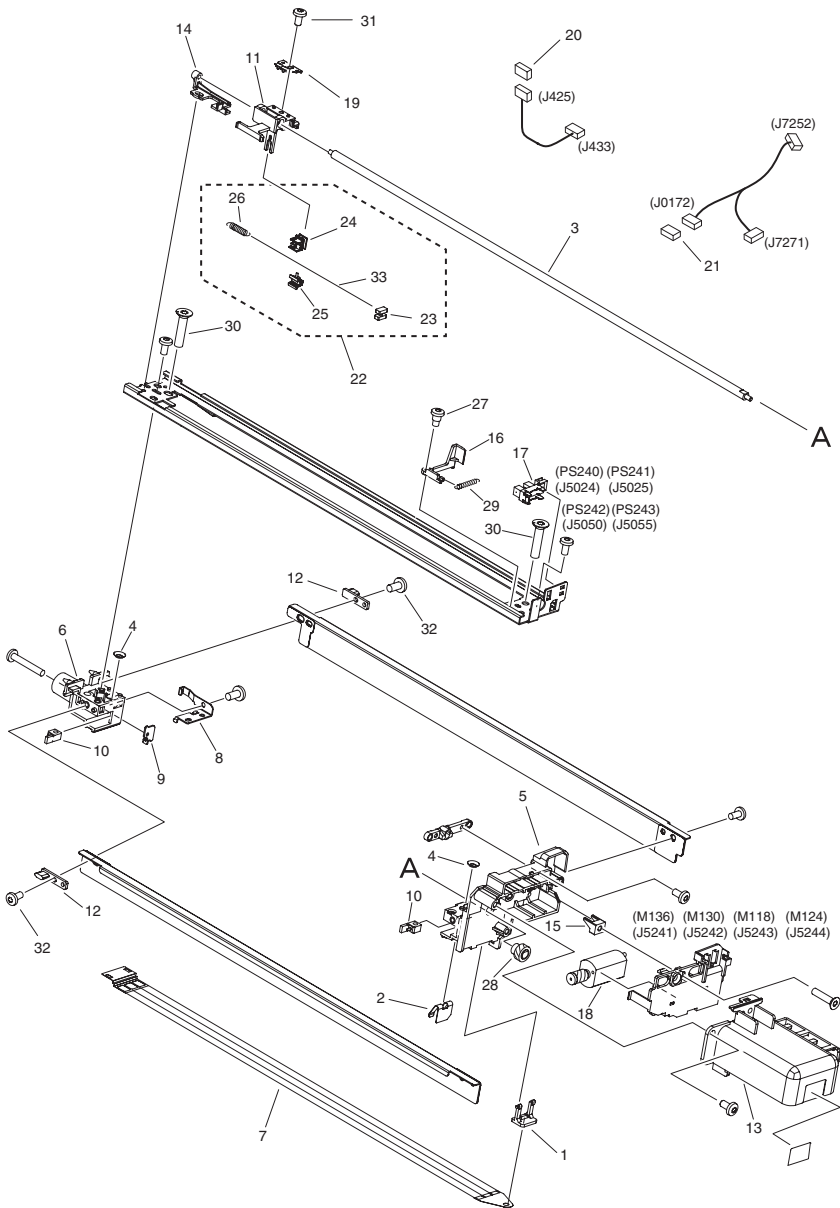


FIGURE & KEY NO.	PARTS NUMBER	RANK	Q'TY	DESCRIPTION	SERIAL NUMBER/REMARKS	SVC
Fig.550	FM3-4189-000		4	PRIMARY CORONA ASSEMBLY		
1	FB2-2959-000		1	LEVER, GRID		
2	FB2-2960-000		1	SPRING, LEAF		
3	FC5-1810-000		1	SCREW, LEAD		
4	FC5-6366-000		2	WASHER, SHEET		
5	FC6-1051-000		1	BLOCK, PRIMARY CORONA, FRONT		
6	FC6-1052-000		1	BLOCK, PRIMARY CORONA, REAR		
7	FC6-1056-000		1	PLATE, GRID		
8	FC6-1057-000		1	PLATE, POWER DISPATCHING		
9	FC6-1058-000		1	PLATE, WIRE POWER DISPATCHING		
10	FC6-1059-000		1	BLOCK, WIRE POSITIONING		
11	FC6-1060-000		1	MOUNT, PAD HOLDER		
12	FC6-1061-000		2	BLOCK, GUIDE		
13	FC6-3187-000		1	HANDLE, PRIMARY		
14	FC7-0822-000		1	BUSHING		
15	FC7-0823-000		1	BLOCK, PRIMARY POSITIONING		
16	FC7-0916-000		1	FLAG, DETECT		
17	FK2-0149-000		1	PHOTO-INTERRUPTER, TLP1252(C6)	PS240-243	
18	FL2-0991-000		1	DC MOTOR UNIT	M118,124,130,136	
19	FL2-5445-000		1	PIN, SLIDER		
20	VS1-7177-003		1	CONNECTOR, SNAP TIGHT, BK		
21	VS1-7177-002		1	CONNECTOR, SNAP TIGHT, BK		
22	FM2-9257-000		1	CORONA ASSEMBLY		
23	FC6-3188-000		1	HOLDER, PRIMARY WIRE, FRONT		
24	FL2-0462-020		1	BLOCK, WIRE CLEANING PAD		
25	FL2-0464-000		1	HOLDER, WIRE CLEANING PAD		
26	FU6-2088-000		1	SPRING, TENSION		
27	FS1-9009-020		1	SCREW, STEPPED, M3		
28	FU5-0268-000		1	GEAR, 18T		
29	FU6-2059-000		1	SPRING, TENSION		
30	XA9-0228-000		2	SCREW, INSUL., C.S.HEAD		
31	FU5-9229-000		1	SCREW, TAPPING, M3X6(YELLOW)		

FIGURE & KEY NO.	PARTS NUMBER	R A N K	Q'TY	DESCRIPTION	SERIAL NUMBER/ REMARKS	S V C
32	FU5-9223-000		2	SCREW, BHX6(YELLOW)		
33	FB4-3687-000		1	WIRE, CORONA, 0.06MM (20M)		

FIGURE 600 PROCESSOR KIT ASSEMBLY

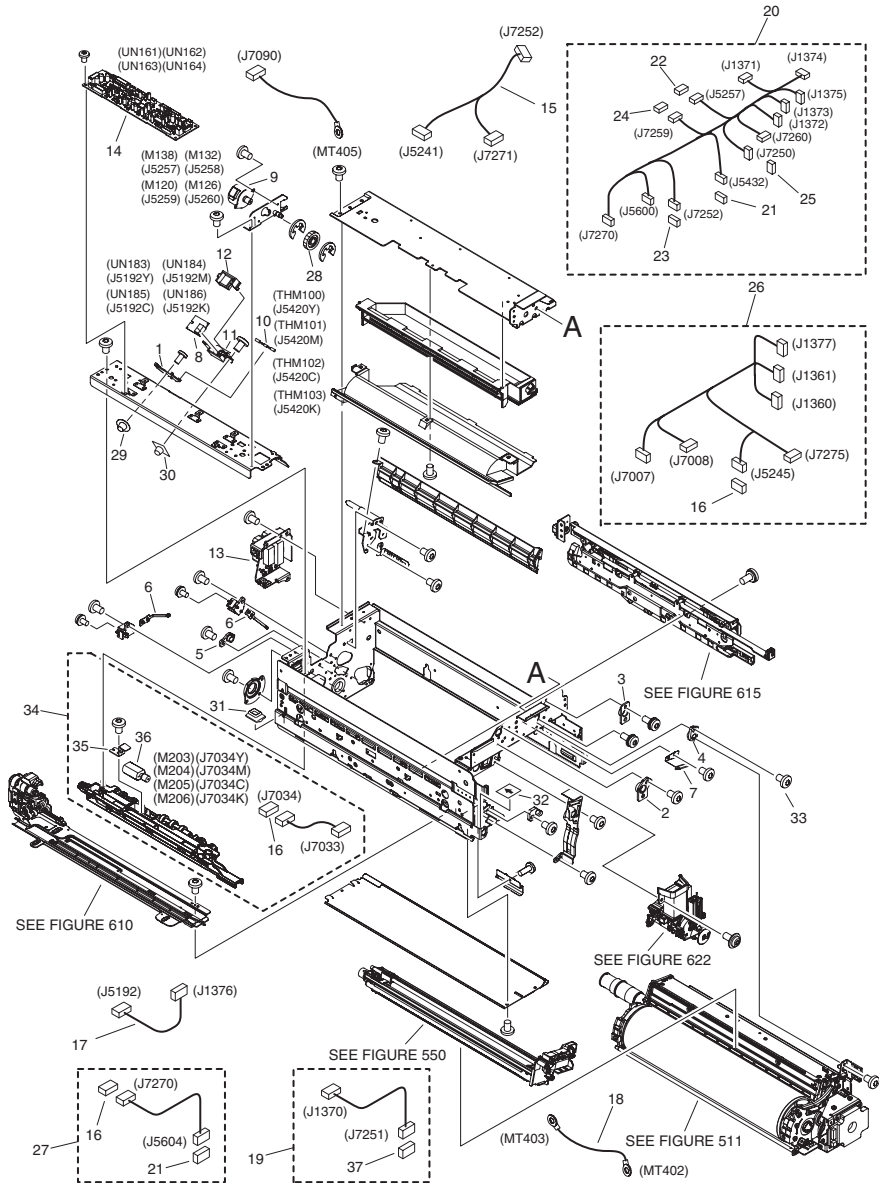


FIGURE & KEY NO.	PARTS NUMBER	RANK	Q'TY	DESCRIPTION	SERIAL NUMBER/REMARKS	SVC
Fig.600	NPN		RF	PROCESSOR KIT ASSEMBLY		
1	FA4-8614-000		1	HOLDER,THERMISTOR		
2	FC5-8907-000		1	BUSHING, LEFT		
3	FC5-8908-000		1	BUSHING, RIGHT		
4	FC5-8910-000		1	BUSHING, FRONT RIGHT		
5	FC5-8911-000		1	BUSHING, REAR		
6	FC5-8913-000		2	ELIMINATOR, POWER DISPATCHING		
7	FC6-3186-000		1	STOPPER, PRIMARY		
8	FK2-0607-000		1	THERMOSENSOR	UN183-186	
9	FK2-2729-000		1	MOTOR, STEPPING, DC	M120,126,132,138	
10	FK2-3153-000		1	THERMISTOR	THM100-103	
11	FL2-1912-000		1	HOLDER, THERMO SENSOR		
12	FL2-1913-000		1	COVER, THERMO SENSOR		
13	FM2-2078-000		1	DRAWER CONNECTOR ASSEMBLY		
14	FM2-7693-000		1	P- KIT DRIVER PCB ASSEMBLY	UN161-164	
15	FM2-8492-000		1	CABLE, P- KIT PRIM WIRE		
17	FM2-8527-000		1	CABLE, P- KIT		
18	FM2-8569-000		1	CABLE, P- KIT GROUNDING, 2		
19	FM2-8588-000		1	CABLE, P- KIT VSNS		
20	FM2-8638-000		1	CABLE, P- KIT FAN		
21	VS1-7177-003		2	CONNECTOR, SNAP TIGHT, BK		
22	VS1-7177-004		1	CONNECTOR, SNAP TIGHT, BK		
23	VS1-7177-005		1	CONNECTOR, SNAP TIGHT, BK		
24	VS1-7177-008		1	CONNECTOR, SNAP TIGHT, BK		
25	VS1-7177-011		1	CONNECTOR, SNAP TIGHT, 11P, BK		
26	FM2-8661-000		1	CABLE, P- KIT DRAWER		
27	FM2-8843-000		1	CABLE, P- KIT LED		
28	FU6-0366-000		1	GEAR, 32T		
29	FA9-3684-000		AR	CUP		
30	FB5-0994-000		1	CUP		
31	FL2-7894-000		1	SPACER, DEV. RAIL, LOWER		
32	FB6-5144-000		1	LABEL, INSERT, BLACK	BLACK	

FIGURE & KEY NO.	PARTS NUMBER	R A N K	Q'TY	DESCRIPTION	SERIAL NUMBER/ REMARKS	S V C
32	FB6-5143-000		1	LABEL, INSERT, CYAN	CYAN	
32	FB6-5142-000		1	LABEL, INSERT, MAGENTA	MAGENTA	
32	FB6-5141-000		1	LABEL, INSERT, YELLOW	YELLOW	
33	FU5-9223-000		2	SCREW, BH3X6(YELLOW)		
34	FM3-7582-000		2	DEVELOPING KNOCK UNIT (Y/M)		
34	FM3-7583-000		2	DEVELOPING KNOCK UNIT (C/K)		
35	FC8-6798-000		4	PLATE		
36	FL2-9917-000		4	MOTOR, BRUSH, DC, 3.96W		
37	VS1-7177-010		1	CONNECTOR, 10P		

FIGURE 610 DEVELOPING RAIL ASSEMBLY

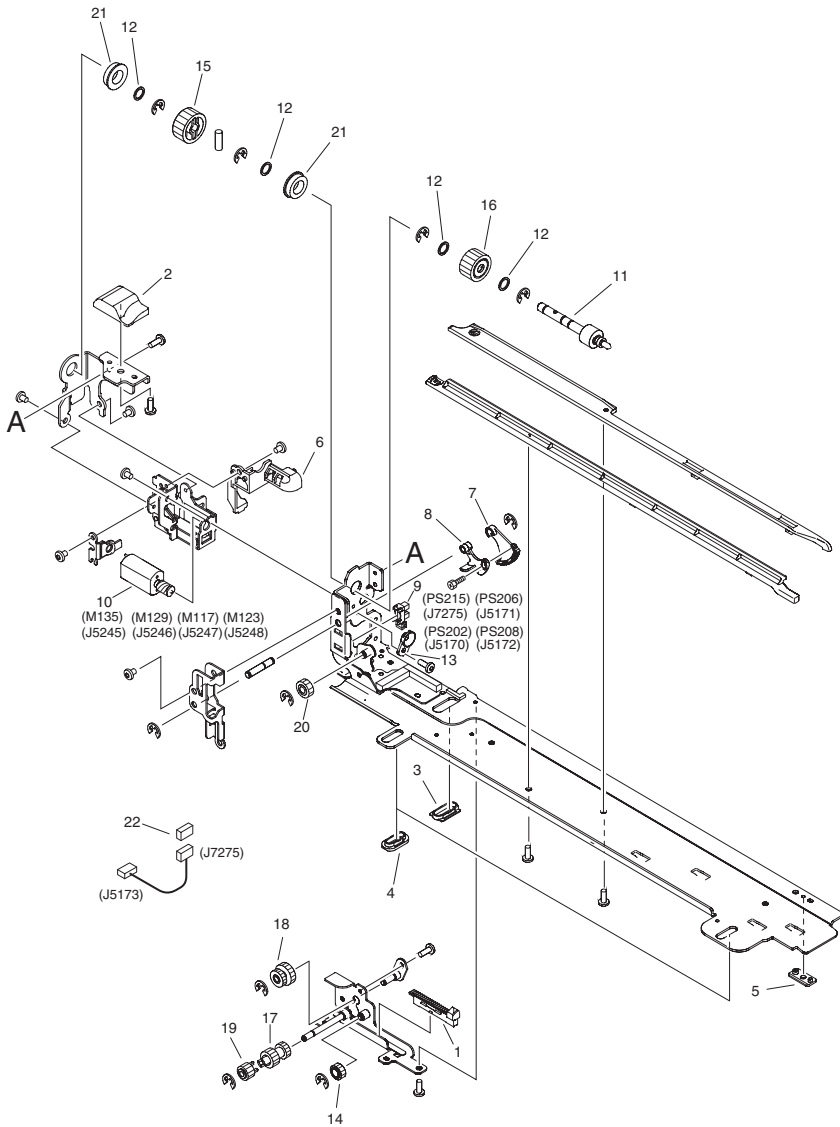


FIGURE & KEY NO.	PARTS NUMBER	RANK	Q'TY	DESCRIPTION	SERIAL NUMBER/REMARKS	SVC
Fig.610	FM2-2109-000		4	DEVELOPING RAIL ASSEMBLY		
1	FC5-9045-000		1	RACK		
2	FC5-9046-000		1	CAM, SWING GEAR		
3	FC5-9060-000		1	GUIDE, PIN, 1		
4	FC5-9061-000		2	GUIDE, PIN, 2		
5	FC6-8002-000		1	SLIDER, DEVELOPING MOUNT		
6	FC7-7570-000		1	COVER, MOTOR		
7	FC6-8005-000		1	GEAR		
8	FC6-8006-000		1	FLAG, HOME POSITION DETECT		
9	FK2-0149-000		1	PHOTO-INTERRUPTER, TLP1252(C6)	PS202,206,208,215	
10	FL2-6138-000		1	MOTOR, PATCH DETECT CLEANING	M117,123,129,135	
11	FM2-2107-000		1	SHAFT, DEVELOPING DRIVE		
12	FS5-6488-000		4	WASHER		
13	FU5-1315-000		1	BUSH		
14	FU6-0292-000		1	GEAR, 16T		
15	FU6-0368-000		1	GEAR, 41T		
16	FU6-0369-000		1	GEAR, 30T		
17	FU7-0131-000		1	GEAR, 17T/19T		
18	FU7-0132-000		1	GEAR, 19T/24T		
19	FU7-0133-000		1	GEAR, 16T		
20	FU7-0134-000		1	GEAR, 19T		
21	XG9-0544-000		2	BEARING, BALL, 8H44M		
22	VS1-7177-003		1	CONNECTOR, SNAP TIGHT, BK		

FIGURE 615 DEVELOPING PRESSURE ASSEMBLY

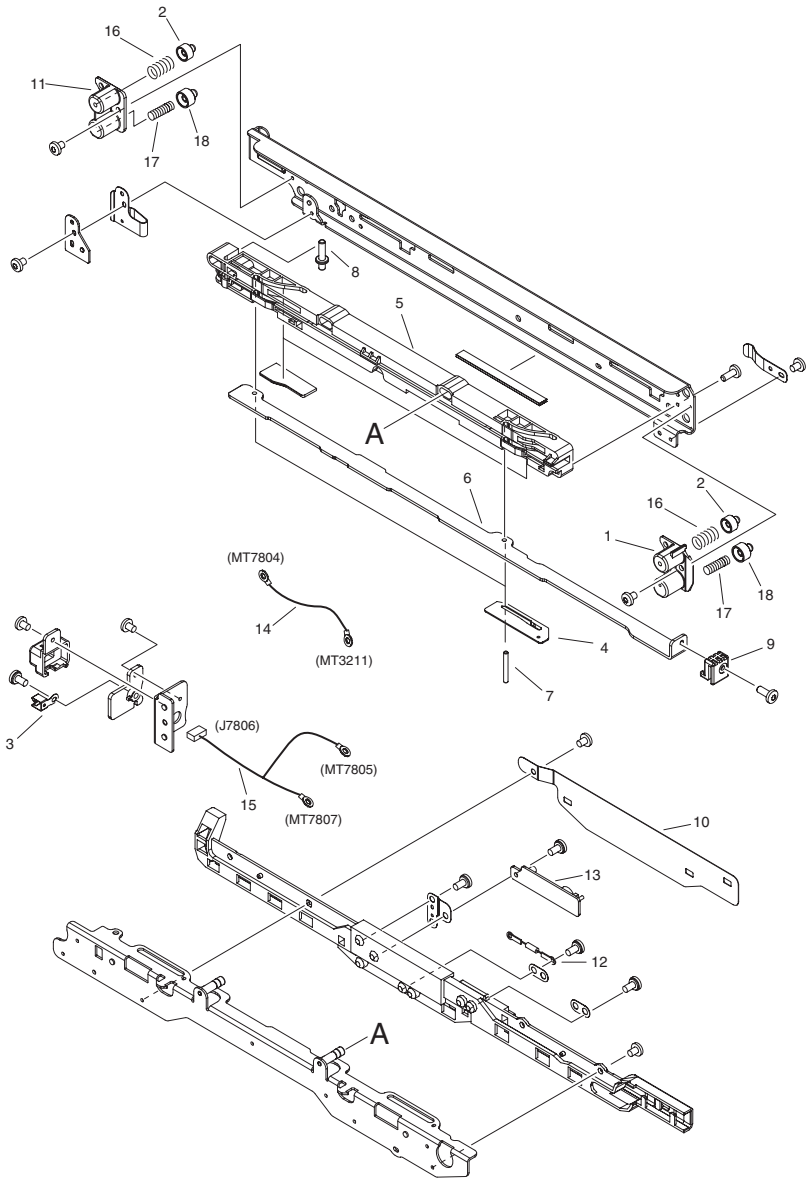


FIGURE & KEY NO.	PARTS NUMBER	R A N K	Q'TY	DESCRIPTION	SERIAL NUMBER/REMARKS	S V C
Fig.615	FM2-2110-000		4	DEVELOPING PRESSURE ASSEMBLY		
1	FC5-9033-000		1	HOLDER, PRESSURE SPRING, FRONT		
2	FC5-9034-000		2	HOLDER, PRESSURE		
3	FC5-9050-000		1	CONNECTOR, HIGH VOLTAGE		
4	FC5-9051-000		2	GUIDE, SWING		
5	FC5-9052-000		1	BLOCK, PRESSURE		
6	FC5-9053-000		1	LEVER, PRESSURE		
7	FC5-9058-000		2	PIN		
8	FC5-9059-000		1	PIN, POSITIONING		
9	FC5-9065-000		1	HANDLE, DEVELOPING PRESSURE		
10	FC7-4625-000		1	COVER, PCB		
11	FC7-4631-000		1	HOLDER, PRESSURE SPRING, REAR		
12	FL2-6002-000		1	RESISTOR, H.V. - 9 CURRENT		
13	FM2-7195-000		1	HIGH VOLTAGE PCB ASSEMBLY		
14	FM2-8485-000		1	CABLE, P- KIT HIGH VOLTAGE		
15	FM2-8493-000		1	CABLE, P- KIT H.V. DEV. RELAY		
16	FU5-2906-000		2	SPRING, DEV. PRESSURE, UPPER		
17	FU6-2546-000		2	SPRING, DEV. PRESSURE, LOWER		
18	FC8-1030-000		2	PIN, PRESSURE, LOWER		

FIGURE & KEY NO.	PARTS NUMBER	R A N K	Q'TY	DESCRIPTION	SERIAL NUMBER/ REMARKS	S V C
Fig.620	FM2-2287-000		1	HOPPER ASSEMBLY, YELLOW	C7000VP/C6000VP	
Fig.620	FM2-2288-000		1	HOPPER ASSEMBLY, MAGENTA	C7000VP/C6000VP	
Fig.620	FM2-2289-000		1	HOPPER ASSEMBLY, CYAN	C7000VP/C6000VP	
Fig.620	FM2-2290-000		1	HOPPER ASSEMBLY, BLACK	C7000VP/C6000VP	
Fig.620	FM2-2047-000		1	HOPPER ASSEMBLY, YELLOW	C6000	
Fig.620	FM2-2048-000		1	HOPPER ASSEMBLY, MAGENTA	C6000	
Fig.620	FM2-2049-000		1	HOPPER ASSEMBLY, CYAN	C6000	
Fig.620	FM2-2050-000		1	HOPPER ASSEMBLY, BLACK	C6000	
1	FC5-1904-000		1	GUIDE, RELEASE		
2	FC5-1912-000		1	CAP, DOCKING POINT		
3	FC5-1945-000		1	HOLDER, RING		
4	FC5-8754-000		1	FLAG, SENSOR, INNER COVER		
5	FC5-8755-000		1	DOOR, CARTRIDGE INNER		
6	FC5-8756-000		1	MOUNT, CARTRIDGE MOTOR		
7	FC6-2294-000		1	SPRING, TORSION		
8	FC6-2301-000		1	COVER, CARTRIDGE INNER		
9	FC6-2303-000		1	STOPPER, CARTRIDGE		
10	FC6-2313-000		1	SENSOR, CARTRIDGE SWING		
11	FC6-2314-000		1	FLAG, CARTRIDGE SENSOR		
12	FC6-2317-000		1	GUIDE, BOTTLE		
13	FC6-2320-000		1	HOLDER, COVER		
14	FC6-2327-000		1	SHAFT, RING		
15	FC6-2339-000		1	CATCH, COVER		
16	FC6-2342-000		1	SWITCH, OPEN		
17	FC6-2346-000		1	LINK, RELEASE		
18	FC6-2347-000		1	COUPLING, TRAY DRIVE		
19	FC6-3225-000		1	CAM, BOTTLE SHIFT		
20	FC6-3230-000		7	STOPPER, FRONT		
21	FC6-5481-000		4	ROLLER		
22	FC6-5482-000		2	ROLLER		
23	XZ9-0603-000		1	CATCH, MAGNET		
24	FC6-8139-000		1	FLAG, SLIDE SENSOR		

FIGURE & KEY NO.	PARTS NUMBER	RANK	Q'TY	DESCRIPTION	SERIAL NUMBER/REMARKS	SVC
25	FK2-0015-000		1	MOTOR, DC24V	M143-146	
26	FK2-0149-000		4	PHOTO-INTERRUPTER, TLP1252(C6)	PS123-130,201,203,204,207,213,216,218,219	
27	FK2-2726-000		1	MOTOR, BRUSHLESS, DC	M195-198	
28	FK2-2728-000		1	MOTOR, DC	M190-193	
29	FM2-0956-000		1	CABLE, MULTI DOOR SWITCH	SW101-104	
30	FM2-7694-000		1	HOPPER DRIVER PCB ASSEMBLY		
31	FM2-7698-000		1	HOPPER SWITCH PCB ASSEMBLY	UN251-254	
32	FM2-8488-000		1	CABLE, HOPPER GROUNDING, 1		
33	FM2-8489-000		1	CABLE, HOPPER GROUNDING, 2		
34	FM2-8504-000		1	CABLE, HOPPER MOTOR		
35	FM2-8570-000		1	CABLE, HOPPER SENSOR		
36	FM2-8633-000		1	CABLE, HOPPER DRIVE		
37	VS1-7177-002		1	CONNECTOR, SNAP TIGHT, BK		
38	VS1-7177-003		1	CONNECTOR, SNAP TIGHT, BK		
39	VS1-7177-012		1	CONNECTOR, SNAP TIGHT, BK		
40	FM2-8636-000		1	CABLE, HOPPER SENSOR MOTOR		
41	FS1-1510-000		2	BUSHING, 8,4, (COP)		
42	FU5-0199-000		1	GEAR, 36T		
43	FU5-0273-000		1	GEAR, 35T		
44	FU5-1323-000		4	BUSHING		
45	FU5-2977-000		1	SPRING, COMPRESSION		
46	FU5-2978-000		1	SPRING, COMPRESSION		
47	FU5-2979-000		1	SPRING, TENSION		
48	FU5-5771-000		1	PIN, STOPPER		
49	FU5-5823-000		1	SHAFT, DRIVE RELEASE		
50	FU5-5824-000		1	SHAFT, TRAY DRIVE		
51	FU6-0428-000		1	GEAR, 26T/86T		
52	FU6-0429-000		1	GEAR, 18T/120T		
53	FU6-0434-000		2	GEAR, 14T		
54	FU6-0435-000		1	GEAR, 12T		
55	XH9-0137-000		1	DAMPER, ROTARY		

FIGURE & KEY NO.	PARTS NUMBER	R A N K	Q'TY	DESCRIPTION	SERIAL NUMBER/ REMARKS	S V C
56	FC5-0127-000		1	PIN, SLIDER		

FIGURE 621 BUFFER ASSEMBLY

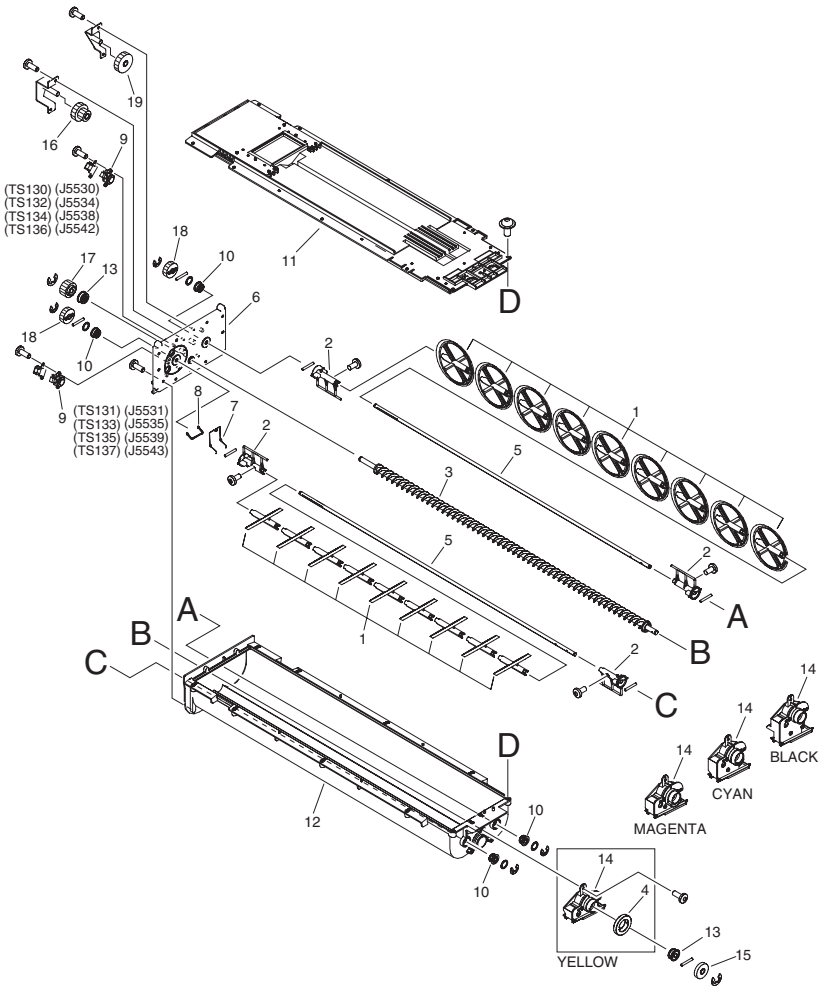


FIGURE & KEY NO.	PARTS NUMBER	RANK	Q'TY	DESCRIPTION	SERIAL NUMBER/REMARKS	SVC
Fig.621	FM2-2333-000		1	BUFFER YELLOW ASSEMBLY		
Fig.621	FM2-2334-000		1	BUFFER MAGENTA ASSEMBLY		
Fig.621	FM2-2335-000		1	BUFFER CYAN ASSEMBLY		
Fig.621	FM2-2336-000		1	BUFFER BLACK ASSEMBLY		
1	FC5-8746-000		18	BLADE, STIRRING		
2	FC5-8747-000		4	ROD, STIRRING		
3	FC5-8748-000		1	FEED SCREW		
4	FC5-8764-000		1	FRANGE, YELLOW	YELLOW	
5	FC5-8765-000		2	SHAFT, STIRRING		
6	FC5-8771-000		1	LID, HOPPER BACK		
7	FC6-2335-000		1	WIPER		
8	FC6-2336-000		1	HOLDER, WIPER		
9	FK2-0590-000		2	TONER SENSOR UNIT	TS130-137	
10	FL2-1904-000		4	BUSHING, PHI 6		
11	FL2-2374-000		1	LID, HOPPER, UPPER		
12	FL2-2375-000		1	CASE, HOPPER		
13	FL2-2376-000		2	BUSHING, PHI 8		
14	FM2-2332-000		1	SHUTTER, BLACK	BLACK	
14	FM2-2331-000		1	SHUTTER, CYAN	CYAN	
14	FM2-2330-000		1	SHUTTER, MAGENTA	MAGENTA	
14	FM2-2329-000		1	SHUTTER, YELLOW	YELLOW	
15	FU6-0254-000		1	GEAR, 27T		
16	FU6-0430-000		1	GEAR, 18T/30T		
17	FU6-0431-000		1	GEAR, 26T		
18	FU6-0432-000		2	GEAR, 26T		
19	FU6-0433-000		1	GEAR, 34T		

FIGURE 622 SUB HOPPER ASSEMBLY

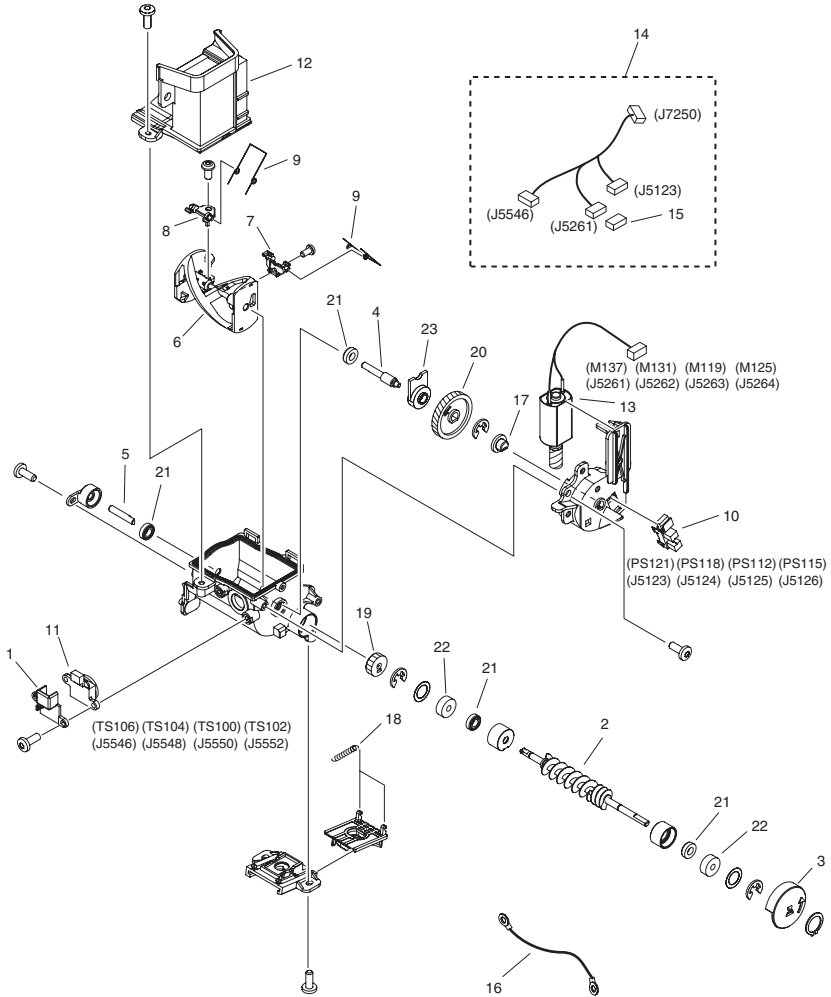


FIGURE & KEY NO.	PARTS NUMBER	RANK	Q'TY	DESCRIPTION	SERIAL NUMBER/REMARKS	SVC
Fig.622	FM2-2097-000		4	SUB HOPPER ASSEMBLY		
1	FC5-8003-000		1	COVER, CONNECTOR		
2	FC5-9020-000		1	SCREW, SUPPLY		
3	FC5-9023-000		1	FLAG, HOME POSITION DETECT		
4	FC5-9024-000		1	SHAFT, STIRRING, FRONT		
5	FC5-9025-000		1	SHAFT, STIRRING, REAR		
6	FC5-9026-000		1	BLADE, STIRRING		
7	FC6-7947-000		1	RETAINER, SPRING, FRONT		
8	FC6-7948-000		1	RETAINER, SPRING, REAR		
9	FC6-7955-000		2	SPRING, TORSION		
10	FK2-0149-000		1	PHOTO-INTERRUPTER, TLP1252(C6)	PS112,115,118,121	
11	FK2-0590-000		1	TONER SENSOR UNIT	TS100,102,104,106	
12	FL2-1986-000		1	COVER, SUB HOPPER, UPPER		
13	FL2-6139-000		1	MOTOR, SUB HOPPER STIRRING	M137,M131,M119,M125	
14	FM2-8596-000		1	CABLE, P- KIT SUB HOPPER		
15	VS1-7177-002		1	CONNECTOR, SNAP TIGHT, BK		
16	FM2-8682-000		1	CABLE, P-KIT GROUNDING, 1		
17	FU5-1317-000		1	BUSHING		
18	FU5-2901-000		2	SPRING, TENSION		
19	FU6-0359-000		1	GEAR, 22T		
20	FU6-0360-000		1	GEAR, 50T		
21	MB4-8200-000		4	SEAL, OIL		
22	XG9-0438-000		2	BEARING, BALL		
23	FU5-1334-000		1	BUSHING		

FIGURE 625 TONER FEED ASS'Y

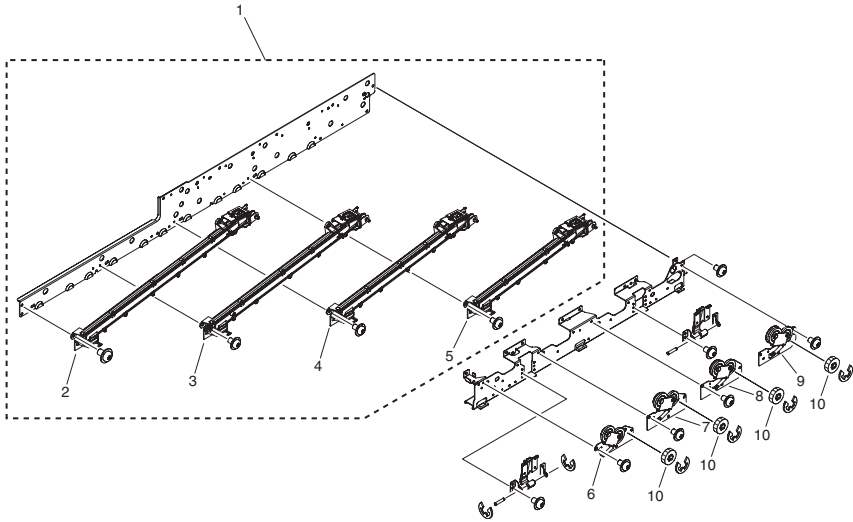


FIGURE & KEY NO.	PARTS NUMBER	RANK	QTY	DESCRIPTION	SERIAL NUMBER/REMARKS	SVC
Fig.625	NPN		RF	TONER FEED ASS'Y		
1	FM2-2045-000		1	FEED PIPE UNIT		
2	FM2-2041-000		1	PIPE, TONER PAPER FEED, YELLOW		
3	FM2-2042-000		1	PIPE, TONER PAPER FEED, MAGENTA		
4	FM2-2043-000		1	PIPE, TONER PAPER FEED, CYAN		
5	FM2-2044-000		1	PIPE, TONER PAPER FEED, BLACK		
6	FM2-2292-000		1	FEEDER DRIVE ASSEMBLY, YELLOW		
7	FM2-2293-000		1	FEEDER DRIVE ASSEMBLY, MAGENTA		
8	FM2-2294-000		1	FEEDER DRIVE ASSEMBLY, CYAN		
9	FM2-2295-000		1	FEEDER DRIVE ASSEMBLY, BLACK		
10	FU6-0251-000		4	GEAR, 18T		

FIGURE 640 DEVELOPING ASSEMBLY

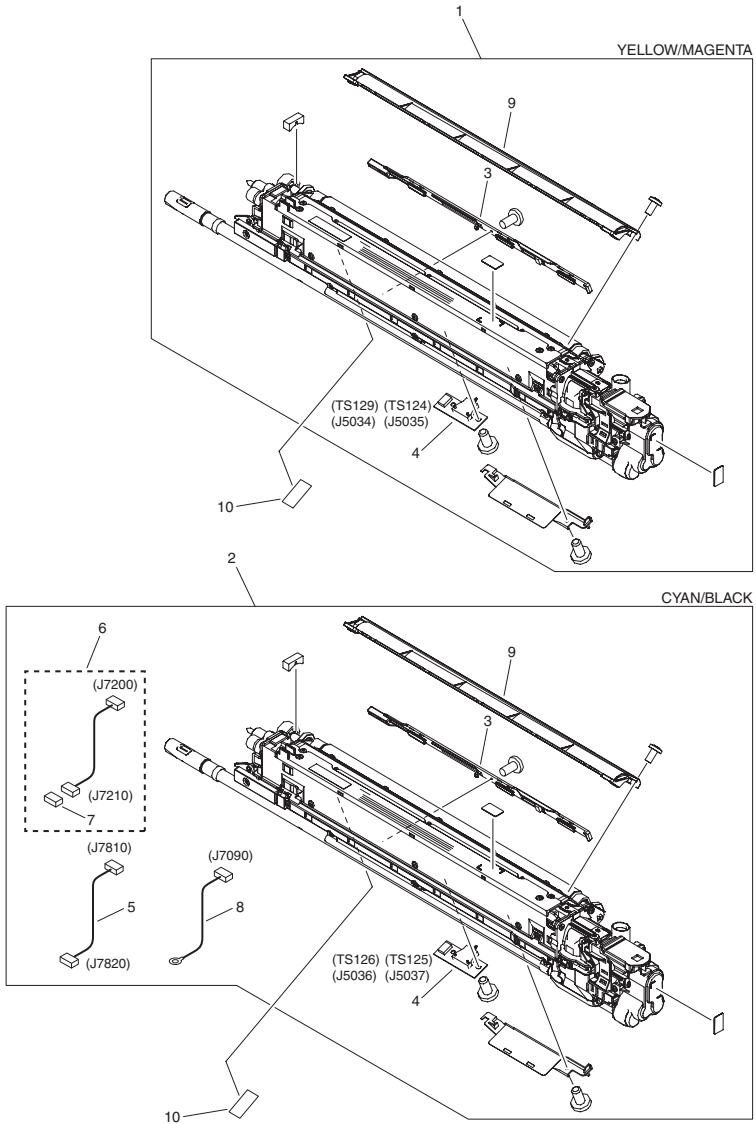


FIGURE & KEY NO.	PARTS NUMBER	R A N K	Q'TY	DESCRIPTION	SERIAL NUMBER/REMARKS	S V C
Fig.640	NPN		RF	DEVELOPING ASSEMBLY		
1	FM3-4190-000		2	DEVELOPING ASSEMBLY, Y, M	YELLOW/MAGENTA	
1	FM3-4190-000		2	DEVELOPING ASSEMBLY, Y, M	YELLOW/MAGENTA	
1	FM3-4190-000		2	DEVELOPING ASSEMBLY, Y, M	YELLOW/MAGENTA	
1	FM3-4190-000		2	DEVELOPING ASSEMBLY, Y, M	YELLOW/MAGENTA	
2	FM3-4191-000		2	DEVELOPING ASSEMBLY, C, B	CYAN/BLACK	
2	FM3-4191-000		2	DEVELOPING ASSEMBLY, C, B	CYAN/BLACK	
2	FM3-4191-000		2	DEVELOPING ASSEMBLY, C, B	CYAN/BLACK	
2	FM3-4191-000		2	DEVELOPING ASSEMBLY, C, B	CYAN/BLACK	
3	FL2-1979-000		1	SHUTTER, PATCH DETECT	CYAN/BLACK	
3	FL2-1968-000		1	SHUTTER, PATCH DETECT	YELLOW/MAGENTA	
4	FK2-3168-000		1	PHOTO SENSOR KUA0029G	TS124-126,129	
5	FM3-4694-000		1	CABLE, P-KIT H.V.		
6	FM3-4693-000		1	CABLE, P-KIT SENSOR		
7	VS1-7177-010		1	CONNECTOR, 10P		
8	FM3-1236-000		1	CABLE, GROUNDING		
9	FL2-1971-000		1	COVER, SLEEVE		
10	FC8-6806-000		1	SHEET, HOLD		

FIGURE 710 CLEANER ASSEMBLY

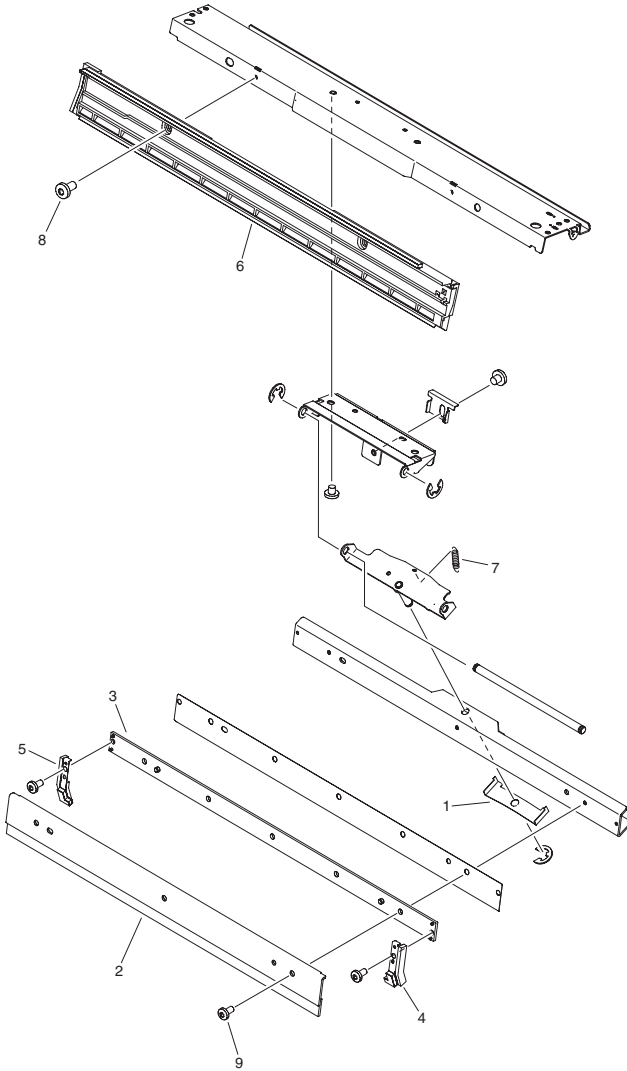


FIGURE & KEY NO.	PARTS NUMBER	RANK	Q'TY	DESCRIPTION	SERIAL NUMBER/REMARKS	SVC
Fig.710	FM2-2493-010		4	CLEANER ASSEMBLY		
1	FB2-6890-000		1	SPRING, LEAF		
2	FC5-8829-000		1	BLADE, CLEANER		
3	FC5-8830-000		1	SPACER, BLADE		
4	FL2-2713-000		1	SEAL, REAR		
5	FL2-2714-000		1	SEAL, REAR		
6	FM2-2680-000		1	PRE-CONDITIONING UNIT		
7	FU5-2121-000		1	SPRING, TENSION		
8	FU5-9222-000		2	SCREW, BH4X8(YELLOW)		
9	FU5-9223-000		5	SCREW, BH3X6(YELLOW)		

FIGURE 770 WASTE TONER FEEDER ASSEMBLY

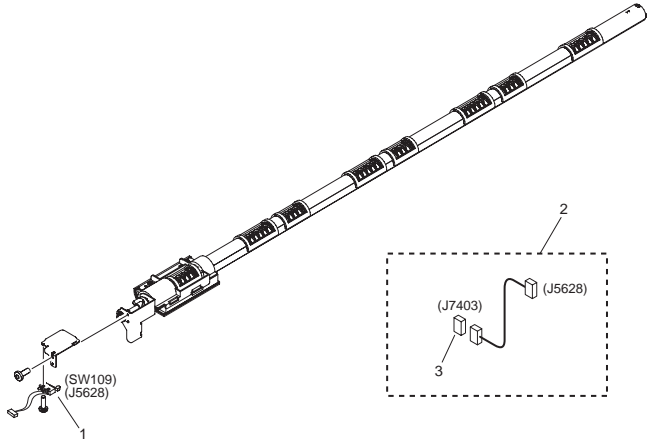


FIGURE & KEY NO.	PARTS NUMBER	RANK	Q'TY	DESCRIPTION	SERIAL NUMBER/REMARKS	SVC
Fig.770	FM2-2052-000		1	WASTER TONER FEEDER ASSEMBLY		
1	FM2-0956-000		1	CABLE, MULTI DOOR SWITCH	SW109	
2	FM2-8502-000		1	CABLE, WASTE TONER SWITCH		
3	VS1-7177-002		1	CONNECTOR, SNAP TIGHT, BK		

FIGURE 771 WASTE TONER BUFFER ASSEMBLY

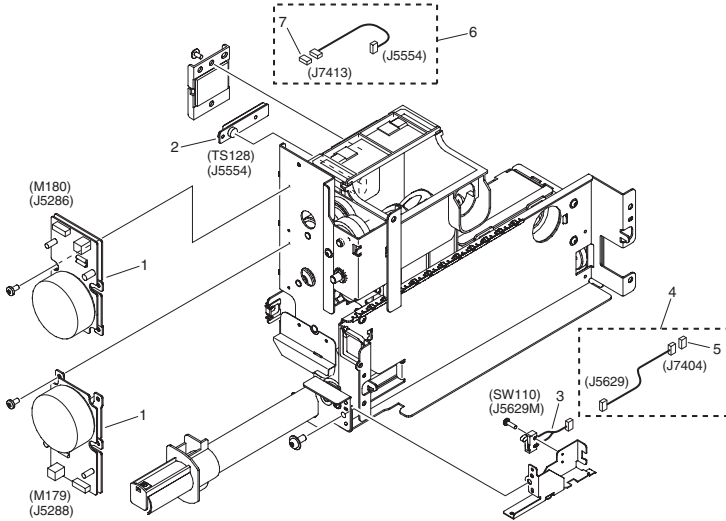


FIGURE & KEY NO.	PARTS NUMBER	RANK	Q'TY	DESCRIPTION	SERIAL NUMBER/REMARKS	SVC
Fig.771	FM2-2053-000		1	WASTE TONER BUFFER ASSEMBLY		
1	FK2-0022-000		2	MOTOR, 161 BRUSHLESS DC	M179,180	
2	FK2-0591-000		1	SENSOR , TONER	TS128	
3	FM2-0956-000		1	CABLE, MULTI DOOR SWITCH	SW110	
4	FM2-8503-000		1	CABLE, TRANSFORMER SWITCH		
5	VS1-7177-002		1	CONNECTOR, SNAP TIGHT, BK		
6	FM2-8523-000		1	CABLE, FULL SENSOR		
7	VS1-7177-003		1	CONNECTOR, SNAP TIGHT BK		

FIGURE 775 WASTE TONER PIPE ASSEMBLY

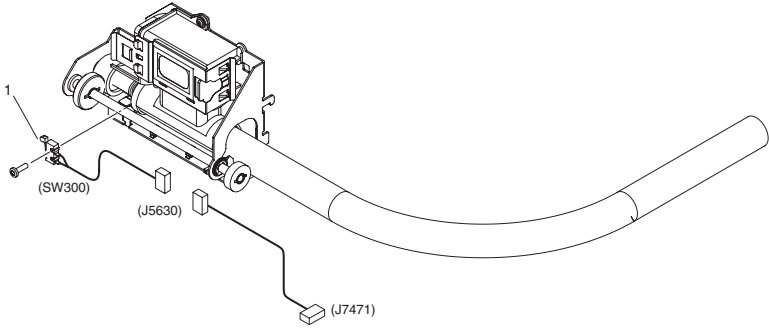


FIGURE & KEY NO.	PARTS NUMBER	RANK	QTY	DESCRIPTION	SERIAL NUMBER/REMARKS	SVC
Fig.775	FM2-2054-000		1	WASTE TONER PIPE ASSEMBY		
1	FM2-0956-000		1	CABLE, MULTI DOOR SWITCH	SW300	

FIGURE 780 WASTE TONER COLLECTION ASS'Y

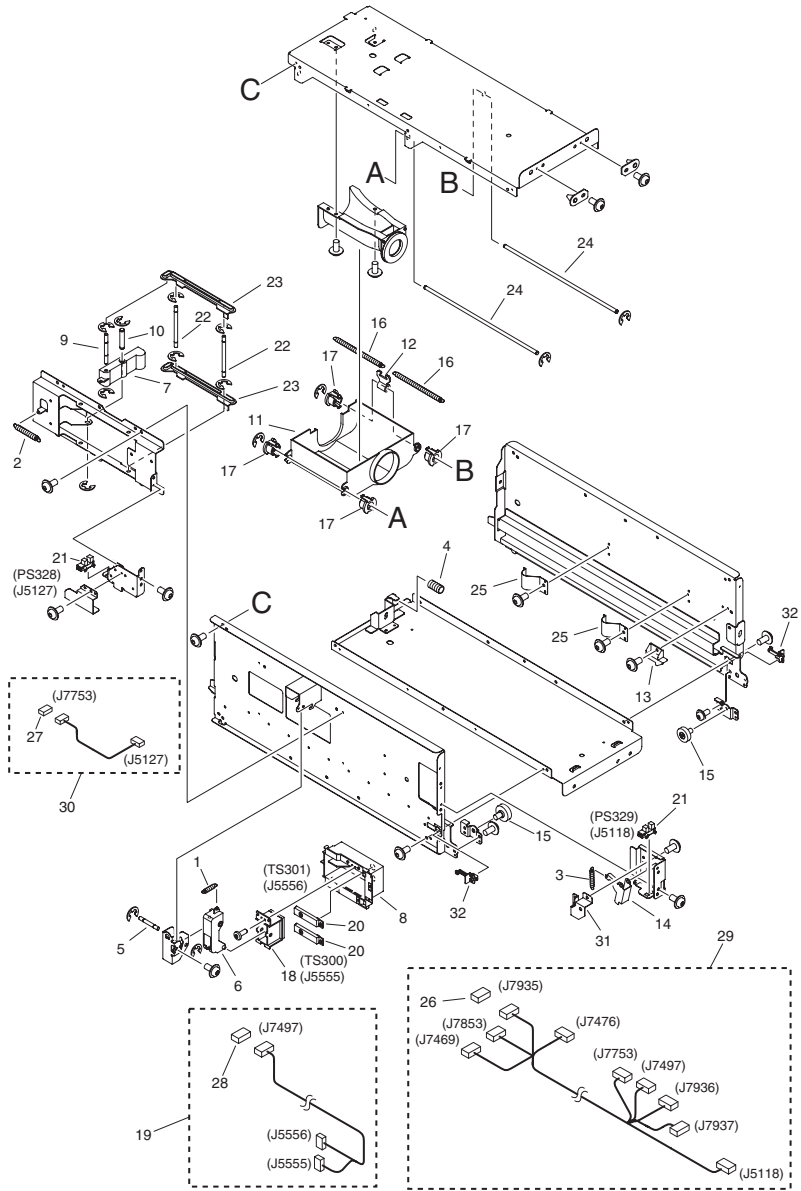
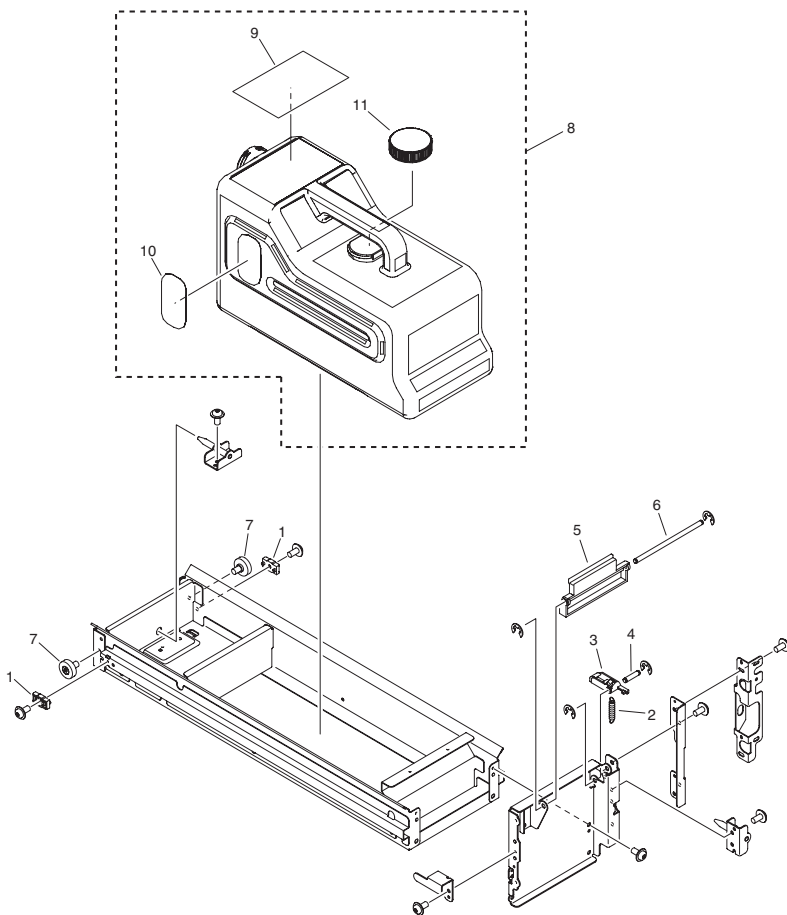


FIGURE & KEY NO.	PARTS NUMBER	R A N K	Q'TY	DESCRIPTION	SERIAL NUMBER/ REMARKS	S V C
Fig.780	NPN		RF	WASTE TONER COLLECTION ASS'Y		
1	FU6-2528-000		1	SPRING, TENSION		
2	FU6-2527-000		1	SPRING, TENSION		
3	FU6-2002-000		1	SPRING, TENSION		
4	FU6-2001-000		1	SPRING, COMPRESSION		
5	FC7-1614-000		1	SHAFT, SUPPORTING		
6	FC7-1568-000		1	ARM, PRESSURE		
7	FC7-1616-000		1	LEVER, BOTTLE DETECT		
8	FC7-1564-000		1	HOLDER, TONER SENSOR		
9	FC7-1562-000		1	SHAFT, HOOK		
10	FC7-1561-000		1	SHAFT, LEVER		
11	FL2-8401-000		1	COVER, PIPE		
12	FC7-1556-000		1	HOOK, COUPLING		
13	FC7-1553-000		1	HOOK		
14	FC7-1551-000		1	FLAG, DOOR SENSOR		
15	XG9-0302-000		2	STEEL BALL BEARING, A-19-B2		
16	FU6-2525-000		2	SPRING, TENSION		
17	FU5-1333-000		4	BUSHING, SLIDE		
18	FL2-1994-000		1	STOPPER, TONER SENSOR		
19	FM2-8817-000		1	CABLE, WASTE TONER FULL DETECT		
20	FK2-0591-000		2	SENSOR , TONER	TS300,301	
21	FK2-0149-000		2	PHOTO-INTERRUPTER, TLP1252(C6)	PS328,329	
22	FC7-1560-000		2	SHAFT, CAM		
23	FC7-1559-000		2	CAM, SLIDE		
24	FC7-1555-000		2	SHAFT, GUIDE		
25	FC7-1549-000		2	STOPPER, SIDE		
26	VS1-7177-003		1	CONNECTOR, SNAP TIGHT, BK		
27	VS1-7177-004		1	CONNECTOR, SNAP TIGHT, BK		
28	VS1-7177-007		1	CONNECTOR, 7P, FEMALE, BK		
29	FM2-8790-000		1	CABLE, WASTE TONER		
30	FM2-8806-000		1	CABLE, BOTTLE SENSOR		
31	FC7-1552-000		1	STOPPER, FLAG		

FIGURE & KEY NO.	PARTS NUMBER	R A N K	Q'TY	DESCRIPTION	SERIAL NUMBER/ REMARKS	S V C
32	FC7-2261-000		2	STOPPER, CONTAINER		

FIGURE 781 WASTE TONER BOTTLE TRAY ASS'Y



NOTE : This assembly does not include the part shown with key No. 8.
注 : このユニットにKey No. 8の部品は含まれません。

FIGURE & KEY NO.	PARTS NUMBER	R A N K	Q'TY	DESCRIPTION	SERIAL NUMBER/ REMARKS	S V C
Fig.781	FM2-2057-000		1	WASTE TONER BOTTLE TRAY ASS'Y	SEE NOTE	
1	FC7-2262-000		2	STOPPER, SIDE		
2	FU5-2998-000		1	SPRING, TENSION		
3	FC6-8565-000		1	ARM, LATCH		
4	FC6-8564-000		1	SHAFT, ARM		
5	FC6-8563-000		1	LEVER, OPEN/CLOSE		
6	FC6-8562-000		1	SHAFT, LEVER		
7	XG9-0302-000		2	STEEL BALL BEARING, A-19-B2		
8	FM2-2058-000		1	BOTTLE, WASTE TONER		
9	FC7-9667-000		1	LABEL, TONER BOTTLE		
10	FC6-8560-000		1	SHEET, BOTTLE WINDOW		
11	FC6-3419-000		1	CAP, WASTE TONER BOTTLE		

FIGURE 810 FIRST FIXING ASSEMBLY

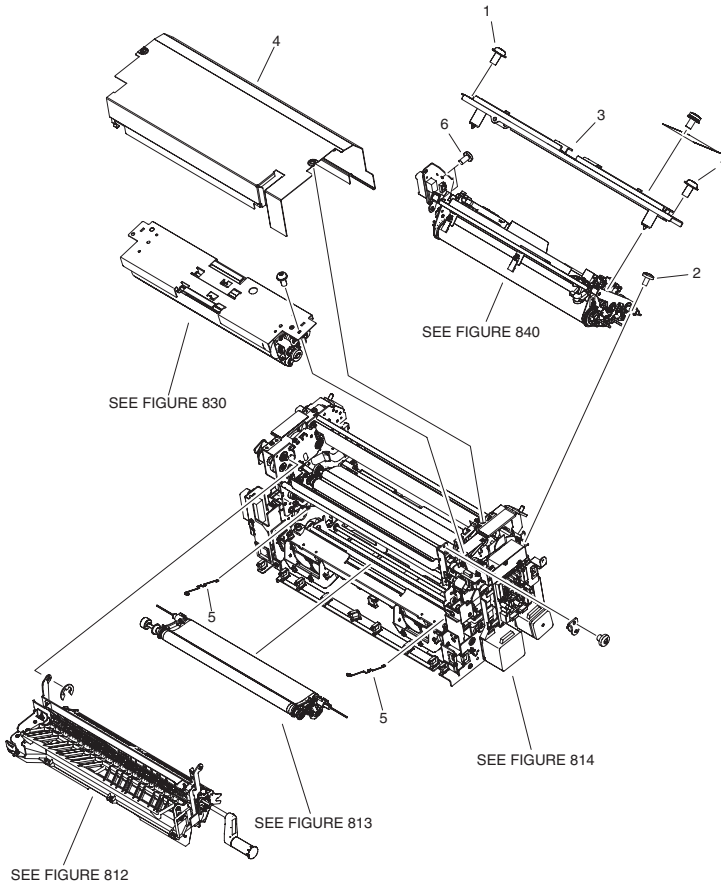


FIGURE & KEY NO.	PARTS NUMBER	RANK	Q'TY	DESCRIPTION	SERIAL NUMBER/REMARKS	SVC
Fig.810	NPN		RF	FIRST FIXING ASSEMBLY		
1	FU5-9228-000		2	SCREW, TP, M5X14(YELLOW)		
2	FU5-9224-000		2	SCREW, BH4X6(YELLOW)		
3	FM3-2093-000		1	HEAT PRESSURE CROSSMEMBER UNIT		
4	FM3-2104-000		1	COVER, UPPER		
5	FC6-2048-000		2	SPRING, ROLLER FIXED		
6	FU5-9223-000		2	SCREW, BH3X6(YELLOW)		

FIGURE 812
INNER PAPER DELIVERY ASS'Y, 1

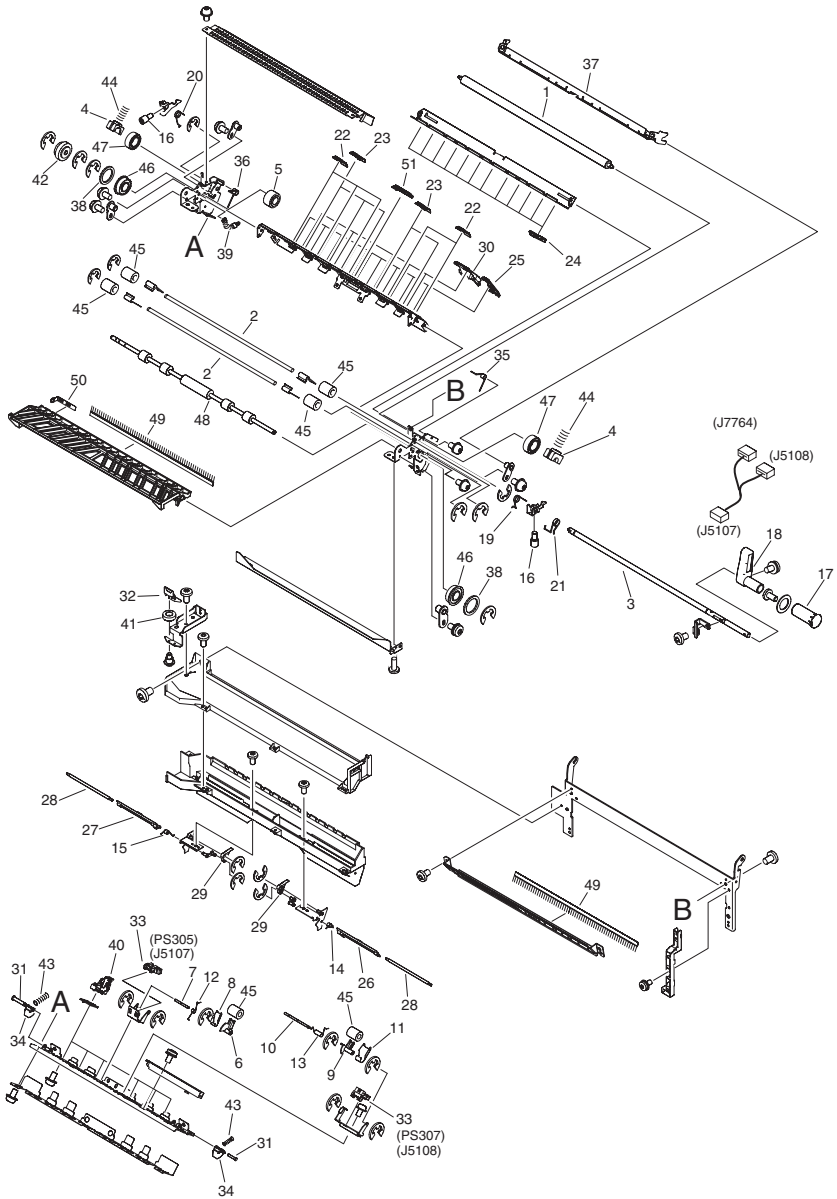


FIGURE & KEY NO.	PARTS NUMBER	R A N K	Q'TY	DESCRIPTION	SERIAL NUMBER/ REMARKS	S V C
Fig.812	FM2-2198-000		1	INNER PAPER DELIVERY ASSEMBLY		
1	FC5-9775-000		1	ROLLER, INTERNAL DELIVERY, U.		
2	FC5-9785-000		2	SHAFT, ROLLER		
3	FC5-9791-000		1	SHAFT, OPEN/CLOSE		
4	FC5-9792-000		2	BUSHING, INNER PAPER DELIVERY		
5	FC6-1260-000		1	SPACER, INNER PAPER DELIVERY		
6	FC6-8437-010		1	LEVER, SENSOR, 1		
7	FC6-8438-000		1	SHAFT, SENSOR LEVER, 1		
8	FC6-8439-000		1	PLATE, INNER DELIVERY LEVER		
9	FC6-8511-000		1	LEVER, REVERSE SENSOR, FIRST		
10	FC6-8513-000		1	SHAFT, REVERSE SENSOR LEVER		
11	FC6-8514-000		1	PLATE, REVERSE LEVER		
12	FC6-8528-000		1	SPRING, TORSION		
13	FC6-8529-000		1	SPRING, REVERSE SENSOR LEVER		
14	FC7-4062-000		1	SPRING, TORSION		
15	FC7-4063-000		1	SPRING		
16	FC7-4064-000		2	BOLT, STOPPER		
17	FC7-4068-010		1	HANDLE, INNER PAPER DELIVERY		
18	FC7-4069-010		1	LEVER, FIRST OPEN/CLOSE		
19	FC7-4073-000		1	SPRING, TORSION		
20	FC7-4074-000		1	SPRING, TORSION		
21	FC7-4075-000		1	SPRING, TORSION		
22	FC7-9740-000		5	RIB, PAPER DELIVERY, SMALL		
23	FC7-4646-000		5	RIB, PAPER DELIVERY, LARGE		
24	FC7-4647-000		12	RIB, INNER DELIVERY OUTER, UP.		
25	FC7-4649-000		8	RIB, INNER PAPER DELIVERY, S		
26	FC7-4650-000		1	SHUTTER, FRONT		
27	FC7-4651-000		1	SHUTTER, REAR		
28	FC7-4652-000		2	SHAFT, TURN		
29	FC7-4653-000		2	LEVER, OPEN/CLOSE		
30	FC7-7036-000		6	RIB, INNER PAPER DELIVERY, L		
31	FC7-7037-000		2	SHAFT, PUSH		

FIGURE & KEY NO.	PARTS NUMBER	RANK	Q'TY	DESCRIPTION	SERIAL NUMBER/REMARKS	SVC
32	FC7-7040-000		1	PLATE, INSERT		
33	FK2-0149-000		2	PHOTO-INTERRUPTER, TLP1252(C6)	PS305,307	
34	FC7-7038-000		2	PLATE, PUSHING, UPPER		
35	FC6-8574-000		1	SPRING, TORSION		
36	FC6-8575-000		1	SPRING, TORSION		
37	FM2-2218-000		1	PLATE, SEPARATION		
38	FS5-6488-000		2	WASHER		
39	FU5-2138-000		1	SPRING, TENSION		
40	FM3-2100-000		6	SEPARATION CLAW ASSEMBLY		
41	FU5-6260-000		1	ROLLER		
42	FU6-0306-000		1	GEAR, 22T		
43	FU6-2556-000		2	SPRING, COMPRESSION		
44	FU6-2566-000		2	SPRING, COMPRESSION		
45	RB2-0493-000		18	ROLLER, PAPER SENSOR		
46	XG9-0291-000		2	BEARING, BALL, LOWER ROLLER		
47	XG9-0484-000		2	BEARING, BALL, DDL-740ZZH		
48	FC7-4644-000		1	ROLLER, PAPER DELIVERY, LOWER		
49	FB5-4858-000		2	ELIMINATOR, STATIC CHARGE		
50	FC7-7035-000		1	PLATE, GROUNDING		
51	FC8-0999-000		1	RIB, INNER PAPER DELIVERY, L		

FIGURE 813 FIXING BELT ASSEMBLY

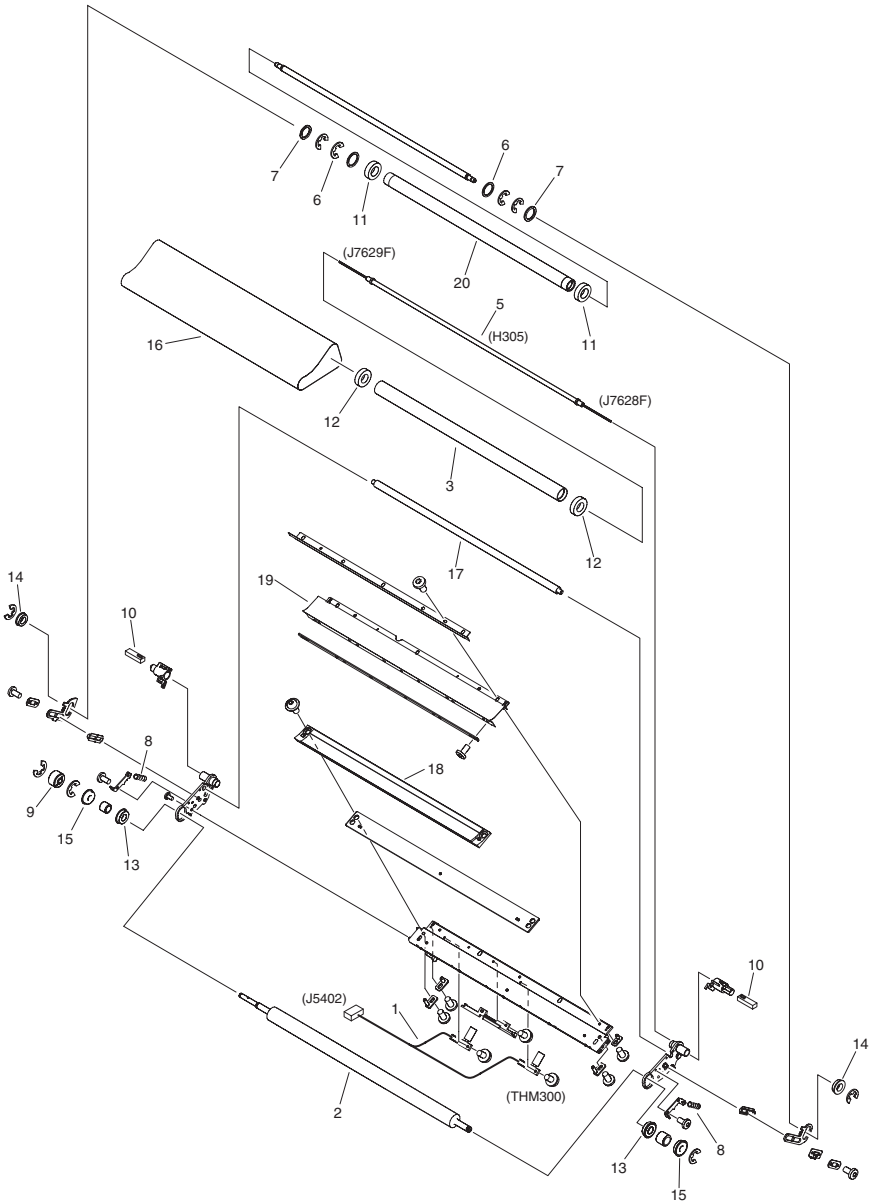
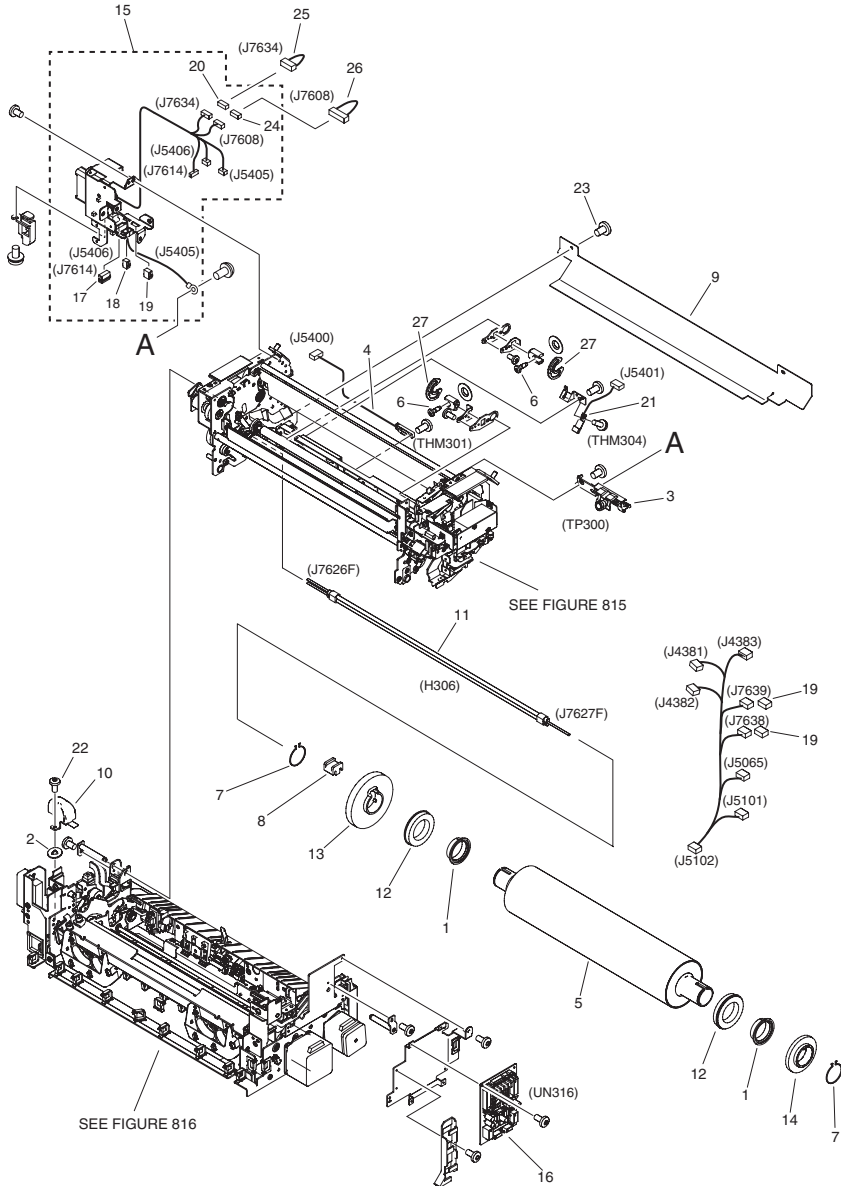


FIGURE & KEY NO.	PARTS NUMBER	R A N K	Q'TY	DESCRIPTION	SERIAL NUMBER/ REMARKS	S V C
Fig.813	FM2-2215-000		1	FIXING BELT ASSEMBLY	200V	
Fig.813	FM2-9267-000		1	FIXING BELT ASSEMBLY	240V	
1	FK2-3094-000		1	THERMISTOR	THM300	
2	FC6-0336-000		1	ROLLER, SEPARATION		
3	FC6-1254-000		1	ROLLER, INLET		
5	FK2-3086-010		1	HEATER, HALOGEN	200VH305	
5	FK2-3087-010		1	HEATER, HALOGEN	240VH305	
6	FS5-6487-000		2	WASHER		
7	FS5-6488-000		2	WASHER		
8	FU5-2878-000		2	SPRING, TENSION		
9	FU5-3196-000		1	PULLEY, 23T		
10	VS1-7462-001		2	CONNECTOR, 1P		
11	XG9-0177-000		2	BALL BEARING, NMB DDL-1480ZZR		
12	XG9-0360-000		2	BEARING, BALL, 1910ZZY05R POP		
13	XG9-0593-000		3	BEARING, BALL		
14	XG9-0407-000		2	BEARING, BALL, UGF106P12ZZD4ML		
15	XG9-0585-000		2	BEARING, BALL		
16	FL2-6530-000		1	BELT, FIXING		
17	FL2-5453-000		1	ROLLER, OIL		
18	FL2-5457-000		1	PAD, PRESSURE		
19	FL2-6259-000		1	COVER, PAD		
20	FC5-9766-000		1	ROLLER, STEERING		

FIGURE 814 FIXING INTERMEDIATE ASS'Y, 1



NOTE1 : This assembly includes the assemblies shown in Figure 815 and 816.

NOTE2 : This assembly does not include the parts shown with key No. 25 and 26.

注 1 : このユニットはFigure 815, 816のユニットを含みます。

注 2 : このユニットにKey No. 25, 26の部品は含まれません。

FIGURE & KEY NO.	PARTS NUMBER	R A N K	Q'TY	DESCRIPTION	SERIAL NUMBER/ REMARKS	S V C
Fig.814	FM2-9291-000		1	FIXING INTERMEDIATE ASS'Y, 1	200VSEE NOTE 1	
Fig.814	FM3-0316-000		1	FIXING INTERMEDIATE ASS'Y, 1	240VSEE NOTE 1	
1	FB4-3689-000		2	BUSHING		
2	FC2-2121-000		1	WASHER		
3	FM3-0656-000		1	THERMOSWITCH UNIT	TP300	
4	FK2-3160-000		1	THERMISTOR	THM301	
5	FL2-6945-000		1	ROLLER, FIXING		
6	FC6-8422-010		2	SCREW, FIXED, M4		
7	FC6-8516-000		2	RING, RETAINING		
8	FC7-0167-000		1	KEY, GEAR		
9	FL2-7834-000		1	COVER, FIXING, RIGHT		
10	FC7-3432-000		1	COVER, CONNECTOR, 1 LOWER REAR		
11	FK2-3082-000		1	HEATER, HALOGEN	200VH306	
11	FK2-3083-000		1	HEATER, HALOGEN	240VH306	
12	XG9-0419-000		2	BEARING, BALL, 6907ZZNRS1CS37		
13	FU6-0336-000		1	GEAR, 86T		
14	FU6-0470-000		1	GEAR, 53T		
15	FM2-2302-000		1	CABLE, DRAWER, 1		
16	FM2-7703-000		1	FIXING INNER DRIVER PCB ASS'Y	UN316	
17	VS1-7177-006		1	CONNECTOR, SNAP TIGHT, BK		
18	VS1-7177-002		1	CONNECTOR, SNAP TIGHT, BK		
19	VS1-7177-003		3	CONNECTOR, SNAP TIGHT, BK		
20	VS1-7177-004		1	CONNECTOR, SNAP TIGHT, BK		
21	FK2-6777-000		1	THERMISTOR	TPM304	
22	FU5-9225-000		1	SCREW, WWASHER, M4X10(YELLOW)		
23	FU5-9224-000		2	SCREW, BH4X6(YELLOW)		
24	VS1-7177-005		1	CONNECTOR, SNAP TIGHT, BK		
27	FC5-2715-000		2	RING, RETAINING		

FIGURE 815 FIRST FIXING ASSEMBLY, UPPER

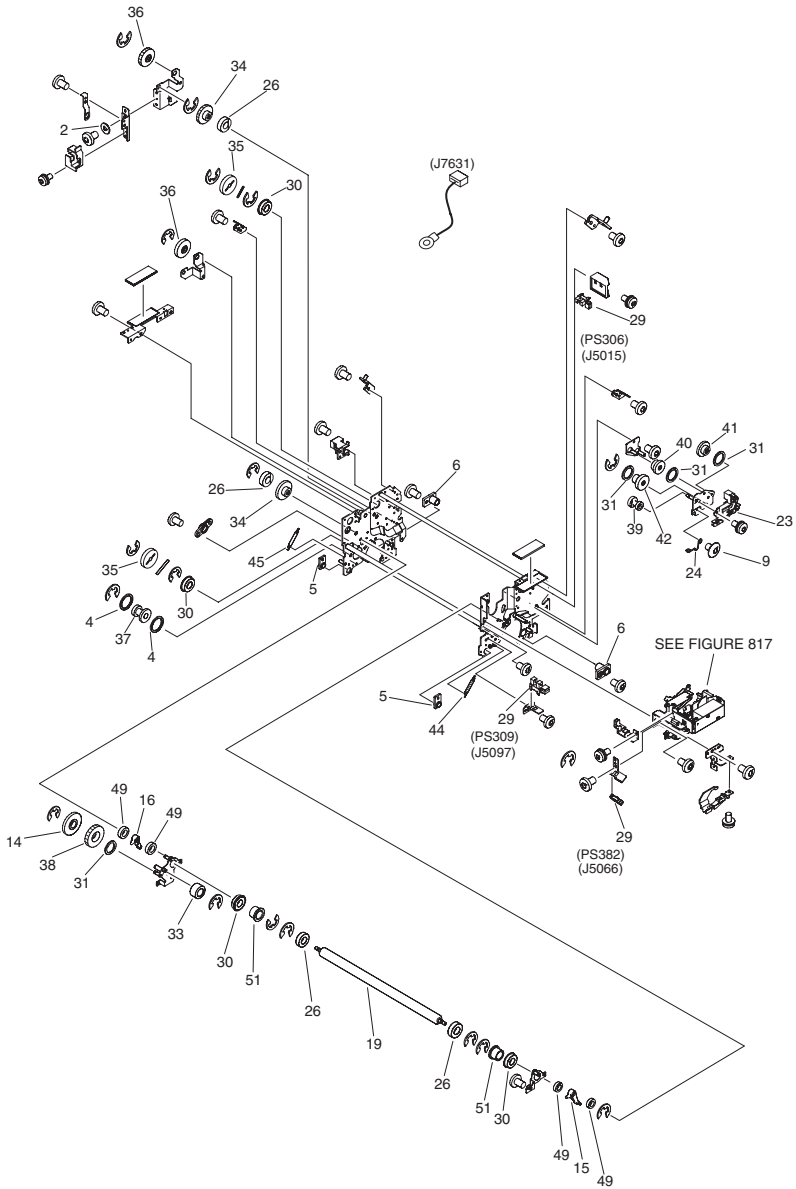


FIGURE 815
FIRST FIXING ASSEMBLY, UPPER

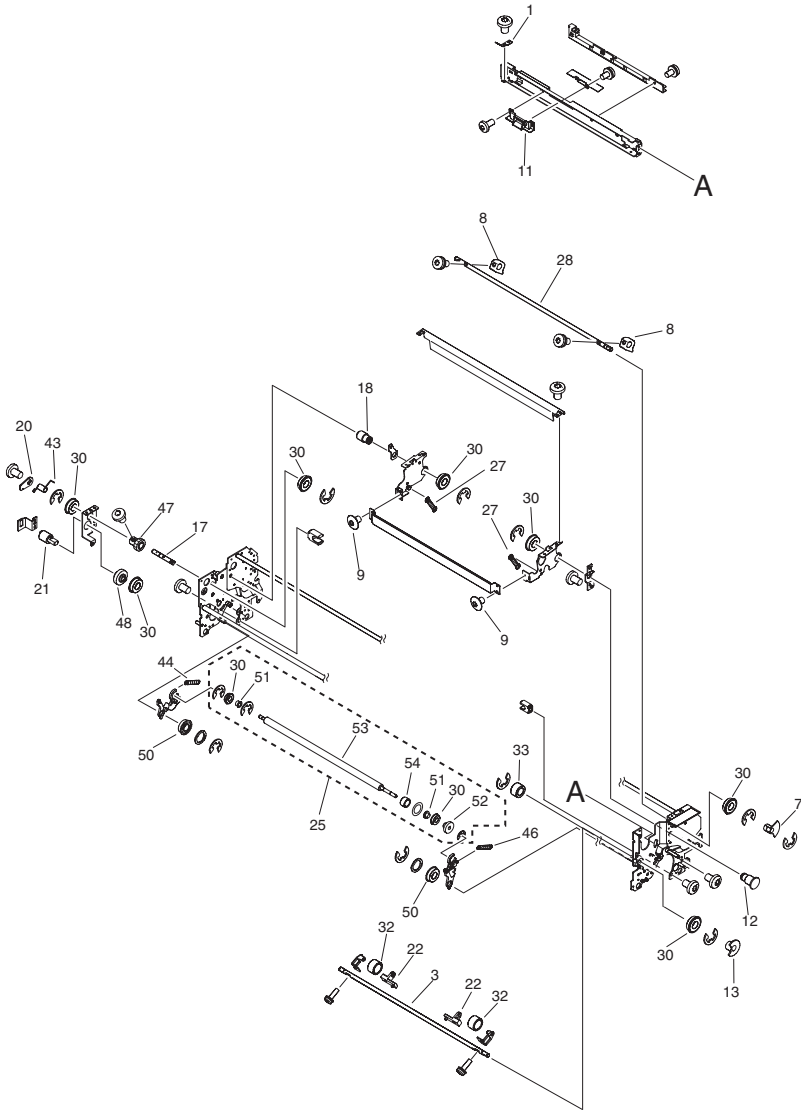


FIGURE & KEY NO.	PARTS NUMBER	R A N K	Q'TY	DESCRIPTION	SERIAL NUMBER/ REMARKS	S V C
Fig.815	NPN		RF	FIRST FIXING ASSEMBLY, UPPER		
1	FB3-7543-000		1	PLATE, STATIC CHARGE ELI.		
2	FC2-2121-000		1	WASHER		
3	FC5-8932-000		1	SHAFT, ROLL PRESSURE		
4	FC5-9014-000		2	WASHER		
5	FC6-0201-000		2	HOLDER, PIN, LEFT		
6	FC6-0202-000		2	HOLDER, PIN, RIGHT		
7	FC6-0237-010		1	FLAG, EXTERNAL HEATING H.P. DE		
8	FC6-0238-010		2	CAM, EXTERNAL HEATING DESORPTI		
9	FS1-9078-020		3	SCREW, STEPPED, M4		
11	FC7-9745-000		1	COVER, NC		
12	FC6-0253-000		1	SHAFT, ROLL DESORPTION TURN, F		
13	FC6-0255-000		1	FLAG, CLEAN ROLL, SENSOR		
14	FC6-1177-000		1	SPACER, PAPER DELIVERY		
15	FC6-2071-000		1	ARM, ROLLER ESTRANGEMENT, FR.		
16	FC6-2072-000		1	ARM, ROLLER ESTRANGEMENT, REAR		
17	FC6-8521-000		1	SHAFT, INNER DELIVERY SUPPORT,		
18	FC6-8522-000		1	SHAFT, ROLL DESORPTION TURN, R		
19	FC7-0169-000		1	ROLLER		
20	FC7-4615-000		1	SUPPORT, DAMPER SPRING		
21	FC7-4913-000		1	DAMPER, ONE-WAY		
22	FC7-4948-000		2	PLATE, ROLL RETAINING		
23	FC7-7044-000		1	GUIDE, MAIN HEATER, FRONT		
24	FC7-7046-000		1	SPRING, TORSION		
25	FM3-1648-000		1	ROLLER, REFRESH		
26	XG9-0387-000		2	BEARING, BALL, L-1680HH LY13		
27	FU5-2867-000		2	SPRING, TENTION		
28	FC6-0235-000		1	SHAFT, HEAT PRESSURE		
29	FK2-0149-000		3	PHOTO-INTERRUPTER, TLP1252(C6)	PS306,309,382	
30	XG9-0365-000		11	BEARING, BALL		
31	FS5-6488-000		4	WASHER		
32	FU5-6248-000		2	ROLLER		

FIGURE & KEY NO.	PARTS NUMBER	R A N K	Q'TY	DESCRIPTION	SERIAL NUMBER/ REMARKS	S V C
33	FU5-6249-000		2	ROLLER		
34	FU6-0335-000		2	GEAR, 20T/46T		
35	FU6-0358-000		2	GEAR, 40T		
36	FU6-0409-000		2	GEAR, 38T		
37	FU6-0452-000		1	GEAR, 21T/28T		
38	FU6-0453-000		1	GEAR, 14T		
39	FU6-0466-000		1	GEAR, 16T/20T		
40	FU6-0467-000		1	GEAR, 20T/27T		
41	FU6-0468-000		1	GEAR, 17T/31T		
42	FU6-0469-000		1	GEAR, 16T/31T		
43	FU6-2551-000		1	SPRING, TORSION		
44	FU6-2557-000		2	SPRING, TENSION		
45	FU6-2558-000		1	SPRING, TENSION		
46	FU6-2559-000		1	SPRING, TENSION		
47	FU7-0143-000		1	GEAR, 14T		
48	FU7-0144-000		1	GEAR, 28T		
49	XG9-0217-000		4	BALL BEARING, NSK MR106ZZ1MC4E		
50	XG9-0350-000		2	BALL BEARING, NSK MF106ZZ D4M		
51	FC7-0175-000		2	BUSHING		
52	FU6-0455-000		1	GEAR, 17T		
53	FL2-6048-000		1	ROLLER, REFRESH		
54	FU6-2560-000		1	SPRING, COMPRESSION		

FIGURE 816 FIRST FIXING ASSEMBLY, LOWER

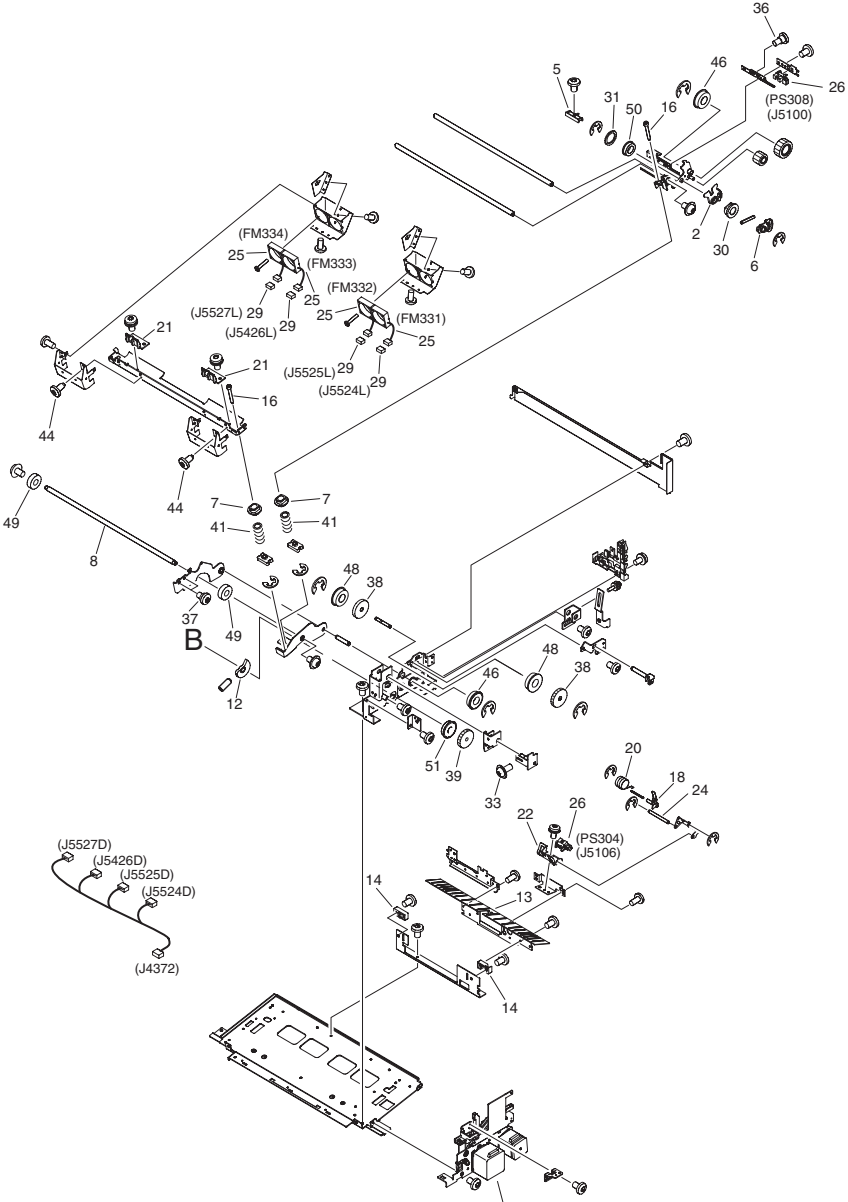


FIGURE 816 FIRST FIXING ASSEMBLY, LOWER

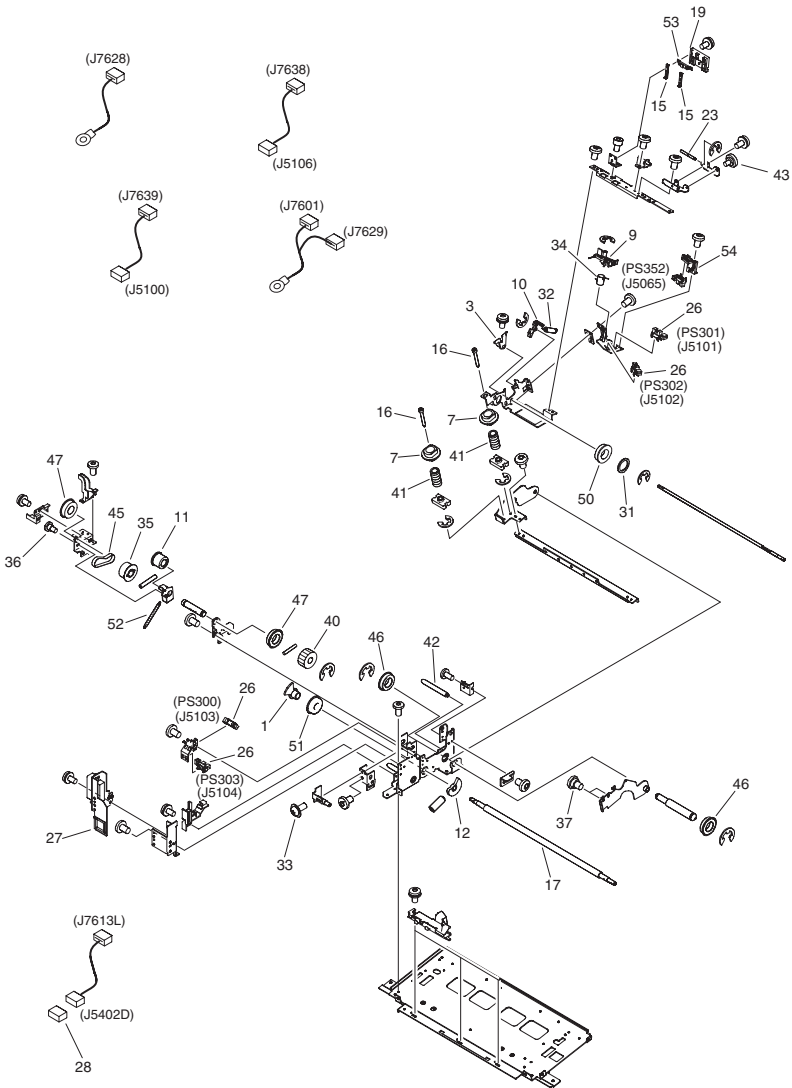


FIGURE & KEY NO.	PARTS NUMBER	R A N K	Q'TY	DESCRIPTION	SERIAL NUMBER/ REMARKS	S V C
Fig.816	NPN		RF	FIRST FIXING ASSEMBLY, LOWER		
1	FC6-0282-000		1	FLAG, PRESSURE CAM DETECT		
2	FC6-0291-000		1	ARM, STERRING, FRONT		
3	FC6-0292-000		1	ARM, STERRING, REAR		
5	FC6-0294-000		1	FLAG, STERRING, SENSOR		
6	FC6-0295-000		1	ARM, STERRING, DRIVER		
7	FC6-0297-000		4	SPACER, PRESSURE		
8	FC6-0300-000		1	SHAFT, BELT PRESSURE		
9	FC6-0308-010		1	ARM, SENSOR		
10	FC6-0309-000		1	ARM, SENSOR		
11	FC6-0314-000		1	ROLLER, BELT TENSION		
12	FC6-0316-000		2	CAM, PRESSURE		
13	FC6-0320-000		1	GUIDE, FIXING ENTRANCE		
14	FC6-0321-000		2	MOUNT, GUIDE		
15	FM2-7978-000		1	HOLDER, BELT, THERMOSWITCH		
16	FC6-0357-000		4	SCREW, ADJUSTMENT, M6X44		
17	FC6-0362-000		1	SHAFT, BELT PRESSURE CAM		
18	FC6-1224-000		1	FLAG, FIXING INLET SENSOR		
19	FM2-7978-000		1	HOLDER, BELT, THERMOSWITCH		
20	FC7-0936-000		1	SPRING, TORSION		
21	FC7-7039-000		2	PLATE, PUSHING, LOWER		
22	FC7-7514-000		1	MOUNT, SENSOR		
23	FC7-7517-000		1	SHAFT, SENSOR SWING ARM		
24	FC7-7519-000		1	SHAFT, FIXING ENTRANCE SENSOR		
25	FK2-3148-000		4	FAN	FM331,332,333,334	
26	FK2-0149-000		7	PHOTO-INTERRUPTER, TLP1252(C6)	PS300,301,302,303,304,308,352	
27	FM2-2303-000		1	CABLE, DRAWER, 2		
28	VS1-7177-006		1	CONNECTOR, SNAP TIGHT, BK		
29	VS1-7177-003		4	CONNECTOR, SNAP TIGHT, BK		
30	FS1-1340-000		1	BUSHING, OILLESS METAL		
31	FS5-6488-000		2	WASHER		

FIGURE & KEY NO.	PARTS NUMBER	RANK	Q'TY	DESCRIPTION	SERIAL NUMBER/REMARKS	SVC
32	FU5-2875-000		1	SPRING, TENSION		
33	FU5-9230-000		2	SCREW, TP, M4X8(YELLOW)		
34	FU5-2876-000		1	SPRING, TORSION		
35	FU5-3197-000		1	PULLEY, 20T		
36	FU5-9215-000		2	SCREW, STEPPED, M3		
37	FU5-9220-000		4	SCREW, STEPPED, M4		
38	FU6-0340-000		2	GEAR, 36T		
39	FU6-0341-000		1	GEAR, 41T		
40	FU6-0343-000		1	GEAR, 19T		
41	FU6-2553-000		4	SPRING, COMPRESSION		
42	FU6-5271-000		1	PIN, FIXING POSITIONING, 2		
43	RS5-9061-000		1	SCREW, STEPPED, M3		
44	XA9-1031-000		4	SCREW, MACH. TRUSS HEAD, M4X6		
45	XF2-1305-280		1	BELT, TIMING		
46	XG9-0250-000		4	BALL BEARING, 688AZZNR*MC3D4M		
47	XG9-0286-000		2	BALL BEARING, MR148ZZNRMC4ENSL		
48	XG9-0291-000		2	BEARING, BALL, LOWER ROLLER		
49	XG9-0384-000		2	BEARING, BALL		
50	XG9-0407-000		2	BEARING, BALL, UGF106P12ZZD4ML		
51	XG9-0585-000		2	BEARING, BALL		
52	FU5-2877-000		1	SPRING, TENSION		
53	FM2-7978-000		1	HOLDER, BELT, THERMOSWITCH		
54	FC6-3412-000		1	GUIDE, DETECT SENSOR CABLE		

FIGURE 817 CLEANER DRIVE ASSEMBLY

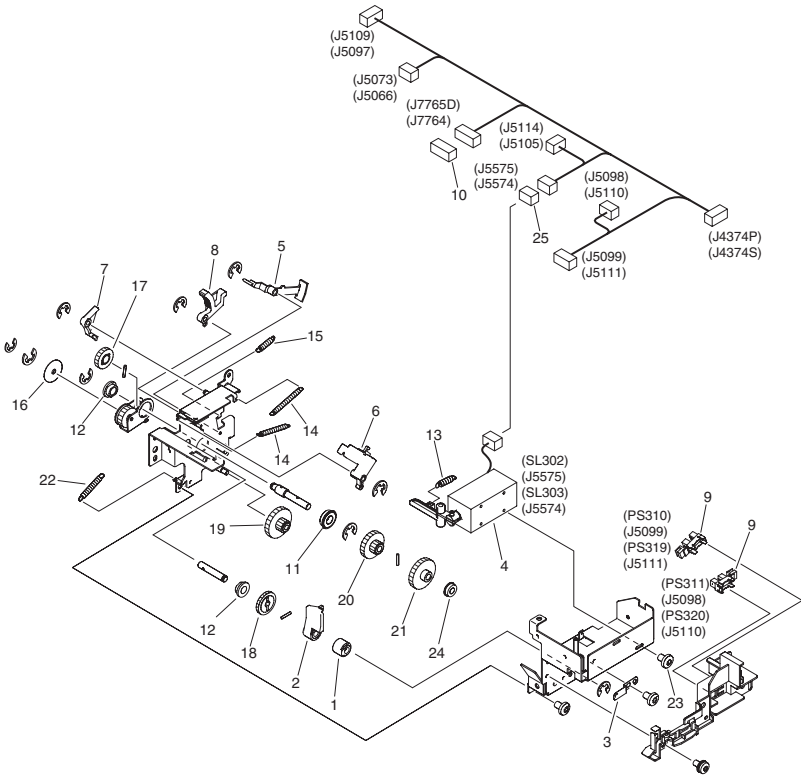


FIGURE & KEY NO.	PARTS NUMBER	R A N K	Q'TY	DESCRIPTION	SERIAL NUMBER/ REMARKS	S V C
Fig.817	FM2-2306-000		2	CLEANER DRIVE ASSEMBLY		
1	FC7-7573-000		1	BUSHING, ONE-WAY		
2	FC5-2369-020		1	ARM, ONE-WAY		
3	FC5-2597-020		1	SPRING, LEAF		
4	FM3-2134-000		1	CLEANER SOLENOID UNIT	SL302,303	
5	FC6-1292-000		1	FLAG, REMNANT SENSOR		
6	FC7-4907-000		1	ARM, CLEANING ROLL FEEDER		
7	FC7-4908-000		1	LEVER, STOPPER, RELEASE		
8	FC7-4909-000		1	LEVER, STOPPER		
9	FK2-0149-000		2	PHOTO-INTERRUPTER, TLP1252(C6)	PS310,311,319,320	
10	VS1-7177-006		1	CONNECTOR, SNAP TIGHT, BK		
11	XG9-0365-000		1	BEARING, BALL		
12	FS1-1569-000		2	BUSHING		
13	FU5-2861-000		1	SPRING, TENSION		
14	FU6-2065-000		2	SPRING, TENSION		
15	FU5-2969-000		1	SPRING, TENTION		
16	FU5-6259-000		1	ROLLER		
17	FU6-0457-000		1	GEAR, 18T		
18	FU6-0458-000		1	GEAR, 36T		
19	FU6-0459-000		1	GEAR, 48/18T		
20	FU6-0460-000		1	GEAR, 42/18T		
21	FU6-0461-000		1	GEAR, 48T		
22	FU6-2545-000		1	SPRING, TENTION		
23	XA9-1659-000		2	SCREW,M3X4		
24	XG9-0291-000		1	BEARING, BALL, LOWER ROLLER		
25	VS1-7177-002		1	CONNECTOR, SNAP TIGHT, BK		

FIGURE 818 FIXING BELT DRIVE ASS'Y

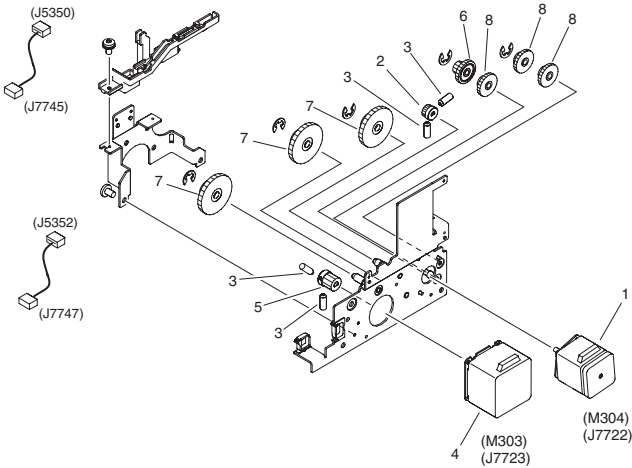


FIGURE & KEY NO.	PARTS NUMBER	RANK	Q'TY	DESCRIPTION	SERIAL NUMBER/REMARKS	S V C
Fig.818	FM2-2209-000		1	FIXING BELT DRIVE ASS'Y		
1	FK2-3126-000		1	MOTOR, STEPPING	M304	
2	FU6-0348-000		1	GEAR, 16T		
3	XA9-0934-000		4	SETSCREW,M3X6		
4	FK2-3132-000		1	MOTOR, STEPPING	M303	
5	FU6-0356-000		1	GEAR, 14T		
6	FU6-0345-000		1	GEAR, 16T/32T		
7	FU6-0347-000		3	GEAR, 20T/46T		
8	FU6-0650-000		3	GEAR, 16T/32T		

FIGURE 830 FIXING CLEANER ASSEMBLY

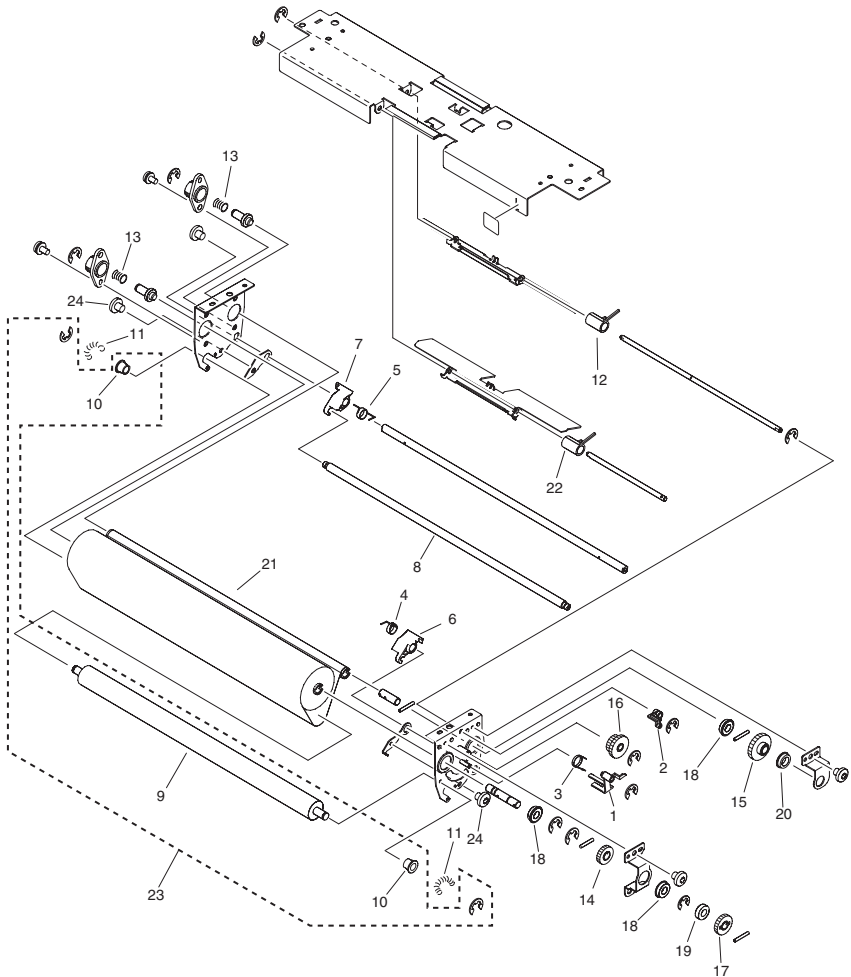


FIGURE & KEY NO.	PARTS NUMBER	R A N K	Q'TY	DESCRIPTION	SERIAL NUMBER/ REMARKS	S V C
Fig.830	FM3-2092-000		2	FIXING CLEANER ASSEMBLY		
1	FC6-1294-000		1	ARM, REMNANT SENSOR		
2	FC6-1295-000		1	ARM, CLEANING ROLL FEEDER		
3	FC7-0177-000		1	SPRING, TORSION		
4	FC7-7048-000		1	SPRING, TORSION		
5	FC7-7049-000		1	SPRING, TORSION		
6	FC7-7050-000		1	LEVER, FRONT		
7	FC7-7051-000		1	LEVER, REAR		
8	FL2-6260-000		1	ROLLER, RC		
9	FC5-9761-000		1	ROLLER, CLEANING		
10	FS2-1256-000		2	BUSHING		
11	FU6-2569-000		2	SPRING, TENSION		
12	FS5-2586-000		1	SPRING, TORSION		
13	FU5-2850-000		2	SPRING, COMPRESSION		
14	FU6-0457-000		1	GEAR, 18T		
15	FU7-0373-000		1	GEAR, 27T		
16	FU7-0374-000		1	GEAR, 17T/23T		
17	FU7-0375-000		1	GEAR, 20T		
18	XG9-0365-000		3	BEARING, BALL		
19	XG9-0491-000		1	BEARING, BALL, NSK P0 16MM		
20	XG9-0507-000		1	BEARING, BALL, MF128ZZ		
21	FC5-9778-000		1	CLEANING ROLL		
22	FC7-7538-000		1	SPRING, TORSION		
23	FM3-1649-000		1	CLEANING ROLLER ASSEMBLY		
24	FU5-9224-000		2	SCREW, BH4X6(YELLOW)		

FIGURE 840 EXTERNAL HEATING ASSEMBLY

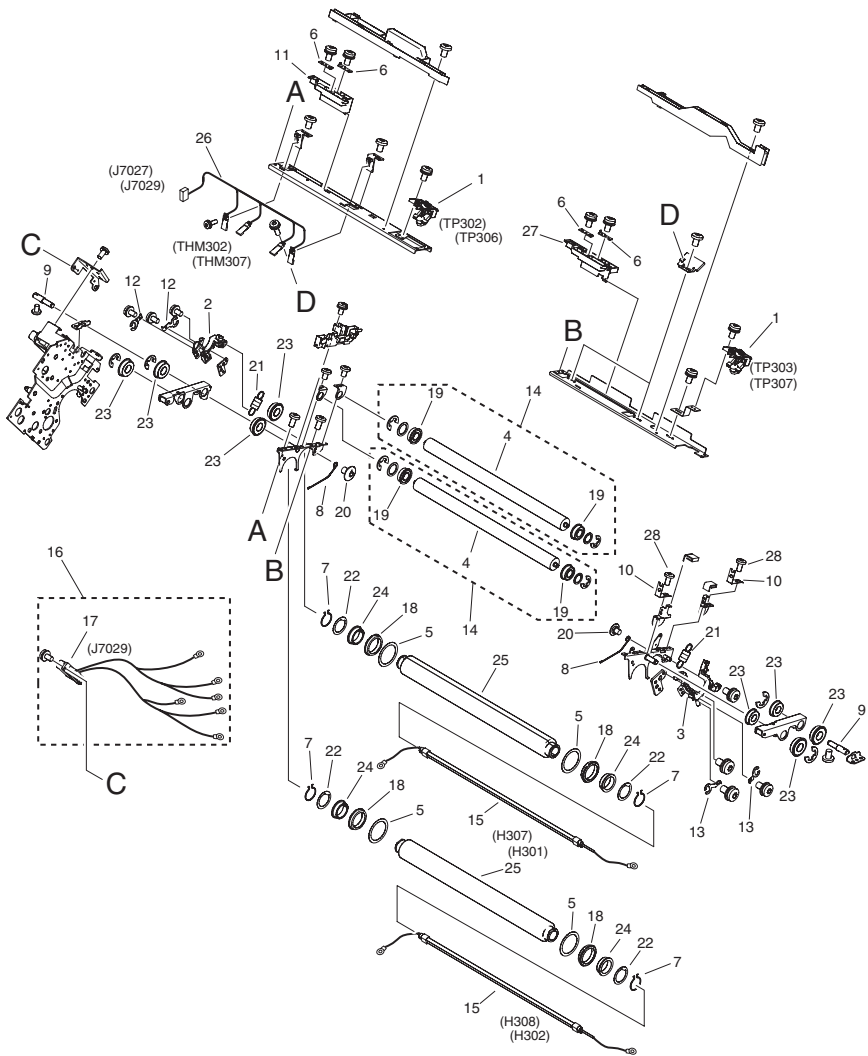


FIGURE & KEY NO.	PARTS NUMBER	R A N K	Q'TY	DESCRIPTION	SERIAL NUMBER/ REMARKS	S V C
Fig.840	FM2-2197-000		2	EXTERNAL HEATING ASSEMBLY	200V	
Fig.840	FM2-9265-000		2	EXTERNAL HEATING ASSEMBLY	240V	
1	FM3-0657-000		2	THERMOSWITCH UNIT	TP302,303,306,307	
2	FC5-9810-000		1	HOLDER, HEATER, REAR		
3	FC5-9811-000		1	HOLDER, HEATER, FRONT		
4	FC7-7041-000		2	ROLLER, CLEANING		
5	FU5-6263-000		4	WASHER, PLAIN		
6	FC5-9826-000		4	PLATE,SW.HEATER ELECTRODE,R		
7	FC6-8412-000		4	RING, RETAINING		
8	FC6-8417-000		2	CLAMP, EXTERNAL HEATING ROLLER		
9	FC7-3451-000		2	SHAFT, EXTERNAL HEATING TURN		
10	FC7-4577-000		2	PLATE, RETAINING		
11	FC7-4915-000		1	MOUNT, HEATER TERMINAL		
12	FC7-4935-000		2	PLATE, HEATER MOUNTING		
13	FC7-4936-000		2	SPRING, HEATER MOUNTING		
14	FM3-1647-000		2	CLEANING ROLLER ASSEMBLY		
15	FK2-3080-000		2	HEATER, HALOGEN	200VH301,302,307,308	
15	FK2-3081-000		2	HEATER, HALOGEN	240VH301,302,307,308	
16	FM2-8734-000		1	CABLE, DRAWER		
17	VS1-7077-019		1	CONNECTOR, 19P, FEMALE		
18	XG9-0584-000		4	BALL BEARING, LY0691Y NTN		
19	XG9-0291-000		4	BEARING, BALL, LOWER ROLLER		
20	FS1-9078-020		2	SCREW,STEPPED,M4		
21	FS1-9078-020		2	SPRING, TENSION		
22	FU5-6246-000		4	SPACER		
23	XG9-0365-000		8	BEARING, BALL		
24	FC5-2582-000		4	BUSHING		
25	FC7-0932-000		2	ROLLER, HEATING		
26	FK2-3097-000		1	THERMISTOR	THM302,307	
27	FC7-7549-000		1	MOUNT, HEATER TERMINAL, FEED		
28	FU5-9231-000		2	SCREW, W/WASHER, M3X6(YELLOW)		

FIGURE 850 SECOND FIXING ASSEMBLY

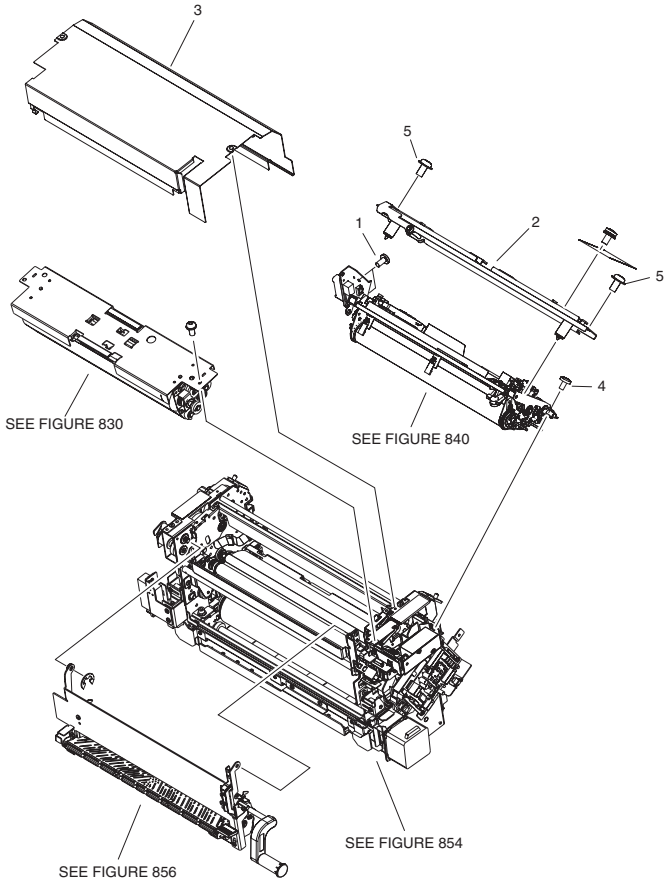
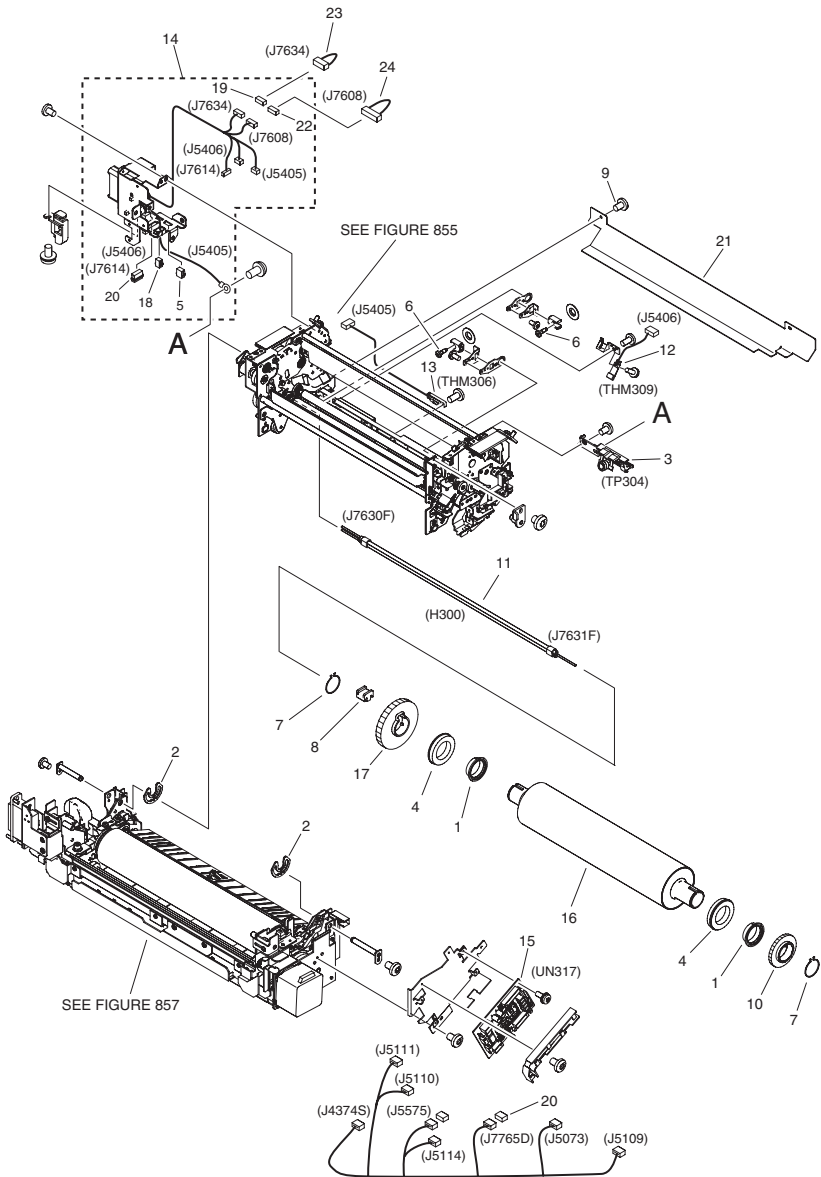


FIGURE & KEY NO.	PARTS NUMBER	RANK	Q'TY	DESCRIPTION	SERIAL NUMBER/REMARKS	SVC
Fig.850	NPN		RF	SECOND FIXING ASSEMBLY		
1	FU5-9223-000		2	SCREW, BH3X6(YELLOW)		
2	FM3-2094-000		1	OUTER HEAT UNIT, SECOND		
3	FM3-2104-000		1	PANEL, FIXING, UP.		
4	FU5-9224-000		4	SCREW, BH4X6(YELLOW)		
5	FU5-9228-000		2	SCREW, TP, M5X14(YELLOW)		
	FC6-8524-000		1	SCREW, RETAINER, M4		

FIGURE 854 FIXING INTERMEDIATE ASSEMBLY, 2



NOTE1 : This assembly includes the assemblies shown in Figure 855 and 857.
 NOTE2 : This assembly does not include the parts shown with key No. 23 and 24.
 注 1 : このユニットはFigure 855, 857のユニットを含みます。
 注 2 : このユニットにKey No. 23, 24の部品は含まれません。

FIGURE & KEY NO.	PARTS NUMBER	R A N K	Q'TY	DESCRIPTION	SERIAL NUMBER/ REMARKS	S V C
Fig.854	FM2-9292-000		1	FIXING INTERMEDIATE ASS'Y, 2	200VSEE NOTE 1	
Fig.854	FM3-0319-000		1	FIXING INTERMEDIATE ASS'Y, 2	240VSEE NOTE 1	
1	FB4-3689-000		2	BUSHING		
2	FC5-2715-000		2	RING, RETAINING		
3	FM3-0656-000		1	THERMOSWITCH UNIT	TP304	
4	XG9-0419-000		2	BEARING, BALL, 6907ZZNRS1CS37		
5	VS1-7177-003		1	CONNECTOR, SNAP TIGHT, BK		
6	FC6-8422-010		2	SCREW, FIXED, M4		
7	FC6-8516-000		2	RING, RETAINING		
8	FC7-0167-000		1	KEY, 73T GEAR		
9	FU5-9224-000		2	SCREW, BH4X6(YELLOW)		
10	FU6-0470-000		1	GEAR, 53T		
11	FK2-3082-000		1	HEATER, HALOGEN	200VH300	
11	FK2-3083-000		1	HEATER, HALOGEN	240VH300	
12	FK2-6777-000		1	THERMISTOR	THM309	
13	FK2-3160-000		1	THERMISTOR	THM306	
14	FM2-2302-000		1	CABLE, DRAWER, 1		
15	FM2-7703-000		1	FIXING INNER DRIVER PCB ASS'Y	UN307	
16	FL2-7881-000		1	ROLLER, FIXING		
17	FU6-0336-000		1	GEAR, 86T		
18	VS1-7177-002		2	CONNECTOR, SNAP TIGHT, BK		
19	VS1-7177-004		1	CONNECTOR, SNAP TIGHT, BK		
20	VS1-7177-006		2	CONNECTOR, SNAP TIGHT, BK		
21	FL2-7834-000		1	COVER, FIXING, RIGHT		
22	VS1-7177-005		1	CONNECTOR, SNAP TIGHT, BK		

FIGURE 855 SECOND FIXING ASSEMBLY, UPPER

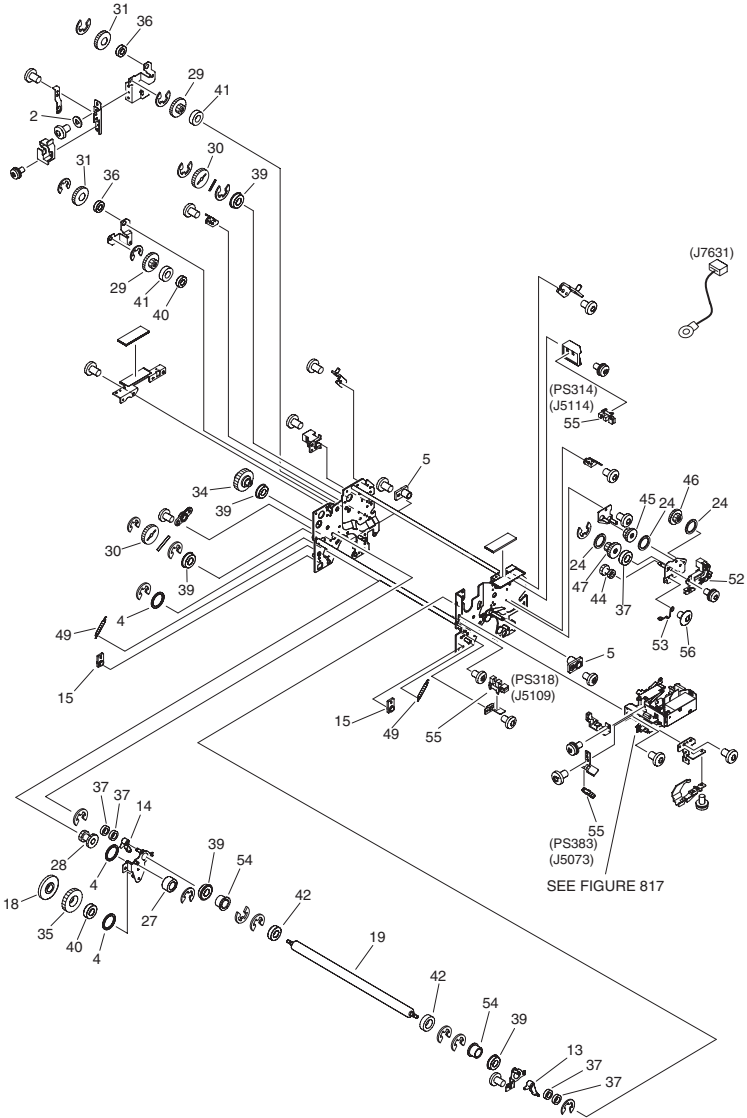


FIGURE 855 SECOND FIXING ASSEMBLY, UPPER

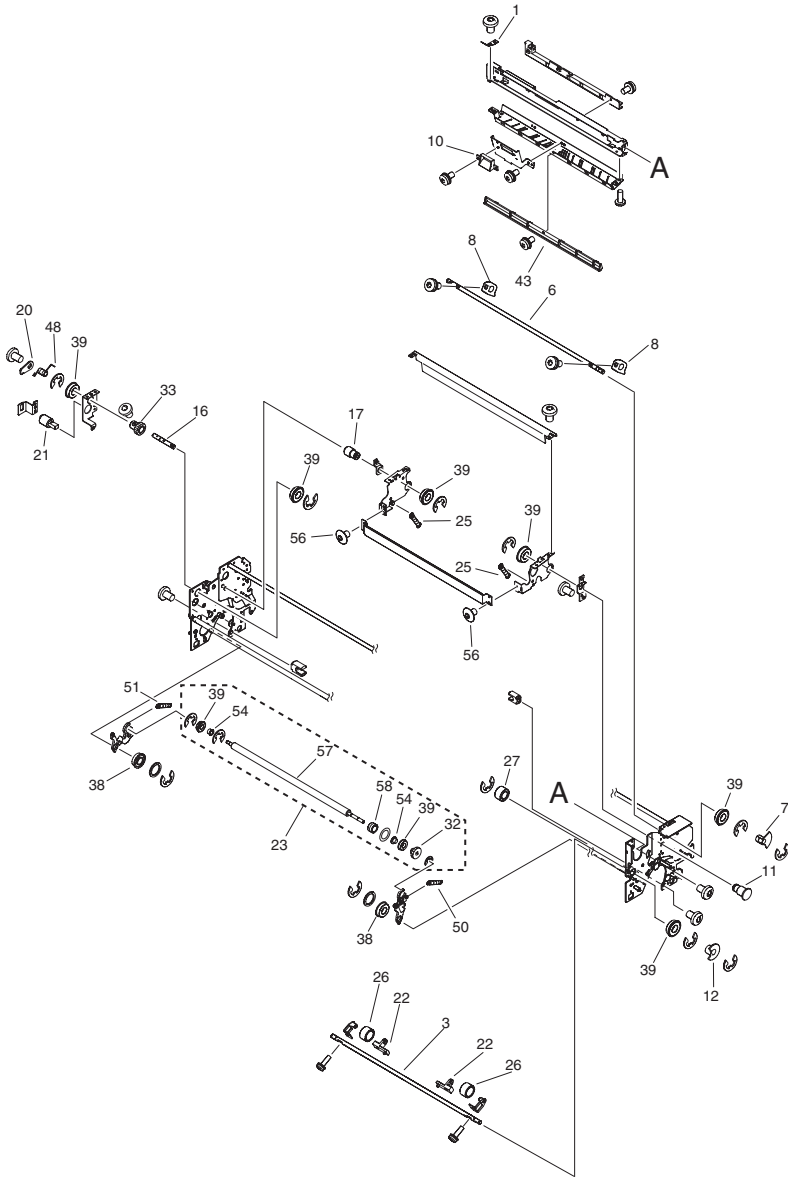


FIGURE & KEY NO.	PARTS NUMBER	R A N K	Q'TY	DESCRIPTION	SERIAL NUMBER/ REMARKS	S V C
Fig.855	NPN		RF	SECOND FIXING ASSEMBLY, UPPER		
1	FB3-7543-000		1	PLATE, STATIC CHARGE ELI.		
2	FC2-2121-000		2	WASHER		
3	FC5-8932-000		1	SHAFT, ROLL PRESSURE		
4	FC5-9014-000		3	WASHER		
5	FC6-0202-000		2	HOLDER, PIN, RIGHT		
6	FC6-0235-000		1	SHAFT, HEATING, PRESSURE		
7	FC6-0237-010		1	FLAG, HEATING SENSOR		
8	FC6-0238-010		2	CAM, DESORPTION		
10	FC6-0241-000		1	COVER, NC		
11	FC6-0253-000		1	SHAFT, DESORPTION TURN, FRONT		
12	FC6-0255-000		1	FLAG, CLEAN ROLL, SENSOR		
13	FC6-2071-000		1	ARM, ROLLER ESTRANGEMENT, FR.		
14	FC6-2072-000		1	ARM, ROLLER ESTRANGEMENT, REAR		
15	FC6-8440-000		2	HOLDER, PIN, 8 X 10		
16	FC6-8521-000		1	SHAFT, SUPPORT, REAR		
17	FC6-8522-000		1	SHAFT, DESORPTION TURN, REAR		
18	FC6-8576-000		1	SPACER, INNER DELIVERY, SECOND		
19	FC7-0169-000		1	ROLLER		
20	FC7-4615-000		1	SUPPORT, DAMPER SPRING		
21	FC7-4913-000		1	DAMPER, ONE-WAY		
22	FC7-4948-000		2	PLATE, ROLL RETAINING		
23	FM3-1648-000		1	ROLLER, REFRESH		
24	FS5-6488-000		3	WASHER		
25	FU5-2867-000		2	SPRING, TENTION		
26	FU5-6248-000		2	ROLLER		
27	FU5-6249-000		2	ROLLER		
28	FU6-0332-000		1	GEAR, 22T/30T		
29	FU6-0335-000		2	GEAR, 20T/46T		
30	FU6-0358-000		2	GEAR, 40T		
31	FU6-0409-000		2	GEAR, 38T		
32	FU6-0455-000		1	GEAR, 17T		

FIGURE & KEY NO.	PARTS NUMBER	R A N K	Q'TY	DESCRIPTION	SERIAL NUMBER/ REMARKS	S V C
33	FU7-0143-000		1	GEAR, 14T		
34	FU7-0144-000		1	GEAR, 28T		
35	FU7-0149-000		1	GEAR, 23T		
36	XG9-0177-000		2	BALL BEARING, NMB DDL-1480ZZR		
37	XG9-0217-000		5	BALL BEARING, NSK MR106ZZ1MC4E		
38	XG9-0350-000		2	BALL BEARING, NSK MF106ZZ D4M		
39	XG9-0365-000		11	BEARING, BALL		
40	XG9-0366-000		2	BEARING, BALL		
41	XG9-0415-000		2	BEARING,BALL,688AZZ1*MC3JD4ML		
42	XG9-0491-000		2	BEARING, BALL, NSK P0 16MM		
43	FC7-7526-000		1	GUIDE, ENTRANCE UP., SMALL		
44	FU6-0466-000		1	GEAR, 16T/20T		
45	FU6-0467-000		1	GEAR, 20T/27T		
46	FU6-0468-000		1	GEAR, 17T/31T		
47	FU6-0469-000		1	GEAR, 16T/31T		
48	FU6-2551-000		1	SPRING, TORSION		
49	FU6-2557-000		2	SPRING, TENSION		
50	FU6-2558-000		1	SPRING, TENSION		
51	FU6-2559-000		1	SPRING, TENSION		
52	FC7-7044-000		1	GUIDE, MAIN HEATER, FRONT		
53	FC7-7046-000		1	SPRING, TORSION		
54	FC7-0175-000		2	BUSHING		
55	FK2-0149-000		3	PHOTO-INTERRUPTER, TLP1252(C6)	PS314,318,383	
56	FS1-9078-020		3	SCREW, STEPPED, M4		
57	FL2-6048-000		1	ROLLER, REFRESH		
58	FU6-2560-000		1	SPRING, COMPRESSION		

FIGURE 856 INNER PAPER DELIVERY ASSEMBLY, 2

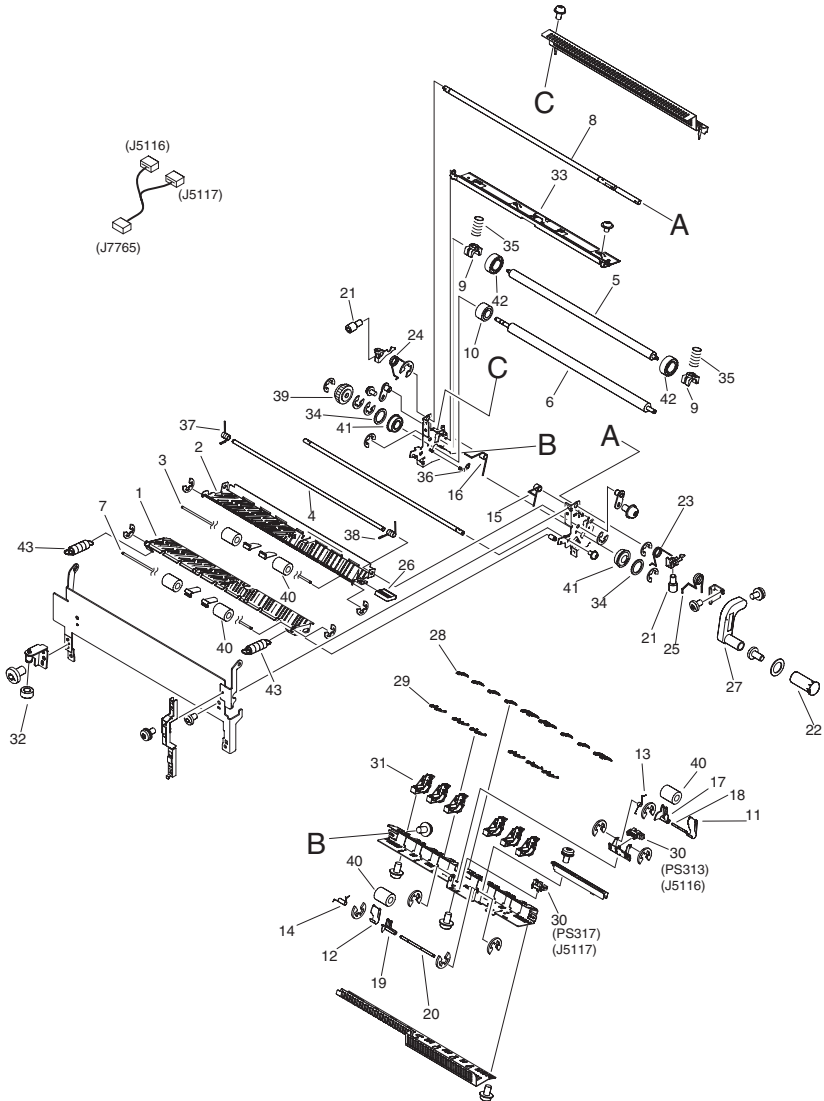


FIGURE & KEY NO.	PARTS NUMBER	R A N K	Q'TY	DESCRIPTION	SERIAL NUMBER/ REMARKS	S V C
Fig.856	FM2-2199-000		1	INNER PAPER DELIVERY ASS'Y, 2		
1	FC5-8934-000		1	GUIDE, PAPER DELIVERY LW., 2		
2	FC5-8935-000		1	GUIDE, PAPER DELIVERY UP., 2		
3	FC5-8945-000		1	SHAFT, ROLLER, SECOND UPPER		
4	FC5-8946-000		1	SHAFT, GUIDE OPEN/CLOSE		
5	FC5-9775-000		1	ROLLER, INTERNAL DELIVERY, U.		
6	FC5-9776-000		1	ROLLER, INTERNAL DELIVERY, L.		
7	FU6-5276-000		1	SHAFT, ROLLER, SECOND LOWER		
8	FC5-9791-000		1	SHAFT, OPEN/CLOSE		
9	FC5-9792-000		2	BUSHING, INNER PAPER DELIVERY		
10	FC6-1260-000		1	SPACER, INNER PAPER DELIVERY		
11	FC6-8439-000		1	PLATE, INNER DELIVERY LEVER		
12	FC6-8514-000		1	PLATE, REVERSE LEVER		
13	FC6-8528-000		1	SPRING, TORSION		
14	FC6-8529-000		1	SPRING, REVERSE SENSOR LEVER		
15	FC6-8574-000		1	SPRING, SEP. PLATE PRESSURE, F		
16	FC6-8575-000		1	SPRING, SEP. PLATE PRESSURE, R		
17	FC6-8578-000		1	LEVER, SENSOR, 2		
18	FC6-8579-000		1	SHAFT, SENSOR LEVER, 2		
19	FC6-8581-000		1	LEVER, REVERSE SENSOR, SECOND		
20	FC6-8582-000		1	SHAFT, REVERSE SENSOR LEVER, 2		
21	FC7-4064-000		2	BOLT, STOPPER		
22	FC7-4068-010		1	HANDLE, INNER PAPER DELIVERY		
23	FC7-4073-000		1	SPRING, TORSION		
24	FC7-4074-000		1	SPRING, TORSION		
25	FC7-4076-000		1	SPRING, TORSION		
26	FC7-4077-000		1	HANDLE, GUIDE		
27	FC7-4641-000		1	LEVER, SECOND OPEN/CLOSE		
28	FC7-4642-000		12	RIB, INNER DELIVERY, SMALL 2		
29	FC7-4643-000		6	RIB, INNER DELIVERY, LARGE 2		
30	FK2-0149-000		2	PHOTO-INTERRUPTER, TLP1252(C6)	PS313,317	
31	FM2-2309-000		6	SEPARATION CLAW ASSEMBLY, 2		

FIGURE & KEY NO.	PARTS NUMBER	R A N K	Q'TY	DESCRIPTION	SERIAL NUMBER/ REMARKS	S V C
32	FU5-6262-000		1	ROLLER		
33	FM2-2310-000		1	PLATE, SEPARATION, SECOND		
34	FS5-6488-000		2	WASHER		
35	FU5-2135-000		2	SPRING, COMPRESSION		
36	FU5-2138-000		1	SPRING, TENSION		
37	FU5-2884-000		1	SPRING, TORSION		
38	FU5-2885-000		1	SPRING, TORSION		
39	FU6-0306-000		1	GEAR, 22T		
40	RB2-0493-000		18	ROLLER, PAPER SENSOR		
41	XG9-0291-000		2	BEARING, BALL, LOWER ROLLER		
42	XG9-0484-000		2	BEARING, BALL, 688AZZ1NR MC3		
43	FU6-5273-000		2	SPRING, TENSION		

FIGURE 857 SECOND FIXING ASSEMBLY, LOWER

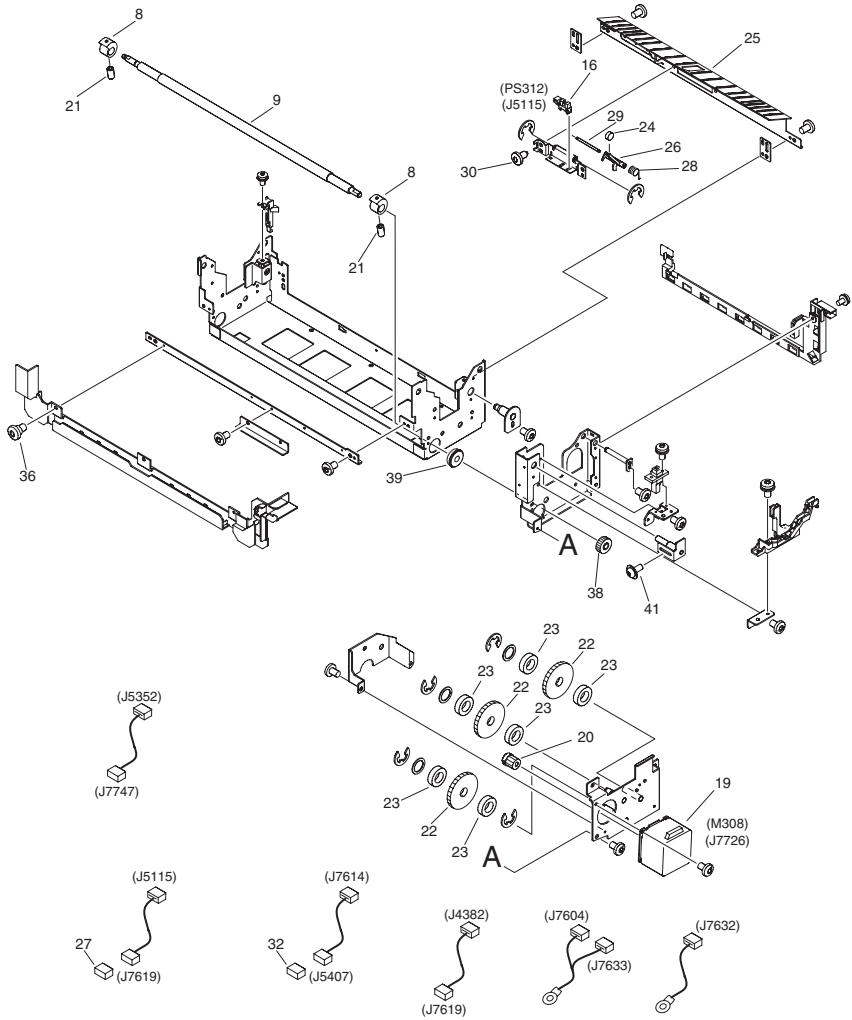


FIGURE 857 SECOND FIXING ASSEMBLY, LOWER

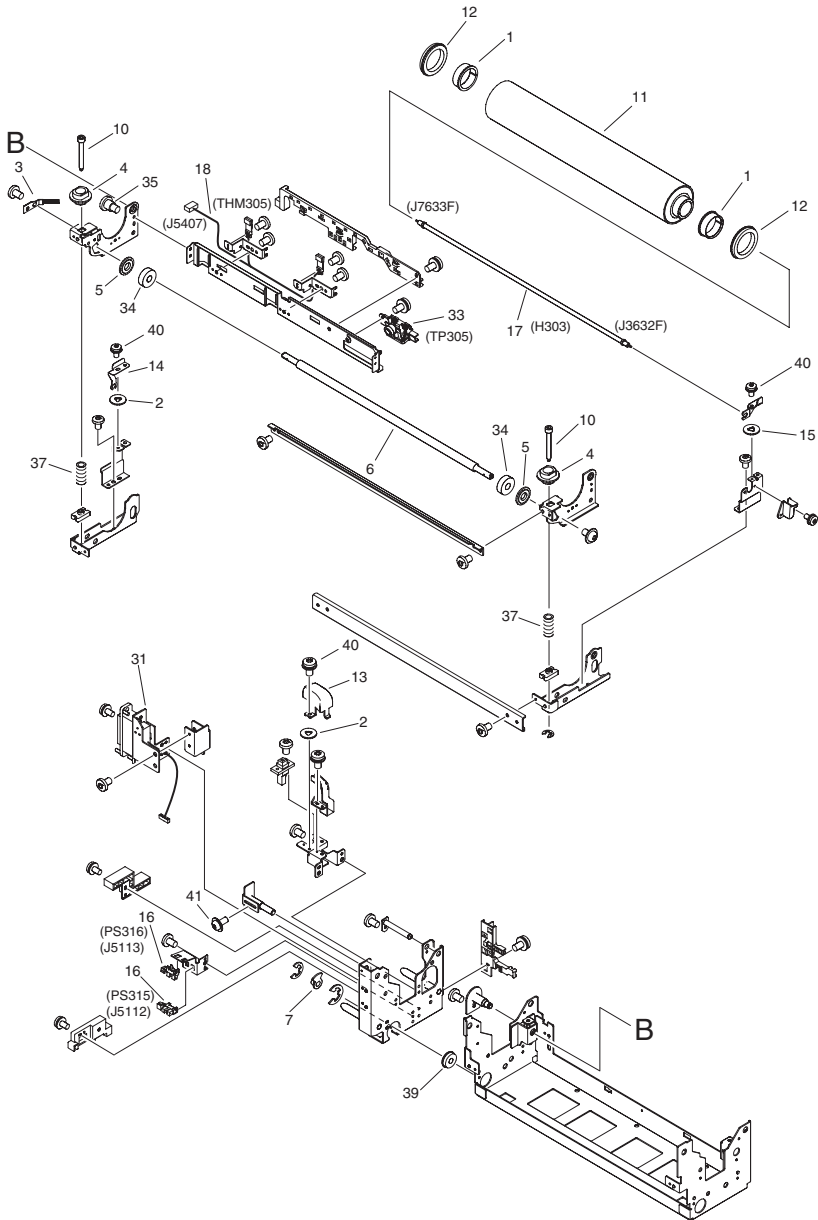


FIGURE & KEY NO.	PARTS NUMBER	RANK	Q'TY	DESCRIPTION	SERIAL NUMBER/REMARKS	SVC
Fig.857	NPN		RF	SECOND FIXING ASSEMBLY, LOWER		
1	FB6-6519-000		2	BUSHING		
2	FC2-2121-000		2	WASHER		
3	FB3-7543-000		1	PLATE, STATIC CHARGE ELI.		
4	FC6-0297-000		2	SPACER, PRESSURE		
5	FC6-0383-000		2	SPACER, CAM SHAFT		
6	FC6-0407-000		1	SHAFT, CAM, UPPER		
7	FC6-0416-000		1	FLAG, PRESSURE CAM DETECT, 2		
8	FC6-0417-000		2	CAM, PRESSURE		
9	FC6-0418-000		1	SHAFT, PRESSURE CAM, 2		
10	FC7-3109-000		2	SCREW, ADJUSTING		
11	FC7-3436-000		1	ROLLER, PRESSURE		
12	XG9-0378-000		2	BEARING, BALL, 6807ZZL1NSRS1C4		
13	FC7-3441-000		1	COVER, CONNECTOR, 2 LOWER REAR		
14	FC7-3450-000		1	SPRING, HEATER MOUNTING, LOWER		
15	FC7-3480-000		1	WASHER, M3 RETAINING		
16	FK2-0149-000		3	PHOTO-INTERRUPTER, TLP1252(C6)	PS312,315,316	
17	FK2-3090-000		1	HEATER, HALOGEN	200VH303	
17	FK2-3091-000		1	HEATER, HALOGEN	240VH303	
18	FK2-3096-000		1	THERMISTOR	THM305	
19	FK2-3132-000		1	MOTOR, STEPPING	M308	
20	FU6-0356-000		1	GEAR, 14T		
21	XA9-0934-000		2	SETSCREW,M3X6		
22	FU6-0354-000		3	GEAR, 53T/20T		
23	XG9-0177-000		6	BALL BEARING, NMB DDL-1480ZZR		
24	FB6-3150-000		1	ROLLER, TRANSFER SENSOR		
25	FC5-2321-000		1	GUIDE, ENTRANCE		
26	FC5-5145-000		1	FLAG, FIXING ENTRANCE SENSOR		
27	VS1-7177-003		1	CONNECTOR, SNAP TIGHT, BK		
28	FU6-2563-000		1	SPRING, TORSION		
29	FU5-4170-000		1	SHAFT, FIXING ENTRANCE SENSOR		
30	XA9-1035-000		2	SCREW, MACH. TRUSS HEAD, M4X6		

FIGURE & KEY NO.	PARTS NUMBER	RANK	Q'TY	DESCRIPTION	SERIAL NUMBER/REMARKS	SVC
31	FM2-2308-000		1	CABLE, DRAWER, 3	TP305	
32	VS1-7177-006		1	CONNECTOR, SNAP TIGHT, BK		
33	FM3-0655-000		1	SWITCH, PRESSURE ROLLER THERMO		
34	XG9-0304-000		2	BALL BEARING,NMB		
35	FS1-9009-020		2	SCREW,STEPPED,M3		
36	FS1-9010-020		3	SCREW, STEPPED, M3		
37	FU5-2934-000		2	SPRING, COMPRESSION		
38	FU6-0357-000		1	GEAR, 21T		
39	XG9-0249-000		2	BALL BEARING,608Z, NMB		
40	FU5-9225-000		2	SCREW, W/WASHER, M4X10(YELLOW)		
41	FU5-9232-000		2	SCREW, TP M3X6(YELLOW)		

FIGURE 890 FIRST FIXING MOUNT ASSEMBLY

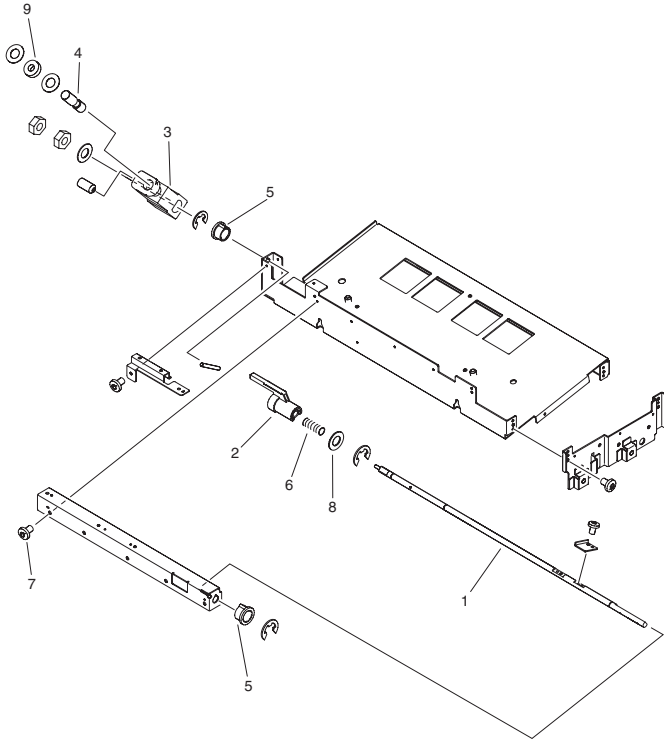


FIGURE & KEY NO.	PARTS NUMBER	RANK	Q'TY	DESCRIPTION	SERIAL NUMBER/REMARKS	SVC
Fig.890	FM2-2205-010		1	FIRST FIXING MOUNT ASSEMBLY		
1	FC6-0265-000		1	SHAFT, HANDLE, 1		
2	FC6-8190-000		1	GUIDE, HANDLE LOCK		
3	FC7-3091-000		1	GUIDE, FIXING EXTRACTION		
4	FC7-3092-010		1	SHAFT, FIXING EXTRACTION		
5	FU5-1327-000		2	BUSHING		
6	FU5-2994-000		1	SPRING, COMPRESSION		
7	XA9-1035-000		5	SCREW,M4X4		
8	XD9-0150-000		1	WASHER, PLAIN		
9	XG9-0384-000		1	BEARING, BALL,DDR198022LY13		

FIGURE 891 SECOND FIXING MOUNT ASSEMBLY

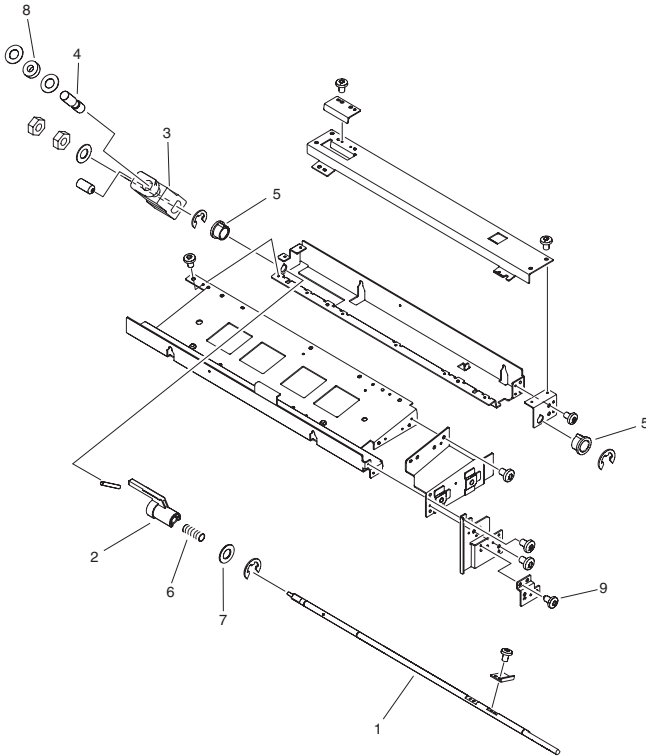


FIGURE & KEY NO.	PARTS NUMBER	RANK	Q'TY	DESCRIPTION	SERIAL NUMBER/REMARKS	SVC
Fig.891	FM2-2206-000		1	SECOND FIXING MOUNT ASSEMBLY		
1	FC6-0265-000		1	SHAFT, HANDLE, 1		
2	FC6-8190-000		1	GUIDE, HANDLE LOCK		
3	FC7-3091-000		1	GUIDE, FIXING EXTRACTION		
4	FC7-3092-010		1	SHAFT, FIXING EXTRACTION		
5	FU5-1327-000		2	BUSHING		
6	FU5-2994-000		1	SPRING, COMPRESSION		
7	XD9-0150-000		1	WASHER, PLAIN		
8	XG9-0384-000		1	BEARING, BALL,DDR198022LY13		
9	XA9-1035-000		AR	SCREW,M4X4		

FIGURE 892 LOCK SENSING ASSEMBLY,1

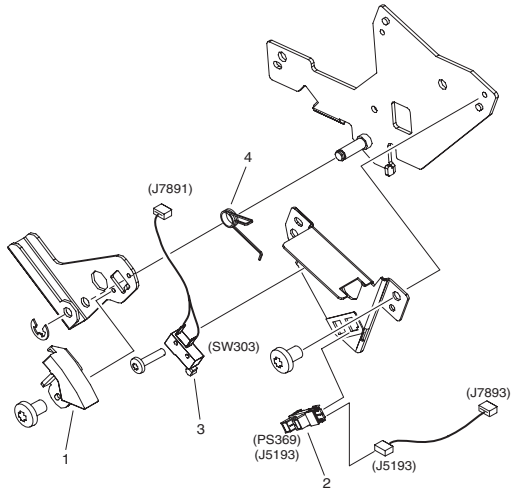


FIGURE & KEY NO.	PARTS NUMBER	RANK	Q'TY	DESCRIPTION	SERIAL NUMBER/REMARKS	SVC
Fig.892	FM2-2207-000		1	LOCK SENSING ASSEMBLY,1		
1	FC7-7057-000		1	FLAG, LOCK SENSOR		
2	FK2-0149-000		1	PHOTO-INTERRUPTER, TLP1252(C6)	PS369	
3	FM2-8509-000		1	CABLE, SWITCH	SW303	
4	FC7-7063-000		1	SPRING, TORSION		

FIGURE 893 LOCK SENSING ASSEMBLY,2

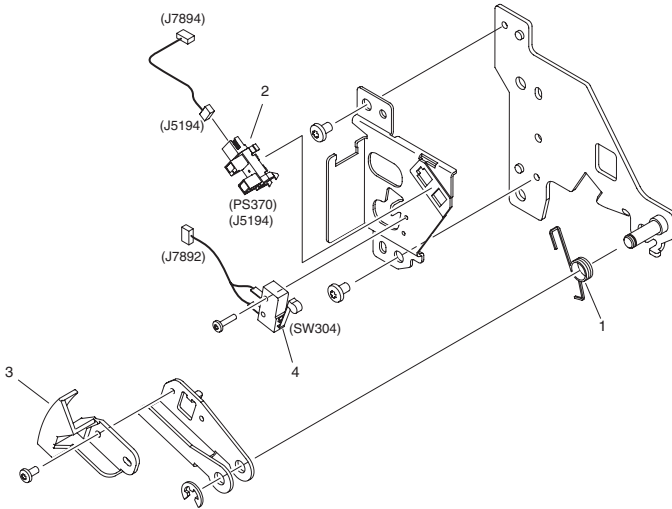


FIGURE & KEY NO.	PARTS NUMBER	RANK	QTY	DESCRIPTION	SERIAL NUMBER/REMARKS	SVC
Fig.893	FM2-2208-000		1	LOCK SENSING ASSEMBLY,2		
1	FC7-7499-000		1	SPRING, TORSION		
2	FK2-0149-000		1	PHOTO-INTERRUPTER, TLP1252(C6)	PS370	
3	FC7-7057-000		1	FLAG, LOCK SENSOR		
4	FM2-8509-000		1	CABLE, SWITCH	SW304	

FIGURE 900 CONTROLLER BOX ASSEMBLY

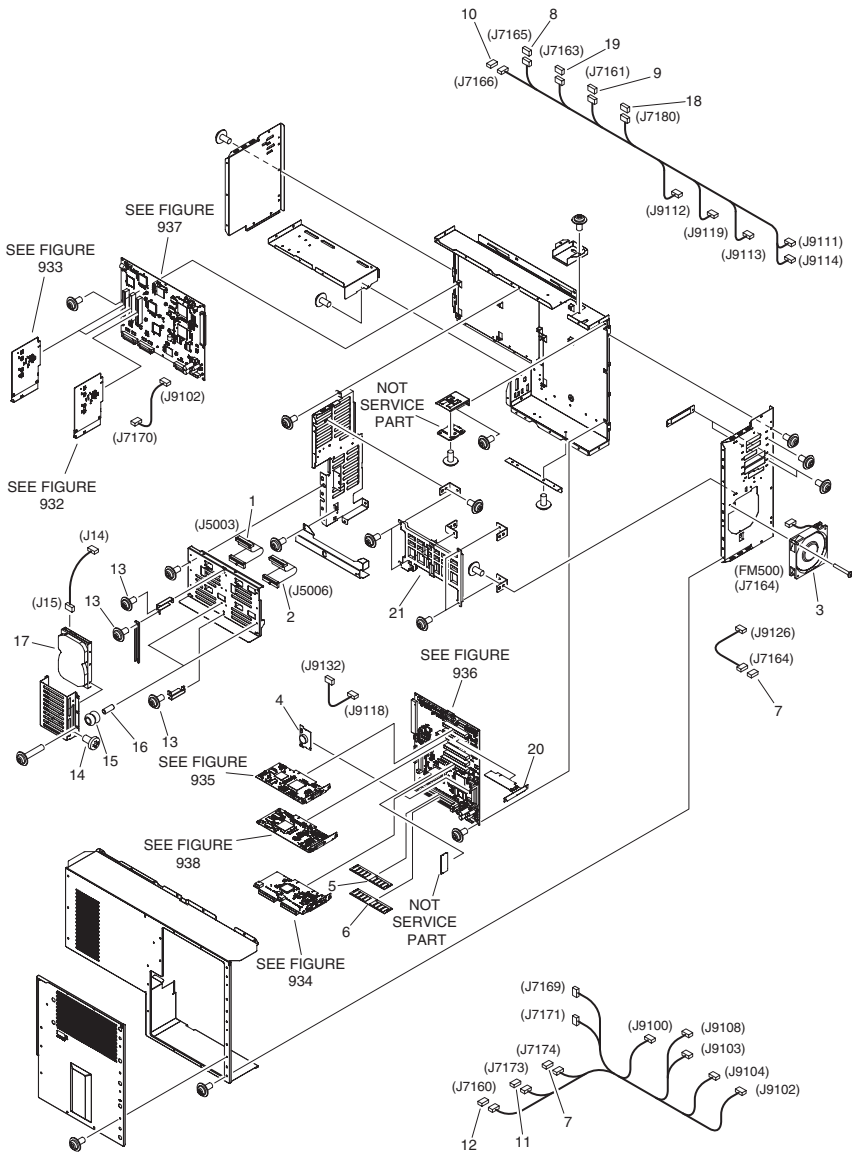


FIGURE & KEY NO.	PARTS NUMBER	R A N K	Q'TY	DESCRIPTION	SERIAL NUMBER/ REMARKS	S V C
Fig.900	NPN		RF	CONTROLLER BOX ASSEMBLY		
1	FK2-2887-000		1	CABLE, FLAT		
2	FK2-2886-000		1	CABLE, FLAT		
3	FK2-2888-000		1	FAN	FM500	
4	FM2-6040-000		1	SRAM BOARD PCB ASSEMBLY		
5	FM2-6043-000		1	DIMM ASS'Y		
6	FK2-0755-000		1	DIMM, DDR SDRAM, 1GB		
7	VS1-7177-003		2	CONNECTOR, SNAP TIGHT, BK		
8	VS1-7173-008		1	CONNECTOR, SNAP TIGHT, 8P, W		
9	VS1-7177-002		1	CONNECTOR, SNAP TIGHT, BK		
10	VS1-7177-004		1	CONNECTOR, SNAP TIGHT, BK		
11	VS1-7173-004		1	CONNECTOR, SNAP TIGHT		
12	VS1-7173-005		1	CONNECTOR, SNAP TIGHT		
13	XA9-1469-000		4	SCREW, TP,M3X6		
14	XA9-1496-000		8	SCREW,M3X6.4		
15	XH9-0132-000		12	DAMPER, CUSHION		
16	XZ1-1301-005		12	SPACER		
17	WM2-5243-000		2	HDD,HDS721680PLAT80		
18	VS1-7177-009		1	CONNECTOR, 9P		
19	VS1-7177-010		1	CONNECTOR, 10P		
20	FM2-2283-000		1	GU SHOT PCB ASSEMBLY		
21	FC8-2993-000		1	GUIDE, CONTROLLER BOARD		

FIGURE 911 DC POWER SUPPLY ASSEMBLY, 24V

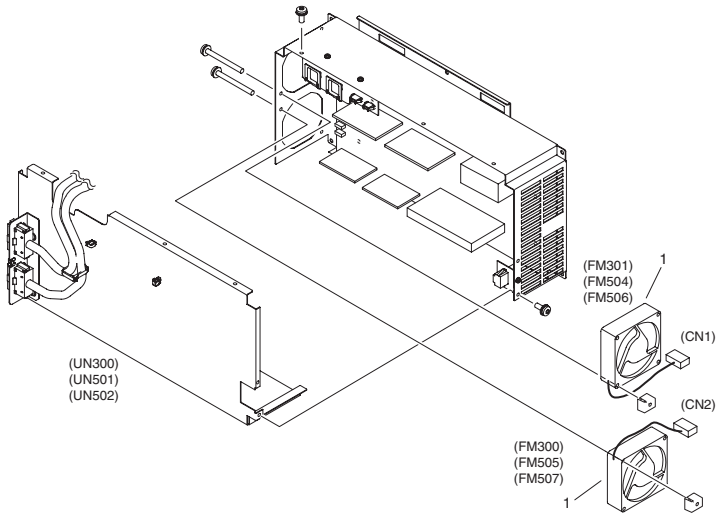


FIGURE & KEY NO.	PARTS NUMBER	RANK	Q'TY	DESCRIPTION	SERIAL NUMBER/REMARKS	SVC
Fig.911	FK2-2711-000		3	DC POWER SUPPLY ASS'Y, 24V	UN300,501,502	
1	FK2-3151-000		2	FAN	FM300,301,504,505,506,507	

FIGURE 912
DC POWER SUPPLY ASSEMBLY, 13V

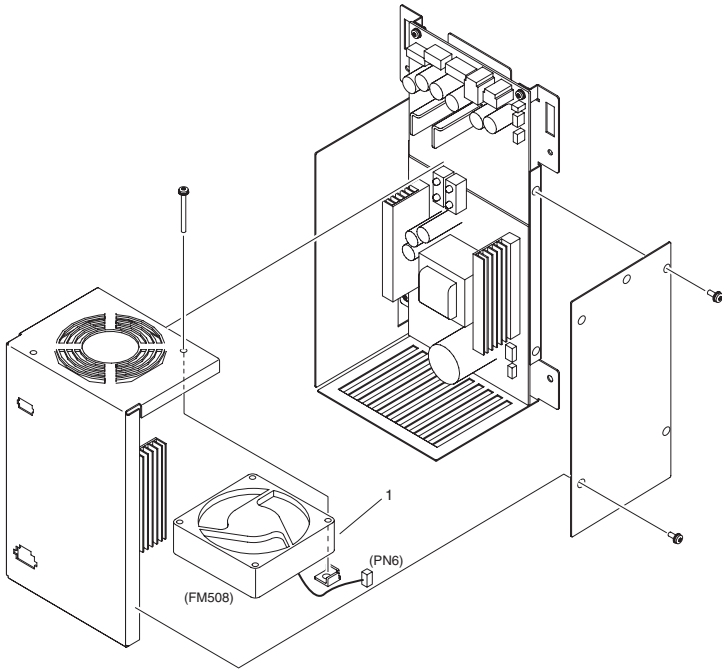


FIGURE & KEY NO.	PARTS NUMBER	RANK	Q'TY	DESCRIPTION	SERIAL NUMBER/REMARKS	SVC
Fig.912	FK2-2712-000		1	DC POWER SUPPLY ASSY, 13V		
1	FK2-3151-000		1	FAN	FM508	

FIGURE 930 DC CONTROLLER ASSEMBLY

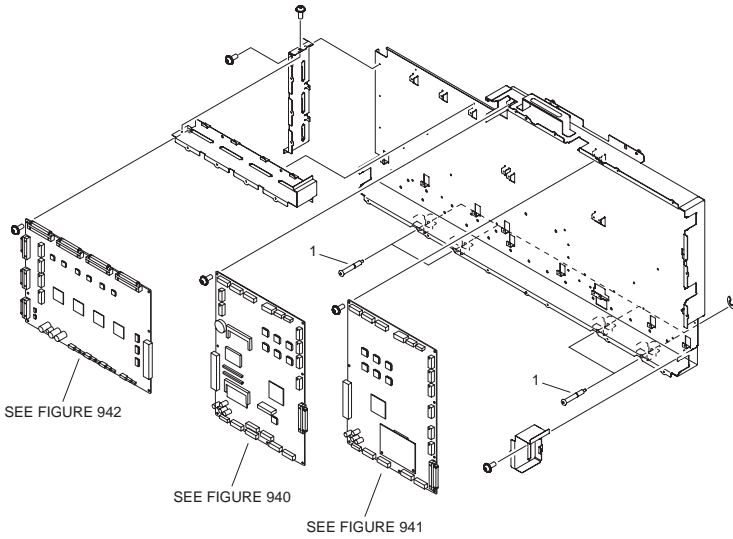


FIGURE & KEY NO.	PARTS NUMBER	RANK	QTY	DESCRIPTION	SERIAL NUMBER/REMARKS	SVC
Fig.930	NPN		RF	DC CONTROLLER ASSEMBLY		
1	FU5-9219-000		4	SCREW, STEPPED, M4		

FIGURE 932 DRM PCB ASSEMBLY, 256

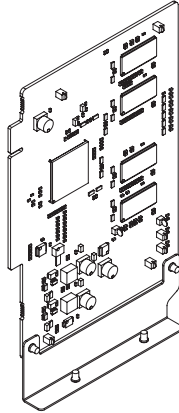


FIGURE & KEY NO.	PARTS NUMBER	RANK	Q'TY	DESCRIPTION	SERIAL NUMBER/REMARKS	SVC
Fig.932	FM2-2281-000		1	DRM PCB ASSEMBLY, 256		
IC	FK2-0913-000		1	IC, L7A1911, STANDARD CELL	IC1	

FIGURE 933 DRM PCB ASSEMBLY, 512

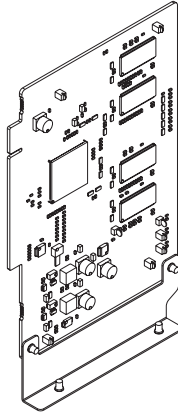


FIGURE & KEY NO.	PARTS NUMBER	RANK	QTY	DESCRIPTION	SERIAL NUMBER/REMARKS	SVC
Fig.933	FM2-2282-000		2	DRM PCB ASSEMBLY, 512		
IC	FK2-0913-000		1	IC, L7A1911, STANDARD CELL	IC1	

FIGURE 934 LAN-BAR-B PCB ASSEMBLY

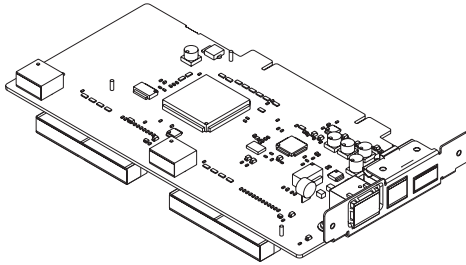


FIGURE & KEY NO.	PARTS NUMBER	RANK	QTY	DESCRIPTION	SERIAL NUMBER/REMARKS	SVC
Fig.934	FM2-2284-000		1	LAN-BAR-B PCB ASSEMBLY		
IC	FH4-6214-000		1	IC, TC240E4804AF-42,GATE ARRAY	IC1	

FIGURE 935 RO-B PCB ASSEMBLY

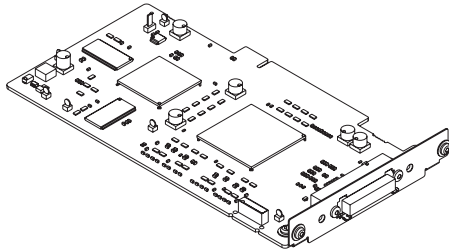


FIGURE & KEY NO.	PARTS NUMBER	RANK	Q'TY	DESCRIPTION	SERIAL NUMBER/REMARKS	SVC
Fig.935	FM2-7430-000		1	RO-B PCB ASSEMBLY		
IC	FH4-6237-000		1	IC,UPD800607S1,STANDARD CELL	IC1	
IC	FH4-6241-000		1	IC,PD800028S1-011-F6-A,	IC6	

FIGURE 936 MAIN CONTROLLER PCB ASSEMBLY, M

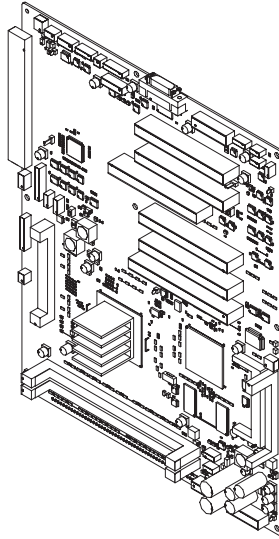


FIGURE & KEY NO.	PARTS NUMBER	RANK	Q'TY	DESCRIPTION	SERIAL NUMBER/REMARKS	SVC
Fig.936	FM2-7813-000		1	MAIN CONTROLLER PCB ASSY, M		
IC	FH4-6243-000		1	IC,L7A1860,STANDARD CELL	IC2	
IC	FH4-6300-000		1	IC, M38871M2-010GP, MCU	IC13	
IC	FH4-6302-000		1	IC,S1L50552F32L000,ASIC	IC45	
IC	FK2-2901-000		1	IC,T8K21DXBG-8,GATE ARREY	IC1	

FIGURE 937
MAIN CONTROLLER PCB ASSEMBLY, P

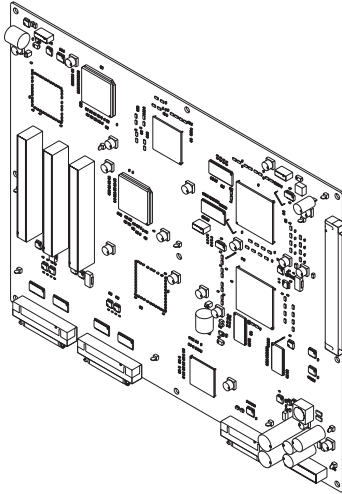


FIGURE & KEY NO.	PARTS NUMBER	RANK	Q'TY	DESCRIPTION	SERIAL NUMBER/REMARKS	S V C
Fig.937	FM2-7815-000		1	MAIN CONTROLLER PCB ASS'Y, P		
IC	FH4-6235-000		2	IC,UPD800606S1, STANDARD CELL	IC1,4	
IC	FH4-6248-000		2	IC,HG76C026HFV,STANDARD CELL	IC8,9	
IC	FH4-6274-000		1	IC,HG76CS033BPV,STANDARD CELL	IC7	
IC	FK2-0912-000		2	IC, HG76CS037AHFV,	IC10,11	
IC	FK2-0913-000		1	IC, L7A1911, STANDARD CELL,	IC12	

FIGURE 938 S-B PCB ASSEMBLY

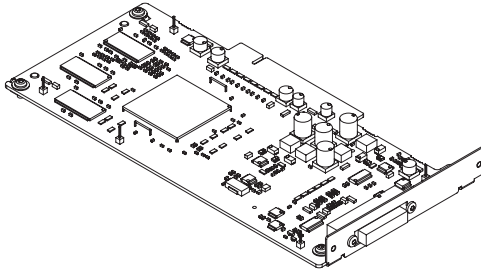


FIGURE & KEY NO.	PARTS NUMBER	RANK	Q'TY	DESCRIPTION	SERIAL NUMBER/REMARKS	SVC
Fig.938	FM2-9076-000		1	S-B PCB ASSEMBLY		
IC	FH4-6239-000		1	IC,UPD800008S1-011-F6-A	IC1	

FIGURE 940 DC CONTROLLER PCB 1-1 ASSEMBLY

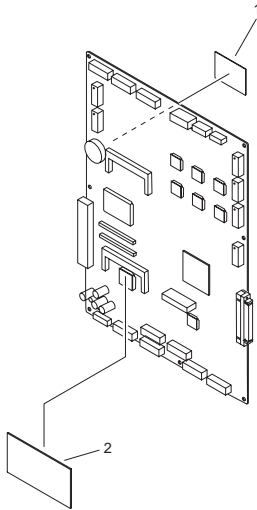


FIGURE & KEY NO.	PARTS NUMBER	RANK	Q'TY	DESCRIPTION	SERIAL NUMBER/REMARKS	SVC
Fig.940	FM2-7685-000		1	DC CONTROLLER PCB 1-1 ASSEMBLY		
1	FB4-1494-000		1	SHEET, PROTECTIVE		
2	FM2-8301-000		1	DIMM ASS'Y		
IC	FK2-2709-000		1	IC, PD85806N7-011-H6-A	IC109	

FIGURE 941 DC CONTROLLER PCB 1-2 ASSEMBLY

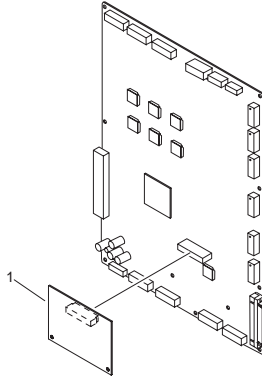


FIGURE & KEY NO.	PARTS NUMBER	RANK	Q'TY	DESCRIPTION	SERIAL NUMBER/REMARKS	SVC
Fig.941	FM2-7686-000		1	DC CONTROLLER PCB 1-2 ASSEMBLY		
1	FM2-8299-000		1	FUNCTION EXPANSION PCB ASS'Y		
IC	FK2-1773-000		1	IC,TC200GO2EFG-1031,GATE ARREY	IC3	
IC	FK2-2709-000		1	IC, PD85806N7-011-H6-A	IC129	

FIGURE 942 DC CONTROLLER PCB 1-3 ASSEMBLY

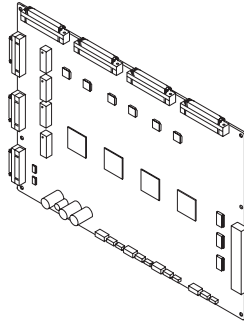


FIGURE & KEY NO.	PARTS NUMBER	RANK	QTY	DESCRIPTION	SERIAL NUMBER/REMARKS	SVC
Fig.942	FM2-7687-000		1	DC CONTROLLER PCB 1-3 ASSEMBLY		
IC	FK2-0104-000		8	IC, PM1100G, PWM	IC191,192, 291, 292, 391, 392, 491, 492	
IC	FK2-2046-000		4	IC, MB87Q1282PB-GE1,	IC5001,5002, 5003, 5004	

FIGURE 960 V.PATH/L.FEED DRIVER PCB ASSEMBLY

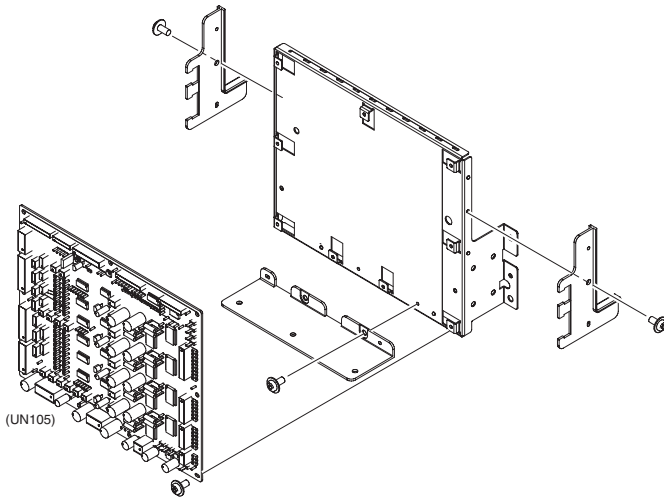


FIGURE & KEY NO.	PARTS NUMBER	RANK	Q'TY	DESCRIPTION	SERIAL NUMBER/REMARKS	S V C
Fig.960	FM2-2259-000		1	V.PATH/L.FEED DRIVER PCB ASS'Y		

FIGURE 962 PAPER PICK-UP DRIVER PCB ASSEMBLY

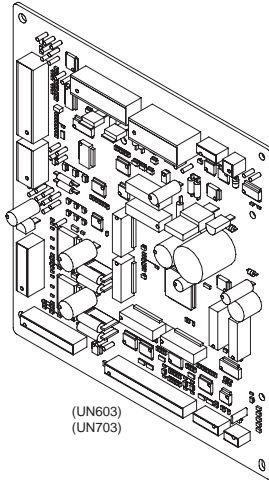


FIGURE & KEY NO.	PARTS NUMBER	RANK	QTY	DESCRIPTION	SERIAL NUMBER/REMARKS	SVC
Fig.962	FM2-7627-000		1	PAPER PICK-UP DRIVER PCB ASS'Y		
IC	FK2-1773-000		1	IC,TC200GO2EFG-1031,GATE ARREY	IC104	

FIGURE 964 DRUM DRIVER PCB ASSEMBLY

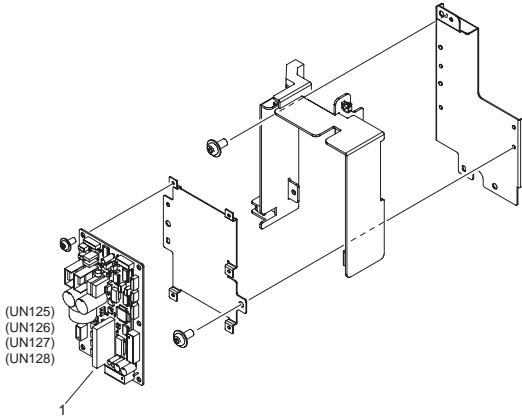


FIGURE & KEY NO.	PARTS NUMBER	RANK	Q'TY	DESCRIPTION	SERIAL NUMBER/REMARKS	SVC
Fig.964	NPN		RF	DRUM DRIVER PCB ASSEMBLY		
1	FM2-7699-000		4	DRUM DRIVE DRIVER PCB ASSEMBLY		

FIGURE 965 FEED DRIVER PCB ASSEMBLY

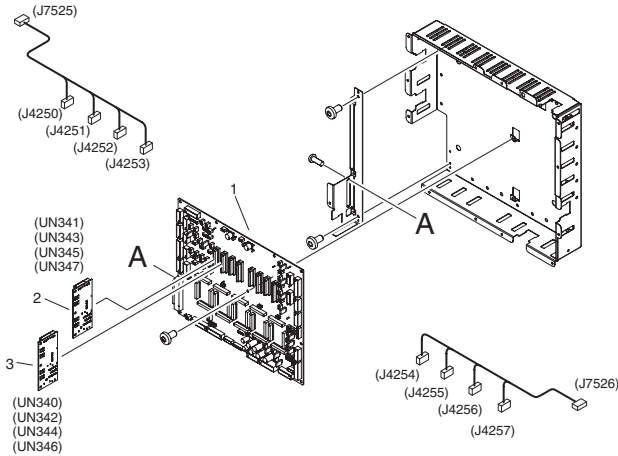


FIGURE & KEY NO.	PARTS NUMBER	RANK	Q'TY	DESCRIPTION	SERIAL NUMBER/REMARKS	SVC
Fig.965	NPN		RF	FEED DRIVER PCB ASSEMBLY		
1	FM2-7700-000		1	FIXING DUPLEX FEED PCB ASSY		
2	FM2-8298-000		4	MOTOR DRIVER PCB ASSEMBLY, B	UN341,343,345,347	
3	FM2-8297-000		4	MOTOR DRIVER PCB ASSEMBLY, A	UN340,342,344,346	
IC	FK2-1773-000		5	IC,TC200GO2EFG-1031,GATE ARRAY	IC173,174,175,176,177	

FIGURE 970 COLOR SENSOR DRIVER PCB ASSEMBLY

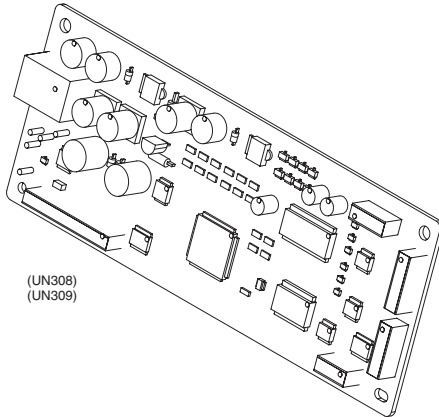


FIGURE & KEY NO.	PARTS NUMBER	RANK	Q'TY	DESCRIPTION	SERIAL NUMBER/REMARKS	SVC
Fig.970	FM2-7733-000		2	COLOR SENSOR DRIVER PCB ASS'Y	UN308,309	
IC	FK2-1773-000		1	IC,TC200GO2EFG-1031,GATE ARRAY	IC14	

FIGURE 980 DEV./PRIMARY H.V. PCB ASSEMBLY

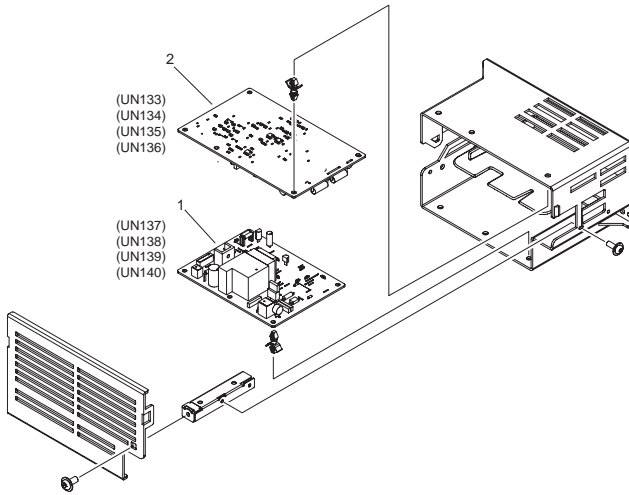


FIGURE & KEY NO.	PARTS NUMBER	RANK	QTY	DESCRIPTION	SERIAL NUMBER/REMARKS	SVC
Fig.980	NPN		RF	DEV./PRIMARY H.V. PCB ASSEMBLY		
1	FM2-7705-000		1	DEV./PRIMARY H.V. PCB ASSEMBLY	UN137-140	
2	FM2-7706-000		1	DEV. HIGH VOLTAGE PCB ASSEMBLY	UN133-136	

FIGURE 982 2ND TRNSFR. H.V. PCB ASSEMBLY

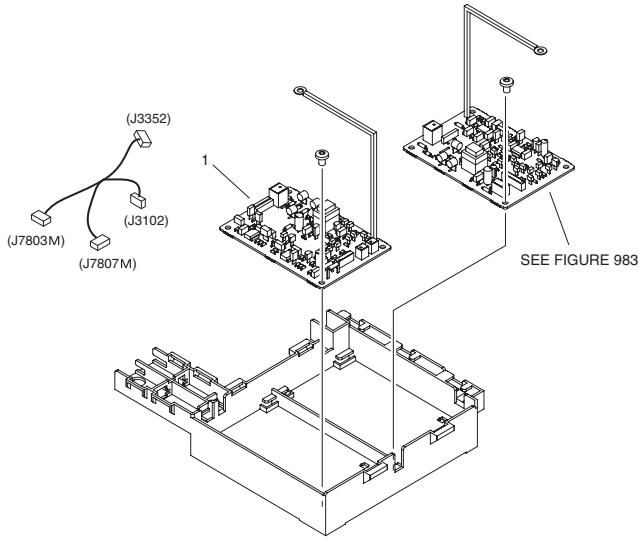


FIGURE & KEY NO.	PARTS NUMBER	RANK	Q'TY	DESCRIPTION	SERIAL NUMBER/REMARKS	SVC
Fig.982	NPN		RF	2ND TRNSFR. H.V. PCB ASSEMBLY		
1	FM2-7189-000		1	HVT3 PCB ASSEMBLY		
T	FH3-0967-000		1	TRANSFORMER, INVERTER	T200	

FIGURE 983 HVT8 PCB ASSEMBLY

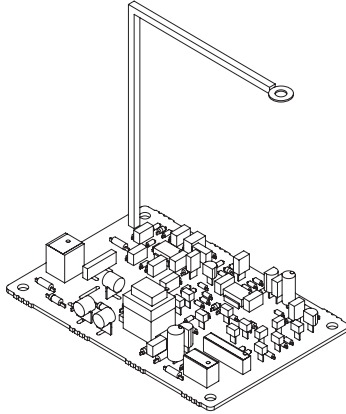


FIGURE & KEY NO.	PARTS NUMBER	RANK	Q'TY	DESCRIPTION	SERIAL NUMBER/REMARKS	SVC
Fig.983	FM2-7193-000		1	HVT8 PCB ASSEMBLY		
T	FH3-0967-000		1	TRANSFORMER, INVERTER	T1	

FIGURE 999 CABLE UNIT

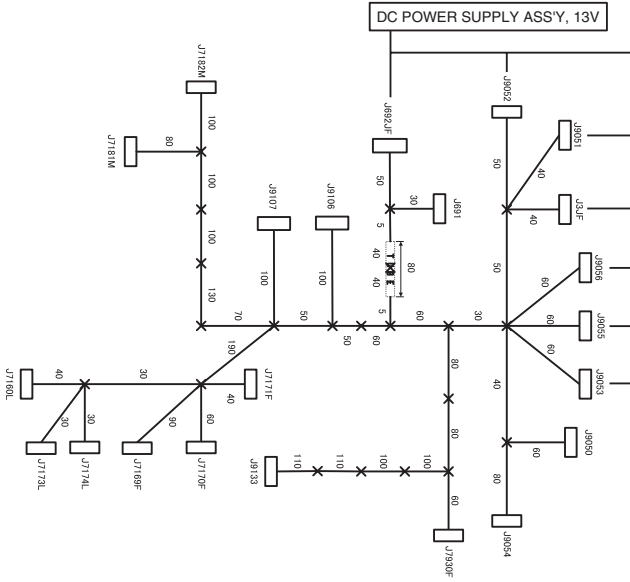
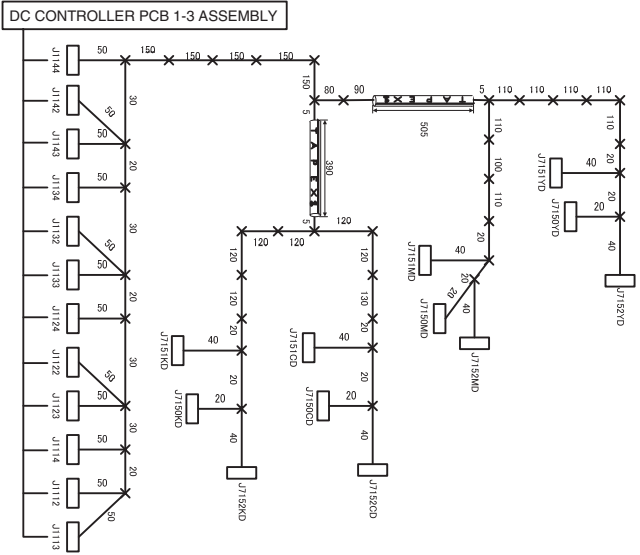


FIGURE 999 CABLE UNIT

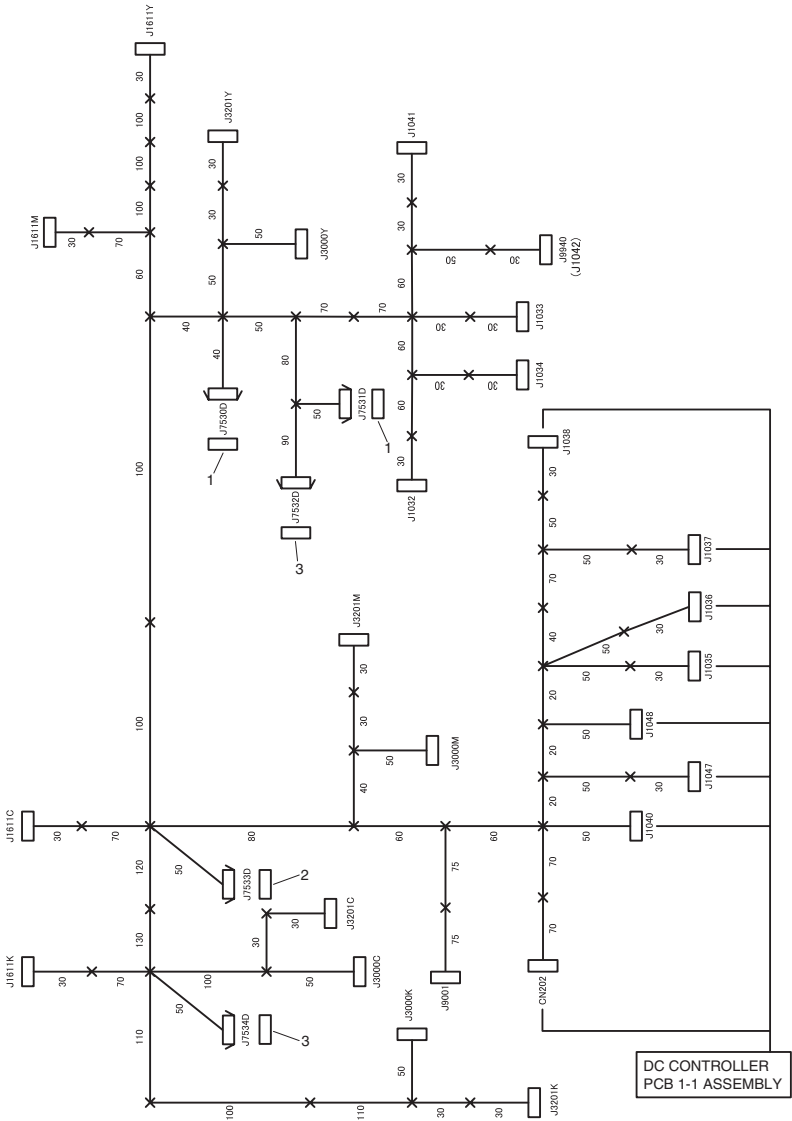


FIGURE 999 CABLE UNIT

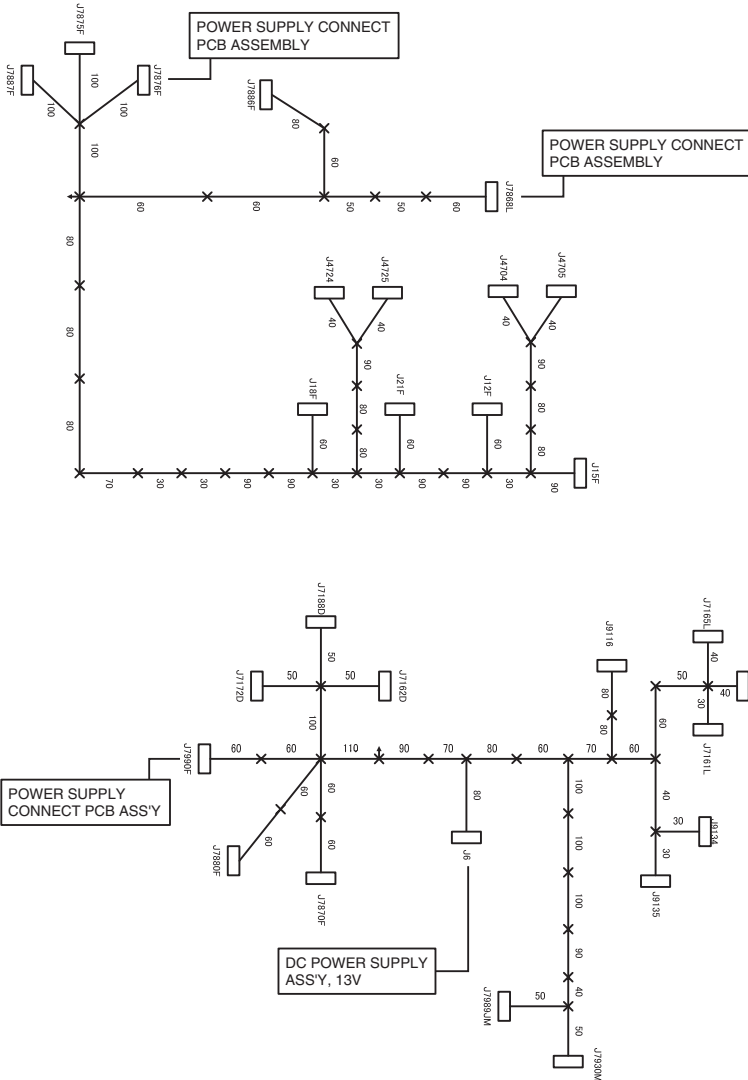


FIGURE 999 CABLE UNIT

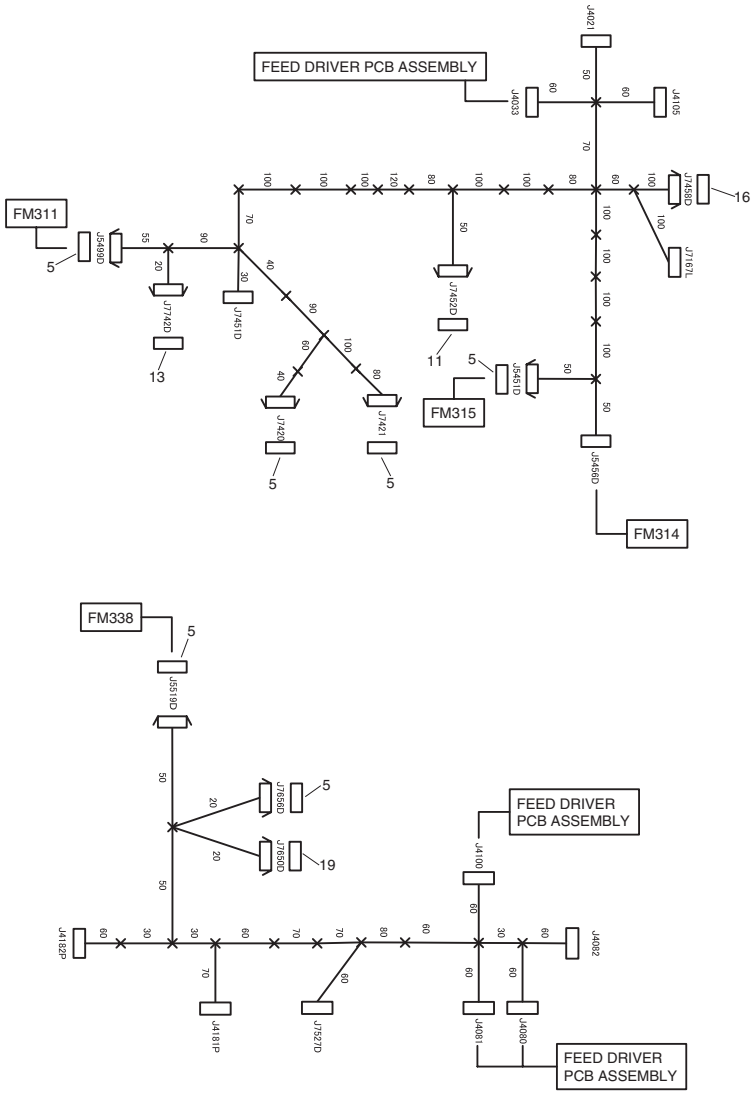


FIGURE 999 CABLE UNIT

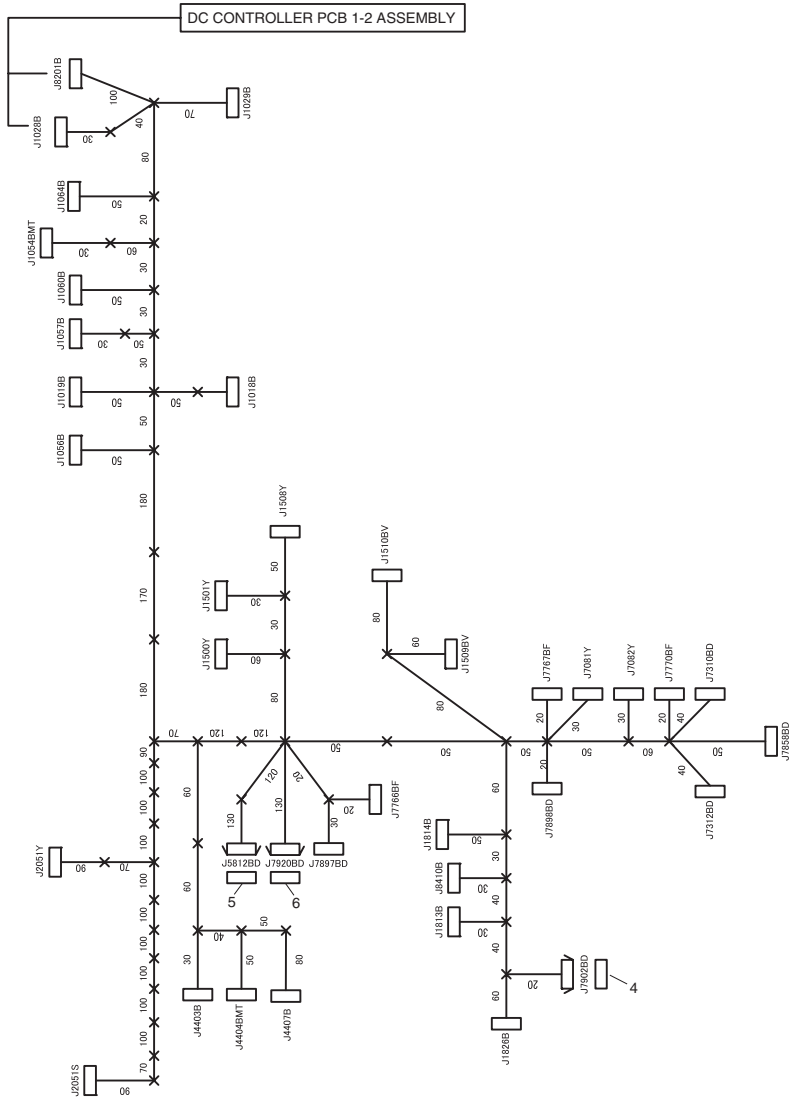


FIGURE & KEY NO.	PARTS NUMBER	R A N K	Q'TY	DESCRIPTION	SERIAL NUMBER/ REMARKS	S V C
Fig.999	NPN		RF	CABLE UNIT		
1	VS1-7164-030		2	CONNECTOR, SNAP TIGHT, 30P, W		
2	VS1-7164-032		1	CONNECTOR, SNAP TIGHT, 32P, W		
3	VS1-7164-040		2	CONNECTOR, SNAP TIGHT		
4	VS1-7173-003		3	CONNECTOR, SNAP TIGHT, 3P, W		
5	VS1-7177-004		18	CONNECTOR, SNAP TIGHT, BK		
6	VS1-7207-008		3	CONNECTOR, SNAP TIGHT, BK		
7	VS1-7164-034		2	CONNECTOR, SNAP TIGHT, 34P, W		
8	VS1-7164-036		2	CONNECTOR, SNAP TIGHT, 36P, W		
9	VS1-7173-005		1	CONNECTOR, SNAP TIGHT		
10	VS1-7173-011		1	CONNECTOR, SNAP TIGHT, 11P, W		
11	VS1-7173-012		2	CONNECTOR, SNAP TIGHT, 12P, W		
12	VS1-7173-014		1	CONNECTOR, SNAP TIGHT, 14P, W		
13	VS1-7177-005		5	CONNECTOR, SNAP TIGHT, BK		
14	VS1-7177-008		1	CONNECTOR, SNAP TIGHT, BK		
15	VS1-7177-003		3	CONNECTOR, SNAP TIGHT, BK		
16	VS1-7173-009		1	CONNECTOR, SNAP TIGHT, 9P, W		
17	VS1-7177-006		1	CONNECTOR, SNAP TIGHT, BK		
18	VS1-7177-007		1	CONNECTOR, 7P, FEMALE, BK		
19	VS1-7177-012		2	CONNECTOR, SNAP TIGHT, BK		
20	VS1-7173-004		1	CONNECTOR, SNAP TIGHT		
21	VS1-7173-016		1	CONNECTOR, SNAP TIGHT, 16P, W		

FIGURE ZZA

MECHANICAL STANDARD PARTS (HOW TO USE)

Mechanical standard parts

機械標準部品

About a mechanical standard parts

A Mechanical standard parts is a mechanical part which not parts peculiar to a product. They are parts which are common to a Canon product and are used, such as a screw and a washer. The Fig No. and parts number of the mechanical standard parts are not listed in the product parts catalog. Refer to the parts catalog of mechanical standard parts when checking the parts number for screw or washer etc. and identify them by part shape or size.

機械標準部品とは

機械標準部品とは、製品特有の部品ではなく、ねじやワッシャなどキヤノン製品共通で使用されている機械部品（メカ部品）のことです。
製品のパーツカタログには、機械標準部品のFig No.や部品番号は記載していません。
ねじや、ワッシャ等の部品番号を調べるときは、機械標準部品のパーツカタログを参照し、部品の形状や大きさから判断し、使用している部品を調べてください。

Material and surface treatment of a mechanical standard parts

Material and surface treatment of mechanical standard parts are assigned commonly for each part. Refer to the Table 1 for the parts which material and surface treatment are assigned as numbers.

機械標準部品の材料および表面処理

機械標準部品の材料および表面処理については、各種部品共通で決められています。
材料および表面処理が番号で決められている部品については、表1を参照してください。

Table 1 Material and Surface treatment
表1 材料および表面処理

No. 番号	Material 材料	Surface treatment 表面処理	Color 色
1	Stainless steel ステンレス	Stainless steel black coloring (BC4) ステンレス黒着色(BC4)	Black 黒
2		not to be given なし	White 白
3	Brass 黄銅	Regular nickel plating (NL) 普通ニッケルメッキ(NL)	White 白
4		Black nickel plating (BN) 黒色ニッケルメッキ(BN)	Black 黒
5	Steel 鋼	White zinc trivalent chromate treating (ZC3) 白色亜鉛3価クロメート(ZC3)	White 白
6		Regular nickel chromium plating (NC) 普通ニッケルクロムメッキ(NC)	White 白
7		Regular nickel plating (NL) 普通ニッケルメッキ(NL)	White 白
8		Iron and steel phosphating (P1) 鉄鋼磷酸塩処理(P1)	Black 黒
9		Black zinc trivalent chromate treating (BZ3) 黒色亜鉛3価クロメート(BZ3)	Black 黒

FIGURE ZZB MECHANICAL STANDARD PARTS (SCREWS)

1. Screws ねじ

How to read Parts Numbers
部品番号の見方

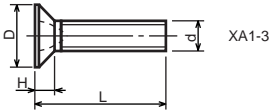
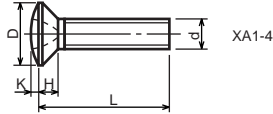
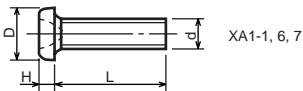
Screws
ねじ

XB1-2400-609

Type No.
類別番号
Normal designation (d)
ねじの呼び(d)
Length (L)
ねじの長さ(L)
Material and Surface treatment
材料および表面処理

XB1-2 expresses Binding head machine screw.
XB1-2は、バインドねじを表す
40 expresses M4.0.
40は、M4.0を表す
0-60 expresses a length of 6.0mm.
0-60は、6.0mmの長さを表す
9 expresses Steel (Black zinc trivalent chromate
treating) from Table 1.
9は、表1より鋼(黒色亜鉛3価クロメート)を表す

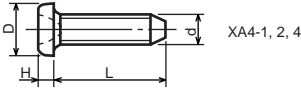
1-1. Cross Recessed Head Screws for Precision Equipments 精密機器用十字穴付き小ねじ



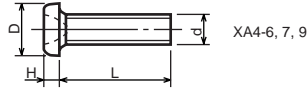
Type No. 類別番号	Type 類別	Head size (mm) 頭部寸法 (mm)							
		M1.4	M1.6	M1.7	M2	M2.5	M2.6		
XA1-1	Pan head Class 1 なべ1種	D	XA1-1	2	2.4	2.5	3	3.8	4
		H	XA1-1	0.5	0.55	0.5	0.6	0.9	0.8
XA1-3	Countersunk head Class 1 さら1種	D	XA1-3	2	2.4	2.5	3	3.8	4
		H	XA1-3	0.48	0.55	0.58	0.73	0.85	0.93
XA1-4	Oval countersunk head Class 1 丸さら1種	D	XA1-4	2	2.4	2.5	3	3.8	4
		H + K	XA1-4	0.68	0.8	0.88	1	1.25	1.3
XA1-6	Pan head Class 3 なべ3種	D	XA1-6	2.5	2.8	3	3.5	4.3	4.5
		H	XA1-6	0.8	0.85	0.9	1	1.3	1.2
XA1-7	Pan head Class 2 なべ2種	D	XA1-7	2.5	2.8	3	3.5	4.3	4.5
		H	XA1-7	0.5	0.55	0.5	0.6	0.9	0.8

FIGURE ZZB MECHANICAL STANDARD PARTS (SCREWS)

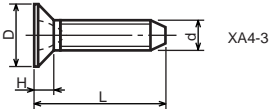
1-2. Precision Tapping Screws 精密用タッピンねじ



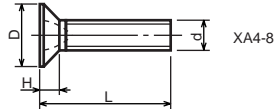
XA4-1, 2, 4



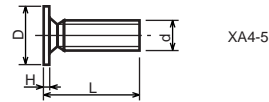
XA4-6, 7, 9



XA4-3



XA4-8

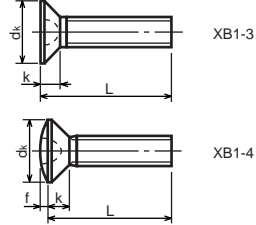
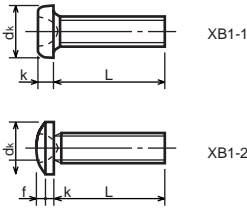


XA4-5

Type No. 類別番号	Type 類別	Head size (mm) 頭部寸法 (mm)						
		M1.4	M1.6	M1.7	M2	M2.5	M2.6	
XA4-1	With tapered end pan head Class 1 絞りなべ1種	D XA4-1	2	2.4	2.5	3	3.8	4
		H XA4-1	0.5	0.55	0.5	0.6	0.9	0.8
XA4-2	With tapered end pan head Class 3 絞りなべ3種	D XA4-2	2.5	2.8	3	3.5	4.3	4.5
		H XA4-2	0.8	0.85	0.9	1	1.3	1.2
XA4-3	With tapered end countersunk head 絞りさら	D XA4-3	2	2.4	2.5	3	3.8	4
		H XA4-3	0.48	0.55	0.58	0.73	0.85	0.93
XA4-4	With tapered end pan head Class 2 絞りなべ2種	D XA4-4	2.5	2.8	3	3.5	4.3	4.5
		H XA4-4	0.5	0.55	0.5	0.6	0.9	0.8
XA4-5	With parallel end ultra thin head ストレート超薄頭	D XA4-5	2.5	2.8	3	-	-	-
		H XA4-5	0.2	0.2	0.2	-	-	-
XA4-6	With parallel end pan head Class 1 ストレートなべ1種	D XA4-6	2	2.4	2.5	3	3.8	4
		H XA4-6	0.5	0.55	0.5	0.6	0.9	0.8
XA4-7	With parallel end pan head Class 3 ストレートなべ3種	D XA4-7	2.5	2.8	3	3.5	4.3	4.5
		H XA4-7	0.8	0.85	0.9	1	1.3	1.2
XA4-8	With parallel end countersunk head ストレートさら	D XA4-8	2	2.4	2.5	3	3.8	4
		H XA4-8	0.48	0.55	0.58	0.73	0.85	0.93
XA4-9	With parallel end pan head Class 2 ストレートなべ2種	D XA4-9	2.5	2.8	3	3.5	4.3	4.5
		H XA4-9	0.5	0.55	0.5	0.6	0.9	0.8

FIGURE ZZB MECHANICAL STANDARD PARTS (SCREWS)

1-3. Cross Recessed Head Screws 一般用十字穴付き小ねじ

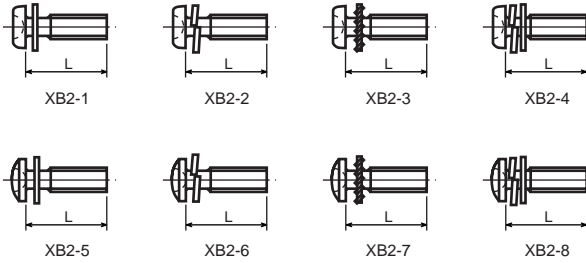


Type No. 類別番号	Type 類別
XB1-1	Pan head なべ
XB1-2	Binding head バインド
XB1-3	Countersunk head ざら
XB1-4	Oval countersunk head 丸ざら

		Head size (mm) 頭部寸法 (mm)					
		M2	M2.5	M2.6	M3	M4	M5
d_k	XB1-1	3.5	4.5	4.5	5.5	7	9
k	XB1-1	1.3	1.7	1.7	2	2.6	3.3
d_k	XB1-2	4.3	5.3	5.5	6.3	8.3	10.3
$k+f$	XB1-2	1.2	1.5	1.6	1.9	2.5	3.1
d_k	XB1-3	4	5	-	6	8	10
k	XB1-3	1.2	1.45	-	1.75	2.3	2.8
d_k	XB1-4	4	5	-	6	8	10
$k+f$	XB1-4	1.6	2	-	2.45	3.2	4
Screw part length ねじ部長さ b		8	12	12	12	16	20

FIGURE ZZB MECHANICAL STANDARD PARTS (SCREWS)

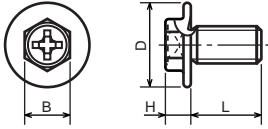
1-4. Cross Recessed Head Screws with Captive Washer
座金組込み十字穴付き小ねじ



Type No. 類別番号	Type 類別
XB2-1	Pan head + Plain washer (circular bright) なべねじ+平座金
XB2-2	Pan head + Spring washer なべねじ+ばね座金
XB2-3	Pan head + Toothed lock washer なべねじ+歯付座金
XB2-4	Pan head + Spring washer and plain washer (circular bright) なべねじ+(ばね+平)座金
XB2-5	Binding head + Plain washer (circular bright) バインドねじ+平座金
XB2-6	Binding head + Spring washer バインドねじ+ばね座金
XB2-7	Binding head + Toothed lock washer バインドねじ+歯付座金
XB2-8	Binding head + Spring washer and plain washer (circular bright) バインドねじ+(ばね+平)座金

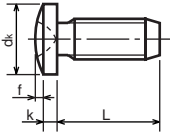
FIGURE ZZB MECHANICAL STANDARD PARTS (SCREWS)

1-5. Hexagon Head Tapping Screws for Metallic Materials 金属用六角タッピンねじ



Type No. 類別番号	Type 類別	Head size (mm) 頭部寸法 (mm)		
		M3	M4	
XB3-6	For metallic materials 金属用タッピン	D	8	10
		B	5.5	5.5
XB3-7	For metallic materials with clawed 金属用タッピン-つめ付き	H XB3-6	3.1	3.1
		H XB3-7	3.2	3.2

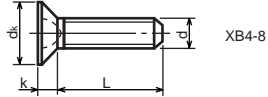
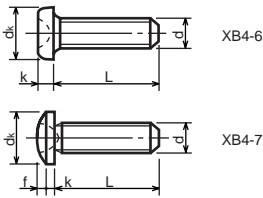
1-6. Special Tapping Screws 特殊タッピンねじ



Type No. 類別番号	Type 類別	Head size (mm) 頭部寸法 (mm)		
		M3	M4	
XB4-5	Binding head バインド	d _k	6.3	8.3
		k	1.3	1.7
		k+f	1.9	2.5

FIGURE ZZB MECHANICAL STANDARD PARTS (SCREWS)

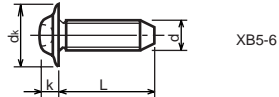
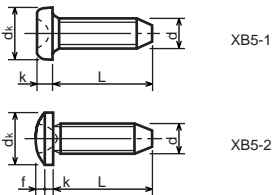
1-7. General Head Tapping Screws 一般用タッピンねじ



Type No. 類別番号	Type 類別
XB4-6	Pan head なべ
XB4-7	Binding head バイインド
XB4-8	Countersunk head さら

		Head size (mm) 頭部寸法 (mm)					
		M2	M2.5	M2.6	M3	M4	M5
d _k	XB4-6	3.5	4.5	4.5	5.5	7	9
k	XB4-6	1.3	1.7	1.7	2	2.6	3.3
d _k	XB4-7	4.3	5.3	5.5	6.3	8.3	10.3
k+f	XB4-7	1.2	1.5	1.6	1.9	2.5	3.1
d _k	XB4-8	4	5	5.2	6	8	10
k	XB4-8	1.2	1.45	1.5	1.75	2.3	2.8

1-8. Tapping Screws for Metallic Materials 金属用タッピンねじ

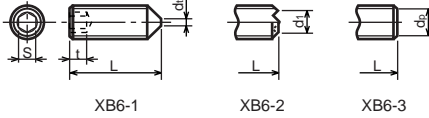


Type No. 類別番号	Type 類別
XB5-1	Pan head なべ
XB5-2	Binding head バイインド
XB5-6	Flanged pan head つば付きなべ

		Head size (mm) 頭部寸法 (mm)				
		M2.5	M2.6	M3	M4	M5
d _k	XB5-1	4.5	4.5	5.5	7	9
k	XB5-1	1.7	1.7	2	2.6	3.3
d _k	XB5-2	5.5	5.5	6.3	8.3	10.3
k+f	XB5-2	1.6	1.6	1.9	2.5	3.1
d _k	XB5-6	6.5	6.5	8	10	12
k	XB5-6	2.1	2.1	1.75	3.2	4

FIGURE ZZB MECHANICAL STANDARD PARTS (SCREWS)

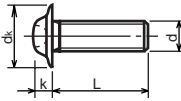
1-9. Hexagon Socket Set Screws 六角穴付止めねじ



Type No. 類別番号	Type 類別
XB6-1	Cone point とがり先
XB6-2	Double point ダブルポイント
XB6-3	Flat point 平先

	Head size (mm) 頭部寸法 (mm)						
	M1.6 M1.7	M2	M2.5 M2.6	M3	M5	M5	M6
S	0.7	0.9	1.3	1.5	2	2.5	3
t	1.5	1.7	2	2	2.5	3	3.5
d _{t max} XB6-1	0.4	0.5	0.65	0.75	1	1.25	1.5
d _{l max} XB6-2	-	1.2	1.5	1.7	2.2	2.8	3.3
d _{l min} XB6-2	-	1	1.2	1.4	1.9	2.4	2.9
d _{p max} XB6-3	0.8	1	1.5	2	2.5	3.5	4
d _{p min} XB6-3	0.55	0.75	1.25	1.75	2.25	3.2	3.7

1-10. Flanged Pan Head Machine Screws つば付きなべ小ねじ



Type No. 類別番号	Type 類別
XB6-7	Flanged pan head つば付きなべ

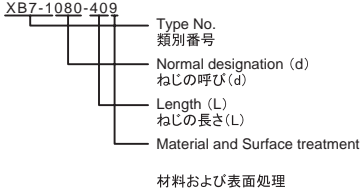
	Head size (mm) 頭部寸法 (mm)				
	M2	M2.5 M2.6	M3	M5	M5
d _k	5	6.5	8	10	12
k	1.7	2.1	2.5	3.2	4

FIGURE ZZC MECHANICAL STANDARD PARTS (BOLTS)

2. Bolts (Socket head cap screw) ボルト

How to read Parts Numbers
部品番号の見方

Bolt (Socket head cap screw)
ボルト



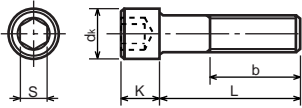
XB7-1 expresses Hexagon socket head cap screws.
XB7-1は、六角穴付きボルトを表す

080 expresses M8.0.
080は、M8.0を表す

40 expresses a length of 40mm.
40は、40mmの長さを表す

9 expresses Steel (Black zinc trivalent chromate
treating) from Table 1.
9は、表1より鋼(黒色亜鉛3価クロメート)を表す

2-1. Hexagon socket head cap screws 六角穴付きボルト



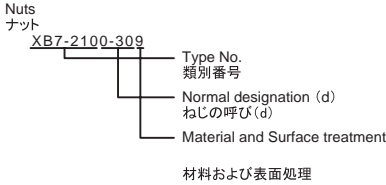
Type No. 類別番号	Type 類別
XB7-1	Hexagon socket head cap screws 六角穴付きボルト

	Head size (mm) 頭部寸法 (mm)						
	M3	M4	M5	M6	M8	M10	M12
S	2.5	3	4	5	6	8	10
d_k	5.5	7	8.5	10	13	16	18
K	3	4	5	6	8	10	12
Screw part length b_{max} ねじ部長さ b_{max}	18	20	22	24	28	32	36

FIGURE ZZD MECHANICAL STANDARD PARTS (NUTS)

3. Nuts ナット

How to read Parts Numbers
部品番号の見方



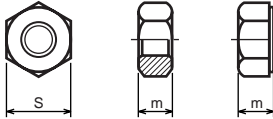
XB7-210 expresses Hexagon nut class 1.
XB7-210は、六角ナット1種を表す

0-30 expresses M3.0.
0-30は、M3.0を表す

9 expresses Steel (Black zinc trivalent chromate
treating) from Table 1.

9は、表1より鋼(黒色亜鉛3価クロメート)を表す

3-1. Hexagon Nuts and Hexagon Thin Nuts 六角ナット



Type No. 類別番号	Type 類別
XB7-210	Hexagon nut Class 1 六角ナット-1種
XB7-220	Hexagon nut Class 3 六角ナット-3種
XB7-230	Hexagon nut Style 1 double chamfered 六角ナット-スタイル1-両面とり
XB7-231	Hexagon nut Style 1 washer faced 六角ナット-スタイル1-座付き
XB7-240	Hexagon nut Style 2 double chamfered 六角ナット-スタイル2-両面とり
XB7-241	Hexagon nut Style 2 washer faced 六角ナット-スタイル2-座付き
XB7-250	Hexagon nut 六角ナット
XB7-260	Hexagon thin nut double chamfered 六角低ナット-両面とり
XB7-270	Hexagon thin nut not chamfered 六角低ナット-面とり無し

	Head size (mm) 頭部寸法 (mm)						
	M2	M2.5	M3	M4	M5	M6	M8
S	4	5	5.5	7	8	10	13
m XB7-210	1.6	2	2.4	3.2	4	5	6.5
m XB7-220	1.2	1.6	1.8	2.4	3.2	3.6	5
m XB7-230, 231	1.6	2	2.4	3.2	4.7	5.2	6.8
m XB7-240, 241	-	-	-	-	5.1	5.7	7.5
m XB7-250	-	-	-	-	5.6	6.1	7.9
m XB7-260	1.2	1.6	1.8	2.2	2.7	3.2	4
m XB7-270	1.2	1.6	1.8	2.2	2.7	3.2	4

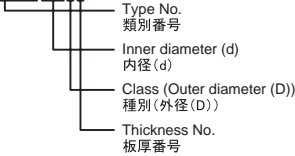
FIGURE ZZE MECHANICAL STANDARD PARTS (WASHERS)

4. Washers ワッシャ

How to read Parts Numbers
部品番号の見方

Washers (XD1-1)
ワッシャ (XD1-1)

XD1-1102-625



XD1-110 expresses copper material washer.
XD1-110は、銅材のワッシャを表す

2-6 expresses a inner diameter of 2.6 mm.
2-6は、2.6mmの内径を表す

2 expresses a outer diameter of 4.4 mm from Table 2.
2は、表2より4.4mmの外径を表す

5 expresses a thickness of 0.5 mm from Table 3.
5は、表3より0.5mmの板厚を表す

Table 2 表2

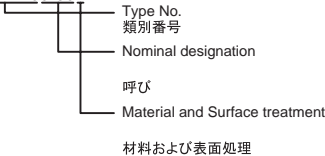
d (mm)	D (mm)		
	Class 1 1種	Class 2 2種	Class 3 3種
1.5	-	2.6	3.2
1.8	2.7	3.1	3.7
2.1	3.2	3.6	4.2
2.3	3.6	4	4.6
2.6	4	4.4	5
3.1	4.6	5	5.6
3.6	5.4	5.8	6.4
4.1	5.7	6.6	8
4.6	6.4	7.4	9
5.2	7.2	8.2	10
5.7	7.8	9	11
6.2	8.5	9.8	12
6.7	9.2	10.5	13
7.2	10	11.4	14
7.7	10.6	12.2	15
8.2	11.4	13	16
8.7	12	13.8	17
9.2	12.8	14.6	18
9.7	13.5	15.4	19
10.2	14.3	15.6	20

Table 3 表3

Thickness No. 板厚番号	t (mm)
0	0.05
1	0.1
2	0.2
3	0.3
4	0.4
5	0.5
6	0.6
7	0.7
8	0.8
9	1

Plain washers, Spring lock washers, Toothed lock washers (XD1-2, 3, 4)
平座金、ばね座金、歯付き座金 (XD1-2, 3, 4)

XD1-2100-307



XD1-210 expresses plain washer.
XD1-210は、平座金を表す

0-30 expresses a 030 of nominal designation.
(See Table 4)

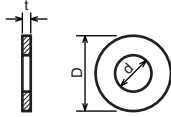
0-30は、呼び030を表す(表4参照)

7 expresses Steel (Regular nickel chromium plating)
from Table 1.

7は、表1より鋼(普通ニッケルメッキ)を表す

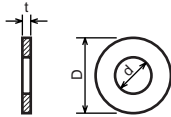
FIGURE ZZE MECHANICAL STANDARD PARTS (WASHERS)

4-1. Washers ワッシャ



Type No. 類別番号	Type 類別
XD1-110	Washer - Copper material ワッシャ 銅
XD1-120	Washer - Stainless steel material ワッシャ ステンレス

4-2. Plain Washers 平座金

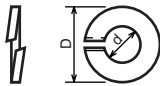


Type No. 類別番号	Type 類別
XD1-210	Regular type grade A 並形—等級A
XD1-120	Washer - Stainless steel material ワッシャ ステンレス

Table 4 表4

Nominal designation 呼び	d (mm)	D (mm)	t (mm)
020	2.2	5	0.3
025	2.7	6.5	0.5
026	2.8	6.5	0.5
030	3.2	7	0.5
040	4.3	9	0.8
050	5.3	10	1
060	6.4	12.5	1.6
080	8.4	17	1.6
100	10.5	21	2
120	13	24	2.5

4-3. Spring Lock Washers ばね座金



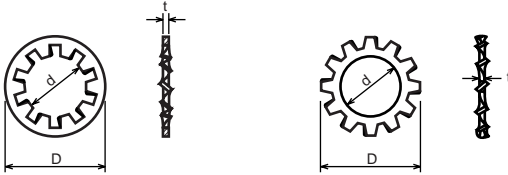
Type No. 類別番号	Type 類別
XD1-310	No.2 2号

Table 4 表4

Nominal designation 呼び	d (mm)	D (mm)
020	2.1	4.4
025	2.6	5.2
026	2.7	6.5
030	3.1	5.3
040	4.1	5.9
050	5.1	9.2
060	6.1	12.2
080	8.2	15.4
100	10.2	18.4
120	12.2	21.5

FIGURE ZZE MECHANICAL STANDARD PARTS (WASHERS)

4-4. Toothed Lock Washers 齒付き座金



Type No. 類別番号	Type 類別
XD1-410	Internal tooth type 内齒形
XD1-420	External tooth type 外齒形

Table 4 表4

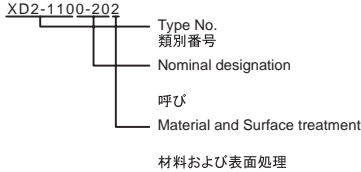
Nominal designation 呼び	d (mm)	D (mm)	t (mm)	No. of Int. tooth 内齒数	No. of Ext. tooth 外齒数
020	2.2	4.8	0.3	7	-
025	2.7	5.7	0.3	7	-
026	2.8	5.8	0.3	7	-
030	3.2	6.5	0.45	8	8
040	4.3	8.5	0.45	8	9
050	5.3	10	0.6	8	10
060	6.4	11	0.6	9	12
080	8.4	15	0.8	9	12

FIGURE ZZF MECHANICAL STANDARD PARTS (RETAINING RINGS)

5. Retaining Rings 止め輪

How to read Parts Numbers
部品番号の見方

Retaining Rings 止め輪



XD2-110 expresses retaining ring-E type (Type1).
XD2-110は、E形止め輪(1種)を表す

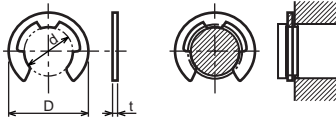
0-20 expresses a 020 of nominal designation.
(See Table 5)

0-20は、呼び020を表す(表5参照)

2 expresses Stainless steel (Surface treatment is not to be given) from Table 1.

2は、表1よりステンレス(表面処理なし)を表す

5-1. Retaining Rings - E type E形止め輪



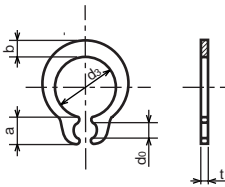
Type No. 類別番号	Type 類別
XD2-110	Retaining ring - E type (Type 1) E形止め輪(1種)
XD2-120	Retaining ring - E type (Type 2) E形止め輪(2種)

Table 5 表5

Type 種類	Nominal designation 呼び	d (mm)	D (mm)	t (mm)
Type 1 1種	007	0.65	2	0.2
	010	0.95	2.8	0.2
	013	1.25	3.3	0.3
	017	1.65	4.2	0.4
	020	1.95	4.6	0.5
	024	2.35	6	0.6
	028	2.74	6.5	0.6
	032	3.14	7.2	0.6
	037	3.64	8	0.7
	040	3.93	10	0.7
	042	4.13	10	0.7
	050	4.93	11	0.7
	058	5.73	12	0.7
	060	5.93	12.7	0.9
	064	6.32	13.5	0.9
	074	7.31	15	0.9
080	7.91	16.5	1	
Type 2 2種	008	0.8	2	0.2
	012	1.2	3	0.3
	015	1.5	4	0.4
	020	2	5	0.4
	025	2.5	6	0.4
	030	3	7	0.6
	040	4	9	0.6
	050	5	11	0.6
	060	6	12	0.8
	070	7	14	0.8
	080	8	16	0.8
	090	9	18	0.8
	100	10	20	1

FIGURE ZZF MECHANICAL STANDARD PARTS (RETAINING RINGS)

5-2. Grip Rings グリップ止め輪

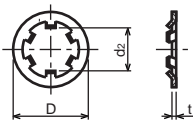


Type No. 類別番号	Type 類別
XD2-210	Grip ring グリップ止め輪

Table 5 表5

Nominal designation 呼び	d_3 (mm)	t (mm)	b (mm)	a (mm)	d_b (mm)
020	1.9	0.5	1	1.8	0.8
025	2.35	0.5	1.2	1.9	0.9
030	2.85	0.6	1.4	1.9	0.9
035	3.3	0.6	1.6	2	0.9
040	3.8	0.8	1.8	2.8	1.2
045	4.25	0.8	2	2.9	1.3
050	4.75	0.8	2.2	2.9	1.3
060	5.7	1	2.4	3.1	1.4
070	6.7	1	2.7	3.3	1.4
080	7.7	1	3	3.5	1.4
090	8.65	1.2	3.3	4.7	1.5
100	9.65	1.2	3.5	4.7	2

5-3. Toothed Retaining Rings 歯付き形止め輪



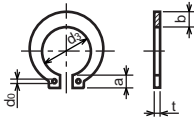
Type No. 類別番号	Type 類別
XD2-230	Toothed retaining ring 歯付き形止め輪

Table 5 表5

Nominal designation 呼び	d_z (mm)	D (mm)	t (mm)	No of teeth 歯数
015	1.4	5.2	0.25	3
020	1.9	6	0.25	3
024	2.3	6.4	0.25	3
030	2.8	8	0.25	4
040	3.8	9	0.25	4
050	4.8	10	0.25	5
060	5.8	11	0.25	5
080	7.8	13	0.25	5
100	9.8	15.4	0.25	6

FIGURE ZZF MECHANICAL STANDARD PARTS (RETAINING RINGS)

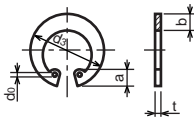
5-4. Retaining Rings - C Type C形止め輪



Type No. 類別番号	Type 類別
XD2-310	Retaining ring - C type for shaft C形止め輪 軸用

Table 5 表5

Nominal designation 呼び	d _s (mm)	t (mm)	b (mm)	a (mm)	d ₀ (mm)
010	9.3	1	1.6	3	1.2
012	11.1	1	1.8	3.2	1.5
014	12.9	1	2	3.4	1.7
015	13.8	1	2.1	3.5	1.7
016	14.7	1	2.2	3.6	1.7
017	15.7	1	2.2	3.7	1.7
018	16.5	1.2	2.6	3.8	1.7
020	18.5	1.2	2.7	3.9	2
022	20.5	1.2	2.7	4.1	2
025	23.2	1.2	3.1	4.3	2
028	25.9	1.5	3.1	4.6	2
030	27.9	1.5	3.5	4.8	2
032	29.6	1.5	3.5	5	2.5
035	32.2	1.5	4	5.4	2.5



Type No. 類別番号	Type 類別
XD2-320	Retaining ring - C type for hole C形止め輪 穴用

Table 5 表5

Nominal designation 呼び	d _s (mm)	t (mm)	b (mm)	a (mm)	d ₀ (mm)
010	10.7	1	1.8	3.1	1.2
011	11.8	1	1.8	3.2	1.2
012	13	1	1.8	3.3	1.5
014	15.1	1	2	3.6	1.7
016	17.3	1	2	3.7	1.7
018	19.5	1	2.5	4	1.7
019	20.5	1	2.5	4	2
020	21.5	1	2.5	4	2
022	23.5	1	2.5	4.1	2
025	26.9	1.2	3	4.4	2
028	30.1	1.2	3	4.6	2
030	32.1	1.2	3	4.7	2
032	34.4	1.2	3.5	5.2	2.5
035	37.8	1.5	3.5	5.2	2.5
037	39.8	1.5	3.5	5.2	2.5
040	43.5	1.8	4	5.7	2.5
042	45.5	1.8	4	5.8	2.5
045	48.5	1.8	4.5	5.9	2.5
047	50.5	1.8	4.5	6.1	2.5
050	54.2	2	4.5	6.5	2.5
052	56.2	2	5.1	6.5	2.5
055	59.2	2	5.1	6.5	2.5
060	64.2	2	5.1	6.8	2.5
062	66.2	2	5.5	6.9	2.5
068	72.5	2.5	6	7.4	2.5
072	76.5	2.5	6.6	7.4	2.5
075	79.5	2.5	6.6	7.8	2.5
080	85.5	2.5	7	8	2.5
085	90.5	3	7	8	3
090	95.5	3	7.6	8.3	3
095	100.5	3	8	8.5	3

FIGURE ZZG MECHANICAL STANDARD PARTS (PINS)

6. Pins

ピン

How to read Parts Numbers
部品番号の見方

Pins
ピン

XD3-1200-122

Type No.
類別番号

Nominal diameter (d)
呼び径 (d)

Length (L)
長さ (L)

Material and Surface treatment
材料および表面処理

XD3-1 expresses spring pins for general use.
XD3-1は、スプリングピン(一般用)を表す

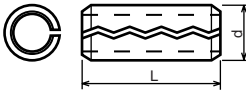
20 expresses a nominal diameter of 2.0 mm.
20は、2.0mmの呼び径を表す

0-12 expresses a length of 12 mm.
0-12は、12mmの長さを表す

2 expresses Stainless steel (Surface treatment is not to be given) from Table 1.
2は、表1よりステンレス(表面処理なし)を表す

6-1. Springs Pins

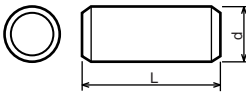
スプリングピン



Type No. 類別番号	Type 類別
XD3-0	Spring pin for light load スプリングピン(軽荷重用)
XD3-1	Spring pin for general use スプリングピン(一般用)

6-2. Parallel Pins

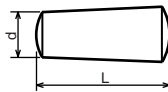
平行ピン



Type No. 類別番号	Type 類別
XD3-2	Parallel pin (h7 hard) 平行ピン(h7硬質)
XD3-4	Parallel pin (m6 soft) 平行ピン(m6軟質)

6-3. Taper Pins

テーパピン



Type No. 類別番号	Type 類別
XD3-3	Taper pin テーパピン

FIGURE ZZH MECHANICAL STANDARD PARTS (SPACERS)

7. Spacers スペーサ

How to read Parts Numbers
部品番号の見方

Spacers スペーサ

XZ1-1301-005

Type No.
類別番号

Nominal diameter (d)
呼び径 (d)

Length (L)
長さ (L)

Material and Surface treatment
材料および表面処理

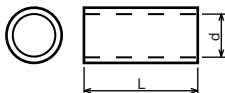
XZ1-1 expresses spacers.
XZ1-1は、スペーサを表す

30 expresses a nominal diameter of 3.0 mm.
30は、3.0mmの呼び径を表す

1-00 expresses a length of 10 mm.
1-00は、10mmの長さを表す

5 expresses Steel (White zinc trivalent chromate
treating) from Table 1.
5は、表1より鋼(白色亜鉛3価クロメート)を表す

7-1. Spacers スペーサ



Type No. 類別番号	Type 類別
XZ1-1	Spacers スペーサ

Canon