

imageCLASS X LBP1440

PARTS CATALOG



Canon

May 9, 2023
Rev. 0

Index

PRE	PREFACE
SNLU	Product Code No./Serial No.
A1A	ASSEMBLY LOCATION DIAGRAM (5-INCH TOUCH PANEL model)
A2	OPTION PARTS CATALOG LIST
001C	ACCESSORIES (LBP1440)
001D	ACCESSORIES (1440P)
100B	EXTERNAL COVERS, PANELS, ETC.
101B	INTERNAL COMPONENTS 1 (120V)
101C	INTERNAL COMPONENTS 1 (230V)
102B	INTERNAL COMPONENTS 2 (120V)
102C	INTERNAL COMPONENTS 2 (230V)
103	INTERNAL COMPONENTS 3
104F	INTERNAL COMPONENTS 4
135	CONTROL PANEL ASS'Y (5-INCH TOUCH PANEL model)
ZZA	MECHANICAL STANDARD PARTS (HOW TO USE)
ZZB	MECHANICAL STANDARD PARTS (SCREWS)
ZZC	MECHANICAL STANDARD PARTS (BOLTS)
ZZD	MECHANICAL STANDARD PARTS (NUTS)
ZZE	MECHANICAL STANDARD PARTS (RETAINING RINGS)

Figure PRE (1/5) PREFACE

■How to read the parts list

PART NUMBER column:

- NPN : No Part Number (no service part number is assigned)

RANK column

- Unused

QTY column:

- AR : As Required (appropriate quantity, e.g. screw)
- RF : Reference (not available as a service part)

DESCRIPTION column:

It may differ from the description in the service manual.

REMARKS(SERIAL/NUMBER/REMARKS) column:

- [DP] : Durable Parts (periodically replaced parts/consumable parts)

■パーツリストの見方

PART NUMBER 欄

- NPN : サービス部番設定なし

RANK 欄

- 未使用

QTY 欄

- AR : As Required (必要数(ビスなど))
- RF : Reference (サービス設定なし)

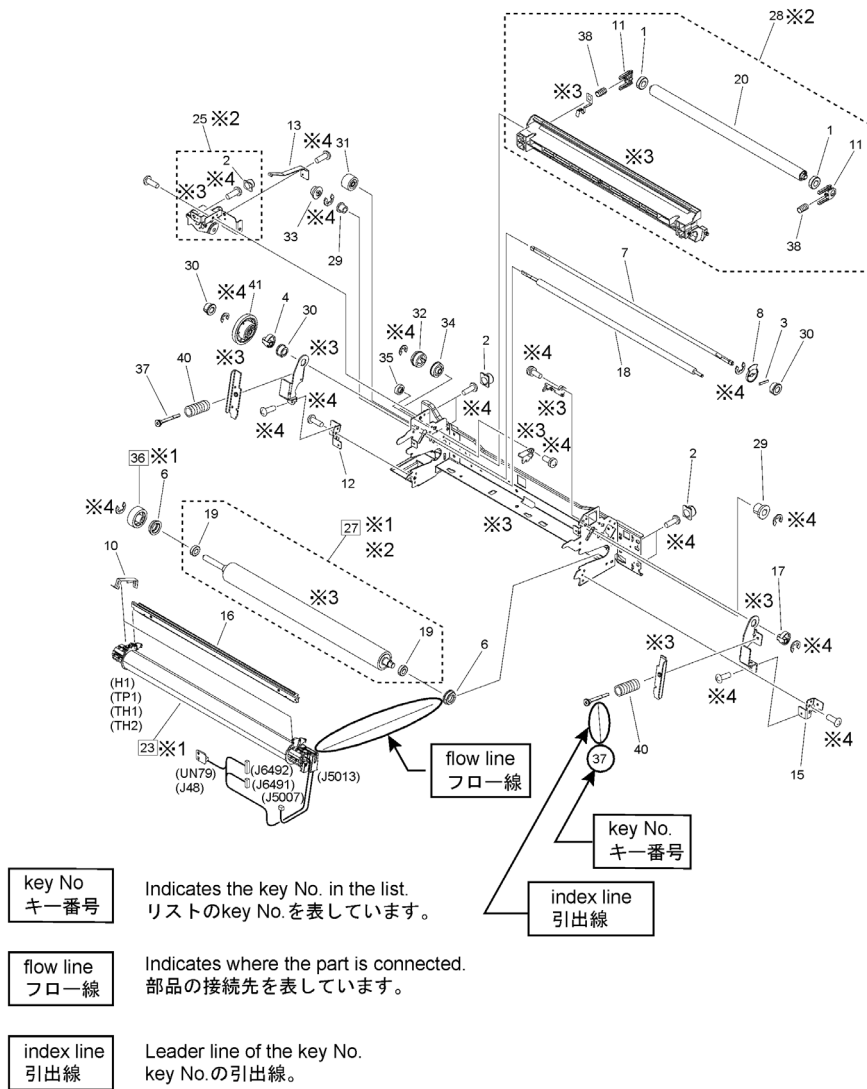
DESCRIPTION 欄

- サービスマニュアル上の表記と異なる場合があります。

REMARKS(SERIAL/NUMBER/REMARKS) 欄

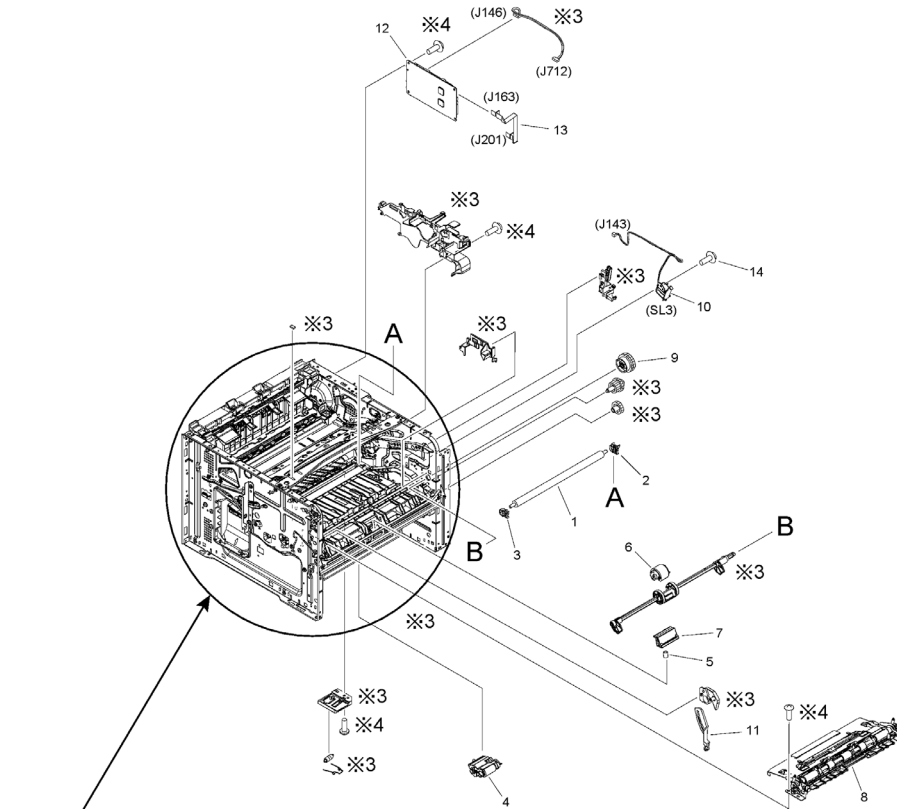
- [DP] : Durable Parts (定期交換部品/消耗部品)

Figure PRE (2/5) PREFACE



- ※1.The part which key No. is enclosed with the solid line represents the periodically replaced part or the consumable part [DP].
key No.が実線の枠で囲まれた部品は、定期交換部品/消耗部品[DP]を表しています。
- ※2.The parts enclosed with the dotted line are shipped as an unit.
In the case of KIT parts, the parts enclosed with the dotted line are shipped together.
点線の枠で囲まれた部品は、ユニットの状態出荷されます。
KIT部品の場合は、点線の枠で囲まれた部品が同梱状態出荷されます。
- ※3.Service part numbers are not assigned to the parts without key No.
key No.のない部品は、サービス部番が設定されていません。
- ※4.For screws/bolts/nuts/retaining rings without key No., check the part numbers in Figure ZZA to ZZE (Mechanical Standard Parts) at the end of the parts catalog.
key No.のないねじ/ボルト/ナット/止め輪については、巻末のFigure ZZA~ZZE (機械標準部品)を見て部番を調べてください。

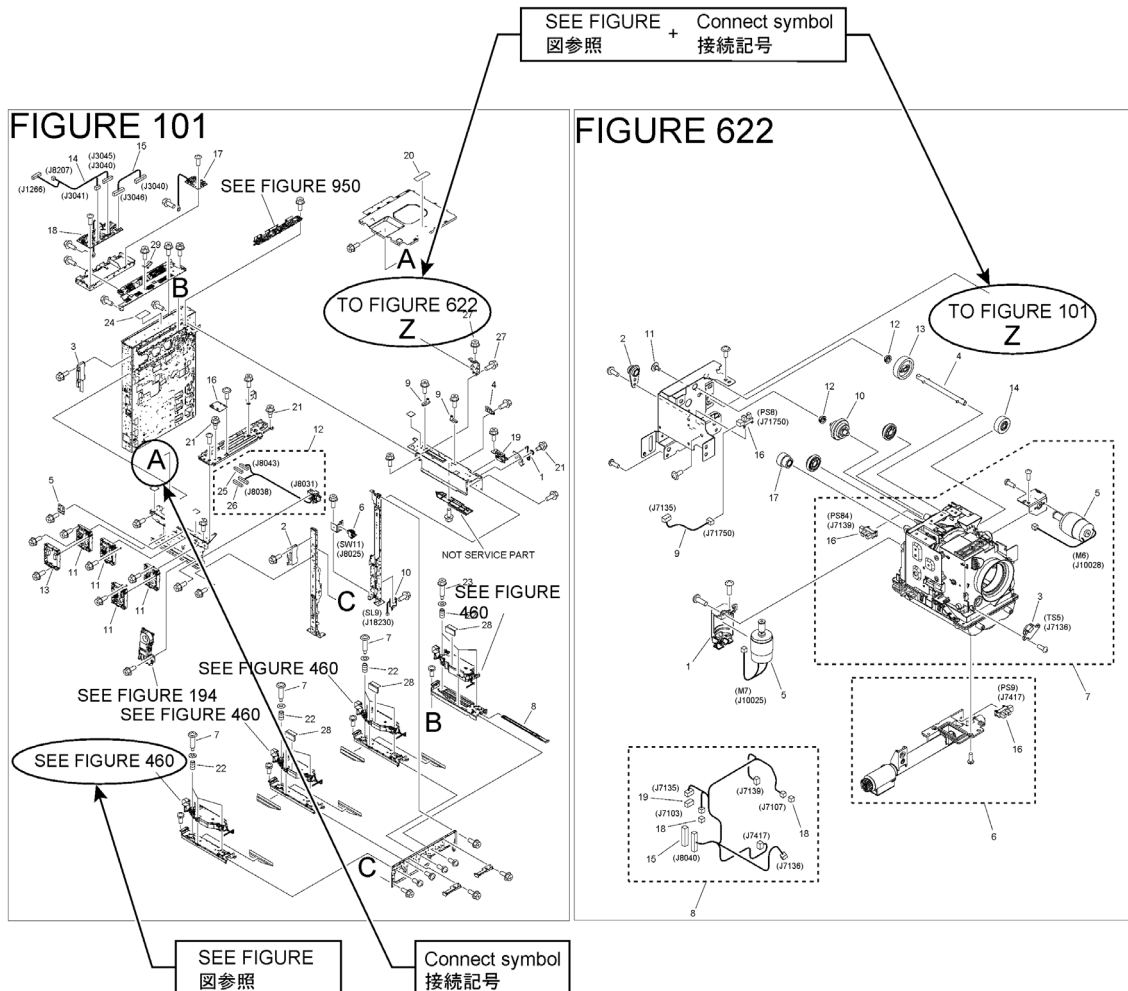
Figure PRE (3/5) PREFACE



Parts which are not disassembled in the illustration (for example, parts assembled to the main frame) cannot be supplied for reasons such as that parts replacement cannot be guaranteed.
 イラスト上で分解されていない部品(本体フレームに組付けた状態の部品など)は、部品交換を保証できない等の理由により供給できません。

- ※1. The part which key No. is enclosed with the solid line represents the periodically replaced part or the consumable part [DP].
 key No.が実線の枠で囲まれた部品は、定期交換部品/消耗部品[DP]を表しています。
- ※2. The parts enclosed with the dotted line are shipped as an unit.
 In the case of KIT parts, the parts enclosed with the dotted line are shipped together.
 点線の枠で囲まれた部品は、ユニットの状態出荷されます。
 KIT部品の場合は、点線の枠で囲まれた部品が同梱状態出荷されます。
- ※3. Service part numbers are not assigned to the parts without key No.
 key No.のない部品は、サービス部番が設定されていません。
- ※4. For screws/bolts/nuts/retaining rings without key No., check the part numbers in Figure ZZA to ZZE (Mechanical Standard Parts) at the end of the parts catalog.
 key No.のないねじ/ボルト/ナット/止め輪については、巻末のFigure ZZA～ZZE (機械標準部品)を見て部番を調べてください。

Figure PRE (4/5) PREFACE



SEE FIGURE
図参照

Figure to be referenced is shown.
参照するFigureを示しています。

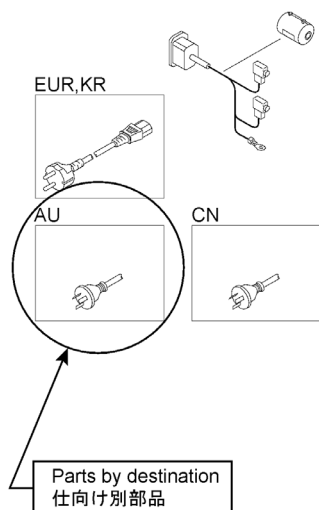
Connect symbol
接続記号

Indicates the figure to which it is connected.
接続先のFigureを示しています。

SEE FIGURE + Connect symbol
図参照 + 接続記号

Indicates the figure to which it is connected and where the part is connected
接続先のFigureと部品の接続先を示しています。

Figure PRE (5/5) PREFACE



Different parts by Country/Region/Voltage/Model/Language/Function/Type/Paper Size
国/地域/電圧/モデル/言語/機能/型式/用紙サイズで異なる部品。

Figure SNLU Product Code No./Serial No.

	Product Code No.	Model Name	Remarks	Serial No.
1	F81-5231-000	imageCLASS X LBP1440	120V US, CA, LTN	PBPA
2	F81-5291-000	1440P	230V LTN	PBQA

	中オーダー	製品名	備考	シリアル No.
1	F81-5231-000	imageCLASS X LBP1440	120V US, CA, LTN	PBPA
2	F81-5291-000	1440P	230V LTN	PBQA

FIGURE & KEY NO.	PART NUMBER	RANK	QTY	DESCRIPTION	SERIAL NUMBER /REMARKS
SNLU	NPN		RF	Product Code No./Serial No.	
1	F81-5231-000		1	imageCLASS X LBP1440	PBPA 120V US, CA, LTN
2	F81-5291-000		1	1440P	PBQA 230V LTN

Figure A1A ASSEMBLY LOCATION DIAGRAM (5-INCH TOUCH PANEL model)

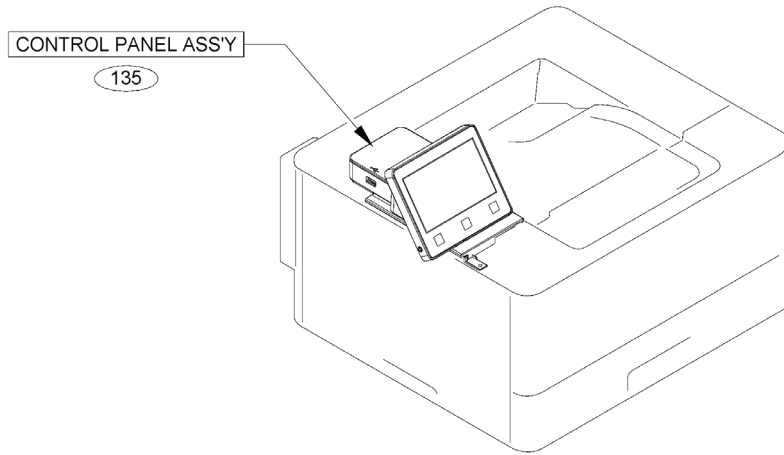


Figure A2 OPTION PARTS CATALOG LIST

This is the table of the machine's options whose parts catalog is issued.
 Also, there is the case where some models are not being sold depending on the region.
 本機のオプションで、パーツカタログが発行されている機種の一覧です。
 なお、地域によっては販売していない機種が含まれている場合があります。

No.	Model Name(English)	機種名
1	Cassette Feeding Module-AH1	1 段カセットユニット・A H 1
2	MiCARD Attachment Kit-B1	MiCARD Attachment Kit-B1
3	(JAPAN ONLY)	環境ヒーター E H-C 1

Figure 001C ACCESSORIES (LBP1440)

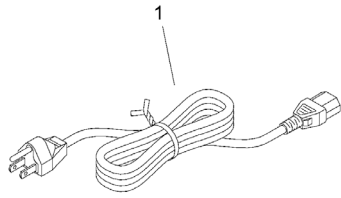


FIGURE & KEY NO.	PART NUMBER	R A N K	QTY	DESCRIPTION	SERIAL NUMBER /REMARKS
001C	NPN		RF	ACCESSORIES	LBP1440
1	FK4-1389-000		1	CORD, POWER	

Figure 001D ACCESSORIES (1440P)

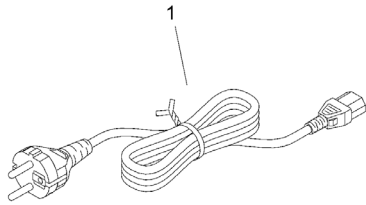


FIGURE & KEY NO.	PART NUMBER	R A N K	QTY	DESCRIPTION	SERIAL NUMBER /REMARKS
001D	NPN		RF	ACCESSORIES	1440P
1	FK4-1390-000		1	CORD, POWER	

Figure 100B EXTERNAL COVERS, PANELS, ETC.

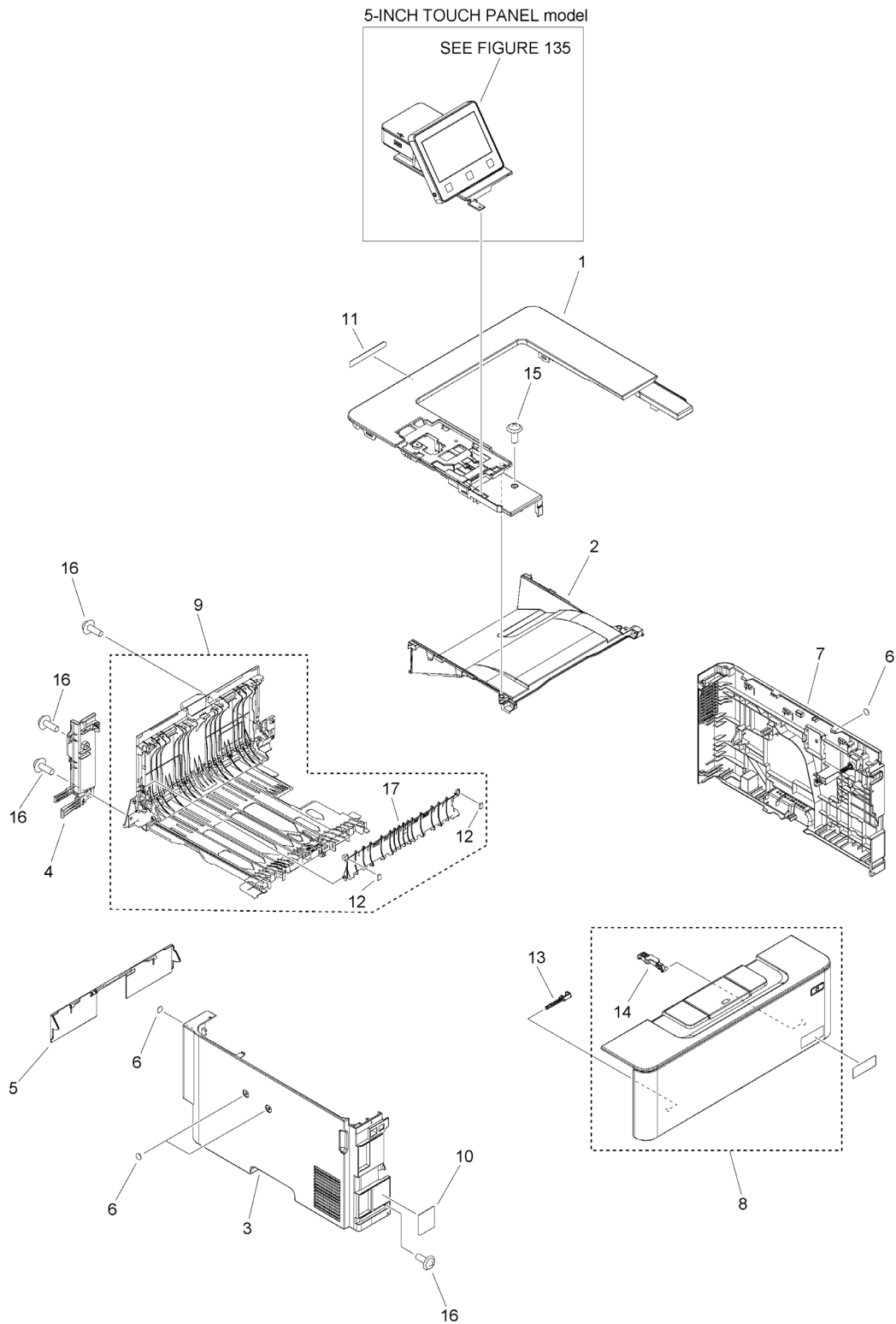


FIGURE & KEY NO.	PART NUMBER	RANK	QTY	DESCRIPTION	SERIAL NUMBER /REMARKS
100B	NPN		RF	EXTERNAL COVERS, PANELS, ETC.	
1	FE2-U974-000		1	COVER, TOP	
2	FE8-6191-000		1	TRAY, PAPER DELIVERY	
3	FE8-6202-000		1	COVER, LEFT	
4	FE8-6203-000		1	COVER, LEFT REAR	
5	FE8-6208-000		1	COVER, CASSETTE, REAR	
6	FL1-0525-000		4	SHEET, HANDSET	
7	FM1-R680-000		1	RIGHT COVER ASS'Y	
8	FM2-J671-000		1	CARTRIDGE DOOR ASS'Y	
9	FM1-R685-000		1	REAR DOOR ASS'Y	
10	FU2-2392-000		1	LABEL, CASSETTE OPERATOR	
11	FU2-2393-000		1	LABEL, HIGH TMP. CAUTION	
12	RC2-6075-000		2	SHEET, DAMPER	
13	RC4-3002-000		1	SHAFT, SUPPORT	
14	RC4-4479-000		1	LINK, PRESSURE RELEASE	
15	XA9-1503-000		2	SCREW, TAP, M3X6	
16	XA9-1671-000		4	SCREW, D, M3X8	
17	RC4-3183-000		1	GUIDE	

Figure 101B INTERNAL COMPONENTS 1 (120V)

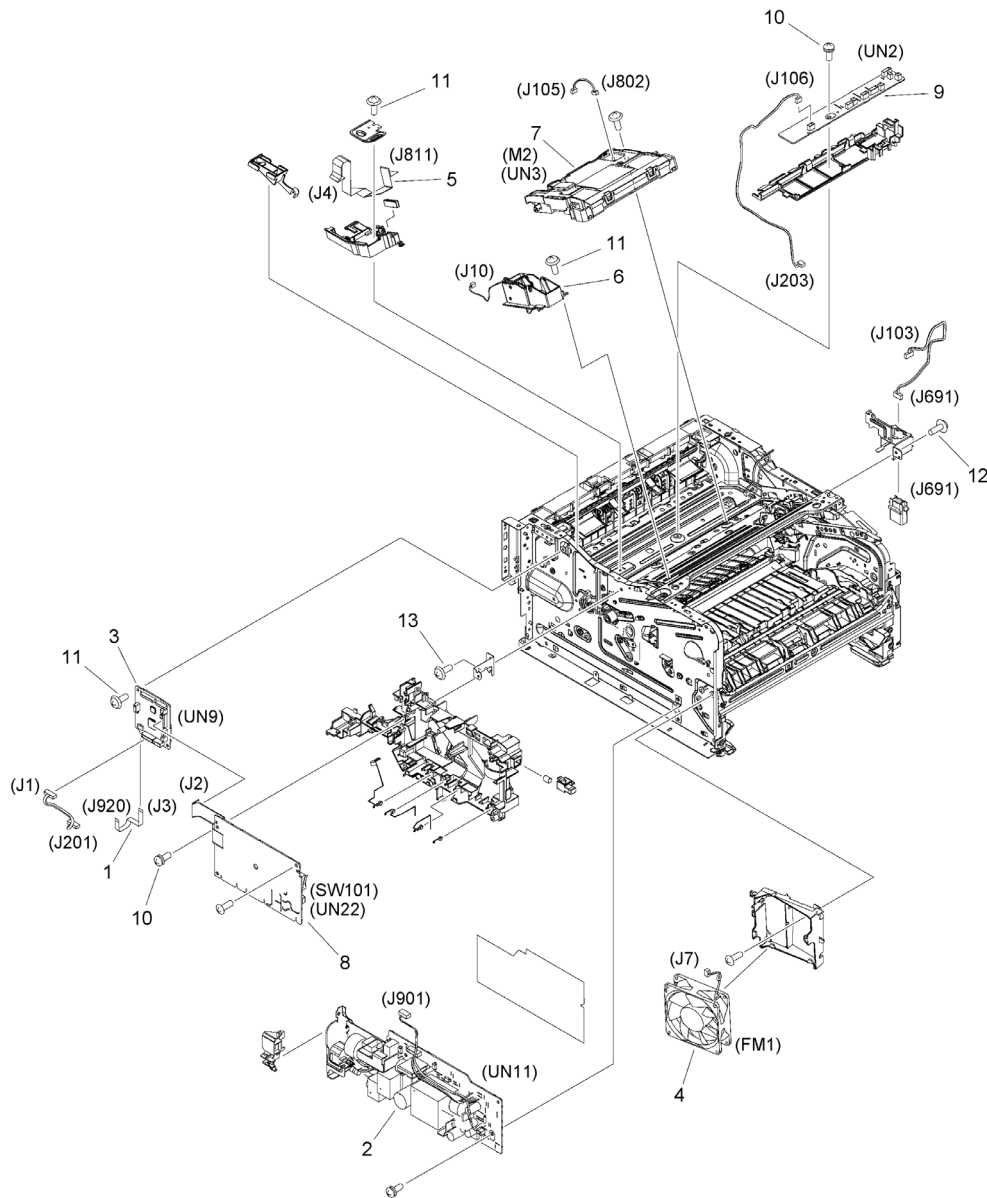


FIGURE & KEY NO.	PART NUMBER	RANK	QTY	DESCRIPTION	SERIAL NUMBER /REMARKS
101B	NPN		RF	INTERNAL COMPONENTS 1	120V
1	FK4-4929-000		1	CABLE, FLEXIBLE FLAT	J3, J920
2	FM3-K865-000		1	L.V. POWER SUPPLY PCB ASS'Y	UN11, J901
3	FM3-K862-000		1	DC CONTROLLER PCB ASS'Y	UN9
4	RK2-1378-010		1	FAN	FM1, J7
5	RK2-9901-000		1	CABLE, FLEXIBLE FLAT, LASER	J4, J811
6	RM2-2556-000		1	TAG CABLE ASS'Y	J10
7	RM2-4862-000		1	LASER SCANNER ASS'Y	UN3, M2
8	RM2-7508-000		1	H.V. POWER SUPPLY PCB ASS'Y	UN22, SW101, J2
9	RM2-7510-000		1	CONNECTING PCB ASS'Y	UN2
10	XA9-1420-000		2	SCREW, W/WASHER, M3X8	
11	XA9-1503-000		8	SCREW, TAP, M3X6	
12	XA9-1670-000		1	SCREW, D, M3X6	
13	XA9-1671-000		1	SCREW, D, M3X8	

Figure 101C INTERNAL COMPONENTS 1 (230V)

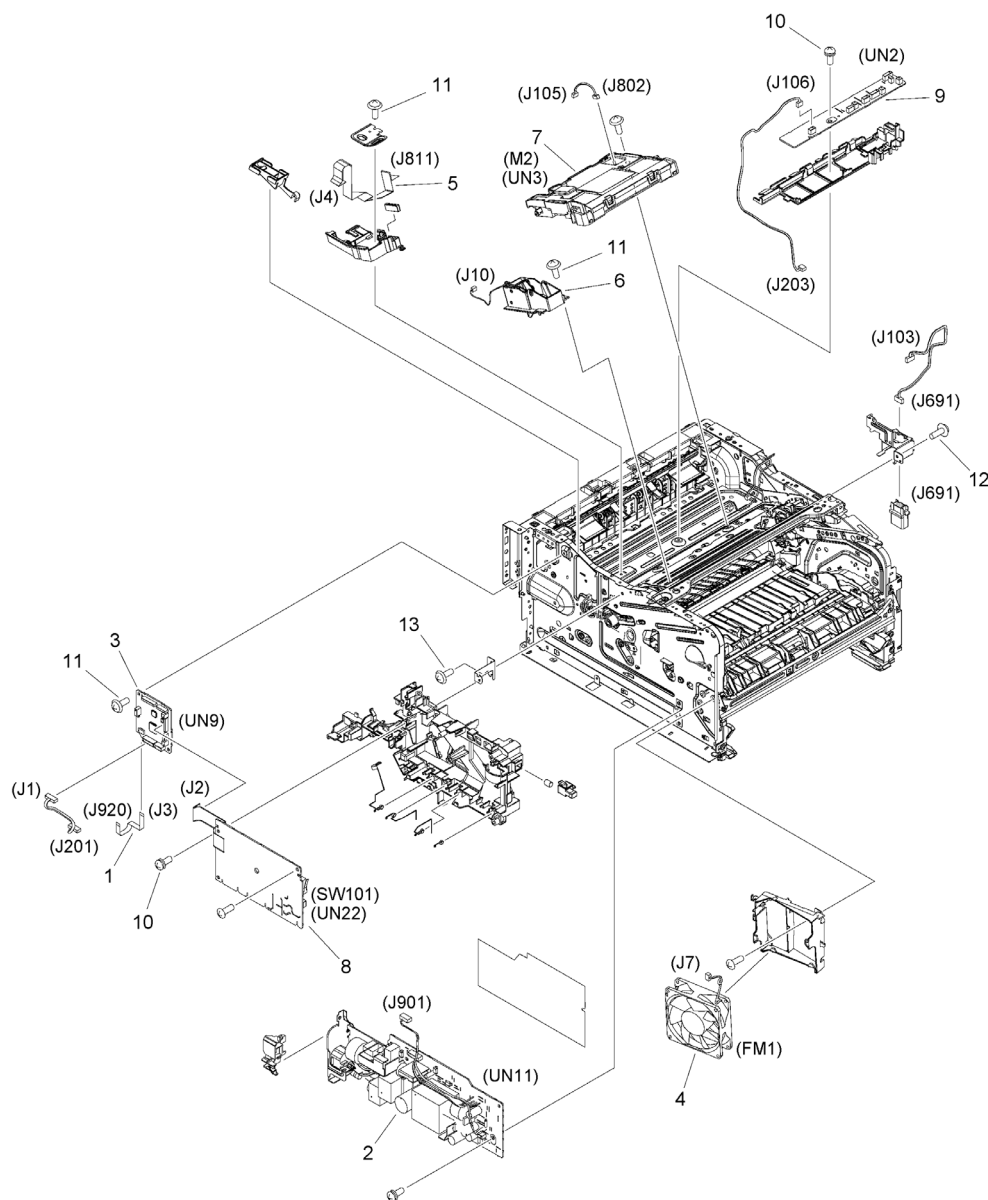


FIGURE & KEY NO.	PART NUMBER	RANK	QTY	DESCRIPTION	SERIAL NUMBER /REMARKS
101C	NPN		RF	INTERNAL COMPONENTS 1	230V
1	FK4-4929-000		1	CABLE, FLEXIBLE FLAT	J3, J920
2	FM3-K866-000		1	L.V. POWER SUPPLY PCB ASS'Y	UN11, J901
3	FM3-K862-000		1	DC CONTROLLER PCB ASS'Y	UN9
4	RK2-1378-010		1	FAN	FM1, J7
5	RK2-9901-000		1	CABLE, FLEXIBLE FLAT, LASER	J4, J811
6	RM2-2556-000		1	TAG CABLE ASS'Y	J10
7	RM2-4862-000		1	LASER SCANNER ASS'Y	UN3, M2
8	RM2-7508-000		1	H.V. POWER SUPPLY PCB ASS'Y	UN22, SW101, J2
9	RM2-7510-000		1	CONNECTING PCB ASS'Y	UN2
10	XA9-1420-000		2	SCREW, W/WASHER, M3X8	
11	XA9-1503-000		8	SCREW, TAP, M3X6	
12	XA9-1670-000		1	SCREW, D, M3X6	
13	XA9-1671-000		1	SCREW, D, M3X8	

Figure 102B INTERNAL COMPONENTS 2 (120V)

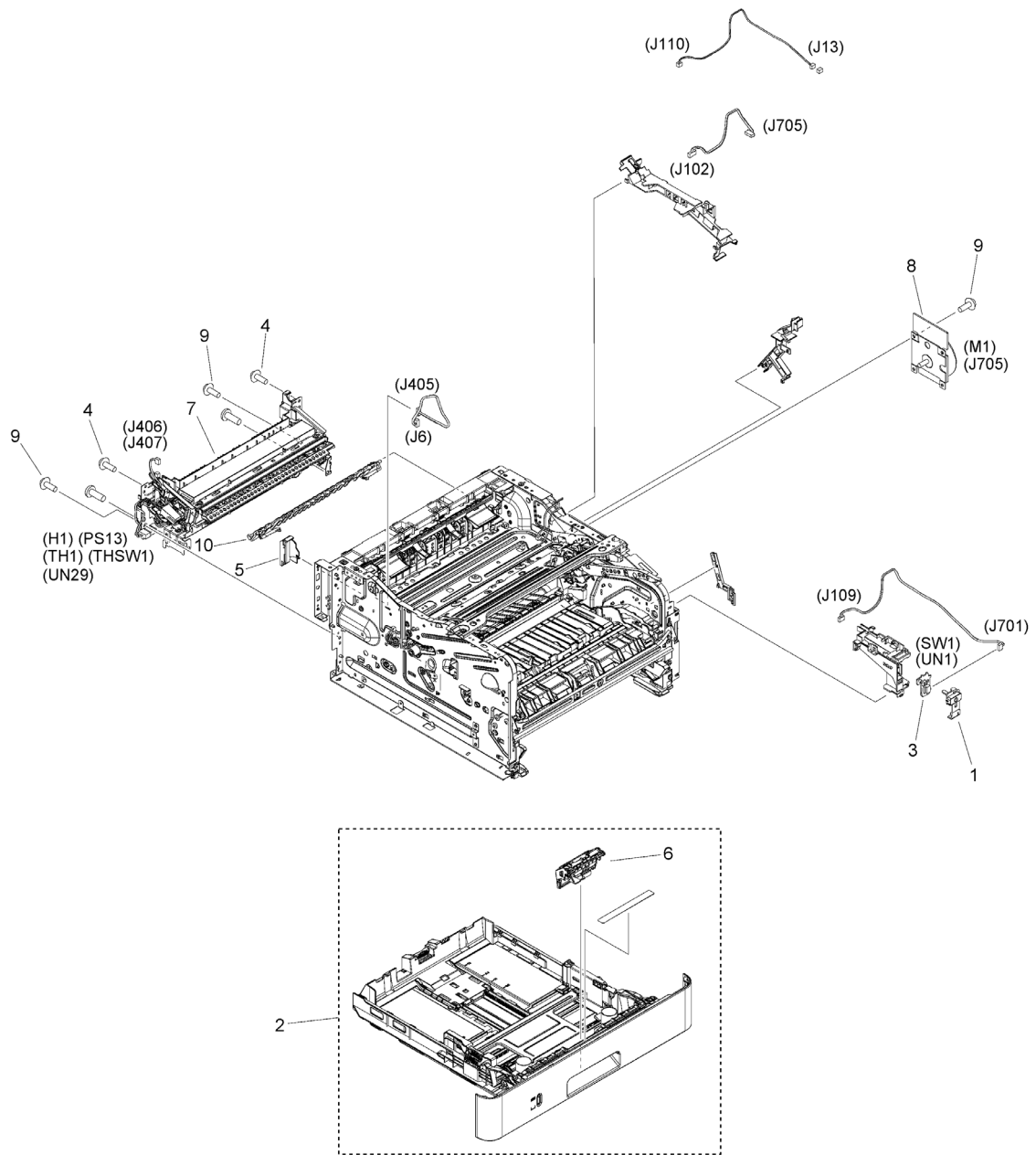


FIGURE & KEY NO.	PART NUMBER	RANK	QTY	DESCRIPTION	SERIAL NUMBER /REMARKS
102B	NPN		RF	INTERNAL COMPONENTS 2	120V
1	FE8-6227-000		1	LEVER, SWITCH	
2	FM1-R683-000		1	CASSETTE ASS'Y	
3	FM1-Z945-000		1	POWER SWITCH PCB ASS'Y	UN1, SW1
4	XA9-1522-000		2	SCREW, M3X6	
5	RC4-3219-000		1	COVER, FULL DETECT SENSOR	
6	RM2-5397-000		1	CASSETTE SEPARATION ASS'Y	
7	FM2-Q344-000		1	FIXING ASS'Y	UN29, H1, PS13, TH1, THSW1, J406, J407
8	RM2-9531-000		1	MAIN MOTOR ASS'Y	M1, J705
9	XA9-1503-000		6	SCREW, TAP, M3X6	
10	RC4-3222-000		1	FLAPPER	

Figure 102C INTERNAL COMPONENTS 2 (230V)

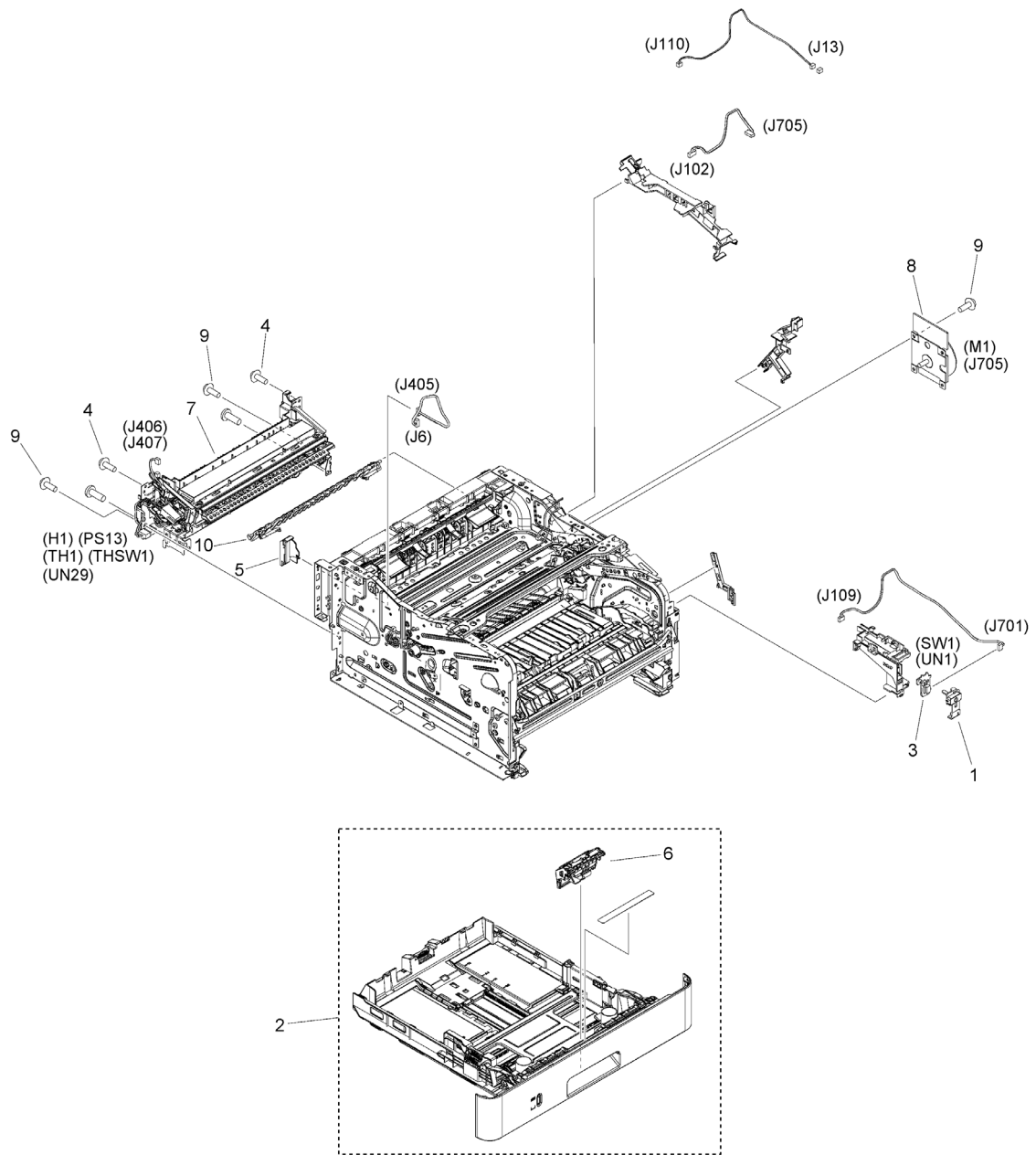


FIGURE & KEY NO.	PART NUMBER	RANK	QTY	DESCRIPTION	SERIAL NUMBER /REMARKS
102C	NPN		RF	INTERNAL COMPONENTS 2	230V
1	FE8-6227-000		1	LEVER, SWITCH	
2	FM1-R683-000		1	CASSETTE ASS'Y	
3	FM1-Z945-000		1	POWER SWITCH PCB ASS'Y	UN1, SW1
4	XA9-1522-000		2	SCREW, M3X6	
5	RC4-3219-000		1	COVER, FULL DETECT SENSOR	
6	RM2-5397-000		1	CASSETTE SEPARATION ASS'Y	
7	FM2-Q345-000		1	FIXING ASS'Y	UN29, H1, PS13, TH1, THSW1, J406, J407
8	RM2-9531-000		1	MAIN MOTOR ASS'Y	M1, J705
9	XA9-1503-000		6	SCREW, TAP, M3X6	
10	RC4-3222-000		1	FLAPPER	

Figure 103 INTERNAL COMPONENTS 3

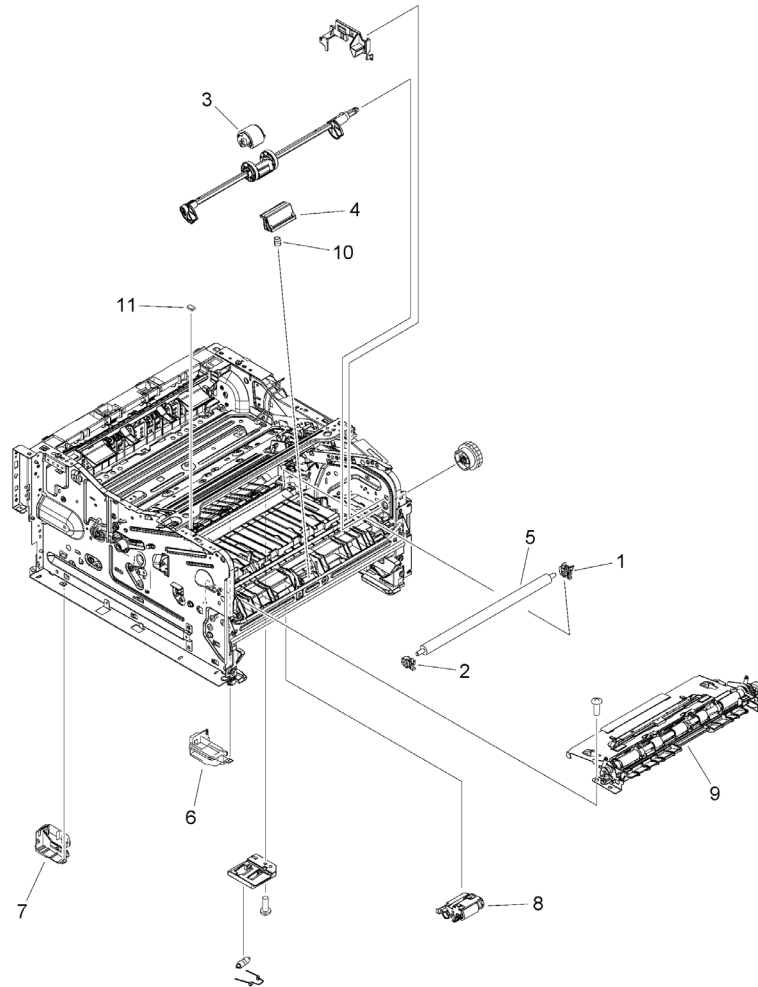


FIGURE & KEY NO.	PART NUMBER	RANK	QTY	DESCRIPTION	SERIAL NUMBER /REMARKS
103	NPN		RF	INTERNAL COMPONENTS 3	
1	RC4-3133-000		1	HOLDER, TRANSFER ROLLER, RIGHT	
2	RC4-3134-000		1	HOLDER, TRANSFER ROLLER, LEFT	
3	RL2-0656-000		1	ROLLER, MULTI-PURPOSE	
4	RL2-0657-000		1	PAD, MULTI-PURPOSE SEPARATION	
5	RM1-4023-000		1	ROLLER, TRANSFER	
6	RM2-5423-000		1	FOOT, REAR, RIGHT	
7	RM2-5429-000		1	FOOT, REAR, LEFT	
8	RM2-4668-000		1	PAPER PICK-UP ROLLER ASS'Y	
9	FM1-N761-000		1	REGISTRATION ASS'Y	
10	RU8-2935-000		2	SPRING, COMPRESSION	
11	RC2-6075-000		1	SHEET, DAMPER	

Figure 104F INTERNAL COMPONENTS 4

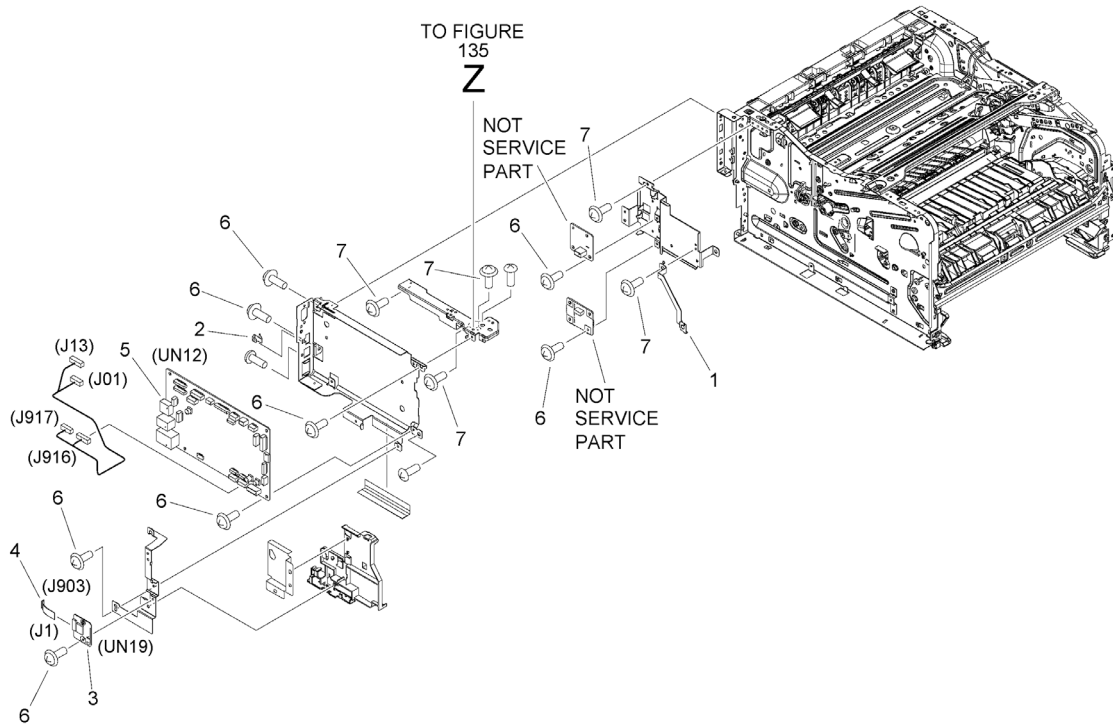


FIGURE & KEY NO.	PART NUMBER	RANK	QTY	DESCRIPTION	SERIAL NUMBER /REMARKS
104F	NPN		RF	INTERNAL COMPONENTS 4	
1	FE8-6628-000		1	PLATE, GROUNDING	
2	FE8-7079-000		1	PLATE, GROUNDING	
3	FK4-6029-010		1	MODULE, WLAN	UN19
4	FK4-8246-000		1	CABLE, FLAT	J1, J903
5	FM3-K934-000		1	MAIN CONTROLLER PCB ASSEMBLY	UN12
6	XA9-1503-000		12	SCREW, TAP, M3X6	
7	XA9-1670-000		7	SCREW, D, M3X6	

Figure 135 CONTROL PANEL ASS'Y (5-INCH TOUCH PANEL model)

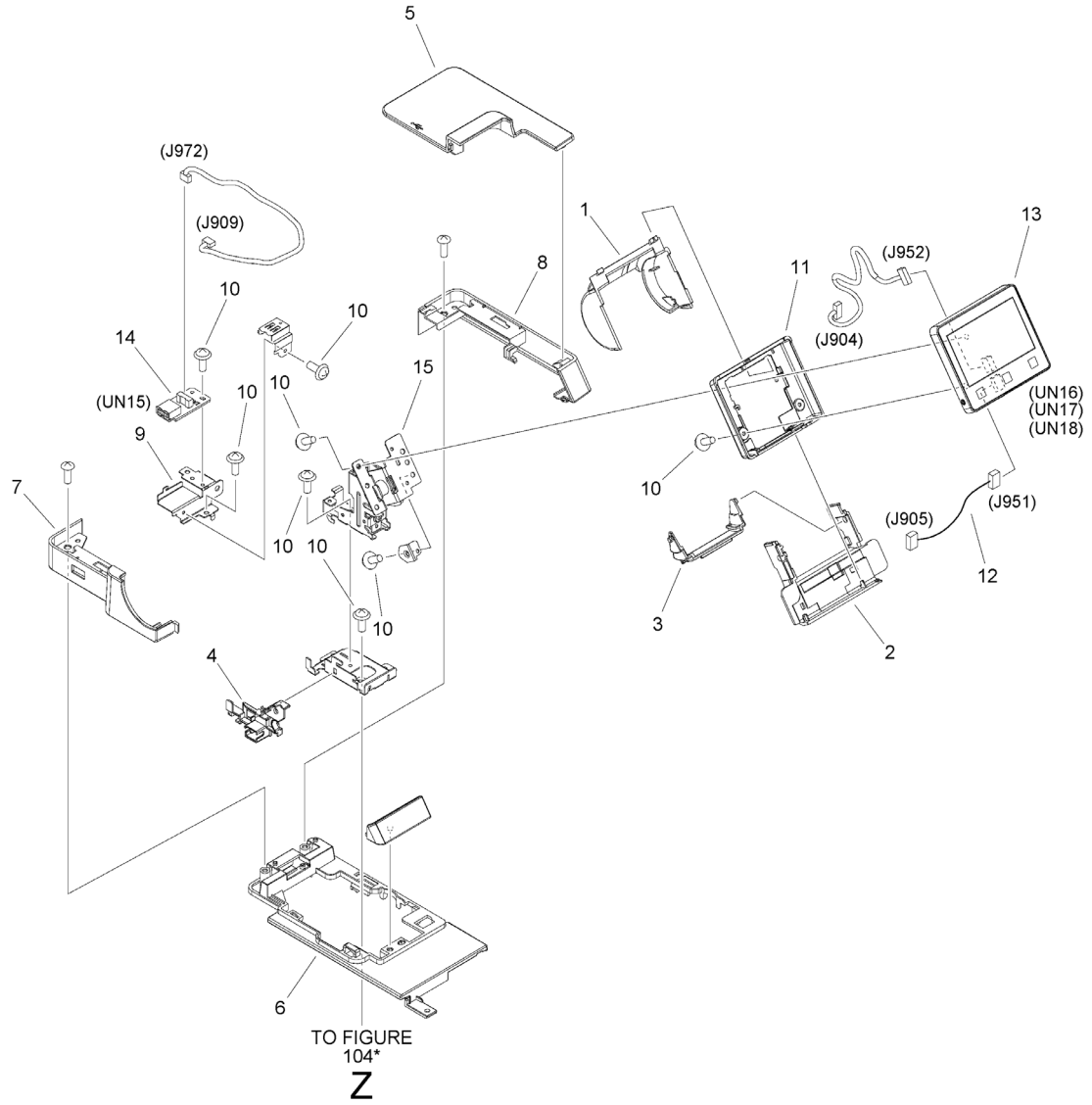


FIGURE & KEY NO.	PART NUMBER	RANK	QTY	DESCRIPTION	SERIAL NUMBER /REMARKS
135	NPN		RF	CONTROL PANEL ASS'Y	5-INCH TOUCH PANEL model
1	FE8-6209-000		1	COVER, PANEL, REAR UPPER	
2	FE8-6210-000		1	COVER, PANEL, REAR LOWER	
3	FE8-6211-000		1	COVER, PANEL, LOWER	
4	FE8-6212-000		1	GUIDE, CABLE	
5	FE8-6217-000		1	COVER, PANEL, UPPER	
6	FE2-U980-000		1	COVER, PANEL, LOWER	
7	FE8-6219-000		1	COVER, PANEL, LEFT	
8	FE8-6220-010		1	COVER, PANEL, RIGHT	
9	FE8-6360-000		1	COVER, PANEL, FRONT	
10	XA9-1503-000		13	SCREW, TAP, M3X6	
11	FE8-3262-000		1	COVER, PANEL, REAR	
12	FM3-J801-000		1	CABLE	J905, J951
13	FM2-J672-000		1	CONTROL PANEL ASS'Y	UN16, UN17, UN18
14	FM1-R870-000		1	USB RELAY PCB ASSEMBLY	UN15
15	FM2-E606-010		1	HINGE ASSEMBLY	

Figure ZZA MECHANICAL STANDARD PARTS (HOW TO USE)

Mechanical standard parts 機械標準部品

About a mechanical standard parts

A Mechanical standard parts is a mechanical part which not parts peculiar to a product.
They are parts which are common to a Canon product and are used, such as a screw and a washer.
The Fig No. and parts number of the mechanical standard parts are not listed in the product parts catalog.
Refer to the parts catalog of mechanical standard parts when checking the parts number for screw or washer etc. and identify them by part shape or size.

機械標準部品とは

機械標準部品とは、製品特有の部品ではなく、ねじやワッシャなどキヤノン製品共通で使用されている機械部品（メカ部品）のことです。
製品のパーツカタログには、機械標準部品のFig No.や部品番号は記載していません。
ねじや、ワッシャ等の部品番号を調べる時は、機械標準部品のパーツカタログを参照し、部品の形状や大きさから判断し、使用している部品を調べてください。

Material and surface treatment of a mechanical standard parts

Material and surface treatment of mechanical standard parts are assigned commonly for each part.
Refer to the Table 1 for the parts which material and surface treatment are assigned as numbers.

機械標準部品の材料および表面処理

機械標準部品の材料および表面処理については、各種部品共通で決められています。
材料および表面処理が番号で決められている部品については、表1を参照してください。

Table 1 Material and Surface treatment
表1 材料および表面処理

No. 番号	Material 材料	Surface treatment 表面処理	Color 色
1	Stainless steel ステンレス	Stainless steel black coloring (BC4) ステンレス黒着色(BC4)	Black 黒
2		not to be given なし	White 白
3	Brass 黄銅	Regular nickel plating (NL) 普通ニッケルメッキ(NL)	White 白
4		Black nickel plating (BN) 黒色ニッケルメッキ(BN)	Black 黒
5	Steel 鋼	White zinc trivalent chromate treating (ZC3) 白色亜鉛3価クロメート(ZC3)	White 白
6		Regular nickel chromium plating (NC) 普通ニッケルクロムメッキ(NC)	White 白
7		Regular nickel plating (NL) 普通ニッケルメッキ(NL)	White 白
8		Iron and steel phosphating (P1) 鉄鋼燐酸塩処理(P1)	Black 黒
9		Black zinc trivalent chromate treating (BZ3) 黒色亜鉛3価クロメート(BZ3)	Black 黒

Figure ZZB (1/7)MECHANICAL STANDARD PARTS (SCREWS)

1. Screws
ねじ

How to read Parts Numbers
部品番号の見方

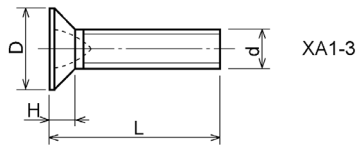
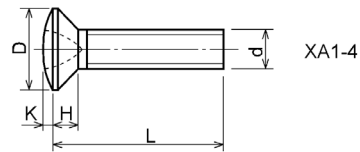
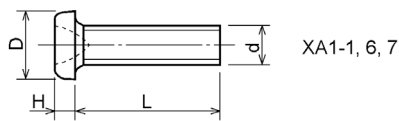
Screws
ねじ

XB1-2400-609

Type No.
類別番号
Normal designation (d)
ねじの呼び (d)
Length (L)
ねじの長さ (L)
Material and Surface treatment
材料および表面処理

XB1-2 expresses Binding head machine screw.
XB1-2は、バインドねじを表す
40 expresses M4.0.
40は、M4.0を表す
0-60 expresses a length of 6.0mm.
0-60は、6.0mmの長さを表す
9 expresses Steel (Black zinc trivalent chromate
treating) from Table 1.
9は、表1より鋼 (黒色亜鉛3価クロメート) を表す

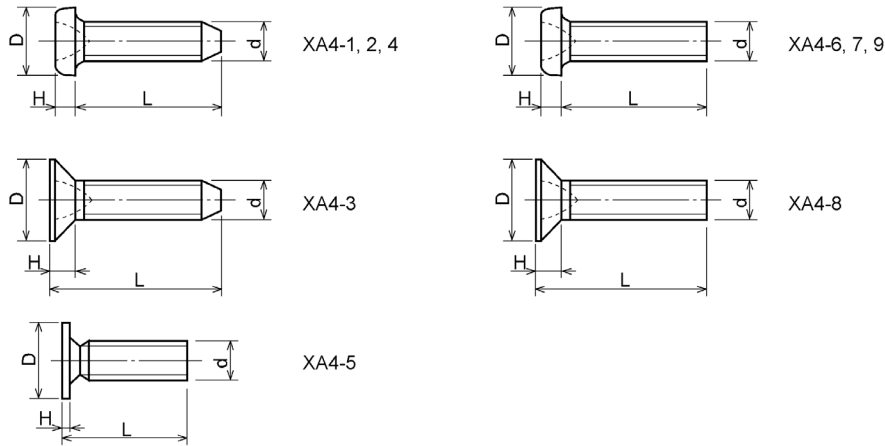
1-1. Cross Recessed Head Screws for Precision Equipments
精密機器用十字穴付き小ねじ



Type No. 類別番号	Type 類別	Head size (mm) 頭部寸法 (mm)						
		M1.4	M1.6	M1.7	M2	M2.5	M2.6	
XA1-1	Pan head Class 1 なべ1種	D	2	2.4	2.5	3	3.8	4
		H	0.5	0.55	0.5	0.6	0.9	0.8
XA1-3	Countersunk head Class 1 さら1種	D	2	2.4	2.5	3	3.8	4
		H	0.48	0.55	0.58	0.73	0.85	0.93
XA1-4	Oval countersunk head Class 1 丸さら1種	D	2	2.4	2.5	3	3.8	4
		H + K	0.68	0.8	0.88	1	1.25	1.3
XA1-6	Pan head Class 3 なべ3種	D	2.5	2.8	3	3.5	4.3	4.5
		H	0.8	0.85	0.9	1	1.3	1.2
XA1-7	Pan head Class 2 なべ2種	D	2.5	2.8	3	3.5	4.3	4.5
		H	0.5	0.55	0.5	0.6	0.9	0.8

Figure ZZB (2/7) MECHANICAL STANDARD PARTS (SCREWS)

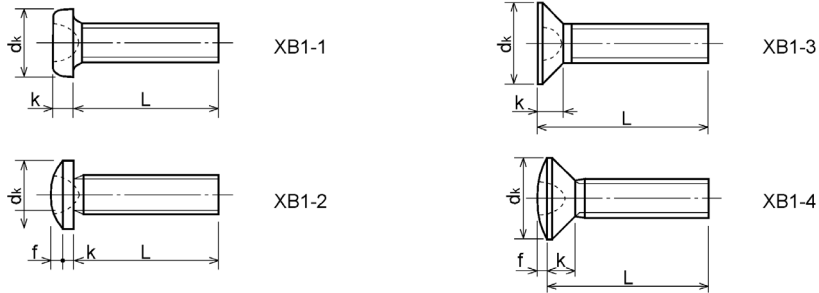
1-2. Precision Tapping Screws
精密用タッピンねじ



Type No. 類別番号	Type 類別	Head size (mm) 頭部寸法 (mm)						
		M1.4	M1.6	M1.7	M2	M2.5	M2.6	
XA4-1	With tapered end pan head Class 1 絞り-なべ1種	D XA4-1	2	2.4	2.5	3	3.8	4
		H XA4-1	0.5	0.55	0.5	0.6	0.9	0.8
XA4-2	With tapered end pan head Class 3 絞り-なべ3種	D XA4-2	2.5	2.8	3	3.5	4.3	4.5
		H XA4-2	0.8	0.85	0.9	1	1.3	1.2
XA4-3	With tapered end countersunk head 絞り-さら	D XA4-3	2	2.4	2.5	3	3.8	4
		H XA4-3	0.48	0.55	0.58	0.73	0.85	0.93
XA4-4	With tapered end pan head Class 2 絞り-なべ2種	D XA4-4	2.5	2.8	3	3.5	4.3	4.5
		H XA4-4	0.5	0.55	0.5	0.6	0.9	0.8
XA4-5	With parallel end ultra thin head ストレート-超薄頭	D XA4-5	2.5	2.8	3	-	-	-
		H XA4-5	0.2	0.2	0.2	-	-	-
XA4-6	With parallel end pan head Class 1 ストレート-なべ1種	D XA4-6	2	2.4	2.5	3	3.8	4
		H XA4-6	0.5	0.55	0.5	0.6	0.9	0.8
XA4-7	With parallel end pan head Class 3 ストレート-なべ3種	D XA4-7	2.5	2.8	3	3.5	4.3	4.5
		H XA4-7	0.8	0.85	0.9	1	1.3	1.2
XA4-8	With parallel end countersunk head ストレート-さら	D XA4-8	2	2.4	2.5	3	3.8	4
		H XA4-8	0.48	0.55	0.58	0.73	0.85	0.93
XA4-9	With parallel end pan head Class 2 ストレート-なべ2種	D XA4-9	2.5	2.8	3	3.5	4.3	4.5
		H XA4-9	0.5	0.55	0.5	0.6	0.9	0.8

Figure ZZB (3/7) MECHANICAL STANDARD PARTS (SCREWS)

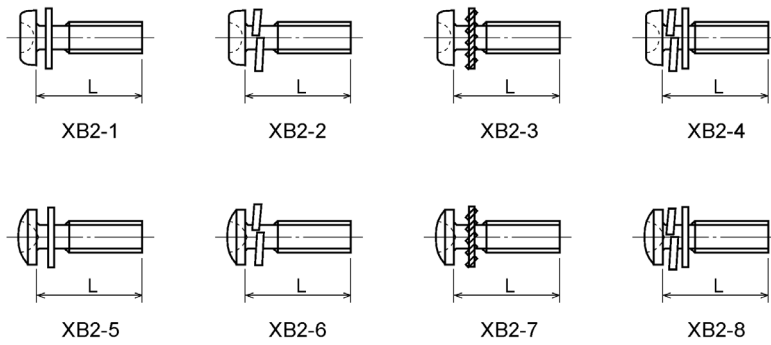
1-3. Cross Recessed Head Screws
一般用十字穴付き小ねじ



Type No. 類別番号	Type 類別	Head size (mm) 頭部寸法 (mm)					
		M2	M2.5	M2.6	M3	M4	M5
XB1-1	Pan head なべ	3.5	4.5	4.5	5.5	7	9
XB1-2	Binding head バインド	1.2	1.5	1.6	1.9	2.5	3.1
XB1-3	Countersunk head さら	4	5	-	6	8	10
XB1-4	Oval countersunk head 丸さら	1.6	2	-	2.45	3.2	4
	Screw part length ねじ部長さ b	8	12	12	12	16	20

Figure ZZB (4/7) MECHANICAL STANDARD PARTS (SCREWS)

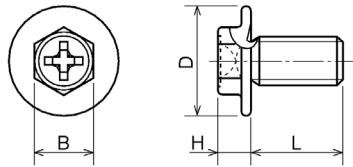
1-4. Cross Recessed Head Screws with Captive Washer
座金組込み十字穴付き小ねじ



Type No. 類別番号	Type 類別
XB2-1	Pan head + Plain washer (circular bright) なべねじ+平座金
XB2-2	Pan head + Spring washer なべねじ+ばね座金
XB2-3	Pan head + Toothed lock washer なべねじ+歯付座金
XB2-4	Pan head + Spring washer and plain washer (circular bright) なべねじ+(ばね+平)座金
XB2-5	Binding head + Plain washer (circular bright) バインドねじ+平座金
XB2-6	Binding head + Spring washer バインドねじ+ばね座金
XB2-7	Binding head + Toothed lock washer バインドねじ+歯付座金
XB2-8	Binding head + Spring washer and plain washer (circular bright) バインドねじ+(ばね+平)座金

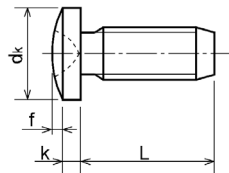
Figure ZZB (5/7) MECHANICAL STANDARD PARTS (SCREWS)

1-5. Hexagon Head Tapping Screws for Metallic Materials
 金属用六角タッピンねじ



Type No. 類別番号	Type 類別	Head size (mm) 頭部寸法 (mm)		
		M3	M4	
XB3-6	For metallic materials 金属用タッピン	D	8	10
		B	5.5	5.5
XB3-7	For metallic materials with clawed 金属用タッピン-つめ付き	H XB3-6	3.1	3.1
		H XB3-7	3.2	3.2

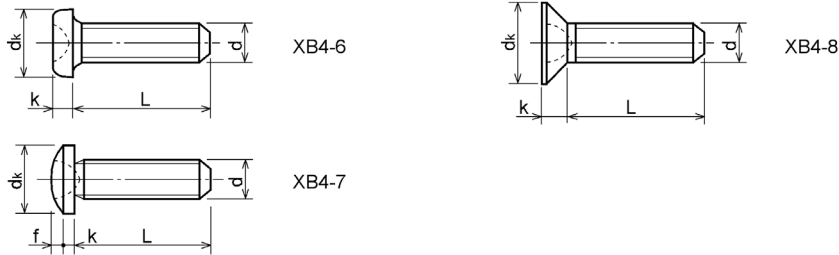
1-6. Special Tapping Screws
 特殊タッピンねじ



Type No. 類別番号	Type 類別	Head size (mm) 頭部寸法 (mm)		
		M3	M4	
XB4-5	Binding head バインド	dk	6.3	8.3
		k	1.3	1.7
		k+f	1.9	2.5

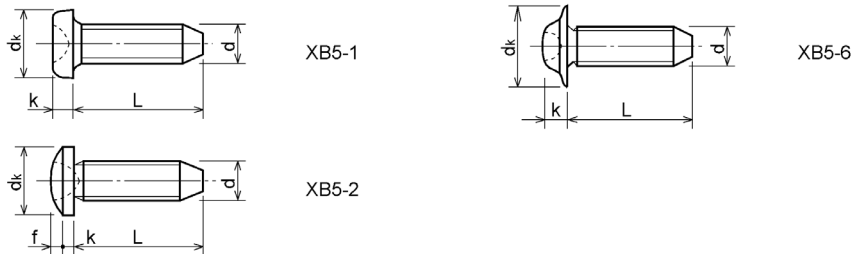
Figure ZZB (6/7) MECHANICAL STANDARD PARTS (SCREWS)

1-7. General Head Tapping Screws
一般用タッピンねじ



Type No. 類別番号	Type 類別	Head size (mm) 頭部寸法 (mm)						
		M2	M2.5	M2.6	M3	M4	M5	
XB4-6	Pan head なべ	dk XB4-6	3.5	4.5	4.5	5.5	7	9
		k XB4-6	1.3	1.7	1.7	2	2.6	3.3
XB4-7	Binding head バインド	dk XB4-7	4.3	5.3	5.5	6.3	8.3	10.3
		k+f XB4-7	1.2	1.5	1.6	1.9	2.5	3.1
XB4-8	Countersunk head さら	dk XB4-8	4	5	5.2	6	8	10
		k XB4-8	1.2	1.45	1.5	1.75	2.3	2.8

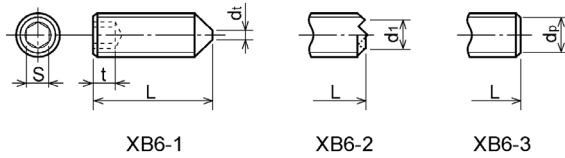
1-8. Tapping Screws for Metallic Materials
金属用タッピンねじ



Type No. 類別番号	Type 類別	Head size (mm) 頭部寸法 (mm)					
		M2.5	M2.6	M3	M4	M5	
XB5-1	Pan head なべ	dk XB5-1	4.5	4.5	5.5	7	9
		k XB5-1	1.7	1.7	2	2.6	3.3
XB5-2	Binding head バインド	dk XB5-2	5.5	5.5	6.3	8.3	10.3
		k+f XB5-2	1.6	1.6	1.9	2.5	3.1
XB5-6	Flanged pan head つば付きなべ	dk XB5-6	6.5	6.5	8	10	12
		k XB5-6	2.1	2.1	1.75	3.2	4

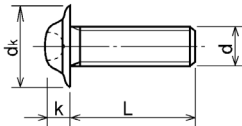
Figure ZZB (7/7) MECHANICAL STANDARD PARTS (SCREWS)

1-9. Hexagon Socket Set Screws
六角穴付き止めねじ



Type No. 類別番号	Type 類別	Head size (mm) 頭部寸法 (mm)						
		M1.6 M1.7	M2	M2.5 M2.6	M3	M5	M5	M6
S		0.7	0.9	1.3	1.5	2	2.5	3
t		1.5	1.7	2	2	2.5	3	3.5
dt max XB6-1		0.4	0.5	0.65	0.75	1	1.25	1.5
d1 max XB6-2		-	1.2	1.5	1.7	2.2	2.8	3.3
d1 min XB6-2		-	1	1.2	1.4	1.9	2.4	2.9
dp max XB6-3		0.8	1	1.5	2	2.5	3.5	4
dp min XB6-3		0.55	0.75	1.25	1.75	2.25	3.2	3.7

1-10. Flanged Pan Head Machine Screws
つば付きなべ小ねじ



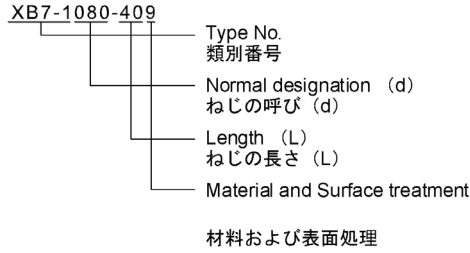
Type No. 類別番号	Type 類別	Head size (mm) 頭部寸法 (mm)				
		M2	M2.5 M2.6	M3	M5	M5
dk		5	6.5	8	10	12
k		1.7	2.1	2.5	3.2	4

Figure ZZC MECHANICAL STANDARD PARTS (BOLTS)

2. Bolts (Socket head cap screw)
ボルト

How to read Parts Numbers
部品番号の見方

Bolt (Socket head cap screw)
ボルト



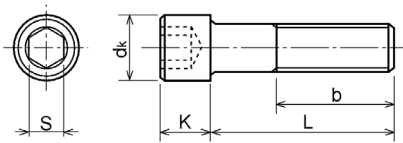
XB7-1 expresses Hexagon socket head cap screws.
XB7-1は、六角穴付きボルトを表す

080 expresses M8.0.
080は、M8.0を表す

40 expresses a length of 40mm.
40は、40mmの長さを表す

9 expresses Steel (Black zinc trivalent chromate treating) from Table 1.
9は、表1より鋼（黒色亜鉛3価クロメート）を表す

2-1. Hexagon socket head cap screws
六角穴付きボルト



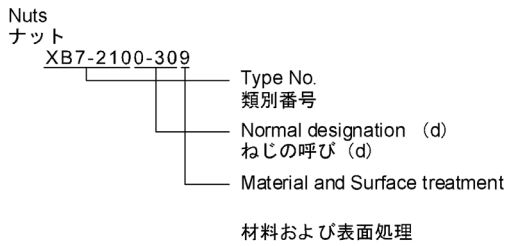
Type No. 類別番号	Type 類別
XB7-1	Hexagon socket head cap screws 六角穴付きボルト

	Head size (mm) 頭部寸法 (mm)						
	M3	M4	M5	M6	M8	M10	M12
S	2.5	3	4	5	6	8	10
dk	5.5	7	8.5	10	13	16	18
K	3	4	5	6	8	10	12
Screw part length ねじ部長さ b_{max}	18	20	22	24	28	32	36

Figure ZZD MECHANICAL STANDARD PARTS (NUTS)

3. Nuts
ナット

How to read Parts Numbers
部品番号の見方

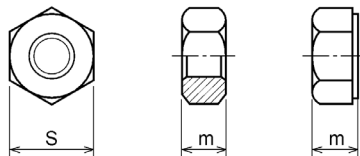


XB7-210 expresses Hexagon nut class 1.
XB7-210は、六角ナット1種を表す

0-30 expresses M3.0.
0-30は、M3.0を表す

9 expresses Steel (Black zinc trivalent chromate
treating) from Table 1.
9は、表1より鋼（黒色亜鉛3価クロメート）を表す

3-1. Hexagon Nuts and Hexagon Thin Nuts
六角ナット



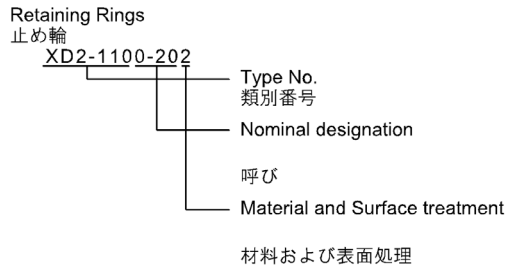
Type No. 類別番号	Type 類別
XB7-210	Hexagon nut Class 1 六角ナット-1種
XB7-220	Hexagon nut Class 3 六角ナット-3種
XB7-230	Hexagon nut Style 1 double chamfered 六角ナット-スタイル1-両面とり
XB7-231	Hexagon nut Style 1 washer faced 六角ナット-スタイル1-座付き
XB7-240	Hexagon nut Style 2 double chamfered 六角ナット-スタイル2-両面とり
XB7-241	Hexagon nut Style 2 washer faced 六角ナット-スタイル2-座付き
XB7-250	Hexagon nut 六角ナット
XB7-260	Hexagon thin nut double chamfered 六角低ナット-両面とり
XB7-270	Hexagon thin nut not chamfered 六角低ナット-面とり無し

	Head size (mm) 頭部寸法 (mm)						
	M2	M2.5	M3	M4	M5	M6	M8
S	4	5	5.5	7	8	10	13
m XB7-210	1.6	2	2.4	3.2	4	5	6.5
m XB7-220	1.2	1.6	1.8	2.4	3.2	3.6	5
m XB7-230, 231	1.6	2	2.4	3.2	4.7	5.2	6.8
m XB7-240, 241	-	-	-	-	5.1	5.7	7.5
m XB7-250	-	-	-	-	5.6	6.1	7.9
m XB7-260	1.2	1.6	1.8	2.2	2.7	3.2	4
m XB7-270	1.2	1.6	1.8	2.2	2.7	3.2	4

Figure ZZE (1/3)MECHANICAL STANDARD PARTS (RETAINING RINGS)

5. Retaining Rings
止め輪

How to read Parts Numbers
部品番号の見方

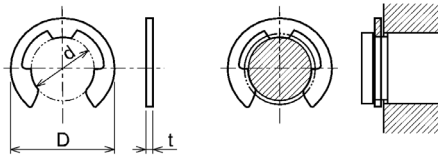


XD2-110 expresses retaining ring-E type (Type1).
XD2-110は、E形止め輪（1種）を表す

0-20 expresses a 020 of nominal designation.
(See Table 5)
0-20は、呼び020を表す（表5参照）

2 expresses Stainless steel (Surface treatment is not to be given) from Table 1.
2は、表1よりステンレス（表面処理なし）を表す

5-1. Retaining Rings - E type
E形止め輪



Type No. 類別番号	Type 類別
XD2-110	Retaining ring - E type (Type 1) E形止め輪（1種）
XD2-120	Retaining ring - E type (Type 2) E形止め輪（2種）

Table 5 表5

Type 種類	Nominal designation 呼び	d (mm)	D (mm)	t (mm)
Type 1 1種	007	0.65	2	0.2
	010	0.95	2.8	0.2
	013	1.25	3.3	0.3
	017	1.65	4.2	0.4
	020	1.95	4.6	0.5
	024	2.35	6	0.6
	028	2.74	6.5	0.6
	032	3.14	7.2	0.6
	037	3.64	8	0.7
	040	3.93	10	0.7
	042	4.13	10	0.7
	050	4.93	11	0.7
	058	5.73	12	0.7
	060	5.93	12.7	0.9
064	6.32	13.5	0.9	
074	7.31	15	0.9	
080	7.91	16.5	1	
Type 2 2種	008	0.8	2	0.2
	012	1.2	3	0.3
	015	1.5	4	0.4
	020	2	5	0.4
	025	2.5	6	0.4
	030	3	7	0.6
	040	4	9	0.6
	050	5	11	0.6
	060	6	12	0.8
	070	7	14	0.8
	080	8	16	0.8
	090	9	18	0.8
100	10	20	1	

Figure ZZE (2/3)MECHANICAL STANDARD PARTS (RETAINING RINGS)

5-2. Grip Rings
グリップ止め輪

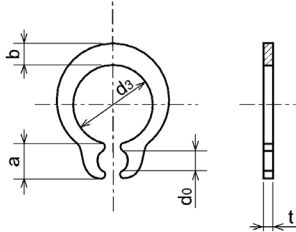


Table 5 表5

Nominal designation 呼び	d_3 (mm)	t (mm)	b (mm)	a (mm)	d_o (mm)
020	1.9	0.5	1	1.8	0.8
025	2.35	0.5	1.2	1.9	0.9
030	2.85	0.6	1.4	1.9	0.9
035	3.3	0.6	1.6	2	0.9
040	3.8	0.8	1.8	2.8	1.2
045	4.25	0.8	2	2.9	1.3
050	4.75	0.8	2.2	2.9	1.3
060	5.7	1	2.4	3.1	1.4
070	6.7	1	2.7	3.3	1.4
080	7.7	1	3	3.5	1.4
090	8.65	1.2	3.3	4.7	1.5
100	9.65	1.2	3.5	4.7	2

Type No. 類別番号	Type 類別
XD2-210	Grip ring グリップ止め輪

5-3. Toothed Retaining Rings
歯付き形止め輪

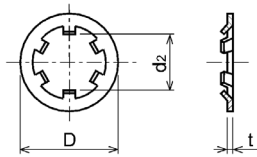


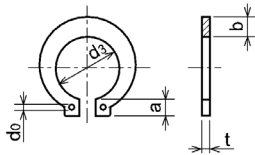
Table 5 表5

Nominal designation 呼び	d_z (mm)	D (mm)	t (mm)	No of teeth 歯数
015	1.4	5.2	0.25	3
020	1.9	6	0.25	3
024	2.3	6.4	0.25	3
030	2.8	8	0.25	4
040	3.8	9	0.25	4
050	4.8	10	0.25	5
060	5.8	11	0.25	5
080	7.8	13	0.25	5
100	9.8	15.4	0.25	6

Type No. 類別番号	Type 類別
XD2-230	Toothed retaining ring 歯付き形止め輪

Figure ZZE (3/3)MECHANICAL STANDARD PARTS (RETAINING RINGS)

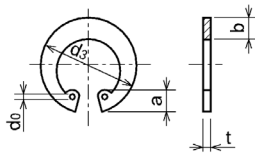
5-4. Retaining Rings - C Type
C形止め輪



Type No. 類別番号	Type 類別
XD2-310	Retaining ring - C type for shaft C形止め輪 軸用

Table 5 表5

Nominal designation 呼び	d ₃ (mm)	t (mm)	b (mm)	a (mm)	d ₀ (mm)
010	9.3	1	1.6	3	1.2
012	11.1	1	1.8	3.2	1.5
014	12.9	1	2	3.4	1.7
015	13.8	1	2.1	3.5	1.7
016	14.7	1	2.2	3.6	1.7
017	15.7	1	2.2	3.7	1.7
018	16.5	1.2	2.6	3.8	1.7
020	18.5	1.2	2.7	3.9	2
022	20.5	1.2	2.7	4.1	2
025	23.2	1.2	3.1	4.3	2
028	25.9	1.5	3.1	4.6	2
030	27.9	1.5	3.5	4.8	2
032	29.6	1.5	3.5	5	2.5
035	32.2	1.5	4	5.4	2.5



Type No. 類別番号	Type 類別
XD2-320	Retaining ring - C type for hole C形止め輪 穴用

Table 5 表5

Nominal designation 呼び	d ₃ (mm)	t (mm)	b (mm)	a (mm)	d ₀ (mm)
010	10.7	1	1.8	3.1	1.2
011	11.8	1	1.8	3.2	1.2
012	13	1	1.8	3.3	1.5
014	15.1	1	2	3.6	1.7
016	17.3	1	2	3.7	1.7
018	19.5	1	2.5	4	1.7
019	20.5	1	2.5	4	2
020	21.5	1	2.5	4	2
022	23.5	1	2.5	4.1	2
025	26.9	1.2	3	4.4	2
028	30.1	1.2	3	4.6	2
030	32.1	1.2	3	4.7	2
032	34.4	1.2	3.5	5.2	2.5
035	37.8	1.5	3.5	5.2	2.5
037	39.8	1.5	3.5	5.2	2.5
040	43.5	1.8	4	5.7	2.5
042	45.5	1.8	4	5.8	2.5
045	48.5	1.8	4.5	5.9	2.5
047	50.5	1.8	4.5	6.1	2.5
050	54.2	2	4.5	6.5	2.5
052	56.2	2	5.1	6.5	2.5
055	59.2	2	5.1	6.5	2.5
060	64.2	2	5.1	6.8	2.5
062	66.2	2	5.5	6.9	2.5
068	72.5	2.5	6	7.4	2.5
072	76.5	2.5	6.6	7.4	2.5
075	79.5	2.5	6.6	7.8	2.5
080	85.5	2.5	7	8	2.5
085	90.5	3	7	8	3
090	95.5	3	7.6	8.3	3
095	100.5	3	8	8.5	3