

# Color imageCLASS MF740 Series

## PARTS CATALOG



# Canon

April 8, 2019  
Rev. 0

## Index

SNL	Product Code No. /Serial No.
A1	ASSEMBLY LOCATION DIAGRAM
A2	OPTION PARTS CATALOG LIST
001C	ACCESSORIES (MF746Cdw, MF745Cdw, MF743Cdw)
001D	ACCESSORIES (MF741Cdw)
001E	ACCESSORIES (MF746Cx 230V)
100C	EXTERNAL COVERS, PANELS, ETC. (FAX model)
100D	EXTERNAL COVERS, PANELS, ETC. (WITHOUT FAX model)
101D	INTERNAL COMPONENTS 1 (MF746Cdw, MF746Cx, MF745Cdw)
101E	INTERNAL COMPONENTS 1 (MF743Cdw)
101F	INTERNAL COMPONENTS 1 (MF741Cdw)
102A	INTERNAL COMPONENTS 2 (100V, 120V)
102B	INTERNAL COMPONENTS 2 (230V)
103	INTERNAL COMPONENTS 3
104	INTERNAL COMPONENTS 4
105B	INTERNAL COMPONENTS 5 (120V)
105C	INTERNAL COMPONENTS 5 (230V)
160	READER/ADF ASSEMBLY
161A	PAPER FEEDER ASSEMBLY (SINGLE PASS ADF model)
161B	PAPER FEEDER ASSEMBLY (SINGLE SIDE ADF model)
400C	READER ASSEMBLY (SINGLE PASS ADF model)
400D	READER ASSEMBLY (SINGLE SIDE ADF model)
ZZA	MECHANICAL STANDARD PARTS (HOW TO USE)
ZZB	MECHANICAL STANDARD PARTS (SCREWS)
ZZC	MECHANICAL STANDARD PARTS (BOLTS)
ZZD	MECHANICAL STANDARD PARTS (NUTS)
ZZE	MECHANICAL STANDARD PARTS (RETAINING RINGS)

Figure SNL (1/2) Product Code No./Serial No.

	Product Code No.	Model Name	Remarks	Serial No.
1	F17-6231-000	Color imageCLASS MF746Cdw	120V US, CA, LTN SINGLE PASS ADF model NFC model FAX model	2QL
2	F17-6241-000	imageCLASS MF746Cx	230V LTN SINGLE PASS ADF model NFC model FAX model	2QH
3	F17-6235-000	Color imageCLASS MF745Cdw	120V US, CA SINGLE PASS ADF model NFC model FAX model	2QP
4	F17-6232-000	Color imageCLASS MF743Cdw	120V US, CA SINGLE PASS ADF model NFC model FAX model	2QR
5	F17-6233-000	Color imageCLASS MF741Cdw	120V US, CA SINGLE SIDE ADF model WITHOUT NFC model WITHOUT FAX model	2QV

Figure SNL (2/2) Product Code No./Serial No.

	中オーダー	製品名	備考	シリアル No.
1	F17-6231-000	Color imageCLASS MF746Cdw	120V US, CA, LTN ワンパス A D F モデル N F C モデル F A X モデル	2QL
2	F17-6241-000	imageCLASS MF746Cx	230V LTN ワンパス A D F モデル N F C モデル F A X モデル	2QH
3	F17-6235-000	Color imageCLASS MF745Cdw	120V US, CA ワンパス A D F モデル N F C モデル F A X モデル	2QP
4	F17-6232-000	Color imageCLASS MF743Cdw	120V US, CA ワンパス A D F モデル N F C モデル F A X モデル	2QR
5	F17-6233-000	Color imageCLASS MF741Cdw	120V US, CA 片面 A D F モデル N F C なしモデル F A X なしモデル	2QV



FIGURE & KEY NO.	PART NUMBER	RANK	QTY	DESCRIPTION	SERIAL NUMBER /REMARKS
SNL	NPN		RF	Product Code No./Serial No.	
1	F17-6231-000		1	Color imageCLASS MF746Cdw	2QL 120V US, CA, LTN SINGLE PASS ADF model NFC model FAX model
2	F17-6241-000		1	imageCLASS MF746Cx	2QH 230V LTN SINGLE PASS ADF model NFC model FAX model
3	F17-6235-000		1	Color imageCLASS MF745Cdw	2QP 120V US, CA SINGLE PASS ADF model NFC model FAX model
4	F17-6232-000		1	Color imageCLASS MF743Cdw	2QR 120V US, CA SINGLE PASS ADF model NFC model FAX model
5	F17-6233-000		1	Color imageCLASS MF741Cdw	2QV 120V US, CA SINGLE SIDE ADF model WITHOUT NFC model WITHOUT FAX model

Figure A1 ASSEMBLY LOCATION DIAGRAM

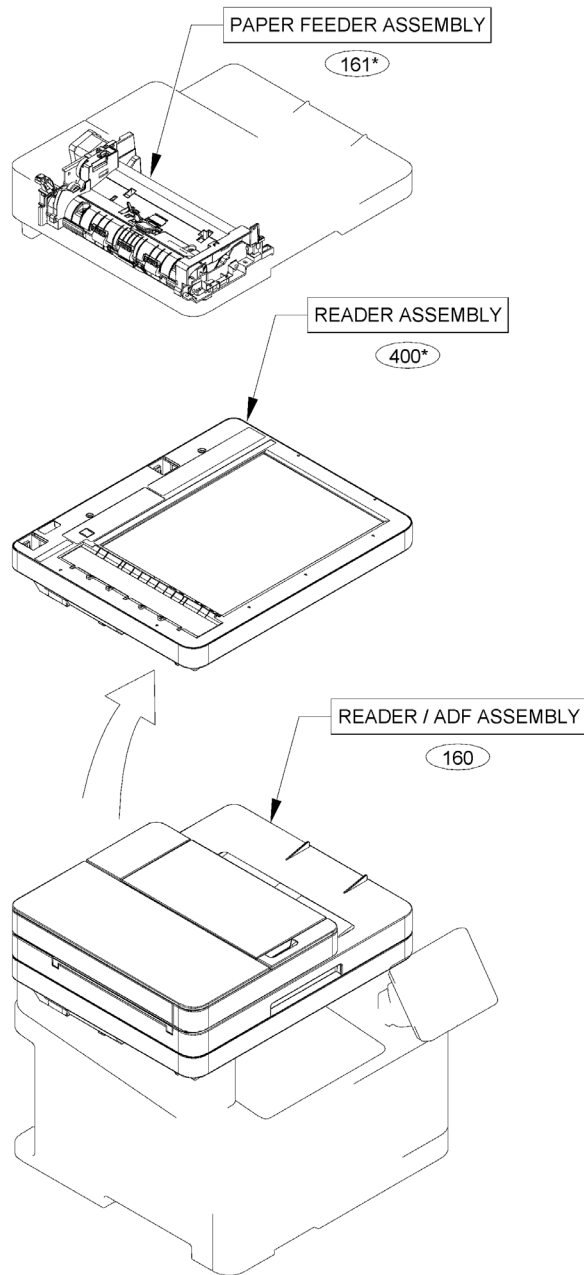
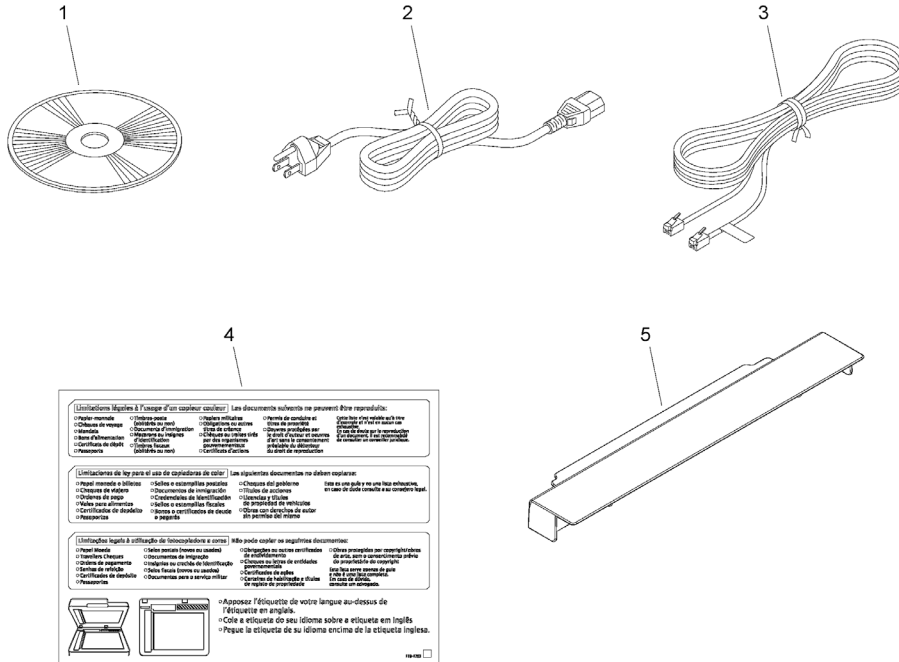


Figure A2 OPTION PARTS CATALOG LIST

This is the table of the machine's options whose parts catalog is issued.  
 本機オプションで、パーツカタログが発行されている機種の一覧である。

No.	Model Name(English)	Model Name(Japanese)
1	Cassette Feeding Module-AF1	1 段カセットユニット・A F 1
2	(JAPAN ONLY)	環境ヒーターE H - C 1
3	Copy Card Reader Attachment-J1	(日本仕向けなし)
4	HANDSET KIT 3 Long cord Cool White	(日本仕向けなし)
5	TELEPHONE 6 KIT Long cord Cool White	(日本仕向けなし)
6	(JAPAN ONLY)	ハンドセットキット L 1 1
7	Copy Control Interface Kit-C1	(日本仕向けなし)
8	Copy Card Reader-F1	コピーカードリーダー・F 1
9	MiCARD Attachment Kit-B1	M i C A R D A t t a c h m e n t K i t - B 1

Figure 001C      ACCESSORIES (MF746Cdw, MF745Cdw, MF743Cdw)



**Limitazioni Multiple à l'usage d'un ordinateur couleur** Les documents suivants ne peuvent être reproduits:

• Carte postale	• Carte postale	• Carte postale	• Carte postale	• Carte postale	• Carte postale
• Carte de visite	• Carte de visite	• Carte de visite	• Carte de visite	• Carte de visite	• Carte de visite
• Diapositive	• Diapositive	• Diapositive	• Diapositive	• Diapositive	• Diapositive
• Carte d'adresse	• Carte d'adresse	• Carte d'adresse	• Carte d'adresse	• Carte d'adresse	• Carte d'adresse
• Carte de crédit	• Carte de crédit	• Carte de crédit	• Carte de crédit	• Carte de crédit	• Carte de crédit
• Passeport	• Passeport	• Passeport	• Passeport	• Passeport	• Passeport

Les documents suivants ne peuvent être reproduits:

• Carte postale	• Carte postale	• Carte postale	• Carte postale	• Carte postale	• Carte postale
• Carte de visite	• Carte de visite	• Carte de visite	• Carte de visite	• Carte de visite	• Carte de visite
• Diapositive	• Diapositive	• Diapositive	• Diapositive	• Diapositive	• Diapositive
• Carte d'adresse	• Carte d'adresse	• Carte d'adresse	• Carte d'adresse	• Carte d'adresse	• Carte d'adresse
• Carte de crédit	• Carte de crédit	• Carte de crédit	• Carte de crédit	• Carte de crédit	• Carte de crédit
• Passeport	• Passeport	• Passeport	• Passeport	• Passeport	• Passeport

**Limitaciones de ley para el uso de computadores de color** Los siguientes documentos no deben copiarse:

• Carta postal	• Carta postal	• Carta postal	• Carta postal	• Carta postal	• Carta postal
• Tarjetas de visita	• Tarjetas de visita	• Tarjetas de visita	• Tarjetas de visita	• Tarjetas de visita	• Tarjetas de visita
• Diapositivas	• Diapositivas	• Diapositivas	• Diapositivas	• Diapositivas	• Diapositivas
• Cartas de dirección	• Cartas de dirección	• Cartas de dirección	• Cartas de dirección	• Cartas de dirección	• Cartas de dirección
• Cartas de crédito	• Cartas de crédito	• Cartas de crédito	• Cartas de crédito	• Cartas de crédito	• Cartas de crédito
• Pasaportes	• Pasaportes	• Pasaportes	• Pasaportes	• Pasaportes	• Pasaportes

**Limitações legais à utilização de computadores e cores** Não pode copiar os seguintes documentos:

• Carta postal	• Carta postal	• Carta postal	• Carta postal	• Carta postal	• Carta postal
• Cartões de visita	• Cartões de visita	• Cartões de visita	• Cartões de visita	• Cartões de visita	• Cartões de visita
• Diapositivas	• Diapositivas	• Diapositivas	• Diapositivas	• Diapositivas	• Diapositivas
• Cartas de endereço	• Cartas de endereço	• Cartas de endereço	• Cartas de endereço	• Cartas de endereço	• Cartas de endereço
• Cartas de crédito	• Cartas de crédito	• Cartas de crédito	• Cartas de crédito	• Cartas de crédito	• Cartas de crédito
• Passaportes	• Passaportes	• Passaportes	• Passaportes	• Passaportes	• Passaportes

**Apposez l'étiquette de votre langue au-dessus de l'étiquette en anglais.**  
**Coló e etiqueta do seu idioma sobre e etiqueta em Inglês.**  
**Peque la etiqueta de su idioma encima de la etiqueta Inglesa.**

69-640 □

FIGURE & KEY NO.	PART NUMBER	RANK	QTY	DESCRIPTION	SERIAL NUMBER /REMARKS
001C	NPN		RF	ACCESSORIES	MF746Cdw, MF745Cdw, MF743Cdw
1	FM2-L921-000		1	DVD-ROM, USER SOFTWARE	MF746Cdw, MF745Cdw
1	FM2-L924-000		1	DVD-ROM, USER SOFTWARE	MF743Cdw
2	FK4-1389-000		1	CORD, POWER	
3	FK2-5275-000		1	CORD, MODULAR	
4	FE8-4203-000		1	LABEL, COPY PROHIBITION	
5	FE8-3012-000		1	COVER, DUST	

Figure 001D      ACCESSORIES (MF741Cdw)

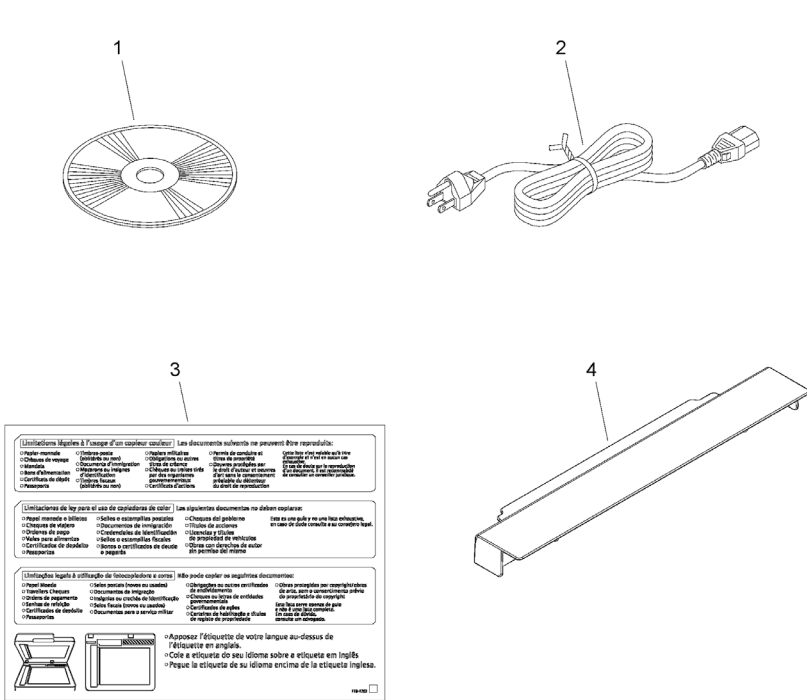


FIGURE & KEY NO.	PART NUMBER	RANK	QTY	DESCRIPTION	SERIAL NUMBER /REMARKS
001D	NPN		RF	ACCESSORIES	MF741Cdw
1	FM2-L924-000		1	DVD-ROM, USER SOFTWARE	
2	FK4-1389-000		1	CORD, POWER	
3	FE8-4203-000		1	LABEL, COPY PROHIBITION	
4	FE8-3012-000		1	COVER, DUST	

Figure 001E ACCESSORIES (MF746Cx 230V)

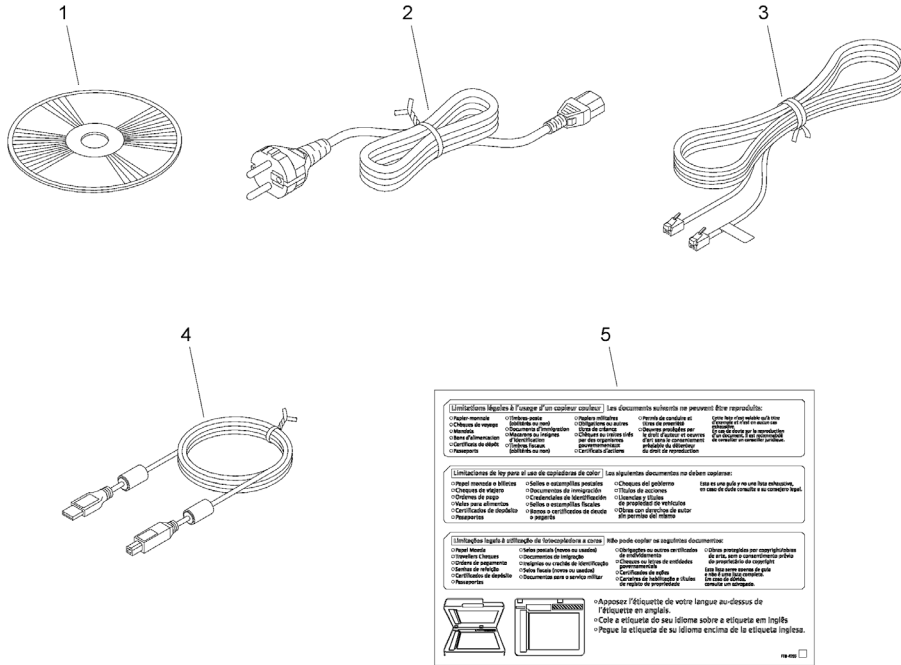




FIGURE & KEY NO.	PART NUMBER	RANK	QTY	DESCRIPTION	SERIAL NUMBER /REMARKS
001E	NPN		RF	ACCESSORIES	MF746Cx 230V
1	FM2-L921-000		1	DVD-ROM, USER SOFTWARE	
2	FK4-1390-000		1	CORD, POWER	
3	FK2-5275-000		1	CORD, MODULAR	
4	FE8-4203-000		1	LABEL, COPY PROHIBITION	
5	FK4-1821-000		1	CABLE, USB	

Figure 100C EXTERNAL COVERS, PANELS, ETC. (FAX model)

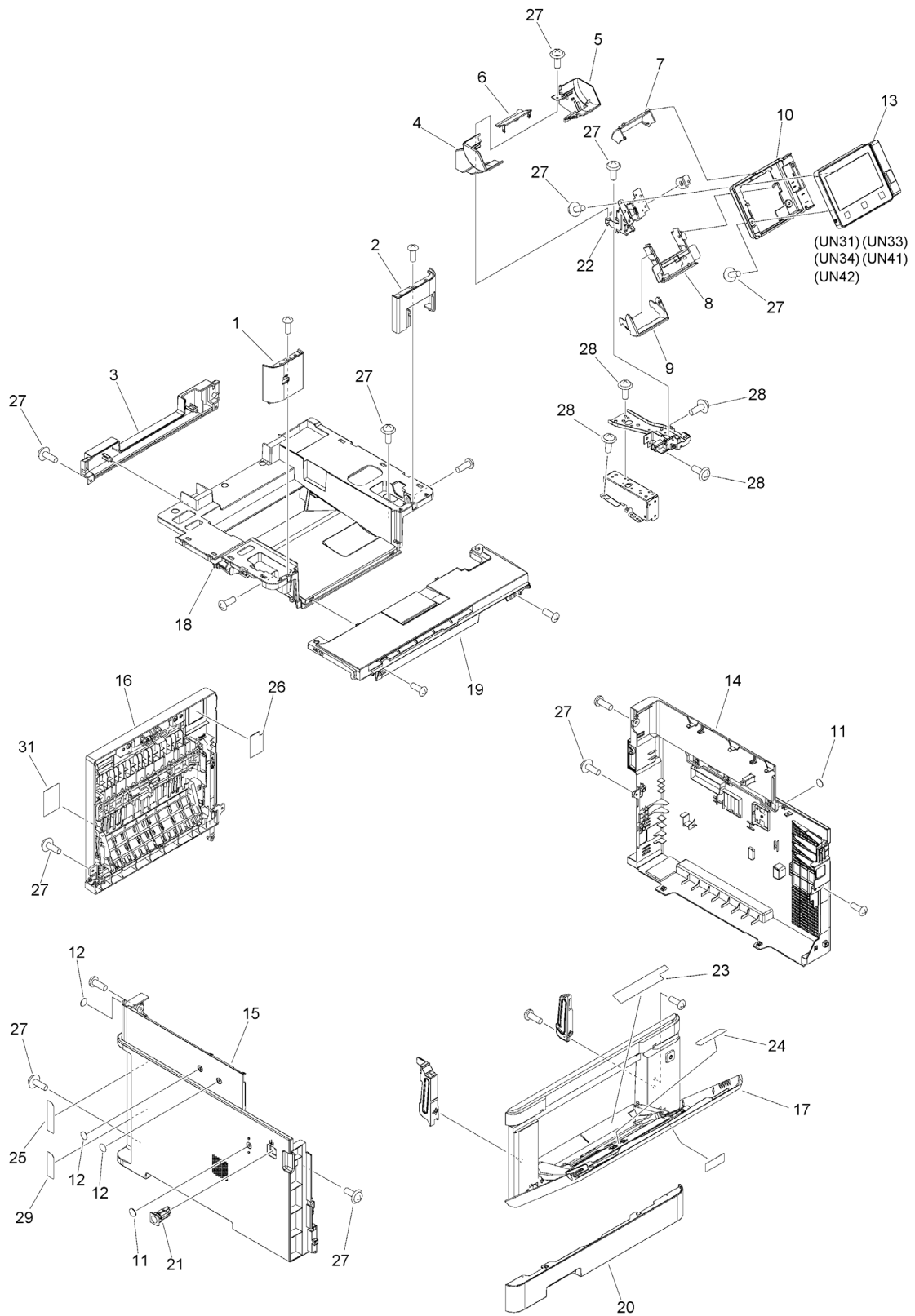


FIGURE & KEY NO.	PART NUMBER	RANK	QTY	DESCRIPTION	SERIAL NUMBER /REMARKS
100C	NPN		RF	EXTERNAL COVERS, PANELS, ETC.	FAX model
1	FE8-2996-000		1	COVER, FRONT, LEFT	
2	FE8-2997-000		1	COVER, FRONT, RIGHT	
3	FE8-2998-000		1	COVER, REAR, UPPER	
4	FE8-3066-000		1	COVER, ARM, LEFT	
5	FE8-3067-000		1	COVER, ARM, RIGHT	
6	FE8-3068-000		1	COVER, ARM, CENTER	
7	FE8-3069-000		1	COVER, PANEL, REAR UPPER	
8	FE8-3070-000		1	COVER, PANEL, REAR UNDER	
9	FE8-3071-000		1	COVER, PANEL, LOWER	
10	FE8-3263-000		1	COVER, PANEL, REAR	
11	FL1-0525-000		2	SHEET, HANDSET	
12	FL1-1416-000		3	SHEET, BLANKING	
13	FM1-P235-000		1	CONTROL PANEL ASSEMBLY	UN31, UN33, UN34, UN41, UN42
14	FM1-P402-000		1	COVER ASSEMBLY, RIGHT	
15	FM1-P403-000		1	COVER ASSEMBLY, LEFT	
16	FM1-P404-000		1	DUPLEXING DOOR ASS'Y	
17	FM1-X312-000		1	FRONT DOOR ASS'Y	
18	FM1-P408-000		1	COVER ASSEMBLY, TOP	
19	FM1-P409-000		1	UPPER COVER ASSEMBLY, FRONT	
20	FE8-3007-000		1	COVER, CASSETTE	
21	FE8-3016-000		1	BUTTON, DOOR, FRONT	
22	FM1-P442-000		1	HINGE ASSEMBLY	
23	FU2-1954-000		1	LABEL, MP SIZE	
24	FU2-1956-000		1	LABEL, MP PROHIBITION	
25	FU2-1959-000		1	LABEL, NETWORK	
26	FU2-1962-010		1	LABEL, DUPLEXING JAM	
27	XA9-1671-000		15	SCREW, D, M3X8	
28	XA9-1835-000		6	SCREW, D, M3X6	
29	FU2-1961-000		1	LABEL, MODULAR	

Figure 100D EXTERNAL COVERS, PANELS, ETC. (WITHOUT FAX model)

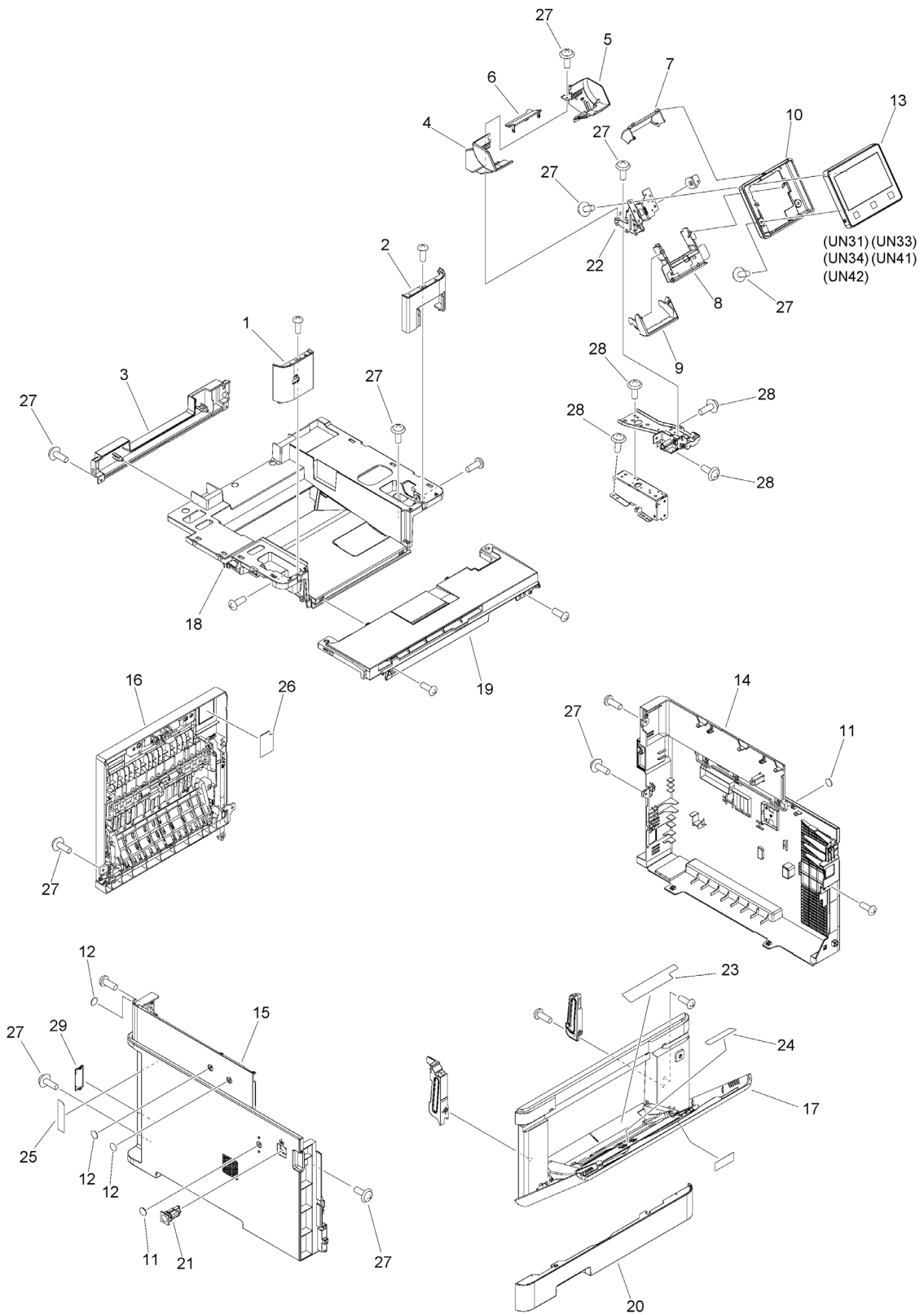


FIGURE & KEY NO.	PART NUMBER	RANK	QTY	DESCRIPTION	SERIAL NUMBER /REMARKS
100D	NPN		RF	EXTERNAL COVERS, PANELS, ETC.	WITHOUT FAX model
1	FE8-2996-000		1	COVER, FRONT, LEFT	
2	FE8-2997-000		1	COVER, FRONT, RIGHT	
3	FE8-2998-000		1	COVER, REAR, UPPER	
4	FE8-3066-000		1	COVER, ARM, LEFT	
5	FE8-3067-000		1	COVER, ARM, RIGHT	
6	FE8-3068-000		1	COVER, ARM, CENTER	
7	FE8-3069-000		1	COVER, PANEL, REAR UPPER	
8	FE8-3070-000		1	COVER, PANEL, REAR UNDER	
9	FE8-3071-000		1	COVER, PANEL, LOWER	
10	FE8-3262-000		1	COVER, PANEL, REAR	
11	FL1-0525-000		2	SHEET, HANDSET	
12	FL1-1416-000		3	SHEET, BLANKING	
13	FM1-T717-000		1	CONTROL PANEL ASSEMBLY	UN31, UN33, UN34, UN41, UN42
14	FM1-P402-000		1	COVER ASSEMBLY, RIGHT	
15	FM1-P403-000		1	COVER ASSEMBLY, LEFT	
16	FM1-P404-000		1	DUPLEXING DOOR ASS'Y	
17	FM1-X312-000		1	FRONT DOOR ASS'Y	
18	FM1-P408-000		1	COVER ASSEMBLY, TOP	
19	FM1-P409-000		1	UPPER COVER ASSEMBLY, FRONT	
20	FE8-3007-000		1	COVER, CASSETTE	
21	FE8-3016-000		1	BUTTON, DOOR, FRONT	
22	FM1-P442-000		1	HINGE ASSEMBLY	
23	FU2-1954-000		1	LABEL, MP SIZE	
24	FU2-1956-000		1	LABEL, MP PROHIBITION	
25	FU2-1959-000		1	LABEL, NETWORK	
26	FU2-1962-010		1	LABEL, DUPLEXING JAM	
27	XA9-1671-000		15	SCREW, D, M3X8	
28	XA9-1835-000		6	SCREW, D, M3X6	
29	FE8-3017-000		1	LID, MODULAR	

Figure 101D INTERNAL COMPONENTS 1 (MF746Cdw, MF746Cx, MF745Cdw)

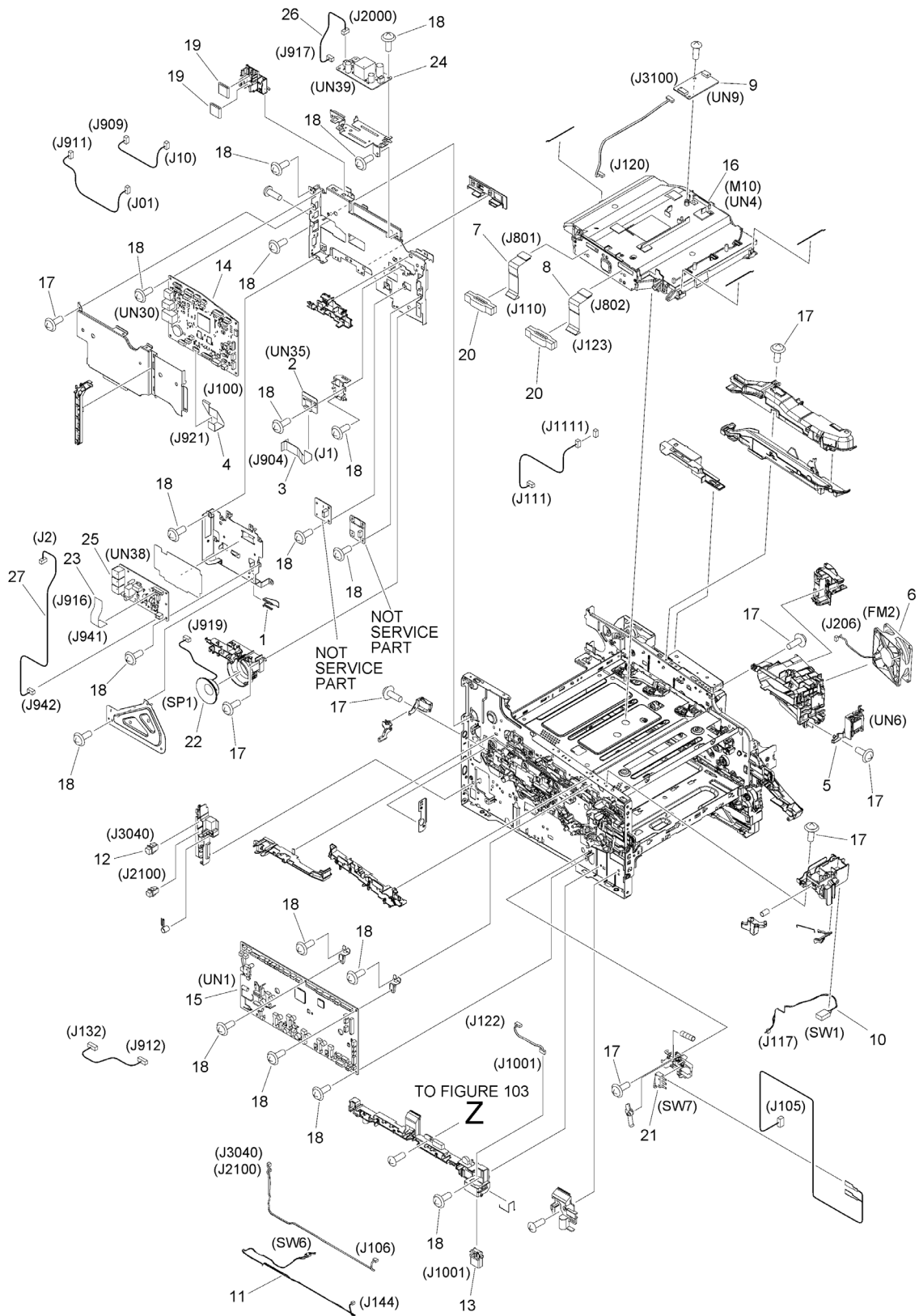


FIGURE & KEY NO.	PART NUMBER	RANK	QTY	DESCRIPTION	SERIAL NUMBER /REMARKS
101D	NPN		RF	INTERNAL COMPONENTS 1	MF746Cdw, MF746Cx, M
1	FE8-3076-000		1	SPRING, GROUNDING	
2	FK4-4651-000		1	MODULE, WLAN	UN35
3	FL0-8219-000		1	CABLE, FLAT	
4	FL0-8149-000		1	CABLE, FLEXIBLE FLAT	
5	FM1-P414-000		1	POWER SWITCH ASS'Y	UN6
6	FK4-4315-000		1	FAN	FM2
7	FM2-D942-000		1	CABLE, FLEXIBLE FLAT	
8	FM2-D943-000		1	CABLE, FLEXIBLE FLAT	
9	RM3-7245-000		1	MEMORY PCB ASS'Y	UN9
10	RM3-7227-000		1	FRONT DOOR SWITCH CABLE ASS'Y	SW1
11	RM2-7896-000		1	CASSETTE SWITCH CABLE ASS'Y	SW6
12	VS1-7207-003		1	CONNECTOR, SNAP TIGHT, BK	
13	VS1-7258-007		1	CONNECTOR, DRAWER	
14	FM1-W048-000		1	MAIN CONTROLLER PCB ASS'Y SET	UN30
15	FM2-H953-000		1	ENGINE CONTROLLER PCB ASS'Y	UN1
16	RM2-5612-000		1	LASER SCANNER ASS'Y	M10, UN4
17	XA9-1671-000		15	SCREW, D, M3X8	
18	XA9-1835-000		15	SCREW, D, M3X6	
19	FK2-8767-000		2	CORE, FERRITE	
20	FM1-T672-000		2	FERRITE CORE UNIT	
21	RK2-0534-000		1	MICROSWITCH	SW7
22	FK3-3944-000		1	SPEAKER	SP1
23	FL0-8150-000		1	CABLE, FLAT	
24	FM1-R867-000		1	OFFHOOK PCB ASSEMBLY	UN39
25	FM1-X947-000		1	NCU PCB ASSEMBLY	UN38
26	FM1-X955-000		1	CABLE, OFF HOOK	
27	FM2-G945-000		1	CABLE, PSEUDO CI	

Figure 101E INTERNAL COMPONENTS 1 (MF743Cdw)

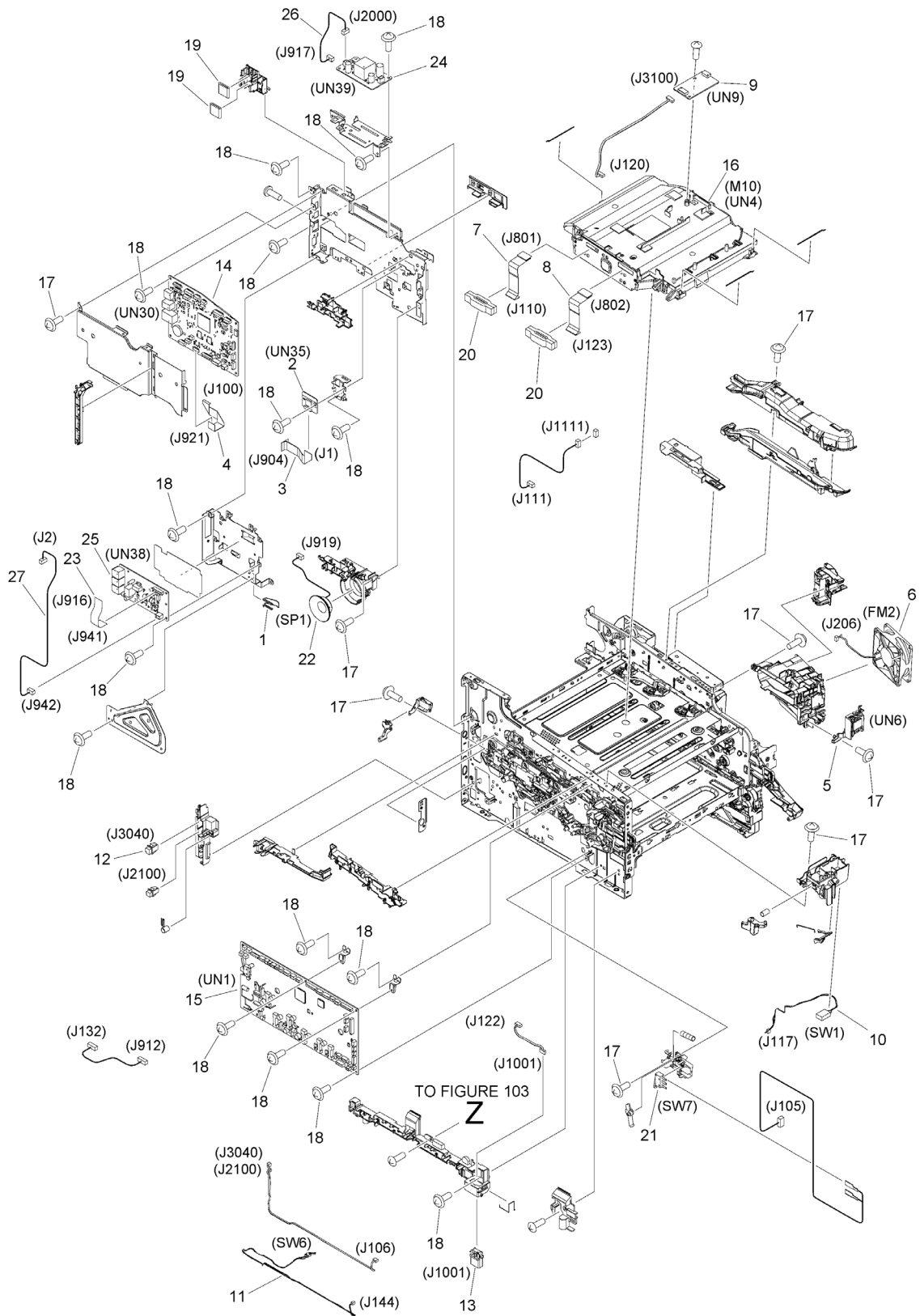




FIGURE & KEY NO.	PART NUMBER	RANK	QTY	DESCRIPTION	SERIAL NUMBER /REMARKS
101E	NPN		RF	INTERNAL COMPONENTS 1	MF743Cdw
1	FE8-3076-000		1	SPRING, GROUNDING	
2	FK4-4651-000		1	MODULE, WLAN	UN35
3	FL0-8219-000		1	CABLE, FLAT	
4	FL0-8149-000		1	CABLE, FLEXIBLE FLAT	
5	FM1-P414-000		1	POWER SWITCH ASS'Y	UN6
6	FK4-4315-000		1	FAN	FM2
7	FM2-D942-000		1	CABLE, FLEXIBLE FLAT	
8	FM2-D943-000		1	CABLE, FLEXIBLE FLAT	
9	RM3-7245-000		1	MEMORY PCB ASS'Y	UN9
10	RM3-7227-000		1	FRONT DOOR SWITCH CABLE ASS'Y	SW1
11	RM2-7896-000		1	CASSETTE SWITCH CABLE ASS'Y	SW6
12	VS1-7207-003		1	CONNECTOR, SNAP TIGHT, BK	
13	VS1-7258-007		1	CONNECTOR, DRAWER	
14	FM1-W050-000		1	MAIN CONTROLLER PCB ASS'Y SET	UN30
15	FM2-H953-000		1	ENGINE CONTROLLER PCB ASS'Y	UN1
16	RM2-5612-000		1	LASER SCANNER ASS'Y	M10, UN4
17	XA9-1671-000		15	SCREW, D, M3X8	
18	XA9-1835-000		15	SCREW, D, M3X6	
19	FK2-8767-000		2	CORE, FERRITE	
20	FM1-T672-000		2	FERRITE CORE UNIT	
21	RK2-0534-000		1	MICROSWITCH	SW7
22	FK3-3944-000		1	SPEAKER	SP1
23	FL0-8150-000		1	CABLE, FLAT	
24	FM1-R867-000		1	OFFHOOK PCB ASSEMBLY	UN39
25	FM1-X947-000		1	NCU PCB ASSEMBLY	UN38
26	FM1-X955-000		1	CABLE, OFF HOOK	
27	FM2-G945-000		1	CABLE, PSEUDO CI	

Figure 101F INTERNAL COMPONENTS 1 (MF741Cdw)

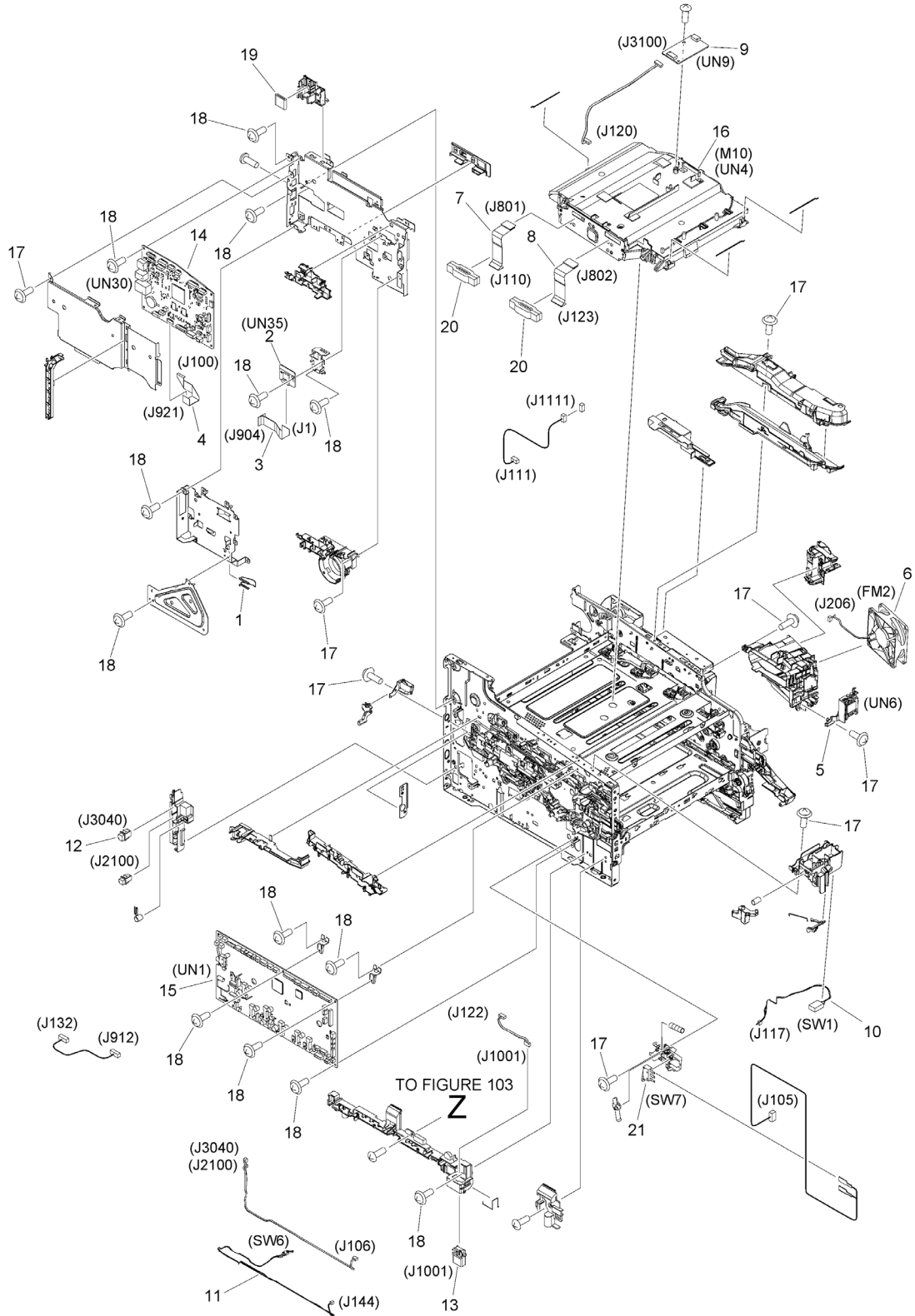


FIGURE & KEY NO.	PART NUMBER	RANK	QTY	DESCRIPTION	SERIAL NUMBER /REMARKS
101F	NPN		RF	INTERNAL COMPONENTS 1	MF741Cdw
1	FE8-3076-000		1	SPRING, GROUNDING	
2	FK4-4651-000		1	MODULE, WLAN	UN35
3	FL0-8219-000		1	CABLE, FLAT	
4	FL0-8149-000		1	CABLE, FLEXIBLE FLAT	
5	FM1-P414-000		1	POWER SWITCH ASS'Y	UN6
6	FK4-4315-000		1	FAN	FM2
7	FM2-D942-000		1	CABLE, FLEXIBLE FLAT	
8	FM2-D943-000		1	CABLE, FLEXIBLE FLAT	
9	RM3-7245-000		1	MEMORY PCB ASS'Y	UN9
10	RM3-7227-000		1	FRONT DOOR SWITCH CABLE ASS'Y	SW1
11	RM2-7896-000		1	CASSETTE SWITCH CABLE ASS'Y	SW6
12	VS1-7207-003		1	CONNECTOR, SNAP TIGHT, BK	
13	VS1-7258-007		1	CONNECTOR, DRAWER	
14	FM2-H951-000		1	MAIN CONTROLLER PCB ASS'Y	UN30
15	FM2-H953-000		1	ENGINE CONTROLLER PCB ASS'Y	UN1
16	RM2-5612-000		1	LASER SCANNER ASS'Y	M10, UN4
17	XA9-1671-000		15	SCREW, D, M3X8	
18	XA9-1835-000		15	SCREW, D, M3X6	
19	FK2-8767-000		1	CORE, FERRITE	
20	FM1-T672-000		2	FERRITE CORE UNIT	
21	RK2-0534-000		1	MICROSWITCH	SW7

Figure 102A INTERNAL COMPONENTS 2 (100V, 120V)

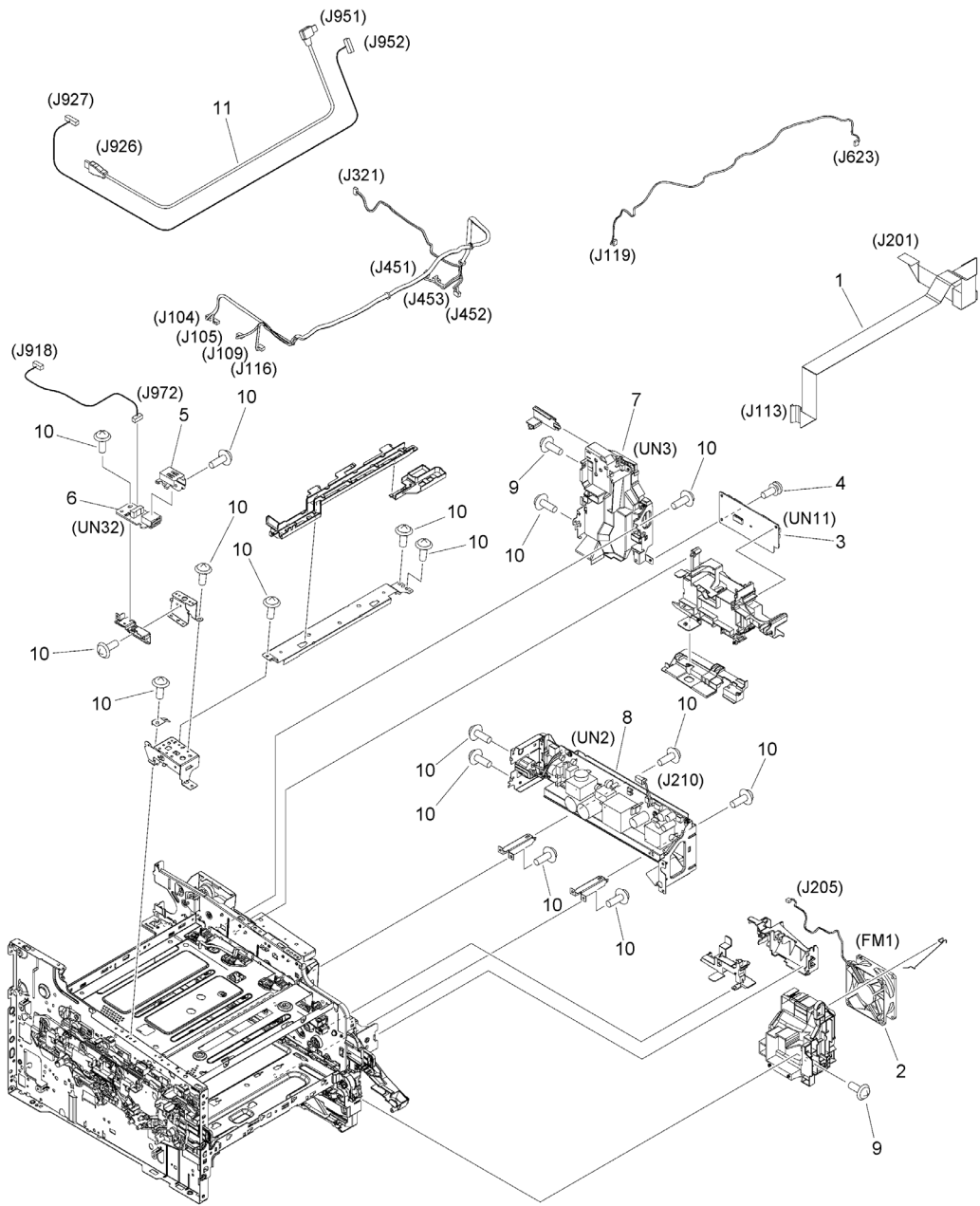


FIGURE & KEY NO.	PART NUMBER	RANK	QTY	DESCRIPTION	SERIAL NUMBER /REMARKS
102A	NPN		RF	INTERNAL COMPONENTS 2	100V, 120V
1	RM2-8661-000		1	CABLE, FLEXIBLE FLAT	
2	FK4-4315-000		1	FAN	FM1
3	RM2-7369-000		1	DRIVER PCB ASS'Y	UN11
4	XA9-1420-000		1	SCREW, W/WASHER, M3X8	
5	FE8-0014-000		1	PLATE, USB, GROUNDING	
6	FM1-R870-000		1	USB RELAY PCB ASSEMBLY	UN32
7	FM1-V604-000		1	FIXING POWER SUPPLY PCB ASS'Y	UN3
8	FM1-Z821-010		1	L.V. POWER SUPPLY PCB ASS'Y	UN2
9	XA9-1671-000		15	SCREW, D, M3X8	
10	XA9-1835-000		15	SCREW, D, M3X6	
11	FK4-4092-000		1	CABLE, MADRID HDMI	

Figure 102B INTERNAL COMPONENTS 2 (230V)

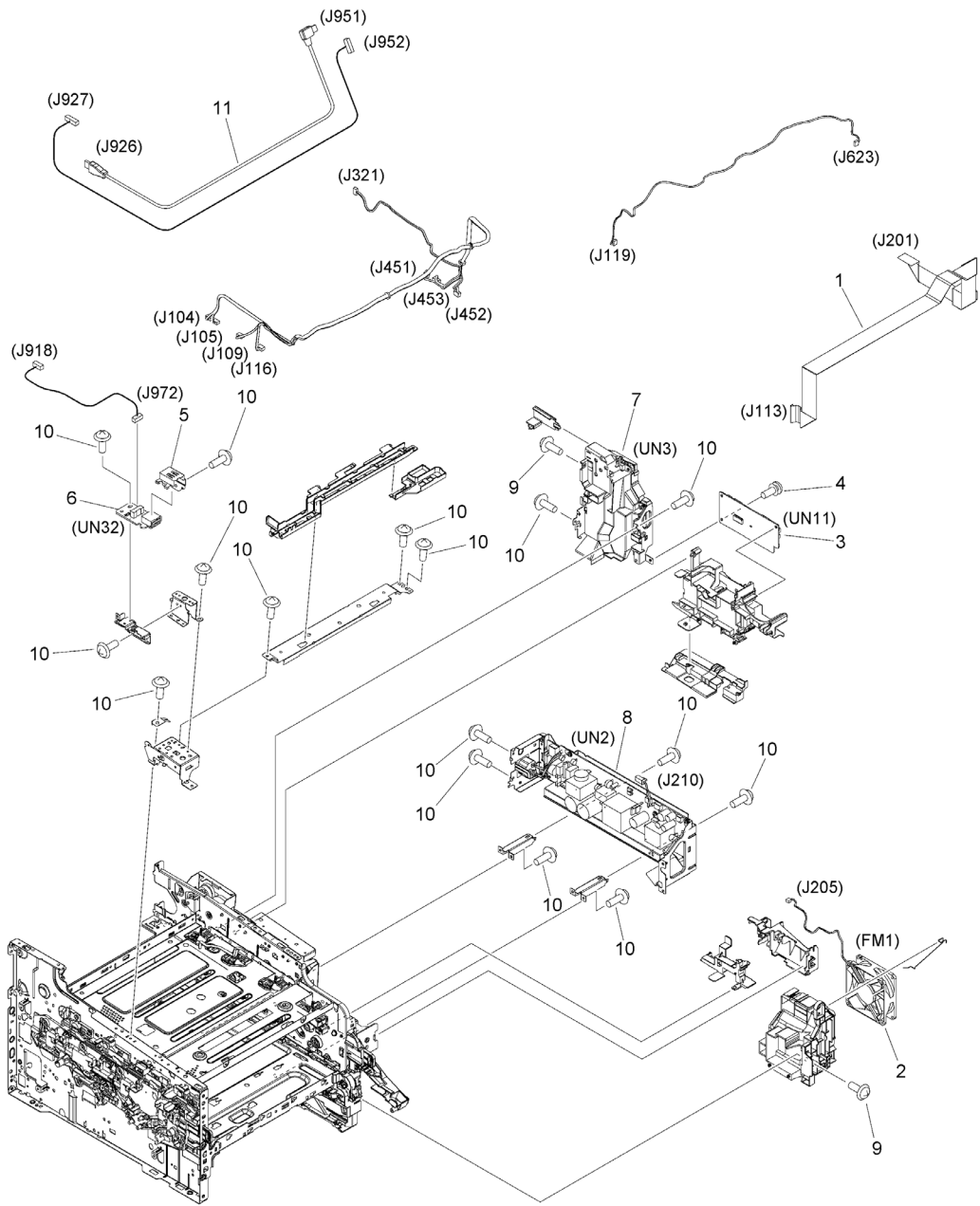


FIGURE & KEY NO.	PART NUMBER	RANK	QTY	DESCRIPTION	SERIAL NUMBER /REMARKS
102B	NPN		RF	INTERNAL COMPONENTS 2	230V
1	RM2-8661-000		1	CABLE, FLEXIBLE FLAT	
2	FK4-4315-000		1	FAN	FM1
3	RM2-7369-000		1	DRIVER PCB ASS'Y	UN11
4	XA9-1420-000		1	SCREW, W/WASHER, M3X8	
5	FE8-0014-000		1	PLATE, USB, GROUNDING	
6	FM1-R870-000		1	USB RELAY PCB ASSEMBLY	UN32
7	FM1-V605-000		1	FIXING POWER SUPPLY PCB ASS'Y	UN3
8	FM1-Z822-000		1	L.V. POWER SUPPLY PCB ASS'Y	UN2
9	XA9-1671-000		15	SCREW, D, M3X8	
10	XA9-1835-000		15	SCREW, D, M3X6	
11	FK4-4092-000		1	CABLE, MADRID HDMI	

Figure 103 INTERNAL COMPONENTS 3

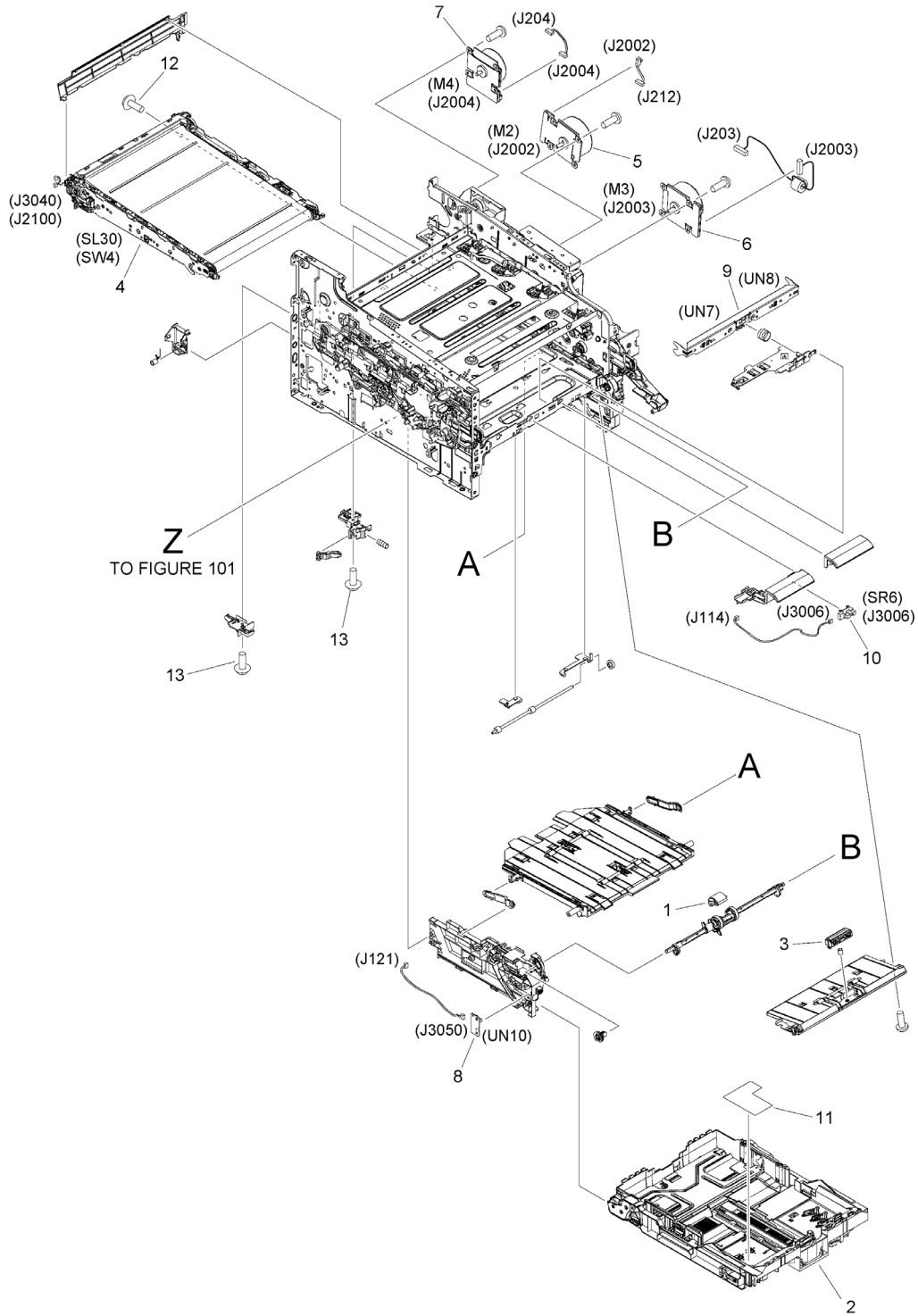




FIGURE & KEY NO.	PART NUMBER	RANK	QTY	DESCRIPTION	SERIAL NUMBER /REMARKS
103	NPN		RF	INTERNAL COMPONENTS 3	
1	RL1-2593-000		1	ROLLER, PAPER PICK-UP	
2	RM2-6377-000		1	CASSETTE ASS'Y	
3	RM2-6406-000		1	SEPARATION PAD ASS'Y	
4	RM2-6454-000		1	INTERMEDIATE TRANS. BELT ASS'Y	SL30, SW4
5	RM2-7342-000		1	DRUM MOTOR ASS'Y	M2
6	RM2-7344-000		1	DEVELOPING MOTOR ASS'Y	M3
7	RM2-7349-000		1	FIXING MOTOR ASS'Y	M4
8	RM3-7236-000		1	ENVIRONMENT SENSOR PCB ASS'Y	UN10
9	RM2-7399-000		1	DENSITY DETECT SENSOR ASS'Y	UN7, UN8
10	WG8-5935-000		1	IC, PHOTO INTERRUPTER	SR6
11	FU2-1958-000		1	LABEL, CASSETTE OPERATOR	
12	XA9-1671-000		15	SCREW, D, M3X8	
13	XA9-1835-000		15	SCREW, D, M3X6	

Figure 104 INTERNAL COMPONENTS 4

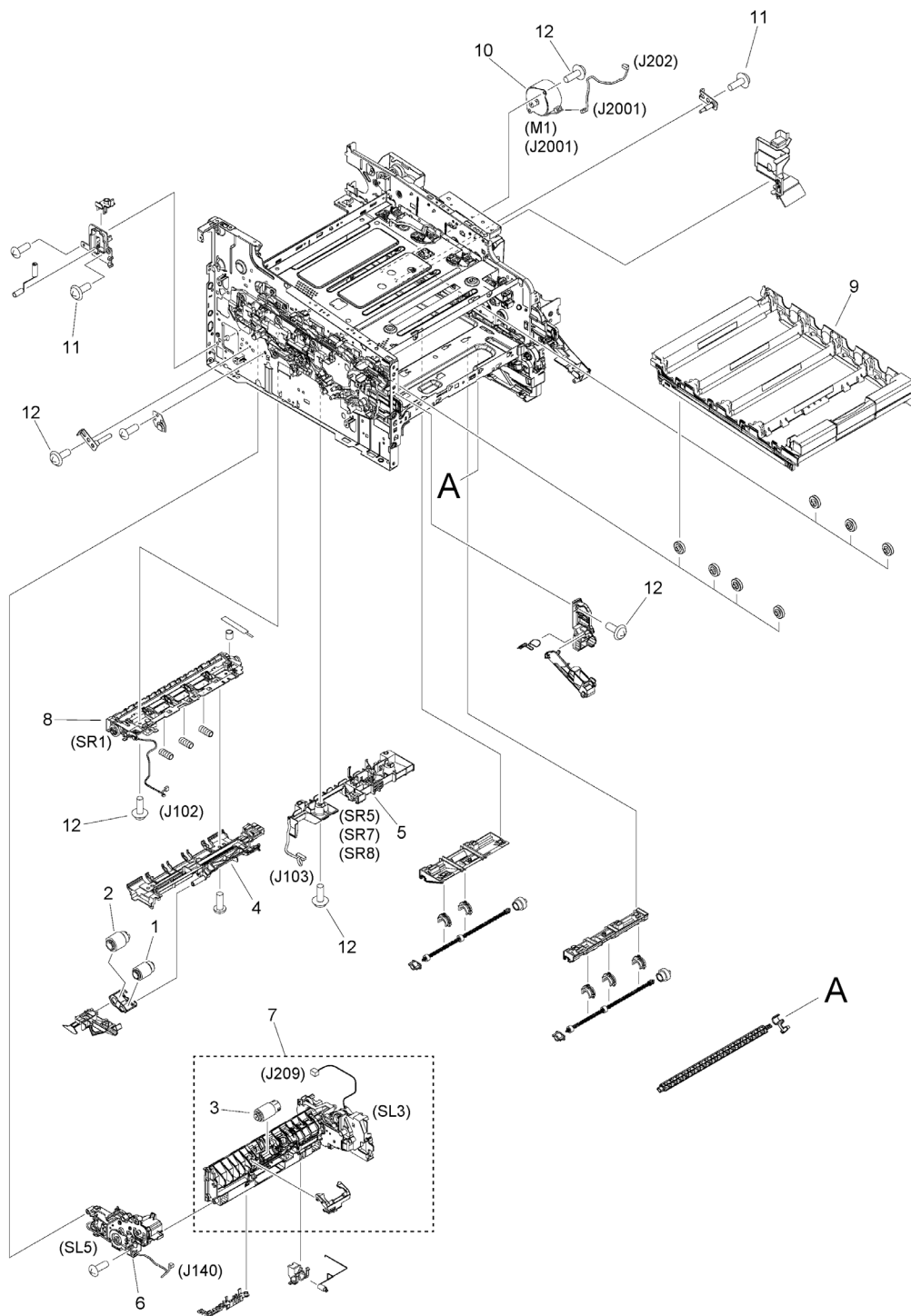


FIGURE & KEY NO.	PART NUMBER	RANK	QTY	DESCRIPTION	SERIAL NUMBER /REMARKS
104	NPN		RF	INTERNAL COMPONENTS 4	
1	RM2-5576-000		1	PAPER PICK-UP ROLLER ASS'Y	
2	RM2-5577-000		1	FEED ROLLER ASS'Y	
3	RM2-5881-000		1	SEPARATION ROLLER ASS'Y	
4	RM2-6366-000		1	FEED GUIDE ASS'Y, REAR	
5	RM2-6368-000		1	FEED GUIDE ASS'Y, FRONT	SR5, SR7, SR8
6	RM2-6370-000		1	LIFTER DRIVE ASS'Y	SL5
7	RM2-6372-000		1	PAPER PICK-UP ASS'Y	SL3
8	RM2-6374-000		1	REGISTRATION ASS'Y	SR1
9	RM2-1807-000		1	CARTRIDGE TRAY ASS'Y	
10	RM2-7350-000		1	PICK-UP MOTOR ASS'Y	M1
11	XA9-1671-000		15	SCREW, D, M3X8	
12	XA9-1835-000		15	SCREW, D, M3X6	

Figure 105B INTERNAL COMPONENTS 5 (120V)

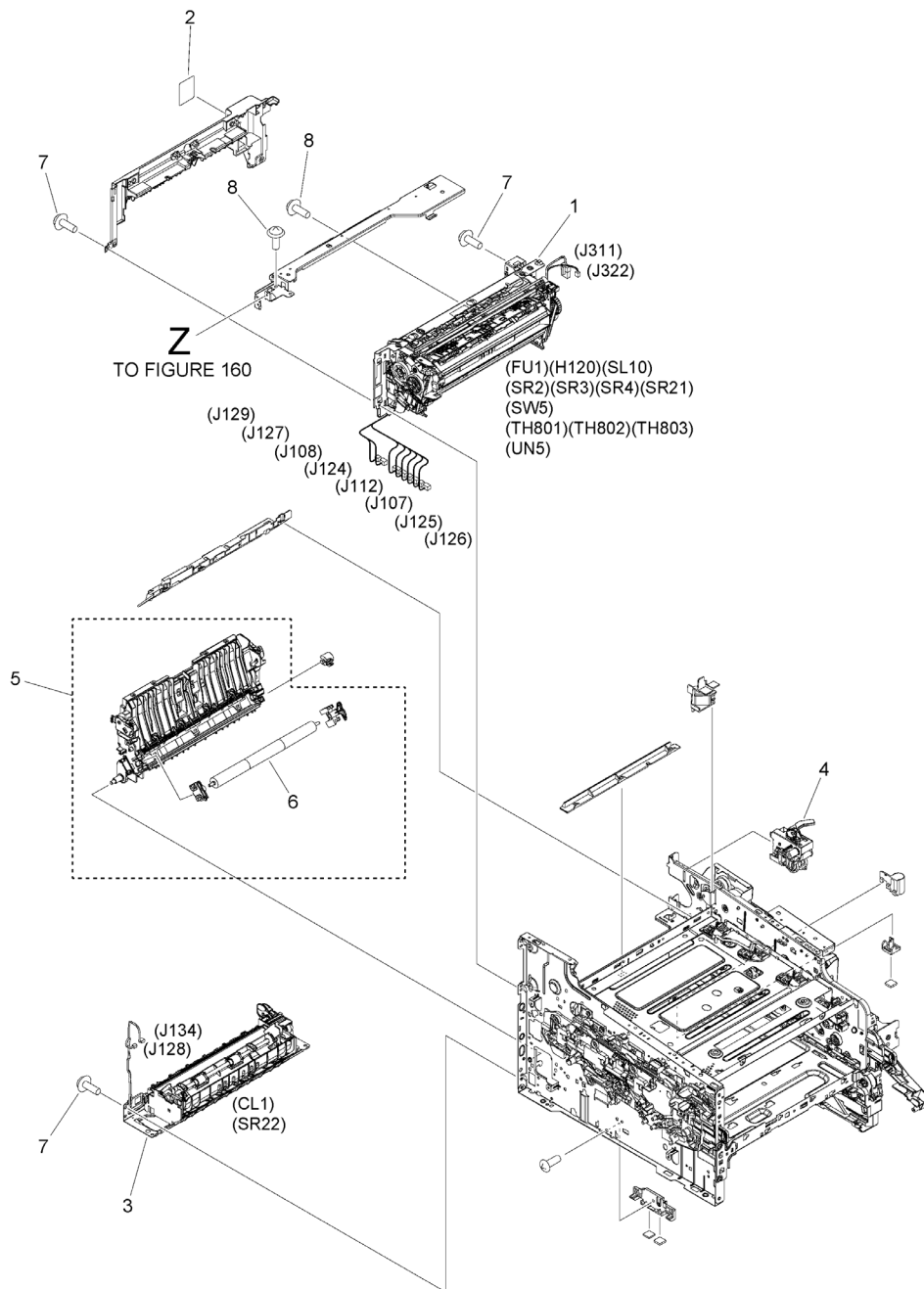


FIGURE & KEY NO.	PART NUMBER	RANK	QTY	DESCRIPTION	SERIAL NUMBER /REMARKS
105B	NPN		RF	INTERNAL COMPONENTS 5	120V
1	RM2-6418-000		1	FIXING ASSY	FU1, H120, SL10 SR2, SR3, SR4, SR21 SW5, TH801, TH802, TH803 UN5
2	FU2-1963-000		1	LABEL, HIGH TMP. CAUTION	
3	RM2-6387-000		1	PAPER RE-PICK UP ASS'Y	CL1, SR22
4	RM2-6389-000		1	REVERSE DRIVE ASS'Y	
5	RM2-6397-000		1	SECONDARY TRANSFER ASS'Y	
6	RM2-6455-000		1	2ND TRANSFER ROLLER ASS'Y	
7	XA9-1671-000		15	SCREW, D, M3X8	
8	XA9-1835-000		15	SCREW, D, M3X6	

Figure 105C INTERNAL COMPONENTS 5 (230V)

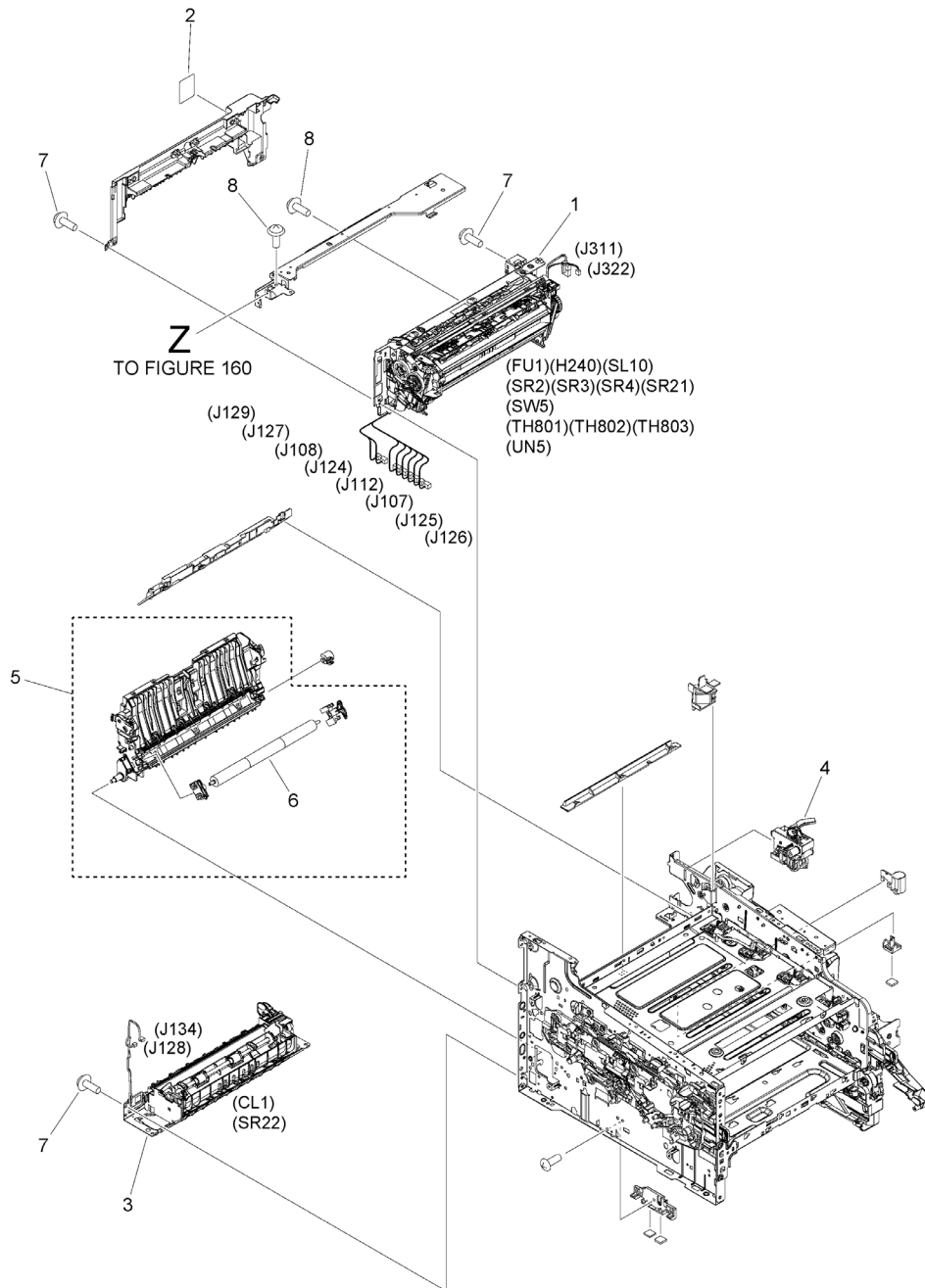


FIGURE & KEY NO.	PART NUMBER	RANK	QTY	DESCRIPTION	SERIAL NUMBER /REMARKS
105C	NPN		RF	INTERNAL COMPONENTS 5	230V
1	RM2-6435-000		1	FIXING ASSY	FU1, H240, SL10 SR2, SR3, SR4, SR21 SW5, TH801, TH802, TH803 UN5
2	FU2-1963-000		1	LABEL, HIGH TMP. CAUTION	
3	RM2-6387-000		1	PAPER RE-PICK UP ASS'Y	CL1, SR22
4	RM2-6389-000		1	REVERSE DRIVE ASS'Y	
5	RM2-6397-000		1	SECONDARY TRANSFER ASS'Y	
6	RM2-6455-000		1	2ND TRANSFER ROLLER ASS'Y	
7	XA9-1671-000		15	SCREW, D, M3X8	
8	XA9-1835-000		15	SCREW, D, M3X6	

Figure 160 READER/ADF ASSEMBLY

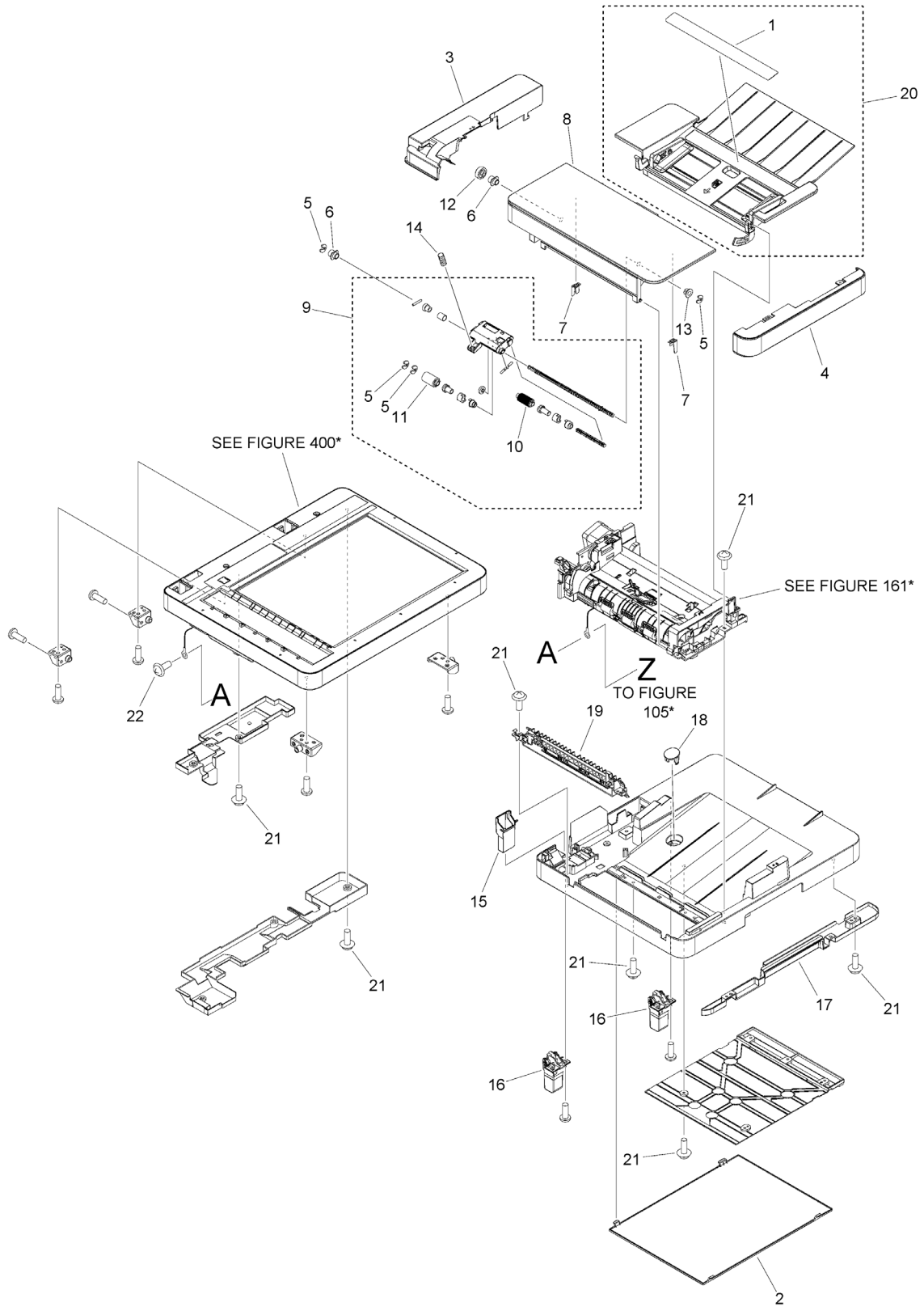




FIGURE & KEY NO.	PART NUMBER	RANK	QTY	DESCRIPTION	SERIAL NUMBER /REMARKS
160	NPN		RF	READER/ADF ASSEMBLY	
1	FE8-4191-000		1	LABEL, DOCUMENT SIZE	
2	FE8-3469-000		1	SHEET, WHITE	
3	FE8-3474-000		1	COVER, REAR	
4	FE8-3475-000		1	COVER, FRONT	
5	FE8-3636-000		4	RING, E	
6	FE8-3643-000		2	BUSHING	
7	FE8-3644-000		2	SPRING, LEAF	
8	FL1-2517-000		1	PANEL, OPEN/CLOSE	
9	FM1-N703-000		1	SEPARATION ROLLER ASSEMBLY	
10	FC8-9251-000		1	ROLLER, PICK-UP	
11	FL3-1023-000		1	ROLLER, SEPARATION	
12	FU2-1865-000		1	GEAR, 23T	
13	FU2-1902-000		1	BUSHING	
14	FU2-1903-000		1	SPRING, COMPRESSION	
15	FE8-3462-000		1	GUIDE, CABLE	
16	FM1-T687-000		2	HINGE	
17	FE8-3467-000		1	COVER, LOWER	
18	FE8-4189-000		1	CAP	
19	FM1-P584-000		1	PAPER FEED GUIDE ASSEMBLY	
20	FM1-N711-000		1	DOCUMENT TRAY ASSEMBLY	
21	XA9-0476-000		15	SCREW, TP M3X8	
22	XA9-1671-000		1	SCREW, D, M3X8	

Figure 161A PAPER FEEDER ASSEMBLY (SINGLE PASS ADF model)

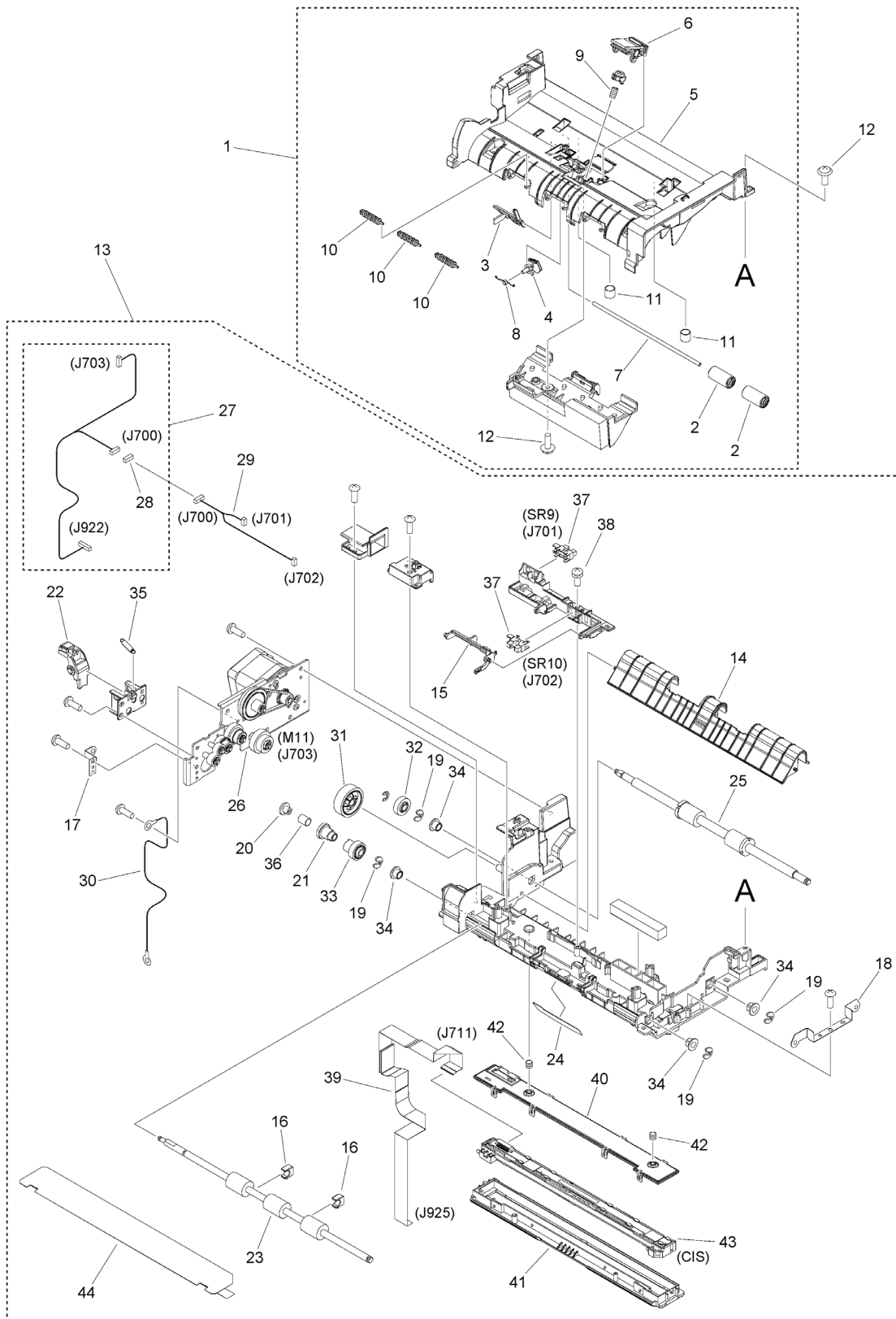


FIGURE & KEY NO.	PART NUMBER	RANK	QTY	DESCRIPTION	SERIAL NUMBER /REMARKS
161A	NPN		RF	PAPER FEEDER ASSEMBLY	SINGLE PASS ADF model
1	FM1-N704-000		1	GUIDE ASSEMBLY, UPPER	
2	FE8-3440-000		2	ROLLER	
3	FE8-3444-000		1	FLAG, SENSOR	
4	FE8-3645-000		1	STOPPER, DOCUMENT	
5	FL1-2518-000		1	GUIDE, UPPER	
6	FM1-P580-000		1	SEPARATION PAD ASSEMBLY	
7	FU2-1875-000		1	SHAFT, TRANSMISSION	
8	FU2-1904-000		1	SPRING, TORSION	
9	FU2-1905-000		1	SPRING, COMPRESSION	
10	FU2-1906-000		3	ROLLER, AUXILIARY	
11	FU2-1922-000		2	SPRING, COMPRESSION	
12	XA9-0476-000		7	SCREW, TP M3X8	
13	FM1-W051-000		1	PAPER FEEDER ASSEMBLY SET	
14	FE8-3446-000		1	GUIDE, PAPER DELIVERY	
15	FE8-3448-000		1	FLAG, SENSOR	
16	FE8-3458-000		2	BUSHING	
17	FE8-3459-000		1	PLATE, GROUNDING	
18	FE8-3460-000		1	PLATE, GROUNDING	
19	FE8-3636-000		4	RING, E	
20	FE8-3655-000		1	STOPPER, RATCHET SPRING	
21	FE8-3656-000		1	RATCHET, PAPER FEED ROLLER	
22	FE8-3657-000		1	LEVER, RELEASE	
23	FL1-1367-000		1	ROLLER, PAPER FEED	
24	FL1-1369-000		1	SHEET, GUIDE	
25	FM1-N407-000		1	ROLLER, PAPER DELIVERY	
26	FM1-N709-010		1	MOTOR DRIVE ASS'Y	M11
27	FM2-C963-000		1	CABLE, SIGNAL, DF, 2	
28	VS1-7207-006		1	CONNECTOR, SNAP TIGHT	
29	FM1-X903-000		1	CABLE, SENSOR	
30	FM1-X908-000		1	CABLE, GROUNDING	
31	FU2-1867-000		1	GEAR, 67T	
32	FU2-1869-000		1	GEAR, 25T	
33	FU2-1870-000		1	GEAR, 38T	
34	FU2-1902-000		4	BUSHING	
35	FU2-1907-000		1	SPRING, TENSION	
36	FU2-1908-000		1	SPRING, COMPRESSION	
37	WG8-5935-000		2	IC, PHOTO INTERRUPTER	SR9, SR10
38	XA9-2049-000		1	SCREW, W/WASHER P, M3X10	
39	FK4-5060-000		1	CABLE, FLAT	
40	FE8-3450-000		1	HOLDER, CONTACT IMAGE SENSOR	
41	FL1-2502-000		1	GLASS HOLDER UNIT	
42	FU2-1924-000		2	SPRING, COMPRESSION	

<b>FIGURE &amp; KEY NO.</b>	<b>PART NUMBER</b>	<b>R A N K</b>	<b>QTY</b>	<b>DESCRIPTION</b>	<b>SERIAL NUMBER /REMARKS</b>
43	FM1-T027-000		1	CONTACT IMAGE SENSOR SET	CIS
44	FL1-4365-000		1	SHEET, WHITE	

Figure 161B PAPER FEEDER ASSEMBLY (SINGLE SIDE ADF model)

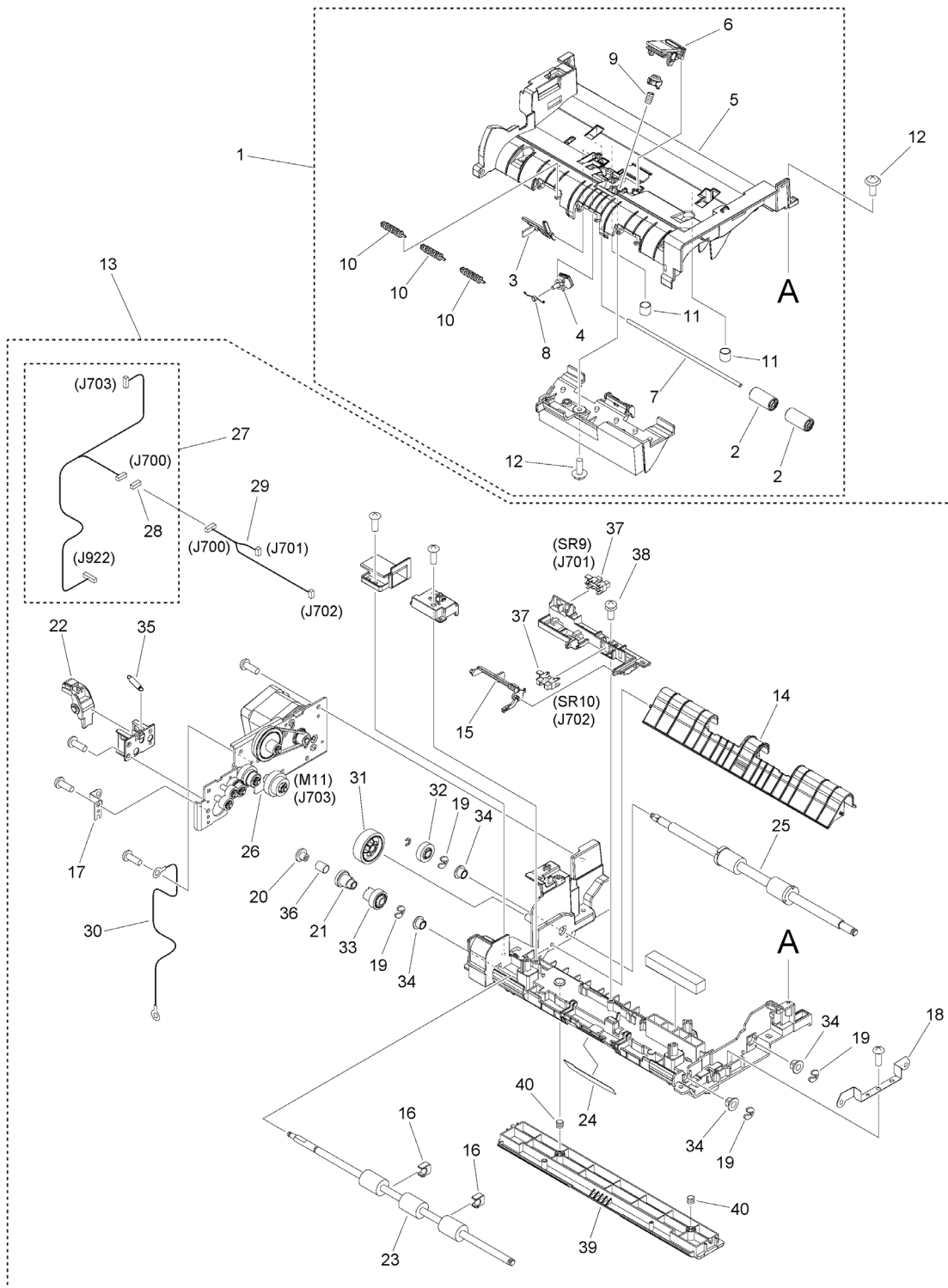


FIGURE & KEY NO.	PART NUMBER	RANK	QTY	DESCRIPTION	SERIAL NUMBER /REMARKS
161B	NPN		RF	PAPER FEEDER ASSEMBLY	SINGLE SIDE ADF model
1	FM1-N704-000		1	GUIDE ASSEMBLY, UPPER	
2	FE8-3440-000		2	ROLLER	
3	FE8-3444-000		1	FLAG, SENSOR	
4	FE8-3645-000		1	STOPPER, DOCUMENT	
5	FL1-2518-000		1	GUIDE, UPPER	
6	FM1-P580-000		1	SEPARATION PAD ASSEMBLY	
7	FU2-1875-000		1	SHAFT, TRANSMISSION	
8	FU2-1904-000		1	SPRING, TORSION	
9	FU2-1905-000		1	SPRING, COMPRESSION	
10	FU2-1906-000		3	ROLLER, AUXILIARY	
11	FU2-1922-000		2	SPRING, COMPRESSION	
12	XA9-0476-000		7	SCREW, TP M3X8	
13	FM1-V352-000		1	PAPER FEEDER ASSEMBLY	
14	FE8-3446-000		1	GUIDE, PAPER DELIVERY	
15	FE8-3448-000		1	FLAG, SENSOR	
16	FE8-3458-000		2	BUSHING	
17	FE8-3459-000		1	PLATE, GROUNDING	
18	FE8-3460-000		1	PLATE, GROUNDING	
19	FE8-3636-000		4	RING, E	
20	FE8-3655-000		1	STOPPER, RATCHET SPRING	
21	FE8-3656-000		1	RATCHET, PAPER FEED ROLLER	
22	FE8-3657-000		1	LEVER, RELEASE	
23	FL1-1367-000		1	ROLLER, PAPER FEED	
24	FL1-1369-000		1	SHEET, GUIDE	
25	FM1-N407-000		1	ROLLER, PAPER DELIVERY	
26	FM1-N709-010		1	MOTOR DRIVE ASS'Y	M11
27	FM2-C963-000		1	CABLE, SIGNAL, DF, 2	
28	VS1-7207-006		1	CONNECTOR, SNAP TIGHT	
29	FM1-X903-000		1	CABLE, SENSOR	
30	FM1-X908-000		1	CABLE, GROUNDING	
31	FU2-1867-000		1	GEAR, 67T	
32	FU2-1869-000		1	GEAR, 25T	
33	FU2-1870-000		1	GEAR, 38T	
34	FU2-1902-000		4	BUSHING	
35	FU2-1907-000		1	SPRING, TENSION	
36	FU2-1908-000		1	SPRING, COMPRESSION	
37	WG8-5935-000		2	IC, PHOTO INTERRUPTER	SR9, SR10
38	XA9-2049-000		1	SCREW, W/WASHER P, M3X10	
39	FM1-N708-000		1	HOLDER UNIT	
40	FU2-1923-000		2	SPRING, COMPRESSION	

Figure 400C READER ASSEMBLY (SINGLE PASS ADF model)

NOTE : This assembly does not include the parts shown with key No. 13 and 14.

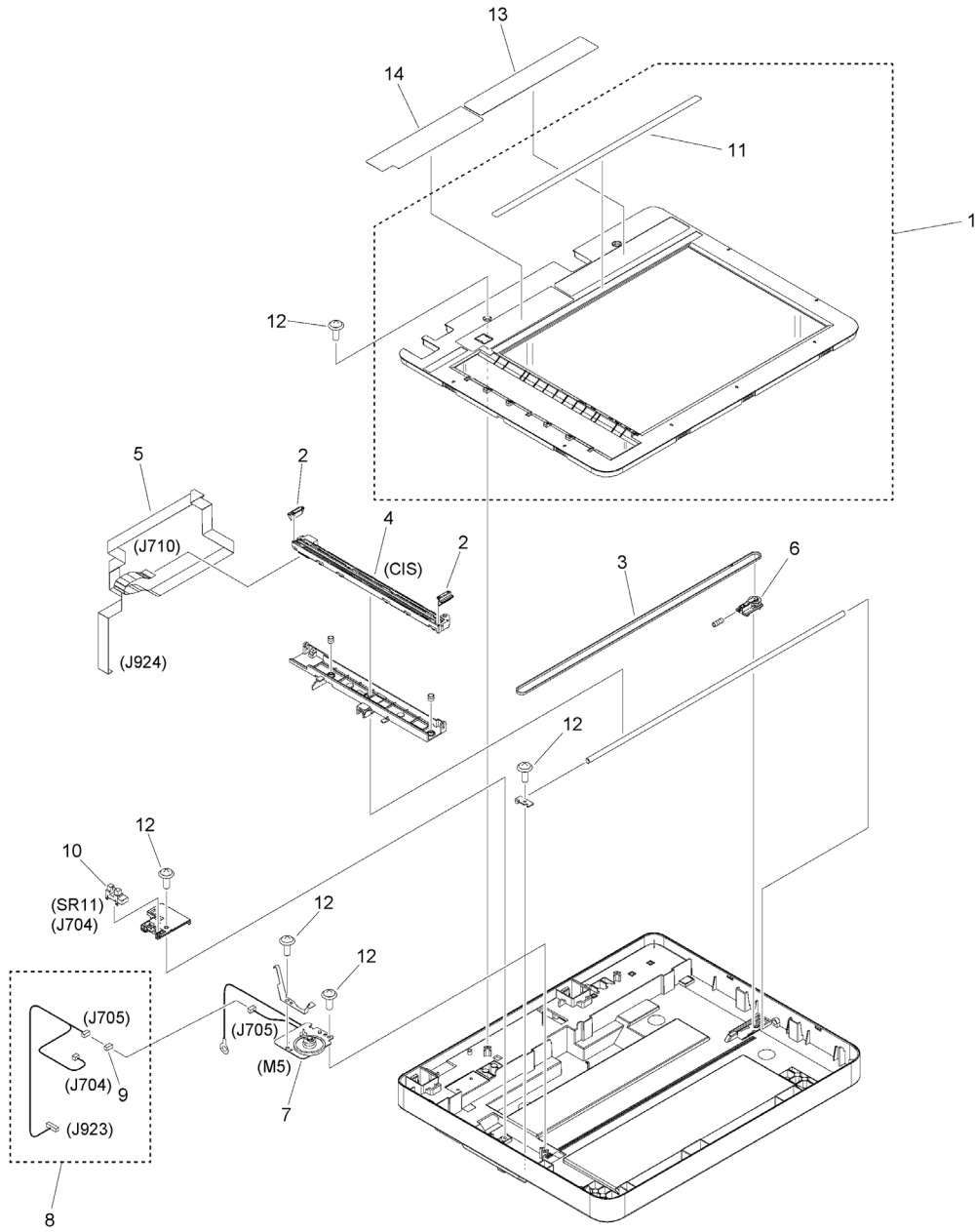


FIGURE & KEY NO.	PART NUMBER	RANK	QTY	DESCRIPTION	SERIAL NUMBER /REMARKS
400C	FM1-W052-000		1	READER ASSEMBLY	SINGLE PASS ADF model
1	FM1-U354-000		1	COPYBOARD GLASS UNIT	
2	FE8-3479-000		2	SPACER, CIS	
3	FE8-3582-000		1	BELT, TIMING	
4	FK4-4050-000		1	CONTACT IMAGE SENSOR,FA106H-01	CIS
5	FK4-5059-000		1	CABLE, FLAT	
6	FL1-1412-000		1	PULLEY UNIT	
7	FM1-V349-000		1	DC MOTOR ASSEMBLY	M5
8	FM2-C964-000		1	CABLE, READER SIGNAL, 2	
9	VS1-7177-004		1	CONNECTOR, SNAP TIGHT, BK	
10	WG8-5935-000		1	IC, PHOTO INTERRUPTER	SR11
11	FE8-4192-000		1	LABEL, WIDTH SIZE	
12	XA9-0476-000		8	SCREW,TP M3X8	
13	FE8-4198-000		1	LABEL, COPY PROHIBITION	SEE NOTE
14	FE8-4194-000		1	LABEL, GLASS CLEANING	MF746Cdw, MF745Cdw, MF743Cdw SEE NOTE
14	FE8-4196-000		1	LABEL, GLASS CLEANING	MF746Cx SEE NOTE



Figure 400D READER ASSEMBLY (SINGLE SIDE ADF model)

NOTE : This assembly does not include the parts shown with key No. 13 and 14.

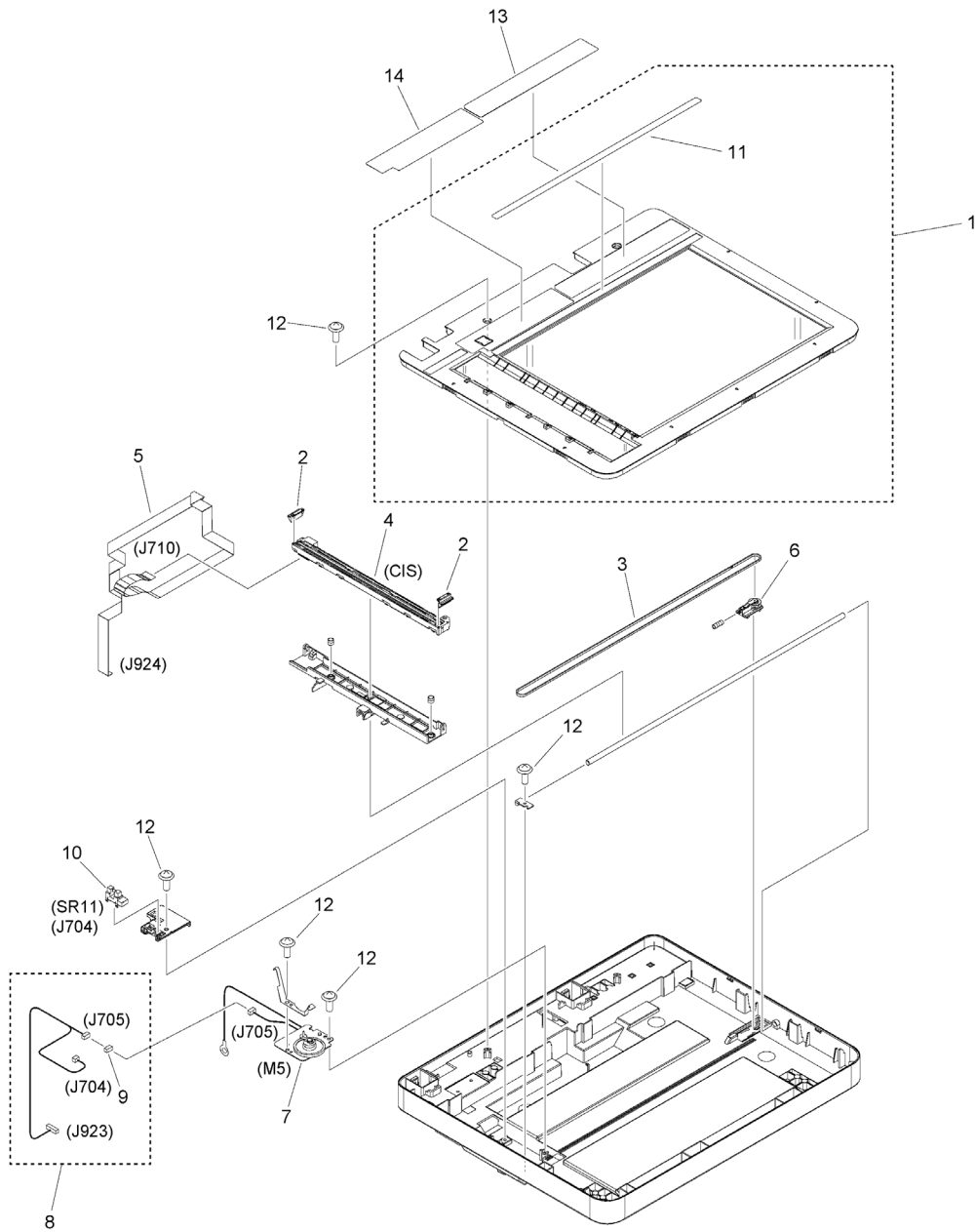


FIGURE & KEY NO.	PART NUMBER	RANK	QTY	DESCRIPTION	SERIAL NUMBER /REMARKS
400D	FM1-W244-000		1	READER ASSEMBLY	SINGLE SIDE ADF model
1	FM1-W187-000		1	COPYBOARD GLASS UNIT	
2	FE8-3479-000		2	SPACER, CIS	
3	FE8-3582-000		1	BELT, TIMING	
4	FK4-4050-000		1	CONTACT IMAGE SENSOR,FA106H-01	CIS
5	FK4-5059-000		1	CABLE, FLAT	
6	FL1-1412-000		1	PULLEY UNIT	
7	FM1-V349-000		1	DC MOTOR ASSEMBLY	M5
8	FM2-C964-000		1	CABLE, READER SIGNAL, 2	
9	VS1-7177-004		1	CONNECTOR, SNAP TIGHT, BK	
10	WG8-5935-000		1	IC, PHOTO INTERRUPTER	SR11
11	FE8-4192-000		1	LABEL, WIDTH SIZE	
12	XA9-0476-000		8	SCREW,TP M3X8	
13	FE8-4198-000		1	LABEL, COPY PROHIBITION	SEE NOTE
14	FE8-4194-000		1	LABEL, GLASS CLEANING	SEE NOTE

## Figure ZZA MECHANICAL STANDARD PARTS (HOW TO USE)

### Mechanical standard parts 機械標準部品

#### About a mechanical standard parts

A Mechanical standard parts is a mechanical part which not parts peculiar to a product.  
They are parts which are common to a Canon product and are used, such as a screw and a washer.  
The Fig No. and parts number of the mechanical standard parts are not listed in the product parts catalog.  
Refer to the parts catalog of mechanical standard parts when checking the parts number for screw or washer etc. and identify them by part shape or size.

#### 機械標準部品とは

機械標準部品とは、製品特有の部品ではなく、ねじやワッシャなどキヤノン製品共通で使用されている機械部品（メカ部品）のことです。  
製品のパーツカタログには、機械標準部品のFig No.や部品番号は記載していません。  
ねじや、ワッシャ等の部品番号を調べる時は、機械標準部品のパーツカタログを参照し、部品の形状や大きさから判断し、使用している部品を調べてください。

#### Material and surface treatment of a mechanical standard parts

Material and surface treatment of mechanical standard parts are assigned commonly for each part.  
Refer to the Table 1 for the parts which material and surface treatment are assigned as numbers.

#### 機械標準部品の材料および表面処理

機械標準部品の材料および表面処理については、各種部品共通で決められています。  
材料および表面処理が番号で決められている部品については、表1を参照してください。

Table 1 Material and Surface treatment  
表1 材料および表面処理

No. 番号	Material 材料	Surface treatment 表面処理	Color 色
1	Stainless steel ステンレス	Stainless steel black coloring (BC4) ステンレス黒着色(BC4)	Black 黒
2		not to be given なし	White 白
3	Brass 黄銅	Regular nickel plating (NL) 普通ニッケルメッキ(NL)	White 白
4		Black nickel plating (BN) 黒色ニッケルメッキ(BN)	Black 黒
5	Steel 鋼	White zinc trivalent chromate treating (ZC3) 白色亜鉛3価クロメート(ZC3)	White 白
6		Regular nickel chromium plating (NC) 普通ニッケルクロムメッキ(NC)	White 白
7		Regular nickel plating (NL) 普通ニッケルメッキ(NL)	White 白
8		Iron and steel phosphating (P1) 鉄鋼燐酸塩処理(P1)	Black 黒
9		Black zinc trivalent chromate treating (BZ3) 黒色亜鉛3価クロメート(BZ3)	Black 黒

Figure ZZB (1/7)MECHANICAL STANDARD PARTS (SCREWS)

1. Screws  
ねじ

How to read Parts Numbers  
部品番号の見方

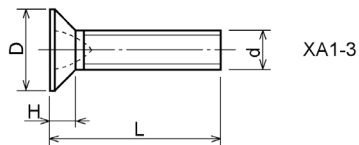
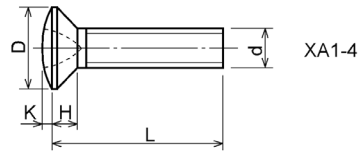
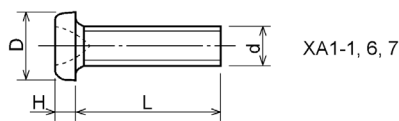
Screws  
ねじ

XB1-2400-609

Type No.  
類別番号  
Normal designation (d)  
ねじの呼び (d)  
Length (L)  
ねじの長さ (L)  
Material and Surface treatment  
材料および表面処理

XB1-2 expresses Binding head machine screw.  
XB1-2は、バインドねじを表す  
40 expresses M4.0.  
40は、M4.0を表す  
0-60 expresses a length of 6.0mm.  
0-60は、6.0mmの長さを表す  
9 expresses Steel (Black zinc trivalent chromate  
treating) from Table 1.  
9は、表1より鋼 (黒色亜鉛3価クロメート) を表す

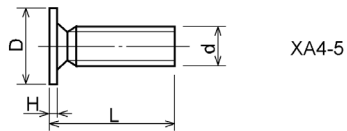
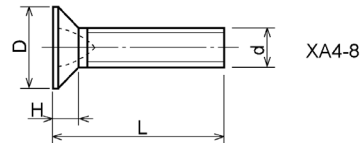
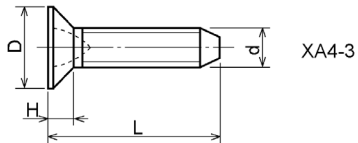
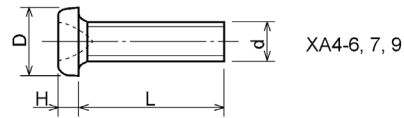
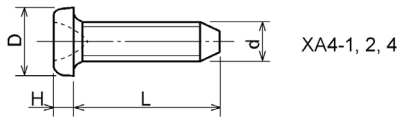
1-1. Cross Recessed Head Screws for Precision Equipments  
精密機器用十字穴付き小ねじ



Type No. 類別番号	Type 類別	Head size (mm) 頭部寸法 (mm)						
		M1.4	M1.6	M1.7	M2	M2.5	M2.6	
XA1-1	Pan head Class 1 なべ1種	D	2	2.4	2.5	3	3.8	4
		H	0.5	0.55	0.5	0.6	0.9	0.8
XA1-3	Countersunk head Class 1 さら1種	D	2	2.4	2.5	3	3.8	4
		H	0.48	0.55	0.58	0.73	0.85	0.93
XA1-4	Oval countersunk head Class 1 丸さら1種	D	2	2.4	2.5	3	3.8	4
		H + K	0.68	0.8	0.88	1	1.25	1.3
XA1-6	Pan head Class 3 なべ3種	D	2.5	2.8	3	3.5	4.3	4.5
		H	0.8	0.85	0.9	1	1.3	1.2
XA1-7	Pan head Class 2 なべ2種	D	2.5	2.8	3	3.5	4.3	4.5
		H	0.5	0.55	0.5	0.6	0.9	0.8

Figure ZZB (2/7) MECHANICAL STANDARD PARTS (SCREWS)

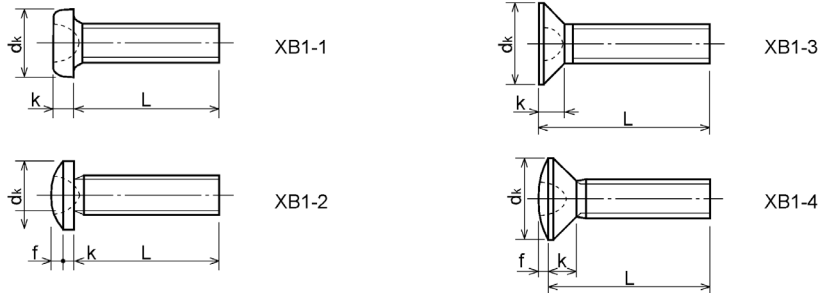
1-2. Precision Tapping Screws  
精密用タッピンねじ



Type No. 類別番号	Type 類別	Head size (mm) 頭部寸法 (mm)						
		M1.4	M1.6	M1.7	M2	M2.5	M2.6	
XA4-1	With tapered end pan head Class 1 絞り-なべ1種	D XA4-1	2	2.4	2.5	3	3.8	4
		H XA4-1	0.5	0.55	0.5	0.6	0.9	0.8
XA4-2	With tapered end pan head Class 3 絞り-なべ3種	D XA4-2	2.5	2.8	3	3.5	4.3	4.5
		H XA4-2	0.8	0.85	0.9	1	1.3	1.2
XA4-3	With tapered end countersunk head 絞り-さら	D XA4-3	2	2.4	2.5	3	3.8	4
		H XA4-3	0.48	0.55	0.58	0.73	0.85	0.93
XA4-4	With tapered end pan head Class 2 絞り-なべ2種	D XA4-4	2.5	2.8	3	3.5	4.3	4.5
		H XA4-4	0.5	0.55	0.5	0.6	0.9	0.8
XA4-5	With parallel end ultra thin head ストレート-超薄頭	D XA4-5	2.5	2.8	3	-	-	-
		H XA4-5	0.2	0.2	0.2	-	-	-
XA4-6	With parallel end pan head Class 1 ストレート-なべ1種	D XA4-6	2	2.4	2.5	3	3.8	4
		H XA4-6	0.5	0.55	0.5	0.6	0.9	0.8
XA4-7	With parallel end pan head Class 3 ストレート-なべ3種	D XA4-7	2.5	2.8	3	3.5	4.3	4.5
		H XA4-7	0.8	0.85	0.9	1	1.3	1.2
XA4-8	With parallel end countersunk head ストレート-さら	D XA4-8	2	2.4	2.5	3	3.8	4
		H XA4-8	0.48	0.55	0.58	0.73	0.85	0.93
XA4-9	With parallel end pan head Class 2 ストレート-なべ2種	D XA4-9	2.5	2.8	3	3.5	4.3	4.5
		H XA4-9	0.5	0.55	0.5	0.6	0.9	0.8

Figure ZZB (3/7)MECHANICAL STANDARD PARTS (SCREWS)

1-3. Cross Recessed Head Screws  
一般用十字穴付き小ねじ

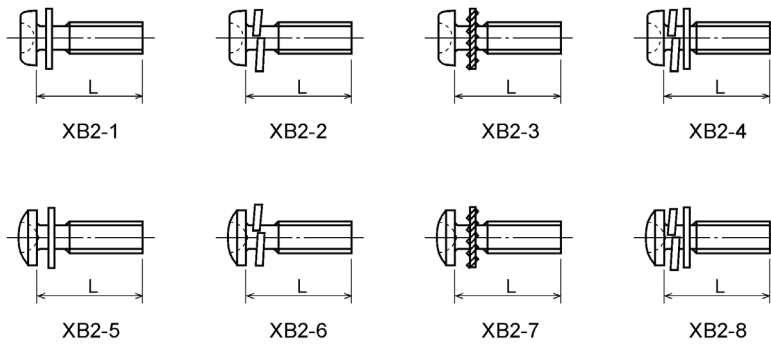


Type No. 類別番号	Type 類別
XB1-1	Pan head なべ
XB1-2	Binding head バインド
XB1-3	Countersunk head さら
XB1-4	Oval countersunk head 丸さら

		Head size (mm) 頭部寸法 (mm)					
		M2	M2.5	M2.6	M3	M4	M5
d <sub>k</sub>	XB1-1	3.5	4.5	4.5	5.5	7	9
k	XB1-1	1.3	1.7	1.7	2	2.6	3.3
d <sub>k</sub>	XB1-2	4.3	5.3	5.5	6.3	8.3	10.3
k+f	XB1-2	1.2	1.5	1.6	1.9	2.5	3.1
d <sub>k</sub>	XB1-3	4	5	-	6	8	10
k	XB1-3	1.2	1.45	-	1.75	2.3	2.8
d <sub>k</sub>	XB1-4	4	5	-	6	8	10
k+f	XB1-4	1.6	2	-	2.45	3.2	4
Screw part length ねじ部長さ b		8	12	12	12	16	20

Figure ZZB (4/7) MECHANICAL STANDARD PARTS (SCREWS)

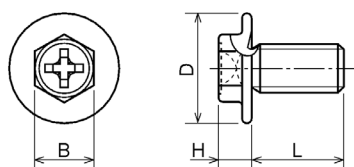
1-4. Cross Recessed Head Screws with Captive Washer  
座金組込み十字穴付き小ねじ



Type No. 類別番号	Type 類別
XB2-1	Pan head + Plain washer (circular bright) なべねじ+平座金
XB2-2	Pan head + Spring washer なべねじ+ばね座金
XB2-3	Pan head + Toothed lock washer なべねじ+歯付座金
XB2-4	Pan head + Spring washer and plain washer (circular bright) なべねじ+(ばね+平)座金
XB2-5	Binding head + Plain washer (circular bright) バインドねじ+平座金
XB2-6	Binding head + Spring washer バインドねじ+ばね座金
XB2-7	Binding head + Toothed lock washer バインドねじ+歯付座金
XB2-8	Binding head + Spring washer and plain washer (circular bright) バインドねじ+(ばね+平)座金

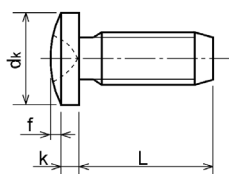
Figure ZZB (5/7) MECHANICAL STANDARD PARTS (SCREWS)

1-5. Hexagon Head Tapping Screws for Matallic Materials  
 金属用六角タッピンねじ



Type No. 類別番号	Type 類別	Head size (mm) 頭部寸法 (mm)		
		M3	M4	
XB3-6	For metallic materials 金属用タッピン	D	8	10
		B	5.5	5.5
XB3-7	For metallic materials with clawed 金属用タッピン-つめ付き	H XB3-6	3.1	3.1
		H XB3-7	3.2	3.2

1-6. Special Tapping Screws  
 特殊タッピンねじ

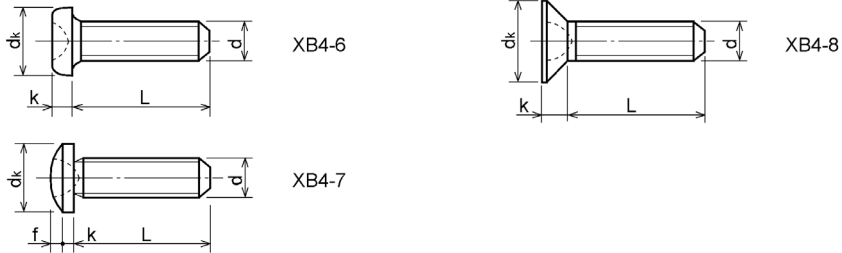


Type No. 類別番号	Type 類別	Head size (mm) 頭部寸法 (mm)		
		M3	M4	
XB4-5	Binding head バインド	dk	6.3	8.3
		k	1.3	1.7
		k+f	1.9	2.5



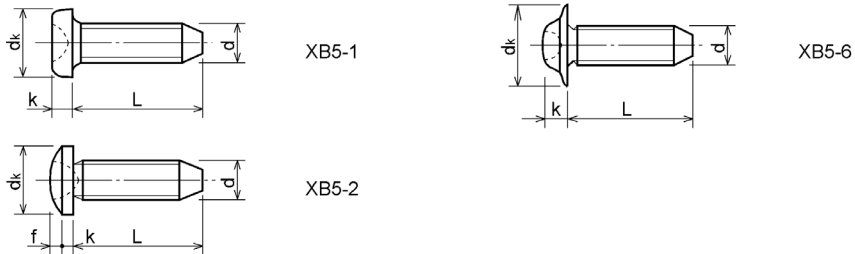
Figure ZZB (6/7) MECHANICAL STANDARD PARTS (SCREWS)

1-7. General Head Tapping Screws  
一般用タッピンねじ



Type No. 類別番号	Type 類別	Head size (mm) 頭部寸法 (mm)						
		M2	M2.5	M2.6	M3	M4	M5	
XB4-6	Pan head なべ	dk	3.5	4.5	4.5	5.5	7	9
		k	1.3	1.7	1.7	2	2.6	3.3
XB4-7	Binding head バインド	dk	4.3	5.3	5.5	6.3	8.3	10.3
		k+f	1.2	1.5	1.6	1.9	2.5	3.1
XB4-8	Countersunk head さら	dk	4	5	5.2	6	8	10
		k	1.2	1.45	1.5	1.75	2.3	2.8

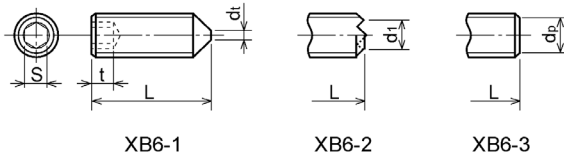
1-8. Tapping Screws for Metallic Materials  
金属用タッピンねじ



Type No. 類別番号	Type 類別	Head size (mm) 頭部寸法 (mm)					
		M2.5	M2.6	M3	M4	M5	
XB5-1	Pan head なべ	dk	4.5	4.5	5.5	7	9
		k	1.7	1.7	2	2.6	3.3
XB5-2	Binding head バインド	dk	5.5	5.5	6.3	8.3	10.3
		k+f	1.6	1.6	1.9	2.5	3.1
XB5-6	Flanged pan head つば付きなべ	dk	6.5	6.5	8	10	12
		k	2.1	2.1	1.75	3.2	4

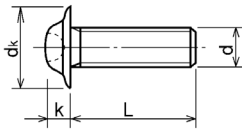
Figure ZZB (7/7) MECHANICAL STANDARD PARTS (SCREWS)

1-9. Hexagon Socket Set Screws  
六角穴付き止めねじ



Type No. 類別番号	Type 類別	Head size (mm) 頭部寸法 (mm)						
		M1.6 M1.7	M2	M2.5 M2.6	M3	M5	M5	M6
	S	0.7	0.9	1.3	1.5	2	2.5	3
	t	1.5	1.7	2	2	2.5	3	3.5
	dt max XB6-1	0.4	0.5	0.65	0.75	1	1.25	1.5
	d1 max XB6-2	-	1.2	1.5	1.7	2.2	2.8	3.3
	d1 min XB6-2	-	1	1.2	1.4	1.9	2.4	2.9
	dp max XB6-3	0.8	1	1.5	2	2.5	3.5	4
	dp min XB6-3	0.55	0.75	1.25	1.75	2.25	3.2	3.7

1-10. Flanged Pan Head Machine Screws  
つば付きなべ小ねじ



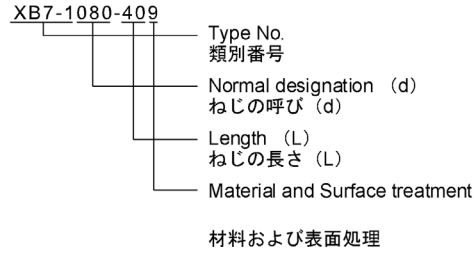
Type No. 類別番号	Type 類別	Head size (mm) 頭部寸法 (mm)				
		M2	M2.5 M2.6	M3	M5	M5
	dk	5	6.5	8	10	12
	k	1.7	2.1	2.5	3.2	4

Figure ZZC MECHANICAL STANDARD PARTS (BOLTS)

2. Bolts (Socket head cap screw)  
ボルト

How to read Parts Numbers  
部品番号の見方

Bolt (Socket head cap screw)  
ボルト



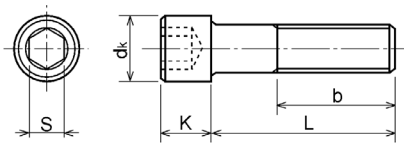
XB7-1 expresses Hexagon socket head cap screws.  
XB7-1は、六角穴付きボルトを表す

080 expresses M8.0.  
080は、M8.0を表す

40 expresses a length of 40mm.  
40は、40mmの長さを表す

9 expresses Steel (Black zinc trivalent chromate treating) from Table 1.  
9は、表1より鋼（黒色亜鉛3価クロメート）を表す

2-1. Hexagon socket head cap screws  
六角穴付きボルト

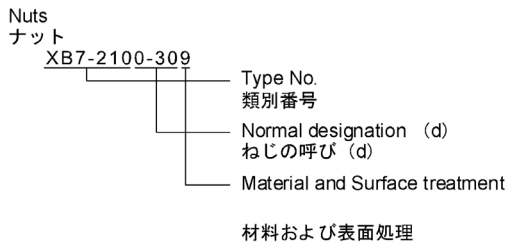


Type No. 類別番号	Type 類別	Head size (mm) 頭部寸法 (mm)						
		M3	M4	M5	M6	M8	M10	M12
S		2.5	3	4	5	6	8	10
dk		5.5	7	8.5	10	13	16	18
K		3	4	5	6	8	10	12
Screw part length ねじ部長さ $b_{max}$		18	20	22	24	28	32	36

Figure ZZD MECHANICAL STANDARD PARTS (NUTS)

3. Nuts  
ナット

How to read Parts Numbers  
部品番号の見方

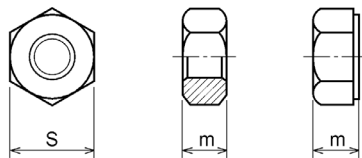


XB7-210 expresses Hexagon nut class 1.  
XB7-210は、六角ナット1種を表す

0-30 expresses M3.0.  
0-30は、M3.0を表す

9 expresses Steel (Black zinc trivalent chromate treating) from Table 1.  
9は、表1より鋼（黒色亜鉛3価クロメート）を表す

3-1. Hexagon Nuts and Hexagon Thin Nuts  
六角ナット

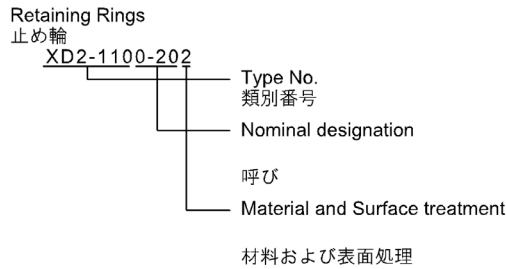


Type No. 類別番号	Type 類別	Head size (mm) 頭部寸法 (mm)						
		M2	M2.5	M3	M4	M5	M6	M8
S		4	5	5.5	7	8	10	13
m XB7-210	Hexagon nut Class 1 六角ナット-1種	1.6	2	2.4	3.2	4	5	6.5
m XB7-220	Hexagon nut Class 3 六角ナット-3種	1.2	1.6	1.8	2.4	3.2	3.6	5
m XB7-230, 231	Hexagon nut Style 1 double chamfered 六角ナット-スタイル1-両面とり	1.6	2	2.4	3.2	4.7	5.2	6.8
m XB7-240, 241	Hexagon nut Style 2 double chamfered 六角ナット-スタイル2-両面とり	-	-	-	-	5.1	5.7	7.5
m XB7-250	Hexagon nut 六角ナット	-	-	-	-	5.6	6.1	7.9
m XB7-260	Hexagon thin nut double chamfered 六角低ナット-両面とり	1.2	1.6	1.8	2.2	2.7	3.2	4
m XB7-270	Hexagon thin nut not chamfered 六角低ナット-面とり無し	1.2	1.6	1.8	2.2	2.7	3.2	4

Figure ZZE (1/3)MECHANICAL STANDARD PARTS (RETAINING RINGS)

5. Retaining Rings  
止め輪

How to read Parts Numbers  
部品番号の見方

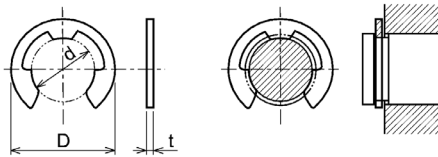


XD2-110 expresses retaining ring-E type (Type1).  
XD2-110は、E形止め輪（1種）を表す

0-20 expresses a 020 of nominal designation.  
(See Table 5)  
0-20は、呼び020を表す（表5参照）

2 expresses Stainless steel (Surface treatment is not to be given) from Table 1.  
2は、表1よりステンレス（表面処理なし）を表す

5-1. Retaining Rings - E type  
E形止め輪



Type No. 類別番号	Type 類別
XD2-110	Retaining ring - E type (Type 1) E形止め輪（1種）
XD2-120	Retaining ring - E type (Type 2) E形止め輪（2種）

Table 5 表5

Type 種類	Nominal designation 呼び	d (mm)	D (mm)	t (mm)
Type 1 1種	007	0.65	2	0.2
	010	0.95	2.8	0.2
	013	1.25	3.3	0.3
	017	1.65	4.2	0.4
	020	1.95	4.6	0.5
	024	2.35	6	0.6
	028	2.74	6.5	0.6
	032	3.14	7.2	0.6
	037	3.64	8	0.7
	040	3.93	10	0.7
	042	4.13	10	0.7
	050	4.93	11	0.7
	058	5.73	12	0.7
	060	5.93	12.7	0.9
064	6.32	13.5	0.9	
074	7.31	15	0.9	
080	7.91	16.5	1	
Type 2 2種	008	0.8	2	0.2
	012	1.2	3	0.3
	015	1.5	4	0.4
	020	2	5	0.4
	025	2.5	6	0.4
	030	3	7	0.6
	040	4	9	0.6
	050	5	11	0.6
	060	6	12	0.8
	070	7	14	0.8
	080	8	16	0.8
	090	9	18	0.8
	100	10	20	1

Figure ZZE (2/3)MECHANICAL STANDARD PARTS (RETAINING RINGS)

5-2. Grip Rings  
グリップ止め輪

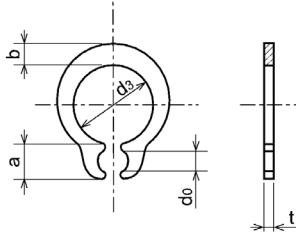


Table 5 表5

Nominal designation 呼び	$d_3$ (mm)	$t$ (mm)	$b$ (mm)	$a$ (mm)	$d_o$ (mm)
020	1.9	0.5	1	1.8	0.8
025	2.35	0.5	1.2	1.9	0.9
030	2.85	0.6	1.4	1.9	0.9
035	3.3	0.6	1.6	2	0.9
040	3.8	0.8	1.8	2.8	1.2
045	4.25	0.8	2	2.9	1.3
050	4.75	0.8	2.2	2.9	1.3
060	5.7	1	2.4	3.1	1.4
070	6.7	1	2.7	3.3	1.4
080	7.7	1	3	3.5	1.4
090	8.65	1.2	3.3	4.7	1.5
100	9.65	1.2	3.5	4.7	2

Type No. 類別番号	Type 類別
XD2-210	Grip ring グリップ止め輪

5-3. Toothed Retaining Rings  
歯付き形止め輪

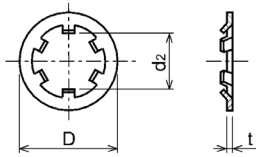


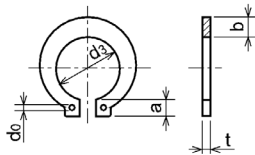
Table 5 表5

Nominal designation 呼び	$d_z$ (mm)	$D$ (mm)	$t$ (mm)	No of teeth 歯数
015	1.4	5.2	0.25	3
020	1.9	6	0.25	3
024	2.3	6.4	0.25	3
030	2.8	8	0.25	4
040	3.8	9	0.25	4
050	4.8	10	0.25	5
060	5.8	11	0.25	5
080	7.8	13	0.25	5
100	9.8	15.4	0.25	6

Type No. 類別番号	Type 類別
XD2-230	Toothed retaining ring 歯付き形止め輪

Figure ZZE (3/3)MECHANICAL STANDARD PARTS (RETAINING RINGS)

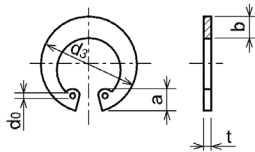
5-4. Retaining Rings - C Type  
C形止め輪



Type No. 類別番号	Type 類別
XD2-310	Retaining ring - C type for shaft C形止め輪 軸用

Table 5 表5

Nominal designation 呼び	ds (mm)	t (mm)	b (mm)	a (mm)	do (mm)
010	9.3	1	1.6	3	1.2
012	11.1	1	1.8	3.2	1.5
014	12.9	1	2	3.4	1.7
015	13.8	1	2.1	3.5	1.7
016	14.7	1	2.2	3.6	1.7
017	15.7	1	2.2	3.7	1.7
018	16.5	1.2	2.6	3.8	1.7
020	18.5	1.2	2.7	3.9	2
022	20.5	1.2	2.7	4.1	2
025	23.2	1.2	3.1	4.3	2
028	25.9	1.5	3.1	4.6	2
030	27.9	1.5	3.5	4.8	2
032	29.6	1.5	3.5	5	2.5
035	32.2	1.5	4	5.4	2.5



Type No. 類別番号	Type 類別
XD2-320	Retaining ring - C type for hole C形止め輪 穴用

Table 5 表5

Nominal designation 呼び	ds (mm)	t (mm)	b (mm)	a (mm)	do (mm)
010	10.7	1	1.8	3.1	1.2
011	11.8	1	1.8	3.2	1.2
012	13	1	1.8	3.3	1.5
014	15.1	1	2	3.6	1.7
016	17.3	1	2	3.7	1.7
018	19.5	1	2.5	4	1.7
019	20.5	1	2.5	4	2
020	21.5	1	2.5	4	2
022	23.5	1	2.5	4.1	2
025	26.9	1.2	3	4.4	2
028	30.1	1.2	3	4.6	2
030	32.1	1.2	3	4.7	2
032	34.4	1.2	3.5	5.2	2.5
035	37.8	1.5	3.5	5.2	2.5
037	39.8	1.5	3.5	5.2	2.5
040	43.5	1.8	4	5.7	2.5
042	45.5	1.8	4	5.8	2.5
045	48.5	1.8	4.5	5.9	2.5
047	50.5	1.8	4.5	6.1	2.5
050	54.2	2	4.5	6.5	2.5
052	56.2	2	5.1	6.5	2.5
055	59.2	2	5.1	6.5	2.5
060	64.2	2	5.1	6.8	2.5
062	66.2	2	5.5	6.9	2.5
068	72.5	2.5	6	7.4	2.5
072	76.5	2.5	6.6	7.4	2.5
075	79.5	2.5	6.6	7.8	2.5
080	85.5	2.5	7	8	2.5
085	90.5	3	7	8	3
090	95.5	3	7.6	8.3	3
095	100.5	3	8	8.5	3