

imageCLASS MF515dw

PARTS CATALOG



Canon

**March 15, 2016
Rev. 0**

Index

SNLU	Product Code No. /Serial No.
A1	ASSEMBLY LOCATION DIAGRAM
A2	OPTION PARTS CATALOG LIST
001B	ACCESSORIES (120V)
001C	ACCESSORIES (230V)
100B	EXTERNAL COVERS, PANELS, ETC. (120V)
100C	EXTERNAL COVERS, PANELS, ETC. (100V, 230V)
101	INTERNAL COMPONENTS 1
102	INTERNAL COMPONENTS 2
103	INTERNAL COMPONENTS 3
104	INTERNAL COMPONENTS 4
105B	INTERNAL COMPONENTS 5 (120V)
105C	INTERNAL COMPONENTS 5 (230V)
106	INTERNAL COMPONENTS 6
160B	READER/ADF ASSEMBLY (A/INCH)
160C	READER/ADF ASSEMBLY (A/B/INCH)
162A	PAPER FEEDER ASSEMBLY (MF515, 512, 511, 419, 418)
400	READER ASSEMBLY
930B	MAIN CONTROLLER PCB ASSEMBLY
ZZA	MECHANICAL STANDARD PARTS (HOW TO USE)
ZZB	MECHANICAL STANDARD PARTS (SCREWS)
ZZC	MECHANICAL STANDARD PARTS (BOLTS)
ZZD	MECHANICAL STANDARD PARTS (NUTS)
ZZE	MECHANICAL STANDARD PARTS (RETAINING RINGS)

Figure SNLU Product Code No./Serial No.

	Product Code No.	Model Name	Remarks	Serial No.
1	F16-8831-000	imageCLASS MF515dw	120V	UVT
2	F16-8841-000	imageCLASS MF515dw	230V	UVQ

	中オーダー	製品名	備考	シリアル No.
1	F16-8831-000	imageCLASS MF515dw	120V	UVT
2	F16-8841-000	imageCLASS MF515dw	230V	UVQ

FIGURE & KEY NO.	PART NUMBER	RANK	QTY	DESCRIPTION	SERIAL NUMBER /REMARKS
SNLU	NPN		RF	Product Code No./Serial No.	
1	F16-8831-000		1	imageCLASS MF515dw	UVT 120V
2	F16-8841-000		1	imageCLASS MF515dw	UVQ 230V

Figure A1 ASSEMBLY LOCATION DIAGRAM

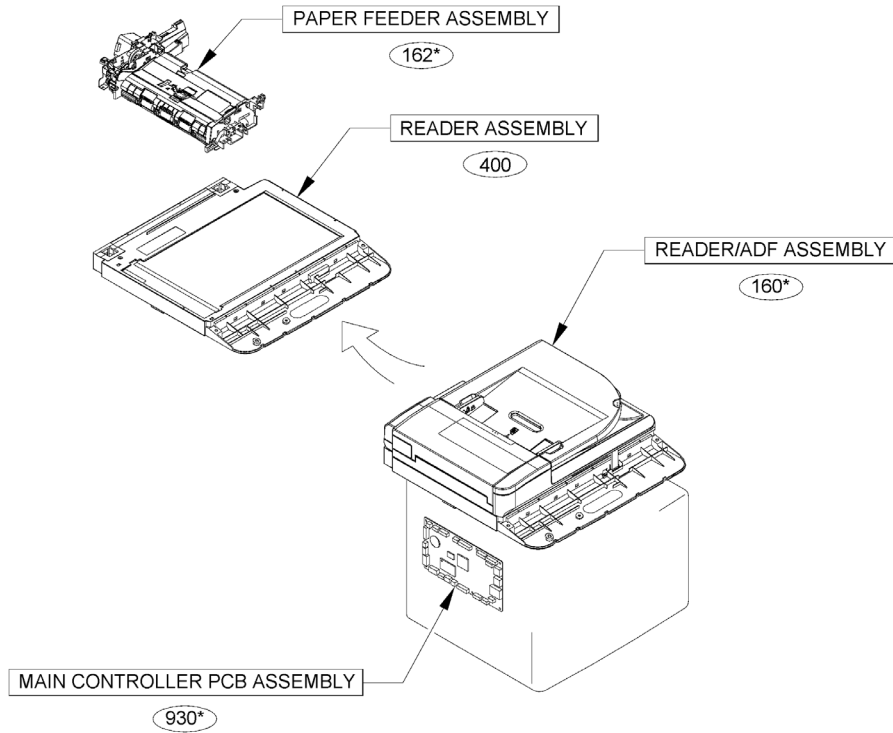


Figure A2 OPTION PARTS CATALOG LIST

This is the table of the machine's options whose parts catalog is issued.
 本機のオプションで、パーツカタログが発行されている機種の一覧である。

No.	Model Name(English)	Model Name(Japanese)
1	Paper Feeder Unit PF-45	ペーパーフィーダユニット PF - 4 5
2	Copy Card Reader Attachment-J1	(日本仕向けなし)
3	HAND SET-J1	ハンドセット・J 1

Figure 001B ACCESSORIES (120V)

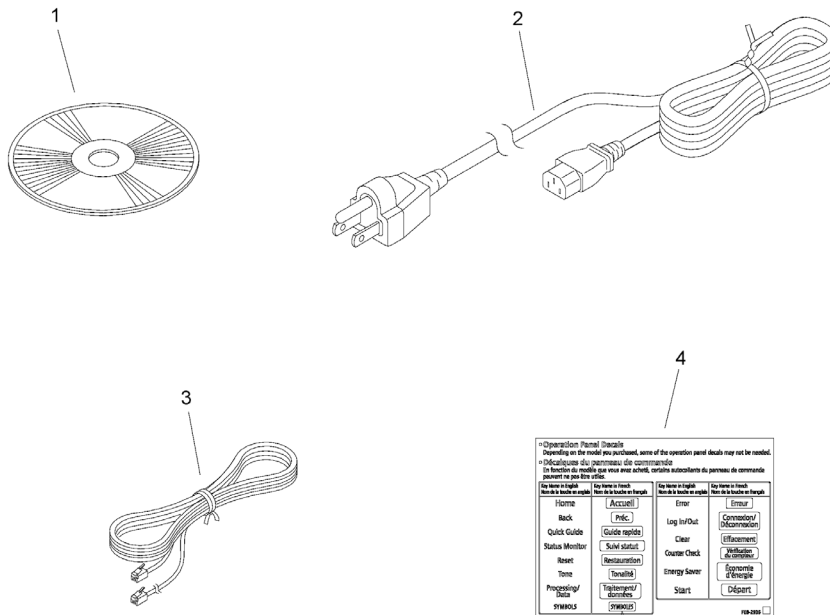


FIGURE & KEY NO.	PART NUMBER	RANK	QTY	DESCRIPTION	SERIAL NUMBER /REMARKS
001B	NPN		RF	ACCESSORIES	120V
1	FM1-W855-000		1	DVD-ROM, USER SOFTWARE	
2	FK2-9583-000		1	CORD, POWER	
3	FK2-5275-000		1	CORD, MODULAR	
4	FE8-2936-000		1	LABEL, PANEL	

Figure 001C ACCESSORIES (230V)

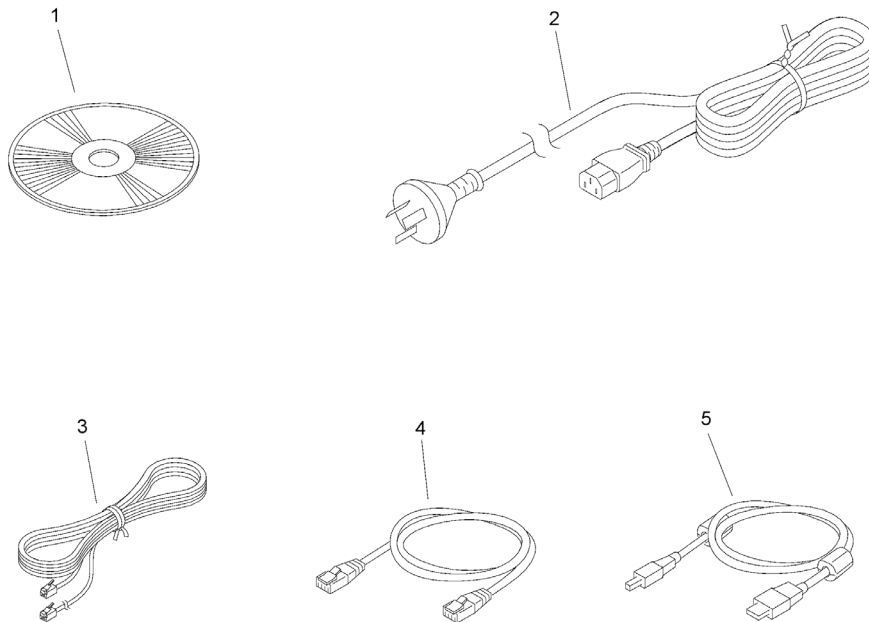


FIGURE & KEY NO.	PART NUMBER	RANK	QTY	DESCRIPTION	SERIAL NUMBER /REMARKS
001C	NPN		RF	ACCESSORIES	230V
1	FM1-W857-000		1	DVD-ROM, USER SOFTWARE	
2	FH2-7080-000		1	CORD, POWER, 230V	
3	FK2-5275-000		1	CORD, MODULAR	
4	FK4-1822-000		1	CABLE, LAN	
5	FK4-1821-000		1	CABLE, USB	

Figure 100B (1/2)EXTERNAL COVERS, PANELS, ETC. (120V)

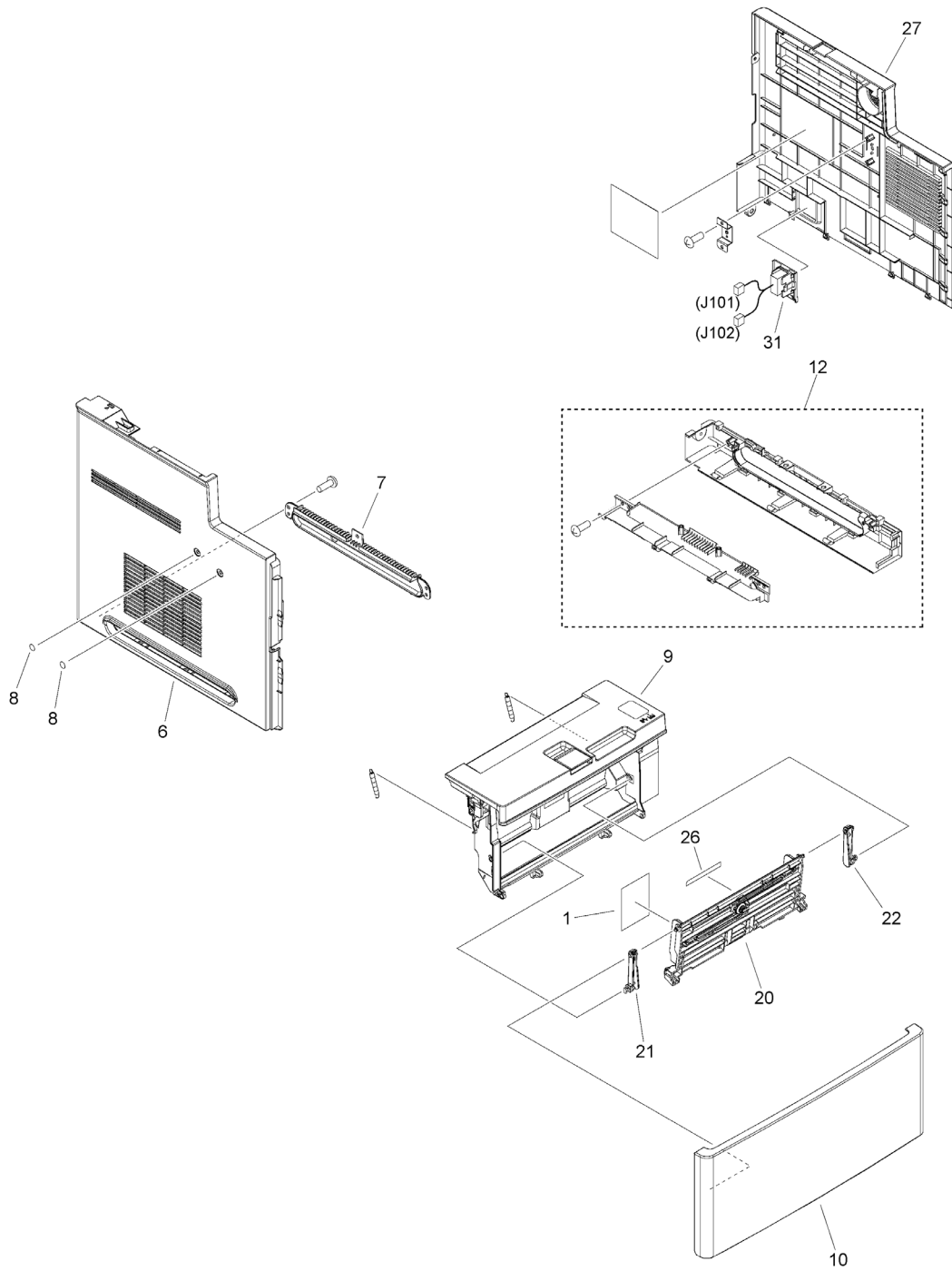


Figure 100B (2/2) EXTERNAL COVERS, PANELS, ETC. (120V)

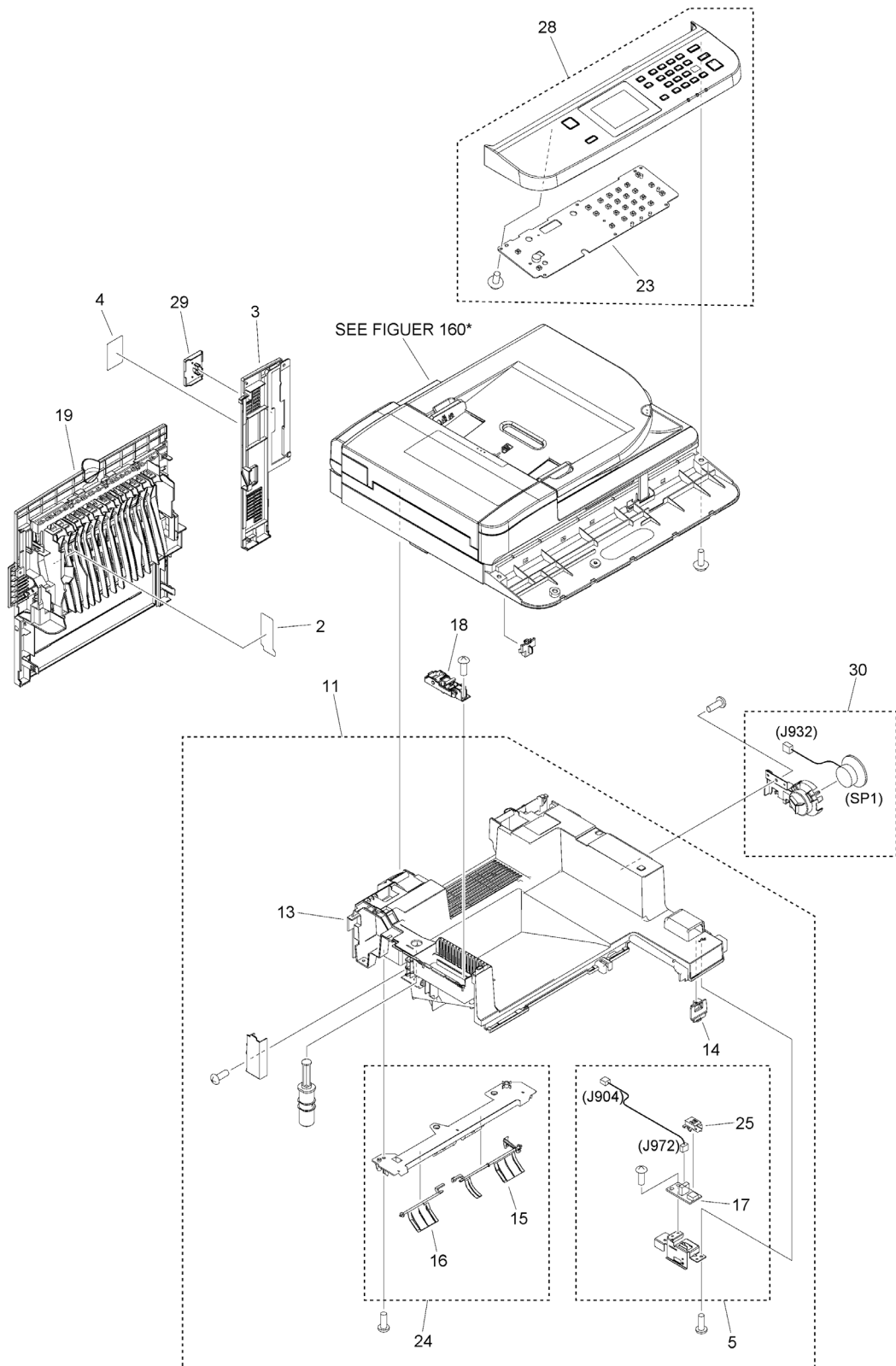


FIGURE & KEY NO.	PART NUMBER	RANK	QTY	DESCRIPTION	SERIAL NUMBER /REMARKS
100B	NPN		RF	EXTERNAL COVERS, PANELS, ETC.	
1	FC9-5368-000		1	LABEL, PRINT INSTRUCTION	
2	FC9-5370-000		1	LABEL, HIGH TMP. CAUTION	
3	FE4-7876-000		1	COVER, RIGHT, REAR	
4	FE4-8229-000		1	LABEL, REAR, JAM, OPERATION	
5	FM1-K279-000		1	USB, HOST, UNIT	
6	FE4-7868-000		1	COVER, LEFT	
7	FE4-7873-000		1	COVER, HANDLE, LEFT	
8	FL1-0525-000		2	SHEET, HANDSET	
9	FM1-K272-000		1	CARTRIDGE COVER ASSEMBLY	
10	FM1-K273-000		1	M.P. COVER ASSEMBLY	
11	FM1-K276-000		1	COVER, TOP, UNIT, MA	
12	FM1-K275-000		1	COVER ASSEMBLY, LOWER RIGHT	
13	FE4-7842-000		1	COVER, UPPER	
14	FE4-7844-000		1	COVER, USB	
15	RM1-6308-000		1	FULL DETECT FLAG ASSEMBLY	
16	RM1-6309-000		1	FACE-DOWN FLAG ASSEMBLY	
17	FM1-R870-000		1	USB RELAY PCB ASSEMBLY	
18	FM3-9816-000		1	HINGE ASSEMBLY	
19	FM4-2203-000		1	REAR COVER ASS'Y	
20	FM4-2251-000		1	M.P. TRAY LIFTING PLATE ASS'Y	
21	RC2-7705-000		1	ARM, HINGE, LEFT	
22	RC2-7706-000		1	ARM, HINGE, RIGHT	
23	FM1-N239-000		1	CONTROL PANEL PCB ASSEMBLY	
24	FM1-K277-000		1	SUB COVER ASS'Y, TOP	
25	FE8-0014-000		1	PLATE, USB, GROUNDING	
26	FC9-5377-000		1	LABEL, MULTI-PURPOSE SIZE	
27	FE4-7869-000		1	COVER, RIGHT	
28	FM1-K222-000		1	CONTROL PANEL ASSEMBLY	
29	FE4-7863-000		1	COVER, OPTION	
30	FM1-K269-000		1	SPEAKER HOLDER ASSEMBLY	
31	FM1-K281-000		1	SWITCH ASSEMBLY	

Figure 100C (1/2)EXTERNAL COVERS, PANELS, ETC. (100V, 230V)

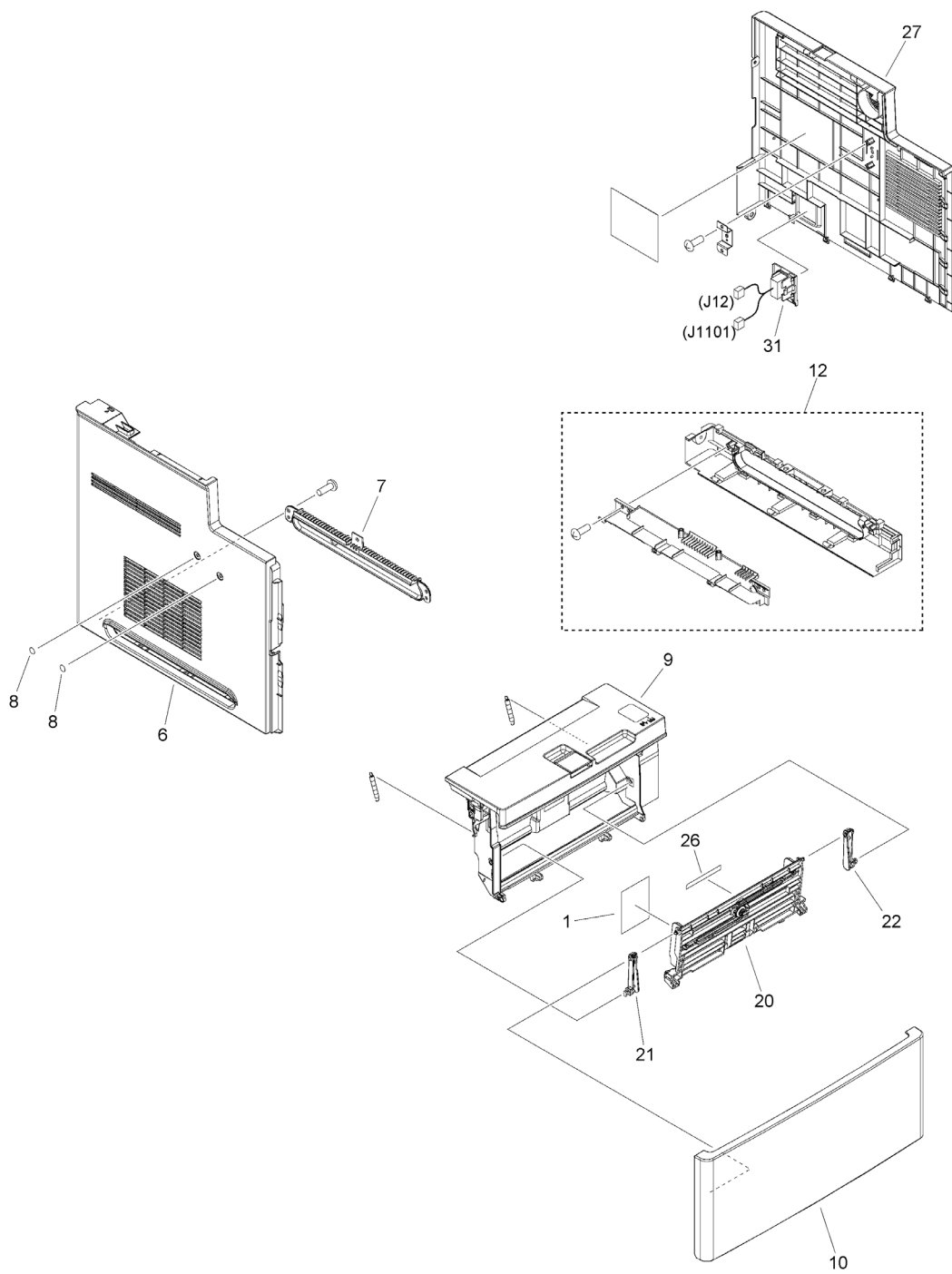


Figure 100C (2/2) EXTERNAL COVERS, PANELS, ETC. (100V, 230V)

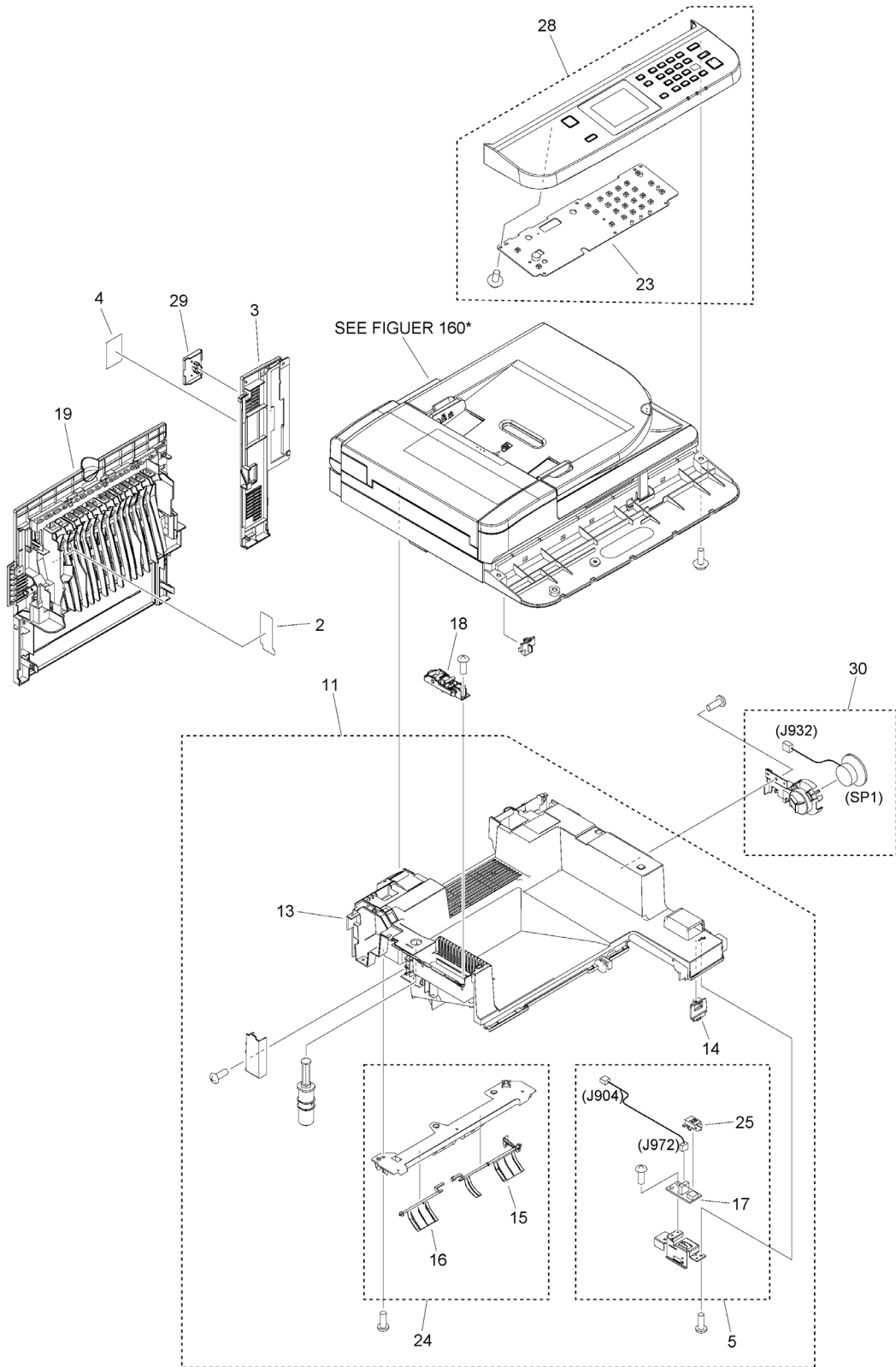


FIGURE & KEY NO.	PART NUMBER	RANK	QTY	DESCRIPTION	SERIAL NUMBER /REMARKS
100C	NPN		RF	EXTERNAL COVERS, PANELS, ETC.	100V, 230V
1	FC9-5368-000		1	LABEL, PRINT INSTRUCTION	
2	FC9-5370-000		1	LABEL, HIGH TMP. CAUTION	
3	FE4-7876-000		1	COVER, RIGHT, REAR	
4	FE4-8229-000		1	LABEL, REAR, JAM, OPERATION	
5	FM1-K279-000		1	USB, HOST, UNIT	
6	FE4-7868-000		1	COVER, LEFT	
7	FE4-7873-000		1	COVER, HANDLE, LEFT	
8	FL1-0525-000		2	SHEET, HANDSET	
9	FM1-K272-000		1	CARTRIDGE COVER ASSEMBLY	
10	FM1-K273-000		1	M.P. COVER ASSEMBLY	
11	FM1-K276-000		1	COVER, TOP, UNIT, MA	
12	FM1-K275-000		1	COVER ASSEMBLY, LOWER RIGHT	
13	FE4-7842-000		1	COVER, UPPER	
14	FE4-7844-000		1	COVER, USB	
15	RM1-6308-000		1	FULL DETECT FLAG ASSEMBLY	
16	RM1-6309-000		1	FACE-DOWN FLAG ASSEMBLY	
17	FM1-R870-000		1	USB RELAY PCB ASSEMBLY	
18	FM3-9816-000		1	HINGE ASSEMBLY	
19	FM4-2203-000		1	REAR COVER ASS'Y	
20	FM4-2251-000		1	M.P. TRAY LIFTING PLATE ASS'Y	
21	RC2-7705-000		1	ARM, HINGE, LEFT	
22	RC2-7706-000		1	ARM, HINGE, RIGHT	
23	FM1-N239-000		1	CONTROL PANEL PCB ASSEMBLY	
24	FM1-K277-000		1	SUB COVER ASS'Y, TOP	
25	FE8-0014-000		1	PLATE, USB, GROUNDING	
26	FC9-5377-000		1	LABEL, MULTI-PURPOSE SIZE	
27	FE4-7869-000		1	COVER, RIGHT	
28	FM1-K223-000		1	CONTROL PANEL ASSEMBLY	
29	FE4-7863-000		1	COVER, OPTION	
30	FM1-K269-000		1	SPEAKER HOLDER ASSEMBLY	
31	FM1-K323-000		1	SWITCH ASSEMBLY	

FIGURE & KEY NO.	PART NUMBER	RANK	QTY	DESCRIPTION	SERIAL NUMBER /REMARKS
101	NPN		RF	INTERNAL COMPONENTS 1	
1	RM1-6284-000		1	TAG HOLDER ASS'Y	
2	RM1-6322-000		1	LASER SCANNER ASS'Y	
3	WG8-5935-000		1	IC, PHOTO INTERRUPTER	PS4
4	RC2-7928-000		2	STOPPER, BUSHING ARM	
5	RK2-7004-000		1	CABLE, FLAT	
6	XA9-1420-000		15	SCREW, W/WASHER, M3X8	
7	XA9-1671-000		15	SCREW, D, M3X8	
8	FE4-7874-000		1	COVER, RIGHT, FRONT	
9	XA9-1503-000		5	SCREW, TAP, M3X6	
10	RC2-7781-000		1	RACK, PRESSURE RELEASE	
11	VS1-7177-003		1	CONNECTOR, SNAP TIGHT, BK	

FIGURE & KEY NO.	PART NUMBER	R A N K	QTY	DESCRIPTION	SERIAL NUMBER /REMARKS
102	NPN		RF	INTERNAL COMPONENTS 2	
1	RK2-1490-000		1	SOLENOID	SL1
2	RK2-1492-000		1	SOLENOID	SL2
3	XA9-1671-000		15	SCREW, D, M3X8	

Figure 103 INTERNAL COMPONENTS 3

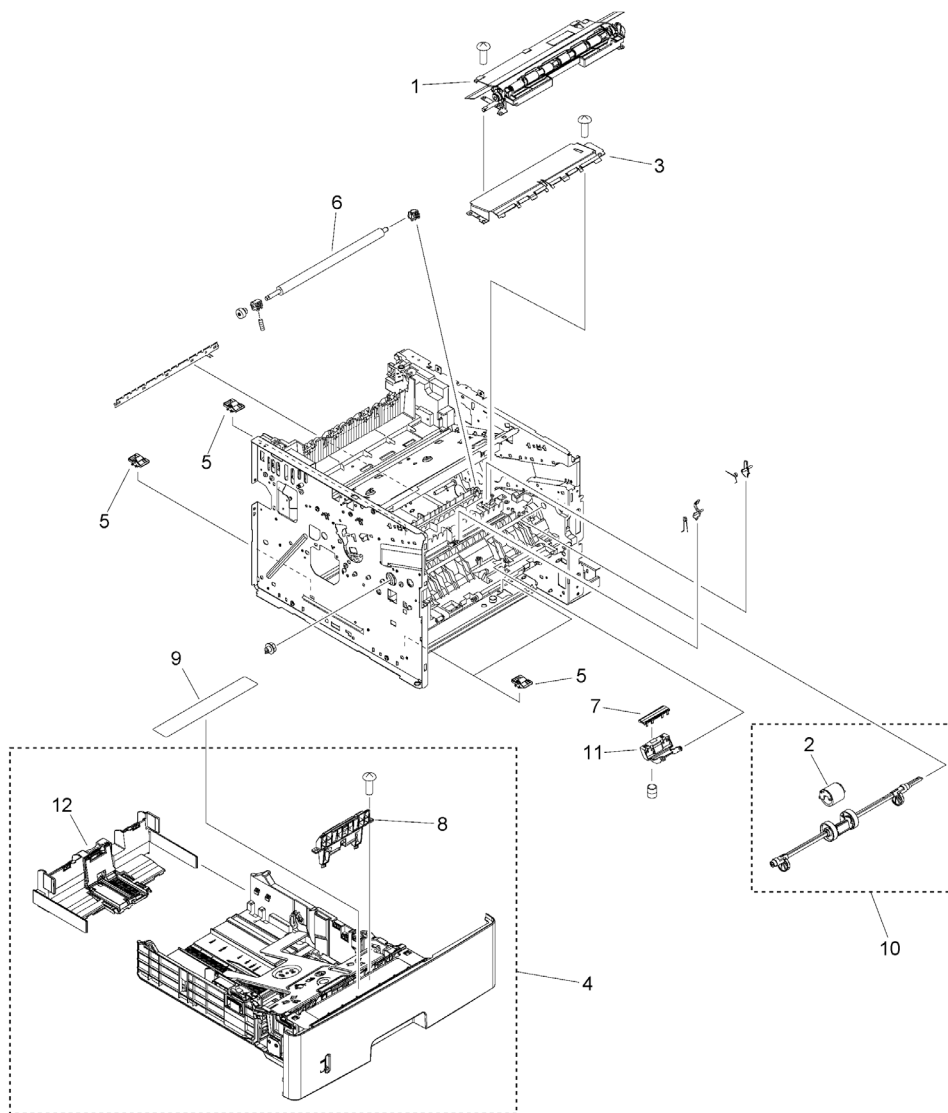


FIGURE & KEY NO.	PART NUMBER	RANK	QTY	DESCRIPTION	SERIAL NUMBER /REMARKS
103	NPN		RF	INTERNAL COMPONENTS 3	
1	RM1-6272-000		1	REGISTRATION ROLLER ASS'Y	
2	RL1-2412-000		1	ROLLER, MULTI-PURPOSE	
3	RM1-6315-000		1	TRANSFER LOWER GUIDE ASS'Y	
4	FM4-2216-010		1	CASSETTE ASSEMBLY	
5	RM1-6306-000		4	BASE PLATE ROLLER ASS'Y	
6	RC2-8580-000		1	ROLLER, TRANSFER	
7	RC2-8575-000		1	PAD, MULTI-PURPOSE SEPARATION	
8	RM1-6303-000		1	SEPARATION PAD HOLDER ASS'Y	
9	FE4-8230-000		1	LABEL, CASSETTE CAUTION	
10	RM1-6314-000		1	M.P. PAPER PICK-UP SHAFT ASS'Y	
11	RC2-8568-000		1	ARM, MULTI-PURPOSE PAD	
12	RM1-6307-000		1	BACK END STOPPER ASSEMBLY	

Figure 104 INTERNAL COMPONENTS 4

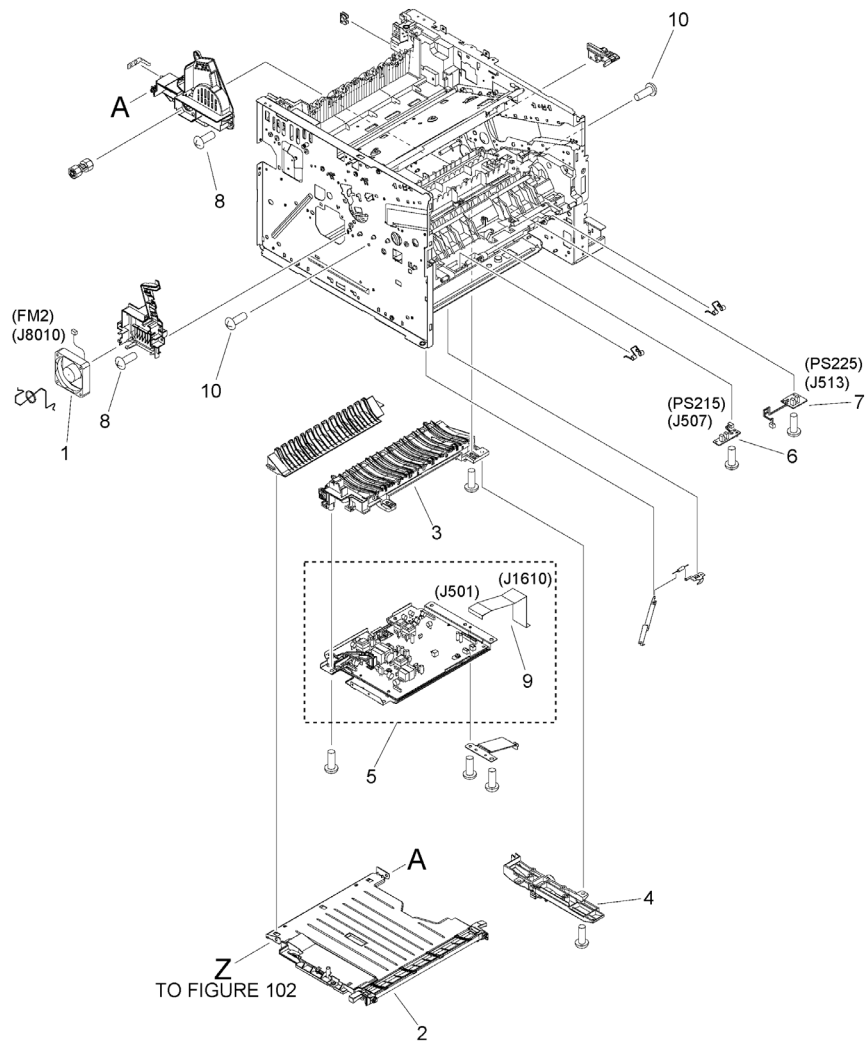


FIGURE & KEY NO.	PART NUMBER	RANK	QTY	DESCRIPTION	SERIAL NUMBER /REMARKS
104	NPN		RF	INTERNAL COMPONENTS 4	
1	RK2-1499-000		1	FAN	FM2
2	RM1-6263-000		1	LOWER PAPER FEED GUIDE ASS'Y	
3	RM1-6270-020		1	PAPER FEED GUIDE ASS'Y	
4	RM1-6273-000		1	POSITION GUIDE ASS'Y	
5	RM1-6280-000		1	H.V. POWER SUPPLY PCB ASS'Y	
6	FM1-P935-000		1	TOP SENSOR PCB ASS'Y	PS215
7	FM1-P941-000		1	PAPER WIDTH SENSOR PCB ASS'Y	PS225
8	XA9-1671-000		6	SCREW, D, M3X8	
9	RK2-3101-000		1	CABLE, FLAT	
10	XA9-1503-000		3	SCREW, TAP, M3X6	

Figure 105B INTERNAL COMPONENTS 5 (120V)

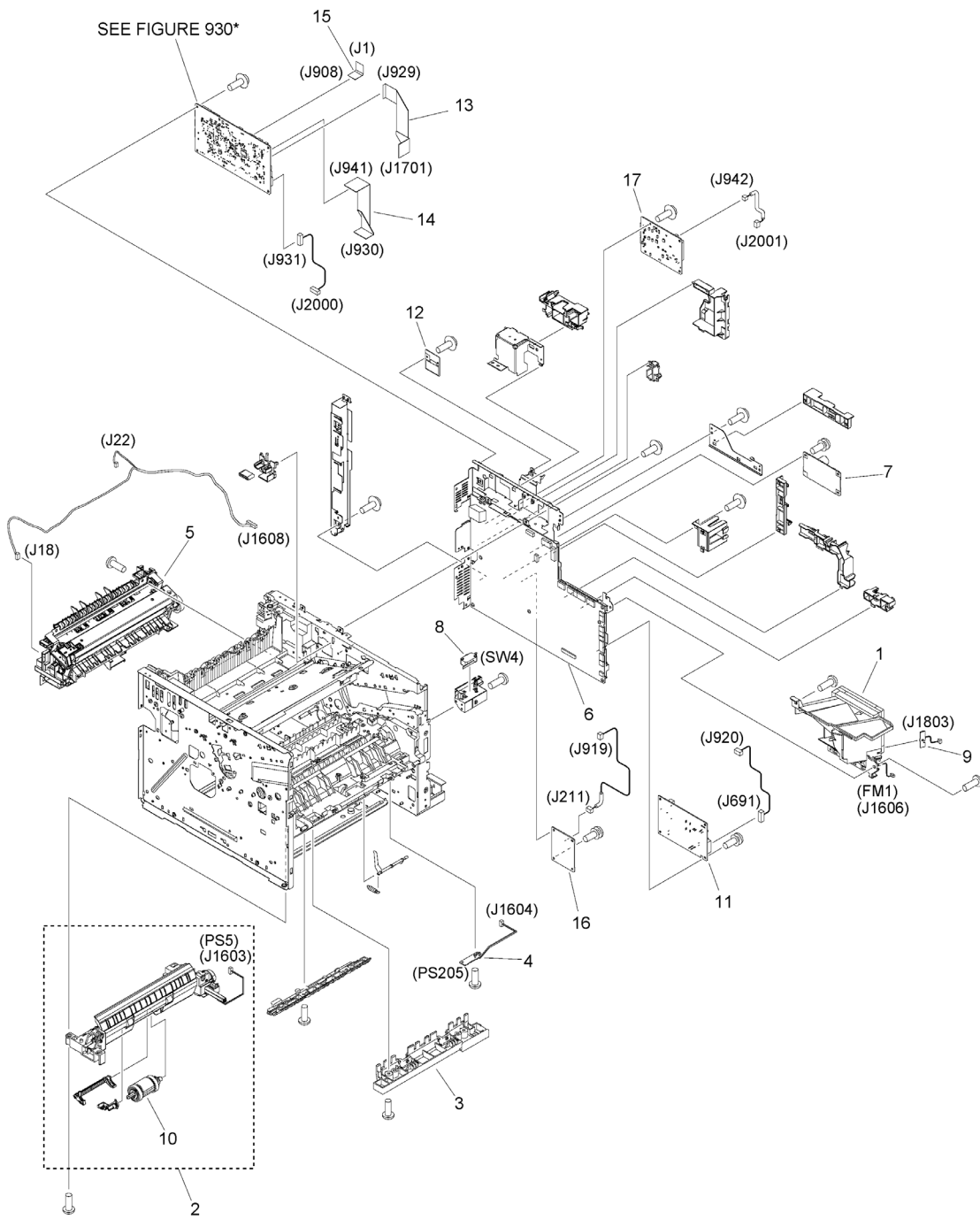


FIGURE & KEY NO.	PART NUMBER	RANK	QTY	DESCRIPTION	SERIAL NUMBER /REMARKS
105B	NPN		RF	INTERNAL COMPONENTS 5	120V
1	FM1-P602-000		1	FAN UNIT	FM1
2	FM4-2222-000		1	CASSETTE PAPER PICK-UP ASS'Y	
3	RM1-6271-000		1	IDLER ROLLER ASS'Y	
4	FM1-P938-000		1	MULTI-PURPOSE SENSOR PCB ASS'Y	
5	RM1-6274-000		1	FIXING ASS'Y	
6	FM1-K282-000		1	ENGINE CONTROLLER PCB ASS'Y	
7	FM1-R867-000		1	OFFHOOK PCB ASSEMBLY	
8	WC4-5171-000		1	MICROSWITCH	SW4
9	FM1-P961-000		1	TEMP SENSOR PCB ASS'Y	
10	RM1-6323-000		1	CST. PICK-UP ROLLER ASS'Y	
11	FK3-1998-000		1	ALL NIGHT POWER SUPPLY PCB	
12	FK4-1248-000		1	MODULE, WLAN	
13	FK4-2893-000		1	CABLE, FLAT	
14	FK4-3058-000		1	CABLE, FLAT	
15	FK4-3062-000		1	CABLE, FLAT	
16	FM1-P922-000		1	AC I/F PCB ASS'Y	
17	FM1-R864-000		1	NCU PCB ASSEMBLY	

Figure 105C INTERNAL COMPONENTS 5 (230V)

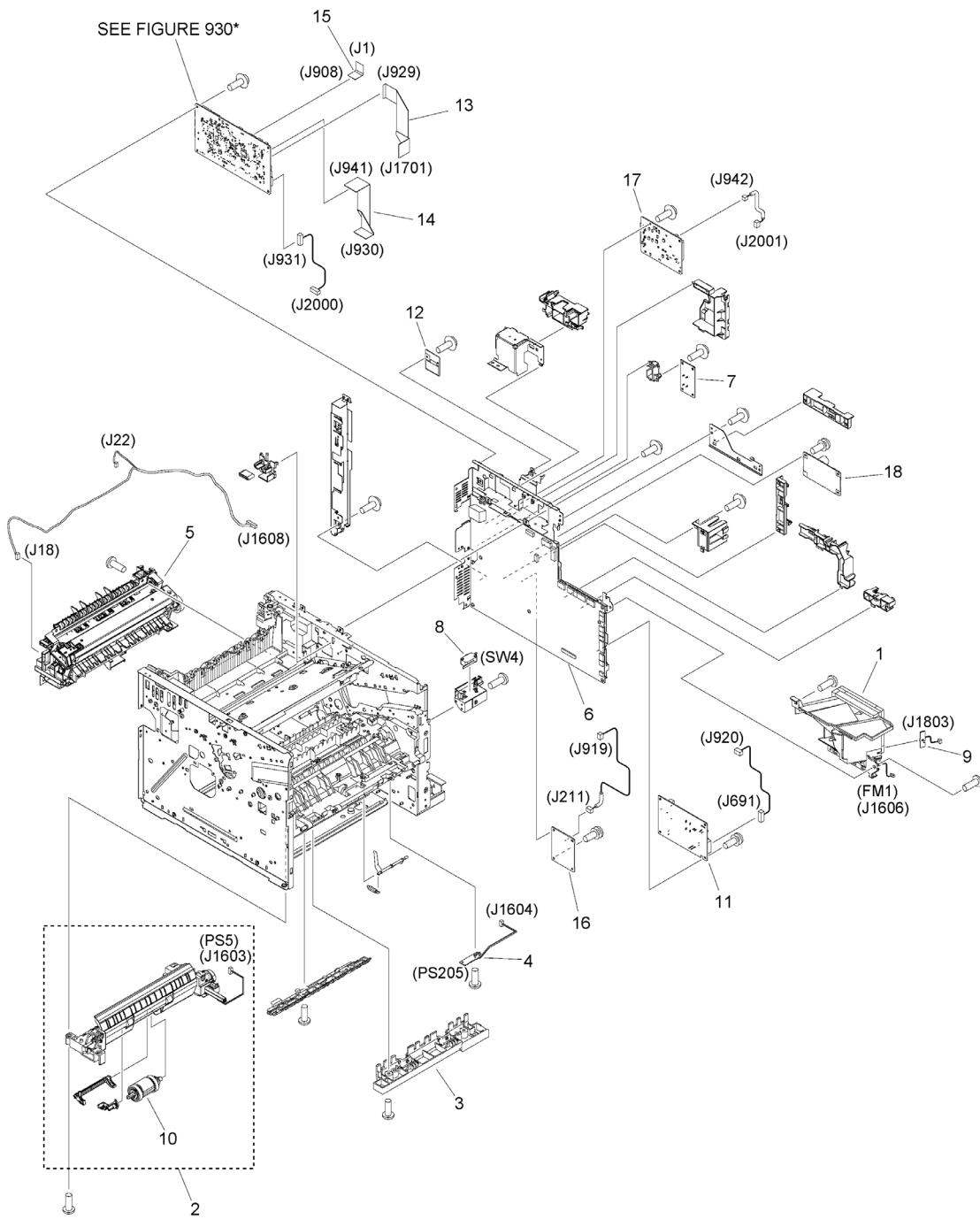


FIGURE & KEY NO.	PART NUMBER	RANK	QTY	DESCRIPTION	SERIAL NUMBER /REMARKS
105C	NPN		RF	INTERNAL COMPONENTS 5	230V
1	FM1-P602-000		1	FAN UNIT	FM1
2	FM4-2222-000		1	CASSETTE PAPER PICK-UP ASS'Y	
3	RM1-6271-000		1	IDLER ROLLER ASS'Y	
4	FM1-P938-000		1	MULTI-PURPOSE SENSOR PCB ASS'Y	
5	RM1-6319-030		1	FIXING ASS'Y	
6	FM1-K312-000		1	ENGINE CONTROLLER PCB ASS'Y	
7	FM1-P923-000		1	ARRESTOR PCB ASSEMBLY	
8	WC4-5171-000		1	MICROSWITCH	SW4
9	FM1-P961-000		1	TEMP SENSOR PCB ASS'Y	
10	RM1-6323-000		1	CST. PICK-UP ROLLER ASS'Y	
11	FK3-1998-000		1	ALL NIGHT POWER SUPPLY PCB	
12	FK4-1248-000		1	MODULE, WLAN	
13	FK4-2893-000		1	CABLE, FLAT	
14	FK4-3058-000		1	CABLE, FLAT	
15	FK4-3062-000		1	CABLE, FLAT	
16	FM1-P922-000		1	AC I/F PCB ASS'Y	
17	FM1-R864-000		1	NCU PCB ASSEMBLY	
18	FM1-R867-000		1	OFFHOOK PCB ASSEMBLY	

FIGURE & KEY NO.	PART NUMBER	RANK	QTY	DESCRIPTION	SERIAL NUMBER /REMARKS
106	NPN		RF	INTERNAL COMPONENTS 6	
1	FM1-P931-000		1	TEMPERATURE SENSOR ASS'Y	SW235
2	RM1-8523-000		1	FIXING MOTOR ASS'Y	M1
3	RM1-6301-000		4	PAPER DELIVERY ROLLER ASS'Y	
4	RM1-6311-000		1	FACE-DOWN ROLLER ASS'Y	
5	WG8-5935-000		2	IC, PHOTO INTERRUPTER	PS6, PS7
6	XA9-1503-000		3	SCREW, TAP, M3X6	
7	XA9-1671-000		15	SCREW, D, M3X8	
8	RM1-6520-000		1	MOTOR, DC	M2
9	RA0-1172-000		1	GEAR, 17T	
10	RC2-8468-000		1	BUSHING	

FIGURE & KEY NO.	PART NUMBER	RANK	QTY	DESCRIPTION	SERIAL NUMBER /REMARKS
160B	NPN		RF	READER/ADF ASSEMBLY	A/INCH
1	FC7-6189-000		1	ROLLER, PICK-UP	
2	FC7-6320-000		2	BUSHING	
3	FC7-6321-000		1	FLAG, DOCUMENT SCANNER	
4	VS1-7177-002		1	CONNECTOR, SNAP TIGHT, BK	
5	FC9-1496-000		1	COVER, ADF, FRONT LOWER	
6	FC9-4998-000		1	COVER, ADF, FRONT UPPER	
7	FE4-8226-000		1	PLATE, PAPER SIZE	
8	FC9-1494-000		1	LABEL, COPY PROHIBITION	
9	FE4-8381-000		1	PANEL, COPYBOARD	
10	VS1-7207-004		1	CONNECTOR, SNAP TIGHT, BK	
11	XA9-0831-000		6	SCREW,M3X10	
12	HU1-1022-000		1	BUSHING	
13	FC9-4999-000		1	PANEL, OPEN/CLOSE	
14	FU7-8987-000		1	LABEL, GLASS CLEANING	
15	FC9-5660-000		1	CUSHION	
16	FC9-5661-000		1	CUSHION	
17	FL2-6637-000		1	ROLLER, SEPARATION	[DP]
18	FL3-3540-000		1	HOLDER, DOCUMENT,RELEASE SHEET	
19	FL3-1430-000		1	HINGE, ADF	
20	FL0-6504-000		1	COVER, REAR	
21	FM4-1888-000		1	DOCUMENT TRAY ASSEMBLY	
22	HC1-0586-000		4	RETAINING RING	
23	FM1-K027-000		1	SEPARATION ROLLER ASSEMBLY	
24	FU7-0672-000		1	GEAR, 24T	
25	FU7-2018-000		1	SPRING, COMPRESSION	
26	FM1-K009-000		1	PAPER FEED GUIDE ASSEMBLY	
27	FM1-P942-000		1	CABLE, ADF	
28	FE4-8227-000		1	LABEL, SIZE INDEX	
29	XA9-0476-000		3	SCREW,TP M3X8	
30	XD9-0219-000		1	PIN, DOWEL	
31	FL1-0264-000		2	SHEET, INSULATING	

Figure 160C READER/ADF ASSEMBLY (A/B/INCH)

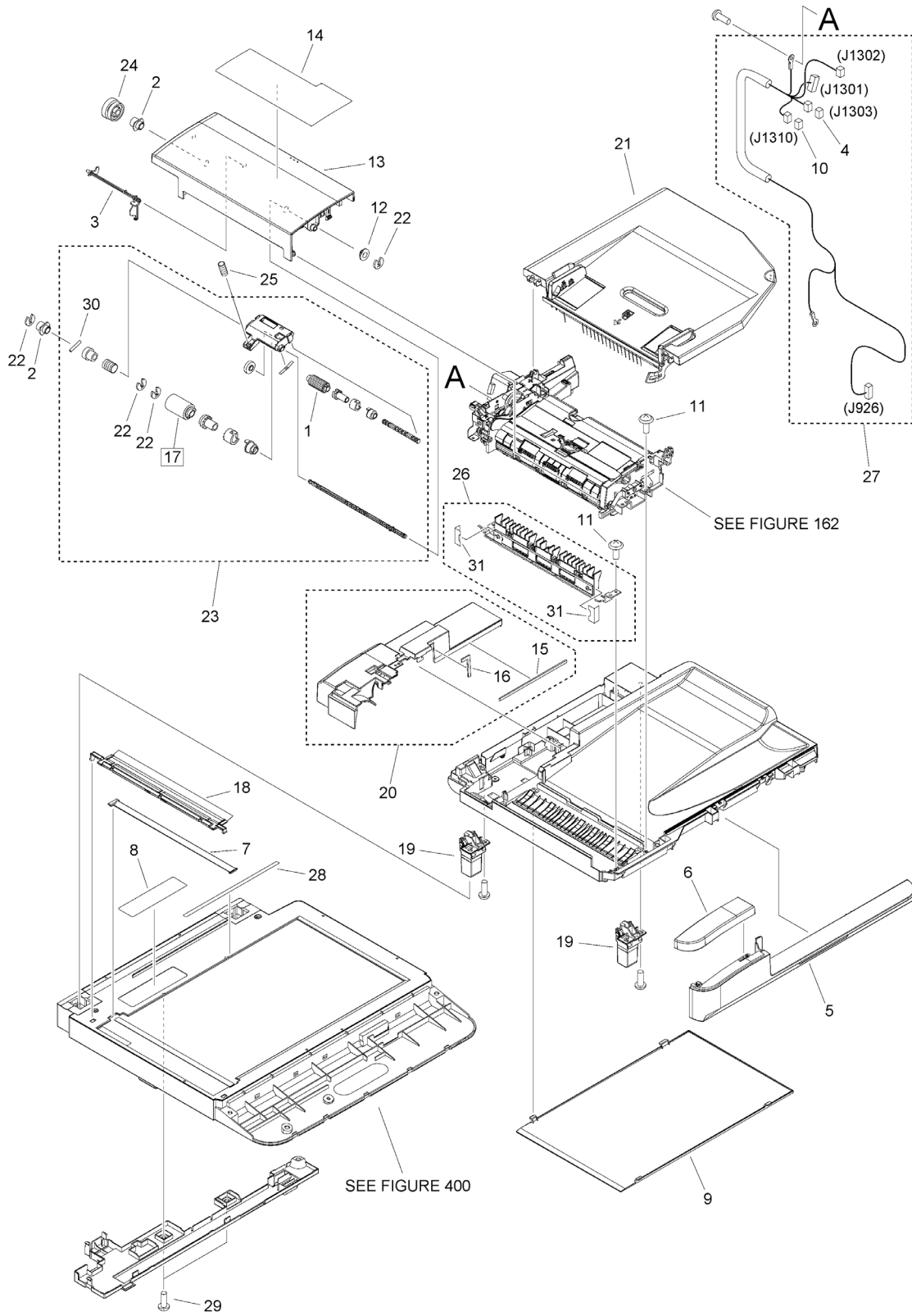


FIGURE & KEY NO.	PART NUMBER	RANK	QTY	DESCRIPTION	SERIAL NUMBER /REMARKS
160C	NPN		RF	READER/ADF ASSEMBLY	A/B/INCH
1	FC7-6189-000		1	ROLLER, PICK-UP	
2	FC7-6320-000		2	BUSHING	
3	FC7-6321-000		1	FLAG, DOCUMENT SCANNER	
4	VS1-7177-002		1	CONNECTOR, SNAP TIGHT, BK	
5	FC9-1496-000		1	COVER, ADF, FRONT LOWER	
6	FC9-4998-000		1	COVER, ADF, FRONT UPPER	
7	FE4-8225-000		1	PLATE, PAPER SIZE	
8	FC9-5111-000		1	LABEL, COPY PROHIBITION	
9	FE4-8381-000		1	PANEL, COPYBOARD	
10	VS1-7207-004		1	CONNECTOR, SNAP TIGHT, BK	
11	XA9-0831-000		6	SCREW,M3X10	
12	HU1-1022-000		1	BUSHING	
13	FC9-4999-000		1	PANEL, OPEN/CLOSE	
14	FE4-8871-000		1	LABEL, GLASS CLEANING	
15	FC9-5660-000		1	CUSHION	
16	FC9-5661-000		1	CUSHION	
17	FL2-6637-000		1	ROLLER, SEPARATION	[DP]
18	FL3-3540-000		1	HOLDER, DOCUMENT,RELEASE SHEET	
19	FL3-1430-000		1	HINGE, ADF	
20	FL0-6504-000		1	COVER, REAR	
21	FM4-1888-000		1	DOCUMENT TRAY ASSEMBLY	
22	HC1-0586-000		4	RETAINING RING	
23	FM1-K027-000		1	SEPARATION ROLLER ASSEMBLY	
24	FU7-0672-000		1	GEAR, 24T	
25	FU7-2018-000		1	SPRING, COMPRESSION	
26	FM1-K009-000		1	PAPER FEED GUIDE ASSEMBLY	
27	FM1-P942-000		1	CABLE, ADF	
28	FE4-8228-000		1	LABEL, SIZE INDEX	
29	XA9-0476-000		3	SCREW,TP M3X8	
30	XD9-0219-000		1	PIN, DOWEL	
31	FL1-0264-000		2	SHEET, INSULATING	

Figure 162A PAPER FEEDER ASSEMBLY (MF515, 512, 511, 419, 418)

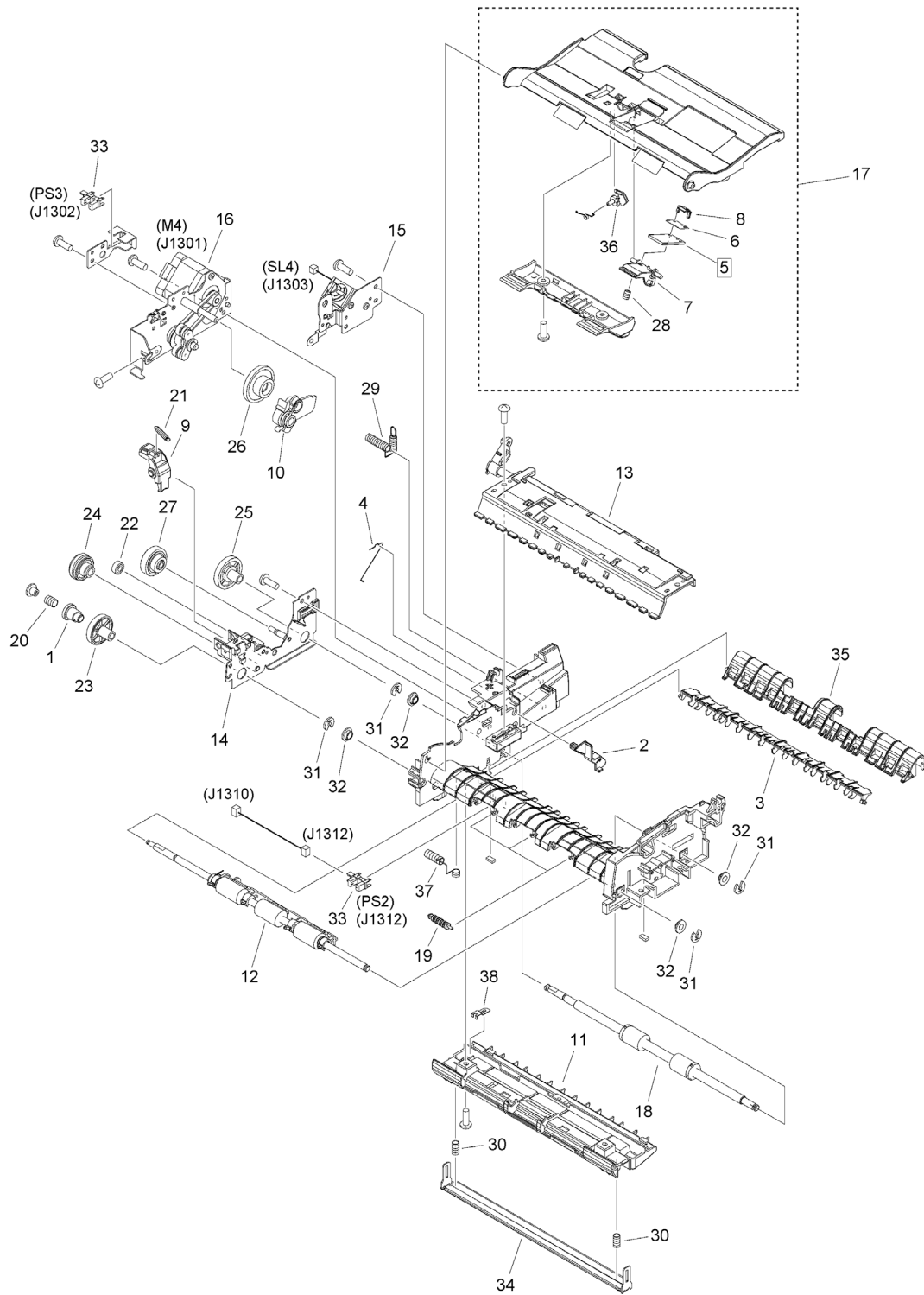


FIGURE & KEY NO.	PART NUMBER	RANK	QTY	DESCRIPTION	SERIAL NUMBER /REMARKS
162A	FM1-K006-000		1	PAPER FEEDER ASSEMBLY	MF515, 512, 511, 419, 418
1	FC7-6052-010		1	RATCHET, PAPER FEED ROLLER	
2	FC7-6182-000		1	LEVER, ROLLER RELEASE	
3	FC7-6278-000		1	FLAPPER, PAPER DELIVERY	
4	FC7-6281-000		1	SPRING, ARM	
5	FC7-6297-000		1	PAD, SEPARATION	[DP]
6	FC9-5654-000		1	SHEET, SEPARATION PAD	
7	FC7-6299-000		1	HOLDER, SEPARATION PAD	
8	FC7-6300-000		1	CLAMP, SEPARATION PAD	
9	FC9-1512-000		1	LEVER, RELEASE	
10	FL0-6505-000		1	ARM ASS'Y, SEPARATION SWING	
11	FL3-1437-000		1	GUIDE LOWER ASSEMBLY	
12	FM4-1885-000		1	PAPER FEED ROLLER ASSEMBLY	
13	FM3-9541-000		1	PAPER DELIVERY ASSEMBLY	
14	FM1-K007-000		1	DRIVE PLATE ASSEMBLY	
15	FM3-9543-000		1	SOLENOID ASSEMBLY	SL4
16	FM1-K008-000		1	MOTOR DRIVE ASSEMBLY	M4
17	FM4-1873-000		1	GUIDE ASSEMBLY, UPPER	
18	FL3-2458-000		1	PAPER DELIVERY ROLLER ASSY	
19	FU5-6992-000		3	ROLLER, AUXILIARY	
20	FU6-2998-000		1	SPRING, COMPRESSION	
21	FU6-2999-000		1	SPRING, TENSION	
22	FU7-0667-000		1	GEAR, 20T	
23	FU2-1582-000		1	GEAR, 54T	
24	FU2-1580-000		1	GEAR, 46T/23T	
25	FU7-0671-000		1	GEAR, 36T	
26	FU2-1576-000		1	GEAR, 18T/42T	
27	FU2-1579-000		1	GEAR, 51T/17T	
28	FU7-2016-000		1	SPRING, COMPRESSION	
29	FU7-2021-000		1	SPRING, COMPRESSION	
30	FU8-2483-000		2	SPRING, COMPRESSION	
31	HC1-0586-000		7	RETAINING RING	
32	HU1-1022-000		4	BUSHING	
33	WG8-5935-000		2	IC, PHOTO INTERRUPTER	PS2,PS3
34	FL3-2459-000		1	PLATE, WHITE SHEET	
35	FC9-1526-000		1	GUIDE, PAPER DELIVERY	
36	FC7-6295-000		1	STOPPER, DOCUMENT	
37	FU8-2484-000		1	SPRING, COMPRESSION	
38	FC9-5672-000		1	PLATE, GROUNDING	

Figure 400 READER ASSEMBLY

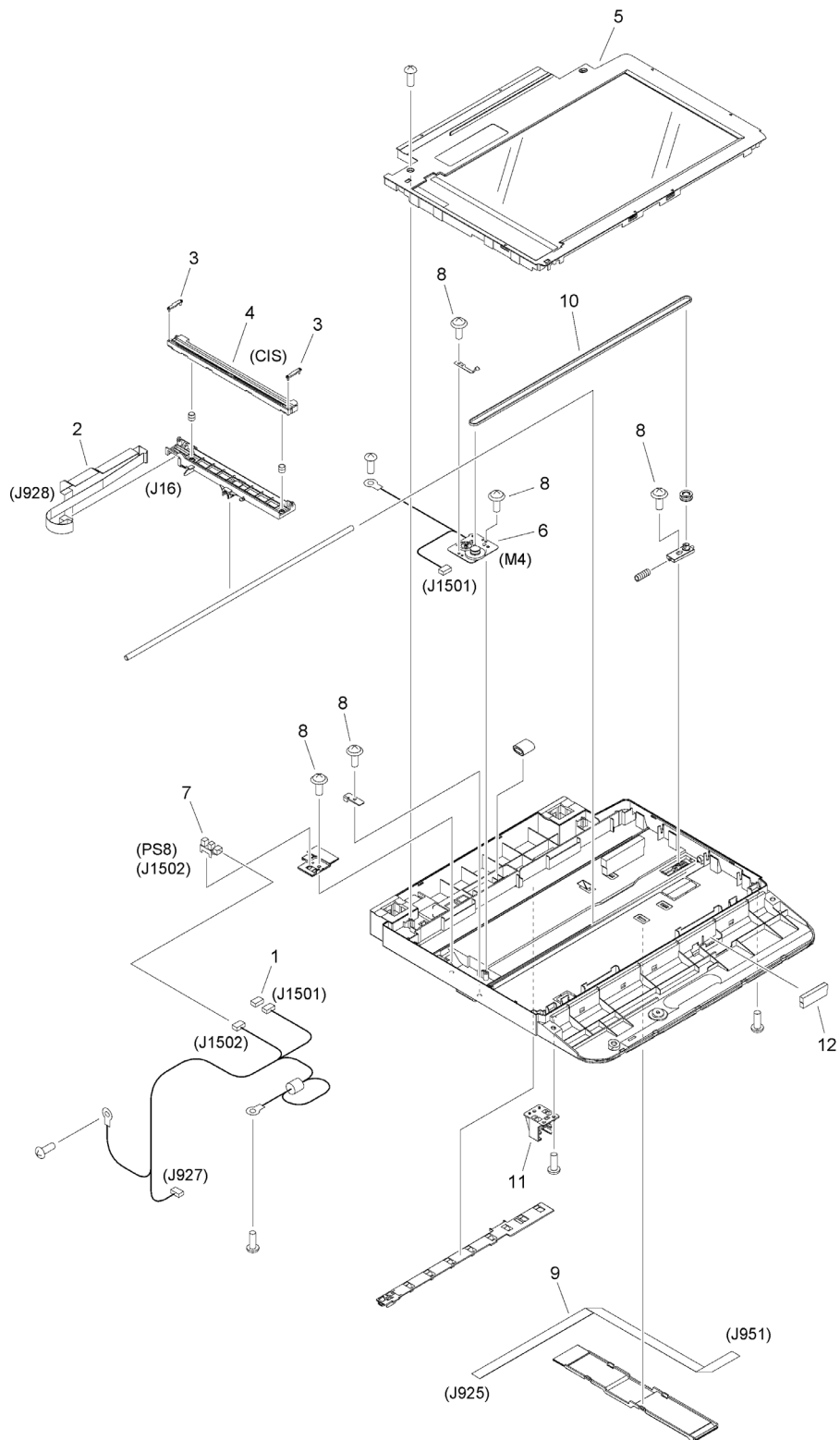


FIGURE & KEY NO.	PART NUMBER	RANK	QTY	DESCRIPTION	SERIAL NUMBER /REMARKS
400	FM1-K285-000		1	READER ASSEMBLY	
1	VS1-7177-004		1	CONNECTOR, SNAP TIGHT, BK	
2	FK4-2888-000		1	CABLE, FLAT	
3	FC0-1945-000		2	SPACER, CIS	
4	FK4-2086-000		1	CONTACT IMAGE SENSOR,HV12I-V02	
5	FM1-K013-000		1	READER COVER ASSEMBLY	
6	FM4-9071-000		1	DC MOTOR ASSEMBLY	M4
7	WG8-5935-000		1	IC, PHOTO INTERRUPTER	PS8
8	XA9-0476-000		9	SCREW,TP M3X8	
9	FK4-3061-000		1	CABLE, FLAT	
10	FC9-1493-000		1	BELT, TIMING	
11	FE4-7817-000		1	MOUNT, SUPPORTER	
12	FC0-4177-000		1	SHEET, CABLE PROTECTION	

Figure 930B MAIN CONTROLLER PCB ASSEMBLY

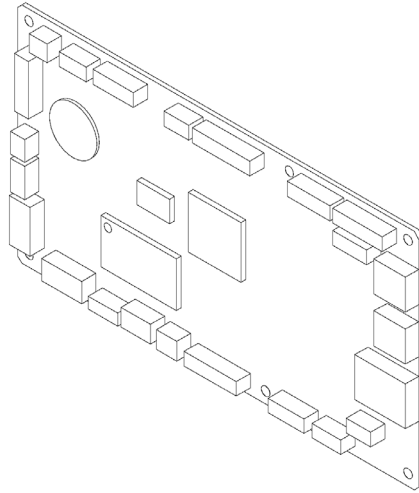


FIGURE & KEY NO.	PART NUMBER	RANK	QTY	DESCRIPTION	SERIAL NUMBER /REMARKS
930B	FM1-R860-000		1	MAIN CONTROLLER PCB ASSEMBLY	
IC	FK4-3035-000		1	IC, CSRQ5310C25-CBBU-TF, MPU	IC1

Figure ZZA MECHANICAL STANDARD PARTS (HOW TO USE)

Mechanical standard parts 機械標準部品

About a mechanical standard parts

A Mechanical standard parts is a mechanical part which not parts peculiar to a product.
They are parts which are common to a Canon product and are used, such as a screw and a washer.
The Fig No. and parts number of the mechanical standard parts are not listed in the product parts catalog.
Refer to the parts catalog of mechanical standard parts when checking the parts number for screw or washer etc. and identify them by part shape or size.

機械標準部品とは

機械標準部品とは、製品特有の部品ではなく、ねじやワッシャなどキヤノン製品共通で使用されている機械部品（メカ部品）のことです。
製品のパーツカタログには、機械標準部品のFig No.や部品番号は記載していません。
ねじや、ワッシャ等の部品番号を調べる時は、機械標準部品のパーツカタログを参照し、部品の形状や大きさから判断し、使用している部品を調べてください。

Material and surface treatment of a mechanical standard parts

Material and surface treatment of mechanical standard parts are assigned commonly for each part.
Refer to the Table 1 for the parts which material and surface treatment are assigned as numbers.

機械標準部品の材料および表面処理

機械標準部品の材料および表面処理については、各種部品共通で決められています。
材料および表面処理が番号で決められている部品については、表1を参照してください。

Table 1 Material and Surface treatment
表1 材料および表面処理

No. 番号	Material 材料	Surface treatment 表面処理	Color 色
1	Stainless steel ステンレス	Stainless steel black coloring (BC4) ステンレス黒着色(BC4)	Black 黒
2		not to be given なし	White 白
3	Brass 黄銅	Regular nickel plating (NL) 普通ニッケルメッキ(NL)	White 白
4		Black nickel plating (BN) 黒色ニッケルメッキ(BN)	Black 黒
5	Steel 鋼	White zinc trivalent chromate treating (ZC3) 白色亜鉛3価クロメート(ZC3)	White 白
6		Regular nickel chromium plating (NC) 普通ニッケルクロムメッキ(NC)	White 白
7		Regular nickel plating (NL) 普通ニッケルメッキ(NL)	White 白
8		Iron and steel phosphating (P1) 鉄鋼燐酸塩処理(P1)	Black 黒
9		Black zinc trivalent chromate treating (BZ3) 黒色亜鉛3価クロメート(BZ3)	Black 黒

Figure ZZB (1/7)MECHANICAL STANDARD PARTS (SCREWS)

1. Screws
ねじ

How to read Parts Numbers
部品番号の見方

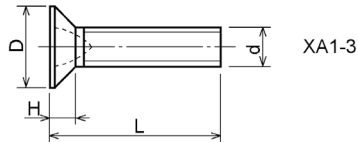
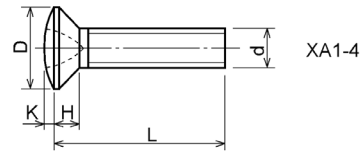
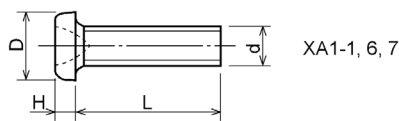
Screws
ねじ

XB1-2400-609

Type No.
類別番号
Normal designation (d)
ねじの呼び (d)
Length (L)
ねじの長さ (L)
Material and Surface treatment
材料および表面処理

XB1-2 expresses Binding head machine screw.
XB1-2は、バインドねじを表す
40 expresses M4.0.
40は、M4.0を表す
0-60 expresses a length of 6.0mm.
0-60は、6.0mmの長さを表す
9 expresses Steel (Black zinc trivalent chromate
treating) from Table 1.
9は、表1より鋼 (黒色亜鉛3価クロメート) を表す

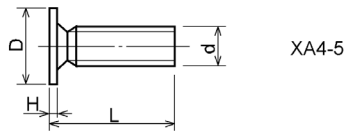
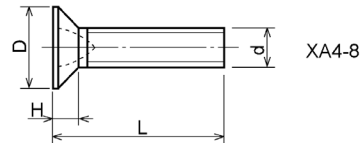
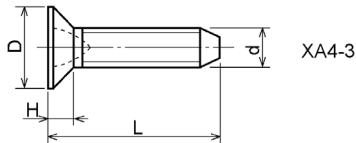
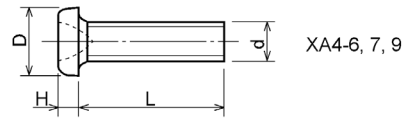
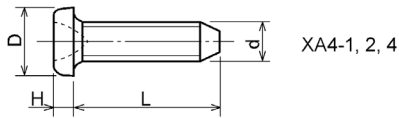
1-1. Cross Recessed Head Screws for Precision Equipments
精密機器用十字穴付き小ねじ



Type No. 類別番号	Type 類別	Head size (mm) 頭部寸法 (mm)						
		M1.4	M1.6	M1.7	M2	M2.5	M2.6	
XA1-1	Pan head Class 1 なべ1種	D	2	2.4	2.5	3	3.8	4
		H	0.5	0.55	0.5	0.6	0.9	0.8
XA1-3	Countersunk head Class 1 さら1種	D	2	2.4	2.5	3	3.8	4
		H	0.48	0.55	0.58	0.73	0.85	0.93
XA1-4	Oval countersunk head Class 1 丸さら1種	D	2	2.4	2.5	3	3.8	4
		H + K	0.68	0.8	0.88	1	1.25	1.3
XA1-6	Pan head Class 3 なべ3種	D	2.5	2.8	3	3.5	4.3	4.5
		H	0.8	0.85	0.9	1	1.3	1.2
XA1-7	Pan head Class 2 なべ2種	D	2.5	2.8	3	3.5	4.3	4.5
		H	0.5	0.55	0.5	0.6	0.9	0.8

Figure ZZB (2/7) MECHANICAL STANDARD PARTS (SCREWS)

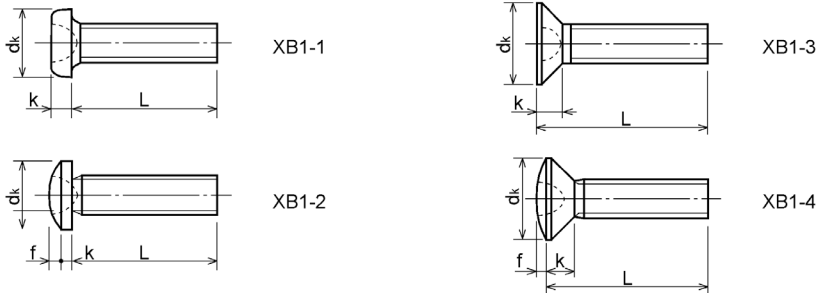
1-2. Precision Tapping Screws
精密用タッピンねじ



Type No. 類別番号	Type 類別	Head size (mm) 頭部寸法 (mm)						
		M1.4	M1.6	M1.7	M2	M2.5	M2.6	
XA4-1	With tapered end pan head Class 1 絞り-なべ1種	D XA4-1	2	2.4	2.5	3	3.8	4
		H XA4-1	0.5	0.55	0.5	0.6	0.9	0.8
XA4-2	With tapered end pan head Class 3 絞り-なべ3種	D XA4-2	2.5	2.8	3	3.5	4.3	4.5
		H XA4-2	0.8	0.85	0.9	1	1.3	1.2
XA4-3	With tapered end countersunk head 絞り-さら	D XA4-3	2	2.4	2.5	3	3.8	4
		H XA4-3	0.48	0.55	0.58	0.73	0.85	0.93
XA4-4	With tapered end pan head Class 2 絞り-なべ2種	D XA4-4	2.5	2.8	3	3.5	4.3	4.5
		H XA4-4	0.5	0.55	0.5	0.6	0.9	0.8
XA4-5	With parallel end ultra thin head ストレート-超薄頭	D XA4-5	2.5	2.8	3	-	-	-
		H XA4-5	0.2	0.2	0.2	-	-	-
XA4-6	With parallel end pan head Class 1 ストレート-なべ1種	D XA4-6	2	2.4	2.5	3	3.8	4
		H XA4-6	0.5	0.55	0.5	0.6	0.9	0.8
XA4-7	With parallel end pan head Class 3 ストレート-なべ3種	D XA4-7	2.5	2.8	3	3.5	4.3	4.5
		H XA4-7	0.8	0.85	0.9	1	1.3	1.2
XA4-8	With parallel end countersunk head ストレート-さら	D XA4-8	2	2.4	2.5	3	3.8	4
		H XA4-8	0.48	0.55	0.58	0.73	0.85	0.93
XA4-9	With parallel end pan head Class 2 ストレート-なべ2種	D XA4-9	2.5	2.8	3	3.5	4.3	4.5
		H XA4-9	0.5	0.55	0.5	0.6	0.9	0.8

Figure ZZB (3/7)MECHANICAL STANDARD PARTS (SCREWS)

1-3. Cross Recessed Head Screws
一般用十字穴付き小ねじ

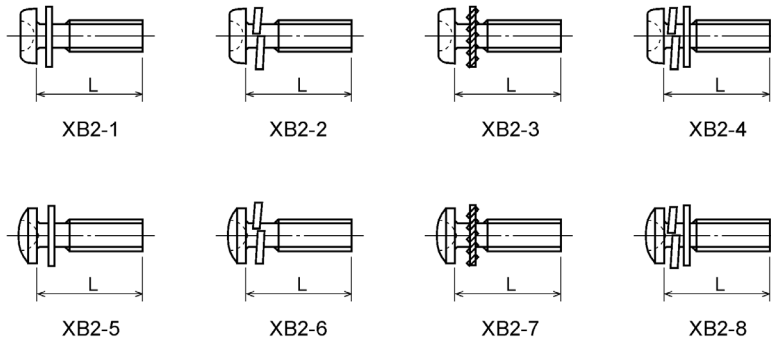


Type No. 類別番号	Type 類別
XB1-1	Pan head なべ
XB1-2	Binding head バインド
XB1-3	Countersunk head さら
XB1-4	Oval countersunk head 丸さら

		Head size (mm) 頭部寸法 (mm)					
		M2	M2.5	M2.6	M3	M4	M5
d _k	XB1-1	3.5	4.5	4.5	5.5	7	9
k	XB1-1	1.3	1.7	1.7	2	2.6	3.3
d _k	XB1-2	4.3	5.3	5.5	6.3	8.3	10.3
k+f	XB1-2	1.2	1.5	1.6	1.9	2.5	3.1
d _k	XB1-3	4	5	-	6	8	10
k	XB1-3	1.2	1.45	-	1.75	2.3	2.8
d _k	XB1-4	4	5	-	6	8	10
k+f	XB1-4	1.6	2	-	2.45	3.2	4
Screw part length ねじ部長さ b		8	12	12	12	16	20

Figure ZZB (4/7) MECHANICAL STANDARD PARTS (SCREWS)

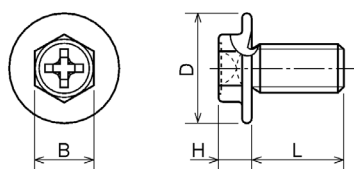
1-4. Cross Recessed Head Screws with Captive Washer
座金組込み十字穴付き小ねじ



Type No. 類別番号	Type 類別
XB2-1	Pan head + Plain washer (circular bright) なべねじ+平座金
XB2-2	Pan head + Spring washer なべねじ+ばね座金
XB2-3	Pan head + Toothed lock washer なべねじ+歯付座金
XB2-4	Pan head + Spring washer and plain washer (circular bright) なべねじ+(ばね+平)座金
XB2-5	Binding head + Plain washer (circular bright) バインドねじ+平座金
XB2-6	Binding head + Spring washer バインドねじ+ばね座金
XB2-7	Binding head + Toothed lock washer バインドねじ+歯付座金
XB2-8	Binding head + Spring washer and plain washer (circular bright) バインドねじ+(ばね+平)座金

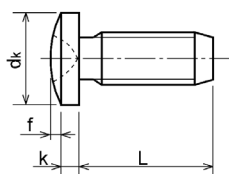
Figure ZZB (5/7) MECHANICAL STANDARD PARTS (SCREWS)

1-5. Hexagon Head Tapping Screws for Matallic Materials
 金属用六角タッピンねじ



Type No. 類別番号	Type 類別	Head size (mm) 頭部寸法 (mm)		
		M3	M4	
XB3-6	For metallic materials 金属用タッピン	D	8	10
		B	5.5	5.5
XB3-7	For metallic materials with clawed 金属用タッピン-つめ付き	H XB3-6	3.1	3.1
		H XB3-7	3.2	3.2

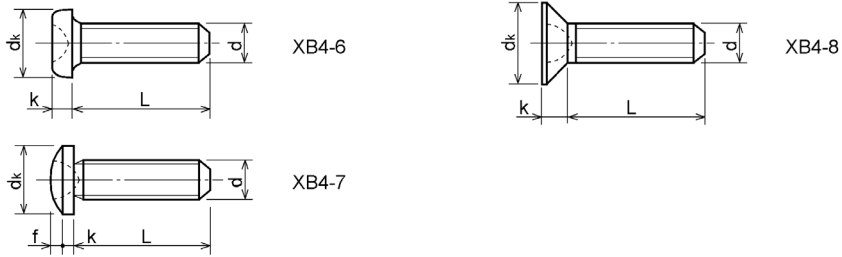
1-6. Special Tapping Screws
 特殊タッピンねじ



Type No. 類別番号	Type 類別	Head size (mm) 頭部寸法 (mm)		
		M3	M4	
XB4-5	Binding head バインド	dk	6.3	8.3
		k	1.3	1.7
		k+f	1.9	2.5

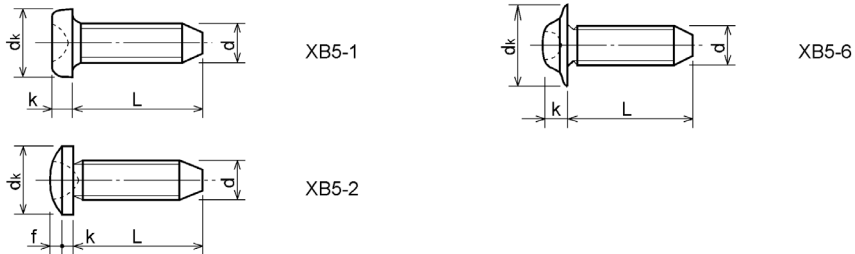
Figure ZZB (6/7) MECHANICAL STANDARD PARTS (SCREWS)

1-7. General Head Tapping Screws
一般用タッピンねじ



Type No. 類別番号	Type 類別	Head size (mm) 頭部寸法 (mm)						
		M2	M2.5	M2.6	M3	M4	M5	
XB4-6	Pan head なべ	dk	3.5	4.5	4.5	5.5	7	9
		k	1.3	1.7	1.7	2	2.6	3.3
XB4-7	Binding head バインド	dk	4.3	5.3	5.5	6.3	8.3	10.3
		k+f	1.2	1.5	1.6	1.9	2.5	3.1
XB4-8	Countersunk head さら	dk	4	5	5.2	6	8	10
		k	1.2	1.45	1.5	1.75	2.3	2.8

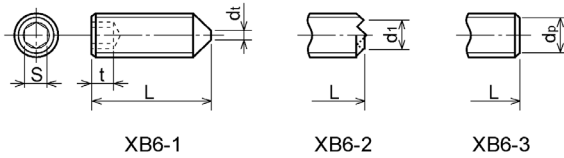
1-8. Tapping Screws for Metallic Materials
金属用タッピンねじ



Type No. 類別番号	Type 類別	Head size (mm) 頭部寸法 (mm)					
		M2.5	M2.6	M3	M4	M5	
XB5-1	Pan head なべ	dk	4.5	4.5	5.5	7	9
		k	1.7	1.7	2	2.6	3.3
XB5-2	Binding head バインド	dk	5.5	5.5	6.3	8.3	10.3
		k+f	1.6	1.6	1.9	2.5	3.1
XB5-6	Flanged pan head つば付きなべ	dk	6.5	6.5	8	10	12
		k	2.1	2.1	1.75	3.2	4

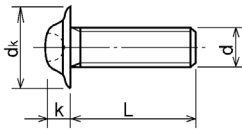
Figure ZZB (7/7) MECHANICAL STANDARD PARTS (SCREWS)

1-9. Hexagon Socket Set Screws
六角穴付き止めねじ



Type No. 類別番号	Type 類別	Head size (mm) 頭部寸法 (mm)						
		M1.6 M1.7	M2	M2.5 M2.6	M3	M5	M5	M6
	S	0.7	0.9	1.3	1.5	2	2.5	3
	t	1.5	1.7	2	2	2.5	3	3.5
	dt max XB6-1	0.4	0.5	0.65	0.75	1	1.25	1.5
	d1 max XB6-2	-	1.2	1.5	1.7	2.2	2.8	3.3
	d1 min XB6-2	-	1	1.2	1.4	1.9	2.4	2.9
	dp max XB6-3	0.8	1	1.5	2	2.5	3.5	4
	dp min XB6-3	0.55	0.75	1.25	1.75	2.25	3.2	3.7

1-10. Flanged Pan Head Machine Screws
つば付きなべ小ねじ



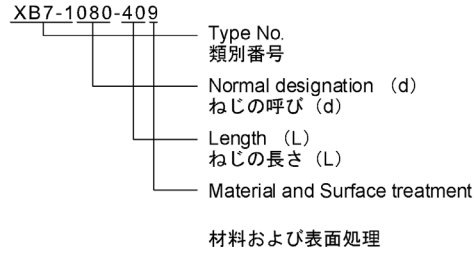
Type No. 類別番号	Type 類別	Head size (mm) 頭部寸法 (mm)				
		M2	M2.5 M2.6	M3	M5	M5
	dk	5	6.5	8	10	12
	k	1.7	2.1	2.5	3.2	4

Figure ZZC MECHANICAL STANDARD PARTS (BOLTS)

2. Bolts (Socket head cap screw)
ボルト

How to read Parts Numbers
部品番号の見方

Bolt (Socket head cap screw)
ボルト



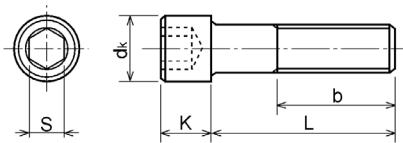
XB7-1 expresses Hexagon socket head cap screws.
XB7-1は、六角穴付きボルトを表す

080 expresses M8.0.
080は、M8.0を表す

40 expresses a length of 40mm.
40は、40mmの長さを表す

9 expresses Steel (Black zinc trivalent chromate treating) from Table 1.
9は、表1より鋼（黒色亜鉛3価クロメート）を表す

2-1. Hexagon socket head cap screws
六角穴付きボルト

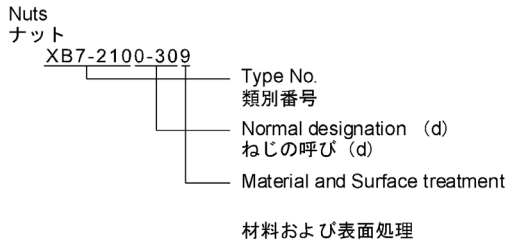


Type No. 類別番号	Type 類別	Head size (mm) 頭部寸法 (mm)						
		M3	M4	M5	M6	M8	M10	M12
S		2.5	3	4	5	6	8	10
dk		5.5	7	8.5	10	13	16	18
K		3	4	5	6	8	10	12
Screw part length ねじ部長さ b_{max}		18	20	22	24	28	32	36

Figure ZZD MECHANICAL STANDARD PARTS (NUTS)

3. Nuts
ナット

How to read Parts Numbers
部品番号の見方

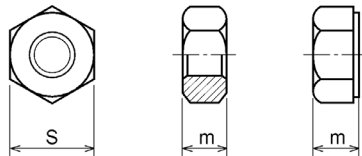


XB7-210 expresses Hexagon nut class 1.
XB7-210は、六角ナット1種を表す

0-30 expresses M3.0.
0-30は、M3.0を表す

9 expresses Steel (Black zinc trivalent chromate treating) from Table 1.
9は、表1より鋼（黒色亜鉛3価クロメート）を表す

3-1. Hexagon Nuts and Hexagon Thin Nuts
六角ナット



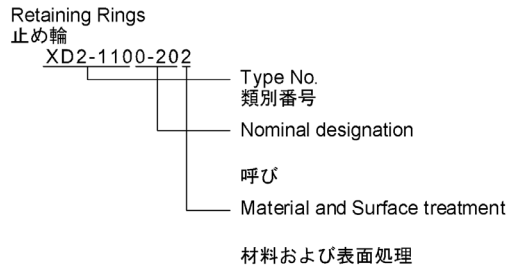
Type No. 類別番号	Type 類別
XB7-210	Hexagon nut Class 1 六角ナット-1種
XB7-220	Hexagon nut Class 3 六角ナット-3種
XB7-230	Hexagon nut Style 1 double chamfered 六角ナット-スタイル1-両面とり
XB7-231	Hexagon nut Style 1 washer faced 六角ナット-スタイル1-座付き
XB7-240	Hexagon nut Style 2 double chamfered 六角ナット-スタイル2-両面とり
XB7-241	Hexagon nut Style 2 washer faced 六角ナット-スタイル2-座付き
XB7-250	Hexagon nut 六角ナット
XB7-260	Hexagon thin nut double chamfered 六角低ナット-両面とり
XB7-270	Hexagon thin nut not chamfered 六角低ナット-面とり無し

	Head size (mm) 頭部寸法 (mm)						
	M2	M2.5	M3	M4	M5	M6	M8
S	4	5	5.5	7	8	10	13
m XB7-210	1.6	2	2.4	3.2	4	5	6.5
m XB7-220	1.2	1.6	1.8	2.4	3.2	3.6	5
m XB7-230, 231	1.6	2	2.4	3.2	4.7	5.2	6.8
m XB7-240, 241	-	-	-	-	5.1	5.7	7.5
m XB7-250	-	-	-	-	5.6	6.1	7.9
m XB7-260	1.2	1.6	1.8	2.2	2.7	3.2	4
m XB7-270	1.2	1.6	1.8	2.2	2.7	3.2	4

Figure ZZE (1/3)MECHANICAL STANDARD PARTS (RETAINING RINGS)

5. Retaining Rings
止め輪

How to read Parts Numbers
部品番号の見方

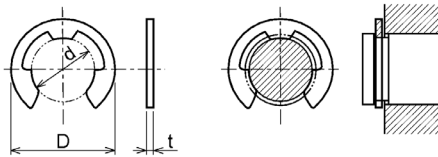


XD2-110 expresses retaining ring-E type (Type1).
XD2-110は、E形止め輪（1種）を表す

0-20 expresses a 020 of nominal designation.
(See Table 5)
0-20は、呼び020を表す（表5参照）

2 expresses Stainless steel (Surface treatment is not to be given) from Table 1.
2は、表1よりステンレス（表面処理なし）を表す

5-1. Retaining Rings - E type
E形止め輪



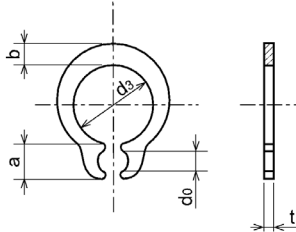
Type No. 類別番号	Type 類別
XD2-110	Retaining ring - E type (Type 1) E形止め輪（1種）
XD2-120	Retaining ring - E type (Type 2) E形止め輪（2種）

Table 5 表5

Type 種類	Nominal designation 呼び	d (mm)	D (mm)	t (mm)
Type 1 1種	007	0.65	2	0.2
	010	0.95	2.8	0.2
	013	1.25	3.3	0.3
	017	1.65	4.2	0.4
	020	1.95	4.6	0.5
	024	2.35	6	0.6
	028	2.74	6.5	0.6
	032	3.14	7.2	0.6
	037	3.64	8	0.7
	040	3.93	10	0.7
	042	4.13	10	0.7
	050	4.93	11	0.7
	058	5.73	12	0.7
	060	5.93	12.7	0.9
064	6.32	13.5	0.9	
074	7.31	15	0.9	
080	7.91	16.5	1	
Type 2 2種	008	0.8	2	0.2
	012	1.2	3	0.3
	015	1.5	4	0.4
	020	2	5	0.4
	025	2.5	6	0.4
	030	3	7	0.6
	040	4	9	0.6
	050	5	11	0.6
	060	6	12	0.8
	070	7	14	0.8
	080	8	16	0.8
	090	9	18	0.8
	100	10	20	1

Figure ZZE (2/3)MECHANICAL STANDARD PARTS (RETAINING RINGS)

5-2. Grip Rings
グリップ止め輪

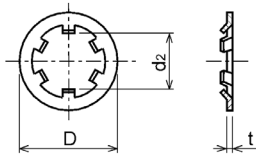


Type No. 類別番号	Type 類別
XD2-210	Grip ring グリップ止め輪

Table 5 表5

Nominal designation 呼び	d_3 (mm)	t (mm)	b (mm)	a (mm)	d_0 (mm)
020	1.9	0.5	1	1.8	0.8
025	2.35	0.5	1.2	1.9	0.9
030	2.85	0.6	1.4	1.9	0.9
035	3.3	0.6	1.6	2	0.9
040	3.8	0.8	1.8	2.8	1.2
045	4.25	0.8	2	2.9	1.3
050	4.75	0.8	2.2	2.9	1.3
060	5.7	1	2.4	3.1	1.4
070	6.7	1	2.7	3.3	1.4
080	7.7	1	3	3.5	1.4
090	8.65	1.2	3.3	4.7	1.5
100	9.65	1.2	3.5	4.7	2

5-3. Toothed Retaining Rings
歯付き形止め輪



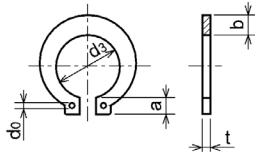
Type No. 類別番号	Type 類別
XD2-230	Toothed retaining ring 歯付き形止め輪

Table 5 表5

Nominal designation 呼び	d_2 (mm)	D (mm)	t (mm)	No of teeth 歯数
015	1.4	5.2	0.25	3
020	1.9	6	0.25	3
024	2.3	6.4	0.25	3
030	2.8	8	0.25	4
040	3.8	9	0.25	4
050	4.8	10	0.25	5
060	5.8	11	0.25	5
080	7.8	13	0.25	5
100	9.8	15.4	0.25	6

Figure ZZE (3/3)MECHANICAL STANDARD PARTS (RETAINING RINGS)

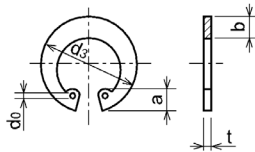
5-4. Retaining Rings - C Type
C形止め輪



Type No. 類別番号	Type 類別
XD2-310	Retaining ring - C type for shaft C形止め輪 軸用

Table 5 表5

Nominal designation 呼び	ds (mm)	t (mm)	b (mm)	a (mm)	d0 (mm)
010	9.3	1	1.6	3	1.2
012	11.1	1	1.8	3.2	1.5
014	12.9	1	2	3.4	1.7
015	13.8	1	2.1	3.5	1.7
016	14.7	1	2.2	3.6	1.7
017	15.7	1	2.2	3.7	1.7
018	16.5	1.2	2.6	3.8	1.7
020	18.5	1.2	2.7	3.9	2
022	20.5	1.2	2.7	4.1	2
025	23.2	1.2	3.1	4.3	2
028	25.9	1.5	3.1	4.6	2
030	27.9	1.5	3.5	4.8	2
032	29.6	1.5	3.5	5	2.5
035	32.2	1.5	4	5.4	2.5



Type No. 類別番号	Type 類別
XD2-320	Retaining ring - C type for hole C形止め輪 穴用

Table 5 表5

Nominal designation 呼び	ds (mm)	t (mm)	b (mm)	a (mm)	d0 (mm)
010	10.7	1	1.8	3.1	1.2
011	11.8	1	1.8	3.2	1.2
012	13	1	1.8	3.3	1.5
014	15.1	1	2	3.6	1.7
016	17.3	1	2	3.7	1.7
018	19.5	1	2.5	4	1.7
019	20.5	1	2.5	4	2
020	21.5	1	2.5	4	2
022	23.5	1	2.5	4.1	2
025	26.9	1.2	3	4.4	2
028	30.1	1.2	3	4.6	2
030	32.1	1.2	3	4.7	2
032	34.4	1.2	3.5	5.2	2.5
035	37.8	1.5	3.5	5.2	2.5
037	39.8	1.5	3.5	5.2	2.5
040	43.5	1.8	4	5.7	2.5
042	45.5	1.8	4	5.8	2.5
045	48.5	1.8	4.5	5.9	2.5
047	50.5	1.8	4.5	6.1	2.5
050	54.2	2	4.5	6.5	2.5
052	56.2	2	5.1	6.5	2.5
055	59.2	2	5.1	6.5	2.5
060	64.2	2	5.1	6.8	2.5
062	66.2	2	5.5	6.9	2.5
068	72.5	2.5	6	7.4	2.5
072	76.5	2.5	6.6	7.4	2.5
075	79.5	2.5	6.6	7.8	2.5
080	85.5	2.5	7	8	2.5
085	90.5	3	7	8	3
090	95.5	3	7.6	8.3	3
095	100.5	3	8	8.5	3