

PARTS CATALOG

**MF229dw/227dw/226dn/
224dw/223d/222dw/221d/
217w/216n/215/212w/211**

Canon

Dec 17 2014

PREFACE

This Parts Catalog contains listings of parts used

Diagrams are provided with the listings to aid the service technician in identifying clearly, the item to be ordered.

Whenever ordering parts, consult this Parts Catalog for all of the information pertaining to each item. Be sure to include, in the Parts Request, the full item description, the item part number, and the quantity.

COPYRIGHT (C) 1999 CANON INC.

Use of this manual should be strictly supervised to avoid disclosure of confidential information.

Contents

NUMERICAL INDEX

MF229dw/227dw/226dn/224dw/223d/222dw/221d/217w/216n/215/212w/ 211(Numerical Index)	1-1
---	-----

MF229dw/227dw/226dn/224dw/223d/222dw/221d/217w/216n/215/212w/ 211(Parts Catalog)

A1	ASSEMBLY LOCATION DIAGRAM	2-1
A2	OPTION PARTS CATALOG LIST	2-2
001	ACCESSORIES	2-3
100	EXTERNAL COVERS, PANELS, ETC. (DADF model)	2-7
100A	EXTERNAL COVERS, PANELS, ETC. (ADF model)	2-9
100B	EXTERNAL COVERS, PANELS, ETC. (COPYBOARD model)	2-12
101	FRONT COVER ASS'Y	2-15
102	INTERNAL COMPONENTS 1	2-17
103	INTERNAL COMPONENTS 2	2-21
160	ADF ASS'Y (DADF model)	2-23
160A	ADF ASS'Y (ADF model)	2-25
161	PAPER FEEDER ASSEMBLY (DADF model)	2-27
400	READER ASSEMBLY (DADF model)	2-29
400A	READER ASSEMBLY (ADF model)	2-31
400B	READER ASSEMBLY (COPYBOARD model)	2-33
ZZA	MECHANICAL STANDARD PARTS (HOW TO USE)	2-35
ZZB	MECHANICAL STANDARD PARTS (SCREWS)	2-36
ZZC	MECHANICAL STANDARD PARTS (BOLTS)	2-43
ZZD	MECHANICAL STANDARD PARTS (NUTS)	2-44
ZZE	MECHANICAL STANDARD PARTS (RETAINING RINGS)	2-45

NUMERICAL INDEX

MF229dw/227dw/226dn/224dw/223d/222dw/221d/217w/216n/215/212w/211

PARTS NUMBER	FIGURE & KEY NO.	PARTS NUMBER	FIGURE & KEY NO.	PARTS NUMBER	FIGURE & KEY NO.
FC0-1589-000	103 - 19	FE2-3233-000	400A - 3	FE4-0948-000	101 - 6
FC0-1590-000	103 - 20	FE2-3233-000	400B - 3	FE4-1344-000	160A - 7
FC0-1644-000	102 - 1	FE4-0738-000	160 - 16	FE4-1563-000	100 - 11
FC0-1645-000	102 - 2	FE4-0738-000	160A - 14	FE4-1563-000	100A - 11
FC0-1646-000	103 - 21	FE4-0741-000	160 - 24	FE4-1564-000	100 - 11
FC0-1663-000	101 - 1	FE4-0742-000	160 - 2	FE4-1564-000	100A - 11
FC0-1664-000	101 - 2	FE4-0805-000	160 - 13	FE4-1565-000	100 - 11
FC0-1665-000	101 - 3	FE4-0806-000	160 - 3	FE4-1565-000	100A - 11
FC0-1698-000	160A - 1	FE4-0811-000	160 - 23	FE4-1566-000	100 - 1
FC0-1789-000	102 - 3	FE4-0811-000	160A - 25	FE4-1566-000	100A - 2
FC0-1945-000	400 - 1	FE4-0820-000	160 - 1	FE4-1589-000	100 - 5
FC0-1945-000	400A - 1	FE4-0820-000	160A - 2	FE4-1589-000	100A - 4
FC0-1945-000	400B - 1	FE4-0851-000	100 - 2	FE4-1589-000	100B - 2
FC0-2038-000	100 - 4	FE4-0856-000	100A - 3	FE4-4945-000	102 - 22
FC0-2038-000	100A - 5	FE4-0866-000	100 - 8	FE4-4946-000	102 - 23
FC0-2038-000	100B - 3	FE4-0866-000	100A - 8	FE4-4951-000	100 - 17
FC6-5210-000	160 - 4	FE4-0866-000	100B - 7	FE4-4952-000	100A - 17
FC6-5210-000	160A - 3	FE4-0886-000	100 - 3	FE4-4953-000	100B - 15
FC6-5210-000	161 - 1	FE4-0889-000	160A - 23	FK2-1311-000	001 - 3
FC7-6182-000	161 - 2	FE4-0891-000	160A - 24	FK2-1317-000	001 - 5
FC7-6278-000	161 - 3	FE4-0892-000	160A - 6	FK2-4390-000	001 - 2
FC7-6321-000	160 - 5	FE4-0893-000	160A - 6	FK2-4393-000	001 - 4
FC7-6322-000	160 - 6	FE4-0895-000	160A - 10	FK2-5281-000	001 - 20
FC8-0654-000	100B - 4	FE4-0904-000	101 - 5	FK2-6291-000	001 - 17
FC8-1367-000	102 - 4	FE4-0905-000	101 - 5	FK2-6890-000	001 - 7
FC8-1368-000	102 - 5	FE4-0908-000	100 - 9	FK3-1175-000	102 - 8
FC8-1368-000	103 - 1	FE4-0908-000	100A - 9	FK3-1185-000	001 - 19
FC8-1369-000	103 - 2	FE4-0908-000	100B - 8	FK3-1187-000	001 - 9
FC8-1370-000	100 - 6	FE4-0909-000	100 - 9	FK3-2884-000	001 - 18
FC8-1370-000	100A - 6	FE4-0909-000	100A - 9	FK3-3544-000	102 - 10
FC8-1370-000	100B - 5	FE4-0909-000	100B - 8	FK3-3628-000	001 - 6
FC8-1370-000	102 - 6	FE4-0910-000	100 - 10	FK3-3659-000	160A - 8
FC8-1370-000	103 - 3	FE4-0910-000	100A - 10	FK3-3667-000	103 - 4
FC8-3826-000	001 - 15	FE4-0910-000	100B - 9	FK4-1248-020	102 - 11
FC8-3827-000	001 - 16	FE4-0911-000	100 - 10	FK4-1622-000	001 - 8
FC8-6307-000	001 - 14	FE4-0911-000	100A - 10	FK4-2081-000	102 - 7
FC8-9210-000	160 - 7	FE4-0911-000	100B - 9	FK4-2083-000	102 - 7
FC8-9251-000	160 - 8	FE4-0912-000	100A - 10	FK4-2085-000	400 - 5
FC8-9251-000	160A - 4	FE4-0912-000	100B - 9	FK4-2085-000	400A - 5
FC8-9307-000	100 - 7	FE4-0913-000	100A - 10	FK4-2085-000	400B - 5
FC8-9307-000	100A - 7	FE4-0913-000	100B - 9	FK4-2086-000	400 - 4
FC8-9307-000	100B - 6	FE4-0916-000	101 - 16	FK4-2086-000	400A - 4
FC9-1324-000	100 - 7	FE4-0917-000	101 - 6	FK4-2086-000	400B - 4
FC9-1324-000	100A - 7	FE4-0918-000	101 - 7	FK4-2087-000	102 - 24
FC9-1324-000	100B - 6	FE4-0919-000	101 - 8	FK4-2108-000	400 - 6
FC9-1325-000	161 - 4	FE4-0925-000	100A - 12	FK4-2108-000	400A - 6
FC9-5060-000	160 - 9	FE4-0925-000	100B - 12	FK4-2109-000	400A - 6
FC9-5060-000	160A - 5	FE4-0926-000	100A - 12	FK4-2109-000	400B - 6
FE2-2498-000	400 - 2	FE4-0926-000	100B - 12	FK4-2140-000	102 - 9
FE2-2498-000	400A - 2	FE4-0927-000	101 - 4	FK4-2141-000	102 - 9
FE2-2498-000	400B - 2	FE4-0928-000	001 - 11	FK4-2549-000	001 - 1
FE2-3233-000	400 - 3	FE4-0929-000	001 - 10	FK4-2551-000	001 - 1

NUMERICAL INDEX

MF229dw/227dw/226dn/224dw/223d/222dw/221d/217w/216n/215/212w/211

PARTS NUMBER	FIGURE & KEY NO.	PARTS NUMBER	FIGURE & KEY NO.	PARTS NUMBER	FIGURE & KEY NO.
FK4-2553-000	001 - 1	FM0-4439-000	160A - 15	FM1-F661-000	100A - 14
FK4-2555-000	001 - 1	FM0-4452-000	160 - 18	FM1-F662-000	100A - 14
FK4-2557-000	001 - 1	FM1-F264-000	102 - 17	FM1-F663-000	100A - 14
FK4-2559-000	001 - 1	FM1-F266-000	102 - 18	FM1-F664-000	100A - 14
FK4-2561-000	001 - 1	FM1-F330-000	101 -	FM1-G017-000	161 - 7
FK4-2563-000	001 - 1	FM1-F331-000	101 -	FM1-G019-000	161 -
FK4-2565-000	001 - 1	FM1-F332-000	101 -	FM1-G020-000	400 -
FK4-2567-000	001 - 1	FM1-F333-000	101 -	FM1-G021-000	400A -
FK4-2569-000	001 - 1	FM1-F341-000	102 - 17	FM1-G022-000	101 - 11
FK4-2571-000	001 - 1	FM1-F342-000	102 - 17	FM1-G023-000	160A - 12
FK4-2573-000	001 - 1	FM1-F346-000	160 - 14	FM1-G033-000	103 - 13
FK4-2575-000	001 - 1	FM1-F347-000	160 - 15	FM1-G034-000	100 - 14
FK4-2577-000	001 - 1	FM1-F352-000	161 -	FM1-G035-000	100 - 14
FK4-2579-000	001 - 1	FM1-F356-000	100 - 16	FM1-G037-000	100 - 14
FK4-2581-000	001 - 1	FM1-F356-000	100A - 1	FM1-G039-000	100 - 14
FK4-2583-000	001 - 1	FM1-F356-000	100B - 1	FM1-G040-000	100 - 14
FK4-2585-000	001 - 1	FM1-F357-000	100 - 16	FM1-G042-000	100 - 14
FK4-2587-000	001 - 1	FM1-F357-000	100A - 1	FM1-G043-000	100A - 14
FK4-2589-000	001 - 1	FM1-F357-000	100B - 1	FM1-G044-000	100A - 14
FK4-2591-000	001 - 1	FM1-F358-000	400 -	FM1-G046-000	100A - 14
FL0-3567-000	101 - 9	FM1-F359-000	400 -	FM1-G047-000	100A - 14
FL0-3573-000	160 - 11	FM1-F360-000	400A -	FM1-G048-000	100A - 14
FL0-3574-000	100 - 13	FM1-F361-000	400A -	FM1-G050-000	100A - 14
FL0-3574-000	100A - 13	FM1-F362-000	400B -	FM1-G051-000	100A - 14
FL0-3575-000	160 - 10	FM1-F363-000	400B -	FM1-G052-000	100A - 14
FL3-1023-000	160 - 12	FM1-F364-000	101 - 14	FM1-G053-000	100A - 14
FL3-1023-000	160A - 9	FM1-F365-000	101 - 14	FM1-G054-000	100B - 10
FL3-5062-000	400 - 7	FM1-F366-000	101 - 13	FM1-G055-000	100B - 10
FL3-5062-000	400A - 7	FM1-F367-000	101 - 11	FM1-G056-000	100B - 10
FL3-5062-000	400B - 8	FM1-F368-000	101 - 12	FM1-G057-000	100A - 14
FL3-5071-000	400A - 8	FM1-F369-000	100 - 15	FM1-G067-000	100A - 14
FL3-5072-000	400 - 8	FM1-F369-000	100A - 15	FM1-G068-000	100A - 14
FL3-5072-000	400B - 7	FM1-F369-000	100B - 13	FM1-G069-000	100A - 14
FM0-2242-000	102 - 12	FM1-F371-000	160A - 11	FM1-G070-000	100A - 14
FM0-3656-000	103 - 5	FM1-F372-000	160A - 12	FM1-G071-000	100B - 10
FM0-3686-000	103 - 7	FM1-F373-000	160A - 12	FM1-G072-000	100B - 10
FM0-3687-000	103 - 8	FM1-F374-000	160A - 26	FM1-G073-000	100B - 10
FM0-3723-000	103 - 8	FM1-F377-000	100B - 11	FM1-G074-000	100B - 10
FM0-3743-000	103 - 7	FM1-F378-000	101 -	FM1-G075-000	100B - 10
FM0-3930-000	102 - 14	FM1-F387-000	400A -	FM1-G076-000	100B - 10
FM0-3931-000	102 - 14	FM1-F388-000	400A -	FM1-G077-000	100B - 10
FM0-3932-000	102 - 14	FM1-F392-000	100 - 12	FM1-G078-000	100B - 10
FM0-4130-000	101 - 10	FM1-F392-000	100A - 16	FM1-G079-000	100B - 10
FM0-4131-000	103 - 9	FM1-F392-000	100B - 14	FM1-G080-000	100B - 10
FM0-4132-000	103 - 9	FM1-F645-000	102 - 17	FM1-G082-000	100A - 14
FM0-4133-000	103 - 10	FM1-F646-000	102 - 17	FM1-J889-000	102 - 13
FM0-4381-000	103 - 6	FM1-F647-000	102 - 17	FM1-J890-000	102 - 13
FM0-4413-000	160A - 13	FM1-F656-000	400B -	FM1-J891-000	102 - 13
FM0-4434-000	400 - 9	FM1-F657-000	100A - 14	FM1-J892-000	102 - 13
FM0-4434-000	400A - 9	FM1-F658-000	100A - 14	FM1-J893-000	102 - 13
FM0-4434-000	400B - 9	FM1-F659-000	100A - 14	FM1-J894-000	102 - 13
FM0-4439-000	160 - 17	FM1-F660-000	100A - 14	FM1-J895-000	102 - 13

NUMERICAL INDEX

MF229dw/227dw/226dn/224dw/223d/222dw/221d/217w/216n/215/212w/211

PARTS NUMBER	FIGURE & KEY NO.	PARTS NUMBER	FIGURE & KEY NO.	PARTS NUMBER	FIGURE & KEY NO.
FM1-J896-000	102 - 13	NPN	160A -		
FM1-J897-000	102 - 13	RC2-1182-000	103 - 14		
FM1-J898-000	102 - 13	RK2-0420-000	103 - 15		
FM1-J899-000	102 - 13	RK2-3438-000	103 - 16		
FM1-J900-000	102 - 13	RL1-1497-000	103 - 17		
FM1-J901-000	102 - 13	VS1-7440-003	102 - 26		
FM1-J902-000	102 - 13	WE8-6481-000	102 - 20		
FM1-J903-000	102 - 13	WE8-6854-000	102 - 19		
FM1-J944-000	102 - 15	WE8-6948-000	102 - 21		
FM1-J945-000	102 - 15	WG8-5935-000	160A - 21		
FM1-J946-000	102 - 15	WG8-5935-000	161 - 15		
FM1-J948-000	102 - 15	XA9-0476-000	101 - 15		
FM1-J949-000	102 - 15	XA9-0476-000	160 - 22		
FM1-J951-000	102 - 15	XA9-0476-000	160A - 22		
FM1-J953-000	102 - 15	XA9-0476-000	400 - 10		
FM1-J954-000	102 - 15	XA9-0476-000	400A - 10		
FM1-J955-000	102 - 15	XA9-0476-000	400B - 10		
FM1-J956-000	102 - 15				
FM1-J957-000	102 - 15				
FM1-J960-000	102 - 25				
FM1-J961-000	161 - 5				
FM1-P832-000	102 - 25				
FM1-P835-000	161 - 5				
FM3-8682-000	161 - 6				
FM3-8686-000	161 - 9				
FM3-8687-000	160A - 16				
FM3-8690-000	161 - 8				
FM4-6893-000	103 - 11				
FM4-6895-000	102 - 16				
FM4-6919-000	161 - 10				
FM4-7064-000	103 - 12				
FM4-7179-010	001 - 12				
FM4-7180-010	001 - 13				
FM4-7532-000	161 - 11				
FU0-0204-000	160A - 17				
FU5-1552-000	160 - 19				
FU5-1552-000	160A - 18				
FU5-1552-000	161 - 12				
FU5-6711-000	160A - 19				
FU6-2249-000	161 - 13				
FU7-2021-000	161 - 14				
FU7-2869-000	160 - 20				
FU7-2869-000	160A - 20				
FU8-0473-000	160 - 21				
FU9-0289-000	103 - 18				
NPN	001 -				
NPN	100 -				
NPN	100A -				
NPN	100B -				
NPN	102 -				
NPN	103 -				
NPN	160 -				

MF229dw/227dw/226dn/224dw/223d/ 222dw/221d/217w/216n/215/212w/ 211(Parts Catalog)

Satera MF229dw

100V JP F16-7111-000 RUY

Satera MF226dn

100V JP F16-7113-000 RVL

Satera MF224dw

100V JP F16-7116-000 RVU

Satera MF222dw

100V JP F16-7118-000 RVQ

Satera MF216n

100V JP F16-7313-000 RWL

imageCLASS MF229dw

120V TW F16-7121-000 RUX

**120V
US,CA,LTN F16-7131-000 RUV**

230V AU F16-7141-000 RUU

230V CN F16-7151-000 RUQ

230V KR F16-7161-000 RUT

230V SG,HK,LTN	F16-7181-000	RUR
---------------------------	---------------------	------------

230V IN	F16-7181-000	RUS
----------------	---------------------	------------

imageCLASS MF227dw

120V US,CA,LTN	F16-7132-000	RUZ
---------------------------	---------------------	------------

imageCLASS MF226dnz

230V KR	F16-7173-000	TYM
----------------	---------------------	------------

imageCLASS MF226dn

230V CN	F16-7153-000	RVG
----------------	---------------------	------------

230V KR	F16-7163-000	RVK
----------------	---------------------	------------

230V SG,HK,LTN	F16-7183-000	RVH
---------------------------	---------------------	------------

230V IN	F16-7183-000	RVJ
----------------	---------------------	------------

imageCLASS MF223d

230V CN	F16-7157-000	RVM
----------------	---------------------	------------

230V KR	F16-7167-000	RVN
----------------	---------------------	------------

imageCLASS MF221d

230V KR	F16-7169-000	RVT
----------------	---------------------	------------

230V SG,HK,LTN	F16-7189-000	RVR
---------------------------	---------------------	------------

230V IN	F16-7189-000	RVS
----------------	---------------------	------------

imageCLASS MF217w

230V KR	F16-7362-000	RVY
230V SG,HK,LTN	F16-7382-000	RWE
230V IN	F16-7382-000	RWF

imageCLASS MF216nz

230V KR	F16-7373-000	TYN
----------------	---------------------	------------

imageCLASS MF216n

120V HK,TW	F16-7323-000	RWK
120V US,CA,LTN	F16-7333-000	RWH
230V CN	F16-7353-000	RWD
230V KR	F16-7363-000	RWG

imageCLASS MF215

230V CN	F16-7354-000	RWM
230V KR	F16-7364-000	RWQ
230V SG,HK,LTN	F16-7384-000	RWN
230V IN	F16-7384-000	RWP

imageCLASS MF212w

120V SG,HK,TW	F16-7328-000	RYK
120V US,CA,LTN	F16-7338-000	RWW
230V CN	F16-7358-000	RWS
230V KR	F16-7368-000	RWV

230V SG,HK,LTN	F16-7388-000	RWT
---------------------------	---------------------	------------

230V IN	F16-7388-000	RWU
----------------	---------------------	------------

imageCLASS MF211

230V CN	F16-7359-000	RXB
----------------	---------------------	------------

230V KR	F16-7369-000	RXE
----------------	---------------------	------------

230V SG,HK,LTN	F16-7389-000	RXC
---------------------------	---------------------	------------

230V IN	F16-7389-000	RXD
----------------	---------------------	------------

i-SENSYS MF229dw

230V EUR	F16-7191-000	RUN
-----------------	---------------------	------------

i-SENSYS MF226dn

230V EUR	F16-7193-000	RVE
-----------------	---------------------	------------

i-SENSYS MF217w

230V EUR	F16-7392-000	RVW
-----------------	---------------------	------------

i-SENSYS MF216n

230V EUR	F16-7393-000	RWB
-----------------	---------------------	------------

i-SENSYS MF212w

230V EUR	F16-7398-000	RWR
-----------------	---------------------	------------

i-SENSYS MF211

230V EUR

F16-7399-000 RWY

Contents

A1	ASSEMBLY LOCATION DIAGRAM	2-1
A2	OPTION PARTS CATALOG LIST	2-2
001	ACCESSORIES	2-3
100	EXTERNAL COVERS, PANELS, ETC. (DADF model).....	2-7
100A	EXTERNAL COVERS, PANELS, ETC. (ADF model)	2-9
100B	EXTERNAL COVERS, PANELS, ETC. (COPYBOARD model)	2-12
101	FRONT COVER ASS'Y.....	2-15
102	INTERNAL COMPONENTS 1	2-17
103	INTERNAL COMPONENTS 2	2-21
160	ADF ASS'Y (DADF model).....	2-23
160A	ADF ASS'Y (ADF model)	2-25
161	PAPER FEEDER ASSEMBLY (DADF model).....	2-27
400	READER ASSEMBLY (DADF model).....	2-29
400A	READER ASSEMBLY (ADF model)	2-31
400B	READER ASSEMBLY (COPYBOARD model).....	2-33
ZZA	MECHANICAL STANDARD PARTS (HOW TO USE)	2-35
ZZB	MECHANICAL STANDARD PARTS (SCREWS).....	2-36
ZZC	MECHANICAL STANDARD PARTS (BOLTS).....	2-43
ZZD	MECHANICAL STANDARD PARTS (NUTS).....	2-44
ZZE	MECHANICAL STANDARD PARTS (RETAINING RINGS)	2-45

FIGURE A1 ASSEMBLY LOCATION DIAGRAM

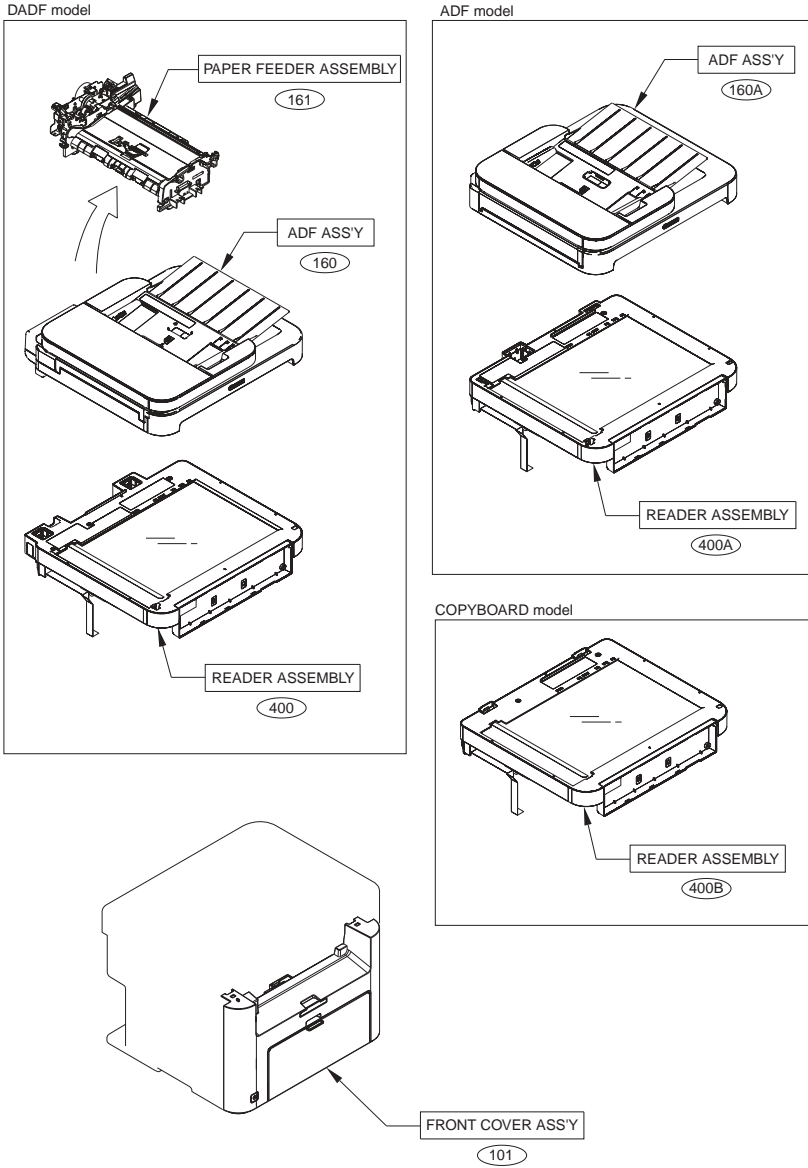
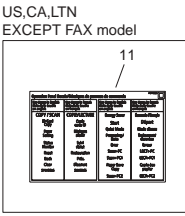
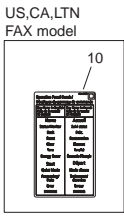
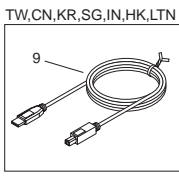
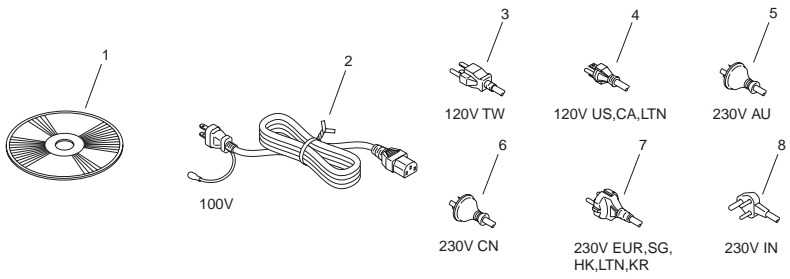


FIGURE A2 OPTION PARTS CATALOG LIST

This is the table of the machine's options whose parts catalog is issued.
本機のオプションで、パーツカタログが発行されている機種の一覧である。

No.	Model Name(English)	Model Name(Japanese)
1	TELEPHONE 6 KIT	(日本仕向けなし)
2	(JAPAN ONLY)	ハンドセットキット L11

FIGURE 001 ACCESSORIES



FAX model

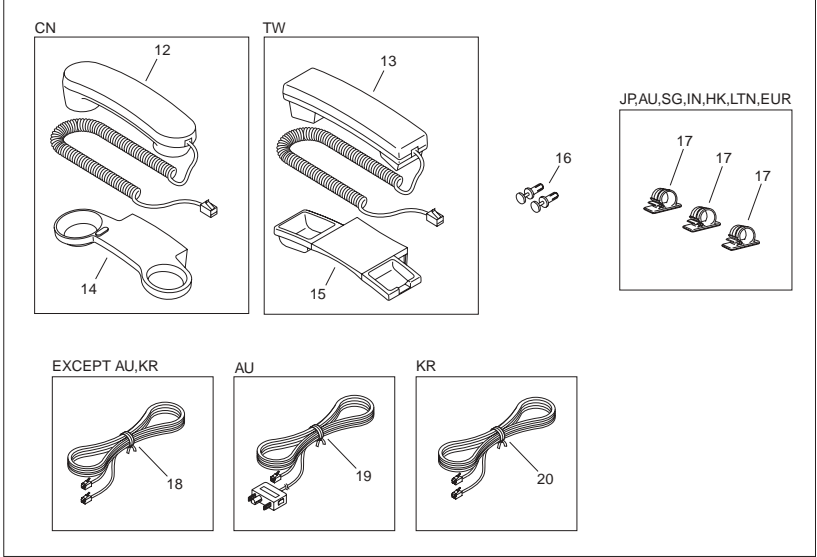


FIGURE & KEY NO.	PARTS NUMBER	RANK	Q'TY	DESCRIPTION	SERIAL NUMBER/REMARKS	SVC
Fig.001	NPN		RF	ACCESSORIES		
1	FK4-2553-000		1	CD-ROM, USER SOFTWARE	JP MF229dw,226dn Japanese	
1	FK4-2559-000		1	CD-ROM, USER SOFTWARE	JP MF224dw,222dw Japanese	
1	FK4-2569-000		1	CD-ROM, USER SOFTWARE	JP MF216n Japanese	
1	FK4-2549-000		1	DVD-ROM, USER SOFTWARE	US,CA,LTN MF229dw,227dw US English,French,Spanish,Br azilian Portuguese	
1	FK4-2565-000		1	DVD-ROM, USER SOFTWARE	US,CA,LTN MF216n US English,French,Spanish,Br azilian Portuguese	
1	FK4-2579-000		1	DVD-ROM, USER SOFTWARE	US,CA,LTN MF212w US English, French, Spanish, Br azilian Portuguese	
1	FK4-2557-000		1	DVD-ROM, USER SOFTWARE	AU MF229dw,SG,IN,HK,LTN MF229dw,226dn UK English,Spanish	
1	FK4-2555-000		1	DVD-ROM, USER SOFTWARE	KR MF229dw,226dn,226dnz UK English,Simplified Chinese,Traditional Chinese,Korean	
1	FK4-2561-000		1	DVD-ROM, USER SOFTWARE	KR MF223d,221d UK English,Simplified Chinese,Korean	
1	FK4-2571-000		1	DVD-ROM, USER SOFTWARE	KR MF217w,216n,216nz UK English,Simplified Chinese,Traditional Chinese,Korean	
1	FK4-2575-000		1	DVD-ROM, USER SOFTWARE	KR MF215 UK English,Simplified Chinese,Korean	
1	FK4-2583-000		1	DVD-ROM, USER SOFTWARE	KR MF212w UK English,Simplified Chinese,Traditional Chinese,Korean	
1	FK4-2589-000		1	DVD-ROM, USER SOFTWARE	KR MF211 UK English,Simplified Chinese,Korean	
1	FK4-2563-000		1	DVD-ROM, USER SOFTWARE	SG,IN,HK,LTN MF221d UK English,Spanish	
1	FK4-2573-000		1	DVD-ROM, USER SOFTWARE	SG,IN,HK,LTN MF217w UK English,Spanish	

FIGURE & KEY NO.	PARTS NUMBER	R A N K	Q'TY	DESCRIPTION	SERIAL NUMBER/ REMARKS	S V C
1	FK4-2577-000		1	DVD-ROM, USER SOFTWARE	SG,IN,HK,LTN MF215 UK English,Spanish	
1	FK4-2585-000		1	DVD-ROM, USER SOFTWARE	SG,IN,HK,LTN MF212w UK English,Spanish	
1	FK4-2591-000		1	DVD-ROM, USER SOFTWARE	SG,IN,HK,LTN MF211 UK English,Spanish	
1	FK4-2551-000		1	DVD-ROM, USER SOFTWARE	EUR MF229dw,226dn UK English,French,Italian,German,Spanish,Russian,Dutch,Polish,Arabic	
1	FK4-2567-000		1	DVD-ROM, USER SOFTWARE	EUR MF217w MF216n EUR UK English,French,Italian,German,Spanish,Russian,Dutch,Polish,Arabic	
1	FK4-2581-000		1	DVD-ROM, USER SOFTWARE	EUR MF212w UK English,French,Italian,German,Spanish,Russian,Dutch,Polish,Arabic	
1	FK4-2587-000		1	DVD-ROM, USER SOFTWARE	EUR MF211 UK English,French,Italian,German,Spanish,Russian,Dutch,Polish,Arabic	
2	FK2-4390-000		1	CORD, POWER	100V	
3	FK2-1311-000		1	CORD, POWER, 120V	120V TW	
4	FK2-4393-000		1	CORD, POWER	120V US,CA,LTN	
5	FK2-1317-000		1	CORD, POWER	230V AU	
6	FK3-3628-000		1	CORD, POWER	230V CN	
7	FK2-6890-000		1	CORD, POWER	230V EUR,SG,HK,LTN,KR	
8	FK4-1622-000		1	CORD, POWER SUPPLY	230V IN	
9	FK3-1187-000		1	CORD, USB	TW,CN,KR,SG,IN,HK,LTN	
10	FE4-0929-000		1	LABEL, PANEL	US,CA,LTN FAX model	
11	FE4-0928-000		1	LABEL, PANEL	US,CA,LTN EXCEPT FAX model	
12	FM4-7179-010		1	HANDSET UNIT	FAX model CN	
13	FM4-7180-010		1	HANDSET UNIT	FAX model TW	
14	FC8-6307-000		1	HOLDER,HANDSET CRADLE	FAX model CN	
15	FC8-3826-000		1	HOLDER,HANDSET CRADLE	FAX model TW	
16	FC8-3827-000		2	RIVET	FAX model TW,CN	

FIGURE & KEY NO.	PARTS NUMBER	RANK	Q'TY	DESCRIPTION	SERIAL NUMBER/REMARKS	SVC
17	FK2-6291-000		3	CLAMP, CABLE	FAX model JP,AU,SG,IN,HK,LTN,EU R	
18	FK3-2884-000		1	CORD, MODULAR	FAX model EXCEPT AU,KR	
19	FK3-1185-000		1	CORD, MODULAR	FAX model AU	
20	FK2-5281-000		1	CORD, MODULAR	FAX model KR	

FIGURE 100
EXTERNAL COVERS, PANELS, ETC. (DADF model)

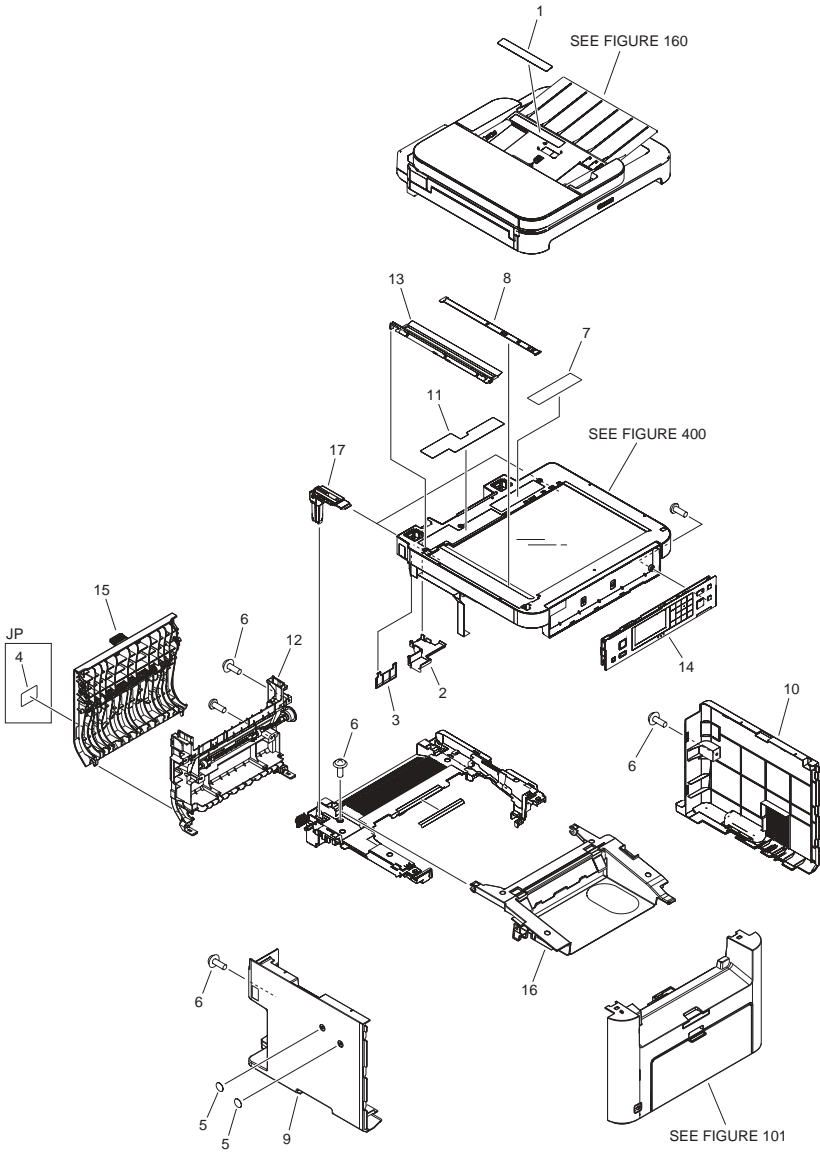


FIGURE & KEY NO.	PARTS NUMBER	R A N K	Q'TY	DESCRIPTION	SERIAL NUMBER/ REMARKS	S V C
Fig.100	NPN		RF	EXTERNAL COVERS, PANELS, ETC.	DADF model	
1	FE4-1566-000		1	LABEL, DOCUMENT PROHIBITION		
2	FE4-0851-000		1	GUIDE, CABLE		
3	FE4-0886-000		1	COVER, HINGE BLANKING		
4	FC0-2038-000		1	LABEL, GROUNDING CAUTION	JP	
5	FE4-1589-000		2	SHEET, HANDSET		
6	FC8-1370-000		8	SCREW, TP, M3X6		
7	FC9-1324-000		1	LABEL, COPY PROHIBITION	EXCEPT US,CA,LTN,EUR	
7	FC8-9307-000		1	LABEL, COPY PROHIBITION	US,CA,LTN,EUR	
8	FE4-0866-000		1	PLATE, PAPER SIZE		
9	FE4-0909-000		1	COVER, LEFT	JP,US,CA,LTN,CN	
9	FE4-0908-000		1	COVER, LEFT	TW,AU,KR,SG,IN,HK,LTN, EUR	
10	FE4-0911-000		1	COVER, RIGHT	JP,US,CA,LTN,CN	
10	FE4-0910-000		1	COVER, RIGHT	TW,AU,KR,SG,IN,HK,LTN, EUR	
11	FE4-1565-000		1	LABEL, GLASS CLEANING	JP,TW,AU,KR,SG,IN,HK,L TN,CN	
11	FE4-1563-000		1	LABEL, GLASS CLEANING	US,CA,LTN	
11	FE4-1564-000		1	LABEL, GLASS CLEANING	EUR	
12	FM1-F392-000		1	DUPLEXING FRAME ASS'Y	MF220 Series	
13	FL0-3574-000		1	HOLDER, DOCUMENT GUIDE		
14	FM1-G034-000		1	CONTROL PANEL ASS'Y	JP	
14	FM1-G037-000		1	CONTROL PANEL ASS'Y	US,CA,LTN,AU,SG,IN,HK, LTN	
14	FM1-G035-000		1	CONTROL PANEL ASS'Y	TW	
14	FM1-G039-000		1	CONTROL PANEL ASS'Y	CN	
14	FM1-G042-000		1	CONTROL PANEL ASS'Y	EUR	
14	FM1-G040-000		1	CONTROL PANEL ASS'Y	KR	
15	FM1-F369-000		1	DUPLEXING DOOR ASS'Y		
16	FM1-F356-000		1	CARTRIDGE DOOR ASS'Y	JP,TW,AU,KR,SG,IN,HK,L TN, EUR	
16	FM1-F357-000		1	CARTRIDGE DOOR ASS'Y	US,CA,LTN,CN	
17	FE4-4951-000		2	HINGE, READER		

FIGURE 100A EXTERNAL COVERS, PANELS, ETC. (ADF model)

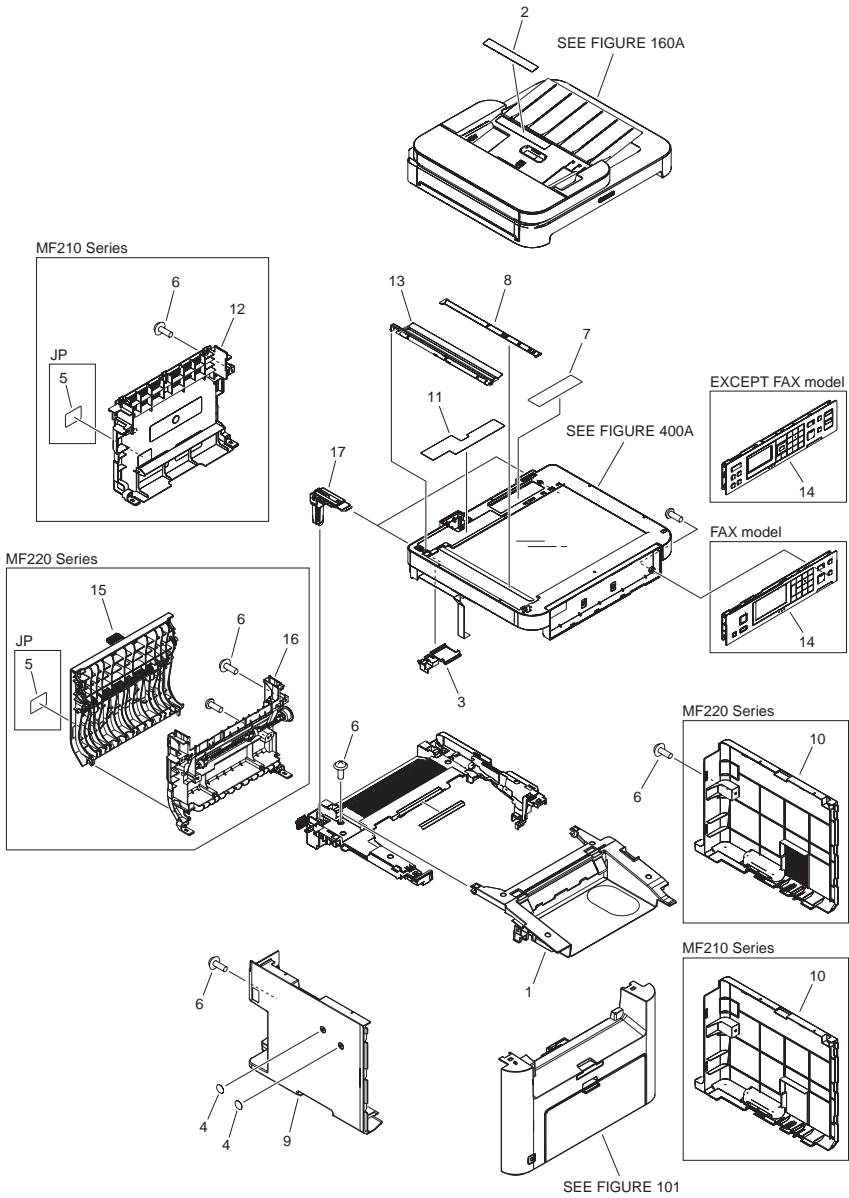


FIGURE & KEY NO.	PARTS NUMBER	R A N K	Q'TY	DESCRIPTION	SERIAL NUMBER/REMARKS	S V C
Fig.100A	NPN		RF	EXTERNAL COVERS, PANELS, ETC.	ADF model	
1	FM1-F356-000		1	CARTRIDGE DOOR ASS'Y	EXCEPT MF227dw US,CA,LTN, MF216n US,CA,LTN, MF226dn CN, MF223d CN	
1	FM1-F357-000		1	CARTRIDGE DOOR ASS'Y	MF227dw US,CA,LTN, MF216n US,CA,LTN, MF226dn CN, MF223d CN	
2	FE4-1566-000		1	LABEL, DOCUMENT PROHIBITION		
3	FE4-0856-000		1	GUIDE, CABLE		
4	FE4-1589-000		2	SHEET, HANDSET		
5	FC0-2038-000		1	LABEL, GROUNDING CAUTION	JP	
6	FC8-1370-000		8	SCREW, TP, M3X6		
7	FC9-1324-000		1	LABEL, COPY PROHIBITION	JP,TW,KR,SG,IN,HK,LTN, CN	
7	FC8-9307-000		1	LABEL, COPY PROHIBITION	US,CA,LTN,EUR	
8	FE4-0866-000		1	PLATE, PAPER SIZE		
9	FE4-0909-000		1	COVER, LEFT	JP,US,CA,LTN,CN,	
9	FE4-0908-000		1	COVER, LEFT	TW,KR,SG,IN,HK,LTN,EU R	
10	FE4-0911-000		1	COVER, RIGHT	MF220 Series JP,US,CA,LTN,CN	
10	FE4-0910-000		1	COVER, RIGHT	MF220 Series KR,SG,IN,HK,LTN,EUR	
10	FE4-0913-000		1	COVER, RIGHT	MF210 Series JP,US,CA,LTN,CN	
10	FE4-0912-000		1	COVER, RIGHT	MF210 Series TW,KR,SG,IN,HK,LTN,EU R	
11	FE4-1565-000		1	LABEL, GLASS CLEANING	JP,TW,KR,SG,IN,HK,LTN, CN	
11	FE4-1563-000		1	LABEL, GLASS CLEANING	US,CA,LTN	
11	FE4-1564-000		1	LABEL, GLASS CLEANING	EUR	
12	FE4-0926-000		1	COVER, REAR	MF210 Series JP,US,CA,LTN,CN	
12	FE4-0925-000		1	COVER, REAR	MF210 Series TW,KR,SG,IN,HK,LTN,EU R	
13	FL0-3574-000		1	HOLDER, DOCUMENT GUIDE		
14	FM1-G043-000		1	CONTROL PANEL ASS'Y	MF227dw US,CA,LTN	

FIGURE & KEY NO.	PARTS NUMBER	R A N K	Q'TY	DESCRIPTION	SERIAL NUMBER/ REMARKS	S V C
14	FM1-G044-000		1	CONTROL PANEL ASS'Y	MF226dn JP	
14	FM1-G047-000		1	CONTROL PANEL ASS'Y	MF226dn CN	
14	FM1-G048-000		1	CONTROL PANEL ASS'Y	MF226dn KR	
14	FM1-G046-000		1	CONTROL PANEL ASS'Y	MF226dn SG,IN,HK,LTN	
14	FM1-G050-000		1	CONTROL PANEL ASS'Y	MF226dn EUR	
14	FM1-G057-000		1	CONTROL PANEL ASS'Y	MF226dnz	
14	FM1-G051-000		1	CONTROL PANEL ASS'Y	MF224dw JP	
14	FM1-G052-000		1	CONTROL PANEL ASS'Y	MF223d CN	
14	FM1-G053-000		1	CONTROL PANEL ASS'Y	MF223d KR	
14	FM1-F657-000		1	CONTROL PANEL ASS'Y	MF217w KR	
14	FM1-F658-000		1	CONTROL PANEL ASS'Y	MF217w SG,IN,HK,LTN	
14	FM1-F659-000		1	CONTROL PANEL ASS'Y	MF217w EUR	
14	FM1-F660-000		1	CONTROL PANEL ASS'Y	MF216n JP	
14	FM1-F661-000		1	CONTROL PANEL ASS'Y	MF216n TW	
14	FM1-F662-000		1	CONTROL PANEL ASS'Y	MF216n US,CA,LTN	
14	FM1-F663-000		1	CONTROL PANEL ASS'Y	MF216n CN	
14	FM1-F664-000		1	CONTROL PANEL ASS'Y	MF216n KR	
14	FM1-G067-000		1	CONTROL PANEL ASS'Y	MF216n EUR	
14	FM1-G082-000		1	CONTROL PANEL ASS'Y	MF216nz	
14	FM1-G068-000		1	CONTROL PANEL ASS'Y	MF215 CN	
14	FM1-G069-000		1	CONTROL PANEL ASS'Y	MF215 KR	
14	FM1-G070-000		1	CONTROL PANEL ASS'Y	MF215 SG,IN,HK,LTN	
15	FM1-F369-000		1	DUPLEXING DOOR ASS'Y	MF220 Series	
16	FM1-F392-000		1	DUPLEXING FRAME ASS'Y	MF220 Series	
17	FE4-4952-000		2	HINGE, READER		

FIGURE 100B EXTERNAL COVERS, PANELS, ETC. (COPYBOARD model)

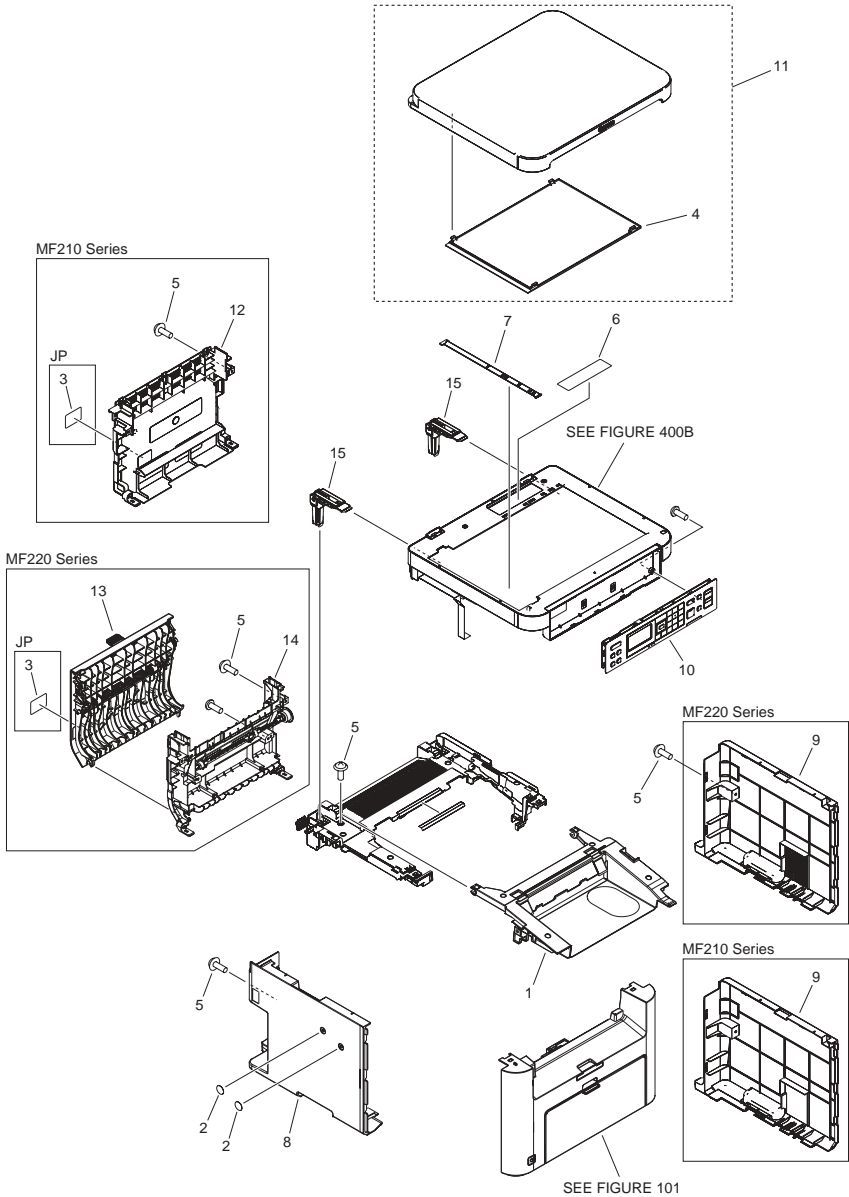


FIGURE & KEY NO.	PARTS NUMBER	R A N K	Q'TY	DESCRIPTION	SERIAL NUMBER/ REMARKS	S V C
Fig.100B	NPN		RF	EXTERNAL COVERS, PANELS, ETC.	COPYBOARD model	
1	FM1-F356-000		1	CARTRIDGE DOOR ASS'Y	JP,TW,KR,SG,IN,HK,LTN, EUR	
1	FM1-F357-000		1	CARTRIDGE DOOR ASS'Y	US,CA,LTN,CN	
2	FE4-1589-000		2	SHEET, HANDSET		
3	FC0-2038-000		1	LABEL, GROUNDING CAUTION	JP	
4	FC8-0654-000		1	PANEL, COPYBOARD		
5	FC8-1370-000		8	SCREW, TP, M3X6		
6	FC9-1324-000		1	LABEL, COPY PROHIBITION	JP,TW,KR,SG,IN,HK,LTN, CN	
6	FC8-9307-000		1	LABEL, COPY PROHIBITION	US,CA,LTN,EUR	
7	FE4-0866-000		1	PLATE, PAPER SIZE		
8	FE4-0909-000		1	COVER, LEFT	JP,US,CA,LTN,CN	
8	FE4-0908-000		1	COVER, LEFT	TW,KR,SG,IN,HK,LTN,EU R	
9	FE4-0911-000		1	COVER, RIGHT	MF220 Series JP	
9	FE4-0910-000		1	COVER, RIGHT	MF220 Series KR,SG,IN,HK,LTN	
9	FE4-0913-000		1	COVER, RIGHT	MF210 Series US,CA,LTN,CN	
9	FE4-0912-000		1	COVER, RIGHT	MF210 Series TW,KR,SG,IN,HK,LTN,EU R	
10	FM1-G054-000		1	CONTROL PANEL ASS'Y	MF222dw JP	
10	FM1-G055-000		1	CONTROL PANEL ASS'Y	MF221d KR	
10	FM1-G056-000		1	CONTROL PANEL ASS'Y	MF221d SG,IN,HK,LTN	
10	FM1-G080-000		1	CONTROL PANEL ASS'Y	MF212w TW	
10	FM1-G071-000		1	CONTROL PANEL ASS'Y	MF212w US,CA,LTN	
10	FM1-G072-000		1	CONTROL PANEL ASS'Y	MF212w CN	
10	FM1-G073-000		1	CONTROL PANEL ASS'Y	MF212w KR	
10	FM1-G074-000		1	CONTROL PANEL ASS'Y	MF212w SG,IN,HK,LTN	
10	FM1-G075-000		1	CONTROL PANEL ASS'Y	MF212w EUR	
10	FM1-G076-000		1	CONTROL PANEL ASS'Y	MF211 CN	
10	FM1-G077-000		1	CONTROL PANEL ASS'Y	MF211 KR	
10	FM1-G078-000		1	CONTROL PANEL ASS'Y	MF211 SG,IN,HK,LTN	

FIGURE & KEY NO.	PARTS NUMBER	RANK	Q'TY	DESCRIPTION	SERIAL NUMBER/REMARKS	SVC
10	FM1-G079-000		1	CONTROL PANEL ASS'Y	MF211 EUR	
11	FM1-F377-000		1	PLATEN ASS'Y		
12	FE4-0926-000		1	COVER, REAR	MF210 Series US,CA,LTN,CN	
12	FE4-0925-000		1	COVER, REAR	MF210 Series TW,KR,SG,IN,HK,LTN,EU R	
13	FM1-F369-000		1	DUPLEXING DOOR ASS'Y	MF220 Series	
14	FM1-F392-000		1	DUPLEXING FRAME ASS'Y	MF220 Series	
15	FE4-4953-000		2	HINGE, READER		

FIGURE 101 FRONT COVER ASS'Y

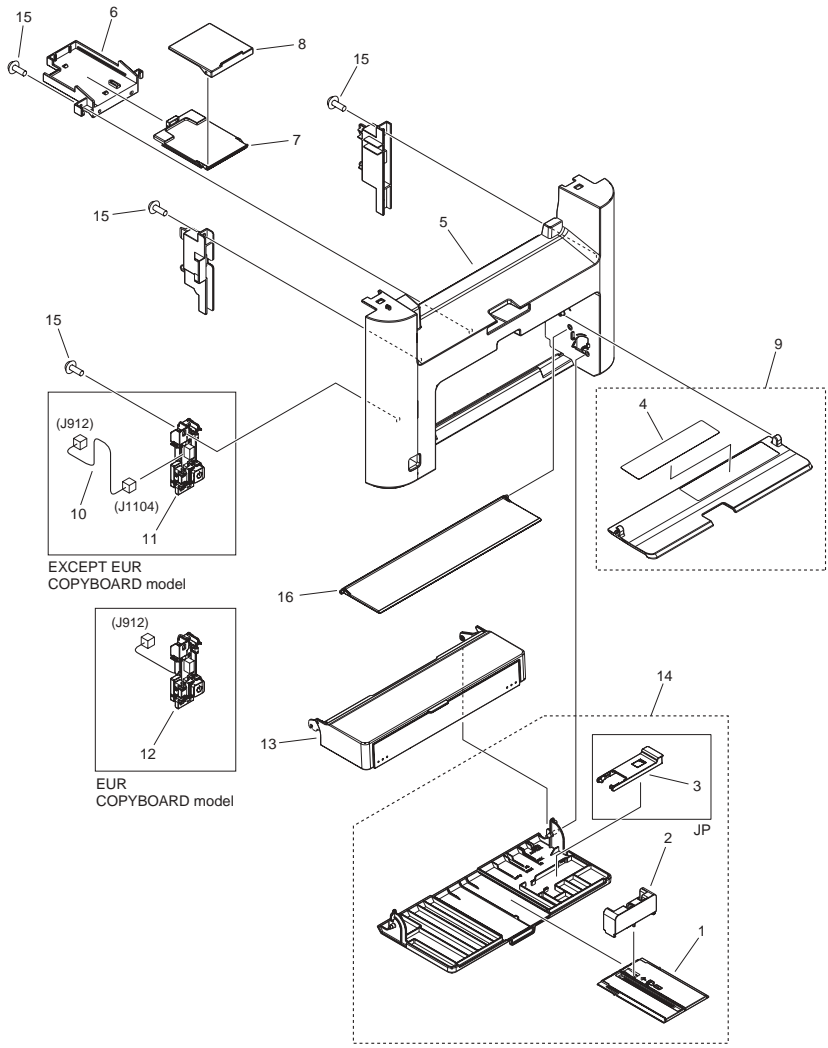


FIGURE & KEY NO.	PARTS NUMBER	R A N K	Q'TY	DESCRIPTION	SERIAL NUMBER/ REMARKS	S V C
Fig.101	FM1-F332-000		1	FRONT COVER ASS'Y	JP	
Fig.101	FM1-F378-000		1	FRONT COVER ASS'Y	US,CA,LTN	
Fig.101	FM1-F331-000		1	FRONT COVER ASS'Y	CN	
Fig.101	FM1-F330-000		1	FRONT COVER ASS'Y	TW,AU,SG,IN,HK,LTN,KR ,EUR DADF,ADF model	
Fig.101	FM1-F333-000		1	FRONT COVER ASS'Y	EUR COPYBOARD model	
1	FC0-1663-000		1	PLATE, EXTENSION		
2	FC0-1664-000		1	STOPPER, PAPER		
3	FC0-1665-000		1	STOPPER, CARD	JP	
4	FE4-0927-000		1	LABEL, SIZE INSTRUCTION		
5	FE4-0905-000		1	COVER, FRONT	JP,US,CA,LTN,CN	
5	FE4-0904-000		1	COVER, FRONT	TW,AU,SG,IN,HK,LTN,KR ,EUR	
6	FE4-0948-000		1	HOLDER, TRAY	JP,US,CA,LTN,CN	
6	FE4-0917-000		1	HOLDER, TRAY	TW,AU,SG,IN,HK,LTN,KR ,EUR	
7	FE4-0918-000		1	TRAY, PAPER DELIVERY		
8	FE4-0919-000		1	STOPPER, PAPER DELIVERY		
9	FL0-3567-000		1	COVER, PAPER PICK-UP		
10	FM0-4130-000		1	CABLE, SWITCH	EXCEPT EUR COPYBOARD model	
11	FM1-F367-000		1	POWER SUPPLY SWITCH ASS'Y	EXCEPT US,CA,LTN,EUR COPYBOARD model	
11	FM1-G022-000		1	POWER SUPPLY SWITCH ASS'Y	US,CA,LTN	
12	FM1-F368-000		1	POWER SUPPLY SWITCH ASS'Y	EUR COPYBOARD model	
13	FM1-F366-000		1	DUST COVER ASSEMBLY		
14	FM1-F365-000		1	MULTI TRAY ASSEMBLY	JP	
14	FM1-F364-000		1	MULTI TRAY ASSEMBLY	EXCEPT JP	
15	XA9-0476-000		7	SCREW,TP M3X8		
16	FE4-0916-000		1	COVER, DUST, 2		

FIGURE & KEY NO.	PARTS NUMBER	RANK	Q'TY	DESCRIPTION	SERIAL NUMBER/REMARKS	SVC
Fig.102	NPN		RF	INTERNAL COMPONENTS 1		
1	FC0-1644-000		1	LINK, PRESSURE RELEASE, LEFT		
2	FC0-1645-000		1	LINK, PRESSURE RELEASE, RIGHT		
3	FC0-1789-000		1	SPRING		
4	FC8-1367-000		6	SCREW, W/WASHER, M3X8		
5	FC8-1368-000		3	SCREW, M3X6		
6	FC8-1370-000		AR	SCREW, TP, M3X6		
7	FK4-2081-000		1	CABLE, FLAT	EXCEPT MF211	
7	FK4-2083-000		1	CABLE, FLAT	MF211	
8	FK3-1175-000		1	CABLE, FLAT	FAX model JP	
9	FK4-2141-000		1	CABLE, FLAT	WIRELESS model JP FAX model	
9	FK4-2140-000		1	CABLE, FLAT	WIRELESS model EXCEPT JP FAX model	
10	FK3-3544-000		1	CABLE, FLAT	FAX model	
11	FK4-1248-020		1	MODULE, WLAN	WIRELESS model	
12	FM0-2242-000		1	PSEUDO CI PCB ASSEMBLY	FAX model JP	
13	FM1-J890-000		1	MAIN CONTROLLER PCB ASS'Y	MF229dw JP	
13	FM1-J889-000		1	MAIN CONTROLLER PCB ASS'Y	MF229dw TW,US,CA,LTN,AU,CN,K R,SG,IN,HK,EUR	
13	FM1-J891-000		1	MAIN CONTROLLER PCB ASS'Y	MF227dw	
13	FM1-J893-000		1	MAIN CONTROLLER PCB ASS'Y	MF226dn JP	
13	FM1-J892-000		1	MAIN CONTROLLER PCB ASS'Y	MF226dn CN,KR,SG,IN,HK,LTN,EU R	
13	FM1-J894-000		1	MAIN CONTROLLER PCB ASS'Y	MF224dw	
13	FM1-J895-000		1	MAIN CONTROLLER PCB ASS'Y	MF223d	
13	FM1-J896-000		1	MAIN CONTROLLER PCB ASS'Y	MF222dw	
13	FM1-J897-000		1	MAIN CONTROLLER PCB ASS'Y	MF221d	
13	FM1-J898-000		1	MAIN CONTROLLER PCB ASS'Y	MF217w	
13	FM1-J900-000		1	MAIN CONTROLLER PCB ASS'Y	MF216n JP	
13	FM1-J899-000		1	MAIN CONTROLLER PCB ASS'Y	MF216n TW,US,CA,LTN,CN,KR,E UR	
13	FM1-J901-000		1	MAIN CONTROLLER PCB ASS'Y	MF215	

FIGURE & KEY NO.	PARTS NUMBER	RANK	Q'TY	DESCRIPTION	SERIAL NUMBER/ REMARKS	S V C
13	FM1-J902-000		1	MAIN CONTROLLER PCB ASS'Y	MF212w	
13	FM1-J903-000		1	MAIN CONTROLLER PCB ASS'Y	MF211	
14	FM0-3930-000		1	NCU PCB ASSEMBLY	FAX model JP	
14	FM0-3932-000		1	NCU PCB ASSEMBLY	FAX model TW,US,CA,LTN,AU,CN,K R,SG,IN,HK,LTN	
14	FM0-3931-000		1	NCU PCB ASSEMBLY	FAX model EUR	
15	FM1-J944-000		1	ENGINE CONTROL PCB ASS'Y	MF220 Series 100V FAX model SW501	
15	FM1-J945-000		1	ENGINE CONTROL PCB ASS'Y	MF220 Series 100V EXCEPT FAX model SW501	
15	FM1-J946-000		1	ENGINE CONTROL PCB ASS'Y	MF220 Series 120V SW501	
15	FM1-J948-000		1	ENGINE CONTROL PCB ASS'Y	MF220 Series 230V FAX model SW501	
15	FM1-J949-000		1	ENGINE CONTROL PCB ASS'Y	MF220 Series 230V EXCEPT FAX model SW501	
15	FM1-J951-000		1	ENGINE CONTROL PCB ASS'Y	MF210 Series 100V FAX model SW501	
15	FM1-J953-000		1	ENGINE CONTROL PCB ASS'Y	MF210 Series 120V FAX model SW501	
15	FM1-J954-000		1	ENGINE CONTROL PCB ASS'Y	MF210 Series 120V EXCEPT FAX model SW501	
15	FM1-J955-000		1	ENGINE CONTROL PCB ASS'Y	MF210 Series 230V FAX model SW501	
15	FM1-J956-000		1	ENGINE CONTROL PCB ASS'Y	MF210 Series 230V EXCEPT FAX model CN,KR,SG,IN,HK,LTN SW501	
15	FM1-J957-000		1	ENGINE CONTROL PCB ASS'Y	MF210 Series 230V EXCEPT FAX model EUR SW501	
16	FM4-6895-000		1	SWITCH LEVER ASS'Y		
17	FM1-F341-000		1	FIXING PAPER DELIVERY ASS'Y	MF220 Series 100V H1,PS701,PS702,TH1,TP 1	
17	FM1-F264-000		1	FIXING PAPER DELIVERY ASS'Y	MF220 Series 120V H1,PS701,PS702,TH1,TP 1	

FIGURE & KEY NO.	PARTS NUMBER	R A N K	Q'TY	DESCRIPTION	SERIAL NUMBER/ REMARKS	S V C
17	FM1-F342-000		1	FIXING PAPER DELIVERY ASS'Y	MF220 Series 230V H1,PS701,PS702,TH1,TP 1	
17	FM1-F645-000		1	FIXING PAPER DELIVERY ASS'Y	MF210 Series 100V H1,PS701,PS702,TH1,TP 1	
17	FM1-F646-000		1	FIXING PAPER DELIVERY ASS'Y	MF210 Series 120V H1,PS701,PS702,TH1,TP 1	
17	FM1-F647-000		1	FIXING PAPER DELIVERY ASS'Y	MF210 Series 230V H1,PS701,PS702,TH1,TP 1	
18	FM1-F266-000		1	ROLLER HOLDER ASSEMBLY		
19	WE8-6854-000		1	CORE,RING	FAX model	
20	WE8-6481-000		2	CORE, FERRITE		
21	WE8-6948-000		2	FERRITE CORE		
22	FE4-4945-000		1	SPRING, GROUNDING	MF220 Series	
23	FE4-4946-000		1	SPRING, GROUNDING	MF220 Series	
24	FK4-2087-000		2	FAN	MF220 Series FM2,FM3	
25	FM1-J960-000		1	CABLE, FAN	MF220 Series EXCEPT US,CA,LTN	
25	FM1-P832-000		1	CABLE, FAN	MF220 Series US,CA,LTN	
26	VS1-7440-003		2	CONNECTOR, SNAP TIGHT	MF220 Series	

FIGURE 103 INTERNAL COMPONENTS 2

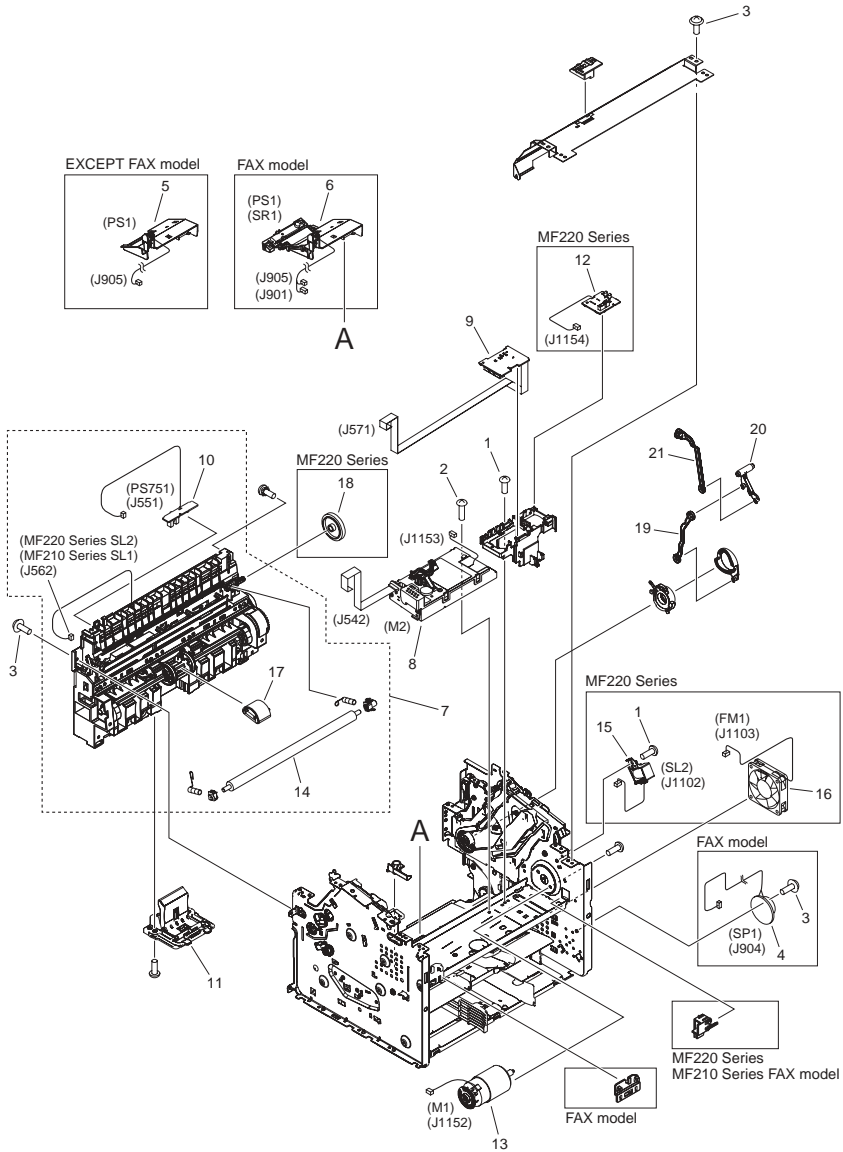


FIGURE & KEY NO.	PARTS NUMBER	RANK	Q'TY	DESCRIPTION	SERIAL NUMBER/REMARKS	SVC
Fig.103	NPN		RF	INTERNAL COMPONENTS 2		
1	FC8-1368-000		2	SCREW, M3X6		
2	FC8-1369-000		4	SCREW, M3X10		
3	FC8-1370-000		7	SCREW, TP, M3X6		
4	FK3-3667-000		1	SPEAKER	FAX model SP1	
5	FM0-3656-000		1	PHOTO SENSOR ASS'Y, MULTI	EXCEPT FAX model PS1	
6	FM0-4381-000		1	PHOTO SENSOR ASS'Y, TONER	FAX model PS1,SR1	
7	FM0-3743-000		1	PAPER PICK-UP ASS'Y	MF220 Series SL2	
7	FM0-3686-000		1	PAPER PICK-UP ASS'Y	MF210 Series SL1	
8	FM0-3723-000		1	LASER SCANNER ASS'Y	MF220 Series M2	
8	FM0-3687-000		1	LASER SCANNER ASS'Y	MF210 Series M2	
9	FM0-4131-000		1	MOTOR PCB ASS'Y	MF220 Series PS1151	
9	FM0-4132-000		1	MOTOR PCB ASS'Y	MF210 Series PS1151	
10	FM0-4133-000		1	PAPER PICK-UP SENSOR PCB ASS'Y	PS751	
11	FM4-6893-000		1	SEPARATION PAD ASS'Y		
12	FM4-7064-000		1	DUPLEXING PCB ASS'Y	MF220 Series	
13	FM1-G033-000		1	MOTOR, DC24V	M1	
14	RC2-1182-000		1	ROLLER, TRANSFER		
15	RK2-0420-000		1	SOLENOID	MF220 Series SL2	
16	RK2-3438-000		1	FAN	MF220 Series FM1	
17	RL1-1497-000		1	ROLLER, PICK-UP		
18	FU9-0289-000		1	GEAR, 34T	MF220 Series	
19	FC0-1589-000		1	LINK, DOOR 1		
20	FC0-1590-000		1	LINK, DOOR 2		
21	FC0-1646-000		1	LINK, DOOR		

FIGURE 160
ADF ASS'Y (DADF model)

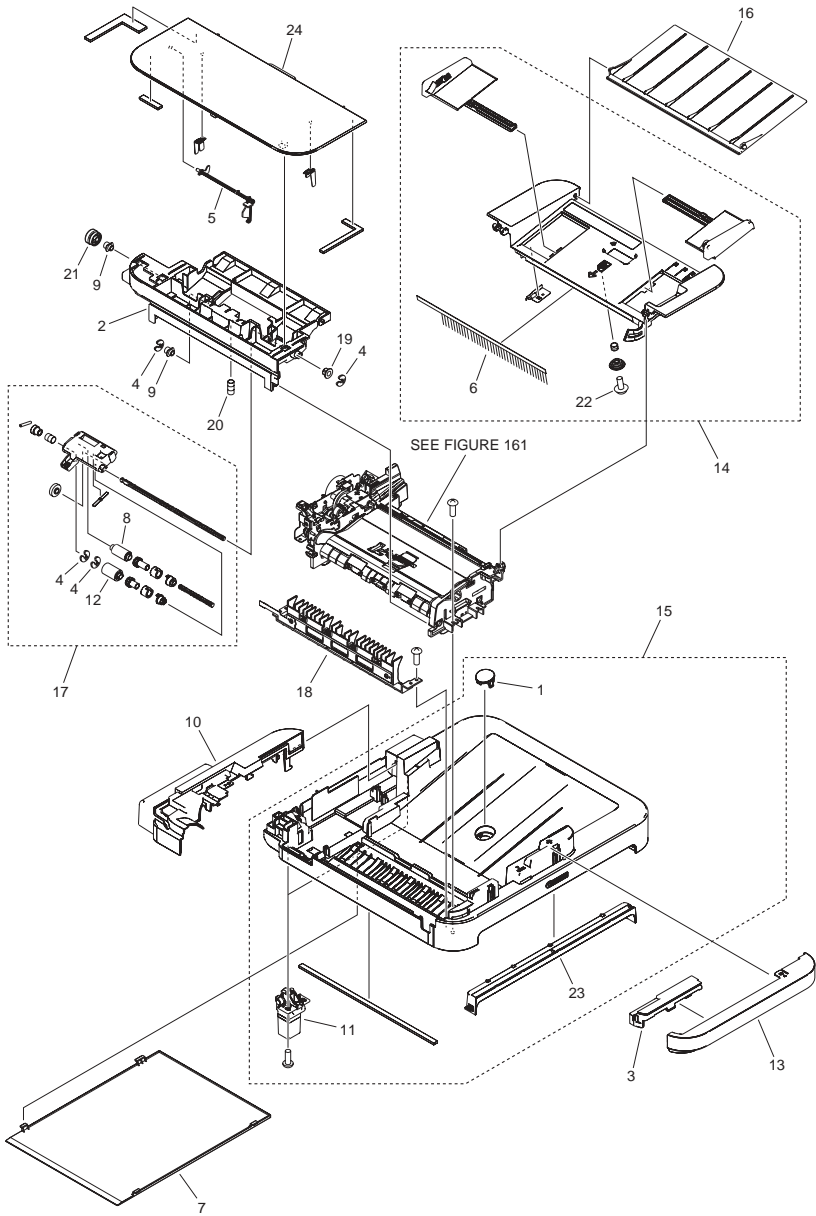


FIGURE & KEY NO.	PARTS NUMBER	R A N K	Q'TY	DESCRIPTION	SERIAL NUMBER/ REMARKS	S V C
Fig.160	NPN		RF	ADF ASS'Y	DADF model	
1	FE4-0820-000		1	CAP		
2	FE4-0742-000		1	COVER, DF, LOWER		
3	FE4-0806-000		1	COVER, FRONT UPPER		
4	FC6-5210-000		4	RETAINING RING (E-TYRE)		
5	FC7-6321-000		1	FLAG, DOCUMENT SCANNER		
6	FC7-6322-000		1	ELIMINATOR, STATIC CHARGE		
7	FC8-9210-000		1	PANEL, COPYBOARD		
8	FC8-9251-000		1	ROLLER, PICK-UP		
9	FC9-5060-000		2	BUSHING		
10	FL0-3575-000		1	COVER, REAR		
11	FL0-3573-000		2	HINGE, DADF		
12	FL3-1023-000		1	ROLLER, SEPARATION		
13	FE4-0805-000		1	COVER, DF, FRONT		
14	FM1-F346-000		1	DOCUMENT TRAY ASSY		
15	FM1-F347-000		1	DADF BASE ASSY		
16	FE4-0738-000		1	TRAY, DOCUMENT		
17	FM0-4439-000		1	SEPARATION ROLLER ASSY		
18	FM0-4452-000		1	FEED GUIDE ASSEMBLY		
19	FU5-1552-000		1	BUSHING		
20	FU7-2869-000		1	SPRING, COMPRESSION		
21	FU8-0473-000		1	GEAR, 24T		
22	XA9-0476-000		1	SCREW,TP M3X8		
23	FE4-0811-000		1	COVER, HANDLE		
24	FE4-0741-000		1	COVER, DF, UPPER		

FIGURE 160A
ADF ASS'Y (ADF model)

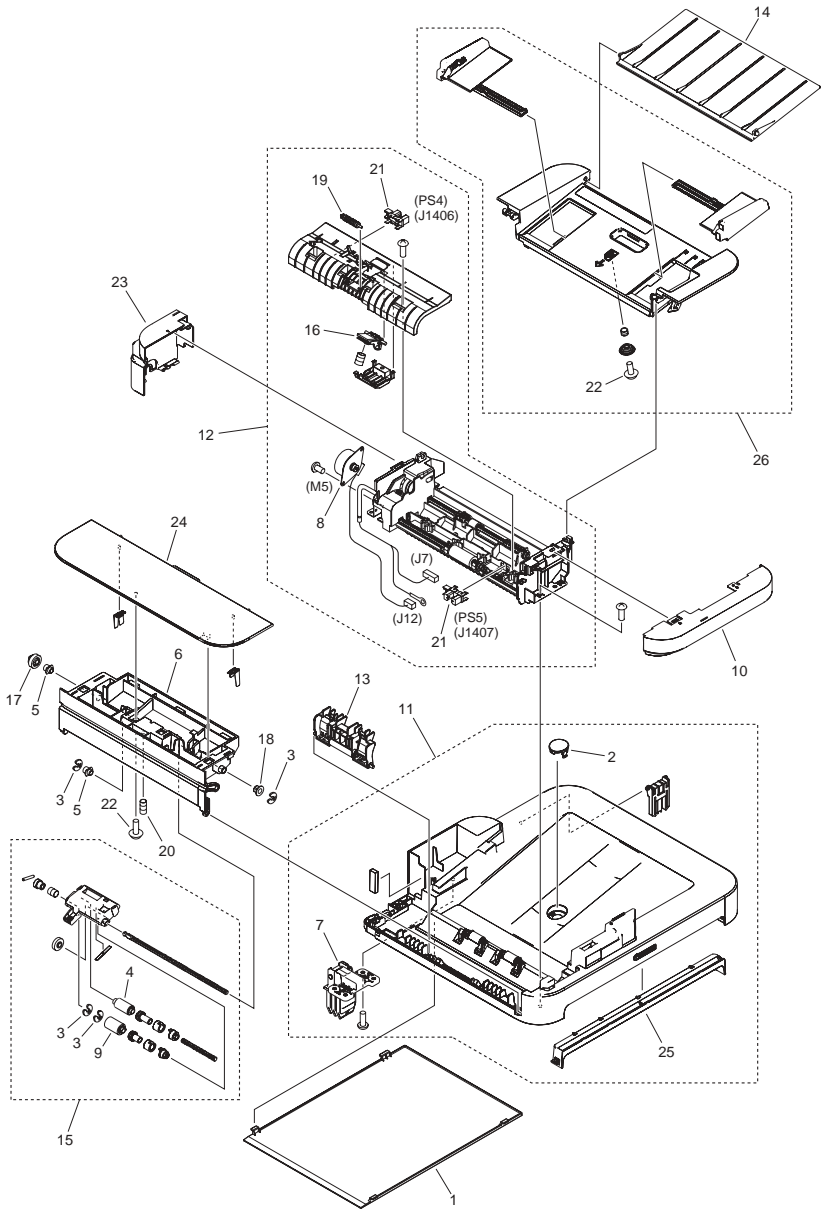


FIGURE & KEY NO.	PARTS NUMBER	R A N K	Q'TY	DESCRIPTION	SERIAL NUMBER/ REMARKS	S V C
Fig.160A	NPN		RF	ADF ASS'Y	ADF model	
1	FC0-1698-000		1	PANEL, COPYBOARD		
2	FE4-0820-000		1	CAP		
3	FC6-5210-000		4	RETAINING RING (E-TYRE)		
4	FC8-9251-000		1	ROLLER, PICK-UP		
5	FC9-5060-000		2	BUSHING		
6	FE4-0893-000		1	COVER, DF, LOWER	JP,TW,KR,SG,IN,HK,LTN, EUR	
6	FE4-0892-000		1	COVER, DF, LOWER	US,CA,LTN,CN	
7	FE4-1344-000		1	HINGE, SADF		
8	FK3-3659-000		1	MOTOR, STEPPING	M5	
9	FL3-1023-000		1	ROLLER, SEPARATION		
10	FE4-0895-000		1	COVER, DF, FRONT		
11	FM1-F371-000		1	SADF BASE ASSEMBLY		
12	FM1-F373-000		1	AUTO DOCUMENT FEEDER ASSEMBLY	JP,TW,KR,SG,IN,HK,LTN, EUR	
12	FM1-G023-000		1	AUTO DOCUMENT FEEDER ASSEMBLY	US,CA,LTN	
12	FM1-F372-000		1	AUTO DOCUMENT FEEDER ASSEMBLY	CN	
13	FM0-4413-000		1	FEED ROLLER ASS'Y		
14	FE4-0738-000		1	TRAY, DOCUMENT		
15	FM0-4439-000		1	SEPARATION ROLLER ASS'Y		
16	FM3-8687-000		1	SEPARATION PAD ASSEMBLY		
17	FU0-0204-000		1	GEAR, 21T		
18	FU5-1552-000		1	BUSHING		
19	FU5-6711-000		1	ROLLER, AUXILIARY		
20	FU7-2869-000		1	SPRING, COMPRESSION		
21	WG8-5935-000		2	IC, PHOTO INTERRUPTER	PS4,PS5	
22	XA9-0476-000		2	SCREW,TP M3X8		
23	FE4-0889-000		1	COVER, REAR		
24	FE4-0891-000		1	COVER, DF, UPPER		
25	FE4-0811-000		1	COVER, HANDLE		
26	FM1-F374-000		1	DOCUMENT SLIDE ASS'Y		

FIGURE 161
PAPER FEEDER ASSEMBLY (DADF model)

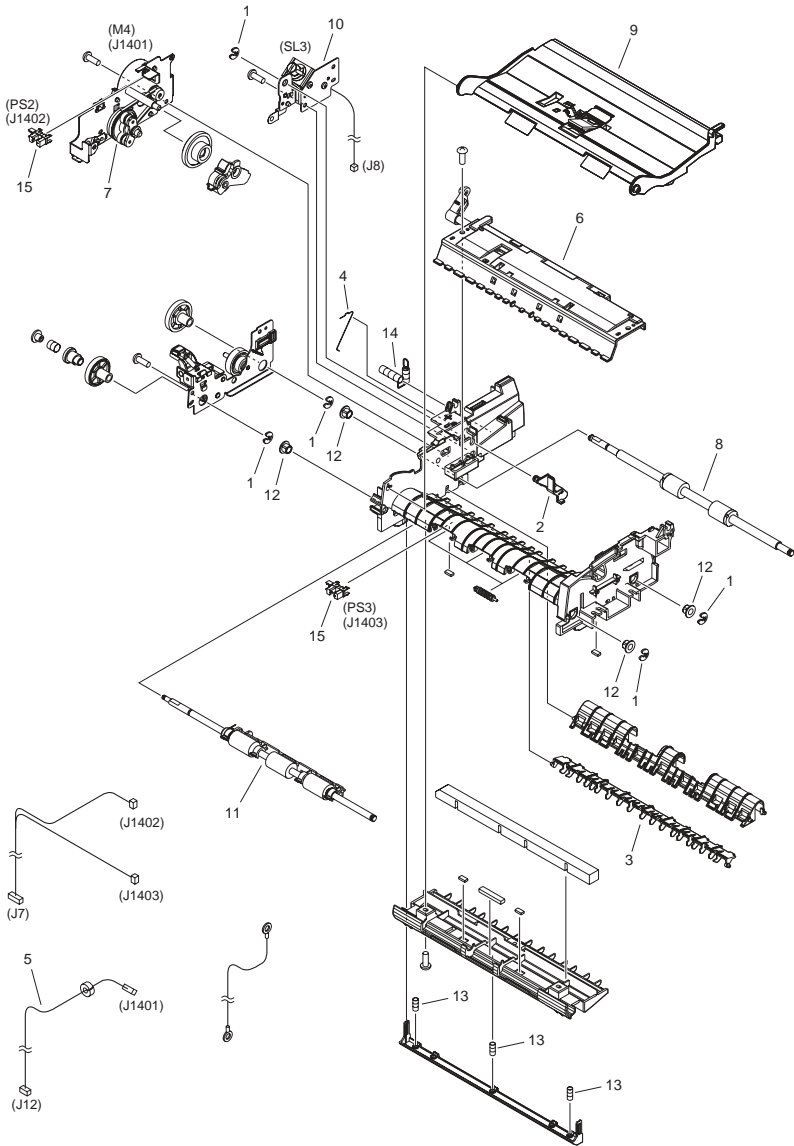


FIGURE & KEY NO.	PARTS NUMBER	RANK	Q'TY	DESCRIPTION	SERIAL NUMBER/REMARKS	SVC
Fig.161	FM1-F352-000		1	PAPER FEEDER ASSEMBLY	DADF model EXCEPT US,CA,LTN	
Fig.161	FM1-G019-000		1	PAPER FEEDER ASSEMBLY	DADF model US,CA,LTN	
1	FC6-5210-000		5	RETAINING RING (E-TYRE)		
2	FC7-6182-000		1	LEVER, ROLLER RELEASE		
3	FC7-6278-000		1	FLAPPER, PAPER DELIVERY		
4	FC9-1325-000		1	SPRING,SEPARATION SWING ARM		
5	FM1-J961-000		1	CABLE, MOTOR	EXCEPT US,CA,LTN	
5	FM1-P835-000		1	CABLE, MOTOR	US,CA,LTN	
6	FM3-8682-000		1	PAPER DELIVERY ASS'Y		
7	FM1-G017-000		1	MOTOR DRIVE ASS'Y	M4	
8	FM3-8690-000		1	PAPER DELIVERY ROLLER ASS'Y		
9	FM3-8686-000		1	GUIDE ASSEMBLY, UPPER		
10	FM4-6919-000		1	SOLENOID ASS'Y	SL3	
11	FM4-7532-000		1	PAPER FEED ROLLER ASSEMBLY		
12	FU5-1552-000		4	BUSHING		
13	FU6-2249-000		3	SPRING, COMPRESSION		
14	FU7-2021-000		1	SPRING, COMPRESSION		
15	WG8-5935-000		2	IC, PHOTO INTERRUPTER	PS2,PS3	

FIGURE 400 READER ASSEMBLY (DADF model)

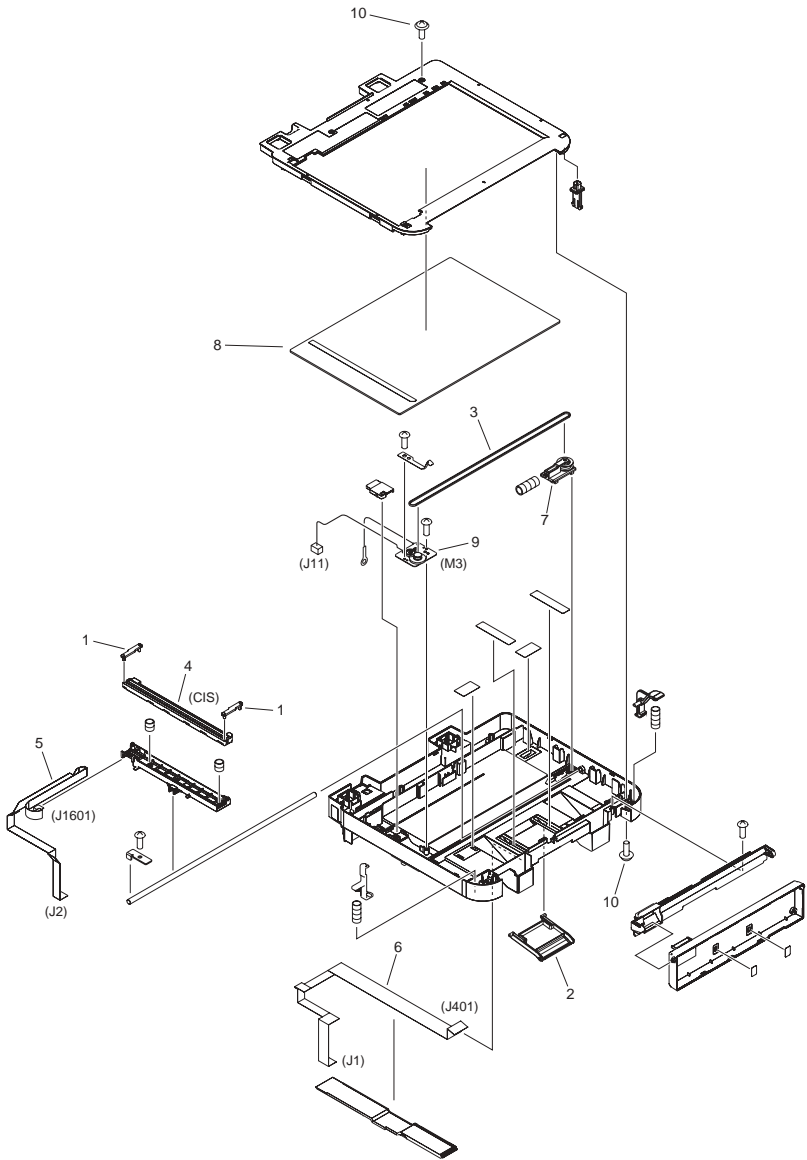


FIGURE & KEY NO.	PARTS NUMBER	R A N K	Q'TY	DESCRIPTION	SERIAL NUMBER/ REMARKS	S V C
Fig.400	FM1-F359-000		1	READER ASSEMBLY	DADF model JP,TW,AU,KR,SG,IN,HK,L TN,EUR	
Fig.400	FM1-G020-000		1	READER ASSEMBLY	DADF model US,CA,LTN	
Fig.400	FM1-F358-000		1	READER ASSEMBLY	DADF model CN	
1	FC0-1945-000		2	SPACER, CIS		
2	FE2-2498-000		1	LINK, TILT		
3	FE2-3233-000		1	BELT, TIMING		
4	FK4-2086-000		1	CONTACT IMAGE SENSOR,HV12I-V02	CIS	
5	FK4-2085-000		1	CABLE, FLAT, SCNT-CIS		
6	FK4-2108-000		1	CABLE, FLAT		
7	FL3-5062-000		1	IDLER PULLEY HOLDER ASS'Y		
8	FL3-5072-000		1	COPYBOARD GLASS ASS'Y		
9	FMO-4434-000		1	MOTOR ASS'Y	M3	
10	XA9-0476-000		6	SCREW,TP M3X8		

FIGURE 400A READER ASSEMBLY (ADF model)

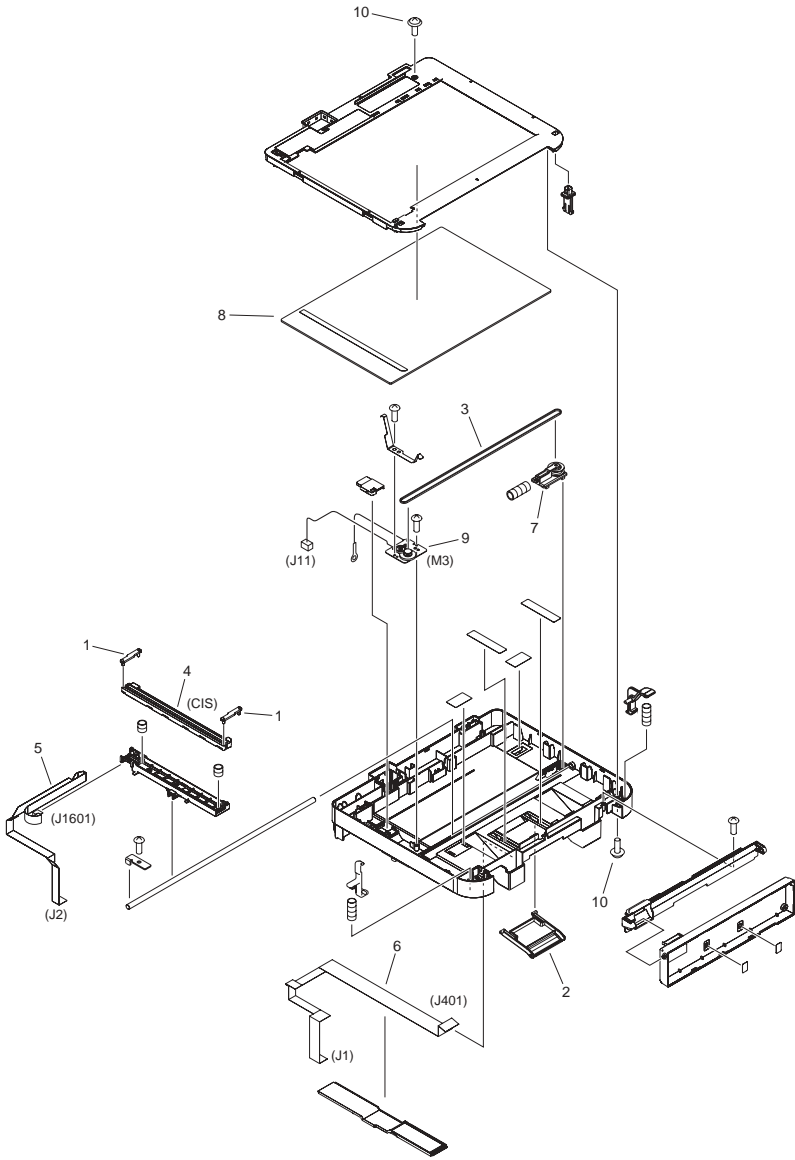


FIGURE & KEY NO.	PARTS NUMBER	R A N K	Q'TY	DESCRIPTION	SERIAL NUMBER/ REMARKS	S V C
Fig.400A	FM1-F361-000		1	READER ASSEMBLY	ADF model FAX model JP,TW,KR,SG,IN,HK,LTN, EUR	
Fig.400A	FM1-G021-000		1	READER ASSEMBLY	ADF model FAX model US,CA,LTN	
Fig.400A	FM1-F360-000		1	READER ASSEMBLY	ADF model FAX model CN	
Fig.400A	FM1-F388-000		1	READER ASSEMBLY	ADF model EXCEPT FAX model JP,KR	
Fig.400A	FM1-F387-000		1	READER ASSEMBLY	ADF model EXCEPT FAX model CN	
1	FC0-1945-000		2	SPACER, CIS		
2	FE2-2498-000		1	LINK, TILT		
3	FE2-3233-000		1	BELT, TIMING		
4	FK4-2086-000		1	CONTACT IMAGE SENSOR,HV121-V02	CIS	
5	FK4-2085-000		1	CABLE, FLAT, SCNT-CIS		
6	FK4-2108-000		1	CABLE, FLAT	FAX model	
6	FK4-2109-000		1	CABLE, FLAT	EXCEPT FAX model	
7	FL3-5062-000		1	IDLER PULLEY HOLDER ASS'Y		
8	FL3-5071-000		1	COPYBOARD GLASS ASS'Y		
9	FM0-4434-000		1	MOTOR ASS'Y	M3	
10	XA9-0476-000		6	SCREW,TP M3X8		

FIGURE 400B READER ASSEMBLY (COPYBOARD model)

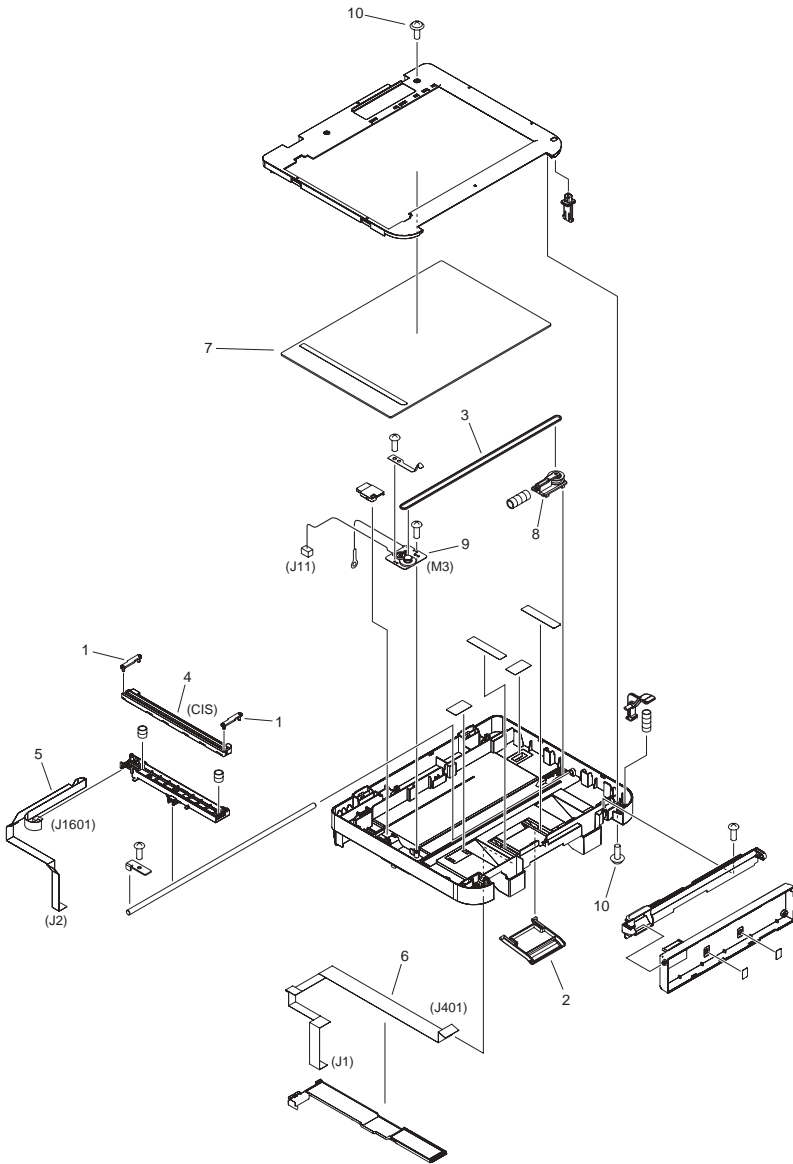


FIGURE & KEY NO.	PARTS NUMBER	R A N K	Q'TY	DESCRIPTION	SERIAL NUMBER/ REMARKS	S V C
Fig.400B	FM1-F363-000		1	READER ASSEMBLY	COPYBOARD model JP,TW,KR,SG,IN,HK,LTN, EUR	
Fig.400B	FM1-F656-000		1	READER ASSEMBLY	COPYBOARD model US,CA,LTN	
Fig.400B	FM1-F362-000		1	READER ASSEMBLY	COPYBOARD model CN	
1	FC0-1945-000		2	SPACER, CIS		
2	FE2-2498-000		1	LINK, TILT		
3	FE2-3233-000		1	BELT, TIMING		
4	FK4-2086-000		1	CONTACT IMAGE SENSOR,HV12I-V02	CIS	
5	FK4-2085-000		1	CABLE, FLAT, SCNT-CIS		
6	FK4-2109-000		1	CABLE, FLAT		
7	FL3-5072-000		1	COPYBOARD GLASS ASS'Y		
8	FL3-5062-000		1	IDLER PULLEY HOLDER ASS'Y		
9	FM0-4434-000		1	MOTOR ASS'Y	M3	
10	XA9-0476-000		6	SCREW,TP M3X8		

FIGURE ZZA

MECHANICAL STANDARD PARTS (HOW TO USE)

Mechanical standard parts

機械標準部品

About a mechanical standard parts

A Mechanical standard parts is a mechanical part which not parts peculiar to a product. They are parts which are common to a Canon product and are used, such as a screw and a washer. The Fig No. and parts number of the mechanical standard parts are not listed in the product parts catalog. Refer to the parts catalog of mechanical standard parts when checking the parts number for screw or washer etc. and identify them by part shape or size.

機械標準部品とは

機械標準部品とは、製品特有の部品ではなく、ねじやワッシャなどキヤノン製品共通で使用されている機械部品（メカ部品）のことです。
製品のパーツカタログには、機械標準部品のFig No.や部品番号は記載しておりません。
ねじや、ワッシャ等の部品番号を調べるときは、機械標準部品のパーツカタログを参照し、部品の形状や大きさから判断し、使用している部品を調べてください。

Material and surface treatment of a mechanical standard parts

Material and surface treatment of mechanical standard parts are assigned commonly for each part. Refer to the Table 1 for the parts which material and surface treatment are assigned as numbers.

機械標準部品の材料および表面処理

機械標準部品の材料および表面処理については、各種部品共通で決められています。
材料および表面処理が番号で決められている部品については、表1を参照してください。

Table 1 Material and Surface treatment
表1 材料および表面処理

No. 番号	Material 材料	Surface treatment 表面処理	Color 色
1	Stainless steel ステンレス	Stainless steel black coloring (BC4) ステンレス黒着色(BC4)	Black 黒
2		not to be given なし	White 白
3	Brass 黄銅	Regular nickel plating (NL) 普通ニッケルメッキ(NL)	White 白
4		Black nickel plating (BN) 黒色ニッケルメッキ(BN)	Black 黒
5	Steel 鋼	White zinc trivalent chromate treating (ZC3) 白色亜鉛3価クロメート(ZC3)	White 白
6		Regular nickel chromium plating (NC) 普通ニッケルクロムメッキ(NC)	White 白
7		Regular nickel plating (NL) 普通ニッケルメッキ(NL)	White 白
8		Iron and steel phosphating (P1) 鉄鋼磷酸塩処理(P1)	Black 黒
9		Black zinc trivalent chromate treating (BZ3) 黒色亜鉛3価クロメート(BZ3)	Black 黒

FIGURE ZZB MECHANICAL STANDARD PARTS (SCREWS)

1. Screws ねじ

How to read Parts Numbers
部品番号の見方

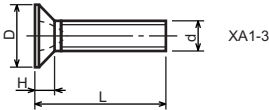
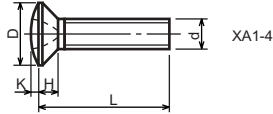
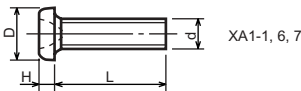
Screws
ねじ

XB1-2400-609

Type No.
類別番号
Normal designation (d)
ねじの呼び(d)
Length (L)
ねじの長さ(L)
Material and Surface treatment
材料および表面処理

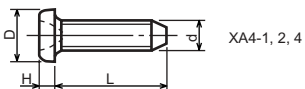
XB1-2 expresses Binding head machine screw.
XB1-2は、バインドねじを表す
40 expresses M4.0.
40は、M4.0を表す
0-60 expresses a length of 6.0mm.
0-60は、6.0mmの長さを表す
9 expresses Steel (Black zinc trivalent chromate
treating) from Table 1.
9は、表1より鋼(黒色亜鉛3価クロメート)を表す

1-1. Cross Recessed Head Screws for Precision Equipments 精密機器用十字穴付き小ねじ

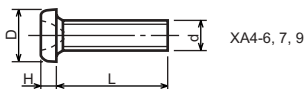


Type No. 類別番号	Type 類別	Head size (mm) 頭部寸法 (mm)							
		M1.4	M1.6	M1.7	M2	M2.5	M2.6		
XA1-1	Pan head Class 1 なべ1種	D	XA1-1	2	2.4	2.5	3	3.8	4
		H	XA1-1	0.5	0.55	0.5	0.6	0.9	0.8
XA1-3	Countersunk head Class 1 さら1種	D	XA1-3	2	2.4	2.5	3	3.8	4
		H	XA1-3	0.48	0.55	0.58	0.73	0.85	0.93
XA1-4	Oval countersunk head Class 1 丸さら1種	D	XA1-4	2	2.4	2.5	3	3.8	4
		H + K	XA1-4	0.68	0.8	0.88	1	1.25	1.3
XA1-6	Pan head Class 3 なべ3種	D	XA1-6	2.5	2.8	3	3.5	4.3	4.5
		H	XA1-6	0.8	0.85	0.9	1	1.3	1.2
XA1-7	Pan head Class 2 なべ2種	D	XA1-7	2.5	2.8	3	3.5	4.3	4.5
		H	XA1-7	0.5	0.55	0.5	0.6	0.9	0.8

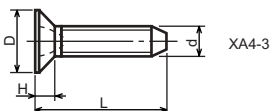
1-2. Precision Tapping Screws
精密用タッピンねじ



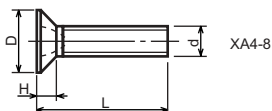
XA4-1, 2, 4



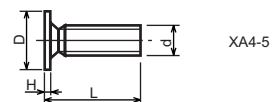
XA4-6, 7, 9



XA4-3



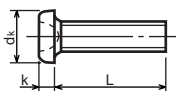
XA4-8



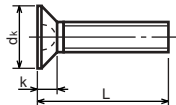
XA4-5

Type No. 類別番号	Type 類別	Head size (mm) 頭部寸法 (mm)						
		M1.4	M1.6	M1.7	M2	M2.5	M2.6	
XA4-1	With tapered end pan head Class 1 絞りなべ1種	D XA4-1	2	2.4	2.5	3	3.8	4
		H XA4-1	0.5	0.55	0.5	0.6	0.9	0.8
XA4-2	With tapered end pan head Class 3 絞りなべ3種	D XA4-2	2.5	2.8	3	3.5	4.3	4.5
		H XA4-2	0.8	0.85	0.9	1	1.3	1.2
XA4-3	With tapered end countersunk head 絞り-さら	D XA4-3	2	2.4	2.5	3	3.8	4
		H XA4-3	0.48	0.55	0.58	0.73	0.85	0.93
XA4-4	With tapered end pan head Class 2 絞りなべ2種	D XA4-4	2.5	2.8	3	3.5	4.3	4.5
		H XA4-4	0.5	0.55	0.5	0.6	0.9	0.8
XA4-5	With parallel end ultra thin head ストレート-超薄頭	D XA4-5	2.5	2.8	3	-	-	-
		H XA4-5	0.2	0.2	0.2	-	-	-
XA4-6	With parallel end pan head Class 1 ストレートなべ1種	D XA4-6	2	2.4	2.5	3	3.8	4
		H XA4-6	0.5	0.55	0.5	0.6	0.9	0.8
XA4-7	With parallel end pan head Class 3 ストレートなべ3種	D XA4-7	2.5	2.8	3	3.5	4.3	4.5
		H XA4-7	0.8	0.85	0.9	1	1.3	1.2
XA4-8	With parallel end countersunk head ストレート-さら	D XA4-8	2	2.4	2.5	3	3.8	4
		H XA4-8	0.48	0.55	0.58	0.73	0.85	0.93
XA4-9	With parallel end pan head Class 2 ストレートなべ2種	D XA4-9	2.5	2.8	3	3.5	4.3	4.5
		H XA4-9	0.5	0.55	0.5	0.6	0.9	0.8

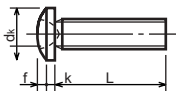
1-3. Cross Recessed Head Screws
 一般用十字穴付き小ねじ



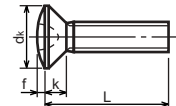
XB1-1



XB1-3



XB1-2

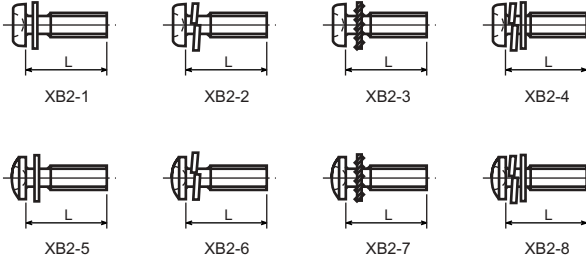


XB1-4

Type No. 類別番号	Type 類別
XB1-1	Pan head なべ
XB1-2	Binding head バインド
XB1-3	Countersunk head さら
XB1-4	Oval countersunk head 丸さら

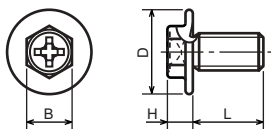
		Head size (mm) 頭部寸法 (mm)					
		M2	M2.5	M2.6	M3	M4	M5
dk	XB1-1	3.5	4.5	4.5	5.5	7	9
k	XB1-1	1.3	1.7	1.7	2	2.6	3.3
dk	XB1-2	4.3	5.3	5.5	6.3	8.3	10.3
k+f	XB1-2	1.2	1.5	1.6	1.9	2.5	3.1
dk	XB1-3	4	5	-	6	8	10
k	XB1-3	1.2	1.45	-	1.75	2.3	2.8
dk	XB1-4	4	5	-	6	8	10
k+f	XB1-4	1.6	2	-	2.45	3.2	4
Screw part length ねじ部長さ b		8	12	12	12	16	20

1-4. Cross Recessed Head Screws with Captive Washer
 座金組込み十字穴付き小ねじ



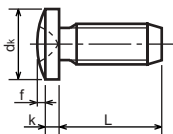
Type No. 類別番号	Type 類別
XB2-1	Pan head + Plain washer (circular bright) なべねじ+平座金
XB2-2	Pan head + Spring washer なべねじ+ばね座金
XB2-3	Pan head + Toothed lock washer なべねじ+歯付座金
XB2-4	Pan head + Spring washer and plain washer (circular bright) なべねじ+(ばね+平)座金
XB2-5	Binding head + Plain washer (circular bright) バインドねじ+平座金
XB2-6	Binding head + Spring washer バインドねじ+ばね座金
XB2-7	Binding head + Toothed lock washer バインドねじ+歯付座金
XB2-8	Binding head + Spring washer and plain washer (circular bright) バインドねじ+(ばね+平)座金

1-5. Hexagon Head Tapping Screws for Metallic Materials
 金属用六角タッピンねじ



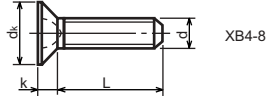
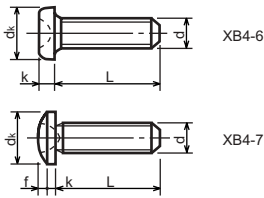
Type No. 類別番号	Type 類別	Head size (mm) 頭部寸法 (mm)	
		M3	M4
XB3-6	For metallic materials 金属用タッピン	D	8 10
		B	5.5 5.5
XB3-7	For metallic materials with clawed 金属用タッピン-つめ付き	H XB3-6	3.1 3.1
		H XB3-7	3.2 3.2

1-6. Special Tapping Screws
 特殊タッピンねじ



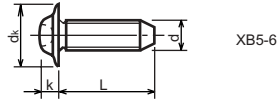
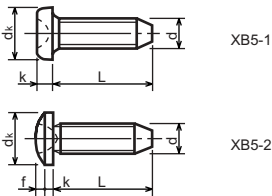
Type No. 類別番号	Type 類別	Head size (mm) 頭部寸法 (mm)	
		M3	M4
XB4-5	Binding head バインド	d _k	6.3 8.3
		k	1.3 1.7
		k+f	1.9 2.5

1-7. General Head Tapping Screws
一般用タッピンねじ



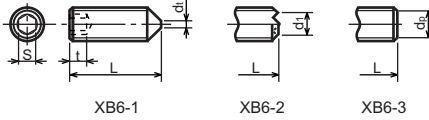
Type No. 類別番号	Type 類別	Head size (mm) 頭部寸法 (mm)						
		M2	M2.5	M2.6	M3	M4	M5	
XB4-6	Pan head なべ	d_k XB4-6	3.5	4.5	4.5	5.5	7	9
		k XB4-6	1.3	1.7	1.7	2	2.6	3.3
XB4-7	Binding head バインド	d_k XB4-7	4.3	5.3	5.5	6.3	8.3	10.3
		$k+f$ XB4-7	1.2	1.5	1.6	1.9	2.5	3.1
XB4-8	Countersunk head さら	d_k XB4-8	4	5	5.2	6	8	10
		k XB4-8	1.2	1.45	1.5	1.75	2.3	2.8

1-8. Tapping Screws for Metallic Materials
金属用タッピンねじ



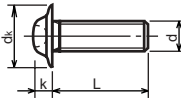
Type No. 類別番号	Type 類別	Head size (mm) 頭部寸法 (mm)					
		M2.5	M2.6	M3	M4	M5	
XB5-1	Pan head なべ	d_k XB5-1	4.5	4.5	5.5	7	9
		k XB5-1	1.7	1.7	2	2.6	3.3
XB5-2	Binding head バインド	d_k XB5-2	5.5	5.5	6.3	8.3	10.3
		$k+f$ XB5-2	1.6	1.6	1.9	2.5	3.1
XB5-6	Flanged pan head つば付きなべ	d_k XB5-6	6.5	6.5	8	10	12
		k XB5-6	2.1	2.1	1.75	3.2	4

1-9. Hexagon Socket Set Screws
六角穴付止めねじ



Type No. 類別番号	Type 類別	Head size (mm) 頭部寸法 (mm)							
		M1.6 M1.7	M2	M2.5 M2.6	M3	M5	M5	M6	
XB6-1	Cone point とがり先	S	0.7	0.9	1.3	1.5	2	2.5	3
		t	1.5	1.7	2	2	2.5	3	3.5
		$d_{t \max}$ XB6-1	0.4	0.5	0.65	0.75	1	1.25	1.5
		$d_{l \max}$ XB6-2	-	1.2	1.5	1.7	2.2	2.8	3.3
		$d_{l \min}$ XB6-2	-	1	1.2	1.4	1.9	2.4	2.9
		$d_{p \max}$ XB6-3	0.8	1	1.5	2	2.5	3.5	4
		$d_{p \min}$ XB6-3	0.55	0.75	1.25	1.75	2.25	3.2	3.7

1-10. Flanged Pan Head Machine Screws
つば付きなべ小ねじ



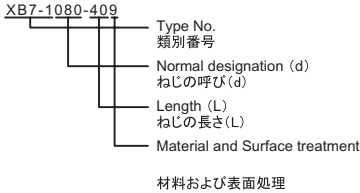
Type No. 類別番号	Type 類別	Head size (mm) 頭部寸法 (mm)					
		M2	M2.5 M2.6	M3	M5	M5	
XB6-7	Flanged pan head つば付きなべ	d_k	5	6.5	8	10	12
		k	1.7	2.1	2.5	3.2	4

FIGURE Z2C MECHANICAL STANDARD PARTS (BOLTS)

2. Bolts (Socket head cap screw) ボルト

How to read Parts Numbers
部品番号の見方

Bolt (Socket head cap screw)
ボルト



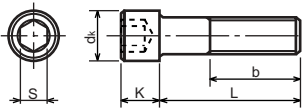
XB7-1 expresses Hexagon socket head cap screws.
XB7-1は、六角穴付きボルトを表す

080 expresses M8.0.
080は、M8.0を表す

40 expresses a length of 40mm.
40は、40mmの長さを表す

9 expresses Steel (Black zinc trivalent chromate treating) from Table 1.
9は、表1より鋼(黒色亜鉛3価クロメート)を表す

2-1. Hexagon socket head cap screws 六角穴付きボルト



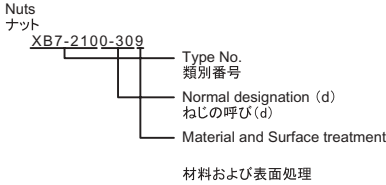
Type No. 類別番号	Type 類別
XB7-1	Hexagon socket head cap screws 六角穴付きボルト

	Head size (mm) 頭部寸法 (mm)						
	M3	M4	M5	M6	M8	M10	M12
S	2.5	3	4	5	6	8	10
d_k	5.5	7	8.5	10	13	16	18
K	3	4	5	6	8	10	12
Screw part length ねじ部長さ b_{max}	18	20	22	24	28	32	36

FIGURE ZZD MECHANICAL STANDARD PARTS (NUTS)

3. Nuts ナット

How to read Parts Numbers
部品番号の見方



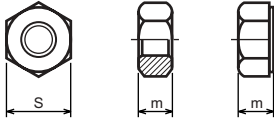
XB7-210 expresses Hexagon nut class 1.
XB7-210は、六角ナット1種を表す

0-30 expresses M3.0.
0-30は、M3.0を表す

9 expresses Steel (Black zinc trivalent chromate
treating) from Table 1.

9は、表1より鋼(黒色亜鉛3価クロメート)を表す

3-1. Hexagon Nuts and Hexagon Thin Nuts 六角ナット



Type No. 類別番号	Type 類別
XB7-210	Hexagon nut Class 1 六角ナット-1種
XB7-220	Hexagon nut Class 3 六角ナット-3種
XB7-230	Hexagon nut Style 1 double chamfered 六角ナット-スタイル1-両面とり
XB7-231	Hexagon nut Style 1 washer faced 六角ナット-スタイル1-座付き
XB7-240	Hexagon nut Style 2 double chamfered 六角ナット-スタイル2-両面とり
XB7-241	Hexagon nut Style 2 washer faced 六角ナット-スタイル2-座付き
XB7-250	Hexagon nut 六角ナット
XB7-260	Hexagon thin nut double chamfered 六角低ナット-両面とり
XB7-270	Hexagon thin nut not chamfered 六角低ナット-面とり無し

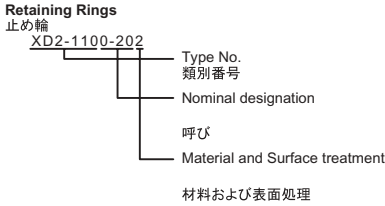
	Head size (mm) 頭部寸法 (mm)						
	M2	M2.5	M3	M4	M5	M6	M8
S	4	5	5.5	7	8	10	13
m XB7-210	1.6	2	2.4	3.2	4	5	6.5
m XB7-220	1.2	1.6	1.8	2.4	3.2	3.6	5
m XB7-230, 231	1.6	2	2.4	3.2	4.7	5.2	6.8
m XB7-240, 241	-	-	-	-	5.1	5.7	7.5
m XB7-250	-	-	-	-	5.6	6.1	7.9
m XB7-260	1.2	1.6	1.8	2.2	2.7	3.2	4
m XB7-270	1.2	1.6	1.8	2.2	2.7	3.2	4

FIGURE ZZE MECHANICAL STANDARD PARTS (RETAINING RINGS)

5. Retaining Rings

止め輪

How to read Parts Numbers
部品番号の見方



XD2-110 expresses retaining ring-E type (Type1).
XD2-110は、E形止め輪(1種)を表す

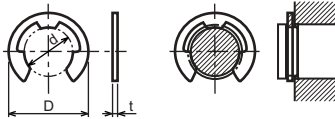
0-20 expresses a 020 of nominal designation.
(See Table 5)

0-20は、呼び020を表す(表5参照)

2 expresses Stainless steel (Surface treatment is not to be given) from Table 1.
2は、表1よりステンレス(表面処理なし)を表す

5-1. Retaining Rings - E type

E形止め輪

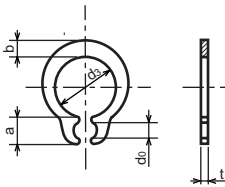


Type No. 類別番号	Type 類別
XD2-110	Retaining ring - E type (Type 1) E形止め輪(1種)
XD2-120	Retaining ring - E type (Type 2) E形止め輪(2種)

Table 5 表5

Type 種類	Nominal designation 呼び	d (mm)	D (mm)	t (mm)
Type 1 1種	007	0.65	2	0.2
	010	0.95	2.8	0.2
	013	1.25	3.3	0.3
	017	1.65	4.2	0.4
	020	1.95	4.6	0.5
	024	2.35	6	0.6
	028	2.74	6.5	0.6
	032	3.14	7.2	0.6
	037	3.64	8	0.7
	040	3.93	10	0.7
	042	4.13	10	0.7
	050	4.93	11	0.7
	058	5.73	12	0.7
	060	5.93	12.7	0.9
	064	6.32	13.5	0.9
	074	7.31	15	0.9
080	7.91	16.5	1	
Type 2 2種	008	0.8	2	0.2
	012	1.2	3	0.3
	015	1.5	4	0.4
	020	2	5	0.4
	025	2.5	6	0.4
	030	3	7	0.6
	040	4	9	0.6
	050	5	11	0.6
	060	6	12	0.8
	070	7	14	0.8
	080	8	16	0.8
	090	9	18	0.8
	100	10	20	1

5-2. Grip Rings
グリップ止め輪

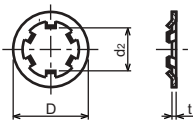


Type No. 類別番号	Type 類別
XD2-210	Grip ring グリップ止め輪

Table 5 表5

Nominal designation 呼び	d ₃ (mm)	t (mm)	b (mm)	a (mm)	d ₀ (mm)
020	1.9	0.5	1	1.8	0.8
025	2.35	0.5	1.2	1.9	0.9
030	2.85	0.6	1.4	1.9	0.9
035	3.3	0.6	1.6	2	0.9
040	3.8	0.8	1.8	2.8	1.2
045	4.25	0.8	2	2.9	1.3
050	4.75	0.8	2.2	2.9	1.3
060	5.7	1	2.4	3.1	1.4
070	6.7	1	2.7	3.3	1.4
080	7.7	1	3	3.5	1.4
090	8.65	1.2	3.3	4.7	1.5
100	9.65	1.2	3.5	4.7	2

5-3. Toothed Retaining Rings
歯付き形止め輪



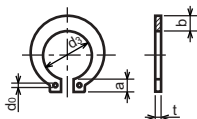
Type No. 類別番号	Type 類別
XD2-230	Toothed retaining ring 歯付き形止め輪

Table 5 表5

Nominal designation 呼び	d _z (mm)	D (mm)	t (mm)	No of teeth 歯数
015	1.4	5.2	0.25	3
020	1.9	6	0.25	3
024	2.3	6.4	0.25	3
030	2.8	8	0.25	4
040	3.8	9	0.25	4
050	4.8	10	0.25	5
060	5.8	11	0.25	5
080	7.8	13	0.25	5
100	9.8	15.4	0.25	6

5-4. Retaining Rings - C Type

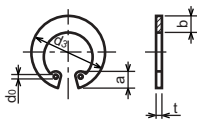
C形止め輪



Type No. 類別番号	Type 類別
XD2-310	Retaining ring - C type for shaft C形止め輪 軸用

Table 5 表5

Nominal designation 呼び	d ₃ (mm)	t (mm)	b (mm)	a (mm)	d ₀ (mm)
010	9.3	1	1.6	3	1.2
012	11.1	1	1.8	3.2	1.5
014	12.9	1	2	3.4	1.7
015	13.8	1	2.1	3.5	1.7
016	14.7	1	2.2	3.6	1.7
017	15.7	1	2.2	3.7	1.7
018	16.5	1.2	2.6	3.8	1.7
020	18.5	1.2	2.7	3.9	2
022	20.5	1.2	2.7	4.1	2
025	23.2	1.2	3.1	4.3	2
028	25.9	1.5	3.1	4.6	2
030	27.9	1.5	3.5	4.8	2
032	29.6	1.5	3.5	5	2.5
035	32.2	1.5	4	5.4	2.5



Type No. 類別番号	Type 類別
XD2-320	Retaining ring - C type for hole C形止め輪 穴用

Table 5 表5

Nominal designation 呼び	d ₃ (mm)	t (mm)	b (mm)	a (mm)	d ₀ (mm)
010	10.7	1	1.8	3.1	1.2
011	11.8	1	1.8	3.2	1.2
012	13	1	1.8	3.3	1.5
014	15.1	1	2	3.6	1.7
016	17.3	1	2	3.7	1.7
018	19.5	1	2.5	4	1.7
019	20.5	1	2.5	4	2
020	21.5	1	2.5	4	2
022	23.5	1	2.5	4.1	2
025	26.9	1.2	3	4.4	2
028	30.1	1.2	3	4.6	2
030	32.1	1.2	3	4.7	2
032	34.4	1.2	3.5	5.2	2.5
035	37.8	1.5	3.5	5.2	2.5
037	39.8	1.5	3.5	5.2	2.5
040	43.5	1.8	4	5.7	2.5
042	45.5	1.8	4	5.8	2.5
045	48.5	1.8	4.5	5.9	2.5
047	50.5	1.8	4.5	6.1	2.5
050	54.2	2	4.5	6.5	2.5
052	56.2	2	5.1	6.5	2.5
055	59.2	2	5.1	6.5	2.5
060	64.2	2	5.1	6.8	2.5
062	66.2	2	5.5	6.9	2.5
068	72.5	2.5	6	7.4	2.5
072	76.5	2.5	6.6	7.4	2.5
075	79.5	2.5	6.6	7.8	2.5
080	85.5	2.5	7	8	2.5
085	90.5	3	7	8	3
090	95.5	3	7.6	8.3	3
095	100.5	3	8	8.5	3

Prepared by
OIP Business Support Group
CANON INC.

Canon