

**PARTS  
CATALOG**

**imageCLASS  
MF229dw  
MF227dw  
MF216n  
MF212w**



**Canon**

July 22, 2014  
Rev. 0



## **PREFACE**

This Parts Catalog contains listings of parts used.

Diagrams are provided with the listings to aid the service technician in identifying clearly, the item to be ordered.

Whenever ordering parts, consult this Parts Catalog for all of the information pertaining to each item. Be sure to include, in the Parts Request, the full item description, the item part number, and the quantity.

***COPYRIGHT (C) 1999 CANON INC.***

Use of this manual should be strictly supervised to avoid disclosure of confidential information.



# Contents

## NUMERICAL INDEX

MF229dw/227dw/226dn/224dw/222dw/216n/212w(Numerical Index) 1-1

## MF229dw/227dw/226dn/224dw/222dw/216n/212w(Parts Catalog)

A1	ASSEMBLY LOCATION DIAGRAM .....	2-1
A2	OPTION PARTS CATALOG LIST .....	2-2
001	ACCESSORIES .....	2-3
100	EXTERNAL COVERS, PANELS, ETC. (DADF model) .....	2-5
100A	EXTERNAL COVERS, PANELS, ETC. (ADF model) .....	2-7
100B	EXTERNAL COVERS, PANELS, ETC. (COPYBOARD model) .....	2-9
101	FRONT COVER ASS'Y .....	2-11
102	INTERNAL COMPONENTS 1 .....	2-13
103	INTERNAL COMPONENTS 2 .....	2-16
160	ADF ASS'Y (DADF model) .....	2-18
160A	ADF ASS'Y (ADF model) .....	2-20
161	PAPER FEEDER ASSEMBLY (DADF model) .....	2-22
400	READER ASSEMBLY (DADF model) .....	2-24
400A	READER ASSEMBLY (ADF model) .....	2-26
400B	READER ASSEMBLY (COPYBOARD model) .....	2-28
ZZA	MECHANICAL STANDARD PARTS (HOW TO USE) .....	2-30
ZZB	MECHANICAL STANDARD PARTS (SCREWS) .....	2-31
ZZC	MECHANICAL STANDARD PARTS (BOLTS) .....	2-38
ZZD	MECHANICAL STANDARD PARTS (NUTS) .....	2-39
ZZE	MECHANICAL STANDARD PARTS (RETAINING RINGS) .....	2-40



# NUMERICAL INDEX

MF229dw/227dw/226dn/224dw/222dw/216n/212w(Numerical Index)

PARTS NUMBER	FIGURE & KEY NO.	PARTS NUMBER	FIGURE & KEY NO.	PARTS NUMBER	FIGURE & KEY NO
FC0-1589-000	103 - 19	FE4-0738-000	160A - 14	FE4-4953-000	100B - 15
FC0-1590-000	103 - 20	FE4-0741-000	160 - 24	FK2-4390-000	001 - 2
FC0-1644-000	102 - 1	FE4-0742-000	160 - 2	FK2-4393-000	001 - 3
FC0-1645-000	102 - 2	FE4-0805-000	160 - 13	FK2-6291-000	001 - 6
FC0-1646-000	103 - 21	FE4-0806-000	160 - 3	FK3-1175-000	102 - 8
FC0-1663-000	101 - 1	FE4-0811-000	160 - 23	FK3-2884-000	001 - 7
FC0-1664-000	101 - 2	FE4-0811-000	160A - 25	FK3-3544-000	102 - 10
FC0-1665-000	101 - 3	FE4-0820-000	160 - 1	FK3-3659-000	160A - 8
FC0-1698-000	160A - 1	FE4-0820-000	160A - 2	FK3-3667-000	103 - 4
FC0-1789-000	102 - 3	FE4-0851-000	100 - 2	FK4-1248-000	102 - 11
FC0-1945-000	400 - 1	FE4-0856-000	100A - 3	FK4-2081-000	102 - 7
FC0-1945-000	400A - 1	FE4-0866-000	100 - 8	FK4-2085-000	400 - 5
FC0-1945-000	400B - 1	FE4-0866-000	100A - 8	FK4-2085-000	400A - 5
FC0-2038-000	100 - 4	FE4-0866-000	100B - 7	FK4-2085-000	400B - 5
FC0-2038-000	100A - 5	FE4-0886-000	100 - 3	FK4-2086-000	400 - 4
FC0-2038-000	100B - 3	FE4-0889-000	160A - 23	FK4-2086-000	400A - 4
FC6-5210-000	160 - 4	FE4-0891-000	160A - 24	FK4-2086-000	400B - 4
FC6-5210-000	160A - 3	FE4-0892-000	160A - 6	FK4-2087-000	102 - 24
FC6-5210-000	161 - 1	FE4-0893-000	160A - 6	FK4-2108-000	400 - 6
FC7-6182-000	161 - 2	FE4-0895-000	160A - 10	FK4-2108-000	400A - 6
FC7-6278-000	161 - 3	FE4-0905-000	101 - 5	FK4-2109-000	400A - 6
FC7-6321-000	160 - 5	FE4-0909-000	100 - 9	FK4-2109-000	400B - 6
FC7-6322-000	160 - 6	FE4-0909-000	100A - 9	FK4-2140-000	102 - 9
FC8-0654-000	100B - 4	FE4-0909-000	100B - 8	FK4-2141-000	102 - 9
FC8-1367-000	102 - 4	FE4-0911-000	100 - 10	FK4-2549-000	001 - 1
FC8-1368-000	102 - 5	FE4-0911-000	100A - 10	FK4-2553-000	001 - 1
FC8-1368-000	103 - 1	FE4-0911-000	100B - 9	FK4-2559-000	001 - 1
FC8-1369-000	103 - 2	FE4-0913-000	100A - 10	FK4-2565-000	001 - 1
FC8-1370-000	100 - 6	FE4-0913-000	100B - 9	FK4-2569-000	001 - 1
FC8-1370-000	100A - 6	FE4-0916-000	101 - 15	FK4-2579-000	001 - 1
FC8-1370-000	100B - 5	FE4-0918-000	101 - 7	FL0-3567-000	101 - 9
FC8-1370-000	102 - 6	FE4-0919-000	101 - 8	FL0-3573-000	160 - 11
FC8-1370-000	103 - 3	FE4-0926-000	100A - 12	FL0-3574-000	100 - 13
FC8-9210-000	160 - 7	FE4-0926-000	100B - 12	FL0-3574-000	100A - 13
FC8-9251-000	160 - 8	FE4-0927-000	101 - 4	FL0-3575-000	160 - 10
FC8-9251-000	160A - 4	FE4-0928-000	001 - 5	FL3-1023-000	160 - 12
FC8-9307-000	100 - 7	FE4-0929-000	001 - 4	FL3-1023-000	160A - 9
FC8-9307-000	100A - 7	FE4-0948-000	101 - 6	FL3-5062-000	400 - 7
FC8-9307-000	100B - 6	FE4-1344-000	160A - 7	FL3-5062-000	400A - 7
FC9-1324-000	100 - 7	FE4-1563-000	100 - 11	FL3-5062-000	400B - 8
FC9-1324-000	100A - 7	FE4-1563-000	100A - 11	FL3-5071-000	400A - 8
FC9-1324-000	100B - 6	FE4-1565-000	100 - 11	FL3-5072-000	400 - 8
FC9-1325-000	161 - 4	FE4-1565-000	100A - 11	FL3-5072-000	400B - 7
FC9-5060-000	160 - 9	FE4-1566-000	100 - 1	FM0-2242-000	102 - 12
FC9-5060-000	160A - 5	FE4-1566-000	100A - 2	FM0-3656-000	103 - 5
FE2-2498-000	400 - 2	FE4-1589-000	100 - 5	FM0-3686-000	103 - 7
FE2-2498-000	400A - 2	FE4-1589-000	100A - 4	FM0-3687-000	103 - 8
FE2-2498-000	400B - 2	FE4-1589-000	100B - 2	FM0-3723-000	103 - 8
FE2-3233-000	400 - 3	FE4-4945-000	102 - 22	FM0-3743-000	103 - 7
FE2-3233-000	400A - 3	FE4-4946-000	102 - 23	FM0-3930-000	102 - 14
FE2-3233-000	400B - 3	FE4-4951-000	100 - 17	FM0-3932-000	102 - 14
FE4-0738-000	160 - 16	FE4-4952-000	100A - 17	FM0-4130-000	101 - 10

# NUMERICAL INDEX

## MF229dw/227dw/226dn/224dw/222dw/216n/212w(Numerical Index)

PARTS NUMBER	FIGURE & KEY NO.	PARTS NUMBER	FIGURE & KEY NO.	PARTS NUMBER	FIGURE & KEY NO
FM0-4131-000	103 - 9	FM1-G023-000	160A - 12	NPN	102 -
FM0-4132-000	103 - 9	FM1-G033-000	103 - 13	NPN	103 -
FM0-4133-000	103 - 10	FM1-G034-000	100 - 14	NPN	160 -
FM0-4381-000	103 - 6	FM1-G037-000	100 - 14	NPN	160A -
FM0-4413-000	160A - 13	FM1-G043-000	100A - 14	RC2-1182-000	103 - 14
FM0-4434-000	400 - 9	FM1-G044-000	100A - 14	RK2-0420-000	103 - 15
FM0-4434-000	400A - 9	FM1-G051-000	100A - 14	RK2-3438-000	103 - 16
FM0-4434-000	400B - 9	FM1-G054-000	100B - 10	RL1-1497-000	103 - 17
FM0-4439-000	160 - 17	FM1-G071-000	100B - 10	VS1-7440-003	102 - 26
FM0-4439-000	160A - 15	FM1-J889-000	102 - 13	WE8-6481-000	102 - 20
FM0-4452-000	160 - 18	FM1-J890-000	102 - 13	WE8-6854-000	102 - 19
FM1-F264-000	102 - 17	FM1-J891-000	102 - 13	WE8-6948-000	102 - 21
FM1-F266-000	102 - 18	FM1-J893-000	102 - 13	WG8-5935-000	160A - 21
FM1-F332-000	101 -	FM1-J894-000	102 - 13	WG8-5935-000	161 - 15
FM1-F341-000	102 - 17	FM1-J896-000	102 - 13	XA9-0476-000	101 - 14
FM1-F346-000	160 - 14	FM1-J899-000	102 - 13	XA9-0476-000	160 - 22
FM1-F347-000	160 - 15	FM1-J900-000	102 - 13	XA9-0476-000	160A - 22
FM1-F352-000	161 -	FM1-J902-000	102 - 13	XA9-0476-000	400 - 10
FM1-F356-000	100 - 16	FM1-J944-000	102 - 15	XA9-0476-000	400A - 10
FM1-F356-000	100A - 1	FM1-J945-000	102 - 15	XA9-0476-000	400B - 10
FM1-F356-000	100B - 1	FM1-J946-000	102 - 15		
FM1-F357-000	100 - 16	FM1-J951-000	102 - 15		
FM1-F357-000	100A - 1	FM1-J953-000	102 - 15		
FM1-F359-000	400 -	FM1-J954-000	102 - 15		
FM1-F361-000	400A -	FM1-J960-000	102 - 25		
FM1-F363-000	400B -	FM1-J961-000	161 - 5		
FM1-F364-000	101 - 13	FM1-P832-000	102 - 25		
FM1-F365-000	101 - 13	FM1-P835-000	161 - 5		
FM1-F366-000	101 - 12	FM3-8682-000	161 - 6		
FM1-F367-000	101 - 11	FM3-8686-000	161 - 9		
FM1-F369-000	100 - 15	FM3-8687-000	160A - 16		
FM1-F369-000	100A - 15	FM3-8690-000	161 - 8		
FM1-F369-000	100B - 13	FM4-6893-000	103 - 11		
FM1-F371-000	160A - 11	FM4-6895-000	102 - 16		
FM1-F373-000	160A - 12	FM4-6919-000	161 - 10		
FM1-F374-000	160A - 26	FM4-7064-000	103 - 12		
FM1-F377-000	100B - 11	FM4-7532-000	161 - 11		
FM1-F378-000	101 -	FU0-0204-000	160A - 17		
FM1-F388-000	400A -	FU5-1552-000	160 - 19		
FM1-F392-000	100 - 12	FU5-1552-000	160A - 18		
FM1-F392-000	100A - 16	FU5-1552-000	161 - 12		
FM1-F392-000	100B - 14	FU5-6711-000	160A - 19		
FM1-F645-000	102 - 17	FU6-2249-000	161 - 13		
FM1-F646-000	102 - 17	FU7-2021-000	161 - 14		
FM1-F656-000	400B -	FU7-2869-000	160 - 20		
FM1-F660-000	100A - 14	FU7-2869-000	160A - 20		
FM1-F662-000	100A - 14	FU8-0473-000	160 - 21		
FM1-G017-000	161 - 7	FU9-0289-000	103 - 18		
FM1-G019-000	161 -	NPN	001 -		
FM1-G020-000	400 -	NPN	100 -		
FM1-G021-000	400A -	NPN	100A -		
FM1-G022-000	101 - 11	NPN	100B -		



# MF229dw/227dw/226dn/224dw/222dw/ 216n/212w(Parts Catalog)

## Satera MF229dw

JP	F16-7111-000	RUY
JP	F16-7111-000	RUY

## Satera MF226dn

JP	F16-7113-000	RVL
JP	F16-7113-000	RVL

## Satera MF224dw

JP	F16-7116-000	RVU
JP	F16-7116-000	RVU

## Satera MF222dw

JP	F16-7118-000	RVQ
JP	F16-7118-000	RVQ

## Satera MF216n

JP	F16-7313-000	RWL
JP	F16-7313-000	RWL

## imageCLASS MF229dw

US,CA,LTN	F16-7131-000	RUV
US,CA,LTN	F16-7131-000	RUV

imageCLASS MF227dw

US,CA,LTN F16-7132-000 RUZ

US,CA,LTN F16-7132-000 RUZ

imageCLASS MF216n

US,CA,LTN F16-7333-000 RWH

US,CA,LTN F16-7333-000 RWH

imageCLASS MF212w

US,CA,LTN F16-7338-000 RWW

US,CA,LTN F16-7338-000 RWW

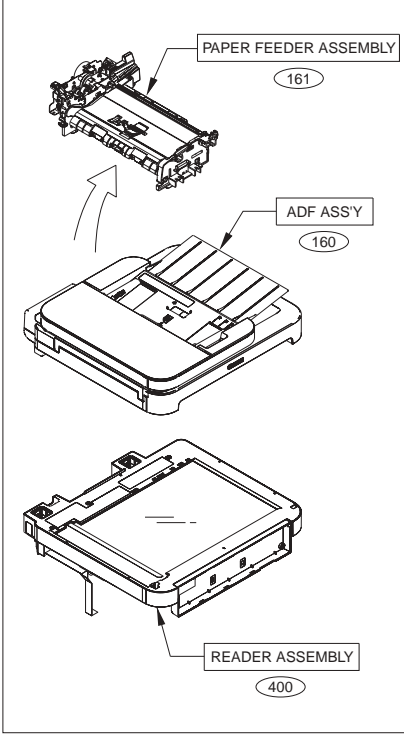
# Contents

A1	ASSEMBLY LOCATION DIAGRAM .....	2-1
A2	OPTION PARTS CATALOG LIST .....	2-2
001	ACCESSORIES .....	2-3
100	EXTERNAL COVERS, PANELS, ETC. (DADF model).....	2-5
100A	EXTERNAL COVERS, PANELS, ETC. (ADF model) .....	2-7
100B	EXTERNAL COVERS, PANELS, ETC. (COPYBOARD model) .....	2-9
101	FRONT COVER ASS'Y.....	2-11
102	INTERNAL COMPONENTS 1 .....	2-13
103	INTERNAL COMPONENTS 2 .....	2-16
160	ADF ASS'Y (DADF model).....	2-18
160A	ADF ASS'Y (ADF model) .....	2-20
161	PAPER FEEDER ASSEMBLY (DADF model).....	2-22
400	READER ASSEMBLY (DADF model).....	2-24
400A	READER ASSEMBLY (ADF model) .....	2-26
400B	READER ASSEMBLY (COPYBOARD model).....	2-28
ZZA	MECHANICAL STANDARD PARTS (HOW TO USE) .....	2-30
ZZB	MECHANICAL STANDARD PARTS (SCREWS).....	2-31
ZZC	MECHANICAL STANDARD PARTS (BOLTS).....	2-38
ZZD	MECHANICAL STANDARD PARTS (NUTS).....	2-39
ZZE	MECHANICAL STANDARD PARTS (RETAINING RINGS) .....	2-40

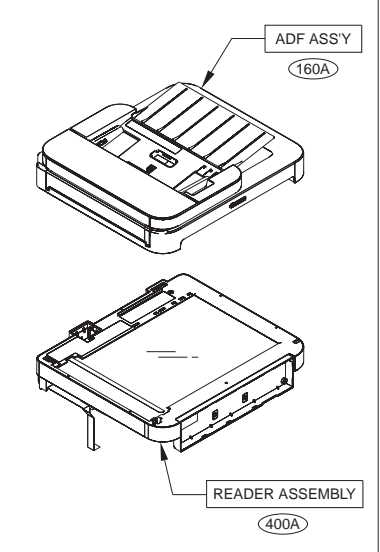


# FIGURE A1 ASSEMBLY LOCATION DIAGRAM

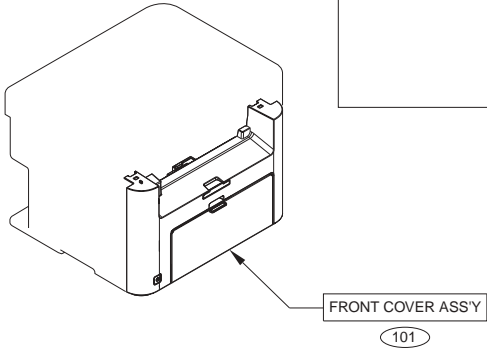
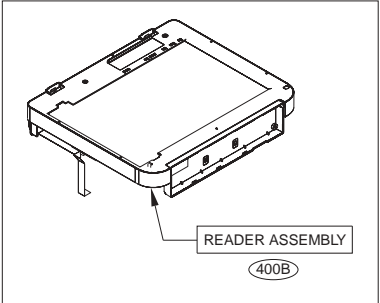
DADF model



ADF model



COPYBOARD model

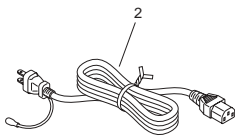
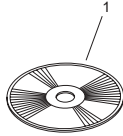


## FIGURE A2 OPTION PARTS CATALOG LIST

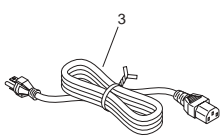
This is the table of the machine's options whose parts catalog is issued.  
本機のオプションで、パーツカタログが発行されている機種の一覧である。

No.	Model Name(English)	Model Name(Japanese)
1	TELEPHONE 6 KIT	(日本仕向けなし)

# FIGURE 001 ACCESSORIES

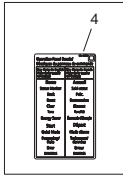


100V

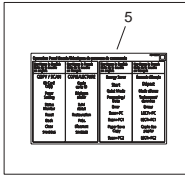


120V

US,CA,LTN  
FAX model



US,CA,LTN  
EXCEPT FAX model



FAX model

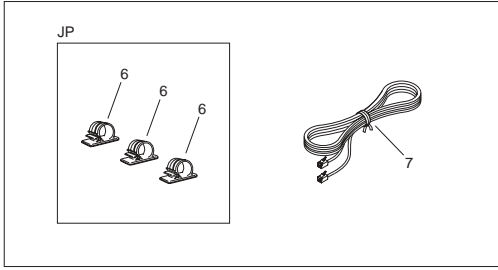


FIGURE & KEY NO.	PARTS NUMBER	RANK	Q'TY	DESCRIPTION	SERIAL NUMBER/REMARKS	SVC
Fig.001	NPN		RF	ACCESSORIES		
1	FK4-2553-000		1	CD-ROM, USER SOFTWARE	MF220 Series FAX model Japanese	
1	FK4-2549-000		1	DVD-ROM, USER SOFTWARE	MF220 Series FAX model US English,French,Spanish,Br azilian Portuguese	
1	FK4-2559-000		1	CD-ROM, USER SOFTWARE	MF220 Series EXCEPT FAX model Japanese	
1	FK4-2569-000		1	CD-ROM, USER SOFTWARE	MF210 Series FAX model Japanese	
1	FK4-2565-000		1	DVD-ROM, USER SOFTWARE	MF210 Series FAX model US English,French,Spanish,Br azilian Portuguese	
1	FK4-2579-000		1	DVD-ROM, USER SOFTWARE	MF210 Series EXCEPT FAX model US English,French,Spanish,Br azilian Portuguese	
2	FK2-4390-000		1	CORD, POWER	100V	
3	FK2-4393-000		1	CORD, POWER	120V	
4	FE4-0929-000		1	LABEL, PANEL	US,CA,LTN FAX model	
5	FE4-0928-000		1	LABEL, PANEL	US,CA,LTN EXCEPT FAX model	
6	FK2-6291-000		3	CLAMP, CABLE	FAX model JP	
7	FK3-2884-000		1	CORD, MODULAR	FAX model	



FIGURE 100  
EXTERNAL COVERS, PANELS, ETC. (DADF model)

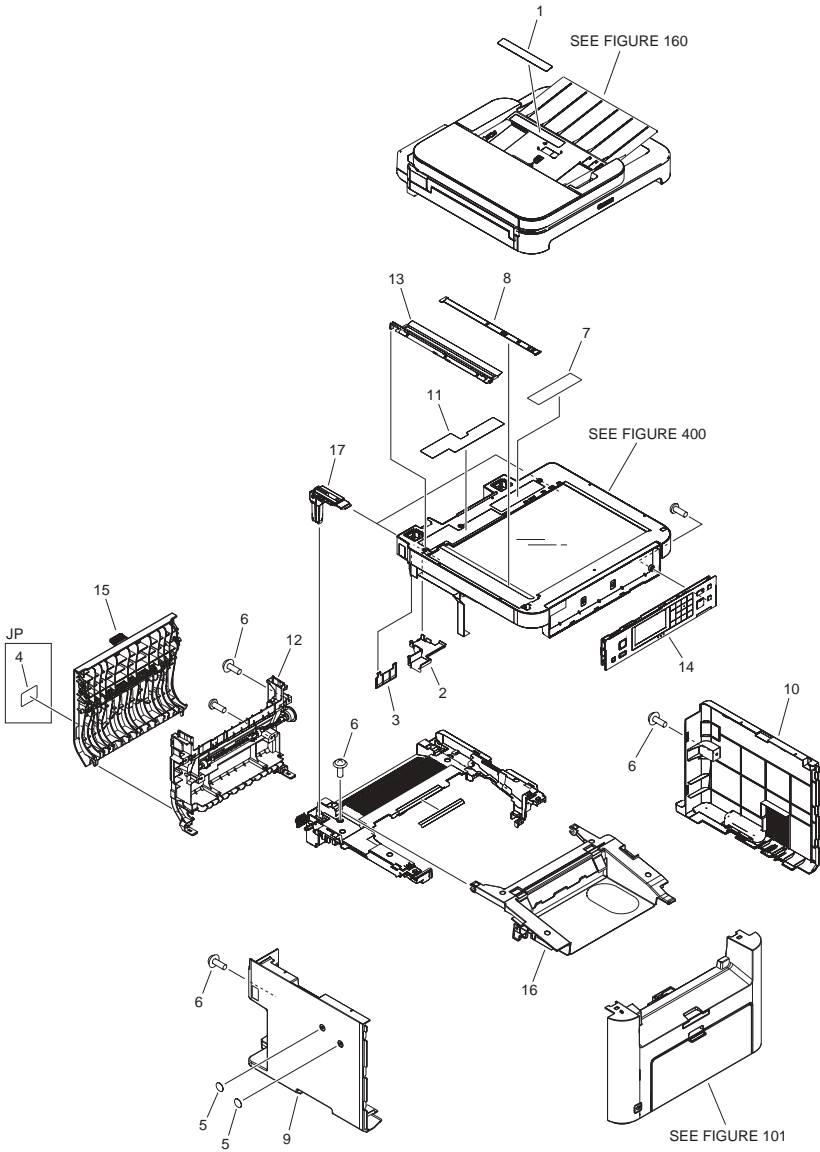


FIGURE & KEY NO.	PARTS NUMBER	R A N K	Q'TY	DESCRIPTION	SERIAL NUMBER/ REMARKS	S V C
Fig.100	NPN		RF	EXTERNAL COVERS, PANELS, ETC.	DADF model	
1	FE4-1566-000		1	LABEL, DOCUMENT PROHIBITION		
2	FE4-0851-000		1	GUIDE, CABLE		
3	FE4-0886-000		1	COVER, HINGE BLANKING		
4	FC0-2038-000		1	LABEL, GROUNDING CAUTION	JP	
5	FE4-1589-000		2	SHEET, HANDSET		
6	FC8-1370-000		8	SCREW, TP, M3X6		
7	FC9-1324-000		1	LABEL, COPY PROHIBITION	JP	
7	FC8-9307-000		1	LABEL, COPY PROHIBITION	US,CA,LTN	
8	FE4-0866-000		1	PLATE, PAPER SIZE		
9	FE4-0909-000		1	COVER, LEFT		
10	FE4-0911-000		1	COVER, RIGHT		
11	FE4-1565-000		1	LABEL, GLASS CLEANING	JP	
11	FE4-1563-000		1	LABEL, GLASS CLEANING	US,CA,LTN	
12	FM1-F392-000		1	DUPLEXING FRAME ASS'Y		
13	FL0-3574-000		1	HOLDER, DOCUMENT GUIDE		
14	FM1-G034-000		1	CONTROL PANEL ASS'Y	JP	
14	FM1-G037-000		1	CONTROL PANEL ASS'Y	US,CA,LTN	
15	FM1-F369-000		1	DUPLEXING DOOR ASS'Y		
16	FM1-F356-000		1	CARTRIDGE DOOR ASS'Y	JP	
16	FM1-F357-000		1	CARTRIDGE DOOR ASS'Y	US,CA,LTN	
17	FE4-4951-000		2	HINGE, READER		

# FIGURE 100A EXTERNAL COVERS, PANELS, ETC. (ADF model)

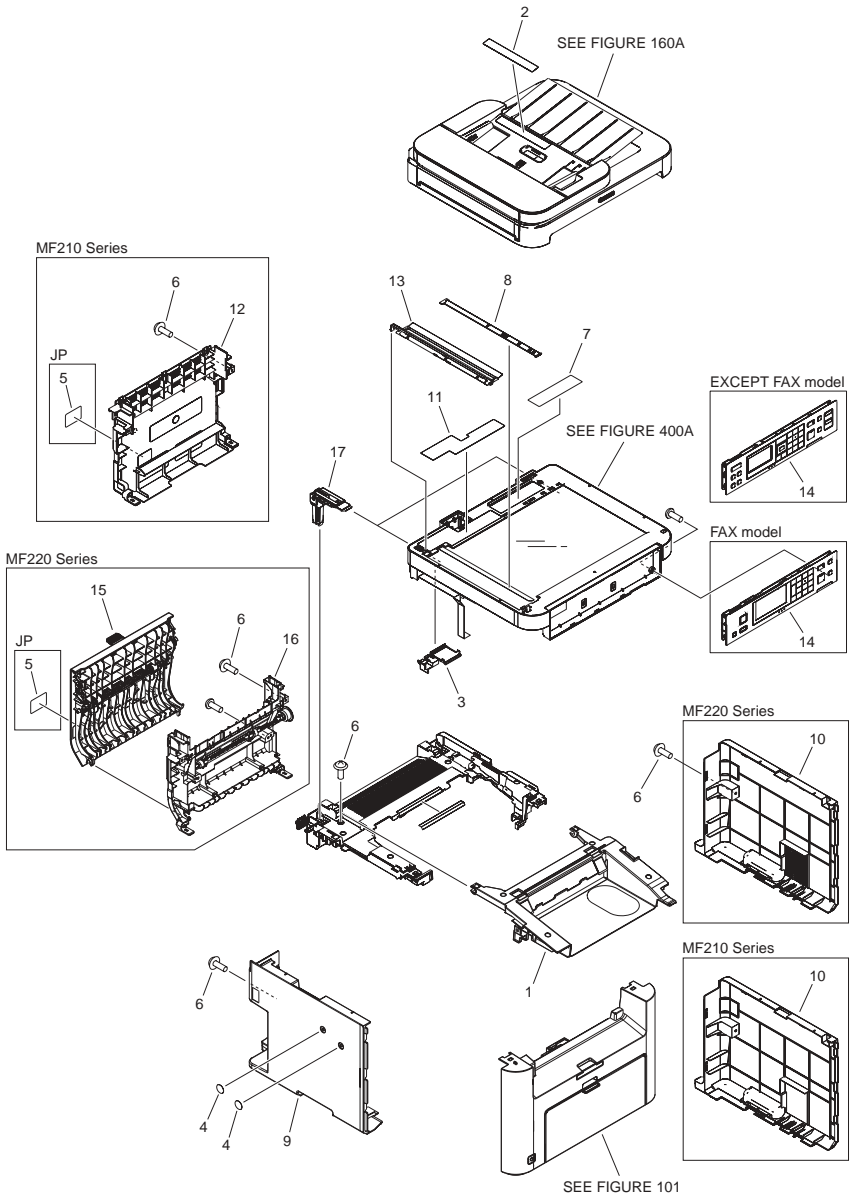


FIGURE & KEY NO.	PARTS NUMBER	R A N K	Q'TY	DESCRIPTION	SERIAL NUMBER/ REMARKS	S V C
Fig.100A	NPN		RF	EXTERNAL COVERS, PANELS, ETC.	ADF model	
1	FM1-F356-000		1	CARTRIDGE DOOR ASS'Y	EXCEPT MF227dw US,CA,LTN,MF216n US,CA,LTN	
1	FM1-F357-000		1	CARTRIDGE DOOR ASS'Y	MF227dw US,CA,LTN,MF216n US,CA,LTN	
2	FE4-1566-000		1	LABEL, DOCUMENT PROHIBITION		
3	FE4-0856-000		1	GUIDE, CABLE		
4	FE4-1589-000		2	SHEET, HANDSET		
5	FC0-2038-000		1	LABEL, GROUNDING CAUTION	JP	
6	FC8-1370-000		8	SCREW, TP, M3X6		
7	FC9-1324-000		1	LABEL, COPY PROHIBITION	JP	
7	FC8-9307-000		1	LABEL, COPY PROHIBITION	US,CA,LTN	
8	FE4-0866-000		1	PLATE, PAPER SIZE		
9	FE4-0909-000		1	COVER, LEFT		
10	FE4-0911-000		1	COVER, RIGHT	MF220 Series	
10	FE4-0913-000		1	COVER, RIGHT	MF210 Series	
11	FE4-1565-000		1	LABEL, GLASS CLEANING	JP	
11	FE4-1563-000		1	LABEL, GLASS CLEANING	US,CA,LTN	
12	FE4-0926-000		1	COVER, REAR	MF210 Series	
13	FL0-3574-000		1	HOLDER, DOCUMENT GUIDE		
14	FM1-G043-000		1	CONTROL PANEL ASS'Y	MF227dw US,CA,LTN	
14	FM1-G044-000		1	CONTROL PANEL ASS'Y	MF226dn JP	
14	FM1-G051-000		1	CONTROL PANEL ASS'Y	MF224dw JP	
14	FM1-F660-000		1	CONTROL PANEL ASS'Y	MF216n JP	
14	FM1-F662-000		1	CONTROL PANEL ASS'Y	MF216n US,CA,LTN	
15	FM1-F369-000		1	DUPLEXING DOOR ASS'Y	MF220 Series	
16	FM1-F392-000		1	DUPLEXING FRAME ASS'Y	MF220 Series	
17	FE4-4952-000		2	HINGE, READER		



FIGURE & KEY NO.	PARTS NUMBER	R A N K	Q'TY	DESCRIPTION	SERIAL NUMBER/ REMARKS	S V C
Fig.100B	NPN		RF	EXTERNAL COVERS, PANELS, ETC.	COPYBOARD model	
1	FM1-F356-000		2	CARTRIDGE DOOR ASS'Y	MF222dw	
2	FE4-1589-000		2	SHEET, HANDSET		
3	FC0-2038-000		1	LABEL, GROUNDING CAUTION	JP	
4	FC8-0654-000		1	PANEL, COPYBOARD		
5	FC8-1370-000		8	SCREW, TP, M3X6		
6	FC9-1324-000		1	LABEL, COPY PROHIBITION	JP	
6	FC8-9307-000		1	LABEL, COPY PROHIBITION	US,CA,LTN	
7	FE4-0866-000		1	PLATE, PAPER SIZE		
8	FE4-0909-000		1	COVER, LEFT		
9	FE4-0911-000		1	COVER, RIGHT	MF220 Series	
9	FE4-0913-000		1	COVER, RIGHT	MF210 Series	
10	FM1-G054-000		1	CONTROL PANEL ASS'Y	MF222dw JP	
10	FM1-G071-000		1	CONTROL PANEL ASS'Y	MF212w US,CA,LTN	
11	FM1-F377-000		1	PLATEN ASS'Y		
12	FE4-0926-000		1	COVER, REAR	MF210 Series	
13	FM1-F369-000		1	DUPLEXING DOOR ASS'Y	MF220 Series	
14	FM1-F392-000		1	DUPLEXING FRAME ASS'Y	MF220 Series	
15	FE4-4953-000		2	HINGE, READER		

# FIGURE 101 FRONT COVER ASS'Y

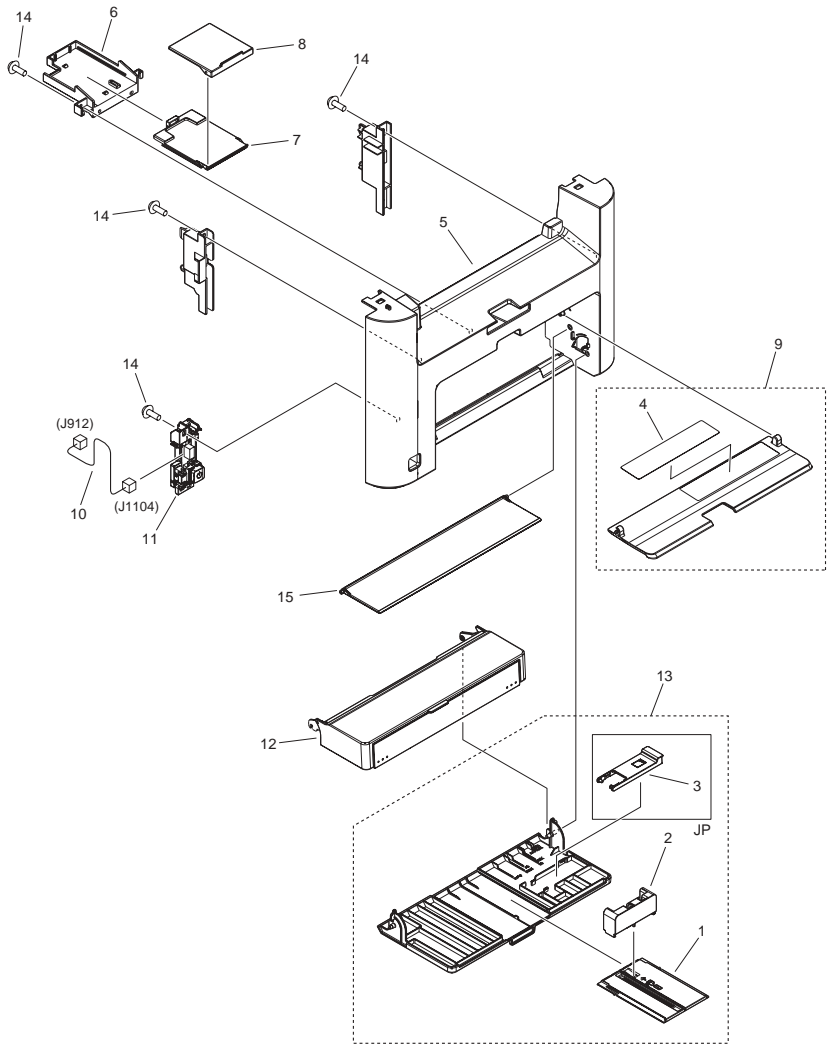


FIGURE & KEY NO.	PARTS NUMBER	R A N K	Q'TY	DESCRIPTION	SERIAL NUMBER/ REMARKS	S V C
Fig.101	FM1-F332-000		1	FRONT COVER ASS'Y	JP	
Fig.101	FM1-F378-000		1	FRONT COVER ASS'Y	US,CA,LTN	
1	FC0-1663-000		1	PLATE, EXTENSION		
2	FC0-1664-000		1	STOPPER, PAPER		
3	FC0-1665-000		1	STOPPER, CARD	JP	
4	FE4-0927-000		1	LABEL, SIZE INSTRUCTION		
5	FE4-0905-000		1	COVER, FRONT		
6	FE4-0948-000		1	HOLDER, TRAY		
7	FE4-0918-000		1	TRAY, PAPER DELIVERY		
8	FE4-0919-000		1	STOPPER, PAPER DELIVERY		
9	FL0-3567-000		1	COVER, PAPER PICK-UP		
10	FM0-4130-000		1	CABLE, SWITCH		
11	FM1-F367-000		1	POWER SUPPLY SWITCH ASS'Y	JP	
11	FM1-G022-000		1	POWER SUPPLY SWITCH ASS'Y	US,CA,LTN	
12	FM1-F366-000		1	DUST COVER ASSEMBLY		
13	FM1-F365-000		1	MULTI TRAY ASSEMBLY	JP	
13	FM1-F364-000		1	MULTI TRAY ASSEMBLY	US,CA,LTN	
14	XA9-0476-000		7	SCREW,TP M3X8		
15	FE4-0916-000		1	COVER, DUST, 2		





FIGURE & KEY NO.	PARTS NUMBER	R A N K	Q'TY	DESCRIPTION	SERIAL NUMBER/ REMARKS	S V C
Fig.102	NPN		RF	INTERNAL COMPONENTS 1		
1	FC0-1644-000		1	LINK, PRESSURE RELEASE, LEFT		
2	FC0-1645-000		1	LINK, PRESSURE RELEASE, RIGHT		
3	FC0-1789-000		1	SPRING		
4	FC8-1367-000		6	SCREW, W/WASHER, M3X8		
5	FC8-1368-000		3	SCREW, M3X6		
6	FC8-1370-000		AR	SCREW, TP, M3X6		
7	FK4-2081-000		1	CABLE, FLAT		
8	FK3-1175-000		1	CABLE, FLAT	FAX model JP	
9	FK4-2141-000		1	CABLE, FLAT	WIRELESS model JP FAX model	
9	FK4-2140-000		1	CABLE, FLAT	WIRELESS model EXCEPT JP FAX model	
10	FK3-3544-000		1	CABLE, FLAT	FAX model	
11	FK4-1248-000		1	MODULE, WLAN	WIRELESS model	
12	FM0-2242-000		1	PSEUDO CI PCB ASSEMBLY	FAX model JP	
13	FM1-J890-000		1	MAIN CONTROLLER PCB ASS'Y	MF229dw JP	
13	FM1-J889-000		1	MAIN CONTROLLER PCB ASS'Y	MF229dw US,CA,LTN	
13	FM1-J891-000		1	MAIN CONTROLLER PCB ASS'Y	MF227dw	
13	FM1-J893-000		1	MAIN CONTROLLER PCB ASS'Y	MF226dn JP	
13	FM1-J894-000		1	MAIN CONTROLLER PCB ASS'Y	MF224dw	
13	FM1-J896-000		1	MAIN CONTROLLER PCB ASS'Y	MF222dw	
13	FM1-J900-000		1	MAIN CONTROLLER PCB ASS'Y	MF216n JP	
13	FM1-J899-000		1	MAIN CONTROLLER PCB ASS'Y	MF216n US,CA,LTN	
13	FM1-J902-000		1	MAIN CONTROLLER PCB ASS'Y	MF212w	
14	FM0-3930-000		1	NCU PCB ASSEMBLY	FAX model JP	
14	FM0-3932-000		1	NCU PCB ASSEMBLY	FAX model US,CA,LTN	
15	FM1-J944-000		1	ENGINE CONTROL PCB ASS'Y	MF220 Series 100V FAX model SW501	
15	FM1-J945-000		1	ENGINE CONTROL PCB ASS'Y	MF220 Series 100V EXCEPT FAX model SW501	
15	FM1-J946-000		1	ENGINE CONTROL PCB ASS'Y	MF220 Series 120V SW501	

FIGURE & KEY NO.	PARTS NUMBER	R A N K	Q'TY	DESCRIPTION	SERIAL NUMBER/ REMARKS	S V C
15	FM1-J951-000		1	ENGINE CONTROL PCB ASS'Y	MF210 Series 100V FAX model SW501	
15	FM1-J953-000		1	ENGINE CONTROL PCB ASS'Y	MF210 Series 120V FAX model SW501	
15	FM1-J954-000		1	ENGINE CONTROL PCB ASS'Y	MF210 Series 120V EXCEPT FAX model SW501	
16	FM4-6895-000		1	SWITCH LEVER ASS'Y		
17	FM1-F341-000		1	FIXING PAPER DELIVERY ASS'Y	MF220 Series 100V H1,PS701,PS702,TH1,TP 1	
17	FM1-F264-000		1	FIXING PAPER DELIVERY ASS'Y	MF220 Series 120V H1,PS701,PS702,TH1,TP 1	
17	FM1-F645-000		1	FIXING PAPER DELIVERY ASS'Y	MF210 Series 100V H1,PS701,PS702,TH1,TP 1	
17	FM1-F646-000		1	FIXING PAPER DELIVERY ASS'Y	MF210 Series 120V H1,PS701,PS702,TH1,TP 1	
18	FM1-F266-000		1	ROLLER HOLDER ASSEMBLY		
19	WE8-6854-000		1	CORE,RING	FAX model	
20	WE8-6481-000		2	CORE, FERRITE		
21	WE8-6948-000		2	FERRITE CORE		
22	FE4-4945-000		1	SPRING, GROUNDING	MF220 Series	
23	FE4-4946-000		1	SPRING, GROUNDING	MF220 Series	
24	FK4-2087-000		2	FAN	MF220 Series FM2,FM3	
25	FM1-J960-000		1	CABLE, FAN	MF220 Series JP	
25	FM1-P832-000		1	CABLE, FAN	MF220 Series US,CA,LTN	
26	VS1-7440-003		2	CONNECTOR, SNAP TIGHT	MF220 Series	

# FIGURE 103 INTERNAL COMPONENTS 2

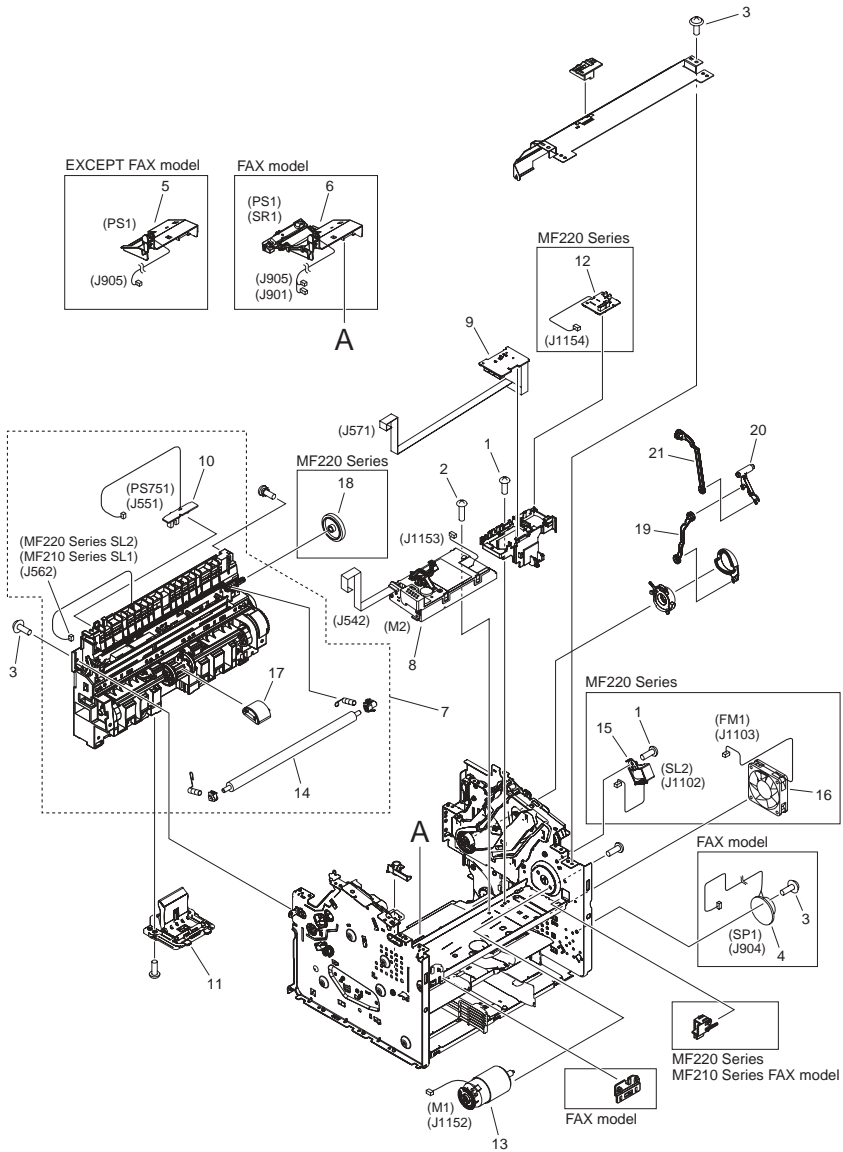


FIGURE & KEY NO.	PARTS NUMBER	R A N K	Q'TY	DESCRIPTION	SERIAL NUMBER/ REMARKS	S V C
Fig.103	NPN		RF	INTERNAL COMPONENTS 2		
1	FC8-1368-000		2	SCREW, M3X6		
2	FC8-1369-000		4	SCREW, M3X10		
3	FC8-1370-000		7	SCREW, TP, M3X6		
4	FK3-3667-000		1	SPEAKER	FAX model SP1	
5	FM0-3656-000		1	PHOTO SENSOR ASS'Y, MULTI	EXCEPT FAX model PS1	
6	FM0-4381-000		1	PHOTO SENSOR ASS'Y, TONER	FAX model PS1,SR1	
7	FM0-3743-000		1	PAPER PICK-UP ASS'Y	MF220 Series SL2	
7	FM0-3686-000		1	PAPER PICK-UP ASS'Y	MF210 Series SL1	
8	FM0-3723-000		1	LASER SCANNER ASS'Y	MF220 Series M2	
8	FM0-3687-000		1	LASER SCANNER ASS'Y	MF210 Series M2	
9	FM0-4131-000		1	MOTOR PCB ASS'Y	MF220 Series PS1151	
9	FM0-4132-000		1	MOTOR PCB ASS'Y	MF210 Series PS1151	
10	FM0-4133-000		1	PAPER PICK-UP SENSOR PCB ASS'Y	PS751	
11	FM4-6893-000		1	SEPARATION PAD ASS'Y		
12	FM4-7064-000		1	DUPLEXING PCB ASS'Y	MF220 Series	
13	FM1-G033-000		1	MOTOR, DC24V	M1	
14	RC2-1182-000		1	ROLLER, TRANSFER		
15	RK2-0420-000		1	SOLENOID	MF220 Series SL2	
16	RK2-3438-000		1	FAN	MF220 Series FM1	
17	RL1-1497-000		1	ROLLER, PICK-UP		
18	FU9-0289-000		1	GEAR, 34T	MF220 Series	
19	FC0-1589-000		1	LINK, DOOR 1		
20	FC0-1590-000		1	LINK, DOOR 2		
21	FC0-1646-000		1	LINK, DOOR		

FIGURE 160  
ADF ASS'Y (DADF model)

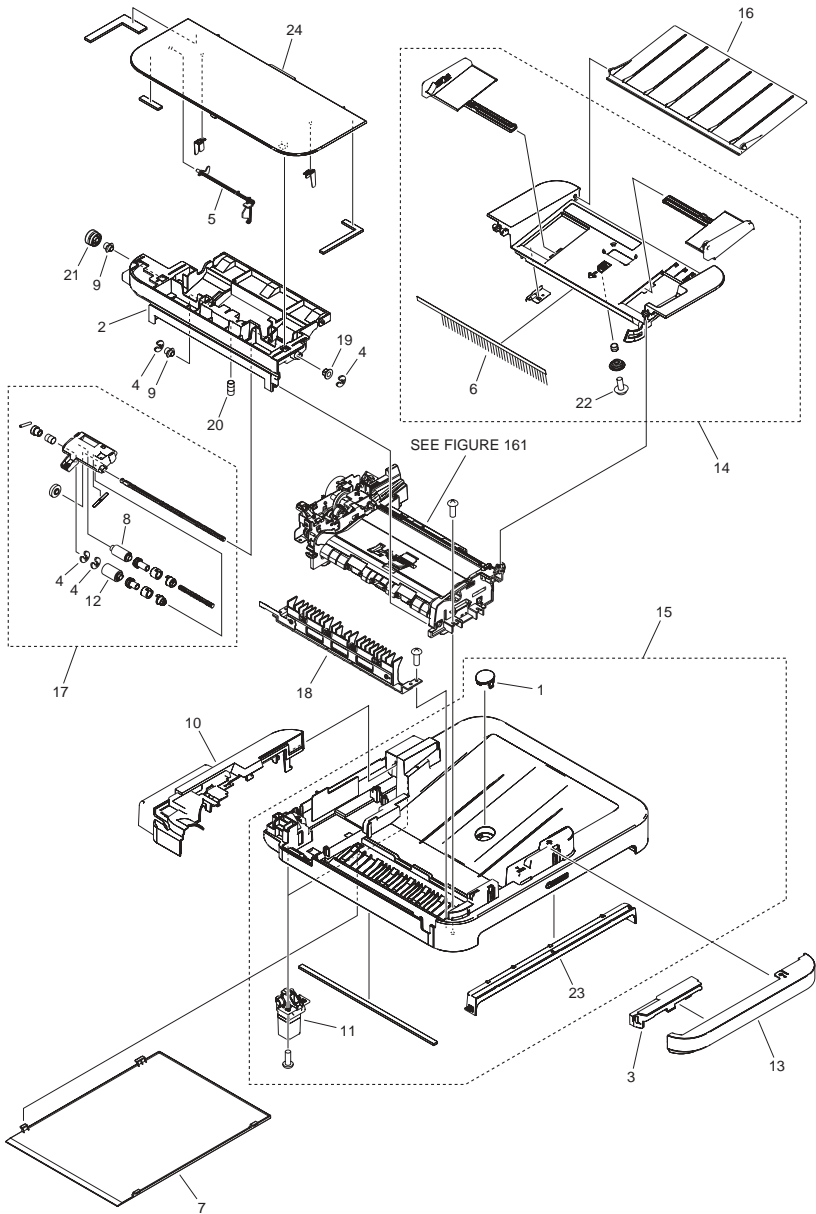


FIGURE & KEY NO.	PARTS NUMBER	R A N K	Q'TY	DESCRIPTION	SERIAL NUMBER/ REMARKS	S V C
Fig.160	NPN		RF	ADF ASS'Y	DADF model	
1	FE4-0820-000		1	CAP		
2	FE4-0742-000		1	COVER, DF, LOWER		
3	FE4-0806-000		1	COVER, FRONT UPPER		
4	FC6-5210-000		4	RETAINING RING (E-TYRE)		
5	FC7-6321-000		1	FLAG, DOCUMENT SCANNER		
6	FC7-6322-000		1	ELIMINATOR, STATIC CHARGE		
7	FC8-9210-000		1	PANEL, COPYBOARD		
8	FC8-9251-000		1	ROLLER, PICK-UP		
9	FC9-5060-000		2	BUSHING		
10	FL0-3575-000		1	COVER, REAR		
11	FL0-3573-000		2	HINGE, DADF		
12	FL3-1023-000		1	ROLLER, SEPARATION		
13	FE4-0805-000		1	COVER, DF, FRONT		
14	FM1-F346-000		1	DOCUMENT TRAY ASSY		
15	FM1-F347-000		1	DADF BASE ASSY		
16	FE4-0738-000		1	TRAY, DOCUMENT		
17	FM0-4439-000		1	SEPARATION ROLLER ASSY		
18	FM0-4452-000		1	FEED GUIDE ASSEMBLY		
19	FU5-1552-000		1	BUSHING		
20	FU7-2869-000		1	SPRING, COMPRESSION		
21	FU8-0473-000		1	GEAR, 24T		
22	XA9-0476-000		1	SCREW,TP M3X8		
23	FE4-0811-000		1	COVER, HANDLE		
24	FE4-0741-000		1	COVER, DF, UPPER		

FIGURE 160A  
ADF ASS'Y (ADF model)

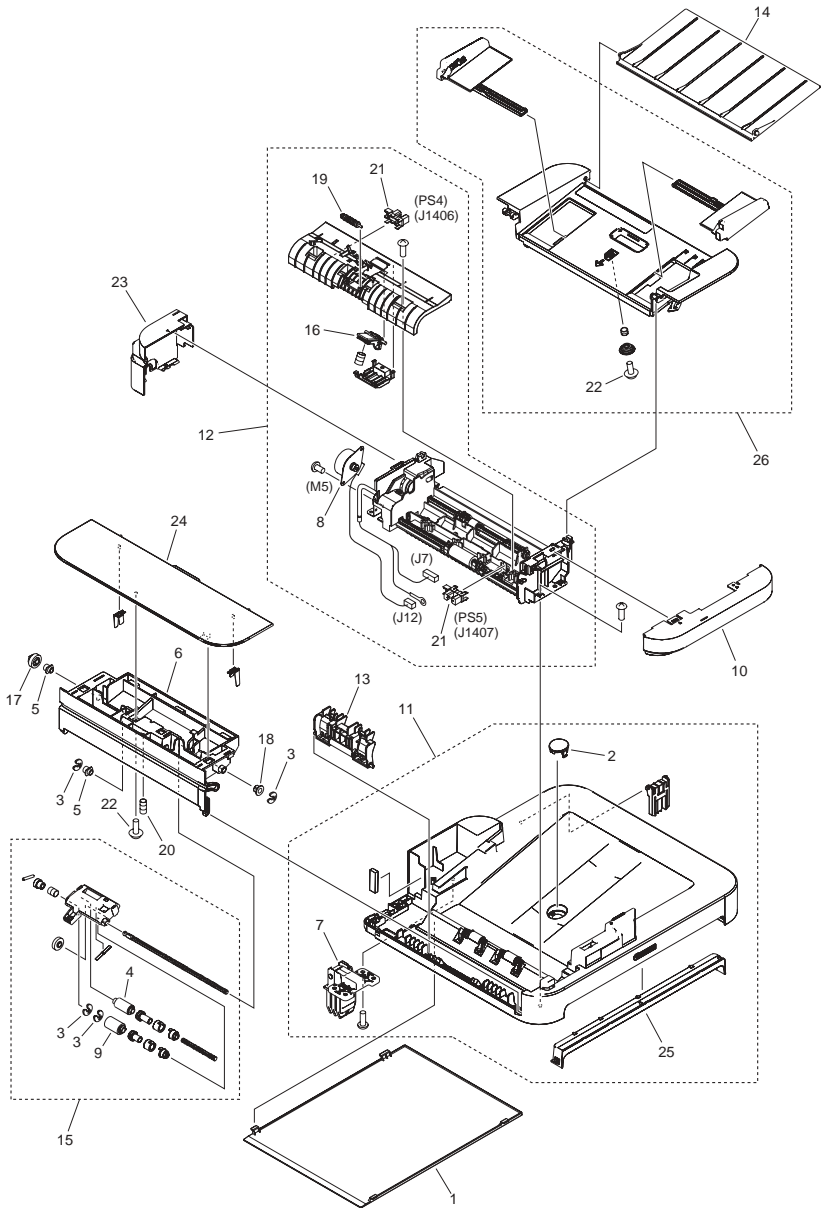




FIGURE & KEY NO.	PARTS NUMBER	R A N K	Q'TY	DESCRIPTION	SERIAL NUMBER/ REMARKS	S V C
Fig.160A	NPN		RF	ADF ASS'Y	ADF model	
1	FC0-1698-000		1	PANEL, COPYBOARD		
2	FE4-0820-000		1	CAP		
3	FC6-5210-000		4	RETAINING RING (E-TYRE)		
4	FC8-9251-000		1	ROLLER, PICK-UP		
5	FC9-5060-000		2	BUSHING		
6	FE4-0893-000		1	COVER, DF, LOWER	JP	
6	FE4-0892-000		1	COVER, DF, LOWER	US,CA,LTN	
7	FE4-1344-000		1	HINGE, SADF		
8	FK3-3659-000		1	MOTOR, STEPPING	M5	
9	FL3-1023-000		1	ROLLER, SEPARATION		
10	FE4-0895-000		1	COVER, DF, FRONT		
11	FM1-F371-000		1	SADF BASE ASSEMBLY		
12	FM1-F373-000		1	AUTO DOCUMENT FEEDER ASSEMBLY	JP	
12	FM1-G023-000		1	AUTO DOCUMENT FEEDER ASSEMBLY	US,CA,LTN	
13	FMO-4413-000		1	FEED ROLLER ASS'Y		
14	FE4-0738-000		1	TRAY, DOCUMENT		
15	FMO-4439-000		1	SEPARATION ROLLER ASS'Y		
16	FM3-8687-000		1	SEPARATION PAD ASSEMBLY		
17	FU0-0204-000		1	GEAR, 21T		
18	FU5-1552-000		1	BUSHING		
19	FU5-6711-000		1	ROLLER, AUXILIARY		
20	FU7-2869-000		1	SPRING, COMPRESSION		
21	WG8-5935-000		2	IC, PHOTO INTERRUPTER	PS4,PS5	
22	XA9-0476-000		2	SCREW,TP M3X8		
23	FE4-0889-000		1	COVER, REAR		
24	FE4-0891-000		1	COVER, DF, UPPER		
25	FE4-0811-000		1	COVER, HANDLE		
26	FM1-F374-000		1	DOCUMENT SLIDE ASS'Y		

# FIGURE 161 PAPER FEEDER ASSEMBLY (DADF model)

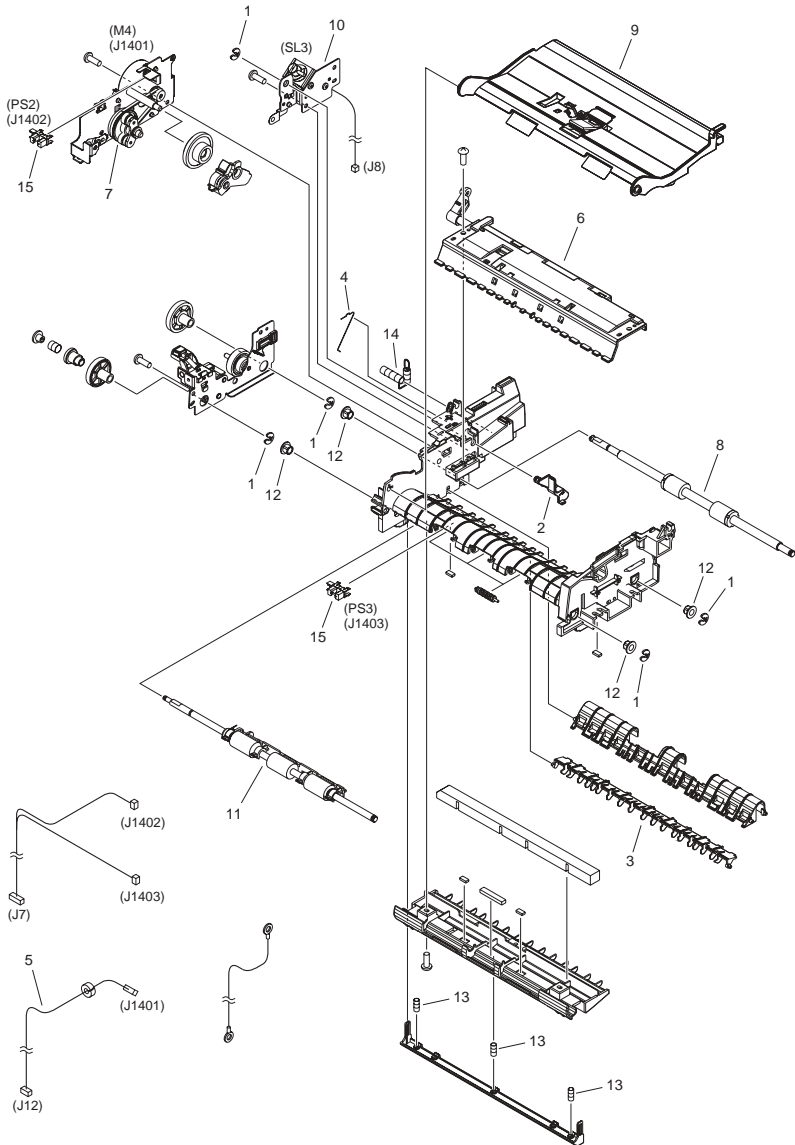


FIGURE & KEY NO.	PARTS NUMBER	R A N K	Q'TY	DESCRIPTION	SERIAL NUMBER/ REMARKS	S V C
Fig.161	FM1-F352-000		1	PAPER FEEDER ASSEMBLY	DADF model JP	
Fig.161	FM1-G019-000		1	PAPER FEEDER ASSEMBLY	DADF model US,CA,LTN	
1	FC6-5210-000		5	RETAINING RING (E-TYRE)		
2	FC7-6182-000		1	LEVER, ROLLER RELEASE		
3	FC7-6278-000		1	FLAPPER, PAPER DELIVERY		
4	FC9-1325-000		1	SPRING,SEPARATION SWING ARM		
5	FM1-J961-000		1	CABLE, MOTOR	JP	
5	FM1-P835-000		1	CABLE, MOTOR	US,CA,LTN	
6	FM3-8682-000		1	PAPER DELIVERY ASS'Y		
7	FM1-G017-000		1	MOTOR DRIVE ASS'Y	M4	
8	FM3-8690-000		1	PAPER DELIVERY ROLLER ASS'Y		
9	FM3-8686-000		1	GUIDE ASSEMBLY, UPPER		
10	FM4-6919-000		1	SOLENOID ASS'Y	SL3	
11	FM4-7532-000		1	PAPER FEED ROLLER ASSEMBLY		
12	FU5-1552-000		4	BUSHING		
13	FU6-2249-000		3	SPRING, COMPRESSION		
14	FU7-2021-000		1	SPRING, COMPRESSION		
15	WG8-5935-000		2	IC, PHOTO INTERRUPTER	PS2,PS3	

# FIGURE 400 READER ASSEMBLY (DADF model)

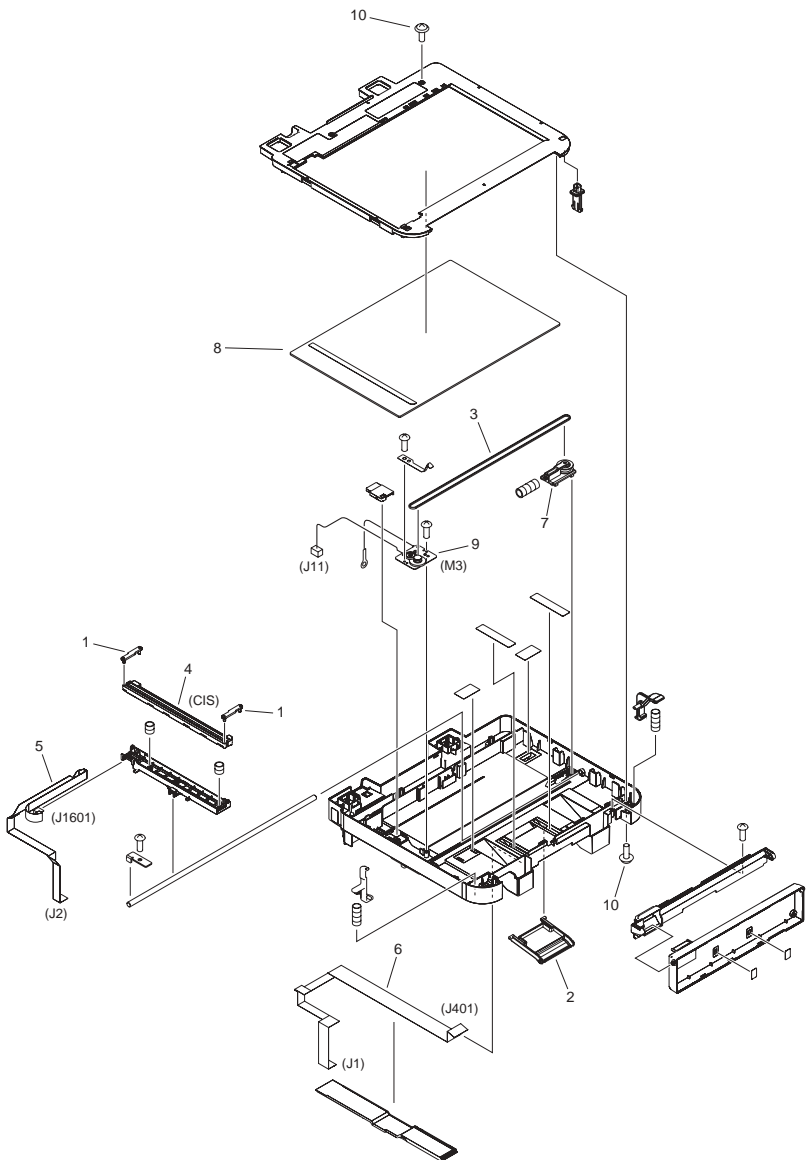


FIGURE & KEY NO.	PARTS NUMBER	R A N K	Q'TY	DESCRIPTION	SERIAL NUMBER/ REMARKS	S V C
Fig.400	FM1-F359-000		1	READER ASSEMBLY	DADF model JP	
Fig.400	FM1-G020-000		1	READER ASSEMBLY	DADF model US,CA,LTN	
1	FC0-1945-000		2	SPACER, CIS		
2	FE2-2498-000		1	LINK, TILT		
3	FE2-3233-000		1	BELT, TIMING		
4	FK4-2086-000		1	CONTACT IMAGE SENSOR,HV12I-V02	CIS	
5	FK4-2085-000		1	CABLE, FLAT, SCNT-CIS		
6	FK4-2108-000		1	CABLE, FLAT		
7	FL3-5062-000		1	IDLER PULLEY HOLDER ASS'Y		
8	FL3-5072-000		1	COPYBOARD GLASS ASS'Y		
9	FM0-4434-000		1	MOTOR ASS'Y	M3	
10	XA9-0476-000		6	SCREW,TP M3X8		

# FIGURE 400A READER ASSEMBLY (ADF model)

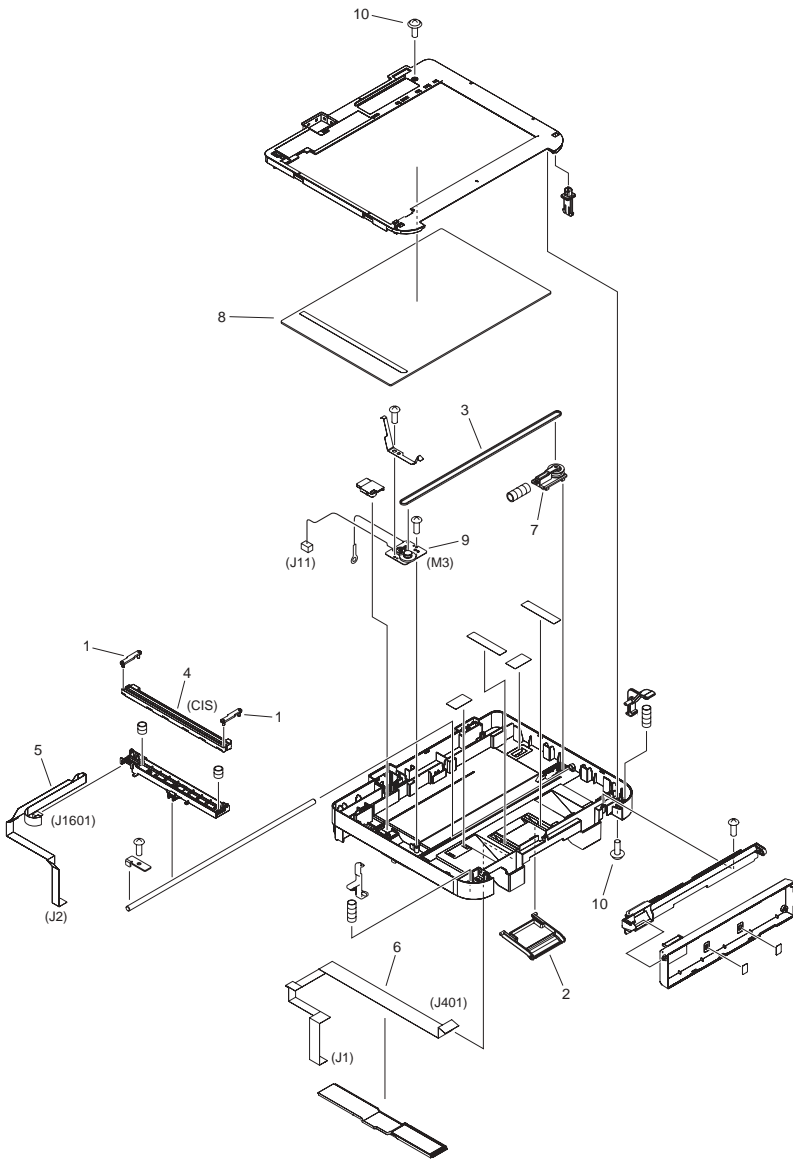


FIGURE & KEY NO.	PARTS NUMBER	R A N K	Q'TY	DESCRIPTION	SERIAL NUMBER/ REMARKS	S V C
Fig.400A	FM1-F361-000		1	READER ASSEMBLY	ADF model FAX model JP	
Fig.400A	FM1-G021-000		1	READER ASSEMBLY	ADF model FAX model US,CA,LTN	
Fig.400A	FM1-F388-000		1	READER ASSEMBLY	ADF model EXCEPT FAX model JP	
1	FC0-1945-000		2	SPACER, CIS		
2	FE2-2498-000		1	LINK, TILT		
3	FE2-3233-000		1	BELT, TIMING		
4	FK4-2086-000		1	CONTACT IMAGE SENSOR,HV12I-V02	CIS	
5	FK4-2085-000		1	CABLE, FLAT, SCNT-CIS		
6	FK4-2108-000		1	CABLE, FLAT	FAX model	
6	FK4-2109-000		1	CABLE, FLAT	EXCEPT FAX model	
7	FL3-5062-000		1	IDLER PULLEY HOLDER ASS'Y		
8	FL3-5071-000		1	COPYBOARD GLASS ASS'Y		
9	FM0-4434-000		1	MOTOR ASS'Y	M3	
10	XA9-0476-000		6	SCREW,TP M3X8		





FIGURE & KEY NO.	PARTS NUMBER	R A N K	Q'TY	DESCRIPTION	SERIAL NUMBER/ REMARKS	S V C
Fig.400B	FM1-F363-000		1	READER ASSEMBLY	COPYBOARD model JP	
Fig.400B	FM1-F656-000		1	READER ASSEMBLY	COPYBOARD model US,CA,LTN	
1	FC0-1945-000		2	SPACER, CIS		
2	FE2-2498-000		1	LINK, TILT		
3	FE2-3233-000		1	BELT, TIMING		
4	FK4-2086-000		1	CONTACT IMAGE SENSOR,HV12I-V02	CIS	
5	FK4-2085-000		1	CABLE, FLAT, SCNT-CIS		
6	FK4-2109-000		1	CABLE, FLAT		
7	FL3-5072-000		1	COPYBOARD GLASS ASS'Y		
8	FL3-5062-000		1	IDLER PULLEY HOLDER ASS'Y		
9	FM0-4434-000		1	MOTOR ASS'Y	M3	
10	XA9-0476-000		6	SCREW,TP M3X8		

# FIGURE ZZA

## MECHANICAL STANDARD PARTS (HOW TO USE)

### Mechanical standard parts

#### 機械標準部品

#### About a mechanical standard parts

A Mechanical standard parts is a mechanical part which not parts peculiar to a product. They are parts which are common to a Canon product and are used, such as a screw and a washer. The Fig No. and parts number of the mechanical standard parts are not listed in the product parts catalog. Refer to the parts catalog of mechanical standard parts when checking the parts number for screw or washer etc. and identify them by part shape or size.

#### 機械標準部品とは

機械標準部品とは、製品特有の部品ではなく、ねじやワッシャなどキヤノン製品共通で使用されている機械部品（メカ部品）のことです。  
製品のパーツカタログには、機械標準部品のFig No.や部品番号は記載しておりません。  
ねじや、ワッシャ等の部品番号を調べるときは、機械標準部品のパーツカタログを参照し、部品の形状や大きさから判断し、使用している部品を調べてください。

#### Material and surface treatment of a mechanical standard parts

Material and surface treatment of mechanical standard parts are assigned commonly for each part. Refer to the Table 1 for the parts which material and surface treatment are assigned as numbers.

#### 機械標準部品の材料および表面処理

機械標準部品の材料および表面処理については、各種部品共通で決められています。  
材料および表面処理が番号で決められている部品については、表1を参照してください。

Table 1 Material and Surface treatment

表1 材料および表面処理

No. 番号	Material 材料	Surface treatment 表面処理	Color 色
1	Stainless steel ステンレス	Stainless steel black coloring (BC4) ステンレス黒着色(BC4)	Black 黒
2		not to be given なし	White 白
3	Brass 黄銅	Regular nickel plating (NL) 普通ニッケルメッキ(NL)	White 白
4		Black nickel plating (BN) 黒色ニッケルメッキ(BN)	Black 黒
5	Steel 鋼	White zinc trivalent chromate treating (ZC3) 白色亜鉛3価クロメート(ZC3)	White 白
6		Regular nickel chromium plating (NC) 普通ニッケルクロムメッキ(NC)	White 白
7		Regular nickel plating (NL) 普通ニッケルメッキ(NL)	White 白
8		Iron and steel phosphating (P1) 鉄鋼磷酸塩処理(P1)	Black 黒
9		Black zinc trivalent chromate treating (BZ3) 黒色亜鉛3価クロメート(BZ3)	Black 黒

# FIGURE ZZB MECHANICAL STANDARD PARTS (SCREWS)

## 1. Screws ねじ

How to read Parts Numbers  
部品番号の見方

Screws  
ねじ

**XB1-2400-609**

Type No.  
類別番号

Normal designation (d)  
ねじの呼び(d)

Length (L)  
ねじの長さ(L)

Material and Surface treatment  
材料および表面処理

XB1-2 expresses Binding head machine screw.  
XB1-2は、バインドねじを表す

40 expresses M4.0.  
40は、M4.0を表す

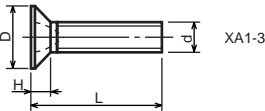
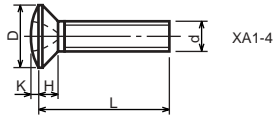
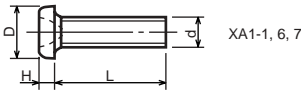
0-60 expresses a length of 6.0mm.  
0-60は、6.0mmの長さを表す

9 expresses Steel (Black zinc trivalent chromate  
treating) from Table 1.

9は、表1より鋼(黒色亜鉛3価クロメート)を表す

### 1-1. Cross Recessed Head Screws for Precision Equipments

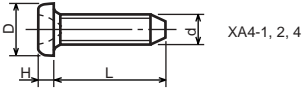
精密機器用十字穴付き小ねじ



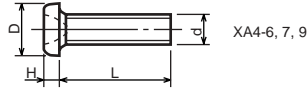
Type No. 類別番号	Type 類別
XA1-1	Pan head Class 1 なべ1種
XA1-3	Countersunk head Class 1 さら1種
XA1-4	Oval countersunk head Class 1 丸さら1種
XA1-6	Pan head Class 3 なべ3種
XA1-7	Pan head Class 2 なべ2種

		Head size (mm) 頭部寸法 (mm)					
		M1.4	M1.6	M1.7	M2	M2.5	M2.6
D	XA1-1	2	2.4	2.5	3	3.8	4
H	XA1-1	0.5	0.55	0.5	0.6	0.9	0.8
D	XA1-3	2	2.4	2.5	3	3.8	4
H	XA1-3	0.48	0.55	0.58	0.73	0.85	0.93
D	XA1-4	2	2.4	2.5	3	3.8	4
H + K	XA1-4	0.68	0.8	0.88	1	1.25	1.3
D	XA1-6	2.5	2.8	3	3.5	4.3	4.5
H	XA1-6	0.8	0.85	0.9	1	1.3	1.2
D	XA1-7	2.5	2.8	3	3.5	4.3	4.5
H	XA1-7	0.5	0.55	0.5	0.6	0.9	0.8

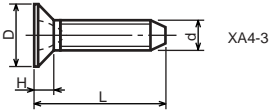
1-2. Precision Tapping Screws  
精密用タッピンねじ



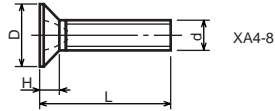
XA4-1, 2, 4



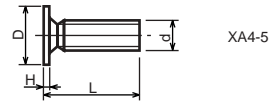
XA4-6, 7, 9



XA4-3



XA4-8

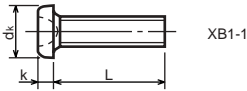


XA4-5

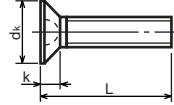
Type No. 類別番号	Type 類別
XA4-1	With tapered end pan head Class 1 絞りなべ1種
XA4-2	With tapered end pan head Class 3 絞りなべ3種
XA4-3	With tapered end countersunk head 絞り-さら
XA4-4	With tapered end pan head Class 2 絞りなべ2種
XA4-5	With parallel end ultra thin head ストレート-超薄頭
XA4-6	With parallel end pan head Class 1 ストレートなべ1種
XA4-7	With parallel end pan head Class 3 ストレートなべ3種
XA4-8	With parallel end countersunk head ストレート-さら
XA4-9	With parallel end pan head Class 2 ストレートなべ2種

	Head size (mm) 頭部寸法 (mm)					
	M1.4	M1.6	M1.7	M2	M2.5	M2.6
D XA4-1	2	2.4	2.5	3	3.8	4
H XA4-1	0.5	0.55	0.5	0.6	0.9	0.8
D XA4-2	2.5	2.8	3	3.5	4.3	4.5
H XA4-2	0.8	0.85	0.9	1	1.3	1.2
D XA4-3	2	2.4	2.5	3	3.8	4
H XA4-3	0.48	0.55	0.58	0.73	0.85	0.93
D XA4-4	2.5	2.8	3	3.5	4.3	4.5
H XA4-4	0.5	0.55	0.5	0.6	0.9	0.8
D XA4-5	2.5	2.8	3	-	-	-
H XA4-5	0.2	0.2	0.2	-	-	-
D XA4-6	2	2.4	2.5	3	3.8	4
H XA4-6	0.5	0.55	0.5	0.6	0.9	0.8
D XA4-7	2.5	2.8	3	3.5	4.3	4.5
H XA4-7	0.8	0.85	0.9	1	1.3	1.2
D XA4-8	2	2.4	2.5	3	3.8	4
H XA4-8	0.48	0.55	0.58	0.73	0.85	0.93
D XA4-9	2.5	2.8	3	3.5	4.3	4.5
H XA4-9	0.5	0.55	0.5	0.6	0.9	0.8

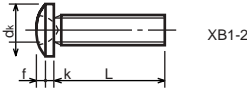
1-3. Cross Recessed Head Screws  
一般用十字穴付き小ねじ



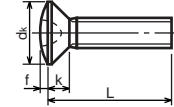
XB1-1



XB1-3



XB1-2

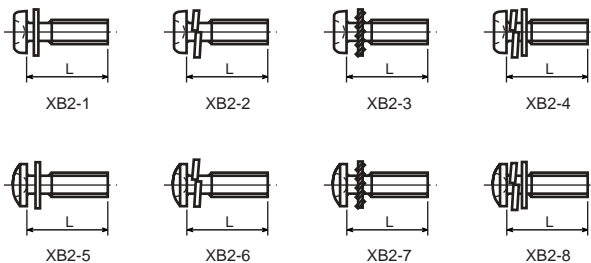


XB1-4

Type No. 類別番号	Type 類別
XB1-1	Pan head なべ
XB1-2	Binding head バインド
XB1-3	Countersunk head さら
XB1-4	Oval countersunk head 丸さら

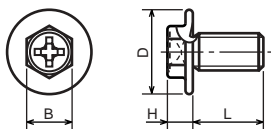
		Head size (mm) 頭部寸法 (mm)					
		M2	M2.5	M2.6	M3	M4	M5
dk	XB1-1	3.5	4.5	4.5	5.5	7	9
k	XB1-1	1.3	1.7	1.7	2	2.6	3.3
dk	XB1-2	4.3	5.3	5.5	6.3	8.3	10.3
k+f	XB1-2	1.2	1.5	1.6	1.9	2.5	3.1
dk	XB1-3	4	5	-	6	8	10
k	XB1-3	1.2	1.45	-	1.75	2.3	2.8
dk	XB1-4	4	5	-	6	8	10
k+f	XB1-4	1.6	2	-	2.45	3.2	4
Screw part length ねじ部長さ b		8	12	12	12	16	20

1-4. Cross Recessed Head Screws with Captive Washer  
座金組込み十字穴付き小ねじ



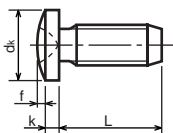
Type No. 類別番号	Type 類別
XB2-1	Pan head + Plain washer (circular bright) なべねじ+平座金
XB2-2	Pan head + Spring washer なべねじ+ばね座金
XB2-3	Pan head + Toothed lock washer なべねじ+歯付座金
XB2-4	Pan head + Spring washer and plain washer (circular bright) なべねじ+(ばね+平)座金
XB2-5	Binding head + Plain washer (circular bright) バインドねじ+平座金
XB2-6	Binding head + Spring washer バインドねじ+ばね座金
XB2-7	Binding head + Toothed lock washer バインドねじ+歯付座金
XB2-8	Binding head + Spring washer and plain washer (circular bright) バインドねじ+(ばね+平)座金

1-5. Hexagon Head Tapping Screws for Metallic Materials  
 金属用六角タッピンねじ



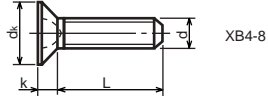
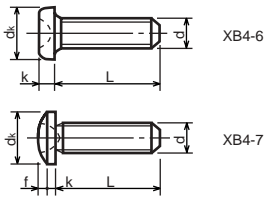
Type No. 類別番号	Type 類別	Head size (mm) 頭部寸法 (mm)	
		M3	M4
XB3-6	For metallic materials 金属用タッピン	D	8 10
		B	5.5 5.5
XB3-7	For metallic materials with clawed 金属用タッピン-つめ付き	H XB3-6	3.1 3.1
		H XB3-7	3.2 3.2

1-6. Special Tapping Screws  
 特殊タッピンねじ



Type No. 類別番号	Type 類別	Head size (mm) 頭部寸法 (mm)	
		M3	M4
XB4-5	Binding head バインド	d <sub>k</sub>	6.3 8.3
		k	1.3 1.7
		k+f	1.9 2.5

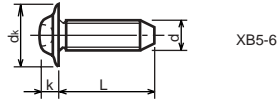
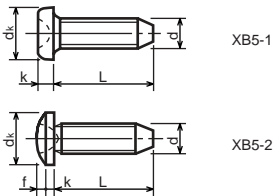
1-7. General Head Tapping Screws  
一般用タッピンねじ



Type No. 類別番号	Type 類別
XB4-6	Pan head なべ
XB4-7	Binding head バインド
XB4-8	Countersunk head さら

		Head size (mm) 頭部寸法 (mm)					
		M2	M2.5	M2.6	M3	M4	M5
d <sub>k</sub>	XB4-6	3.5	4.5	4.5	5.5	7	9
k	XB4-6	1.3	1.7	1.7	2	2.6	3.3
d <sub>k</sub>	XB4-7	4.3	5.3	5.5	6.3	8.3	10.3
k+f	XB4-7	1.2	1.5	1.6	1.9	2.5	3.1
d <sub>k</sub>	XB4-8	4	5	5.2	6	8	10
k	XB4-8	1.2	1.45	1.5	1.75	2.3	2.8

1-8. Tapping Screws for Metallic Materials  
金属用タッピンねじ

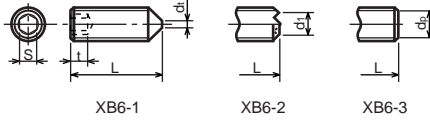


Type No. 類別番号	Type 類別
XB5-1	Pan head なべ
XB5-2	Binding head バインド
XB5-6	Flanged pan head つば付きなべ

		Head size (mm) 頭部寸法 (mm)				
		M2.5	M2.6	M3	M4	M5
d <sub>k</sub>	XB5-1	4.5	4.5	5.5	7	9
k	XB5-1	1.7	1.7	2	2.6	3.3
d <sub>k</sub>	XB5-2	5.5	5.5	6.3	8.3	10.3
k+f	XB5-2	1.6	1.6	1.9	2.5	3.1
d <sub>k</sub>	XB5-6	6.5	6.5	8	10	12
k	XB5-6	2.1	2.1	1.75	3.2	4

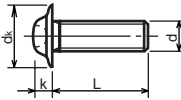


**1-9. Hexagon Socket Set Screws**  
六角穴付止めねじ



Type No. 類別番号	Type 類別	Head size (mm) 頭部寸法 (mm)							
		M1.6 M1.7	M2	M2.5 M2.6	M3	M5	M5	M6	
XB6-1	Cone point とがり先	S	0.7	0.9	1.3	1.5	2	2.5	3
		t	1.5	1.7	2	2	2.5	3	3.5
		$d_{t \max}$ XB6-1	0.4	0.5	0.65	0.75	1	1.25	1.5
		$d_{t \max}$ XB6-2	-	1.2	1.5	1.7	2.2	2.8	3.3
		$d_{t \min}$ XB6-2	-	1	1.2	1.4	1.9	2.4	2.9
		$d_{p \max}$ XB6-3	0.8	1	1.5	2	2.5	3.5	4
		$d_{p \min}$ XB6-3	0.55	0.75	1.25	1.75	2.25	3.2	3.7

**1-10. Flanged Pan Head Machine Screws**  
つば付きなべ小ねじ



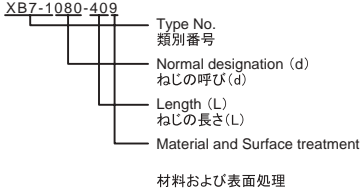
Type No. 類別番号	Type 類別	Head size (mm) 頭部寸法 (mm)					
		M2	M2.5 M2.6	M3	M5	M5	
XB6-7	Flanged pan head つば付きなべ	$d_k$	5	6.5	8	10	12
		k	1.7	2.1	2.5	3.2	4

# FIGURE ZZC MECHANICAL STANDARD PARTS (BOLTS)

## 2. Bolts (Socket head cap screw) ボルト

How to read Parts Numbers  
部品番号の見方

Bolt (Socket head cap screw)  
ボルト



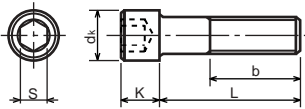
XB7-1 expresses Hexagon socket head cap screws.  
XB7-1は、六角穴付きボルトを表す

080 expresses M8.0.  
080は、M8.0を表す

40 expresses a length of 40mm.  
40は、40mmの長さを表す

9 expresses Steel (Black zinc trivalent chromate treating) from Table 1.  
9は、表1より鋼(黒色亜鉛3価クロメート)を表す

### 2-1. Hexagon socket head cap screws 六角穴付きボルト



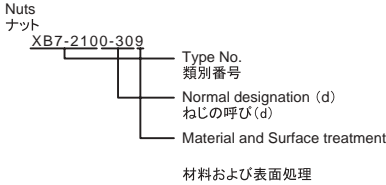
Type No. 類別番号	Type 類別
XB7-1	Hexagon socket head cap screws 六角穴付きボルト

	Head size (mm) 頭部寸法 (mm)						
	M3	M4	M5	M6	M8	M10	M12
S	2.5	3	4	5	6	8	10
$d_k$	5.5	7	8.5	10	13	16	18
K	3	4	5	6	8	10	12
Screw part length $b_{max}$ ねじ部長さ $b_{max}$	18	20	22	24	28	32	36

# FIGURE ZZD MECHANICAL STANDARD PARTS (NUTS)

## 3. Nuts ナット

How to read Parts Numbers  
部品番号の見方

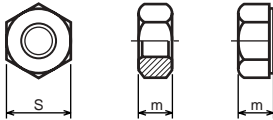


XB7-210 expresses Hexagon nut class 1.  
XB7-210は、六角ナット1種を表す

0-30 expresses M3.0.  
0-30は、M3.0を表す

9 expresses Steel (Black zinc trivalent chromate treating) from Table 1.  
9は、表1より鋼(黒色亜鉛3価クロメート)を表す

### 3-1. Hexagon Nuts and Hexagon Thin Nuts 六角ナット



Type No. 類別番号	Type 類別
XB7-210	Hexagon nut Class 1 六角ナット-1種
XB7-220	Hexagon nut Class 3 六角ナット-3種
XB7-230	Hexagon nut Style 1 double chamfered 六角ナット-スタイル1-両面とり
XB7-231	Hexagon nut Style 1 washer faced 六角ナット-スタイル1-座付き
XB7-240	Hexagon nut Style 2 double chamfered 六角ナット-スタイル2-両面とり
XB7-241	Hexagon nut Style 2 washer faced 六角ナット-スタイル2-座付き
XB7-250	Hexagon nut 六角ナット
XB7-260	Hexagon thin nut double chamfered 六角低ナット-両面とり
XB7-270	Hexagon thin nut not chamfered 六角低ナット-面とり無し

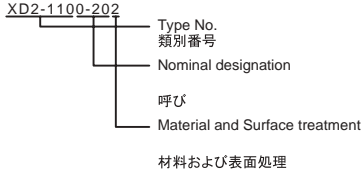
	Head size (mm) 頭部寸法 (mm)						
	M2	M2.5	M3	M4	M5	M6	M8
S	4	5	5.5	7	8	10	13
m XB7-210	1.6	2	2.4	3.2	4	5	6.5
m XB7-220	1.2	1.6	1.8	2.4	3.2	3.6	5
m XB7-230, 231	1.6	2	2.4	3.2	4.7	5.2	6.8
m XB7-240, 241	-	-	-	-	5.1	5.7	7.5
m XB7-250	-	-	-	-	5.6	6.1	7.9
m XB7-260	1.2	1.6	1.8	2.2	2.7	3.2	4
m XB7-270	1.2	1.6	1.8	2.2	2.7	3.2	4

# FIGURE ZZE MECHANICAL STANDARD PARTS (RETAINING RINGS)

## 5. Retaining Rings 止め輪

How to read Parts Numbers  
部品番号の見方

### Retaining Rings 止め輪



XD2-110 expresses retaining ring-E type (Type1).  
XD2-110は、E形止め輪(1種)を表す

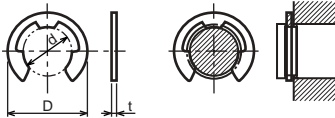
0-20 expresses a 020 of nominal designation.  
(See Table 5)

0-20は、呼び020を表す(表5参照)

2 expresses Stainless steel (Surface treatment is not to be given) from Table 1.

2は、表1よりステンレス(表面処理なし)を表す

### 5-1. Retaining Rings - E type E形止め輪

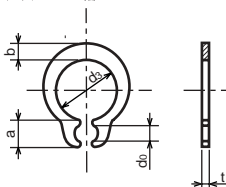


Type No. 類別番号	Type 類別
XD2-110	Retaining ring - E type (Type 1) E形止め輪(1種)
XD2-120	Retaining ring - E type (Type 2) E形止め輪(2種)

Table 5 表5

Type 種類	Nominal designation 呼び	d (mm)	D (mm)	t (mm)
Type 1 1種	007	0.65	2	0.2
	010	0.95	2.8	0.2
	013	1.25	3.3	0.3
	017	1.65	4.2	0.4
	020	1.95	4.6	0.5
	024	2.35	6	0.6
	028	2.74	6.5	0.6
	032	3.14	7.2	0.6
	037	3.64	8	0.7
	040	3.93	10	0.7
	042	4.13	10	0.7
	050	4.93	11	0.7
	058	5.73	12	0.7
	060	5.93	12.7	0.9
	064	6.32	13.5	0.9
	074	7.31	15	0.9
080	7.91	16.5	1	
Type 2 2種	008	0.8	2	0.2
	012	1.2	3	0.3
	015	1.5	4	0.4
	020	2	5	0.4
	025	2.5	6	0.4
	030	3	7	0.6
	040	4	9	0.6
	050	5	11	0.6
	060	6	12	0.8
	070	7	14	0.8
	080	8	16	0.8
	090	9	18	0.8
	100	10	20	1

5-2. Grip Rings  
グリップ止め輪

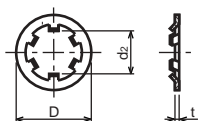


Type No. 類別番号	Type 類別
XD2-210	Grip ring グリップ止め輪

Table 5 表5

Nominal designation 呼び	d <sub>3</sub> (mm)	t (mm)	b (mm)	a (mm)	d <sub>0</sub> (mm)
020	1.9	0.5	1	1.8	0.8
025	2.35	0.5	1.2	1.9	0.9
030	2.85	0.6	1.4	1.9	0.9
035	3.3	0.6	1.6	2	0.9
040	3.8	0.8	1.8	2.8	1.2
045	4.25	0.8	2	2.9	1.3
050	4.75	0.8	2.2	2.9	1.3
060	5.7	1	2.4	3.1	1.4
070	6.7	1	2.7	3.3	1.4
080	7.7	1	3	3.5	1.4
090	8.65	1.2	3.3	4.7	1.5
100	9.65	1.2	3.5	4.7	2

5-3. Toothed Retaining Rings  
歯付き形止め輪



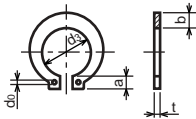
Type No. 類別番号	Type 類別
XD2-230	Toothed retaining ring 歯付き形止め輪

Table 5 表5

Nominal designation 呼び	d <sub>z</sub> (mm)	D (mm)	t (mm)	No of teeth 歯数
015	1.4	5.2	0.25	3
020	1.9	6	0.25	3
024	2.3	6.4	0.25	3
030	2.8	8	0.25	4
040	3.8	9	0.25	4
050	4.8	10	0.25	5
060	5.8	11	0.25	5
080	7.8	13	0.25	5
100	9.8	15.4	0.25	6

### 5-4. Retaining Rings - C Type

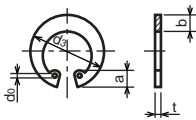
C形止め輪



Type No. 類別番号	Type 類別
XD2-310	Retaining ring - C type for shaft C形止め輪 軸用

Table 5 表5

Nominal designation 呼び	d <sub>3</sub> (mm)	t (mm)	b (mm)	a (mm)	d <sub>0</sub> (mm)
010	9.3	1	1.6	3	1.2
012	11.1	1	1.8	3.2	1.5
014	12.9	1	2	3.4	1.7
015	13.8	1	2.1	3.5	1.7
016	14.7	1	2.2	3.6	1.7
017	15.7	1	2.2	3.7	1.7
018	16.5	1.2	2.6	3.8	1.7
020	18.5	1.2	2.7	3.9	2
022	20.5	1.2	2.7	4.1	2
025	23.2	1.2	3.1	4.3	2
028	25.9	1.5	3.1	4.6	2
030	27.9	1.5	3.5	4.8	2
032	29.6	1.5	3.5	5	2.5
035	32.2	1.5	4	5.4	2.5



Type No. 類別番号	Type 類別
XD2-320	Retaining ring - C type for hole C形止め輪 穴用

Table 5 表5

Nominal designation 呼び	d <sub>3</sub> (mm)	t (mm)	b (mm)	a (mm)	d <sub>0</sub> (mm)
010	10.7	1	1.8	3.1	1.2
011	11.8	1	1.8	3.2	1.2
012	13	1	1.8	3.3	1.5
014	15.1	1	2	3.6	1.7
016	17.3	1	2	3.7	1.7
018	19.5	1	2.5	4	1.7
019	20.5	1	2.5	4	2
020	21.5	1	2.5	4	2
022	23.5	1	2.5	4.1	2
025	26.9	1.2	3	4.4	2
028	30.1	1.2	3	4.6	2
030	32.1	1.2	3	4.7	2
032	34.4	1.2	3.5	5.2	2.5
035	37.8	1.5	3.5	5.2	2.5
037	39.8	1.5	3.5	5.2	2.5
040	43.5	1.8	4	5.7	2.5
042	45.5	1.8	4	5.8	2.5
045	48.5	1.8	4.5	5.9	2.5
047	50.5	1.8	4.5	6.1	2.5
050	54.2	2	4.5	6.5	2.5
052	56.2	2	5.1	6.5	2.5
055	59.2	2	5.1	6.5	2.5
060	64.2	2	5.1	6.8	2.5
062	66.2	2	5.5	6.9	2.5
068	72.5	2.5	6	7.4	2.5
072	76.5	2.5	6.6	7.4	2.5
075	79.5	2.5	6.6	7.8	2.5
080	85.5	2.5	7	8	2.5
085	90.5	3	7	8	3
090	95.5	3	7.6	8.3	3
095	100.5	3	8	8.5	3

Prepared by  
OIP Business Support Group  
CANON INC.

**Canon**