

PARTS CATALOG

LBP5100

Canon

Apr 29 2008

PREFACE

This Parts Catalog contains listings of parts used

Diagrams are provided with the listings to aid the service technician in identifying clearly, the item to be ordered.

Whenever ordering parts, consult this Parts Catalog for all of the information pertaining to each item. Be sure to include, in the Parts Request, the full item description, the item part number, and the quantity.

COPYRIGHT (C) 1999 CANON INC.

Use of this manual should be strictly supervised to avoid disclosure of confidential information.

Contents

NUMERICAL INDEX

LBP5100(Numerical Index).....	1-1
-------------------------------	-----

LBP5100(Parts Catalog)

A	ASSEMBLY LOCATION DIAGRAM	2-1
010	ACCESSORIES	2-2
100	EXTERNAL COVERS, PANELS, ETC.	2-3
101	TOP COVER ASS'Y	2-5
102	INTERNAL COMPONENTS 1	2-7
103	INTERNAL COMPONENTS 2	2-10
104	INTERNAL COMPONENTS 3	2-13
130	CONTROL PANEL ASS'Y	2-16
250	MAIN DRIVE ASS'Y	2-17
260	DUPLEXING DRIVE ASS'Y	2-19
300	CASSETTE	2-21
310	PAPER PICK-UP FEEDER ASS'Y	2-24
810	FIXING ASS'Y	2-26

NUMERICAL INDEX

LBP5100(Numerical Index)

PARTS NUMBER	FIGURE & KEY NO.	PARTS NUMBER	FIGURE & KEY NO.	PARTS NUMBER	FIGURE & KEY NO
FC5-5256-000	100 - 8	RC1-5075-000	810 - 19	RC1-5359-000	300 - 9
FC7-6888-000	100 - 16	RC1-5086-000	810 - 22	RC1-5360-000	300 - 10
FC7-6889-000	101 - 2	RC1-5087-000	810 - 23	RC1-5361-000	300 - 11
FC7-6890-000	101 - 1	RC1-5089-000	810 - 24	RC1-5362-000	300 - 12
FC7-6891-000	100 - 14	RC1-5091-000	810 - 25	RC1-5382-000	300 - 13
FC7-6892-000	101 - 3	RC1-5092-000	810 - 26	RC1-5384-000	300 - 15
FC7-6893-000	101 - 7	RC1-5093-000	810 - 27	RC1-5386-000	103 - 33
FC7-6894-000	100 - 15	RC1-5094-000	810 - 28	RC1-5390-000	300 - 28
FC7-6896-000	101 - 2	RC1-5099-000	103 - 23	RC1-5396-000	103 - 4
FC7-6901-000	101 - 8	RC1-5100-020	102 - 35	RC1-5397-000	102 - 19
FC7-6902-000	102 - 37	RC1-5144-030	102 - 34	RC1-5400-000	103 - 9
FC7-6903-000	300 - 26	RC1-5145-020	102 - 16	RC1-5401-000	103 - 10
FC7-6907-000	101 - 2	RC1-5147-000	102 - 20	RC1-5402-000	103 - 11
FC7-6908-000	101 - 2	RC1-5153-000	104 - 19	RC1-5410-000	310 - 1
FK2-5399-000	010 - 1	RC1-5155-000	102 - 29	RC1-5411-000	310 - 2
FK2-7501-000	010 - 1	RC1-5157-000	104 - 18	RC1-5412-000	310 - 3
FK2-7502-000	010 - 1	RC1-5158-000	102 - 28	RC1-5413-000	310 - 4
FK2-7503-000	010 -	RC1-5161-000	103 - 1	RC1-5414-000	310 - 5
FM3-1597-000	101 -	RC1-5180-000	102 - 1	RC1-5415-000	310 - 6
FM3-1598-000	101 -	RC1-5181-020	102 - 2	RC1-5419-000	310 - 7
FM3-1599-000	100 - 10	RC1-5182-000	102 - 3	RC1-5420-000	310 - 8
FM3-1600-000	810 -	RC1-5189-000	102 - 4	RC1-5421-000	310 - 9
FM3-1601-000	300 -	RC1-5192-000	100 - 5	RC1-5422-000	310 - 10
FM3-1603-000	810 - 8	RC1-5193-000	100 - 6	RC1-5423-000	310 - 11
FM3-1604-000	100 - 10	RC1-5194-000	100 - 7	RC1-5425-000	310 - 12
FM3-1607-000	101 -	RC1-5195-000	103 - 2	RC1-5426-000	310 - 13
FM3-1608-000	101 -	RC1-5197-000	103 - 22	RC1-5427-000	310 - 14
FM3-1609-000	103 - 34	RC1-5200-000	100 - 20	RC1-5428-000	310 - 15
FM3-2001-000	250 - 1	RC1-5203-000	104 - 12	RC1-5429-000	310 - 16
FM3-3583-000	104 - 21	RC1-5229-000	100 - 11	RC1-5439-000	103 - 12
FM3-3584-000	104 - 21	RC1-5231-000	102 - 31	RC1-5440-000	310 - 17
NPN	010 -	RC1-5232-000	102 - 18	RC1-5441-000	310 - 18
NPN	100 -	RC1-5233-000	102 - 32	RC1-5442-000	310 - 19
NPN	102 -	RC1-5237-000	104 - 8	RC1-5443-000	310 - 20
NPN	103 -	RC1-5239-000	104 - 16	RC1-5445-000	310 - 27
NPN	104 -	RC1-5240-000	104 - 14	RC1-5450-000	310 - 29
NPN	130 -	RC1-5247-000	102 - 30	RC1-5468-000	103 - 13
RA0-1068-000	103 - 26	RC1-5248-000	103 - 5	RC1-5475-000	810 - 31
RA0-1099-000	810 - 1	RC1-5249-000	103 - 6	RC2-0062-000	100 - 8
RB3-1026-000	810 - 2	RC1-5253-020	102 - 6	RC2-0066-000	100 - 1
RB3-1027-000	810 - 3	RC1-5273-000	102 - 7	RC2-0069-000	130 - 1
RC1-5058-000	810 - 4	RC1-5274-000	102 - 8	RC2-0070-000	130 - 2
RC1-5061-000	810 - 7	RC1-5275-000	102 - 9	RC2-0071-000	130 - 3
RC1-5064-000	810 - 10	RC1-5290-020	102 - 10	RC2-0073-000	130 - 4
RC1-5065-000	810 - 11	RC1-5311-000	103 - 7	RC2-0076-000	100 - 3
RC1-5067-000	810 - 12	RC1-5312-000	103 - 8	RC2-0077-000	100 - 12
RC1-5068-000	810 - 13	RC1-5348-000	300 - 3	RC2-0079-000	100 - 4
RC1-5070-000	810 - 14	RC1-5349-000	300 - 4	RC2-0083-000	100 - 13
RC1-5071-000	810 - 15	RC1-5350-000	300 - 2	RC2-0084-000	104 - 10
RC1-5072-000	810 - 16	RC1-5352-000	300 - 5	RC2-0085-000	104 - 7
RC1-5073-000	810 - 17	RC1-5353-000	300 - 6	RC2-0086-000	104 - 6
RC1-5074-000	810 - 18	RC1-5355-000	300 - 8	RC2-0087-000	100 - 17

NUMERICAL INDEX

LBP5100(Numerical Index)

PARTS NUMBER	FIGURE & KEY NO.	PARTS NUMBER	FIGURE & KEY NO.	PARTS NUMBER	FIGURE & KEY NO
RC2-0088-000	100 - 9	RK2-1248-000	104 - 40	RU5-0472-000	102 - 24
RC2-0089-000	100 - 18	RK2-1302-000	010 - 2	RU5-0481-000	103 - 16
RC2-0090-000	104 - 23	RK2-1310-000	104 - 42	RU5-0482-000	103 - 17
RC2-0091-000	104 - 9	RL1-0660-000	810 - 32	RU5-0483-000	103 - 18
RC2-0092-000	300 - 1	RL1-0663-000	810 - 35	RU5-0484-000	103 - 19
RC2-0094-000	300 - 30	RL1-0736-000	300 - 14	RU5-0487-000	103 - 20
RC2-0095-000	300 - 31	RL1-0737-000	300 - 16	RU5-0915-000	810 - 42
RC2-0097-000	300 - 7	RL1-0746-000	102 - 21	RU5-0916-000	810 - 43
RC2-0103-000	101 - 9	RL1-0747-000	103 - 3	RU5-0917-000	810 - 44
RC2-0104-000	101 - 4	RL1-0748-000	310 - 22	RU5-0918-000	810 - 45
RC2-0106-000	130 - 5	RL1-0749-030	103 - 15	RU5-2440-000	810 - 46
RC2-0107-000	130 - 6	RM1-1824-050	810 -	RU5-2448-000	102 - 27
RC2-0215-000	810 - 51	RM1-1825-050	810 -	RU5-2448-000	102 - 33
RC2-0216-000	810 - 52	RM1-1826-020	810 - 8	RU5-2450-000	102 - 13
RC2-0218-000	810 - 9	RM1-1827-020	810 - 8	RU5-2455-000	102 - 14
RC2-0221-000	810 - 20	RM1-1832-030	260 -	RU5-2465-000	300 - 17
RC2-0222-000	810 - 53	RM1-1833-000	101 - 5	RU5-2466-000	300 - 18
RC2-0228-000	810 - 5	RM1-1844-020	102 - 26	RU5-2467-000	300 - 19
RC2-0234-000	810 - 6	RM1-1846-030	102 - 15	RU5-2468-000	300 - 20
RC2-0238-000	250 - 6	RM1-1896-000	250 -	RU5-2473-000	300 - 21
RC2-0239-000	250 - 5	RM1-1918-030	300 - 23	RU5-2474-000	300 - 22
RC2-0258-000	103 - 29	RM1-1919-000	300 - 24	RU5-2477-000	310 - 23
RC2-0259-000	103 - 27	RM1-1920-000	300 - 34	RU5-2479-000	103 - 21
RC2-0260-000	103 - 30	RM1-1921-000	300 - 32	RU5-2891-000	103 - 31
RC2-0266-000	103 - 25	RM1-1922-000	300 - 25	RU5-2892-000	810 - 47
RC2-0267-000	103 - 32	RM1-1928-140	310 -	RU5-8126-000	104 - 22
RC2-0271-000	103 - 24	RM1-1929-030	310 - 25	RU5-8172-000	104 - 34
RC2-0272-000	102 - 17	RM1-1977-000	104 - 2	RU5-8293-000	102 - 38
RC2-0369-000	810 - 54	RM1-1991-000	104 - 33	RU5-8294-000	101 - 6
RC2-0447-000	103 - 28	RM1-1995-000	104 - 30	VR8-2530-206	810 - 48
RC2-0451-000	104 - 13	RM1-1998-000	310 - 26	VS1-7207-004	104 - 11
RC2-0452-000	104 - 17	RM1-3180-000	300 - 27	VS1-7258-007	104 - 15
RC2-0457-000	260 - 2	RM1-3195-000	100 - 2	VS1-7584-011	102 - 5
RC2-0807-000	260 - 4	RM1-3200-000	130 - 7	WG8-5696-000	310 - 24
RC2-0814-000	103 - 42	RM1-3420-000	104 - 3	WG8-5696-000	810 - 49
RC2-0815-000	103 - 43	RM1-3421-010	104 - 5	WT2-5912-000	104 - 26
RC2-2731-000	300 - 33	RM1-3423-020	104 - 1	WT2-5913-000	104 - 27
RH9-1164-000	104 - 36	RM1-3424-000	104 - 32	XA9-1449-000	103 - 41
RH9-1166-000	104 - 38	RM1-3425-000	104 - 28	XA9-1449-000	104 - 41
RH9-1170-000	104 - 37	RM1-3427-000	104 - 29	XA9-1449-000	810 - 50
RH9-1171-000	100 - 21	RM1-3434-000	104 - 31	XA9-1500-010	100 - 19
RK2-0670-000	103 - 14	RM1-3891-000	104 - 2	XA9-1500-010	102 - 36
RK2-0671-000	260 - 1	RM1-4097-000	104 - 35	XA9-1500-010	103 - 40
RK2-0673-000	102 - 11	RM1-4513-000	104 - 4	XA9-1500-010	104 - 25
RK2-0720-000	310 - 21	RU5-0433-000	810 - 37	XA9-1500-010	250 - 4
RK2-1228-000	250 - 2	RU5-0434-000	810 - 38	XA9-1500-010	260 - 5
RK2-1229-000	103 - 35	RU5-0435-000	810 - 39	XA9-1500-010	810 - 36
RK2-1229-000	810 - 33	RU5-0436-000	810 - 40	XA9-1561-000	103 - 37
RK2-1230-000	250 - 3	RU5-0438-000	810 - 41	XA9-1561-000	260 - 3
RK2-1232-000	250 - 7	RU5-0455-020	102 - 12	XA9-1561-000	810 - 34
RK2-1246-000	104 - 39	RU5-0467-000	102 - 22	XA9-1647-000	103 - 39
RK2-1247-000	104 - 20	RU5-0471-000	102 - 23	XA9-1672-000	104 - 24

NUMERICAL INDEX

LBP5100(Numerical Index)

PARTS NUMBER	FIGURE & KEY NO.	PARTS NUMBER	FIGURE & KEY NO.	PARTS NUMBER	FIGURE & KEY NO
XB2-8400-605	104 - 501				
XB4-5300-805	130 - 501				
XB4-7300-809	100 - 501				
XB4-7300-809	104 - 502				
XB4-7400-809	300 - 29				
XB4-7401-005	101 - 501				
XB4-7401-005	104 - 503				
XB4-7401-005	310 - 28				
XD9-0134-000	102 - 25				
XD9-0232-010	810 - 30				
XD9-0233-010	103 - 36				
XD9-0233-010	810 - 29				
XD9-0238-000	810 - 21				

LBP5100(Parts Catalog)

LBP5100

JP	F15-1211-000	LTFA
US	F15-1231-000	LTGA
ASIA	F15-1241-000	LTJA
AU	F15-1241-000	LTLA
CN	F15-1251-000	LTKA
EUR	F15-1291-000	LTHA

Contents

A	ASSEMBLY LOCATION DIAGRAM	2-1
010	ACCESSORIES	2-2
100	EXTERNAL COVERS, PANELS, ETC.	2-3
101	TOP COVER ASS'Y.....	2-5
102	INTERNAL COMPONENTS 1	2-7
103	INTERNAL COMPONENTS 2	2-10
104	INTERNAL COMPONENTS 3	2-13
130	CONTROL PANEL ASSY	2-16
250	MAIN DRIVE ASS'Y.....	2-17
260	DUPLEXING DRIVE ASS'Y.....	2-19
300	CASSETTE	2-21
310	PAPER PICK-UP FEEDER ASS'Y	2-24
810	FIXING ASS'Y.....	2-26

FIGURE A ASSEMBLY LOCATION DIAGRAM

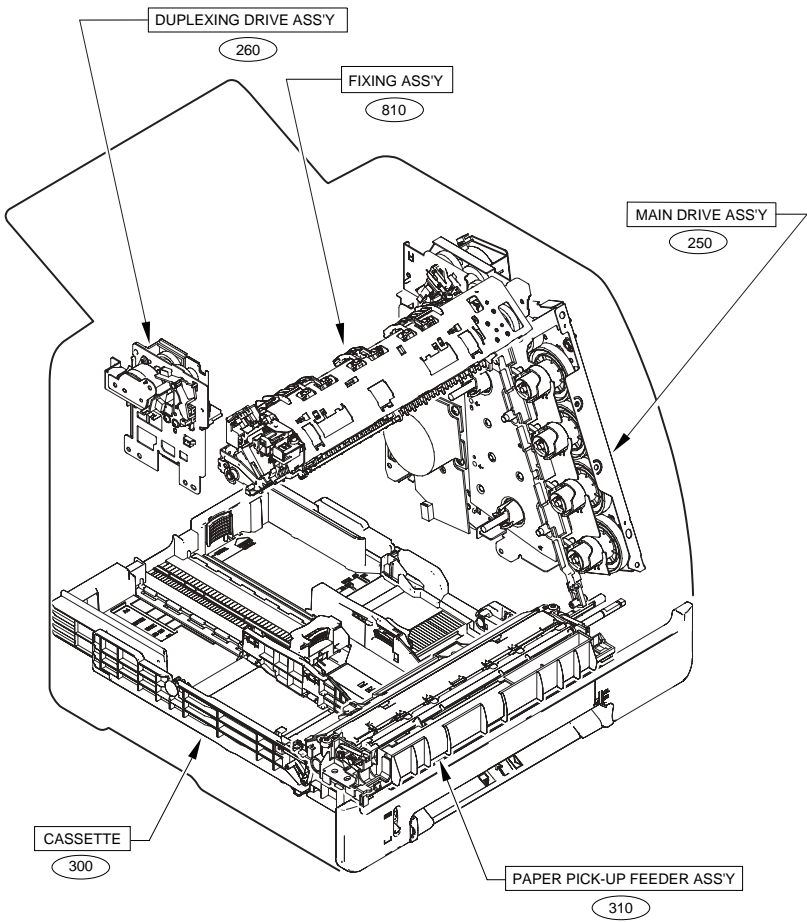


FIGURE 010 ACCESSORIES

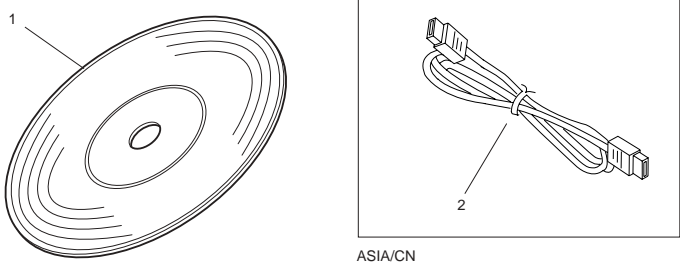


FIGURE & KEY NO.	PARTS NUMBER	RANK	QTY	DESCRIPTION	SERIAL NUMBER/REMARKS	SVC
Fig.010	NPN		RF	ACCESSORIES		
1	FK2-5399-000		1	CD-ROM, USER SOFTWARE	Chinese, Korean, English, Spanish, Portuguese	
1	FK2-7502-000		1	CD-ROM, USER SOFTWARE	English, French, Italian, German, Spanish, Russian	
1	FK2-7501-000		1	CD-ROM, USER SOFTWARE	Japanese	
2	RK2-1302-000		1	CABLE, USB	ASIA, CN	
	FK2-7503-000		1	CD-ROM, USER SOFTWARE	ASIA, CN	

FIGURE 100 EXTERNAL COVERS, PANELS, ETC.

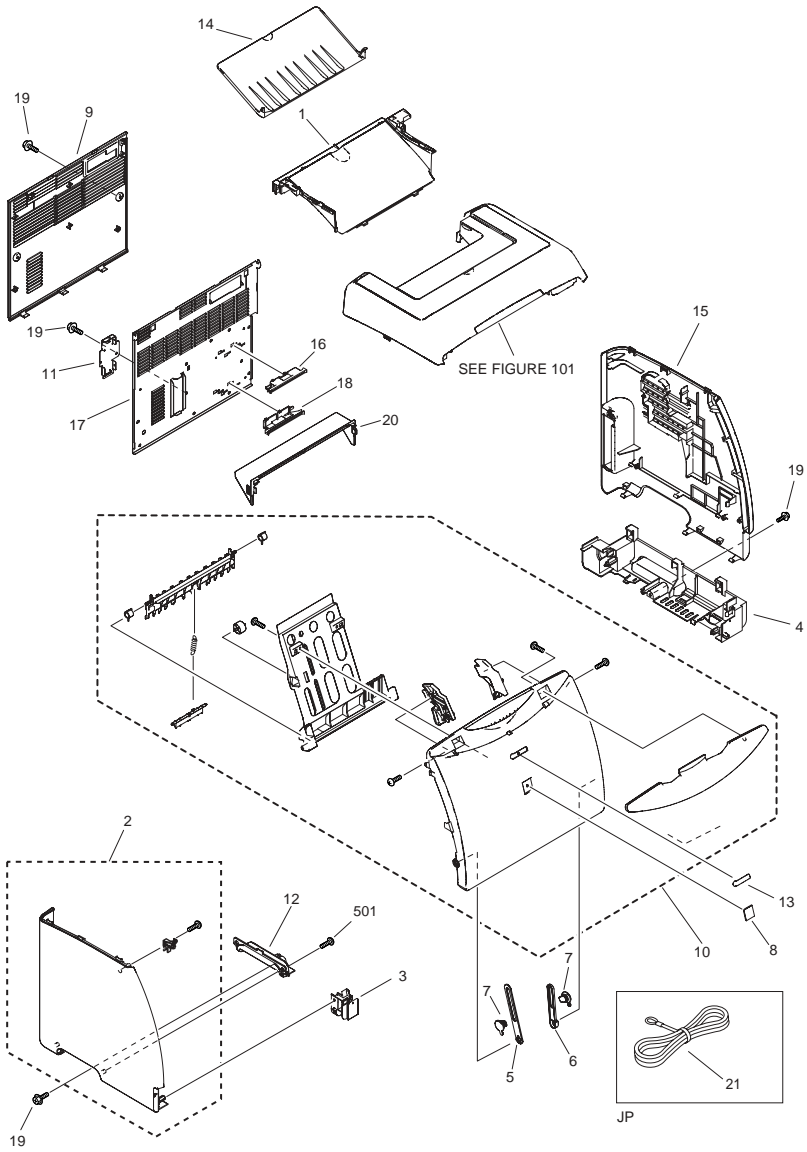
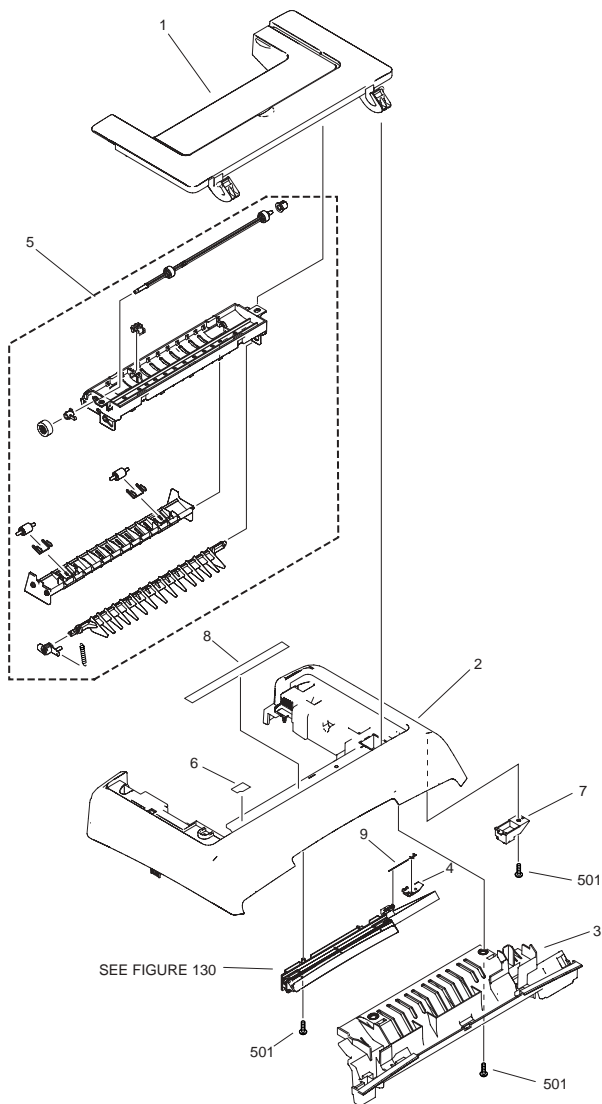


FIGURE & KEY NO.	PARTS NUMBER	RANK	Q'TY	DESCRIPTION	SERIAL NUMBER/REMARKS	SVC
Fig.100	NPN		RF	EXTERNAL COVERS, PANELS, ETC.		
1	RC2-0066-000		1	COVER, FACE-DOWN		
2	RM1-3195-000		1	LEFT COVER ASS'Y		
3	RC2-0076-000		1	COVER, CASSETTE, LEFT		
4	RC2-0079-000		1	COVER, CASSETTE, RIGHT		
5	RC1-5192-000		1	ARM, FRONT DOOR, LEFT		
6	RC1-5193-000		1	ARM, FRONT DOOR, RIGHT		
7	RC1-5194-000		2	SHAFT, FRONT DOOR ARM		
8	FC5-5256-000		1	EMBLEM	100V	
8	RC2-0062-000		1	EMBLEM	120V,230V	
9	RC2-0088-000		1	PANEL, REAR		
10	FM3-1599-000		1	FRONT DOOR ASS'Y	100V,120V	
10	FM3-1604-000		1	FRONT DOOR ASS'Y	230V	
11	RC1-5229-000		1	LID, CONTROLLER		
12	RC2-0077-000		1	HANDLE, LEFT		
13	RC2-0083-000		1	PLATE, CANON LOGO		
14	FC7-6891-000		1	TRAY, FACE-DOWN		
15	FC7-6894-000		2	COVER, RIGHT		
16	FC7-6888-000		1	RAIL, NIC		
17	RC2-0087-000		1	PLATE, BACK		
18	RC2-0089-000		1	RAIL, N IC		
19	XA9-1500-010		AR	SCREW, S, M3X8		
20	RC1-5200-000		1	COVER, CASSETTE DUST		
21	RH9-1171-000		1	WIRE, GROUNDING	JP	
501	XB4-7300-809		3	SCREW, TAP, BINDING HEAD, M3X8		

FIGURE 101 TOP COVER ASS'Y



NOTE : This assembly includes the assemblies shown in Figure 130.
注 : このユニットはFigure 130のユニットを含みます。

FIGURE & KEY NO.	PARTS NUMBER	R A N K	Q'TY	DESCRIPTION	SERIAL NUMBER/ REMARKS	S V C
Fig.101	FM3-1608-000		1	TOP COVER ASSY	CNSEE NOTE	
Fig.101	FM3-1607-000		1	TOP COVER ASSY	EURSEE NOTE	
Fig.101	FM3-1598-000		1	TOP COVER ASSY	JPSEE NOTE	
Fig.101	FM3-1597-000		1	TOP COVER ASSY	US,ASIASEE NOTE	
1	FC7-6890-000		1	COVER, UPPER FACE		
2	FC7-6908-000		1	COVER, UPPER	CN	
2	FC7-6896-000		1	COVER, UPPER	EUR	
2	FC7-6889-000		1	COVER, UPPER	JP	
2	FC7-6907-000		1	COVER, UPPER	US,ASIA	
3	FC7-6892-000		1	COVER, INSIDE, UPPER		
4	RC2-0104-000		1	NEEDLE, GROUNDING		
5	RM1-1833-000		1	DUPLEXING REVERSE ASSY		
6	RU5-8294-000		1	LABEL, FIXING CAUTION		
7	FC7-6893-000		1	HOLDER, GROUNDING PLATE		
8	FC7-6901-000		1	LABEL, HIGH TMP. CAUTION		
9	RC2-0103-000		1	PLATE, GROUNDING		
501	XB4-7401-005		5	SCREW,TAPPING,TRUSS HEAD,M4X10		

FIGURE 102 INTERNAL COMPONENTS 1

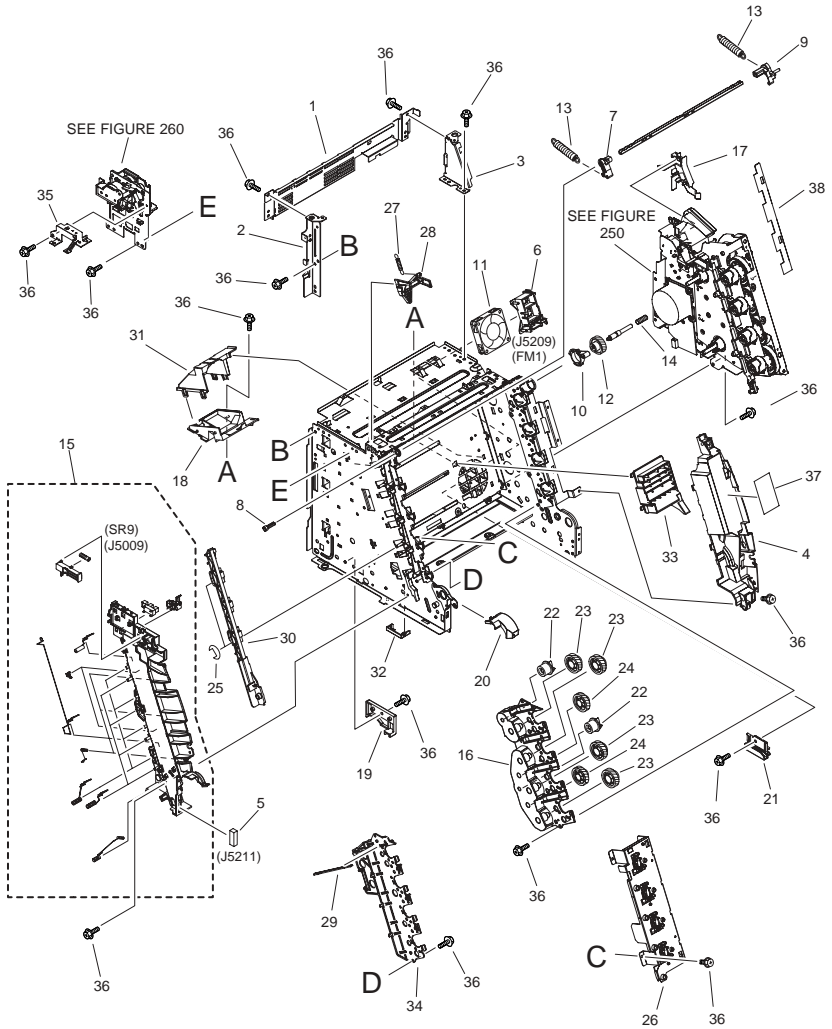


FIGURE & KEY NO.	PARTS NUMBER	RANK	Q'TY	DESCRIPTION	SERIAL NUMBER/REMARKS	SVC
Fig.102	NPN		RF	INTERNAL COMPONENTS 1		
1	RC1-5180-000	N	1	CROSSMEMBER, TOP COVER		
2	RC1-5181-020		1	BRACKET, LEFT REAR		
3	RC1-5182-000		1	BRACKET, RIGHT REAR		
4	RC1-5189-000		1	COVER, INSIDE, RIGHT		
5	VS1-7584-011		1	CONNECTOR, SNAP TIGHT, BK		
6	RC1-5253-020		1	HOLDER, FAN RETAINER		
7	RC1-5273-000		1	LATCH, LEFT		
8	RC1-5274-000		1	BUSHING		
9	RC1-5275-000		1	LATCH, RIGHT		
10	RC1-5290-020		1	LEVER, ETB RELEASE		
11	RK2-0673-000		1	FAN		
12	RU5-0455-020		1	GEAR, 54T		
13	RU5-2450-000		2	SPRING, TENSION		
14	RU5-2455-000		1	SPRING, COMPRESSION		
15	RM1-1846-030		1	LEFT INTERNAL COVER ASS'Y		
16	RC1-5145-020		1	GUIDE, CARTRIDGE, RIGHT		
17	RC2-0272-000		1	GUIDE, CABLE		
18	RC1-5232-000		1	DUCT, FAN, LOWER		
19	RC1-5397-000		1	GUIDE, CASSETTE, REAR LEFT		
20	RC1-5147-000		1	COVER, CABLE, UNIT		
21	RL1-0746-000		1	GUIDE, CASSETTE, REAR RIGHT		
22	RU5-0467-000		2	GEAR, 20T		
23	RU5-0471-000		4	GEAR, 36T		
24	RU5-0472-000		2	GEAR, 36T		
25	XD9-0134-000		2	RING, E		
26	RM1-1844-020		1	MEMORY CONTROLLER PCB ASS'Y		
27	RU5-2448-000		1	SPRING, TENSION		
28	RC1-5158-000		1	ARM, LASER SHUTTER		
29	RC1-5155-000		1	LINK, SHUTTER		
30	RC1-5247-000		1	ROD, LEFT		
31	RC1-5231-000		1	DUCT, FAN, UPPER		

FIGURE & KEY NO.	PARTS NUMBER	RANK	Q'TY	DESCRIPTION	SERIAL NUMBER/REMARKS	SVC
32	RC1-5233-000		1	DUCT, FAN		
33	RU5-2448-000		1	SPRING, TENSION		
34	RC1-5144-030		1	GUIDE, CARTRIDGE, LEFT		
35	RC1-5100-020		1	BRACKET, UPPER COVER		
36	XA9-1500-010		AR	SCREW, RS, M3X8		
37	FC7-6902-000		1	LABEL, CONTROL		
38	RU5-8293-000		1	LABEL, CRG. INSERT POSITION		

FIGURE 103 INTERNAL COMPONENTS 2

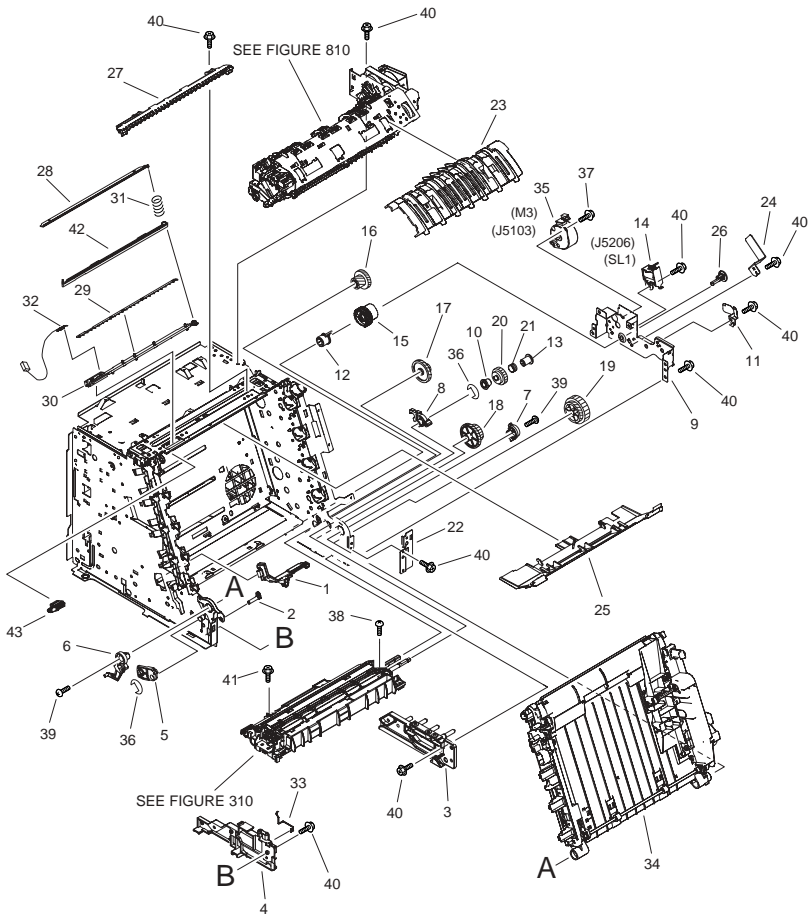


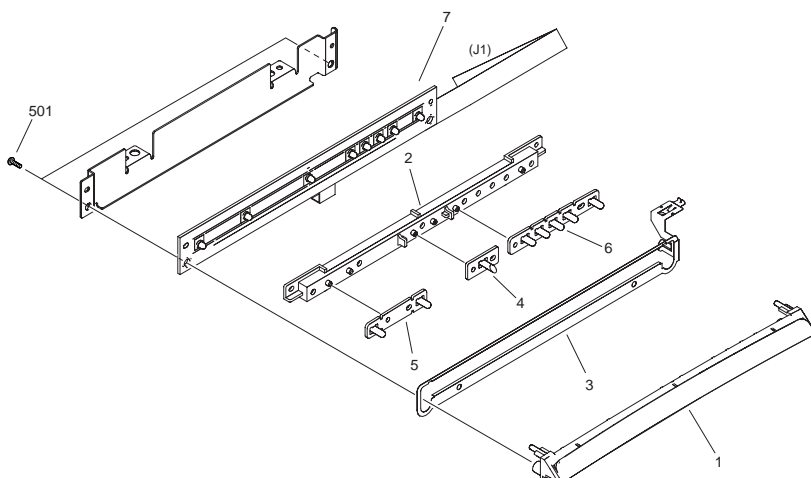
FIGURE & KEY NO.	PARTS NUMBER	R A N K	Q'TY	DESCRIPTION	SERIAL NUMBER/ REMARKS	S V C
Fig.103	NPN		RF	INTERNAL COMPONENTS 2		
1	RC1-5161-000		1	COVER, PICK-UP FEED CABLE		
2	RC1-5195-000		1	SHAFT, FRONT DOOR		
3	RL1-0747-000		1	GUIDE, CASSETTE, FRONT RIGHT		
4	RC1-5396-000		1	GUIDE, CASSETTE, FRONT LEFT		
5	RC1-5248-000		1	LEVER, CONNECTING, LEFT		
6	RC1-5249-000		1	CAM, LEFT		
7	RC1-5311-000		1	CAM, HINGE, RIGHT		
8	RC1-5312-000		1	LEVER, CONNECTING, RIGHT		
9	RC1-5400-000	N	1	BASE, MOTOR		
10	RC1-5401-000		1	CLUTCH, MECHANICAL		
11	RC1-5402-000		1	SPRING, LEAF		
12	RC1-5439-000		1	BUSHING		
13	RC1-5468-000		1	STOP, CLUTCH		
14	RK2-0670-000		1	SOLENOID		
15	RL1-0749-030		1	PICK-UP GEAR ASS'Y		
16	RU5-0481-000		1	GEAR, 57T/20T		
17	RU5-0482-000		1	GEAR, 43T/16T		
18	RU5-0483-000		1	GEAR, 47T/26T		
19	RU5-0484-000		1	GEAR, 40T/43T		
20	RU5-0487-000		1	CAM GEAR, 26T		
21	RU5-2479-000		1	SPRING, COMPRESSION		
22	RC1-5197-000		1	PLATE, PANEL FIX, RIGHT FRONT		
23	RC1-5099-000		1	GUIDE, UPPER PAPER FEED, LOWER		
24	RC2-0271-000		1	PLATE, ANTI-MAGNETIC		
25	RC2-0266-000		1	PLATE, HEAT INSULATING		
26	RA0-1068-000		1	CAP, CONTINUITY		
27	RC2-0259-000		1	COVER, UPPER		
28	RC2-0447-000		1	PLATE, UPPER		
29	RC2-0258-000		1	ELIMINATOR, STATIC CHARGE		
30	RC2-0260-000		1	COVER, LOWER		
31	RU5-2891-000		1	SPRING, GROUNDING		

FIGURE & KEY NO.	PARTS NUMBER	R A N K	Q'TY	DESCRIPTION	SERIAL NUMBER/ REMARKS	S V C
32	RC2-0267-000		1	TERMINAL		
33	RC1-5386-000		1	SPRING, GROUNDING		
34	FM3-1609-000		1	ELECT. TRANSPORT BELT ASS'Y		
35	RK2-1229-000		1	MOTOR, STEPPING, DC		
36	XD9-0233-010		2	RING, E		
37	XA9-1561-000		2	SCREW, RS, M3X6		
39	XA9-1647-000		2	SCREW, W/WASHER, M4X18		
40	XA9-1500-010		14	SCREW, RS, M3X8		
41	XA9-1449-000		2	SCREW, RS, M3X8		
42	RC2-0814-000		1	COVER, ELIMINATOR		
43	RC2-0815-000		1	CLEANER, ELIMINATOR		

FIGURE & KEY NO.	PARTS NUMBER	R A N K	Q'TY	DESCRIPTION	SERIAL NUMBER/ REMARKS	S V C
Fig.104	NPN		RF	INTERNAL COMPONENTS 3		
1	RM1-3423-020		1	DC CONTROLLER PCB ASS'Y		
2	RM1-3891-000		1	POWER SUPPLY PCB ASS'Y	100,120V	
2	RM1-1977-000		1	POWER SUPPLY PCB ASS'Y	230V	
3	RM1-3420-000		1	DUPLEXING DRIVER PCB ASS'Y		
4	RM1-4513-000		1	SCANNER ASS'Y		
5	RM1-3421-010		1	HIGH-VOLTAGE PCB ASS'Y		
6	RC2-0086-000		1	PLATE, CONNECTOR		
7	RC2-0085-000		1	PLATE, SHIELD, FRONT		
8	RC1-5237-000		1	HOLDER, DC CABLE		
9	RC2-0091-000		1	HOLDER, CABLE, UPPER		
10	RC2-0084-000		1	PLATE, SHIELD		
11	VS1-7207-004		1	CONNECTOR, SNAP TIGHT, BK		
12	RC1-5203-000		1	SHEET, LEFT PANEL, UPPER		
13	RC2-0451-000		1	HOLDER, CABLE, LEFT		
14	RC1-5240-000		1	HOLDER, DUPLEXING PCB		
15	VS1-7258-007		1	CONNECTOR, DRAWER		
16	RC1-5239-000		1	HOLDER, DRAWER		
17	RC2-0452-000		1	SUPPORT, H.V. PCB ASS'Y		
18	RC1-5157-000		3	ROD, BEARING SUPPORT		
19	RC1-5153-000		1	GUIDE, CABLE, UPPER		
20	RK2-1247-000		1	CABLE, FLEXIBLE		
21	FM3-3584-000		1	VIDEO CONTROLLER PCB ASS'Y	EXCEPT JP	
21	FM3-3583-000		1	VIDEO CONTROLLER PCB ASS'Y	JP	
22	RU5-8126-000		1	LABEL, WARNING LASER		
23	RC2-0090-000		1	PANEL, N IC		
24	XA9-1672-000		3	SCREW, RS W/WASHER, M3X12		
25	XA9-1500-010		19	SCREW, RS, M3X8		
26	WT2-5912-000		1	CLAMP, FFC		
27	WT2-5913-000		3	CLAMP, FFC		
28	RM1-3425-000		1	CABLE, DRIVE		
29	RM1-3427-000		1	CABLE, FIXING SENSOR		

FIGURE & KEY NO.	PARTS NUMBER	R A N K	Q'TY	DESCRIPTION	SERIAL NUMBER/ REMARKS	S V C
30	RM1-1995-000		1	CABLE, CPR		
31	RM1-3434-000		1	SUB HIGH-VOLTAGE PCB ASS'Y		
32	RM1-3424-000		1	CABLE, SENSOR		
33	RM1-1991-000		1	POWER CABLE		
34	RU5-8172-000		1	LABEL, CAUTION		
35	RM1-4097-000		1	CORD, POWER	JP	
36	RH9-1164-000		1	POWER CORD	US	
37	RH9-1170-000		1	CORD, POWER , 230V	EUR	
38	RH9-1166-000		1	CORD, POWER	CN	
39	RK2-1246-000		1	CABLE, FLEXIBLE		
40	RK2-1248-000		1	CABLE, FLEXIBLE		
41	XA9-1449-000		2	SCREW, RS, M3X8		
42	RK2-1310-000		1	CABLE, VIDEO FOR FLAT		
501	XB2-8400-605		1	SCREW,W/WASHER,M4X6	100V	
502	XB4-7300-809		2	SCREW, TAP, BINDING HEAD, M3X8		
503	XB4-7401-005		3	SCREW,TAPPING,TRUSS HEAD,M4X10		

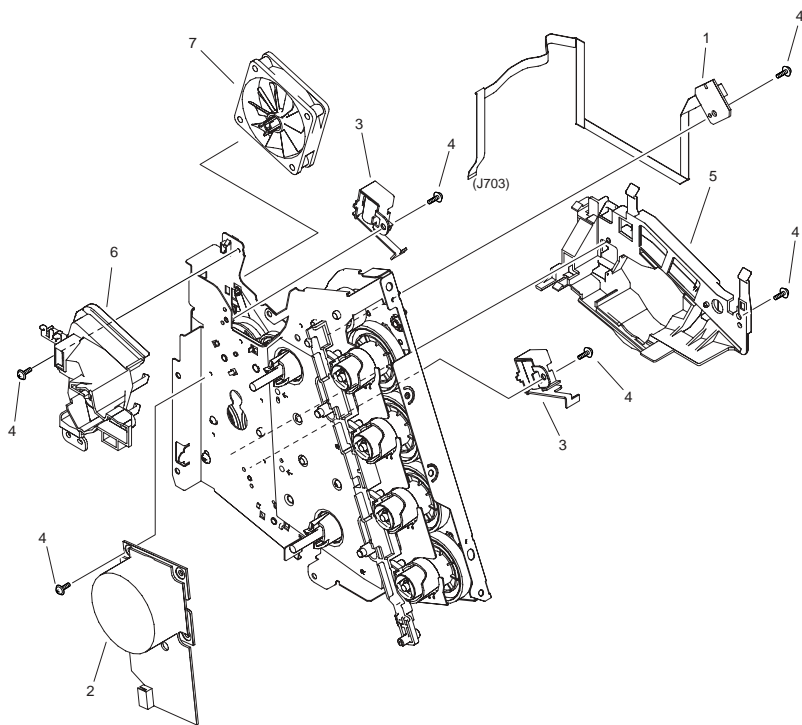
FIGURE 130 CONTROL PANEL ASS'Y



NOTE: This assembly is included in the assembly shown in Figure 101.
注：このユニットはFigure 101のユニットに含まれます。

FIGURE & KEY NO.	PARTS NUMBER	RANK	QTY	DESCRIPTION	SERIAL NUMBER/REMARKS	SVC
Fig.130	NPN		RF	CONTROL PANEL ASS'Y	SEE NOTE	
1	RC2-0069-000		1	COVER, LED		
2	RC2-0070-000		1	PLATE, LED LIGHT-BLOCKING		
3	RC2-0071-000		1	PLATE, GROUNDING		
4	RC2-0073-000		1	GUIDE, LED LIGHT, 1		
5	RC2-0106-000		1	GUIDE, LED LIGHT, 2		
6	RC2-0107-000		1	GUIDE, LED LIGHT, 3		
7	RM1-3200-000		1	CONTROL PANEL ASS'Y		
501	XB4-5300-805		2	SCREW,P,M3X8		

FIGURE 250 MAIN DRIVE ASS'Y



NOTE: This assembly does not include the part shown with key No.1.
注: このユニットにKey No.1の部品は含まれません。

FIGURE & KEY NO.	PARTS NUMBER	RANK	Q'TY	DESCRIPTION	SERIAL NUMBER/REMARKS	SVC
Fig.250	RM1-1896-000		1	MAIN DRIVE ASSY		
1	FM3-2001-000		1	F.F.C. CONNECT PCB ASS'Y	SEE NOTE	
2	RK2-1228-000		1	MOTOR, DC		
3	RK2-1230-000		2	SOLENOID		
4	XA9-1500-010		11	SCREW, RS, M3X8		
5	RC2-0239-000		1	GUIDE, DRIVE CABLE		
6	RC2-0238-000		1	DUCT, FAN		
7	RK2-1232-000		1	FAN		

FIGURE 260
DUPLEXING DRIVE ASS'Y

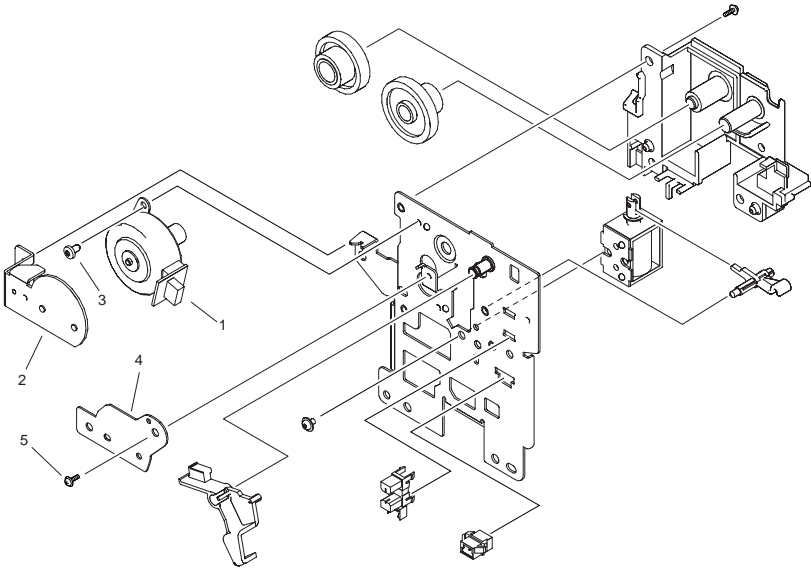


FIGURE & KEY NO.	PARTS NUMBER	RANK	Q'TY	DESCRIPTION	SERIAL NUMBER/REMARKS	SVC
Fig.260	RM1-1832-030		1	DUPLEXING DRIVE ASS'Y		
1	RK2-0671-000		1	MOTOR, STEPPING, DC		
2	RC2-0457-000		1	PLATE, MOTOR ANTI-MAGNETIC		
3	XA9-1561-000		2	SCREW, RS, M3X6		
4	RC2-0807-000		1	PLATE, AUXILIARY		
5	XA9-1500-010		2	SCREW, RS, M3X6		

FIGURE 300 CASSETTE

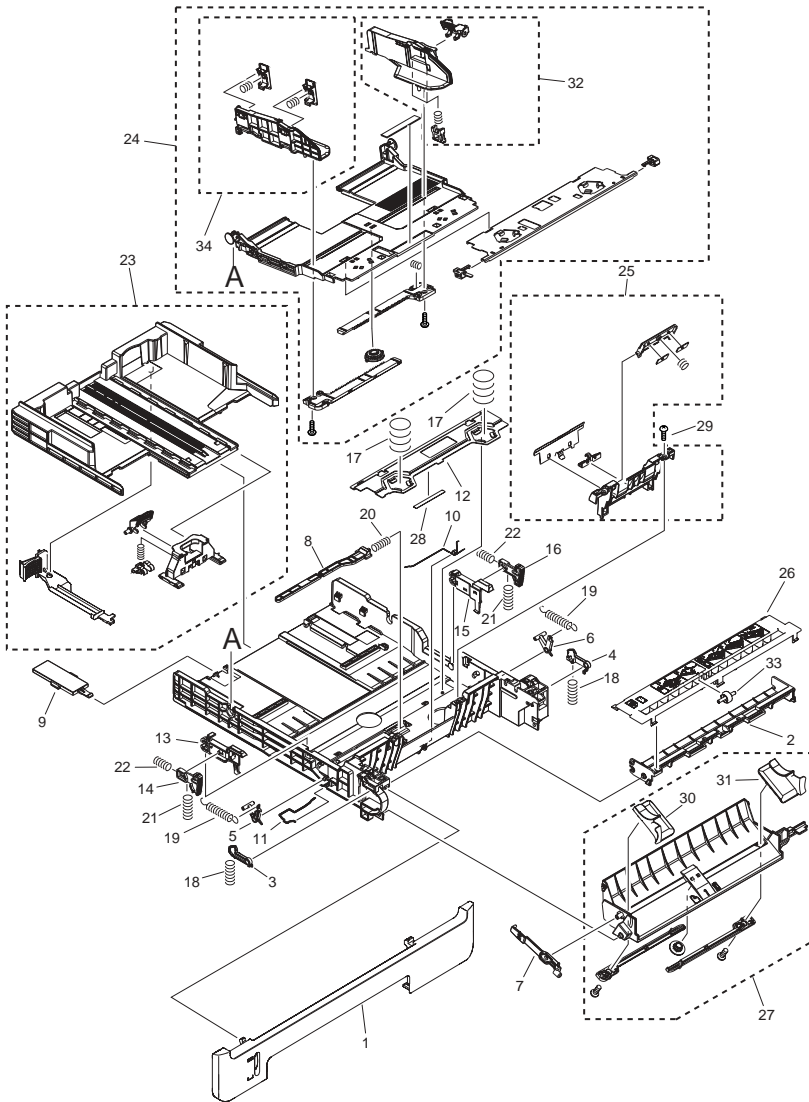


FIGURE & KEY NO.	PARTS NUMBER	R A N K	Q'TY	DESCRIPTION	SERIAL NUMBER/ REMARKS	S V C
Fig.300	FM3-1601-000		1	CASSETTE		
1	RC2-0092-000		1	PANEL, FRONT		
2	RC1-5350-000		1	GUIDE, CASSETTE DUPLEX, LOWER		
3	RC1-5348-000		1	STOPPER, CASSETTE, LEFT		
4	RC1-5349-000		1	STOPPER, CASSETTE, RIGHT		
5	RC1-5352-000		1	ARM, CLAW RELEASE, LEFT		
6	RC1-5353-000		1	ARM, CLAW RELEASE, RIGHT		
7	RC2-0097-000		1	ARM, REMNANT INDICAION		
8	RC1-5355-000		1	ARM, PLATE LOCK RELEASE, MD.		
9	RC1-5359-000		1	SIZE PLATE, PAPER		
10	RC1-5360-000		1	SPRING, GROUNDING		
11	RC1-5361-000		1	SPRING, GROUNDING		
12	RC1-5362-000		1	PLATE, CASSETTE REINFORCEMENT		
13	RC1-5382-000		1	ARM, MD. PLATE RELEASE, LEFT		
14	RL1-0736-000		1	CLAW, MD. PLATE RELEASE, LEFT		
15	RC1-5384-000		1	ARM, MD. PLATE RELEASE, RIGHT		
16	RL1-0737-000		1	CLAW, MD. PLATE RELEASE, RIGHT		
17	RU5-2465-000		2	SPRING, COMPRESSION		
18	RU5-2466-000		2	SPRING, COMPRESSION		
19	RU5-2467-000		2	SPRING, TENSION		
20	RU5-2468-000		1	SPRING, COMPRESSION		
21	RU5-2473-000		2	SPRING, COMPRESSION		
22	RU5-2474-000		2	SPRING, COMPRESSION		
23	RM1-1918-030		1	BACK END LIMIT PLATE ASS'Y		
24	RM1-1919-000		1	MIDDLE PLATE ASS'Y		
25	RM1-1922-000		1	SEPARATION ASS'Y		
26	FC7-6903-000		1	GUIDE, CASSETTE DUPLEX, UPPER		
27	RM1-3180-000		1	FEED ASS'Y		
28	RC1-5390-000		1	SHEET, RESISTOR		
29	XB4-7400-809		2	SCREW,TAPPING,TRUISS HEAD,M4X8		
30	RC2-0094-000		1	GUIDE, FEED WIDTH, LEFT		
31	RC2-0095-000		1	GUIDE, FEED WIDTH, RIGHT		

FIGURE & KEY NO.	PARTS NUMBER	R A N K	Q'TY	DESCRIPTION	SERIAL NUMBER/ REMARKS	S V C
32	RM1-1921-000		1	RIGHT PAPER SIDE END ASSY		
33	RC2-2731-000		1	ROLLER		
34	RM1-1920-000		1	LEFT PAPER SIDE END ASS'Y		

FIGURE 310 PAPER PICK-UP FEEDER ASS'Y

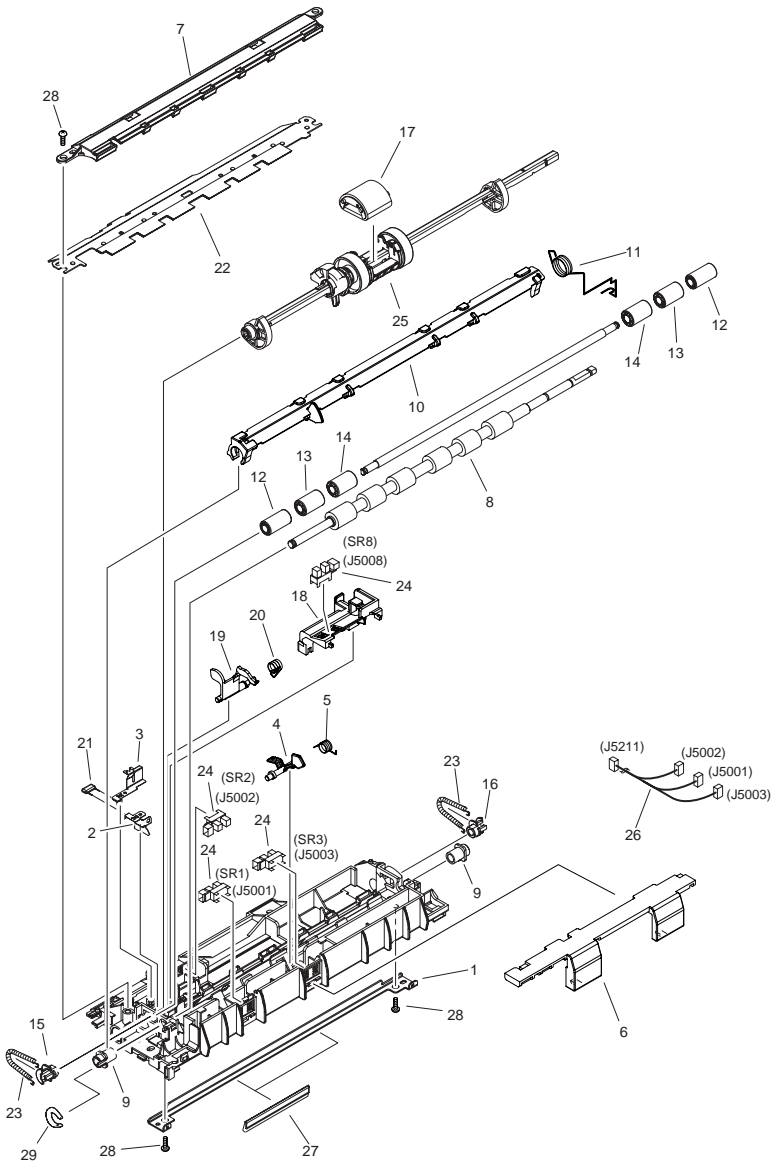


FIGURE & KEY NO.	PARTS NUMBER	R A N K	Q'TY	DESCRIPTION	SERIAL NUMBER/ REMARKS	S V C
Fig.310	RM1-1928-140		1	PAPER PICK-UP FEEDER ASS'Y		
1	RC1-5410-000		1	GUIDE, REGISTRATION		
2	RC1-5411-000		1	PLATE, REG. GROUNDING, 1		
3	RC1-5412-000		1	PLATE, REG. GROUNDING, 2		
4	RC1-5413-000		1	FLAG, SENSOR		
5	RC1-5414-000		1	SPRING, TORSION		
6	RC1-5415-000		1	COVER, SENSOR, TOP		
7	RC1-5419-000		1	GUIDE, PRE-TRANSFER		
8	RC1-5420-000		1	ROLLER, REGISTRATION DRIVE		
9	RC1-5421-000		2	BUSHING		
10	RC1-5422-000		1	SHUTTER, REGISTRATION		
11	RC1-5423-000		1	SPRING, TORSION		
12	RC1-5425-000		2	ROLLER, REGISTRATION, A		
13	RC1-5426-000		2	ROLLER, REGISTRATION, B		
14	RC1-5427-000		2	ROLLER, REGISTRATION, C		
15	RC1-5428-000		1	BUSHING		
16	RC1-5429-000		1	BUSHING		
17	RC1-5440-000		1	ROLLER, PAPER PICK-UP		
18	RC1-5441-000		1	HOLDER, PAPER WIDTH SENSOR		
19	RC1-5442-000		1	FLAG, PAPER WIDTH SENSOR		
20	RC1-5443-000		1	SPRING, TORSION		
21	RK2-0720-000	N	1	RESISTOR, FILM, 330MOHM		
22	RL1-0748-000		1	COVER, PICK-UP FEED FRAME		
23	RU5-2477-000		2	SPRING, TENSION		
24	WG8-5696-000		4	PHOTO INTERRUPTER, TLP1243		
25	RM1-1929-030		1	PAPER PICK-UP DRIVE ASS'Y		
26	RM1-1998-000		1	FEEDER UNIT CABLE		
27	RC1-5445-000		2	RIB, REG. GUIDE		
28	XB4-7401-005		4	SCREW,TAPPING,TRUSS HEAD,M4X10		
29	RC1-5450-000		1	CLIP, SHAFT		

FIGURE 810
FIXING ASS'Y

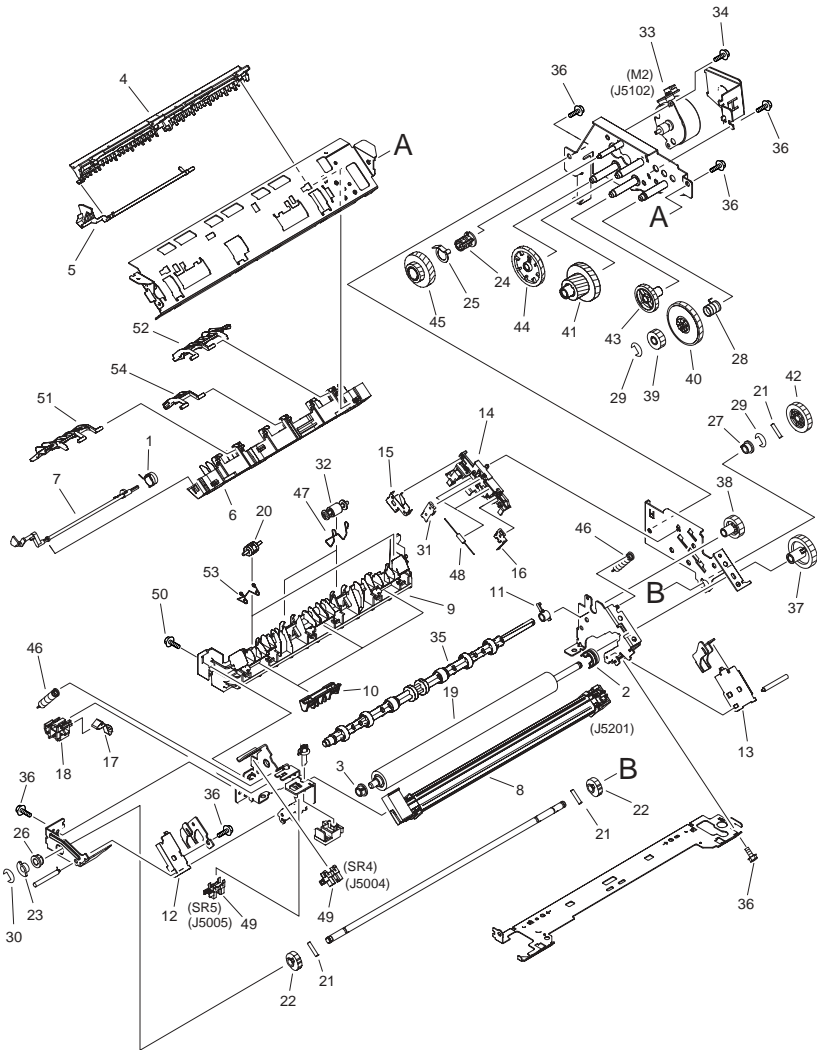


FIGURE & KEY NO.	PARTS NUMBER	R A N K	Q'TY	DESCRIPTION	SERIAL NUMBER/ REMARKS	S V C
Fig.810	FM3-1600-000		1	FIXING ASS'Y	100V	
Fig.810	RM1-1824-050		1	FIXING ASS'Y	120V	
Fig.810	RM1-1825-050		1	FIXING ASS'Y	230V	
1	RA0-1099-000		1	SPRING, TORSION		
2	RB3-1026-000		1	BUSHING		
3	RB3-1027-000		1	BUSHING		
4	RC1-5058-000		1	GUIDE, FIXING ENTRANCE		
5	RC2-0228-000		1	FLAG, INLET		
6	RC2-0234-000		1	GUIDE, PAPER DELIVERY UPPER		
7	RC1-5061-000		1	FLAG, PAPER DELIVERY		
8	FM3-1603-000		1	FILM GUIDE ASS'Y	100V	
8	RM1-1826-020		1	FILM GUIDE ASS'Y	120V	
8	RM1-1827-020		1	FILM GUIDE ASS'Y	230V	
9	RC2-0218-000		1	GUIDE, PAPER DELIVERY LOWER		
10	RC1-5064-000		3	FLAG, INTERTWINE PREVENTION		
11	RC1-5065-000		1	BUSHING		
12	RC1-5067-000		1	PLATE, PRESSURE, LEFT		
13	RC1-5068-000		1	PLATE, PRESSURE, RIGHT		
14	RC1-5070-000		1	HOLDER, RESISTOR		
15	RC1-5071-000		1	SPRING, GROUNDING		
16	RC1-5072-000		1	SPRING, GROUNDING		
17	RC1-5073-000		1	SPRING, GROUNDING		
18	RC1-5074-000		1	GUIDE, CONTACT/SENSOR SUPPORT		
19	RC1-5075-000		1	ROLLER, PRESSURE		
20	RC2-0221-000		2	ROLLER, FACE-DOWN BENDING		
21	XD9-0238-000		3	PIN,DOWEL		
22	RC1-5086-000		2	CAM, PRESSURE RELEASE		
23	RC1-5087-000		1	FLAG, PRESSURE RELEASE		
24	RC1-5089-000		1	HOLDER, PRESSURE RELEASE GEAR		
25	RC1-5091-000		1	SPRING, LEAF		
26	RC1-5092-000		1	BUSHING		
27	RC1-5093-000		1	BUSHING		

FIGURE & KEY NO.	PARTS NUMBER	R A N K	Q'TY	DESCRIPTION	SERIAL NUMBER/ REMARKS	S V C
28	RC1-5094-000		1	SPRING, COMPRESSION		
29	XD9-0233-010		2	RING, E		
30	XD9-0232-010		1	RING, E		
31	RC1-5475-000		1	SPRING, GROUNDING		
32	RL1-0660-000		2	ROLLER, DELIVERY		
33	RK2-1229-000		1	MOTOR, STEPPING, DC		
34	XA9-1561-000		2	SCREW, RS, M3X6		
35	RL1-0663-000		1	ROLLER, FACE-DOWN		
36	XA9-1500-010		17	SCREW, RS, M3X8		
37	RU5-0433-000		1	GEAR, 30T		
38	RU5-0434-000		1	GEAR, 19T		
39	RU5-0435-000		1	GEAR, 16T		
40	RU5-0436-000		1	GEAR, 49T		
41	RU5-0438-000		1	GEAR, 27T		
42	RU5-0915-000		1	GEAR, 19T/57T		
43	RU5-0916-000		1	GEAR, 27T		
44	RU5-0917-000		1	GEAR, 19T/45T		
45	RU5-0918-000		1	GEAR, 20T/38T		
46	RU5-2440-000		2	SPRING, TENSION		
47	RU5-2892-000		2	SPRING, TORSION		
48	VR8-2530-206		1	SOLID RESISTOR, 20MOHM, 1/4W		
49	WG8-5696-000		2	PHOTO INTERRUPTER, TLP1243		
50	XA9-1449-000		1	SCREW, RS, M3X8		
51	RC2-0215-000		1	ARM, PAPER RETAINER, LEFT		
52	RC2-0216-000		1	ARM, PAPER RETAINER, RIGHT		
53	RC2-0222-000		2	SPRING, TORSION		
54	RC2-0369-000		1	ARM, PAPER RETAINER, CENTER		

Prepared by
OIP HFE Promotion Center
CANON INC.

Canon