

PARTS CATALOG

LBP3460

Canon

Jan 20 2006

PREFACE

This Parts Catalog contains listings of parts used

Diagrams are provided with the listings to aid the service technician in identifying clearly, the item to be ordered.

Whenever ordering parts, consult this Parts Catalog for all of the information pertaining to each item. Be sure to include, in the Parts Request, the full item description, the item part number, and the quantity.

COPYRIGHT (C) 1999 CANON INC.

Use of this manual should be strictly supervised to avoid disclosure of confidential information.

Contents

NUMERICAL INDEX

LBP3460 1-1

LBP3460

A	ASSEMBLY LOCATION DIAGRAM	2-1
001	ACCESSORIES	2-2
100	EXTERNAL COVERS, PANEL, ETC.	2-4
101	INTERNAL COMPONENTS 1	2-7
102	INTERNAL COMPONENTS 2	2-10
103	INTERNAL COMPONENTS 3	2-13
104	INTERNAL COMPONENTS 4	2-15
110	ENGINE CONTROLLER ASS'Y	2-18
115	H.V. POWER SUPPLY ASS'Y	2-20
250	PRINTER DRIVE ASS'Y	2-22
300	CASSETTE	2-24
310	CASSETTE PAPER PICK-UP ASS'Y	2-26
320	REGISTRATION ASS'Y	2-28
810	FIXING ASS'Y	2-30
900	VIDEO CONTROLLER BOX ASSEMBLY	2-32

NUMERICAL INDEX

LBP3460

PARTS NUMBER	FIGURE & KEY NO.	PARTS NUMBER	FIGURE & KEY NO.	PARTS NUMBER	FIGURE & KEY NO.
FC7-0434-000	100 - 1	RA0-1003-000	101 - 16	RC1-4025-000	103 - 22
FC7-0435-000	100 - 2	RA0-1068-000	104 - 8	RC1-4027-000	104 - 31
FC7-0441-000	300 - 12	RA0-1172-000	103 - 12	RC1-4028-000	104 - 30
FC7-0442-000	300 - 18	RB2-2897-020	310 - 2	RC1-4055-000	101 - 18
FC7-0443-000	300 - 13	RB2-2978-000	810 - 4	RC1-4056-000	101 - 20
FC7-0454-000	100 - 3	RC1-0922-000	104 - 29	RC1-4059-000	101 - 21
FC7-0455-000	100 - 20	RC1-0939-000	104 - 12	RC1-4060-000	101 - 22
FC7-0456-000	100 - 21	RC1-3470-000	310 - 6	RC1-4061-000	101 - 23
FC7-0457-000	100 - 22	RC1-3489-000	300 - 5	RC1-4065-000	101 - 24
FC7-0458-000	100 - 23	RC1-3490-000	300 - 7	RC1-4066-020	101 - 25
FC7-0459-000	100 - 24	RC1-3492-000	300 - 6	RC1-4067-000	101 - 26
FC7-0460-000	100 - 17	RC1-3507-000	300 - 9	RC1-4070-000	104 - 2
FC7-0461-000	100 - 18	RC1-3508-000	300 - 14	RC1-4083-000	104 - 19
FC7-0472-000	300 - 11	RC1-3609-020	810 - 7	RC1-4085-000	103 - 17
FC7-0473-000	100 - 4	RC1-3610-000	810 - 10	RC1-4086-000	115 - 3
FC7-0474-000	100 - 5	RC1-3665-000	102 - 21	RC1-4087-000	115 - 1
FC7-0475-000	100 - 6	RC1-3908-000	310 - 5	RC1-4088-000	115 - 5
FC7-0479-000	100 - 7	RC1-3911-020	310 - 9	RC1-4089-000	115 - 6
FC7-0482-000	100 - 7	RC1-3912-000	310 - 8	RC1-4096-000	102 - 20
FC7-0483-000	100 - 7	RC1-3913-000	310 - 3	RC1-4105-000	103 - 8
FC7-0484-000	100 - 7	RC1-3914-000	310 - 10	RC1-4106-020	103 - 13
FC7-0485-000	100 - 7	RC1-3935-000	104 - 3	RC1-4107-000	104 - 11
FC7-0486-000	100 - 8	RC1-3936-000	104 - 1	RC1-4108-000	104 - 24
FC7-0487-000	100 - 9	RC1-3937-000	104 - 13	RC1-4113-000	102 - 16
FC7-0489-000	100 - 10	RC1-3939-000	104 - 16	RC1-4114-000	103 - 6
FC7-0490-000	100 - 11	RC1-3946-000	101 - 17	RC1-4115-000	103 - 7
FC7-0491-000	102 - 32	RC1-3948-000	101 - 15	RC1-4116-000	103 - 11
FC7-0492-000	102 - 33	RC1-3949-000	101 - 12	RC1-4117-000	103 - 10
FC7-0493-000	100 - 14	RC1-3950-020	101 - 37	RC1-4121-020	101 - 10
FC7-0496-000	100 - 15	RC1-3951-000	101 - 38	RC1-4122-000	101 - 14
FC7-0497-000	100 - 7	RC1-3953-000	101 - 39	RC1-4123-020	101 - 11
FH4-6302-000	900 - IC1009	RC1-3954-020	104 - 26	RC1-4125-000	101 - 6
FK2-2369-000	100 - 16	RC1-3955-000	102 - 14	RC1-4126-000	101 - 40
FK2-2370-000	001 - 1	RC1-3963-000	810 - 16	RC1-4127-000	101 - 42
FK2-2371-000	001 - 1	RC1-3969-000	810 - 9	RC1-4128-000	101 - 4
FK2-2372-000	001 - 1	RC1-3974-000	810 - 13	RC1-4129-000	101 - 7
FK2-2373-000	001 - 1	RC1-3975-000	810 - 11	RC1-4130-000	102 - 7
FM2-5998-000	300 -	RC1-3976-000	810 - 1	RC1-4131-000	102 - 8
FM2-5999-000	100 - 25	RC1-3983-000	810 - 20	RC1-4132-000	102 - 6
FM2-6000-000	100 - 26	RC1-3984-000	810 - 18	RC1-4133-000	102 - 10
FM2-6001-000	100 - 27	RC1-3986-000	810 - 17	RC1-4134-000	101 - 34
FM2-6002-000	100 - 28	RC1-3987-000	810 - 14	RC1-4135-000	100 - 19
FM2-6003-000	100 - 29	RC1-3988-000	810 - 15	RC1-4136-000	101 - 31
FM2-6009-000	300 - 3	RC1-3989-000	810 - 22	RC1-4137-000	101 - 32
FM2-6934-000	900 - 1	RC1-3994-000	102 - 27	RC1-4138-000	101 - 13
NPN	001 -	RC1-3995-000	102 - 26	RC1-4140-000	101 - 27
NPN	100 -	RC1-3996-000	102 - 23	RC1-4168-000	110 - 1
NPN	101 -	RC1-3998-000	102 - 22	RC1-4169-000	102 - 3
NPN	102 -	RC1-4000-000	102 - 24	RC1-4170-000	102 - 2
NPN	103 -	RC1-4006-000	102 - 29	RC1-4172-000	110 - 4
NPN	104 -	RC1-4009-000	101 - 36	RC1-4179-000	102 - 15
NPN	900 -	RC1-4011-000	810 - 2	RC1-4185-000	103 - 14

NUMERICAL INDEX

LBP3460

PARTS NUMBER	FIGURE & KEY NO.	PARTS NUMBER	FIGURE & KEY NO.	PARTS NUMBER	FIGURE & KEY NO.
RC1-4186-000	115 - 4	RU5-0328-000	300 - 17	XB2-7300-605	102 - 25
RC1-4189-000	104 - 6	RU5-0331-000	810 - 8	XB2-7300-605	103 - 3
RH9-1166-000	110 - 9	RU5-0366-000	104 - 9	XB2-7300-605	110 - 3
RH9-1168-000	110 - 9	RU5-0375-000	102 - 31	XB4-5300-805	104 - 15
RH9-1169-000	110 - 9	RU5-0377-000	103 - 21	XB4-7401-005	100 - 501
RH9-1170-000	110 - 9	RU5-0378-000	103 - 20	XB4-7401-005	102 - 17
RK2-0523-000	103 - 25	RU5-0379-000	103 - 23	XB4-7401-005	103 - 16
RK2-0525-000	110 - 7	RU5-0389-000	103 - 5	XB4-7401-005	104 - 4
RK2-0526-000	102 - 9	RU5-0400-000	104 - 21	XB4-7401-005	300 - 4
RK2-0528-000	102 - 13	RU5-0409-000	104 - 5	XB4-7401-005	310 - 4
RK2-0534-000	102 - 5	RU5-2324-000	300 - 8		
RK2-0571-000	102 - 11	RU5-2327-000	300 - 10		
RK2-0573-000	101 - 33	RU5-2385-000	104 - 10		
RK2-1302-000	001 - 3	RU5-2386-000	104 - 17		
RK2-1315-000	110 - 9	RU5-2388-000	100 - 30		
RK2-1316-000	110 - 9	RU5-2389-000	810 - 5		
RL1-0522-000	300 - 2	RU5-2401-000	103 - 4		
RL1-0542-000	310 - 7	RU5-2403-000	101 - 29		
RL1-0568-000	104 - 32	RU5-2404-000	101 - 5		
RL1-0580-000	102 - 30	RU5-2405-000	101 - 41		
RL1-0581-000	104 - 7	RU5-2406-000	100 - 31		
RL1-0587-000	104 - 27	RU5-2407-000	101 - 19		
RM1-1295-000	300 - 15	RU5-2408-000	103 - 18		
RM1-1296-000	300 - 16	RU5-2410-000	101 - 28		
RM1-1297-020	300 - 1	VD7-2893-151	110 - 8		
RM1-1415-000	115 - 7	VS1-7177-003	101 - 30		
RM1-1416-000	104 - 18	VS1-7177-004	101 - 43		
RM1-1421-000	101 - 2	VS1-7257-007	104 - 23		
RM1-1422-000	101 - 44	VT2-0012-006	110 - 2		
RM1-1425-000	102 - 1	WE8-5689-000	001 - 2		
RM1-1426-000	104 - 22	WG8-5624-000	102 - 28		
RM1-1431-000	310 - 1	WG8-5624-000	310 - 11		
RM1-1435-000	104 - 14	WG8-5624-000	810 - 19		
RM1-1440-000	810 - 23	WT2-5056-000	103 - 24		
RM1-1481-020	310 -	WT2-5694-000	101 - 35		
RM1-1482-000	102 - 12	WT2-5812-000	101 - 8		
RM1-1484-000	104 - 20	XA9-1420-000	110 - 6		
RM1-1485-000	102 - 18	XA9-1420-000	115 - 2		
RM1-1494-000	810 - 21	XA9-1500-010	100 - 13		
RM1-1500-000	103 - 1	XA9-1500-010	101 - 1		
RM1-1502-000	320 -	XA9-1500-010	102 - 4		
RM1-1504-000	103 - 19	XA9-1500-010	103 - 2		
RM1-1505-000	115 -	XA9-1500-010	104 - 25		
RM1-1506-000	103 - 15	XA9-1500-010	810 - 3		
RM1-1507-000	102 - 18	XA9-1503-000	100 - 32		
RM1-1508-000	104 - 28	XA9-1503-000	103 - 26		
RM1-1512-000	250 -	XA9-1504-000	100 - 12		
RM1-1521-000	101 - 3	XA9-1565-000	810 - 12		
RM1-1522-000	103 - 9	XA9-1670-000	101 - 45		
RM1-1524-040	110 -	XA9-1670-000	900 - 3		
RM1-1531-000	810 -	XB1-2300-605	900 - 2		
RM1-1532-000	810 - 6	XB2-7300-605	101 - 9		

LBP3460

LBP3460

F14-8900-000

Contents

A	ASSEMBLY LOCATION DIAGRAM	2-1
001	ACCESSORIES	2-2
100	EXTERNAL COVERS, PANEL, ETC.	2-4
101	INTERNAL COMPONENTS 1	2-7
102	INTERNAL COMPONENTS 2	2-10
103	INTERNAL COMPONENTS 3	2-13
104	INTERNAL COMPONENTS 4	2-15
110	ENGINE CONTROLLER ASS'Y.....	2-18
115	H.V. POWER SUPPLY ASS'Y	2-20
250	PRINTER DRIVE ASS'Y	2-22
300	CASSETTE	2-24
310	CASSETTE PAPER PICK-UP ASS'Y	2-26
320	REGISTRATION ASS'Y	2-28
810	FIXING ASS'Y	2-30
900	VIDEO CONTROLLER BOX ASSEMBLY	2-32

FIGURE A ASSEMBLY LOCATION DIAGRAM

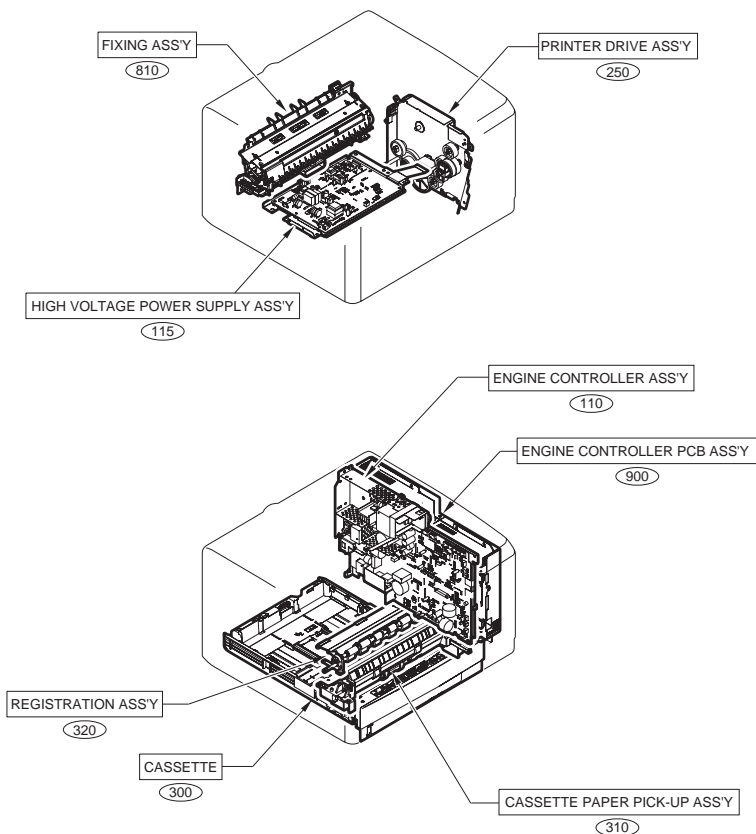


FIGURE 001 ACCESSORIES

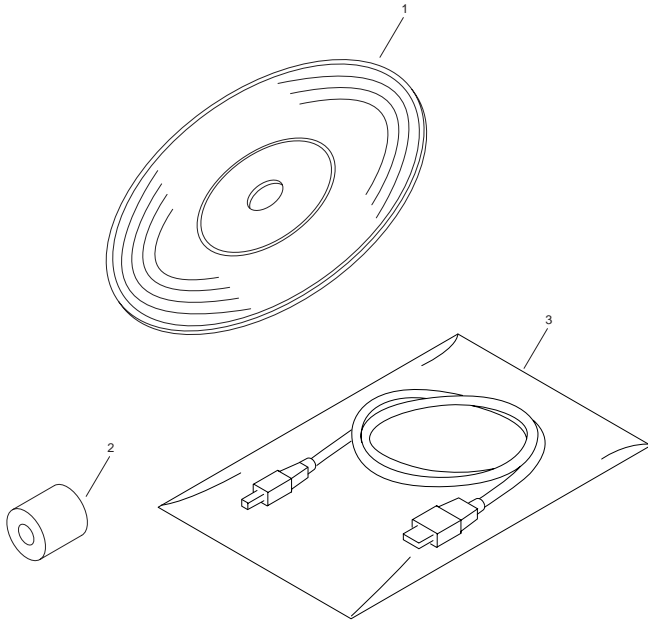


FIGURE & KEY NO.	PARTS NUMBER	RANK	Q'TY	DESCRIPTION	SERIAL NUMBER/REMARKS	SVC
Fig.001	NPN		RF	ACCESSORIES		
1	FK2-2370-000		1	CD-ROM, USERSOFTWARE	ENGLISH	
1	FK2-2371-000		1	CD-ROM, USERSOFTWARE	FRENCH/SPANISH	
1	FK2-2372-000		1	CD-ROM, USERSOFTWARE	GERMAN/ITALY	
1	FK2-2373-000		1	CD-ROM, USERSOFTWARE	CHINESE	
2	WE8-5689-000		1	CORE, FERRITE		
3	RK2-1302-000		1	CABLE, USB	CN ONLY	

FIGURE 100
EXTERNAL COVERS, PANEL, ETC.

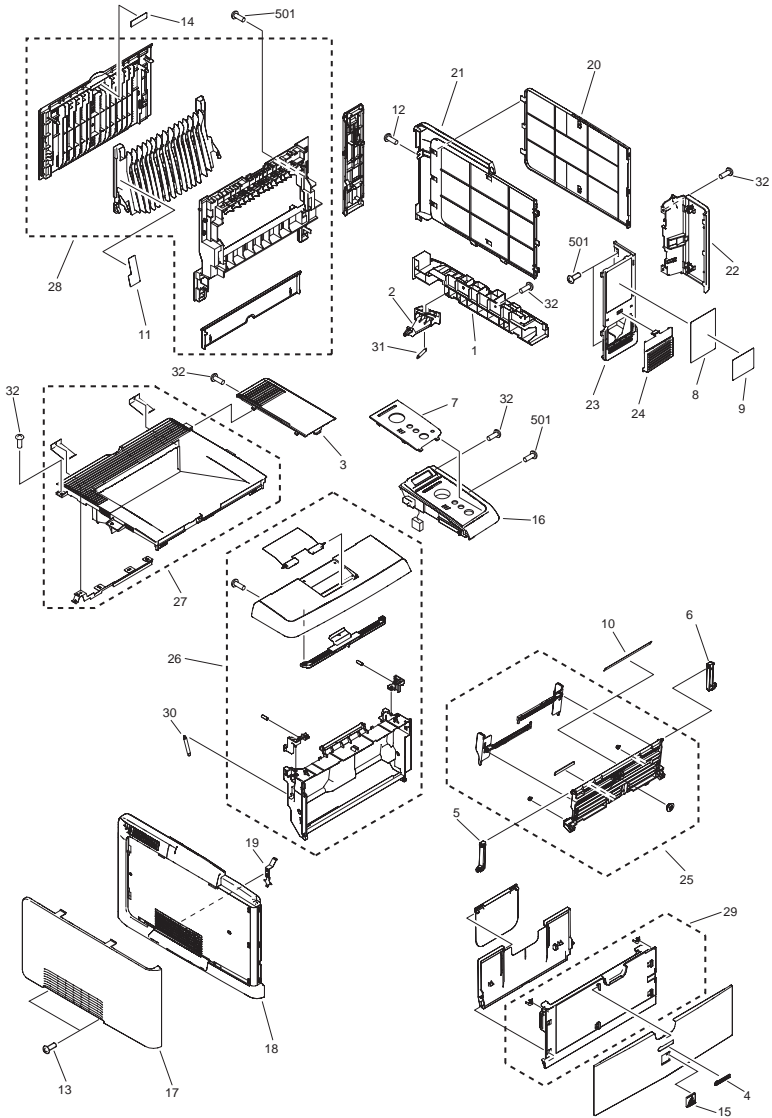


FIGURE & KEY NO.	PARTS NUMBER	R A N K	Q'TY	DESCRIPTION	SERIAL NUMBER/ REMARKS	S V C
Fig.100	NPN		RF	EXTERNAL COVERS, PANEL, ETC.		
1	FC7-0434-000		1	HANDLE, RIGHT		
2	FC7-0435-000		1	SWITCH, POWER SUPPLY		
3	FC7-0454-000		1	COVER, RIGHT UPPER		
4	FC7-0473-000		1	PLATE, CANON LOGO		
5	FC7-0474-000		1	HINGE, LEFT		
6	FC7-0475-000		1	HINGE, RIGHT		
7	FC7-0479-000		1	PLATE, PANEL	ENGLISH	
7	FC7-0482-000		1	PLATE, PANEL	FRENCH	
7	FC7-0484-000		1	PLATE, PANEL	GERMAN	
7	FC7-0483-000		1	PLATE, PANEL	ITALY	
7	FC7-0485-000		1	PLATE, PANEL	SPANISH	
7	FC7-0497-000		1	PLATE, PANEL	CHINESE	
8	FC7-0486-000		1	LABEL, JAM CLEARING		
9	FC7-0487-000		1	LABEL, DROPPING, CAUTION		
10	FC7-0489-000		1	LABEL, MULTI, SET		
11	FC7-0490-000		1	LABEL, FIXING, JAM RELEASE		
12	XA9-1504-000		1	SCREW, RS, M3X8		
13	XA9-1500-010		2	SCREW, S, M3X8		
14	FC7-0493-000		1	LABEL, TRAY, EXTENSION		
15	FC7-0496-000		1	EMBLEM		
16	FK2-2369-000		1	PANEL, CONTROL, LARGE		
17	FC7-0460-000		1	COVER, LEFT, UPPER		
18	FC7-0461-000		1	COVER, LEFT, LOWER		
19	RC1-4135-000		1	PLATE		
20	FC7-0455-000		1	COVER, RIGHT, UPPER		
21	FC7-0456-000		1	COVER, RIGHT, LOWER		
22	FC7-0457-000		1	COVER, RIGHT FRONT, UPPER		
23	FC7-0458-000		1	COVER, RIGHT FRONT, LOWER		
24	FC7-0459-000		1	COVER, WINDOW, FRONT		
25	FM2-5999-000		1	MULTI-PURPOSE TRAY ASS'Y		
26	FM2-6000-000		1	CARTRIDGE DOOR ASS'Y		

FIGURE & KEY NO.	PARTS NUMBER	RANK	Q'TY	DESCRIPTION	SERIAL NUMBER/REMARKS	SVC
27	FM2-6001-000		1	TOP COVER ASSY		
28	FM2-6002-000		1	REAR COVER ASS'Y		
29	FM2-6003-000		1	MULTI-PURPOSE COVER ASS'Y		
30	RU5-2388-000		2	SPRING		
31	RU5-2406-000		1	SPRING		
32	XA9-1503-000		14	SCREW, TAP, M3X6		
501	XB4-7401-005		5	SCREW,TAPPING,TRUSS HEAD,M4X10		

FIGURE 101 INTERNAL COMPONENTS 1

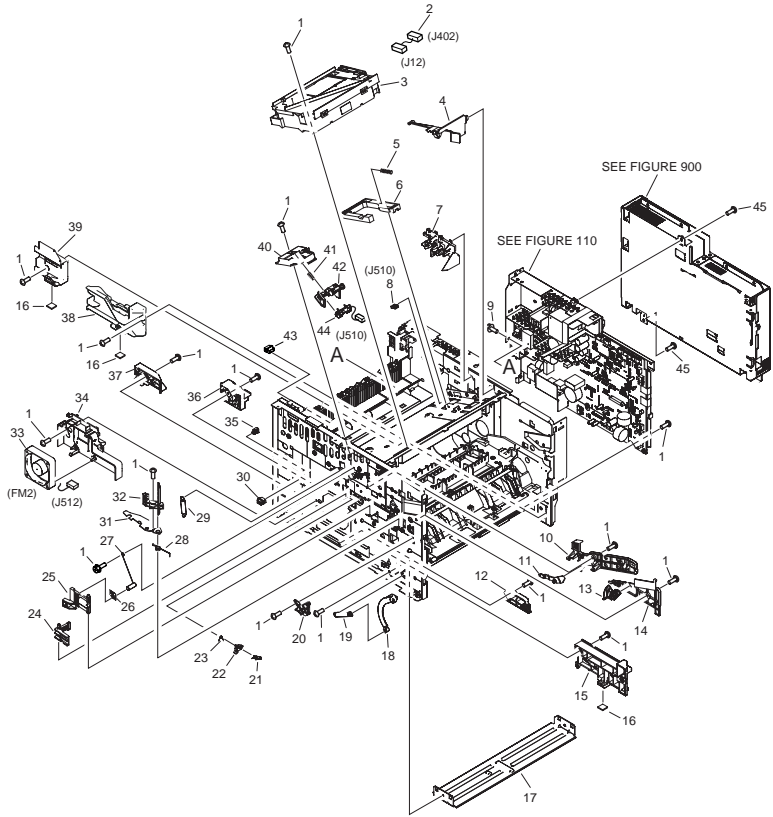


FIGURE & KEY NO.	PARTS NUMBER	R A N K	Q'TY	DESCRIPTION	SERIAL NUMBER/ REMARKS	S V C
Fig.101	NPN		RF	INTERNAL COMPONENTS 1		
1	XA9-1500-010		30	SCREW, S, M3X8		
2	RM1-1421-000		1	CABLE ASS'Y	J12,J402	
3	RM1-1521-000		1	LASER/SCANNER ASS'Y		
4	RC1-4128-000		1	DUCT, SCANNER		
5	RU5-2404-000		1	SPRING, COMPRESSION		
6	RC1-4125-000		1	LINK, LASER SHUTTER		
7	RC1-4129-000		1	DUCT, CARTRIDGE		
8	WT2-5812-000		1	CLIP, CABLE		
9	XB2-7300-605		1	SCREW,W/WASHER,M3X6		
10	RC1-4121-020		1	GUIDE, CRG., LEFT UPPER		
11	RC1-4123-020		1	LEVER, CRG. CLAMP		
12	RC1-3949-000		1	GUIDE, CST., LEFT MIDDLE		
13	RC1-4138-000		1	LEVER		
14	RC1-4122-000		1	GUIDE, CRG., LEFT LOWER		
15	RC1-3948-000		1	GUIDE, CST., LEFT FRONT		
16	RA0-1003-000		3	FOOT, RUBBER		
17	RC1-3946-000		1	BASE PLATE, FRONT		
18	RC1-4055-000		1	ARM, DOOR		
19	RU5-2407-000		1	SPRING, TENSION		
20	RC1-4056-000		1	GUIDE, DOOR ARM		
21	RC1-4059-000		1	SPRING, TORSION		
22	RC1-4060-000		1	LEVER		
23	RC1-4061-000		1	SPRING, TORSION		
24	RC1-4065-000		1	LEVER, GROUNDING CONTACT		
25	RC1-4066-020		1	LEVER, GROUNDING CONTACT		
26	RC1-4067-000		1	SPRING, LEAF		
27	RC1-4140-000		1	SPRING, COMPRESSION		
28	RU5-2410-000		1	SPRING, TORSION		
29	RU5-2403-000		1	SPRING, TENSION		
30	VS1-7177-003		1	CONNECTOR, SNAP TIGHT, BK		
31	RC1-4136-000		1	PLATE, PROTECTIVE		

FIGURE & KEY NO.	PARTS NUMBER	RANK	Q'TY	DESCRIPTION	SERIAL NUMBER/REMARKS	SVC
32	RC1-4137-000		1	CAM, CONTACT		
33	RK2-0573-000		1	FAN, SUB		
34	RC1-4134-000		1	HOLDER, SUB FAN		
35	WT2-5694-000		1	CLIP CLAMP, WIRE		
36	RC1-4009-000		1	HOLDER		
37	RC1-3950-020		1	GUIDE, CST., LEFT REAR		
38	RC1-3951-000		1	GUIDE, CST., RIGHT FRONT		
39	RC1-3953-000		1	STAY, TAG HOLDER		
40	RC1-4126-000		1	STAY, TAG HOLDER		
41	RU5-2405-000		1	SPRING, COMPRESSION		
42	RC1-4127-000		1	HOLDER, TAG		
43	VS1-7177-004		1	CONNECTOR, SNAP TIGHT, BK		
44	RM1-1422-000		1	CABLE, MEMORY TAG		
45	XA9-1670-000		2	SCREW, D, M3X6		

FIGURE 102 INTERNAL COMPONENTS 2

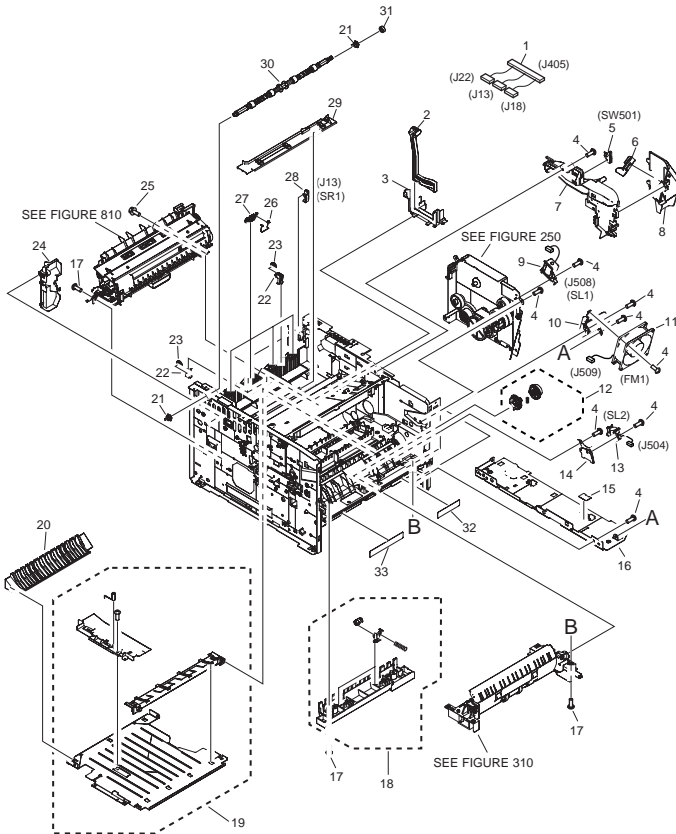


FIGURE & KEY NO.	PARTS NUMBER	R A N K	Q'TY	DESCRIPTION	SERIAL NUMBER/ REMARKS	S V C
Fig.102	NPN		RF	INTERNAL COMPONENTS 2		
1	RM1-1425-000		1	CABLE ASS'Y		
2	RC1-4170-000		1	LINK, SWITCH		
3	RC1-4169-000		1	HOLDER, SWITCH LINK		
4	XA9-1500-010		15	SCREW, S, M3X8		
5	RK2-0534-000		1	MICROSWITCH		
6	RC1-4132-000		1	LEVER, TEST SWITCH		
7	RC1-4130-000		1	DUCT, ARM		
8	RC1-4131-000		1	DUCT, COOLING		
9	RK2-0526-000		1	SOLENOID, MULTI-PURPOSE		
10	RC1-4133-000		1	HOLDER, MAIN FAN		
11	RK2-0571-000		1	FAN		
12	RM1-1482-000		1	PICK-UP ROLLER GEAR ASS'Y		
13	RK2-0528-000		1	SOLENOID, CASSETTE		
14	RC1-3955-000		1	STAY, SOLENOID		
15	RC1-4179-000		1	SHEET		
16	RC1-4113-000		1	BASE PLATE, RIGHT		
17	XB4-7401-005		9	SCREW,TAPPING,TRUSS HEAD,M4X10		
18	RM1-1485-000		1	ROLLER STAY ASS'Y		
18	RM1-1507-000		1	FEED GUIDE ASS'Y, LOWER		
20	RC1-4096-000		1	GUIDE, DUPLEX INLET		
21	RC1-3665-000		2	BUSHING		
22	RC1-3998-000		4	HOLDER, ROLLER		
23	RC1-3996-000		4	ROLLER, DELIVERY		
24	RC1-4000-000		1	COVER, INNER, REAR		
25	XB2-7300-605		1	SCREW,W/WASHER,M3X6		
26	RC1-3995-000		4	SPRING, TORSION		
27	RC1-3994-000		4	ROLLER, FACE-DOWN		
28	WG8-5624-000		1	IC, PHOTO INTERRUPTER		
29	RC1-4006-000		1	GUIDE, CABLE		
30	RL1-0580-000		1	ROLLER, FACE-DOWN		
31	RU5-0375-000		1	GEAR, 15T		

FIGURE & KEY NO.	PARTS NUMBER	R A N K	Q'TY	DESCRIPTION	SERIAL NUMBER/ REMARKS	S V C
32	FC7-0491-000		1	LABEL, DUPLEXING, JAM RELEASE		
33	FC7-0492-000		1	LABEL, DUPLEXING, JAM PELEASE		

FIGURE 103
INTERNAL COMPONENTS 3

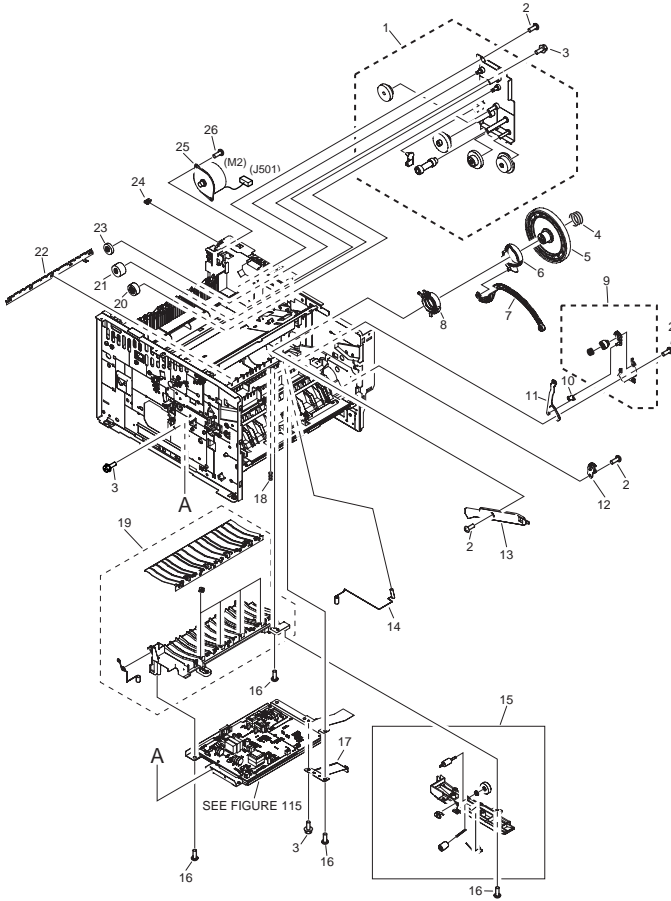


FIGURE & KEY NO.	PARTS NUMBER	R A N K	Q'TY	DESCRIPTION	SERIAL NUMBER/ REMARKS	S V C
Fig.103	NPN		RF	INTERNAL COMPONENTS 3		
1	RM1-1500-000		1	FIXING DRIVE SIDE PLATE ASS'Y		
2	XA9-1500-010		7	SCREW, S, M3X8		
3	XB2-7300-605		5	SCREW,W/WASHER,M3X6		
4	RU5-2401-000		1	SPRING, COMPRESSION		
5	RU5-0389-000		1	GEAR, 201T		
6	RC1-4114-000		1	CAM		
7	RC1-4115-000		1	LEVER, COUPLING		
8	RC1-4105-000		1	BUSHING, INNER		
9	RM1-1522-000		1	DRIVE RELEASE ASS'Y		
10	RC1-4117-000		1	LINK, DRIVE RELEASE		
11	RC1-4116-000		1	LEVER, DRIVE RELEASE		
12	RA0-1172-000		1	GEAR, 17T		
13	RC1-4106-020		1	GUIDE, CRG. RIGHT UPPER		
14	RC1-4185-000		1	SPRING, COMPRESSION		
15	RM1-1506-000		1	POSITION GUIDE ASS'Y		
16	XB4-7401-005		8	SCREW,TAPPING,TRUSS HEAD,M4X10		
17	RC1-4085-000		1	PLATE, GROUNDING		
18	RU5-2408-000		1	SPRING, COMPRESSION		
19	RM1-1504-000		1	FEED GUIDE ASS'Y		
20	RU5-0378-000		1	GEAR, 20T		
21	RU5-0377-000		1	GEAR, 28T		
22	RC1-4025-000		1	ELIMINATOR, STATIC CHARGE		
23	RU5-0379-000		1	GEAR, 19T		
24	WT2-5056-000		1	CLIP, CORD		
25	RK2-0523-000		1	MOTOR, STEPPING		
26	XA9-1503-000		2	SCREW, TAP, M3X6		

FIGURE 104 INTERNAL COMPONENTS 4

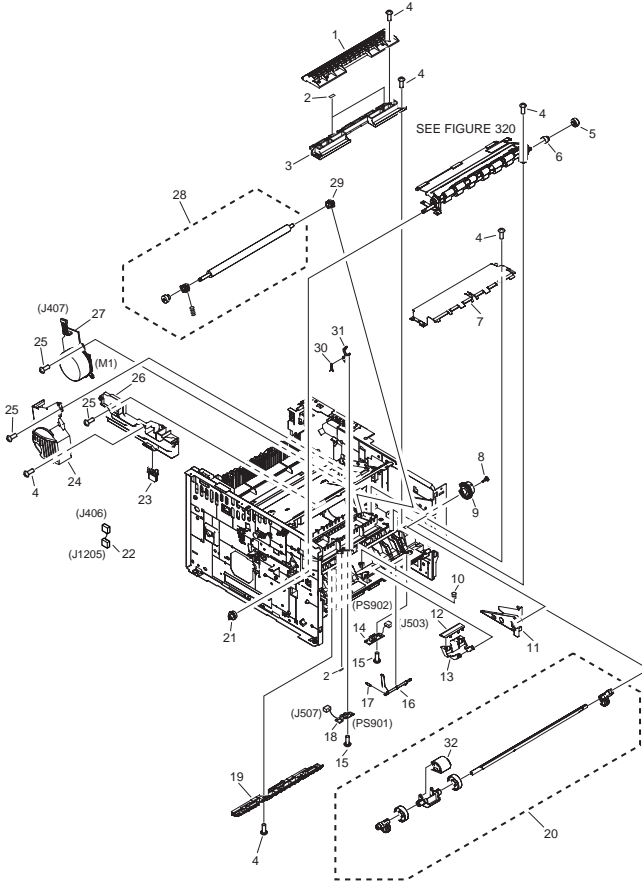


FIGURE & KEY NO.	PARTS NUMBER	R A N K	Q'TY	DESCRIPTION	SERIAL NUMBER/ REMARKS	S V C
Fig.104	NPN		RF	INTERNAL COMPONENT 4		
1	RC1-3936-000		1	COVER, REGISTRATION		
2	RC1-4070-000		1	SHEET, STATIC CHARGE		
3	RC1-3935-000		1	GUIDE, FEED		
4	XB4-7401-005		13	SCREW,TAPPING,TRUSS HEAD,M4X10		
5	RU5-0409-000		1	GEAR, 14T		
6	RC1-4189-000		1	STOPPER, GEAR		
7	RL1-0581-000		1	PLATE, TRANSFER, LOWER		
8	RA0-1068-000		1	CAP, CONTINUITY		
9	RU5-0366-000		1	GEAR, 30T		
10	RU5-2385-000		1	SPRING, COMPRESSION		
11	RC1-4107-000		1	GUIDE, CRG., RIGHT LOWER		
12	RC1-0939-000		1	PAD, SEPARATION		
13	RC1-3937-000		1	ARM, PAD		
14	RM1-1435-000		1	SENSOR PCB ASS'Y		
15	XB4-5300-805		2	SCREW,P,M3X8		
16	RC1-3939-000		1	LEVER, SENSOR		
17	RU5-2386-000		1	SPRING, TORSION		
18	RM1-1416-000		1	REGISTRATION SENSOR PCB ASS'Y		
19	RC1-4083-000		1	GUIDE		
20	RM1-1484-000		1	M.P. PICK-UP SHAFT ASS'Y		
21	RU5-0400-000		1	GEAR, 12T		
22	RM1-1426-000		1	CABLE ASS'Y		
23	VS1-7257-007		1	CONNECTOR, DRAWER		
24	RC1-4108-000		1	COVER, MAIN MOTOR		
25	XA9-1500-010		7	SCREW, RS, M3X8		
26	RC1-3954-020		1	COVER, GEAR		
27	RL1-0587-000		1	MOTOR, DC 26.2W		
28	RM1-1508-000		1	TRANSFER ROLLER ASS'Y		
29	RC1-0922-000		1	BUSHING, TRANSFER, RIGHT		
30	RC1-4028-000		1	SPRING, TORSION		
31	RC1-4027-000		1	LEVER, SENSOR		

FIGURE & KEY NO.	PARTS NUMBER	R A N K	Q'TY	DESCRIPTION	SERIAL NUMBER/ REMARKS	S V C
32	RL1-0568-000		1	ROLLER, M.P. PICK-UP		

FIGURE 110 ENGINE CONTOROLLER ASS'Y

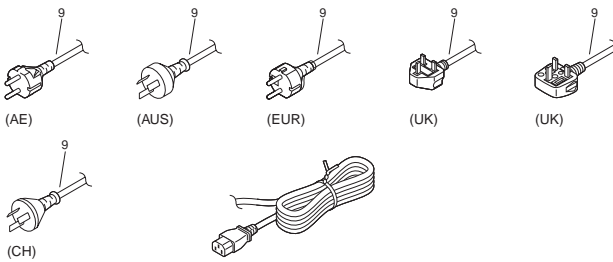
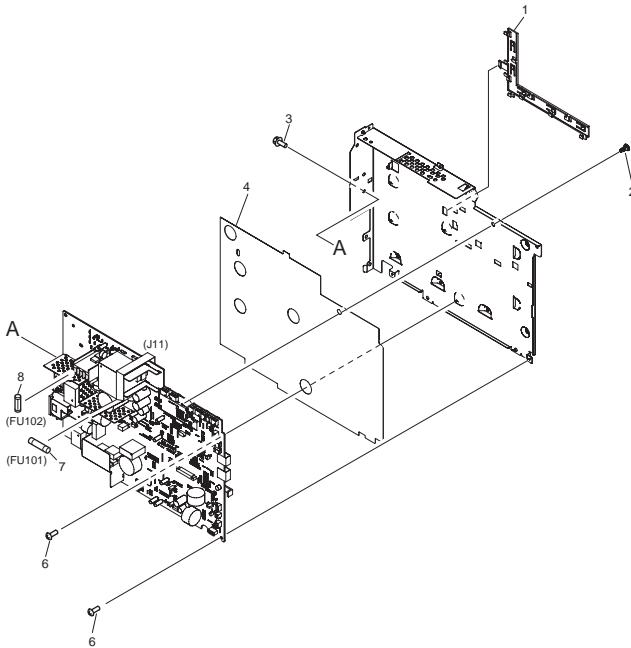


FIGURE & KEY NO.	PARTS NUMBER	R A N K	Q'TY	DESCRIPTION	SERIAL NUMBER/ REMARKS	S V C
Fig.110	RM1-1524-040		1	ENGINE CONTOROLLER ASSY		
1	RC1-4168-000		1	GUIDE, F.F.C.		
2	VT2-0012-006		1	SUPPORT, PCB		
3	XB2-7300-605		2	SCREW,W/WASHER,M3X6		
4	RC1-4172-000		1	SHEET, INSULATION		
6	XA9-1420-000		6	SCREW, W/WASHER, M3X8		
7	RK2-0525-000		1	FUSE, 250V, 8A		
8	VD7-2893-151		1	FUSE, 250V, 3.15A		
9	RH9-1170-000		1	CORD, POWER, 230V	AE	
9	RH9-1169-000		1	CORD, POWER, 230V	AUS	
9	RK2-1315-000		1	CORD, POWER, 230V	EUR	
9	RH9-1168-000		1	CORD, POWER, 230V	UK	
9	RK2-1316-000		1	CORD, POWER, 230V	UK	
9	RH9-1166-000		1	CORD, POWER, 230V	CN	

FIGURE 115
H.V. POWER SUPPLY ASS'Y

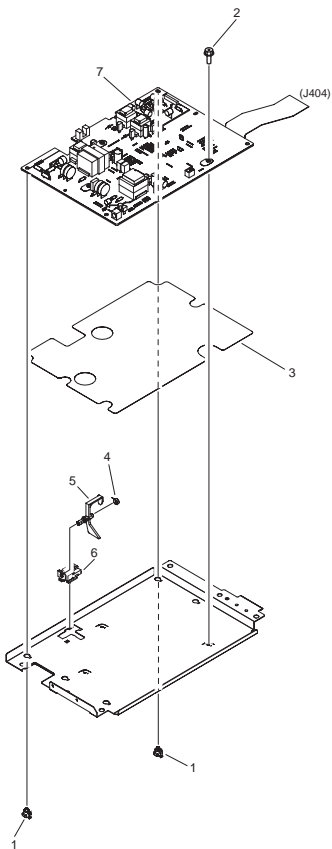


FIGURE & KEY NO.	PARTS NUMBER	RANK	Q'TY	DESCRIPTION	SERIAL NUMBER/REMARKS	SVC
Fig.115	RM1-1505-000		1	H.V. POWER SUPPLY ASS'Y		
1	RC1-4087-000		3	SPACER		
2	XA9-1420-000		3	SCREW, WWASHER, M3X8		
3	RC1-4086-000		1	SHEET, INSULATION		
4	RC1-4186-000		1	SPRING, TORSION		
5	RC1-4088-000		1	LEVER, SENSOR		
6	RC1-4089-000		1	HOLDER, SENSOR		
7	RM1-1415-000		1	HIGH VOLTAGE PCB ASS'Y		

FIGURE 250
PRINTER DRIVE ASS'Y

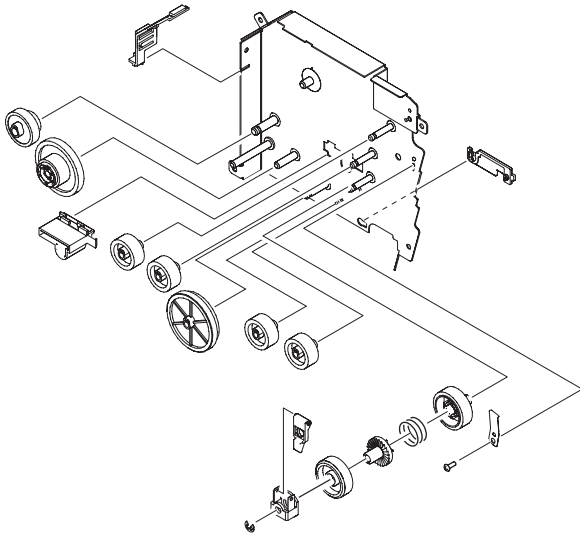


FIGURE & KEY NO.	PARTS NUMBER	R A N K	Q'TY	DESCRIPTION	SERIAL NUMBER/ REMARKS	S V C
Fig.250	RM1-1512-000		1	PRINTER DRIVE ASSY		

FIGURE 300 CASSETTE

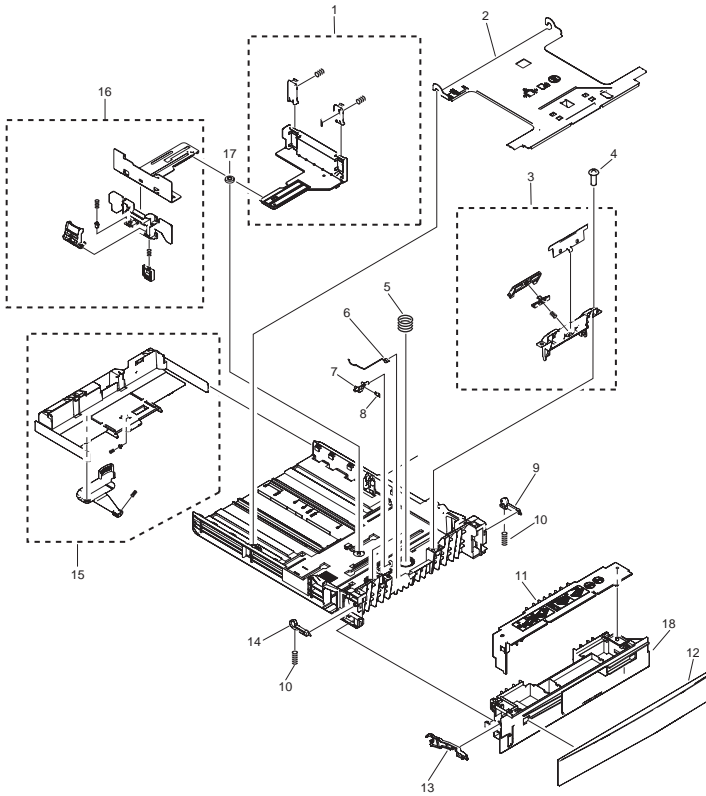


FIGURE & KEY NO.	PARTS NUMBER	R A N K	Q'TY	DESCRIPTION	SERIAL NUMBER/ REMARKS	S V C
Fig.300	FM2-5998-000		1	CASSETTE		
1	RM1-1297-020		1	RIGHT PAPER SIDE END ASS'Y		
2	RL1-0522-000		1	PLATE, LIFTER		
3	FM2-6009-000		1	SEPARATION PAD ASSY		
4	XB4-7401-005		2	SCREW, TAPPING, TRUSS HEAD, M4X10		
5	RC1-3489-000		2	SPRING, COMPRESSION		
6	RC1-3492-000		1	SPRING, GROUNDING		
7	RC1-3490-000		1	LOCK, LIFTER PLATE		
8	RU5-2324-000		1	SPRING, TENSION		
9	RC1-3507-000		1	STOPPER, CASSETTE, RIGHT		
10	RU5-2327-000		2	SPRING, COMPRESSION		
11	FC7-0472-000		1	COVER, INNER		
12	FC7-0441-000		1	COVER, FRONT, UPPER		
13	FC7-0443-000		1	ARM, PAPER LEVEL		
14	RC1-3508-000		1	STOPPER, CASSETTE, LEFT		
15	RM1-1295-000		1	BACK END LIMIT ASS'Y		
16	RM1-1296-000		1	LEFT PAPER SIDE END ASS'Y		
17	RU5-0328-000		1	GEAR, 10T		
18	FC7-0442-000		1	COVER, FRONT, LOWER		

FIGURE 310
CASSETTE PAPER PICK-UP ASS'Y

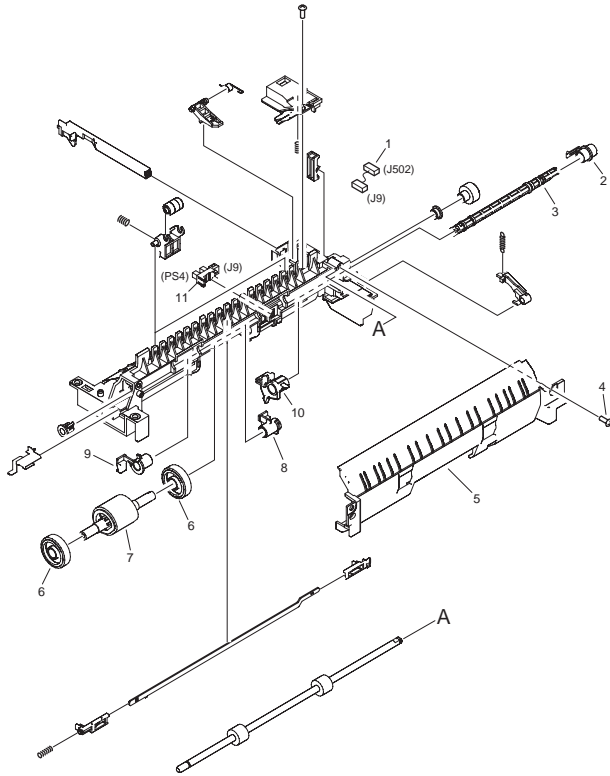


FIGURE & KEY NO.	PARTS NUMBER	R A N K	Q'TY	DESCRIPTION	SERIAL NUMBER/ REMARKS	S V C
Fig.310	RM1-1481-020		1	CASSETTE PAPER PICK-UP ASS'Y		
1	RM1-1431-000		1	CABLE ASS'Y		
2	RB2-2897-020		1	BUSHING		
3	RC1-3913-000		1	SHAFT, PICK-UP DRIVE		
4	XB4-7401-005		2	SCREW, TAPPING, TRUSS HEAD, M4X10		
5	RC1-3908-000		1	GUIDE, FEED		
6	RC1-3470-000		2	ROLLER, PAPER PICK-UP IDLER		
7	RL1-0542-000		1	ROLLER, PAPER PICK-UP		
8	RC1-3912-000		1	BUSHING		
9	RC1-3911-020		1	BUSHING		
10	RC1-3914-000		1	ARM, PAPER SENSOR		
11	WG8-5624-000		1	IC, PHOTO INTERRUPTER		

FIGURE 320
REGISTRATION ASS'Y

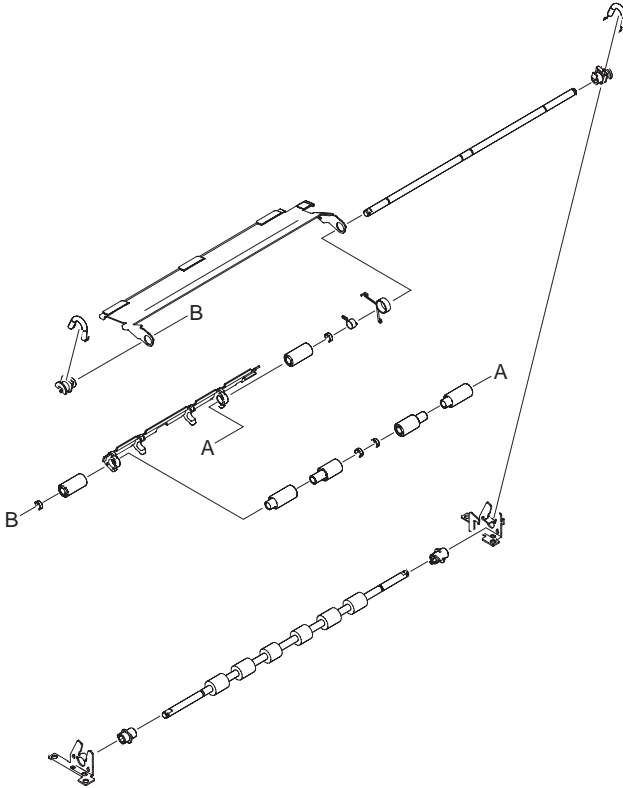


FIGURE & KEY NO.	PARTS NUMBER	R A N K	Q'TY	DESCRIPTION	SERIAL NUMBER/ REMARKS	S V C
Fig.320	RM1-1502-000		1	REGISTRATION ASS'Y		

FIGURE 810
FIXING ASS'Y

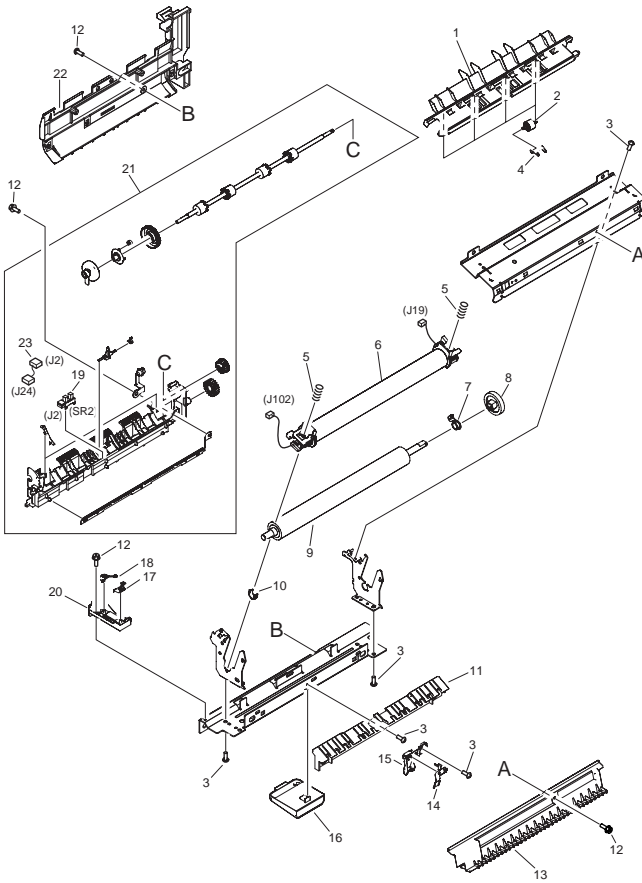


FIGURE & KEY NO.	PARTS NUMBER	R A N K	Q'TY	DESCRIPTION	SERIAL NUMBER/ REMARKS	S V C
Fig.810	RM1-1531-000		1	FIXING ASS'Y		
1	RC1-3976-000		1	GUIDE, SEPARATION, UPPER		
2	RC1-4011-000		4	ROLLER, DELIVERY		
3	XA9-1500-010		8	SCREW, S, M3X8		
4	RB2-2978-000		4	SPRING, COMPRESSION		
5	RU5-2389-000		2	SPRING, COMPRESSION		
6	RM1-1532-000		1	FIXING FILM ASS'Y		
7	RC1-3609-020		1	BUSHING		
8	RU5-0331-000		1	GEAR, 29T		
9	RC1-3969-000		1	ROLLER, PRESSURE		
10	RC1-3610-000		1	BUSHING		
11	RC1-3975-000		1	GUIDE, ENTRANCE, LOWER		
12	XA9-1565-000		4	SCREW, W/WASHER, M3X10		
13	RC1-3974-000		1	GUIDE, ENTRANCE, UPPER		
14	RC1-3987-000		1	ELIMINATOR, BIAS		
15	RC1-3988-000		1	HOLDER, ELIMINATOR		
16	RC1-3963-000		1	DUCT, AIR		
17	RC1-3986-000		1	SPRING, GROUNDING		
18	RC1-3984-000		1	SPRING, LEAF		
19	WG8-5624-000		1	IC, PHOTO INTERRUPTER		
20	RC1-3983-000		1	HOLDER, CONTACT		
21	RM1-1494-000		1	SEPARATION GUIDE ASS'Y, LOWER		
22	RC1-3989-000		1	GUIDE, REVERSE		
23	RM1-1440-000		1	CABLE ASS'Y		

FIGURE 900 VIDEO CONTROLLER BOX ASSEMBLY

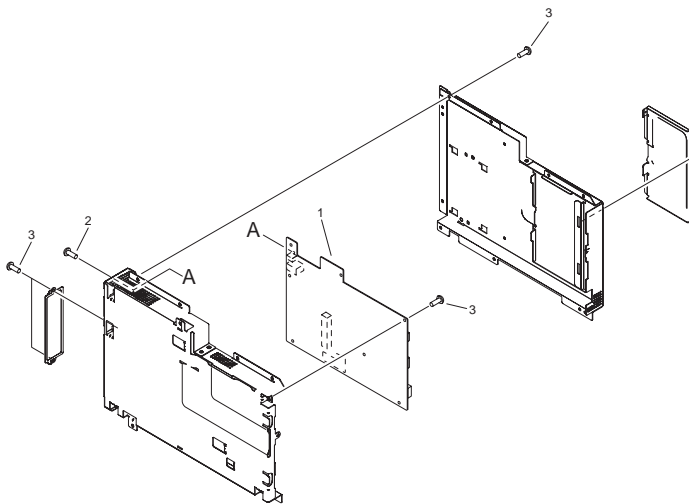


FIGURE & KEY NO.	PARTS NUMBER	RANK	Q'TY	DESCRIPTION	SERIAL NUMBER/REMARKS	SVC
Fig.900	NPN		RF	VIDEO CONTROLLER BOX ASSEMBLY		
1	FM2-6934-000		1	VIDEO CONTROLLER PCB ASS'Y		
2	XB1-2300-605		1	SCREW,MACH.,TRUSS HEAD,M3X6		
3	XA9-1670-000		18	SCREW, D, M3X6		
IC1009	FH4-6302-000		1	IC,S1L50552F32L000,ASIC		

Prepared by
OIP HFE Promotion Center
CANON INC.

Canon