

LBP-3260

PARTS CATALOG

REVISION 0

Canon

JAN. 1999

RY8-3301-000

Reference	Qty	Description	Figure	Part number	Note
ELECTRICAL PART					
RG1-3942-000	1	Video controller PCB ass'y	152/900	2/6	
RG5-4375-000	1	DC controller PCB ass'y	900	2	
RG5-1860-030	1	Paper pick up PCB ass'y	310/900	92/3	
RG5-1845-000	1	Cassette size sensing PCB ass'y	900	5	
RG5-1846-000	1	Switch sensor PCB ass'y	900	1	
RG5-1884-000	1	Multi-purpose tray PCB ass'y	340/900	45/4	
RG5-4301-000	1	Power ass'y	104	4	
MECHANICAL PART					
RG5-4344-000	1	Laser/Scanner ass'y	103	6	
RG5-4319-000	1	Fixing ass'y	810		
RG5-4306-000	1	High voltage power supply ass'y	151		
RG5-4389-000	1	Display panel ass'y	100	17	
RG9-4304-000	1	Transfer guide roller ass'y	101		
RG5-4365-000	1	Printer drive ass'y	250		
RG5-4303-000	1	Registration roller ass'y	320		
RG5-4305-000	1	Paper feeder ass'y	330		
RG5-4330-000	1	Multi-purpose pick up ass'y	340		
RG5-2410-000	1	Delivery paper ass'y	350		
RG5-4780-000	1	Delivery paper face-up ass'y	351		
RG5-4334-000	1	Pick up ass'y	310		
RF5-2708-000	1	Pick up roller	310	21	
RF5-1834-000	1	Drive roller	310	20	
RB1-9526-000	1	Pick up roller MPT	340	5	
RF9-1394-000	1	Roller transfer	101	22	
RB2-3516-000	1	Cleaning roller	810	54	
RB2-3581-000	1	Limiter torque	310	10	
RF5-2703-000	1	Pad separation	340	18	
RH7-5187-000	1	Clutch CL1	320	7	
RH7-5188-000	1	Clutch CL2	310	77	
RH7-5121-020	1	Clutch CL3	340	28	
RH7-5218-000	1	Solenoid SL1	310	74H	
RH7-5167-000	1	Solenoid SL2	340	29	
RH7-5123-000	1	Solenoid SL3	141	5	
WG8-0291-000	1	Sensor PS1, PS2, PS3	310	52	
RH7-7105-000	1	Thermistor TH	810	46	
RH7-7106-000	1	Thermoswitch TP	810	47	
RH7-4128-000	1	Heater halogen H1	810	44	
RH7-4129-000	1	Heater halogen H2	810	45	
MOTOR					
RH7-5219-000	1	Motor MT1	101	10	
RH7-1350-000	1	Motor SMT1	310	76	
RH7-1396-000	1	Fan FAM1	103	16	
RH7-1266-000	1	Fan FAM2	104	16	
RH7-1271-000	1	Fan FAM3	104	11	
RH7-1289-000	1	Fan FAM4	350	25	
RH7-1397-000	1	Fan FAM5	340	34	

PREFACE

This Parts Catalog contains listings of parts used in the LBP-3260 and hard disk HD-72. Diagrams are provided with the listings to aid the service technician in clearly identifying the item to be ordered.

Whenever ordering parts, consult this Parts Catalog for all of the information pertaining to each item. Be sure to include in the Parts Request the full item description, the item part number, and the quantity. The parts catalog may be revised if there is significant product modification. For minor product modifications, a Service Information Bulletin will be issued.

Canon Inc.

Peripheral Products Quality Planning Div.
Peripheral Products Technical Documentation Dept
5-1, Hakusan 7-chome, Toride-shi, Ibaraki 302-8501, Japan

COPYRIGHT © 1999 CANON INC.

Printed in Japan

Imprimé au Japon

Use of this manual should be strictly supervised to avoid disclosure of confidential information.

LIST OF ORDER AND SERIAL NUMBERS

NAME	REMARKS	ORDER No.	SERIAL No.
LBP-3260	220-240V 50/60Hz 600DPI	R76-1028	KLL00001-
HARD DISK HD-72		R03-0190	

CONTENTS

A. ASSEMBLY LOCATION DIAGRAM

- 100. EXTERNAL COVERS, PANELS, ETC.
- 101. INTERNAL COMPONENTS 1
- 102. INTERNAL COMPONENTS 2
- 103. INTERNAL COMPONENTS 3
- 104. INTERNAL COMPONENTS 4
- 141. FACE-UP SOLENOID
- 151. HIGH VOLTAGE POWER SUPPLY ASS'Y
- 152. VIDEO CONTROLLER ASS'Y

- 250. PRINTER DRIVE ASS'Y

- 300. CASSETTE (LOWER)
- 301. CASSETTE (UPPER)
- 310. PAPER PICK-UP ASS'Y
- 320. REGISTRATION ROLLER ASS'Y
- 330. FEEDER ASS'Y
- 340. MULTI-PURPOSE TRAY PICK-UP ASS'Y
- 341. MULTI-PURPOSE TRAY ASS'Y
- 350. DELIVERY ASS'Y
- 351. DELIVERY FRAME ASS'Y

- 810. FIXING ASS'Y

- 900. PCB ASS'Y LOCATION DIAGRAM

- HARD DISK -

- W10. HARD DISK ASS'Y

B. NUMERICAL INDEX

HOW TO USE PARTS LISTS

Assembly Location Diagrams. These diagrams show the locations of major assemblies of the machine. Their names are identified in rectangular boxes. Below each box is the number of the Figure which shows an exploded view of the assembly.

Finding a Parts Number. Refer to the Assembly Location Diagrams and find the Figure Number of the assembly of interest. Turn to the page(s), locate the part on the exploded view, and find its Key Number. Refer to the Parts List on the page facing the exploded view and find the Key Number, Part Number and quantity required for your type of machine.

Note : While looking for a Part Number, pay particular attention to the voltage listed in the SERIAL NUMBER/REMARKS column to ensure that the Part Number selected is for your type of machine. Immediate shipping or action regarding the part depends on using its correct Part Number.

Parts List pages. The Parts List pages contain the following columns and information.

(1) Figure and Key Number column. The first column shows the Figure Number of the illustration corresponding to the Parts List, and the Key Number that identifies the part on the illustration.

(2) Part Number. The second column shows the Part Number for the part. This Number must be used when ordering replacement parts or assemblies described in the description column do not have a Part Number and are not stocked.

Note : The last three digits (suffix) of the Parts Number are called the Revision Number. The Revision Number is changed if the part is modified. Information regarding such changes will be provided by Service Information Bulletins. These Bulletins should be read carefully.

(3) Rank N. Parts marked "N" are service parts, but are not stock items. They are produced on a special-order basis.

(4) Quantity column. The quantity shown in this column is the number of parts used in the Figure. However, the quantity listed for an assembly indicates the number of that assembly per machine. The letters in this column indicate that the quantity of a parts is not specified, allowing the use of the number of parts needed for assembly and that the quantity cannot be mentioned clearly.

(5) Description column. The Description column lists the description that should be used when ordering the part.

(6) Serial Number/Remarks. When there are differences in the specifications of power supply voltage, frequency, etc., the differences are described in words or indicated by one two or three letters in front of the serial number.

(Example)

Serial number ABC00001
↑ This is the descriptive indicator.

If a model modified and a part is no longer interchangeable, the serial number of machines for which the part can be used is shown in this column. If there is no indication the part can be used with all models.

Numerical Index. There is a Numerical Index at the end of this catalog; it lists in numerical order every Part Number contained in the Parts Lists. The Numerical Index contains the following columns and information.

(1) Part Number. The first column shows the Part Number.

(2) Figure and Key Number column. The second column lists the Figure and Key Number for each occurrence of the part in the illustrations.

FIGURE A ASSEMBLY LOCATION DIAGRAM (1/2)

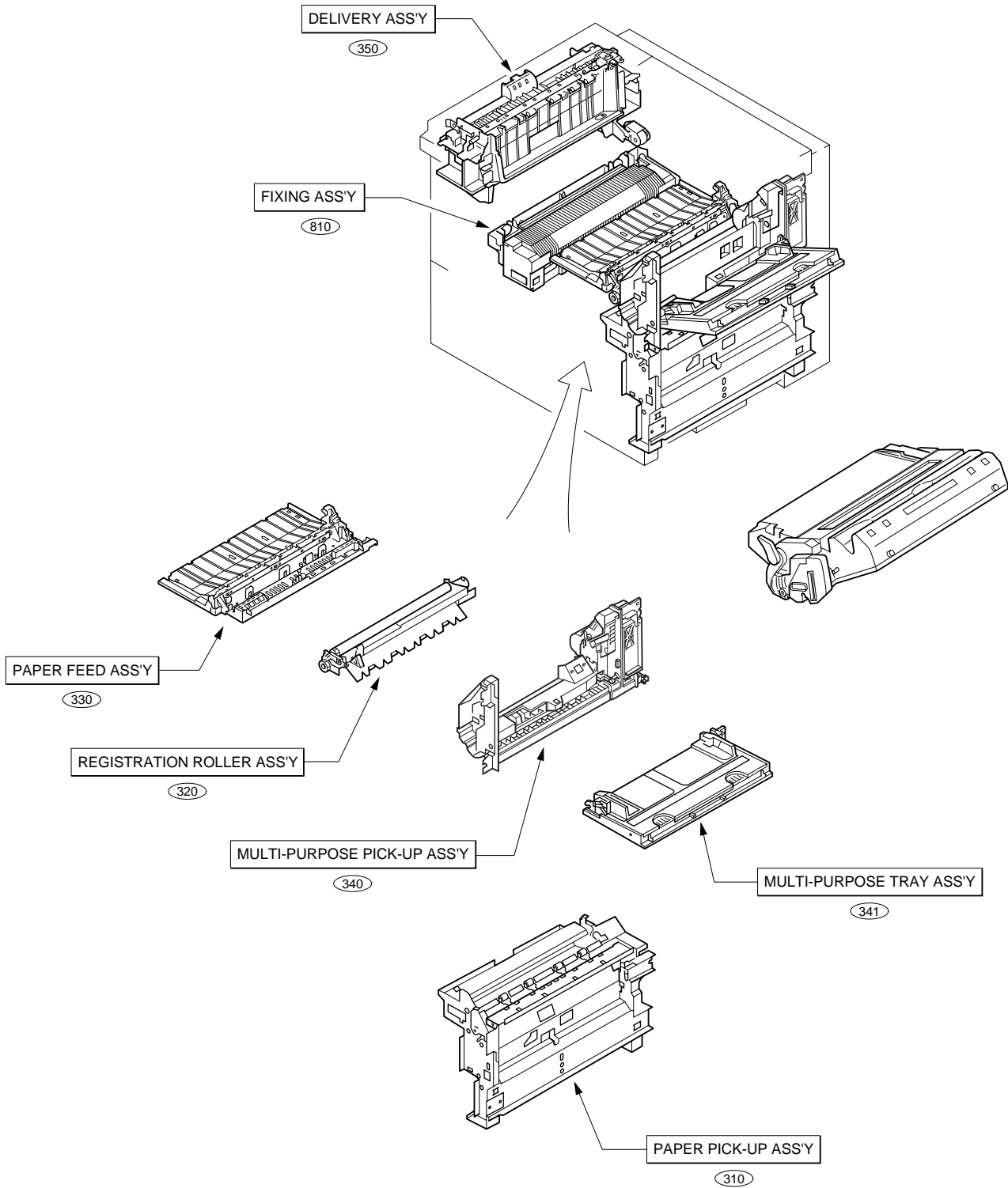


FIGURE A ASSEMBLY LOCATION DIAGRAM (2/2)

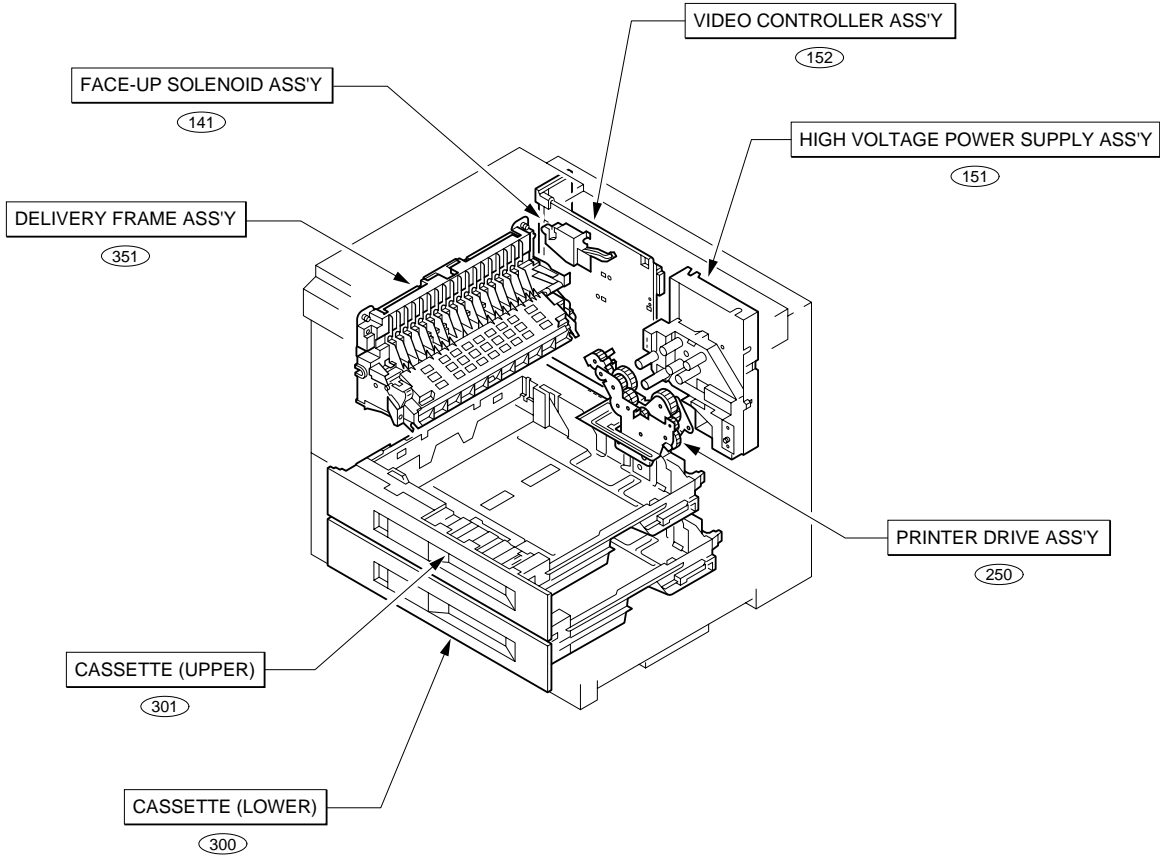


FIGURE 100 EXTERNAL COVERS, PANELS, ETC.

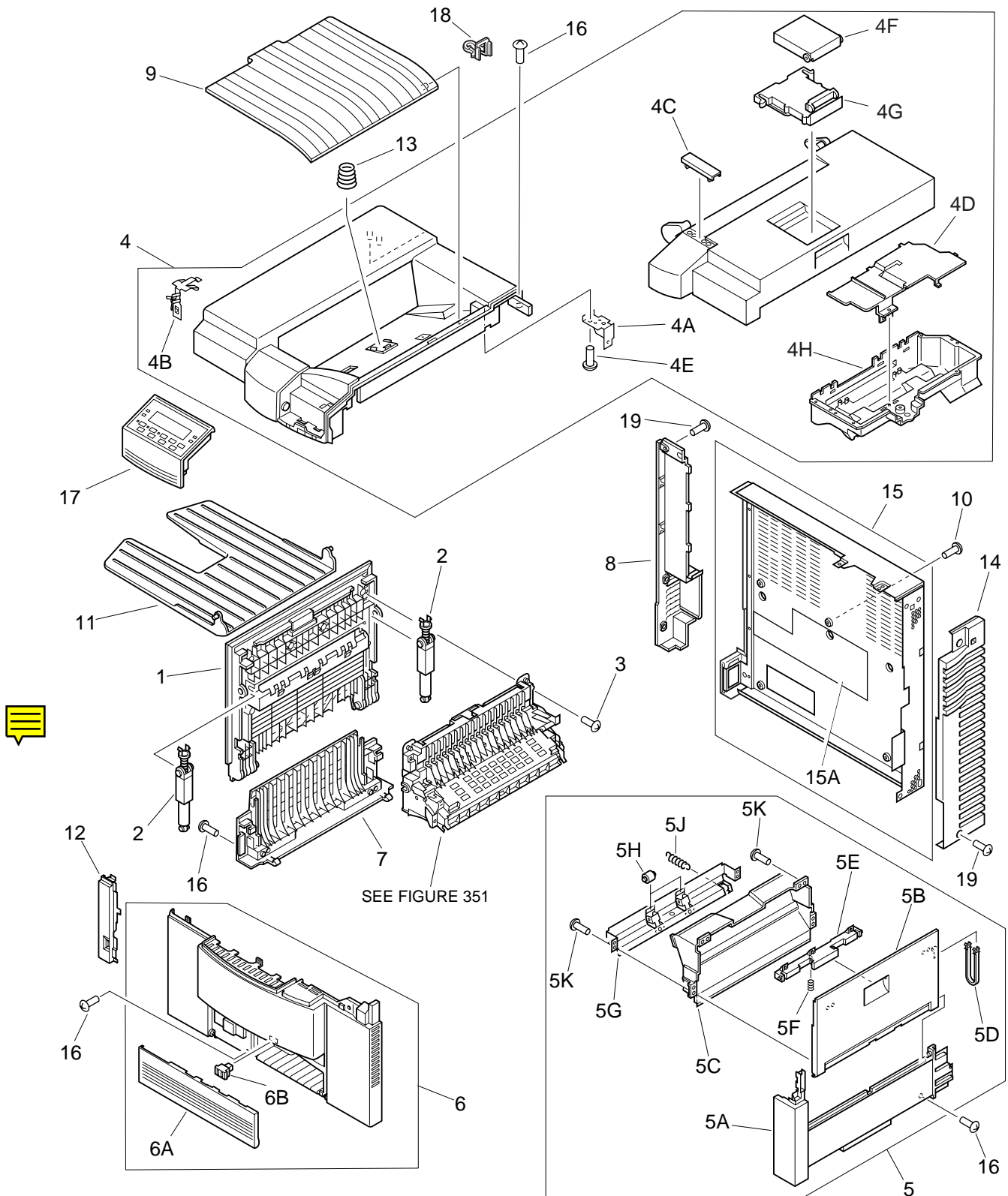


FIGURE & KEY NO.	PART NUMBER	R A N K	Q' T Y	DESCRIPTION	SERIAL NUMBER / REMARKS
100 -	NPN		RF	EXTERNAL COVERS, PANELS, ETC.	
1	RB2-4211-000		1	COVER, DELIVERY	
2	RF5-2701-000		2	HINGE, STOPPER	
3	XA9-0605-000		4	SCREW, M4X8	
4	RG5-4776-000		1	UPPER COVER ASS'Y	
4A	RB1-7080-000		1	PLATE, HINGE	
4B	RB1-6936-000		1	PLATE, GROUNDING	
4C	RB1-6938-000		1	COVER, CARTRIDGE	
4D	RB2-3643-000		1	PLATE, DUCT	
4E	XA9-0870-000		1	SCREW, M4X10	
4F	RB1-6983-000		1	STOPPER, DELIVERY	
4G	RB2-4208-000		1	TRAY, DELIVERY	
4H	RB2-4209-000		1	TRAY, DELIVERY, SUB	
5	RG5-2413-000		1	RIGHT COVER ASS'Y	
5A	RB1-6973-000		1	COVER, RIGHT, LOWER	
5B	RB1-6974-000		1	COVER, OPEN/CLOSE, RIGHT	
5C	RB1-6975-000		1	GUIDE, COVER	
5D	RB1-6484-000		1	STOPPER, OPEN/CLOSE	
5E	RB1-6976-000		1	LEVER, COVER	
5F	RB1-6486-000		1	SPRING, COMPRESSION	
5G	RB1-6487-000		1	PLATE, GUIDE	
5H	RB1-6488-000		2	ROLLER, PAPER	
5J	RS5-2494-000		1	SPRING, TENSION	
5K	XA9-0605-000		4	SCREW, M4X8	
6	RG5-4322-000		1	FRONT COVER ASS'Y	
6A	RB2-4207-000		1	COVER, FRONT, SUB	
6B	XZ9-0379-000		1	LATCH	
7	RB1-6972-000		1	COVER, LEFT	
8	RB1-6977-000		1	COVER, ELECTRICAL	
9	RB1-6978-000		1	TRAY, FACE-DOWN	
10	XA9-0686-000		6	SCREW, M3X6	
11	RB1-6491-000		1	TRAY, FACE-UP	
12	RB1-6980-000		1	COVER, SWITCH	
13	RB1-6493-000		1	SPRING, COMPRESSION	
14	RB2-3642-000		1	COVER, REAR, RIGHT	
15	RF5-1749-000		1	COVER, REAR	
15A	RB1-6520-000		1	SHEET	
16	XA9-0947-000		12	SCREW, TP, M3X6	
17	RG5-4389-000		1	DISPLAY PANEL ASS'Y	
18	RB2-3636-000		1	LOCK, FACE-DOWN TRAY	
19	XA9-0962-000		2	SCREW, RS, M3X10	

FIGURE 101 INTERNAL COMPONENTS 1

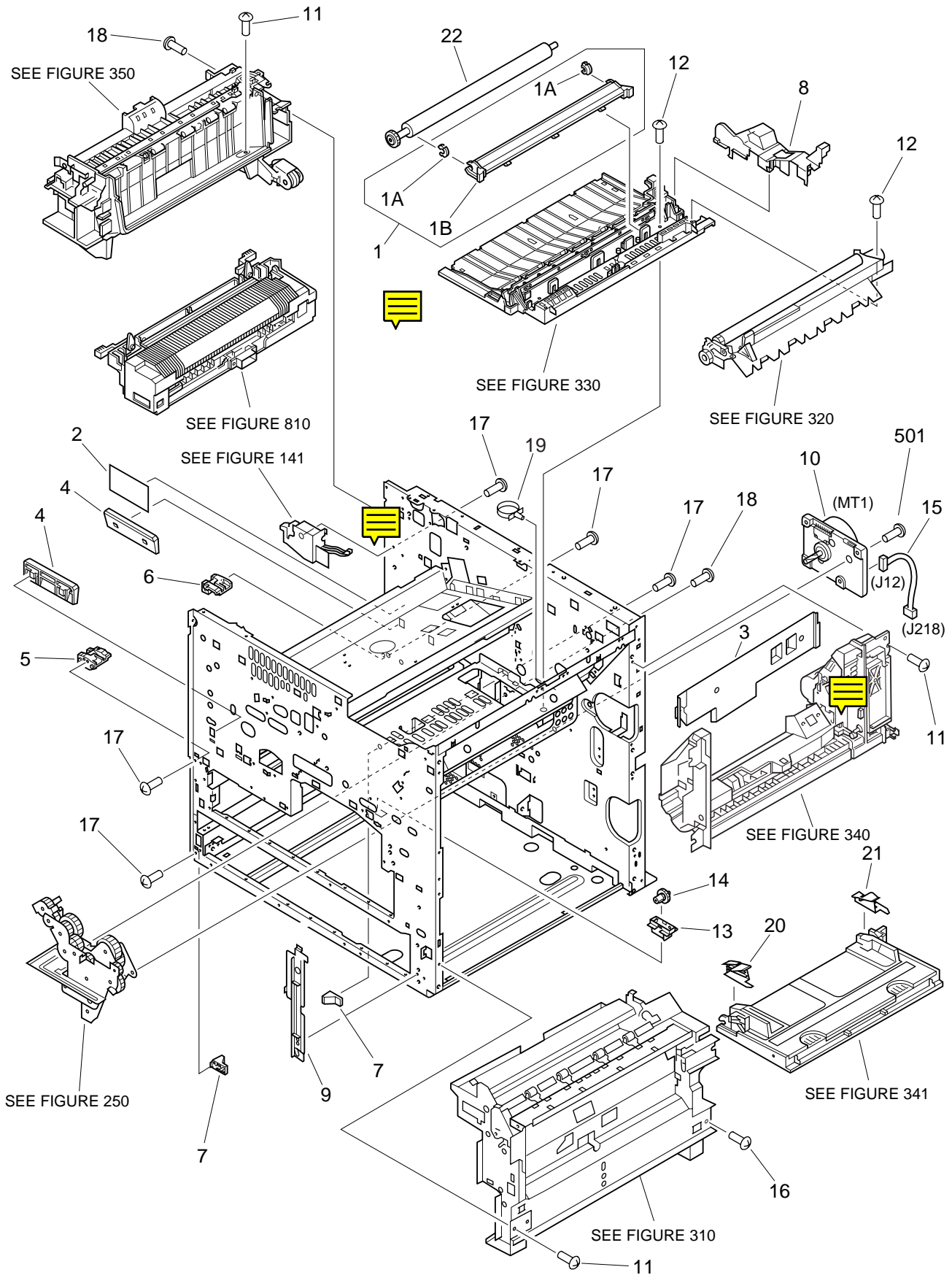


FIGURE & KEY NO.	PART NUMBER	RANK	QTY	DESCRIPTION	SERIAL NUMBER / REMARKS
101 -	NPN		RF	INTERNAL COMPONENTS 1	
1	RG9-4304-000		1	TRANSFER ROLLER GUIDE ASS'Y	
1A	RB1-6441-000		2	BUSHING	
1B	RF5-2676-000		1	HOLDER, TRANSFER	
2	RS5-8597-000		1	LABEL, JAM REMOVAL	
3	RB1-6749-000		1	COVER, MP TRAY PICK-UP	
4	RB1-6456-000		2	RAIL, FIXING	
5	RB1-6461-000		1	HOLDER, DAMPER, FRONT	
6	RB1-6462-000		1	HOLDER, DAMPER, REAR	
7	RB1-6466-000		2	GUIDE, OPTION	
8	RB2-3631-000		1	COVER, CLUTCH	
9	RB1-6982-000		1	COVER, FRONT	
10	RH7-5219-000		1	MOTOR, MAIN	MT1, J12
11	XA9-0947-000		9	SCREW, TP, M3X6	
12	XA9-0872-000		7	SCREW, W/WASHER, M3X8	
13	RB1-6403-000		1	STOPPER, PAWL	
14	RS5-0708-000		1	GEAR, 21T	
15	RG5-4386-000		1	MOTOR CABLE	J12, J218
16	XA9-0962-000		1	SCREW, RS, M3X10	
17	XA9-0605-000		5	SCREW, M4X8	
18	XA9-0686-000		5	SCREW, M3X6	
19	WT2-0408-000		1	CLAMP	
20	RB1-6708-000		1	PLATE, STOPPER, LEFT	
21	RB1-6709-000		1	PLATE, STOPPER, RIGHT	
22	RF9-1394-000		1	ROLLER, TRANSFER	
501	XB6-7400-807		4	SCREW, TP, M4X8	

FIGURE 102 INTERNAL COMPONENTS 2

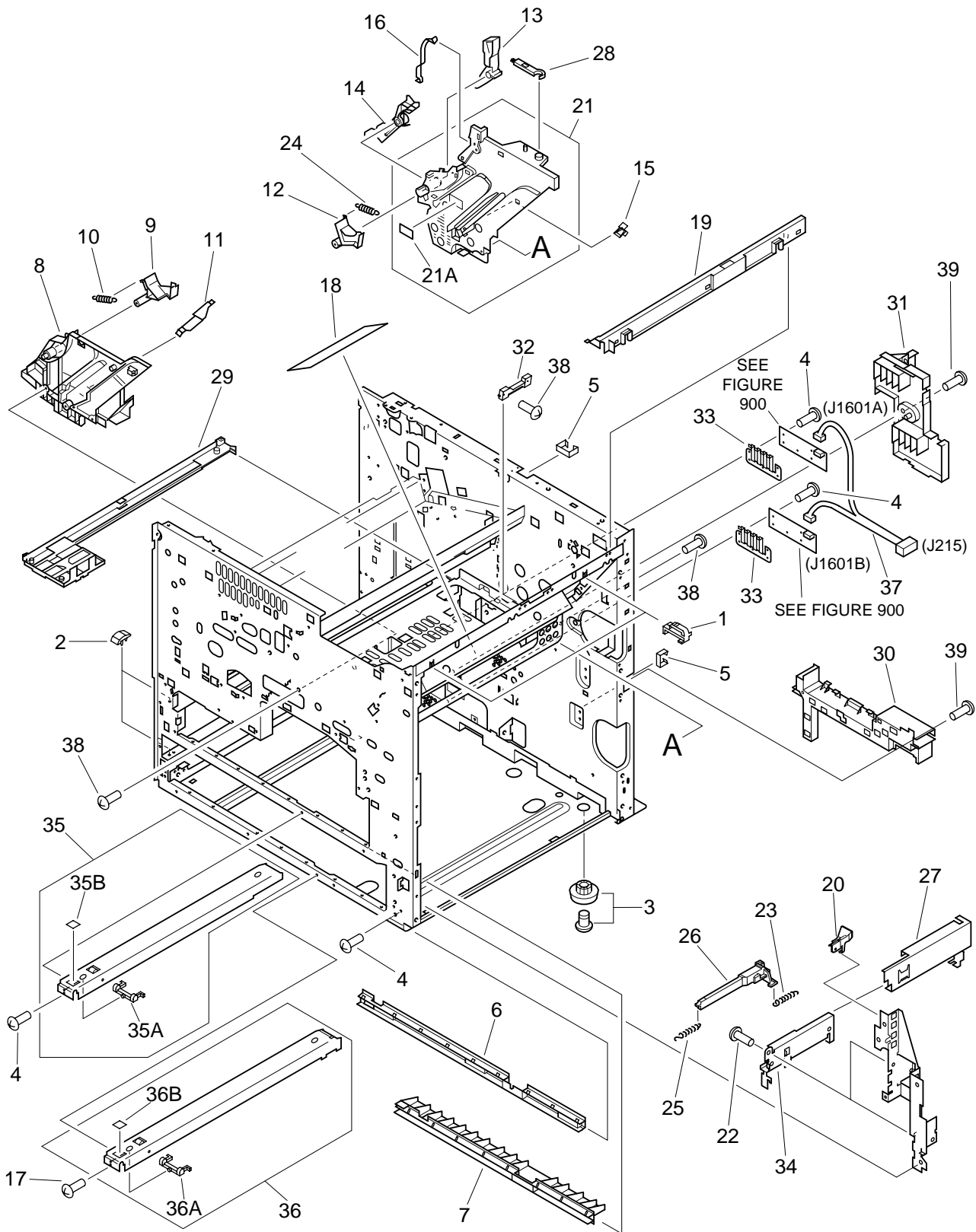


FIGURE & KEY NO.	PART NUMBER	RANK	QTY	DESCRIPTION	SERIAL NUMBER / REMARKS
102 -	NPN		RF	INTERNAL COMPONENTS 2	
1	RB1-6419-000		2	BLOCK, RETAINER	
2	RB1-6430-000		2	CLIP, SLIDE	
3	RB1-6421-000		4	FOOT	
4	XA9-0686-000		10	SCREW, M3X6	
5	WT2-0482-000		2	CLIP, WIRE	
6	RB1-6432-000		1	COVER, EDGE, UPPER	
7	RB1-6433-000		1	COVER, EDGE, LOWER	
8	RB2-3622-000		1	GUIDE, FRONT	
9	RB1-6444-000		1	ARM, PRESSURE, FRONT	
10	RS5-2468-000		1	SPRING, TENSION	
11	RB1-6434-000		1	SPRING, LEAF	
12	RB1-6446-000		1	ARM, PRESSURE, REAR	
13	RB1-6447-000		1	ARM, RELEASE, UPPER	
14	RB1-6448-000		1	ARM, RELEASE, LOWER	
15	RB1-6449-000		1	PLATE, DRUM	
16	RB1-6523-020		1	SPRING, LEAF	
17	XA9-0642-000		1	SCREW, RS, M3X6	
18	RS6-8124-000		1	LABEL	
19	RB1-6971-030		1	COVER, RIGHT, UPPER	
20	RB2-3510-000		2	STOPPER, RAIL	
21	RF5-2726-000		1	GUIDE, REAR	
21A	RS6-8125-000		1	LABEL, "CAUTION"	
22	XA9-0686-000		4	SCREW, M3X6	
23	RS5-2500-000		2	SPRING, TENSION	
24	RS5-2468-000		1	SPRING, TENSION	
25	RS5-2499-000		2	SPRING, TENSION	
26	RB2-3615-000		2	ROD, RAIL	
27	RB2-3614-000		2	RAIL, TRAY	
28	RB1-9617-000		1	BRUSH, CLEANING	
29	RB1-6455-000		1	COVER, FIXING, LOWER	
30	RB2-3567-000		1	COVER, CABLE, LVT	
31	RB1-6474-000		1	COVER, SIZE	
32	RB1-6512-000		1	SPRING, LEAF	
33	RB1-6909-000		2	SPRING, LEAF	
34	RB2-3613-000		2	GUIDE, RAIL	
35	RF5-1395-000		1	RAIL, CASSETTE, UPPER	
35A	RB1-6429-000		1	GUARD, EDGE	
35B	RS5-8593-000		1	LABEL, CASSETTE	
36	RF5-1396-000		1	RAIL, CASSETTE, LOWER	
36A	RB1-6429-000		1	GUARD, EDGE	
36B	RS5-8593-000		1	LABEL, CASSETTE	
37	RG5-1920-000		1	CASSETTE SIZE CABLE	J215, J1601A, J1601B
38	XA9-0605-000		6	SCREW, M4X8	
39	XA9-0947-000		2	SCREW, TP, M3X6	

FIGURE 103 INTERNAL COMPONENTS 3

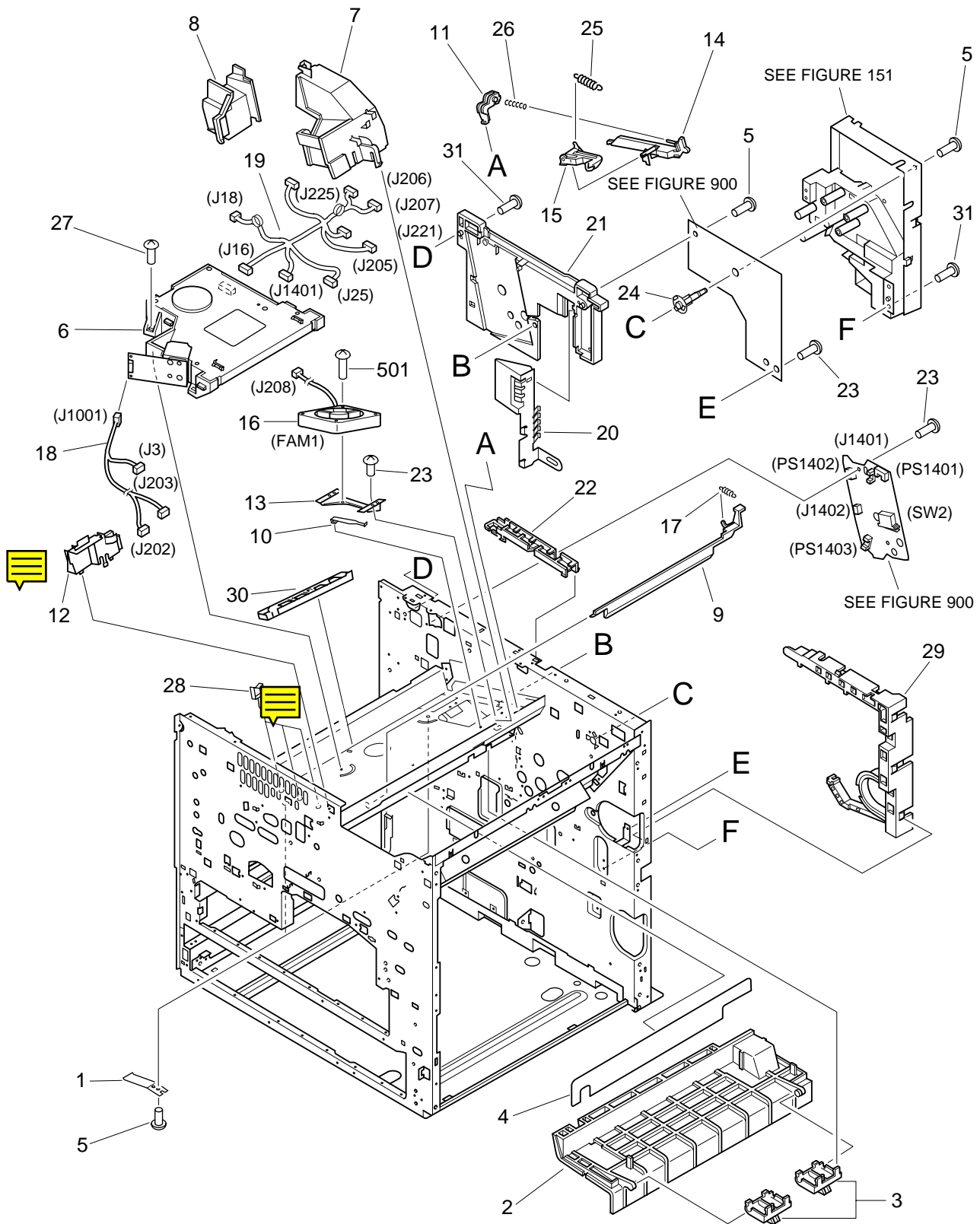


FIGURE & KEY NO.	PART NUMBER	R A N K	Q' T Y	DESCRIPTION	SERIAL NUMBER / REMARKS
103 -	NPN		RF	INTERNAL COMPONENTS 3	
1	RB1-6425-000		2	SPRING, LEAF	
2	RB1-6426-000		1	PLATE, FIXING	
3	RB1-6427-000		2	STOPPER, CARTRIDGE	
4	RB2-3646-000		1	SHEET, INSULATION	
5	XA9-0605-000		6	SCREW, M4X8	
6	RG5-4344-000		1	LASER/SCANNER ASS'Y	
7	RB2-3645-000		1	DUCT, SCANNER	
8	RB1-6457-000		1	COVER, COUPLER	
9	RB1-6458-000		1	SHUTTER	
10	RB1-6459-000		1	SPRING, LEAF	
11	RB1-6460-000		1	PLATE, HOLDER	
12	RB1-6465-000		1	PLATE, DUCT, FRONT	
13	RB1-6467-000		1	MOUNT, FAN	
14	RB1-6472-000		1	ARM, LOCK, INTER	
15	RB1-6473-000		1	SHUTTER	
16	RH7-1396-000		1	FAN	FAM1, J208
17	RS5-2467-000		1	SPRING, TENSION	
18	RG5-4775-000		1	LASER CABLE	J3, J202, J203, J1001
19	RG5-4378-000		1	SCANNER MOTOR CABLE	J16, J18, J25, J205, J207 J221, J225, J1401
20	RB2-3508-000		1	PLATE, SHIELD	
21	RB1-6471-020		1	MOUNT, CONTROL	
22	RB2-3637-000		1	COVER, CABLE	
23	XA9-0686-000		6	SCREW, M3X6	
24	RB1-6503-000		1	SUPPORT, PCB	
25	RS5-2469-000		1	SPRING, TENSION	
26	RS5-2470-000		1	SPRING, COMPRESSION	
27	XA9-0817-000		4	SCREW, W/WASHER, M3X20	
28	WT2-0369-000		3	CLAMP, CABLE	
29	RB1-6469-020		1	COVER, CABLE, DC	
30	RB2-3644-000		1	GUIDE, CABLE	
31	XA9-0947-000		5	SCREW, TP, M3X6	
501	XB6-7300-007		2	SCREW, TP, M3X30	

FIGURE 104 INTERNAL COMPONENTS 4

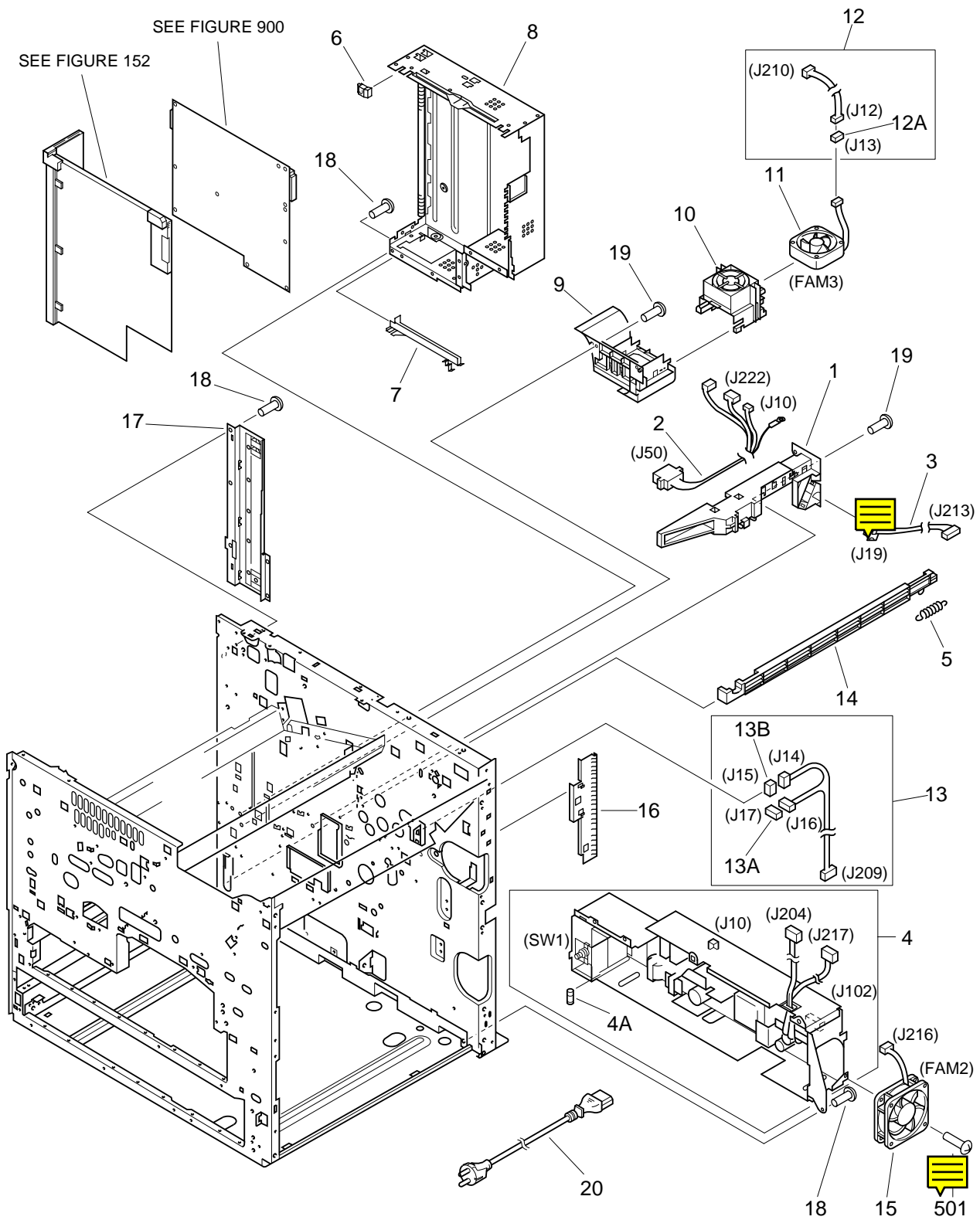


FIGURE & KEY NO.	PART NUMBER	RANK	QTY	DESCRIPTION	SERIAL NUMBER / REMARKS
104 -	NPN		RF	INTERNAL COMPONENTS 4	
1	RB2-3499-000		1	COVER, CABLE	
2	RG5-4381-000		1	CABLE, FIXING, 1	J10, J50, J222
3	RG5-1850-000		1	FIXING CABLE 2	J19, J213
4	RG5-4301-000		1	POWER SUPPLY ASS'Y	SW1, J10, J102, J204, J217
4A	VD7-0643-151		1	FUSE, AC250V, 3.15A	
5	RS5-2465-000		1	SPRING, TENSION	
6	RB1-6930-000		1	GUIDE, TRAY	
7	RB1-6775-000		1	GUIDE, SLIDE	
8	RF5-2678-000		1	COVER, SHIELD	
9	RB1-6760-000		1	DUCT A	
10	RB1-6761-000		1	DUCT B	
11	RH7-1271-000		1	FAN	FAM3, J13
12	RG5-1921-000		1	CABLE, FAN	J12, J210
12A	VS1-0842-003		1	CONNECTOR, 3P	J13
13	RG5-1928-000		1	REGISTRATION CABLE	J14, J16, J209
13A	VS1-5057-002		1	CONNECTOR, 2P	J16, J17
13B	VS1-5057-003		1	CONNECTOR, 3P	J14, J15
14	RB1-6970-000		1	ROD, SWITCH	
15	RH7-1266-000		1	FAN	FAM2, J216
16	RB1-6772-000		1	PLATE, SHIELD	
17	RF5-1464-020		1	PLATE, SHIELD	
18	XA9-0686-000		19	SCREW, M3X6	
19	XA9-0947-000		3	SCREW, TP, M3X6	
20	FH2-5761-000		1	CORD, POWER	
501	XB6-7300-007		2	SCREW, TP, M3X30	

FIGURE 141 FACE-UP SOLENOID ASS'Y

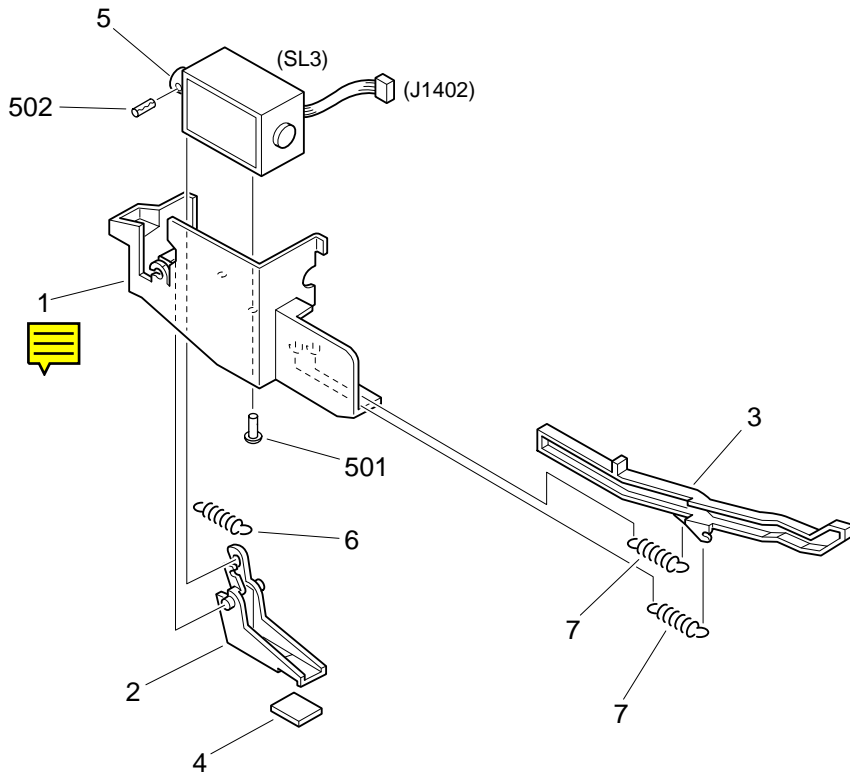


FIGURE & KEY NO.	PART NUMBER	RANK	QTY	DESCRIPTION	SERIAL NUMBER / REMARKS
141 -	RG5-1875-000		1	FACE-UP SOLENOID ASS'Y	
1	RB1-6698-000		1	HOLDER, SOLENOID	
2	RB1-6699-000		1	LEVER, SOLENOID	
3	RB1-6700-000		1	ARM, LOCK, INTER	
4	RB1-6702-000		1	CUSHION, LEVER, 9.5X11	
5	RH7-5123-000		1	SOLENOID	SL3, J1402
6	RS5-2492-000		1	SPRING, TENSION	
7	RS5-2493-000		2	SPRING, TENSION	
501	XB6-7300-409		2	SCREW, TP, M3X4	
502	XD3-1300-082		1	PIN, SPRING	

FIGURE 151 HIGH VOLTAGE POWER SUPPLY ASS'Y

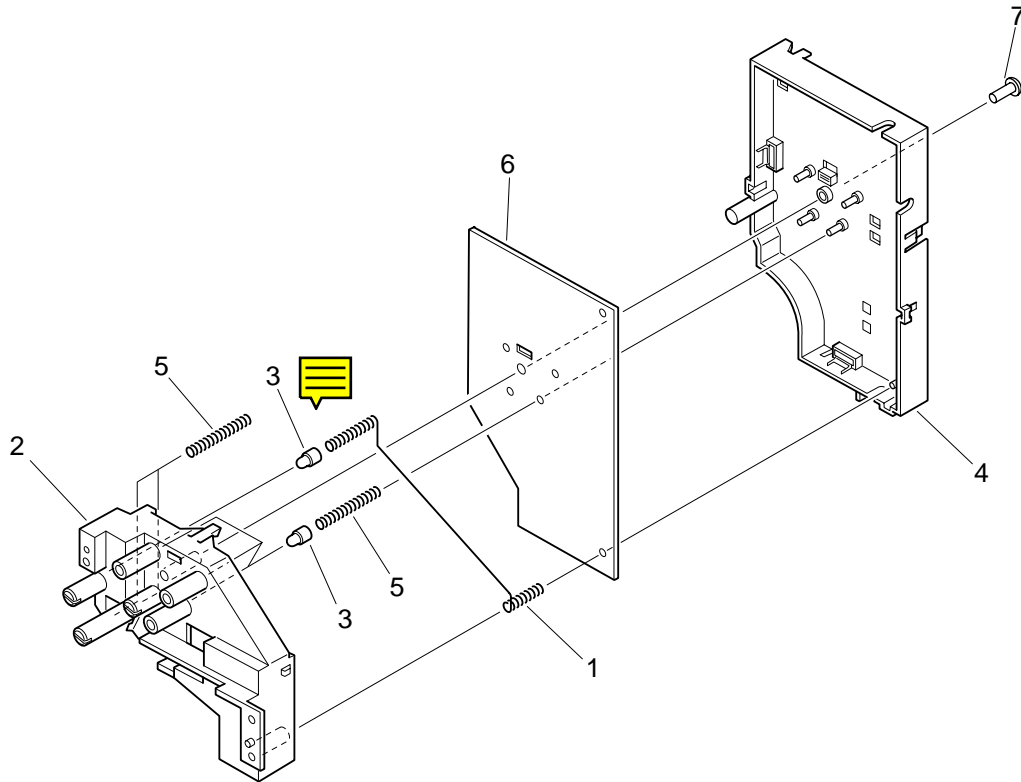


FIGURE & KEY NO.	PART NUMBER	RANK	QTY	DESCRIPTION	SERIAL NUMBER / REMARKS
151 -	RG5-4306-000		1	HIGH VOLTAGE POWER SUPPLY ASS'Y	
1	RB1-6753-000		1	SPRING, COMPRESSION	
2	RB1-6756-020		1	COVER, HVT	
3	RB1-6757-000		3	PIN, CONTACT	
4	RB1-6758-000		1	CASE, HIGH VOLTAGE	
5	RB1-6759-000		5	SPRING, COMPRESSION	
6	RG5-4376-000		1	HIGH VOLTAGE PCB ASS'Y	
7	XA9-0605-000		1	SCREW, M4X8	

FIGURE 152 VIDEO CONTROLLER ASS'Y

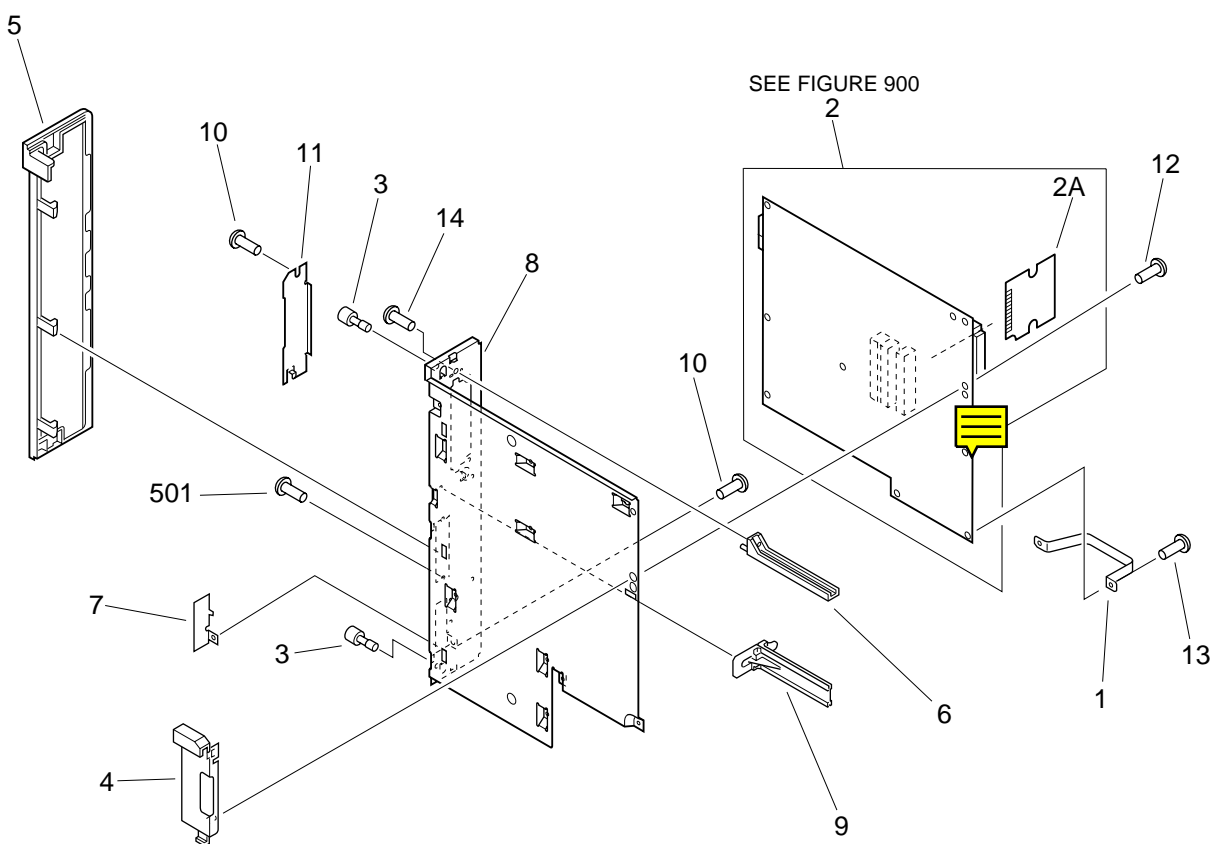


FIGURE & KEY NO.	PART NUMBER	RANK	QTY	DESCRIPTION	SERIAL NUMBER / REMARKS
152 -	RG5-4313-000		1	VIDEO CONTROLLER ASS'Y	SEE FIGURE 900
1	RB1-7070-000		1	PLATE, GUARD	
2	RG1-3942-000		1	VIDEO CONTROLLER PCB ASS'Y	
2A	RG1-3867-000		1	FIRM ROM DIMM PCB ASS'Y	
3	RB1-4886-000		2	SCREW, M4X5	
4	RB1-6927-000		1	GUIDE, SLIDE	
5	RB1-6928-000		1	COVER, SLIDE	
6	RB1-7067-000		1	RAIL, GUIDE	
7	RB1-7069-000		1	PLATE, COVER	
8	RB2-4212-000		1	PLATE, GUIDE	
9	RB1-7073-000		1	RAIL, GUIDE	
10	XA9-0836-000		2	SCREW, TP, M3X6	
11	RB1-7075-000		1	PLATE, COVER	
12	XA9-0615-000		1	SCREW, M4X8	
13	XA9-0386-000		6	SCREW, M4X8	
14	XA9-0615-000		1	SCREW, M4X8	
501	XB1-1301-007		2	SCREW, MACH., PAN HEAD, M3X10	

FIGURE 250 PRINTER DRIVE ASS'Y

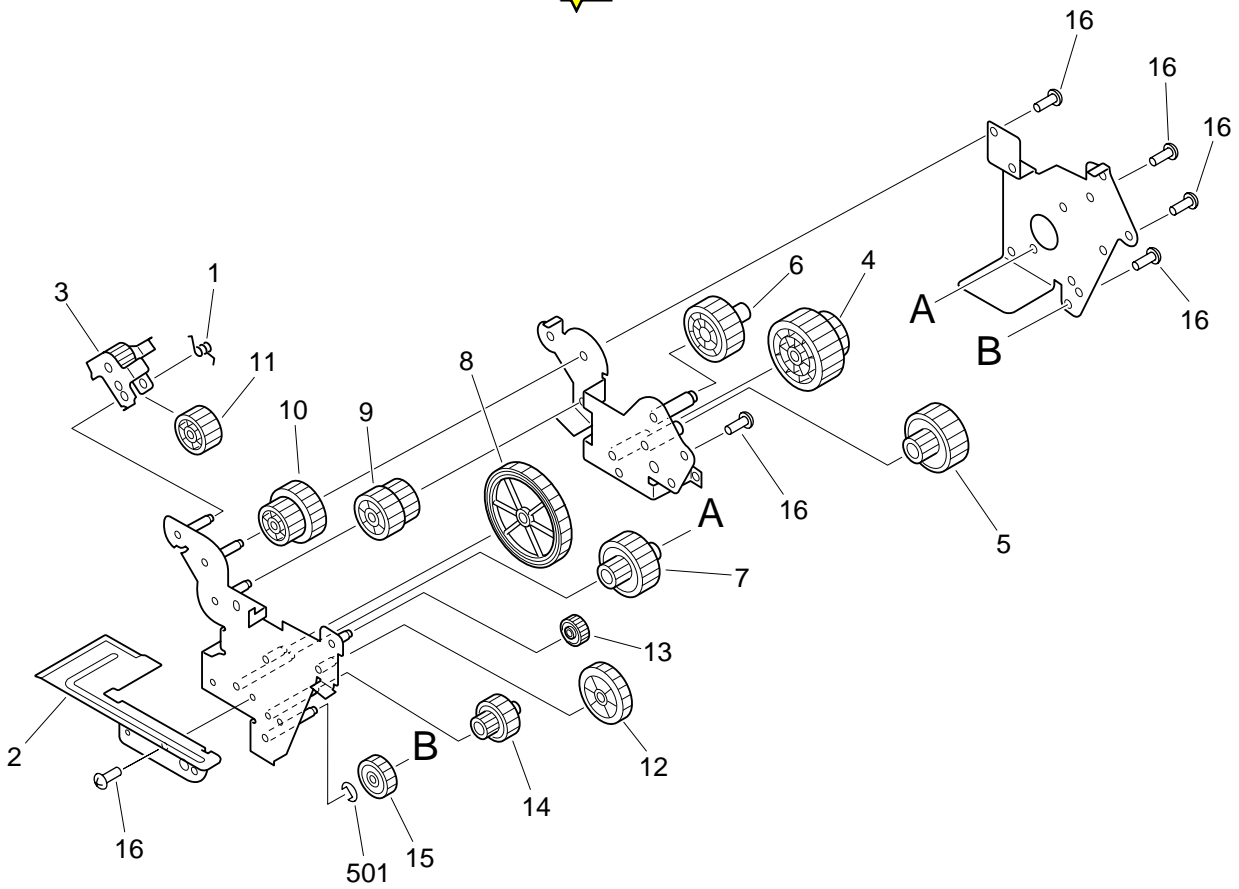


FIGURE & KEY NO.	PART NUMBER	R A N K	Q' T Y	DESCRIPTION	SERIAL NUMBER / REMARKS
250 -	RG5-4365-000		1	PRINTER DRIVE ASS'Y	
1	RB1-6517-000		1	SPRING, TORSION	
2	RB1-6518-030		1	PLATE, GUIDE	
3	RF5-2730-000		1	COUPLER, FIXING	
4	RS6-0510-000		1	GEAR, 53T/94T	
5	RS6-0511-000		1	GEAR, 17T/56T	
6	RS5-0729-000		1	GEAR, 41T	
7	RS6-0512-000		1	GEAR, 23T/75T	
8	RS6-0513-000		1	GEAR, 71T	
9	RS5-0722-000		1	GEAR, 27T/30T	
10	RS5-0723-000		1	GEAR, 26T/39T	
11	RS5-0724-000		1	GEAR, 25T	
12	RS5-0725-000		1	GEAR, 39T	
13	RS5-0726-000		1	GEAR, 17T	
14	RS5-0727-000		1	GEAR, 19T/57T	
15	RS5-0728-000		1	GEAR, 31T	
16	XA9-0267-000		6	SCREW, TP, M3X6	
501	XD2-1100-502		1	RING, E	

FIGURE 300 CASSETTE (LOWER)

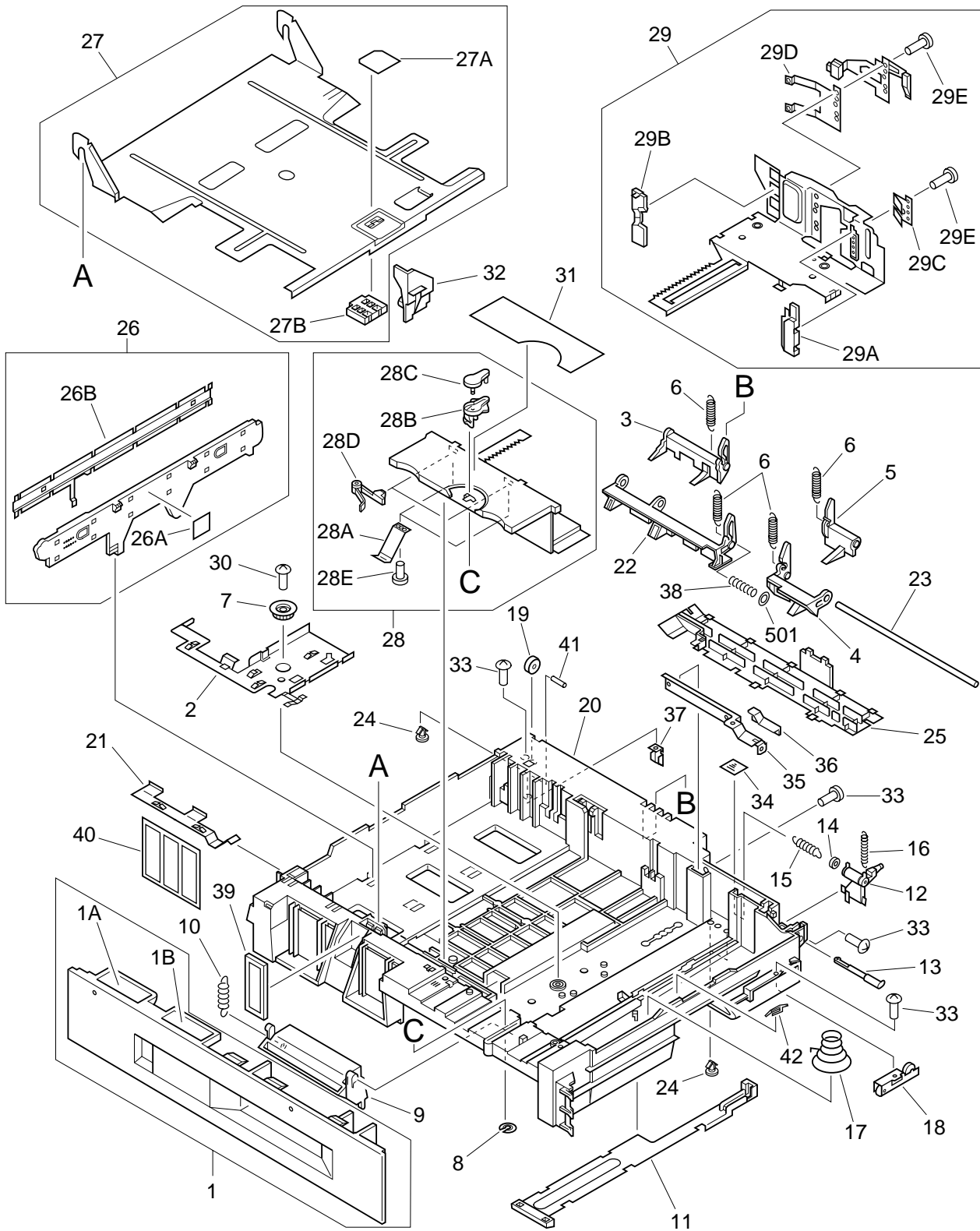


FIGURE & KEY NO.	PART NUMBER	RANK	QTY	DESCRIPTION	SERIAL NUMBER / REMARKS
300 -	NPN		RF	CASSETTE (LOWER)	
1	RF5-2006-000		1	PANEL, FRONT	
1A	RS6-8036-000		1	LABEL, OPERATION	
1B	RS5-8609-000		1	LABEL, CASSETTE SIZE DISPLAY	LTR/A4, LGL/B4 11X17/A3
2	RB1-6875-020		1	PLATE, GROUNDING	
3	RB1-6877-000		1	CAM, SIZE, B	
4	RB1-6878-000		1	CAM, SIZE, C	
5	RB1-6879-000		1	CAM, SIZE, D	
6	RB1-6881-020		4	SPRING, TENSION	
7	RB1-6882-000		1	GEAR, 20T	
8	RB1-6883-000		1	PLATE, LOCK	
9	RB1-6884-000		1	LATCH, CASSETTE	
10	RB1-6885-000		1	SPRING, TENSION	
11	RB1-6887-000		1	PLATE, CHANGING	
12	RB1-6888-000		1	ARM, SENSOR	
13	RB1-6889-000		1	SHAFT, LATCH	
14	RB1-6890-000		1	BUSHING	
15	RB1-6891-000		1	SPRING, TENSION	
16	RB1-6892-000		1	SPRING, TENSION	
17	RB1-6893-000		1	SPRING, COMPRESSION	
18	RF5-2734-030		1	ROLLER, 1	
19	RB1-6895-000		1	ROLLER	
20	RB2-3589-000	N	1	BODY, CASSETTE	
21	RB1-6901-000		1	PLATE, GROUNDING	
22	RB1-6902-000		1	CAM, SIZE, A	
23	RB1-6903-000		1	SHAFT, CAM	
24	RB1-6904-000		3	CLIP	
25	RB1-6908-000		1	COVER, SIZE CAM	
26	RF5-2002-000		1	PLATE, END	
26A	RS6-8034-000		1	LABEL, "LIMIT"	
26B	RB1-6869-030		1	PLATE, REINFORCEMENT	
27	RF5-2712-000		1	PLATE, PAPER LIFTING	
27A	RB1-6872-000		1	SHEET, SEPARATION, LEATHER	
27B	RB1-6871-030		1	CUSHION	
28	RG5-3948-000		1	PANEL, LIMIT	
28A	RB1-6858-000		2	SPRING, LEAF	
28B	RB1-9619-000		1	LEVER, LOCK	
28C	RB1-9620-000		1	COVER, LEVER	
28D	RB1-6914-000		2	CLAW	
28E	XB1-2300-406		2	SCREW, MACH., TRUSS HEAD, M3X4	
29	RG5-1910-000		1	PANEL, LIMIT	
29A	RB1-6861-000		1	PLATE, SIDE, FRONT	
29B	RB1-6863-000		1	PLATE, SIDE, REAR	
29C	RB1-6865-000		1	SPRING, LEAF	
29D	RB1-6867-000		1	SPRING, LEAF	
29E	XB1-2300-406		5	SCREW, MACH., TRUSS HEAD, M3X4	
30	XA9-0283-000		1	SCREW, TP, M3X6	
31	RS6-8035-000		1	LABEL, OPERATION	
32	RB1-6784-000		1	PLATE, HOLDER	

FIGURE 301 CASSETTE (UPPER)

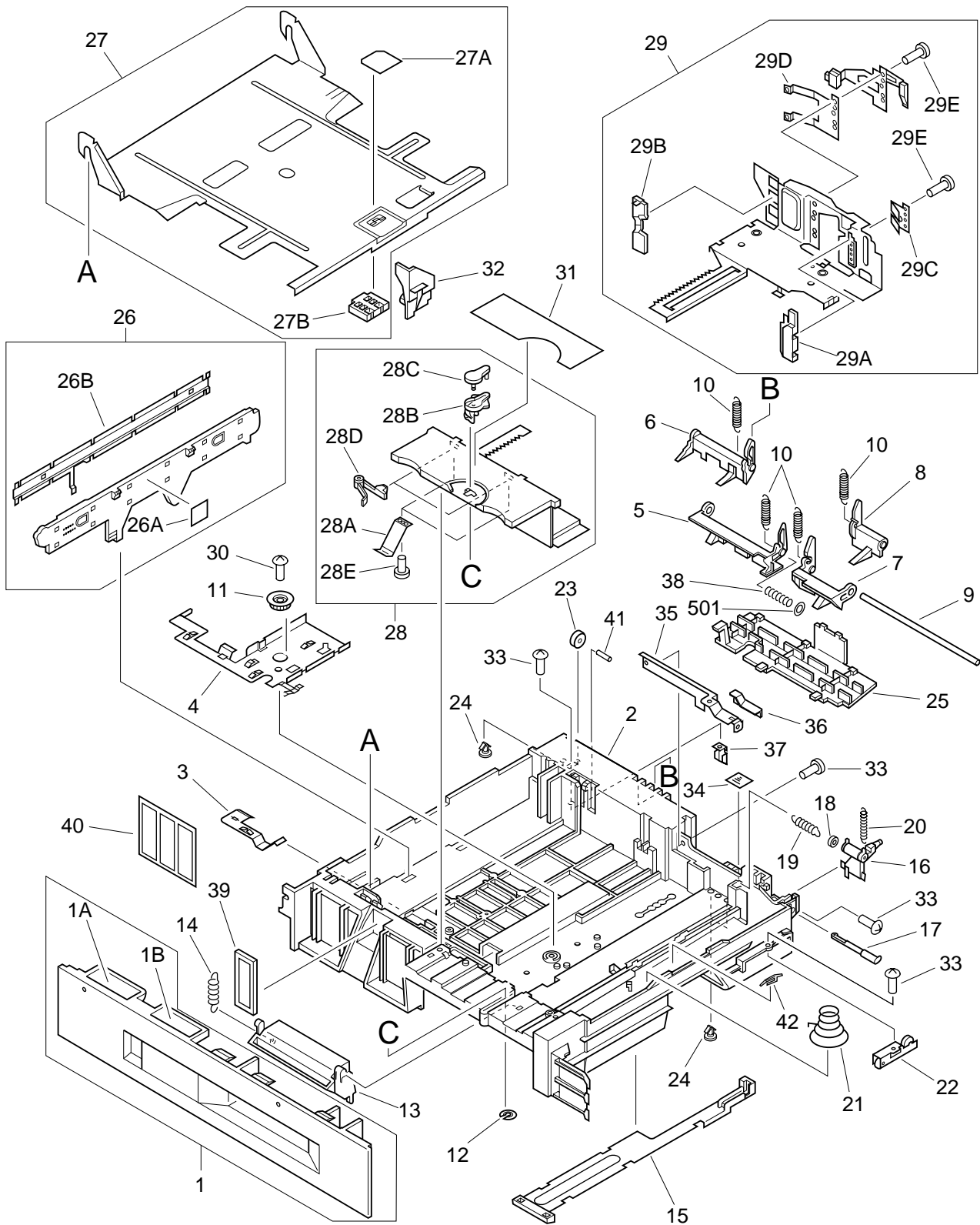


FIGURE & KEY NO.	PART NUMBER	RANK	QTY	DESCRIPTION	SERIAL NUMBER / REMARKS
301 -	NPN		RF	CASSETTE (UPPER)	
1	RF5-2005-000		1	PANEL, FRONT	
1A	RS6-8036-000		1	LABEL, OPERATION	
1B	RS5-8608-000		1	LABEL, CASSETTE SIZE DISPLAY	LTR/A4, LGL/B4
2	RB2-3588-000	N	1	BODY, CASSETTE	
3	RB1-6874-000		1	PLATE, GROUNDING	
4	RB1-6875-020		1	PLATE, GROUNDING	
5	RB1-6876-000		1	CAM, SIZE, A	
6	RB1-6877-000		1	CAM, SIZE, B	
7	RB1-6878-000		1	CAM, SIZE, C	
8	RB1-6879-000		1	CAM, SIZE, D	
9	RB1-6880-000		1	SHAFT, CAM	
10	RB1-6881-020		4	SPRING, TENSION	
11	RB1-6882-000		1	GEAR, 20T	
12	RB1-6883-000		1	PLATE, LOCK	
13	RB1-6884-000		1	LATCH, CASSETTE	
14	RB1-6885-000		1	SPRING, TENSION	
15	RB1-6887-000		1	PLATE, CHANGING	
16	RB1-6888-000		1	ARM, SENSOR	
17	RB1-6889-000		1	SHAFT, LATCH	
18	RB1-6890-000		1	BUSHING	
19	RB1-6891-000		1	SPRING, TENSION	
20	RB1-6892-000		1	SPRING, TENSION	
21	RB1-6893-000		1	SPRING, COMPRESSION	
22	RF5-2734-030		1	ROLLER, 1	
23	RB1-6895-000		1	ROLLER	
24	RB1-6904-000		3	CLIP	
25	RB1-6907-000		1	COVER, SIZE CAM	
26	RF5-2002-000		1	PLATE, END	
26A	RS6-8034-000		1	LABEL, "LIMIT"	
26B	RB1-6869-030		1	PLATE, REINFORCEMENT	
27	RF5-2712-000		1	PLATE, PAPER LIFTING	
27A	RB1-6872-000		1	SHEET, SEPARATION, LEATHER	
27B	RB1-6871-030		1	CUSHION	
28	RG5-3948-000		1	PANEL, LIMIT	
28A	RB1-6858-000		2	SPRING, LEAF	
28B	RB1-9619-000		1	LEVER, LOCK	
28C	RB1-9620-000		1	COVER, LEVER	
28D	RB1-6914-000		2	CLAW	
28E	XB1-2300-406		2	SCREW, MACH., TRUSS HEAD, M3X4	
29	RG5-1910-000		1	PANEL, LIMIT	
29A	RB1-6861-000		1	PLATE, SIDE, FRONT	
29B	RB1-6863-000		1	PLATE, SIDE, REAR	
29C	RB1-6865-000		1	SPRING, LEAF	
29D	RB1-6867-000		1	SPRING, LEAF	
29E	XB1-2300-406		5	SCREW, MACH., TRUSS HEAD, M3X4	
30	XA9-0283-000		1	SCREW, TP, M3X6	
31	RS6-8035-000		1	LABEL, OPERATION	
32	RB1-6784-000		1	PLATE, HOLDER	
33	XA9-0866-000		4	SCREW, W/WASHER, M3X7	

FIGURE & KEY NO.	PART NUMBER	R A N K	Q' T Y	DESCRIPTION	SERIAL NUMBER / REMARKS
301 - 34	RS5-8593-000		1	LABEL, CASSETTE	A4/B4, LTR/LGL
35	RB1-6911-000		1	PLATE, REINFORCEMENT	
36	RB1-6913-000		1	COVER, PROTECTIVE	
37	RB1-6917-000		1	STOPPER, TRAY	
38	RB1-6916-000		1	SPRING, COMPRESSION	
39	RB1-6894-000		1	PLATE, CASSETTE SIZE DISPLAY	
40	RS5-8610-000		1	LABEL, CASSETTE SIZE DISPLAY	
41	XD9-0170-000		1	PIN, DOWEL	
42	RB2-3593-000		1	GUIDE, NIP	
501	XD1-1105-233		1	WASHER, SHIM	

FIGURE 310 PAPER PICK-UP ASS'Y (2/3)

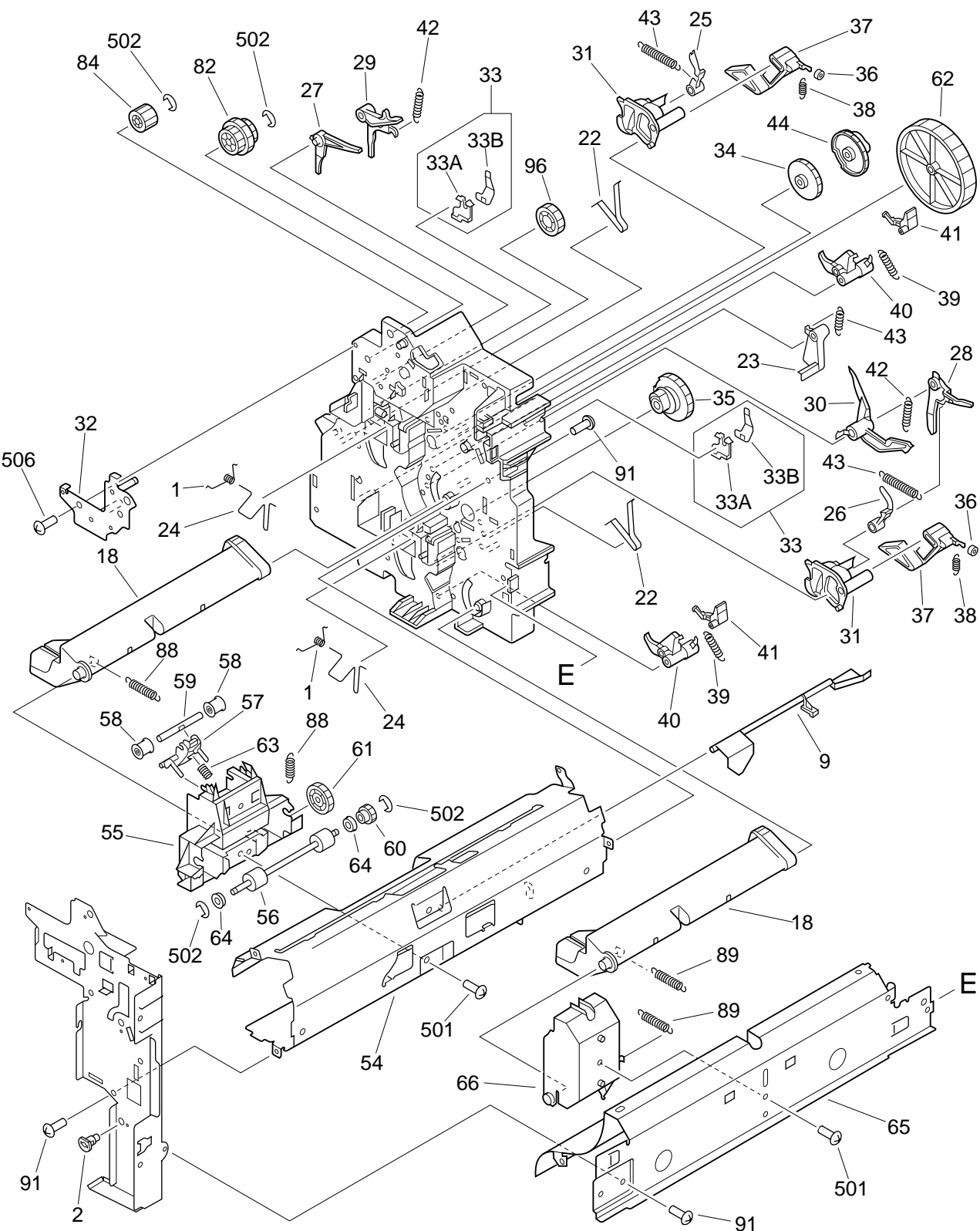


FIGURE 310 PAPER PICK-UP ASS'Y (3/3)

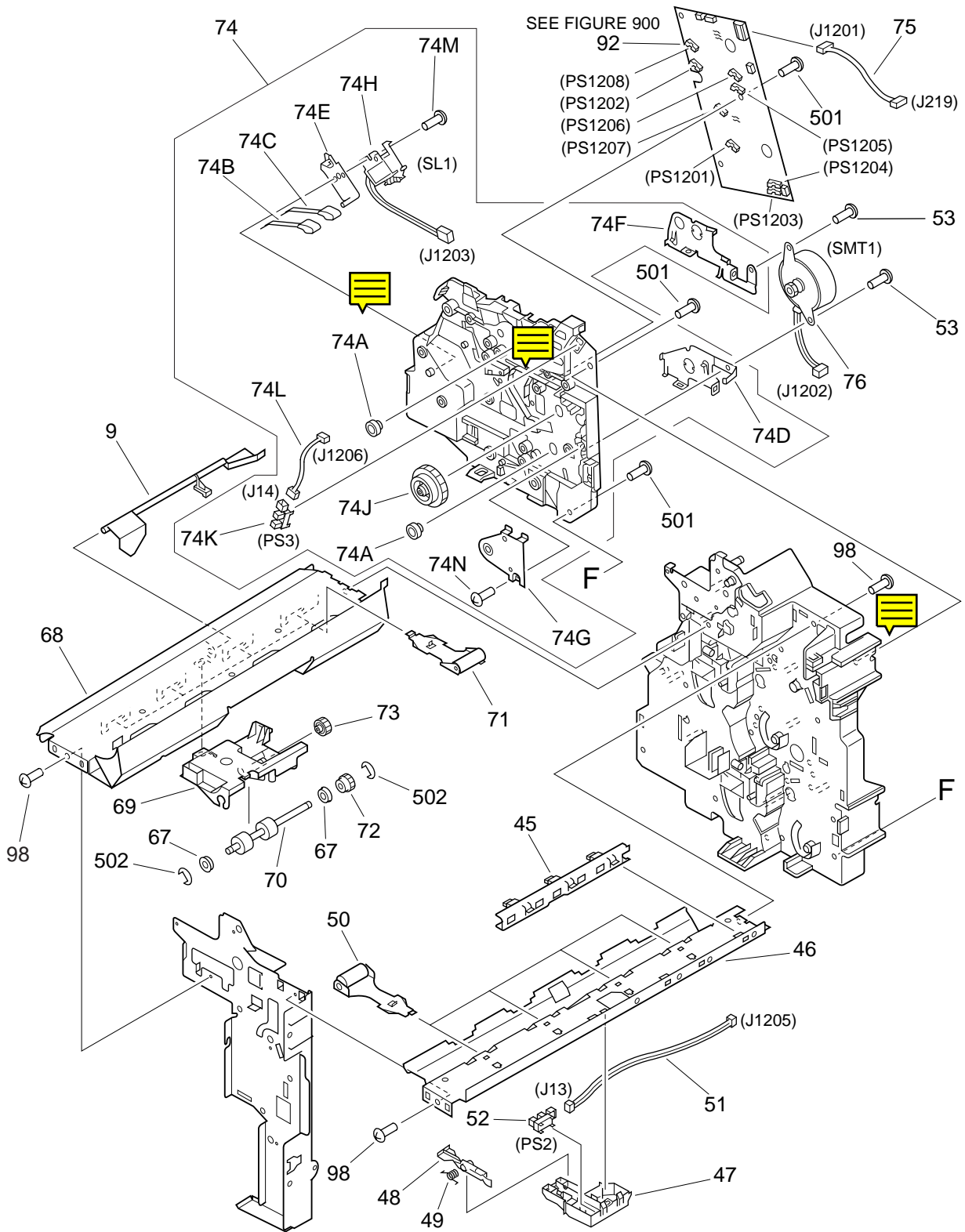


FIGURE & KEY NO.	PART NUMBER	RANK	QTY	DESCRIPTION	SERIAL NUMBER / REMARKS
310 -	RG5-4334-000		1	PAPER PICK-UP ASS'Y	
1	RS5-2477-000		2	SPRING, TORSION	
2	RB1-7085-000		3	PIN	
3	RB1-6580-000		2	PLATE, GROUNDING	
4	RB1-6581-000		1	ROLLER, SECOND-PASS	
5	RB1-6582-020		1	PLATE, GUIDE, UPPER	
6	RB1-6583-000		1	GUIDE, OPEN/CLOSE	
7	RB1-6585-000		2	HOLDER, ROLLER	
8	RB1-6586-000		2	SHAFT, FRONT	
9	RB2-3587-000		2	FLAG, PAPER SENSING	
10	RB2-3581-000		2	LIMITER, TORQUE	
11	RB2-3512-000		1	SPRING, TORSION	
12	RB1-6590-000		1	LEVER, GUIDE	
13	RB1-6591-000		2	ROD, RELEASE	
14	RB1-6600-000		1	PLATE, GROUNDING	
15	RB1-6601-000		1	LEVER, OPEN/CLOSE	
16	RB1-6569-030		2	SHAFT, SEPARATION	
17	RF5-1423-000		2	SHAFT, CONNECTING	
18	RF5-1424-000		2	LIFTER	
19	RB2-3580-000		1	GUIDE	
20	RF5-1834-000		4	ROLLER, FEED	
21	RF5-2708-000		2	ROLLER, PICK-UP	
22	RB1-6528-000		2	SPRING, LEAF	
23	RB1-6543-000		1	LEVER, OPEN/CLOSE SENSING	
24	RB1-6544-000		2	LINK, LIFTER	
25	RB1-6545-000		1	BLOCK, PICK-UP LOCK, UPPER	
26	RB1-6546-000		1	BLOCK, PICK-UP LOCK, LOWER	
27	RB1-6547-000		1	TRIGGER, LIFTER, UPPER	
28	RB1-6548-000		1	TRIGGER, LIFTER, LOWER	
29	RB1-6549-000		1	ARM, LIFTER, UPPER	
30	RB1-6550-000		1	ARM, LIFTER, LOWER	
31	RB1-6551-000		2	ARM, CONNECTING	
32	RF5-1414-000		1	PLATE, GEAR	
33	RF5-1415-000		2	LEVER, LOCK, REAR	
33A	RB1-6533-000		1	LEVER, LOCK	
33B	RB1-6534-000		1	SPRING, LEAF	
34	RF5-1417-000		1	CAM, LIFT UP, UPPER	
35	RF5-1418-000		1	CAM, LIFT UP, LOWER	
36	RB1-6539-000		2	DAMPER	
37	RB1-6538-000		2	CLAW, LEFTER ARM	
38	RS5-2476-020		2	SPRING, TENSION	
39	RS5-2476-020		2	SPRING, TENSION	
40	RB1-6540-000		2	CLAW, LIFTER LOCK	
41	RB1-6541-000		2	LEVER, LEAD	
42	RS5-2478-000		2	SPRING, TENSION	
43	RS5-2479-000		3	SPRING, TENSION	
44	RB1-6535-000		1	CAM, PAPER PICK-UP	
45	RB1-6552-000		1	GUIDE, CABLE	
46	RB1-6555-000		1	CROSSMEMBER, UPPER	
47	RB1-6556-000		1	HOLDER, SENSOR	

FIGURE & KEY NO.	PART NUMBER	RANK	QTY	DESCRIPTION	SERIAL NUMBER / REMARKS
310 - 48	RB1-6557-000		1	FLAG, PAPER SENSING	
49	RB1-6558-020		1	SPRING, TORSION	
50	RF5-2001-000		4	ROLLER	
51	RG5-1859-000		1	CABLE, PICK-UP SENSOR	J13, J1205
52	WG8-0291-000		1	IC, TLP1230, PHOTO INTERRUPTER	PS2, J13
53	XA9-0302-000		2	SCREW, TP, M3X8	
54	RB1-6559-000		1	CROSSMEMBER, GUIDE, UPPER	
55	RB1-6560-000		1	BLOCK, SUPPORT, UPPER	
56	RB1-6561-000		1	ROLLER, PAPER FEED	
57	RB1-6594-000		1	HOLDER, ROLLER	
58	RB1-6595-000		2	ROLLER	
59	RB1-6596-000		1	SHAFT, ROLLER	
60	RS5-0736-000		1	GEAR, 16T	
61	RS5-0737-000		1	GEAR, 40T	
62	RS5-0734-000		1	GEAR, 100T	
63	RS5-2475-000		1	SPRING, COMPRESSION	
64	RS5-1009-000		2	BUSHING	
65	RB1-6562-000		1	CROSSMEMBER, GUIDE, LOWER	
66	RB1-6563-000		1	BLOCK, SUPPORT, LOWER	
67	RS5-1009-000		2	BUSHING	
68	RB1-6564-000		1	GUIDE, PAPER PICK-UP, LOWER	
69	RB1-6597-000		1	BLOCK, ROLLER SUPPORT, UPPER	
70	RB1-6598-000		1	ROLLER, PAPER FEED, UPPER	
71	RF5-2001-000		4	ROLLER	
72	RS5-0736-000		1	GEAR, 16T	
73	RS5-0746-000		1	GEAR, 21T	
74	RG5-4338-000		1	PAPER PICK-UP COVER ASS'Y	
74A	RS5-1179-000		2	BUSHING	
74B	RB1-6526-000		1	SPRING, LEAF, 1	
74C	RB1-6527-000		1	SPRING, LEAF, 2	
74D	RB1-6567-000		1	PLATE, GROUNDING, 2	
74E	RB1-6568-000		1	PLATE, GROUNDING, 3	
74F	RB1-6579-000		1	PLATE, GROUNDING, 1	
74G	RB1-6599-000		1	COVER, SMALL	
74H	RH7-5218-000		1	SOLENOID	SL1, J1203
74J	RS5-0738-000		1	GEAR, 31T/47T	
74K	WG8-0291-000		1	IC, TLP1230, PHOTO INTERRUPTER	PS3, J14
74L	RG5-1862-000		1	CABLE, RIGHT DOOR SENSOR	J14, J1206
74M	XB4-7301-009		1	SCREW, TAPPING, TRUSS HEAD, M3X10	
74N	XB4-7401-009		1	SCREW, TAPPING, PAN HEAD, M4X10	
75	RG5-1861-000		1	CABLE, PAPER PICK-UP	J219, J1201
76	RH7-1350-000		1	MOTOR, STEPPING	SMT1, J1202
77	RH7-5188-000		1	CLUTCH, ELECTROMAGNETIC	CL2, J1204
78	RS5-0732-020		2	GEAR, 31T	
79	RS5-0733-000		2	GEAR, 20T/41T	
80	RS5-0739-000		2	GEAR, 38T	
81	RS5-0740-000		2	GEAR, 18T	
82	RS5-0741-000		1	GEAR, 27T/36T	
83	RS5-0742-000		1	GEAR, 57T	
84	RS5-0743-000		1	GEAR, 20T	

FIGURE & KEY NO.	PART NUMBER	RANK	QTY	DESCRIPTION	SERIAL NUMBER / REMARKS
310 - 85	RS5-0744-000		2	GEAR, 23T	
86	RS5-0745-000		2	GEAR, 31T	
87	RS5-1004-000		2	BUSHING	
88	RS5-2481-000		2	SPRING, TENSION	
89	RS5-2482-000		4	SPRING, TENSION	
90	RS5-2484-020		2	SPRING, TENSION	
91	XA9-0836-000		7	SCREW, TP, M3X6	
92	RG5-1860-030		1	PAPER PICK-UP PCB ASS'Y	SEE FIGURE 900 PS1201-PS1208, J1201
93	RB1-6570-000		2	ARM, SEPARATION	
94	RB1-6571-000		2	JOINT	
95	RS5-2480-000		2	SPRING, COMPRESSION	
96	RS5-0735-000		1	GEAR, 32T	
97	RB1-6565-000		2	JOINT	
98	XA9-0686-000		7	SCREW, M3X6	
99	XA9-0863-000		1	SCREW, RS, M3X6	
501	XB4-7401-007		6	SCREW, TAPPING, PAN HEAD, M4X10	
502	XD2-1100-502		13	RING, E	
503	XD2-1100-642		2	RING, E	
504	XD3-1200-122		2	PIN, SPRING	
505	XD3-2200-122		4	PIN, DOWEL	
506	XB1-7400-807		2	SCREW, TAPPING, TRUSS HEAD, M4X8	
507	XD3-1200-102		2	PIN, SPRING	
508	XD2-1100-402		2	RING, E	

FIGURE 320 REGISTRATION ROLLER ASS'Y

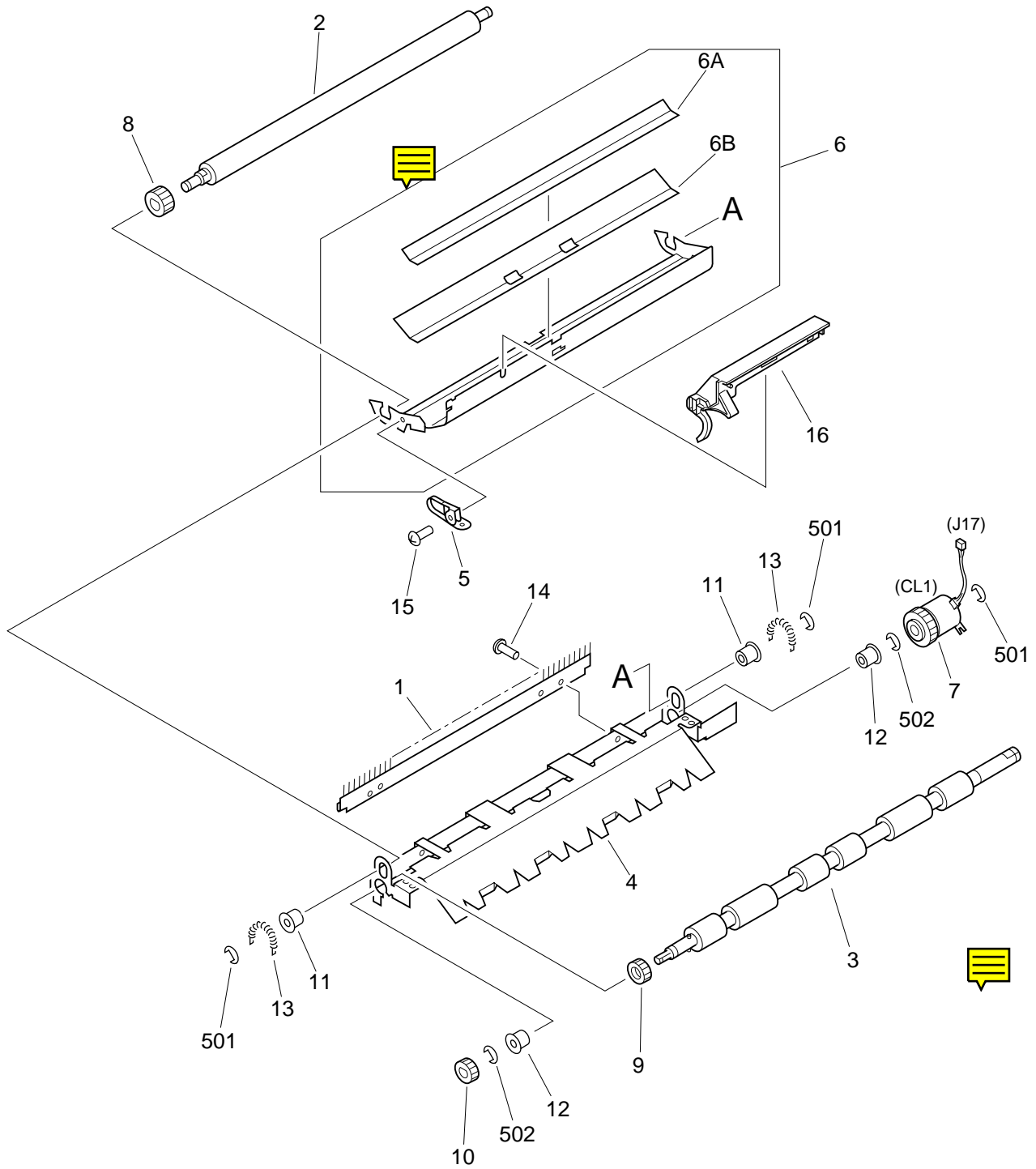


FIGURE & KEY NO.	PART NUMBER	R A N K	Q' T Y	DESCRIPTION	SERIAL NUMBER / REMARKS
320 -	RG5-4303-000		1	REGISTRATION ROLLER ASS'Y	
1	RB1-6402-000		1	ELIMINATOR, STATIC CHARGE	
2	RB1-6404-000		1	ROLLER, REGISTRATION	
3	RF5-2681-000		1	ROLLER, REGISTRATION, LOWER	
4	RB1-6406-000		1	PLATE, GUIDE	
5	RB1-6436-000		1	SPRING, LEAF	
6	RF5-2680-000		1	PLATE, GUIDE	
6A	RB1-6400-000		1	SCRAPER	
6B	RB2-3509-000		1	SHEET	
7	RH7-5187-000		1	CLUTCH, ELECTROMAGNETIC	CL1, J17
8	RS5-0705-000		1	GEAR, 28T	
9	RS6-0515-000		1	GEAR, 32T	
10	RS5-0707-000		1	GEAR, 18T	
11	RS5-1175-000		2	BUSHING	
12	RS5-1176-000		2	BUSHING	
13	RS5-2461-000		2	SPRING, TENSION	
14	XA9-0434-000		2	SCREW, TP, M3X4	
15	XA9-0702-000		1	SCREW, W/WASHER, M3X6	
16	RB2-3502-000		1	HOLDER, JAM CLEARING	
501	XD2-1100-502		3	RING, E	
502	XD2-1100-642		2	RING, E	

FIGURE 330 PAPER FEED ASS'Y

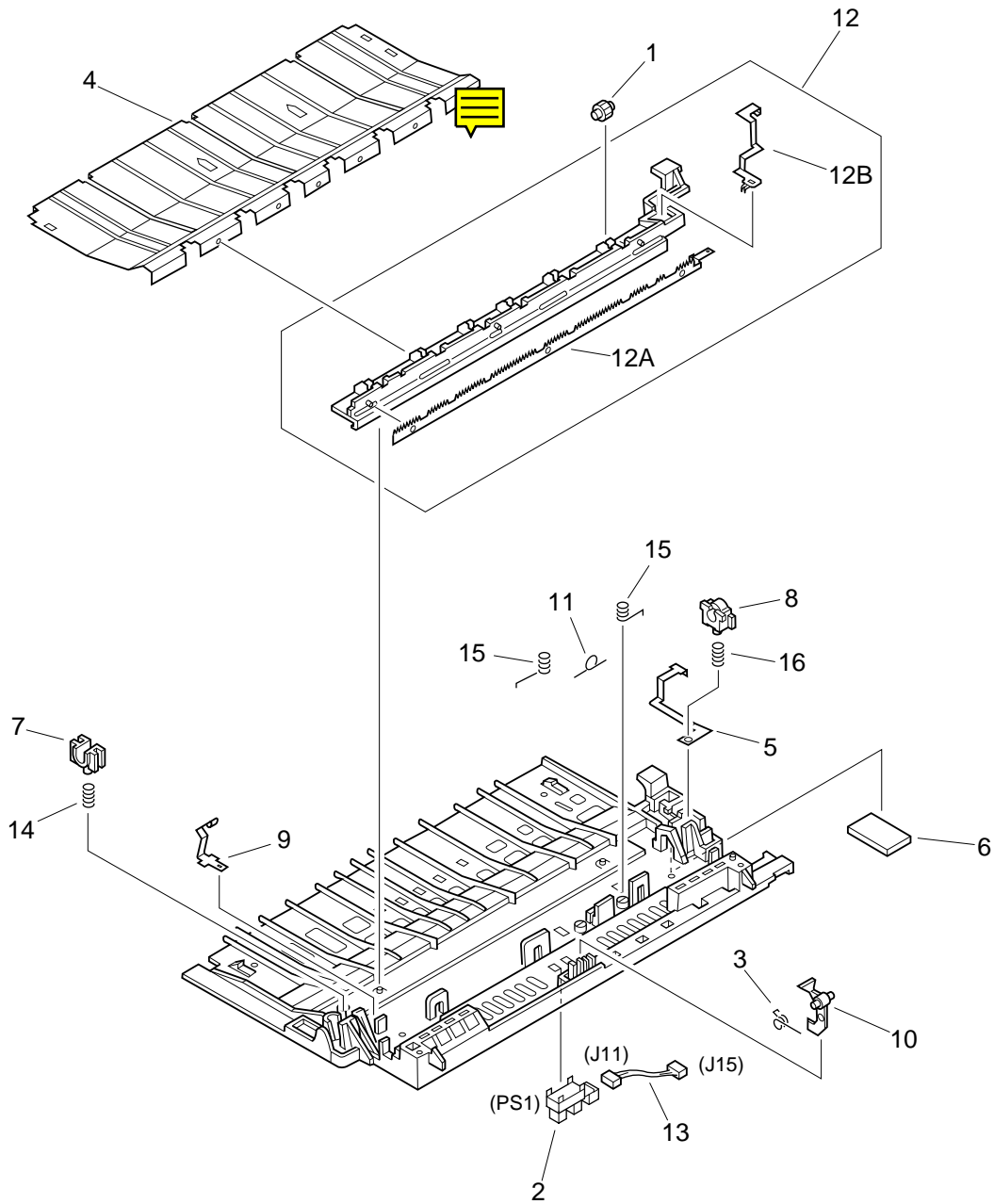


FIGURE & KEY NO.	PART NUMBER	RANK	QTY	DESCRIPTION	SERIAL NUMBER / REMARKS
330 -	RG5-4305-000		1	PAPER FEED ASS'Y	
1	RB1-2253-000		6	ROLLER, FEED	
2	WG8-0291-000		1	IC, TLP1230, PHOTO INTERRUPTER	PS1, J11
3	RB1-6409-000		1	SPRING, TORSION	
4	RB1-6411-020		1	GUIDE, FEEDER	
5	RB1-6412-000		1	PLATE, TERMINAL	
6	RB1-6413-000		1	SHEET, INSULATING	
7	RB2-3503-000		1	BLOCK, SHAFT HOLDING, FRONT	
8	RB2-3504-000		1	BLOCK, SHAFT HOLDING, REAR	
9	RB1-6416-000		1	SPRING, LEAF	
10	RB1-6417-000		1	ARM, SENSOR	
11	RH9-0737-000		1	VARISTOR	
12	RF5-1391-000	N	1	FRAME, TRANSFER	
12A	RB1-6408-000		1	ELIMINATOR, STATIC CHARGE	
12B	RB1-6437-000		1	PLATE, TERMINAL	
13	RG5-1843-000		1	REGIST. SENSOR CABLE ASS'Y	J11, J15
14	RS6-2072-000		1	SPRING, COMPRESSION	
15	RS5-2464-000		2	SPRING, COMPRESSION	
16	RS6-2073-000		1	SPRING, COMPRESSION	

FIGURE 340 MULTI-PURPOSE PICK-UP ASS'Y

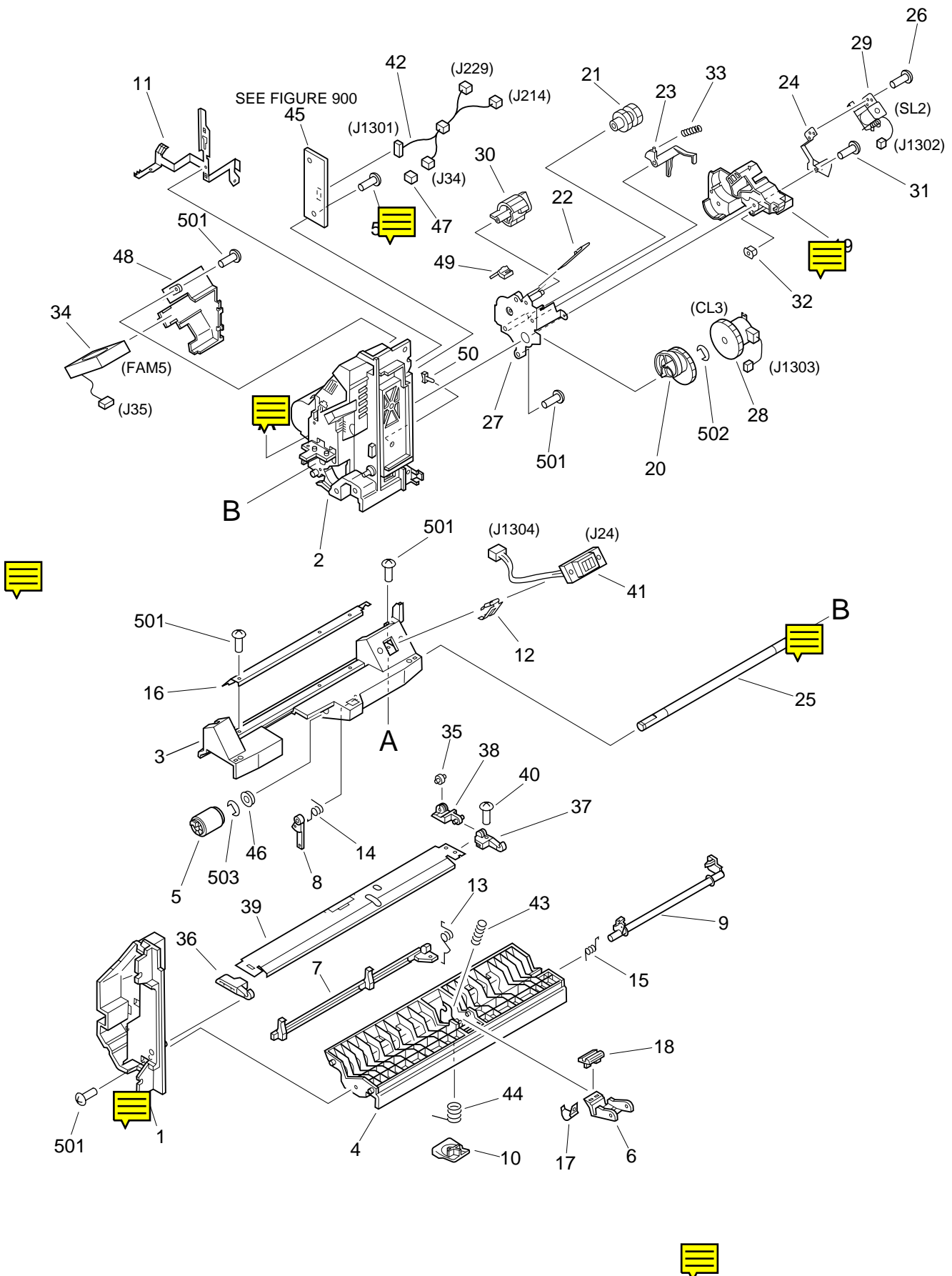


FIGURE & KEY NO.	PART NUMBER	R A N K	Q' T Y	DESCRIPTION	SERIAL NUMBER / REMARKS
340 -	RG5-4330-000		1	MULTI-PURPOSE PICK-UP ASS'Y	
1	RB1-6726-000		1	FRAME, FRONT	
2	RB2-3570-000		1	FRAME, REAR	
3	RB1-6728-000		1	FRAME, UPPER	
4	RB1-6729-000		1	FRAME, LOWER	
5	RB1-9526-000		1	ROLLER, MP TRAY PICK-UP	
6	RB2-3569-000		1	HOLDER, SEPARATION PAD	
7	RB1-9533-000		1	ARM, STOP	
8	RB1-6733-000		1	ARM, SENSOR	
9	RB1-6734-000		1	FLAG, SENSOR	
10	RB1-6735-000		1	COVER, SPRING	
11	RB2-3572-000		1	PLATE, CONTINUITY, 1	
12	RB1-6737-000		1	PLATE, CONTINUITY, 2	
13	RB1-6738-000		1	SPRING, TORSION	
14	RB1-6739-000		1	SPRING, TORSION	
15	RB1-6740-000		1	SPRING, TORSION	
16	RB1-6746-000		1	CROSSMEMBER	
17	RB1-6748-000		1	PLATE, CONTINUITY, 3	
18	RF5-2703-000		1	PAD, SEPARATION	
19	RB1-9554-000		1	COVER, DRIVE	
20	RS6-0030-000		1	GEAR, 45T	
21	RS6-0032-000		1	GEAR, 23T	
22	RB1-9557-000		1	SPRING, LEAF	
23	RB1-9555-000		1	ARM, AUXILIARY	
24	RB1-9558-000		1	PLATE, CONTINUITY	
25	RB1-9556-000		1	SHAFT, PICK-UP	
26	XA9-0614-000		2	SCREW, M3X8	
27	RF5-1946-000		1	PLATE, DRIVE	
28	RH7-5121-020		1	CLUTCH, ELECTROMAGNETIC	CL3, J1303
29	RH7-5167-000		1	SOLENOID	SL2, J1302
30	RS6-0031-000		1	GEAR, 20T/23T	
31	XA9-0924-000		2	SCREW, W/WASHER, M3X8	
32	RS5-1021-000		1	BUSHING	
33	RS5-2702-000		1	SPRING, TENSION	
34	RH7-1397-000		1	FAN	FAM5, J35
35	RB1-2152-000		1	ROLLER, ARM	
36	RB1-6721-000		1	ARM, FRONT	
37	RB1-6722-000		1	ARM, REAR	
38	RB1-6723-000		1	HOLDER, ROLLER	
39	RF5-1454-000		1	PLATE, MIDDLE	
40	XA9-0947-000		1	SCREW, TP, M3X6	
41	RG5-4332-000		1	CABLE, ENVELOPE FEEDER	J24, J1304
42	RG5-4333-000		1	CABLE, MULTI-PURPOSE	J34, J214, J229, J1301
43	RS5-2497-000		1	SPRING, COMPRESSION	
44	RS6-2075-000		1	SPRING, COMPRESSION	
45	RG5-1884-000		1	MULTI-PURPOSE TRAY PCB ASS'Y	SEE FIGURE 900 J1301-J1304
46	RS5-1119-000		1	BUSHING	
47	VS1-5057-003		1	CONNECTOR, 3P	
48	RB2-3571-000		1	DUCT, FAN	

FIGURE & KEY NO.	PART NUMBER	R A N K	Q' T Y	DESCRIPTION	SERIAL NUMBER / REMARKS
340 - 49	RB2-3573-000		1	CLAMP, CABLE	
50	WT2-5026-000		1	CLIP, CABLE	
501	XB4-7401-007		11	SCREW, TAPPING, PAN HEAD, M4X10	
502	XD2-1100-402		1	RING, E	
503	XD2-1100-642		1	RING, E	

FIGURE 341 MULTI-PURPOSE TRAY ASS'Y

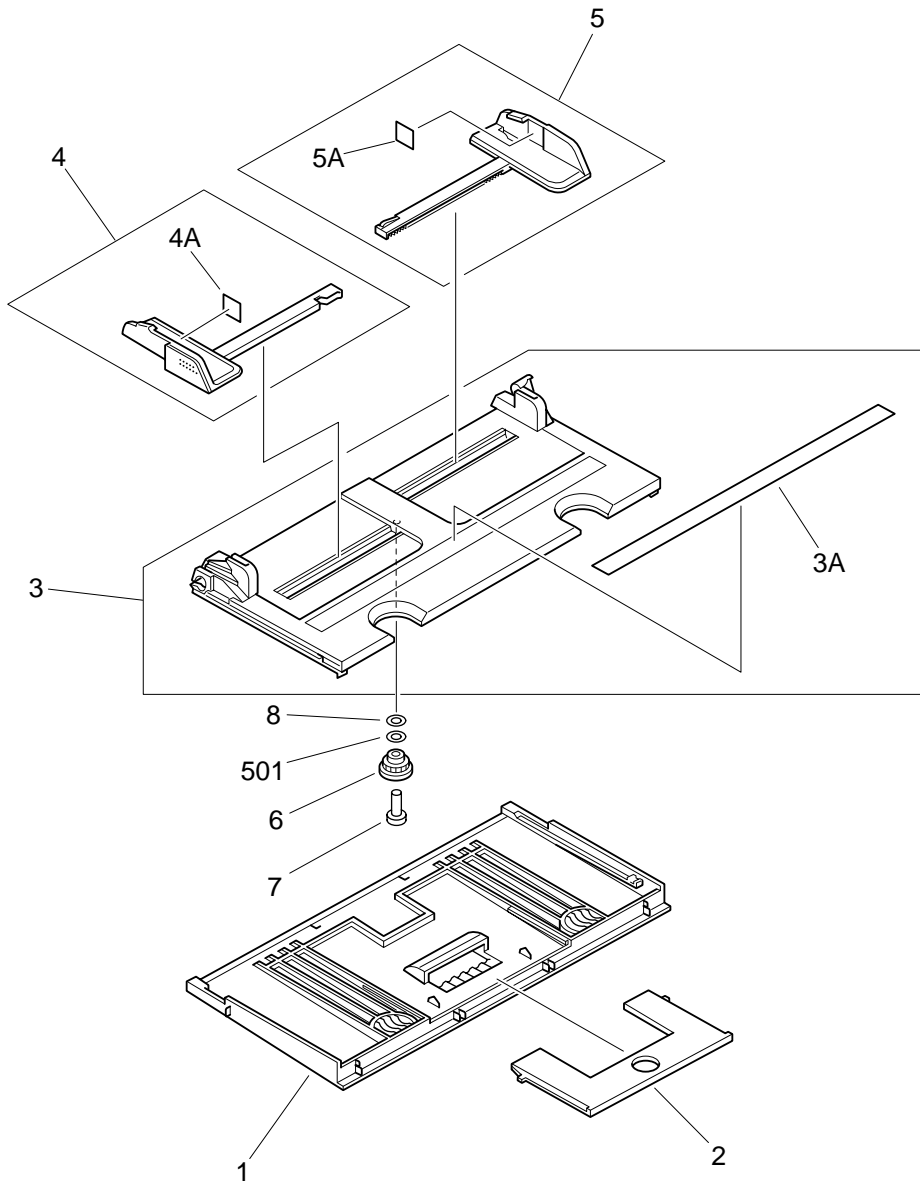


FIGURE 350 DELIVERY ASS'Y

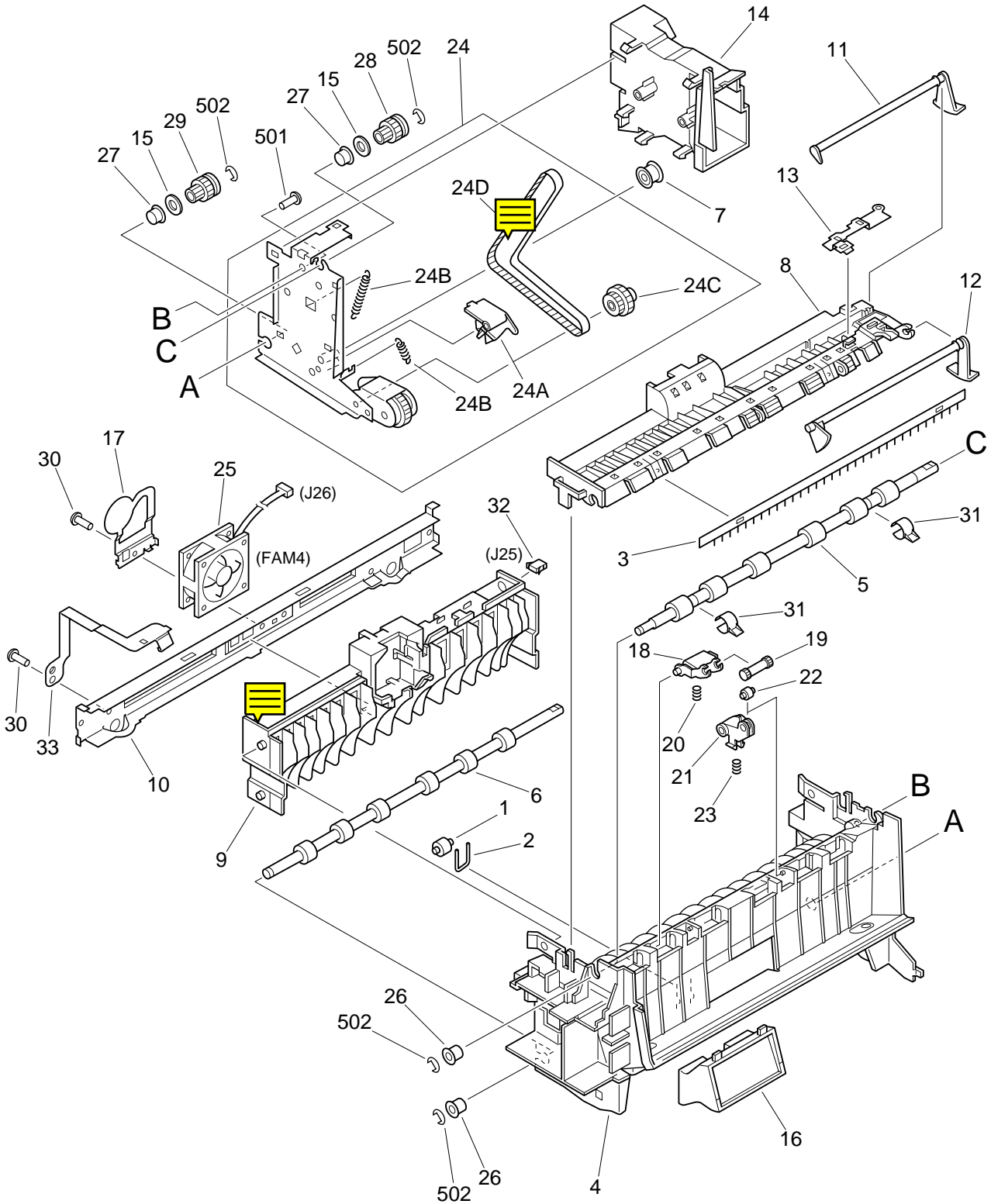


FIGURE & KEY NO.	PART NUMBER	RANK	QTY	DESCRIPTION	SERIAL NUMBER / REMARKS
350 -	RG5-2410-020		1	DELIVERY ASS'Y	
1	RB1-6662-000		6	ROLLER	
2	RB1-6663-000		6	SPRING	
3	RB1-6666-000		1	ELIMINATOR, STATIC CHARGE	
4	RB1-6968-000		1	FRAME	
5	RB1-6686-000		1	ROLLER, DELIVERY	
6	RB1-6687-000		1	ROLLER, FEEDER	
7	RB1-6688-000		1	PULLEY, IDLER	
8	RB1-6689-000		1	GUIDE, UPPER	
9	RB1-6690-000		1	GUIDE, FEEDER	
10	RB1-6691-000		1	CROSSMEMBER, DELIVERY	
11	RB1-6692-000		1	LEVER, PAPER SENSING	
12	RB1-6693-020		1	LEVER, PAPER HEIGHT	
13	RB1-6694-000		1	PLATE, GROUNDING	
14	RB1-6695-000		1	DUCT, FAN	
15	RB1-6696-000		2	FLANGE, PULLEY	
16	RB1-6969-000		1	COVER, SWING LIMIT	
17	RB1-6701-000		1	PLATE, FAN GROUNDING	
18	RB1-9644-000		6	HOLDER, ROLLER	
19	RB1-6679-000		6	ROLLER	
20	RS5-2491-000		6	SPRING, COMPRESSION	
21	RB1-6681-000		2	HOLDER, ROLLER	
22	RB1-6680-000		2	ROLLER	
23	RS5-2491-000		2	SPRING, COMPRESSION	
24	RF5-1449-020		1	FACE-DOWN DELIVERY DRIVE ASS'Y	
24A	RB1-6684-000		1	LEVER, RELEASE	
24B	RS5-2490-000		2	SPRING, TENSION	
24C	RS5-3093-000		1	GEAR, 24T	
24D	XF9-0564-000		1	BELT, TIMING	
25	RH7-1289-000		1	FAN	FAM4, J26
26	RS5-1060-000		2	BUSHING	
27	RS5-1101-000		2	BUSHING, CONDUCTIVE	
28	RS5-3094-000		1	PULLEY, 14T	
29	RS5-3095-000		1	PULLEY, 15T/GEAR, 20T	
30	XA9-0686-000		2	SCREW, M3X6	
31	RB1-6703-000		2	GUIDE, DELIVERY	
32	VS1-5057-003		1	CONNECTOR, 3P	J25
33	RB1-6704-000		1	PLATE, STATIC CHARGE	
501	XB4-7401-009		1	SCREW, TAPPING, PAN HEAD, M4X10	
502	XD2-1100-402		4	RING, E	

FIGURE 351 DELIVERY FRAME ASS'Y

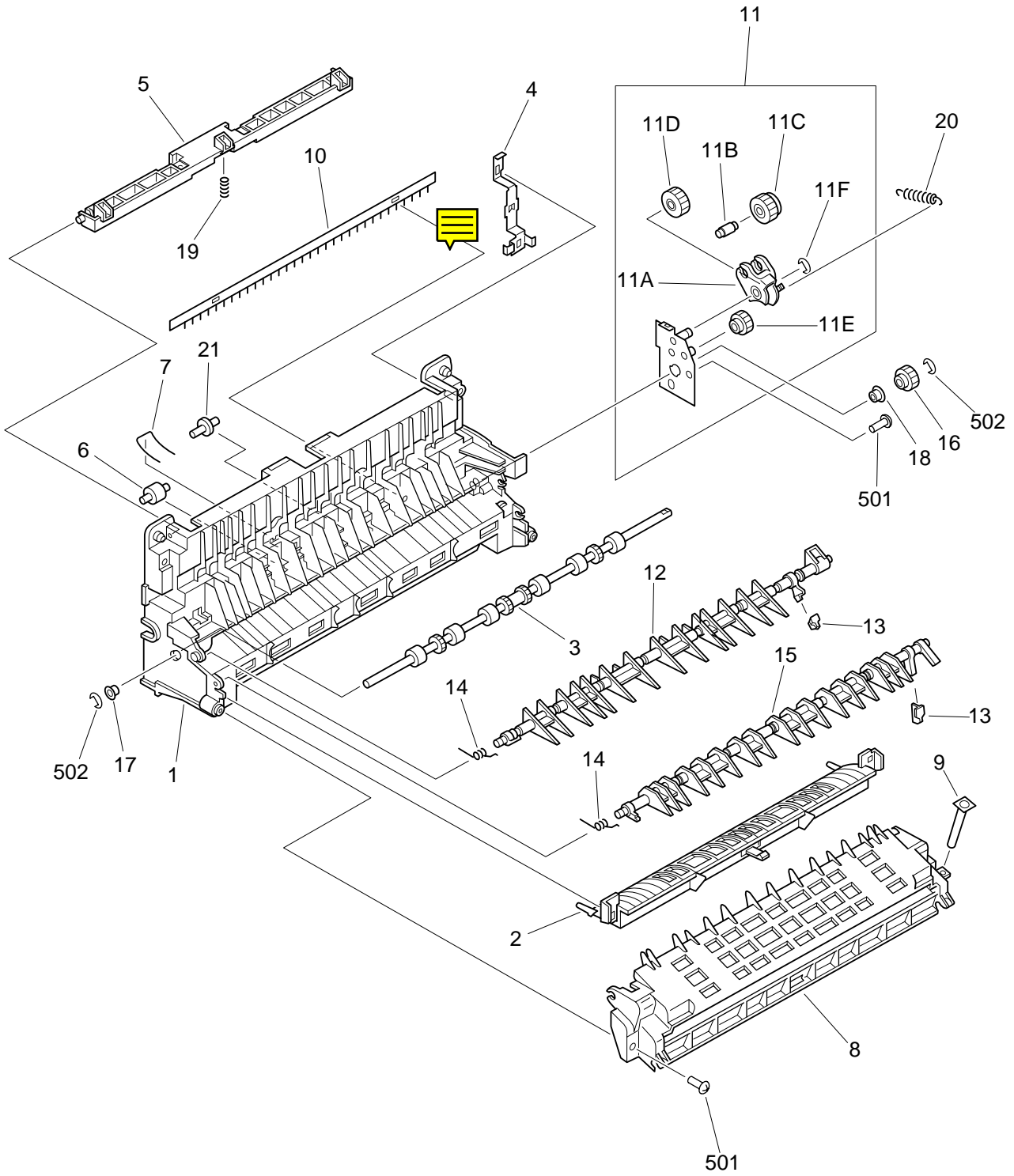


FIGURE & KEY NO.	PART NUMBER	RANK	QTY	DESCRIPTION	SERIAL NUMBER / REMARKS
351 -	RG5-4780-000		1	DELIVERY FRAME ASS'Y	
1	RB9-0248-000		1	FRAME, DELIVERY	
2	RB9-0249-000		1	GUIDE, FEEDER	
3	RB9-0250-000		1	ROLLER, DELIVERY	
4	RB9-0251-000		1	PLATE, STATIC CHARGE	
5	RB9-0256-000		1	LEVER	
6	RB1-6662-000		6	ROLLER	
7	RB1-6663-000		6	SPRING	
8	RB1-9780-000		1	GUIDE, PAPER, DELIVERY	
9	RB9-0254-000		1	PIN, FLAPPER	
10	RB1-6666-000		1	ELIMINATOR, STATIC CHARGE	
11	RF9-1249-000		1	FACE-UP DELIVERY DRIVE ASS'Y	
11A	RB9-0245-000		1	LEVER, SWING	
11B	RB1-6653-000		1	SHAFT, GEAR	
11C	RA9-1124-000		1	GEAR, 18T	
11D	RA9-1125-000		1	GEAR, 19T	
11E	RA9-1126-000		1	GEAR, 17T	
11F	XD2-1100-502		1	RING, E	
12	RB2-3554-000		1	DEFLECTOR	
13	RB2-3555-000		2	CUSHION	
14	RB1-6655-000		2	SPRING, TORSION	
15	RB2-3553-000		1	FLAPPER, FACE-UP	
16	RA9-1127-000		1	GEAR, 20T	
17	RS5-1060-000		1	BUSHING	
18	RS5-1101-000		1	BUSHING, CONDUCTIVE	
19	RS5-2489-000		1	SPRING, COMPRESSION	
20	RS5-2490-000		1	SPRING, TENSION	
21	RB2-3560-000		1	ROLLER	
501	XB4-7401-009		3	SCREW, TAPPING, PAN HEAD, M4X10	
502	XD2-1100-402		2	RING, E	

FIGURE 810 FIXING ASS'Y (1/2)

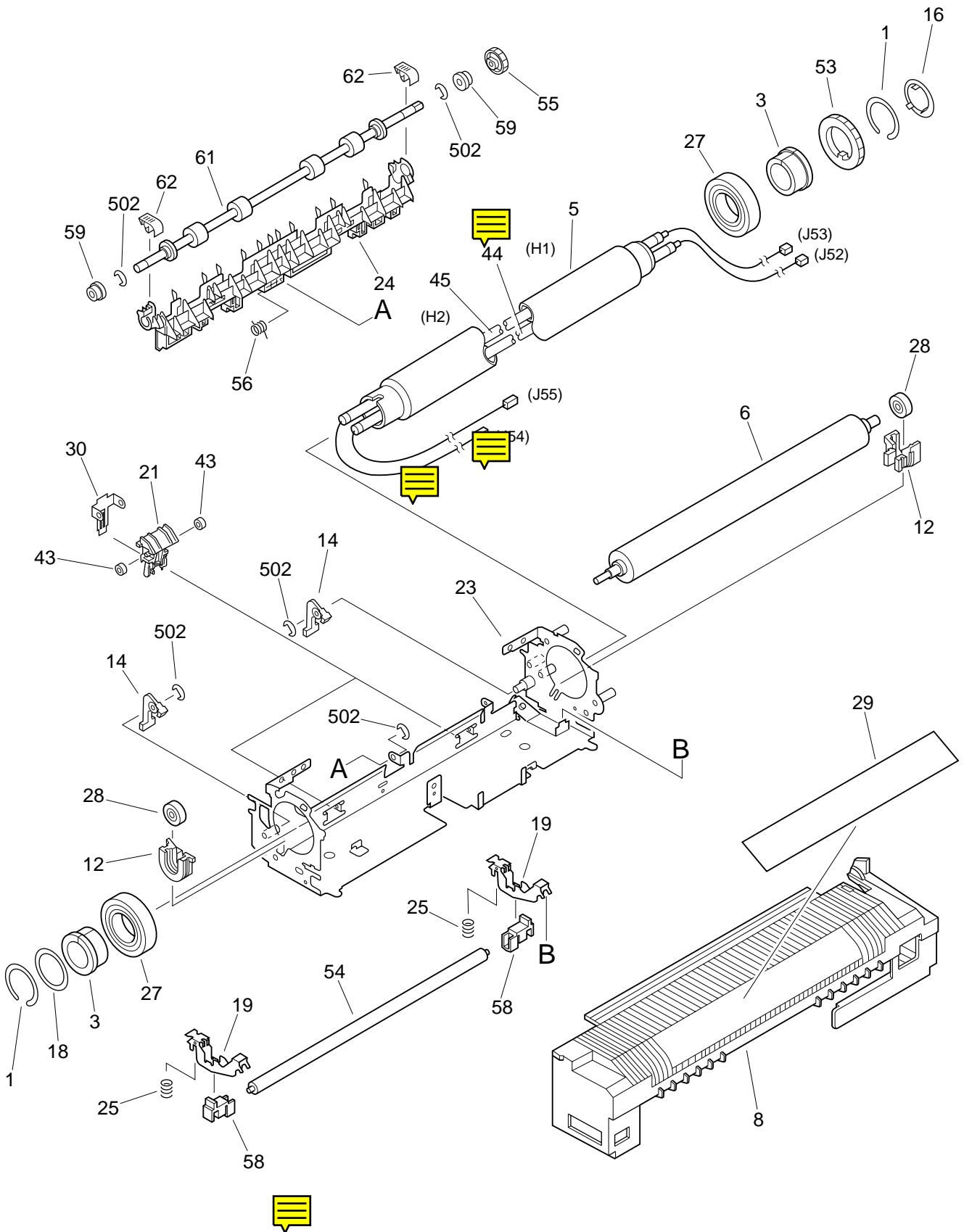


FIGURE 810 FIXING ASS'Y (2/2)

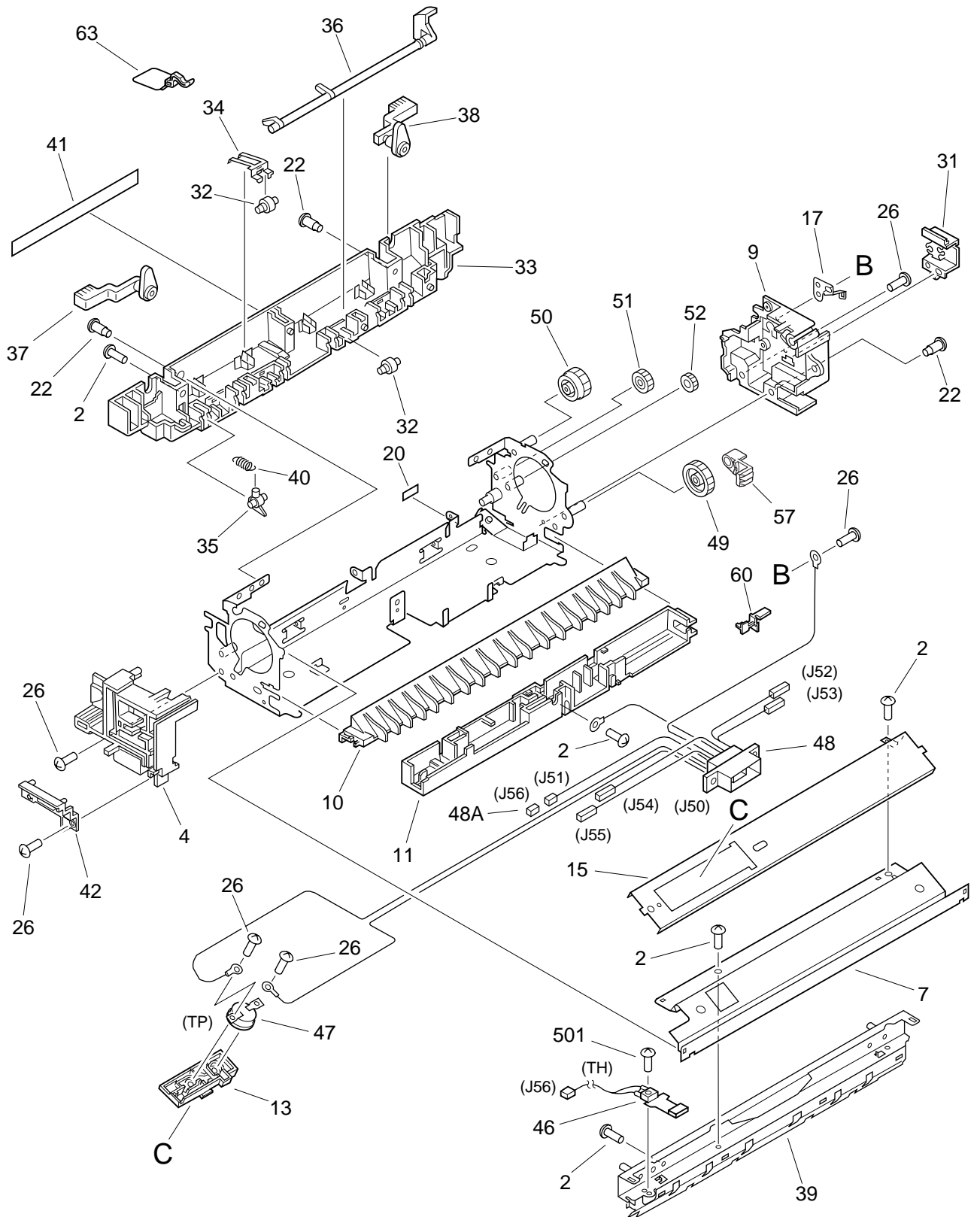


FIGURE & KEY NO.	PART NUMBER	RANK	QTY	DESCRIPTION	SERIAL NUMBER / REMARKS
810 -	RG5-4319-000		1	FIXING ASS'Y	
1	RB2-3543-000		2	RING, RETAINING	
2	FA9-1449-000		4	SCREW, TRUSS HEAD, W/WASHER	
3	FB1-6823-030		2	BUSHING	
4	RB2-3525-000		1	COVER, RIGHT	
5	RB2-3521-000		1	ROLLER, UPPER	
6	RB2-3522-000		1	ROLLER, LOWER	
7	RB2-3538-000		1	COVER, FIXING ROLLER	
8	RB2-3524-000		1	COVER, UPPER	
9	RB2-3526-000		1	COVER, LEFT	
10	RB2-3529-000		1	GUIDE, ENTRANCE	
11	RB2-3530-000		1	GUIDE, CABLE	
12	RB2-3533-000		2	HOLDER, BUSHING	
13	RB2-3534-000		1	HOLDER, THERMOSTAT	
14	RB2-3535-000		2	LEVER, CONTROL	
15	RB2-3539-000		1	PLATE, THERMOSWITCH	
16	RB2-3542-000		1	RING, GROUNDING	
17	RB1-6635-000		1	PLATE, GROUNDING	
18	RB1-6644-000		1	WASHER	
19	RB2-3544-000		2	PLATE	
20	RS5-8603-000		1	LABEL, "VOLTAGE"	
21	RB2-3532-000		2	GUIDE, SEPARATION	
22	RF5-0716-000		3	SCREW, STEPPED, W/WASHER, M3	
23	RF5-2690-000		1	FRAME, FIXING	
24	RB2-3527-000		1	GUIDE, SEPARATION	
25	RS6-2068-000		2	SPRING, COMPRESSION	
26	XA9-0233-000		7	SCREW, W/WASHER, M3X6	
27	XG9-0377-000		2	BEARING	
28	XG9-0379-000		2	BEARING, BALL	
29	RS5-8591-000		1	LABEL, CAUTION	
30	RB2-3541-000		2	PLATE, COMPRESSION GUIDE	
31	RF5-1433-000		1	HOLDER, HEATER	
32	RB1-1447-000		6	ROLLER, DELIVERY, FIXING	
33	RB2-3528-000		1	GUIDE, SEPARATION, UPPER	
34	RB2-3540-000		4	PLATE, ROLLER HOLDER	
35	RB2-3531-000		6	CLAW, SEPARATION	
36	RF5-2694-000		1	LEVER, DELIVERY SENSING	
37	RB1-6615-020		1	LEVER, HOLDING, RIGHT	
38	RB1-6616-020		1	LEVER, HOLDING, LEFT	
39	RB2-3537-000		1	CROSSMEMBER, SEPARATION GUIDE	
40	RS5-2486-020		6	SPRING, TENSION	
41	RS5-8380-000		1	LABEL, "CAUTION"	
42	RG5-1865-000		1	DIODE HOLDER ASS'Y	
43	RB1-6641-000		4	ROLLER	
44	RH7-4128-000		1	HEATER, HALOGEN, 240V 500W	H1, J52, J55
45	RH7-4129-000		1	HEATER, HALOGEN, 240V 500W	H2, J53, J55
46	RH7-7105-000		1	SURFACE TEMP. SENSOR UNIT	TH, J51
47	RH7-7106-000		1	THERMOSWITCH	TP
48	RG5-4380-000		1	FIXING, CABLE	J50-J55
48A	VS1-5057-002		1	CONNECTOR, 2P	J56

FIGURE 900 PCB ASS'Y LOCATION DIAGRAM

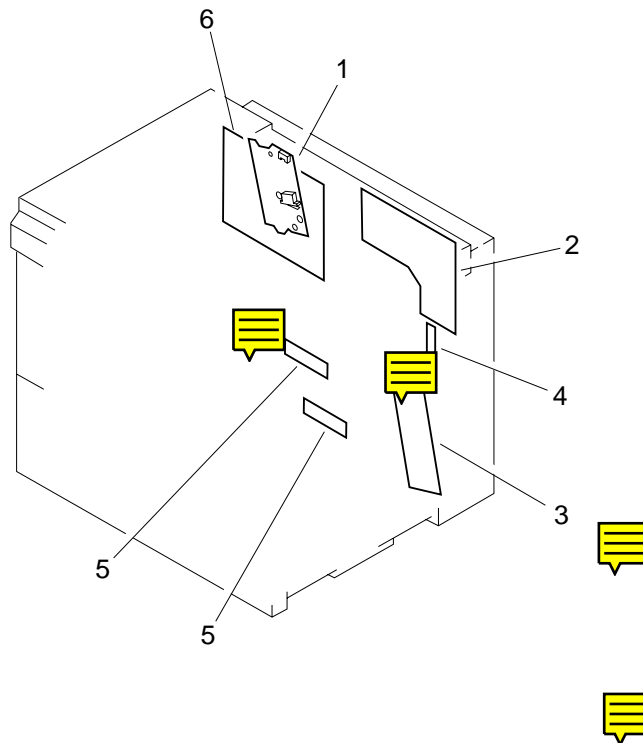


FIGURE & KEY NO.	PART NUMBER	RANK	QTY	DESCRIPTION	SERIAL NUMBER / REMARKS
900 -	NPN		RF	PCB ASS'Y LOCATION DIAGRAM	
1	RG5-1846-000		1	SWITCH/SENSOR PCB ASS'Y	
2	RG5-4375-000		1	PC CONTROLLER PCB ASS'Y	
3	RG5-1860-030		1	PAPER PICK-UP PCB ASS'Y	
4	RG5-1884-000		1	MULTI-PURPOSE TRAY PCB ASS'Y	
5	RG5-1845-000		2	CASSETTE-SIZE SENSING PCB ASSY	
6	RG1-3942-000		1	VIDEO CONTROLLER PCB ASS'Y	

HARD DISK HD-72

HARD DISK HD-72
[R03-0190]

FIGURE W10 HARD DISK ASS'Y

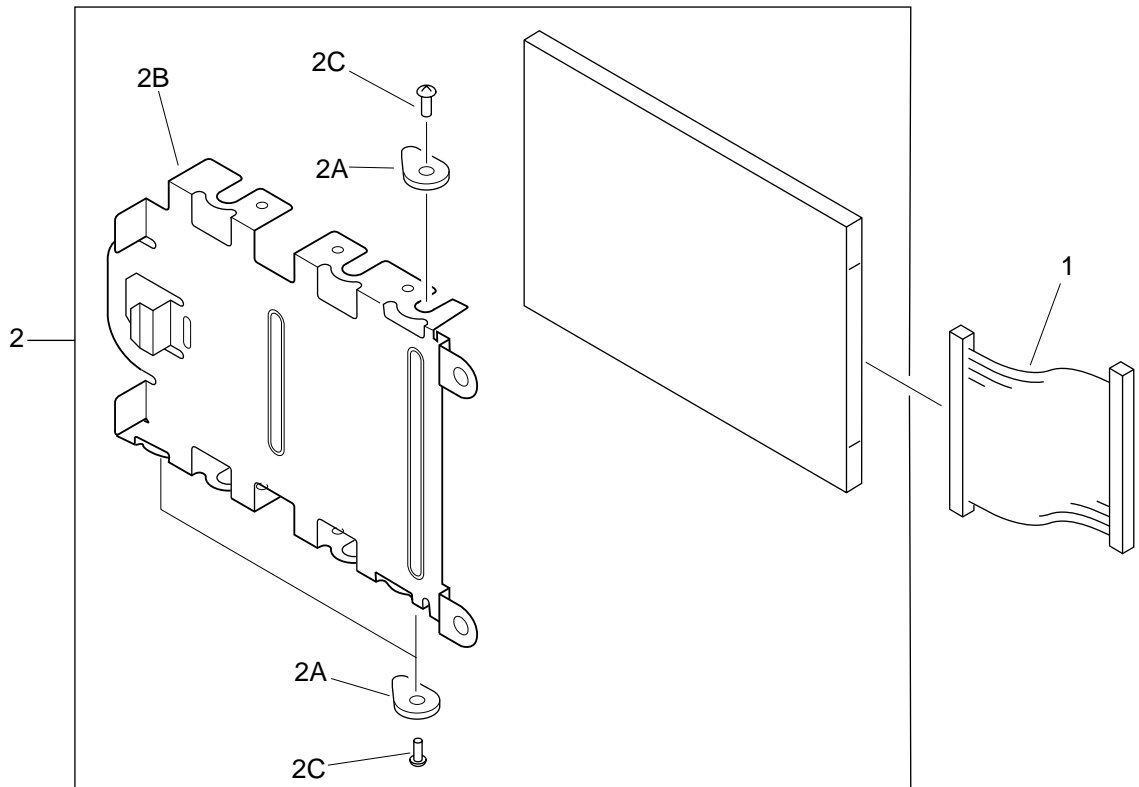


FIGURE & KEY NO.	PART NUMBER	RANK	QTY	DESCRIPTION	SERIAL NUMBER / REMARKS
W10 -	NPN		RF	HARD DISK ASS'Y	
1	RG1-3742-000		1	CABLE, INTER-FACE	
2	RG1-3936-000		1	HARD DISK ASS'Y	
2A	RB1-2952-000		3	SPACER	
2B	RB2-4214-000		1	MOUNT, HARD DISK	
2C	XA9-0836-000		3	SCREW, TP, M3X6	

B NUMERICAL INDEX

PART NUMBER	FIGURE & KEY NO.	PART NUMBER	FIGURE & KEY NO.	PART NUMBER	FIGURE & KEY NO.
FA9-1449-000	810 - 2	RB1-6547-000	310 - 27	RB1-6734-000	340 - 9
FB1-6823-030	810 - 3	RB1-6548-000	310 - 28	RB1-6735-000	340 - 10
FH2-5761-000	104 - 20	RB1-6549-000	310 - 29	RB1-6737-000	340 - 12
RA9-1124-000	351 - 11C	RB1-6550-000	310 - 30	RB1-6738-000	340 - 13
RA9-1125-000	351 - 11D	RB1-6551-000	310 - 31	RB1-6739-000	340 - 14
RA9-1126-000	351 - 11E	RB1-6552-000	310 - 45	RB1-6740-000	340 - 15
RA9-1127-000	351 - 16	RB1-6555-000	310 - 46	RB1-6746-000	340 - 16
RB1-1447-000	810 - 32	RB1-6556-000	310 - 47	RB1-6748-000	340 - 17
RB1-2152-000	340 - 35	RB1-6557-000	310 - 48	RB1-6749-000	101 - 3
RB1-2253-000	330 - 1	RB1-6558-020	310 - 49	RB1-6753-000	151 - 1
RB1-2952-000	W10 - 2A	RB1-6559-000	310 - 54	RB1-6756-020	151 - 2
RB1-4886-000	152 - 3	RB1-6560-000	310 - 55	RB1-6757-000	151 - 3
RB1-6400-000	320 - 6A	RB1-6561-000	310 - 56	RB1-6758-000	151 - 4
RB1-6402-000	320 - 1	RB1-6562-000	310 - 65	RB1-6759-000	151 - 5
RB1-6403-000	101 - 13	RB1-6563-000	310 - 66	RB1-6760-000	104 - 9
RB1-6404-000	320 - 2	RB1-6564-000	310 - 68	RB1-6761-000	104 - 10
RB1-6406-000	320 - 4	RB1-6565-000	310 - 97	RB1-6772-000	104 - 16
RB1-6408-000	330 - 12A	RB1-6567-000	310 - 74D	RB1-6775-000	104 - 7
RB1-6409-000	330 - 3	RB1-6568-000	310 - 74E	RB1-6784-000	300 - 32
RB1-6411-020	330 - 4	RB1-6569-030	310 - 16		301 - 32
RB1-6412-000	330 - 5	RB1-6570-000	310 - 93	RB1-6858-000	300 - 28A
RB1-6413-000	330 - 6	RB1-6571-000	310 - 94		301 - 28A
RB1-6416-000	330 - 9	RB1-6579-000	310 - 74F	RB1-6861-000	300 - 29A
RB1-6417-000	330 - 10	RB1-6580-000	310 - 3		301 - 29A
RB1-6419-000	102 - 1	RB1-6581-000	310 - 4	RB1-6863-000	300 - 29B
RB1-6421-000	102 - 3	RB1-6582-020	310 - 5		301 - 29B
RB1-6425-000	103 - 1	RB1-6583-000	310 - 6	RB1-6865-000	300 - 29C
RB1-6426-000	103 - 2	RB1-6585-000	310 - 7		301 - 29C
RB1-6427-000	103 - 3	RB1-6586-000	310 - 8	RB1-6867-000	300 - 29D
RB1-6429-000	102 - 35A	RB1-6590-000	310 - 12		301 - 29D
RB1-6429-000	102 - 36A	RB1-6591-000	310 - 13	RB1-6869-030	300 - 26B
RB1-6430-000	102 - 2	RB1-6594-000	310 - 57		301 - 26B
RB1-6432-000	102 - 6	RB1-6595-000	310 - 58	RB1-6871-030	300 - 27B
RB1-6433-000	102 - 7	RB1-6596-000	310 - 59		301 - 27B
RB1-6434-000	102 - 11	RB1-6597-000	310 - 69	RB1-6872-000	300 - 27A
RB1-6436-000	320 - 5	RB1-6598-000	310 - 70		301 - 27A
RB1-6437-000	330 - 12B	RB1-6599-000	310 - 74G	RB1-6874-000	301 - 3
RB1-6441-000	101 - 1A	RB1-6600-000	310 - 14	RB1-6875-020	300 - 2
RB1-6444-000	102 - 9	RB1-6601-000	310 - 15		301 - 4
RB1-6446-000	102 - 12	RB1-6606-000	810 - 61	RB1-6876-000	301 - 5
RB1-6447-000	102 - 13	RB1-6615-020	810 - 37	RB1-6877-000	300 - 3
RB1-6448-000	102 - 14	RB1-6616-020	810 - 38		301 - 6
RB1-6449-000	102 - 15	RB1-6635-000	810 - 17	RB1-6878-000	300 - 4
RB1-6455-000	102 - 29	RB1-6641-000	810 - 43		301 - 7
RB1-6456-000	101 - 4	RB1-6642-000	810 - 62	RB1-6879-000	300 - 5
RB1-6457-000	103 - 8	RB1-6644-000	810 - 18		301 - 8
RB1-6458-000	103 - 9	RB1-6653-000	351 - 11B	RB1-6880-000	301 - 9
RB1-6459-000	103 - 10	RB1-6655-000	351 - 14	RB1-6881-020	300 - 6
RB1-6460-000	103 - 11	RB1-6662-000	350 - 1		301 - 10
RB1-6461-000	101 - 5		351 - 6	RB1-6882-000	300 - 7
RB1-6462-000	101 - 6	RB1-6663-000	350 - 2		301 - 11
RB1-6465-000	103 - 12		351 - 7	RB1-6883-000	300 - 8
RB1-6466-000	101 - 7	RB1-6666-000	350 - 3		301 - 12
RB1-6467-000	103 - 13		351 - 10	RB1-6884-000	300 - 9
RB1-6469-020	103 - 29	RB1-6679-000	350 - 19		301 - 13
RB1-6471-020	103 - 21	RB1-6680-000	350 - 22	RB1-6885-000	300 - 10
RB1-6472-000	103 - 14	RB1-6681-000	350 - 21		301 - 14
RB1-6473-000	103 - 15	RB1-6684-000	350 - 24A	RB1-6887-000	300 - 11
RB1-6474-000	102 - 31	RB1-6686-000	350 - 5		301 - 15
RB1-6484-000	100 - 5D	RB1-6687-000	350 - 6	RB1-6888-000	300 - 12
RB1-6486-000	100 - 5F	RB1-6688-000	350 - 7		301 - 16
RB1-6487-000	100 - 5G	RB1-6689-000	350 - 8	RB1-6889-000	300 - 13
RB1-6488-000	100 - 5H	RB1-6690-000	350 - 9		301 - 17
RB1-6491-000	100 - 11	RB1-6691-000	350 - 10	RB1-6890-000	300 - 14
RB1-6493-000	100 - 13	RB1-6692-000	350 - 11		301 - 18
RB1-6503-000	103 - 24	RB1-6693-020	350 - 12	RB1-6891-000	300 - 15
RB1-6512-000	102 - 32	RB1-6694-000	350 - 13		301 - 19
RB1-6517-000	250 - 1	RB1-6695-000	350 - 14	RB1-6892-000	300 - 16
RB1-6518-030	250 - 2	RB1-6696-000	350 - 15		301 - 20
RB1-6520-000	100 - 15A	RB1-6698-000	141 - 1	RB1-6893-000	300 - 17
RB1-6523-020	102 - 16	RB1-6699-000	141 - 2		301 - 21
RB1-6526-000	310 - 74B	RB1-6700-000	141 - 3	RB1-6894-000	300 - 39
RB1-6527-000	310 - 74C	RB1-6701-000	350 - 17		301 - 39
RB1-6528-000	310 - 22	RB1-6702-000	141 - 4	RB1-6895-000	300 - 19
RB1-6533-000	310 - 33A	RB1-6703-000	350 - 31		301 - 23
RB1-6534-000	310 - 33B	RB1-6704-000	350 - 33	RB1-6901-000	300 - 21
RB1-6535-000	310 - 44	RB1-6708-000	101 - 20	RB1-6902-000	300 - 22
RB1-6538-000	310 - 37	RB1-6709-000	101 - 21	RB1-6903-000	300 - 23
RB1-6539-000	310 - 36	RB1-6721-000	340 - 36	RB1-6904-000	300 - 24
RB1-6540-000	310 - 40	RB1-6722-000	340 - 37		301 - 24
RB1-6541-000	310 - 41	RB1-6723-000	340 - 38	RB1-6907-000	301 - 25
RB1-6543-000	310 - 23	RB1-6726-000	340 - 1	RB1-6908-000	300 - 25
RB1-6544-000	310 - 24	RB1-6728-000	340 - 3	RB1-6909-000	102 - 33
RB1-6545-000	310 - 25	RB1-6729-000	340 - 4	RB1-6911-000	301 - 35
RB1-6546-000	310 - 26	RB1-6733-000	340 - 8	RB1-6912-000	300 - 35

PART NUMBER	FIGURE & KEY NO.	PART NUMBER	FIGURE & KEY NO.	PART NUMBER	FIGURE & KEY NO.
RB1-6913-000	300 - 36	RB2-3554-000	351 - 12	RG1-3742-000	W10 - 1
	301 - 36	RB2-3555-000	351 - 13	RG1-3867-000	152 - 2A
RB1-6914-000	300 - 28D	RB2-3560-000	351 - 21	RG1-3936-000	W10 - 2
	301 - 28D	RB2-3567-000	102 - 30	RG1-3942-000	152 - 2
RB1-6916-000	300 - 38	RB2-3569-000	340 - 6		900 - 6
	301 - 38	RB2-3570-000	340 - 2	RG5-1843-000	330 - 13
RB1-6917-000	300 - 37	RB2-3571-000	340 - 48	RG5-1845-000	900 - 5
	301 - 37	RB2-3572-000	340 - 11	RG5-1846-000	900 - 1
RB1-6927-000	152 - 4	RB2-3573-000	340 - 49	RG5-1850-000	104 - 3
RB1-6928-000	152 - 5	RB2-3580-000	310 - 19	RG5-1859-000	310 - 51
RB1-6930-000	104 - 6	RB2-3581-000	310 - 10	RG5-1860-030	310 - 92
RB1-6936-000	100 - 4B	RB2-3587-000	310 - 9		310 - 92
RB1-6938-000	100 - 4C	RB2-3588-000	301 - 2	RG5-1860-030	900 - 3
RB1-6962-000	341 - 1	RB2-3589-000	300 - 20	RG5-1861-000	310 - 75
RB1-6963-000	341 - 2	RB2-3593-000	300 - 42	RG5-1862-000	310 - 74L
RB1-6968-000	350 - 4		301 - 42	RG5-1865-000	810 - 42
RB1-6969-000	350 - 16	RB2-3613-000	102 - 34	RG5-1875-000	141 -
RB1-6970-000	104 - 14	RB2-3614-000	102 - 27	RG5-1884-000	340 - 45
RB1-6971-030	102 - 19	RB2-3615-000	102 - 26		900 - 4
RB1-6972-000	100 - 7	RB2-3622-000	102 - 8	RG5-1910-000	300 - 29
RB1-6973-000	100 - 5A	RB2-3631-000	101 - 8		301 - 29
RB1-6974-000	100 - 5B	RB2-3636-000	100 - 18	RG5-1920-000	102 - 37
RB1-6975-000	100 - 5C	RB2-3637-000	103 - 22	RG5-1921-000	104 - 12
RB1-6976-000	100 - 5E	RB2-3642-000	100 - 14	RG5-1928-000	104 - 13
RB1-6977-000	100 - 8	RB2-3643-000	100 - 4D	RG5-2407-030	341 -
RB1-6978-000	100 - 9	RB2-3644-000	103 - 30	RG5-2410-020	350 -
RB1-6980-000	100 - 12	RB2-3645-000	103 - 7	RG5-2413-000	100 - 5
RB1-6982-000	101 - 9	RB2-3646-000	103 - 4	RG5-3948-000	300 - 28
RB1-6983-000	100 - 4F	RB2-4207-000	100 - 6A		301 - 28
RB1-7067-000	152 - 6	RB2-4208-000	100 - 4G	RG5-4301-000	104 - 4
RB1-7069-000	152 - 7	RB2-4209-000	100 - 4H	RG5-4303-000	320 -
RB1-7070-000	152 - 1	RB2-4211-000	100 - 1	RG5-4304-000	101 - 1
RB1-7073-000	152 - 9	RB2-4212-000	152 - 8	RG5-4305-000	330 -
RB1-7075-000	152 - 11	RB2-4214-000	W10 - 2B	RG5-4306-000	151 -
RB1-7080-000	100 - 4A	RB9-0245-000	351 - 11A	RG5-4313-000	152 -
RB1-7085-000	310 - 2	RB9-0248-000	351 - 1	RG5-4317-000	810 -
RB1-9526-000	340 - 5	RB9-0249-000	351 - 2	RG5-4320-000	100 - 6
RB1-9533-000	340 - 7	RB9-0250-000	351 - 3	RG5-4330-000	340 -
RB1-9554-000	340 - 19	RB9-0251-000	351 - 4	RG5-4332-000	340 - 41
RB1-9555-000	340 - 23	RB9-0254-000	351 - 9	RG5-4333-000	340 - 42
RB1-9556-000	340 - 25	RB9-0256-000	351 - 5	RG5-4334-000	310 -
RB1-9557-000	340 - 22	RF5-0716-000	810 - 22	RG5-4338-000	310 - 74
RB1-9558-000	340 - 24	RF5-1391-000	330 - 12	RG5-4344-000	103 - 6
RB1-9617-000	102 - 28	RF5-1395-000	102 - 35	RG5-4365-000	250 -
RB1-9619-000	300 - 28B	RF5-1396-000	102 - 36	RG5-4375-000	900 - 2
	301 - 28B	RF5-1414-000	310 - 32	RG5-4376-000	151 - 6
RB1-9620-000	300 - 28C	RF5-1415-000	310 - 33	RG5-4378-000	103 - 19
	301 - 28C	RF5-1417-000	310 - 34	RG5-4380-000	810 - 48
RB1-9644-000	350 - 18	RF5-1418-000	310 - 35	RG5-4381-000	104 - 2
RB1-9780-000	351 - 8	RF5-1423-000	310 - 17	RG5-4386-000	101 - 15
RB2-3499-000	104 - 1	RF5-1424-000	310 - 18	RG5-4389-000	100 - 17
RB2-3502-000	320 - 16	RF5-1433-000	810 - 31	RG5-4775-000	103 - 18
RB2-3503-000	330 - 7	RF5-1449-020	350 - 24	RG5-4776-000	100 - 4
RB2-3504-000	330 - 8	RF5-1454-000	340 - 39	RG5-4780-000	351 -
RB2-3508-000	103 - 20	RF5-1464-020	104 - 17	RH7-1266-000	104 - 15
RB2-3509-000	320 - 6B	RF5-1745-020	341 - 3	RH7-1271-000	104 - 11
RB2-3510-000	102 - 20	RF5-1746-000	341 - 4	RH7-1289-000	350 - 25
RB2-3512-000	310 - 11	RF5-1747-000	341 - 5	RH7-1350-000	310 - 76
RB2-3516-000	810 - 54	RF5-1749-000	100 - 15	RH7-1396-000	103 - 16
RB2-3517-000	810 - 58	RF5-1834-000	310 - 20	RH7-1397-000	340 - 34
RB2-3518-000	810 - 57	RF5-1946-000	340 - 27	RH7-4128-000	810 - 44
RB2-3521-000	810 - 5	RF5-2001-000	310 - 50	RH7-4129-000	810 - 45
RB2-3522-000	810 - 6		310 - 71	RH7-5121-020	340 - 28
RB2-3524-000	810 - 8	RF5-2002-000	300 - 26	RH7-5123-000	141 - 5
RB2-3525-000	810 - 4		301 - 26	RH7-5167-000	340 - 29
RB2-3526-000	810 - 9	RF5-2005-000	301 - 1	RH7-5187-000	320 - 7
RB2-3527-000	810 - 24	RF5-2006-000	300 - 1	RH7-5188-000	310 - 77
RB2-3528-000	810 - 33	RF5-2676-000	101 - 1B	RH7-5218-000	310 - 74H
RB2-3529-000	810 - 10	RF5-2678-000	104 - 8	RH7-5219-000	101 - 10
RB2-3530-000	810 - 11	RF5-2680-000	320 - 6	RH7-7105-000	810 - 46
RB2-3531-000	810 - 35	RF5-2681-000	320 - 3	RH7-7106-000	810 - 47
RB2-3532-000	810 - 21	RF5-2690-000	810 - 23	RH9-0737-000	330 - 11
RB2-3533-000	810 - 12	RF5-2693-000	810 - 63	RS1-1087-000	810 - 59
RB2-3534-000	810 - 13	RF5-2694-000	810 - 36	RS2-8073-000	341 - 4A
RB2-3535-000	810 - 14	RF5-2701-000	100 - 2		341 - 5A
RB2-3537-000	810 - 39	RF5-2703-000	340 - 18	RS5-0705-000	320 - 8
RB2-3538-000	810 - 7	RF5-2708-000	310 - 21	RS5-0707-000	320 - 10
RB2-3539-000	810 - 15	RF5-2712-000	300 - 27	RS5-0708-000	101 - 14
RB2-3540-000	810 - 34		301 - 27	RS5-0722-000	250 - 9
RB2-3541-000	810 - 30	RF5-2726-000	102 - 21	RS5-0723-000	250 - 10
RB2-3542-000	810 - 16	RF5-2730-000	250 - 3	RS5-0724-000	250 - 11
RB2-3543-000	810 - 1	RF5-2734-030	300 - 18	RS5-0725-000	250 - 12
RB2-3544-000	810 - 19		301 - 22	RS5-0726-000	250 - 13
RB2-3552-000	810 - 60	RF9-1249-000	351 - 11	RS5-0727-000	250 - 14
RB2-3553-000	351 - 15	RF9-1394-000	101 - 22	RS5-0728-000	250 - 15

PART NUMBER	FIGURE & KEY NO.	PART NUMBER	FIGURE & KEY NO.	PART NUMBER	FIGURE & KEY NO.
RS5-0729-000	250 - 6	RS6-0507-000	810 - 53	XB4-7401-007	310 - 501
RS5-0732-020	310 - 78	RS6-0508-000	810 - 51		340 - 501
RS5-0733-000	310 - 79	RS6-0510-000	250 - 4	XB4-7401-009	310 - 74N
RS5-0734-000	310 - 62	RS6-0511-000	250 - 5		350 - 501
RS5-0735-000	310 - 96	RS6-0512-000	250 - 7		351 - 501
RS5-0736-000	310 - 60	RS6-0513-000	250 - 8	XB6-7300-007	103 - 501
RS5-0736-000	310 - 72	RS6-0515-000	320 - 9		104 - 501
RS5-0737-000	310 - 61	RS6-2068-000	810 - 25	XB6-7300-409	141 - 501
RS5-0738-000	310 - 74J	RS6-2072-000	330 - 14	XB6-7300-805	810 - 501
RS5-0739-000	310 - 80	RS6-2073-000	330 - 16	XB6-7400-807	101 - 501
RS5-0740-000	310 - 81	RS6-2075-000	340 - 44	XD1-1105-231	341 - 501
RS5-0741-000	310 - 82	RS6-8034-000	300 - 26A	XD1-1105-233	300 - 501
RS5-0742-000	310 - 83		301 - 26A		301 - 501
RS5-0743-000	310 - 84	RS6-8035-000	300 - 31	XD2-1100-402	310 - 508
RS5-0744-000	310 - 85		301 - 31		340 - 502
RS5-0745-000	310 - 86	RS6-8036-000	300 - 1A		350 - 502
RS5-0746-000	310 - 73		301 - 1A		351 - 502
RS5-0748-000	810 - 55	RS6-8124-000	102 - 18	XD2-1100-502	250 - 501
RS5-0752-000	810 - 52	RS6-8125-000	102 - 21A		310 - 502
RS5-0764-000	341 - 6	VD7-0643-151	104 - 4A		320 - 501
RS5-1004-000	310 - 87	VS1-0842-003	104 - 12A		351 - 11F
RS5-1009-000	310 - 64	VS1-5057-002	104 - 13A		810 - 502
	310 - 67		810 - 48A	XD2-1100-642	310 - 503
RS5-1021-000	340 - 32	VS1-5057-003	104 - 13B		320 - 502
RS5-1060-000	350 - 26		340 - 47		340 - 503
	351 - 17		350 - 32	XD3-1200-102	310 - 507
RS5-1101-000	350 - 27	WG8-0291-000	310 - 52	XD3-1200-122	310 - 504
	351 - 18		310 - 74K	XD3-1300-082	141 - 502
RS5-1119-000	340 - 46		330 - 2	XD3-2200-122	310 - 505
RS5-1175-000	320 - 11	WT2-0369-000	103 - 28	XD9-0154-000	341 - 8
RS5-1176-000	320 - 12	WT2-0408-000	101 - 19	XD9-0170-000	300 - 41
RS5-1179-000	310 - 74A	WT2-0482-000	102 - 5		301 - 41
RS5-2461-000	320 - 13	WT2-5026-000	340 - 50	XF9-0564-000	350 - 24D
RS5-2464-000	330 - 15	XA9-0233-000	810 - 26	XG9-0377-000	810 - 27
RS5-2465-000	104 - 5	XA9-0267-000	250 - 16	XG9-0379-000	810 - 28
RS5-2467-000	103 - 17	XA9-0283-000	300 - 30		100 - 6B
RS5-2468-000	102 - 10		301 - 30		
RS5-2468-000	102 - 24	XA9-0302-000	310 - 53		
RS5-2469-000	103 - 25	XA9-0386-000	152 - 13		
RS5-2470-000	103 - 26	XA9-0434-000	320 - 14		
RS5-2475-000	310 - 63	XA9-0605-000	100 - 3		
RS5-2476-020	310 - 38		100 - 5K		
	310 - 39		101 - 17		
RS5-2477-000	310 - 1		102 - 38		
RS5-2478-000	310 - 42		103 - 5		
RS5-2479-000	310 - 43		151 - 7		
RS5-2480-000	310 - 95	XA9-0614-000	340 - 26		
RS5-2481-000	310 - 88	XA9-0615-000	152 - 12		
RS5-2482-000	310 - 89		152 - 14		
RS5-2484-020	310 - 90	XA9-0642-000	102 - 17		
RS5-2485-000	810 - 56	XA9-0686-000	100 - 10		
RS5-2486-020	810 - 40		101 - 18		
RS5-2489-000	351 - 19		102 - 4		
RS5-2490-000	350 - 24B		102 - 22		
	351 - 20		103 - 23		
RS5-2491-000	350 - 20		104 - 18		
	350 - 23		310 - 98		
RS5-2492-000	141 - 6		350 - 30		
RS5-2493-000	141 - 7	XA9-0702-000	320 - 15		
RS5-2494-000	100 - 5J	XA9-0817-000	103 - 27		
RS5-2497-000	340 - 43	XA9-0836-000	152 - 10		
RS5-2499-000	102 - 25		310 - 91		
RS5-2500-000	102 - 23		W10 - 2C		
RS5-2702-000	340 - 33	XA9-0851-000	341 - 7		
RS5-3093-000	350 - 24C	XA9-0863-000	310 - 99		
RS5-3094-000	350 - 28	XA9-0866-000	300 - 33		
RS5-3095-000	350 - 29		301 - 33		
RS5-8380-000	810 - 41	XA9-0870-000	100 - 4E		
RS5-8591-000	810 - 29	XA9-0872-000	101 - 12		
RS5-8593-000	102 - 35B	XA9-0924-000	340 - 31		
	102 - 36B	XA9-0947-000	100 - 16		
	300 - 34		101 - 11		
	301 - 34		102 - 39		
RS5-8597-000	101 - 2		103 - 31		
RS5-8603-000	810 - 20		104 - 19		
RS5-8608-000	301 - 1B		340 - 40		
RS5-8609-000	300 - 1B	XA9-0962-000	100 - 19		
RS5-8610-000	301 - 40		101 - 16		
RS5-8611-000	300 - 40	XB1-1301-007	152 - 501		
RS5-8660-020	341 - 3A	XB1-2300-406	300 - 28E		
RS6-0030-000	340 - 20		300 - 29E		
RS6-0031-000	340 - 30		301 - 28E		
RS6-0032-000	340 - 21		301 - 29E		
RS6-0505-000	810 - 49	XB1-7400-807	310 - 506		
RS6-0506-000	810 - 50	XB4-7301-009	310 - 74M		

Prepared by
Peripheral Products Quality Planning Div.
Peripheral Products Technical Documentation Dept.
CANON INC.
Printed in Japan

REVISION 0 [JAN. 1999]

5-1, Hakusan 7-chome, Toride-shi, Ibaraki 302-8501, Japan



The printing paper contains
70% waste paper.

Canon