

PARTS CATALOG

LBP3200

Canon

Nov 5 2003

PREFACE

This Parts Catalog contains listings of parts used

Diagrams are provided with the listings to aid the service technician in identifying clearly, the item to be ordered.

Whenever ordering parts, consult this Parts Catalog for all of the information pertaining to each item. Be sure to include, in the Parts Request, the full item description, the item part number, and the quantity.

COPYRIGHT (C) 1999 CANON INC.

Use of this manual should be strictly supervised to avoid disclosure of confidential information.

Contents

Parts List Index

LBP3200	1-1
---------------	-----

LBP3200

A	ASSEMBLY LOCATION DIAGRAM	2-1
001	PACKAGE COMPONENTS	2-2
100	EXTERNAL COVERS,PANELS,ETC	2-3
101	INTERNAL COMPONENTS 1	2-5
102	INTERNAL COMPONENTS 2	2-7
103	INTERNAL COMPONENTS 3	2-9
104	INTERNAL COMPONENTS 4	2-11
105	INTERNAL COMPONENTS 5	2-13
110	POWER CORD TERMINAL ASSEMBLY	2-15
300	CASSETTE	2-17

NUMERICAL INDEX

LBP3200

PARTS NUMBER	FIGURE & KEY NO.	PARTS NUMBER	FIGURE & KEY NO.	PARTS NUMBER	FIGURE & KEY NO
FC5-4775-000	102 - 1	FL2-1046-000	103 - 5	NPN	101 -
FC5-4778-000	102 - 8	FL2-1047-000	300 - 4C	NPN	102 -
FC5-4780-000	100 - 1	FL2-1050-000	102 - 6	NPN	103 -
FC5-4799-000	103 - 2	FL2-1051-000	100 - 3	NPN	104 -
FC5-4800-000	103 - 1	FM2-1060-000	100 - 7	NPN	105 -
FC5-4805-000	103 - 6	FM2-1061-000	100 - 7	NPN	110 -
FC5-4807-000	103 - 7	FM2-1063-000	105 - 11	NPN	300 -
FC5-4808-000	101 - 1	FM2-1065-000	105 - 11	XA9-1386-000	100 - 9
FC5-4814-000	101 - 2	FM2-1066-000	105 - 11	XA9-1386-000	101 - 5
FC5-4827-000	105 - 1	FM2-1069-000	104 - 2	XA9-1386-000	102 - 4
FC5-4828-000	105 - 2	FM2-1075-000	300 - 4	XA9-1386-000	104 - 12
FC5-4829-000	105 - 3	FM2-1077-000	100 - 8	XA9-1386-000	110 - 4
FC5-4830-000	105 - 4	FM2-1081-000	102 - 2	XA9-1502-000	102 - 7
FC5-4831-000	105 - 5	FM5-5260-000	101 - 3	XA9-1502-000	105 - 12
FC5-4832-000	105 - 6	FM5-5261-000	101 - 3	XB2-7300-607	104 - 502
FC5-4833-000	102 - 3	FM5-5262-000	110 - 2	XB4-7400-807	102 - 501
FC5-4834-000	105 - 7	FM5-5263-000	103 - 3	XB4-7400-807	103 - 501
FC5-4856-000	100 - 2	FM5-5264-000	105 - 10	XB4-7400-807	104 - 501
FC5-4858-000	100 - 4	FM5-5265-000	101 - 4	XB4-7400-807	105 - 501
FC5-4861-000	105 - 8	FM5-5272-000	110 - 6		
FC5-4862-000	105 - 9	FM5-5273-000	110 - 6		
FC5-4878-000	104 - 16	FM5-5292-000	110 - 6		
FC5-4885-000	100 - 5	FM5-5293-000	110 - 6		
FC5-4891-000	110 - 3	FM5-5294-000	110 - 6		
FC5-4905-000	300 - 4D	FM5-5295-000	110 - 6		
FC5-4908-000	300 - 1	FM5-5296-000	110 - 6		
FC5-4911-000	300 - 4A	FU5-0698-000	105 - 16		
FC5-4913-000	300 - 4B	FU5-0700-000	104 - 6		
FC5-4925-000	100 - 6	FU5-0701-000	104 - 7		
FC5-4928-000	300 - 2	FU5-0702-000	104 - 8		
FC5-4931-000	300 - 3	FU5-0703-000	104 - 9		
FC5-4933-000	300 - 2	FU5-0704-000	104 - 10		
FC5-4935-000	300 - 3	FU5-0705-000	104 - 13		
FH2-7092-000	110 - 5	FU5-0707-000	104 - 3		
FH3-2665-000	110 - 1	FU5-0709-000	104 - 4		
FH3-2666-000	110 - 1	FU5-0710-000	104 - 14		
FH5-1081-000	104 - 5	FU5-0713-000	105 - 15		
FH5-3456-000	001 - 1	FU5-0714-000	104 - 11		
FH5-3457-000	001 - 1	FU5-0716-000	103 - 8		
FH5-3458-000	001 - 1	FU5-2425-000	105 - 14		
FH6-5093-000	104 - 1	FU5-2429-000	104 - 15		
FL2-1042-000	103 - 4	FU5-2434-000	300 - 4E		
FL2-1043-000	102 - 5	NPN	001 -		
FL2-1044-000	105 - 13	NPN	100 -		

LBP3200

100V	F18-7910-000
120V	F18-7933-000
230V	F18-7941-000

Contents

A	ASSEMBLY LOCATION DIAGRAM	2-1
001	PACKAGE COMPONENTS	2-2
100	EXTERNAL COVERS,PANELS,ETC	2-3
101	INTERNAL COMPONENTS 1	2-5
102	INTERNAL COMPONENTS 2	2-7
103	INTERNAL COMPONENTS 3	2-9
104	INTERNAL COMPONENTS 4	2-11
105	INTERNAL COMPONENTS 5	2-13
110	POWER CORD TERMINAL ASSEMBLY	2-15
300	CASSETTE	2-17

FIGURE A
ASSEMBLY LOCATION DIAGRAM

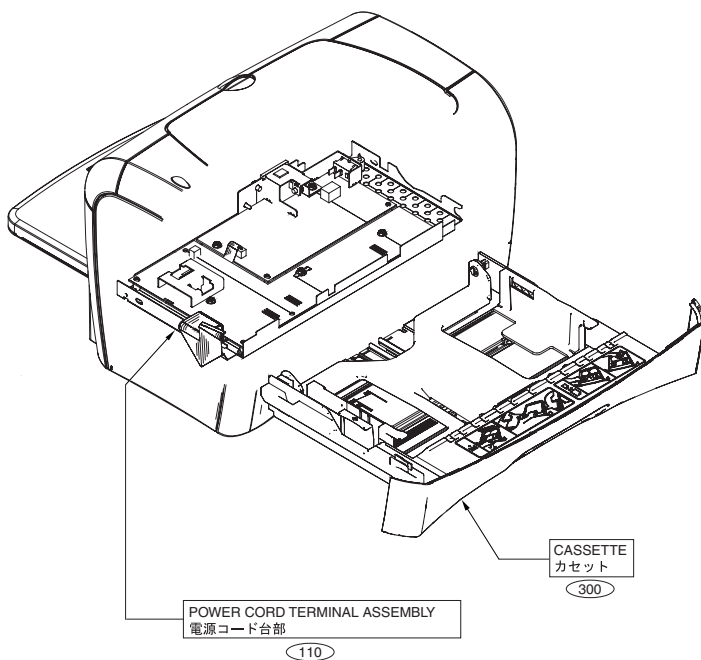


FIGURE 001 PACKAGE COMPONENTS

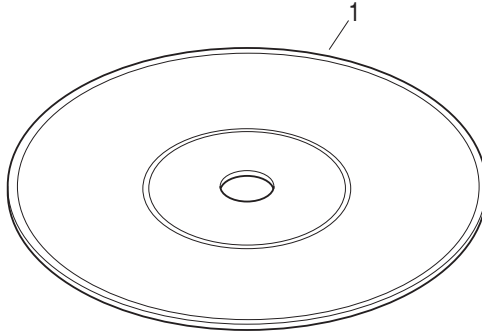


FIGURE & KEY NO.	PARTS NUMBER	RANK	Q'TY	DESCRIPTION	SERIAL NUMBER/REMARKS	SVC
Fig.001	NPN		RF	PACKAGE COMPONENTS		
1	FH5-3456-000		1	CD-ROM, USERSOFTWARE	JPN	
1	FH5-3457-000		1	CD-ROM, USERSOFTWARE	LTN 120V, EUR/ASIA	
1	FH5-3458-000		1	CD-ROM, USERSOFTWARE	TWN, CHN/UK/LTN 220V/ AUS	

FIGURE 100
EXTERNAL COVERS,PANELS,ETC

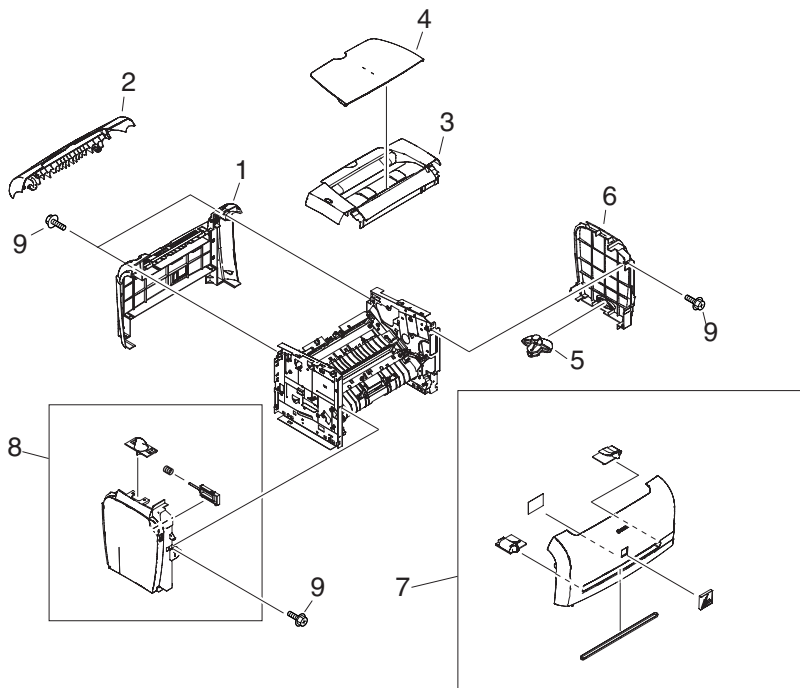


FIGURE & KEY NO.	PARTS NUMBER	RANK	Q'TY	DESCRIPTION	SERIAL NUMBER/REMARKS	SVC
Fig.100	NPN		RF	EXTERNAL COVERS,PANELS,ETC		
1	FC5-4780-000		1	COVER, REAR		
2	FC5-4856-000		1	COVER, FACE-UP		
3	FL2-1051-000		1	COVER, TOP		
4	FC5-4858-000		1	TRAY, AUXILIARY		
5	FC5-4885-000		1	SWITCH, MAIN		
6	FC5-4925-000		1	COVER, RIGHT		
7	FM2-1061-000		1	FRONT COVER UNIT	100V	
7	FM2-1060-000		1	FRONT COVER UNIT	120V,220V	
8	FM2-1077-000		1	LEFT COVER UNIT		
9	XA9-1386-000		4	SCREW,RS,M3X8		

FIGURE 101
INTERNAL COMPONENTS 1

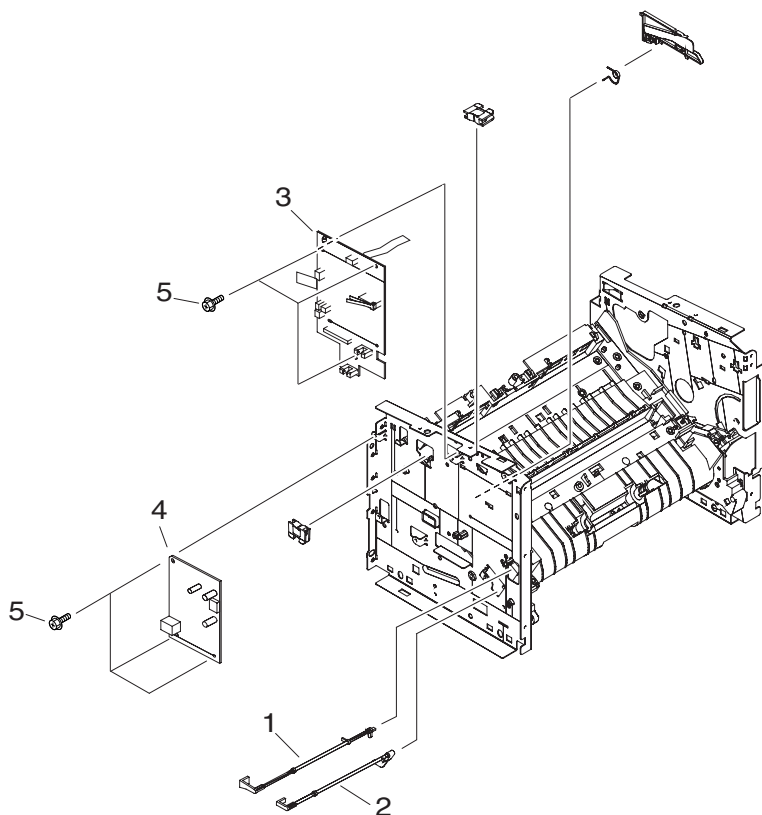


FIGURE & KEY NO.	PARTS NUMBER	RANK	Q'TY	DESCRIPTION	SERIAL NUMBER/REMARKS	SVC
Fig.101	NPN		RF	INTERNAL COMPONENTS 1		
1	FC5-4808-000		1	FLAG, MANUAL FEED SENSOR		
2	FC5-4814-000		1	FLAG, CASSETTE SENSOR		
3	FM5-5260-000		1	ENGINE CONTROLLER PCB ASSEMBLY	100V,120V	
3	FM5-5261-000		1	ENGINE CONTROLLER PCB ASSEMBLY	220V	
4	FM5-5265-000		1	CAPT PCB UNIT		
5	XA9-1386-000		6	SCREW,RS,M3X8		

FIGURE 102
INTERNAL COMPONENTS 2

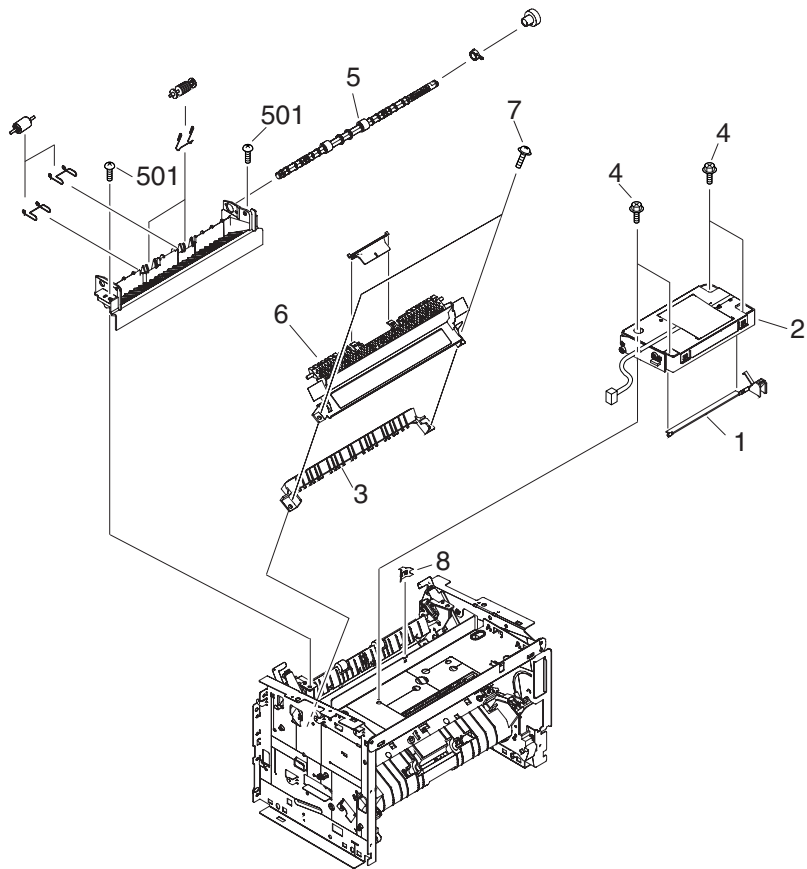


FIGURE & KEY NO.	PARTS NUMBER	RANK	Q'TY	DESCRIPTION	SERIAL NUMBER/REMARKS	SVC
Fig.102	NPN		RF	INTERNAL COMPONENTS 2		
1	FC5-4775-000		1	ARM, LASER SHUTTER		
2	FM2-1081-000		1	LASER/SCANNER UNIT		
3	FC5-4833-000		1	GUIDE, FIXING ENTRANCE		
4	XA9-1386-000		4	SCREW,RS,M3X8		
5	FL2-1043-000		1	ROLLER, FACE-DOWN DELIVERY		
6	FL2-1050-000		1	COVER, FIXING		
7	XA9-1502-000		2	SCREW,W/WASHER,M4		
8	FC5-4778-000		1	PLATE, GROUNDING		
501	XB4-7400-807		2	SCREW,TAPPING,TRUSS HEAD,M4X8		

FIGURE 103
INTERNAL COMPONENTS 3

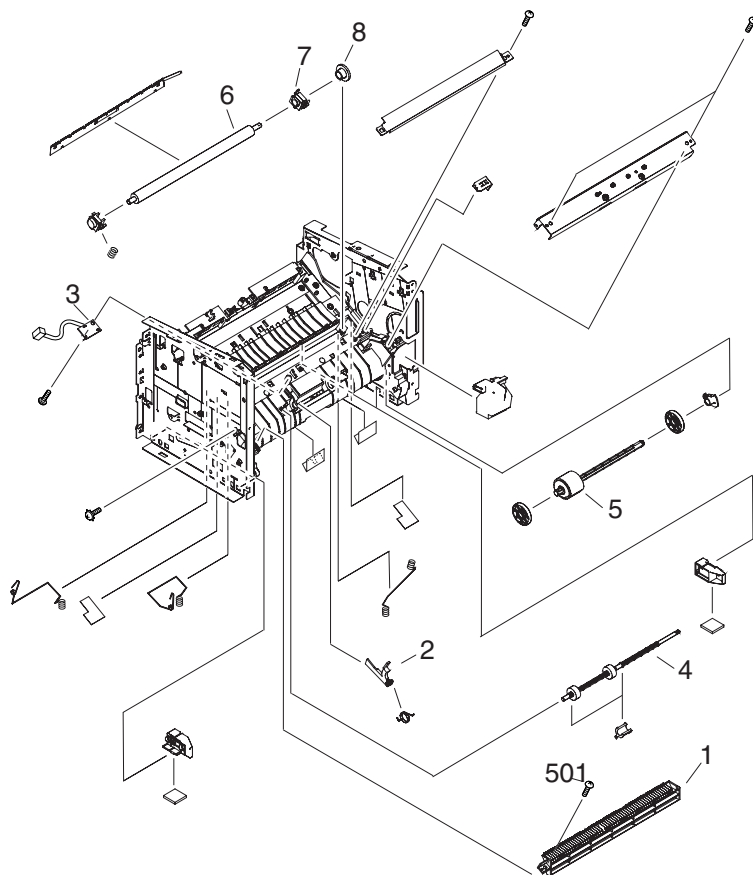


FIGURE & KEY NO.	PARTS NUMBER	RANK	Q'TY	DESCRIPTION	SERIAL NUMBER/REMARKS	SVC
Fig.103	NPN		RF	INTERNAL COMPONENTS 3		
1	FC5-4800-000		1	GUIDE, U TURN		
2	FC5-4799-000		1	FLAG, REGIST SENSOR		
3	FM5-5263-000		1	TOP SENSOR PCB UNIT		
4	FL2-1042-000		1	ROLLER, FEEDER		
5	FL2-1046-000		1	ROLLER, CASSETTE PICK-UP		
6	FC5-4805-000		1	ROLLER, TRANSFER		
7	FC5-4807-000		1	BUSHING, TRANSFER ROLLER, RIGHT		
8	FU5-0716-000		1	GEAR, 17T		
501	XB4-7400-807		2	SCREW, TAPPING, TRUSS HEAD, M4X8		

FIGURE 104
INTERNAL COMPONENTS 4

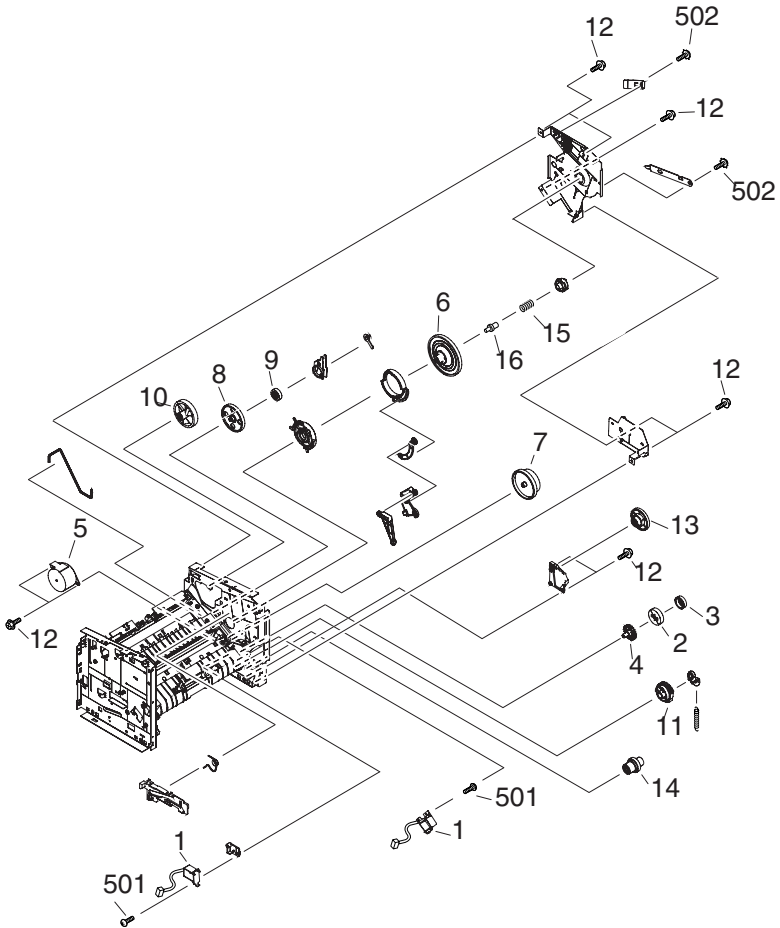


FIGURE & KEY NO.	PARTS NUMBER	R A N K	Q'TY	DESCRIPTION	SERIAL NUMBER/ REMARKS	S V C
Fig.104	NPN		RF	INTERNAL COMPONENTS 4		
1	FH6-5093-000		2	SOLENOID, PICK-UP		
2	FM2-1069-000		1	GEAR UNIT		
3	FU5-0707-000		1	GEAR, 51T		
4	FU5-0709-000		1	GEAR, 17T		
5	FH5-1081-000		1	MOTOR, MAIN		
6	FU5-0700-000		1	GEAR, 163T		
7	FU5-0701-000		1	GEAR, 91T/115T		
8	FU5-0702-000		1	GEAR, 18T/107T		
9	FU5-0703-000		1	GEAR, 17T		
10	FU5-0704-000		1	GEAR, 55T		
11	FU5-0714-000		1	GEAR, 25T		
12	XA9-1386-000		9	SCREW,RS,M3X8		
13	FU5-0705-000		1	GEAR, 22T/86T		
14	FU5-0710-000		1	GEAR, 19T/35T		
15	FU5-2429-000		1	SPRING, DRUM CONTACT PIN		
16	FC5-4878-000		1	PIN, DRUM CONTACT		
501	XB4-7400-807		2	SCREW,TAPPING,TRUSS HEAD,M4X8		
502	XB2-7300-607		2	SCREW, WWASHER, M3X6		

FIGURE 105
INTERNAL COMPONENTS 5

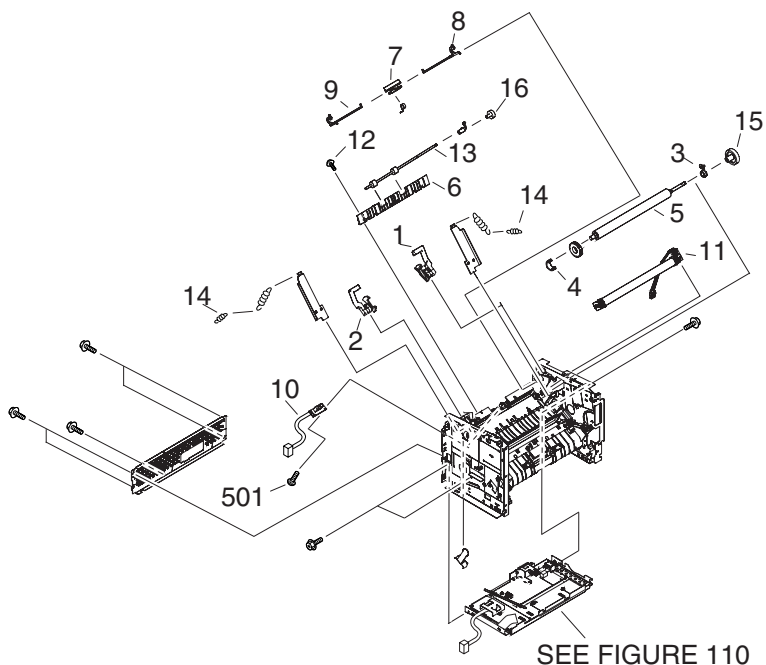


FIGURE & KEY NO.	PARTS NUMBER	R A N K	Q'TY	DESCRIPTION	SERIAL NUMBER/ REMARKS	S V C
Fig.105	NPN		RF	INTERNAL COMPONENTS (5)		
1	FC5-4827-000		1	LEVER, PRESSURE RELEASE, R		
2	FC5-4828-000		1	LEVER, PRESSURE RELEASE, L		
3	FC5-4829-000		1	BUSHING, PRESSURE ROLLER, R		
4	FC5-4830-000		1	BUSHING, PRESSURE ROLLER, L		
5	FC5-4831-000		1	ROLLER, PRESSURE		
6	FC5-4832-000		1	GUIDE, PAPER DELIVERY		
7	FC5-4834-000		1	FLAG, DELIVERY SENSOR		
8	FC5-4861-000		1	LEVER, PRSS. RELEASE DETECT,R		
9	FC5-4862-000		1	LEVER, PRSS. RELEASE DETECT,L		
10	FM5-5264-000		1	DELIVERY SENSOR PCB UNIT		
11	FM2-1063-000		1	FILM UNIT	100V	
11	FM2-1065-000		1	FILM UNIT	120V	
11	FM2-1066-000		1	FILM UNIT	220V	
12	XA9-1502-000		1	SCREW,W/WASHER,M4		
13	FL2-1044-000		1	ROLLER, FACE-UP		
14	FU5-2425-000		2	SPRING,PRESSURE GROUNDING		
15	FU5-0713-000		1	GEAR, 29T		
16	FU5-0698-000		1	GEAR, 17T		
501	XB4-7400-807		1	SCREW,TAPPING,TRUSS HEAD,M4X8		

FIGURE 110
POWER CORD TERMINAL ASSEMBLY

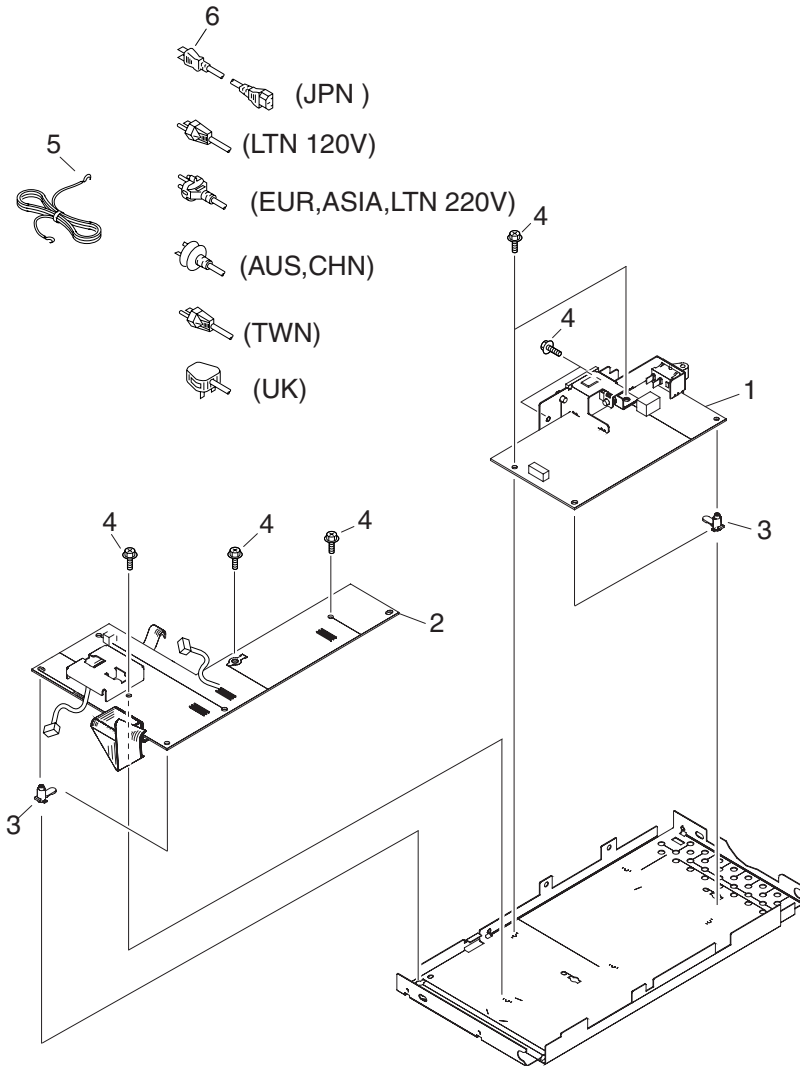


FIGURE & KEY NO.	PARTS NUMBER	RANK	Q'TY	DESCRIPTION	SERIAL NUMBER/REMARKS	SVC
Fig.110	NPN		RF	POWER CORD TERMINAL ASSEMBLY		
1	FH3-2665-000		1	POWER, SUPPLY PCB UNIT	100V, 120V	
1	FH3-2666-000		1	POWER, SUPPLY PCB UNIT	220V	
2	FM5-5262-000		1	HIGH-VOLTAGE PCB UNIT		
3	FC5-4891-000		4	SPACER, PCB		
4	XA9-1386-000		7	SCREW, RS, M3X8		
5	FH2-7092-000		1	CORD, GROUNDING	100V	
6	FM5-5296-000		1	CORD, POWER	AUS	
6	FM5-5294-000		1	CORD, POWER	CHN	
6	FM5-5292-000		1	CORD, POWER	EUR/ASIA/LTN 220V	
6	FM5-5272-000		1	CORD, POWER	JPN	
6	FM5-5295-000		1	CORD, POWER	LTN 120V	
6	FM5-5273-000		1	CORD, POWER	TWN	
6	FM5-5293-000		1	CORD, POWER	UK	

FIGURE 300
CASSETTE

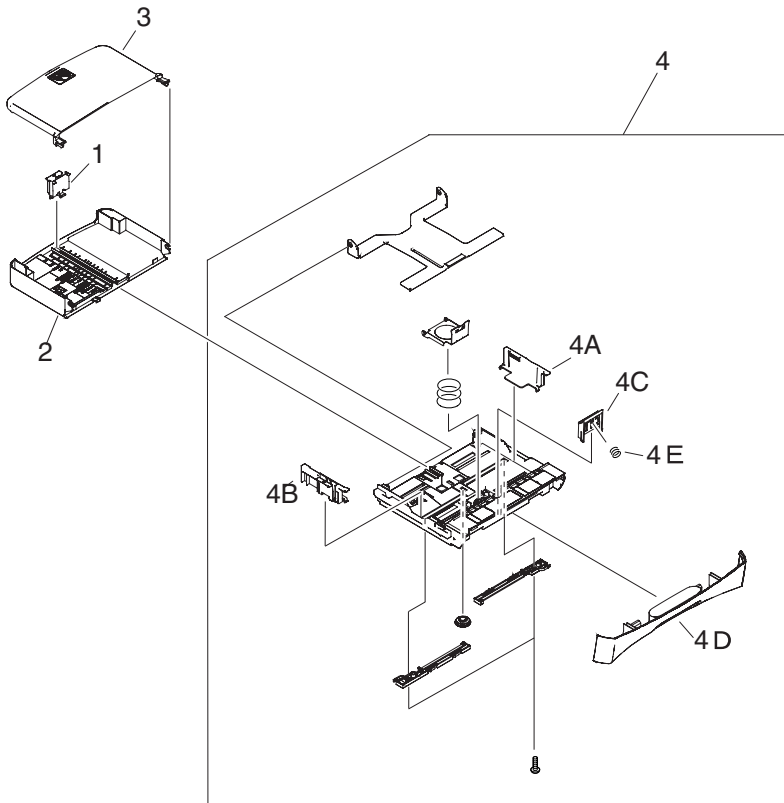


FIGURE & KEY NO.	PARTS NUMBER	R A N K	Q'TY	DESCRIPTION	SERIAL NUMBER/REMARKS	S V C
Fig.300	NPN		RF	CASSETTE		
1	FC5-4908-000		1	PLATE, BACK END LIMIT		
2	FC5-4928-000		1	TRAY, CASSETTE EXTENSION	JPN,TWN,EUR/ASIA/ CHN/UK/AUS	
2	FC5-4933-000		1	TRAY, CASSETTE EXTENSION,LGL	LTN	
3	FC5-4931-000		1	COVER, CASSETTE, UPPER	JPN,TWN,EUR/ASIA/ CHN/UK/AUS	
3	FC5-4935-000		1	COVER, CASSETTE, UPPER,LGL	LTN	
4	FM2-1075-000		1	CASSETTE UNIT		
4A	FC5-4911-000		1	PLATE, SIDE LIMIT ,RIGHT		
4B	FC5-4913-000		1	PLATE, SIDE LIMIT, LEFT		
4C	FL2-1047-000		1	PAD, SEPARATION		
4D	FC5-4905-000		1	COVER,CST,FRONT		
4E	FU5-2434-000		1	SPRING,PAD		

Prepared by
OFFICE IMAGING PRODUCTS QUALITY ASSURANCE CENTER
CANON INC.

Canon