

# LBP-2410

# PARTS CATALOG

REVISION 0

**Canon**

FEB. 2003

**FY8-31FZ-000**

## PREFACE

This Parts Catalog contains listings of parts used in the Canon LBP-2410, PAPER FEEDER PF-87. Diagrams are provided with the listings to aid the service technician in identifying clearly, the item to be ordered.

Whenever ordering parts, consult this Parts Catalog for all of the information pertaining to each item. Be sure to include, in the Parts Request, the full item description, the item part number, and the quantity.

Canon Inc.

Office Imaging Products Device Quality Assurance Center  
5-1, Hakusan 7-chome,  
Toride-city, Ibaraki 302-8501, Japan

*COPYRIGHT © 2003 CANON INC.*

*Printed in Japan*

*Imprimé au Japon*

Use of this manual should be strictly supervised to avoid disclosure of confidential information.

## LIST OF ORDER AND SERIAL NUMBERS

NAME	REMARKS	ORDER No.	MIDDLE ORDER No.	SERIAL No.
LBP-2410	100V	8472A001AA	R96-2044-000	LNEA000001-
	100V	8472A001AB	R96-2044-000	LNEA000001-
	100-127V	8427A002AA	R96-2034-000	JLAA000001-
	220-240V EURO	8427A003AA	R96-2038-000	KLSA000001-
	220-240V ASIA	8427A004AA	R96-2038-000	KLTA000001-
	220-240V CHINA	8427A005AA	R96-2038-000	KLXA000001-
	220-240V UK	8427A006AA	R96-2038-000	KLYA000001-
PAPER FEEDER PF-87		8512A001AA	R96-5039-000	LNJA000001-

# CONTENTS

– LBP-2410 –

- A. ASSEMBLY LOCATION DIAGRAM
  - 001. DISK UNIT
    - 100. EXTERNAL COVERS, PANELS, ETC.
    - 101. FRONT FRAME ASS'Y
    - 102. INTERNAL COMPONENTS 1
    - 103. INTERNAL COMPONENTS 2
    - 105. REAR FRAME ASS'Y
    - 106. MIDDLE FRAME ASS'Y
  - 110. POWER SUPPLY BASE ASS'Y
  - 250. MAIN DRIVE ASS'Y
  - 251. ROTARY DRIVE ASS'Y
  - 530. ROTARY ASS'Y
  - 810. FIXING ASS'Y
  - 900. PCB ASS'Y LOCATION DIAGRAM

– PAPER FEEDER PF-87 –

- RA ASSEMBLY LOCATION DIAGRAM
  - R10. EXTERNAL COVERS, PANELS, ETC.
  - R11. CASSETTE CENTER FRAME ASS'Y
  - R12. RIGHT COVER ASS'Y
  - R30. CASSETTE
  - R90. PCB ASS'Y LOCATION DIAGRAM
- C. LIST OF ELECTRIC PARTS
  - D1. NUMERICAL INDEX  
(LBP-2410)
  - D2. NUMERICAL INDEX  
(PAPER FEEDER PF-87)

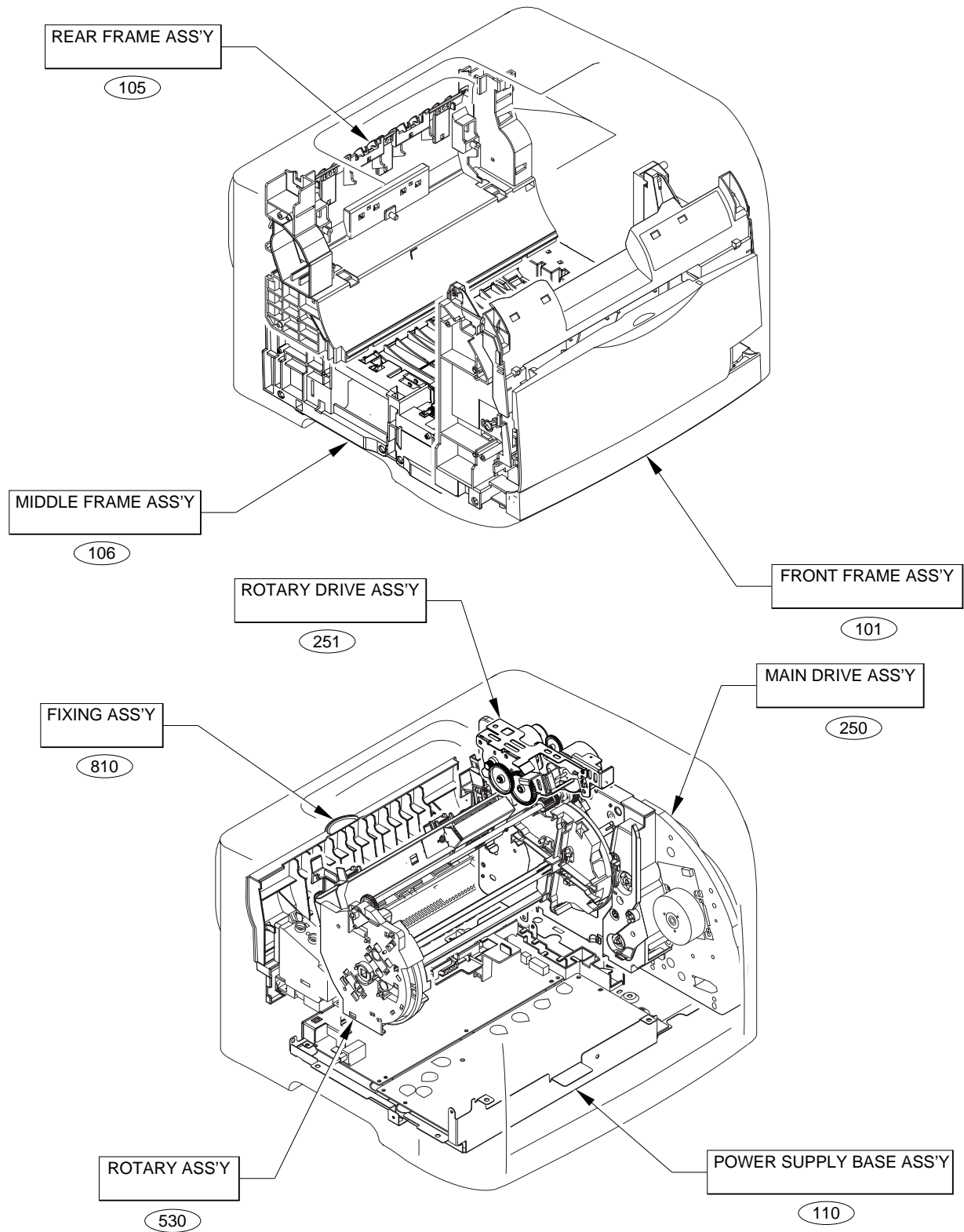
# LBP-2410

# CONTENTS

- LBP-2410 -

- A. ASSEMBLY LOCATION DIAGRAM
  - 001. DISK UNIT
    - 100. EXTERNAL COVERS, PANELS, ETC.
    - 101. FRONT FRAME ASS'Y
    - 102. INTERNAL COMPONENTS 1
    - 103. INTERNAL COMPONENTS 2
    - 105. REAR FRAME ASS'Y
    - 106. MIDDLE FRAME ASS'Y
  - 110. POWER SUPPLY BASE ASS'Y
  - 250. MAIN DRIVE ASS'Y
  - 251. ROTARY DRIVE ASS'Y
  - 530. ROTARY ASS'Y
  - 810. FIXING ASS'Y
  - 900. PCB ASS'Y LOCATION DIAGRAM
- D1. NUMERICAL INDEX  
(LBP-2410)

# FIGURE A ASSEMBLY LOCATION DIAGRAM



# FIGURE 001 DISK UNIT

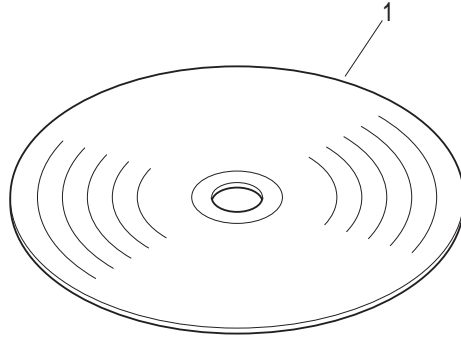


FIGURE & KEY NO.	PART NUMBER	RANK	QTY	DESCRIPTION	SERIAL NUMBER / REMARKS
001 -	NPN		RF	DISK UNIT	
1	RH5-3143-000		1	CD-ROM, USER SOFTWARE	JAPAN
	RH5-3151-000		1	CD-ROM, USER SOFTWARE	EURO
	RH5-3150-000		1	CD-ROM, USER SOFTWARE	OTHER





# FIGURE 100 EXTERNAL COVERS, PANELS, ETC.

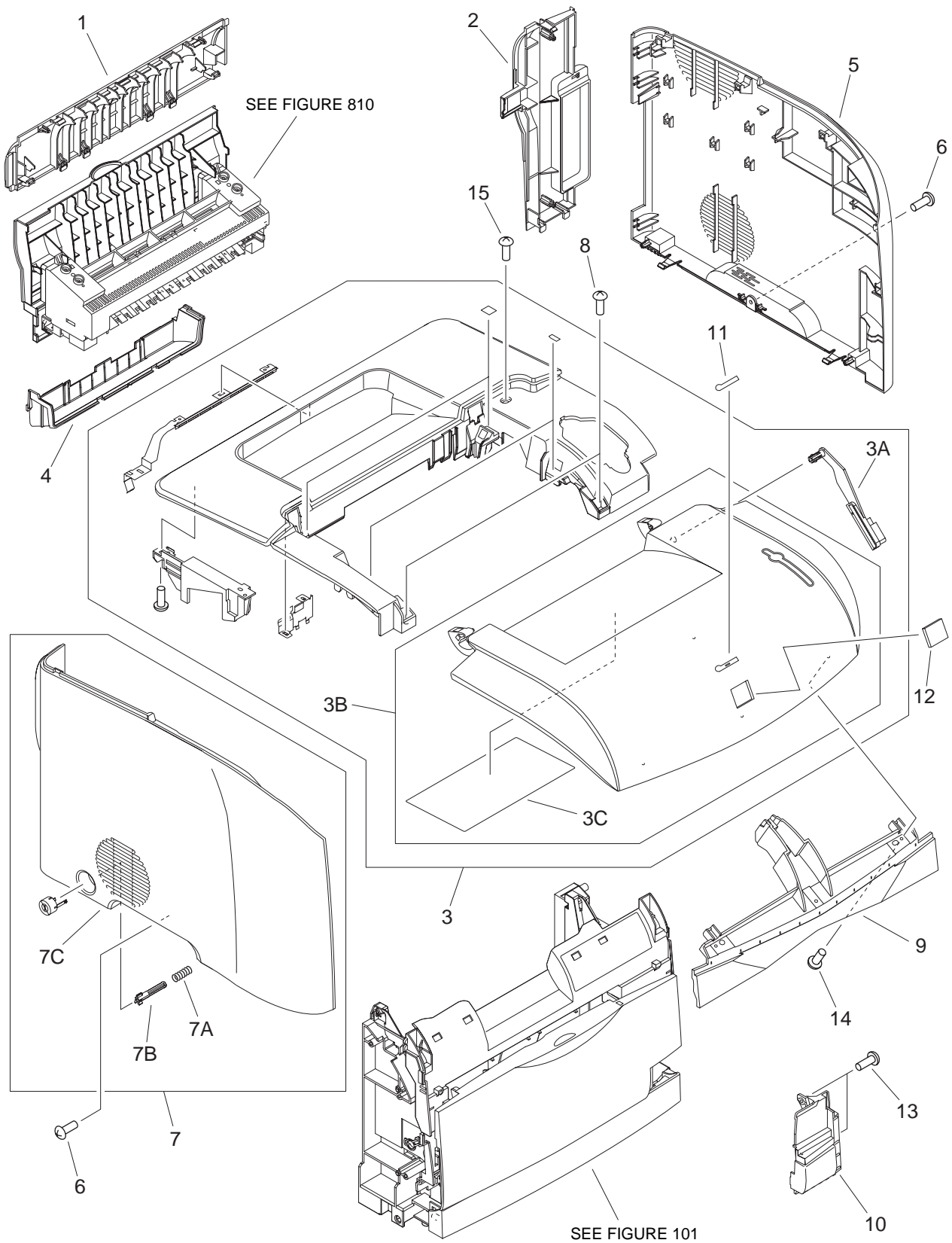


FIGURE & KEY NO.	PART NUMBER	RANK	QTY	DESCRIPTION	SERIAL NUMBER / REMARKS
100 -	NPN		RF	EXTERNAL COVERS, PANELS, ETC.	
1	RB3-0840-000		1	COVER, REAR	
2	RB3-0846-000		1	COVER, INTERFACE BOARD	
3	RG5-7416-000		1	TOP COVER ASS'Y	100V
	RG5-7430-000		1	TOP COVER ASS'Y	120V/220V
3A	RB3-0089-000		1	RACK, COVER	
3B	RF5-4256-000		1	COVER, CARTRIDGE	100V
	RF5-4257-000		1	COVER, CARTRIDGE	120V/220V
3C	RS6-8671-000		1	LABEL, DEV. CRG. INSTRUCTION	
4	RB3-0845-000		1	COVER, FACE-DOWN TRAY	
5	RB3-0839-000		1	COVER, RIGHT	
6	XA9-1291-000		6	SCREW, RS, M3X8	
7	RG5-7418-000		1	LEFT COVER ASS'Y	
7A	RS6-2759-000		1	SPRING, COMPRESSION	
7B	RB3-0037-000		1	ROD, POWER BUTTON	
7C	RB3-0838-000		1	COVER, LEFT	
8	XA9-1262-000		2	SCREW, M4X10	
9	RB3-0837-000		1	COVER, FRONT	
10	RB3-0844-000		1	COVER, MULTI-PURPOSE, RIGHT	
11	RB3-0651-000		1	EMBLEM, "CANON"	
12	RB3-0862-000		1	EMBLEM	
13	XA9-0870-000		2	SCREW, M4X10	
14	XA9-0591-000		4	SCREW, M3X8	
15	XA9-0267-000		1	SCREW, TP, M3X6	

# FIGURE 101 FRONT FRAME ASS'Y

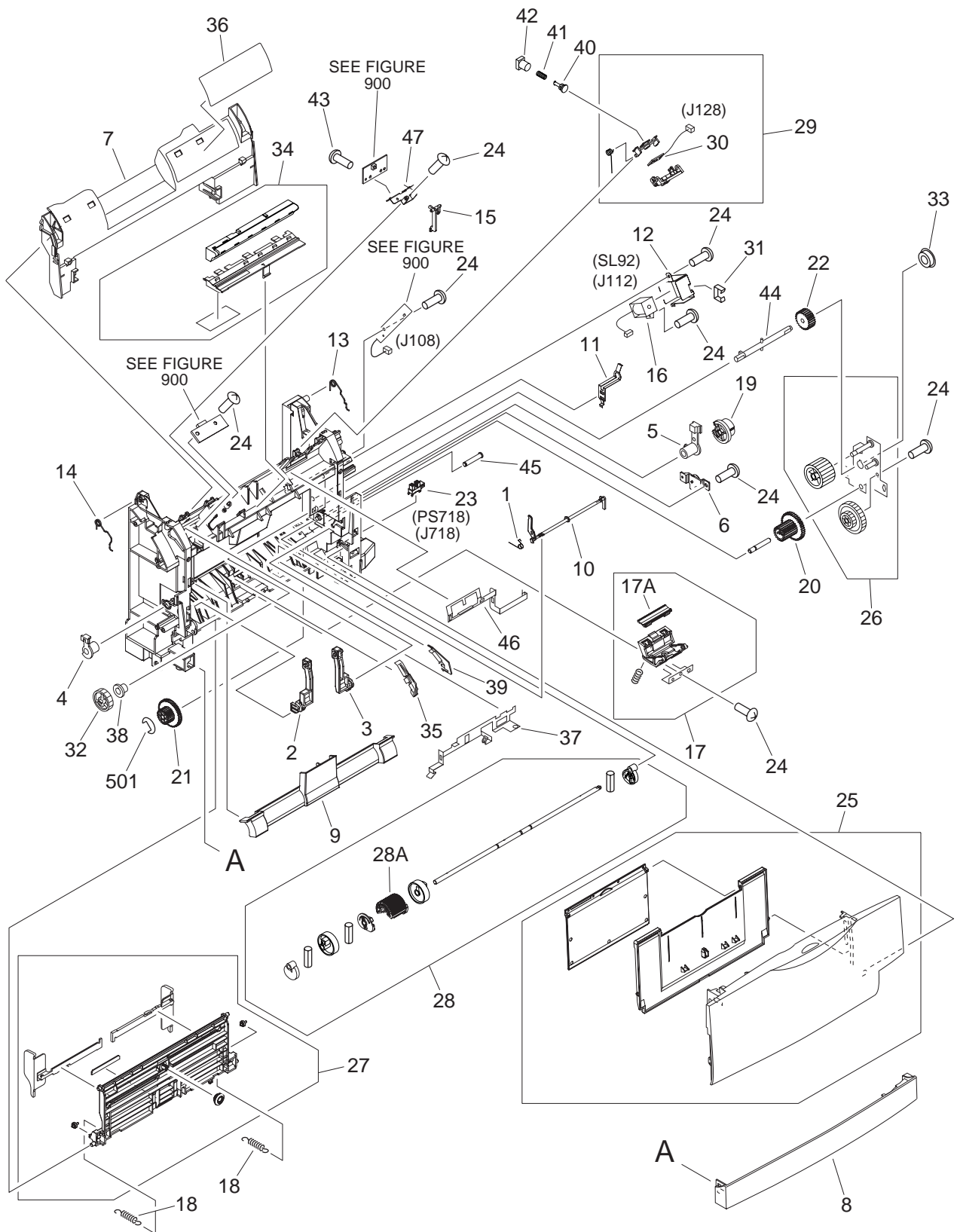


FIGURE & KEY NO.	PART NUMBER	RANK	QTY	DESCRIPTION	SERIAL NUMBER / REMARKS
101 -	NPN		RF	FRONT FRAME ASS'Y	
1	RB2-9952-000		1	SPRING, TORSION	
2	RB2-3041-020		1	HINGE, LEFT	
3	RB2-3042-020		1	HINGE, RIGHT	
4	RB2-3043-000		1	BUSHING, LEFT	
5	RB2-3044-000		1	BUSHING, RIGHT	
6	RB2-6248-000		1	DAMPER ASS'Y	
7	RB3-0842-000		1	COVER, MULTI-PURPOSE, UPPER	
8	RB3-0843-000		1	COVER, MULTI-PURPOSE, LOWER	
9	RB3-0104-000		1	COVER, MULTI-PURPOSE ROLLER	
10	RB3-0111-000		1	FLAG, MULTI-PURPOSE SENSOR	
11	RB3-0119-000		1	SPRING, LEAF, GROUNDING	
12	RB3-0120-000		1	COVER, MP. GAUSS BLOCKING	
13	RB3-0121-000		1	SPRING, TORSION	
14	RB3-0122-000		1	SPRING, TORSION	
15	RB3-0135-000		1	FLAG, TEST PRINT SWITCH	
16	RH7-5337-000		1	SOLENOID	SL92 J112
17	RF5-4012-000		1	PAD, PAPER SEPARATION	
17A	RB3-0113-000		1	PAD, SEPARATION	
18	RS6-2030-000		2	SPRING, TENSION	
19	RS7-0418-000		1	GEAR, 26T	
20	RS7-0424-000		1	GEAR, 20T/40T	
21	RS7-0426-000		1	GEAR, 26T/50T	
22	RS7-0429-000		1	GEAR, 26T	
23	WG8-5382-000		1	PHOTO-INTERRUPTER, TLP1242	PS718 J718
24	XA9-1262-000		11	SCREW, M4X10	
25	RG5-7420-000		1	MULTI-PURPOSE COVER ASS'Y	
26	RG5-6938-000		1	GEAR ASS'Y	
27	RG5-6951-000		1	MP. INNER PLATE ASS'Y	
28	RG5-6952-000		1	MP. PAPER PICK-UP ROLLER ASS'Y	

FIGURE & KEY NO.	PART NUMBER	RANK	QTY	DESCRIPTION	SERIAL NUMBER / REMARKS
101 - 28A	RB3-0160-000		1	ROLLER, MP. PAPER PICK-UP	
29	RG5-6957-000		1	TAG CONTACT ASS'Y	
30	RG5-6956-000		1	TAG CONTACT PCB ASS'Y	J128
31	WT2-5056-000		1	CLIP, CABLE	
32	RS7-0425-000		1	GEAR, 30T	
33	RS5-1635-000		1	BUSHING	
34	RF5-4047-000		1	PAD, LIGHT-BLOCKING	
35	RB2-9954-000		1	GUIDE, PAPER FEED, LEFT	
36	RS6-8672-000		1	LABEL, DRUM CARTRIDGE	
37	RB2-9942-000		1	PLATE, GROUNDING	
38	RS5-1638-000		1	BUSHING	
39	RB2-9955-000		1	GUIDE, PAPER FEED, RIGHT	
40	RB3-0164-000		1	PIN, TAG	
41	RS6-2746-000		1	SPRING, COMPRESSION	
42	RB3-0163-000		1	SUPPORT, TAG PIN	
43	XA9-0267-000		2	SCREW, TP, M3X6	
44	RF5-4015-000		1	SHAFT, P. PICK-UP CLUTCH GEAR	
45	RS5-5899-000		1	SHAFT	
46	RB2-9940-000		1	PLATE, GROUNDING	
47	RB3-0117-000		1	HOLDER, TOP SENSOR PCB	
501	XD2-1100-502		1	RING, E	



# FIGURE 102 INTERNAL COMPONENTS 1

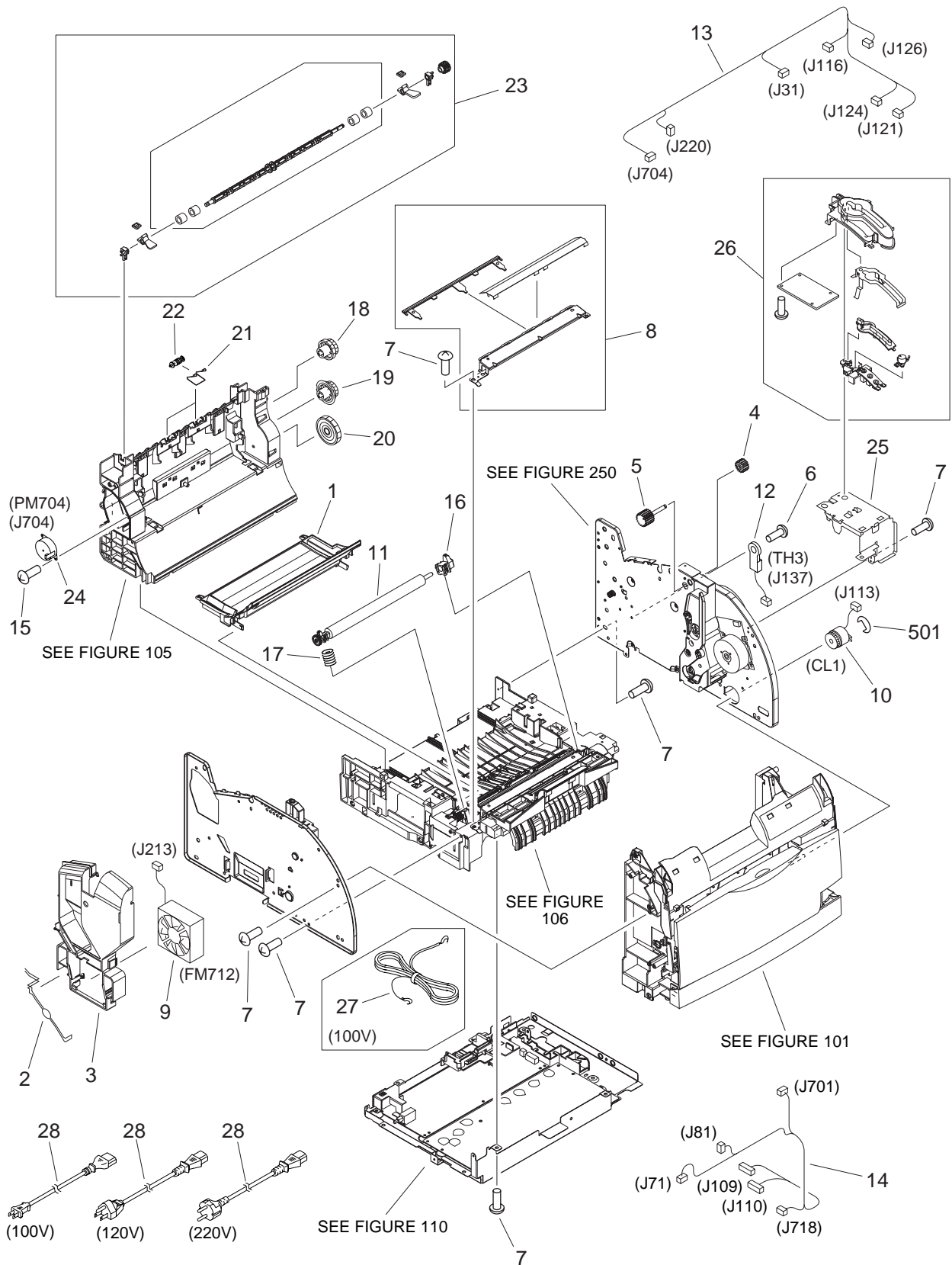




FIGURE & KEY NO.	PART NUMBER	RANK	QTY	DESCRIPTION	SERIAL NUMBER / REMARKS
102 -	NPN		RF	INTERNAL COMPONENTS 1	
1	RB3-0019-000		1	TRAY, TONER	
2	RB2-9932-000		1	GUARD, FAN SHIELD	
3	RB3-0025-000		1	DUCT, FAN	
4	RB3-0091-000		1	GEAR, 18T	
5	RB3-0092-000		1	GEAR, 15T	
6	XA9-1355-000		1	SCREW, RS, M3X8	
7	XA9-1262-000		27	SCREW, M4X10	
8	RF5-4049-000		1	ENTRANCE GUIDE ASS'Y	
9	RH7-1537-000		1	FAN	FM712 J213
10	RH7-5366-000		1	CLUTCH, ELECTROMAGNETIC	CL1 J113
11	RF5-4040-000		1	ROLLER, TRANSFER	
12	RH7-7149-000		1	SLEEVE THERMISTOR UNIT	TH3, J137
13	RG5-7144-000		1	CABLE, UPPER	J31, J116, J121, J124, J126, J220 J704
14	RG5-7145-000		1	CABLE, FRONT FRAME	J71, J81, J109, J110 J701, J718
15	XA9-0849-000		2	SCREW, RS, M3X6	
16	RB3-0014-000		1	BUSHING, TRANSFER, RIGHT	
17	RB3-0015-000		1	SPRING, COMPRESSION	
18	RS7-0435-000		1	GEAR, 32T/37T	
19	RS7-0436-000		1	GEAR, 37T/43T	
20	RS7-0437-000		1	GEAR, 51T	
21	RB2-9905-000		2	SPRING, TORSION	
22	RB2-9908-000		2	ROLLER, FACE-DOWN, UPPER	
23	RG5-6897-000		1	UPPER FACE-DOWN ROLLER ASS'Y	
24	RH7-1533-000		1	MOTOR, DC24V	PM704 J704
25	RB3-0853-000		1	MOUNT, OPERATION PANEL ASS'Y	
26	RG5-7417-000		1	OPERATION PANEL COVER ASS'Y	
27	FH2-5006-000		1	WIRE, GROUNDING	100V
28	RH9-1015-000		1	CORD, POWER	100V

FIGURE & KEY NO.	PART NUMBER	R A N K	Q' T Y	DESCRIPTION	SERIAL NUMBER / REMARKS
102 - 28	RH2-5127-000		1	CORD, POWER	120V
	RH2-5116-000		1	POWER CORD	220V
501	XD2-1100-322		1	RING, E	
-----	-----	-----	-----	-----	-----
-----	-----	-----	-----	-----	-----
-----	-----	-----	-----	-----	-----
-----	-----	-----	-----	-----	-----
-----	-----	-----	-----	-----	-----
-----	-----	-----	-----	-----	-----



# FIGURE 103 INTERNAL COMPONENTS 2

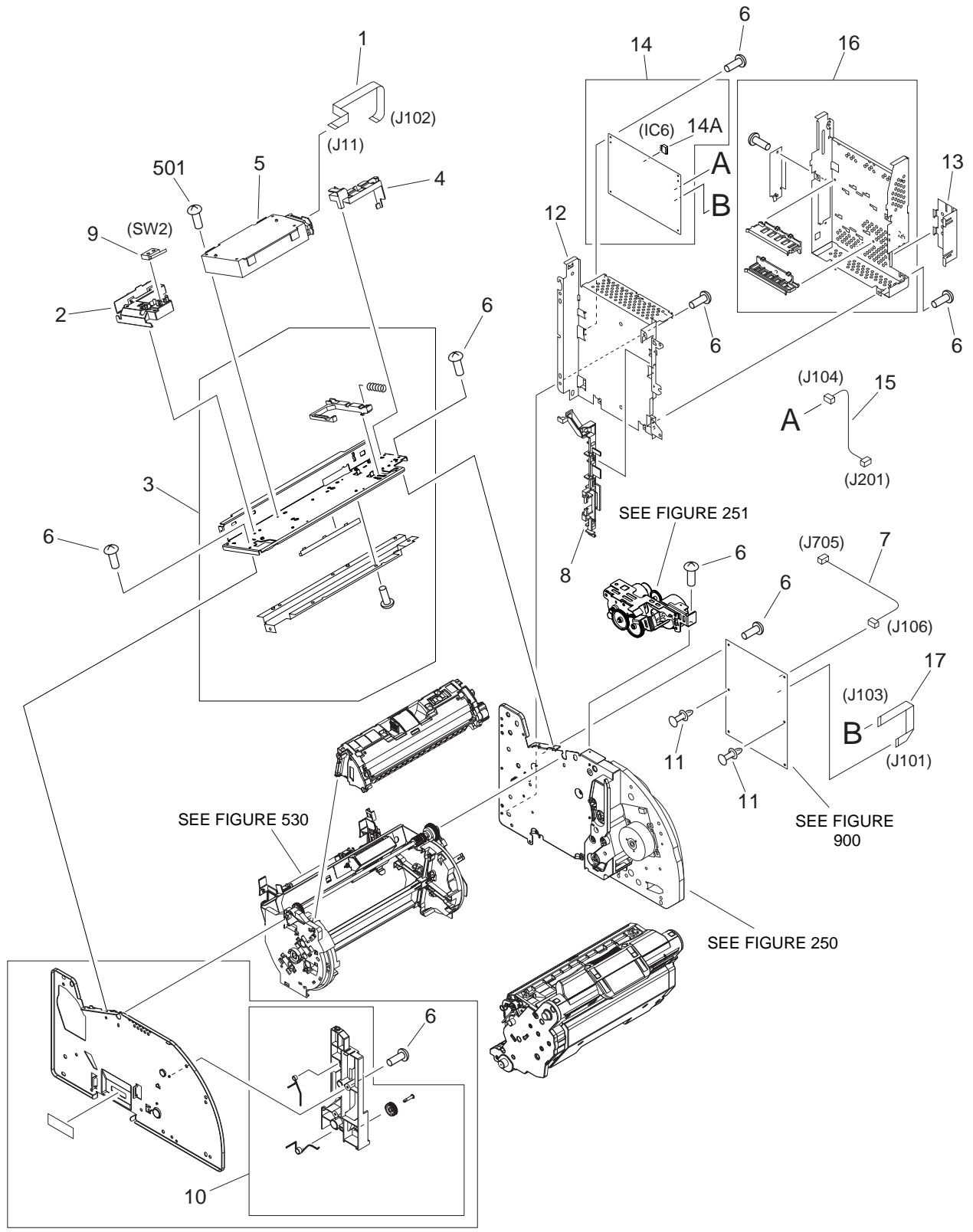
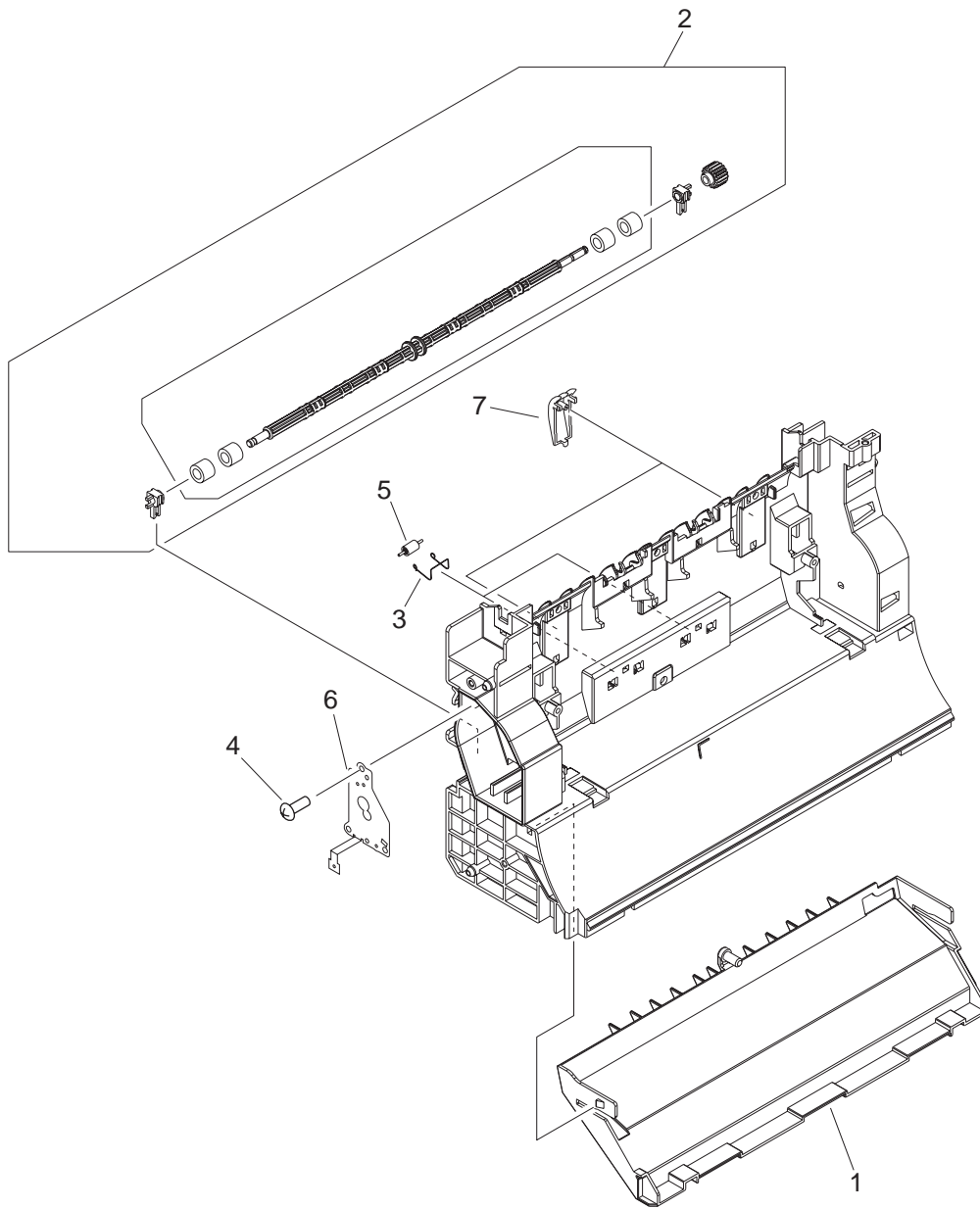


FIGURE & KEY NO.	PART NUMBER	RANK	QTY	DESCRIPTION	SERIAL NUMBER / REMARKS
103 -	NPN		RF	INTERNAL COMPONENTS 2	
1	RH2-5524-000		1	CABLE, FLAT, LASER	J11, J102
2	RB3-0023-000		1	HOLDER, INTERLOCK SWITCH	
3	RG5-6907-000		1	SCANNER CROSSMEMBER ASS'Y	
4	RB2-9903-000		1	GUIDE, CABLE	
5	RG5-6880-000		1	SCANNER ASS'Y	
6	XA9-0849-000		18	SCREW, RS, M3X6	
7	RG5-7114-000		1	CABLE, MOTOR	J106, J705
8	RB3-0860-000		1	GUIDE, CABLE	
9	RH7-6051-000		1	MICROSWITCH	SW2
10	RG5-6935-000		1	LEFT CARTRIDGE GUIDE ASS'Y	
11	WT2-5778-000		2	SPACER, PCB	
12	RB3-0858-000		1	MOUNT, INTERFACE CONT. PCB	
13	RB3-0869-000		1	COVER, INTERFACE CONT. CASE	
14	RG1-4344-000		1	INTERFACE CONTROLLER PCB ASS'Y	
14A	RF1-4218-000		1	EFP-ROM,IC, BR93LC46-C	IC6
15	RG1-4350-000		1	CABLE, INTERFACE CONTROLLER	J104, J201
16	RG5-7419-000		1	INTERFACE CONT. CASE ASS'Y	
17	RH2-5603-000		1	CABLE, FLAT	J101, J103
501	XB6-7300-407		4	SCREW, TP, M3X4	

# FIGURE 105 REAR FRAME ASS'Y





# FIGURE 106 MIDDLE FRAME ASS'Y

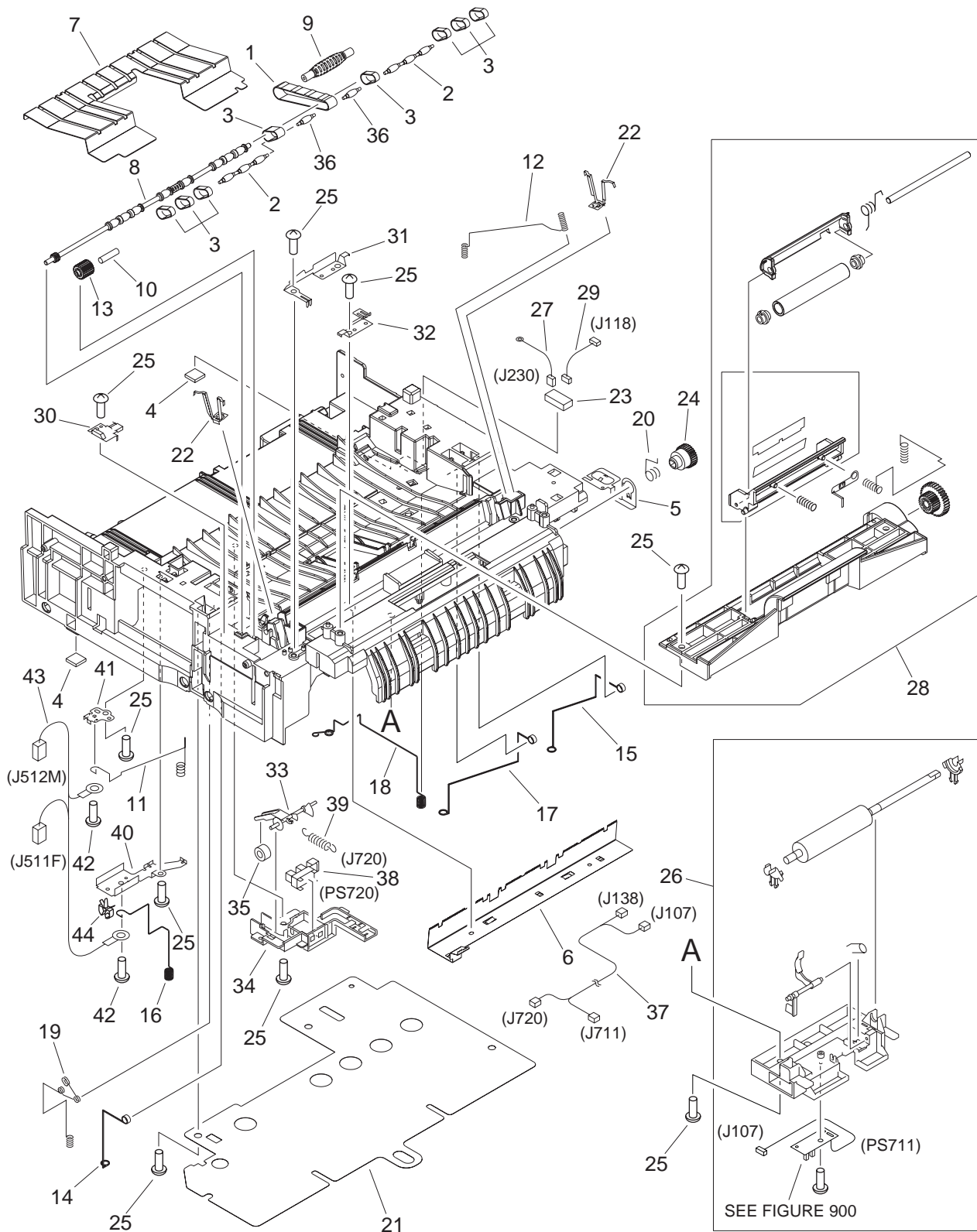




FIGURE & KEY NO.	PART NUMBER	RANK	QTY	DESCRIPTION	SERIAL NUMBER / REMARKS
106 -	NPN		RF	MIDDLE FRAME ASS'Y	
1	RB1-8668-030		1	BELT, TIMING	
2	RB3-0061-000		2	PULLEY	
3	RB3-0063-000		8	BELT, PAPER FEED	
4	RB2-6297-000		2	FOOT, RUBBER	
5	RB3-0286-000		1	PLATE, H ROLLER GROUNDING	
6	RB3-0009-000		1	PLATE, STATIC CHARGE ELIM.	
7	RB3-0010-000		1	PLATE, PAPER FEED	
8	RB3-0011-000		1	SHAFT, FEED DRIVE	
9	RB3-0012-000		1	ROLLER, SM BELT	
10	RB3-0060-000		1	SHAFT, IDLER GEAR	
11	RB3-0045-000		1	SPRING, TORSION	
12	RB3-0016-000		1	SPRING, TORSION	
13	RB3-0022-000		1	GEAR, 23T	
14	RB3-0042-000		1	SPRING, TORSION	
15	RB3-0043-000		1	SPRING, TORSION	
16	RB3-0044-000		1	SPRING, TORSION	
17	RB3-0046-000		1	SPRING, TORSION	
18	RB3-0047-000		1	SPRING, TORSION	
19	RB3-0048-000		1	SPRING, TORSION	
20	RS5-1637-000		1	BUSHING	
21	RB3-0056-000		1	SHEET, INSULATING	
22	RB3-0057-000		2	PLATE, TRANSFER SLIDE	
23	RH2-5519-000		1	CONNECTOR, OPT.CASSETTE DRAWER	J230
24	RS7-0428-000		1	GEAR, 30T	
25	XA9-1262-000		12	SCREW, M4X10	
26	RG5-6939-000		1	REGISTRATION ROLLER ASS'Y	
27	RG5-7123-000		1	CABLE, GROUNDING	J230
28	RG5-6940-000		1	REGISTRATION SHUTTER ASS'Y	
29	RG5-7122-000		1	CABLE, INTERFACE	J118, J230

FIGURE & KEY NO.	PART NUMBER	RANK	QTY	DESCRIPTION	SERIAL NUMBER / REMARKS
106 - 30	RB3-0052-000		1	COVER, GEAR	
31	RB3-0065-000		1	SPRING, GROUNDING	
32	RB3-0066-000		1	SPRING, GROUNDING	
33	RB2-9925-000		1	ARM, SENSOR FLAG	
34	RB2-9924-000		1	HOLDER, SENSOR	
35	RB2-7195-000		1	ROLLER, TRANSFER SENSOR	
36	RB3-0067-000		2	PULLEY	
37	RG5-7128-000		1	PAPER SENSOR CABLE	J107, J138, J720, J711
38	WG8-5382-000		1	PHOTO-INTERRUPTER, TLP1242	PS720, J720
39	RS6-2766-000		1	SPRING, TENSION	
40	RB2-9850-000		1	MOUNT, DEV. TERMINAL	
41	RB2-9851-000		1	MOUNT, DEV. ANTENNA CONTACT	
42	XA9-0849-000		2	SCREW, RS, M3X6	
43	RG5-7130-000		1	DEV. H.V.T. CABLE	J511F, J512M
44	WT2-5700-000		1	CLAMP, CABLE	



# FIGURE 110 POWER SUPPLY BASE ASS'Y

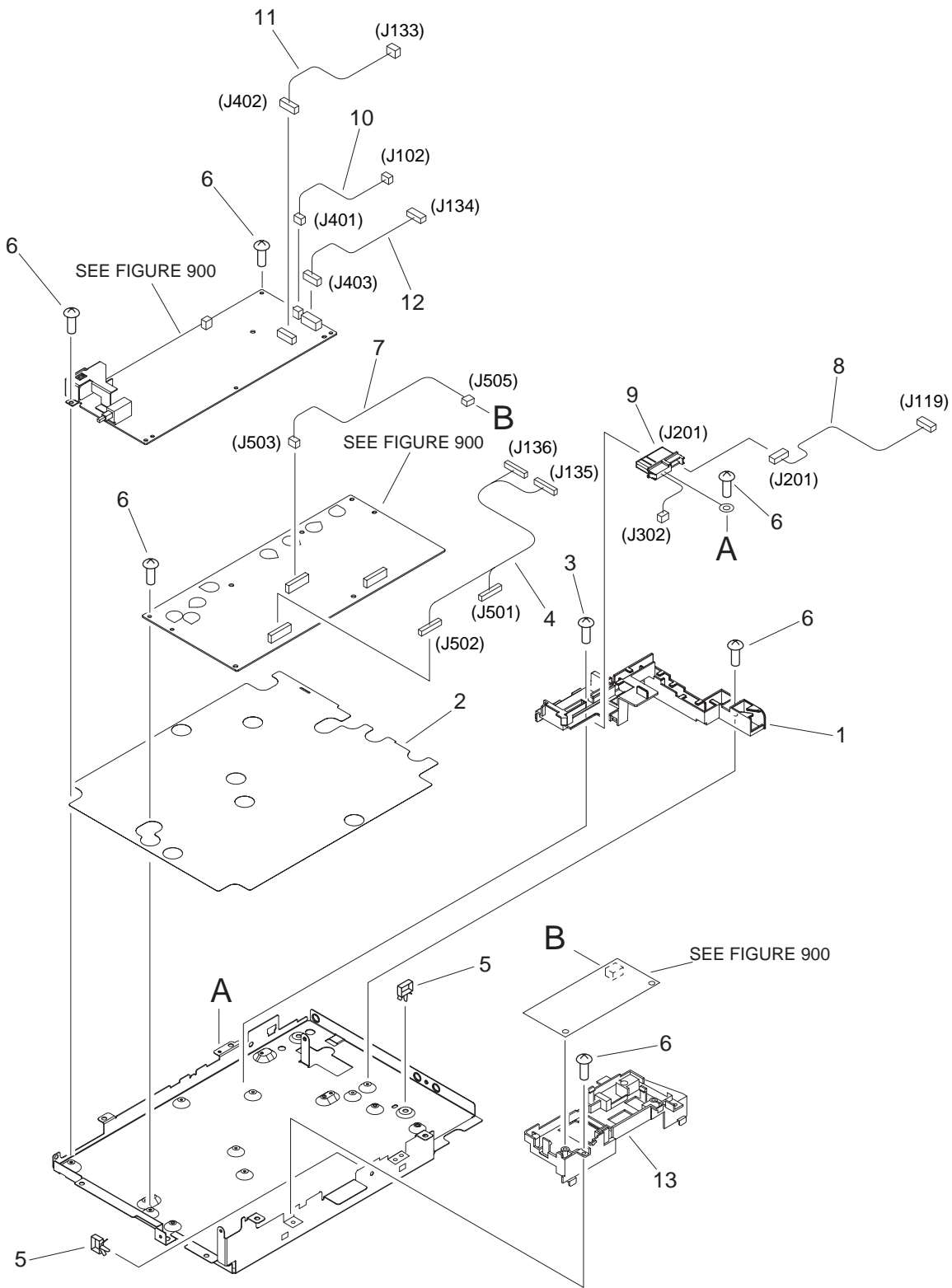


FIGURE & KEY NO.	PART NUMBER	RANK	QTY	DESCRIPTION	SERIAL NUMBER / REMARKS
110 -	NPN		RF	POWER SUPPLY BASE ASS'Y	
1	RB3-0006-000		1	HOLDER, FIXING CONNECTOR	
2	RB3-0007-000		1	SHEET, INSULATING	
3	XA9-1291-000		1	SCREW, RS, M3X8	
4	RG5-7146-000		1	CABLE, H.V.T.	J135, J136, J501 J502
5	WT2-5737-000		2	CLIP, CABLE	
6	XA9-1355-000		12	SCREW, RS, M3X8	
7	RG5-7126-000		1	SUB H.V.T. CABLE	J503, J505
8	RG5-7109-000		1	CABLE, FIXING CONNECTING DC	J119, J201
9	RG5-6971-000		1	CABLE, FIXING POWER	J201, J302
10	RG5-7106-000		1	CABLE, VIDEO INTERFACE POWER	J401, J102
11	RG5-7107-000		1	CABLE, POWER, 1	J133, J402
12	RG5-7108-000		1	CABLE, POWER, 2	J134, J403
13	RB3-0062-000		1	HOLDER, HIGH VOLTAGE	

# FIGURE 250 MAIN DRIVE ASS'Y

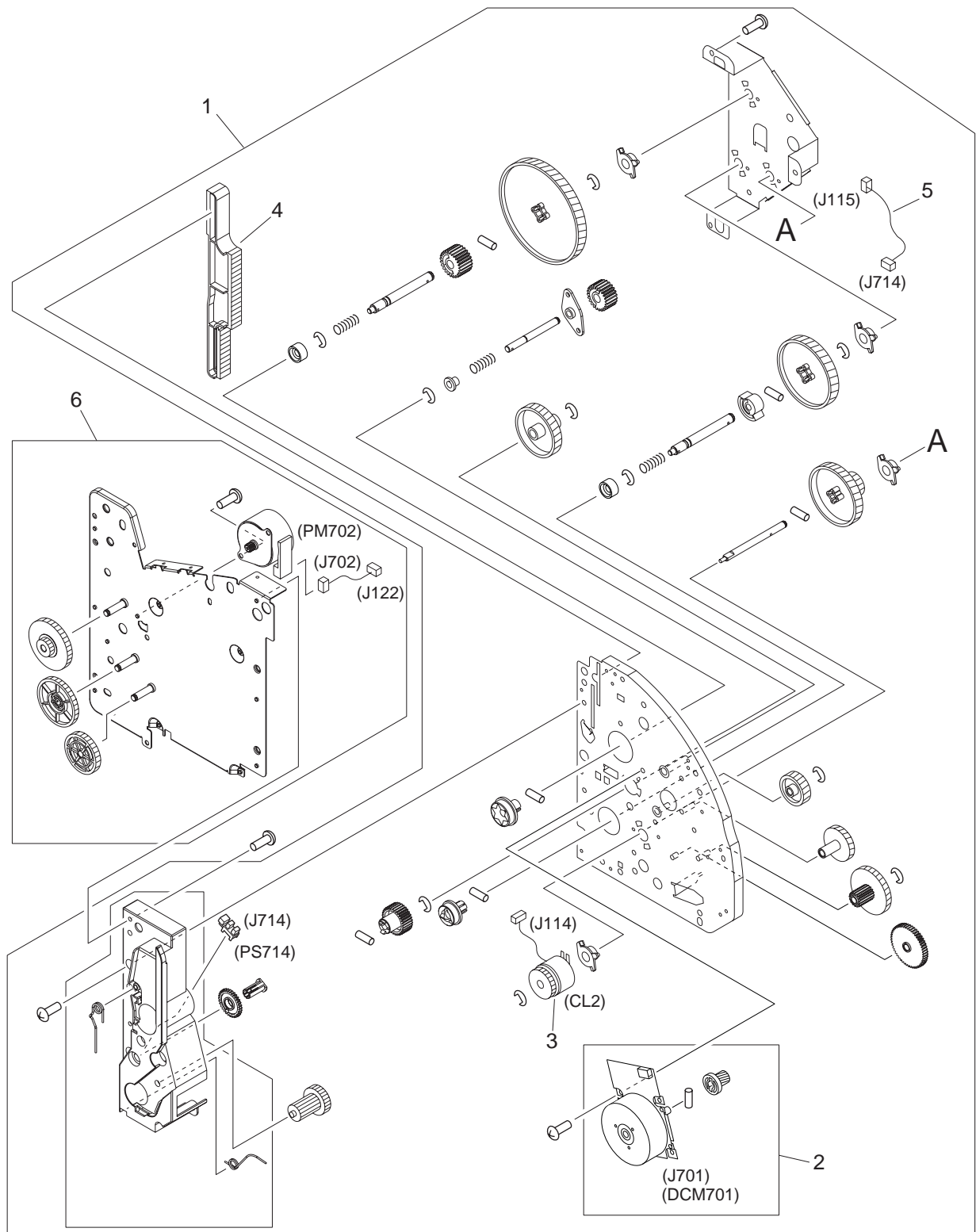


FIGURE & KEY NO.	PART NUMBER	R A N K	Q' T Y	DESCRIPTION	SERIAL NUMBER / REMARKS
250 -	RG5-6904-050		1	MAIN DRIVE ASS'Y	
1	RG5-6932-050		1	RIGHT SIDE PLATE FRONT ASS'Y	
2	RF5-4010-000		1	MOTOR UNIT	
3	RH7-5366-000		1	CLUTCH, ELECTROMAGNETIC	CL2 J114
4	RB3-0090-000		1	RACK	
5	RG5-7115-000		1	CABLE, SECOND. TRANSFER SENSOR	J115, J714
6	RG5-6934-000		1	RIGHT SIDE PLATE REAR ASS'Y	

# FIGURE 251 ROTARY DRIVE ASS'Y

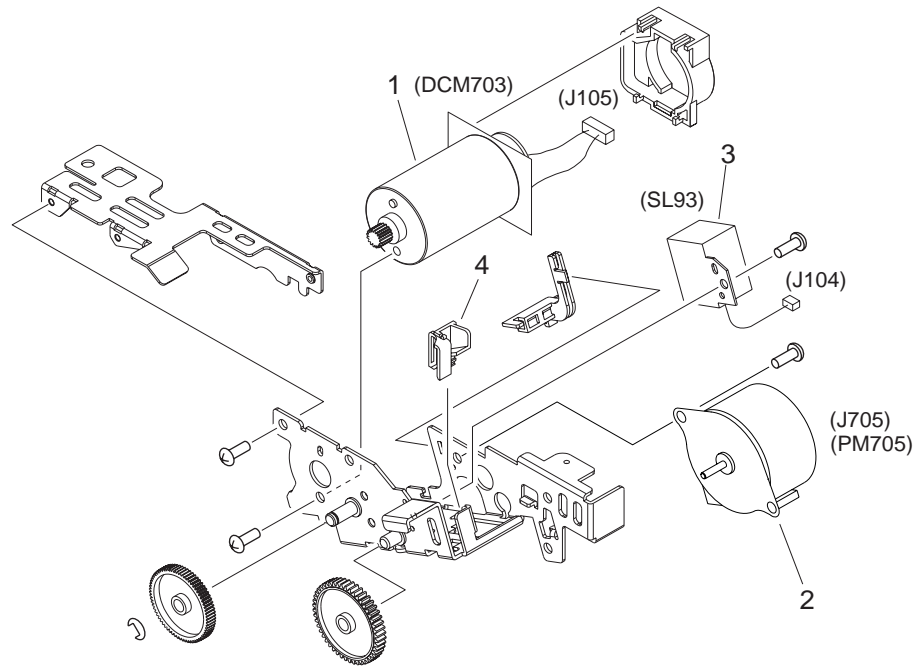


FIGURE & KEY NO.	PART NUMBER	RANK	QTY	DESCRIPTION	SERIAL NUMBER / REMARKS
251 -	RG5-6911-000		1	ROTARY DRIVE ASS'Y	
1	RG5-6958-000		1	MOTOR UNIT	DCM703 J105
2	RH7-1535-000		1	MOTOR, DC24V	PM705 J705
3	RH7-5340-000		1	SOLENOID	SL93 J104
4	RB2-9852-000		1	GUIDE, ROTARY RELEASE	
-----					
-----					
-----					





# FIGURE 530 ROTARY ASS'Y

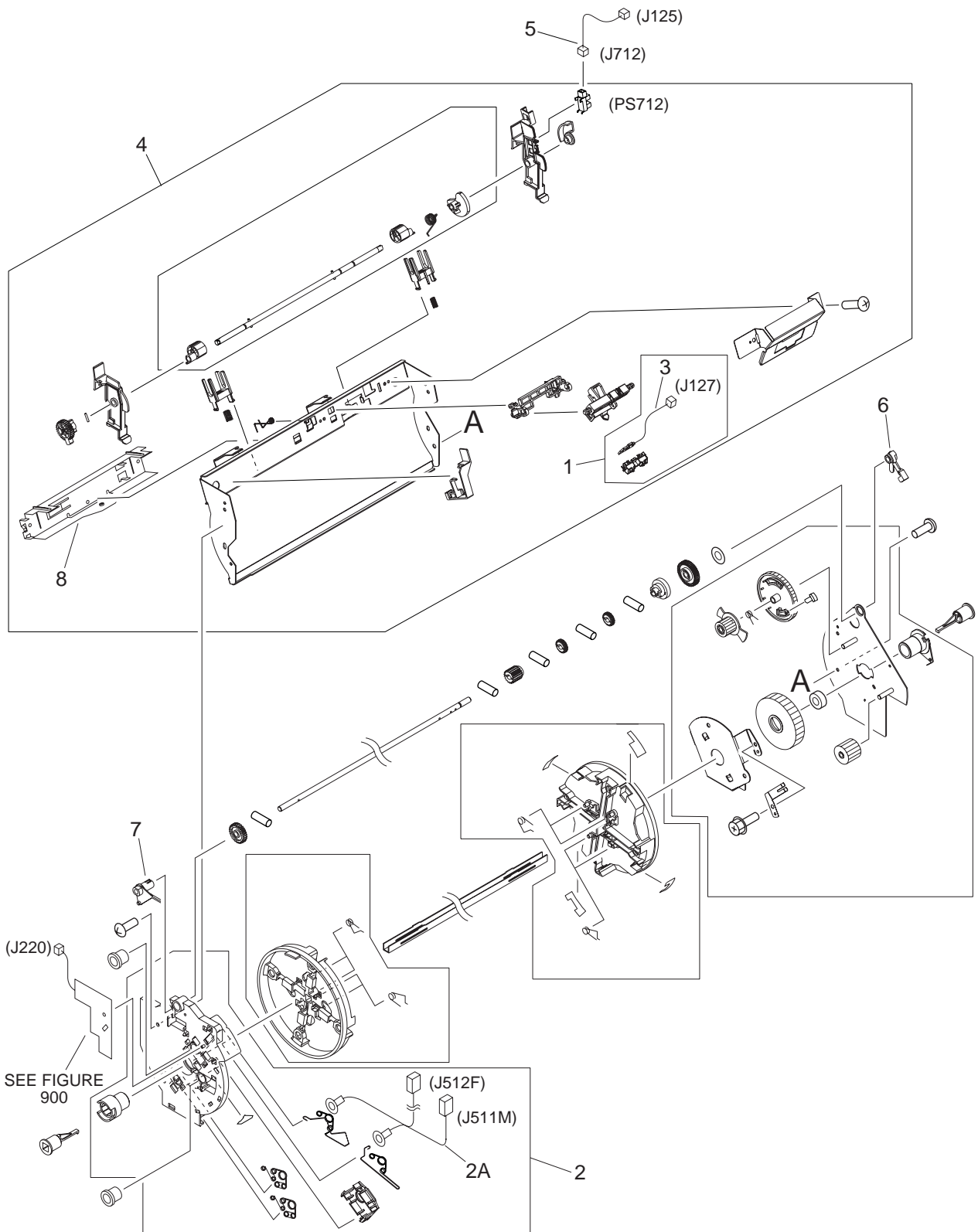


FIGURE & KEY NO.	PART NUMBER	RANK	QTY	DESCRIPTION	SERIAL NUMBER / REMARKS
530 -	RG5-6910-060		1	ROTARY ASS'Y	
1	RG5-6957-000		1	TAG CONTACT ASS'Y	
2	RG5-6942-000		1	ROTARY LEFT SIDE PLATE ASS'Y	
2A	RG5-7129-000		1	DEV. ROTARY CABLE	J511M, J512F
3	RG5-6974-000		1	ROTARY TAG CABLE	J127
4	RG5-6943-020		1	ROTARY PRESSURE ASS'Y	
5	RG5-7117-000		1	SENSOR CABLE	J125, J712
6	RB2-9808-000		1	BUSHING	
7	RB2-9809-000		1	BUSHING	
8	RB2-9853-000		1	PLATE, REINFORCEMENT	

# FIGURE 810 FIXING ASS'Y

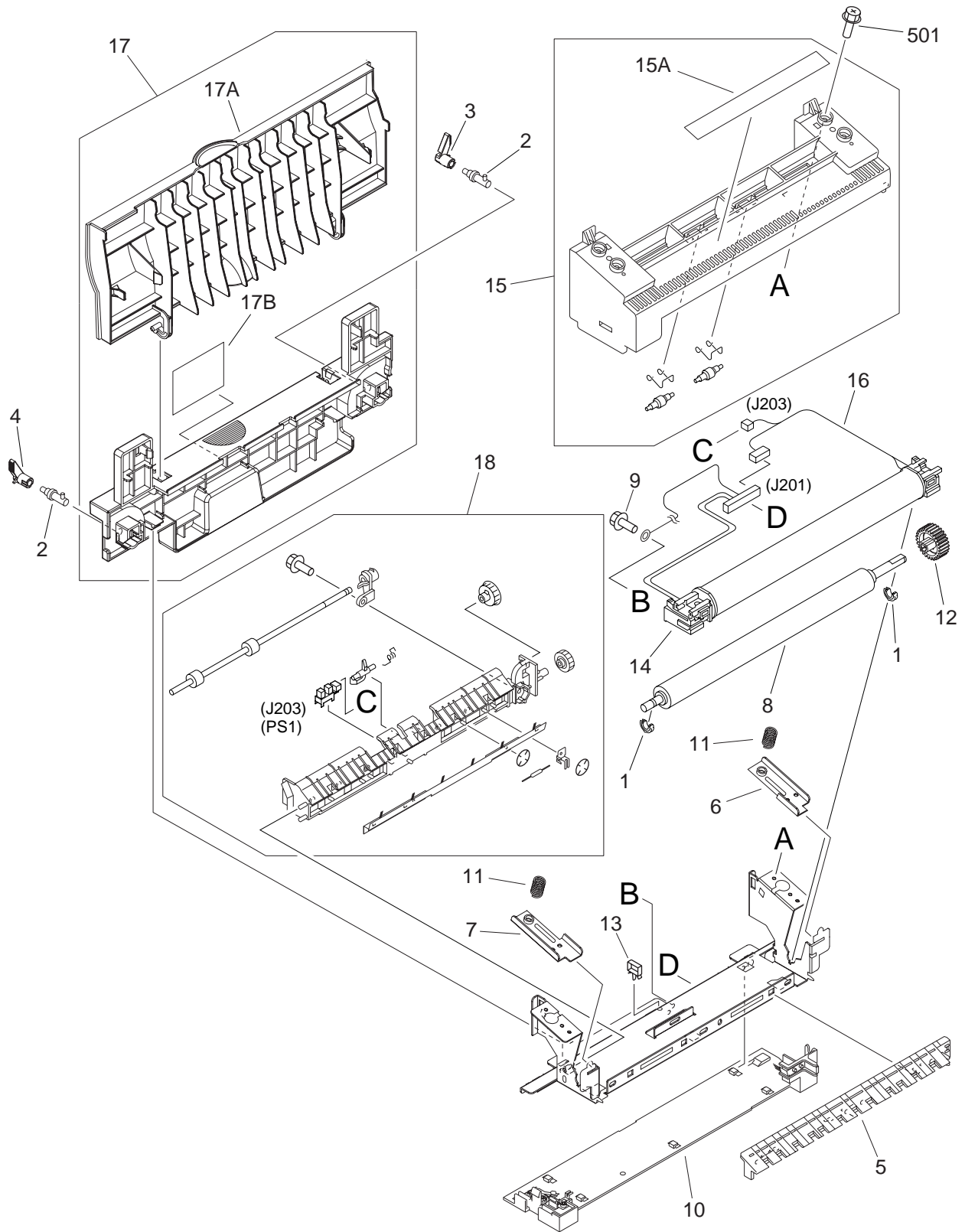


FIGURE & KEY NO.	PART NUMBER	R A N K	Q' T Y	DESCRIPTION	SERIAL NUMBER / REMARKS
810 -	RG5-7413-000		1	FIXING ASS'Y	100V
	RG5-7423-000		1	FIXING ASS'Y	120V
	RG5-7424-000		1	FIXING ASS'Y	220V
1	RB2-2973-000		2	BUSHING	
2	RB2-4933-000		2	SHAFT, LEVER	
3	RB3-0178-000		1	LEVER, LOCK RELEASE, RIGHT	
4	RB3-0179-000		1	LEVER, LOCK RELEASE, LEFT	
5	RB3-0180-000		1	GUIDE, PAPER INLET	
6	RB3-0186-000		1	PLATE, PRESSURE, RIGHT	
7	RB3-0190-000		1	PLATE, PRESSURE, LEFT	
8	RB3-0191-000		1	ROLLER, PRESSURE	
9	XA9-1291-000		5	SCREW, RS, M3X8	
10	RF5-4008-000		1	BASE PLATE, FIXING	
11	RS6-2756-000		2	SPRING, COMPRESSION	
12	RS7-0432-000		1	GEAR, 27T	
13	WT2-5700-000		1	CLAMP, CABLE	
14	RG5-7431-000		1	FIXING FILM ASS'Y	100V
	RG5-6928-000		1	FIXING FILM ASS'Y	120V
	RG5-6949-000		1	FIXING FILM ASS'Y	220V
15	RG5-6929-000		1	SEPARATION UPPER GUIDE ASS'Y	
15A	RS6-8657-000		1	LABEL, "CAUTION, HIGH TEMP."	
16	RG5-7110-000		1	CABLE, FIXING DC	J201, J203
17	RG5-7422-000		1	FACE-UP COVER ASS'Y	
17A	RB3-0847-000		1	COVER, FACE-UP, UPPER	
17B	RS6-8673-000		1	LABEL, FIXING INSTRUCTION	
18	RG5-6930-000		1	SEPARATION LOWER GUIDE ASS'Y	
501	XB3-6300-800		5	SCREW,RS,M3X8	

# FIGURE 900 PCB ASS'Y LOCATION DIAGRAM

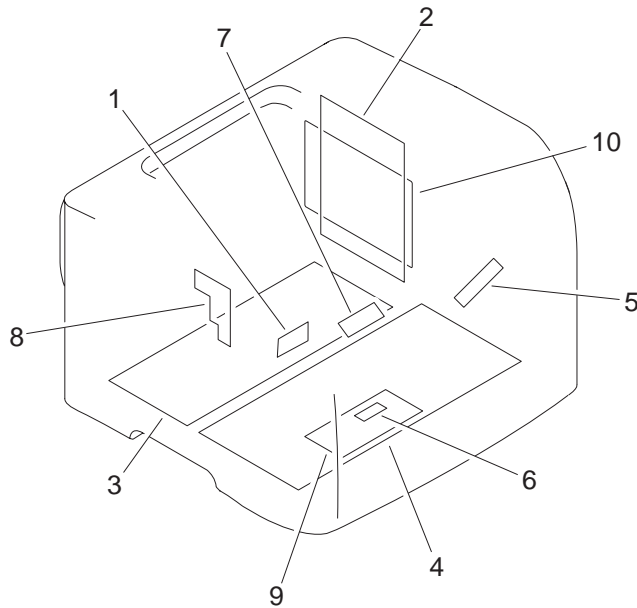


FIGURE & KEY NO.	PART NUMBER	RANK	QTY	DESCRIPTION	SERIAL NUMBER / REMARKS
900 -	NPN		RF	PCB ASS'Y LOCATION DIAGRAM	
1	RG5-6966-000		1	TOP SENSOR PCB ASS'Y	
2	RG5-7415-000		1	DC CONTROLLER PCB ASS'Y	
3	RH3-2253-000		1	LOW VOLTAGE PCB ASS'Y	100V
	RH3-2241-000		1	LOW VOLTAGE PCB ASS'Y	120V
	RH3-2243-000		1	LOW VOLTAGE PCB ASS'Y	220V
4	RG5-6960-000		1	H.V.T. PCB ASS'Y	
5	RG5-6965-000		1	WASTE TONER SENSOR PCB ASS'Y	
6	RG5-6967-000		1	REGISTRATION SENSOR PCB ASS'Y	
7	RH7-7146-000		1	DENSITY SENSOR UNIT	
8	RG5-6964-000		1	TONER SENSOR PCB ASS'Y	
9	RG5-7124-000		1	SUB H.V.T. PCB ASS'Y	
10	RG1-4344-000		1	INTERFACE CONTROLLER PCB ASS'Y	

# PAPER FEEDER PF-87

PAPER FEEDER PF-87

[ R96-5039 ]

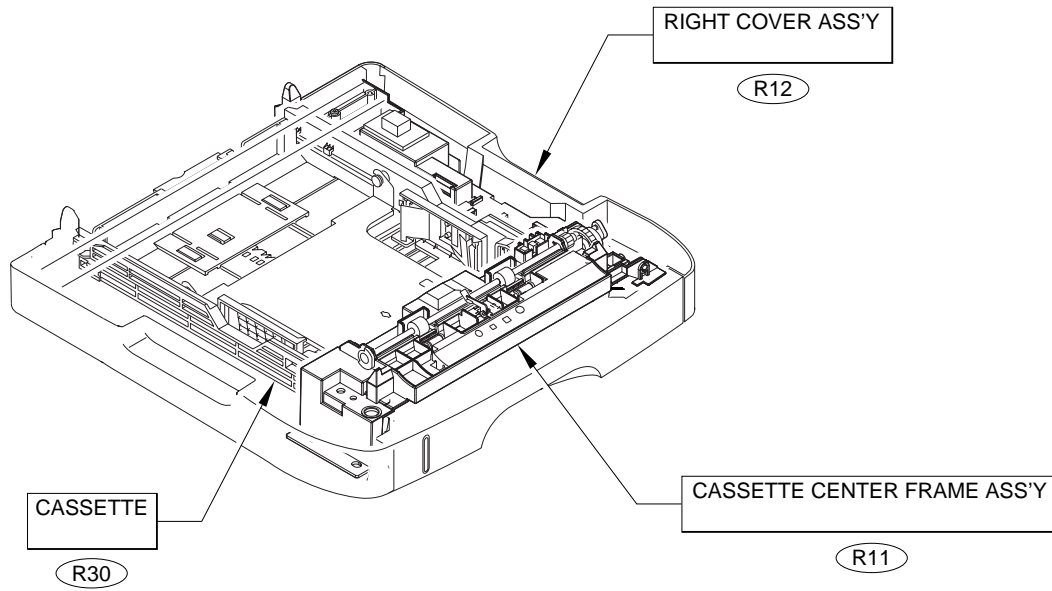
# CONTENTS

- PAPER FEEDER PF-87 -

- RA ASSEMBLY LOCATION DIAGRAM
  
- R10. EXTERNAL COVERS, PANELS, ETC.
- R11. CASSETTE CENTER FRAME ASS'Y
- R12. RIGHT COVER ASS'Y
  
- R30. CASSETTE
  
- R90. PCB ASS'Y LOCATION DIAGRAM
  
- D2. NUMERICAL INDEX  
(PAPER FEEDER PF-87)



# FIGURE RA ASSEMBLY LOCATION DIAGRAM



# FIGURE R10 EXTERNAL COVERS, PANELS, ETC.

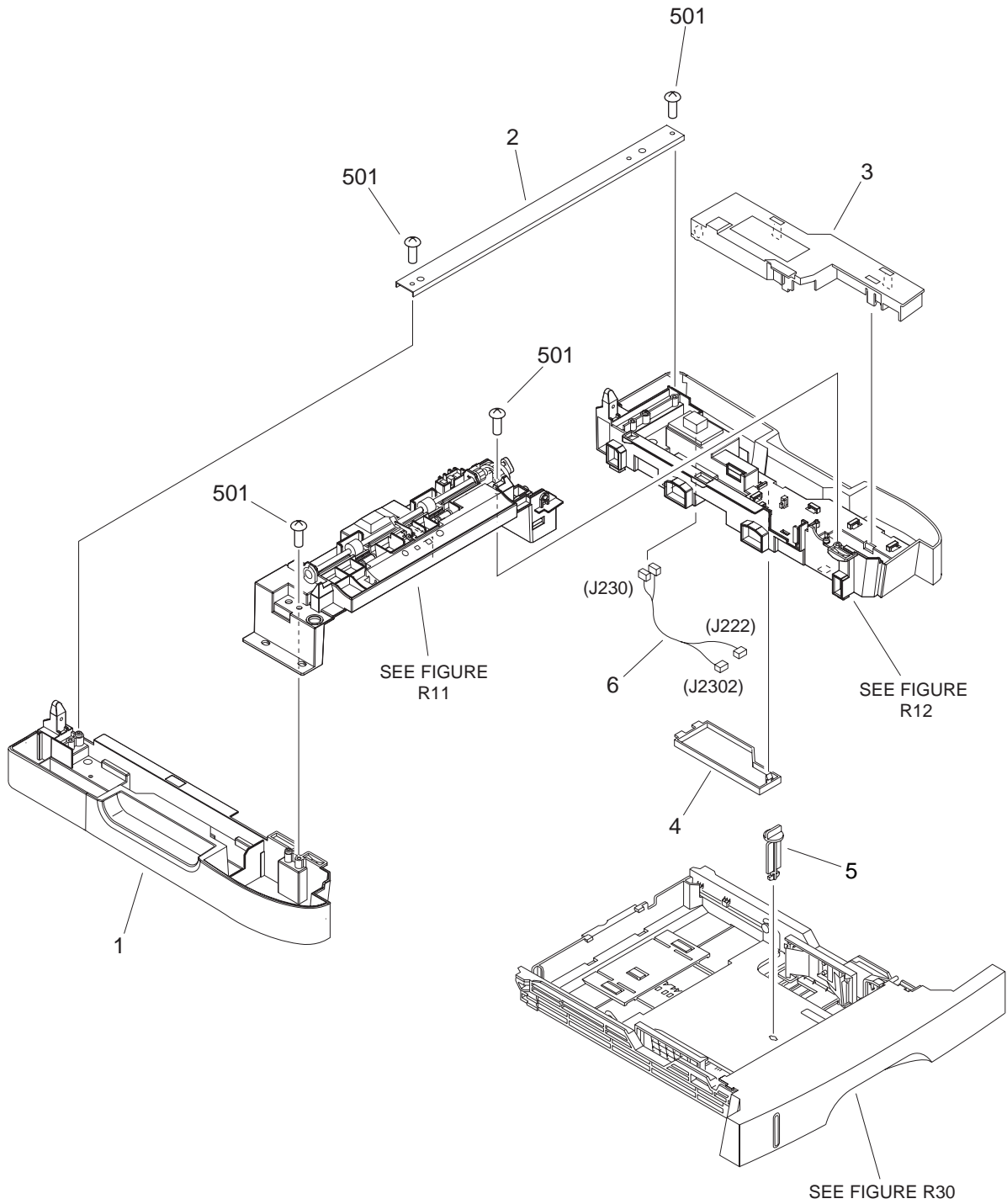


FIGURE & KEY NO.	PART NUMBER	RANK	QTY	DESCRIPTION	SERIAL NUMBER / REMARKS
R10 -	NPN		RF	EXTERNAL COVERS, PANELS, ETC.	
1	RB3-0863-000		1	COVER, CASSETTE, LEFT	
2	RB3-0108-000		1	CROSSMEMBER, CASSETTE FRAME	
3	RB3-0282-000		1	COVER, FRAME, 1	
4	RB3-0283-000		1	COVER, FRAME, 2	
5	RB2-3019-000		1	STOPPER, PLATE, PAPER LIFTING	
6	RG5-7149-000		1	CABLE, DRAWER CONNECTING	J222, J230, J2302
501	XB4-7401-007		6	SCREW, TAPPING, PAN HEAD, M4X10	

# FIGURE R11 CASSETTE CENTER FRAME ASS'Y

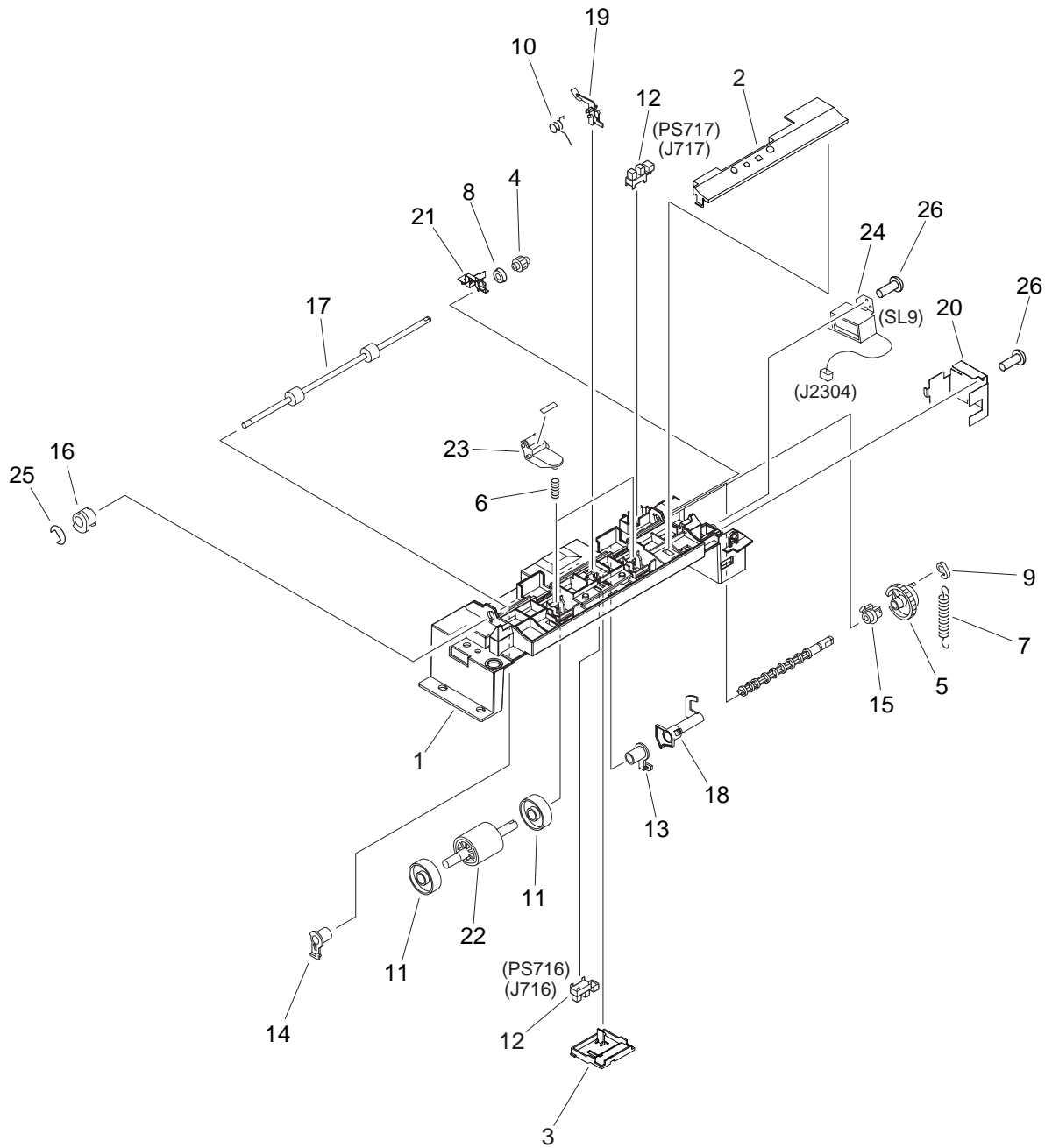


FIGURE & KEY NO.	PART NUMBER	R A N K	Q' T Y	DESCRIPTION	SERIAL NUMBER / REMARKS
R11 -	NPN		RF	CASSETTE CENTER FRAME ASS'Y	
1	RB3-0105-000		1	COVER, CASSETTE, CENTER	
2	RB3-0165-000		1	COVER, CENTER FRAME, 1	
3	RB3-0166-000		1	COVER, CENTER FRAME, 2	
4	RS7-0431-000		1	GEAR, 15T	
5	RS7-0430-000		1	GEAR, 26T	
6	RS6-2760-000		2	SPRING, COMPRESSION	
7	RS6-2025-000		1	SPRING, TENSION	
8	RS5-1636-000		1	BUSHING	
9	RB1-2190-000		1	COLLAR, SPRING	
10	RB2-2843-000		1	SPRING, TORSION	
11	RB2-2892-000		2	ROLLER	
12	WG8-5382-000		2	PHOTO-INTERRUPTER, TLP1242	PS716, J716 PS717, J717
13	RB2-2895-000		1	BUSHING, RIGHT	
14	RB2-2896-000		1	BUSHING, LEFT	
15	RB2-2897-020		1	BUSHING	
16	RS5-1638-000		1	BUSHING	
17	RB3-0129-000		1	ROLLER, M	
18	RB3-0130-000		1	FLAG, PAPER SET SENSOR	
19	RB3-0132-000		1	FLAG, PAPER PICK-UP SENSOR	
20	RB3-0136-000		1	COVER, CASSETTE GAUSS PROOF	
21	RB3-0137-000		1	PLATE, ROLLER GROUNDING	
22	RB3-0161-000		1	ROLLER, PAPER PICK-UP	
23	RF5-4035-000		2	ARM, ROLLER PRESSURE	
24	RH7-5341-000		1	SOLENOID	SL9 J2304
25	XD9-0136-000		1	RING, E	
26	XA9-1263-000		2	SCREW, TP, M3X5	

# FIGURE R12 RIGHT COVER ASS'Y

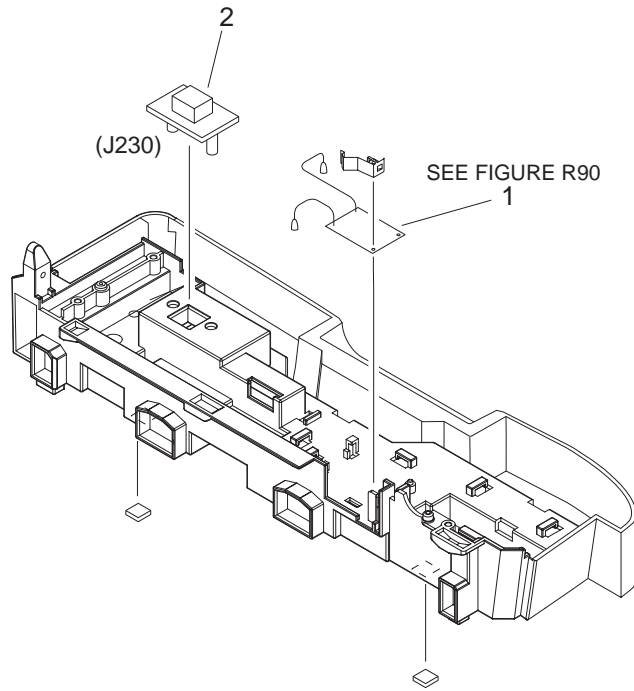
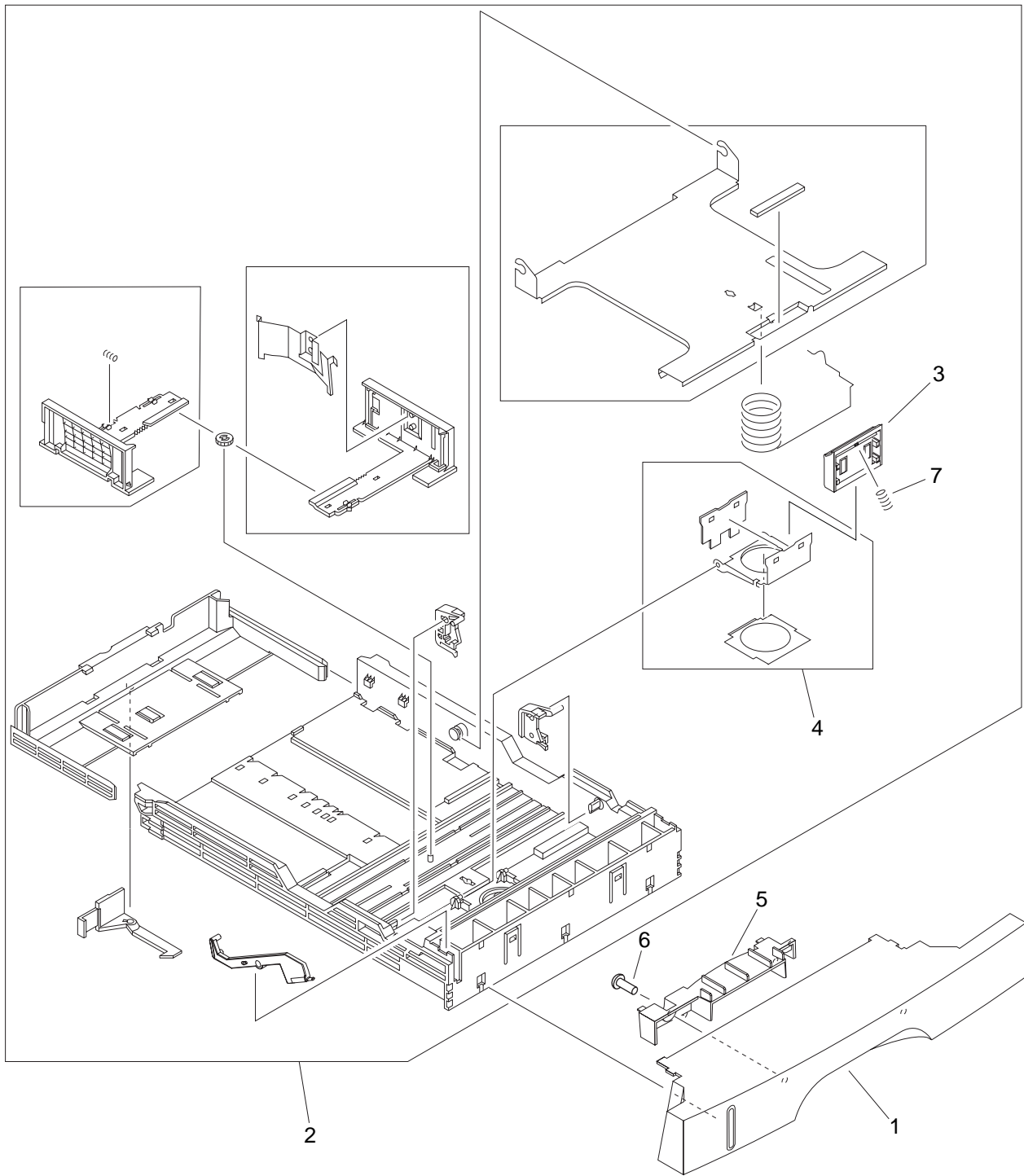


FIGURE & KEY NO.	PART NUMBER	RANK	QTY	DESCRIPTION	SERIAL NUMBER / REMARKS
R12 -	RG5-7428-000		1	RIGHT COVER ASS'Y	
1	RG5-6968-000		1	250 PAPER FEED DRIVE PCB ASS'Y	SEE FIGURE R90
2	RH2-5519-000		1	CONNECTOR, OPT.CASSETTE DRAWER	J230
-----					
-----					



# FIGURE R30 CASSETTE







# FIGURE R90 PCB ASS'Y LOCATION DIAGRAM

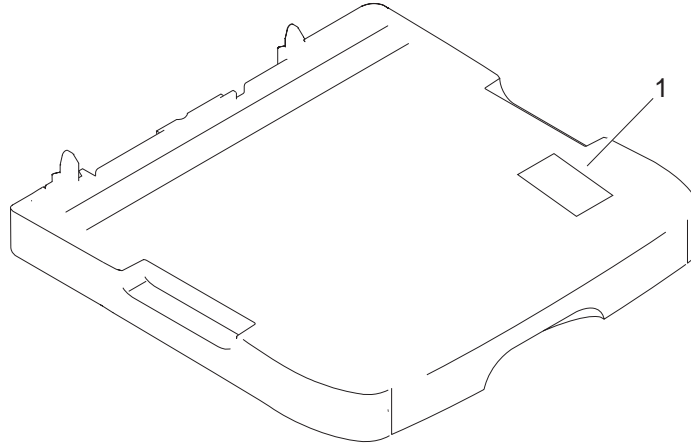


FIGURE & KEY NO.	PART NUMBER	RANK	QTY	DESCRIPTION	SERIAL NUMBER / REMARKS
R90 -	NPN		RF	PCB ASS'Y LOCATION DIAGRAM	
1	RG5-6968-000		1	250 PAPER FEED DRIVE PCB ASS'Y	

# D1 NUMERICAL INDEX(LBP-2410)

PART NUMBER	FIGURE & KEY NO.	PART NUMBER	FIGURE & KEY NO.	PART NUMBER	FIGURE & KEY NO.
FH2-5006-000	102 - 27	RB3-0191-000	810 - 8	RG5-7418-000	100 - 7
RB1-8668-030	106 - 1	RB3-0286-000	106 - 5	RG5-7419-000	103 - 16
RB2-2973-000	810 - 1	RB3-0651-000	100 - 11	RG5-7420-000	101 - 25
RB2-3041-020	101 - 2	RB3-0837-000	100 - 9	RG5-7422-000	810 - 17
RB2-3042-020	101 - 3	RB3-0838-000	100 - 7C	RG5-7423-000	810 -
RB2-3043-000	101 - 4	RB3-0839-000	100 - 5	RG5-7424-000	810 -
RB2-3044-000	101 - 5	RB3-0840-000	100 - 1	RG5-7430-000	100 - 3
RB2-4933-000	810 - 2	RB3-0842-000	101 - 7	RG5-7431-000	810 - 14
RB2-6248-000	101 - 6	RB3-0843-000	101 - 8	RH2-5116-000	102 - 28
RB2-6297-000	106 - 4	RB3-0844-000	100 - 10	RH2-5127-000	102 - 28
RB2-7195-000	106 - 35	RB3-0845-000	100 - 4	RH2-5519-000	106 - 23
RB2-9808-000	530 - 6	RB3-0846-000	100 - 2	RH2-5524-000	103 - 1
RB2-9809-000	530 - 7	RB3-0847-000	810 - 17A	RH2-5603-000	103 - 17
RB2-9850-000	106 - 40	RB3-0853-000	102 - 25	RH3-2241-000	900 - 3
RB2-9851-000	106 - 41	RB3-0858-000	103 - 12	RH3-2243-000	900 - 3
RB2-9852-000	251 - 4	RB3-0860-000	103 - 8	RH3-2253-000	900 - 3
RB2-9853-000	530 - 8	RB3-0862-000	100 - 12	RH5-3143-000	001 - 1
RB2-9903-000	103 - 4	RB3-0869-000	103 - 13	RH5-3150-000	001 - 1
RB2-9904-000	105 - 1	RF1-4218-000	103 - 14A	RH5-3151-000	001 - 1
RB2-9905-000	102 - 21	RF5-4008-000	810 - 10	RH7-1533-000	102 - 24
RB2-9906-000	105 - 3	RF5-4010-000	250 - 2	RH7-1535-000	251 - 2
RB2-9908-000	102 - 22	RF5-4012-000	101 - 17	RH7-1537-000	102 - 9
RB2-9909-000	105 - 5	RF5-4015-000	101 - 44	RH7-5337-000	101 - 16
RB2-9912-000	105 - 7	RF5-4040-000	102 - 11	RH7-5340-000	251 - 3
RB2-9916-000	105 - 6	RF5-4047-000	101 - 34	RH7-5366-000	102 - 10
RB2-9924-000	106 - 34	RF5-4049-000	102 - 8		250 - 3
RB2-9925-000	106 - 33	RF5-4256-000	100 - 3B	RH7-6051-000	103 - 9
RB2-9932-000	102 - 2	RF5-4257-000	100 - 3B	RH7-7146-000	900 - 7
RB2-9940-000	101 - 46	RG1-4344-000	103 - 14	RH7-7149-000	102 - 12
RB2-9942-000	101 - 37		900 - 10	RH9-1015-000	102 - 28
RB2-9952-000	101 - 1	RG1-4350-000	103 - 15	RS5-1635-000	101 - 33
RB2-9954-000	101 - 35	RG5-6880-000	103 - 5	RS5-1637-000	106 - 20
RB2-9955-000	101 - 39	RG5-6897-000	102 - 23	RS5-1638-000	101 - 38
RB3-0006-000	110 - 1	RG5-6904-050	250 -	RS5-5899-000	101 - 45
RB3-0007-000	110 - 2	RG5-6907-000	103 - 3	RS6-2030-000	101 - 18
RB3-0009-000	106 - 6	RG5-6910-060	530 -	RS6-2746-000	101 - 41
RB3-0010-000	106 - 7	RG5-6911-000	251 -	RS6-2756-000	810 - 11
RB3-0011-000	106 - 8	RG5-6928-000	810 - 14	RS6-2759-000	100 - 7A
RB3-0012-000	106 - 9	RG5-6929-000	810 - 15	RS6-2766-000	106 - 39
RB3-0014-000	102 - 16	RG5-6930-000	810 - 18	RS6-8657-000	810 - 15A
RB3-0015-000	102 - 17	RG5-6932-050	250 - 1	RS6-8671-000	100 - 3C
RB3-0016-000	106 - 12	RG5-6934-000	250 - 6	RS6-8672-000	101 - 36
RB3-0019-000	102 - 1	RG5-6935-000	103 - 10	RS6-8673-000	810 - 17B
RB3-0022-000	106 - 13	RG5-6936-000	105 - 2	RS7-0418-000	101 - 19
RB3-0023-000	103 - 2	RG5-6938-000	101 - 26	RS7-0424-000	101 - 20
RB3-0025-000	102 - 3	RG5-6939-000	106 - 26	RS7-0425-000	101 - 32
RB3-0037-000	100 - 7B	RG5-6940-000	106 - 28	RS7-0426-000	101 - 21
RB3-0042-000	106 - 14	RG5-6942-000	530 - 2	RS7-0428-000	106 - 24
RB3-0043-000	106 - 15	RG5-6943-020	530 - 4	RS7-0429-000	101 - 22
RB3-0044-000	106 - 16	RG5-6949-000	810 - 14	RS7-0432-000	810 - 12
RB3-0045-000	106 - 11	RG5-6951-000	101 - 27	RS7-0435-000	102 - 18
RB3-0046-000	106 - 17	RG5-6952-000	101 - 28	RS7-0436-000	102 - 19
RB3-0047-000	106 - 18	RG5-6956-000	101 - 30	RS7-0437-000	102 - 20
RB3-0048-000	106 - 19	RG5-6957-000	101 - 29	WG8-5382-000	101 - 23
RB3-0052-000	106 - 30		530 - 1		106 - 38
RB3-0056-000	106 - 21	RG5-6958-000	251 - 1	WT2-5056-000	101 - 31
RB3-0057-000	106 - 22	RG5-6960-000	900 - 4	WT2-5700-000	106 - 44
RB3-0060-000	106 - 10	RG5-6964-000	900 - 8		810 - 13
RB3-0061-000	106 - 2	RG5-6965-000	900 - 5	WT2-5737-000	110 - 5
RB3-0062-000	110 - 13	RG5-6966-000	900 - 1	WT2-5778-000	103 - 11
RB3-0063-000	106 - 3	RG5-6967-000	900 - 6	XA9-0267-000	100 - 15
RB3-0065-000	106 - 31	RG5-6971-000	110 - 9		101 - 43
RB3-0066-000	106 - 32	RG5-6974-000	530 - 3	XA9-0591-000	100 - 14
RB3-0067-000	106 - 36	RG5-7106-000	110 - 10	XA9-0849-000	102 - 15
RB3-0089-000	100 - 3A	RG5-7107-000	110 - 11		103 - 6
RB3-0090-000	250 - 4	RG5-7108-000	110 - 12		106 - 42
RB3-0091-000	102 - 4	RG5-7109-000	110 - 8	XA9-0870-000	100 - 13
RB3-0092-000	102 - 5	RG5-7110-000	810 - 16	XA9-1262-000	100 - 8
RB3-0104-000	101 - 9	RG5-7114-000	103 - 7		101 - 24
RB3-0111-000	101 - 10	RG5-7115-000	250 - 5		102 - 7
RB3-0113-000	101 - 17A	RG5-7117-000	530 - 5		105 - 4
RB3-0117-000	101 - 47	RG5-7122-000	106 - 29		106 - 25
RB3-0119-000	101 - 11	RG5-7123-000	106 - 27	XA9-1291-000	100 - 6
RB3-0120-000	101 - 12	RG5-7124-000	900 - 9		110 - 3
RB3-0121-000	101 - 13	RG5-7126-000	110 - 7		810 - 9
RB3-0122-000	101 - 14	RG5-7128-000	106 - 37	XA9-1355-000	102 - 6
RB3-0135-000	101 - 15	RG5-7129-000	530 - 2A		110 - 6
RB3-0160-000	101 - 28A	RG5-7130-000	106 - 43	XB3-6300-800	810 - 501
RB3-0163-000	101 - 42	RG5-7144-000	102 - 13	XB6-7300-407	103 - 501
RB3-0164-000	101 - 40	RG5-7145-000	102 - 14	XD2-1100-322	102 - 501
RB3-0178-000	810 - 3	RG5-7146-000	110 - 4	XD2-1100-502	101 - 501
RB3-0179-000	810 - 4	RG5-7413-000	810 -		
RB3-0180-000	810 - 5	RG5-7415-000	900 - 2		
RB3-0186-000	810 - 6	RG5-7416-000	100 - 3		
RB3-0190-000	810 - 7	RG5-7417-000	102 - 26		

# D2 NUMERICAL INDEX(PAPER FEEDER PF-87)

PART NUMBER	FIGURE & KEY NO.	PART NUMBER	FIGURE & KEY NO.	PART NUMBER	FIGURE & KEY NO.
RB1-2190-000	R11 - 9				
RB2-2843-000	R11 - 10				
RB2-2892-000	R11 - 11				
RB2-2895-000	R11 - 13				
RB2-2896-000	R11 - 14				
RB2-2897-020	R11 - 15				
RB2-3019-000	R10 - 5				
RB2-9960-000	R30 - 3				
RB3-0105-000	R11 - 1				
RB3-0108-000	R10 - 2				
RB3-0129-000	R11 - 17				
RB3-0130-000	R11 - 18				
RB3-0132-000	R11 - 19				
RB3-0136-000	R11 - 20				
RB3-0137-000	R11 - 21				
RB3-0161-000	R11 - 22				
RB3-0165-000	R11 - 2				
RB3-0166-000	R11 - 3				
RB3-0282-000	R10 - 3				
RB3-0283-000	R10 - 4				
RB3-0863-000	R10 - 1				
RB3-0865-000	R30 - 1				
RB3-0867-000	R30 - 5				
RF5-4035-000	R11 - 23				
RF9-1517-000	R30 - 4				
RG5-6968-000	R12 - 1				
	R90 - 1				
RG5-7149-000	R10 - 6				
RG5-7425-000	R30 -				
RG5-7426-000	R30 - 2				
RG5-7428-000	R12 -				
RH2-5519-000	R12 - 2				
RH7-5341-000	R11 - 24				
RS5-1636-000	R11 - 8				
RS5-1638-000	R11 - 16				
RS6-2025-000	R11 - 7				
RS6-2760-000	R11 - 6				
RS6-2768-000	R30 - 7				
RS6-2770-000	R30 - 7				
RS7-0430-000	R11 - 5				
RS7-0431-000	R11 - 4				
WG8-5382-000	R11 - 12				
XA9-0591-000	R30 - 6				
XA9-1263-000	R11 - 26				
XB4-7401-007	R10 - 501				
XD9-0136-000	R11 - 25				

Prepared by  
OFFICE IMAGING PRODUCTS DEVICE QUALITY ASSURANCE CENTER  
CANON INC.  
Printed in Japan

REVISION 0 [ FEB. 2003 ]

5-1, Hakusan 7-chome, Toride-city, Ibaraki 302-8501, Japan



This publication is  
printed on 100%  
recycled paper.

**Canon**