

LASER CLASS® 9000 / 9500
PLAIN PAPER FACSIMILE

LASER CLASS® 8500
PLAIN PAPER FACSIMILE

PARTS CATALOG

REVISION 2

LASER CLASS 9000	H12-0672	120V
LASER CLASS 9500	H12-0912	120V
LASER CLASS 8500	H12-1012	120V
FXL-CASSETTE FEEDER 5	H12-3152	120V
OPTION MEMORY VII (2MB)	H11-4711	
OPTION MEMORY VII (4MB)	H11-4721	
VERIFICATION STAMP UNIT 1	H12-3162	
HANDSET KIT 2	H12-3042	120V

Canon

JULY 1997

HY8-39AB-020

Application

This manual has been issued by Canon Inc. for qualified person to learn technical theory, installation, maintenance, and repair of products. This manual covers all localities where the products are sold. For this reason, there may be information in this manual that does not apply to your locality.

Corrections

This manual could include technical inaccuracies or typographical errors due to improvements or changes in the products. When changes occur in applicable products or in the content of this manual, Canon will release technical information as the need arises. In the event of major changes in the contents of this manual over a long or short period. Canon will issue a new editions of this manual.

The following paragraph does not apply to any countries where such provisions are inconsistent with local law.

Trademarks

The product names and company names described in this manual are the registered trademarks of the individual companies.

Copyright

This manual is copyrighted with all rights reserved. Under the copyright laws, this manual may not be copied, reproduced or translated into another language, in whole or in part, without the written consent of Canon Inc.

Copyright © 1987 by Canon Inc.

Consumer Imaging Products Quality Assurance Dept. 1

CANON INC.

5-1 Hakusan 7-Chome, Toride-city, Ibaraki 302-8501, Japan

DTP Systems

This manual was produced on Apple® Macintosh® personal computer and Canon SUPER LASER SHOT B406 PS laser beam printer.

Parts layout illustrations were created using Macromedia® FreeHand® 5.5J.

Documents and page layouts were created using Adobe® PageMaker® 6.0J.

Parts lists were created using © ACI 4th Dimension® and converted to PICT format by Solutions, Inc.® Super GLUE II®.

LASER CLASS[®] 9000/9500
PLAIN PAPER FACSIMILE

LASER CLASS[®] 8500
PLAIN PAPER FACSIMILE

PARTS
CATALOG

Canon

I. CONTENTS

1. ILLUSTRATION INDEX
2. PARTS LAYOUT & PARTS LIST
3. TOOL
4. LUBRICATIONS
5. GUIDE TO REPLACEMENT
6. NUMERICAL INDEX

II. ABOUT THIS MANUAL

1. ILLUSTRATION INDEX

For illustration index, the parts layout illustrations in this parts catalog are listed in abbreviated form in order of illustration number to identify the pages they appear on. To find an illustration of a part, see the ILLUSTRATION INDEX.

2. PARTS LAYOUT & PARTS LIST

Parts layout illustration

a) Parts search

Find a part from the parts layout illustration and find its key number from the parts list to identify the part number and name.

Further, screws, nuts, washers, grip rings, pins and spacers are mentioned in the parts list.

Note: If parts have the same or similar shape but different specifications, their key number is assigned to several part numbers and names in the parts list.

b) Parts replacement procedure

The parts layout illustrations are arranged according to the disassembly procedure of the product.

When a unit in the illustration can be disassembled further, a reference illustration page of the disassembly will be included.

Parts where grease is to be applied are displayed as "Lubrication". When replacing parts, or if grease has accidentally been wiped off, refer to "4". (Lubrications), and reapply the grease.

The parts require carefully work are marked "See page 5-x". So refer to the corresponded page "5". (GUIDE TO REPLACEMENT).

The letters (A, B etc.) in the illustration indicate the connection locations of cables and screws.

Parts list

a) FIGURE & KEY No.

The FIGURE & KEY No. column corresponds to the key numbers assigned to the parts in the parts layout illustration.

It also corresponds to the part locations printed on the PC board.

b) PART NUMBER

The PART NUMBER column gives the part numbers corresponding to the key numbers. To order a part, indicate the part number clearly.

Note: Parts marked NPN are not service parts.

c) RANK

The service parts with N in the RANK column are order parts.

d) QTY

The QTY column gives the number of parts in the corresponding components layout illustration.

e) DESCRIPTION

The DESCRIPTION column gives the part names in English.

To order a part, indicate the part name, too.

3. TOOL

This is a list of tools used for servicing products.

4. LUBRICATIONS

Where grease is to be applied in order to allow moving parts to work smoothly, and to increase conductivity, the type and amount of grease to be used will be mentioned.

5. GUIDE TO REPLACEMENT

Explains the special cares and cautions for the parts replacement.

6. NUMERICAL INDEX

All the parts listed in this parts catalog are arranged in order of part number. You can identify part locations and names from the NUMERICAL INDEX.

This page intentionally left blank

1. ILLUSTRATION INDEX

<p>FIGURE 1 LASER CLASS 8500/9000 PACKAGE CONTENTS</p>	<p>See Page 2-1</p>	<p>FIGURE 2 LASER CLASS 9500 PACKAGE CONTENTS</p>	<p>See Page 2-3</p>
<p>FIGURE 3 FXL-FEEDER 5 PACKAGE CONTENTS</p>	<p>See Page 2-5</p>	<p>FIGURE 4 FRONT & REAR COVERS</p>	<p>See Page 2-7</p>

FIGURE 5 DOCUMENT TABLE ASS'Y

See Page 2-9

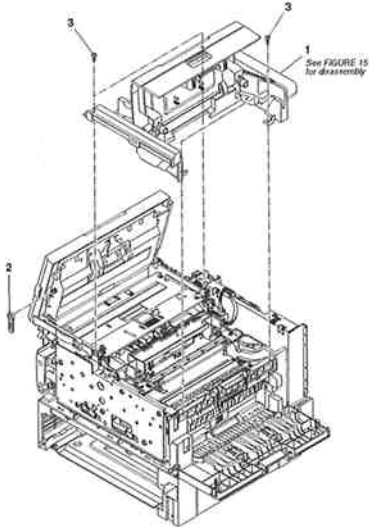


FIGURE 6 ADF & OPERATION PANEL SECTION

See Page 2-11

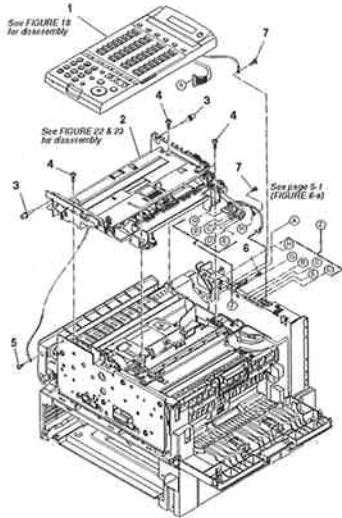


FIGURE 7 CIRCUIT BOARDS (1)

See Page 2-13

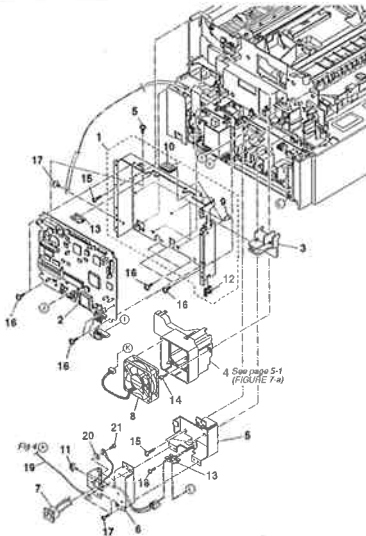


FIGURE 8 CIRCUIT BOARDS (2)

See Page 2-15

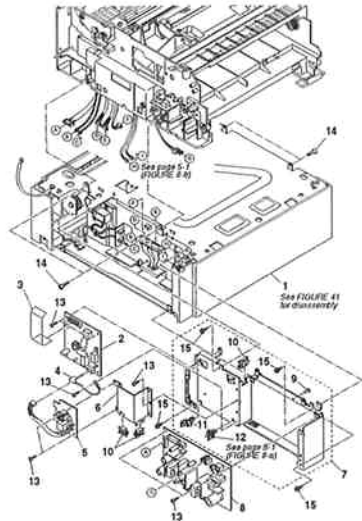


FIGURE 9 FIXING & PAPER EXIT SECTION

See Page
2-17

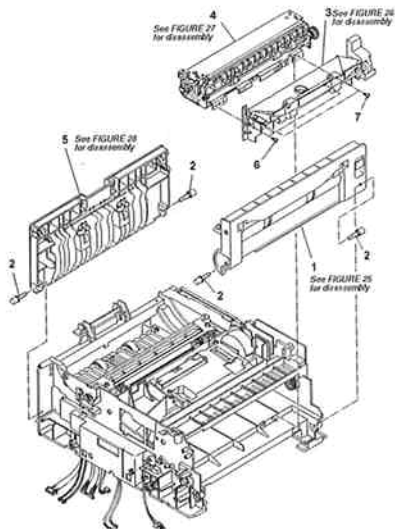


FIGURE 10 PRINTER SECTION (1)

See Page
2-19

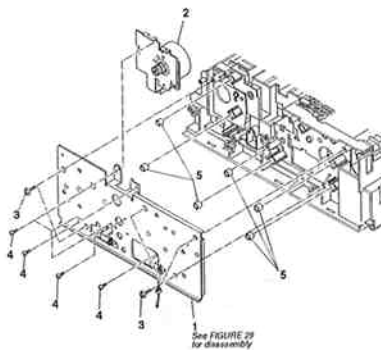


FIGURE 11 PRINTER SECTION (2)

See Page
2-21

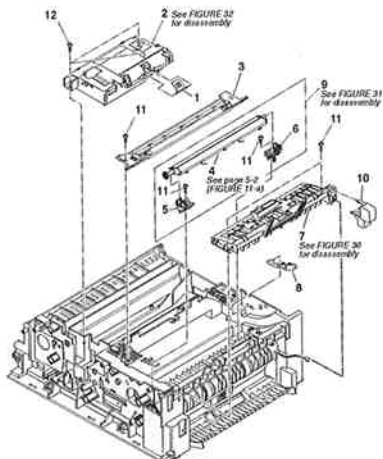


FIGURE 12 PAPER PICKUP SECTION

See Page
2-23

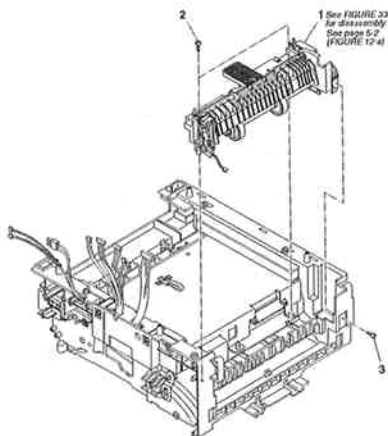


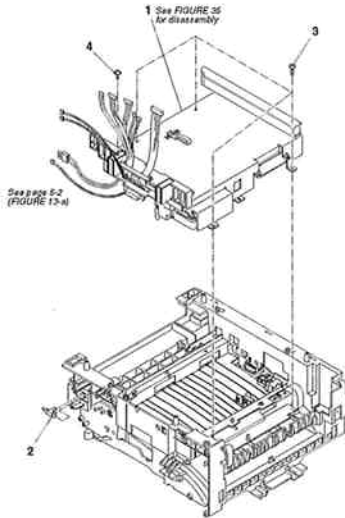
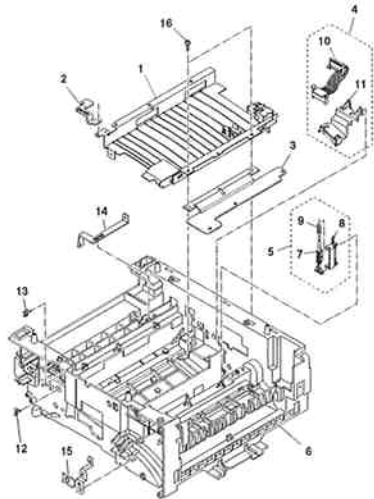
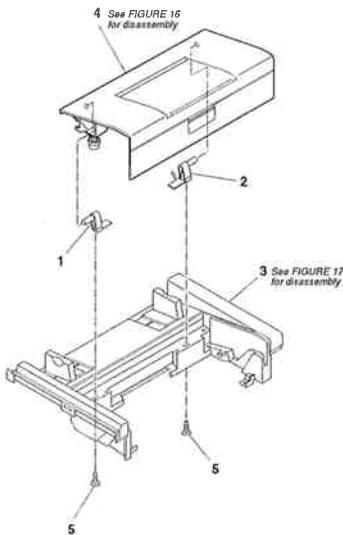
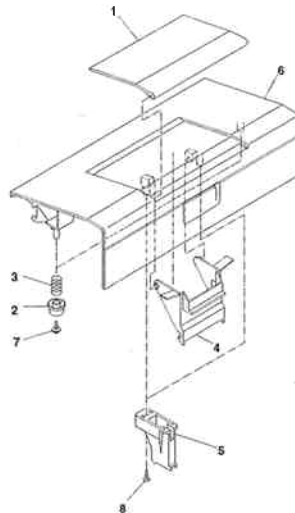
FIGURE 13 PCNT ASS'YSee Page
2-25**FIGURE 14** FEEDER GUIDE ASS'YSee Page
2-27**FIGURE 15** TOP & PRINTER COVER ASS'YSee Page
2-29**FIGURE 16** PRINTER COVERSee Page
2-31

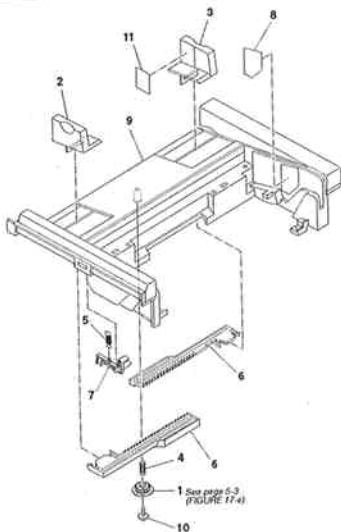
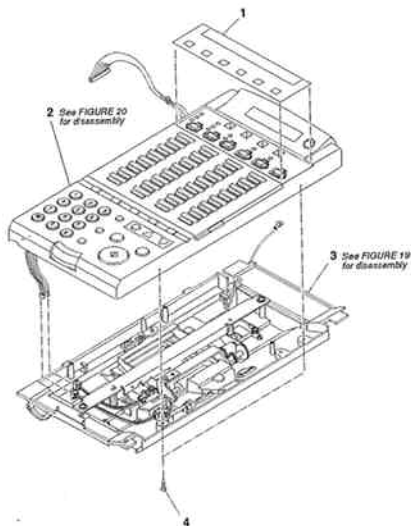
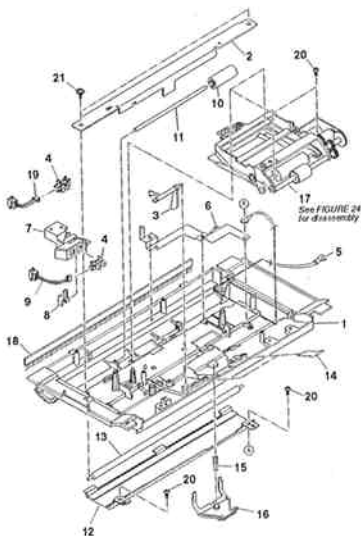
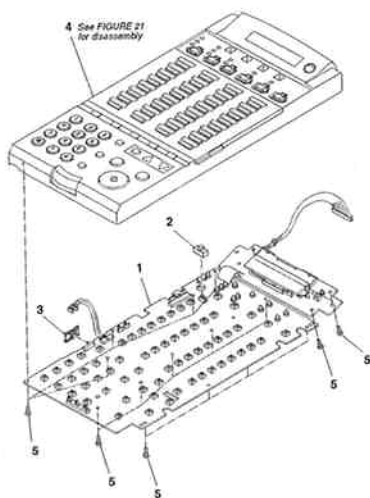
FIGURE 17 TOP COVERSee Page
2-33**FIGURE 18** OPERATION PANEL ASS'Y & ADF ASS'Y, UPPERSee Page
2-35**FIGURE 19** ADF, UPPERSee Page
2-37**FIGURE 20** OPERATION PANEL (1)See Page
2-39

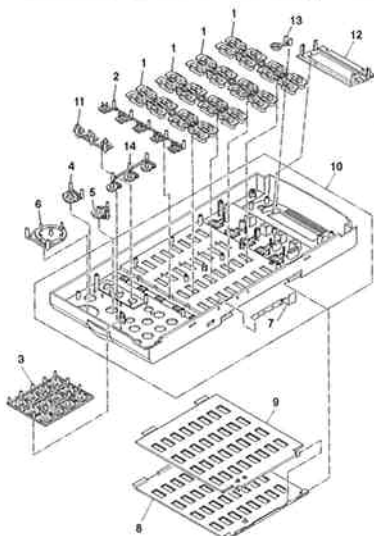
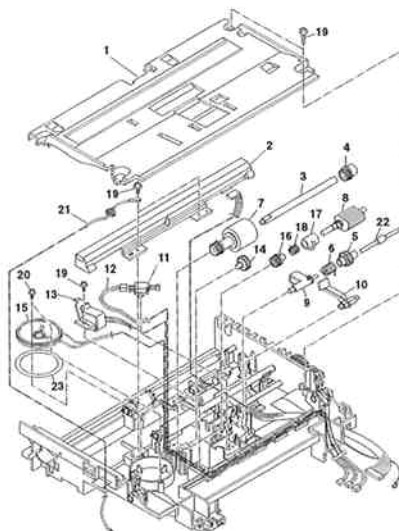
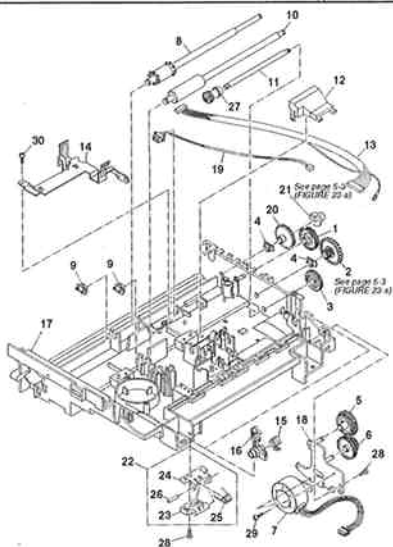
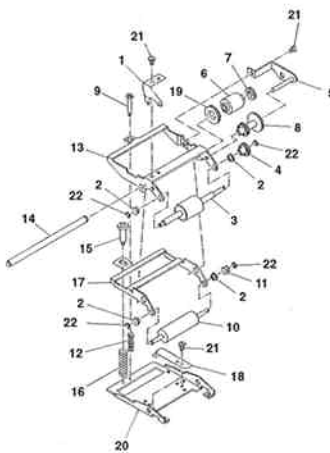
FIGURE 21 OPERATION PANEL (2)See Page
2-41**FIGURE 22** ADF, LOWER (1)See Page
2-43**FIGURE 23** ADF, LOWER (2)See Page
2-45**FIGURE 24** SEPARATION ROLLER
ASS'YSee Page
2-47

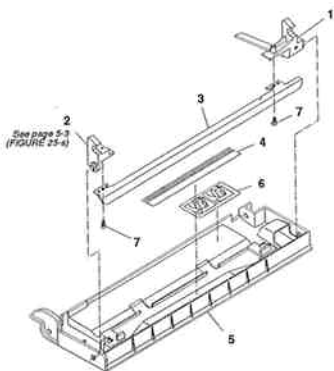
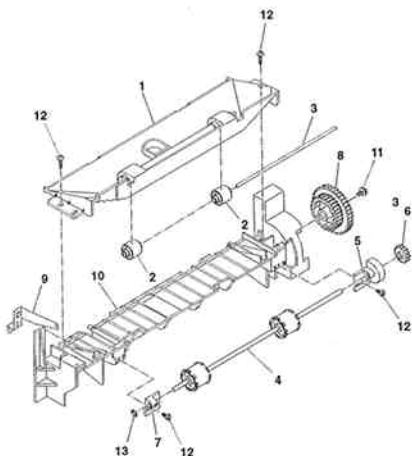
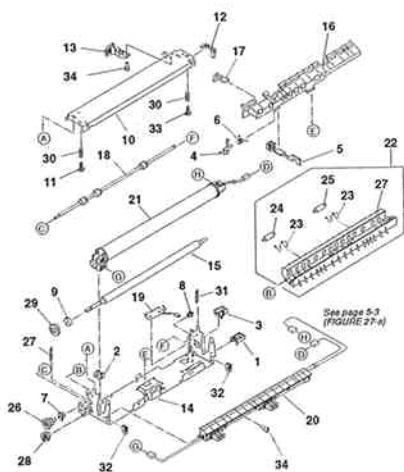
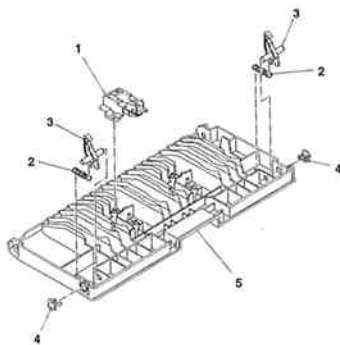
FIGURE 25 EXIT PAPER COVERSee Page
2-49**FIGURE 26** PAPER EJECT ROLLERSee Page
2-51**FIGURE 27** FIXING ASS'YSee Page
2-53**FIGURE 28** RIGHT COVERSee Page
2-55

FIGURE 29 DRIVE GEARS

See Page
2-57

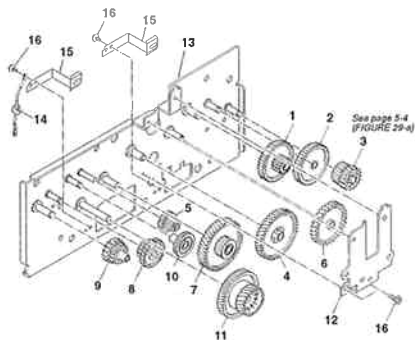


FIGURE 30 PAPER GUIDE ROLLER & TONER, SENSOR

See Page
2-59

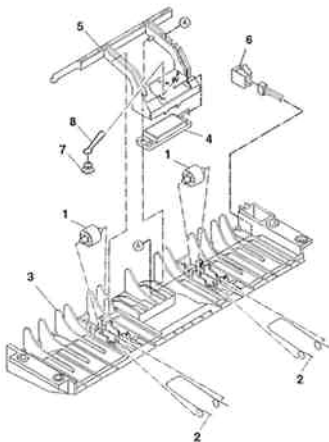


FIGURE 31 TRANSFER CHARGING ROLLER

See Page
2-61

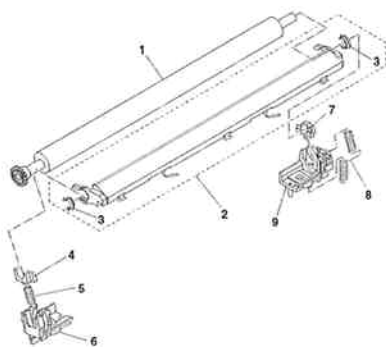


FIGURE 32 LASER / SCANNER UNIT

See Page
2-63

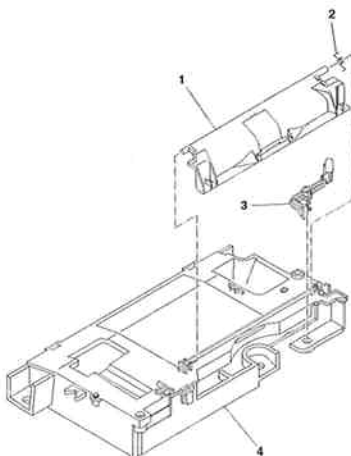


FIGURE 33 MULTI PAPER FEEDER ASS'Y

See Page 2-65

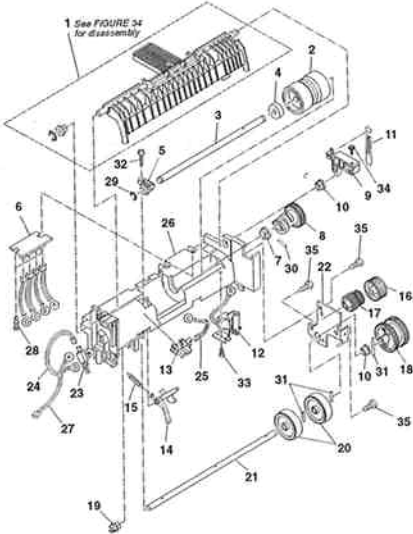


FIGURE 34 SEPARATION ASS'Y

See Page 2-67

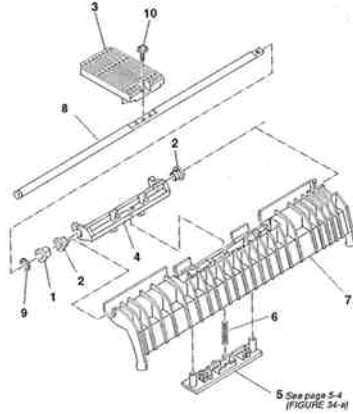


FIGURE 35 PCNT & PAPER SENSOR BOARD ASS'Y

See Page 2-69

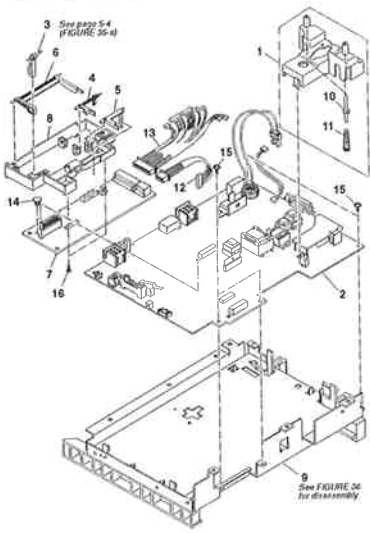


FIGURE 36 PCNT COVER

See Page 2-71

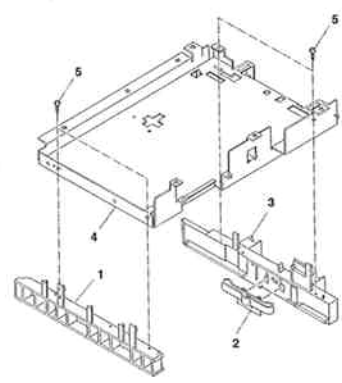


FIGURE 37 PAPER FEED GUIDE

See Page
2-73

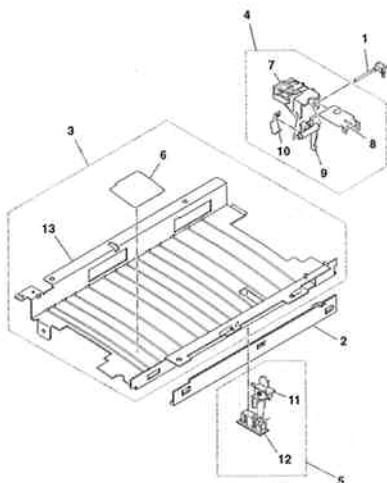


FIGURE 38 SCNT BOARD ASS'Y

See Page
2-75

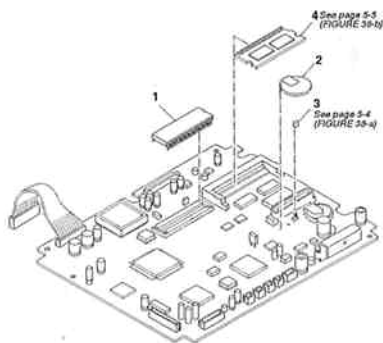


FIGURE 39 FUSE, POWER SUPPLY

See Page
2-77

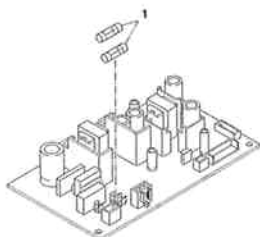


FIGURE 40 SIDE CASSETTE

See Page
2-79

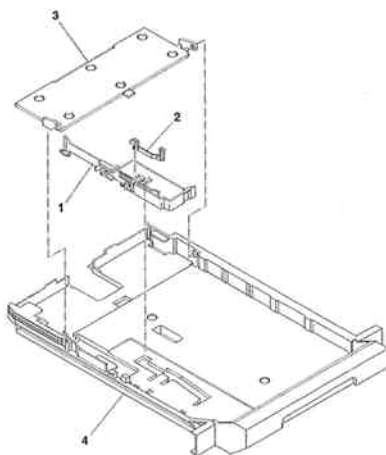


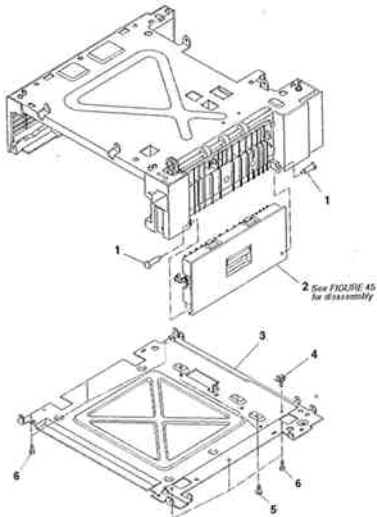
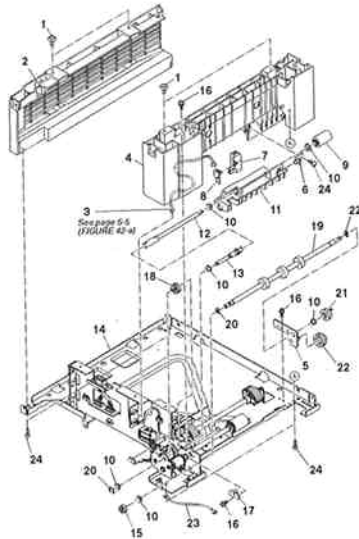
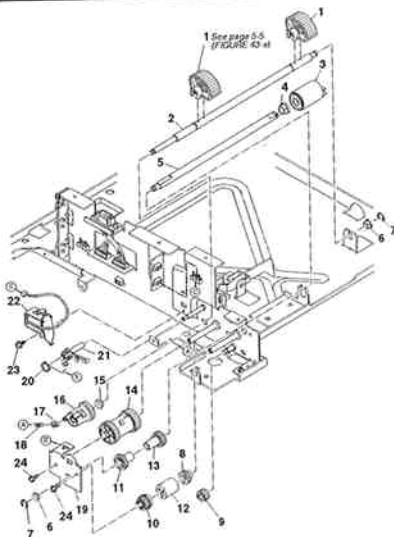
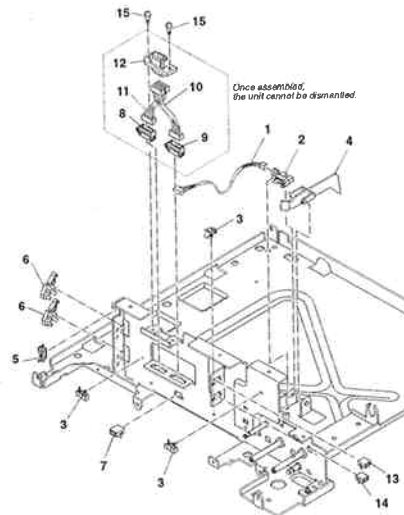
FIGURE 41 FEEDER (1)See Page
2-81**FIGURE 42 FEEDER (2)**See Page
2-83**FIGURE 43 FEEDER (3)**See Page
2-85**FIGURE 44 FEEDER (4)**See Page
2-87

FIGURE 45 FEEDER RIGHT COVER

See Page
2-89

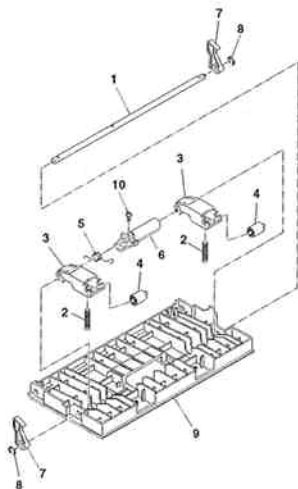


FIGURE 46 FRONT CASSETTE

See Page
2-91

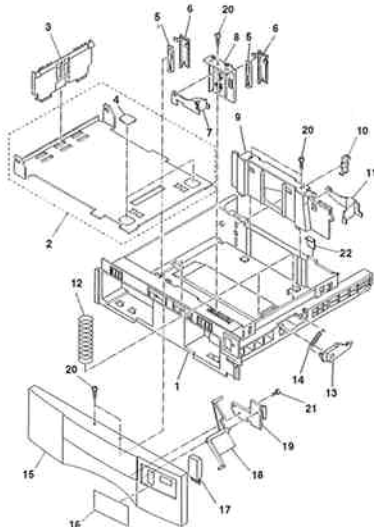


FIGURE 47 LOWER FEEDER (1)

See Page
2-93

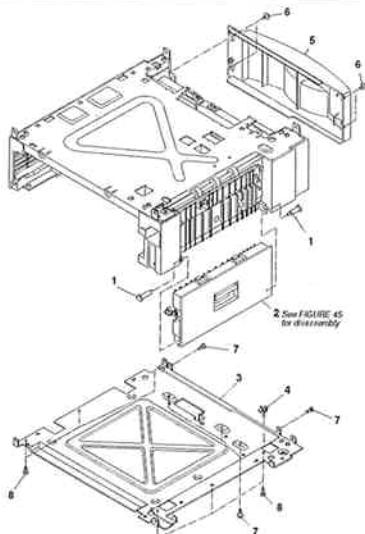


FIGURE 48 LOWER FEEDER (2)

See Page
2-95

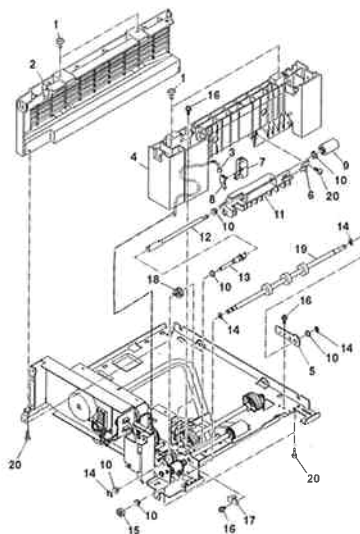


FIGURE 49 LOWER FEEDER (3)

See Page
2-97

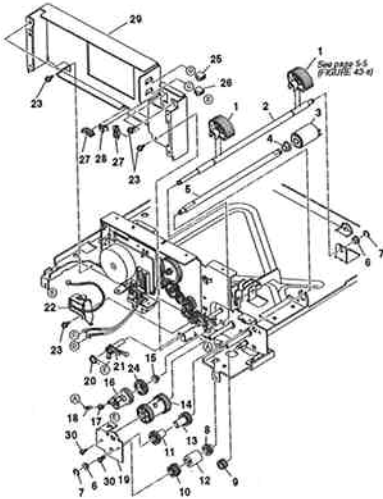


FIGURE 50 LOWER FEEDER (4)

See Page
2-99

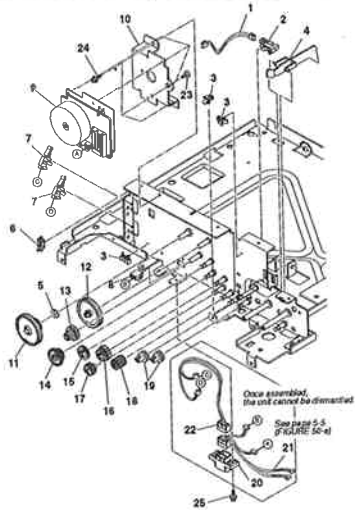


FIGURE 51 HANDSET KIT 2
PACKAGE CONTENTS

See Page
2-101

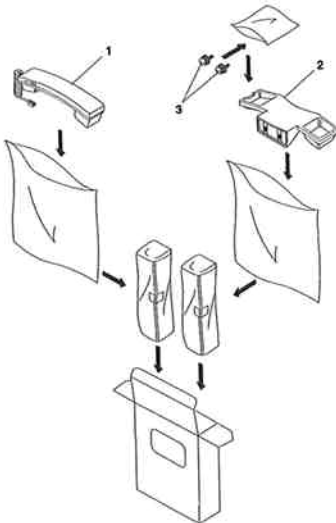


FIGURE 52 OPTION

See Page
2-103

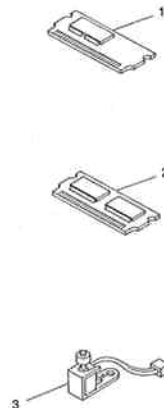
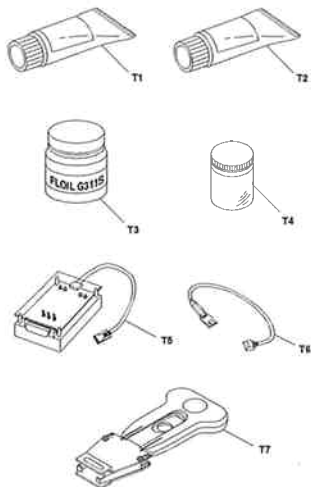


FIGURE 53 TOOL

See Page
3-1



2. PARTS LAYOUT & PARTS LIST

FIGURE 1 LASER CLASS 8500/9000 PACKAGE CONTENTS

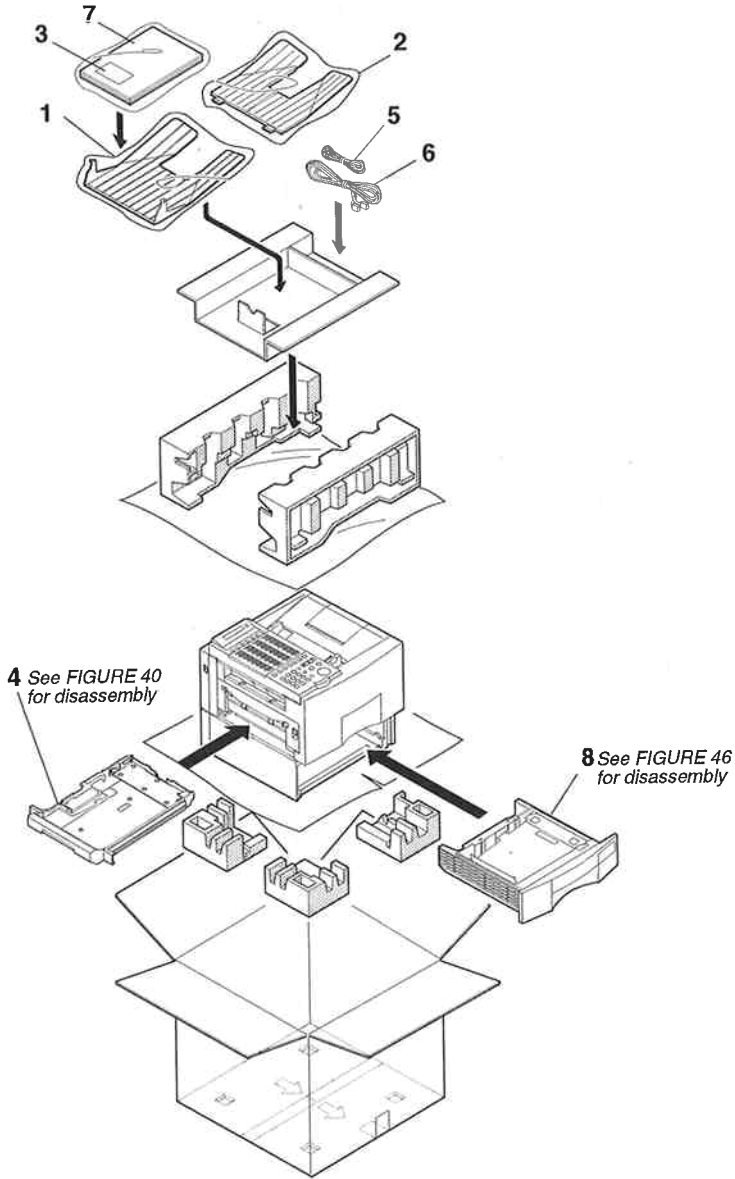


FIGURE & KEY No.	PART No.	RANK	QTY	DESCRIPTION	REMARKS
1 - 1	HB1-0485-030		1	TRAY, EXIT	
2	HA1-6578-090		1	DOCUMENT TRAY	
3	HB1-0491-000		4	LABEL, DESTINATION	
4	HG5-0129-040		1	SIDE CASSETTE ASS'Y	
5	HH2-2484-000		1	MODULAR LINE CORD, 2W	
6	HH2-2253-000		1	POWER SUPPLY CORD, 120V	
7	HT1-2088-000	N	1	INSTRUCTION BOOK (ENGLISH)	FOR LASER CLASS 9000/8500
	HT1-2102-000	N	1	INSTRUCTION BOOK (ENGLISH)	FOR LASER CLASS 8500
8	HG5-0960-000	N	1	FRONT CASSETTE ASS'Y (LTR)	

FIGURE 2 LASER CLASS 9500 PACKAGE CONTENTS

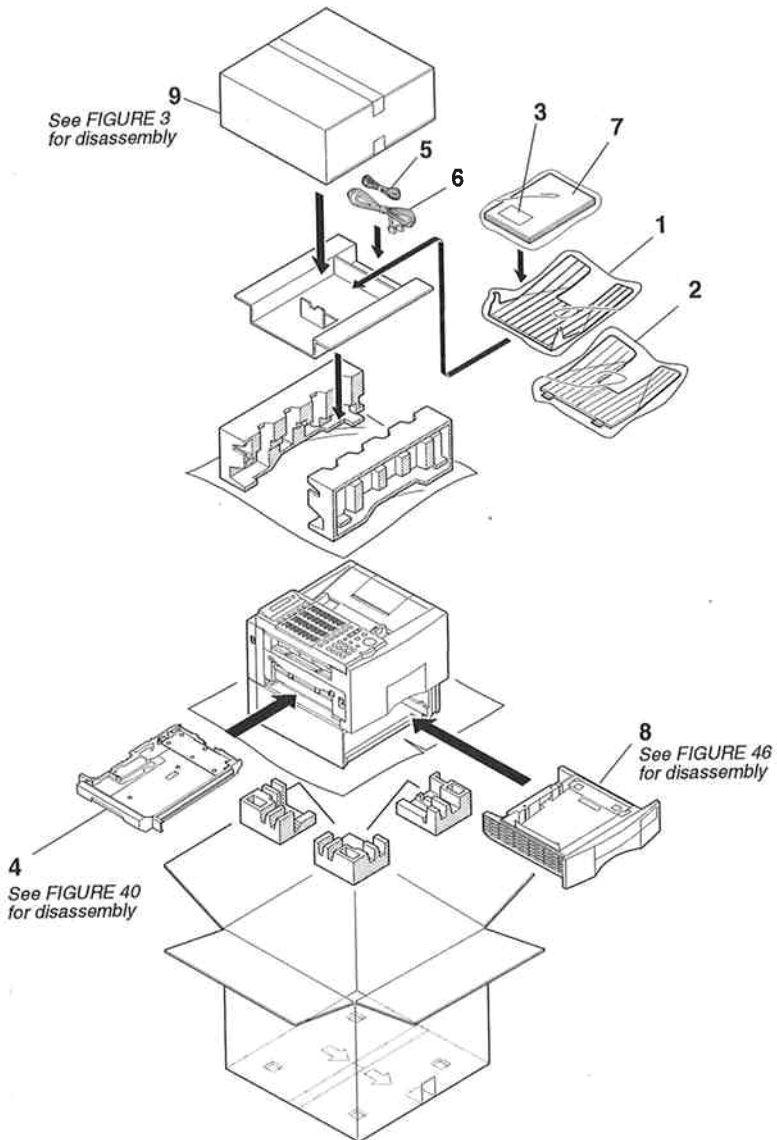


FIGURE & KEY No.	PART No.	RANK	QTY	DESCRIPTION	REMARKS
2 - 1	HB1-0485-030		1	TRAY, EXIT	
2	HA1-6578-090		1	DOCUMENT TRAY	
3	HB1-0491-000		4	LABEL, DESTINATION	
4	HG5-0129-040		1	SIDE CASSETTE ASS'Y	
5	HH2-2484-000		1	MODULAR LINE CORD, 2W	
6	HH2-2253-000		1	POWER SUPPLY CORD, 120V	
7	HT1-2088-000	N	1	INSTRUCTION BOOK (ENGLISH)	
8	HG5-0960-000	N	1	FRONT CASSETTE ASS'Y (LTR)	
9	NPN		1	F. FEEDER ASS'Y W/F. CASSETTE	

FIGURE 3 FXL-FEEDER 5 PACKAGE CONTENTS

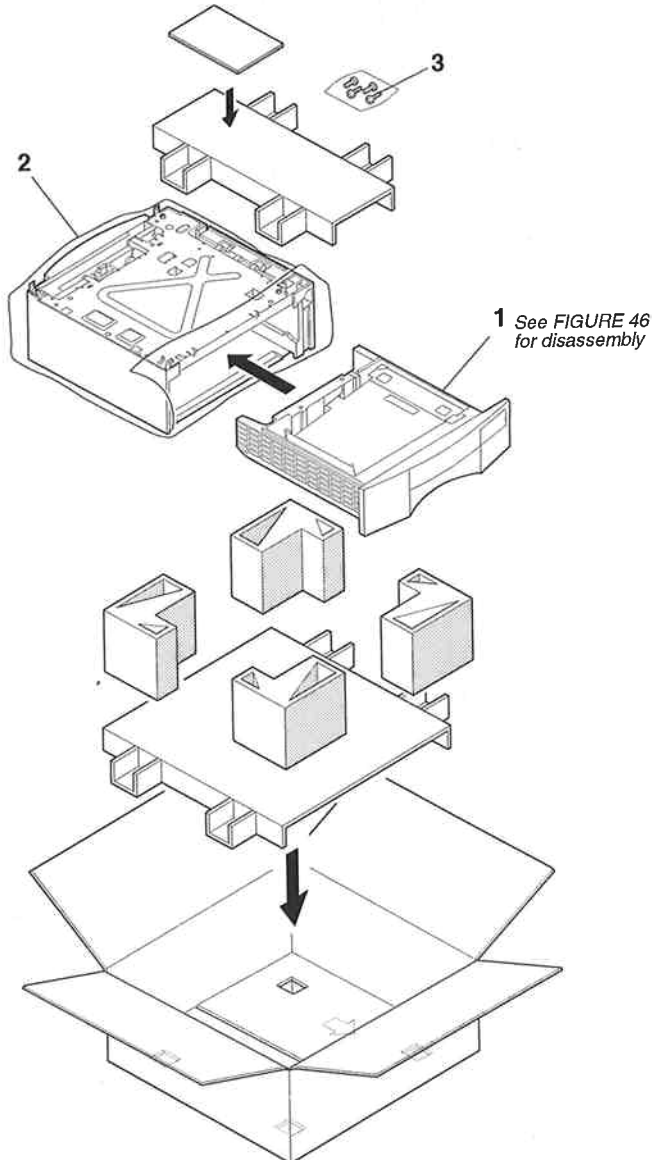


FIGURE & KEY No.	PART No.	R A N K	Q T Y	DESCRIPTION	REMARKS
3 - 1 2 3	HG5-0960-000 HG5-0971-000 XB6-7300-807	N	1 1 4	FRONT CASSETTE ASS'Y (LTR) F.CASSETTE FEEDER ASS'Y, LOWER SCREW, TP, M3X8	

FIGURE 4 FRONT & REAR COVERS

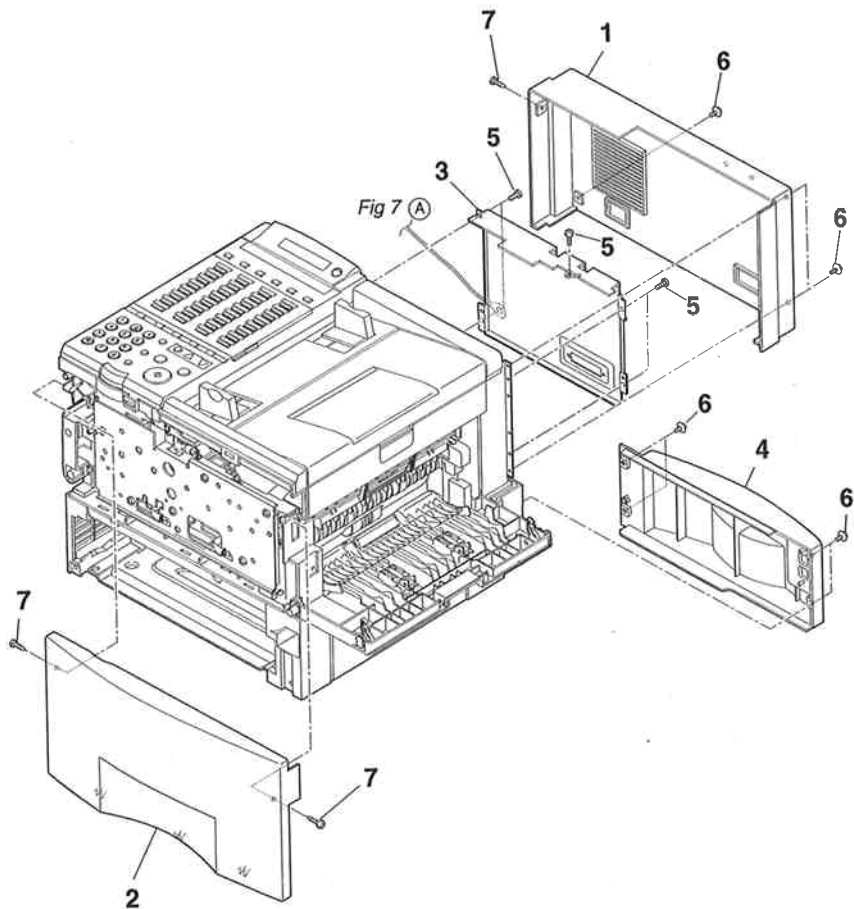


FIGURE & KEY No.	PART No.	RANK	QTY	DESCRIPTION	REMARKS
4 - 1	HB1-2256-000		1	COVER, REAR	
2	HB1-2255-000		1	COVER, FRONT	FOR LASER CLASS 9000
	HB1-2259-000		1	COVER, FRONT	FOR LASER CLASS 9500
	HB1-2261-000		1	COVER, FRONT	FOR LASER CLASS 8500
3	HB1-2253-000	N	1	COVER, SHIELD	
4	HB1-2257-000		1	COVER, REAR, FEEDER	
5	XB1-2300-607		5	SCREW, BH3X6(S)	
6	XB6-7300-607		7	SCREW, TP, M3x6	
7	XB4-7300-807		3	SCREW, TAP TIGHT, BINDING HEAD	

FIGURE 5 DOCUMENT TABLE ASS'Y

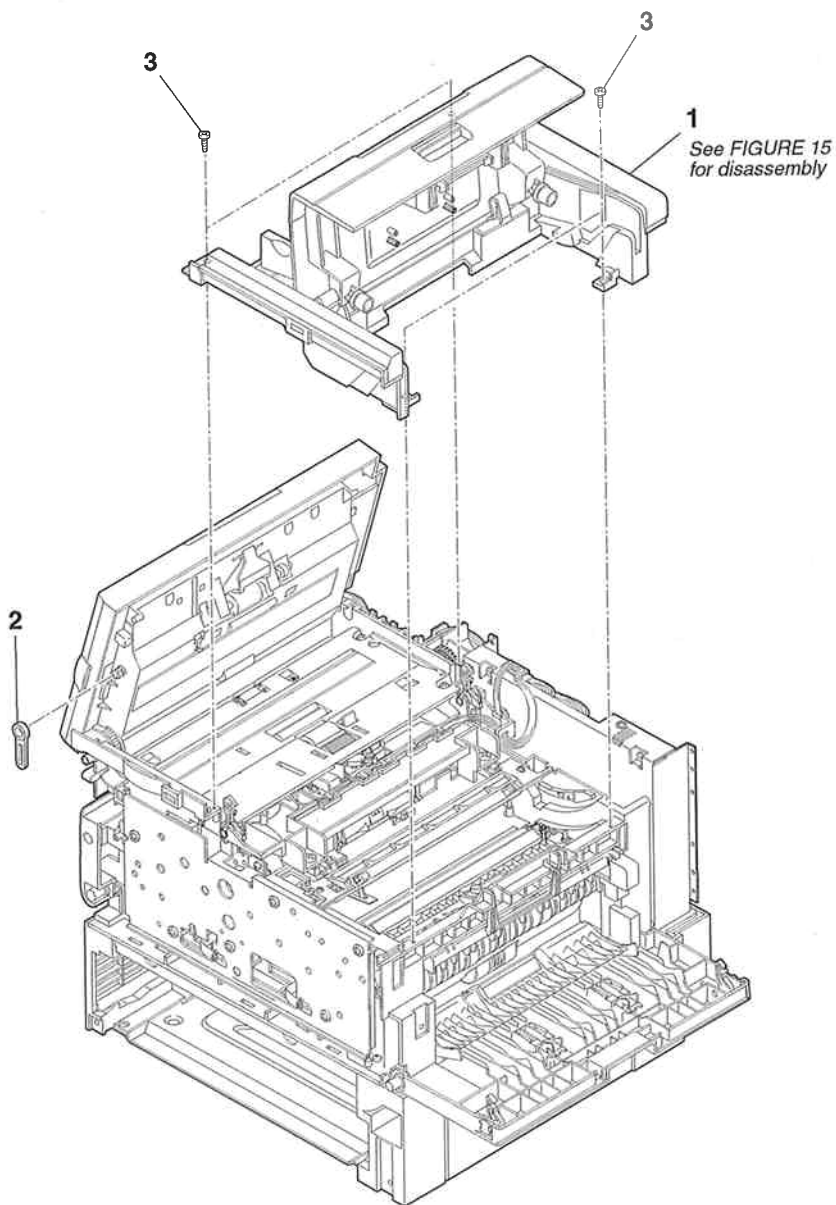


FIGURE & KEY No.	PART No.	R A N K	Q T Y	DESCRIPTION	REMARKS
5 - 1	NPN		1	DOCUMENT TABLE ASS'Y	
2	HB1-0882-000		1	STOPPER, OPERATION PANEL	
3	XB4-7401-007		4	SCREW, PIN HEAD SELF-TAPPING	

FIGURE 6 ADF & OPERATION PANEL SECTION

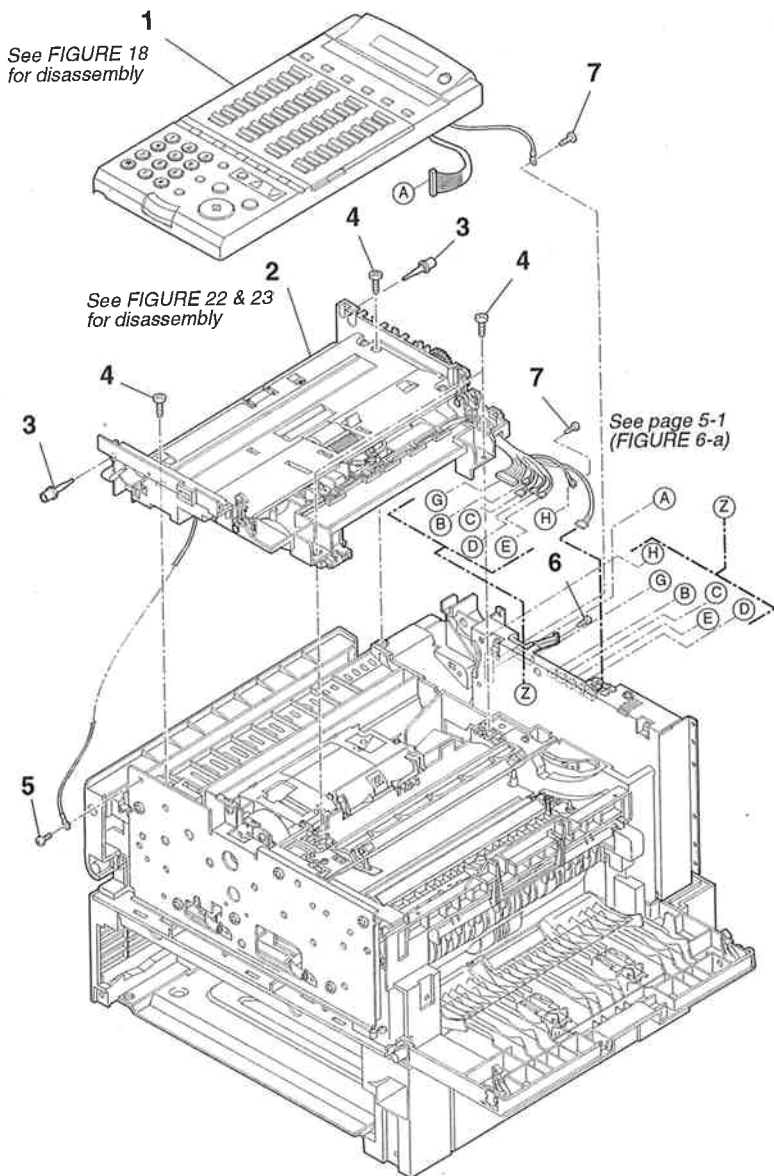


FIGURE & KEY No.	PART No.	RANK	QTY	DESCRIPTION	REMARKS
6- 1	NPN		1	ADF AND OPERATION PANEL ASS'Y	
2	NPN		1	ADF ASS'Y, LOWER	
3	HB1-2293-000		2	PIN, TAPER	
4	XB4-7401-007		4	SCREW, PIN HEAD SELF-TAPPING	
5	XB1-2300-607		1	SCREW, BH3X6(S)	
6	XB2-7300-607		1	SCREW, M3X6	
7	XB6-7300-607		2	SCREW, TP, M3x6	

FIGURE 7 CIRCUIT BOARDS (1)

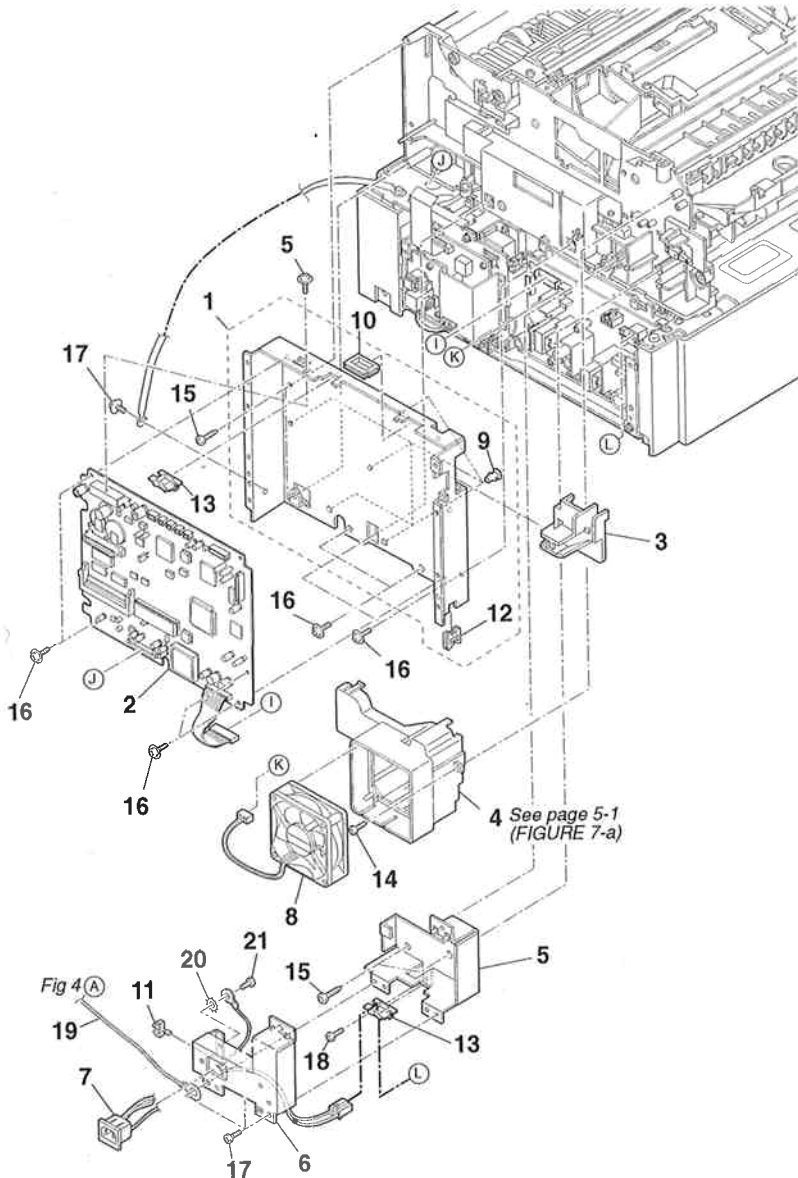


FIGURE & KEY No.	PART No.	RANK	QTY	DESCRIPTION	REMARKS
7 - 1	HG5-0978-000	N	1	CASE, SHIELD	
2	HG5-0941-000		1	SCNT BOARD ASS'Y	FOR LASER CLASS 9000/9500
	HG5-0959-000		1	SCNT BOARD ASS'Y	FOR LASER CLASS 8500
3	HB1-2297-000		1	COVER, GEAR	
4	HB1-2364-000		1	DUCT, FAN	
5	HB1-2254-000	N	1	HOLDER, INLET HOLDER	
6	HB1-2249-000	N	1	HOLDER, INLET	
7	HH2-2630-000		1	MOUNT, INLET, 3P	
8	HH7-2223-000		1	FAN UNIT	
9	VT2-5021-006		6	SPACER	
10	WT2-5031-000		1	CLIP	
11	WT2-0434-000		1	CLIP	
12	WT2-5056-000		1	CLIP, CABLE	
13	WT2-0204-000		1	CLIP, CABLE	
14	XB4-7401-007		1	SCREW, PIN HEAD SELF-TAPPING	
15	XB4-7400-809		5	SCREW, TAP, BINDING HEAD, M4X8	
16	XB6-7300-607		9	SCREW, TP, M3x6	
17	XB1-2300-607		4	SCREW, BH3X6(S)	
18	XB2-8300-607		1	SCREW, MACHINE M3X6	
19	HH2-2713-000		1	WIRE, GROUNDING	
20	XD1-4200-402		1	WASHER, TOOTHED LOCK, M4	
21	XB1-2400-607		1	SCREW, CROSS-RECESS, FCH	

FIGURE 8 CIRCUIT BOARDS (2)

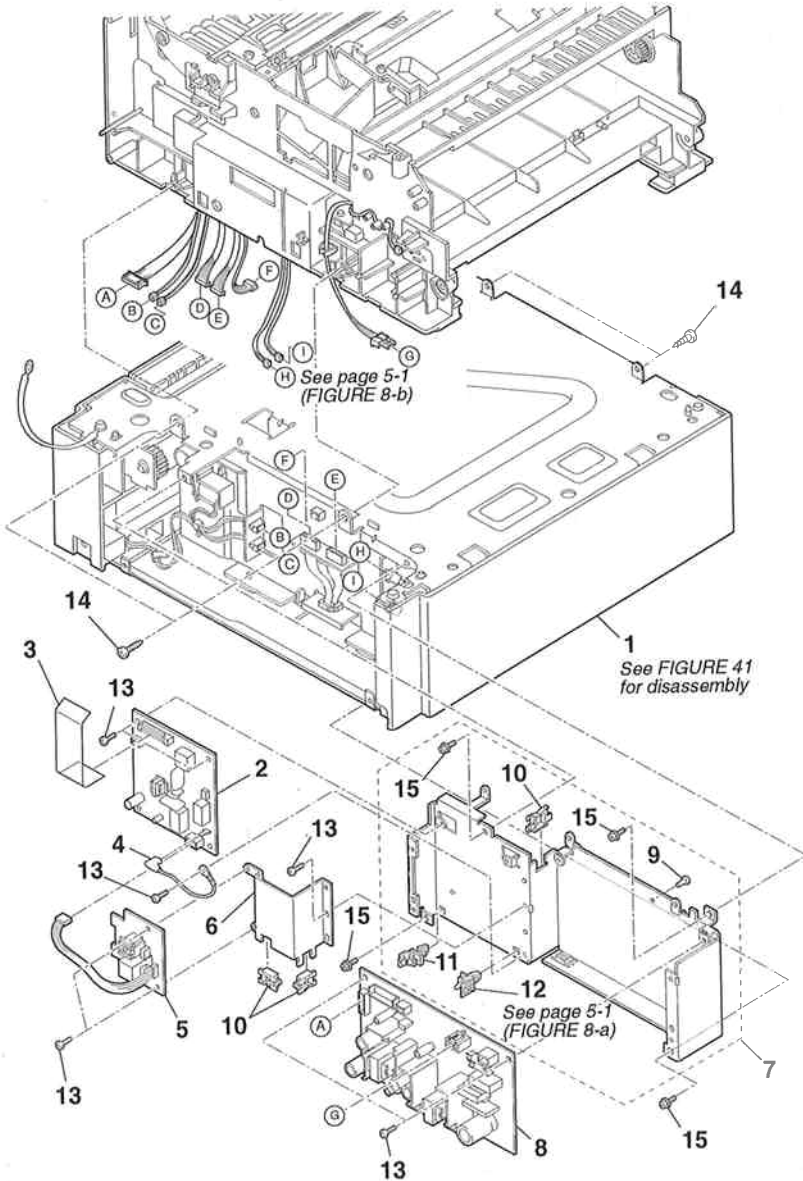


FIGURE & KEY No.	PART No.	R A N K	Q T Y	DESCRIPTION	REMARKS
8 - 1	HG5-0965-000		1	F.CASSETTE FEEDER ASS'Y, UPPER	
2	HG1-4268-040		1	NCU BOARD ASS'Y	
3	HH2-2625-000		1	CABLE, FLAT	
4	HH2-2698-000		1	CABLE WITH CONNECTOR, 1P	FOR LASER CLASS 8000/9500
	HH2-2750-000		1	CABLE WITH CONNECTOR, 1P	FOR LASER CLASS 8500
5	HG5-0945-000		1	MODULAR BOARD ASS'Y	
6	HB1-2251-000	N	1	HOLDER, MODULAR BOARD	
7	HG5-0979-000	N	1	HOLDER, PSU	
8	HH3-5303-000		1	POWER SUPPLY UNIT	
9	VT2-5021-010		1	SPACER	
10	WT2-0204-000		3	CLIP, CABLE	
11	WT2-5190-000		1	HOLD PIAS	
12	VT2-5019-006		1	SPACER	
13	XB1-2300-607		8	SCREW, BH3X6(S)	
14	XB4-7400-809		4	SCREW, TAP, BINDING HEAD, M4X8	
15	XA9-0686-000		4	SCREW, M3x6	

FIGURE 9 FIXING & PAPER EXIT SECTION

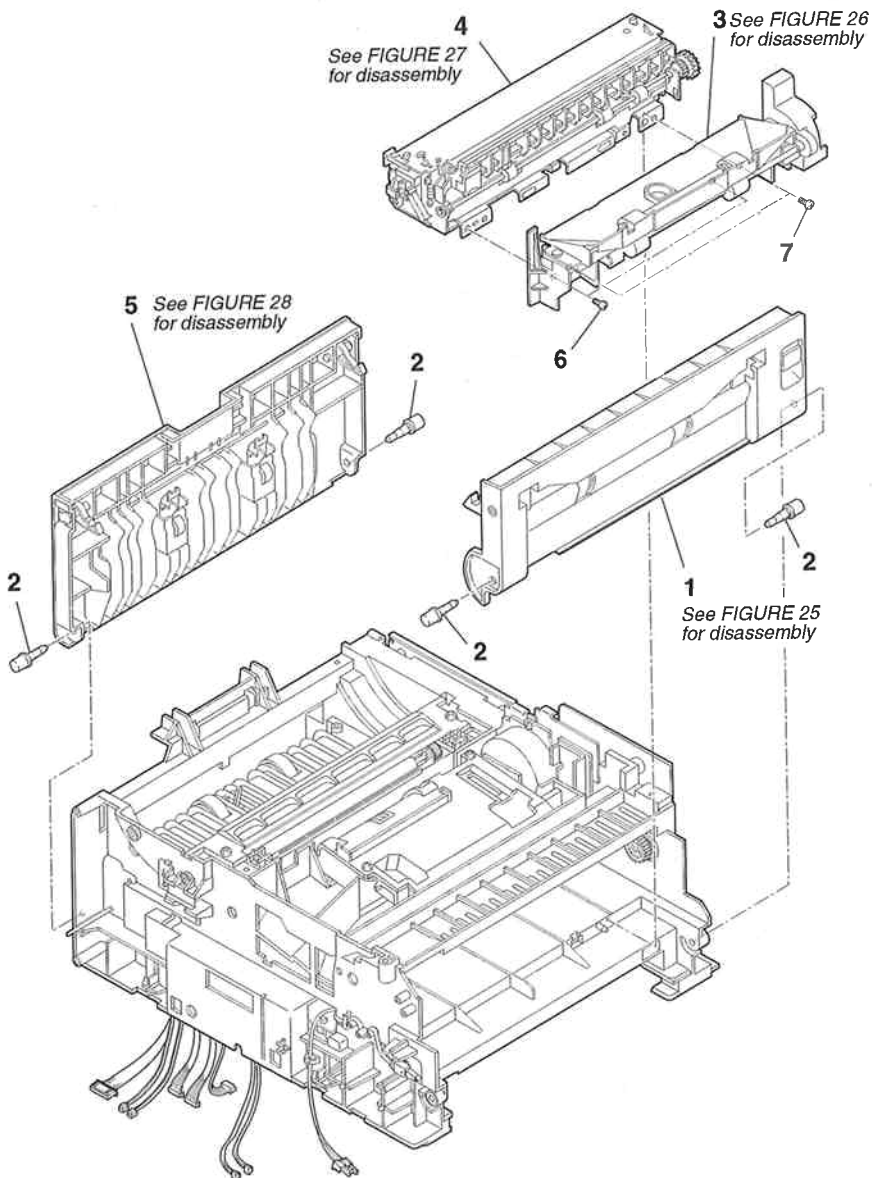
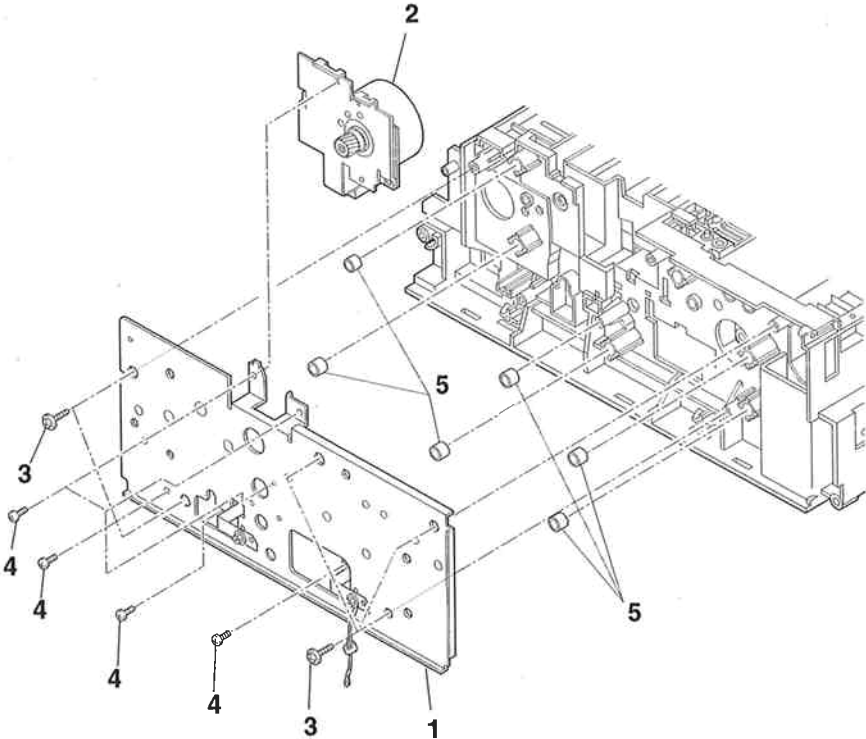


FIGURE & KEY No.	PART No.	R A N K	Q T Y	DESCRIPTION	REMARKS
9 - 1	HG5-0131-040		1	PAPER EXIT COVER ASS'Y	
2	HB1-0490-000		4	PIN, TAPER	
3	HG5-0909-000		1	PAPER EJECT ROLLER ASS'Y	
4	RG5-2800-000		1	FIXING ASS'Y	
5	NPN		1	RIGHT COVER ASS'Y	
6	XB1-2300-607		2	SCREW, BH3X6(S)	
7	XB4-7401-209		2	SCREW, BINDING HEAD, SELF-TPG	

FIGURE 10 PRINTER SECTION (1)



*See FIGURE 29
for disassembly*

FIGURE 11 PRINTER SECTION (2)

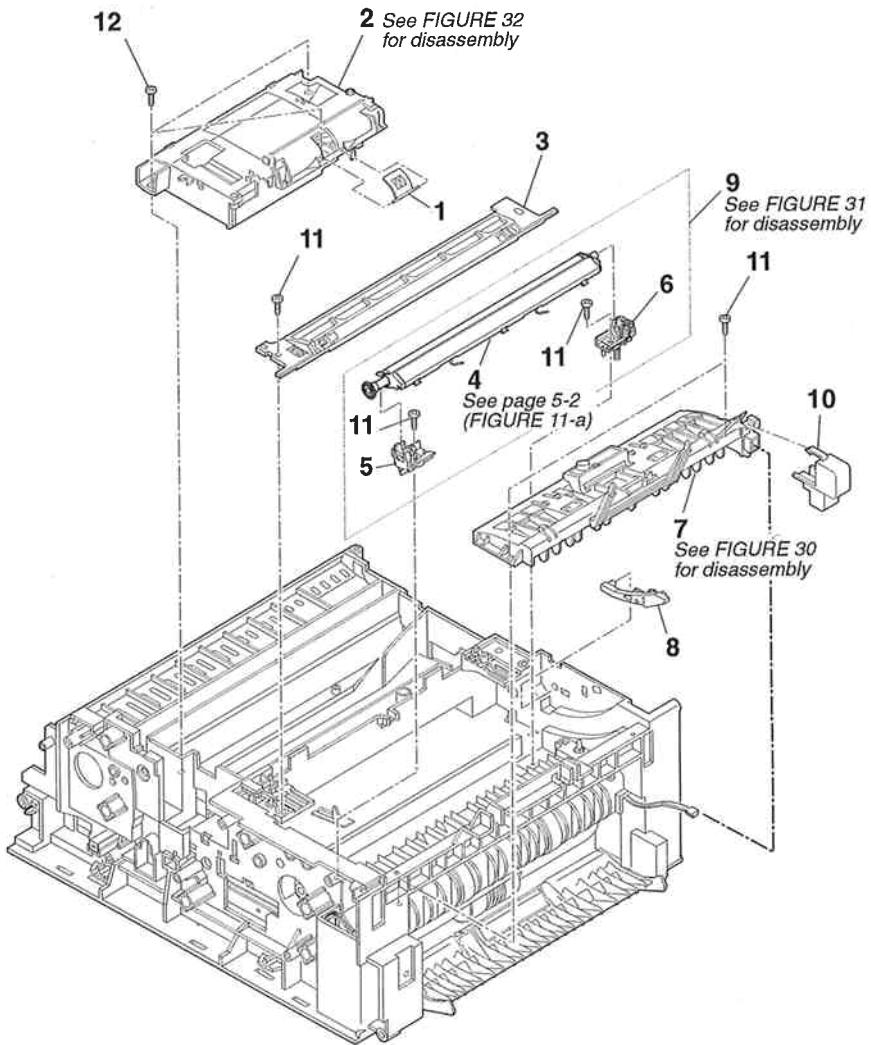


FIGURE & KEY No.	PART No.	RANK	QTY	DESCRIPTION	REMARKS
11 - 1	RB1-3681-000		1	CAP, SHUTTER	
2	RG5-2848-020		1	LASER/SCANNER ASS'Y	
3	RG5-2861-000		1	MIRROR ASS'Y	
4	NPN		1	TRANSFER ROLLER ASS'Y	
5	RG5-0674-000		1	TRANSFER MOUNT ASS'Y, LEFT	
6	RG5-0675-000		1	TRANSFER MOUNT ASS'Y, RIGHT	
7	HG5-0955-000		1	PAPER GUIDE ASS'Y	
8	RB1-6003-000		1	PLATE, CARTRIDGE	
9	NPN		1	TRANSFER ASS'Y	
10	HB1-2378-000		1	COVER, CABLE	
11	XB4-7401-007		6	SCREW, PIN HEAD SELF-TAPPING	
12	XB4-7401-209		3	SCREW, BINDING HEAD, SELF-TPG	

FIGURE 12 PAPER PICKUP SECTION

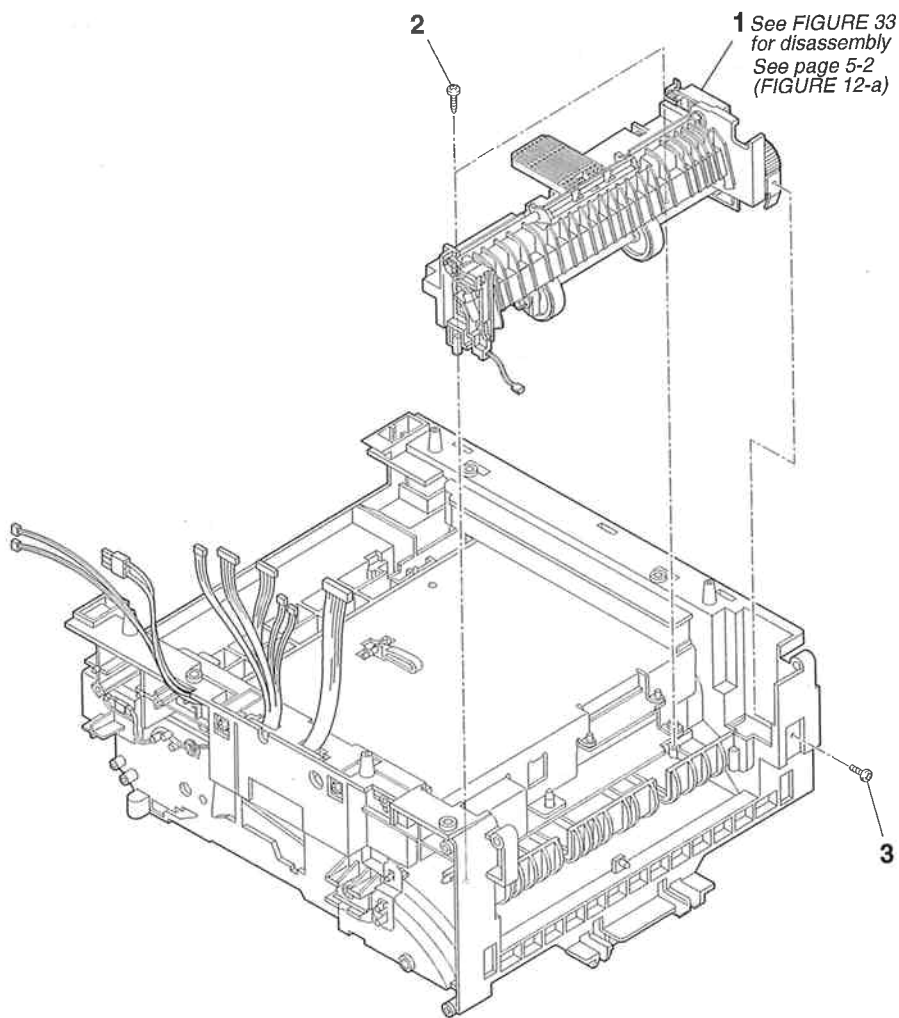


FIGURE & KEY No.	PART No.	R A N K	Q T Y	DESCRIPTION	REMARKS
12 - 1	HG5-0925-000	N	1	MULTIPAPER FEEDER ASSY	
2	XB4-7401-007		2	SCREW, PIN HEAD SELF-TAPPING	
3	XB6-7300-607		1	SCREW, TP, M3x6	

FIGURE 13 PCNT ASS'Y

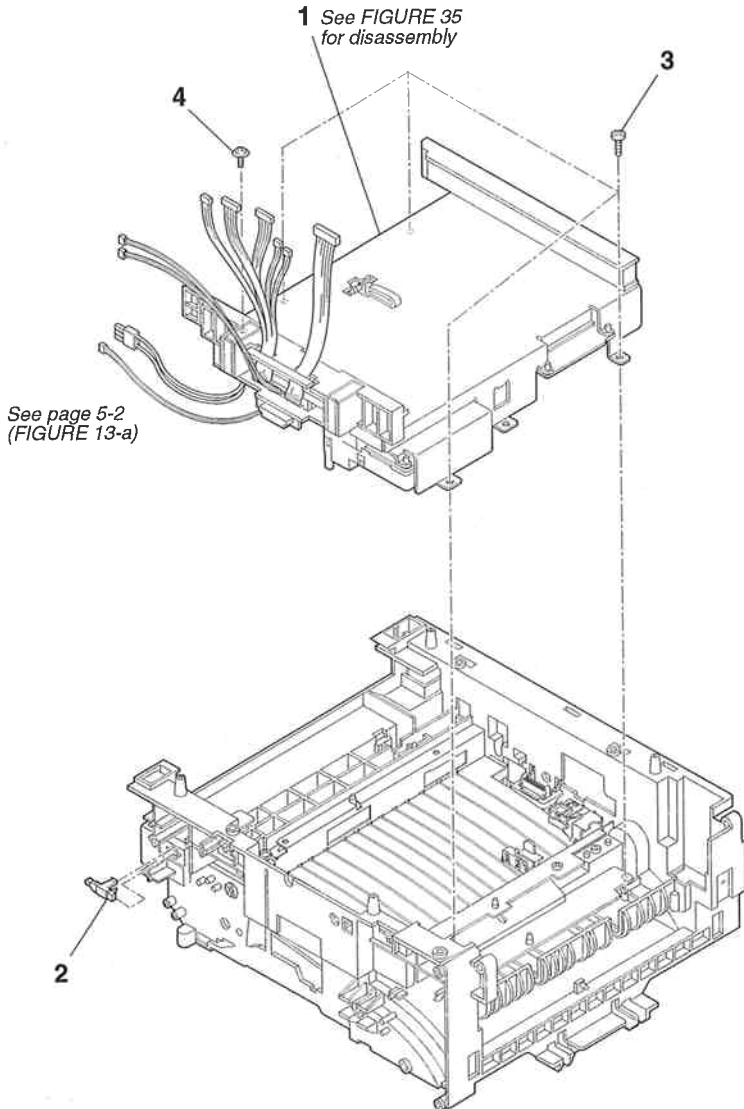


FIGURE & KEY No.	PART No.	R A N K	Q T Y	DESCRIPTION	REMARKS
13 - 1	HG5-0933-000		1	PCNT ASS'Y	
2	WC4-5052-000		1	MICRO SWITCH	
3	XB4-7400-809		4	SCREW, TAP, BINDING HEAD, M4X8	
4	XB6-7300-607		1	SCREW, TP, M3x6	

FIGURE 14 FEEDER GUIDE ASS'Y

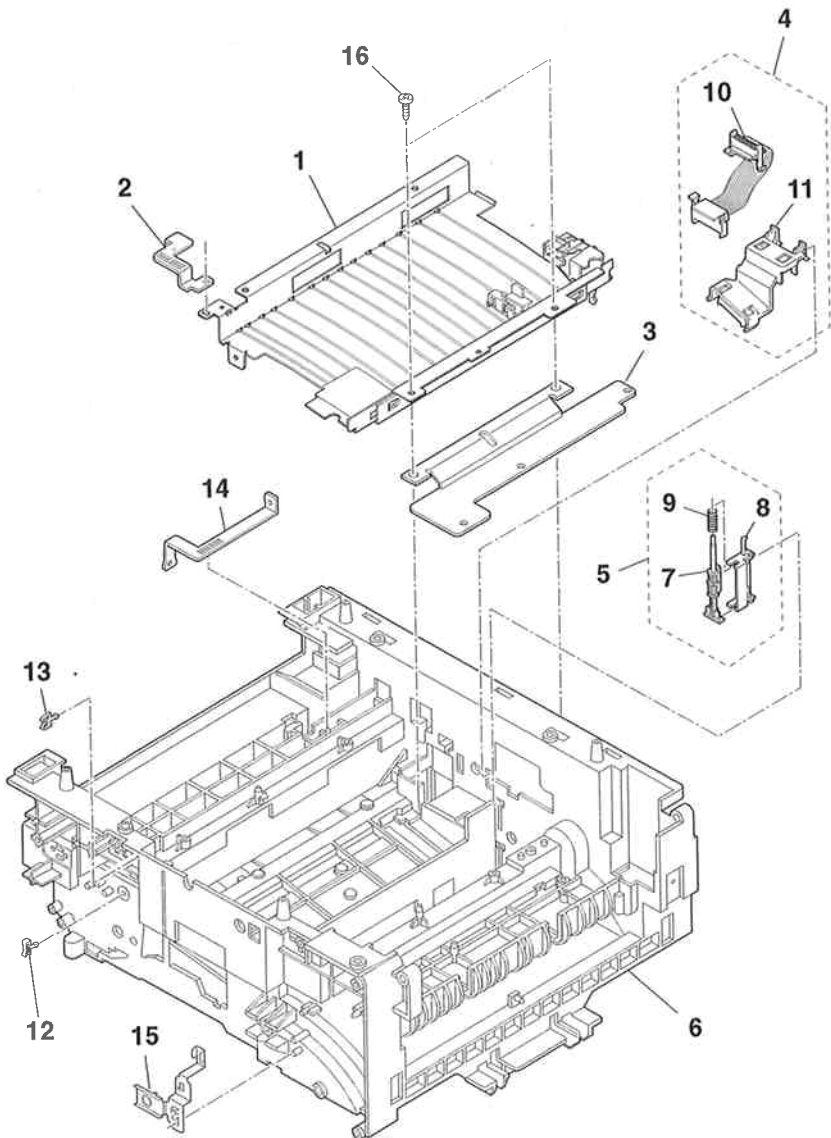


FIGURE & KEY No.	PART No.	RANK	QTY	DESCRIPTION	REMARKS
14 - 1	RG5-0671-090		1	FEEDER GUIDE ASS'Y	
2	HB1-2367-000	N	1	PLATE, GROUNDING	
3	HB1-2365-000	N	1	PLATE, GROUNDING	
4	RG5-0766-030		1	SCANNER CONNECTOR ASS'Y	
5	RG5-0694-020		1	SWITCH LEVER ASS'Y	
6	HB1-2360-000	N	1	FRAME, PRINTER	
7	RB1-2998-020		1	LEVER, SWITCH	
8	RB1-2999-000		1	HOLDER, SWITCH LEVER	
9	RS5-2234-000		1	SPRING, COMPRESSION	
10	RG5-0754-000		1	SCANNER CABLE ASS'Y	
11	RB1-2975-020		1	GUIDE, CABLE	
12	WT2-0507-000		1	HOLDER, CLIP	
13	WT2-0387-000		1	CLAMP	
14	HB1-2366-000	N	1	PLATE, GROUNDING	
15	RF5-1286-000		1	PLATE, DRUM GROUNDING	
16	XB4-7400-809		2	SCREW, TAP, BINDING HEAD, M4X8	

FIGURE 15 TOP & PRINTER COVER ASS'Y

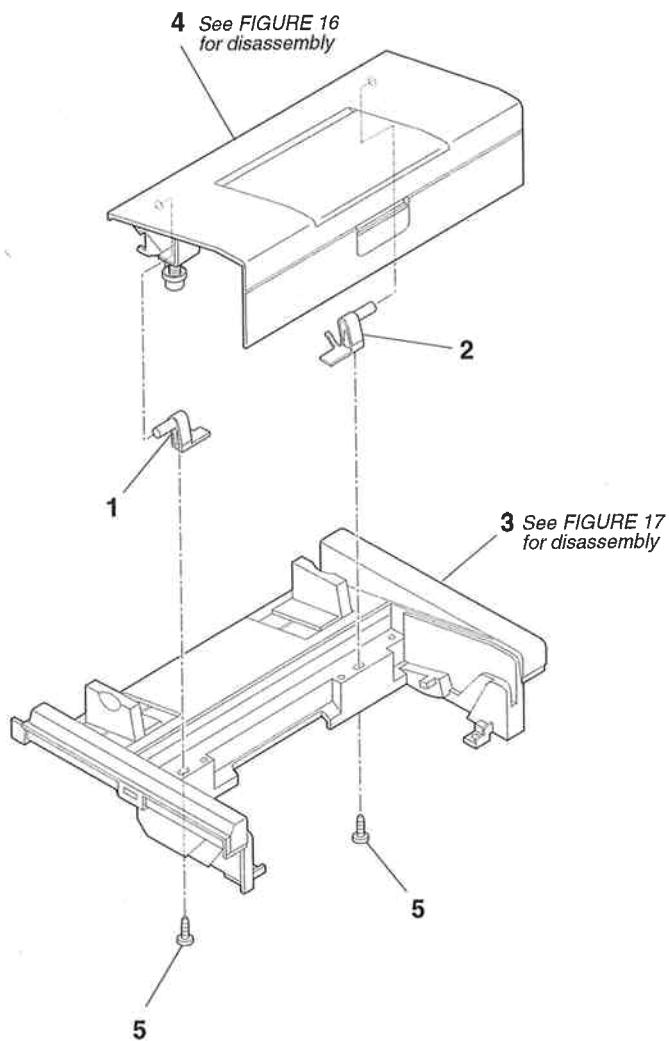


FIGURE & KEY No.	PART No.	R A N K	Q T Y	DESCRIPTION	REMARKS
15 - 1	HB1-0593-000		1	HINGE, LEFT	
2	HB1-0594-000		1	HINGE, RIGHT	
3	NPN		1	TOP COVER ASS'Y	
4	NPN		1	CARTRIDGE COVER ASS'Y	
5	XB4-7401-007		2	SCREW, PIN HEAD SELF-TAPPING	

FIGURE 16 PRINTER COVER

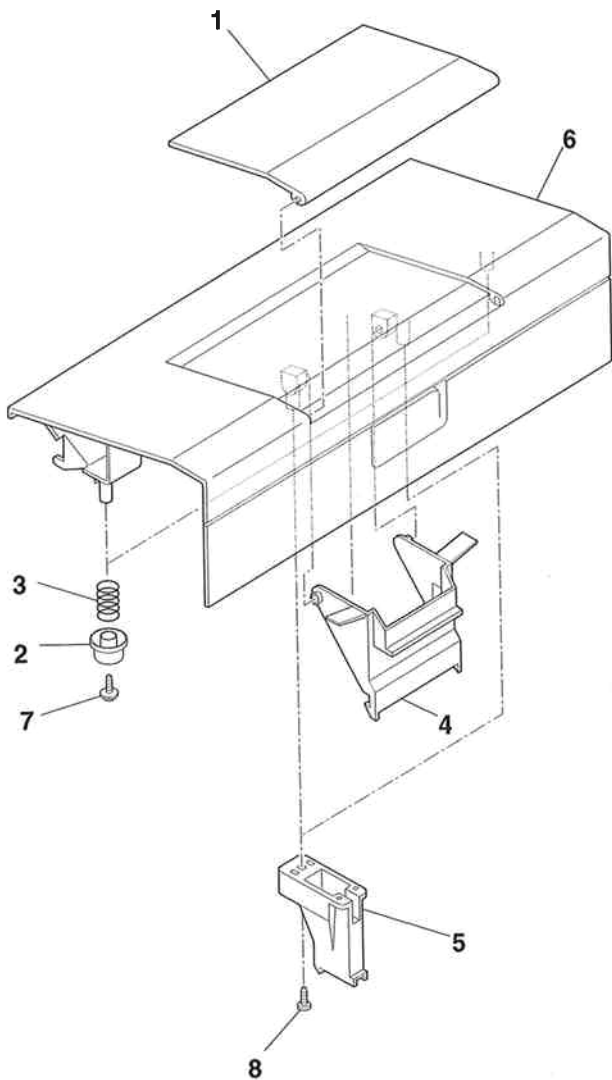


FIGURE & KEY No.	PART No.	R A N K	Q T Y	DESCRIPTION	REMARKS
16 - 1	HB1-0596-000		1	TRAY, DOCUMENT, EXTENSION	
2	RB1-3130-000		2	PIECE, CRG PRESSURE	
3	RS5-2227-000		2	SPRING, COMPRESSION	
4	HB1-0597-000		1	LEVER, RELEASE	
5	HB1-2377-000		2	PLATE, CARTRIDGE COVER	
6	HB1-0595-020		1	COVER, CARTRIDGE	
7	XA9-0476-000		2	SCREW, TP M3X8	
8	XB4-7401-007		2	SCREW, PIN HEAD SELF-TAPPING	

FIGURE 17 TOP COVER

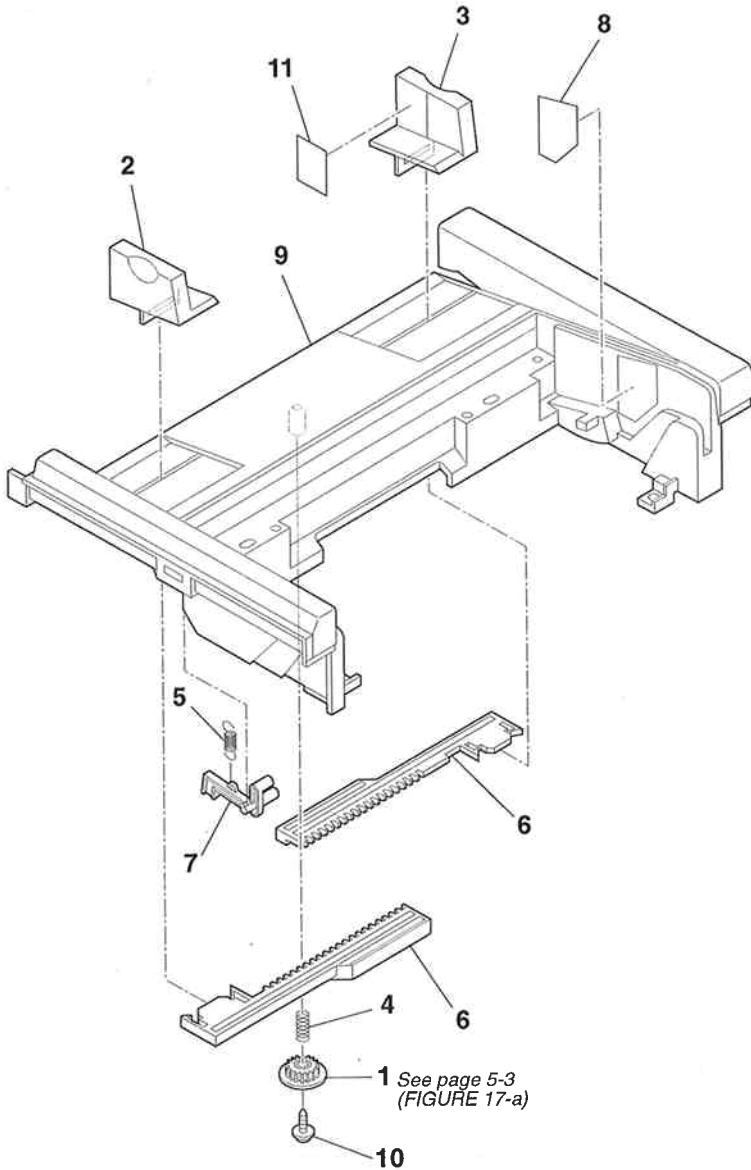


FIGURE & KEY No.	PART No.	RANK	QTY	DESCRIPTION	REMARKS
17 - 1	HS5-0017-000		1	PINION, 16T	
2	HB1-2322-000		1	GUIDE, DOCUMENT, LEFT	
3	HB1-2321-000		1	GUIDE, DOCUMENT, RIGHT	
4	HS5-2007-020		1	SPRING	
5	HS5-2022-000		1	SPRING, LEVER	
6	HB1-2323-000		2	PLATE, RACK, DOCUMENT GUIDE	
7	HB1-0589-020		1	ARM, CARTRIDGE COVER SENSOR	
8	HB1-2325-000		1	LABEL, HANDLING CARTRIDGE	
9	HB1-2320-000		1	COVER, DOCUMENT GUIDE	FOR LASER CLASS 9000/9500
	HB1-2505-000		1	COVER, DOCUMENT GUIDE	FOR LASER CLASS 9500
10	XA9-0476-000		1	SCREW, TP M3X8	
11	HB1-2324-000		1	LABEL, UPPER LIMIT	

FIGURE 18 OPERATION PANEL ASS'Y &
ADF ASS'Y, UPPER

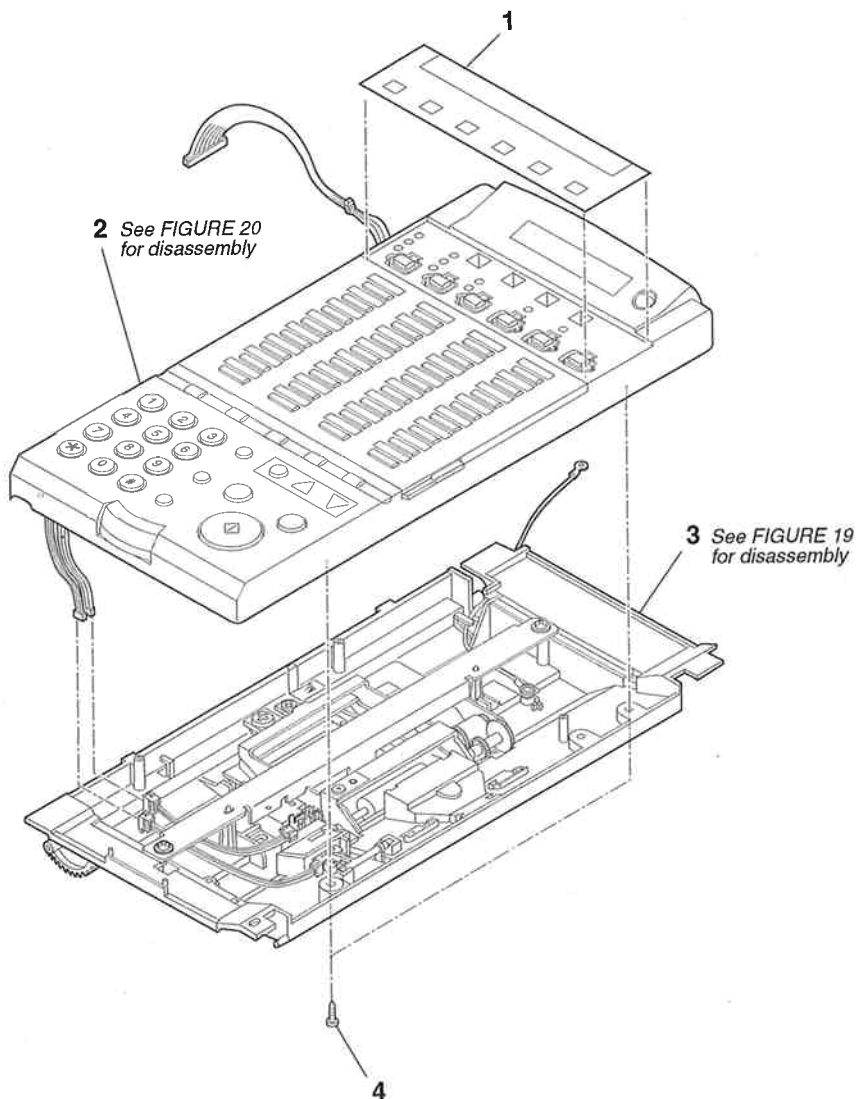


FIGURE & KEY No.	PART No.	R A N K	Q T Y	DESCRIPTION	REMARKS
18 - 1	HB1-2337-000		1	SHEET, FUNCTION	
2	HG5-0919-000		1	OPERATION PANEL ASS'Y	
3	NPN		1	ADF ASS'Y, UPPER	
4	XB4-7300-809		2	SCREW, TAP, BINDING HEAD, M3X8	

FIGURE 19 ADF, UPPER

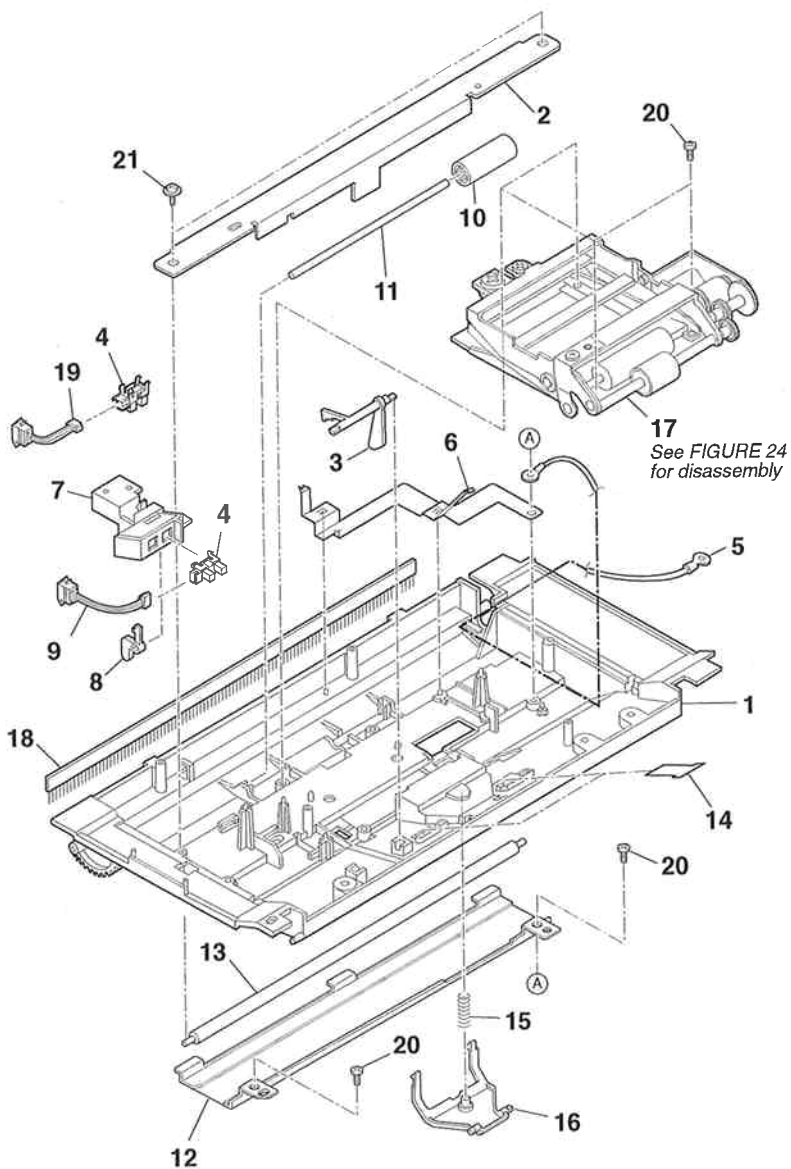


FIGURE & KEY No.	PART No.	RANK	QTY	DESCRIPTION	REMARKS
19 - 1	HB1-2300-000	N	1	FRAME, ADF, UPPER	
2	HB1-2304-000		1	STAY, PRESSURE (N)	
3	HB1-0638-000		1	ARM, DETECTION (DS)	
4	WG8-5328-000		2	IC,OJ-695201-701, PHOTO INT.	
5	HH2-2629-000		1	WIRE, GROUNDING	
6	HB1-2303-000		1	SPRING, LEAF, GROUNDING	
7	HB1-2302-000		1	HOLDER (DES)	
8	HB1-2310-000		1	ARM, DETECTION (DES)	
9	HH2-2638-000		1	CABLE WITH CONNECTOR, 3P	
10	HA1-6852-000		1	ROLLER, EJECT, UPPER	
11	HB1-0641-000		1	SHAFT, DELIVERY ROLLER	
12	HF5-0220-000		1	SCANNING STRIP UNIT (WHITE)	
13	HB1-2301-000		1	SHAFT, PRESSURE	
14	HB1-2311-000		2	SHEET, FUNCTION	
15	HS5-2103-000		1	SPRING	
16	HB1-0632-000		1	ARM, PRESSURE	
17	HG5-0918-000		1	SEPARATION ROLLER ASS'Y	
18	HB1-2305-000		1	BRUSH, STATIC DISCHARGE	
19	HH2-2639-000		1	CABLE WITH CONNECTOR, 3P	
20	XB1-2300-407		6	SCREW, M3X4	
21	XA9-0476-000		2	SCREW, TP M3X8	

FIGURE 20 OPERATION PANEL (1)

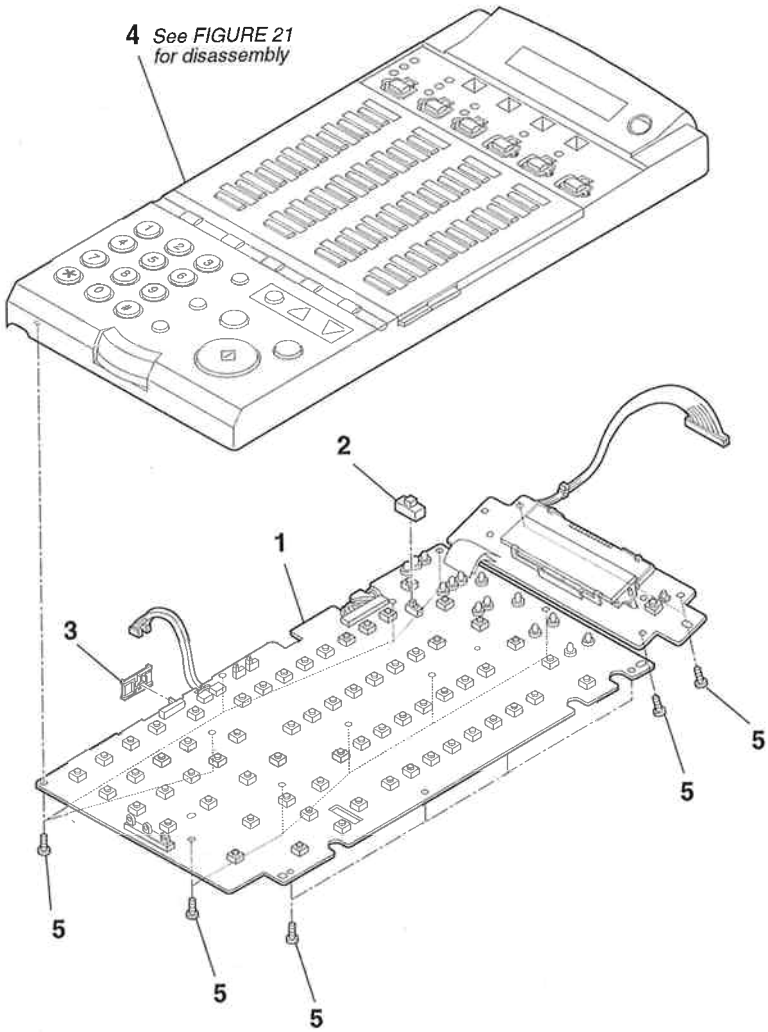


FIGURE & KEY No.	PART No.	R A N K	Q T Y	DESCRIPTION	REMARKS
20 - 1	HG5-0923-000		1	OPCNT BOARD ASS'Y	
2	HB1-2333-000		1	COVER, SWITCH	
3	HB1-2343-000		1	COVER, SWITCH	
4	NPN		1	OPERATION PANEL COVER ASS'Y	
5	XB4-7260-605		18	SCREW, TP, BH2.6X6,S	

FIGURE 21 OPERATION PANEL (2)

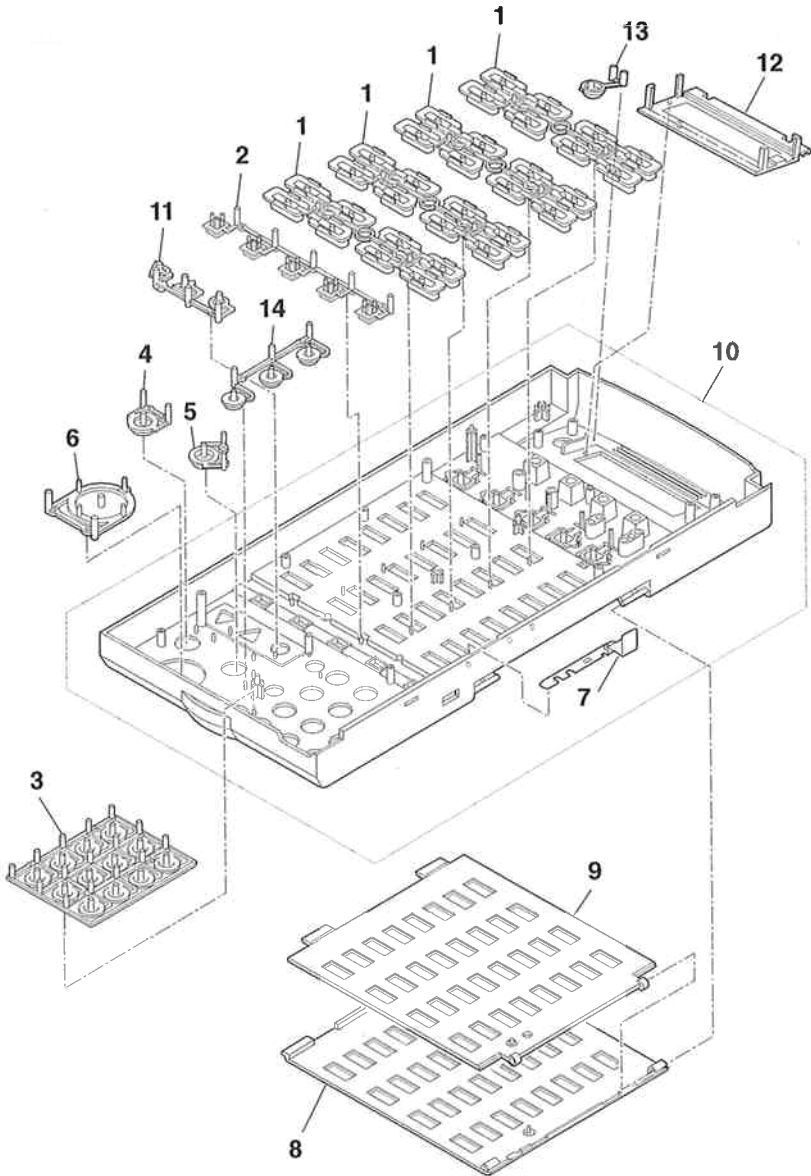


FIGURE & KEY No.	PART No.	RANK	QTY	DESCRIPTION	REMARKS
21 - 1	HB1-2336-000		4	KEY TOP, "ONE TOUCH DIAL"	
2	HB1-2339-000		1	KEY TOP, FUNCTION, A	
3	HB1-2349-000		1	KEY TOP, "DIAL"	
4	HB1-2347-000		1	KEY TOP, "STOP"	
5	HB1-2348-000		1	KEY TOP, "COPY"	
6	HB1-2346-000		1	KEY TOP, "START"	
7	HB1-2338-000		1	PLATE, GROUNDING	
8	HB1-2334-000		1	COVER, CONTROL PANEL, A	
9	HB1-2335-000		1	COVER, CONTROL PANEL, B	
10	HF5-0217-000		1	COVER, CONTROL PANEL	
11	HB1-2341-000		1	KEY TOP, "DIRECTORY"	
12	HB1-2342-000		1	COVER, LCD	
13	HB1-2345-000		1	KEY TOP, "ESS"	
14	HB1-2340-000		1	KEY TOP, FUNCTION, B	

FIGURE 22 ADF, LOWER (1)

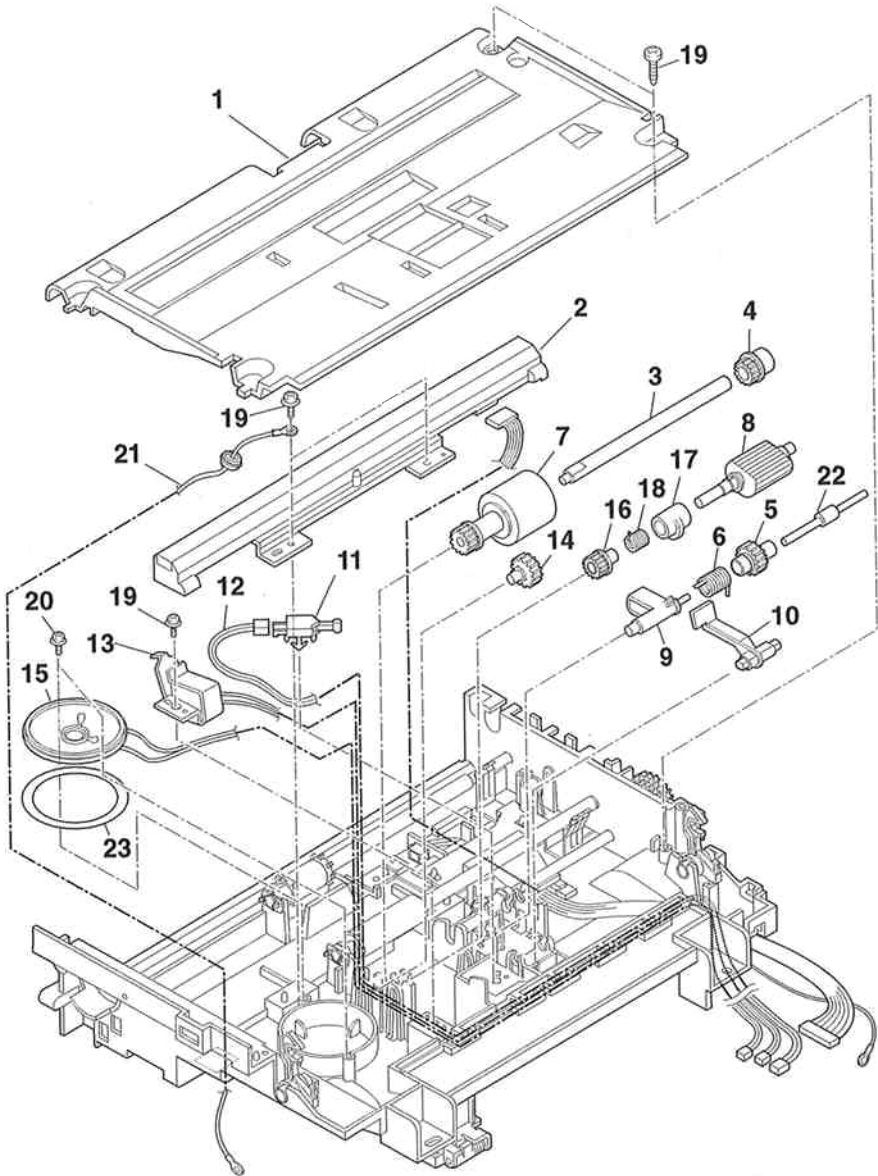


FIGURE & KEY No.	PART No.	RANK	QTY	DESCRIPTION	REMARKS
22 - 1	HB1-2299-000		1	COVER, ADF, LOWER	FOR LASER CLASS 9000/9500
	HB1-2500-000		1	COVER, ADF, LOWER (A4)	FOR LASER CLASS 8500
2	HG5-0914-000		1	CONTACT SENSOR UNIT	FOR LASER CLASS 9000/9500
	HG5-0982-000		1	CONTACT SENSOR UNIT	FOR LASER CLASS 8500
3	HB1-2276-000		1	SHAFT, SEPARATION ROLLER	
4	HS5-0070-000		1	GEAR, 18T	
5	HB1-2285-000		1	GEAR, 18T	
6	HB1-2288-000		1	SPRING, CLUCH	
7	HB1-2273-000		1	ROLLER, SEPARATION, LOWER	
8	HB1-2274-000		1	ROLLER, LOADING, LOWER	
9	HB1-2286-000		1	CAM, STOP	
10	HB1-2287-000		1	STOP, DOCUMENT	
11	HH7-2175-000		1	MICRO SWITCH	FOR LASER CRASS 9000/9500
12	HH2-2626-000		1	CABLE WITH CONNECTOR, 2P	FOR LASER CLASS 9000/9500
13	HH7-2213-000		1	SOLENOID, LOADING	
14	HS5-0195-000		1	GEAR, 30T	
15	HH7-2210-000		1	SPEAKER UNIT	
16	HB1-2282-000		1	GEAR, 19T	
17	HB1-2283-000		1	CAM	
18	HB1-2284-000		1	SPRING, CLUTCH	
19	XB4-7300-809		5	SCREW, TAP, BINDING HEAD, M3X8	
20	XA9-0476-000		2	SCREW, TP M3X8	
21	HH2-2744-000		1	WIRE, GROUNDING	
22	HB1-2502-000		1	SHAFT, STOP	
23	HB1-2506-000		1	SHEET, RAYON(F)	

FIGURE 23 ADF, LOWER (2)

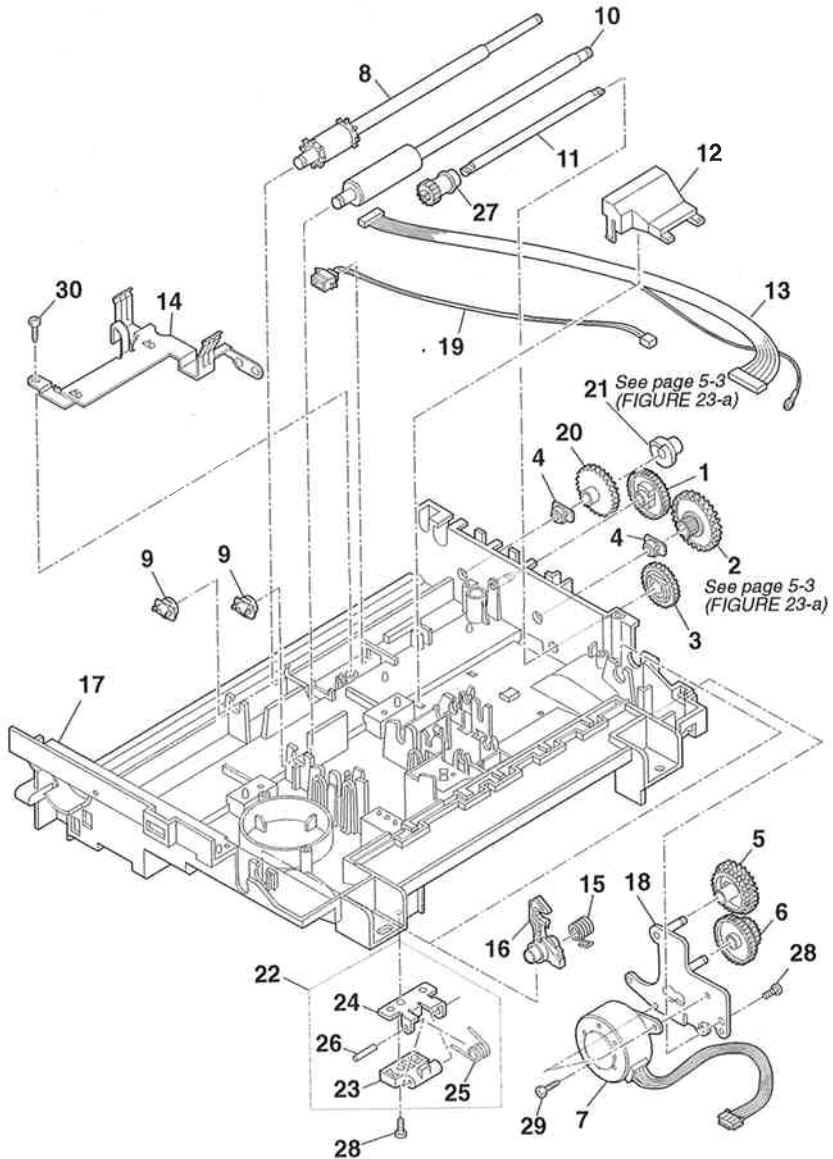


FIGURE & KEY No.	PART No.	RANK	QTY	DESCRIPTION	REMARKS
23 - 1	HS5-0220-000		1	GEAR, 34T	
2	HS5-0118-000		1	GEAR, 44/20T	
3	HS5-0117-000		1	GEAR, 49T	
4	HS5-1013-020		2	BUSHING	
5	HS5-0221-000		1	GEAR, 38T/33T	
6	HS5-0222-000		1	GEAR, 60T/20T	
7	HH7-2211-000		1	MOTOR, STEPPING, DC 10W UNDER	
8	HB1-2272-000		1	ROLLER, DOCUMENT EJECT	
9	HS5-1014-000		2	BUSHING	
10	HB1-2271-000		1	ROLLER, DOCUMENT FEED	
11	HB1-2292-000		1	SHAFT, TRANSMISSION	
12	HB1-2278-000		1	COVER, CABLE	
13	HH2-2621-000		1	CABLE WITH CONNECTOR, 10P	
14	HB1-2279-000		1	SPRING, LEAF, GROUNDING	
15	HB1-2281-000		2	SPRING	
16	HB1-2280-000		2	ARM, HOOK	
17	HB1-2270-000	N	1	FRAME, ADF	
18	HF5-0218-000		1	MOUNT, DOCUMENT FEED MOTOR	
19	HH2-2624-000		1	CABLE WITH CONNECTOR, 2P	
20	HB1-2290-000		1	GEAR, 44T	
21	HB1-2291-000		1	CLUTCH	
22	RG5-1816-000		1	FLAPPER LEVER ASS'Y	
23	RB1-6009-000		1	LEVER, FLAPPER	
24	RB1-6010-000		1	PLATE, FLAPPER	
25	RS5-2449-000		1	SPRING, TORSION	
26	XD3-4300-282		1	PIN, DOWER	
27	HS5-0198-000		1	GEAR, 15T	
28	XB4-7300-809		3	SCREW, TAP, BINDING HEAD, M3X8	
29	XB1-2300-407		2	SCREW, M3X4	
30	XB1-2300-607		1	SCREW, BH3X6(S)	

FIGURE 24 SEPARATION ROLLER ASS'Y

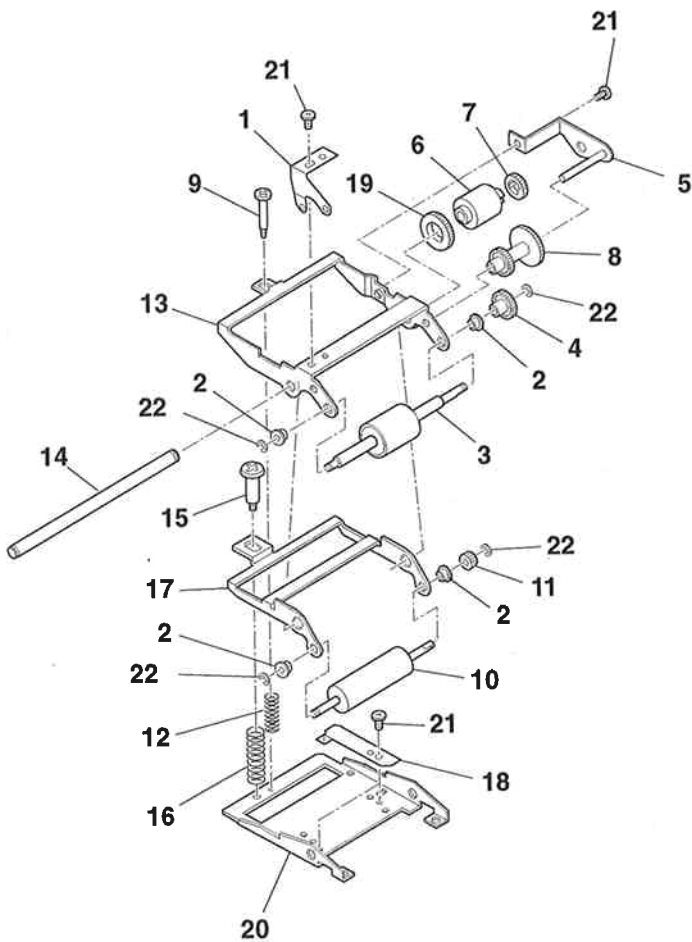


FIGURE & KEY No.	PART No.	RANK	QTY	DESCRIPTION	REMARKS
24 - 1	HB1-2326-000		1	SPRING, LEAF, GROUNDING	
2	HS5-1052-000		4	BUSHING	
3	HB1-2312-000		4	ROLLER, SEPARATION, UPPER	
4	HS5-0199-000		1	GEAR, 27T	
5	HF5-0219-000		1	HOLDER, TORQUE LIMITER	
6	HB1-2313-000		1	TORQUE LIMITER	
7	HS5-0077-000		1	GEAR, 25T	
8	HS5-0196-000		1	GEAR, 29T/44T	
9	HS5-9002-000		1	SCREW, M3X4	
10	HB1-2327-000		1	ROLLER, FEED UPPER	
11	HS5-0076-000		1	GEAR, 15T	
12	HS5-2104-000		1	SPRING	
13	HB1-2317-000		1	HOLDER, SEPARATION ROLLER	
14	HB1-2328-000	N	1	SHAFT, PIVOT	
15	HS5-9001-000		1	SCREW, M4X6	
16	HS5-2031-000		1	SPRING	
17	HB1-2316-000		1	HOLDER, FEED ROLLER	
18	HB1-2319-000		2	SPRING, LEAF	
19	HS5-0197-000		1	GEAR, 37T	
20	HB1-2318-000		1	FRAME, SEPARATION ROLLER ASSY	
21	XB1-2300-407		4	SCREW, M3X4	
22	XD2-1100-242		4	WASHER, RETAINING	

FIGURE 25 EXIT PAPER COVER

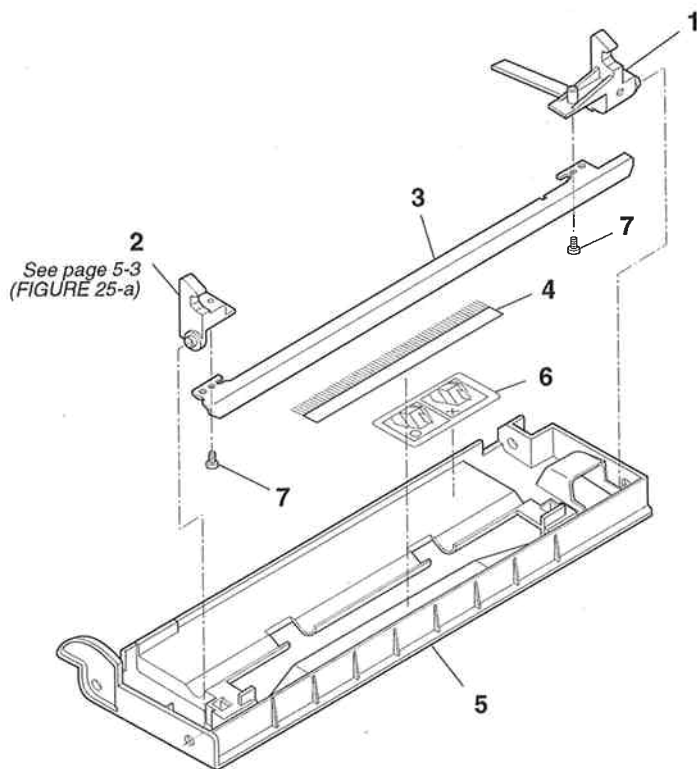


FIGURE & KEY No.	PART No.	R A N K	Q T Y	DESCRIPTION	REMARKS
25 - 1	HB1-0575-040		1	ARM, LOCK (L)	
2	HB1-0576-020		1	ARM, LOCK (R)	
3	HB1-0577-020	N	1	STAY	
4	HB1-0574-000		1	BRUSH, STATIC DISCHARGE	
5	HB1-0573-030		1	COVER, EXIT PAPER	
6	HB1-0583-030		1	LABEL, HANDLING PAPER JAM	
7	XB4-7300-809		1	SCREW, TAP, BINDING HEAD, M3X8	

FIGURE 26 PAPER EJECT ROLLER

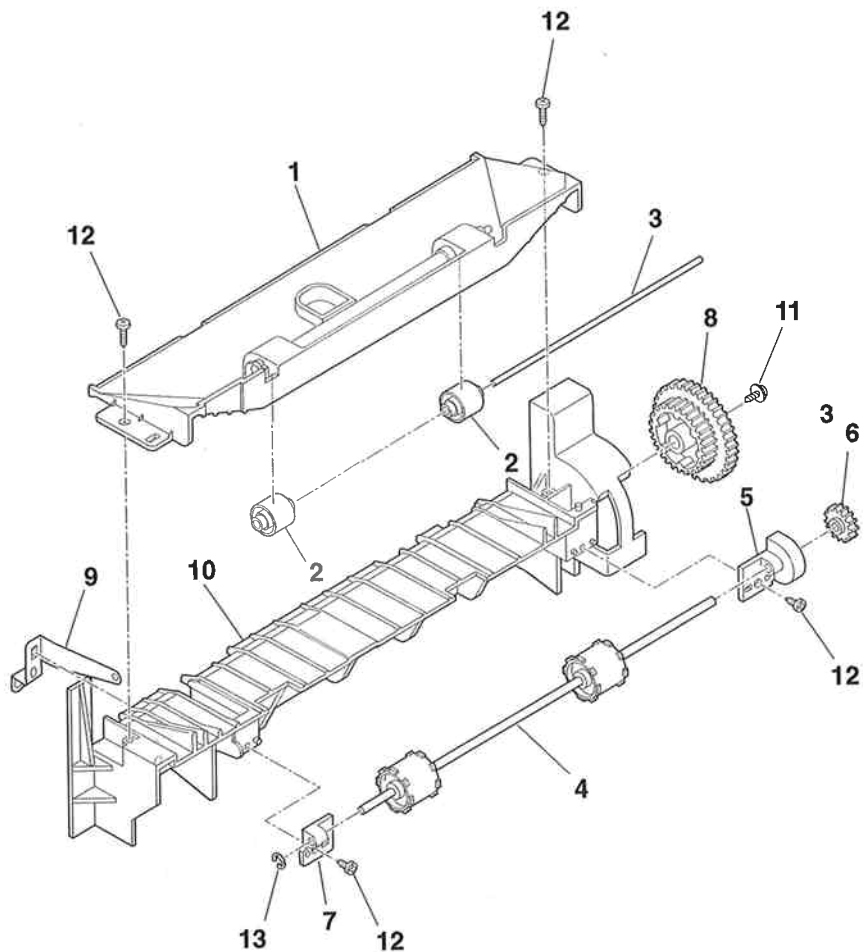


FIGURE & KEY No.	PART No.	RANK	QTY	DESCRIPTION	REMARKS
26 - 1	HB1-0578-050		1	GUIDE, PAPER EJECT	
2	HS5-6004-000		2	ROLLER, PAPER EJECT (UPPER)	
3	HB1-0581-020		1	SHAFT, EJECT ROLLER	
4	HB1-0582-000		1	ROLLER, PAPER EJECT (LOWER)	
5	HB1-2370-000		1	BUSHING	
6	HS5-0202-000		1	GEAR, 20T	
7	HS5-1011-000		1	BUSHING	
8	HS5-0201-000		1	GEAR, 42T/34T	
9	HB1-2369-000		1	SPRING, LEAF, GROUNDING	
10	HB1-2368-000	N	1	FRAME, PAPER EJECT GUIDE	
11	XA9-0476-000		1	SCREW, TP M3X8	
12	XB4-7300-809		4	SCREW, TAP, BINDING HEAD, M3X8	
13	XD2-1100-322		1	RETAINING RING (E-TYPE)	

FIGURE 27 FIXING ASS'Y

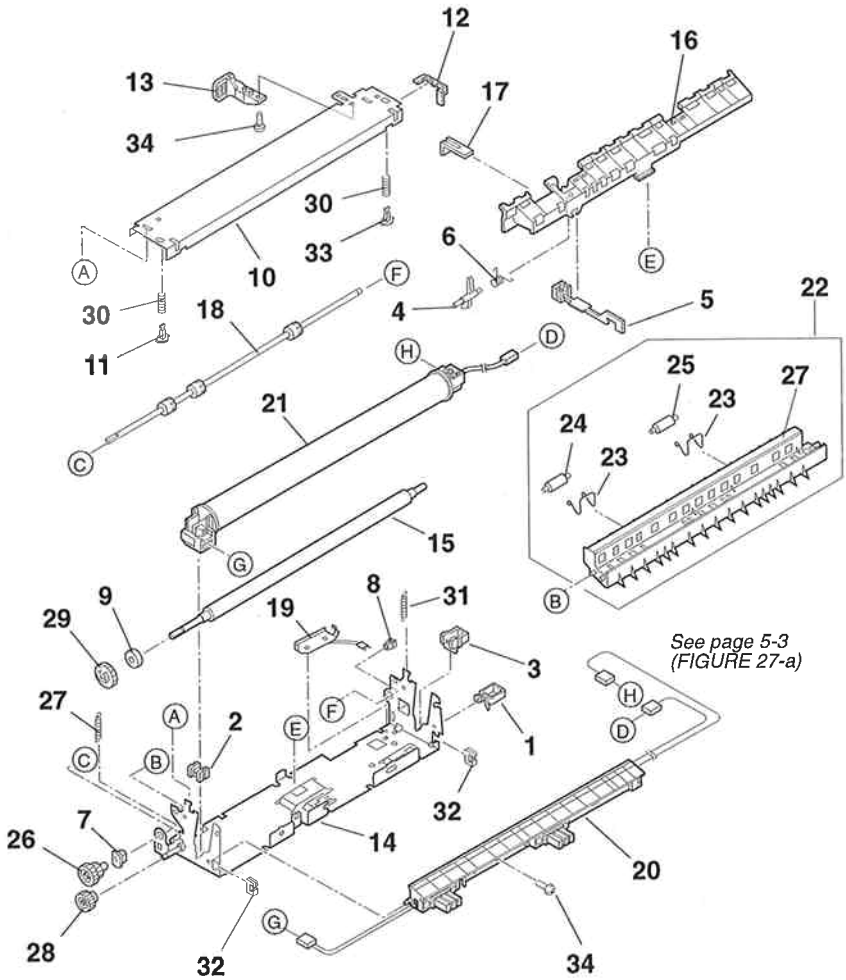


FIGURE & KEY No.	PART No.	R A N K	Q T Y	DESCRIPTION	REMARKS
27 - 1	RB1-2969-020		1	CLIP, CABLE	
2	RB1-9184-000		1	BUSHING, PRESSURE ROLLER, LEFT	
3	RB1-9185-000		1	BUSHING, PRESSURE ROLLER,RIGHT	
4	RB1-3096-020		1	LEVER, DELIVERY SENSOR	
5	RB1-3097-000		1	LINK, DELIVERY SENSOR	
6	RB1-3099-020		1	SPRING, TORSION	
7	RB1-3104-030		1	BUSHING, DELIVERY ROLLER, LEFT	
8	RB1-3105-030		1	BUSHING, DELIVERY ROLLER,RIGHT	
9	RB1-9180-000		1	RUBBER, CONTINUITY	
10	RB1-5903-000	N	1	PLATE, FIXING	
11	RB1-9182-000		1	PIN, PRESSURE, LEFT	
12	RB1-5905-000		1	COVER, EDGE	
13	RB1-5906-000		1	LEVER, RELEASE	
14	RB1-9177-000	N	1	FRAME, FIXING	
15	RB1-9179-000		1	ROLLER, PRESSURE	
16	RB1-5915-000		1	GUIDE, DELIVERY, LOWER	
17	RB1-5916-000		1	RETAINER, SENSOR	
18	RB1-9181-000		1	ROLLER, PAPER DELIVERY, FU	
19	RB1-9186-000		1	LEAF, GROUNDING	
20	RG5-2799-000		1	GUIDE ASS'Y, ENTRANCE	
21	RG5-2802-000		1	FIXING FILM ASS'Y	
22	RG5-1704-000		1	DELIVERY ASS'Y	
23	RB1-3108-000		2	SPRING, TORSION	
24	RB1-3107-000		1	ROLLER	
25	RB1-5919-000		1	ROLLER	
26	RS5-0978-000		1	GEAR, 16T/17T	
27	RB1-3106-050		1	GUIDE, DELIVERY, UPPER	
28	RS5-0636-000		1	GEAR, 16T	
29	RS5-0637-000		1	GEAR, 24T	
30	RS5-2642-000		2	SPRING, COMPRESSION	
31	RS5-2643-000		2	SUS	
32	WT2-5056-000		2	CLIP, CABLE	
33	RB1-9183-000		1	PIN, PRESSURE, RIGHT	
34	XB2-8300-809		2	SCREW, W/WASHER, M3X8	

FIGURE 28 RIGHT COVER

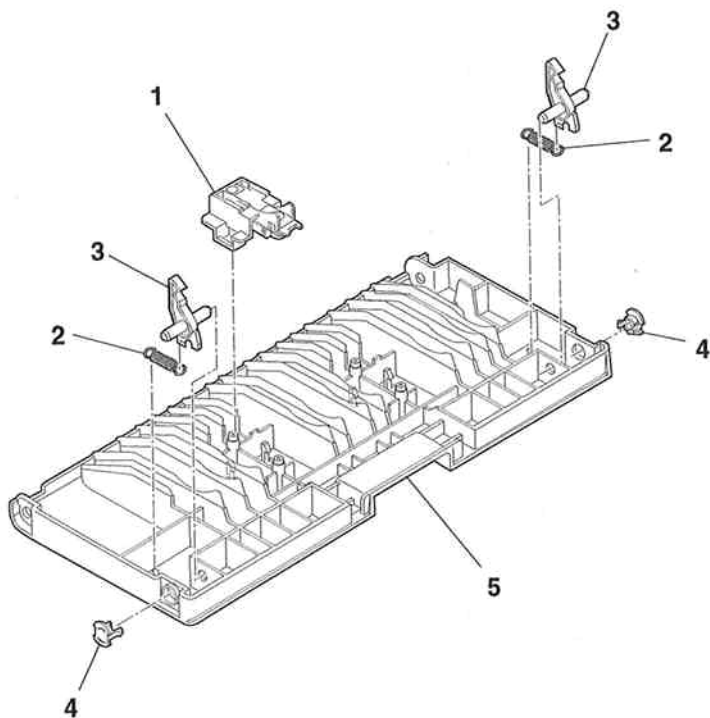


FIGURE & KEY No.	PART No.	RANK	QTY	DESCRIPTION	REMARKS
28 - 1	HG5-0128-000		1	ROLLER GUIDE UNIT	
2	HS5-2020-000		2	SPRING	
3	HB1-0554-000		2	LEVER, LOCK	
4	HS1-1073-000		2	STOPPER, SHAFT	
5	HB1-2379-000		1	COVER, RIGHT	

FIGURE 29 DRIVE GEARS

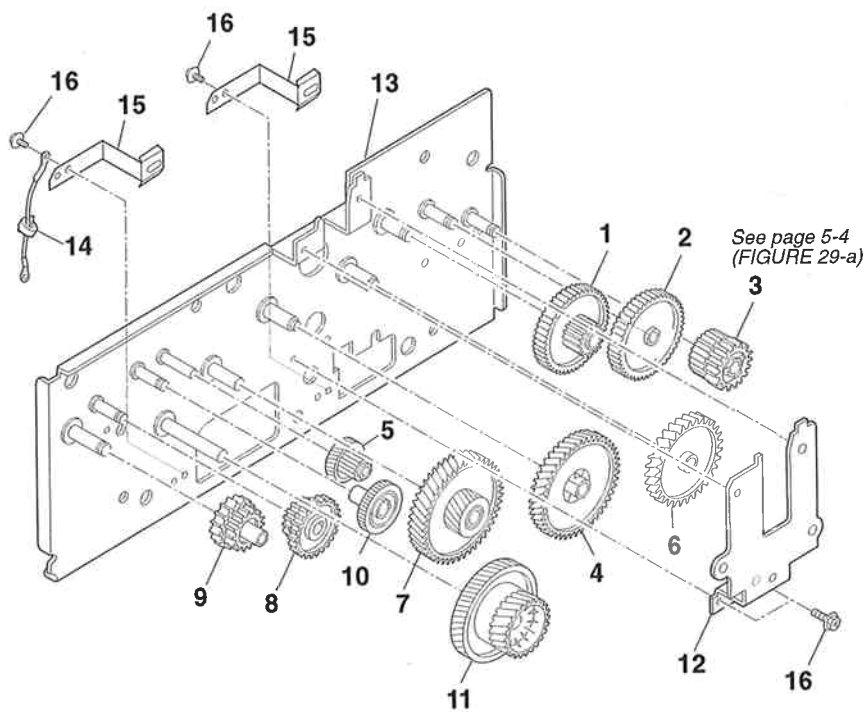


FIGURE & KEY No.	PART No.	R A N K	Q T Y	DESCRIPTION	REMARKS
29 - 1	RS5-0660-000		1	GEAR, 55T/19T	
2	RS5-0661-000		1	GEAR, 77T	
3	RS5-0662-000		1	GEAR, 36T/18T	
4	RS5-0979-000		1	GEAR, 66T/31T	
5	RS5-0653-000		1	GEAR, 100T/16T	
6	RS5-0980-000		1	GEAR, 60T/32T	
7	RS5-0651-000		1	GEAR, 81T/36T	
8	RS5-0655-000		1	GEAR, 51T/17T	
9	RS5-0656-000		1	GEAR, 25T/19T	
10	RS5-0654-000		1	GEAR, 43T	
11	RS5-0652-000		1	GEAR, 100T/38T	
12	HB1-2362-000		1	PLATE, HOLDER	
13	NPN		1	MOUNT, GEARS	
14	HH2-2714-000		1	WIRE, GROUNDING	
15	HB1-2363-000		2	PLATE, GROUNDING	
16	XA9-0686-000		4	SCREW, M3x6	

FIGURE 30 PAPER GUIDE ROLLER & TONER SENSOR

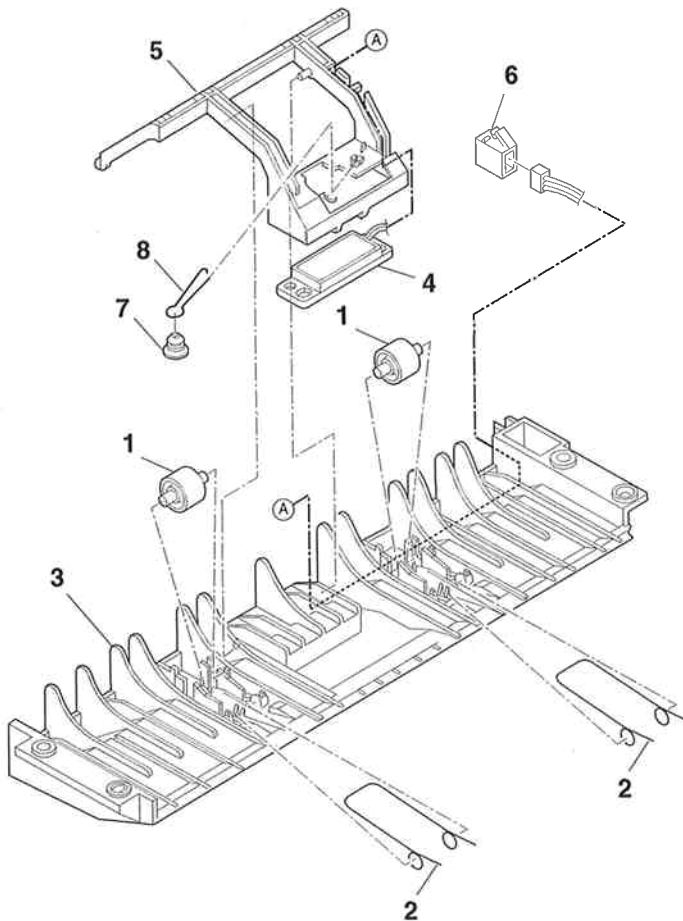


FIGURE & KEY No.	PART No.	R A N K	Q T Y	DESCRIPTION	REMARKS
30 - 1	HS5-6002-000		2	ROLLER, PAPER GUIDE	
2	HS5-2018-000		2	SPRING, PRESSURE	
3	HB1-2375-000		1	GUIDE, PAPER FEED	
4	HH7-2221-000		1	TONER SENSOR UNIT	
5	HB1-2376-000		1	HOLDER, TONER SENSOR	
6	VS1-5057-003		1	CONNECTOR, 3P	
7	HB1-2388-000		1	SUPPORT, SPRING	
8	HS5-2106-000		1	SPRING, TONER SENSOR	

FIGURE 31 TRANSFER CHARGING ROLLER

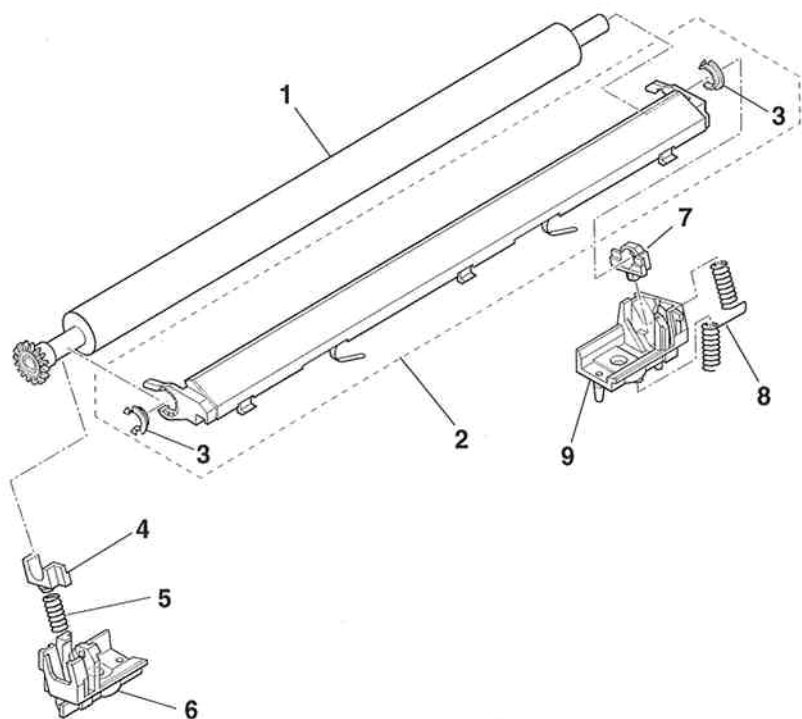


FIGURE & KEY No.	PART No.	RANK	QTY	DESCRIPTION	REMARKS
31 - 1	RF5-0596-000		1	ROLLER, TRANSFER	
2	RG5-1706-020		1	TRANSFER, GUIDE ASS'Y	
3	RB1-3073-000		2	BUSHING	
4	RB1-3076-000		1	BUSHING, LEFT	
5	RS5-2222-000		1	SPRING, COMPRESSION	
6	RB1-3075-000		1	MOUNT, TRANSFER, LEFT	
7	RB1-3078-000		1	BUSHING, RIGHT	
8	RS5-2221-000		1	SPRING, TORSION	
9	RB1-3077-000		1	MOUNT, TRANSFER, RIGHT	

FIGURE 32 LASER / SCANNER UNIT

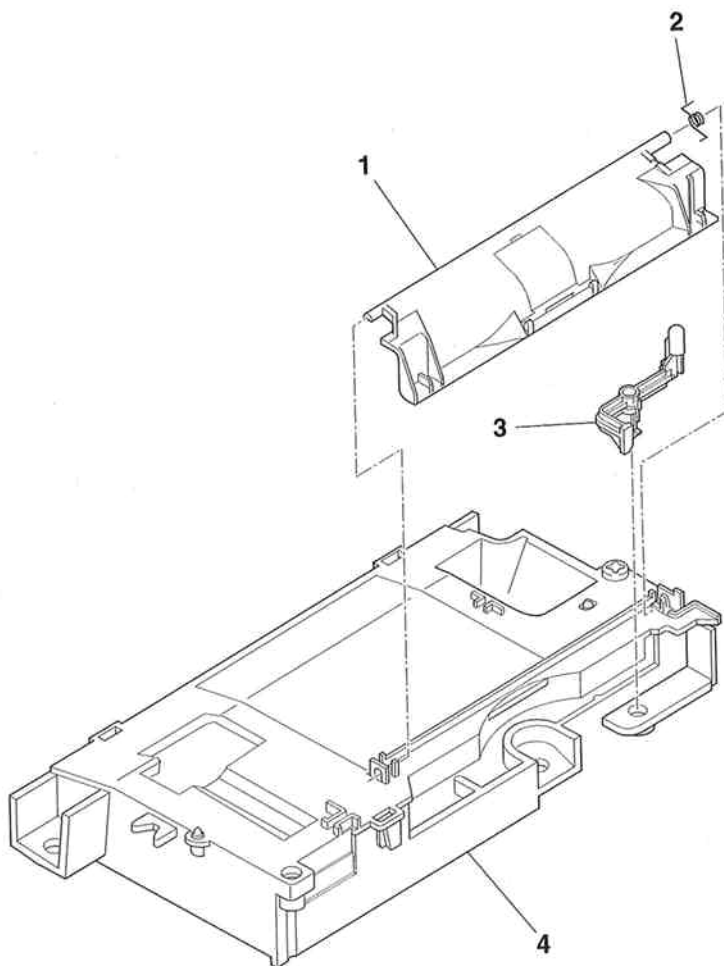


FIGURE 33 MULTI PAPER FEEDER ASS'Y

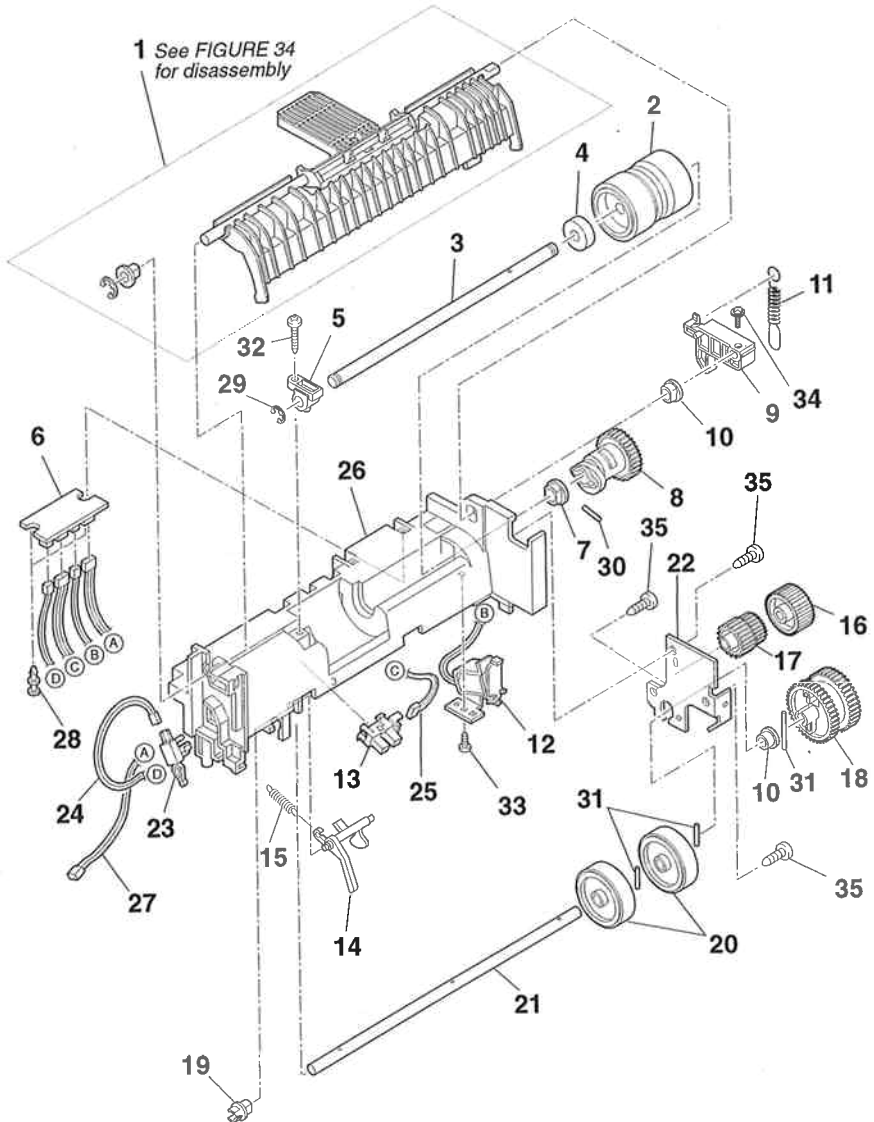


FIGURE & KEY No.	PART No.	RANK	QTY	DESCRIPTION	REMARKS
33 - 1	HG5-0927-000		1	SEPARATION ASS'Y	
2	HB1-1861-000		1	ROLLER, PICKUP	
3	HB1-2391-000		1	SHAFT, PICKUP ROLLER	
4	HB1-1862-000		1	CLUCH, PICKUP ROLLER	
5	HS5-1001-000		1	BUSHING	
6	HG5-0929-000		1	CONNECTOR BOARD ASS'Y	
7	FS1-1156-000		1	BUSHING	
8	HB1-2398-000		1	GEAR, CAM	
9	HB1-0547-000		1	LEVER, LIFTING	
10	FS1-1205-000		2	BUSHING	
11	HS5-2026-000		1	SPRING	
12	HH7-2217-000		1	SOLENOID	
13	WG8-5362-000		1	IC, TLP1241 PHOTOINTERRUPTER	
14	HB1-2394-000		1	ARM, PAPER PICKUP SENSOR	
15	HS5-2097-000		1	SPRING	
16	HS5-0175-000		1	GEAR, 29T	
17	HS5-0174-000		1	GEAR, 21T/23T	
18	HS5-0173-000		1	GEAR, 38T	
19	HS5-1049-000		1	BUSHING	
20	HB1-0527-000		2	ROLLER, FEED	
21	HB1-2393-000		1	SHAFT, FEED ROLLER	
22	HF5-0222-000		1	HOLDER, GEARS	
23	WC4-5052-000		1	MICRO SWITCH	
24	HH2-2649-000		1	CABLE WITH CONNECTOR, 2P	
25	HH2-2650-000		1	CABLE WITH CONNECTOR, 3P	
26	HB1-2390-000	N	1	FRAME, MULTI PAPER FEEDER	
27	HH2-2651-000		1	CABLE WITH CONNECTOR, 3P	
28	VT2-0014-006		2	SPACER, PCB	
29	HA9-0033-000		1	RETAINING RING (E-TYPE)	
30	XD3-2200-122		1	PIN, PARALLEL, 2X12	
31	XD3-1200-202		3	SPRING PIN	
32	XB4-7401-209		1	SCREW, BINDING HEAD, SELF-TPG	
33	XB4-7300-809		1	SCREW, TAP, BINDING HEAD, M3X8	
34	XB6-7300-607		1	SCREW, TP, M3x6	
35	XB4-7400-809		3	SCREW, TAP, BINDING HEAD, M4X8	

FIGURE 34 SEPARATION ASS'Y

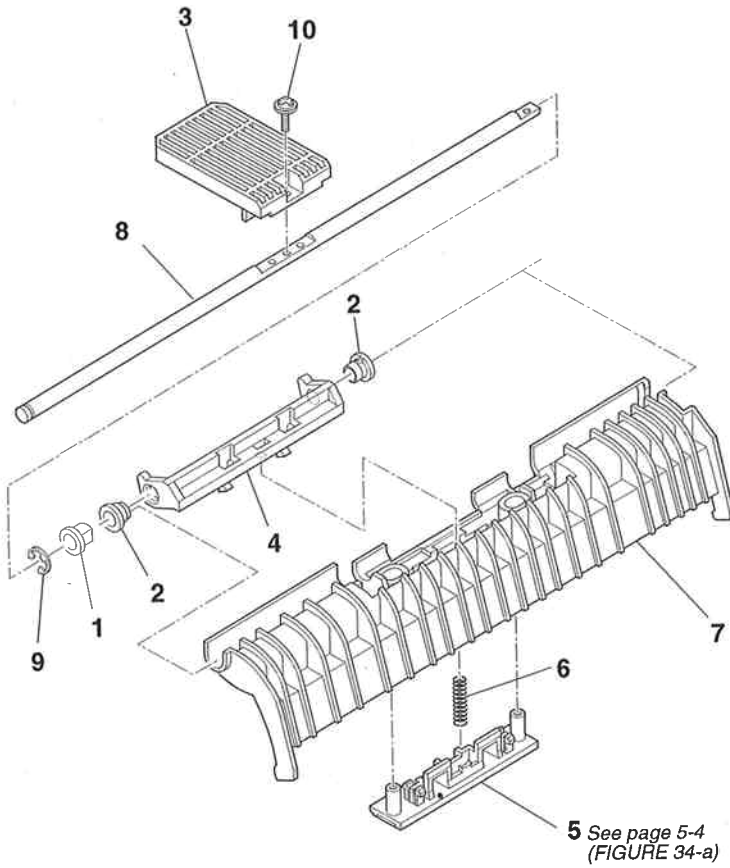


FIGURE & KEY No.	PART No.	RANK	QTY	DESCRIPTION	REMARKS
34 - 1	FS1-1205-000		1	BUSHING	
2	HS1-1036-000		2	BUSHING	
3	HB1-0548-000		1	ARM, LIFTING	
4	HB1-0546-000		1	LEVER, SEPARATION	
5	HB1-0542-020		1	PAD, SEPARATION, RUBBER	
6	HS5-2019-020		1	SPRING, SEPARATION	
7	HB1-0543-000		1	PLATE, SEPARATION	
8	HB1-2392-000		1	SHAFT, LIFTING	
9	HA9-0033-000		1	RETAINING RING (E-TYPE)	
10	XB6-7300-607		1	SCREW, TP, M3x6	

FIGURE 35 PCNT & PAPER SENSOR BOARD ASS'Y

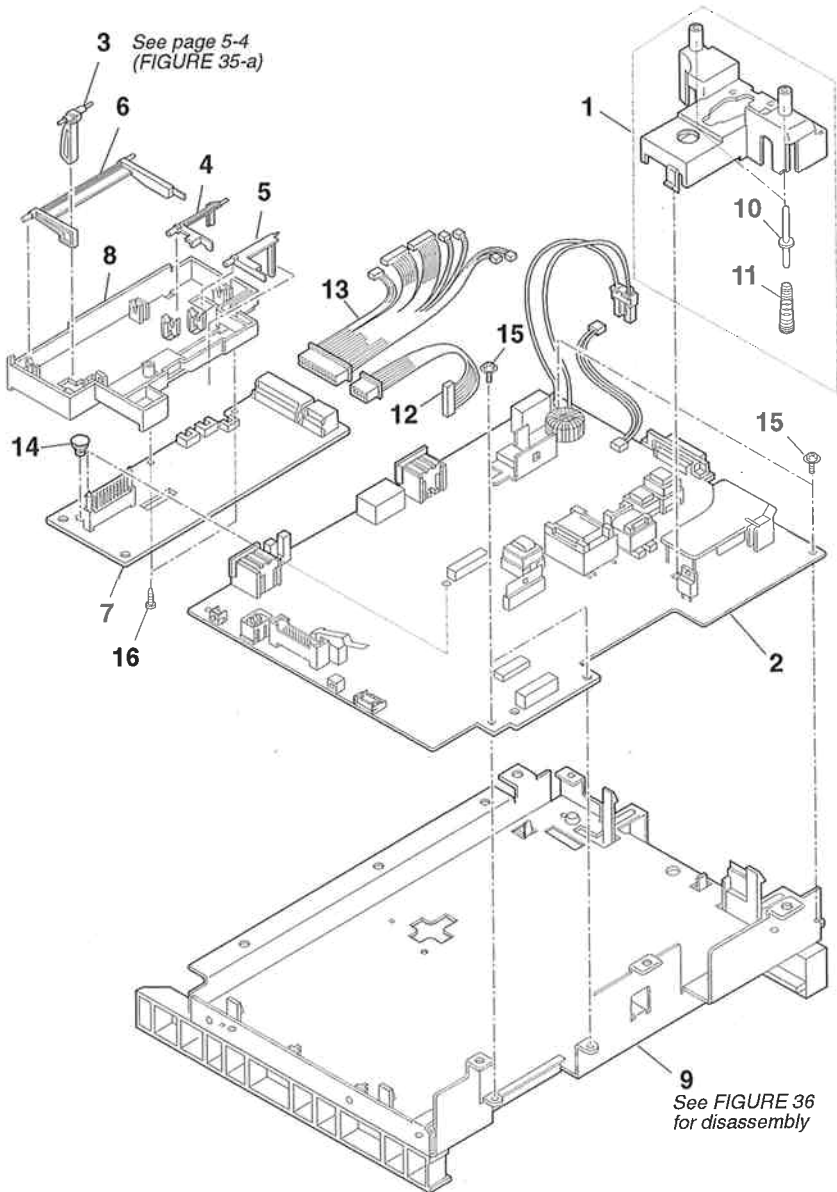


FIGURE & KEY No.	PART No.	RANK	QTY	DESCRIPTION	REMARKS
35 - 1	HG5-0935-000		1	HVT CONNECTOR ASS'Y	
2	HG5-0952-000		1	PCNT BOARD ASS'Y	
3	HB1-0524-000		1	LEVER, SENSOR	
4	HB1-0526-000		1	ARM, DETECT, PAPER SIZE (A)	
5	HB1-0525-000		1	ARM, DETECT, PAPER SIZE (B)	
6	HB1-0523-000		1	ARM, DETECT, PAPER	
7	HG5-0940-000		1	PAPER SENSOR BOARD ASS'Y	
8	HB1-0522-020		1	HOLDER, ARMS, SENSOR	
9	HG5-0936-000		1	PCNT COVER ASS'Y	
10	RB1-3163-000		2	PIN, CONTACT	
11	RS5-2231-000		2	SPRING	
12	HH2-2643-000		1	CABLE WITH CONNECTOR, 10P	
13	HH2-2644-000		1	CABLE ASSEMBLY	
14	VT2-5021-005		1	SPACER	
15	XB6-7300-607		4	SCREW, TP, M3x6	
16	XB4-7300-809		2	SCREW, TAP, BINDING HEAD, M3X8	

FIGURE 36 PCNT COVER

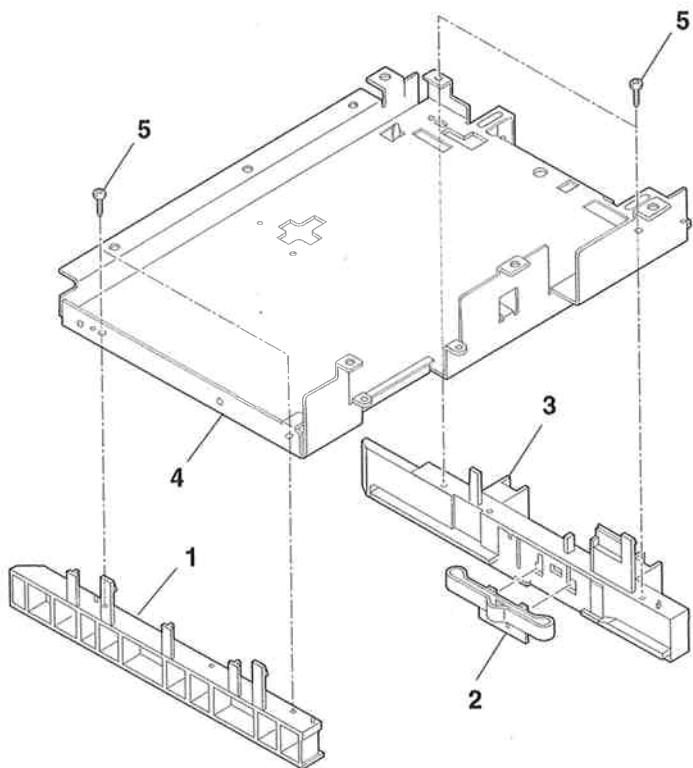


FIGURE 37 PAPER FEED GUIDE

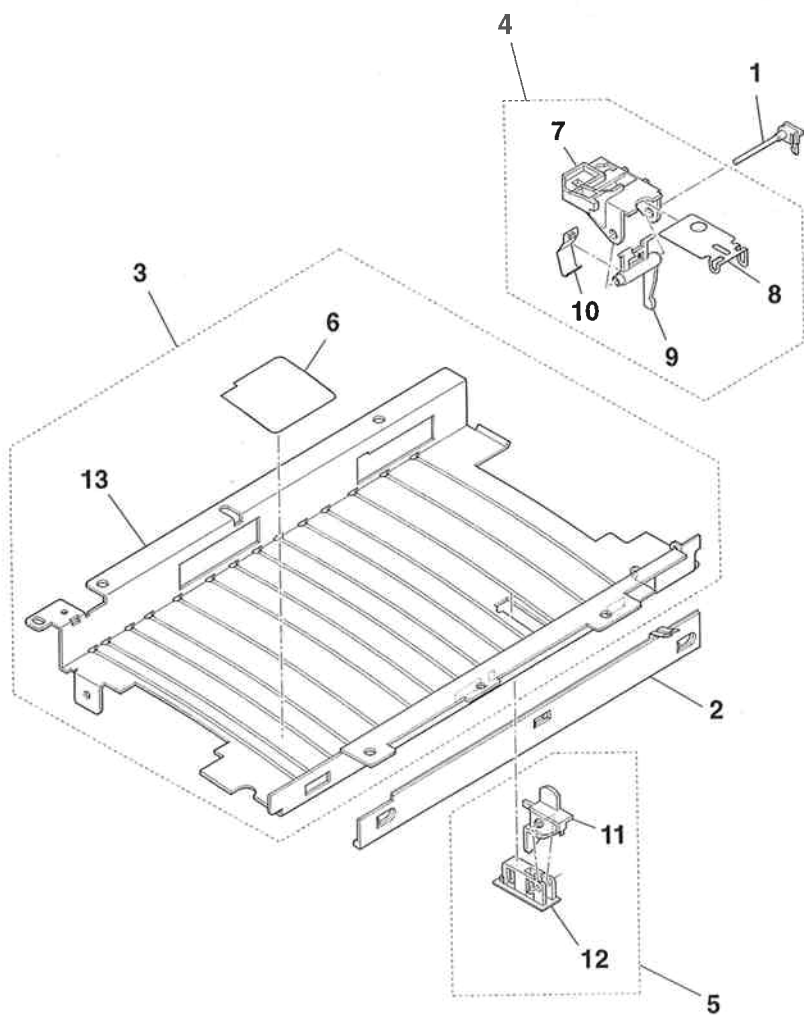


FIGURE & KEY No.	PART No.	RANK	QTY	DESCRIPTION	REMARKS
37 - 1	RB1-3079-000	N	1	SHAFT, SWITCH CAM	
2	RF5-0584-000		1	ELIMINATOR, STATIC CHARGE	
3	RF5-0600-060		1	GUIDE, FEEDER	
4	RG5-0672-030		1	CAM ASS'Y SWITCH	
5	RG5-0710-000		1	SENSOR ASS'Y	
6	RB9-0108-000		1	SHEET, RIGHT.PET(R)	
7	RB1-3063-020		1	CAM, SWITCH	
8	RB1-3064-000		1	SHUTTER, SWITCH	
9	RB1-3069-020		1	LEVER, CRG SWITCH	
10	RB1-3074-000		1	SPRING, LEAF	
11	RB1-3067-000		1	LEVER, SENSOR	
12	RB1-3068-000		1	HOLDER, SENSOR	
13	NPN		1	FRAME, GUIDE, FEEDER	

FIGURE 38 SCNT BOARD ASS'Y

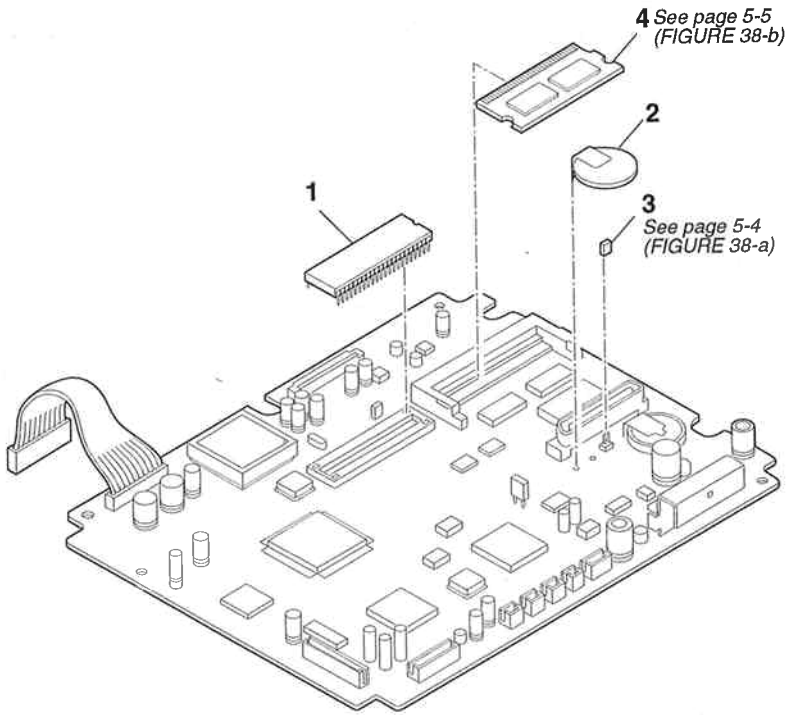


FIGURE & KEY No.	PART No.	R A N K	Q T Y	DESCRIPTION	REMARKS
38 - 1	HH4-2692-000		1	IC,UPD23C8000XCZ-108,MASK-ROM	FOR LASER CLASS 9000/9500
	HH4-3002-000		1	IC, UPD23C8000XCZ, MASK-ROM	FOR LASER CLASS 8500
2	WK1-5117-000		1	BATTERY, LITHIUM, CR2450THE	
3	WS1-5397-000	N	1	PLUG, JUMPER	
4	HH7-2225-000	N	1	DRAM BOARD ASS'Y (4M-BYTE)	LASER CLASS 9500 ONLY

FIGURE 39 FUSE, POWER SUPPLY

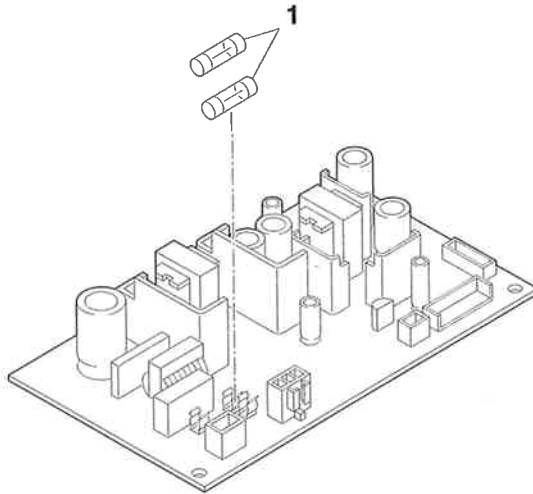


FIGURE & KEY No.	PART No.	R A N K	Q T Y	DESCRIPTION	REMARKS
39 - 1	HY7-2657-000		2	FUSE, 125V, 4A	

FIGURE 40 SIDE CASSETTE

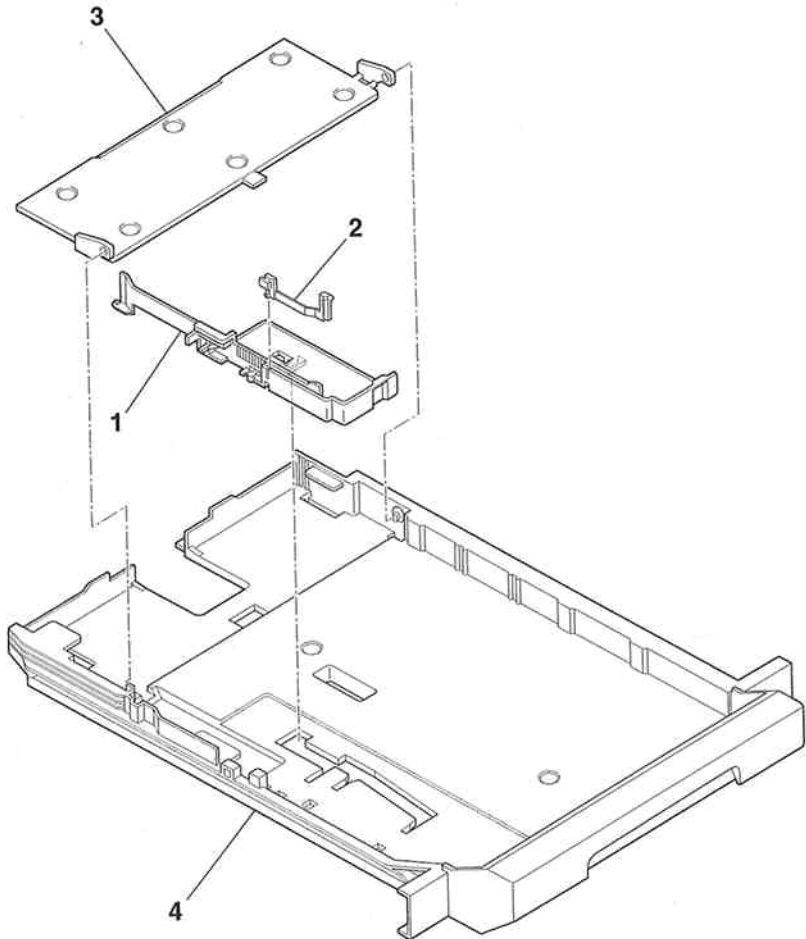


FIGURE & KEY No.	PART No.	R A N K	Q T Y	DESCRIPTION	REMARKS
40 - 1	HB1-0558-000		1	PLATE, LIMIT	
2	HB1-0559-000		1	GUIDE, SIDE, CASSETTE	
3	HB1-0557-000		1	PLATE, PAPER LIFTING	
4	HB1-0556-050	N	1	BODY, CASSETTE	

FIGURE 41 FEEDER (1)

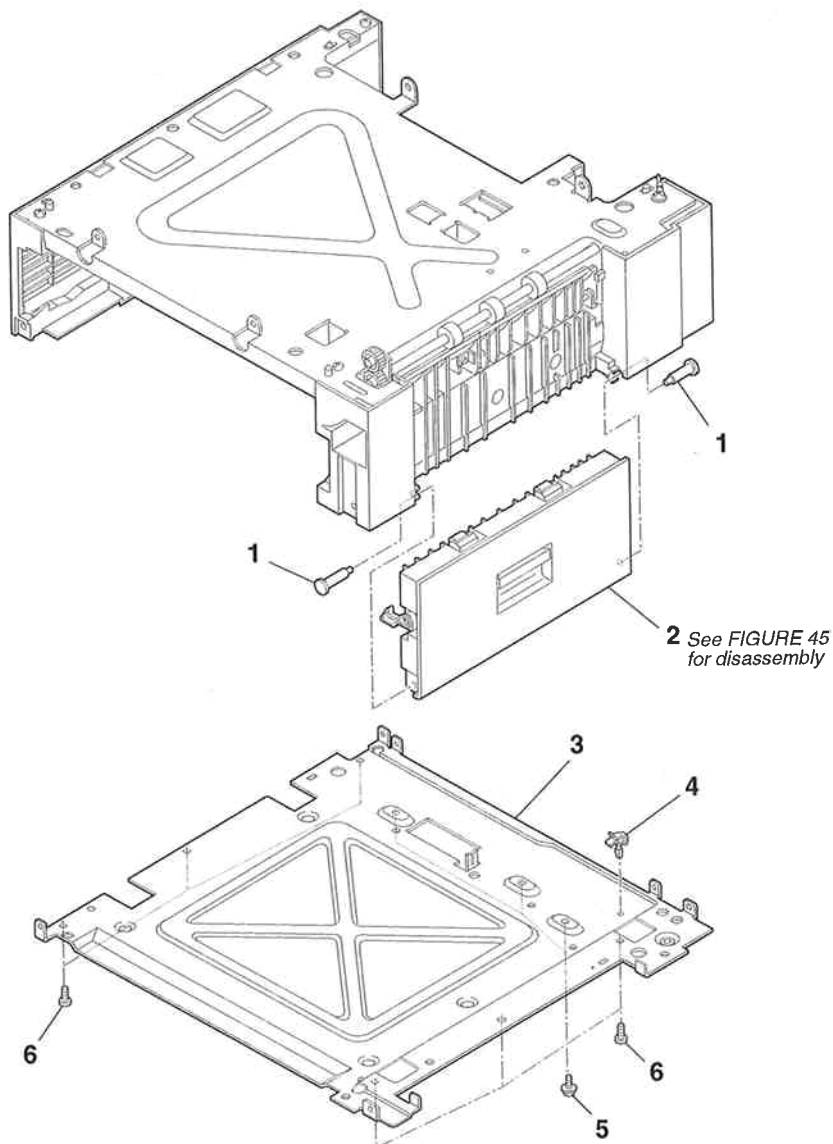


FIGURE 42 FEEDER (2)

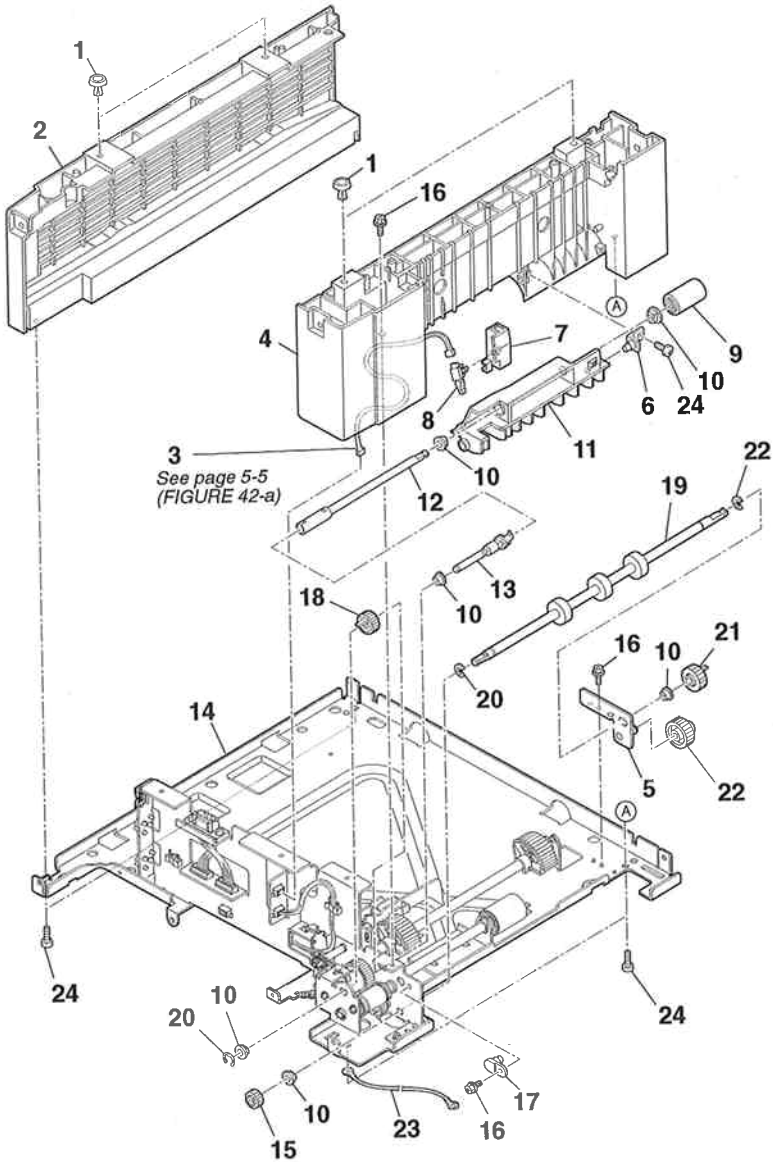


FIGURE & KEY No.	PART No.	RANK	QTY	DESCRIPTION	REMARKS
42 - 1	HB1-2485-000		4	FOOT, RUBBER	
2	HB1-2453-000		1	GUIDE, CASSETTE, LEFT	
3	HH2-2647-000		1	CABLE WITH CONNECTOR, 2P	
4	HB1-2452-000		1	GUIDE, CASSETTE, RIGHT	
5	HF5-0227-000		1	HOLDER, PICKUP ROLLER	
6	HB1-2461-000		1	PIN, SUPPORT	
7	HB1-2467-000		1	HOLDER, MICRO SWITCH	
8	WC4-5052-000		1	MICRO SWITCH	
9	HB1-2470-000		1	ROLLER, SEPARATION	
10	HS5-1050-000		5	BUSHING	
11	HB1-2471-000		1	HOLDER, SEPARATION ROLLER	
12	HF5-0225-000		1	SHAFT, SEPARATION ROLLER	
13	HF5-0228-000		1	SHAFT, JOINT	
14	NPN		1	FRAME, FEEDER	
15	HS5-0177-000		1	GEAR, 19T	
16	XA9-0686-000		3	SCREW, M3x6	
17	HB1-2484-000		1	PLATE, PIN, INSULATING	
18	HS5-0184-000		1	GEAR, 23T	
19	HB1-2472-000		1	ROLLER, PICKUP	
20	XD2-1100-502		3	RETAINING RING (E-TYPE)	
21	HS5-0176-000		1	GEAR, 19T	
22	HS5-0179-000		1	GEAR, 23T	
23	HH2-2712-000		1	WIRE, GROUNDING	
24	XB4-7400-809		5	SCREW, TAP, BINDING HEAD, M4X8	

FIGURE 43 FEEDER (3)

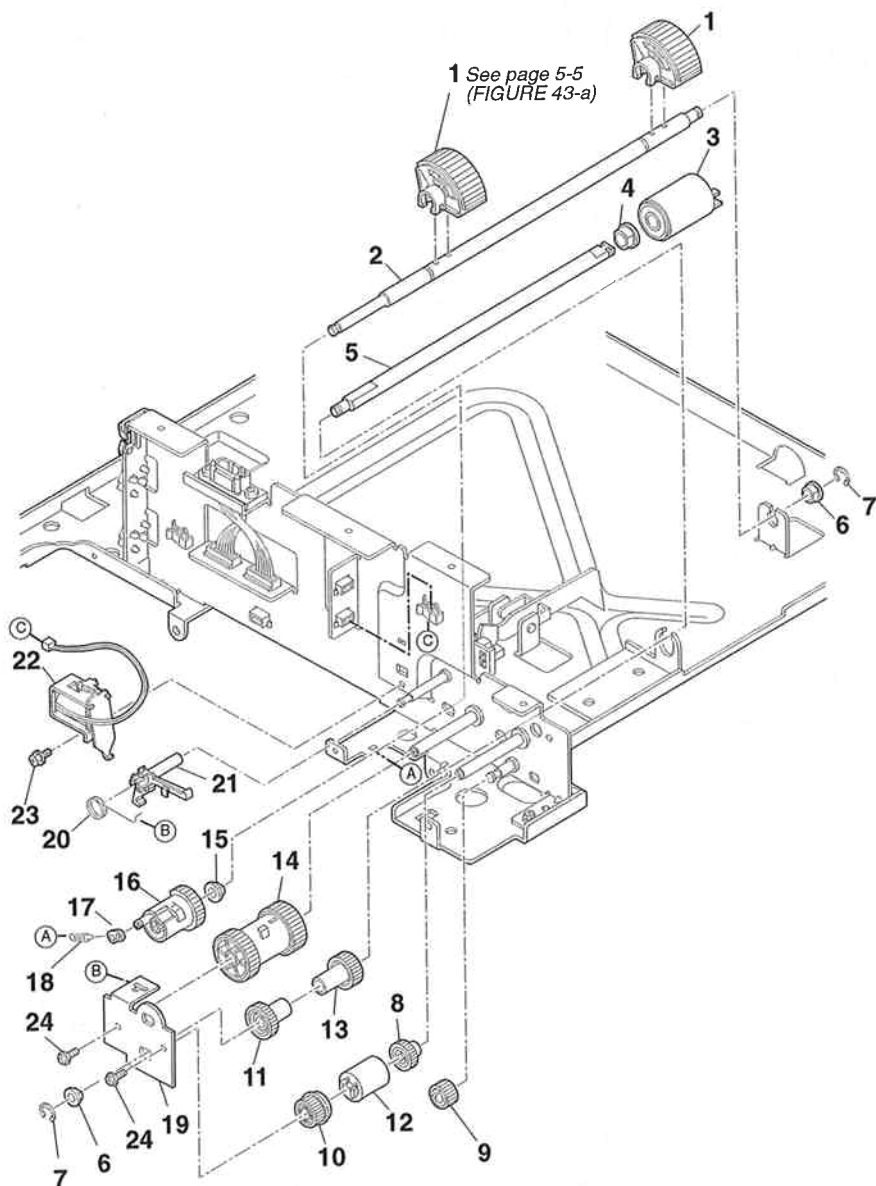


FIGURE & KEY No.	PART No.	R A N K	Q T Y	DESCRIPTION	REMARKS
43 - 1	HB1-2450-000		2	ROLLER, PICKUP	
2	HB1-2457-000		1	SHAFT, PICKUP ROLLER	
3	HB1-2451-000		1	ROLLER, FEED	
4	HS5-1053-000		1	BUSHING	
5	HB1-2458-000		1	SHAFT, FEED ROLLER	
6	HS5-1050-000		2	BUSHING	
7	XD2-1100-502		2	RETAINING RING (E-TYPE)	
8	HS5-0183-000		1	GEAR, 18T	
9	HS5-0178-000		1	GEAR, 15T	
10	HS5-0182-000		1	GEAR, 20T	
11	HS5-0181-000		1	GEAR, 22T	
12	HB1-2462-000		1	TORQUE LIMITER	
13	HS5-0180-000		1	GEAR, 22T	
14	HB1-2456-000		1	CLUTCH	
15	HS5-1051-000		1	BUSHING	
16	HB1-2460-000		1	GEAR, 23T	
17	RB1-2190-000		1	COLLAR, SPRING	
18	HS5-2101-000		1	SPRING	
19	HB1-2459-000	N	1	PLATE, GEAR, SUPPORT	
20	HB1-2465-000		1	SPRING	
21	HB1-2463-000		1	LEVER, CLUTCH	
22	HH7-2218-000		1	SOLENOID, PICKUP	
23	XA9-0686-000		1	SCREW, M3x6	
24	XB6-7300-607		2	SCREW, TP, M3x6	

FIGURE 44 FEEDER (4)

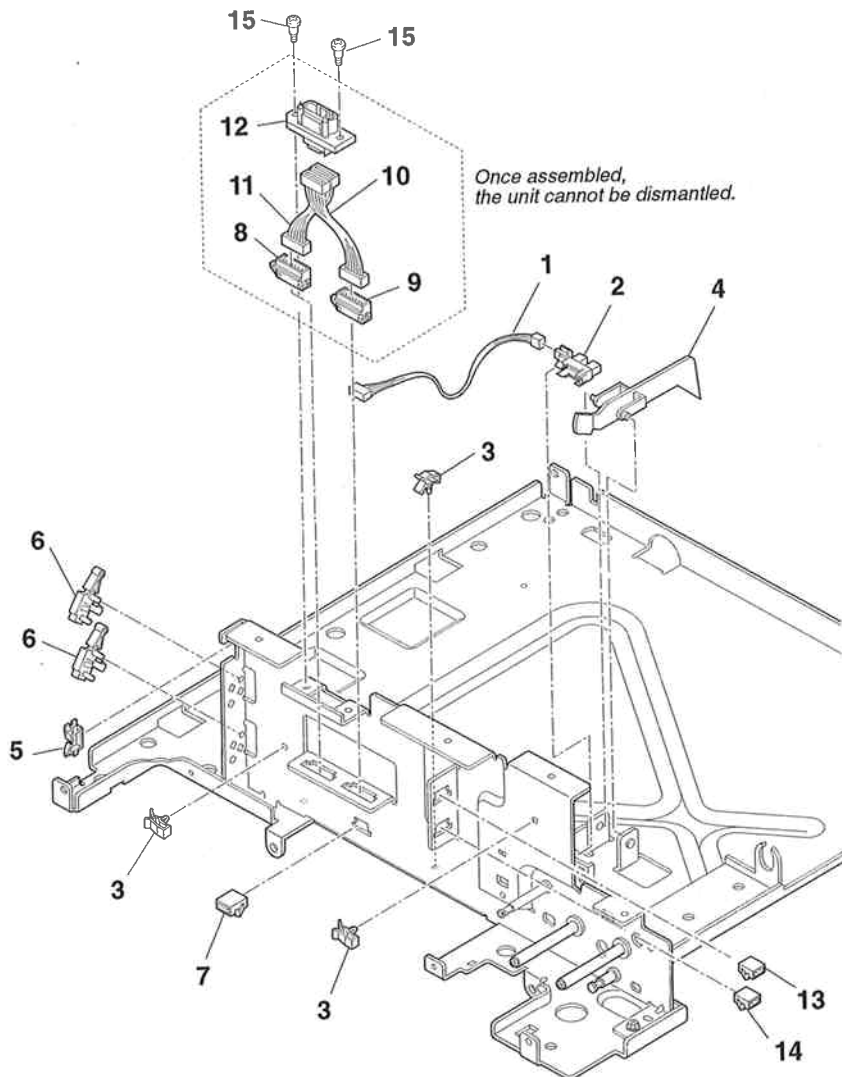


FIGURE & KEY No.	PART No.	RANK	QTY	DESCRIPTION	REMARKS
44 - 1	HH2-2648-000		1	CABLE WITH CONNECTOR, 3P	
2	WG8-5210-000		1	IC, TLP1240 PHOTOINTERRUPTER	
3	WT2-0507-000		3	HOLDER, CLIP	
4	HB1-2464-000		1	ARM, PAPER DETECTION	
5	WT2-0204-000		1	CLIP, CABLE	
6	WC4-5052-000		2	MICRO SWITCH	
7	VS1-5057-003		1	CONNECTOR, 3P	
8	VS1-5057-007		1	CONNECTOR, 7P	
9	VS1-5352-007		1	CONNECTOR, 7P	
10	HH2-2667-000		1	CABLE WITH CONNECTOR, 7P	
11	HH2-2668-000		1	CABLE WITH CONNECTOR, 7P	
12	WS6-5092-000		1	CONNECTOR, 14P, MALE	
13	VS1-5352-002		1	CONNECTOR, SNAP TIGHT	
14	VS1-5057-002		1	CONNECTOR, 2P	
15	HS5-9011-000		2	SCREW, M3X3.6	

FIGURE 45 FEEDER RIGHT COVER

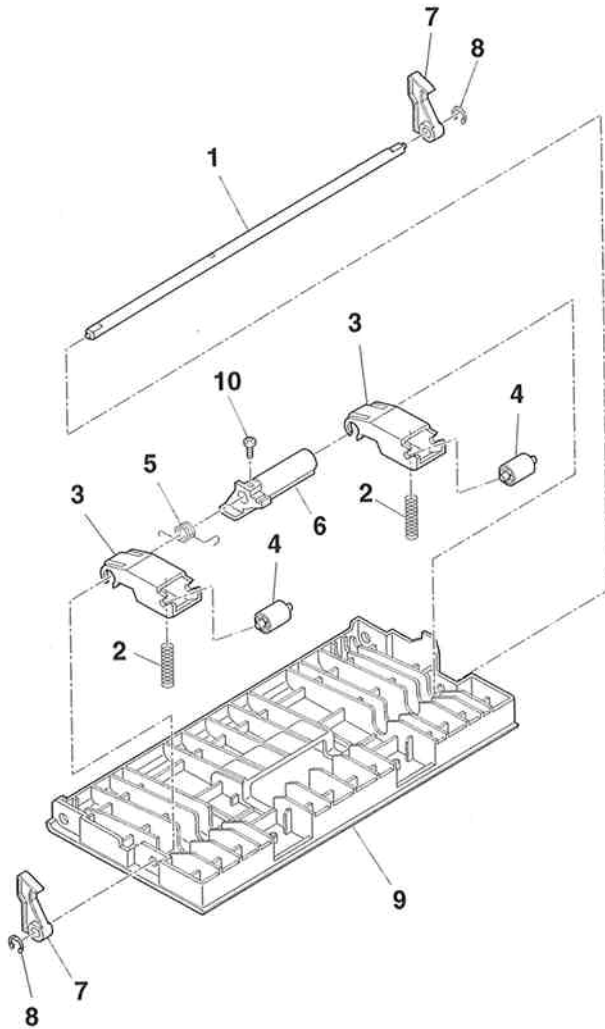


FIGURE & KEY No.	PART No.	R A N K	Q T Y	DESCRIPTION	REMARKS
45 - 1	HB1-2480-000		1	SHAFT, FEEDER RIGHT COVER	
2	HS5-2102-000		2	SPRING	
3	HB1-2481-000		2	GUIDE, ROLLER	
4	HS5-6030-000		2	ROLLER, FEED	
5	HB1-2483-000		1	SPRING	
6	HB1-2482-000		1	LEVER, LOCK	
7	HB1-2479-000		2	LEVER, LOCK	
8	XD2-1100-322		2	RETAINING RING (E-TYPE)	
9	HB1-2478-000		1	COVER, RIGHT, FEEDER	
10	XB1-2300-607		1	SCREW, BH3X6(S)	

FIGURE 46 FRONT CASSETTE

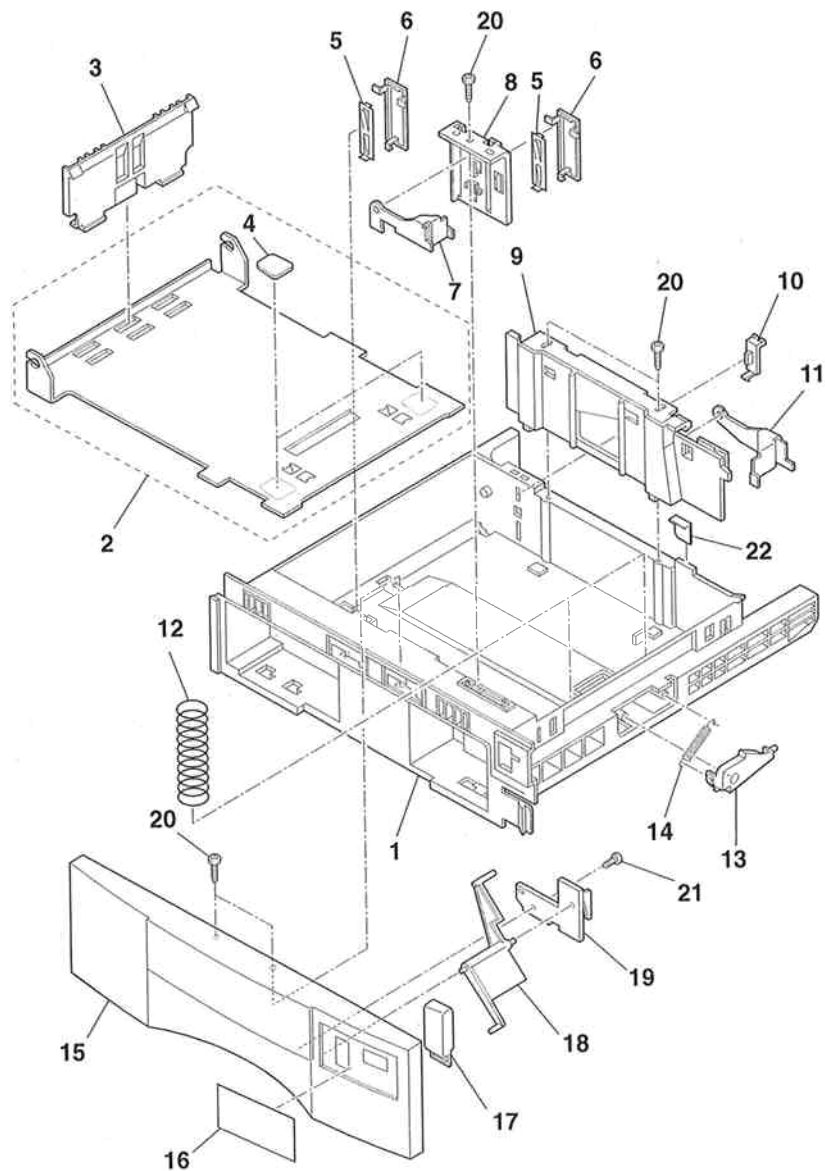


FIGURE & KEY No.	PART No.	RANK	QTY	DESCRIPTION	REMARKS
46 - 1	HB1-2420-000	N	1	BODY, CASSETTE	
2	HF5-0223-000		1	PLATE, PAPER LIFTING	
3	HB1-2427-000		1	GUIDE, PAPER LENGTH	
4	HB1-2422-000		2	SHEET, FRICTION	
5	HB1-0941-000		2	SPRING, LEAF	
6	HB1-0940-000		2	PLATE, HOLDING	
7	HB1-2423-000		1	CLAW, FRONT	
8	HB1-2425-000		1	HOLDER	
9	HB1-2426-000		1	GUIDE, PAPER WIDTH	
10	HB1-2428-000		1	BLOCK, SIZE	
11	HB1-2424-000		1	CLAW, BACK	
12	HS5-2100-000		2	SPRING	
13	HB1-2429-000		1	ARM, LIFTING	
14	HS5-2099-000		1	SPRING	
15	HB1-2431-000		1	COVER, CASSETTE	
16	HB1-2437-000		1	SHEET, PAPER SIZE	
17	HB1-2434-000		1	PLATE, PAPER QUANTITY DISPLAY	
18	HB1-2433-000		1	ARM, PAPER QUANTITY DISPLAY	
19	HB1-2432-000		1	HOLDER, PAPER QUANTITY DISPLAY	
20	XB4-7401-007		5	SCREW, PIN HEAD SELF-TAPPING	
21	XB4-7400-809		1	SCREW, TAP, BINDING HEAD, M4X8	
22	HB1-2489-000		1	SHEET	

FIGURE 47 LOWER FEEDER (1)

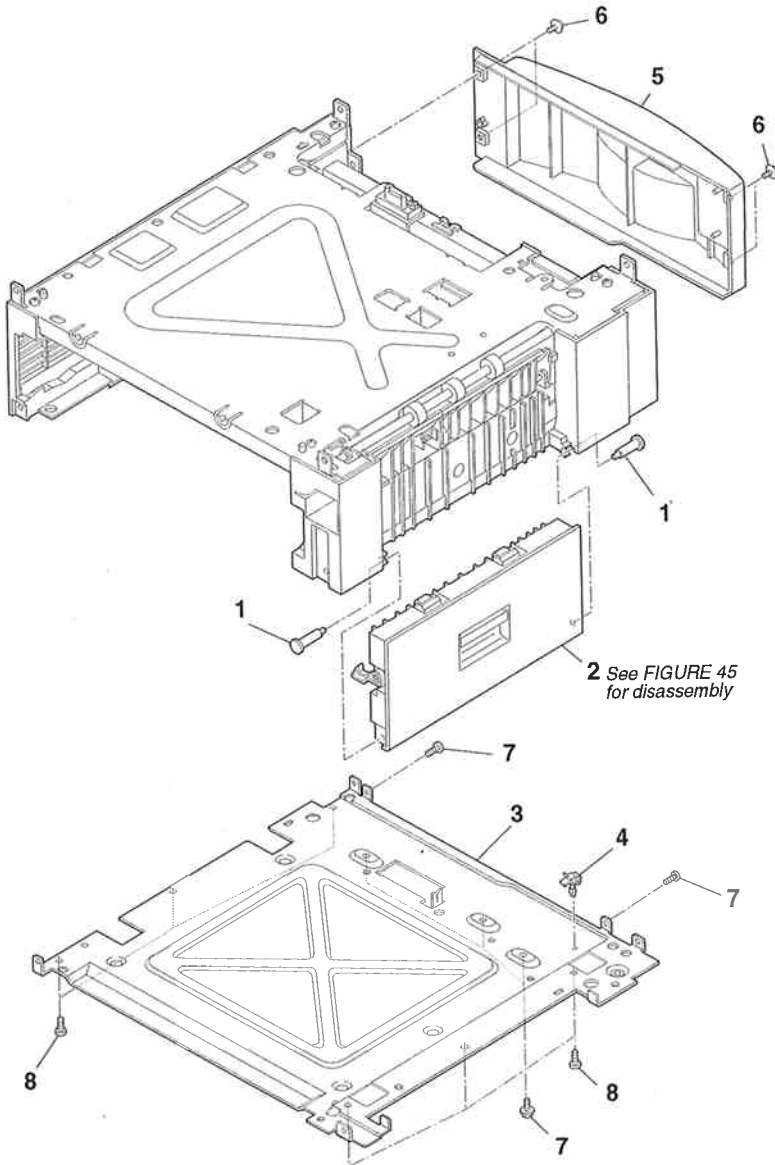


FIGURE & KEY No.	PART No.	R A N K	Q T Y	DESCRIPTION	REMARKS
47 - 1	HB1-2487-000		2	PIN, FEEDER RIGHT COVER	
2	HG5-0969-000		1	FEEDER RIGHT COVER ASS'Y	
3	HB1-2455-000	N	1	COVER, BOTTOM FEEDER	
4	WT2-0507-000		1	HOLDER, CLIP	
5	HB1-2258-000		1	COVER, FEEDER	
6	XB6-7300-607		4	SCREW, TP, M3x6	
7	XA9-0686-000		5	SCREW, M3x6	
8	XB4-7400-809		6	SCREW, TAP, BINDING HEAD, M4X8	

FIGURE 48 LOWER FEEDER (2)

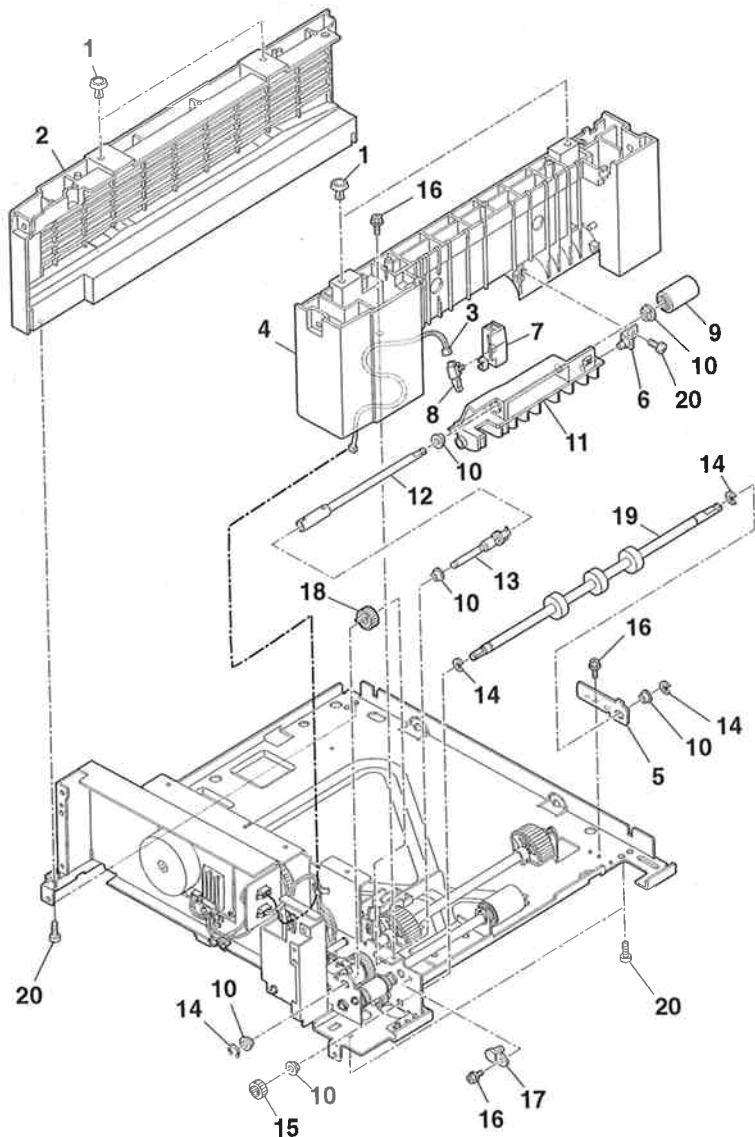


FIGURE & KEY No.	PART No.	RANK	QTY	DESCRIPTION	REMARKS
48 - 1	HB1-2485-000		4	FOOT, RUBBER	
2	HB1-2453-000		1	GUIDE, CASSETTE, LEFT	
3	HH2-2647-000		1	CABLE WITH CONNECTOR, 2P	
4	HB1-2452-000		1	GUIDE, CASSETTE, RIGHT	
5	HB1-2491-000	N	1	PLATE, SHAFT	
6	HB1-2461-000		1	PIN, SUPPORT	
7	HB1-2467-000		1	HOLDER, MICRO SWITCH	
8	WC4-5052-000		1	MICRO SWITCH	
9	HB1-2470-000		1	ROLLER, SEPARATION	
10	HS5-1050-000		6	BUSHING	
11	HB1-2471-000		1	HOLDER, SEPARATION ROLLER	
12	HF5-0225-000		1	SHAFT, SEPARATION ROLLER	
13	HF5-0228-000		1	SHAFT, JOINT	
14	XD2-1100-502		4	RETAINING RING (E-TYPE)	
15	HS5-0177-000		1	GEAR, 19T	
16	XA9-0686-000		3	SCREW, M3x6	
17	HB1-2484-000		1	PLATE, PIN, INSULATING	
18	HS5-0184-000		1	GEAR, 23T	
19	HB1-2472-000		1	ROLLER, PICKUP	
20	XB4-7400-809		5	SCREW, TAP, BINDING HEAD, M4X8	

FIGURE 49 LOWER FEEDER (3)

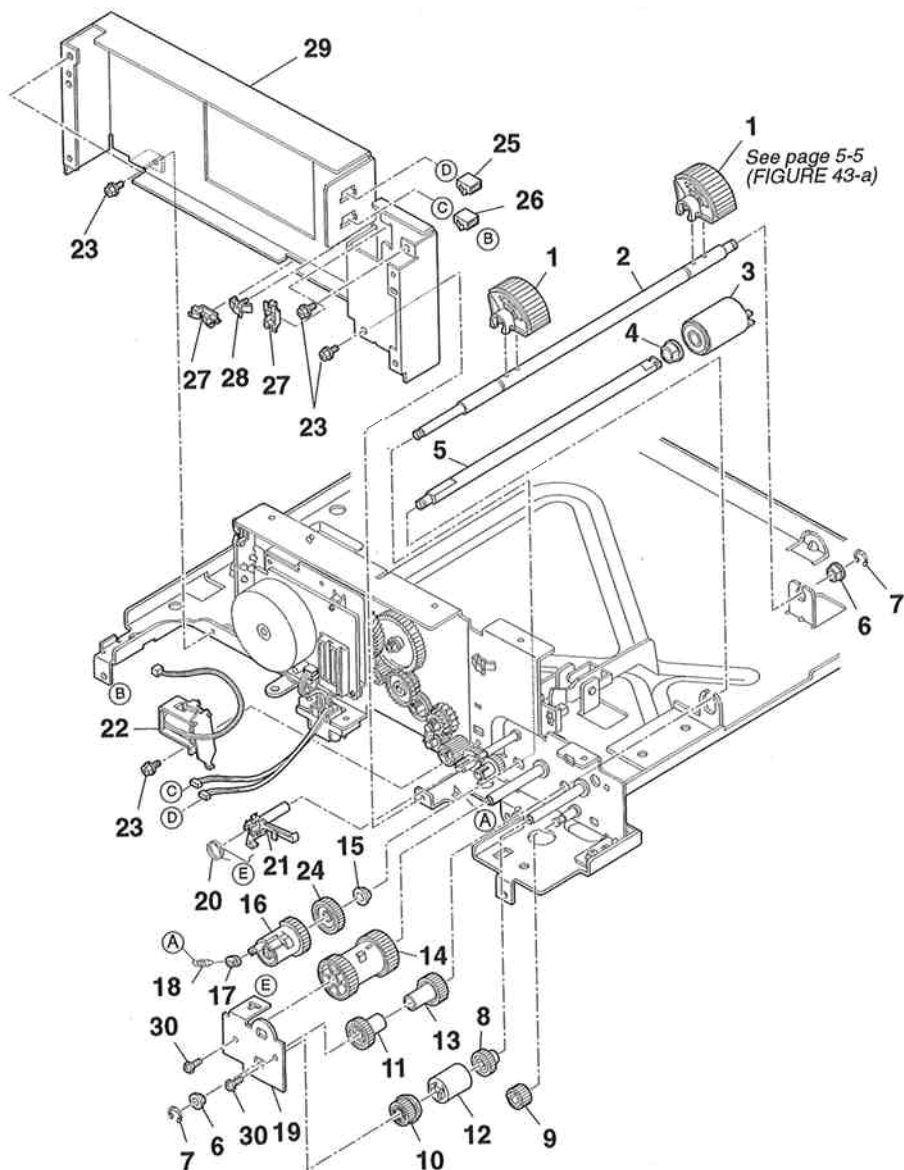


FIGURE & KEY No.	PART No.	RANK	QTY	DESCRIPTION	REMARKS
49 - 1	HB1-2450-000		2	ROLLER, PICKUP	
2	HB1-2457-000		1	SHAFT, PICKUP ROLLER	
3	HB1-2451-000		1	ROLLER, FEED	
4	HS5-1053-000		1	BUSHING	
5	HB1-2458-000		1	SHAFT, FEED ROLLER	
6	HS5-1050-000		2	BUSHING	
7	XD2-1100-502		2	RETAINING RING (E-TYPE)	
8	HS5-0183-000		1	GEAR, 18T	
9	HS5-0178-000		1	GEAR, 15T	
10	HS5-0182-000		1	GEAR, 20T	
11	HS5-0181-000		1	GEAR, 22T	
12	HB1-2462-000		1	TORQUE LIMITER	
13	HS5-0180-000		1	GEAR, 22T	
14	HB1-2456-000		1	CLUTCH	
15	HS5-1051-000		1	BUSHING	
16	HB1-2498-000		1	GEAR, 22T	
17	RB1-2190-000		1	COLLAR, SPRING	
18	HS5-2101-000		1	SPRING	
19	HB1-2459-000	N	1	PLATE, GEAR, SUPPORT	
20	HB1-2465-000		1	SPRING	
21	HB1-2463-000		1	LEVER, CLUTCH	
22	HH7-2218-000		1	SOLENOID, PICKUP	
23	XA9-0686-000		5	SCREW, M3x6	
24	HS5-0194-000		1	GEAR, 27T	
25	VS1-5352-002		1	CONNECTOR, SNAP TIGHT	
26	VS1-5057-002		1	CONNECTOR, 2P	
27	WT2-0204-000		2	CLIP, CABLE	
28	WT2-0507-000		1	HOLDER, CLIP	
29	HB1-2496-000	N	1	MOUNT, FEEDER COVER	
30	XB6-7300-607		2	SCREW, TP, M3x6	

FIGURE 50 LOWER FEEDER (4)

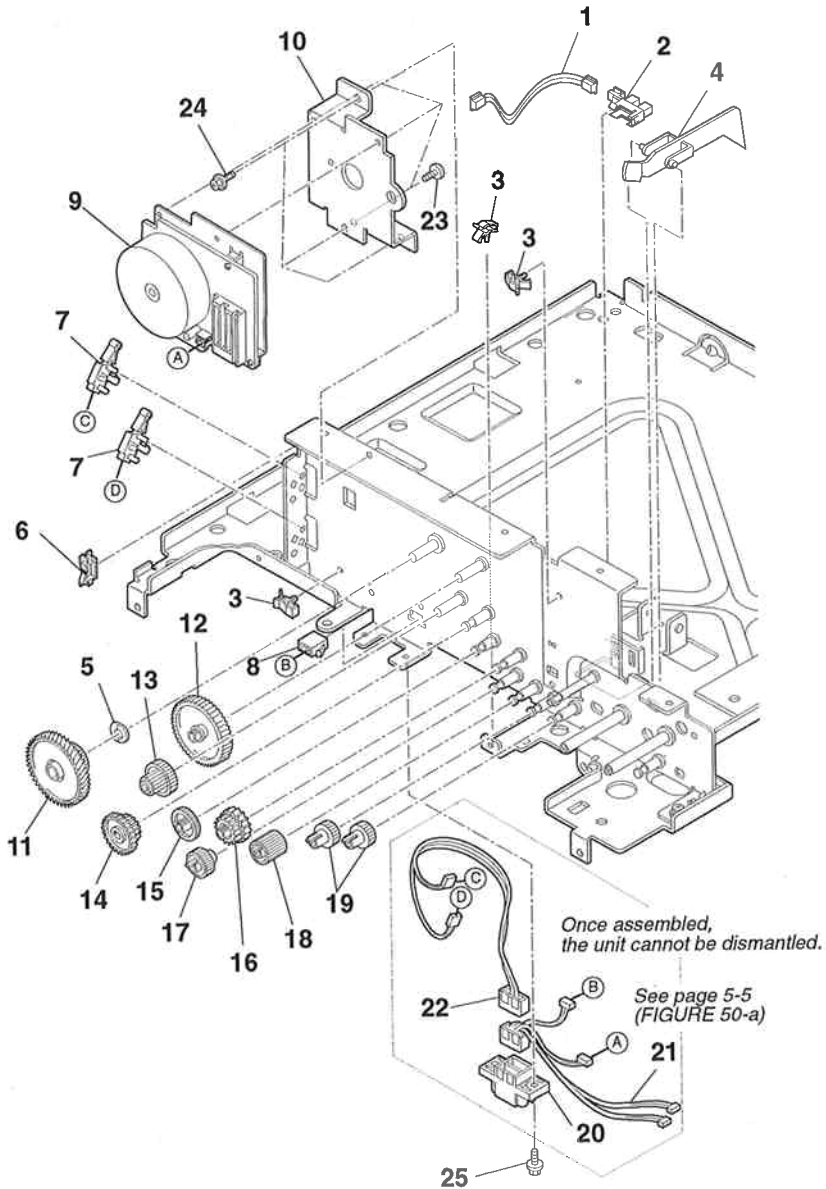


FIGURE & KEY No.	PART No.	RANK	QTY	DESCRIPTION	REMARKS
50- 1	HH2-2648-000		1	CABLE WITH CONNECTOR, 3P	
2	WG8-5210-000		1	IC, TLP1240 PHOTOINTERRUPTER	
3	WT2-0507-000		3	HOLDER, CLIP	
4	HB1-2464-000		1	ARM, PAPER DETECTION	
5	HB1-0614-020		1	SPRING WASHER, SLIDER	
6	WT2-0204-000		1	CLIP, CABLE	
7	WC4-5052-000		2	MICRO SWITCH	
8	VS1-5057-003		1	CONNECTOR, 3P	
9	HH7-2222-000		1	MOTOR, PAPER FEED	
10	HB1-2497-000	N	1	MOUNT, FEED MOTOR	
11	HS5-0193-000		1	GEAR, 31T/66T	
12	HS5-0192-000		1	GEAR, 66T	
13	HS5-0191-000		1	GEAR, 16T/31T	
14	HS5-0190-000		1	GEAR, 17T/51T	
15	HS5-0189-000		1	GEAR, 23T	
16	HS5-0188-000		1	GEAR, 19T/25T	
17	HS5-0187-000		1	GEAR, 23T	
18	HS5-0186-000		1	GEAR, 18T	
19	HS5-0185-000		2	GEAR, 18T	
20	WS6-5091-000		1	CONNECTOR, 14P	
21	HH2-2652-000		1	CABLE ASSEMBLY	
22	HH2-2653-000		1	CABLE ASSEMBLY	
23	XB6-7300-607		3	SCREW, TP, M3x6	
24	XA9-0686-000		3	SCREW, M3x6	
25	XA9-0724-000		2	SCREW, M3X8	

FIGURE 51 HANDSET KIT 2 PACKAGE CONTENTS

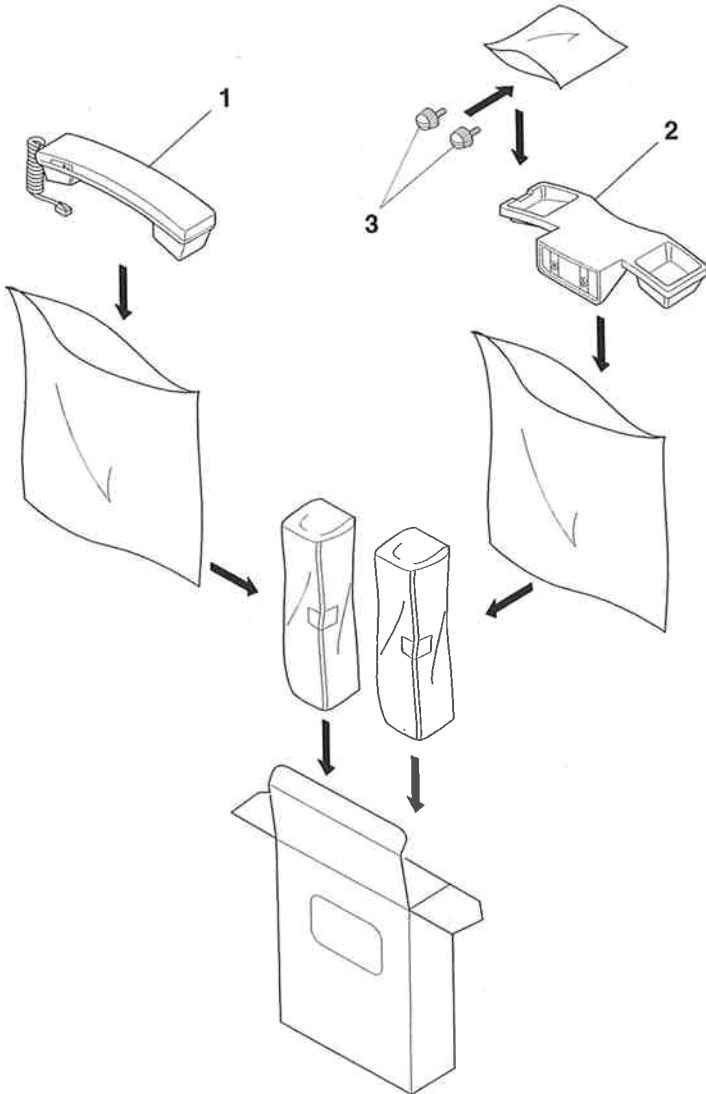
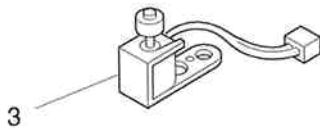
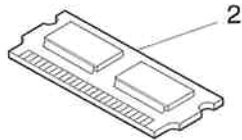
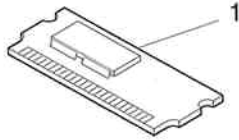


FIGURE 52 OPTION



3. TOOL

FIGURE 53 TOOLS

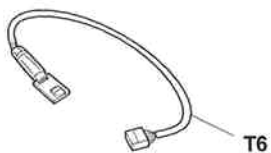
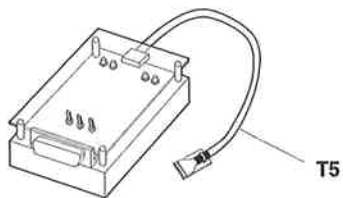
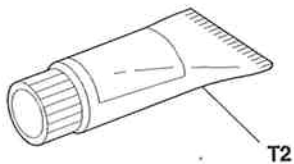
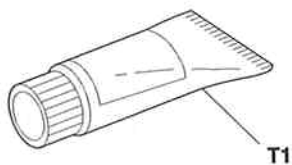


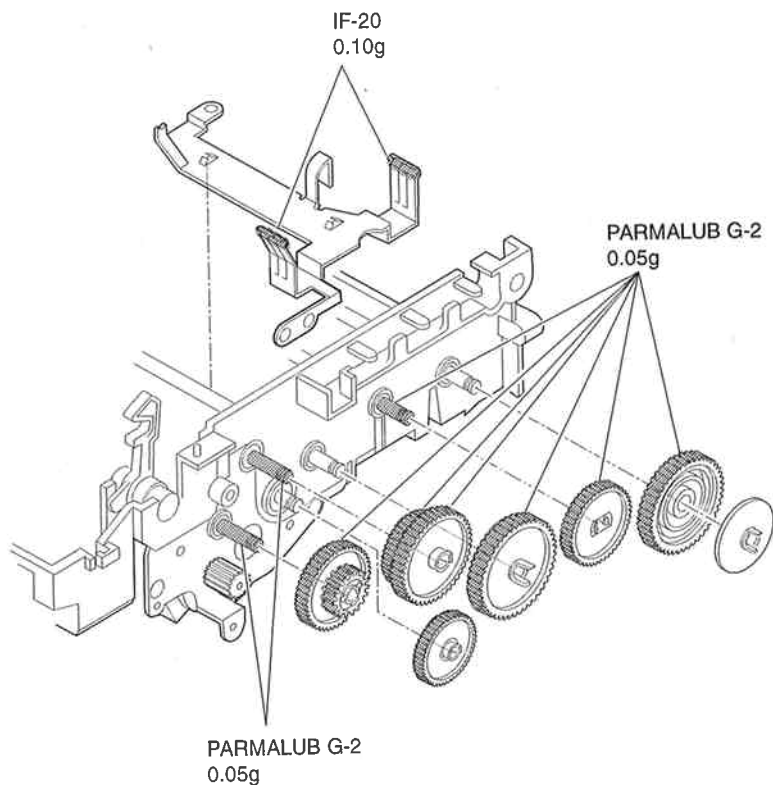
FIGURE & KEY No.	PART No.	R A N K	Q T Y	DESCRIPTION	REMARKS
53 - T1	HY9-0007-000		1	LUBE, MOLYKOTE EM-50L	
T2	CK-0551-020		1	LUBE, PERMALUB G NO.2	
T3	TKC-0953-000		1	GREASE, FLOIL G311S (20GS)	
T4	CK-8006-000		1	ELECTRICITY GREASE (IF-20)	
T5	RY9-0093-000		1	CHECK TERMINAL	
T6	HY9-0005-000		1	EXTENTION CABLE UNIT	
T7	HY9-0022-000		1	IC-REMOVING TOOL (24-64P)	

4. LUBRICATIONS

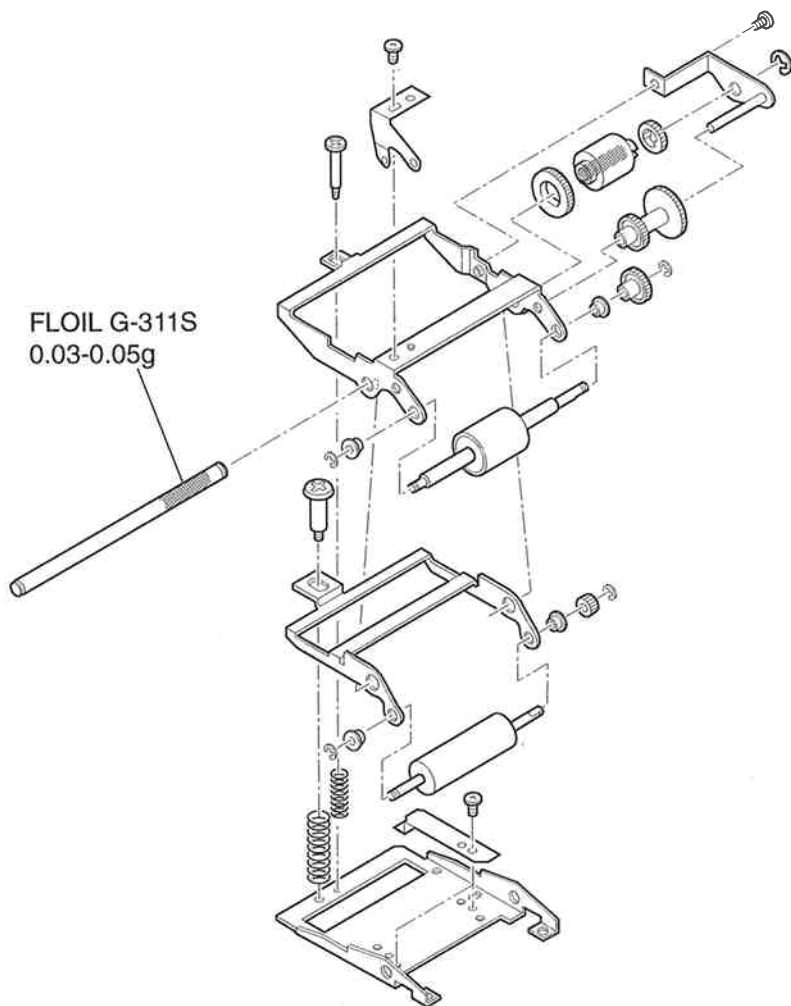
4.1 Locations

Some parts are lubricated with grease to ensure smooth operation and to increase conductivity. If lubricated parts are replaced or grease is removed, grease must be reapplied.

4.1.1 Scanner Section

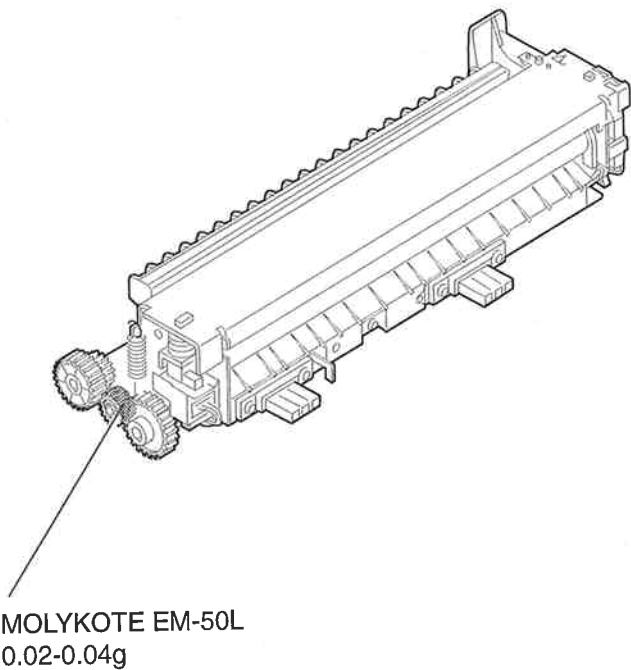


See FIGURE 23 for the disassembly



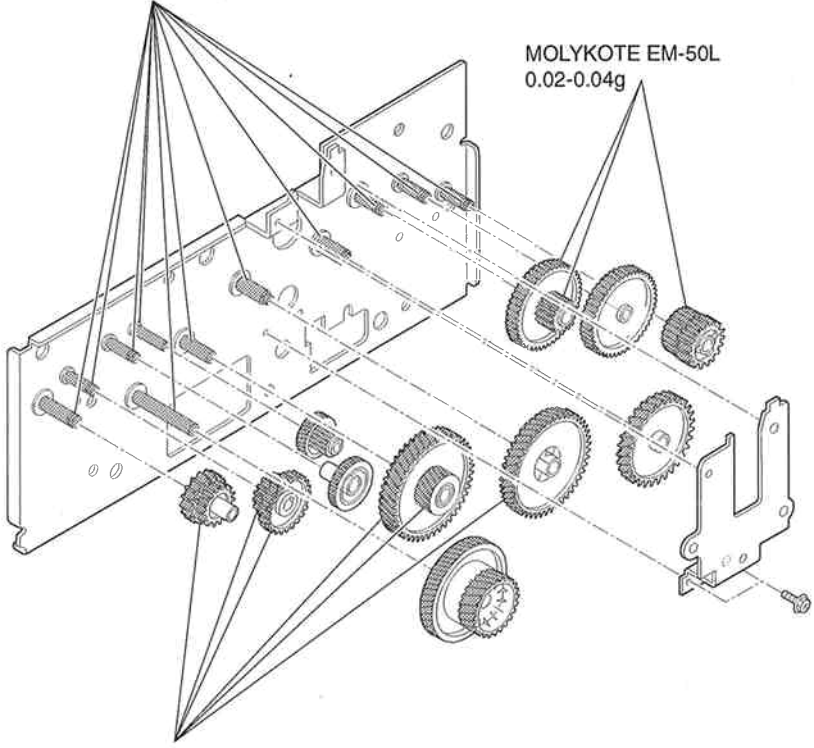
See FIGURE 19 for the disassembly

4.1.2 Printer Section



See FIGURE 9 for the disassembly

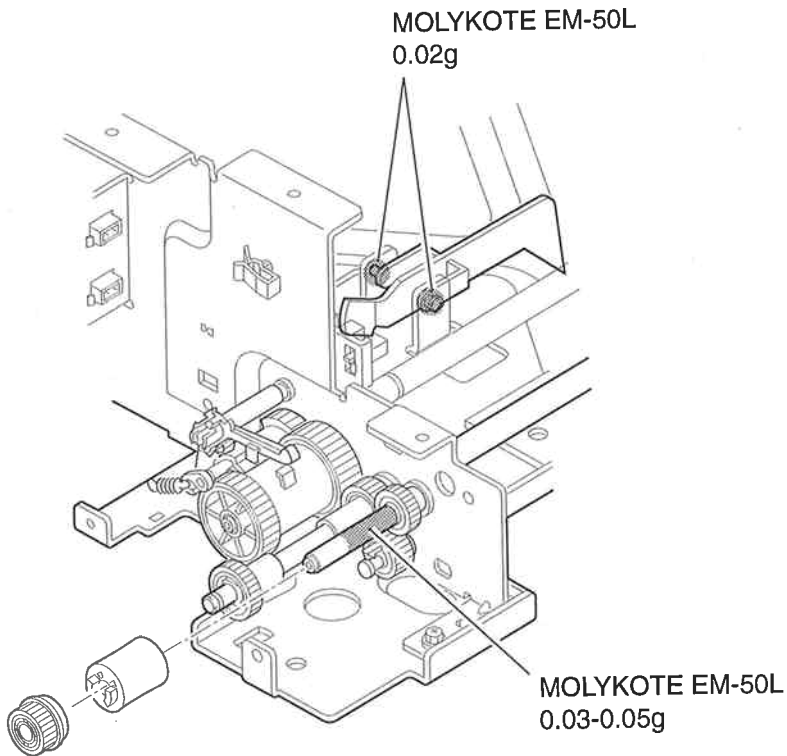
MOLYKOTE EM-50L
0.02-0.04g
(Lubricate grooves, where applicable)



MOLYKOTE EM-50L
0.02-0.04g

MOLYKOTE EM-50L
0.02-0.04g

See FIGURE 29 for the disassembly

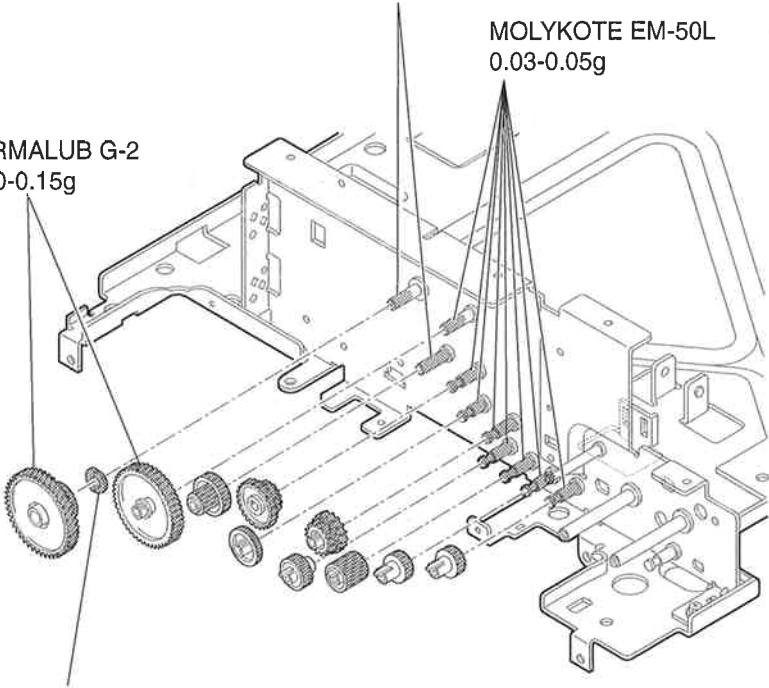


See FIGURE 43/49 for the disassembly

Apply 0.11 to 0.16g of MOLYKOTE EM-50L
to the side of the groove furthest
from the mounting plate.

PARMALUB G-2
0.10-0.15g

MOLYKOTE EM-50L
0.03-0.05g



Apply approx. 0.01 to 0.03g of MOLYKOTE EM-50L
to sections where washer is raised.

See FIGURE 50 for the disassembly

5. GUIDETO REPLACEMENT

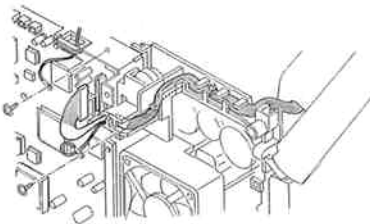
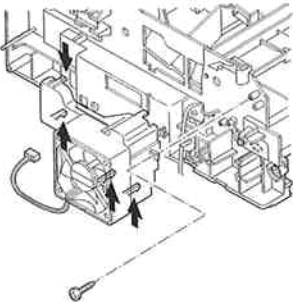
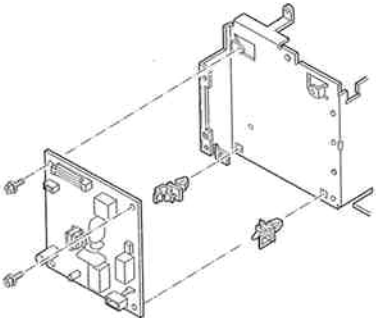
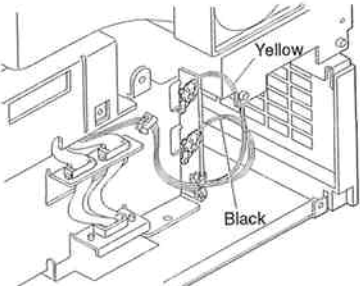
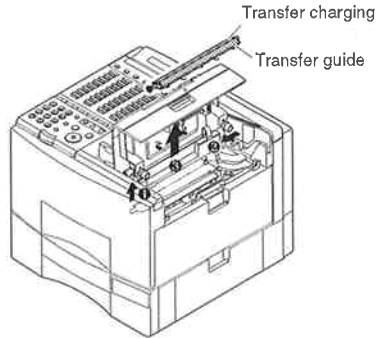
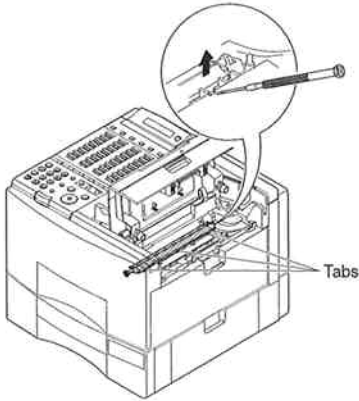
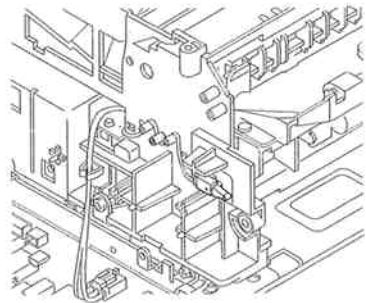
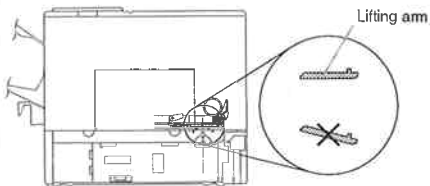
FIGURE 6-a	See Page 2-11	FIGURE 7-a	See Page 2-13
 <p>Secure the ground wire and cables as shown in the figure.</p>	 <p>When removing the duct, release the tabs as shown in the figure.</p>		
FIGURE 8-a	See Page 2-15	FIGURE 8-b	See Page 2-15
 <p>Attach the spacers as shown in the figure.</p>	 <p>Connect the sensor cables as shown in the figure.</p>		

FIGURE 11-a (1)See Page
2-21**FIGURE 11-a (2)**See Page
2-21

Do not touch the surface of the transfer charging roller. After removing the tabs from the transfer charging roller with a precision screwdriver, as shown in figure 11-b (1), carefully remove the roller in the order shown in figure 11-b (2).

FIGURE 12-aSee Page
2-23**FIGURE 13-a**See Page
2-25

After having assembled the separation ass'y, before setting the side cassette, install the toner cartridge, connect the power cord, and the lifting arm moves automatically to its initial position.

Wire the sensor as shown in the figure.

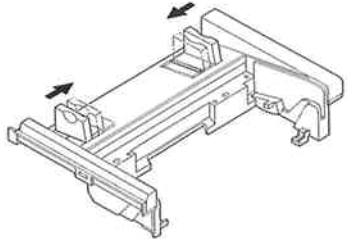
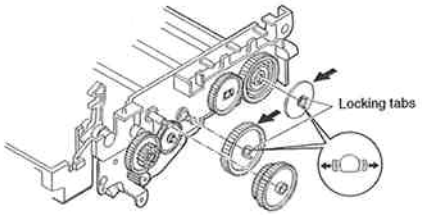
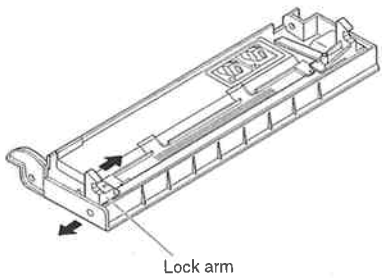
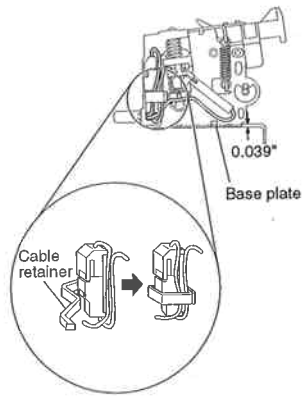
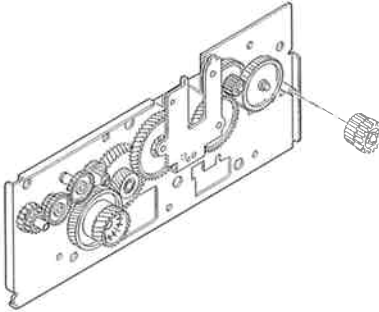
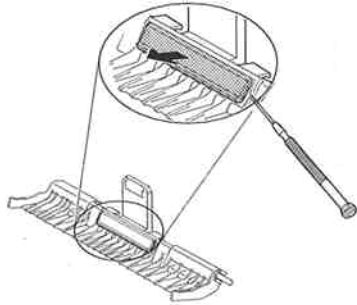
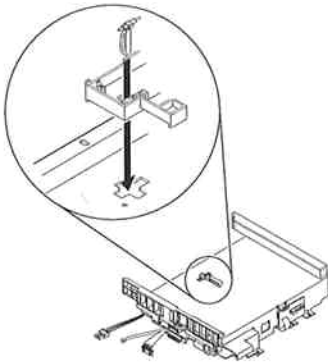
<p>FIGURE 17-a</p>	<p>See Page 2-33</p>	<p>FIGURE 23-a</p>	<p>See Page 2-45</p>
 <p>When assembling the slider section, make sure that the document guide is set at its narrowest width.</p>	 <p>When removing these two parts with two locking tabs, prize off the locking tabs with hand, and pull out the shaft by hand. You must replace these parts with new ones once you removed them.</p>		
<p>FIGURE 25-a</p>	<p>See Page 2-49</p>	<p>FIGURE 27-a</p>	<p>See Page 2-53</p>
 <p>When removing the lock arm, pull out the cover and the lock arm by hand as shown in the figure.</p>	 <p>Be careful not to damage the cable. Wire the cable as shown in the figure. Provide a clearance of 0.039"(1mm) or more between the base plate and the cable.</p>		

FIGURE 29-aSee Page
2-57

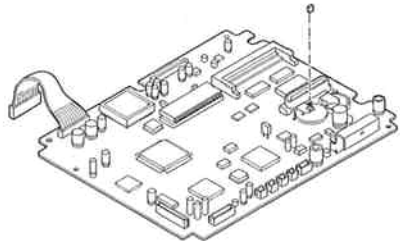
When you remove this gear, you must replace this gear with new one.

FIGURE 34-aSee Page
2-67

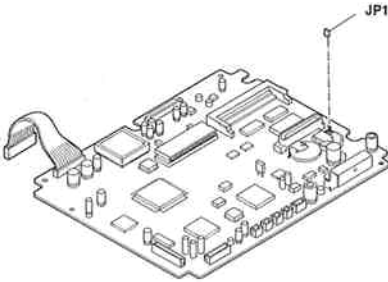
Use a precision screwdriver to prise off the separation pad, as shown in the figure.

FIGURE 35-aSee Page
2-69

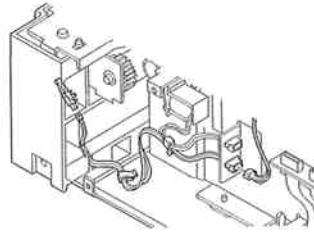
Position the recording paper sensor arm as shown in the figure.

FIGURE 38-aSee Page
2-75

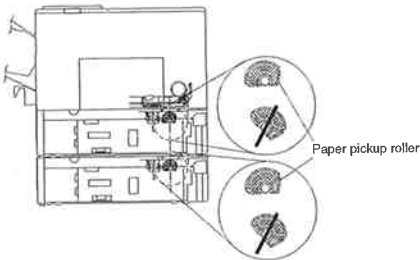
The SCNT board ass'y does not come with the short plug shown in the figure. When replacing the SCNT board ass'y, take the short plug from the old board and attach it to the new one.

FIGURE 38-bSee Page
2-75

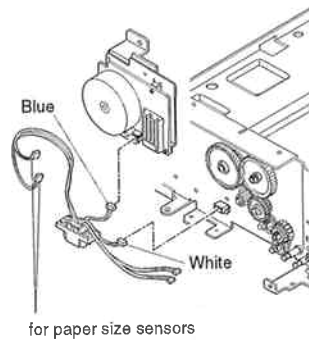
When installing or removing the DRAM boards on the SCNT board, remove the jumper plug JP1, and reinstall it after installing or removing the DRAM boards.

FIGURE 42-aSee Page
2-83

Wire the sensor shown in the figure.

FIGURE 43-aSee Page
2-85/97

After having assembled the paper pickup roller before setting the front cassette, install the toner cartridge, connect the power cord, and the pickup roller moves automatically to its initial position.

FIGURE 50-aSee Page
2-99

Connect the cables as shown in the figure.

This page intentionally left blank

6. NUMERICAL INDEX

PART NUMBER	FIGURE & KEY NO.	DESCRIPTION	PART NUMBER	FIGURE & KEY NO.	DESCRIPTION
CK-0551-020	53 - T2	LUBE, PERMALUB G NO.2	HB1-0941-000	46 - 5	SPRING, LEAF
CK-8006-000	53 - T4	ELECTRICITY GREASE (IF-20)	HB1-1861-000	33 - 2	ROLLER, PICKUP
FS1-1156-000	33 - 7	BUSHING	HB1-1862-000	33 - 4	CLUCH, PICKUP ROLLER
FS1-1205-000	33 - 10	BUSHING	HB1-2246-000	36 - 3	GUIDE, CASSETTE (L)
	34 - 1		HB1-2249-000	7 - 6	HOLDER, INLET
HA1-6578-090	1 - 2	DOCUMENT TRAY	HB1-2251-000	8 - 6	HOLDER, MODULAR BOARD
	2 - 2		HB1-2253-000	4 - 3	COVER, SHIELD
HA1-6852-000	19 - 10	ROLLER, EJECT, UPPER	HB1-2254-000	7 - 5	HOLDER, INLET HOLDER
HA9-0033-000	33 - 29	RETAINING RING (E-TYPE)	HB1-2255-000	4 - 2	COVER, FRONT
	34 - 9		HB1-2256-000	4 - 1	COVER, REAR
HB1-0485-030	1 - 1	TRAY, EXIT	HB1-2257-000	4 - 4	COVER, REAR, FEEDER
	2 - 1		HB1-2258-000	47 - 5	COVER, FEEDER
HB1-0490-000	9 - 2	PIN, TAPER	HB1-2259-000	4 - 2	COVER, FRONT
HB1-0491-000	1 - 3	LABEL, DESTINATION	HB1-2261-000	4 - 2	COVER, FRONT
	2 - 3		HB1-2270-000	23 - 17	FRAME, ADF
HB1-0517-020	36 - 1	GUIDE, CASSETTE (R)	HB1-2271-000	23 - 10	ROLLER, DOCUMENT FEED
HB1-0522-020	35 - 8	HOLDER, ARMS, SENSOR	HB1-2272-000	23 - 8	ROLLER, DOCUMENT EJECT
HB1-0523-000	35 - 6	ARM, DETECT, PAPER	HB1-2273-000	22 - 7	ROLLER, SEPARATION, LOWER
HB1-0524-000	35 - 3	LEVER, SENSOR	HB1-2274-000	22 - 8	ROLLER, LOADING, LOWER
HB1-0525-000	35 - 5	ARM, DETECT, PAPER SIZE (B)	HB1-2276-000	22 - 3	SHAFT, SEPARATION ROLLER
HB1-0526-000	35 - 4	ARM, DETECT, PAPER SIZE (A)	HB1-2278-000	23 - 12	COVER, CABLE
HB1-0527-000	33 - 20	ROLLER, FEED	HB1-2279-000	23 - 14	SPRING, LEAF, GROUNDING
HB1-0542-020	34 - 5	PLATE, SEPARATION, RUBBER	HB1-2280-000	23 - 16	ARM, HOOK
HB1-0543-000	34 - 7	PLATE, SEPARATION	HB1-2281-000	23 - 15	SPRING
HB1-0546-000	34 - 4	LEVER, SEPARATION	HB1-2282-000	22 - 16	GEAR, 19T
HB1-0547-000	33 - 9	LEVER, LIFTING	HB1-2283-000	22 - 17	CAM
HB1-0548-000	34 - 3	ARM, LIFTING	HB1-2284-000	22 - 18	SPRING, CLUTCH
HB1-0554-000	28 - 3	LEVER, LOCK	HB1-2285-000	22 - 5	GEAR, 18T
HB1-0556-050	40 - 4	BODY, CASSETTE	HB1-2286-000	22 - 9	CAM, STOP
HB1-0557-000	40 - 3	PLATE, PAPER LIFTING	HB1-2287-000	22 - 10	STOP, DOCUMENT
HB1-0558-000	40 - 1	PLATE, LIMIT	HB1-2288-000	22 - 6	SPRING, CLUCH
HB1-0559-000	40 - 2	GUIDE, SIDE, CASSETTE	HB1-2290-000	23 - 20	GEAR, 44T
HB1-0573-030	25 - 5	COVER, EXIT PAPER	HB1-2291-000	23 - 21	CLUTCH
HB1-0574-000	25 - 4	BRUSH, STATIC DISCHARGE	HB1-2292-000	23 - 11	SHAFT, TRANSMISSION
HB1-0575-040	25 - 1	ARM, LOCK (L)	HB1-2293-000	6 - 3	PIN, TAPER
HB1-0576-020	25 - 2	ARM, LOCK (R)	HB1-2297-000	7 - 3	COVER, GEAR
HB1-0577-020	25 - 3	STAY	HB1-2299-000	22 - 1	COVER, ADF, LOWER
HB1-0578-050	26 - 1	GUIDE, PAPER EJECT	HB1-2300-000	19 - 1	FRAME, ADF, UPPER
HB1-0581-020	26 - 3	SHAFT, EJECT ROLLER	HB1-2301-000	19 - 13	SHAFT, PRESSURE
HB1-0582-000	26 - 4	ROLLER, PAPER EJECT (LOWER)	HB1-2302-000	19 - 7	HOLDER (DES)
HB1-0583-030	25 - 6	LABEL, HANDLING PAPER JAM	HB1-2303-000	19 - 6	SPRING, LEAF, GROUNDING
HB1-0589-020	17 - 7	ARM, CARTRIDGE COVER SENSOR	HB1-2304-000	19 - 2	STAY, PRESSURE (N)
HB1-0593-000	15 - 1	HINGE, LEFT	HB1-2305-000	19 - 18	BRUSH, STATIC DISCHARGE
HB1-0594-000	15 - 2	HINGE, RIGHT	HB1-2310-000	19 - 8	ARM, DETECTION (DES)
HB1-0595-020	16 - 6	COVER, CARTRIDGE	HB1-2311-000	19 - 14	SHEET, FUNCTION
HB1-0596-000	16 - 1	TRAY, DOCUMENT, EXTENSION	HB1-2312-000	24 - 3	ROLLER, SEPARATION, UPPER
HB1-0597-000	16 - 4	LEVER, RELEASE	HB1-2313-000	24 - 6	TORQUE LIMITER
HB1-0614-020	50 - 5	SPRING WASHER, SLIDER	HB1-2316-000	24 - 17	HOLDER, FEED ROLLER
HB1-0632-000	19 - 16	ARM, PRESSURE	HB1-2317-000	24 - 13	HOLDER, SEPARATION ROLLER
HB1-0638-000	19 - 3	ARM, DETECTION (DS)	HB1-2318-000	24 - 20	FRAME, SEPARATION ROLLER ASSY
HB1-0641-000	19 - 11	SHAFT, DELIVERY ROLLER	HB1-2319-000	24 - 18	SPRING, LEAF
HB1-0882-000	5 - 2	STOPPER, OPERATION PANEL	HB1-2320-000	17 - 9	COVER, DOCUMENT GUIDE
HB1-0940-000	46 - 6	PLATE, HOLDING	HB1-2321-000	17 - 3	GUIDE, DOCUMENT, RIGHT

PART NUMBER	FIGURE & KEY NO.	DESCRIPTION	PART NUMBER	FIGURE & KEY NO.	DESCRIPTION
HB1-2322-000	17 - 2	GUIDE, DOCUMENT, LEFT	HB1-2429-000	46 - 13	ARM, LIFTING
HB1-2323-000	17 - 6	PLATE, RACK, DOCUMENT GUIDE	HB1-2431-000	46 - 15	COVER, CASSETTE
HB1-2324-000	17 - 11	LABEL, UPPER LIMIT	HB1-2432-000	46 - 19	HOLDER, PAPER QUANTITY DISPLAY
HB1-2325-000	17 - 8	LABEL, HANDLING CARTRIDGE	HB1-2433-000	46 - 18	ARM, PAPER QUANTITY DISPLAY
HB1-2326-000	24 - 1	SPRING, LEAF, GROUNDING	HB1-2434-000	46 - 17	PLATE, PAPER QUANTITY DISPLAY
HB1-2327-000	24 - 10	ROLLER, FEED UPPER	HB1-2437-000	46 - 16	SHEET, PAPER SIZE
HB1-2328-000	24 - 14	SHAFT, PIVOT	HB1-2450-000	43 - 1	ROLLER, PICKUP
HB1-2333-000	20 - 2	COVER, SWITCH		49 - 1	
HB1-2334-000	21 - 8	COVER, CONTROL PANEL, A	HB1-2451-000	43 - 3	ROLLER, FEED
HB1-2335-000	21 - 9	COVER, CONTROL PANEL, B		49 - 3	
HB1-2336-000	21 - 1	KEY TOP, "ONE TOUCH DIAL"	HB1-2452-000	42 - 4	GUIDE, CASSETTE, RIGHT
HB1-2337-000	18 - 1	SHEET, FUNCTION		48 - 4	
HB1-2338-000	21 - 7	PLATE, GROUNDING	HB1-2453-000	42 - 2	GUIDE, CASSETTE, LEFT
HB1-2339-000	21 - 2	KEY TOP, FUNCTION, A		48 - 2	
HB1-2340-000	21 - 14	KEY TOP, FUNCTION, B	HB1-2455-000	41 - 3	COVER, BOTTOM FEEDER
HB1-2341-000	21 - 11	KEY TOP, "DIRECTORY"		47 - 3	
HB1-2342-000	21 - 12	COVER, LCD	HB1-2456-000	43 - 14	CLUTCH
HB1-2343-000	20 - 3	COVER, SWITCH		49 - 14	
HB1-2345-000	21 - 13	KEY TOP, "ESS"	HB1-2457-000	43 - 2	SHAFT, PICKUP ROLLER
HB1-2346-000	21 - 6	KEY TOP, "START"		49 - 2	
HB1-2347-000	21 - 4	KEY TOP, "STOP"	HB1-2458-000	43 - 5	SHAFT, FEED ROLLER
HB1-2348-000	21 - 5	KEY TOP, "COPY"		49 - 5	
HB1-2349-000	21 - 3	KEY TOP, "DIAL"	HB1-2459-000	43 - 19	PLATE, GEAR, SUPPORT
HB1-2360-000	14 - 6	FRAME, PRINTER		49 - 19	
HB1-2362-000	29 - 12	PLATE, HOLDER	HB1-2460-000	43 - 16	GEAR, 23T
HB1-2363-000	29 - 15	PLATE, GROUNDING	HB1-2461-000	42 - 6	PIN, SUPPORT
HB1-2364-000	7 - 4	DUCT, FAN		48 - 6	
HB1-2365-000	14 - 3	PLATE, GROUNDING	HB1-2462-000	43 - 12	TORQUE LIMITER
HB1-2366-000	14 - 14	PLATE, GROUNDING		49 - 12	
HB1-2367-000	14 - 2	PLATE, GROUNDING	HB1-2463-000	43 - 21	LEVER, CLUTCH
HB1-2368-000	26 - 10	FRAME, PAPER EJECT GUIDE		49 - 21	
HB1-2369-000	26 - 9	SPRING, LEAF, GROUNDING	HB1-2464-000	44 - 4	ARM, PAPER DETECTION
HB1-2370-000	26 - 5	BUSHING		50 - 4	
HB1-2375-000	30 - 3	GUIDE, PAPER FEED	HB1-2465-000	43 - 20	SPRING
HB1-2376-000	30 - 5	HOLDER, TONER SENSOR		49 - 20	
HB1-2377-000	16 - 5	PLATE, CARTRIDGE COVER	HB1-2467-000	42 - 7	HOLDER, MICRO SWITCH
HB1-2378-000	11 - 10	COVER, CABLE		48 - 7	
HB1-2379-000	28 - 5	COVER, RIGHT	HB1-2470-000	42 - 9	ROLLER, SEPARATION
HB1-2388-000	30 - 7	SUPPORT, SPRING		48 - 9	
HB1-2390-000	33 - 26	FRAME, MULTI PAPER FEEDER	HB1-2471-000	42 - 11	HOLDER, SEPARATION ROLLER
HB1-2391-000	33 - 3	SHAFT, PICKUP ROLLER		48 - 11	
HB1-2392-000	34 - 8	SHAFT, LIFTING	HB1-2472-000	42 - 19	ROLLER, PICKUP
HB1-2393-000	33 - 21	SHAFT, FEED ROLLER		48 - 19	
HB1-2394-000	33 - 14	ARM, PAPER PICKUP SENSOR	HB1-2478-000	45 - 9	COVER, RIGHT, FEEDER
HB1-2398-000	33 - 8	GEAR, CAM	HB1-2479-000	45 - 7	LEVER, LOCK
HB1-2420-000	46 - 1	BODY, CASSETTE	HB1-2480-000	45 - 1	SHAFT, FEEDER RIGHT COVER
HB1-2422-000	46 - 4	SHEET, FRICTION	HB1-2481-000	45 - 3	GUIDE, ROLLER
HB1-2423-000	46 - 7	CLAW, FRONT	HB1-2482-000	45 - 6	LEVER, LOCK
HB1-2424-000	46 - 11	CLAW, BACK	HB1-2483-000	45 - 5	SPRING
HB1-2425-000	46 - 8	HOLDER	HB1-2484-000	42 - 17	PLATE, PIN, INSULATING
HB1-2426-000	46 - 9	GUIDE, PAPER WIDTH		48 - 17	
HB1-2427-000	46 - 3	GUIDE, PAPER LENGTH	HB1-2485-000	42 - 1	FOOT, RUBBER
HB1-2428-000	46 - 10	BLOCK, SIZE		48 - 1	

PART NUMBER	FIGURE & KEY NO.	DESCRIPTION
HB1-2487-000	41 - 1	PIN, FEEDER RIGHT COVER
	47 - 1	
HB1-2489-000	46 - 22	SHEET
HB1-2491-000	48 - 5	PLATE, SHAFT
HB1-2496-000	49 - 29	MOUNT, FEEDER COVER
HB1-2497-000	50 - 10	MOUNT, FEED MOTOR
HB1-2498-000	49 - 16	GEAR, 22T
HB1-2500-000	22 - 1	COVER, ADF, LOWER (A4)
HB1-2502-000	22 - 22	SHAFT, STOP
HB1-2505-000	17 - 9	COVER, DOCUMENT GUIDE
HB1-2506-000	22 - 23	SHEET, RAYON(F)
HFS-0217-000	21 - 10	COVER, CONTROL PANEL
HFS-0218-000	23 - 18	MOUNT, DOCUMENT FEED MOTOR
HFS-0219-000	24 - 5	HOLDER, TORQUE LIMITER
HFS-0220-000	19 - 12	SCANNING STRIP UNIT (WHITE)
HFS-0222-000	33 - 22	HOLDER, GEARS
HFS-0223-000	46 - 2	PLATE, PAPER LIFTING
HFS-0225-000	42 - 12	SHAFT, SEPARATION ROLLER
	48 - 12	
HFS-0227-000	42 - 5	HOLDER, PICKUP ROLLER
HFS-0228-000	42 - 13	SHAFT, JOINT
	48 - 13	
HG1-4268-040	8 - 2	NCU BOARD ASSY
HG5-0128-000	28 - 1	ROLLER GUIDE UNIT
HG5-0129-040	1 - 4	SIDE CASSETTE ASSY
	2 - 4	
HG5-0131-040	9 - 1	PAPER EXIT COVER ASSY
HG5-0156-000	51 - 2	HANDSET REST UNIT
HG5-0908-000	10 - 1	DRIVE GEAR ASSY
HG5-0909-000	9 - 3	PAPER EJECT ROLLER ASSY
HG5-0914-000	22 - 2	CONTACT SENSOR UNIT
HG5-0918-000	19 - 17	SEPARATION ROLLER ASSY
HG5-0919-000	18 - 2	OPERATION PANEL ASSY
HG5-0923-000	20 - 1	OPONT BOARD ASSY
HG5-0925-000	12 - 1	MULTIPAPER FEEDER ASSY
HG5-0927-000	33 - 1	SEPARATION ASSY
HG5-0929-000	33 - 6	CONNECTOR BOARD ASSY
HG5-0933-000	13 - 1	PCNT ASSY
HG5-0935-000	35 - 1	HVT CONNECTOR ASSY
HG5-0936-000	35 - 9	PCNT COVER ASSY
HG5-0940-000	35 - 7	PAPER SENSOR BOARD ASSY
HG5-0941-000	7 - 2	SCNT BOARD ASSY
HG5-0945-000	8 - 5	MODULAR BOARD ASSY
HG5-0952-000	35 - 2	PCNT BOARD ASSY
HG5-0955-000	11 - 7	PAPER GUIDE ASSY
HG5-0959-000	7 - 2	SCNT BOARD ASSY
HG5-0960-000	1 - 8	FRONT CASSETTE ASSY (LTR)
	2 - 8	
	3 - 1	
HG5-0965-000	8 - 1	F CASSETTE FEEDER ASSY, UPPER
HG5-0969-000	41 - 2	FEEDER RIGHT COVER ASSY
	47 - 2	
HG5-0971-000	3 - 2	F CASSETTE FEEDER ASSY, LOWER

PART NUMBER	FIGURE & KEY NO.	DESCRIPTION
HG5-0978-000	7 - 1	CASE, SHIELD
HG5-0979-000	8 - 7	HOLDER, PSU
HG5-0982-000	22 - 2	CONTACT SENSOR UNIT
HH2-2253-000	1 - 6	POWER SUPPLY CORD, 120V
	2 - 6	
HH2-2484-000	1 - 5	MODULAR LINE CORD, 2W
	2 - 5	
HH2-2621-000	23 - 13	CABLE WITH CONNECTOR, 10P
HH2-2624-000	23 - 19	CABLE WITH CONNECTOR, 2P
HH2-2625-000	8 - 3	CABLE, FLAT
HH2-2626-000	22 - 12	CABLE WITH CONNECTOR, 2P
HH2-2629-000	19 - 5	WIRE, GROUNDING
HH2-2630-000	7 - 7	MOUNT, INLET, 3P
HH2-2638-000	19 - 9	CABLE WITH CONNECTOR, 3P
HH2-2639-000	19 - 19	CABLE WITH CONNECTOR, 3P
HH2-2643-000	35 - 12	CABLE WITH CONNECTOR, 10P
HH2-2644-000	35 - 13	CABLE ASSEMBLY
HH2-2647-000	42 - 3	CABLE WITH CONNECTOR, 2P
	48 - 3	
HH2-2648-000	44 - 1	CABLE WITH CONNECTOR, 3P
	50 - 1	
HH2-2649-000	33 - 24	CABLE WITH CONNECTOR, 2P
HH2-2650-000	33 - 25	CABLE WITH CONNECTOR, 3P
HH2-2651-000	33 - 27	CABLE WITH CONNECTOR, 3P
HH2-2652-000	50 - 21	CABLE ASSEMBLY
HH2-2653-000	50 - 22	CABLE ASSEMBLY
HH2-2667-000	44 - 10	CABLE WITH CONNECTOR, 7P
HH2-2668-000	44 - 11	CABLE WITH CONNECTOR, 7P
HH2-2698-000	8 - 4	CABLE WITH CONNECTOR, 1P
HH2-2712-000	42 - 23	WIRE, GROUNDING
HH2-2713-000	7 - 19	WIRE, GROUNDING
HH2-2714-000	29 - 14	WIRE, GROUNDING
HH2-2744-000	22 - 21	WIRE, GROUNDING
HH2-2750-000	8 - 4	CABLE WITH CONNECTOR, 1P
HH3-5303-000	8 - 8	POWER SUPPLY UNIT
HH4-2692-000	38 - 1	IC, UPD23C8000XC2-108, MASK-ROM
HH4-3002-000	38 - 1	IC, UPD23C8000XC2, MASK-ROM
HH7-2104-000	51 - 1	HANDSET ASSY (USA, AG)
HH7-2175-000	22 - 11	MICRO SWITCH
HH7-2210-000	22 - 15	SPEAKER UNIT
HH7-2211-000	23 - 7	MOTOR, STEPPING, DC 10W UNDER
HH7-2212-000	52 - 3	STAMP UNIT
HH7-2213-000	22 - 13	SOLENOID, LOADING
HH7-2217-000	33 - 12	SOLENOID
HH7-2218-000	43 - 22	SOLENOID, PICKUP
	49 - 22	
HH7-2221-000	30 - 4	TONER SENSOR UNIT
HH7-2222-000	50 - 9	MOTOR, PAPER FEED
HH7-2223-000	7 - 8	FAN UNIT
HH7-2224-000	52 - 1	DRAM BOARD ASSY (2M-BYTE)
HH7-2225-000	38 - 4	DRAM BOARD ASSY (4M-BYTE)
	52 - 2	
HS1-1036-000	34 - 2	BUSHING

PART NUMBER	FIGURE & KEY NO.	DESCRIPTION
HS1-1073-000	28 - 4	STOPPER, SHAFT
HS5-0017-000	17 - 1	PINION, 18T
HS5-0070-000	22 - 4	GEAR, 18T
HS5-0076-000	24 - 11	GEAR, 15T
HS5-0077-000	24 - 7	GEAR, 25T
HS5-0117-000	23 - 3	GEAR, 49T
HS5-0118-000	23 - 2	GEAR, 44/20T
HS5-0173-000	33 - 18	GEAR, 38T
HS5-0174-000	33 - 17	GEAR, 21T/23T
HS5-0175-000	33 - 16	GEAR, 29T
HS5-0176-000	42 - 21	GEAR, 19T
HS5-0177-000	42 - 15	GEAR, 19T
	48 - 15	
HS5-0178-000	43 - 9	GEAR, 15T
	49 - 9	
HS5-0179-000	42 - 22	GEAR, 23T
HS5-0180-000	43 - 13	GEAR, 22T
	49 - 13	
HS5-0181-000	43 - 11	GEAR, 22T
	49 - 11	
HS5-0182-000	43 - 10	GEAR, 20T
	49 - 10	
HS5-0183-000	43 - 8	GEAR, 18T
	49 - 8	
HS5-0184-000	42 - 18	GEAR, 23T
	48 - 18	
HS5-0185-000	50 - 19	GEAR, 18T
HS5-0186-000	50 - 18	GEAR, 18T
HS5-0187-000	50 - 17	GEAR, 23T
HS5-0188-000	50 - 16	GEAR, 19T/25T
HS5-0189-000	50 - 15	GEAR, 23T
HS5-0190-000	50 - 14	GEAR, 17T/51T
HS5-0191-000	50 - 13	GEAR, 16T/31T
HS5-0192-000	50 - 12	GEAR, 66T
HS5-0193-000	50 - 11	GEAR, 31T/86T
HS5-0194-000	49 - 24	GEAR, 27T
HS5-0195-000	22 - 14	GEAR, 30T
HS5-0196-000	24 - 8	GEAR, 29T/44T
HS5-0197-000	24 - 19	GEAR, 37T
HS5-0198-000	23 - 27	GEAR, 15T
HS5-0199-000	24 - 4	GEAR, 27T
HS5-0201-000	26 - 8	GEAR, 42T/34T
HS5-0202-000	26 - 6	GEAR, 20T
HS5-0220-000	23 - 1	GEAR, 34T
HS5-0221-000	23 - 5	GEAR, 38T/33T
HS5-0222-000	23 - 6	GEAR, 60T/20T
HS5-1001-000	33 - 5	BUSHING
HS5-1011-000	26 - 7	BUSHING
HS5-1013-020	23 - 4	BUSHING
HS5-1014-000	23 - 9	BUSHING
HS5-1049-000	33 - 19	BUSHING
HS5-1050-000	42 - 10	BUSHING
	43 - 6	

PART NUMBER	FIGURE & KEY NO.	DESCRIPTION
	48 - 10	
	49 - 6	
HS5-1051-000	43 - 15	BUSHING
	49 - 15	
HS5-1052-000	24 - 2	BUSHING
HS5-1053-000	43 - 4	BUSHING
	49 - 4	
HS5-2007-020	17 - 4	SPRING
HS5-2018-000	30 - 2	SPRING, PRESSURE
HS5-2019-020	34 - 6	SPRING, SEPARATION
HS5-2020-000	28 - 2	SPRING
HS5-2022-000	17 - 5	SPRING, LEVER
HS5-2026-000	33 - 11	SPRING
HS5-2031-000	24 - 16	SPRING
HS5-2097-000	33 - 15	SPRING
HS5-2099-000	46 - 14	SPRING
HS5-2100-000	46 - 12	SPRING
HS5-2101-000	43 - 18	SPRING
	49 - 18	
HS5-2102-000	45 - 2	SPRING
HS5-2103-000	19 - 15	SPRING
HS5-2104-000	24 - 12	SPRING
HS5-2106-000	30 - 8	SPRING, TONER SENSOR
HS5-6002-000	30 - 1	ROLLER, PAPER GUIDE
HS5-6004-000	26 - 2	ROLLER, PAPER EJECT (UPPER)
HS5-6030-000	45 - 4	ROLLER, FEED
HS5-9001-000	24 - 15	SCREW, M4X6
HS5-9002-000	24 - 9	SCREW, M3X4
HS5-9011-000	44 - 15	SCREW, M3X3.6
HT1-2088-000	1 - 7	INSTRUCTION BOOK (ENGLISH)
	2 - 7	
HT1-2102-000	1 - 7	INSTRUCTION BOOK (ENGLISH)
HY7-2657-000	39 - 1	FUSE, 125V, 4A
HY9-0005-000	53 - T6	EXTENSION CABLE UNIT
HY9-0007-000	53 - T1	LUBE, MOLYKOTE EM-50L
HY9-0022-000	53 - T7	IC-REMOVING TOOL (24-64P)
RB1-2190-000	43 - 17	COLLAR, SPRING
	49 - 17	
RB1-2969-020	27 - 1	CLIP, CABLE
RB1-2975-020	14 - 11	GUIDE, CABLE
RB1-2998-020	14 - 7	LEVER, SWITCH
RB1-2999-000	14 - 8	HOLDER, SWITCH LEVER
RB1-3016-030	32 - 1	SHUTTER, LASER
RB1-3063-020	37 - 7	CAM, SWITCH
RB1-3064-000	37 - 8	SHUTTER, SWITCH
RB1-3067-000	37 - 11	LEVER, SENSOR
RB1-3068-000	37 - 12	HOLDER, SENSOR
RB1-3069-020	37 - 9	LEVER, CRG SWITCH
RB1-3073-000	31 - 3	BUSHING
RB1-3074-000	37 - 10	SPRING, LEAF
RB1-3075-000	31 - 6	MOUNT, TRANSFER, LEFT
RB1-3076-000	31 - 4	BUSHING, LEFT
RB1-3077-000	31 - 9	MOUNT, TRANSFER, RIGHT

PART NUMBER	FIGURE & KEY NO.	DESCRIPTION	PART NUMBER	FIGURE & KEY NO.	DESCRIPTION
RB1-3078-000	31 - 7	BUSHING, RIGHT	RG5-2802-000	27 - 21	FIXING FILM ASSY
RB1-3079-000	37 - 1	SHAFT, SWITCH CAM	RG5-2848-020	11 - 2	LASER/SCANNER ASSY
RB1-3096-020	27 - 4	LEVER, DELIVERY SENSOR	RG5-2861-000	11 - 3	MIRROR ASSY
RB1-3097-000	27 - 5	LINK, DELIVERY SENSOR	RS5-0636-000	27 - 28	GEAR, 16T
RB1-3099-020	27 - 6	SPRING, TORSION	RS5-0637-000	27 - 29	GEAR, 24T
RB1-3104-030	27 - 7	BUSHING, DELIVERY ROLLER, LEFT	RS5-0651-000	29 - 7	GEAR, 81T/36T
RB1-3105-030	27 - 8	BUSHING, DELIVERY ROLLER, RIGHT	RS5-0652-000	29 - 11	GEAR, 100T/38T
RB1-3106-050	27 - 27	GUIDE, DELIVERY, UPPER	RS5-0653-000	29 - 5	GEAR, 100T/16T
RB1-3107-000	27 - 24	ROLLER	RS5-0654-000	29 - 10	GEAR, 43T
RB1-3108-000	27 - 23	SPRING, TORSION	RS5-0655-000	29 - 8	GEAR, 51T/17T
RB1-3130-000	16 - 2	PIECE, CRG PRESSURE	RS5-0656-000	29 - 9	GEAR, 25T/19T
RB1-3151-000	36 - 2	SPRING, CASSETTE SIDE	RS5-0660-000	29 - 1	GEAR, 55T/19T
RB1-3183-000	35 - 10	PIN, CONTACT	RS5-0661-000	29 - 2	GEAR, 77T
RB1-3681-000	11 - 1	CAP, SHUTTER	RS5-0662-000	29 - 3	GEAR, 36T/18T
RB1-5903-000	27 - 10	PLATE, FIXING	RS5-0978-000	27 - 26	GEAR, 16T/17T
RB1-5905-000	27 - 12	COVER, EDGE	RS5-0979-000	29 - 4	GEAR, 66T/31T
RB1-5906-000	27 - 13	LEVER, RELEASE	RS5-0980-000	29 - 6	GEAR, 60T/32T
RB1-5915-000	27 - 16	GUIDE, DELIVERY, LOWER	RS5-2221-000	31 - 8	SPRING, TORSION
RB1-5916-000	27 - 17	RETAINER, SENSOR	RS5-2222-000	31 - 5	SPRING, COMPRESSION
RB1-5919-000	27 - 25	ROLLER	RS5-2227-000	16 - 3	SPRING, COMPRESSION
RB1-6003-000	11 - 8	PLATE, CARTRIDGE	RS5-2231-000	35 - 11	SPRING
RB1-6008-000	10 - 5	DAMPER, RUBBER	RS5-2234-000	14 - 9	SPRING, COMPRESSION
RB1-6009-000	23 - 23	LEVER, FLAPPER	RS5-2238-000	32 - 2	SPRING, TORSION
RB1-6010-000	23 - 24	PLATE, FLAPPER	RS5-2449-000	23 - 25	SPRING, TORSION
RB1-6307-000	32 - 3	ARM, SHUTTER	RS5-2642-000	27 - 30	SPRING, COMPRESSION
RB1-9177-000	27 - 14	FRAME, FIXING	RS5-2643-000	27 - 31	SUS
RB1-9179-000	27 - 15	ROLLER, PRESSURE	RY9-0093-000	53 - T5	CHECK TERMINAL
RB1-9180-000	27 - 9	RUBBER, CONTINUITY	TKC-0953-000	53 - T3	GREASE, FLOIL G311S (20GS)
RB1-9181-000	27 - 18	ROLLER, PAPER DELIVERY, FU	VS1-5057-002	44 - 14	CONNECTOR, 2P
RB1-9182-000	27 - 11	PIN, PRESSURE, LEFT	VS1-5057-003	49 - 26	
RB1-9183-000	27 - 33	PIN, PRESSURE, RIGHT		30 - 6	CONNECTOR, 3P
RB1-9184-000	27 - 2	BUSHING, PRESSURE ROLLER, LEFT		44 - 7	
RB1-9185-000	27 - 3	BUSHING, PRESSURE ROLLER, RIGHT		50 - 8	
RB1-9186-000	27 - 19	LEAF, GROUNDING	VS1-5057-007	44 - 8	CONNECTOR, 7P
RB9-0108-000	37 - 6	SHEET, RIGHT PET(R)	VS1-5352-002	44 - 13	CONNECTOR, SNAP TIGHT
RF5-0584-000	37 - 2	ELIMINATOR, STATIC CHARGE		49 - 25	
RF5-0596-000	31 - 1	ROLLER, TRANSFER	VS1-5352-007	44 - 9	CONNECTOR, 7P
RF5-0600-060	37 - 3	GUIDE, FEEDER	VT2-0014-006	33 - 28	SPACER, PCB
RF5-1296-000	14 - 15	PLATE, DRUM GROUNDING	VT2-5019-006	8 - 12	SPACER
RG5-0671-090	14 - 1	FEEDER GUIDE ASSY	VT2-5021-005	35 - 14	SPACER
RG5-0672-030	37 - 4	CAM ASSY SWITCH	VT2-5021-006	7 - 9	SPACER
RG5-0674-000	11 - 5	TRANSFER MOUNT ASSY, LEFT	VT2-5021-010	8 - 9	SPACER
RG5-0675-000	11 - 6	TRANSFER MOUNT ASSY, RIGHT	WC4-5052-000	13 - 2	MICRO SWITCH
RG5-0694-020	14 - 5	SWITCH LEVER ASSY		33 - 23	
RG5-0710-000	37 - 5	SENSOR ASSY		42 - 8	
RG5-0754-000	14 - 10	SCANNER CABLE ASSY	WGB-5210-000	44 - 6	
RG5-0766-030	14 - 4	SCANNER CONNECTOR ASSY		44 - 6	
RG5-1704-000	27 - 22	DELIVERY ASSY		48 - 8	
RG5-1706-020	31 - 2	TRANSFER, GUIDE ASSY		50 - 7	
RG5-1816-000	23 - 22	FLAPPER LEVER ASSY		44 - 2	IC, TLP1240 PHOTOINTERRUPTER
RG5-2786-000	10 - 2	MOTOR ASSY	WGB-5328-000	50 - 2	
RG5-2799-000	27 - 20	GUIDE ASSY, ENTRANCE	WGB-5362-000	19 - 4	IC, OJ-695201-701, PHOTO INT.
RG5-2800-000	9 - 4	FIXING ASSY	WGB-5362-000	33 - 13	IC, TLP1241 PHOTOINTERRUPTER
			WK1-5117-000	38 - 2	BATTERY, LITHIUM, CR2450THE

PART NUMBER	FIGURE & KEY NO.	DESCRIPTION	PART NUMBER	FIGURE & KEY NO.	DESCRIPTION															
WS1-5397-000	38 - 3	PLUG, JUMPER	XB4-7300-809	18 - 4	SCREW, TAP, BINDING HEAD, M3X8															
WS6-5091-000	50 - 20	CONNECTOR, 14P		22 - 19																
WS6-5092-000	44 - 12	CONNECTOR, 14P, MALE		23 - 28																
WT2-0204-000	7 - 13	CLIP, CABLE		25 - 7																
	8 - 10			26 - 12																
	44 - 5			33 - 33																
	49 - 27			35 - 16																
	50 - 6			36 - 5																
	14 - 13			7 - 15		XB4-7400-809	7 - 15	SCREW, TAP, BINDING HEAD, M4X8												
WT2-0387-000	14 - 13	CLAMP		8 - 14																
WT2-0434-000	7 - 11	CLIP	13 - 3																	
WT2-0507-000	14 - 12	HOLDER, CLIP	14 - 16																	
	41 - 4		14 - 16																	
	44 - 3		33 - 35																	
	47 - 4		41 - 6																	
	49 - 28		42 - 24																	
	50 - 3		46 - 21																	
	7 - 10		47 - 8																	
	7 - 12		48 - 20	XB4-7401-007	5 - 3	SCREW, PIN HEAD SELF-TAPPING														
WT2-5031-000	7 - 10	CLIP	6 - 4																	
WT2-5056-000	7 - 12	CLIP, CABLE	7 - 14																	
WT2-5190-000	27 - 32	HOLD PIAS	11 - 11																	
	8 - 11		12 - 2																	
	16 - 7		15 - 5																	
	17 - 10		16 - 8																	
XA9-0476-000	19 - 21	SCREW, TP M3X8	46 - 20		SCREW, BINDING HEAD, SELF-TPG															
	22 - 20		9 - 7																	
	26 - 11		11 - 12																	
	8 - 15		33 - 32																	
	29 - 16		4 - 6	XB6-7300-607		4 - 6	SCREW, TP, M3X6													
	41 - 5		6 - 7																	
	42 - 16		7 - 16																	
	43 - 23		10 - 4																	
	47 - 7		12 - 3																	
	48 - 16		13 - 4																	
49 - 23	33 - 34																			
50 - 24	34 - 10																			
51 - 3	35 - 15																			
50 - 25	43 - 24	XB1-2300-607	47 - 6		SCREW, B#3X6(S)															
10 - 3	49 - 30																			
19 - 20	50 - 23																			
23 - 29	3 - 3		XB6-7300-807	3 - 3		SCREW, TP, M3X8														
24 - 21	7 - 20			XD1-4200-402			7 - 20	WASHER, TOOTHED LOCK, M4												
4 - 5	24 - 22						XD2-1100-242		24 - 22	WASHER, RETAINING										
6 - 5	26 - 13								XD2-1100-322		26 - 13	RETAINING RING (E-TYPE)								
7 - 17	45 - 8										XD2-1100-502		45 - 8	RETAINING RING (E-TYPE)						
8 - 13	42 - 20												XD3-1200-202		42 - 20	SPRING PIN				
9 - 6	43 - 7														XD3-2200-122		43 - 7	PIN, PARALLEL, 2X12		
23 - 30	48 - 14	XB1-2400-807			48 - 14												SCREW, CROSS-RECESS, FCH			
45 - 10	49 - 7				XB2-7300-807														49 - 7	SCREW, M3X6
7 - 21	33 - 31																		XB2-8300-607	
6 - 6	33 - 30		XB2-8300-809			33 - 30														
7 - 18	4 - 7			XB4-7260-605		4 - 7		SCREW, TAP TIGHT, BINDING HEAD												
27 - 34						XB4-7300-807														
20 - 5																				
4 - 7																				

PART NUMBER	FIGURE & KEY NO.	DESCRIPTION
XD3-4300-282	23 - 26	PIN, DOWER



This publication is
printed on 100%
recycled paper.

Canon