

LASER CLASS® 3170/3175

LASER CLASS® 3175MS

PARTS CATALOG

REVISION 0

LASER CLASS 3170	H12-1612	120V	USA
LASER CLASS 3175	H12-1622	120V	USA
LASER CLASS 3175MS	H12-1682	120V	USA
VERIFICATION STAMP UNIT1	H12-3162		
YELLOW INK TO REFILL	H12-3372		
FOR VERIFICATION STAMP			
HANDSET KIT L7	H12-3472		
OPTION MEMORY VII (4MB)	H11-4721		
DUAL-LINE UPGRADE KIT II	H11-5502		
PRINTER BOARD I	H11-5512		
Adobe PostScript 3 Module I	H11-5532		
DUPLEX UNIT DU-52	R73-5004		
ENVELOPE FEEDER EF-52	R73-5005		
PAPER FEED UNIT PF-52	R73-5006		

Canon

SEPT. 1999

HY8-39AM-000

Application

This manual has been issued by Canon Inc. for qualified persons to learn technical theory, installation, maintenance, and repair of products. This manual covers all localities where the products are sold. For this reason, there may be information in this manual that does not apply to your locality.

Corrections

This manual may contain technical inaccuracies or typographical errors due to improvements or changes in products. When changes occur in applicable products or in the content of this manual, Canon will release technical information as the need arises. In the event of major changes in the contents of this manual over a long or short period, Canon will issue a new edition of this manual.

The following paragraph does not apply to any countries where such provisions are inconsistent with local law.

Trademarks

The product names and company names described in this manual are the registered trademarks of the individual companies.

Copyright

This manual is copyrighted with all rights reserved. Under the copyright laws, this manual may not be copied, reproduced or translated into another language, in whole or in part, without the written consent of Canon Inc.

Copyright © 1999 by Canon Inc.

CANON INC.

Consumer Imaging Products Quality Assurance Dept. 1

5-1 Hakusan 7-Chome, Toride-city, Ibaraki 302-8501, Japan

DTP System

The data contained on this manual were created using Apple Macintosh® computers.
Document creation and page layout were performed using Adobe® PageMaker® 6.5J.
Logos and illustrations were created using Macromedia® FreeHand 8.0J.

PARTS CATALOG OUTLINE

In addition to the main facsimile body, the LASER CLASS 3170/3175/3175MS has options which are used especially for facsimile and options which are used in common with LBP. Because of this, this parts catalog is divided as shown below.

Part 1: Facsimile and Special Facsimile Options

These are listed in the LASER CLASS 3170/3175/3175MS and Special Options parts catalog. They are products whose product numbers begin with the letter "H."

Part 2: Options Common to LBP

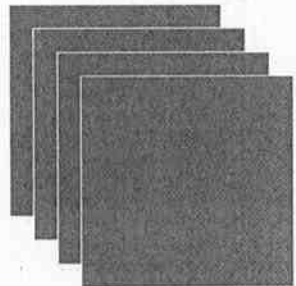
These are appended for reference to the options parts catalog for LBP products which can be used with the LASER CLASS 3170/3175/3175MS. They are products whose product numbers begin with the letter "R."

The Product No.'s are listed on a table. Please check the Product No., and refer to that particular part.



Part 1

Facsimile and Special Facsimile Options



I. CONTENTS

1. ILLUSTRATION INDEX
2. PARTS LAYOUT & PARTS LIST
3. TOOL
4. LUBRICATIONS
5. GUIDE TO REPLACEMENT
6. NUMERICAL INDEX

II. ABOUT THIS MANUAL

1. ILLUSTRATION INDEX

For illustration index, the parts layout illustrations in this parts catalog are listed in abbreviated form in order of illustration number to identify the pages they appear on. To find an illustration of a part, see the ILLUSTRATION INDEX.

2. PARTS LAYOUT & PARTS LIST

Parts layout illustration

a) Parts search

Find a part from the parts layout illustration and find its key number from the parts list to identify the part number and name.

Further, screws, nuts, washers, grip rings, pins and spacers are mentioned in the parts list.

Note: If parts have the same or similar shape but different specifications, their key number is assigned to several part numbers and names in the parts list.

b) Parts replacement procedure

The parts layout illustrations are arranged according to the disassembly procedure of the product.

When a unit in the illustration can be disassemble further, a reference illustration page of the disassembly will be included.

Parts where grease is to be applied are displayed as "Lubrication". When replacing parts, or if grease has accidentally been wiped off, refer to "4". (Lubrications), and reapply the grease.

The parts require carefully work are marked "See page 5-x". So refer to the corresponded page "5". (GUIDE TO REPLACEMENT).

The letters (A , B etc.) in the illustration indicate the connection locations of cables and screws.

Parts list

a) FIGURE & KEY No.

The FIGURE & KEY No. column corresponds to the key numbers assigned to the parts in the parts layout illustration.

It also corresponds to the part locations printed on the PC board.

b) PART NUMBER

The PART NUMBER column gives the part numbers corresponding to the key numbers. To order a part, indicate the part number clearly.

Note: Parts marked NPN are not service parts.

c) RANK

The service parts with N in the RANK column are order parts.

d) QTY

The QTY column gives the number of parts in the corresponding components layout illustration.

e) DESCRIPTION

The DESCRIPTION column gives the part names in English.

To order a part, indicate the part name, too.

3. TOOL

This is a list of tools used for servicing products.

4. LUBRICATIONS

Where grease is to be applied in order to allow moving parts to work smoothly, and to increase conductivity, the type and amount of grease to be used will be mentioned.

5. GUIDE TO REPLACEMENT

Explains the special cares and cautions for the parts replacement.

6. NUMERICAL INDEX

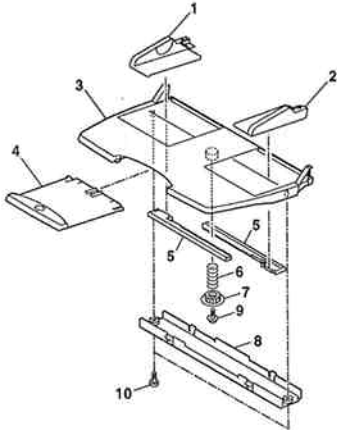
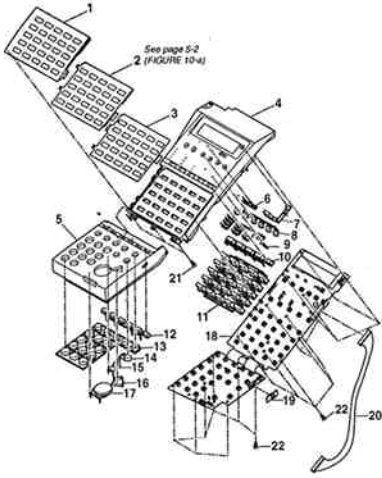
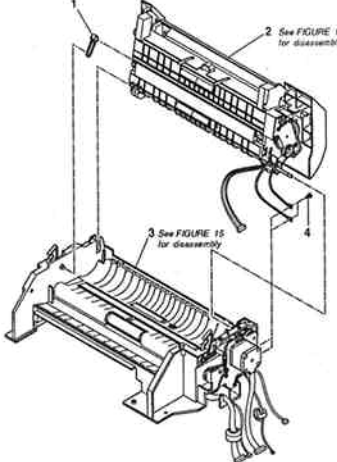
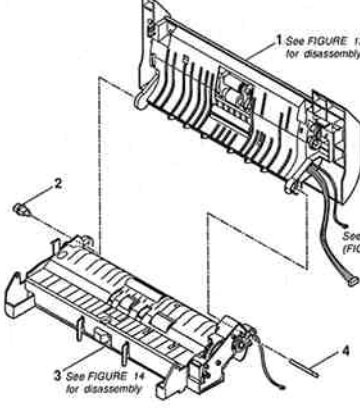
All the parts listed in this parts catalog are arranged in order of part number. You can identify part locations and names from the NUMERICAL INDEX.

This page intentionally left blank

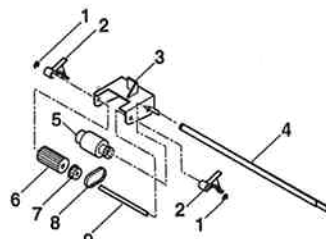
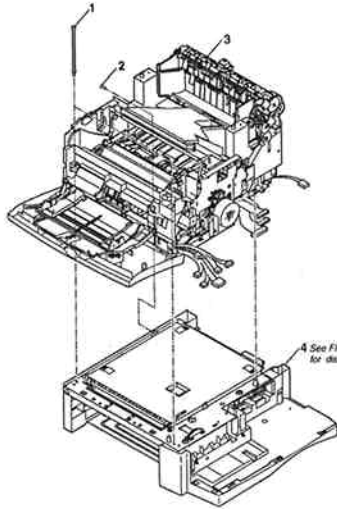
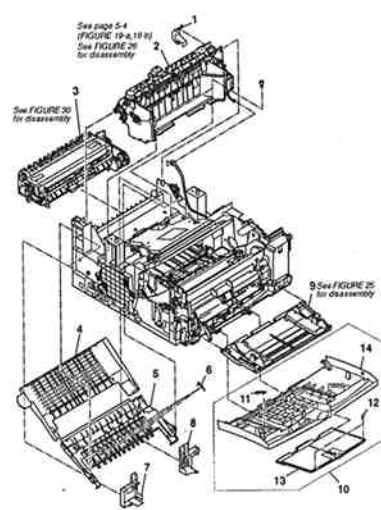
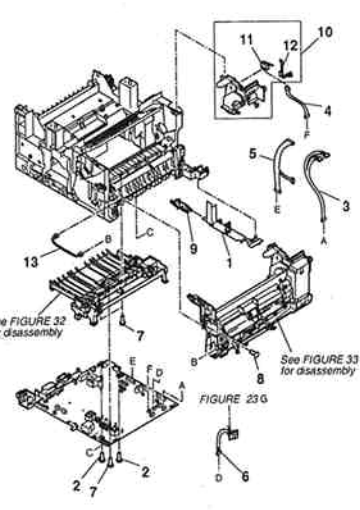
1. ILLUSTRATION INDEX

<p>FIGURE 1 LASER CLASS 3170 PACKAGE CONTENTS</p>	<p>See Page 2-1</p>	<p>FIGURE 2 LASER CLASS 3175/3175MS PACKAGE CONTENTS</p>	<p>See Page 2-3</p>
<p>FIGURE 3 PAPER FEED UNIT (PF-52) PACKAGE CONTENTS</p>	<p>See Page 2-5</p>	<p>FIGURE 4 EXTERNAL COVERS</p>	<p>See Page 2-7</p>

<p>FIGURE 5 READER & OPERATION PANEL</p>	<p>See Page 2-9</p>	<p>FIGURE 6 CIRCUIT BOARDS (LASER CLASS 3170/3175)</p>	<p>See Page 2-11</p>		
		<p>FIGURE 7 CIRCUIT BOARDS (LASER CLASS 3175MS)</p>	<p>See Page 2-13</p>	<p>FIGURE 8 CIRCUIT BOARD FRAME</p>	<p>See Page 2-15</p>

<p>FIGURE 9 DOCUMENT TRAY ASS'Y</p>	<p>See Page 2-17</p>	<p>FIGURE 10 OPERATION PANEL ASS'Y</p>	<p>See Page 2-19</p>
			
<p>FIGURE 11 READER ASS'Y</p>	<p>See Page 2-21</p>	<p>FIGURE 12 UPPER/MIDDLE FRAME ASS'Y</p>	<p>See Page 2-23</p>
			

<p>FIGURE 13 UPPER READER FRAME ASS'Y</p>	<p>See Page 2-25</p>	<p>FIGURE 14 MIDDLE READER FRAME ASS'Y</p>	<p>See Page 2-27</p>
	<p>* = Lubrication See page 4-1</p>		
<p>FIGURE 15 LOWER READER FRAME ASS'Y (1/2)</p>	<p>See Page 2-29</p>	<p>FIGURE 16 LOWER READER FRAME ASS'Y (2/2)</p>	<p>See Page 2-31</p>
<p>* = Lubrication See page 4-2</p>	<p>* = Lubrication See page 4-2</p>		

<p>FIGURE 17 SEPARATION ROLLER ASS'Y (UPPER)</p>	<p>See Page 2-33</p>	<p>FIGURE 18 PRINTER & PAPER FEEDER SECTION</p>	<p>See Page 2-35</p>
 <p>See page 5-4 (FIGURE 17-a)</p>		 <p>See FIGURE 36 for disassembly</p>	
<p>FIGURE 19 PRINTER INTERNAL COMPONENTS 1</p>	<p>See Page 2-37</p>	<p>FIGURE 20 PRINTER INTERNAL COMPONENTS 2</p>	<p>See Page 2-39</p>
 <p>See page 5-4 (FIGURE 19-a, 19-b) See FIGURE 22 for disassembly</p> <p>See FIGURE 30 for disassembly</p> <p>See FIGURE 22 for disassembly</p>		 <p>See FIGURE 32 for disassembly</p> <p>See FIGURE 33 for disassembly</p> <p>FIGURE 23 G</p>	

<p>FIGURE 21 PRINTER INTERNAL COMPONENTS 3</p>	<p>See Page 2-41</p>	<p>FIGURE 22 PRINTER INTERNAL COMPONENTS 4</p>	<p>See Page 2-43</p>
<p>FIGURE 23 DRIVE ASSY</p>	<p>See Page 2-45</p>	<p>FIGURE 24 UPPER COVER ASSY</p>	<p>See Page 2-47</p>

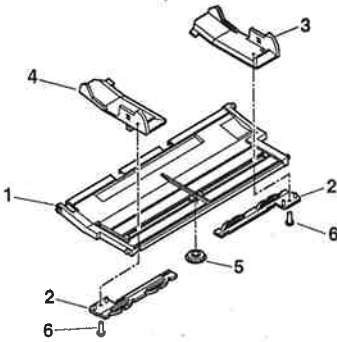
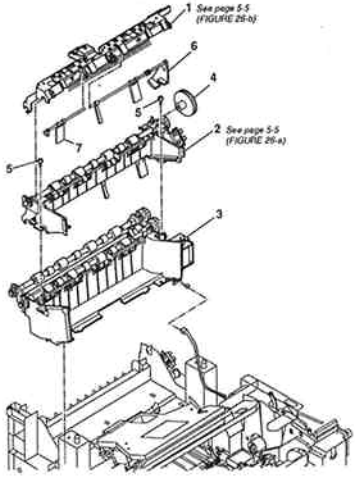
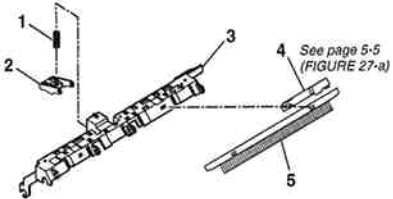
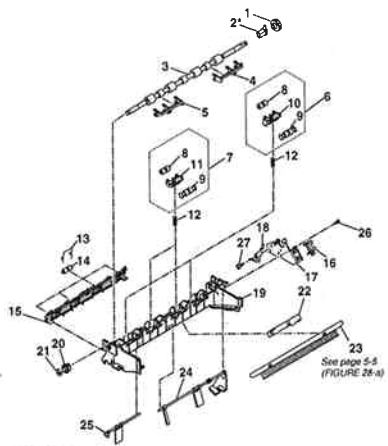
<p>FIGURE 25 MULTI-PURPOSE TRAY ASS'Y</p>	<p>See Page 2-49</p>	<p>FIGURE 26 PAPER DELIVERY ASS'Y</p>	<p>See Page 2-51</p>
			
<p>FIGURE 27 DELIVERY UPPER GUIDE ASS'Y</p>	<p>See Page 2-53</p>	<p>FIGURE 28 DELIVERY MIDDLE GUIDE ASS'Y</p>	<p>See Page 2-55</p>
	 <p>* Lubrication See page 4-3</p>		

FIGURE 29 DELIVERY LOWER GUIDE ASSY

See Page
2-57

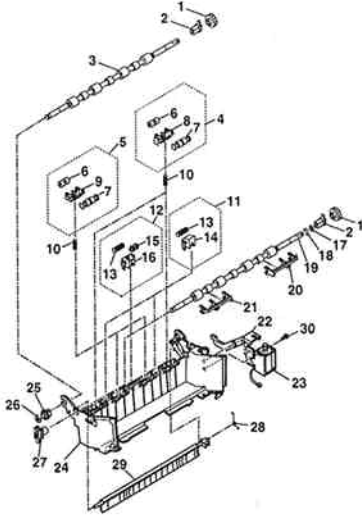


FIGURE 30 FIXING ASSY (1/2)

See Page
2-59

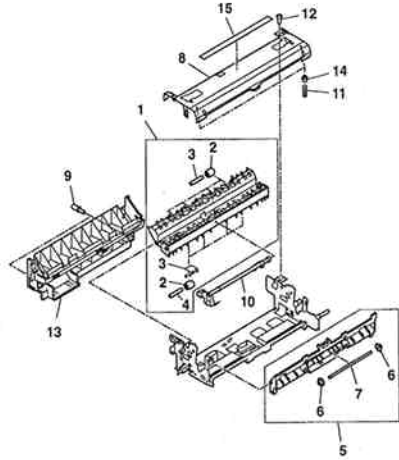
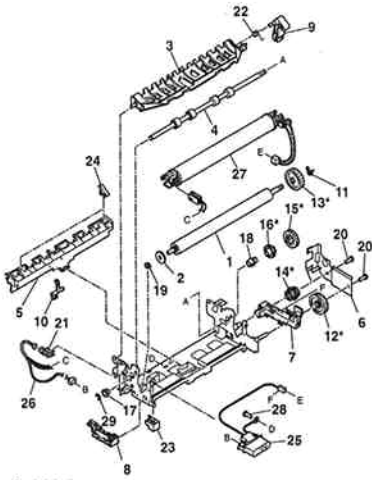


FIGURE 31 FIXING ASSY (2/2)

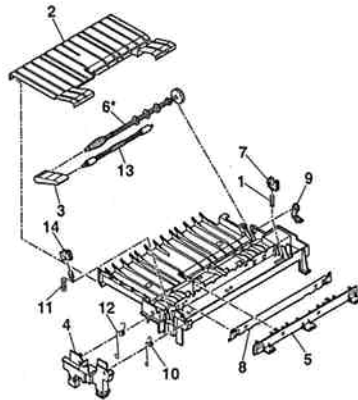
See Page
2-61



* = Lubrication
See page 4-4

FIGURE 32 PAPER FEED GUIDE ASSY

See Page
2-63

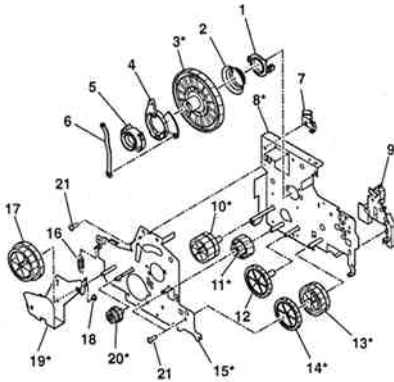


* = Lubrication
See page 4-5

<p>FIGURE 33 MULTI-PURPOSE PICK-UP ASS'Y</p>	<p>See Page 2-65</p>	<p>FIGURE 34 REGISTRATION ASS'Y</p>	<p>See Page 2-67</p>
<p>See page 5-6,5-7 (FIGURE 33 b,33 c,33 d,33 e)</p> <p>* = Lubrication See page 4-6</p>		<p>* = Lubrication See page 4-7</p>	
<p>FIGURE 35 PAPER FEED ASS'Y</p>	<p>See Page 2-69</p>	<p>FIGURE 36 DELIVERY DRIVE ASS'Y</p>	<p>See Page 2-71</p>
<p>* = Lubrication See page 4-8</p>		<p>* = Lubrication See page 4-9</p>	

FIGURE 37 PRINTER DRIVER ASS'Y

See Page
2-73



* = Lubrication
See page 4-10

FIGURE 38 PAPER FEEDER ASS'Y

See Page
2-75

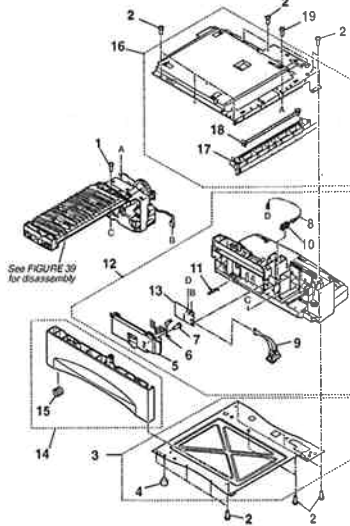
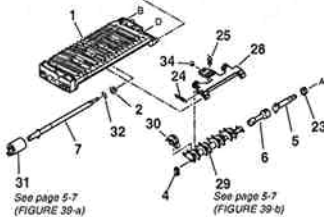
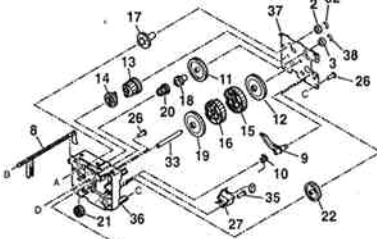


FIGURE 39 PAPER PICK-UP DRIVE ASS'Y

See Page
2-77



See page 5-7
(FIGURE 39-a)

See page 5-7
(FIGURE 39-a)

FIGURE 40 CASSETTE

See Page
2-81

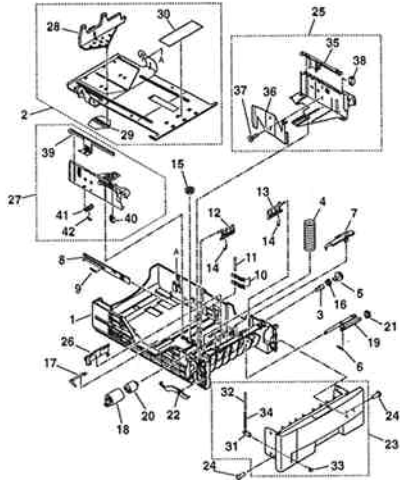


FIGURE 41 SCNT BOARD ASS'Y

See Page
2-85

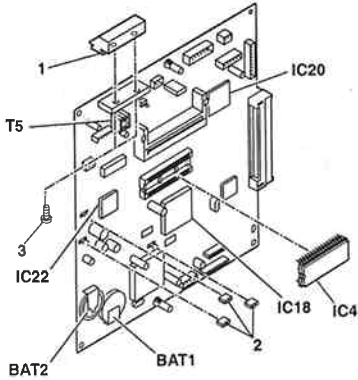


FIGURE 42 ECNT ASS'Y

See Page
2-87

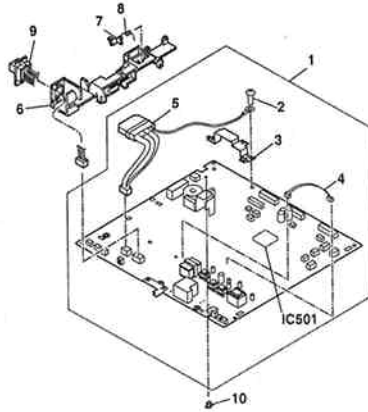


FIGURE 43 NCU BOARD ASS'Y

See Page
2-89

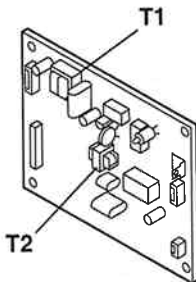
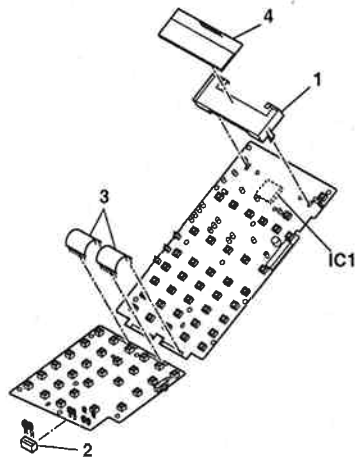


FIGURE 44 OPCNT BOARD ASS'Y

See Page
2-91



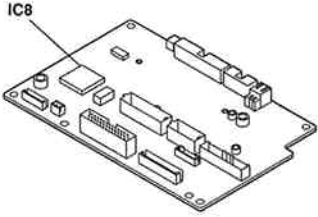
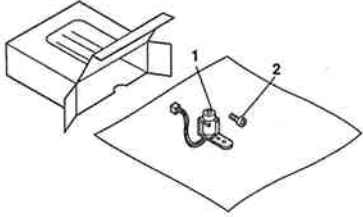
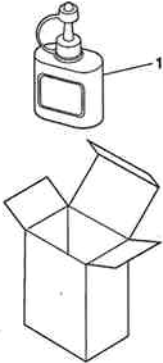
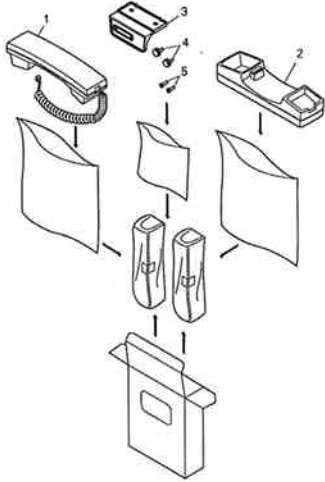
<p>FIGURE 45 TWINS BOARD ASS'Y</p>	<p>See Page 2-93</p>	<p>FIGURE 46 VERIFICATION STAMP UNIT 1 PACKAGE CONTENTS</p>	<p>See Page 2-95</p>
			
<p>FIGURE 47 YELLOW INK TO REFILL FOR VERIFICATION STAMP PACKAGE CONTENTS</p>	<p>See Page 2-97</p>	<p>FIGURE 48 HANDSET KIT L7 PACKAGE CONTENTS</p>	<p>See Page 2-99</p>
 <p data-bbox="169 1382 542 1422">The Stamp ink is not designated as a service part. Please include it with the product (Product No. H12-3372-210).</p>			

FIGURE 49 OPTION MEMORY VII
(4MB)
PACKAGE CONTENTS

See Page
2-101

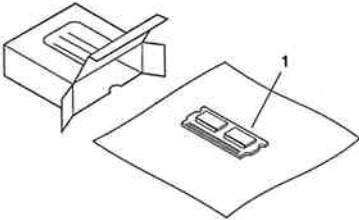


FIGURE 50 DUAL-LINE UPGRADE KIT III
PACKAGE CONTENTS

See Page
2-103

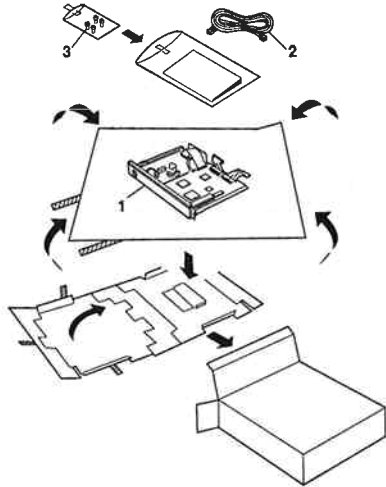


FIGURE 51 DUAL-LINE ASS'Y

See Page
2-105

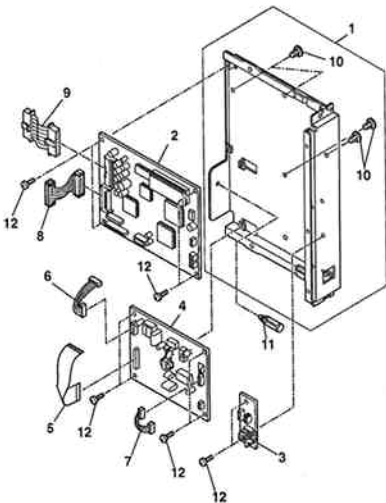
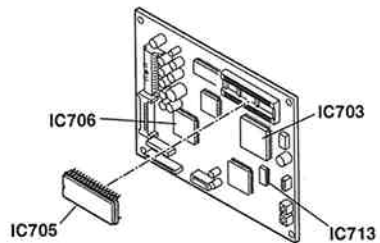


FIGURE 52 DUAL-LINE BOARD
ASS'Y

See Page
2-107



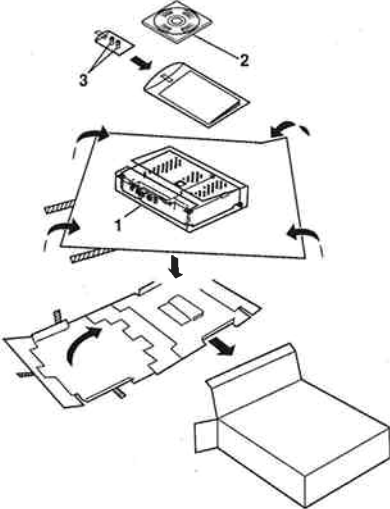
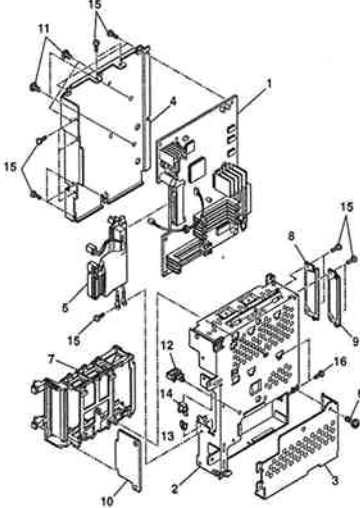
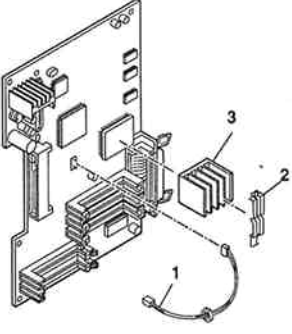
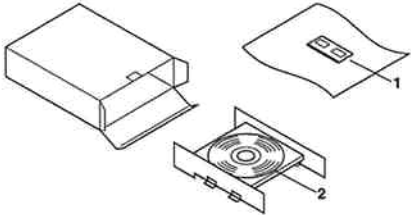
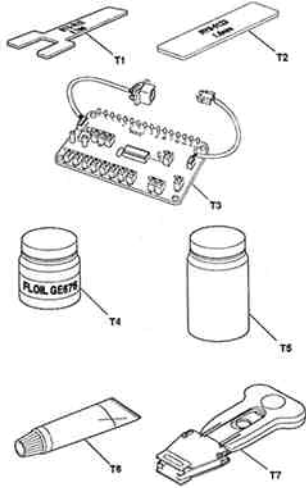
<p>FIGURE 53 PRINTER BOARD I PACKAGE CONTENTS</p>	<p>See Page 2-109</p>	<p>FIGURE 54 PRINTER BOARD ASS'Y</p>	<p>See Page 2-111</p>
			
<p>FIGURE 55 PDL BOARD ASS'Y</p>	<p>See Page 2-113</p>	<p>FIGURE 56 ADOBE POSTSCRIPT 3 MODULE I PACKAGE CONTENTS</p>	<p>See Page 2-115</p>
			

FIGURE 57 TOOLS

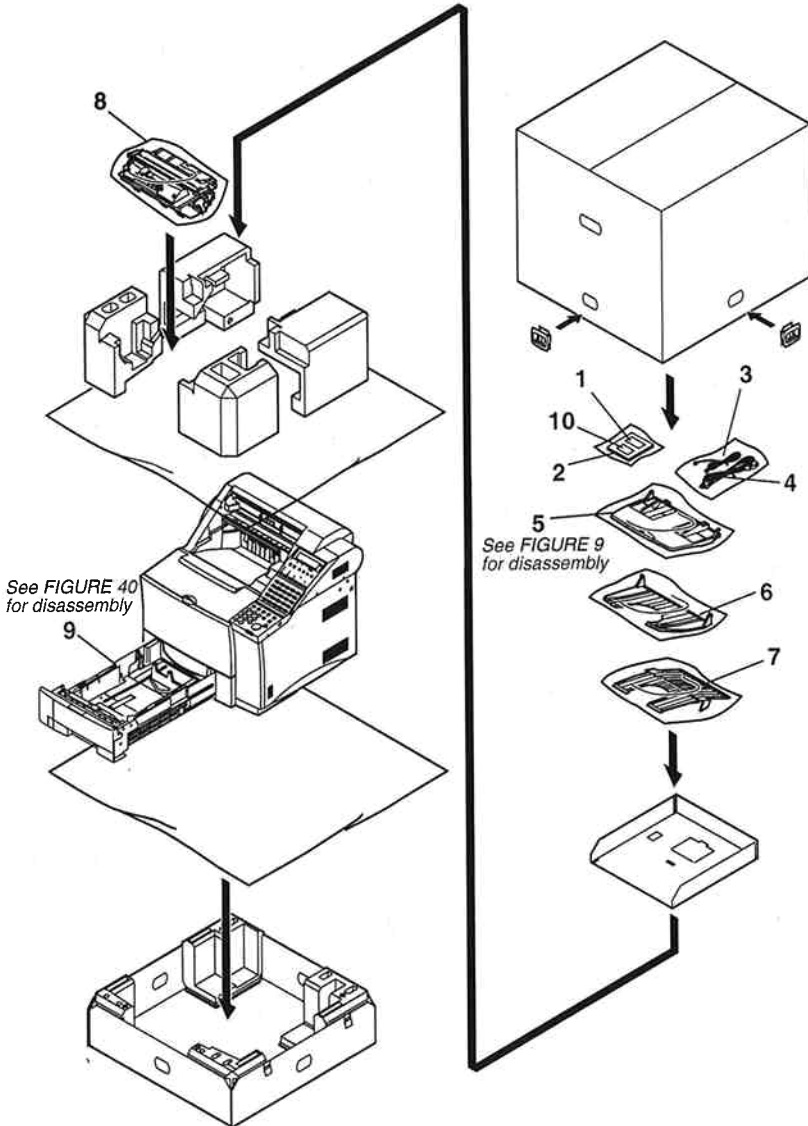
See Page
3-1



This page intentionally left blank

2. PARTS LAYOUT & PARTS LIST

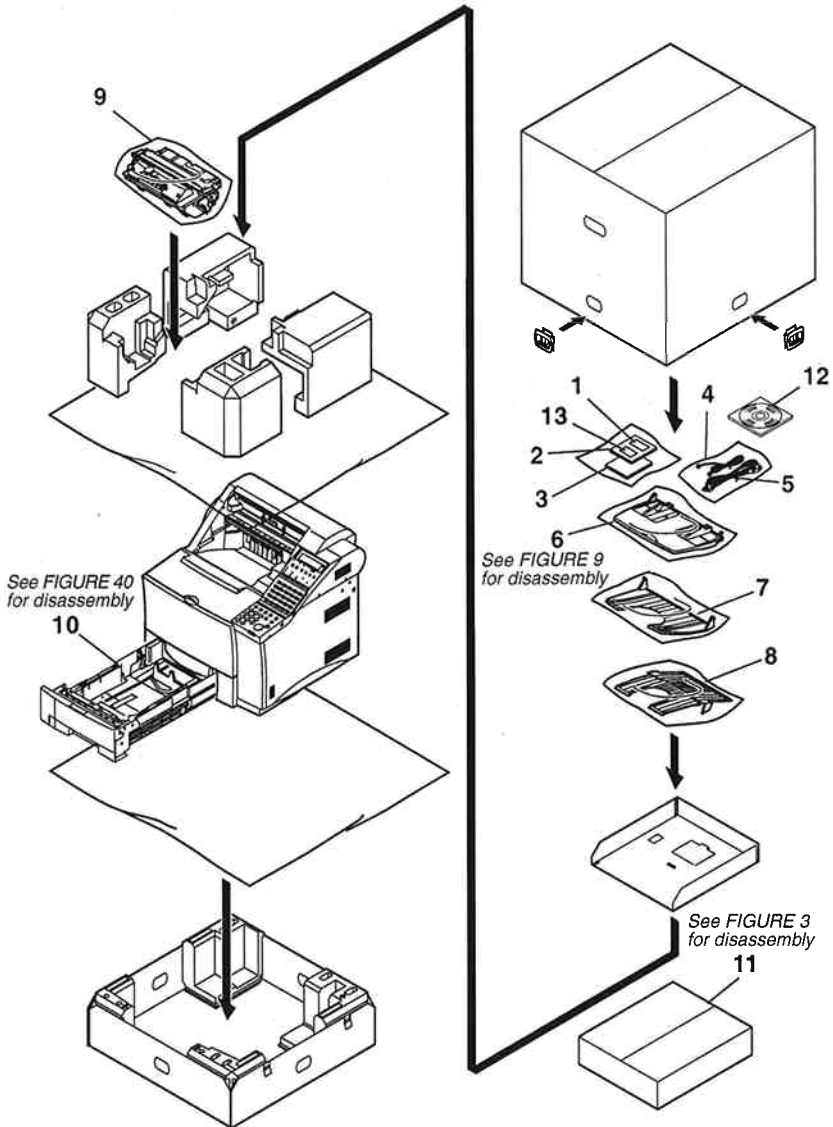
FIGURE 1 LASER CLASS 3170 PACKAGE CONTENTS



LASER CLASS 3170/3175/3175MS 2.PARTS LAYOUT & PARTS LIST

FIGURE & KEY No.	PART No.	R A N K	Q T Y	DESCRIPTION	REMARKS
1- 1	HB1-4357-000		2	LABEL, DESTINATION	
2	HT1-2134-000	N	1	USER'S GUIDE, FACSIMILE (ENG)	
3	HH2-2830-000		1	CORD, MODULAR, 2W	
4	RH2-5263-000		1	CORD, POWER	
5	HG5-1932-000		1	DOCUMENT TRAY ASS'Y	
6	HB1-3856-000		1	TRAY, DOCUMENT EXIT	
7	HG5-1915-000		1	RECORDING PAPER TRAY ASSY	
8	NPN		1	FX6 TONER CARTRIDGE	
9	NPN		1	CASSETTE	
10	HB1-3957-000		1	LABEL, TRAY	

FIGURE 2 LASER CLASS 3175/3175MS
PACKAGE CONTENTS



LASER CLASS 3170/3175/3175MS 2.PARTS LAYOUT & PARTS LIST

FIGURE & KEY No.	PART No.	RANK	QTY	DESCRIPTION	REMARKS
2-1	HB1-4357-000		2	LABEL, DESTINATION	
2	HT1-2134-000	N	1	USER'S GUIDE, FACSIMILE (ENG)	LASER CLASS 3175MS
3	HT1-2135-000	N	1	USER'S GUIDE, PRINTER(ENG)	
4	HH2-2830-000		1	CORD, MODULAR, 2W	
5	RH2-5263-000		1	CORD, POWER	
6	HG5-1932-000		1	DOCUMENT TRAY ASSY	
7	HB1-3856-000		1	TRAY, DOCUMENT EXIT	
8	HG5-1915-000		1	RECORDING PAPER TRAY ASSY	
9	NPN		1	FX6 TONER CARTRIDGE	
10	NPN		1	CASSETTE	
11	NPN		1	PAPER FEED UNIT (PF-52)	
12	HH4-3313-000	N	1	CD-ROM, DRIVER SOFTWARE	LASER CLASS 3175MS
13	HB1-3957-000		1	LABEL, TRAY	

**FIGURE 3 PAPER FEED UNIT (PF-52)
PACKAGE CONTENTS**

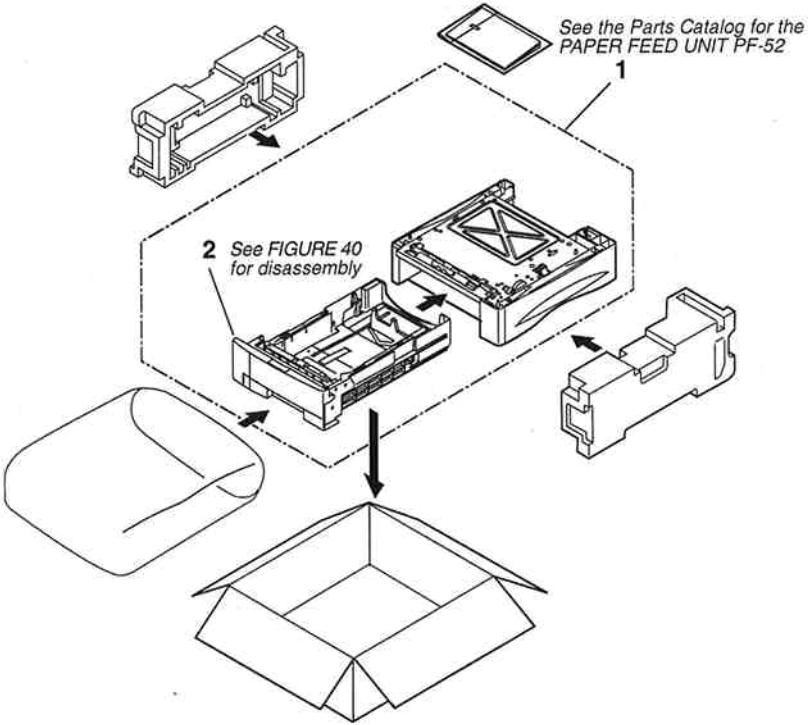
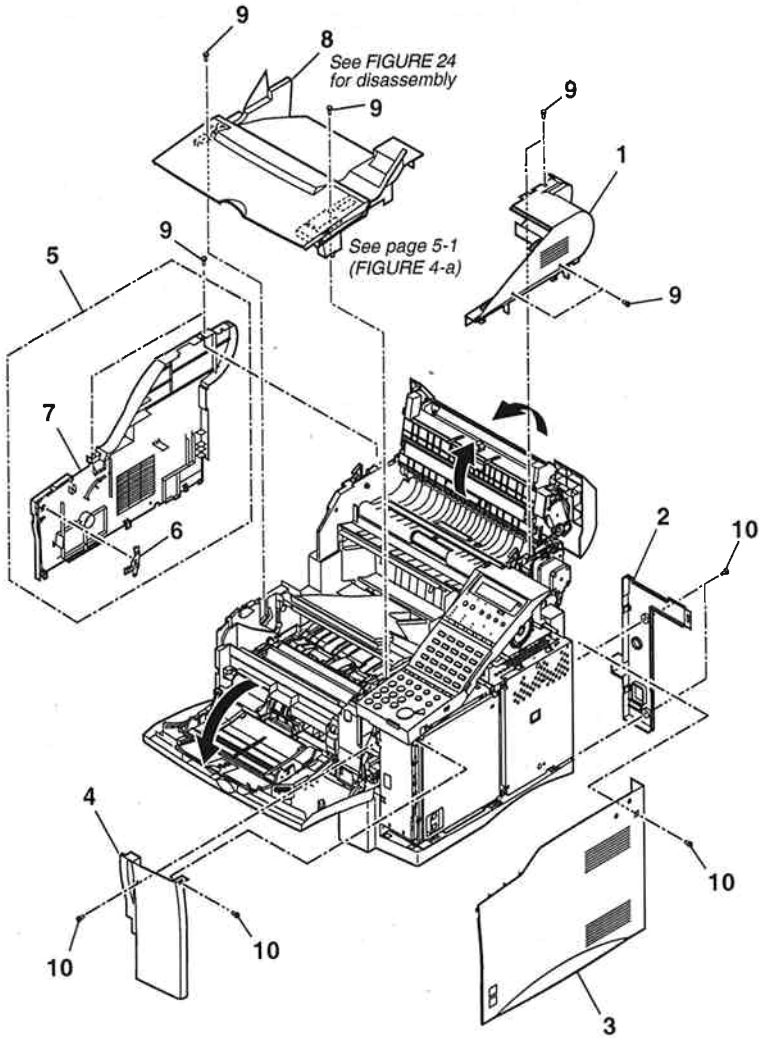


FIGURE & KEY No.	PART No.	R A N K	Q T Y	DESCRIPTION	REMARKS
3 - 1	NPN		1	PAPER FEED UNIT (PF-52)	
2	NPN		1	CASSETTE	

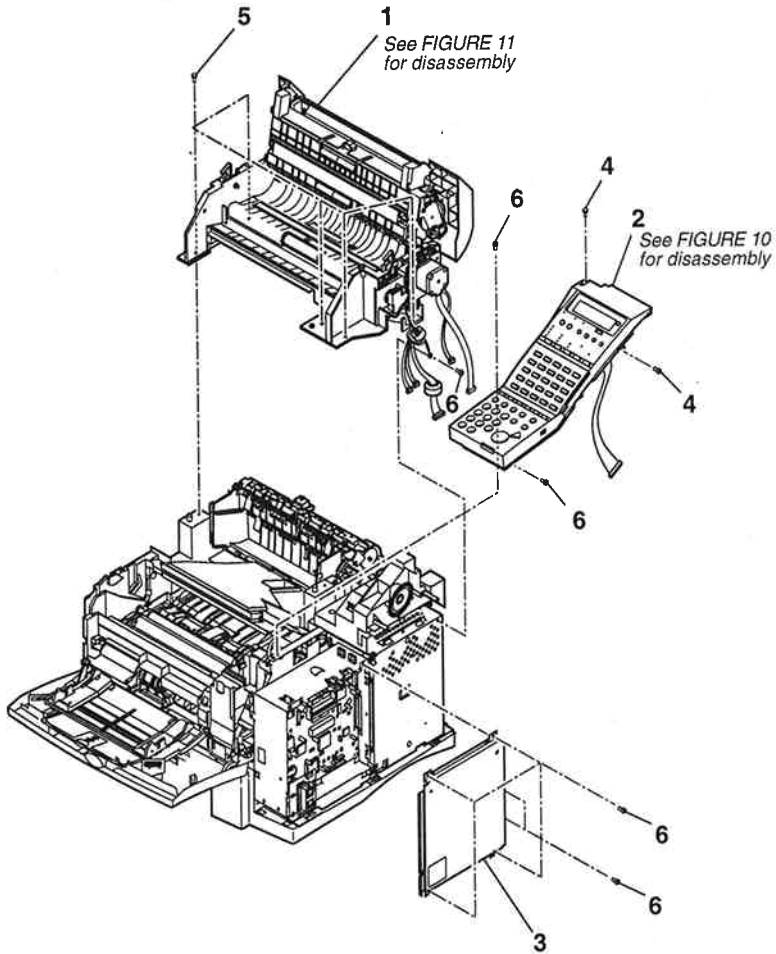
FIGURE 4 EXTERNAL COVERS



LASER CLASS 3170/3175/3175MS 2.PARTS LAYOUT & PARTS LIST

FIGURE & KEY No.	PART No.	R A N K	Q T Y	DESCRIPTION	REMARKS
4 - 1	HB1-3824-000		1	COVER, READ MOTER	
2	HB1-3820-000		1	COVER, REAR	
3	HB1-3818-000		1	COVER, RIGHT	
4	HB1-3768-000		1	COVER, FRONT RIGHT	LASER CLASS 3170/3175
	HB1-3952-000		1	COVER, FRONT RIGHT	LASER CLASS 3175MS
5	HG5-1922-000		1	LEFT COVER ASS'Y	
6	HB1-3823-000		1	LOCK, PLATE	
7	NPN		1	COVER, LEFT	
8	HG5-1921-000		1	UPPER COVER ASS'Y	
9	XA9-0780-000		8	SCREW, M4X12	
10	XB1-2300-807		5	SCREW, BH3X6(S)	

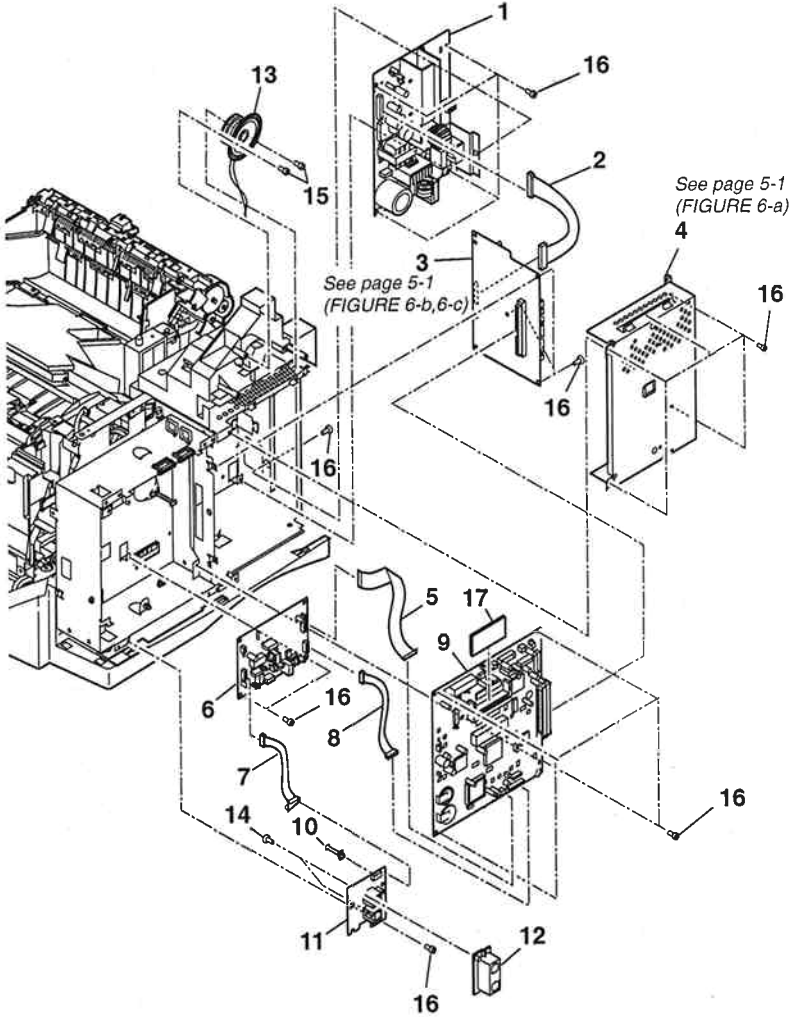
FIGURE 5 READER & OPERATION PANEL



LASER CLASS 3170/3175/3175MS 2.PARTS LAYOUT & PARTS LIST

FIGURE & KEY No.	PART No.	R A N K	Q T Y	DESCRIPTION	REMARKS
5- 1	NPN		1	READER ASS'Y	
2	HG5-1923-000		1	OPERATION PANEL ASS'Y	
3	NPN		1	COVER, SCNT SHIELD	
4	XA9-0780-000		2	SCREW, M4X12	
5	XA9-0870-000		5	SCREW, M4X10	
6	XB1-2300-607		9	SCREW, BH3X6(S)	

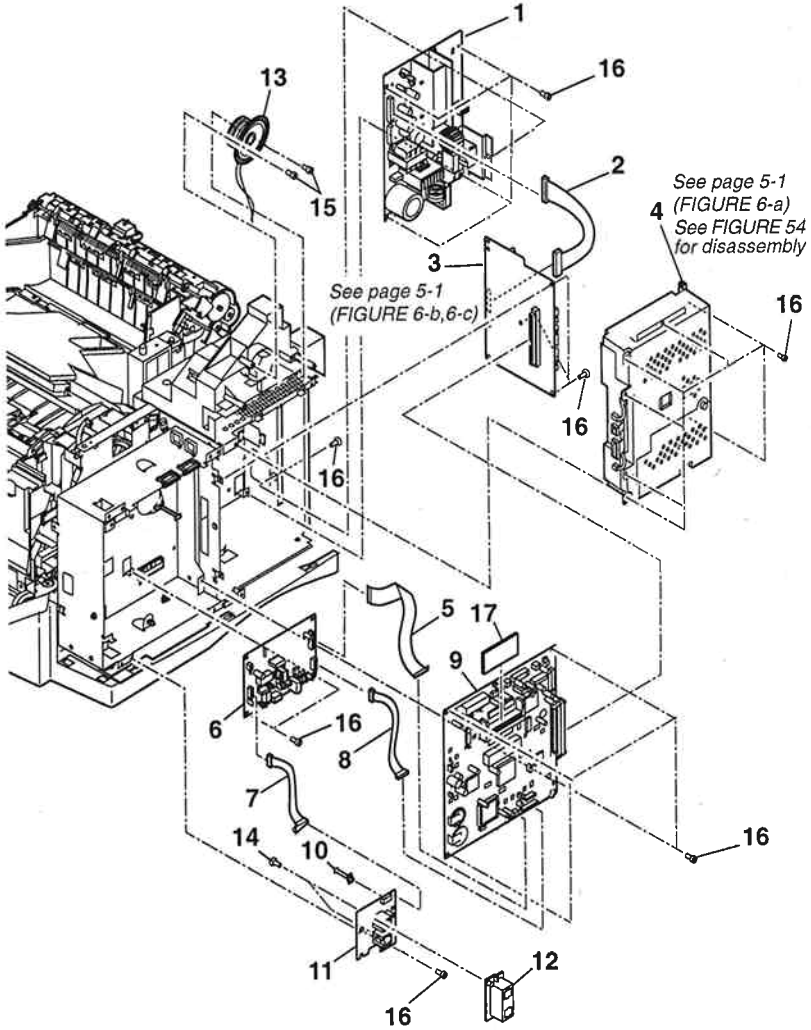
FIGURE 6 CIRCUIT BOARDS (LASER CLASS 3170/3175)



LASER CLASS 3170/3175/3175MS 2.PARTS LAYOUT & PARTS LIST

FIGURE & KEY No.	PART No.	R A N K	Q T Y	DESCRIPTION	REMARKS
6 - 1	HH3-5343-000		1	POWER SUPPLY UNIT	
2	HH2-2892-000		1	CABLE WITH CONNECTOR, 15P	
3	HG5-1946-000		1	TWINS BOARD ASSY	
4	NPN		1	COVER, SHIELD 1	
5	HH2-2905-000		1	CABLE, FLAT, 23P	
6	HG5-2042-000		1	NCU BOARD ASSY	
7	HH2-2907-000		1	CABLE WITH CONNECTOR, 5P	
8	HH2-2906-000		1	CABLE WITH CONNECTOR, 6P	
9	HG5-1952-000		1	SCNT BOARD ASSY	
10	VT2-5167-018		1	SPACER	
11	HG5-1947-000		1	MODULAR BOARD ASSY	
12	HB1-3780-000		1	HOLDER, MODULAR	
13	HH7-2378-000		1	SPEAKER UNIT	
14	XA9-0591-000		2	SCREW, M3X8	
15	XA9-0476-000		2	SCREW, TP M3X8	
16	XB1-2300-607		20	SCREW, BH3X6(S)	
17	HG5-1851-000	N	1	DRAM BOARD ASSY (4M-BYTE)	LASER CLASS 3175

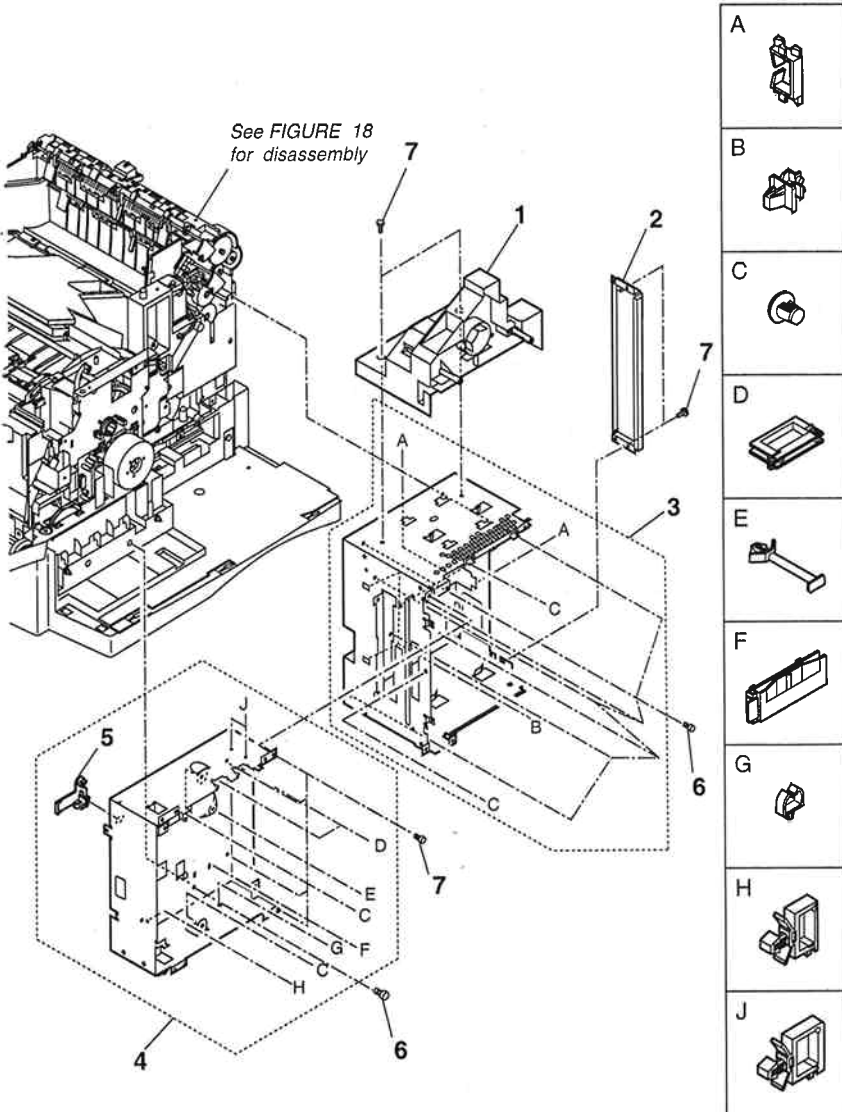
FIGURE 7 CIRCUIT BOARDS (LASER CLASS 3175MS)



LASER CLASS 3170/3175/3175MS 2.PARTS LAYOUT & PARTS LIST

FIGURE & KEY No.	PART No.	RANK	QTY	DESCRIPTION	REMARKS
7 - 1	HH3-5343-000		1	POWER SUPPLY UNIT	
2	HH2-2892-000		1	CABLE WITH CONNECTOR, 15P	
3	HG5-1946-000		1	TWINS BOARD ASSY	
4	NPN		1	PRINTER BOARD ASSY	
5	HH2-2905-000		1	CABLE, FLAT, 23P	
6	HG5-2042-000		1	NCU BOARD ASSY	
7	HH2-2907-000		1	CABLE WITH CONNECTOR, 5P	
8	HH2-2906-000		1	CABLE WITH CONNECTOR, 6P	
9	HG5-1952-000		1	SCNT BOARD ASSY	
10	VT2-5167-018		1	SPACER	
11	HG5-1947-000		1	MODULAR BOARD ASSY	
12	HB1-3780-000		1	HOLDER, MODULAR	
13	HH7-2378-000		1	SPEAKER UNIT	
14	XA9-0591-000		2	SCREW, M3X8	
15	XA9-0476-000		2	SCREW, TP M3X8	
16	XB1-2300-607		22	SCREW, BH3X6(S)	
17	HG5-1851-000	N	1	DRAM BOARD ASSY, (4M-BYTE)	

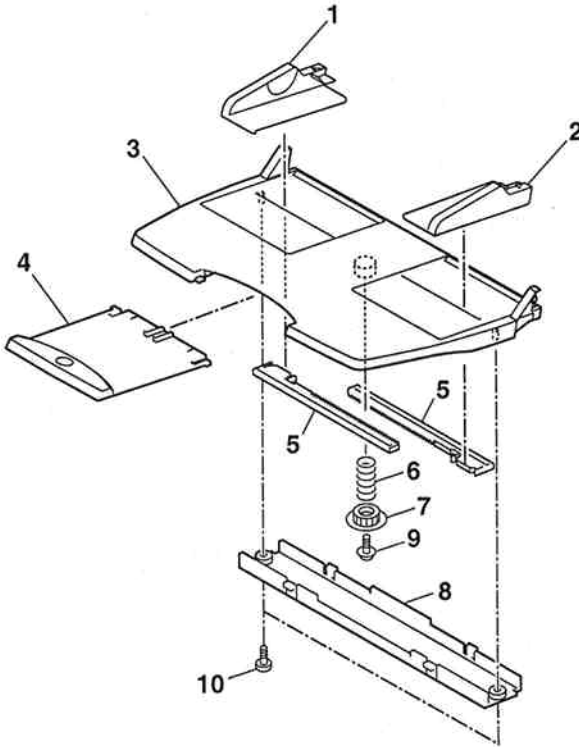
FIGURE 8 CIRCUIT BOARD FRAME



LASER CLASS 3170/3175/3175MS 2.PARTS LAYOUT & PARTS LIST

FIGURE & KEY No.	PART No.	RANK	QTY	DESCRIPTION	REMARKS
8- 1	HB1-3767-000		1	MOUNT, READ MOTOR	
2	NPN		1	COVER, SHIELD 2	
3	NPN		1	METAL FRAME ASS'Y	
4	NPN		1	METAL FRAME ASS'Y	
5	HB1-3821-000		1	LOCK, COVER	
6	XA9-0870-000		8	SCREW, M4X10	
7	XB1-2300-607		8	SCREW, BH3X6(S)	
A	WT2-5070-000		2	CLIP, CABLE	
B	WT2-5632-000		2	HOLDER, PCB	
C	VT2-5027-006		4	SPACER	
D	WT2-5031-000		2	CLIP, CABLE	
E	VT2-5167-018		1	SPACER	
F	WT2-5633-000		1	CLIP, FLAT CABLE	
G	WT2-5026-000		1	CLIP, CABLE	
H	WT2-0317-000		1	CLIP, CABLE	
J	WT2-5018-000		2	CLIP, CABLE	

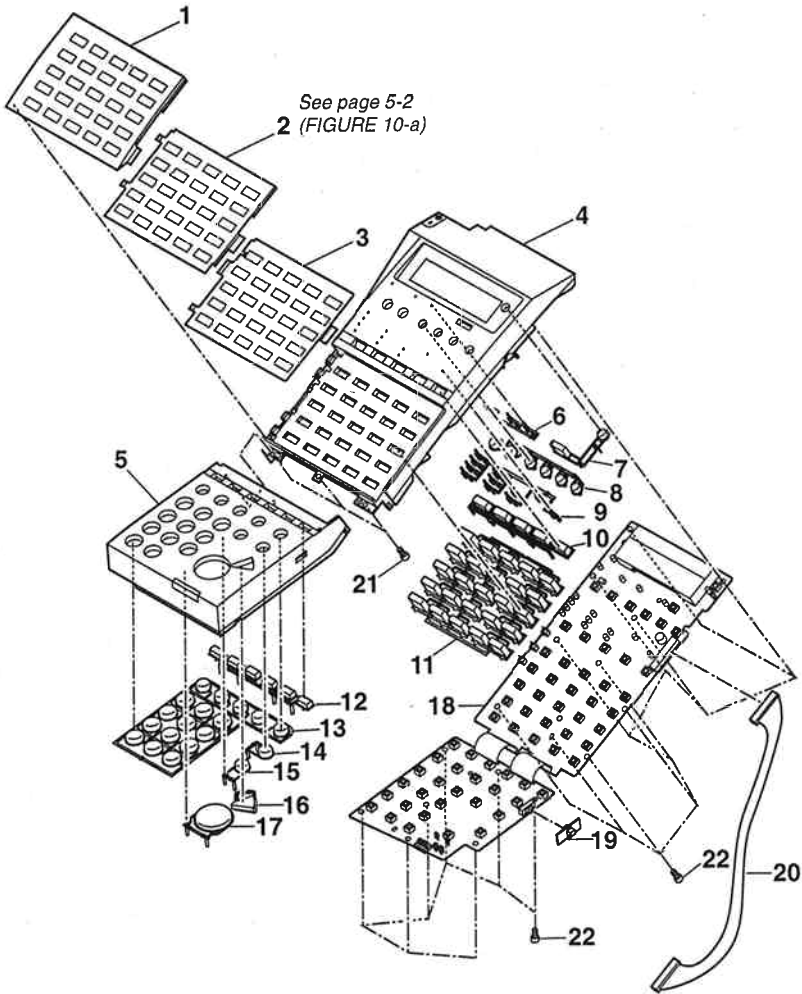
FIGURE 9 DOCUMENT TRAY ASS'Y



LASER CLASS 3170/3175/3175MS 2.PARTS LAYOUT & PARTS LIST

FIGURE & KEY No.	PART No.	R A N K	Q T Y	DESCRIPTION	REMARKS
9-1	NPN		1	GUIDE, DOCUMENT, LEFT	
2	NPN		1	GUIDE, DOCUMENT, RIGHT	
3	NPN		1	TRAY, DOCUMENT	
4	HB1-3878-000		1	TRAY, EXTENSION	
5	NPN		2	PLATE, RACK, DOCUMENT GUIDE	
6	NPN		1	SPRING	
7	NPN		1	PINION, 16T	
8	NPN		1	COVER, DOCUMENT GUIDE	
9	NPN		1	SCREW, TP, PH3X6	
10	NPN		2	SCREW, M3X8	

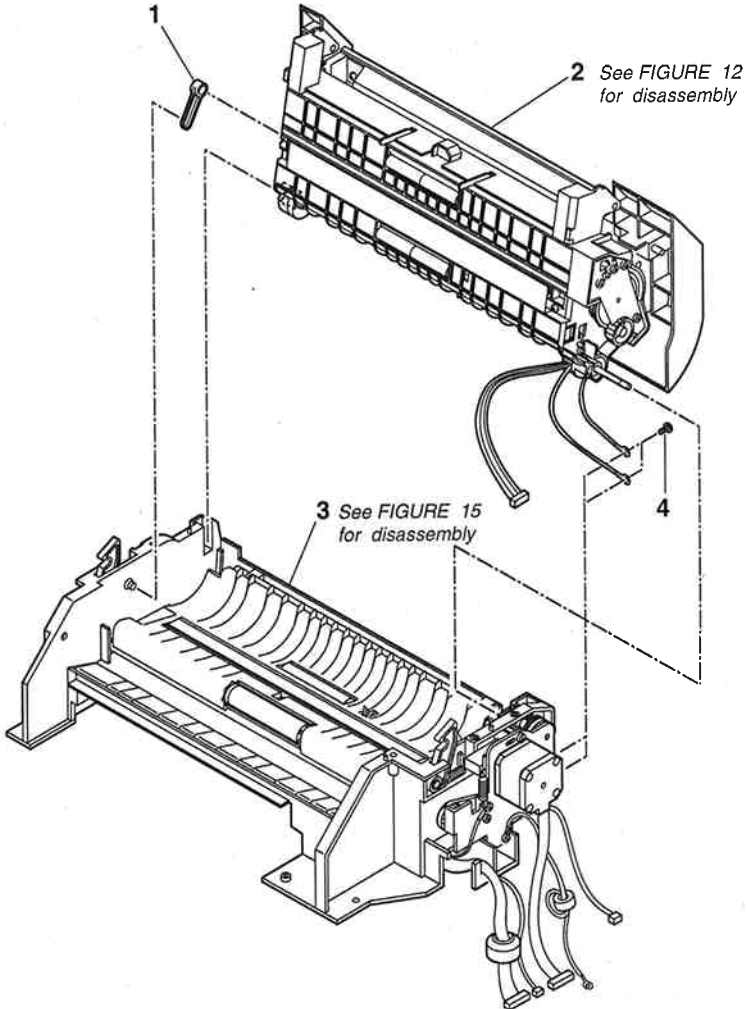
FIGURE 10 OPERATION PANEL ASS'Y



LASER CLASS 3170/3175/3175MS 2.PARTS LAYOUT & PARTS LIST

FIGURE & KEY No.	PART No.	R A N K	Q T Y	DESCRIPTION	REMARKS
10- 1	HB1-3834-000		1	COVER, "ONE-TOUCH DIAL 1"	
2	HB1-3835-000		1	COVER, "ONE-TOUCH DIAL 2"	
3	HB1-3836-000		1	COVER, "ONE-TOUCH DIAL 3"	
4	NPN		1	COVER, OPERATION PANEL 1	
5	NPN		1	COVER, OPERATION PANEL 2	
6	HB1-3848-000		1	COVER, INDICATOR 2	
7	HB1-3845-000		1	KEY TOP, "ESS"	
8	HB1-3846-000		1	KEY TOP, "PRINTER"	
9	HB1-3847-000		1	COVER, INDICATOR 1	
10	HB1-3841-000		1	KEY TOP, "FUNCTION 1"	
11	HB1-3837-000		1	KEY TOP, "ONE-TOUCH DIAL"	
12	HB1-3842-000		1	KEY TOP, "FUNCTION 2"	
13	HB1-3838-000		1	KEY TOP, "DIAL"	
14	HB1-3843-000		1	KEY TOP, "COPY"	
15	HB1-3844-000		1	KEY TOP, "CLEAR"	
16	HB1-3840-000		1	KEY TOP, "STOP"	
17	HB1-3839-000		1	KEY TOP, "START"	
18	HG5-1907-000		1	OPCNT BOARD ASS'Y	
19	HB1-3849-000		1	COVER, VOLUME	
20	HH2-2903-000		1	CABLE WITH CONNECTOR, 18P	
21	XB4-7300-807		3	SCREW, TAP TIGHT, BINDING HEAD	
22	XB4-7260-609		18	SCREW, TAP, BH2.6X6	

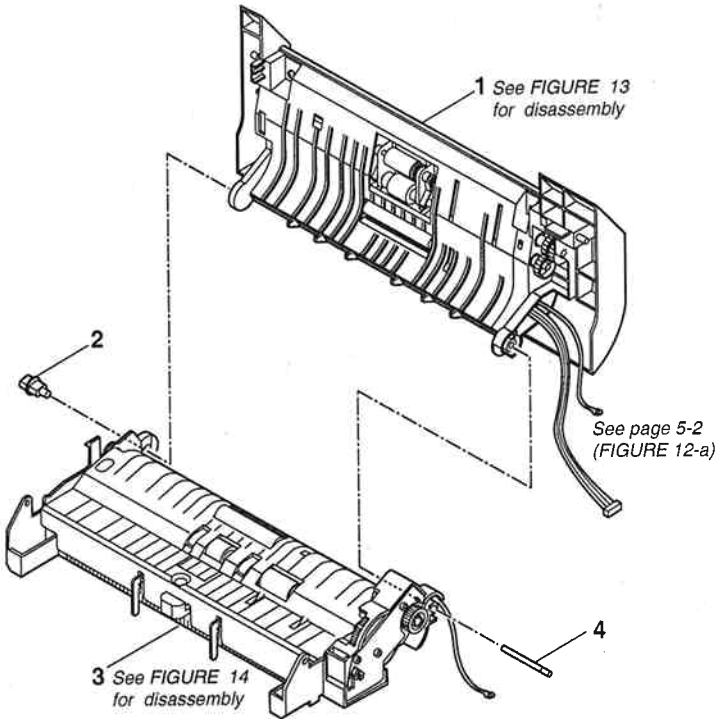
FIGURE 11 READER ASS'Y



LASER CLASS 3170/3175/3175MS 2.PARTS LAYOUT & PARTS LIST

FIGURE & KEY No.	PART No.	R A N K	Q T Y	DESCRIPTION	REMARKS
11- 1	HB1-0882-000		1	STOPPER, OPERATION PANEL	
2	NPN		1	UPPER/MIDDLE FRAME ASS'Y	
3	NPN		1	LOWER READER FRAME ASS'Y	
4	XB1-2300-607		2	SCREW, BH3X6(S)	

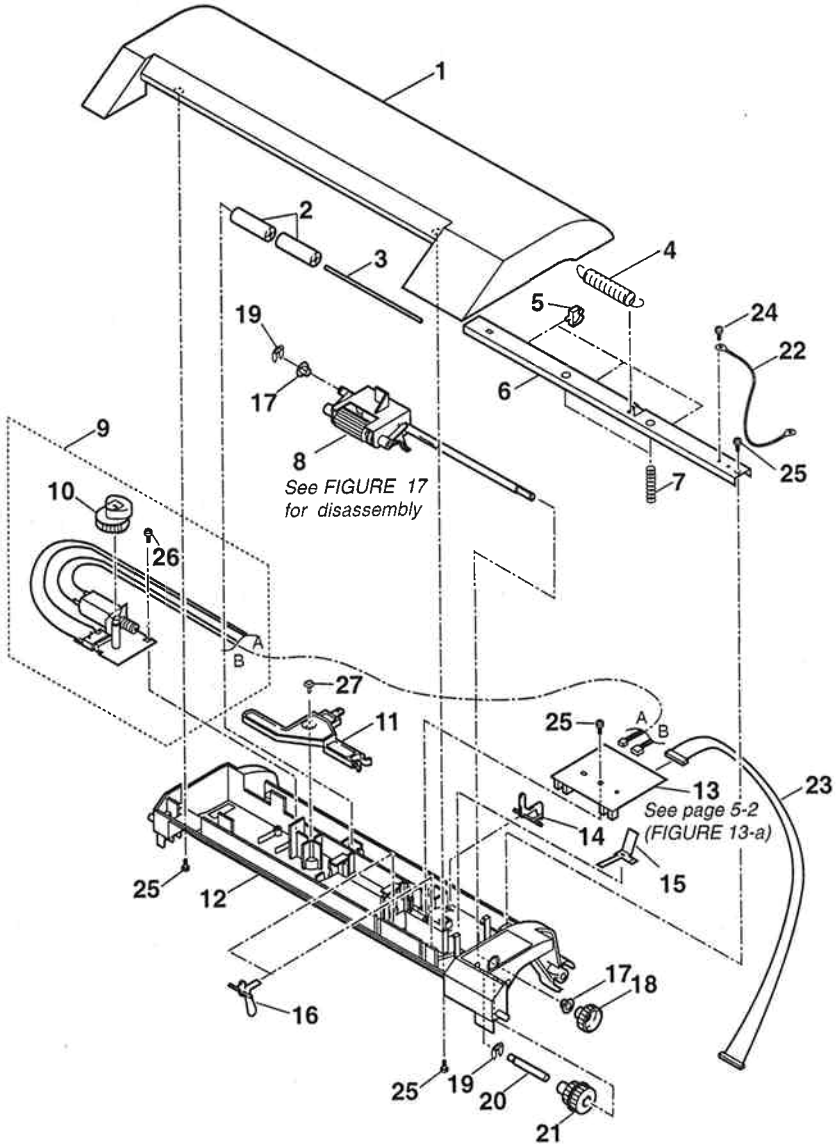
FIGURE 12 UPPER/MIDDLE FRAME ASS'Y



LASER CLASS 3170/3175/3175MS 2.PARTS LAYOUT & PARTS LIST

FIGURE & KEY No.	PART No.	R A N K	Q T Y	DESCRIPTION	REMARKS
12- 1	NPN		1	UPPER READER FRAME ASS'Y	
2	HB1-3868-000		1	SHAFT, LEFT	
3	NPN		1	MIDDLE READER FRAME ASS'Y	
4	HB1-3867-000		1	SHAFT, RIGHT	

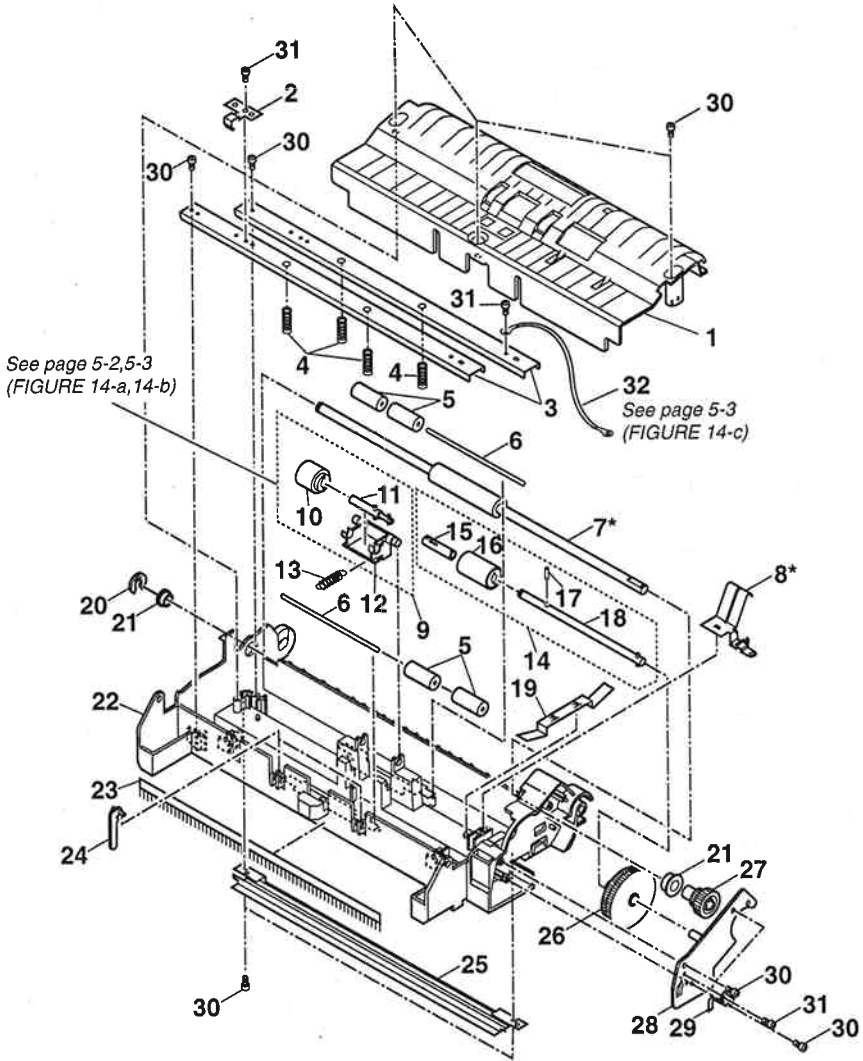
FIGURE 13 UPPER READER FRAME ASS'Y



LASER CLASS 3170/3175/3175MS 2.PARTS LAYOUT & PARTS LIST

FIGURE & KEY No.	PART No.	RANK	QTY	DESCRIPTION	REMARKS
13- 1	HB1-3903-000		1	COVER, READER, UPPER	
2	HS5-6025-040		2	ROLLER, BACK UP	
3	NPN		1	SHAFT	
4	HS5-2184-000		1	SPRING	
5	WT2-5026-000		3	CLIP, CABLE	
6	NPN		1	STAY, PRESSURE	
7	HS5-2185-000		2	SPRING	
8	NPN		1	SEPARATION ROLLER ASS'Y(UPPER)	
9	HG5-1938-000		1	SEPARATION MOTOR ASS'Y	
10	HS5-0298-000		1	GEAR, CAM, 50T	
11	HB1-3907-000		1	ARM, SEPARATION ROLLER	
12	HB1-3902-000		1	FRAME, READER, UPPER	
13	HG5-1939-000		1	SENSOR BOARD ASS'Y	
14	HB1-3910-000		1	ARM, DETECTION (DFS)	
15	HB1-3905-000		1	PLATE, GROUNDING	
16	HB1-3904-000		2	ARM, DETECTION (DS/DWS)	
17	FS1-1205-000		2	BUSHING	
18	HS5-0299-000		1	GEAR, 25T	
19	FA3-8727-000		2	RETAINING RING	
20	NPN		1	SHAFT	
21	HS5-0300-000		1	GEAR, 21T/22T	
22	HH2-2918-000		1	WIRE, GROUNDING	
23	HH2-2915-000		1	CABLE WITH CONNECTOR, 10P	
24	XB1-2300-607		1	SCREW, BH3X6(S)	
25	XA9-0591-000		4	SCREW, M3X8	
26	XA9-0592-000		1	SCREW, M4X6	
27	XA9-0476-000		1	SCREW, TP M3X8	

FIGURE 14 MIDDLE READER FRAME ASS'Y



See page 5-2,5-3
(FIGURE 14-a,14-b)

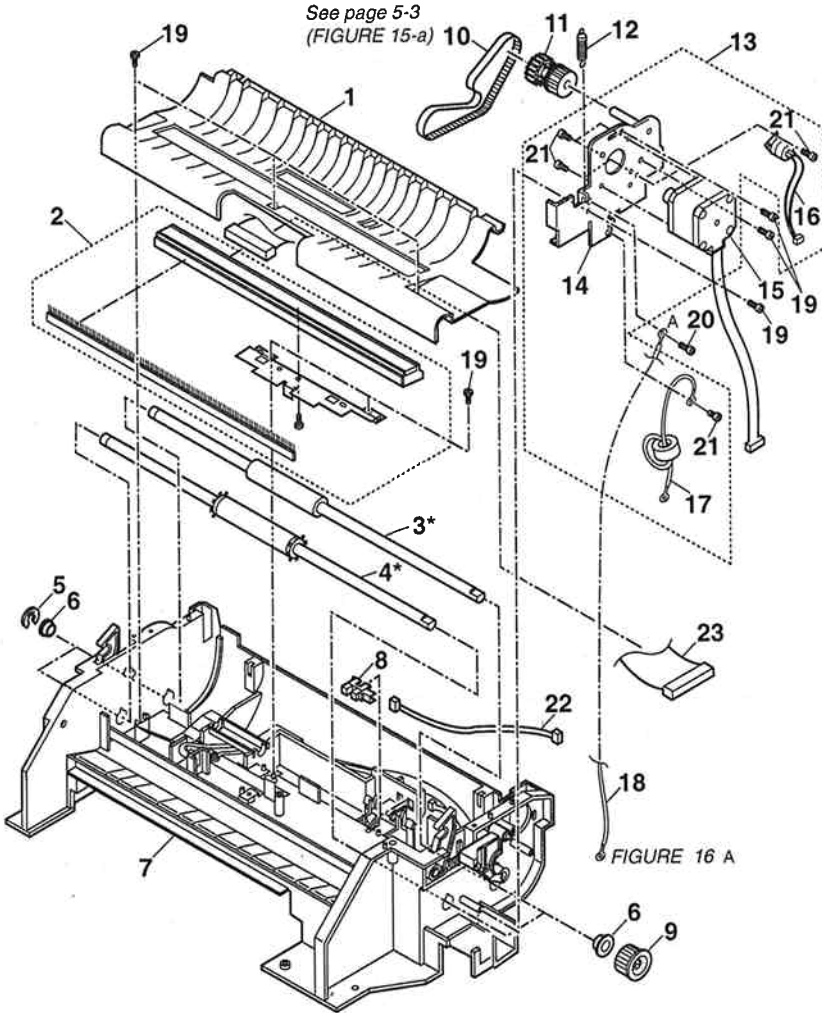
See page 5-3
(FIGURE 14-c)

* = Lubrication
See page 4-1

LASER CLASS 3170/3175/3175MS 2.PARTS LAYOUT & PARTS LIST

FIGURE & KEY No.	PART No.	RANK	QTY	DESCRIPTION	REMARKS
14- 1	HB1-3883-000		1	COVER, READER, MIDDLE	
2	HB1-3889-000		1	PLATE, GROUNDING 2	
3	NPN		2	STAY, PRESSURE	
4	HS5-2181-000		4	SPRING	
5	HS5-6025-040		4	ROLLER, BACK UP	
6	NPN		2	SHAFT	
7	HB1-3884-000		1	ROLLER, DOCUMENT FEED	
8	HB1-3888-000		1	PLATE, GROUNDING 1	
9	HG5-1935-000		1	SEPARATION ROLLER ASS'Y(LOWER)	
10	HB1-3899-000		1	ROLLER, SEPARATION (LOWER)	
11	NPN		1	SHAFT, SEPARATION ROLLER	
12	NPN		1	HOLDER, SEPARATION ROLLER	
13	HS5-2183-000		1	SPRING	
14	HG5-1934-000		1	ADF CONNECTION SHAFT ASS'Y	
15	NPN		1	JOINT	
16	NPN		1	TORQUE LIMITTER	
17	NPN		1	PIN, PARALLEL	
18	NPN		1	SHAFT, ADF CONNECTION	
19	HB1-3890-000		1	PLATE, GROUNDING 3	
20	FA4-1159-000		1	RETAINING RING	
21	FS1-1202-000		2	BUSHING, 8MM, NYLON (R), OL-10	
22	HB1-3882-000		1	FRAME, READER, MIDDLE	
23	HB1-3885-000		1	ELIMINATOR, STATIC CHARGE	
24	HB1-3887-000		2	ARM, DOCUMENT PRESSURE	
25	HF5-0522-000		1	WHITE SHEET UNIT	
26	HS5-0296-000		1	GEAR, 43T/61T	
27	HS5-0295-000		1	GEAR, 17T	
28	NPN		1	MOUNT, MIDDLE FRAME GEAR	
29	HB1-3891-000		1	PLATE, GROUNDING 4	
30	XA9-0591-000		10	SCREW, M3X8	
31	XB1-2300-607		3	SCREW, BH3X6(S)	
32	HH2-2919-000		1	WIRE, GROUNDING	

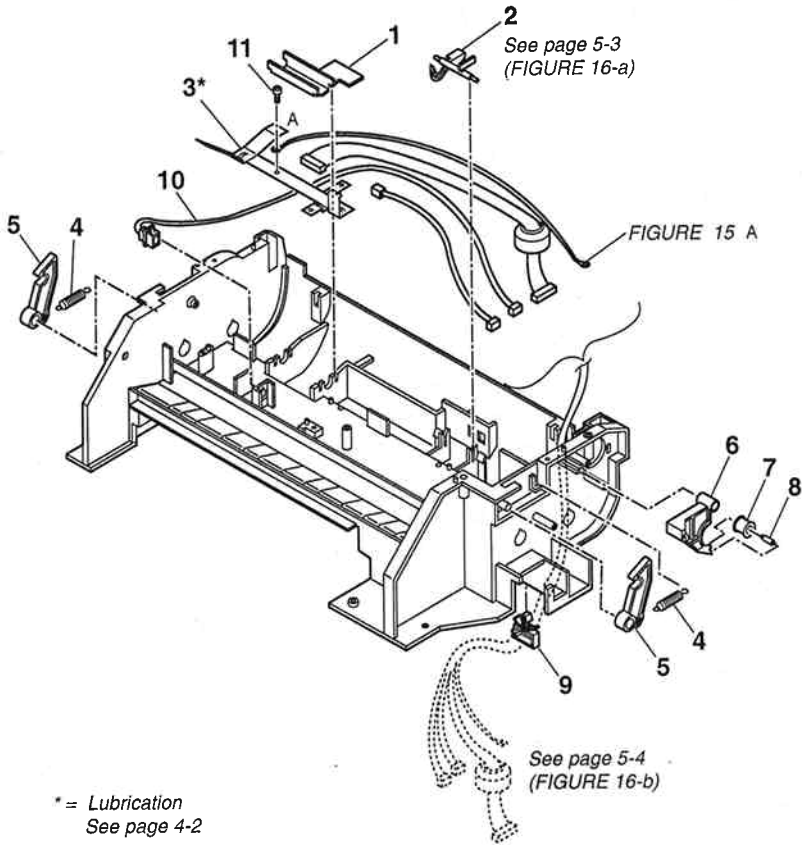
FIGURE 15 LOWER READER FRAME ASS'Y (1/2)



LASER CLASS 3170/3175/3175MS 2.PARTS LAYOUT & PARTS LIST

FIGURE & KEY No.	PART No.	RANK	QTY	DESCRIPTION	REMARKS
15- 1	HB1-3858-000		1	COVER, READER, LOWER	
2	HG5-1928-000		1	CONTACT SENSOR UNIT	
3	HB1-3859-000		1	ROLLER, DOCUMENT FEED	
4	HB1-3860-000		1	ROLLER, DOCUMENT EJECT	
5	FA4-1159-000		2	RETAINING RING	
6	FS1-1202-000		4	BUSHING, 8MM, NYLON (R), OL-10	
7	HB1-3857-000		1	FRAME, READER, LOWER	
8	WG8-5362-000		1	PHOTO-INTERRUPTER TLP1241	
9	HS5-3027-000		2	GEAR, 38T	
10	XF2-1616-540		1	BELT, COGGED	
11	HS5-0294-000		1	GEAR, 18T/36T	
12	HS5-2179-000		1	SPRING, BELT TENSION ARM	
13	HG5-1929-000		1	READ MOTOR ASS'Y	
14	NPN		1	MOUNT, READ MOTOR	
15	NPN		1	MOTOR, STEPPING, READER	
16	HH7-2377-000		1	THERMOSTAT	
17	HH2-2921-000		1	WIRE, GROUNDING	
18	HH2-2920-000		1	WIRE, GROUNDING	
19	XA9-0591-000		8	SCREW, M3X8	
20	XB1-2300-607		1	SCREW, BH3X6(S)	
21	XB1-2300-407		6	SCREW, BH3X4 (S)	
22	HH2-2916-000		1	CABLE WITH CONNECTOR, 3P	
23	HH2-2914-000		1	CABLE WITH CONNECTOR, 11P	

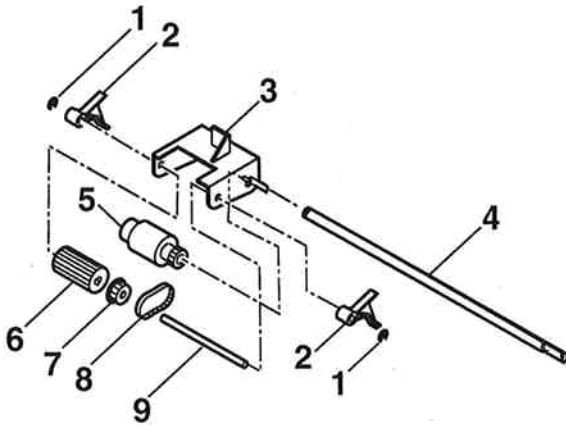
FIGURE 16 LOWER READER FRAME ASS'Y (2/2)



LASER CLASS 3170/3175/3175MS 2.PARTS LAYOUT & PARTS LIST

FIGURE & KEY No.	PART No.	R A N K	Q T Y	DESCRIPTION	REMARKS
16 - 1	HB1-3865-000		1	HOLDER, CABLE	
2	HB1-3864-000		1	ARM, DETECTION (DES)	
3	HB1-3866-000		1	PLATE, GROUNDING	
4	HS5-2180-000		2	SPRING, HOOK	
5	HB1-3863-000		2	ARM, HOOK	
6	HB1-3861-000		1	ARM, BELT TENSION	
7	HS5-6064-000		1	COLLAR, BELT TENSION ARM	
8	HB1-3862-000		1	SHAFT, BELT TENSION ARM	
9	WT2-5018-000		1	CLIP, CABLE	
10	HH2-2917-000		1	CABLE WITH CONNECTOR, 2P	
11	XA9-0591-000		1	SCREW, M3X8	

FIGURE 17 SEPARATION ROLLER ASS'Y (UPPER)

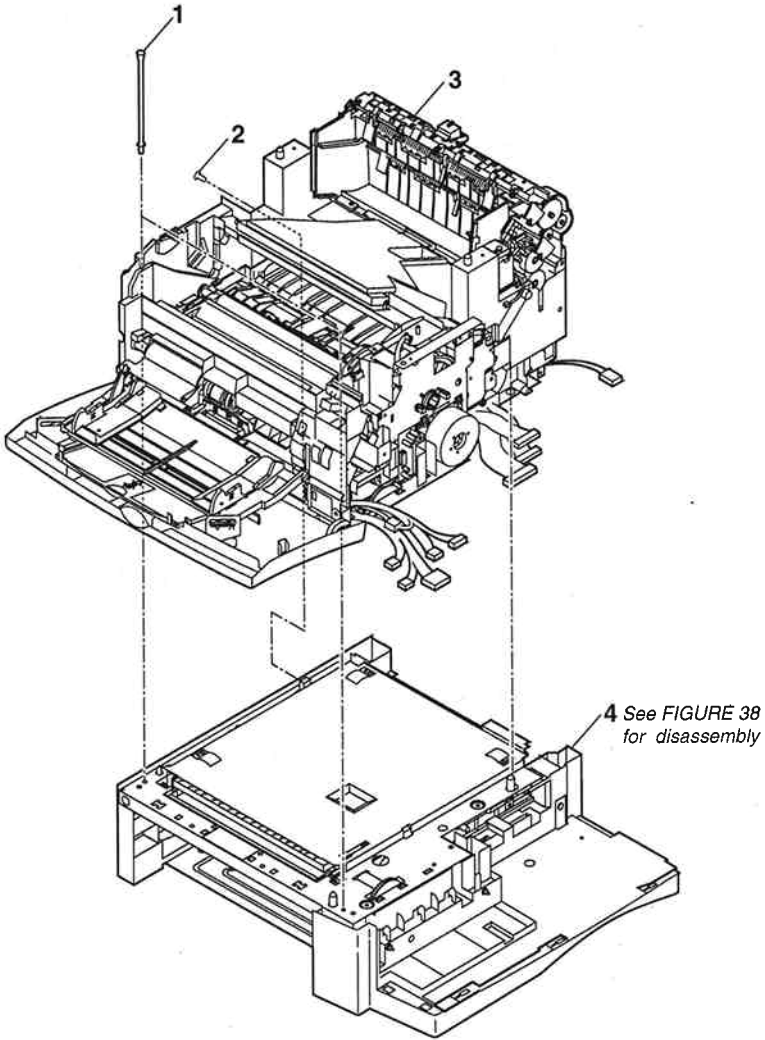


See page 5-4
(FIGURE 17-a)

LASER CLASS 3170/3175/3175MS 2.PARTS LAYOUT & PARTS LIST

FIGURE & KEY No.	PART No.	R A N K	Q T Y	DESCRIPTION	REMARKS
17- 1	NPN		2	RETAINING RING (E-TYPE)	
2	NPN		2	STOPPER, DOCUMENT	
3	NPN		1	HOLDER, SEPARATION ROLLER	
4	NPN		1	SHAFT, SEPARATION ROLLER	
5	HB1-3912-000		1	ROLLER, SEPARATION (UPPER)	
6	HB1-3911-000		1	ROLLER, PICK-UP	
7	NPN		1	PULLEY	
8	NPN		1	BELT, COGGED	
9	NPN		1	SHAFT, PICK-UP ROLLER	

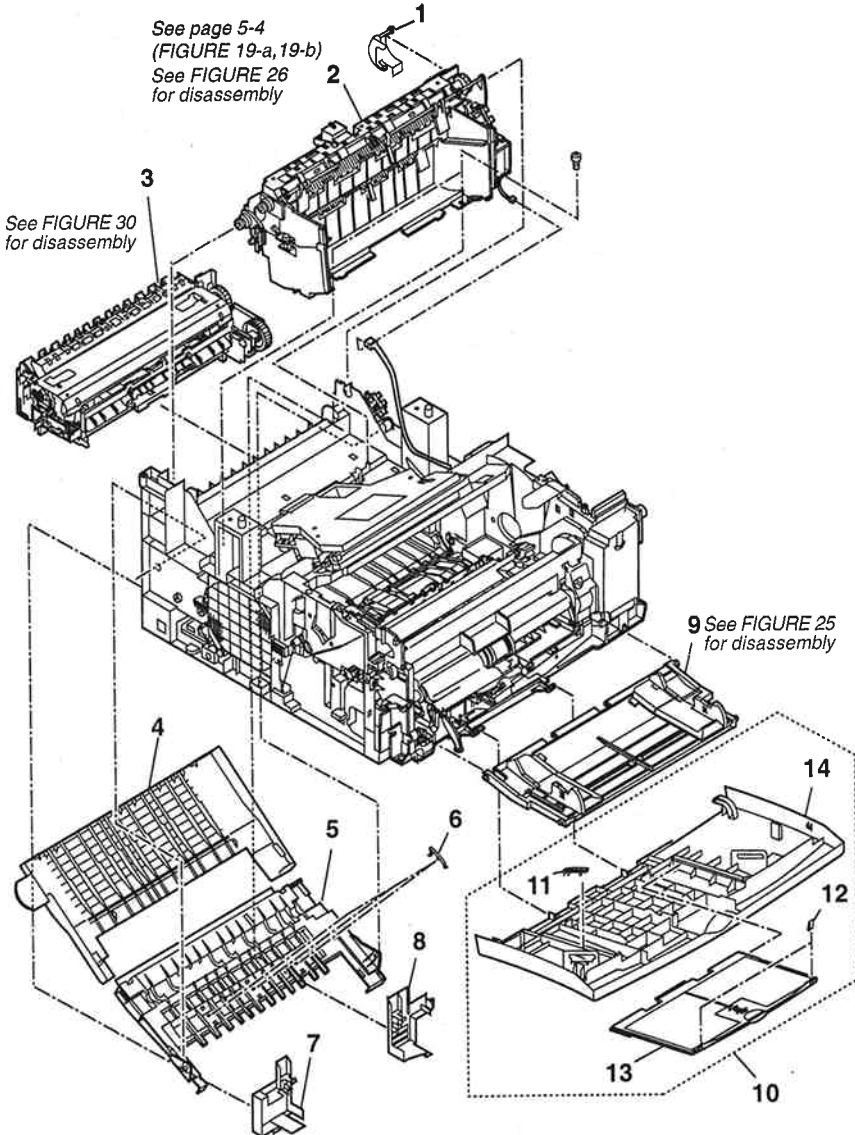
FIGURE 18 PRINTER & PAPER FEEDER SECTION



LASER CLASS 3170/3175/3175MS 2.PARTS LAYOUT & PARTS LIST

FIGURE & KEY No.	PART No.	R A N K	Q T Y	DESCRIPTION	REMARKS
18- 1	RB1-8703-000		2	SCREW, M4X8.3	
2	XA9-0870-000		1	SCREW, M4X10	
3	NPN		1	PRINTER ASSY	
4	NPN		1	PAPER FEEDER ASSY	

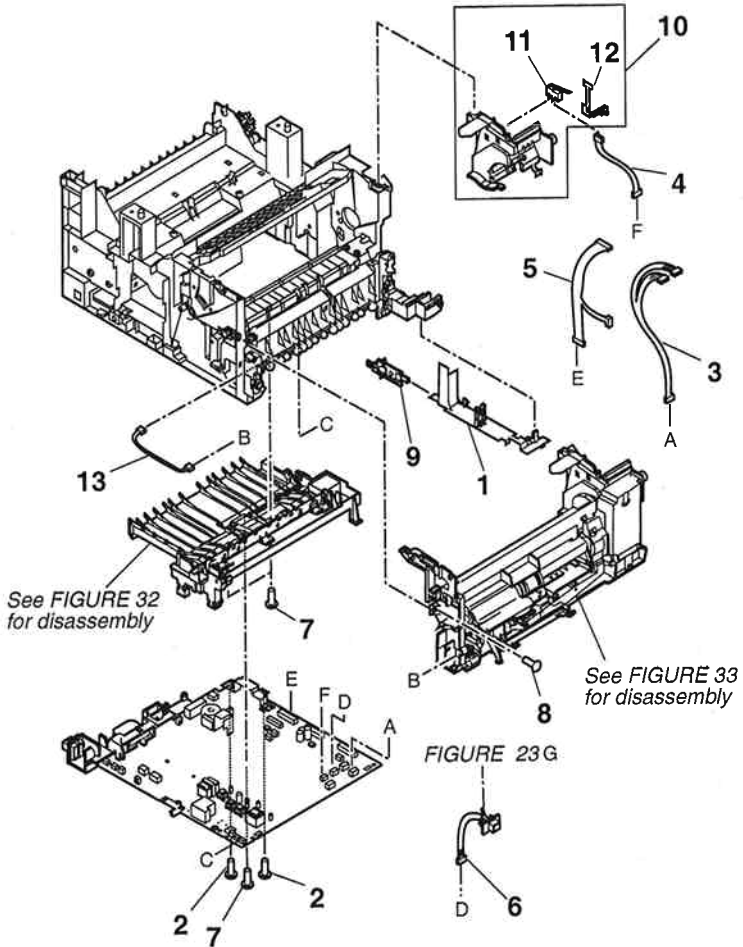
FIGURE 19 PRINTER INTERNAL COMPONENTS 1



LASER CLASS 3170/3175/3175MS 2.PARTS LAYOUT & PARTS LIST

FIGURE & KEY No.	PART No.	RANK	QTY	DESCRIPTION	REMARKS
19- 1	HB1-3806-000		1	COVER, GEAR	
2	NPN		1	PAPER DELIVERY ASS'Y	
3	RG5-2657-000		1	FIXING ASS'Y	
4	HB1-3798-000		1	TRAY, EXTENSION, FACE-UP	
5	HB1-3797-000		1	TRAY, FACE-UP	
6	RB1-8990-000		3	RIB, TRAY	
7	RB2-2750-000		1	COVER, REAR, LEFT	
8	RB2-2751-000		1	COVER, REAR, RIGHT	
9	RG5-4537-000		1	MULTI-PURPOSE TRAY ASS'Y	
10	HG5-1920-000		1	FRONT COVER ASS'Y	LASER CLASS 3170
	HG5-1970-000		1	FRONT COVER ASS'Y	LASER CLASS 3175
	HG5-1971-000		1	FRONT COVER ASS'Y	LASER CLASS 3175MS
11	RB1-8764-000		1	DAMPER	
12	RB2-2753-000		2	BLOCK, TRAY	
13	RB2-2739-000		1	TRAY, EXTENSION	
14	NPN		1	COVER, FRONT	

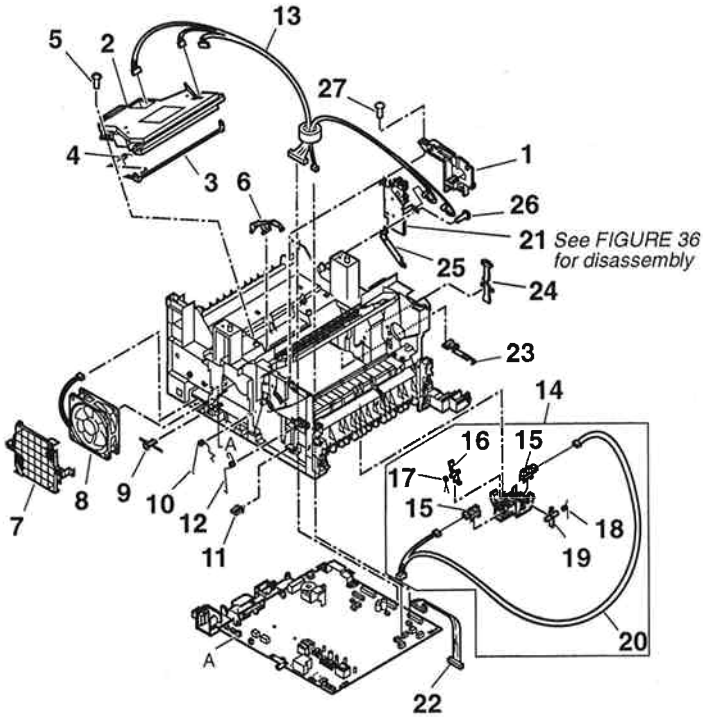
FIGURE 20 PRINTER INTERNAL COMPONENTS 2



LASER CLASS 3170/3175/3175MS 2.PARTS LAYOUT & PARTS LIST

FIGURE & KEY No.	PART No.	RANK	QTY	DESCRIPTION	REMARKS
20 - 1	RB1-8704-030		1	HOLDER, CABLE	
2	XA9-0904-000		3	SCREW, M3X6	
3	RG5-3703-000		1	CLUTCH/SOLENOID CABLE	
4	RG5-3705-000		1	DOOR SWITCH CABLE	
5	HH2-2891-000		1	CABLE WITH CONNECTOR, 11P	
6	RG5-3704-000		1	ENVELOPE FEEDER CABLE	
7	XA9-0870-000		3	SCREW, M4X10	
8	XA9-0780-000		5	SCREW, M4X12	
9	RB1-8712-000		1	HOLDER, CABLE	
10	RG5-2645-000		1	FRONT INNER COVER ASSY	
11	WC4-5139-000		1	MICROSWITCH	
12	RB1-8694-000		1	PLATE, GROUNDING	
13	RG5-3700-000		1	MP TRAY PAPER SENSOR CABLE	

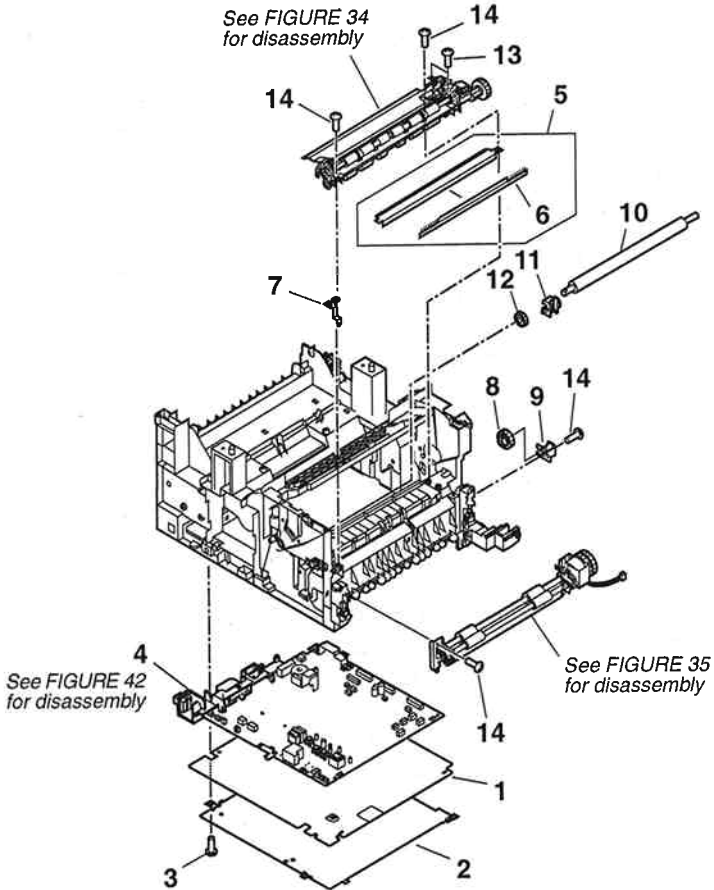
FIGURE 21 PRINTER INTERNAL COMPONENTS 3



LASER CLASS 3170/3175/3175MS 2.PARTS LAYOUT & PARTS LIST

FIGURE & KEY No.	PART No.	R A N K	Q T Y	DESCRIPTION	REMARKS
21 - 1	RB1-8671-000		1	COVER, FRONT INNER, LEFT	
2	RG9-1371-000		1	LASER/SCANNER ASSY	
3	RB1-8699-000		1	SHUTTER, LASER	
4	RB1-8702-000		1	SPRING, TORSION	
5	XA9-0780-000		4	SCREW, M4X12	
6	RB1-8700-000		1	LEVER	
7	RB1-8706-000		1	FILTER, DUST	
8	RH7-1335-000		1	FAN	
9	RB1-8688-000		1	BUTTON, TEST PRINT	
10	RB1-8693-000		1	SPRING, TORSION	
11	RB1-8690-000		1	HOLDER, ANTENNA	
12	RB1-8695-000		1	SPRING, TORSION	
13	RG5-3876-000		1	LASER/SCANNER UNIT CABLE	
14	RG5-2642-000		1	SENSOR ASSY	
15	WG8-5382-000		2	PHOTO INTERRUPTER TLP 1242	
16	RB1-8678-000		1	LEVER, SENSOR	
17	RB1-8680-000		1	SPRING, TORSION	
18	RB1-8681-000		1	SPRING, TORSION	
19	RB1-8687-000		1	LEVER, SENSOR	
20	RG5-3706-000		1	PRE-FEED/TOP SENSOR CABLE	
21	HG5-1916-000		1	DELIVERY DRIVE ASSY	
22	RG5-3710-000		1	PAPER PICK-UP CABLE	
23	RB1-8708-000		1	SPRING, LEAF	
24	RB1-8689-000		1	HOLDER, CABLE	
25	RB1-8827-000		1	SPRING, LEAF	
26	XA9-0870-000		1	SCREW, M4X10	
27	XA9-0780-000		2	SCREW, M4X12	

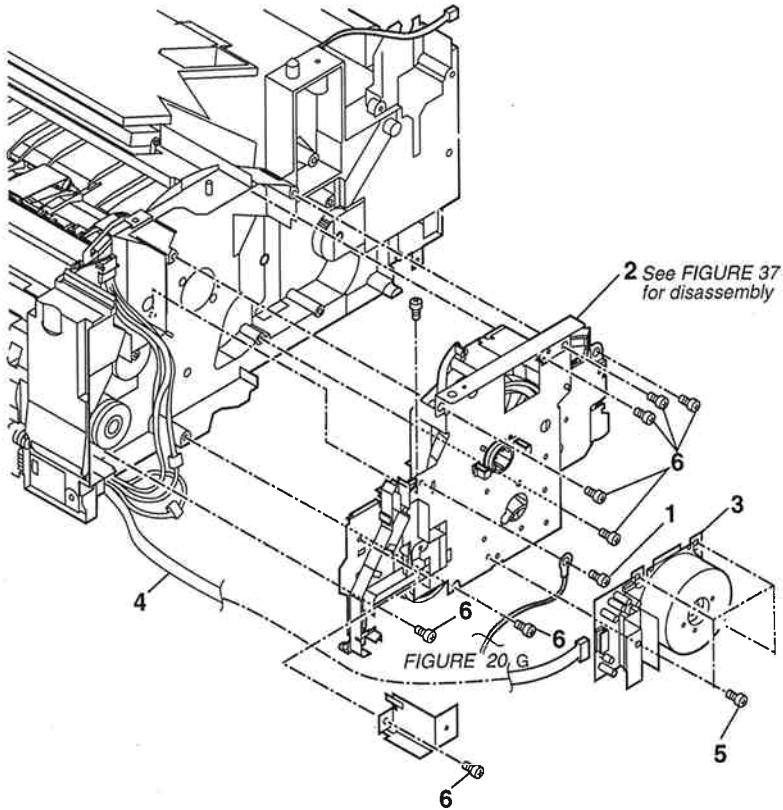
FIGURE 22 PRINTER INTERNAL COMPONENTS 4



LASER CLASS 3170/3175/3175MS 2.PARTS LAYOUT & PARTS LIST

FIGURE & KEY No.	PART No.	R A N K	Q T Y	DESCRIPTION	REMARKS
22 - 1	RB1-8838-000		1	SHEET, INSULATION	
2	RB2-2404-000		1	PLATE, COVER	
3	XA9-0606-000		1	SCREW, M4X10	
4	NPN		1	ECNT ASS'Y	
5	RF5-1867-000		1	GUIDE, TRANSFER	
6	RB1-8677-000		1	BRUSH, STATIC ELIMINATOR	
7	RB1-8747-000		1	SPRING, LEAF	
8	RS5-0911-000		1	GEAR, 19T	
9	RF5-2496-000		1	PLATE	
10	RB1-8667-000		1	TR ROLLER	
11	RB1-8713-000		1	BUSHING	
12	RS5-0948-000		1	GEAR, 18T	
13	FA9-1449-000		2	CAPTIVE SCREW M3X6	
14	XA9-0870-000		7	SCREW, M4X10	

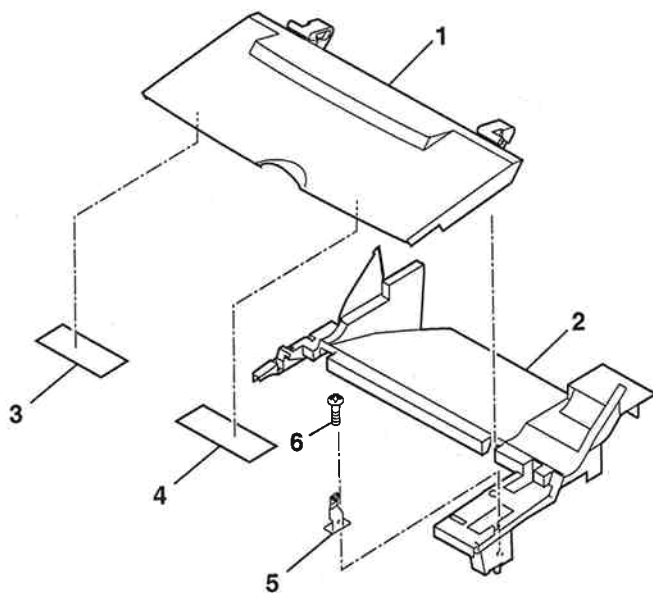
FIGURE 23 DRIVE ASS'Y



LASER CLASS 3170/3175/3175MS 2.PARTS LAYOUT & PARTS LIST

FIGURE & KEY No.	PART No.	R A N K	Q T Y	DESCRIPTION	REMARKS
23 - 1	FA9-1449-000		1	CAPTIVE SCREW M3X6	
2	HG5-1897-000		1	PRINTER DRIVER ASS'Y	
3	RH7-1331-000		1	MAIN MOTOR ASS'Y	
4	RG5-3709-000		1	MAIN MOTOR CABLE	
5	XA9-0434-000		4	SCREW, TP, M3X4	
6	XA9-0870-000		8	SCREW, M4X10	

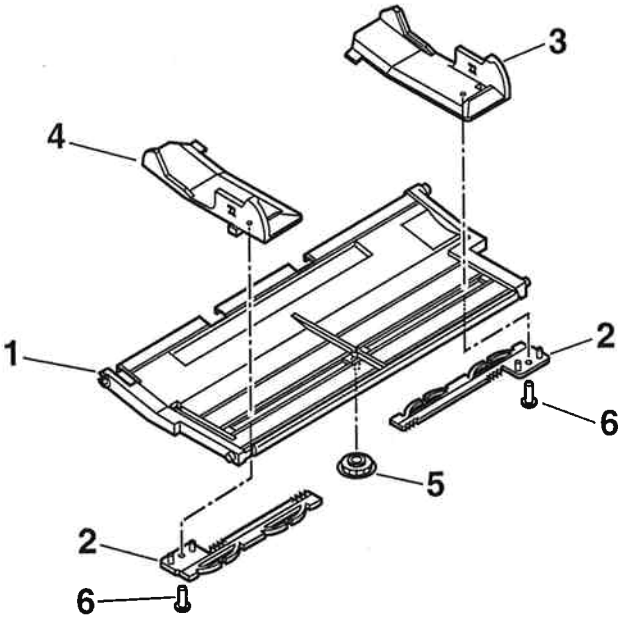
FIGURE 24 UPPER COVER ASS'Y



LASER CLASS 3170/3175/3175MS 2.PARTS LAYOUT & PARTS LIST

FIGURE & KEY No.	PART No.	R A N K	Q T Y	DESCRIPTION	REMARKS
24- 1	NPN		1	COVER, CARTRIDGE	
2	NPN		1	COVER, TOP	
3	HB1-3825-000		1	LABEL, RECORDING PAPER JAM 1	
4	HB1-3826-000		1	LABEL, RECORDING PAPER JAM 2	
5	HB1-3822-000		1	LOCK, PLATE	
6	XA9-0614-000		1	SCREW, M3X8	

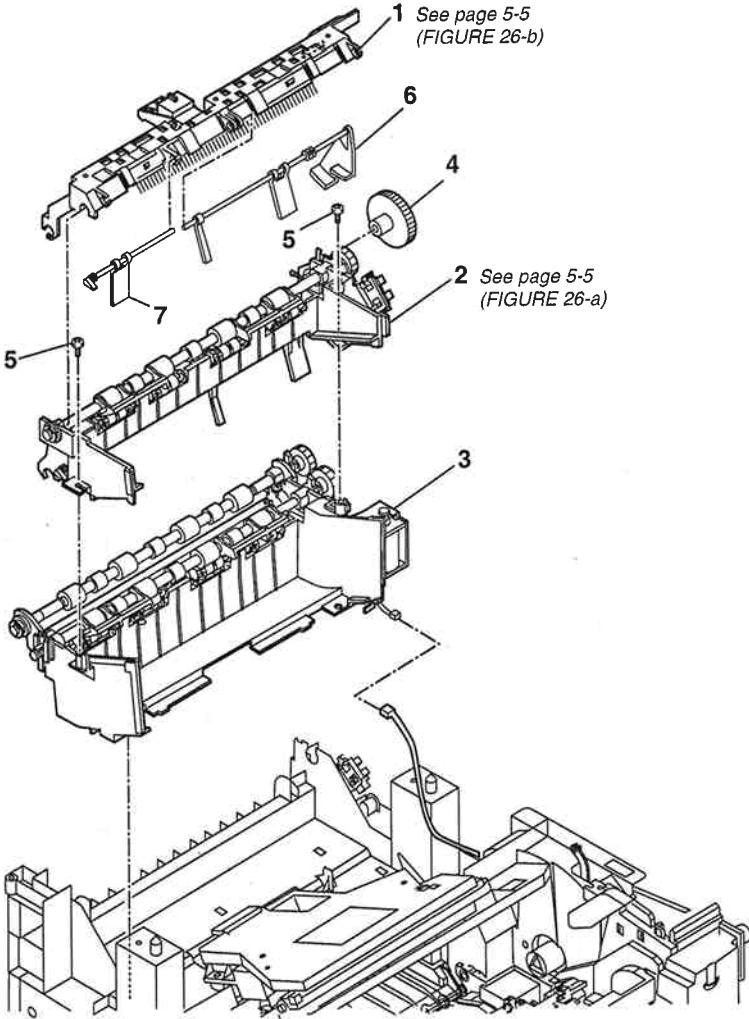
FIGURE 25 MULTI-PURPOSE TRAY ASS'Y



LASER CLASS 3170/3175/3175MS 2.PARTS LAYOUT & PARTS LIST

FIGURE & KEY No.	PART No.	R A N K	Q T Y	DESCRIPTION	REMARKS
25- 1	RB2-2743-000		1	TRAY, MULTI-PURPOSE	
2	RB1-8767-000		2	RACK	
3	RB2-2744-000		1	PLATE, PAPER GUIDE, RIGHT	
4	RB2-2745-000		1	PLATE, PAPER GUIDE, LEFT	
5	RB1-8781-000		1	GEAR, 16T	
6	XA9-0591-000		2	SCREW, M3X8	

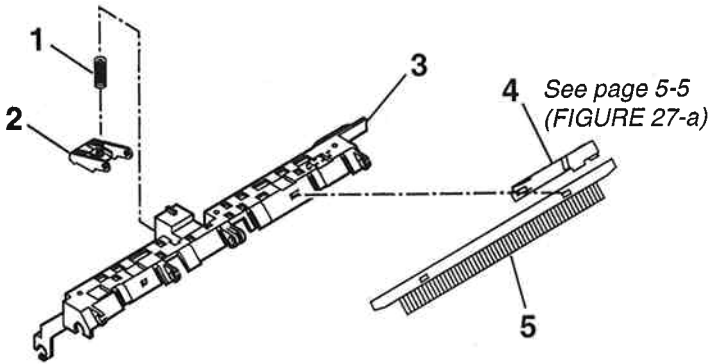
FIGURE 26 PAPER DELIVERY ASS'Y



LASER CLASS 3170/3175/3175MS 2.PARTS LAYOUT & PARTS LIST

FIGURE & KEY No.	PART No.	R A N K	Q T Y	DESCRIPTION	REMARKS
26 - 1	HG5-1911-000		1	DELIVERY UPPER GUIDE ASS'Y	
2	HG5-1912-000		1	DELIVERY MIDDLE GUIDE ASS'Y	
3	HG5-1913-000		1	DELIVERY LOWER GUIDE ASS'Y	
4	HS5-0293-000		1	GEAR, 36T	
5	XA9-0870-000		2	SCREW, M4X10	
6	HB1-3790-000		1	LEVER, SENSOR	
7	HB1-3791-000		1	LEVER	

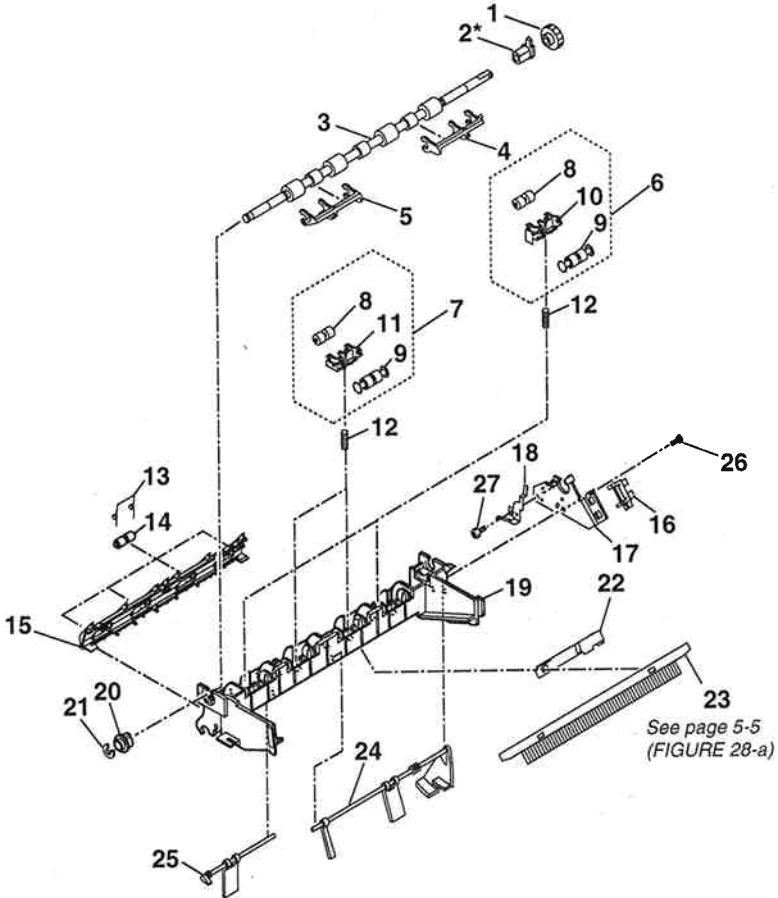
FIGURE 27 DELIVERY UPPER GUIDE ASS'Y



LASER CLASS 3170/3175/3175MS 2.PARTS LAYOUT & PARTS LIST

FIGURE & KEY No.	PART No.	R A N K	Q T Y	DESCRIPTION	REMARKS
27 - 1	RB1-8847-000		1	SPRING, COMPRESSION	
2	HB1-3787-000		1	ARM, LOCK, TRAY	
3	NPN		1	FRAME, DELIVERY UPPER GUIDE	
4	HB1-3804-000		1	PLATE, GROUNDING	
5	RB1-2309-000		1	ELIMINATOR, STATIC CHARGE	

FIGURE 28 DELIVERY MIDDLE GUIDE ASS'Y

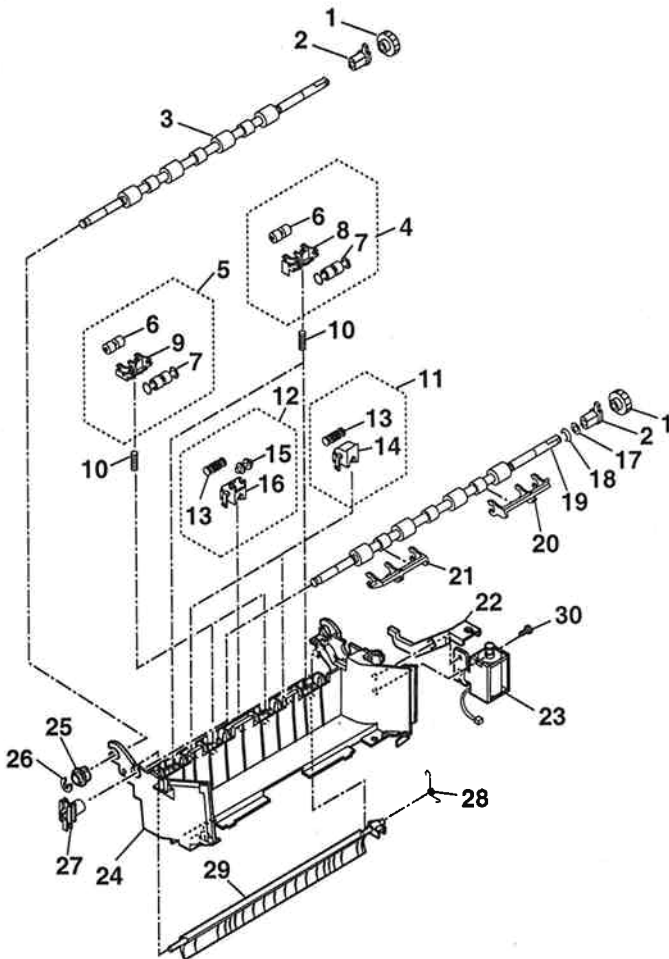


* = Lubrication
See page 4-3

LASER CLASS 3170/3175/3175MS 2.PARTS LAYOUT & PARTS LIST

FIGURE & KEY No.	PART No.	R A N K	Q T Y	DESCRIPTION	REMARKS
28 - 1	RS5-0929-000		1	GEAR, 18T	
2	RS5-1416-000		1	BUSHING	
3	HB1-3807-000		1	ROLLER, DELIVERY	
4	RB2-4628-000		1	LEVER, RIGHT	
5	RB2-4629-000		1	LEVER, LEFT	
6	RG5-2726-000		2	DELIVERY ROLLER ASSY	
7	RG5-2649-000		2	DELIVERY ROLLER ASSY	
8	RB1-8727-000		4	ROLLER	
9	RB1-8728-000		4	ROLLER	
10	NPN		2	HOLDER, DELIVERY ROLLER	
11	NPN		2	HOLDER, DELIVERY ROLLER	
12	RS5-2639-000		4	SPRING, COMPRESSION	
13	HS5-2177-000		4	SPRING, PRESSURE	
14	HS5-6063-000		4	ROLLER	
15	HB1-3789-000		1	HOLDER, RELAY ROLLER	
16	WG8-5362-000		1	PHOTO-INTERRUPTER TLP1241	
17	HF5-0519-000		1	PLATE, DRIVE	
18	HB1-3805-000		1	PLATE, GROUNDING	
19	NPN		1	FRAME, DELIVERY MIDDLE GUIDE	
20	HS5-1087-000		1	BUSHING	
21	XD9-0192-000		1	RING, E	
22	HB1-3804-000		1	PLATE, GROUNDING	
23	RB1-2309-000		1	ELIMINATOR, STATIC CHARGE	
24	HB1-3790-000		1	LEVER, SENSOR	
25	HB1-3791-000		1	LEVER	
26	XA9-0870-000		1	SCREW, M4X10	
27	XB1-2300-607		1	SCREW, BH3X6(S)	

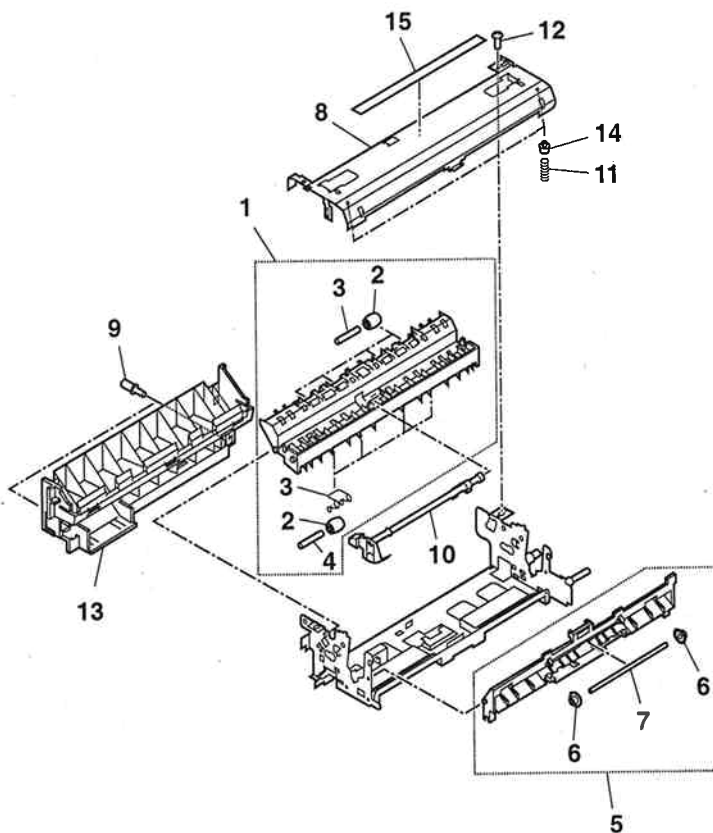
FIGURE 29 DELIVERY LOWER GUIDE ASS'Y



LASER CLASS 3170/3175/3175MS 2.PARTS LAYOUT & PARTS LIST

FIGURE & KEY No.	PART No.	RANK	QTY	DESCRIPTION	REMARKS
29 - 1	RS5-0929-000		2	GEAR, 18T	
2	RS5-1416-000		2	BUSHING	
3	HB1-3794-000		1	ROLLER, TRANSFER	
4	RG5-2726-000		2	DELIVERY ROLLER ASSY	
5	RG5-2649-000		2	DELIVERY ROLLER ASSY	
6	RB1-8727-000		4	ROLLER	
7	RB1-8728-000		4	ROLLER	
8	NPN		2	HOLDER, DELIVERY ROLLER	
9	NPN		2	HOLDER, DELIVERY ROLLER	
10	RS5-2639-000		4	SPRING, COMPRESSION	
11	RG5-2705-000		2	MIDDLE DELIVERY ROLLER ASSY	
12	RG5-5005-000		1	MIDDLE DELIVERY ROLLER ASSY 2	
13	RB1-8828-000		3	ROLLER	
14	NPN		2	HOLDER, DELIVERY ROLLER	
15	NPN		1	ROLLER	
16	NPN		1	HOLDER, DELIVERY ROLLER	
17	XD1-1106-232		1	SHIM, CIRCULAR	
18	XD9-0136-000		1	RING, E	
19	HB1-3807-000		1	ROLLER, DELIVERY	
20	RB2-4628-000		1	LEVER, RIGHT	
21	RB2-4629-000		1	LEVER, LEFT	
22	HB1-3796-000		1	ARM, FLAPPER	
23	HH7-2374-000		1	SOLENOID, FLAPPER	
24	NPN		1	FRAME, DELIVERY LOWER GUIDE	
25	HS5-1087-000		1	BUSHING	
26	XD9-0192-000		1	RING, E	
27	HB1-3808-000		1	BUSHING	
28	HS5-2178-000		1	SPRING, FLAPPER	
29	HB1-3795-000		1	FLAPPER	
30	XA9-0870-000		1	SCREW, M4X10	

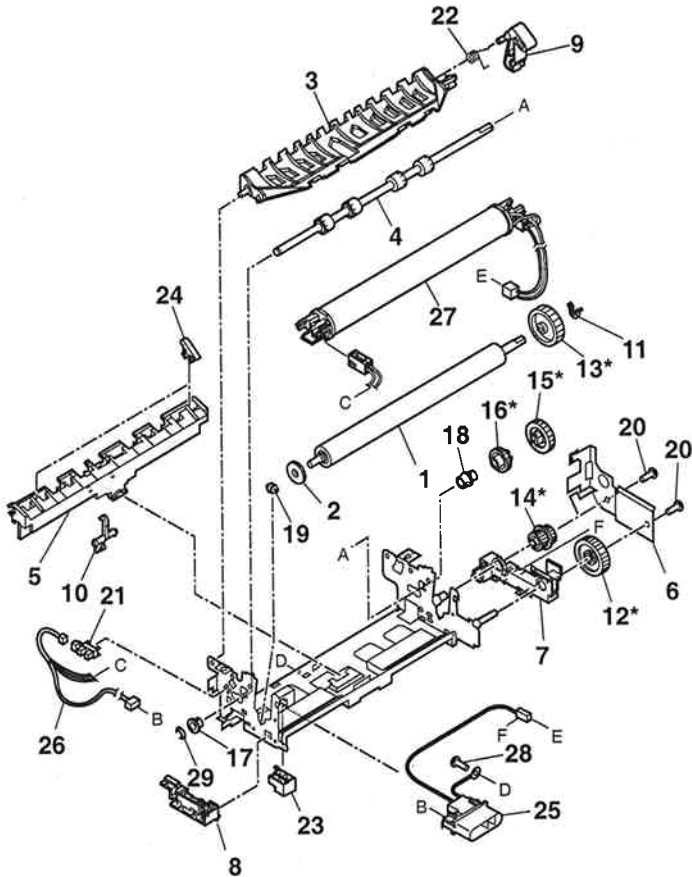
FIGURE 30 FIXING ASS'Y (1/2)



LASER CLASS 3170/3175/3175MS 2.PARTS LAYOUT & PARTS LIST

FIGURE & KEY No.	PART No.	R A N K	Q T Y	DESCRIPTION	REMARKS
30 - 1	RG5-2722-000		1	UPPER PAPER GUIDE ASS'Y	
2	RB1-8806-000		8	ROLLER, DELIVERY	
3	RB1-8816-000		4	SPRING, TORSION	
4	RB1-8824-000		8	PIN, DOWEL	
5	RG5-2721-000		1	ENTRANCE PAPER GUIDE ASS'Y	
6	RF5-1495-000		2	SPUR	
7	RB1-8822-000		1	SHAFT, ROLLER	
8	RB1-8804-020		1	CROSSMEMBER, UPPER	
9	RB1-8819-000		2	SCREW, M4	
10	RB1-8813-020		1	LEVER, DELIVERY SENSOR	
11	RS5-2635-000		2	SPRING, COMPRESSION	
12	XA9-0326-000		2	SCREW, TP, M3X4	
13	RB2-2747-000		1	COVER, DELIVERY, FIXING	
14	RB1-8810-000		2	SUPPORT, SPRING	
15	RS5-8380-000		1	LABEL, "CAUTION"	

FIGURE 31 FIXING ASS'Y (2/2)

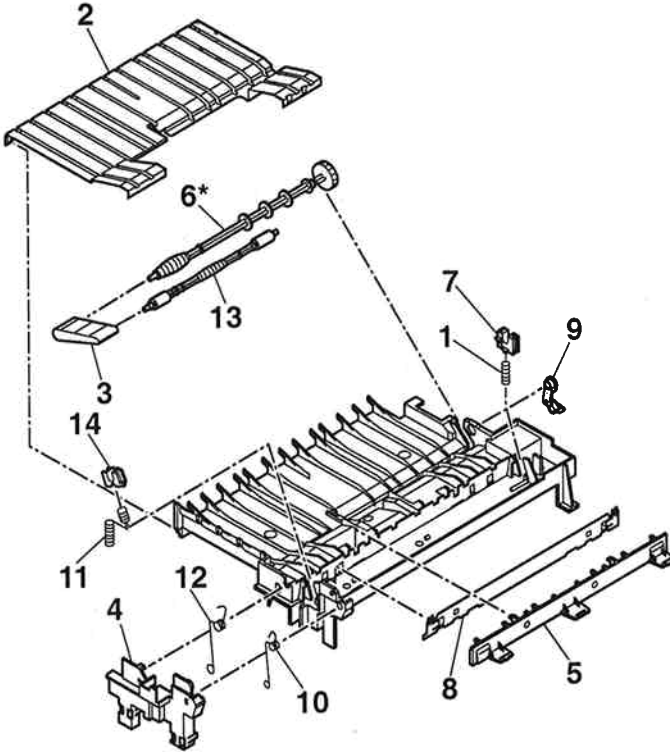


* = Lubrication
See page 4-4

LASER CLASS 3170/3175/3175MS 2.PARTS LAYOUT & PARTS LIST

FIGURE & KEY No.	PART No.	RANK	QTY	DESCRIPTION	REMARKS
31 - 1	RB1-8794-040		1	ROLLER, PRESSURE	
2	RB1-8796-000		1	ROLLER	
3	RB1-8797-030		1	DEFLECTOR	
4	RB1-8798-020		1	ROLLER, DELIVERY, FIXING	
5	RB1-8801-000		1	GUIDE, PAPER, DELIVERY, LOWER	
6	RB1-8807-000		1	PLATE, SUPPORT	
7	RB1-8808-000		1	GUIDE, AC CABLE	
8	RF5-1874-000		1	GUIDE, DC CABLE	
9	RB1-8811-000		1	CAM, DEFLECTOR	
10	RB1-8812-000		1	LEVER, DELIVERY SENSOR 1	
11	RS5-1310-020		1	BUSHING	
12	RS5-0921-000		1	GEAR, 33T	
13	RS5-0922-000		1	GEAR, 34T	
14	RS5-0923-000		1	GEAR, 16T/18T	
15	RS5-0924-000		1	GEAR, 21T	
16	RS5-0925-000		1	GEAR, 26T	
17	RS5-1295-000		1	BUSHING	
18	RS5-1296-000		1	BUSHING	
19	RS5-1297-000		1	BUSHING	
20	XA9-0326-000		2	SCREW, TP, M3X4	
21	WG8-5382-000		1	PHOTO INTERRUPTER TLP 1242	
22	RB1-8814-000		1	SPRING, TORSION	
23	RB1-8817-000		1	SPACER, CONNECTOR	
24	RB1-8823-000		2	BLOCK, GUIDE	
25	RG5-3409-000		1	FIXING CABLE	
26	RG5-3411-000		1	FIXING DC CABLE	
27	RG5-4290-080		1	FIXING FILM ASS'Y	
28	XA9-0872-000		1	SCREW, W/WASHER, M3X8	
29	XD9-0136-000		1	RING, E	

FIGURE 32 PAPER FEED GUIDE ASS'Y



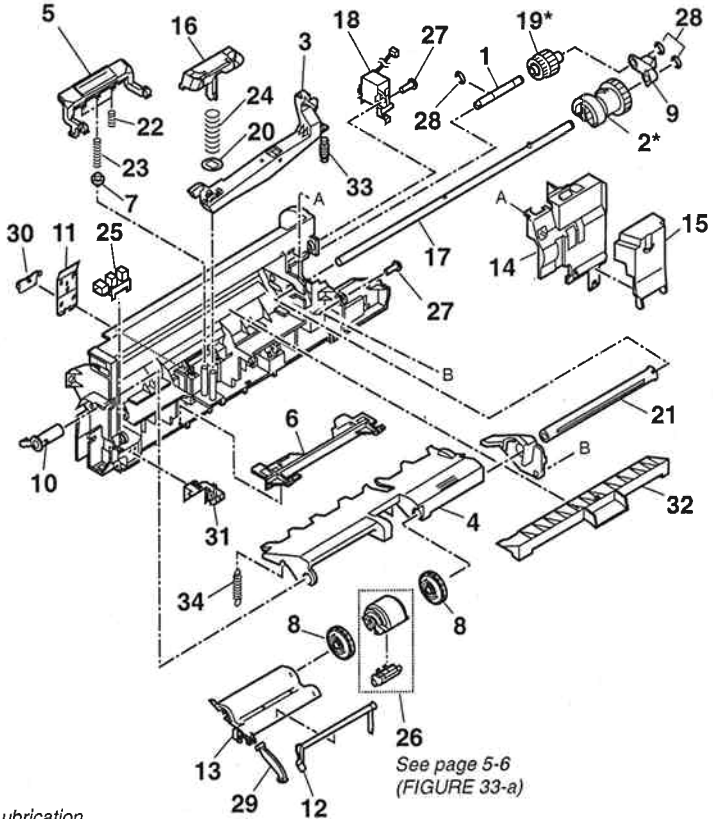
* = Lubrication
See page 4-5

LASER CLASS 3170/3175/3175MS 2.PARTS LAYOUT & PARTS LIST

FIGURE & KEY No.	PART No.	R A N K	Q T Y	DESCRIPTION	REMARKS
32 - 1	RS5-2630-000		1	SPRING, COMPRESSION	
2	RB1-8682-000		1	PLATE, PAPER FEED	
3	RB1-8668-000		1	BELT, PAPER FEED	
4	RB1-8672-000		1	COVER, CONTACT	
5	RB1-8673-000		1	HOLDER,ELMINATOR,STATIC CHARGE	
6	RB1-8674-000		1	SHAFT, BELT	
7	RB1-8685-000		1	HOLDER, TRANSFER SHAFT	
8	RB1-8686-000		1	ELMINATOR, STATIC CHARGE	
9	RB1-8692-000		1	JOINT	
10	RB1-8696-000		1	SPRING, TORSION	
11	RB1-8697-000		1	SPRING, COMPRESSION	
12	RB1-8701-000		1	SPRING, TORSION	
13	RF5-2495-020		1	ROLLER, PAPER FEED	
14	RB1-8684-000		1	BUSHING	

FIGURE 33 MULTI-PURPOSE PICK-UP ASS'Y

See page 5-6,5-7
(FIGURE 33-b,33-c,33-d,33-e)



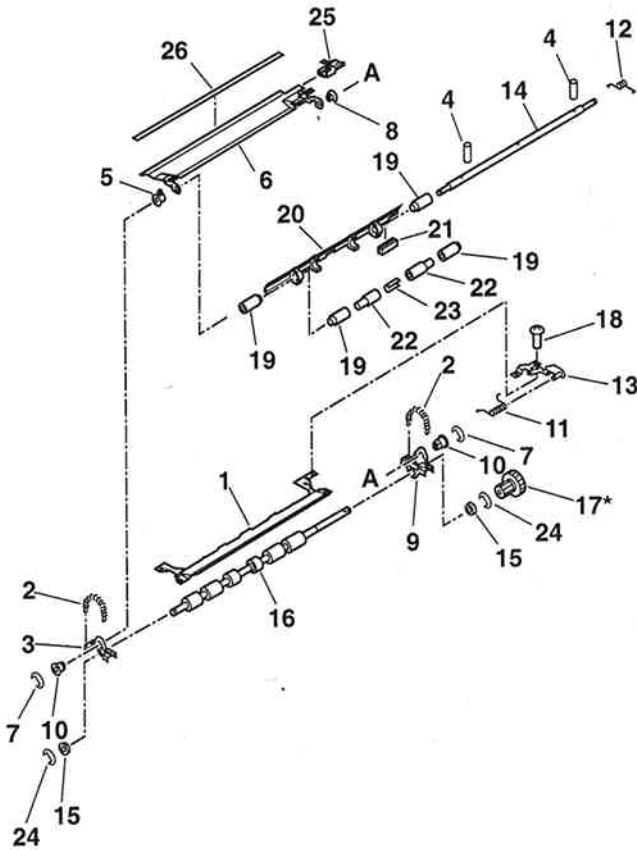
* = Lubrication
See page 4-6

See page 5-6
(FIGURE 33-a)

LASER CLASS 3170/3175/3175MS 2.PARTS LAYOUT & PARTS LIST

FIGURE & KEY No.	PART No.	R A N K	Q T Y	DESCRIPTION	REMARKS
33 - 1	RB1-8763-000		1	SHAFT, IDLER	
2	RB1-8765-000		1	CLUTCH, MULTI-PURPOSE	
3	RB1-8766-000		1	LEVER, PAPER LIFT	
4	RB1-8771-020		1	GUIDE, MULTI-PURPOSE	
5	RB1-8773-000		1	PAD, SEPARATION	
6	RB1-8779-000		1	SUPPORT, COVER	
7	RB1-8780-000		1	HOLDER, SPRING	
8	RB1-8782-000		2	ROLLER, SUPPORT	
9	RB1-8783-000		1	PLATE, LINK	
10	RB1-8784-000		1	HOLDER, SHAFT	
11	RB1-8785-000		1	SPRING, LEAF	
12	RB1-8787-000		1	LEVER, SENSOR	
13	RB1-8788-020		1	COVER, SENSOR LEVER	
14	RB1-8789-000		1	COVER, SENSOR LEVER	
15	RB2-2386-000		1	COVER, GEAR, ENVELOPE FEEDER	
16	RF5-1870-000		1	PLATE, PAPER LIFT	
17	RF5-1873-000		1	SHAFT, PAPER FEED	
18	RH7-5172-000		1	SOLENOID	
19	RS5-0959-000		1	GEAR, 14T/19T	
20	RB2-4121-000		1	DAMPER	
21	RS5-1303-020		1	BUSHING	
22	RS5-2636-000		2	SPRING, COMPRESSION	
23	RS5-2637-000		1	SPRING, COMPRESSION	
24	RS5-2638-000		1	SPRING, COMPRESSION	
25	WG8-5362-000		1	PHOTO-INTERRUPTER TLP1241	
26	RG5-3718-000		1	MP TRAY PICK-UP ROLLER ASSY	
27	XA9-0605-000		2	SCREW, M4X8	
28	XD9-0136-000		3	RING, E	
29	RB2-2387-000		1	JOINT	
30	RB2-2411-000		1	MOUNT, SPRING	
31	RB2-2389-000		1	PLATE, GROUNDING	
32	RB2-2390-030		1	COVER, ENTRANCE	
33	RB2-2399-000		1	DAMPER, AIR	
34	RS6-2146-000		1	SPRING, TENSION	

FIGURE 34 REGISTRATION ASS'Y

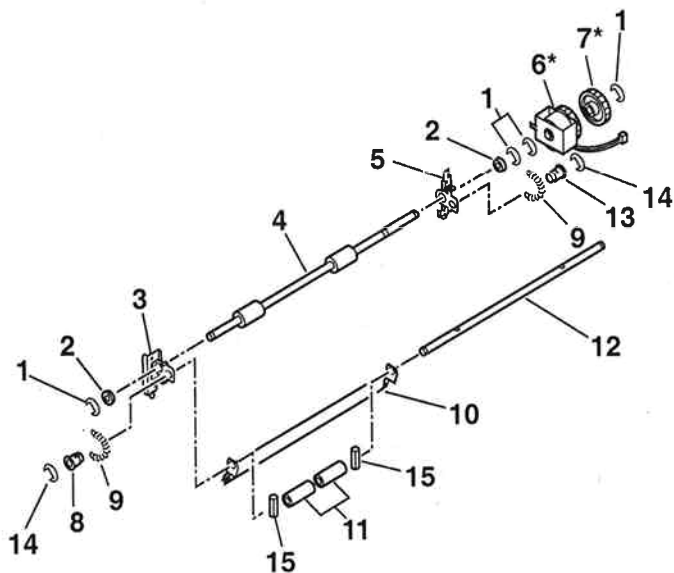


* = Lubrication
See page 4-7

LASER CLASS 3170/3175/3175MS 2.PARTS LAYOUT & PARTS LIST

FIGURE & KEY No.	PART No.	RANK	QTY	DESCRIPTION	REMARKS
34 - 1	RB1-8739-020		1	GUIDE	
2	RS5-2628-000		2	SPRING, TENSION	
3	RB1-8733-020		1	PLATE, SHAFT HOLDER, LEFT	
4	XD9-0103-000		2	PIN, DOWEL	
5	RB2-2393-000		1	CAM, LIFTER, LEFT	
6	RF5-2661-000		1	GUIDE, TRANSFER, UPPER	
7	XD9-0135-000		2	RING, E	
8	RB2-2394-000		1	CAM, LIFTER, RIGHT	
9	RB1-8734-020		1	PLATE, SHAFT HOLDER, RIGHT	
10	RS5-1290-000		2	BUSHING	
11	RB2-2395-000		1	SPRING, TORSION	
12	RB1-8746-030		1	SPRING, TORSION	
13	RB1-8698-000		1	PLATE, GROUNDING	
14	RB1-8737-000		1	SHAFT, ROLLER	
15	RS5-1286-020		2	BUSHING	
16	RB1-8731-000		1	ROLLER, PRE-TRANSFER	
17	RS5-0910-000		1	GEAR, 12T/30T	
18	FA9-1449-000		1	CAPTIVE SCREW M3X6	
19	RB1-8742-000		4	ROLLER	
20	RB1-8730-020		1	ARM, REGISTRATION	
21	RB1-8748-000		1	PAD, SAFTY	
22	RB1-8741-000		2	ROLLER	
23	RB1-8740-000		1	ROLLER	
24	XD9-0137-000		2	RING, E	
25	RB2-2396-000		1	ARM, GUIDE, TRANSFER	
26	RB2-2414-000		1	SHEET	

FIGURE 35 PAPER FEED ASS'Y

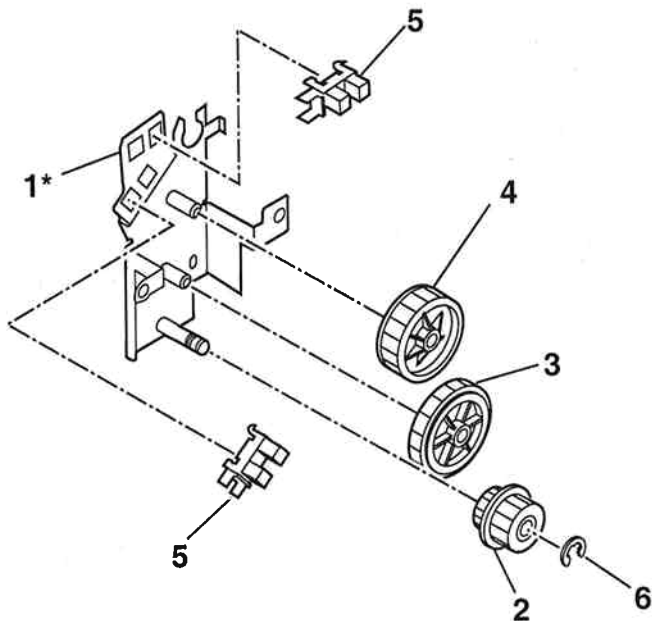


* = Lubrication
See page 4-8

LASER CLASS 3170/3175/3175MS 2.PARTS LAYOUT & PARTS LIST

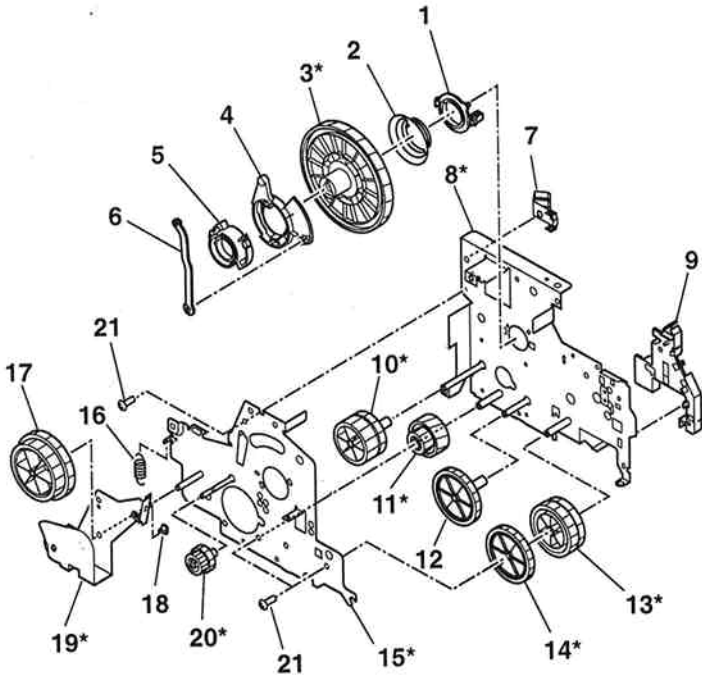
FIGURE & KEY No.	PART No.	RANK	QTY	DESCRIPTION	REMARKS
35 - 1	XD9-0137-000		4	RING, E	
2	RS5-1286-020		2	BUSHING	
3	RB1-8735-000		1	PLATE, SHAFT HOLDER, LEFT	
4	RB1-8732-000		1	ROLLER, FEED	
5	RB1-8736-000		1	PLATE, SHAFT HOLDER, RIGHT	
6	RH7-5171-000		1	CLUTCH	
7	RS5-0909-000		1	GEAR, 31T	
8	RS5-1291-000		1	BUSHING	
9	RS5-2627-000		2	SPRING, TENSION	
10	RB1-8745-020		1	GUIDE	
11	RB1-8743-000		2	ROLLER	
12	RB1-8744-000		1	SHAFT, ROLLER	
13	RS5-1292-000		1	BUSHING	
14	XD9-0136-000		2	RING, E	
15	XD3-1160-102		2	PIN, SPRING, D=1.6, L=10	

FIGURE 36 DELIVERY DRIVE ASS'Y



* = Lubrication
See page 4-9

FIGURE 37 PRINTER DRIVER ASS'Y

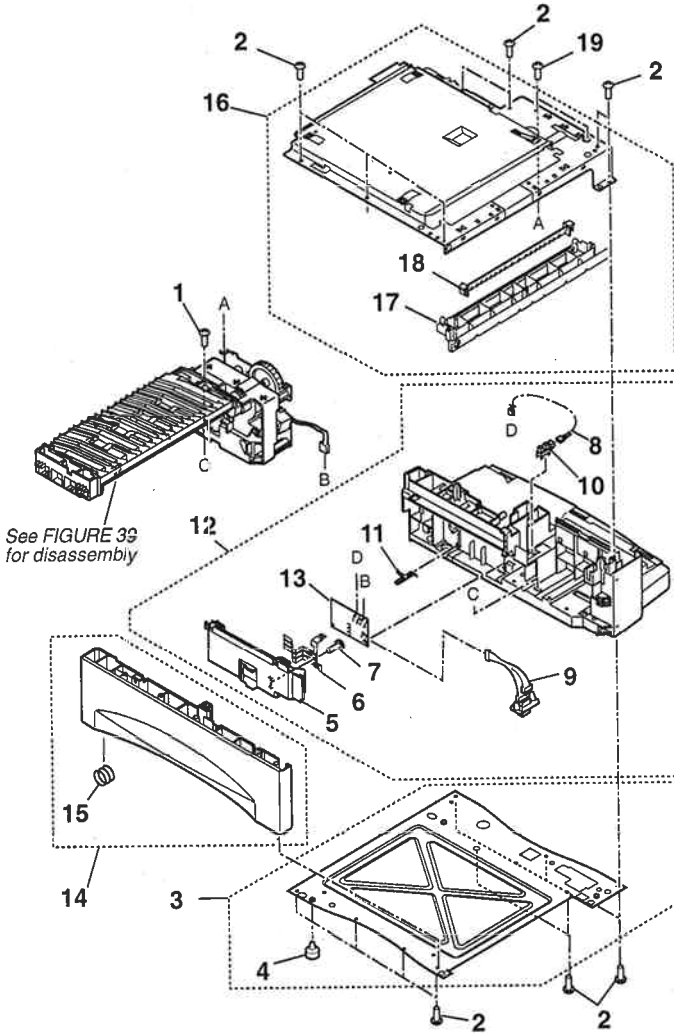


* = Lubrication
See page 4-10

LASER CLASS 3170/3175/3175MS 2.PARTS LAYOUT & PARTS LIST

FIGURE & KEY No.	PART No.	RANK	QTY	DESCRIPTION	REMARKS
37 - 1	RB1-8753-000		1	BUSHING	
2	RS5-2631-000		1	SPRING, COMPRESSION	
3	RS5-0908-000		1	GEAR, 193T	
4	RB1-8755-000		1	CAM	
5	RB1-8754-000		1	CAM	
6	RB1-8756-000		1	ROD, RELEASE	
7	RB1-8760-000		1	SPRING, GROUNDING	
8	HF5-0517-000		1	PLATE, DRIVE	
9	RB1-8757-000		1	HOLDER, CABLES	
10	RS5-0916-000		1	GEAR, 39T	
11	RS5-0915-000		1	GEAR, 19T/63T	
12	RS5-0914-000		1	GEAR, 51T	
13	RS5-0912-000		1	GEAR, 37T/48T	
14	RS5-0913-000		1	GEAR, 49T	
15	HF5-0526-000		1	PLATE, DRIVE	
16	RS5-2629-000		1	SPRING, TENSION	
17	RS5-0917-000		1	GEAR, 53T/61T	
18	RB1-8986-000		1	CHIP, SWING	
19	HF5-0527-000		1	PLATE, SWING ARM	
20	RS5-0919-000		1	GEAR, 22T/23T	
21	XA9-0267-000		3	SCREW, TP, M3X6	

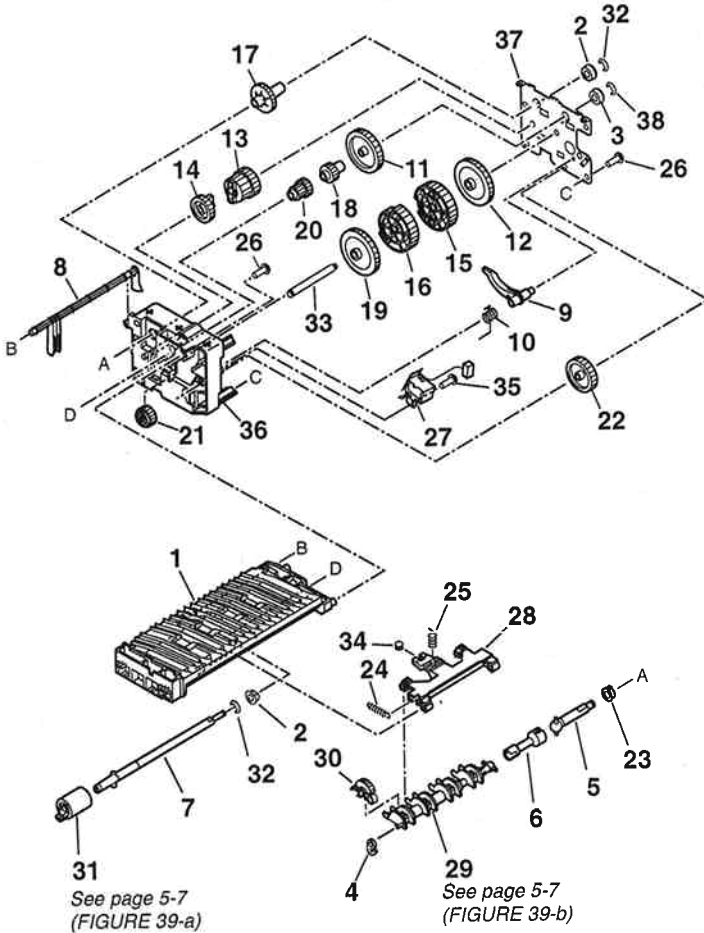
FIGURE 38 PAPER FEEDER ASS'Y



LASER CLASS 3170/3175/3175MS 2.PARTS LAYOUT & PARTS LIST

FIGURE & KEY No.	PART No.	RANK	QTY	DESCRIPTION	REMARKS
38 - 1	XA9-0917-000		1	SCREW, M3X16	
2	XA9-0870-000		16	SCREW, M4X10	
3	RG5-2670-000		1	LOWER FRAME ASS'Y	
4	RB1-8107-000		2	FOOT	
5	RB1-8886-020		1	COVER, PCB	
6	RB1-8887-000		1	SPRING, LEAF	
7	XA9-0915-000		1	SCREW, M3X6	
8	RG5-3711-000		1	PAPER SENSOR CABLE	
9	RG5-3712-000		1	PAPER FEEDER CABLE	
10	WG8-5362-000		1	PHOTO-INTERRUPTER TLP1241	
11	RB1-8979-000		1	SPRING, GROUNDING, 1	
12	HG5-1899-000		1	RIGHT FRAME ASS'Y	
13	RG5-2673-000		1	PAPER SIZE DETECTION PCB ASS'Y	
14	RG5-4545-000		1	LEFT FRAME ASS'Y	
15	RS5-2652-000		1	SPRING, COMPRESSION	
16	RG5-2671-000		1	UPPER FRAME ASS'Y	
17	RB1-8873-000		1	GUIDE, PAPER	
18	RB1-8890-000		1	GUIDE, PAPER	
19	XB5-2300-609		2	SCREW, BH, M3X6 (S)	

FIGURE 39 PAPER PICK-UP DRIVE ASS'Y

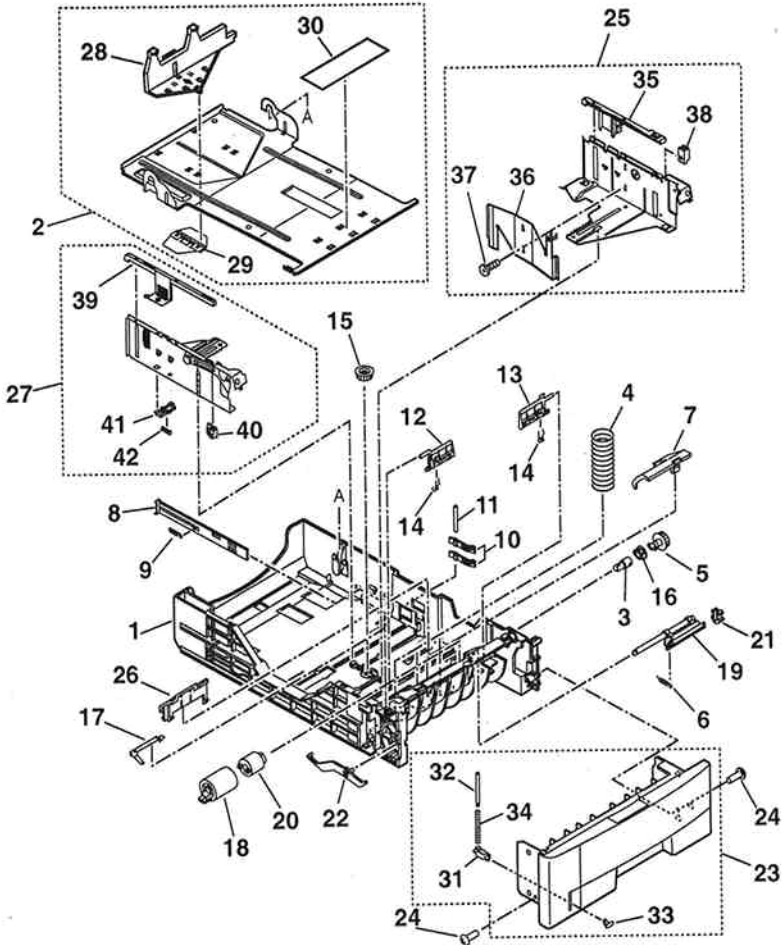


LASER CLASS 3170/3175/3175MS 2.PARTS LAYOUT & PARTS LIST

FIGURE & KEY No.	PART No.	RANK	QTY	DESCRIPTION	REMARKS
39 - 1	RB1-8869-000		1	GUIDE	
2	RS5-1307-000		2	BUSHING	
3	RS5-1308-000		1	BUSHING	
4	RB1-2190-000		1	COLLAR, SPRING	
5	RB1-8868-000		1	SHAFT, DRIVE	
6	RB1-8877-000		1	JOINT	
7	RF5-2491-000		1	SHAFT, PAPER FEED	
8	RB1-8879-000		1	LEVER, SENSOR	
9	RB1-8880-000		1	LEVER	
10	RB1-8881-000		1	SPRING, TORSION	
11	RS5-0930-000		1	GEAR, 17T/38T	
12	RS5-0931-000		1	GEAR, 41T	
13	RS5-0932-000		1	GEAR, 23T/27T	
14	RS5-0933-000		1	GEAR, 27T	
15	RS5-0934-000		1	GEAR, 49T	
16	RS5-0935-000		1	GEAR, 31T/39T	
17	RS5-0936-000		1	GEAR, 31T	
18	RS5-0937-000		1	GEAR, 18T	
19	RS5-0938-000		1	GEAR, 53T	
20	RS5-0939-000		1	GEAR, 14T/18T	
21	RS5-0940-000		1	GEAR, 20T	
22	RS5-0941-000		1	GEAR, 29T	
23	RB1-8955-000		1	SPACER	
24	RS5-2632-000		1	SPRING, TENSION	
25	RS5-2633-000		1	SPRING, COMPRESSION	
26	XA9-0870-000		6	SCREW, M4X10	
27	RH7-5174-000		1	SOLENOID	
28	RB1-8866-000		1	ARM	
29	RB1-8867-000		1	SHAFT, ROLLER	
30	RB1-8957-000		4	ROLLER	
31	RF5-1885-000		1	ROLLER	
32	XD9-0136-000		2	RING, E	
33	RB1-8891-000		1	SHAFT	
34	RB1-8883-000		1	DAMPER	
35	XA9-0640-000		1	SCREW, W/WASHER, M3X12	

This page intentionally left blank

FIGURE 40 CASSETTE



LASER CLASS 3170/3175/3175MS 2.PARTS LAYOUT & PARTS LIST

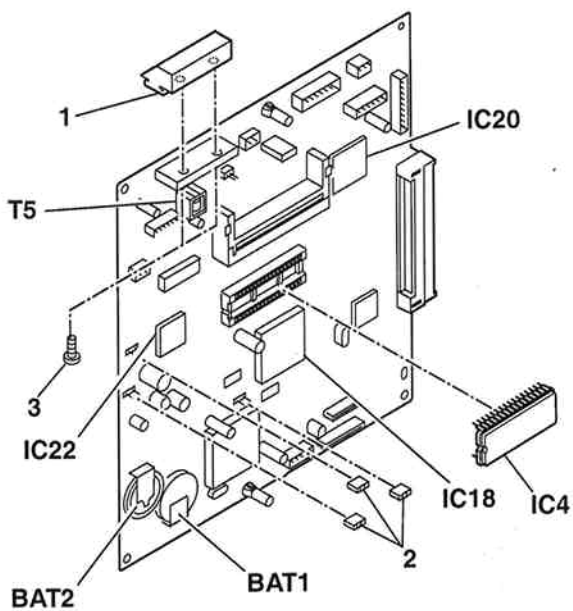
FIGURE & KEY No.	PART No.	RANK	QTY	DESCRIPTION	REMARKS
40 - 1	RB2-2776-000	N	1	BODY, CASSETTE	
2	RF5-2485-040		1	PLATE, PAPER LIFTING	
3	RB1-8945-000		1	JOINT	
4	RS5-2621-000		3	SPRING, COMPRESSION	
5	RB1-8948-000		1	GEAR, 22T	
6	RS5-2622-020		1	SPRING, TENSION	
7	RB2-2775-000		1	COVER	
8	RB1-8965-000		1	PLATE, SIZE	
9	RS5-2624-000		1	SPRING, TENSION	
10	RB1-8963-000		2	ARM, SIZE	
11	RB1-8964-000		1	SHAFT, SIZE ARM	
12	RB1-8961-000		1	ARM, LIFTER, LEFT	
13	RB1-8962-000		1	ARM, LIFTER, RIGHT	
14	RB1-8973-000		2	SPRING, TORSION	
15	RB1-8970-000		1	GEAR, 20T	
16	RB1-8946-000		1	BUSHING	
17	RB1-8972-000		1	SPRING, LEAF	
18	RF5-1885-000		1	ROLLER	
19	RF5-2489-000		1	HOLDER	
20	RB1-8974-000		1	LIMITER, TORQUE	
21	RB1-8956-000		1	STOPPER, REAR	
22	RB1-8966-000		1	ARM, SENSOR	
23	RG5-4546-000		1	CASSETTE FRONT COVER ASS'Y	
24	XA9-0806-000		2	SCREW, M4X10	
25	RG5-4401-000		1	RIGHT SIDE PLATE ASS'Y	
26	RB2-2754-000		1	HOLDER, REAR	
27	RG5-2699-000		1	LEFT SIDE PLATE ASS'Y	
28	RF5-2760-000		1	PLATE, LENGTH ADJUSTMENT	
29	RB1-8951-000		1	SPRING, LEAF	
30	RB1-8971-020		1	SHEET, SEPARATION	
31	RB1-8967-000		1	HOLDER, BLOCK	
32	RB1-8968-000		1	SHAFT, SENSOR ARM	
33	RB2-2773-000		1	BLOCK, SENSOR	
34	RS5-2625-000		1	SPRING, COMPRESSION	
35	RB1-8954-000		1	COVER, SIDE, RIGHT	

LASER CLASS 3170/3175/3175MS 2.PARTS LAYOUT & PARTS LIST

FIGURE & KEY No.	PART No.	R A N K	Q T Y	DESCRIPTION	REMARKS
40 - 36	RB1-9379-000		1	SPRING, LEAF	
37	XA9-0903-000		2	SCREW, M3X5	
38	RB1-8893-000		1	HOLDER, CLAW	
39	RB1-8953-000		1	COVER, SIDE, LEFT	
40	RB1-8892-000		1	HOLDER, CLAW	
41	RB1-8952-000		1	BLOCK, SIDE CLICK	
42	RS5-2623-000		1	SPRING, COMPRESSION	

This page intentionally left blank

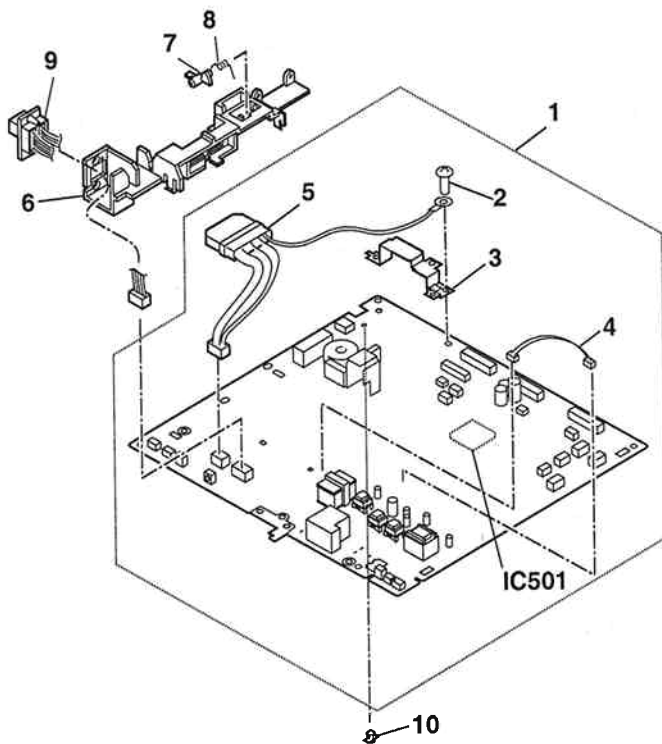
FIGURE 41 SCNT BOARD ASS'Y



LASER CLASS 3170/3175/3175MS 2.PARTS LAYOUT & PARTS LIST

FIGURE & KEY No.	PART No.	RANK	QTY	DESCRIPTION	REMARKS
41 - 1	HB1-2248-000		1	HEATSINK	
2	WS1-5397-000	N	3	PLUG, JUMPER	
3	XA9-0664-000		2	SCREW, W/WASHERS, M3X8	
BAT1	WK1-5117-000		1	BATTERY, LITHIUM, CR2450THE	
BAT2	WK1-5101-000		1	LITHIUM BATTERY, VL2330/G1A	
IC4	HH4-3250-000		1	IC, LH537N, MASK-ROM	
IC18	HH4-2642-000		1	IC, M86364FP. CMOS, MITSUBISHI	
IC20	HH4-2687-000		1	IC, CM700L, CMOS, CANON	
IC22	HH4-2484-000		1	IC, UPD94111GJ-201-3EB, C-MOS	
T5	FH3-0778-000		1	CHOKE COIL	

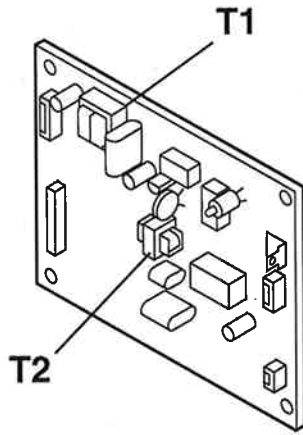
FIGURE 42 ECNT ASS'Y



LASER CLASS 3170/3175/3175MS 2.PARTS LAYOUT & PARTS LIST

FIGURE & KEY No.	PART No.	R A N K	Q T Y	DESCRIPTION	REMARKS
42 - 1	HG5-1951-000		1	ECNT BOARD ASS'Y	
2	FA9-1449-000		1	CAPTIVE SCREW M3X6	
3	HB1-3779-000		1	STAY, SWITCH	
4	HH2-2888-000		1	CABLE WITH CONNECTOR, 2P	
5	RG5-3697-000		1	FIXING CABLE	
6	RB1-8834-000		1	GUIDE, CABLE	
7	RB1-8854-020		1	ARM, SENSOR	
8	RB1-8855-000		1	SPRING, TORSION	
9	RG5-3698-000		1	DUPLEXING UNIT CABLE	
10	RH7-8059-000		1	SPACER, PCB	
IC501	HH4-3245-000		1	IC, UPD1605, MPU	

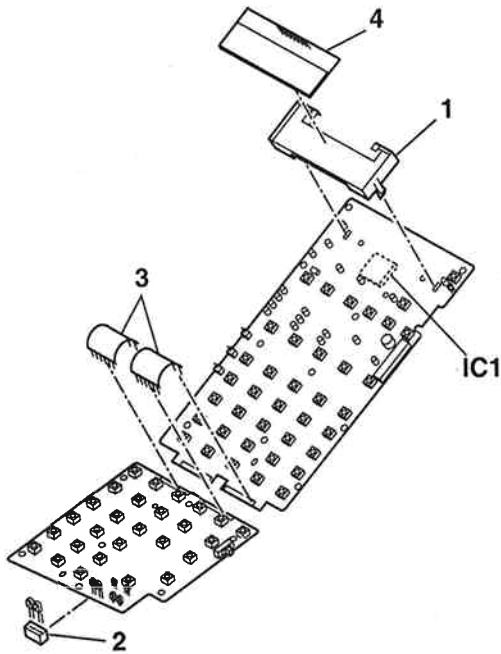
FIGURE 43 NCU BOARD ASS'Y



LASER CLASS 3170/3175/3175MS 2.PARTS LAYOUT & PARTS LIST

FIGURE & KEY No.	PART No.	RANK	QTY	DESCRIPTION	REMARKS
43 - T1	HH7-2120-000		1	AUDIO TRANSFORMER	
T2	HH7-2112-000		1	HYBRID TRANSFORMER	

FIGURE 44 OPCNT BOARD ASS'Y



LASER CLASS 3170/3175/3175MS 2.PARTS LAYOUT & PARTS LIST

FIGURE & KEY No.	PART No.	R A N K	Q T Y	DESCRIPTION	REMARKS
44 - 1	HB1-3850-000		1	HOLDER, LCD	
2	HB1-3851-000		1	SPACER, LED	
3	HH2-2904-000		2	CABLE, FLAT, 10P	
4	HH7-2174-000		1	MODULE, LCD	
IC1	HH4-3198-000		1	IC, BU12306-04, C-MOS	

FIGURE 45 TWINS BOARD ASS'Y

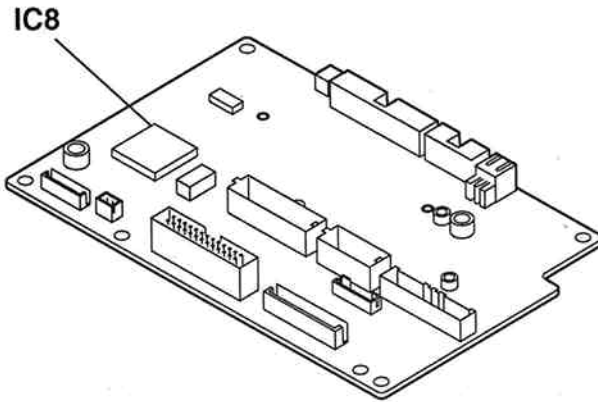
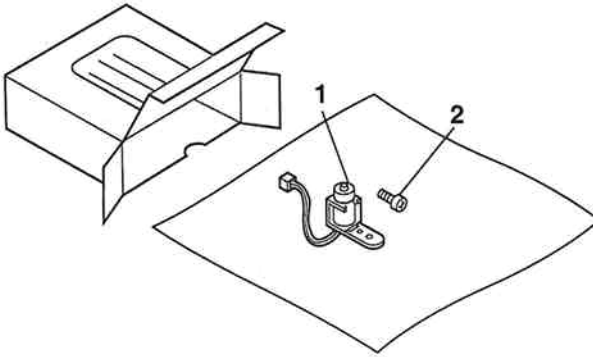
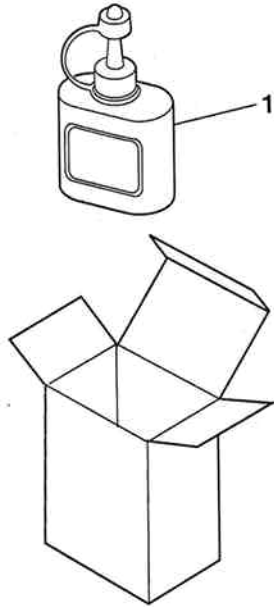


FIGURE & KEY No.	PART No.	R A N K	Q T Y	DESCRIPTION	REMARKS
45 - IC8	HH4-2688-000		1	IC, UPD65802GJ-117-3EN	

**FIGURE 46 VERIFICATION STAMP UNIT 1
PACKAGE CONTENTS**



**FIGURE 47 YELLOW INK TO REFILL
FOR VERIFICATION STAMP
PACKAGE CONTENTS**



The Stamp ink is not designated as a service part.
Please include it with the product (Product No. H12-3372-210).

LASER CLASS 3170/3175/3175MS 2.PARTS LAYOUT & PARTS LIST

FIGURE & KEY No.	PART No.	R A N K	Q T Y	DESCRIPTION	REMARKS
47- 1	NPN		1	YELLOW INK	

FIGURE 48 HANDSET KIT L7 PACKAGE CONTENTS

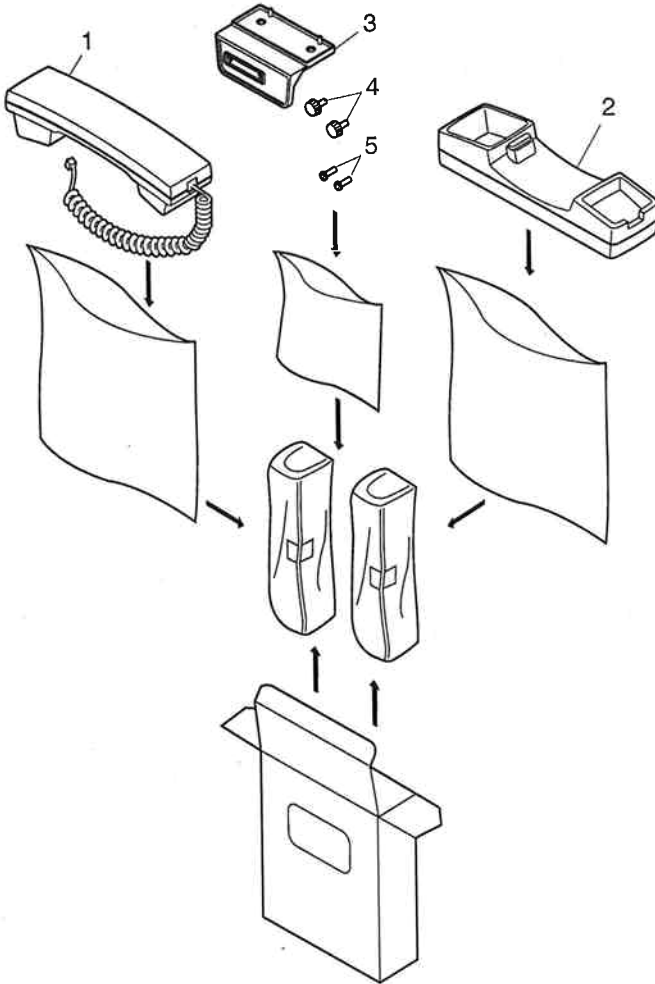
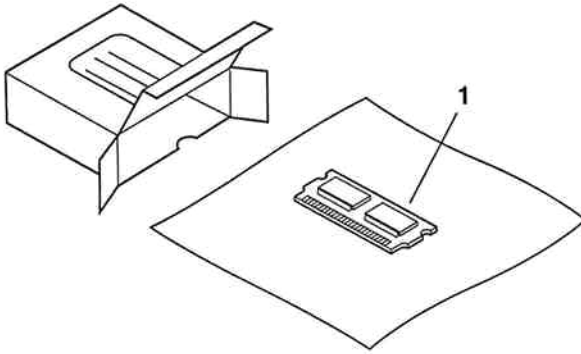


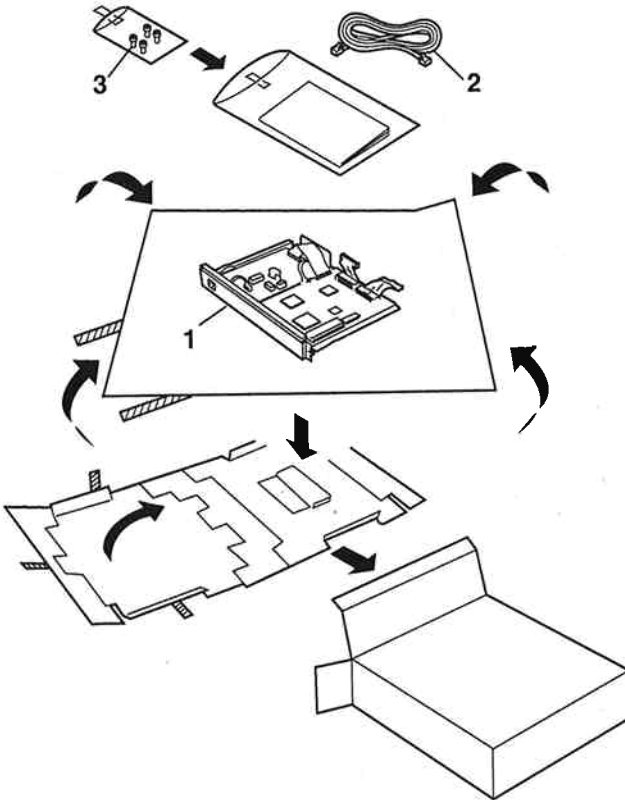
FIGURE 49 OPTION MEMORY VII (4MB)
PACKAGE CONTENTS



LASER CLASS 3170/3175/3175MS 2.PARTS LAYOUT & PARTS LIST

FIGURE & KEY No.	PART No.	R A N K	Q T Y	DESCRIPTION	REMARKS
49 - 1	HG5-1851-000	N	1	DRAM BOARD ASSY (4M-BYTE)	

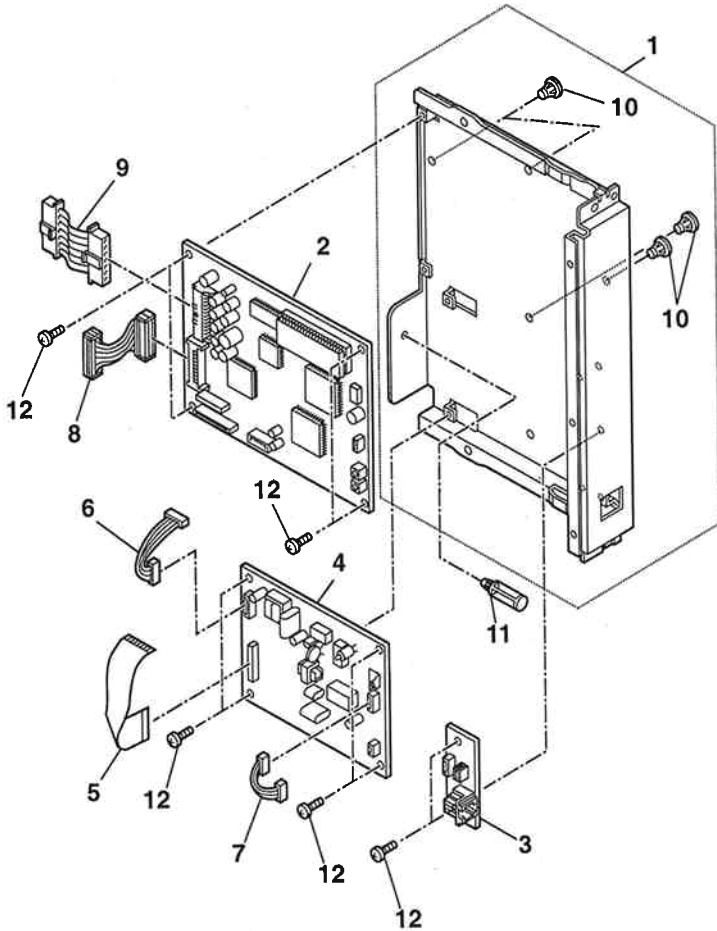
**FIGURE 50 DUAL-LINE UPGRADE KIT II
PACKAGE CONTENTS**



LASER CLASS 3170/3175/3175MS 2.PARTS LAYOUT & PARTS LIST

FIGURE & KEY No.	PART No.	R A N K	Q T Y	DESCRIPTION	REMARKS
50 - 1	NPN		1	DUAL-LINE ASS'Y	
2	HH2-2830-000		1	CORD, MODULAR, 2W	
3	XB1-2300-607		4	SCREW, BH3X6(S)	

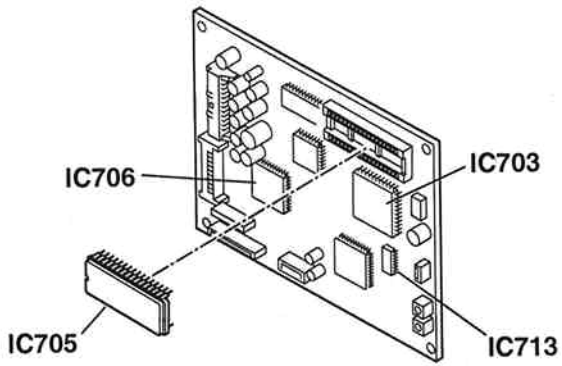
FIGURE 51 DUAL-LINE ASS'Y



LASER CLASS 3170/3175/3175MS 2.PARTS LAYOUT & PARTS LIST

FIGURE & KEY No.	PART No.	R A N K	Q T Y	DESCRIPTION	REMARKS
51 - 1	HG5-1943-000	N	1	FLAME ASSY	
2	HG5-1944-000		1	DUAL-LINE BOARD ASSY	
3	HG5-1945-000		1	MODULAR BOARD ASSY	
4	HG5-2042-000		1	NCU BOARD ASSY	
5	HH2-2908-000		1	CABLE, FLAT, 23P	
6	HH2-2909-000		1	CABLE WITH CONNECTOR, 6P	
7	HH2-2910-000		1	CABLE WITH CONNECTOR, 5P	
8	HH2-2911-000		1	CABLE WITH CONNECTOR, 40P	
9	HH2-2912-000		1	CABLE WITH CONNECTOR, 14P	
10	VT2-5027-006		4	SPACER	
11	VT2-5167-018		1	SPACER	
12	XB1-2300-607		10	SCREW, BH3X6(S)	

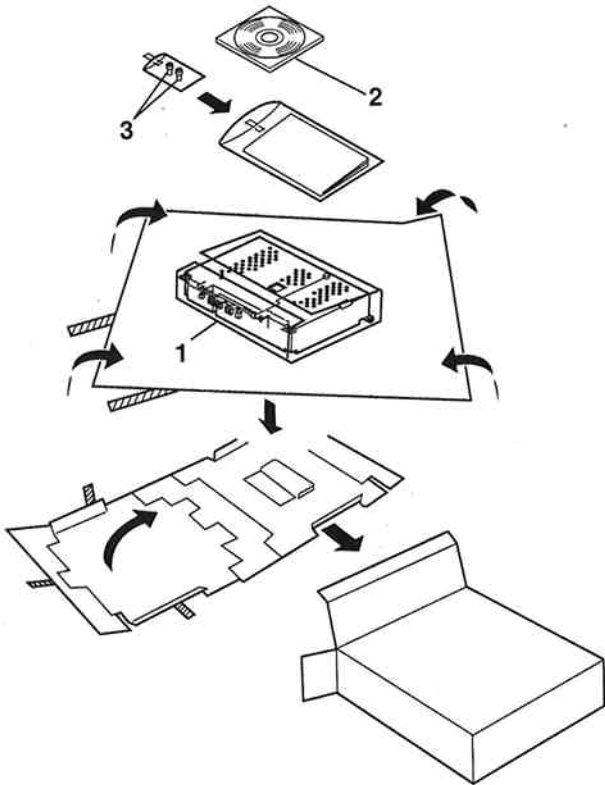
FIGURE 52 DUAL-LINE BOARD ASS'Y



LASER CLASS 3170/3175/3175MS 2.PARTS LAYOUT & PARTS LIST

FIGURE & KEY No.	PART No.	R A N K	Q T Y	DESCRIPTION	REMARKS
52 - IC703	HH4-2642-000		1	IC, M66364FP, CMOS, MITSUBISHI	
IC705	HH4-3273-000		1	IC, M27C800-100F1, EP-ROM	
IC706	HH4-2688-000		1	IC, UPD65802GJ-117-3EN	
IC713	HH4-3216-000		1	IC, UPD7757GT-717-E2, C-MOS	

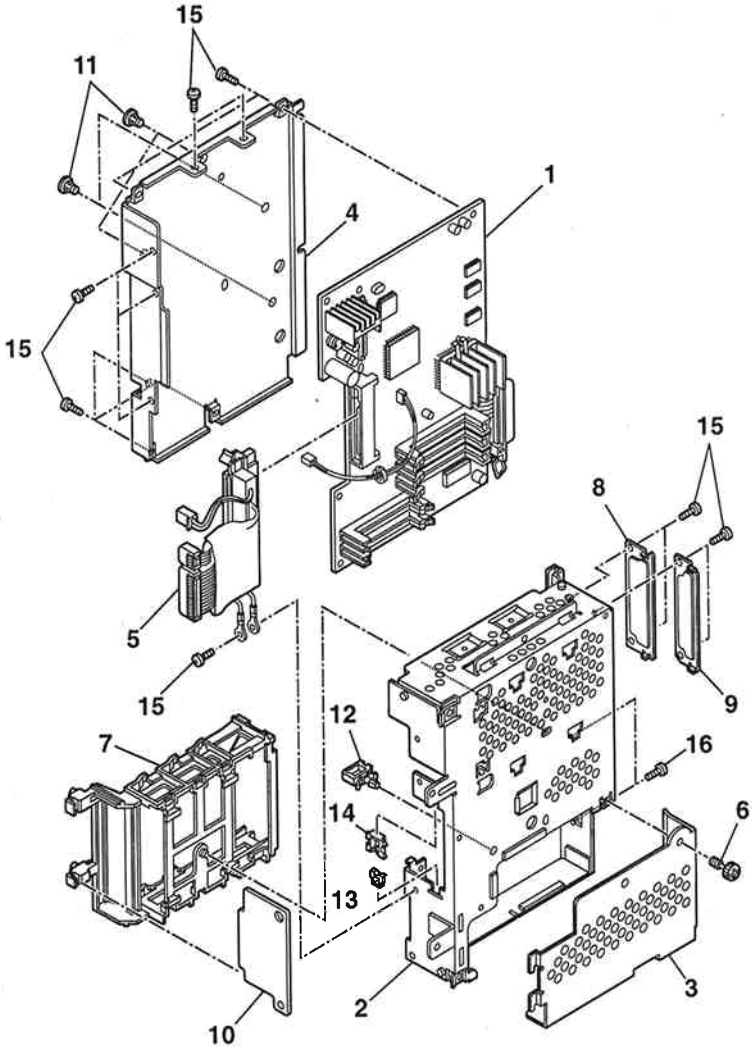
FIGURE 53 PRINTER BOARD I
PACKAGE CONTENTS



LASER CLASS 3170/3175/3175MS 2.PARTS LAYOUT & PARTS LIST

FIGURE & KEY No.	PART No.	R A N K	Q T Y	DESCRIPTION	REMARKS
53 - 1	NPN		1	PRINTER BOARD ASS'Y	
2	HH4-3313-000	N	1	CD-ROM, DRIVER SOFTWARE	
3	XB1-2300-807		2	SCREW, BH3X6(S)	

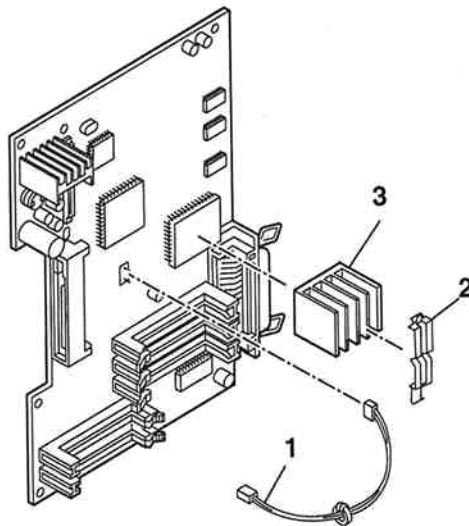
FIGURE 54 PRINTER BOARD ASS'Y



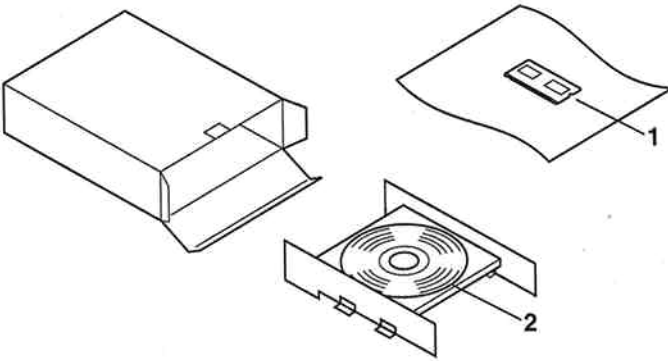
LASER CLASS 3170/3175/3175MS 2.PARTS LAYOUT & PARTS LIST

FIGURE & KEY No.	PART No.	RANK	QTY	DESCRIPTION	REMARKS
54 - 1	HG5-1956-000		1	PDL BOARD ASS'Y	
2	HB1-3930-000	N	1	COVER, SHIELD	
3	HB1-3931-000		1	COVER, MEMORY	
4	HB1-3932-000	N	1	PLATE, SHIELD	
5	HH2-2901-000		1	CABLE WITH CONNECTOR, 38P	
6	RB2-2759-000		1	SCREW, M4	
7	RB2-2764-000		1	RAIL, GUIDE	
8	RB2-2767-000		1	COVER	
9	RB2-2768-000		1	COVER	
10	RG1-3801-000		1	ADAPTER PCB ASS'Y	
11	VT2-5027-006		4	SPACER	
12	WT2-0317-000		1	CLIP, CABLE	
13	WT2-5035-000		1	CLIP, CORD	
14	WT2-5070-000		1	CLIP, CABLE	
15	XA9-0258-000		15	SCREW, BINDING HEAD MACHINE	
16	XB1-1300-607		2	SCREW, PH3X10 (S)	

FIGURE 55 PDL BOARD ASS'Y



**FIGURE 56 ADOBE POSTSCRIPT 3 MODULE 1
PACKAGE CONTENTS**



3. TOOL

FIGURE 57 TOOLS

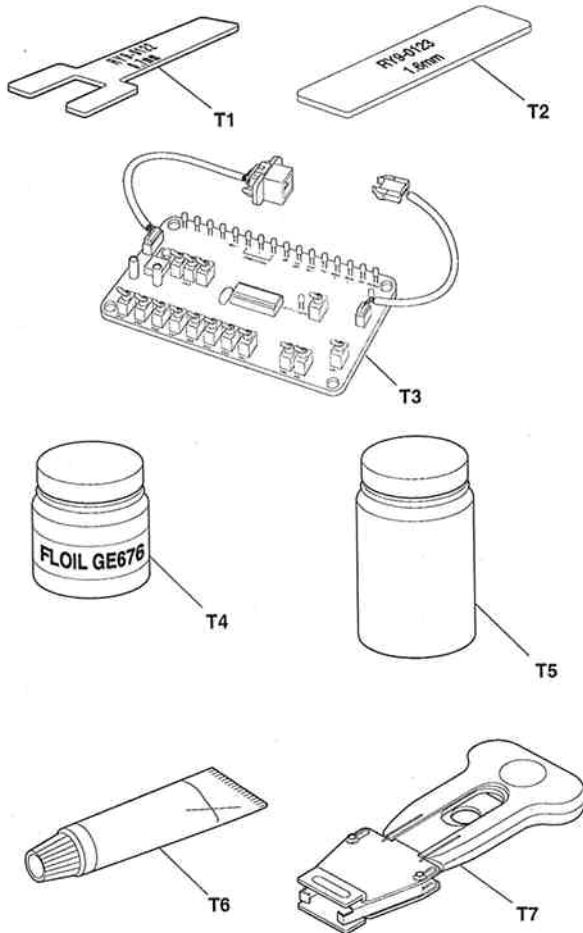
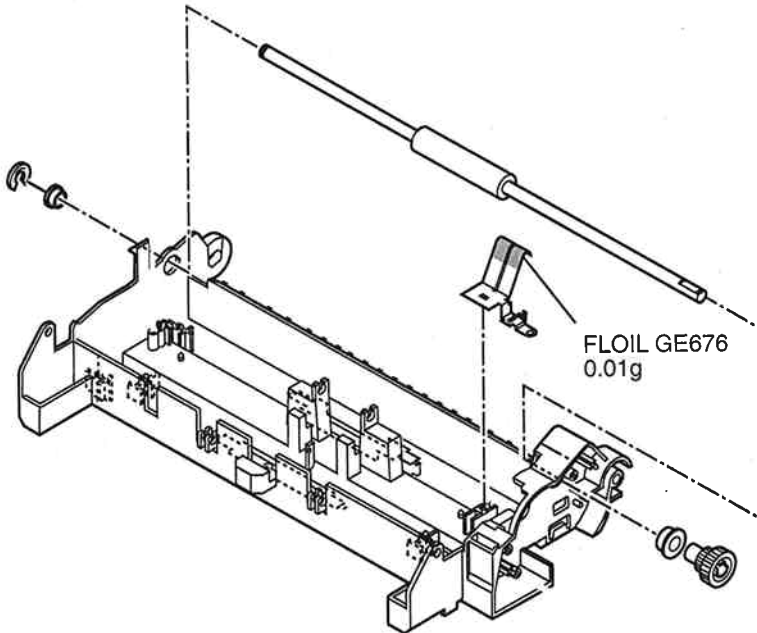


FIGURE & KEY No.	PART No.	R A N K	Q T Y	DESCRIPTION	REMARKS
57 - T1	RY9-0122-000		1	GAUGE, GAP, 0.7MM	
T2	RY9-0123-000		1	GAUGE, GAP, 1.6MM	
T3	RY9-0124-000		1	PRINTER DRIVER TESTER	
T4	CK-0544-000		1	GREASE, FLOIL GE-676 (20G)	
T5	CK-8003-000		1	LUBE, TELLUS OIL 68 (100ML)	
T6	HY9-0007-000		1	LUBE, MOLYKOTE EM-50L, GREASE	
T7	HY9-0022-000		1	IC-REMOVING TOOL (24-64P)	

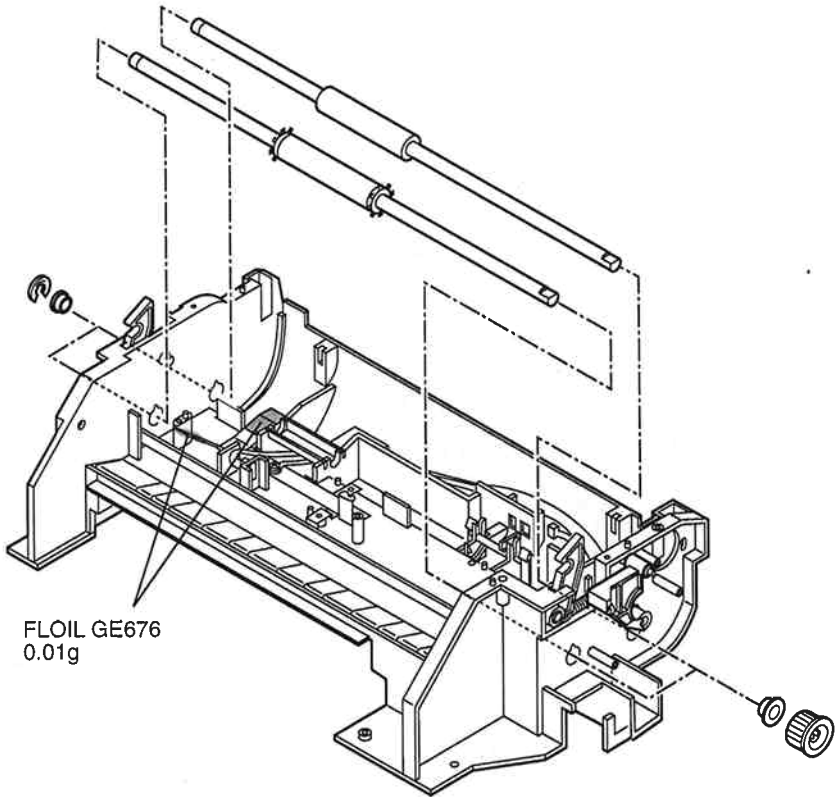
4. LUBRICATIONS

4.1 Locations

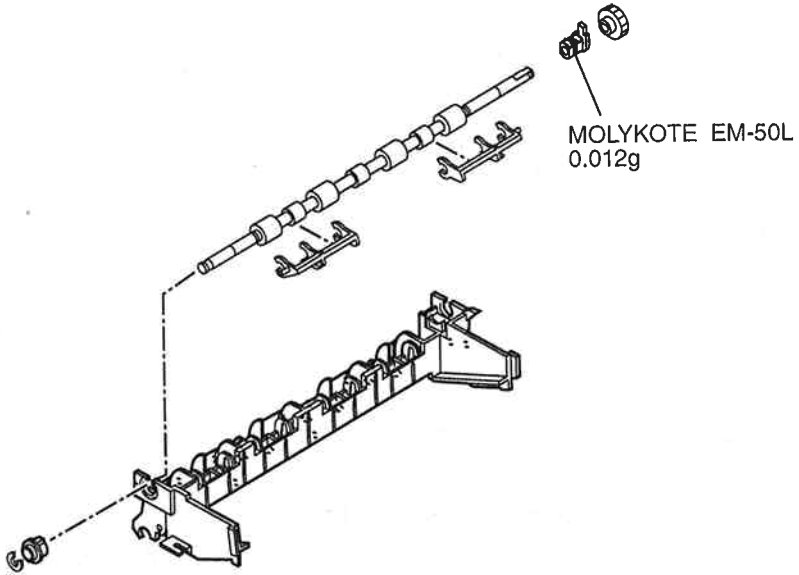
Some parts are lubricated with grease to ensure smooth operation and to increase conductivity. If lubricated parts are replaced or grease is removed, grease must be reapplied.



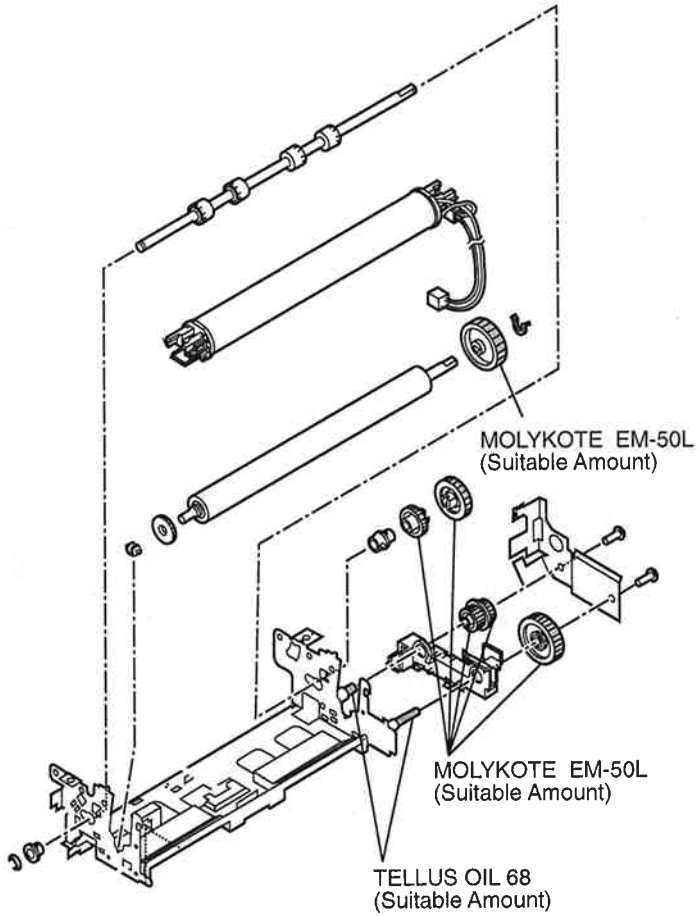
See FIGURE 14 for the disassembly



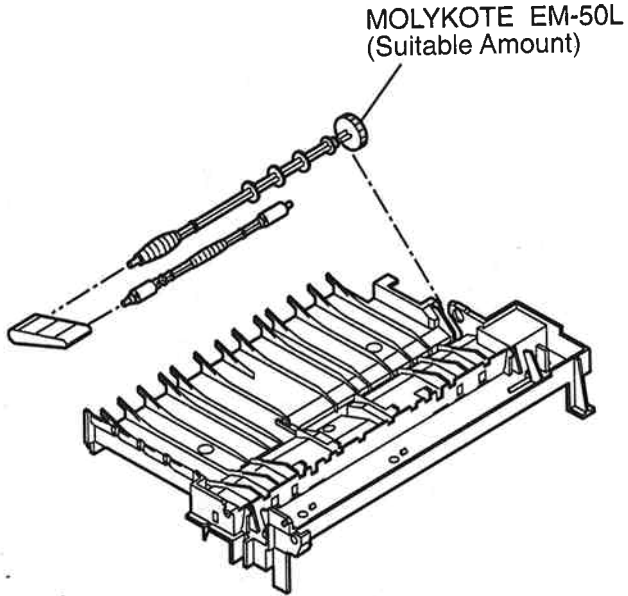
See FIGURE 15 and 16 for the disassembly



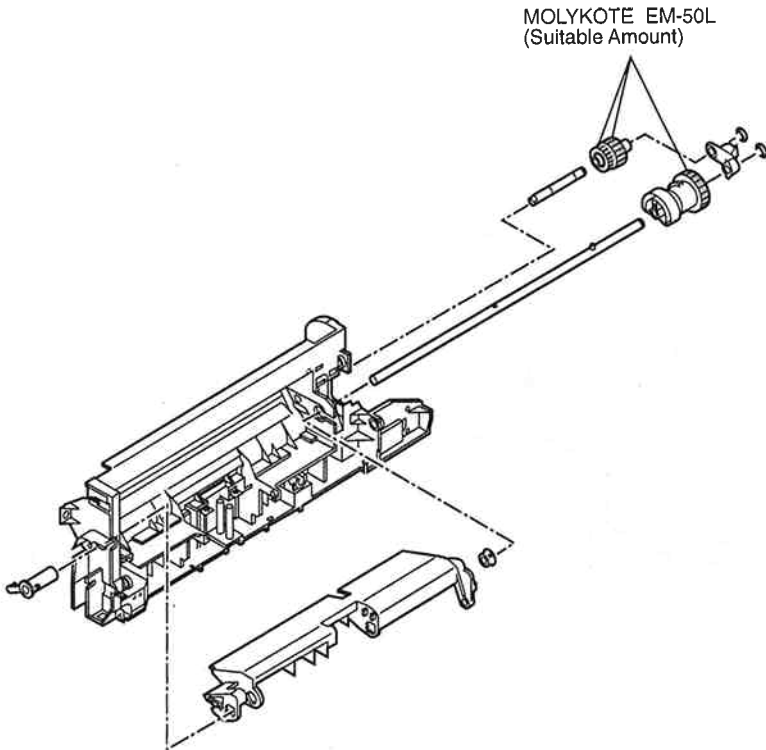
See FIGURE 28 for the disassembly



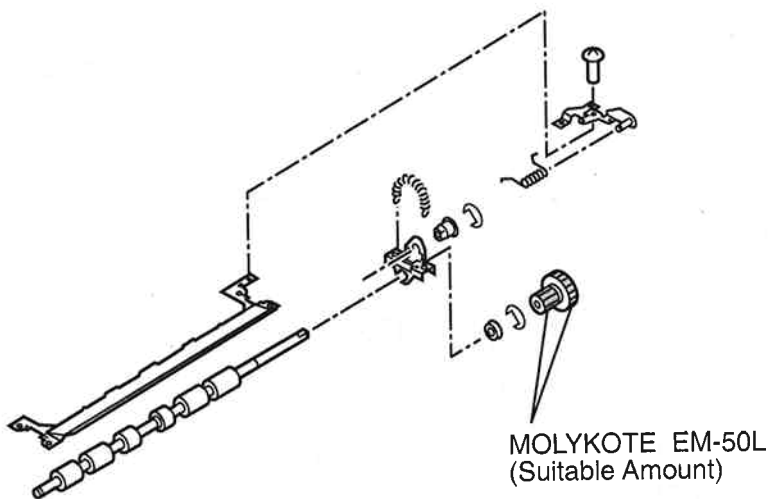
See FIGURE 31 for the disassembly



See FIGURE 32 for the disassembly

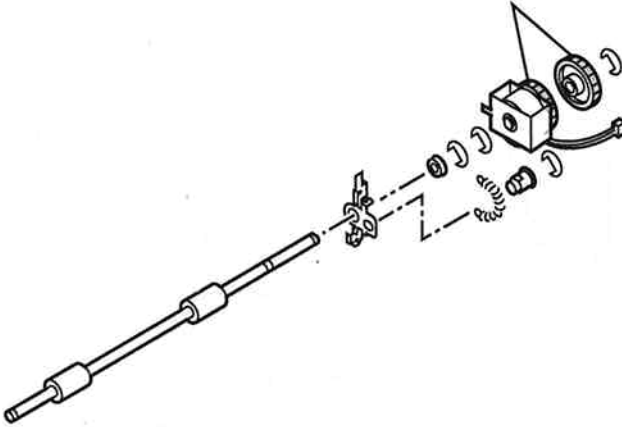


See FIGURE 33 for the disassembly

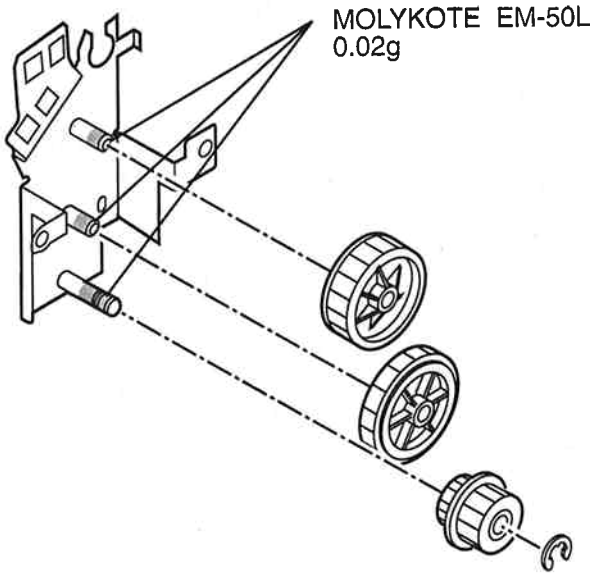


See FIGURE 34 for the disassembly

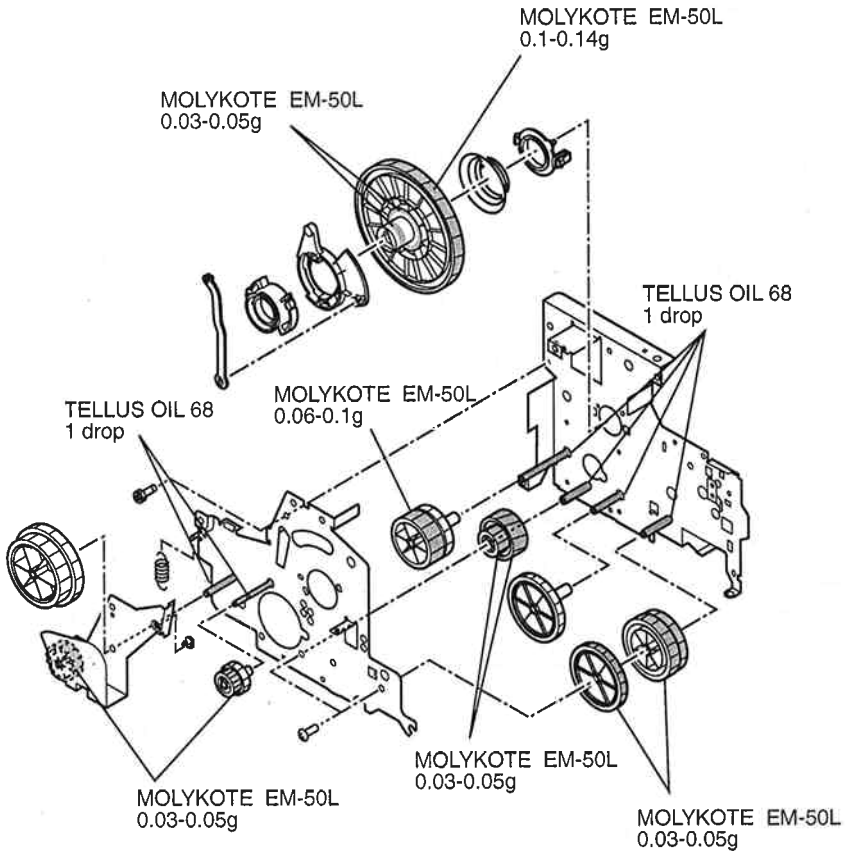
MOLYKOTE EM-50L
(Suitable Amount)



See FIGURE 35 for the disassembly



See FIGURE 36 for the disassembly



See FIGURE 37 for the disassembly

5. GUIDE TO REPLACEMENT

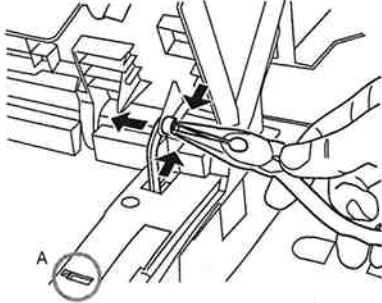
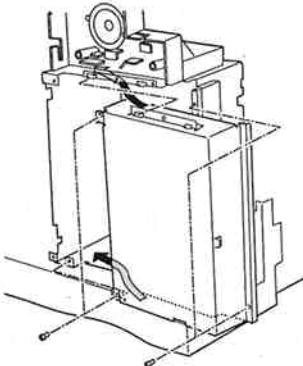
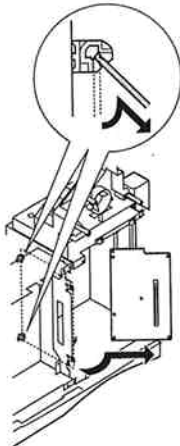
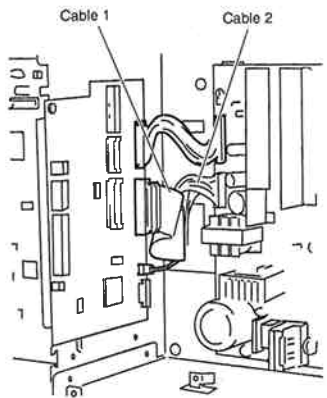
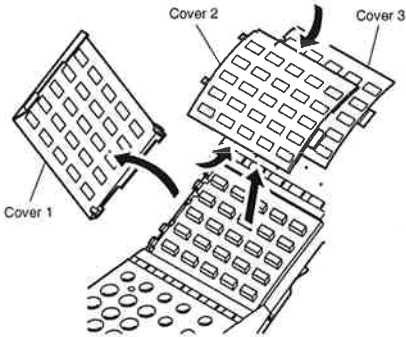
<p>FIGURE 4-a</p>	<p>See Page 2-7</p>	<p>FIGURE 6-a</p>	<p>See Page 2-11/13</p>
 <p>Using a pair of needle-nosed pliers, snip the joint pictured in the diagram and remove it. Insert a screwdriver into the section marked A, and remove the claw from the inside.</p>		 <p>Slide into place as indicated by the arrow in the diagram, and attach.</p>	
<p>FIGURE 6-b</p>	<p>See Page 2-11/13</p>	<p>FIGURE 6-c</p>	<p>See Page 2-11/13</p>
 <p>Open the TWINS board to the right as shown by the arrow, and pull out the Board.</p>		 <p>Pass cable 2 over the top of cable 1 and connect it.</p>	

FIGURE 10-a

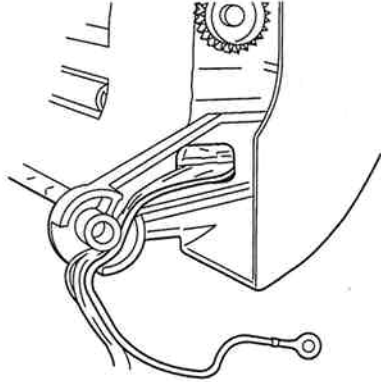
See Page 2-19



Open one-touch dial cover 1, remove the claw, and take off the cover. Bend one-touch dial covers 2 and 3 as shown by the arrows and remove them.

FIGURE 12-a

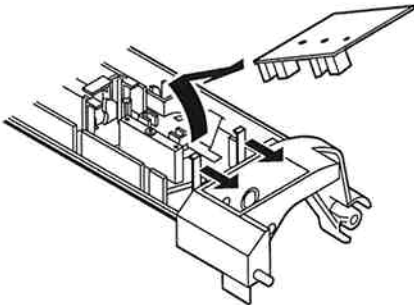
See Page 2-23



Feed the sensor board cable and grounding wire through the groove in the right side of the shaft as shown in the diagram.

FIGURE 13-a

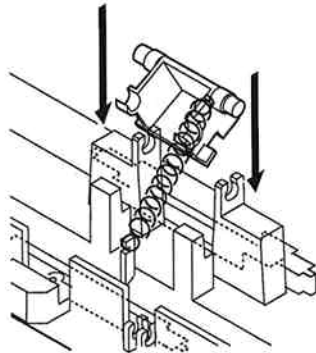
See Page 2-25



After removing the claws from the two places on the sensor board, lift the board slightly in the direction of the claws, and pull it off to the right.

FIGURE 14-a

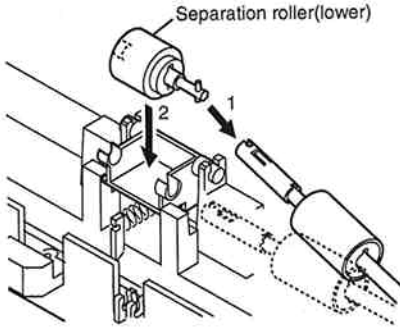
See Page 2-27



After hooking the spring onto the separation roller holder hook, hook the other end of the spring onto the hook on the frame side, incline the holder as shown in the diagram and stick it onto the bushing. At this time, be careful not to stretch the spring too much.

FIGURE 14-b

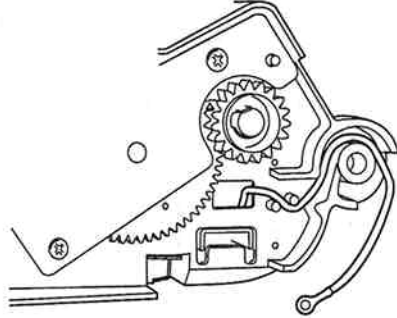
See Page
2-27



After attaching the separation roller (lower) to the torque limiter, fix the separation roller (lower) to the holder.

FIGURE 14-c

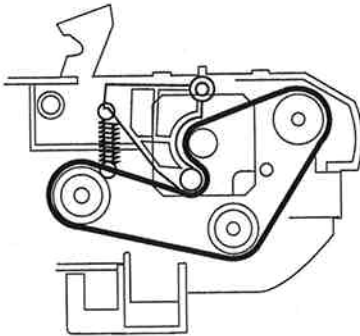
See Page
2-27



After passing the grounding wire through the hole in the right side of the frame as shown in the diagram, pass it through space between the 2 bosses, and feed it through the groove on the top side of the shaft.

FIGURE 15-a

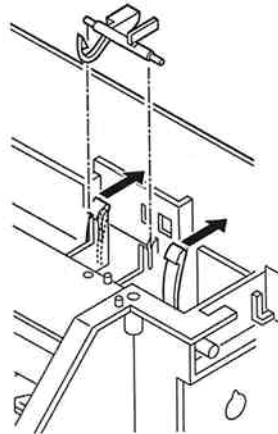
See Page
2-29



Attach the belt as shown in the diagram.

FIGURE 16-a

See Page
2-31



Bend the 2 claws as indicated by the arrows, and remove the arm.

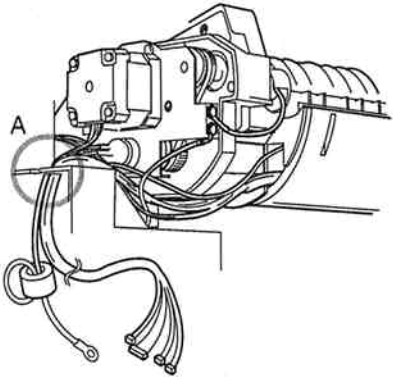
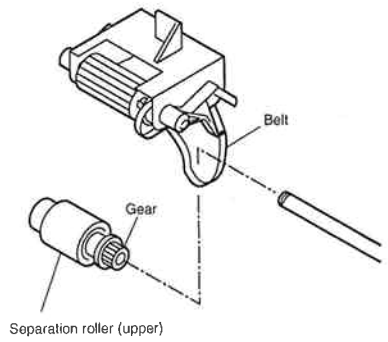
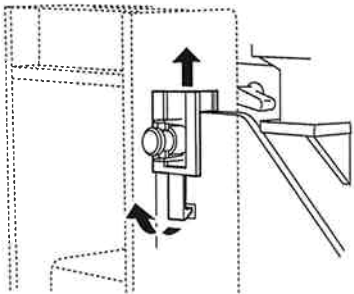
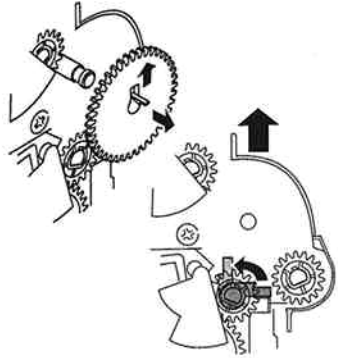
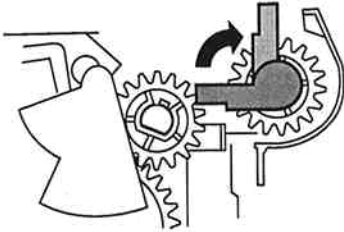
<p>FIGURE 16-b</p>	<p>See Page 2-31</p>	<p>FIGURE 17-a</p>	<p>See Page 2-33</p>
 <p>Pass cables other than those noted below through section A.</p> <ul style="list-style-type: none"> * Contact sensor cable * Option verification stamp cable 	 <p>When attaching the separation roller (upper), after hooking the roller gear on the belt, pass it over the shaft.</p>		
<p>FIGURE 19-a</p>	<p>See Page 2-37</p>	<p>FIGURE 19-b</p>	<p>See Page 2-37</p>
 <p>After removing the claw, lift the bushing up and remove the left side of the paper delivery ass'y.</p>	 <p>First, lift up the gear claw and pull off the gear. Next, rotate the lever to the left and release the lock, then lift up the paper delivery ass'y and remove it.</p>		

FIGURE 26-a

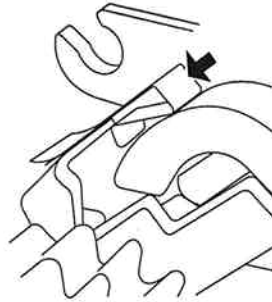
See Page
2-51



Rotate the lever to the right and release the lock, then lift up the Delivery upper guide ass'y and remove it.

FIGURE 26-b

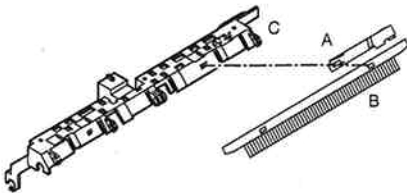
See Page
2-51



Press the grounding plate firmly all the way in.

FIGURE 27-a

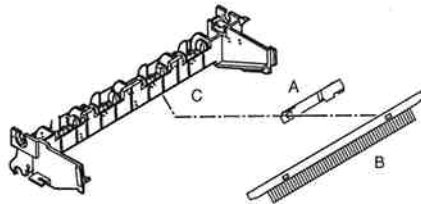
See Page
2-53



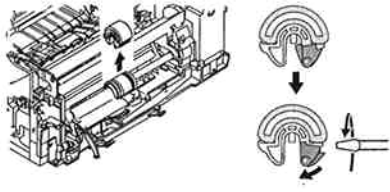
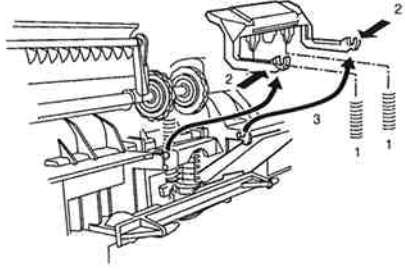
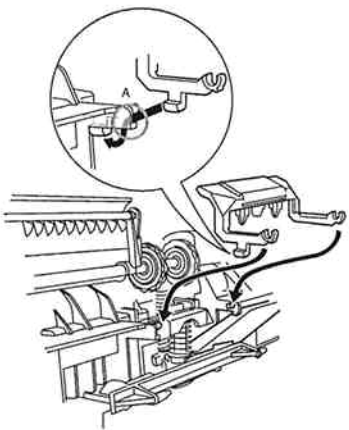
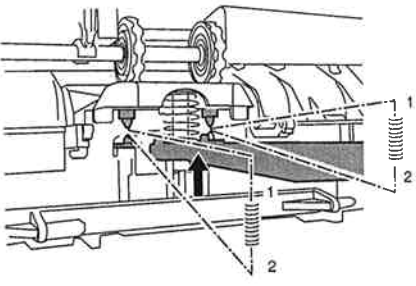
When assembling, after attaching A to B, attach to C.

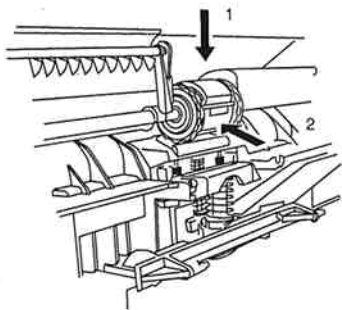
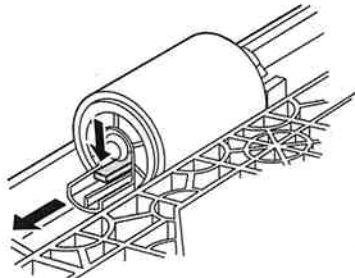
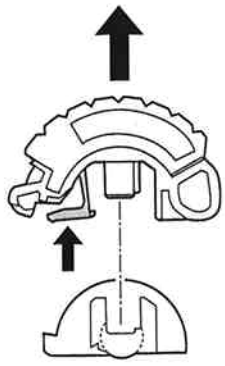
FIGURE 28-a

See Page
2-55



When assembling, after attaching A to B, attach to C.

<p>FIGURE 33-a</p>	<p>See Page 2-65</p>	<p>FIGURE 33-b</p>	<p>See Page 2-65</p>
 <p>Insert and twist the slot head screwdriver as shown in the diagram, and after removing the claw, pull the pick-up roller up and off.</p>	 <p>After removing the 2 springs, push the separation pad bushing assembly to the inner side, and after removing from the shaft, pull the separation pad forward and upward and remove it.</p>		
<p>FIGURE 33-c</p>	<p>See Page 2-65</p>	<p>FIGURE 33-d</p>	<p>See Page 2-65</p>
 <p>After putting the separation pad assembly under the support roller, pass the separation pad claw assembly through A and then attach the bushing to the shaft.</p>	 <p>With the parallel lift plate pushed upward, attach the spring.</p>		

<p>FIGURE 33-e</p>	<p>See Page 2-65</p>	<p>FIGURE 39-a</p>	<p>See Page 2-77</p>
 <p>After attaching the MP tray pick-up roller to the shaft, push the claw assembly and lock it.</p>	 <p>Push the lever and remove the claw, then remove the roller.</p>		
<p>FIGURE 39-b</p>	<p>See Page 2-77</p>		
 <p>Push the lever and remove the claw, then remove the pick-up roller.</p>			

This page intentionally left blank

6. NUMERICAL INDEX

PART NUMBER	FIGURE & KEY NO.	DESCRIPTION
CK-0544-000	57 - T4	GREASE, FLOIL GE-676 (20G)
CK-8003-000	57 - T5	LUBE, TELLUS OIL 68 (100ML)
FA3-8727-000	13 - 19	RETAINING RING
FA4-1159-000	14 - 20	RETAINING RING
	15 - 5	
FA9-1449-000	22 - 13	CAPTIVE SCREW M3X6
	23 - 1	
	34 - 18	
	42 - 2	
FH3-0778-000	41 - T5	CHOKE COIL
FS1-1202-000	14 - 21	BUSHING, 8MM, NYLON (R), OL-10
	15 - 6	
FS1-1205-000	13 - 17	BUSHING
HB1-0882-000	11 - 1	STOPPER, OPERATION PANEL
HB1-1381-020	48 - 3	STAY, HANDSET HOLDER
HB1-2248-000	41 - 1	HEATSINK
HB1-3767-000	8 - 1	MOUNT, READ MOTOR
HB1-3768-000	4 - 4	COVER, FRONT RIGHT
HB1-3779-000	42 - 3	STAY, SWITCH
HB1-3780-000	6 - 12	HOLDER, MODULAR
	7 - 12	
HB1-3787-000	27 - 2	ARM, LOCK, TRAY
HB1-3789-000	28 - 15	HOLDER, RELAY ROLLER
HB1-3790-000	26 - 6	LEVER, SENSOR
	28 - 24	
HB1-3791-000	26 - 7	LEVER
	28 - 25	
HB1-3794-000	29 - 3	ROLLER, TRANSFER
HB1-3795-000	29 - 29	FLAPPER
HB1-3796-000	29 - 22	ARM, FLAPPER
HB1-3797-000	19 - 5	TRAY, FACE-UP
HB1-3798-000	19 - 4	TRAY, EXTENSION, FACE-UP
HB1-3804-000	27 - 4	PLATE, GROUNDING
	28 - 22	
HB1-3805-000	28 - 18	PLATE, GROUNDING
HB1-3806-000	19 - 1	COVER, GEAR
HB1-3807-000	28 - 3	ROLLER, DELIVERY
	29 - 19	
HB1-3808-000	29 - 27	BUSHING
HB1-3818-000	4 - 3	COVER, RIGHT
HB1-3820-000	4 - 2	COVER, REAR
HB1-3821-000	8 - 5	LOCK, COVER
HB1-3822-000	24 - 5	LOCK, PLATE
HB1-3823-000	4 - 6	LOCK, PLATE
HB1-3824-000	4 - 1	COVER, READ MOTOR
HB1-3825-000	24 - 3	LABEL, RECORDING PAPER JAM 1
HB1-3826-000	24 - 4	LABEL, RECORDING PAPER JAM 2
HB1-3834-000	10 - 1	COVER, "ONE-TOUCH DIAL 1"
HB1-3835-000	10 - 2	COVER, "ONE-TOUCH DIAL 2"
HB1-3836-000	10 - 3	COVER, "ONE-TOUCH DIAL 3"
HB1-3837-000	10 - 11	KEY TOP, "ONE-TOUCH DIAL"
HB1-3838-000	10 - 13	KEY TOP, "DIAL"
HB1-3839-000	10 - 17	KEY TOP, "START"

PART NUMBER	FIGURE & KEY NO.	DESCRIPTION
HB1-3840-000	10 - 16	KEY TOP, "STOP"
HB1-3841-000	10 - 10	KEY TOP, "FUNCTION 1"
HB1-3842-000	10 - 12	KEY TOP, "FUNCTION 2"
HB1-3843-000	10 - 14	KEY TOP, "COPY"
HB1-3844-000	10 - 15	KEY TOP, "CLEAR"
HB1-3845-000	10 - 7	KEY TOP, "ESS"
HB1-3846-000	10 - 8	KEY TOP, "PRINTER"
HB1-3847-000	10 - 9	COVER, INDICATOR 1
HB1-3848-000	10 - 6	COVER, INDICATOR 2
HB1-3849-000	10 - 19	COVER, VOLUME
HB1-3850-000	44 - 1	HOLDER, LCD
HB1-3851-000	44 - 2	SPACER, LED
HB1-3856-000	1 - 6	TRAY, DOCUMENT EXIT
	2 - 7	
HB1-3857-000	15 - 7	FRAME, READER, LOWER
HB1-3858-000	15 - 1	COVER, READER, LOWER
HB1-3859-000	15 - 3	ROLLER, DOCUMENT FEED
HB1-3860-000	15 - 4	ROLLER, DOCUMENT EJECT
HB1-3861-000	16 - 6	ARM, BELT TENSION
HB1-3862-000	16 - 8	SHAFT, BELT TENSION ARM
HB1-3863-000	16 - 5	ARM, HOOK
HB1-3864-000	16 - 2	ARM, DETECTION (DES)
HB1-3865-000	16 - 1	HOLDER, CABLE
HB1-3866-000	16 - 3	PLATE, GROUNDING
HB1-3867-000	12 - 4	SHAFT, RIGHT
HB1-3868-000	12 - 2	SHAFT, LEFT
HB1-3878-000	9 - 4	TRAY, EXTENSION
HB1-3882-000	14 - 22	FRAME, READER, MIDDLE
HB1-3883-000	14 - 1	COVER, READER, MIDDLE
HB1-3884-000	14 - 7	ROLLER, DOCUMENT FEED
HB1-3885-000	14 - 23	ELIMINATOR, STATIC CHARGE
HB1-3887-000	14 - 24	ARM, DOCUMENT PRESSURE
HB1-3888-000	14 - 8	PLATE, GROUNDING 1
HB1-3889-000	14 - 2	PLATE, GROUNDING 2
HB1-3890-000	14 - 19	PLATE, GROUNDING 3
HB1-3891-000	14 - 29	PLATE, GROUNDING 4
HB1-3899-000	14 - 10	ROLLER, SEPARATION (LOWER)
HB1-3902-000	13 - 12	FRAME, READER, UPPER
HB1-3903-000	13 - 1	COVER, READER, UPPER
HB1-3904-000	13 - 16	ARM, DETECTION (DS/DWS)
HB1-3905-000	13 - 15	PLATE, GROUNDING
HB1-3907-000	13 - 11	ARM, SEPARATION ROLLER
HB1-3910-000	13 - 14	ARM, DETECTION (DFS)
HB1-3911-000	17 - 6	ROLLER, PICK-UP
HB1-3912-000	17 - 5	ROLLER, SEPARATION (UPPER)
HB1-3930-000	54 - 2	COVER, SHIELD
HB1-3931-000	54 - 3	COVER, MEMORY
HB1-3932-000	54 - 4	PLATE, SHIELD
HB1-3952-000	4 - 4	COVER, FRONT RIGHT
HB1-3957-000	1 - 10	LABEL, TRAY
	2 - 13	
HB1-4357-000	1 - 1	LABEL, DESTINATION
	2 - 1	

PART NUMBER	FIGURE & KEY NO.	DESCRIPTION	PART NUMBER	FIGURE & KEY NO.	DESCRIPTION
HF5-0517-000	37 - 8	PLATE, DRIVE	HH2-2892-000	6 - 2	CABLE WITH CONNECTOR, 15P
HF5-0518-000	36 - 1	PLATE, DRIVE		7 - 2	
HF5-0519-000	28 - 17	PLATE, DRIVE	HH2-2901-000	54 - 5	CABLE WITH CONNECTOR, 38P
HF5-0522-000	14 - 25	WHITE SHEET UNIT	HH2-2902-000	55 - 1	CABLE WITH CONNECTOR, 2P
HF5-0526-000	37 - 15	PLATE, DRIVE	HH2-2903-000	10 - 20	CABLE WITH CONNECTOR, 18P
HF5-0527-000	37 - 19	PLATE, SWING ARM	HH2-2904-000	44 - 3	CABLE, FLAT, 10P
HG1-4346-000	56 - 1	DIMM, ASSY	HH2-2905-000	6 - 5	CABLE, FLAT, 23P
HG1-8794-000	48 - 2	HANDSET REST UNIT		7 - 5	
HG5-1851-000	6 - 17	DRAM BOARD ASSY (4M-BYTE)	HH2-2906-000	6 - 8	CABLE WITH CONNECTOR, 6P
	7 - 17			7 - 8	
	49 - 1		HH2-2907-000	6 - 7	CABLE WITH CONNECTOR, 5P
HG5-1897-000	23 - 2	PRINTER DRIVER ASSY		7 - 7	
HG5-1899-000	38 - 12	RIGHT FRAME ASSY	HH2-2908-000	51 - 5	CABLE, FLAT, 23P
HG5-1907-000	10 - 18	OPCNT BOARD ASSY	HH2-2909-000	51 - 6	CABLE WITH CONNECTOR, 6P
HG5-1911-000	26 - 1	DELIVERY UPPER GUIDE ASSY	HH2-2910-000	51 - 7	CABLE WITH CONNECTOR, 5P
HG5-1912-000	26 - 2	DELIVERY MIDDLE GUIDE ASSY	HH2-2911-000	51 - 8	CABLE WITH CONNECTOR, 40P
HG5-1913-000	26 - 3	DELIVERY LOWER GUIDE ASSY	HH2-2912-000	51 - 9	CABLE WITH CONNECTOR, 14P
HG5-1915-000	1 - 7	RECORDING PAPER TRAY ASSY	HH2-2914-000	15 - 23	CABLE WITH CONNECTOR, 11P
	2 - 8		HH2-2915-000	13 - 23	CABLE WITH CONNECTOR, 10P
HG5-1916-000	21 - 21	DELIVERY DRIVE ASSY	HH2-2916-000	15 - 22	CABLE WITH CONNECTOR, 3P
HG5-1920-000	19 - 10	FRONT COVER ASSY	HH2-2917-000	16 - 10	CABLE WITH CONNECTOR, 2P
HG5-1921-000	4 - 8	UPPER COVER ASSY	HH2-2918-000	13 - 22	WIRE, GROUNDING
HG5-1922-000	4 - 5	LEFT COVER ASSY	HH2-2919-000	14 - 32	WIRE, GROUNDING
HG5-1923-000	5 - 2	OPERATION PANEL ASSY	HH2-2920-000	15 - 18	WIRE, GROUNDING
HG5-1928-000	15 - 2	CONTACT SENSOR UNIT	HH2-2921-000	15 - 17	WIRE, GROUNDING
HG5-1929-000	15 - 13	READ MOTOR ASSY	HH3-5343-000	6 - 1	POWER SUPPLY UNIT
HG5-1932-000	1 - 5	DOCUMENT TRAY ASSY		7 - 1	
	2 - 6		HH4-2484-000	41 - IC22	IC, UPD94111GJ-201-3EB, C-MOS
HG5-1934-000	14 - 14	ADF CONNECTION SHAFT ASSY	HH4-2642-000	41 - IC18	IC, M66364FP, CMOS, MITSUBISHI
HG5-1935-000	14 - 9	SEPARATION ROLLER ASSY(LOWER)		52 - IC703	
HG5-1938-000	13 - 9	SEPARATION MOTOR ASSY	HH4-2687-000	41 - IC20	IC, CM700L, CMOS, CANON
HG5-1939-000	13 - 13	SENSOR BOARD ASSY	HH4-2688-000	45 - IC8	IC, UPD65802GJ-117-3EN
HG5-1943-000	51 - 1	FLAME ASSY		52 - IC706	
HG5-1944-000	51 - 2	DUAL-LINE BOARD ASSY	HH4-3198-000	44 - IC1	IC, BU12306-04, C-MOS
HG5-1945-000	51 - 3	MODULAR BOARD ASSY	HH4-3216-000	52 - IC713	IC, UPD7757GT-717-E2, C-MOS
HG5-1946-000	6 - 3	TWINS BOARD ASSY	HH4-3245-000	42 - IC501	IC, UPD1605, MPU
	7 - 3		HH4-3250-000	41 - IC4	IC, LH537N, MASK-ROM
HG5-1947-000	6 - 11	MODULAR BOARD ASSY	HH4-3273-000	52 - IC705	IC, M27C800-100F1, EP-ROM
	7 - 11		HH4-3313-000	2 - 12	CD-ROM, DRIVER SOFTWARE
HG5-1951-000	42 - 1	ECNT BOARD ASSY		53 - 2	
HG5-1952-000	6 - 9	SCNT BOARD ASSY	HH4-3314-000	56 - 2	CD-ROM, DRIVER SOFTWARE
	7 - 9		HH7-2104-000	48 - 1	HANDSET ASSY (USA, AG)
HG5-1956-000	54 - 1	PDL BOARD ASSY	HH7-2112-000	43 - T2	HYBRID TRANSFORMER
HG5-1970-000	19 - 10	FRONT COVER ASSY	HH7-2120-000	43 - T1	AUDIO TRANSFORMER
HG5-1971-000	19 - 10	FRONT COVER ASSY	HH7-2174-000	44 - 4	MODULE, LCD
HG5-2042-000	6 - 6	NCU BOARD ASSY	HH7-2212-000	46 - 1	STAMP UNIT
	7 - 6		HH7-2374-000	29 - 23	SOLENOID, FLAPPER
	51 - 4		HH7-2377-000	15 - 16	THERMOSTAT
HH2-2830-000	1 - 3	CORD, MODULAR, 2W	HH7-2378-000	6 - 13	SPEAKER UNIT
	2 - 4			7 - 13	
	50 - 2		H55-0293-000	26 - 4	GEAR, 38T
HH2-2888-000	42 - 4	CABLE WITH CONNECTOR, 2P	H55-0294-000	15 - 11	GEAR, 18T/36T
HH2-2891-000	20 - 5	CABLE WITH CONNECTOR, 11P	H55-0295-000	14 - 27	GEAR, 17T

LASER CLASS 3170/3175/3175MS 6.NUMERICAL INDEX

PART NUMBER	FIGURE & KEY NO.	DESCRIPTION	PART NUMBER	FIGURE & KEY NO.	DESCRIPTION
HS5-0296-000	14 - 26	GEAR, 43T/61T	RB1-8699-000	21 - 3	SHUTTER, LASER
HS5-0298-000	13 - 10	GEAR, CAM, 50T	RB1-8700-000	21 - 6	LEVER
HS5-0299-000	13 - 18	GEAR, 25T	RB1-8701-000	32 - 12	SPRING, TORSION
HS5-0300-000	13 - 21	GEAR, 21T/22T	RB1-8702-000	21 - 4	SPRING, TORSION
HS5-1087-000	28 - 20	BUSHING	RB1-8703-000	18 - 1	SCREW, M4X8.3
	29 - 25		RB1-8704-030	20 - 1	HOLDER, CABLE
HS5-2177-000	28 - 13	SPRING, PRESSURE	RB1-8706-000	21 - 7	FILTER, DUST
HS5-2178-000	29 - 28	SPRING, FLAPPER	RB1-8708-000	21 - 23	SPRING, LEAF
HS5-2179-000	15 - 12	SPRING, BELT TENSION ARM	RB1-8712-000	20 - 9	HOLDER, CABLE
HS5-2180-000	16 - 4	SPRING, HOOK	RB1-8713-000	22 - 11	BUSHING
HS5-2181-000	14 - 4	SPRING	RB1-8727-000	28 - 8	ROLLER
HS5-2183-000	14 - 13	SPRING		29 - 6	
HS5-2184-000	13 - 4	SPRING	RB1-8728-000	28 - 9	ROLLER
HS5-2185-000	13 - 7	SPRING		29 - 7	
HS5-3027-000	15 - 9	GEAR, 38T	RB1-8730-020	34 - 20	ARM, REGISTRATION
HS5-6025-040	13 - 2	ROLLER, BACK UP	RB1-8731-000	34 - 16	ROLLER, PRE-TRANSFER
	14 - 5		RB1-8732-000	35 - 4	ROLLER, FEED
HS5-6063-000	28 - 14	ROLLER	RB1-8733-020	34 - 3	PLATE, SHAFT HOLDER, LEFT
HS5-6064-000	16 - 7	COLLAR, BELT TENSION ARM	RB1-8734-020	34 - 9	PLATE, SHAFT HOLDER, RIGHT
HT1-2134-000	1 - 2	USER'S GUIDE, FACSIMILE (ENG)	RB1-8735-000	35 - 3	PLATE, SHAFT HOLDER, LEFT
	2 - 2		RB1-8736-000	35 - 5	PLATE, SHAFT HOLDER, RIGHT
HT1-2135-000	2 - 3	USER'S GUIDE, PRINTER(ENG)	RB1-8737-000	34 - 14	SHAFT, ROLLER
HY9-0007-000	57 - T6	LUBE, MOLYKOTE EM-50L, GREASE	RB1-8739-020	34 - 1	GUIDE
HY9-0022-000	57 - T7	IC-REMOVING TOOL (24-64P)	RB1-8740-000	34 - 23	ROLLER
RB1-2190-000	39 - 4	COLLAR, SPRING	RB1-8741-000	34 - 22	ROLLER
RB1-2309-000	27 - 5	ELIMINATOR, STATIC CHARGE	RB1-8742-000	34 - 19	ROLLER
	28 - 23		RB1-8743-000	35 - 11	ROLLER
RB1-8107-000	38 - 4	FOOT	RB1-8744-000	35 - 12	SHAFT, ROLLER
RB1-8667-000	22 - 10	TR ROLLER	RB1-8745-020	35 - 10	GUIDE
RB1-8668-000	32 - 3	BELT, PAPER FEED	RB1-8746-030	34 - 12	SPRING, TORSION
RB1-8671-000	21 - 1	COVER, FRONT INNER, LEFT	RB1-8747-000	22 - 7	SPRING, LEAF
RB1-8672-000	32 - 4	COVER, CONTACT	RB1-8748-000	34 - 21	PAD, SAFTY
RB1-8673-000	32 - 5	HOLDER,ELMINATOR,STATIC CHARGE	RB1-8753-000	37 - 1	BUSHING
RB1-8674-000	32 - 6	SHAFT, BELT	RB1-8754-000	37 - 5	CAM
RB1-8677-000	22 - 6	BRUSH, STATIC ELIMINATOR	RB1-8755-000	37 - 4	CAM
RB1-8678-000	21 - 16	LEVER, SENSOR	RB1-8756-000	37 - 6	ROD, RELEASE
RB1-8680-000	21 - 17	SPRING, TORSION	RB1-8757-000	37 - 9	HOLDER, CABLES
RB1-8681-000	21 - 18	SPRING, TORSION	RB1-8760-000	37 - 7	SPRING, GROUNDING
RB1-8682-000	32 - 2	PLATE, PAPER FEED	RB1-8763-000	33 - 1	SHAFT, IDLER
RB1-8684-000	32 - 14	BUSHING	RB1-8764-000	19 - 11	DAMPER
RB1-8685-000	32 - 7	HOLDER, TRANSFER SHAFT	RB1-8765-000	33 - 2	CLUTCH, MULTI-PURPOSE
RB1-8686-000	32 - 8	ELMINATOR, STATIC CHARGE	RB1-8766-000	33 - 3	LEVER, PAPER LIFT
RB1-8687-000	21 - 19	LEVER, SENSOR	RB1-8767-000	25 - 2	RACK
RB1-8688-000	21 - 9	BUTTON, TEST PRINT	RB1-8771-020	33 - 4	GUIDE, MULTI-PURPOSE
RB1-8689-000	21 - 24	HOLDER, CABLE	RB1-8773-000	33 - 5	PAD, SEPARATION
RB1-8690-000	21 - 11	HOLDER, ANTENNA	RB1-8779-000	33 - 6	SUPPORT, COVER
RB1-8692-000	32 - 9	JOINT	RB1-8780-000	33 - 7	HOLDER, SPRING
RB1-8693-000	21 - 10	SPRING, TORSION	RB1-8781-000	25 - 5	GEAR, 16T
RB1-8694-000	20 - 12	PLATE, GROUNDING	RB1-8782-000	33 - 8	ROLLER, SUPPORT
RB1-8695-000	21 - 12	SPRING, TORSION	RB1-8783-000	33 - 9	PLATE, LINK
RB1-8696-000	32 - 10	SPRING, TORSION	RB1-8784-000	33 - 10	HOLDER, SHAFT
RB1-8697-000	32 - 11	SPRING, COMPRESSION	RB1-8785-000	33 - 11	SPRING, LEAF
RB1-8698-000	34 - 13	PLATE, GROUNDING	RB1-8787-000	33 - 12	LEVER, SENSOR

PART NUMBER	FIGURE & KEY NO.	DESCRIPTION
RB1-8788-020	33 - 13	COVER, SENSOR LEVER
RB1-8789-000	33 - 14	COVER, SENSOR LEVER
RB1-8794-040	31 - 1	ROLLER, PRESSURE
RB1-8796-000	31 - 2	ROLLER
RB1-8797-030	31 - 3	DEFLECTOR
RB1-8798-020	31 - 4	ROLLER, DELIVERY, FIXING
RB1-8801-000	31 - 5	GUIDE, PAPER, DELIVERY, LOWER
RB1-8804-020	30 - 8	CROSSMEMBER, UPPER
RB1-8806-000	30 - 2	ROLLER, DELIVERY
RB1-8807-000	31 - 6	PLATE, SUPPORT
RB1-8808-000	31 - 7	GUIDE, AC CABLE
RB1-8810-000	30 - 14	SUPPORT, SPRING
RB1-8811-000	31 - 9	CAM, DEFLECTOR
RB1-8812-000	31 - 10	LEVER, DELIVERY SENSOR 1
RB1-8813-020	30 - 10	ROLLER, DELIVERY SENSOR
RB1-8814-000	31 - 22	SPRING, TORSION
RB1-8816-000	30 - 3	SPRING, TORSION
RB1-8817-000	31 - 23	SPACER, CONNECTOR
RB1-8819-000	30 - 9	SCREW, M4
RB1-8822-000	30 - 7	SHAFT, ROLLER
RB1-8823-000	31 - 24	BLOCK, GUIDE
RB1-8824-000	30 - 4	PIN, DOWEL
RB1-8827-000	21 - 25	SPRING, LEAF
RB1-8828-000	29 - 13	ROLLER
RB1-8834-000	42 - 6	GUIDE, CABLE
RB1-8838-000	22 - 1	SHEET, INSULATION
RB1-8847-000	27 - 1	SPRING, COMPRESSION
RB1-8854-020	42 - 7	ARM, SENSOR
RB1-8855-000	42 - 8	SPRING, TORSION
RB1-8866-000	39 - 28	ARM
RB1-8867-000	39 - 29	SHAFT, ROLLER
RB1-8868-000	39 - 5	SHAFT, DRIVE
RB1-8869-000	39 - 1	GUIDE
RB1-8871-050	39 - 36	FRAME, DRIVE
RB1-8872-000	39 - 37	FRAME
RB1-8873-000	38 - 17	GUIDE, PAPER
RB1-8877-000	39 - 6	JOINT
RB1-8879-000	39 - 8	LEVER, SENSOR
RB1-8880-000	39 - 9	LEVER
RB1-8881-000	39 - 10	SPRING, TORSION
RB1-8883-000	39 - 34	DAMPER
RB1-8886-020	38 - 5	COVER, PCB
RB1-8887-000	38 - 6	SPRING, LEAF
RB1-8890-000	38 - 18	GUIDE, PAPER
RB1-8891-000	39 - 33	SHAFT
RB1-8892-000	40 - 40	HOLDER, CLAW
RB1-8893-000	40 - 38	HOLDER, CLAW
RB1-8945-000	40 - 3	JOINT
RB1-8946-000	40 - 16	BUSHING
RB1-8948-000	40 - 5	GEAR, 22T
RB1-8951-000	40 - 29	SPRING, LEAF
RB1-8952-000	40 - 41	BLOCK, SIDE CLICK
RB1-8953-000	40 - 39	COVER, SIDE, LEFT

PART NUMBER	FIGURE & KEY NO.	DESCRIPTION
RB1-8954-000	40 - 35	COVER, SIDE, RIGHT
RB1-8955-000	39 - 23	SPACER
RB1-8956-000	40 - 21	STOPPER, REAR
RB1-8957-000	39 - 30	ROLLER
RB1-8961-000	40 - 12	ARM, LIFTER, LEFT
RB1-8962-000	40 - 13	ARM, LIFTER, RIGHT
RB1-8963-000	40 - 10	ARM, SIZE
RB1-8964-000	40 - 11	SHAFT, SIZE ARM
RB1-8965-000	40 - 8	PLATE, SIZE
RB1-8966-000	40 - 22	ARM, SENSOR
RB1-8967-000	40 - 31	HOLDER, BLOCK
RB1-8968-000	40 - 32	SHAFT, SENSOR ARM
RB1-8970-000	40 - 15	GEAR, 20T
RB1-8971-020	40 - 30	SHEET, SEPARATION
RB1-8972-000	40 - 17	SPRING, LEAF
RB1-8973-000	40 - 14	SPRING, TORSION
RB1-8974-000	40 - 20	LIMITER, TORQUE
RB1-8979-000	38 - 11	SPRING, GROUNDING, 1
RB1-8986-000	37 - 18	CHIP, SWING
RB1-8990-000	19 - 6	RB, TRAY
RB1-9379-000	40 - 36	SPRING, LEAF
RB2-2386-000	33 - 15	COVER, GEAR, ENVELOPE FEEDER
RB2-2387-000	33 - 29	JOINT
RB2-2389-000	33 - 31	PLATE, GROUNDING
RB2-2390-030	33 - 32	COVER, ENTRANCE
RB2-2393-000	34 - 5	CAM, LIFTER, LEFT
RB2-2394-000	34 - 8	CAM, LIFTER, RIGHT
RB2-2395-000	34 - 11	SPRING, TORSION
RB2-2396-000	34 - 25	ARM, GUIDE, TRANSFER
RB2-2399-000	33 - 33	DAMPER, AIR
RB2-2404-000	22 - 2	PLATE, COVER
RB2-2411-000	33 - 30	MOUNT, SPRING
RB2-2414-000	34 - 26	SHEET
RB2-2739-000	19 - 13	TRAY, EXTENSION
RB2-2743-000	25 - 1	TRAY, MULTI-PURPOSE
RB2-2744-000	25 - 3	PLATE, PAPER GUIDE, RIGHT
RB2-2745-000	25 - 4	PLATE, PAPER GUIDE, LEFT
RB2-2747-000	30 - 13	COVER, DELIVERY, FIXING
RB2-2750-000	19 - 7	COVER, REAR, LEFT
RB2-2751-000	19 - 8	COVER, REAR, RIGHT
RB2-2753-000	19 - 12	BLOCK, TRAY
RB2-2754-000	40 - 26	HOLDER, REAR
RB2-2759-000	54 - 6	SCREW, M4
RB2-2760-000	55 - 2	SPRING, LEAF
RB2-2764-000	54 - 7	RAIL, GUIDE
RB2-2767-000	54 - 8	COVER
RB2-2768-000	54 - 9	COVER
RB2-2773-000	40 - 33	BLOCK, SENSOR
RB2-2775-000	40 - 7	COVER
RB2-2776-000	40 - 1	BODY, CASSETTE
RB2-4121-000	33 - 20	DAMPER
RB2-4628-000	28 - 4	LEVER, RIGHT
	29 - 20	

LASER CLASS 3170/3175/3175MS 6.NUMERICAL INDEX

PART NUMBER	FIGURE & KEY NO.	DESCRIPTION
RB2-4629-000	28 - 5	LEVER, LEFT
	29 - 21	
RF5-1495-000	30 - 6	SPUR
RF5-1867-000	22 - 5	GUIDE, TRANSFER
RF5-1870-000	33 - 16	PLATE, PAPER LIFT
RF5-1873-000	33 - 17	SHAFT, PAPER FEED
RF5-1874-000	31 - 8	GUIDE, DC CABLE
RF5-1885-000	39 - 31	ROLLER
	40 - 18	
RF5-2485-040	40 - 2	PLATE, PAPER LIFTING
RF5-2489-000	40 - 19	HOLDER
RF5-2491-000	39 - 7	SHAFT, PAPER FEED
RF5-2495-020	32 - 13	ROLLER, PAPER FEED
RF5-2496-000	22 - 9	PLATE
RF5-2661-000	34 - 6	GUIDE, TRANSFER, UPPER
RF5-2760-000	40 - 28	PLATE, LENGTH ADJUSTMENT
RG1-3801-000	54 - 10	ADAPTER PCB ASS'Y
RG5-2642-000	21 - 14	SENSOR ASS'Y
RG5-2645-000	20 - 10	FRONT INNER COVER ASS'Y
RG5-2649-000	28 - 7	DELIVERY ROLLER ASS'Y
	29 - 5	
RG5-2657-000	19 - 3	FIXING ASS'Y
RG5-2670-000	38 - 3	LOWER FRAME ASS'Y
RG5-2671-000	38 - 16	UPPER FRAME ASS'Y
RG5-2673-000	38 - 13	PAPER SIZE DETECTION PCB ASS'Y
RG5-2699-000	40 - 27	LEFT SIDE PLATE ASS'Y
RG5-2705-000	29 - 11	MIDDLE DELIVERY ROLLER ASS'Y
RG5-2721-000	30 - 5	ENTRANCE PAPER GUIDE ASS'Y
RG5-2722-000	30 - 1	UPPER PAPER GUIDE ASS'Y
RG5-2726-000	28 - 6	DELIVERY ROLLER ASS'Y
	29 - 4	
RG5-3409-000	31 - 25	FIXING CABLE
RG5-3411-000	31 - 26	FIXING DC CABLE
RG5-3697-000	42 - 5	FIXING CABLE
RG5-3698-000	42 - 9	DUPLEXING UNIT CABLE
RG5-3700-000	20 - 13	MP TRAY PAPER SENSOR CABLE
RG5-3703-000	20 - 3	CLUTCH/SOLENOID CABLE
RG5-3704-000	20 - 6	ENVELOPE FEEDER CABLE
RG5-3705-000	20 - 4	DOOR SWITCH CABLE
RG5-3706-000	21 - 20	PRE-FEED/TOP SENSOR CABLE
RG5-3709-000	23 - 4	MAIN MOTOR CABLE
RG5-3710-000	21 - 22	PAPER PICK-UP CABLE
RG5-3711-000	38 - 8	PAPER SENSOR CABLE
RG5-3712-000	38 - 9	PAPER FEEDER CABLE
RG5-3718-000	33 - 26	MP TRAY PICK-UP ROLLER ASS'Y
RG5-3876-000	21 - 13	LASER/SCANNER UNIT CABLE
RG5-4290-080	31 - 27	FIXING FILM ASS'Y
RG5-4401-000	40 - 25	RIGHT SIDE PLATE ASS'Y
RG5-4537-000	19 - 9	MULTI-PURPOSE TRAY ASS'Y
RG5-4545-000	38 - 14	LEFT FRAME ASS'Y
RG5-4546-000	40 - 23	CASSETTE FRONT COVER ASS'Y
RG5-5005-000	29 - 12	MIDDLE DELIVERY ROLLER ASS'Y 2
RG9-1371-000	21 - 2	LASER/SCANNER ASS'Y

PART NUMBER	FIGURE & KEY NO.	DESCRIPTION
RH2-5263-000	1 - 4	CORD, POWER
	2 - 5	
RH7-1331-000	23 - 3	MAIN MOTOR ASS'Y
RH7-1335-000	21 - 8	FAN
RH7-5171-000	35 - 6	CLUTCH
RH7-5172-000	33 - 18	SOLENOID
RH7-5174-000	39 - 27	SOLENOID
RH7-8059-000	42 - 10	SPACER, PCB
RH7-8063-000	55 - 3	HEATSINK
RS5-0908-000	37 - 3	GEAR, 193T
RS5-0909-000	35 - 7	GEAR, 31T
RS5-0910-000	34 - 17	GEAR, 12T/30T
RS5-0911-000	22 - 8	GEAR, 19T
RS5-0912-000	37 - 13	GEAR, 37T/48T
RS5-0913-000	37 - 14	GEAR, 49T
RS5-0914-000	37 - 12	GEAR, 51T
RS5-0915-000	37 - 11	GEAR, 19T/63T
RS5-0916-000	37 - 10	GEAR, 39T
RS5-0917-000	37 - 17	GEAR, 53T/61T
RS5-0919-000	37 - 20	GEAR, 22T/23T
RS5-0921-000	31 - 12	GEAR, 33T
RS5-0922-000	31 - 13	GEAR, 34T
RS5-0923-000	31 - 14	GEAR, 16T/18T
RS5-0924-000	31 - 15	GEAR, 21T
RS5-0925-000	31 - 16	GEAR, 26T
RS5-0926-000	36 - 2	GEAR, 14T/14T
RS5-0927-000	36 - 3	GEAR, 31T
RS5-0928-000	36 - 4	GEAR, 30T
RS5-0929-000	28 - 1	GEAR, 18T
	29 - 1	
RS5-0930-000	39 - 11	GEAR, 17T/38T
RS5-0931-000	39 - 12	GEAR, 41T
RS5-0932-000	39 - 13	GEAR, 23T/27T
RS5-0933-000	39 - 14	GEAR, 27T
RS5-0934-000	39 - 15	GEAR, 49T
RS5-0935-000	39 - 16	GEAR, 31T/39T
RS5-0936-000	39 - 17	GEAR, 31T
RS5-0937-000	39 - 18	GEAR, 18T
RS5-0938-000	39 - 19	GEAR, 53T
RS5-0939-000	39 - 20	GEAR, 14T/18T
RS5-0940-000	39 - 21	GEAR, 20T
RS5-0941-000	39 - 22	GEAR, 29T
RS5-0948-000	22 - 12	GEAR, 18T
RS5-0959-000	33 - 19	GEAR, 14T/19T
RS5-1286-020	34 - 15	BUSHING
	35 - 2	
RS5-1290-000	34 - 10	BUSHING
RS5-1291-000	35 - 8	BUSHING
RS5-1292-000	35 - 13	BUSHING
RS5-1295-000	31 - 17	BUSHING
RS5-1296-000	31 - 18	BUSHING
RS5-1297-000	31 - 19	BUSHING
RS5-1303-020	33 - 21	BUSHING

PART NUMBER	FIGURE & KEY NO.	DESCRIPTION	PART NUMBER	FIGURE & KEY NO.	DESCRIPTION
RS5-1307-000	39 - 2	BUSHING	WT2-5031-000	8 - D	CLIP, CABLE
RS5-1308-000	39 - 3	BUSHING	WT2-5035-000	54 - 13	CLIP, CORD
RS5-1310-020	31 - 11	BUSHING	WT2-5070-000	8 - A	CLIP, CABLE
RS5-1416-000	28 - 2	BUSHING		54 - 14	
	29 - 2		WT2-5632-000	8 - B	HOLDER, PCB
RS5-2621-000	40 - 4	SPRING, COMPRESSION	WT2-5633-000	8 - F	CLIP, FLAT CABLE
RS5-2622-020	40 - 6	SPRING, TENSION	XA9-0258-000	54 - 15	SCREW, BINDING HEAD MACHINE
RS5-2623-000	40 - 42	SPRING, COMPRESSION	XA9-0267-000	37 - 21	SCREW, TP, M3X6
RS5-2624-000	40 - 9	SPRING, TENSION	XA9-0326-000	30 - 12	SCREW, TP, M3X4
RS5-2625-000	40 - 34	SPRING, COMPRESSION		31 - 20	
RS5-2627-000	35 - 9	SPRING, TENSION	XA9-0429-000	48 - 4	SCREW (W)
RS5-2628-000	34 - 2	SPRING, TENSION	XA9-0434-000	23 - 5	SCREW, TP, M3X4
RS5-2629-000	37 - 16	SPRING, TENSION	XA9-0476-000	6 - 15	SCREW, TP M3X8
RS5-2630-000	32 - 1	SPRING, COMPRESSION		7 - 15	
RS5-2631-000	37 - 2	SPRING, COMPRESSION		13 - 27	
RS5-2632-000	39 - 24	SPRING, TENSION	XA9-0591-000	6 - 14	SCREW, M3X8
RS5-2633-000	39 - 25	SPRING, COMPRESSION		7 - 14	
RS5-2635-000	30 - 11	SPRING, COMPRESSION		13 - 25	
RS5-2636-000	33 - 22	SPRING, COMPRESSION		14 - 30	
RS5-2637-000	33 - 23	SPRING, COMPRESSION		15 - 19	
RS5-2638-000	33 - 24	SPRING, COMPRESSION		16 - 11	
RS5-2639-000	28 - 12	SPRING, COMPRESSION		25 - 6	
	29 - 10		XA9-0592-000	13 - 26	SCREW, M4X6
RS5-2652-000	38 - 15	SPRING, COMPRESSION	XA9-0605-000	33 - 27	SCREW, M4X8
RS5-8380-000	30 - 15	LABEL, "CAUTION"	XA9-0606-000	22 - 3	SCREW, M4X10
RS6-2146-000	33 - 34	SPRING, TENSION		40 - 24	
RY9-0122-000	57 - T1	GAUGE, GAP, 0,7MM	XA9-0614-000	24 - 6	SCREW, M3X8
RY9-0123-000	57 - T2	GAUGE, GAP, 1,6MM	XA9-0640-000	39 - 35	SCREW, W/WASHER, M3X12
RY9-0124-000	57 - T3	PRINTER DRIVER TESTER	XA9-0664-000	41 - 3	SCREW, W/WASHERS, M3X8
VT2-5027-006	8 - C	SPACER	XA9-0772-000	48 - 5	SCREW, M3X10
	51 - 10		XA9-0780-000	4 - 9	SCREW, M4X12
	54 - 11			5 - 4	
VT2-5167-018	6 - 10	SPACER		20 - 8	
	7 - 10			21 - 5	
	8 - E			21 - 27	
	51 - 11		XA9-0870-000	5 - 5	SCREW, M4X10
WC4-5139-000	20 - 11	MICROSWITCH		8 - 6	
WG8-5362-000	15 - 8	PHOTO-INTERRUPTER TLP1241		18 - 2	
	28 - 16			20 - 7	
	33 - 25			21 - 26	
	36 - 5			22 - 14	
	38 - 10			23 - 6	
WG8-5382-000	21 - 15	PHOTO INTERRUPTER TLP 1242		26 - 5	
	31 - 21			28 - 26	
WK1-5101-000	41 - BAT2	LITHIUM BATTERY, VL2330/G1A		29 - 30	
WK1-5117-000	41 - BAT1	BATTERY, LITHIUM, CR2450THE		38 - 2	
WS1-5397-000	41 - 2	PLUG, JUMPER		39 - 26	
WT2-0317-000	8 - H	CLIP, CABLE	XA9-0872-000	31 - 28	SCREW, W/WASHER, M3X8
	54 - 12		XA9-0903-000	40 - 37	SCREW, M3X5
WT2-5018-000	8 - J	CLIP, CABLE	XA9-0904-000	20 - 2	SCREW, M3X6
	16 - 9		XA9-0915-000	38 - 7	SCREW, M3X6
WT2-5026-000	8 - G	CLIP, CABLE	XA9-0917-000	38 - 1	SCREW, M3X16
	13 - 5		XB1-1300-607	54 - 16	SCREW, PH3X10 (S)

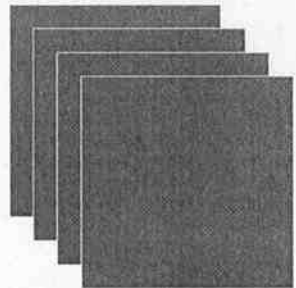
LASER CLASS 3170/3175/3175MS 6.NUMERICAL INDEX

PART NUMBER	FIGURE & KEY NO.	DESCRIPTION
XB1-2300-407	15 - 21	SCREW, BH3X4 (S)
XB1-2300-607	4 - 10	SCREW, BH3X6(S)
	5 - 6	
	6 - 16	
	7 - 16	
	8 - 7	
	11 - 4	
	13 - 24	
	14 - 31	
	15 - 20	
	28 - 27	
	50 - 3	
	51 - 12	
	53 - 3	
XB4-7260-609	10 - 22	SCREW, TAP, BH2.6X6
XB4-7300-607	46 - 2	SCREW, TAP TIGHT, BINDING HEAD
XB4-7300-807	10 - 21	SCREW, TAP TIGHT, BINDING HEAD
XB5-2300-609	38 - 19	SCREW, BH, M3X6 (S)
XD1-1106-232	29 - 17	SHIM, CIRCULAR
XD3-1160-102	35 - 15	PIN, SPRING, D=1.6, L=10
XD9-0103-000	34 - 4	PIN, DOWEL
XD9-0134-000	39 - 38	RING, E
XD9-0135-000	34 - 7	RING, E
	36 - 6	
XD9-0136-000	29 - 18	RING, E
	31 - 29	
	33 - 28	
	35 - 14	
	39 - 32	
XD9-0137-000	34 - 24	RING, E
	35 - 1	
XD9-0192-000	28 - 21	RING, E
	29 - 26	
XF2-1616-540	15 - 10	BELT, COGGED



Part 2

Options Common to LBP



DUPLEX UNIT

DUPLEX UNIT DU-52
[R73-5004]



FIGURE D10 INTERNAL COMPONENTS 1

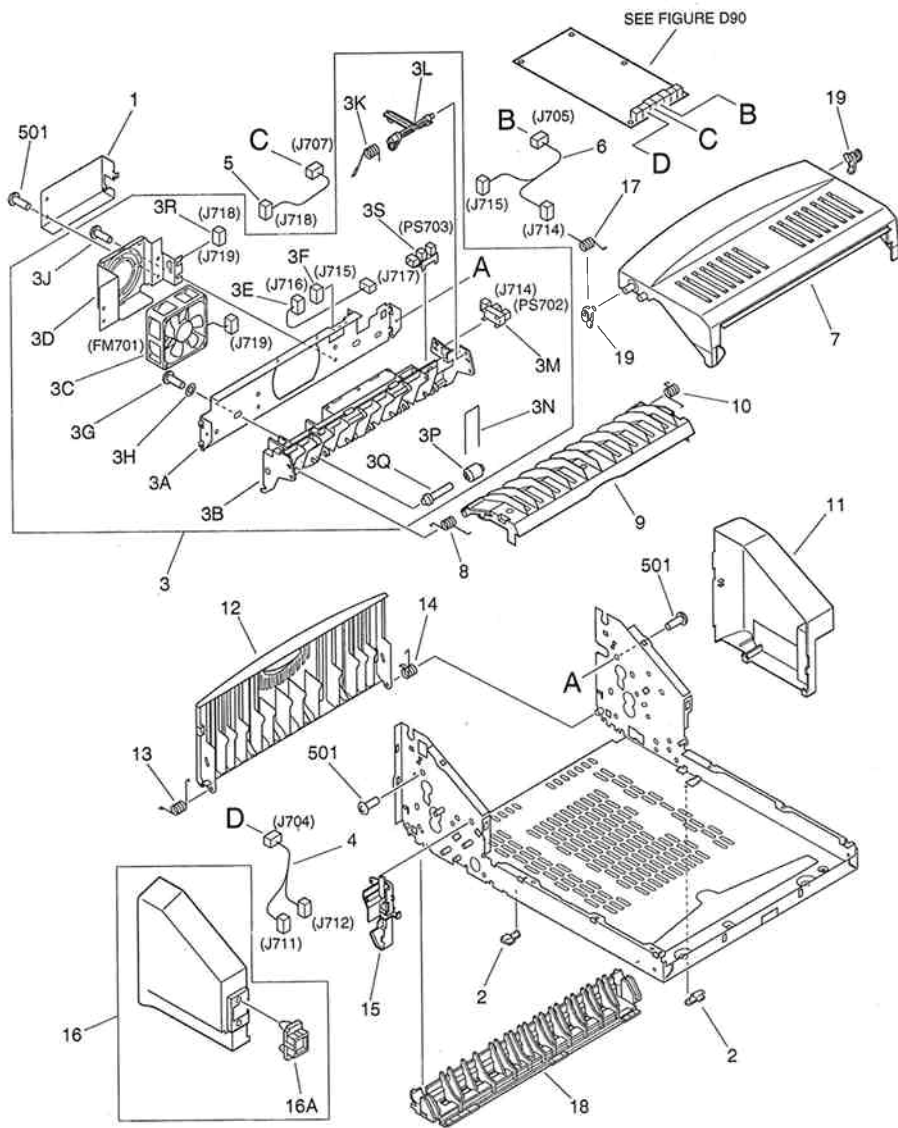


FIGURE & KEY NO.	PART NUMBER	RANK	QTY	DESCRIPTION	SERIAL NUMBER / REMARKS
D10 -	NPN		RF	INTERNAL COMPONENTS 1	
1	RB1-9071-000		1	COVER, CONNECTOR	
2	RB1-9054-000		2	CHIP, CLICK	
3	RG5-2719-000		1	FAN ASS'Y	
3A	RB1-9069-000		1	CROSSMEMBER	
3B	RB1-9040-000		1	GUIDE, SENSOR HOLDER	
3C	RH7-1361-000		1	FAN	FM701, J719
3D	RB1-9070-000		1	SHIELD, FAN	
3E	RG5-3834-000		1	REVERSE SENSOR CABLE	J716, J717
3F	VS1-5057-004		1	CONNECTOR, 4P	J715, J716
3G	XA9-0935-000		2	SCREW, TP, M4X6	
3H	XD1-0168-000		2	WASHER, WAVE	
3J	XB6-7300-607		2	SCREW, TP, M3X6	
3K	RB1-9065-000		1	SPRING, TORSION	
3L	RB1-9049-000		1	LEVER, REVERSE SENSOR	
3M	WG8-5362-000		1	IC, TLP1241, PHOTO-INTERRUPTER	PS702, J714
3N	RB1-9062-000		4	RETAINER, ROLLER	
3P	RB1-9055-000		4	ROLLER	
3Q	RB1-9082-000		2	SHAFT, ROLLER	
3R	VS1-5352-003		1	CONNECTOR, 3P	J718, J719
3S	WG8-5362-000		1	IC, TLP1241, PHOTO-INTERRUPTER	PS703, J717
4	RG5-3837-000		1	DUPLEX CONNECTION CABLE	J704, J711, J712
5	RG5-3835-000		1	FAN MOTOR CABLE	J707, J718
6	RG5-3833-000		1	REVERSE/FACE-UP SENSOR CABLE	J705, J714, J715
7	RB2-3838-000		1	COVER, TOP	
8	RB1-9081-000		1	SPRING, TORSION	
9	RB1-9039-000		1	GUIDE, REVERSE, UPPER	
10	RB1-9075-000		1	SPRING, TORSION	
11	RB2-3841-000		1	COVER, RIGHT	
12	RB2-3839-000		1	PANEL, REAR	
13	RB1-9066-000		1	SPRING, TORSION	
14	RB1-9068-000		1	SPRING, TORSION	
15	RB1-9080-000		1	GUIDE, CABLE	
16	RF5-2801-000		1	COVER, LEFT	
16A	VS1-6175-006		1	CONNECTOR, 6P	
17	RB1-9061-000		1	SPRING, TORSION	
18	RB2-3842-000		1	GUIDE, DELIVERY	
19	RB1-9076-000		2	BUSHING, TOP COVER	
501	XB6-7300-607		3	SCREW, TP, M3X6	

FIGURE & KEY NO.	PART NUMBER	RANK	QTY	DESCRIPTION	SERIAL NUMBER / REMARKS
D11 -	NPN		RF	INTERNAL COMPONENTS 2	
1	RB1-9036-000		1	GUIDE, PAPER FEED, LOWER	PS701, J713
2	WG8-5362-000		1	IC, TLP1241, PHOTO-INTERRUPTER	
3	RB1-9048-000		1	LEVER, SENSOR	
4	RB1-9064-000		1	SPRING, TORSION	
5	RB1-9063-000		2	RETAINER, ROLLER	
6	RB1-9056-000		2	ROLLER	
7	RB1-9052-000		1	SPRING, TORSION	
8	RB1-9037-000		1	GUIDE, PAPER FEED, UPPER	
9	RS5-1304-000		2	BUSHING	
10	RB1-9041-000		1	GUIDE, REVERSE, LOWER	M701, J701
11	RB1-9038-000		1	ROLLER	
12	RG5-2718-000		1	SIDE REGISTRATION GUIDE ASS'Y	
12A	RS5-3133-000		2	PULLEY, 14T	
12B	RB1-9060-000		1	SHAFT, DRIVE	
12C	XF9-0640-000		1	BELT, TIMING	
12D	XF9-0639-000		1	BELT, TIMING	
12E	RS5-3134-000		1	PULLEY, 14T/14T	
12F	RB1-8239-020		3	BUSHING	
12G	RS5-1298-000		2	BUSHING	
12H	RF5-1879-000		2	ROLLER, PAPER FEED	
12J	RB1-9078-000		1	BRUSH, STATIC CHARGE ELIMINATOR	
12K	RB1-9079-000		1	PLATE, GROUNDING	
12L	XA9-0134-000		1	NUT, PUSH	
12M	XD2-1100-322		3	RING, E	
12N	XD2-1100-502		1	RING, E	
13	RH7-1366-000		1	MOTOR, STEPPING, DC24V	
14	RB1-9084-000		1	STATIC CHARGE ELIMINATOR	
15	RB2-3659-000		1	PLATE, GROUNDING	
16	RS5-6239-000		1	WASHER, WAVE	
17	RB1-9051-000		1	LEVER, FACE-UP	SL701, J703
18	RF5-1883-000		2	ARM, SWING	
18A	RB1-9067-000		1	SPRING, LEAF	
19	RH7-5199-000		1	SOLENOID	
20	RB1-9072-000		1	GUIDE, PCB, RIGHT	
21	RB1-9074-000		1	GUARD, EDGE	
22	RB1-9050-000		1	HOLDER, CABLE	
23	RS5-0949-000		1	GEAR, 24T	
24	RS5-0950-000		1	GEAR, 30T/35T	
25	RS5-0951-000		1	GEAR, 31T	
26	RS5-0952-000		1	GEAR, 20T/49T	M702, J702
27	RS5-0958-000		2	GEAR, 69T	
28	RS5-1300-000		1	BUSHING	
29	RS5-0955-000		1	GEAR, 15T/45T	
30	RS5-0954-000		1	GEAR, 21T	
31	RS5-0953-000		1	GEAR, 28T	
32	RS5-0956-000		1	GEAR, 31T/31T	
33	RB1-9073-000		1	GUIDE, PCB, LEFT	
34	RB1-9042-000		1	MOUNT, GUIDE	
35	RH7-1360-000		1	MOTOR, STEPPING, DC24V	

FIGURE & KEY NO.	PART NUMBER	RANK	QTY	DESCRIPTION	SERIAL NUMBER / REMARKS
D11 - 36	RG5-3836-000		1	DUPLEX PICK-UP SENSOR CABLE	J706, J713
37	XA9-0547-000		6	SCREW, TP, M3X6	
38	XA9-0957-000		3	SCREW, TP, M3X4	
501	XD2-1100-322		2	RING, E	
502	XD2-1100-502		8	RING, E	
503	XB6-7300-607		11	SCREW, TP, M3X6	
504	XB1-2300-407		2	SCREW,MACH.,TRUSS HEAD,M3X4	
505	XB2-6300-807		1	SCREW, WWASHER, M3X8	

FIGURE D90 PCB ASS'Y LOCATION DIAGRAM

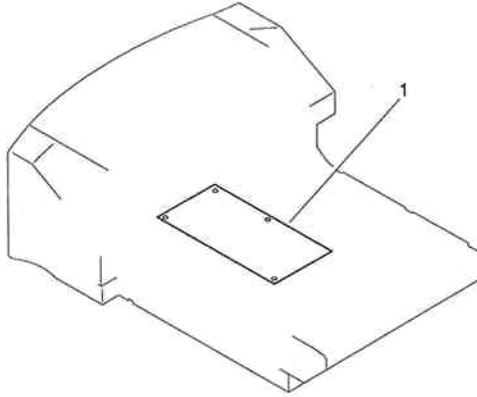


FIGURE & KEY NO.	PART NUMBER	RANK	QTY	DESCRIPTION	SERIAL NUMBER / REMARKS
D90 - 1	NPN RG5-3832-000		RF 1	PCB ASS'Y LOCATION DIAGRAM DUPLIX DRIVER PCB ASS'Y	

ENVELOPE FEEDER

ENVELOPE FEEDER EF-52
[R73-5005]



FIGURE F10 EXTERNAL COVERS, PANELS, ETC.

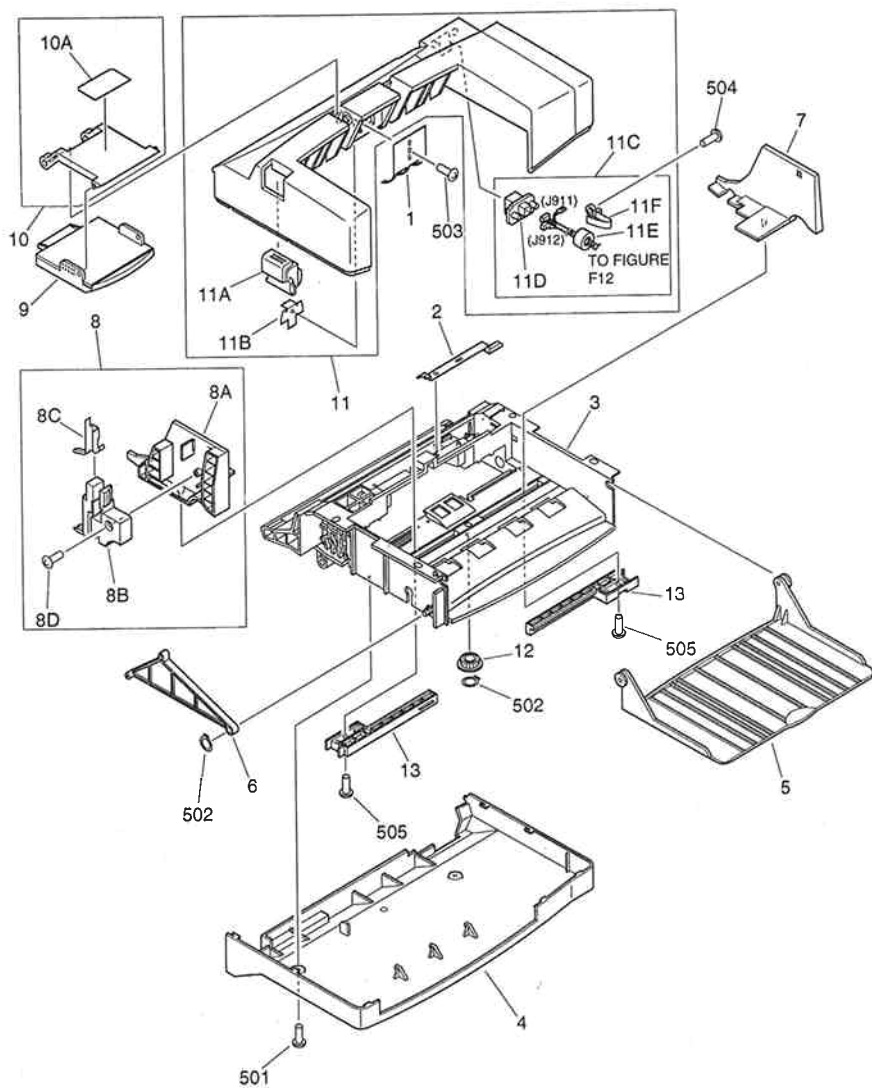


FIGURE & KEY NO.	PART NUMBER	RANK	QTY	DESCRIPTION	SERIAL NUMBER / REMARKS
F10 -	NPN		RF	EXTERNAL COVERS, PANELS, ETC	
1	RA2-1575-020		1	PLATE, SEPARATION GUIDE	
2	RB1-9117-000		1	PLATE, GROUNDING	
3	RB2-3827-000	N	1	FRAME	
4	RB2-3830-000		1	COVER, LOWER	
5	RB2-3834-000		1	TRAY, EXTENSION	
6	RB1-9119-000		1	LEVER, LOCK	
7	RB2-3837-000		1	PLATE, SIDE GUIDE, RIGHT	
8	RG5-4553-000		1	LEFT SIDE GUIDE PLATE ASS'Y	
8A	RB2-3835-000		1	PLATE, SIDE GUIDE, LEFT	
8B	RB2-3836-000		1	LEVER, RELEASE	
8C	RB1-9121-000		1	PLATE, SUPPORT	
8D	XB4-7400-806		1	SCREW,TAPPING,TRUSS HEAD,M4X8	
9	RF5-2799-000		1	WEIGHT	
10	RF5-2800-000		1	ARM, WEIGHT	
10A	RS6-8154-000		1	LABEL, "TRAY"	
11	RG5-4551-000		1	TOP COVER ASS'Y	
11A	RB2-3829-000		1	BUTTON, LOCK	
11B	RB1-9118-000		1	PLATE, GUIDE	
11C	RG5-3831-000		1	ENVELOPE FEEDER CABLE	J901, J911, J912
11D	VS1-6174-006		1	CONNECTOR, 6P	
11E	WE8-5107-000		1	FERRITE CORE	
11F	WT2-5077-000		1	TIE, CABLE	
12	RS5-0973-000		1	GEAR, 16T	
13	RB1-9122-000		2	RACK	
501	XB4-7400-807		5	SCREW,TAPPING,TRUSS HEAD,M4X8	
502	XD2-2100-402		2	RING, GRIP	
503	XB6-7300-807		1	SCREW, TP, M3X8	
504	XB4-7301-009		1	SCREW,TAPPING,TRUSS HEAD,M3X10	
505	XB4-7300-807		2	SCREW,TAPPING,TRUSS HEAD,M3X8	

FIGURE F11 INTERNAL COMPONENTS 1

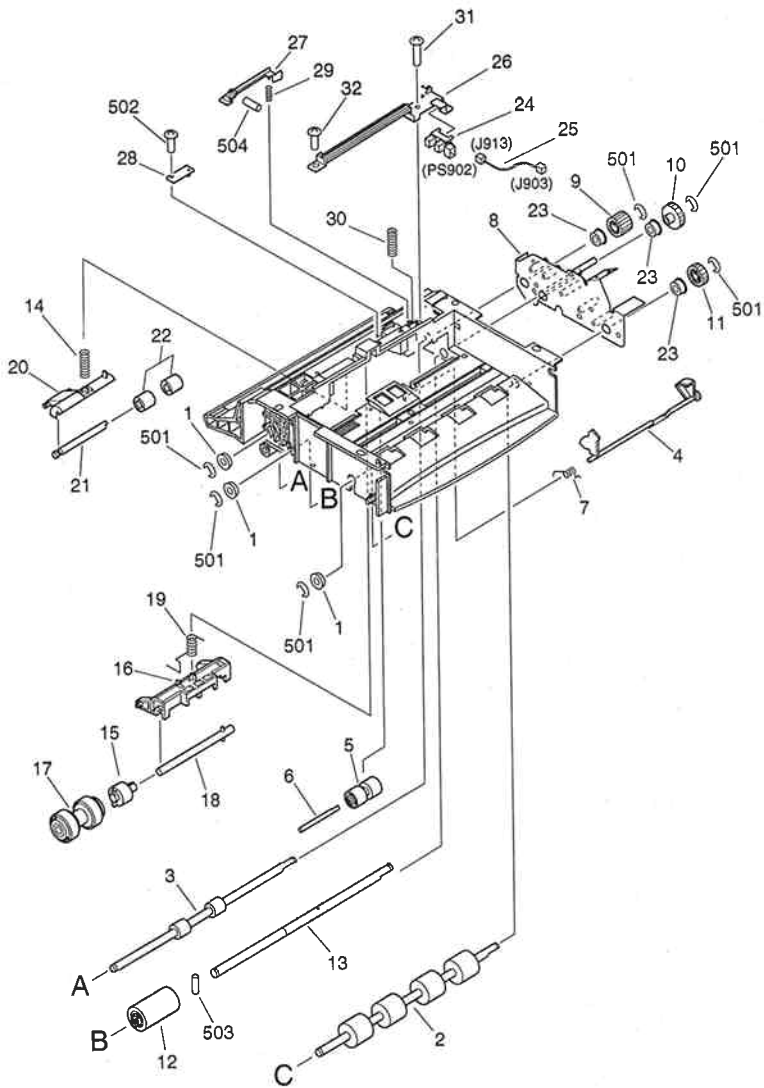


FIGURE & KEY NO.	PART NUMBER	RANK	QTY	DESCRIPTION	SERIAL NUMBER / REMARKS
F11 -	NPN		RF	INTERNAL COMPONENTS 1	
1	RS5-1075-000		3	BUSHING	
2	RB1-9100-000		1	ROLLER, PICK-UP	
3	RB1-9101-000		1	ROLLER, PAPER FEED	
4	RB1-9115-000		1	ARM, PAPER SENSOR	
5	RB1-9123-000		1	ROLLER	
6	RB1-9124-000		1	SHAFT, ROLLER	
7	RB2-2407-000		1	SPRING, TORSION	
8	RF5-2510-000	N	1	PLATE, DRIVE	
9	RS5-0962-000		1	GEAR, 16T	
10	RS5-0968-000		1	GEAR, 22T	
11	RS5-0971-000		1	GEAR, 22T	
12	RF5-2513-000		1	ROLLER, PAPER FEED	
13	RB1-9105-000		1	SHAFT, PAPER FEED	
14	RS5-2654-000		1	SPRING, COMPRESSION	
15	RA2-1582-030		1	LIMITER, TORQUE	
16	RB1-9108-000		1	HOLDER, SEPARATION	
17	RF1-3548-000		1	ROLLER, SEPARATION	
18	RF5-2639-000		1	SHAFT, SEPARATION	
19	RS5-2655-000		1	SPRING, COMPRESSION	
20	RB1-9102-000		1	HOLDER	
21	RB1-9103-000		1	SHAFT	
22	RB1-9104-000		2	ROLLER	
23	RS1-1053-000		3	BUSHING	
24	WG8-5375-000		1	IC, EE-SX1235A-P1, PHOTO INT.	PS902, J913
25	RG5-4299-000		1	SENSOR CABLE	J903, J913
26	RB2-3491-000		1	HOLDER, SENSOR	
27	RB2-3492-000		1	LEVER, SENSOR	
28	RB2-3493-000		1	PLATE, SUPPORT	
29	RS6-2066-000		1	SPRING, COMPRESSION	
30	RS6-2067-000		1	SPRING, COMPRESSION	
31	XA9-0969-000		1	SCREW, M3X25	
32	XA9-0466-000		1	SCREW, TP, M3X8	
501	XD2-1100-402		6	RING, E	
502	XB4-7300-809		1	SCREW, TAPPING, TRUSS HEAD, M3X8	
503	XD3-2200-122		1	PIN, DOWEL	
504	XD3-2300-102		1	PIN, DOWEL	

FIGURE F12 INTERNAL COMPONENTS 2

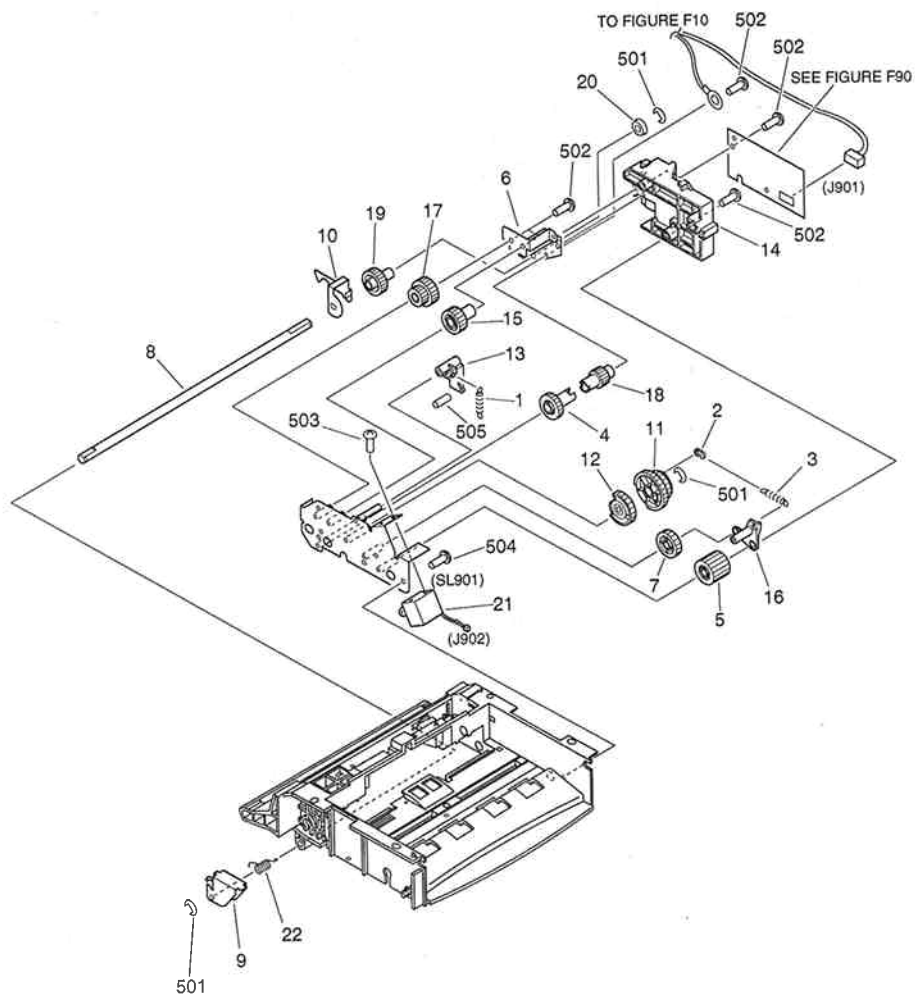


FIGURE & KEY NO.	PART NUMBER	RANK	QTY	DESCRIPTION	SERIAL NUMBER / REMARKS
F12 -	NPN		RF	INTERNAL COMPONENTS 2	
1	RS5-2657-000		1	SPRING, TENSION	
2	RB1-2190-000		1	COLLAR, SPRING	
3	RS5-2656-000		1	SPRING, TENSION	
4	RS5-0974-000		1	GEAR, 20T	
5	RS5-0970-000		1	GEAR, 24T	
6	RB1-9090-000		1	PLATE, DRIVE	
7	RS5-0969-000		1	GEAR, 27T	
8	RB1-9096-000		1	SHAFT, LOCK ARM	
9	RB1-9097-000		1	ARM, LOCK, LEFT	
10	RB1-9098-000		1	ARM, LOCK, RIGHT	
11	RS5-0966-000		1	GEAR, 18T/27T	
12	RS5-0965-000		1	GEAR, 26T	
13	RB1-9112-000		1	CLAW	
14	RB1-9114-000		1	HOLDER, PCB	
15	RS5-0964-000		1	GEAR, 21T	
16	RB1-9116-000		1	HOLDER, SPRING	
17	RS5-0963-000		1	GEAR, 15T/24T	
18	RS5-0961-000		1	GEAR, 15T	
19	RS5-0960-000		1	GEAR, 20T	
20	RS1-1053-000		1	BUSHING	SL901, J902
21	RH7-5198-000		1	SOLENOID	
22	RB2-2406-000		1	SPRING, TORSION	
501	XD2-1100-402		3	RING, E	
502	XB6-7300-607		5	SCREW, TP, M3X6	
503	XB6-7300-407		2	SCREW, TP, M3X4	
504	XB4-7400-807		3	SCREW, TAPPING, TRUSS HEAD, M4X8	
505	XD3-1300-802		1	PIN, SPRING	

FIGURE F90 PCB ASS'Y LOCATION DIAGRAM

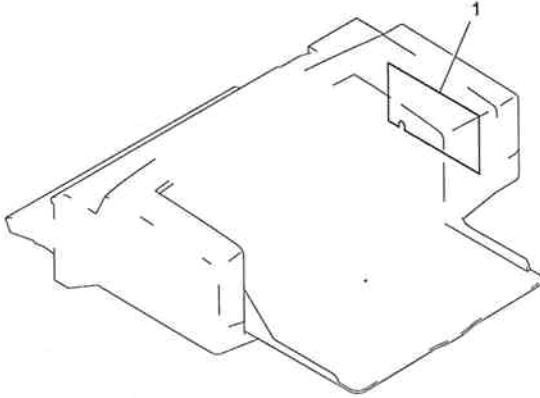


FIGURE & KEY NO.	PART NUMBER	RANK	QTY	DESCRIPTION	SERIAL NUMBER / REMARKS
F90 - 1	NPN RG5-3830-000		RF 1	PCB ASS'Y LOCATION DIAGRAM ENVELOPE FEEDER PCB ASS'Y	

PAPER FEEDER

PAPER FEED UNIT PF-52
[R73-5006]

FIGURE EA ASSEMBLY LOCATION DIAGRAM

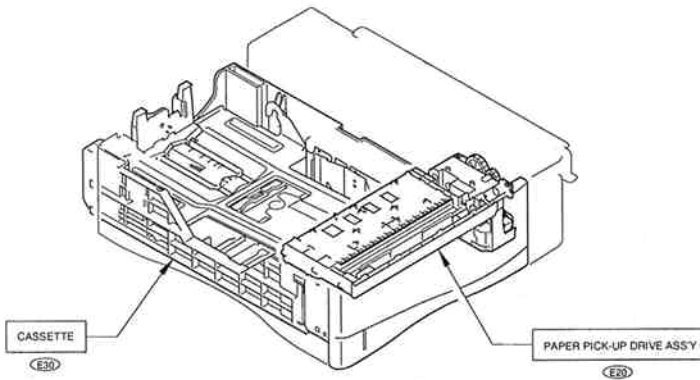


FIGURE E11 INTERNAL COMPONENTS

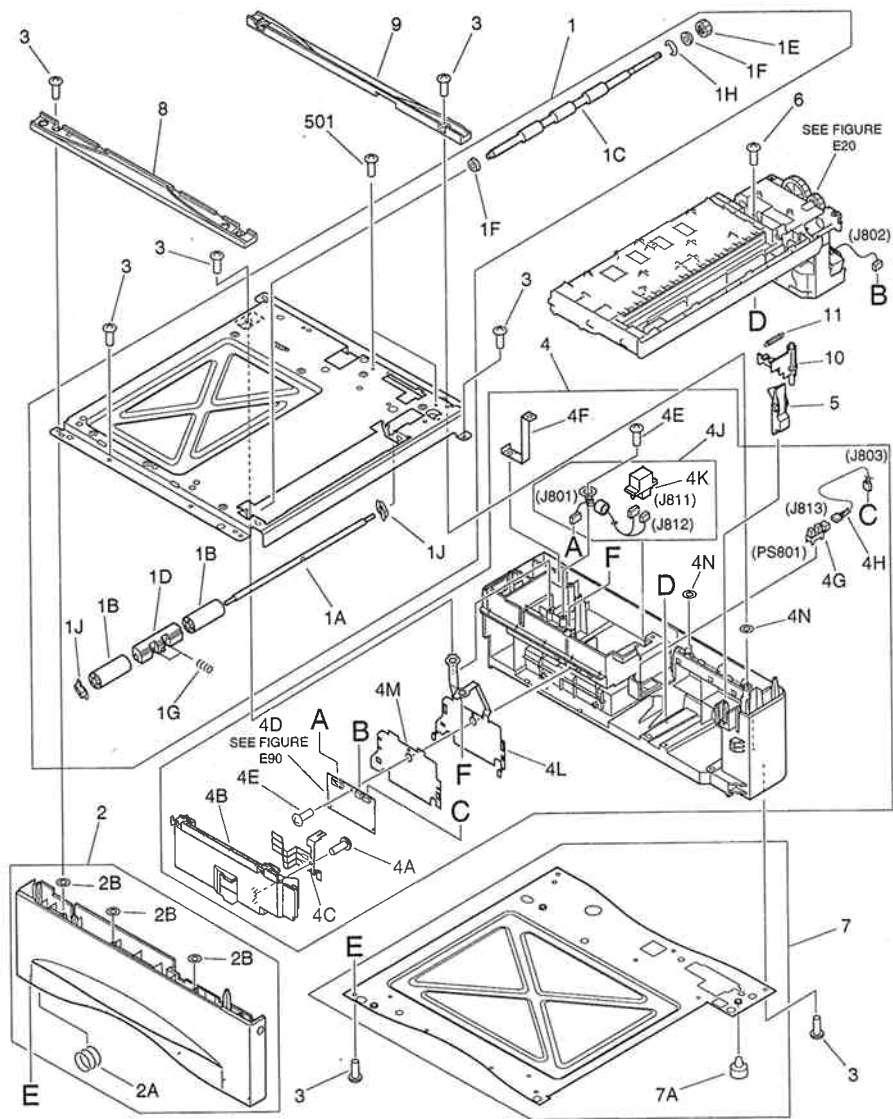


FIGURE & KEY NO.	PART NUMBER	RANK	QTY	DESCRIPTION	SERIAL NUMBER / REMARKS
E11 -	NPN		RF	INTERNAL COMPONENTS	
1	RG5-2689-000		1	UPPER FRAME ASS'Y	
1A	RB1-8921-000		1	SHAFT	
1B	RB1-8922-000		2	ROLLER	
1C	RB1-8923-000		1	ROLLER, PAPER FEED	
1D	RB1-8926-000		1	BUSHING	
1E	RS5-0946-000		1	GEAR, 14T	
1F	RS5-1309-000		2	BUSHING	
1G	RS5-2653-000		2	SPRING, COMPRESSION	
1H	XD2-1100-502		1	RING, E	
1J	RB1-8934-000		2	BUSHING	
2	RG5-4669-000		1	LEFT FRAME ASS'Y	
2A	RS5-2652-000		1	SPRING, COMPRESSION	
2B	RL6-0002-000		3	WASHER	
3	FA9-2753-000		19	SCREW, M4X10	
4	RG5-4668-000		1	RIGHT FRAME ASS'Y	
4A	XA9-0915-000		1	SCREW, M3X6	
4B	RB1-8886-000		1	COVER, PCB	
4C	RB1-8887-000		1	SPRING, LEAF	
4D	RG5-3821-000		1	PAPER FEEDER DRIVER PCB ASS'Y	SEE FIGURE E90
4E	FA9-2753-000		2	SCREW, M4X10	
4F	RB1-9397-000		1	PLATE, GROUNDING, 1	
4G	WG8-5362-000		1	IC, TLP1241, PHOTO-INTERRUPTER	PS801, J813
4H	RG5-3711-000		1	PAPER SENSOR CABLE	J803, J813
4J	RG5-3822-000		1	PAPER FEEDER CABLE	J801, J811, J812
4K	VS1-6175-006		1	CONNECTOR, 6P	J811, J812
4L	RB2-3733-000		1	PLATE, GROUNDING, 2	
4M	RB2-3734-000		1	SHEET, INSULATING	
4N	RL6-0002-000		2	WASHER	
5	RB2-3497-000		1	LEVER, RELEASE	
6	XA9-0917-000		1	SCREW, M3X16	
7	RG5-2670-000		1	LOWER FRAME ASS'Y	
7A	RB1-8107-000		3	FOOT	
8	RB2-2756-000		1	COVER, GRIP, FRONT	
9	RB2-2757-000		1	COVER, GRIP, REAR	
10	RB2-2412-000		1	LEVER, 1	
11	RS5-2658-000		1	SPRING, TENSION	
501	XB5-2300-609		2	SCREW, CT, M3X6	

FIGURE E20 PAPER PICK-UP DRIVE ASS'Y

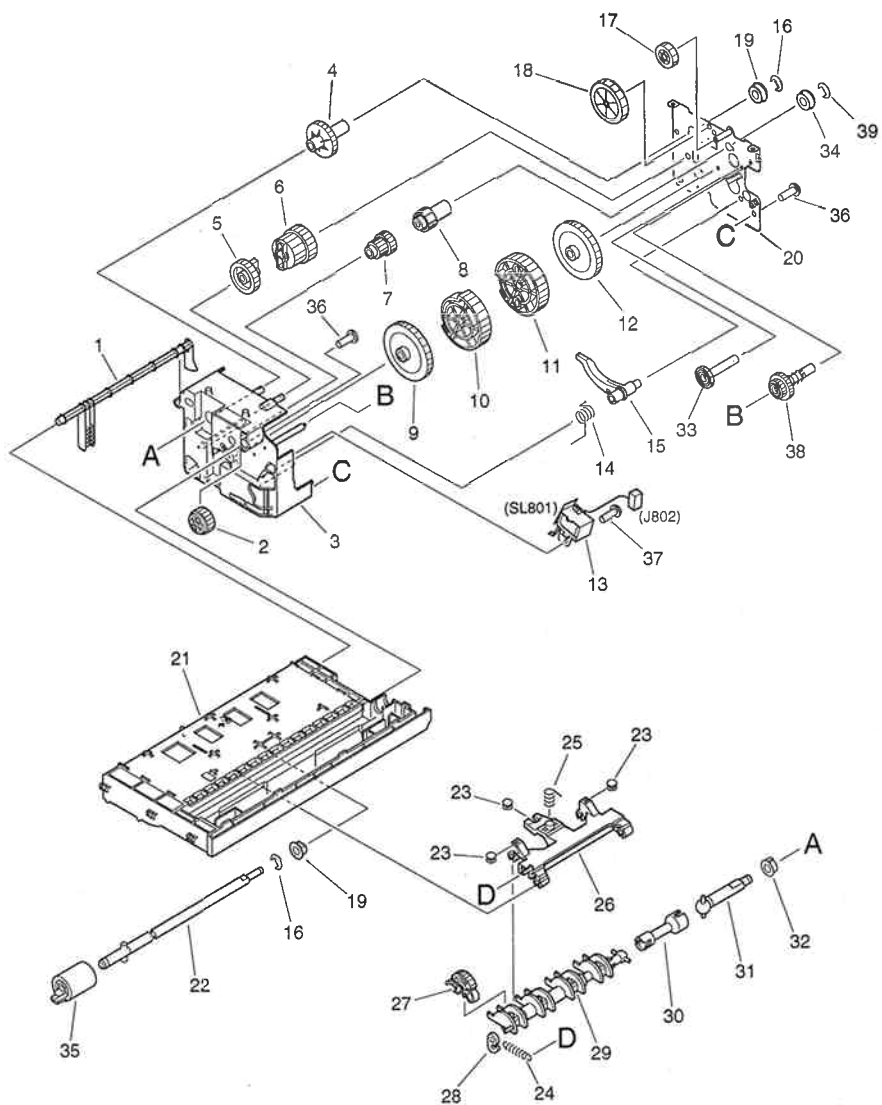


FIGURE & KEY NO.	PART NUMBER	R A N K	Q' T Y	DESCRIPTION	SERIAL NUMBER / REMARKS
E20 -	RG5-2690-000		1	PAPER PICK-UP DRIVE ASS'Y	
1	RB1-8879-000		1	LEVER, SENSOR	
2	RS5-0940-000		1	GEAR, 20T	
3	RB1-8919-000		1	BLOCK, DRIVE	
4	RS5-0936-000		1	GEAR, 31T	
5	RS5-0933-000		1	GEAR, 27T	
6	RS5-0932-000		1	GEAR, 23T/27T	
7	RS5-0939-000		1	GEAR, 14T/18T	
8	RS5-0975-000		1	GEAR, 18T	
9	RS5-0938-000		1	GEAR, 53T	
10	RS5-0935-000		1	GEAR, 31T/39T	
11	RS5-0934-000		1	GEAR, 49T	
12	RS5-0931-000		1	GEAR, 41T	
13	RH7-5174-000		1	SOLENOID	SL801, J802
14	RB1-8881-000		1	SPRING, TORSION	
15	RB1-8880-000		1	LEVER	
16	XD9-0135-000		2	RING, E	
17	RS5-0942-000		1	GEAR, 16T	
18	RS5-0943-000		1	GEAR, 31T	
19	RS5-1307-000		2	BUSHING	
20	RF5-2859-000		1	PLATE, DRIVE	
21	RB1-8918-000		1	GUIDE	
22	RF5-2491-000		1	SHAFT, PAPER FEED	
23	RB1-8883-000		3	DAMPER	
24	RS5-2632-000		1	SPRING, TENSION	
25	RS5-2633-000		1	SPRING, COMPRESSION	
26	RB1-8866-000		1	ARM	
27	RB1-8865-000		4	ROLLER	
28	RB1-2190-000		1	COLLAR, SPRING	
29	RB1-8867-000		1	SHAFT, ROLLER	
30	RB1-8877-000		1	JOINT	
31	RB1-8868-000		1	SHAFT, DRIVE	
32	RS5-1293-000		1	BUSHING	
33	RS5-0944-000		1	GEAR, 19T	
34	RS5-1308-000		1	BUSHING	
35	RF5-2490-000		1	ROLLER	
36	XA9-0870-000		5	SCREW, M4X10	
37	XA9-0917-000		1	SCREW, M3X16	
38	RF5-2512-000		1	GEAR, RATCHET	
39	XD9-0134-000		1	RING, E	

FIGURE E30 CASSETTE

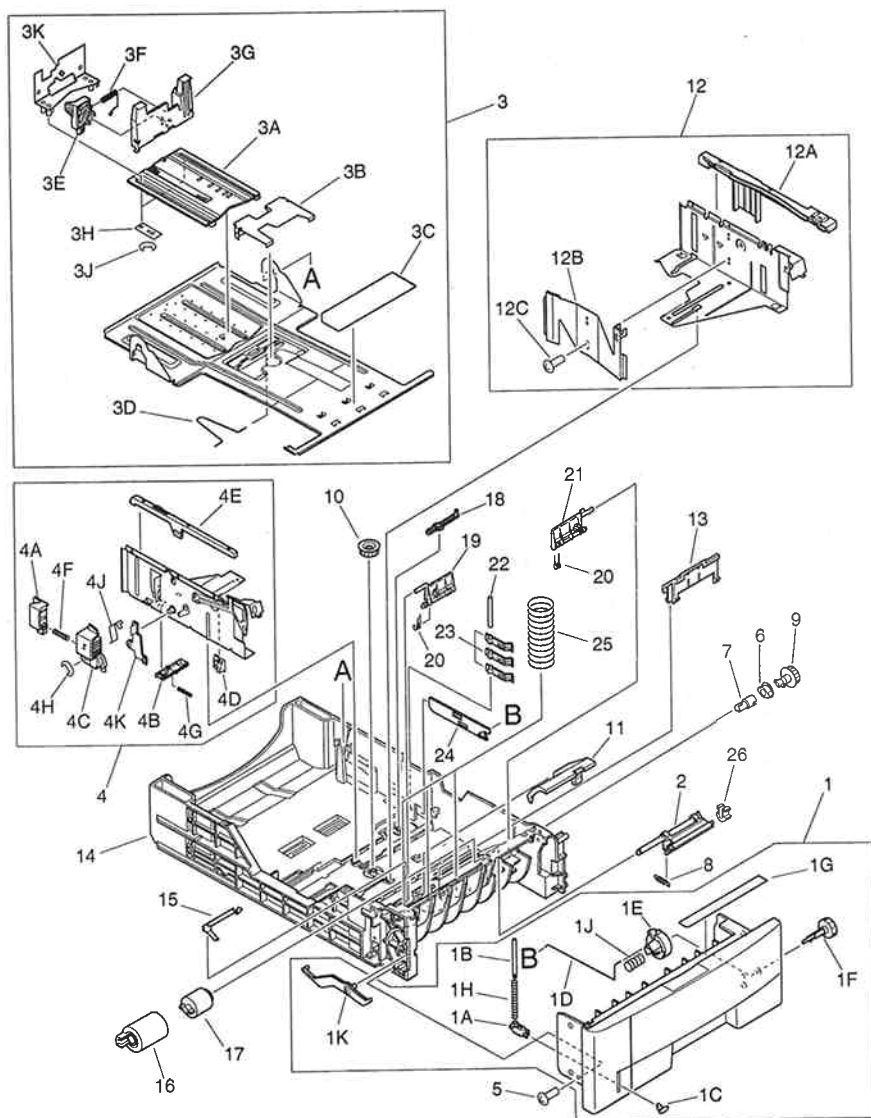


FIGURE & KEY NO.	PART NUMBER	RANK	QTY	DESCRIPTION	SERIAL NUMBER / REMARKS
E30 -	NPN		RF	CASSETTE	
1	RG5-4671-000		1	FRONT COVER ASS'Y	
1A	RB1-8967-000		1	HOLDER, BLOCK	
1B	RB1-8968-000		1	SHAFT, SENSOR ARM	
1C	RB2-2773-000		1	BLOCK, SENSOR	
1D	RB1-9382-000		1	ROD, SIZE	
1E	RB1-9383-000		1	CLICK, SIZE	
1F	RB1-9384-000		1	DIAL, SIZE	
1G	RS6-8005-000		1	LABEL, SIZE	
1H	RS5-2625-000		1	SPRING, COMPRESSION	
1J	RS5-2982-000		1	SPRING, COMPRESSION	
1K	RB1-8966-000		1	ARM, SENSOR	
2	RF5-2489-000		1	HOLDER	
3	RG5-4672-000		1	PAPER LIFTING PLATE ASS'Y	
3A	RB1-9393-000		1	PLATE, GUIDE	
3B	RB1-9372-000		1	PLATE, LENGTH ADJUSTMENT (A5)	
3C	RB1-9394-020		1	SHEET, OPERATION	
3D	RB1-9392-000		1	ROD	
3E	RB1-9374-000		1	STOPPER	
3F	RS5-2981-000		1	SPRING, COMPRESSION	
3G	RB1-9371-000		1	PLATE, LENGTH ADJUSTMENT	
3H	RB1-8983-000		2	PLATE, REAR	
3J	XD9-0134-000		4	RING, E	
3K	RF5-2793-000		1	PLATE, SUPPORT, REAR	
4	RG5-2694-000		1	LEFT SIDE LIMIT PLATE ASS'Y	
4A	RB1-9375-000		1	LEVER, SIDE	
4B	RB1-9387-000		1	CLICK, SIDE	
4C	RB1-9389-000		1	LEVER, SIDE STOPPER	
4D	RB1-8892-000		1	HOLDER, CLAW	
4E	RB1-9388-000		1	COVER, SIDE	
4F	RS5-2672-000		1	SPRING, COMPRESSION	
4G	RS5-2674-000		1	SPRING, COMPRESSION	
4H	XD9-0136-000		2	RING, E	
4J	RB1-8981-000		1	SPRING, LEAF	
4K	RB1-8985-000		1	PLATE, STOP, SIDE	
5	XA9-0606-000		2	SCREW, M4X10	
6	RB1-8946-000		1	BUSHING	
7	RB1-8945-000		1	JOINT	
8	RS5-2622-020		1	SPRING, TENSION	
9	RB1-8948-000		1	GEAR, 22T	
10	RB1-8970-000		1	GEAR, 20T	
11	RB2-2775-000		1	COVER	
12	RG5-4288-000		1	RIGHT SIDE LIMIT PLATE ASS'Y	
12A	RB1-9395-000		1	COVER, SIDE	
12B	RB1-9379-000		1	SPRING, LEAF	
12C	XA9-0903-000		2	SCREW, M3X5	
13	RB2-2754-000		1	HOLDER, REAR	
14	RB2-2774-000	N	1	BODY, CASSETTE	
15	RB1-8972-000		1	SPRING, LEAF	
16	RF5-2490-000		1	ROLLER	

FIGURE & KEY NO.	PART NUMBER	R A N K	Q' T Y	DESCRIPTION	SERIAL NUMBER / REMARKS
E30 - 17	RB1-8974-000		1	LIMITER, TORQUE	
18	RB1-9380-000		1	LEVER, SIZE CAM	
19	RB1-8961-000		1	ARM, LIFTER, LEFT	
20	RB1-8973-000		2	SPRING, TORSION	
21	RB1-8962-000		1	ARM, LIFTER, RIGHT	
22	RB1-8964-000		1	SHAFT, SIZE ARM	
23	RB1-8963-000		3	ARM, SIZE	
24	RB1-9381-000		1	PLATE	
25	RS5-2621-000		3	SPRING, COMPRESSION	
26	RB1-8956-000		1	STOPPER, REAR	
<hr style="border-top: 1px dashed black;"/>					
<hr style="border-top: 1px dashed black;"/>					
<hr style="border-top: 1px dashed black;"/>					
<hr style="border-top: 1px dashed black;"/>					
<hr style="border-top: 1px dashed black;"/>					

FIGURE E90

PCB ASS'Y LOCATION DIAGRAM

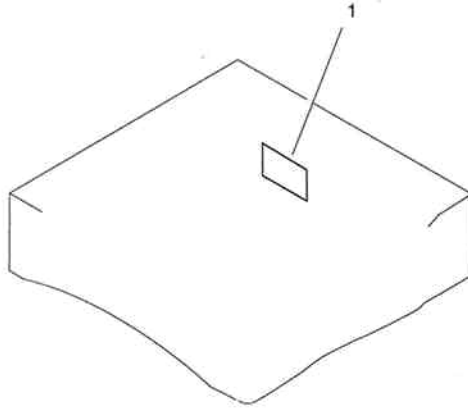


FIGURE & KEY NO.	PART NUMBER	RANK	QTY	DESCRIPTION	SERIAL NUMBER / REMARKS
E90 - 1	NPN RG5-3821-000		RF 1	PCB ASS'Y LOCATION DIAGRAM PAPER FEEDER DRIVER PCB ASS'Y	



This publication is
printed on 100%
recycled paper.

Canon