

# **PARTS CATALOG**

**FAX-L380**

**Canon**

**Jan 28 2004**



## **PREFACE**

This Parts Catalog contains listings of parts used

Diagrams are provided with the listings to aid the service technician in identifying clearly, the item to be ordered.

Whenever ordering parts, consult this Parts Catalog for all of the information pertaining to each item. Be sure to include, in the Parts Request, the full item description, the item part number, and the quantity.

***COPYRIGHT (C) 1999 CANON INC.***

Use of this manual should be strictly supervised to avoid disclosure of confidential information.



# Contents

## Parts List Index

FAX-L380 .....	1-1
----------------	-----

## FAX-L380

A	ASSEMBLY LOCATION DIAGRAM .....	2-1
001	PACKAGE COMPONENTS .....	2-2
100	EXTERNAL COVERS, PANELS, ETC. ....	2-3
101	INTERNAL COMPONENTS 1 .....	2-5
102	INTERNAL COMPONENTS 2 .....	2-7
103	INTERNAL COMPONENTS 3 .....	2-9
104	INTERNAL COMPONENTS 4 .....	2-11
105	INTERNAL COMPONENTS 5 .....	2-13
110	POWER SUPPLY ASS'Y .....	2-15
210	DOCUMENT FEED ASS'Y .....	2-17
211	ADF LOWER ASS'Y .....	2-19
300	CASSETTE .....	2-21
950	SCNT BOARD ASS'Y .....	2-23



# NUMERICAL INDEX

FAX-L380

PARTS NUMBER	FIGURE & KEY NO.	PARTS NUMBER	FIGURE & KEY NO.	PARTS NUMBER	FIGURE & KEY NO.
FC5-4775-000	102 - 1	FU5-0704-000	104 - 10	HH2-2074-000	950 - 5
FC5-4778-000	102 - 8	FU5-0705-000	104 - 13	HH2-2219-000	950 - 5
FC5-4799-000	103 - 2	FU5-0707-000	104 - 3	HH2-3257-000	950 - 5
FC5-4800-000	103 - 1	FU5-0709-000	104 - 4	HH2-3292-000	101 - 6
FC5-4807-000	103 - 7	FU5-0710-000	104 - 14	HH3-5414-000	110 - 1
FC5-4808-000	101 - 1	FU5-0713-000	105 - 15	HH4-4063-000	950 - 1
FC5-4814-000	101 - 2	FU5-0714-000	104 - 11	HH4-4064-000	950 - 2
FC5-4827-000	105 - 1	FU5-0716-000	103 - 8	HH4-4075-000	001 - 1
FC5-4828-000	105 - 2	FU5-2425-000	105 - 14	HH7-2765-000	211 - 1
FC5-4829-000	105 - 3	FU5-2429-000	104 - 15	HH7-2766-000	101 - 4
FC5-4830-000	105 - 4	FU5-2434-000	300 - 9	HL1-0453-000	211 - 3
FC5-4832-000	105 - 6	HB1-5127-000	100 - 17	HL1-0454-000	210 - 3
FC5-4833-000	102 - 3	HC1-1916-000	100 - 19	HL1-0456-000	211 - 2
FC5-4834-000	105 - 7	HC1-1924-000	100 - 16	HM1-0655-000	103 - 9
FC5-4860-000	105 - 17	HC1-1928-000	100 - 10	HM1-0807-000	100 - 3
FC5-4861-000	105 - 8	HC1-1931-000	100 - 8	HM1-0808-000	100 - 9
FC5-4862-000	105 - 9	HC1-1932-000	100 - 7	HM1-0809-000	103 - 10
FC5-4871-000	105 - 5	HC1-1934-000	300 - 8	HM1-0810-000	300 - 4
FC5-4878-000	104 - 16	HC1-1939-000	100 - 5	HM1-0811-000	100 - 12
FC5-4908-000	300 - 1	HC1-1940-000	100 - 11	HM1-0812-000	100 - 6
FC5-4911-000	300 - 5	HC1-1942-000	100 - 1	HM1-0814-000	211 - 4
FC5-4913-000	300 - 6	HC1-1943-000	100 - 2	HM1-0818-000	210 - 4
FC5-4921-000	103 - 11	HC1-1947-000	100 - 4	HM1-0830-000	211 - 12
FH5-1081-000	104 - 5	HC1-1951-000	210 - 2	HU1-0158-000	211 - 8
FH6-5093-000	104 - 1	HC1-1952-000	211 - 7	HU1-0159-000	211 - 9
FL2-1042-000	103 - 4	HC1-1956-000	210 - 5	HU1-0160-000	211 - 10
FL2-1043-000	102 - 5	HC1-1958-000	210 - 6	HU1-0161-000	211 - 11
FL2-1044-000	105 - 13	HC1-1963-000	210 - 7	NPN	001 -
FL2-1046-000	103 - 5	HC1-1974-000	211 - 5	NPN	100 -
FL2-1047-000	300 - 7	HC1-1983-000	211 - 13	NPN	101 -
FL2-1050-000	102 - 6	HC1-2002-000	100 - 15	NPN	102 -
FM2-1066-000	105 - 11	HC1-2003-000	100 - 16	NPN	103 -
FM2-1069-000	104 - 2	HC1-2004-000	100 - 16	NPN	104 -
FM2-1081-000	102 - 2	HC1-2006-000	300 - 2	NPN	105 -
FM5-5263-000	103 - 3	HC1-2008-000	300 - 3	NPN	110 -
FM5-5264-000	105 - 10	HC1-2013-000	100 - 18	NPN	210 -
FM5-5292-000	110 - 4	HC1-2338-000	104 - 17	NPN	211 -
FM5-5293-000	110 - 4	HG1-4533-000	950 -	NPN	300 -
FU5-0698-000	105 - 16	HG1-4537-000	101 - 3	RC1-1776-000	103 - 6
FU5-0699-000	102 - 9	HG1-4539-000	110 - 2	WG8-5382-000	100 - 20
FU5-0700-000	104 - 6	HG1-4541-000	210 - 1	WG8-5382-000	210 - 8
FU5-0701-000	104 - 7	HG1-4546-000	211 - 6	WK1-5134-000	950 - 4
FU5-0702-000	104 - 8	HG1-4547-000	110 - 5	WS1-5397-000	950 - 3
FU5-0703-000	104 - 9	HG1-4549-000	110 - 6	XA9-0476-000	100 - 14

# NUMERICAL INDEX

FAX-L380

PARTS NUMBER	FIGURE & KEY NO.	PARTS NUMBER	FIGURE & KEY NO.	PARTS NUMBER	FIGURE & KEY NO.
XA9-1386-000	100 - 13				
XA9-1386-000	101 - 5				
XA9-1386-000	102 - 4				
XA9-1386-000	103 - 12				
XA9-1386-000	104 - 12				
XA9-1386-000	105 - 18				
XA9-1386-000	110 - 3				
XA9-1502-000	102 - 7				
XA9-1502-000	105 - 12				
XB1-2300-407	100 - 503				
XB1-2300-407	211 - 501				
XB2-7300-607	103 - 502				
XB2-7300-607	104 - 502				
XB4-7300-807	100 - 502				
XB4-7300-807	101 - 502				
XB4-7300-807	210 - 501				
XB4-7300-807	211 - 502				
XB4-7300-807	300 - 501				
XB4-7400-807	100 - 501				
XB4-7400-807	102 - 501				
XB4-7400-807	103 - 501				
XB4-7400-807	104 - 501				
XB4-7400-807	105 - 501				
XB6-7300-607	101 - 501				



# **FAX-L380**

230V

H12-4253-000

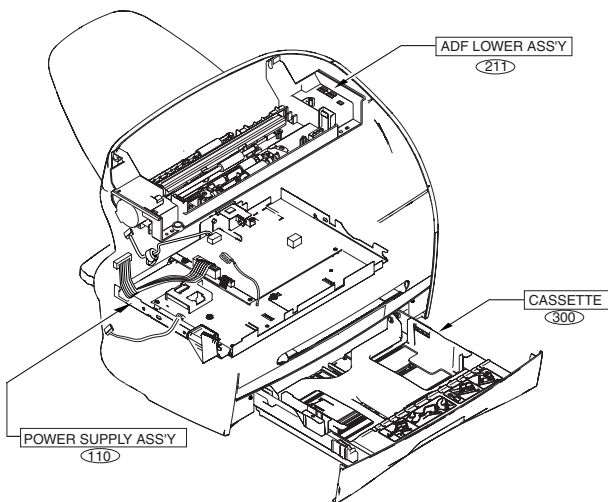
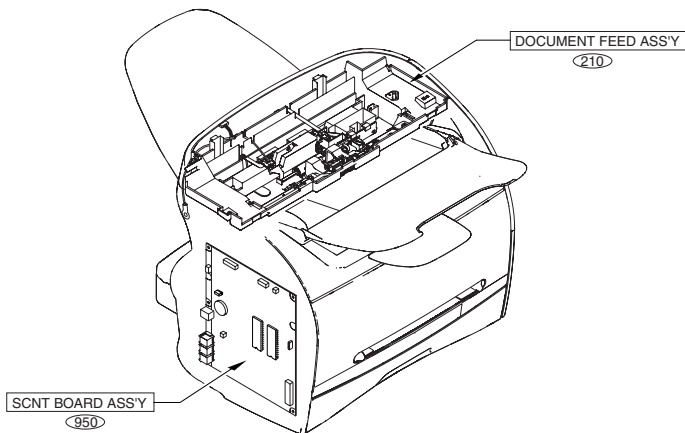


# Contents

A	ASSEMBLY LOCATION DIAGRAM .....	2-1
001	PACKAGE COMPONENTS .....	2-2
100	EXTERNAL COVERS, PANELS, ETC. ....	2-3
101	INTERNAL COMPONENTS 1 .....	2-5
102	INTERNAL COMPONENTS 2 .....	2-7
103	INTERNAL COMPONENTS 3 .....	2-9
104	INTERNAL COMPONENTS 4 .....	2-11
105	INTERNAL COMPONENTS 5 .....	2-13
110	POWER SUPPLY ASS'Y .....	2-15
210	DOCUMENT FEED ASS'Y .....	2-17
211	ADF LOWER ASS'Y .....	2-19
300	CASSETTE .....	2-21
950	SCNT BOARD ASS'Y .....	2-23



# FIGURE A ASSEMBLY LOCATION DIAGRAM



# FIGURE 001 PACKAGE COMPONENTS

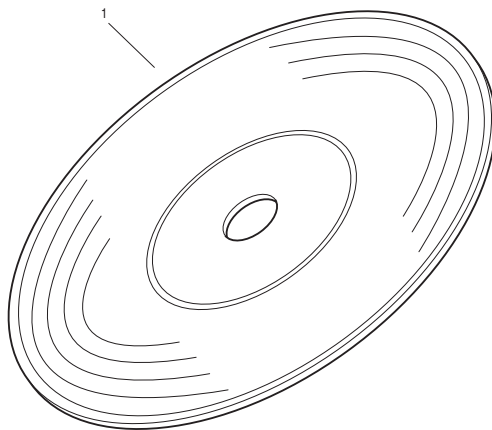


FIGURE & KEY NO.	PARTS NUMBER	RANK	Q'TY	DESCRIPTION	SERIAL NUMBER/REMARKS	SVC
Fig.001	NPN		RF	PACKAGE COMPONENTS		
1	HH4-4075-000		1	CD-ROM, USER SOFTWARE	GB&FR&DE	

FIGURE 100  
EXTERNAL COVERS, PANELS, ETC.

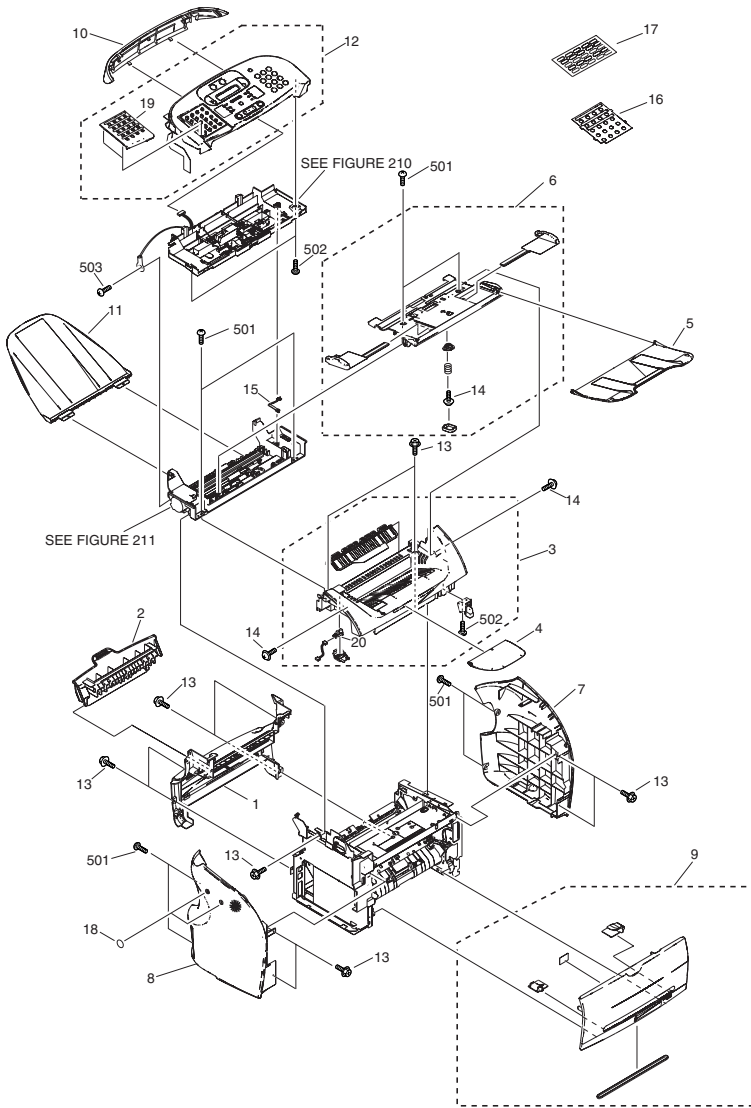


FIGURE & KEY NO.	PARTS NUMBER	R A N K	Q'TY	DESCRIPTION	SERIAL NUMBER/ REMARKS	S V C
Fig.100	NPN		RF	EXTERNAL COVERS, PANELS, ETC.		
1	HC1-1942-000		1	COVER, REAR		
2	HC1-1943-000		1	COVER, FACE-UP		
3	HM1-0807-000		1	TOP COVER UNIT		
4	HC1-1947-000		1	TRAY, AUXILIARY		
5	HC1-1939-000		1	TRAY, DOCUMENT		
6	HM1-0812-000		1	DOCUMENT GUIDE UNIT		
7	HC1-1932-000		1	COVER, RIGHT		
8	HC1-1931-000		1	COVER, LEFT		
9	HM1-0808-000		1	FRONT COVER UNIT		
10	HC1-1928-000		1	COVER, PANEL REAR		
11	HC1-1940-000		1	TRAY, DOCUMENT DELIVERY		
12	HM1-0811-000		1	OPERATION PANEL UNIT		
13	XA9-1386-000		11	SCREW,RS,M3X8		
14	XA9-0476-000		3	SCREW,TP M3X8		
15	HC1-2002-000		1	STOPPER		
16	HC1-2003-000		1	SHEET, ONE-TOUCH DIAL	DE	
16	HC1-1924-000		1	SHEET, ONE-TOUCH DIAL	EUR&GB	
16	HC1-2004-000		1	SHEET, ONE-TOUCH DIAL	FR	
17	HB1-5127-000		2	LABEL, DESTINATION		
18	HC1-2013-000		2	SHEET, SHIELD		
19	HC1-1916-000		1	COVER, ONE-TOUCH		
20	WG8-5382-000		1	PHOTO INTERRUPTER TLP1242		
501	XB4-7400-807		8	SCREW,TAPPING,TRUSS HEAD,M4X8		
502	XB4-7300-807		3	SCREW, TAP TIGHT, BINDING HEAD		
503	XB1-2300-407		1	SCREW, BH3X4 (S)		



FIGURE 101  
INTERNAL COMPONENTS 1

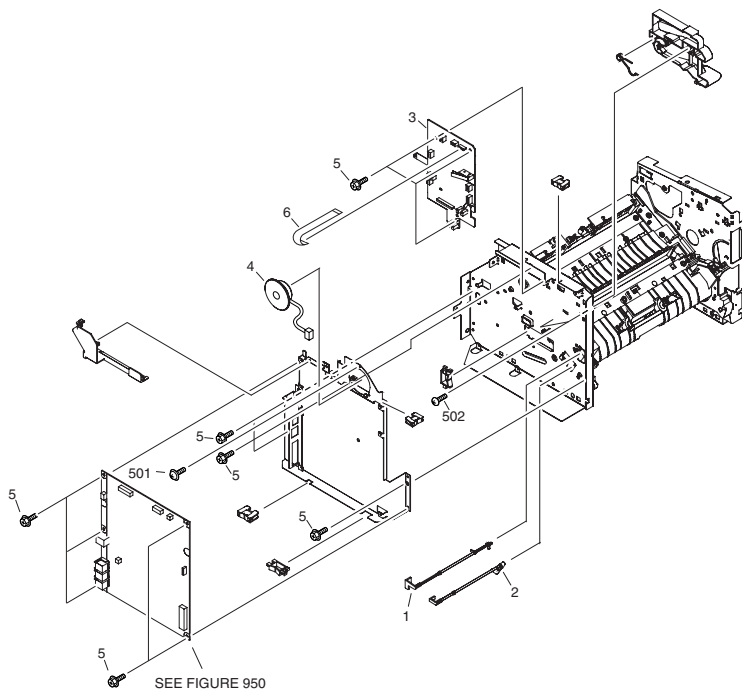


FIGURE & KEY NO.	PARTS NUMBER	RANK	Q'TY	DESCRIPTION	SERIAL NUMBER/REMARKS	SVC
Fig.101	NPN		RF	INTERNAL COMPONENTS 1		
1	FC5-4808-000		1	FLAG, MANUAL FEED SENSOR		
2	FC5-4814-000		1	FLAG, CASSETTE SENSOR		
3	HG1-4537-000		1	DCNT BOARD ASS'Y		
4	HH7-2766-000		1	SPEAKER UNIT		
5	XA9-1386-000		12	SCREW,RS,M3X8		
6	HH2-3292-000		1	CABLE, FLAT, 10P		
501	XB6-7300-607		1	SCREW, TP, M3X6		
502	XB4-7300-807		2	SCREW, TAP TIGHT, BINDING HEAD		

FIGURE 102  
INTERNAL COMPONENTS 2

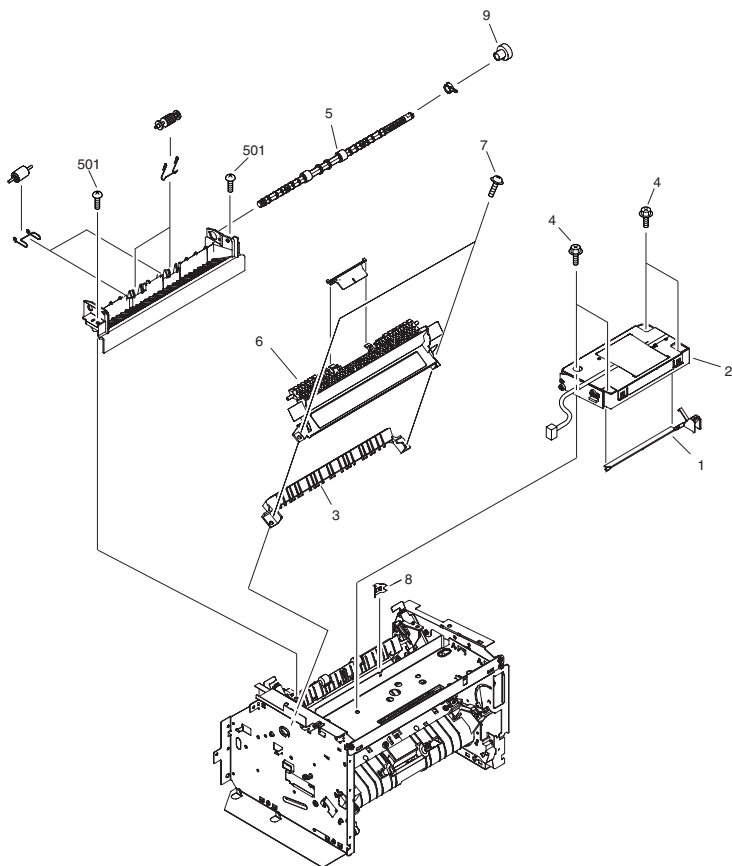


FIGURE & KEY NO.	PARTS NUMBER	RANK	Q'TY	DESCRIPTION	SERIAL NUMBER/REMARKS	SVC
Fig.102	NPN		RF	INTERNAL COMPONENTS 2		
1	FC5-4775-000		1	ARM, LASER SHUTTER		
2	FM2-1081-000		1	LASER/SCANNER UNIT		
3	FC5-4833-000		1	GUIDE, FIXING ENTRANCE		
4	XA9-1386-000		4	SCREW,RS,M3X8		
5	FL2-1043-000		1	ROLLER, FACE-DOWN DELIVERY		
6	FL2-1050-000		1	COVER, FIXING		
7	XA9-1502-000		2	SCREW,WWASHER,M4		
8	FC5-4778-000		1	PLATE,GROUNDING		
9	FU5-0699-000		1	GEAR, 19T		
501	XB4-7400-807		2	SCREW,TAPPING,TRUSS HEAD,M4X8		

FIGURE 103  
INTERNAL COMPONENTS 3

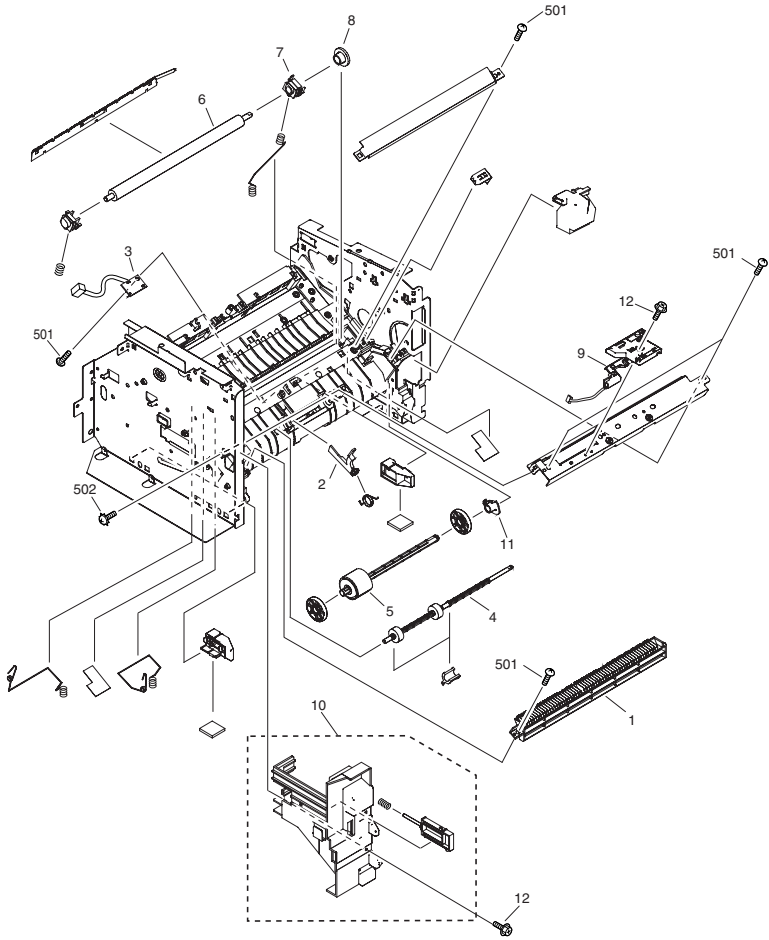


FIGURE & KEY NO.	PARTS NUMBER	R A N K	Q'TY	DESCRIPTION	SERIAL NUMBER/ REMARKS	S V C
Fig.103	NPN		RF	INTERNAL COMPONENTS 3		
1	FC5-4800-000		1	GUIDE,U-TURN		
2	FC5-4799-000		1	FLAG, REGIST. SENSOR		
3	FM5-5263-000		1	TOP SENSOR PCB UNIT		
4	FL2-1042-000		1	ROLLER, FEEDER		
5	FL2-1046-000		1	ROLLER, CASSETTE PICK-UP		
6	RC1-1776-000		1	ROLLER, TRANSFER		
7	FC5-4807-000		1	BUSHING,TRANSFER ROLLER,RIGHT		
8	FU5-0716-000		1	GEAR, 17T		
9	HM1-0655-000		1	TONER SENSOR UNIT		
10	HM1-0809-000		1	COVER SWITCH UNIT		
11	FC5-4921-000		1	BUSHING		
12	XA9-1386-000		2	SCREW,RS,M3X8		
501	XB4-7400-807		5	SCREW,TAPPING,TRUSS HEAD,M4X8		
502	XB2-7300-607		1	SCREW, W/WASHER, M3X6		

FIGURE 104  
INTERNAL COMPONENTS 4

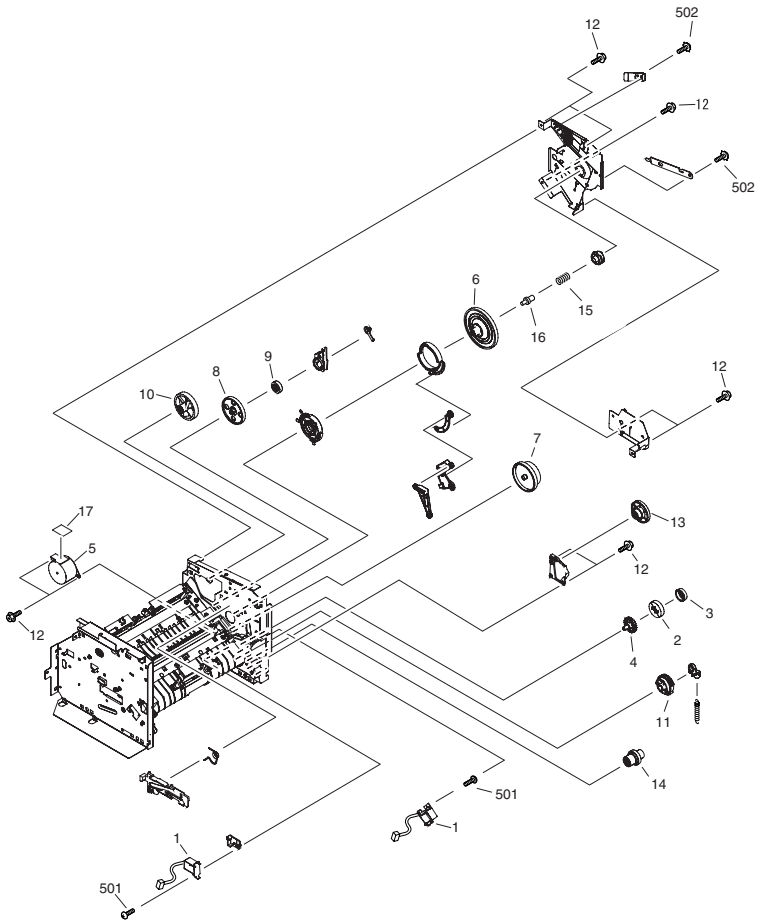


FIGURE & KEY NO.	PARTS NUMBER	R A N K	Q'TY	DESCRIPTION	SERIAL NUMBER/ REMARKS	S V C
Fig.104	NPN		SF	INTERNAL COMPONENTS 4		
1	FH6-5093-000		2	SOLENOID, PICK-UP		
2	FM2-1069-000		1	GEAR UNIT		
3	FU5-0707-000		1	GEAR,51T		
4	FU5-0709-000		1	GEAR,17T		
5	FH5-1081-000		1	MOTOR, MAIN, STEPPING		
6	FU5-0700-000		1	GEAR, 163T		
7	FU5-0701-000		1	GEAR,91T/115T		
8	FU5-0702-000		1	GEAR, 18T/107T		
9	FU5-0703-000		1	GEAR, 17T		
10	FU5-0704-000		1	GEAR, 55T		
11	FU5-0714-000		1	GEAR, 25T		
12	XA9-1386-000		9	SCREW,RS,M3X8		
13	FU5-0705-000		1	GEAR, 22T/86T		
14	FU5-0710-000		1	GEAR, 19T/35T		
15	FU5-2429-000		1	SPRING, DRUM CONTACT PIN		
16	FC5-4878-000		1	PIN,DRUM CONTACT		
17	HC1-2338-000		1	SHEET, MOTOR		
501	XB4-7400-807		2	SCREW,TAPPING,TRUSS HEAD,M4X8		
502	XB2-7300-607		2	SCREW, WWASHER, M3X6		



FIGURE 105  
INTERNAL COMPONENTS 5

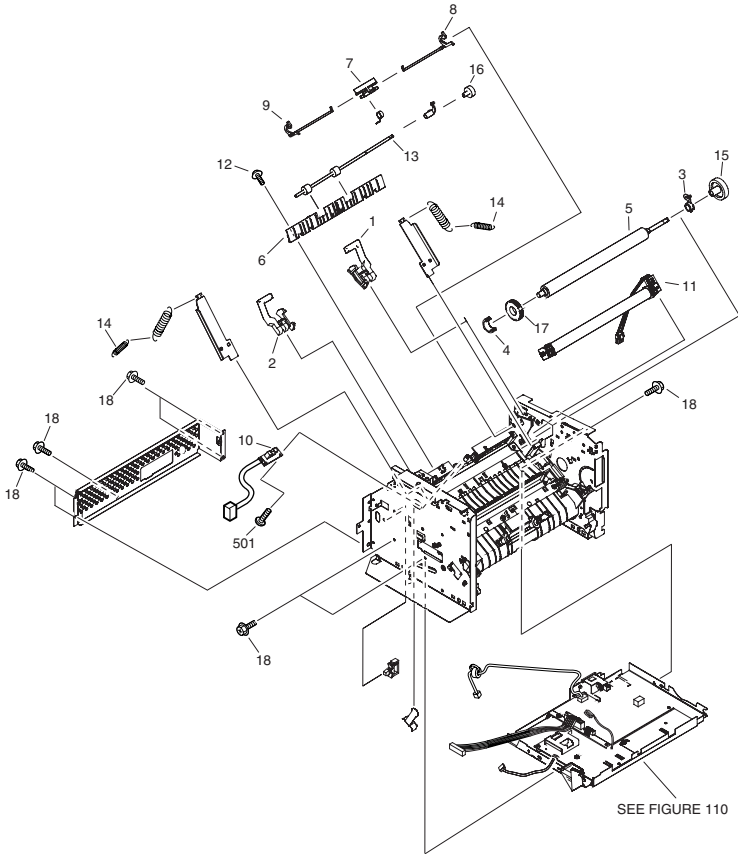


FIGURE & KEY NO.	PARTS NUMBER	R A N K	Q'TY	DESCRIPTION	SERIAL NUMBER/ REMARKS	S V C
Fig.105	NPN		RF	INTERNAL COMPONENTS 5		
1	FC5-4827-000		1	LEVER, PRESSURE RELEASE, R		
2	FC5-4828-000		1	LEVER, PRESSURE RELEASE, L		
3	FC5-4829-000		1	BUSHING, PRESSURE ROLLER, R		
4	FC5-4830-000		1	BUSHING, PRESSURE ROLLER, L		
5	FC5-4871-000		1	ROLLER, PRESSURE		
6	FC5-4832-000		1	GUIDE, PAPER DELIVERY		
7	FC5-4834-000		1	FLAG, DELIVERY SENSOR		
8	FC5-4861-000		1	LEVER, PRSS. RELEASE DETECT,R		
9	FC5-4862-000		1	LEVER, PRSS. RELEASE DETECT,L		
10	FM5-5264-000		1	DELIVERY SENSOR PCB UNIT		
11	FM2-1066-000		1	FILM UNIT, 230V		
12	XA9-1502-000		1	SCREW,W/WASHER,M4		
13	FL2-1044-000		1	ROLLER, FACE-UP		
14	FU5-2425-000		2	SPRING,PRESSURE GROUNDING		
15	FU5-0713-000		1	GEAR, 29T		
16	FU5-0698-000		1	GEAR, 17T		
17	FC5-4860-000		1	RUBBER,CONDUCTIVE RING		
18	XA9-1386-000		8	SCREW,RS,M3X8		
501	XB4-7400-807		1	SCREW,TAPPING,TRUSS HEAD,M4X8		

FIGURE 110  
POWER SUPPLY ASS'Y

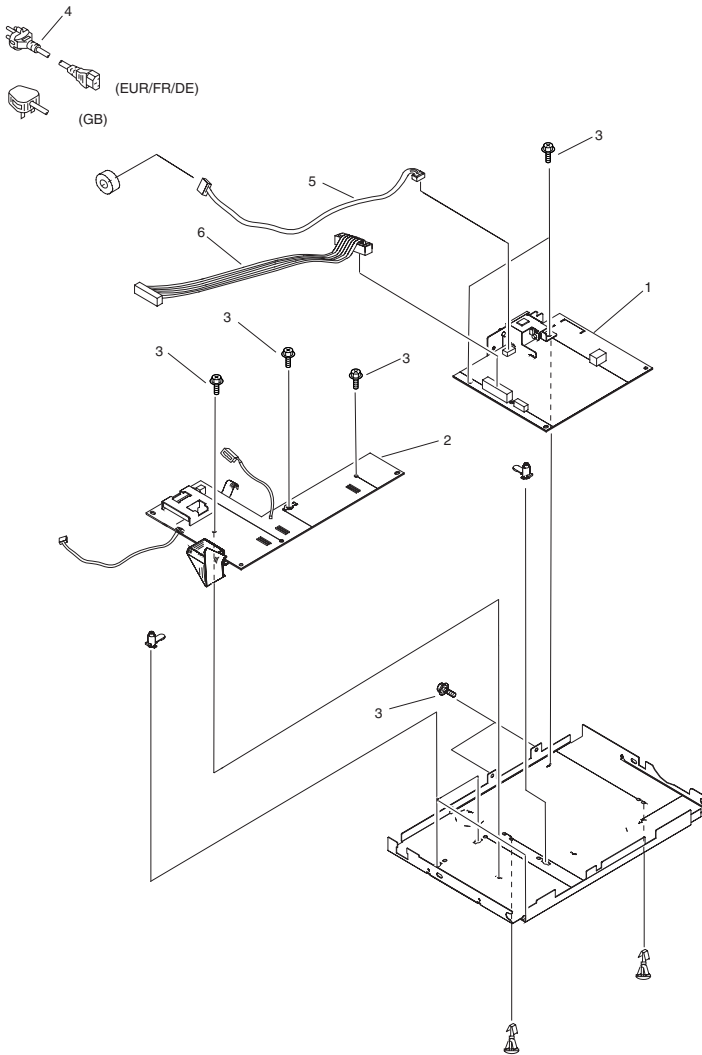


FIGURE & KEY NO.	PARTS NUMBER	RANK	Q'TY	DESCRIPTION	SERIAL NUMBER/REMARKS	SVC
Fig.110	NPN		RF	POWER SUPPLY ASS'Y		
1	HH3-5414-000		1	POWER SUPPLY UNIT		
2	HG1-4539-000		1	HIGH-VOLTAGE POWER SUPPLY UNIT		
3	XA9-1386-000		7	SCREW,RS,M3X8		
4	FM5-5292-000		1	CORD, POWER	EUR&FR&DE	
4	FM5-5293-000		1	CORD, POWER	GB	
5	HG1-4547-000		1	CABLE WITH CONNECTOR, 2P		
6	HG1-4549-000		1	CABLE WITH CONNECTOR, 16P		

FIGURE 210  
DOCUMENT FEED ASS'Y

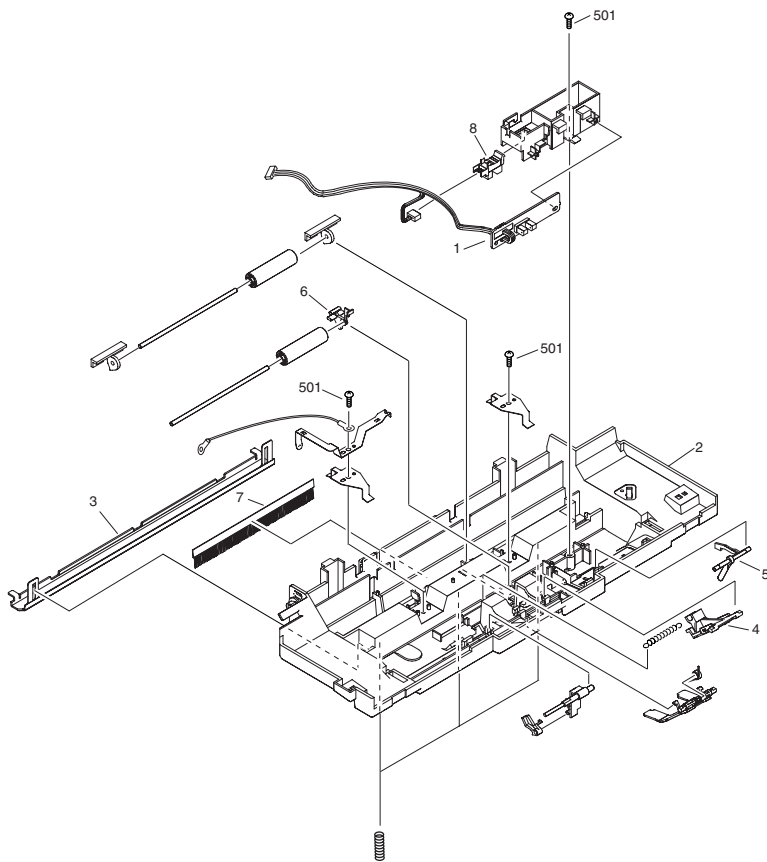


FIGURE & KEY NO.	PARTS NUMBER	RANK	Q'TY	DESCRIPTION	SERIAL NUMBER/REMARKS	SVC
Fig.210	NPN		RF	DOCUMENT FEED ASSY		
1	HG1-4541-000		1	DOCUMENT SENSOR UNIT		
2	HC1-1951-000		1	GUIDE, DOCUMENT, UPPER		
3	HL1-0454-000		1	WHITE SHEET UNIT		
4	HM1-0818-000		1	SEPARATION GUIDE UNIT		
5	HC1-1956-000		1	ARM, DETECTION (DS)		
6	HC1-1958-000		1	ARM, DETECTION (DES)		
7	HC1-1963-000		1	BRUSH, STATIC DISCHARGE		
8	WG8-5382-000		1	PHOTO INTERRUPTER TLP1242		
501	XB4-7300-807		3	SCREW, TAP TIGHT, BINDING HEAD		

FIGURE 211  
ADF LOWER ASS'Y

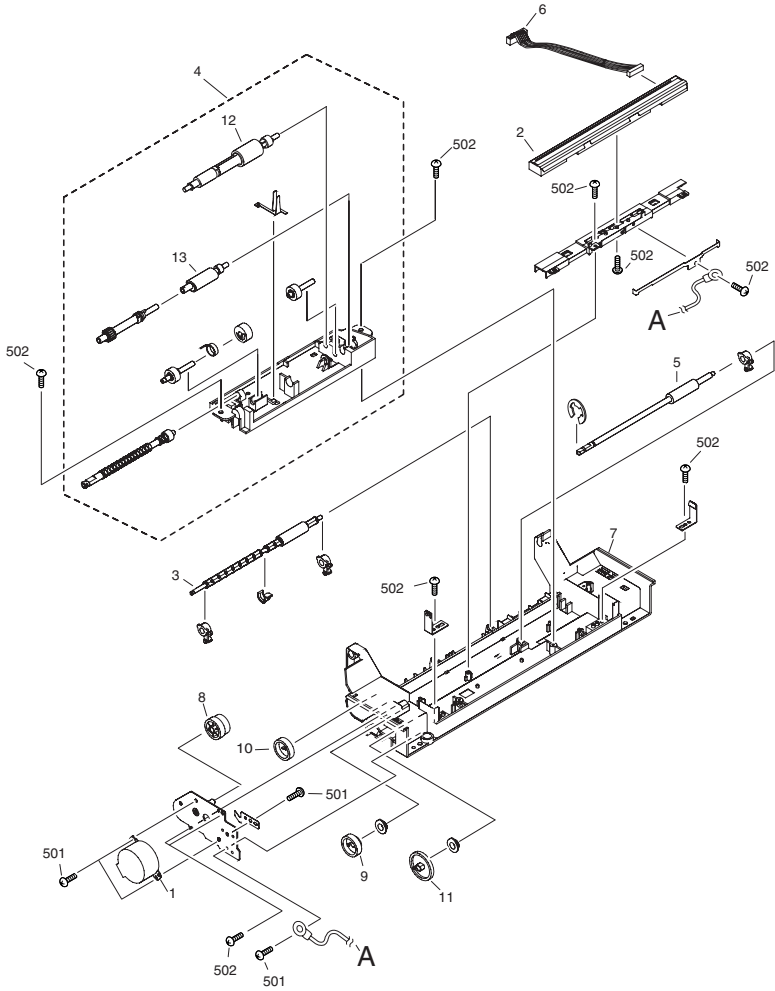


FIGURE & KEY NO.	PARTS NUMBER	RANK	Q'TY	DESCRIPTION	SERIAL NUMBER/REMARKS	SVC
Fig.211	NPN		RF	ADF LOWER ASS'Y		
1	HH7-2765-000		1	MOTOR, REED, STEPPING		
2	HL1-0456-000		1	CONTACT SENSOR UNIT		
3	HL1-0453-000		1	DELIVERY ROLLER UNIT		
4	HM1-0814-000		1	SEPARATION ASS'Y		
5	HC1-1974-000		1	ROLLER, DOCUMENT FEED		
6	HG1-4546-000		1	CABLE WITH CONNECTOR, 7P		
7	HC1-1952-000		1	FRAME, READER		
8	HU1-0158-000		1	GEAR, 43T/48T		
9	HU1-0159-000		1	GEAR, 28T/47T		
10	HU1-0160-000		1	GEAR, 47T		
11	HU1-0161-000		1	GEAR, 66T		
12	HM1-0830-000		1	SEPARATION ROLLER UNIT		
13	HC1-1983-000		1	ROLLER, LOADING		
501	XB1-2300-407		4	SCREW, BH3X4 (S)		
502	XB4-7300-807		9	SCREW, TAP TIGHT, BINDING HEAD		



FIGURE 300  
CASSETTE

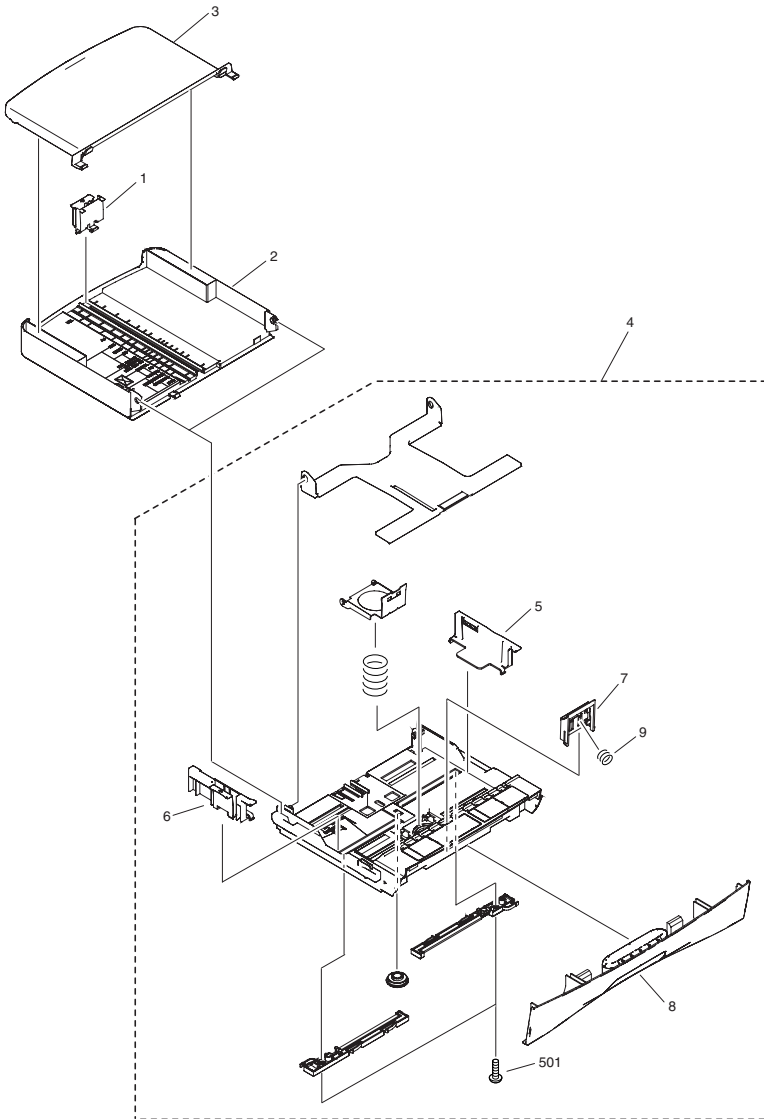
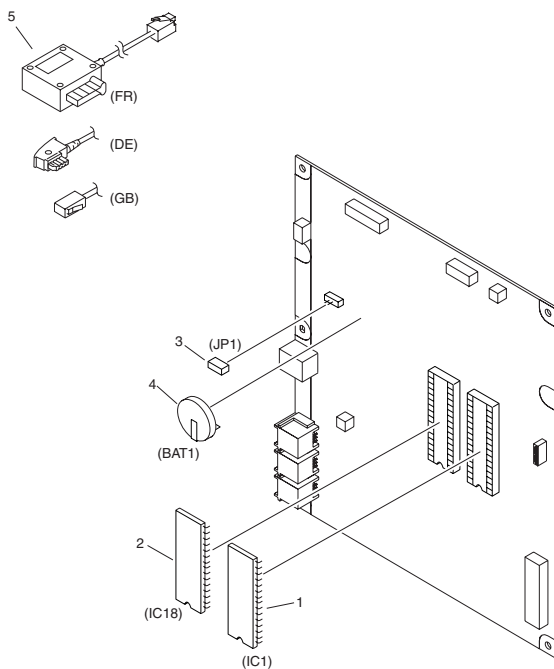


FIGURE & KEY NO.	PARTS NUMBER	RANK	Q'TY	DESCRIPTION	SERIAL NUMBER/REMARKS	SVC
Fig.300	NPN		RF	CASSETTE		
1	FC5-4908-000		1	PLATE, BACK END LIMIT		
2	HC1-2006-000		1	TRAY, CASSETTE EXTENSION		
3	HC1-2008-000		1	COVER, CASSETTE UPPER		
4	HM1-0810-000		1	CASSETTE UNIT		
5	FC5-4911-000		1	PLATE, SIDE LIMIT ,RIGHT		
6	FC5-4913-000		1	PLATE, SIDE LIMIT, LEFT		
7	FL2-1047-000		1	PAD, SEPARATION		
8	HC1-1934-000		1	COVER, CASSETTE, FRONT		
9	FU5-2434-000		1	SPRING,PAD		
501	XB4-7300-807		2	SCREW, TAP TIGHT, BINDING HEAD		

# FIGURE 950 SCNT BOARD ASS'Y



NOTE : This assembly does not include the parts shown with key No.5

FIGURE & KEY NO.	PARTS NUMBER	RANK	Q'TY	DESCRIPTION	SERIAL NUMBER/REMARKS	SVC
Fig.950	HG1-4533-000		1	SCNT BOARD ASS'Y		
1	HH4-4063-000		1	IC, MR27V1652E-S2RA, OTP-ROM	IC1	
2	HH4-4064-000		1	IC, MR27V1652E-S2RA, OTP-ROM	IC18	
3	WS1-5397-000	N	1	PLUG, JUMPER	JP1	
4	WK1-5134-000		1	BATTERY, LITHIUM, CR2032THJ6	BAT1	
5	HH2-2074-000		1	MODULAR CORD (GERM)	DE SEE NOTE	
5	HH2-2219-000		1	MODULAR CORD	FR SEE NOTE	
5	HH2-3257-000		1	MODULAR CORD, 2P	GB SEE NOTE	

Prepared by  
OFFICE IMAGING PRODUCTS QUALITY ASSURANCE CENTER  
CANON INC.

**Canon**