

# CFX-L4000

PLAIN PAPER FACSIMILE

# PARTS CATALOG

REVISION 0

CFX-L4000  
HANDSET KIT 3

H12-0582  
H12-3103

120V  
120V

**Canon**

APR. 1996

**HY8-39A9-000**

# **CFX-L4000**

PLAIN PAPER FACSIMILE

# **PARTS CATALOG**

**Canon**

## Application

This manual has been issued by Canon Inc. for qualified person to learn technical theory, installation, maintenance, and repair of products. This manual covers all localities where the products are sold. For this reason, there may be information in this manual that does not apply to your locality.

## Corrections

This manual could include technical inaccuracies or typographical errors due to improvements or changes in the products. When changes occur in applicable products or in the content of this manual, Canon will release technical information as the need arises. In the event of major changes in the contents of this manual over a long or short period, Canon will issue a new editions of this manual.

The following paragraph does not apply to any countries where such provisions are inconsistent with local law.

## Trademarks

The product names and company names described in this manual are the registered trademarks of the individual companies.

## Copyright

This manual is copyrighted with all rights reserved. Under the copyright laws, this manual may not be copied, reproduced or translated into another language, in whole or in part, without the written consent of Canon Inc.

Copyright © 1996 by Canon Inc.  
Office Imaging Products Technical Support Dept. 3  
CANON INC.  
5-1 Hakusan 7-Chome, Toride-city, Ibaraki 302-8501, Japan

## DTP Systems

This manual was produced on Apple® Macintosh® personal computer and Canon SUPER LASER SHOT B406 PS laser beam printer.

Parts layout illustrations were created using Aldus® FreeHand 3.1J.

Documents and page layouts were created using QuarkXpress® 3.1J.

Parts lists were created using Helix Technology® Helix Express® and converted to PICT format by Solutions, Inc.® Super GLUE II®.

# I. CONTENTS

1. ILLUSTRATION INDEX
2. PARTS LAYOUT & PARTS LIST
3. TOOL
4. LUBRICATIONS
5. GUIDE TO REPLACEMENT
6. NUMERICAL INDEX

# II. ABOUT THIS MANUAL

## 1. ILLUSTRATION INDEX

For illustration index, the parts layout illustrations in this parts catalog are listed in abbreviated form in order of illustration number to identify the pages they appear on. To find an illustration of a part, see the ILLUSTRATION INDEX.

## 2. PARTS LAYOUT & PARTS LIST

### Parts layout illustration

#### a) Parts search

Find a part from the parts layout illustration and find its key number from the parts list to identify the part number and name.

Further, screws, nuts, washers, grip rings, pins and spacers are mentioned in the parts list.

**Note:** If parts have the same or similar shape but different specifications, their key number is assigned to several part numbers and names in the parts list.

#### b) Parts replacement procedure

The parts layout illustrations are arranged according to the disassembly procedure of the product.

When a unit in the illustration can be disassemble further, a reference illustration page of the disassembly will be included.

Parts where grease is to be applied are displayed as "Lubrication". When replacing parts, or if grease has accidentally been wiped off, refer to "4". (LUBRICATIONS), and reapply the grease.

The parts require carefully work are marked "See page 5-x". So refer to the corresponded page "5". (GUIDE TO REPLACEMENT).

The letters (A), (B) etc.) in the illustration indicate the connection locations of cables and screws.

### Parts list

#### a) FIGURE & KEY No.

The FIGURE & KEY No. column corresponds to the key numbers assigned to the parts in the parts layout illustration.

It also corresponds to the part locations printed on the PC board.

#### b) PART NUMBER

The PART NUMBER column gives the part numbers corresponding to the key numbers. To order a part, indicate the part number clearly.

**Note:** Parts marked NPN are not service parts.

#### c) RANK

The service parts with N in the RANK column are order parts.

#### d) QTY

The QTY column gives the number of parts in the corresponding components layout illustration.

#### e) DESCRIPTION

The DESCRIPTION column gives the part names in English.

To order a part, indicate the part name, too.

## 3. TOOL

This is a list of tools used for servicing products.

## 4. LUBRICATIONS

Where grease is to be applied in order to allow moving parts to work smoothly, and to increase conductivity, the type and amount of grease to be used will be mentioned.

## 5. GUIDE TO REPLACEMENT

Explains the special cares and cautions for the parts replacement.

## 6. NUMERICAL INDEX

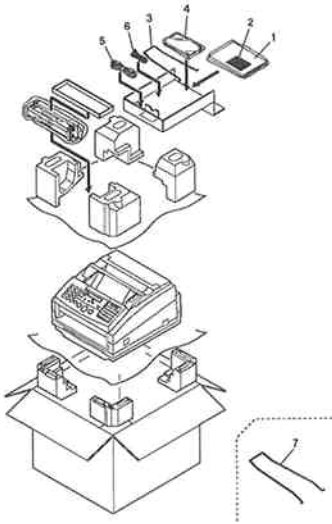
All the parts listed in this parts catalog are arranged in order of part number. You can identify part locations and names from the NUMERICAL INDEX.

**This page intentionally left blank**

# 1. ILLUSTRATION INDEX

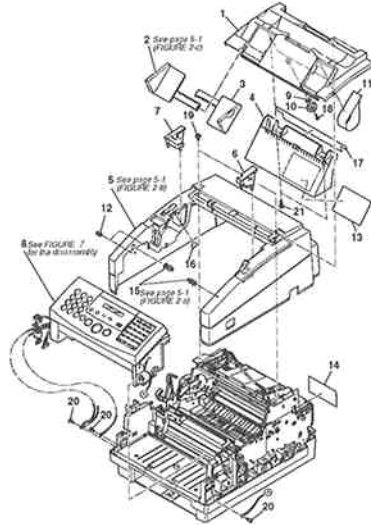
**FIGURE 1** CFX-L4000  
PACKAGE CONTENTS

See Page  
2 - 1



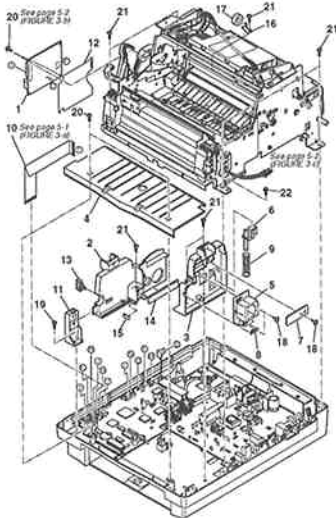
**FIGURE 2** UPPER COVER ASS'Y

See Page  
2 - 3



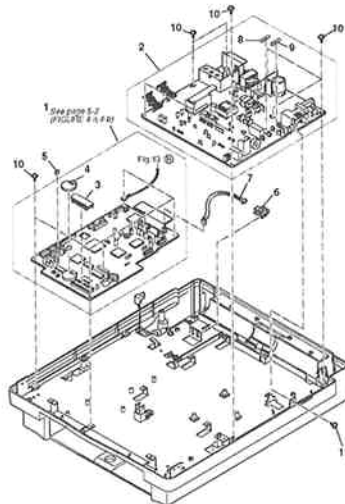
**FIGURE 3** FRAME ASS'Y &  
NCU BOARD ASS'Y

See Page  
2 - 5



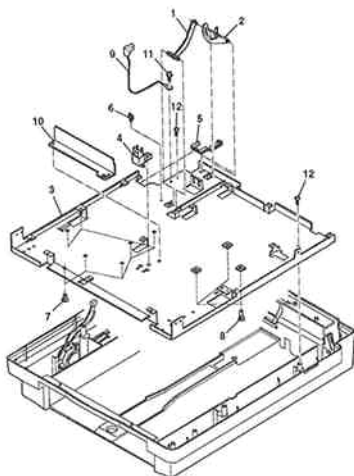
**FIGURE 4** CIRCUIT BOARDS

See Page  
2 - 7



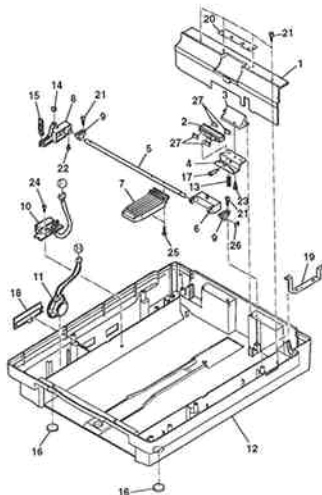
**FIGURE 5** BOTTOM PLATE

See Page  
2 - 9



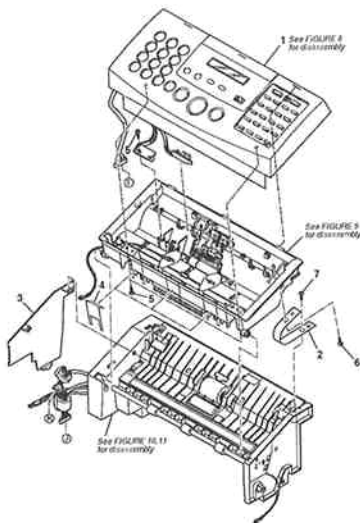
**FIGURE 6** PAPER PICKUP SECTION

See Page  
2 - 11



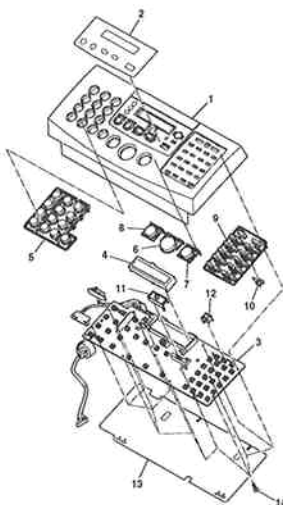
**FIGURE 7** ADF & OPERATION SECTION

See Page  
2 - 13



**FIGURE 8** OPERATION PANEL ASS'Y

See Page  
2 - 15

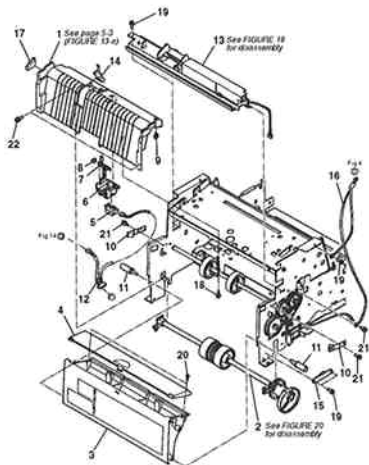






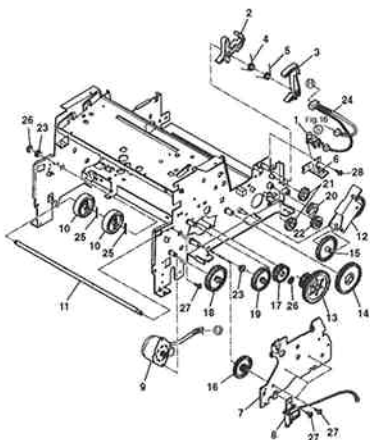
**FIGURE 13** PAPER FEED SECTION

See Page  
2 - 25



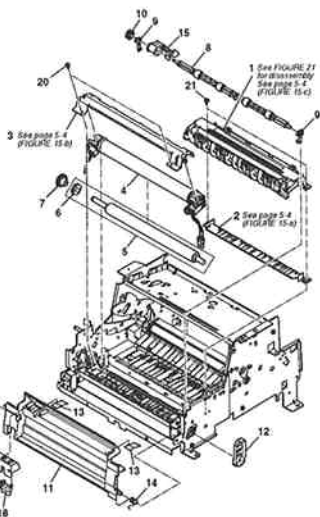
**FIGURE 14** DRIVE GEARS

See Page  
2 - 27



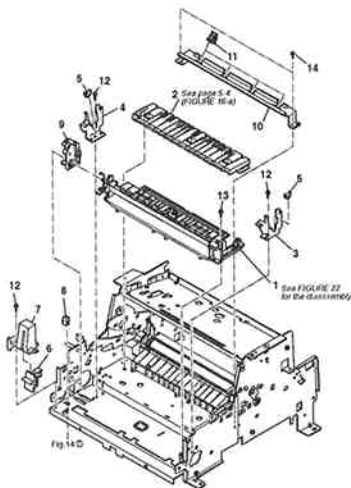
**FIGURE 15** FIXING SECTION (1)

See Page  
2 - 29



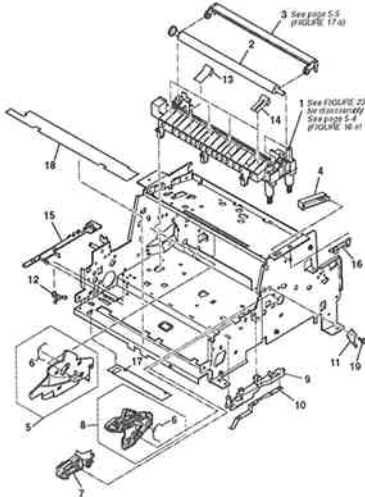
**FIGURE 16** FIXING SECTION (2)

See Page  
2 - 31



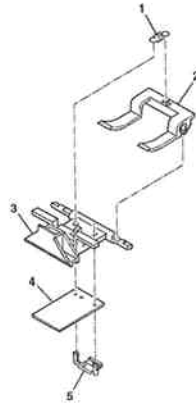
**FIGURE 17** TRANSFER CHARGING SECTION

See Page 2 - 33



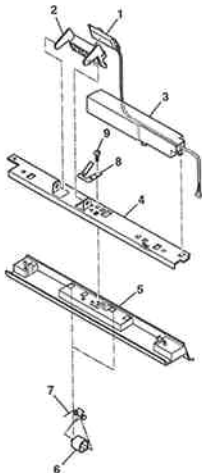
**FIGURE 18** SEPARATION GUIDE ASS'Y

See Page 2 - 35



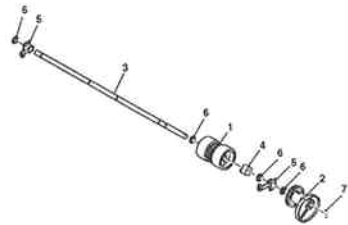
**FIGURE 19** TONER DETECTION ASS'Y

See Page 2 - 37



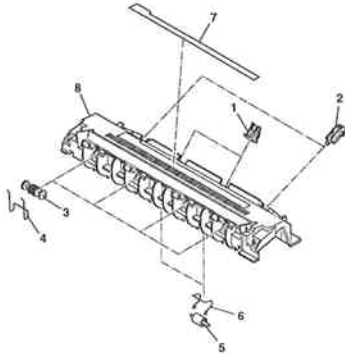
**FIGURE 20** PICKUP ROLLER ASS'Y

See Page 2 - 39



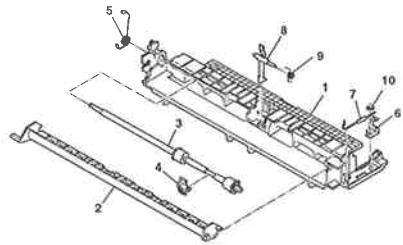
**FIGURE 21** DELIVERY ASS'Y

See Page  
2 - 41



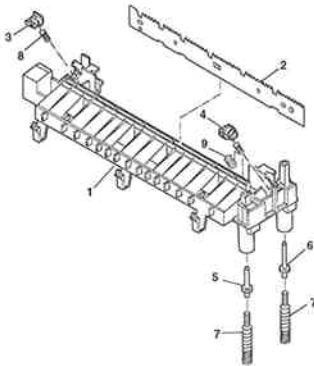
**FIGURE 22** EJECT PAPER GUIDE ASS'Y

See Page  
2 - 43



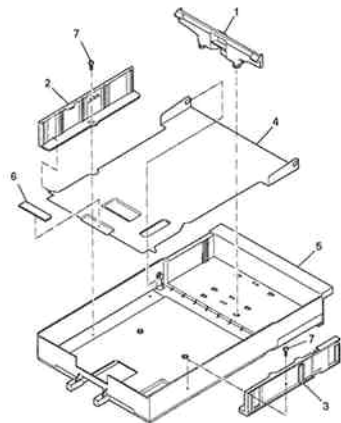
**FIGURE 23** TRANSFER BLOCK ASS'Y

See Page  
2 - 45



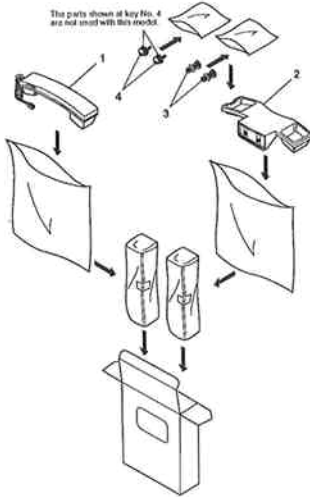
**FIGURE 24** CASSETTE ASS'Y

See Page  
2 - 47



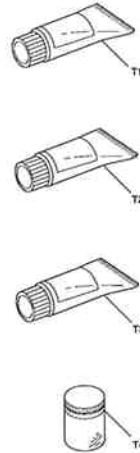
**FIGURE 25** HANDSET KIT 3  
PACKAGE CONTENTS

See Page  
2 - 49



**FIGURE 26** TOOLS

See Page  
3 - 1



**This page intentionally left blank**

## 2. PARTS LAYOUT & PARTS LIST

FIGURE 1 FAX-L300 PACKAGE CONTENTS

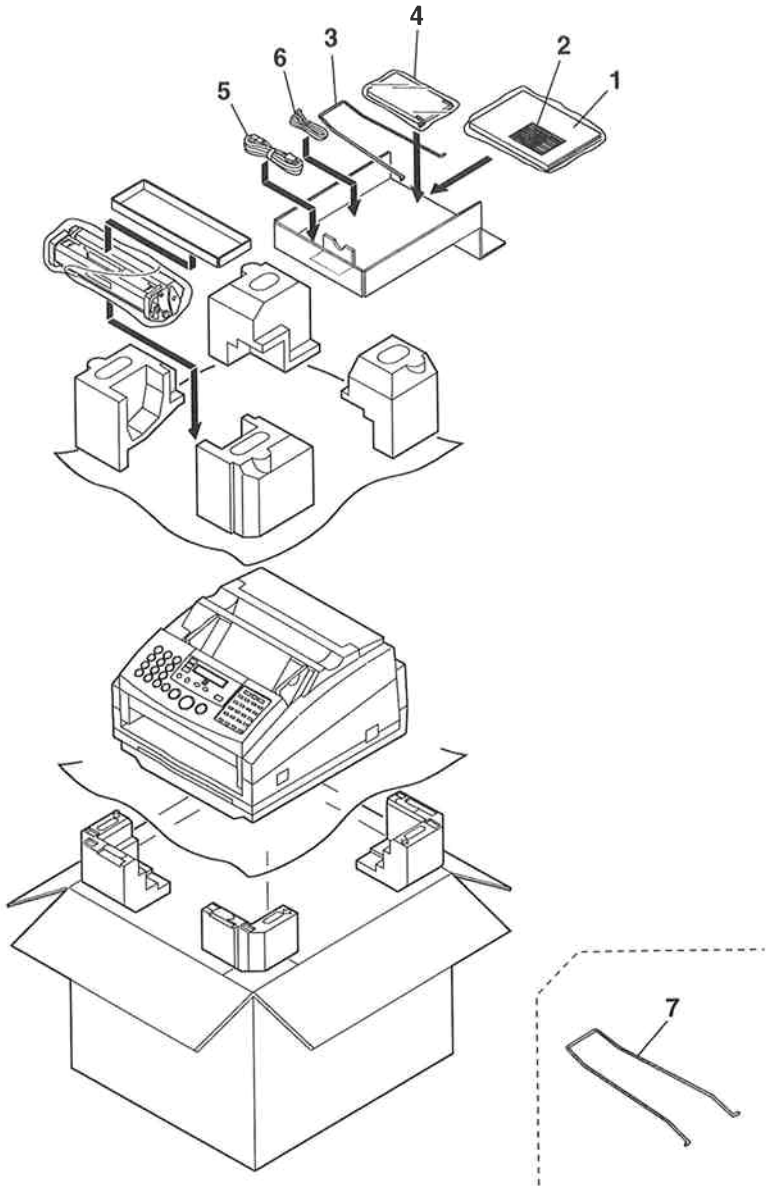


FIGURE & KEY No.	PART No.	R A N K	Q T Y	DESCRIPTION	REMARKS
1- 1	HT1-2078-000	N	1	INSTRUCTION BOOK (ENGLISH)	
2	HB1-1810-000		1	SHEET, ONE TOUCH DIAL	
3	HB1-1816-000		1	SUPPORT, DOCUMENT	
4	HB1-1817-000		2	SUB TRAY	
5	HH2-2253-000		1	POWER SUPPLY CORD, 120V	
6	HH2-2484-000		1	MODULAR LINE CORD, 2W	
7	HB1-2065-000		1	SUPPORT, DOCUMENT, LONG	Optional Service part



## FIGURE 2 UPPER COVER ASS'Y

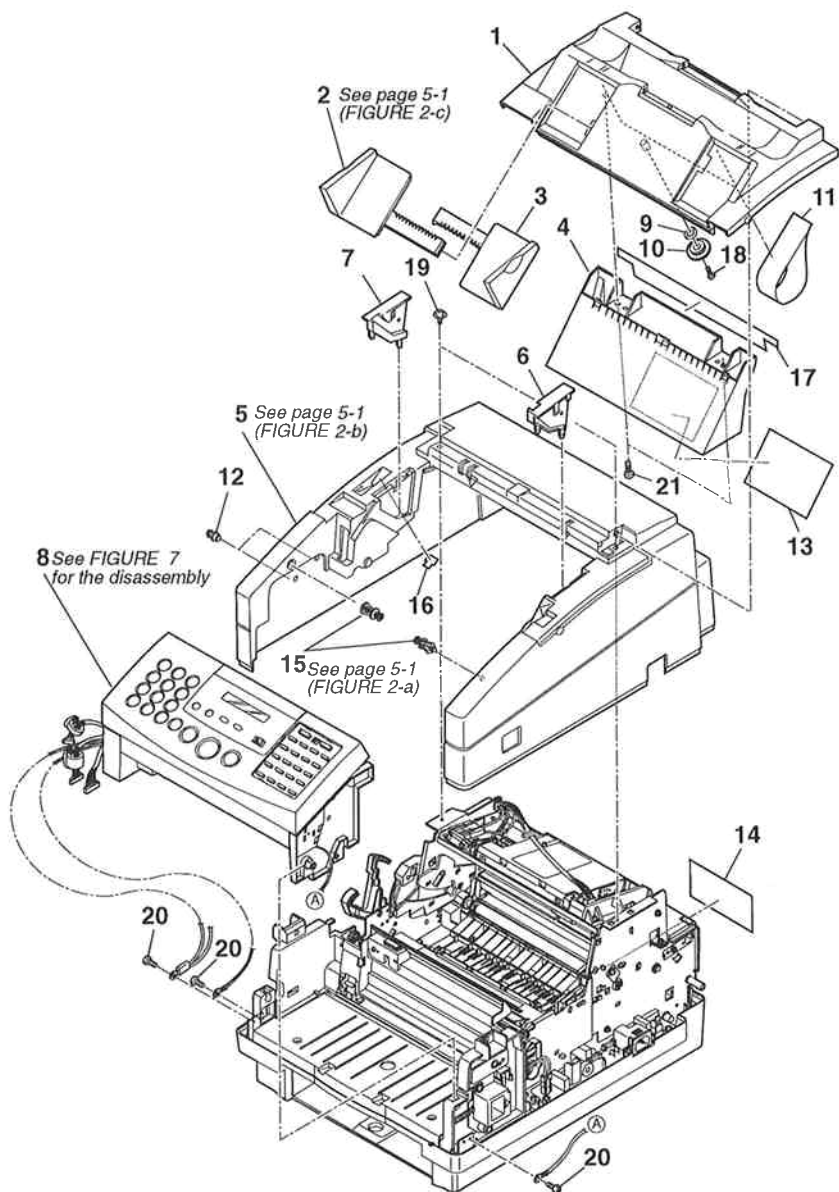


FIGURE & KEY No.	PART No.	RANK	QTY	DESCRIPTION	REMARKS
2- 1	HB1-1895-000		1	COVER, CARTRIDGE	
2	HB1-1897-000		1	GUIDE, DOCUMENT, LEFT	
3	HB1-1896-000		1	GUIDE, DOCUMENT, RIGHT	
4	HB1-1898-000		1	AIR DUCT	
5	HB1-1893-000		1	COVER, UPPER	
6	HB1-1894-000		1	GUIDE, CARTRIDGE, RIGHT	
7	HB1-1906-000		1	GUIDE, CARTRIDGE, LEFT	
8	NPN		1	ADF ASSY	
9	HB1-0614-000		1	SPRING WASHER, SLIDER	
10	HSS-0156-000		1	GEAR, Z16	
11	HB1-2070-000		2	SHEET	
12	WT2-5473-000		2	COVER, SCREW HOLE	
13	HA2-2754-000		1	LABEL, CARTRIDGE INSTALLATION	
14	HA1-7357-000		1	LABEL, LASER SAFTY	
15	WT2-5078-000		2	RIVET	
16	HB1-2548-000		1	SHEET	
17	HB1-2551-000		1	SHEET	
18	XA9-0428-000		1	SCREW M2.6X8	
19	XA9-0686-000		2	SCREW, M3x6	
20	XB6-7300-607		3	SCREW, TP, M3x6	
21	XB4-7300-807		2	SCREW, TAP TIGHT, BINDING HEAD	

**FIGURE 3** FRAME ASS'Y & NCU BOARD ASS'Y

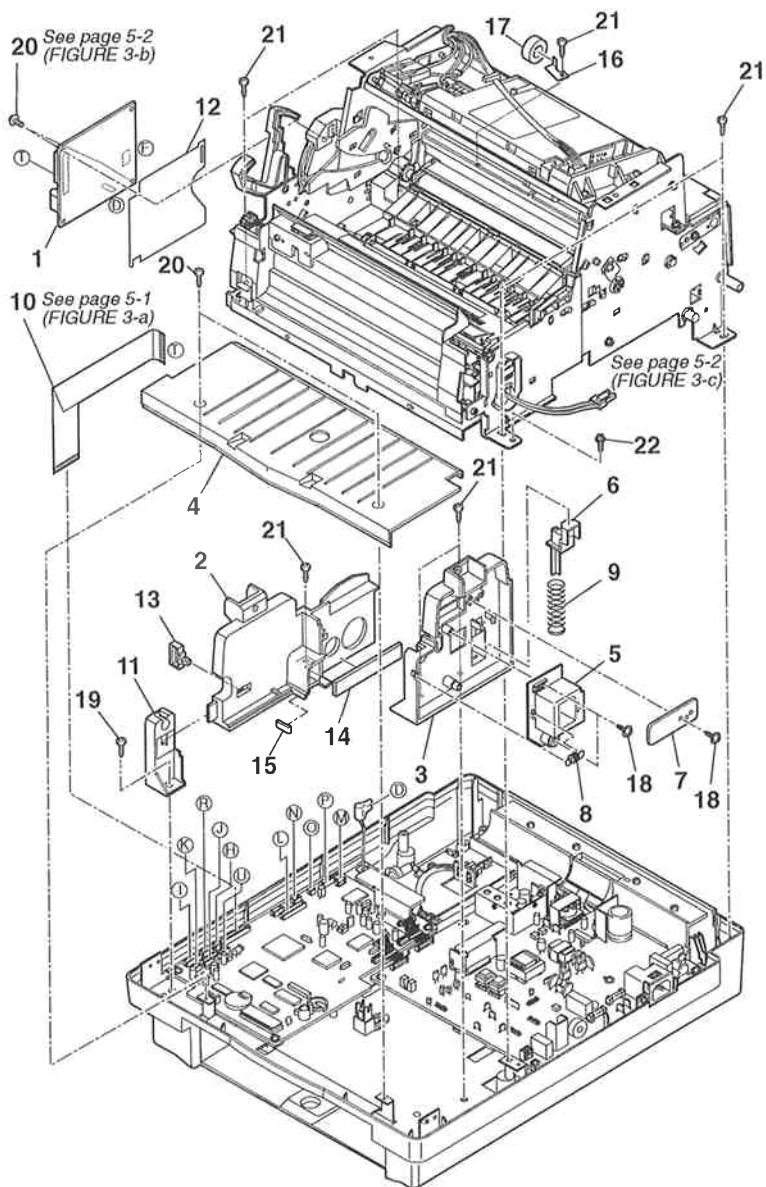


FIGURE & KEY No.	PART No.	RANK	QTY	DESCRIPTION	REMARKS
3- 1	HG5-0558-000		1	NCU BOARD ASSY	
2	HB1-1819-000		1	HOLDER,SCANNING SECTION,LEFT	
3	HB1-1890-000		1	HOLDER,SCANNING SECTION,RIGHT	
4	HB1-1818-000		1	COVER, PAPER EJECT, FACE UP	
5	HB1-1891-000		1	LEVER, RELEASE	
6	HB1-1892-000		1	HOLDER, SPRING	
7	HB1-1904-000		1	LOCK, SCANNING SECTION	
8	HS5-2081-000		1	SPRING	
9	HS5-2082-000		1	SPRING	
10	HH2-2579-000		1	CABLE, FLAT	
11	HB1-1824-000		1	HOLDER	
12	HB1-1823-000		1	SHEET, NCU BOARD	
13	WT2-0317-000		1	CLIP, CABLE	
14	HB1-2547-000		1	SPACER, SEAL	
15	HB1-2242-000		1	SPACER, SEAL	
16	HB1-2577-000	N	1	PLATE, RETAINER	
17	HB1-2578-000		1	RUBBER, CUSHIONING	
18	XA9-0476-000		3	SCREW, TP M3X8	
19	XA9-0686-000		1	SCREW, M3x6	
20	XB6-7300-607		4	SCREW, TP, M3x6	
21	XB4-7401-007		8	SCREW, PIN HEAD SELF-TAPPING	
22	XB2-7300-607		1	SCREW, M3X6	

## FIGURE 4 CIRCUIT BOARDS

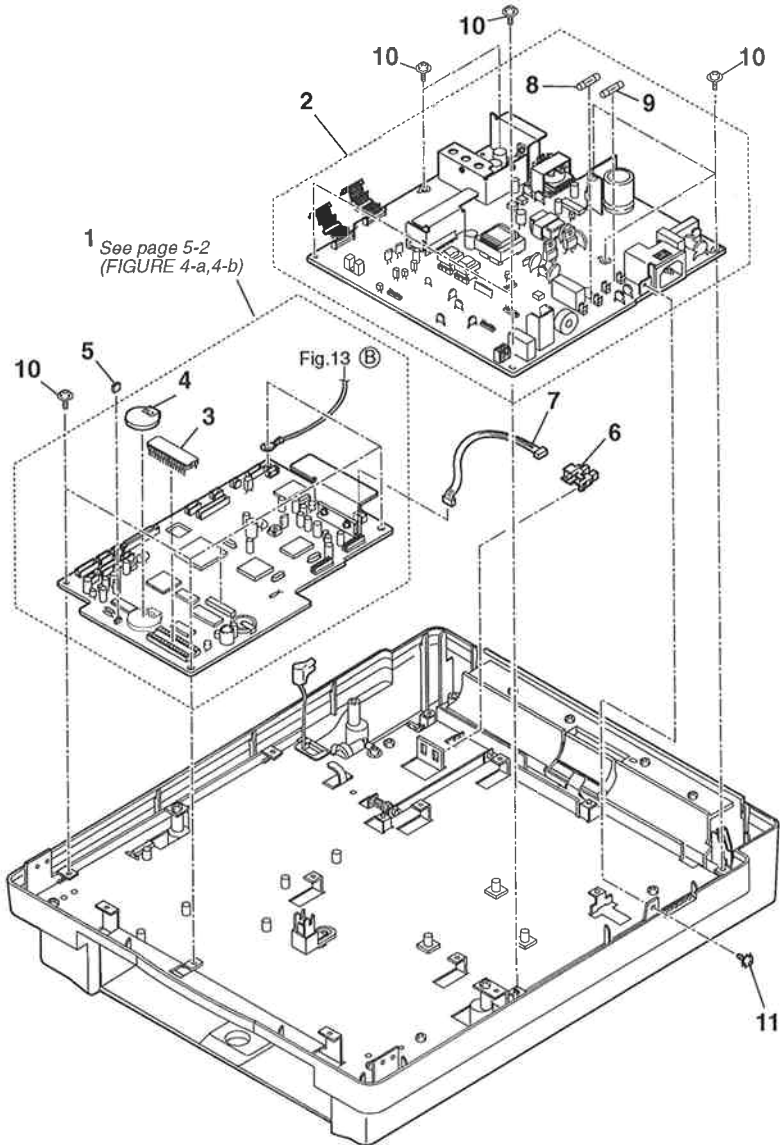




FIGURE 5 BOTTOM PLATE

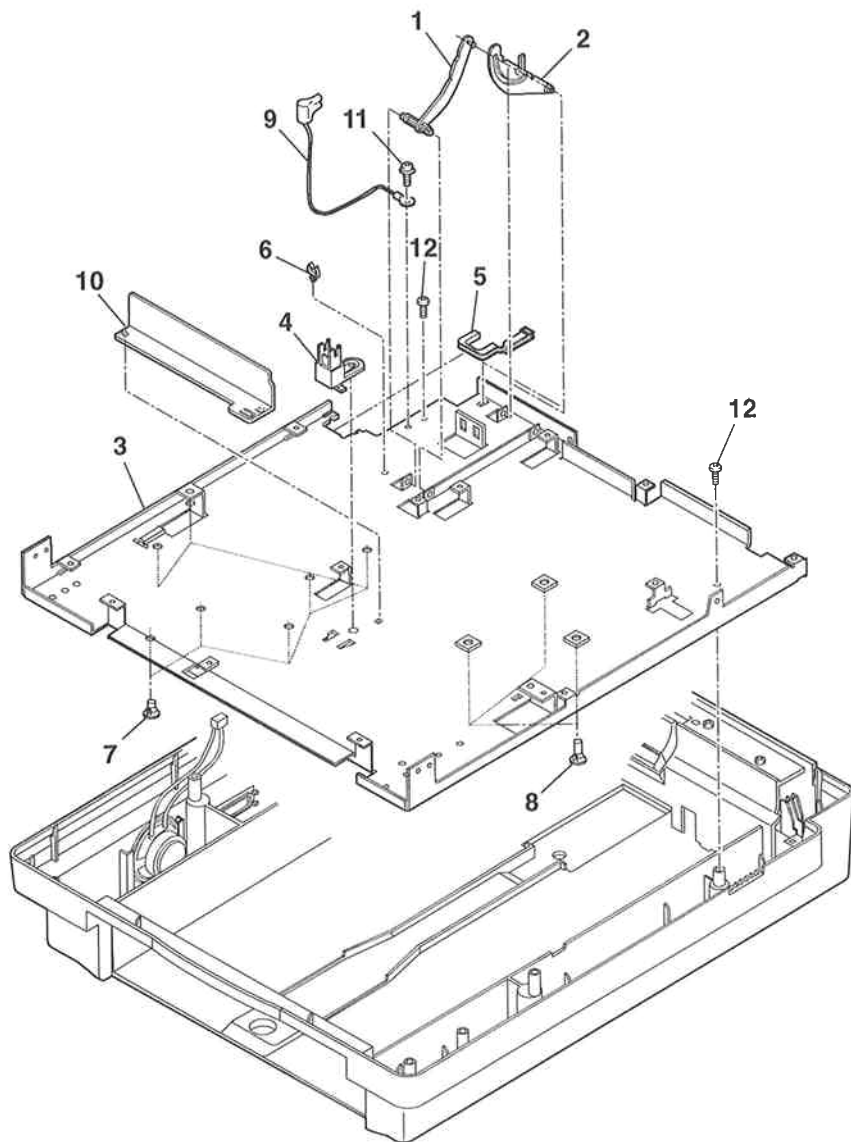






FIGURE 6 PAPER PICKUP SECTION

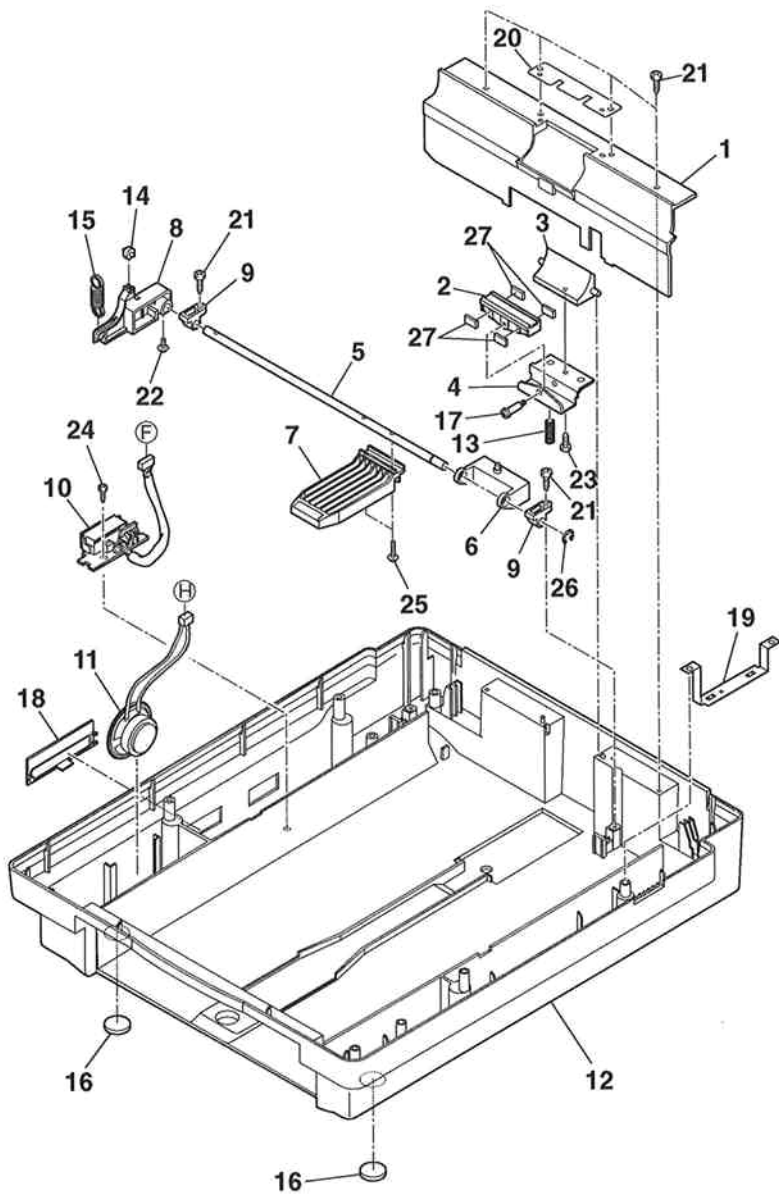
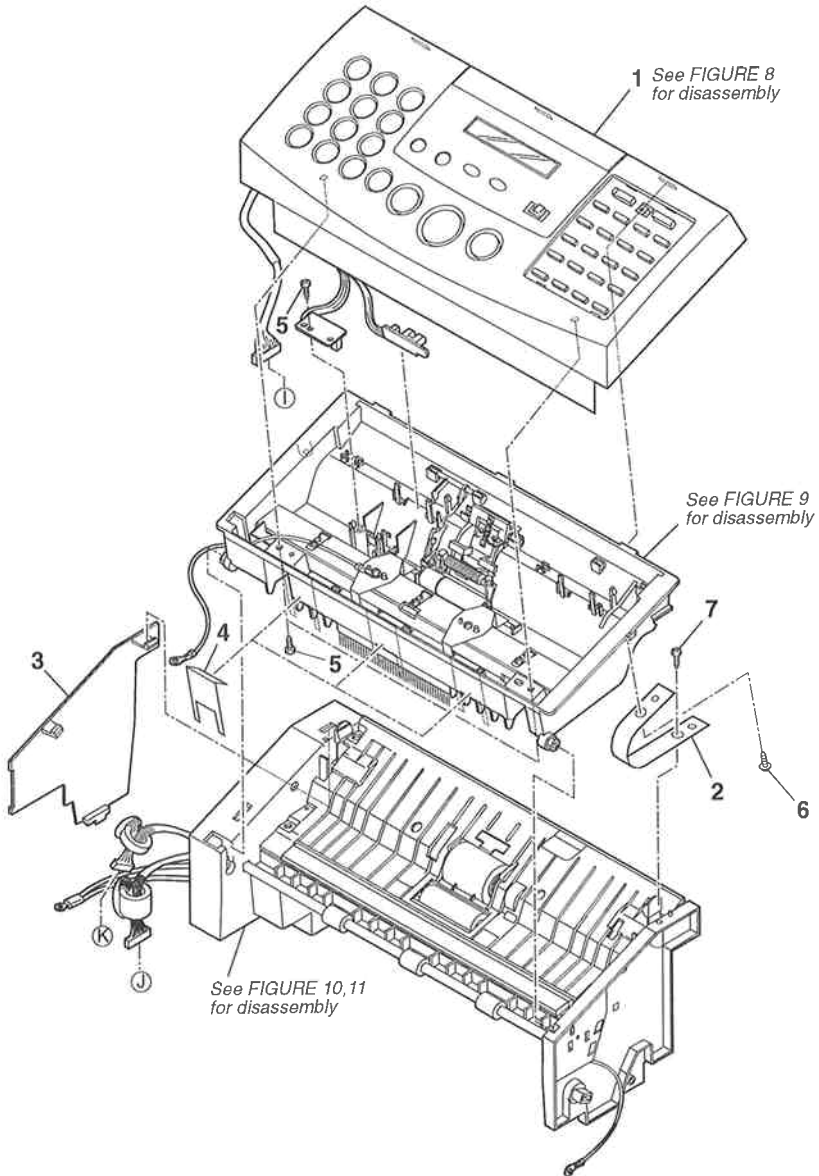


FIGURE & KEY No.	PART No.	R A N K	Q T Y	DESCRIPTION	REMARKS
6- 1	HF5-0249-000		1	GUIDE, PAPER FEED	
2	HB1-1880-000		1	PAD, SEPARATION	
3	HB1-1882-000		1	GUIDE, SEPARATION PAD	
4	HB1-1881-000		1	HOLDER, SEPARATION PAD	
5	HB1-1883-000		1	SHAFT, LIFTING	
6	HB1-1884-000		1	MOUNT, SHAFT	
7	HB1-1886-000		1	ARM, LIFTING	
8	HB1-1885-000		1	LEVER, LIFTING	
9	HS5-1044-000		2	BUSHING	
10	HG5-0737-000		1	MODULAR BOARD ASS'Y	
11	HH7-2195-000		1	SPEAKER	
12	HB1-1877-000		1	COVER, BOTTOM	
13	HS5-2080-000		1	SPRING	
14	RB1-2152-000		1	SPUR	
15	HS5-2071-000		1	SPRING	
16	HB1-1879-000		2	FOOT, RUBBER	
17	RS1-9016-000		1	SCREW, STEPPED, M3	
18	HB1-1822-000		1	COVER, INTERFACE	
19	HB1-1917-000		1	SPRING, LEAF	
20	HF5-0246-000		1	PLATE, STABILISING	
21	XB4-7401-007		6	SCREW, PIN HEAD SELF-TAPPING	
22	XB6-7300-607		1	SCREW, TP, M3x6	
23	XB4-7301-007		1	SCREW, TAP TIGHT BHM3X10	
24	XB4-7300-807		1	SCREW, TAP TIGHT, BINDING HEAD	
25	XB6-7301-205		2	SCREW, TP, M3X12	
26	XD2-1100-502		1	RETAINING RING (E-TYPE)	
27	HB1-2553-000		4	SHEET, STABILISING	

# FIGURE 7 ADF & OPERATION SECTION





**FIGURE 8 OPERATION PANEL ASS'Y**

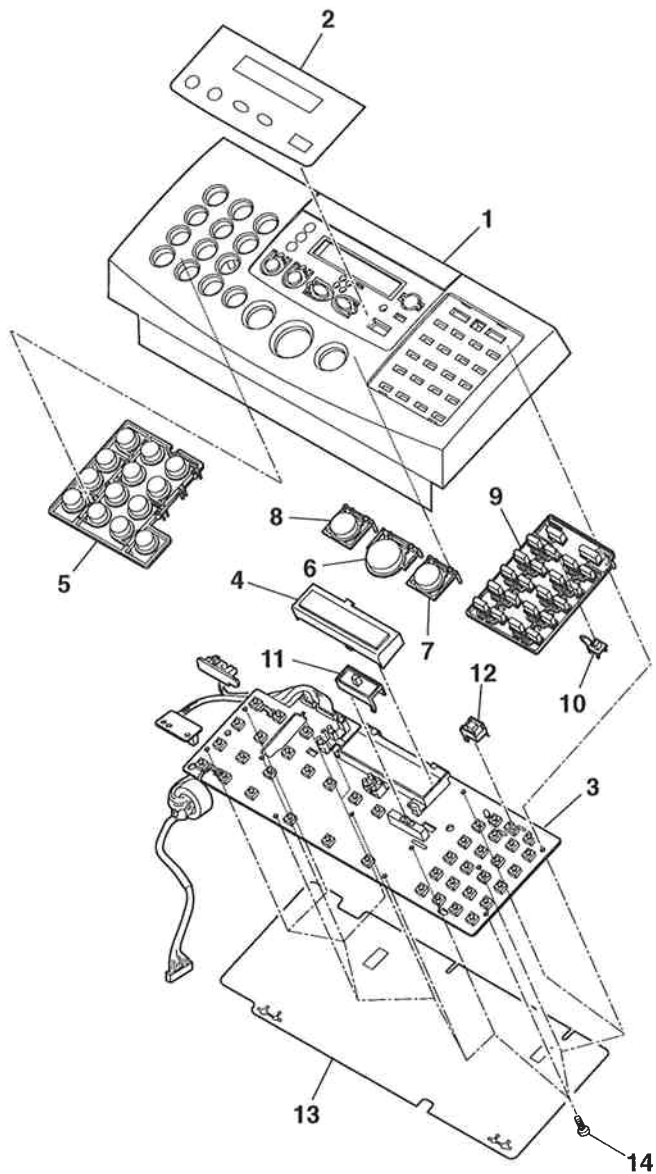
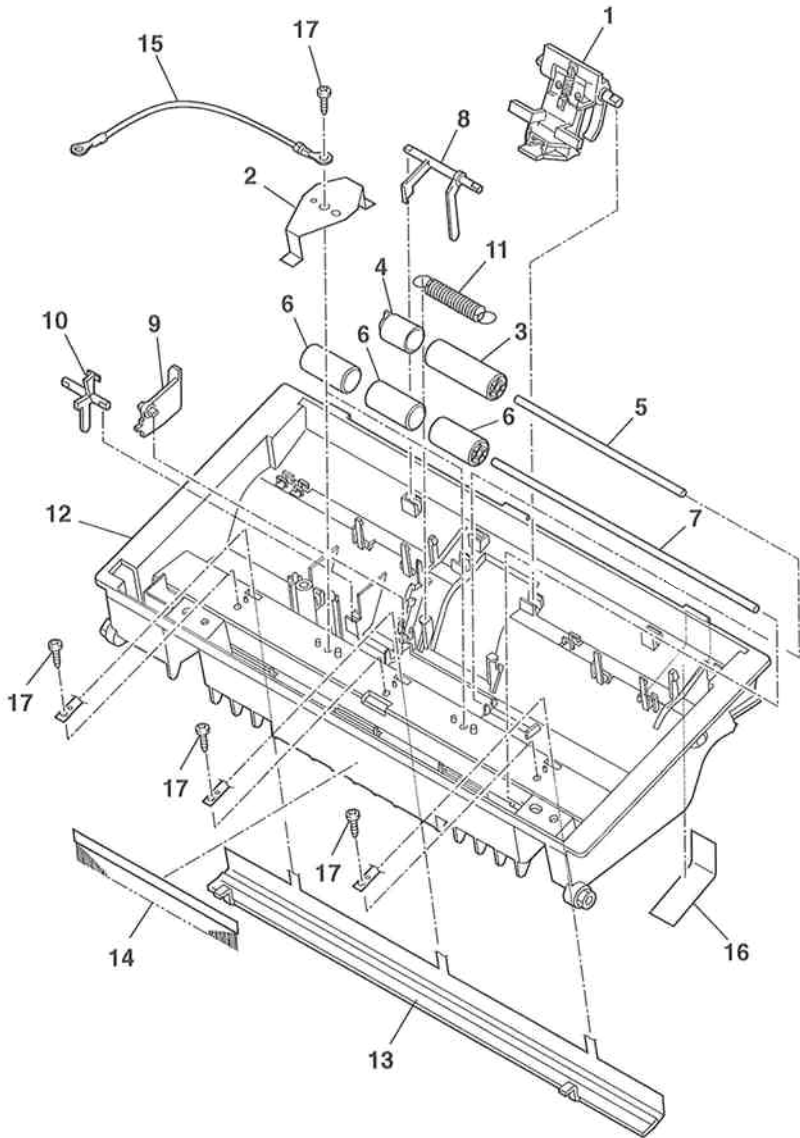




FIGURE 9 ADF UPPER







**FIGURE 10 ADF LOWER 1**

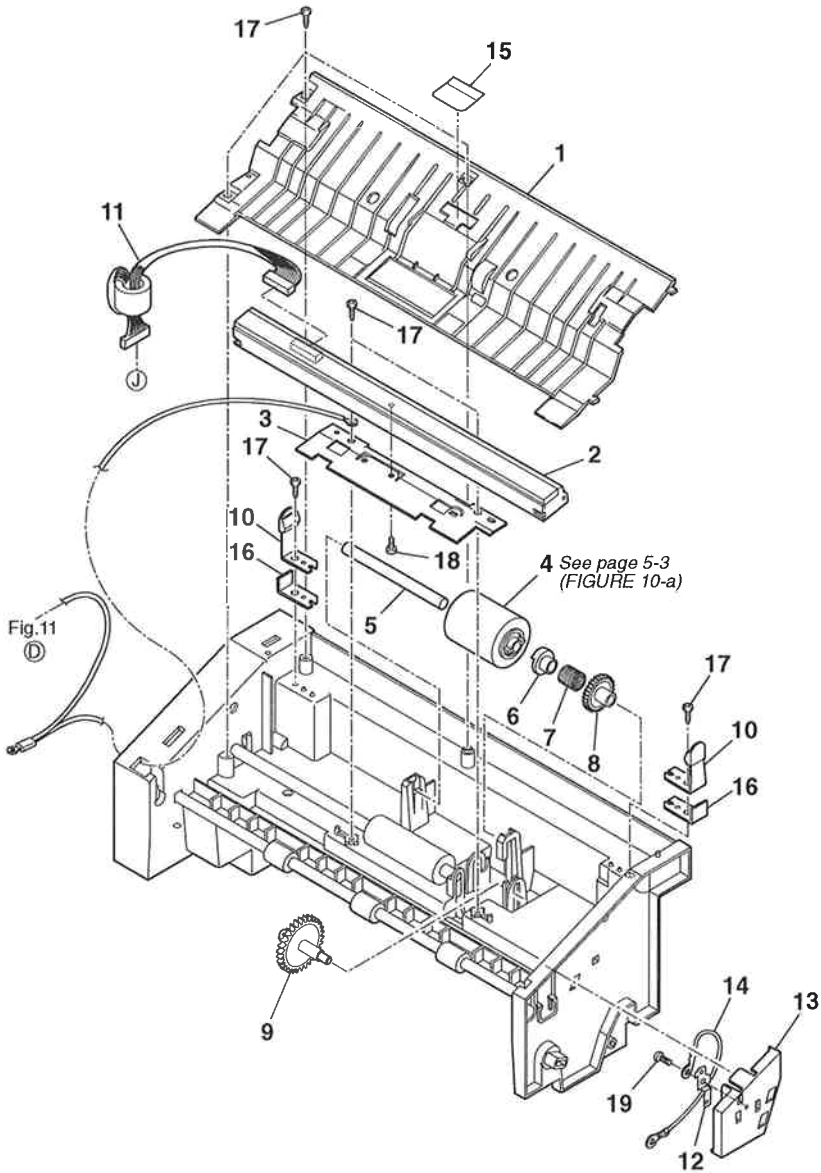


FIGURE & KEY No.	PART No.	RANK	QTY	DESCRIPTION	REMARKS
10- 1	HB1-1798-000		1	COVER, DOCUMENT GUIDE, LOWER	
2	HH7-2193-000		1	CONTACT SENSOR	
3	HB1-1797-000		1	PLATE, CONTACT SENSOR	
4	HB1-1774-000		1	ROLLER, SEPARATION	
5	HB1-1775-000		1	SHAFT, SEPARATION ROLLER	
6	HB1-1779-000		1	SPACER	
7	HS5-2077-000		1	SPRING, CLUCH	
8	HS5-0152-000		1	GEAR, Z40B	
9	HS5-0151-000		1	GEAR, Z49/65B	
10	HB1-1778-000		2	LOCK, OPERATION PANEL	
11	HH2-2566-000		1	CABLE WITH CONNECTOR, 10P	
12	HB1-2062-000		1	SPRING, LEAF	
13	HB1-2063-000		1	COVER	
14	HH2-2575-000		1	WIRE, GROUNDING	
15	HB1-1776-000		1	SHEET	
16	HB1-2549-000		2	LOCK, OPERATION PANEL, SUPPORT	
17	XB4-7300-807		7	SCREW, TAP TIGHT, BINDING HEAD	
18	XB4-7260-607		1	SCREW, TAP TIGHT, BINDING HEAD	
19	XB4-7300-607		1	SCREW, TAP TIGHT, BINDING HEAD	

FIGURE 11 ADF LOWER 2

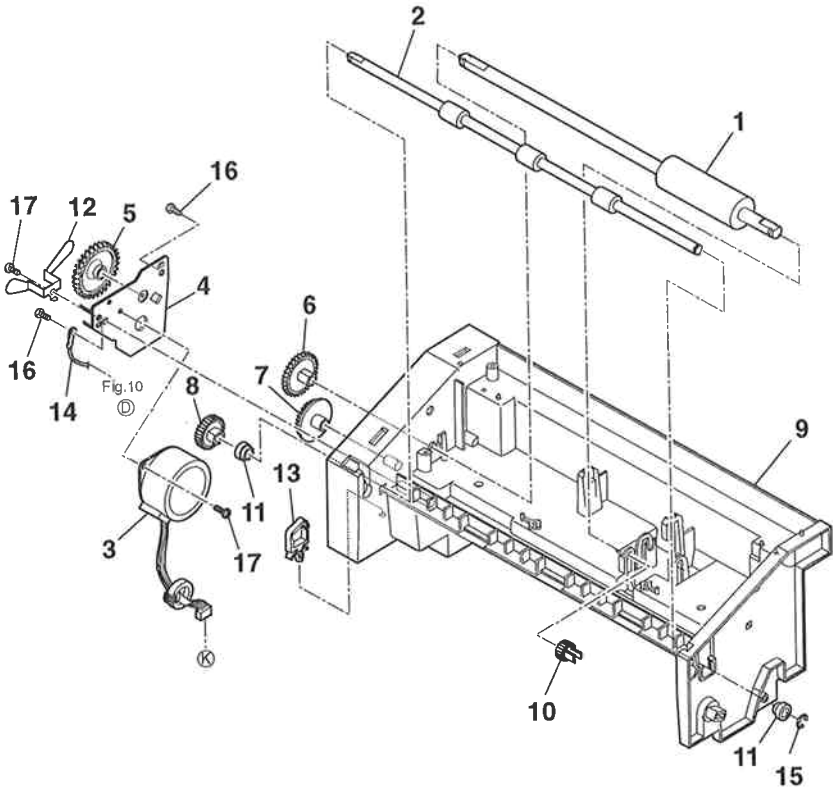


FIGURE & KEY No.	PART No.	RANK	QTY	DESCRIPTION	REMARKS
11- 1	HB1-1772-000		1	ROLLER, DOCUMENT FEED	
2	HB1-1773-000		1	ROLLER, DOCUMENT EJECT	
3	HH7-2190-000		1	MOTOR, DOCUMENT FEED	
4	HF5-0160-000	N	1	PLATE, READING MOTOR	
5	HS5-0153-000		1	GEAR, Z28/Z67	
6	HS5-0149-000		1	GEAR, Z57	
7	HS5-0154-000		1	GEAR, Z49	
8	HS5-0150-000		1	GEAR, Z42	
9	HB1-1771-000		1	FRAME, ADF, LOWER	
10	HS5-0155-000		1	GEAR, Z21D	
11	HS5-1043-000		2	BUSHING	
12	HB1-1777-000		1	PLATE, GROUNDING	
13	WT2-0317-000		1	CLIP, CABLE	
14	HH2-2580-000		1	WIRE, GROUNDING	
15	XD2-1100-402		1	RETAINING RING (E-TYPE)	
16	XB4-7300-807		2	SCREW, TAP TIGHT, BINDING HEAD	
17	XB1-2300-407		3	SCREW, M3X4	

**FIGURE 12 SCANNER ASS'Y**

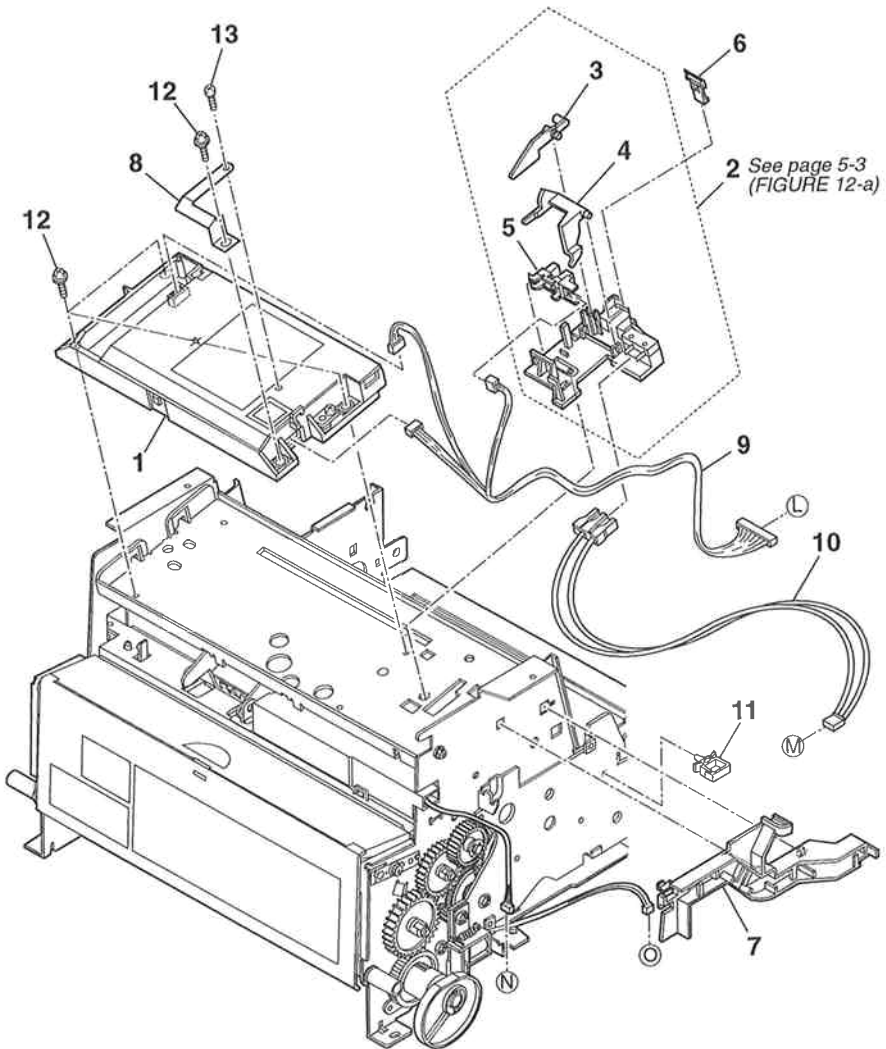


FIGURE & KEY No.	PART No.	RANK	QTY	DESCRIPTION	REMARKS
12- 1	RG5-2000-000		1	SCANNER ASS'Y	
2	RG5-1984-000		1	SENSOR LEVER ASS'Y	
3	RB1-7168-000		1	LEVER, DOOR SENSOR	
4	RB1-7169-000		1	LEVER, CARTRIDGE	
5	WG8-5210-000		1	IC, TLP1240 PHOTOINTERRUPTER	
6	HB1-1903-000		1	COVER, SWITCH	
7	HB1-1845-000		1	GUIDE, CABLE, LEFT	
8	RB1-7385-000		1	SPRING, GROUNDING	
9	HH2-2570-000		1	CABLE WITH CONNECTOR, 14P	
10	HH2-2573-000		1	CABLE	
11	WT2-0317-000		1	CLIP, CABLE	
12	XB6-7300-807		4	SCREW, TP, M3X8	
13	XB4-7300-807		1	SCREW, TAP TIGHT, BINDING HEAD	

## FIGURE 13 PAPER FEED SECTION

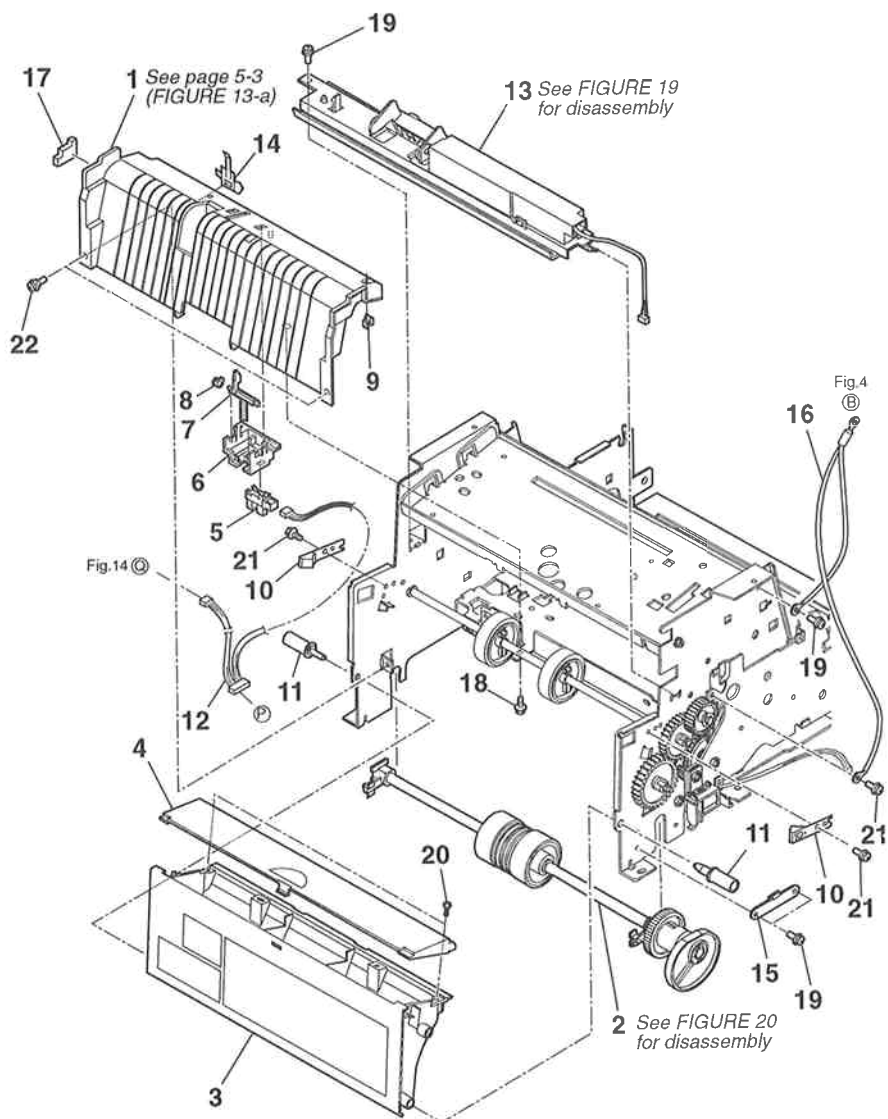


FIGURE & KEY No.	PART No.	R A N K	Q T Y	DESCRIPTION	REMARKS
13- 1	HB1-1866-000		1	GUIDE, PAPER FEED	
2	HG5-0715-000		1	PICKUP ROLLER ASS'Y	
3	HB1-1858-000		1	COVER, REAR	
4	HB1-1859-000		1	COVER, REAR	
5	WG8-5210-000		1	IC, TLP1240 PHOTOINTERRUPTER	
6	HB1-1868-000		1	HOLDER, PES	
7	HB1-1867-000		1	ARM, DETECTION (PES)	
8	RB1-7205-000		1	SPRING	
9	WT2-0388-000		1	CLAMP	
10	HF5-0165-000		2	LOCK, REAR COVER	
11	HB1-1830-000		2	PIN, TAPER	
12	HH2-2569-000		1	CABLE WITH CONNECTOR, 7P	
13	NPN		1	TONER DETECTION ASS'Y	
14	RB1-7172-000		1	SPRING, LEAF, GROUNDING	
15	HB1-2225-000		1	RETAINER, BUSHING	
16	HH2-2620-000		1	WIRE, GROUNDING	
17	HB1-2550-000		1	SPACER, SEAL	
18	XB4-7300-609		1	SCREW, TAP, BINDING HEAD, M3X6	
19	XA9-0724-000		4	SCREW, M3X8	
20	XB4-7300-807		2	SCREW, TAP TIGHT, BINDING HEAD	
21	XA9-0686-000		3	SCREW, M3x6	
22	FS5-9221-000		2	SCREW, STEPPED, M4	



FIGURE 14 DRIVE GEARS

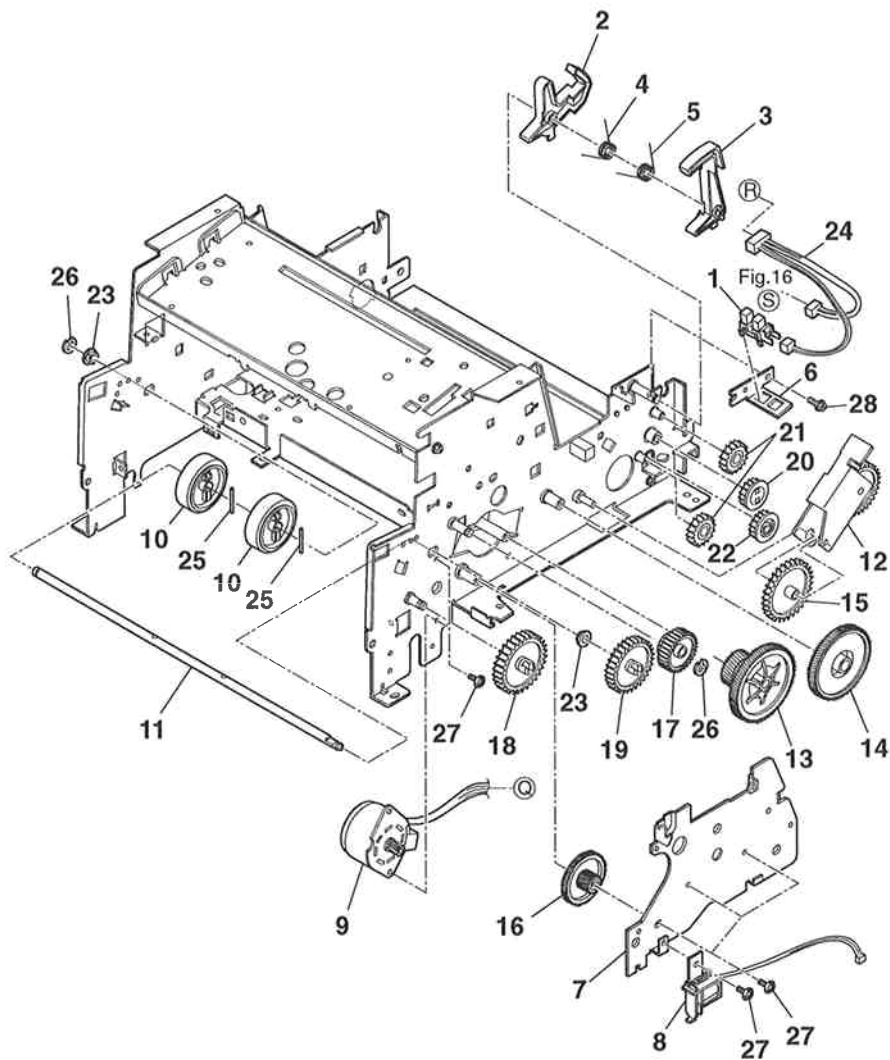


FIGURE & KEY No.	PART No.	R A N K	Q T Y	DESCRIPTION	REMARKS
14- 1	WG8-5210-000		1	IC, TLP1240 PHOTOINTERRUPTER	
2	HB1-1840-000		1	ARM, DETECTION	
3	HB1-1841-000		1	ARM, DETECTION	
4	HS5-2073-000		1	SPRING, ARM	
5	HS5-2074-000		1	SPRING, ARM	
6	HB1-1843-000	N	1	PLATE, SENSOR	
7	HB1-1844-000	N	1	PLATE, MAIN MOTOR	
8	HH7-2196-000		1	SOLENOID	
9	HH7-2200-000		1	PULSE MOTOR, MAIN	
10	HB1-1828-000		2	ROLLER, FEED	
11	HB1-1829-000		1	SHAFT, FEED ROLLER	
12	HF5-0164-000		1	GEAR, TRANSMISSION	
13	RS5-0788-000		1	GEAR, 32T/93T	
14	HS5-0144-000		1	GEAR, FIXING	
15	HS5-0145-000		1	GEAR, FIXING	
16	RS5-0787-000		1	GEAR, 21T/91T	
17	RS5-0799-000		1	GEAR, 51T/17T	
18	HS5-0146-000		1	GEAR, Z52	
19	HS5-0148-000		1	GEAR, Z47	
20	RS5-0794-000		1	GEAR, 24T	
21	RS5-0793-000		2	GEAR, 22T	
22	RS5-0798-000		1	GEAR, 15T	
23	HS5-1042-000		2	BUSH	
24	HH2-2572-000		1	CABLE WITH CONNECTOR, 5P	
25	XD3-2200-202		2	PIN, M2 X20	
26	XD2-1100-502		2	RETAINING RING (E-TYPE)	
27	XB6-7300-607		3	SCREW, TP, M3x6	
28	XA9-0686-000		1	SCREW, M3x6	

# FIGURE 15 FIXING SECTION (1)

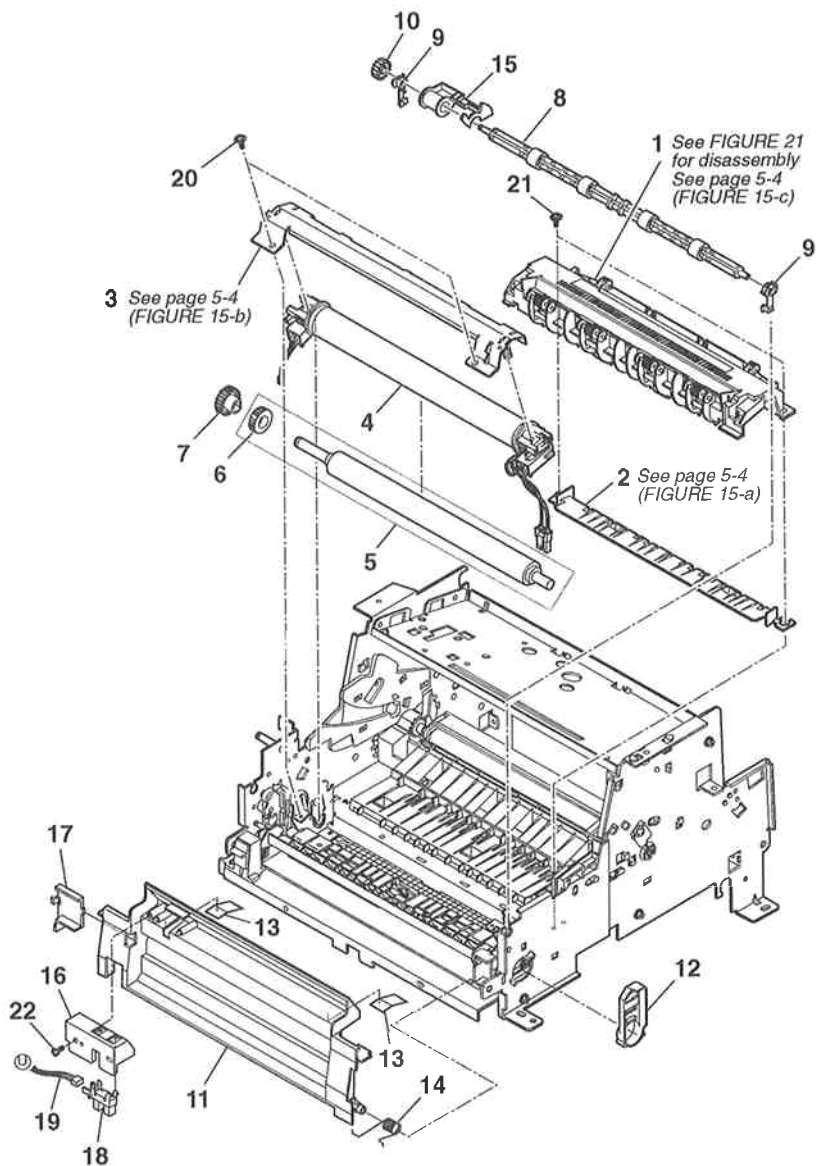


FIGURE & KEY No.	PART No.	R A N K	Q T Y	DESCRIPTION	REMARKS
15- 1	RG5-2012-060		1	DELIVERY ASSY	
2	RB1-7247-000		1	GUIDE, PAPER	
3	RF5-1517-020	N	1	PLATE, PRESSURE	
4	RG9-1136-000		1	FIXING ASSY	
5	RF5-1516-000		1	ROLLER, PRESSURE	
6	RB1-7244-000		1	RUBBER, CONTINUITY	
7	RS5-0796-000		1	GEAR, 27T	
8	HF5-0215-000		1	ROLLER, FACE DOWN	
9	RB1-7288-000		2	BUSHING	
10	RS5-0797-000		1	GEAR, 18T	
11	HB1-1869-000		1	COVER, PAPER EJECT, FACE DOWN	
12	HB1-1847-000		1	GUIDE, CABLE, RIGHT	
13	HB1-1870-000		2	SHEET	
14	HS5-2072-000		1	SPRING	
15	HB1-2067-000		1	ARM, OVERFLOW DETECT	
16	HB1-2068-000		1	HOLDER, OVERFLOW SENSOR	
17	HB1-2069-000		1	COVER, CABLE	
18	WG8-5210-000		1	IC, TLP1240 PHOTOINTERRUPTER	
19	HH2-2615-000		1	CABLE WITH CONNECTOR, 3P	
20	XB6-7300-607		2	SCREW, TP, M3x6	
21	XA9-0724-000		2	SCREW, M3X8	
22	XB4-7300-807		1	SCREW, TAP TIGHT, BINDING HEAD	

# FIGURE 16 FIXING SECTION (2)

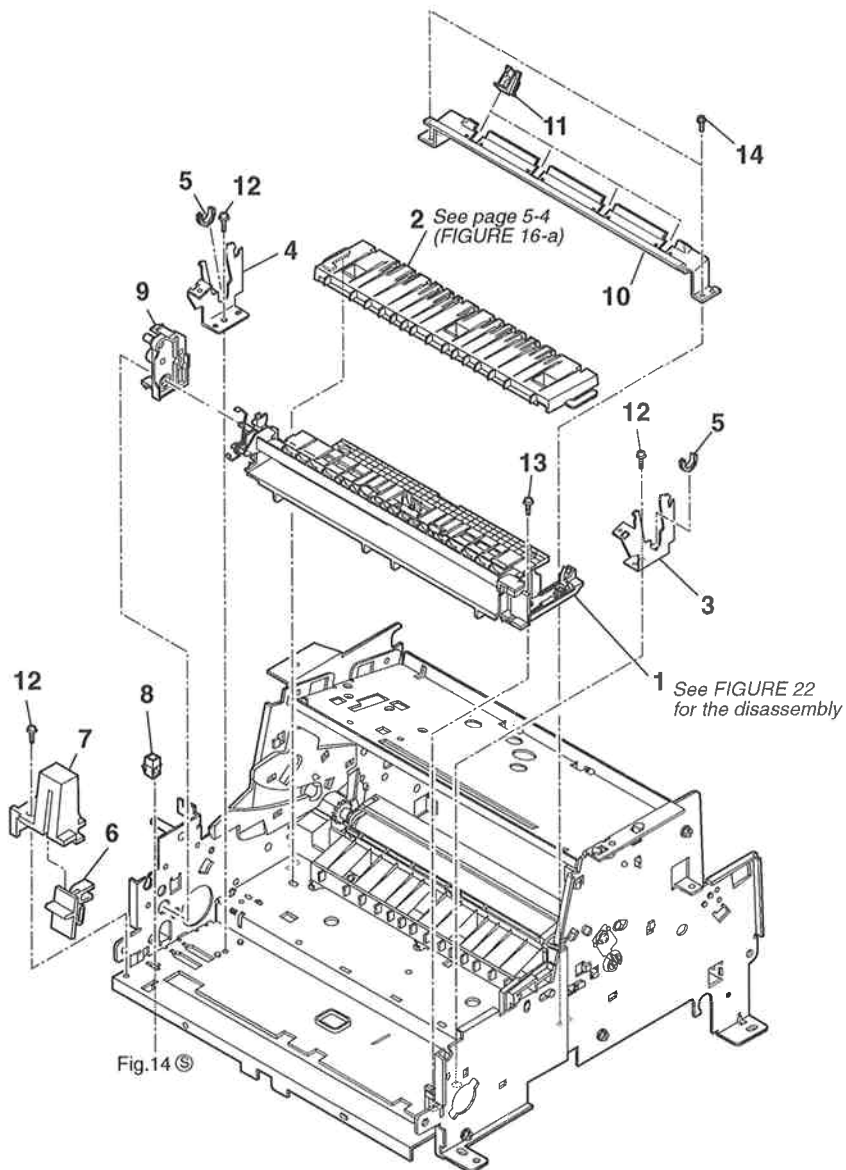


FIGURE & KEY No.	PART No.	R A N K	Q T Y	DESCRIPTION	REMARKS
16- 1	RG5-2013-020		1	SEPARATION GUIDE ASS'Y	
2	HB1-1850-000		1	GUIDE, TR BLOCK EXIT	
3	RB1-7256-000	N	1	SIDE PLATE, RIGHT	
4	RB1-7255-000	N	1	SIDE PLATE, LEFT	
5	RB1-7246-000		2	BUSHING	
6	HB1-1851-000		1	LEVER, SWITCH	
7	HB1-1852-000		1	HOLDER, SWITCH LEVER	
8	VS1-5057-002		1	CONNECTOR, 2P	
9	RB1-7107-000		1	PLATE, GEAR	
10	HB1-2238-000		1	GUIDE, FEEDER	
11	RG5-2014-000		4	SPUR ASS'Y	
12	XA9-0724-000		3	SCREW, M3X8	
13	XA9-0824-000		1	SCREW, RS, M3X10	
14	FS5-9221-000		2	SCREW, STEPPED, M4	

**FIGURE 17 TRANSFER CHARGING SECTION**

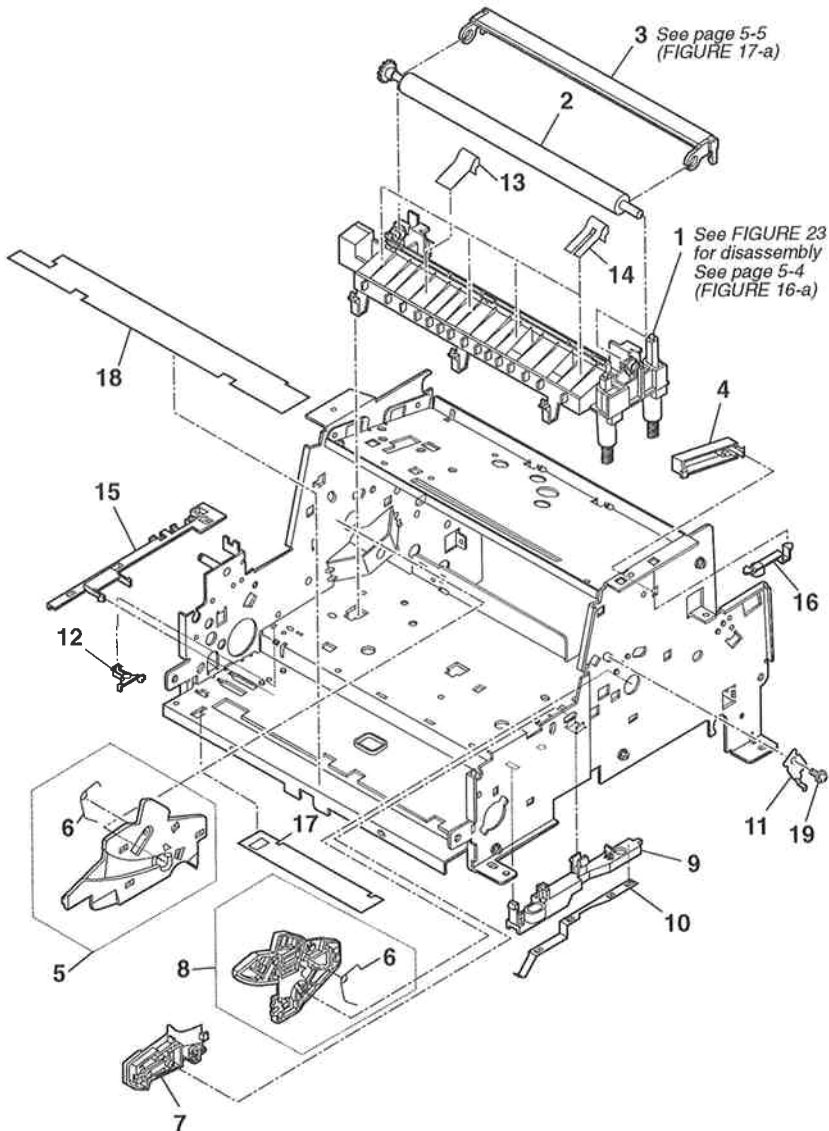


FIGURE & KEY No.	PART No.	R A N K	Q T Y	DESCRIPTION	REMARKS
17- 1	RG5-1961-000		1	TRANSFER BLOCK ASS'Y	
2	RF5-1534-000		1	ROLLER, TRANSFER	
3	RF5-1530-000		1	GUIDE, TRANSFER	
4	HB1-1848-000		1	STOP, CARTRIDGE	
5	RF5-1514-000		1	GUIDE, CARTRIDGE, LEFT	
6	RS5-2506-000		2	SPRING, TORSION	
7	RB1-7341-000		1	GUIDE, SUB, CARTRIDGE, RIGHT	
8	RF5-1515-000		1	GUIDE, CARTRIDGE	
9	HB1-1853-000		1	PLATE	
10	RB1-7238-000		1	SPRING, LEAF, GROUNDING	
11	RB1-7129-000		1	SPRING, LEAF, GROUNDING	
12	RB1-7234-000		1	CAP	
13	HB1-2545-000		1	SHEET	
14	HB1-2546-000		4	SHEET	
15	HB1-1825-000		1	GUIDE, CABLE	
16	HB1-1827-000		1	CAP	
17	HB1-2241-000		1	SHEET	
18	HB1-2581-000		1	SHEET	
19	XA9-0686-000		1	SCREW, M3x6	



**FIGURE 18 SEPARATION GUIDE ASS'Y**

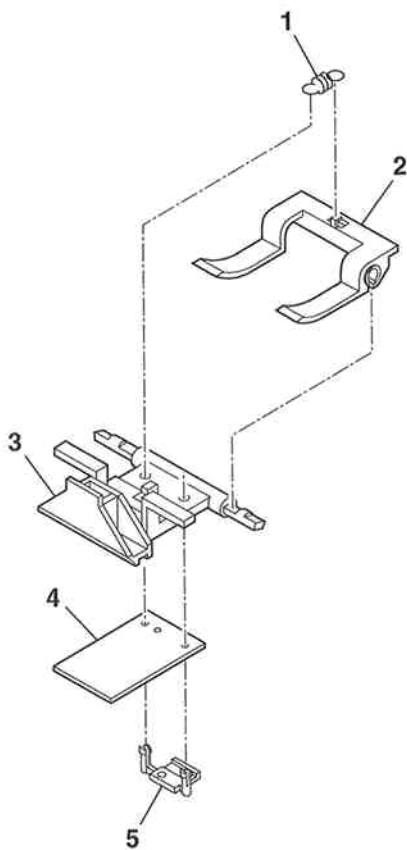


FIGURE & KEY No.	PART No.	R A N K	Q T Y	DESCRIPTION	REMARKS
18- 1	HS5-2079-000		1	SPRING, SEPARATION GUIDE	
2	HB1-1793-000		1	HOLDER, SEPARATION GUIDE	
3	HB1-1791-000		1	PLATE, PRESSURE	
4	HB1-1792-000		1	RUBBER, SEPARATION	
5	HB1-1794-000		1	HOLDER, SEPARATION	

**FIGURE 19 TONER DETECTION ASS'Y**

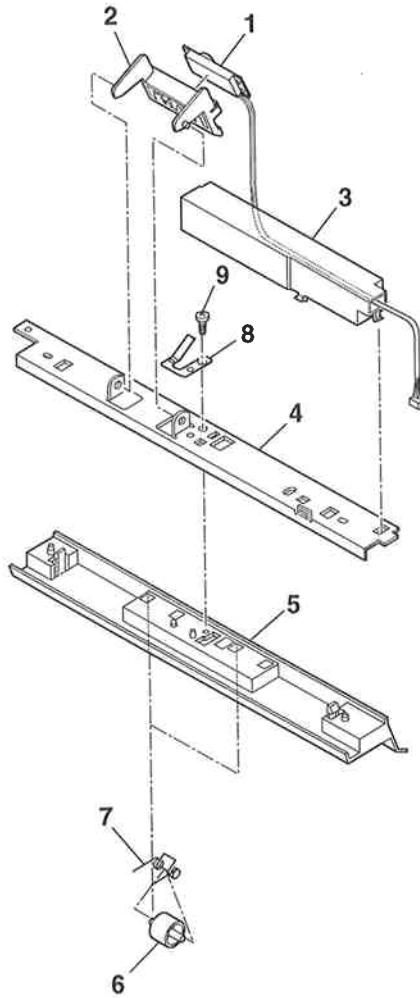


FIGURE & KEY No.	PART No.	R A N K	Q T Y	DESCRIPTION	REMARKS
19- 1	HH7-2192-000		1	TONER SENSOR UNIT	
2	HB1-1856-000		1	HOLDER, TONER SENSOR	
3	HB1-1902-000		1	COVER, CABLE	
4	HB1-1855-000	N	1	PLATE, TONER SENSOR	
5	HB1-1854-000		1	GUIDE, PAPER FEED	
6	HS5-6024-000		2	ROLLER, PAPER GUIDE	
7	HS5-2075-000		2	SPRING, PRESSURE	
8	HB1-1857-000		1	SPRING, LEAF, GROUNDING	
9	XB4-7300-809		1	SCREW, TAP, BINDING HEAD, M3X8	

**FIGURE 20 PICKUP ROLLER ASS'Y**

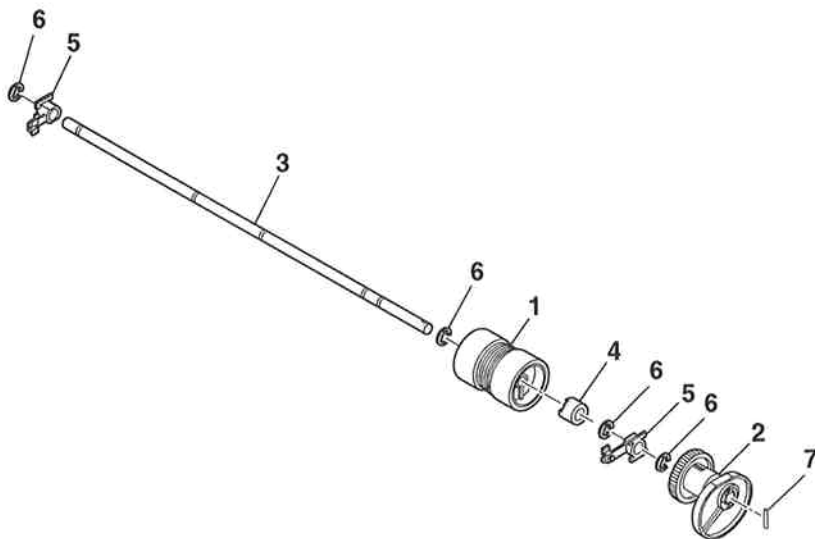
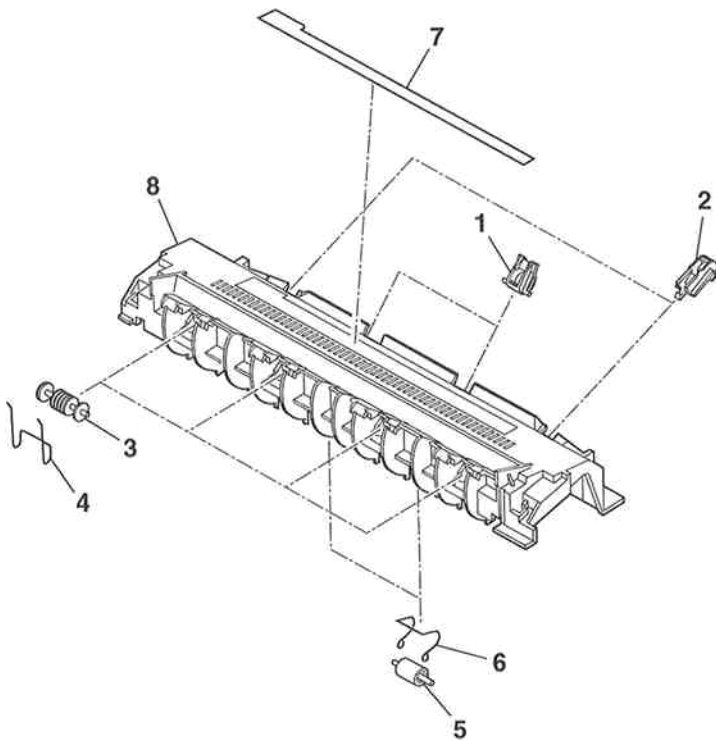




FIGURE 21 DELIVERY ASS'Y







**FIGURE 22 EJECT PAPER GUIDE ASS'Y**

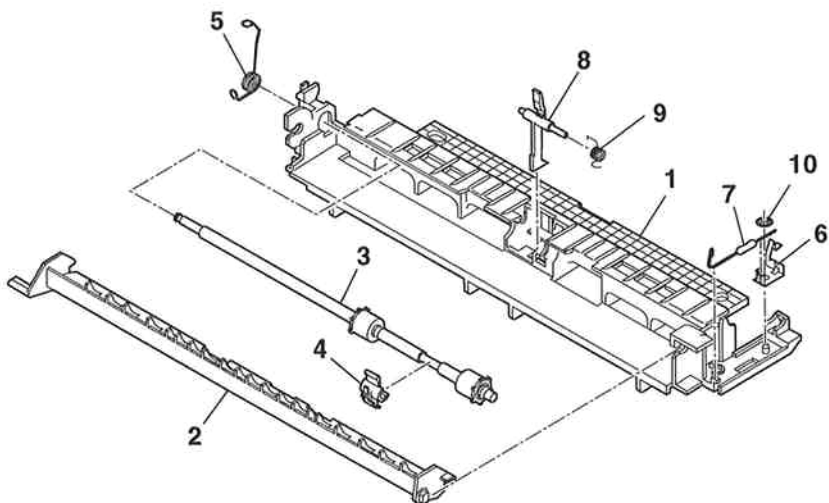


FIGURE & KEY No.	PART No.	R A N K	Q T Y	DESCRIPTION	REMARKS
22- 1	RB1-7292-000		1	GUIDE, SEPARATION	
2	RB1-7276-000		1	FLAPPER	
3	RF5-1522-020		1	ROLLER, FACE UP	
4	RB1-7289-000		1	BUSHING	
5	RB1-7277-000		1	SPRING, TORSION	
6	RB1-7254-000		1	SPRING, LEAF	
7	RH6-3435-000		1	RESISTOR, 100MOHM, 1/2W	
8	RB1-7293-000		1	LEVER, SENSOR	
9	RB1-7294-000		1	SPRING, TORSION	
10	XA9-0134-000		1	NUT, PUSH	

**FIGURE 23 TRANSFER BLOCK ASS'Y**

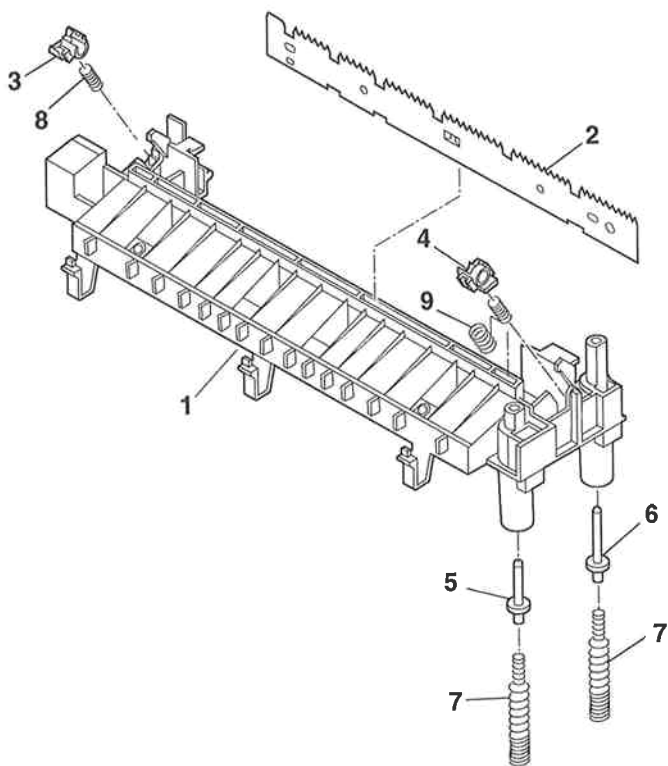


FIGURE & KEY No.	PART No.	R A N K	Q T Y	DESCRIPTION	REMARKS
23 - 1	RB1-7228-000		1	BLOCK, TRANSFER	
2	RB1-7233-000		1	ELIMINATOR, STATIC CHARGE	
3	RB1-7231-000		1	BUSHING	
4	RB1-7232-000		1	BUSHING	
5	RB1-7236-000		1	PIN, CONTACT	
6	RB1-7237-000		1	PIN, CONTACT	
7	RS5-2512-000		2	SPRING, COMPRESSION	
8	RS5-2504-000		1	SPRING, COMPRESSION	
9	RS5-2505-000		1	SPRING, COMPRESSION	

**FIGURE 24 CASSETTE ASS'Y**

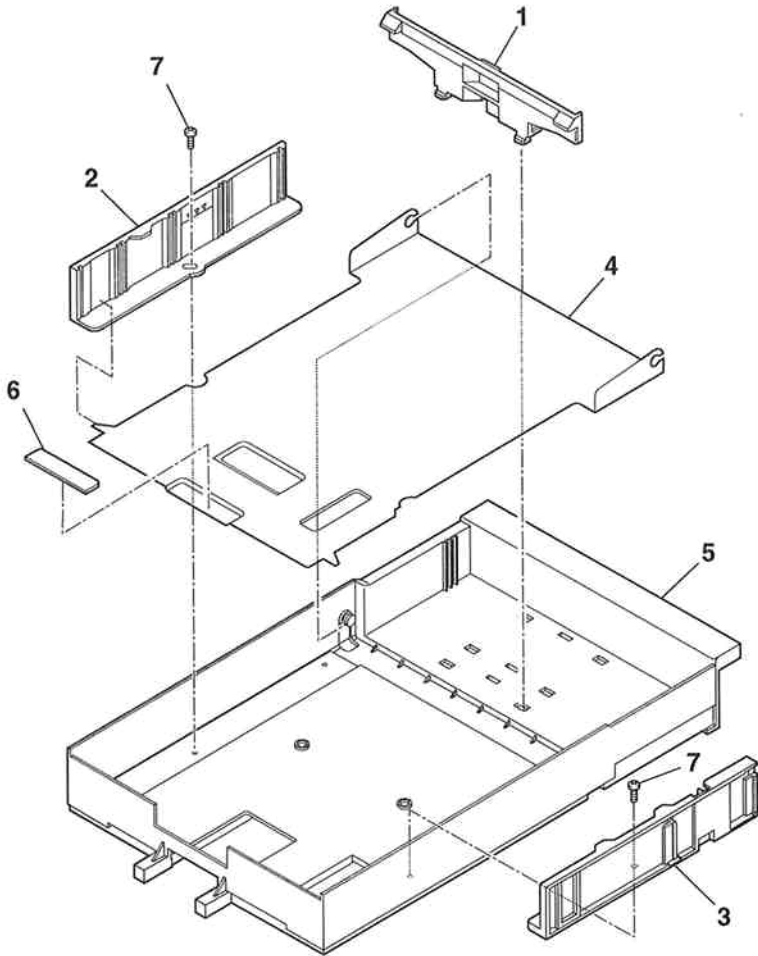


FIGURE & KEY No.	PART No.	RANK	QTY	DESCRIPTION	REMARKS
24 - 1	HB1-1876-000		1	GUIDE, PAPER LENGTH	
2	HF5-0168-000		1	GUIDE, PAPER WIDTH, RIGHT	
3	HB1-1875-000		1	GUIDE, PAPER WIDTH, LEFT	
4	HB1-1872-000	N	1	PLATE, PAPER LIFTING	
5	HB1-1871-000	N	1	BODY, CASSETTE	
6	HB1-0306-000		1	SHEET, FRICTION	
7	XB4-7400-807		2	SCREW, SELF-TAPPING, PIN HEAD	

## FIGURE 25 HANDSET KIT 3 PACKAGE CONTENTS

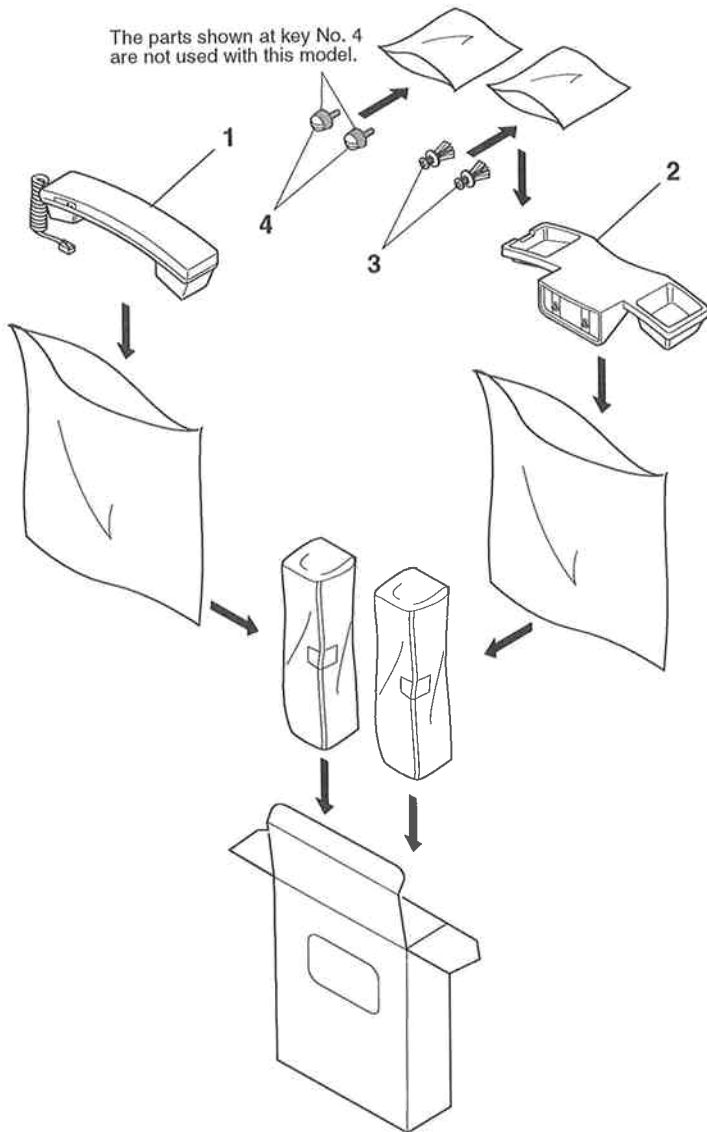
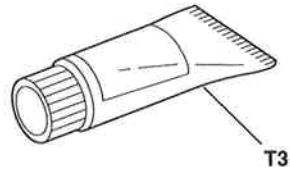
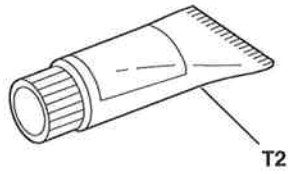
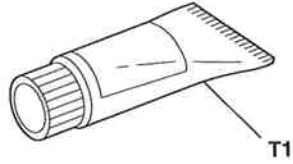


FIGURE & KEY No.	PART No.	R A N K	Q T Y	DESCRIPTION	REMARKS
25 - 1	HH7-2104-000		1	HANDSET ASS'Y (USA, AG)	
2	HB1-1264-000		1	HOLDER, HANDSET CRADLE	
3	WT2-5465-000		2	RIVET	
4	NPN		2	SCREW, HANDSET HOLDER	



# 3. TOOL

FIGURE 26 TOOLS



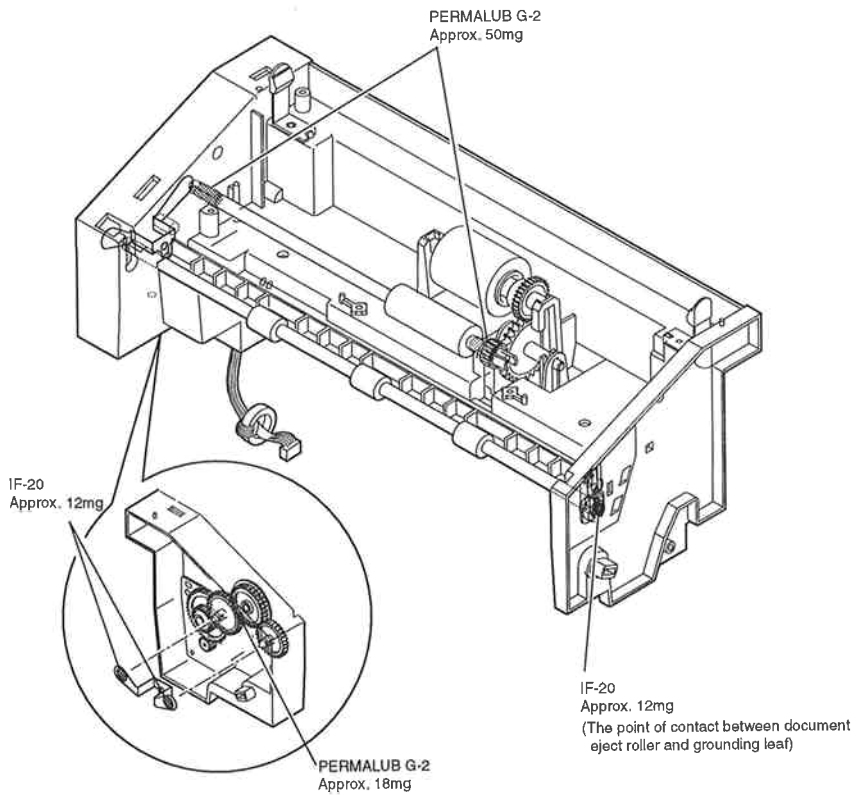


# 4. LUBRICATIONS

## 4.1 Locations

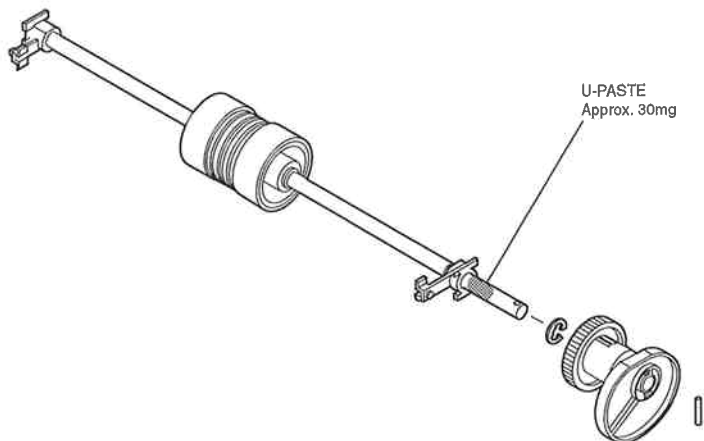
Some parts are lubricated with grease to ensure smooth operation and to increase conductivity. If lubricated parts are replaced or grease is removed, grease must be reapplied.

### 4.1.1 Scanner Section



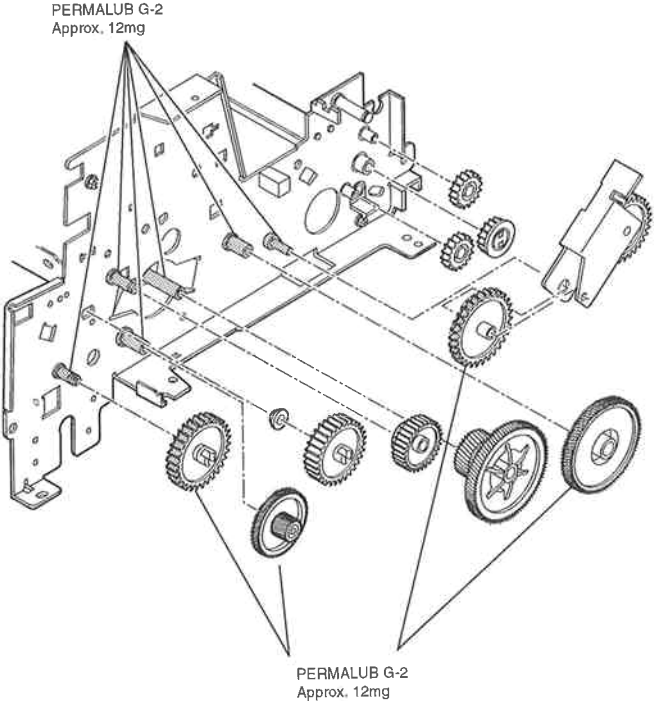
See Fig. 11 for the disassembly

#### 4.1.2 Paper Load Section

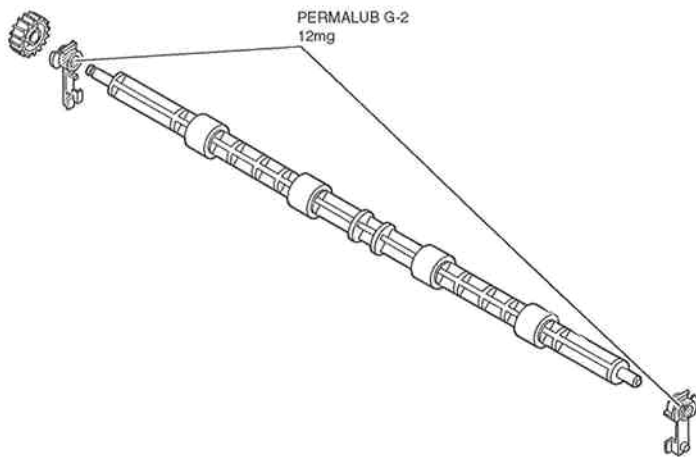


*See Fig.13 for the disassembly*

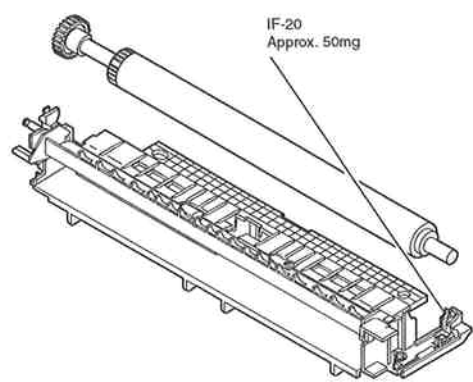
**4.1.3 Printer Section**



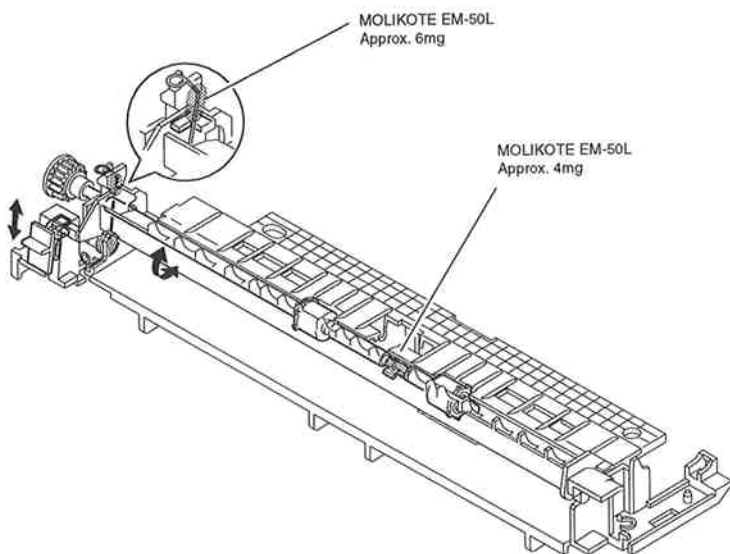
*See Fig.14 for the disassembly*



*See Fig.15 for the disassembly*



*See Fig.15 for the disassembly*



*See Fig.16 and Fig.22 for the disassembly*

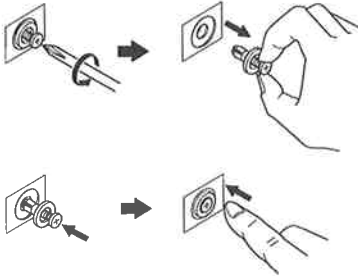
**This page intentionally left blank**



# 5. GUIDE TO REPLACEMENT

**FIGURE 2-a**

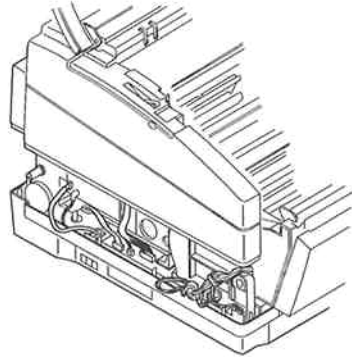
See Page  
2 - 3



When removing the rivet, use a screwdriver to loosen the screw, then grip the head of the screw and pull it out, with the rivet. When installing the rivet, insert the screw lightly into the rivet, then push the head of the screw, and insert it, and the rivet, into the hole.

**FIGURE 2-b**

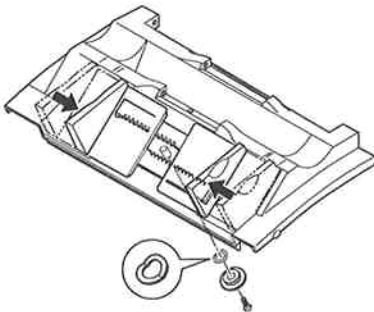
See Page  
2 - 3



When attaching the upper cover, be careful not to pinch the cable in the cover.

**FIGURE 2-c**

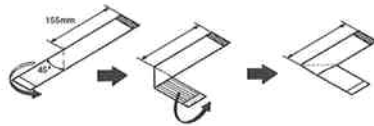
See Page  
2 - 3



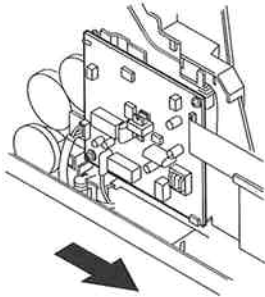
- (1) When assembling the slider section, make sure the document guides are in the narrowest position.
- (2) Be sure that the spring washer is facing outwards when attached, as shown in the figure.

**FIGURE 3-a**

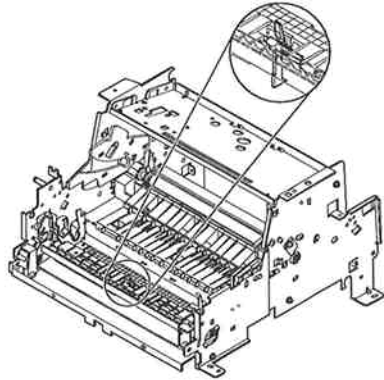
See Page  
2 - 5



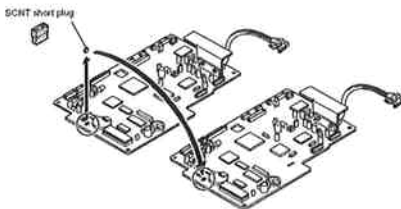
Fold the FLAT CABLE as shown in the diagram.

**FIGURE 3-b**See Page  
2 - 5

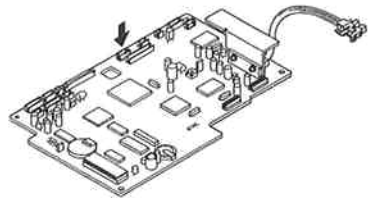
Be careful not to attach the NCU board in the wrong direction.

**FIGURE 3-c**See Page  
2 - 5

After attaching flame unit, check whether paper eject sensor lever moves properly.

**FIGURE 4-a**See Page  
2 - 7

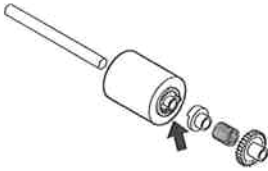
The replacement SCNT board does not come with the short plug shown in the diagram. When replacing the SCNT board, the plug should be taken from the old one and used on the new one.

**FIGURE 4-b**See Page  
2 - 7

Do not insert the connector into the socket J509.

**FIGURE 10-a**

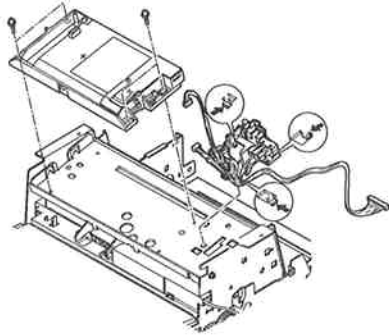
See Page  
2 - 19



Be careful not to attach the separation roller in the wrong direction.

**FIGURE 12-a**

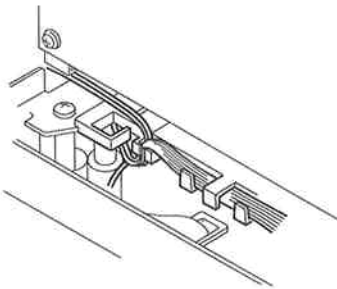
See Page  
2 -23



When removing sensor lever ass'y, turn the sensor lever ass'y first in the direction as shown in the figure, then lift it up.

**FIGURE 12-b**

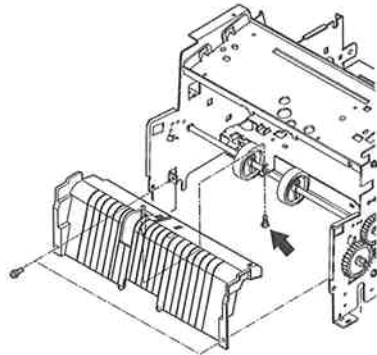
See Page  
2 - 23



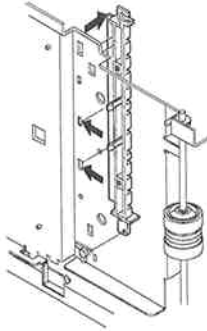
Thread the cables as shown above.

**FIGURE 13-a**

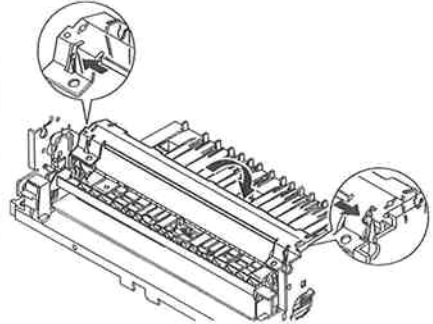
See Page  
2 - 25



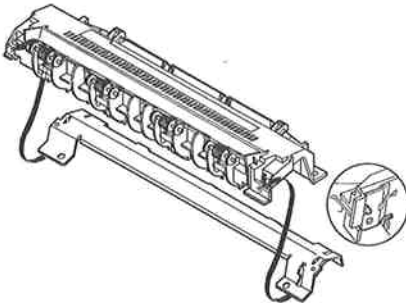
When removing or attaching paper feed guide, be careful not to forget the screw tightened from the inside.

**FIGURE 15-a**See Page  
2 - 29

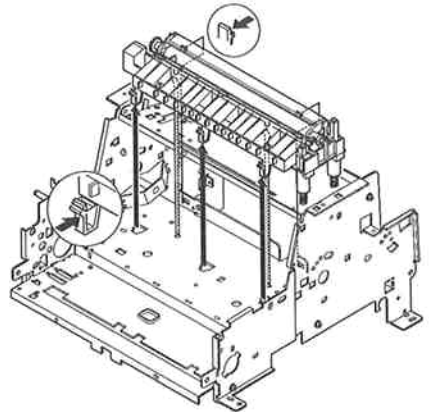
When removing the paper guide, release the tabs at the back side and lift it up.

**FIGURE 15-b**See Page  
2 - 29

When removing pressure plate, release the two tabs as shown above.

**FIGURE 15-c**See Page  
2 - 29

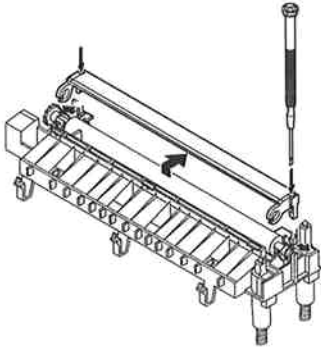
When attaching delivery ass'y, clip the tabs first as shown above.

**FIGURE 16-a**See Page  
2 - 31

When removing the TR block exit guide, release the tabs shown in the illustration at the back side.

**FIGURE 17-a**

See Page  
2 - 33



When removing transfer guide, release the tabs with a precision screwdriver as shown above.

**This page intentionally left blank**

# 6. NUMERICAL INDEX

PART NUMBER	FIGURE & KEY No.	DESCRIPTION	PART NUMBER	FIGURE & KEY No.	DESCRIPTION
CK-0551-020	26 - T 2	LUBE, PERMALUB G NO.2	HB1-1821-000	5 - 2	ARM 2, DETECTION (RPS)
CK-8006-000	26 - T 4	ELECTRICITY GREASE (IF-20)	HB1-1822-000	6 - 18	COVER, INTERFACE
FSS-9221-000	13 - 22	SCREW, STEPPED, M4	HB1-1823-000	3 - 12	SHEET, NCU BOARD
	16 - 14		HB1-1824-000	3 - 11	HOLDER
HA1-7357-000	2 - 14	LABEL, LASER SAFTY	HB1-1825-000	17 - 15	GUIDE, CABLE
HA2-2754-000	2 - 13	LABEL, CARTRIDGE INSTALLATION	HB1-1827-000	17 - 16	CAP
HB1-0306-000	24 - 6	SHEET, FRICTION	HB1-1828-000	14 - 10	ROLLER, FEED
HB1-0614-000	2 - 9	SPRING WASHER, SLIDER	HB1-1829-000	14 - 11	SHAFT, FEED ROLLER
HB1-1264-000	25 - 2	HOLDER, HANDSET CRADLE	HB1-1830-000	13 - 11	PIN, TAPER
HB1-1770-000	7 - 3	COVER, GEAR	HB1-1840-000	14 - 2	ARM, DETECTION
HB1-1771-000	11 - 9	FRAME, ADF, LOWER	HB1-1841-000	14 - 3	ARM, DETECTION
HB1-1772-000	11 - 1	ROLLER, DOCUMENT FEED	HB1-1843-000	14 - 6	PLATE, SENSOR
HB1-1773-000	11 - 2	ROLLER, DOCUMENT EJECT	HB1-1844-000	14 - 7	PLATE, MAIN MOTOR
HB1-1774-000	10 - 4	ROLLER, SEPARATION	HB1-1845-000	12 - 7	GUIDE, CABLE, LEFT
HB1-1775-000	10 - 5	SHAFT, SEPARATION ROLLER	HB1-1847-000	15 - 12	GUIDE, CABLE, RIGHT
HB1-1776-000	10 - 15	SHEET	HB1-1848-000	17 - 4	STOP, CARTRIDGE
HB1-1777-000	11 - 12	PLATE, GROUNDING	HB1-1850-000	16 - 2	GUIDE, TR BLOCK EXIT
HB1-1778-000	10 - 10	LOCK, OPERATION PANEL	HB1-1851-000	16 - 6	LEVER, SWITCH
HB1-1779-000	10 - 6	SPACER	HB1-1852-000	16 - 7	HOLDER, SWITCH LEVER
HB1-1781-000	9 - 12	COVER, DOCUMENT GUIDE, UPPER	HB1-1853-000	17 - 9	PLATE
HB1-1782-000	9 - 2	PLATE, PRESSURE	HB1-1854-000	19 - 5	GUIDE, PAPER FEED
HB1-1784-000	9 - 14	BRUSH, STATIC DISCHARGE	HB1-1855-000	19 - 4	PLATE, TONER SENSOR
HB1-1785-000	9 - 10	ARM, DETECTION (DES)	HB1-1856-000	19 - 2	HOLDER, TONER SENSOR
HB1-1786-000	9 - 8	ARM, DETECTION (DS)	HB1-1857-000	19 - 8	SPRING, LEAF, GROUNDING
HB1-1787-000	9 - 9	STOP, DOCUMENT	HB1-1858-000	13 - 3	COVER, REAR
HB1-1788-000	9 - 7	SHAFT, BACK UP ROLLER	HB1-1859-000	13 - 4	COVER, REAR
HB1-1789-000	9 - 5	SHAFT, BACK UP ROLLER	HB1-1860-000	20 - 3	SHAFT, PICKUP ROLLER
HB1-1790-000	9 - 4	ROLLER, BACK UP	HB1-1861-000	20 - 1	ROLLER, PICKUP
HB1-1791-000	18 - 3	PLATE, PRESSURE	HB1-1862-000	20 - 4	CLUCH
HB1-1792-000	18 - 4	RUBBER, SEPARATION	HB1-1866-000	13 - 1	GUIDE, PAPER FEED
HB1-1793-000	18 - 2	HOLDER, SEPARATION GUIDE	HB1-1867-000	13 - 7	ARM, DETECTION (PES)
HB1-1794-000	18 - 5	HOLDER, SEPARATION	HB1-1868-000	13 - 6	HOLDER, PES
HB1-1797-000	10 - 3	PLATE, CONTACT SENSOR	HB1-1869-000	15 - 11	COVER, PAPER EJECT, FACE DOWN
HB1-1798-000	10 - 1	COVER, DOCUMENT GUIDE, LOWER	HB1-1870-000	15 - 13	SHEET
HB1-1799-000	7 - 2	BELT, STOPPER	HB1-1871-000	24 - 5	BODY, CASSETTE
HB1-1801-000	8 - 1	COVER, OPERATION PANEL	HB1-1872-000	24 - 4	PLATE, PAPER LIFTING
HB1-1802-000	8 - 5	KEY TOP, "DIAL"	HB1-1875-000	24 - 3	GUIDE, PAPER WIDTH, LEFT
HB1-1803-000	8 - 6	KEY TOP, "START/COPY"	HB1-1876-000	24 - 1	GUIDE, PAPER LENGTH
HB1-1804-000	8 - 7	KEY TOP, "STOP"	HB1-1877-000	6 - 12	COVER, BOTTOM
HB1-1805-000	8 - 8	KEY TOP, "HOOK"	HB1-1879-000	6 - 16	FOOT, RUBBER
HB1-1806-000	8 - 9	KEY TOP, "ONE TOUCH DIAL"	HB1-1880-000	6 - 2	PAD, SEPARATION
HB1-1807-000	8 - 4	COVER, DISPLAY	HB1-1881-000	6 - 4	HOLDER, SEPARATION PAD
HB1-1808-000	8 - 10	COVER, LED	HB1-1882-000	6 - 3	GUIDE, SEPARATION PAD
HB1-1809-000	8 - 2	SHEET, OPERATION PANEL	HB1-1883-000	6 - 5	SHAFT, LIFTING
HB1-1810-000	1 - 2	SHEET, ONE TOUCH DIAL	HB1-1884-000	6 - 6	MOUNT, SHAFT
HB1-1812-000	8 - 11	COVER, SWITCH	HB1-1885-000	6 - 8	LEVER, LIFTING
HB1-1813-000	8 - 12	COVER, SWITCH	HB1-1886-000	6 - 7	ARM, LIFTING
HB1-1814-000	8 - 13	SHEET, OPCNT BOARD	HB1-1888-000	5 - 3	PLATE, BOTTOM
HB1-1816-000	1 - 3	SUPPORT, DOCUMENT	HB1-1889-000	5 - 4	GUIDE, FRAME
HB1-1817-000	1 - 4	SUB TRAY	HB1-1890-000	3 - 3	HOLDER, SCANNING SECTION, RIGHT
HB1-1818-000	3 - 4	COVER, PAPER EJECT, FACE UP	HB1-1891-000	3 - 5	LEVER, RELEASE
HB1-1819-000	3 - 2	HOLDER, SCANNING SECTION, LEFT	HB1-1892-000	3 - 6	HOLDER, SPRING
HB1-1820-000	5 - 1	ARM 1, DETECTION (RPS)	HB1-1893-000	2 - 5	COVER, UPPER

PART NUMBER	FIGURE & KEY No.	DESCRIPTION	PART NUMBER	FIGURE & KEY No.	DESCRIPTION
HB1-1894-000	2 - 6	GUIDE, CARTRIDGE, RIGHT	HH2-2566-000	10 - 11	CABLE WITH CONNECTOR, 10P
HB1-1895-000	2 - 1	COVER, CARTRIDGE	HH2-2568-000	4 - 7	CABLE WITH CONNECTOR, 3P
HB1-1896-000	2 - 3	GUIDE, DOCUMENT, RIGHT	HH2-2569-000	13 - 12	CABLE WITH CONNECTOR, 7P
HB1-1897-000	2 - 2	GUIDE, DOCUMENT, LEFT	HH2-2570-000	12 - 9	CABLE WITH CONNECTOR, 14P
HB1-1898-000	2 - 4	AIR DUCT	HH2-2572-000	14 - 24	CABLE WITH CONNECTOR, 5P
HB1-1902-000	19 - 3	COVER, CABLE	HH2-2573-000	12 - 10	CABLE
HB1-1903-000	12 - 6	COVER, SWITCH	HH2-2574-000	5 - 9	CABLE
HB1-1904-000	3 - 7	LOCK, SCANNING SECTION	HH2-2575-000	10 - 14	WIRE, GROUNDING
HB1-1906-000	2 - 7	GUIDE, CARTRIDGE, LEFT	HH2-2576-000	9 - 15	WIRE, GROUNDING
HB1-1917-000	6 - 19	SPRING, LEAF	HH2-2579-000	3 - 10	CABLE, FLAT
HB1-2062-000	10 - 12	SPRING, LEAF	HH2-2580-000	11 - 14	WIRE, GROUNDING
HB1-2063-000	10 - 13	COVER	HH2-2615-000	15 - 19	CABLE WITH CONNECTOR, 3P
HB1-2064-000	9 - 16	SHEET	HH2-2620-000	13 - 16	WIRE, GROUNDING
HB1-2065-000	1 - 7	SUPPORT, DOCUMENT, LONG	HH3-5297-000	4 - 2	POWER SUPPLY UNIT
HB1-2066-000	7 - 4	SHEET	HH4-2635-000	4 - 3	IC, KM23C4000C-15, MASK ROM
HB1-2067-000	15 - 15	ARM, OVERFLOW DETECT	HH7-2104-000	25 - 1	HANDSET ASS'Y (USA, AG)
HB1-2068-000	15 - 16	HOLDER, OVERFLOW SENSOR	HH7-2190-000	11 - 3	MOTOR, DOCUMENT FEED
HB1-2069-000	15 - 17	COVER, CABLE	HH7-2192-000	19 - 1	TONER SENSOR UNIT
HB1-2070-000	2 - 11	SHEET	HH7-2193-000	10 - 2	CONTACT SENSOR
HB1-2225-000	13 - 15	RETAINER, BUSHING	HH7-2195-000	6 - 11	SPEAKER
HB1-2238-000	16 - 10	GUIDE, FEEDER	HH7-2196-000	14 - 8	SOLENOID
HB1-2239-000	5 - 10	COVER, POWER SUPPLY UNIT	HH7-2200-000	14 - 9	PULSE MOTOR, MAIN
HB1-2241-000	17 - 17	SHEET	H55-0144-000	14 - 14	GEAR, FIXING
HB1-2242-000	3 - 15	SPACER, SEAL	H55-0145-000	14 - 15	GEAR, FIXING
HB1-2545-000	17 - 13	SHEET	H55-0146-000	14 - 18	GEAR, Z52
HB1-2546-000	17 - 14	SHEET	H55-0148-000	14 - 19	GEAR, Z47
HB1-2547-000	3 - 14	SPACER, SEAL	H55-0149-000	11 - 6	GEAR, Z57
HB1-2548-000	2 - 16	SHEET	H55-0150-000	11 - 8	GEAR, Z42
HB1-2549-000	10 - 16	LOCK, OPERATION PANEL,	H55-0151-000	10 - 9	GEAR, Z49/65B
HB1-2550-000	13 - 17	SPACER, SEAL	H55-0152-000	10 - 8	GEAR, Z40B
HB1-2551-000	2 - 17	SHEET	H55-0153-000	11 - 5	GEAR, Z28/Z67
HB1-2553-000	6 - 27	SHEET, STABILISING	H55-0154-000	11 - 7	GEAR, Z49
HB1-2577-000	3 - 16	PLATE, RETAINER	H55-0155-000	11 - 10	GEAR, Z21D
HB1-2578-000	3 - 17	RUBBER, CUSHIONING	H55-0156-000	2 - 10	GEAR, Z16
HB1-2581-000	17 - 18	SHEET	H55-1041-000	20 - 5	BUSHING
HF5-0160-000	11 - 4	PLATE, READING MOTOR	H55-1042-000	14 - 23	BUSH
HF5-0162-000	9 - 13	WHITE SHEET UNIT	H55-1043-000	11 - 11	BUSHING
HF5-0164-000	14 - 12	GEAR, TRANSMISSION	H55-1044-000	6 - 9	BUSHING
HF5-0165-000	13 - 10	LOCK, REAR COVER	H55-2071-000	6 - 15	SPRING
HF5-0168-000	24 - 2	GUIDE, PAPER WIDTH, RIGHT	H55-2072-000	15 - 14	SPRING
HF5-0215-000	15 - 8	ROLLER, FACE DOWN	H55-2073-000	14 - 4	SPRING, ARM
HF5-0246-000	6 - 20	PLATE, STABILISING	H55-2074-000	14 - 5	SPRING, ARM
HF5-0249-000	6 - 1	GUIDE, PAPER FEED	H55-2075-000	19 - 7	SPRING, PRESSURE
HG5-0558-000	3 - 1	NCU BOARD ASS'Y	H55-2077-000	10 - 7	SPRING, CLUCH
HG5-0704-000	9 - 1	SEPARATION GUIDE ASS'Y	H55-2078-000	9 - 11	SPRING
HG5-0705-000	7 - 1	OPERATION PANEL ASS'Y	H55-2079-000	18 - 1	SPRING, SEPARATION GUIDE
HG5-0715-000	13 - 2	PICKUP ROLLER ASS'Y	H55-2080-000	6 - 13	SPRING
HG5-0716-000	20 - 2	CAM UNIT	H55-2081-000	3 - 8	SPRING
HG5-0732-000	4 - 1	SCNT BOARD ASS'Y	H55-2082-000	3 - 9	SPRING
HG5-0736-000	8 - 3	OPCNT BOARD ASS'Y	H55-6023-000	9 - 6	ROLLER, BACK UP
HG5-0737-000	6 - 10	MODULAR BOARD ASS'Y	H55-6024-000	19 - 6	ROLLER, PAPER GUIDE
HH2-2253-000	1 - 5	POWER SUPPLY CORD, 120V	H55-6025-000	9 - 3	ROLLER, BACK UP
HH2-2484-000	1 - 6	MODULAR LINE CORD, 2W	HT1-2078-000	1 - 1	INSTRUCTION BOOK (ENGLISH)



PART NUMBER	FIGURE & KEY No.	DESCRIPTION	PART NUMBER	FIGURE & KEY No.	DESCRIPTION
HY7-2640-000	4 - 9	FUSE, 125V, 10A	RG5-2014-000	16 - 11	SPUR ASSY
HY7-2641-000	4 - 8	FUSE, 125V, 2.5A		21 - 1	
HY9-0007-000	26 - T 1	LUBE, MOLYKOTE EM-50L	RG5-2015-000	21 - 2	SPUR ASSY
HY9-0016-000	26 - T 3	LUBE, MOLYKOTE U-PASTE,	RG9-1136-000	15 - 4	FIXING ASSY
NPN-0000-065	2 - 8	ADF ASSY	RH6-3435-000	22 - 7	RESISTOR, 100MOHM, 1/2W
NPN-0000-068	13 - 13	TONER DETECTION ASSY	RS1-9016-000	6 - 17	SCREW, STEPPED, M3
NPN-0000-069	21 - 8	COVER, DELIVERLY	RS5-0787-000	14 - 16	GEAR, 21T/91T
RB1-2152-000	6 - 14	SPUR	RS5-0788-000	14 - 13	GEAR, 32T/93T
RB1-7107-000	16 - 9	PLATE, GEAR	RS5-0793-000	14 - 21	GEAR, 22T
RB1-7129-000	17 - 11	SPRING, LEAF, GROUNDING	RS5-0794-000	14 - 20	GEAR, 24T
RB1-7168-000	12 - 3	LEVER, DOOR SENSOR	RS5-0796-000	15 - 7	GEAR, 27T
RB1-7169-000	12 - 4	LEVER, CARTRIDGE	RS5-0797-000	15 - 10	GEAR, 18T
RB1-7172-000	13 - 14	SPRING, LEAF, GROUNDING	RS5-0798-000	14 - 22	GEAR, 15T
RB1-7205-000	13 - 8	SPRING	RS5-0799-000	14 - 17	GEAR, 51T/17T
RB1-7228-000	23 - 1	BLOCK, TRANSFER	RS5-2504-000	23 - 8	SPRING, COMPRESSION
RB1-7231-000	23 - 3	BUSHING	RS5-2505-000	23 - 9	SPRING, COMPRESSION
RB1-7232-000	23 - 4	BUSHING	RS5-2506-000	17 - 6	SPRING, TORSION
RB1-7233-000	23 - 2	ELIMINATOR, STATIC CHARGE	RS5-2512-000	23 - 7	SPRING, COMPRESSION
RB1-7234-000	17 - 12	CAP	RS5-8170-000	21 - 7	LABEL, WARNING
RB1-7236-000	23 - 5	PIN, CONTACT	VS1-5057-002	16 - 8	CONNECTOR, 2P
RB1-7237-000	23 - 6	PIN, CONTACT	VT2-5027-008	5 - 7	SPACER
RB1-7238-000	17 - 10	SPRING, LEAF, GROUNDING	VT2-5027-012	5 - 8	SPACER
RB1-7244-000	15 - 6	RUBBER, CONTINUITY	WG8-5210-000	4 - 6	IC, TLP1240 PHOTOINTERRUPTER
RB1-7246-000	16 - 5	BUSHING		12 - 5	
RB1-7247-000	15 - 2	GUIDE, PAPER		13 - 5	
RB1-7254-000	22 - 6	SPRING, LEAF		14 - 1	
RB1-7255-000	16 - 4	SIDE PLATE, LEFT		15 - 18	
RB1-7256-000	16 - 3	SIDE PLATE, RIGHT	WK1-5047-000	4 - 4	LITHIUM BATTERY, CR2450HC22NC
RB1-7276-000	22 - 2	FLAPPER	WS1-0172-000	4 - 5	PLUG, SHORT
RB1-7277-000	22 - 5	SPRING, TORSION	WT2-0317-000	3 - 13	CLIP, CABLE
RB1-7284-020	21 - 3	ROLLER, FACE DOWN		11 - 13	
RB1-7285-020	21 - 5	ROLLER, FACE UP		12 - 11	
RB1-7286-000	21 - 4	SPRING, WIRE	WT2-0388-000	13 - 9	CLAMP
RB1-7287-000	21 - 6	SPRING, WIRE	WT2-0434-010	5 - 6	CLIP
RB1-7288-000	15 - 9	BUSHING	WT2-5031-000	5 - 5	CLIP
RB1-7289-000	22 - 4	BUSHING	WT2-5078-000	2 - 15	RIVET
RB1-7292-000	22 - 1	GUIDE, SEPARATION	WT2-5465-000	25 - 3	RIVET
RB1-7293-000	22 - 8	LEVER, SENSOR	WT2-5473-000	2 - 12	COVER, SCREW HOLE
RB1-7294-000	22 - 9	SPRING, TORSION	XA9-0134-000	22 - 10	NUT, PUSH
RB1-7341-000	17 - 7	GUIDE, SUB, CARTRIDGE, RIGHT	XA9-0428-000	2 - 18	SCREWM2.6X8
RB1-7385-000	12 - 8	SPRING, GROUNDING	XA9-0476-000	3 - 18	SCREW, TP M3X8
RF5-1514-000	17 - 5	GUIDE, CARTRIDGE, LEFT		7 - 6	
RF5-1515-000	17 - 8	GUIDE, CARTRIDGE	XA9-0686-000	2 - 19	SCREW, M3x6
RF5-1516-000	15 - 5	ROLLER, PRESSURE		3 - 19	
RF5-1517-020	15 - 3	PLATE, PRESSURE		13 - 21	
RF5-1522-020	22 - 3	ROLLER, FACE UP		14 - 28	
RF5-1530-000	17 - 3	GUIDE, TRANSFER		17 - 19	
RF5-1534-000	17 - 2	ROLLER, TRANSFER	XA9-0689-000	25 - 4	SCREW, HANDSET HOLDER
RG5-1961-000	17 - 1	TRANSFER BLOCK ASSY	XA9-0724-000	13 - 19	SCREW, M3X8
RG5-1984-000	12 - 2	SENSOR LEVER ASSY		15 - 21	
RG5-2000-000	12 - 1	SCANNER ASSY		16 - 12	
RG5-2012-060	15 - 1	DELIVERY ASSY	XA9-0824-000	16 - 13	SCREW, RS, M3X10
RG5-2013-020	16 - 1	SEPARATION GUIDE ASSY	XB1-2300-407	11 - 17	SCREW, M3X4

PART NUMBER	FIGURE & KEY No.	DESCRIPTION
XB2-7300-607	3 - 22	SCREW, M3X6
	4 - 11	
XB4-7200-607	8 - 14	SCREW (S)
XB4-7260-607	10 - 18	SCREW, TAP TIGHT, BINDING HEAD
XB4-7300-607	10 - 19	SCREW, TAP TIGHT, BINDING HEAD
XB4-7300-809	13 - 18	SCREW, TAP, BINDING HEAD, M3X6
XB4-7300-807	2 - 21	SCREW, TAP TIGHT, BINDING HEAD
	6 - 24	
	7 - 5	
	9 - 17	
	10 - 17	
	11 - 16	
	12 - 13	
	13 - 20	
	15 - 22	
	19 - 9	
	XB4-7300-809	
XB4-7301-007	6 - 23	SCREW, TAP TIGHT BHM3X10
XB4-7301-207	7 - 7	SCREW, BH M3X12, S
XB4-7400-807	24 - 7	SCREW, SELF-TAPPING, PIN HEAD
XB4-7401-007	3 - 21	SCREW, PIN HEAD SELF-TAPPING
	5 - 12	
	6 - 21	
XB6-7300-607	2 - 20	SCREW, TP, M3x6
	3 - 20	
	4 - 10	
	5 - 11	
	6 - 22	
	14 - 27	
	15 - 20	
	12 - 12	
XB6-7300-807	12 - 12	SCREW, TP, M3X8
XB6-7301-205	6 - 25	SCREW, TP, M3X12
XD2-1100-402	11 - 15	RETAINING RING (E-TYPE)
XD2-1100-502	6 - 26	RETAINING RING (E-TYPE)
	14 - 26	
	20 - 6	
XD2-1100-642	20 - 6	RETAINING RING (E-TYPE)
XD3-2200-142	20 - 7	PIN, PARALLEL
XD3-2200-202	14 - 25	PIN, M2 X20

**This page intentionally left blank**

0496 SE 1.30-0

1296 SE 0.30-1

0797 SE 0.20-2

0298 SE 0.50-3

0999 SE 0.30-4



Printed on paper that  
contains 60% reused paper.

**Canon**