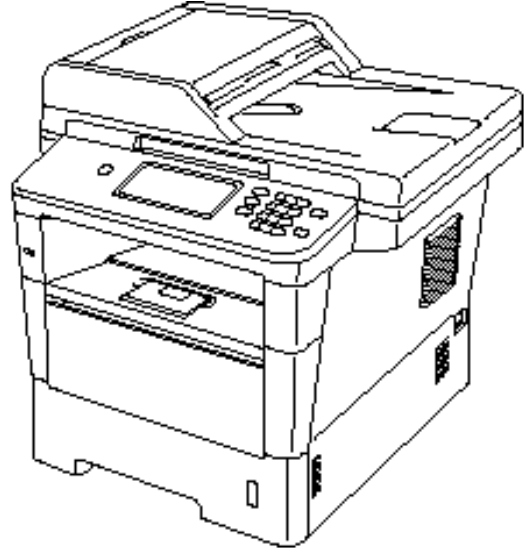
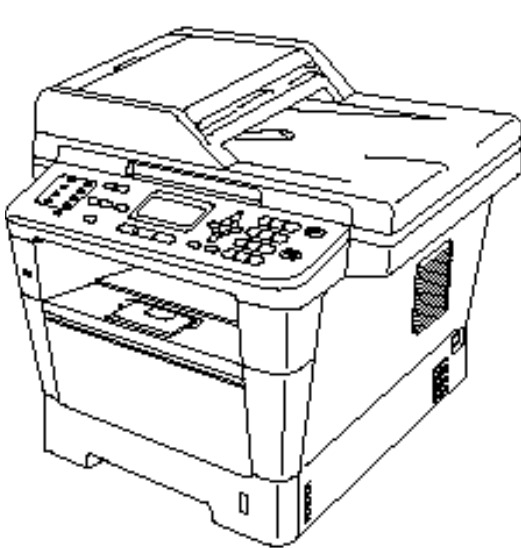




## Laser MFC **PARTS REFERENCE LIST**

**MODEL: DCP-8110DN/  
8150DN/8152DN/8155DN/8157DN/  
8250DN/MFC-8510DN/8512DN/  
8515DN/8520DN/8710DW/8712DW/  
8810DW/8910DW/8912DW/  
8950DW/8950DWT/8952DW/8952DWT**



Read this list thoroughly before maintenance work.

Keep this list in a convenient place for quick and easy reference at all times.

## NOTE FOR USING THIS PARTS REFERENCE LIST

1. In the case of ordering parts, it is necessary to mention the following items:

- (1) Code
- (2) Q'ty
- (3) Description

<Example>

	(1) CODE	(2) Q'TY	(3) DESCRIPTION	
REF.NO.	CODE	Q'TY	DESCRIPTION	REMARK

2. Design-changed parts:

If any of the parts is changed, one of the following symbols is indicated in the REMARK column.

CHG (chg): The part is changed for a new one.

ADD (add): The part is newly added.

DEL (del): The part is deleted.

Symbol in capital letters indicates the latest parts change information in the page.

3. Parts change will be informed by the Parts change information.

4. Parts are subject to change in design without prior notice.

## COUNTRIES & AREAS

US ----- U.S.A.

CAN ----- CANADA

GER ----- GERMANY

UK ----- UNITED KINGDOM

CHE ----- SWITZERLAND

ITA ----- ITALY

CHN ----- CHINA

PHL ----- PHILIPPINES

TWN ----- TAIWAN

ASA ----- ASIA (SINGAPORE/GULF)

GUL ----- GULF

BRA ----- BRAZIL

KOR ----- KOREA

RUS ----- RUSSIA

FRA/BEL/NLD -----

FRANCE/BELGIUM/NETHERLANDS

OCE ----- OCEANIA

(AUSTRALIA/NEW ZEALAND)

PND ----- PAN-NORDIC

(NORWAY/FINLAND/DENMARK/SWEDEN)

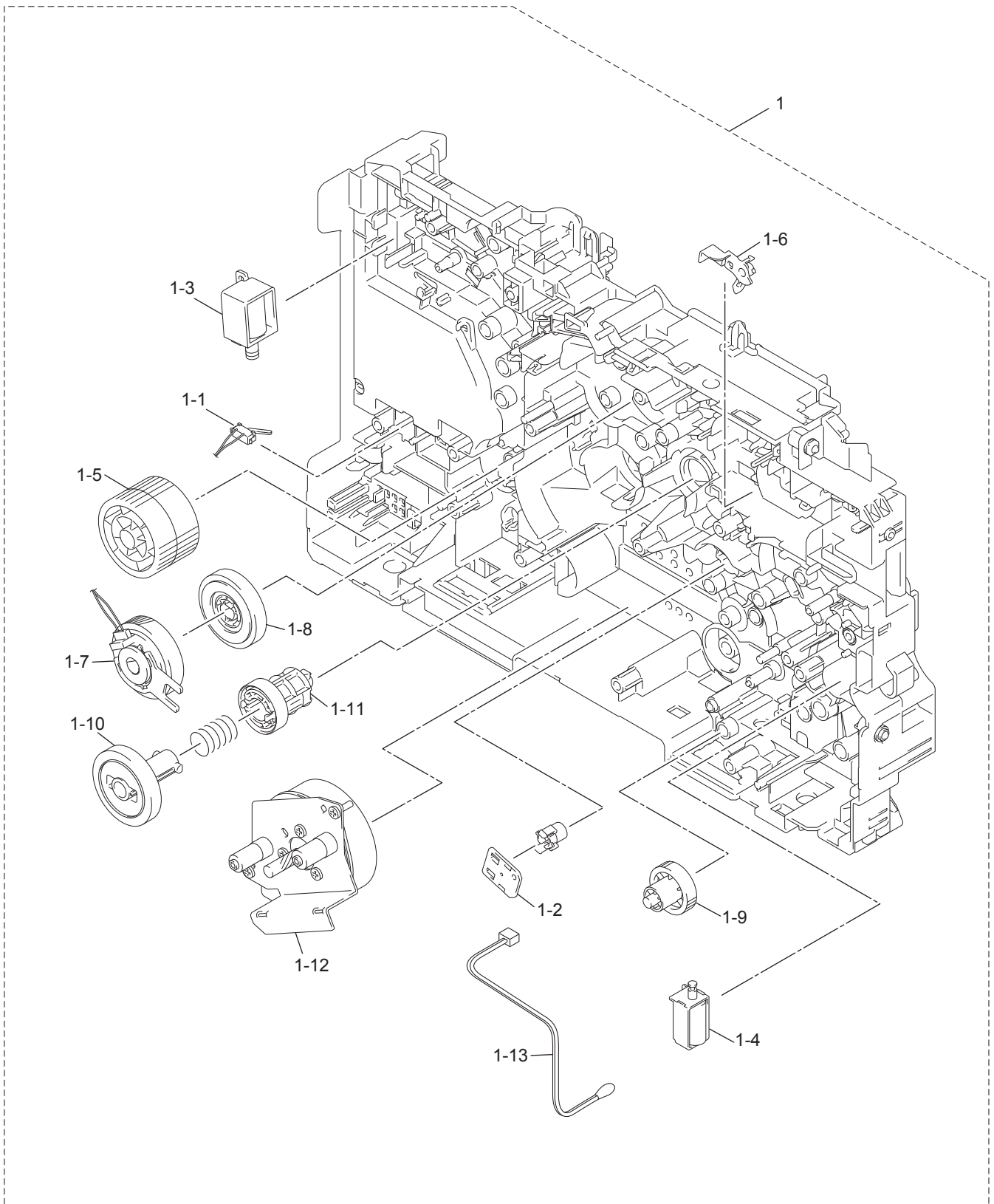
IBR ----- IBERIA (SPAIN/ PORTUGAL)

CEE ----- CEE GENERAL

# CONTENTS

1.	<u>FRAME L &amp; DRIVE UNIT</u> .....	1
2.	<u>FRAME</u> .....	3
3.	<u>LASER UNIT</u> .....	5
4.	<u>PAPER FEEDERR</u> .....	7
5.	<u>DUPLEX</u> .....	9
6.	<u>PAPER TRAY</u> .....	11
7.	<u>FUSER UNIT</u> .....	13
8.	<u>COVERS &amp; LABELS</u> .....	15
9.	<u>DOCUMENT SCANNER</u> .....	18
10.	<u>ADF</u> .....	20
11.	<u>PANEL</u> .....	23
12.	<u>PCB</u> .....	26
13.	<u>ACCESSORIES</u> .....	28
14.	<u>PRINTED MATELRIALS</u> .....	30
15.	<u>PACKING MATERIALS</u> .....	33
16.	<u>PERIODICAL MAITENANCE PARTS</u> .....	35
17.	<u>LOWER TRAY</u> .....	37

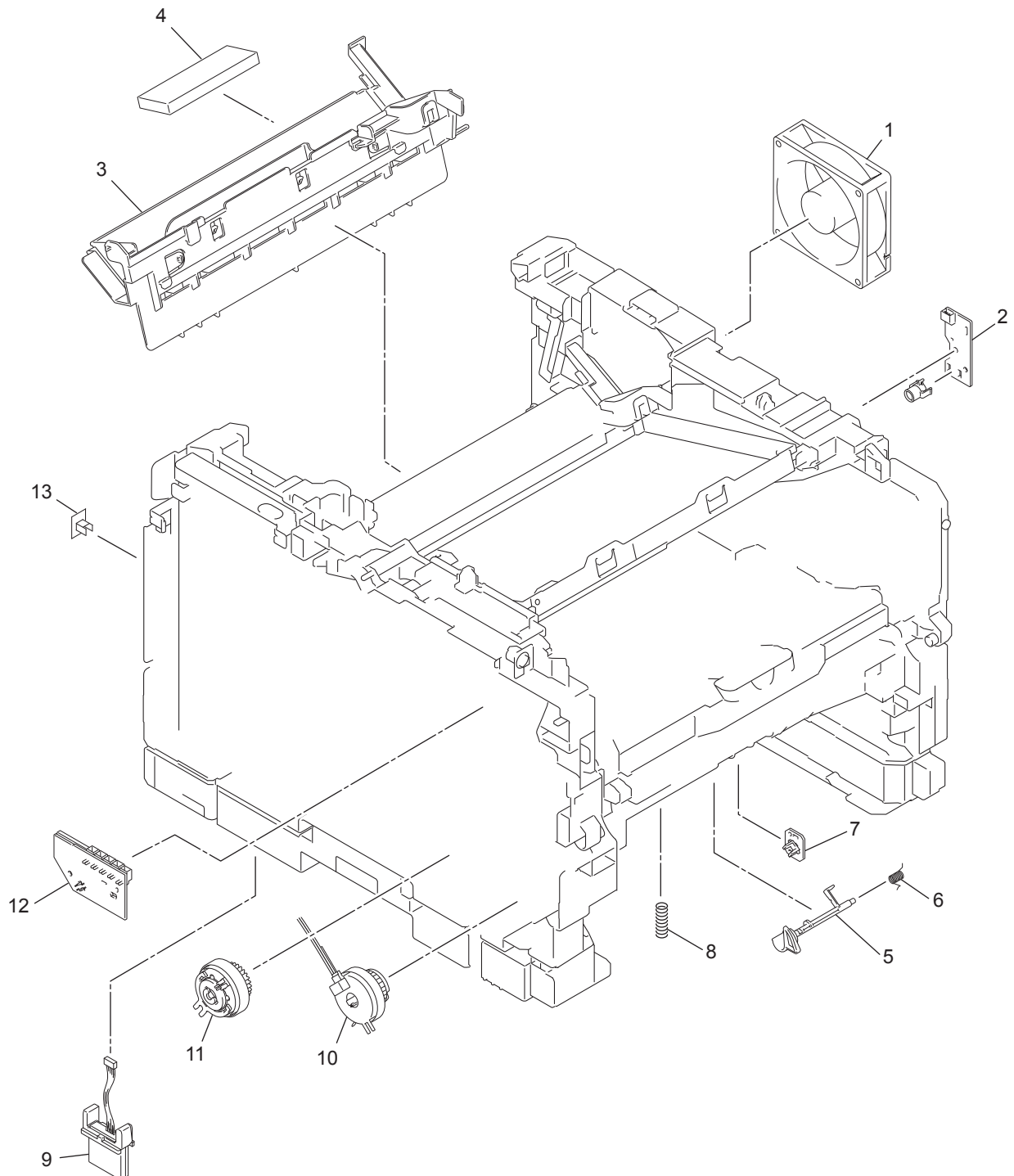
# 1. FRAME L & DRIVE UNIT



1. FRAME L & DRIVE UNIT

REF No.	CODE	Q'TY	DESCRIPTION	REMARKS
1	LX9887001	1	MAIN FRAME L ASSY (SP), DCP-8110DN/MFC-8510DN FOR US/CAN, MFC-8512DN	
1	LX9888001	1	MAIN FRAME L ASSY (SP), DCP-8110DN/MFC-8510DN EXCEPT FOR US/CAN, DCP-8150DN/8152DN/8155DN/8157DN/8250DN/MFC-8515DN/8520DN/8710DW/ 8712DW/8810DW/8910DW/8912DW/8950DW/8950DWT/8952DW/8952DWT	
1-1	LV0768001	1	BACK COVER SWITCH HARNESS ASSY	
1-2	LV0766001	1	TONER SENSOR PCB ASSY	
1-3	LX9115001	1	DUPLEX SOLENOID	
1-4	LY4393001	1	MP SOLENOID	
1-5	LY4450001	1	FUSER DRIVE GEAR 39	
1-6	LY4454001	1	NEW TONER ACTUATOR	
1-7	LY4408001	1	DEVELOP CLUTCH 51R	
1-8	LY4409001	1	DEVELOP ONE WAY CLUTCH 53	
1-9	LY4398001	1	LT DRIVE GEAR 29	
1-10	LY4382001	1	DEVELOP JOINT GEAR 37	
1-11	LY4380001	1	DEVELOP JOINT	
1-12	LY5383001	1	MAIN MOTOR ASSY (SP)	
1-13	LT0132001	1	INTERNAL TEMPERATURE THERMISTOR	

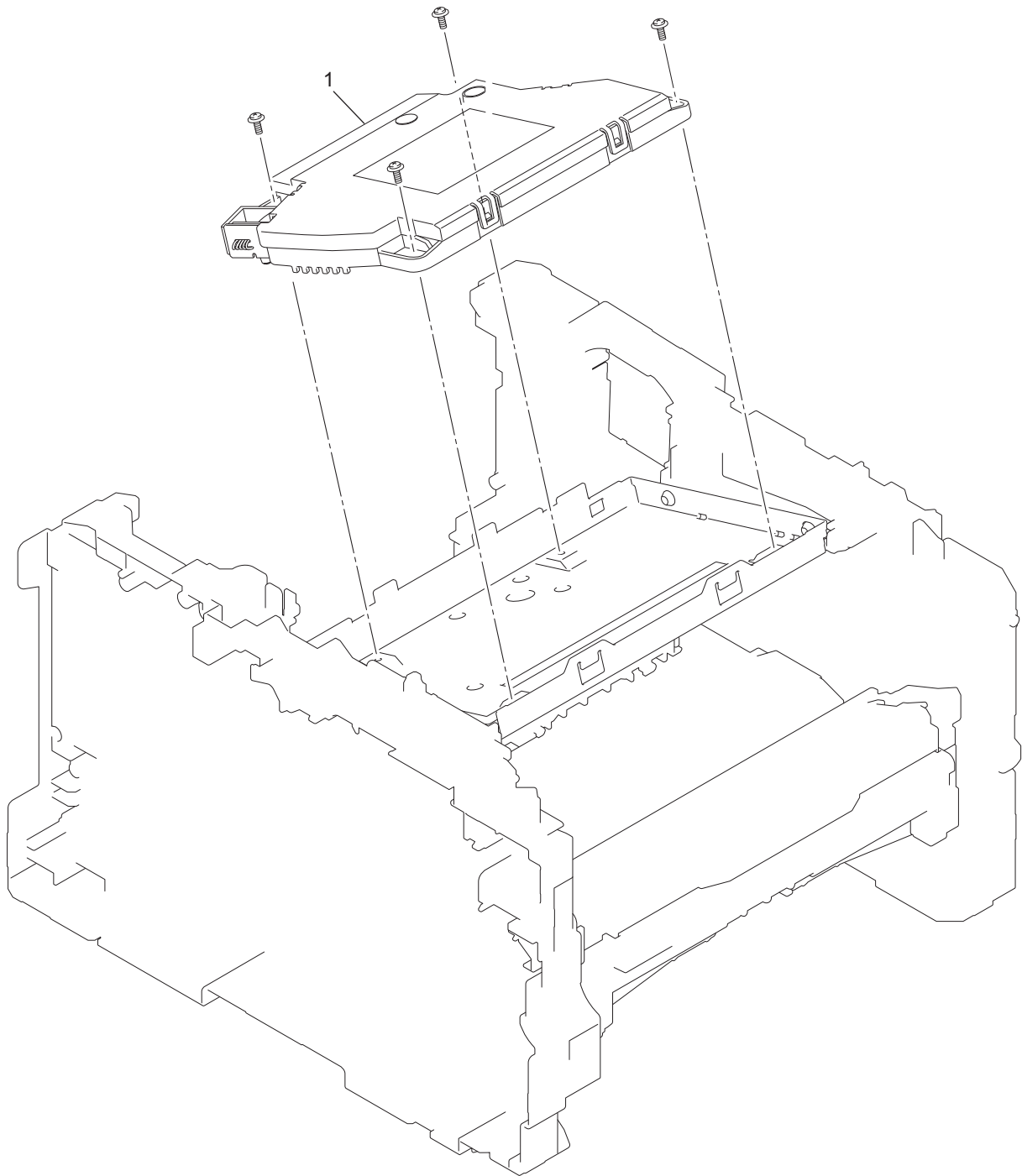
## 2. FRAME



2. FRAME

REF No.	CODE	Q'TY	DESCRIPTION	REMARKS
1	LY4367001	1	MAIN FAN	
2	LT2008001	1	TONER LED PCB ASSY	
3	LY4350001	1	AIR DUCT	
4	LY5321001	1	FILTER	
5	LY4562001	1	T1 PAPER FEED ACTUATOR	
6	LY4561001	1	T1 PAPER FEED ACTUATOR SPRING	
7	LV0812001	1	T1 PAPER FEED SENSOR PCB ASSY	
8	LY4331001	1	FEED GROUND SPRING	
9	LM9266001	1	LT CONNECTOR (T1)	
10	LY4335001	1	T1 CLUTCH	
11	LY4332001	1	REGISTRATION CLUTCH	
12	LV0773001	1	RELAY FRONT PCB ASSY	
13	LY0872001	1	LAN PORT CAP	

### 3. LASER UNIT

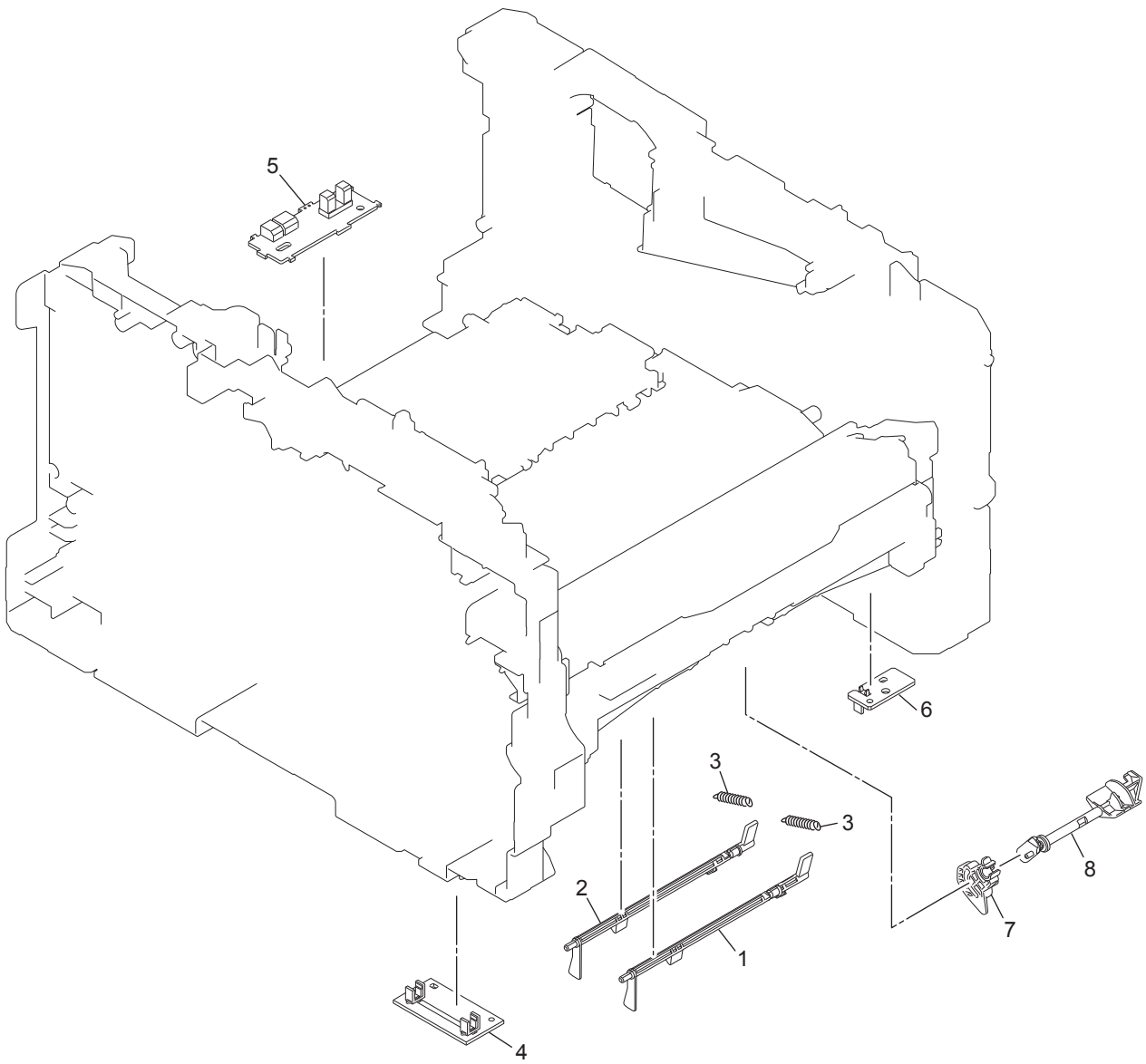




3. LASER UNIT

REF No.	CODE	Q'TY	DESCRIPTION	REMARKS
1	LY4628001	1	LASER UNIT (SP)	

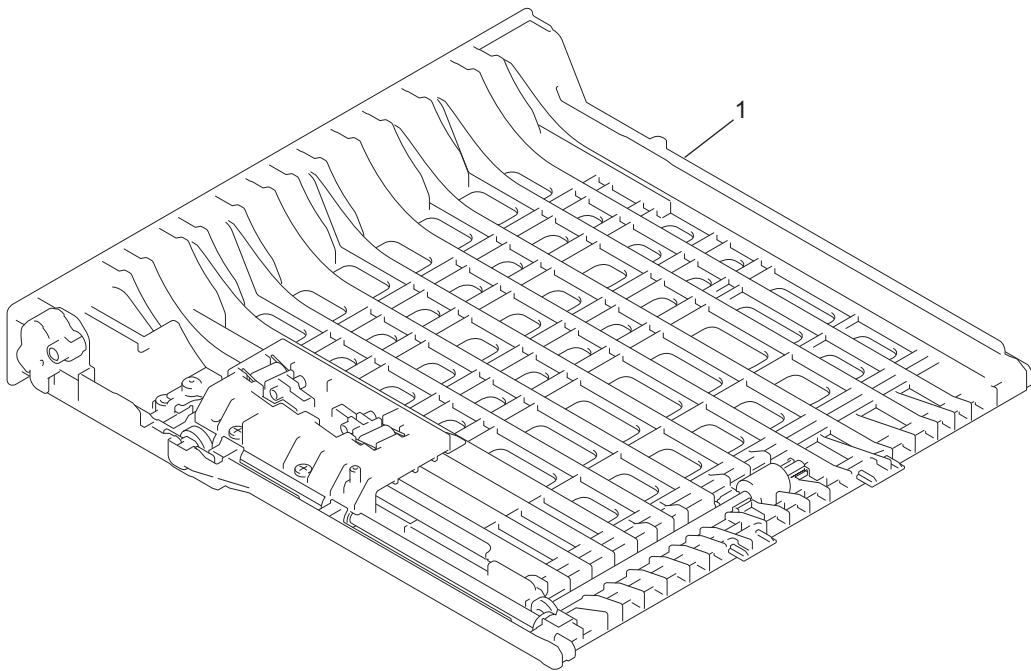
## 4. PAPER FEEDER



4. PAPER FEEDER

REF No.	CODE	Q'TY	DESCRIPTION	REMARKS
1	LY4311001	1	REGISTRATION FRONT ACTUATOR	
2	LY4310001	1	REGISTRATION REAR ACTUATOR	
3	LY4309001	2	REGISTRATION ACTUATOR SPRING	
4	LV0785001	1	REGISTRATION FRONT/REAR SENSOR PCB ASSY	
5	LV0787001	1	EJECT SENSOR PCB ASSY	
6	LV0789001	1	MP PAPER EMPTY SENSOR PCB ASSY	
7	LY4290001	1	MP PAPER EMPTY ACTUATOR 2	
8	LY4289001	1	MP PAPER EMPTY ACTUATOR 1	

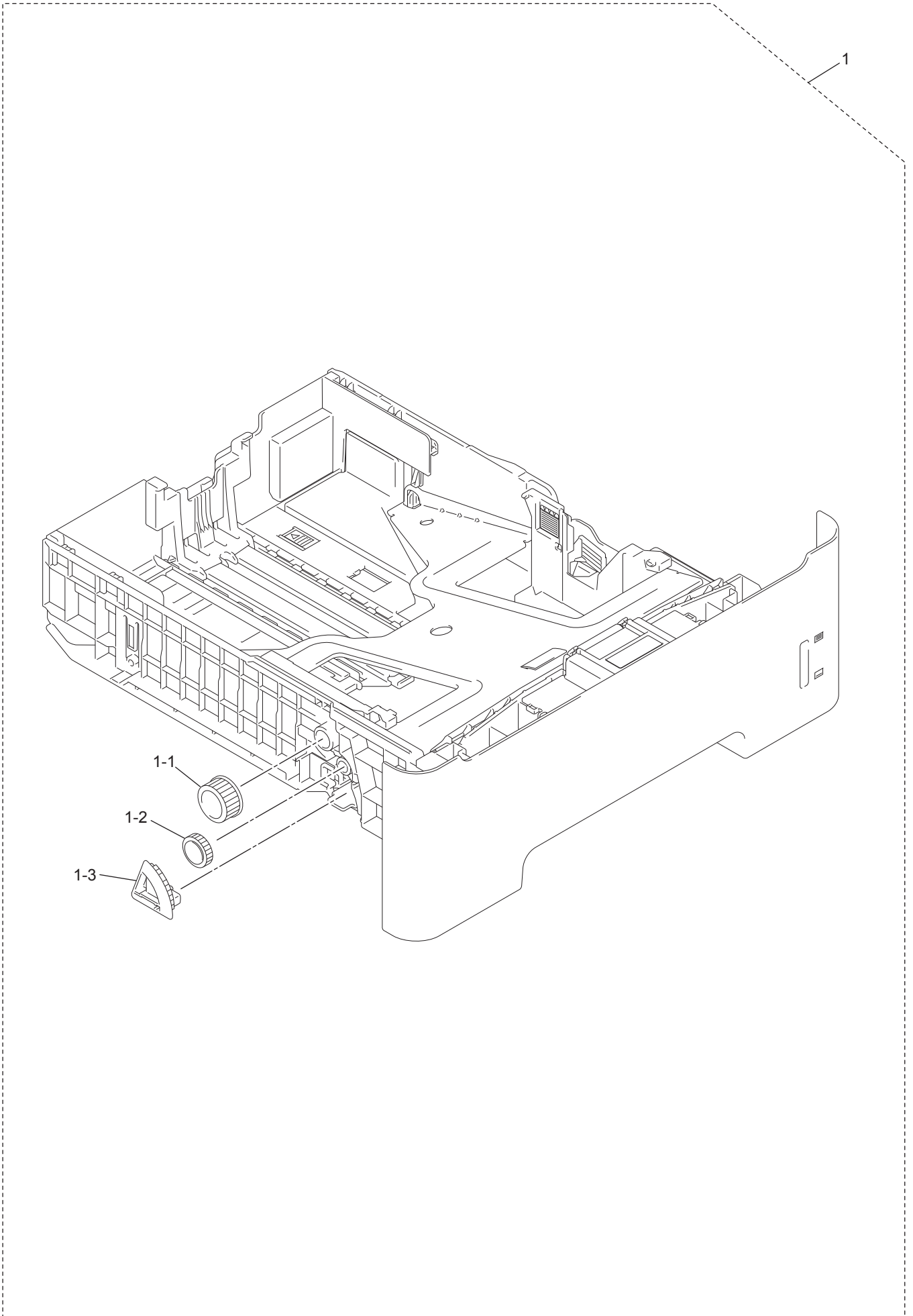
## 5. DUPLEX



5. DUPLEX

REF No.	CODE	Q'TY	DESCRIPTION	REMARKS
1	LY5837001	1	DUPLEX TRAY LTR (SP), DCP-8110DN/8150DN/8155DN/ MFC-8510DN/8710DW/8810DW/8910DW/8950DW/8950DWT FOR US/CAN/PHL,	
1	LY5694001	1	DUPLEX TRAY A4 (SP), DCP-8110DN/8155DN/8250DN/MFC-8510DN/8515DN/8520DN/8910DW/ 8950DW/8950DWT EXCEPT FOR US/CAN/PHL	

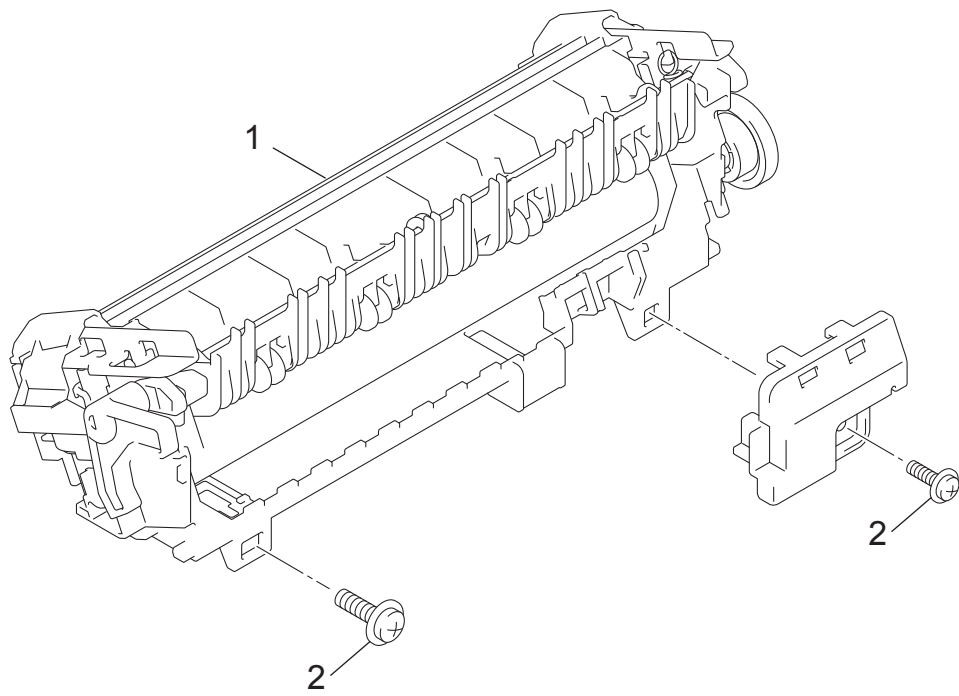
## 6. PAPER TRAY



6. PAPER TRAY

REF No.	CODE	Q'TY	DESCRIPTION	REMARKS
1	LY5724001	1	PAPER TRAY 1 (250 sheets) (SP), DCP-8110DN/8150DN/8152DN/8155DN/8157DN/ MFC-8510DN/8512DN/8515DN/8520DN/8710DW/8712DW/8810DW/8910DW/8912DW	
1	LY5727001	1	PAPER TRAY 1 (500 sheets) (SP), DCP-8250DN/MFC-8950DW/8950DWT/8952DW/8952DWT	
1-1	LY4243001	1	GEAR Z22M10	
1-2	LY4242001	1	IDLE GEAR Z18M10	
1-3	LY4241001	1	LIFT GEAR Z27M10, DCP-8110DN/8150DN/8152DN/8155DN/8157DN/ MFC-8510DN/8512DN/8515DN/8520DN/8710DW/8712DW/8810DW/8910DW/8912DW	
1-3	LY4516001	1	LIFT GEAR Z48M10, DCP-8250DN/MFC-8950DW/8950DWT/8952DW/8952DWT	

## 7. FUSER UNIT

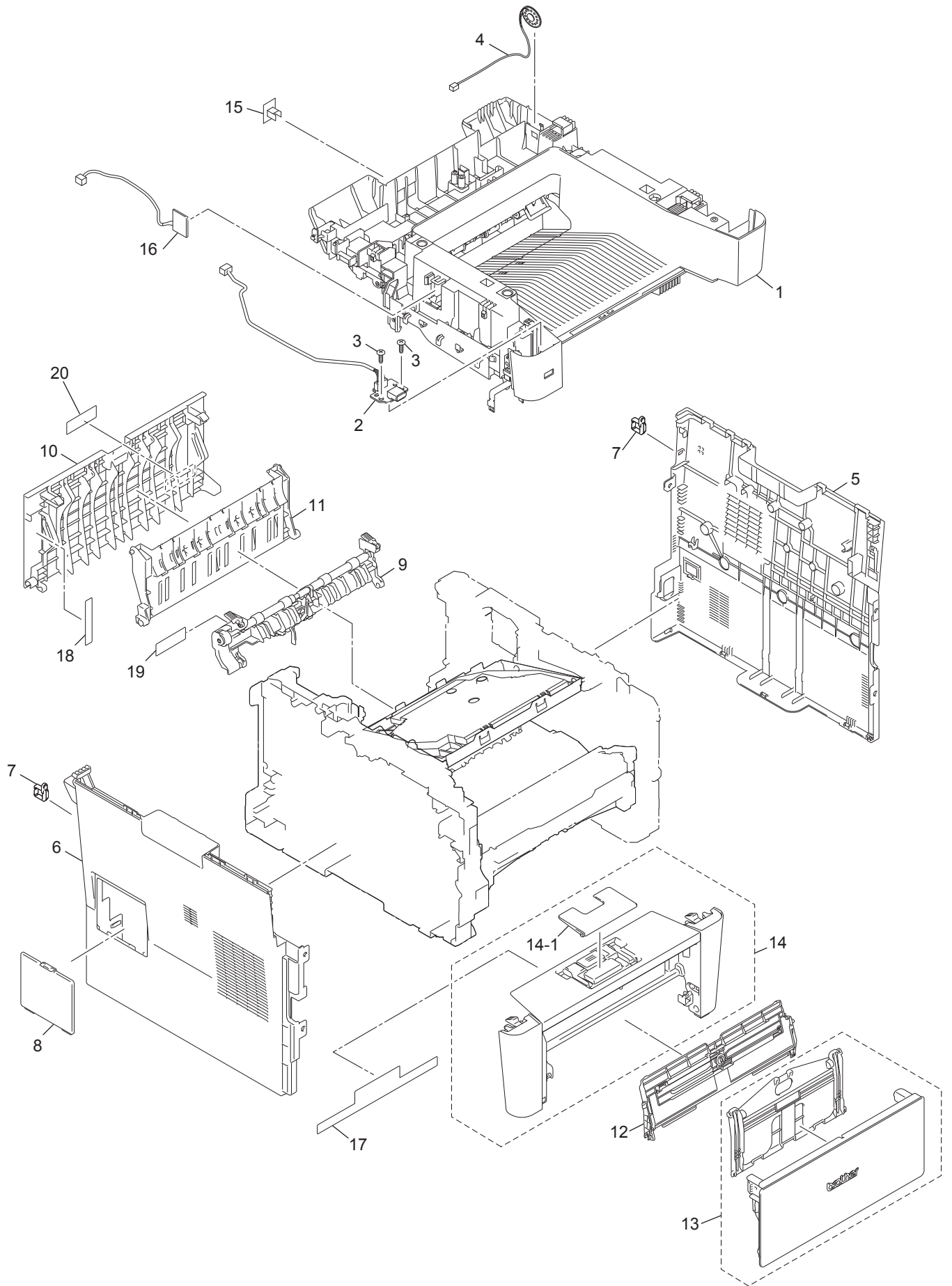




7. FUSER UNIT

REF No.	CODE	Q'TY	DESCRIPTION	REMARKS
1	LU9215001	1	FUSER UNIT 115V (SP)	CHG
1	LY5610001	1	FUSER UNIT 230V (SP)	
2	LJ0395001	2	TAPTITE PAN B M4X14	

# 8. COVERS & LABELS



8. COVERS & LABELS

REF No.	CODE	Q'TY	DESCRIPTION	REMARKS
1	LX9113001	1	JOINT COVER, DCP-8110DN/8150DN/8152DN, DCP-8155DN FOR US/OCE	
1	LX9060001	1	JOINT COVER, DCP-8157DN/8250DN, DCP-8155DN FOR ASA/GUL	
1	LX9147001	1	JOINT COVER, MFC-8510DN/8520DN/8710DW EXCEPT FOR CHN, MFC-8810DW/8910DW FOR US/CAN/OCE, MFC-8512DN	
1	LX9138001	1	JOINT COVER, MFC-8510DN/8515DN/8520DN FOR CHN, MFC-8910DW FOR PHL/TWN/ASA/GUL/KOR, MFC-8712DW/8912DW/8950DW/8950DWT/8952DW/8952DWT	
2	LV0531001	1	USB HOST PCB ASSY	
3	LU5693001	2	TAPTITE BIND B M4X12	
4	LT1733001	1	SPEAKER UNIT	
5	LX9109001	1	SIDE COVER R ASSY, DCP-8110DN/8150DN/8152DN/8155DN/8157DN	
5	LX9140001	1	SIDE COVER R ASSY, DCP-8250DN	
5	LX9004001	1	SIDE COVER R ASSY, MFC-8510DN/8512DN/8515DN/8520DN/8710DW/8712DW/8810DW/8910DW/8912DW	
5	LX9006001	1	SIDE COVER R ASSY, MFC-8950DW/8950DWT/8952DW/8952DWT	
6	LX9108001	1	SIDE COVER L, DCP-8110DN/8150DN/8152DN/8155DN/8157DN	
6	LX9141001	1	SIDE COVER L, DCP-8250DN	
6	LX9005001	1	SIDE COVER L, MFC-8510DN/8512DN/8515DN/8520DN/8710DW/8712DW/8810DW/8910DW/8912DW	
6	LX9007001	1	SIDE COVER L, MFC-8950DW/8950DWT/8952DW/8952DWT	
7	LX9044001	2	CORD HOOK, MFC-8510DN/8512DN/8515DN/8520DN/8710DW/8712DW/8810DW/8910DW/8912DW/8950DW/8950DWT/8952DW/8952DWT	
8	LY4463001	1	ACCESS COVER	
9	LY4580001	1	FUSER COVER	
10	LY4176001	1	BACK COVER	
11	LY4175001	1	OUTER CHUTE	
12	LY4174002	1	MP PAPER GUIDE ASSY, DCP-8110DN/8150DN/8152DN/8155DN/8157DN/MFC-8510DN/8512DN/8520DN/8710DW/8712DW/8810DW/8910DW/8912DW/8952DW/8952DWT, MFC-8950DW/8950DWT FOR US/CAN/PHL/GUL/OCE	
12	LY4174003	1	MP PAPER GUIDE ASSY, DCP-8250DN/MFC-8515DN, MFC-8950DW/8950DWT FOR GER/UK/FRA/BEL/NLD/CHE/ITA/RUS/PND/CEE	
13	LY5327002	1	MP COVER ASSY(SP), DCP-8110DN/8150DN/8152DN/8155DN/8157DN/MFC-8510DN/8512DN/8520DN/8710DW/8712DW/8810DW/8910DW/8912DW/8952DW/8952DWT, MFC-8950DW/8950DWT FOR US/CAN/PHL/GUL/OCE	
13	LY5327003	1	MP COVER ASSY(SP), DCP-8250DN/MFC-8515DN, MFC-8950DW/8950DWT FOR GER/UK/FRA/BEL/NLD/CHE/ITA/RUS/PND/CEE	
14	LX9076001	1	FRONT COVER ASSY, DCP-8110DN/8150DN/8155DN/MFC-8710DW/8810DW, MFC-8510DN/8520DN EXCEPT FOR CHN/TWN/ASA/KOR, MFC-8910DW/8950DW/8950DWT FOR US/CAN/ARG/CHL/OCE	
14	LX9076002	1	FRONT COVER ASSY, DCP-8250DN, MFC-8950DW/8950DWT FOR GER/UK/FRA/BEL/NLD/CHE/ITA/RUS/PND/CEE	
14	LX9312001	1	FRONT COVER ASSY, MFC-8510DN/8520DN FOR CHN	
14	LX9312002	1	FRONT COVER ASSY, MFC-8515DN FOR CHN	
14	LX9878001	1	FRONT COVER ASSY, DCP-8110DN/8155DN/MFC-8510DN/8910DW/8950DW FOR PHL/TWN/ASA/GUL/KOR	
14	LX9947001	1	FRONT COVER ASSY FOR BRA	
14-1	LY4160001	1	PAPER STOPPER, DCP-8110DN/8150DN/8152DN/8155DN/8157DN/MFC-8510DN/8512DN/8520DN/8710DW/8712DW/8810DW/8910DW/8912DW/8952DW/8952DWT, MFC-8950DW/8950DWT FOR US/CAN/PHL/GUL/OCE	
14-1	LY4160002	1	PAPER STOPPER, DCP-8250DN/MFC-8515DN, MFC-8950DW/8950DWT FOR GER/UK/FRA/BEL/NLD/CHE/ITA/PND/CEE	
15	LE8842001	1	EXT CAP, MFC-8510DN/8520DN/8710DW/8810DW/8910DW/8950DW/8950DWT FOR US/CAN/CHE/PHL/TWN/ASA/GUL/KOR/RUS/OCE/PND/IBR/CEE, MFC-8512DN/8712DW/8912DW/8952DW/8952DWT	
15	UF5745000	1	MJ COVER EXT, MFC-8510DN/8515DN/8520DN/8950DW/8950DWT FOR GER/UK/FRA/BEL/NLD/ITA/CHN	
16	LT2155001	1	WIRELESS LAN PCB ASSY, MFC-8710DW/8712DW/8810DW/8910DW/8912DW/8950DW/8950DWT/8952DW/8952DWT	
17	LX9172001	1	LABEL PROCESS OP US 26X209, DCP-8110DN/8150DN/8155DN/MFC-8510DN/8710DW/8810DW/8910DW FOR US/CAN	
17	LX9173001	1	LABEL PROCESS OP 26X209, DCP-8110DN/8155DN/8250DN/MFC-8510DN/8515DN/8520DN/8910DW/8950DW/8950DWT EXCEPT FOR US/CAN/CHN	
17	LX9174001	1	LABEL PROCESS OP US FS 26X209, MFC-8950DW/8950DWT FOR US/CAN	

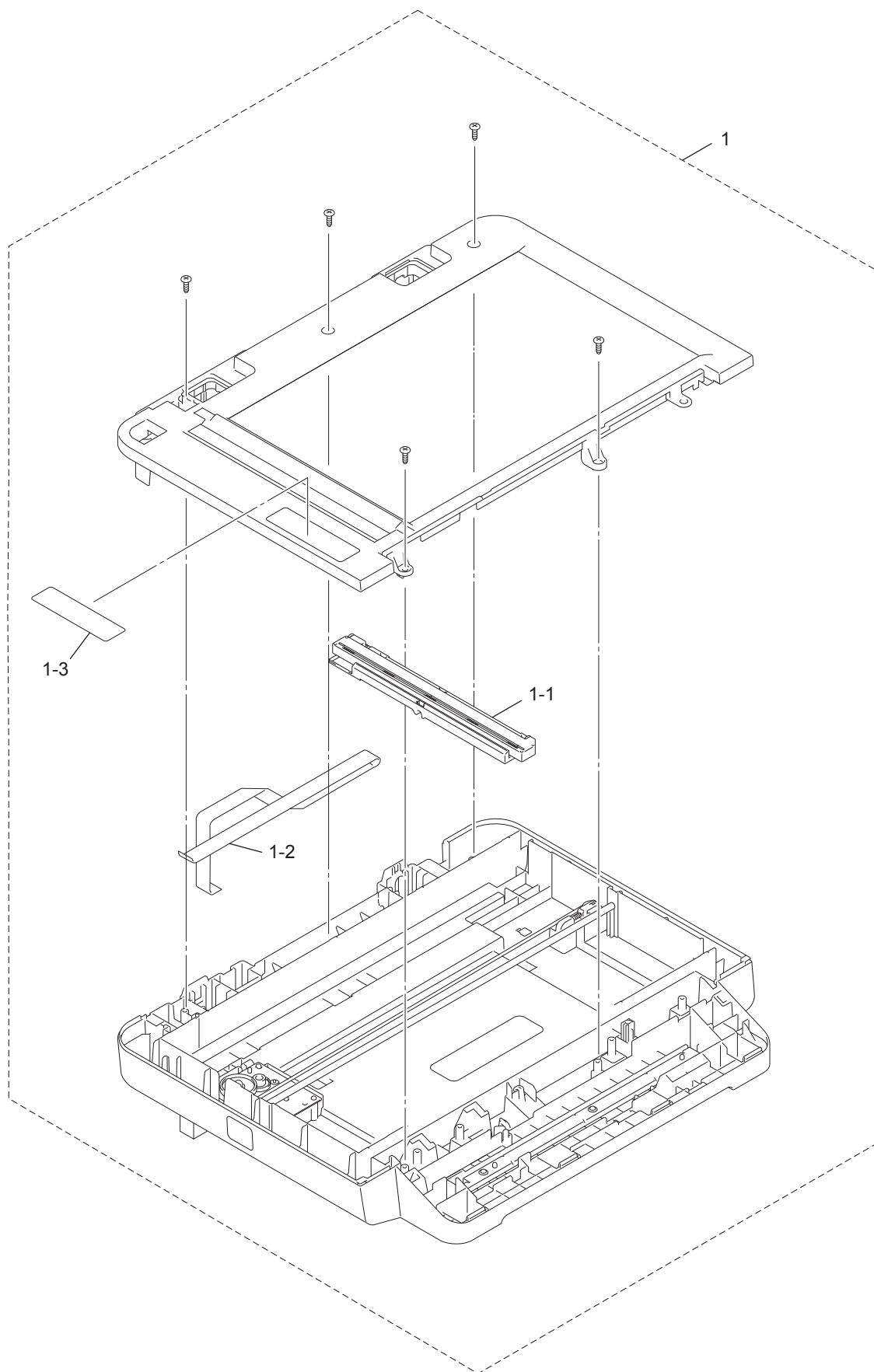
8C5F01/05/07/17/  
31/33/35/37/47/48/57

DCP8110DN/8150DN/8152DN/8155DN/8157DN/8250DN/  
MFC-8510DN/8512DN/8515DN/8520DN/8710DW/8712DW/  
8810DW/8910DW/8912DW/8950DW/8950DWT/8952DW/8952DWT

8. COVERS & LABELS

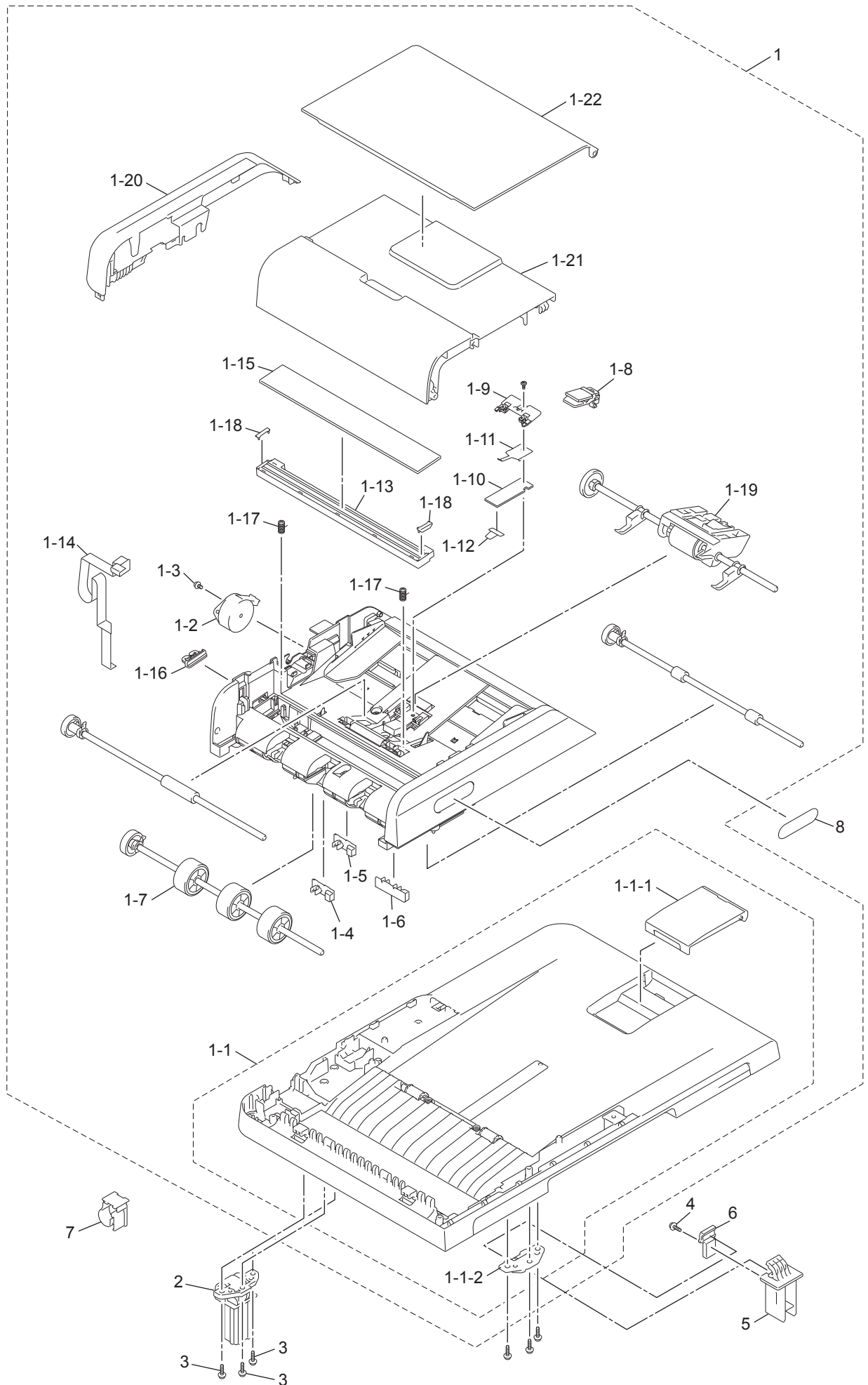
REF No.	CODE	Q'TY	DESCRIPTION	REMARKS
17	LX9223001	1	LABEL PROCESS OP CHN 26X209, MFC-8510DN/8515DN/8520DN FOR CHN	
17	LX9941001	1	LABEL PROCESS OP BRZ 26X209, DCP-8152DN/MFC-8512DN	
17	LX9942001	1	LABEL PROCESS OP BRZ W 26X209, DCP-8157DN/MFC-8712DW/8912DW/8952DW/8952DWT	
18	LY4574001	1	LABEL H CAUTION REAR 14X72	
19	LY4690001	1	LABEL REAR JAM 17X55	
20	LU9003001	1	LABEL AC CORD CAUTION FOR CHN	ADD

# 9. DOCUMENT SCANNER



9. DOCUMENT SCANNER

REF No.	CODE	Q'TY	DESCRIPTION	REMARKS
1	LX9786001	1	DOCUMENT SCANNER UNIT (SP), DCP-8110DN/MFC-8510DN/8512DN/8515DN/8520DN	
1	LX9792001	1	DOCUMENT SCANNER UNIT (SP), DCP-8250DN/MFC-8950DW/8950DWT/8952DW/8952DWT	
1	LX9791001	1	DOCUMENT SCANNER UNIT (SP), DCP-8150DN/8152DN/8155DN/8157DN/ MFC-8710DW/8712DW/8810DW/8910DW/8912DW	
1-1	LT1713001	1	FIRST SIDE CIS UNIT	
1-2	LT1816001	1	FIRST SIDE CIS FLAT CABLE, DCP-8110DN/MFC-8510DN/8512DN/8515DN/8520DN	
1-2	LT1712001	1	FIRST SIDE CIS FLAT CABLE, DCP-8150DN/8152DN/8155DN/8157DN/8250DN/MFC-8710DW/8712DW/8810DW/ 8910DW/8912DW/8950DW/8950DWT/8952DW/8952DWT	
1-3	LX5186001	1	ADF CLEAN UP LABEL, DCP-8110DN/8150DN/8152DN/MFC-8510DN/8512DN/8515DN/8710DW/8712DW	
1-3	LX7422001	1	ADF CLEAN UP LABEL, DCP-8155DN/8157DN/8250DN/MFC-8520DN/8810DW/ 8910DW/8912DW/8950DW/8950DWT/8952DW/8952DWT	



REF No.	CODE	Q'TY	DESCRIPTION	REMARKS
1	LX9785001	1	ADF UNIT(SP), DCP-8110DN/MFC-8510DN/8512DN/8515DN	
1	LX9789001	1	ADF UNIT(SP), DCP-8150DN/8152DN/MFC-8710DW/8712DW	
1	LX9790001	1	ADF UNIT(SP), DCP-8155DN/8157DN/8250DN/ MFC-8810DW/8910DW/8912DW/8950DW/8950DWT/8952DW/8952DWT	
1	LX9972001	1	ADF UNIT(SP), MFC-8520DN MFC-8520DN	
1-1	LX9298001	1	DOCUMENT COVER ASSY, DCP-8110DN/MFC-8510DN/8512DN/8515DN/8520DN	
1-1	LX9067001	1	DOCUMENT COVER ASSY, DCP-8150DN/8152DN/8155DN/8157DN/8250DN/MFC-8710DW/8712DW/8810DW/ 8910DW/8912DW/8950DW/8950DWT/8952DW/8952DWT	
1-1-1	LX4184002	1	ADF DOCUMENT OUTPUT SUPPORT FLAP, DCP-8110DN/MFC-8510DN/8512DN/8515DN/8520DN	
1-1-1	LX4267002	1	ADF DOCUMENT OUTPUT SUPPORT FLAP, DCP-8150DN/8152DN/8155DN/8157DN/8250DN/MFC-8710DW/8712DW/8810DW/ 8910DW/8912DW/8950DW/8950DWT/8952DW/8952DWT	
1-1-2	LS8141002	1	HINGE ARM R	
1-2	LX5307001	1	ADF MOTOR ASSY, DCP-8110DN/MFC-8510DN/8512DN/8515DN/8520DN	
1-2	LX9215001	1	ADF MOTOR ASSY, DCP-8150DN/8152DN/8155DN/8157DN/8250DN/MFC-8710DW/ 8712DW/8810DW/8910DW/8912DW/8950DW/8950DWT/8952DW/8952DWT	
1-3	0A4300606	1	SCREW PAN (S/P WASHER) M3X6	
1-4	LG6753001	1	FIRST SIDE DOCUMENT SCANNING POSITION SENSOR PCB ASSY	
1-5	LG6753001	1	SECOND SIDE DOCUMENT SCANNING POSITION SENSOR PCB ASSY, DCP-8155DN/8157DN/8250DN/MFC-8520DN/8810DW/8910DW/8912DW/8950DW/ 8950DWT/8952DW/8952DWT	
1-6	LT1120001	1	ADF COVER/ DOCUMENT DETECTION SENSOR PCB ASSY	
1-7	LX8675001	1	DOCUMENT FEED ROLLER ASSY1, DCP-8110DN/MFC-8510DN/8512DN/8515DN/8520DN	
1-7	LX9320001	1	DOCUMENT FEED ROLLER ASSY1, DCP-8150DN/8152DN/8155DN/8157DN/8250DN/MFC-8710DW/8712DW/8810DW/ 8910DW/8912DW/8950DW/8950DWT/8952DW/8952DWT	
1-8	LX9751001	1	ADF SEPARATION PAD HOLDER ASSY, DCP-8110DN/MFC-8510DN/8512DN/8515DN/8520DN	
1-9	LX4320002	1	ADF SEPARATION PAD HOLDER, DCP-8150DN/8152DN/8155DN/8157DN/8250DN/MFC-8710DW/8712DW/8810DW/ 8910DW/8912DW/8950DW/8950DWT/8952DW/8952DWT	
1-10	LX9748001	1	ADF SEPARATION PAD, DCP-8150DN/8152DN/8155DN/8157DN/8250DN/MFC-8710DW/8712DW/8810DW/ 8910DW/8912DW/8950DW/8950DWT/8952DW/8952DWT	
1-11	LX4777001	1	SEPARATION SUPPORT FILM, DCP-8150DN/8152DN/8155DN/8157DN/8250DN/MFC-8710DW/8712DW/8810DW/ 8910DW/8912DW/8950DW/8950DWT/8952DW/8952DWT	
1-12	LX4652001	1	SUPPORT FILM, DCP-8150DN/8152DN/8155DN/8157DN/8250DN/MFC-8710DW/8712DW/8810DW/ 8910DW/8912DW/8950DW/8950DWT/8952DW/8952DWT	
1-13	LT1704001	1	SECOND SIDE CIS UNIT, DCP-8155DN/8157DN/8250DN/MFC-8810DW/8910DW/ 8912DW/8950DW/8950DWT/8952DW/8952DWT	
1-13	LT1783001	1	SECOND SIDE CIS UNIT, MFC-8520DN	
1-14	LT1741001	1	SECOND SIDE CIS FLAT CABLE, DCP-8155DN/8157DN/8250DN/MFC-8810DW/ 8910DW/8912DW/8950DW/8950DWT/8952DW/8952DWT	
1-14	LT2006001	1	SECOND SIDE CIS FLAT CABLE, MFC-8520DN	
1-15	LX4368001	1	CIS GLASS, DCP-8155DN/8157DN/8250DN/MFC-8520DN/8810DW/8910DW/ 8912DW/8950DW/8950DWT/8952DW/8952DWT	
1-16	LX4098001	1	CIS GLASS STOPPER, DCP-8155DN/8157DN/8250DN/MFC-8520DN/8810DW/ 8910DW/8912DW/8950DW/8950DWT/8952DW/8952DWT	
1-17	LX4099001	2	CIS SPRING, DCP-8155DN/8157DN/8250DN/MFC-8520DN/8810DW/8910DW/ 8912DW/8950DW/8950DWT/8952DW/8952DWT	
1-18	LX9030001	2	CIS SPACER, DCP-8155DN/8157DN/8250DN/MFC-8520DN/8810DW/8910DW/ 8912DW/8950DW/8950DWT/8952DW/8952DWT	
1-19	LX9296001	1	DOCUMENT SEPARATE ROLLER ASSY, DCP-8110DN/MFC-8510DN/8512DN/8515DN	
1-19	LX9358001	1	DOCUMENT SEPARATE ROLLER ASSY, DCP-8155DN/8157DN/8250DN/ MFC-8810DW/8910DW/8912DW/8950DW/8950DWT/8952DW/8952DWT	
1-19	LX9098001	1	DOCUMENT SEPARATE ROLLER ASSY, DCP-8150DN/8152DN/MFC-8710DW/8712DW	
1-19	LX9297001	1	DOCUMENT SEPARATE ROLLER ASSY, MFC-8520DN	
1-20	LX5041001	1	GEAR COVER, DCP-8110DN/MFC-8510DN/8512DN/8515DN/8520DN	
1-20	LX4264002	1	GEAR COVER, DCP-8150DN/8152DN/8155DN/8157DN/8250DN/MFC-8710DW/ 8712DW/8810DW/8910DW/8912DW/8950DW/8950DWT/8952DW/8952DWT	
1-21	LX5042001	1	ADF COVER ASSY, DCP-8110DN/MFC-8510DN/8512DN/8515DN	
1-21	LX9360001	1	ADF COVER ASSY, DCP-8155DN/8157DN/8250DN/MFC-8810DW/8910DW/ 8912DW/8950DW/8950DWT/8952DW/8952DWT	
1-21	LX9096001	1	ADF COVER ASSY, DCP-8150DN/8152DN/MFC-8710DW/8712DW	

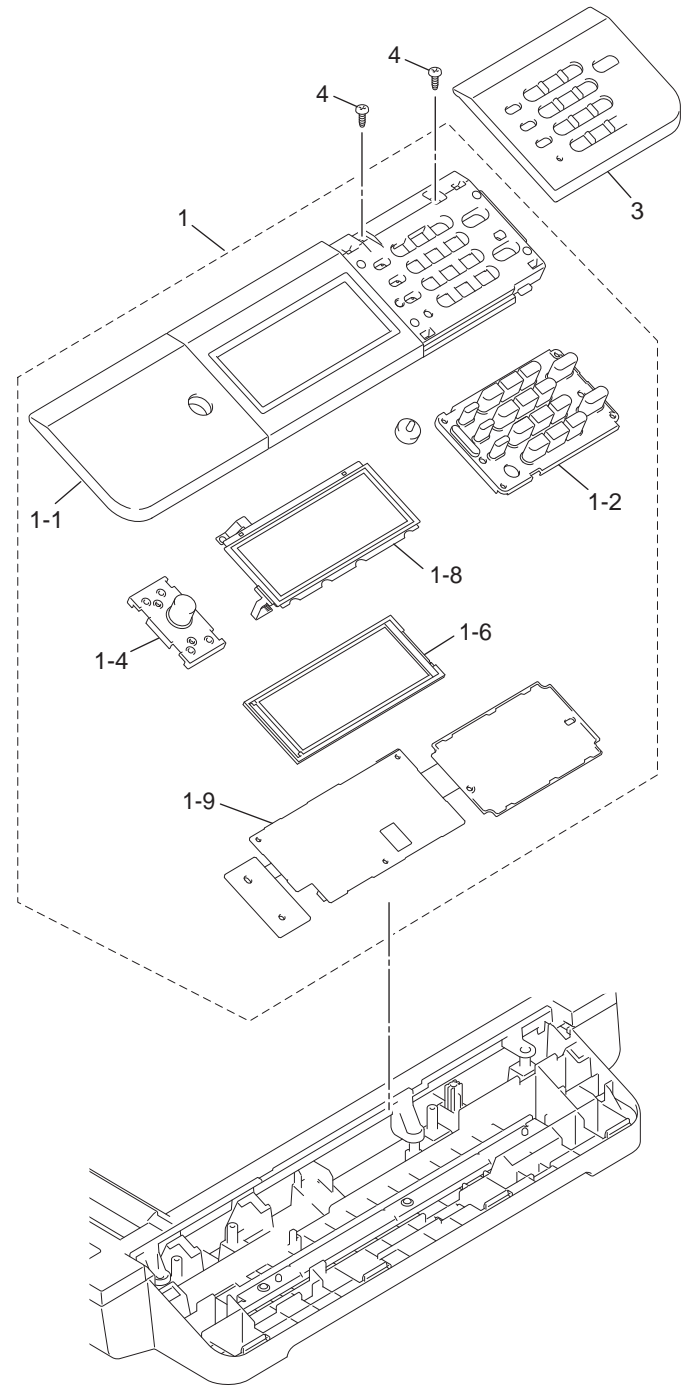


10. ADF

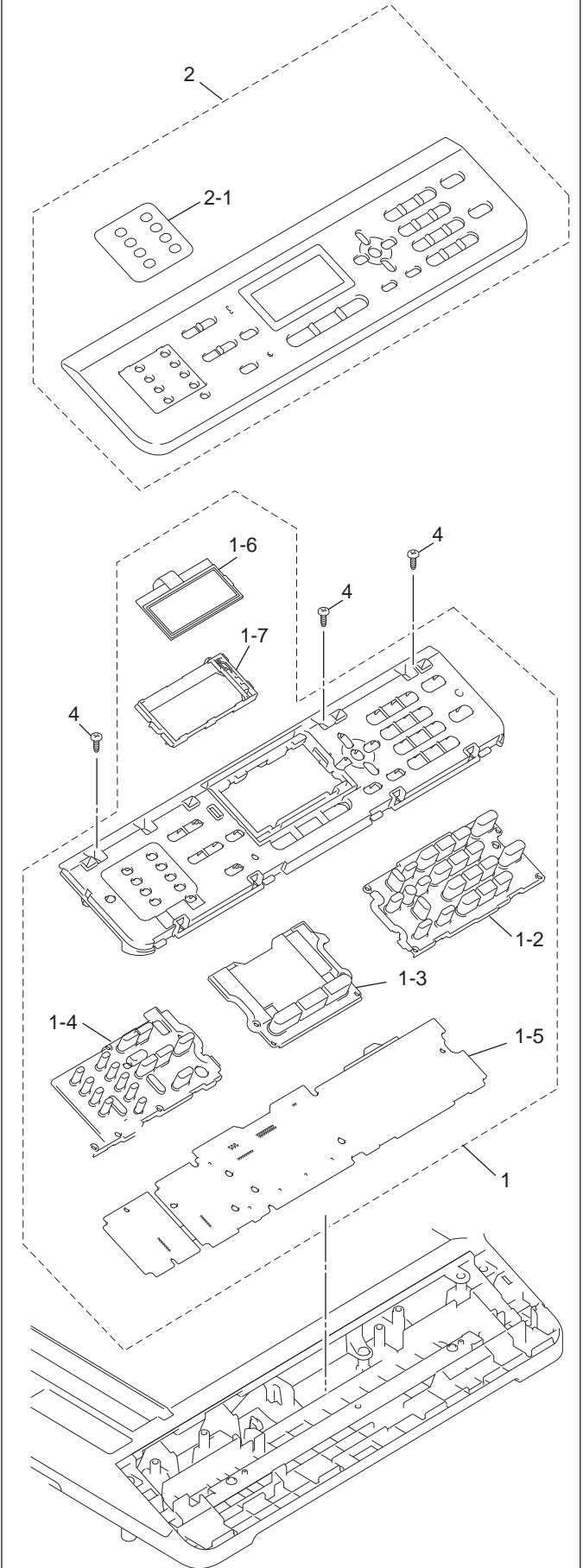
REF No.	CODE	Q'TY	DESCRIPTION	REMARKS
1-21	LX4118002	1	ADF COVER ASSY, MFC-8520DN	
1-22	LX5371002	1	ADF DOCUMENT SUPPORT, DCP-8110DN/MFC-8510DN/8512DN/8515DN/8520DN	
1-22	LX4268002	1	ADF DOCUMENT SUPPORT, DCP-8150DN/8152DN/8155DN/8157DN/8250DN/MFC-8710DW/8712DW/8810DW/ 8910DW/8912DW/8950DW/8950DWT/8952DW/8952DWT	
2	LX5255001	1	HINGE ASSY L, DCP-8110DN/MFC-8510DN/8512DN/8515DN	
2	LX4269002	1	HINGE ASSY L, DCP-8155DN/8157DN/8250DN/MFC-8810DW/8910DW/8912DW/ 8950DW/8950DWT/8952DW/8952DWT	
2	LX9095001	1	HINGE ASSY L, DCP-8150DN/8152DN/MFC-8710DW/8712DW	
2	LX4126002	1	HINGE ASSY L, MFC-8520DN	
3	087321217	3	TAPTITE CUP S M3X12	
4	087311016	1	TAPTITE CUP B M3X10	
5	LX5180001	1	HINGE R, DCP-8110DN/MFC-8510DN/8512DN/8515DN/8520DN	
5	LS8154002	1	HINGE R, DCP-8150DN/8152DN/8155DN/8157DN/8250DN/MFC-8710DW/8712DW/ 8810DW/8910DW/8912DW/8950DW/8950DWT/8952DW/8952DWT	
6	LS8155002	1	HINGE R SUPPORT	
7	LX9717001	1	FFC HOLDER ASSY(SP)	
8	LX5211001	1	ADF EMBLEM, DCP-8110DN/8150DN/8155DN FOR US, DCP-8152DN/8157DN	
8	LX4197002	1	ADF EMBLEM, DCP-8110DN/8155DN/8250DN EXCEPT FOR US	
8	LX4202002	1	ADF EMBLEM, MFC-8510DN/8710DW/8810DW/8910DW/8950DW/8950DWT FOR US/CAN, MFC-8512DN/8712DW/8912DW/8952DW/8952DWT	
8	LX4196002	1	ADF EMBLEM, MFC-8510DN/8515DN/8520DN/8910DW/8950DW/8950DWT EXCEPT FOR US/CAN	

11. PANEL

<DCP-8250DN/MFC-8950DW/8950DWT/  
8952DW/8952DWT>



<DCP-8110DN/8150DN/8152DN/8155DN/8157DN/  
MFC-8510DN/8512DN/8515DN/8520DN/8710DW/  
8712DW/8810DW/8910DW/8912DW>



11. PANEL

REF No.	CODE	Q'TY	DESCRIPTION	REMARKS
1	LX9094001	1	CONTROL PANEL ASSY, DCP-8110DN/8150DN/8152DN/8155DN/8157DN	
1	LX9142001	1	CONTROL PANEL ASSY, DCP-8250DN	
1	LX9148001	1	CONTROL PANEL ASSY, MFC-8510DN/8520DN/8710DW/8810DW/8910DW EXCEPT FOR CHN, MFC-8512DN/8712DW/8912DW	
1	LX9225001	1	CONTROL PANEL ASSY, MFC-8510DN/8515DN/8520DN FOR CHN	
1	LX9054001	1	CONTROL PANEL ASSY, MFC-8950DW/8950DWT	
1	LX2878001	1	CONTROL PANEL ASSY, MFC-8952DW/8952DWT	
1-1	LX9143001	1	PANEL COVER, DCP-8250DN	
1-1	LX9053001	1	PANEL COVER, MFC-8950DW/8950DWT	
1-1	LX9468001	1	PANEL COVER, MFC-8952DW/8952DWT	
1-2	LX9093001	1	RUBBER KEY R, DCP-8110DN/8150DN/8152DN/8155DN/8157DN/ MFC-8510DN/8512DN/8515DN/8520DN/8710DW/8712DW/8810DW/8910DW/8912DW	
1-2	LX9144001	1	RUBBER KEY R, DCP-8250DN	
1-2	LX9052001	1	RUBBER KEY R, MFC-8950DW/8950DWT/8952DW/8952DWT	
1-3	LX9092001	1	RUBBER KEY C, DCP-8110DN/8150DN/8152DN/8155DN/8157DN	
1-3	LX9149001	1	RUBBER KEY C, MFC-8510DN/8512DN/8515DN/8520DN/8710DW/8712DW/8810DW/ 8910DW/8912DW	
1-4	LX9091001	1	RUBBER KEY L, DCP-8110DN/8150DN/8152DN/8155DN/8157DN	
1-4	LX9051001	1	RUBBER KEY L, DCP-8250DN/MFC-8950DW/8950DWT/8952DW/8952DWT	
1-4	LX9150001	1	RUBBER KEY L, MFC-8510DN/8512DN/8515DN/8520DN/8710DW/8712DW/8810DW/ 8910DW/8912DW	
1-5	LT1716002	1	PANEL PCB ASSY, DCP-8110DN/8150DN/8152DN/8155DN/8157DN	
1-5	LT1716001	1	PANEL PCB ASSY, MFC-8510DN/8520DN/8710DW/8810DW/8910DW EXCEPT FOR CHN, MFC-8512DN/8712DW/8912DW	
1-5	LT1834001	1	PANEL PCB ASSY, MFC-8510DN/8515DN/8520DN FOR CHN	
1-6	A62006001	1	LCD, DCP-8110DN/8150DN/8155DN/MFC-8510DN/8520DN/8710DW/8810DW/8910DW EXCEPT FOR CHN, DCP-8152DN/8157DN/MFC-8512DN/8712DW/8912DW	
1-6	A62122001	1	LCD, DCP-8250DN/MFC-8950DW/8950DWT/8952DW/8952DWT	
1-6	A62027001	1	LCD, MFC-8510DN/8515DN/8520DN FOR CHN	
1-7	LT1800001	1	BACK LIGHT ASSY, DCP-8110DN/8150DN/8152DN/8155DN/8157DN/ MFC-8510DN/8512DN/8515DN/8520DN/8710DW/8712DW/8810DW/8910DW/8912DW	
1-8	LX9129001	1	TOUCH PANEL ASSY, DCP-8250DN/MFC-8950DW/8950DWT/8952DW/8952DWT	
1-9	LT1742001	1	TOUCH PANEL PCB ASSY, DCP-8250DN/MFC-8950DW/8950DWT/8952DW/8952DWT	
2	LX9182001	1	PANEL COVER ASSY, DCP-8110DN FOR US/UK/GUL (ENGLISH)	
2	LX9090001	1	PANEL COVER ASSY, DCP-8150DN FOR US	
2	LX9184001	1	PANEL COVER ASSY, DCP-8155DN FOR US/ASA/GUL/OCE (ENGLISH)	
2	LX9186001	1	PANEL COVER ASSY, MFC-8510DN FOR US/CAN/ASA/OCE	
2	LX9908001	1	PANEL COVER ASSY, MFC-8810DW FOR US	
2	LX9325001	1	PANEL COVER ASSY, MFC-8510DN FOR UK/GUL (ENGLISH)	
2	LX9228001	1	PANEL COVER ASSY, MFC-8520DN FOR UK	
2	LX9640001	1	PANEL COVER ASSY, MFC-8710DW FOR US/CAN	
2	LX9153001	1	PANEL COVER ASSY, MFC-8910DW FOR US/CAN/PHL/ASA/OCE	
2	<del>LX9748001</del>	4	<del>PANEL COVER ASSY, DCP-8110DN FOR GER</del>	
2	LX9729001	1	PANEL COVER ASSY, DCP-8110DN FOR GER/CHE (GERMAN)	
2	<del>LX9594001</del>	4	<del>PANEL COVER ASSY, MFC-8510DN FOR GER</del>	
2	LX9633001	1	PANEL COVER ASSY, MFC-8510DN FOR GER/CHE (GERMAN)	
2	<del>LX9795001</del>	4	<del>PANEL COVER ASSY, MFC-8520DN FOR GER</del>	
2	LX9802001	1	PANEL COVER ASSY, MFC-8520DN FOR GER/CHE (GERMAN)	
2	LX9733001	1	PANEL COVER ASSY, DCP-8110DN FOR FRA/BEL/NLD/CEE (ENGLISH)	
2	LX9651001	1	PANEL COVER ASSY, MFC-8510DN FOR FRA/BEL/NLD/CEE (ENGLISH)	
2	LX9806001	1	PANEL COVER ASSY, MFC-8520DN FOR FRA/BEL/NLD/CEE (ENGLISH)	
2	LX9730001	1	PANEL COVER ASSY, DCP-8110DN FOR FRA/BEL/NLD/CHE (FRENCH)	
2	LX9635001	1	PANEL COVER ASSY, MFC-8510DN FOR FRA/BEL/NLD/CHE (FRENCH)	
2	LX9803001	1	PANEL COVER ASSY, MFC-8520DN FOR FRA/BEL/NLD/CHE (FRENCH)	
2	LX9734001	1	PANEL COVER ASSY, DCP-8110DN FOR FRA/BEL/NLD (DUTCH)	
2	LX9652001	1	PANEL COVER ASSY, MFC-8510DN FOR FRA/BEL/NLD (DUTCH)	
2	LX9807001	1	PANEL COVER ASSY, MFC-8520DN FOR FRA/BEL/NLD (DUTCH)	
2	LX9731001	1	PANEL COVER ASSY, DCP-8110DN FOR ITA	
2	LX9636001	1	PANEL COVER ASSY, MFC-8510DN FOR ITA	
2	LX9805001	1	PANEL COVER ASSY, MFC-8520DN FOR ITA	
2	LX9226001	1	PANEL COVER ASSY, MFC-8510DN FOR CHN	
2	LX9291001	1	PANEL COVER ASSY, MFC-8515DN FOR CHN	
2	LX9229001	1	PANEL COVER ASSY, MFC-8520DN FOR CHN	
2	LX9976001	1	PANEL COVER ASSY, MFC-8510DN FOR TWN	
2	LX9920001	1	PANEL COVER ASSY, MFC-8910DW FOR TWN	
2	LX9922001	1	PANEL COVER ASSY, MFC-8910DW FOR GUL (ENGLISH)	
2	LX9982001	1	PANEL COVER ASSY, DCP-8110DN FOR GUL (ARABIC)	
2	LX2846001	1	PANEL COVER ASSY, DCP-8155DN FOR GUL (ARABIC)	
2	LX2864001	1	PANEL COVER ASSY, MFC-8510DN FOR GUL (ARABIC)	

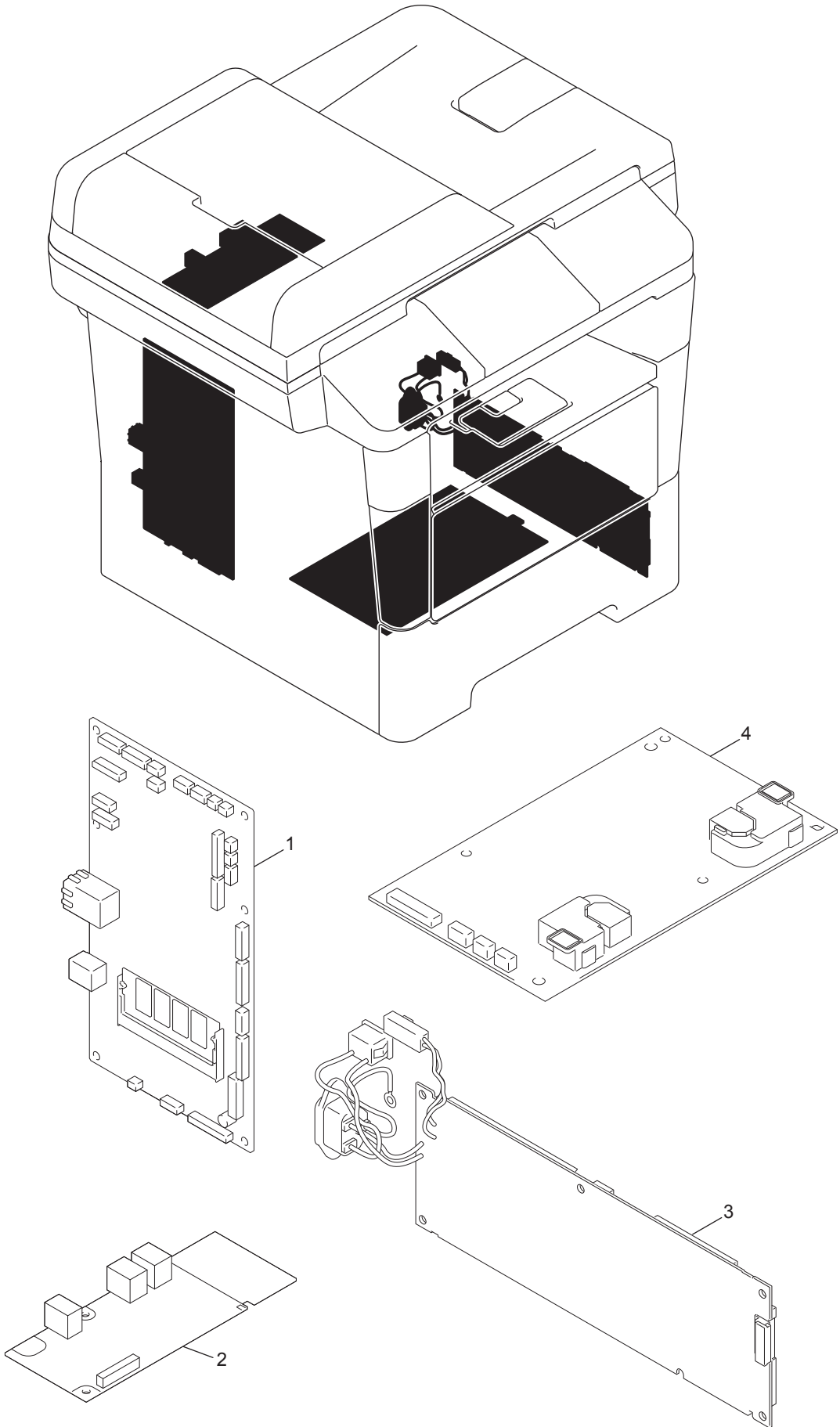
11. PANEL

REF No.	CODE	Q'TY	DESCRIPTION	REMARKS
2	LX9933001	1	PANEL COVER ASSY, MFC-8910DW FOR GUL (ARABIC)	
2	LX9981001	1	PANEL COVER ASSY, DCP-8110DN FOR GUL (TURKISH)	
2	LX2845001	1	PANEL COVER ASSY, DCP-8155DN FOR GUL (TURKISH)	
2	LX2863001	1	PANEL COVER ASSY, MFC-8510DN FOR GUL (TURKISH)	
2	LX9932001	1	PANEL COVER ASSY, MFC-8910DW FOR GUL (TURKISH)	
2	LX9977001	1	PANEL COVER ASSY, MFC-8510DN FOR KOR	
2	LX9923001	1	PANEL COVER ASSY, MFC-8910DW FOR KOR	
2	LX9963001	1	PANEL COVER ASSY, DCP-8110DN FOR RUS	
2	LX9985001	1	PANEL COVER ASSY, MFC-8520DN FOR RUS	
2	LX9732001	1	PANEL COVER ASSY, DCP-8110DN FOR IBR	
2	LX9638001	1	PANEL COVER ASSY, MFC-8510DN FOR IBR	
2	LX9808001	1	PANEL COVER ASSY, MFC-8520DN FOR IBR	
2	LX9719001	1	PANEL COVER ASSY, DCP-8110DN FOR PND	
2	LX9637001	1	PANEL COVER ASSY, MFC-8510DN FOR PND	
2	LX9980001	1	PANEL COVER ASSY, DCP-8110DN FOR CEE (POLISH)	
2	LX9944001	1	PANEL COVER ASSY, MFC-8510DN FOR CEE (POLISH)	
2	LX9989001	1	PANEL COVER ASSY, MFC-8520DN FOR CEE (POLISH)	
2	LX2872001	1	PANEL COVER ASSY, DCP-8152DN	
2	LX2873001	1	PANEL COVER ASSY, DCP-8157DN	
2	LX2874001	1	PANEL COVER ASSY, MFC-8512DN	
2	LX2875001	1	PANEL COVER ASSY, MFC-8712DW	
2	LX2876001	1	PANEL COVER ASSY, MFC-8912DW	
2-1	LX9171001	1	ADDRESS LABEL, MFC-8510DN/8512DN/8515DN/8520DN/8710DW/8712DW/8810DW/ 8910DW/8912DW	
3	LX9046001	1	PRINTED PANEL COVER, MFC-8950DW/8950DWT FOR US/CAN/PHL/OCE	
3	<del>LX9398001</del>	4	<del>PRINTED PANEL COVER, MFC-8950DW/8950DWT FOR GER</del>	
3	LX9400001	1	PRINTED PANEL COVER, MFC-8950DW/8950DWT FOR GER/CHE (GERMAN)	
3	LX9390001	1	PRINTED PANEL COVER, DCP-8250DN FOR UK/FRA/BEL/NLD/CEE (ENGLISH)	
3	LX9409001	1	PRINTED PANEL COVER, MFC-8950DW/8950DWT FOR UK/FRA/BEL/NLD/CEE (ENGLISH)	
3	LX9385001	1	PRINTED PANEL COVER, DCP-8250DN FOR FRA/BEL/NLD/CHE (FRENCH)	
3	LX9406001	1	PRINTED PANEL COVER, MFC-8950DW/8950DWT FOR FRA/BEL/NLD/CHE (FRENCH)	
3	LX9387001	1	PRINTED PANEL COVER, DCP-8250DN FOR FRA/BEL/NLD (DUTCH)	
3	LX9410001	1	PRINTED PANEL COVER, MFC-8950DW/8950DWT FOR FRA/BEL/NLD (DUTCH)	
3	LX9840001	1	PRINTED PANEL COVER, DCP-8250DN FOR CHE (GERMAN)	
3	LX9380001	1	PRINTED PANEL COVER, DCP-8250DN FOR ITA/IBR (ITALIAN)	
3	LX9382001	1	PRINTED PANEL COVER, DCP-8250DN FOR ITA/IBR (SPANISH)	
3	LX9407001	1	PRINTED PANEL COVER, MFC-8950DW/8950DWT FOR ITA/IBR (ITALIAN)	
3	LX9408001	1	PRINTED PANEL COVER, MFC-8950DW/8950DWT FOR ITA/IBR (SPANISH)	
3	LX9175001	1	PRINTED PANEL COVER, MFC-8950DW FOR GUL	
3	LX9553001	1	PRINTED PANEL COVER, DCP-8250DN FOR RUS	
3	LX9578001	1	PRINTED PANEL COVER, MFC-8950DW FOR RUS	
3	LX9552001	1	PRINTED PANEL COVER, DCP-8250DN FOR PND	
3	LX9399001	1	PRINTED PANEL COVER, MFC-8950DW/8950DWT FOR PND	
3	LX9847001	1	PRINTED PANEL COVER, DCP-8250DN FOR CEE (POLISH)	
3	LX9860001	1	PRINTED PANEL COVER, MFC-8950DW/8950DWT FOR CEE (POLISH)	
3	LX9576001	1	PRINTED PANEL COVER, MFC-8952DW/8952DWT	
4	LU5693001	*1	TAPTITE BIND B M4X12	

\*1 QTY ; 3 for DCP-8110DN/8150DN/8155DN/MFC-8510DN/8710DW/8910DW

2 for DCP-8250DN/MFC-8950DW

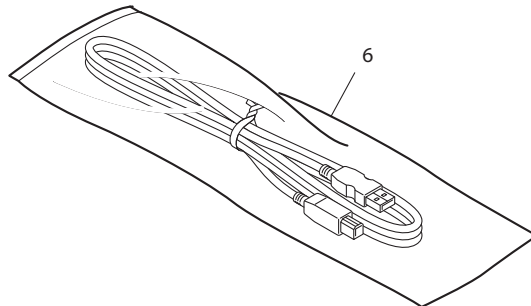
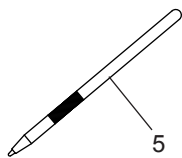
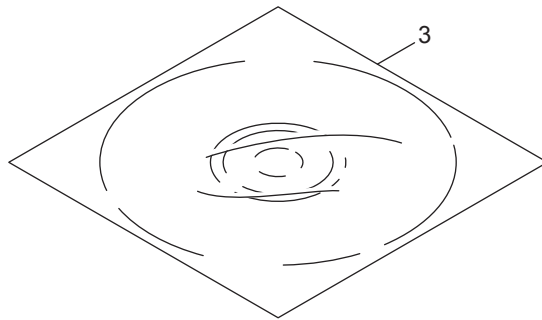
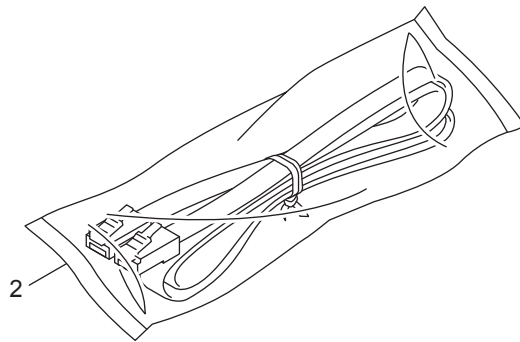
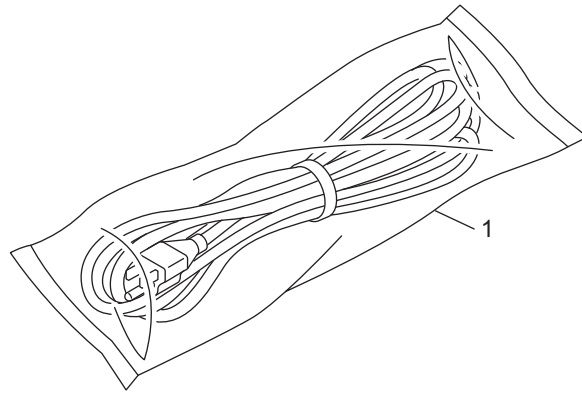
12. PCB



12. PCB

REF No.	CODE	Q'TY	DESCRIPTION	REMARKS
1	LT1791001	1	MAIN PCB ASSY, MFC-8510DN FOR US/CAN	
1	LT1760001	1	MAIN PCB ASSY, MFC-8810DW/8910DW FOR US/CAN	
1	LT1703001	1	MAIN PCB ASSY, MFC-8950DW/8950DWT FOR US/CAN	
1	LT1791002	1	MAIN PCB ASSY, MFC-8510DN EXCEPT FOR US/CAN/CHN/TWN, MFC-8512DN	
1	LT1703002	1	MAIN PCB ASSY, MFC-8950DW/8950DWT EXCEPT FOR US/CAN, MFC-8952DW/8952DWT	
1	LT1791004	1	MAIN PCB ASSY, MFC-8510DN/8515DN FOR CHN	
1	LT1792004	1	MAIN PCB ASSY, MFC-8520DN FOR CHN	
1	LT1792002	1	MAIN PCB ASSY, MFC-8520DN EXCEPT FOR CHN	
1	LT1760002	1	MAIN PCB ASSY, MFC-8910DW FOR PHL/ASA/GUL/KOR/OCE, MFC-8912DW	
1	LT1791007	1	MAIN PCB ASSY, MFC-8510DN FOR TWN	
1	LT1760007	1	MAIN PCB ASSY, MFC-8910DW FOR TWN	
1	LT1790001	1	MAIN PCB ASSY, DCP-8110DN	
1	LT1715001	1	MAIN PCB ASSY, DCP-8150DN/8152DN	
1	LT1795001	1	MAIN PCB ASSY, DCP-8155DN/8157DN	
1	LT1763002	1	MAIN PCB ASSY, DCP-8250DN	
1	LT1796001	1	MAIN PCB ASSY, MFC-8710DW	
1	LT1796002	1	MAIN PCB ASSY, MFC-8712DW	
2	LT0867001	1	NCU PCB ASSY, MFC-8510DN/8710DW/8810DW/8910DW/8950DW/8950DWT FOR US	
2	LT0867003	1	NCU PCB ASSY, MFC-8510DN/8710DW/8910DW/8950DW FOR CAN	
2	LT1168001	1	NCU PCB ASSY, MFC-8510DN/8520DN/8950DW/8950DWT FOR GER/UK/FRA/BEL/NLD/CHE/ITA/RUS/PND/IBR/CEE	
2	LT1324001	1	NCU PCB ASSY, MFC-8510DN/8515DN/8520DN FOR CHN	
2	LT1328001	1	NCU PCB ASSY, MFC-8510DN/8910DW/8950DW FOR PHL/ASA/KOR, MFC-8512DN/8712DW/8912DW/8952DW/8952DWT	
2	LT1839001	1	NCU PCB ASSY, MFC-8510DN/8910DW FOR TWN	
2	LT1326001	1	NCU PCB ASSY, MFC-8510DN/8910DW/8950DW FOR GUL	
2	LT1169001	1	NCU PCB ASSY, MFC-8510DN/8910DW/8950DW FOR OCE	
3	LT1706001	1	LOW VOLTAGE POWER SUPPLY PCB ASSY FOR US/CAN/TWN/BRA	
3	LT1756001	1	LOW VOLTAGE POWER SUPPLY PCB ASSY EXCEPT FOR US/CAN/CHN/TWN/BRA/ RUS	
3	LT1830001	1	LOW VOLTAGE POWER SUPPLY FOR CHN/RUS	
4	LV0806001	1	HIGH VOLTAGE POWER SUPPLY PCB ASSY	

13. ACCESSORIES

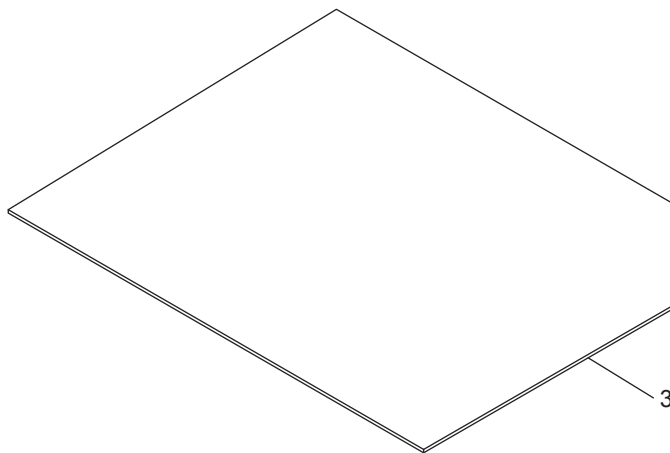
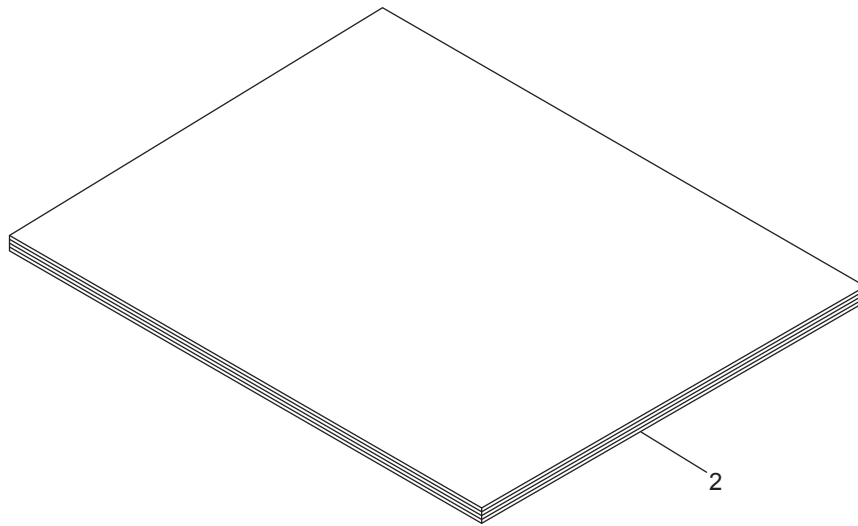
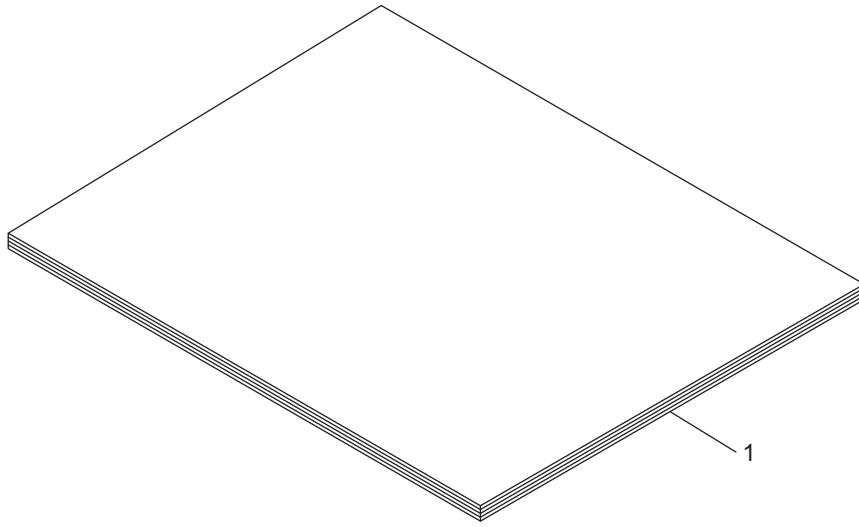


13. ACCESSORIES

REF No.	CODE	Q'TY	DESCRIPTION	REMARKS
1	LM9362001	1	AC CORD BAG ASSY LF UL/CSA 13A FOR US/CAN	
1	LV0364001	1	AC CORD BAG ASSY LF VDE S FOR GER/FRA/BEL/NLD/ITA/PHL/ASA/GUL/RUS/PND/IBR/CEE	
1	LV0368001	1	AC CORD BAG ASSY LF BS/PSB S FOR UK/ASA/GUL	
1	LT2259001	1	AC CORD BAG ASSY LF SEV FOR CHE	
1	LV0362001	1	AC CORD BAG ASSY LF CHN S FOR CHN	
1	LT1833001	1	AC CORD BAG ASSY LF TWN FOR TWN	
1	LG6404001	1	AC CORD BAG ASSY LF SAF FOR GUL	
1	LT2346001	1	AC CORD BAG ASSY LF BRZ FOR BRA	
1	LT0935001	1	AC CORD BAG ASSY LF KOR S FOR KOR	
1	LV0366001	1	AC CORD BAG ASSY LF SAA S FOR OCE	
1	LG4720001	1	AC CORD BAG ASSY LF DEMKO FOR PND	
2	LG3077001	1	TELEPHONE LINE CORD ASSY, MFC-8510DN/8515DN/8520DN/8710DW/8810DW/8910DW/8950DW/8950DWT FOR US/CAN/UK/FRA/BEL/NLD/ITA/CHN/PHL/TWN/ASA/GUL/KOR/RUS/OCE/IBR/CEE, MFC-8512DN/8712DW/8912DW/8952DW/8952DWT	
2	UG3625001	1	TELEPHONE LINE CORD ASSY GER, MFC-8510DN/8520DN/8950DW/8950DWT FOR GER	
2	UG4205001	1	TELEPHONE LINE CORD ASSY AUS, MFC-8510DN/8520DN/8950DW/8950DWT FOR GER	
2	UG3626001	1	TELEPHONE LINE CORD ASSY, MFC-8510DN/8520DN/8950DW/8950DWT FOR UK	
2	UG3627001	1	TELEPHONE LINE CORD ASSY FRA, MFC-8510DN/8520DN/8950DW/8950DWT FOR FRA/BEL/NLD	
2	UG1575001	1	TELEPHONE LINE CORD ASSY BEL, MFC-8510DN/8520DN/8950DW/8950DWT FOR FRA/BEL/NLD	
2	UG3634001	1	TELEPHONE LINE CORD ASSY, MFC-8510DN/8520DN/8950DW/8950DWT FOR ITA/IBR	
2	LG7202001	1	TELEPHONE LINE CORD ASSY, MFC-8510DN/8520DN/8950DW/8950DWT FOR CHE	
2	UG3290001	1	TELEPHONE LINE CORD ASSY, MFC-8510DN/8950DW FOR OCE	
2	LG5827001	1	TELEPHONE LINE CORD ASSY, MFC-8510DN/8950DW/8950DWT FOR PND	
3	LX2908001	1	CD-ROM ASSY, DCP-8110DN/8150DN/8155DN FOR US	CHG
3	LX2910001	1	CD-ROM ASSY, DCP-8110DN EXCEPT FOR US/PND	CHG
3	LX2904001	1	CD-ROM ASSY, MFC-8510DN/8520DN/8710DW/8810DW/8910DW FOR US/CAN MFC-8512DN/8712DW/8912DW	CHG
3	LX2906001	1	CD-ROM ASSY, MFC-8950DW/8950DWT FOR US/CAN, MFC-8952DW/8952DWT	CHG
3	LX2914001	1	CD-ROM ASSY, MFC-8510DN/8520DN EXCEPT FOR US/CAN/CHN	CHG
3	LX2916001	1	CD-ROM ASSY, MFC-8950DW/8950DWT FOR GER/UK/FRA/BEL/NLD/CHE/ITA/IBR	CHG
3	LX2937001	1	CD-ROM ASSY, MFC-8510DN/8515DN/8520DN FOR CHN	CHG
3	LX2922001	1	CD-ROM ASSY, MFC-8510DN/8910DW FOR PHL/ASA/OCE/PND	CHG
3	LX2924001	1	CD-ROM ASSY, MFC-8950DW/8950DWT FOR PHL/OCE/PND	CHG
3	LX2936001	1	CD-ROM ASSY, MFC-8510DN/8910DW FOR TWN	CHG
3	LX2942001	1	CD-ROM ASSY, MFC-8510DN/8910DW FOR ASA/GUL	CHG
3	LX2940001	1	CD-ROM ASSY, DCP-8110DN/8155DN FOR GUL	
3	LX2944001	1	CD-ROM ASSY, MFC-8950DW FOR GUL	
3	LX2938001	1	CD-ROM ASSY, MFC-8510DN/8910DW FOR KOR	CHG
3	LX2926001	1	CD-ROM ASSY, DCP-8110DN FOR RUS/CEE	CHG
3	LX2928001	1	CD-ROM ASSY, DCP-8250DN FOR RUS/CEE	CHG
3	LX2930001	1	CD-ROM ASSY, MFC-8510DN/8520DN FOR RUS/CEE	CHG
3	LX2932001	1	CD-ROM ASSY, MFC-8950DW FOR RUS/CEE	CHG
3	LX2918001	1	CD-ROM ASSY, DCP-8110DN FOR PND, DCP-8155DN FOR ASA/OCE	CHG
3	LX2920001	1	CD-ROM ASSY, DCP-8250DN FOR PND	CHG
3	LX2912001	1	CD-ROM ASSY, DCP-8250DN EXCEPT FOR RUS/PND/CEE	CHG
3	LX2902001	1	CD-ROM ASSY, DCP-8152DN/8157DN	
(4)	LG3622001	1	TELEPHONE PLUG DUT, MFC-8510DN/8520DN/8950DW/8950DWT FOR FRA/BEL/NLD	
(4)	LG6573001	1	TELEPHONE PLUG ARL, MFC-8510DN/8910DW/8950DW FOR OCE	
(4)	LG5828001	1	TELEPHONE PLUG DEN, MFC-8510DN/8950DW/8950DWT FOR PND	
(4)	LG5829001	1	TELEPHONE PLUG FIN, MFC-8510DN/8950DW/8950DWT FOR PND	
(4)	LG5830001	1	TELEPHONE PLUG SWE, MFC-8510DN/8950DW/8950DWT FOR PND	
5	XA9940051	1	STYRUS, DCP-8250DN/MFC-8950DW/8950DWT/8952DW/8952DWT	
6	LJ9803001	1	USB CABLE 2.0	



14. PRINTED MATERIALS



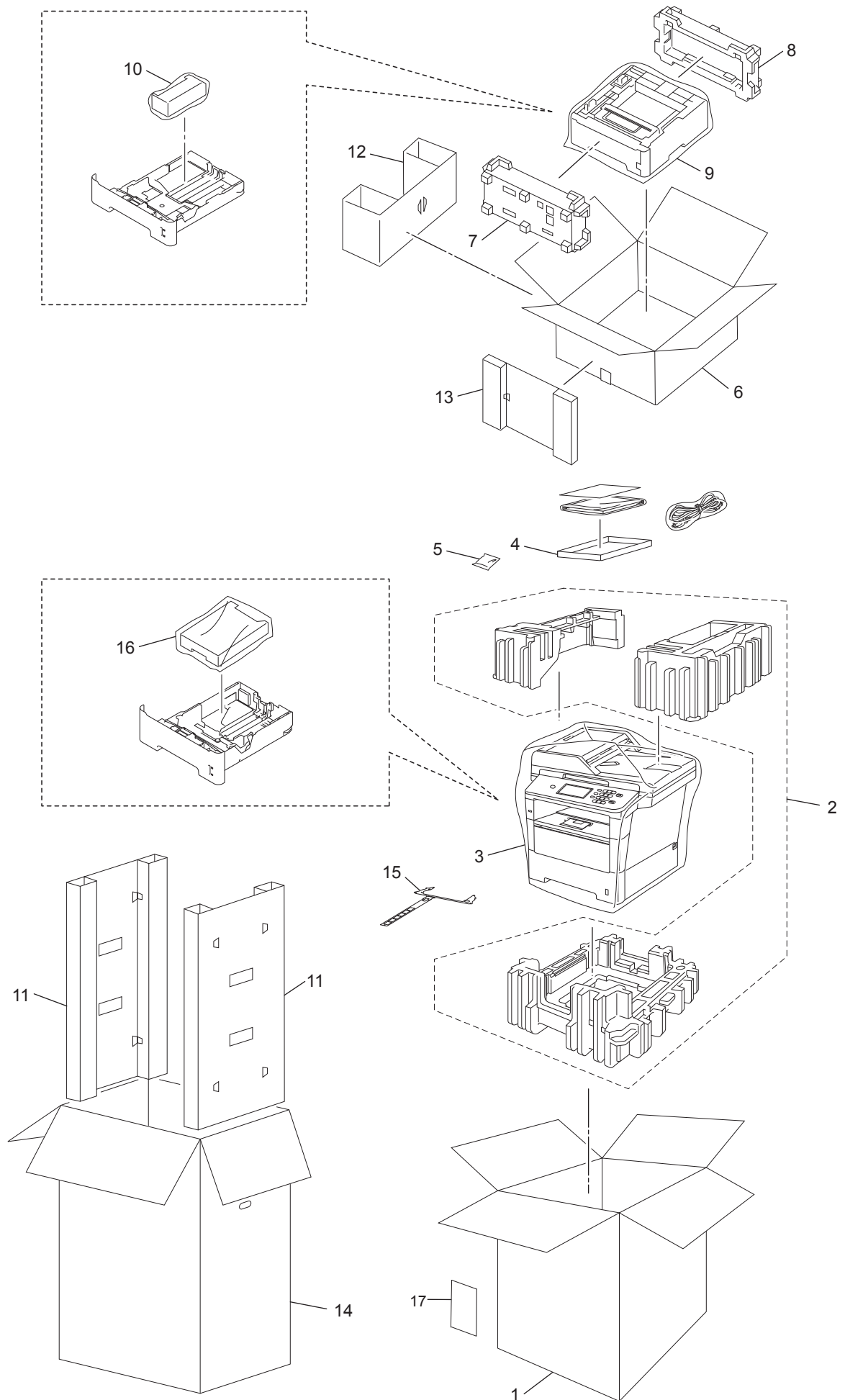
14. PRINTED MATERIALS

REF No.	CODE	Q'TY	DESCRIPTION	REMARKS
1	LX9483001	1	USER'S GUIDE, DCP-8110DN/8150DN/8155DN FOR US	
1	LX9912001	1	USER'S GUIDE, MFC-8510DN/8710DW/8810DW/8910DW FOR US/CAN (ENGLISH)	CHG
1	LX9496002	1	USER'S GUIDE, MFC-8510DN/8710DW/8910DW FOR CAN (FRENCH)	
1	LX9412001	1	USER'S GUIDE, MFC-8950DW/8950DWT FOR US/CAN (ENGLISH)	
1	LX9412002	1	USER'S GUIDE, MFC-8950DW FOR CAN (FRENCH)	
1	LX9596003	1	USER'S GUIDE, MFC-8510DN/8520DN FOR GER/CHE (GERMAN)	
1	LX9414003	1	USER'S GUIDE, MFC-8950DW/8950DWT FOR GER/CHE (GERMAN)	
1	LX9596004	1	USER'S GUIDE, MFC-8510DN/8520DN FOR UK	
1	LX9414004	1	USER'S GUIDE, MFC-8950DW/8950DWT FOR UK	
1	LX9596005	1	USER'S GUIDE, MFC-8510DN/8520DN FOR FRA/BEL/NLD/CHE (FRENCH)	
1	LX9414005	1	USER'S GUIDE, MFC-8950DW/8950DWT FOR FRA/BEL/NLD/CHE (FRENCH)	
1	LX9596009	1	USER'S GUIDE, MFC-8510DN/8520DN FOR FRA/BEL/NLD (DUTCH)	
1	LX9414009	1	USER'S GUIDE, MFC-8950DW/8950DWT FOR FRA/BEL/NLD (DUTCH)	
1	LX9596016	1	USER'S GUIDE, MFC-8510DN/8520DN FOR ITA (ITALIAN)	
1	LX9414016	1	USER'S GUIDE, MFC-8950DW/8950DWT FOR ITA/IBR (ITALIAN)	
1	LX9414015	1	USER'S GUIDE, MFC-8950DW/8950DWT FOR ITA/IBR (SPANISH)	
1	LX9414018	1	USER'S GUIDE, MFC-8950DW/8950DWT FOR ITA/IBR (PORTUGUESE)	
1	LX9643020	1	USER'S GUIDE, MFC-8510DN/8515DN/8520DN FOR CHN	
1	LX9869021	1	USER'S GUIDE, MFC-8950DW FOR PHL/OCE	
1	LX9906023	1	USER'S GUIDE, MFC-8510DN/8910DW FOR TWN	
1	LX9852040	1	USER'S GUIDE, DCP-8110DN/8155DN FOR ASA/GUL/OCE (ENGLISH)	
1	LX9855040	1	USER'S GUIDE, MFC-8510DN/8910DW FOR ASA/OCE (ENGLISH)	
1	LX2860030	1	USER'S GUIDE, MFC-8510DN/8910DW FOR ASA (THAI)	ADD
1	LX9906041	1	USER'S GUIDE, MFC-8510DN/8910DW FOR GUL (ENGLISH)	
1	LX2850041	1	USER'S GUIDE, MFC-8950DW FOR GUL (ENGLISH)	
1	LX9967032	1	USER'S GUIDE, DCP-8110DN/8155DN FOR GUL (ARABIC)	
1	LX9906032	1	USER'S GUIDE, MFC-8510DN/8910DW FOR GUL (ARABIC)	
1	LX9967025	1	USER'S GUIDE, DCP-8110DN/8155DN FOR GUL (TURKISH)	
1	LX9906025	1	USER'S GUIDE, MFC-8510DN/8910DW FOR GUL (TURKISH)	
1	LX9906044	1	USER'S GUIDE, MFC-8510DN/8910DW FOR KOR	
1	LX9596048	1	USER'S GUIDE, MFC-8520DN FOR RUS	
1	LX9414048	1	USER'S GUIDE, MFC-8950DW FOR RUS	
1	LX9711013	1	USER'S GUIDE, MFC-8510DN FOR PND (FINNISH/DANISH)	
1	LX9711007	1	USER'S GUIDE, MFC-8510DN FOR PND (NORWEGIAN/SWEDISH)	
1	LX9816013	1	USER'S GUIDE, MFC-8950DW/MFC-8950DWT FOR PND (FINNISH/DANISH)	
1	LX9816007	1	USER'S GUIDE, MFC-8950DW/MFC-8950DWT FOR PND (NORWEGIAN/SWEDISH)	
1	LX9596015	1	USER'S GUIDE, MFC-8510DN/8520DN FOR IBR (SPANISH)	
1	LX9596018	1	USER'S GUIDE, MFC-8510DN/8520DN FOR IBR (PORTUGUESE)	
1	LX9483042	1	USER'S GUIDE, DCP-8152DN/8157DN	
1	LX9496042	1	USER'S GUIDE, MFC-8512DN/8712DW/8912DW	
1	LX9412042	1	USER'S GUIDE, MFC-8952DW/8952DWT	
2	LX9487001	1	QUICK SETUP GUIDE, DCP-8110DN/8150DN/8155DN FOR US	
2	LX9501001	1	QUICK SETUP GUIDE, MFC-8510DN FOR US/CAN (ENGLISH)	
2	LX9501002	1	QUICK SETUP GUIDE, MFC-8510DN FOR CAN (FRENCH)	
2	LX9911001	1	QUICK SETUP GUIDE, MFC-8710DW/8810DW/8910DW FOR US/CAN (ENGLISH)	CHG
2	LX9080001	1	QUICK SETUP GUIDE, MFC-8950DW/8950DWT FOR US/CAN (ENGLISH)	
2	LX9080002	1	QUICK SETUP GUIDE, MFC-8950DW FOR CAN (FRENCH)	
2	LX9708002	1	QUICK SETUP GUIDE, MFC-8710DW/8910DW FOR CAN (FRENCH)	
2	LX9721003	1	QUICK SETUP GUIDE, DCP-8110DN FOR GER/CHE (GERMAN)	
2	LX9374003	1	QUICK SETUP GUIDE, DCP-8250DN FOR GER/CHE (GERMAN)	
2	LX9609003	1	QUICK SETUP GUIDE, MFC-8510DN/8520DN FOR GER/CHE (GERMAN)	
2	LX9436003	1	QUICK SETUP GUIDE, MFC-8950DW/8950DWT FOR GER/CHE (GERMAN)	
2	LX9721004	1	QUICK SETUP GUIDE, DCP-8110DN FOR UK	
2	LX9374004	1	QUICK SETUP GUIDE, DCP-8250DN FOR UK	
2	LX9609004	1	QUICK SETUP GUIDE, MFC-8510DN/8520DN FOR UK	
2	LX9436004	1	QUICK SETUP GUIDE, MFC-8950DW/8950DWT FOR UK	
2	LX9721005	1	QUICK SETUP GUIDE, DCP-8110DN FOR FRA/BEL/NLD/CHE (FRENCH)	
2	LX9374005	1	QUICK SETUP GUIDE, DCP-8250DN FOR FRA/BEL/NLD/CHE (FRENCH)	
2	LX9609005	1	QUICK SETUP GUIDE, MFC-8510DN/8520DN FOR FRA/BEL/NLD/CHE (FRENCH)	
2	LX9436005	1	QUICK SETUP GUIDE, MFC-8950DW/8950DWT FOR FRA/BEL/NLD/CHE (FRENCH)	
2	LX9721009	1	QUICK SETUP GUIDE, DCP-8110DN FOR FRA/BEL/NLD (DUTCH)	
2	LX9374009	1	QUICK SETUP GUIDE, DCP-8250DN FOR FRA/BEL/NLD (DUTCH)	
2	LX9609009	1	QUICK SETUP GUIDE, MFC-8510DN/8520DN FOR FRA/BEL/NLD (DUTCH)	
2	LX9436009	1	QUICK SETUP GUIDE, MFC-8950DW/8950DWT FOR FRA/BEL/NLD (DUTCH)	
2	LX9721016	1	QUICK SETUP GUIDE, DCP-8110DN FOR CHE/ITA (ITALIAN)	
2	LX9609016	1	QUICK SETUP GUIDE, MFC-8510DN/8520DN FOR CHE/ITA (ITALIAN)	
2	LX9721015	1	QUICK SETUP GUIDE, DCP-8110DN FOR ITA (SPANISH)	
2	LX9721018	1	QUICK SETUP GUIDE, DCP-8110DN FOR ITA (PORTUGUESE)	
2	LX9374016	1	QUICK SETUP GUIDE, DCP-8250DN FOR CHE/ITA/IBR (ITALIAN)	

14. PRINTED MATERIALS

REF No.	CODE	Q'TY	DESCRIPTION	REMARKS
2	LX9436016	1	QUICK SETUP GUIDE, MFC-8950DW/8950DWT FOR CHE/ITA/IBR (ITALIAN)	
2	LX9374015	1	QUICK SETUP GUIDE, DCP-8250DN FOR ITA/IBR (SPANISH)	
2	LX9609015	1	QUICK SETUP GUIDE, MFC-8510DN/8520DN FOR IBR (SPANISH)	
2	LX9436015	1	QUICK SETUP GUIDE, MFC-8950DW/8950DWT FOR ITA/IBR (SPANISH)	
2	LX9374018	1	QUICK SETUP GUIDE, DCP-8250DN FOR ITA/IBR (PORTUGUESE)	
2	LX9609018	1	QUICK SETUP GUIDE, MFC-8510DN/8520DN FOR IBR (PORTUGUESE)	
2	LX9436018	1	QUICK SETUP GUIDE, MFC-8950DW/8950DWT FOR ITA/IBR (PORTUGUESE)	
2	LX9650020	1	QUICK SETUP GUIDE, MFC-8510DN/8515DN/8520DN FOR CHN	
2	LX9864040	1	QUICK SETUP GUIDE, MFC-8910DW FOR PHL/ASA/OCE (ENGLISH)	
2	LX9872021	1	QUICK SETUP GUIDE, MFC-8950DW FOR PHL/OCE	
2	LX9925023	1	QUICK SETUP GUIDE, MFC-8510DN FOR TWN	
2	LX9926023	1	QUICK SETUP GUIDE, MFC-8910DW FOR TWN	
2	LX9853040	1	QUICK SETUP GUIDE, DCP-8110DN/8155DN FOR ASA/GUL/OCE (ENGLISH)	
2	LX9859040	1	QUICK SETUP GUIDE, MFC-8510DN FOR ASA/OCE (ENGLISH)	
2	LX9925045	1	QUICK SETUP GUIDE, MFC-8510DN FOR ASA (THAI/INDONESIAN)	ADD
2	LX9226045	1	QUICK SETUP GUIDE, MFC-8910DW FOR ASA (THAI/INDONESIAN/VIETNAMESE)	ADD
2	LX9925041	1	QUICK SETUP GUIDE, MFC-8510DN FOR GUL (ENGLISH)	
2	LX9926041	1	QUICK SETUP GUIDE, MFC-8910DW FOR GUL (ENGLISH)	
2	LX2851041	1	QUICK SETUP GUIDE, MFC-8950DW FOR GUL (ENGLISH)	
2	LX9966032	1	QUICK SETUP GUIDE, DCP-8110DN/8155DN FOR GUL (ARABIC)	
2	LX9925032	1	QUICK SETUP GUIDE, MFC-8510DN FOR GUL (ARABIC)	
2	LX9926032	1	QUICK SETUP GUIDE, MFC-8910DW FOR GUL (ARABIC)	
2	LX9966025	1	QUICK SETUP GUIDE, DCP-8110DN/8155DN FOR GUL (TURKISH)	
2	LX9925025	1	QUICK SETUP GUIDE, MFC-8510DN FOR GUL (TURKISH)	
2	LX9926025	1	QUICK SETUP GUIDE, MFC-8910DW FOR GUL (TURKISH)	
2	LX9925044	1	QUICK SETUP GUIDE, MFC-8510DN FOR KOR	
2	LX9926044	1	QUICK SETUP GUIDE, MFC-8910DW FOR KOR	
2	LX9721048	1	QUICK SETUP GUIDE, DCP-8110DN FOR RUS	
2	LX9374048	1	QUICK SETUP GUIDE, DCP-8250DN FOR RUS	
2	LX9609048	1	QUICK SETUP GUIDE, MFC-8520DN FOR RUS	
2	LX9436048	1	QUICK SETUP GUIDE, MFC-8950DW FOR RUS	
2	LX9721007	1	QUICK SETUP GUIDE, DCP-8110DN FOR PND (NORWEGIAN/SWEDISH)	
2	LX9721012	1	QUICK SETUP GUIDE, DCP-8110DN FOR PND (FINNISH)	
2	LX9721013	1	QUICK SETUP GUIDE, DCP-8110DN FOR PND (DANISH)	
2	LX9721026	1	QUICK SETUP GUIDE, DCP-8110DN FOR PND (SWEDISH)	
2	LX9374007	1	QUICK SETUP GUIDE, DCP-8250DN FOR PND (NORWEGIAN/SWEDISH)	
2	LX9374012	1	QUICK SETUP GUIDE, DCP-8250DN FOR PND (FINNISH)	
2	LX9374013	1	QUICK SETUP GUIDE, DCP-8250DN FOR PND (DANISH)	
2	LX9374026	1	QUICK SETUP GUIDE, DCP-8250DN FOR PND (SWEDISH)	
2	LX9609007	1	QUICK SETUP GUIDE, MFC-8510DN FOR PND (NORWEGIAN/SWEDISH)	
2	LX9609012	1	QUICK SETUP GUIDE, MFC-8510DN FOR PND (FINNISH)	
2	LX9609013	1	QUICK SETUP GUIDE, MFC-8510DN FOR PND (DANISH)	
2	LX9609026	1	QUICK SETUP GUIDE, MFC-8510DN FOR PND (SWEDISH)	
2	LX9436007	1	QUICK SETUP GUIDE, MFC-8950DW/8950DWT FOR PND (NORWEGIAN/SWEDISH)	
2	LX9436012	1	QUICK SETUP GUIDE, MFC-8950DW/8950DWT FOR PND (FINNISH)	
2	LX9436013	1	QUICK SETUP GUIDE, MFC-8950DW/8950DWT FOR PND (DANISH)	
2	LX9436026	1	QUICK SETUP GUIDE, MFC-8950DW/8950DWT FOR PND (SWEDISH)	
2	LX9721037	1	QUICK SETUP GUIDE, DCP-8110DN FOR CEE (CZECH/HUNGARIAN/POLISH/ENGLISH)	
2	LX9721059	1	QUICK SETUP GUIDE, DCP-8110DN FOR CEE (BULGARIAN/ROMANIAN/SLOVAK)	
2	LX9374037	1	QUICK SETUP GUIDE, DCP-8250DN FOR CEE (CZECH/HUNGARIAN/POLISH/ENGLISH)	
2	LX9374059	1	QUICK SETUP GUIDE, DCP-8250DN FOR CEE (BULGARIAN/ROMANIAN/SLOVAK)	
2	LX9609037	1	QUICK SETUP GUIDE, MFC-8510DN/8520DN FOR CEE (CZECH/HUNGARIAN/POLISH/ENGLISH)	
2	LX9609059	1	QUICK SETUP GUIDE, MFC-8510DN/8520DN FOR CEE (BULGARIAN/ROMANIAN/SLOVAK)	
2	LX9436037	1	QUICK SETUP GUIDE, MFC-8950DW FOR CEE (CZECH/HUNGARIAN/POLISH/ENGLISH)	
2	LX9436059	1	QUICK SETUP GUIDE, MFC-8950DW FOR CEE (BULGARIAN/ROMANIAN/SLOVAK)	
2	LX9487042	1	QUICK SETUP GUIDE, DCP-8152DN/8157DN	
2	LX9501042	1	QUICK SETUP GUIDE, MFC-8512DN	
2	LX9708042	1	QUICK SETUP GUIDE, MFC-8712DW/8912DW	
2	LX9080042	1	QUICK SETUP GUIDE, MFC-8952DW/8952DWT	
3	LY4862001	1	QUICK SETUP GUIDE LT, MFC-8950DWT	

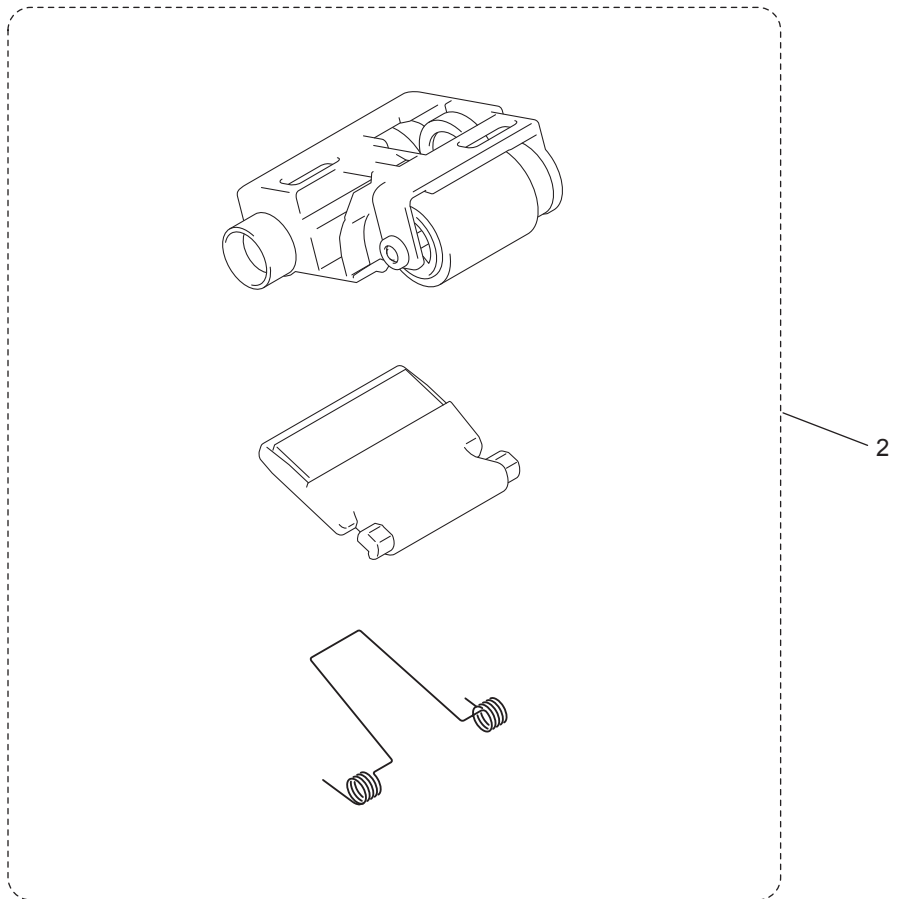
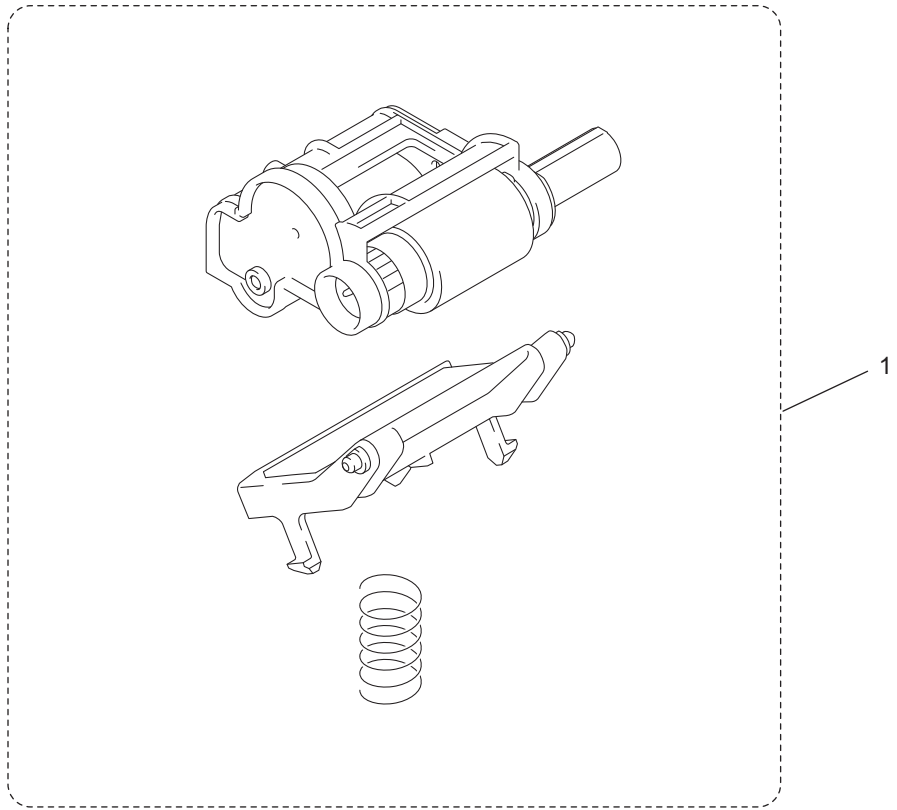
# 15. PACKING MATERIALS



15. PACKING MATERIALS

REF No.	CODE	Q'TY	DESCRIPTION	REMARKS
1	LX9484001	1	CARTON BROTHER, DCP-8110DN FOR US	
1	LX9497001	1	CARTON BROTHER, MFC-8510DN FOR US	
1	LX9504001	1	CARTON BROTHER, MFC-8710DW FOR US	
1	LX9508001	1	CARTON BROTHER, MFC-8910DW FOR US	
1	LX9424001	1	CARTON BROTHER, MFC-8950DW/8950DWT FOR US	
1	LX9688001	1	CARTON BROTHER, DCP-8110DN EXCEPT FOR US	
1	LX9601001	1	CARTON BROTHER, MFC-8510DN EXCEPT FOR US/CAN/CHN/TWN/ASA/KOR/OCE	
1	LX9428001	1	CARTON BROTHER, MFC-8950DW/8950DWT EXCEPT FOR US/CAN/PHL/OCE	
1	LX9664001	1	CARTON BROTHER, MFC-8510DN FOR CAN	
1	LX9667001	1	CARTON BROTHER, MFC-8710DW FOR CAN	
1	LX9673001	1	CARTON BROTHER, MFC-8910DW FOR CAN	
1	LX9677001	1	CARTON BROTHER, MFC-8950DW FOR CAN	
1	LX9645001	1	CARTON BROTHER, MFC-8510DN FOR CHN	
1	LX9646001	1	CARTON BROTHER, MFC-8515DN FOR CHN	
1	LX9831001	1	CARTON BROTHER, MFC-8520DN FOR CHN	
1	LX9691001	1	CARTON BROTHER, MFC-8520DN EXCEPT FOR CHN	
1	LX9838001	1	CARTON BROTHER, MFC-8910DW FOR PHL/TWN/ASA/GUL/KOR	
1	LX9839001	1	CARTON BROTHER, MFC-8950DW FOR PHL/GUL	
1	LX9836001	1	CARTON BROTHER, DCP-8155DN FOR ASA/GUL	
1	LX9837001	1	CARTON BROTHER, MFC-8510DN FOR TWN/ASA/GUL/KOR	
1	LX9835001	1	CARTON BROTHER, DCP-8110DN FOR GUL	
1	LX9703001	1	CARTON BROTHER, DCP-8155DN FOR OCE	
1	LX9699001	1	CARTON BROTHER, MFC-8510DN FOR OCE	
1	LX9702001	1	CARTON BROTHER, MFC-8910DW FOR OCE	
1	LX9704001	1	CARTON BROTHER, MFC-8950DW FOR OCE	
1	LX9488001	1	CARTON BROTHER, DCP-8150DN	
1	LX9491001	1	CARTON BROTHER, DCP-8155DN	
1	LX9371001	1	CARTON BROTHER, DCP-8250DN	
1	LX9915001	1	CARTON BROTHER, MFC-8810DW	
1	LX9660001	1	CARTON BROTHER, DCP-8152DN	
1	LX9662001	1	CARTON BROTHER, DCP-8157DN	
1	LX9666001	1	CARTON BROTHER, MFC-8512DN	
1	LX9669001	1	CARTON BROTHER, MFC-8712DW	
1	LX9675001	1	CARTON BROTHER, MFC-8912DW	
1	LX9679001	1	CARTON BROTHER, MFC-8952DW/8952DWT	
2	LX9198001	1	POLYSTYRENE PAD ASSY, DCP-8110DN/MFC-8510DN/8512DN/8515DN/8520DN	
2	LX9066001	1	POLYSTYRENE PAD ASSY, DCP-8150DN/8152DN/8155DN/8157DN/8250DN/ MFC8710DW/8712DW/8810DW/8910DW/8912DW/8950DW/8950DWT/8952DW/8952DWT	
3	LY1721001	1	PE BAG 1000X1000	CHG
4	LX9206001	1	OPTION CARTON, DCP-8110DN/MFC-8510DN/8512DN/8515DN/8520DN	
4	LX9062001	1	OPTION CARTON, DCP-8150DN/8152DN/8155DN/8157DN/8250DN/MFC-8710DW/ 8712DW/8810DW/8910DW/8912DW/8950DW/8950DWT/8952DW/8952DWT	
5	LY3886001	1	SILICA GEL FOR US/CAN/BRA	
5	LY3887001	1	SILICA GEL EXCEPT FOR US/CAN/BRA	
6	LY4864001	1	CARTON LT-5400, MFC-8950DWT/8952DWT	
7	LY5186001	1	STYROFOAM PAD F BL-LT, MFC-8950DWT/8952DWT	
8	LY5187001	1	STYROFOAM PAD R BL-LT, MFC-8950DWT/8952DWT	
9	LY2688001	1	PE BAG 600X650, MFC-8950DWT/8952DWT	
10	LY5864001	1	PAPER TRAY HOLD PAD S ASSY (SP), MFC-8950DWT/8952DWT	
11	LX9217001	2	CARTON SPACER BL FS BUNDLE, MFC-8950DWT/8952DWT	
12	LX9218001	1	CARTON PAD1 BL FS BUNDLE, MFC-8950DWT/8952DWT	
13	LX9219001	1	CARTON PAD2 BL FS BUNDLE, MFC-8950DWT/8952DWT	
14	LX9681001	1	CARTON OUTER, MFC-8950DWT FOR US	
14	LX9694001	1	CARTON OUTER, MFC-8950DWT EXCEPT FOR US	
14	LX9684001	1	CARTON OUTER, MFC-8952DWT	
15	LY5767001	1	PROTECTIVE MATERIAL ASSY (SP)	
16	LY5822001	1	PAPER TRAY HOLD PAD 50 ASSY(SP), DCP-8250DN/MFC-8950DW/8950DWT/8952DW/8952DWT	
17	LX9648001	1	CHINA ENERGY LABEL, MFC-8510DN FOR CHN	add
17	LX9649001	1	CHINA ENERGY LABEL, MFC-8515DN FOR CHN	add
17	LX9881001	1	CHINA ENERGY LABEL, MFC-8520DN FOR CHN	add

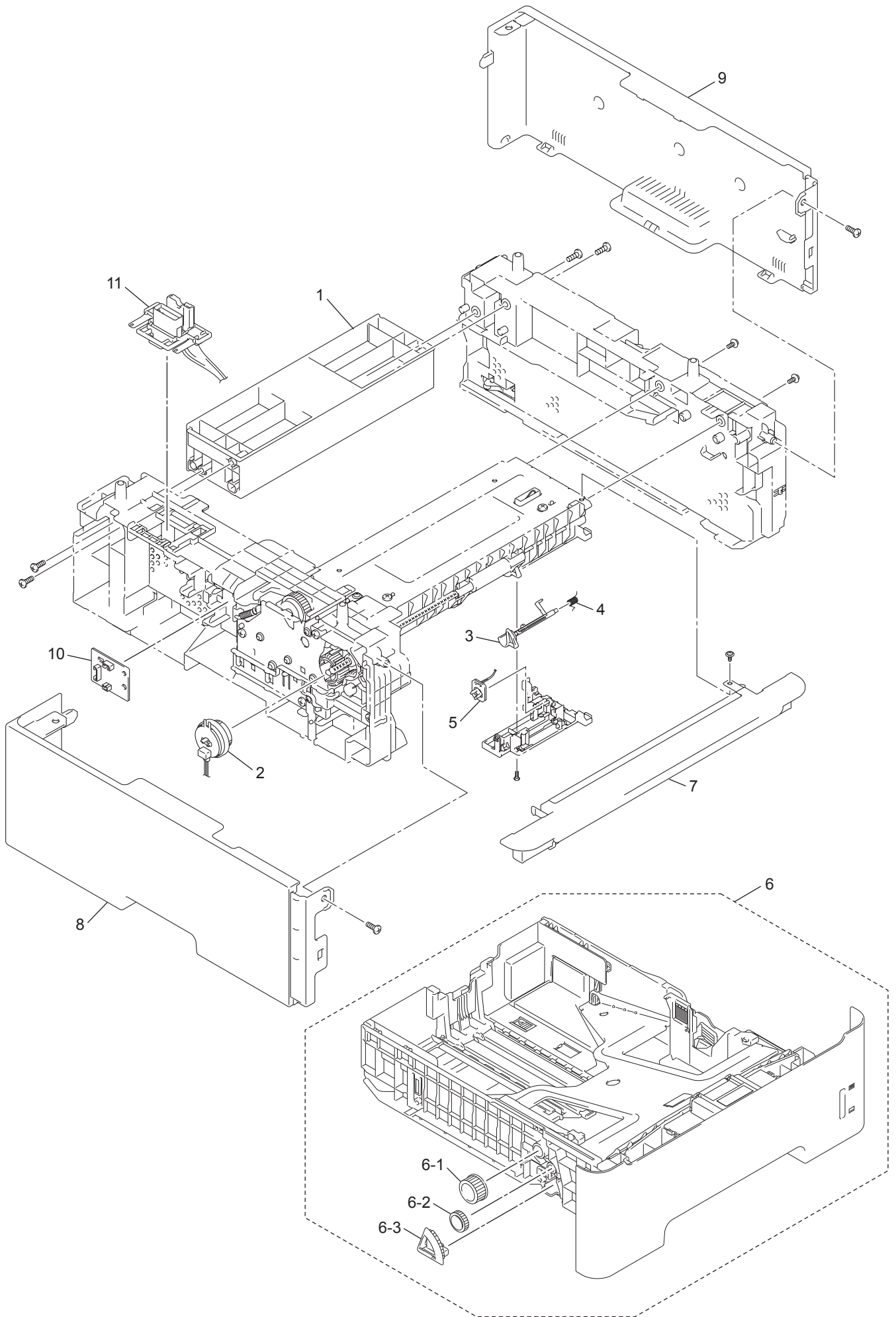
16. PERIODICAL MAINTENANCE PARTS



16. PERIODICAL MAINTENANCE PARTS

REF No.	CODE	Q'TY	DESCRIPTION	REMARKS
1	LY5384001	1	PAPER FEEDING KIT 1/2 (SP)	
2	LY5385001	1	MP PAPER FEEDING KIT (SP)	

17. LOWER TRAY





17. LOWER TRAY

REF No.	CODE	Q'TY	DESCRIPTION	REMARKS
1	LY4534001	1	T2 BACK COVER, MFC-8950DWT/8952DWT	
2	LY4335001	1	T2 CLUTCH, MFC-8950DWT/8952DWT	
3	LY4562001	1	T2 PAPER FEED ACTUATOR, MFC-8950DWT/8952DWT	
4	LY4561001	1	T2 PAPER FEED ACTUATOR SPRING, MFC-8950DWT/8952DWT	
5	LV0812001	1	T2 PAPER FEED SENSOR PCB ASSY, MFC-8950DWT/8952DWT	
6	LY5947001	1	PAPER TRAY 2 (SP), MFC-8950DWT/8952DWT	
6-1	LY4243001	1	GEAR Z22M10, MFC-8950DWT/8952DWT	
6-2	LY4242001	1	IDLE GEAR Z18M10, MFC-8950DWT/8952DWT	
6-3	LY4516001	1	LIFT GEAR Z48M10, MFC-8950DWT/8952DWT	
7	LY4533001	1	T2 FRONT COVER ASSY, MFC-8950DWT/8952DWT	
8	LY4530001	1	T2 SIDE COVER L, MFC-8950DWT/8952DWT	
9	LY4529001	1	T2 SIDE COVER R, MFC-8950DWT/8952DWT	
10	LV0814001	1	T2 RELAY PCB ASSY, MFC-8950DWT/8952DWT	
11	LY5498001	1	LT CONNECTOR ASSY (T2), MFC-8950DWT/8952DWT	