



**FACSIMILE EQUIPMENT
PARTS REFERENCE LIST**

**MODEL: DCP8040 / 8045D
MFC8440 / 8640D / 8840D / 8840DN
(For U.S.A / Canada / Brazil)**

© Copyright Brother 2004

All rights reserved

No part of this publication may be reproduced in any form or by any means without permission in writing from the publisher.

Specifications are subject to change without prior notice.

NOTES FOR USING THIS PARTS REFERENCE LIST

1. In the case of ordering parts, it needs mentioning the following items:

- (1) Code
- (2) Q' ty
- (3) Description

Note: No orders without Parts Code or Tool No. can be accepted.

[Example]

REF.NO.	(1) CODE	(2) Q' TY	(3) DESCRIPTION	REMARKS

2. Design-changed parts:

When the parts are changed, any one of the following symbols is mentioned in the REMARKS column.

CNG(cng) : The part is changed to a new part.

ADD(add) : The part is newly added.

DEL(del) : The part is deleted.

Symbol in capital letters indicates that the change is the latest one in the page.

3. Parts change will be informed by the technical information.

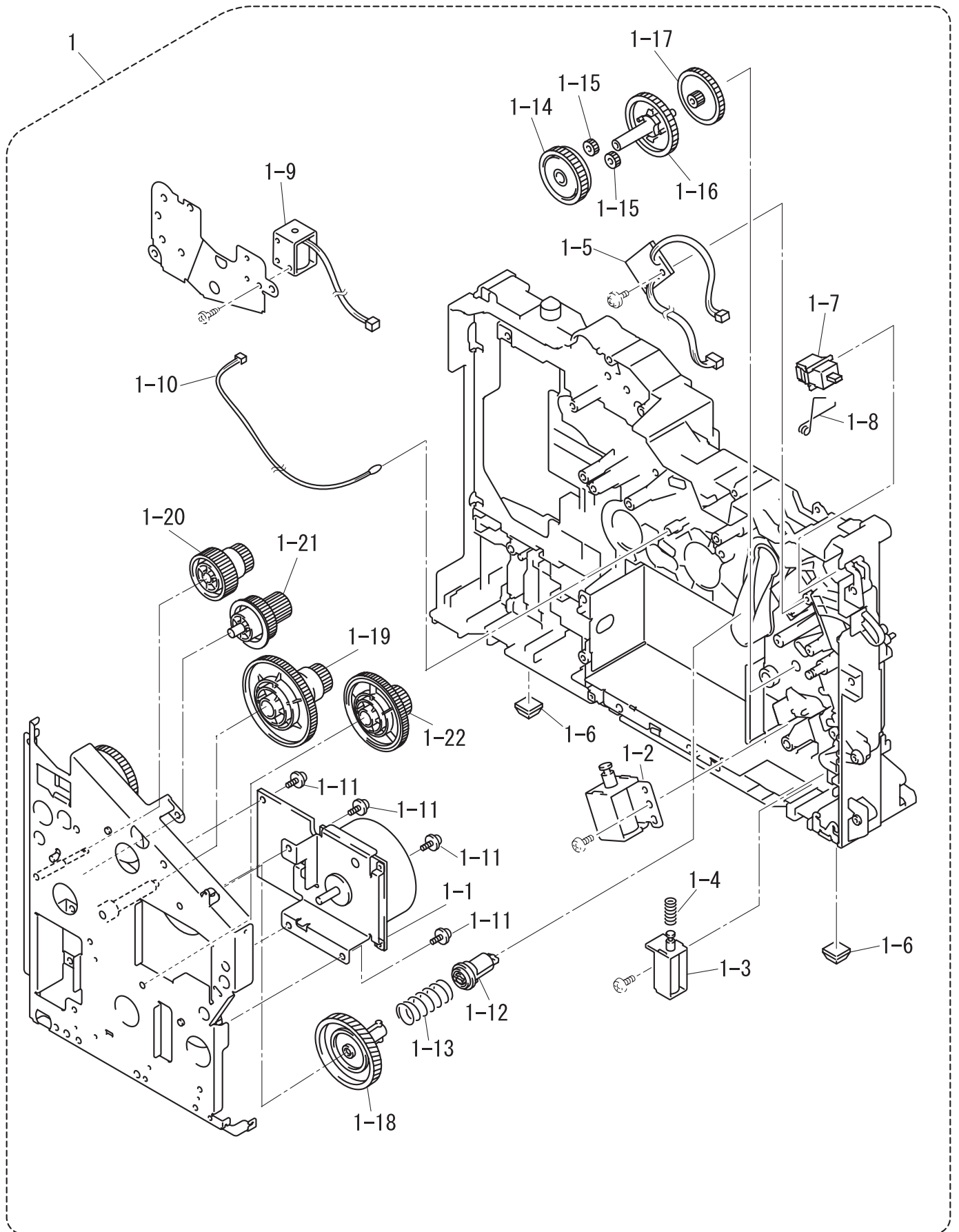
COUNTRIES

U.S.A. ----- USA

CANADA ----- CAN

BRAZIL ----- BRA

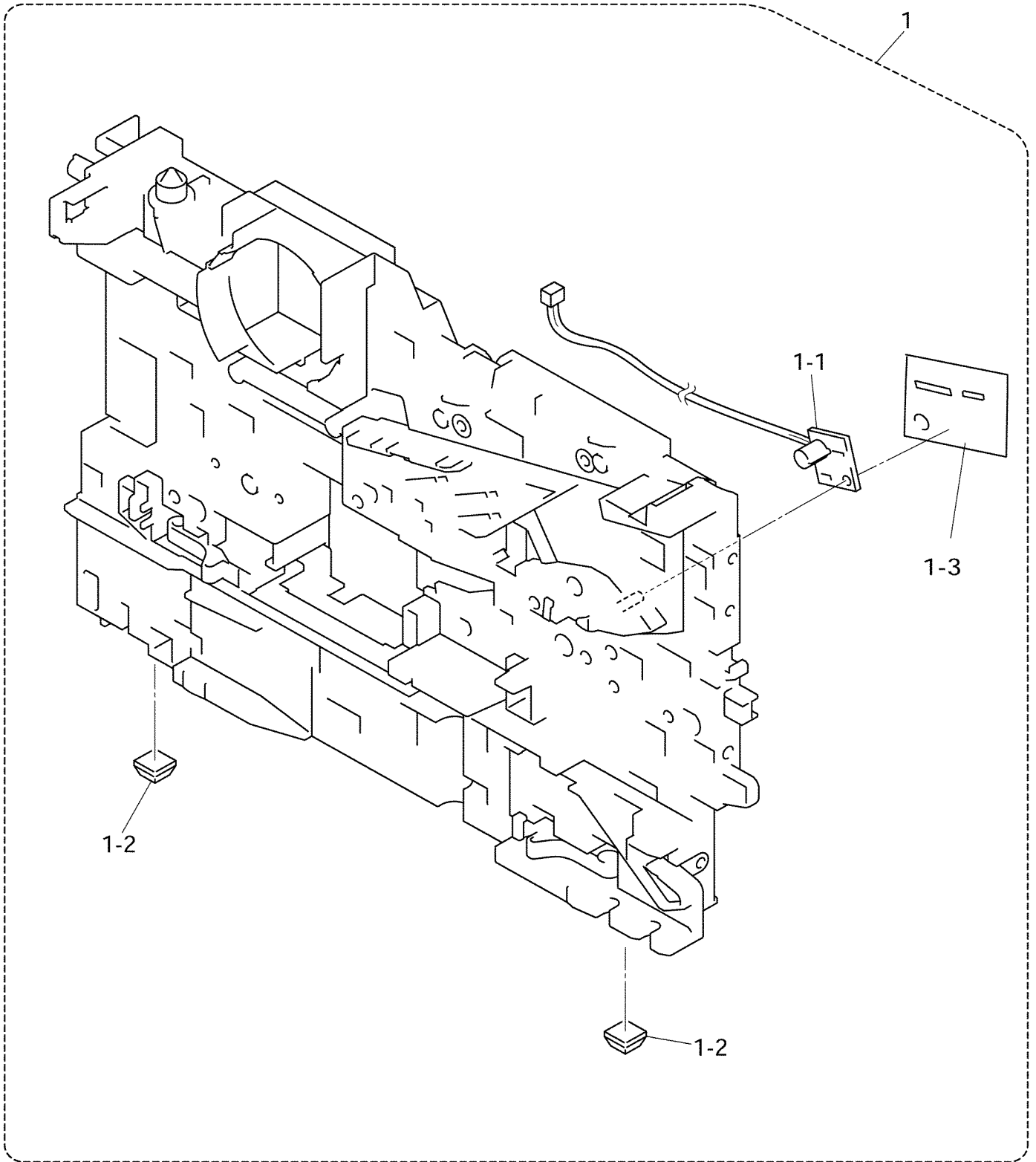
1. FRAME L



LIST1(FRAME L)

REF No.	CODE	Q'TY	DESCRIPTION	RECOMMEND	REMARKS
1	LF2680001	1	MAIN FRAME L UNIT, DCP8040/MFC8440		
1	LF2685001	1	MAIN FRAME L UNIT, DCP8045D/MFC8640D/MFC8840D/MFC8840D		
1	LF2721001	1	MAIN FRAME L UNIT, MFC8840DN		
1-1	LM2440001	1	MAIN MOTOR ASSY		
1-2	LJ7386001	1	F/R SOLENOID ASSY		
1-3	LJ7391001	1	P/R SOLENOID ASSY		
1-4	LJ5014001	1	SOLENOID RELEASE SPRING P/R		
1-5	LJ9166001	1	TONER LED PCB UNIT ASSY		
1-6	LJ7403001	2	RUBBER FOOT		
1-7	LG3218001	1	DOCUMENT COVER SENSOR		
1-8	LJ7784001	1	SENSOR CLIP		
1-9	LJ7678001	1	REVERSING RELEASE SOLENOID, DCP8045D/ MFC8640D/MFC8840D/MFC8840DN/MFC8840DN		
1-10	LG4518001	1	THERMISTOR ASSY		
1-11	087320616	4	TAPTITE, CUP S M3X6		
1-12	LJ7377001	1	DEVELOP JOINT		
1-13	LJ7376001	1	JOINT SPRING		
1-14	UH3044000	1	GEAR, 40/54Y		
1-15	UL6569000	2	GEAR 17 PLANETARY		
1-16	UL8977001	1	GEAR 45 ARM F/R		
1-17	LM2444001	1	GEAR 20 CENTER F/R		
1-18	LJ7375001	1	DEV DRIVE GEAR ZL2		add
1-19	UL8958001	1	GEAR 25/130		add
1-20	LJ5051001	1	FUSER DRIVE GEAR		add
1-21	LJ5049001	1	PENDULUM GEAR 24/57		ADD
1-22	LM2439001	1	GEAR 54/100 E		ADD

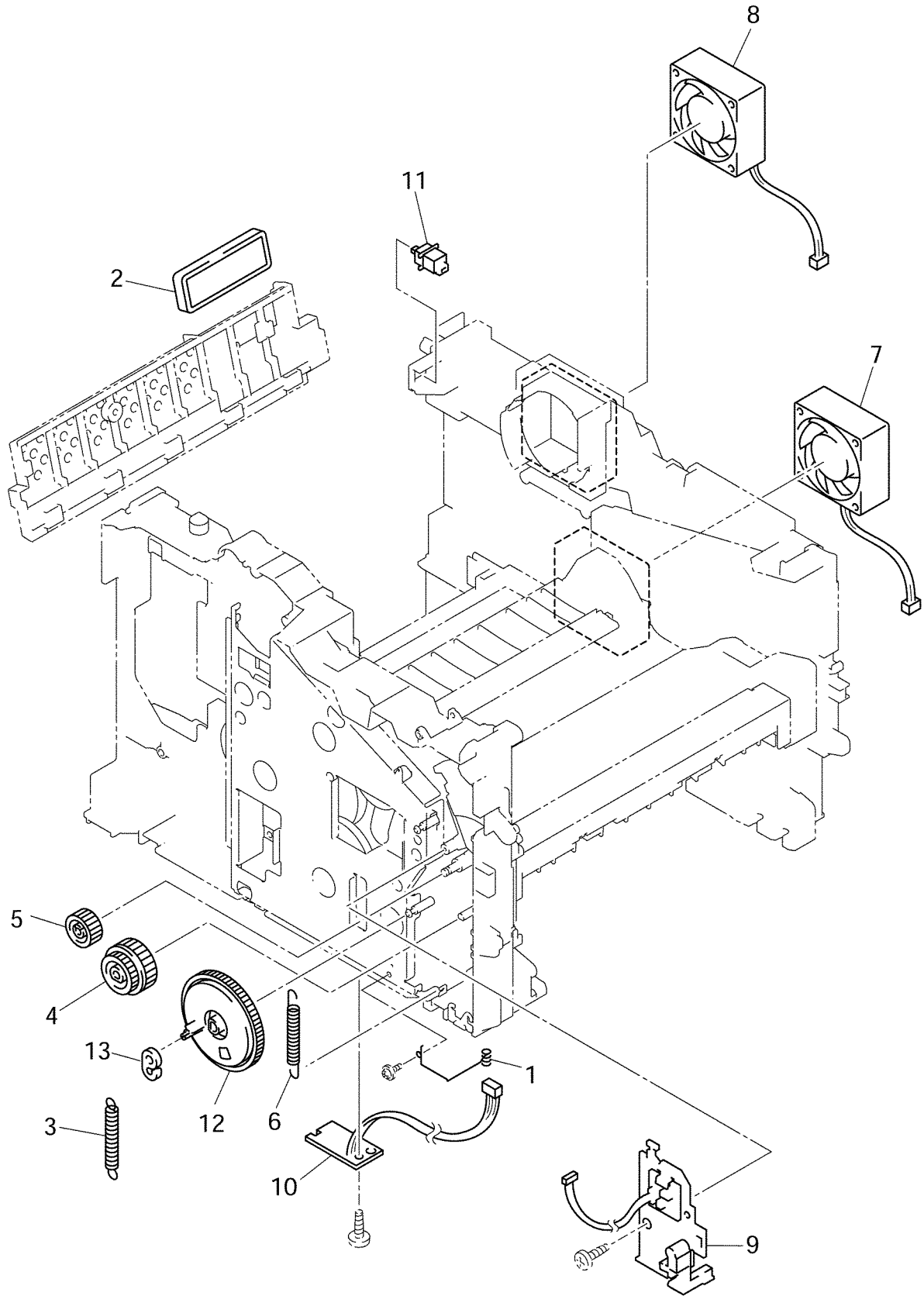
2. FRAME R



LIST2(FRAME R)

REF No.	CODE	Q'TY	DESCRIPTION	RECOMMEND	REMARKS
1	LM2733001	1	MAIN FRAME R UNIT		
1-1	LJ9612001	1	TONER SENSOR PCB UNIT		
1-2	LJ7403001	2	RUBBER FOOT		
1-3	LM2731001	1	TE FILM		

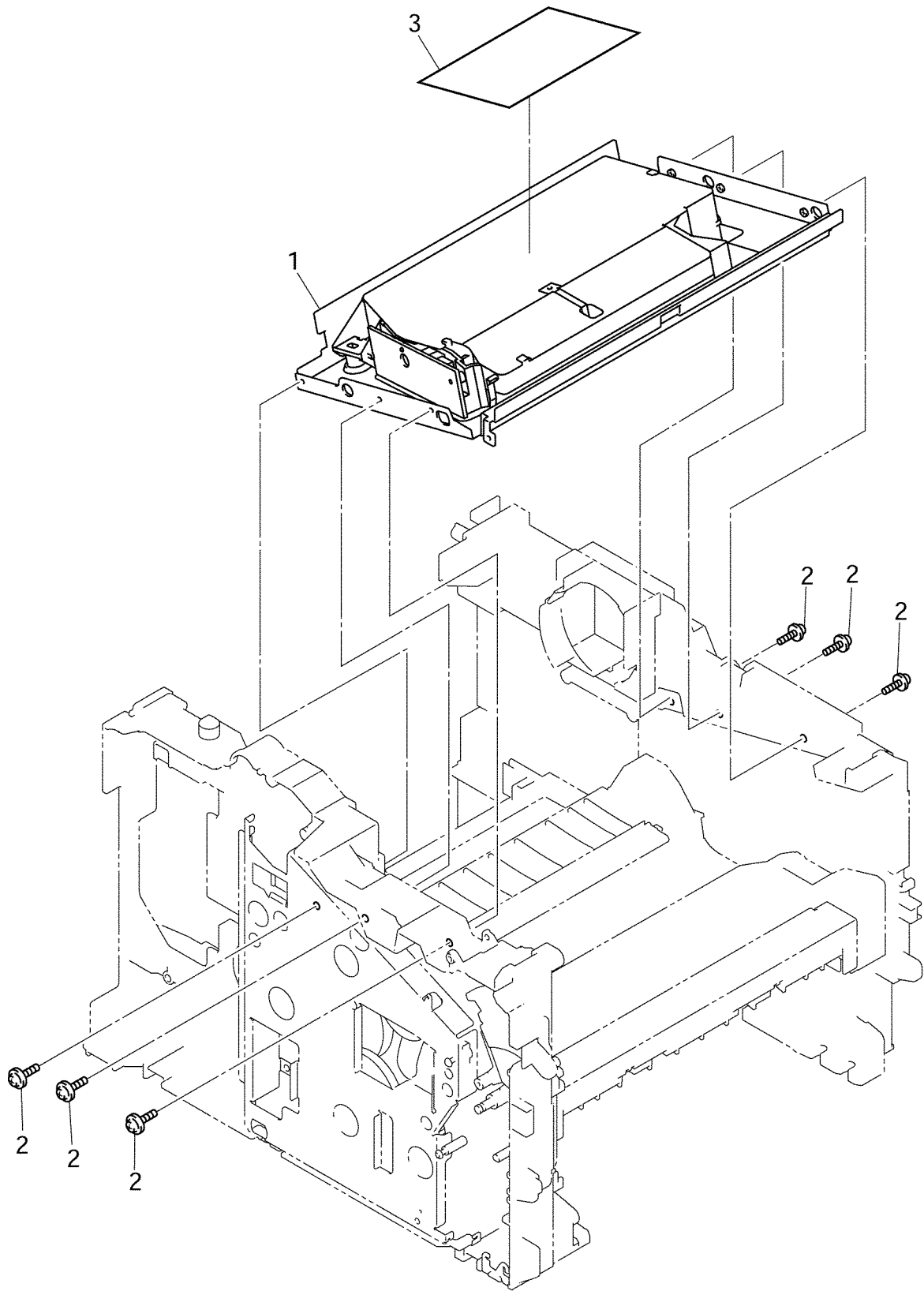
3. FRAME UNIT



LIST3(FRAME UNIT)

REF No.	CODE	Q'TY	DESCRIPTION	RECOMMEND	REMARKS
1	LJ7490001	1	GROUND SPRING		
2	LU0951001	1	FILTER T7 ASSY		CHG
3	LJ7496001	1	SPRING, EXTENSION P/R		
4	LJ7501001	1	MIDDLE ROLLER GEAR		
5	LJ7502001	1	IDLE GEAR 22		
6	LJ7504001	1	GROUND WIRE		
7	LM2473001	1	FAN MOTOR 60 UNIT LV		
8	LM2474001	1	FAN MOTOR 60 UNIT		
9	LJ7579001	1	MP SOLENOID HOLDER UNIT, DCP8045D/MFC8640D/MFC8840D/MFC8840DN		
10	LJ9237001	1	DX-SENSOR PCB ASSY, DCP8045D/MFC8640D/MFC8840D/MFC8840DN		
11	LG3218001	1	DOCUMENT COVER SENSOR, DCP8045D/MFC8640D/MFC8840D/MFC8840DN		
12	LM2720001	1	SECTOR GEAR PR ASSY		add
13	UH2378000	1	SPRING HOOK		add

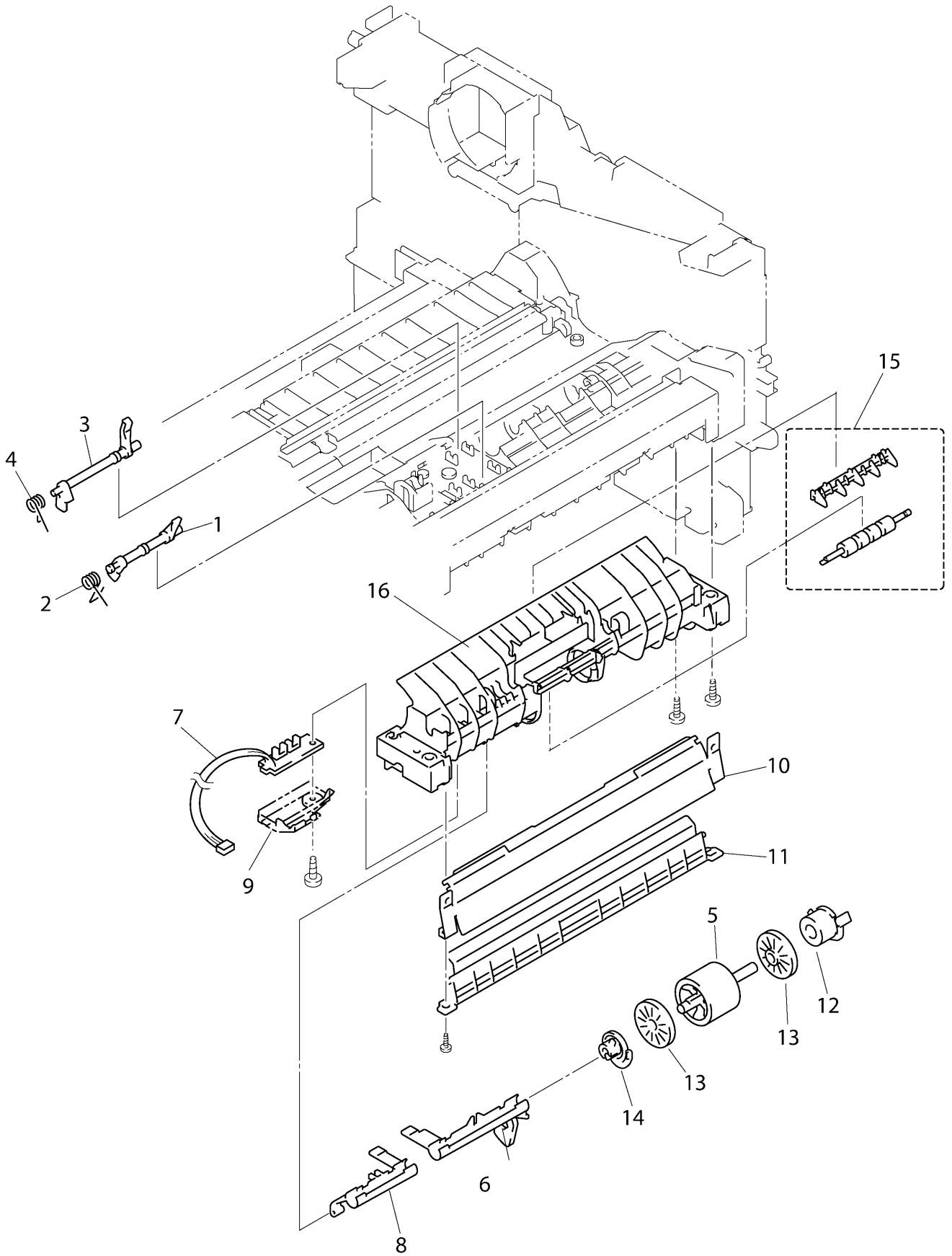
4. LASER UNIT



LIST4(LASER UNIT)

REF No.	CODE	Q'TY	DESCRIPTION	RECOMMEND	REMARKS
1	LU0706001	1	LASER UNIT (SP)	√	CHG
2	087320815	6	TAPTITE, CUP S M3X8		
3	LJ0908001	1	LASER CAUTION LABEL		

5. PAPER FEEDER

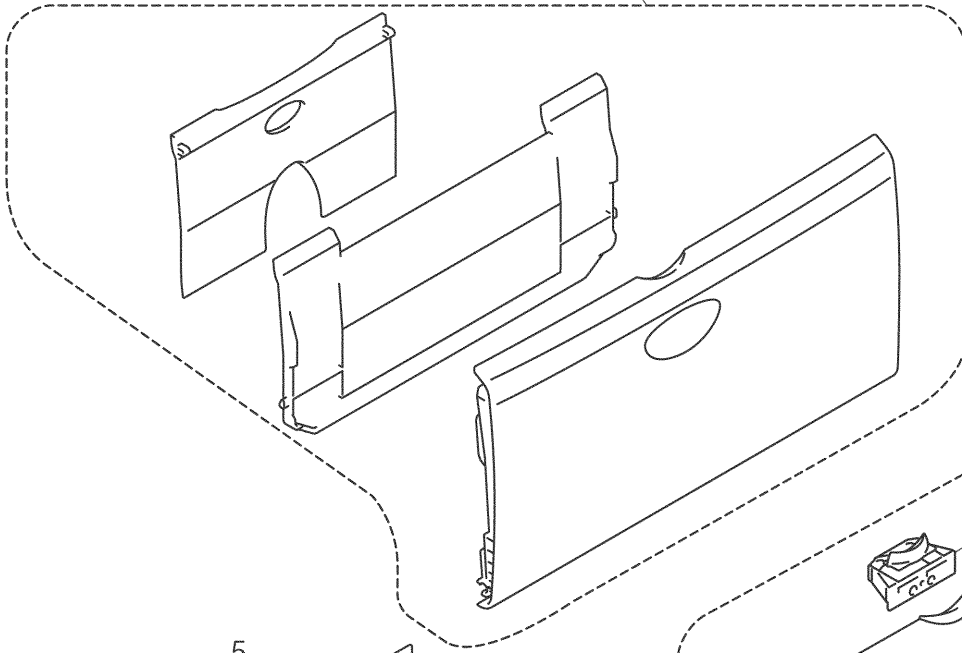


LIST5(PAPER FEEDER)

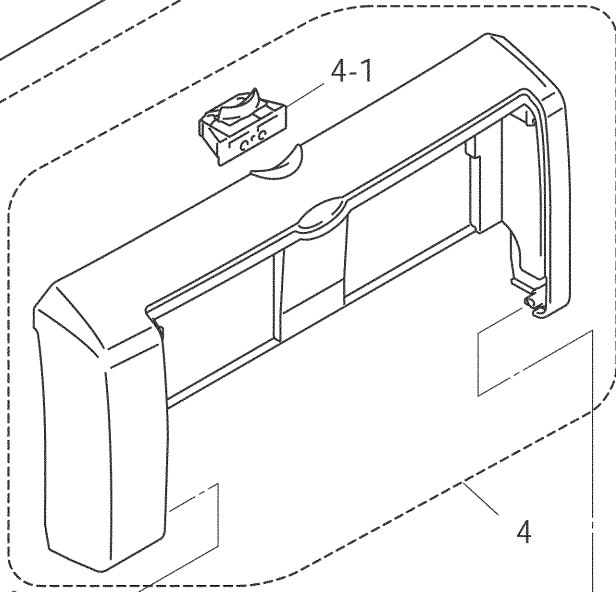
REF No.	CODE	Q'TY	DESCRIPTION	RECOMMEND	REMARKS
1	LJ7322001	1	REGIST FRONT ACTUATOR		
2	LM2590001	1	REGIST FRONT ACTUATOR SPRING		
3	LJ7324001	1	REGIST REAR ACTUATOR		
4	LJ7325001	1	REGIST REAR ACTUATOR SPRING		
5	LJ7703001	1	PAPER PICK-UP ROLLER ASSY		
6	LM2601001	1	PE ACTUATOR		
7	LJ9235001	1	CASSETTE SENSOR PCB ASSY		
8	LJ5155001	1	CA ACTUATOR		
9	LJ5211001	1	PE SENSOR COVER		
10	LM2033001	1	FRONT CHUTE GUIDE ASSY		
11	LM2032001	1	FRONT TRAY CHUTE ASSY		
12	LJ5021001	1	BUSHING R		
13	LJ7730001	2	ROLLER COLLAR		
14	LJ5020001	1	BUSHING L		
15	LU0508001	1	ROLLER 6 GUIDE/ ROLLER (SP)		CHG
16	LJ7342001	1	FRONT CHUTE, DCP8040, MFC8440		
16	LM2558001	1	FRONT CHUTE, DCP8045D, MFC8640D/MFC8840D/8840DN		

6. MP UNIT

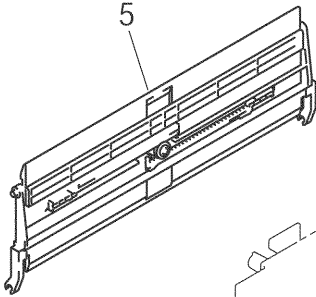
3



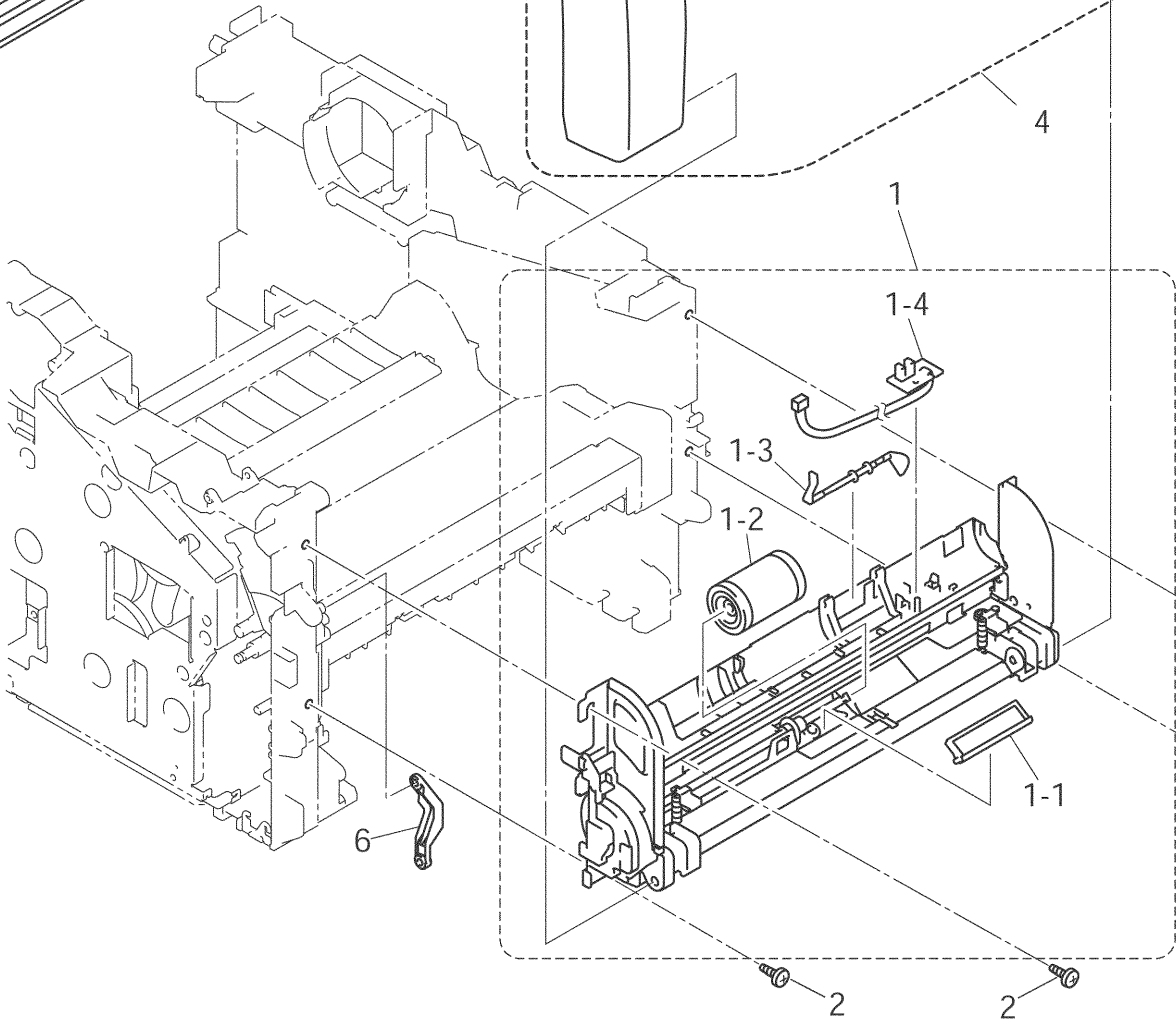
4-1



5



4



1

1-4

1-3

1-2

1-1

6

2

2

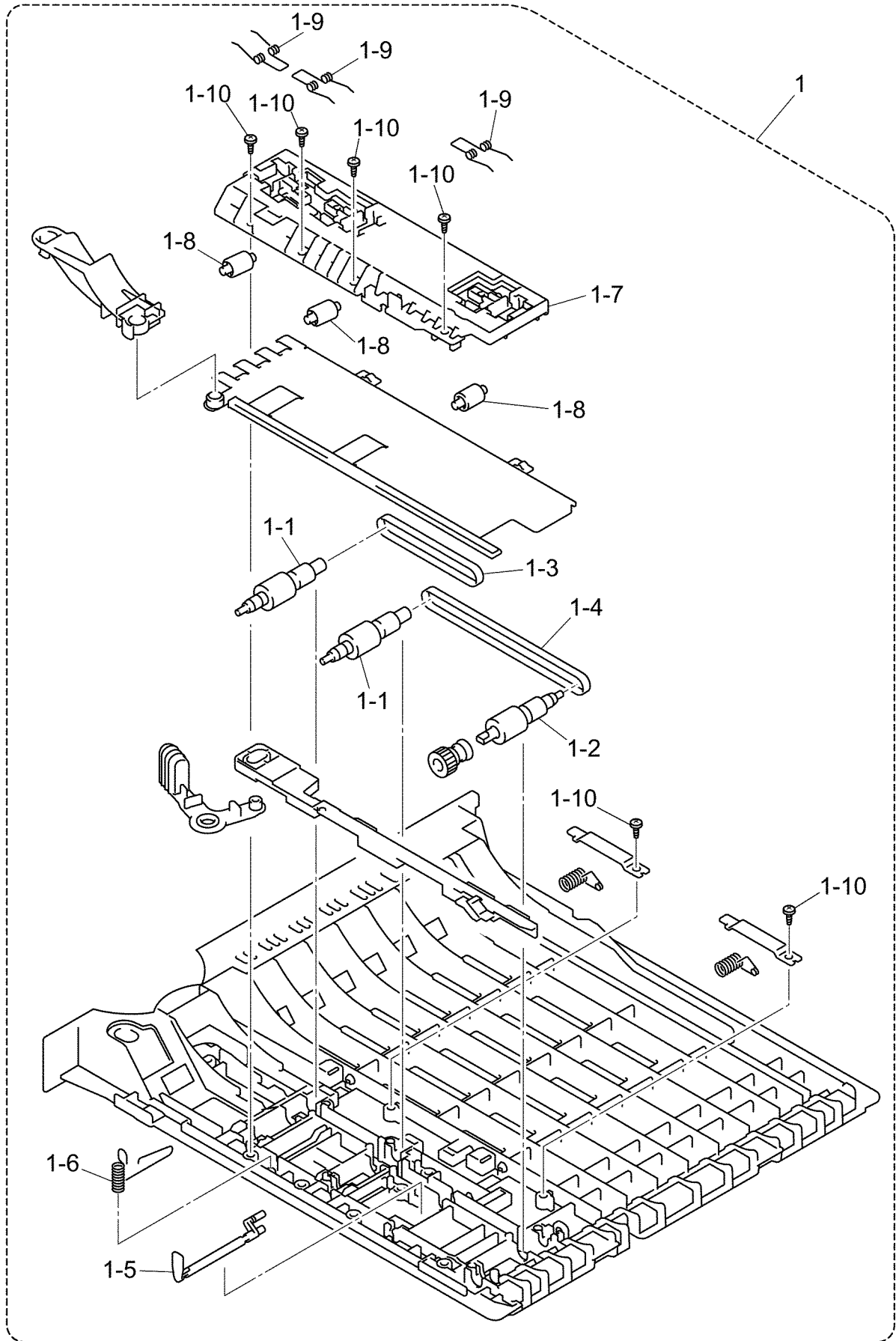
2

2

LIST6(MP UNIT)

REF No.	CODE	Q'TY	DESCRIPTION	RECOMMEND	REMARKS
1	LJ7551001	1	MP UNIT ASSY, DCP8045D/MFC8640D/MFC8840D/MFC8840DN		
1-1	LJ7555001	1	SEPARATION PLATE ASSY, DCP8045D/MFC8640D/MFC8840D/MFC8840DN		
1-2	LM2050001	1	PAPER PICK-UP ROLLER ASSY (SP), DCP8045D/MFC8640D/MFC8840D/MFC8840DN		
1-3	LJ7571001	1	MP-PE ACTUATOR, DCP8045D/MFC8640D/MFC8840D/MFC8840DN		
1-4	LJ9222001	1	MP-PE SENSOR PCB ASSY, DCP8045D/MFC8640D/MFC8840D/MFC8840DN		
2	085411216	4	TAPTITE, BIND B M4X12, DCP8045D/MFC8640D/MFC8840D/MFC8840DN		
3	LJ7587001	1	MP TRAY ASSY, DCP8045D/MFC8640D/MFC8840D/MFC8840DN (NOT INCLUDING A BROTHER EMBLEM.)		
4	LM2313001	1	MP FRONT COVER ASSY, DCP8045D/MFC8640D/MFC8840D/MFC8840DN		
4-1	LJ7800001	1	MP COVER RELEASE BUTTON, DCP8045D/MFC8640D/MFC8840D/MFC8840DN		add
5	LJ7589001	1	MP PAPER GUIDE ASSY, DCP8045D/MFC8640D/MFC8840D/MFC8840DN		
6	LJ7600001	1	DRIVE RELEASE LINK MP, DCP8045D/MFC8640D/MFC8840D/MFC8840DN		ADD

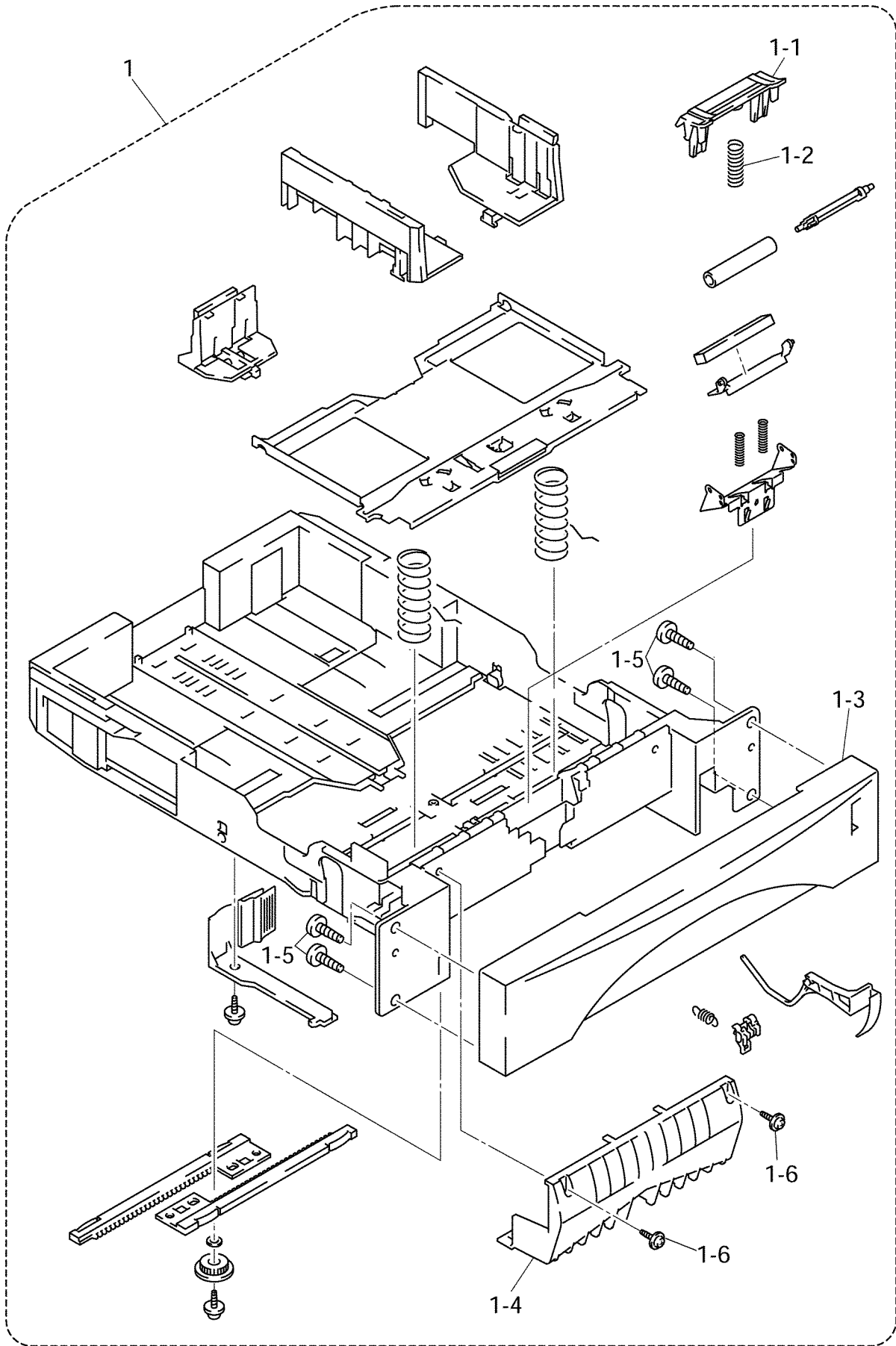
7. DUPLEX



LIST7(DUPLEX)

REF No.	CODE	Q'TY	DESCRIPTION	RECOMMEND	REMARKS
1	LJ7661001	1	DX FEED ASSY, DCP8045D/MFC8640D/MFC8840D/MFC8840DN		
1-1	LJ7663001	2	SIDE REGIST ROLLER, DCP8045D/MFC8640D/MFC8840D/MFC8840DN		
1-2	LJ7664001	1	DX FEED ROLLER, DCP8045D/MFC8640D/MFC8840D/MFC8840DN		
1-3	LJ5015001	1	T-BELT (S), DCP8045D/MFC8640D/MFC8840D/MFC8840DN		
1-4	LJ5240001	1	T-BELT (L), DCP8045D/MFC8640D/MFC8840D/MFC8840DN		
1-5	LJ5248001	1	GUIDE ACTUATOR, DCP8045D/MFC8640D/MFC8840D/MFC8840DN		
1-6	LJ7669001	1	GROUND WIRE, DCP8045D/MFC8640D/MFC8840D/MFC8840DN		
1-7	LJ7670001	1	DX ROLLER HOLDER, DCP8045D/MFC8640D/MFC8840D/MFC8840DN		
1-8	LJ7671001	3	PRESSURE ROLLER, DCP8045D/MFC8640D/MFC8840D/MFC8840DN		
1-9	LJ7672001	3	PRESSURE ROLLER SPRING, DCP8045D/MFC8640D/MFC8840D/MFC8840DN		
1-10	085310816	6	TAPTITE, BIND B M3X8, DCP8045D/MFC8640D/MFC8840D/MFC8840DN		

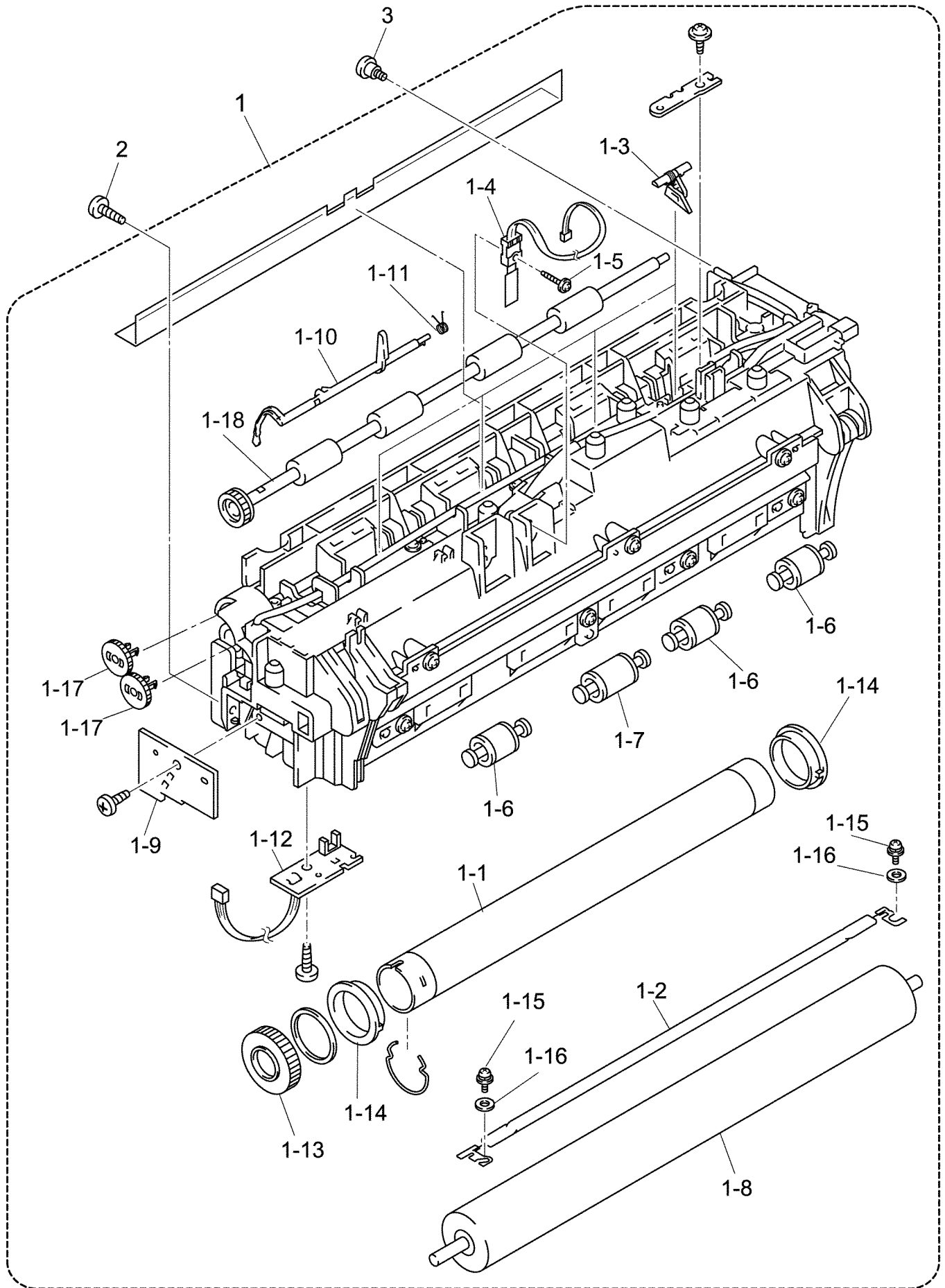
8. PAPER TRAY



LIST8(PAPER TRAY)

REF No.	CODE	Q'TY	DESCRIPTION	RECOMMEND	REMARKS
1	LJ7607001	1	PAPER TRAY ASSY	√	
1-1	LJ7307001	1	PAD HOLDER		
1-2	LJ5923001	1	SEPARATION PAD SPRING		
1-3	LJ7608001	1	PAPER TRAY FRONT COVER		
1-4	LJ7616001	1	PAPER TRAY COVER		
1-5	085411216	4	TAPTITE, BIND B M4X12		
1-6	087311016	2	TAPTITE, CUP B M3X10		

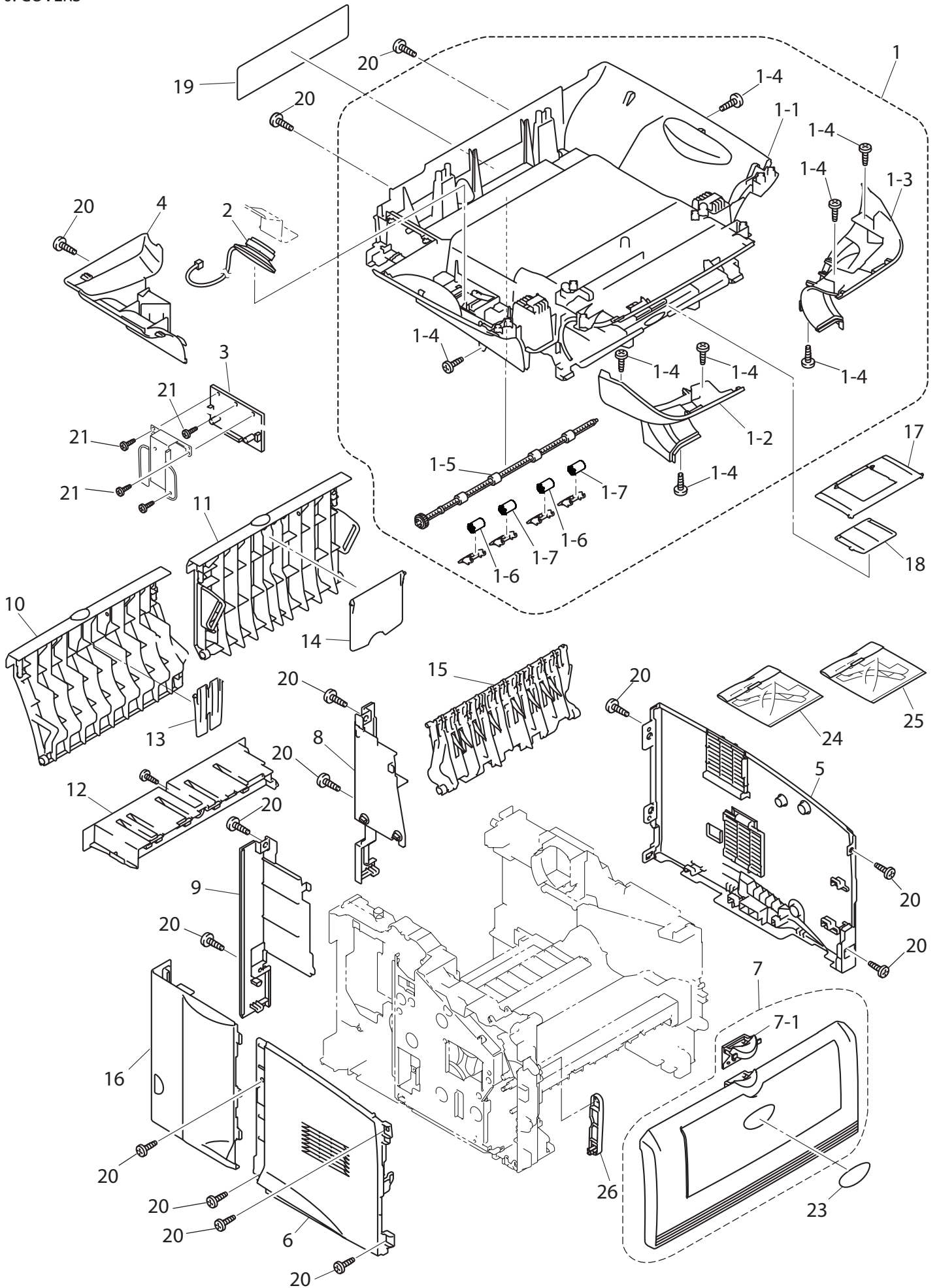
9. FIXING UNIT



LIST9(FIXING UNIT)

REF No.	CODE	Q'TY	DESCRIPTION	RECOMMEND	REMARKS
1	LM2579001	1	FIXING UNIT, 115V (SP)	√	
1-1	LM2706001	1	HEAT ROLLER 25		
1-2	LJ7417001	1	HALOGEN LAMP, 115V		
1-3	LJ7877001	4	SEPARATE CLAW ASSY		
1-4	LJ7419001	1	THERMISTOR ASSY		
1-5	087311215	1	TAPTITE, CUP B M3X12		
1-6	LJ7428001	3	CLEANER PINCH ROLLER ASSY S		
1-7	LJ7432001	1	CLEANER PINCH ROLLER ASSY L		
1-8	LM2477001	1	PRESSURE ROLLER 25		
1-9	LJ9174001	1	THERMISTOR RELAY PCB ASSY		
1-10	LJ5289001	1	PAPER EJECT ACTUATOR		
1-11	LJ5066001	1	EJECT ACTUATOR SPRING		
1-12	LJ9176001	1	EJECT SENSOR PCB ASSY		
1-13	LJ7416001	1	HR GEAR 34		
1-14	LJ7414001	2	HR BEARING 25		
1-15	LM2254001	2	SCREW, PAN (S/P WASHER) M26X8		
1-16	LM2255001	2	WASHER, PLAIN 26		
1-17	LM2047001	2	IDLE GEAR 13		
1-18	LJ4118001	1	EJECT ROLLER ASSY		
2	085411216	1	TAPTITE, BIND B M4X12		
3	LJ4740001	1	SHOULDER SCREW		

10. COVERS

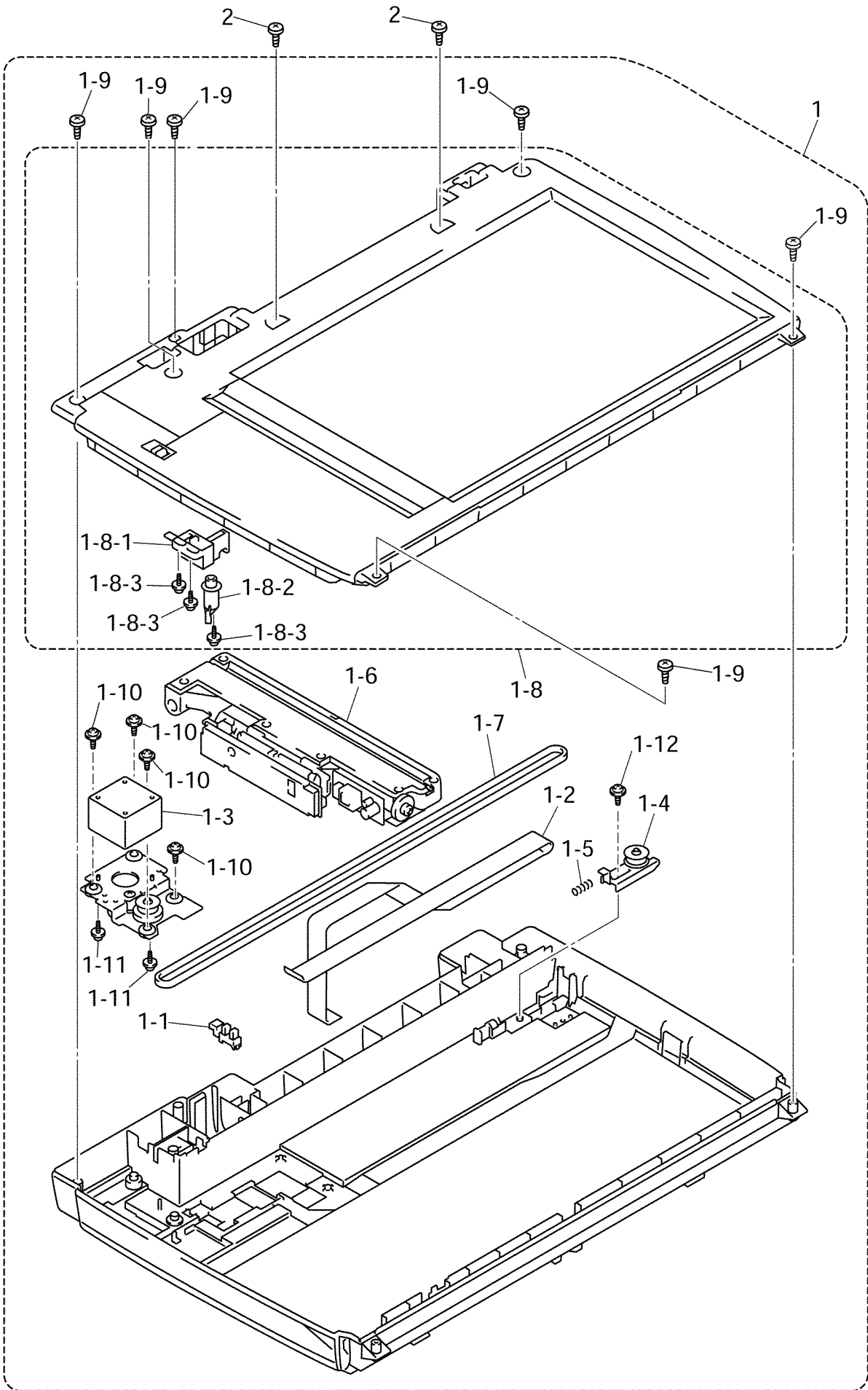


LIST10(COVERS)

REF No.	CODE	Q'TY	DESCRIPTION	RECOMMEND	REMARKS
1	LF2126001	1	JOINT COVER ASSY		
1	LP2318001	1	JOINT COVER ASSY WITH RIB*		add
1-1	LE8599001	1	JOIN COVER, GRAY(1495)		
1-2	LE8600001	1	JOINT COVER FRONT L, GRAY(1495)		
1-3	LE8601001	1	JOINT COVER FRONT R, GRAY(1495)		
1-4	085411216	8	TAPTITE, BIND B M4X12		
1-5	LJ7445001	1	EJECTION ROLLER ASSY ZL2		ADD
1-6	LJ7912001	2	CORRUGATION PINCH ROLLER L		ADD
1-7	LJ7911001	2	CORRUGATION PINCH ROLLER R		ADD
2	LG2630001	1	SPEAKER ASSY		
3	LG4377001	1	DRIVER PCB ASSY		
4	LE8603001	1	DRIVER PCB ACCESS COVER, GRAY(1495)		
5	LJ7453001	1	SIDE COVER R		
6	LM2448001	1	SIDE COVER L		
7	LM2724001	1	FRONT COVER ASSY, DCP8040/MFC8440 (*)		
			*: FRONT COVER ASSY, DCP8045D/MFC8640D/MFC8840D/MFC8840DN is listed in List 6 as a "MP TRAY ASSY"		
7-1	LJ7463001	1	FRONT COVER RELEASE BUTTON, DCP8040/MFC8440		add
8	LJ7465001	1	REAR COVER R, DCP8040/MFC8440		
8	LJ7617001	1	REAR COVER R MP, DCP8045D/MFC8640D/MFC8840D/MFC8840DN		
9	LJ7466001	1	REAR COVER L, DCP8040		
9	LJ7618001	1	REAR COVER L MP, DCP8045D		
9	LE8767001	1	REAR COVER L, MFC8440		
9	LE8604001	1	REAR COVER L MFC MP, MFC8640D/MFC8840D/MFC8840DN		
10	LJ7469001	1	OUTER CHUTE, DCP8040/MFC8440		
11	LJ7610001	1	REAR COVER MP, DCP8045D/MFC8640D/MFC8840D/MFC8840DN		
12	LJ7467001	1	REAR COVER C, DCP8040/MFC8440		
13	LJ7470001	1	OUTER CHUTE TRAY, DCP8040/MFC8440		
14	LJ7613001	1	REAR COVER MP TRAY, DCP8045D/MFC8640D/MFC8840D/MFC8840DN		
15	LJ7699001	1	OUTER CHUTE MP ASSY, DCP8045D/MFC8640D/MFC8840D/MFC8840DN		
16	LF2455001	1	ACCESS COVER, GRAY(1495)		
17	LJ7895001	1	SUPPORT FLAP		
18	LJ7896001	1	SUPPORT FLAP S		
19	LJ7353001	1	HEATER CAUTION LABEL		
20	085411216	14	TAPTITE, BIND B M4X12		
21	087311016	3	TAPTITE, BIND B M3X10		
(22)	-----		NOT USED		
23	LE8812001	1	BROTHER EMBLEM, MFC8640D/MFC8840D/MFC8840DN		add
23	LE8890001	1	BROTHER EMBLEM, MFC8440		add
23	LE8891001	1	BROTHER EMBLEM, DCP8040/DCP8045D		add
24	LM2978001	1	TOP COVER RIB ASSY (SP)		add
25	LM6340001	1	TOP COVER RIB ASSY2 (SP)		add
26	LJ7468001	1	LINK, DCP8040/MFC8440		add

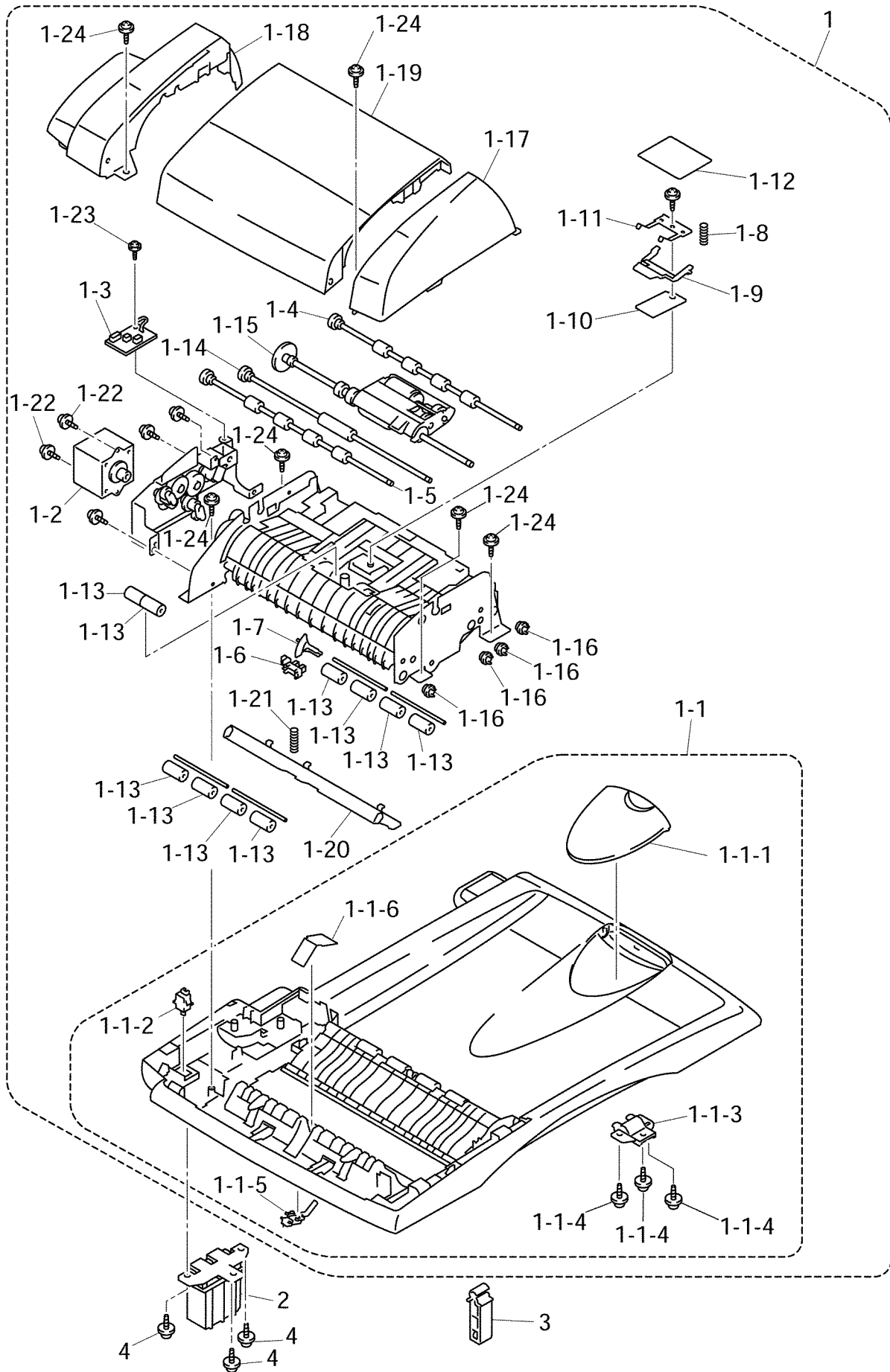
*JOINT COVER ASSY WITH RIB consists of JOINT COVER ASSY, 9 pieces of TOP COVER RIB and 2 pieces of TOP COVER RIB 2.

11. SCANNER



LIST11(SCANNER)

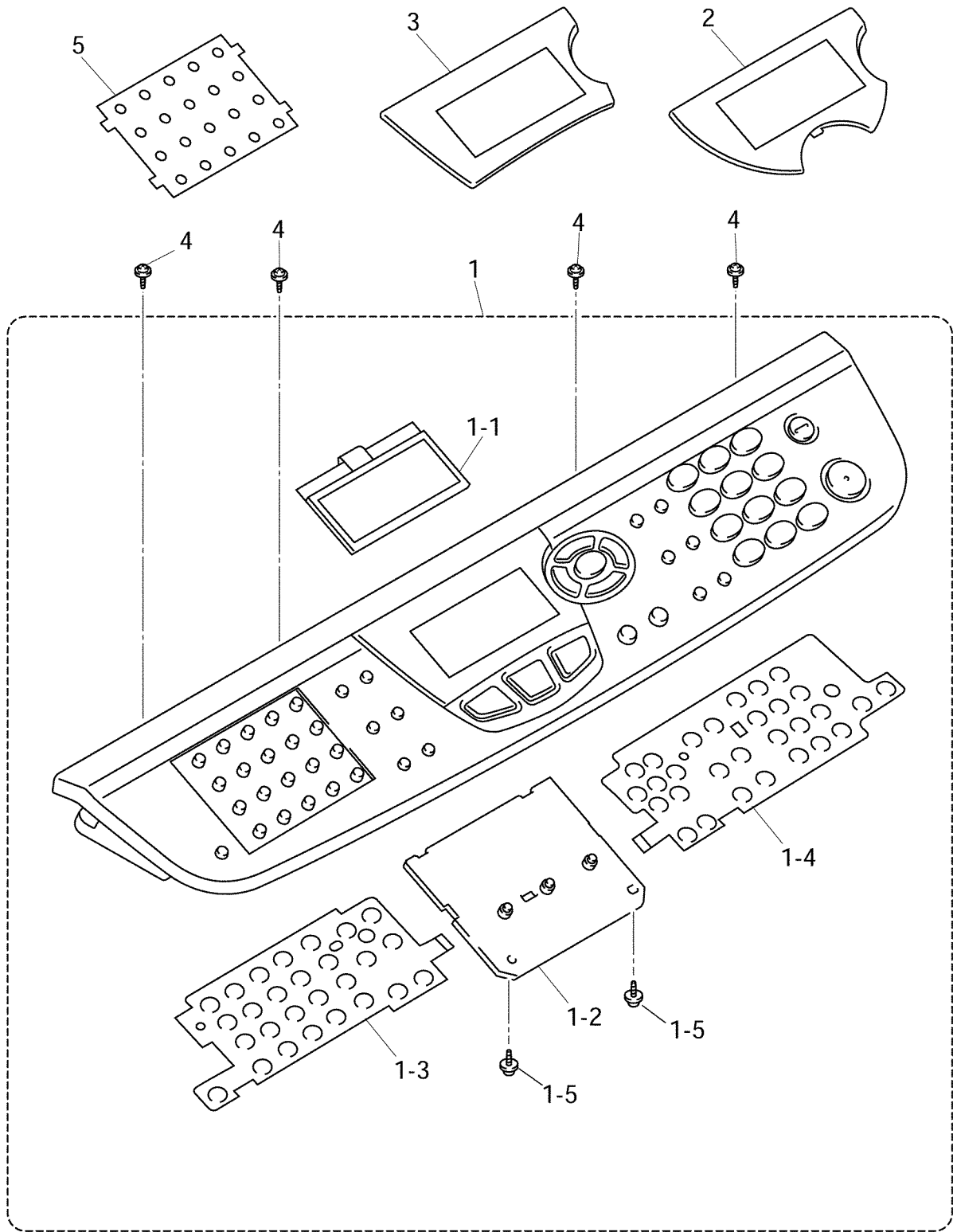
REF No.	CODE	Q'TY	DESCRIPTION	RECOMMEND	REMARKS
1	LF2923001	1	SCANNER UNIT	√	
1-1	LG2239001	1	PHOTO INTERRUPTER		
1-2	LE8618001	1	FFC CABLE ASSY		
1-3	LE8632001	1	SCANNING MOTOR FB		
1-4	LE8634001	1	PULLEY ASSY		
1-5	LE8640001	1	PULLEY SPRING		
1-6	LF2037001	1	CCD MODULE(SP)	√	
1-7	LE8642001	1	BELT		
1-8	LE8646001	1	TOP COVER ASSY		
1-8-1	LF2004001	1	LOCK LEVER ASSY		
1-8-2	LE8649001	1	LOCK LEVER B		
1-8-3	UF5034001	3	TAPTITE, B 3X6		
1-9	087411216	6	TAPTITE, CUP B M4X12		
1-10	LE2861001	4	TAPTITE, PAN B M3X8		
1-11	0A4300605	2	SCREW, PAN (S/P WASHER) M3X6		
1-12	UF5034001	1	TAPTITE, B 3X6		
2	087412016	2	TAPTITE, CUP B M4X20		



LIST12(ADF)

REF No.	CODE	Q'TY	DESCRIPTION	RECOMMEND	REMARKS
1	LP2422003	1	ADF UNIT (SP), DCP8040/DCP8045D/MFC8440/MFC8840D/MFC8840DN	√	chg
1	LP2422001	1	ADF UNIT (SP), MFC8640D	√	chg
1-1	LE8660001	1	DOCUMENT COVER LGL SUB ASSY		
1-1-1	LE8663001	1	DOCUMENT EJECTION TRAY		
1-1-2	LG3218001	1	DOCUMENT COVER SENSOR		
1-1-3	LE6245001	1	HINGE ARM R		
1-1-4	087311016	3	TAPTITE, CUP B M3X10		
1-1-5	LG4567001	1	DOCUMENT REAR SENSOR		add
1-1-6	LE8998001	1	REAR SENSOR FILM		add
1-2	LE8688001	1	ADF MOTOR		
1-3	LG4376001	1	ADF RELAY PCB ASSY		
1-4	LE8704001	1	LF ROLLER2 ASSY		
1-5	LE8711001	1	EJECTION ROLLER ASSY		
1-6	LG2239001	1	PHOTO INTERRUPTER		
1-7	LE8828001	1	FRONT SENSOR ACTUATOR ASSY		
1-8	LE2011001	1	COMPRESSION SPRING		
1-9	LE2551001	1	RUBBER HOLDER		
1-10	UU2055001	1	SEPARATION RUBBER		
1-11	LE1513001	1	SPRING PLATE ADF FRONT A ASSY		
1-12	LE2470001	1	ADF FILM		
1-13	UF9009001	10	PRESSER ROLLER		
1-14	LE8722001	1	LF ROLLER1 ASSY		
1-15	LE2919001	1	PF ROLLER HOLDER ASSY		
1-16	UU1290001	4	CONDUCTIVE BUSHING		
1-17	LE8727003	1	SIDE COVER F, GRAY(1623)		
1-18	LE8728003	1	SIDE COVER R, GRAY(1623)		
1-19	LE8729003	1	ADF COVER, GRAY(1623)		
1-20	LE8834001	1	DOCUMENT HOLD ASSY		
1-21	LF2026001	1	DOCUMENT HOLD SPRING		
1-22	0A4300605	2	SCREW, PAN (S/P WASHER) M3X6		
1-23	087320616	1	TAPTITE, CUP S M3X6		
1-24	087311016	6	TAPTITE, CUP B M3X10		
2	LP2403001	1	HINGE ASSY L		chg
3	LS7497001	1	HINGE BASE R		CHG
4	087311016	3	TAPTITE, CUP B M3X10		

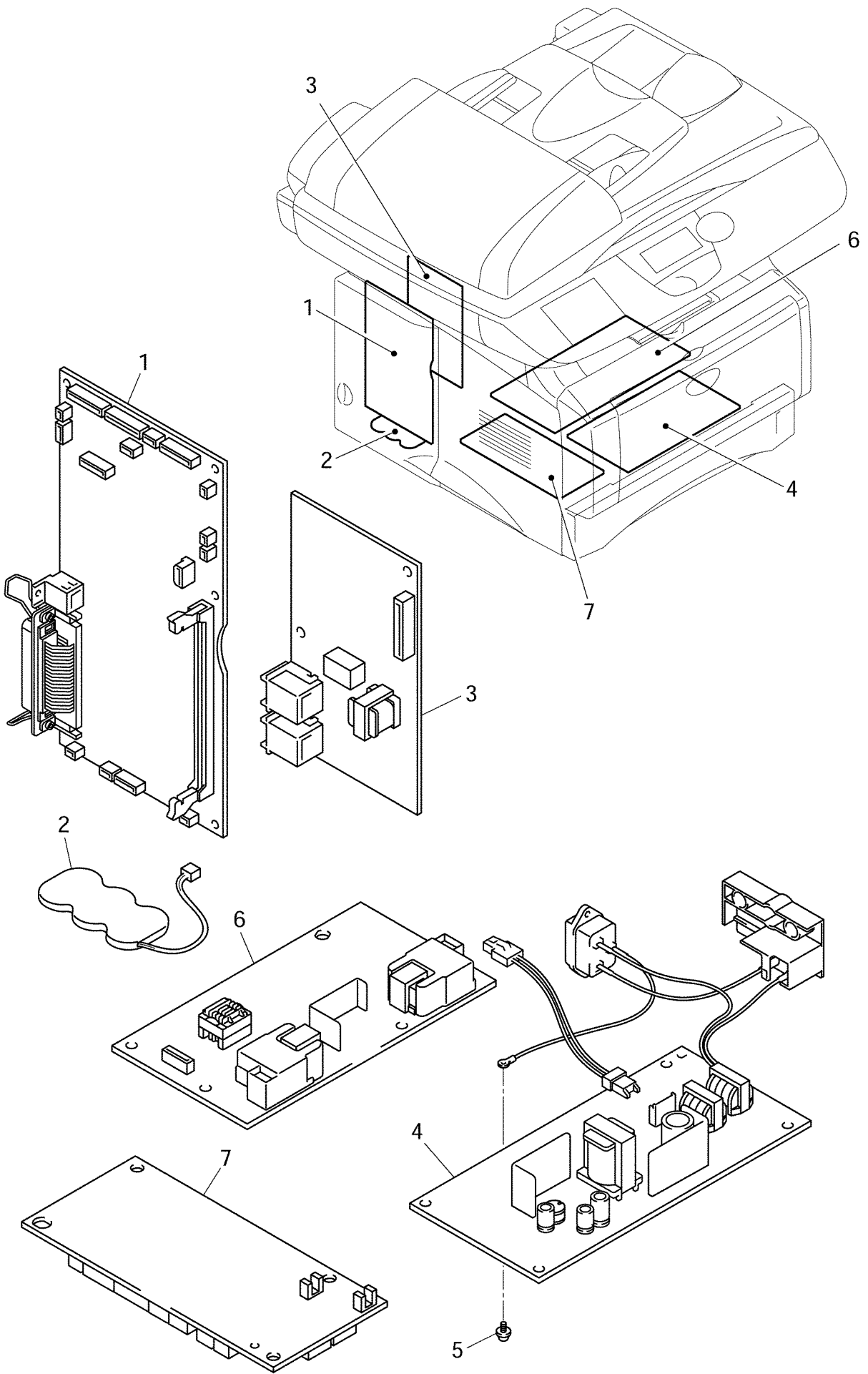
13. PANEL



LIST13(PANEL)

REF No.	CODE	Q'TY	DESCRIPTION	RECOMMEND	REMARKS
1	LF2683001	1	PANEL UNIT, DCP8040	√	
1	LF2686001	1	PANEL UNIT, DCP8045D	√	
1	LE8732001	1	PANEL UNIT, MFC8440	√	
1	LE8846001	1	PANEL UNIT, MFC8640D/MFC8840D/MFC8840DN FOR	√	
1	LE8939001	1	PANEL UNIT, MFC8840D FOR BRA	√	chg
1-1	LG4383001	1	LCD		
1-2	LG4411001	1	PANEL PCB ASSY, DCP8040/DCP8045D		
1-2	LG4384001	1	PANEL PCB ASSY, MFC8440/MFC8640D/MFC8840D/MFC8840DN		
1-3	LG4393001	1	FPC KEY ONE TOUCH		
1-4	LG4392001	1	FPC KEY COPY		
1-5	087310815	2	TAPTITE, CUP B M3X8		
2	LE8771001	1	LCD SHEET, DCP8040/DCP8045D	√	
3	LF2681001	1	LCD SHEET, MFC8440	√	
3	LF9432001	1	LCD SHEET, MFC8640D	√	ADD
3	LF2688001	1	LCD SHEET, MFC8840D/MFC8840DN	√	
4	087411215	4	TAPTITE, CUP B M4X12		
5	LE8752001	1	ADDRESS LABEL, MFC8440/MFC8640D/MFC8840D/MFC8840DN		

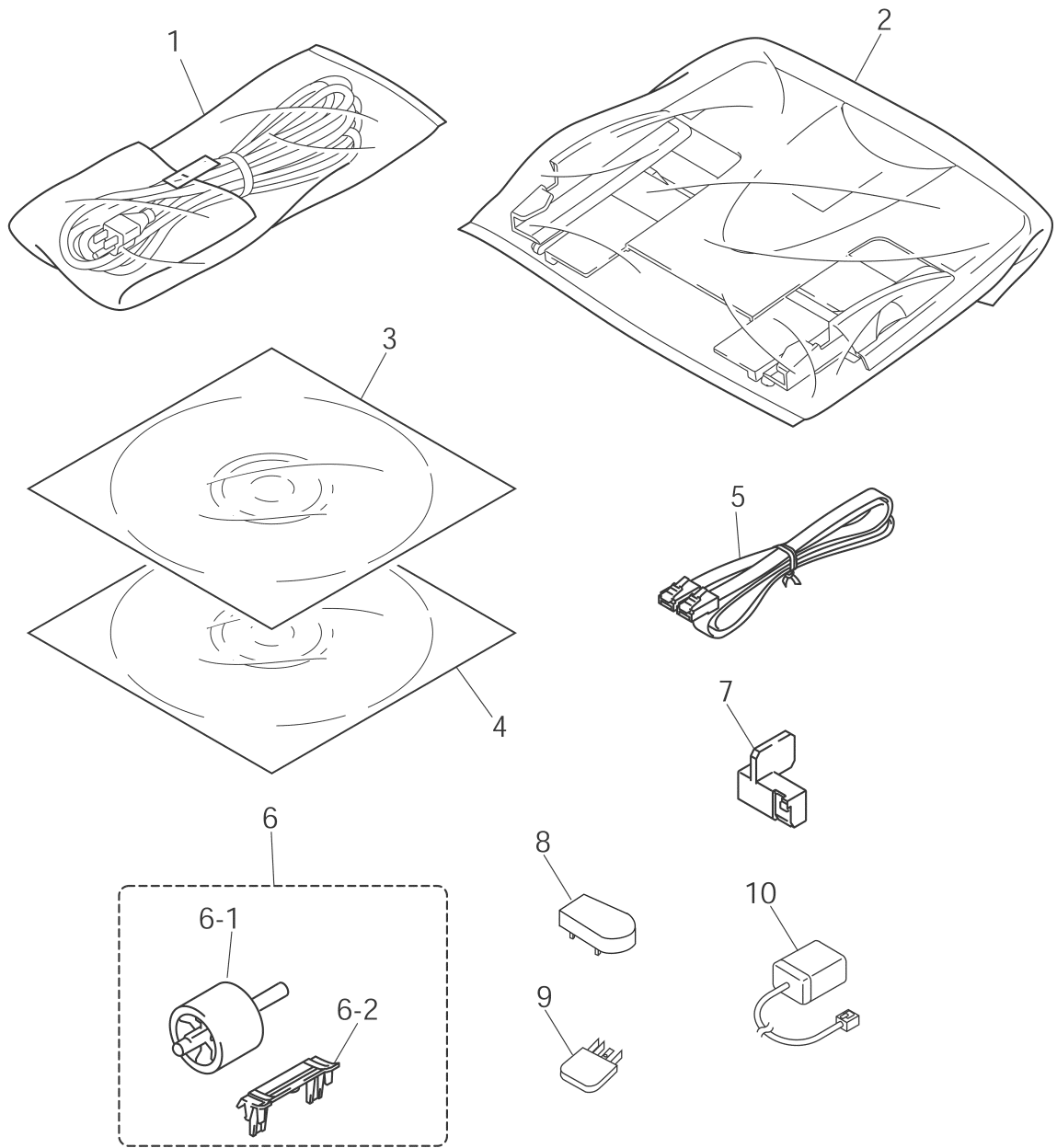
14. PCB



LIST14(PCB)

REF No.	CODE	QTY	DESCRIPTION	RECOMMEND	SYMBOL	REMARKS
1	LG5374001	1	MAIN PCB ASSY, DCP8040/DCP8045D	√	B53K627	
1	LG5378001	1	MAIN PCB ASSY, MFC8440/MFC8640D/MFC8840D/MFC8840DN	√	B53K627	
2	LG4823001	1	BATTERY, MFC8440/MFC8640D/MFC8840D/MFC8840DN			
3	LG4396002	1	NCU PCB ASSY, MFC8440/MFC8640D/MFC8840D/MFC8840DN FOR US	√	B53K664	add
3	LG4396001	1	NCU PCB ASSY, MFC8440/MFC8840D/MFC8840DN FOR CAN	√	B53K664	
3	LG4520040	1	NCU PCB ASSY, MFC8840D FOR BRA	√	B53K666	
4	LG5329004	4	LOW-VOLTAGE PS PCB UNIT 115V FOR US/CAN			DEL
4	LG5526004	4	LOW-VOLTAGE PS PCB UNIT 115V FOR BRA			DEL
4	LG6408001	1	LOW-VOLTAGE PS PCB UNIT 115V			ADD
5	085411216	1	TAPTITE, BIND B M4X12			
6	LG4401001	1	HIGH-VOLTAGE PS PCB ASSY			
7	LG4404001	1	ENGINE PCB ASSY, DCP8040/MFC8440			
7	LJ9274001	1	ENGINE PCB ASSY, DCP8045D/MFC8640D/MFC8840D/MFC8840DN			

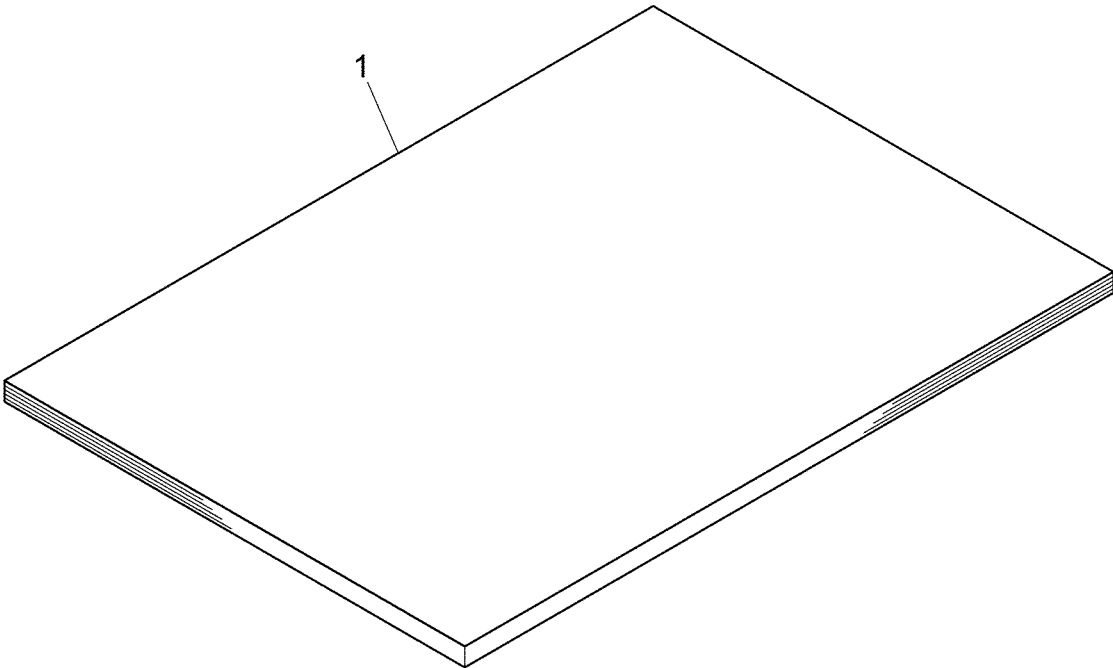
15. ACCESSORIES



LIST15(Accessories)

REF No.	CODE	QTY	DESCRIPTION	RECOMMEND	REMARKS
1	LG4400001	1	AC CORD BAG ASSY FOR US/CAN		
1	LG4715001	1	AC CORD BAG ASSY FOR BRA		
2	LE8833003	1	DOCUMENT TRAY BAG ASSY, DCP8040/DCP8045D/MFC8440/MFC8840D/MFC8840DN, GRAY(1623)		
2	LE8833001	1	DOCUMENT TRAY BAG ASSY, MFC8640D, GRAY(1495)		ADD
3	LF6284001	1	CD-ROM ASSY, DCP8040/DCP8045D FOR US/CAN <Windows>		chg
3	LF6657001	1	CD-ROM ASSY, MFC8440/MFC8840D/MFC8840DN FOR US/CAN <Windows>		chg
3	LF9433001	1	CD-ROM ASSY, MFC8640D <Windows> <Macintosh>		ADD
3	LF6288001	1	CD-ROM ASSY, MFC8840D FOR BRA <Windows>		chg
4	LF6655001	1	CD-ROM ASSY FOR US/CAN <Macintosh>		chg
4	LF6299001	1	CD-ROM ASSY FOR BRA <Macintosh>		chg
5	LG3077001	1	TELEPHONE LINE CORD, MFC8440/MFC8640D/MFC8840D/MFC8840DN		
6	LJ7920001	1	PAPER FEEDING KIT		
6-1	LJ7703001	1	PAPER PICK-UP ROLLER ASSY		
6-2	LJ7307001	1	PAD HOLDER		
7	LM2102001	1	FU LAMP ASSEMBLY JIG ASSY		
8	----		NOT USED		
9	----		NOT USED		
10	----		NOT USED		

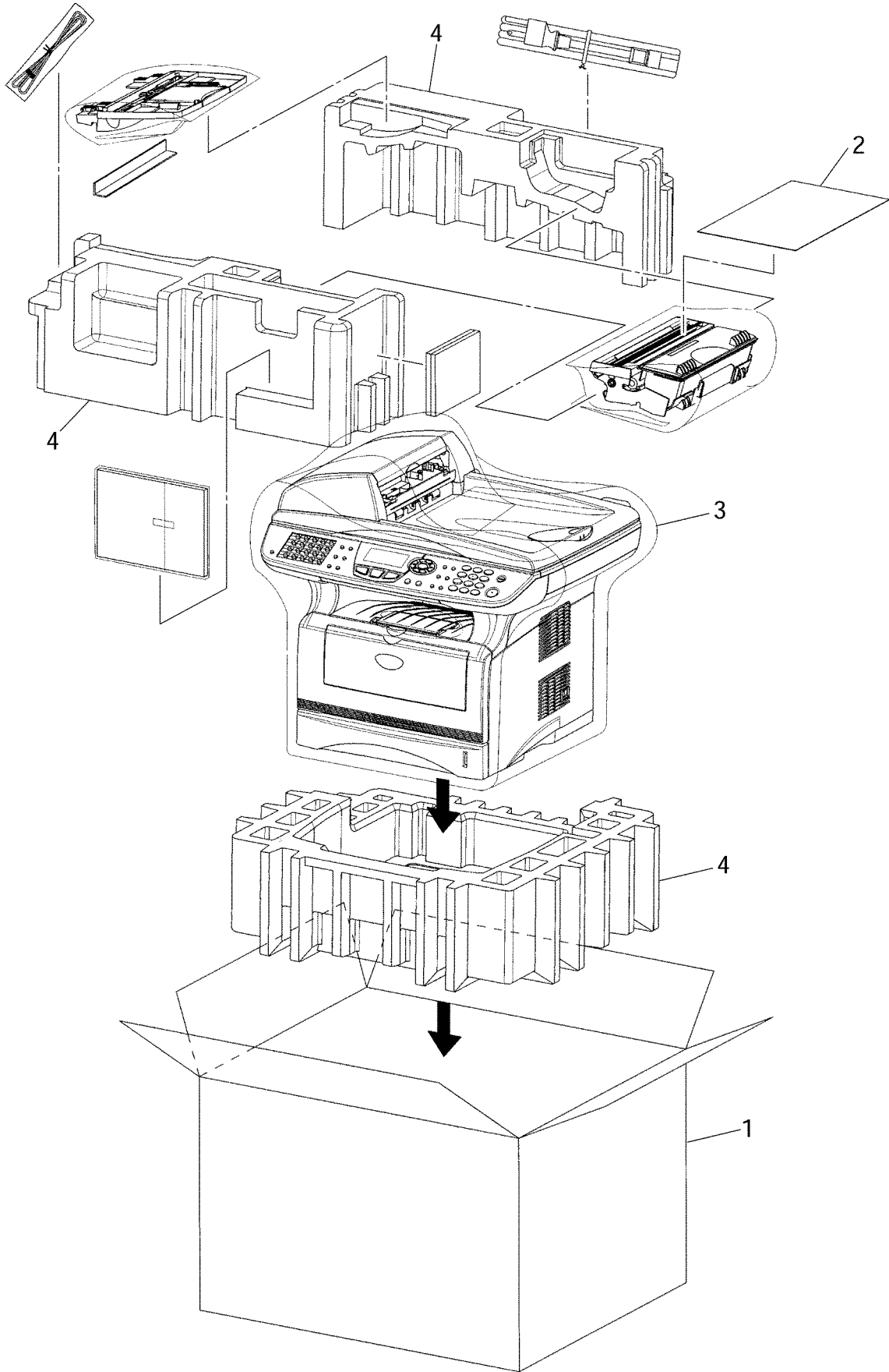
16. PRINTED MATERIALS



LIST16(PRINTED MATERIALS)

REF No.	CODE	Q'TY	DESCRIPTION	RECOMMEND	REMARKS
1	LF6304001	1	USER'S GUIDE, DCP8040/DCP8045D FOR US/CAN <ENGLISH>		chg
4	LF6306004	4	USER'S GUIDE, MFC8440/MFC8840D/MFC8840DN FOR US/CAN <ENGLISH>		DEL
1	LF9435001	1	USER'S GUIDE, MFC8440/MFC8840D/MFC8840DN/MFC8640D <ENGLISH>		add
1	LF6307001	1	USER'S GUIDE, DCP8040 FOR CAN <FRENCH>		chg
1	LF6305001	1	USER'S GUIDE, MFC8440/MFC8840D/MFC8840DN FOR CAN <FRENCH>		chg

17. PACKING MATERIALS



LIST17(PACKING MATERIALS)

REF No.	CODE	Q'TY	DESCRIPTION	RECOMMEND	REMARKS
1	LF6341001	1	CARTON, BROTHER, DCP8040	√	chg
1	LF6342001	1	CARTON, BROTHER, DCP8045D	√	chg
1	LF6343001	1	CARTON, BROTHER, MFC8440	√	chg
1	LF9436001	1	CARTON, BROTHER, MFC8640D	√	ADD
1	LF6345001	1	CARTON, BROTHER, MFC8840D	√	chg
1	LF6347001	1	CARTON, BROTHER, MFC8840DN	√	chg
2	LF6354001	1	QUICK SETUP GUIDE, DCP8040/DCP8045D <ENGLISH>		chg
2	LF6355001	1	QUICK SETUP GUIDE, MFC8440/MFC8840D/MFC8840DN FOR US/CAN <ENGLISH>		chg
2	LF9439001	1	QUICK SETUP GUIDE, MFC8640D <ENGLISH>		ADD
2	LF6356001	1	QUICK SETUP GUIDE, DCP8040 FOR CAN <FRENCH>		chg
2	LF6357001	1	QUICK SETUP GUIDE, MFC8440/MFC8840D/MFC8840DN FOR CAN <FRENCH>		chg
3	UE1688001	1	PE BAG 1000X1000H		
4	LE8762001	1	POLYSTYRENE FORM PAD ASSY, DCP8040/MFC8440		
4	LE8757001	1	POLYSTYRENE FORM PAD ASSY, DCP8045D/MFC8640D/MFC8840D/MFC8840DN		

brother®

PL-FAX075
8C5903
Ver. Z-1