



**FACSIMILE EQUIPMENT
PARTS REFERENCE LIST**

**MODEL: DCP8020 / 8025D
MFC8420 / 8820D / 8820DN
(For U.S.A / Canada / Brazil)**

© Copyright Brother 2003

All rights reserved

No part of this publication may be reproduced in any form or by any means without permission in writing from the publisher.

Specifications are subject to change without prior notice.

NOTES FOR USING THIS PARTS REFERENCE LIST

1. In the case of ordering parts, it needs mentioning the following items:

- (1) Code
- (2) Q' ty
- (3) Description

Note: No orders without Parts Code or Tool No. can be accepted.

[Example]

REF.NO.	(1) CODE	(2) Q' TY	(3) DESCRIPTION	REMARKS

2. Design-changed parts:

When the parts are changed, any one of the following symbols is mentioned in the REMARKS column.

CNG(cng) : The part is changed to a new part.

ADD(add) : The part is newly added.

DEL(del) : The part is deleted.

Symbol in capital letters indicates that the change is the latest one in the page.

3. Parts change will be informed by the technical information.

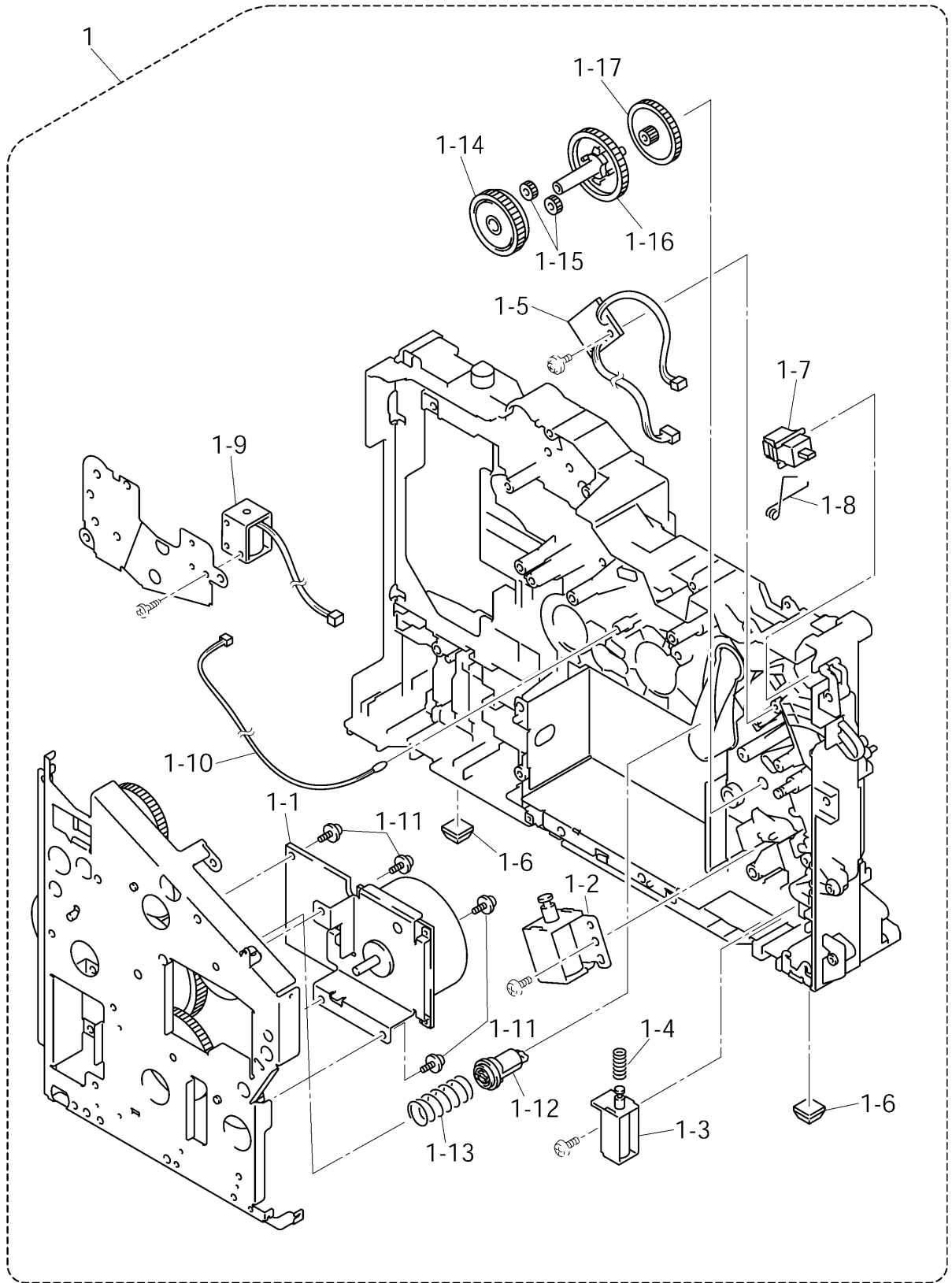
COUNTRIES

U.S.A. ----- USA

CANADA ----- CAN

BRAZIL ----- BRA

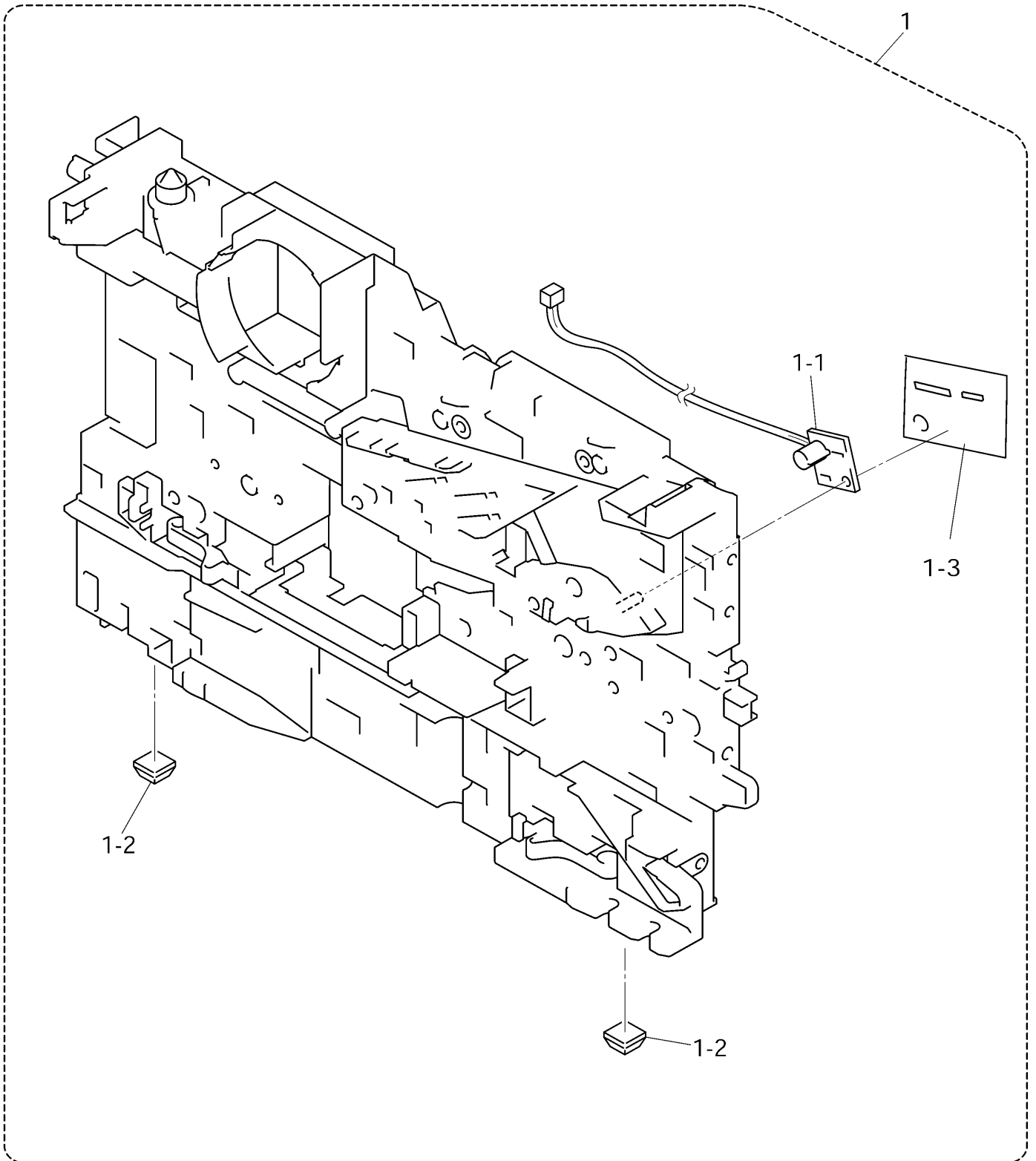
1. FRAME L



LIST1(FRAME L)

REF No.	CODE	Q'TY	DESCRIPTION	RECOMMEND	REMARK
1	LF2379001	1	MAIN FRAME L UNIT, DCP8020/MFC8420		CHG
1	LF2380001	1	MAIN FRAME L UNIT, DCP8025D/MFC8820D		CHG
1	LE8726001	1	MAIN FRAME L UNIT, MFC8820DN		
1-1	LJ7381001	1	MAIN MOTOR ASSY		
1-2	LJ7386001	1	F/R SOLENOID ASSY		
1-3	LJ7391001	1	P/R SOLENOID ASSY		
1-4	LJ5014001	1	SOLENOID RELEASE SPRING P/R		
1-5	LJ9166001	1	TONER LED PCB UNIT ASSY		
1-6	LJ7403001	2	RUBBER FOOT		
1-7	LG3218001	1	DOCUMENT COVER SENSOR		
1-8	LJ7784001	1	SENSOR CLIP		
1-9	LJ7678001	1	REVERSING RELEASE SOLENOID, DCP8025D/MFC8820D/MFC8820DN		
1-10	LG4518001	1	THERMISTOR ASSY		
1-11	087320616	4	TAPTITE, CUP S M3X6		
1-12	LJ7377001	1	DEVELOP JOINT		add
1-13	LJ7376001	1	JOINT SPRING		add
1-14	UH3044000	1	GEAR, 40/54Y		add
1-15	UL6569000	2	GEAR 17 PLANETARY		add
1-16	UL8977001	1	GEAR 45 ARM F/R		add
1-17	LJ5056001	1	GEAR 20 CENTER F/R		add

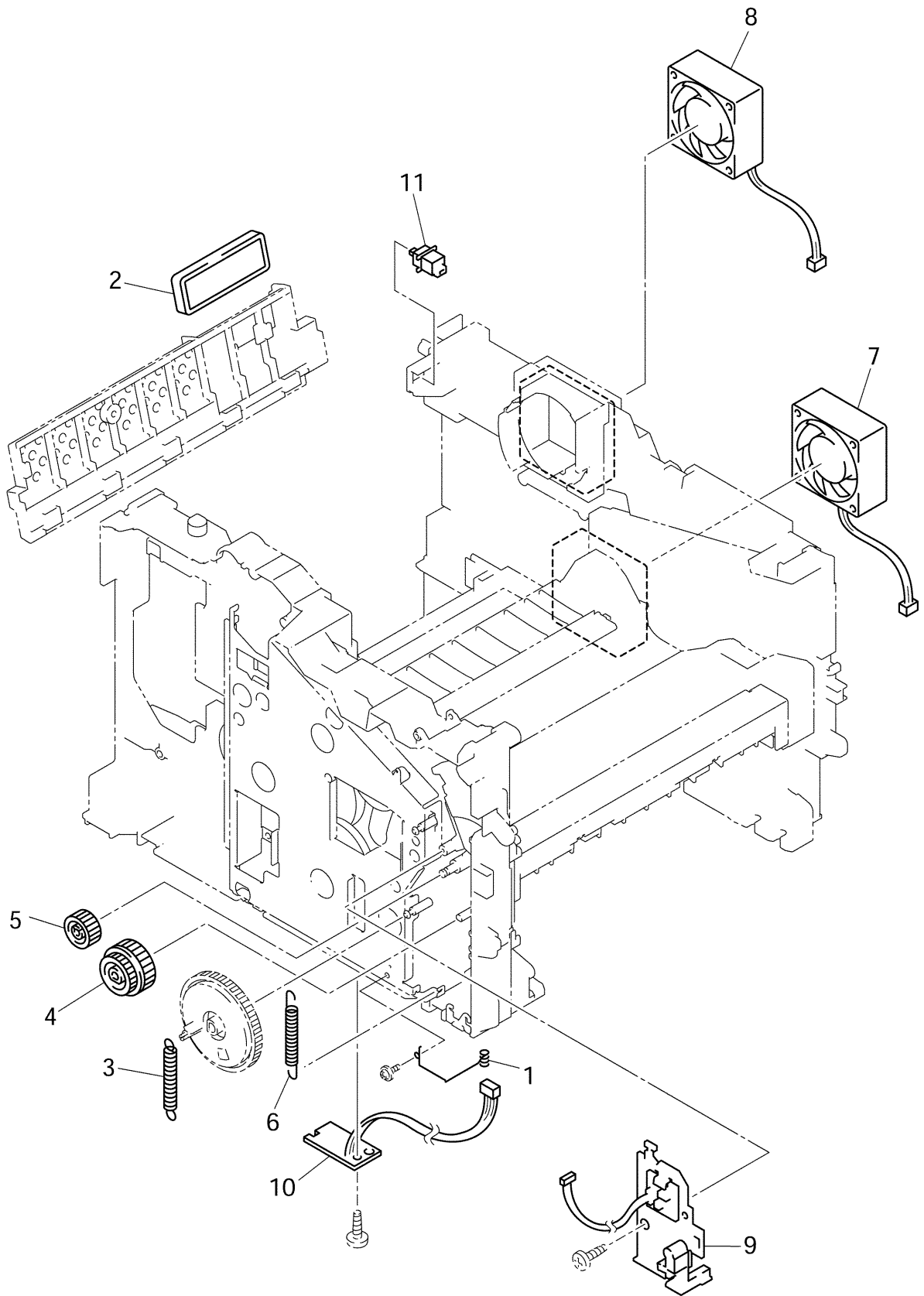
2. FRAME R



LIST2(FRAME R)

REF No.	CODE	Q'TY	DESCRIPTION	RECOMMEND	REMARK
1	LM2732001	1	MAIN FRAME R UNIT		CHG
1-1	LJ9612001	1	TONER SENSOR PCB UNIT		chg
1-2	LJ7403001	2	RUBBER FOOT		
1-3	LM2731001	1	TE FILM		ADD

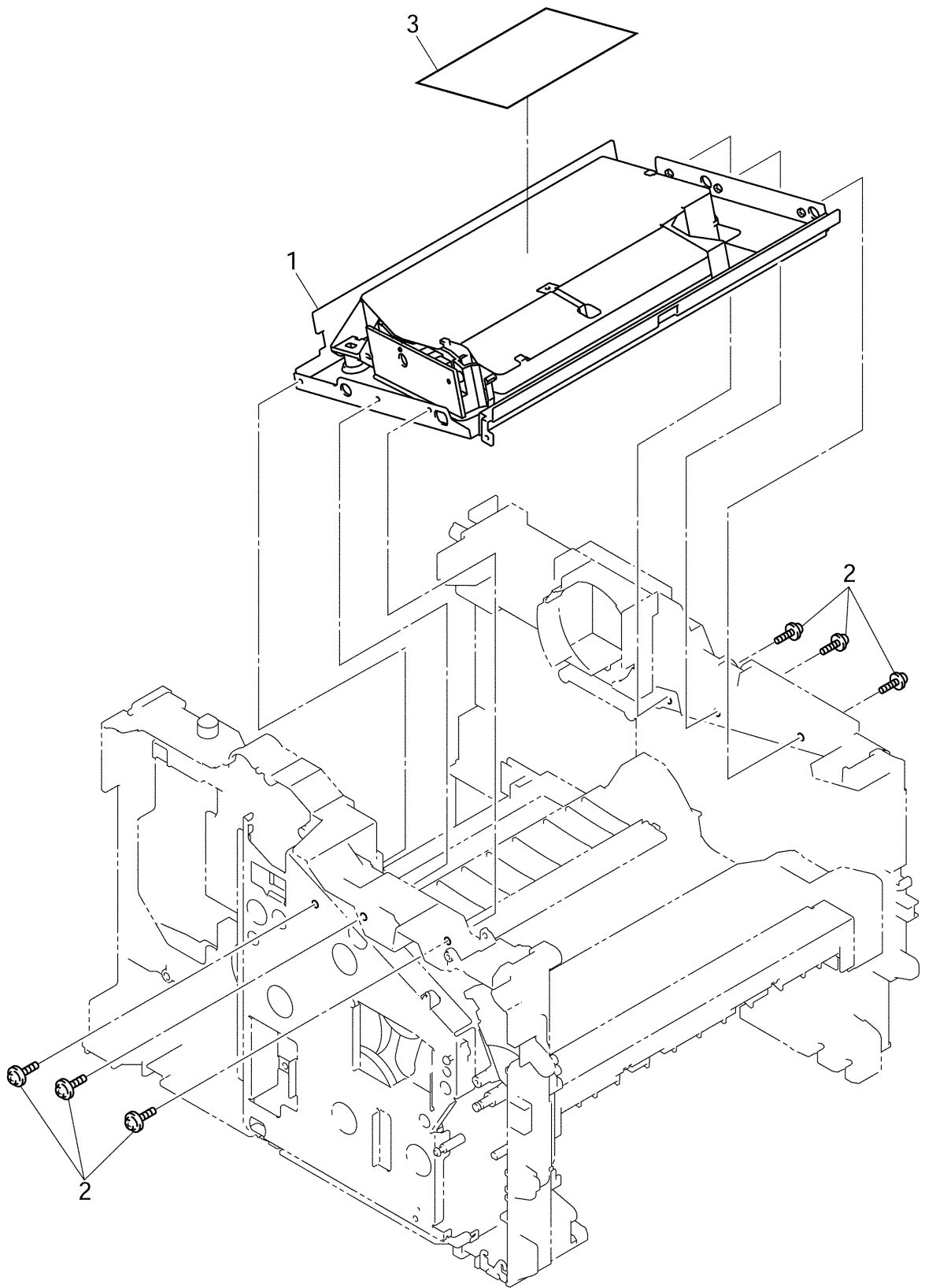
3. FRAME UNIT



LIST3(FRAME UNIT)

REF No.	CODE	Q'TY	DESCRIPTION	RECOMMEND	REMARK
1	LJ7490001	1	GROUND SPRING		
2	LJ7492001	1	FILTER		
3	LJ7496001	1	SPRING, EXTENSION P/R		
4	LJ7501001	1	MIDDLE ROLLER GEAR		
5	LJ7502001	1	IDLE GEAR 22		
6	LJ7504001	1	GROUND WIRE		
7	LJ7505001	1	FAN MOTOR 60 UNIT LV		
8	LJ7508001	1	FAN MOTOR 60 UNIT		
9	LJ7579001	1	MP SOLENOID HOLDER UNIT		
10	LJ9237001	1	DX-SENSOR PCB ASSY, DCP8025D/MFC8820D/MFC8820DN		
11	LG3218001	1	DOCUMENT COVER SENSOR		

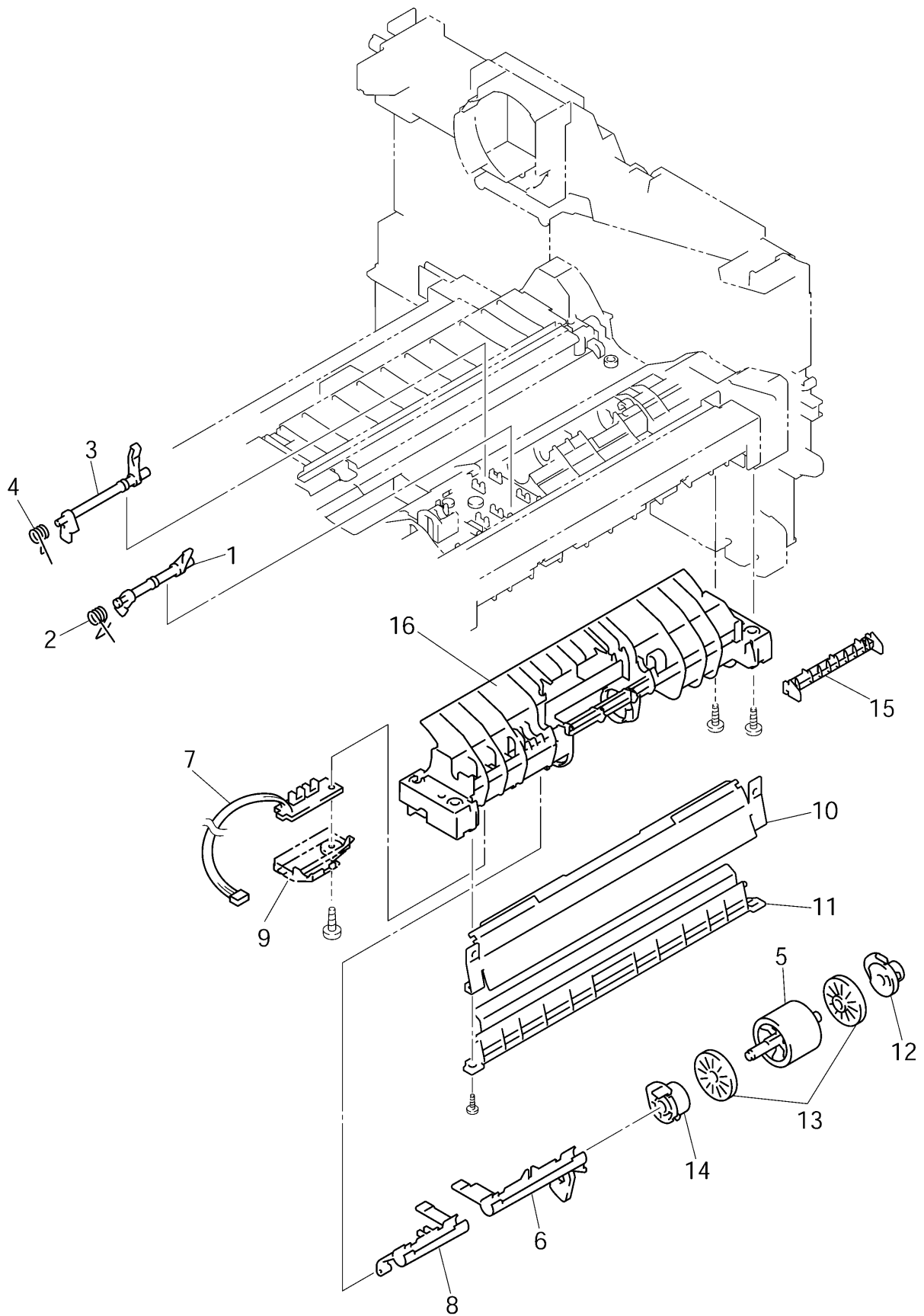
4. LASER UNIT



LIST4(LASER UNIT)

REF No.	CODE	Q'TY	DESCRIPTION	RECOMMEND	REMARK
1	LJ7899001	1	LASER UNIT (SP)	√	
2	087320815	6	TAPTITE, CUP S M3X8		
3	LJ0908001	1	LASER CAUTION LABEL		CHG

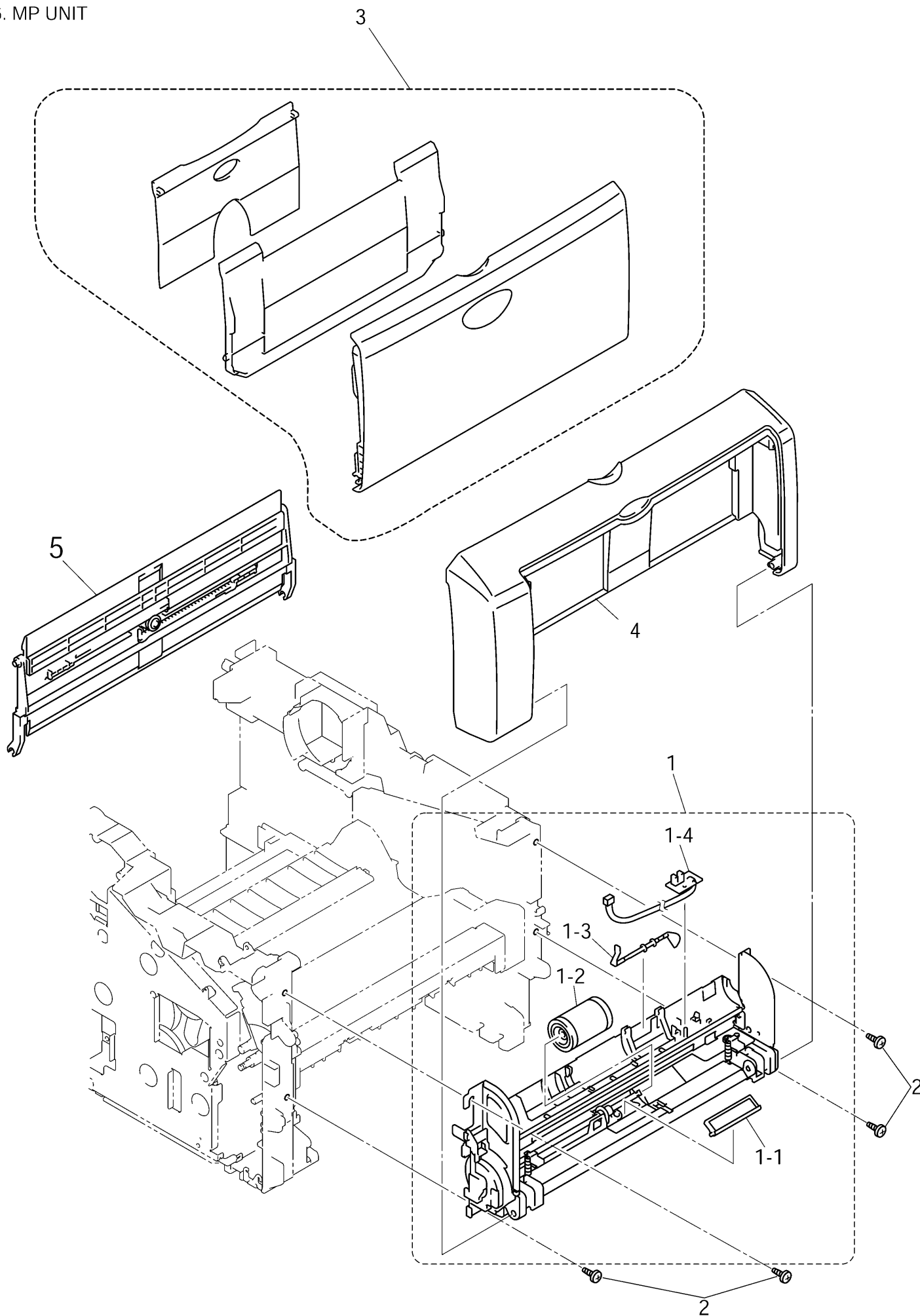
5. PAPER FEEDER



LIST5(PAPER FEEDER)

REF No.	CODE	Q'TY	DESCRIPTION	RECOMMEND	REMARK
1	LJ7322001	1	REGIST FRONT ACTUATOR		
2	LM2590001	1	REGIST FRONT ACTUATOR SPRING		chg
3	LJ7324001	1	REGIST REAR ACTUATOR		
4	LJ7325001	1	REGIST REAR ACTUATOR SPRING		
5	LJ7703001	1	PAPER PICK-UP ROLLER ASSY		
6	LM2601001	1	PE ACTUATOR		chg
7	LJ9235001	1	CASSETTE SENSOR PCB ASSY		
8	LJ5155001	1	CA ACTUATOR		
9	LJ5211001	1	PE SENSOR COVER		add
10	LM2033001	1	FRONT CHUTE GUIDE ASSY		add
11	LM2032001	1	FRONT TRAY CHUTE ASSY		add
12	LJ5021001	1	BUSHING R		add
13	LJ7730001	2	ROLLER COLLAR		add
14	LJ5020001	1	BUSHING L		add
15	LM2399001	1	ROLLER 6 GUIDE		add
16	LJ7342001	1	FRONT CHUTE		ADD

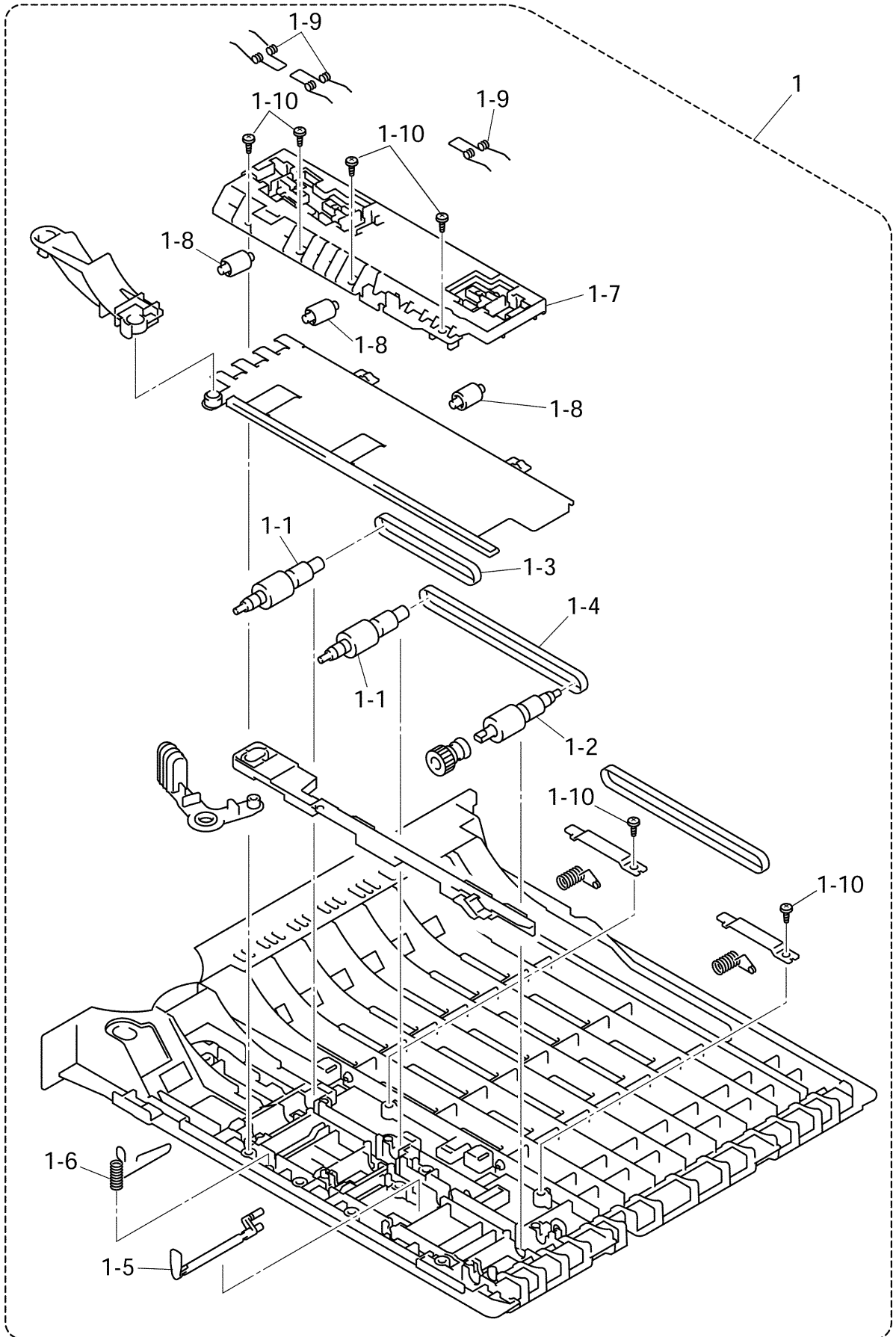
6. MP UNIT



LIST6(MP UNIT)

REF No.	CODE	Q'TY	DESCRIPTION	RECOMMEND	REMARK
1	LJ7551001	1	MP UNIT ASSY, DCP8025D/MFC8820D/MFC8820DN		
1-1	LJ7555001	1	SEPARATION PLATE ASSY, DCP8025D/MFC8820D/MFC8820DN		
1-2	LM2050001	1	PAPER PICK-UP ROLLER ASSY (SP), DCP8025D/MFC8820D/MFC8820DN		
1-3	LJ7571001	1	MP-PE ACTUATOR, DCP8025D/MFC8820D/MFC8820DN		
1-4	LJ9222001	1	MP-PE SENSOR PCB ASSY, DCP8025D/MFC8820D/MFC8820DN		
2	085411216	4	TAPTITE, BIND B M4X12		
3	LJ7587001	1	MP TRAY ASSY, DCP8025D/MFC8820D/MFC8820DN		add
4	LJ7596001	1	MP FRONT COVER ASSY, DCP8025D/MFC8820D/MFC8820DN		add
5	LJ7589001	1	MP PAPER GUIDE ASSY, DCP8025D/MFC8820D/MFC8820DN		ADD

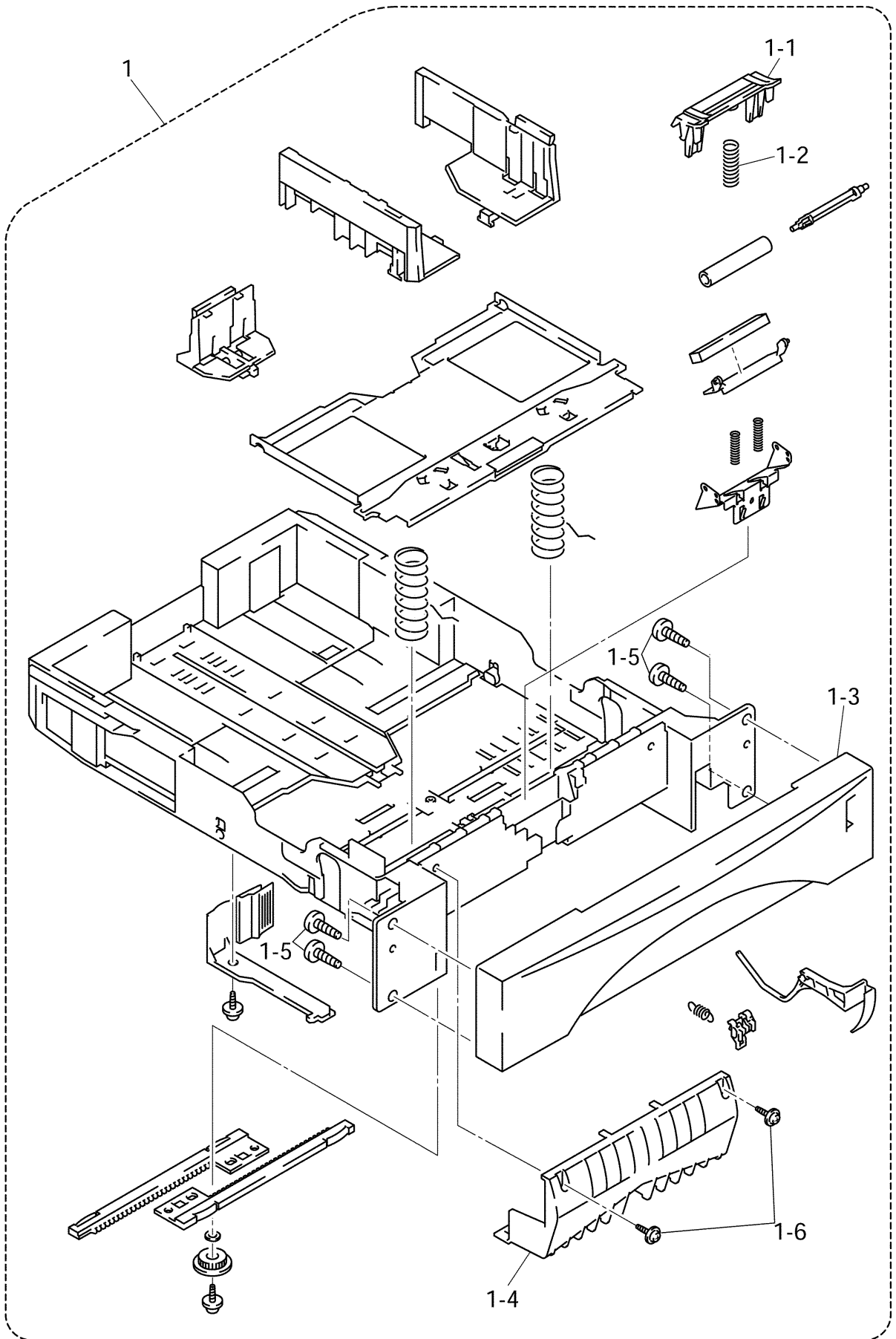
7. DUPLEX



LIST7(DUPLEX)

REF No.	CODE	Q'TY	DESCRIPTION	RECOMMEND	REMARK
1	LJ7661001	1	DX FEED ASSY, DCP8025D/MFC8820D/MFC8820DN		
1-1	LJ7663001	2	SIDE REGIST ROLLER, DCP8025D/MFC8820D/MFC8820DN		
1-2	LJ7664001	1	DX FEED ROLLER		
1-3	LJ5015001	1	T-BELT (S), DCP8025D/MFC8820D/MFC8820DN		
1-4	LJ5240001	1	T-BELT (L), DCP8025D/MFC8820D/MFC8820DN		
1-5	LJ5248001	1	GUIDE ACTUATOR, DCP8025D/MFC8820D/MFC8820DN		
1-6	LJ7669001	1	GROUND WIRE, DCP8025D/MFC8820D/MFC8820DN		
1-7	LJ7670001	1	DX ROLLER HOLDER, DCP8025D/MFC8820D/MFC8820DN		
1-8	LJ7671001	3	PRESSURE ROLLER, DCP8025D/MFC8820D/MFC8820DN		
1-9	LJ7672001	3	PRESSURE ROLLER SPRING, DCP8025D/MFC8820D/MFC8820DN		
1-10	085310816	6	TAPTITE, BIND B M3X8		

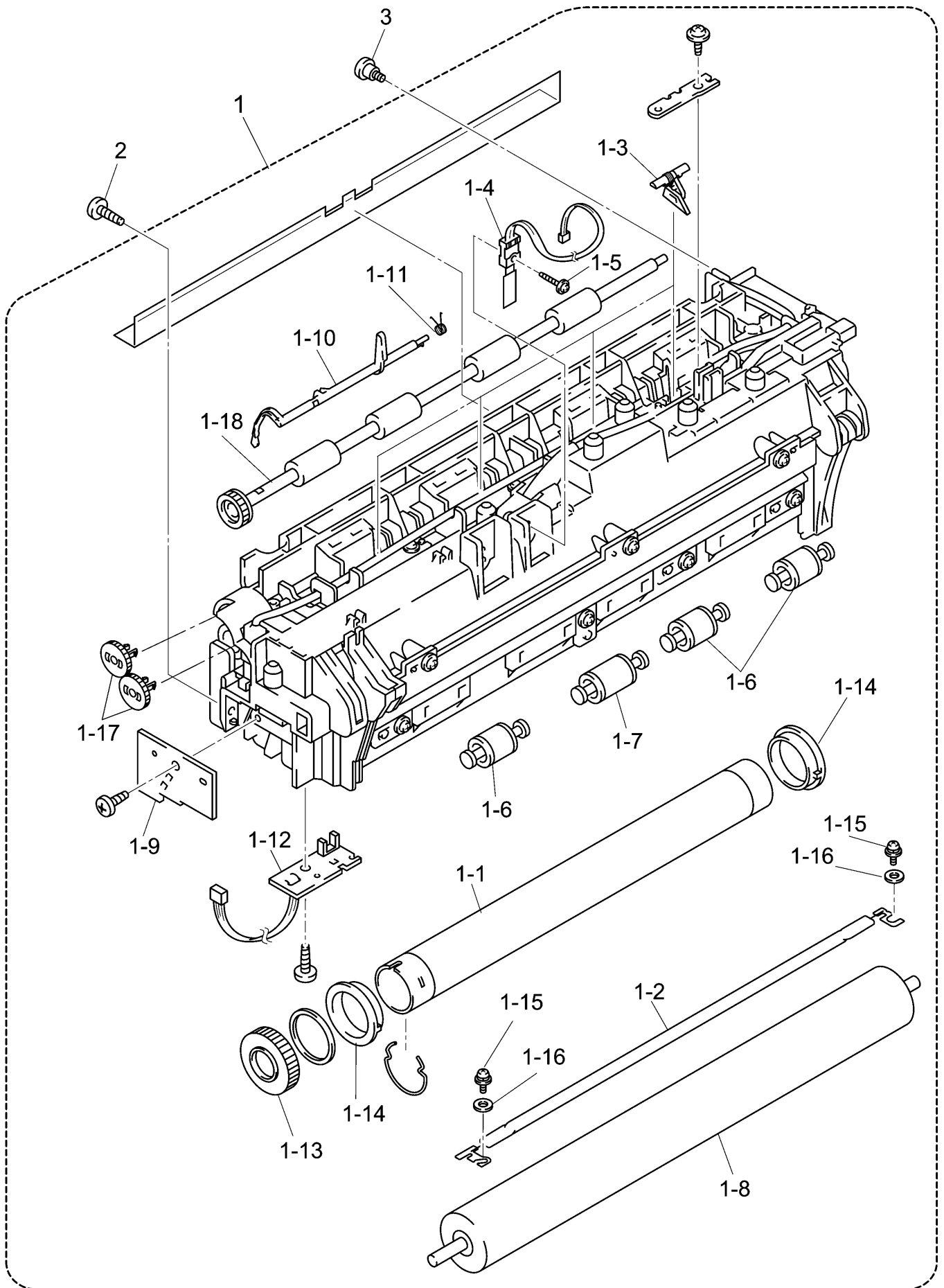
8. PAPER TRAY



LIST8(PAPER TRAY)

REF No.	CODE	Q'TY	DESCRIPTION	RECOMMEND	REMARK
1	LJ7607001	1	PAPER TRAY ASSY	√	
1-1	LJ7307001	1	PAD HOLDER		
1-2	LJ5923001	1	SEPARATION PAD SPRING		
1-3	LJ7608001	1	PAPER TRAY FRONT COVER		
1-4	LJ7616001	1	PAPER TRAY COVER		
1-5	085411216	4	TAPTITE, BIND B M4X12		
1-6	087311016	2	TAPTITE, CUP B M3X10		

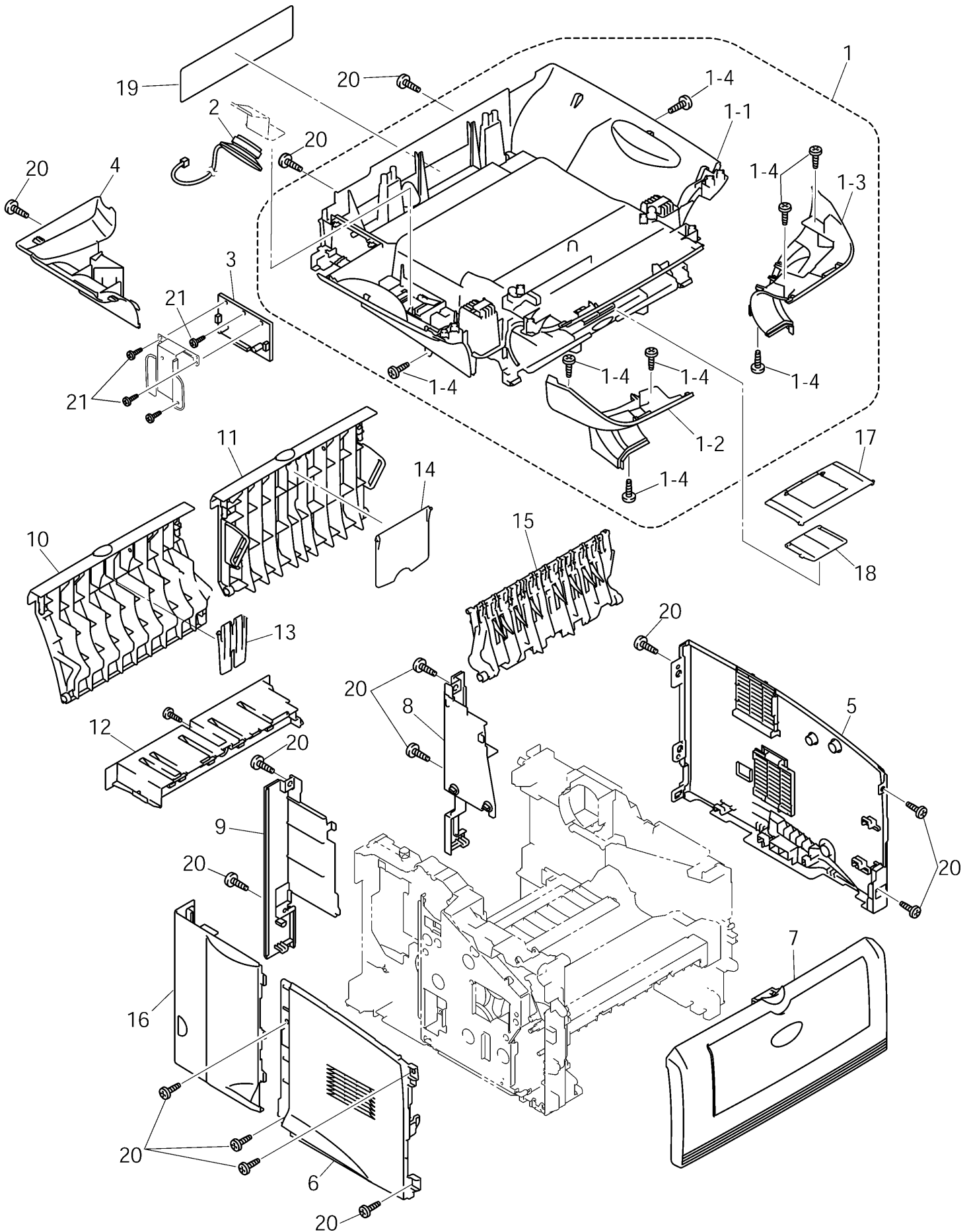
9. FIXING UNIT



LIST9(FIXING UNIT)

REF No.	CODE	Q'TY	DESCRIPTION	RECOMMEND	REMARK
1	LM2215001	1	FIXING UNIT, 115V (SP)	√	
1-1	LJ7413001	1	HEAT ROLLER 25		
1-2	LJ7417001	1	HALOGEN LAMP, 115V		
1-3	LJ7877001	4	SEPARATE CLAW ASSY		
1-4	LJ7419001	1	THERMISTOR ASSY		
1-5	087311215	1	TAPTITE, CUP B M3X12		
1-6	LJ7428001	3	CLEANER PINCH ROLLER ASSY S		
1-7	LJ7432001	1	CLEANER PINCH ROLLER ASSY L		
1-8	LJ7436001	1	PRESSURE ROLLER 25		
1-9	LJ9174001	1	THERMISTOR RELAY PCB ASSY		
1-10	LJ5289001	1	PAPER EJECT ACTUATOR		
1-11	LJ5066001	1	EJECT ACTUATOR SPRING		
1-12	LJ9176001	1	EJECT SENSOR PCB ASSY		
1-13	LJ7416001	1	HR GEAR 34		add
1-14	LJ7414001	2	HR BEARING 25		add
1-15	LM2254001	2	SCREW, PAN (S/P WASHER) M26X8		add
1-16	LM2255001	2	WASHER, PLAIN 26		add
1-17	LM2047001	2	IDLE GEAR 13		add
1-18	LJ4118001	1	EJECT ROLLER ASSY		ADD
2	085411216	1	TAPTITE, BIND B M4X12		
3	LJ4740001	1	SHOULDER SCREW		

10. COVERS



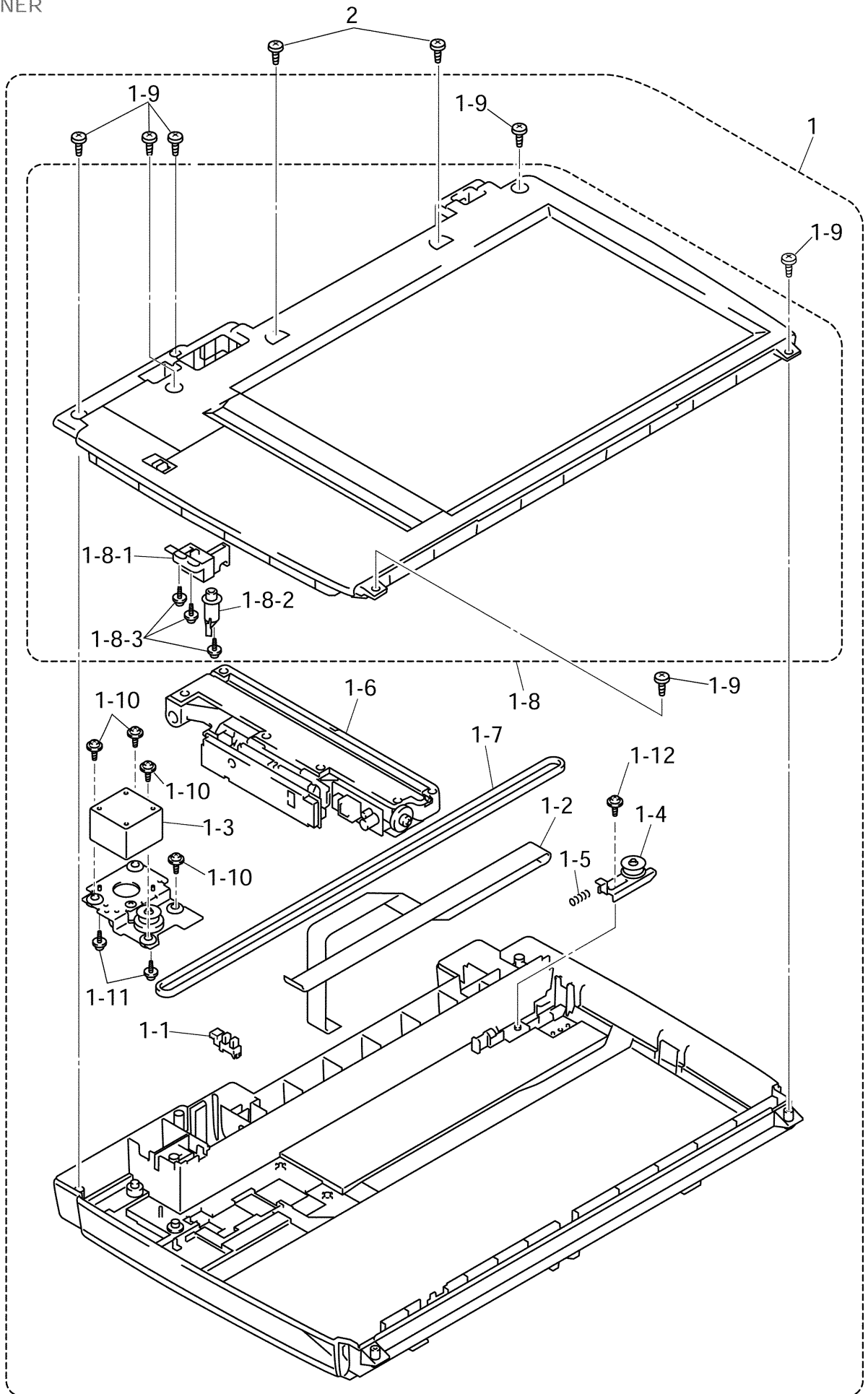
8C5703/705/713/715/716/733/735/736
 8C5743/745/746/783/785/786/793/795/796
 8C5822/823/824/825/855/865

DCP8020/8025D/8025DN, MFC8420/8820D/8820DN
 DCP8025J/MFC8820J
 M7210/IX2700/IX2701/AGIRIS 7216

LIST10(COVERS)

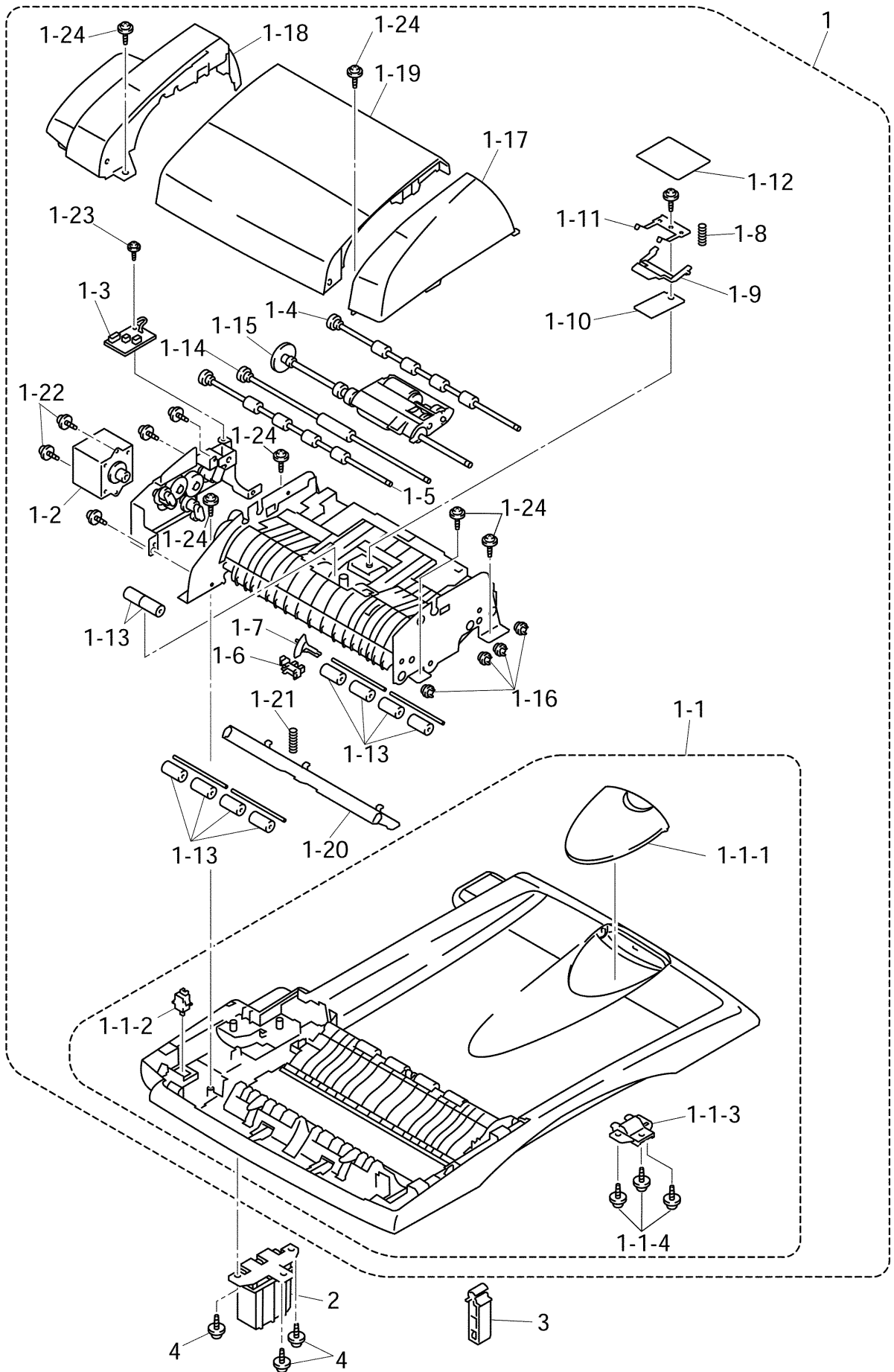
REF No.	CODE	Q'TY	DESCRIPTION	RECOMMEND	REMARK
1	LF2126001	1	JOINT COVER ASSY		chg
1-1	LE8599001	1	JOIN COVER		
1-2	LE8600001	1	JOINT COVER FRONT L		
1-3	LE8601001	1	JOINT COVER FRONT R		
1-4	085411216	8	TAPTITE, BIND B M4X12		
2	LG2630001	1	SPEAKER ASSY		
3	LG4377001	1	DRIVER PCB ASSY		
4	LE8603001	1	DRIVER PCB ACCESS COVER		
5	LJ7453001	1	SIDE COVER R		
6	LM2448001	1	SIDE COVER L		chg
7	LM2554001	1	FRONT COVER ASSY, DCP8020/MFC8420		CHG
8	LJ7465001	1	REAR COVER R, DCP8020/MFC8420		
8	LJ7617001	1	REAR COVER R MP, DCP8025D/MFC8820D/MFC8820DN		
9	LJ7466001	1	REAR COVER L, DCP8020		
9	LJ7618001	1	REAR COVER L MP, DCP8025D		
9	LE8767001	1	REAR COVER L, MFC8420		
9	LE8604001	1	REAR COVER L MFC MP, MFC8820D/MFC8820DN		
10	LJ7469001	1	OUTER CHUTE, DCP8020/MFC8420		
11	LJ7610001	1	REAR COVER MP, DCP8025D/MFC8820D/MFC8820DN		
12	LJ7467001	1	REAR COVER C, DCP8020/MFC8420		
13	LJ7470001	1	OUTER CHUTE TRAY, DCP8020/MFC8420		
14	LJ7613001	1	REAR COVER MP TRAY, DCP8025D/MFC8820D/MFC8820DN		
15	LJ7699001	1	OUTER CHUTE MP ASSY, DCP8025D/MFC8820D/MFC8820DN		
16	LF2455001	1	ACCESS COVER		chg
17	LJ7895001	1	SUPPORT FLAP		
18	LJ7896001	1	SUPPORT FLAP S		
19	LJ7353001	1	HEATER CAUTION LABEL		
20	085411216	14	TAPTITE, BIND B M4X12		
21	087311016	3	TAPTITE, BIND B M3X10		

11. SCANNER



LIST11(SCANNER)

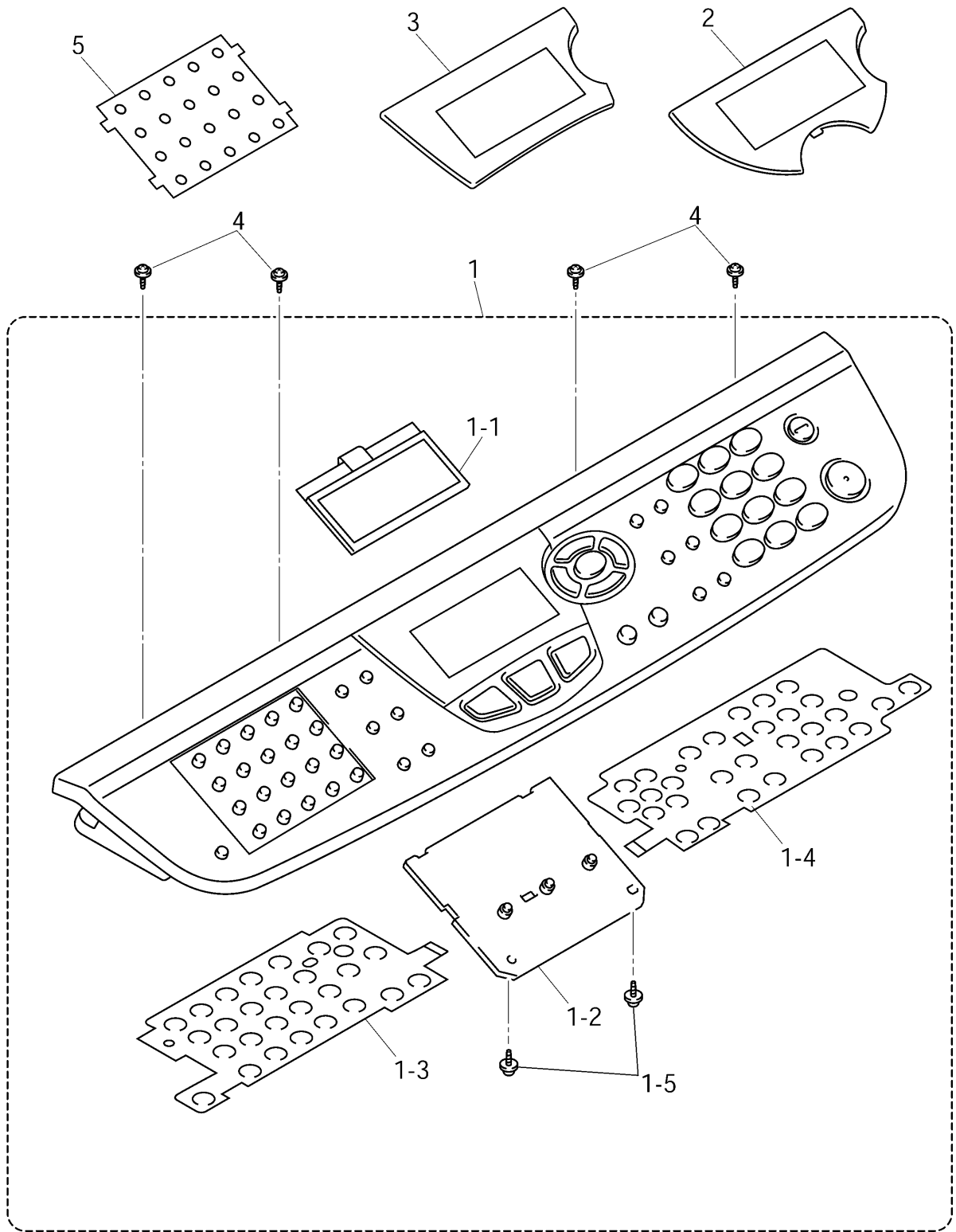
REF No.	CODE	Q'TY	DESCRIPTION	RECOMMEND	REMARK
1	LF2033001	1	SCANNER UNIT	√	
1-1	LG2239001	1	PHOTO INTERRUPTER		
1-2	LE8618001	1	FFC CABLE ASSY		
1-3	LE8632001	1	SCANNING MOTOR FB		
1-4	LE8634001	1	PULLEY ASSY		
1-5	LE8640001	1	PULLEY SPRING		
1-6	LF2037001	1	CCD MODULE(SP)		
1-7	LE8642001	1	BELT		
1-8	LE8646001	1	TOP COVER ASSY		
1-8-1	LF2004001	1	LOCK LEVER ASSY		
1-8-2	LE8649001	1	LOCK LEVER B		
1-8-3	UF5034001	3	TAPTITE, B 3X6		
1-9	087411216	6	TAPTITE, CUP B M4X12		
1-10	LE2861001	4	TAPTITE, PAN B M3X8		
1-11	0A4300605	2	SCREW, PAN (S/P WASHER) M3X6		
1-12	UF5034001	1	TAPTITE, B 3X6		
2	087412016	2	TAPTITE, CUP B M4X20		



LIST12(ADF)

REF No.	CODE	Q'TY	DESCRIPTION	RECOMMEND	REMARK
1	LE8659001	1	DOCUMENT COVER LGL ASSY	√	
1-1	LE8660001	1	DOCUMENT COVER LGL SUB ASSY		
1-1-1	LE8663001	1	DOCUMENT EJECTION TRAY		
1-1-2	LG3218001	1	DOCUMENT COVER SENSOR		
1-1-3	LE6245001	1	HINGE ARM R		
1-1-4	087311016	3	TAPTITE, CUP B M3X10		
1-2	LE8688001	1	ADF MOTOR		
1-3	LG4376001	1	ADF RELAY PCB ASSY		
1-4	LE8704001	1	LF ROLLER2 ASSY		
1-5	LE8711001	1	EJECTION ROLLER ASSY		
1-6	LG2239001	1	PHOTO INTERRUPTER		
1-7	LE8828001	1	FRONT SENSOR ACTUATOR ASSY		
1-8	LE2011001	1	COMPRESSION SPRING		
1-9	LE2551001	1	RUBBER HOLDER		
1-10	UU2055001	1	SEPARATION RUBBER		
1-11	LE1513001	1	SPRING PLATE ADF FRONT A ASSY		
1-12	LE2470001	1	ADF FILM		
1-13	UF9009001	10	PRESSER ROLLER		
1-14	LE8722001	1	LF ROLLER1 ASSY		
1-15	LE2919001	1	PF ROLLER HOLDER ASSY		
1-16	UU1290001	4	CONDUCTIVE BUSHING		
1-17	LE8727001	1	SIDE COVER F		
1-18	LE8728001	1	SIDE COVER R		
1-19	LE8729001	1	ADF COVER		
1-20	LE8834001	1	DOCUMENT HOLD ASSY		
1-21	LF2026001	1	DOCUMENT HOLD SPRING		
1-22	0A4300605	2	SCREW, PAN (S/P WASHER) M3X6		
1-23	087320616	1	TAPTITE, CUP S M3X6		
1-24	087311016	6	TAPTITE, CUP B M3X10		
2	LE8731001	1	HINGE ASSY L		
3	LE6244001	1	HINGE BASE R		
4	087311016	3	TAPTITE, CUP B M3X10		

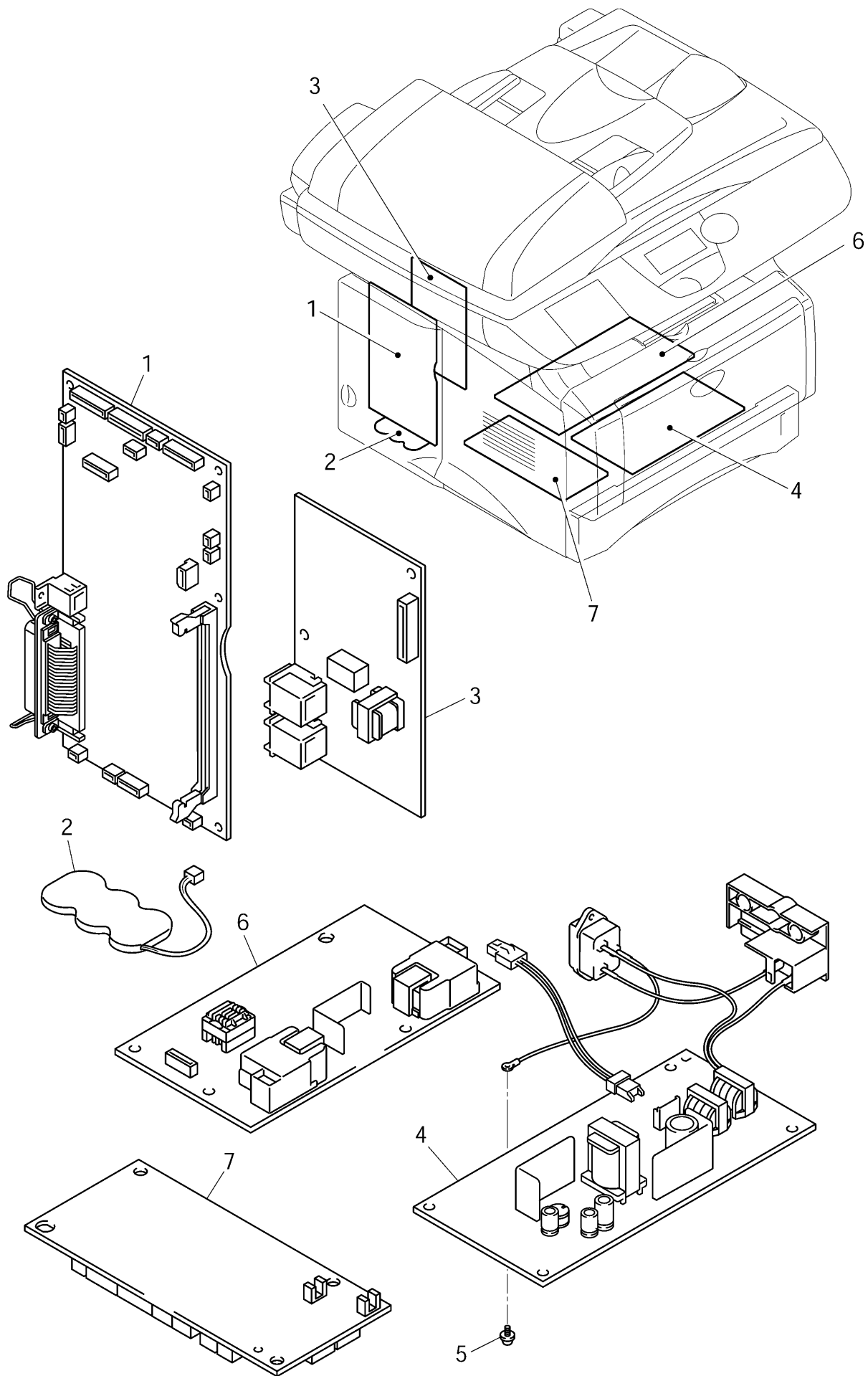
13. PANEL



LIST13(PANEL)

REF No.	CODE	Q'TY	DESCRIPTION	RECOMMEND	REMARK
1	LE8768001	1	PANEL UNIT, DCP8020	√	
1	LE8844001	1	PANEL UNIT, DCP8025D	√	
1	LE8732001	1	PANEL UNIT, MFC8420	√	
1	LE8846001	1	PANEL UNIT, MFC8820D/MFC8820DN EXCEPT FOR BRA	√	
1	LE8939001	1	PANEL UNIT, MFC8820D FOR BRA	√	
1-1	LG4383001	1	LCD		
1-2	LG4411001	1	PANEL PCB ASSY, DCP8020/DCP8025D		
1-2	LG4384001	1	PANEL PCB ASSY, MFC8420/MFC8820D/MFC8820DN		
1-3	LG4392001	1	FPC KEY COPY		
1-4	LG4393001	1	FPC KEY ONE TOUCH		
1-5	087310815	2	TAPTITE, CUP B M3X8		
2	LE8771001	1	LCD SHEET, DCP8020/MFC8025D	√	
3	LE8700001	1	LCD SHEET, MFC8420	√	
3	LE8750001	1	LCD SHEET, MFC8820D/MFC8820DN	√	
4	087411215	4	TAPTITE, CUP B M4X12		
5	LE8752001	1	ADDRESS LABEL FOR MFC8420/MFC8820D/MFC8820DN		ADD

14. PCB



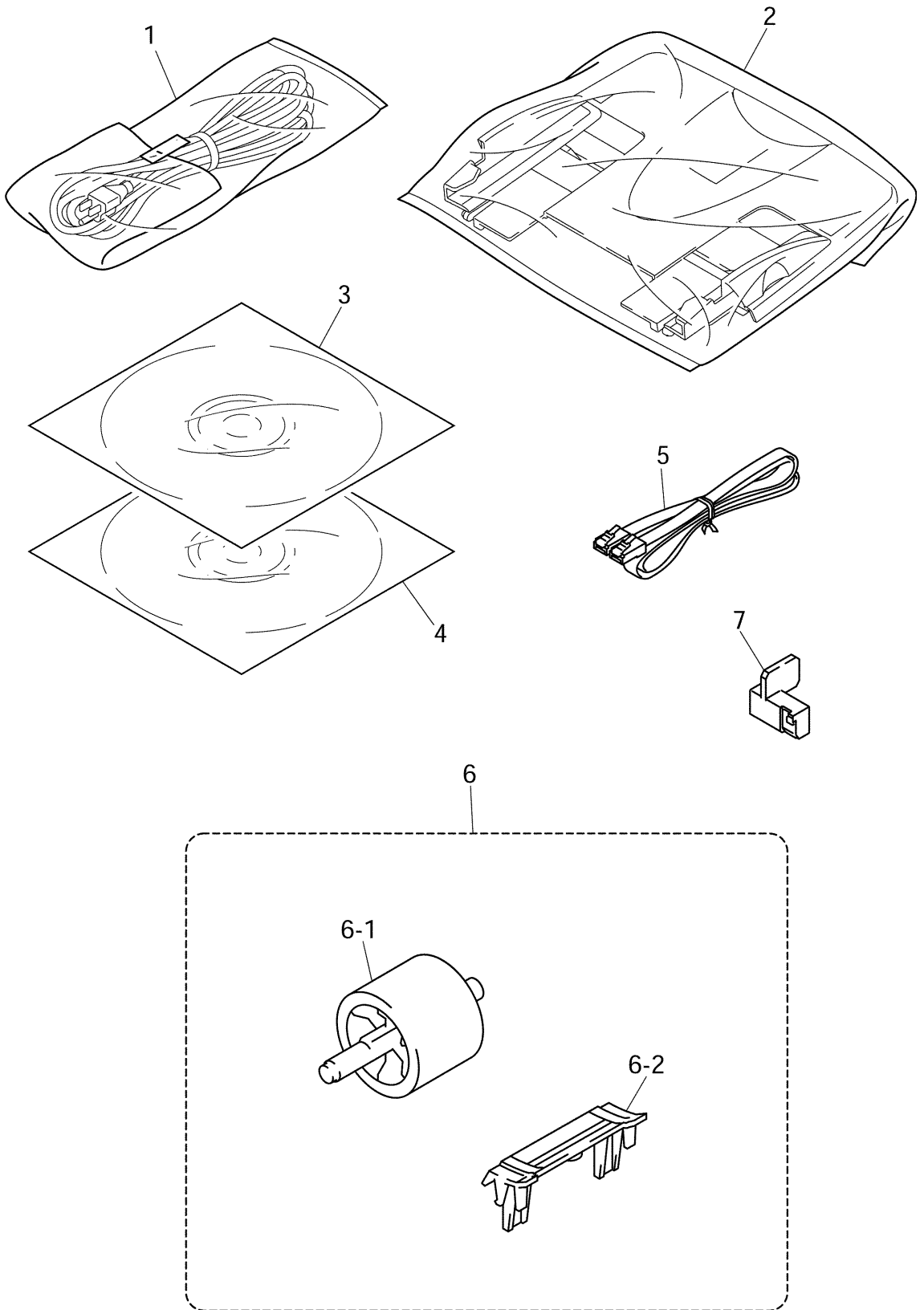
8C5703/705/713/715/716/733/735/736
 8C5743/745/746/783/785/786/793/795/796
 8C5823/824/825/855/865

DCP8020/8025D/8025DN, MFC8420/8820D/8820DN
 DCP8025J/MFC8820J
 IX2700/IX2701/AGIRIS 7216

LIST14(PCB)

REF No.	CODE	Q'TY	DESCRIPTION	RECOMMEND	SYMBOL	REMARK
1	LG4405001	1	MAIN PCB ASSY, DCP8020/DCP8025D	√	B53K627	
1	LG4394001	1	MAIN PCB ASSY, MFC8420/MFC8820D/MFC8820DN	√	B53K627	
2	LG4823001	1	BATTERY, MFC8420/MFC8820D/MFC8820DN			
3	LG4396001	1	NCU PCB ASSY, MFC8420/MFC8820D/MFC8820DN EXCEPT FOR BRA	√	B53K664	
3	LG4520040	1	NCU PCB ASSY, MFC8820D FOR BRA	√	B53K666	
4	LE8871001	1	LOW-VOLTAGE PS PCB UNIT 115V (SP) FOR US/CAN			
4	LF2253001	1	LOW-VOLTAGE PS PCB UNIT 115V (SP) FOR BRA			ADD
5	LM2048001	1	SCREW, PAN (S/P WASHER) M3.5X6, DCP8020/DCP8025D/MFC8420/MFC8820D			
5	0A5350606	1	SCREW, PAN (S/P WASHER) M3.5X6, MFC8820DN			
6	LG4401001	1	HIGH-VOLTAGE PS PCB ASSY			
7	LG4404001	1	ENGINE PCB ASSY, DCP8020/MFC8420			
7	LJ9274001	1	ENGINE PCB ASSY, DCP8025D/MFC8820D/MFC8820DN			

15. ACCESSORIES



LIST15(Accessories)

REF No.	CODE	Q'TY	DESCRIPTION	RECOMMEND	REMARK
1	LG4400001	1	AC CORD BAG ASSY EXCEPT FOR BRA		
1	LG4715001	1	AC CORD BAG ASSY FOR BRA		
2	LE8833001	1	DOCUMENT TRAY BAG ASSY		
3	LE8864001	1	CD-ROM ASSY, DCP8020/DCP8025D FOR US/CAN <Windows>		
3	LE8879001	1	CD-ROM ASSY, MFC8420/MFC8820D/MFC8820DN FOR US/CAN <Windows>		
3	LF2546001	1	CD-ROM ASSY, MFC8820D FOR BRA <Windows>		CHG
4	LF2548001	1	CD-ROM ASSY <Macintosh>		CHG
4	LE8865004	4	CD-ROM ASSY, MFC8420/MFC8820D/MFC8820DN FOR US/BRA <Macintosh>		del
4	LF2132004	4	CD-ROM ASSY, DCP8020/DCP8025D FOR US <Macintosh>		del
4	LF2133004	4	CD-ROM ASSY, DCP8020/MFC8420/MFC8820D FOR CAN <Macintosh>		del
5	LG3077001	1	TELEPHONE LINE CORD, MFC8420/MFC8820D/ MFC8820DN		
6	LJ7920001	1	PAPER FEEDING KIT		
6-1	LJ7703001	1	PAPER PICK-UP ROLLER ASSY		
6-2	LJ7307001	1	PAD HOLDER		
7	LM2102001	1	FU LAMP ASSEMBLY JIG ASSY		

LIST16(PRINTED MATERIALS)

REF No.	CODE	Q'TY	DESCRIPTION	RECOMMEND	REMARK
(1)	LE8867001	1	USER'S GUIDE, DCP8020/DCP8025D		
(1)	LE8881001	1	USER'S GUIDE, MFC8420/MFC8820D/MFC8820DN		
(1)	LF2044001	1	USER'S GUIDE, DCP8020 FOR CAN <FRENCH>		
(1)	LE8931001	1	USER'S GUIDE, MFC8420/MFC8820D FOR CAN <FRENCH>		

LIST17(PACKING MATERIALS)

REF No.	CODE	Q'TY	DESCRIPTION	RECOMMEND	REMARK
(1)	LE8869001	1	CARTON, BROTHER, DCP8020	√	
(1)	LE8875001	1	CARTON, BROTHER, DCP8025D	√	
(1)	LE8882001	1	CARTON, BROTHER, MFC8420	√	
(1)	LF2067001	1	CARTON, BROTHER, MFC8820D	√	
(1)	LE8905001	1	CARTON, BROTHER, MFC8820DN	√	
(2)	UE1688001	1	PE BAG 1000X1000H		
(3)	LE8762001	1	POLYSTYRENE FORM PAD ASSY, DCP8020/MFC8420		
(3)	LE8757001	1	POLYSTYRENE FORM PAD ASSY, DCP8025D/MFC8820D/MFC8820DN		

brother®

PL-FAX049
8C5703
Ver. J-1